

PROPELLER SHAFT & DIFFERENTIAL CARRIER

SECTION PD

CONTENTS

PROPELLER SHAFT	3	DIFFERENTIAL CASE	21
Preparation	3	DIFFERENTIAL SIDE SHAFT	21
SPECIAL SERVICE TOOLS	3	Inspection.....	22
Noise, Vibration and Harshness (NVH)		RING GEAR AND DRIVE PINION	22
Troubleshooting	4	DIFFERENTIAL CASE ASSEMBLY	23
NVH TROUBLESHOOTING CHART	4	BEARING	23
Components.....	5	Adjustment	23
FRONT PROPELLER SHAFT	5	SIDE BEARING PRELOAD.....	23
REAR PROPELLER SHAFT	6	PINION GEAR HEIGHT AND PINION BEARING	
On-vehicle Service.....	7	PRELOAD	25
PROPELLER SHAFT VIBRATION	7	TOOTH CONTACT	29
APPEARANCE CHECKING	7	Assembly	30
Removal and Installation	7	DIFFERENTIAL SIDE SHAFT	30
Inspection.....	7	DIFFERENTIAL CASE	31
Disassembly.....	8	FINAL DRIVE HOUSING	32
CENTER BEARING.....	8	Service Data and Specifications (SDS).....	36
JOURNAL	9	R200A.....	36
Assembly	9		
CENTER BEARING.....	9		
JOURNAL	10		
Service Data and Specifications (SDS).....	11		
GENERAL SPECIFICATIONS	11		
SERVICE DATA.....	11		

FRONT FINAL DRIVE	12
Preparation	12
SPECIAL SERVICE TOOLS	12
Noise, Vibration and Harshness (NVH)	
Troubleshooting	14
On-vehicle Service.....	14
FRONT OIL SEAL REPLACEMENT.....	14
REAR COVER GASKET REPLACEMENT.....	15
Components.....	16
Removal and Installation	17
REMOVAL.....	17
INSTALLATION.....	17
Disassembly.....	18
PRE-INSPECTION	18
FINAL DRIVE HOUSING	18

REAR FINAL DRIVE	38
Preparation	38
SPECIAL SERVICE TOOLS	38
Noise, Vibration and Harshness (NVH)	
Troubleshooting	40
On-vehicle Service.....	40
REAR COVER GASKET REPLACEMENT.....	40
Components.....	41
Removal and Installation	42
REMOVAL.....	42
INSTALLATION.....	42
Disassembly.....	42
PRE-INSPECTION	42
DIFFERENTIAL CARRIER	43
DIFFERENTIAL CASE	45
Inspection.....	46
RING GEAR AND DRIVE PINION	46
DIFFERENTIAL CASE ASSEMBLY	46
BEARING	46
Adjustment	46
SIDE BEARING PRELOAD.....	47

GI
MA
EM
LC
EC
FE
CL
MT
AT
TF
PD
AX
SU
BR
ST
RS
BT
HA
SC
EL
IDX

CONTENTS (Cont'd)

PINION GEAR HEIGHT.....	48	PRE-INSPECTION.....	65
TOOTH CONTACT.....	52	DIFFERENTIAL CARRIER.....	66
Assembly.....	53	DIFFERENTIAL CASE.....	68
DIFFERENTIAL CASE.....	53	Inspection.....	69
DIFFERENTIAL CARRIER.....	54	RING GEAR AND DRIVE PINION.....	69
Service Data and Specifications (SDS).....	58	DIFFERENTIAL CASE ASSEMBLY.....	69
C200.....	58	BEARING.....	69
		Limited Slip Differential.....	70
<input type="text"/> H233B <input type="text"/>		PREPARATION FOR DISASSEMBLY.....	70
REAR FINAL DRIVE	60	DISASSEMBLY.....	70
Preparation.....	60	INSPECTION.....	71
SPECIAL SERVICE TOOLS.....	60	ADJUSTMENT.....	72
Noise, Vibration and Harshness (NVH)		ASSEMBLY.....	74
Troubleshooting.....	62	Adjustment.....	75
On-vehicle Service.....	62	PINION GEAR HEIGHT.....	75
FRONT OIL SEAL REPLACEMENT.....	62	TOOTH CONTACT.....	78
Components.....	64	Assembly.....	79
Removal and Installation.....	65	DIFFERENTIAL CASE.....	79
REMOVAL.....	65	DIFFERENTIAL CARRIER.....	81
INSTALLATION.....	65	Service Data and Specifications (SDS).....	84
Disassembly.....	65	H233B.....	84

PROPELLER SHAFT

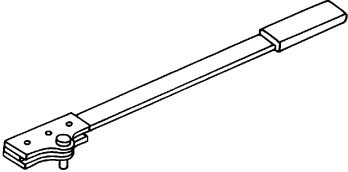
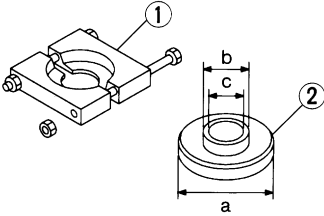
Preparation

Preparation

SPECIAL SERVICE TOOLS

NGPD0001

The actual shapes of Kent-Moore tools may differ from those of special service tools illustrated here.

Tool number (Kent-Moore No.) Tool name	Description	
KV38108300 (J44195) Companion flange wrench	 <p>NT771</p>	<p>GI</p> <p>MA</p> <p>EM</p> <p>LC</p> <p>EC</p>
ST3090S000 (—) Drive pinion rear inner race puller set 1 ST30031000 (J22912-01) Puller 2 ST30901000 (J26010-01) Base	 <p>NT527</p>	<p>FE</p> <p>CL</p> <p>MT</p>

AT

TF

PD

AX

SU

BR

ST

RS

BT

HA

SC

EL

IDX

PROPELLER SHAFT

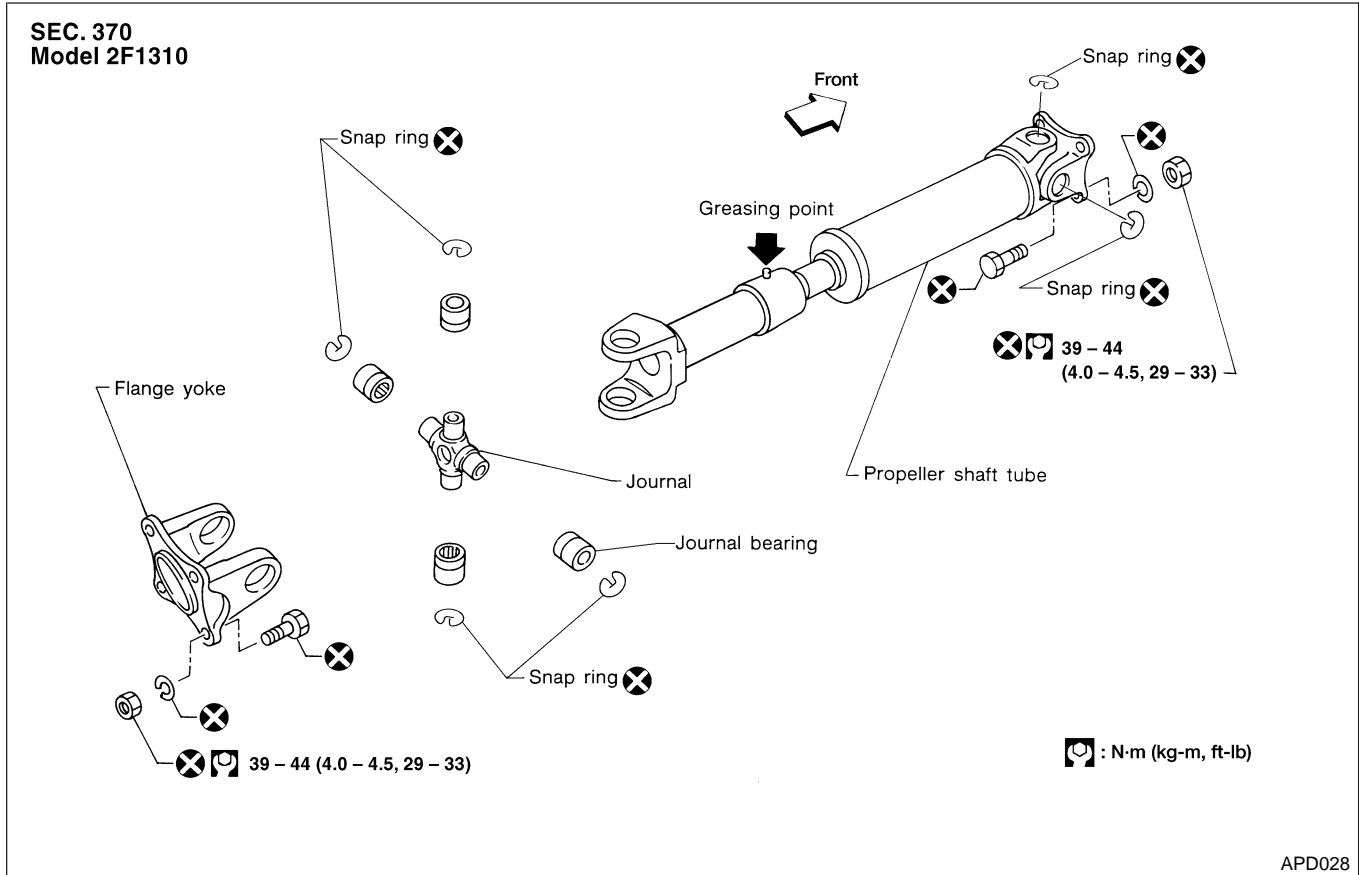
Components

Components

FRONT PROPELLER SHAFT

NGPD0002

NGPD0002S01



APD028

GI

MA

EM

LC

EC

FE

CL

MT

AT

TF

PD

AX

SU

BR

ST

RS

BT

HA

SC

EL

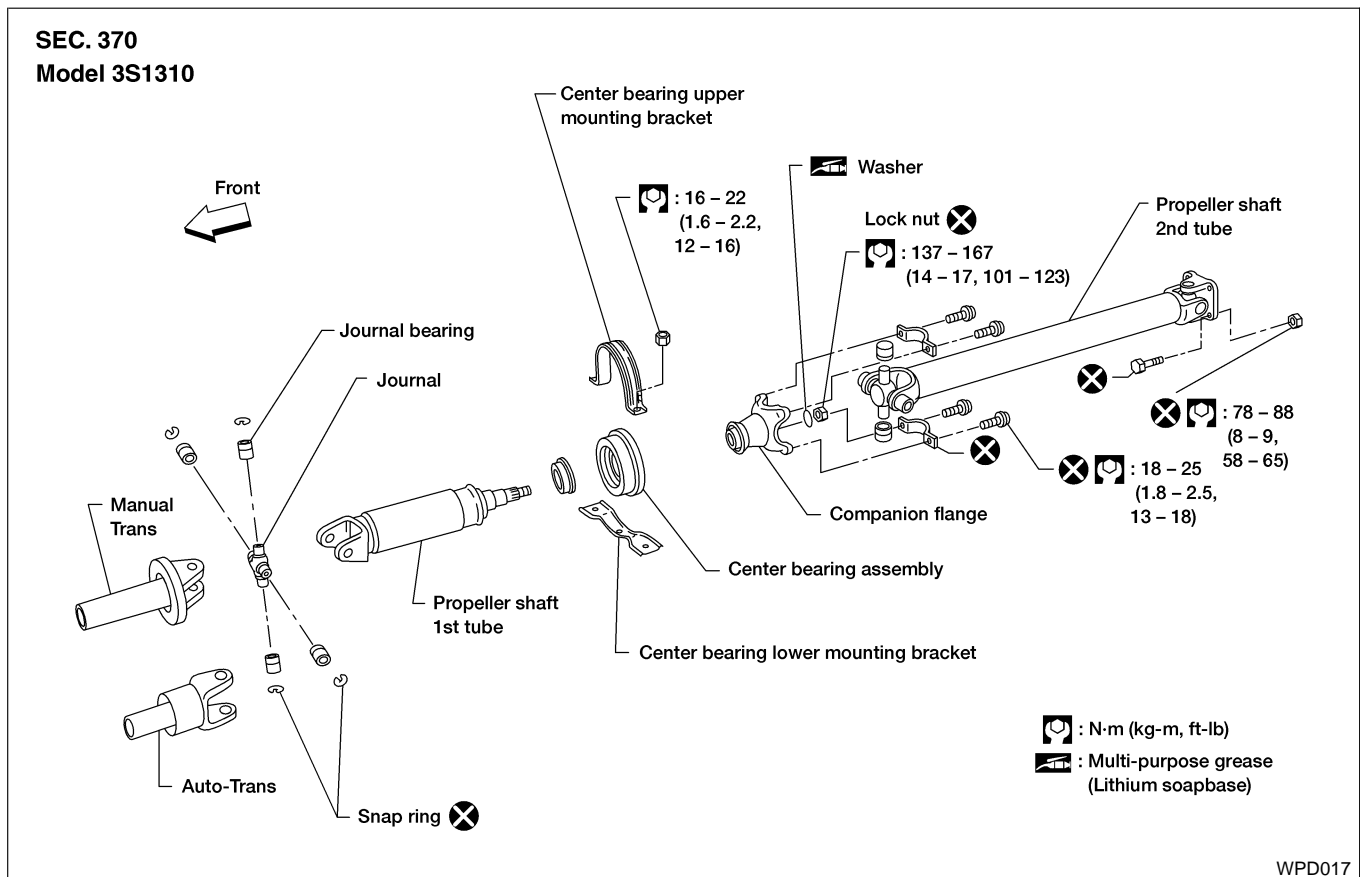
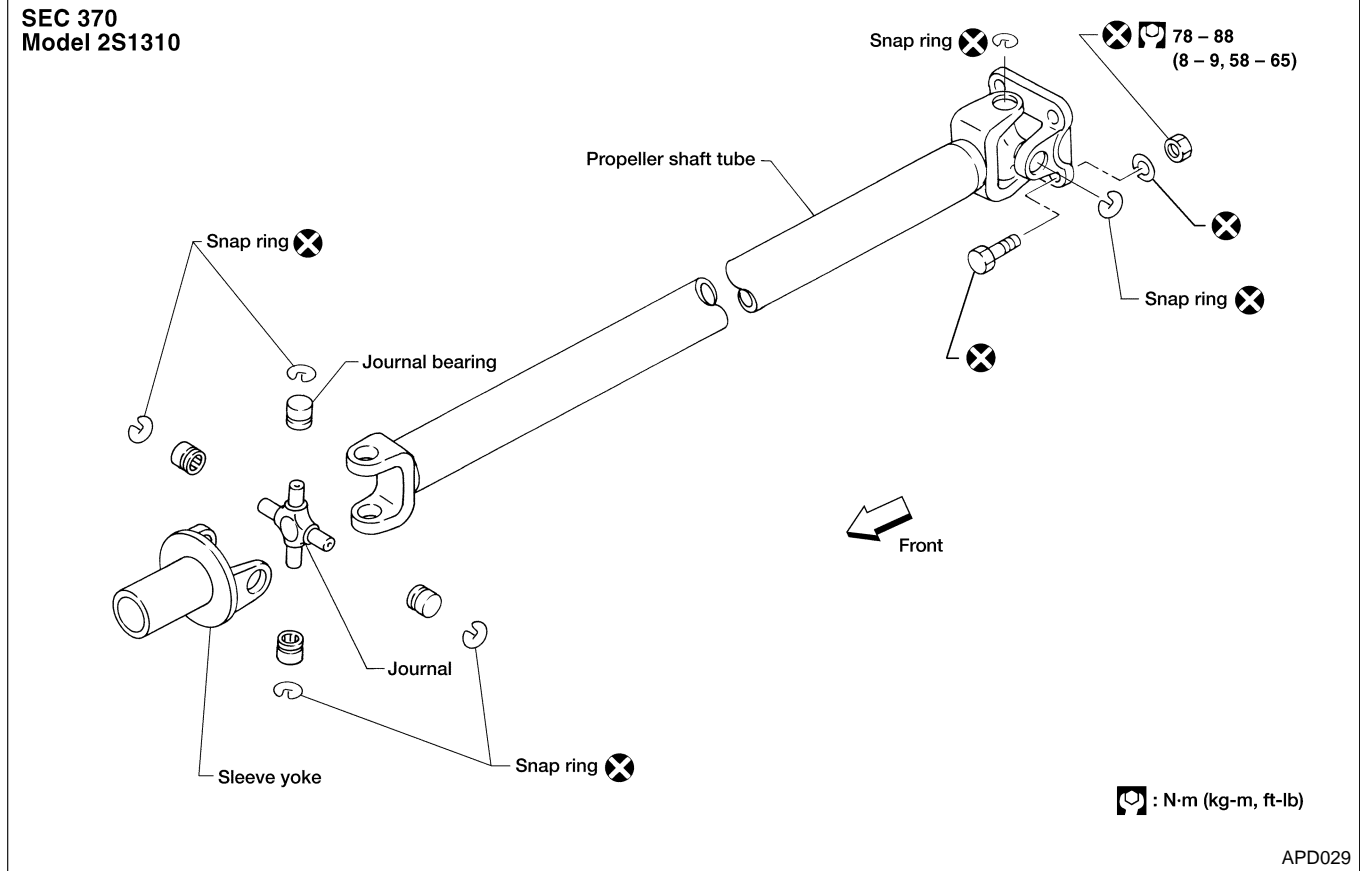
IDX

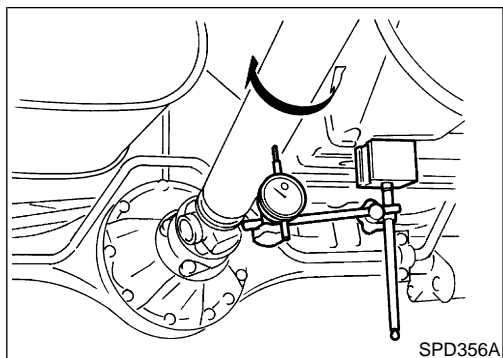
PROPELLER SHAFT

Components (Cont'd)

REAR PROPELLER SHAFT

NGPD0002S02





On-vehicle Service

PROPELLER SHAFT VIBRATION

NGPD0003

If vibration is present at high speed, inspect propeller shaft runout first.

1. Raise rear end of vehicle until wheels are clear of the ground.
2. Measure propeller shaft runout at several points along propeller shaft by rotating final drive companion flange with hands.

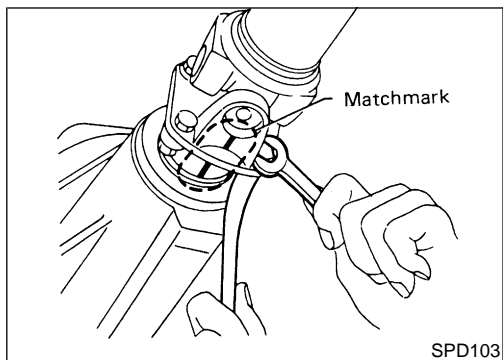
Runout limit: 0.6 mm (0.024 in)

3. If runout exceeds specifications, disconnect propeller shaft at final drive companion flange; then rotate companion flange 180 degrees and reconnect propeller shaft.
4. Check runout again. If runout still exceeds specifications, replace propeller shaft assembly.
5. Perform road test.

APPEARANCE CHECKING

NGPD0004

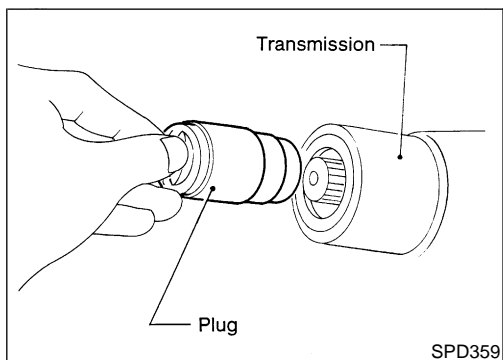
- Inspect propeller shaft tube surface for dents or cracks. If damaged, replace propeller shaft assembly.
- If center bearing is noisy or damaged, replace center bearing.



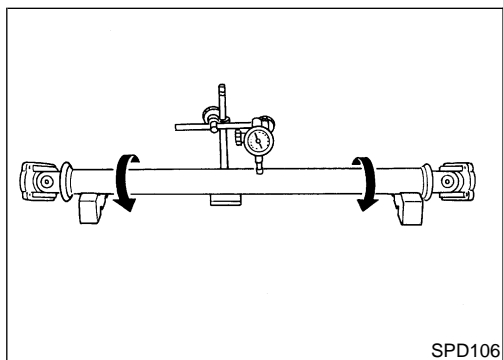
Removal and Installation

NGPD0005

- 1) Put match marks on flanges and separate propeller shaft from final drive.



- 2) Remove propeller shaft. **Insert plug into rear oil seal after removing rear propeller shaft.**



Inspection

NGPD0006

- Inspect propeller shaft runout. If runout exceeds specifications, replace propeller shaft assembly.

Runout limit: 0.6 mm (0.024 in)

GI

MA

EM

LC

EC

FE

CL

MT

AT

TF

PD

AX

SU

BR

ST

RS

BT

HA

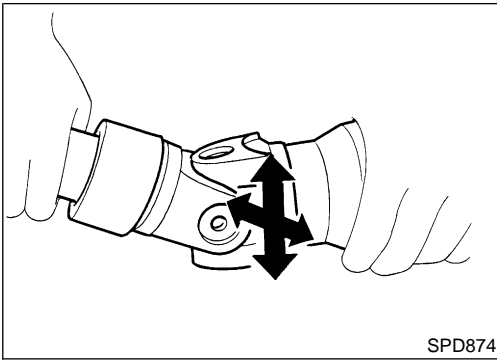
SC

EL

IDX

PROPELLER SHAFT

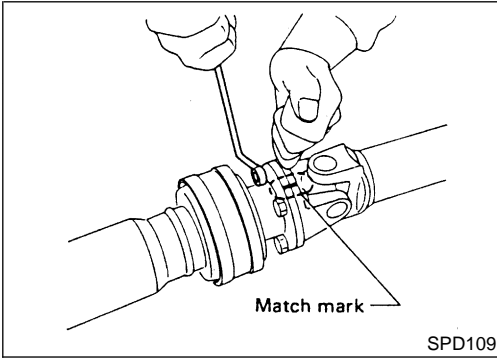
Inspection (Cont'd)



SPD874

- If the play exceeds specifications, replace propeller shaft assembly.

Journal axial play:
0.02 mm (0.0008 in) or less



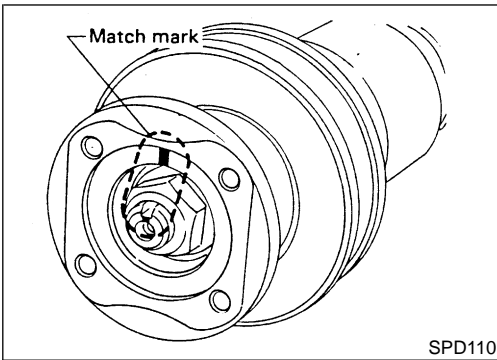
SPD109

Disassembly CENTER BEARING

NGPD0007

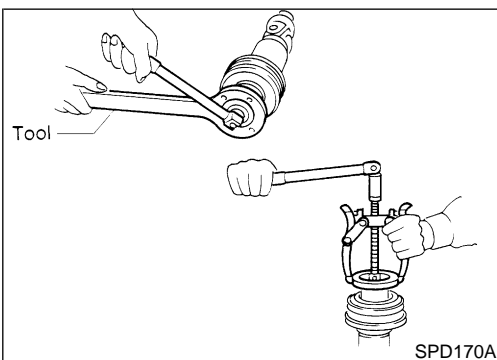
NGPD0007S01

1. Put match marks on flanges, and separate 2nd tube from 1st tube.



SPD110

2. Put match marks on the flange and shaft.

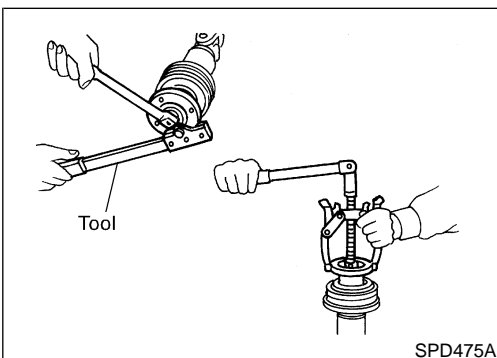


SPD170A

3. Remove locking nut with Tool.

Tool number:
KV38108300 (J44195)

4. Remove companion flange with puller.

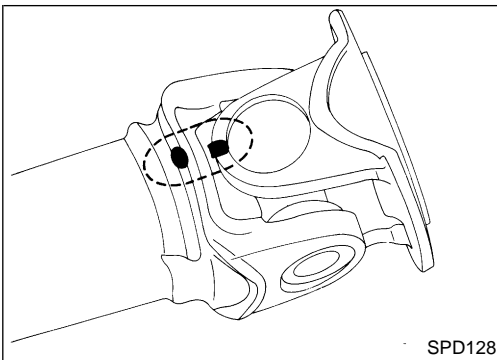


SPD475A

5. Remove center bearing with Tool and press.
Tool number: ST30031000 (J22912-01)

PROPELLER SHAFT

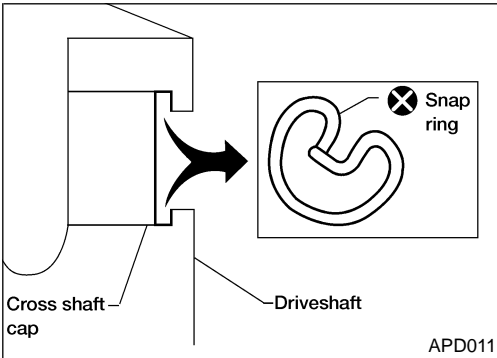
Disassembly (Cont'd)



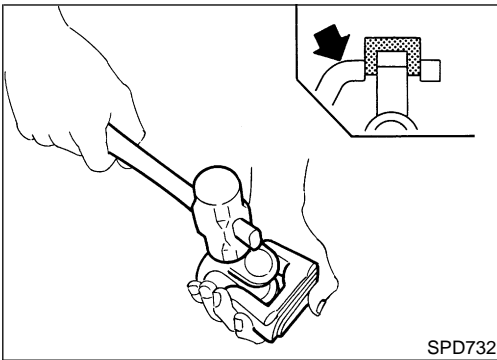
JOURNAL

NGPD0007S02

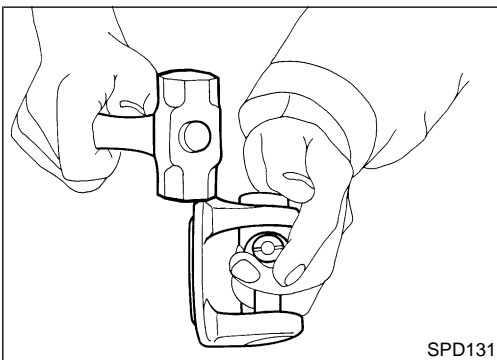
1. Put match marks on shaft and flange or yoke.



2. Remove snap ring.

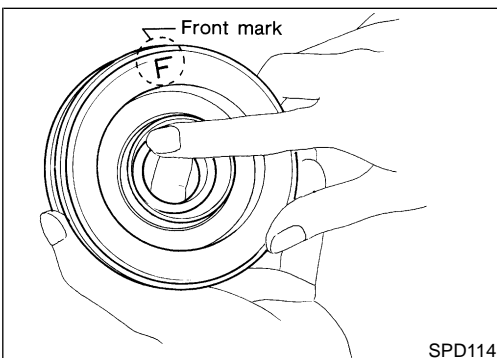


3. Remove pushed out journal bearing by lightly tapping yoke with a hammer, taking care not to damage journal and yoke hole.



4. Remove bearing at opposite side in above operation.

Put marks on disassembled parts so that they can be reinstalled in their original positions from which they were removed.



Assembly

CENTER BEARING

NGPD0008

NGPD0008S01

- When installing center bearing, position the "F" mark on center bearing toward front of vehicle.
- **Apply a coat of multi-purpose lithium grease containing molybdenum disulfide to the end face of the center bearing and both sides of the washer.**

GI

MA

EM

LC

EC

FE

CL

MT

AT

TF

PD

AX

SU

BR

ST

RS

BT

HA

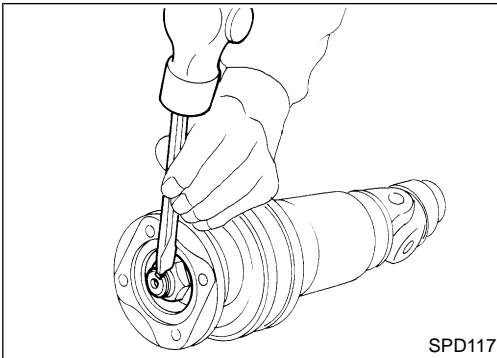
SC

EL

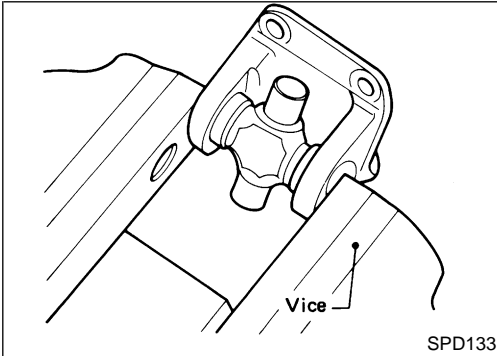
IDX

PROPELLER SHAFT

Assembly (Cont'd)



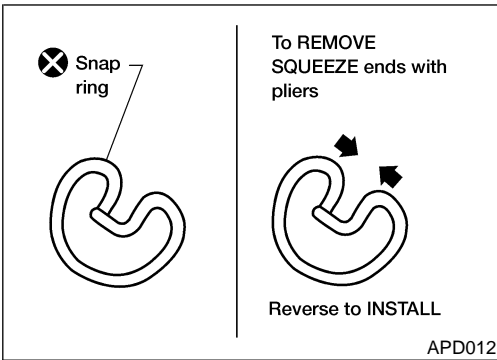
- Stake the nut. Always use new one.
- Align match marks when assembling tubes.



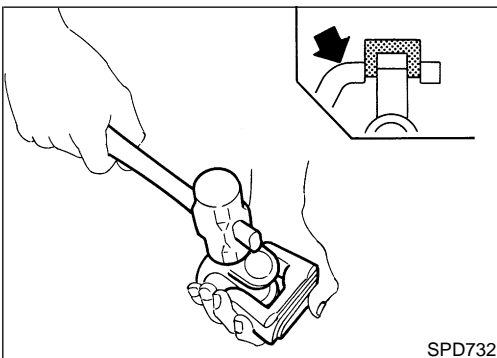
JOURNAL

1. Assemble journal bearing. Apply recommended multi-purpose grease on bearing inner surface. NGPD0008S02

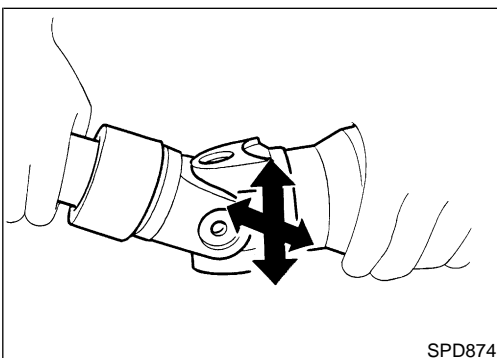
When assembling, be careful that needle bearing does not fall down.



2. Install new snap rings.



3. Adjust thrust clearance between bearing and snap ring to zero by tapping yoke.



4. Check to see that journal moves smoothly and check for axial play.

Axial play: 0.02 mm (0.0008 in) or less

PROPELLER SHAFT

Service Data and Specifications (SDS)

Service Data and Specifications (SDS)

GENERAL SPECIFICATIONS

2WD Model

=NGPD0009

NGPD0009S01

Enigne	KA24DE		VG33E	
Transmission	M/T	M/T	A/T	
Propeller shaft model	3S1310			
Number of joints	3			
Coupling method with transmission	Sleeve type			
Type of journal bearings	Solid type (disassembly type)			
Distance between yokes mm (in)	71 (2.80)	80 (3.15)		
Shaft length (Spider to spider) mm (in)	1st	637 (25.08)	665 (26.18)	570 (22.44)
	2nd	683 (26.89)	675.5(26.59)	
Shaft outer diameter mm (in)	1st	63.5 (2.50)		
	2nd	63.5 (2.50)		

4WD Model

NGPD0009S02

Location	Front	Rear
Propeller shaft model	2F1310	2S1310
Number of joints	2	2
Coupling method with transmission	Flange type	Sleeve type
Type of journal bearings	Solid type (disassembly type)	
Distance between yokes mm (in)	71 (2.80)	80 (3.15)
Shaft length (Spider to spider) mm (in)	522 (20.6)	948.3 (37.3)
Shaft outer diameter mm (in)	50.8 (2.0)	76.2 (3.0)

SERVICE DATA

NGPD0010
Unit: mm (in)

Propeller shaft runout limit	0.6 (0.024)
Journal axial play	0.02 (0.0008) or less

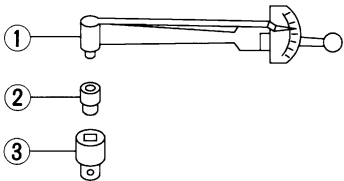
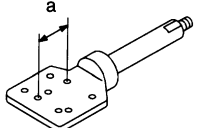
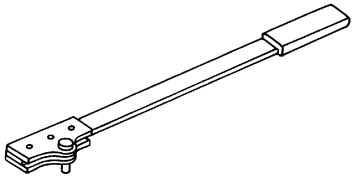
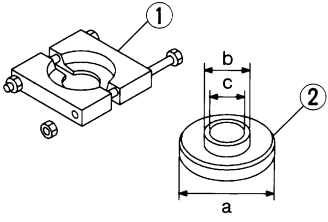
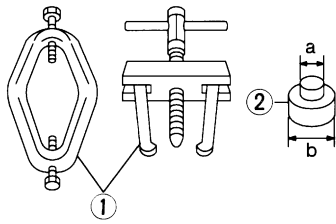
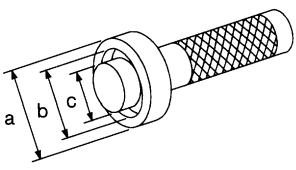
GI
MA
EM
LC
EC
FE
CL
MT
AT
TF
PD
AX
SU
BR
ST
RS
BT
HA
SC
EL
IDX

Preparation

SPECIAL SERVICE TOOLS

NGPD0013

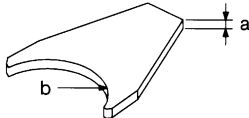
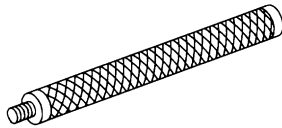
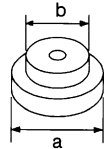
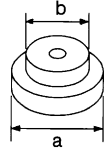
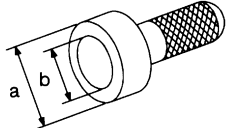
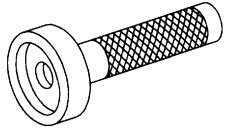
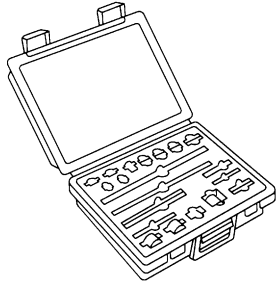
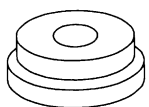
The actual shapes of Kent-Moore tools may differ from those of special service tools illustrated here.

Tool number (Kent-Moore No.) Tool name	Description	
ST3127S000 (See J25765-A) Preload gauge 1 GG91030000 (J25765) Torque wrench 2 HT62940000 (—) Socket adapter 3 HT62900000 (—) Socket adapter		Measuring pinion bearing preload and total preload NT124
KV38100800 (J34310, J25604-01) Differential attachment		Mounting final drive (To use, make a new hole.) a: 152 mm (5.98 in) NT119
KV38108300 (J44195) Companion flange wrench		Removing and installing propeller shaft lock nut, and drive pinion lock nut NT771
ST3090S000 (—) Drive pinion rear inner race puller set 1 ST30031000 (J22912-01) Puller 2 ST30901000 (J26010-01) Base		Removing and installing drive pinion rear inner cone a: 79 mm (3.11 in) dia. b: 45 mm (1.77 in) dia. c: 35 mm (1.38 in) dia. NT527
ST3306S001 Differential side bearing puller set 1 ST33051001 (J22888-20) Body 2 ST33061000 (J8107-2) Adapter		Removing and installing differential side bearing inner cone a: 28.5 mm (1.122 in) dia. b: 38 mm (1.50 in) dia. NT072
KV38100300 (J25523) Differential side bearing drift		Installing side bearing inner cone a: 54 mm (2.13 in) dia. b: 46 mm (1.81 in) dia. c: 32 mm (1.26 in) dia. NT085

FRONT FINAL DRIVE

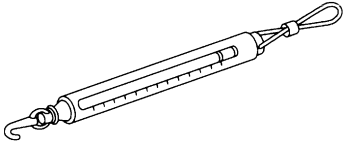
R200A

Preparation (Cont'd)

Tool number (Kent-Moore No.) Tool name	Description	
KV38100600 (J25267) Side bearing spacer drift		Installing side bearing spacer a: 8 mm (0.31 in) b: R42.5 mm (1.673 in)
ST30611000 (J25742-1) Drift		Installing pinion rear bearing outer race (Use with ST30621000 or ST30613000)
ST30621000 (J25742-5) Drift		Installing pinion rear bearing outer race (Use with ST30611000) a: 79 mm (3.11 in) dia. b: 59 mm (2.32 in) dia.
ST30613000 (J25742-3) Drift		Installing pinion front bearing outer race (Use with ST30611000) a: 72 mm (2.83 in) dia. b: 48 mm (1.89 in) dia.
KV38100500 (J25273) Gear carrier front oil seal drift		Installing front oil seal a: 85 mm (3.35 in) dia. b: 60 mm (2.36 in) dia.
KV38100200 (J26233) Gear carrier side oil seal drift		Installing side oil seal
(J34309) Differential shim selec- tor		Adjusting bearing pre-load and gear height
(J25269-4) Side bearing discs (2 Req'd)		Selecting pinion height adjusting washer

GI
MA
EM
LC
EC
FE
CL
MT
AT
TF
PD
AX
SU
BR
ST
RS
BT
HA
SC
EL
IDX

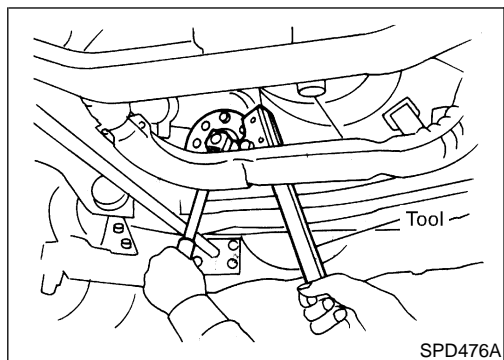
Preparation (Cont'd)

Tool number (Kent-Moore No.) Tool name	Description	
(J8129) Spring gauge		Measuring carrier turning torque
	NT127	

Noise, Vibration and Harshness (NVH) Troubleshooting

Refer to "NVH TROUBLESHOOTING CHART", PD-4.

NGPD0050

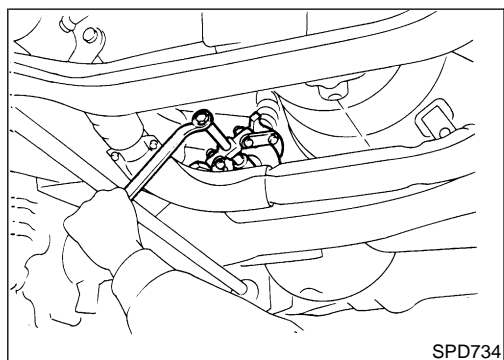


On-vehicle Service FRONT OIL SEAL REPLACEMENT (Front final drive: Model R200A)

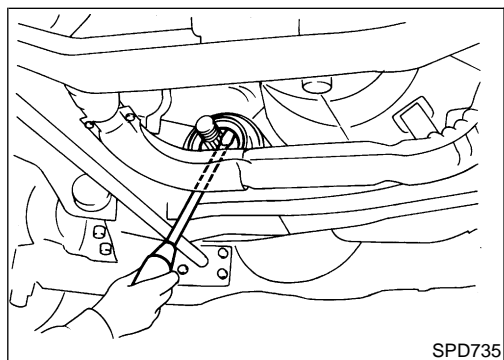
NGPD0014

1. Remove front propeller shaft.
2. Loosen drive pinion nut.

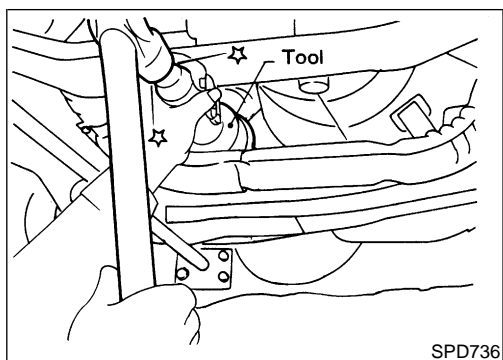
Tool number: KV38108300 (J44195)



3. Remove companion flange.

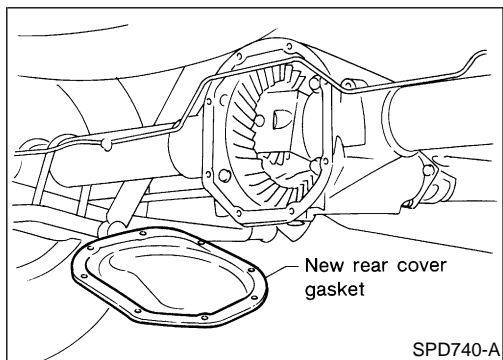


4. Remove front oil seal.



5. Apply multi-purpose grease to cavity at sealing lips of oil seal. Press front oil seal into carrier.
6. Install companion flange and drive pinion nut.
7. Install propeller shaft.

Tool number:
KV38100500 (J25273)



REAR COVER GASKET REPLACEMENT

NGPD0015

1. Drain gear oil.
2. Remove rear cover and rear cover gasket.
3. Install new rear cover gasket and rear cover.
4. Fill final drive with recommended gear oil.

GI

MA

EM

LC

EC

FE

CL

MT

AT

TF

PD

AX

SU

BR

ST

RS

BT

HA

SC

EL

IDX

Components

NGPD0016

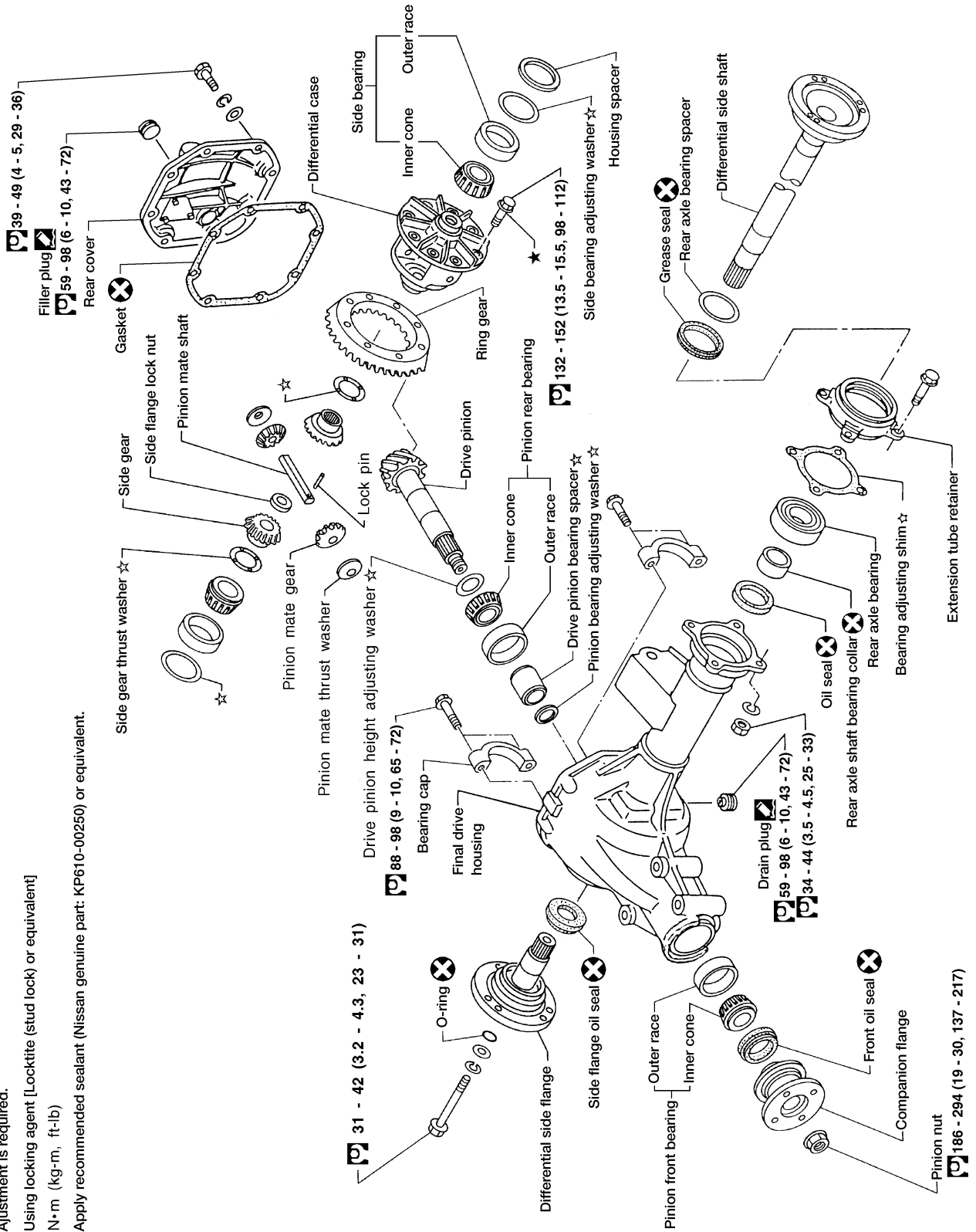
SEC. 381

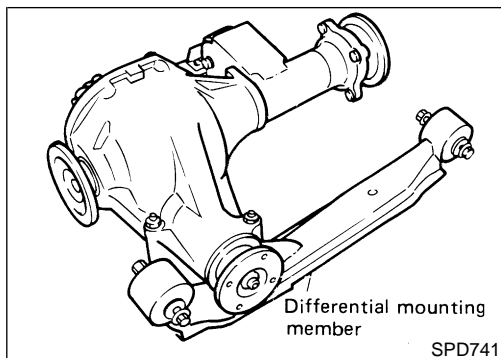
☆ : Adjustment is required.

★ : Using locking agent [Locktite (stud lock) or equivalent]

☞ : N·m (kg·m, ft·lb)

☒ : Apply recommended sealant (Nissan genuine part: KP610-00250) or equivalent.





Removal and Installation

REMOVAL

NGPD0017

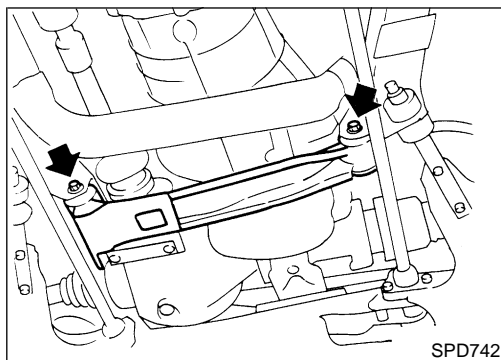
NGPD0017S01

- 1) Remove front of propeller shaft.
- 2) Separate drive shaft from front final drive. Refer to "Drive Shaft", **AX-15**.
- 3) Remove engine mounting bolts and raise up engine.
- 4) Remove front final drive together with differential mounting member.

CAUTION:

Be careful not to damage spline, sleeve yoke and front oil seal when removing propeller shaft.

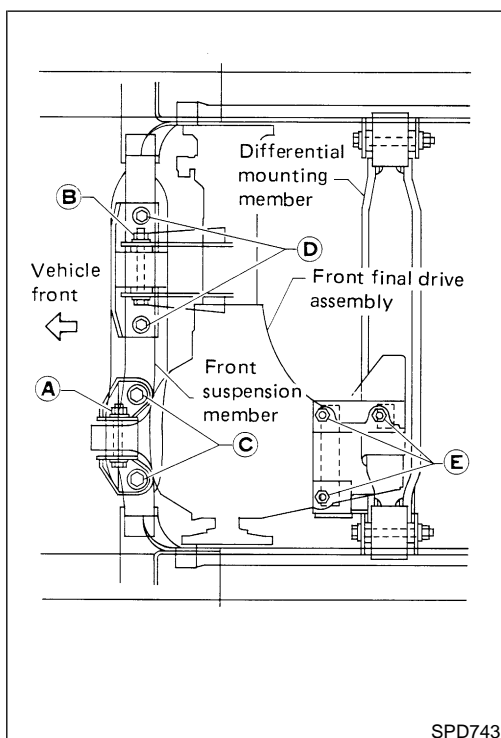
Before removing the final drive assembly or rear axle assembly, disconnect the ABS sensor harness connector from the assembly and move it away from the final drive/rear axle assembly area. Failure to do so may result in the sensor wires being damaged and the sensor becoming inoperative.



INSTALLATION

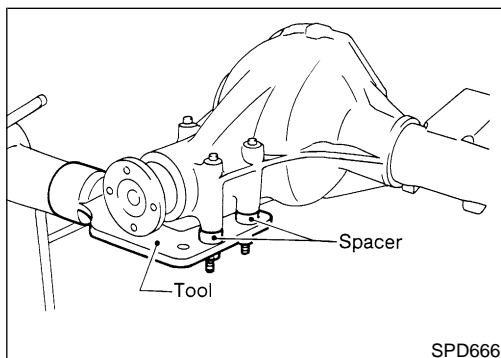
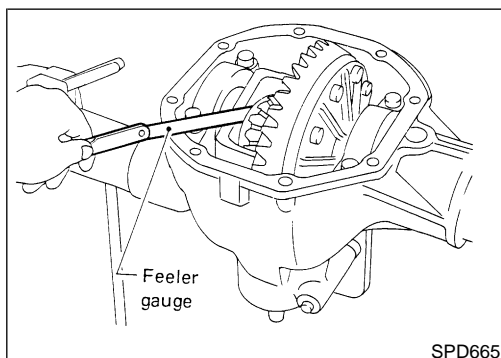
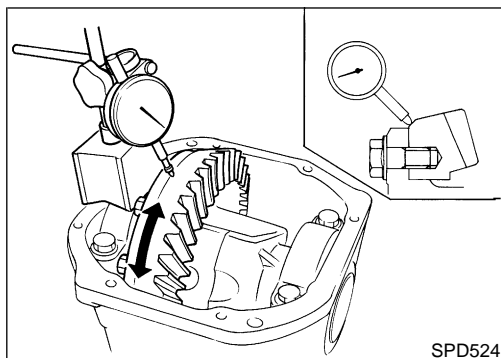
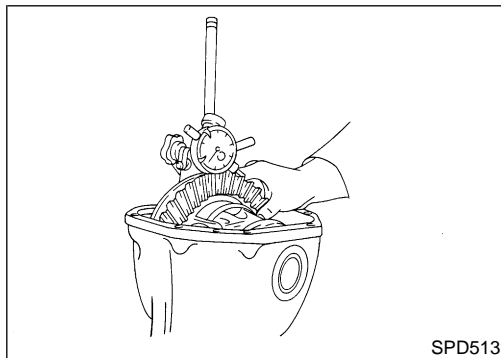
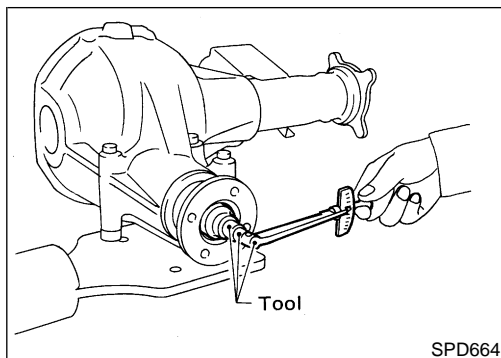
NGPD0017S02

- 1) Install front final drive assembly together with differential mounting member.



- 2) Tighten front final drive securing bolts and nuts by following the procedure to prevent drive train vibration.
 - a) Temporarily tighten nut **A**.
 - b) Temporarily tighten nut **B**.
 - c) Tighten bolt **C** to the torque of 68 to 87 N·m (6.9 to 8.9 kg·m, 50 to 64 ft·lb).
 - d) Tighten bolt **D** to the torque of 68 to 87 N·m (6.9 to 8.9 kg·m, 50 to 64 ft·lb).
 - e) Tighten bolt **A** to the torque of 68 to 87 N·m (6.9 to 8.9 kg·m, 50 to 64 ft·lb).
 - f) Tighten bolt **B** to the torque of 68 to 87 N·m (6.9 to 8.9 kg·m, 50 to 64 ft·lb).
 - g) Tighten bolt **E** to the torque of 68 to 87 N·m (6.9 to 8.9 kg·m, 50 to 64 ft·lb).
- 3) Install drive shaft. Refer to "Drive Shaft", **AX-19**.
- 4) Install front propeller shaft.

Disassembly

**Disassembly****PRE-INSPECTION**

NGPD0018

NGPD0018S01

Before disassembling final drive, perform the following inspection.

- Total preload
 - a) Turn drive pinion in both directions several times to set bearing rollers.
 - b) Check total preload with Tool.

Tool number: ST3127S000 (J25765-A)

Total preload:

1.4 - 1.7 N·m (14 - 17 kg·cm, 12 - 15 in·lb)

- Ring gear to drive pinion backlash
Check backlash of ring gear with a dial indicator at several points.

Ring gear-to-drive pinion backlash:

0.10 - 0.15 mm (0.0039 - 0.0059 in)

- Ring gear runout
Check runout of ring gear with a dial indicator.
- Tooth contact
Check tooth contact. Refer to "TOOTH CONTACT", PD-29.

Runout limit:

0.05 mm (0.0020 in)

- Side gear to pinion mate gear backlash
Using a feeler gauge, measure clearance between side gear thrust washer and differential case.

Clearance between side gear thrust washer and differential case:

Less than 0.15 mm (0.0059 in)

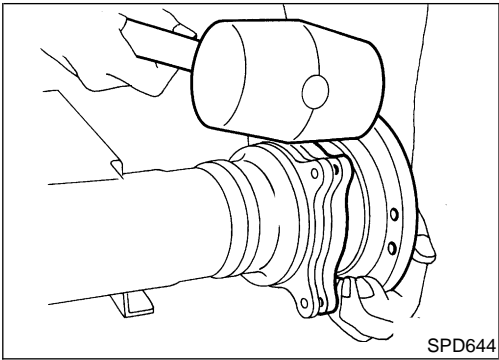
FINAL DRIVE HOUSING

NGPD0018S02

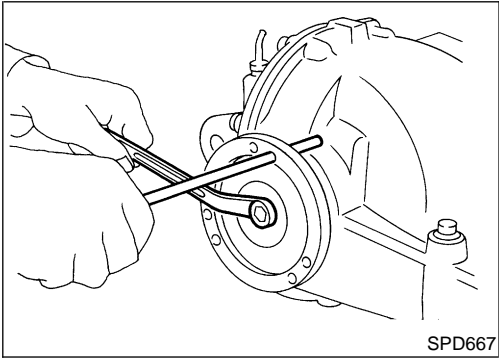
1. Using three spacers [20 mm (0.79 in)], mount final drive assembly on Tool.

Tool number:

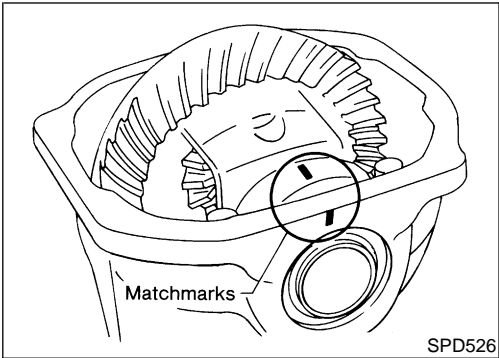
KV38100800 (J34310, J25604-01)



2. Remove differential side shaft assembly.

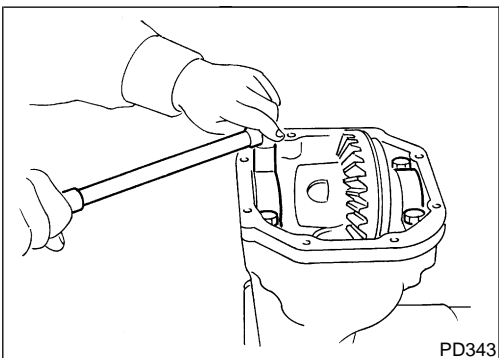


3. Remove differential side flange.

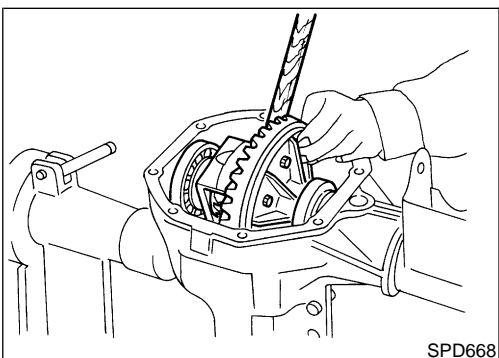


4. Put match marks on one side of side bearing cap with paint or punch to ensure that it is replaced in proper position during reassembly.

Bearing caps are line-bored during manufacture and should be put back in their original places.



5. Remove side bearing caps.



6. Remove differential case assembly with a pry bar.

GI

MA

EM

LC

EC

FE

CL

MT

AT

TF

PD

AX

SU

BR

ST

RS

BT

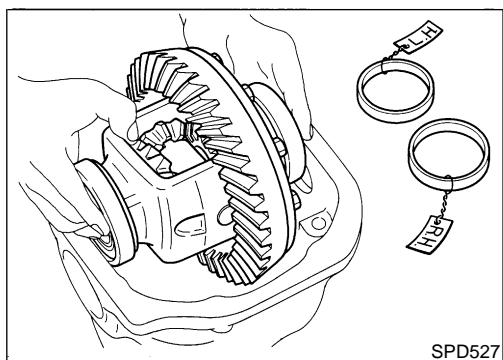
HA

SC

EL

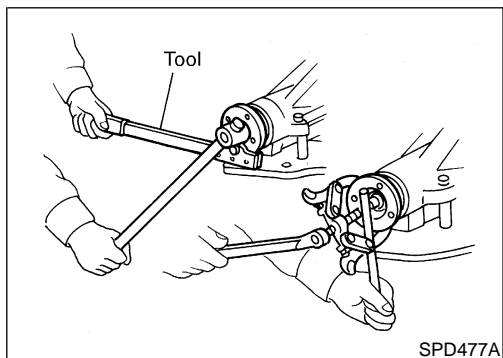
IDX

Disassembly (Cont'd)

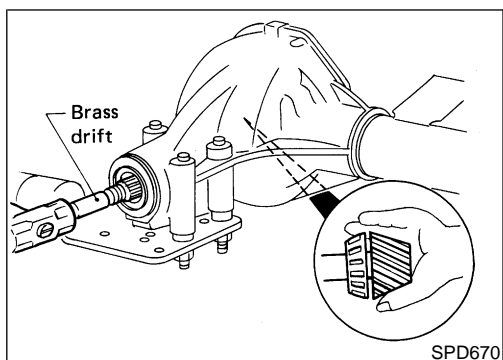


Be careful to keep the side bearing outer races together with their respective inner cones — do not mix them up.

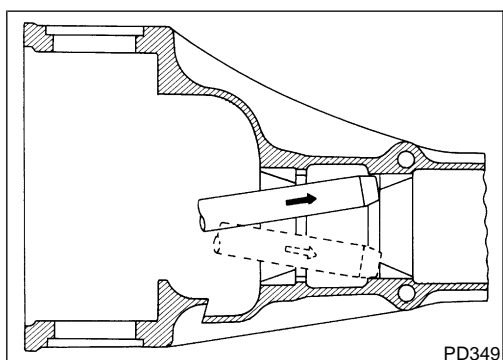
CAUTION:
Side bearing spacer is placed on either the left or right depending upon final drive gear ratio. It should be labeled so that it may be replaced correctly.



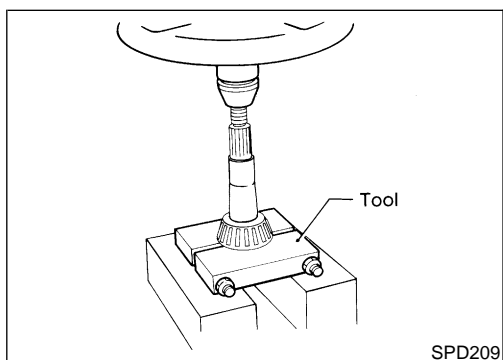
7. Loosen drive pinion nut.
Tool number: KV38108300 (J44195)
8. Remove companion flange with puller.



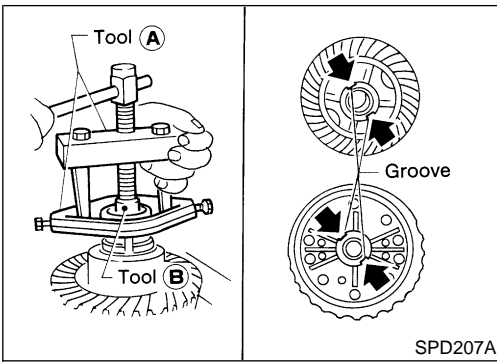
9. Take out drive pinion together with rear bearing inner cone, drive pinion bearing spacer and pinion bearing adjusting washer.
10. Remove front oil seal and pinion front bearing inner cone.



11. Remove pinion bearing outer races with a brass drift.



12. Remove pinion rear bearing inner cone and drive pinion height adjusting washer.
Tool number: ST30031000 (J22912-01)



DIFFERENTIAL CASE

NGPD0018S03

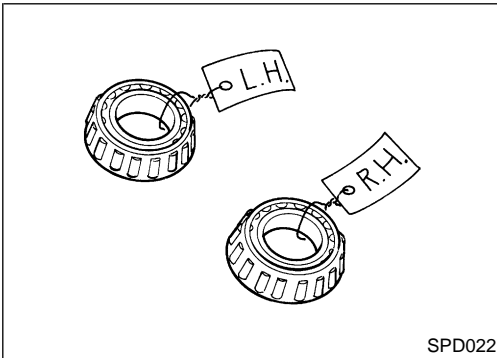
1. Remove side bearing inner cones.

To prevent damage to bearing, engage puller jaws in grooves.

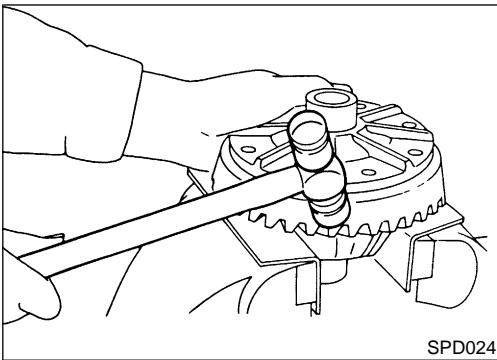
Tool number:

A ST33051001 (J22888-20)

B ST33061000 (J8107-2)



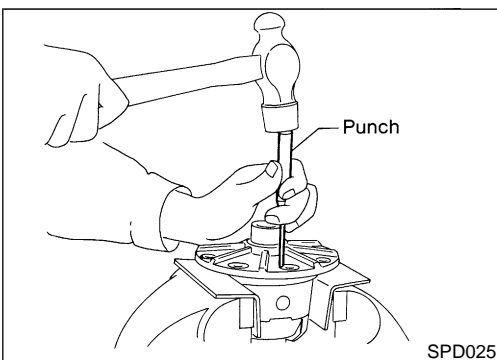
Be careful not to confuse the right and left hand parts. Keep bearing and bearing race for each side together.



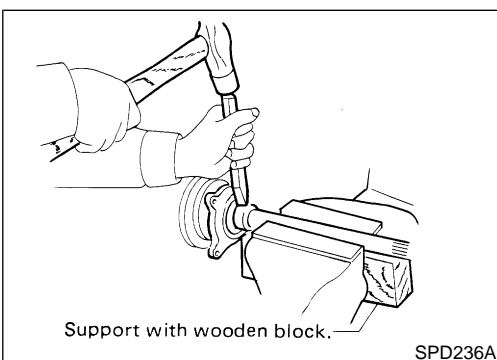
2. Loosen ring gear bolts in a criss-cross pattern.

3. Tap ring gear off the differential case with a soft hammer.

Tap evenly all around to keep ring gear from binding.



4. Punch off pinion mate shaft lock pin from ring gear side.



DIFFERENTIAL SIDE SHAFT

NGPD0018S04

1. Cut collar with cold chisel. Be careful not to damage differential side shaft.

GI

MA

EM

LC

EC

FE

CL

MT

AT

TF

PD

AX

SU

BR

ST

RS

BT

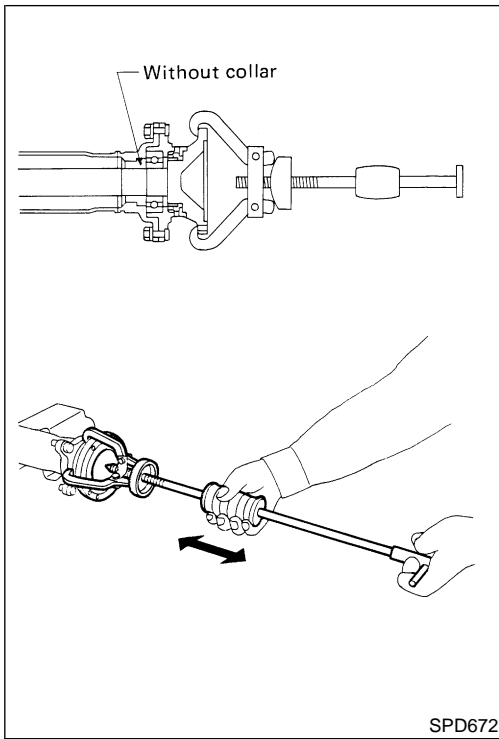
HA

SC

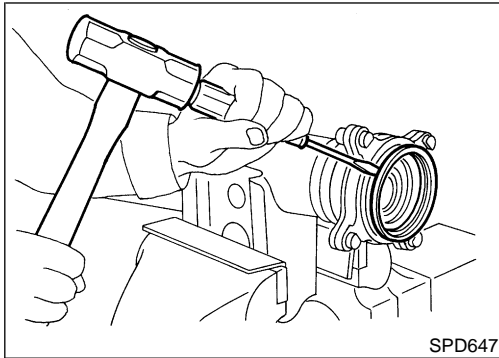
EL

IDX

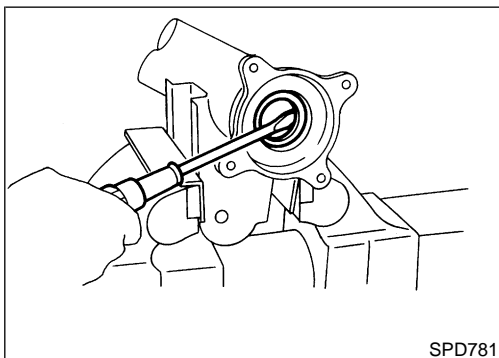
Disassembly (Cont'd)



2. Reinstall differential side shaft into extension tube and secure with bolts. Remove rear axle bearing by drawing out differential side shaft from rear axle bearing with puller.



3. Remove grease seal and oil seal.



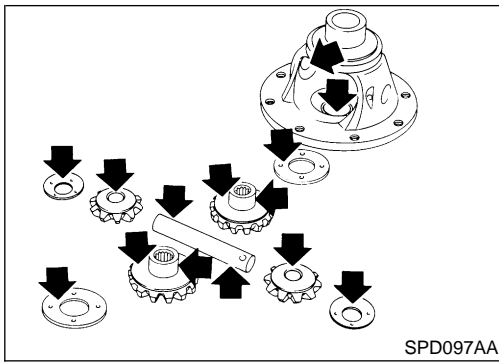
Inspection

RING GEAR AND DRIVE PINION

NGPD0019

NGPD0019S01

Check gear teeth for scoring, cracking or chipping. If any damaged part is evident, replace ring gear and drive pinion as a set (hypoid gear set).



SPD097AA

DIFFERENTIAL CASE ASSEMBLY

NGPD0019S02

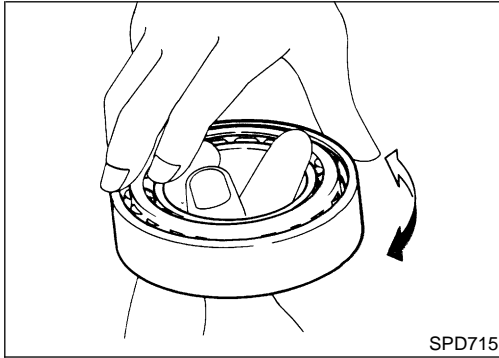
Check mating surfaces of differential case, side gears, pinion mate gears, pinion mate shaft and thrust washers.

GI

MA

EM

LC



SPD715

BEARING

NGPD0019S03

1. Thoroughly clean bearing.
2. Check bearing for wear, scratches, pitting or flaking. Check tapered roller bearing for smooth rotation. If damaged, replace outer race and inner cone as a set.

EC

FE

CL

MT

Adjustment

NGPD0020

For quiet and reliable final drive operation, the following five adjustments must be made correctly:

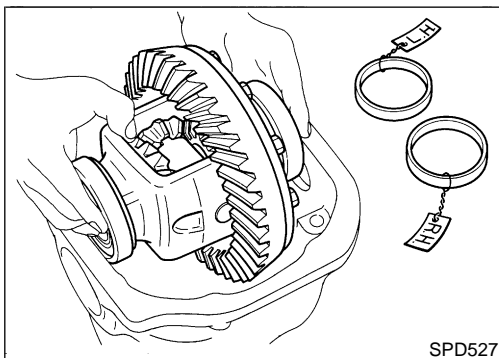
1. Side bearing preload
2. Pinion gear height
3. Pinion bearing preload
4. Ring gear-to-pinion backlash. Refer to SDS, PD-36.
5. Ring and pinion gear tooth contact pattern

AT

TF

PD

AX



SPD527

SIDE BEARING PRELOAD

NGPD0020S01

A selection of carrier side bearing adjusting washer is required for successful completion of this procedure.

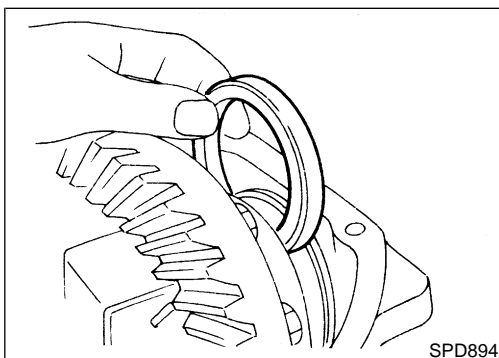
1. Make sure all parts are clean and that the bearings are well lubricated with light oil or "DEXRON™" type automatic transmission fluid.
2. Place the differential carrier, with side bearings and bearing races installed, into the final drive housing.

SU

BR

ST

RS



SPD894

3. Put the side bearing spacer in place.

CAUTION:

Side bearing spacer is placed on either the right or left depending upon final drive gear ratio. Be sure to replace it on the correct side.

BT

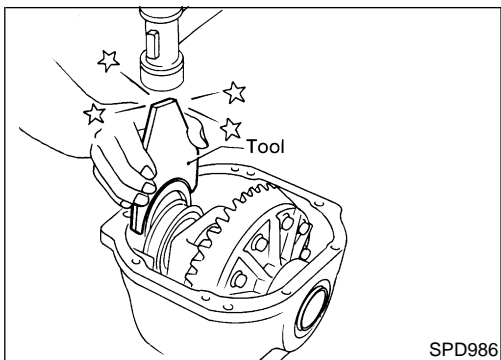
HA

SC

EL

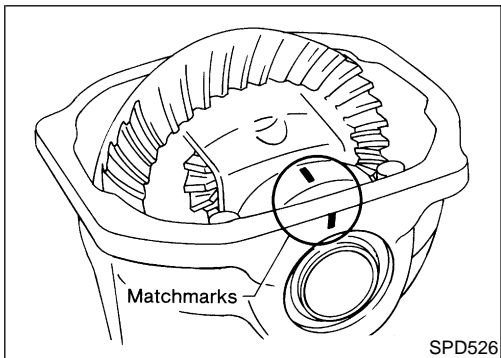
IDX

Adjustment (Cont'd)



- Using Tool, install original carrier side bearing preload shims on the carrier end, opposite the ring gear.

Tool number: KV38100600 (J25267)

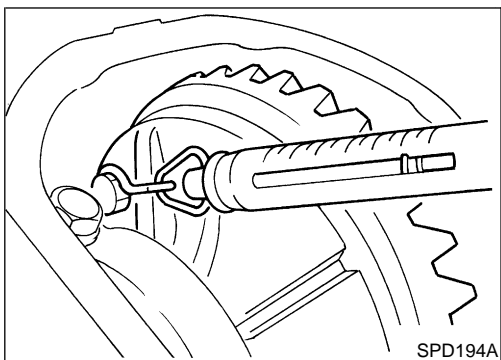


- Install the side bearing caps in their correct locations and torque the bearing cap retaining bolts.

Specification:

88 - 98 N·m (9 - 10 kg-m, 65 - 72 ft-lb)

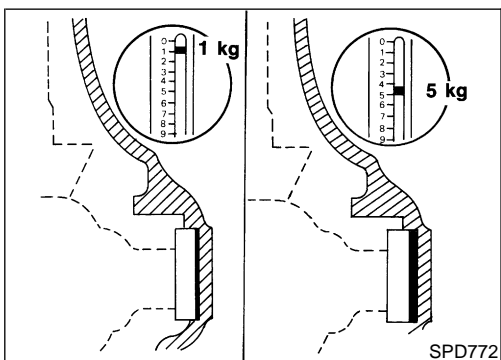
- Turn the carrier several times to seat the bearings.



- Measure the turning torque of the carrier at the ring gear retaining bolts with a spring gauge, J8129.

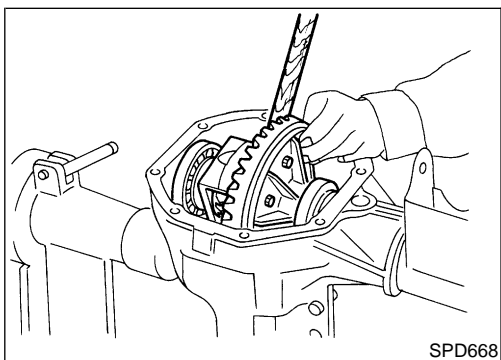
Specification:

34.3 - 39.2 N (3.5 - 4.0 kg, 7.7 - 8.8 lb) of pulling force at the ring gear bolt

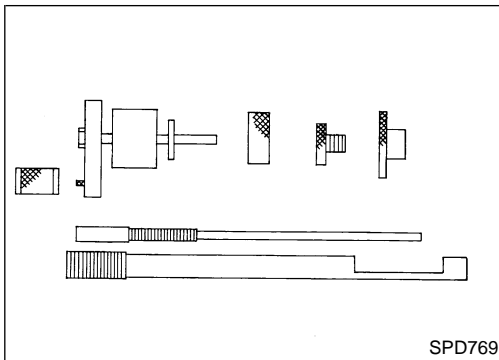


- If the carrier turning torque is not within the specification range, increase or decrease the total thickness of the side bearing adjusting washers until the turning torque is correct. If the turning torque is less than the specified range, install washers of greater thickness; if the turning torque is greater than the specification, install thinner washers. See the SDS section for washer dimensions and part numbers.

- Record the total amount of washer thickness required for the correct carrier side bearing preload.



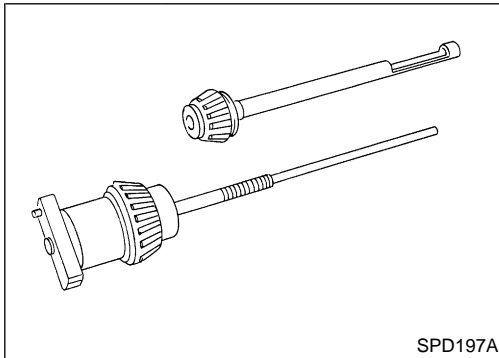
- Remove the carrier from the final drive housing, saving the selected preload washers for later use during the assembly of the final drive unit.



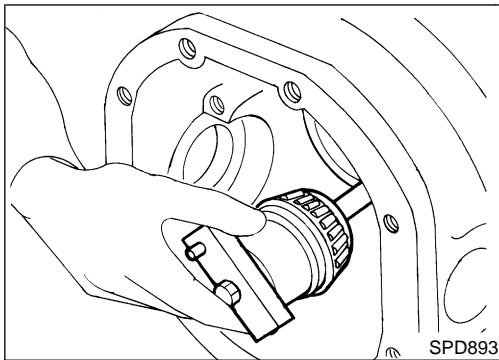
PINION GEAR HEIGHT AND PINION BEARING PRELOAD

NGPD0020S02

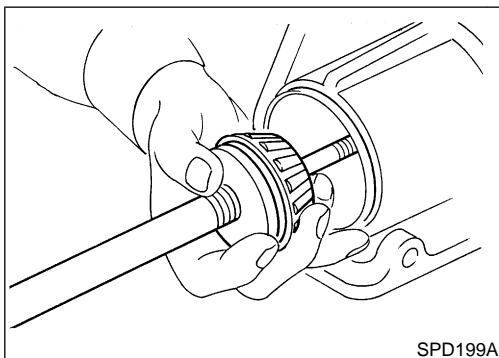
1. Make sure all parts are clean and that the bearings are well lubricated.
2. Assemble the pinion gear bearings into the pinion pre-load shim selector Tool, J34309.



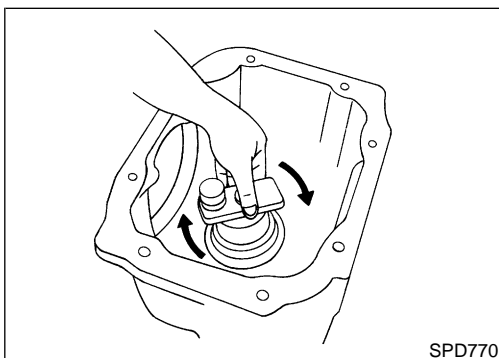
- **Front Pinion Bearing** — make sure the J34309-3 front pinion bearing seat is secured tightly against the J34309-2 gauge anvil. Then turn the front pinion bearing pilot, J34309-5, to secure the bearing in its proper position.
- **Rear Pinion Bearing** — the rear pinion bearing pilot, J34309-15, is used to center the rear pinion bearing only. The rear pinion bearing locking seat, J34309-4, is used to lock the bearing to the assembly.



3. Place the pinion preload shim selector Tool, J34309-1, gauge screw assembly with the pinion rear bearing inner cone installed into the final drive housing.



4. Assemble the front pinion bearing inner cone and the J34309-2 gauge anvil together with the J34309-1 gauge screw in the final drive housing. Make sure that the pinion height gauge plate, J34309-16, will turn a full 360 degrees, and tighten the two sections together by hand.



5. Turn the assembly several times to seat the bearings.

GI

MA

EM

LC

EC

FE

CL

MT

AT

TF

PD

AX

SU

BR

ST

RS

BT

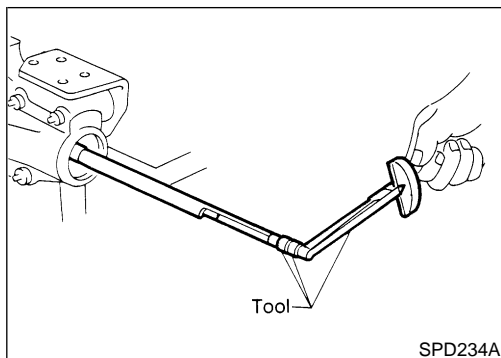
HA

SC

EL

IDX

Adjustment (Cont'd)

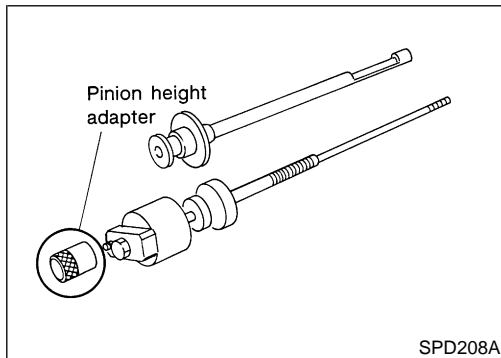


SPD234A

6. Measure the turning torque at the end of the J34309-2 gauge anvil using torque wrench J25765A.

Turning torque specification:

1.0 - 1.3 N·m (10 - 13 kg·cm, 8.7 - 11.3 in·lb)

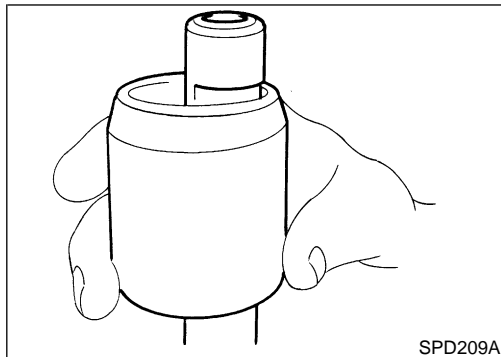


SPD208A

7. Place the J34309-1 "R200A" pinion height adapter onto the gauge plate and tighten it by hand.

CAUTION:

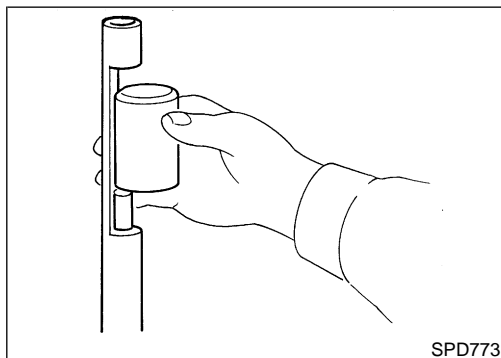
Make sure all machined surfaces are clean.



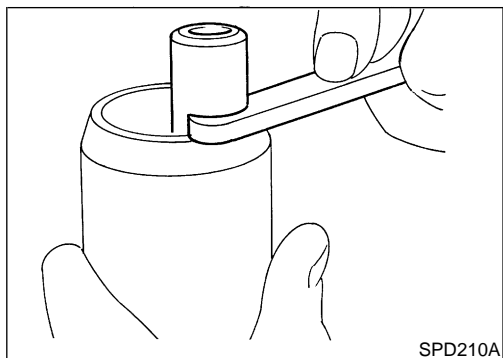
SPD209A

PINION BEARING PRELOAD WASHER SELECTION

8. Place the solid pinion bearing spacer, small end first, over the J34309-2 gauge anvil and seat the small end squarely against the tip of the J34309-1 gauge screw in the tool recessed portion.



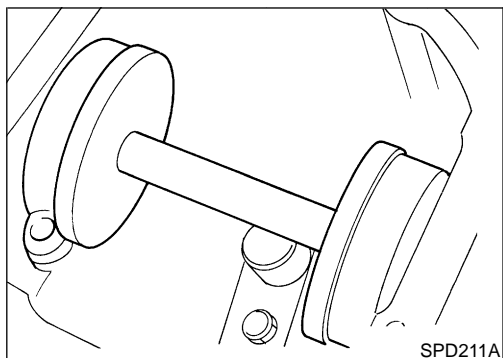
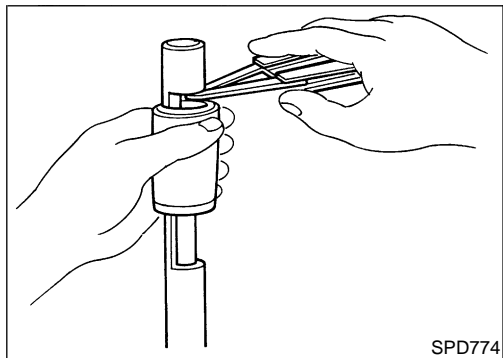
SPD773



9. Select the correct thickness of pinion bearing preload adjusting washer using a standard gauge of 3.5 mm (0.138 in) and your J34309-101 feeler gauge. The exact measure you get with your gauges is the thickness of the adjusting washer required. Select the correct washer.

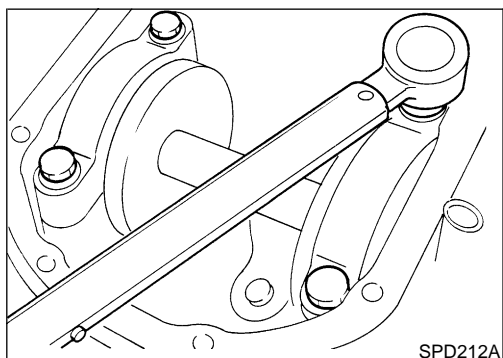
Drive pinion bearing preload adjusting washer:
Refer to SDS, PD-37.

10. Set your selected, correct pinion bearing preload adjusting washer aside for use when assembling the pinion gear and bearings into the final drive.



PINION HEIGHT ADJUSTING WASHER SELECTION

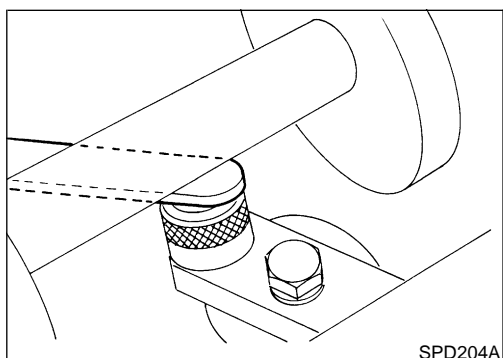
11. Now, position the side bearing discs, J25269-4, and arbor AT firmly into the side bearing bores.



12. Install the side bearing caps and tighten the cap bolts.

Specification:

88 - 98 N-m (9 - 10 kg-m, 65 - 72 ft-lb)



13. Select the correct standard pinion height adjusting washer thickness by using a standard gauge of 3.0 mm (0.118 in) and your J34309-11 "R200A" pinion height adapter and the arbor.

GI

MA

EM

LC

EC

FE

CL

MT

AT

TF

PD

AX

SU

BR

ST

RS

BT

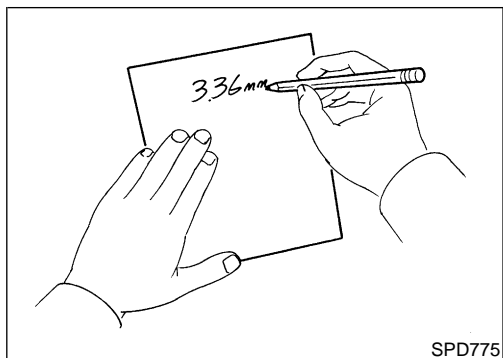
HA

SC

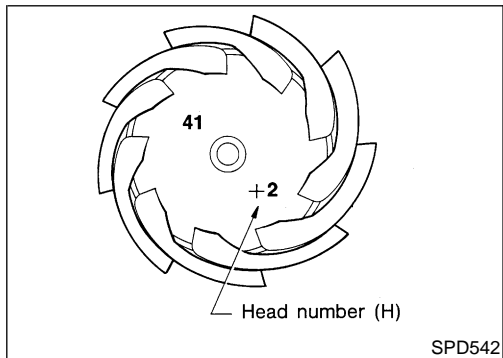
EL

IDX

Adjustment (Cont'd)



14. Write down your exact total measurement.



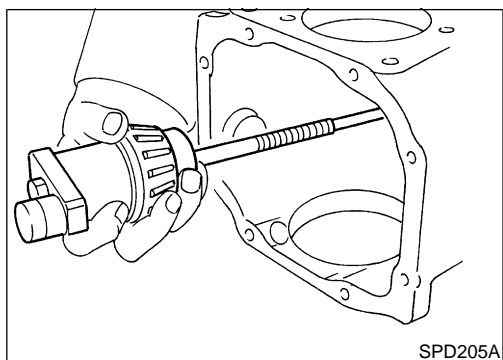
15. Correct the pinion height washer size by referring to the “pinion head number”.

There are two numbers painted on the pinion gear. The first one refers to the pinion and ring gear as a matched set and should be the same as the number on the ring gear. The second number is the “pinion head height number”, and it refers to the ideal pinion height from standard for quietest operation. Use the following chart to determine the correct pinion height washer. Refer to SDS, PD-37.

Pinion Head Height Number	Add or Remove from the Standard Pinion Height Washer Thickness Measurement
-6	Add 0.06 mm (0.0024 in)
-5	Add 0.05 mm (0.0020 in)
-4	Add 0.04 mm (0.0016 in)
-3	Add 0.03 mm (0.0012 in)
-2	Add 0.02 mm (0.0008 in)
-1	Add 0.01 mm (0.0004 in)
0	Use the selected washer thickness
+1	Subtract 0.01 mm (0.0004 in)
+2	Subtract 0.02 mm (0.0008 in)
+3	Subtract 0.03 mm (0.0012 in)
+4	Subtract 0.04 mm (0.0016 in)
+5	Subtract 0.05 mm (0.0020 in)
+6	Subtract 0.06 mm (0.0024 in)

16. Select the correct drive pinion height washer.

**Drive pinion height adjusting washer:
Refer to SDS PD-37.**



SPD205A

17. Remove the J34309 pinion preload shim selector tool from the final drive housing and disassemble to retrieve the pinion bearings.

GI

MA

EM

LC

TOOTH CONTACT

Gear tooth contact pattern check is necessary to verify correct relationship between ring gear and drive pinion.

Hypoid gear sets which are not positioned properly in relation to one another may be noisy, or have short life, or both. With a pattern check, the most desirable contact for low noise level and long life can be assured.

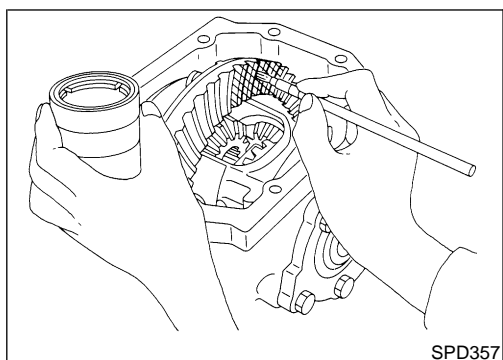
NGPD0020S03

EC

FE

CL

MT



SPD357

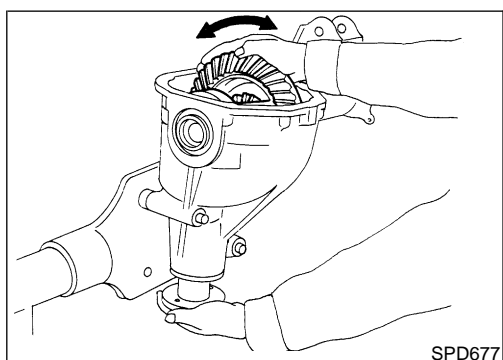
1. Thoroughly clean ring gear and drive pinion teeth.
2. Sparingly apply a mixture of powdered ferric oxide and oil or equivalent to 3 or 4 teeth of ring gear drive side.

AT

TF

PD

AX



SPD677

3. Hold companion flange steady by hand and rotate the ring gear in both directions.

SU

BR

ST

RS

BT

HA

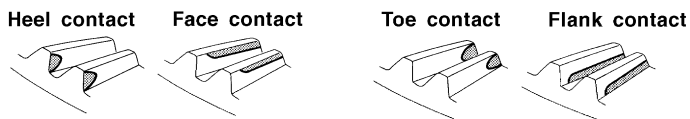
SC

EL

IDX

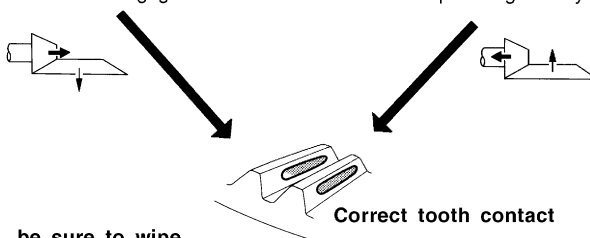
Adjustment (Cont'd)

Usually the pattern will be correct if shims are correctly calculated and the backlash is correct. However, in rare cases, trial and error processes may be employed to obtain a correct pattern. The tooth pattern is the best indication of how well a differential has been set up.



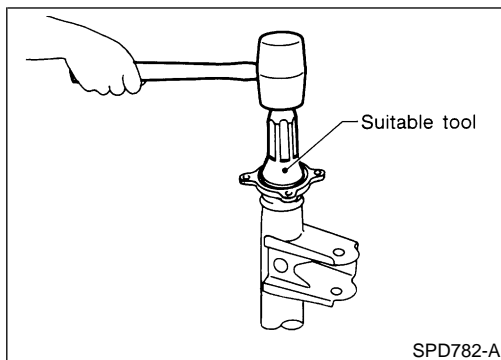
To correct, increase thickness of pinion height adjusting washer in order to bring drive pinion close to ring gear.

To correct, reduce thickness of pinion height adjusting washer in order to make drive pinion go away from ring gear.



When adjustment is completed, be sure to wipe off completely the ferric oxide and oil or their equivalent.

SPD007-B



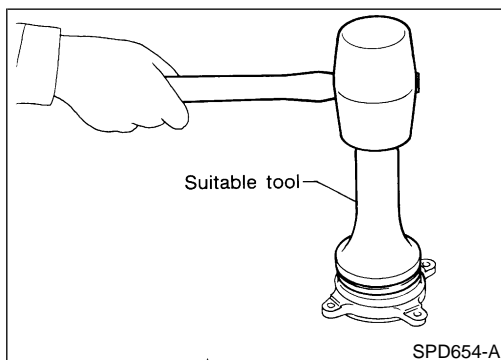
SPD782-A

Assembly DIFFERENTIAL SIDE SHAFT

NGPD0021

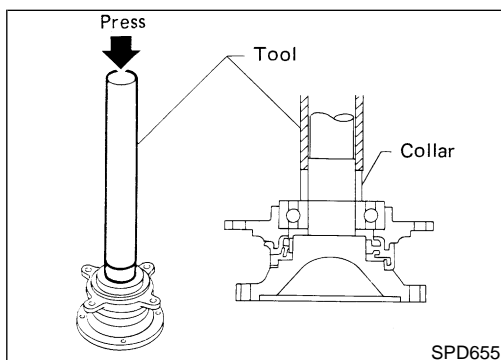
NGPD0021S01

1. Install oil seal and grease seal.

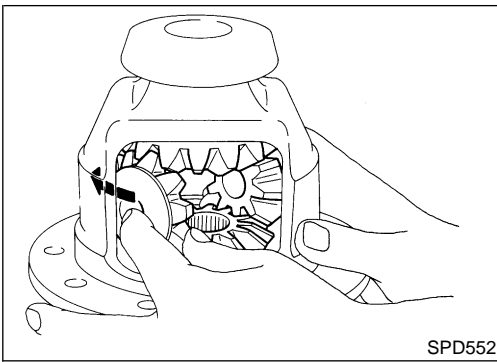


SPD654-A

2. Install extension tube retainer, rear axle bearing and rear axle shaft bearing collar on differential side shaft.



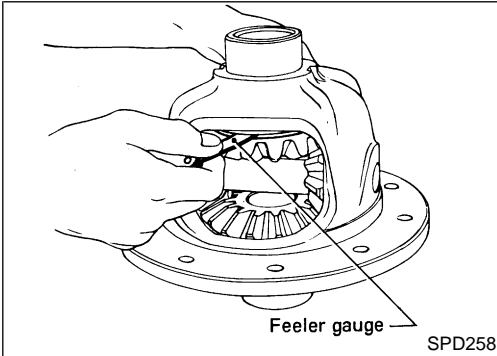
SPD655



DIFFERENTIAL CASE

NGPD0021S02

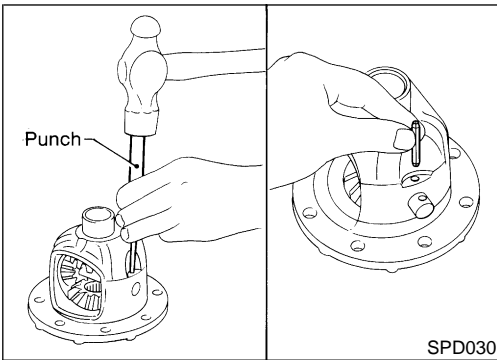
1. Install side gears, pinion mate gears and thrust washers into differential case.



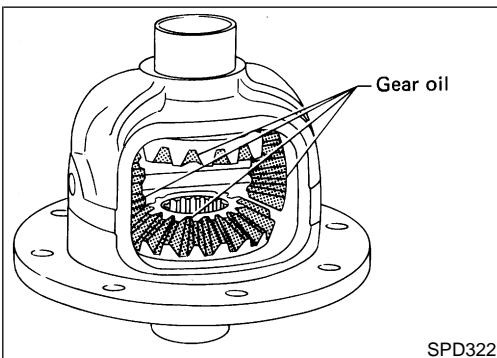
2. Fit pinion mate shaft to differential case so that it meets lock pin holes.
3. Adjust backlash between side gear and pinion mate gear by selecting side gear thrust washer. Refer to SDS, PD-36.

Backlash between side gear and pinion mate gear (Clearance between side gear thrust washer and differential case):

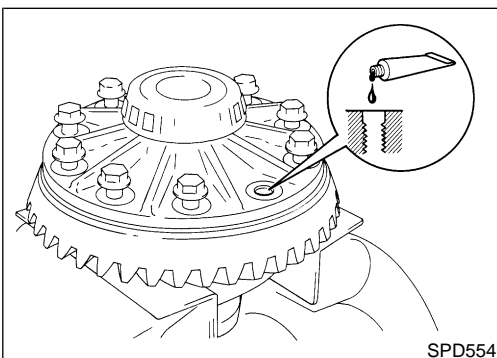
Less than 0.15 mm (0.0059 in)



4. Install pinion mate shaft lock pin with a punch. **Make sure lock pin is flush with case.**



5. Apply gear oil to gear tooth surfaces and thrust surfaces and check to see they turn properly.



6. Install differential case assembly on ring gear.
7. Apply locking agent [Loctite (stud lock) or equivalent] to ring gear bolts, and install them.

Tighten bolts in a criss-cross pattern, lightly tapping bolt head with a hammer.

GI

MA

EM

LC

EC

FE

CL

MT

AT

TF

PD

AX

SU

BR

ST

RS

BT

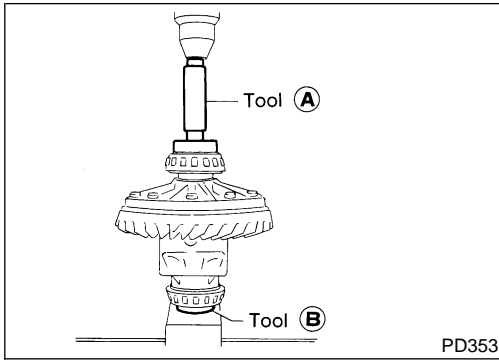
HA

SC

EL

IDX

Assembly (Cont'd)

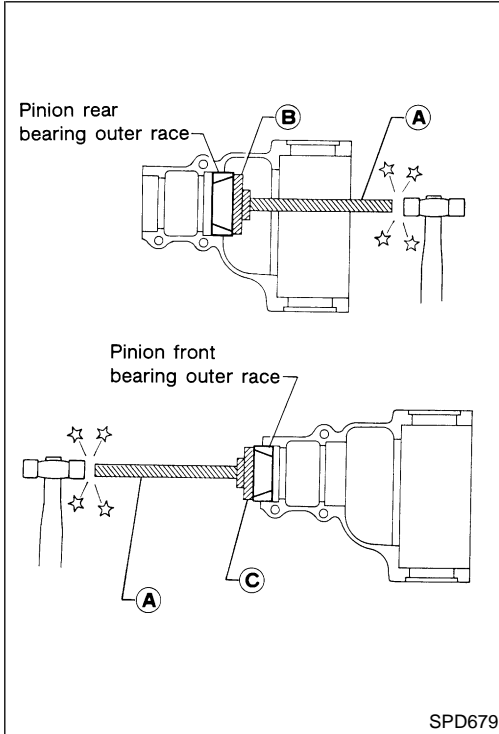


- Press-fit side bearing inner cones on differential case with Tool.

Tool number:

A KV38100300 (J25523)

B ST33061000 (J8107-2)



FINAL DRIVE HOUSING

NGPD0021S03

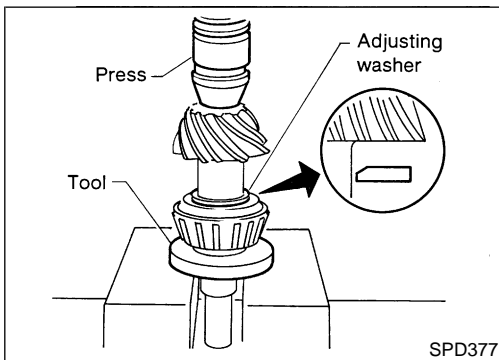
- Press-fit front and rear bearing outer races with Tools.

Tool number:

A ST30611000 (J25742-1)

B ST30621000 (J25742-5)

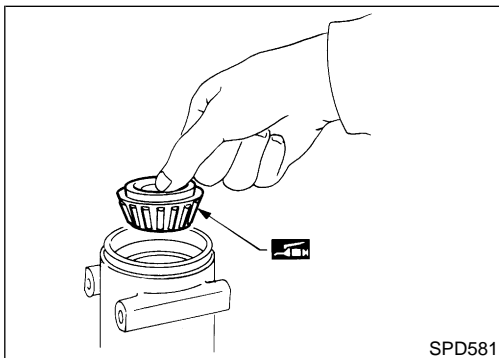
C ST30613000 (J25742-3)



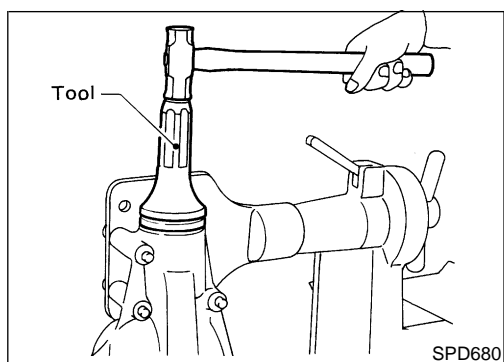
- Select drive pinion height adjusting washer and pinion bearing adjusting washer. Refer to "PINION GEAR HEIGHT AND PINION BEARING PRELOAD", PD-25.
- Install drive pinion height adjusting washer in drive pinion, and press-fit pinion rear bearing inner cone in it, using press and Tool.

Tool number:

ST30901000 (J26010-01)

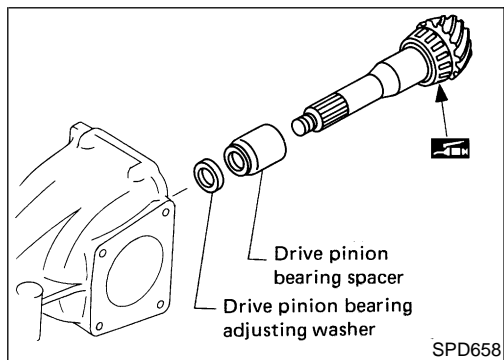


- Place pinion front bearing inner cone in final drive housing.

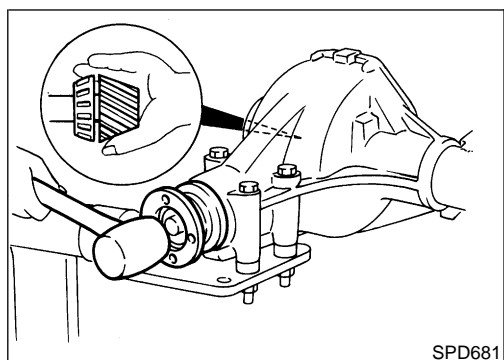


- Apply multi-purpose grease to cavity at sealing lips of oil seal. Install front oil seal.

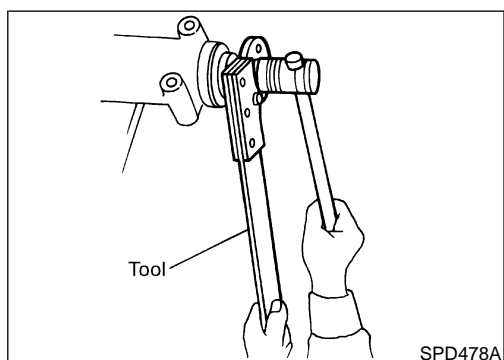
Tool number:
KV38100500 (J25273)



- Place drive pinion bearing spacer, drive pinion bearing adjusting washer and drive pinion in final drive housing.

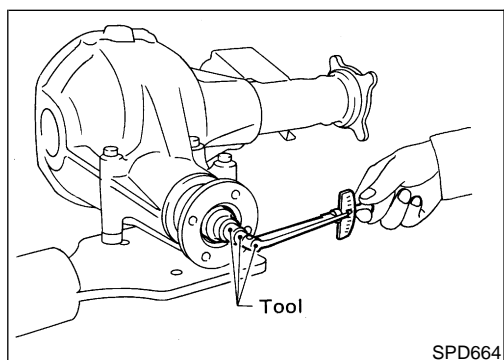


- Insert companion flange into drive pinion by tapping the companion flange with a soft hammer.



- Tighten pinion nut to the specified torque.
The threaded portion of drive pinion and pinion nut should be free from oil or grease.

Tool number: KV38108300 (j44195)



- Turn drive pinion in both directions several revolutions, and measure pinion bearing preload.

Tool number: ST3127S000 (J25765-A)

Pinion bearing preload:
1.1 - 1.4 N·m (11 - 14 kg-cm, 9.5 - 12.2 in-lb)

When pinion bearing preload is outside the specifications, replace pinion bearing adjusting washer and spacer with a different thickness.

GI

MA

EM

LC

EC

FE

CL

MT

AT

TF

PD

AX

SU

BR

ST

RS

BT

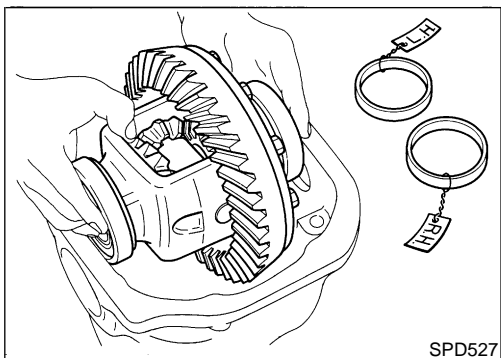
HA

SC

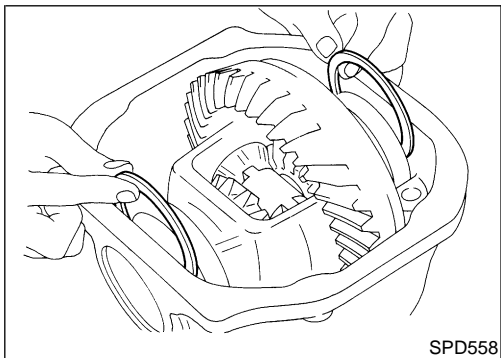
EL

IDX

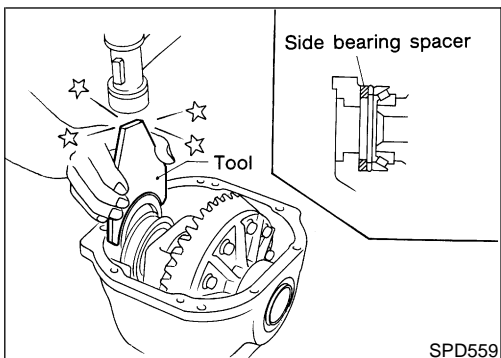
Assembly (Cont'd)



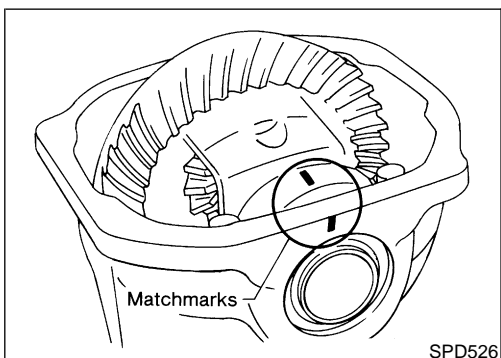
10. Select side bearing adjusting washer. Refer to "SIDE BEARING PRELOAD", PD-23.
11. Install differential case assembly with side bearing outer races into final drive housing.



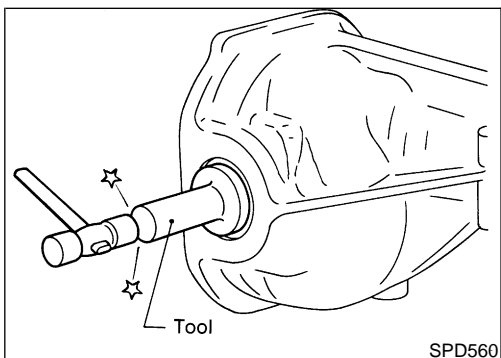
12. Insert left and right side bearing adjusting washers in place between side bearings and final drive housing.



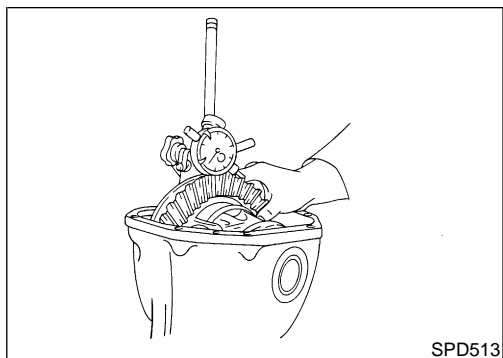
13. Drive in side bearing spacer with Tool.
Tool number: KV38100600 (J25267)



14. Align mark on bearing cap with that on final drive housing and install bearing cap on final drive housing.



15. Apply multi-purpose grease to cavity at sealing lips of oil seal. Install side oil seal.
Tool number: KV38100200 (J26233)



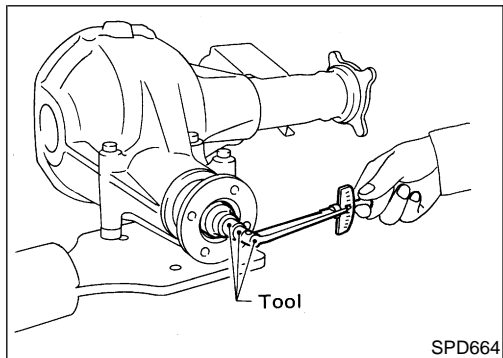
SPD513

16. Measure ring gear to drive pinion backlash with a dial indicator.

Ring gear-to-drive pinion backlash:
0.10 - 0.15 mm (0.0039 - 0.0059 in)

- If backlash is too small, decrease thickness of right shim and increase thickness of left shim by the same amount. If backlash is too great, reverse the above procedure.

Never change the total amount of shims as it will change the bearing preload.



SPD664

17. Check total preload with Tool.

When checking preload, turn drive pinion in both directions several times to set bearing rollers.

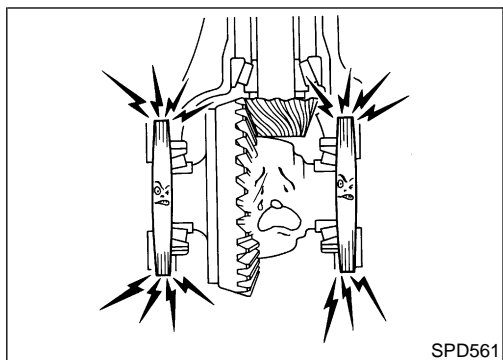
Tool number: ST3127S000 (J25765-A)

Total preload:

1.4 - 1.7 N-m (14 - 17 kg-cm, 12 - 15 in-lb)

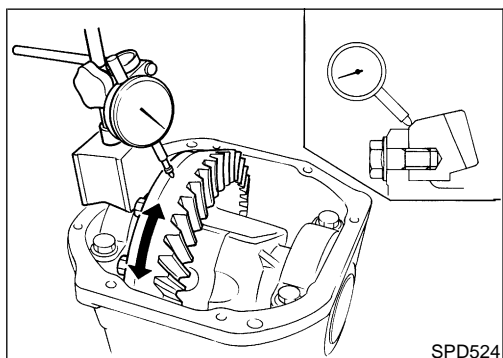
- If preload is too great, remove the same amount of shim from each side.
- If preload is too small, add the same amount of shim to each side.

Never add or remove a different number of shims for each side as it will change ring gear to drive pinion backlash.



SPD561

18. Recheck ring gear to drive pinion backlash because increase or decrease in thickness of shims will cause change of ring gear-to-pinion backlash.



SPD524

19. Check runout of ring gear with a dial indicator.

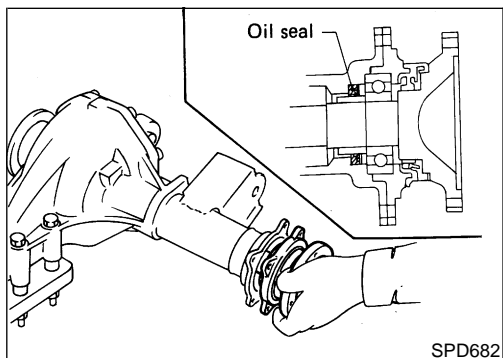
Runout limit:
0.05 mm (0.0020 in)

- If backlash varies excessively in different places, the variance may have resulted from foreign matter caught between the ring gear and the differential case.
- If the backlash varies greatly when the runout of the ring gear is within a specified range, the hypoid gear set or differential case should be replaced.

20. Check tooth contact. Refer to "TOOTH CONTACT", PD-29.

21. Install rear cover and gasket.

22. Install differential side shaft assembly.



SPD682

GI

MA

EM

LC

EC

FE

CL

MT

AT

TF

PD

AX

SU

BR

ST

RS

BT

HA

SC

EL

IDX

FRONT FINAL DRIVE

R200A

Service Data and Specifications (SDS)

Service Data and Specifications (SDS)

R200A General Specifications

=NGPD0022

Engine	VG33E		
Vehicle grade	XE		SE
Front final drive	Standard	Optional	Standard
	R200A		
	2-pinion		
Gear ratio	4.363	4.636	4.636
Number of teeth (Ring gear/drive pinion)	48/11	51/11	51/11
Oil capacity (Approx.) ℓ (US pt, Imp pt)	1.5 (3-1/8, 3-5/8)		

Ring Gear Runout

NGPD0023

Ring gear runout limit mm (in)	0.05 (0.0020)
--------------------------------	---------------

Side Gear Adjustment

NGPD0024

Side gear backlash (Clearance between side gear and differential case) mm (in)	Less than 0.15 (0.0059)	
Available side gear thrust washers	Thickness mm (in)	Part number*
	0.75 (0.0295)	38424-N3110
	0.78 (0.0307)	38424-N3111
	0.81 (0.0319)	38424-N3112
	0.84 (0.0331)	38424-N3113
	0.87 (0.0343)	38424-N3114
	0.90 (0.0354)	38424-N3115
	0.93 (0.0366)	38424-N3116

*Always check with the Parts Department for the latest parts information.

Side Bearing Adjustment

NGPD0025

Differential carrier assembly turning resistance N (kg, lb)	34.3 - 39.2 (3.5 - 4.0, 7.7 - 8.8)	
Available side bearing adjusting washers	Thickness mm (in)	Part number*
	2.00 (0.0787)	38453-N3100
	2.05 (0.0807)	38453-N3101
	2.10 (0.0827)	38453-N3102
	2.15 (0.0846)	38453-N3103
	2.20 (0.0866)	38453-N3104
	2.25 (0.0886)	38453-N3105
	2.30 (0.0906)	38453-N3106
	2.35 (0.0925)	38453-N3107
	2.40 (0.0945)	38453-N3108
	2.45 (0.0965)	38453-N3109
	2.50 (0.0984)	38453-N3110
	2.55 (0.1004)	38453-N3111
2.60 (0.1024)	38453-N3112	

*Always check with the Parts Department for the latest parts information.

Total Preload Adjustment

NGPD0026

Total preload N·m (kg-cm, in-lb)	1.4 - 1.7 (14 - 17, 12 - 15)
Ring gear backlash mm (in)	0.10 - 0.15 (0.0039 - 0.0059)

FRONT FINAL DRIVE

R200A

Service Data and Specifications (SDS) (Cont'd)

Drive Pinion Height Adjustment

NGPD0027

	Thickness mm (in)	Part number*
Available pinion height adjusting washers	3.09 (0.1217)	38154-P6017
	3.12 (0.1228)	38154-P6018
	3.15 (0.1240)	38154-P6019
	3.18 (0.1252)	38154-P6020
	3.21 (0.1264)	38154-P6021
	3.24 (0.1276)	38154-P6022
	3.27 (0.1287)	38154-P6023
	3.30 (0.1299)	38154-P6024
	3.33 (0.1311)	38154-P6025
	3.36 (0.1323)	38154-P6026
	3.39 (0.1335)	38154-P6027
	3.42 (0.1346)	38154-P6028
	3.45 (0.1358)	38154-P6029
	3.48 (0.1370)	38154-P6030
	3.51 (0.1382)	38154-P6031
	3.54 (0.1394)	38154-P6032
	3.57 (0.1406)	38154-P6033
3.60 (0.1417)	38154-P6034	
3.63 (0.1429)	38154-P6035	
3.66 (0.1441)	38154-P6036	

*Always check with the Parts Department for the latest parts information.

Drive Pinion Preload Adjustment

NGPD0028

Drive pinion bearing preload adjusting method	Adjusting washer and spacer	
Drive pinion preload with front oil seal N-m (kg-cm, in-lb)	1.1 - 1.4 (11 - 14, 9.5 - 12.2)	
	Thickness mm (in)	Part number*
Available drive pinion bearing preload adjusting washers	3.81 (0.1500)	38125-61001
	3.83 (0.1508)	38126-61001
	3.85 (0.1516)	38127-61001
	3.87 (0.1524)	38128-61001
	3.89 (0.1531)	38129-61001
	3.91 (0.1539)	38130-61001
	3.93 (0.1547)	38131-61001
	3.95 (0.1555)	38132-61001
	3.97 (0.1563)	38133-61001
	3.99 (0.1571)	38134-61001
	4.01 (0.1579)	38135-61001
	4.03 (0.1587)	38136-61001
	4.05 (0.1594)	38137-61001
	4.07 (0.1602)	38138-61001
	4.09 (0.1610)	38139-61001
	Length mm (in)	Part number*
Available drive pinion bearing preload adjusting spacers	54.50 (2.1457)	38165-B4000
	54.80 (2.1575)	38165-B4001
	55.10 (2.1693)	38165-B4002
	55.40 (2.1811)	38165-B4003
	55.70 (2.1929)	38165-B4004
56.00 (2.2047)	38165-61001	

*Always check with the Parts Department for the latest parts information.

Preparation

SPECIAL SERVICE TOOLS

NGPD0052

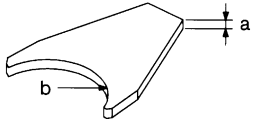
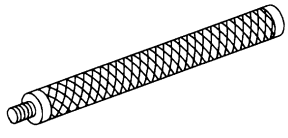
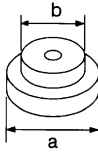
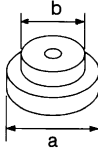
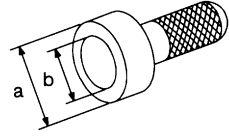
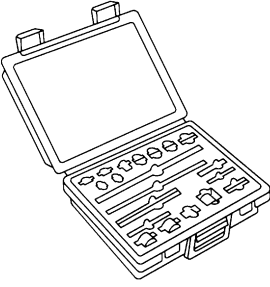
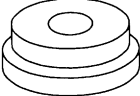
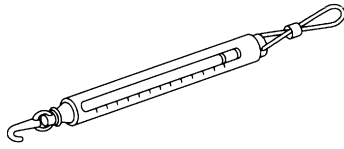
The actual shapes of Kent-Moore tools may differ from those of special service tools illustrated here.

Tool number (Kent-Moore No.) Tool name	Description	
ST3127S000 (See J25765-A) Preload gauge 1 GG91030000 (J25765) Torque wrench 2 HT62940000 (—) Socket adapter 3 HT62900000 (—) Socket adapter	<p style="text-align: center;">NT124</p>	Measuring pinion bearing preload and total preload
KV38108300 (J44195) Companion flange wrench	<p style="text-align: center;">NT771</p>	Removing and installing propeller shaft lock nut and drive pinion lock nut
ST3090S000 (—) Drive pinion rear inner race puller set 1 ST30031000 (J22912-01) Puller 2 ST30901000 (J26010-01) Base	<p style="text-align: center;">NT527</p>	Removing and installing drive pinion rear inner cone a: 79 mm (3.11 in) dia. b: 45 mm (1.77 in) dia. c: 35 mm (1.38 in) dia.
ST3306S001 Differential side bearing puller set 1 ST33051001 (J22888-20) Body 2 ST33061000 (J8107-2) Adapter	<p style="text-align: center;">NT072</p>	Removing and installing differential side bearing inner cone a: 28.5 mm (1.122 in) dia. b: 38 mm (1.50 in) dia.
ST33230000 (J25805-01) Differential side bearing drift	<p style="text-align: center;">NT085</p>	Installing side bearing inner cone a: 51 mm (2.01 in) dia. b: 41 mm (1.61 in) dia. c: 28.5 mm (1.122 in) dia.
ST33081000 (—) Side bearing puller adapter	<p style="text-align: center;">NT431</p>	Installing side bearing inner cone a: 43 mm (1.69 in) dia. b: 33.5 mm (1.319 in) dia.

REAR FINAL DRIVE

C200

Preparation (Cont'd)

Tool number (Kent-Moore No.) Tool name	Description	
KV38100600 (J25267) Side bearing spacer drift		Installing side bearing spacer a: 8 mm (0.31 in) b: R42.5 mm (1.673 in)
ST30611000 (J25742-1) Drift		Installing pinion rear bearing outer race
ST30621000 (J25742-5) Drift		Installing pinion rear bearing outer race a: 79 mm (3.11 in) dia. b: 59 mm (2.32 in) dia.
ST30613000 (J25742-3) Drift		Installing pinion front bearing outer race a: 72 mm (2.83 in) dia. b: 48 mm (1.89 in) dia.
KV38100500 (J25273) Gear carrier front oil seal drift		Installing front oil seal a: 85 mm (3.35 in) dia. b: 60 mm (2.36 in) dia.
(J34309) Differential shim selector		Adjusting bearing pre-load and gear height
(J25269-4) Side bearing discs (2 Req'd)		Selecting pinion height adjusting washer
(J8129) Spring gauge		Measuring carrier turning torque

GI

MA

EM

LC

EC

FE

CL

MT

AT

TF

PD

AX

SU

BR

ST

RS

BT

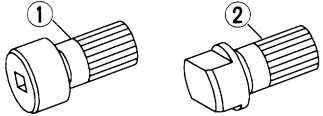
HA

SC

EL

IDX

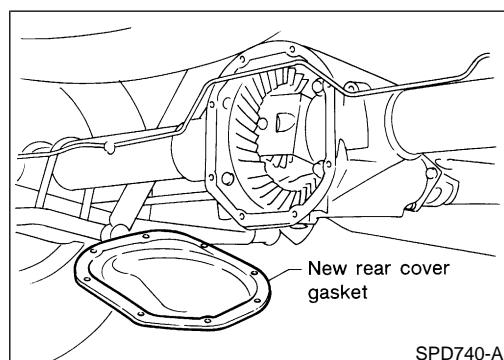
Preparation (Cont'd)

Tool number (Kent-Moore No.) Tool name	Description	
KV381051S0 (—) Rear axle shaft dummy 1 KV38105110 (—) Torque wrench side 2 KV38105120 (—) Vice side	 <p style="text-align: center;">NT142</p>	Checking differential torque on limited slip differential

Noise, Vibration and Harshness (NVH) Troubleshooting

Refer to "NVH TROUBLESHOOTING CHART", PD-5.

NGPD0053



On-vehicle Service

REAR COVER GASKET REPLACEMENT

(Rear final drive: Model C200)

1. Drain gear oil.
2. Remove rear cover and rear cover gasket.
3. Install new rear cover gasket and rear cover.
4. Fill final drive with recommended gear oil.

NGPD0054

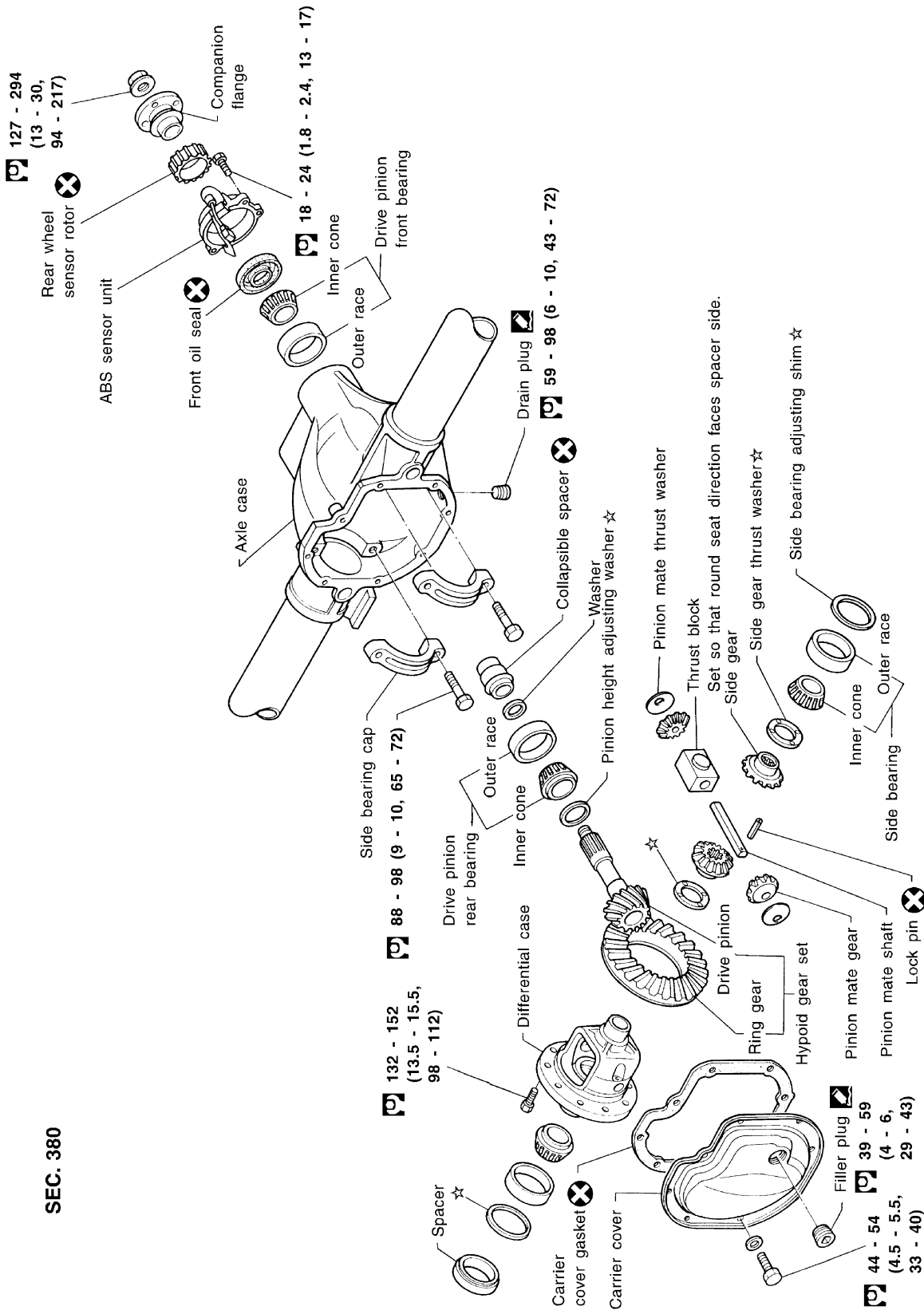
REAR FINAL DRIVE

C200

Components

Components

NGPD0055



P : N•m (kg-m, ft-lb)

X : Always replace when disassembled.

☆ : Adjustment is required.

SEC. 380

GI
MA
EM
LC
EC
FE
CL
MT
AT
TF
PD
AX
SU
BR
ST
RS
BT
HA
SC
EL
IDX

Removal and Installation

REMOVAL

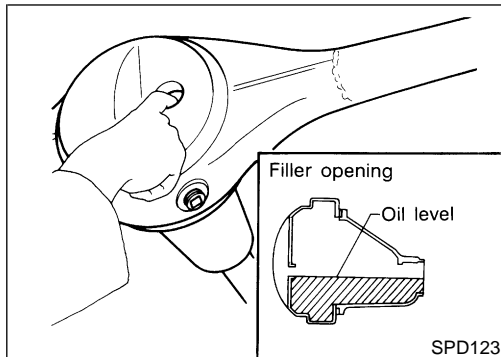
NGPD0056

NGPD0056S01

- Remove propeller shaft.
Plug front end of transfer.
- Remove axle shaft.
Refer to "REAR AXLE", **AX-26**.

CAUTION:

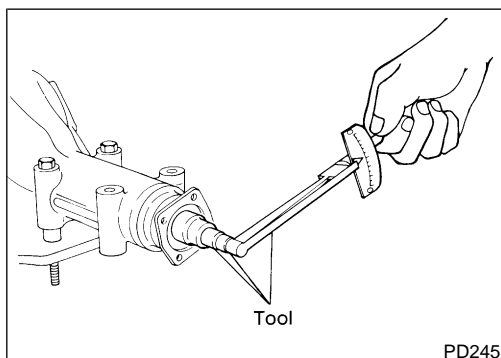
- Be careful not to damage spline, sleeve yoke and front oil seal when removing propeller shaft.
- Before removing the final drive assembly or rear axle assembly, disconnect the ABS sensor harness connector from the assembly and move it away from the final drive/rear axle assembly area. Failure to do so may result in the sensor wires being damaged and the sensor becoming inoperative.



INSTALLATION

NGPD0056S02

- Fill final drive with recommended gear oil.



Disassembly

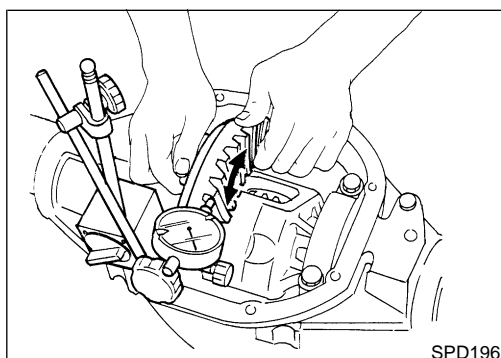
NGPD0057

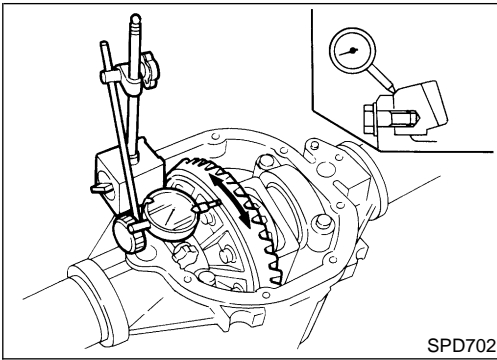
PRE-INSPECTION

NGPD0057S01

Before disassembling final drive, perform the following inspection.

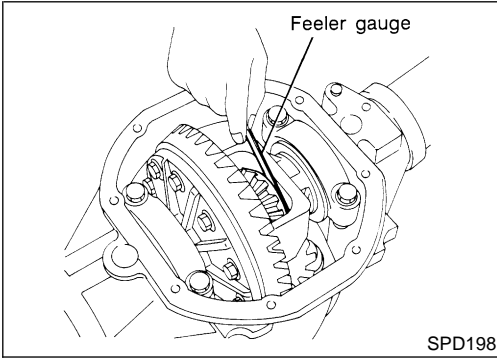
- Total preload
 - a) Turn drive pinion in both directions several times to set bearing rollers.
 - b) Check total preload with Tool.
 - Tool number: ST3127S000 (J25765-A)**
 - Total preload:**
 - 1.2 - 2.3 N·m (12 - 23 kg·cm, 10 - 20 in·lb)**
- Ring gear-to-drive pinion backlash. Check backlash of ring gear with a dial indicator at several points.
 - Ring gear-to-drive pinion backlash:**
 - 0.13 - 0.18 mm (0.0051 - 0.0071 in)**





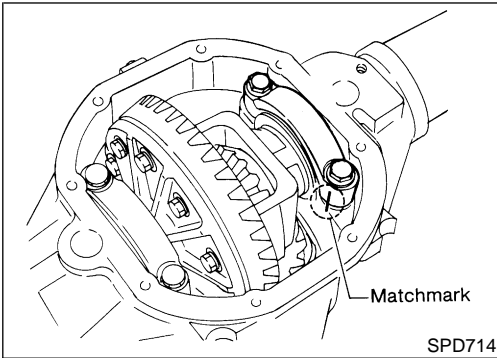
SPD702

- Ring gear runout
Check runout of ring gear with a dial indicator.
Runout limit: 0.05 mm (0.0020 in)



SPD198

- Tooth contact
Check tooth contact. Refer to "ADJUSTMENT", PD-52.
- Side gear-to-pinion mate gear backlash
Measure clearance between side gear thrust washer and differential case with a feeler gauge.
**Clearance between side gear thrust washer and differential case:
Less than 0.15 mm (0.0059 in)**



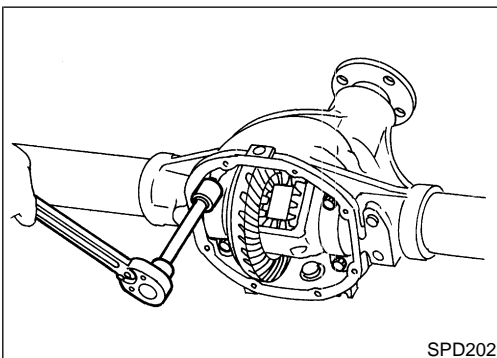
SPD714

DIFFERENTIAL CARRIER

NGPD0057S02

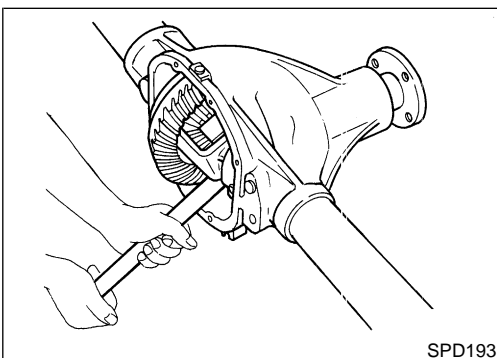
1. Remove rear cover and rear cover gasket.
2. Put match marks on one side of side bearing cap with paint or punch to ensure that it is replaced in proper position during reassembly.

Bearing caps are line-bored during manufacture and should be put back in their original places.



SPD202

3. Remove side bearing caps.



SPD193

4. Remove differential case assembly with pry bar.

GI

MA

EM

LC

EC

FE

CL

MT

AT

TF

PD

AX

SU

BR

ST

RS

BT

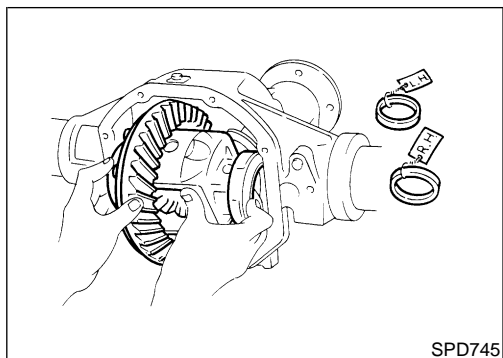
HA

SC

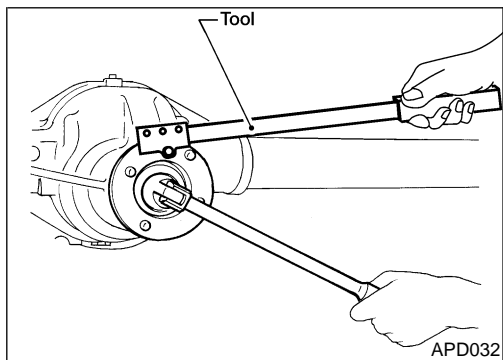
EL

IDX

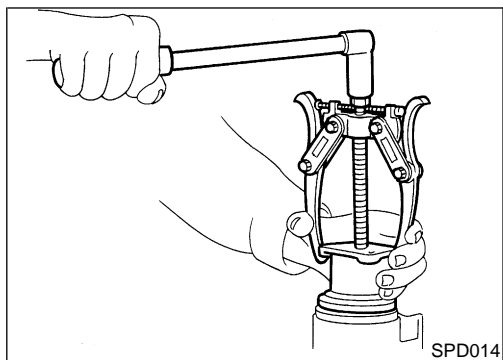
Disassembly (Cont'd)



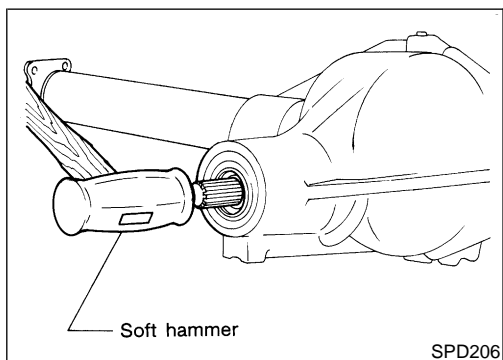
Keep the side bearing outer races together with their respective inner cones — do not mix them up.



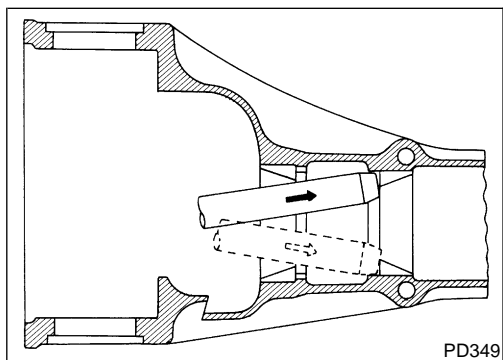
- Remove pinion nut with Tool.
Tool number: KV38108300 (J44195)



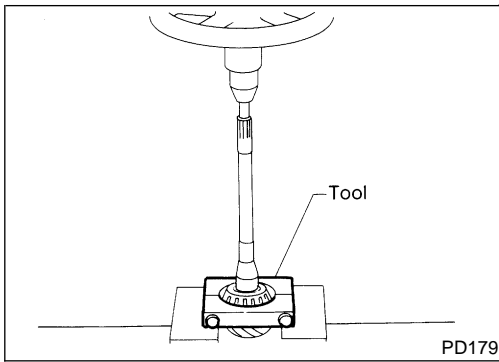
- Remove companion flange with puller.



- Remove drive pinion with soft hammer.
- Remove front oil seal and pinion front bearing inner cone.



- Remove pinion bearing outer races with a brass drift.



10. Remove pinion rear bearing inner cone and pinion height adjusting washer.

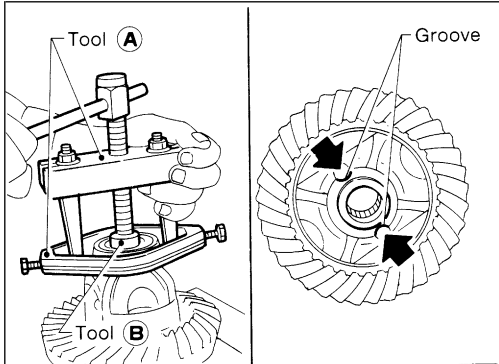
Tool number: ST30031000 (J22912-01)

GI

MA

EM

LC



DIFFERENTIAL CASE

NGPD0057S03

1. Remove side bearing inner cones.
To prevent damage to bearing, engage puller jaws in grooves.

Tool numbers:

A ST33051001 (J22888-20)

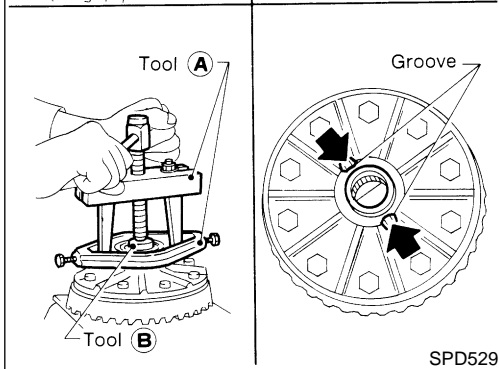
B ST33061000 (J8107-2)

EC

FE

CL

MT

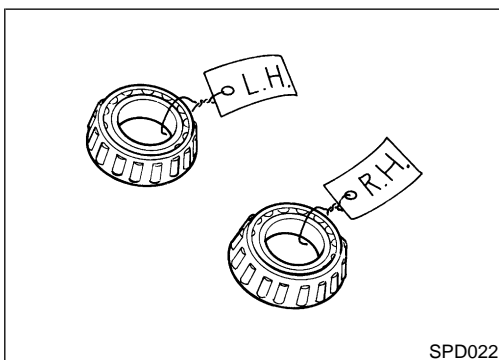


AT

TF

PD

AX



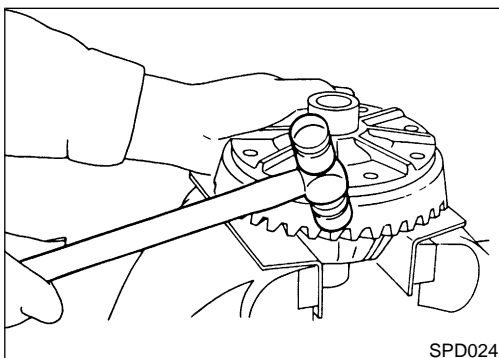
Be careful not to confuse the right and left hand parts.

SU

BR

ST

RS



2. Loosen ring gear bolts in a criss-cross fashion.
 3. Tap ring gear off the differential case with a soft hammer.
Tap evenly all around to keep ring gear from binding.

BT

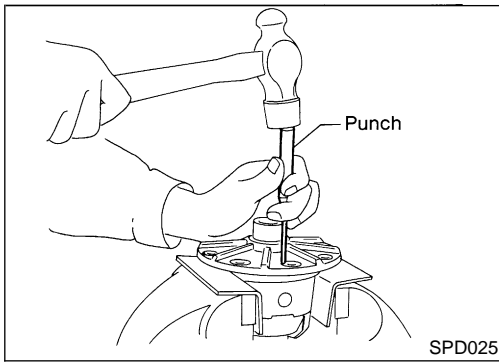
HA

SC

EL

IDX

Disassembly (Cont'd)



- Punch off pinion mate shaft lock pin from ring gear side.
Lock pin is calked at pin hole mouth on differential case.

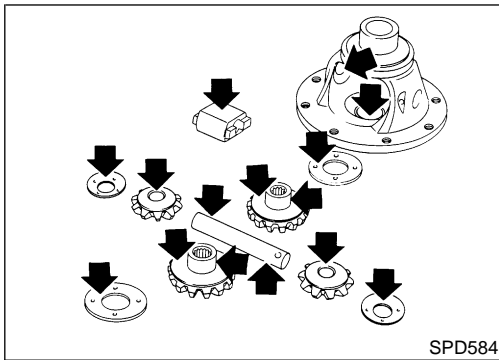
Inspection

RING GEAR AND DRIVE PINION

NGPD0058

NGPD0058S01

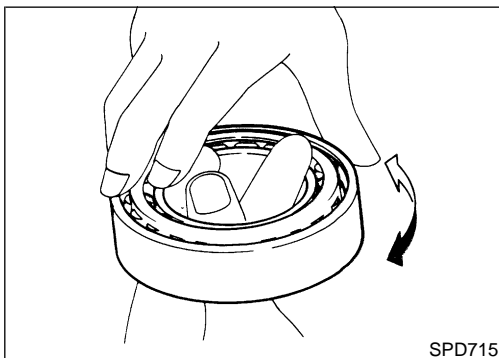
Check gear teeth for scoring, cracking or chipping. If any damaged part is evident, replace ring gear and drive pinion as a set (hypoid gear set).



DIFFERENTIAL CASE ASSEMBLY

NGPD0058S02

Check mating surfaces of differential case, side gears, pinion mate gears, pinion mate shaft, thrust block and thrust washers.



BEARING

NGPD0058S03

- Thoroughly clean bearing.
- Check bearings for wear, scratches, pitting or flaking. Check tapered roller bearing for smooth rotation. If damaged, replace outer race and inner cone as a set.

Adjustment

NGPD0059

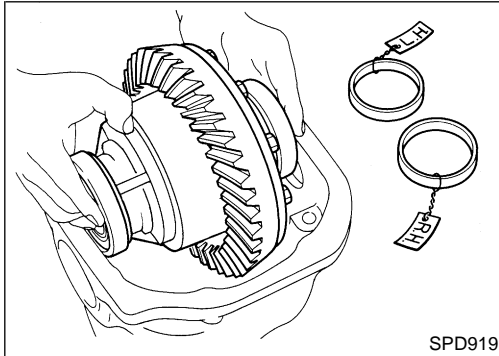
For quiet and reliable final drive operation, the following five adjustments must be made correctly.

- Side bearing preload
- Pinion gear height
- Pinion bearing preload. Refer to "ASSEMBLY", PD-54.
- Ring gear-to-pinion backlash. Refer to "ASSEMBLY", PD-54.
- Ring and pinion gear tooth contact pattern

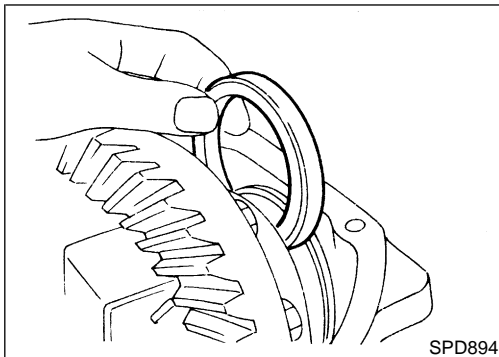
SIDE BEARING PRELOAD

NGPD0059S01

A selection of carrier side bearing preload shims is required for successful completion of this procedure.

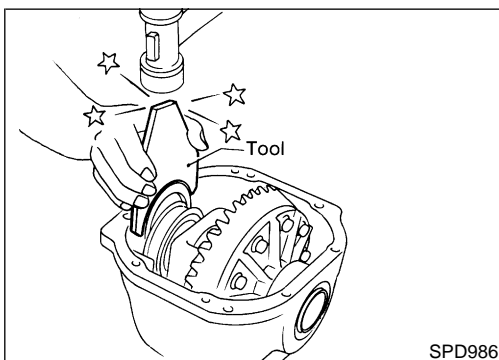


1. Make sure all parts are clean. Make sure, also, the bearings are well lubricated with light oil or type "DEXRON™" automatic transmission fluid.
2. Place the differential carrier, with side bearings and bearing races installed, into the final drive housing.



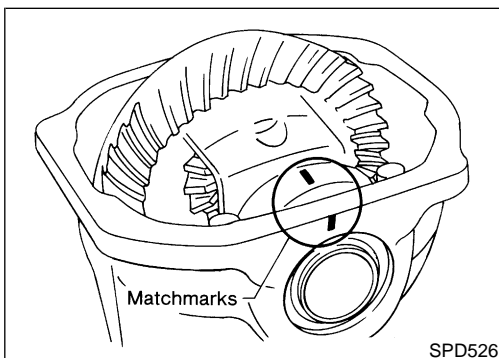
3. Put the side bearing spacer in place.

CAUTION:
Side bearing spacer is placed on either the right or left depending upon final drive gear ratio. Be sure to replace it on the correct side.



4. Use Tool to place original carrier side bearing preload shims on the carrier end, opposite the ring gear.

Tool number: KV38100600 (J25267)



5. Install the side bearing caps in their correct locations and torque the bearing cap retaining bolts.

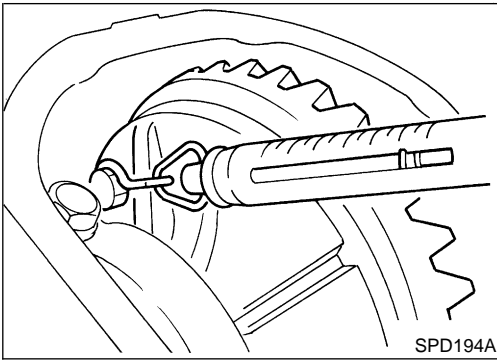
Specification:

88 - 98 N-m (9.0 - 10.0 kg-m, 65 - 72 ft-lb)

6. Turn the carrier several times to seat the bearings.

GI
MA
EM
LC
EC
FE
CL
MT
AT
TF
PD
AX
SU
BR
ST
RS
BT
HA
SC
EL
IDX

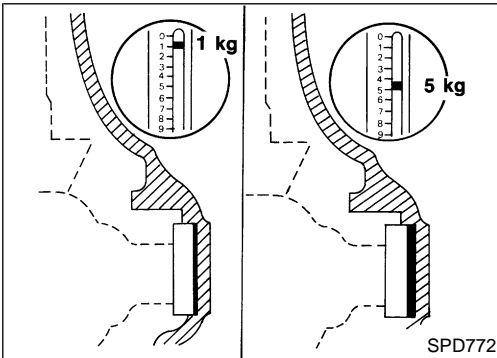
Adjustment (Cont'd)



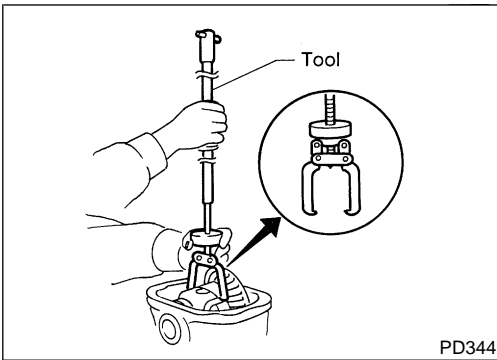
7. Measure the turning torque of the carrier at the ring gear retaining bolts with a spring gauge, J8129.

Specification:

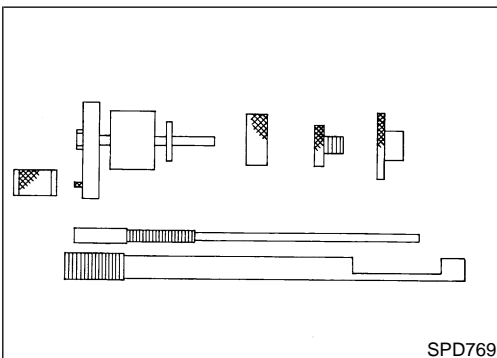
34.3 - 39.2 N (3.5 - 4.0 kg, 7.7 - 8.8 lb) of pulling force at the ring gear bolt



8. If the turning torque is not within the specifications, correct the torque as follows:
 - If the turning torque is less than the specified range, install washers of greater thickness.
 - If the turning torque is greater than the specification, install thinner washers.
 - See the SDS section for washer dimensions and part numbers.
9. Record the total amount of washer thickness required for the correct carrier side bearing preload.



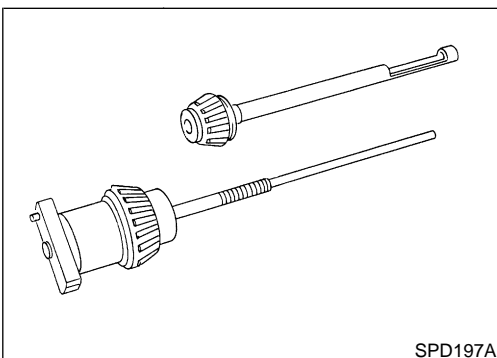
10. Remove the carrier from the final drive housing. Save the selected preload washers for later use during the assembly of the final drive unit.



PINION GEAR HEIGHT

NGPD0059S02

1. Make sure all parts are clean and that the bearings are well lubricated.
2. Assemble the pinion gear bearings into the pinion preload shim selector Tool, J34309.

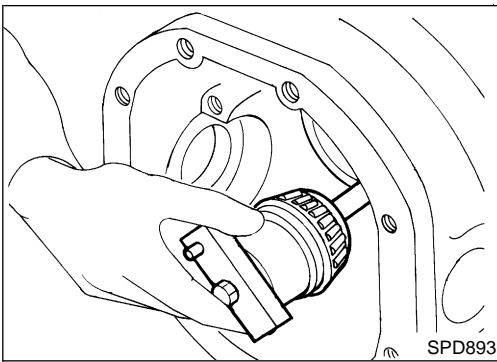


- **Front pinion bearing** — make sure the J34309-3 front pinion bearing seat is secured tightly against the J34309-2 gauge anvil. Then turn the front pinion bearing pilot, J34309-5, to secure the bearing in its proper position.
- **Rear pinion bearing** — the rear pinion bearing pilot, J34309-8, is used to center the rear pinion bearing only. The rear pinion bearing locking seat, J34309-4, is used to lock the bearing to the assembly.

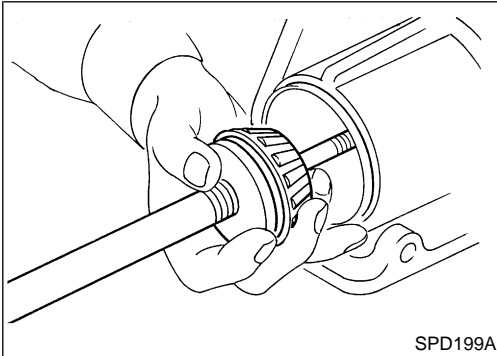
REAR FINAL DRIVE

C200

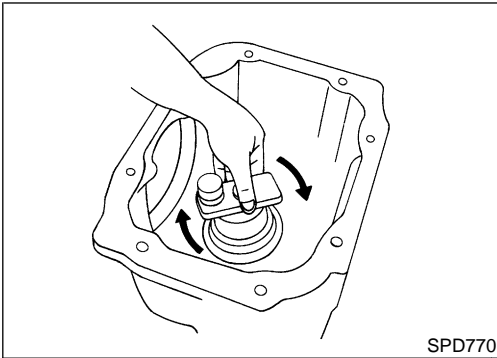
Adjustment (Cont'd)



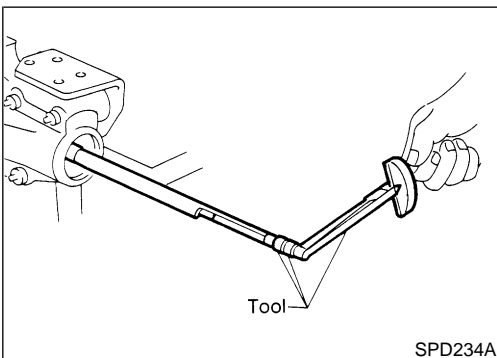
3. Install the pinion rear bearing inner cone into the final drive housing. Then place the pinion preload shim selector Tool, J34309-1, on gauge screw assembly.



4. Assemble the front pinion bearing inner cone and the J34309-2 gauge anvil. Assemble them together with the J34309-1 gauge screw in the final drive housing. Make sure that the pinion height gauge plate, J34309-16, will turn a full 360 degrees. Tighten the two sections together by hand.



5. Turn the assembly several times to seat the bearings.

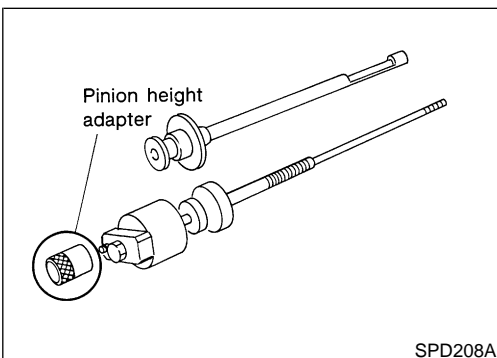


6. Measure the turning torque at the end of the J34309-2 gauge anvil using Tool.

Tool number: ST3127S000 (J25765-A)

Turning torque specification:

1.0 - 1.3 N-m (10 - 13 kg-cm, 8.7 - 11.3 in-lb)



7. Place the J34309-11 pinion height adapter onto the gauge plate and tighten it by hand.

CAUTION:

Make sure all machined surfaces are clean.

GI

MA

EM

LC

EC

FE

CL

MT

AT

TF

PD

AX

SU

BR

ST

RS

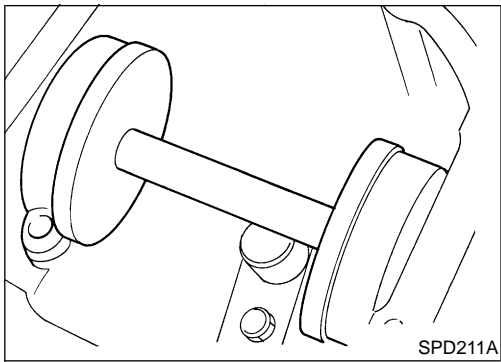
BT

HA

SC

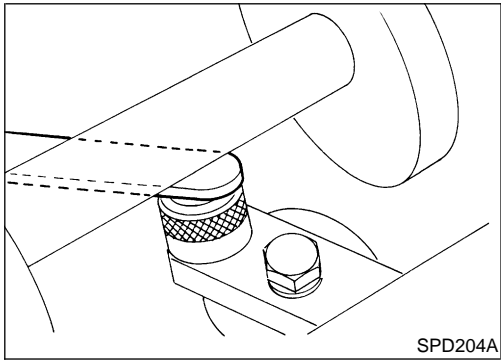
EL

IDX

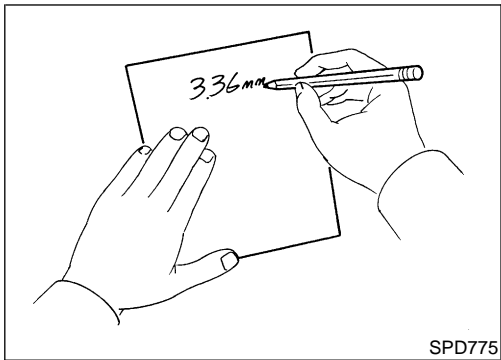


PINION HEIGHT ADJUSTING WASHER SELECTION

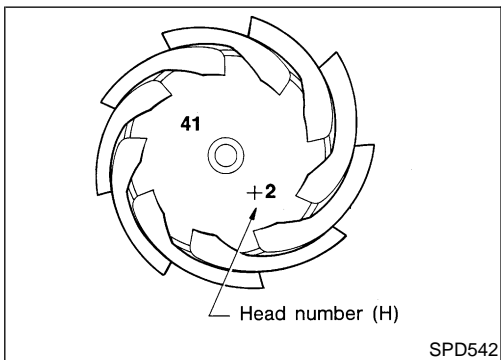
8. Now, position the side bearing discs, J25269-4, and arbor firmly into the side bearing bores. Install the side bearing caps and tighten the cap bolts to proper torque.



9. Select the correct standard pinion height adjusting washer thickness. Select by using a standard gauge of 3 mm (0.12 in) and J34309-101 feeler gauge. Measure the distance between the J34309-11 pinion height adapter including the standard gauge and the arbor.



10. Write down your exact measurement (the value of feeler gauge).



11. Correct the pinion height washer size by referring to the “pinion head number”.

There are two numbers painted on the pinion gear. The first one refers to the pinion and ring gear as a matched set. This number should be the same as the number on the ring gear. The second number is the “pinion head height number”. It refers to the ideal pinion height from standard for quietest operation. Use the following chart to determine the correct pinion height washer.

Use the following chart to determine the correct pinion height washer:

REAR FINAL DRIVE

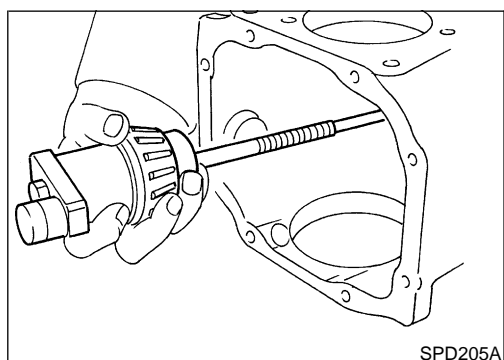
C200

Adjustment (Cont'd)

Pinion head height number	Add or remove from the standard pinion height washer thickness measurement	
-6	Add 0.06 mm (0.0024 in)	GI
-5	Add 0.05 mm (0.0020 in)	MA
-4	Add 0.04 mm (0.0016 in)	EM
-3	Add 0.03 mm (0.0012 in)	EM
-2	Add 0.02 mm (0.0008 in)	LC
-1	Add 0.01 mm (0.0004 in)	LC
0	Use the selected washer thickness	EC
+1	Subtract 0.01 mm (0.0004 in)	EC
+2	Subtract 0.02 mm (0.0008 in)	FE
+3	Subtract 0.03 mm (0.0012 in)	FE
+4	Subtract 0.04 mm (0.0016 in)	CL
+5	Subtract 0.05 mm (0.0020 in)	CL
+6	Subtract 0.06 mm (0.0024 in)	MT

12. Select the correct pinion height washer.

Drive pinion height adjusting washer:
Refer to SDS, PD-59.



13. Remove the J34309 pinion preload shim selector Tool from the final drive housing. Then disassemble to retrieve the pinion bearings.

GI

MA

EM

LC

EC

FE

CL

MT

AT

TF

PD

AX

SU

BR

ST

RS

BT

HA

SC

EL

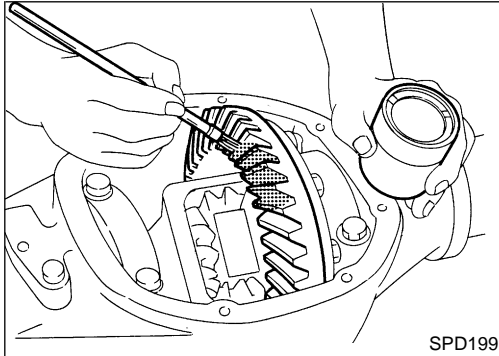
IDX

TOOTH CONTACT

=NGPD0059S03

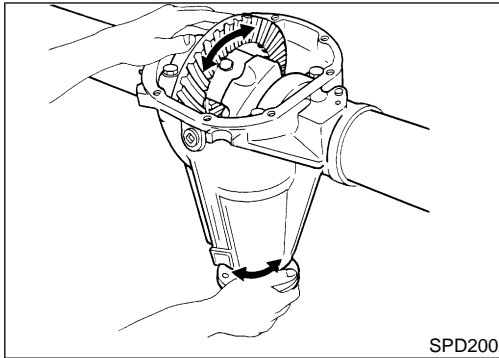
Checking gear tooth contact pattern is necessary to verify correct relationship between ring gear and drive pinion.

Hypoid gear set which is not positioned properly may be noisy, or have short life or both. With the checking of gear tooth contact pattern, the most desirable contact for low noise level and long life can be assured.



SPD199

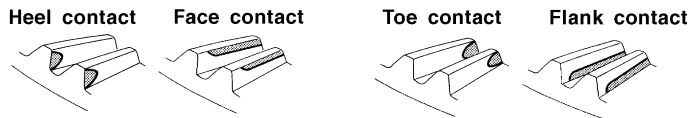
1. Thoroughly clean ring gear and drive pinion teeth.
2. Sparingly apply a mixture of powdered ferric oxide and oil or equivalent to 3 or 4 teeth of ring gear drive side.



SPD200

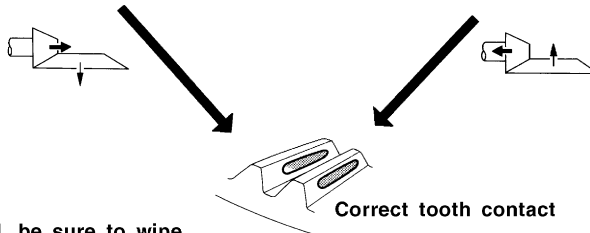
3. Hold companion flange steady and rotate the ring gear in both directions.

Usually the pattern will be correct if shims are correctly calculated and the backlash is correct. However, in rare cases, trial and error processes may be employed to obtain a correct pattern. The tooth pattern is the best indication of how well a differential has been set up.



To correct, increase thickness of pinion height adjusting washer in order to bring drive pinion close to ring gear.

To correct, reduce thickness of pinion height adjusting washer in order to make drive pinion go away from ring gear.

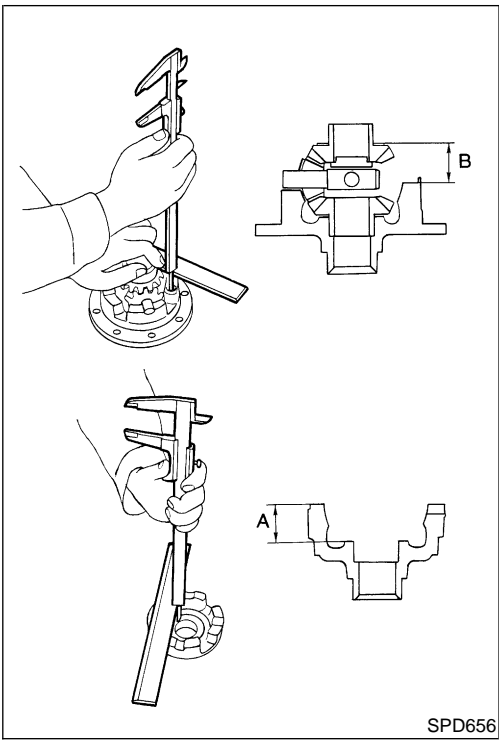


When adjustment is completed, be sure to wipe off completely the ferric oxide and oil or their equivalent.

SPD007-B

NGPD0060

NGPD0060S01



SPD656

Assembly DIFFERENTIAL CASE

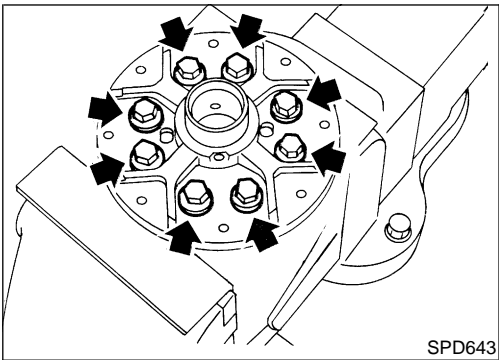
1. Measure clearance between side gear thrust washer and differential case.

Clearance between side gear thrust washer and differential case (A – B):

Less than 0.15 mm (0.0059 in)

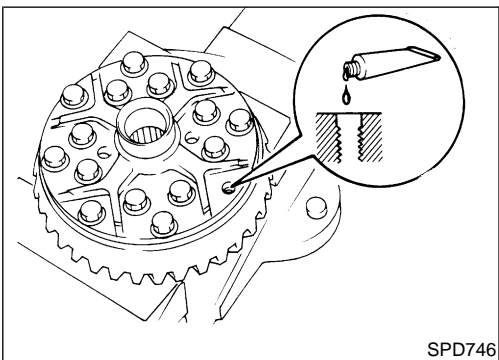
The clearance can be adjusted with side gear thrust washer. Refer to SDS, PD-58.

2. Apply gear oil to gear tooth surfaces and thrust surfaces and check to see that they turn properly.



SPD643

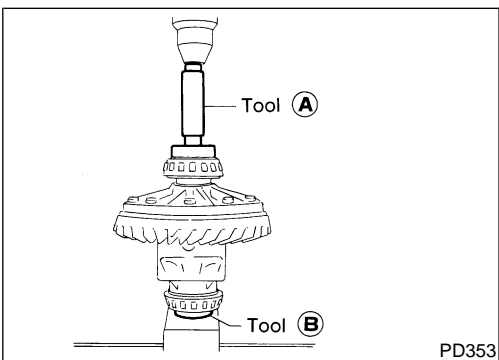
3. Install differential case LH and RH.



SPD746

4. Place differential case on ring gear.
5. Apply locking agent [Loctite (stud lock) or equivalent] to ring gear bolts, and install them.

Tighten bolts in a criss-cross pattern, lightly tapping bolt head with a hammer.



PD353

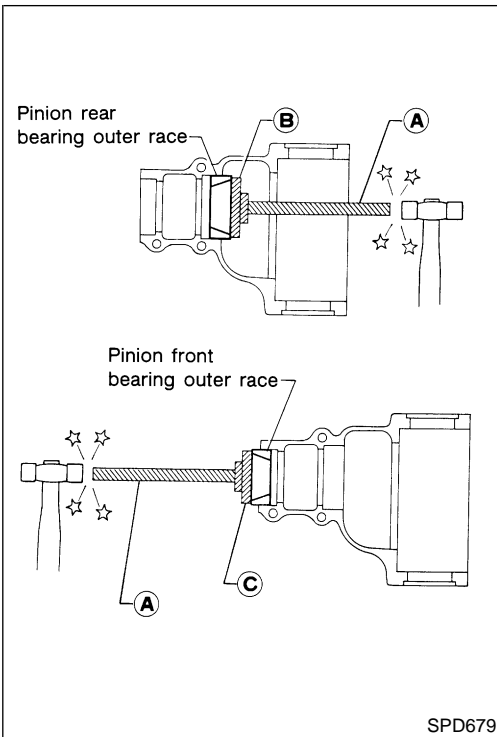
6. Press-fit side bearing inner cones on differential case with Tool.

Tool numbers:

A ST33230000 (J25805-01)

B ST33061000 (J8107-2)

GI
MA
EM
LC
EC
FE
CL
MT
AT
TF
PD
AX
SU
BR
ST
RS
BT
HA
SC
EL
IDX



DIFFERENTIAL CARRIER

NGPD0060S02

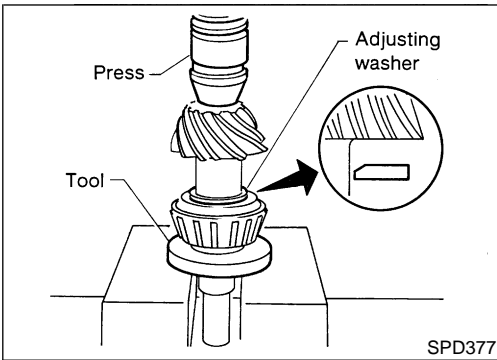
1. Press-fit front and rear bearing outer races with Tools.

Tool numbers:

A ST30611000 (J25742-1)

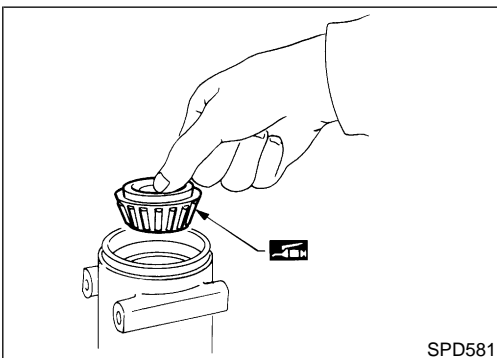
B ST30621000 (J25742-5)

C ST30613000 (J25742-3)

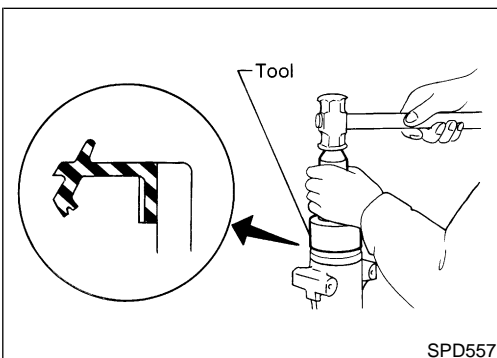


2. Select pinion height adjusting washer. Refer to "ADJUSTMENT", PD-48.
3. Install pinion height adjusting washer in drive pinion, and press-fit rear bearing inner cone in it, with press and Tool.

Tool number: ST30901000 (J26010-01)



4. Place pinion front bearing inner cone in gear carrier.



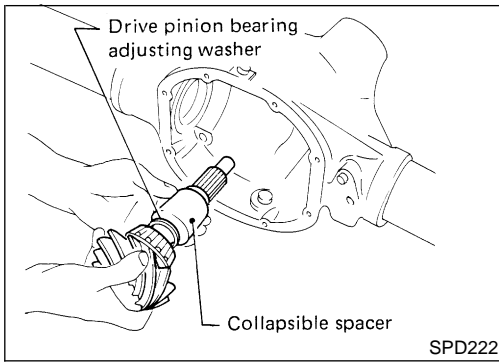
5. Apply multi-purpose grease to cavity at sealing lips of oil seal. Install front oil seal.

Tool number: KV38100500 (J25273)

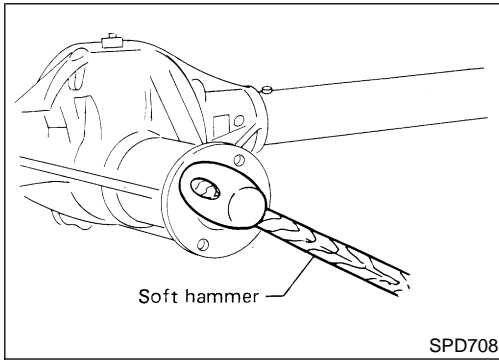
REAR FINAL DRIVE

C200

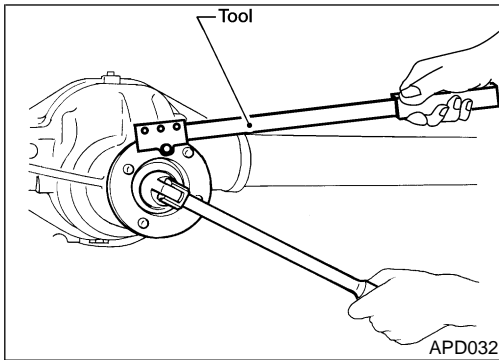
Assembly (Cont'd)



6. Place drive pinion bearing spacer, drive pinion bearing adjusting washer and drive pinion in gear carrier.

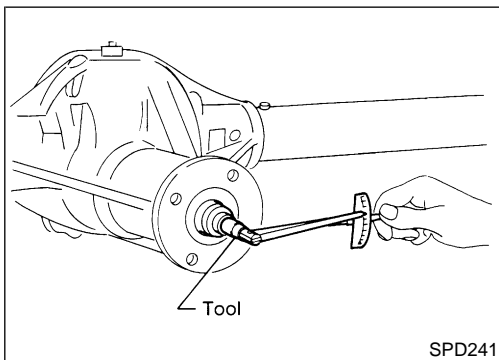


7. Insert companion flange into drive pinion by tapping the companion flange with a soft hammer.



8. Tighten pinion nut to 127 N·m (13 kg-m, 94 ft-lb).
The threaded portion of drive pinion and pinion nut should be free from oil or grease.

Tool number: KV38108300 (J44195)



9. Tighten the pinion nut by very small degrees until the specified preload is achieved. When checking the preload, turn the drive pinion in both directions several times to set the bearing rollers.

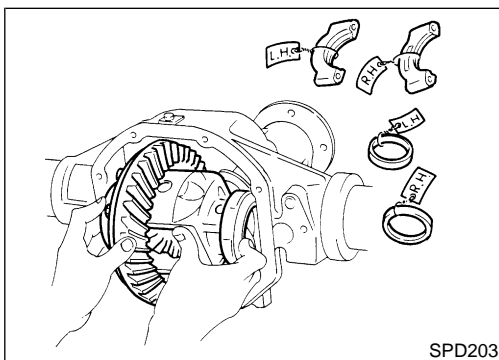
Tool number: ST3127S000 (J25765-A)

Pinion bearing preload:

1.1 - 1.7 N·m (11 - 17 kg-cm, 9.5 - 14.8 in-lb)

This procedure will have to be repeated if:

- **Maximum preload is achieved before the minimum pinion nut torque is reached.**
- **Minimum preload is not achieved before maximum pinion nut torque is reached.**



10. Select side bearing adjusting washer. Refer to Adjustment, PD-47.
11. Install differential case assembly with side bearing outer races into gear carrier.

GI

MA

EM

LC

EC

FE

CL

MT

AT

TF

PD

AX

SU

BR

ST

RS

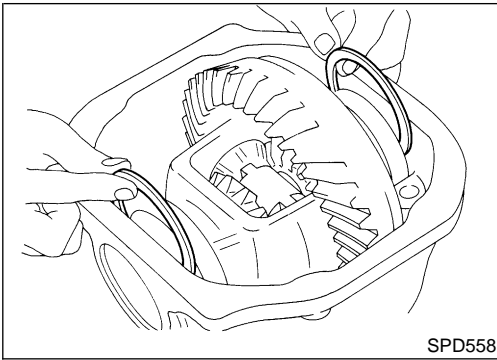
BT

HA

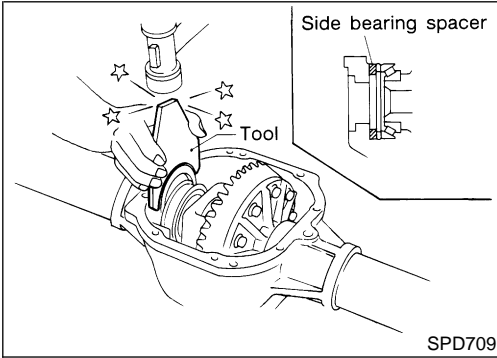
SC

EL

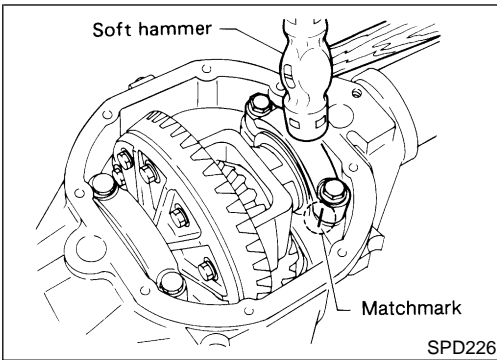
IDX



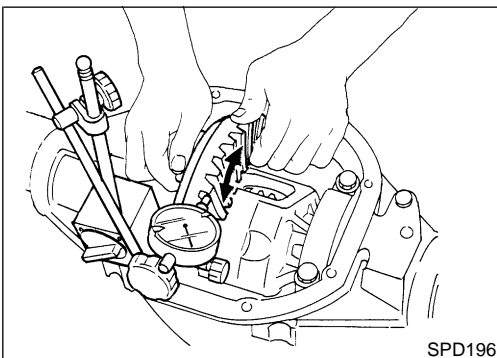
12. Insert left and right side bearing adjusting washers in place between side bearing and carrier.



13. Drive in side bearing spacer with Tool.
Tool number: KV38100600 (J25267)



14. Align mark on bearing cap with that on gear carrier and install bearing cap on gear carrier.

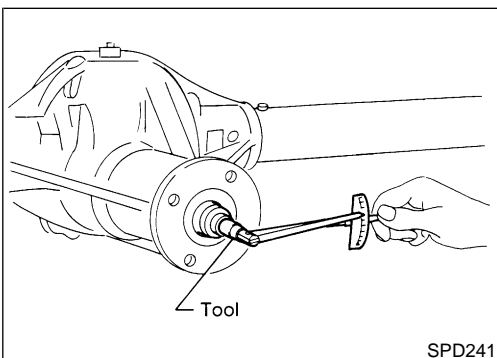


15. Measure ring gear-to-drive pinion backlash with a dial indicator.

Ring gear-to-drive pinion backlash:
0.13 - 0.18 mm (0.0051 - 0.0071 in)

- If backlash is too small, decrease thickness of right shim and increase thickness of left shim by the same amount. If backlash is too great, reverse the above procedure.

Never change the total amount of shims as it will change the bearing preload.



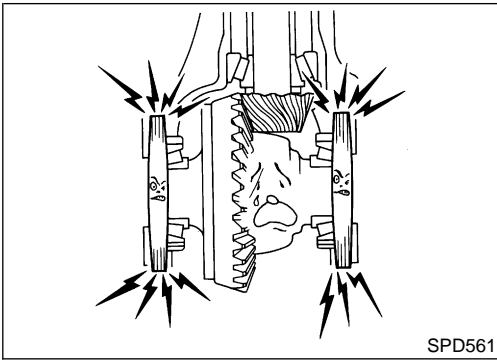
16. Check total preload with Tool.
When checking preload, turn drive pinion in both directions several times to seat bearing rollers correctly.

Total preload:
1.2 - 2.3 N·m (12 - 23 kg·cm, 10 - 20 in·lb)
Tool number: ST3127S000 (J25765-A)

REAR FINAL DRIVE

C200

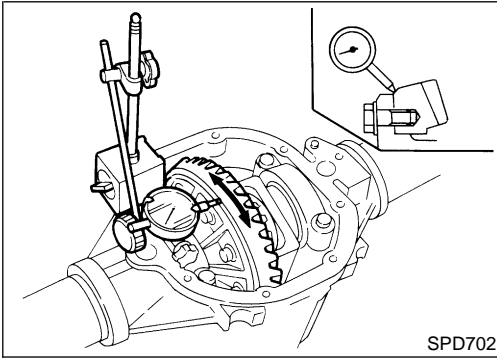
Assembly (Cont'd)



- If preload is too great, remove the same amount of shim from each side.
- If preload is too small, add the same amount of shim to each side.

Never add or remove a different number of shims for each side as it will change ring gear-to-drive pinion backlash.

17. Recheck ring gear-to-drive pinion backlash because increase or decrease in thickness of shims will cause change of ring gear-to-pinion backlash.



18. Check runout of ring gear with a dial indicator.

Runout limit: 0.05 mm (0.0020 in)

- If backlash varies excessively in different places, the variance may have resulted from foreign matter caught between the ring gear and the differential case.
 - If the backlash varies greatly when the runout of the ring gear is within a specified range, the hypoid gear set or differential case should be replaced.
19. Check tooth contact.
Refer to "ADJUSTMENT", PD-52.
 20. Install rear cover and gasket.

GI

MA

EM

LC

EC

FE

CL

MT

AT

TF

PD

AX

SU

BR

ST

RS

BT

HA

SC

EL

IDX

REAR FINAL DRIVE

C200

Service Data and Specifications (SDS)

Service Data and Specifications (SDS)

C200

General Specifications

=NGPD0061

NGPD0061S01

Engine	KA24DE
Vehicle grade	XE
Rear final drive	Standard
	C200
	2-pinion
Gear ratio	4.625
Number of teeth (Ring gear/drive pinion)	37/8
Oil capacity (Approx.) ℓ (US pt, Imp pt)	1.3 (2-3/4, 2-1/4)

Ring Gear Runout

NGPD0061S02

Ring gear runout limit mm (in)	0.05 (0.0020)
--------------------------------	---------------

Side Gear Adjustment

NGPD0061S03

Side gear backlash (Clearance between side gear and differential case) mm (in)	Less than 0.15 (0.0059)	
Available side gear thrust washers	Thickness mm (in)	Part number*
	0.75 (0.0295)	38424-N3110
	0.78 (0.0307)	38424-N3111
	0.81 (0.0319)	38424-N3112
	0.84 (0.0331)	38424-N3113
	0.87 (0.0343)	38424-N3114
	0.90 (0.0354)	38424-N3115
	0.93 (0.0366)	38424-N3116

*Always check with the Parts Department for the latest parts information.

Side Bearing Adjustment

NGPD0061S04

Differential carrier assembly turning resistance N (kg, lb)	34.3 - 39.2 (3.5 - 4.0, 7.7 - 8.8)	
Available side bearing adjusting washers	Thickness mm (in)	Part number*
	2.00 (0.0787)	38453-N3100
	2.05 (0.0807)	38453-N3101
	2.10 (0.0827)	38453-N3102
	2.15 (0.0846)	38453-N3103
	2.20 (0.0866)	38453-N3104
	2.25 (0.0886)	38453-N3105
	2.30 (0.0906)	38453-N3106
	2.35 (0.0925)	38453-N3107
	2.40 (0.0945)	38453-N3108
	2.45 (0.0965)	38453-N3109
	2.50 (0.0984)	38453-N3110
	2.55 (0.1004)	38453-N3111
2.60 (0.1024)	38453-N3112	

*Always check with the Parts Department for the latest parts information.

Total Preload Adjustment

NGPD0061S05

Total preload N·m (kg·cm, in·lb)	1.2 - 2.3 (12 - 23, 10 - 20)
Ring gear backlash mm (in)	0.13 - 0.18 (0.0051 - 0.0071)

REAR FINAL DRIVE

C200

Service Data and Specifications (SDS) (Cont'd)

Drive Pinion Height Adjustment

NGPD0061S06

Available pinion height adjusting washers	Thickness mm (in)	Part number*
	3.09 (0.1217)	38154-P6017
3.12 (0.1228)	38154-P6018	
3.15 (0.1240)	38154-P6019	
3.18 (0.1252)	38154-P6020	
3.21 (0.1264)	38154-P6021	
3.24 (0.1276)	38154-P6022	
3.27 (0.1287)	38154-P6023	
3.30 (0.1299)	38154-P6024	
3.33 (0.1311)	38154-P6025	
3.36 (0.1323)	38154-P6026	
3.39 (0.1335)	38154-P6027	
3.42 (0.1346)	38154-P6028	
3.45 (0.1358)	38154-P6029	
3.48 (0.1370)	38154-P6030	
3.51 (0.1382)	38154-P6031	
3.54 (0.1394)	38154-P6032	
3.57 (0.1406)	38154-P6033	
3.60 (0.1417)	38154-P6034	
3.63 (0.1429)	38154-P6035	
3.66 (0.1441)	38154-P6036	

*Always check with the Parts Department for the latest parts information.

Drive Pinion Preload Adjustment

NGPD0061S07

Drive pinion bearing preload adjusting method	Collapsible spacer
Drive pinion preload with front oil seal N·m (kg·cm, in·lb)	1.1 - 1.7 (11 - 17, 9.5 - 15)
Drive pinion preload without front oil seal N·m (kg·cm, in·lb)	1.0 - 1.6 (10 - 16, 8.7 - 14)

GI

MA

EM

LC

EC

FE

CL

MT

AT

TF

PD

AX

SU

BR

ST

RS

BT

HA

SC

EL

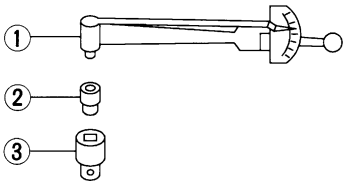
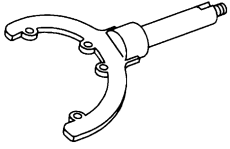
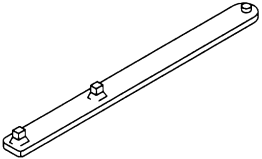
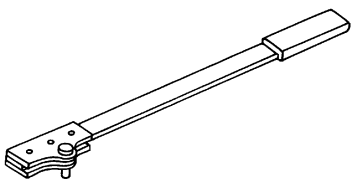
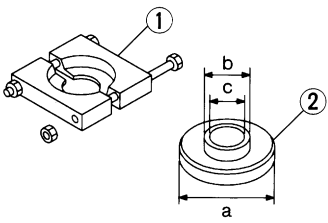
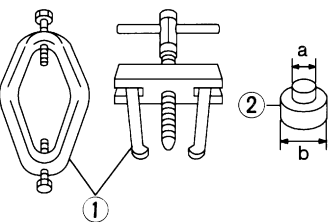
IDX

Preparation

SPECIAL SERVICE TOOLS

NGPD0029

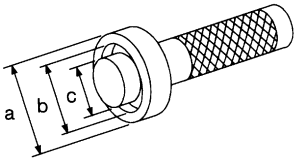
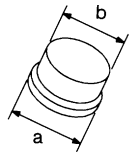
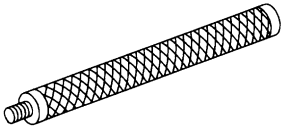
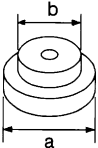
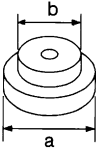
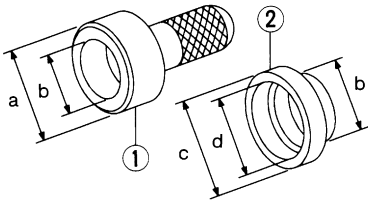

The actual shapes of Kent-Moore tools may differ from those of special service tools illustrated here.

Tool number (Kent-Moore No.) Tool name	Description	
ST3127S000 (See J25765-A) Preload gauge 1 GG91030000 (J25765) Torque wrench 2 HT62940000 (—) Socket adapter 3 HT62900000 (—) Socket adapter		Measuring pinion bearing preload and total preload
ST06340000 (J24310, J34310) Differential attachment		Mounting final drive
ST32580000 (J34312) Differential side bearing adjusting nut wrench		Adjusting side bearing preload and backlash (ring gear-drive pinion)
KV38108300 (J44195) Companion flange wrench		Removing and installing propeller shaft lock nut, and drive pinion lock nut
ST3090S000 (—) Drive pinion rear inner race puller set 1 ST30031000 (J22912-01) Puller 2 ST30901000 (J26010-01) Base		Removing and installing drive pinion rear inner cone a: 79 mm (3.11 in) dia. b: 45 mm (1.77 in) dia. c: 35 mm (1.38 in) dia.
ST3306S001 Differential side bearing puller set 1 ST33051001 (J22888-20) Body 2 ST33061000 (J8107-2) Adapter		Removing and installing differential side bearing inner cone a: 28.5 mm (1.122 in) dia. b: 38 mm (1.50 in) dia.

REAR FINAL DRIVE

H233B

Preparation (Cont'd)

Tool number (Kent-Moore No.) Tool name	Description	GI
ST33190000 (J25523) Differential side bearing drift	 <p data-bbox="950 275 1291 388">Installing side bearing inner cone a: 52 mm (2.05 in) dia. b: 45.5 mm (1.791 in) dia. c: 34 mm (1.34 in) dia.</p> <p data-bbox="409 457 470 485">NT085</p>	MA
ST33081000 (—) Side bearing puller adapter	 <p data-bbox="950 495 1291 588">Installing side bearing inner cone a: 43 mm (1.69 in) dia. b: 33.5 mm (1.319 in) dia.</p> <p data-bbox="409 678 470 705">NT431</p>	LC
ST30611000 (J25742-1) Drift	 <p data-bbox="950 716 1356 766">Installing pinion rear bearing outer race (Use with ST30621000 or ST30613000)</p> <p data-bbox="409 867 470 894">NT090</p>	FE
ST30621000 (J25742-5) Drift	 <p data-bbox="950 905 1356 997">Installing pinion rear bearing outer race a: 79 mm (3.11 in) dia. b: 59 mm (2.32 in) dia.</p> <p data-bbox="409 1077 470 1104">NT073</p>	CL
ST30613000 (J25742-3) Drift	 <p data-bbox="950 1115 1356 1228">Installing pinion front bearing outer race (Use with ST30611000) a: 72 mm (2.83 in) dia. b: 48 mm (1.89 in) dia.</p> <p data-bbox="409 1287 470 1314">NT073</p>	MT
KV381025S0 (—) Oil seal fitting tool 1 ST30720000 (J25405) Drift bar 2 KV38102510 (—) Drift	 <p data-bbox="950 1325 1193 1459">Installing front oil seal a: 77 mm (3.03 in) dia. b: 55 mm (2.17 in) dia. c: 71 mm (2.80 in) dia. d: 65 mm (2.56 in) dia.</p> <p data-bbox="409 1549 470 1575">NT525</p>	AT
(J34309) Differential shim selec- tor	 <p data-bbox="950 1585 1388 1617">Adjusting bearing pre-load and gear height</p> <p data-bbox="409 1896 470 1921">NT134</p>	TF

PD

AX

SU

BR

ST

RS

BT

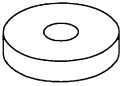
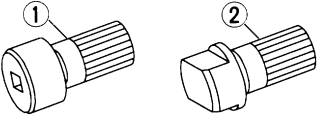
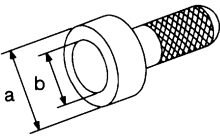
HA

SC

EL

IDX

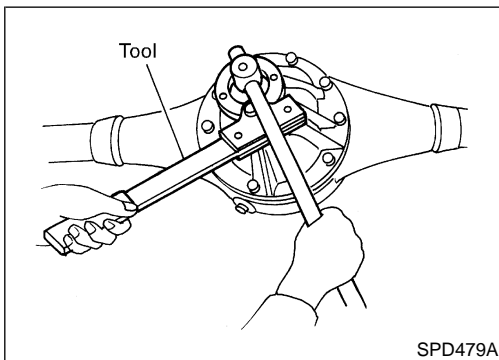
Preparation (Cont'd)

Tool number (Kent-Moore No.) Tool name	Description	
(J25269-18) Side bearing discs (2 Req'd)		Selecting pinion height adjusting washer
NT135		
KV381052S0 (—) Rear axle shaft dummy 1 KV38105210 (—) Torque wrench side 2 KV38105220 (—) Vice side		Checking differential torque on limited slip differential
NT142		
KV38100500 (J25273) Gear carrier front oil seal drift		Installing front oil seal a: 85 mm (3.35 in) dia. b: 60 mm (2.36 in) dia.
NT115		

Noise, Vibration and Harshness (NVH) Troubleshooting

Refer to "NVH TROUBLESHOOTING CHART", PD-4.

NGPD0051

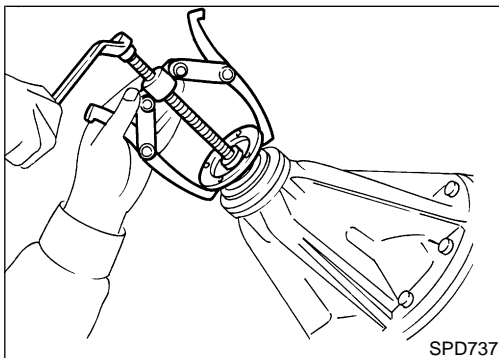


On-vehicle Service FRONT OIL SEAL REPLACEMENT

1. Remove propeller shaft.
2. Loosen drive pinion nut.

Tool number: KV38108300 (J44195)

NGPD0030

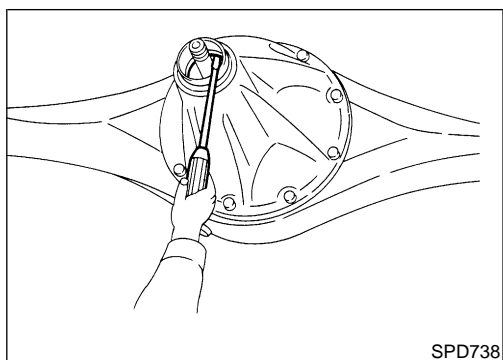


3. Remove companion flange.

REAR FINAL DRIVE

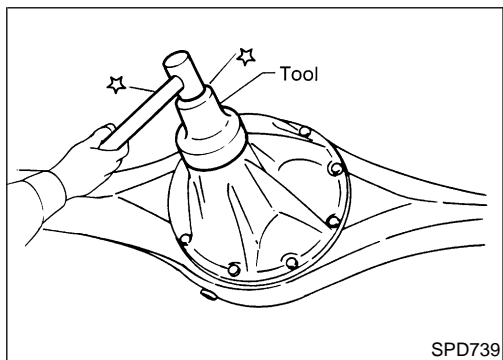
H233B

On-vehicle Service (Cont'd)



SPD738

4. Remove front oil seal.



SPD739

5. Apply multi-purpose grease to cavity at sealing lips of oil seal. Press front oil seal into carrier.

Tool number:

KV38100500 (J25273)

6. Install companion flange and drive pinion nut.
7. Install rear propeller shaft.

GI

MA

EM

LC

EC

FE

CL

MT

AT

TF

PD

AX

SU

BR

ST

RS

BT

HA

SC

EL

IDX

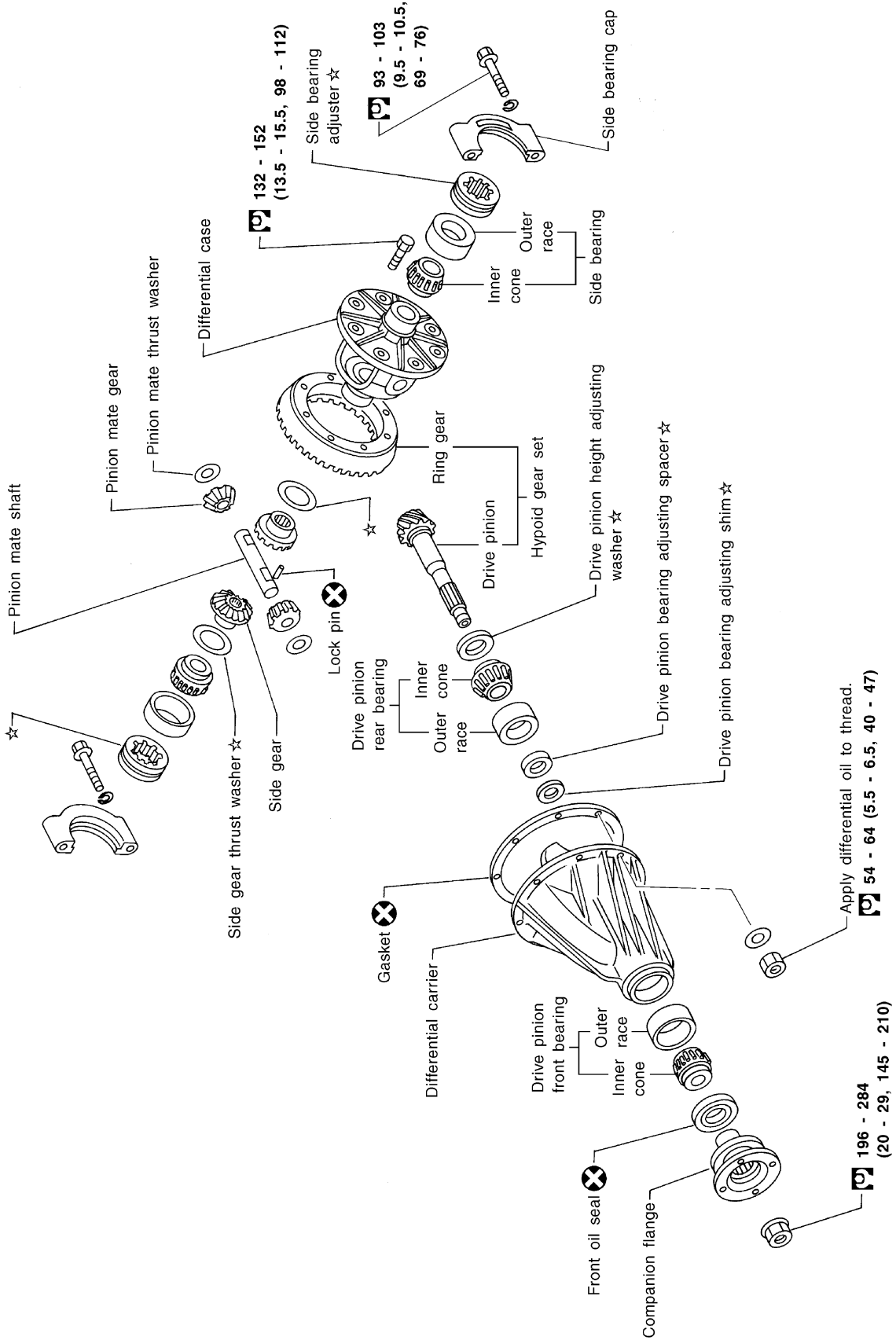
REAR FINAL DRIVE

H233B

Components

Components

NGPDD0031



☆ : N·m (kg-m, ft-lb)

☆ : Adjustment is required.

SEC. 380

Removal and Installation

REMOVAL

NGPD0032

NGPD0032S01

- Remove rear of propeller shaft.
Plug front end of transfer.
- Remove axle shaft.
Refer to "REAR AXLE", **AX-26**.
- Remove rear final drive mounting bolts.

CAUTION:

Be careful not to damage spline, sleeve yoke and front oil seal when removing propeller shaft.

Before removing the final drive assembly or rear axle assembly, disconnect the ABS sensor harness connector from the assembly and move it away from the final drive/rear axle assembly area. Failure to do so may result in the sensor wires being damaged and the sensor becoming inoperative.

GI

MA

EM

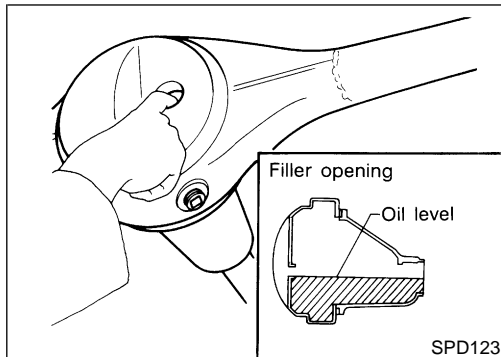
LC

EC

FE

CL

MT



INSTALLATION

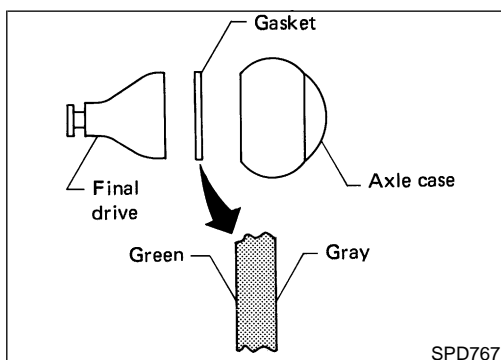
NGPD0032S02

- Fill final drive with recommended gear oil.

AT

TF

PD



- Pay attention to the direction of gasket.

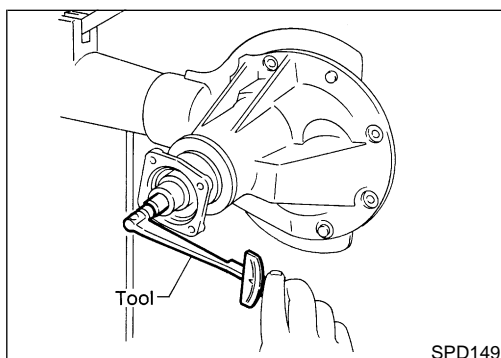
AX

SU

BR

ST

RS



Disassembly

NGPD0033

PRE-INSPECTION

NGPD0033S01

Before disassembling final drive, perform the following inspection.

- Total preload
 - a) Turn drive pinion in both directions several times to seat bearing rollers correctly.
 - b) Check total preload with Tool.

Tool number: ST3127S000 (J25765-A)

Total preload:

1.7 - 2.5 N·m (17 - 25 kg-cm, 15 - 22 in-lb)

BT

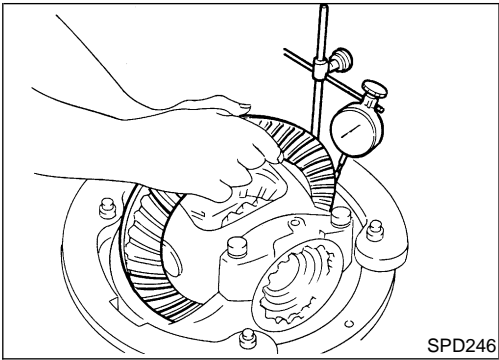
HA

SC

EL

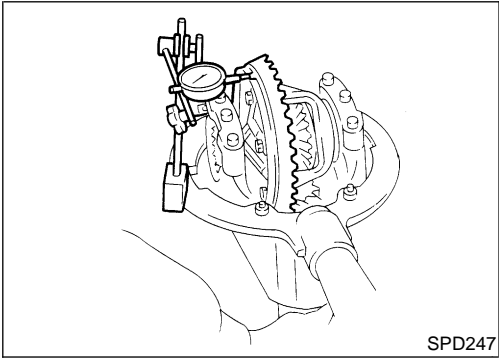
IDX

Disassembly (Cont'd)



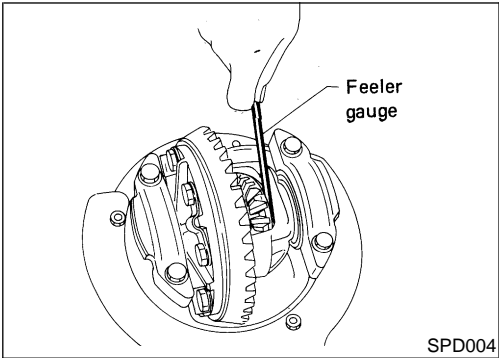
- Ring gear to drive pinion backlash
Check backlash of ring gear with a dial indicator at several points.

Ring gear-to-drive pinion backlash:
0.13 - 0.18 mm (0.0051 - 0.0071 in)



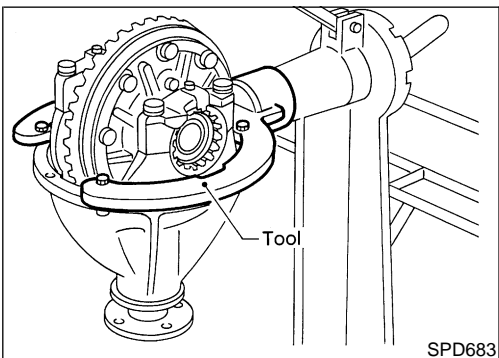
- Ring gear runout
Check runout of ring gear with a dial indicator.

Runout limit:
0.08 mm (0.0031 in)



- Tooth contact
Check tooth contact. Refer to "TOOTH CONTACT", PD-78.
- Side gear to pinion mate gear backlash
Measure clearance between side gear thrust washer and differential case with a feeler gauge.

Clearance between side gear thrust washer and differential case:
0.10 - 0.20 mm (0.0039 - 0.0079 in)

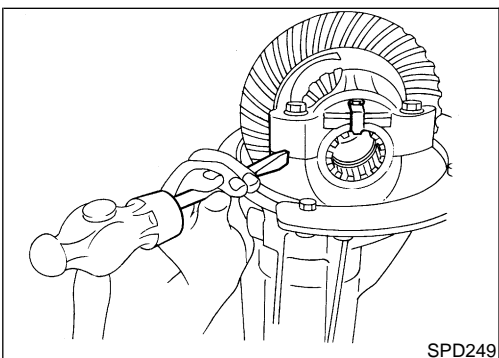


DIFFERENTIAL CARRIER

NGPD0033S02

1. Mount final drive assembly on Tool.

Tool number:
ST06340000 (J24310, J34310)



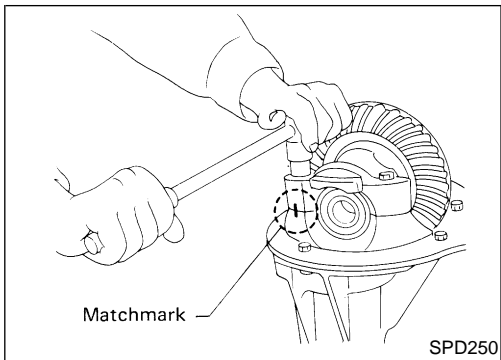
2. Put match marks on one side of side bearing cap with paint or punch to ensure that it is replaced in proper position during reassembly.

Bearing caps are line-bored during manufacture and should be put back in their original places.

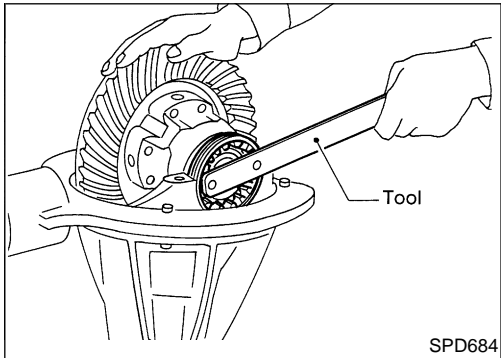
REAR FINAL DRIVE

H233B

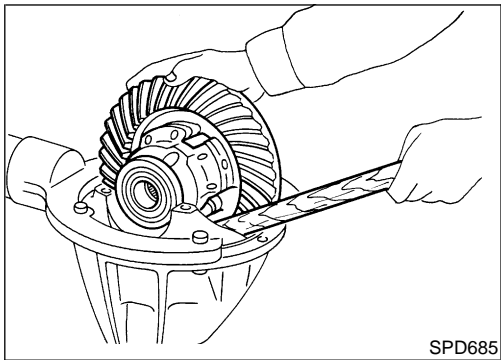
Disassembly (Cont'd)



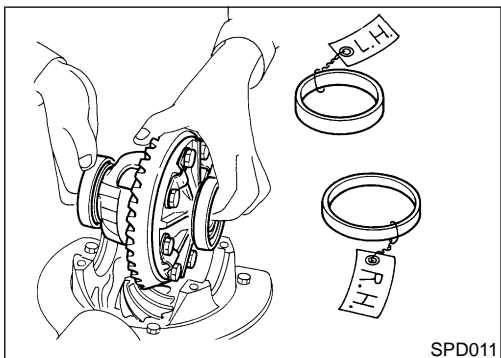
3. Remove side lock fingers and side bearing caps.



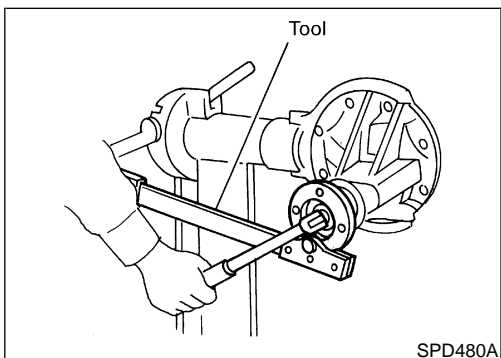
4. Remove side bearing adjuster with Tool.
Tool number: ST32580000 (J34312)



5. Remove differential case assembly with a pry bar.



Keep the side bearing outer races together with their respective inner cones — do not mix them up.



6. Remove drive pinion nut with Tool.
Tool number: KV38108300 (J44195)

7. Remove companion flange with puller.

8. Remove ABS sensor.

GI

MA

EM

LC

EC

FE

CL

MT

AT

TF

PD

AX

SU

BR

ST

RS

BT

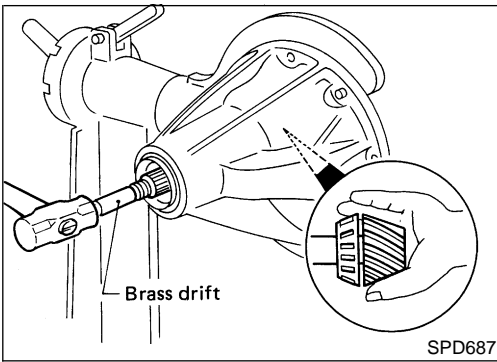
HA

SC

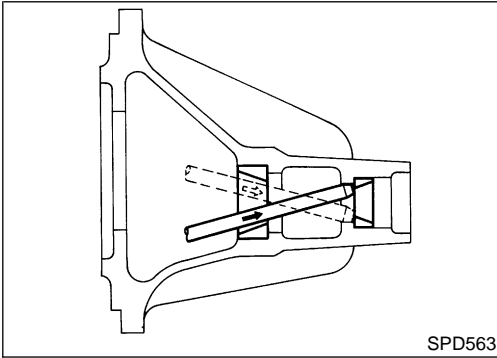
EL

IDX

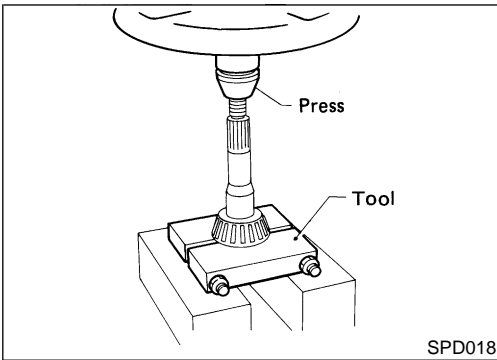
Disassembly (Cont'd)



9. Take out drive pinion together with pinion rear bearing inner cone, drive pinion bearing spacer and pinion bearing adjusting shim.

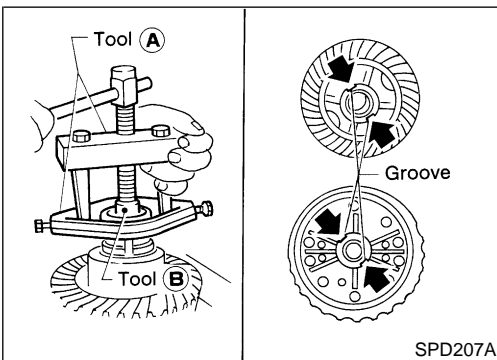


10. Remove front oil seal and pinion front bearing inner cone.
11. Remove pinion bearing outer races with a brass drift.



12. Remove pinion rear bearing inner cone and drive pinion adjusting washer.

Tool number: ST30031000 (J22912-01)



DIFFERENTIAL CASE

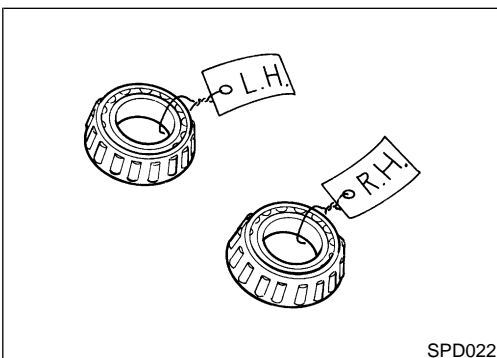
NGPD0033S03

1. Remove side bearing inner cones.
To prevent damage to bearing, engage puller jaws in groove.

Tool number:

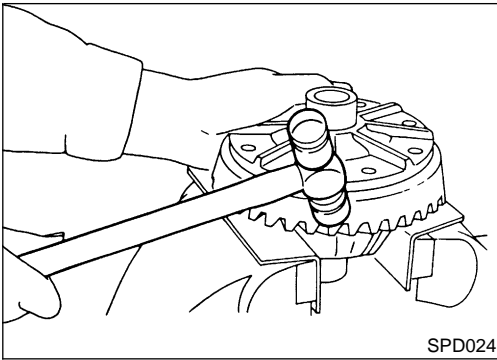
A ST33051001 (J22888-20)

B ST33061000 (J8107-2)

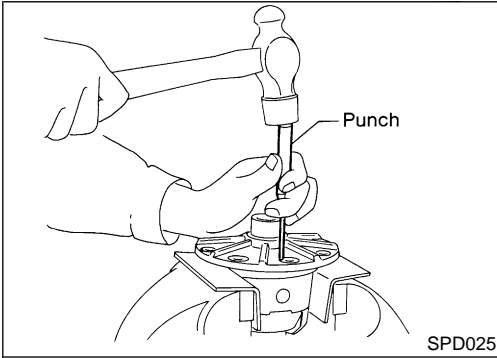


Be careful not to confuse the left and right hand parts. Keep bearing and bearing race for each side together.

2. Loosen ring gear bolts in a crisscross pattern.



3. Tap ring gear off differential case with a soft hammer.
Tap evenly all around to keep ring gear from binding.



4. Drive out pinion mate shaft lock pin, with punch from ring gear side..
Lock pin is calked at pin hole mouth on differential case.

Inspection

RING GEAR AND DRIVE PINION

Check gear teeth for scoring, cracking or chipping.
If any damaged part is evident, replace ring gear and drive pinion as a set (hypoid gear set).

NGPD0034

GI

MA

EM

LC

EC

FE

CL

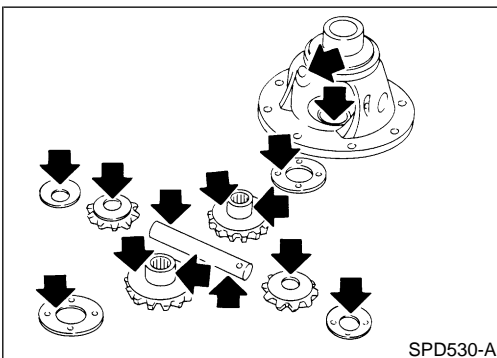
MT

AT

NGPD0034S01

TF

PD



DIFFERENTIAL CASE ASSEMBLY

Check mating surfaces of differential case, side gears, pinion mate gears, pinion mate shaft, and thrust washers.

NGPD0034S02

AX

SU

BR

ST

RS

BEARING

1. Thoroughly clean bearing.
2. Check bearings for wear, scratches, pitting or flaking.
Check tapered roller bearing for smooth rotation. If damaged, replace outer race and inner cone as a set.

NGPD0034S03

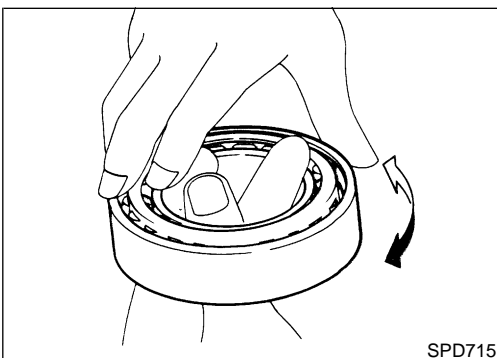
BT

HA

SC

EL

IDX

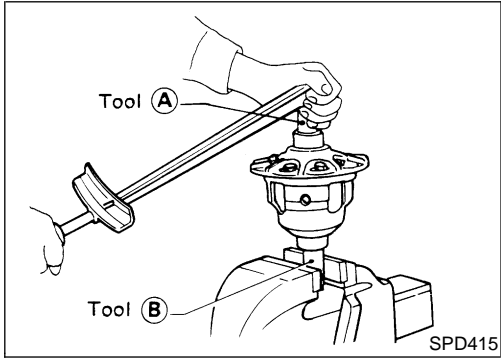


Limited Slip Differential PREPARATION FOR DISASSEMBLY

NGPD0035

CAUTION:

Do not run engine when only one wheel (rear) is off the ground.



Checking Differential Torque

NGPD0035S01

Measure differential torque with Tool.

If it is not within the specifications, inspect components of limited slip differential.

Differential torque:

187 - 245N-m (19 - 25 kg-m, 138 - 180 ft-lb)

Tool number: A KV38105210 (—)

Tool number: B KV38105220 (—)

DISASSEMBLY

NGPD0036

No. of discs and plates (One side)	
Model	H233B
Friction disc	5
Friction plate	6
Spring plate	2

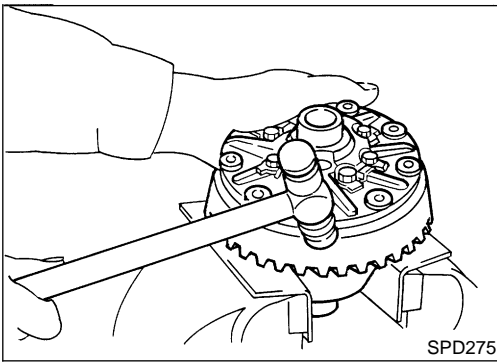
Differential case couple bolt
 64 - 74 N-m (6.5 - 7.5 kg-m, 47 - 54 ft-lb)

★ : For number of discs of plates, refer to table.

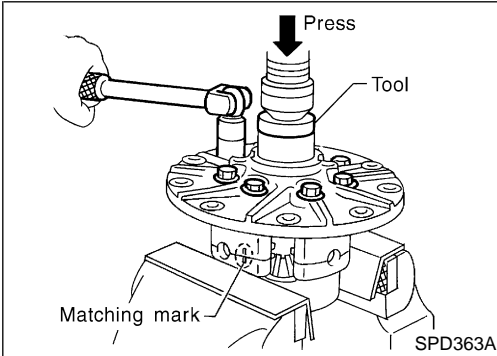
APD027

CAUTION:

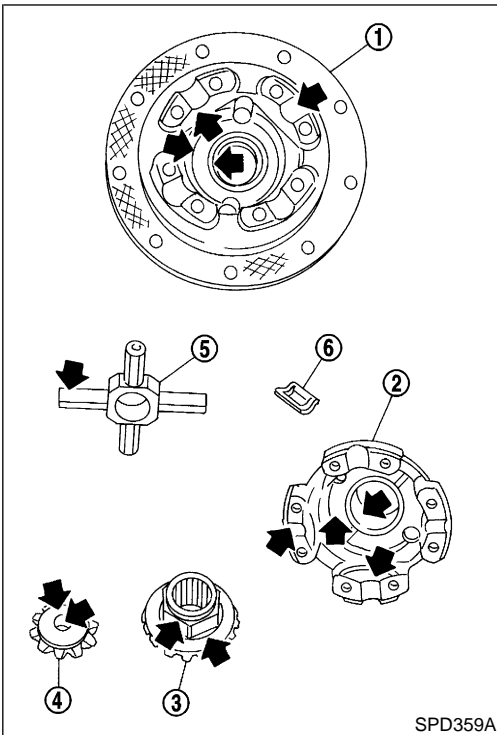
Do not run engine when one wheel (rear) is off the ground.



1. Remove side bearing inner cone with Tool.
2. Loosen ring gear bolts in a criss-cross pattern.
3. Tap ring gear off gear case with a soft hammer.
Tap evenly all around to keep ring gear from binding.



4. Remove couple bolts on differential cases A and B with a press.
Tool number: ST33081000 (—)
5. Separate differential case A and B.
Draw out component parts (discs and plates, etc.).
Put marks on gears and pressure rings so that they can be reinstalled in their original positions from which they were removed.



INSPECTION

Contact Surfaces

NGPD0037
AT
NGPD0037S01

1. Clean the disassembled parts in suitable solvent and blow dry with compressed air.
2. If following surfaces are found with burrs or scratches, smooth with oil stone.
 - 1 Differential case B
 - 2 Differential case A
 - 3 Side gear
 - 4 Pinion mate gear
 - 5 Pinion mate shaft
 - 6 Friction plate guide

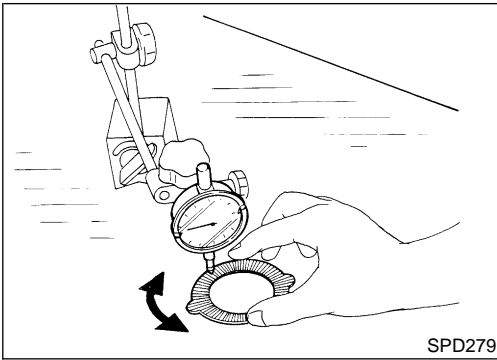
TF
PD
AX
SU
BR
ST
RS

Disc and Plate

NGPD0037S02
BT

1. Clean the discs and plates in suitable solvent and blow dry with compressed air.
2. Inspect discs and plates for wear, nicks and burrs.

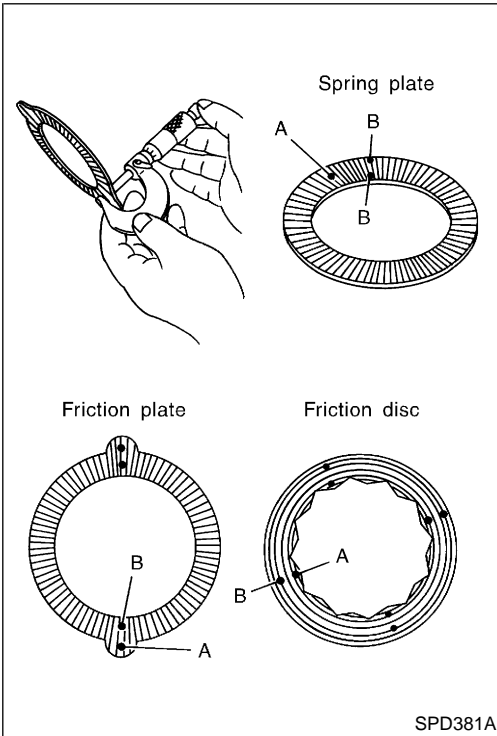
HA
SC
EL
IDX



3. Check friction discs or plates for warpage.

Allowable warpage:
0.08 mm (0.0031 in)

If it exceeds limits, replace with a new plate to eliminate possibility of clutch slippage or sticking.

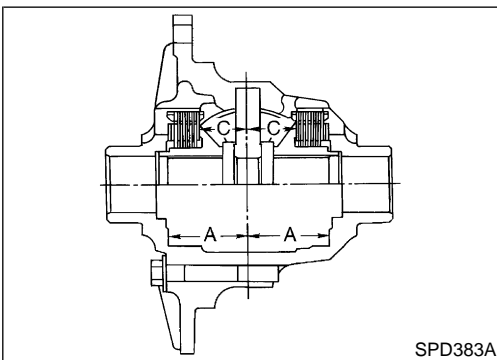


4. Measure frictional surfaces and projected portions of friction disc, friction plate, spring plate, and determine each part's differences to see if the specified wear limit has been exceeded.

If any part has worn beyond the wear limit, and deformed or fatigued, replace it with a new one that is the same thickness as the projected portion.

Wear limit:
0.1 mm (0.004 in) or less
A - B = Wear limit mm (in)

- : Measuring points
- A: Projected portion
- B: Frictional surface



ADJUSTMENT

Friction Disc and Friction Plate End Play

NGPD0038

NGPD0038S01

End play of friction disc and friction plate can be calculated by using following equation and should be adjusted within following range.

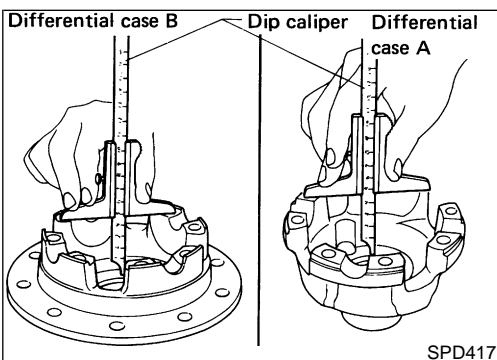
Adjustment can be made by selecting friction disc having two different thicknesses.

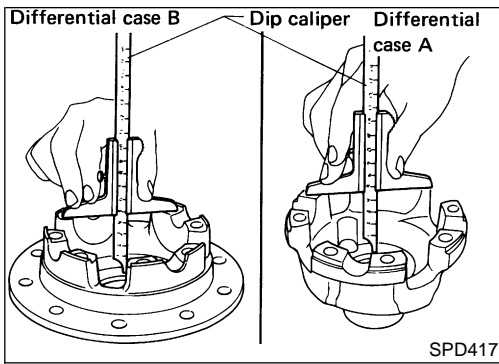
End play E:
0.05 - 0.15 mm (0.0020 - 0.0059 in)
E = A - (B + C)

A: Length of differential case contact surface to differential case inner bottom.

B: Total thickness of friction discs, friction plates, spring disc and spring plate in differential case on one side.

C: Length of differential case contact surface to back side of side gear.

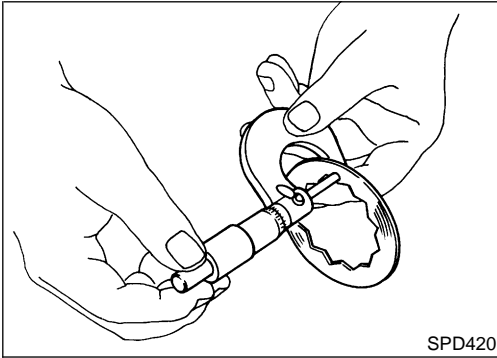




1. Measure values of "A".

Standard length A:

49.50 - 49.55 mm (1.9488 - 1.9508 in)



2. Measure thickness of each disc and plate.

Total thickness "B":

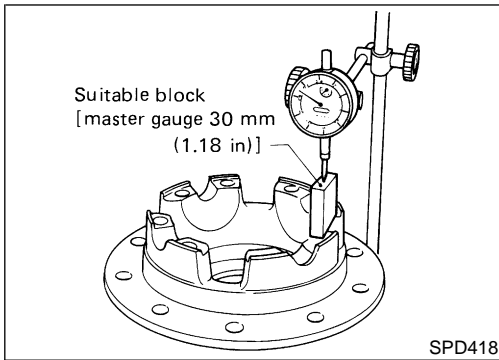
19.24 - 20.26 mm (0.7575 - 0.7976 in)

No. of discs and plates (One side):

Friction disc 5

Friction plate 6

Spring plate 2

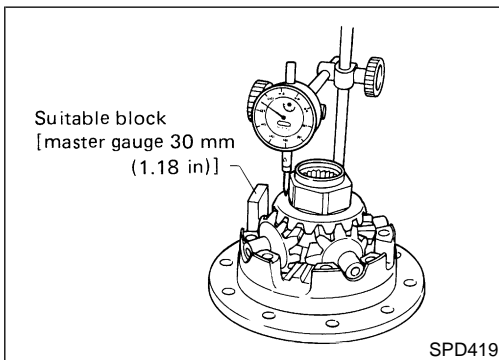


3. Measure values of "C".

- a. Attach a dial indicator to the base plate.

- b. Place differential case B on the base plate, and install a master gauge on case B.

Then adjust the dial indicator scale to zero with its tip on the master gauge.



- c. Install pinion mate gears, side gears and pinion mate shaft in differential case B.

- d. Set dial indicator's tip on the side gear, and read the indication.

Example:

$$E = A - D = A - (B + C) = 0.05 \text{ to } 0.15 \text{ mm}$$

$$A = 49.52 \text{ mm}$$

$$B = 19.45 \text{ mm}$$

$$C = 29.7 \text{ mm}$$

$$D = B + C$$

$$49.15 \text{ (D)} = 19.45 \text{ (B)} + 29.7 \text{ (C)}$$

$$E = A - D$$

$$0.37 \text{ (E)} = 49.52 \text{ (A)} - 49.15 \text{ (D)}$$

From the above equation, end play of 0.37 mm exceeds the specified range of 0.05 to 0.15 mm.

Select suitable discs and plates to adjust correctly.

GI

MA

EM

LC

EC

FE

CL

MT

AT

TF

PD

AX

SU

BR

ST

RS

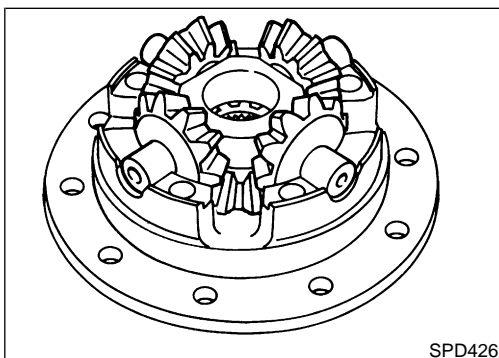
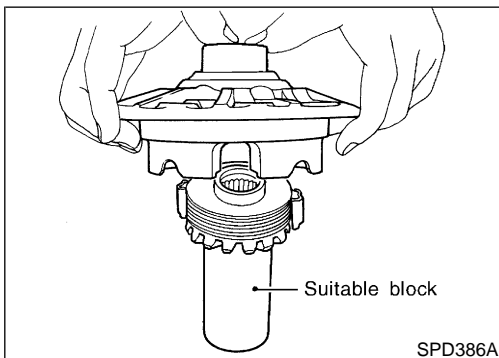
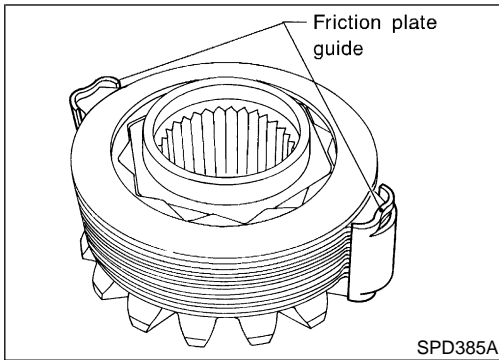
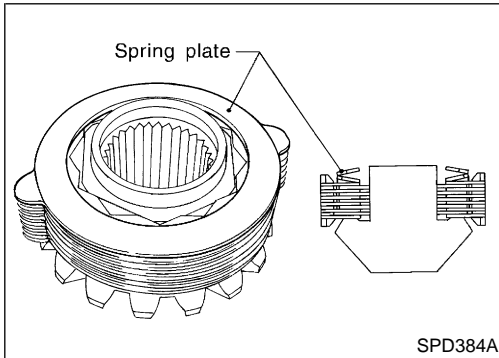
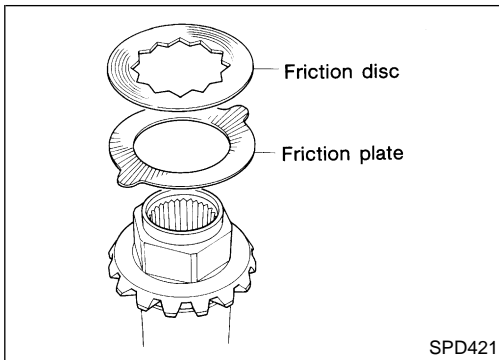
BT

HA

SC

EL

IDX



ASSEMBLY

NGPDD0039

Prior to assembling discs and plates, properly lubricate them by dipping them in limited slip differential oil.

1. Alternately position specified number of friction plates and friction discs on rear of side gear.

Always position a friction plate first on rear of side gear.

2. Install spring plate.

3. Install friction plate guides.

Correctly align the raised portions of friction plates, and apply grease to inner surfaces of friction plate guides to prevent them from falling.

4. Install differential case B over side gear, discs, plates and friction plate guide assembly.

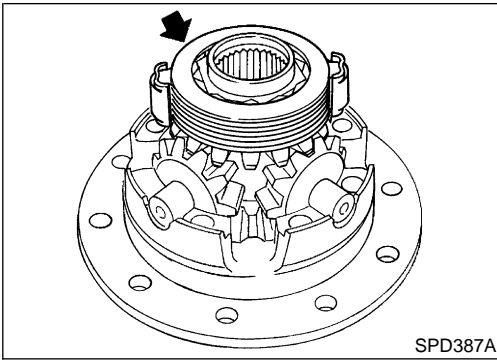
- **Install differential case B while supporting friction plate guides with your middle finger inserted through oil hole in differential case.**
- **Be careful not to detach spring disc from the hexagonal part of the side gear.**

5. Install pinion mate gears and pinion mate thrust washers on pinion mate shaft, then install pinion mate shaft in differential case B.

REAR FINAL DRIVE

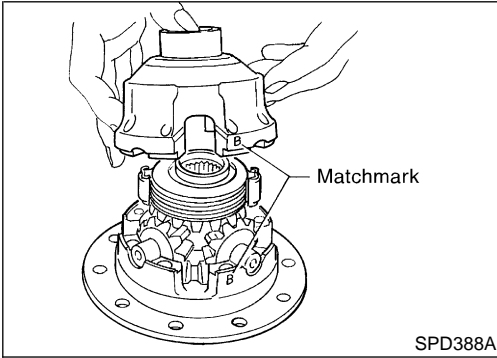
H233B

Limited Slip Differential (Cont'd)



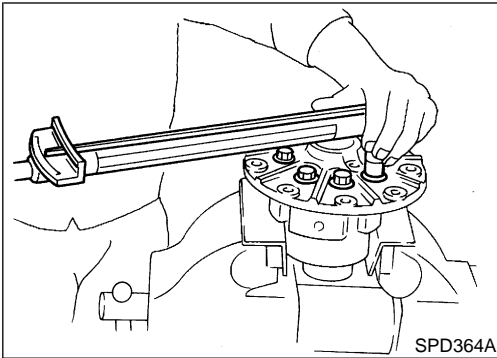
6. Install side gear to pinion mate gears.
7. Install each disc and plate.

Use same procedures as outlined in steps 1 through 4 above.



8. Install differential case A.

Position differential cases A and B by correctly aligning marks stamped on cases.



9. Tighten differential case couple bolts.
10. Place ring gear on differential case and tighten ring gear bolts. **Tighten bolts in a criss-cross pattern, lightly tapping bolt head with a hammer. Then bend up lock straps to lock the bolts in place.**
11. Install side bearing inner cone.
12. Check differential torque.

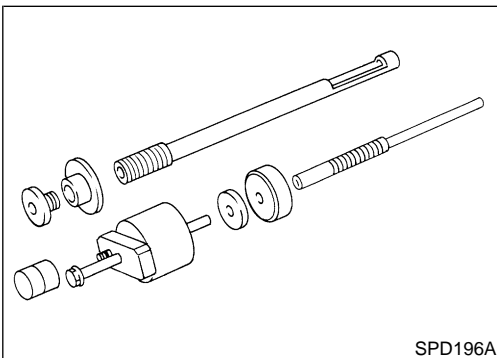
Adjustment

For quiet and reliable final drive operation, the following five adjustments must be made correctly:

1. Side bearing preload
2. Pinion gear height
3. Side bearing preload
4. Ring gear-to-pinion backlash. Refer to SDS, PD-84.
5. Ring and pinion gear tooth contact pattern

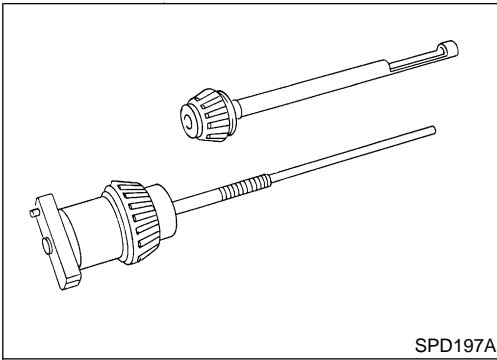
PINION GEAR HEIGHT

1. Make sure all parts are clean and that the bearings are well lubricated.
2. Assemble the pinion gear bearings into the pinion pre-load shim selector tool, J34309.

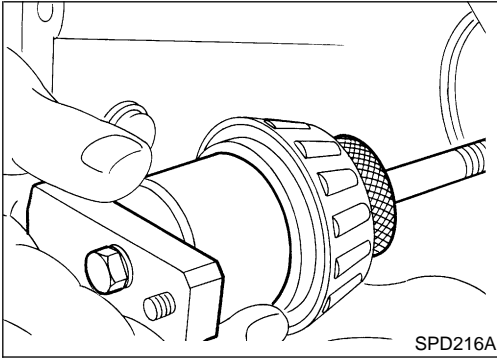


GI
MA
EM
LC
EC
FE
CL
MT
AT
TF
PD
AX
SU
BR
ST
RS
BT
HA
SC
EL
IDX

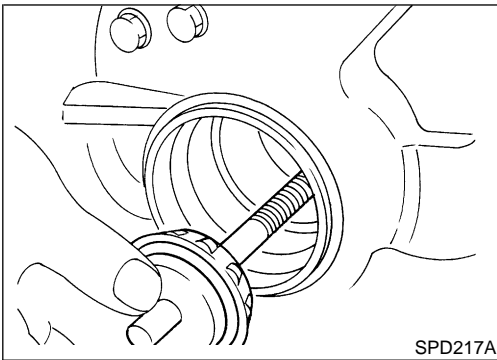
Adjustment (Cont'd)



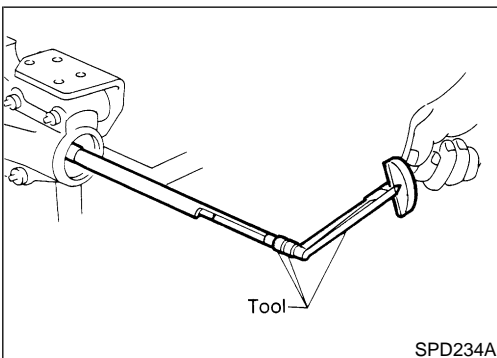
- **Rear Pinion Bearing** — the rear pinion bearing pilot, J34309-8, is used to center the rear pinion bearing only. The rear pinion bearing locking seat, J34309-4, is used to lock the bearing to the assembly.
- **Front Pinion Bearing** — make sure the J34309-3, front pinion bearing seat is secured tightly against the J34309-2 gauge anvil. Then turn the front pinion bearing pilot, J34309-5, to secure the bearing in its proper position.



3. Place the pinion preload shim selector tool gauge screw assembly, J34309-1, with the pinion rear bearing inner cone installed, into the final drive housing.



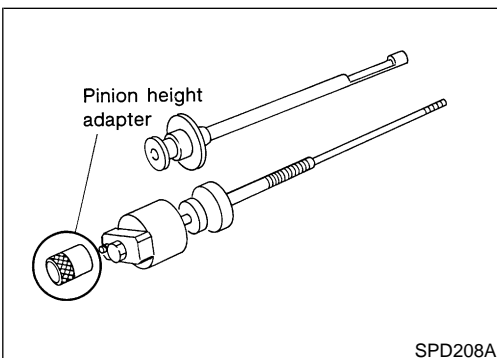
4. Install the J34309-2 gauge anvil with the front pinion bearing into the final drive housing and assemble it to the J34309-1 gauge screw. Make sure that the J34309-16 gauge plate will turn a full 360 degrees, and tighten the two sections by hand to set bearing pre-load.
5. Turn the assembly several times to seat the bearings.



6. Measure the turning torque at the end of the J34309-2 gauge anvil using torque wrench J25765-A.

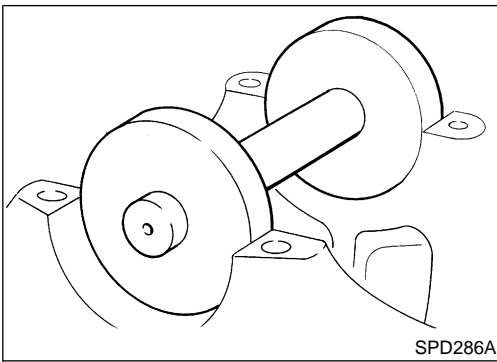
Turning torque specification:

0.4 - 0.9 N·m (4 - 9 kg-cm, 3.5 - 7.8 in-lb)



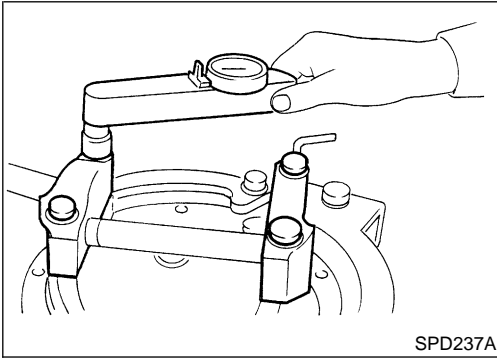
7. Place the J34309-12 "H233B" pinion height adapter onto the gauge plate and tighten it by hand.

CAUTION:
Make sure all machined surfaces are clean.



PINION HEIGHT ADJUSTING WASHER SELECTION

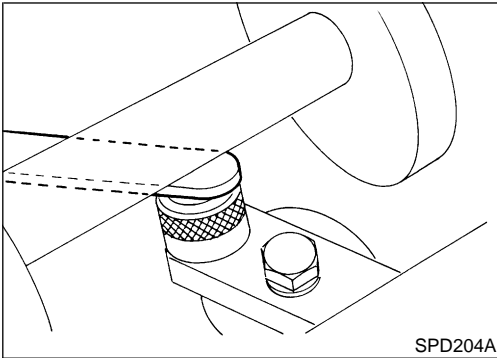
- Position the J25269-18 side bearing discs and the arbor into the side bearing bores.



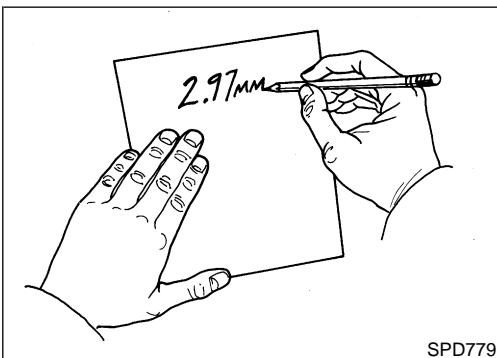
- Install the bearing caps and torque the bolts.

Specification:

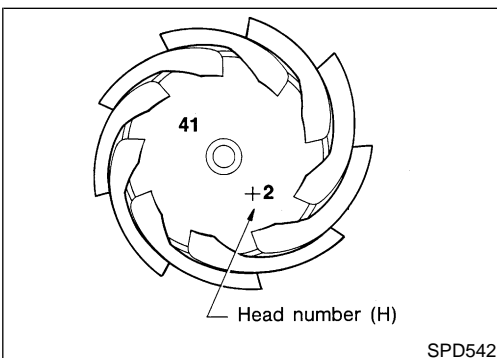
93 - 103 N-m (9.5 - 10.5 kg-m, 69 - 76 ft-lb)



- Select the correct standard pinion height adjusting washer thickness using a standard gauge of 2.5, 3.0, or 3.5 mm (0.098, 0.118, or 0.138 in) and your J34309-101 feeler gauge. Measure the distance between the J34309-12 "H233B" pinion height adapter and the arbor.



- Write down your exact total measurement.



- Correct the pinion height washer size by referring to the "pinion head height number".

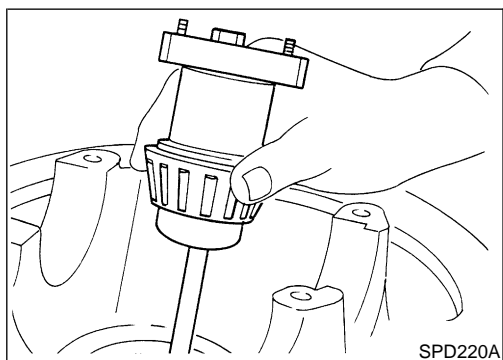
There are two numbers painted on the pinion gear. The first one refers to the pinion and ring gear as a matched set and should be the same as the number on the ring gear. The second number is the "pinion head height number", and it refers to the ideal pinion height from standard for the quietest operation. Use the following chart to determine the correct pinion height washer. Refer to SDS, PD-85.

GI
MA
EM
LC
EC
FE
CL
MT
AT
TF
PD
AX
SU
BR
ST
RS
BT
HA
SC
EL
IDX

Pinion Head Height Number	Add or Remove from the Selected Standard Pinion Height Washer Thickness Measurement
-6	Add 0.06 mm (0.0024 in)
-5	Add 0.05 mm (0.0020 in)
-4	Add 0.04 mm (0.0016 in)
-3	Add 0.03 mm (0.0012 in)
-2	Add 0.02 mm (0.0008 in)
-1	Add 0.01 mm (0.0004 in)
0	Use the selected washer thickness
+1	Subtract 0.01 mm (0.0004 in)
+2	Subtract 0.02 mm (0.0008 in)
+3	Subtract 0.03 mm (0.0012 in)
+4	Subtract 0.04 mm (0.0016 in)
+5	Subtract 0.05 mm (0.0020 in)
+6	Subtract 0.06 mm (0.0024 in)

13. Select the correct pinion height washer.

Drive pinion height adjustment:
Refer to SDS, PD-84



14. Remove the J34309 pinion preload shim selector tool from the final drive housing and disassemble to retrieve the pinion bearings.

TOOTH CONTACT

Gear tooth contact pattern check is necessary to verify correct relationship between ring gear and drive pinion.

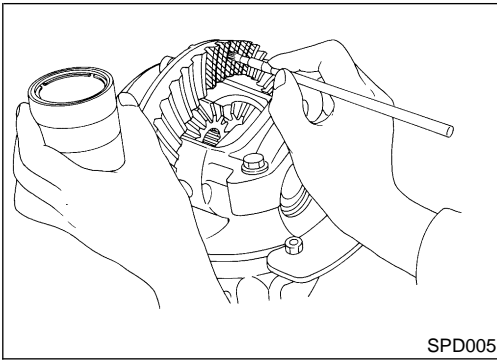
Hypoid gear sets which are not positioned properly in relation to one another may be noisy, or have short life or both. With a pattern check, the most desirable contact for low noise level and long life can be assured.

NGPD0040S02

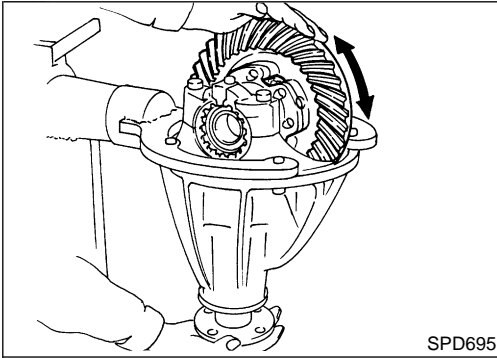
REAR FINAL DRIVE

H233B

Adjustment (Cont'd)



1. Thoroughly clean ring gear and drive pinion teeth.
2. Sparingly apply a mixture of powdered ferric oxide and oil or equivalent to 3 or 4 teeth of ring gear drive side.



3. Hold companion flange steady by hand and rotate the ring gear in both directions.

GI
MA
EM
LC
EC
FE
CL
MT

AT
TF

PD

AX

SU

BR

ST

RS

BT

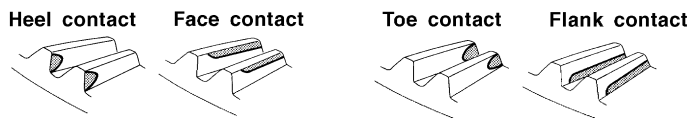
HA

SC

EL

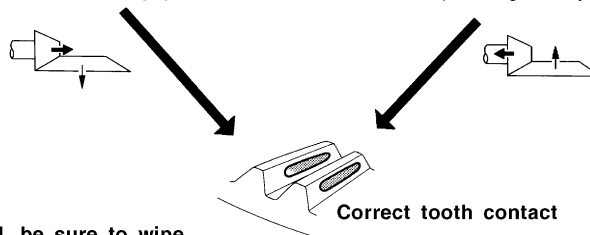
IDX

Usually the pattern will be correct if shims are correctly calculated and the backlash is correct. However, in rare cases, trial and error processes may be employed to obtain a correct pattern. The tooth pattern is the best indication of how well a differential has been set up.



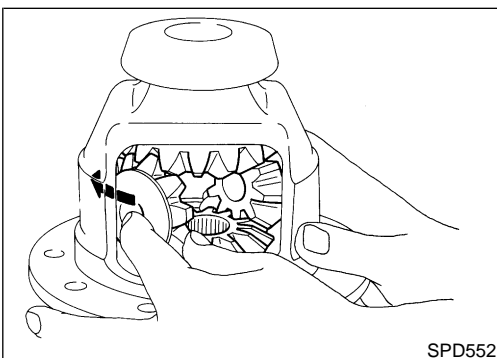
To correct, increase thickness of pinion height adjusting washer in order to bring drive pinion close to ring gear.

To correct, reduce thickness of pinion height adjusting washer in order to make drive pinion go away from ring gear.



When adjustment is completed, be sure to wipe off completely the ferric oxide and oil or their equivalent.

SPD007-B



Assembly DIFFERENTIAL CASE

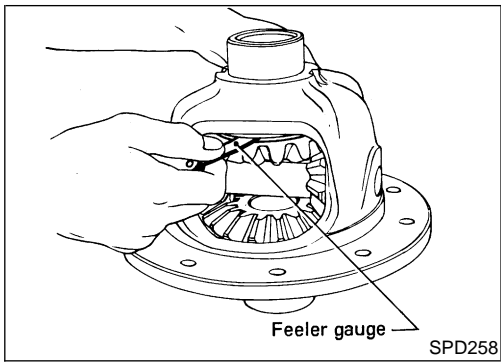
NGPD0041

NGPD0041S01

1. Install side gears, pinion mate gears and thrust washers into differential case.

The clearance can be adjusted with side gear thrust washer. Refer to SDS, PD-84

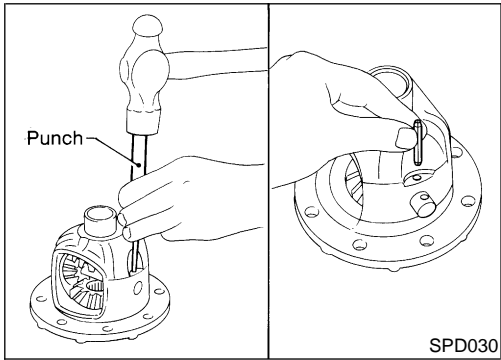
Assembly (Cont'd)



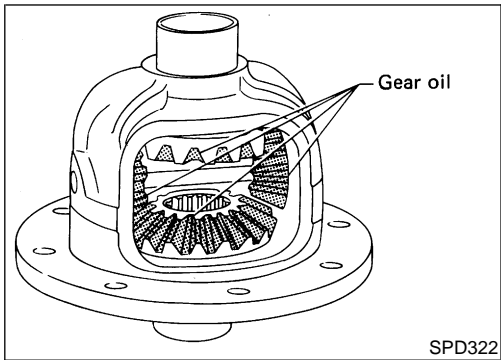
2. Fit pinion mate shaft to differential case so that it meets lock pin holes.
3. Adjust backlash between side gear and pinion mate gear by selecting side gear thrust washer.

**Backlash between side gear and pinion mate gear
(Clearance between side gear thrust washer and differential case:**

0.10 – 0.20 mm (0.0039 – 0.0079 in)

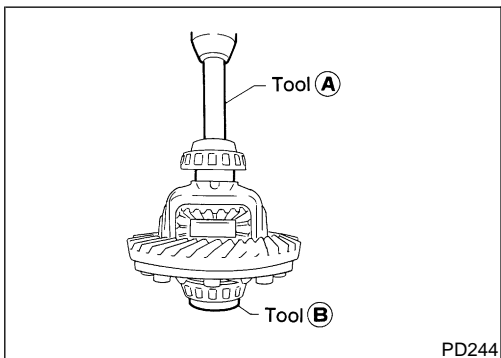


4. Install pinion mate shaft lock pin with a punch.
Make sure lock pin is flush with case.

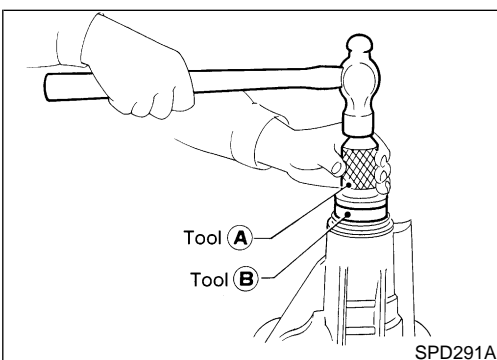
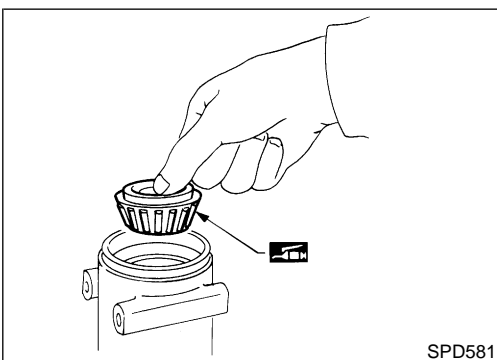
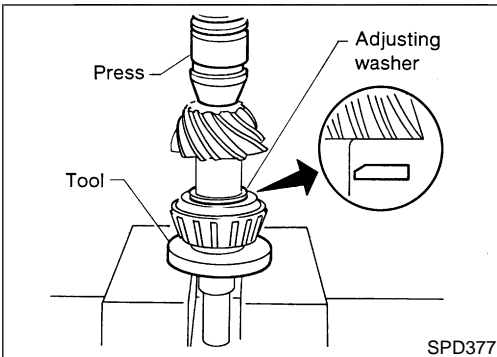
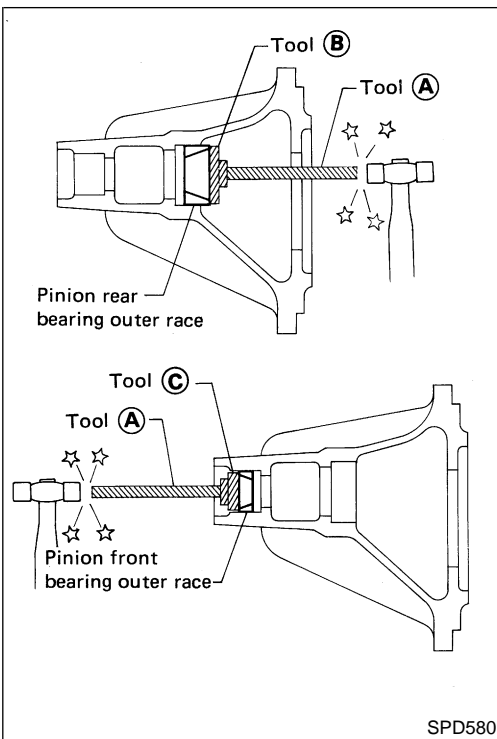


5. Apply gear oil to gear tooth surfaces and thrust surfaces and check to see that they turn properly.

6. Install differential case assembly on ring gear.
Tighten bolts in a criss-cross pattern, lightly tapping bolt head with a hammer.



7. Press-fit side bearing inner cones on differential case with Tool.
Tool number:
A ST33190000 (J25523)
B ST33081000 (—)



DIFFERENTIAL CARRIER

NGPD0041S02

1. Press-fit front and rear bearing outer races with Tools.

Tool number:

A ST30611000 (J25742-1)

B ST30621000 (J25742-5)

C ST30613000 (J25742-3)

2. Select drive pinion height adjusting washer. Refer to "Adjustment", PD-75.
3. Install drive pinion adjusting washer in drive pinion, and press-fit pinion rear bearing inner cone in it, with press and Tool.

Tool number:

ST30901000 (J26010-01)

4. Place pinion front bearing inner cone in gear carrier.

5. Apply multi-purpose grease to cavity at sealing lips of oil seal. Install front oil seal.

Tool number:

A ST30720000 (J25405)

B KV38102510 (—)

GI

MA

EM

LC

EC

FE

CL

MT

AT

TF

PD

AX

SU

BR

ST

RS

BT

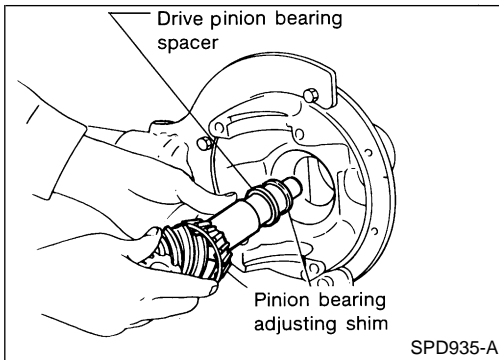
HA

SC

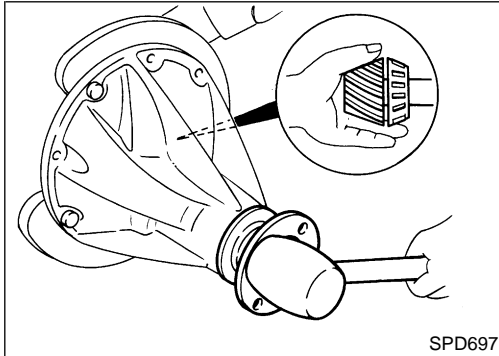
EL

IDX

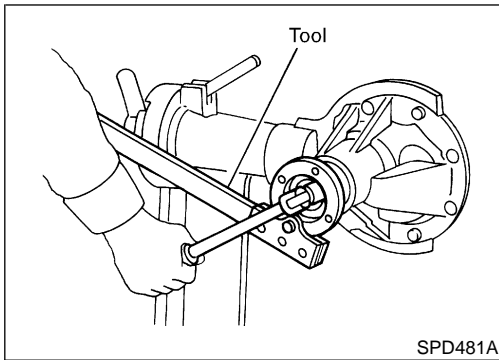
Assembly (Cont'd)



- Install drive pinion bearing spacer, pinion bearing adjusting shim and drive pinion in gear carrier.



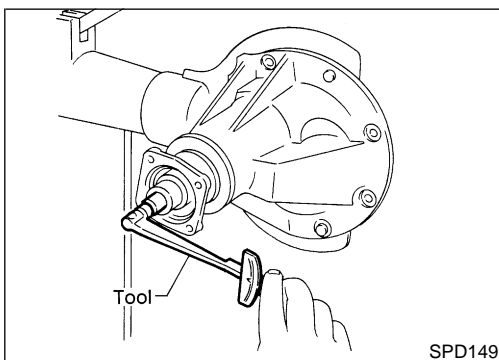
- Insert companion flange into drive pinion by tapping the companion flange with a soft hammer.



- Tighten pinion nut to the specified torque.

The threaded portion of drive pinion and pinion nut should be free from oil or grease.

Tool number: KV38108300 (J44195)



- Turn drive pinion in both directions several times, and measure pinion bearing preload.

Tool number: ST3127S000 (J25765-A)

Pinion bearing preload (With front oil seal):

1.4 - 1.7 N·m (14 - 17 kg·cm, 12 - 15 in·lb)

Pinion bearing preload (Without front oil seal):

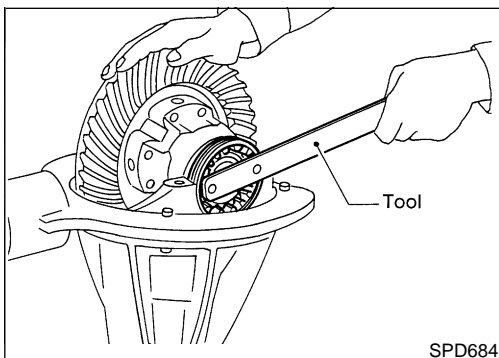
1.2 - 1.5 N·m (12 - 15 kg·cm, 10 - 13 in·lb)

If preload is out of specification, adjust the thickness of spacer and shim combination by replacing shim and spacer with thinner one.

- Start from the combination of thickest spacer and shim.
- Combine each spacer and shim thickness one by one until the correct specification are achieved.

Drive pinion bearing preload adjusting spacer and shim:

Refer to SDS, PD-86.



- Install differential case assembly with side bearing outer races into gear carrier.

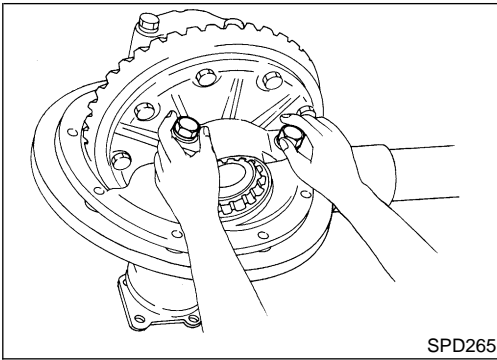
- Position side bearing adjusters on gear carrier with threads properly engaged; screw in adjusters lightly at this stage of assembly.

Tool number: ST32580000 (J34312)

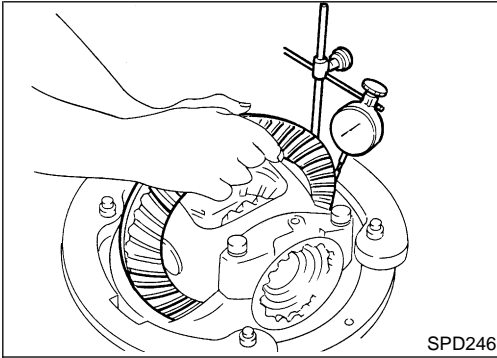
REAR FINAL DRIVE

H233B

Assembly (Cont'd)

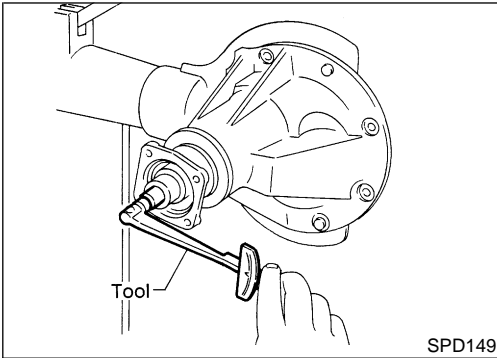


- Align mark on bearing cap with that on gear carrier and install bearing cap on gear carrier.
- Do not tighten at this point. This allows further tightening of side bearing adjusters.



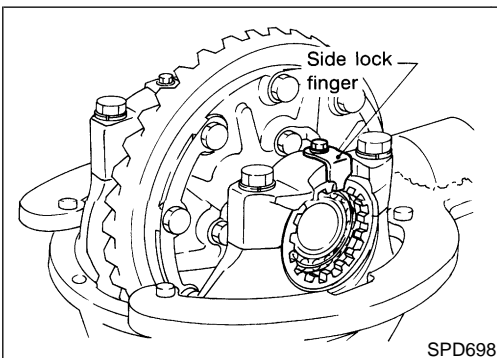
- Tighten both right and left side bearing adjusters alternately and measure ring gear backlash and total preload at the same time. Adjust right and left side bearing adjusters by tightening them alternately so that proper ring gear backlash and total preload can be obtained.

Ring gear-to-drive pinion backlash:
0.13 - 0.18 mm (0.0051 - 0.0071 in)

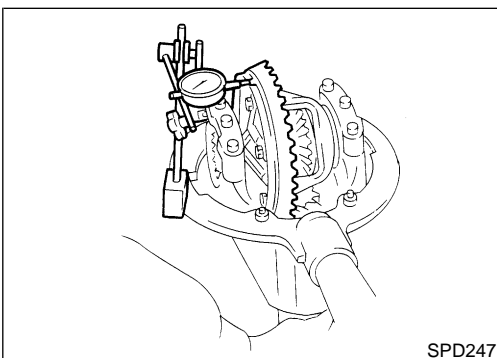


- When checking preload, turn drive pinion in both directions several times to set bearing rollers.

Tool number: ST3127S000 (J25765-A)
Total preload:
1.7 - 2.5 N-m (17 - 25 kg-cm, 15 - 22 in-lb)



- Tighten side bearing cap bolts.
- Install side lock finger in place to prevent rotation during operation.



- Check runout of ring gear with a dial indicator.
Runout limit: 0.08 mm (0.0031 in)
- If backlash varies excessively in different places, the variance may have resulted from foreign matter caught between the ring gear and the differential case.
 - If the backlash varies greatly when the runout of the ring gear is within a specified range, the hypoid gear set or differential case should be replaced.
- Check tooth contact. Refer to "TOOTH CONTACT", PD-78.

GI
MA
EM
LC
EC
FE
CL
MT
AT
TF
PD
AX
SU
BR
ST
RS
BT
HA
SC
EL
IDX

REAR FINAL DRIVE

H233B

Service Data and Specifications (SDS)

Service Data and Specifications (SDS)

H233B General Specifications 2WD & 4WD Model

=NGPD0042

NGPD0042S02

Engine	VG33E			
Vehicle grade	XE			SE
Rear final drive	Standard	Optional		Standard
	235/70R15	265/70R15	235/70R15	265/70R15
	H233B			
	2-pinion	LSD		LSD
Gear ratio	4.363	4.636	4.363	4.636
Number of teeth (Ring gear/drive pinion)	48/11	51/11	48/11	51/11
Oil capacity (Approx.) ℓ (US pt, Imp pt)	2.8 (5-7/8, 4-7/8)			

Ring Gear Runout

NGPD0043

Ring gear runout limit mm (in)	0.08 (0.0031)
--------------------------------	---------------

Side Gear Adjustment

NGPD0044

Side gear backlash (Clearance between side gear and differential case) mm (in)	0.10 - 0.20 (0.0039 - 0.0079)	
Available side gear thrust washers	Thickness mm (in)	Part number*
	1.75 (0.0689)	38424-T5000
	1.80 (0.0709)	38424-T5001
	1.85 (0.0728)	38424-T5002

*Always check with the Parts Department for the latest parts information.

Differential Torque Adjustment (LSD Models)

NGPD0045

Differential torque N-m (kg-m, ft-lb)	187 - 245 (19 - 25, 138 - 180)		
Number of discs and plates (One side)	Friction disc	5	
	Friction plate	6	
	Spring plate	2	
Wear limit of plate and disc mm (in)	0.1 (0.004)		
Allowable warpage of friction disc and plate mm (in)	0.08 (0.0031)		
Available discs and plates	Plate name	Thickness mm (in)	Part number*
	Friction disc	1.48 - 1.52 (0.0583 - 0.0598)	38433-C6002 (Standard type)
		1.38 - 1.42 (0.0543 - 0.0559)	38433-C6004 (Adjusting type)
		1.58 - 1.62 (0.0622 - 0.0638)	38433-C6003 (Adjusting type)
	Friction plate	1.48 - 1.52 (0.0583 - 0.0598)	38432-C6001
Spring plate	1.48 - 1.52 (0.0583 - 0.0598)	38435-S9200	

*Always check with the Parts Department for the latest parts information.

Total Preload Adjustment

NGPD0046

Total preload N-m (kg-cm, in-lb)	1.7 - 2.5 (17 - 25, 15 - 22)
Ring gear backlash mm (in)	0.13 - 0.18 (0.0051 - 0.0071)
Side bearing adjusting method	Side adjuster

REAR FINAL DRIVE

H233B

Service Data and Specifications (SDS) (Cont'd)

Drive Pinion Height Adjustment

NGPD0047

	Thickness mm (in)	Part number*	
Available pinion height adjust washers	2.58 (0.1016)	38151-01J00	GI
	2.61 (0.1028)	38151-01J01	
	2.64 (0.1039)	38151-01J02	MA
	2.67 (0.1051)	38151-01J03	
	2.70 (0.1063)	38151-01J04	
	2.73 (0.1075)	38151-01J05	EM
	2.76 (0.1087)	38151-01J06	
	2.79 (0.1098)	38151-01J07	
	2.82 (0.1110)	38151-01J08	
	2.85 (0.1122)	38151-01J09	LC
	2.88 (0.1134)	38151-01J10	
	2.91 (0.1146)	38151-01J11	
	2.94 (0.1157)	38151-01J12	
	2.97 (0.1169)	38151-01J13	EC
	3.00 (0.1181)	38151-01J14	
	3.03 (0.1193)	38151-01J15	
	3.06 (0.1205)	38151-01J16	FE
	3.09 (0.1217)	38151-01J17	
	3.12 (0.1228)	38151-01J18	
	3.15 (0.1240)	38151-01J19	
	3.18 (0.1252)	38151-01J60	CL
	3.21 (0.1264)	38151-01J61	
	3.24 (0.1276)	38151-01J62	
	3.27 (0.1287)	38151-01J63	MT
	3.30 (0.1299)	38151-01J64	
	3.33 (0.1311)	38151-01J65	
	3.36 (0.1323)	38151-01J66	
	3.39 (0.1335)	38151-01J67	AT
3.42 (0.1346)	38151-01J68		
3.45 (0.1358)	38151-01J69		
3.48 (0.1370)	38151-01J70		
3.51 (0.1382)	38151-01J71	TF	
3.54 (0.1394)	38151-01J72		
3.57 (0.1406)	38151-01J73		
3.60 (0.1417)	38151-01J74	PD	
3.63 (0.1429)	38151-01J75		
3.66 (0.1441)	38151-01J76		

*Always check with the Parts Department for the latest parts information.

AX

SU

BR

ST

RS

BT

HA

SC

EL

IDX

REAR FINAL DRIVE

H233B

Service Data and Specifications (SDS) (Cont'd)

Drive Pinion Preload Adjustment

NGPD0048

Drive pinion bearing preload adjusting method	Adjusting shim and spacer	
Drive pinion preload without front oil seal N-m (kg-cm, in-lb)	1.4 - 1.7 (14 - 17, 12 - 15)	
Available front drive pinion bearing adjusting shims	Thickness mm (in)	Part number*
	2.31 (0.0909)	38125-82100
	2.33 (0.0917)	38126-82100
	2.35 (0.0925)	38127-82100
	2.37 (0.0933)	38128-82100
	2.39 (0.0941)	38129-82100
	2.41 (0.0949)	38130-82100
	2.43 (0.0957)	38131-82100
	2.45 (0.0965)	38132-82100
	2.47 (0.0972)	38133-82100
	2.49 (0.0980)	38134-82100
	2.51 (0.0988)	38135-82100
	2.53 (0.0996)	38136-82100
	2.55 (0.1004)	38137-82100
2.57 (0.1012)	38138-82100	
2.59 (0.1020)	38139-82100	
Available drive pinion bearing adjusting spacers	Thickness mm (in)	Part number*
	4.50 (0.1772)	38165-76000
	4.75 (0.1870)	38166-76000
	5.00 (0.1969)	38167-76000
	5.25 (0.2067)	38166-01J00
	5.50 (0.2165)	38166-01J10

*Always check with the Parts Department for the latest parts information.