

# FRONT & REAR SUSPENSION

## SECTION **SU**

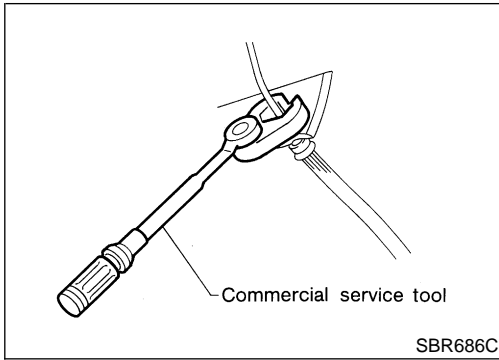
### CONTENTS

<b>FRONT SUSPENSION</b> .....	2	REMOVAL AND INSTALLATION.....	18
Precautions .....	2	INSPECTION.....	18
PRECAUTIONS .....	2	Service Data and Specifications (SDS).....	18
Preparation .....	2	GENERAL SPECIFICATIONS (FRONT).....	18
SPECIAL SERVICE TOOLS .....	2	WHEEL RUNOUT AVERAGE .....	18
COMMERCIAL SERVICE TOOLS.....	2	UPPER BALL JOINT .....	18
Noise, Vibration and Harshness (NVH)		LOWER BALL JOINT .....	18
Troubleshooting .....	3	WHEEL ALIGNMENT (UNLADEN*1).....	19
NVH TROUBLESHOOTING CHART .....	3	<b>REAR SUSPENSION</b> .....	21
Components.....	4	Precautions .....	21
2WD MODELS.....	4	PRECAUTIONS .....	21
4WD MODELS.....	5	Preparation .....	21
On-vehicle Service.....	6	COMMERCIAL SERVICE TOOLS.....	21
FRONT SUSPENSION PARTS .....	6	Noise, Vibration and Harshness (NVH)	
FRONT WHEEL ALIGNMENT .....	6	Troubleshooting .....	22
Components.....	12	Components.....	22
Shock Absorber .....	13	2WD KA24DE MODELS .....	22
REMOVAL AND INSTALLATION.....	13	2WD VG33E MODELS .....	23
INSPECTION.....	13	4WD VG33E MODELS .....	24
Torsion Bar Spring.....	13	On-vehicle Service.....	24
REMOVAL.....	13	REAR SUSPENSION PARTS .....	24
INSPECTION.....	14	Removal and Installation .....	25
INSTALLATION AND ADJUSTMENT .....	14	Shock Absorber .....	25
Stabilizer Bar .....	15	REMOVAL AND INSTALLATION.....	25
REMOVAL.....	15	INSPECTION.....	26
INSPECTION.....	15	Leaf Spring .....	26
INSTALLATION.....	15	REMOVAL.....	26
Upper Link .....	16	INSPECTION.....	26
REMOVAL.....	16	INSTALLATION.....	27
INSTALLATION.....	16	Stabilizer Bar .....	27
DISASSEMBLY.....	16	REMOVAL.....	27
INSPECTION.....	16	INSPECTION.....	27
ASSEMBLY .....	17	INSTALLATION.....	27
Lower Link .....	17	Service Data and Specifications (SDS).....	28
REMOVAL AND INSTALLATION.....	17	GENERAL SPECIFICATIONS (REAR).....	28
INSPECTION.....	17		
Upper Ball Joint and Lower Ball Joint.....	18		

GI  
MA  
EM  
LC  
EC  
FE  
CL  
MT  
AT  
TF  
PD  
AX  
SU  
BR  
ST  
RS  
BT  
HA  
SC  
EL  
IDX

# FRONT SUSPENSION

## Precautions



## Precautions PRECAUTIONS

- When installing rubber parts, final tightening must be carried out under unladen condition\* with tires on ground.  
\*: Fuel, radiator coolant and engine oil full. Spare tire, jack, hand tools and mats in designated positions.
- Use flare nut wrench when removing and installing brake tubes.
- After installing removed suspension parts, check wheel alignment and adjust if necessary.
- Always torque brake lines when installing.

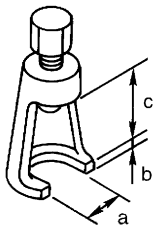
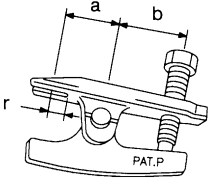
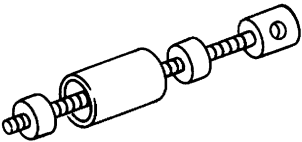
NGSU0001

## Preparation

## SPECIAL SERVICE TOOLS

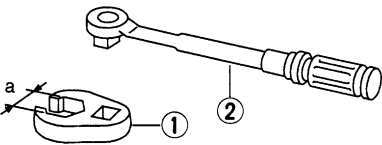
The actual shapes of Kent-Moore tools may differ from those of special service tools illustrated here.

NGSU0002

Tool number (Kent-Moore No.) Tool name	Description
ST29020001 (J24319-01) Gear arm puller	 <p>Removing ball joint for knuckle spindle a: 34 mm (1.34 in) b: 6.5 mm (0.256 in) c: 61.5 mm (2.421 in)</p>
HT72520000 (J25730-B) Ball joint remover	 <p>Removing tie-rod outer end a: 33 mm (1.30 in) b: 50 mm (1.97 in) r: 11.5 mm (0.453 in)</p>
KV40106800 ( — ) Lower link bushing puller	 <p>Removing and installing lower link bushing</p>

## COMMERCIAL SERVICE TOOLS

NGSU0003

Tool name	Description
1 Flare nut crowfoot 2 Torque wrench	 <p>Removing and installing each brake piping a: 10 mm (0.39 in)</p>

# FRONT SUSPENSION

Noise, Vibration and Harshness (NVH) Troubleshooting

## Noise, Vibration and Harshness (NVH) Troubleshooting

=NGSU0004

NGSU0004S01

### NVH TROUBLESHOOTING CHART

Use the chart below to help you find the cause of the symptom. Repair or replace parts as necessary.

Symptom		Possible Cause and SUSPECTED PARTS										Reference page														
		Improper installation, looseness	Shock absorber deformation, damage or deflection	Bushing or mounting deterioration	Parts interference	Spring fatigue	Suspension looseness	Incorrect wheel alignment	Stabilizer bar fatigue	Out-of-round	Imbalance	Incorrect air pressure	Uneven tire wear	Deformation or damage	Non-uniformity	Incorrect tire size	PROPELLER SHAFT	DIFFERENTIAL	DRIVE SHAFT	AXLE	SUSPENSION	TIRES	ROAD WHEEL	BRAKES	STEERING	
SUSPENSION	Noise	x	x	x	x	x	x										x	x	x	x		x	x	x	x	SU-4, 22
	Shake	x	x	x	x		x										x		x	x		x	x	x	x	SU-13, 25
	Vibration	x	x	x	x	x											x		x	x		x				SU-12, 25
	Shimmy	x	x	x	x			x												x		x				—
	Judder	x	x	x																	x		x			SU-12, 25
	Poor quality ride or handling	x	x	x	x	x		x	x											x			x			SU-12, 25
	TIRES	Noise	x							x	x	x	x	x	x		x	x	x	x	x	x		x	x	SU-6
		Shake	x							x	x	x	x	x		x	x		x	x	x	x		x	x	SU-15
		Vibration										x				x	x		x	x	x	x				SU-6
		Shimmy	x							x	x	x	x	x	x											—
		Judder	x							x	x	x	x	x		x										—
		Poor quality ride or handling	x								x	x	x	x		x					x	x				
ROAD WHEEL	Noise	x							x	x			x			x	x	x	x	x	x				—	
	Shake	x							x	x						x		x	x	x	x				—	
	Shimmy, Judder	x							x	x									x	x	x				—	
	Poor quality ride or handling	x								x	x			x						x	x	x				—

x: Applicable

GI  
MA  
EM  
LC  
EC  
FE  
CL  
MT  
AT  
TF  
PD  
AX  
SU  
BR  
ST  
RS  
BT  
HA  
SC  
EL  
IDX

# FRONT SUSPENSION

Components

## Components

NGSU0005

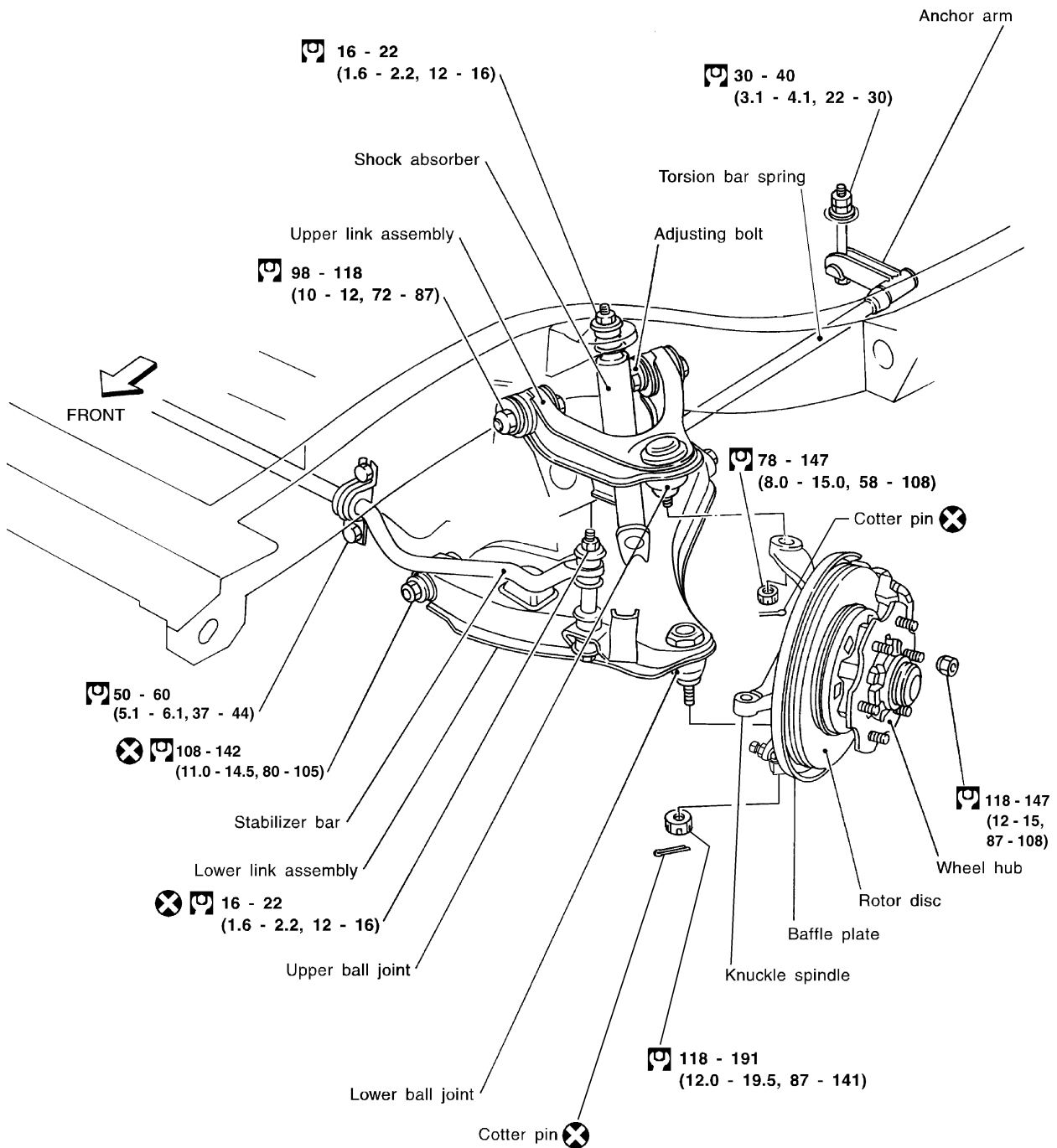
NGSU0005S01

### 2WD MODELS

#### SEC. 391•400•401

When installing rubber parts, final tightening must be carried out under unladen condition\* with tires on ground.

- \* Fuel, radiator coolant and engine oil full.
- Spare tire, jack, hand tools and mats in designated positions.



: N•m (kg-m, ft-lb)

WSU013

# FRONT SUSPENSION

Components (Cont'd)

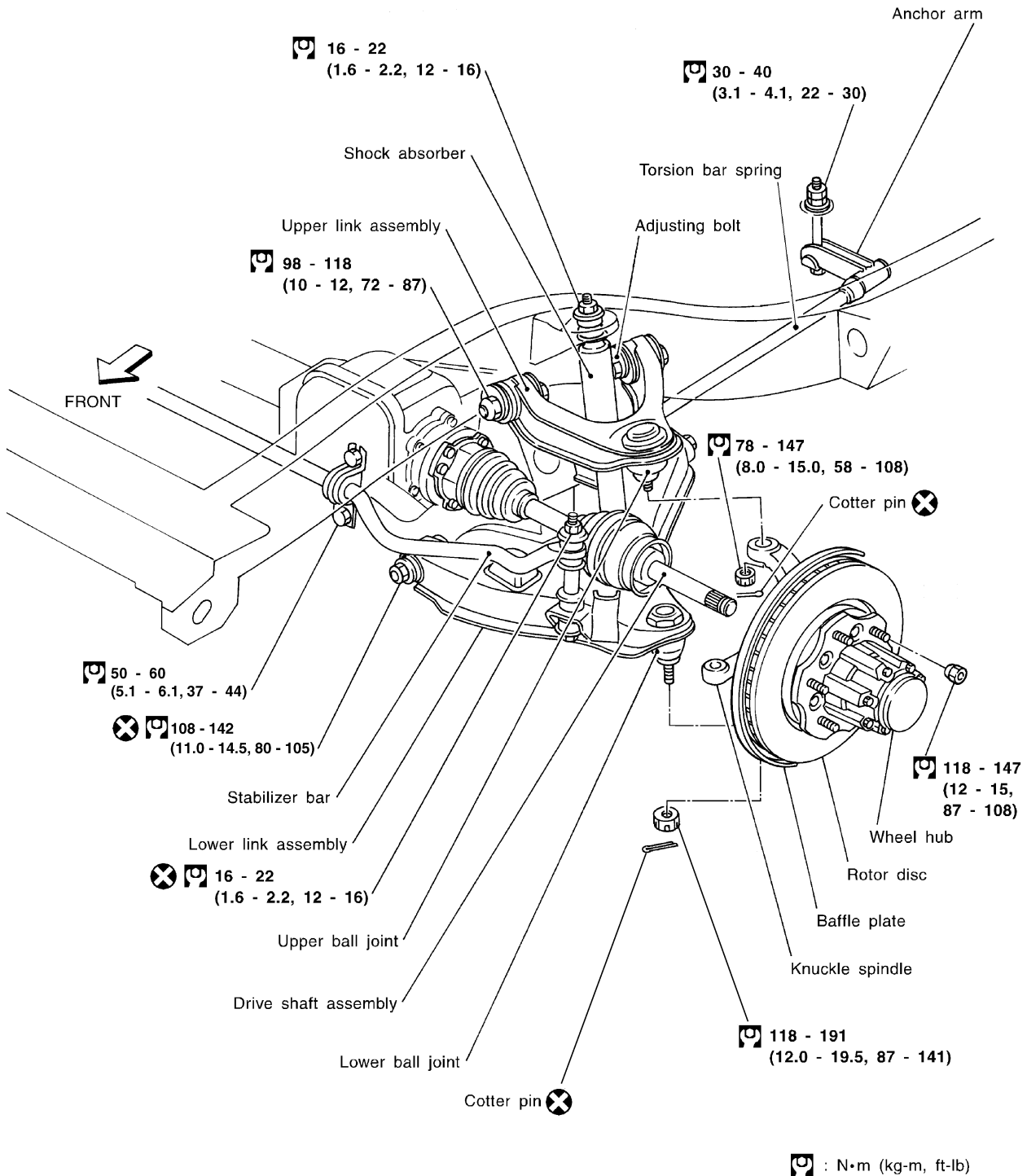
## 4WD MODELS

NGSU0005S02

### SEC. 391•400•401

When installing rubber parts, final tightening must be carried out under unladen condition\* with tires on ground.

- \* Fuel, radiator coolant and engine oil full.
- Spare tire, jack, hand tools and mats in designated positions.



GI

MA

EM

LC

EC

FE

CL

MT

AT

TF

PD

AX

SU

BR

ST

RS

BT

HA

SC

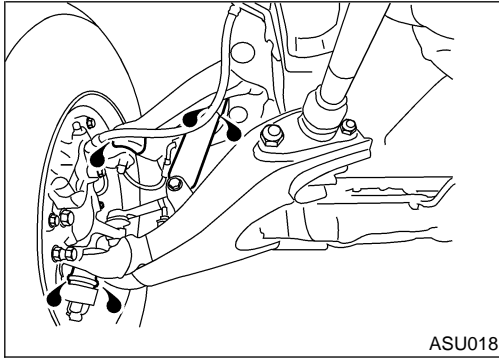
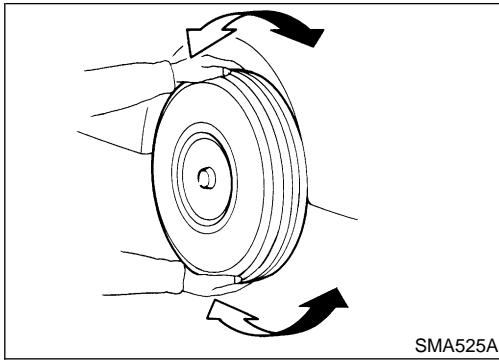
EL

IDX

WSU014

# FRONT SUSPENSION

On-vehicle Service




## On-vehicle Service

### FRONT SUSPENSION PARTS

NGSU0006

Check front suspension parts for excessive play, cracks, wear and other damage.

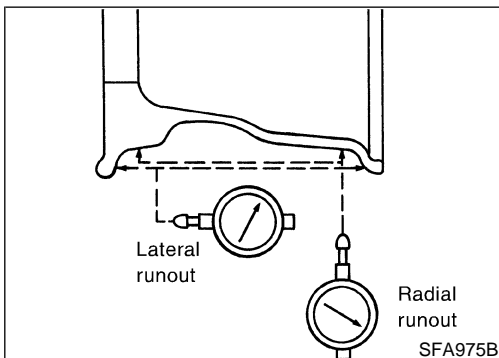
- Shake each front wheel to check for excessive play. If looseness is noted, adjust wheel bearing end play, then check ball joint end play. Refer to "INSPECTION", SU-18.
- Make sure that the cotter pin is inserted.
- Retighten all nuts and bolts to the specified torque.  
 : Refer to "FRONT SUSPENSION", SU-12.
- Check shock absorber for oil leakage and other damage.
- Check suspension ball joint for grease leakage and ball joint dust cover for cracks and other damage.

### FRONT WHEEL ALIGNMENT

NGSU0007

Before checking front wheel alignment, make a preliminary inspection (Unladen\*).

\*: Fuel, radiator coolant and engine oil full. Spare tire, jack, hand tools and mats in designated positions.



## Preliminary Inspection

### Aluminum Wheel

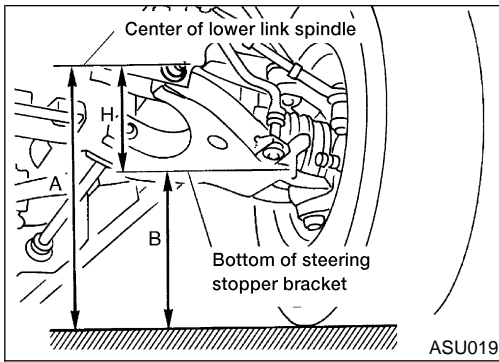
NGSU0007S01

NGSU0007S0101

1. Check tires for wear and proper inflation.
2. Check wheels for deformation, cracks and other damage. If deformed, remove wheel and check wheel runout.
  - 1) Remove tire from aluminum wheel and mount wheel on a tire balance machine.
  - 2) Set dial indicator as shown in the illustration.  
**Wheel runout (Dial indicator value):**  
**Refer to "WHEEL RUNOUT AVERAGE", SU-18.**
3. Check front wheel bearings for looseness.
4. Check front suspension for looseness.
5. Check steering linkage for looseness.
6. Check that front shock absorbers work properly by using the standard bounce test.

# FRONT SUSPENSION

On-vehicle Service (Cont'd)



7. Check vehicle posture (Unladen):  $H = A - B$  mm (in)  
**Refer to "2WD Models", SU-19 or "4WD Models", SU-20.**
  - a. Exercise the front suspension by bouncing the front of the vehicle 4 or 5 times to ensure that the vehicle is in a neutral height attitude.
  - b. Measure wheel alignment.  
**Refer to "2WD Models", SU-19 or "4WD Models", SU-20.**
  - c. If wheel alignment is not as specified, adjust vehicle posture.  
**Refer to "2WD Models", SU-19 or "4WD Models", SU-20.**
  - d. Adjust wheel alignment.  
**Refer to "2WD Models", SU-19 or "4WD Models", SU-20.**

GI  
MA

EM

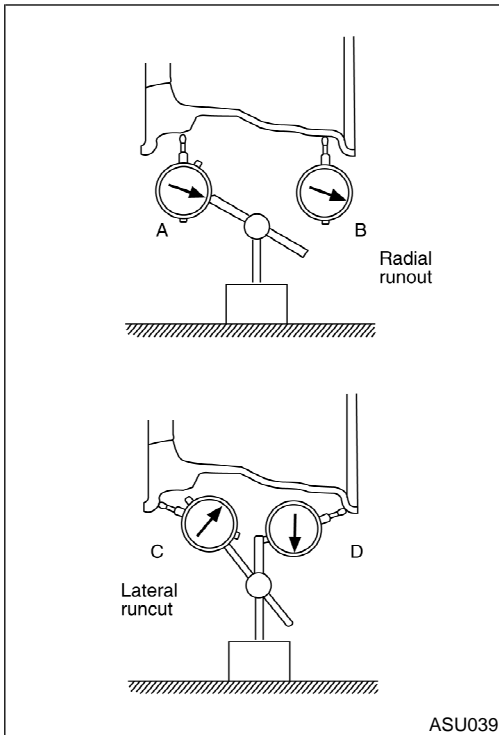
LC

EC

FE

CL

MT



## Steel Wheel

NGSU0007S0102

1. Check tires for wear and proper inflation.
2. Check wheels for deformation, cracks and other damage.  
 If deformed, remove wheel and check wheel runout.
  - 1) Remove tire from steel wheel and mount wheel on a tire balance machine.
  - 2) Set two dial indicator as shown in the illustrations.
  - 3) Set each dial indicator to 0.
  - 4) Rotate wheel, and check dial indicators at several points around the circumference of the wheel.
  - 5) Calculate runout at each point as shown below.  
 $\text{Radial runout} = (A+B)/2$   
 $\text{Lateral runout} = (C+D)/2$
  - 6) Select maximum positive runout value and the maximum negative value.  
 Add the two values to determine total runout.  
 In case a positive or negative value is not available, use the maximum value (negative or positive) for total runout.  
 If the total runout value exceeds the limit, replace steel wheel.
- Refer to "WHEEL RUNOUT AVERAGE", SU-18.
3. Check front wheel bearings for looseness.
4. Check front suspension for looseness.
5. Check steering linkage for looseness.
6. Check that front shock absorbers work properly by using the standard bounce test.

AT

TF

PD

AX

SU

BR

ST

RS

BT

HA

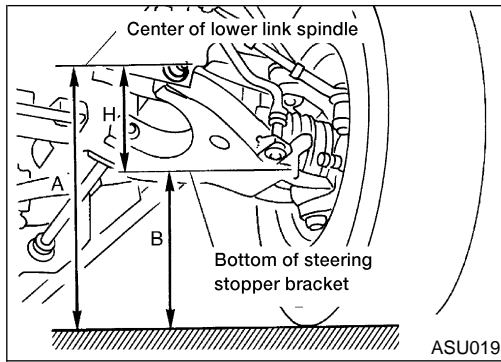
SC

EL

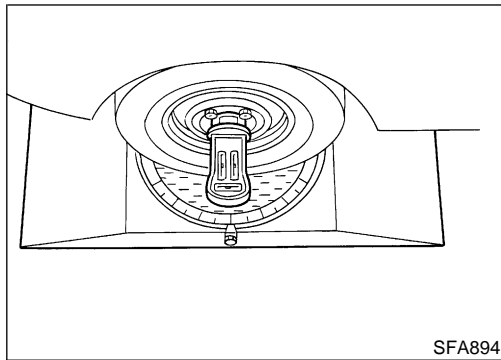
IDX

# FRONT SUSPENSION

On-vehicle Service (Cont'd)



7. Check vehicle posture (Unladen):  $H = A - B$  mm (in)  
**Refer to "2WD Models", SU-19 or "4WD Models", SU-20.**
  - a. Exercise the front suspension by bouncing the front of the vehicle 4 or 5 times to ensure that the vehicle is in a neutral height attitude.
  - b. Measure wheel alignment.  
**Refer to "2WD Models", SU-19 or "4WD Models", SU-20.**
  - c. If wheel alignment is not as specified, adjust vehicle posture.  
**Refer to "2WD Models", SU-19 or "4WD Models", SU-20.**
  - d. Adjust wheel alignment.  
**Refer to "2WD Models", SU-19 or "4WD Models", SU-20.**



## Camber, Caster and Kingpin Inclination

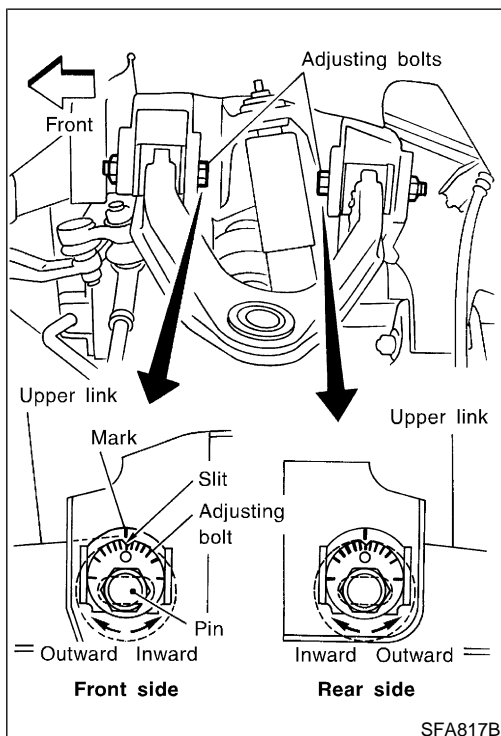
NGSU0007S02

**Before checking camber, caster or kingpin inclination, move vehicle up and down on turning radius gauge to minimize friction. Ensure that the vehicle is in correct posture.**

- Measure camber, caster and kingpin inclination of both right and left wheels with a suitable alignment gauge and adjust in accordance with the following procedures.

### Camber, Caster and Kingpin inclination:

**Refer to "2WD Models", SU-19 or "4WD Models", SU-20.**

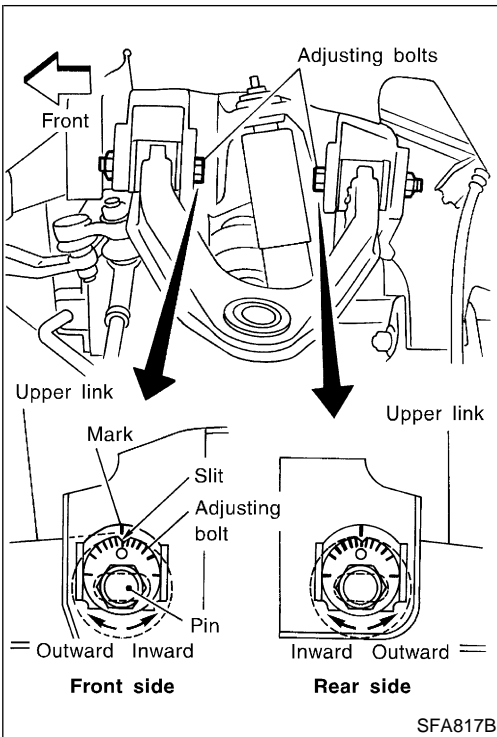


- In the following two cases, temporarily tighten the adjusting bolts while aligning the matching marks with the slits as shown in the figure at the left and measure the camber, caster and kingpin inclination:
  - a) When replacing the upper link or other suspension parts with new ones
  - b) When matching marks were not painted on adjusting bolts before suspension disassembly procedures
- If matching marks were already painted during suspension disassembly, align the matching marks with the slits, then temporarily tighten the adjusting bolts. Measure the camber, caster and kingpin inclination.



# FRONT SUSPENSION

On-vehicle Service (Cont'd)



## Adjustment

NGSU0007S03

1. Both camber and caster angles are adjusted by adjusting bolts.
  - If the kingpin inclination is outside specifications, check the front suspension parts for wear or damage. Replace faulty parts with new ones.
2. From the measured value, read the coordinate (or: graduation) at the intersecting point in the graph.
  - a. If the coordinate (or: graduation) at the intersecting point is positive, move the pin outward by turning the corresponding adjusting bolt by the indicated graduation.
  - b. If the coordinate (or: graduation) at the intersecting point is negative, move the pin inward by turning the corresponding adjusting bolt by the indicated graduation.
3. Re-measure to ensure that the camber and caster are within specified tolerances.

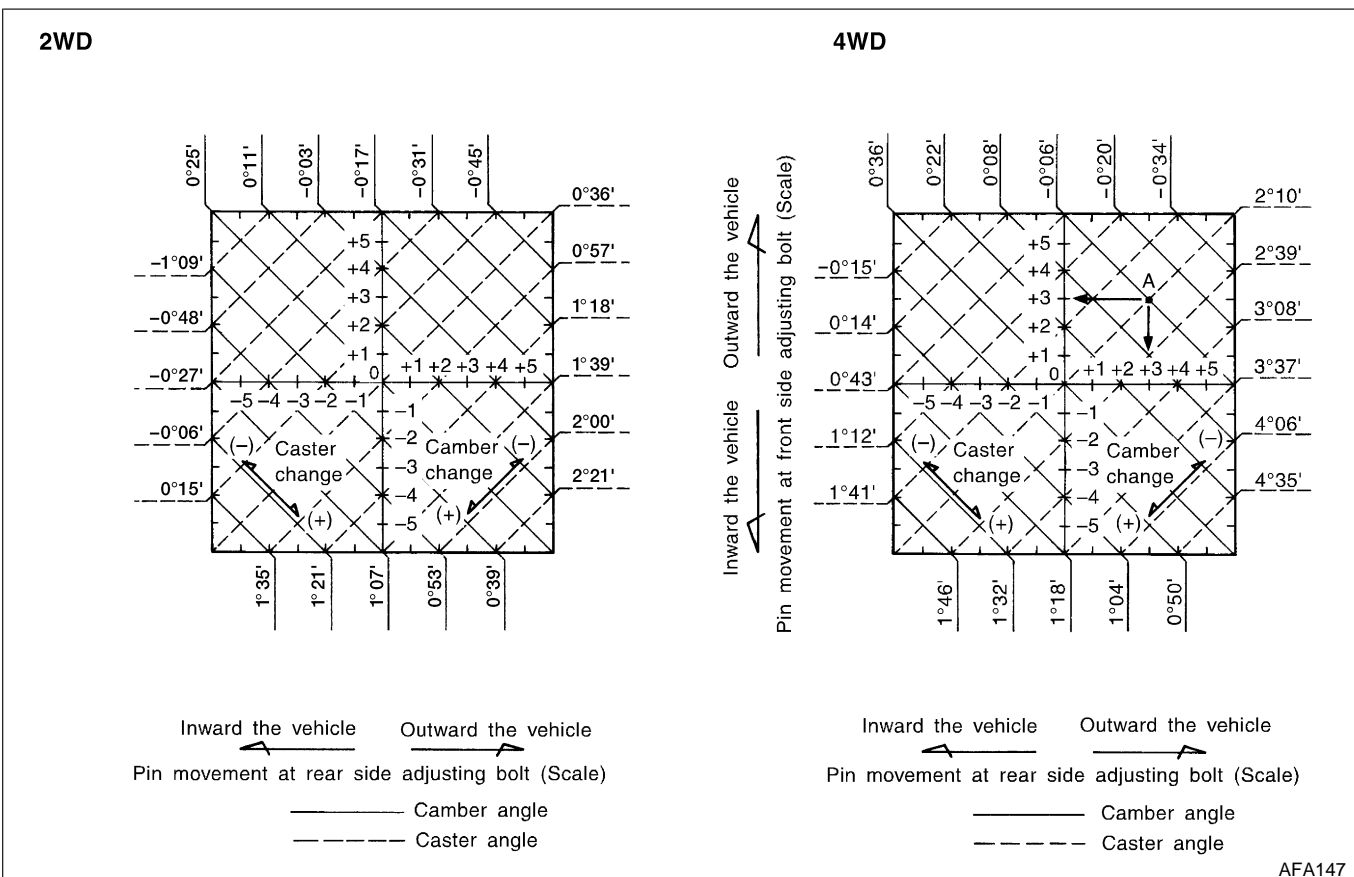
[Example]

- a. Measured values corresponding with the two values indicated below: (See chart for 4WD model.)

**Camber angle:  $-0^{\circ}06'$  ( $-0.10^{\circ}$ )**

**Caster angle:  $2^{\circ}10'$  ( $2.17^{\circ}$ )**

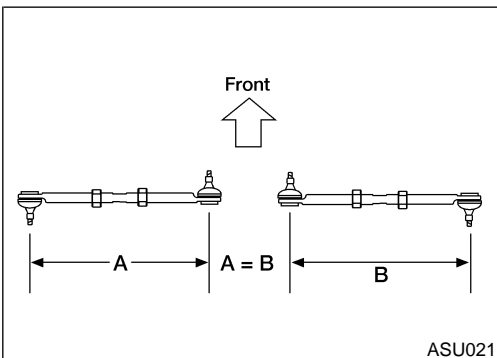
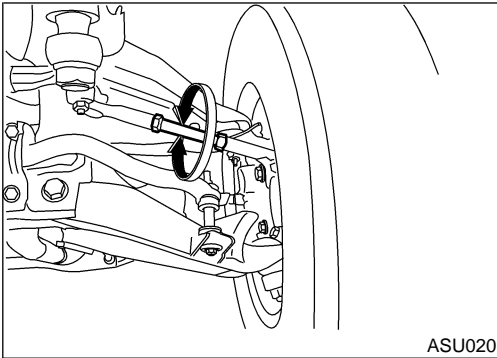
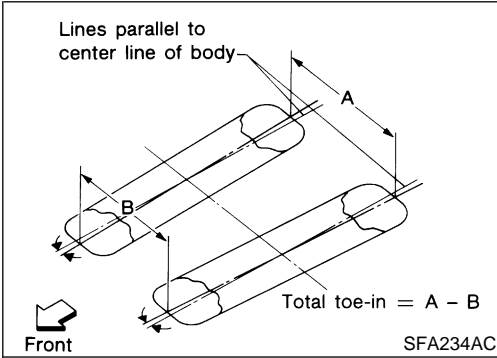
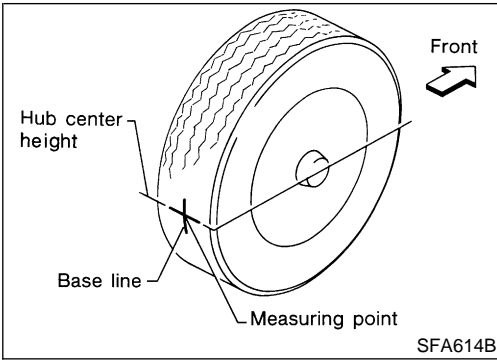
- b. Apply the above two values to the graph and determine point "A".
- c. The coordinate (or: graduation) indicates that both the front and rear adjusting bolts must be turned outward by 3 graduations. Turn the adjusting bolts by the amount corresponding with the 3 graduations.



GI  
MA  
EM  
LC  
EC  
FE  
CL  
MT  
AT  
TF  
PD  
AX  
SU  
BR  
ST  
RS  
BT  
HA  
SC  
EL  
IDX

# FRONT SUSPENSION

On-vehicle Service (Cont'd)



## Toe-in

NGSU0007S04

Measure toe-in using the following procedure.

### WARNING:

- Always perform the following procedure on a flat surface.
  - Make sure that no one is in front of the vehicle before pushing it.
1. Bounce front of vehicle up and down to stabilize the posture.
  2. Push the vehicle straight ahead about 5 m (16 ft).
  3. Put a mark on base line of the tread (rear side) of both tires at the same height of hub center. This mark is a measuring point.
  4. Measure distance "A" (rear side).
  5. Push the vehicle slowly ahead to rotate the wheels 180 degrees (1/2 turn).
  6. Measure distance "B" (front side).

### Total toe-in:

Refer to "2WD Models", SU-19 or "4WD Models", SU-20.

7. Adjust toe-in by varying the length of both steering tie-rods.
  - a. Loosen lock nuts.
  - b. Adjust toe-in by turning both the left and right tie-rod tubes equal amounts.

Make sure that the tie-rod bars are screwed into the tie-rod tube more than 35 mm (1.38 in).

Make sure that the tie-rods are the same length.

### Standard length (A = B):

2WD KA24DE models

343.9 mm (13.54 in)

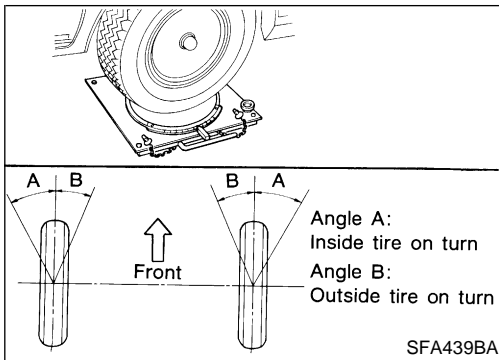
2WD and 4WD VG33E models

297.6 mm (11.72 in)

- c. Tighten clamp bolts or lock nuts, then torque them.

# FRONT SUSPENSION

On-vehicle Service (Cont'd)



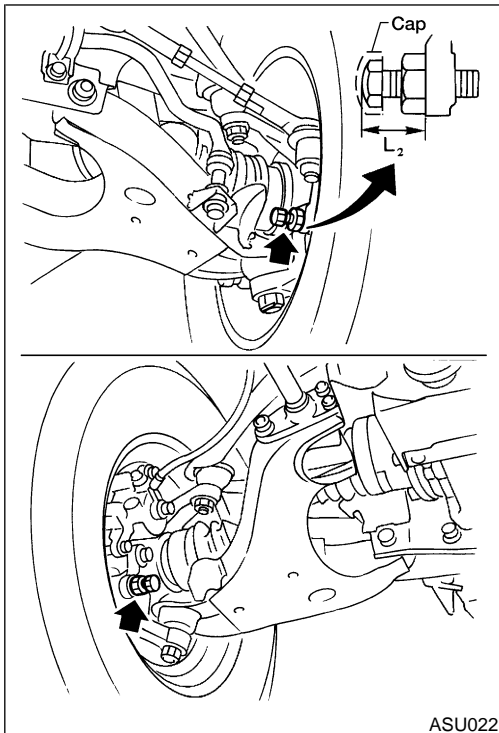
## Front Wheel Turning Angle

=NGSU0007S05

1. Set wheels in straight-ahead position. Then move vehicle forward until front wheels rest properly on turning radius gauge.
  2. Rotate steering wheel all the way right and left; measure turning angle.
- On power steering models, turn steering wheel to full lock and apply force (at circumference of steering wheel) of 98 to 147 N (10 to 15 kg, 22 to 33 lb) with engine at idle.
  - **Do not hold the steering wheel at full lock for more than 15 seconds.**

### Wheel turning angle (Full turn):

Refer to "2WD Models", SU-19 or "4WD Models", SU-20.



3. Adjust stopper bolt if necessary.

### Standard length "L<sub>1</sub>" (2WD KA24DE models):

20 mm (0.79 in)

(Length before cap is mounted)

### Standard length "L<sub>2</sub>" (2WD & 4WD VG33E models):

Except P265/70R15 tire:

26.5 mm (1.043 in)

(Length before cap is mounted)

P265/70R15 tire:

30.0 mm (1.2 in)

(Length before cap is mounted)

GI

MA

EM

LC

EC

FE

CL

MT

AT

TF

PD

AX

SU

BR

ST

RS

BT

HA

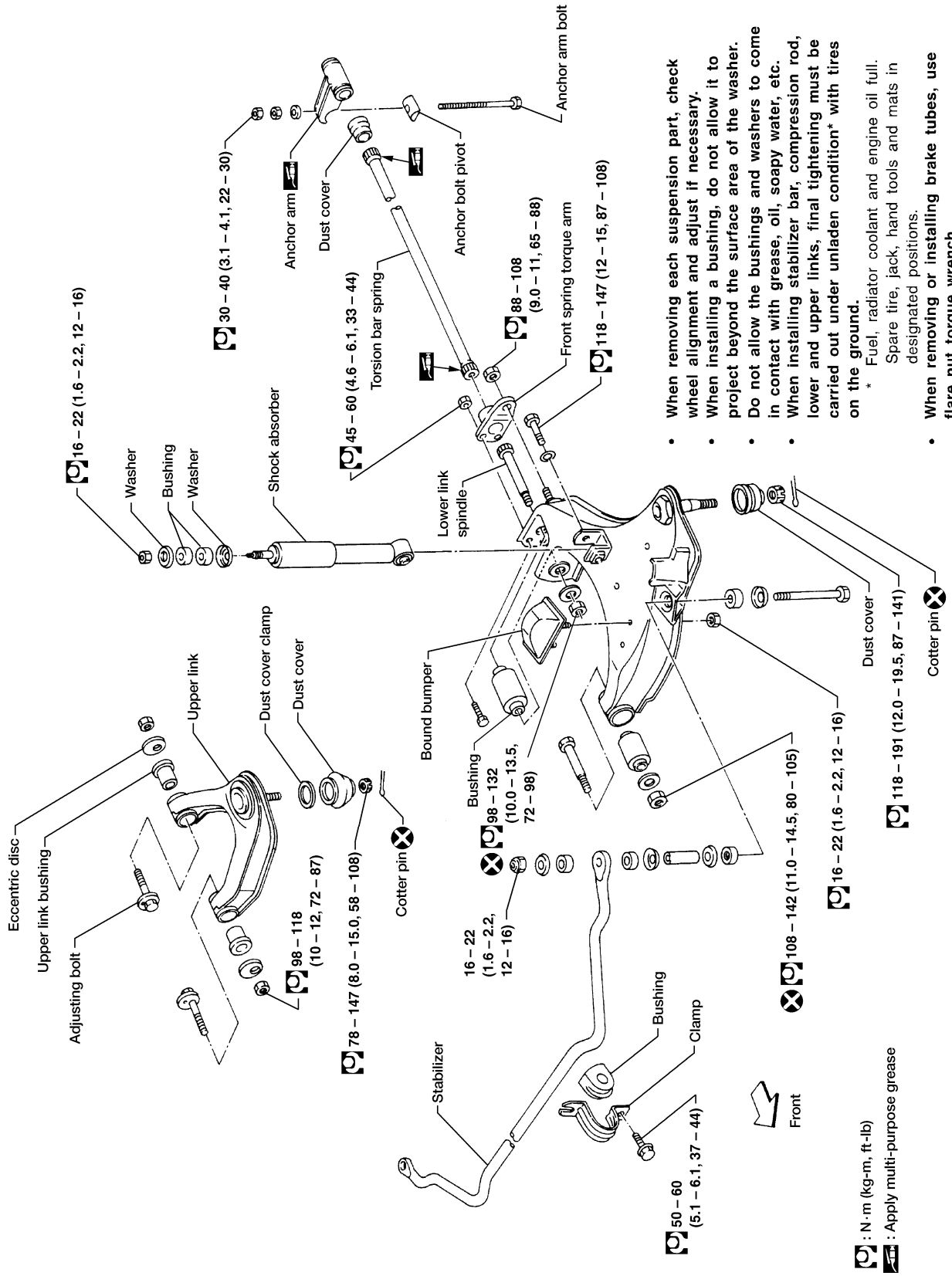
SC

EL

IDX

# FRONT SUSPENSION

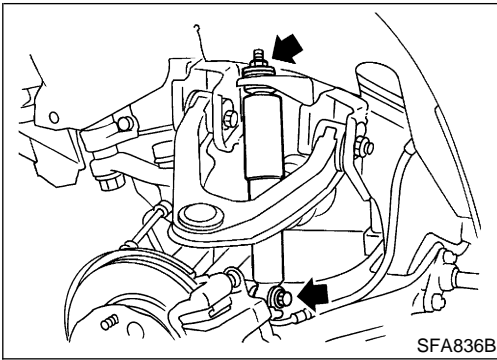
## Components



- When removing each suspension part, check wheel alignment and adjust if necessary.
  - When installing a bushing, do not allow it to project beyond the surface area of the washer.
  - Do not allow the bushings and washers to come in contact with grease, oil, soapy water, etc.
  - When installing stabilizer bar, compression rod, lower and upper links, final tightening must be carried out under unladen condition\* with tires on the ground.
- \* Fuel, radiator coolant and engine oil full.  
Spare tire, jack, hand tools and mats in designated positions.
- When removing or installing brake tubes, use flare nut torque wrench.

SEC. 401

⊗ : N · m (kg-m, ft-lb)  
⊞ : Apply multi-purpose grease



## Shock Absorber REMOVAL AND INSTALLATION

NGSU0009

1. Support lower link with jack.
2. Remove bolt and nut that hold shock absorber.
3. Tighten upper nut and lower bolt to specification. Refer to "Components", SU-12.

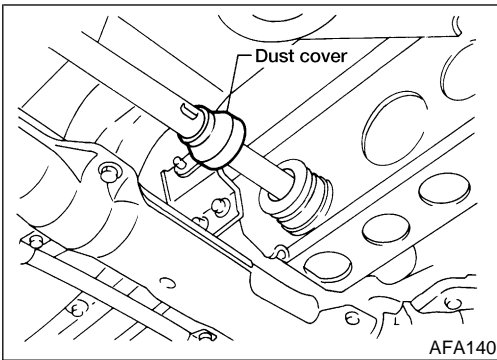
## INSPECTION

NGSU0010

Except for nonmetallic parts, clean all parts with suitable solvent and dry with compressed air.

Use compressed air to blow dirt and dust off of nonmetallic parts.

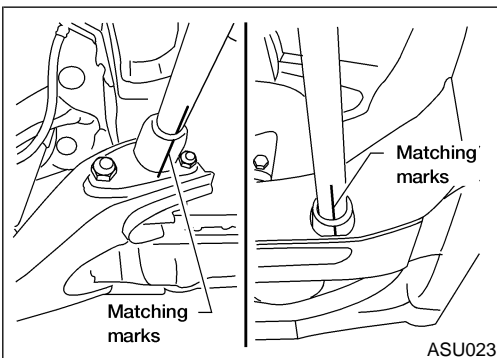
- Check for oil leakage and cracks. Replace if necessary.
- Check piston rod for cracks, deformation and other damage. Replace if necessary.
- Check rubber parts for wear, cracks, damage and deformation. Replace if necessary.



## Torsion Bar Spring REMOVAL

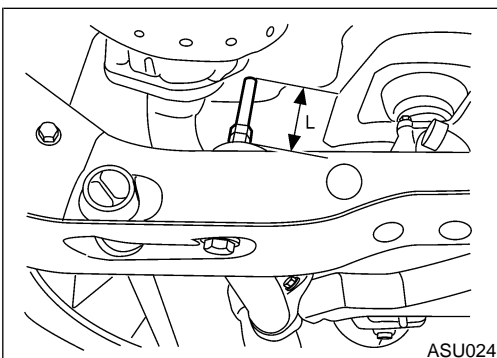
NGSU0011

1. Move dust cover.



2. Paint matching marks on the torsion bar spring and the corresponding arm.

**Always use paint to place the matching mark; do not scribe the affected parts.**



3. Measure anchor bolt protrusion "L" and remove the lock nut and adjusting nut.

**Standard length "L" = 68 mm (2.68 in)**

**Before removing the nuts, ensure that twisting force is eliminated from the torsion bar springs.**

GI

MA

EM

LC

EC

FE

CL

MT

AT

TF

PD

AX

SU

BR

ST

RS

BT

HA

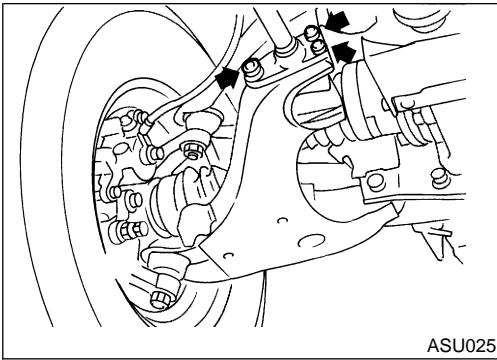
SC

EL

IDX

# FRONT SUSPENSION

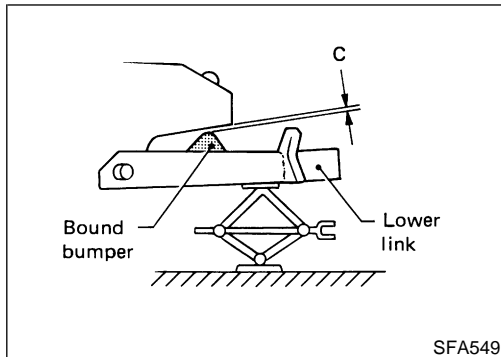
## Torsion Bar Spring (Cont'd)



4. Remove torsion bar spring.
  - Remove torque arm fixing nuts, then withdraw torsion bar spring forward with torque arm.

## INSPECTION

- Check torsion bar spring for wear, twist, bend and other damage. NGSU0012
- Check serrations of each part for cracks, wear, twist and other damage.
- Check dust cover for cracks.



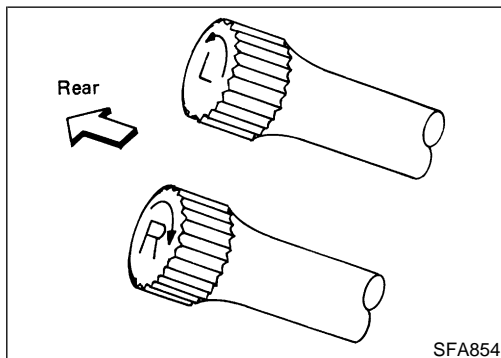
## INSTALLATION AND ADJUSTMENT

NGSU0013  
Adjustment of anchor arm adjusting nut is in tightening direction only.

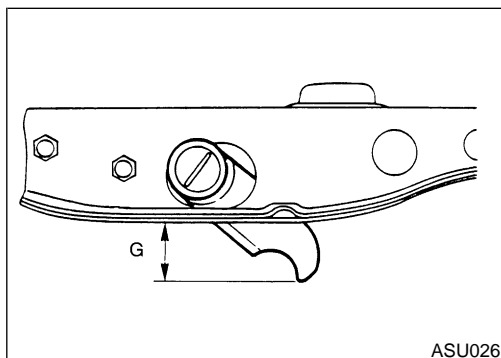
Do not adjust by loosening anchor arm adjusting nut.

1. Coat multi-purpose grease on the serration of torsion bar spring.
2. Place lower link in the position where bound bumper clearance "C" is 0.

**Clearance "C": 0 mm (0 in)**



3. Install torsion bar spring with torque arm.  
**Be sure to install right and left torsion bar springs correctly.**



4. While aligning the anchor arm with the matching mark, install the anchor arm to the torsion bar spring.  
If a new torsion bar spring or anchor arm is installed, adjust anchor arm length to the dimension indicated in the figure at the left.

**Standard length "G":**

**2WD KA24DE models**

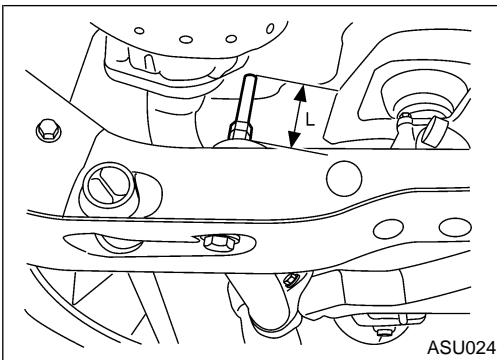
**6 - 18 mm (0.24 - 0.71 in)**

**2WD and 4WD VG33E models**

**25 - 39 mm (0.98 - 1.54 in)**

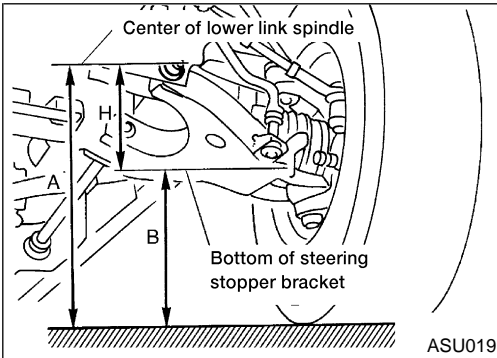
# FRONT SUSPENSION

Torsion Bar Spring (Cont'd)

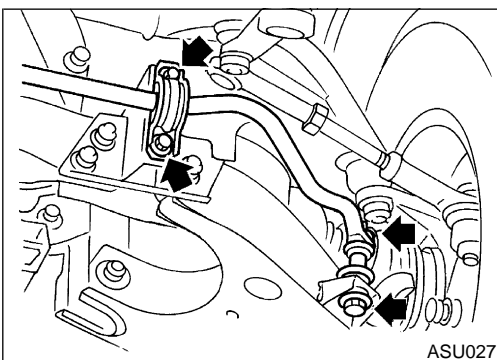


5. Tighten the adjusting nut so the torsion bar length corresponds with dimension "L" previously measured during torsion bar removal. Tighten the lock nut to specifications. If a new torsion bar spring or anchor arm is installed, tighten the adjusting nut to the dimension indicated in the figure at the left, then tighten the lock nut to specifications.

**Standard length "L": 68 mm (2.68 in)**



6. Bounce vehicle with tires on ground (Unladen) to eliminate friction of suspension.
  7. Measure vehicle posture "H".
    - a. Exercise the front suspension by bouncing the front of the vehicle 4 or 5 times to ensure that the vehicle is in a neutral height attitude.
    - b. Measure vehicle posture ... Dimension "H".
- $H = A - B$  mm (in) "Unladen"**  
**Refer to "WHEEL ALIGNMENT (UNLADEN)", SU-19.**
8. If height of the vehicle is not within allowable limit, adjust vehicle posture.  
**Refer to "WHEEL ALIGNMENT (UNLADEN)", SU-19.**
  9. Check wheel alignment if necessary.  
**Refer to "WHEEL ALIGNMENT (UNLADEN)", SU-19.**

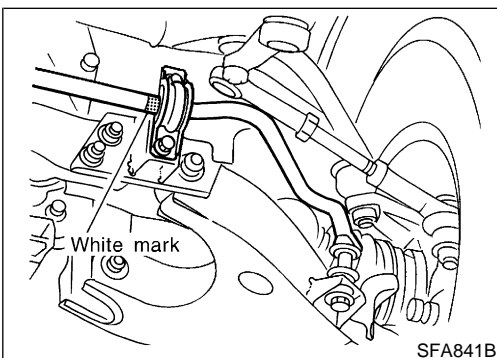


## Stabilizer Bar REMOVAL

- Remove stabilizer bar connecting bolts and clamp bolts. NGSU0014

## INSPECTION

- Check stabilizer bar for twist and deformation. Replace if necessary. NGSU0015
- Check rubber bushing for cracks, wear and deterioration. Replace if necessary.



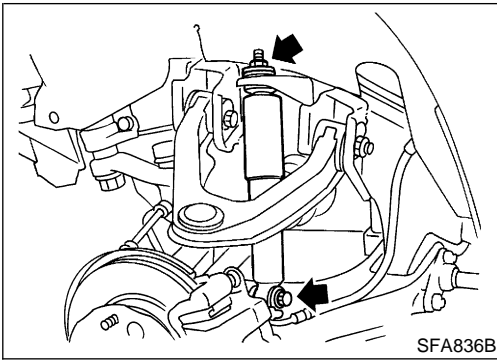
## INSTALLATION

- Install bushing outside of white mark painted on stabilizer. NGSU0016
- Refer to "Components", SU-12.

GI  
MA  
EM  
LC  
EC  
FE  
CL  
MT  
AT  
TF  
PD  
AX  
SU  
BR  
ST  
RS  
BT  
HA  
SC  
EL  
IDX

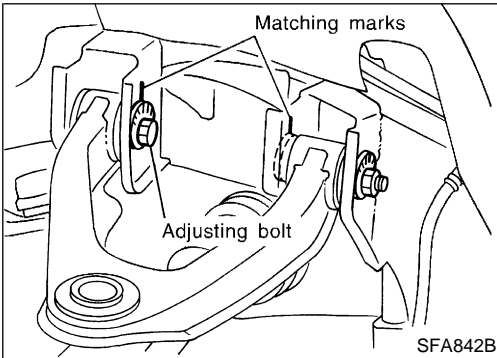
# FRONT SUSPENSION

## Upper Link

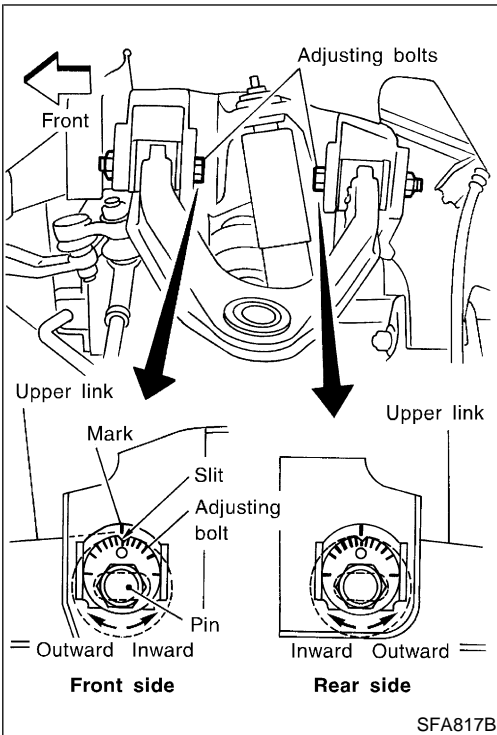


### Upper Link REMOVAL

1. Remove shock absorber. Refer to "Shock Absorber", SU-13. NGSU0017
2. Separate upper ball joint stud from knuckle spindle.  
**Support lower link with jack.**  
Refer to AX-14, "Knuckle Spindle".



3. Put matching marks on adjusting bolts and remove adjusting bolts.



### INSTALLATION

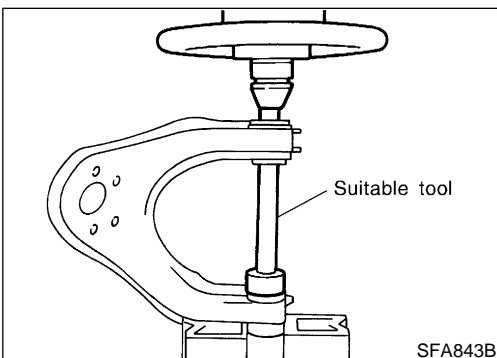
1. While aligning the adjusting bolts with the matching marks, install the upper link. NGSU0018  
If a new upper link or any other suspension part is installed, align the matching mark with the slit as indicated in the figure at the left, then install the upper link.  
Refer to "FRONT WHEEL ALIGNMENT", SU-6.
2. Install shock absorber.
3. Tighten adjusting bolts under unladen condition (fuel, radiator coolant, and engine oil full; spare tire, jack, hand tools, and mats in designated positions) with tires on ground.
4. After installing, check wheel alignment. Adjust if necessary.  
Refer to "FRONT WHEEL ALIGNMENT", SU-6.

### DISASSEMBLY

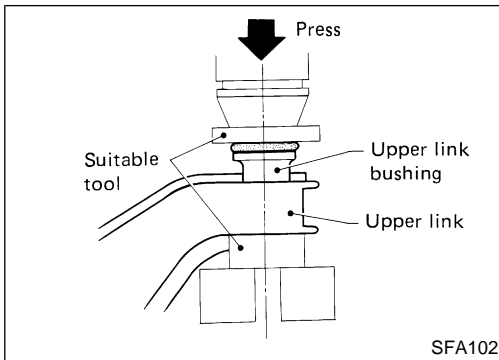
- Press out upper link bushings. NGSU0019

### INSPECTION

- Check adjusting bolts and rubber bushings for damage. Replace if necessary. NGSU0020
- Check upper link for deformation and cracks. Replace if necessary.





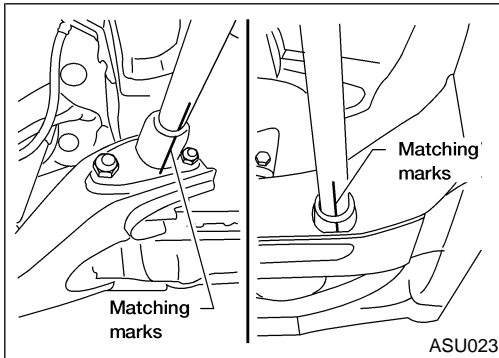


## ASSEMBLY

NGSU0021

1. Apply soapsuds to rubber bushing.
2. Press upper link bushing.

**Press bushing so that the flange of bushing securely contacts the end surface of the upper link collar.**



## Lower Link

### REMOVAL AND INSTALLATION

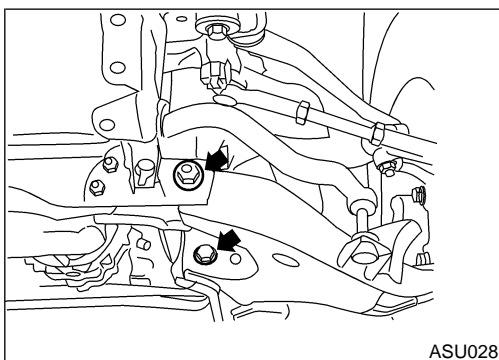
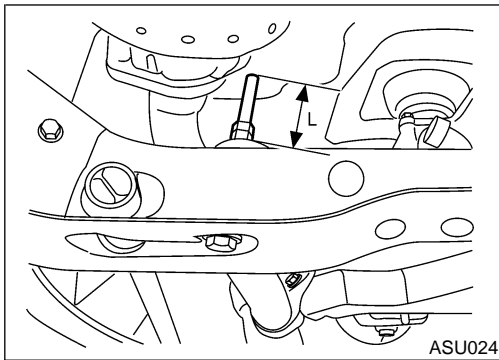
NGSU0024

1. Remove torsion bar spring. Refer to "REMOVAL", SU-13.

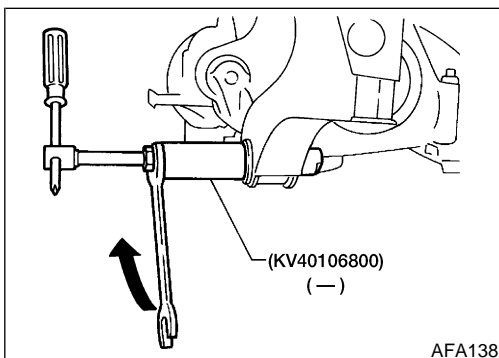
**Make matching marks and measure dimension "L" when loosening adjusting nut until there is no tension on torsion bar spring.**

**Standard length "L": 68 mm (2.68 in)**

2. Remove shock absorber lower fixing bolt.
3. Remove stabilizer bar connecting bolt.
4. Separate drive shaft from front final drive (4WD models). Refer to **AX-17**, "Drive Shaft".
5. Separate lower link ball joint from knuckle spindle. Refer to **AX-14**, "Knuckle Spindle".



6. Remove front lower link fixing bolts.



7. Remove bushing of lower link spindle from frame with Tool.
8. After installing lower link, adjust wheel alignment and vehicle height. Refer to "FRONT WHEEL ALIGNMENT", SU-6.

## INSPECTION

NGSU0025

### Lower Link and Lower Link Spindle

NGSU0025S01

- Check for deformation and cracks. Replace if necessary.

### Lower Link Bushing

NGSU0025S02

- Check for distortion and damage. Replace if necessary.

GI

MA

EM

LC

EC

FE

CL

MT

AT

TF

PD

AX

SU

BR

ST

RS

BT

HA

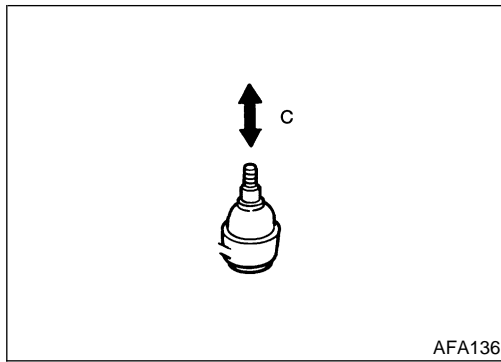
SC

EL

IDX

# FRONT SUSPENSION

## Upper Ball Joint and Lower Ball Joint



### Upper Ball Joint and Lower Ball Joint REMOVAL AND INSTALLATION

NGSU0026

- Separate knuckle spindle from upper and lower links. Refer to **AX-14**, "Knuckle Spindle".

### INSPECTION

NGSU0027

- Check joints for play. If ball is worn and play in axial direction is excessive or joint is hard to swing, replace as a upper link or lower link.

#### Axial end play "C":

##### Upper link

**0 mm (0 in)**

##### Lower link

**2WD KA24DE models 1.3 mm (0.051 in) or less**

**2WD & 4WD VG33E models 0.2 mm (0.008 in) or less**

- Check dust cover for damage. Replace dust cover and dust cover clamp if necessary.

## Service Data and Specifications (SDS)

### GENERAL SPECIFICATIONS (FRONT)

NGSU0028

Suspension type	Independent double wishbone torsion bar spring
Shock absorber type	Double-acting hydraulic
Stabilizer	Standard equipment

### WHEEL RUNOUT AVERAGE

NGSU0029

Wheel type	Aluminum		Steel
	16 inches	15 inches	
Radial runout limit mm (in)	0.5 (0.020)	0.3 (0.012)	0.5 (0.020)
Lateral runout limit mm (in)	0.5 (0.020)	0.3 (0.012)	0.8 (0.031)

### UPPER BALL JOINT

NGSU0030

Vertical end play "C" mm (in)	0 (0)
-------------------------------	-------

### LOWER BALL JOINT

NGSU0031

Applied model	2WD	4WD
Vertical end play "C" mm (in)	1.3 (0.051) or less	0.2 (0.008) or less

# FRONT SUSPENSION

Service Data and Specifications (SDS) (Cont'd)

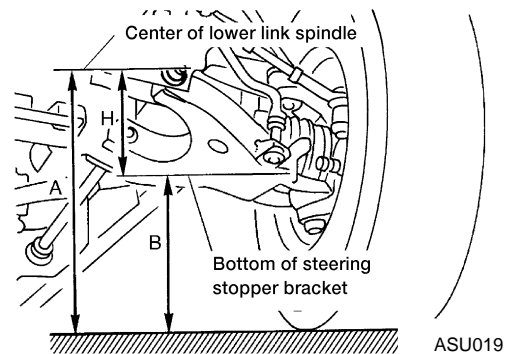
## WHEEL ALIGNMENT (UNLADEN\*1)

-NGSU0032

### 2WD Models

NGSU0032S01

Camber Degree minute (Decimal degree)	Minimum	0°03' (0.05°)				
	Nominal	0°33' (0.55°)				
	Maximum	1°03' (1.05°)				
	Left and right difference	45' (0.75°) or less				
Caster Degree minute (Decimal degree)	Minimum	2°04' (2.07°)				
	Nominal	2°34' (2.57°)				
	Maximum	3°04' (3.07°)				
	Left and right difference	45' (0.75°) or less				
Kingpin inclination Degree minute (Decimal degree)	Minimum	10°23' (10.38°)				
	Nominal	10°53' (10.88°)				
	Maximum	11°23' (11.38°)				
Total toe-in	Distance (A - B) mm (in)	Radial tire	Minimum	3 (0.12)		
			Nominal	4 (0.16)		
			Maximum	5 (0.20)		
	Angle (left plus right) Degree minute (Decimal degree)	Radial tire	Minimum	15' (0.25°)		
			Nominal	20' (0.33°)		
			Maximum	25' (0.42°)		
Wheel turning angle	Full turn*2	Inside Degree minute (Decimal degree)	Except P265/70R15		P265/70R15	
			Minimum	32°48' (32.80°)	30°48' (30.80°)	
			Nominal	34°48' (34.80°)	32°48' (32.80°)	
		Maximum	34°48' (34.80°)	32°48' (32.80°)		
		Outside Degree minute (Decimal degree)	Minimum	31°00' (31.00°)	28°42' (28.70°)	
			Nominal	33°00' (33.00°)	30°42' (30.70°)	
	Maximum		33°00' (33.00°)	30°42' (30.70°)		
	Vehicle posture	Lower arm pivot height (H) mm (in)	37.7 - 41.7 (1.484 - 1.642)			



\*1: Fuel, radiator coolant and engine oil full. Spare tire, jack, hand tools and mats in designated positions.

\*2: On power steering models, wheel turning force (at circumference of steering wheel) of 98 to 147 N (10 to 15 kg, 22 to 33 lb) with engine idle.

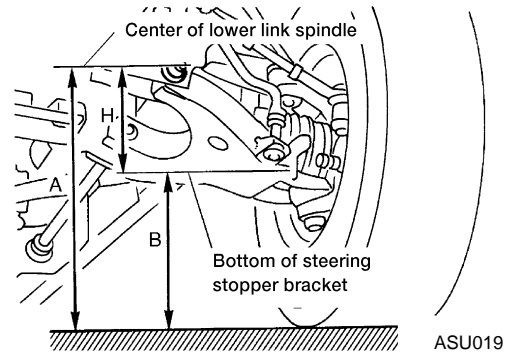
# FRONT SUSPENSION

Service Data and Specifications (SDS) (Cont'd)

## 4WD Models

=NGSU0032S02

Camber Degree minute (Decimal degree)		Minimum		0°06' (0.10°)			
		Nominal		0°36' (0.60°)			
		Maximum		1°06' (1.10°)			
		Left and right difference		45' (0.75°) or less			
Caster Degree minute (Decimal degree)		Minimum		1°40' (1.67°)			
		Nominal		2°10' (2.17°)			
		Maximum		2°40' (2.67°)			
		Left and right difference		45' (0.75°) or less			
Kingpin inclination Degree minute (Decimal degree)		Minimum		10°18' (10.30°)			
		Nominal		10°48' (10.80°)			
		Maximum		11°18' (11.30°)			
Total toe-in	Distance (A – B) mm (in)	Radial tire	Minimum	3 (0.12)			
			Nominal	4 (0.16)			
			Maximum	5 (0.20)			
	Angle (left plus right) Degree minute (Decimal degree)	Radial tire	Minimum	15' (0.25°)			
			Nominal	20' (0.33°)			
			Maximum	25' (0.42°)			
Wheel turning angle	Full turn*2	Inside Degree minute (Decimal degree)			Except P265/70R15	P265/70R15	
			Minimum	33°06' (33.10°)		31°00' (31.00°)	
			Nominal	35°06' (35.10°)		33°00' (33.00°)	
		Maximum	35°06' (35.10°)		33°00' (33.00°)		
		Outside Degree minute (Decimal degree)	Minimum	31°12' (31.20°)		29°00' (29.00°)	
			Nominal	33°12' (33.20°)		31°00' (31.00°)	
	Maximum		33°12' (33.20°)		31°00' (31.00°)		
	Vehicle posture	Lower arm pivot height (H) mm (in)		45.5 - 49.5 (1.791 - 1.949)			

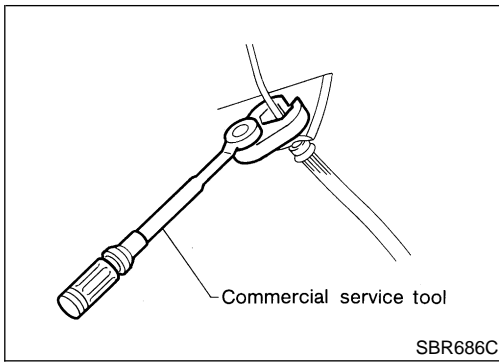


\*1: Fuel, radiator coolant and engine oil full. Spare tire, jack, hand tools and mats in designated positions.

\*2: On power steering models, wheel turning force (at circumference of steering wheel) of 98 to 147 N (10 to 15 kg, 22 to 33 lb) with engine idle.

# REAR SUSPENSION

Precautions



## Precautions PRECAUTIONS

- When installing rubber parts, final tightening must be carried out under unladen condition\* with tires on ground.  
\*: Fuel, radiator coolant and engine oil full. Spare tire, jack, hand tools and mats in designated positions.
- Use flare nut wrench when removing and installing brake tubes.
- After installing removed suspension parts, check wheel alignment and adjust if necessary.
- Always torque brake lines when installing.

NGSU0033

GI

MA

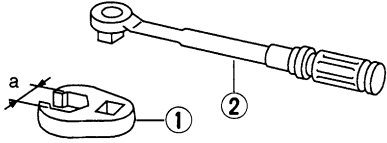
EM

LC

## Preparation

## COMMERCIAL SERVICE TOOLS

NGSU0035

Tool name	Description
1 Flare nut crowfoot 2 Torque wrench	 <p>Removing and installing each brake piping a: 10 mm (0.39 in)</p> <p>NT360</p>

FE

CL

MT

AT

TF

PD

AX

**SU**

BR

ST

RS

BT

HA

SC

EL

IDX

# REAR SUSPENSION

Noise, Vibration and Harshness (NVH) Troubleshooting

## Noise, Vibration and Harshness (NVH) Troubleshooting

=NGSU0036

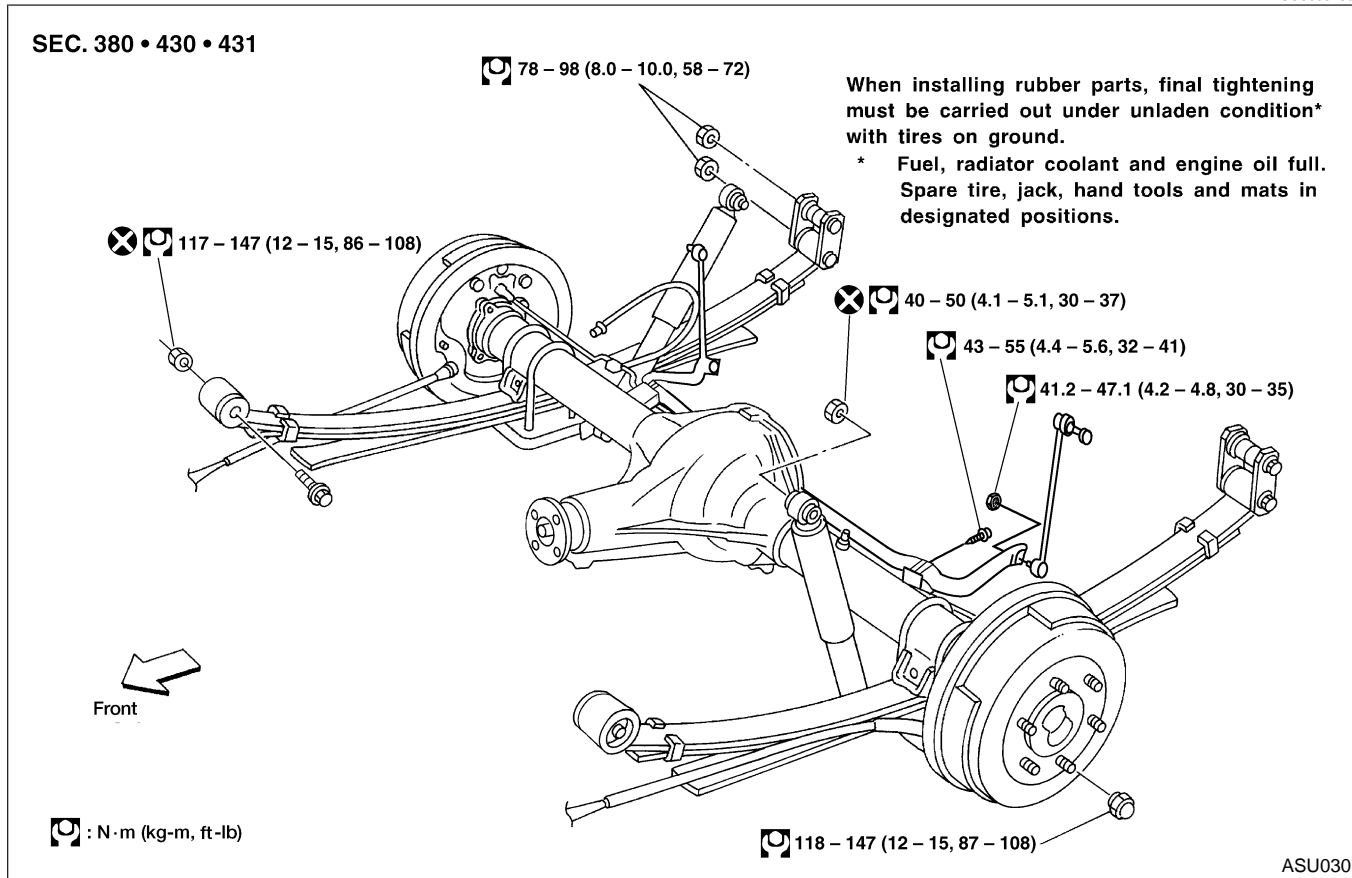
Refer to "Noise, Vibration and Harshness (NVH) Troubleshooting", SU-3.

### Components

NGSU0037

#### 2WD KA24DE MODELS

NGSU0037S03



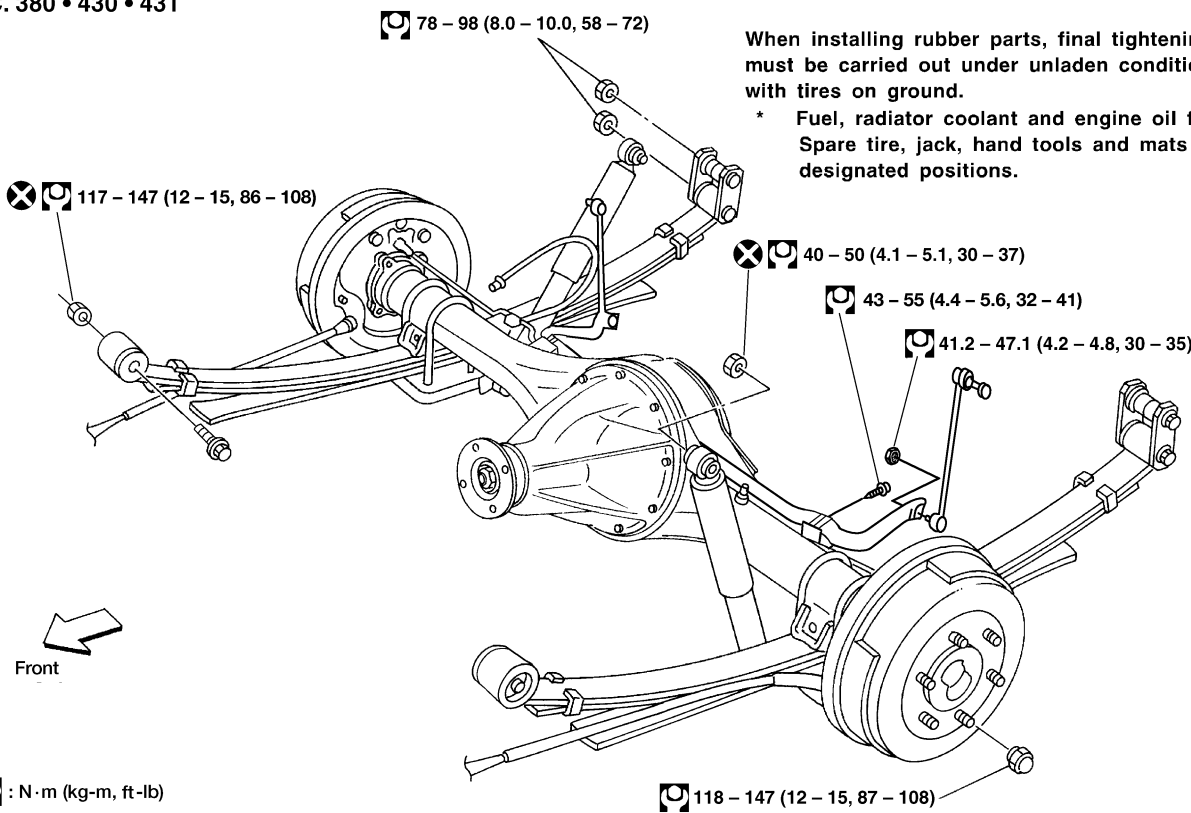
# REAR SUSPENSION

Components (Cont'd)

## 2WD VG33E MODELS

NGSU0037S04

SEC. 380 • 430 • 431



When installing rubber parts, final tightening must be carried out under unladen condition\* with tires on ground.

\* Fuel, radiator coolant and engine oil full. Spare tire, jack, hand tools and mats in designated positions.

Front

: N·m (kg-m, ft-lb)

118 - 147 (12 - 15, 87 - 108)

ASU038

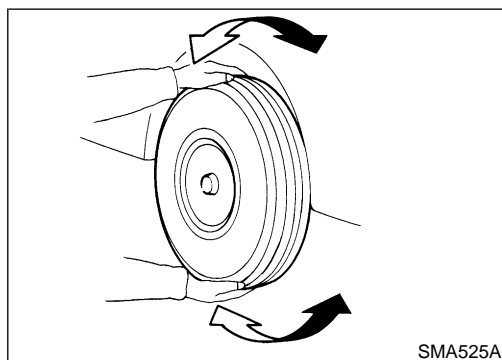
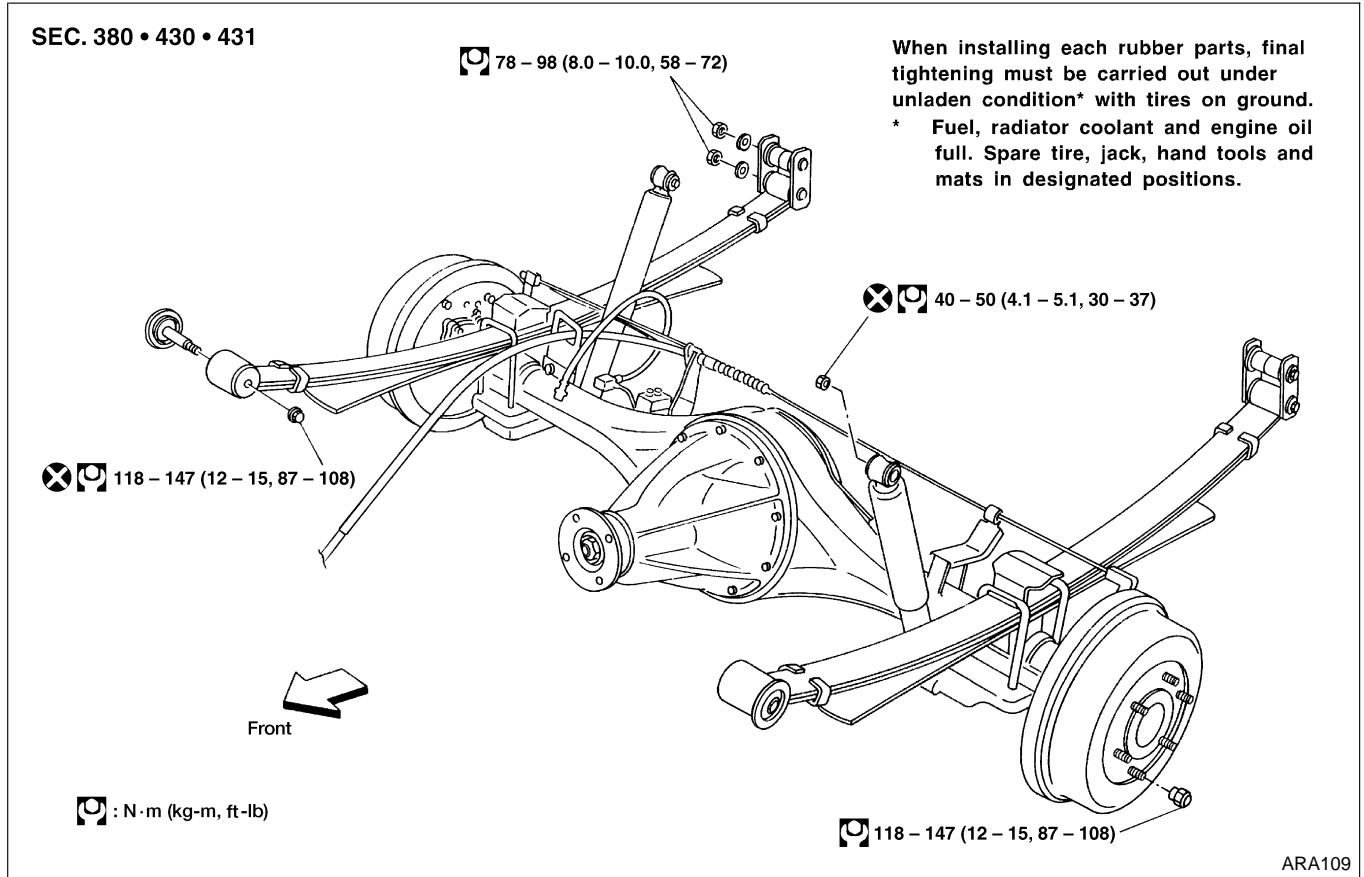
- GI
- MA
- EM
- LC
- EC
- FE
- CL
- MT
- AT
- TF
- PD
- AX
- SU**
- BR
- ST
- RS
- BT
- HA
- SC
- EL
- IDX

# REAR SUSPENSION

Components (Cont'd)

## 4WD VG33E MODELS

NGSU0037S05

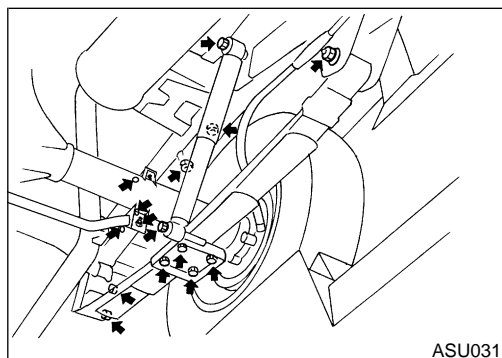


### On-vehicle Service REAR SUSPENSION PARTS

NGSU0038

Check rear suspension parts for excessive play, wear and damage.

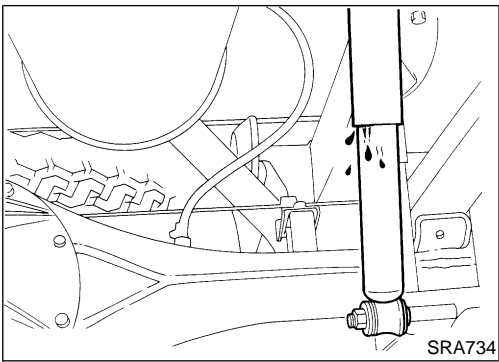
- Shake each rear wheel to check for excessive play.
- Retighten all nuts and bolts to the specified torque.  
⊗ : Refer to “REMOVAL AND INSTALLATION”, SU-25.





# REAR SUSPENSION

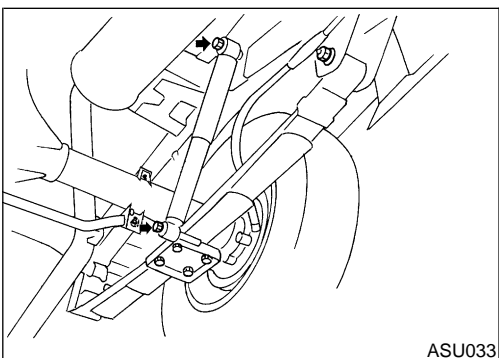
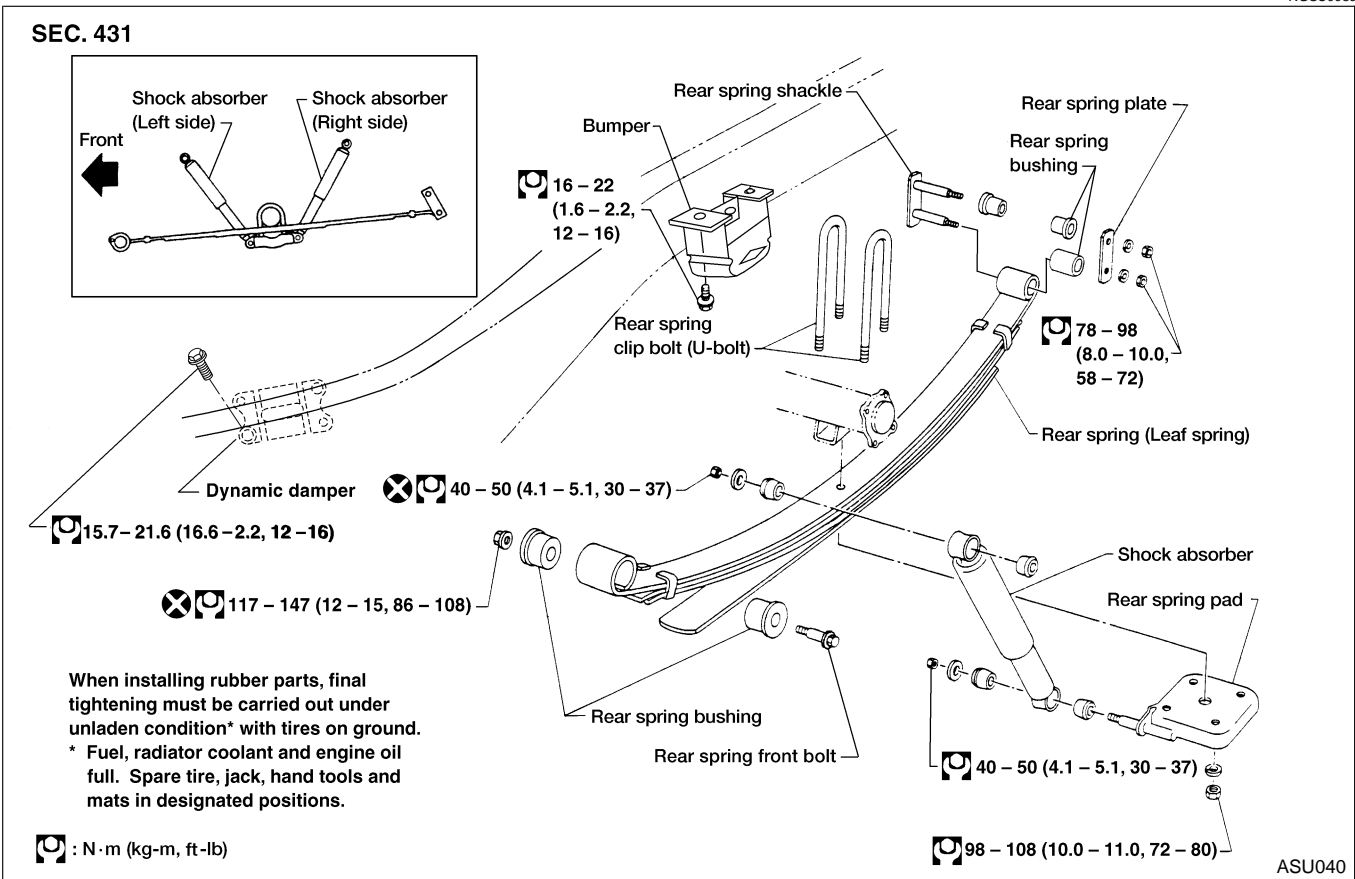
On-vehicle Service (Cont'd)



- Check shock absorber for oil leakage and other damage.
- Check shock absorber bushing for excessive wear and other damage.

## Removal and Installation

NGSU0039



## Shock Absorber REMOVAL AND INSTALLATION

NGSU0040

- Remove shock absorber by disconnecting upper and lower end.

GI  
MA  
EM  
LC  
EC  
FE  
CL  
MT  
AT  
TF  
PD  
AX  
SU  
BR  
ST  
RS  
BT  
HA  
SC  
EL  
IDX

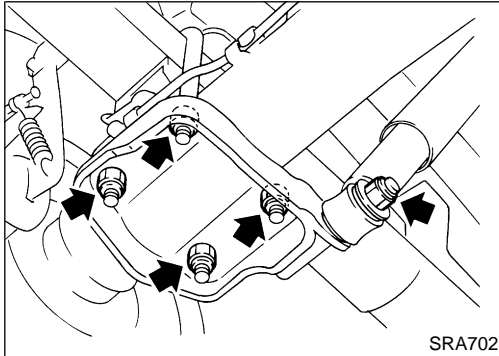
# REAR SUSPENSION

## Shock Absorber (Cont'd)

### INSPECTION

NGSU0041

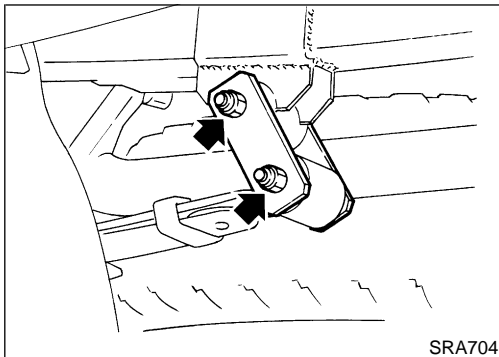
- If oil leakage, cracks and deformation occurs, replace shock absorber assembly.
- If rubber bushings are cracked and deformed, replace rubber bushings.



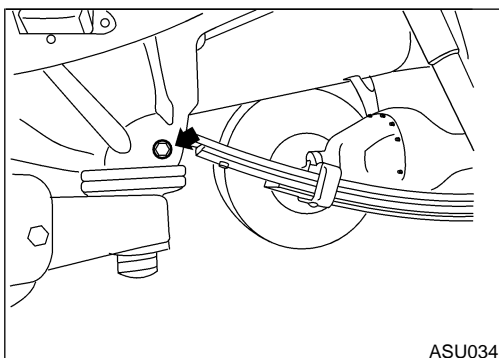
### Leaf Spring REMOVAL

NGSU0042

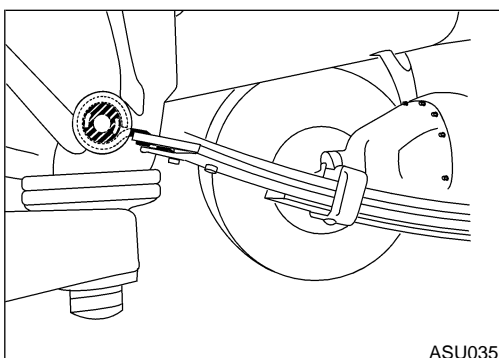
1. Disconnect shock absorber lower end, and remove U-bolts.



2. Disconnect spring shackle.



3. Disconnect front pin.



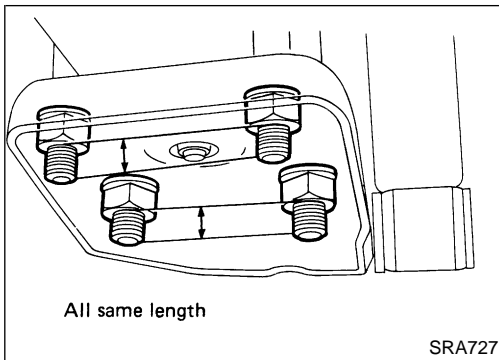
### INSPECTION

NGSU0043

- Check leaf spring for cracks. Replace if necessary.
- Check front bracket and pin, shackle, U-bolts and spring pad for wear, cracks, straightness and damaged threads. Replace if necessary.
- Check all bushings for deformation and cracks. Replace if necessary.  
(4WD models: Rear spring front bushing)  
Make sure that front bushing is properly installed.

# REAR SUSPENSION

Leaf Spring (Cont'd)



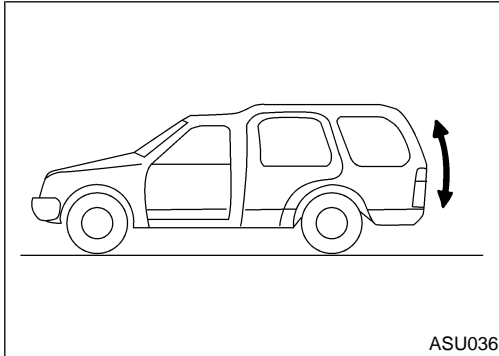
## INSTALLATION

NGSU0044

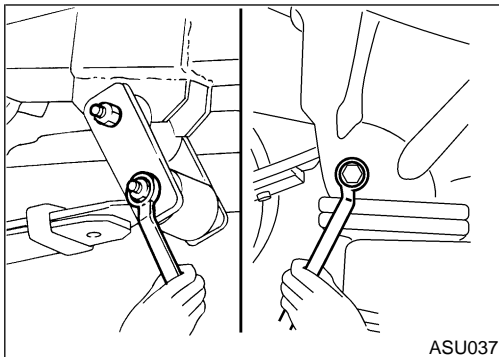
1. Apply soapsuds to rubber bushing.
2. Install spring shackle and front pin, and finger tighten the nuts.
3. Install spring pad and nuts under leaf spring or axle case.
4. Tighten U-bolt mounting nuts diagonally.

**Tighten U-bolts so that the lengths of all U-bolts under spring pad are the same.**

5. Install shock absorber, and finger tighten the nuts.



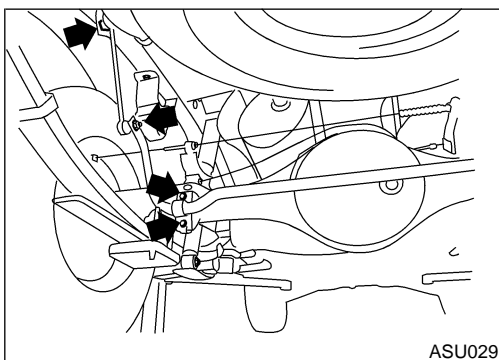
6. Remove stands and bounce the vehicle to stabilize suspension. (Unladen)



7. Tighten spring shackle nuts, front pin nuts and shock absorber nuts.

**When installing rubber parts, final tightening must be carried out under unladen condition\* with tires on the ground.**

**\* Fuel, radiator coolant and engine oil full. Spare tire, jack, hand tools and mats in designated positions.**



## Stabilizer Bar

### REMOVAL

NGSU0046

- Remove stabilizer bar connecting bolts and clamp bolts.

### INSPECTION

NGSU0047

- Check stabilizer bar for twist and deformation.
- Check rubber bushing for cracks, wear and deterioration. Replace if necessary.

### INSTALLATION

NGSU0048

- Install bushing outside of white mark painted on stabilizer.
- Refer to "Components", SU-22.

GI

MA

EM

LC

EC

FE

CL

MT

AT

TF

PD

AX

SU

BR

ST

RS

BT

HA

SC

EL

IDX

# REAR SUSPENSION

*Service Data and Specifications (SDS)*

---

## Service Data and Specifications (SDS)

### GENERAL SPECIFICATIONS (REAR)

NGSU0045

Suspension type	Rigid axle with semi-elliptic leaf spring
Shock absorber type	Double-acting hydraulic