

# ACCELERATOR CONTROL, FUEL & EXHAUST SYSTEMS

## SECTION **FE**

GI

MA

EM

LC

EC

**FE**

CL

MT

AT

FA

RA

BR

ST

BF

HA

EL

IDX

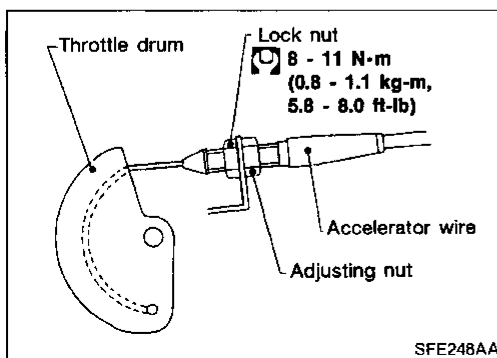
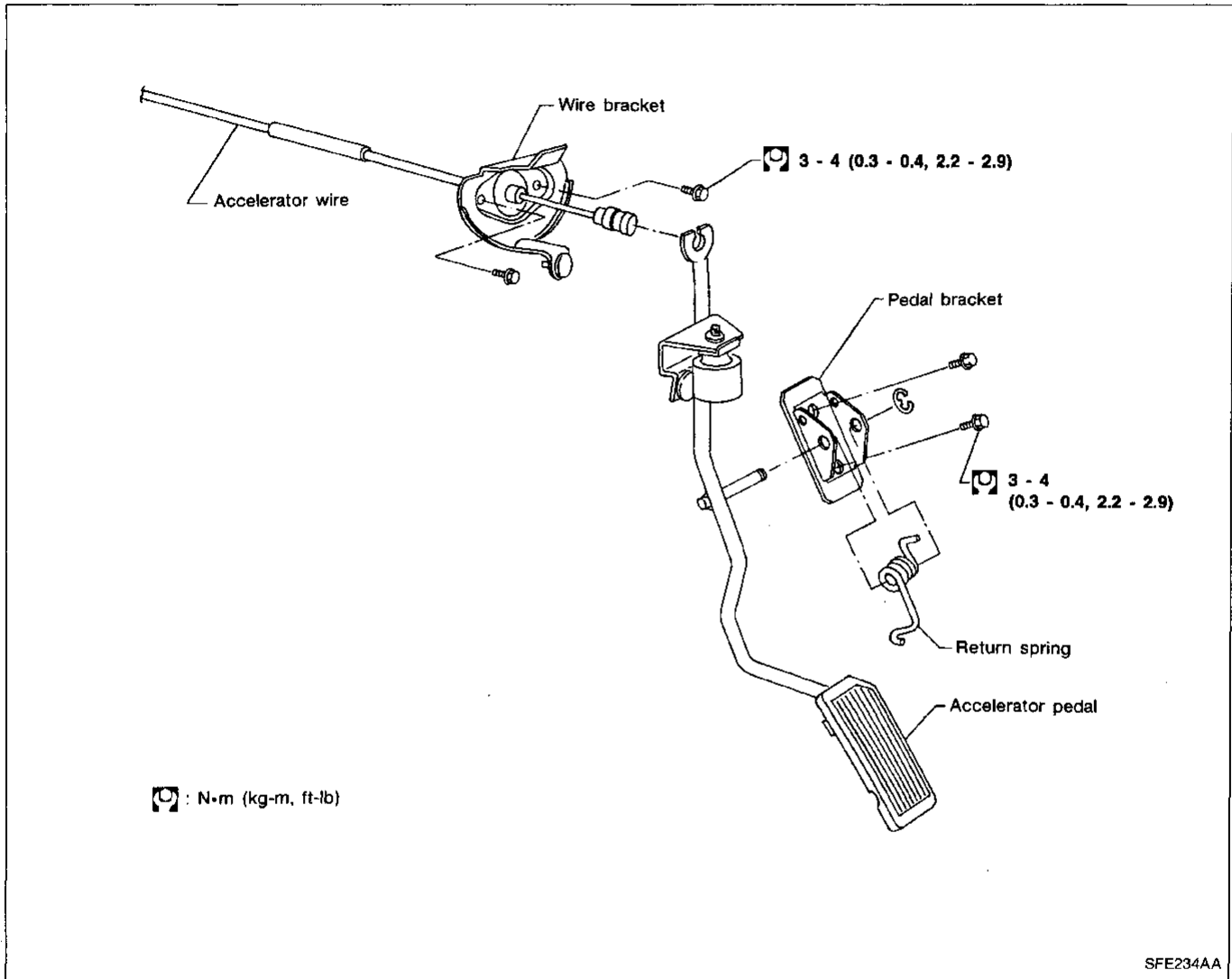
## CONTENTS

<b>ACCELERATOR CONTROL SYSTEM</b> .....	2	Fuel Tank.....	3
Adjusting Accelerator Wire .....	2	Fuel Pump and Gauge.....	5
<b>FUEL SYSTEM</b> .....	3	<b>EXHAUST SYSTEM</b> .....	6
Special Service Tool.....	3		

# ACCELERATOR CONTROL SYSTEM

## CAUTION:

- When removing accelerator wire, make a mark to indicate lock nut's initial position.
- Check that throttle valve opens fully when accelerator pedal is fully depressed and that it returns to idle position when pedal is released.
- Check accelerator control parts for improper contact with any adjacent parts.
- When connecting accelerator wire, be careful not to twist or scratch wire.
- For A/T throttle wire adjustment, refer to "ON-VEHICLE SERVICE" in AT section.
- Refer to EL section for ASCD wire adjustment.




## Adjusting Accelerator Wire

1. Loosen lock nut, and tighten adjusting nut until throttle drum starts to move.
2. From that position turn back adjusting nut 1.5 to 2 turns, and fasten it with lock nut.

# FUEL SYSTEM

## Special Service Tool

Tool number (Kent-Moore No.) Tool name	Description
KV999G0010 (X38879) Fuel tank lock ring socket	 NT057

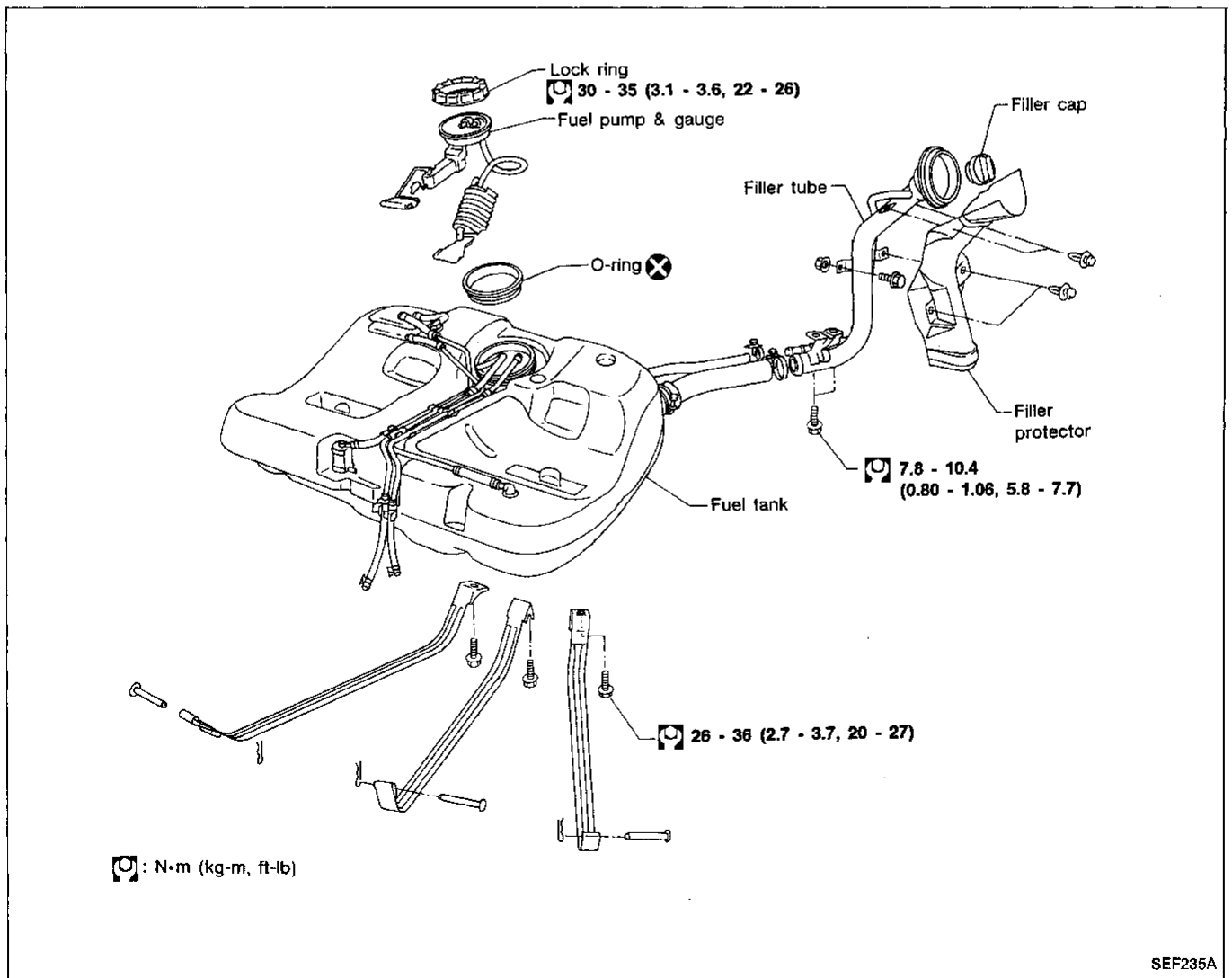
GI  
MA  
EM  
LC  
EC  
FE  
CL

## Fuel Tank

### WARNING:

When replacing fuel line parts, be sure to observe the following:

- Put a "CAUTION: INFLAMMABLE" sign in workshop.
- Be sure to furnish workshop with a CO<sub>2</sub> fire extinguisher.
- Do not smoke while servicing fuel system. Keep open flames and sparks away from work area.
- Be sure to disconnect battery ground cable before conducting operations.
- Drain fuel from Fuel Tank and put drained fuel in an explosion-proof container and put lid on securely.



MT  
AT  
FA  
RA  
BR  
ST  
BF  
HA  
EL  
IDX

SEF235A

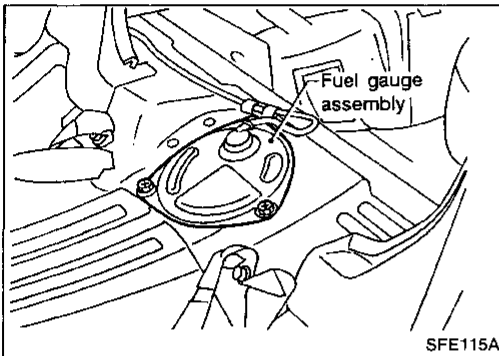
## FUEL SYSTEM

### Fuel Tank (Cont'd)

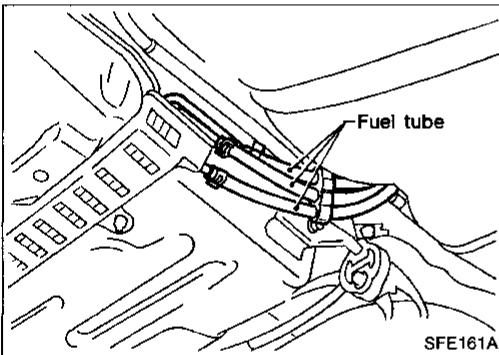
#### REMOVAL

##### CAUTION:

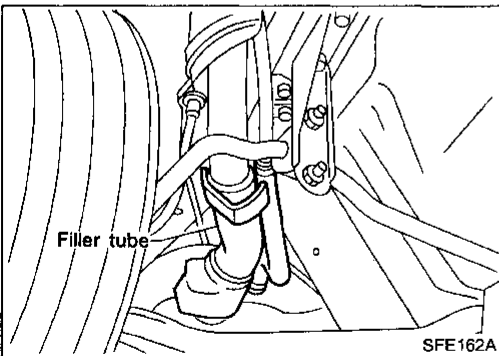
- Do not disconnect any fuel line unless absolutely necessary.
- Plug hose and pipe openings to prevent entry of dust or dirt.



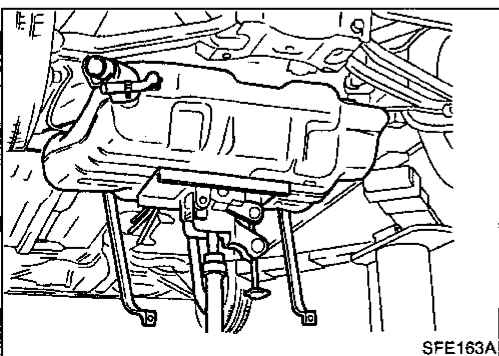
1. Release fuel pressure from fuel line. Refer to "Changing Fuel Filter" in MA section.
2. Remove inspection hole cover located under the rear seat.
3. Disconnect connectors under inspection hole cover.



4. Disconnect tubes.



5. Disconnect filler protector.
6. Disconnect filler tube.



7. Remove fuel tank mounting bolts (three), and remove fuel tank as shown in the figure.

## FUEL SYSTEM

### Fuel Tank (Cont'd)

#### INSTALLATION

- Installation procedure is basically the reverse order of removal.

#### CAUTION:

- Do not kink or twist hose and tube when they are installed.
- Do not tighten hose clamps excessively to avoid damaging hoses.
- Be careful of designated direction of fuel check valve (Refer to EC section).
- Tighten bolts to specified torque. After installation, run engine and check for leaks at connections.

GI  
MA  
EM

### Fuel Pump and Gauge

#### REMOVAL

1. Release fuel pressure from fuel line.  
Refer to "Changing Fuel Filter" in MA section.
2. Remove inspection hole cover located beneath rear seat.
3. Disconnect connectors and fuel tubes.
4. Remove lock ring (Use SST X38879).
5. Remove fuel gauge assembly and disconnect tubes and connector.

LC  
EC

FE

CL

MT

AT

FA

RA

BR

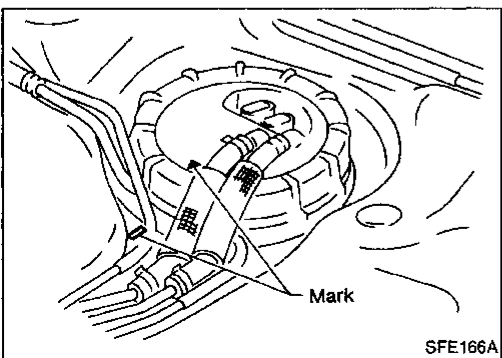
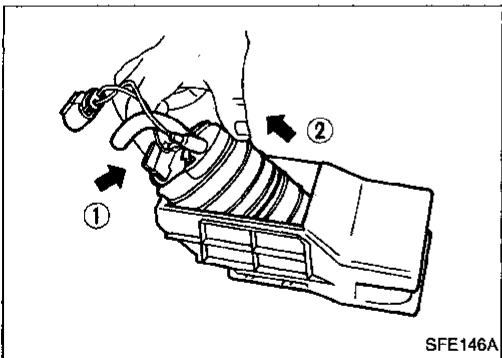
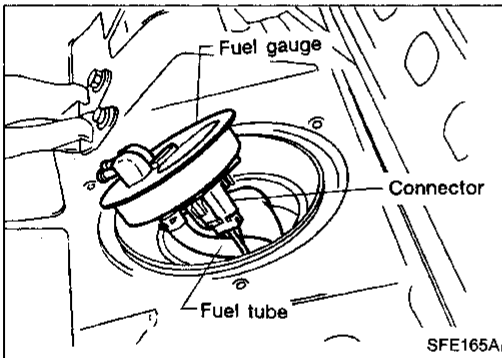
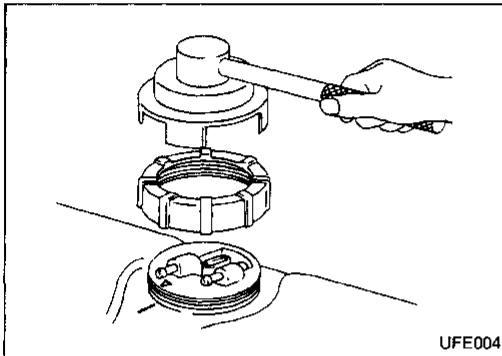
ST

BF

HA

EL

IDX



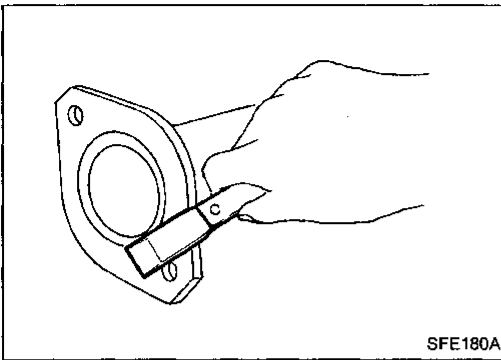
#### INSTALLATION

- Installation procedure is basically the reverse order of removal.

#### CAUTION:

- Always replace O-ring with a new one.
- Align parts with alignment marks.
- Tighten lock ring to specified torque.
- After installation, run engine and check for leaks at connections.

# EXHAUST SYSTEM



## CAUTION:

- Always replace exhaust gaskets with new ones when reassembling. If gasket is left on flange surface, scrape off completely as shown at left.
- With engine running, check all tube connections for exhaust gas leaks, and entire system for unusual noises.
- After installation, check to ensure that mounting brackets and mounting insulators are free from undue stress. If any of the above parts are not installed properly, excessive noise or vibration may be transmitted to the vehicle body.

