

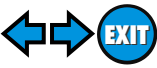
BODY & TRIM

SECTION BT

GI
MA
EM
LC
EC
FE
CL
MT
AT
AX
SU
BR
ST
RS
BT
HA
SC
EL
IDX

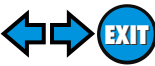
CONTENTS

PRECAUTIONS	3	INSTRUMENT PANEL ASSEMBLY	22
Supplemental Restraint System (SRS) "AIR BAG" and "SEAT BELT PRE-TENSIONER"	3	Removal and Installation	22
PREPARATION	4	SIDE AND FLOOR TRIM	26
Special Service Tools	4	Removal and Installation	26
Commercial Service Tool	4	DOOR TRIM	28
SQUEAK AND RATTLE TROUBLE DIAGNOSES	5	Removal and Installation	28
Work Flow	5	ROOF TRIM	30
CUSTOMER INTERVIEW	5	Removal and Installation	30
DUPLICATE THE NOISE AND TEST DRIVE	6	TRUNK ROOM TRIM	32
CHECK RELATED SERVICE BULLETINS	6	Removal and Installation	32
LOCATE THE NOISE AND IDENTIFY THE ROOT CAUSE	6	EXTERIOR	33
REPAIR THE CAUSE	6	Removal and Installation	33
CONFIRM THE REPAIR	7	FRONT SEAT	39
Generic Squeak and Rattle Troubleshooting	7	Removal and Installation	39
INSTRUMENT PANEL	7	POWER SEAT	40
CENTER CONSOLE	7	HEATED SEAT	41
DOORS	7	REAR SEAT	42
TRUNK	8	Removal and Installation	42
SUNROOF/HEADLINER	8	FOLDING SEAT	42
SEATS	8	SUNROOF	43
UNDERHOOD	8	Adjustment	43
Diagnostic Worksheet	9	Removal and Installation	44
CLIP AND FASTENER	11	Trouble Diagnoses	48
Description	11	DIAGNOSTIC TABLE	48
BODY FRONT END	13	WIND DEFLECTOR	48
Removal and Installation	13	ADJUSTMENT	49
FRONT BUMPER ASSEMBLY	13	DRAIN HOSES	50
BODY REAR END AND OPENER	16	WEATHERSTRIP	50
Removal and Installation	16	LINK AND WIRE ASSEMBLY	51
REAR BUMPER ASSEMBLY	16	WINDSHIELD AND WINDOWS	52
FRONT DOOR	19	Removal and Installation	52
Front Door Glass Limit Switch Reset (Driver side only)	19	REMOVAL	52
RESET CONDITIONS	19	INSTALLATION	52
RESET PROCEDURES	19	WINDSHIELD	53
Overhaul	20	DOOR MIRROR	54
REAR DOOR	21	Removal and Installation	54
Overhaul	21	REAR VIEW MIRROR	55
		Removal and Installation	55
		REMOVAL	55
		INSTALLATION	55



CONTENTS (Cont'd)

BODY (ALIGNMENT)	56	ENGINE COMPARTMENT	57
Alignment.....	56	UNDERBODY	59



PRECAUTIONS

Supplemental Restraint System (SRS) "AIR BAG" and "SEAT BELT PRE-TENSIONER"

Supplemental Restraint System (SRS) "AIR BAG" and "SEAT BELT PRE-TENSIONER"

NCBT0022

The Supplemental Restraint System such as "AIR BAG" and "SEAT BELT PRE-TENSIONER" used along with a seat belt, helps to reduce the risk or severity of injury to the driver and front passenger for certain types of collision. The SRS system composition which is available to INFINITI G20 is as follows:

- For a frontal collision
The Supplemental Restraint System consists of driver air bag module (located in the center of the steering wheel), front passenger air bag module (located on the instrument panel on passenger side), seat belt pre-tensioners, a diagnosis sensor unit, warning lamp, wiring harness and spiral cable.
- For a side collision
The Supplemental Restraint System consists of side air bag module (located in the outer side of front seat), satellite sensor, diagnosis sensor unit (one of components of air bags for a frontal collision), wiring harness, warning lamp (one of components of air bags for a frontal collision).

Information necessary to service the system safely is included in the **RS** section of this Service Manual.

WARNING:

- **To avoid rendering the SRS inoperative, which could increase the risk of personal injury or death in the event of a collision which would result in air bag inflation, all maintenance must be performed by an authorized INFINITI dealer.**
- **Improper maintenance, including incorrect removal and installation of the SRS, can lead to personal injury caused by unintentional activation of the system. For removal of Spiral Cable and Air Bag Module, see the RS section.**
- **Do not use electrical test equipment on any circuit related to the SRS unless instructed to in this Service Manual. Spiral cable and wiring harnesses (except "SEAT BELT PRE-TENSIONER") covered with yellow insulation tape either just before the harness connectors or for the complete harness are related to the SRS.**

GI
MA
EM
LC
EC
FE
CL
MT
AT
AX
SU
BR
ST
RS
BT
HA
SC
EL
IDX

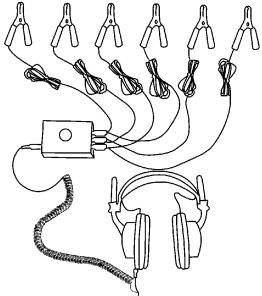
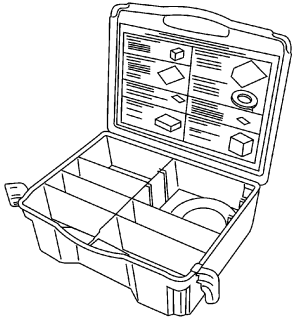
PREPARATION

Special Service Tools

Special Service Tools

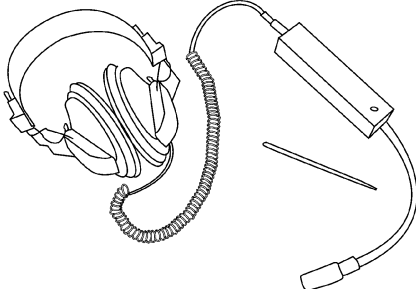
NCBT0023

The actual shapes of Kent-Moore tools may differ from those of special service tools illustrated here.

Tool number (Kent-Moore No.) Tool name	Description
<p>— (J-39570) Chassis ear</p>	<p>Locating the noise</p>  <p>SBT839</p>
<p>— (J-43980) Nissan Squeak and Rattle kit</p>	<p>Repairing the cause of noise</p>  <p>SBT840</p>

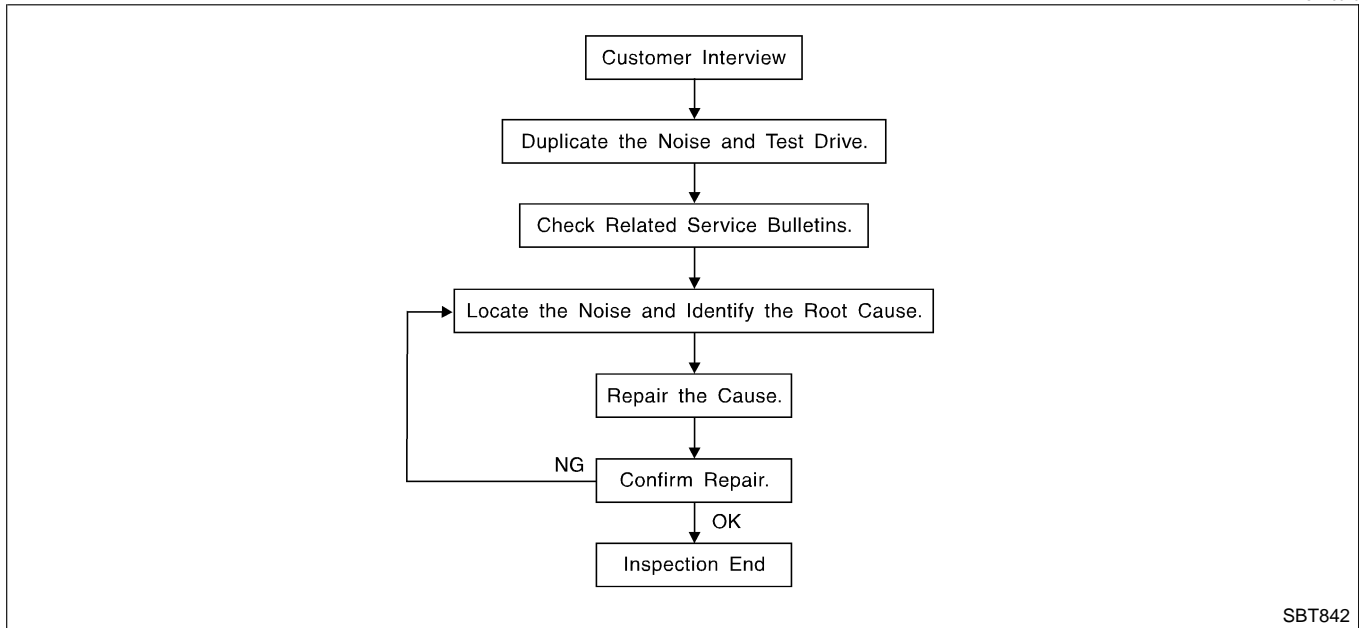
Commercial Service Tool

NCBT0024

Tool name	Description
<p>Engine ear</p>	<p>Locating the noise</p>  <p>SBT841</p>

Work Flow

NCBT0025



SBT842

CUSTOMER INTERVIEW

NCBT0025S01

Interview the customer, if possible, to determine the conditions that exist when the noise occurs. Use the Diagnostic Worksheet during the interview to document the facts and conditions when the noise occurs and any customer's comments; refer to BT-9. This information is necessary to duplicate the conditions that exist when the noise occurs.

- The customer may not be able to provide a detailed description or the location of the noise. Attempt to obtain all the facts and conditions that exist when the noise occurs (or does not occur).
- If there is more than one noise in the vehicle, be sure to diagnose and repair the noise that the customer is concerned about. This can be accomplished by test driving the vehicle with the customer.
- After identifying the type of noise, isolate the noise in terms of its characteristics. The noise characteristics are provided so the customer, service adviser and technician are all speaking the same language when defining the noise.
- Squeak — (Like tennis shoes on a clean floor)
Squeak characteristics include the light contact/fast movement/brought on by road conditions/hard surfaces = higher pitch noise/softer surfaces = lower pitch noises/edge to surface = chirping
- Creak — (Like walking on an old wooden floor)
Creak characteristics include firm contact/slow movement/twisting with a rotational movement/pitch dependent on materials/often brought on by activity.
- Rattle — (Like shaking a baby rattle)
Rattle characteristics include the fast repeated contact/vibration or similar movement/loose parts/missing clip or fastener/incorrect clearance.
- Knock — (Like a knock on a door)
Knock characteristics include hollow sounding/sometimes repeating/often brought on by driver action.
- Tick — (Like a clock second hand)
Tick characteristics include gentle contacting of light materials/loose components/can be caused by driver action or road conditions.
- Thump — (Heavy, muffled knock noise)
Thump characteristics include softer knock/dead sound often brought on by activity.
- Buzz — (Like a bumble bee)
Buzz characteristics include high frequency rattle/firm contact.
- Often the degree of acceptable noise level will vary depending upon the person. A noise that you may judge as acceptable may be very irritating to the customer.
- Weather conditions, especially humidity and temperature, may have a great effect on noise level.

SQUEAK AND RATTLE TROUBLE DIAGNOSES

Work Flow (Cont'd)

DUPLICATE THE NOISE AND TEST DRIVE

NCBT0025S02

If possible, drive the vehicle with the customer until the noise is duplicated. Note any additional information on the Diagnostic Worksheet regarding the conditions or location of the noise. This information can be used to duplicate the same conditions when you confirm the repair.

If the noise can be duplicated easily during the test drive, to help identify the source of the noise, try to duplicate the noise with the vehicle stopped by doing one or all of the following:

- 1) Close a door.
 - 2) Tap or push/pull around the area where the noise appears to be coming from.
 - 3) Rev the engine.
 - 4) Use a floor jack to recreate vehicle "twist".
 - 5) At idle, apply engine load (electrical load, half-clutch on M/T model, drive position on A/T model).
 - 6) Raise the vehicle on a hoist and hit a tire with a rubber hammer.
- Drive the vehicle and attempt to duplicate the conditions the customer states exist when the noise occurs.
 - If it is difficult to duplicate the noise, drive the vehicle slowly on an undulating or rough road to stress the vehicle body.

CHECK RELATED SERVICE BULLETINS

NCBT0025S03

After verifying the customer concern or symptom, check ASIST for Technical Service Bulletins (TSBs) related to that concern or symptom.

If a TSB relates to the symptom, follow the procedure to repair the noise.

LOCATE THE NOISE AND IDENTIFY THE ROOT CAUSE

NCBT0025S04

1. Narrow down the noise to a general area. To help pinpoint the source of the noise, use a listening tool (Chassis Ear: J-39570, Engine Ear: J-39565 and mechanics stethoscope).
2. Narrow down the noise to a more specific area and identify the cause of the noise by:
 - removing the components in the area that you suspect the noise is coming from.
Do not use too much force when removing clips and fasteners, otherwise clips and fastener can be broken or lost during the repair, resulting in the creation of new noise.
 - tapping or pushing/pulling the component that you suspect is causing the noise.
Do not tap or push/pull the component with excessive force, otherwise the noise will be eliminated only temporarily.
 - feeling for a vibration with your hand by touching the component(s) that you suspect is (are) causing the noise.
 - placing a piece of paper between components that you suspect are causing the noise.
 - looking for loose components and contact marks.

Refer to "Generic Squeak and Rattle Troubleshooting", BT-7.

REPAIR THE CAUSE

NCBT0025S05

- If the cause is a loose component, tighten the component securely.
- If the cause is insufficient clearance between components:
 - separate components by repositioning or loosening and retightening the component, if possible.
 - insulate components with a suitable insulator such as urethane pads, foam blocks, felt cloth tape or urethane tape. A Nissan Squeak and Rattle Kit (J-43980) is available through your authorized Nissan Parts Department.

CAUTION:

Do not use excessive force as many components are constructed of plastic and may be damaged. Always check with the Parts Department for the latest parts information.

The following materials are contained in the Nissan Squeak and Rattle Kit (J-43980). Each item can be ordered separately as needed.

URETHANE PADS [1.5 mm (0.059 in) thick]

Insulates connectors, harness, etc.

76268-9E005: 100 x 135 mm (3.94 x 5.31 in)/76884-71L01: 60 x 85 mm (2.36 x 3.35 in)/76884-71L02: 15 x 25 mm (0.59 x 0.98 in)

INSULATOR (Foam blocks)

Insulates components from contact. Can be used to fill space behind a panel.

73982-9E000: 45 mm (1.77 in) thick, 50 x 50 mm (1.97 x 1.97 in)/73982-50Y00: 10 mm (0.39 in) thick, 50 x 50 mm (1.97 x 1.97 in)

INSULATOR (Light foam block)

80845-71L00: 30 mm (1.18 in) thick, 30 x 50 mm (1.18 x 1.97 in)

FELT CLOTH TAPE

Used to insulate where movement does not occur. Ideal for instrument panel applications.

68370-4B000: 15 x 25 mm (0.59 x 0.98 in) pad/68239-13E00: 5 mm (0.20 in) wide tape roll

The following materials, not found in the kit, can also be used to repair squeaks and rattles.

UHMW (TEFLON) TAPE

Insulates where slight movement is present. Ideal for instrument panel applications.

SILICONE GREASE

Used in place of UHMW tape that will be visible or not fit.

Note: Will only last a few months.

SILICONE SPRAY

Use when grease cannot be applied.

DUCT TAPE

Use to eliminate movement.

CONFIRM THE REPAIR

Confirm that the cause of a noise is repaired by test driving the vehicle. Operate the vehicle under the same conditions as when the noise originally occurred. Refer to the notes on the Diagnostic Worksheet.

Generic Squeak and Rattle Troubleshooting

Refer to Table of Contents for specific component removal and installation information.

INSTRUMENT PANEL

Most incidents are caused by contact and movement between:

1. The cluster lid A and instrument panel
2. Acrylic lens and combination meter housing
3. Instrument panel to front pillar garnish
4. Instrument panel to windshield
5. Instrument panel mounting pins
6. Wiring harnesses behind the combination meter
7. A/C defroster duct and duct joint

These incidents can usually be located by tapping or moving the components to duplicate the noise or by pressing on the components while driving to stop the noise. Most of these incidents can be repaired by applying felt cloth tape or silicon spray (in hard to reach areas). Urethane pads can be used to insulate wiring harness.

CAUTION:

Do not use silicone spray to isolate a squeak or rattle. If you saturate the area with silicone, you will not be able to recheck the repair.

CENTER CONSOLE

Components to pay attention to include:

1. Shifter assembly cover to finisher
2. A/C control unit and cluster lid C
3. Wiring harnesses behind audio and A/C control unit

The instrument panel repair and isolation procedures also apply to the center console.

DOORS

Pay attention to the:

1. Finisher and inner panel making a slapping noise
2. Inside handle escutcheon to door finisher
3. Wiring harnesses tapping
4. Door striker out of alignment causing a popping noise on starts and stops

Tapping or moving the components or pressing on them while driving to duplicate the conditions can isolate many of these incidents. You can usually insulate the areas with felt cloth tape or insulator foam blocks from the Nissan Squeak and Rattle Kit (J-43980) to repair the noise.

GI

MA

EM

LC

EC

FE

CL

MT

AT

AX

SU

BR

ST

RS

BT

HA

SC

EL

IDX

SQUEAK AND RATTLE TROUBLE DIAGNOSES

Generic Squeak and Rattle Troubleshooting (Cont'd)

TRUNK

=NCBT0026S04

Trunk noises are often caused by a loose jack or loose items put into the trunk by the owner. In addition look for:

1. Trunk lid bumpers out of adjustment
2. Trunk lid striker out of adjustment
3. The trunk lid torsion bars knocking together
4. A loose license plate or bracket

Most of these incidents can be repaired by adjusting, securing or insulating the item(s) or component(s) causing the noise.

SUNROOF/HEADLINER

NCBT0026S05

Noises in the sunroof/headliner area can often be traced to one of the following:

1. Sunroof lid, rail, linkage or seals making a rattle or light knocking noise
2. Sunvisor shaft shaking in the holder
3. Front or rear windshield touching headliner and squeaking

Again, pressing on the components to stop the noise while duplicating the conditions can isolate most of these incidents. Repairs usually consist of insulating with felt cloth tape.

SEATS

NCBT0026S06

When isolating seat noises it's important to note the position the seat is in and the load placed on the seat when the noise is present. These conditions should be duplicated when verifying and isolating the cause of the noise.

Cause of seat noise include:

1. Headrest rods and holders
2. A squeak between the seat pad cushion and frame
3. The rear seat back lock and bracket

These noises can be isolated by moving or pressing on the suspected components while duplicating the conditions under which the noise occurs. Most of these incidents can be repaired by repositioning the component or applying urethane tape to the contact area.

UNDERHOOD

NCBT0026S07

Some interior noises may be caused by components under the hood or on the engine wall. The noise is then transmitted into the passenger compartment.

Causes of transmitted underhood noises include:

1. Any component mounted to the engine wall
2. Components that pass through the engine wall
3. Engine wall mounts and connectors
4. Loose radiator mounting pins
5. Hood bumpers out of adjustment
6. Hood striker out of adjustment

These noises can be difficult to isolate since they cannot be reached from the interior of the vehicle. The best method is to secure, move or insulate one component at a time and test drive the vehicle. Also, engine RPM or load can be changed to isolate the noise. Repairs can usually be made by moving, adjusting, securing, or insulating the component causing the noise.

Diagnostic Worksheet

NCBT0027



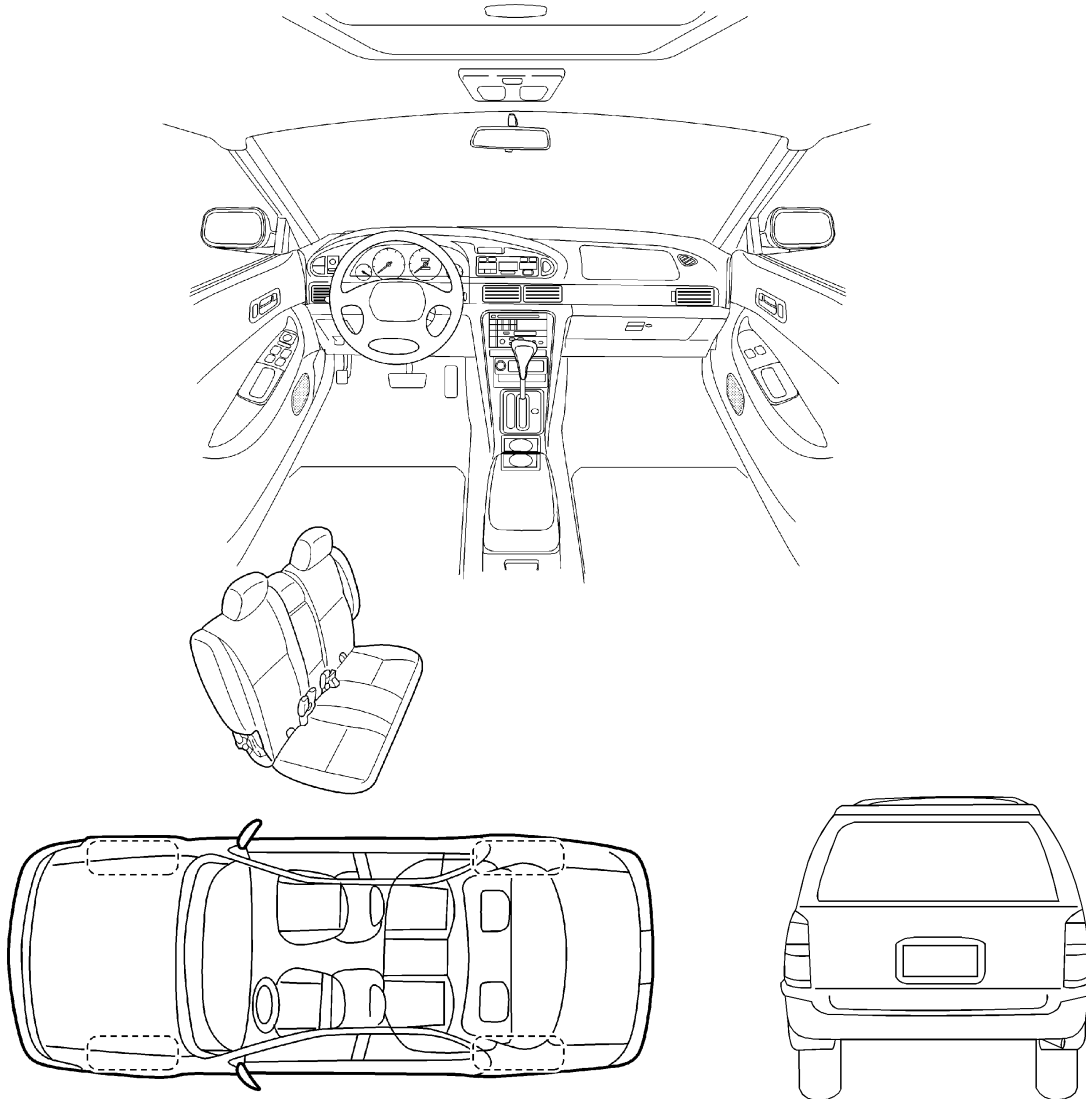
SQUEAK & RATTLE DIAGNOSTIC WORKSHEET

Dear Infiniti Customer:

We are concerned about your satisfaction with your Infiniti vehicle. Repairing a squeak or rattle sometimes can be very difficult. To help us fix your Infiniti right the first time, please take a moment to note the area of the vehicle where the squeak or rattle occurs and under what conditions. You may be asked to take a test drive with a service advisor or technician to ensure we confirm the noise you are hearing.

I. WHERE DOES THE NOISE COME FROM? (circle the area of the vehicle)

The illustrations are for reference only, and may not reflect the actual configuration of your vehicle.



Continue to the back of the worksheet and briefly describe the location of the noise or rattle. In addition, please indicate the conditions which are present when the noise occurs.

GI

MA

EM

LC

EC

FE

CL

MT

AT

AX

SU

BR

ST

RS

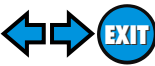
BT

HA

SC

EL

IDX



SQUEAK AND RATTLE TROUBLE DIAGNOSES

Diagnostic Worksheet (Cont'd)

SQUEAK & RATTLE DIAGNOSTIC WORKSHEET- page 2

Briefly describe the location where the noise occurs:

II. WHEN DOES IT OCCUR? (check the boxes that apply)

- anytime
- 1st time in the morning
- only when it is cold outside
- only when it is hot outside
- after sitting out in the sun
- when it is raining or wet
- dry or dusty conditions
- other: _____

III. WHEN DRIVING:

- through driveways
- over rough roads
- over speed bumps
- only at about ____ mph
- on acceleration
- coming to a stop
- on turns : left, right or either (circle)
- with passengers or cargo
- other: _____
- after driving ____ miles or ____ minutes

IV. WHAT TYPE OF NOISE?

- squeak (like tennis shoes on a clean floor)
- creak (like walking on an old wooden floor)
- rattle (like shaking a baby rattle)
- knock (like a knock on a door)
- tick (like a clock second hand)
- thump (heavy, muffled knock noise)
- buzz (like a bumble bee)

TO BE COMPLETED BY DEALERSHIP PERSONNEL

Test Drive Notes:

	<u>YES</u>	<u>NO</u>	<u>Initials of person performing</u>
Vehicle test driven with customer	<input type="checkbox"/>	<input type="checkbox"/>	_____
- Noise verified on test drive	<input type="checkbox"/>	<input type="checkbox"/>	_____
- Noise source located and repaired	<input type="checkbox"/>	<input type="checkbox"/>	_____
- Follow up test drive performed to confirm repair	<input type="checkbox"/>	<input type="checkbox"/>	_____

VIN: _____ Customer Name: _____

W.O. #: _____ Date: _____

This form must be attached to Work Order

SBT844

CLIP AND FASTENER

Description

Description

NCBT0003


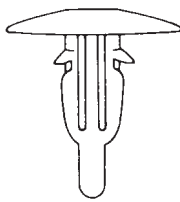
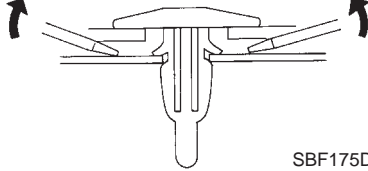

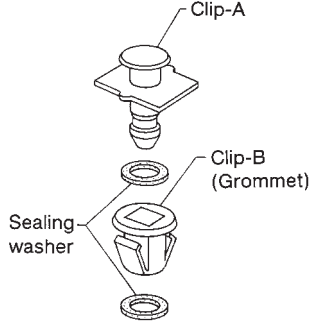
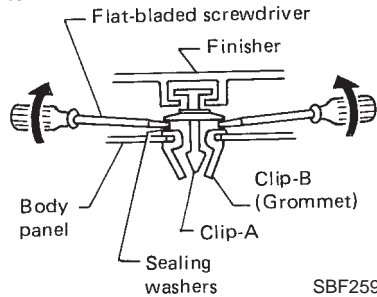
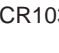
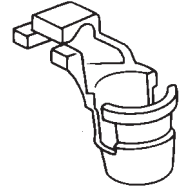
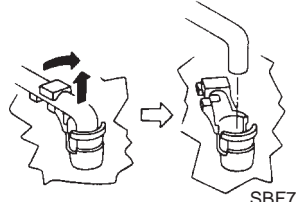

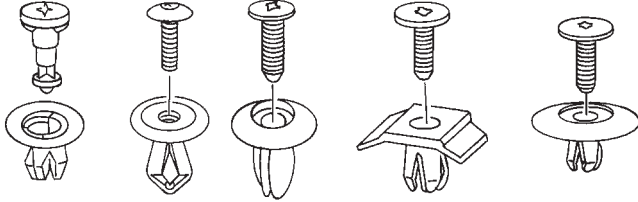
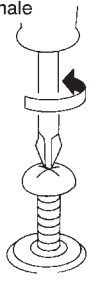
- Clips and fasteners in BT section correspond to the following numbers and symbols.
- Replace any clips and/or fasteners which are damaged during removal or installation.

Symbol No.	Shapes	Removal & Installation
C101 	<p>SBF302H</p>	<p>Removal: Remove by bending up with flat-bladed screwdrivers or clip remover.</p> <p>SBF367BA</p>
C103 	<p>SBT095</p>	<p>Removal: Remove with a clip remover.</p> <p>SBF423H</p>
C203 	<p>SBF258G</p>	<p>Push center pin to catching position. (Do not remove center pin by hitting it.)</p> <p>Installation:</p> <p>SBF708E</p>
C205 	<p>MBT080A</p>	<p>Removal: Flat-bladed screwdriver</p> <p>Clip</p> <p>Finisher</p> <p>SBF638CA</p>
CE103 	<p>SBF104B</p>	<p>Removal:</p> <p>SBF147B</p>

GI
MA
EM
LC
EC
FE
CL
MT
AT
AX
SU
BR
ST
RS
BT
HA
SC
EL
IDX

CLIP AND FASTENER

Description (Cont'd)

Symbol No.	Shapes	Removal & Installation
CE117 	 <p style="text-align: right;">SBF174D</p>	<p>Removal: Remove by bending up with a flat-bladed screwdriver or pliers.</p>  <p style="text-align: right;">SBF175DA</p>
CF118 	 <p style="text-align: right;">SBF151D</p>	<p>Removal:</p>  <p style="text-align: right;">SBF259G</p>
CR103 	 <p style="text-align: right;">SBF768B</p>	<p>Removal: Holder portion of clip must be spread out to remove rod.</p>  <p style="text-align: right;">SBF770B</p>
CS101 	 <p style="text-align: right;">SBF078B</p>	<p>Removal:</p> <ol style="list-style-type: none"> 1. Screw out with a Phillips screwdriver. 2. Remove female portion with flat-bladed screwdriver.  <p style="text-align: right;">SBF992G</p>

Removal and Installation

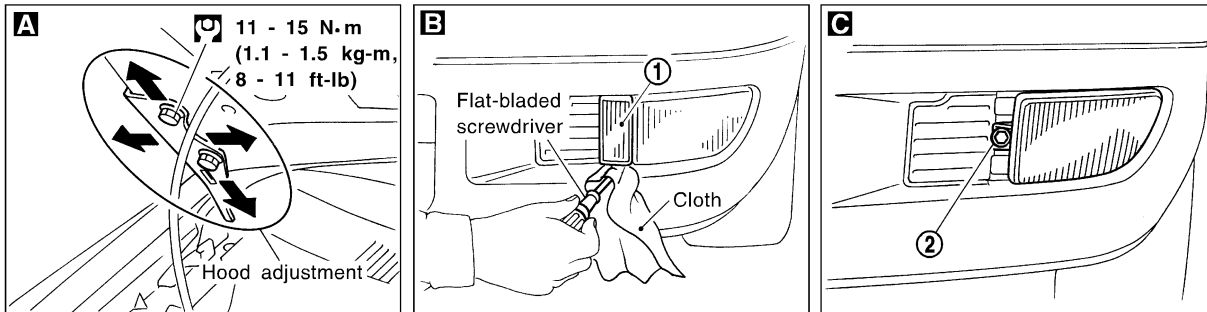
NCBT0004

- When removing or installing hood, place a cloth or other padding on the front fender panels and cowl top. This prevents vehicle body from being scratched. GI
- Bumper fascia is made of plastic. Do not use excessive force and be sure to keep oil away from it. MA
- Hood adjustment: Adjust at hinge portion. EM
- Hood lock adjustment: After adjusting, check hood lock control operation. Apply a coat of grease to hood locks engaging mechanism. EM
- Hood opener: Do not attempt to bend cable forcibly. Doing so increases effort required to unlock hood. EM

FRONT BUMPER ASSEMBLY

NCBT0004S01

1. Remove fog lamp rim. **B** LC
2. Remove bolt securing fog lamp assembly. Then disconnect fog lamp connector. **C**
3. Remove clips securing bumper fascia to engine undercover. **D** EC
4. Remove bolts securing bumper fascia to radiator core lower support. **D**
5. Remove screws and clips securing left and right sides of front fender protector. **E** FE
6. Remove bolts securing left and right front fenders to bumper fascia. **F** FE
7. Remove clips securing bumper reinforcement assembly to bumper fascia. **G**
8. Extract bumper fascia assembly. CL
9. Remove energy absorber. **H**
10. Remove bolts and nuts securing headlamp assembly. **J**
11. Remove bolt and nuts securing bumper reinforcement assembly. **K** MT
12. Remove the pin from the bolts which fix the bumper reinforcement assembly. **L**
13. Remove bolts securing bumper reinforcement assembly. **M** AT
14. Extract bumper reinforcement assembly. AT



SBT679

GI
MA
EM
LC
EC
FE
CL
MT
AT
AX
SU
BR
ST
RS
BT
HA
SC
EL
IDX

BODY FRONT END

Removal and Installation (Cont'd)

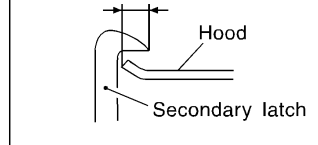
SEC. 261•620•623•650•656

Hood lock adjustment

- Adjust hood so that hood primary lock meshes at a position 1 to 1.5 mm (0.039 to 0.059 in) lower than fender.
- After hood lock adjustment, adjust bumper rubber.
- When securing hood lock, ensure it does not tilt. Striker must be positioned at the center of hood primary lock.
- After adjustment, ensure that hood primary and secondary lock operate properly.

Hood lock secondary latch hooking length

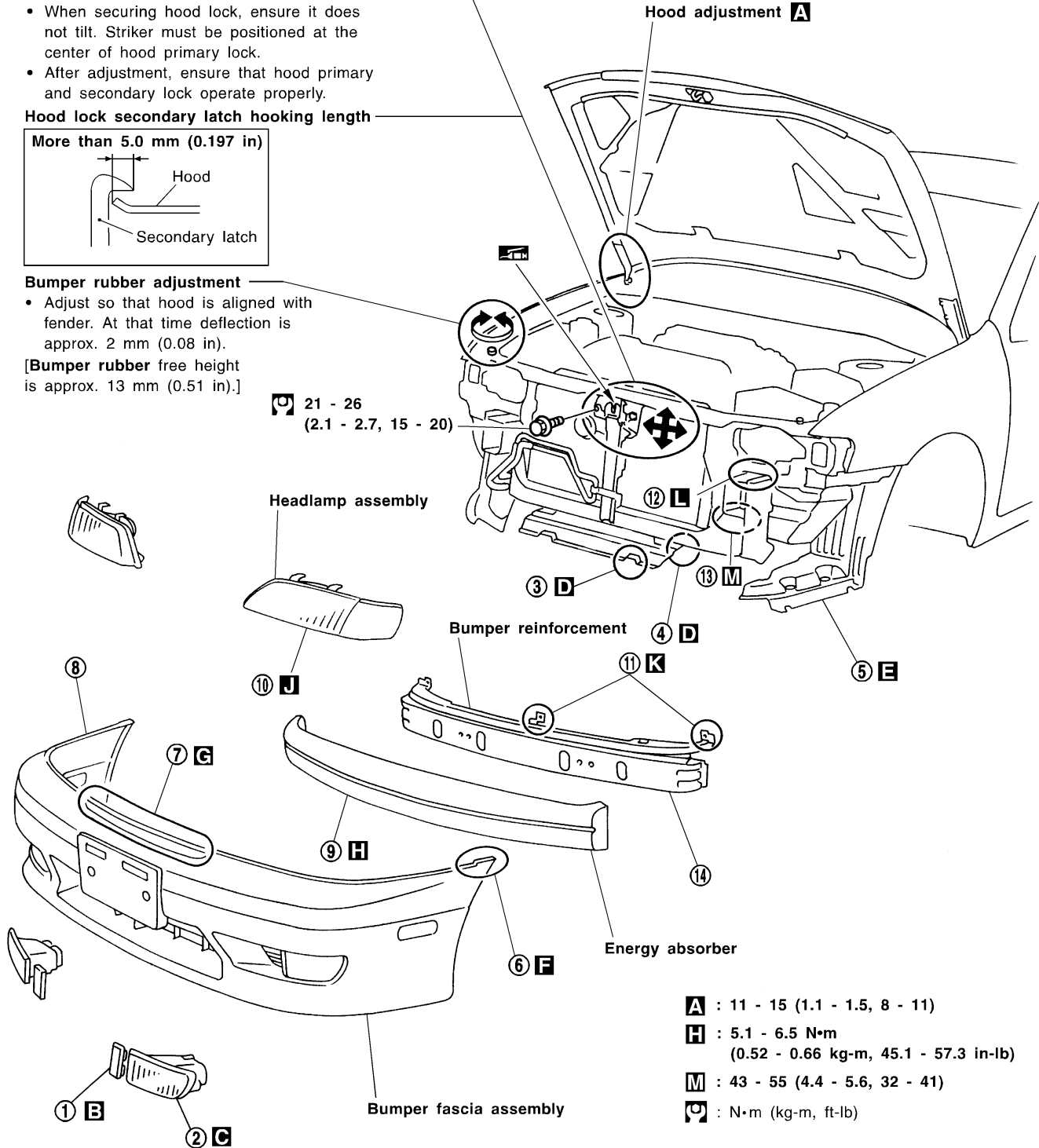
More than 5.0 mm (0.197 in)



Bumper rubber adjustment

- Adjust so that hood is aligned with fender. At that time deflection is approx. 2 mm (0.08 in).

[Bumper rubber free height is approx. 13 mm (0.51 in).]

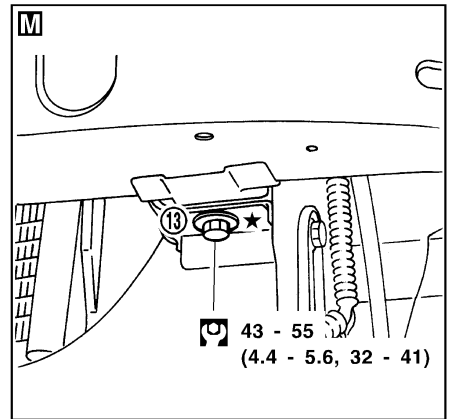
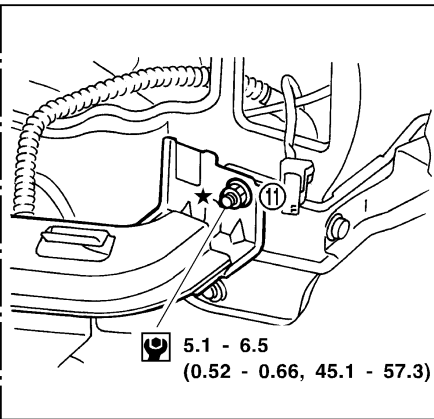
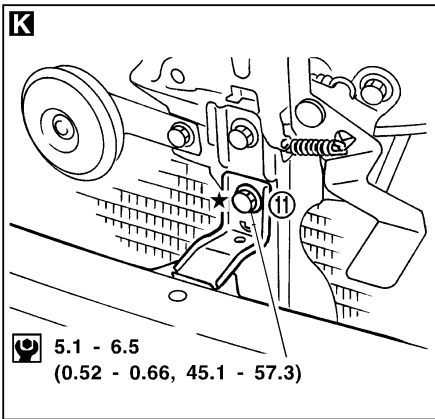
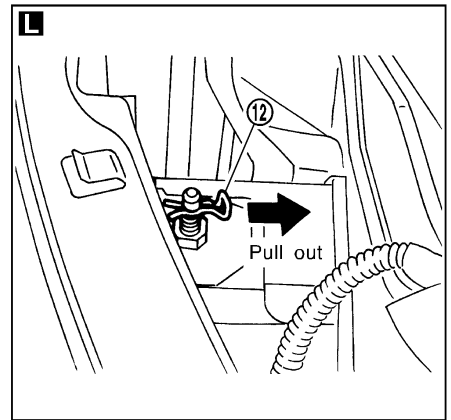
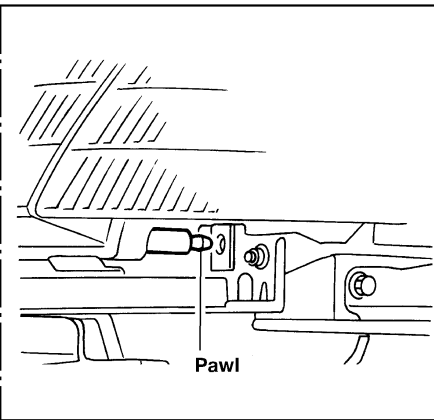
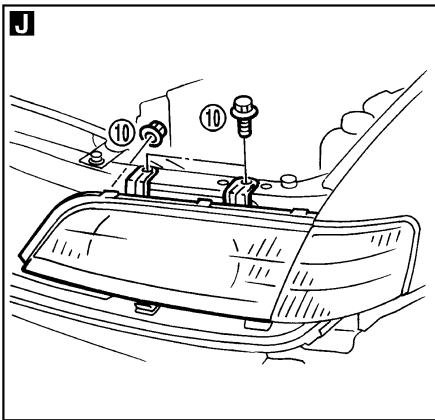
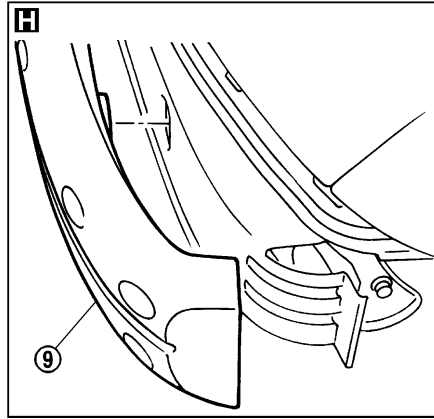
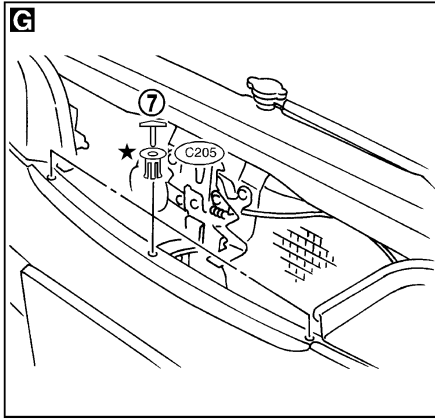
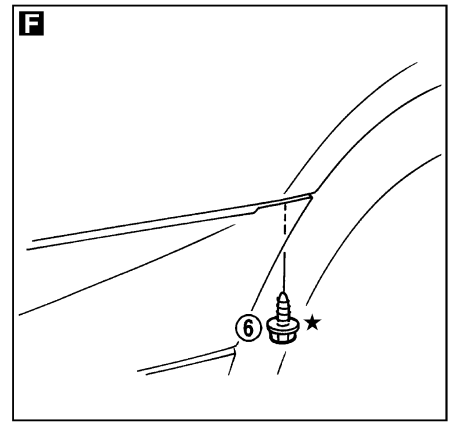
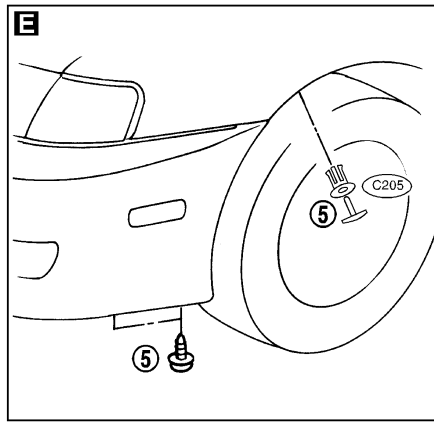
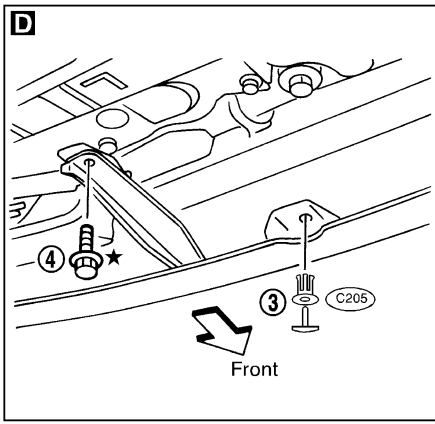


- A** : 11 - 15 (1.1 - 1.5, 8 - 11)
- H** : 5.1 - 6.5 N•m
(0.52 - 0.66 kg-m, 45.1 - 57.3 in-lb)
- M** : 43 - 55 (4.4 - 5.6, 32 - 41)
- U** : N•m (kg-m, ft-lb)

SBT850

BODY FRONT END

Removal and Installation (Cont'd)



GI

MA

EM

LC

EC

FE

CL

MT

AT

AX

SU

BR

ST

RS

BT

HA

SC

EL

IDX

★: Bumper assembly mounting bolts, nuts and clips

: N·m (kg-m, ft-lb)

: N·m (kg-m, in-lb)

SBT851

BODY REAR END AND OPENER

Removal and Installation

Removal and Installation

NCBT0005

- When removing or installing trunk lid, place a cloth or other padding on the rear fender panels. This prevents vehicle body from being scratched.
- Bumper fascia is made of plastic. Do not use excessive force and be sure to keep oil away from it.
- Trunk lid adjustment: Adjust at hinge-trunk lid portion for proper trunk lid fit.
- Trunk lid lock system adjustment: Adjust striker so that it is in the center of the lock. After adjustment, check trunk lid lock operation.
- After installation, make sure that trunk lid and fuel filler lid open smoothly.

WARNING:

- **Be careful not to scratch trunk lid stay when installing trunk lid. A scratched stay may cause gas leakage.**
- **The contents of the trunk lid stay are under pressure. Do not take apart, puncture, apply heat or allow fire near it.**

REAR BUMPER ASSEMBLY

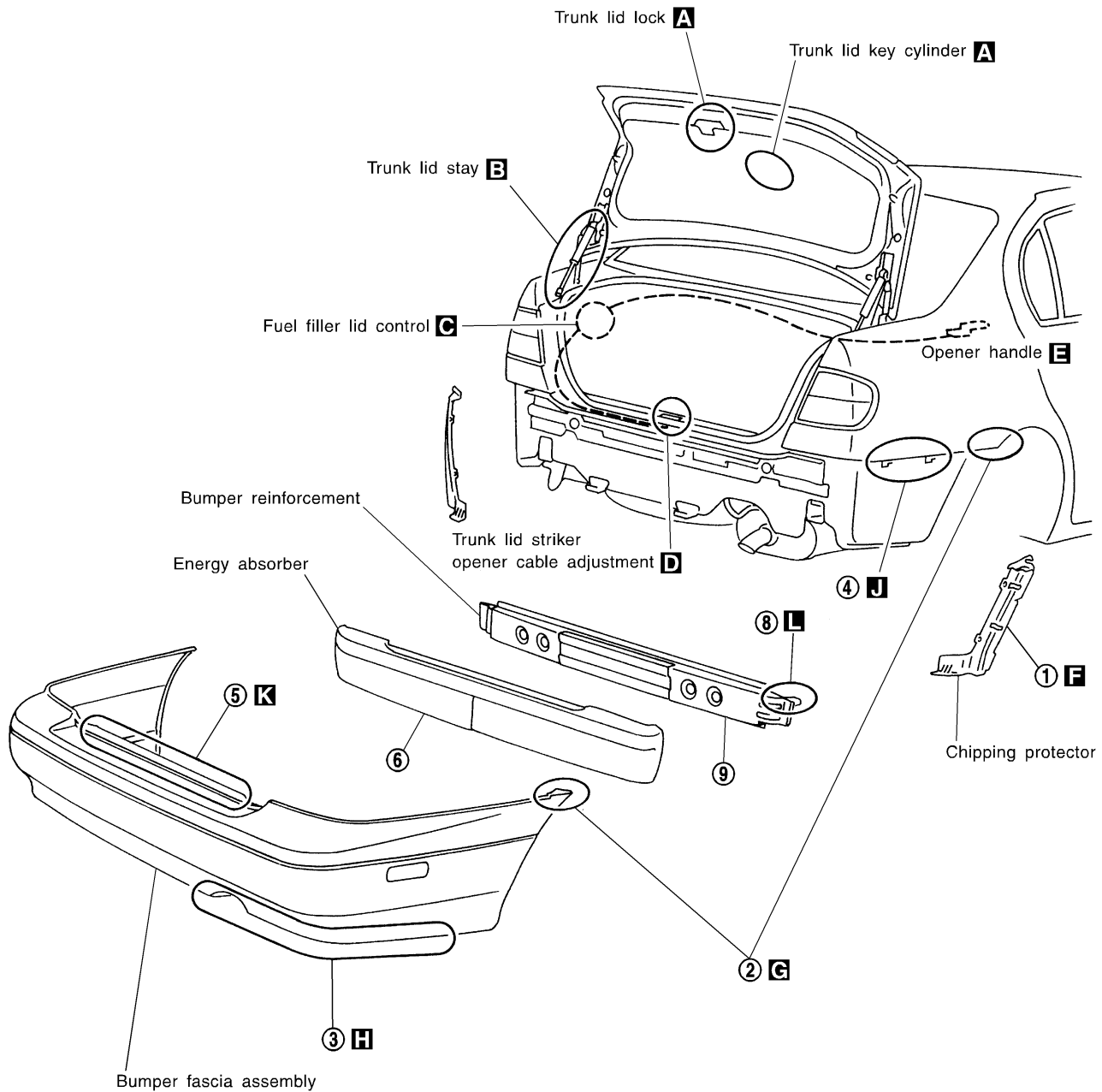
NCBT0005S01

1. Remove clips left and right chipping protectors. **F**
2. Remove bolts securing left and right rear fenders to bumper fascia. **G**
3. Remove clips securing bumper fascia. **H**
4. Open bumper fascia side outward to disengage from side clip. **J**
5. Extract bumper fascia assembly after removing the clamps fixing it. **K**
6. Remove energy absorber.
7. Remove trunk floor carpet.
8. Working from inside the trunk, remove left and right plugs from floor and then remove bumper reinforcement mounting bolts. **L**
9. Extract bumper reinforcement.

BODY REAR END AND OPENER

Removal and Installation (Cont'd)

SEC. 843•844•850



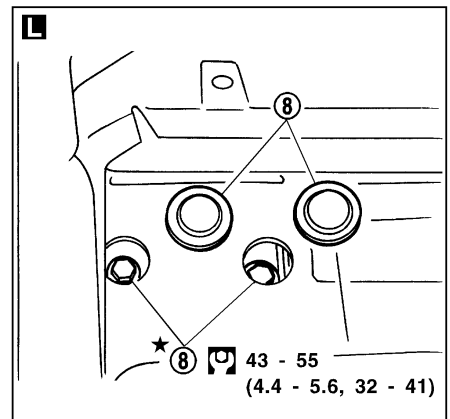
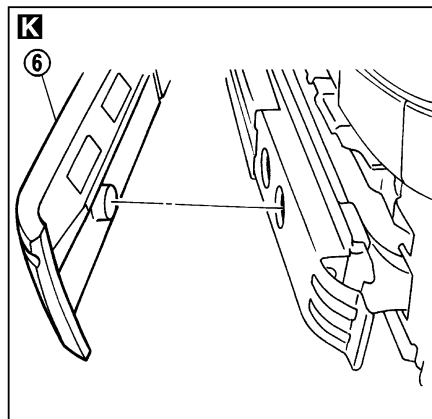
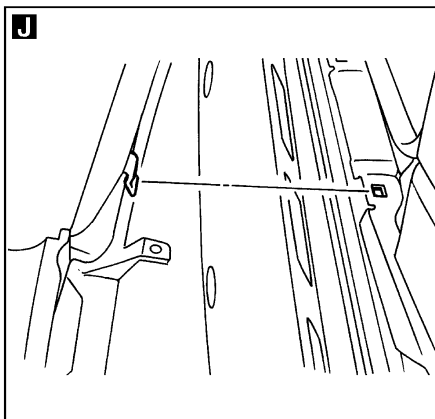
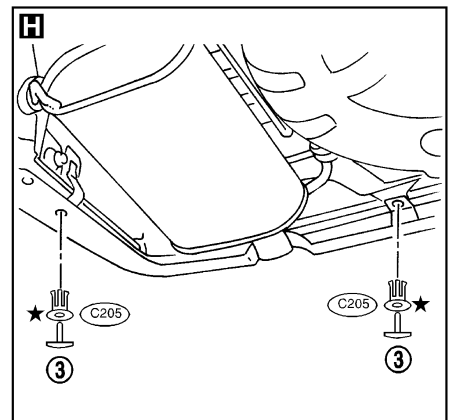
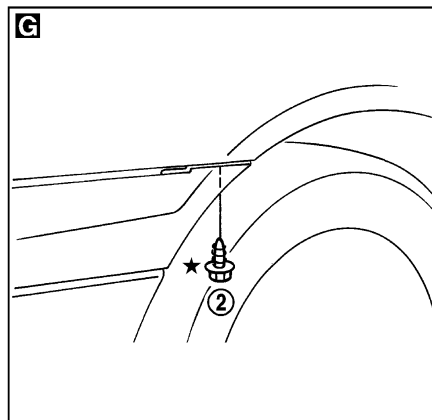
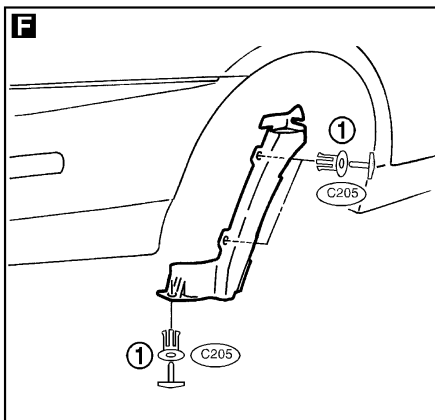
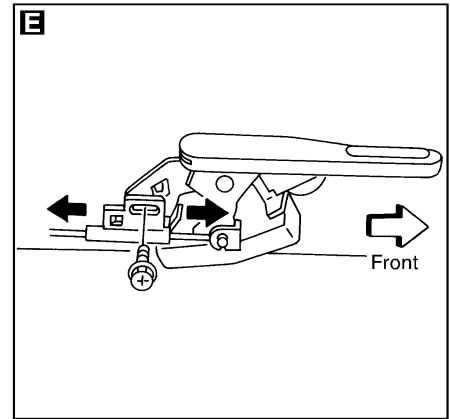
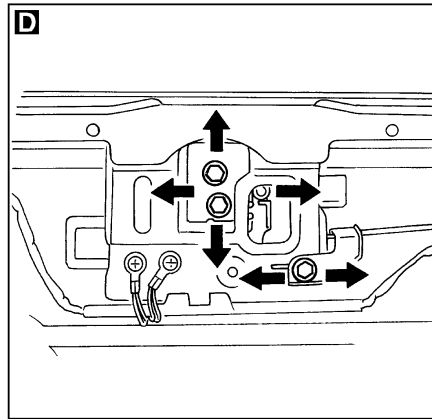
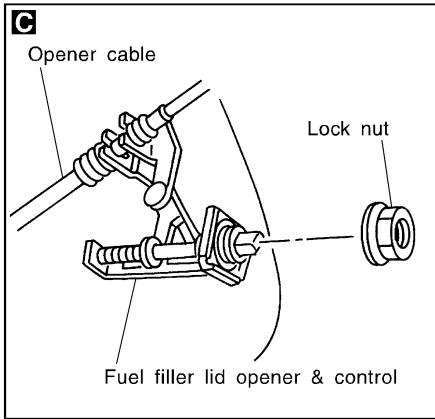
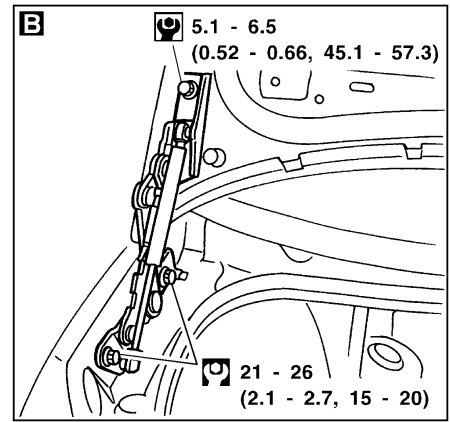
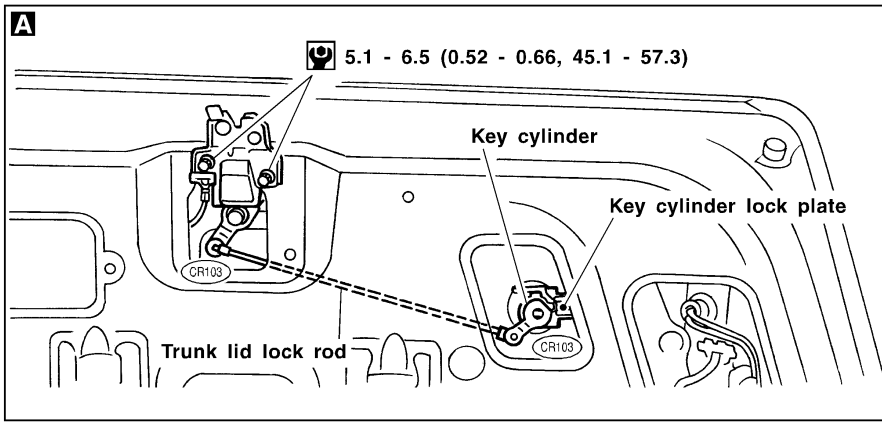
- A** : 5.1 - 6.5 N•m
(0.52 - 0.66 kg-m, 45.1 - 57.3 in-lb)
- B** : 21 - 26 (2.1 - 2.7, 15 - 20)
5.1 - 6.5 N•m (0.52 - 0.66 kg-m, 45.1 - 57.3 in-lb)
- L** : 43 - 55 (4.4 - 5.6, 32 - 41)
- G** : N•m (kg-m, ft-lb)

GI
MA
EM
LC
EC
FE
CL
MT
AT
AX
SU
BR
ST
RS
BT
HA
SC
EL
IDX

SBT653-A

BODY REAR END AND OPENER

Removal and Installation (Cont'd)



★: Bumper assembly mounting bolts and clips

: N·m (kg-m, ft-lb)

: N·m (kg-m, in-lb)

SBT654-A

FRONT DOOR

Front Door Glass Limit Switch Reset (Driver side only)

Front Door Glass Limit Switch Reset (Driver side only)

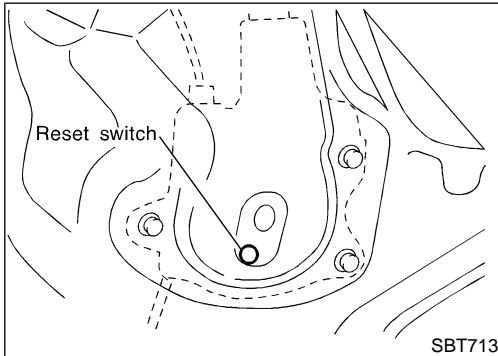
NCBT0028

RESET CONDITIONS

NCBT0028S01

After each of the following operations are performed, reset the limit switch (with built-in motor).

- Regulator removal and installation
- Removal of motor from regulator
- Operation of regulator as a single unit
- Door glass removal and installation
- Glass run removal and installation



RESET PROCEDURES

NCBT0028S02

After installing parts, proceed as follows:

1. Close the door window completely.
2. Press down on the reset switch and open the door window completely.
3. Release the reset switch. After making sure the reset switch has returned to the original position, close the door window completely.
4. The limit switch is now reset.

CAUTION:

Be sure to manually open or close the door window. (Do not use the automatic open-close procedures.)

GI
MA
EM
LC
EC
FE
CL
MT
AT
AX
SU
BR
ST
RS
BT
HA
SC
EL
IDX

FRONT DOOR

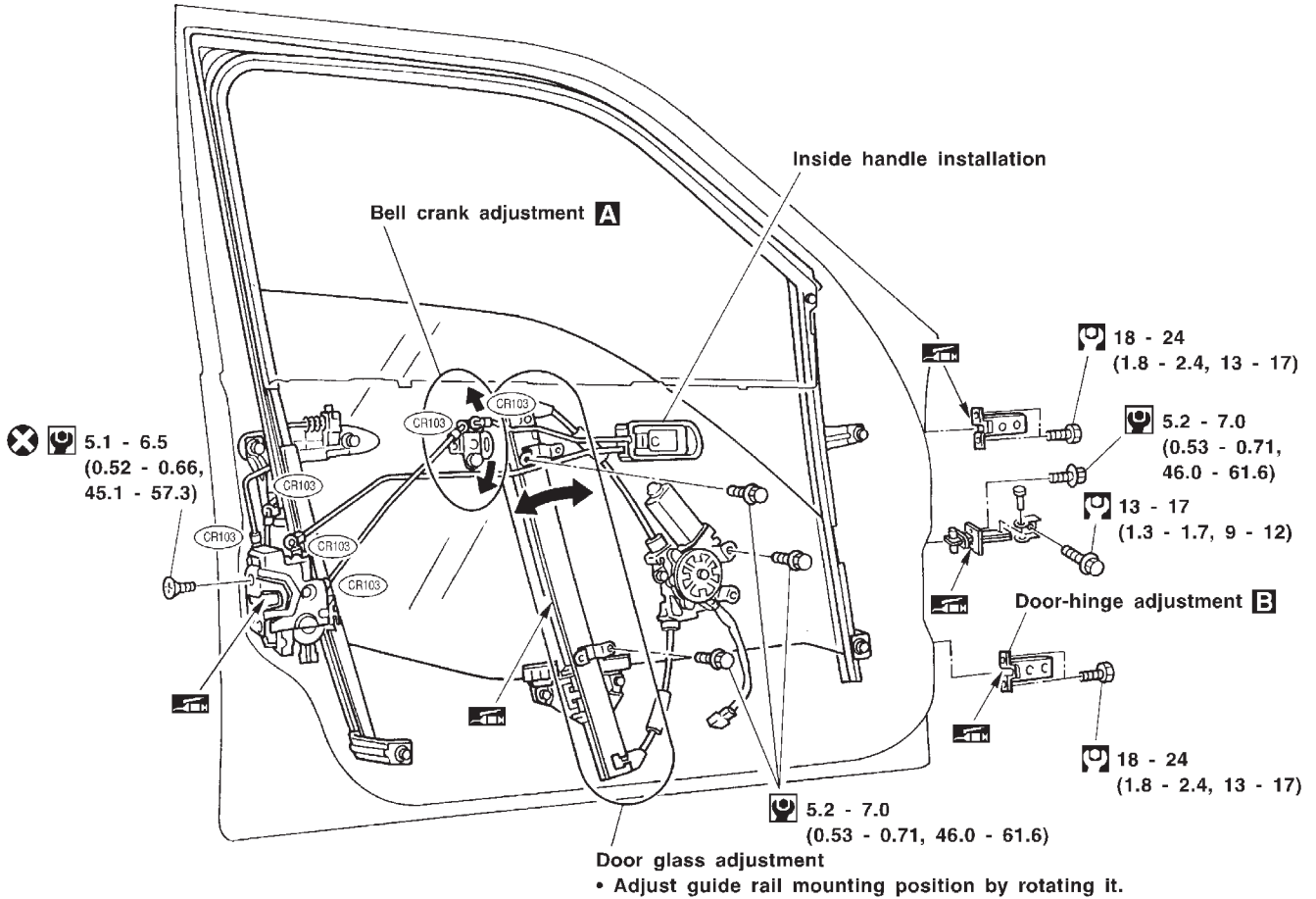
Overhaul

Overhaul

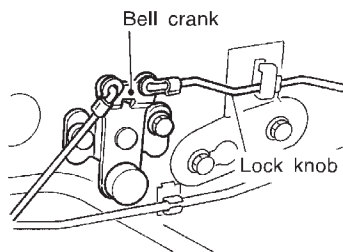
=NCBT0006

- For removal of door trim, refer to "DOOR TRIM" (BT-28).
- After adjusting door or door lock, check door lock operation.

SEC. 800•803•805

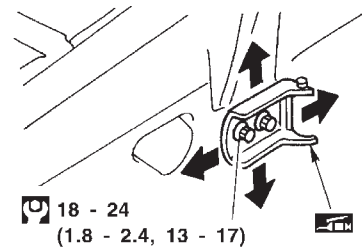


A Bell crank adjustment

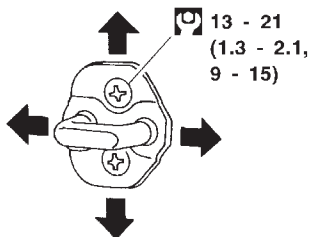


Lock door after setting door lock assembly and inside handle in position. Move bell crank in direction of arrow (shown in figure at left) to take up knob free play, and secure with bolts.

B Door-hinge adjustment



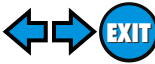
Striker adjustment



: N•m (kg-m, in-lb)

: N•m (kg-m, ft-lb)

SBT643



REAR DOOR

Overhaul

Overhaul

NCBT0007

SEC. 820•823•825

GI

MA

EM

LC

EC

FE

CL

MT

AT

AX

SU

BR

ST

RS

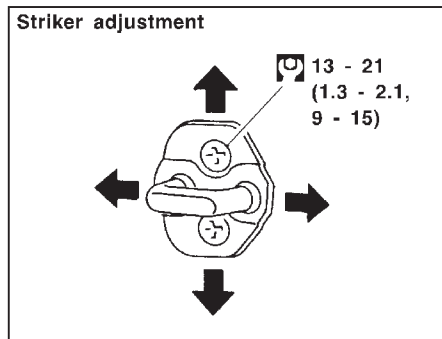
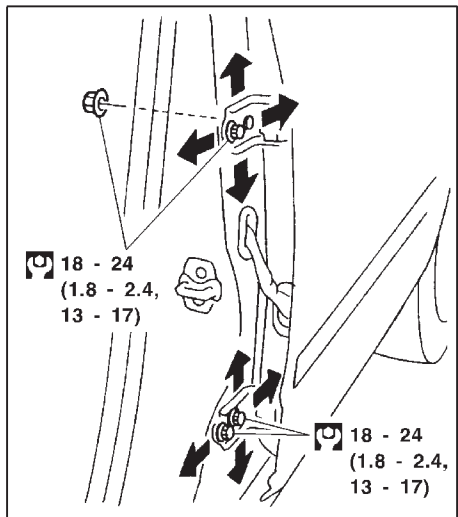
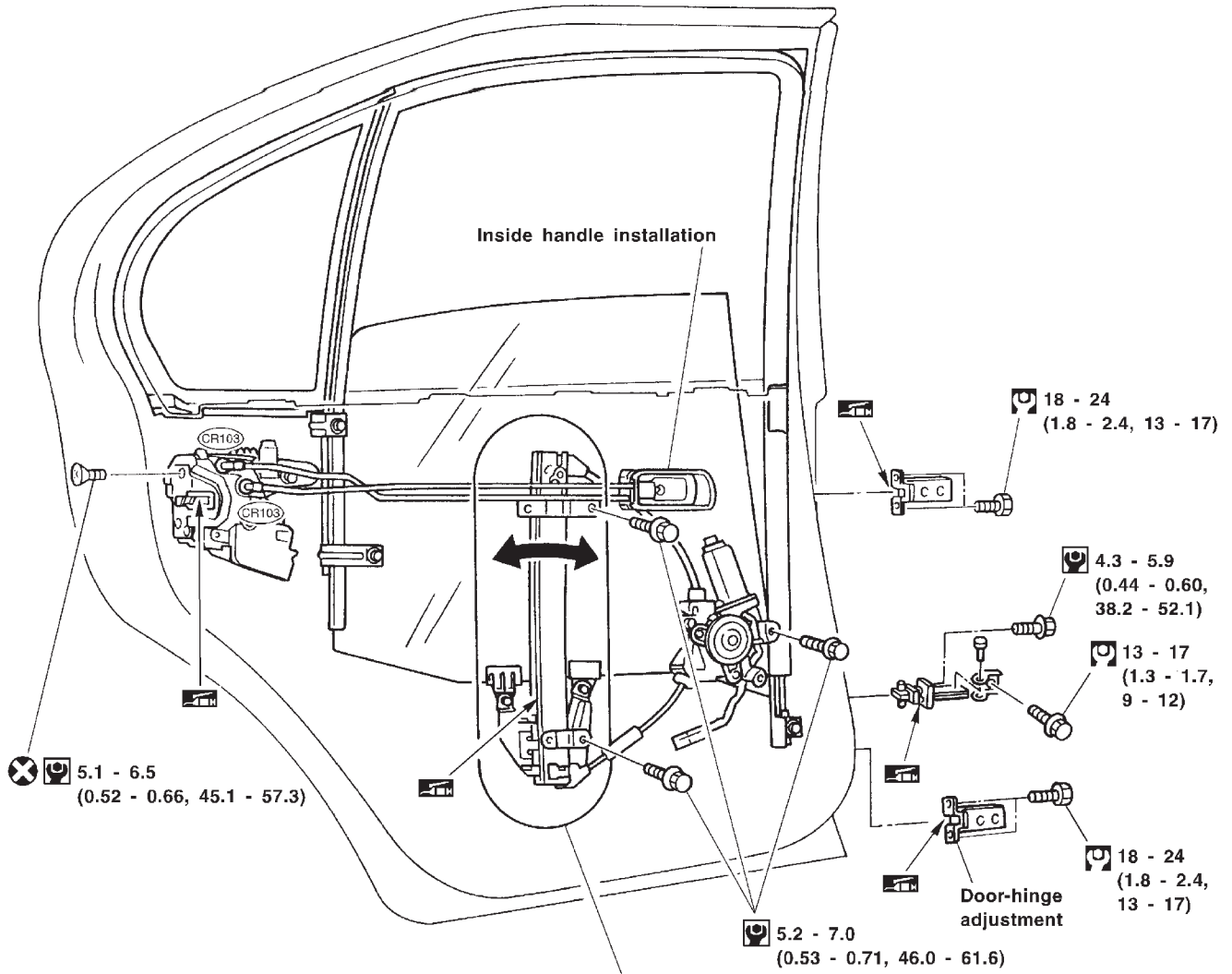
BT

HA

SC

EL

IDX



: N•m (kg-m, in-lb)
 : N•m (kg-m, ft-lb)

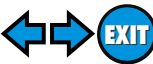
SBT650

Removal and Installation

NCBT0008

CAUTION:

- Disconnect both battery cables in advance.
- Disconnect air bag system line in advance.
- Never tamper with or force air bag lid open, as this may adversely affect air bag performance.
- Be careful not to scratch pad and other parts.
- Wrap the tip of a flat-bladed screwdriver with a cloth when removing metal clips from garnishes.



INSTRUMENT PANEL ASSEMBLY

Removal and Installation (Cont'd)

Instrument panel assembly	Combination meter	Audio & A/C control	Console box
Remove air bag module (driver) and steering wheel. Refer to RS-(*2), "SUPPLEMENTAL RESTRAINT SESTEM".			
Remove dash side lower finishers. Refer to "SIDE AND FLOOR TRIM" for details,*1.			
① Steering column cover and combination switch • Remove screws and harness connectors.			
② Instrument lower panel on driver side • Remove screws.			B
③ Instrument lower reinforcement • Remove bolts.			
		Remove steering column mounting nuts. Refer to ST-(*3), "STEERING WHEEL AND STEERING COLUMN" for details.	
④ Cluster lid C • Remove screws then disconnect harness connectors.			C
⑤ Cluster lid A • Remove screws then disconnect harness connectors.			D
⑥ Combination meter • Remove screws then disconnect harness connectors.			
⑦ Audio • Remove bolts then disconnect harness connectors.			
⑧ A/C control unit • Remove screws then disconnect harness connectors.			
⑨ Console M/T or A/T finisher			E
⑩ Console box assembly • Remove screws then disconnect harness connectors.			F
⑪ Glove box assembly • Remove screws and glove box lamp socket.			G
⑫ Passenger air bag module • Refer to RS-(*4), "SUPPLEMENTAL RESTRAINT SYSTEM".			
⑬ Lower instrument cover • Remove clip.			H
⑭ Lower instrument panel center • Remove screws.			I
⑮ Defroster grille • Disconnect connectors.			J
⑯ Front pillar garnish • Refer to "SIDE AND FLOOR TRIM" for details,*1.			
⑰ Instrument panel and pads • Remove bolts and nuts.			

GI
MA
EM
LC
EC
FE
CL
MT
AT
AX
SU
BR
ST
RS
BT
HA
SC
EL
IDX

SBT661-A

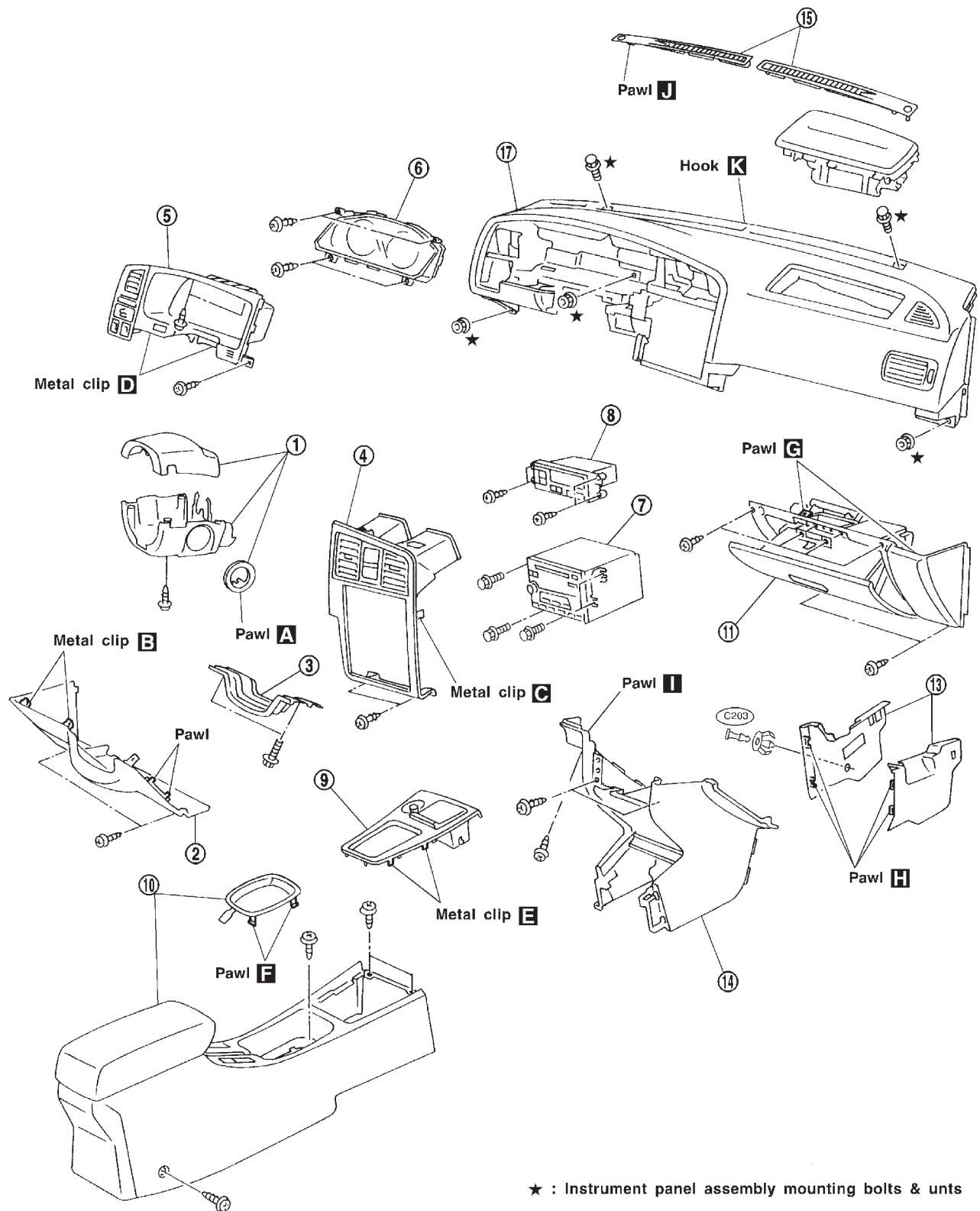
*1: BT-26
*2: RS-20

*3: ST-10

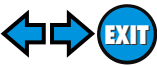
*4: RS-23

INSTRUMENT PANEL ASSEMBLY

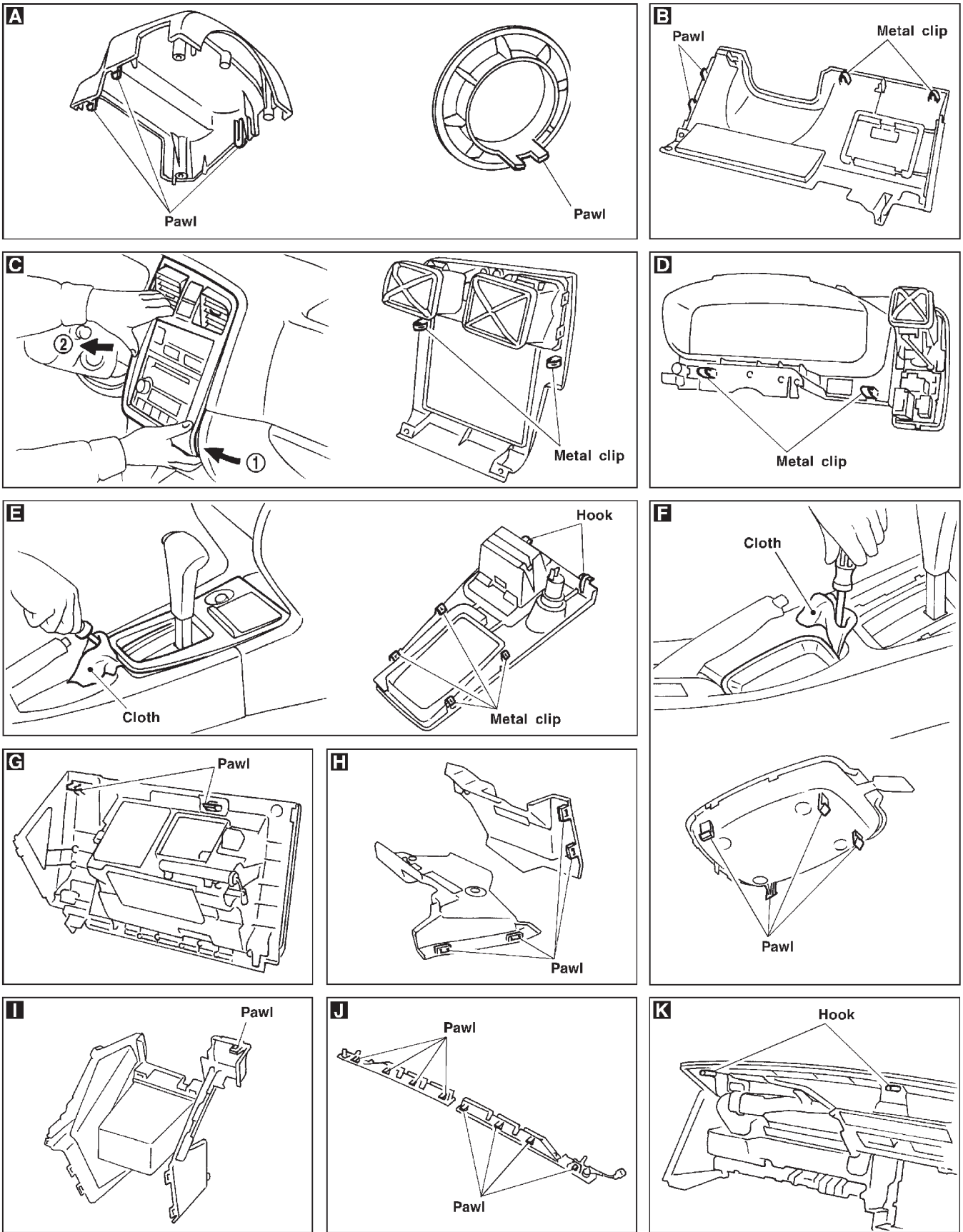
Removal and Installation (Cont'd)



INSTRUMENT PANEL ASSEMBLY



Removal and Installation (Cont'd)



GI
MA
EM
LC
EC
FE
CL
MT
AT
AX
SU
BR
ST
RS
BT
HA
SC
EL
IDX

SBT645

SIDE AND FLOOR TRIM

Removal and Installation

Removal and Installation

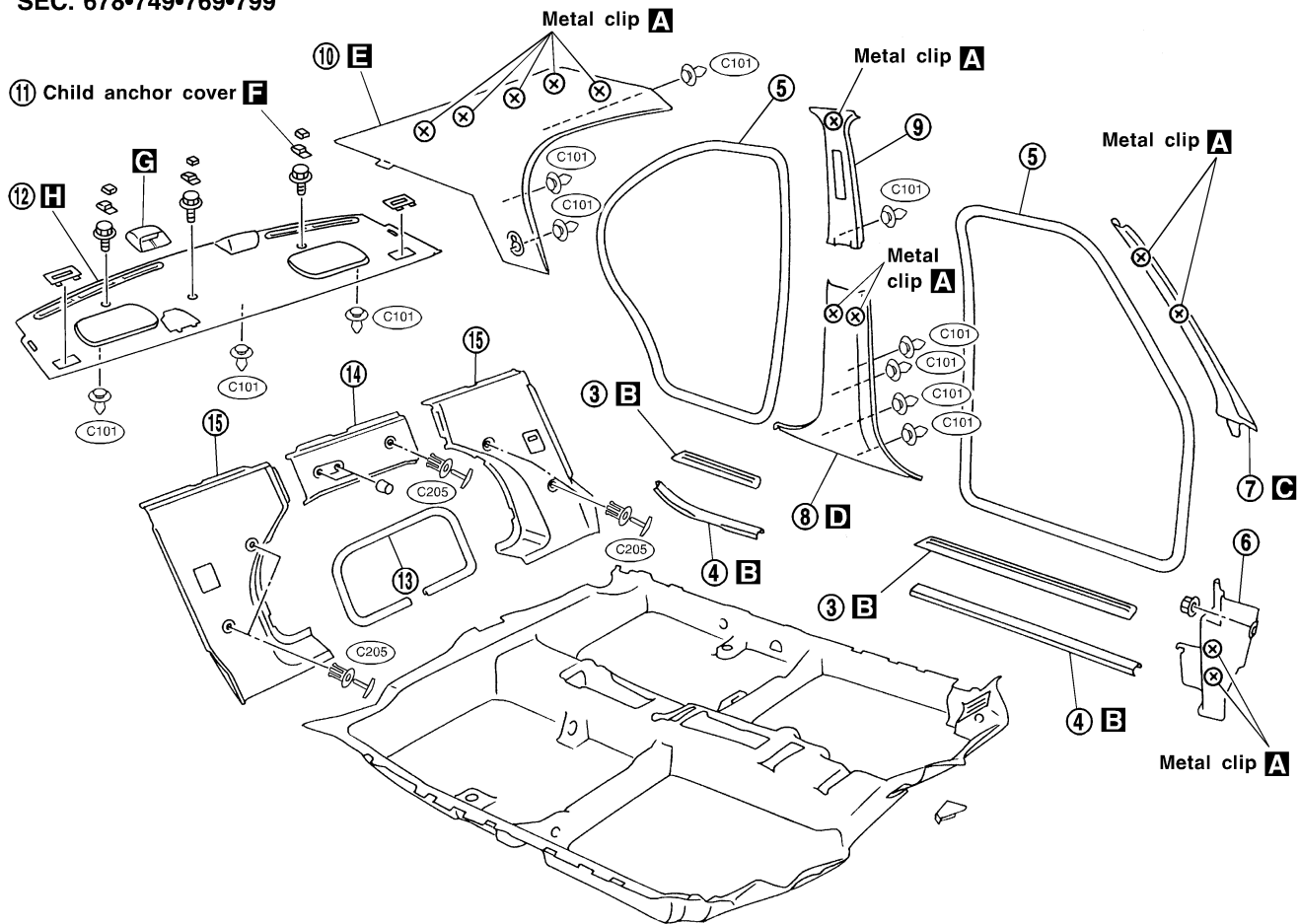
NCBT0009

CAUTION:

Wrap the tip of flat-bladed screwdriver with a cloth when removing metal clips from garnishes.

1. Remove front and rear seats. Refer to "FRONT SEAT" and "REAR SEAT" for details, BT-39 and BT-42.
2. Remove front and rear seat belts. Refer to "SEAT BELTS" in RS section for details.
3. Remove front and rear outer kicking plates. **B**
4. Remove front and rear inner kicking plates. **B**
5. Remove front and rear body side welts.
6. Remove dash side lower finishers.
7. Remove front pillar garnishes. **C**
8. Remove center pillar lower garnishes. **D**
9. Remove center pillar upper garnishes.
10. Remove rear pillar garnishes. **E**
11. Remove child anchor cover and child anchor bolt. **F**
(For high-mounted stop lamp, refer to detail **J** .)
12. Remove rear parcel shelf. **H**
13. Remove seatback welt.
14. Remove seatback center finisher.
15. Remove seatback side finishers.

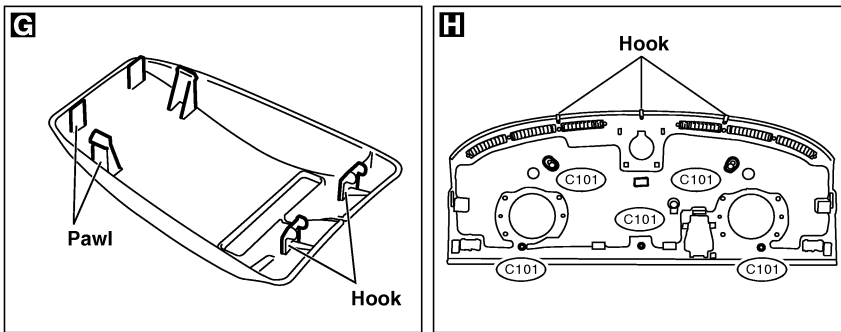
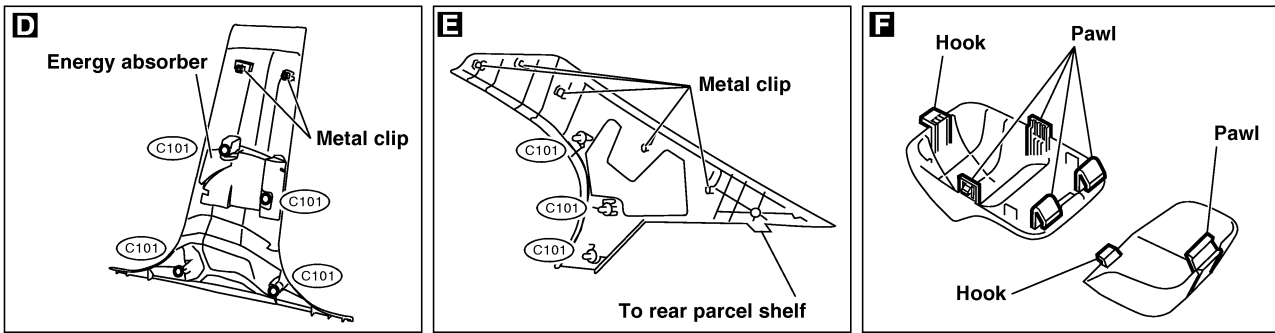
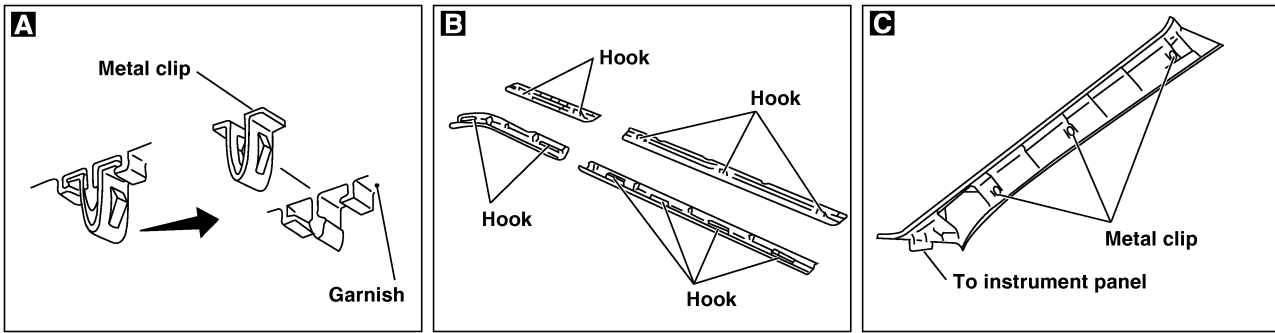
SEC. 678•749•769•799



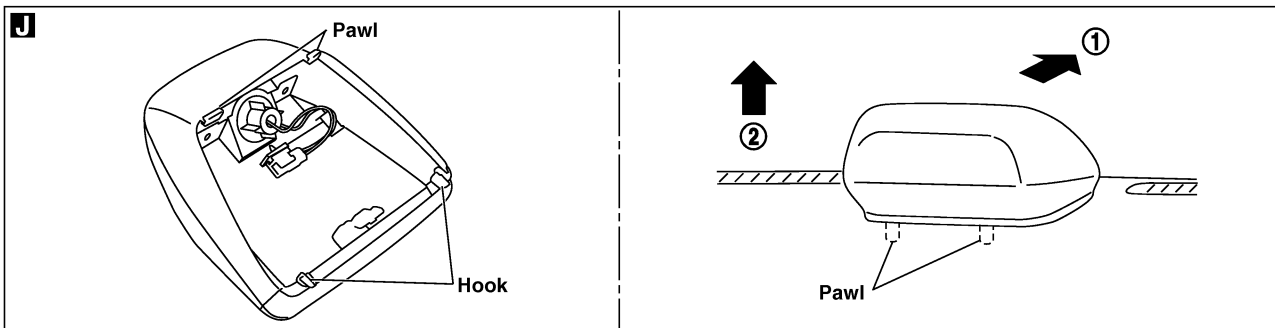
SBT852

SIDE AND FLOOR TRIM

Removal and Installation (Cont'd)



Remove high-mounted stop lamp. (Models without rear air spoiler)



GI

MA

EM

LC

EC

FE

CL

MT

AT

AX

SU

BR

ST

RS

BT

HA

SC

EL

IDX

DOOR TRIM

Removal and Installation

Removal and Installation

NCBT0010

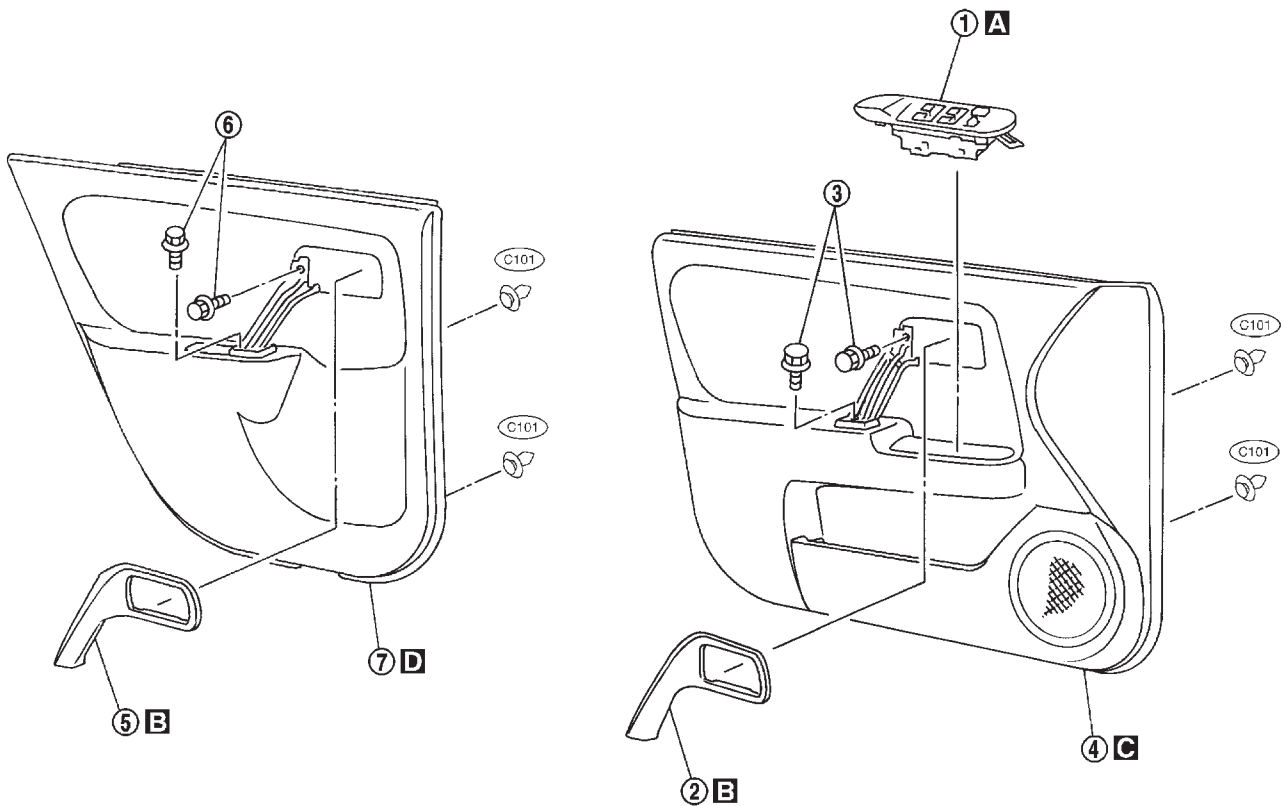
Front Door Trim

1. Remove power window switch, then disconnect the connector. **A**
2. Remove inside handle escutcheon. **B**
3. Remove bolts securing door finisher.
4. Pull on door finisher to remove clips from door panel and remove door finisher. **C**

Rear Door Trim

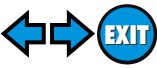
5. Remove inside handle escutcheon. **B**
6. Remove bolts securing door finisher.
7. Pull on door finisher to remove clips from door panel and remove door finisher, then disconnect power window switch connector. **D**

SEC. 251•809•828

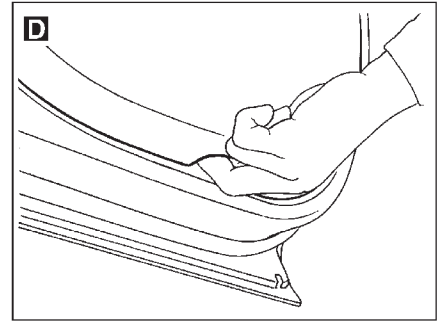
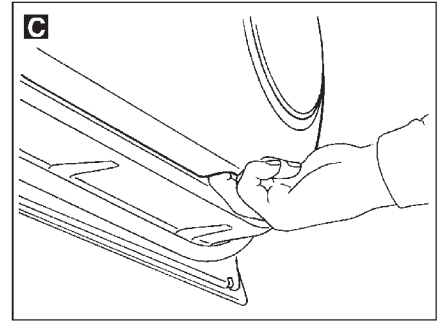
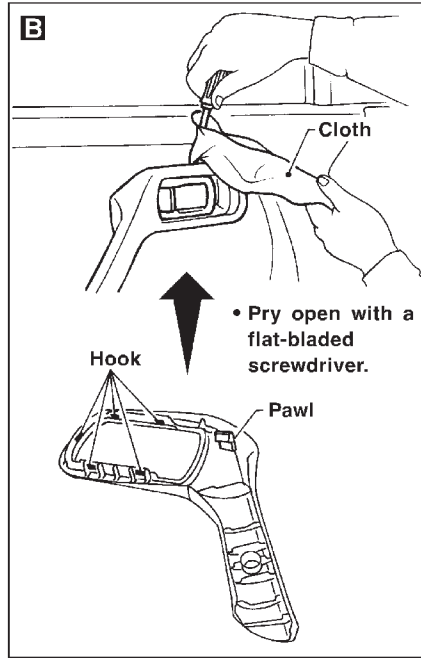
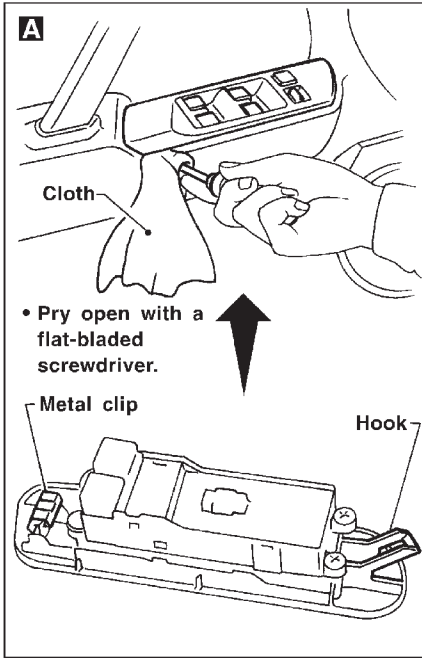


SBT392

DOOR TRIM



Removal and Installation (Cont'd)



GI

MA

EM

LC

EC

FE

CL

MT

AT

AX

SU

BR

ST

RS

BT

HA

SC

EL

IDX

SBT393

ROOF TRIM

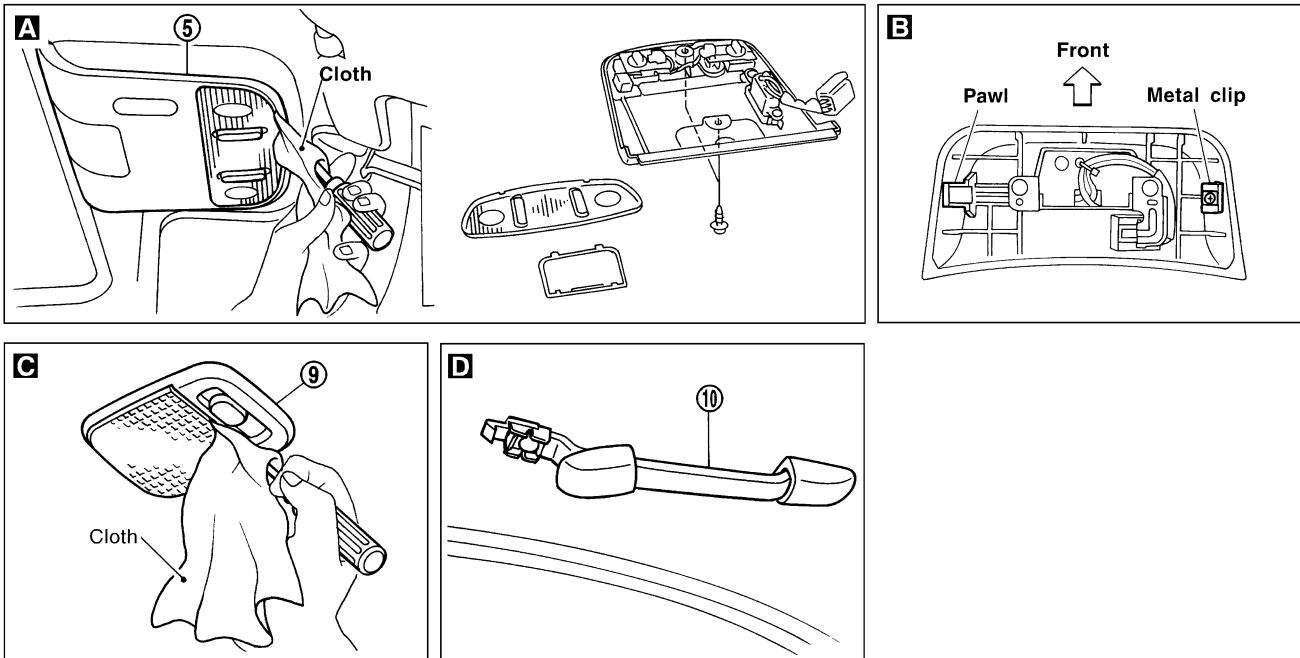
Removal and Installation

Removal and Installation

NCBT0011

CAUTION:

- When removing or installing body side welts, do not allow butyl seal to come in contact with pillar garnish and headlining.
 - Wrap the tip of a flat-bladed screwdriver with a cloth when removing metal clips and lenses.
1. Remove rear seats. Refer to "REAR SEAT" for details, BT-42.
 2. Remove shoulder anchor bolts. Refer to RS-5, "Front Seat Belt" for details.
 3. Remove front pillar garnishes, center pillar upper garnishes and rear pillar garnishes. Refer to "SIDE AND FLOOR TRIM" for details, BT-32.
 4. Remove steering wheel. Refer to RS-20, "Driver Air Bag Module and Spiral Cable" for details.
 5. Remove push back the front seat back.
 6. Remove sunroof switch or spot lamp switch and IVCS switch. **A B**
 7. Remove sunroof welt.
 8. Remove sun visors.
 9. Remove interior lamp. **C**
 10. Remove assist grips. **D**
 11. Remove clips securing headlining.
 12. Remove headlining.

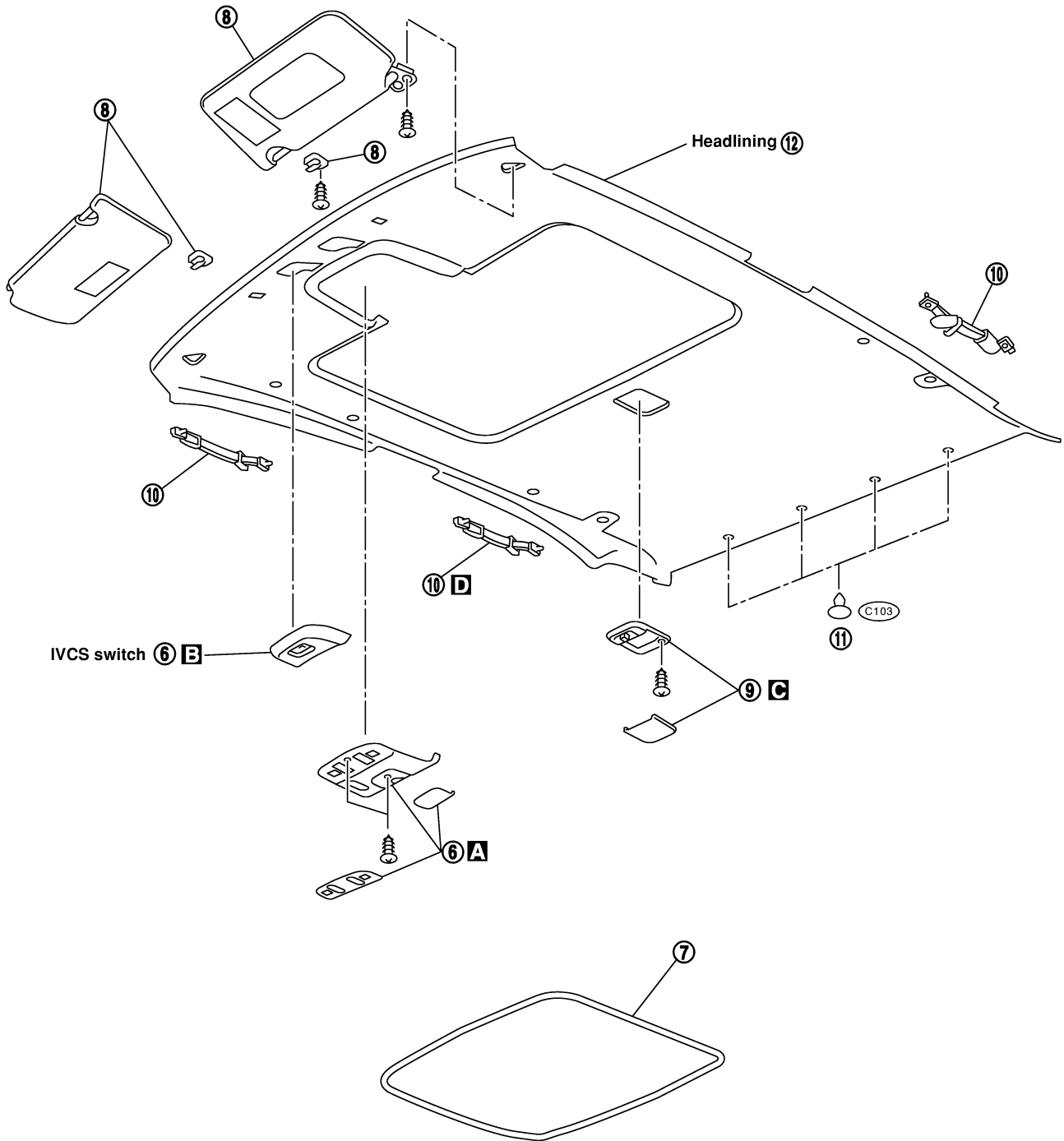


SBT854

ROOF TRIM

Removal and Installation (Cont'd)

SEC. 246-734-964



GI

MA

EM

LC

EC

FE

CL

MT

AT

AX

SU

BR

ST

RS

BT

HA

SC

EL

IDX

SBT855

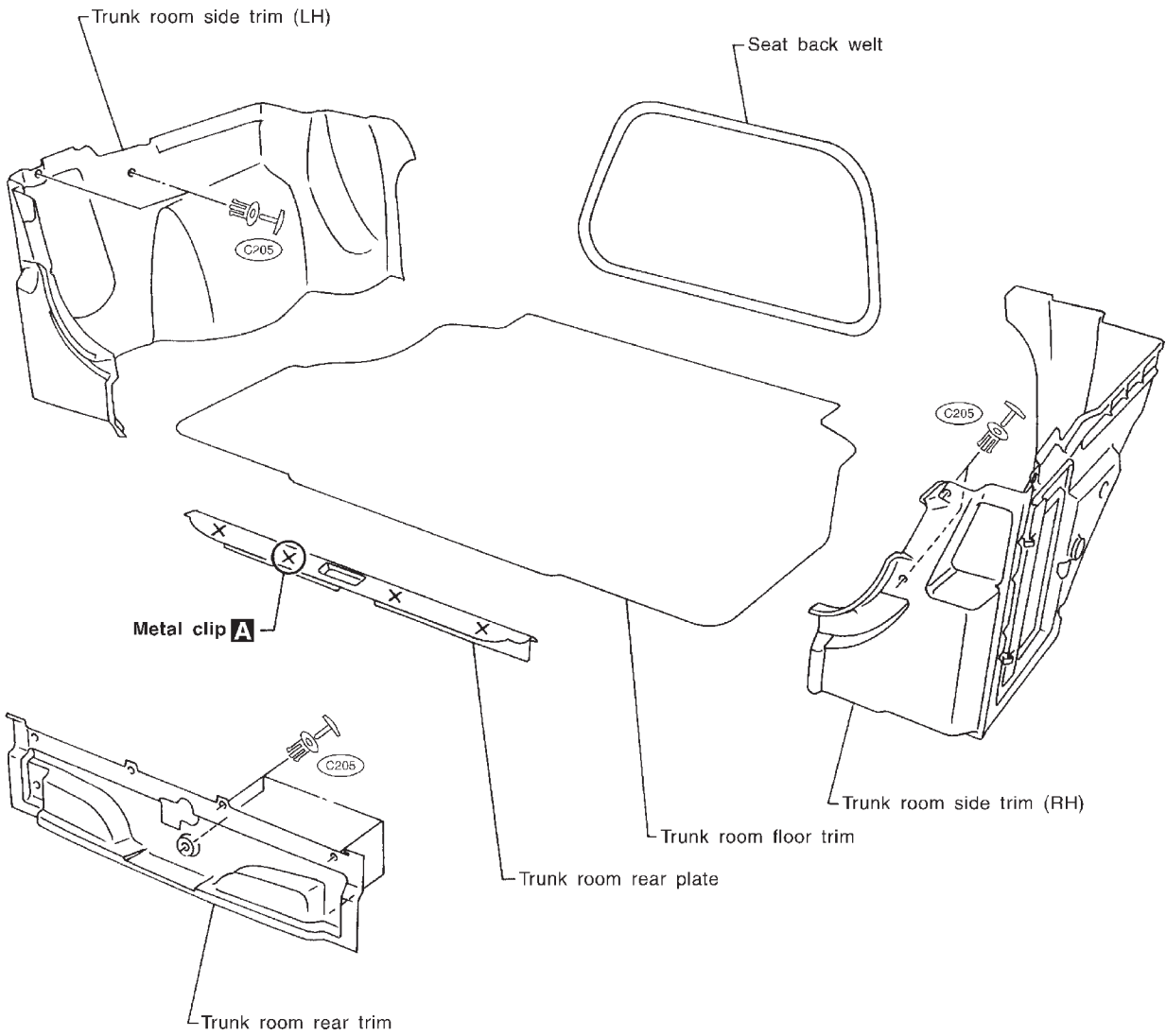
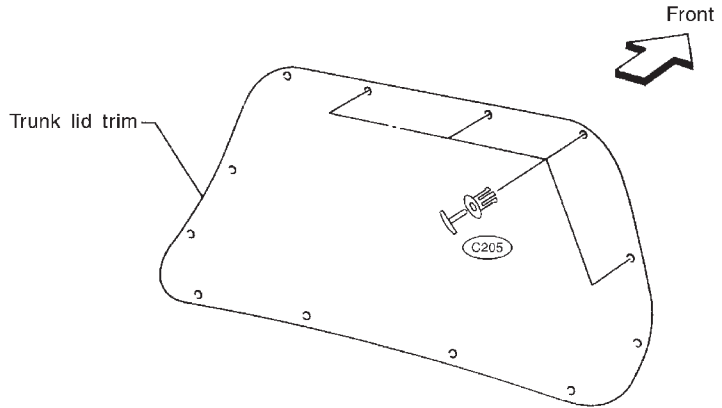
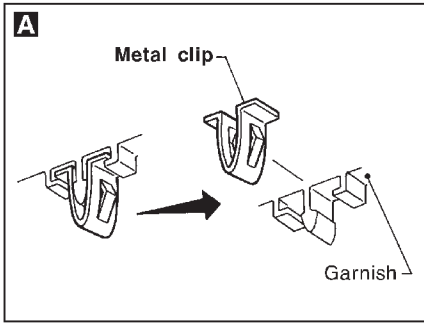
TRUNK ROOM TRIM

Removal and Installation

Removal and Installation

NCBT0012

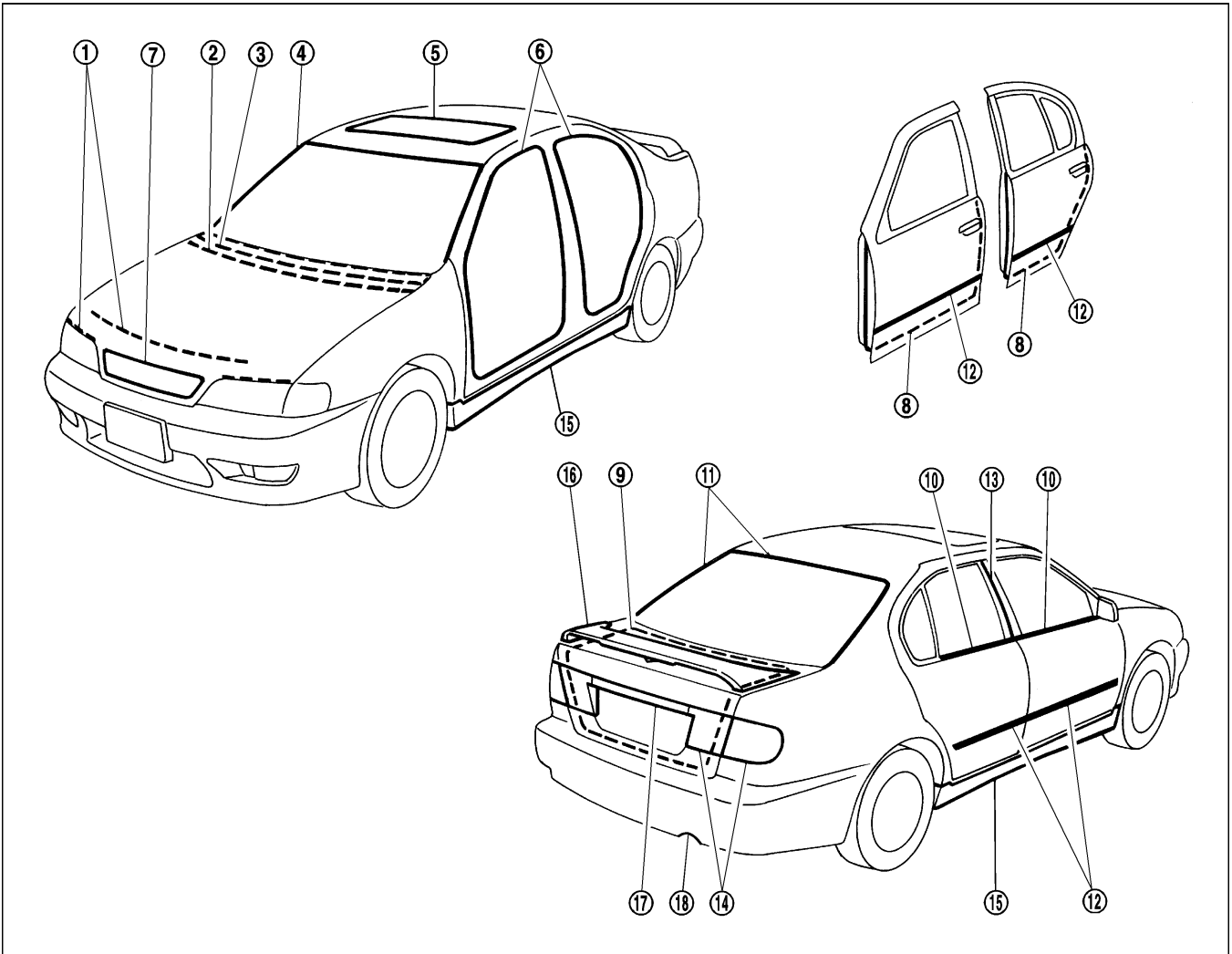
SEC. 849



SBT396

Removal and Installation

NCBT0013



GI

MA

EM

LC

EC

FE

CL

MT

AT

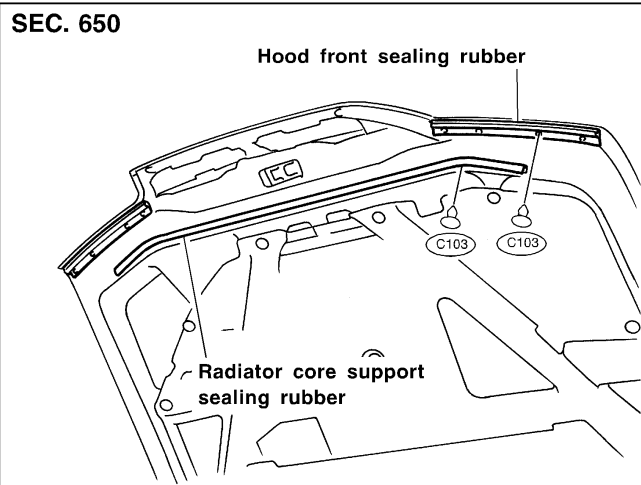
AX

SU

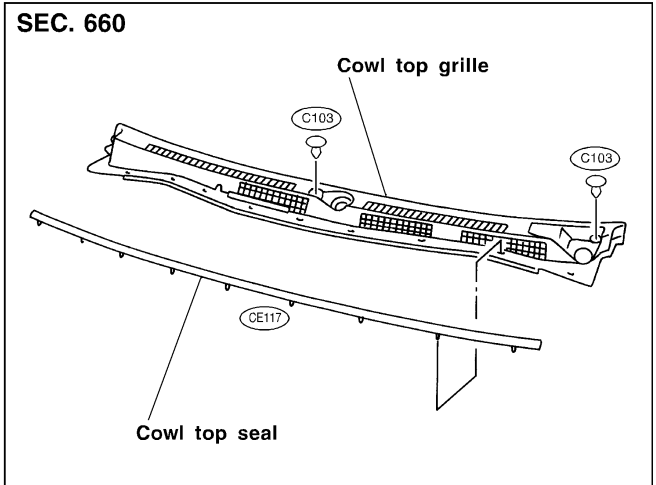
BR

ST

① Hood front sealing rubber



② ③ Cowl top seal and cowl top grille



RS

BT

HA

SC

EL

IDX

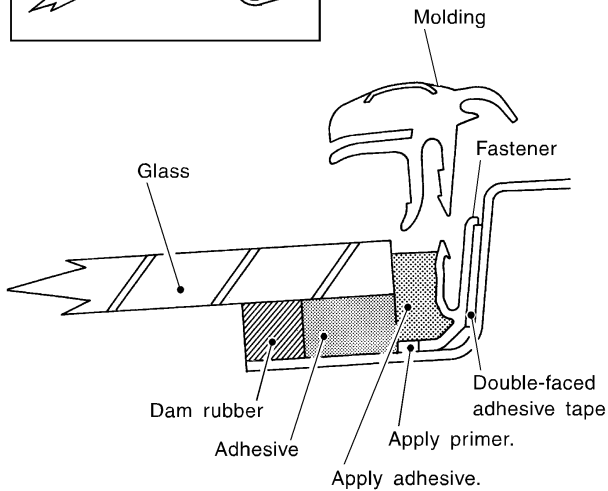
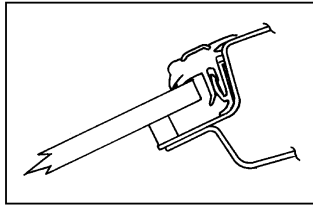
SBT856

④ Front windshield molding

• Upper molding

SEC. 720

1. Cut off adhesive at glass end.
2. Remove old adhesive from panel surface.
3. Set molding fastener and apply primer to body panel, and apply adhesive to body.



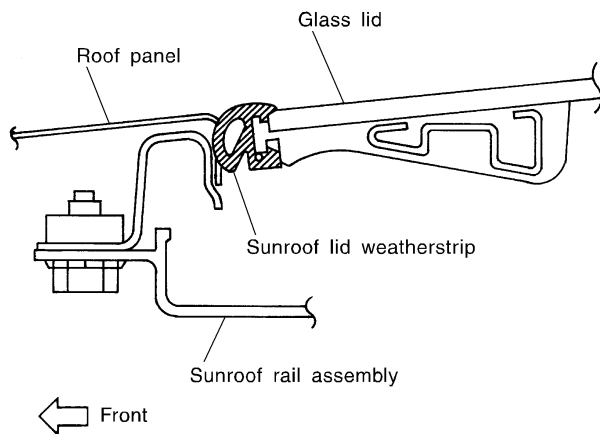
4. Install molding by aligning the molding mark located on center with vehicle center. Be sure to install tightly so that there is no gap around the corner.

• Side molding

Mounted with screws.

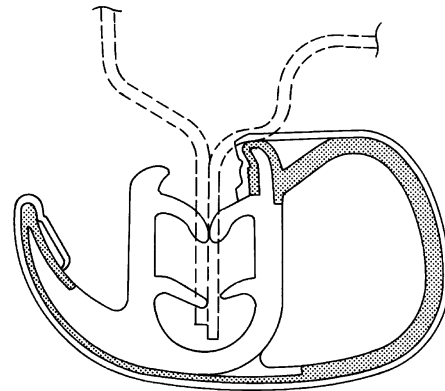
⑤ Sunroof lid weatherstrip

SEC. 736



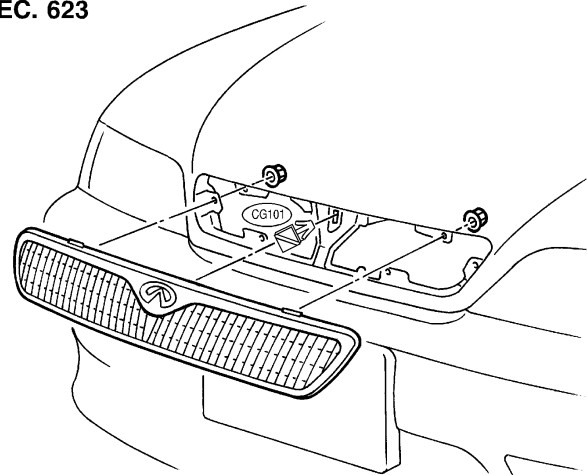
⑥ Body side welt

SEC. 769



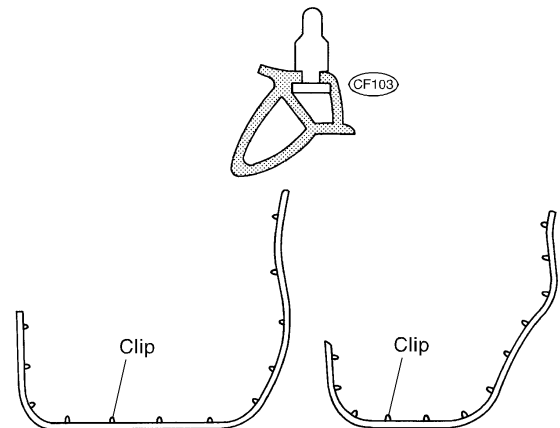
⑦ Front hood grille

SEC. 623



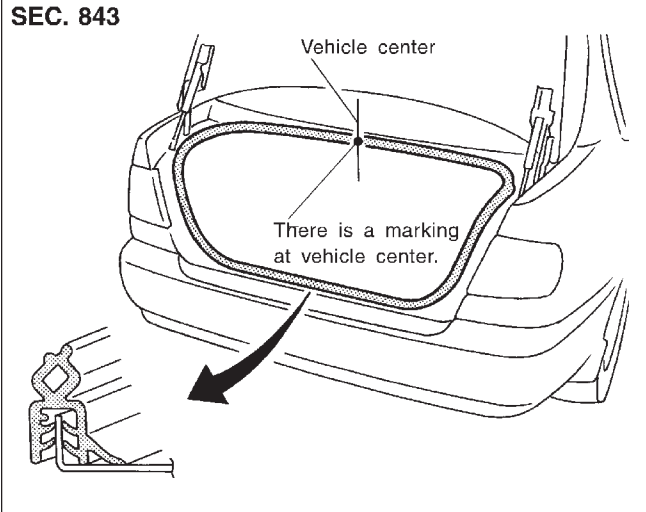
⑧ Door weatherstrip

SEC. 800•820



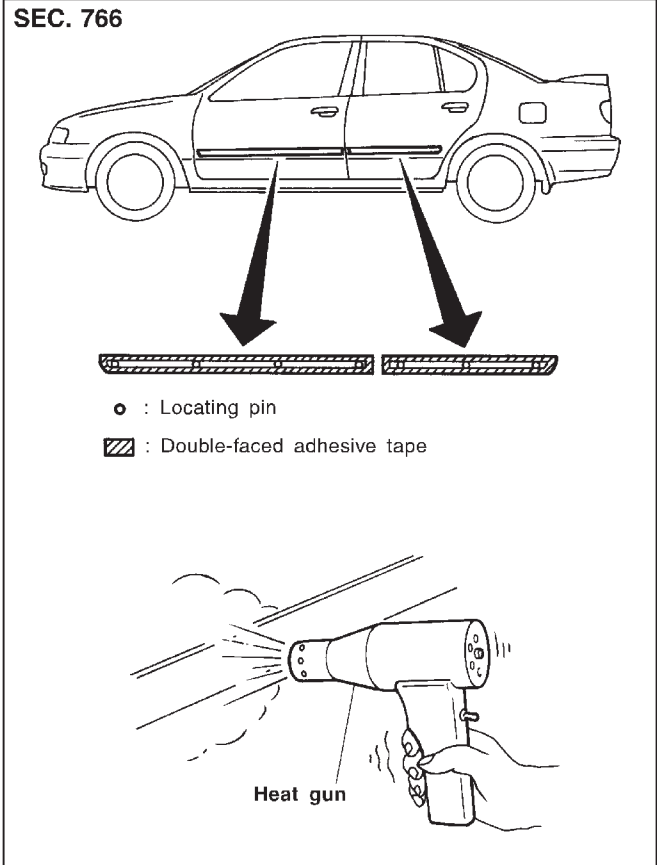
⑨ Trunk lid weatherstrip

SEC. 843



⑫ Side guard molding

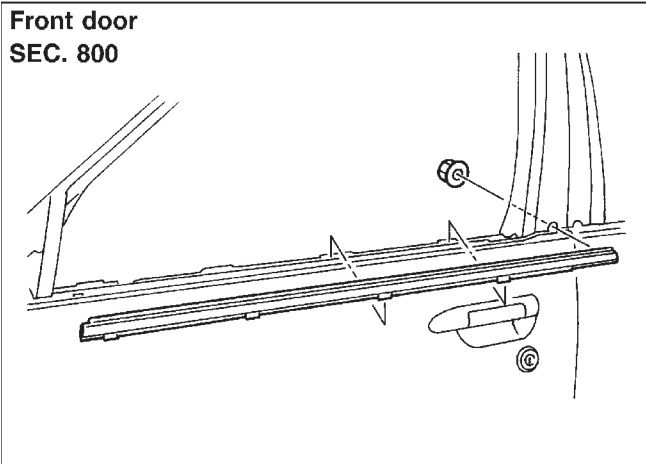
SEC. 766



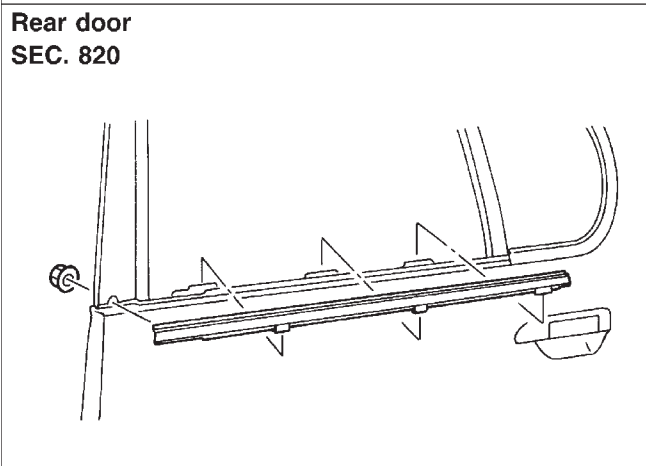
• With a vehicle coated with Hard Clear Coat, use double-faced 3M adhesive tape Product No. 4210 or equivalent, after priming with 3M primer Product No. N-200 or C-100 or equivalent.

⑩ Door outside molding

Front door
SEC. 800



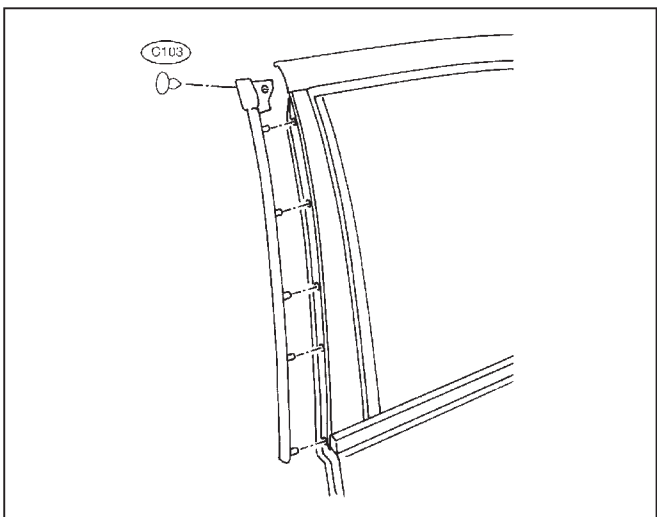
Rear door
SEC. 820



⑪ Rear window molding

Basically the same as front windshield molding.
Refer to ④ Front windshield molding.

⑬ Front door parting seal



GI
MA
EM
LC
EC
FE
CL
MT
AT
AX
SU
BR
ST
RS
BT
HA
SC
EL
IDX

EXTERIOR

Removal and Installation (Cont'd)

⑭ Rear combination lamp

- Rear combination lamps are installed with nuts and butyl seal.

SEC. 265

Heat gun
Butyl seal

Heat gun
Butyl seal

Heat gun

Heat gun

- Apply butyl seal evenly as it tends to become thin in the corners.
- Warm up lamp assembly area to a temperature of a little below 60°C (140°F).

⑮ Center mudguard

SEC. 767

CF116

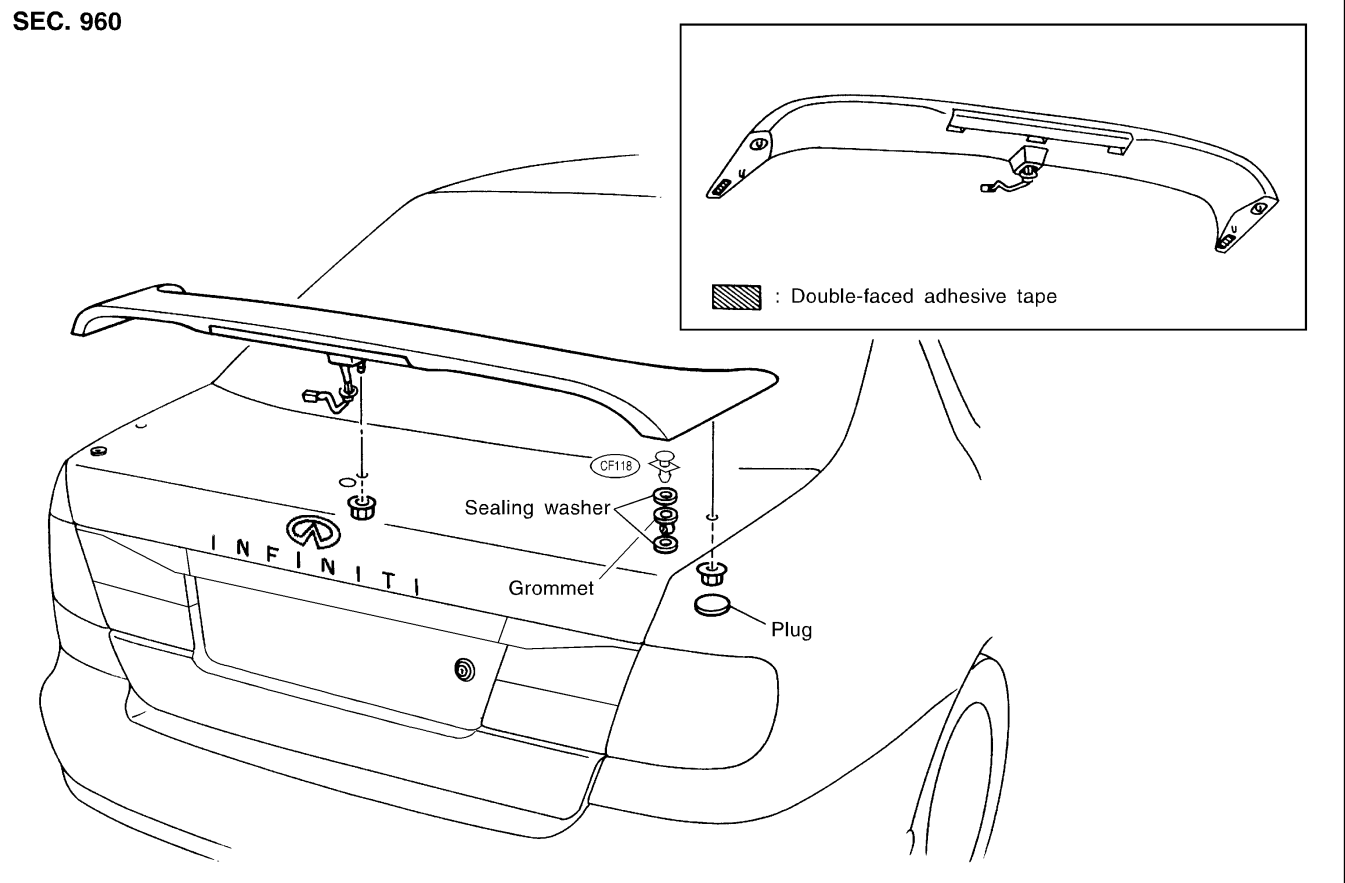
: Double-faced adhesive tape

- With a vehicle coated with Hard Clear Coat, use double-faced 3M adhesive tape Product No. 4210 or equivalent, after priming with 3M primer Product No. N-200 or C-100 or equivalent.

SBT658

16 Rear air spoiler

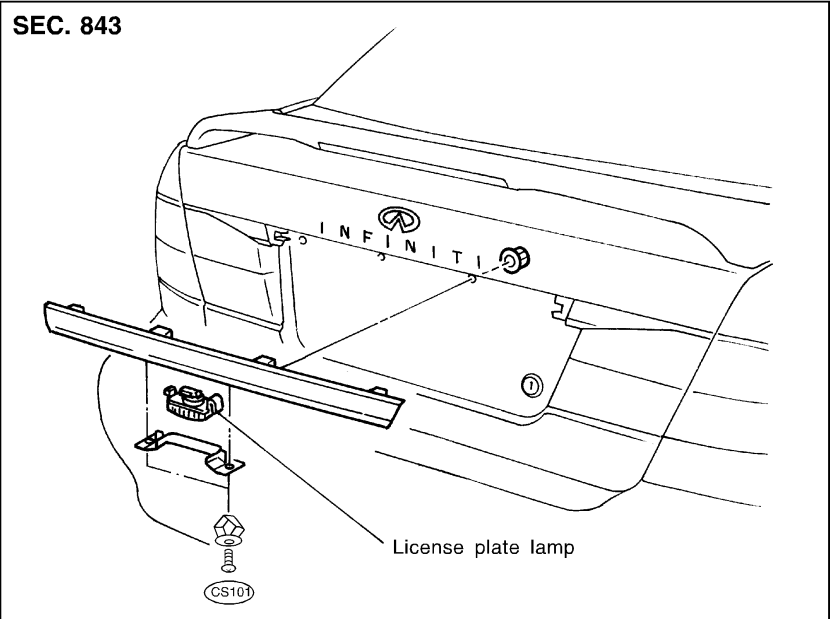
SEC. 960



- With a vehicle coated with Hard Clear Coat, use double-faced 3M adhesive tape Product No. 4210 or equivalent, after priming with 3M primer Product No. N-200 or C-100 or equivalent.

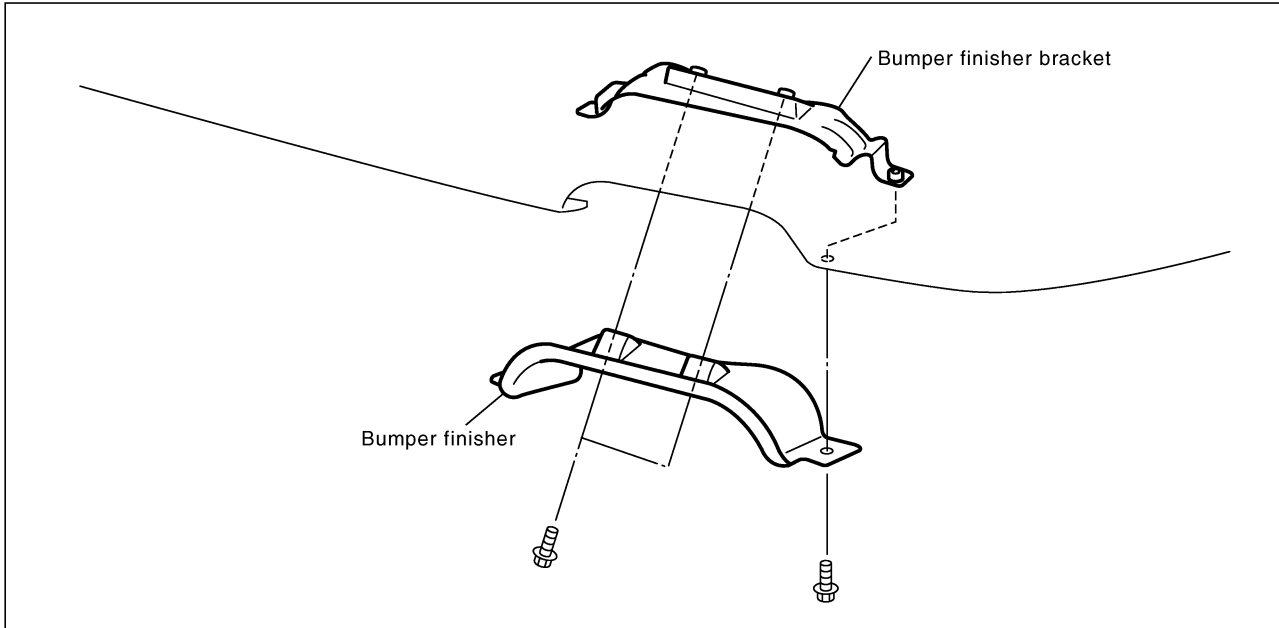
17 License plate finisher

SEC. 843



GI
MA
EM
LC
EC
FE
CL
MT
AT
AX
SU
BR
ST
RS
BT
HA
SC
EL
IDX

⑩ Bumper finisher



Removal and Installation

NCBT0014

- When removing or installing the seat trim, carefully handle it to keep dirt out and avoid damage.
- ★ For Wiring Diagram, refer to EL-144, “Wiring Diagram — SEAT —”.

CAUTION:

- Before removing the rear seat, turn the ignition switch off, disconnect both battery cables and wait at least 3 minutes.
- When checking the power seat circuit for continuity using a circuit tester, do not confuse its connector with the side air bag module connector. Such an error may cause the air bag to deploy.
- Do not drop, tilt, or bump the side air bag module installed in the seat. Always handle it with care.
- Disconnect the side air bag harness connector, power seat switch harness connector and heated seat harness connector from under the seat before removing the seat.
- Disconnect the side air bag harness connector before removing the seat back. (Refer to RS-24, “Side Air Bag Module”.)

GI

MA

EM

LC

EC

FE

CL

MT

AT

AX

SU

BR

ST

RS

BT

HA

SC

EL

IDX

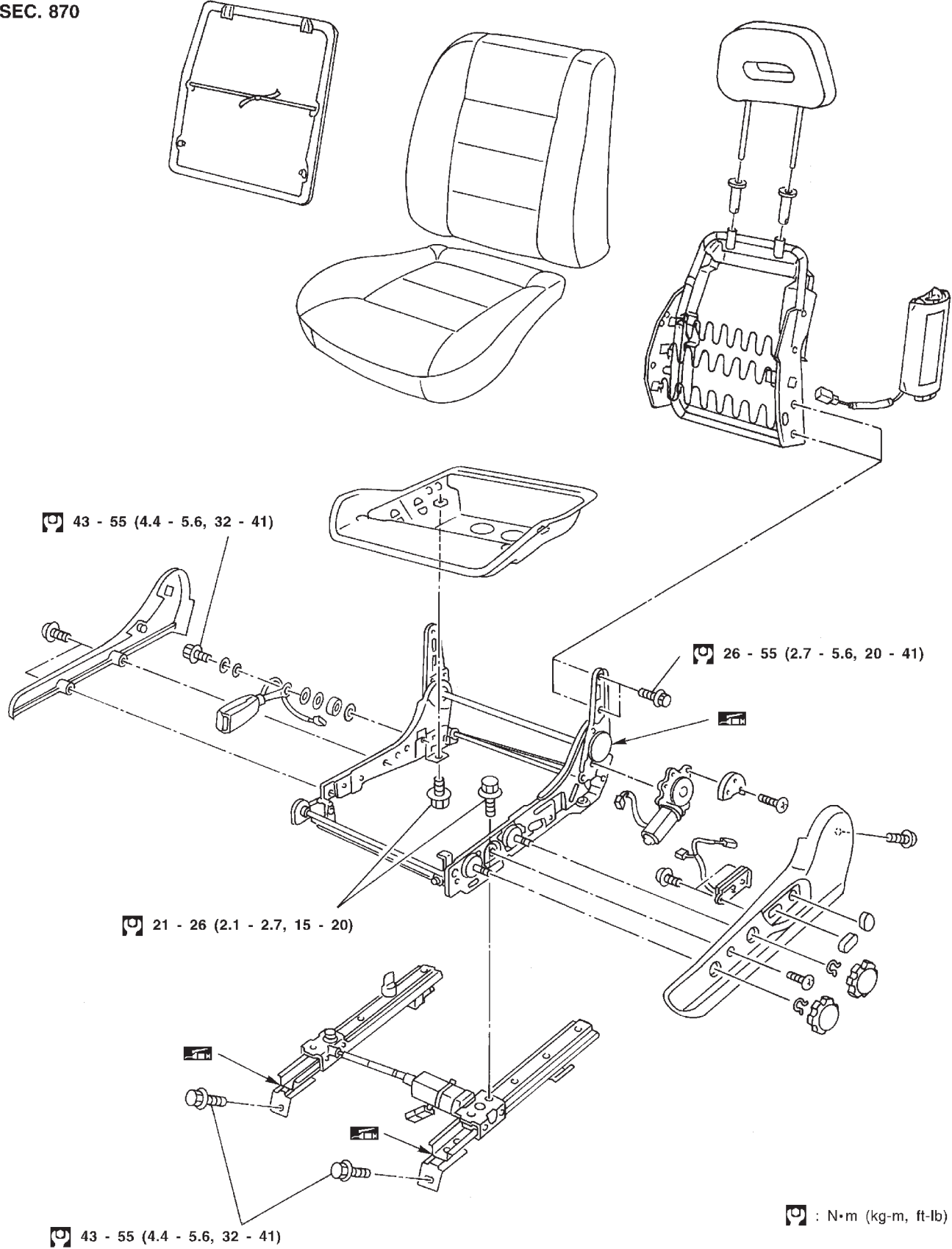
FRONT SEAT

Removal and Installation (Cont'd)

POWER SEAT

NCBT0014S01

SEC. 870



SBT660

HEATED SEAT

=NCBT0014S03

- When handling seat, be extremely careful not to scratch heating unit.
 - To replace heating unit, seat trim and pad should be separated.
 - Do not use any organic solvent, such as thinner, benzene, alcohol, gasoline, etc. to clean trims.
- ★ For Wiring Diagram, refer to EL-145, “Wiring Diagram — HEATED SEAT —”.

GI

MA

EM

LC

EC

FE

CL

MT

AT

AX

SU

BR

ST

RS

BT

HA

SC

EL

IDX

REAR SEAT

Removal and Installation

Removal and Installation

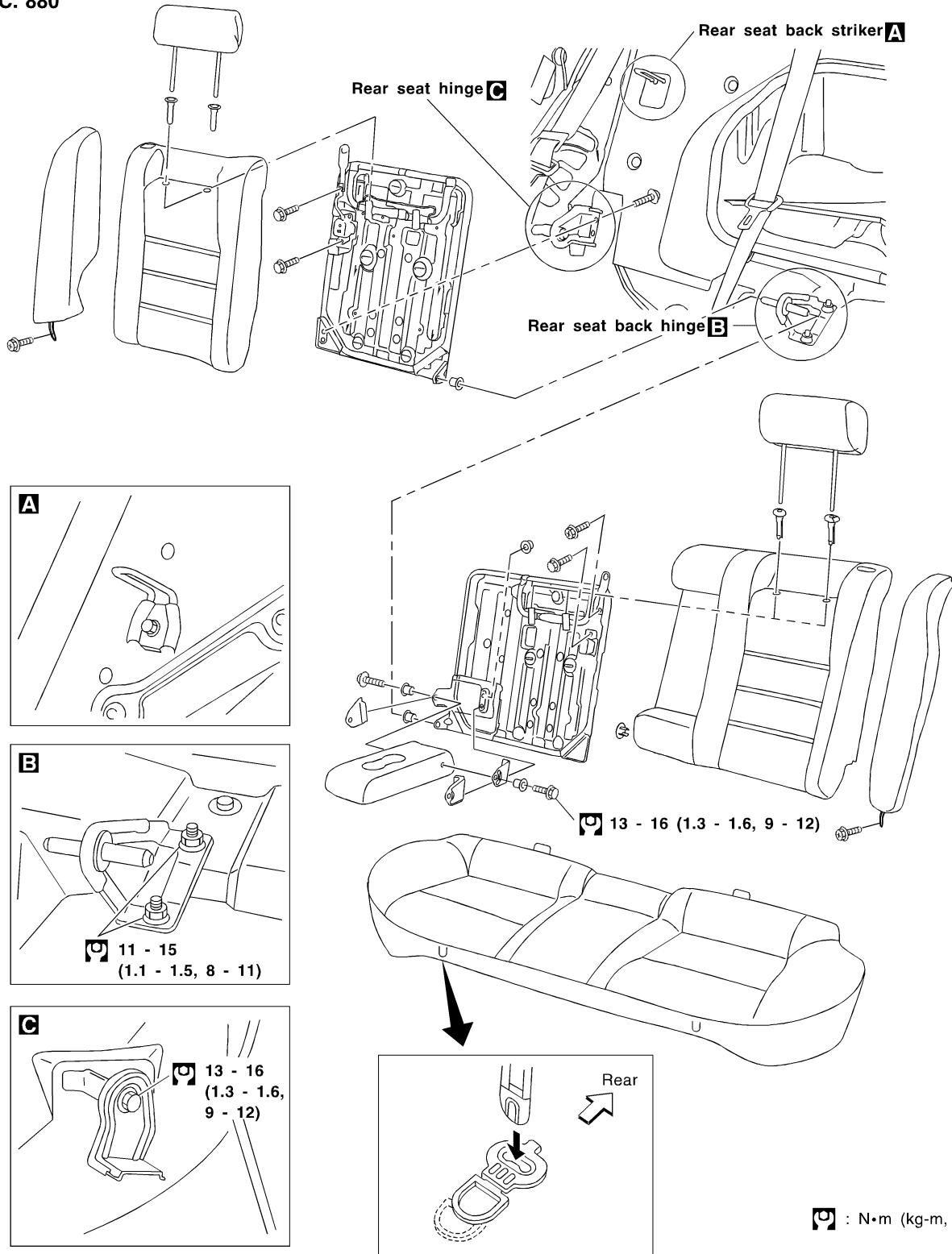
NCBT0015

- When removing or installing the seat trim, carefully handle it to keep dirt out and avoid damage.

FOLDING SEAT

NCBT0015S01

SEC. 880



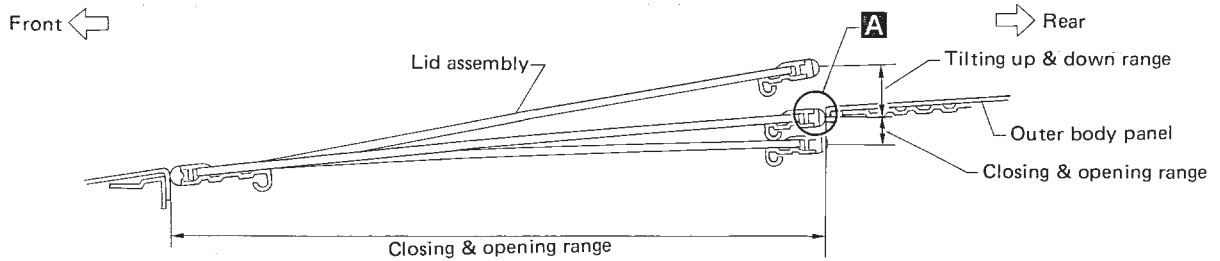
SBT890

Adjustment

NCBT0016

Install motor & limit SW assembly and sunroof rail assembly in the following sequence:

1. Arrange equal lengths of link and wire assemblies on both sides of sunroof opening.
2. Connect sunroof connector to sunroof switch and positive (+) power supply.
3. Set lid assembly to fully closed position **A** by operating OPEN switch and TILT switch.
4. Fit outer side of lid assembly to the surface of roof on body outer panel.
5. Remove motor, and keep OPEN switch pressed until motor pinion gear reaches the end of its rotating range.
6. Install motor.
7. Check that motor drive gear fits properly in wires.
8. Press TILT-UP switch to check lid assembly for normal tilting.
9. Check sunroof lid assembly for normal operations (tilt-up, tilt-down, open, and close).



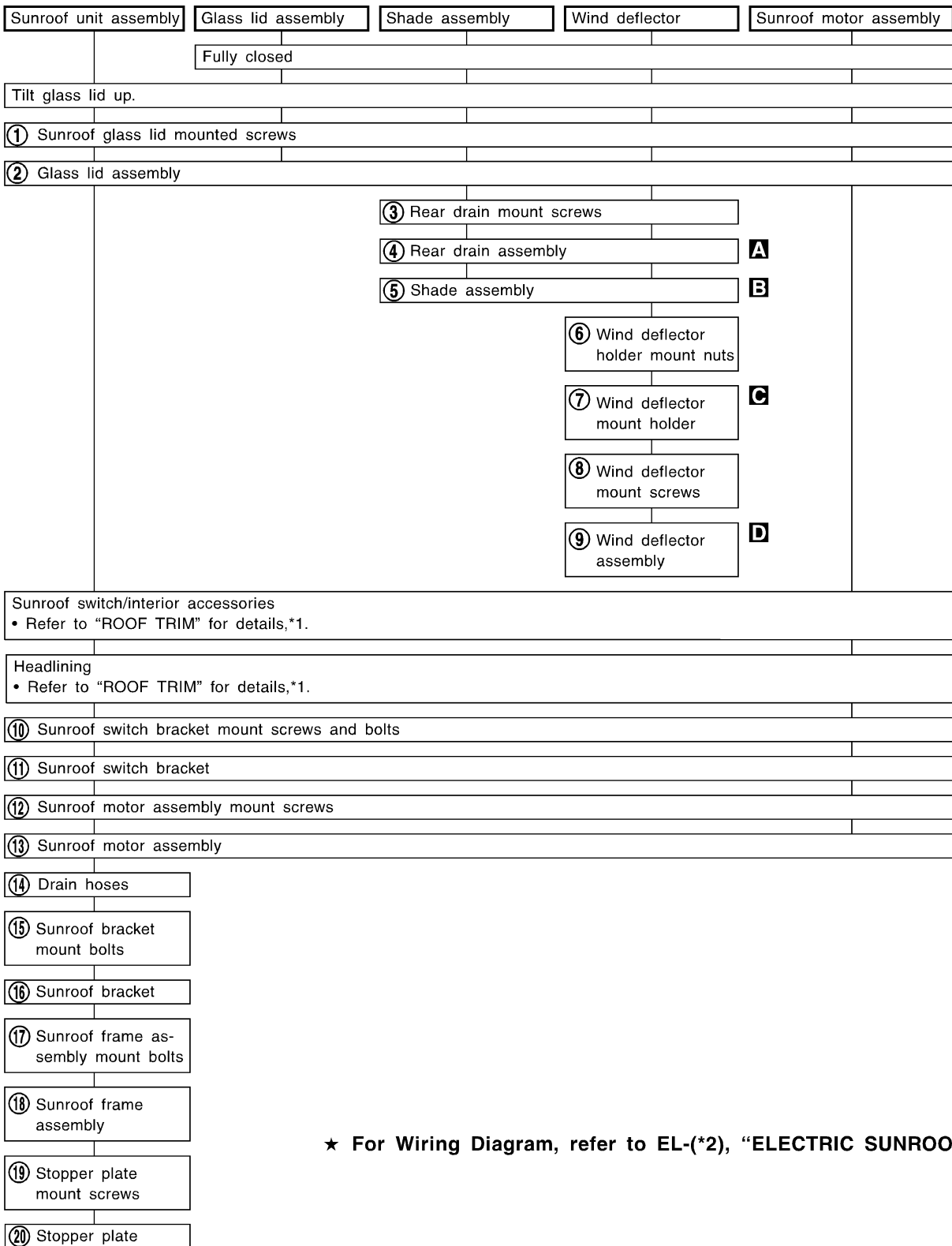
SBF920F

- GI
- MA
- EM
- LC
- EC
- FE
- CL
- MT
- AT
- AX
- SU
- BR
- ST
- RS
- BT**
- HA
- SC
- EL
- IDX

Removal and Installation

- After any adjustment, check sunroof operation and lid alignment. =NCBT0017
- Handle finisher plate and glass lid with care so not to cause damage.
- It is desirable for easy installation to mark each point before removal.

CAUTION:
Always work with a helper.



★ For Wiring Diagram, refer to EL-(*)2, "ELECTRIC SUNROOF".

SBT662-A

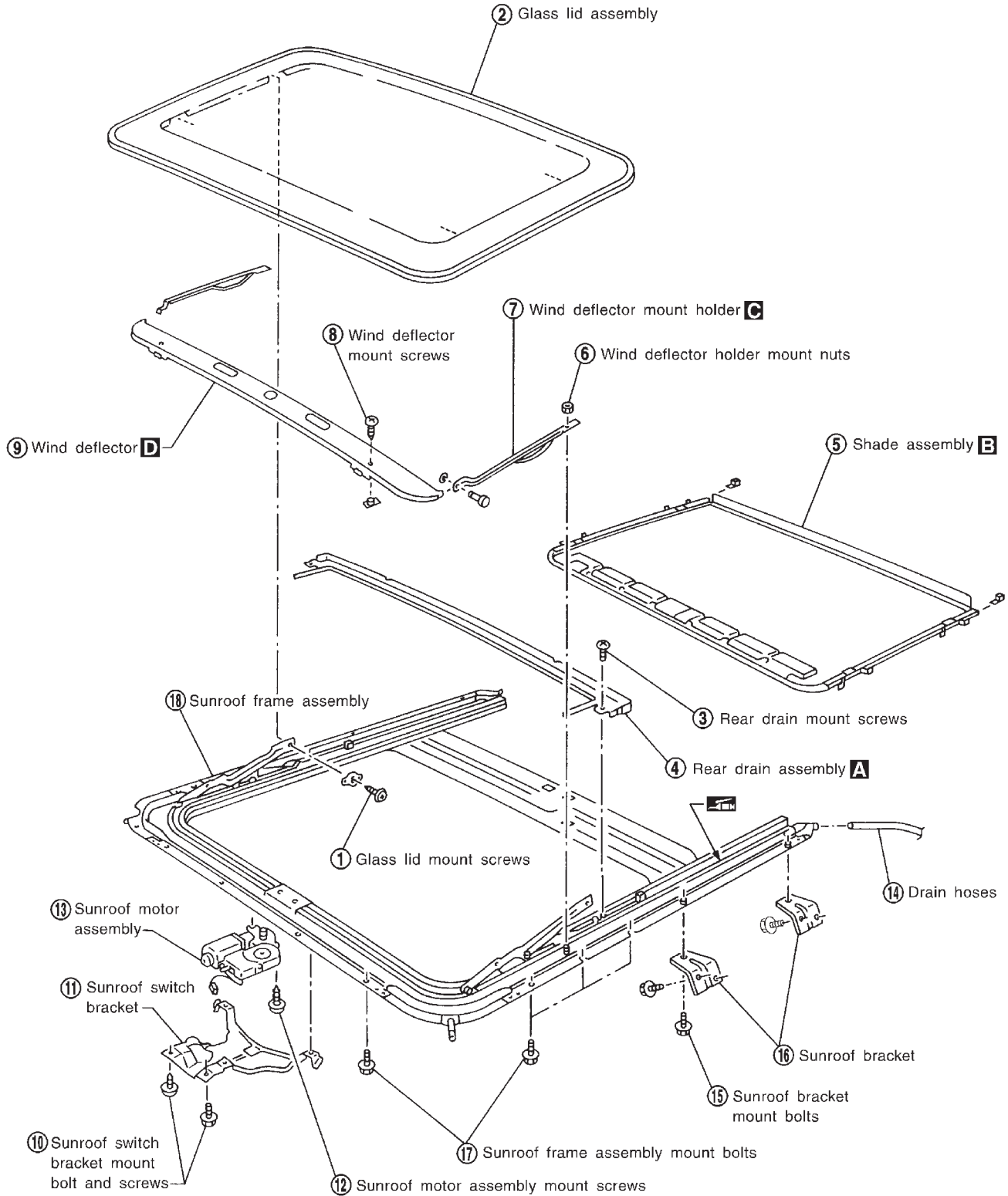
*1: BT-30

*2: EL-141

SUNROOF

Removal and Installation (Cont'd)

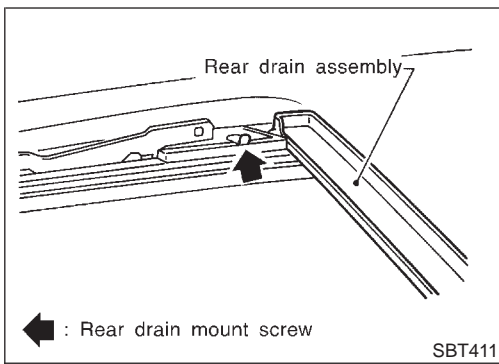
SEC. 736



SBT410

SUNROOF

Removal and Installation (Cont'd)



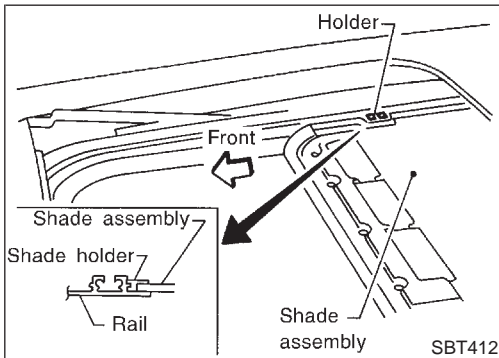
A Remove rear drain mount screws. Disengage rear drain assembly by moving it forward. Remove rear drain assembly.

GI

MA

EM

LC



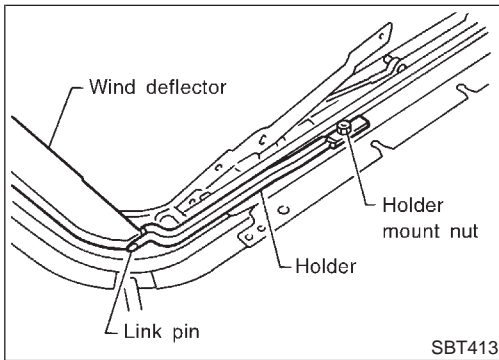
B Using flat-bladed screwdriver, pry shade assembly holder from rail. Remove shade assembly by slowly moving it forward.

EC

FE

CL

MT



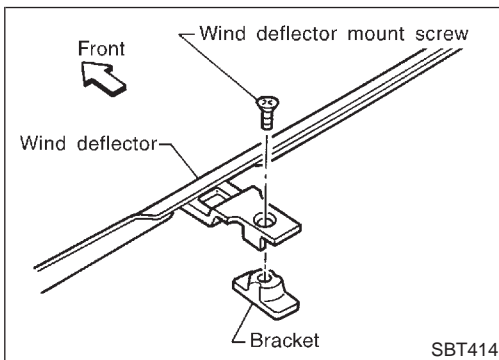
C Remove wind deflector mount screws. Pry off pawls with flat-bladed screwdriver inserted through rail hole. Remove wind deflector holder.

AT

AX

SU

BR



D Remove wind deflector mount screws from front end of sunroof unit. Remove wind deflector assembly from sunroof frame assembly.

ST

RS

BT

HA

SC

EL

IDX

Trouble Diagnoses DIAGNOSTIC TABLE

=NCBT0018

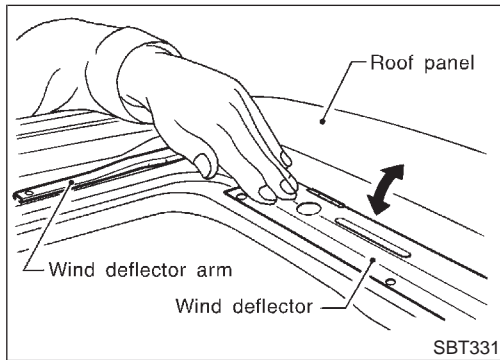
NCBT0018S01

NOTE:

For diagnosing electric symptom, refer to EL-140, "POWER SUNROOF".

		Check items (Components)				
		Wind deflector	Adjustment	Drain hoses	Weatherstrip	Link and wire assembly
	Reference page	BT-48	BT-49	BT-50	BT-50	BT-51
Symptom	Excessive wind noise	1	2		3	
	Water leaks		1	2	3	
	Sunroof rattles		1	4	2	3
	Excessive operation noise		1		2	3

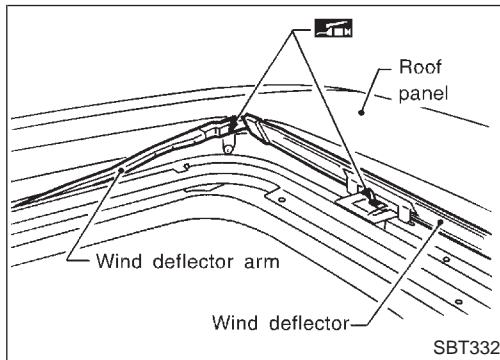
The numbers in this table mean order of inspection.



WIND DEFLECTOR

NCBT0018S02

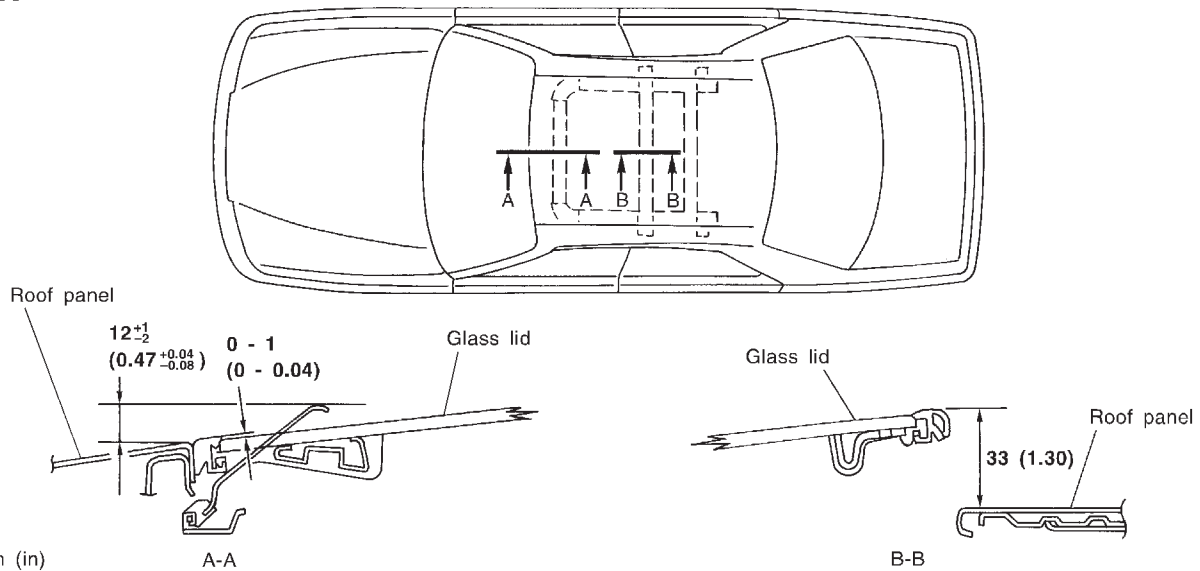
1. Open glass lid.
2. Check visually for proper installation.
3. Check to ensure a proper amount of petroleum jelly has been applied to wind deflector connection points; apply if necessary.
4. Check that wind deflector is properly retracted by hand. If it is not, remove and visually check condition. (Refer to removal procedures, BT-44.) If wind deflector is damaged, replace with new one. If wind deflector is not damaged, re-install properly.



ADJUSTMENT

NCBT0018S03

SEC. 736



Unit: mm (in)

A-A

B-B

SBT415

If any gap or height difference between lid and roof is found, check lid fit and adjust as follows:

Gap Adjustment

NCBT0018S0301

1. Open shade assembly.
2. Tilt glass lid up then remove side trim.
3. Loosen glass lid securing nuts (3 each on left and right sides), then tilt glass lid down.
4. Adjust glass lid from outside of vehicle so it resembles "A-A" as shown in the figure above.
5. Tilt glass lid up and down until it is adjusted to "B-B" as shown in the figure above.
6. After adjusting glass lid, tilt glass lid up and tighten nuts.
7. Tilt glass lid up and down several times to check that it moves smoothly.

Height Difference Adjustment

NCBT0018S0302

1. Tilt glass lid up and down.
2. Check height difference between roof panel and glass lid to see if it is as "A-A" as shown in the figure above.
3. If necessary, adjust it by using one of following procedures.
 - Adjust by adding or removing adjustment shim(s) between glass lid and link assembly.
 - If glass lid protrudes above roof panel, add shim(s) or plain washer(s) at sunroof mounting bracket or stud bolt locations to adjust sunroof installation as required.

GI

MA

EM

LC

EC

FE

CL

MT

AT

AX

SU

BR

ST

RS

BT

HA

SC

EL

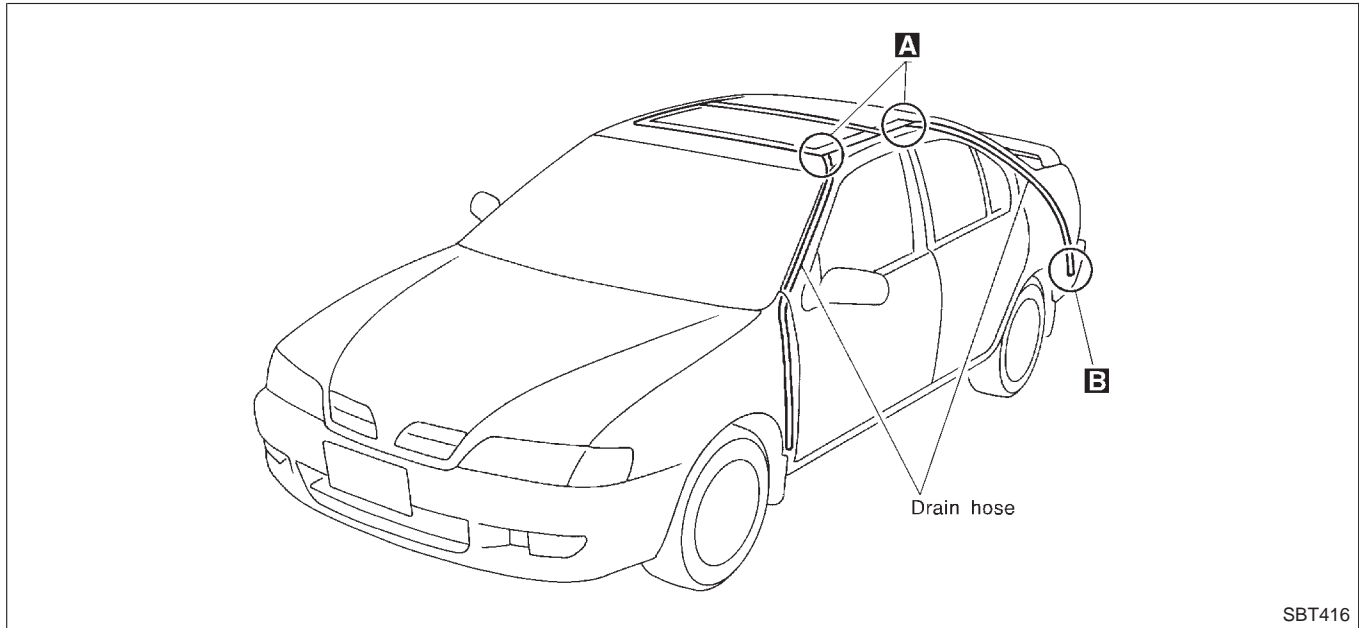
IDX

SUNROOF

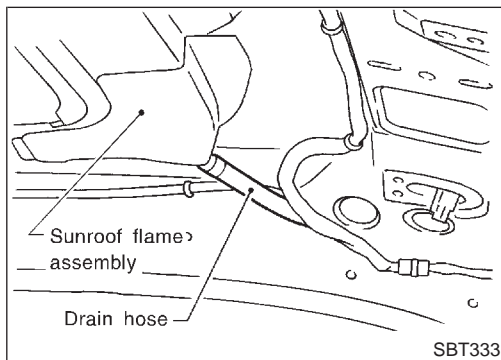
Trouble Diagnoses (Cont'd)

DRAIN HOSES

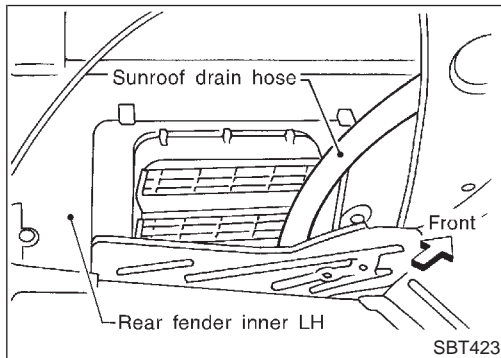
NCBT0018S04



SBT416



SBT333



SBT423

1. Remove headlining to access drain hose connections. (Refer to "ROOF TRIM", BT-30, for detail.)
2. Check visually for proper connections, damage or deterioration. **A** (The figure shows only the front side.)

3. If leakage occurs around trunk room, remove trunk room side trim and check connecting area. Check for proper connection, damage or tear. **B**
4. Remove drain hoses and check visually for any damage, cracks, or deterioration.
5. Pour water into drain hoses and find damaged portion.
 - If any damaged portion is found at each step, replace the damaged part.

WEATHERSTRIP

NCBT0018S05

- In the case of leakage around glass lid, close lid and pour water over glass lid to find damaged or gap portion.
1. Remove glass lid assembly. (Refer to removal procedures, BT-44, for details.)
 2. Visually check weatherstrip for proper installation. If a gap exists between glass lid and weatherstrip, check for sufficient amount of butyl seal. If required, remove weatherstrip and apply butyl seal.
Refer to "EXTERIOR" (BT-33), for details.

3. Check weatherstrip visually for any damage, deterioration, or flattening.
 - If any damage is found, replace weatherstrip.

GI

CAUTION:

Do not remove weatherstrip except when replacing, or filling up butyl seal.

MA

LINK AND WIRE ASSEMBLY

NCBT0018S06

NOTE:

Before replacing a suspect part, carefully ensure it is the source of noise being experienced.

EM

1. Check link to determine if coating film has peeled off to such an extent that substrate is visible. Check also to determine if link is the source of noise. If it is, replace it.
2. Visually check to determine if a sufficient amount of petroleum jelly has been applied to wire or rail groove. If not, add petroleum jelly as required.
3. Check wire for any damage or deterioration. If any damage is found, remove rear guide (refer to removal procedures, BT-44 for details), then replace wire.

LC

EC

FE

CL

MT

AT

AX

SU

BR

ST

RS

BT

HA

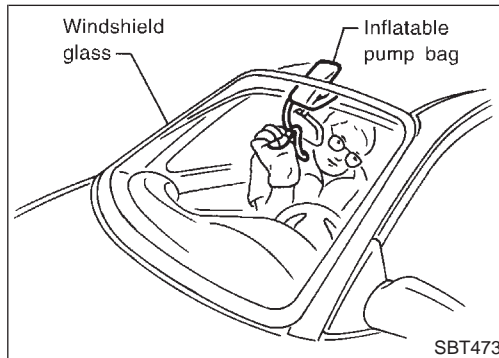
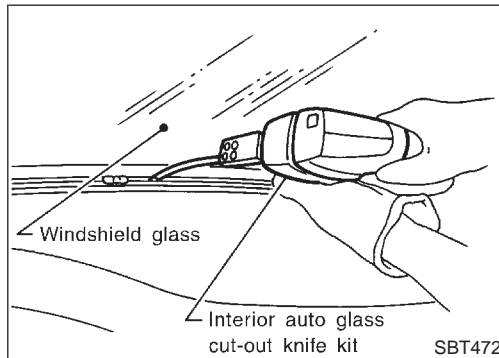
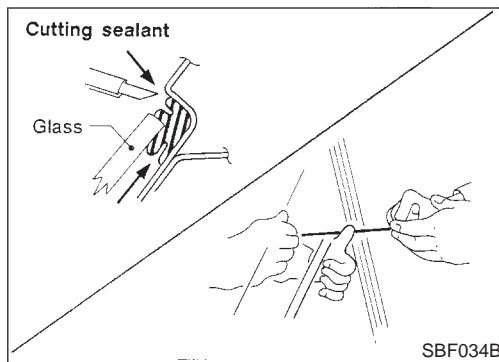
SC

EL

IDX

WINDSHIELD AND WINDOWS

Removal and Installation



Removal and Installation

NCBT0019

REMOVAL

NCBT0019S01

After removing moldings, remove glass using piano wire or power cutting tool and an inflatable pump bag.

WARNING:

When cutting the glass from the vehicle, always wear safety glasses and heavy gloves to help prevent glass splinters from entering your eyes or cutting your hands.

CAUTION:

- Be careful not to scratch the glass when removing.
- Do not set or stand the glass on its edge. Small chips may develop into cracks.

INSTALLATION

NCBT0019S02

- Use a genuine Nissan Urethane Adhesive Kit or equivalent and follow the instructions furnished with it.
- While the urethane adhesive is curing, open a door window. This will prevent the glass from being forced out by passenger compartment air pressure when a door is closed.
- The molding must be installed securely so that it is in position and leaves no gap.
- Inform the customer that the vehicle should remain stationary until the urethane adhesive has completely cured (preferably 24 hours). Curing time varies with temperature and humidity.

WARNING:

- Keep heat and open flames away as primers and adhesive are flammable.
- The materials contained in the kit are harmful if swallowed, and may irritate skin and eyes. Avoid contact with the skin and eyes.
- Use in an open, well ventilated location. Avoid breathing the vapors. They can be harmful if inhaled. If affected by vapor inhalation, immediately move to an area with fresh air.
- Driving the vehicle before the urethane adhesive has completely cured may affect the performance of the windshield in case of an accident.

CAUTION:

- Do not use an adhesive which is past its usable term. Shelf life of this product is limited to six months after the date of manufacture. Carefully adhere to the expiration or manufacture date printed on the box.
- Keep primers and adhesive in a cool, dry place. Ideally, they should be stored in a refrigerator.
- Do not leave primers or adhesive cartridge unattended with their caps open or off.
- The vehicle should not be driven for at least 24 hours or until the urethane adhesive has completely cured. Curing time varies depending on temperature and humidities. The curing time will increase under higher temperatures and lower humidities.

WINDSHIELD AND WINDOWS

Removal and Installation (Cont'd)

WINDSHIELD

NCBT0019S03

<p>Body side Install spacer to panel.</p> <p>Windshield</p> <p>455.4 (17.93)</p>	<p>Cowl top Glass Spacer Dash upper panel Open cell foam dam</p>	<p>Glass side Install open cell foam dam.</p> <p>Vehicle center Windshield 8 (0.31)</p> <p>Vehicle center Rear window 8 (0.31)</p> <p>Joint portion 17 (0.67)</p> <p>Joint portion 20 (0.79)</p> <p>8 (0.31)</p> <p>Open cell foam dam Double-faced adhesive tape Glass 8 (0.31), 17 (0.67) or 20 (0.79)</p>
<p>Install molding fastener. When installing it, heat body panel and fastener to approx. 30 to 40°C (86 to 104°F).</p> <p>Upper & side molding fasteners Fastener Panel Double-faced adhesive tape</p>	<p>Apply urethane adhesive evenly. Windshield and rear window</p> <p>12 - 14 (0.47 - 0.55) ... Front windshield lower portion 7 - 9 (0.28 - 0.35)</p> <p>12 - 14 (0.47 - 0.55)</p> <p>Open cell foam dam Glass</p> <p>Unit: mm (in)</p>	<p>SBT417-A</p>

Repairing Water Leaks for Windshield

NCBT0019S0301

Leaks can be repaired without removing and reinstalling glass. **If water is leaking between urethane adhesive material and body or glass, determine the extent of leakage. This can be done by applying water to the windshield area while pushing glass outward.**

To stop the leak, apply primer (if necessary) and then urethane adhesive to the leak point.

GI
MA
EM
LC
EC
FE
CL
MT
AT
AX
SU
BR
ST
RS
BT
HA
SC
EL
IDX

DOOR MIRROR

Removal and Installation

Removal and Installation

NCBT0020

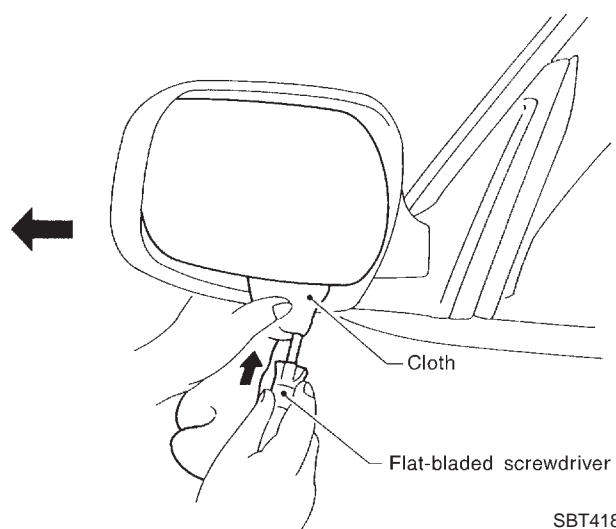
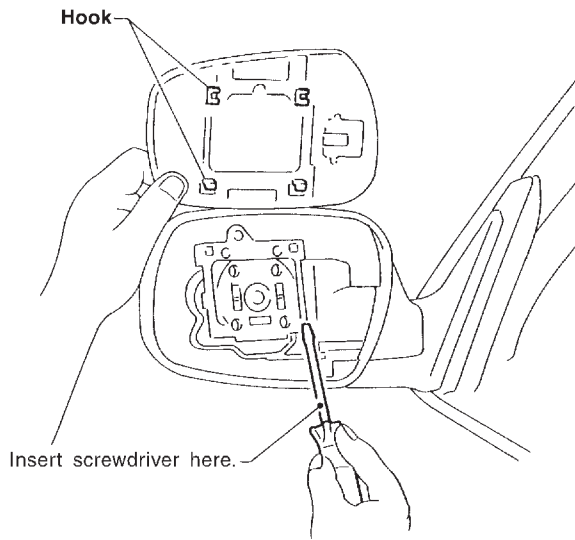
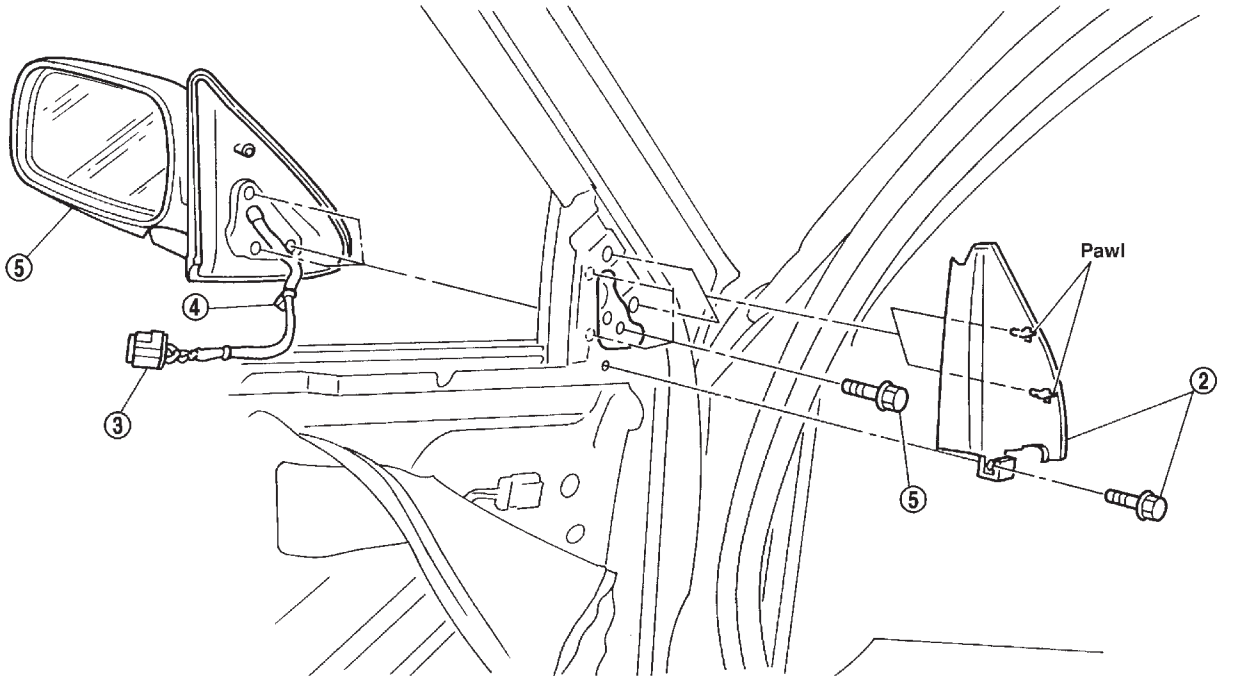
CAUTION:

Be careful not to scratch door rearview mirror body.

★ For Wiring Diagram, refer to EL-143, “Wiring Diagram — MIRROR —”.

1. Remove front door trim. Refer to “DOOR TRIM” for details, BT-28.
2. Remove bolt securing inner cover, then remove inner cover.
3. Disconnect door mirror harness connector.
4. Remove door mirror harness clip.
5. Remove bolts securing door mirror, then remove door mirror assembly.

SEC. 963



SBT418-A

REAR VIEW MIRROR

Removal and Installation

Removal and Installation

REMOVAL

Remove screw securing mirror assembly to mirror base as shown in the figure.

NCBT0029

NCBT0029S01

GI

MA

EM

LC

EC

FE

CL

MT

AT

AX

SU

BR

ST

RS

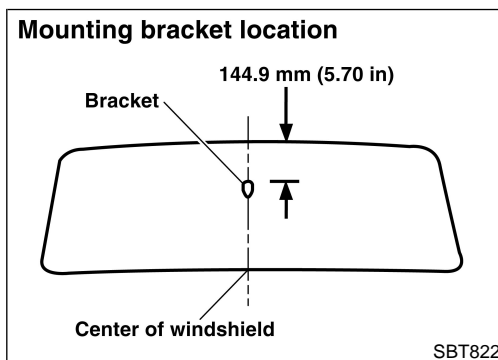
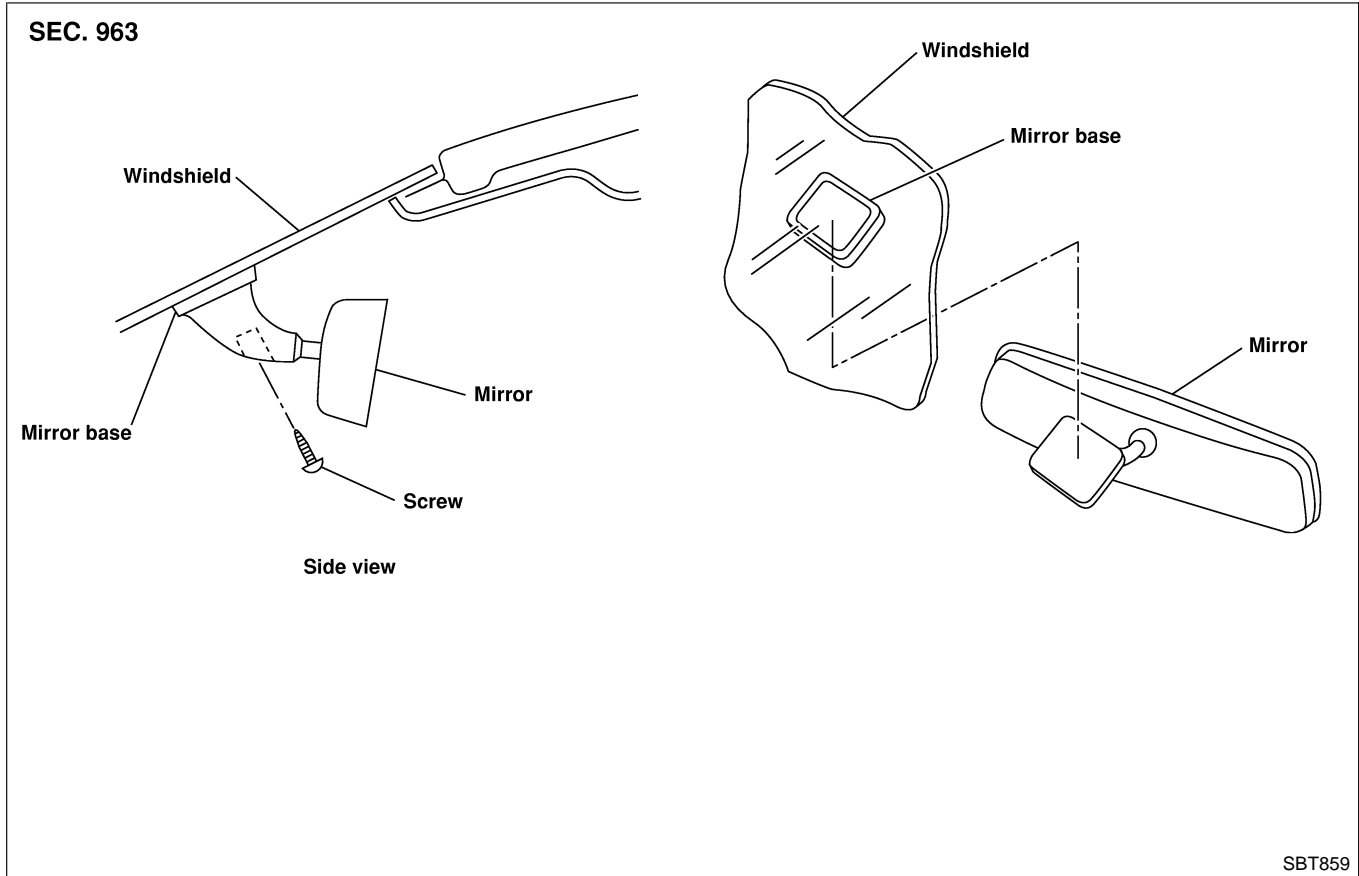
BT

HA

SC

EL

IDX



INSTALLATION

NCBT0029S02

1. Install mirror base as follows:
 - a. Determine mirror base position on windshield by measuring from top of windshield to top of mirror base as shown in the figure.
 - b. Mark location on outside of windshield with wax pencil or equivalent.
 - c. Clean attaching point on inside of windshield with an alcohol-saturated panel towel.
 - d. Sand bonding surface of mounting bracket with sandpaper (No. 320 or No. 360).
 - e. Clean bonding surface of mounting bracket with an alcohol-saturated paper towel.
 - f. Apply Loctite Adhesive 11067-2 or equivalent to bonding surface of mounting bracket.
 - g. Install mirror base at premarked position and press mirror base against glass for 30 to 60 seconds.
 - h. After five minutes, wipe off excess adhesive with an alcohol-moistened paper towel.
2. Install rearview mirror.

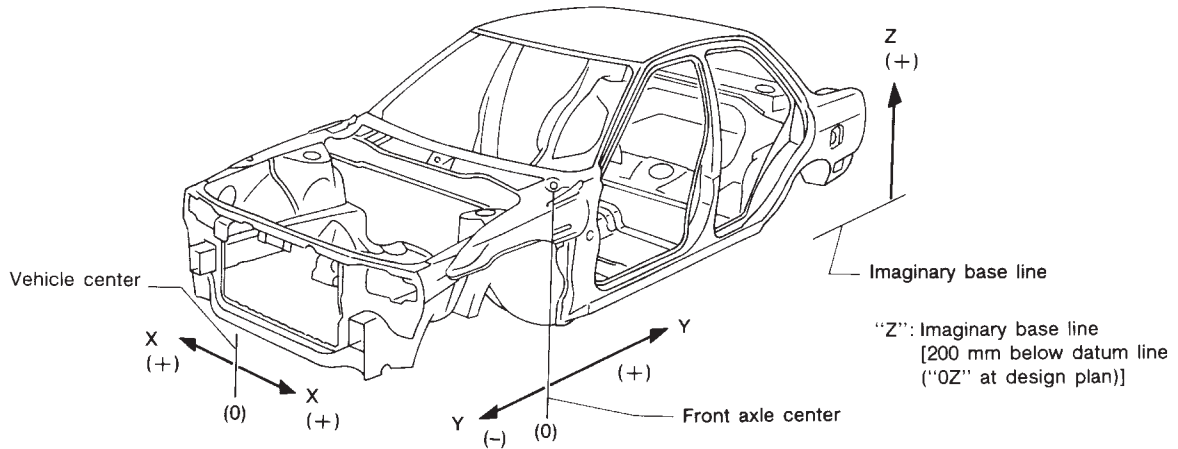
BODY (ALIGNMENT)

Alignment

Alignment

NCBT0021

- All dimensions indicated in figures are actual ones.
- When using a tracking gauge, adjust both pointers to equal length. Then check the pointers and gauge itself to make sure there is no free play.
- When a measuring tape is used, check to be sure there is no elongation, twisting or bending.
- Measurements should be taken at the center of the mounting holes.
- An asterisk (*) following the value at the measuring point indicates that the measuring point on the other side is symmetrically the same value.
- The coordinates of the measurement points are the distances measured from the standard line of "X", "Y" and "Z".



SBF874GB

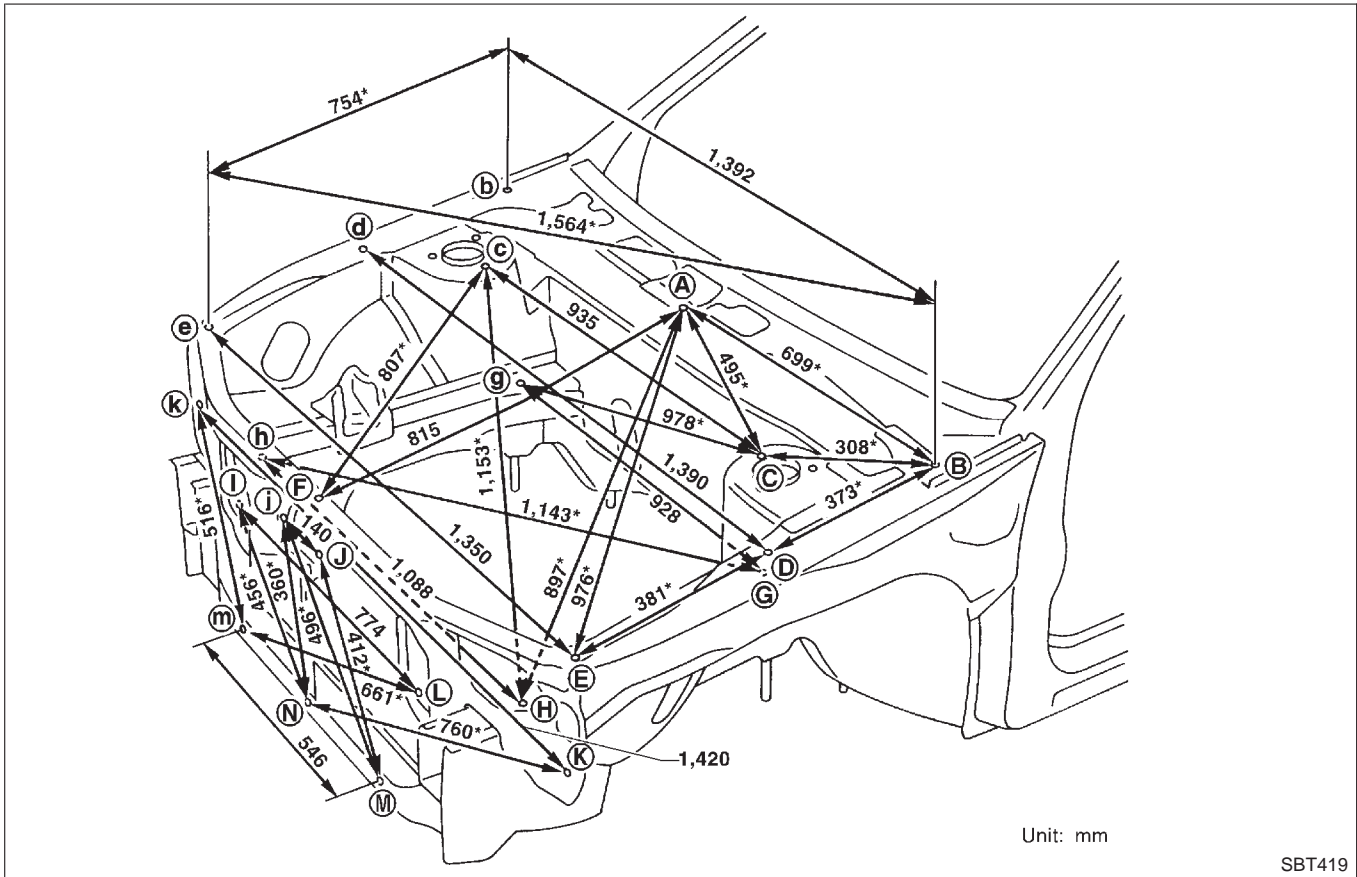
BODY (ALIGNMENT)

Alignment (Cont'd)

ENGINE COMPARTMENT Measurement

NCBT0021S01

NCBT0021S0101



SBT419

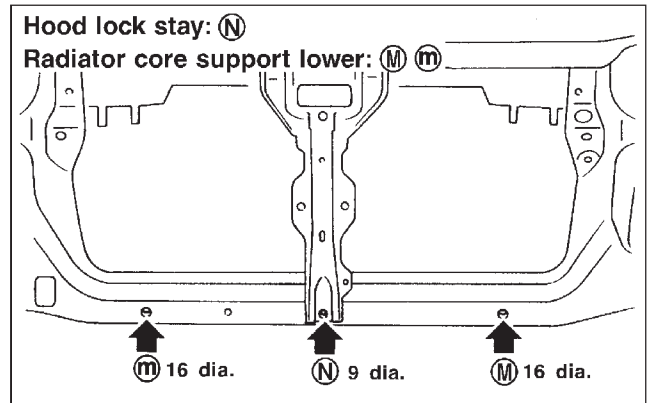
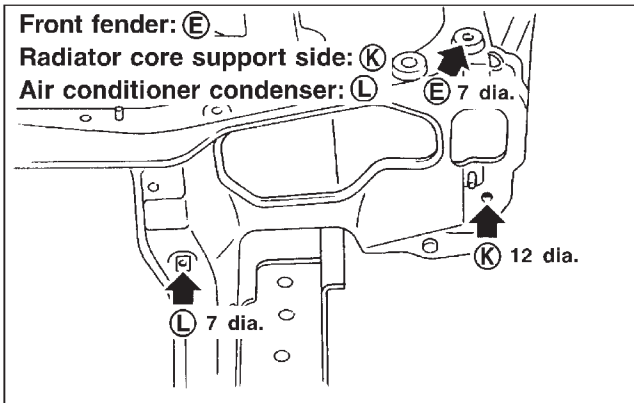
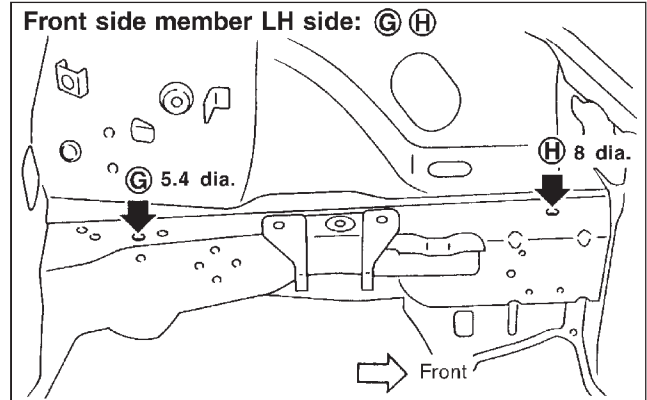
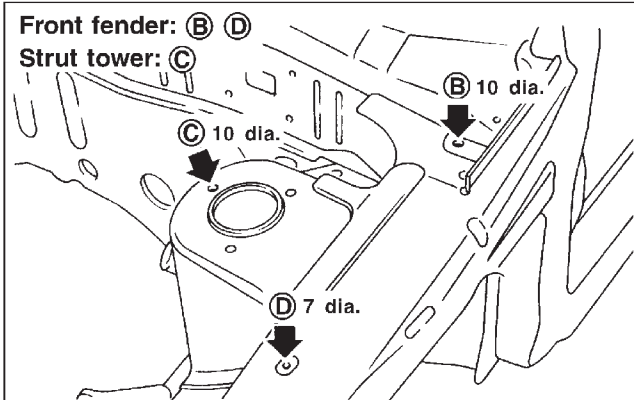
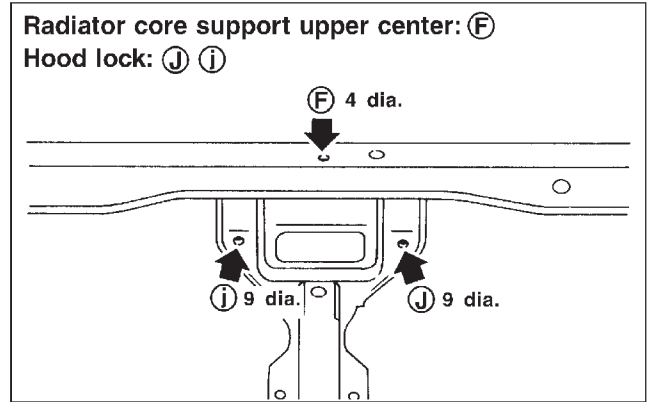
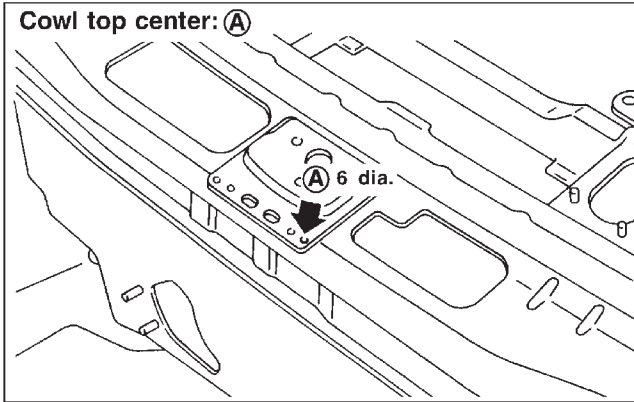
- GI
- MA
- EM
- LC
- EC
- FE
- CL
- MT
- AT
- AX
- SU
- BR
- ST
- RS
- BT**
- HA
- SC
- EL
- IDX

BODY (ALIGNMENT)

Alignment (Cont'd)

Measurement Points

NCBT0021S0102



Unit: mm

BODY (ALIGNMENT)

Alignment (Cont'd)

UNDERBODY Measurement

NCBT0021S02

NCBT0021S0201

GI

MA

EM

LC

EC

FE

CL

MT

AT

AX

SU

BR

ST

RS

BT

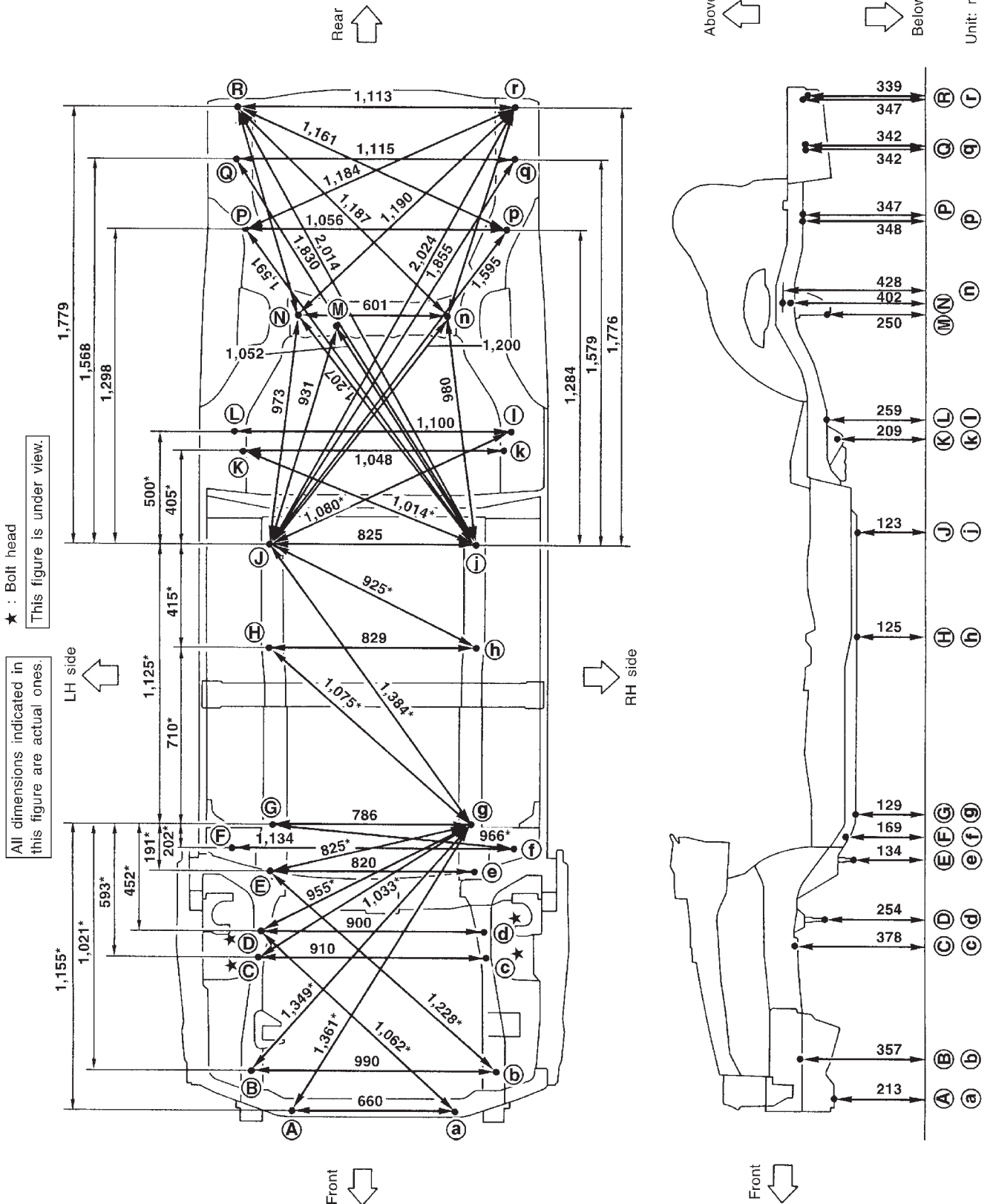
HA

SC

EL

IDX

Unit: mm

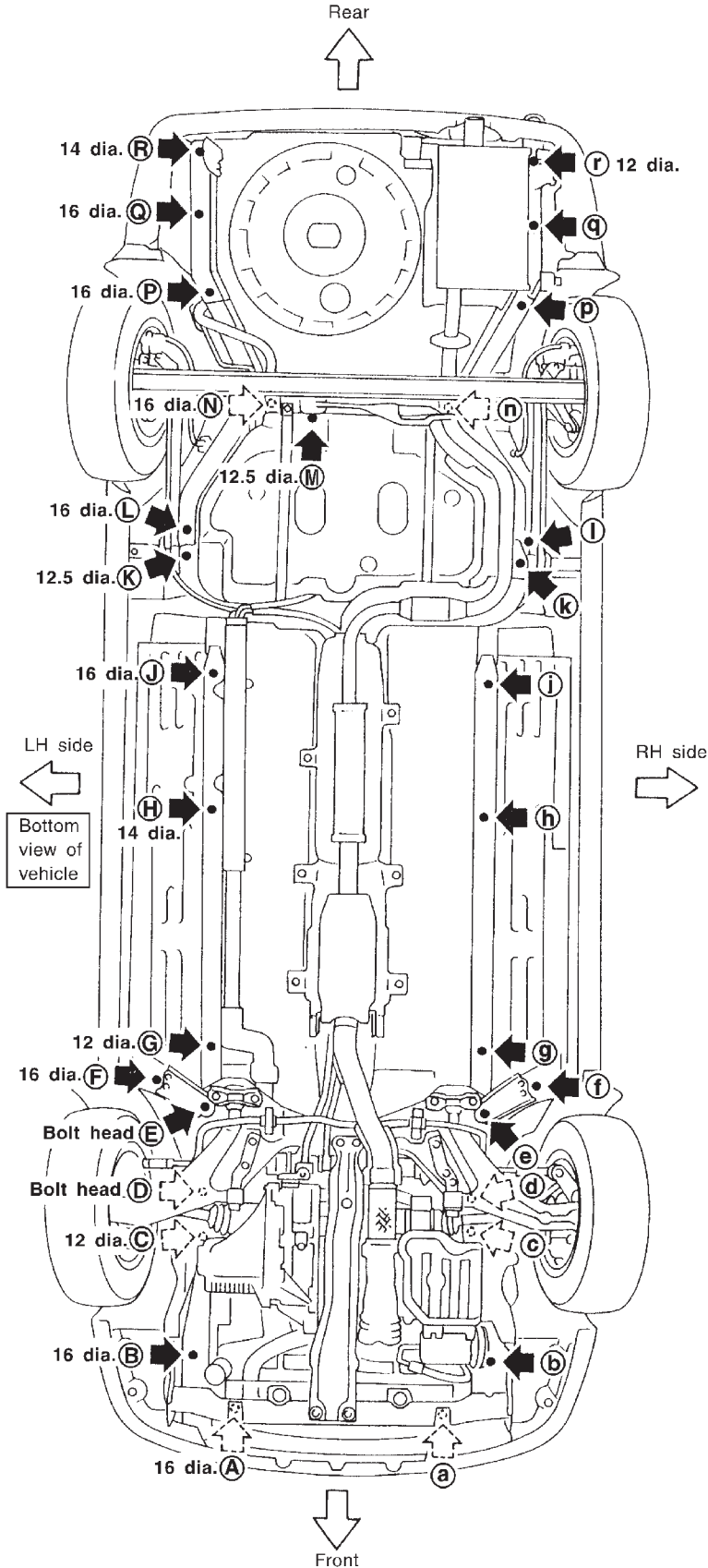


BODY (ALIGNMENT)

Alignment (Cont'd)

Measurement Points

NCBT0021S0202



Coordinates:

(A), (a) X: 330 Y: -650 Z: 213	(H), (h) X: 414.5 Y: 1,210 Z: 124.9	(P) X: 512 Y: 2,900 Z: 346.5
(B), (b) X: 495 Y: -490 Z: 356.6	(J), (j) X: 412.5 Y: 1,625 Z: 123.2	(P) X: 544 Y: 2,882 Z: 347.7
(C), (c) X: 455 Y: -35 Z: 377.6	(K), (k) X: 524 Y: 2,005 Z: 209	(Q) X: 540 Y: 3,172 Z: 341.5
(D), (d) X: 450 Y: 70 Z: 254	(L), (l) X: 555 Y: 2,085 Z: 259	(Q) X: 575 Y: 3,180 Z: 341.5
(E), (e) X: 410 Y: 310 Z: 133.8	(M) X: 145 Y: 2,507.9 Z: 250	(R) X: 542 Y: 3,385.6 Z: 339.4
(F), (f) X: 567 Y: 405 Z: 169.4	(N) X: 300 Y: 2,550 Z: 402.3	(r) X: 570.5 Y: 3,380 Z: 346.5
(G), (g) X: 393 Y: 500 Z: 128.6	(n) X: 300 Y: 2,550 Z: 428.3	

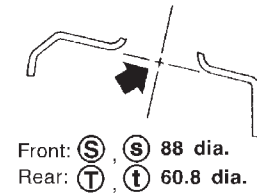
Unit: mm

Front and rear strut tower centers

Coordinates:

(S), (s) X: 527.3 Y: -5.1 Z: 780.1
--

(T), (t) X: 478 Y: 2,522 Z: 527



SBT422