

FRONT & REAR AXLE

SECTION AX

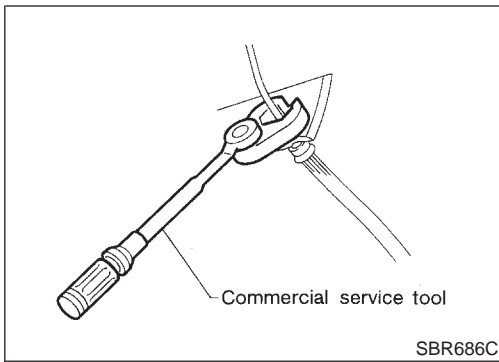
GI
MA
EM
LC
EC
FE
CL
MT
AT
AX
SU
BR
ST
RS
BT
HA
SC
EL
IDX

CONTENTS

FRONT AXLE	2	DISASSEMBLY	13
Precautions	2	INSPECTION	15
PRECAUTIONS	2	ASSEMBLY	15
Preparation	2	Service Data and Specifications (SDS)	19
SPECIAL SERVICE TOOLS	2	DRIVE SHAFT	19
COMMERCIAL SERVICE TOOLS	2	WHEEL BEARING (FRONT)	19
Noise, Vibration and Harshness (NVH)		REAR AXLE	20
Troubleshooting	3	Precautions	20
NVH TROUBLESHOOTING CHART	3	PRECAUTIONS	20
On-vehicle Service	3	Preparation	20
FRONT AXLE PARTS	3	COMMERCIAL SERVICE TOOLS	20
FRONT WHEEL BEARING	3	Noise, Vibration and Harshness (NVH)	
DRIVE SHAFT	4	Troubleshooting	20
Wheel Hub and Knuckle	5	On-vehicle Service	20
COMPONENTS	5	REAR AXLE PARTS	20
REMOVAL	5	REAR WHEEL BEARING	21
INSTALLATION	6	Wheel Hub	21
DISASSEMBLY	7	COMPONENTS	21
INSPECTION	8	REMOVAL	21
ASSEMBLY	8	INSTALLATION	22
Drive Shaft	10	Service Data and Specifications (SDS)	22
COMPONENTS	10	WHEEL BEARING (REAR)	22
REMOVAL	11		
INSTALLATION	12		

FRONT AXLE

Precautions



Precautions

PRECAUTIONS

NCAx0001

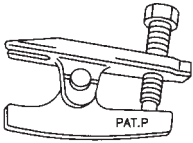
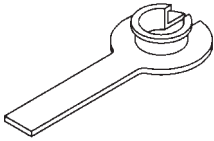
- When installing rubber parts, final tightening must be carried out under unladen condition* with tires on ground.
*: Fuel, radiator coolant and engine oil full. Spare tire, jack, hand tools and mats in designated positions.
- After installing removed suspension parts, check wheel alignment and adjust if necessary.
- Use flare nut wrench when removing or installing brake tubes.
- Always torque brake lines when installing.

Preparation

SPECIAL SERVICE TOOLS

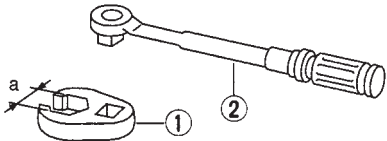
NCAx0002

The actual shapes of Kent-Moore tools may differ from those of special service tools illustrated here.

Tool number (Kent-Moore No.) Tool name	Description
HT72520000 (J25730-B) Ball joint remover	 <p>Removing tie-rod outer end and lower ball joint</p> <p>NT146</p>
KV38106700 (J34296) KV38106800 (J34297) Differential side oil seal protector	 <p>Installing drive shaft LH: KV38106700 (J34296) RH: KV38106800 (J34297)</p> <p>NT147</p>

COMMERCIAL SERVICE TOOLS

NCAx0003

Tool name	Description
1 Flare nut crowfoot 2 Torque wrench	 <p>Removing and installing each brake piping a: 10 mm (0.39 in)</p> <p>NT360</p>

FRONT AXLE

Noise, Vibration and Harshness (NVH) Troubleshooting

Noise, Vibration and Harshness (NVH) Troubleshooting

=NCAx0004

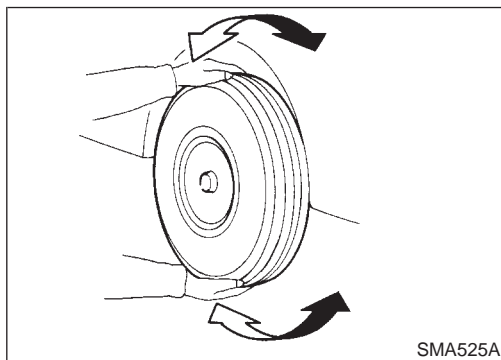
NVH TROUBLESHOOTING CHART

NCAx0004S01

Use the chart below to help you find the cause of the symptom. If necessary, repair or replace these parts.

Reference page			—	AX-15	—	AX-5, 21	—	AX-3, 21	—	—	SU-3.	SU-3.	SU-3.	BR-6.	ST-5.
Possible cause and SUSPECTED PARTS			Excessive joint angle	Joint sliding resistance	Imbalance	Improper installation, looseness	Parts interference	Wheel bearing damage	DRIVE SHAFT	AXLE	SUSPENSION	TIRES	ROAD WHEEL	BRAKES	STEERING
Symptom	DRIVE SHAFT	Noise, Vibration	×	×						×	×	×	×	×	×
		Shake	×		×					×	×	×	×	×	×
	AXLE	Noise				×	×		×		×	×	×	×	×
		Shake				×	×		×		×	×	×	×	×
		Vibration				×	×		×		×	×			×
		Shimmy				×	×				×	×	×	×	×
		Judder				×					×	×	×	×	×
Poor quality ride or handling				×	×	×				×	×	×			

×: Applicable



On-vehicle Service FRONT AXLE PARTS

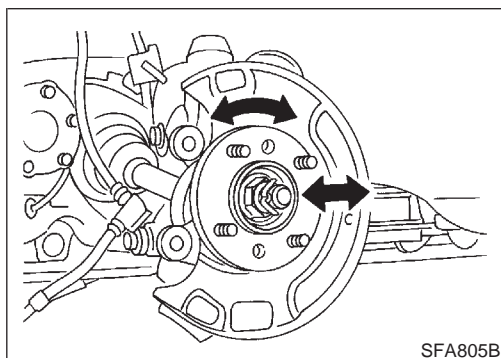
NCAx0005

Check front axle and front suspension parts for excessive play, cracks, wear or other damage.

- Shake each front wheel to check for excessive play.
- Make sure that cotter pin is inserted.
- Retighten all axle and suspension nuts and bolts to the specified torque.

Tightening torque:

Refer to "FRONT SUSPENSION", in SU section.



FRONT WHEEL BEARING

NCAx0006

- Check that wheel bearings operate smoothly.
- Check axial end play.

Axial end play:

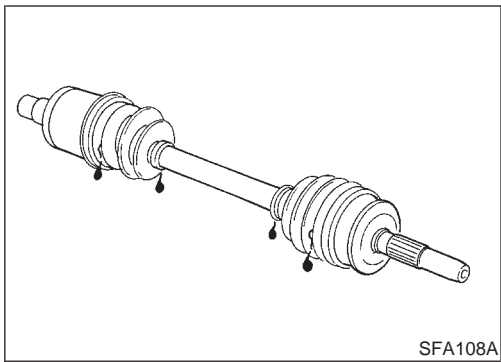
0.05 mm (0.0020 in) or less

If out of specification or wheel bearing does not turn smoothly, replace wheel bearing assembly.

Refer to "Wheel Hub and Knuckle", "FRONT AXLE", AX-5.

FRONT AXLE

On-vehicle Service (Cont'd)



DRIVE SHAFT

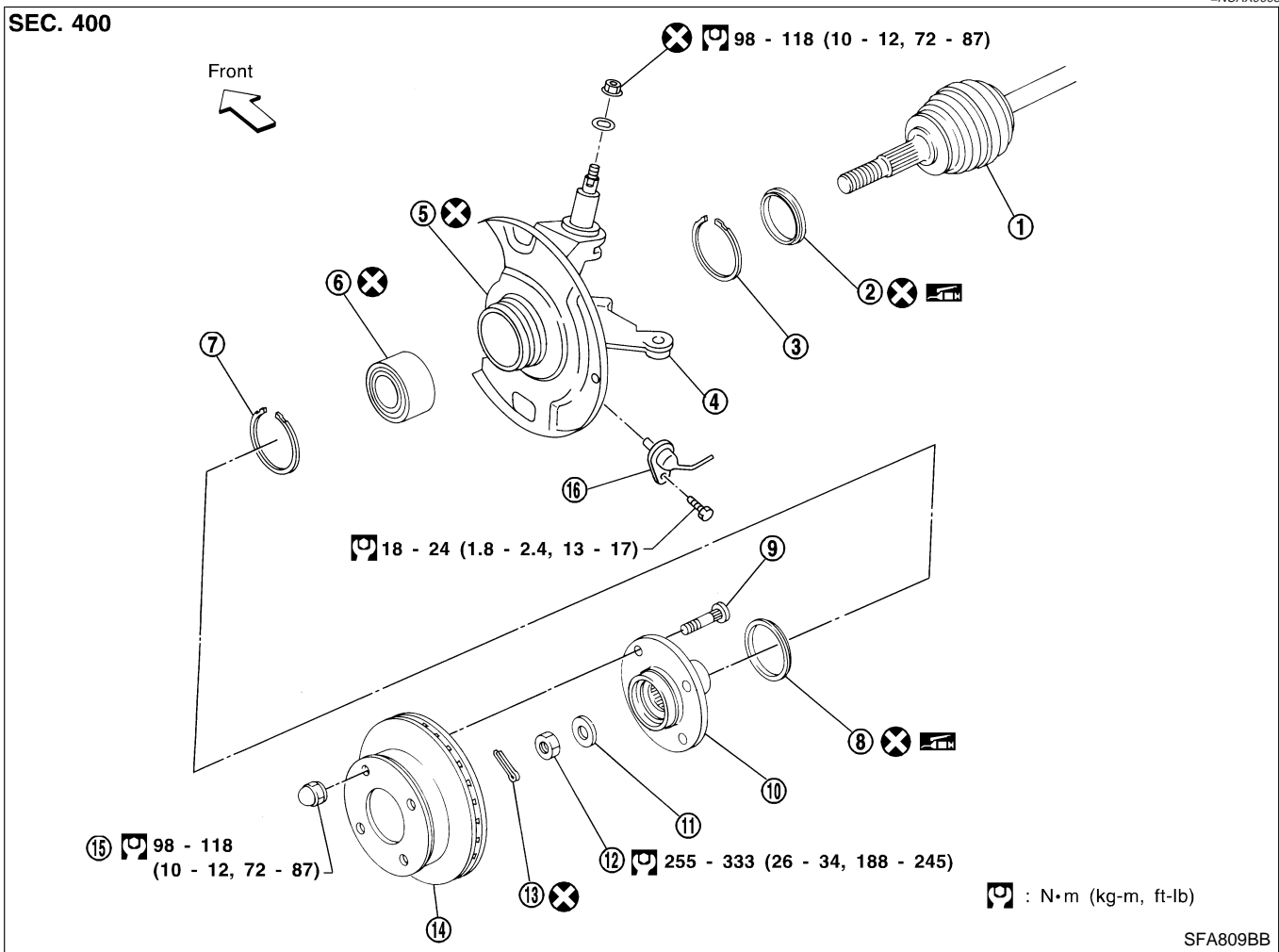
Check for grease leakage or other damage.

NCAX0007

Wheel Hub and Knuckle
COMPONENTS

=NCAx0008

SEC. 400



- 1. Drive shaft
- 2. Inner grease seal
- 3. Snap ring
- 4. Knuckle
- 5. Baffle plate
- 6. Wheel bearing assembly

- 7. Snap ring
- 8. Outer grease seal
- 9. Hub bolt
- 10. Wheel hub
- 11. Plain washer

- 12. Wheel bearing lock nut
- 13. Cotter pin
- 14. Brake disc
- 15. Wheel nut
- 16. ABS sensor

REMOVAL

CAUTION:

Before removing the front axle assembly, disconnect the ABS wheel sensor from the assembly. Then move it away from the front axle assembly area.

Failure to do so may result in damage to the sensor wires and the sensor becoming inoperative.

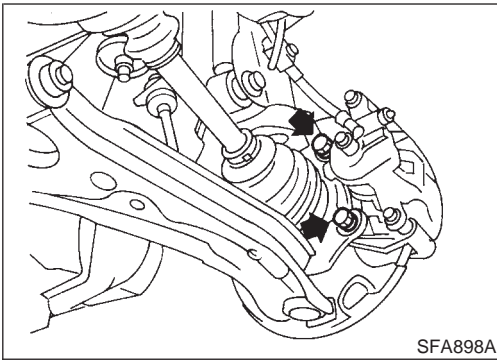
- 1. Remove wheel bearing lock nut.

NCAx0009

GI
MA
EM
LC
EC
FE
CL
MT
AT
AX
SU
BR
ST
RS
BT
HA
SC
EL
IDX

FRONT AXLE

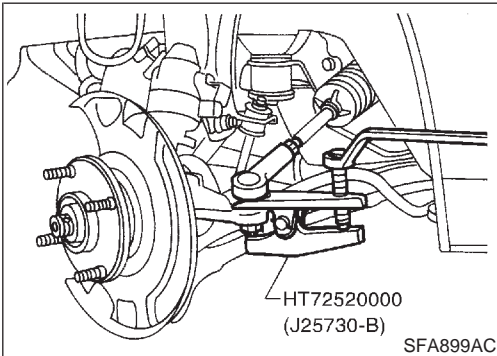
Wheel Hub and Knuckle (Cont'd)



2. Remove brake caliper assembly and rotor.

Brake hose need not be disconnected from brake caliper. In this case, suspend caliper assembly with wire so as not to stretch brake hose. Be careful not to depress brake pedal, or piston will pop out.

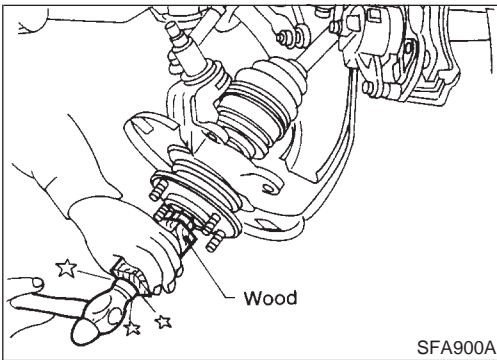
Make sure brake hose is not twisted.



3. Separate tie-rod from knuckle with Tool.

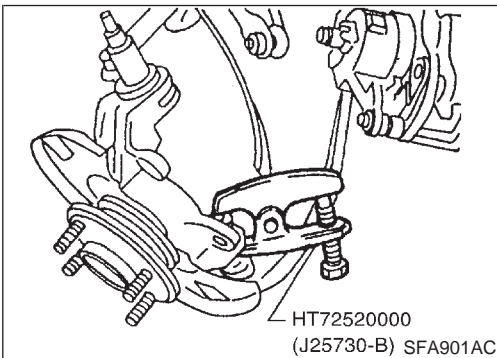
Install stud nut on stud bolt to prevent damage to stud bolt.

4. Remove kingpin cap and securing nut. Separate kingpin from knuckle.



5. Separate drive shaft from knuckle by lightly tapping it. If it is hard to remove, use a puller.

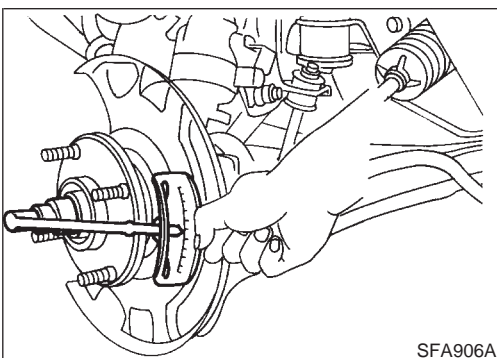
Cover boots with shop towel so as not to damage them when removing drive shaft.



6. Loosen lower ball joint tightening nut.

7. Separate knuckle from lower ball joint stud with Tool.


8. Remove knuckle from transverse link.



INSTALLATION

1. Install knuckle with wheel hub.

2. Tighten wheel bearing lock nut.

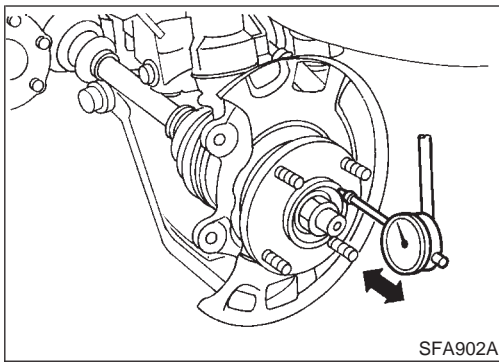
 : 235 - 314 N·m (24 - 32 kg·m, 174 - 231 ft·lb)

3. Check that wheel bearings operate smoothly.

NCAx0010

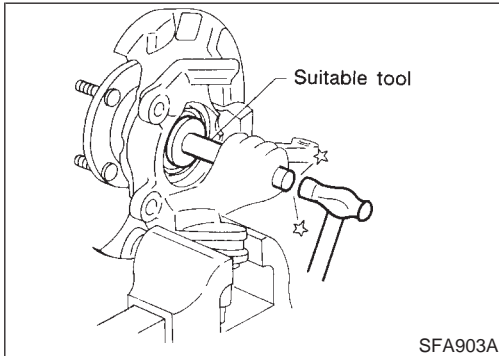
FRONT AXLE

Wheel Hub and Knuckle (Cont'd)



4. Check wheel bearing axial end play.

Axial end play:
0.05 mm (0.0020 in) or less



DISASSEMBLY

NCAX0011

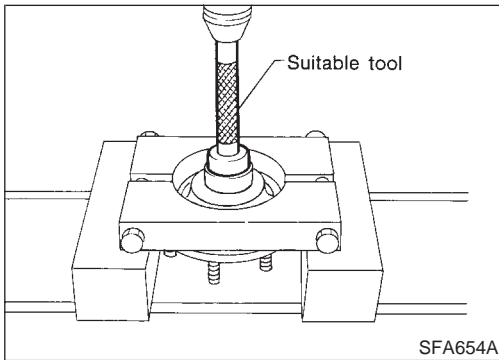
CAUTION:

When removing wheel hub or wheel bearing from knuckle, replace wheel bearing assembly (outer race, inner races and grease seals) with a new one.

Wheel Hub

NCAX0011S01

Drive out hub with inner race (outside) from knuckle with a suitable tool.

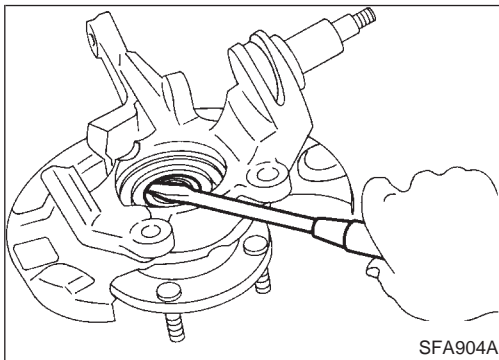


Wheel Bearing

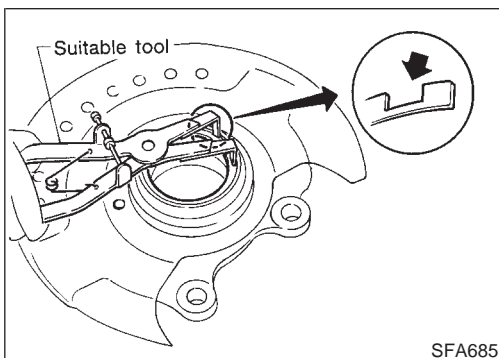
NCAX0011S02

When replacing wheel bearing, replace complete wheel bearing assembly (Inner races and outer race).

1. Remove bearing inner race (outside), then remove outer grease seal.



2. Remove inner grease seal from knuckle.

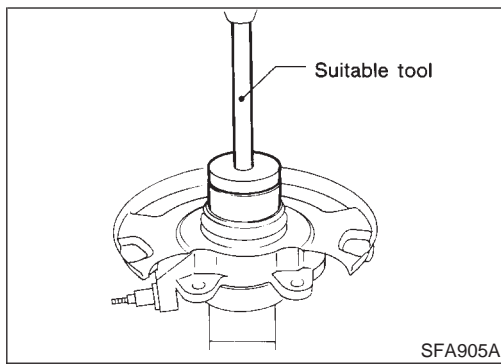


3. Remove snap rings.

GI
MA
EM
LC
EC
FE
CL
MT
AT
AX
SU
BR
ST
RS
BT
HA
SC
EL
IDX

FRONT AXLE

Wheel Hub and Knuckle (Cont'd)



4. Press out bearing outer race.

INSPECTION

Wheel Hub and Knuckle

Check wheel hub and knuckle for cracks by using a magnetic exploration or dyeing test.

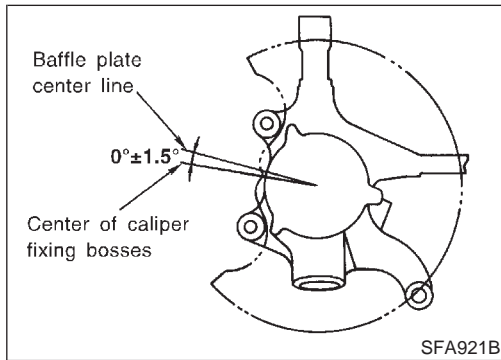
NCAX0012

NCAX0012S01

Snap Ring

Check snap ring for wear or cracks. Replace if necessary.

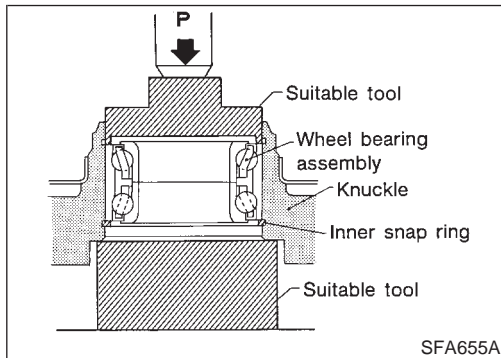
NCAX0012S02



ASSEMBLY

- When removing baffle plate, replace it with a new one.
- When installing the baffle plate, press new plate so that it is in contact with knuckle wall. Refer to figure at left.

NCAX0013



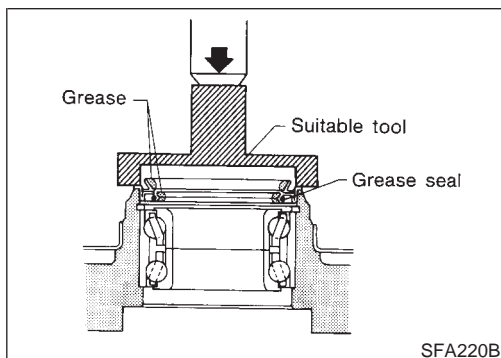
1. Install inner snap ring into groove of knuckle.
2. Press new wheel bearing assembly into knuckle until it contacts snap ring.

Maximum load P:

49 kN (5 ton, 5.5 US ton, 4.9 Imp ton)

CAUTION:

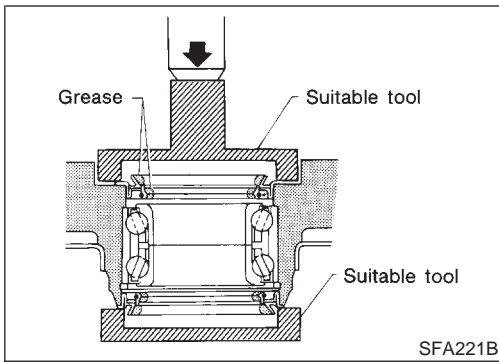
- Do not press inner race of wheel bearing assembly.
- Do not apply oil or grease to mating surfaces of wheel bearing outer race and knuckle.



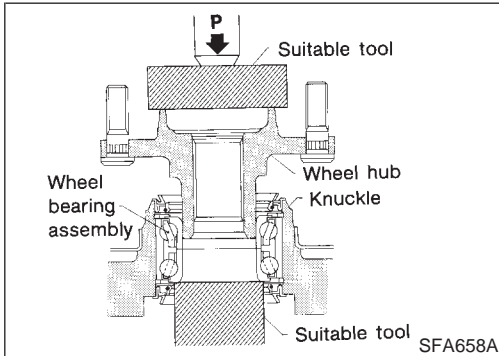
3. Install outer snap ring into groove of knuckle.
4. Pack grease seal lip with multi-purpose grease.
5. Install outer grease seal.

FRONT AXLE

Wheel Hub and Knuckle (Cont'd)



6. Install inner grease seal.

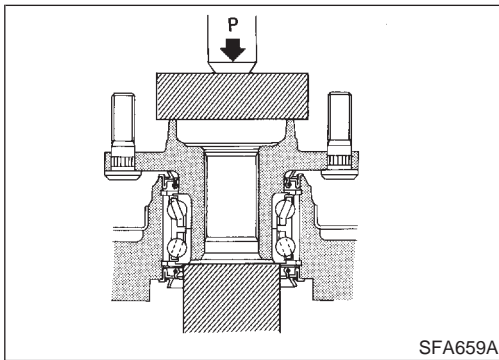


7. Press wheel hub into knuckle.

Maximum load P:

49 kN (5 ton, 5.5 US ton, 4.9 Imp ton)

Be careful not to damage grease seal.



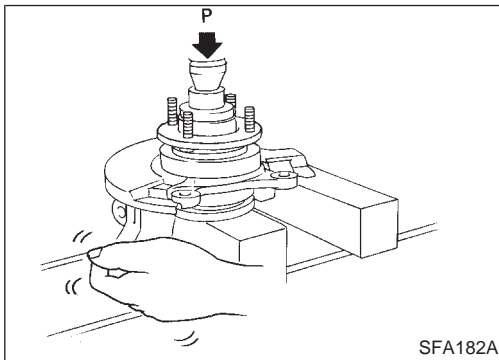
8. Check bearing operation.

a. Add load P with press.

Load P:

34.3 - 49.0 kN

(3.5 - 5.0 ton, 3.9 - 5.5 US ton, 3.44 - 4.92 Imp ton)



b. Spin knuckle several turns in both directions.

c. Make sure that wheel bearings operate smoothly.

GI

MA

EM

LC

EC

FE

CL

MT

AT

AX

SU

BR

ST

RS

BT

HA

SC

EL

IDX

FRONT AXLE

Drive Shaft

Drive Shaft COMPONENTS

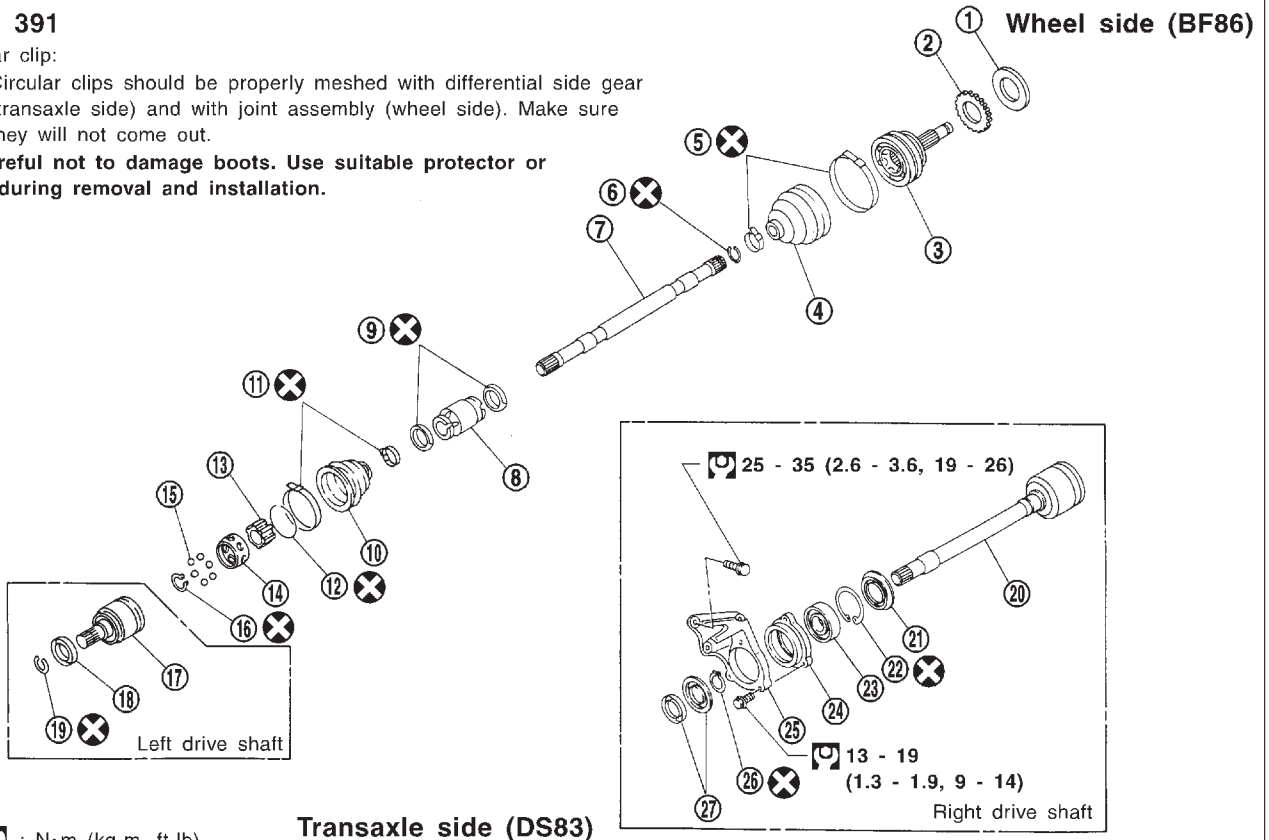
NCA0016

SEC. 391

Circular clip:

Circular clips should be properly meshed with differential side gear (transaxle side) and with joint assembly (wheel side). Make sure they will not come out.

Be careful not to damage boots. Use suitable protector or cloth during removal and installation.



SFA712BB

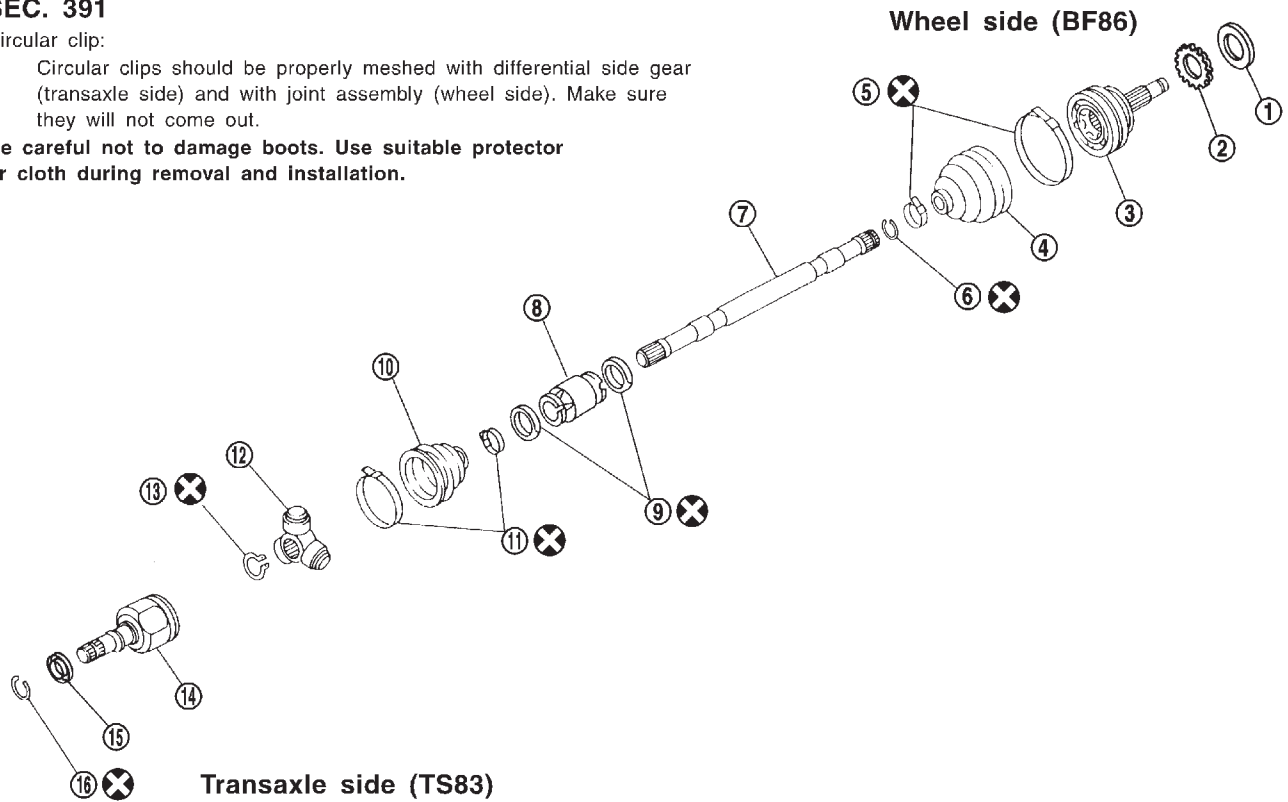
- | | | |
|------------------------|-------------------------|--|
| 1. Dust shield | 10. Boot | 19. Circular clip |
| 2. ABS ring | 11. Boot band | 20. Slide joint housing with extension shaft |
| 3. Joint assembly | 12. Stopper ring | 21. Dust shield |
| 4. Boot | 13. Inner race | 22. Snap ring |
| 5. Boot band | 14. Cage | 23. Support bearing |
| 6. Circular clip | 15. Ball | 24. Support bearing retainer |
| 7. Drive shaft | 16. Snap ring | 25. Bracket |
| 8. Dynamic damper | 17. Slide joint housing | 26. Snap ring |
| 9. Dynamic damper band | 18. Dust shield | 27. Dust shield |

SEC. 391

Circular clip:

Circular clips should be properly meshed with differential side gear (transaxle side) and with joint assembly (wheel side). Make sure they will not come out.

Be careful not to damage boots. Use suitable protector or cloth during removal and installation.



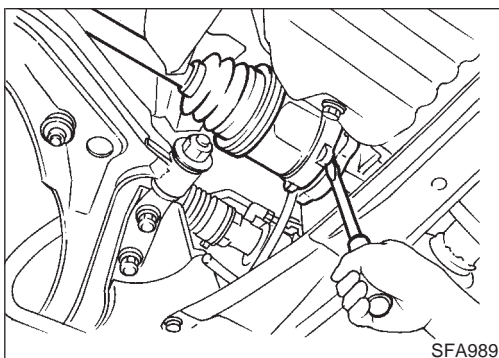
SFA589BC

- | | | |
|-------------------|------------------------|-------------------------|
| 1. Dust shield | 7. Drive shaft | 12. Spider assembly |
| 2. ABS ring | 8. Dynamic damper | 13. Snap ring |
| 3. Joint assembly | 9. Dynamic damper band | 14. Slide joint housing |
| 4. Boot | 10. Boot | 15. Dust shield |
| 5. Boot band | 11. Boot band | 16. Circular clip |

REMOVAL

NCAAX0014

1. Remove wheel bearing lock nut.
2. Remove brake caliper assembly and rotor.
Brake hose need not be disconnected from brake caliper. In this case, suspend caliper assembly with wire so as not to stretch brake hose.
Be careful not to depress brake pedal, or piston will pop out. Make sure brake hose is not twisted.
3. Remove tie-rod ball joint.
4. Remove upper knuckle nut.
5. Separate drive shaft from knuckle by lightly tapping it. If it is hard to remove, use a puller.
Cover boots with shop towel so as not to damage them when removing drive shaft.
Refer to "Wheel Hub and Knuckle", "FRONT AXLE", AX-5.
6. Remove right drive shaft from transaxle.

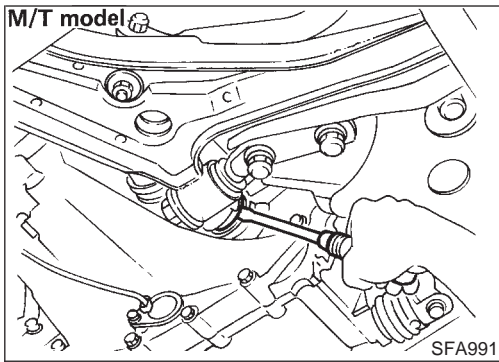


SFA989

GI
MA
EM
LC
EC
FE
CL
MT
AT
AX
SU
BR
ST
RS
BT
HA
SC
EL
IDX

FRONT AXLE

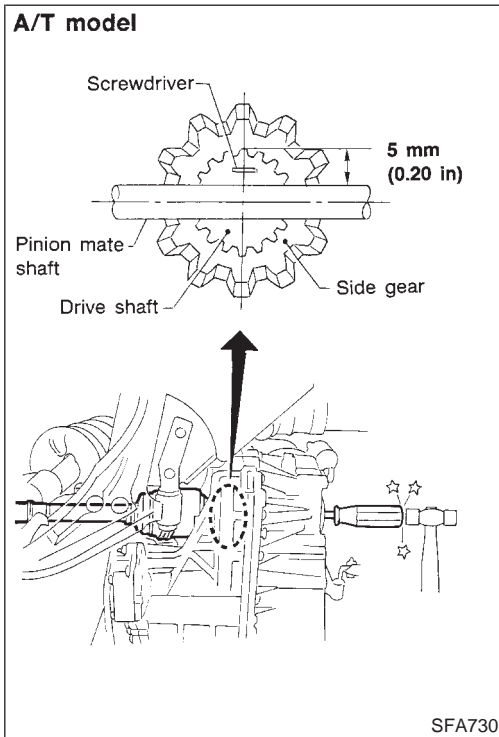
Drive Shaft (Cont'd)



7. Remove left drive shaft from transaxle.

— For M/T models —

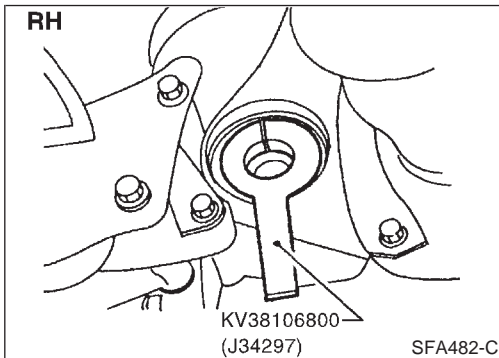
- Pry off drive shaft from transaxle as shown at left.



— For A/T models —

- Insert screwdriver into transaxle opening for right drive shaft and strike with a hammer.

Be careful not to damage pinion mate shaft and side gear.



INSTALLATION

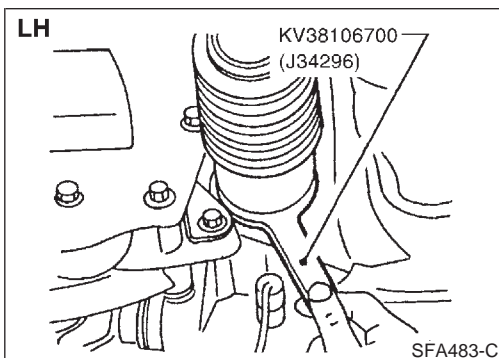
Transaxle Side

NCAX0015

NCAX0015S01

1. Drive a new oil seal to transaxle. Refer to MT-9 or AT-282 "Replacing Oil Seal" or "Differential Side Oil Seal Replacement".

2. Set Tool along the inner circumference of oil seal.



3. Insert drive shaft into transaxle. Be sure to properly align the serrations and then withdraw Tool.

4. Push drive shaft, then press-fit circular clip on the drive shaft into circular clip groove of side gear.

5. After its insertion, try to pull the flange out of the slide joint by hand. If it pulls out, the circular clip is not properly meshed with the side gear.

Wheel Side

NCAX0015S02

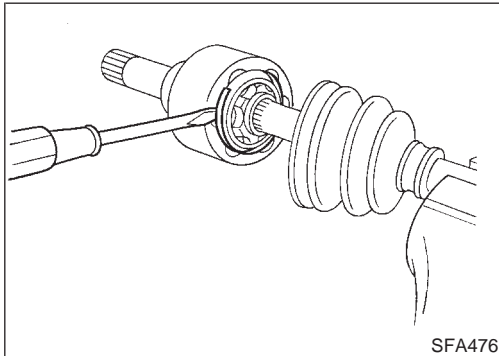
- Install drive shaft into knuckle.
- Tighten upper knuckle nut and wheel bearing lock nut. Refer to section Installation in "Wheel Hub and Knuckle", "FRONT AXLE", AX-5.

GI

MA

EM

LC



SFA476

DISASSEMBLY

Transaxle Side (DS83 type)

NCAX0017

NCAX0017S01

NCAX0017S0101

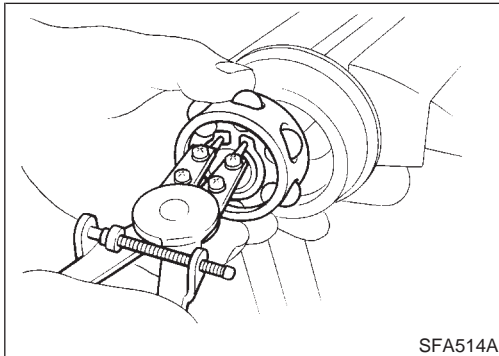
1. Remove boot bands.
2. Put matching marks on slide joint housing and inner race, before separating joint assembly.
3. Remove stopper ring with a screwdriver, and pull out slide joint housing.

EC

FE

CL

MT



SFA514A

4. Put matching marks on inner race and drive shaft.
5. Remove snap ring, then remove ball cage, inner race and balls as a unit.
6. Draw out boot.

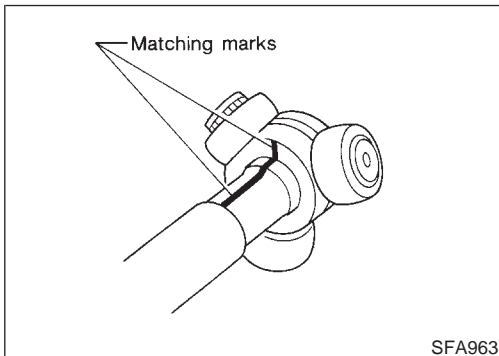
AT

AX

Cover drive shaft serrations with tape so as not to damage the boot.

SU

BR



SFA963

(TS83 type)

NCAX0017S0102

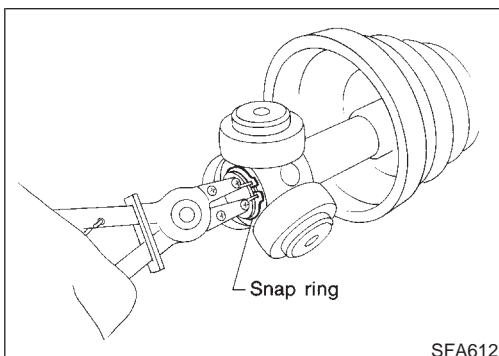
1. Remove boot bands.
2. Put matching marks on slide joint housing and drive shaft before separating joint assembly.
3. Put matching marks on spider assembly and drive shaft.

ST

RS

BT

HA



SFA612

4. Remove snap ring, then remove spider assembly.

SC

CAUTION:
Do not disassemble spider assembly.

EL

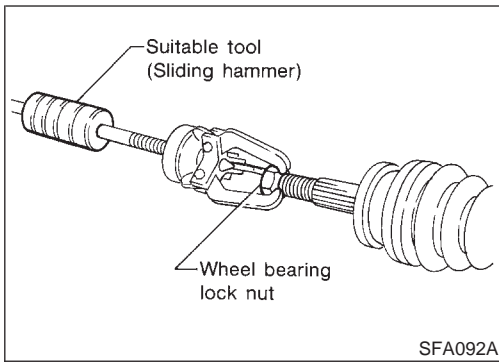
5. Draw out boot.

Cover drive shaft serration with tape to prevent damage to the boot.

IDX

FRONT AXLE

Drive Shaft (Cont'd)



Wheel Side (BF86 type)

NCAx0017S02

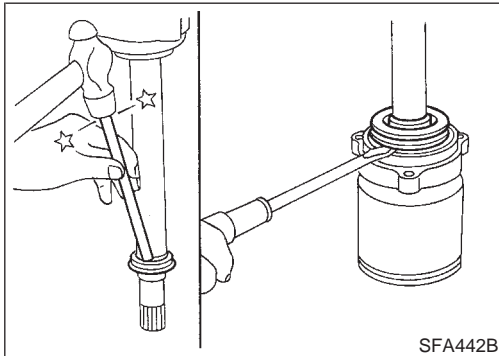
CAUTION:

The joint on the wheel side cannot be disassembled.

1. Before separating joint assembly, put matching marks on drive shaft and joint assembly.
2. Separate joint assembly with a suitable tool.

Be careful not to damage threads on drive shaft.

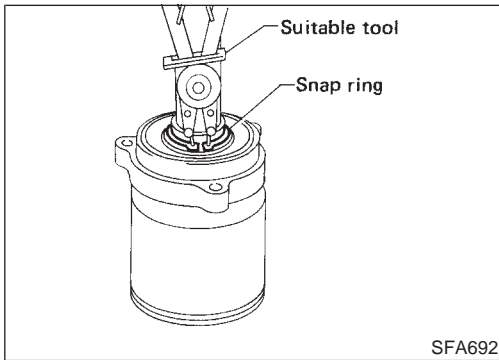
3. Remove boot bands.
4. Draw out boot.



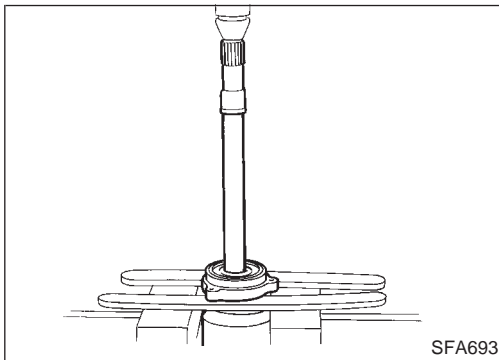
Support Bearing

NCAx0017S03

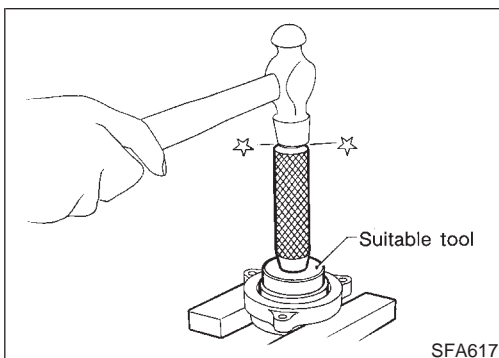
1. Remove dust shield.



2. Remove snap ring.



3. Press support bearing assembly off of drive shaft.



4. Separate support bearing from retainer.

INSPECTION

Thoroughly clean all parts in cleaning solvent, and dry with compressed air. Check parts for evidence of deformation or other damage. NCA X0018

Drive Shaft

Replace drive shaft if it is twisted or cracked. NCA X0018S01

Boot

Check boot for fatigue, cracks or wear. Replace boot with new boot bands. NCA X0018S02

Joint Assembly (Transaxle side)

- Check spider assembly for needle bearing and washer damage. Replace if necessary. (TS83 type) NCA X0018S03
- Check roller surfaces for scratches, wear or other damage. Replace if necessary. (TS83 type) EC
- Replace any parts of double offset joint which show signs of scorching, rust, wear or excessive play. (DS83 type) FE
- Check serration for deformation. Replace if necessary. CL
- Check slide joint housing for any damage. Replace if necessary. CL

Joint Assembly (Wheel side)

Replace joint assembly if it is deformed or damaged. NCA X0018S04

Support Bearing

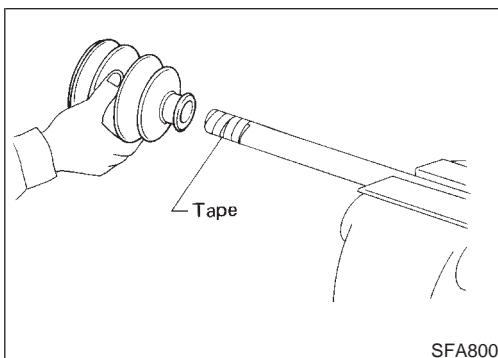
Make sure wheel bearing rolls freely and is free from noise, cracks, pitting or wear. NCA X0018S05

Support Bearing Bracket

Check support bearing bracket for cracks with a magnetic exploration or dyeing test. NCA X0018S06

ASSEMBLY

- After drive shaft has been assembled, ensure that it moves smoothly over its entire range without binding. NCA X0019
- Use NISSAN GENUINE GREASE or equivalent after every overhaul. BR



Wheel Side (BF86 type)

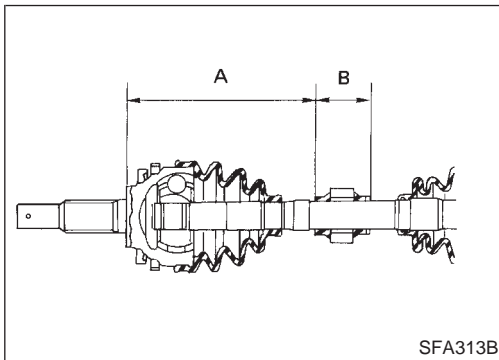
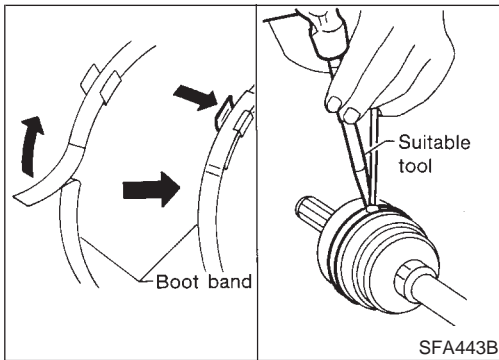
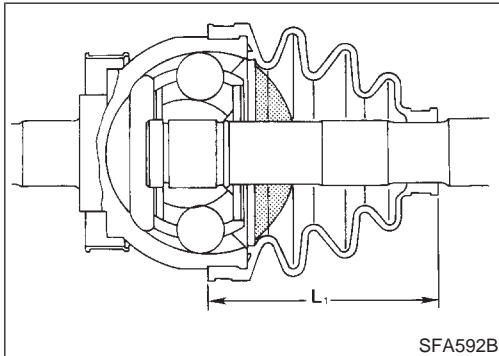
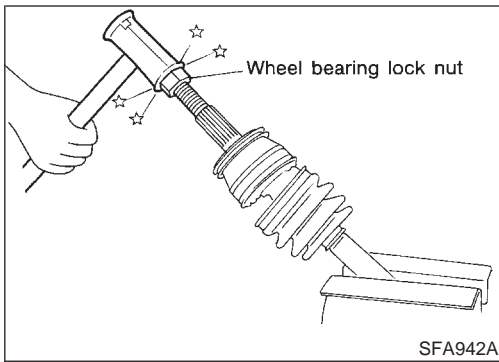
1. Install boot and new small boot band on drive shaft. NCA X0019S01

Cover drive shaft serration with tape so as not to damage boot during installation. EL

GI
MA
EM
LC
EC
FE
CL
MT
AT
AX
SU
BR
ST
RS
BT
HA
SC
EL
IDX

FRONT AXLE

Drive Shaft (Cont'd)



2. Set joint assembly onto drive shaft by lightly tapping it. Install joint assembly securely, ensuring marks which were made during disassembly are properly aligned.

3. Pack drive shaft with specified amount of grease.

Specified amount of grease:

95 - 115 g (3.35 - 4.06 oz)

4. Make sure that boot is properly installed on the drive shaft groove. Set boot so that it does not swell and deform when its length is "L₁".

Length "L₁":

100.5 mm (3.96 in)

5. Lock new larger and smaller boot bands securely with a suitable tool.

Dynamic Damper

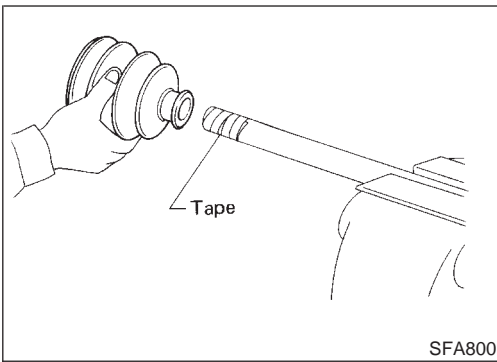
NCAX0019S02

1. Use new damper bands when installing.
2. Install dynamic damper from stationary-joint side while holding it securely.

Length:

Unit: mm (in)

Applied model	RH		LH		
	BF86/DS83 + B		BF86/DS83		BF86/TS83
Transaxle	Without viscous type	With viscous type	With viscous type		Without viscous type
			M/T	A/T	
"A"	205.1 (8.07)	186.0 (7.32)	163.5 (6.44)	157.8 (6.21)	181.0 (7.13)
"B"	70 (2.76)				



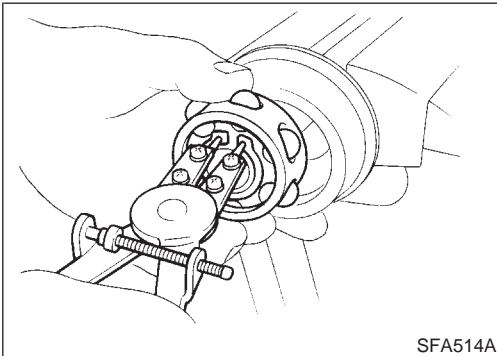
Transaxle Side (DS83 type)

NCA0019S03

NCA0019S0301

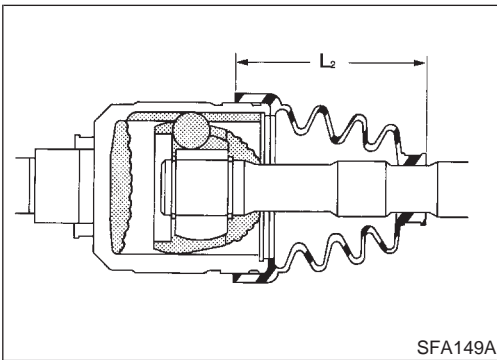
1. Install boot and new small boot band on drive shaft.

Cover drive shaft serration with tape so as not to damage boot during installation.



2. Install ball cage, inner race and balls as a unit, making sure the marks which were made during disassembly are properly aligned.

3. Install new snap ring.



4. Pack drive shaft with specified amount of grease.

Specified amount of grease:

115 - 135 g (4.06 - 4.76 oz)

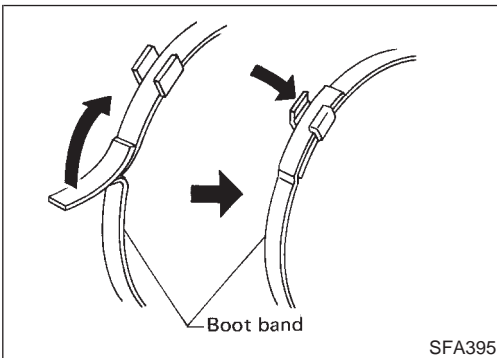
5. Install slide joint housing, then install new snap ring.

6. Make sure that boot is properly installed on the drive shaft groove.

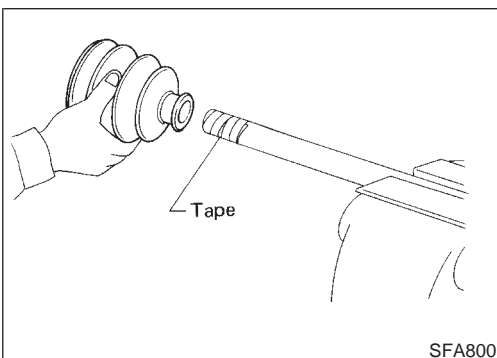
Set boot so that it does not swell and deform when its length is "L₂".

Length "L₂":

98 mm (3.86 in)



7. Lock new larger and smaller boot bands securely with a suitable tool.



(TS83 type)

NCA0019S0302

1. Install boot and new small boot band on drive shaft.

Cover drive shaft serration with tape to prevent damage to boot during installation.

GI

MA

EM

LC

EC

FE

CL

MT

AT

AX

SU

BR

ST

RS

BT

HA

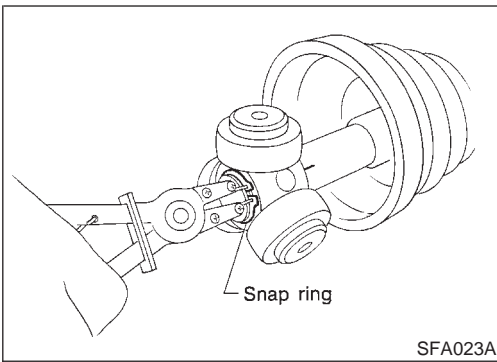
SC

EL

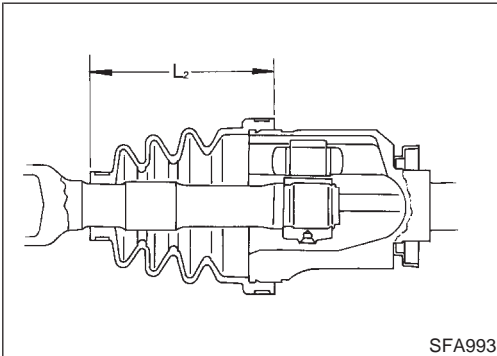
IDX

FRONT AXLE

Drive Shaft (Cont'd)

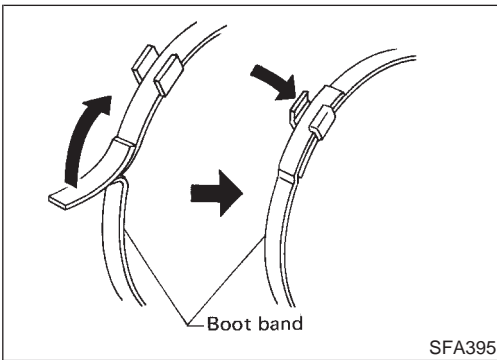


2. Install spider assembly securely, making sure the marks which were made during disassembly are properly aligned.
3. Install new snap ring.

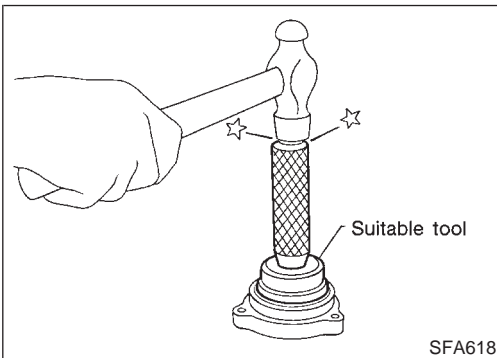


4. Pack drive shaft with specified amount of grease.
Specified amount of grease:
125 - 145 g (4.41 - 5.11 oz)
5. Install slide joint housing.
6. Set boot so that it does not swell and deform when its length is " L_2 ".
Length " L_2 ":
99 mm (3.90 in)

Make sure that boot is properly installed on the drive shaft groove.



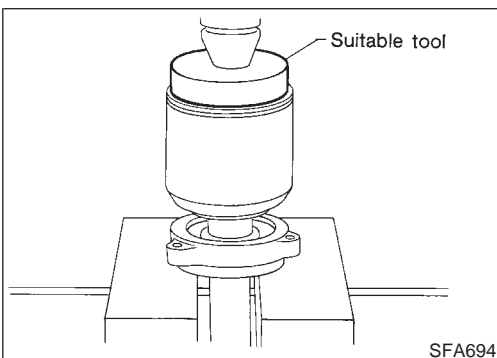
7. Lock new larger and smaller boot bands securely with a suitable tool.



Support Bearing

NCA0019S04

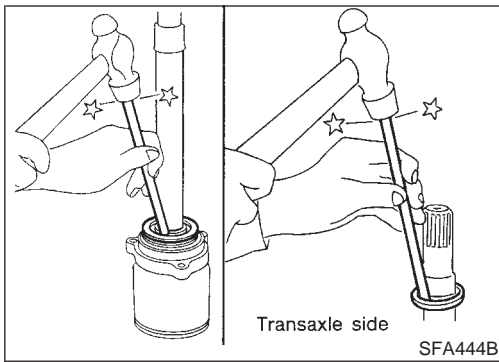
- Press bearing into retainer.



- Press drive shaft into bearing.

FRONT AXLE

Drive Shaft (Cont'd)



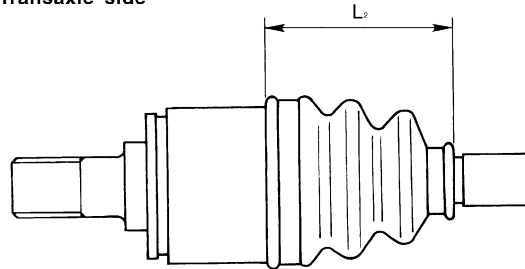
- Install snap ring.
- Install new dust shield.

Service Data and Specifications (SDS) DRIVE SHAFT

NCAX0020

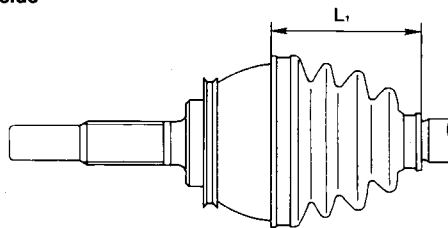
Applied model		RH	LH	
		Both	With viscous type	Without viscous type
Joint type	Transaxle side	DS83		TS83
	Wheel side	BF86		
Grease	Quality	Nissan genuine grease or equivalent		
	Capacity g (oz)	Transaxle side	115 - 135 (4.06 - 4.76)	125 - 145 (4.41 - 5.11)
		Wheel side	95 - 115 (3.35 - 4.06)	
Boot length mm (in)	Transaxle side "L ₂ "	98 (3.86)	99 (3.90)	
	Wheel side "L ₁ "	100.5 (3.96)		

Transaxle side



SFA961AB

Wheel side



SFA962A

WHEEL BEARING (FRONT)

NCAX0021

Wheel bearing axial end play limit mm (in)	0.05 (0.0020) or less
Wheel bearing lock nut tightening torque N-m (kg-m, ft-lb)	235 - 314 (24 - 32, 174 - 231)

GI

MA

EM

LC

EC

FE

CL

MT

AT

AX

SU

BR

ST

RS

BT

HA

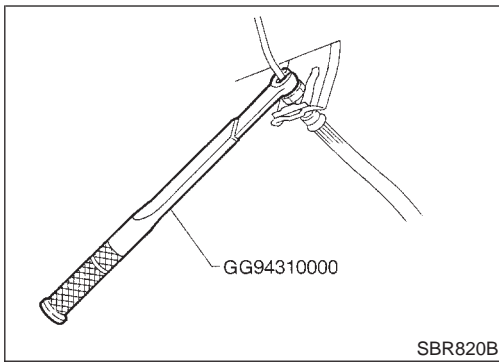
SC

EL

IDX

REAR AXLE

Precautions



Precautions

PRECAUTIONS

NCAx0022

- When installing each rubber part, final tightening must be carried out under unladen condition* with tires on ground.
*: Fuel, radiator coolant and engine oil full. Spare tire, jack, hand tools and mats in designated positions.
- Use flare nut wrench when removing or installing brake tubes.
- After installing removed suspension parts, check wheel alignment.
- Do not jack up at the trailing arm and lateral link.
- Always torque brake lines when installing.

Preparation

COMMERCIAL SERVICE TOOLS

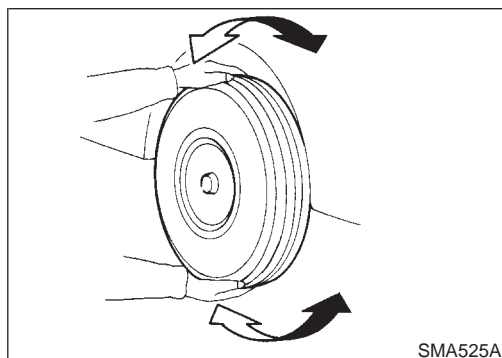
NCAx0024

Tool name	Description
GG94310000 1 Flare nut crowfoot 2 Torque wrench	<p>Removing and installing brake piping a: 10 mm (0.39 in)</p>

Noise, Vibration and Harshness (NVH) Troubleshooting

NCAx0025

Refer to "Noise, Vibration and Harshness (NVH) Troubleshooting", "FRONT AXLE", AX-3.



On-vehicle Service

REAR AXLE PARTS

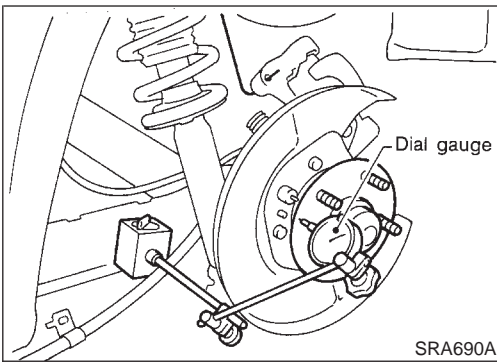
NCAx0026

Check axle and suspension parts for excessive play, wear or damage.

- Shake each rear wheel to check for excessive play.

REAR AXLE

On-vehicle Service (Cont'd)



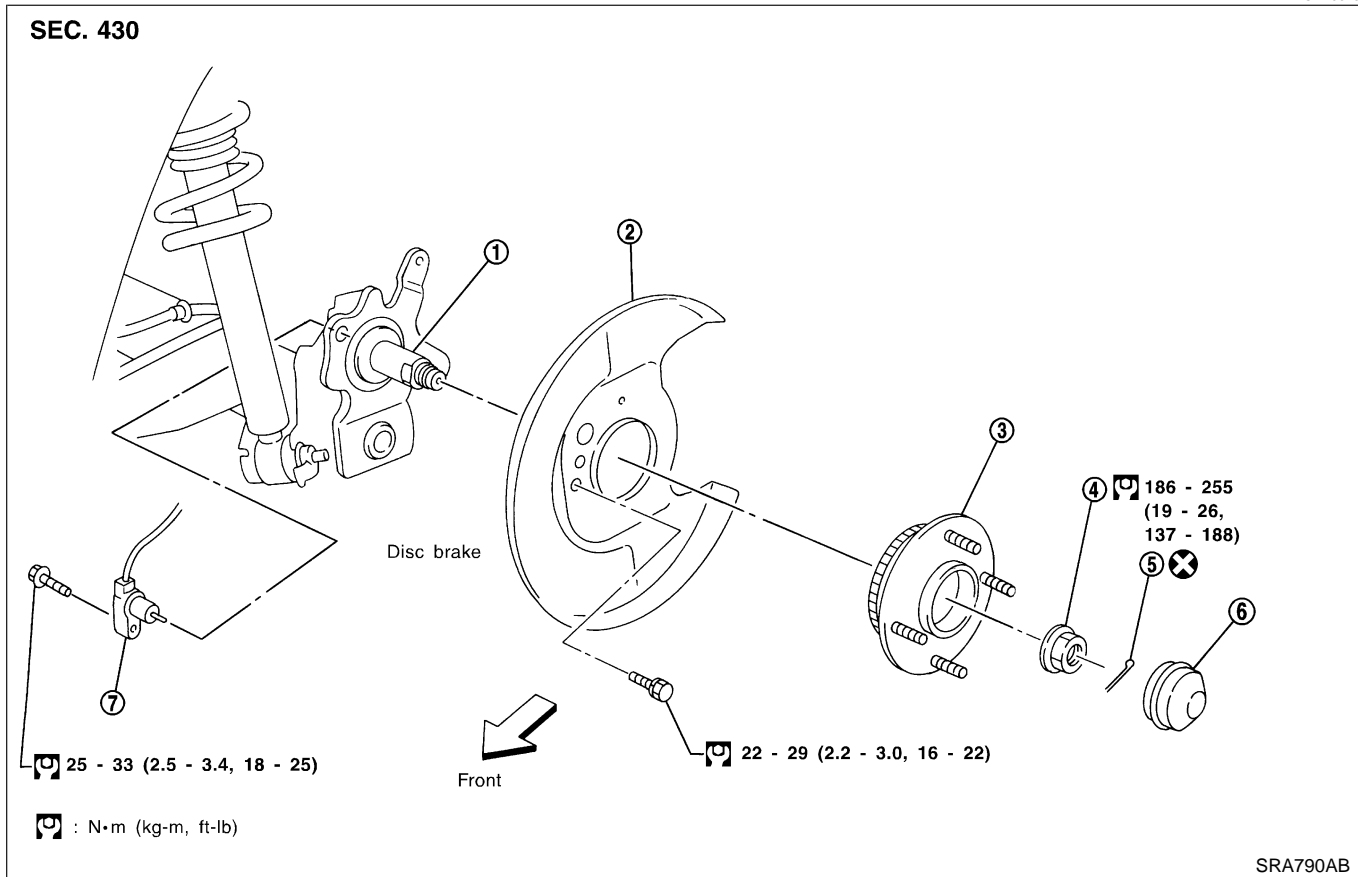
REAR WHEEL BEARING

NCAX0027

- Check axial end play.
Axial end play:
0.05 mm (0.0020 in) or less
- Check that wheel hub bearings operate smoothly.
- Check tightening torque of wheel bearing lock nut.
⌚ : 186 - 255 N·m (19 - 26 kg·m, 137 - 188 ft·lb)
- Replace wheel bearing assembly if there is axial end play or wheel bearing does not turn smoothly. Refer to "Wheel Hub", "REAR AXLE", AX-21.

Wheel Hub COMPONENTS

NCAX0028



1. Spindle
2. Baffle plate
3. Wheel hub bearing

4. Wheel bearing lock nut
5. Cotter pin

6. Hub cap
7. ABS sensor

REMOVAL

NCAX0029

CAUTION:

- Before removing the rear wheel hub assembly, disconnect the ABS wheel sensor from the assembly. Then move it away from the hub assembly. Failure to do so may result in damage to the sensor wires and the sensor becoming inoperative.
- Wheel hub bearing does not require maintenance. If any of the following symptoms are noted, replace wheel hub bearing assembly.

GI

MA

EM

LC

EC

FE

CL

MT

AT

AX

SU

BR

ST

RS

BT

HA

SC

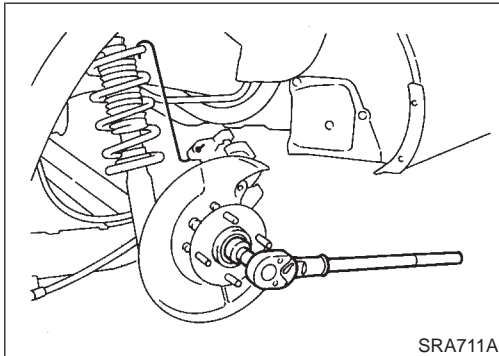
EL

IDX

REAR AXLE

Wheel Hub (Cont'd)

- Growling noise is emitted from wheel hub bearing during operation.
- Wheel hub bearing drags or turns roughly. This occurs when turning hub by hand after bearing lock nut is tightened to specified torque.



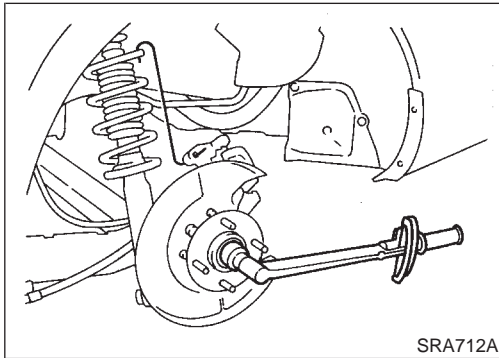
SRA711A

1. Remove brake caliper assembly.
2. Remove wheel bearing lock nut.
3. Remove brake rotor.
4. Remove wheel hub bearing from spindle.

Brake hose does not need to be disconnected from brake caliper.

Suspend caliper assembly with wire so as not to stretch brake hose.

Be careful not to depress brake pedal, or piston will pop out. Make sure brake hose is not twisted.



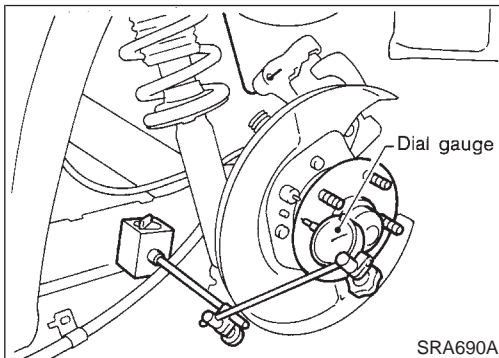
SRA712A

INSTALLATION

NCAX0030

- Install wheel hub bearing.
- Tighten wheel bearing lock nut.
Before tightening, apply oil to threaded portion of rear spindle and both sides of plain washer.
- Check that wheel bearings operate smoothly.

⚙️ : 186 - 255 N·m (19 - 26 kg·m, 137 - 188 ft·lb)



SRA690A

- Check wheel hub bearing axial end play.
Axial end play:
0.05 mm (0.0020 in) or less

Service Data and Specifications (SDS) WHEEL BEARING (REAR)

NCAX0031

Wheel bearing axial end play mm (in)	0.05 (0.0020) or less
Wheel bearing lock nut tightening torque N·m (kg·m, ft·lb)	186 - 255 (19 - 26, 137 - 188)