

**SECTION EI**  
**EXTERIOR & INTERIOR**

A  
 B  
 C  
 D  
 E  
 F  
 G  
 H  
 EI  
 J  
 K  
 L  
 M

**CONTENTS**

<b>PRECAUTIONS</b> .....	<b>3</b>	<b>CENTER MUD GUARD</b> .....	<b>18</b>
Precautions for Supplemental Restraint System (SRS) "AIR BAG" and "SEAT BELT PRE-TENSIONER" .....	3	Removal and Installation .....	18
Precautions .....	3	REMOVAL .....	18
<b>CLIP AND FASTENER</b> .....	<b>4</b>	INSTALLATION .....	18
Clip and Fastener .....	4	<b>ROOF SIDE MOLDING</b> .....	<b>19</b>
<b>FRONT BUMPER</b> .....	<b>7</b>	Removal and Installation .....	19
Removal and Installation .....	7	REMOVAL .....	20
REMOVAL .....	9	INSTALLATION .....	20
INSTALLATION .....	9	<b>LICENSE PLATE FINISHER</b> .....	<b>21</b>
<b>REAR BUMPER</b> .....	<b>10</b>	Removal and Installation .....	21
Removal and Installation .....	10	REMOVAL .....	21
REMOVAL .....	10	INSTALLATION .....	21
INSTALLATION .....	11	<b>DOOR FINISHER</b> .....	<b>22</b>
<b>FRONT GRILL</b> .....	<b>12</b>	Removal and Installation .....	22
Removal and Installation .....	12	REMOVAL .....	22
REMOVAL .....	12	INSTALLATION .....	23
INSTALLATION .....	12	<b>BACK DOOR TRIM</b> .....	<b>24</b>
<b>COWL TOP</b> .....	<b>13</b>	Removal and Installation .....	24
Removal and Installation .....	13	REMOVAL .....	24
REMOVAL .....	13	INSTALLATION .....	24
INSTALLATION .....	13	<b>BODY SIDE TRIM</b> .....	<b>25</b>
<b>FENDER PROTECTOR</b> .....	<b>14</b>	Removal and Installation .....	25
Removal and Installation .....	14	REMOVAL .....	25
<b>DOOR OUTSIDE MOLDING</b> .....	<b>15</b>	Removal and Installation (Wagon Models) .....	27
Removal and Installation .....	15	LUGGAGE SIDE UPPER FINISHER .....	27
REMOVAL .....	15	LUGGAGE SIDE LOWER FINISHER .....	28
INSTALLATION .....	15	LUGGAGE FLOOR CENTER FRONT FINISHER .....	28
<b>REAR FENDER FINISHER</b> .....	<b>16</b>	INSTALLATION .....	28
Removal and Installation .....	16	<b>REAR PARCEL SHELF FINISHER</b> .....	<b>29</b>
REMOVAL .....	16	Removal and Installation .....	29
INSTALLATION .....	16	REMOVAL .....	29
<b>REAR DOOR OUTSIDE FINISHER</b> .....	<b>17</b>	INSTALLATION .....	29
Removal and Installation .....	17	<b>FLOOR TRIM</b> .....	<b>30</b>
REMOVAL .....	17	Removal and Installation .....	30
INSTALLATION .....	17	REMOVAL .....	30
		INSTALLATION .....	31

---

<b>HEADLINING .....</b>	<b>32</b>	<b>TRUNK ROOM TRIM AND TRUNK LID TRIM .....</b>	<b>35</b>
Removal and Installation .....	32	Removal and Installation .....	35
REMOVAL .....	32		
INSTALLATION .....	34		

# PRECAUTIONS

## PRECAUTIONS

PFP:00001

### Precautions for Supplemental Restraint System (SRS) “AIR BAG” and “SEAT BELT PRE-TENSIONER”

EIS002H0

The Supplemental Restraint System such as "AIR BAG" and "SEAT BELT PRE-TENSIONER", used along with a front seat belt, helps to reduce the risk or severity of injury to the driver and front passenger for certain types of collision. Information necessary to service the system safely is included in the SRS and SB section of this Service Manual.

#### **WARNING:**

- To avoid rendering the SRS inoperative, which could increase the risk of personal injury or death in the event of a collision which would result in air bag inflation, all maintenance must be performed by an authorized NISSAN/INFINITI dealer.
- Improper maintenance, including incorrect removal and installation of the SRS, can lead to personal injury caused by unintentional activation of the system. For removal of Spiral Cable and Air Bag Module, see the SRS section.
- Do not use electrical test equipment on any circuit related to the SRS unless instructed to in this Service Manual. SRS wiring harnesses can be identified by yellow and/or orange harness connectors.

## Precautions

EIS002H1

- When removing or disassembling any part, be careful not to damage or deform it. Protect parts, which may get in the way with cloth.
- When removing parts with a screwdriver or other tool, protect parts by wrapping them with vinyl or tape.
- Keep removed parts protected with cloth.
- If a clip is deformed or damaged, replace it.
- If an un reusable part is removed, replace it with a new one.
- Tighten bolts and nuts firmly to the specified torque.
- After re-assembly has been completed, make sure each part functions correctly.
- Remove stains in the following way.

Water-soluble stains:

Dip a soft cloth in warm water, and then squeeze it tightly. After wiping the stain, wipe with a soft dry cloth.

Oil stain:

Dissolve a synthetic detergent in warm water (density of 2 to 3% or less), dip the cloth, then clean off the stain with the cloth. Next, dip the cloth in fresh water and squeeze it tightly. Then clean off the detergent completely. Then wipe the area with a soft dry cloth.

- Do not use any organic solvent, such as thinner or benzine.


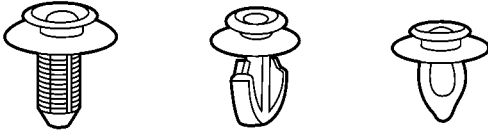


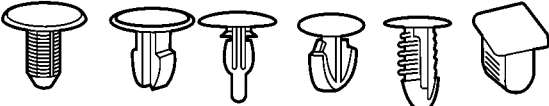
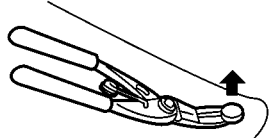

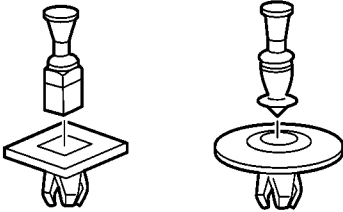
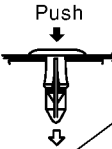
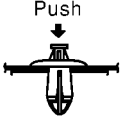

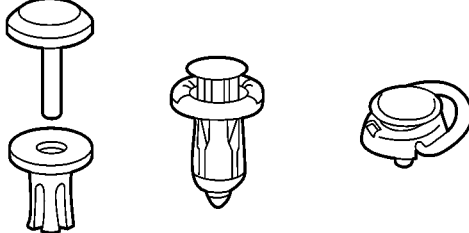


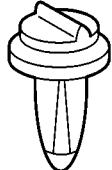
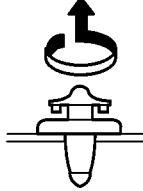
# CLIP AND FASTENER

PFP:76906

## CLIP AND FASTENER


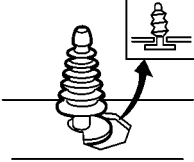
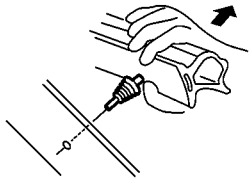

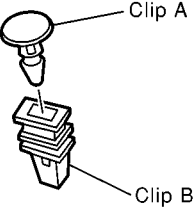
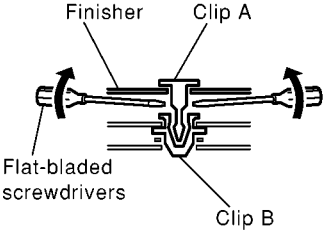

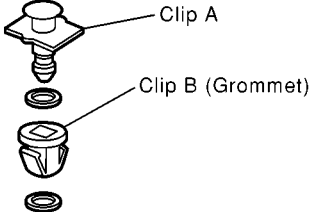
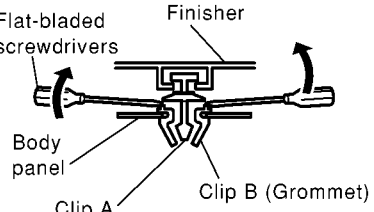
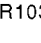

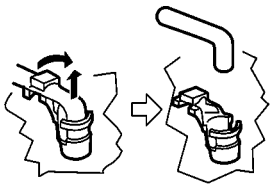

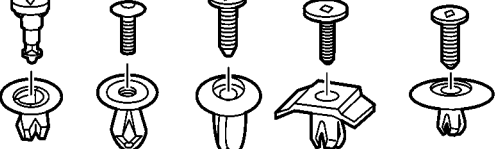

### Clip and Fastener

EIS002H2

Symbol No.	Shapes	Removal & Installation
<p>C101</p> 		<p><b>Removal:</b> Remove by bending up with flat-bladed screwdrivers or clip remover.</p> 
<p>C103</p> 		 <p><b>Removal:</b> Remove with a clip remover.</p>
<p>C203</p> 		<p><b>Removal:</b> Push center pin to catching position. (Do not remove center pin by hitting it.)</p> <p>Push</p>  <p><b>Installation:</b></p> 
<p>C205</p> 		<p><b>Removal:</b></p> <p>Flat-bladed screwdriver</p>  <p>Clip</p> <p>Finisher</p>
<p>C206</p> 		<p><b>Removal:</b></p> 


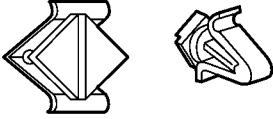

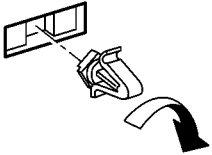

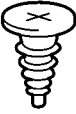



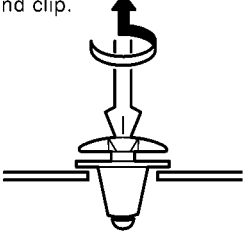


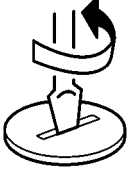
SIIA0315E

# CLIP AND FASTENER

Symbol No.	Shapes	Removal & Installation
<p>CE103</p> 		<p><b>Removal:</b></p> 
<p>CF110</p> 		<p><b>Removal:</b></p> 
<p>CF118</p> 		<p><b>Removal:</b></p> 
<p>CR103</p> 		<p><b>Removal:</b> Holder portion of clip must be spread out to remove rod.</p> 
<p>CS101</p> 		<p><b>Removal:</b></p> <ol style="list-style-type: none"> <li>1. Screw out with a Phillips screwdriver.</li> <li>2. Remove female portion with flat-bladed screwdriver.</li> </ol> 

A  
B  
C  
D  
E  
F  
G  
H  
EI  
J  
K  
L  
M

# CLIP AND FASTENER

Symbol No.	Shapes	Removal & Installation	
<p>CG101</p> 		<p><b>Removal:</b></p>  <p>Rotate 45° to remove</p>	<p><b>Installation:</b></p> 
<p>CS102</p> 			
<p>CS113</p> 		<p><b>Removal:</b> Disconnect upper connection of clip with a flat-bladed screwdriver, then remove clip while inserting a flat-bladed screwdriver between body panel and clip.</p> 	
<p>C111</p> 			

# FRONT BUMPER

---

## FRONT BUMPER

PFP:F2022

### Removal and Installation

EIS002H3

- Bumper fascia is made of resin. Do not apply strong force to it, and be careful to prevent contact with oil.

A

B

C

D

E

F

G

H

**EI**

J

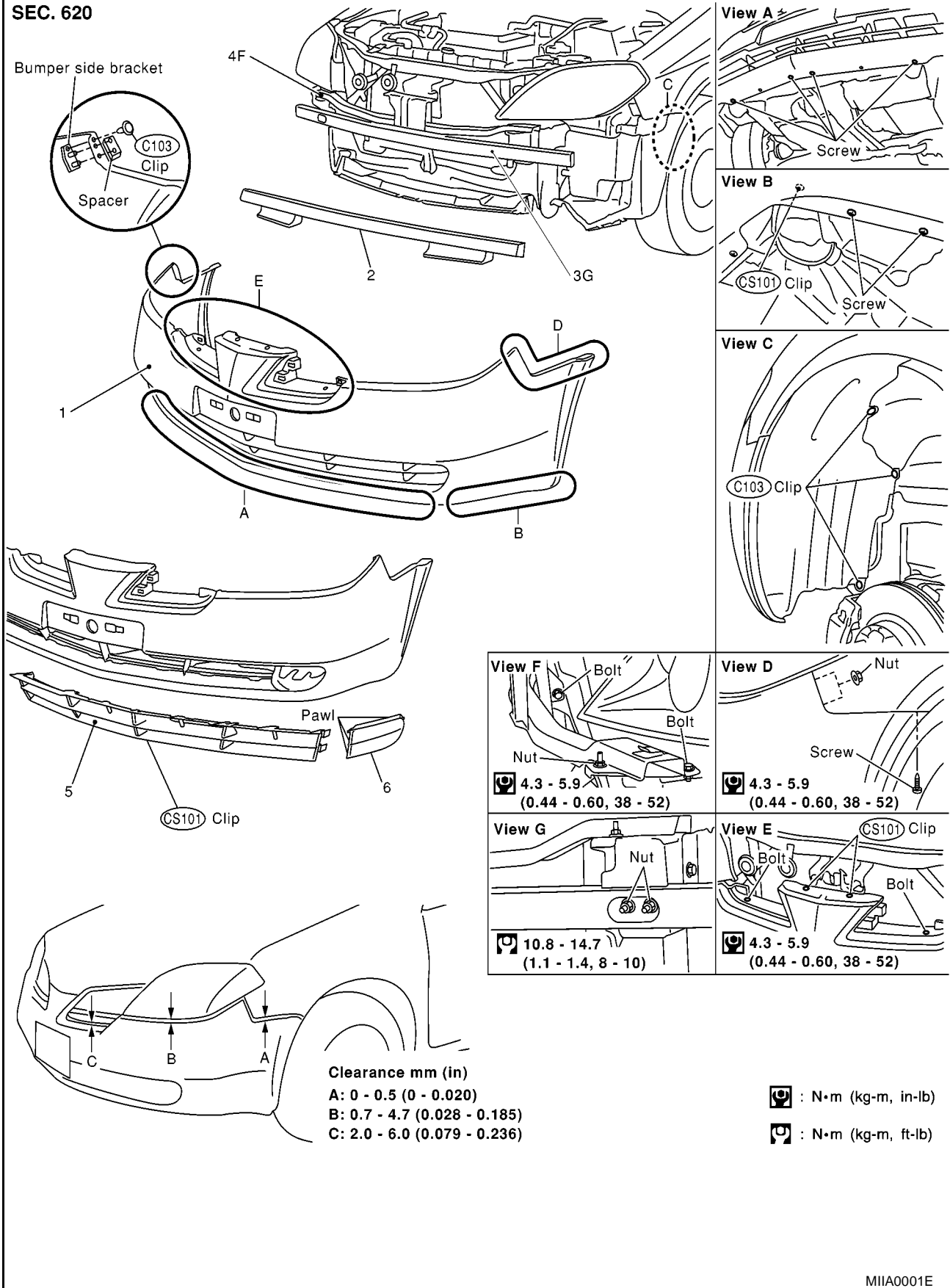
K

L

M

# FRONT BUMPER

## SEC. 620



**Clearance mm (in)**  
**A: 0 - 0.5 (0 - 0.020)**  
**B: 0.7 - 4.7 (0.028 - 0.185)**  
**C: 2.0 - 6.0 (0.079 - 0.236)**

: N·m (kg-m, in-lb)  
 : N·m (kg-m, ft-lb)

MIIA0001E

- 1. Front bumper fascia
- 2. Energy shock absorber
- 3. Bumper reinforcement
- 4. Bumper upper retainer



# FRONT BUMPER

---

## REMOVAL

1. Remove front grille. Refer to [EI-12, "FRONT GRILL"](#) .
2. Remove mounting screws on engine under cover.
3. Remove RH/LH front fender protector mounting screws and clips.
4. Remove front bumper fascia mounting screws and nuts from RH/LH front fender.
5. Remove front bumper fascia mounting clips and bolts from bumper upper retainer.
6. Remove headlamp cleaner hose (If so equipped.).
7. Remove front bumper fascia.
8. Remove energy shock absorber.
9. Remove mounting nuts from bumper reinforcement assembly.
10. Remove mounting bolts from bumper upper retainer assembly.

## INSTALLATION

Install in the reverse order of removal.

### NOTE:

After installation, adjust the clearance.

A

B

C

D

E

F

G

H

EI

J

K

L

M

# REAR BUMPER

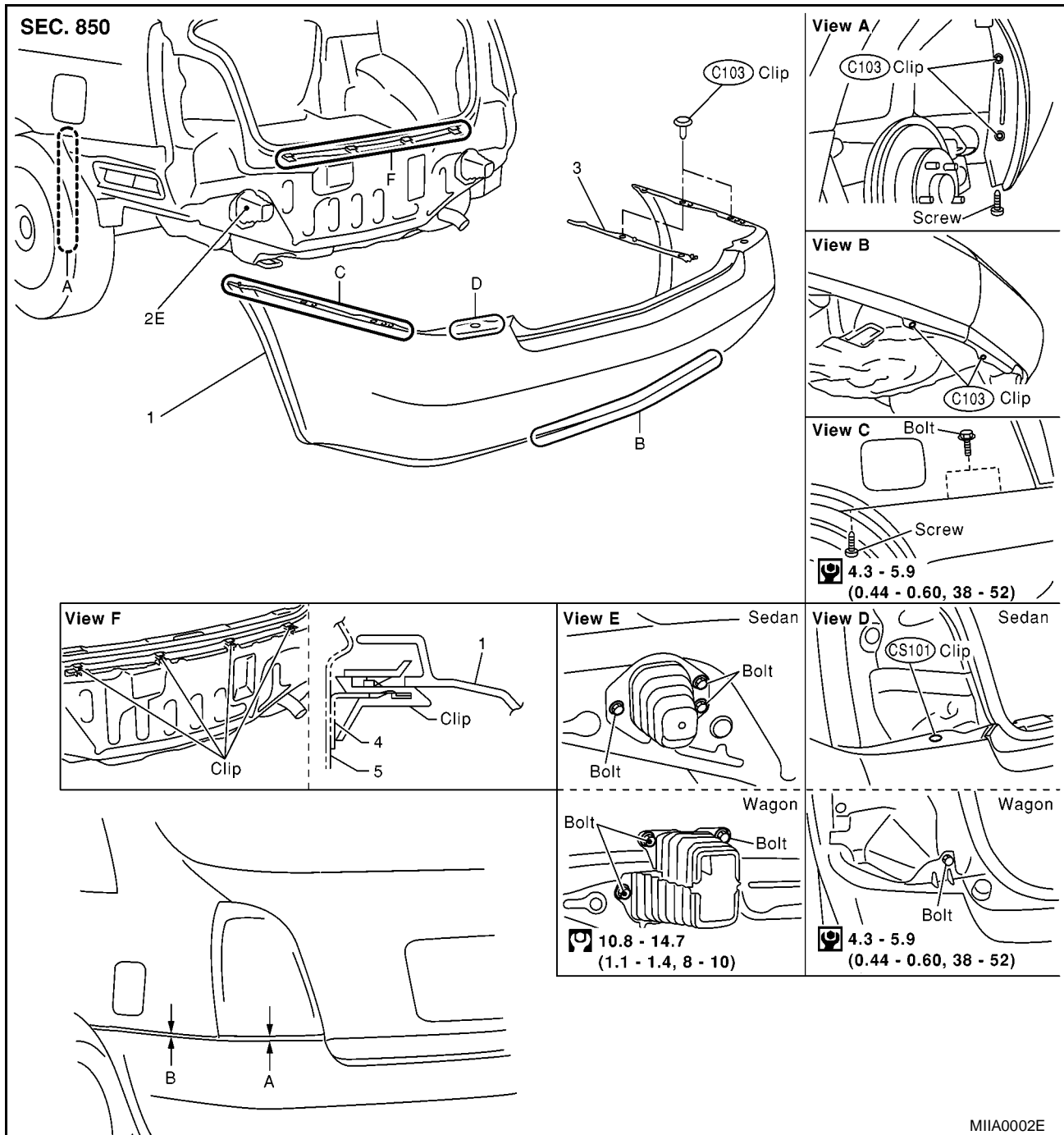
PFPH5022

## REAR BUMPER

### Removal and Installation

EIS002H4

- Bumper fascia is made of resin. Do not apply strong force to it, and be careful to prevent contact with oil.



MIIA0002E

- |                       |                |                        |
|-----------------------|----------------|------------------------|
| 1. Rear bumper fascia | 2. Bumper stay | 3. Bumper side bracket |
| 4. Bumper retainer    | 5. Rear panel  |                        |

### REMOVAL

#### NOTE:

Concerning removal and installation sedan models and wagon models are basically the same.

1. Remove trunk side finisher for sedan models or luggage side boxes for wagon models.
2. Remove LH/RH rear combination lamps. Refer to [LT-84, "Removal and Installation"](#).
3. Remove RH/LH chipping protector.

## REAR BUMPER

---

4. Remove mounting clips on rear bumper fascia.
5. Remove rear bumper fascia mounting screws, bolts and clips from LH/RH rear fender.
6. Pull rear bumper fascia center portion upper side. Then unfasten clips.
7. Remove rear bumper fascia.
8. Remove mounting bolts on bumper stay.

### INSTALLATION

Installation is in the reverse order of removal.

#### NOTE:

After installation, adjust the clearance.

A

B

C

D

E

F

G

H

EI

J

K

L

M

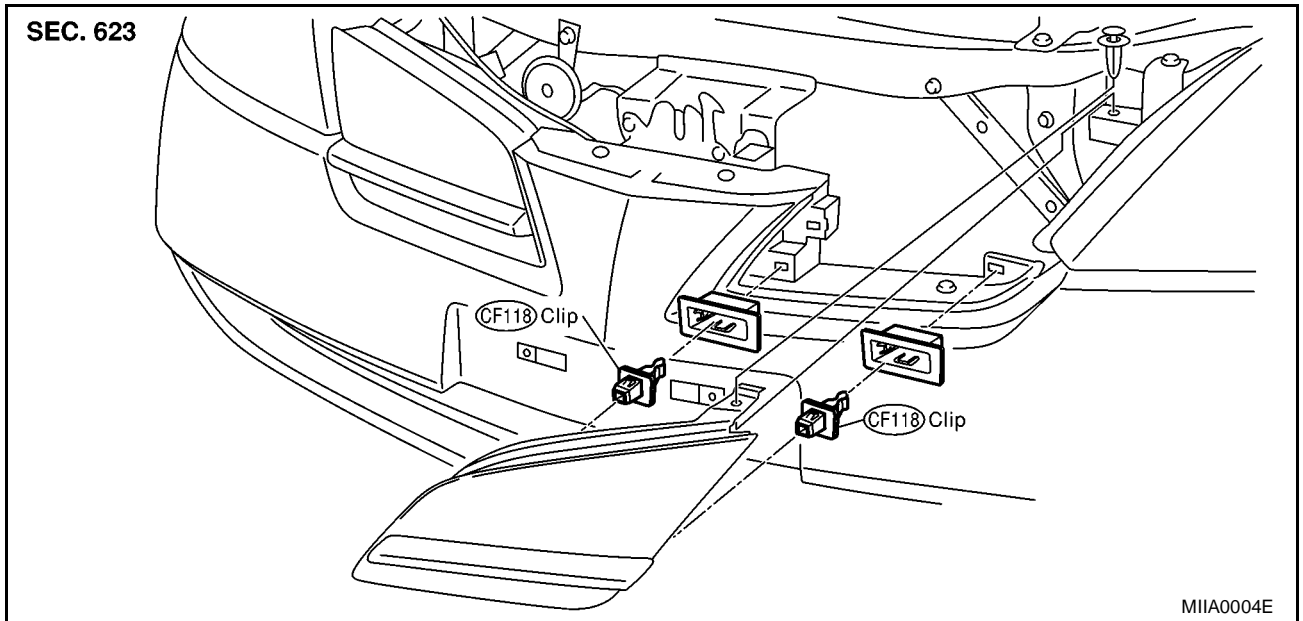
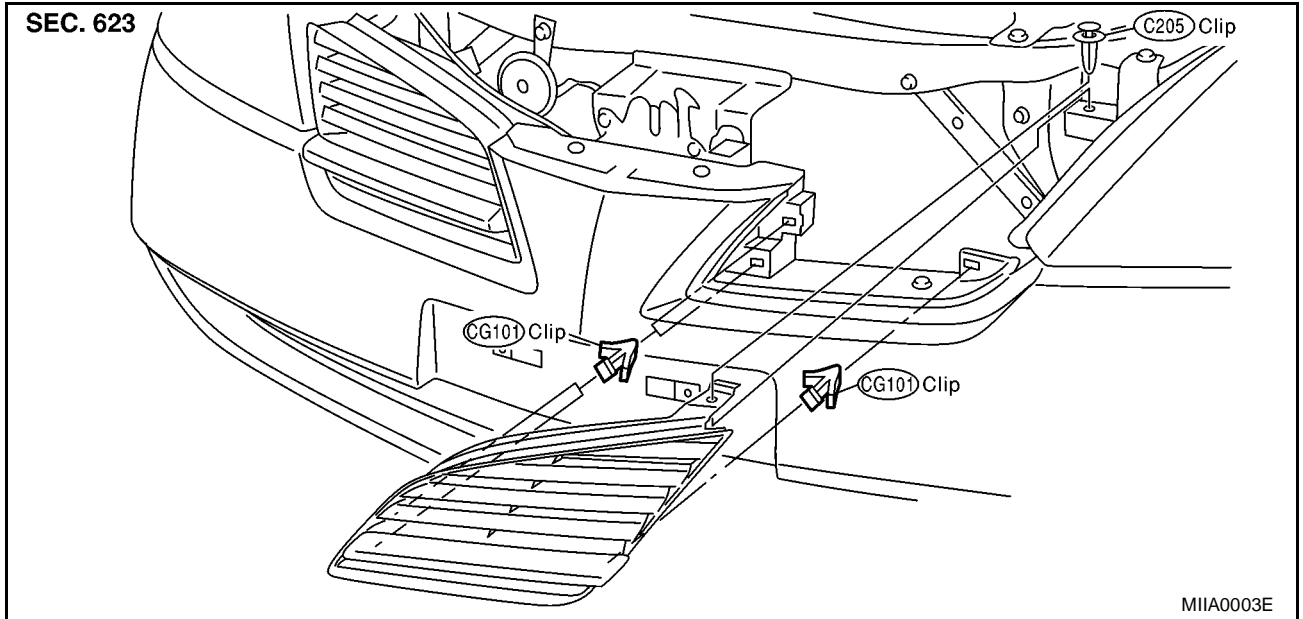
# FRONT GRILL

## FRONT GRILL

PFP:62310

### Removal and Installation

EIS002H5



### REMOVAL

1. Remove installation clips from top edge of grille.
2. Remove clips from the reverse side of grille, and pull to remove. (Without ACC)
3. Pull the front grille, and unfasten clips. (With ACC)

### INSTALLATION

Install in the reverse order of removal.

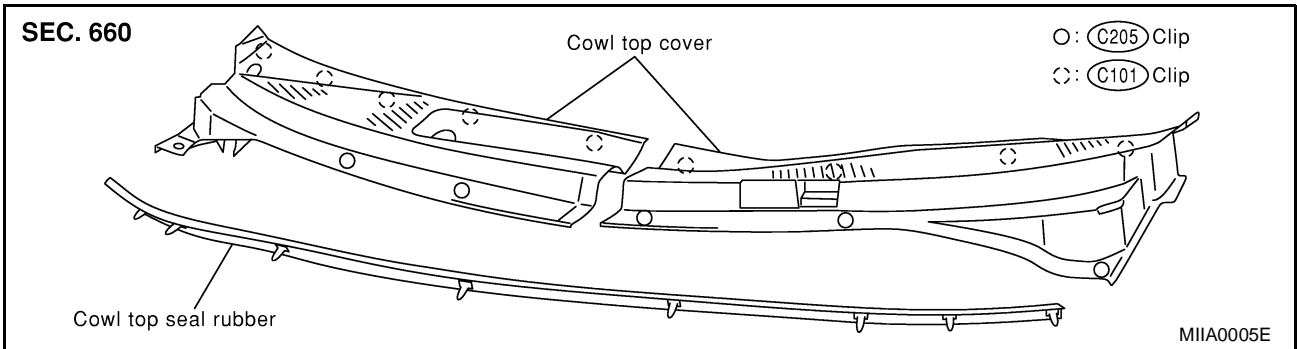
# COWL TOP

## COWL TOP

PFP:66100

### Removal and Installation

EIS002H6



### REMOVAL

1. Remove wiper arms (left and right). Refer to [WW-11, "Removal and Installation for Front Wiper Arms, Adjustment for Wiper Arms Stop Location"](#).
2. Remove cowl top seal rubber.
3. Remove cowl top rubber mounting clips. Then remove cowl top cover.

### INSTALLATION

Install in the reverse order of removal.

#### NOTE:

- If RH cowl top cover is removed, the seal behind the cowl top cover must also be replaced.

A  
B  
C  
D  
E  
F  
G  
H  
EI  
J  
K  
L  
M

# FENDER PROTECTOR

## FENDER PROTECTOR Removal and Installation

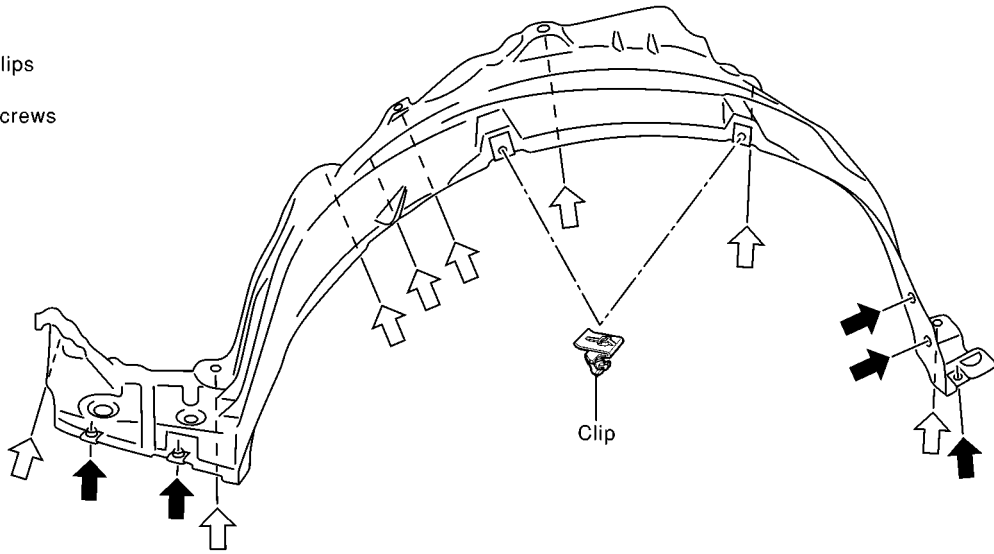
PFP:63840

EIS002H7

SEC. 630

← : Clips

→ : Screws



MIIA0006E

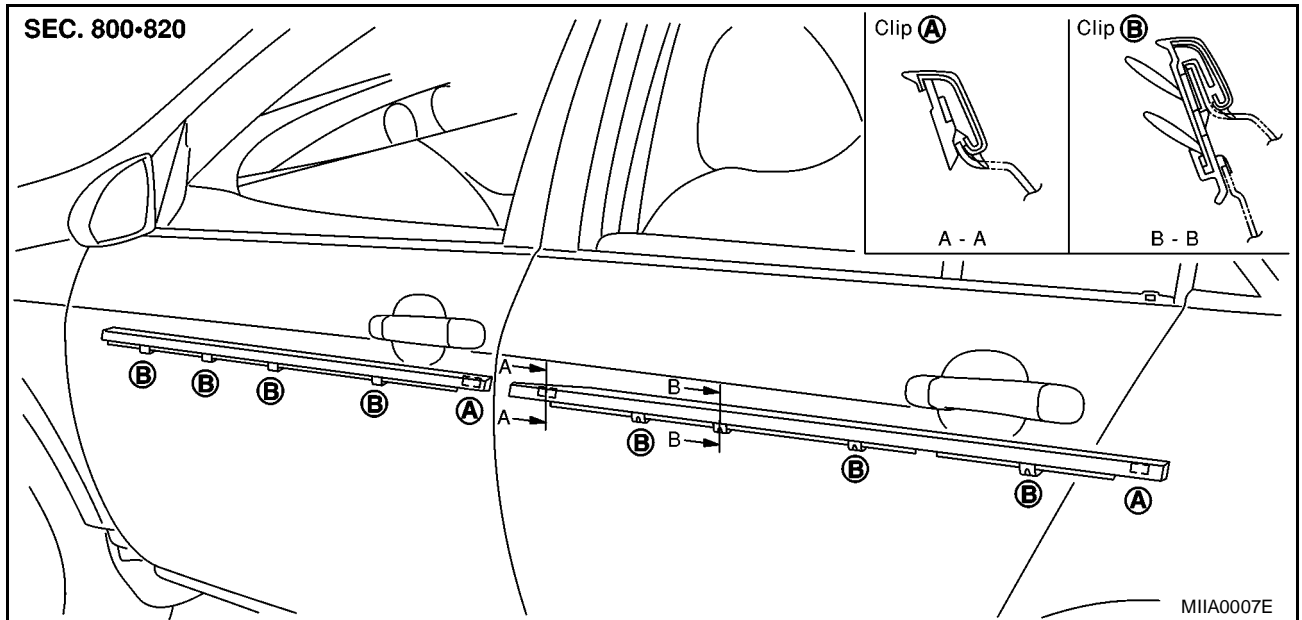
# DOOR OUTSIDE MOLDING

## DOOR OUTSIDE MOLDING

PPF:82820

### Removal and Installation

EIS002H8



### REMOVAL

#### Front

1. Roll the front door window all the way up.
2. Remove front door finisher. Refer to [EI-22, "DOOR FINISHER"](#).
3. Remove corner cover and door mirror. Refer to [GW-32, "Removal and Installation"](#).
4. Disengage front door outside molding tab (1).
5. Reaching from inner side of door, use a clip clamp tool to disengage front door outside molding from the tab.

#### Rear

1. Roll the rear door window all the way up.
2. Remove rear door finisher. Refer to [EI-22, "DOOR FINISHER"](#).
3. Disengage rear door outside mold tabs (2).
4. Reaching from inner side of door, use a clip clamp tool to disengage rear door outside molding from the tab.

### INSTALLATION

To install, press molding into the outer panel flange and engage the tabs.

# REAR FENDER FINISHER

## REAR FENDER FINISHER

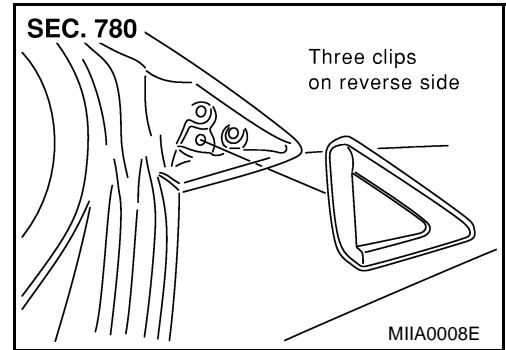
PFP:78126

### Removal and Installation

EIS002H9

#### REMOVAL

1. Insert a screwdriver, wrapped with a cloth, into the front edge of rear fender finisher. Unfasten the clips.



#### INSTALLATION

Install in the reverse order of removal.



# REAR DOOR OUTSIDE FINISHER

## REAR DOOR OUTSIDE FINISHER

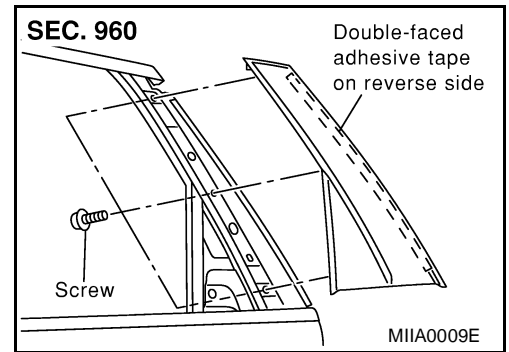
PFP:82290

### Removal and Installation

EIS002HA

#### REMOVAL

1. Remove installation screws from reverse side of weatherstrip.
2. Cut off a double-faced adhesive tape, then remove rear door outside finisher.



#### INSTALLATION

Install in the reverse order of removal.

A  
B  
C  
D  
E  
F  
G  
H  
EI  
J  
K  
L  
M

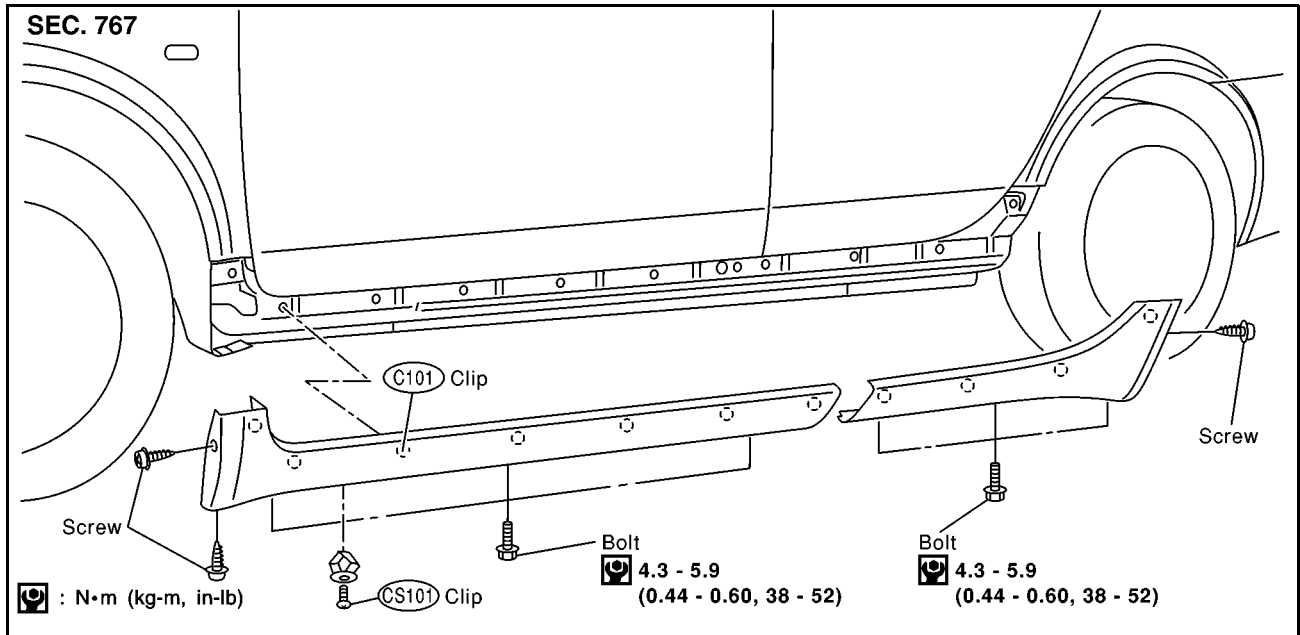
# CENTER MUD GUARD

## CENTER MUD GUARD

PFP:76850

### Removal and Installation

EIS002HK



1. Center mud guard

### REMOVAL

1. Remove installation screws and bolts.
2. Unfasten clips on the reverse side of center mud guard.
3. Remove center mud guard.

### INSTALLATION

Install in the reverse order of removal.

# ROOF SIDE MOLDING

## ROOF SIDE MOLDING Removal and Installation

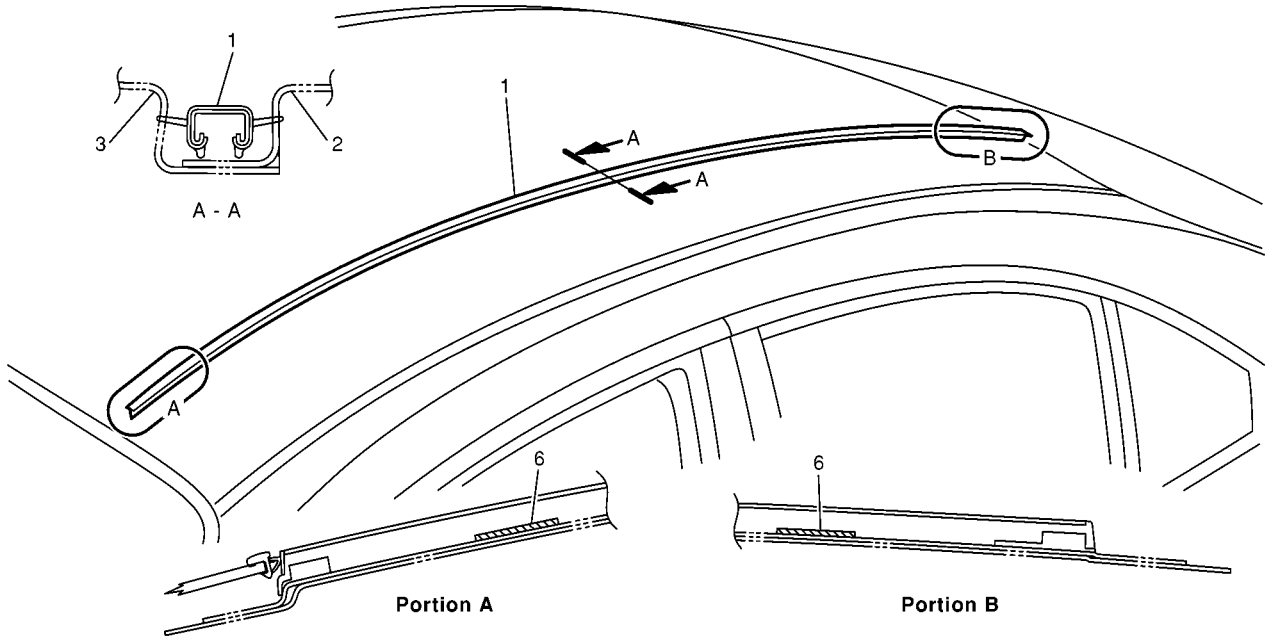
PFP:73854

EIS0021E

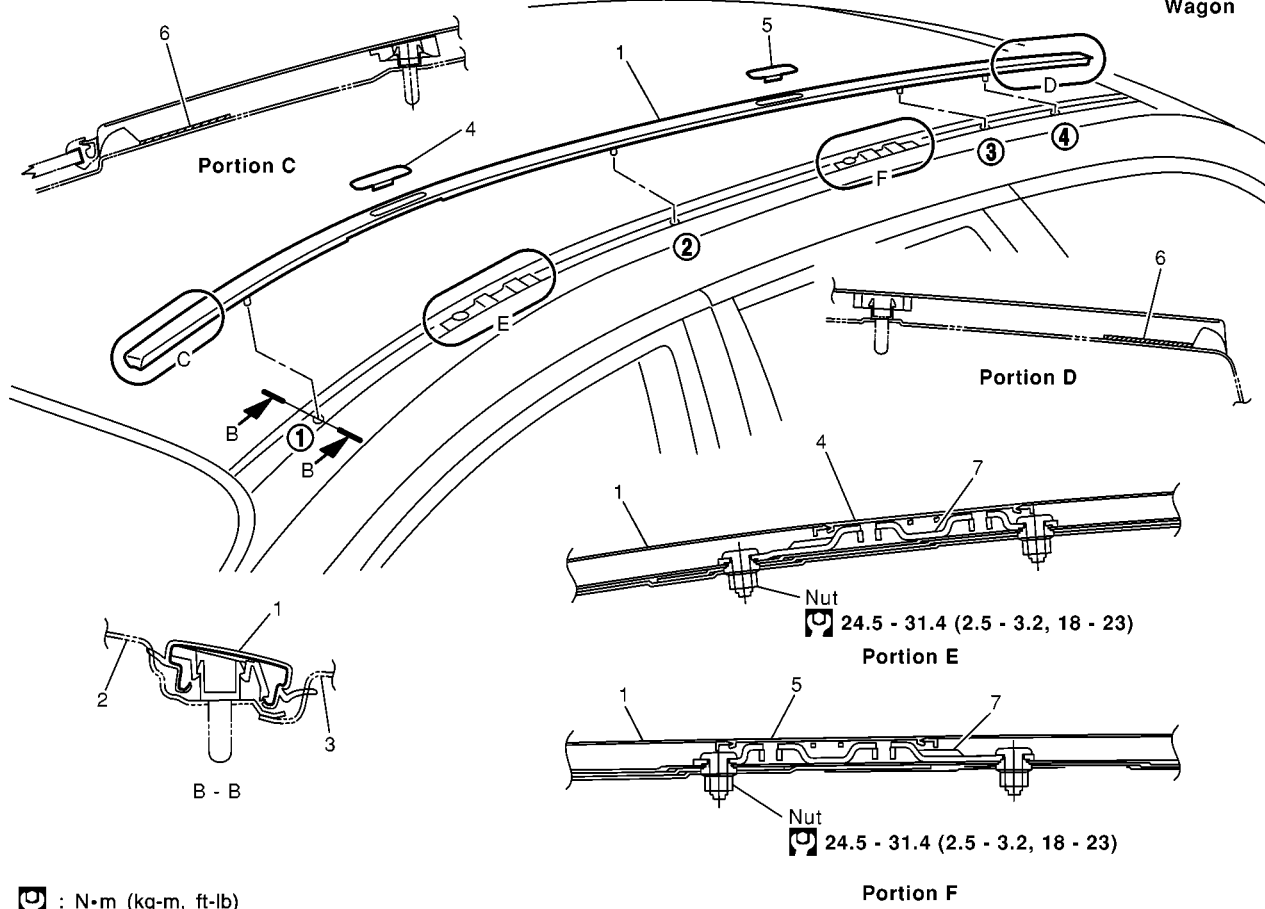
A  
B  
C  
D  
E  
F  
G  
H  
EI  
J  
K  
L  
M

SEC. 730

Sedan



Wagon



: N·m (kg-m, ft-lb)

MIIA0012E

# ROOF SIDE MOLDING

---

- |                      |               |                               |
|----------------------|---------------|-------------------------------|
| 1. Roof side molding | 2. Roof panel | 3. Body side outer panel      |
| 4. Front cap         | 5. Rear cap   | 6. Double-faced adhesive tape |
| 7. Roof side bracket |               |                               |

## REMOVAL

### Sedan Models

1. Cut off the sealant and double-faced adhesive tape from the end of roof side molding using a plastic squeezer or equivalent. Remove roof side molding.

### Wagon Models

1. Cut off the double-faced adhesive tape from the end of roof side molding using a resin squeezer or equivalent.
2. Pull roof side molding upwards and disconnect clips. Remove roof side molding.

## INSTALLATION

### Sedan Models

Make sure to perform installation as follows:

- Apply primer (Genuine Nissan Urethane Adhesive Kit or equivalent) on areas where double-faced adhesive tape contacts the vehicle body.

### Wagon Models

Make sure to perform installation as follows:

- Apply primer (Genuine Nissan Urethane Adhesive Kit or equivalent) on areas where double-faced adhesive tape contacts the vehicle body.

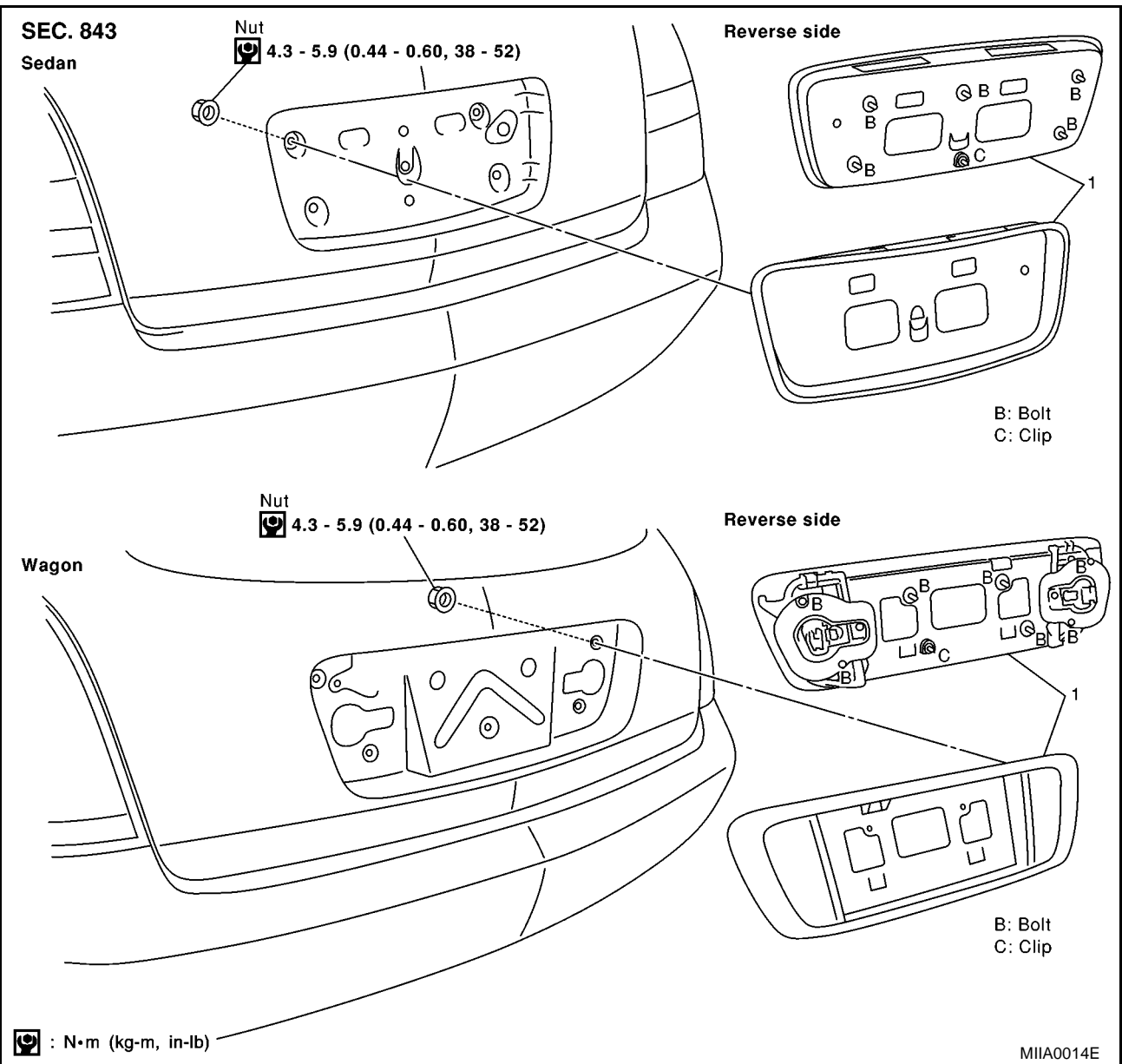
# LICENSE PLATE FINISHER

## LICENSE PLATE FINISHER

PFP:84810

### Removal and Installation

EIS002HM



1. License plate finisher

### REMOVAL

1. Remove trunk lid finisher or back door finisher. Refer to [EI-24, "BACK DOOR TRIM"](#).
2. Remove installation clips and nuts. Then remove license plate finisher.

### INSTALLATION

Install in the reverse order of removal.

A  
B  
C  
D  
E  
F  
G  
H  
EI  
J  
K  
L  
M

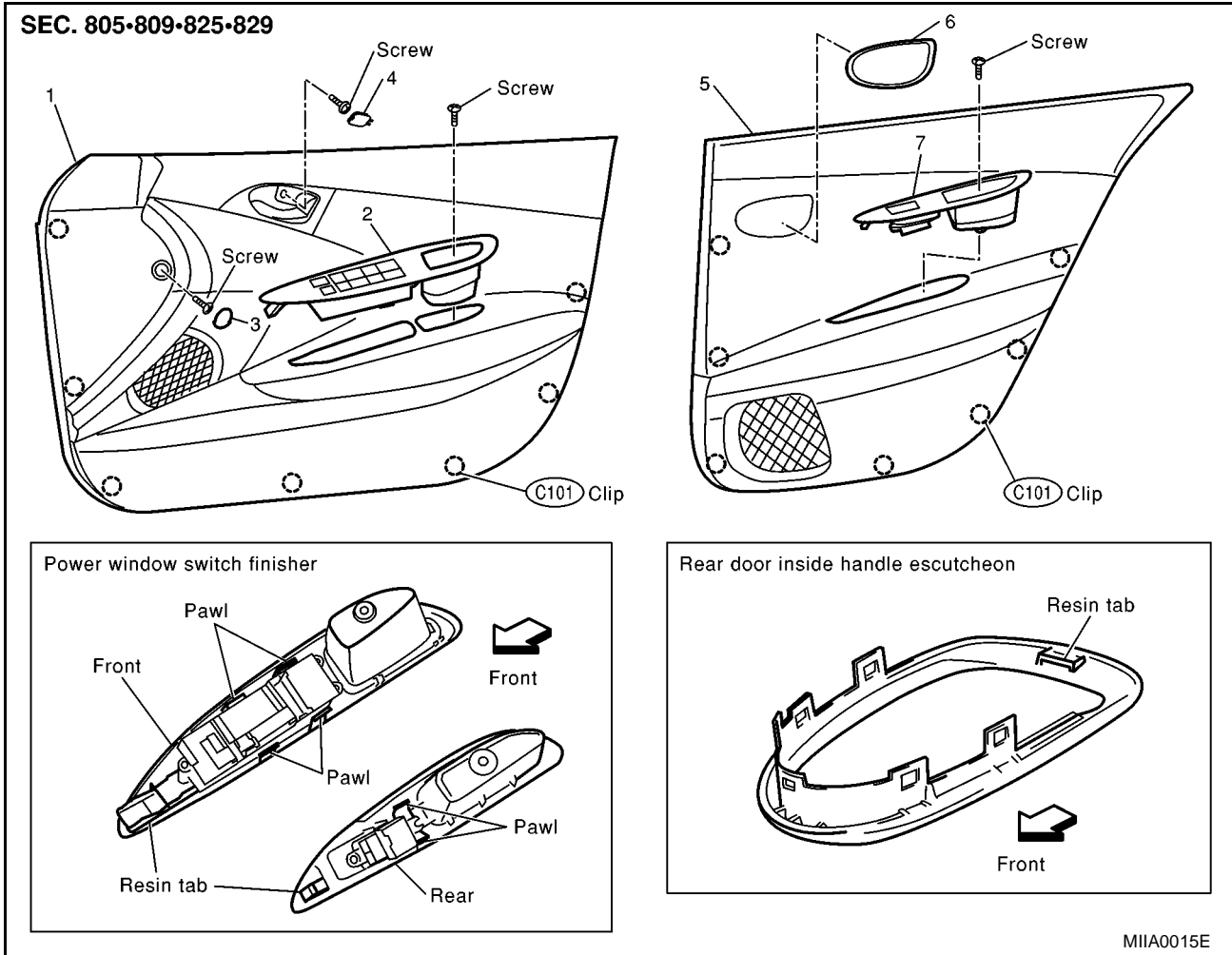
# DOOR FINISHER

## DOOR FINISHER

PFP:80900

### Removal and Installation

EIS002IF



- |   |  |                             |
|---|--|-----------------------------|
| 1. Front door finisher                      | 2. Power window switch finisher (Front door) | 3. Cap                      |
| 4. Mask                                     | 5. Rear door finisher                        | 6. Inside handle escutcheon |
| 7. Power window switch finisher (Rear door) |  |                             |

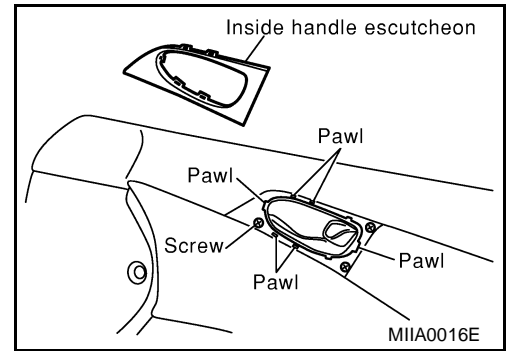
## REMOVAL

### Front

1. Remove door finisher cap and inside handle mask. Remove screws.
2. Remove installation screw from power window switch finisher.
3. Insert a screwdriver, wrapped with a cloth, into the cutout on the lower part of finisher. Unfasten the clips.
4. Pull the door finisher upwards to remove.

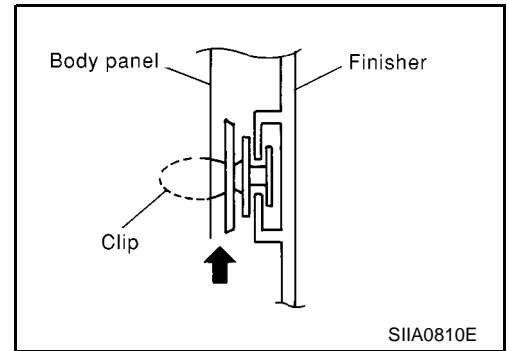
# DOOR FINISHER

5. Insert a screwdriver, wrapped with a shop cloth, into door trim on the inside handle escutcheon. Disengage the tabs on the front upper side (2) and lower side (2). Slide rearwards to remove.
6. Remove installation screws (3). Then remove inside handle.



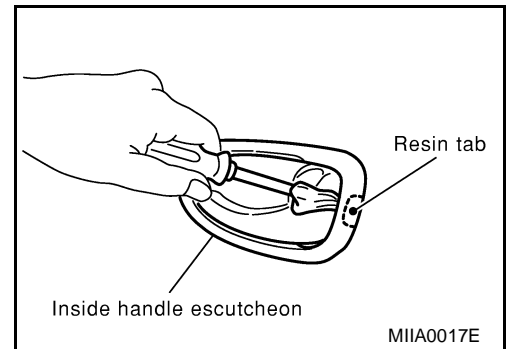
## NOTE:

- Insert a clip driver or clip clamp remover into the part shown by the arrow (between the body side panel and the clips). Remove finisher.
- To install the finisher, confirm clips are surely aligned with the holes on the body side panel, then press in.



## Rear

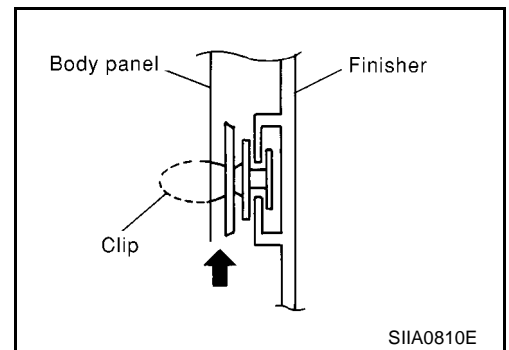
1. Insert a screwdriver, wrapped with a cloth, into the gap and remove inside handle escutcheon rear side pawl. Disengage the tabs on the front, upper side (2) and lower side (2). Remove inside handle escutcheon.



2. Remove installation screw from power window switch finisher.
3. Insert a screwdriver, wrapped with a cloth, into the cutout on the lower part of finisher. Unfasten the clips.
4. Pull the door finisher upwards to remove.

## NOTE:

- Insert a clip driver or clip clamp remover into the part shown by the arrow (between the body side panel and the clips). Remove finisher.
- To install the finisher, confirm clips are surely aligned with the holes on the body side panel, then press in.



## INSTALLATION

Install in the reverse order of removal.

A  
B  
C  
D  
E  
F  
G  
H  
EI  
J  
K  
L  
M

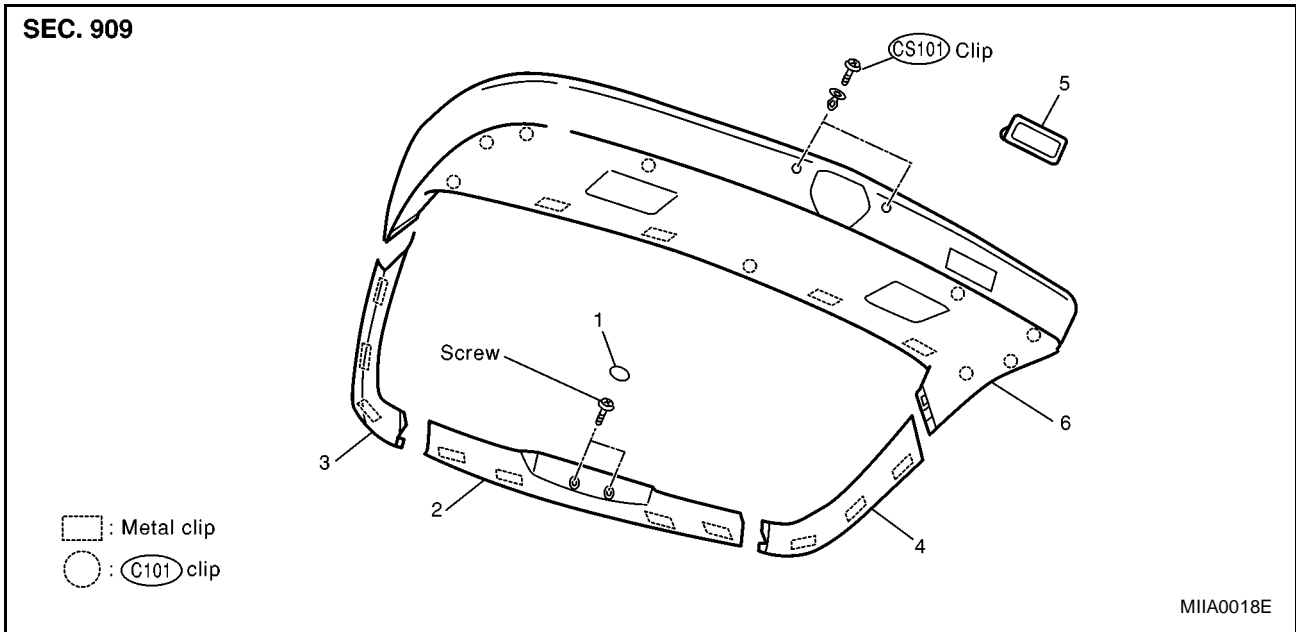
# BACK DOOR TRIM

PFP:90900

EIS002IG

## BACK DOOR TRIM

### Removal and Installation



- |                                |                            |                                |
|--------------------------------|----------------------------|--------------------------------|
| 1. Cap                         | 2. Back door upper garnish | 3. Back door side garnish (LH) |
| 4. Back door side garnish (RH) | 5. Pull handle             | 6. Back door finisher          |

### REMOVAL

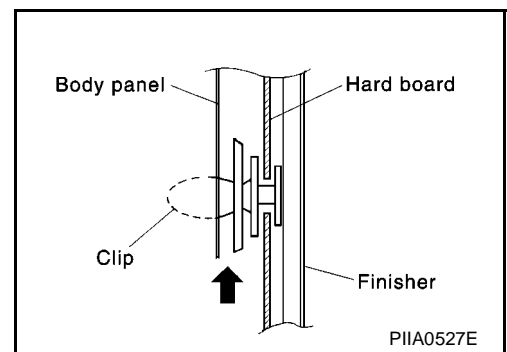
1. Remove cap of back door upper garnish. Then remove installation screws.
2. Remove back door upper garnish.
3. Remove RH/LH back door side garnish.
4. Remove pull handle.
5. Remove installation screws. Then remove back door finisher.

### INSTALLATION

Install in the reverse order of removal.

#### NOTE:

- Insert a clip driver or clip clamp remover into the part shown by the arrow (between the clips and the body side panel). Remove clips.
- When installing, confirm clips are surely aligned with the holes on the body side panel, then press in.





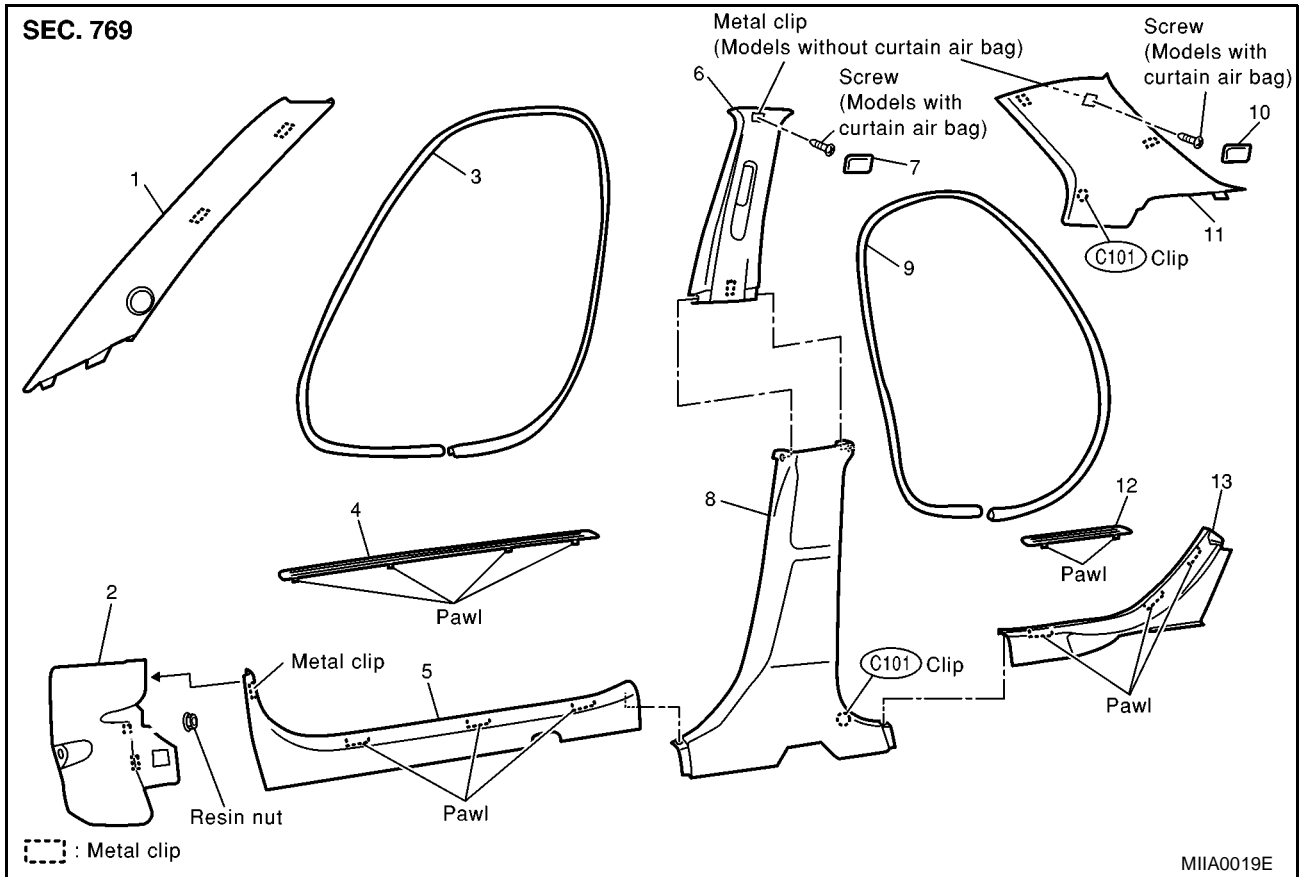
# BODY SIDE TRIM

## BODY SIDE TRIM

PFP:76913

### Removal and Installation

EIS002IH



- |   |                                |                                |
|---|--------------------------------|--------------------------------|
| 1. Front pillar garnish                     | 2. Dashboard side finisher     | 3. Front body side welt        |
| 4. Front kick panel (Outer)                 | 5. Front kick panel (Inner)    | 6. Center pillar upper garnish |
| 7. Center pillar cap (With curtain air bag) | 8. Center pillar lower garnish | 9. Rear body side welt         |
| 10. Rear pillar cap (With curtain air bag)  | 11. Rear pillar finisher       | 12. Rear kick panel (Outer)    |
| 13. Rear kick panel (Inner)                 |                                |                                |

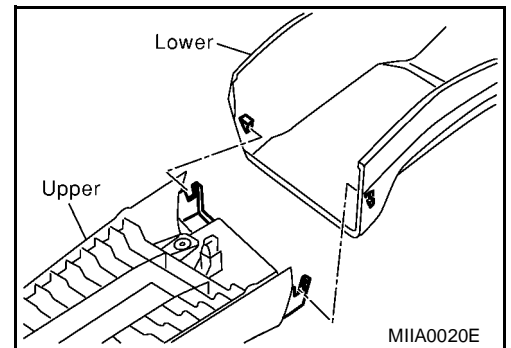
### REMOVAL

#### Front Pillar Garnish

1. Remove front body side welt.
2. Remove front pillar garnish.

#### Center Pillar Lower Garnish

1. Remove front and rear body side welt.
2. Remove front and rear kick panels.
3. Remove center pillar lower garnish.



A  
B  
C  
D  
E  
F  
G  
H  
EI  
J  
K  
L  
M

# BODY SIDE TRIM

## Center Pillar Upper Garnish

1. Remove center pillar lower garnish.
2. Remove front seat belt shoulder anchor. Refer to [SB-3, "Removal and Installation of Front Seat Belt"](#).
3. Remove center pillar cap. Then installation screw. (With curtain air bag models)
4. Remove center pillar upper garnish.

## Rear Pillar Finisher

1. Remove rear body side welt.
2. Remove rear pillar cap. Then installation screw. (With curtain air bag models)
3. Remove rear pillar finisher.

## Dashboard Side Finisher

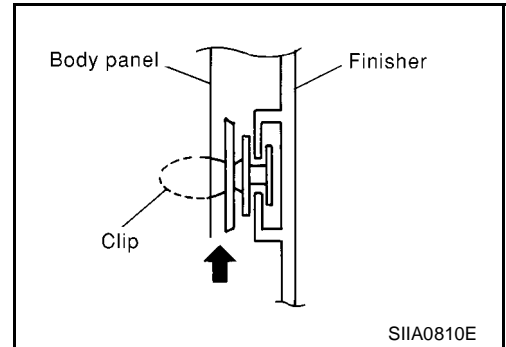
1. Remove front kick panel.
2. Remove front body side welt.
3. Remove resin nut.
4. Remove dashboard side finisher.

## Body Side Welt

1. Remove front and rear kick panels.
2. Remove center pillar lower garnish.
3. Remove center pillar upper garnish.

### NOTE:

- Insert a screwdriver, wrapped with a shop cloth, into the part shown by an arrow (between the body side panel and clips). Remove clips.
- When installing, confirm clips are aligned with the body side panel holes, and then press in.

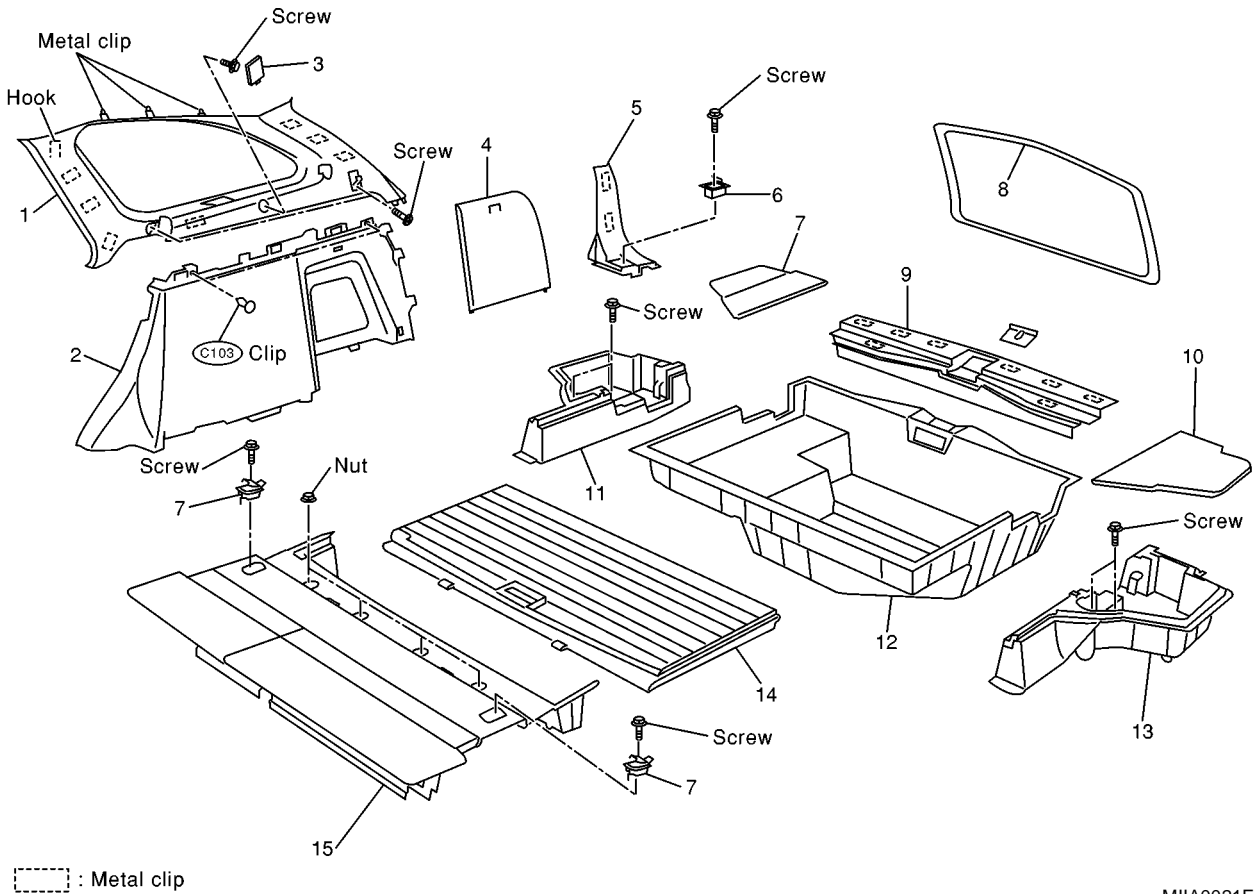


# BODY SIDE TRIM

## Removal and Installation (Wagon Models)

EIS00211

### SEC. 849



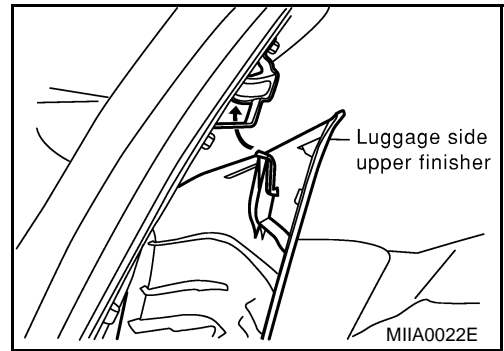
- |   |  |   |
|---|--|---|
| 1. Luggage side upper finisher          | 2. Luggage side lower finisher         | 3. Luggage trim cap                     |
| 4. Luggage side trim cap                | 5. Tail gate kick panel                | 6. Rope hook                            |
| 7. Luggage floor finisher (RH)          | 8. Back door weatherstrip              | 9. Luggage rear spacer                  |
| 10. Luggage floor finisher (LH)         | 11. Luggage floor side spacer (RH)     | 12. Luggage floor box                   |
| 13. Luggage floor side spacer (LH)      | 14. Luggage floor center rear finisher | 15. Luggage floor center front finisher |
| 16. Luggage floor center front finisher |  |   |

### LUGGAGE SIDE UPPER FINISHER

1. Remove luggage floor center rear finisher and luggage floor box.
2. Remove back door weatherstrip.
3. Remove luggage rear spacer.
4. Remove rope hook and tail gate kick panel.
5. Remove luggage trim cap. Then remove screw.

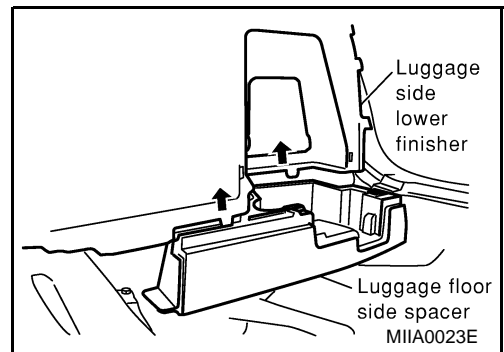
# BODY SIDE TRIM

6. Remove luggage side upper finisher.



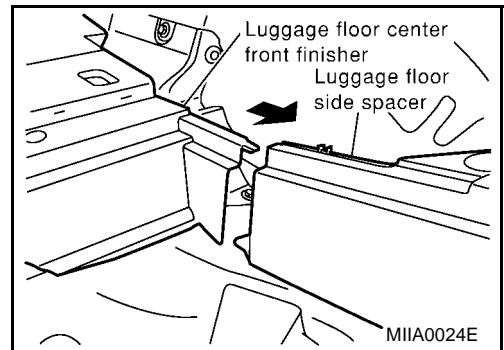
## LUGGAGE SIDE LOWER FINISHER

1. Remove luggage side upper finisher.
2. Remove luggage side lid.
3. Remove rear kick panel (Inner).
4. Remove clips from the upper of luggage side lower finisher, and lift upwards to remove.



## LUGGAGE FLOOR CENTER FRONT FINISHER

1. Remove luggage side lower finisher.
2. Remove installation screw from luggage floor side spacer. Then pull luggage floor side spacer rearwards to remove.



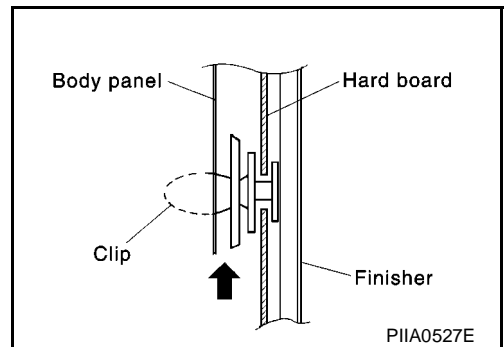
3. Remove rope hook. Pull luggage floor center front finisher upwards to remove.

## INSTALLATION

Install in the reverse order of removal.

### NOTE:

- Insert a clip driver or clip clamp remover into the part shown by the arrow (between the clips and the body side panel). Remove clips.
- When installing, confirm clips are surely aligned with the holes on the body side panel, then press in.



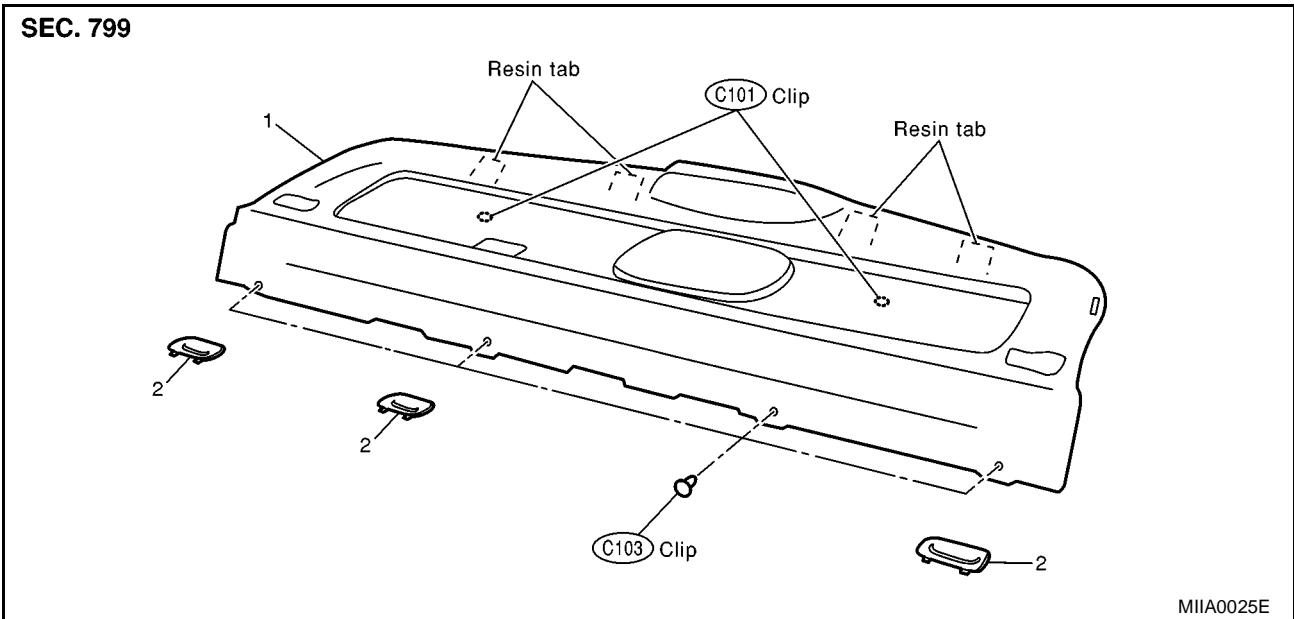
# REAR PARCEL SHELF FINISHER

## REAR PARCEL SHELF FINISHER

PPF:79910

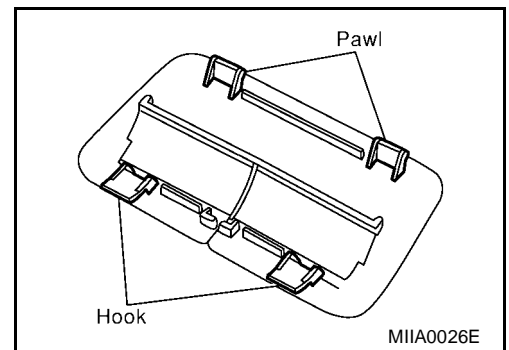
### Removal and Installation

EIS002HH



### REMOVAL

1. Remove rear seat. Refer to [SE-17, "Removal and Installation"](#).
2. Remove rear pillar finisher.
3. Remove rear seat belt anchor bolt. Refer to [SB-4, "Removal and Installation of Rear Seat Belt"](#).
4. Remove RH/LH seat belt escutcheon.



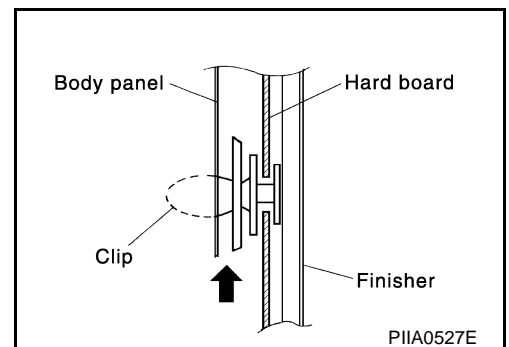
5. Remove high-mounted stop lamp connector from trunk room side.
6. Remove clips from the forward surface.
7. Remove clips from the reverse surface of rear parcel shelf finisher, and lift upwards to remove.

### INSTALLATION

Install in the reverse order of removal.

#### NOTE:

- Insert a clip driver or clip clamp remover into the part shown by the arrow (between the clips and the body side panel). Remove clips.
- When installing, confirm clips are surely aligned with the holes on the body side panel, then press in.



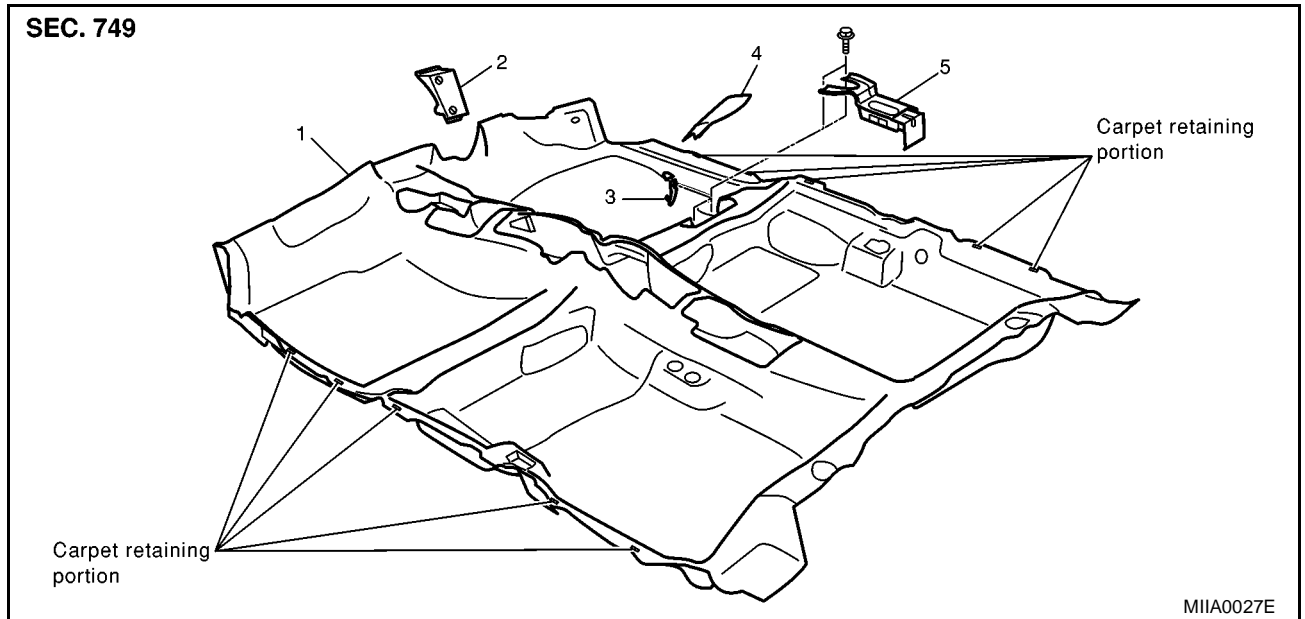
# FLOOR TRIM

## FLOOR TRIM

PFP:74902

### Removal and Installation

EIS002HI



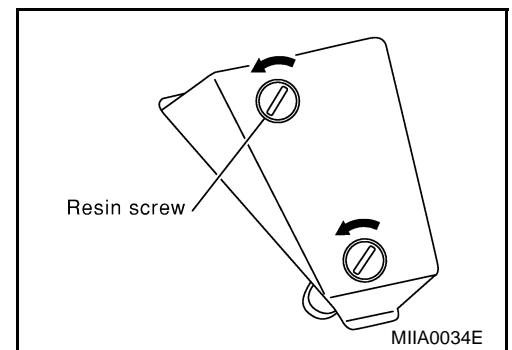
1. Floor carpet
2. Foot rest
3. Carpet hook
4. Model number plate cover
5. ACC control unit (With ACC models)

### REMOVAL

1. Remove front seat and rear seat cushions. Refer to [SE-12, "Removal and Installation"](#) in the front seat section, and to [SE-17, "Removal and Installation"](#) in the rear seat section.
2. Remove center console.
3. Remove lower instrument cover.
4. Remove front floor console.
5. Remove floor anchor bolt of front seat belt. Refer to [SB-3, "Removal and Installation of Front Seat Belt"](#).
6. Remove front and rear kick panels. (Inner)
7. Remove center pillar lower garnish.
8. Remove front and rear body-side welts.
9. Remove the dashboard side finisher.
10. Remove resin screws to rotate counterclockwise. Remove foot-rest.

#### NOTE:

Installation: Plug in stud bolts on the body side.



11. Remove carpet hooks and clips.
12. Remove carpet from the carpet anchor clips.
13. Remove floor carpet.

#### NOTE:

- For steps 2-4, refer to [IP-4, "Removal and Installation"](#).
- For steps 6-9, refer to [EI-25, "BODY SIDE TRIM"](#).

# FLOOR TRIM

---

## INSTALLATION

Install in the reverse order of removal.

A

B

C

D

E

F

G

H

**EI**

J

K

L

M

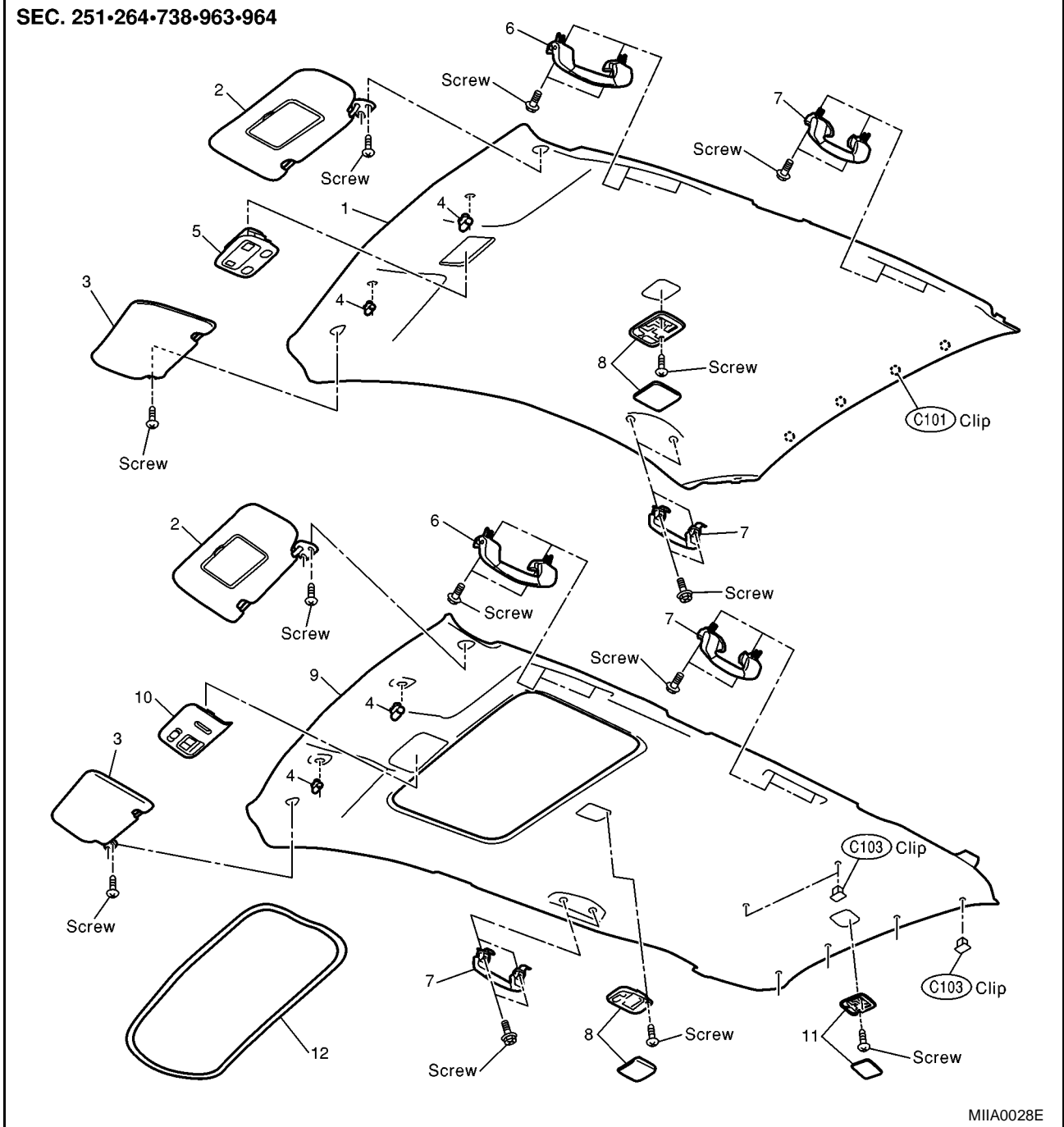
# HEADLINING

PFP:73910

## HEADLINING

### Removal and Installation

EIS002JJ



MIIA0028E

- |                                 |                              |  |
|---------------------------------|------------------------------|--|
| 1. Headliner (Sedan)            | 2. Sun visor (left)          | 3. Sun visor (right)                   |
| 4. Sun visor holder             | 5. Map lamp                  | 6. Assistance grip (Front)             |
| 7. Assistance grip (Rear)       | 8. Interior lamp             | 9. Headliner (Wagon)                   |
| 10. Sunroof switch and map lamp | 11. Luggage compartment lamp | 12. Sunroof welt (With sunroof models) |

## REMOVAL

### Sedan Models

1. Remove front pillar and center pillar garnishes. Refer to [EI-25, "BODY SIDE TRIM"](#).
2. Remove body side welt. Refer to [EI-25, "BODY SIDE TRIM"](#).
3. Remove rear pillar finisher. Refer to [EI-25, "BODY SIDE TRIM"](#).

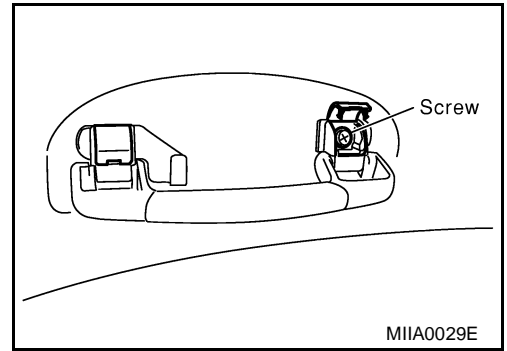


# HEADLINING

4. Remove assistance grip.

**NOTE:**

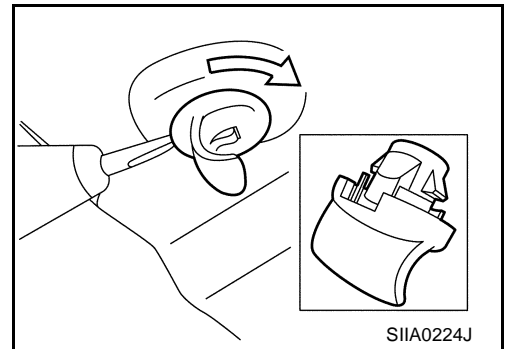
Insert the screwdriver into the cutout and remove screws (1 each on left/right).



5. Remove map lamp, interior lamp, and luggage compartment lamp. Refer to [LT-96, "INTERIOR ROOM LAMP"](#), [LT-120, "SPOT, VANITY MIRROR AND TRUNK \(LUGGAGE\) ROOM LAMPS"](#).
6. Remove sun visors (driver side and passenger side).
7. Remove headliner rear clips.
8. Remove sun visor holder.

**NOTE:**

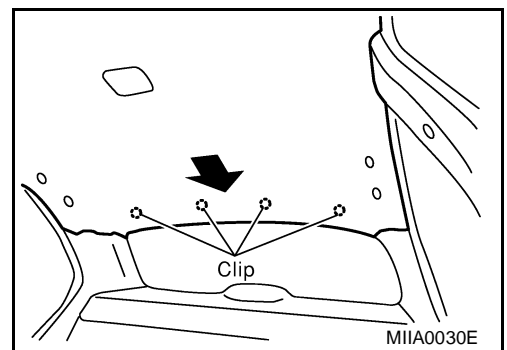
Insert a screwdriver into the cutout and rotate 90° to remove.



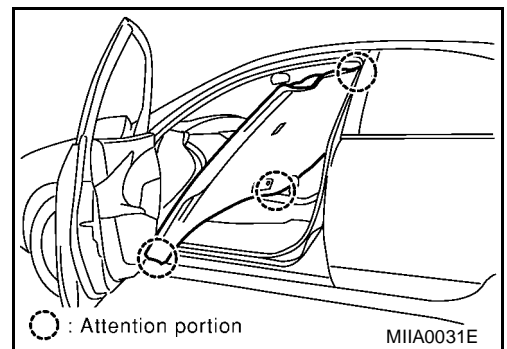
9. Slide headliner rearward. Remove clips. (Sedan models)

**NOTE:**

- If the headliner is removed with clips intact, it will crease because of the clips on the body panel side.



10. Remove headliner through the front passenger door opening. (Sedan models)



A  
B  
C  
D  
E  
F  
G  
H  
EI  
J  
K  
L  
M

## HEADLINING

---

11. Remove installation clips from rear portion of headliner. (Wagon models)
12. Remove headliner through the back door opening. (Wagon models)

**NOTE:**

- Removal and installation must be performed by 2 persons.
- Do not strongly bend the headliner.

### **INSTALLATION**

Install in the reverse order of removal.

Remove the clips on the body panel, and install the headliner.

# TRUNK ROOM TRIM AND TRUNK LID TRIM

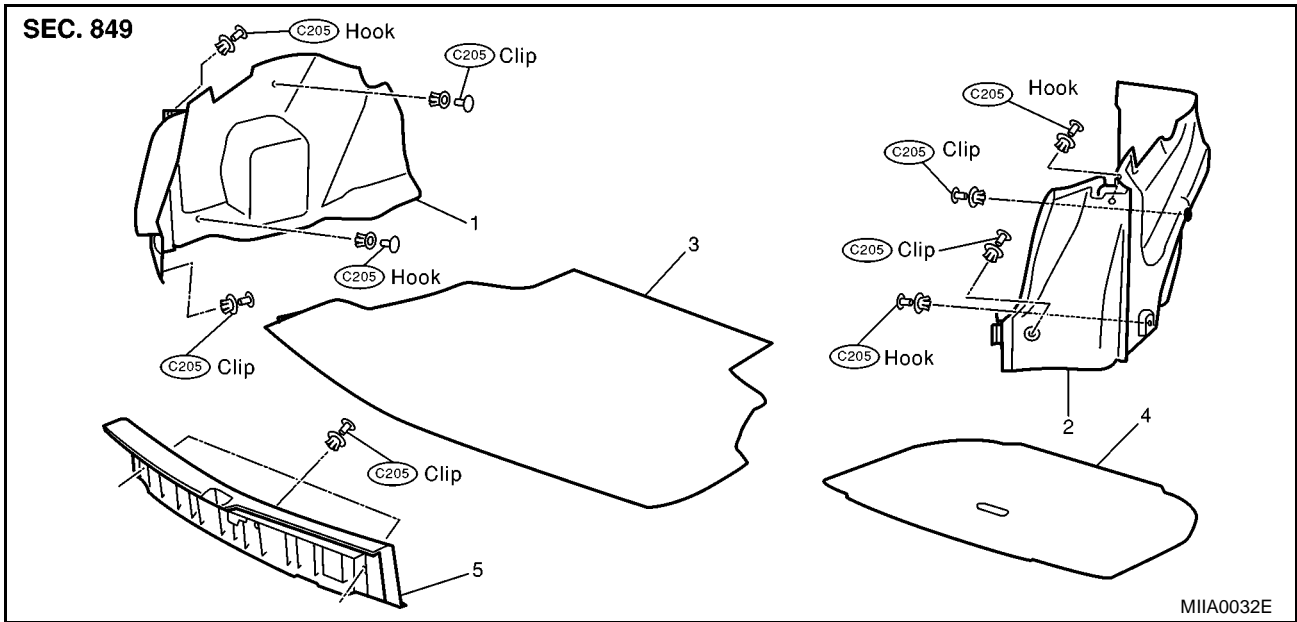
## TRUNK ROOM TRIM AND TRUNK LID TRIM

PFP:84900

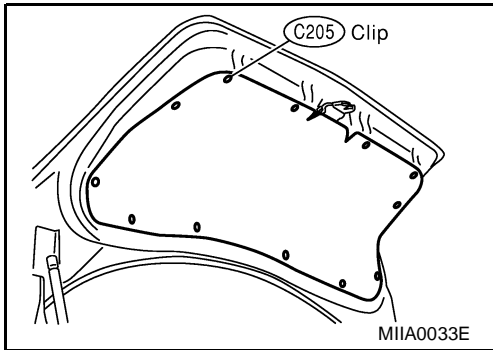
### Removal and Installation

EIS002HN

A  
B  
C  
D  
E  
F  
G  
H  
EI  
J  
K  
L  
M



- 1. Rear wheel house finisher (LH)
- 2. Rear wheel house finisher (RH)
- 3. Trunk floor carpet
- 4. Spare tyre cover
- 5. Trunk room rear plate



## TRUNK ROOM TRIM AND TRUNK LID TRIM

---