

SECTION **SB**
SEAT BELTS

A
B
C
D
E
F
G
SB
I
J
K
L
M

CONTENTS

PRECAUTIONS	2	REMOVAL	3
Precautions for Supplemental Restraint System (SRS) "AIR BAG" and "SEAT BELT PRE-TEN- SIONER"	2	INSTALLATION	3
Precaution for Seat Belt Service	2	Removal and Installation of Rear Seat Belt	4
AFTER A COLLISION	2	REMOVAL (SEDAN MODELS)	4
SEAT BELTS	3	INSTALLATION (SEDAN MODELS)	4
Removal and Installation of Front Seat Belt	3	REMOVAL (WAGON MODELS)	4
		INSTALLATION (WAGON MODELS)	5

PRECAUTIONS

PRECAUTIONS

PFP:00001

Precautions for Supplemental Restraint System (SRS) “AIR BAG” and “SEAT BELT PRE-TENSIONER”

EHS000EK

The Supplemental Restraint System such as "AIR BAG" and "SEAT BELT PRE-TENSIONER", used along with a front seat belt, helps to reduce the risk or severity of injury to the driver and front passenger for certain types of collision. Information necessary to service the system safely is included in the SRS and SB section of this Service Manual.

WARNING:

- To avoid rendering the SRS inoperative, which could increase the risk of personal injury or death in the event of a collision which would result in air bag inflation, all maintenance must be performed by an authorized NISSAN/INFINITI dealer.
- Improper maintenance, including incorrect removal and installation of the SRS, can lead to personal injury caused by unintentional activation of the system. For removal of Spiral Cable and Air Bag Module, see the SRS section.
- Do not use electrical test equipment on any circuit related to the SRS unless instructed to in this Service Manual. SRS wiring harnesses can be identified by yellow and/or orange harness connectors.

Precaution for Seat Belt Service

EHS000EL

CAUTION:

- Before removing the seat belt pre-tensioner assembly, turn the ignition switch off, disconnect the battery ground cable and wait at least 3 minutes.
- Do not use electrical test equipment for seat belt pre-tensioner connector.
- After replacing or reinstalling seat belt pre-tensioner assembly, or reconnecting seat belt pre-tensioner connector, check the system function. Refer to [SRS-18. "SRS Operation Check"](#).
- Do not use disassemble buckle or seat belt assembly.
- Replace anchor bolts if they are deformed or worn out.
- Never oil tongue and buckle.
- If any component of seat belt assembly is questionable, do not repair. Replace the whole seat belt assembly.
- If webbing is cut, frayed, or damaged, replace seat belt assembly.
- When replacing seat belt assembly, use a genuine seat belt assembly.

AFTER A COLLISION

WARNING:

Inspect all seat belt assemblies including retractors and attaching hardware after any collision. NISSAN recommends that all seat belt assemblies in use during a collision be replaced unless the collision was minor and the belts show no damage and continue to operate properly. Failure to do so could result in serious personal injury in an accident. Seat belt assemblies not in use during a collision should also be replaced if either damage or improper operation is noted. Seat belt pre-tensioner should be replaced even if the seat belts are not in use during a frontal collision in which the air bags are deployed.

Replace any seat belt assembly (including anchor bolts) if:

- The seat belt was in use at the time of a collision (except for minor collisions and the belts, retractors and buckles show no damage and continue to operate properly).
- The seat belt was damaged in an accident. (i.e. torn webbing, bent retractor or guide, etc.)
- The seat belt attaching point was damaged in an accident. Inspect the seat belt attaching area for damage or distortion and repair as necessary before installing a new seat belt assembly.
- Anchor bolts are deformed or worn out.
- The seat belt pre-tensioner should be replaced even if the seat belts are not in use during the collision in which the air bags are deployed.

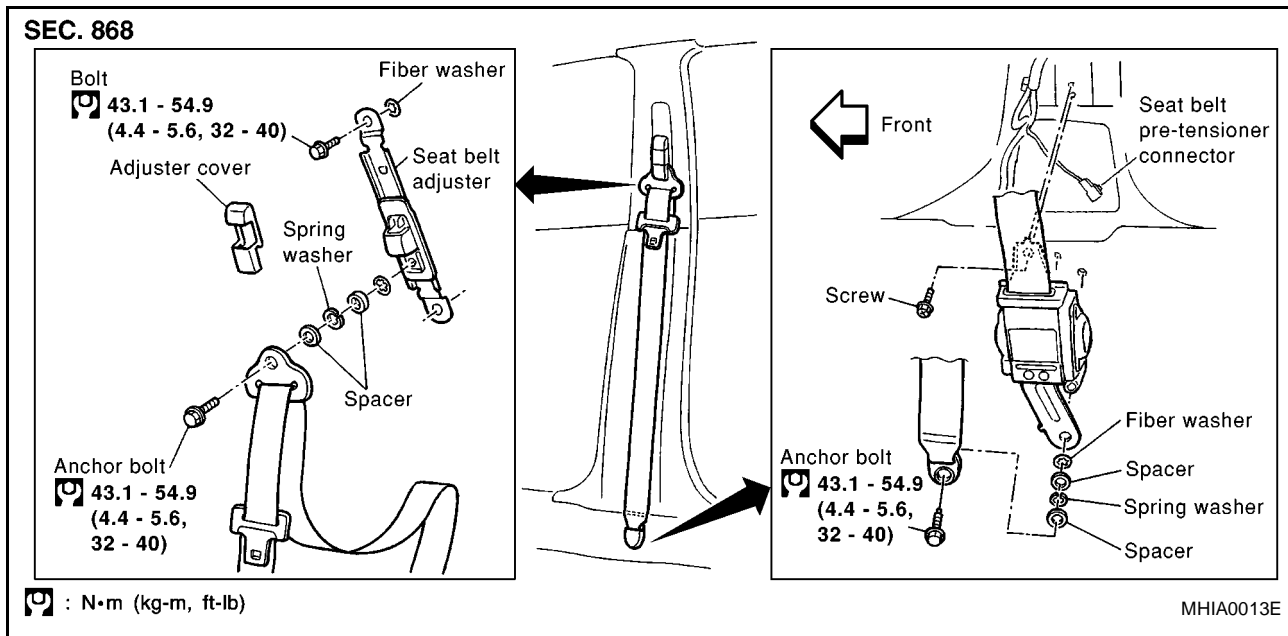
SEAT BELTS

SEAT BELTS

PPF:86884

Removal and Installation of Front Seat Belt

EHS000EM

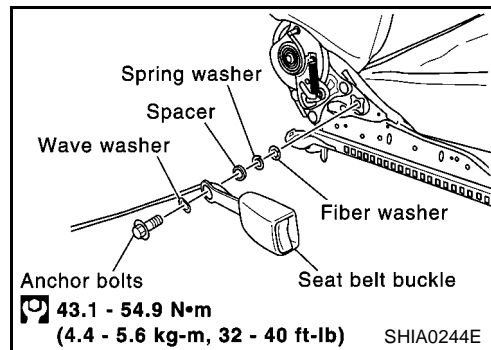


CAUTION:

Before servicing SRS, turn the ignition switch off, disconnect the battery ground cable and wait at least 3 minutes.

REMOVAL

1. Remove adjuster cover.
2. Remove shoulder anchor bolt.
3. Slide the floor anchor cover.
4. Remove floor anchor bolt.
5. Remove center pillar upper and lower garnish. Refer to [EI-25, "Removal and Installation"](#) .
6. Remove pre-tensioner seat belt retractor fixing screws to remove seat belt assembly.
7. Remove front seat. Refer to [SE-12, "Removal and Installation"](#) .
8. Remove screw, and remove seat cushion inner finisher.
9. Remove anchor bolt to remove seat belt buckle.



INSTALLATION

CAUTION:

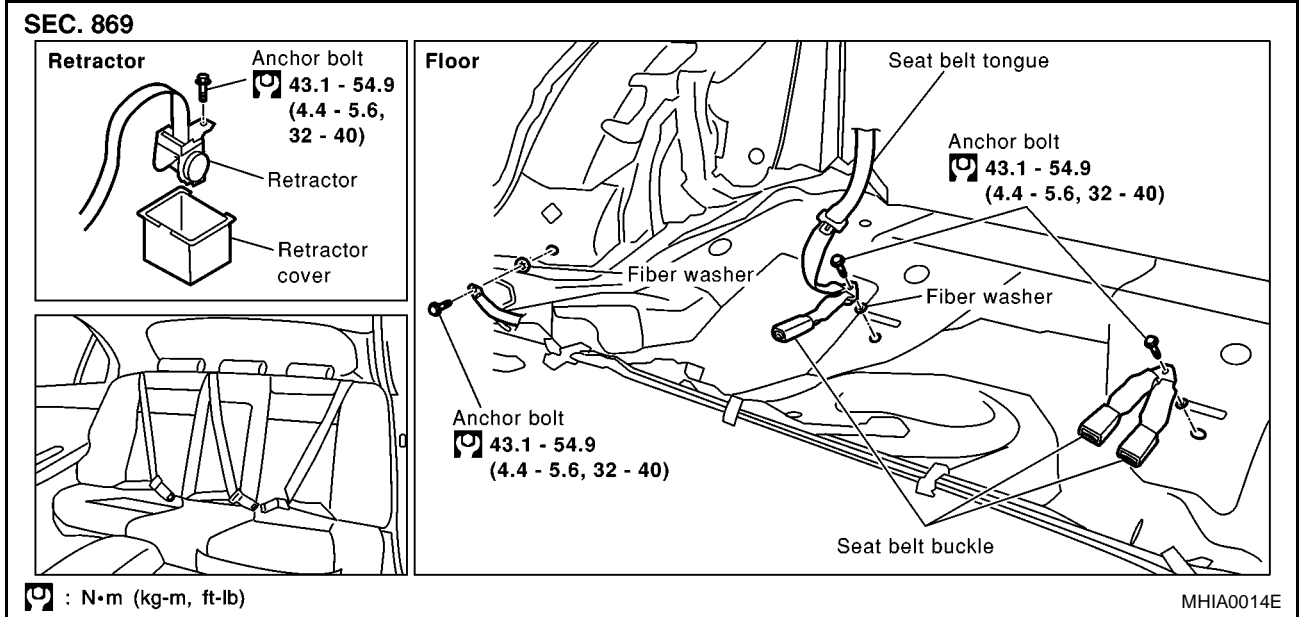
Before servicing SRS, turn the ignition switch off, disconnect the battery ground cable and wait at least 3 minutes.

- Install in the reverse order of removal.

SEAT BELTS

EHS000EN

Removal and Installation of Rear Seat Belt REMOVAL (SEDAN MODELS)

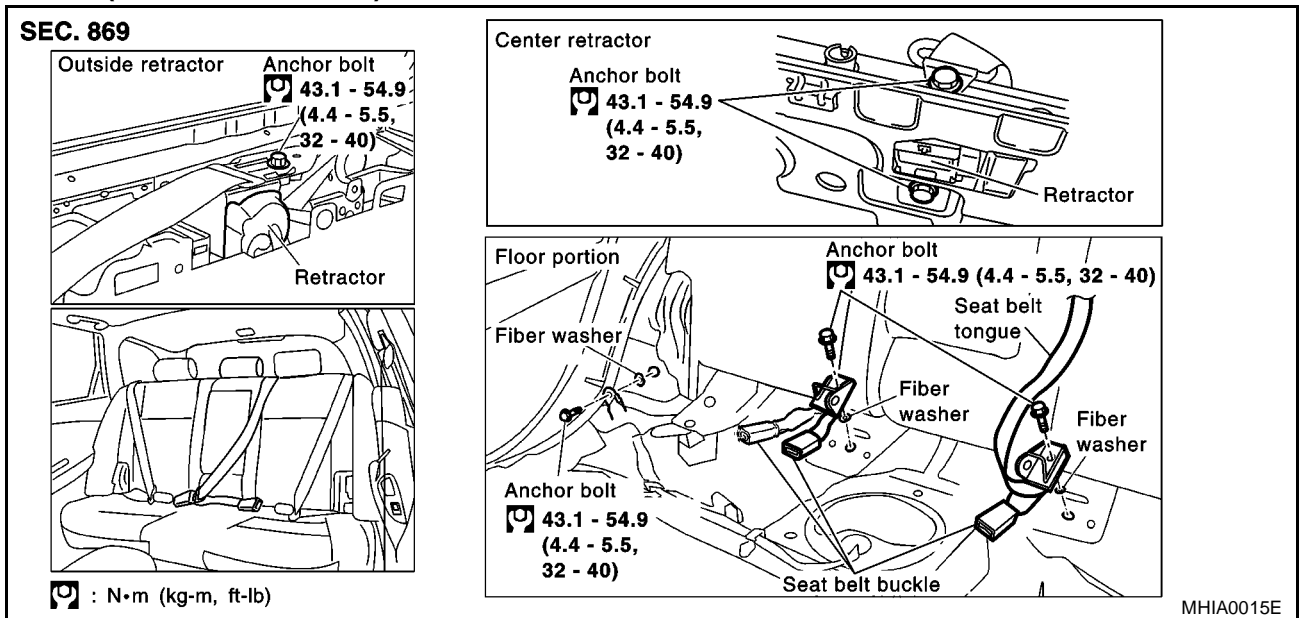


1. Remove rear seat cushion and rear seat back. Refer to [SE-17, "Removal and Installation"](#) .
2. Remove rear pillar finisher. Refer to [EI-25, "Removal and Installation"](#) .
3. Remove outer anchor and floor anchor bolt.
4. Remove rear parcel shelf finisher. Refer to [EI-29, "Removal and Installation"](#) .
5. Remove seat belt retractor mounting screw and anchor bolt, and remove seat belt assembly.

INSTALLATION (SEDAN MODELS)

- Install in the reverse order of removal.

REMOVAL (WAGON MODELS)



RH/LH Rear Seat Belt

1. Fold rear seat cushion up.
2. Remove luggage lower finisher. Refer to [EI-27, "Removal and Installation \(Wagon Models\)"](#) .
3. Remove outer anchor and floor anchor bolts.
4. Remove seat belt retractor mounting screw and anchor bolt, and remove the seat belt assembly.

SEAT BELTS

Center Rear Seat Belt

1. Fold rear seat cushion up.
2. Remove anchor bolts securing center seat belt retractor.
3. Remove rear seatback. Refer to [SE-12, "Removal and Installation"](#) .
4. Remove rear seatback board.
5. Remove rear center armrest.
6. Remove hog ring securing upper portion of rear seatback trim.
7. Remove rear seat belt retractor.

INSTALLATION (WAGON MODELS)

- Install in the reverse order of removal.

A

B

C

D

E

F

G

SB

I

J

K

L

M

SEAT BELTS
