

## SECTION **EM**

### CONTENTS

<b>PRECAUTIONS</b> .....	2	CAMSHAFT END PLAY.....	29
Parts Requiring Angular Tightening.....	2	CAMSHAFT SPROCKET RUNOUT .....	30
Liquid Gasket Application Procedure .....	2	VALVE GUIDE CLEARANCE .....	30
<b>PREPARATION</b> .....	3	VALVE GUIDE REPLACEMENT.....	30
Special Service Tools .....	3	VALVE SEATS.....	31
Commercial Service Tools .....	5	REPLACING VALVE SEAT FOR SERVICE PARTS ....	31
<b>NOISE, VIBRATION AND HARSHNESS (NVH)</b>		VALVE DIMENSIONS.....	32
<b>TROUBLESHOOTING</b> .....	7	VALVE SPRING .....	32
NVH Troubleshooting Chart — Engine Noise.....	8	ROCKER SHAFT AND ROCKER ARM .....	33
<b>OUTER COMPONENT PARTS</b> .....	9	HYDRAULIC VALVE LIFTER .....	33
Removal and Installation .....	9	Assembly .....	34
WARM-UP THREE WAY CATALYST LH.....	11	Installation.....	34
<b>MEASUREMENT OF COMPRESSION PRESSURE</b> ....	12	<b>ENGINE ASSEMBLY</b> .....	39
<b>OIL PAN</b> .....	13	Removal and Installation .....	39
Removal.....	13	REMOVAL.....	40
Installation.....	14	<b>CYLINDER BLOCK</b> .....	42
<b>TIMING BELT</b> .....	16	Components.....	42
Components.....	16	CYLINDER BLOCK HEATER .....	43
Removal.....	17	Removal and Installation .....	43
Inspection.....	18	Disassembly.....	44
BELT TENSIONER AND TENSIONER SPRING .....	19	PISTON AND CRANKSHAFT .....	44
Installation.....	19	Inspection.....	44
BELT TENSION CHECK .....	21	PISTON AND PISTON PIN CLEARANCE .....	44
<b>OIL SEAL</b> .....	22	PISTON RING SIDE CLEARANCE .....	45
Replacement.....	22	PISTON RING END GAP.....	45
VALVE OIL SEAL.....	22	CONNECTING ROD BEND AND TORSION .....	45
OIL SEAL INSTALLING DIRECTION .....	22	CYLINDER BLOCK DISTORTION AND WEAR.....	46
CAMSHAFT OIL SEAL .....	23	PISTON-TO-BORE CLEARANCE .....	46
FRONT OIL SEAL.....	23	CRANKSHAFT.....	48
REAR OIL SEAL.....	23	BEARING CLEARANCE .....	48
<b>CYLINDER HEAD</b> .....	24	CONNECTING ROD BUSHING CLEARANCE	
Components.....	24	(SMALL END).....	50
Removal.....	25	REPLACEMENT OF CONNECTING ROD	
Disassembly.....	27	BUSHING (SMALL END) .....	51
Inspection.....	28	DRIVE PLATE RUNOUT .....	51
CYLINDER HEAD DISTORTION .....	28	Assembly .....	51
CAMSHAFT VISUAL CHECK .....	28	PISTON .....	51
CAMSHAFT RUNOUT.....	28	CRANKSHAFT.....	51
CAMSHAFT CAM HEIGHT .....	28	REPLACING PILOT CONVERTER .....	53
CAMSHAFT JOURNAL CLEARANCE.....	29	<b>SERVICE DATA AND SPECIFICATIONS (SDS)</b> .....	54
		General Specifications.....	54

# CONTENTS (Cont'd)

Cylinder Head.....	55	PISTON RING.....	61	GI
Valve.....	55	PISTON PIN.....	62	
VALVE.....	55	Connecting Rod.....	62	
VALVE SPRING.....	56	Crankshaft.....	62	MA
HYDRAULIC VALVE LIFTER.....	56	Available Main Bearing.....	63	
VALVE GUIDE.....	56	NO. 1 MAIN BEARING.....	63	EM
ROCKER SHAFT AND ROCKER ARM.....	56	NO. 2 AND 3 MAIN BEARING.....	63	
Valve Seat.....	57	NO. 4 MAIN BEARING.....	63	
INTAKE VALVE SEAT.....	57	UNDER SIZE.....	63	LC
EXHAUST VALVE SEAT.....	58	Available Connecting Rod Bearing.....	64	
Camshaft and Camshaft Bearing.....	59	CONNECTING ROD BEARING UNDERSIZE.....	64	
Cylinder Block.....	60	Miscellaneous Components.....	64	EC
Piston, Piston Ring and Piston Pin.....	61	BEARING CLEARANCE.....	64	
AVAILABLE PISTON.....	61			FE
				AT
				TF
				PD
				AX
				SU
				BR
				ST
				RS
				BT
				HA
				SC
				EL
				IDX

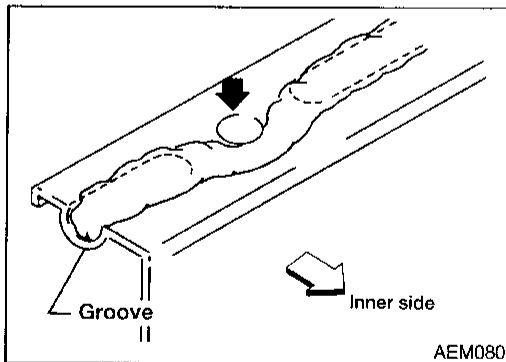
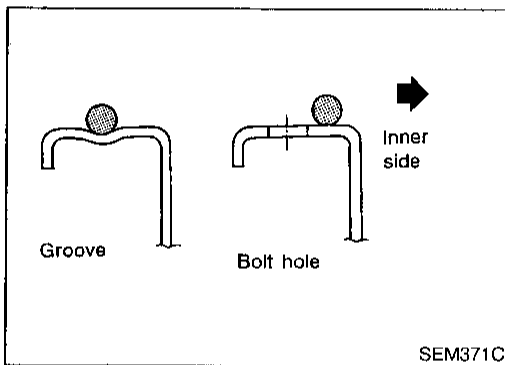
# PRECAUTIONS

## Parts Requiring Angular Tightening

### Parts Requiring Angular Tightening

NBEM0001

- Use an angle wrench for the final tightening of the following engine parts:
  - a) Cylinder head bolts
  - b) Main bearing cap bolts
  - c) Connecting rod cap nuts
  - d) Crankshaft pulley bolt
- Do not use a torque value for final tightening.
- The torque value for these parts are for a preliminary step.
- Ensure thread and seat surfaces are clean and coated with engine oil.



### Liquid Gasket Application Procedure

NBEM0002

- 1) Use a scraper to remove all traces of old liquid gasket from mating surfaces and grooves. Also completely clean any oil stains from these portions.
- 2) Apply a continuous bead of liquid gasket to mating surfaces. (Use Genuine RTV silicone sealant Part No. 999MP-A7007, Three Bond TB1207D or equivalent.)
  - Be sure liquid gasket is 3.5 to 4.5 mm (0.138 to 0.177 in) dia. (for oil pan).
  - Be sure liquid gasket is 2.0 to 3.0 mm (0.079 to 0.118 in) dia. (in areas except oil pan).
- 3) Apply liquid gasket to inner surface around hole perimeter area (unless otherwise specified).
- 4) Assembly should be done within 5 minutes after coating.
- 5) Wait at least 30 minutes before refilling engine oil and engine coolant.

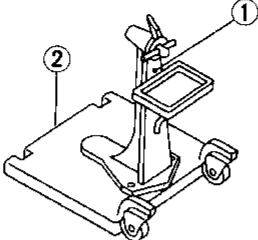
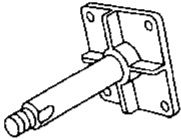
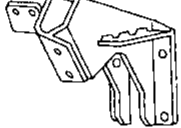
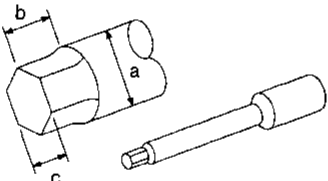
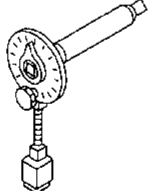
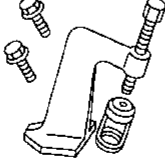
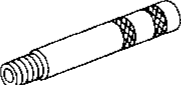
# PREPARATION

Special Service Tools

## Special Service Tools

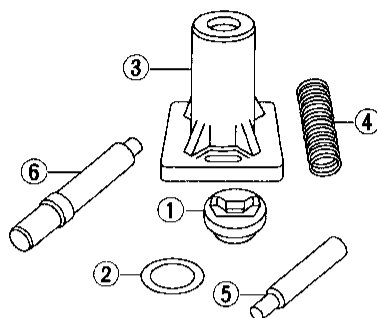
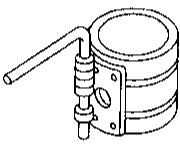
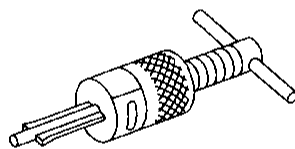
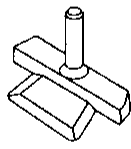
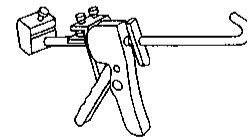
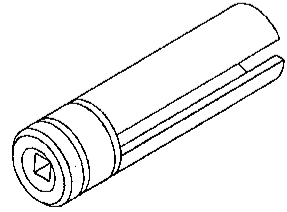
NBEM0003

The actual shapes of Kent-Moore tools may differ from those of special service tools illustrated here.

Tool number (Kent-Moore No.) Tool name	Description		GI
ST0501S000 ( — ) Engine stand assembly 1 ST05011000 ( — ) Engine stand 2 ST05012000 ( — ) Base	 <p>NT042</p>	Disassembling and assembling	MA
KV10106500 ( — ) Engine stand shaft	 <p>NT028</p>		EM
KV10110001 ( — ) Engine sub-attachment	 <p>NT032</p>		LC
ST10120000 (J24239-01) Cylinder head bolt wrench	 <p>NT583</p>	Loosening and tightening cylinder head bolt <b>a: 13 mm (0.51 in) dia.</b> <b>b: 12 mm (0.47 in)</b> <b>c: 10 mm (0.39 in)</b>	EC
KV10112100 (BT8653-A) Angle wrench	 <p>NT014</p>	Tightening bearing cap, cylinder head bolts, etc.	FE
KV10110600 (J33986) Valve spring compressor	 <p>NT033</p>	Disassembling and assembling valve components	AT
KV10107501 ( — ) Valve oil seal drift	 <p>NT025</p>	Installing valve oil seal	TF
			PD
			AX
			SU
			BR
			ST
			RS
			BT
			HA
			SC
			EL
			IDX

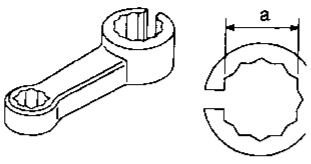
# PREPARATION

*Special Service Tools (Cont'd)*

Tool number (Kent-Moore No.) Tool name	Description
KV10110300 ( — ) Piston pin press stand assembly 1 KV10110310 ( — ) Cap 2 KV10110330 ( — ) Spacer 3 ST13030020 ( — ) Press stand 4 ST13030030 ( — ) Spring 5 KV10110340 ( — ) Drift 6 KV10110320 ( — ) Center shaft	Disassembling and assembling piston with connecting rod   NT036
EM03470000 (J8037) Piston ring compressor	Installing piston assembly into cylinder bore   NT044
ST16610001 (J23907) Pilot bushing puller	Removing crankshaft pilot bushing   NT045
KV10111100 (J37228) Seal cutter	Removing oil pan   NT046
WS39930000 ( — ) Tube presser	Pressing the tube of liquid gasket   NT052
KV10117100 (J3647-A) Heated oxygen sensor wrench	Loosening or tightening heated oxygen sensor <b>For 22 mm (0.87 in) hexagon nut</b>   NT379

# PREPARATION

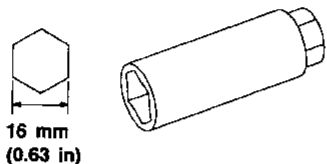
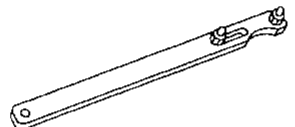

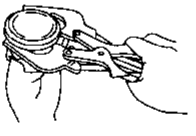
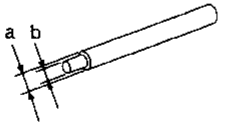
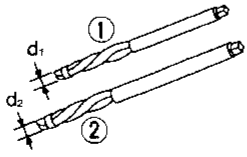
Special Service Tools (Cont'd)

Tool number (Kent-Moore No.) Tool name	Description	
KV10114400 (J38365) Heated oxygen sensor wrench		Loosening or tightening rear heated oxygen sensor (For right bank) <b>a: 22 mm (0.87 in)</b>

NT636

## Commercial Service Tools

NBEM0004

Tool name	Description	
Spark plug wrench		Removing and installing spark plug
Pulley holder		Holding camshaft pulley while tightening or loosening camshaft bolt
Valve seat cutter set		Finishing valve seat dimensions
Piston ring expander		Removing and installing piston ring
Valve guide drift		Removing and installing valve guide <b>Intake &amp; Exhaust:</b> <b>a = 10.5 mm (0.413 in) dia.</b> <b>b = 6.6 mm (0.260 in) dia.</b>
Valve guide reamer		Reaming valve guide 1 or hole for oversize valve guide 2 <b>Intake:</b> <b>d<sub>1</sub> = 7.0 mm (0.276 in) dia.</b> <b>d<sub>2</sub> = 11.2 mm (0.441 in) dia.</b> <b>Exhaust:</b> <b>d<sub>1</sub> = 8.0 mm (0.315 in) dia.</b> <b>d<sub>2</sub> = 12.2 mm (0.480 in) dia.</b>

NT047

NT035

NT048

NT030

NT015

NT016

GI

MA

EM

LC

EC

FE

AT

TF

PD

AX

SU

BR

ST

RS

BT

HA

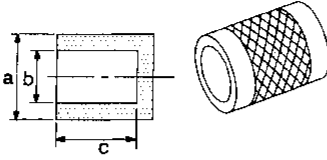
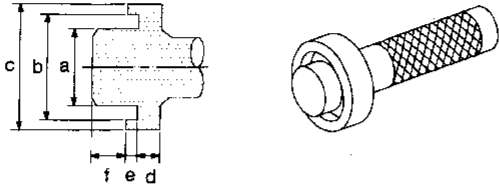
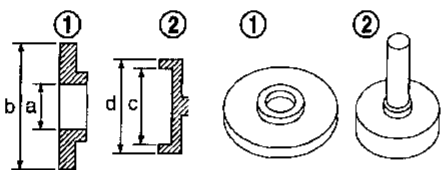
SC

EL

IDX

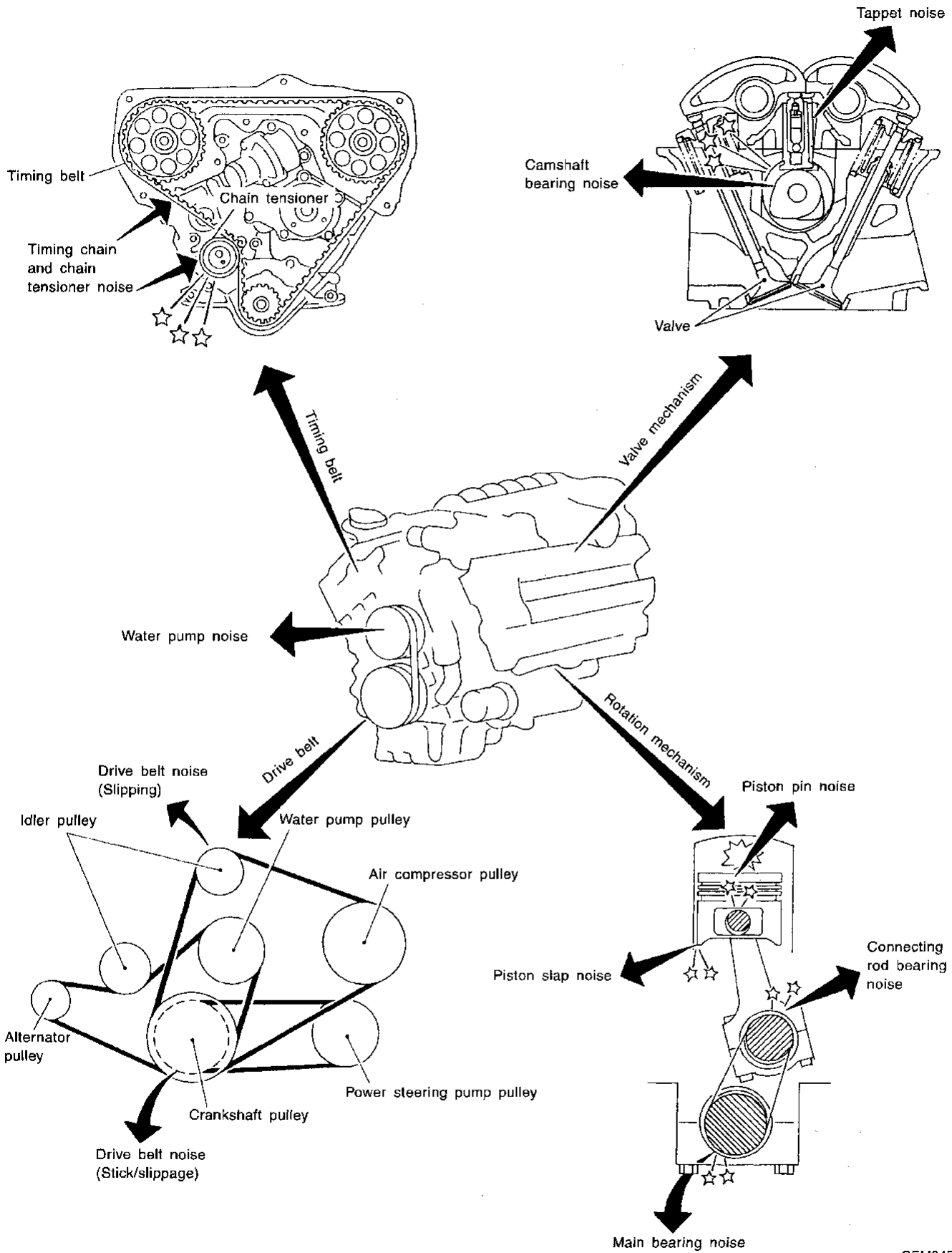
# PREPARATION

## Commercial Service Tools (Cont'd)

Tool name	Description
Camshaft oil seal drift	<div style="display: flex; align-items: center;">  <div style="margin-left: 20px;"> <p>Installing camshaft oil seal</p> <p><b>a: 60 mm (2.36 in) dia.</b></p> <p><b>b: 44.5 mm (1.752 in) dia.</b></p> <p><b>c: 75 mm (2.95 in)</b></p> </div> </div> <p style="text-align: center;">NT613</p>
Front oil seal drift	<div style="display: flex; align-items: center;">  <div style="margin-left: 20px;"> <p>Installing front oil seal</p> <p><b>a: 24.5 mm (0.965 in) dia.</b></p> <p><b>b: 36 mm (1.42 in) dia.</b></p> <p><b>c: 44 mm (1.73 in) dia.</b></p> <p><b>d: 17 mm (0.67 in)</b></p> <p><b>e: 3 mm (0.12 in)</b></p> <p><b>f: 5 mm (0.20 in)</b></p> </div> </div> <p style="text-align: center;">NT606</p>
Rear oil seal drift	<div style="display: flex; align-items: center;">  <div style="margin-left: 20px;"> <p>Installing rear oil seal</p> <p><b>a: 46 mm (1.81 in)</b></p> <p><b>b: 110 mm (4.33 in)</b></p> <p><b>c: 84 mm (3.31 in)</b></p> <p><b>d: 96 mm (3.78 in)</b></p> </div> </div> <p style="text-align: center;">NT719</p>

# NOISE, VIBRATION AND HARSHNESS (NVH) TROUBLESHOOTING

NBEM0039



GI

MA

**EM**

LC

EC

FE

AT

TF

PD

AX

SU

BR

ST

RS

BT

HA

SC

EL

IDX

SEM645F



# NOISE, VIBRATION AND HARSHNESS (NVH) TROUBLESHOOTING

NVH Troubleshooting Chart — Engine Noise

## NVH Troubleshooting Chart — Engine Noise

NBEM0039S01

Use the chart below to help you find the cause of the problem.

1. Locate the area where noise occurs.
2. Confirm the type of noise.
3. Specify the operating condition of engine.
4. Check specified noise source.

If necessary, repair or replace these parts.

Location of noise	Type of noise	Operating condition of engine						Source of noise	Check item	Reference page
		Before warm-up	After warm-up	When starting	When idling	When racing	While driving			
Top of engine Rocker cover Cylinder head	Ticking or clicking	C	A	—	A	B	—	Tappet noise	Valve clearance	EM-30
	Rattle	C	A	—	A	B	C	Camshaft bearing noise	Camshaft journal clearance Camshaft runout	EM-29, EM-28
Crankshaft pulley Cylinder block (Side of engine) Oil pan	Slap or knock	—	A	—	B	B	—	Piston pin noise	Piston and piston pin clearance Connecting rod bushing clearance	EM-44, EM-50
	Slap or rap	A	—	—	B	B	A	Piston slap noise	Piston-to-bore clearance Piston ring side clearance Piston ring end gap Connecting rod bend and torsion	EM-46, EM-45, EM-45
	Knock	A	B	C	B	B	B	Connecting rod bearing noise	Connecting rod bushing clearance (Small end) Connecting rod bearing clearance (Big end)	EM-50, EM-50
	Knock	A	B	—	A	B	C	Main bearing noise	Main bearing oil clearance Crankshaft runout	EM-48, EM-48
Timing belt cover	Whine or hissing	C	A	—	A	A	—	Timing belt noise (too tight)	Loose timing belt Belt contacting case	EM-16
	Clatter	A	B	—	C	A	—	Timing belt noise (too loose)		
Front of engine	Squeaking or fizzing	A	B	—	B	—	C	Other drive belts (Sticking or slipping)	Drive belts deflection	*1
	Creaking	A	B	A	B	A	B	Other drive belts (Slipping)	Idler pulley bearing operation	
	Squall Creak	A	B	—	B	A	B	Water pump noise	Water pump operation	*2

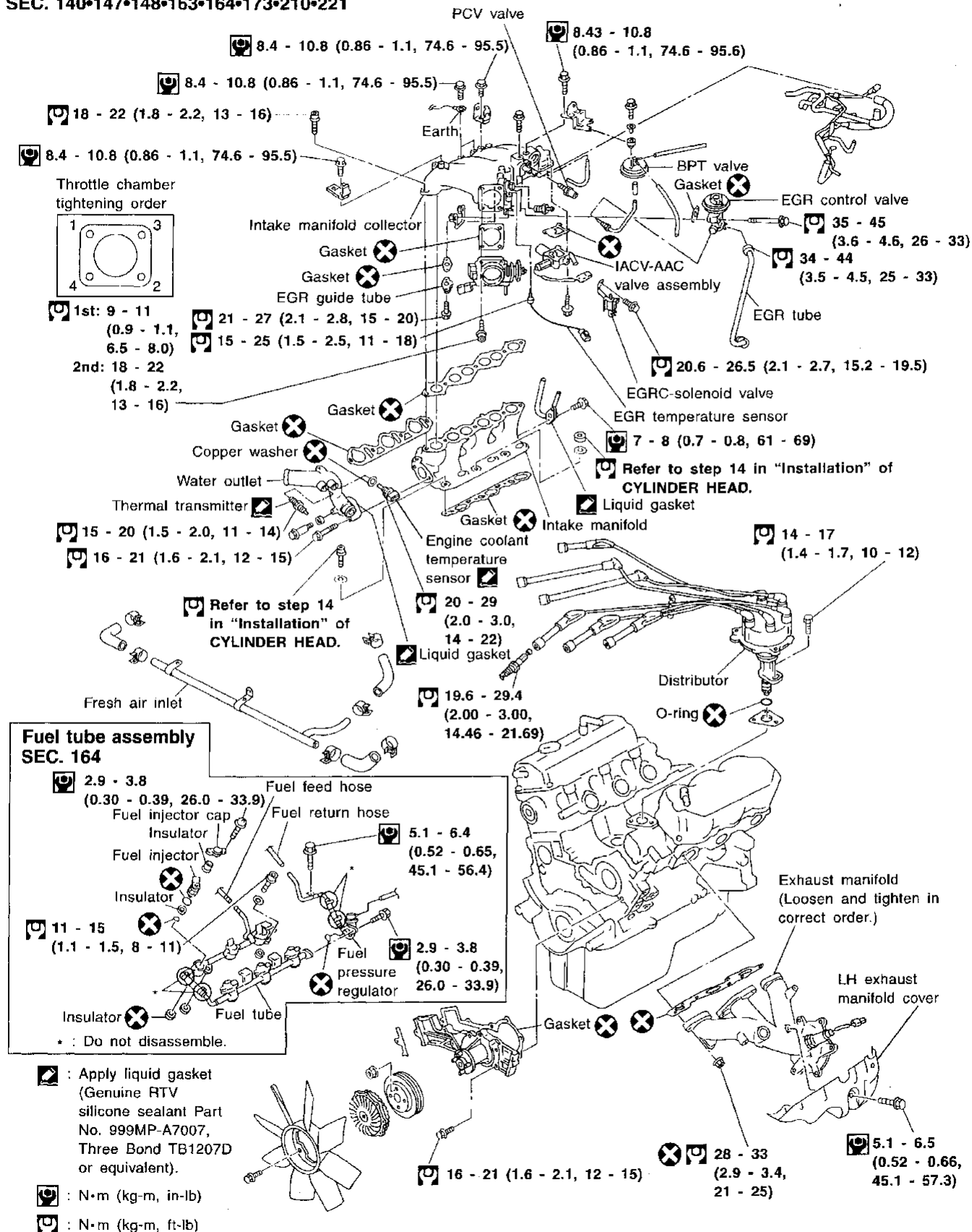
A: Closely related    B: Related    C: Sometimes related    —: Not related

\*1: MA section ("Checking Drive Belts", "ENGINE MAINTENANCE")

\*2: LC section ("Water Pump Inspection", "ENGINE COOLING SYSTEM")

## Removal and Installation

SEC. 140•147•148•163•164•173•210•221



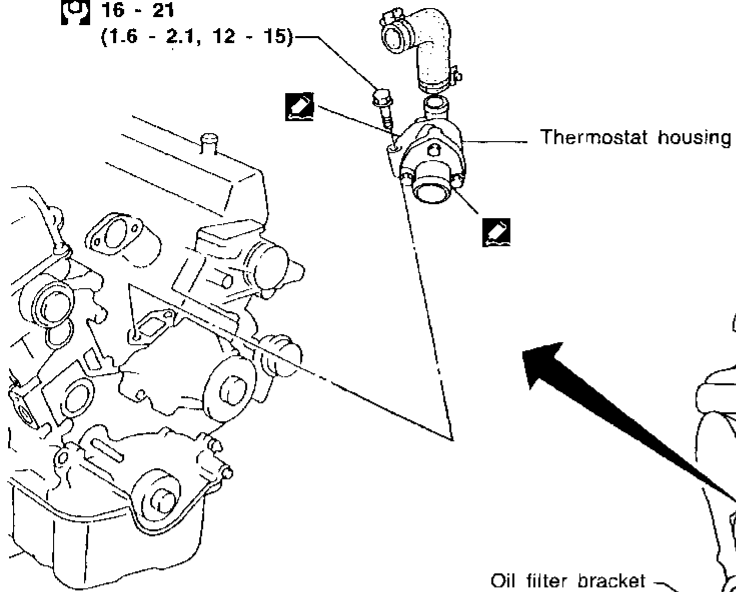
GI  
MA  
EM  
LC  
EC  
FE  
AT  
TF  
PD  
AX  
SU  
BR  
ST  
RS  
BT  
HA  
SC  
EL  
IDX

# OUTER COMPONENT PARTS

Removal and Installation (Cont'd)

## SEC. 140-208

16 - 21  
(1.6 - 2.1, 12 - 15)



Thermostat housing

Oil filter bracket

5.1 - 6.5 (0.52 - 0.66, 45.1 - 57.3)

15 - 19 (1.5 - 1.9, 11 - 14)

8.4 - 10.8 (0.86 - 1.1, 74.6 - 95.5)

RH catalyst upper cover

RH exhaust manifold cover

Exhaust manifold (Right bank)

RH catalyst

Mesh washer  
Washer

8.4 - 10.8 (0.86 - 1.1, 74.6 - 95.5)

RH catalyst lower cover

13 - 17  
(1.3 - 1.7, 9 - 12)

15 - 19  
(1.5 - 1.9, 11 - 14)

7B (8.0, 58)

40 - 60  
(4.1 - 6.1, 30 - 44)

Front heated oxygen sensor

LH catalyst upper cover

28 - 33  
(2.9 - 3.4, 21 - 25)

Gasket

Exhaust manifold (Left bank)

15 - 19 (1.5 - 1.9, 11 - 14)

Gasket

Stud bolt  
13 - 17  
(1.3 - 1.7, 9 - 12)

28 - 33  
(2.9 - 3.4, 21 - 25)

LH exhaust manifold cover

Washer  
Mesh washer

LH catalyst

LH catalyst lower cover

EGR tube

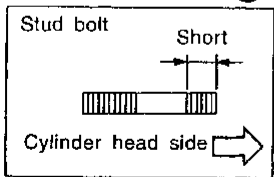
5.1 - 6.5  
(0.52 - 0.66, 45.1 - 57.3)

39 - 49 (4.0 - 5.0, 29 - 36)

39 - 49 (4.0 - 5.0, 29 - 36)

15 - 19 (1.5 - 1.9, 11 - 14)

★ 24.5 - 29.4 (2.5 - 3.0, 18.1 - 21.7)



Apply liquid gasket (Genuine RTV silicone sealant Part No. 999MP-A7007, Three Bond TB1207D or equivalent).

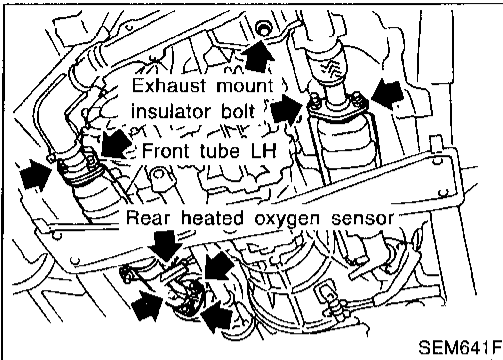
N·m (kg-m, in-lb)

N·m (kg-m, ft-lb)

SEM334FA

# OUTER COMPONENT PARTS

Removal and Installation (Cont'd)



## WARM-UP THREE WAY CATALYST LH

NBEM0005S01

1. Remove front tube nut RH and LH.
2. Loosen exhaust mount insulator bolt.
3. Remove rear heated oxygen sensor. Use SST KV10114400 (J38365).
4. Remove front tube LH side.

GI

MA

EM

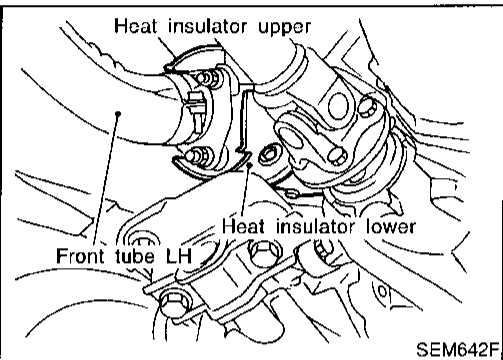
LC

5. Remove heat insulator upper side.
6. Remove heat insulator lower side.

EC

FE

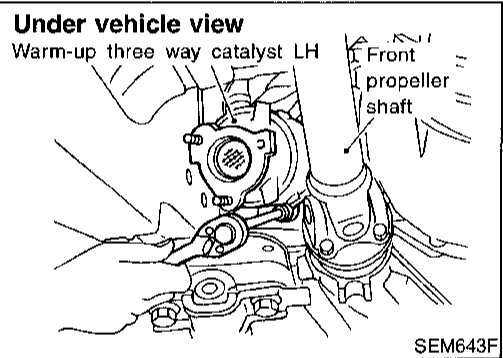
AT



TF

7. Remove warm-up three way catalyst.

PD



AX

SU

BR

8. Installation is in reverse order of removal.

ST

RS

BT

HA

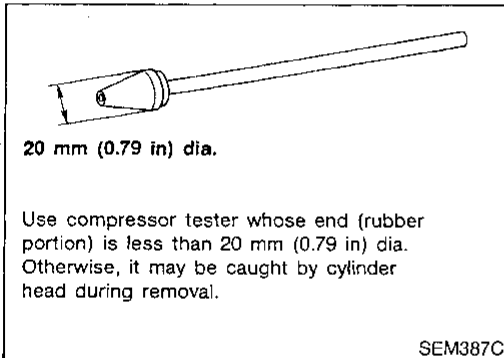
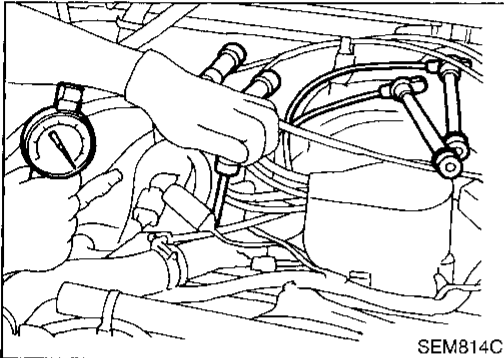
SC

EL

IDX

## MEASUREMENT OF COMPRESSION PRESSURE

1. Warm up engine.
2. Turn ignition switch off.
3. Release fuel pressure.  
Refer to "Releasing Fuel Pressure" in EC section.
4. Remove all spark plugs.
5. Disconnect distributor center cable.



6. Attach a compression tester to No. 1 cylinder.
7. Depress accelerator pedal fully to keep throttle valve wide open.
8. Crank engine and record highest gauge indication.
9. Repeat the measurement on each cylinder as shown above.
- **Always use a fully-charged battery to obtain specified engine speed.**

Compression pressure: kPa (kg/cm<sup>2</sup>, psi)/300 rpm

**Standard**

**1,196 (12.2, 173)**

**Minimum**

**883 (9.0, 128)**

**Difference limit between cylinders**

**98 (1.0, 14)**

10. If cylinder compression in one or more cylinders is low, pour a small amount of engine oil into cylinders through spark plug holes and retest compression.
  - **If adding oil improves cylinder compression, piston rings may be worn or damaged. If so, replace piston rings after checking piston.**
  - **If pressure stays low, a valve may be sticking or seating improperly. Inspect and repair valve and valve seat. (Refer to SDS.) If valve, or valve seat is damaged excessively, replace them.**
  - **If compression in any two adjacent cylinders is low and if adding oil does not improve compression, there is leakage past the gasket surface. If so, replace cylinder head gasket.**

## Removal

NBEM0007

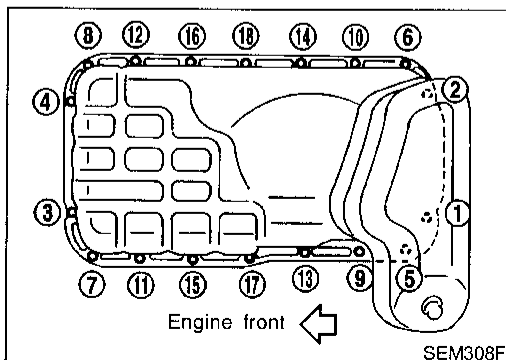
Removal order and points		
1	Remove undercover.	GI
2	Drain engine oil.	MA
3	Remove stabilizer bracket bolts (RH & LH).	EM
4	Remove front propeller shaft from front differential carrier.	LC
5	Remove front drive shaft fixing bolts (RH & LH).	EC
6	Remove front differential carrier bleeder hose.	FE
7	Remove front suspension crossmember.	AT
8	Remove differential front mounting bolts (RH & LH) and rear mounting bolts.	TF
9	Remove front differential carrier.	PD
10	Remove front differential carrier mounting bracket.	AX
11	Remove starter motor.	SU
12	Remove transmission to rear engine mounting bracket nuts (RH & LH).	BR
13	Remove engine mounting bolts or nuts (RH & LH).	ST
14	Remove power steering mounting brackets (RH & LH).	RS
15	Lift up engine. If necessary, disconnect exhaust tube.	BT
16	Remove oil pan.	HA

### WARNING:

- Place vehicle on a flat and solid surface.
- Place chocks at front and rear of rear wheels.
- You should not remove oil pan until exhaust system and cooling system have completely cooled off. Otherwise, you may burn yourself and/or fire may break out in the fuel line.
- When remove front and/or rear engine mounting bolts or nuts, lift up slightly engine for safety work.

### CAUTION:

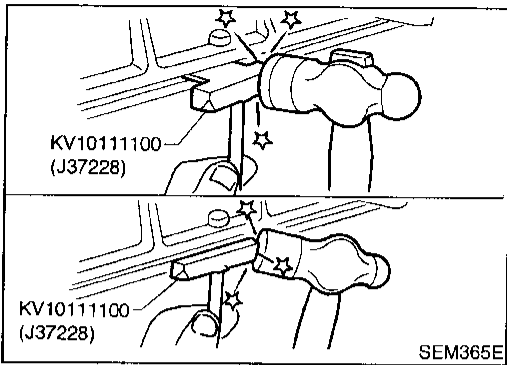
- In lifting engine, be careful not to hit against adjacent parts, especially against accelerator wire casing end, brake tube and brake master cylinder.
- For tightening torque, refer to AT, MT and PD sections.



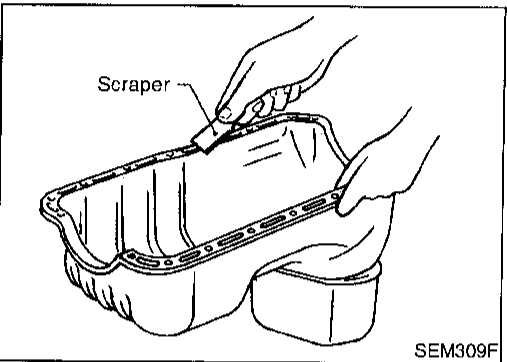
1. Remove oil pan bolts.

# OIL PAN

## Removal (Cont'd)



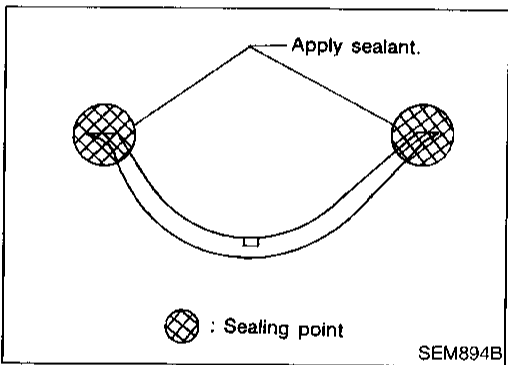
2. Remove oil pan.
  - a. Insert Tool between cylinder block and oil pan.
    - Do not drive seal cutter into oil pump or rear oil seal retainer portion, or aluminum mating face will be damaged.
    - Do not insert screwdriver, or oil pan flange will be deformed.
  - b. Slide Tool by tapping its side with a hammer, and remove oil pan.



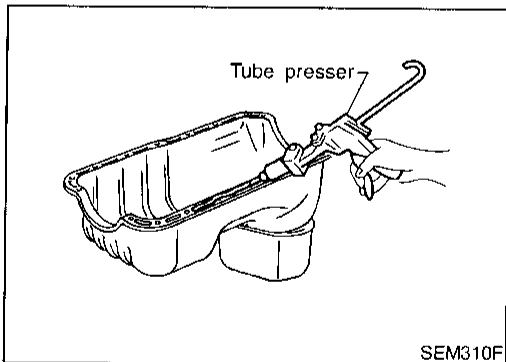
## Installation

NBEM0008

1. Before installing oil pan, remove all traces of liquid gasket from mating surface using a scraper.
  - Also remove traces of liquid gasket from mating surface of cylinder block.



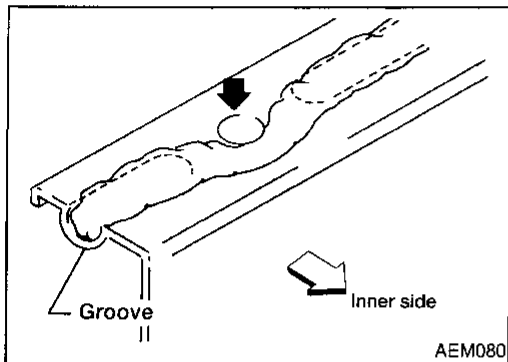
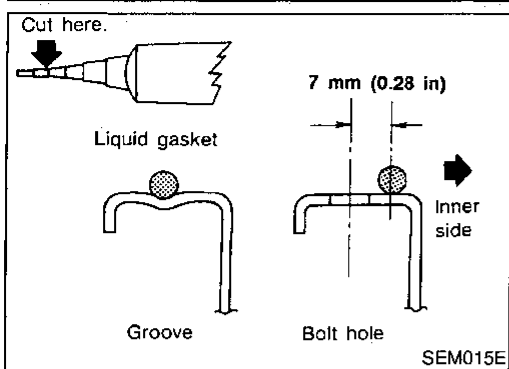
2. Apply sealant to oil pump gasket and rear oil seal retainer gasket.



3. Apply a continuous bead of liquid gasket to mating surface of oil pan.
  - Use Genuine RTV silicone sealant Part No. 999MP-A7007, Three Bond TB1207D or equivalent.

# OIL PAN

Installation (Cont'd)



- Be sure liquid gasket is 3.5 to 4.5 mm (0.138 to 0.177 in) wide.
- 4. Apply liquid gasket to inner sealing surface as shown in figure.
- **Attaching should be done within 5 minutes after coating.**
- 5. Install oil pan.
- **Install bolts/nuts in their reverse order of removal.**
- **Wait at least 30 minutes before refilling engine oil.**

GI

MA

EM

LC

EC

FE

AT

TF

PD

AX

SU

BR

ST

RS

BT

HA

SC

EL

IDX



# TIMING BELT

Components

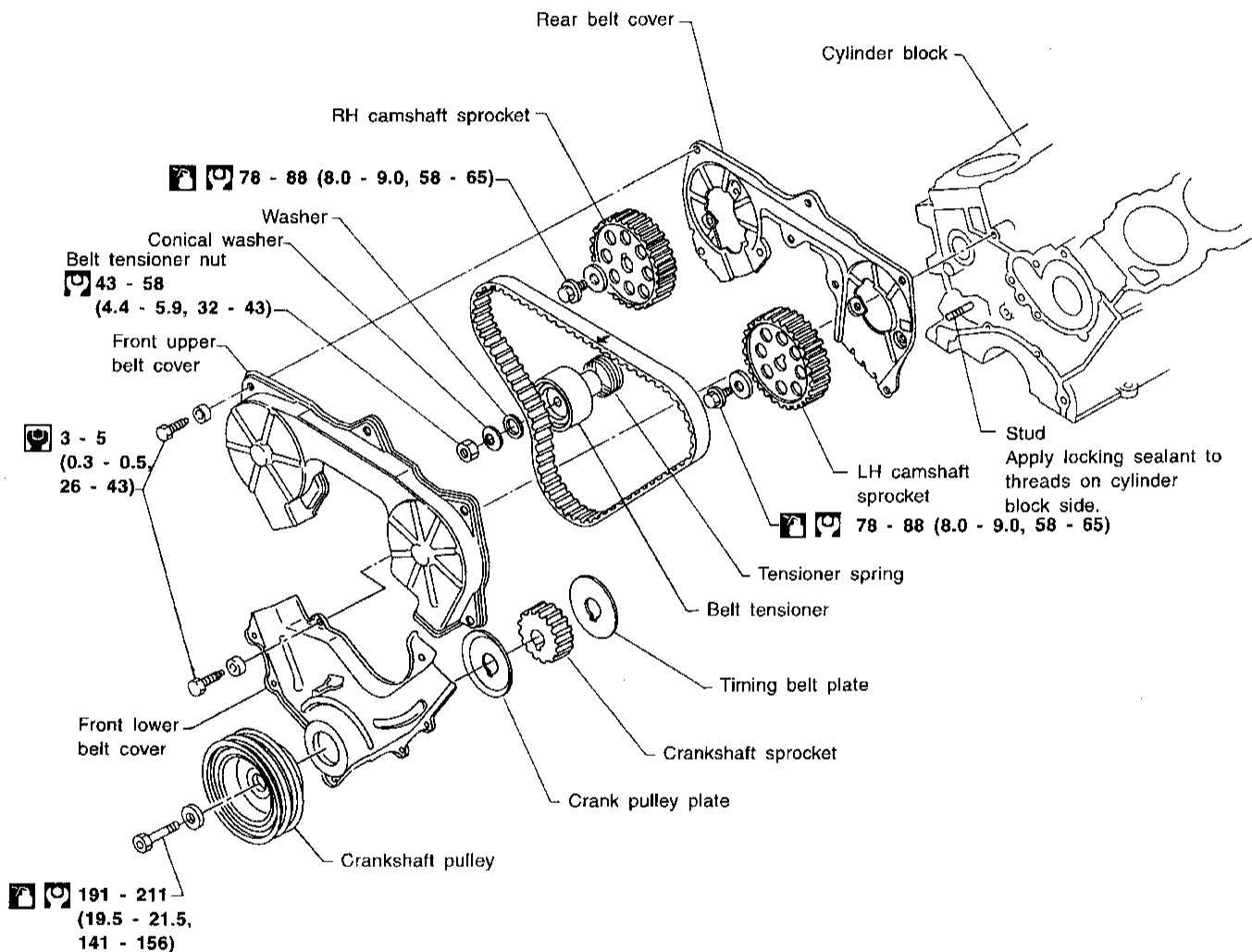
## Components

NBEM0009

### CAUTION:

- Do not bend or twist timing belt.
- After removing timing belt, do not turn crankshaft and camshaft separately because valves will strike piston heads.
- Make sure that timing belt, camshaft sprocket, crankshaft sprocket and belt tensioner are clean and free from oil and water.
- Installation should be carried out when engine is cold.

SEC. 120•130•135



: N•m (kg-m, in-lb)

: N•m (kg-m, ft-lb)

: Lubricate with new engine oil

SEM311FA

NBEM0010

## Removal

1. Remove engine under cover.
  2. Drain engine coolant from radiator.
- Be careful not to spill coolant on drive belts.**
3. Remove radiator. (Refer to LC section.)
  4. Remove engine cooling fan and water pump pulley.
  5. Remove the following belts.
    - Power steering pump drive belt
    - Compressor drive belt
    - Alternator drive belt
  6. Remove all spark plugs.
  7. Remove distributor protector.
  8. Remove compressor drive belt idler bracket.
  9. Remove fresh-air intake tube for rocker cover.
  10. Remove water hose for thermostat housing.

GI

MA

EM

LC

EC

FE

AT

TF

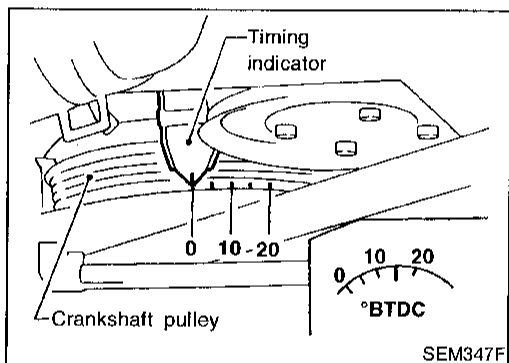
11. Set No. 1 piston at TDC on its compression stroke by rotating crankshaft.
12. Remove crankshaft pulley bolt.
13. Remove crankshaft pulley with a suitable puller.
14. Remove front upper and lower belt covers.

PD

AX

SU

BR



- Align punchmark on LH camshaft sprocket with punchmark on timing belt upper rear cover.
- Align punchmark on crankshaft sprocket with notch on oil pump housing.
- Temporarily install crank pulley bolt on crankshaft so that crankshaft can be rotated.

ST

RS

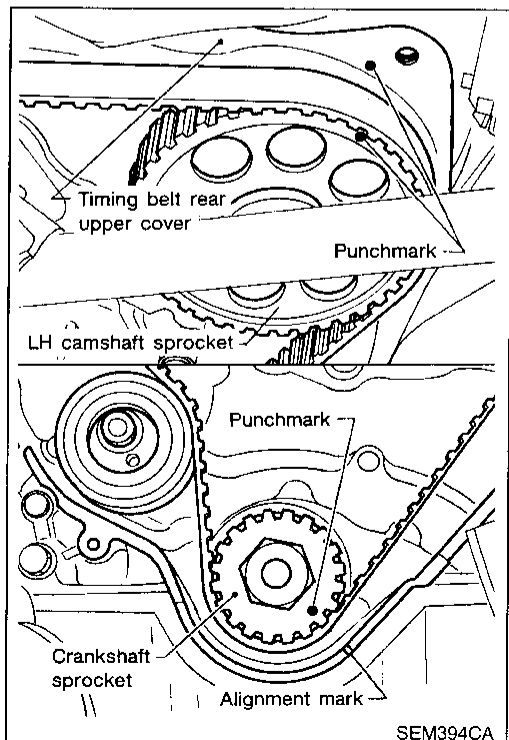
BT

HA

SC

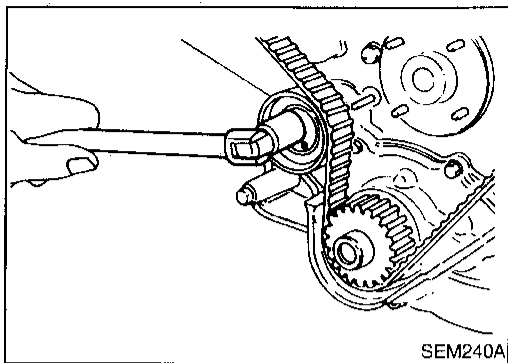
EL

IDX



# TIMINGBELT

Removal (Cont'd)



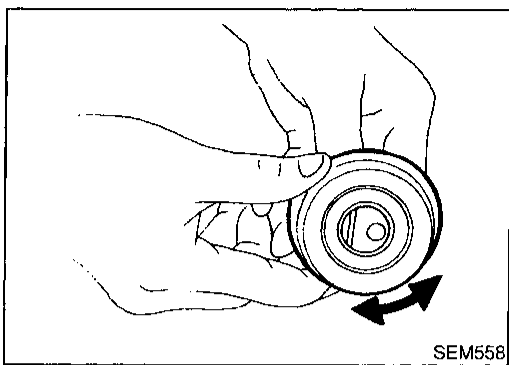
15. Loosen timing belt tensioner nut, turn tensioner, then remove timing belt.

## Inspection

Visually check the condition of timing belt. Replace if any abnormality is found.

NBEM0011

Item to check	Problem	Cause
Tooth is broken/tooth root is cracked.		<ul style="list-style-type: none"> <li>● Camshaft jamming</li> <li>● Distributor jamming</li> <li>● Damaged camshaft/crankshaft oil seal</li> </ul>
Back surface is cracked/worn.		<ul style="list-style-type: none"> <li>● Tensioner jamming</li> <li>● Overheated engine</li> <li>● Interference with belt cover</li> </ul>
Side surface is worn.		<ul style="list-style-type: none"> <li>● Improper installation of belt</li> <li>● Malfunctioning crankshaft pulley plate/timing belt plate</li> </ul>
Teeth are worn.		<ul style="list-style-type: none"> <li>● Poor belt cover sealing</li> <li>● Coolant leakage at water pump</li> <li>● Camshaft not functioning properly</li> <li>● Distributor not functioning properly</li> <li>● Excessive belt tension</li> </ul>
Oil/Coolant or water is stuck to belt.	—	<ul style="list-style-type: none"> <li>● Poor oil sealing of each oil seal</li> <li>● Coolant leakage at water pump</li> <li>● Poor belt cover sealing</li> </ul>



SEM558

## BELT TENSIONER AND TENSIONER SPRING

NBEM0011S01

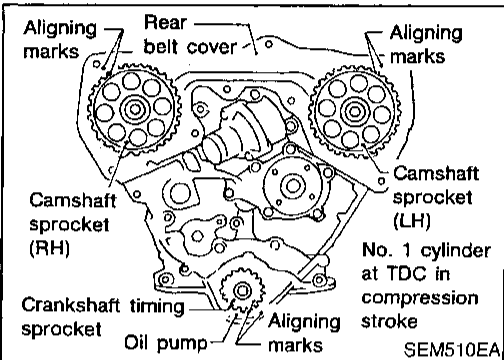
1. Check belt tensioner for smooth turning.
2. Check condition of tensioner spring.

GI

MA

EM

LC



SEM510EA

## Installation

NBEM0012

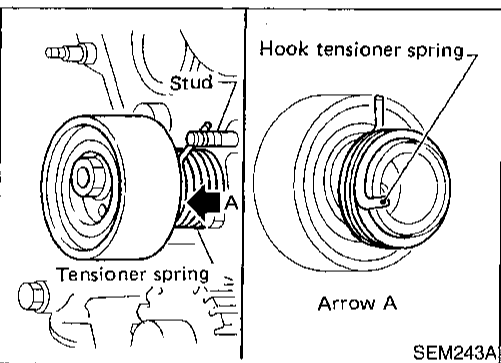
1. Confirm that No. 1 piston is set at TDC on its compression stroke.

EC

FE

AT

TF



SEM243A

2. Install tensioner and tensioner spring.

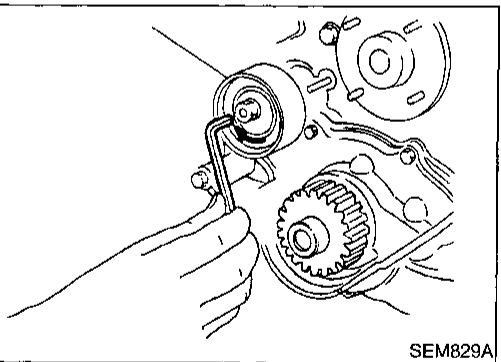
**If stud is once removed, apply locking sealant to threads of stud on cylinder block side before installing.**

PD

AX

SU

BR



SEM829A

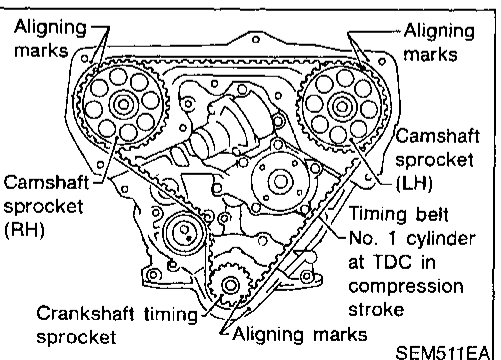
3. Turn tensioner fully outward with hexagon wrench, and temporarily tighten lock nut.

ST

RS

BT

HA



SEM511EA

4. Set timing belt when engine is cold.

- 1) Align white lines on timing belt with punchmarks on camshaft sprockets and crankshaft sprocket.
- 2) Point arrow on timing belt toward front belt cover.

SC

EL

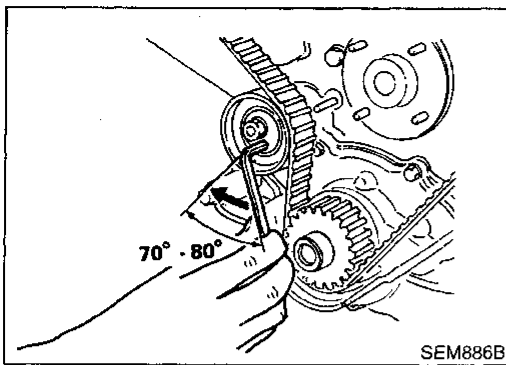
### Number of teeth (reference):

Number of timing belt teeth		133
Number of teeth between timing marks	Between LH and RH camshaft sprockets	40
	Between LH camshaft sprocket and crankshaft timing sprocket	43

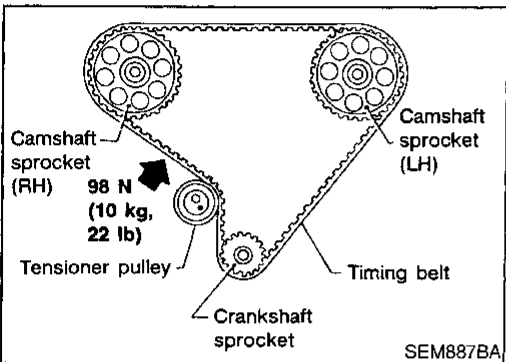
IDX

# TIMING BELT

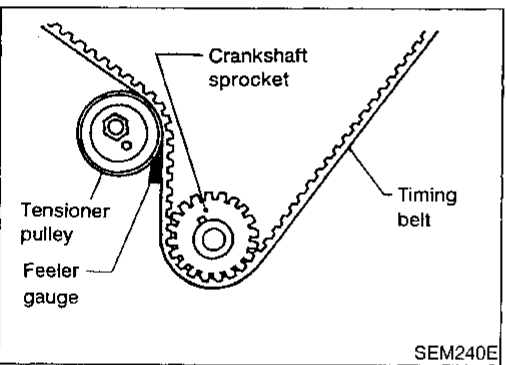
Installation (Cont'd)



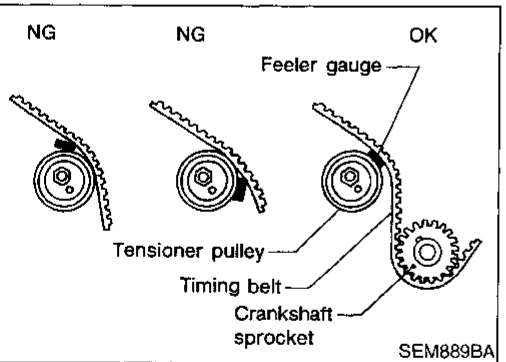
5. Loosen tensioner lock nut, keeping tensioner steady with hexagon wrench.
6. Turn tensioner 70 to 80 degrees clockwise with hexagon wrench, and temporarily tighten lock nut.
7. Turn crankshaft clockwise at least 2 times, then slowly set No. 1 piston at TDC on its compression stroke.



8. Push middle of timing belt between RH camshaft sprocket and tensioner pulley with force of 98 N (10 kg, 22 lb).
9. Loosen tensioner lock nut, keeping tensioner steady with hexagon wrench.



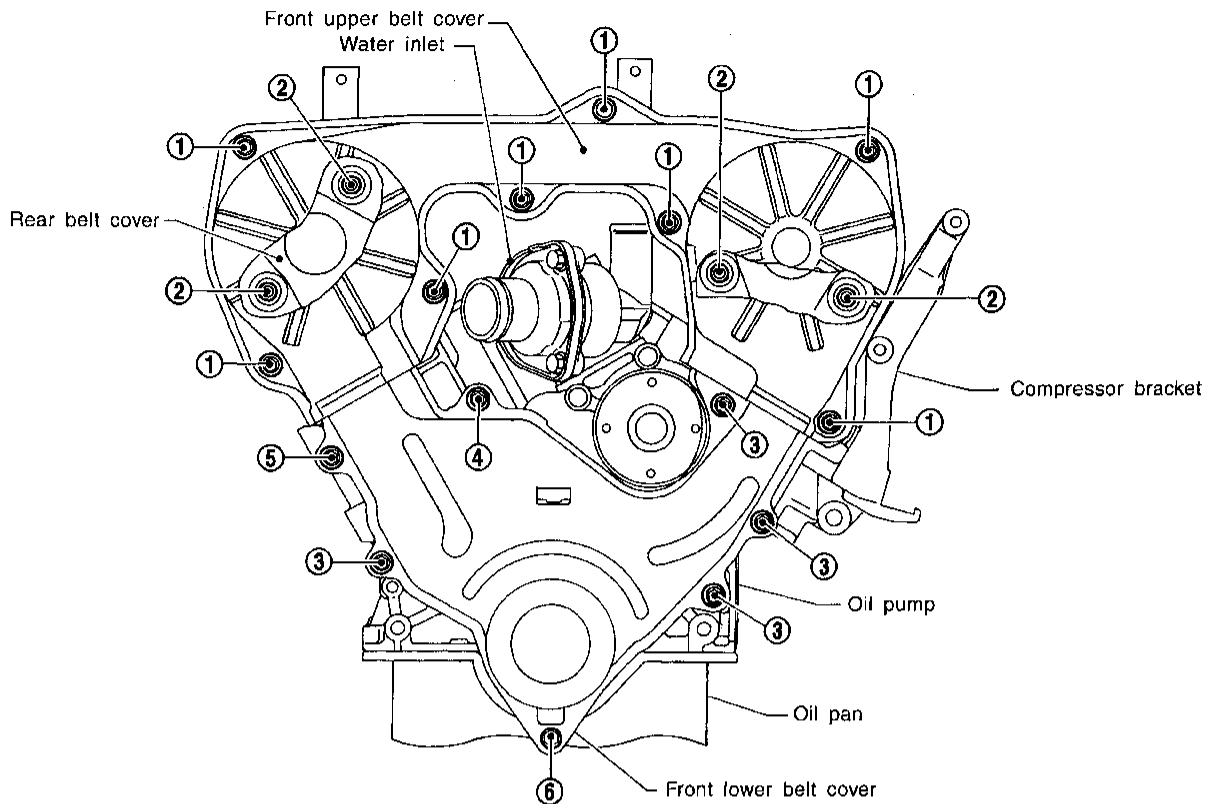
10. Set feeler gauge as shown in figure which is 0.35 mm (0.0138 in) thick and 12.7 mm (0.500 in) wide.



11. Turn crankshaft clockwise until feeler gauge is positioned as shown in figure.
  - Timing belt will move about 2.5 teeth.
12. Tighten tensioner lock nut, keeping tensioner steady with hexagon wrench.
13. Turn crankshaft clockwise or counterclockwise, and remove feeler gauge.
14. Turn crankshaft clockwise at least 2 times, then slowly set No. 1 piston at TDC on its compression stroke.
15. Install lower and upper belt covers.

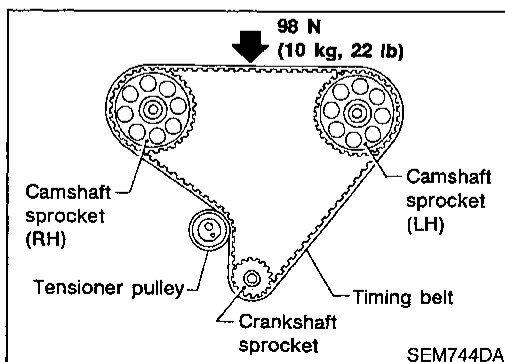
# TIMING BELT

Installation (Cont'd)



No.	Tightened parts	No.	Tightened parts		
①		8 pcs.	④		1 pc.
②		4 pcs.	⑤		1 pc.
③		4 pcs.	⑥		1 pc.

SEM313F



SEM744DA

## BELT TENSION CHECK

NBEM0012S01

1. Set No. 1 piston at TDC on its compression stroke.
2. Measure deflection of timing belt midway between camshaft pulleys while pushing with 98 N (10 kg, 22 lb) force.

**Belt deflection when engine is cold (Reference value):**

**13 - 15 mm (0.51 - 0.59 in)/98 N (10 kg, 22 lb)**

GI

MA

EM

LC

EC

FE

AT

TF

PD

AX

SU

BR

ST

RS

BT

HA

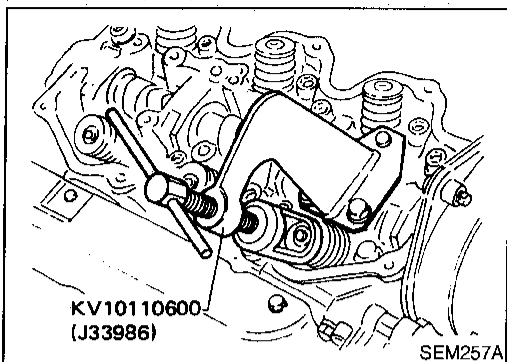
SC

EL

IDX

# OIL SEAL

## Replacement

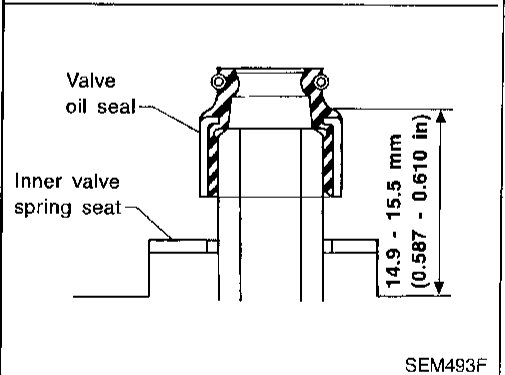
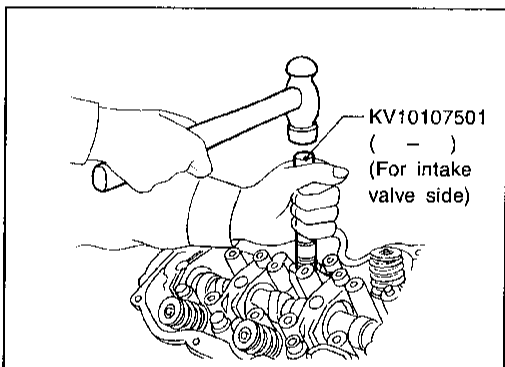


## Replacement VALVE OIL SEAL

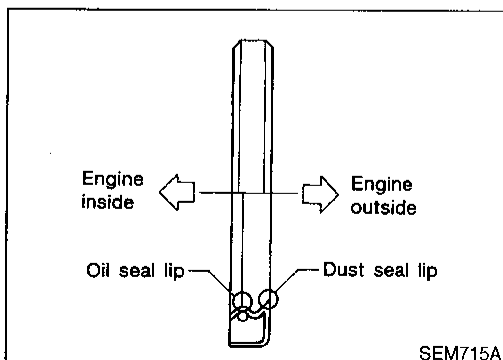
NBEM0013

NBEM0013S01

1. Remove rocker cover.
2. Remove rocker shaft assembly and valve lifters with valve lifter guide.
3. Remove valve springs and valve oil seal.
  - Piston concerned should be set at TDC to prevent valve from falling.
  - When removing intake side valve oil seal, use Tool or suitable tool.
  - When removing exhaust side valve oil seal, pull it out with suitable tool.

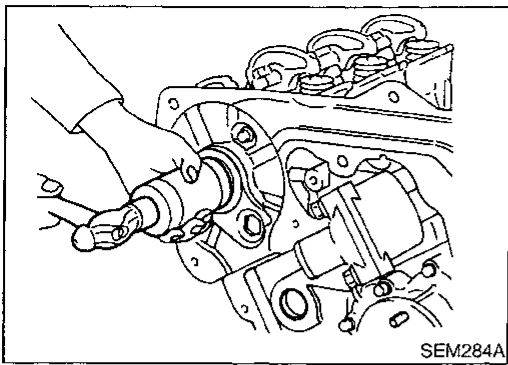


4. Apply engine oil to new valve oil seal and install it.
  - Before installing valve oil seal, install inner valve spring seat.
  - When installing intake side valve oil seal, use Tool.
  - When installing exhaust side valve oil seal, set it by hand.



## OIL SEAL INSTALLING DIRECTION

NBEM0013S02



## CAMSHAFT OIL SEAL

NBEM0013S03

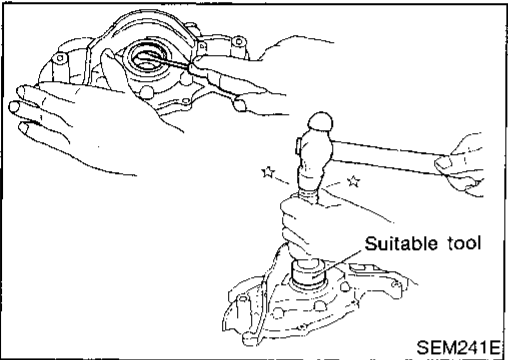
1. Remove timing belt.
  2. Remove camshaft sprocket.
  3. Remove camshaft.
  4. Remove camshaft oil seal.
- Be careful not to scratch camshaft.**
5. Apply engine oil to new camshaft oil seal.

GI

MA

EM

LC



## FRONT OIL SEAL

NBEM0013S04

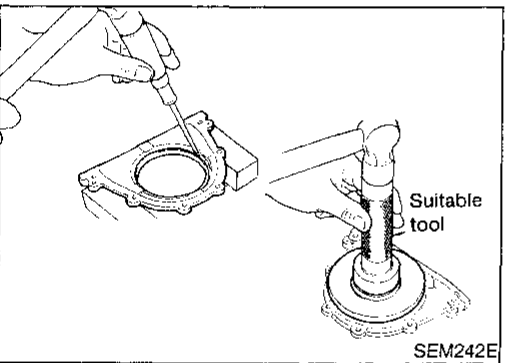
1. Remove timing belt and crankshaft sprocket.
2. Remove oil pump assembly.
3. Remove front oil seal from oil pump body.
4. Apply engine oil to new oil seal and install it using suitable tool.

EC

FE

AT

TF



## REAR OIL SEAL

NBEM0013S05

1. Remove flywheel or drive plate.
2. Remove rear oil seal retainer.
3. Remove rear oil seal from retainer.
4. Apply engine oil to new oil seal and install it using suitable tool.
5. Install rear oil seal retainer with a new gasket to cylinder block.

PD

AX

SU

BR

ST

RS

BT

HA

SC

EL

IDX

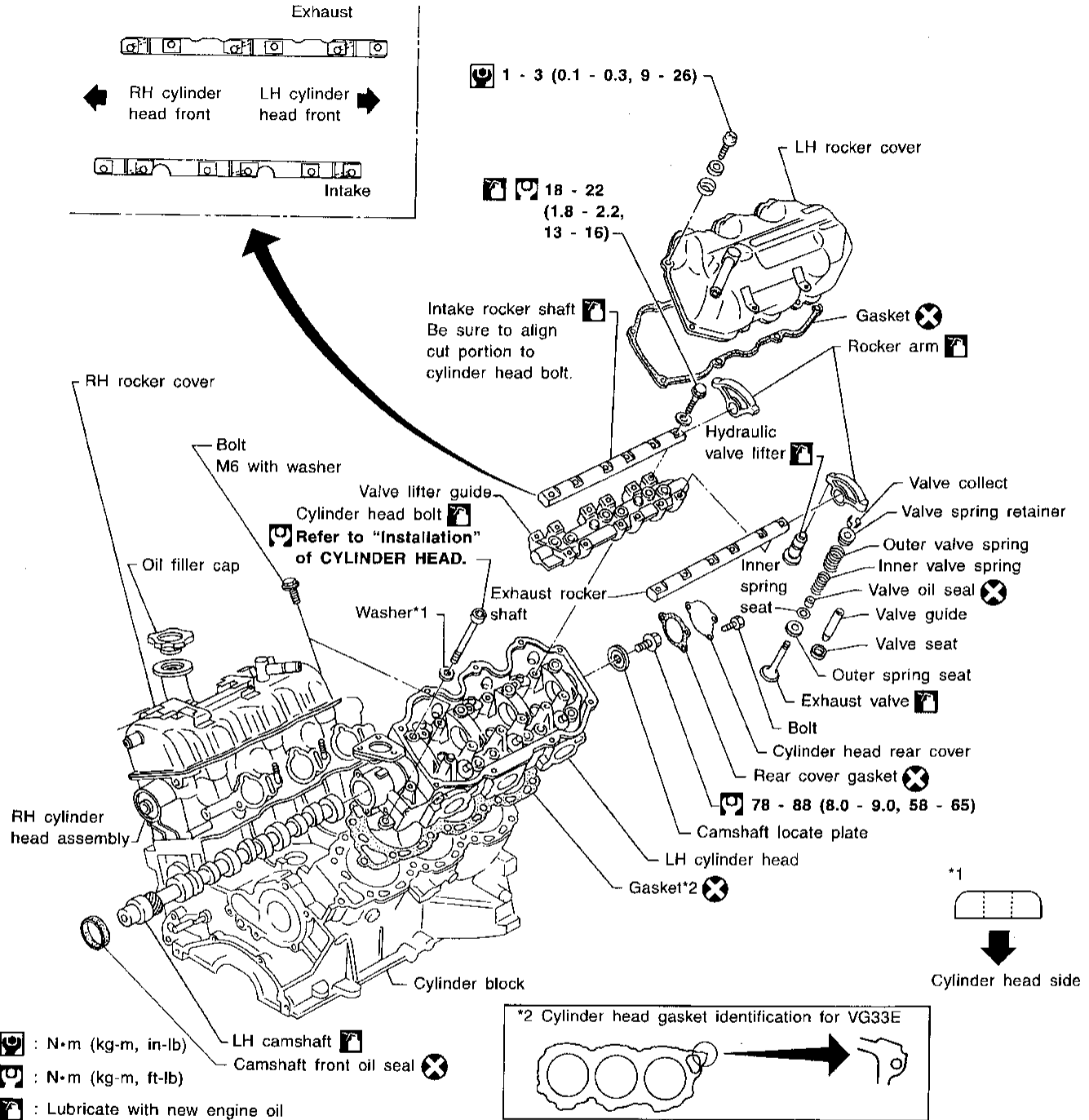


# CYLINDER HEAD

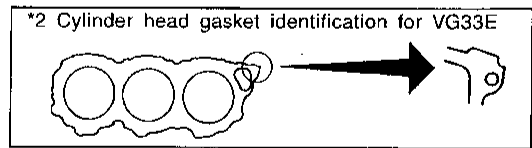
NBEM0014

## Components

SEC. 102•111•130



- : N•m (kg-m, in-lb)
- : N•m (kg-m, ft-lb)
- : Lubricate with new engine oil



## Removal

NBEM0015

1. Release fuel pressure.  
Refer to "Releasing Fuel Pressure" in EC section.
2. Remove timing belt.  
Refer to "TIMING BELT — Removal" (EM-17).

GI

MA

**EM**

LC

EC

FE

AT

TF

PD

AX

SU

BR

ST

RS

BT

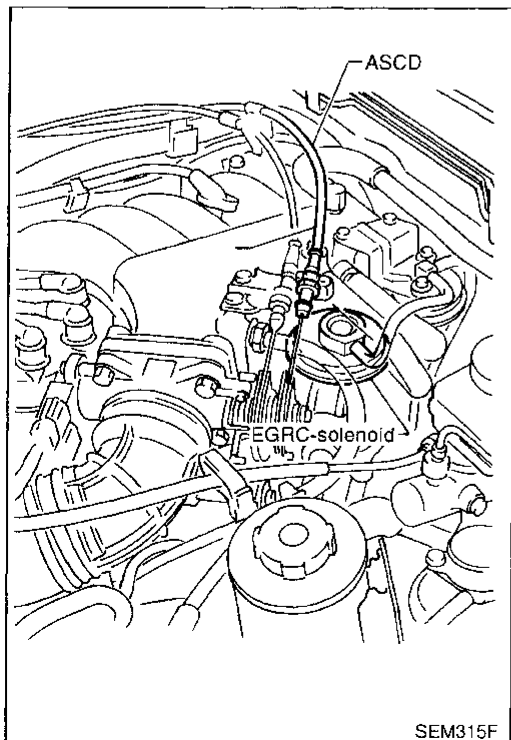
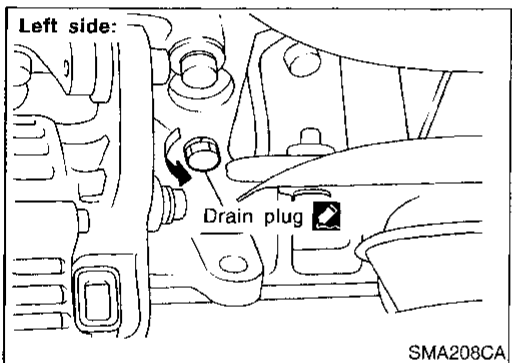
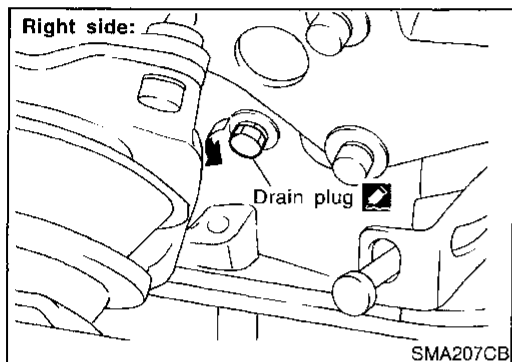
HA

SC

EL

IDX

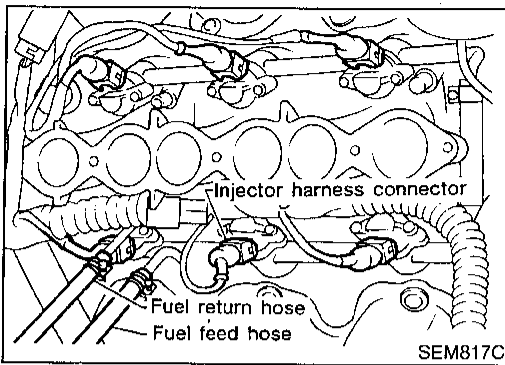
3. Drain coolant by removing drain plugs from both sides of cylinder block.



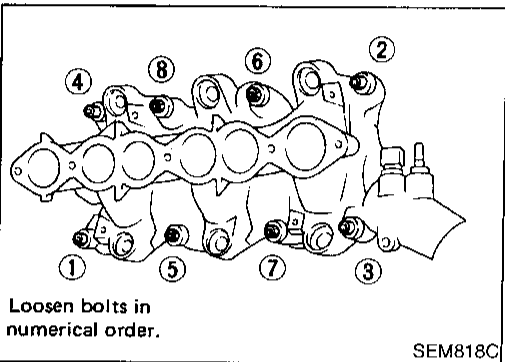
4. Separate ASCD and accelerator control wire from intake manifold collector.
5. Remove intake manifold collector from engine. The following parts should be disconnected to remove intake manifold collector.
  - a. Harness connectors for: IACV-AAC valve, Throttle position sensor, Throttle position switch, Ignition coil, Power transistor, EGRC-solenoid valve, and EGR temperature sensor.
  - b. Water hoses from collector
  - c. Heater hoses
  - d. PCV hose from RH rocker cover
  - e. Vacuum hoses for: EVAP canister, Master brake cylinder and Pressure regulator.
  - f. Purge hose from EVAP canister
  - g. EGR tube
  - h. Earth harnesses
  - i. Air duct hose

# CYLINDER HEAD

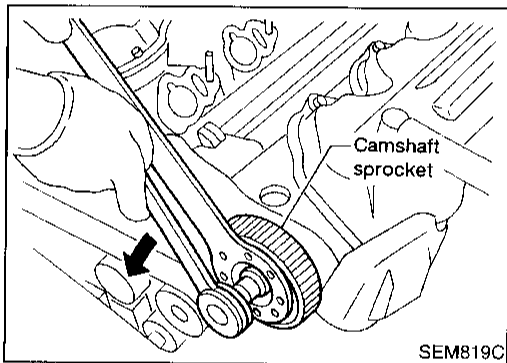
## Removal (Cont'd)



6. Remove fuel feed and fuel return hoses from injector fuel tube assembly.
7. Disconnect all injector harness connectors.
8. Remove injector fuel tube assembly.



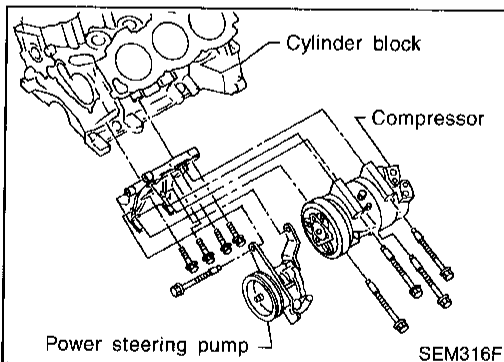
9. Remove intake manifold from engine. The following parts should be disconnected to remove intake manifold.
  - a. Engine coolant temperature switch harness connector
  - b. Thermal transmitter harness connector
  - c. Water hose from thermostat housing



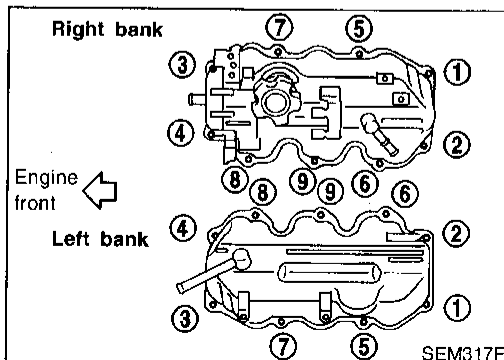
10. Remove both camshaft sprockets.
11. Remove rear timing belt cover.
12. Remove distributor and ignition wires.

**After pulling out distributor from cylinder head, do not rotate distributor rotor.**

13. Remove harness clamp from RH rocker cover.
14. Remove front exhaust tube from exhaust manifold.



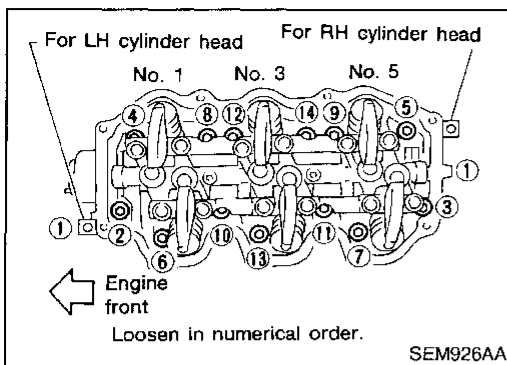
15. Remove compressor and power steering pump.
16. Remove alternator.
17. Remove compressor and alternator bracket.



18. Remove both rocker covers.

# CYLINDER HEAD

Removal (Cont'd)



19. Remove cylinder head with exhaust manifold.

- A warped or cracked cylinder head could result from removing in incorrect order.
- Cylinder head bolts should be loosened in two or three steps.

GI

MA

EM

LC

## Disassembly

NBEM0016

### CAUTION:

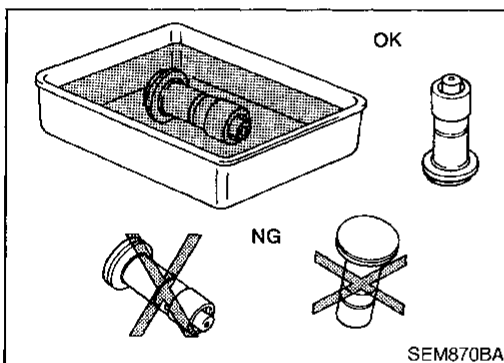
- When installing sliding parts such as rocker arms, camshaft and oil seal, be sure to apply new engine oil on their sliding surfaces.
- When tightening cylinder head bolts and rocker shaft bolts, apply new engine oil to thread portions and seat surfaces of bolts.

EC

FE

AT

TF



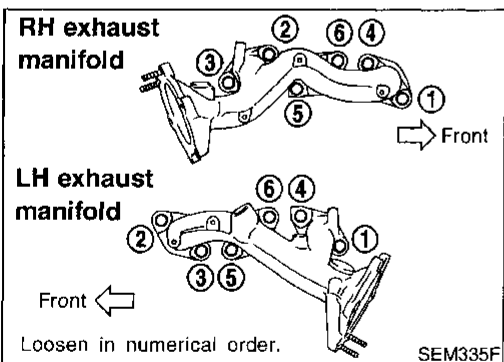
- If hydraulic valve lifter is kept on its side, there is a risk of air entering it. After removal, always set hydraulic valve lifter straight up, or when laying it on its side, have it soak in new engine oil.
- Do not disassemble hydraulic valve lifter.
- Attach tags to valve lifters so as not to mix them up.

PD

AX

SU

BR



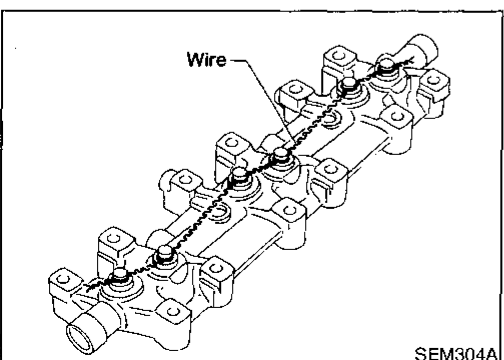
1. Remove exhaust manifolds from cylinder head.

ST

RS

BT

HA



2. Remove rocker shafts with rocker arms.

**Bolts should be loosened in two or three steps.**

3. Remove hydraulic valve lifters and lifter guide.

- Hold hydraulic valve lifters with wire so that they will not drop from lifter guide.

4. Remove oil seal and camshaft.

- Before removing camshaft, measure camshaft end play.

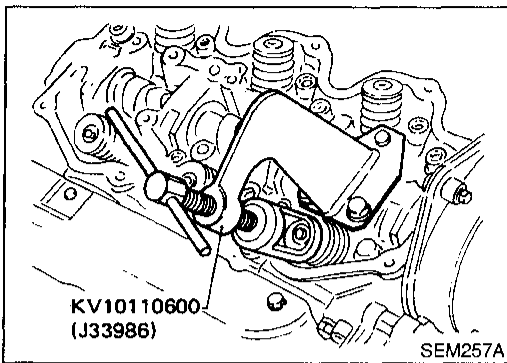
SC

EL

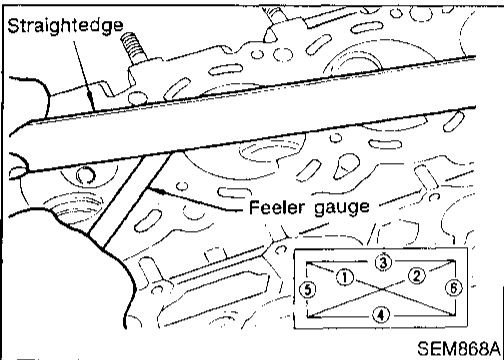
IDX

# CYLINDER HEAD

Disassembly (Cont'd)



5. Remove valve components with Tool.
6. Remove valve oil seals with Tool or suitable tool.



## Inspection

### CYLINDER HEAD DISTORTION

Head surface flatness:

Less than 0.1 mm (0.004 in)

If beyond the specified limit, resurface it or replace it.

**Resurfacing limit:**

The resurfacing limit of cylinder head is determined by the cylinder block resurfacing in an engine.

Amount of cylinder head resurfacing is "A".

Amount of cylinder block resurfacing is "B".

The maximum limit is as follows:

$A + B = 0.2 \text{ mm (0.008 in)}$

After resurfacing cylinder head, check that camshaft rotates freely by hand. If resistance is felt, cylinder head must be replaced.

**Nominal cylinder head height:**

106.8 - 107.2 mm (4.205 - 4.220 in)

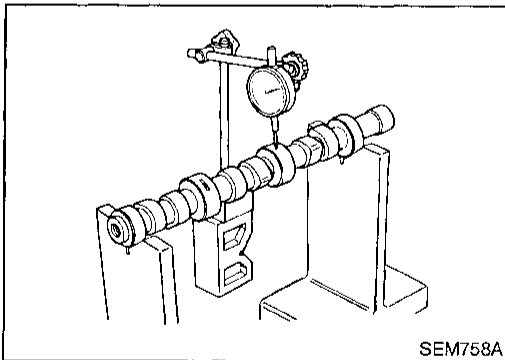
### CAMSHAFT VISUAL CHECK

Check camshaft for scratches, seizure and wear.

NBEM0017

NBEM0017S01

NBEM0017S02



### CAMSHAFT RUNOUT

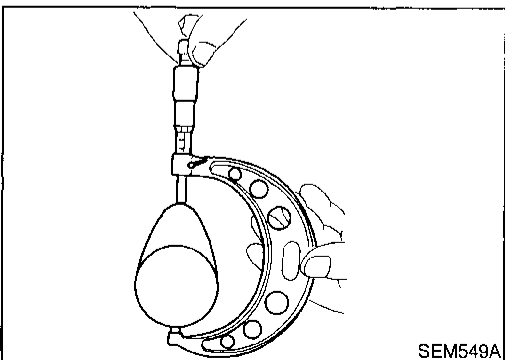
1. Measure camshaft runout at the center journal.

**Runout (Total indicator reading):**

Limit 0.1 mm (0.004 in)

2. If it exceeds the limit, replace camshaft.

NBEM0017S03



### CAMSHAFT CAM HEIGHT

1. Measure camshaft cam height.

**Standard cam height:**

Intake: 39.242 - 39.432 mm (1.5450 - 1.5524 in)

Exhaust: 38.943 - 39.133 mm (1.5332 - 1.5407 in)

**Cam wear limit:**

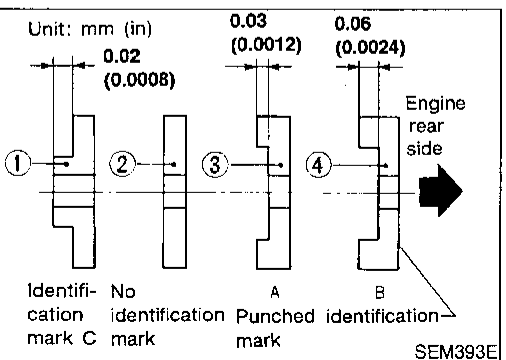
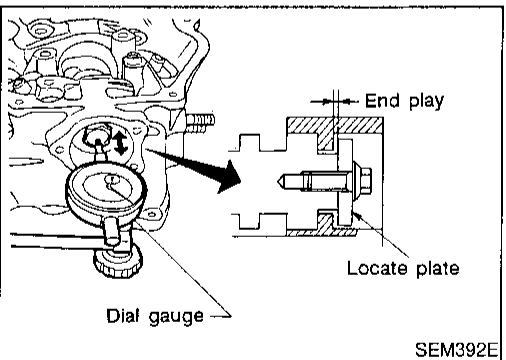
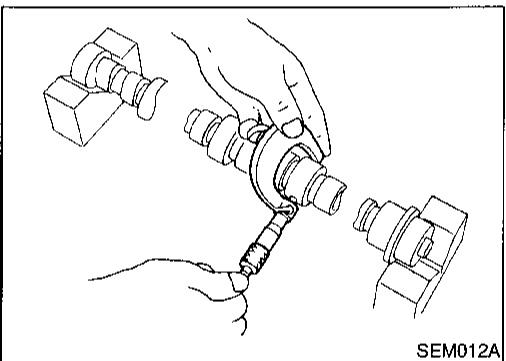
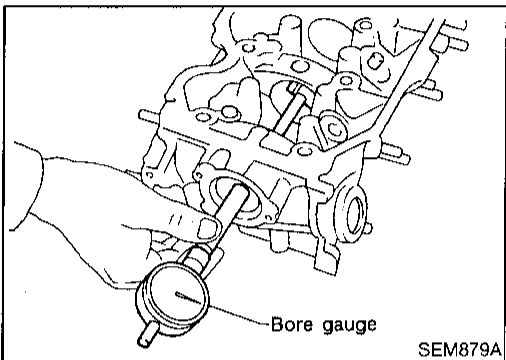
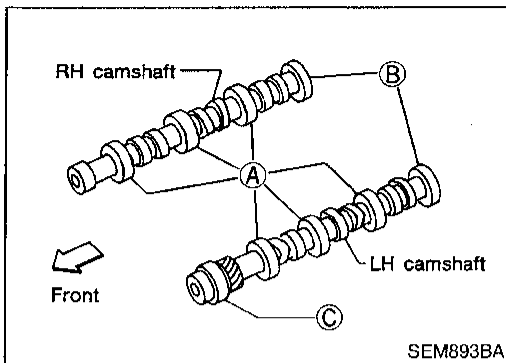
0.15 mm (0.0059 in)

2. If wear is beyond the limit, replace camshaft.

NBEM0017S04

## CAMSHAFT JOURNAL CLEARANCE

NBEM0017S05



1. Measure inner diameter of camshaft bearing.

### Standard inner diameter:

A 47.000 - 47.025 mm (1.8504 - 1.8514 in)

B 42.500 - 42.525 mm (1.6732 - 1.6742 in)

C 48.000 - 48.025 mm (1.8898 - 1.8907 in)

2. Measure outer diameter of camshaft journal.

### Standard outer diameter:

A 46.920 - 46.940 mm (1.8472 - 1.8480 in)

B 42.420 - 42.440 mm (1.6701 - 1.6709 in)

C 47.920 - 47.940 mm (1.8866 - 1.8874 in)

3. If clearance exceeds the limit, replace camshaft and/or cylinder head.

### Camshaft journal clearance limit:

0.15 mm (0.0059 in)

## CAMSHAFT END PLAY

NBEM0017S05

1. Install camshaft and locate plate in cylinder head.
2. Measure camshaft end play.

### Camshaft end play:

Standard 0.03 - 0.06 mm (0.0012 - 0.0024 in)

3. If it is out of the specified range, select thickness of camshaft locate plate to obtain standard specified end play.

Example:

When camshaft end play is 0.08 mm (0.0031 in) with camshaft locate plate 2, replace camshaft locate plate 2 with camshaft locate plate 3 to set the end play at 0.05 mm (0.0020 in).

GI

MA

EM

LC

EC

FE

AT

TF

PD

AX

SU

BR

ST

RS

BT

HA

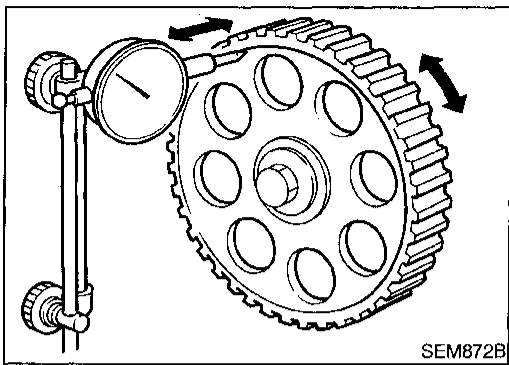
SC

EL

IDX

# CYLINDER HEAD

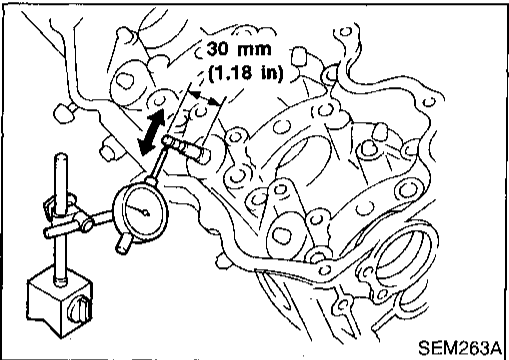
Inspection (Cont'd)



## CAMSHAFT SPROCKET RUNOUT

NBEM0017S07

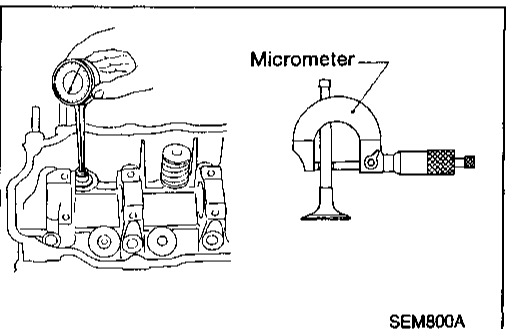
1. Install sprocket on camshaft.
2. Measure camshaft sprocket runout.  
**Runout (Total indicator reading):**  
**Limit 0.1 mm (0.004 in)**
3. If it exceeds the limit, replace camshaft sprocket.



## VALVE GUIDE CLEARANCE

NBEM0017S08

1. Measure valve deflection in a right-angled direction with camshaft. (Valve and valve guide mostly wear in this direction.)  
**Valve deflection limit (Dial gauge reading):**  
**0.20 mm (0.0079 in)**



2. If it exceeds the limit, check valve to valve guide clearance.
  - a. Measure valve stem diameter and valve guide inner diameter.
  - b. Check that clearance is within specification.

### Valve to valve guide clearance:

#### Intake

**0.020 - 0.053 mm (0.0008 - 0.0021 in)**

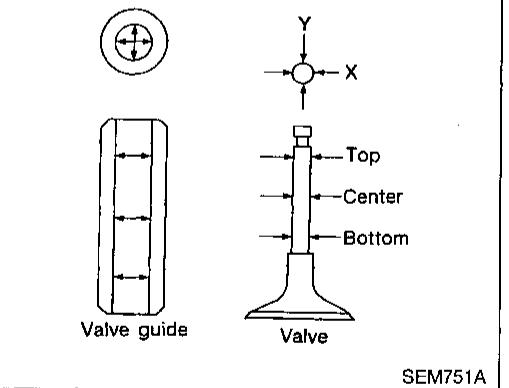
#### Exhaust

**0.040 - 0.049 mm (0.0016 - 0.0019 in)**

#### Limit

**0.10 mm (0.0039 in)**

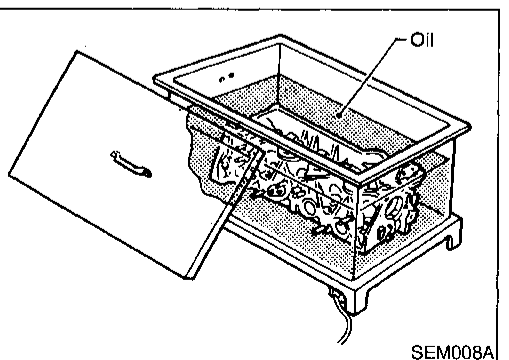
- c. If it exceeds the limit, replace valve or valve guide.



## VALVE GUIDE REPLACEMENT

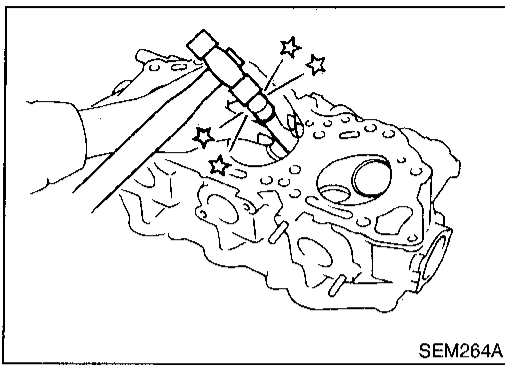
NBEM0017S09

1. To remove valve guide, heat cylinder head to 150 to 160°C (302 to 320°F) by soaking in heated oil.



# CYLINDER HEAD

Inspection (Cont'd)



SEM264A

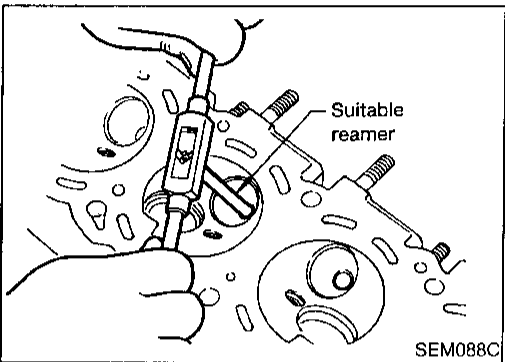
2. Drive out valve guide with a press [under a 20 kN (2 ton, 2.2 US ton, 2.0 Imp ton) pressure] or hammer and suitable tool.

GI

MA

EM

LC



SEM088C

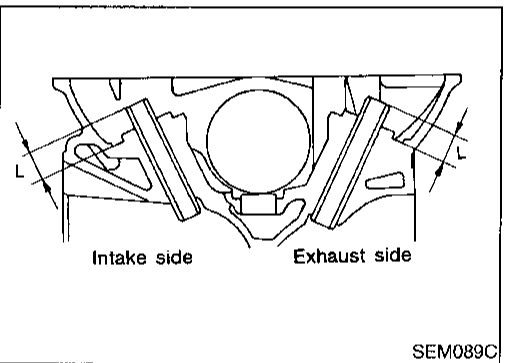
3. Ream cylinder head valve guide hole.  
**Valve guide hole diameter (for service parts):**  
**Intake**  
 11.175 - 11.196 mm (0.4400 - 0.4408 in)  
**Exhaust**  
 12.175 - 12.196 mm (0.4793 - 0.4802 in)

EC

FE

AT

TF



SEM089C

4. Heat cylinder head to 150 to 160°C (302 to 320°F) and press service valve guide onto cylinder head.

**Projection "L":**  
 13.2 - 13.4 mm (0.520 - 0.528 in)

PD

AX

5. Ream valve guide.  
**Finished size:**

**Intake**  
 7.000 - 7.018 mm (0.2756 - 0.2763 in)

SU

**Exhaust**  
 8.000 - 8.011 mm (0.3150 - 0.3154 in)

BR

## VALVE SEATS

Check valve seats for any evidence of pitting at valve contact surface, and reseat or replace if it has worn out excessively.

NBEM0017S10

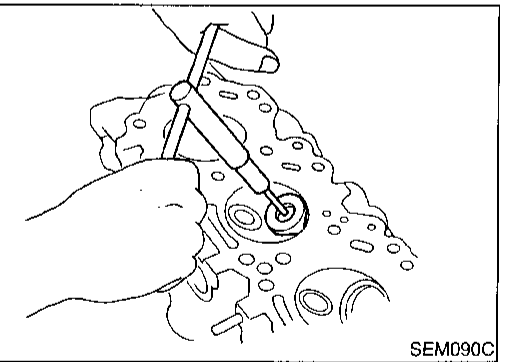
- Before repairing valve seats, check valve and valve guide for wear. If they have worn, replace them. Then correct valve seat.
- Use both hands to cut uniformly.

ST

RS

BT

HA



SEM090C

## REPLACING VALVE SEAT FOR SERVICE PARTS

NBEM0017S11

1. Bore out old seat until it collapses. The machine depth stop should be set so that boring cannot continue beyond the bottom face of the seat recess in cylinder head.

SC

EL

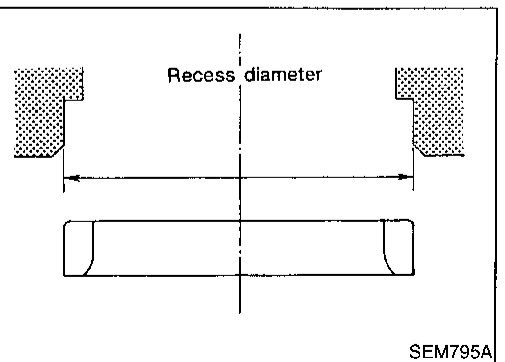
2. Ream cylinder head recess.

**Reaming bore for service valve seat**  
**Oversize [0.5 mm (0.020 in)]:**

IDX

**Intake**  
 44.500 - 44.516 mm (1.7520 - 1.7526 in)

**Exhaust**



SEM795A

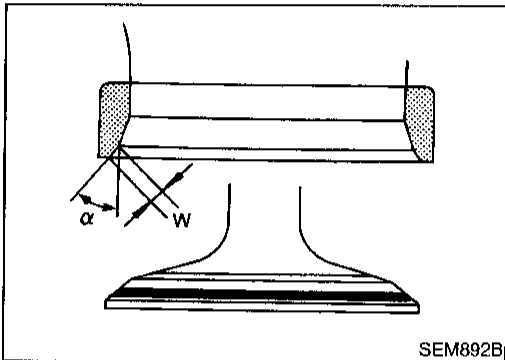


# CYLINDER HEAD

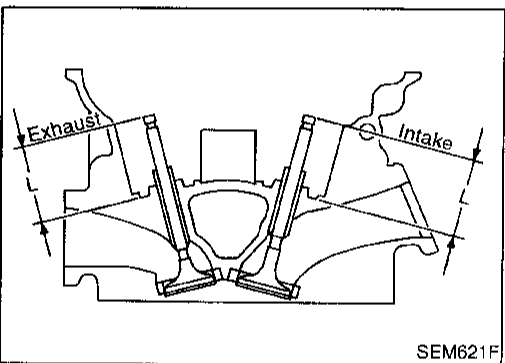
37.500 - 37.516 mm (1.4764 - 1.4770 in)

Reaming should be done in circles concentric to the valve guide center so that valve seat will have the correct fit.

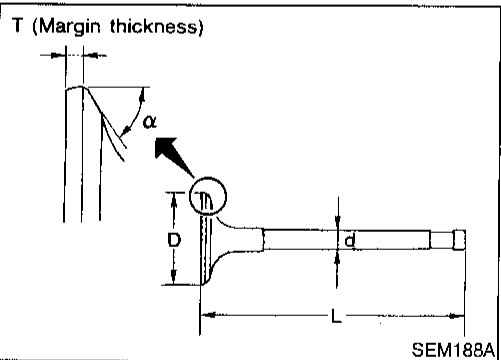
3. Heat cylinder head to 150 to 160°C (302 to 320°F) by soaking in heated oil.
4. Press fit valve seat until it seats on the bottom.



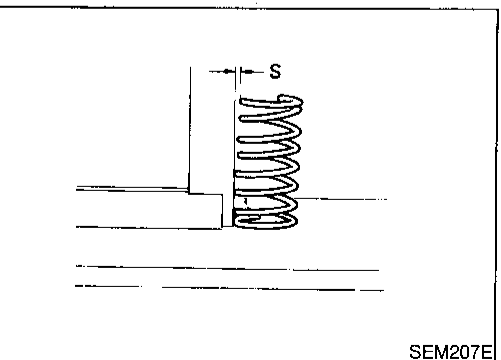
SEM892B



SEM621F



SEM188A



SEM207E

5. Cut or grind valve seat using suitable tool at the specified dimensions as shown in SDS (EM-55).
6. After cutting, lap valve seat with abrasive compound.
7. Check valve seating condition.

	Intake	Exhaust
Seat face angle "α" degree	45	45
Contacting width "W" mm (in)	1.75 (0.0689)	1.7 (0.067)

8. Use a depth gauge to measure the distance between the mounting surface of the cylinder head spring seat and the valve stem end. If the distance is shorter than specified, repeat step 5 above to adjust it. If it is longer, replace the valve seat with a new one.

**Intake:**

44.7 - 44.9 mm (1.760 - 1.768 in)

**Exhaust:**

45.4 - 45.6 mm (1.787 - 1.795 in)

## VALVE DIMENSIONS

Check dimensions in each valve. For dimensions, refer to <sup>NBEM0017S12</sup> SDS. When valve head has been worn down to 0.5 mm (0.020 in) in margin thickness, replace valve.

Grinding allowance for valve stem tip is 0.2 mm (0.008 in) or less.

## VALVE SPRING

### Squareness

1. Measure "S" dimension.

**Out-of-square:**

**Outer**

Less than 2.2 mm (0.087 in)

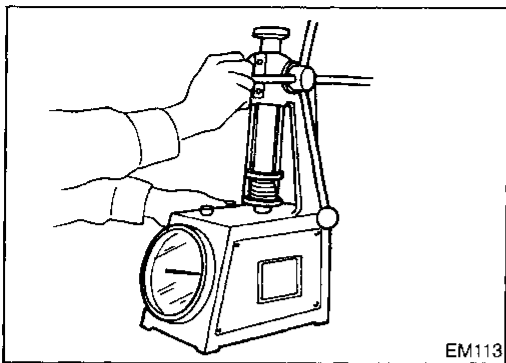
**Inner**

Less than 1.9 mm (0.075 in)

2. If it exceeds the limit, replace spring.

NBEM0017S13

NBEM0017S1301



EM113

## Pressure

NBEM0017S1302

Check valve spring pressure.

**Standard pressure: N (kg, lb) at height mm (in)**

Outer: 523.7 (53.4, 117.7) at 30.0 (1.181)

Inner: 255.0 (26.0, 57.3) at 25.0 (0.984)

**Limit pressure: N (kg, lb) at height mm (in)**

Outer: More than 228.5 (23.3, 51.4) at 25.0 (0.984)

Inner: More than 225.6 (23.0, 50.7) at 25.0 (0.984)

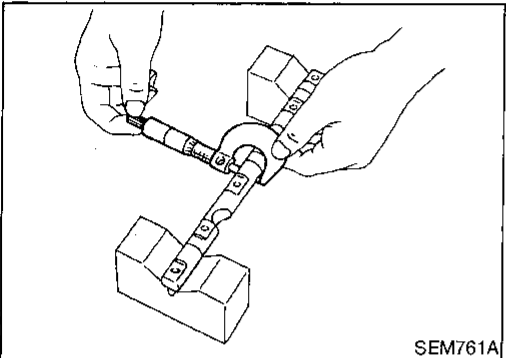
If it exceeds the limit, replace spring.

GI

MA

EM

LC



SEM761A

## ROCKER SHAFT AND ROCKER ARM

NBEM0017S14

1. Check rocker shafts for scratches, seizure and wear.
2. Check outer diameter of rocker shaft.

**Diameter:**

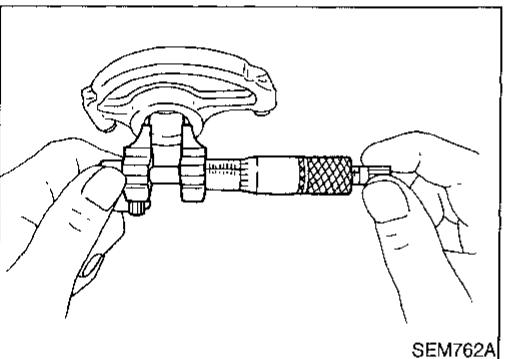
17.979 - 18.000 mm (0.7078 - 0.7087 in)

EC

FE

AT

TF



SEM762A

3. Check inner diameter of rocker arm.

**Diameter:**

18.007 - 18.028 mm (0.7089 - 0.7098 in)

**Rocker arm to shaft clearance:**

0.007 - 0.049 mm (0.0003 - 0.0019 in)

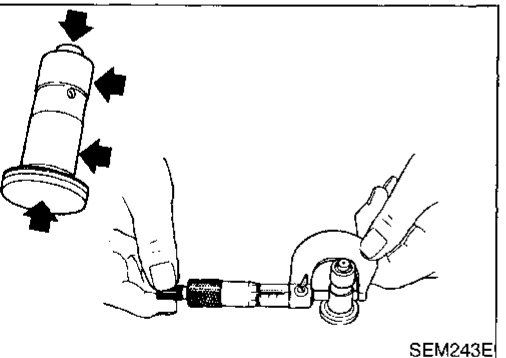
- Keep rocker arm with hydraulic valve lifter standing to prevent air from entering hydraulic valve lifter when checking.

PD

AX

SU

BR



SEM243E

## HYDRAULIC VALVE LIFTER

NBEM0017S15

1. Check contact and sliding surfaces for wear or scratches.
2. Check diameter of valve lifter.

**Outer diameter:**

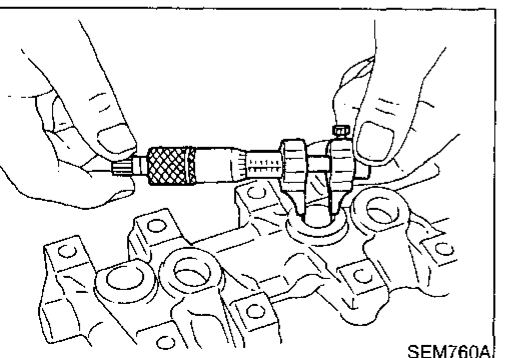
15.947 - 15.957 mm (0.6278 - 0.6282 in)

ST

RS

BT

HA



SEM760A

3. Check valve lifter guide inner diameter.

**Inner diameter:**

16.000 - 16.013 mm (0.6299 - 0.6304 in)

**Standard clearance between valve lifter and lifter guide:**

0.043 - 0.066 mm (0.0017 - 0.0026 in)

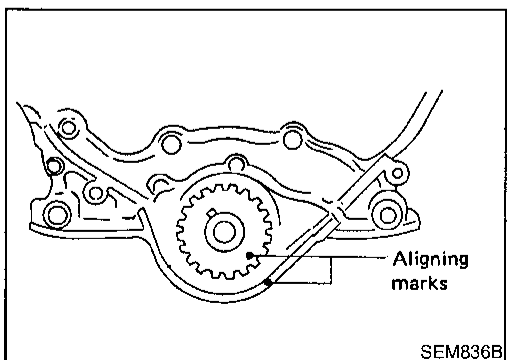
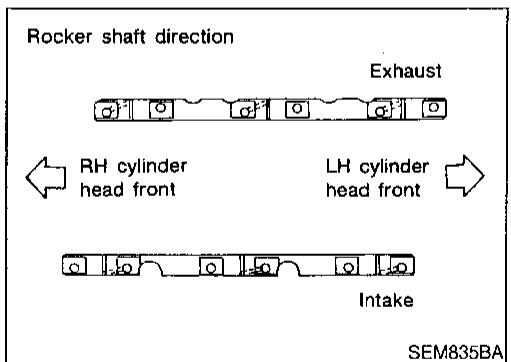
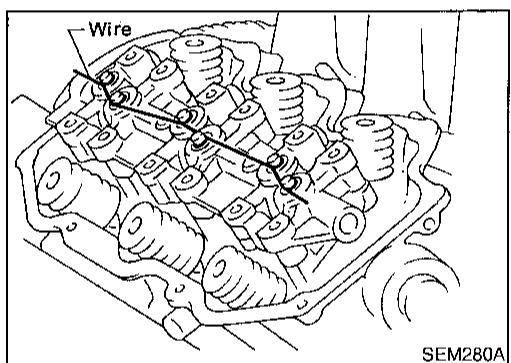
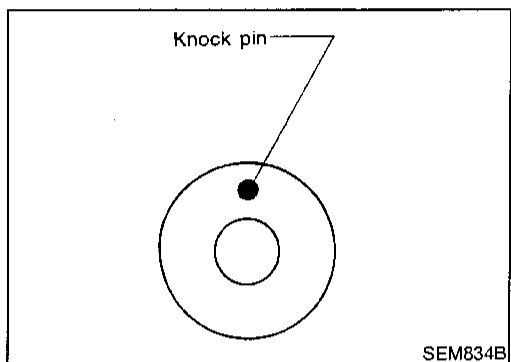
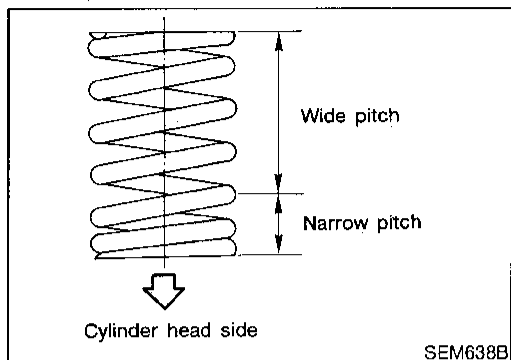
SC

EL

IDX

# CYLINDER HEAD

Assembly



## Assembly

NBEM0018

1. Install valve component parts.
  - **Always use new valve oil seal. Refer to OIL SEAL REPLACEMENT (EM-22).**
  - **Before installing valve oil seal, install inner valve spring seat.**
  - **Install outer valve spring (uneven pitch type) with its narrow pitch side toward cylinder head side.**
  - **After installing valve component parts, use plastic hammer to lightly tap valve stem tip to assure a proper fit.**
2. Install camshafts, locate plates and cylinder head rear covers.
  - **Set knock pin of camshaft at the top.**

3. Install valve lifters into valve lifter guide.
  - **Assemble valve lifters to their original position and hold all valve lifters with wire to prevent lifters from falling off.**
  - **After installing, remove the wire.**

4. Install rocker shafts with rocker arms.
  - **Tighten bolts gradually in two or three stages.**
  - **Before tightening, be sure to set camshaft the lobe at the position where lobe is not lifted.**
  - a. Set No. 1 piston at TDC on its compression stroke and tighten rocker shaft bolts for No. 2, No. 4 and No. 6 cylinders.
  - b. Set No. 4 piston at TDC on its compression stroke and tighten rocker shaft bolts for No. 1, No. 3 and No. 5 cylinders.
5. Install exhaust manifold to cylinder head in reverse order of removal.

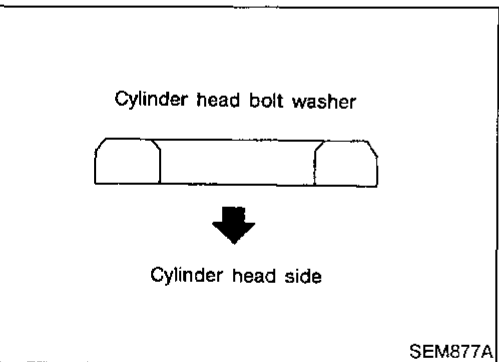
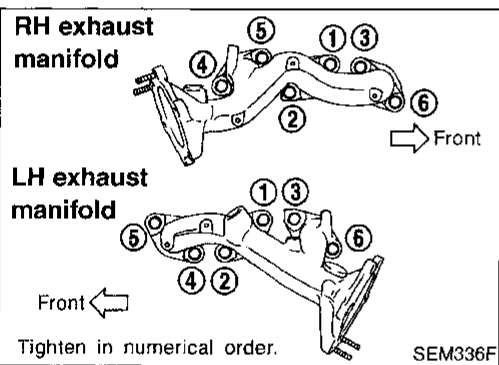
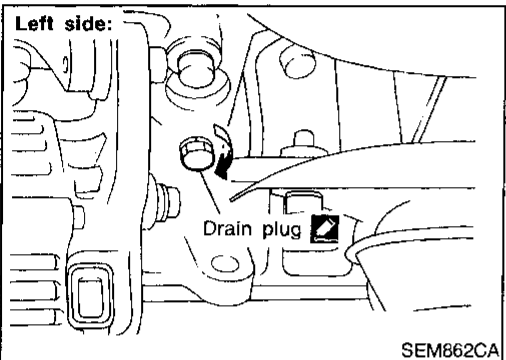
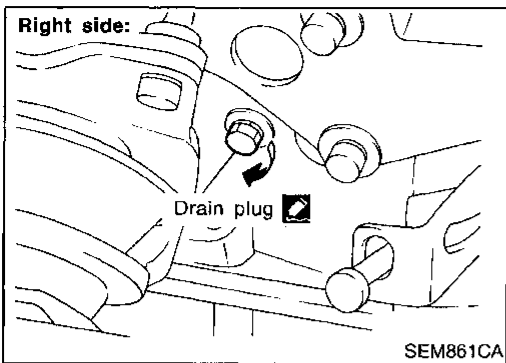
## Installation

NBEM0019

1. Set No. 1 piston at TDC on its compression stroke as follows:
  - a. Align crankshaft sprocket aligning mark with mark on oil pump body.
  - b. Confirm that knock pin on camshaft is set at the top.

# CYLINDER HEAD

Installation (Cont'd)



2. Install both drain plugs.
  - Use Genuine RTV silicone sealant Part No. 999MP-A7007, Three Bond TB1207D or equivalent.

3. Install exhaust manifolds to cylinder head.

4. Install cylinder head with new gasket.
  - Be sure to install washers between bolts and cylinder head.
  - Do not rotate crankshaft and camshaft separately, or valves will hit piston heads.

GI

MA

**EM**

LC

EC

FE

AT

TF

PD

AX

SU

BR

ST

RS

BT

HA

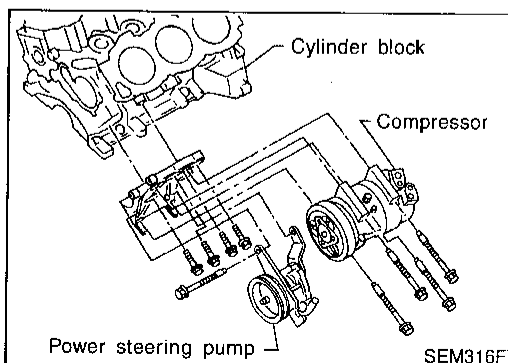
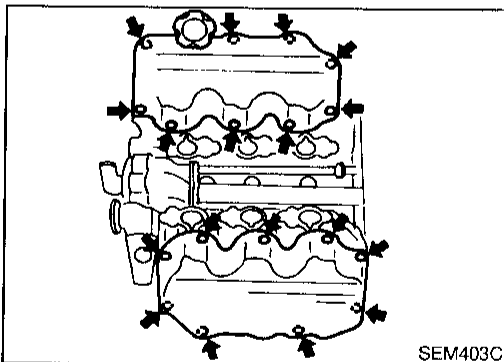
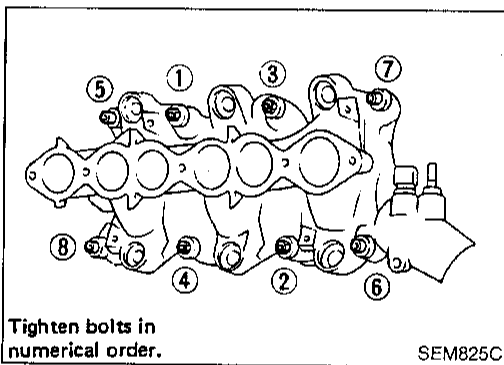
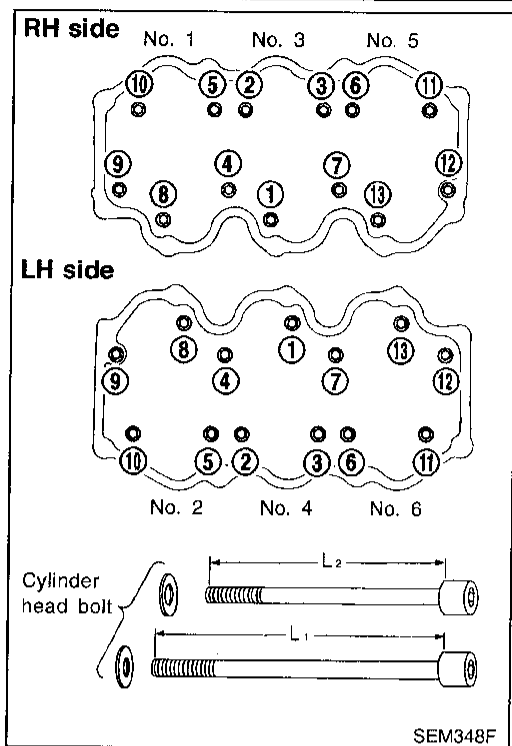
SC

EL

IDX

# CYLINDER HEAD

Installation (Cont'd)



5. Tighten cylinder head bolts in numerical order using angle wrench [ST10120000 (J24239-01)].

**Apply engine oil to threads and seating surfaces of cylinder head bolts before installing them.**

- Cylinder head bolts for 4, 7, 9 and 12 are longer than the others.

$L_1$ : 127 mm (5.00 in) for 4, 7, 9 and 12

$L_2$ : 106 mm (4.17 in) for others

- Install intake manifold and cylinder head at the same time using the following procedure:

- 1) Tighten cylinder head bolts to 29 N·m (3.0 kg-m, 22 ft-lb).
  - 2) Tighten cylinder head bolts to 59 N·m (6.0 kg-m, 43 ft-lb).
  - 3) Loosen cylinder head bolts completely.
  - 4) Tighten cylinder head bolts to 10 N·m (1.0 kg-m, 7 ft-lb).
  - 5) Tighten intake manifold bolts and nuts to 4 N·m (0.4 kg-m, 2.9 ft-lb).
  - 6) Tighten intake manifold bolts and nuts to 18 N·m (1.8 kg-m, 13 ft-lb).
  - 7) Tighten intake manifold bolts and nuts to 16 to 20 N·m (1.6 to 2.0 kg-m, 12 to 14 ft-lb).
  - 8) Loosen intake manifold bolts and nuts completely.
  - 9) Tighten cylinder head bolts to 29 N·m (3.0 kg-m, 2.2 ft-lb).
  - 10) Turn cylinder head bolts to 60 to 65 degrees clockwise. If an angle wrench is not available, tighten cylinder head bolts to 54 to 64 N·m (5.5 to 6.5 kg-m, 40 to 47 ft-lb).
  - 11) Tighten cylinder head sub-bolts to 9.0 to 11.8 N·m (0.92 to 1.20 kg-m, 6.7 to 8.7 ft-lb).
  - 12) Tighten intake manifold bolts and nuts to 4 N·m (0.4 kg-m, 2.9 ft-lb).
  - 13) Tighten intake manifold bolts and nuts to 9 N·m (0.9 kg-m, 6.5 ft-lb).
  - 14) Tighten intake manifold bolts and nuts to 8 to 10 N·m (0.8 to 1.0 kg-m, 5.8 to 7 ft-lb).
6. Install both rocker covers.

7. Install compressor and alternator bracket.

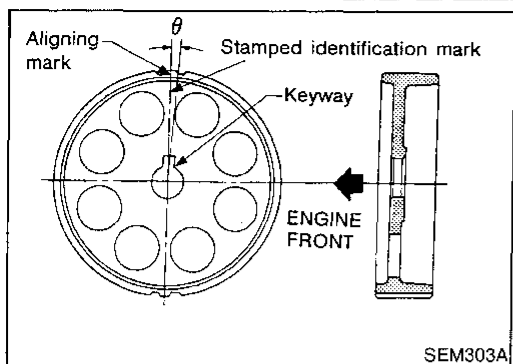
8. Install alternator.

9. Install compressor and power steering pump.

10. Install exhaust front tube to exhaust manifold.

# CYLINDER HEAD

Installation (Cont'd)



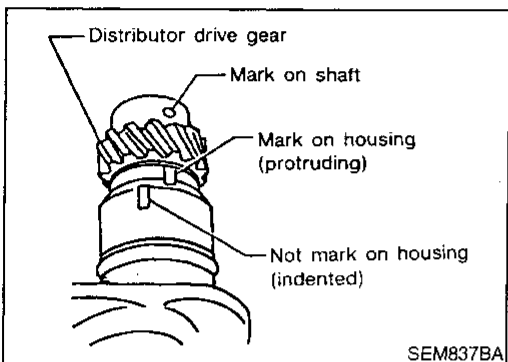
11. Install rear belt cover and camshaft sprocket.

- **RH camshaft sprocket and LH camshaft sprocket are different parts. Be sure to install them in the correct location.**

	Identification mark	$\theta$
RH camshaft sprocket	R3	$0^{\circ}53'$
LH camshaft sprocket	L3	$-3^{\circ}27'$

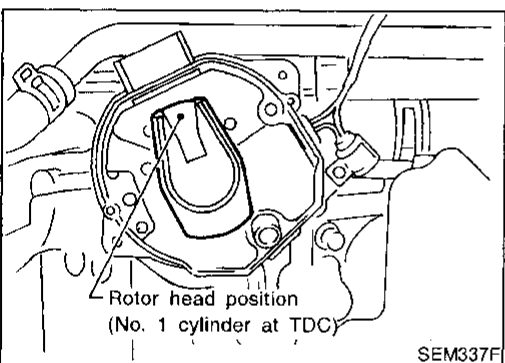
12. Install timing belt and adjust belt tension.

Refer to "TIMING BELT — Installation" (EM-19).

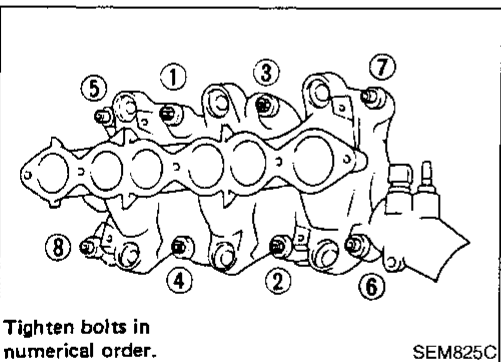


13. Install distributor.

- 1) Align mark on shaft with protruding mark on housing.



- 2) After installing, confirm that distributor rotor head is set as shown in figure.



14. Install intake manifold.

Install all parts which were removed in step 9 under "CYLINDER HEAD — Removal" (EM-25).

- **If only intake manifold is removed and to be used again, install it using the following procedure:**

- 1) Tighten all bolts and nuts to 4 N·m (0.4 kg-m, 2.9 ft-lb).
- 2) Tighten all bolts and nuts to 9 N·m (0.9 kg-m, 6.5 ft-lb).
- 3) Tighten all bolts and nuts to 8 to 10 N·m (0.8 to 1.0 kg-m, 5.8 to 7 ft-lb).

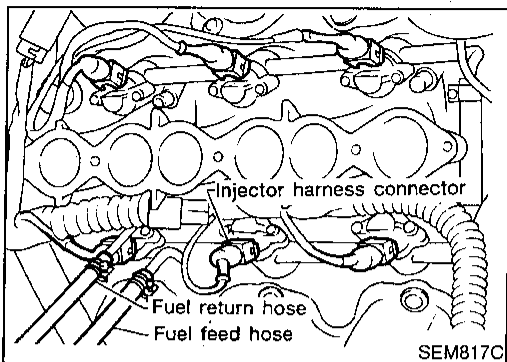
**CAUTION:**

If replacing intake manifold with a new one, cylinder head gasket must also be replaced with a new one. Refer to step 4.

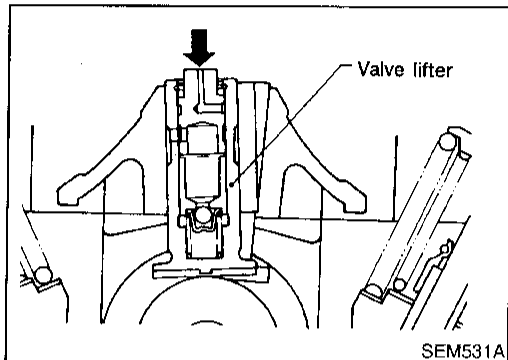
GI  
MA  
EM  
LC  
EC  
FE  
AT  
TF  
PD  
AX  
SU  
BR  
ST  
RS  
BT  
HA  
SC  
EL  
IDX

## CYLINDER HEAD

Installation (Cont'd)



15. Install injector fuel tube assembly.
16. Connect all injector harness connectors.
17. Install fuel feed and fuel return hoses to injector fuel tube assembly.
18. Install intake manifold collector. Install all parts which were removed in step 5 under "CYLINDER HEAD — Removal" (EM-25).
19. Install ASCD and accelerator control wire.



20. Check hydraulic valve lifter.
  - a. Push plunger forcefully with your finger.
    - **Be sure to check it with rocker arm in its free position (not on the lobe).**
  - b. If valve lifter moves more than 1 mm (0.04 in), air may be inside it.
  - c. Bleed air off by running engine at 1,000 rpm under no load for about 10 minutes.
  - d. If hydraulic valve lifters are still noisy, replace them and bleed air off again in the same manner as in step 20 (c).

## Removal and Installation

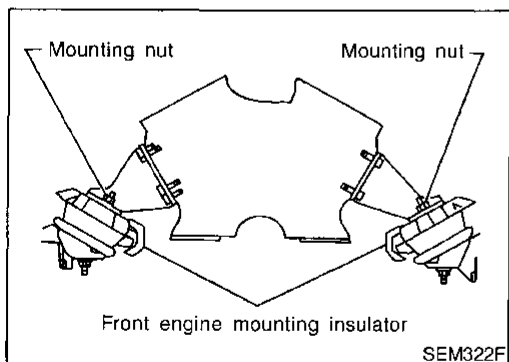
NBEM0020

### WARNING:

- Situate vehicle on a flat and solid surface.
- Place chocks at front and back of rear wheels.
- Do not remove engine until exhaust system has completely cooled off. Otherwise, you may burn yourself and/or fire may break out in fuel line.
- For safety during subsequent steps, the tension of wires should be slackened against the engine.
- Before disconnecting fuel hose, release fuel pressure from fuel line.  
Refer to "Releasing Fuel Pressure" in EC section.
- Before removing front axle from transmission, place safety stands under designated front supporting points. Refer to GI section for lifting points and towing.
- Be sure to hoist engine and transmission in a safe manner.
- For engines not equipped with engine slingers, attach proper slingers and bolts described in PARTS CATALOG.

### CAUTION:

- When lifting engine, be careful not to strike adjacent parts, especially accelerator wire casing, brake lines, and brake master cylinder.
- In hoisting the engine, always use engine slingers in a safe manner.
- Before separating engine and transmission, remove crankshaft position sensor (OBD) from the assembly.
- Always take extra care not to damage edge of crankshaft position sensor (OBD), or ring gear teeth.



- Do not loosen front engine mounting insulator cover securing nuts.  
When cover is removed, damper oil flows out and mounting insulator will not function.  
For tightening torque, refer to AT, MT and PD sections. For 4WD model, sealant should be applied between engine and transmission.  
Refer to "Installation" in MT section.

GI

MA

EM

LC

EC

FE

AT

TF

PD

AX

SU

BR

ST

RS

BT

HA

SC

EL

IDX



# ENGINE ASSEMBLY

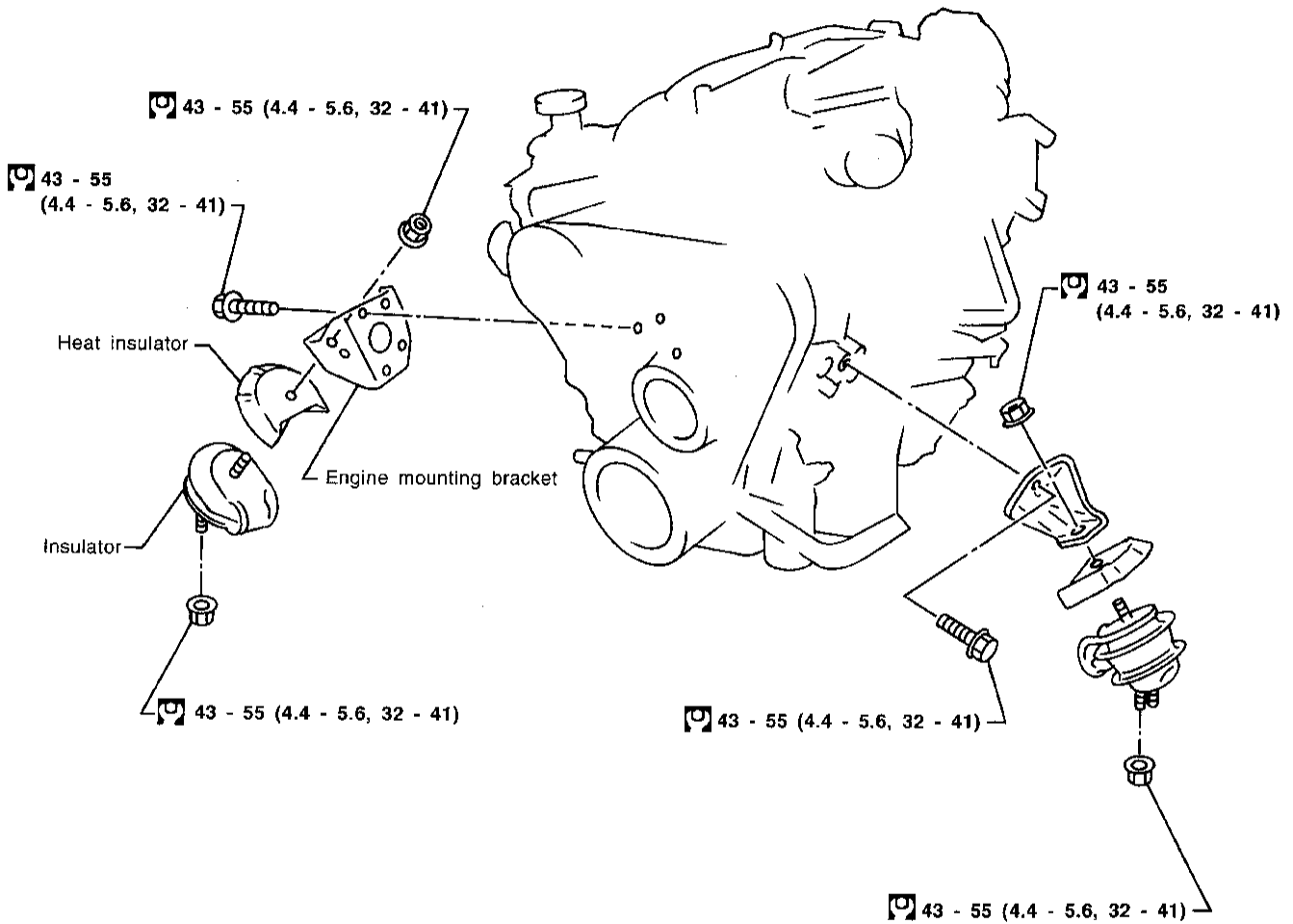
Removal and Installation (Cont'd)

## REMOVAL Front Engine Mounting

NBEM0020S01

NBEM0020S0101

SEC. 112



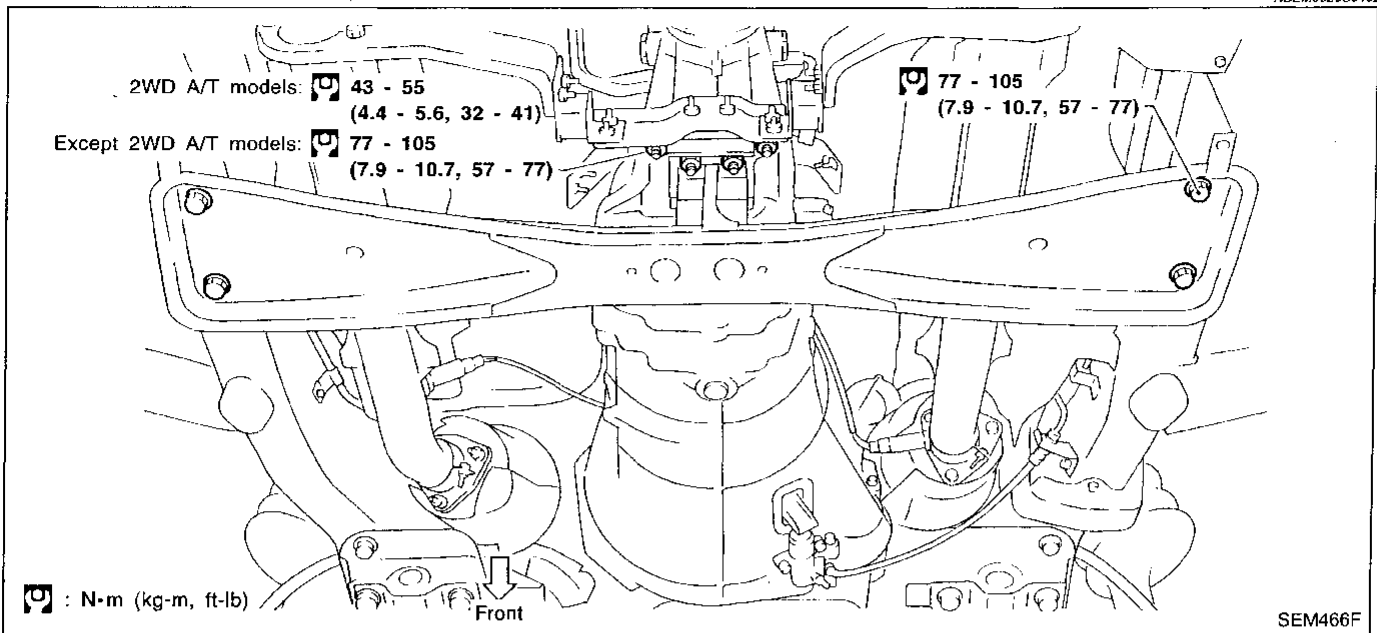
$\square$  : N·m (kg-m, ft-lb)

SEM320F

EM-40

## Rear Engine Mounting

NBEM002050102



GI

MA

EM

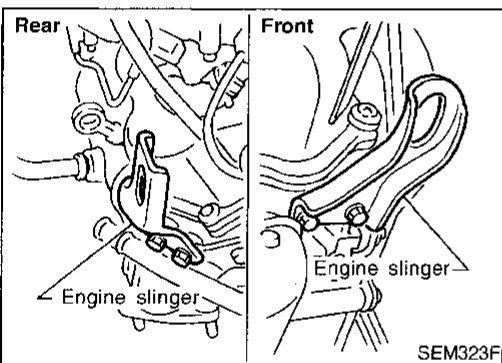
LC

EC

FE

AT

TF

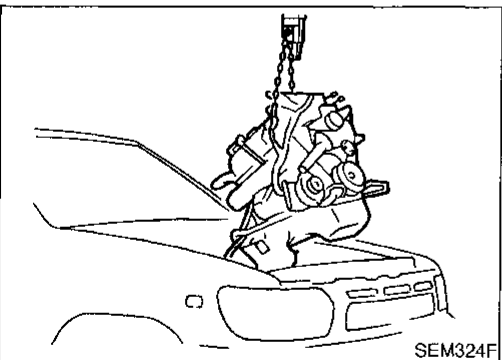


PD

AX

SU

BR



ST

RS

BT

HA

SC

EL

IDX

1. Remove engine undercover and hood.
2. Drain engine coolant.
3. Remove vacuum hoses, fuel tubes, wires, harnesses and connectors and so on.
4. Remove radiator with shroud and cooling fan.
5. Remove drive belts.
6. Remove power steering oil pump and air conditioner compressor.
7. Remove front exhaust tube.
8. Remove transmission from vehicle.

Refer to "Removal" in AT section.

9. Install engine slingers.

**Slinger bolts:**

$\square$  : 20 - 26 N·m (2.1 - 2.7 kg·m, 15 - 20 ft·lb)

10. Hoist engine with engine slingers and remove engine mounting nuts from both sides.
11. Remove engine from vehicle.

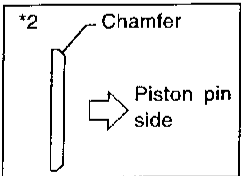
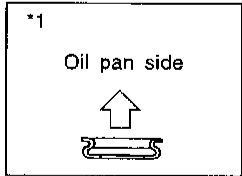
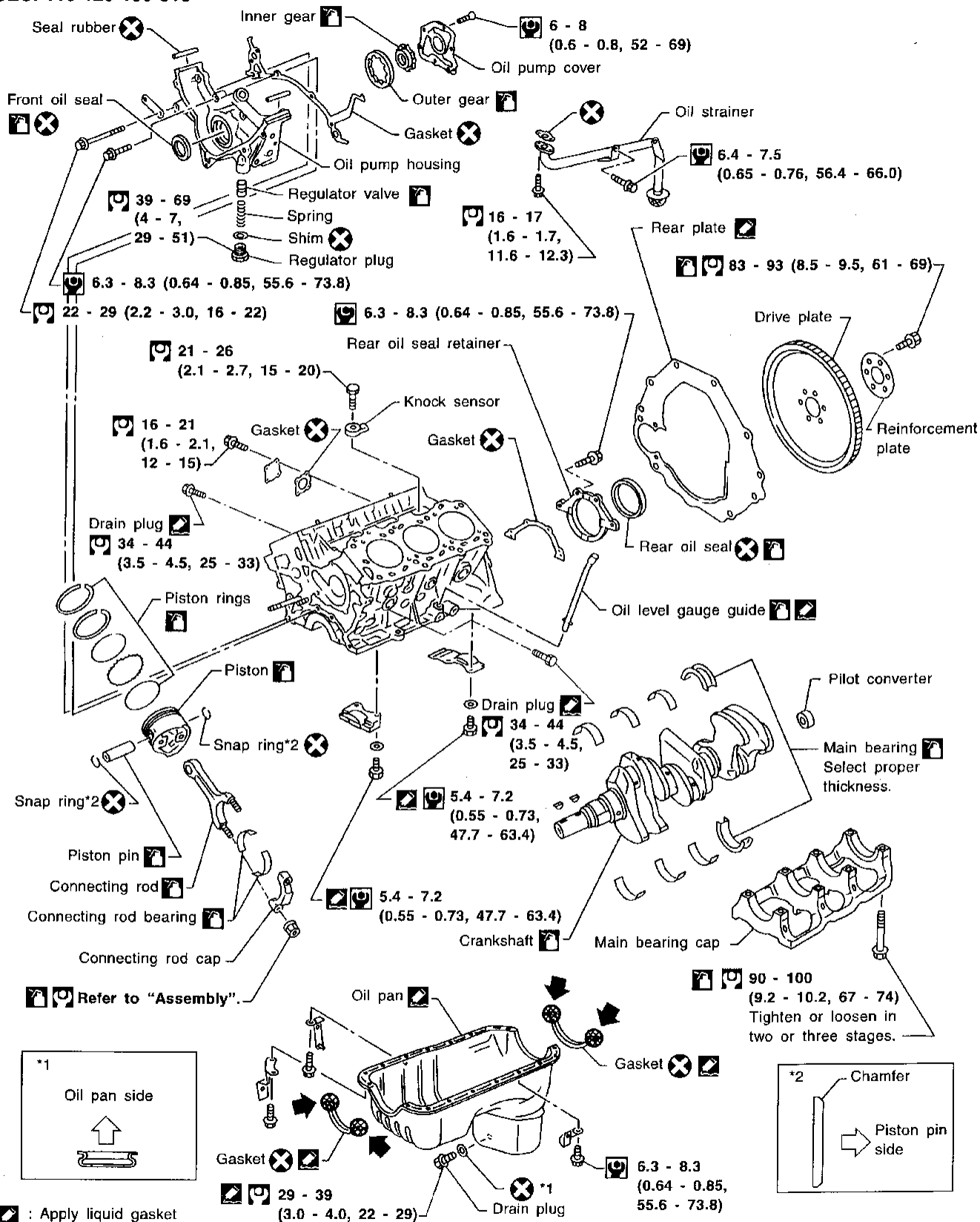
# CYLINDER BLOCK

Components

NBEM0021

## Components

### SEC. 110•120•150•313



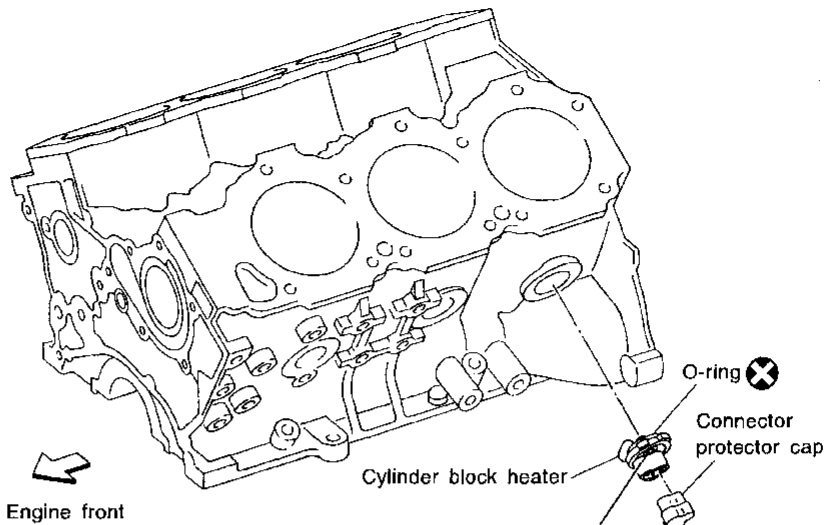
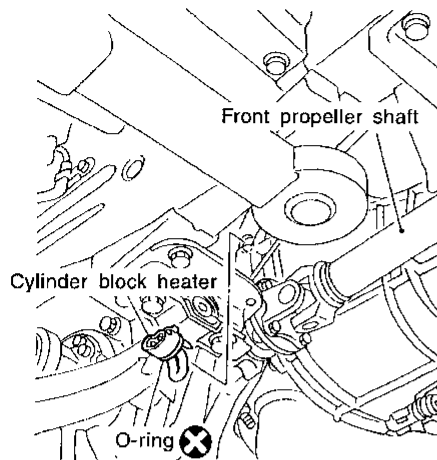
- : Apply liquid gasket (Genuine RTV silicone sealant Part No. 999MP-A7007, Three Bond TB1207D or equivalent).
- : N·m (kg-m, in-lb)
- : N·m (kg-m, ft-lb)
- : Apply sealant.
- : Lubricate with new engine oil.


SEM678F

## CYLINDER BLOCK HEATER

NBEM0021S01

For Canada  
SEC. 110



 1.6 - 2.2 N•m (0.16 - 0.22 kg-m, 13.9 - 19.1 in-lb)

- Remove liquid gasket completely after removing cylinder block heater.
- Install cylinder block heater with heater part downward as shown in the figure.
- Apply LLC to O-ring when installing cylinder block heater.

SEM625F

Refer to "OUTER COMPONENT PARTS" in EM-11 as to "Removal and Installation" for the procedures prior to removing the block heater.

## Removal and Installation

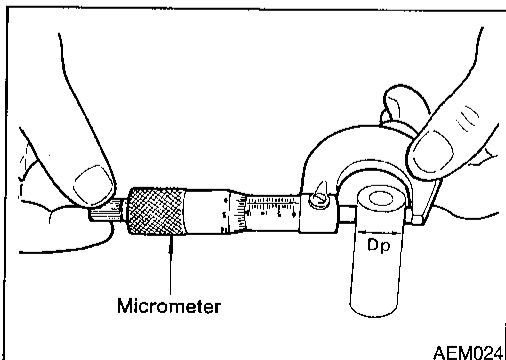
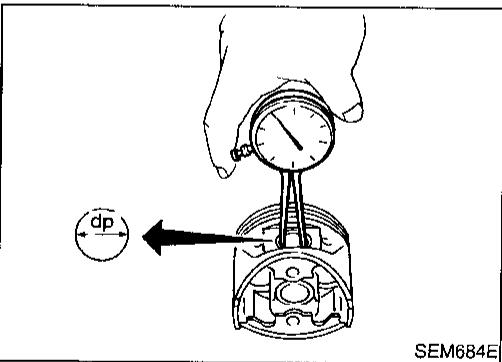
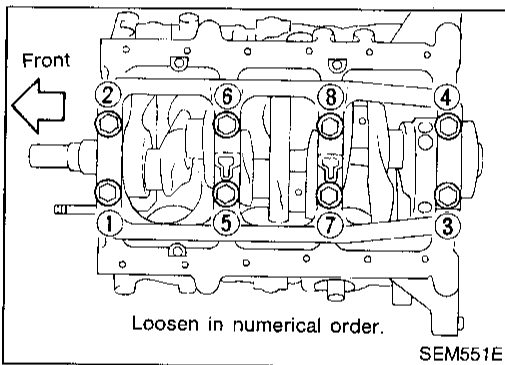
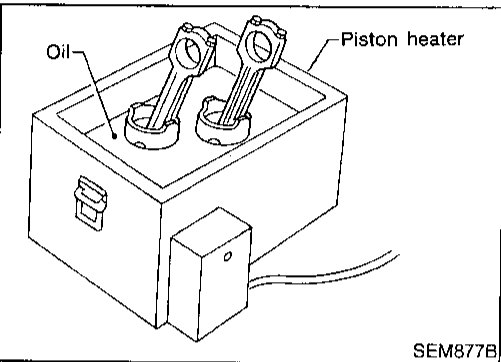
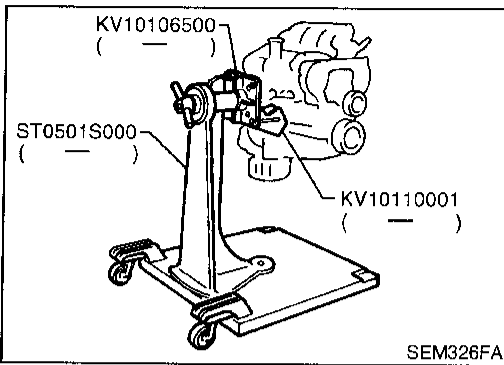
NBEM0022

## CAUTION:

- When installing sliding parts such as bearings and pistons, be sure to apply engine oil on the sliding surfaces.
- Place removed parts such as bearings and bearing caps in their proper order and direction.
- When installing connecting rod bolts and main bearing cap bolts, apply new engine oil to threads and seating surfaces.
- Do not allow any magnetic materials to contact the ring gear teeth on flywheel or drive plate and rear plate.

# CYLINDER BLOCK

## Disassembly



## Disassembly

### PISTON AND CRANKSHAFT

NBEM0023

NBEM0023S01

1. Place engine on a work stand.
2. Drain coolant and oil.
3. Remove oil pan and oil pump.
4. Remove timing belt.
5. Remove water pump.
6. Remove cylinder head.

7. Remove pistons with connecting rods.

- When disassembling piston and connecting rod, remove snap ring first, then heat piston to 60 to 70°C (140 to 158°F) or use piston pin press stand at room temperature.

#### CAUTION:

- When piston rings are not replaced, make sure that piston rings are mounted in their original positions.
- When replacing piston rings, if there is no punchmark, install with either side up.

8. Remove bearing cap and crankshaft.

- Before removing bearing cap, measure crankshaft end play.
- Bolts should be loosened in two or three steps.

## Inspection

### PISTON AND PISTON PIN CLEARANCE

NBEM0024

NBEM0024S01

1. Measure inner diameter of piston pin hole "dp".

**Standard diameter "dp":**

**20.969 - 20.981 mm (0.8255 - 0.8260 in)**

2. Measure outer diameter of piston pin "Dp".

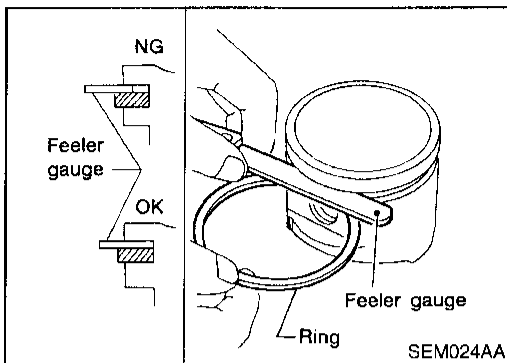
**Standard diameter "Dp":**

**20.971 - 20.983 mm (0.8256 - 0.8261 in)**

3. Calculate piston pin clearance.

**dp - Dp = 0 - 0.004 mm (0 - 0.0002 in)**

If it exceeds the above value, replace piston assembly with pin.



## PISTON RING SIDE CLEARANCE

NBEM0024S02

### Side clearance:

Top ring: 0.024 - 0.076 mm (0.0009 - 0.0030 in)

2nd ring: 0.030 - 0.070 mm (0.0012 - 0.0028 in)

### Max. limit of side clearance:

Top ring: 0.11 mm (0.0043 in)

2nd ring: 0.1 mm (0.004 in)

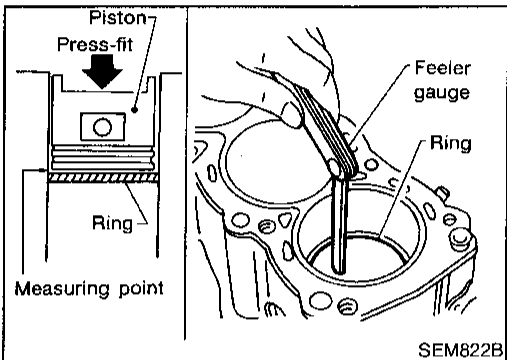
If out of specification, replace piston and/or piston ring assembly.

GI

MA

EM

LC



## PISTON RING END GAP

NBEM0024S03

### End gap:

Top ring: 0.21 - 0.40 mm (0.0083 - 0.0157 in)

2nd ring: 0.50 - 0.69 mm (0.0197 - 0.0272 in)

Oil ring: 0.20 - 0.69 mm (0.0079 - 0.0272 in)

### Max. limit of ring gap:

Top ring: 0.54 mm (0.0213 in)

2nd ring: 0.80 mm (0.0315 in)

Oil ring: 0.95 mm (0.0374 in)

If out of specification, replace piston ring. If gap still exceeds the limit even with a new ring, rebore cylinder and use oversized piston and piston rings.

Refer to SDS (EM-61).

- When replacing the piston, check the cylinder block surface for scratches or seizure. If scratches or seizure are found, hone or replace the cylinder block.

EC

FE

AT

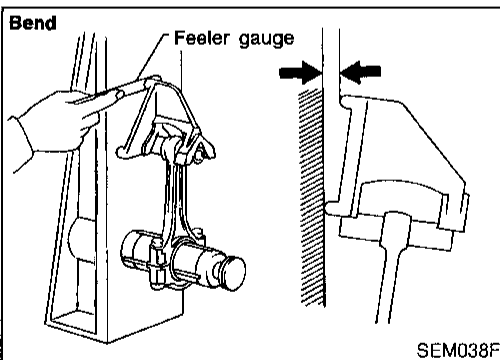
TF

PD

AX

SU

BR



## CONNECTING ROD BEND AND TORSION

NBEM0024S04

### Bend:

Limit 0.15 mm (0.0059 in)  
per 100 mm (3.94 in) length

### Torsion:

Limit 0.30 mm (0.0118 in)  
per 100 mm (3.94 in) length

If it exceeds the limit, replace connecting rod assembly.

ST

RS

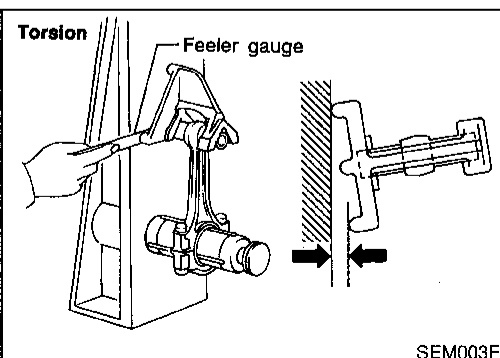
BT

HA

SC

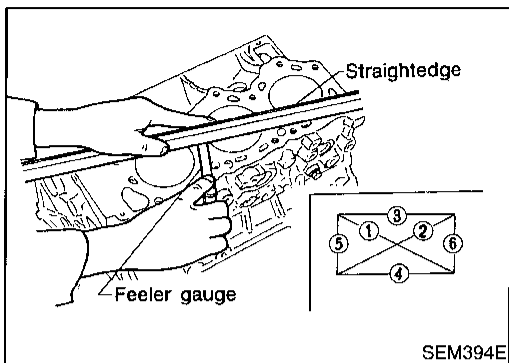
EL

IDX



# CYLINDER BLOCK

Inspection (Cont'd)



## CYLINDER BLOCK DISTORTION AND WEAR

NBEM0024S05

1. Clean upper face of cylinder block and measure the distortion.

Limit:

0.10 mm (0.0039 in)

2. If out of specification, resurface it.  
The resurfacing limit is determined by cylinder head resurfacing in engine.

Amount of cylinder head resurfacing is "A".

Amount of cylinder block resurfacing is "B".

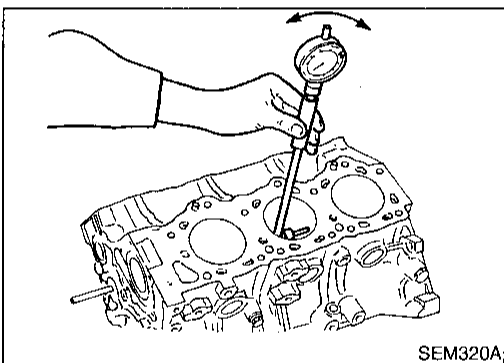
The maximum limit is as follows:

$A + B = 0.2 \text{ mm (0.008 in)}$

Nominal cylinder block height from crankshaft center:

227.60 - 227.70 mm (8.9606 - 8.9645 in)

3. If necessary, replace cylinder block.



## PISTON-TO-BORE CLEARANCE

NBEM0024S06

1. Using a bore gauge, measure cylinder bore for wear, out-of-round and taper.

Standard inner diameter:

91.500 - 91.530 mm (3.6024 - 3.6035 in)

Refer to "CYLINDER BLOCK" in SDS.

Wear limit:

0.20 mm (0.0079 in)

If it exceeds the limit, rebore all cylinders. Replace cylinder block if necessary.

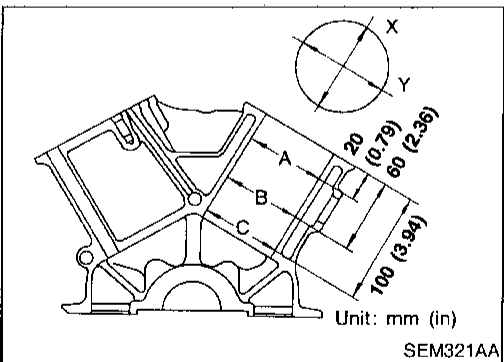
Out-of-round (X - Y) standard:

0.015 mm (0.0006 in)

Taper (A - B or A - C) standard:

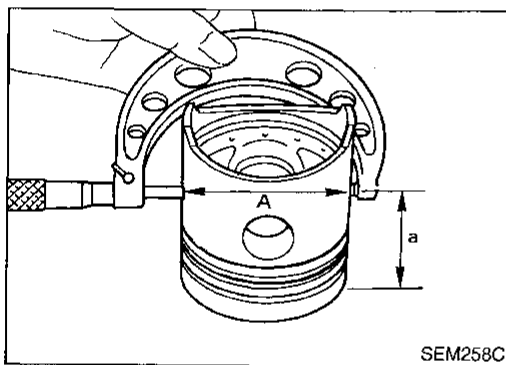
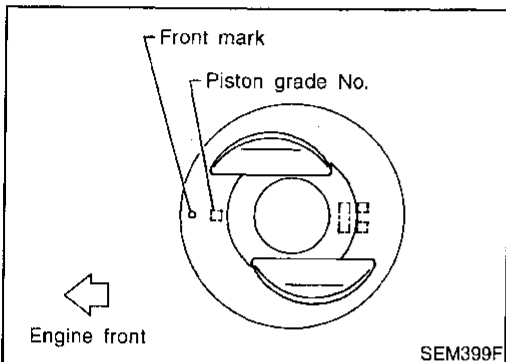
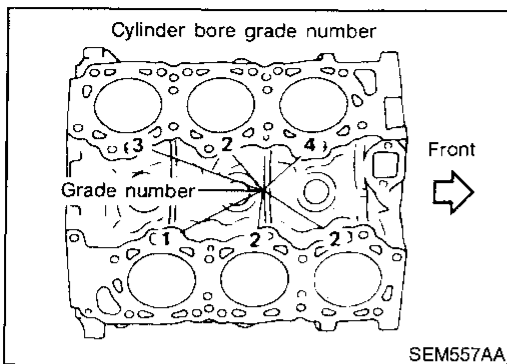
0.015 mm (0.0006 in)

2. Check for scratches and seizure. If seizure is found, hone it.



# CYLINDER BLOCK

Inspection (Cont'd)



- If both cylinder block and piston are replaced with new ones, select piston of the same grade number according to the following table. These numbers are punched on cylinder block and piston in either Arabic or Roman numerals.

## Combination of grade number for cylinder bore and piston

Cylinder bore grade No.	For No. 3 and 4 cylinders						Except for No. 3 and 4 cylinders		
	1	2	3	4	5	6	1	2	3
Piston grade No.	2-1	3-2	3-3	4-4	4-5	5-6	1	2	3

3. Measure piston skirt diameter.

**Piston diameter "A":**

**Refer to SDS (EM-61).**

**Measuring point "a" (Distance from the top):**

**49.0 mm (1.929 in)**

4. Check that piston-to-bore clearance is within specification.

**Piston-to-bore clearance "B":**

**0.015 - 0.025 mm (0.0006 - 0.0010 in) for No. 3 and 4 cylinders**

**0.025 - 0.045 mm (0.0010 - 0.0018 in) except for No. 3 and 4 cylinders**

5. Determine piston oversize according to amount of cylinder wear.

**Oversize pistons are available for service. Refer to SDS (EM-61).**

6. Cylinder bore size is determined by adding piston-to-bore clearance to piston diameter "A".

**Rebored size calculation:**

$$D = A + B - C$$

where,

**D: Bored diameter**

**A: Piston diameter as measured**

**B: Piston-to-bore clearance**

**C: Honing allowance 0.02 mm (0.0008 in)**

7. Install main bearing caps, and tighten to the specified torque to prevent distortion of cylinder bores in final assembly.

8. Cut cylinder bores.

- When any cylinder needs boring, all other cylinders must also be bored.

- Do not cut too much out of cylinder bore at a time. Cut only 0.05 mm (0.0020 in) or so in diameter at a time.

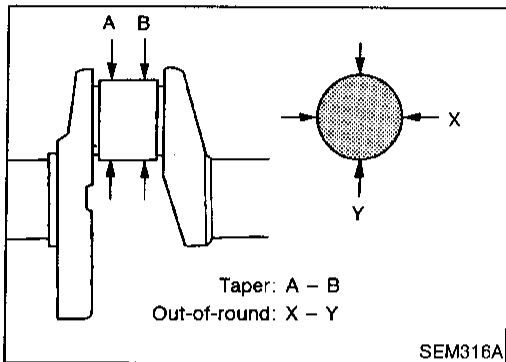
- 9.hone cylinders to obtain specified piston-to-bore clearance.



# CYLINDER BLOCK

Inspection (Cont'd)

10. Measure finished cylinder bore for out-of-round and taper.
  - **Measurement should be done after cylinder bore cools down.**



## CRANKSHAFT

NBEM0024S07

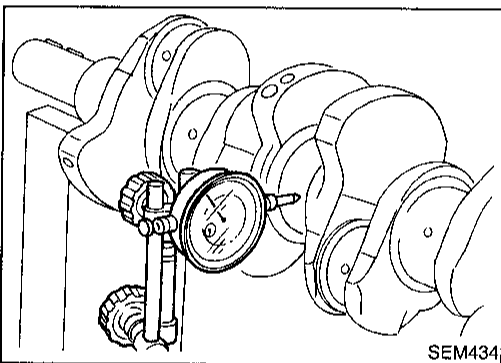
1. Check crankshaft main and pin journals for score, wear or cracks.
2. With a micrometer, measure journals for taper and out-of-round.

**Out-of-round (X - Y):**

**Less than 0.005 mm (0.0002 in)**

**Taper (A - B):**

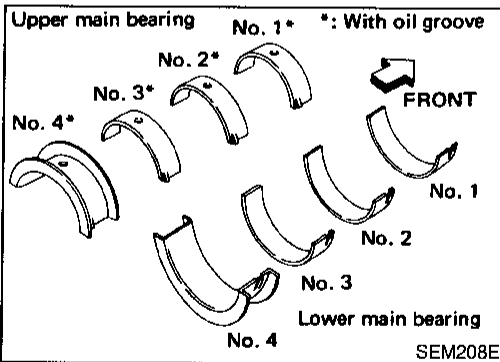
**Less than 0.005 mm (0.0002 in)**



3. Measure crankshaft runout.

**Runout (Total indicator reading):**

**Less than 0.10 mm (0.0039 in)**



## BEARING CLEARANCE

NBEM0024S08

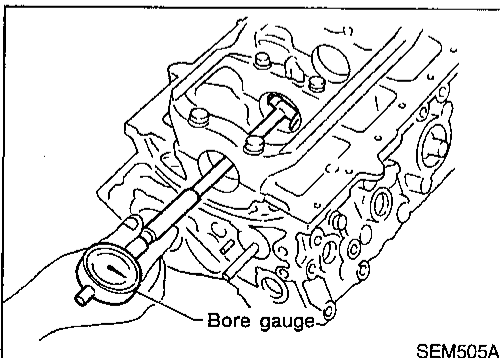
- Either of the following two methods may be used, however, method A gives more reliable results and is preferable.

### Method A (Using bore gauge & micrometer)

#### Main Bearing

NBEM0024S0801

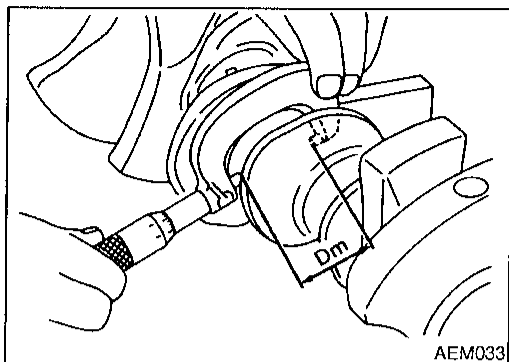
1. Set main bearings in their proper positions on cylinder block and main bearing cap.



2. Install main bearing cap to cylinder block.

**Tighten all bolts in correct order in two or three stages.**

3. Measure inner diameter "A" of each main bearing.



4. Measure outer diameter "Dm" of each crankshaft main journal.
5. Calculate main bearing clearance.

**Main bearing clearance (A - Dm):**

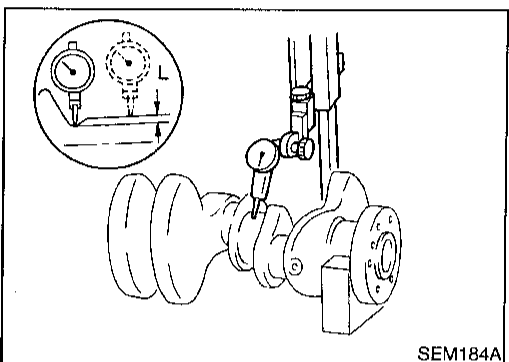
**Standard**

**0.028 - 0.055 mm (0.0011 - 0.0022 in)**

**Limit**

**0.090 mm (0.0035 in)**

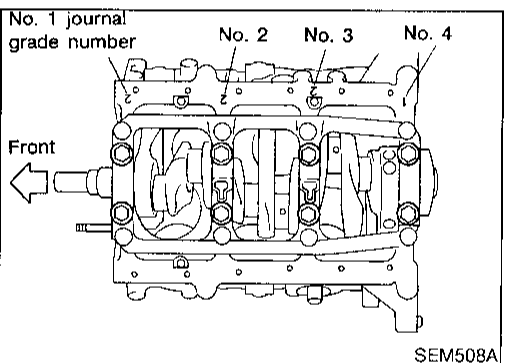
6. If it exceeds the limit, replace bearing.
7. If clearance cannot be adjusted within the standard of any bearing, grind crankshaft journal and use undersized bearing.



- a. When grinding crankshaft journal, confirm that "L" dimension in fillet roll is more than the specified limit.

**"L": 0.1 mm (0.004 in)**

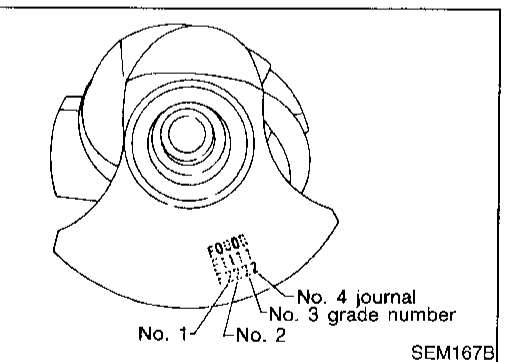
- b. Refer to SDS for grinding crankshaft and available service parts.



8. If crankshaft is reused, measure main bearing clearances and select thickness of main bearings.

If crankshaft is replaced with a new one, it is necessary to select thickness of main bearings as follows:

- a. Grade number of each cylinder block main journal is punched on the respective cylinder block. These numbers are punched in either Arabic or Roman numerals.



- b. Grade number of each crankshaft main journal is punched on the respective crankshaft. These numbers are punched in either Arabic or Roman numerals.

- c. Select main bearing with suitable thickness according to the following example or table.

For example:

Main journal grade number: 1

Crankshaft journal grade number: 2

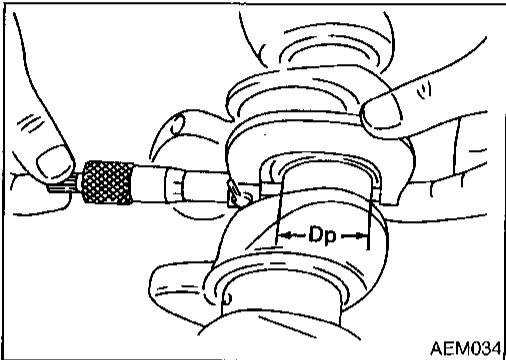
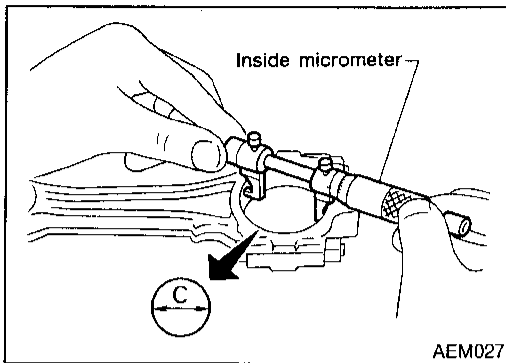
Main bearing grade number = 1 + 2 = 3 (Yellow)

**Main bearing grade number (Identification color):**

		Main journal grade number		
		"0"	"1" or "I"	"2" or "II"
Crankshaft journal grade number	"0"	0 (Black)	1 (Brown)	2 (Green)
	"1" or "I"	1 (Brown)	2 (Green)	3 (Yellow)
	"2" or "II"	2 (Green)	3 (Yellow)	4 (Blue)

# CYLINDER BLOCK

Inspection (Cont'd)



## Connecting Rod Bearing (Big end)

NBEM0024S0802

1. Install connecting rod bearing to connecting rod and cap.
2. Install connecting rod cap to connecting rod.

**Tighten bolts to the specified torque.**

3. Measure inner diameter "C" of each bearing.

4. Measure outer diameter "Dp" of each crankshaft pin journal.
5. Calculate connecting rod bearing clearance.

**Connecting rod bearing clearance (C - Dp):**

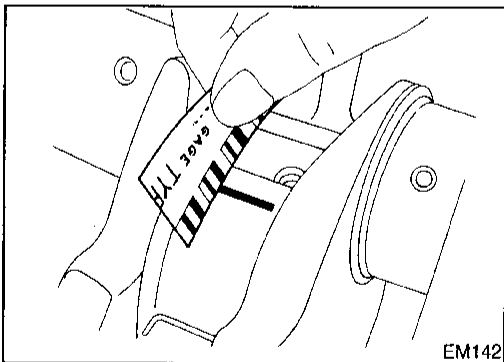
**Standard**

**0.014 - 0.054 mm (0.0006 - 0.0021 in)**

**Limit**

**0.090 mm (0.0035 in)**

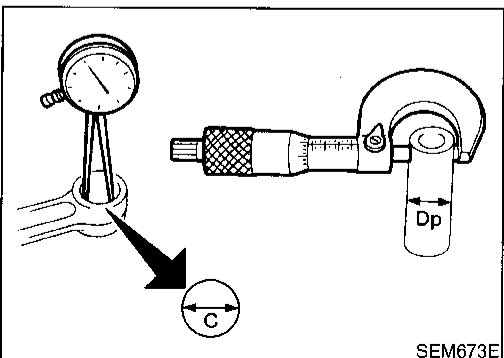
6. If it exceeds the limit, replace bearing.
7. If clearance cannot be adjusted within the standard of any bearing, grind crankshaft journal and use undersized bearing. Refer to step 7 of "BEARING CLEARANCE — Main bearing" (EM-48).



## Method B (Using plastigage)

### CAUTION:

- Do not turn crankshaft or connecting rod while plastigage is being inserted.
- When bearing clearance exceeds the specified limit, ensure that the proper bearing has been installed. Then if excessive bearing clearance exists, use a thicker main bearing or undersized bearing so that the specified bearing clearance is obtained.



## CONNECTING ROD BUSHING CLEARANCE (SMALL END)

NBEM0024S09

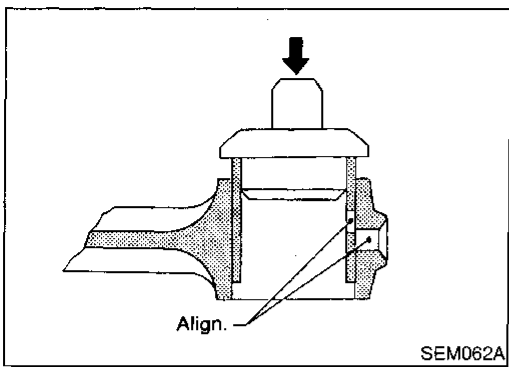
1. Measure inner diameter "C" of bushing.
2. Measure outer diameter "Dp" of piston pin.
3. Calculate connecting rod bushing clearance.

**Connecting rod bushing clearance = C - Dp**

**Standard: 0.005 - 0.017 mm (0.0002 - 0.0007 in)**

**Limit: 0.023 mm (0.0009 in)**

If it exceeds the limit, replace connecting rod assembly or connecting rod bushing and/or piston set with pin.



## REPLACEMENT OF CONNECTING ROD BUSHING (SMALL END)

NBEM0024S10

1. Drive in small end bushing until it is flush with end surface of rod.

**Be sure to align the oil holes.**

2. After driving in small end bushing, ream the bushing so that clearance between connecting rod bushing and piston pin is the specified value.

**Clearance between connecting rod bushing and piston pin:**

0.005 - 0.017 mm (0.0002 - 0.0007 in)

## DRIVE PLATE RUNOUT

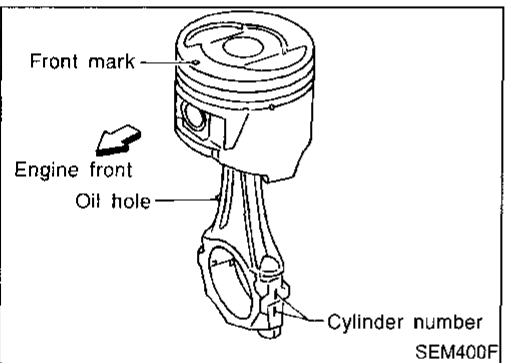
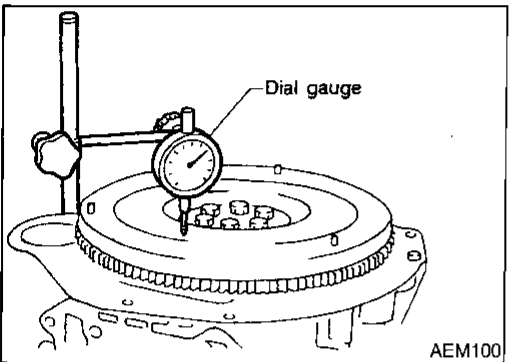
NBEM0024S11

**Runout (Total indicator reading):**

Less than 0.15 mm (0.0059 in)

### CAUTION:

- Be careful not to damage the ring gear teeth.
- Check the drive plate for deformation or cracks.
- Do not allow any magnetic materials to contact the ring gear teeth.



## Assembly

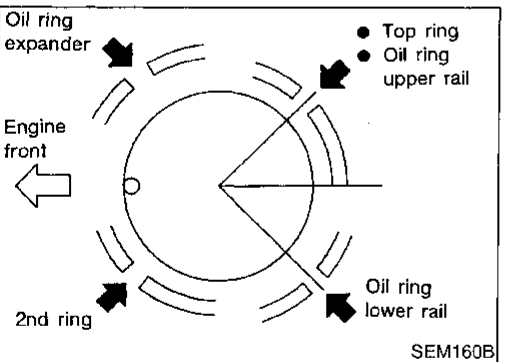
NBEM0025

### PISTON

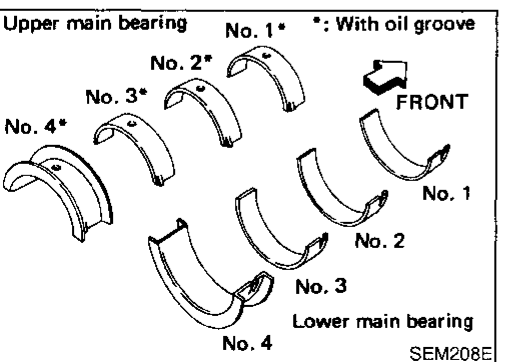
NBEM0025S01

1. Install new snap ring on one side of piston pin hole.
2. Heat piston to 60 to 70°C (140 to 158°F) and assemble piston, piston pin, connecting rod and new snap ring.

- **Align the direction of piston and connecting rod.**
- **Numbers stamped on connecting rod and cap correspond to each cylinder.**
- **After assembly, make sure connecting rod swings smoothly.**



3. Set piston rings as shown.



## CRANKSHAFT

NBEM0025S02

1. Set main bearings in their proper positions on cylinder block and main bearing cap.

- **Confirm that correct main bearings are used.**

Refer to "Inspection" (EM-48).

GI

MA

EM

LC

EC

FE

AT

TF

PD

AX

SU

BR

ST

RS

BT

HA

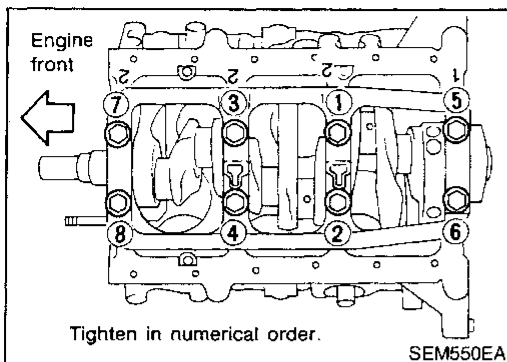
SC

EL

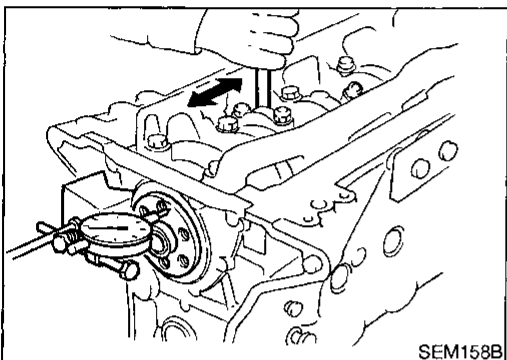
IDX

# CYLINDER BLOCK

Assembly (Cont'd)



2. Install crankshaft and main bearing caps and tighten bolts to the specified torque.
  - **Prior to tightening bearing cap bolts, place bearing cap in its proper position by shifting crankshaft in the axial direction.**
  - **Tighten bearing cap bolts gradually in two or three stages. Start with center bearing and move outward sequentially.**
  - **After securing bearing cap bolts, make sure crankshaft turns smoothly by hand.**
  - **Lubricate threads and seat surfaces of the bolts with new engine oil.**



3. Measure crankshaft end play.

**Crankshaft end play:**

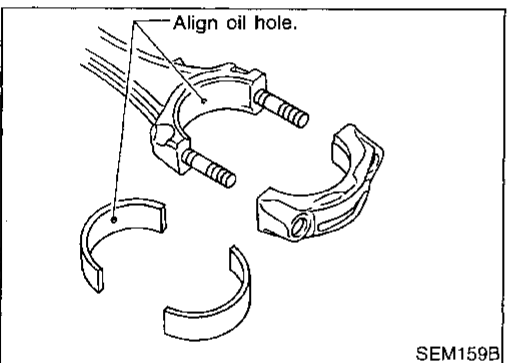
**Standard**

0.050 - 0.170 mm (0.0020 - 0.0067 in)

**Limit**

0.30 mm (0.0118 in)

If beyond the limit, replace bearing with a new one.

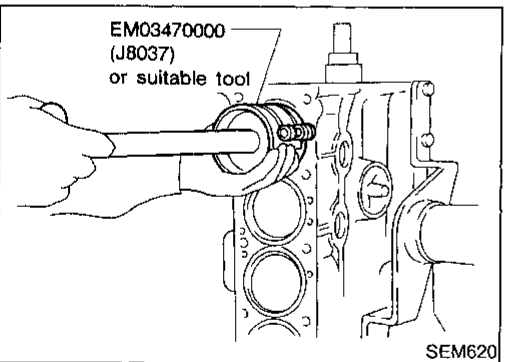


4. Install connecting rod bearings in connecting rods and connecting rod caps.

- **Confirm that correct bearings are used.**

Refer to "Inspection".

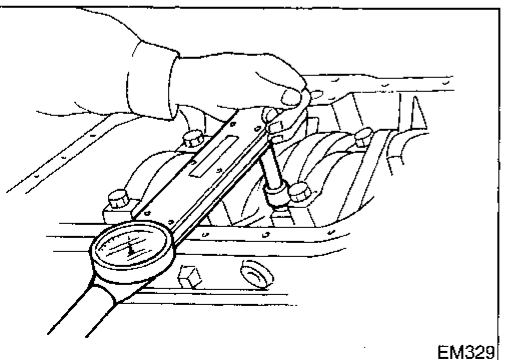
- Install bearings so that oil hole in connecting rod aligns with oil hole of bearing.



5. Install pistons with connecting rods.

- a. Install them into corresponding cylinders with Tool.

- **Be careful not to scratch cylinder wall by connecting rod.**
- **Arrange so that front mark on piston head faces toward front of engine.**



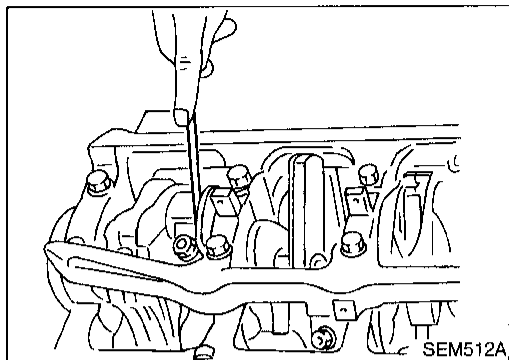
- b. Install connecting rod bearing caps.

- **Lubricate threads and seat surfaces with new engine oil.** Tighten connecting rod bearing cap nuts to the specified torque.

 : **Connecting rod bearing nut**

(1) Tighten to 14 to 16 N-m (1.4 to 1.6 kg-m, 10 to 12 ft-lb).

(2) Turn nuts 60 to 65 degrees clockwise. If an angle wrench is not available, tighten nuts to 38 to 44 N-m (3.9 to 4.5 kg-m, 28 to 33 ft-lb).



6. Measure connecting rod side clearance.

**Connecting rod side clearance:**

**Standard**

0.20 - 0.35 mm (0.0079 - 0.0138 in)

**Limit**

0.40 mm (0.0157 in)

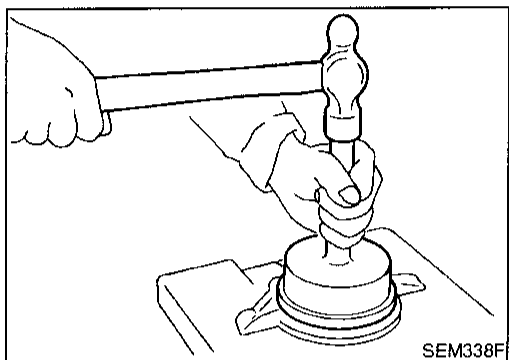
If beyond the limit, replace connecting rod and/or crankshaft.

GI

MA

**EM**

LC



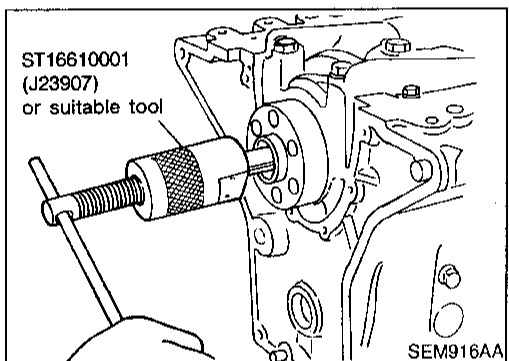
7. Install rear oil seal retainer.

EC

FE

AT

TF



## REPLACING PILOT CONVERTER

NBEM0025S03

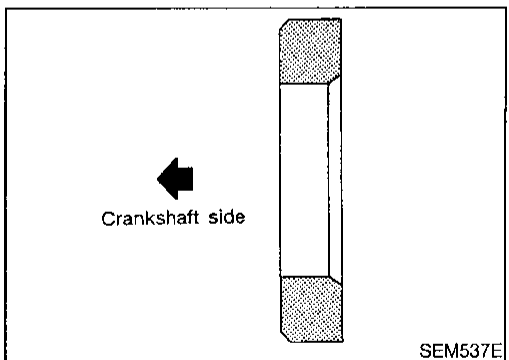
1. Remove pilot converter.

PD

AX

SU

BR



2. Install pilot converter.

ST

RS

BT

HA

SC

EL

IDX

# SERVICE DATA AND SPECIFICATIONS (SDS)

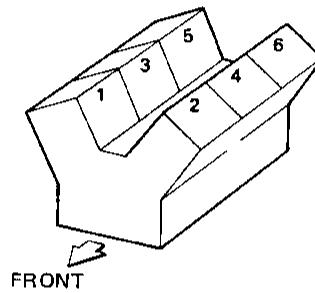
## General Specifications

### General Specifications

NBEM0026

Cylinder arrangement		V-6
Displacement		3,275 cm <sup>3</sup> (199.84 cu in)
Bore and stroke		91.5 x 83 mm (3.602 x 3.27 in)
Valve arrangement		OHC
Firing order		1-2-3-4-5-6
Number of piston rings	Compression	2
	Oil	1
Number of main bearings		4
Compression ratio		8.9

Cylinder number



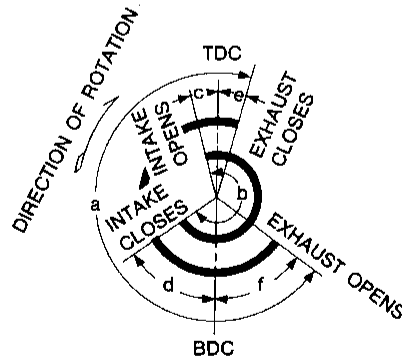
SEM713A

Unit: kPa (kg/cm<sup>2</sup>, psi)/300 rpm

Compression pressure	Standard	1,196 (12.2, 173)
	Minimum	883 (9.0, 128)
	Differential limit between cylinders	98 (1.0, 14)

Unit: degree

Valve timing



EM120

a	b	c	d	e	f
240	244	4	60	9	51

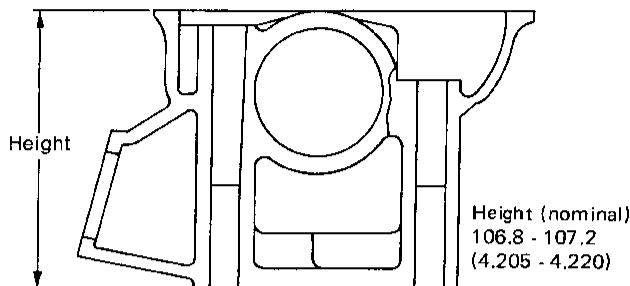
# SERVICE DATA AND SPECIFICATIONS (SDS)

Cylinder Head

## Cylinder Head

NBEM0027  
Unit: mm (in)

	Standard	Limit
Head surface distortion	Less than 0.03 (0.0012)	0.1 (0.004)



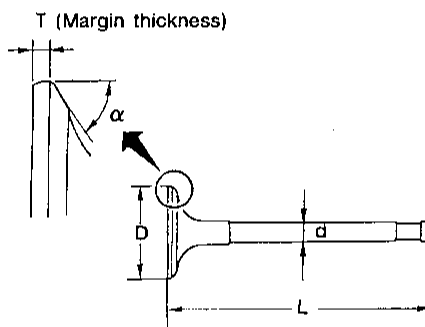
SEM082B

## Valve

### VALVE

NBEM0028

NBEM0028S01  
Unit: mm (in)



SEM188

Valve head diameter "D"	Intake	41.95 - 42.25 (1.6516 - 1.6634)
	Exhaust	35.0 - 35.2 (1.378 - 1.386)
Valve length "L"	Intake	125.3 - 125.9 (4.933 - 4.957)
	Exhaust	124.2 - 124.8 (4.890 - 4.913)
Valve stem diameter "d"	Intake	6.965 - 6.980 (0.2742 - 0.2748)
	Exhaust	7.962 - 7.970 (0.3135 - 0.3138)
Valve seat angle "α"	Intake	45°15' - 45°45'
	Exhaust	
Valve margin "T"	Intake	1.15 - 1.45 (0.0453 - 0.0571)
	Exhaust	1.35 - 1.65 (0.0531 - 0.0650)
Valve margin "T" limit		More than 0.5 (0.020)
Valve stem end surface grinding limit		Less than 0.2 (0.008)
Valve clearance	Intake	0 (0)
	Exhaust	0 (0)



# SERVICE DATA AND SPECIFICATIONS (SDS)

Valve (Cont'd)

## VALVE SPRING

NBEM0028S02

Free height	Outer	51.2 mm (2.016 in)
	Inner	44.1 mm (1.736 in)
Pressure	Outer	523.7 N (53.4 kg, 117.7 lb) at 30.0 mm (1.181 in)
	Inner	255.0 N (26.0 kg, 57.3 lb) at 25.0 mm (0.984 in)
Out-of-square	Outer	2.2 mm (0.087 in)
	Inner	1.9 mm (0.075 in)

## HYDRAULIC VALVE LIFTER

NBEM0028S03  
Unit: mm (in)

Lifter outside diameter	15.947 - 15.957 (0.6278 - 0.6282)
Lifter guide inside diameter	16.000 - 16.013 (0.6299 - 0.6304)
Clearance between lifter and lifter guide	0.043 - 0.066 (0.0017 - 0.0026)

## VALVE GUIDE

NBEM0028S04  
Unit: mm (in)

			Standard	Service
Valve guide	Outer diameter	Intake	11.023 - 11.034 (0.4340 - 0.4344)	11.223 - 11.234 (0.4418 - 0.4423)
		Exhaust	12.023 - 12.034 (0.4733 - 0.4738)	12.223 - 12.234 (0.4812 - 0.4817)
	Inner diameter (Finished size)	Intake	7.000 - 7.018 (0.2756 - 0.2763)	
		Exhaust	8.000 - 8.011 (0.3150 - 0.3154)	
Cylinder head valve guide hole diameter	Intake	10.975 - 10.996 (0.4321 - 0.4329)	11.175 - 11.196 (0.4400 - 0.4408)	
	Exhaust	11.975 - 11.996 (0.4715 - 0.4723)	12.175 - 12.196 (0.4793 - 0.4802)	
Interference fit of valve guide	Intake	0.027 - 0.059 (0.0011 - 0.0023)		
	Exhaust			
			Standard	Max. tolerance
Stem to guide clearance	Intake	0.020 - 0.053 (0.0008 - 0.0021)	0.10 (0.0039)	
	Exhaust	0.040 - 0.049 (0.0016 - 0.0019)		
Valve deflection limit			—	0.20 (0.0079)

## ROCKER SHAFT AND ROCKER ARM

NBEM0028S05  
Unit: mm (in)

Rocker shaft	Outer diameter	17.979 - 18.000 (0.7078 - 0.7087)
Rocker arm	Inner diameter	18.007 - 18.028 (0.7089 - 0.7098)
Clearance between rocker arm and rocker shaft		0.007 - 0.049 (0.0003 - 0.0019)

Valve Seat

INTAKE VALVE SEAT

NBEM0029

NBEM0029S01

GI

MA

EM

LC

EC

FE

AT

TF

PD

AX

SU

BR

ST

RS

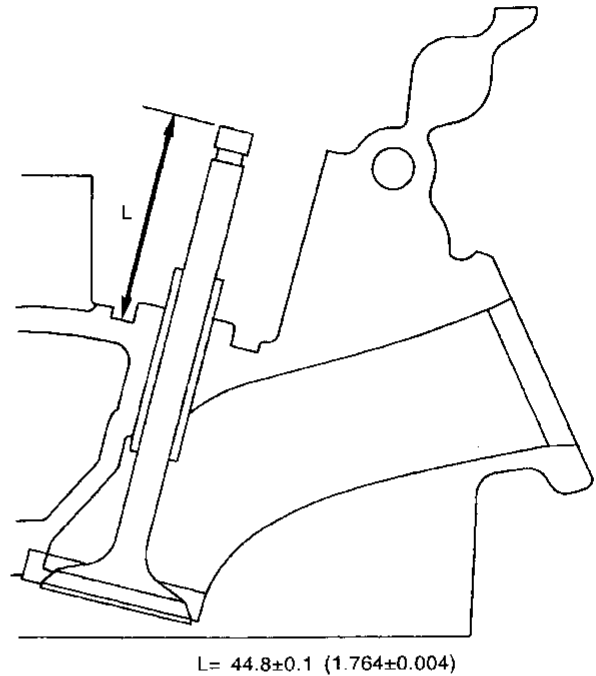
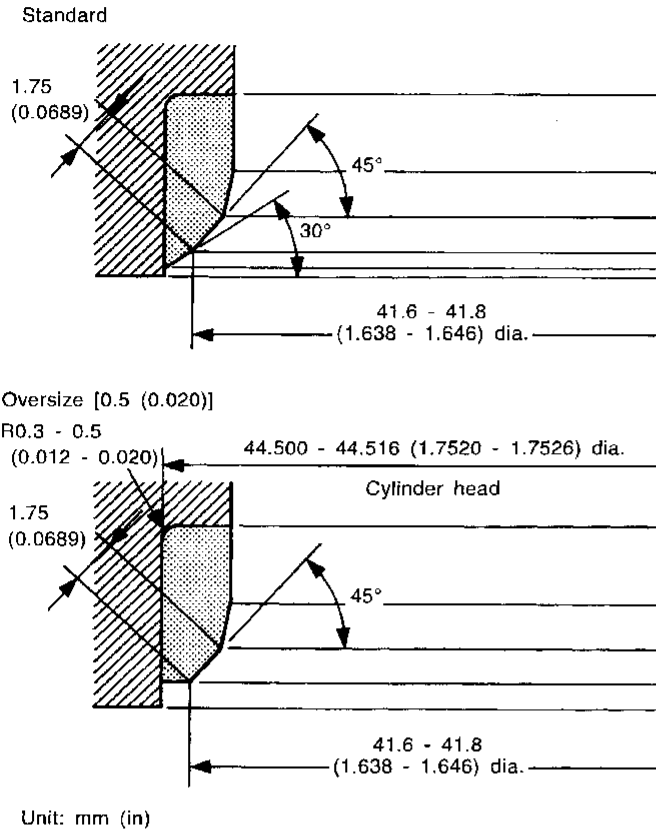
BT

HA

SC

EL

IDX



SEM639F

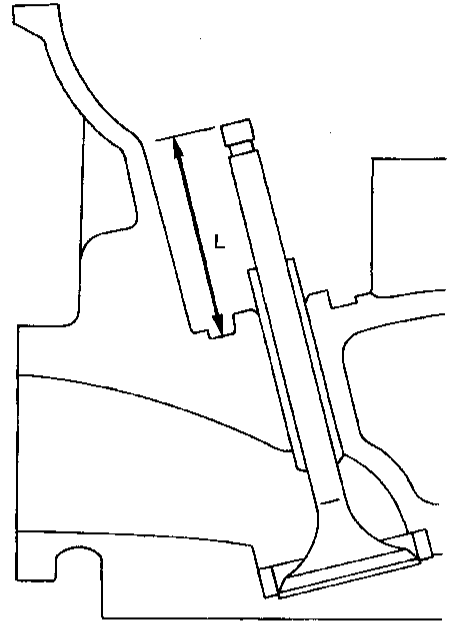
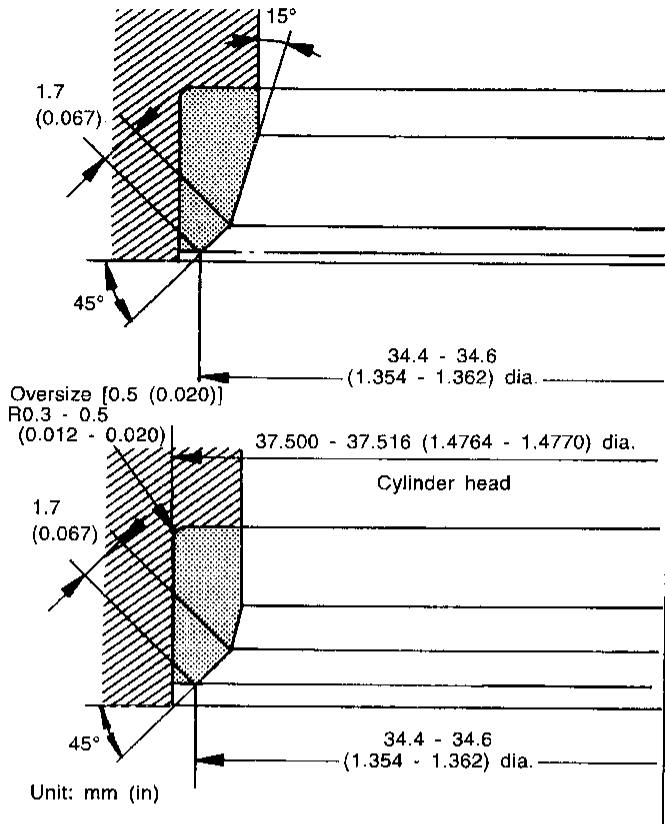
# SERVICE DATA AND SPECIFICATIONS (SDS)

Valve Seat (Cont'd)

## EXHAUST VALVE SEAT

NBEM0029S02

Standard



L = 45.5±0.1 (1.791±0.004)

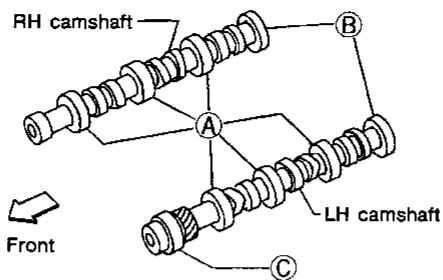
SEM640F

# SERVICE DATA AND SPECIFICATIONS (SDS)

Camshaft and Camshaft Bearing

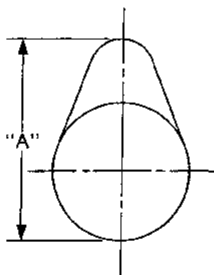
## Camshaft and Camshaft Bearing

Unit: mm (in)



SEM893BA

	Standard	Max. tolerance
Camshaft journal to bearing clearance	0.060 - 0.105 (0.0024 - 0.0041)	0.15 (0.0059)
Inner diameter of camshaft bearing	A: 47.000 - 47.025 (1.8504 - 1.8514)	—
	B: 42.500 - 42.525 (1.6732 - 1.6742)	—
	C: 48.000 - 48.025 (1.8898 - 1.8907)	—
Outer diameter of camshaft journal	A: 46.920 - 46.940 (1.8472 - 1.8480)	—
	B: 42.420 - 42.440 (1.6701 - 1.6709)	—
	C: 47.920 - 47.940 (1.8866 - 1.8874)	—
Camshaft runout [TIR*]	Less than 0.04 (0.0016)	0.1 (0.004)
Camshaft end play	0.03 - 0.06 (0.0012 - 0.0024)	—



EM671

Cam height "A"	Intake	38.943 - 39.133 (1.5332 - 1.5407)
	Exhaust	38.943 - 39.133 (1.5332 - 1.5407)
Wear limit of cam height		0.15 (0.0059)

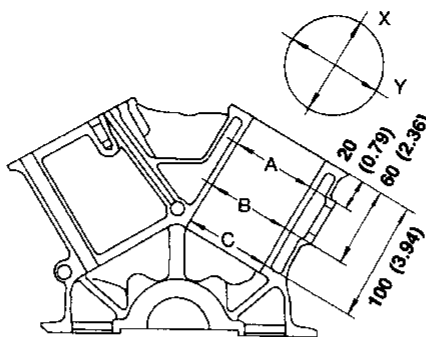
\*Total indicator reading

# SERVICE DATA AND SPECIFICATIONS (SDS)

Cylinder Block

## Cylinder Block

NBEM0031  
Unit: mm (in)



SEM321A

Surface flatness		Standard		Less than 0.03 (0.0012)
		Limit		0.10 (0.0039)
Cylinder bore	Inner diameter	Standard (for No. 3 and 4 cylinders)	Grade No. 1	91.500 - 91.505 (3.6024 - 3.6026)
			Grade No. 2	91.506 - 91.510 (3.6026 - 3.6027)
			Grade No. 3	91.511 - 91.515 (3.6028 - 3.6029)
			Grade No. 4	91.516 - 91.520 (3.6030 - 3.6031)
			Grade No. 5	91.521 - 91.525 (3.6032 - 3.6033)
			Grade No. 6	91.526 - 91.530 (3.6034 - 3.6035)
		Standard (except for No. 3 and 4 cylinders)	Grade No. 1	91.500 - 91.510 (3.6024 - 3.6027)
			Grade No. 2	91.511 - 91.520 (3.6028 - 3.6031)
			Grade No. 3	91.521 - 91.530 (3.6032 - 3.6035)
		Wear limit		0.20 (0.0079)
Out-of-round (X - Y)				Less than 0.015 (0.0006)
Taper (A - B or A - C)				Less than 0.015 (0.0006)
Main journal inner diameter		Grade No. 0		66.645 - 66.654 (2.6238 - 2.6242)
		Grade No. 1		66.654 - 66.663 (2.6242 - 2.6245)
		Grade No. 2		66.663 - 66.672 (2.6245 - 2.6249)
Difference in inner diameter between cylinders		Standard		Less than 0.05 (0.0020)

# SERVICE DATA AND SPECIFICATIONS (SDS)

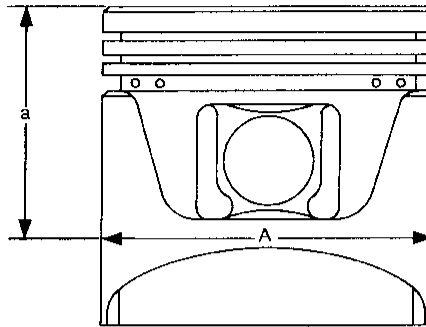
Piston, Piston Ring and Piston Pin

## Piston, Piston Ring and Piston Pin

NBEM0032

NBEM0032S01  
Unit: mm (in)

### AVAILABLE PISTON



SEM882E

Piston skirt diameter "A"	Standard (for No. 3 and 4 cylinders)	Grade No. 2-1	91.480 - 91.485 (3.6016 - 3.6018)	GI
		Grade No. 3-2	91.486 - 91.490 (3.6018 - 3.6020)	MA
		Grade No. 3-3	91.491 - 91.495 (3.6020 - 3.6022)	EM
		Grade No. 4-4	91.496 - 91.500 (3.6022 - 3.6024)	LC
		Grade No. 4-5	91.501 - 91.505 (3.6024 - 3.6026)	EC
		Grade No. 5-6	91.506 - 91.510 (3.6026 - 3.6027)	FE
	Standard (except for No. 3 and 4 cylinders)	Grade No. 1	91.465 - 91.475 (3.6010 - 3.6014)	AT
		Grade No. 2	91.476 - 91.485 (3.6014 - 3.6018)	TF
		Grade No. 3	91.486 - 91.495 (3.6018 - 3.6022)	PD
		0.25 (0.0098) oversize (Service)	91.715 - 91.745 (3.6108 - 3.6120)	AX
		0.50 (0.0197) oversize (Service)	91.965 - 91.995 (3.6207 - 3.6218)	SU
"a" dimension		49.0 (1.929)		BR
Piston pin hole diameter		20.969 - 20.981 (0.8255 - 0.8260)		ST
Piston clearance to cylinder block	Standard	For No. 3 and 4 cylinders	0.015 - 0.025 (0.0006 - 0.0010)	RS
		Except for No. 3 and 4 cylinders	0.025 - 0.045 (0.0010 - 0.0018)	

### PISTON RING

NBEM0032S02  
Unit: mm (in)

		Standard	Limit	
Side clearance	Top	0.024 - 0.076 (0.0009 - 0.0030)	0.11 (0.0043)	HA
	2nd	0.030 - 0.070 (0.0012 - 0.0028)	0.10 (0.004)	SC
	Oil	0.015 - 0.185 (0.0006 - 0.0073)	---	
Ring gap	Top	0.21 - 0.40 (0.0083 - 0.0157)	0.54 (0.0213)	EL
	2nd	0.50 - 0.69 (0.0197 - 0.0272)	0.80 (0.0315)	
	Oil (rail ring)	0.20 - 0.69 (0.0079 - 0.0272)	0.95 (0.0374)	IDX

# SERVICE DATA AND SPECIFICATIONS (SDS)

Piston, Piston Ring and Piston Pin (Cont'd)

## PISTON PIN

NBEM0032S03  
Unit: mm (in)

Piston pin outer diameter	20.971 - 20.983 (0.8256 - 0.8261)
Interference fit of piston pin to piston	0 - 0.004 (0 - 0.0002)
Piston pin to connecting rod bushing clearance	0.005 - 0.017 (0.0002 - 0.0007)

Values measured at ambient temperature of 20°C (68°F)

## Connecting Rod

NBEM0033  
Unit: mm (in)

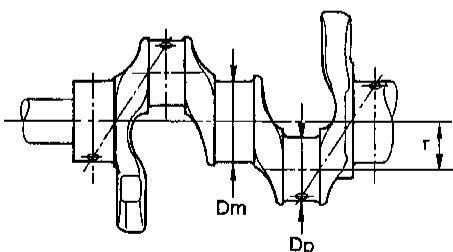
Center distance	154.1 - 154.2 (6.067 - 6.071)	
Bend, torsion [per 100 (3.94)]	Limit Bend: 0.15 (0.0059) Torsion: 0.30 (0.0118)	
Piston pin bushing inner diameter*	20.982 - 20.994 (0.8261 - 0.8265)	
Connecting rod big end inner diameter	53.000 - 53.013 (2.0866 - 2.0871)	
Side clearance	Standard	0.20 - 0.35 (0.0079 - 0.0138)
	Limit	0.40 (0.0157)

\*After installing in connecting rod

## Crankshaft

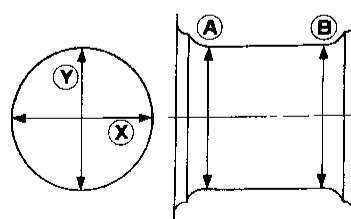
NBEM0034  
Unit: mm (in)

Main journal dia. "Dm"	Grade No. 0	62.967 - 62.975 (2.4790 - 2.4793)
	Grade No. 1	62.959 - 62.967 (2.4787 - 2.4790)
	Grade No. 2	62.951 - 62.959 (2.4784 - 2.4787)
Pin journal dia. "Dp"		49.955 - 49.974 (1.9667 - 1.9675)
Center distance "r"		41.5 (1.634)
Out-of-round (X - Y)	Standard	Less than 0.005 (0.0002)
Taper (A - B)	Standard	Less than 0.005 (0.0002)
Runout [TIR]	Standard	Less than 0.025 (0.0010)
	Limit	Less than 0.10 (0.0039)
Free end play	Standard	0.050 - 0.170 (0.0020 - 0.0067)
	Limit	0.30 (0.0118)



SEM645

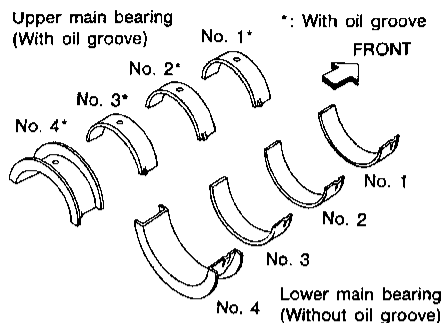
Out-of-round (X) - (Y)  
Taper (A) - (B)



EM715

## Available Main Bearing

NBEM0035



SEM327A

### NO. 1 MAIN BEARING

NBEM0035S01

Grade number	Thickness "T" mm (in)	Width "W" mm (in)	Identification color
0	1.817 - 1.821 (0.0715 - 0.0717)	22.4 - 22.6 (0.882 - 0.890)	Black
1	1.821 - 1.825 (0.0717 - 0.0719)		Brown
2	1.825 - 1.829 (0.0719 - 0.0720)		Green
3	1.829 - 1.833 (0.0720 - 0.0722)		Yellow
4	1.833 - 1.837 (0.0722 - 0.0723)		Blue

### NO. 2 AND 3 MAIN BEARING

NBEM0035S02

Grade number	Thickness "T" mm (in)	Width "W" mm (in)	Identification color
0	1.817 - 1.821 (0.0715 - 0.0717)	18.9 - 19.1 (0.744 - 0.752)	Black
1	1.821 - 1.825 (0.0717 - 0.0719)		Brown
2	1.825 - 1.829 (0.0719 - 0.0720)		Green
3	1.829 - 1.833 (0.0720 - 0.0722)		Yellow
4	1.833 - 1.837 (0.0722 - 0.0723)		Blue

### NO. 4 MAIN BEARING

NBEM0035S03

Grade number	Thickness "T" mm (in)	Identification color
0	1.817 - 1.821 (0.0715 - 0.0717)	Black
1	1.821 - 1.825 (0.0717 - 0.0719)	Brown
2	1.825 - 1.829 (0.0719 - 0.0720)	Green
3	1.829 - 1.833 (0.0720 - 0.0722)	Yellow
4	1.833 - 1.837 (0.0722 - 0.0723)	Blue

### UNDER SIZE

NBEM0035S04  
Unit: mm (in)

	Thickness "T"	Main journal diameter "Dm"
0.25 (0.0098)	1.948 - 1.956 (0.0767 - 0.0770)	Grind so that bearing clearance is the specified valve.

GI

MA

EM

LC

EC

FE

AT

TF

PD

AX

SU

BR

ST

RS

BT

HA

SC

EL

IDX



# SERVICE DATA AND SPECIFICATIONS (SDS)

Available Connecting Rod Bearing

## Available Connecting Rod Bearing

NBEM0036

### CONNECTING ROD BEARING UNDERSIZE

NBEM0036S01  
Unit: mm (in)

		Thickness	Crank pin journal diameter "Dp"
Standard		1.502 - 1.506 (0.0591 - 0.0593)	49.955 - 49.974 (1.9667 - 1.9675)
Undersize	0.08 (0.0031)	1.542 - 1.546 (0.0607 - 0.0609)	Grind so that bearing clearance is the specified value.
	0.12 (0.0047)	1.562 - 1.566 (0.0615 - 0.0617)	
	0.25 (0.0098)	1.627 - 1.631 (0.0641 - 0.0642)	

### Miscellaneous Components

NBEM0037  
Unit: mm (in)

Drive plate runout [TIR]	Less than 0.15 (0.0059)
--------------------------	-------------------------

### BEARING CLEARANCE

NBEM0037S01  
Unit: mm (in)

Main bearing clearance	Standard	0.028 - 0.055 (0.0011 - 0.0022)
	Limit	0.090 (0.0035)
Connecting rod bearing clearance	Standard	0.014 - 0.054 (0.0006 - 0.0021)
	Limit	0.090 (0.0035)