

# SECTION RS

## CONTENTS

<b>SEAT BELTS</b> .....	2	DISPOSING OF AIR BAG MODULE.....	20	AT
Precautions.....	2	Trouble Diagnoses Introduction.....	20	
<b>SUPPLEMENTAL RESTRAINT SYSTEM (SRS)</b>		DIAGNOSIS FUNCTION.....	20	TF
“AIR BAG”.....	2	DIAGNOSIS MODE FOR CONSULT.....	20	
PRECAUTION FOR SEAT BELT SERVICE.....	2	Ⓟ HOW TO CHANGE SELF-DIAGNOSIS MODE		
Front Seat Belt.....	3	WITH CONSULT.....	21	PD
REMOVAL AND INSTALLATION.....	3	ⓧ HOW TO CHANGE SELF-DIAGNOSIS MODE		
Rear Seat Belt.....	4	WITHOUT CONSULT.....	22	
REMOVAL AND INSTALLATION.....	4	HOW TO ERASE SELF-DIAGNOSIS RESULTS.....	22	AX
Seat Belt Inspection.....	5	How to Perform Trouble Diagnoses for Quick		
AFTER A COLLISION.....	5	and Accurate Repair.....	23	
PRELIMINARY CHECKS.....	5	INFORMATION FROM CUSTOMER.....	23	SU
SEAT BELT RETRACTOR ON-VEHICLE CHECK.....	5	PRELIMINARY CHECK.....	23	
SEAT BELT RETRACTOR OFF-VEHICLE CHECK.....	6	WORK FLOW.....	23	
<b>SUPPLEMENTAL RESTRAINT SYSTEM (SRS)</b> .....	8	Schematic.....	24	BR
Precautions.....	8	Wiring Diagram — SRS —.....	25	
<b>SUPPLEMENTAL RESTRAINT SYSTEM (SRS)</b>		SRS Operation Check.....	27	
“AIR BAG”.....	8	DIAGNOSTIC PROCEDURE 1.....	27	ST
PRECAUTIONS FOR SRS “AIR BAG” SERVICE.....	8	Ⓟ Trouble Diagnoses with CONSULT.....	28	
WIRING DIAGRAMS AND TROUBLE DIAGNOSIS.....	8	DIAGNOSTIC PROCEDURE 2.....	28	
Preparation.....	9	DIAGNOSTIC PROCEDURE 3.....	30	RS
<b>SPECIAL SERVICE TOOLS</b> .....	9	DIAGNOSTIC PROCEDURE 4 (CONTINUED		
Description.....	10	FROM DIAGNOSTIC PROCEDURE 2).....	32	BT
SRS Component Parts Location.....	10	DIAGNOSTIC PROCEDURE 5.....	32	
Maintenance Items.....	11	ⓧ Trouble Diagnoses without CONSULT.....	36	HA
Diagnosis Sensor Unit.....	11	DIAGNOSTIC PROCEDURE 6.....	36	
REMOVAL AND INSTALLATION.....	11	DIAGNOSTIC PROCEDURE 7.....	37	
Driver Air Bag Module and Spiral Cable.....	12	DIAGNOSTIC PROCEDURE 8 (CONTINUED		
REMOVAL AND INSTALLATION.....	12	FROM DIAGNOSTIC PROCEDURE 6).....	39	SC
REMOVAL.....	12	Trouble Diagnoses: “AIR BAG” Warning Lamp		
INSTALLATION.....	14	Does Not Turn Off.....	40	
Front Passenger Air Bag Module.....	14	DIAGNOSTIC PROCEDURE 9.....	40	EL
REMOVAL.....	14	Trouble Diagnoses: “AIR BAG” Warning Lamp		
INSTALLATION.....	15	Does Not Turn On.....	41	
Disposal of Air Bag Module.....	16	DIAGNOSTIC PROCEDURE 10.....	41	IDX
<b>CHECKING DEPLOYMENT TOOL</b> .....	16	Trouble Diagnoses: SRS Does Not Enter		
<b>DEPLOYMENT PROCEDURES FOR AIR BAG</b>		Diagnosis Mode Using Door Switch.....	42	
<b>MODULE (OUTSIDE OF VEHICLE)</b> .....	17	DIAGNOSTIC PROCEDURE 11.....	42	
<b>DEPLOYMENT OF AIR BAG MODULE WHILE</b>		Collision Diagnosis.....	43	
<b>MOUNTED IN VEHICLE</b> .....	19	SRS INSPECTION.....	43	

CI

MA

EM

LC

EC

FE

AT

TF

PD

AX

SU

BR

ST

RS

BT

HA

SC

EL

IDX

# SEAT BELTS

Precautions

## Precautions

### SUPPLEMENTAL RESTRAINT SYSTEM (SRS) "AIR BAG"

NBR50001

The Supplemental Restraint System "AIR BAG", used along with a seat belt, helps to reduce the risk or severity of injury to the driver and front passenger in a frontal collision. The Supplemental Restraint System consists of air bag modules (located in the center of the steering wheel and on the instrument panel on the passenger side), a diagnosis sensor unit, warning lamp, wiring harness and spiral cable.

#### WARNING:

- To avoid rendering the SRS inoperative, which could increase the risk of personal injury or death in the event of a collision which would result in air bag inflation, all maintenance must be performed by an authorized INFINITI dealer.
- Improper maintenance, including incorrect removal and installation of the SRS, can lead to personal injury caused by unintentional activation of the system.
- Do not use electrical test equipment on any circuit related to the SRS unless instructed to in this Service Manual. SRS wiring harnesses are covered with yellow insulation either just before the harness connectors or for the complete harness, for easy identification.

### PRECAUTION FOR SEAT BELT SERVICE

NBR50002

#### CAUTION:

- Do not disassemble buckle or seat belt assembly.
- Replace anchor bolts if they are deformed or worn out.
- Never oil tongue and buckle.
- If any component of seat belt assembly is questionable, do not repair. Replace the whole seat belt assembly.
- If webbing is cut, frayed, or damaged, replace seat belt assembly.
- When replacing seat belt assembly, use a genuine seat belt assembly.
- After any collision, inspect all seat belt assemblies, including retractors and other attached hardware (i.e., guide rail set). Refer to "Seat Belt Inspection" for details (RS-5).

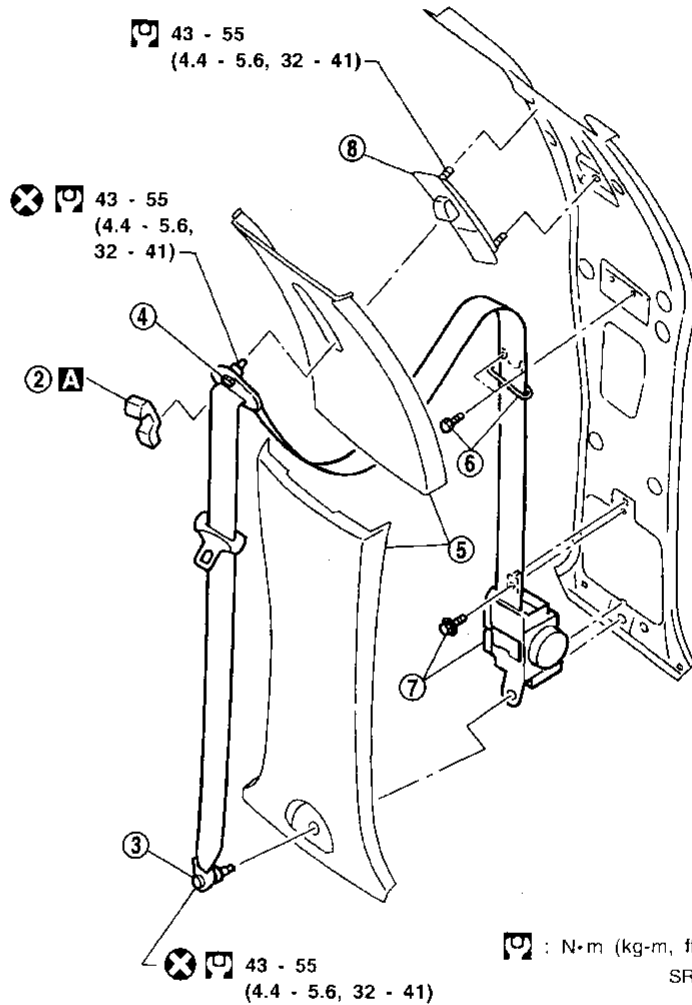
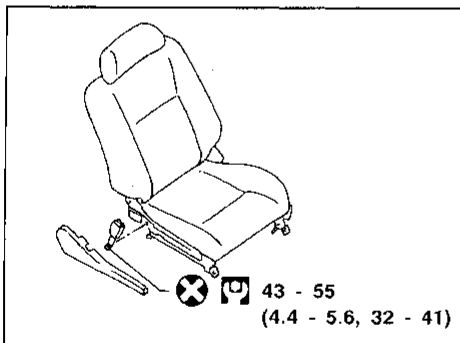
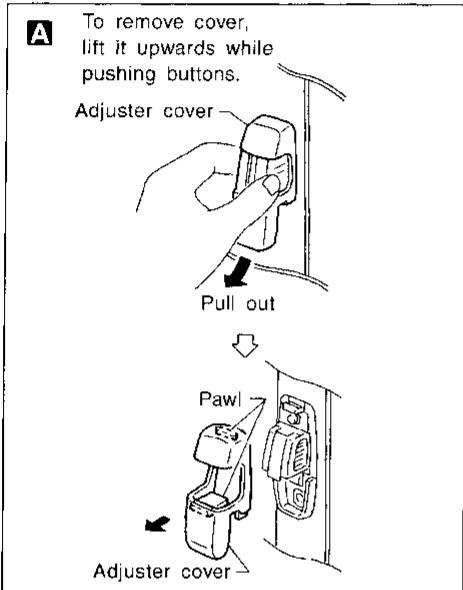
## Front Seat Belt

### REMOVAL AND INSTALLATION

1. Remove front seat. Refer to "FRONT SEAT" in BT section for details.
2. Remove adjuster cover.
3. Remove floor anchor bolt.
4. Remove shoulder anchor bolt.
5. Remove center pillar upper and lower garnish. Refer to "SIDE AND FLOOR TRIM" in BT section for details.
6. Remove bolts securing second sash guide, then remove second sash guide.
7. Remove the bolt securing seat belt retractor, then remove seat belt and seat belt retractor.
8. Remove bolts securing seat belt adjuster, then remove seat belt adjuster.

-NBRS0003

#### SEC. 769•868



GI

MA

EM

LC

EC

FE

AT

TF

PD

AX

SU

BR

ST

**RS**

BT

HA

SC

EL

IDX

# SEAT BELTS

Rear Seat Belt

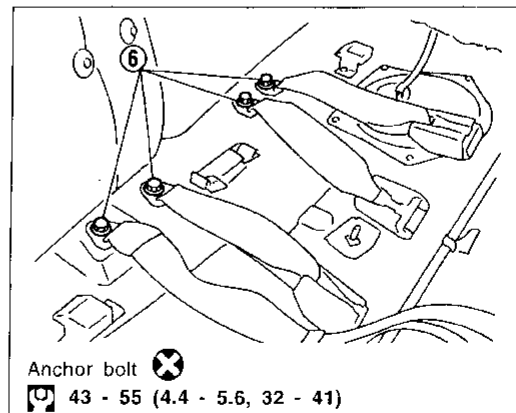
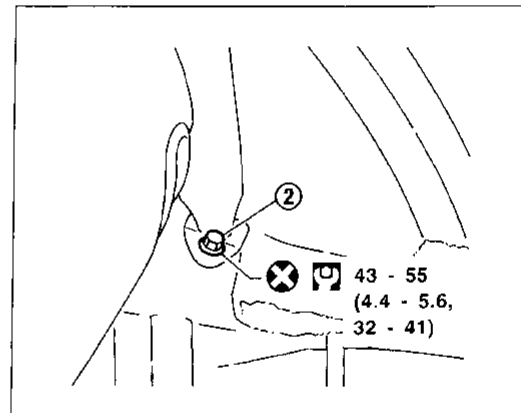
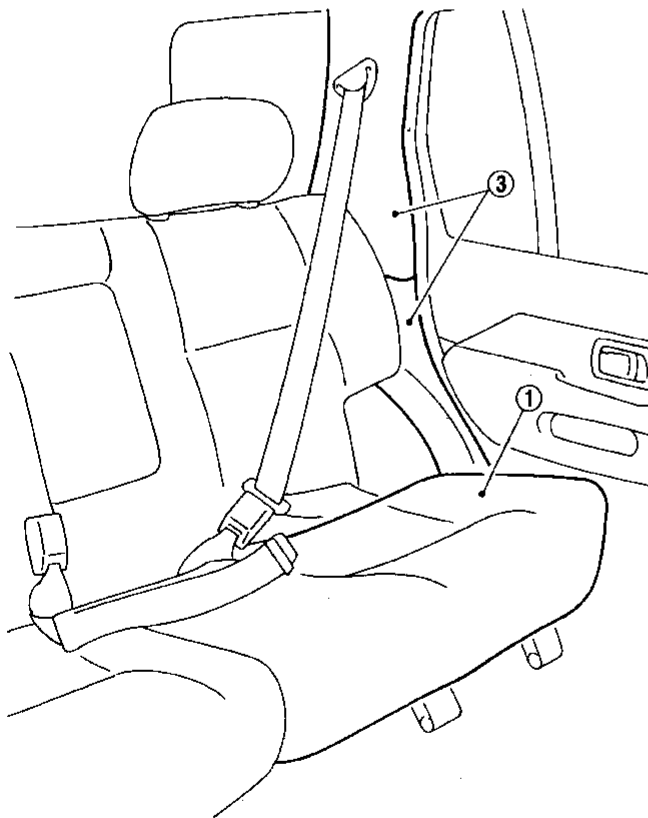
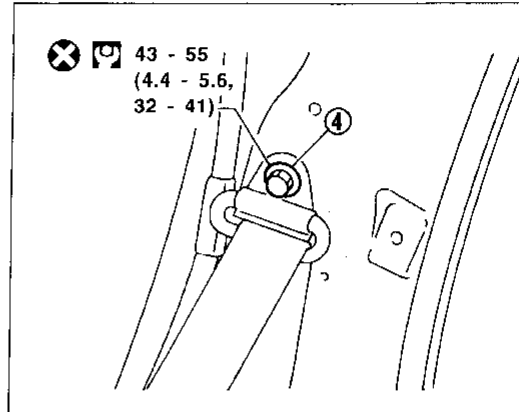
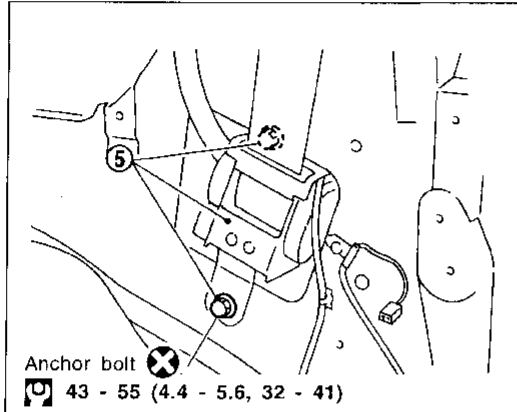
## Rear Seat Belt


### REMOVAL AND INSTALLATION

-NBR50004

1. Raise up rear seat cushion.
2. Remove outer anchor bolt.
3. Remove rear side upper and lower garnish. Refer to "SIDE AND FLOOR TRIM" in BT section for details.
4. Remove anchor through-bolt.
5. Remove bolts securing rear seat belt retractor, then remove seat belt and seat belt retractor.
6. Remove each anchor bolt.

#### SEC. 869



 : N·m (kg·m, ft·lb)

SRS359

## Seat Belt Inspection

### AFTER A COLLISION

#### WARNING:

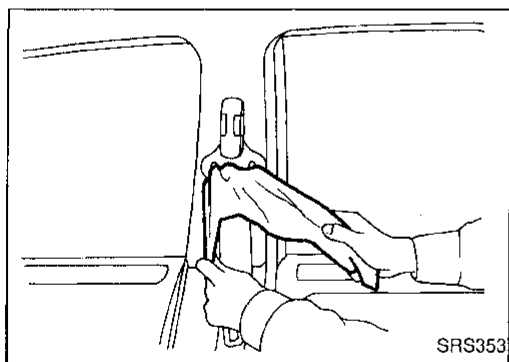
Inspect all seat belt assemblies including retractors and attaching hardware after any collision. INFINITI recommends that all seat belt assemblies in use during a collision be replaced unless the collision was minor and the belts show no damage and continue to operate properly. Failure to do so could result in serious personal injury in an accident. Seat belt assemblies not in use during a collision should also be replaced and if either damage or improper operation is noted.

#### Replace any seat belt assembly if:

- The seat belt was in use at the time of a collision (except for minor collisions and the belts, retractors and buckles show no damage and continue to operate properly.).
- The seat belt was damaged in an accident (i.e. torn webbing, bent retractor or guide, etc.).
- The seat belt attaching point was damaged in an accident. Inspect the seat belt attaching area for damage or distortion and repair as necessary before installing a new seat belt assembly.

### PRELIMINARY CHECKS

1. Check the seat belt warning lamp/chime for proper operation as follows:
  - a. Switch ignition ON. The seat belt warning lamp should illuminate. Also, the seat belt warning chime should sound for about seven seconds.
  - b. Fasten driver's seat belt. The seat belt warning lamp should go out and the chime (if sounding) should stop.
2. Check that the seat belt retractor, seat belt anchor and buckle bolts are securely attached.
3. Check the shoulder seat belt guide and shoulder belt height adjuster for front seats. Ensure guide swivels freely and that belt lays flat and does not bind in guide. Ensure height adjuster operates properly and holds securely.
4. Check retractor operation including:
  - a. Fully extend the seat belt webbing and check for twists, tears or other damage.
  - b. Allow the seat belt to retract. Ensure that belt returns smoothly and completely into the retractor. If the seat belt does not return smoothly, wipe the inside of the loops with a clean paper cloth etc. because dirt built up in the loops of the upper anchors can cause the seat belts to retract slowly.



- c. Fasten the seat belt. Pull firmly on belt and buckle to ensure belt remains latched. Unfasten seat belt. Ensure belt releases freely and buckle button returns to original position.
5. For center (non-retractable) seat belts, check that the seat belt are accessible. Check seat belt webbing for twists, tears or other damage. Fasten the seat belt. Pull firmly on belt and buckle to ensure belt remains latched. Unfasten seat belts. Ensure belt releases freely and buckle button returns to original position.
6. Repeat steps above as necessary to check the other seat belts.

### SEAT BELT RETRACTOR ON-VEHICLE CHECK

#### Emergency Locking Retractors (ELR) and Automatic Locking Retractors (ALR)

#### NOTE:

All seat belt retractors are of the Emergency Locking Retractors (ELR) type. In an emergency (sudden stop) the retractor will lock and prevent the belt from extending any further. All outboard 3-point type seat belt retractors except the driver's seat belt also have an Automatic Locking Retractors (ALR) mode. The ALR mode (also called child restraint mode) is used when installing child seats in outboard seating positions. The ALR

G  
 MA  
 EM  
 LC  
 EC  
 FE  
 AT  
 TF  
 PD  
 AX  
 SU  
 BR  
 ST  
 RS  
 BT  
 HA  
 SC  
 EL  
 DX

# SEAT BELTS

## Seat Belt Inspection (Cont'd)

mode is activated when the seat belt is fully extended. When the belt is then retracted partially, the ALR mode automatically locks the seat belt in a specific position so the belt cannot be extended any further. To cancel the ALR mode, allow the seat belt to fully wind back into the retractor.

Check the seat belt retractors using the following test(s) to determine if a retractor assembly is operating properly.

### ELR Function Stationary Check

NBRS0029S0302

Grasp the shoulder belt and pull forward quickly. The retractor should lock and prevent the belt from extending further.

### ALR Function Stationary Check

NBRS0029S0304

1. Pull out entire length of seat belt from retractor until a click is heard.
2. Retract the belt partially. A clicking noise should be heard as the belt retracts indicating that the retractor is in the Automatic Locking Retractors (ALR) mode.
3. Grasp the seat belt and try to pull out the retractor. The belt must lock and not extend any further. If NG, replace the retractor assembly.
4. Allow the entire length of the belt to retract to cancel the automatic locking mode.

### ELR Function Moving Check (all outboard seating positions)

NBRS0029S0303

#### WARNING:

Perform the following test in a safe, open area clear of other vehicles and obstructions (for example, a large, empty parking lot). Road surface must be paved and dry. DO NOT perform the following test on wet or gravel roads or on public streets and highways. This could result in an accident and serious personal injury. The driver and passenger must be prepared to brace themselves in the event the retractor does not lock.

1. Fasten driver's seat belt. Buckle a passenger into the seat for the belt that is to be tested.
2. Proceed to the designated safe area.
3. Drive the vehicle at approximately 16 km/h (10 mph). Notify any passengers of a pending sudden stop and the driver and passenger must be prepared to brace themselves in the event the retractor does not lock, apply brakes firmly and make a very hard stop.

During stop, seat belts should lock and not be extended. If the seat belt retractor assembly does not lock, perform the retractor off-vehicle check.

### SEAT BELT RETRACTOR OFF-VEHICLE CHECK

NBRS0029S04

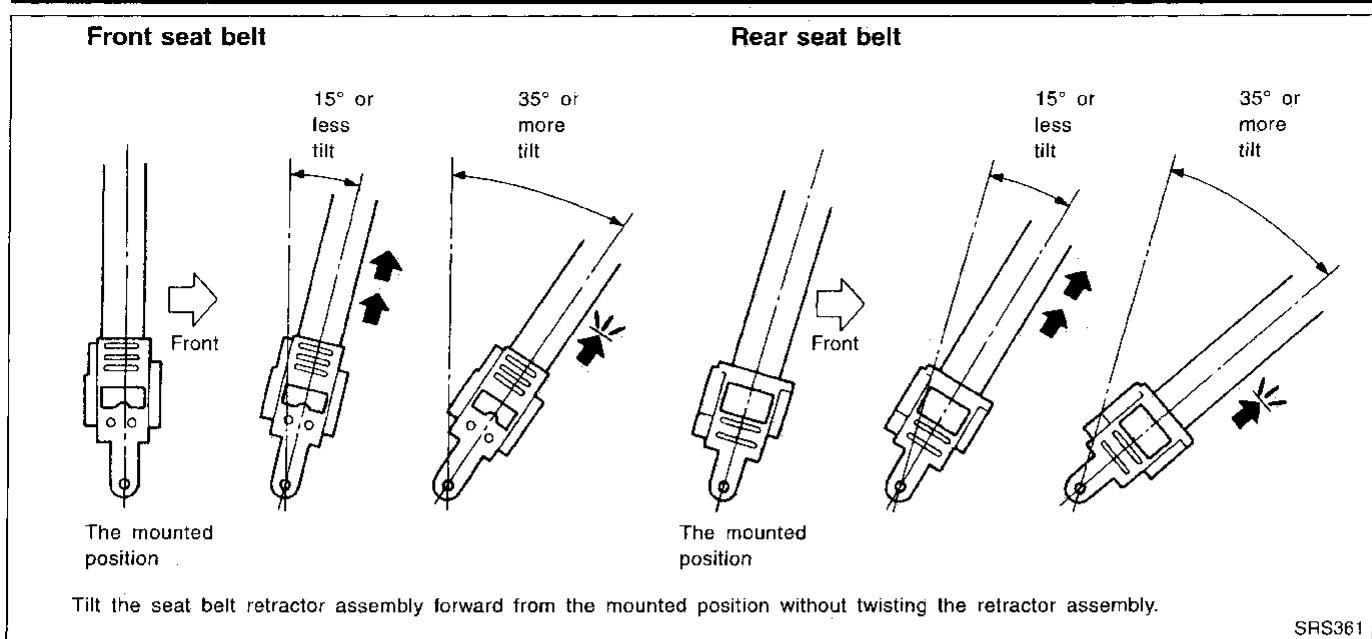
1. Remove the seat belt retractor assembly.
2. Slowly pull out belt while tilting the retractor assembly forward from the mounted position without twisting the retractor assembly as shown in the illustration.

**15 degrees or less tilt: Belt can be pulled out.**

**35 degrees or more tilt: Belt locks and cannot be pulled out.**

# SEAT BELTS

Seat Belt Inspection (Cont'd)



If NG, replace the retractor assembly.

GI  
MA  
EM  
LC  
EC  
EE  
AT  
TF  
PD  
AX  
SU  
BR  
ST  
RS  
BT  
HA  
SC  
EL  
IDX

# SUPPLEMENTAL RESTRAINT SYSTEM (SRS)

Precautions

## Precautions

### SUPPLEMENTAL RESTRAINT SYSTEM (SRS) "AIR BAG"

NBRS0005

The Supplemental Restraint System "AIR BAG", used along with a seat belt, helps to reduce the risk or severity of injury to the driver and front passenger in a frontal collision. The Supplemental Restraint System consists of air bag modules (located in the center of the steering wheel and on the instrument panel on the passenger side), a diagnosis sensor unit, warning lamp, wiring harness and spiral cable.

#### WARNING:

- To avoid rendering the SRS inoperative, which could increase the risk of personal injury or death in the event of a collision which would result in air bag inflation, all maintenance must be performed by an authorized INFINITI dealer.
- Improper maintenance, including incorrect removal and installation of the SRS, can lead to personal injury caused by unintentional activation of the system.
- Do not use electrical test equipment on any circuit related to the SRS unless instructed to in this Service Manual. SRS wiring harnesses are covered with yellow insulation either just before the harness connectors or for the complete harness, for easy identification.

### PRECAUTIONS FOR SRS "AIR BAG" SERVICE

NBRS0006

- Do not use a circuit tester to check SRS circuits unless instructed to in this Service Manual.
- Before servicing the SRS, turn ignition switch "OFF", disconnect both battery cables and wait for at least 3 minutes.  
For approximately 3 minutes after the cables are removed, it is still possible for the air bag to deploy. Therefore, do not work on any SRS connectors or wires until at least 3 minutes have passed.
- Diagnosis sensor unit must always be installed with arrow marks "←" pointing towards the front of the vehicle for proper operation. Also check diagnosis sensor unit for cracks, deformities or rust before installation and replace as required.
- The spiral cable must be aligned with the neutral position since its rotations are limited. Do not attempt to turn steering wheel or column after removal of steering gear.
- Handle air bag module carefully. Always place it with the pad side facing upward.
- Conduct self-diagnosis to check entire SRS for proper function after replacing any components.
- After air bag inflates, the front instrument panel assembly should be replaced if damaged.

### WIRING DIAGRAMS AND TROUBLE DIAGNOSIS

NBRS0007

When you read wiring diagrams, refer to the followings:

- "HOW TO READ WIRING DIAGRAMS" in GI section
- "POWER SUPPLY ROUTING" for power distribution circuit in EL section

When you perform trouble diagnosis, refer to the followings:

- "HOW TO FOLLOW TEST GROUP IN TROUBLE DIAGNOSIS" in GI section
- "HOW TO PERFORM EFFICIENT DIAGNOSIS FOR AN ELECTRICAL INCIDENT" in GI section

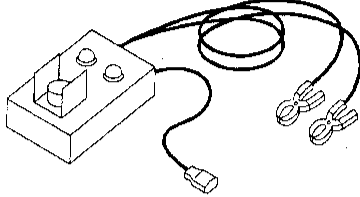
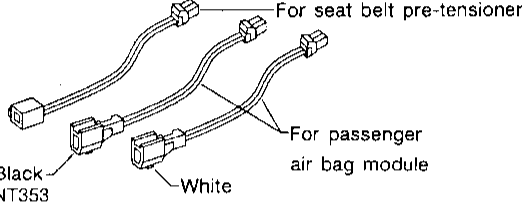
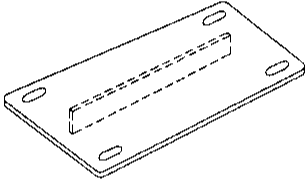
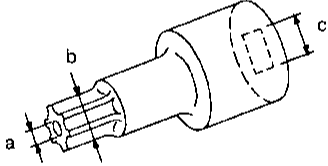


## Preparation

### SPECIAL SERVICE TOOLS

-NBS0008

The actual shapes of Kent-Moore tools may differ from those of special service tools illustrated here.

Tool number (Kent-Moore No.) Tool name	Description	
KV991072S0 (J38381-KIT) Air bag deployment kit KV99106400 (J38381) Deployment tool		Disposing of air bag module  EM LC EC
KV991065S0 (J38381-30) Deployment tool adapters		FE AT TF
KV99105300 (J41246) Air bag module bracket		Anchoring air bag module  PD AX
HT61961000 and HT62152000 combined (J38219) *Special torx bit		Use for special bolts [TAMPER RESISTANT TORX (Size T50)] <b>a: 3.5 (0.138) dia.</b> <b>b: 8.5 - 8.6 (0.335 - 0.339) dia.</b> <b>c: approx. 10 (0.39) sq.</b> Unit: mm (in)

\*: Special tool or commercial equivalent

RS

BT

HA

SC

EL

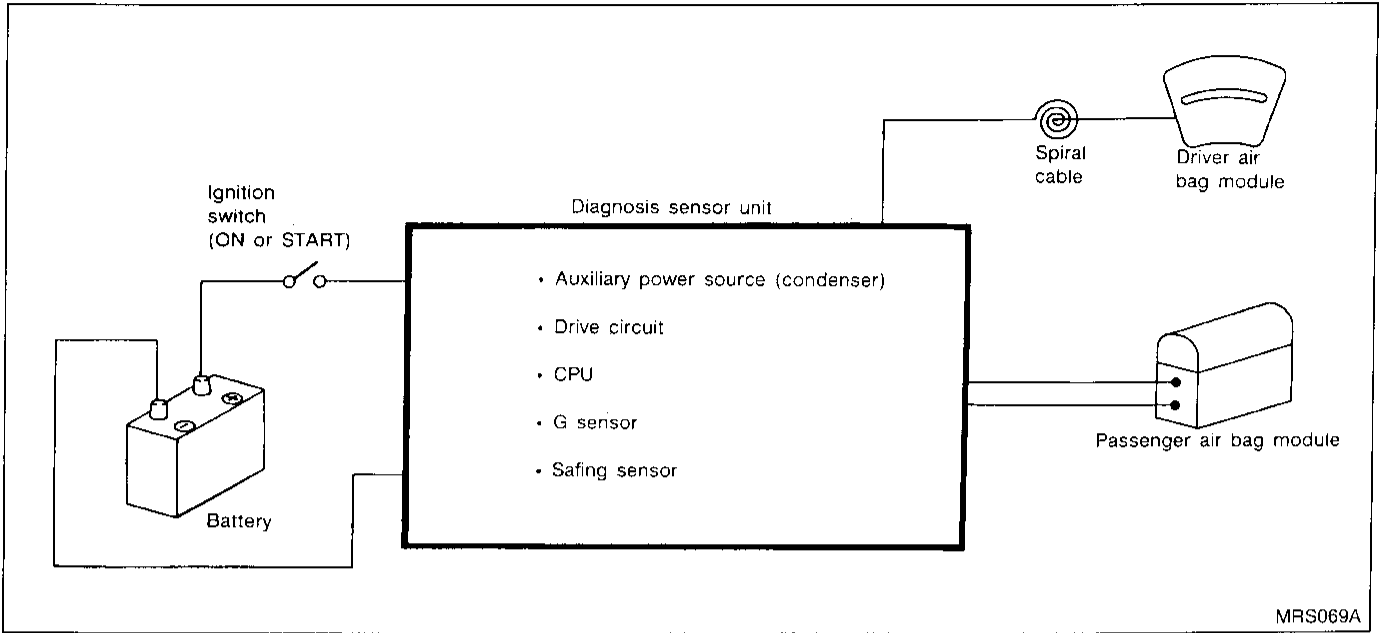
IDX

# SUPPLEMENTAL RESTRAINT SYSTEM (SRS)

Description

## Description

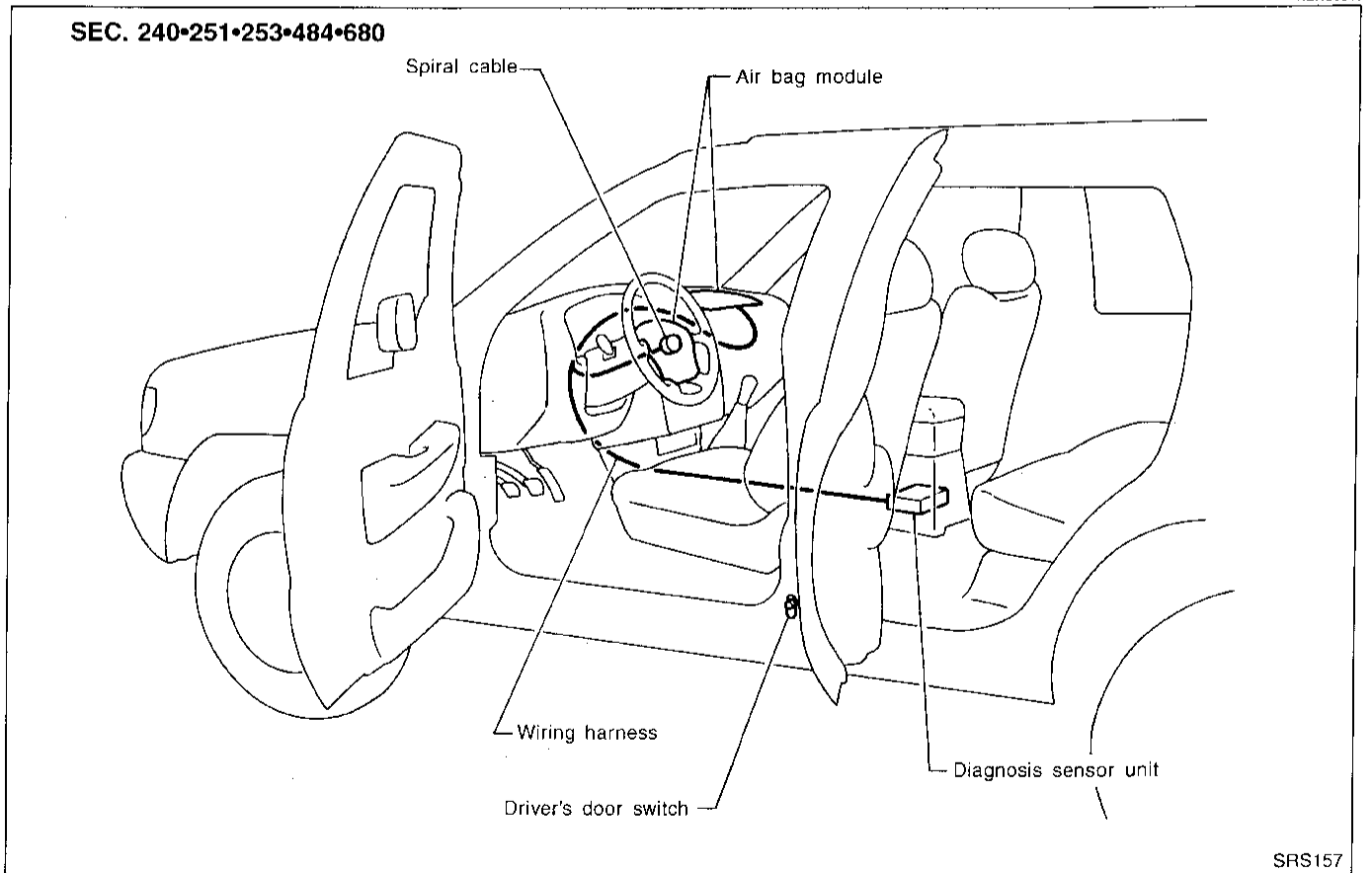
NBRS0009

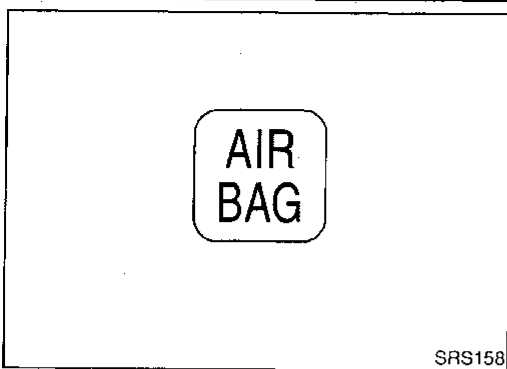


The air bag deploys if the diagnosis sensor unit activates while the ignition switch is in the "ON" or "START" position.

## SRS Component Parts Location

NBRS0010





## Maintenance Items

NBRS0011

1. Check "AIR BAG" warning lamp operation.
  - After turning ignition key to "ON" position, "AIR BAG" warning lamp illuminates. The "AIR BAG" warning lamp will turn off after about 7 seconds if no malfunction is detected.
  - If any of the following air bag warning lamp conditions occur, immediately check the air bag system. Refer to RS-27 for details.
    - The warning lamp does not illuminate when the ignition switch is turned "ON".
    - The warning lamp does not turn off about 7 seconds after the ignition switch is turned "ON".
    - The warning lamp blinks after illuminating for about 7 seconds after the ignition switch is turned "ON".
2. Visually check SRS components.
  - 1) Diagnosis sensor unit
    - Check diagnosis sensor unit and bracket for dents, cracks or deformities.
    - Check connectors for damage, and terminals for deformities.
  - 2) Air bag module and steering wheel
    - Remove air bag module from steering wheel or instrument panel. Check harness cover and connectors for damage, terminals for deformities, and harness for binding.
    - Install driver side air bag module to steering wheel to check fit or alignment with the wheel.
    - Check steering wheel for excessive free play.
    - Install passenger side air bag module to instrument panel to check fit or alignment with the instrument panel.
  - 3) Spiral cable
    - Check spiral cable for dents, cracks, or deformities.
    - Check connectors and protective tape for damage.
    - Check steering wheel for noise, binding or heavy operation.
  - 4) Main harness and air bag harness
    - Check connectors for poor connections, damage, and terminals for deformities.
    - Check harnesses for binding, chafing or cut.

### CAUTION:

Replace previously used special bolts and ground bolt with new ones.

RS

BT

HA

SC

## Diagnosis Sensor Unit

### REMOVAL AND INSTALLATION

NBRS0012

#### CAUTION:

- Before servicing SRS, turn the ignition switch off, disconnect both battery cables and wait for at least 3 minutes.
- The special bolts are coated with bonding agent while the other bolt is for ground. Do not use old bolts after removal; replace with new ones.
- Check diagnosis sensor unit for proper installation.
- Check diagnosis sensor unit to ensure it is free of

EL

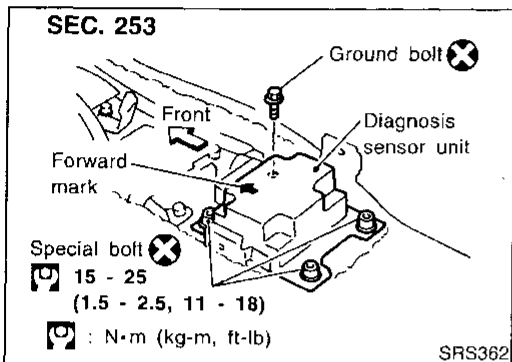
DX

# SUPPLEMENTAL RESTRAINT SYSTEM (SRS)

Diagnosis Sensor Unit (Cont'd)

deformities, dents, cracks or rust. If they show any visible signs of damage, replace them with new ones.

- Check diagnosis sensor unit brackets to ensure they are free of deformities or rust.
- Replace diagnosis sensor unit if it has been dropped or sustained an impact.
- After replacement of diagnosis sensor unit, perform self-diagnosis for SRS. Refer to "DIAGNOSTIC PROCEDURE 1" for details (RS-27).



1. Disconnect driver and passenger air bag module connectors.
2. Remove console box. Refer to "INSTRUMENT PANEL ASSEMBLY" in BT section.
3. Disconnect diagnosis sensor unit connector.
4. Remove bolt and also remove special bolts using the TAMPER RESISTANT TORX (Size T50), from diagnosis sensor unit. Then remove the diagnosis sensor unit.

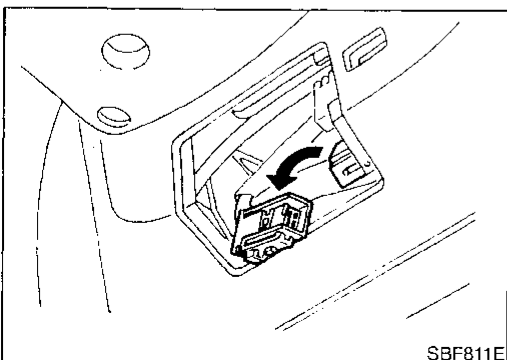
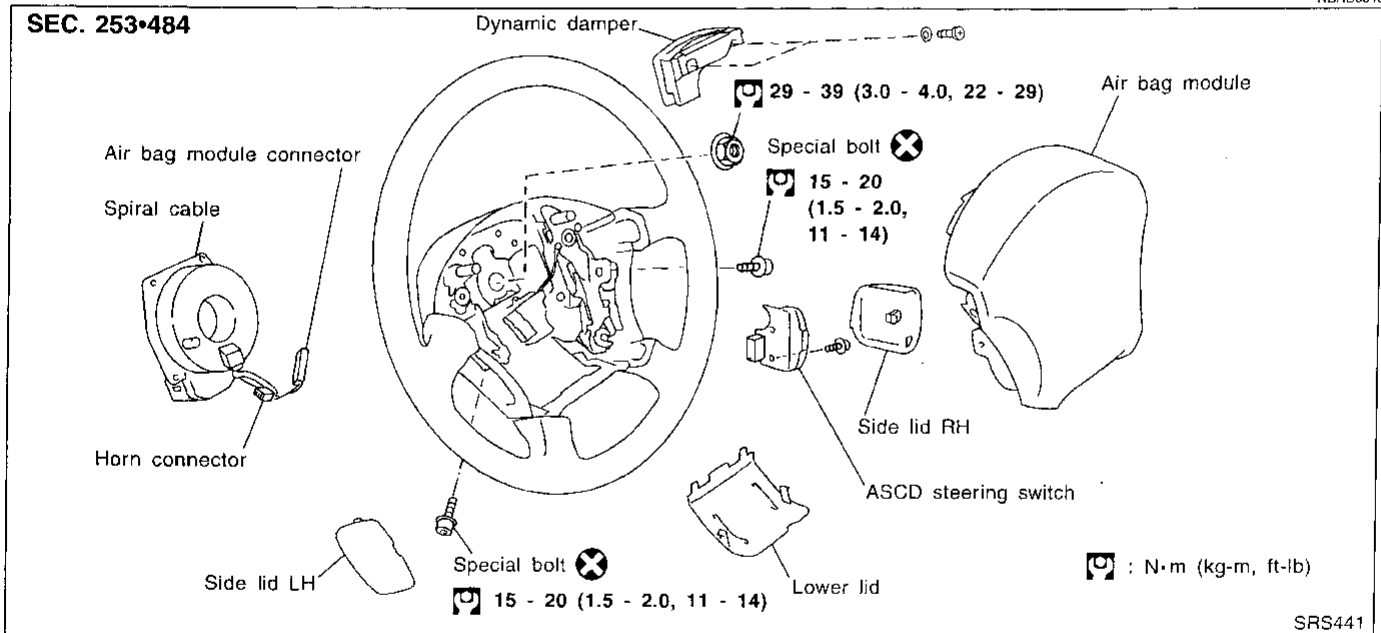
**NOTE:**

- To install, reverse the removal procedure sequence.

## Driver Air Bag Module and Spiral Cable

### REMOVAL AND INSTALLATION

NBRS0013



### REMOVAL

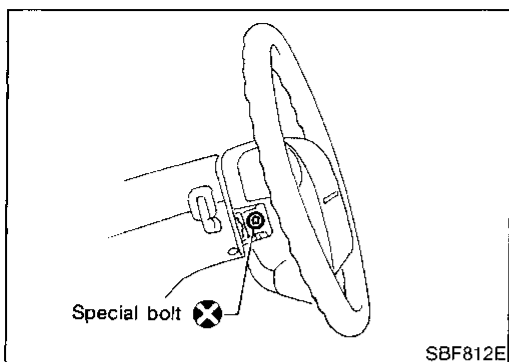
**CAUTION:**

NBRS0014

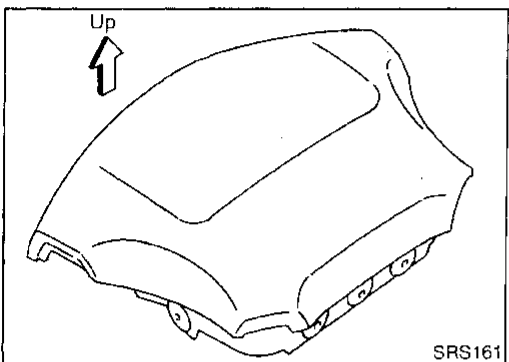
- Before servicing SRS, turn the ignition switch off, disconnect both battery cables and wait at least 3 minutes.
  - Always work from the side of air bag module.
1. Remove lower lid from steering wheel, and disconnect air bag module connector.

# SUPPLEMENTAL RESTRAINT SYSTEM (SRS)

Driver Air Bag Module and Spiral Cable (Cont'd)

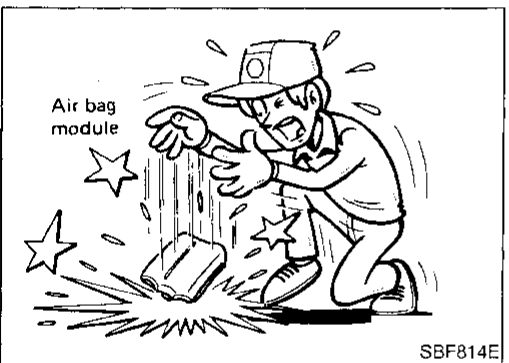


2. Remove side lids. Using the TAMPER RESISTANT TORX (Size T50), remove left and right special bolts. Air bag module can then be removed.

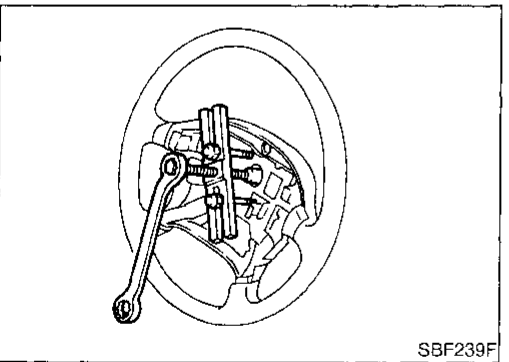


### CAUTION:

- Always place air bag module with pad side facing upward.
- Do not attempt to disassemble air bag module.
- The special bolts are coated with bonding agent. Do not use old bolts after removal; replace with new ones.
- Do not insert any foreign objects (screwdriver, etc.) into air bag module connector.



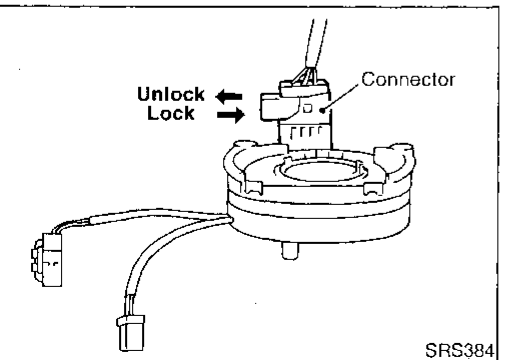
- Replace air bag module if it has been dropped or sustained an impact.
- Do not expose the air bag module to temperatures exceeding 90°C (194°F).
- Do not allow oil, grease or water to come in contact with the air bag module.



3. Set steering wheel in the neutral position.
4. Disconnect horn connector and remove nuts.
5. Remove dynamic damper. Then using steering wheel puller, remove steering wheel. Be careful not to over-tighten puller bolt on steering wheel.

### CAUTION:

- Do not tap or bump the steering wheel.
6. Remove steering column cover.



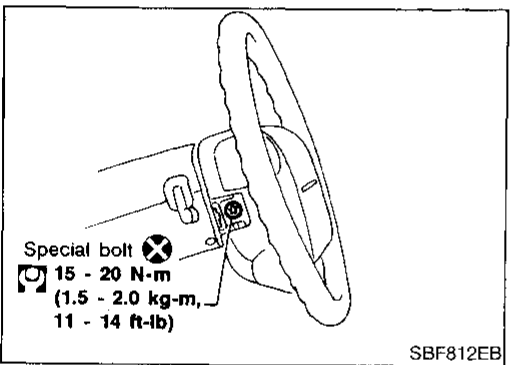
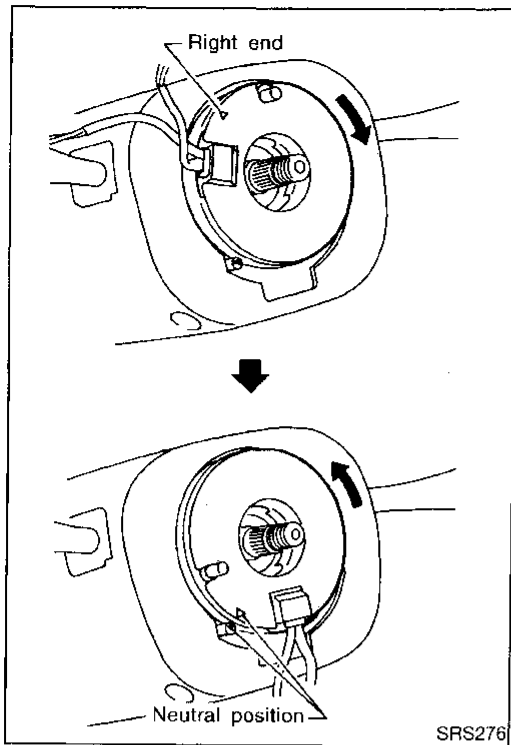
7. Unlock the spiral cable connector. Then disconnect connectors and remove the four screws. The spiral cable can then be removed.

### CAUTION:

- Do not attempt to disassemble spiral cable.
- Do not apply lubricant to the spiral cable.

# SUPPLEMENTAL RESTRAINT SYSTEM (SRS)

Driver Air Bag Module and Spiral Cable (Cont'd)



## INSTALLATION


NBRS0015

1. Set the front wheels in the straight-ahead position.
2. Make sure that the spiral cable is in the neutral position. The neutral position is detected by turning left about 2.5 revolutions from the right end position. Align the two marks (X).

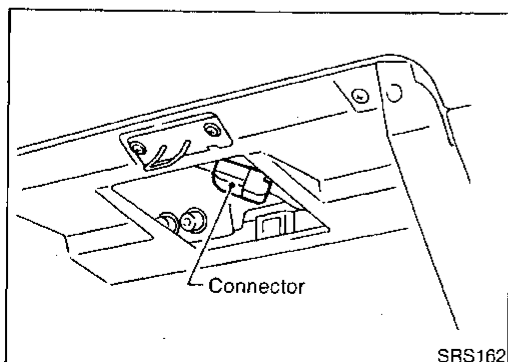
### CAUTION:

- The spiral cable may snap due to steering operation if the cable is installed in an improper position.
- Also, with the steering linkage disconnected, the cable may snap by turning the steering wheel beyond the limited number of turns. The spiral cable can be turned to the left about 2.5 turns from the right end position.

3. Connect spiral cable connector and tighten with screws. Install steering column cover.
4. Install steering wheel, aligning with spiral cable pin guides, and pull spiral cable through.
5. Connect horn connector and engage spiral cable with pawls in steering wheel. Move air bag module connector away from steering wheel lower lid opening.
6. Tighten nut.

 : 29 - 39 N-m (3.0 - 4.0 kg-m, 22 - 29 ft-lb)

7. Install dynamic damper.
8. Position air bag module and tighten with new special bolts.
9. Connect air bag module connector.
10. Install all lids.
11. Conduct self-diagnosis to ensure entire SRS operates properly. (Use CONSULT or warning lamp check.) Before performing self-diagnosis, connect both battery cables.
12. Turn steering wheel to the left end and then to the right end fully to make sure that spiral cable is set in the neutral position. If air bag warning lamp blinks or stays ON (at the user mode), it shows the spiral cable may be snapped due to its improper position. Perform self-diagnosis again (use CONSULT or warning lamp). If a malfunction is detected, replace the spiral cable with a new one.
13. Perform self-diagnosis again to check that no malfunction is detected.



## Front Passenger Air Bag Module

### REMOVAL

NBRS0016

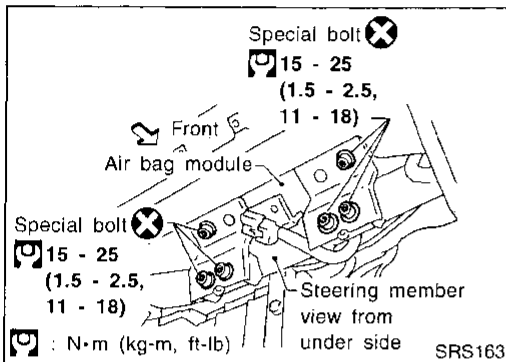
### CAUTION:

- Before servicing SRS, turn the ignition switch off, disconnect both battery cables and wait for at least 3 minutes.
  - Always work from the side of or under air bag module.
1. Remove glove box assembly. Refer to "INSTRUMENT PANEL ASSEMBLY" in BT section for details.
  2. Disconnect front passenger air bag module connector from air bag harness connector.

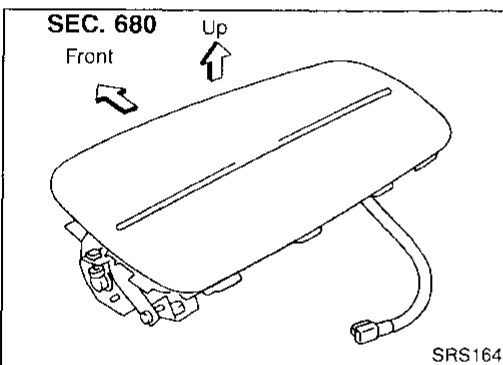
# SUPPLEMENTAL RESTRAINT SYSTEM (SRS)

Front Passenger Air Bag Module (Cont'd)

3. Remove instrument lower panel on passenger side. Refer to "INSTRUMENT PANEL ASSEMBLY" in BT section for details.

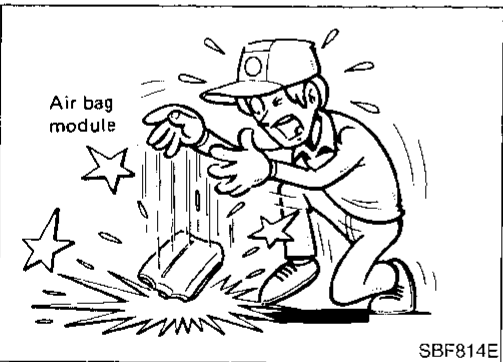


4. Remove special bolts using the TAMPER RESISTANT TORX (Size T50) from front passenger air bag module.
  5. Remove instrument panel assembly. Refer to "INSTRUMENT PANEL ASSEMBLY" in BT section for details.
  6. Remove the bolts from left and right sides of front passenger air bag module. Then remove the air bag module from the instrument panel assembly.
- The air bag module is heavy and should be supported using both hands during removal.

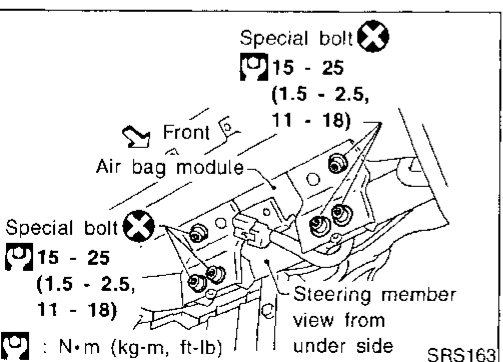


## CAUTION:

- Always place air bag module with pad side facing upward.
- Do not attempt to disassemble air bag module.
- The special bolts are coated with bonding agent. Do not use old bolts after removal; replace with new coated bolts.
- Do not insert any foreign objects (screwdriver, etc.) into air bag module connector.



- Replace air bag module if it has been dropped or sustained an impact.
- Do not expose the air bag module to temperatures exceeding 90°C (194°F).
- Do not allow oil, grease or water to come in contact with the air bag module.
- After air bag inflates, the front instrument panel assembly should be replaced if damaged.



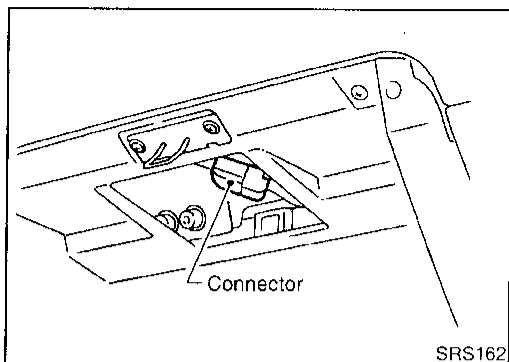
## INSTALLATION

### CAUTION:

- Always work from the side of or under air bag module.
1. Install front passenger air bag module to instrument panel assembly.
  2. Install instrument panel.
- Ensure harness is not caught between rear of air bag module and steering member.
3. Install front passenger air bag module to steering member.

# SUPPLEMENTAL RESTRAINT SYSTEM (SRS)

## Front Passenger Air Bag Module (Cont'd)

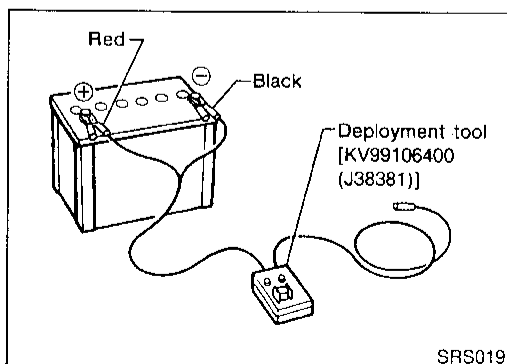


4. Install instrument lower panel on passenger side.
5. Connect air bag module connector to air bag harness connector.
6. Install glove box assembly.
7. Connect both battery cables.
8. Conduct self-diagnosis to ensure entire SRS operates properly. (Use CONSULT or warning lamp check.)

## Disposal of Air Bag Module

- Before disposing of air bag modules or vehicles equipped with such a system, deploy the system. If such a system has already been deployed due to an accident, dispose of as indicated in "DISPOSING OF AIR BAG MODULE" (RS-20).
- When deploying the air bag module, always use the Special Service Tool; Deployment tool KV99106400 (Kent-Moore No. J38381).
- When deploying the air bag module stand at least 5 m (16 ft) away from the deployment component.
- When deploying air bag module, a fairly loud noise is made, followed by smoke being released. The smoke is not poisonous, however, be careful not to inhale smoke since it irritates throat and can cause choking.
- Always activate one air bag module at a time.
- Due to heat, leave air bag module unattended for more than 30 minutes after deployment.
- Be sure to wear gloves when handling a deployed air bag module.
- Never apply water to a deployed air bag module.
- Wash your hands clean after finishing work.
- Place the vehicle outdoors with an open space of at least 6 m (20 ft) on all sides when deploying air bag module while mounted in vehicle.
- Use a voltmeter to make sure the vehicle battery is fully charged.
- Do not dispose of the air bag module un-deployed.

NBR50018



## CHECKING DEPLOYMENT TOOL

### Connecting to Battery

#### CAUTION:

**The battery must show voltage of 9.6V or more.**

Remove the battery from the vehicle and place it on dry wood blocks approximately 5 m (16 ft) away from the vehicle.

- Wait 3 minutes after the vehicle battery is disconnected before proceeding.
- Connect red clip of deployment tool to battery positive terminal and black clip to negative terminal.

NBR50018S01

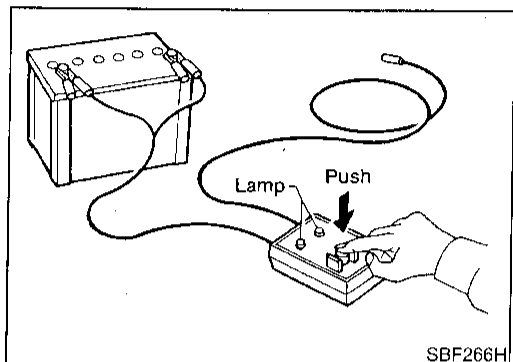
NBR50018S0101



# SUPPLEMENTAL RESTRAINT SYSTEM (SRS)

Disposal of Air Bag Module (Cont'd)

Make sure the polarity is correct. The right side lamp in the tool, marked "deployment tool power", should glow with a green light. If the right side lamp glows red, reverse the connections to the battery.



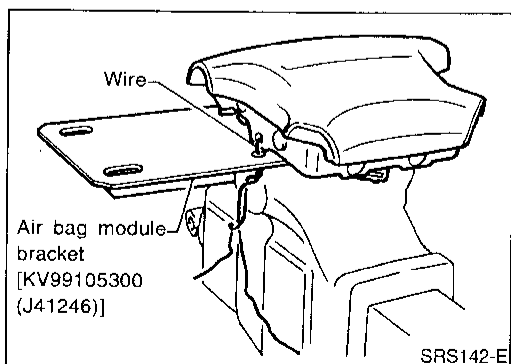
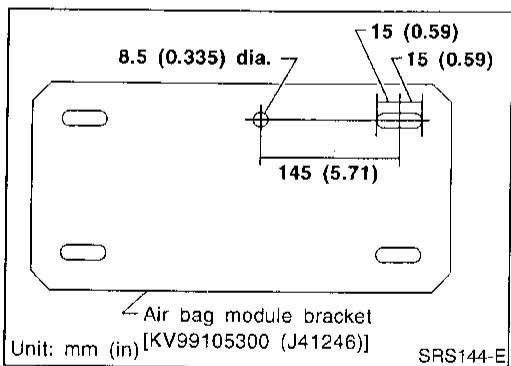
## Deployment Tool Check

Press the deployment tool switch to the "ON" position. The left side lamp in the tool, marked "air bag connector voltage" should illuminate. If it does not illuminate, replace the tool.

## Air Bag Deployment Tool Lamp Illumination Chart (Battery connected)

Switch operation	Left side lamp, green* "AIR BAG CONNECTOR VOLTAGE"	Right side lamp, green* "DEPLOYMENT TOOL POWER"
OFF	OFF	ON
ON	ON	ON

\*: If this lamp glows red, the tool is connected to the battery incorrectly. Reverse the connections and make sure the lamp glows green.



## DEPLOYMENT PROCEDURES FOR AIR BAG MODULE (OUTSIDE OF VEHICLE)

Unless the vehicle is being scrapped, deploying the air bag in the vehicle is not recommended. This may cause damage to the vehicle interior.

Anchor air bag module bracket [KV99105300 (J41246)] in a vise secured to a firm foundation during deployment.

## Deployment of Driver's Air Bag Module (Outside of vehicle)

1. Make an 8.5 mm (0.335 in) diameter hole in air bag module bracket [SST: KV99105300 (J41246)] at the position shown in figure at left.
2. Using wire, secure air bag module to air bag module bracket [SST: KV99105300 (J41246)] at two places.

### CAUTION:

Use wire of at least 1 mm (0.04 in) diameter.

3. Firmly secure air bag module bracket [SST: KV99105300 (J41246)] with air bag module attached, in a vise.

GI

MA

EM

LC

EC

FE

AT

TF

PD

AX

SU

BR

ST

RS

BT

HA

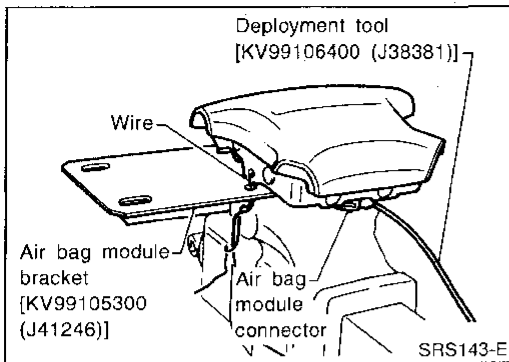
SC

EL

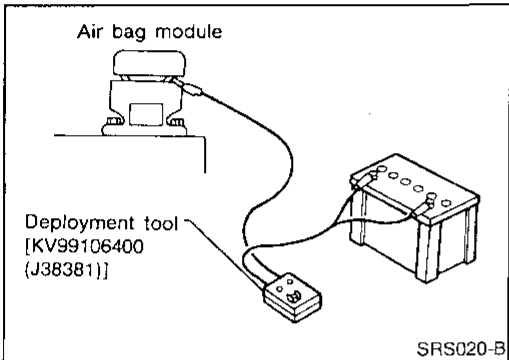
IDX

# SUPPLEMENTAL RESTRAINT SYSTEM (SRS)

## Disposal of Air Bag Module (Cont'd)



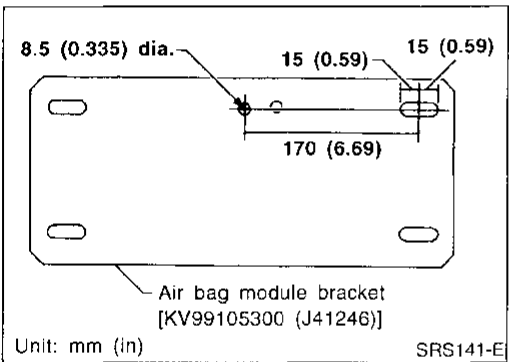
4. Connect deployment tool [SST: KV99106400 (J38381)] to air bag module connector.



5. Connect red clip of deployment tool to battery positive terminal and black clip to negative terminal.
6. The lamp on the right side of the tool, marked "deployment tool power", should glow green, not red.
7. Press the button on the deployment tool. The left side lamp on the tool, marked "air bag connector voltage", will illuminate and the air bag module will deploy.

### CAUTION:

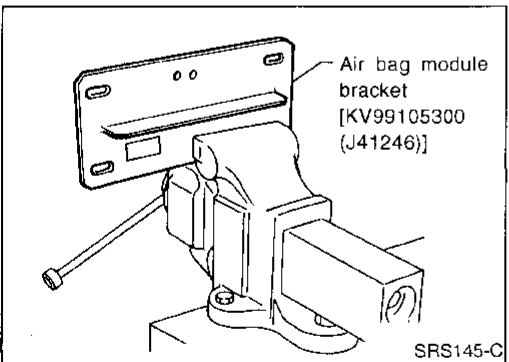
When deploying the air bag module, stand at least 5 m (16 ft) away from the air bag module.



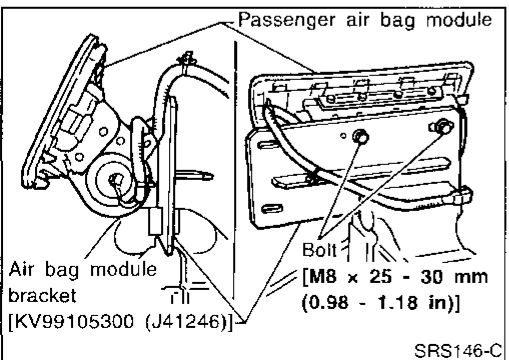
## Deployment of Passenger Air Bag Module (Outside of vehicle)

NBR50014S0202

1. Make an 8.5 mm (0.335 in) diameter hole in air bag module bracket [SST: KV99105300 (J41246)] at the position shown in figure at left.



2. Firmly secure air bag module bracket [SST: KV99105300 (J41246)] in a vise.



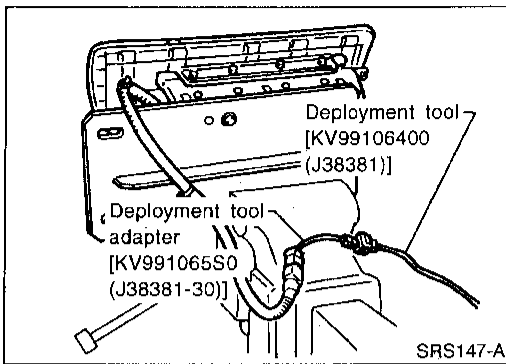
3. Match the two holes in air bag module bracket (held in vise) and passenger air bag module and fix them with two bolts [M8 x 25 - 30 mm (0.98 - 1.18 in)].

### CAUTION:

If a gap exists between passenger air bag module and air bag module bracket, use a piece of wood inserted in the gap to stabilize the air bag module.

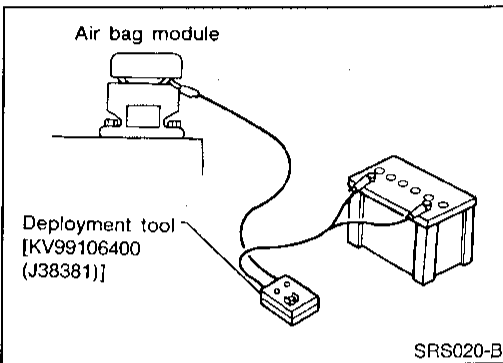
# SUPPLEMENTAL RESTRAINT SYSTEM (SRS)

Disposal of Air Bag Module (Cont'd)



4. Connect deployment tool adapter [SST: KV1065S01 (J38381-30)] to deployment tool [SST: KV99106400 (J38381)] connector and air bag module connector.
5. Connect red clip of deployment tool to battery positive terminal and black clip to negative terminal.
6. The lamp on the right side of the tool, marked "deployment tool power", should glow green, not red.
7. Press the button on the deployment tool. The left side lamp on the tool, marked "air bag connector voltage", will illuminate and the air bag module will deploy.

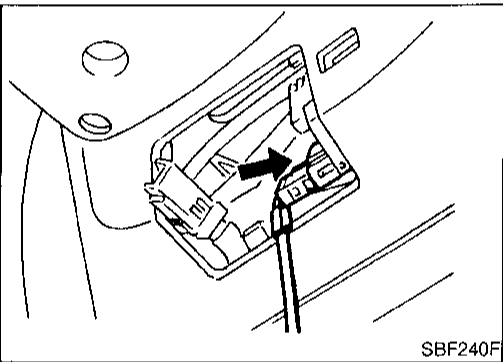
GI  
MA  
EM  
LC



## CAUTION:

- When deploying the air bag module, do not stand on the deploying side.
- Stand at least 5 m (16 ft) away from the air bag module.

EC  
FE



## DEPLOYMENT OF AIR BAG MODULE WHILE MOUNTED IN VEHICLE

NBR50018S03

When disposing of a vehicle, deploy air bag module while it is mounted in vehicle.

## CAUTION:

When deploying air bag module, ensure vehicle is empty.

1. Disconnect both battery cables and wait 3 minutes.
2. Disconnect air bag module connector.
3. Connect deployment tool [SST: KV99106400 (SST: J38381)] to air bag module.

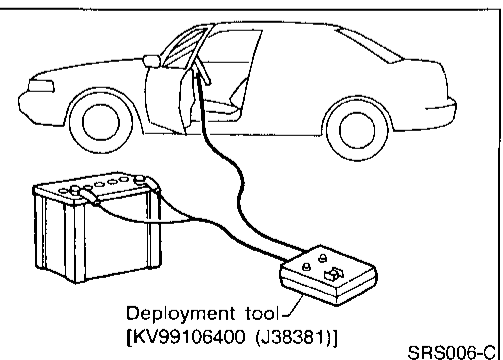
For front passenger air bag module, use deployment tool adapter [SST: KV991065S0 (J38381-30)] to attach passenger air bag module to deployment tool connector.

PD  
AX  
SU  
BR  
ST

RS

BT

HA

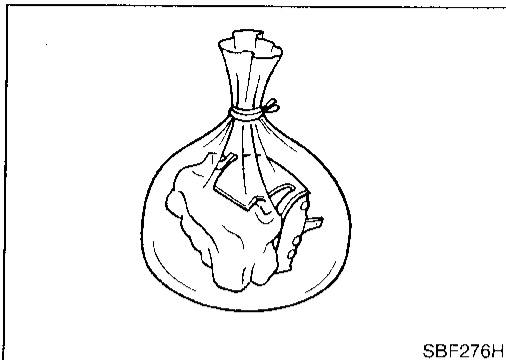


4. Connect red clip of deployment tool to battery positive terminal and black clip to negative terminal.
5. The lamp on the right side of the tool, marked "deployment tool power", should glow green, not red.
6. Press the button on the deployment tool. The left side lamp on the tool, marked "air bag connector voltage", will illuminate and the air bag module will deploy.

SC  
EL  
IDX

# SUPPLEMENTAL RESTRAINT SYSTEM (SRS)

Disposal of Air Bag Module (Cont'd)



## DISPOSING OF AIR BAG MODULE

NBRS0018S04

Deployed air bag module is very hot. Before disposing of air bag module, wait at least 30 minutes. Seal it in a plastic bag before disposal.

### CAUTION:

- Never apply water to a deployed air bag module.
- Be sure to wear gloves when handling a deployed air bag module.
- No poisonous gas is produced upon air bag module deployment. However, be careful not to inhale gas since it irritates throat and can cause choking.
- Do not attempt to disassemble air bag module.
- Air bag module cannot be reused.
- Wash your hands clean after finishing work.

## Trouble Diagnoses Introduction

NBRS00030

### CAUTION:

- Do not use electrical test equipment on any circuit related to the SRS unless instructed to in this Service Manual. SRS wiring harnesses are covered with yellow insulation either just before the harness connectors or for the complete harness, for easy identification.
- Do not attempt to repair, splice or modify the SRS wiring harness. If the harness is damaged, replace it with a new one.
- Keep ground portion clean.

### DIAGNOSIS FUNCTION

NBHS00030S01

The SRS self-diagnosis results can be read by using "AIR BAG" warning lamp and/or CONSULT. The reading of these results is accomplished using one of two modes — "User mode" and "Diagnosis mode".

The User mode is exclusively prepared for the customer (driver). This mode warns the driver of a system malfunction through the operation of the "AIR BAG" warning lamp.

The Diagnosis mode allows the technician to locate and inspect the malfunctioning part.

The mode applications for the "AIR BAG" warning lamp and CONSULT are as follows:

	User mode	Diagnosis mode	Display type
"AIR BAG" warning lamp	X	X	ON-OFF operation
CONSULT	—	X	Monitoring

### DIAGNOSIS MODE FOR CONSULT

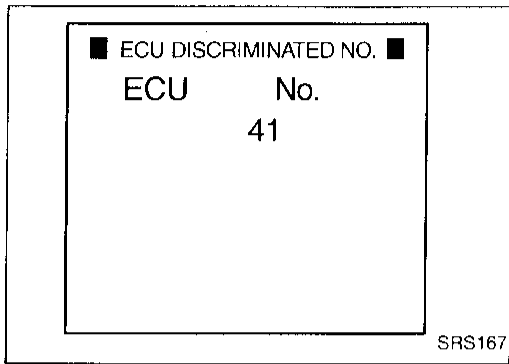
NBRS00030S02

- "SELF-DIAG [CURRENT]"  
A current Self-diagnosis result (also indicated by the number of warning lamp flashes in the Diagnosis mode) is displayed on the CONSULT screen in real time. This refers to a malfunctioning part requiring repairs.
- "SELF-DIAG [PAST]"  
Diagnosis results previously stored in the memory are displayed on the CONSULT screen. The stored results are not erased until memory erasing is executed.
- "TROUBLE DIAG RECORD"  
With TROUBLE DIAG RECORD, diagnosis results previously erased by a reset operation can be displayed on the CONSULT screen.
- "ECU DISCRIMINATED NO."

# SUPPLEMENTAL RESTRAINT SYSTEM (SRS)

Trouble Diagnoses Introduction (Cont'd)

The diagnosis sensor unit for each vehicle model is assigned with its own, individual classification number. This number will be displayed on the CONSULT screen, as shown below. When replacing the diagnosis sensor unit, refer to the part number for the compatibility. After installation, replacement with a correct unit can be checked by confirming this classification number on the CONSULT screen.



For INFINITI QX4, the diagnosis sensor unit classification number assigned is 41.

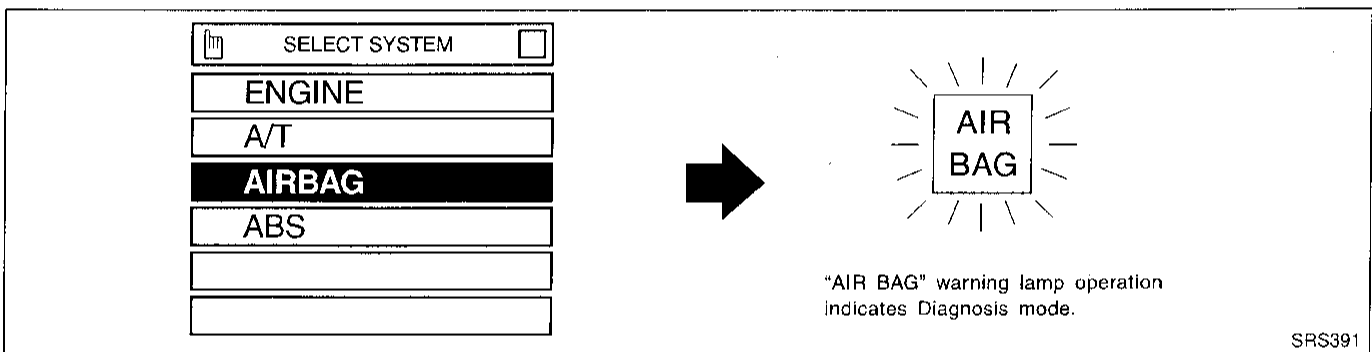
## Ⓟ HOW TO CHANGE SELF-DIAGNOSIS MODE WITH CONSULT

### From User Mode to Diagnosis Mode

After selecting "AIR BAG" on the "SELECT SYSTEM" screen, User mode automatically changes to Diagnosis mode.

NBRS0030S03

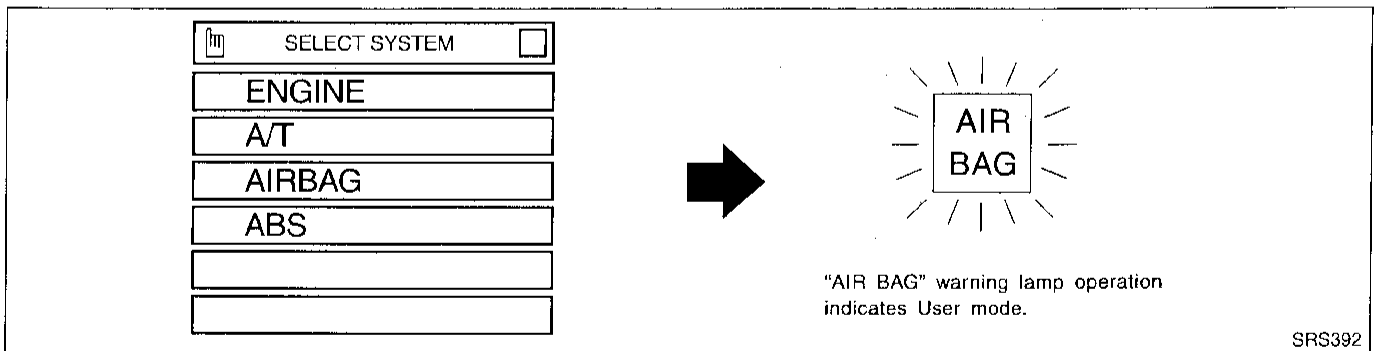
NBRS0030S0301



### From Diagnosis Mode to User Mode

To return to User mode from Diagnosis mode, touch "BACK" key of CONSULT until "SELECT SYSTEM" appears, Diagnosis mode automatically changes to User mode.

NBRS0030S0302



# SUPPLEMENTAL RESTRAINT SYSTEM (SRS)

Trouble Diagnoses Introduction (Cont'd)

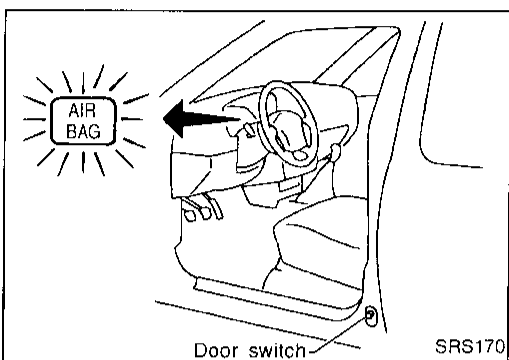
## ⊗ HOW TO CHANGE SELF-DIAGNOSIS MODE WITHOUT CONSULT

=NBR50030S05

### From User Mode to Diagnosis Mode

NBR50030S0501

Diagnosis mode activates only when a malfunction is detected, by pressing the driver's door switch at least 5 times within 7 seconds after turning the ignition "ON". SRS will not enter Diagnosis mode, if no malfunction is detected.



### From Diagnosis Mode to User Mode

NBR50030S0502

After a malfunction is repaired, switch the ignition "OFF" for at least one second, then back "ON". Diagnosis mode is returned to User mode. If switching Diagnosis mode to User mode is required while malfunction is being detected, switch the ignition "OFF", then back "ON" and press the driver's door switch at least 5 times within 7 seconds.

## HOW TO ERASE SELF-DIAGNOSIS RESULTS

NBR50030S04

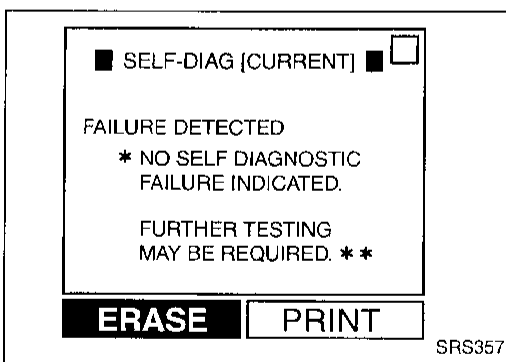
### Ⓜ With CONSULT

NBR50030S0401

- "SELF-DIAG [CURRENT]"  
A current Self-diagnosis result is displayed on the CONSULT screen in real time. After the malfunction is repaired completely, no malfunction is detected on "SELF-DIAG [CURRENT]".
- "SELF-DIAG [PAST]"  
Return to the "SELF-DIAG [CURRENT]" CONSULT screen by pushing "BACK" key of CONSULT and select "SELF-DIAG [CURRENT]" in SELECT DIAG MODE. Touch "ERASE" in "SELF-DIAG [CURRENT]" mode.

#### NOTE:

If the memory of the malfunction in "SELF-DIAG [PAST]" is not erased, the User mode shows the system malfunction by the operation of the warning lamp even if the malfunction is repaired completely.



- "TROUBLE DIAG RECORD"  
The memory of "TROUBLE DIAG RECORD" cannot be erased.

### ⊗ Without CONSULT

NBR50030S0402

After a malfunction is repaired, switch the ignition "OFF" for at least one second, then back "ON". Diagnosis mode returns to the User mode. At that time, the problem code is cleared.

# SUPPLEMENTAL RESTRAINT SYSTEM (SRS)

How to Perform Trouble Diagnoses for Quick and Accurate Repair

## How to Perform Trouble Diagnoses for Quick and Accurate Repair

A good understanding of the malfunction conditions can make troubleshooting faster and more accurate. In general, each customer feels differently about a problem. It is important to fully understand the symptoms or conditions for a customer complaint.

### INFORMATION FROM CUSTOMER

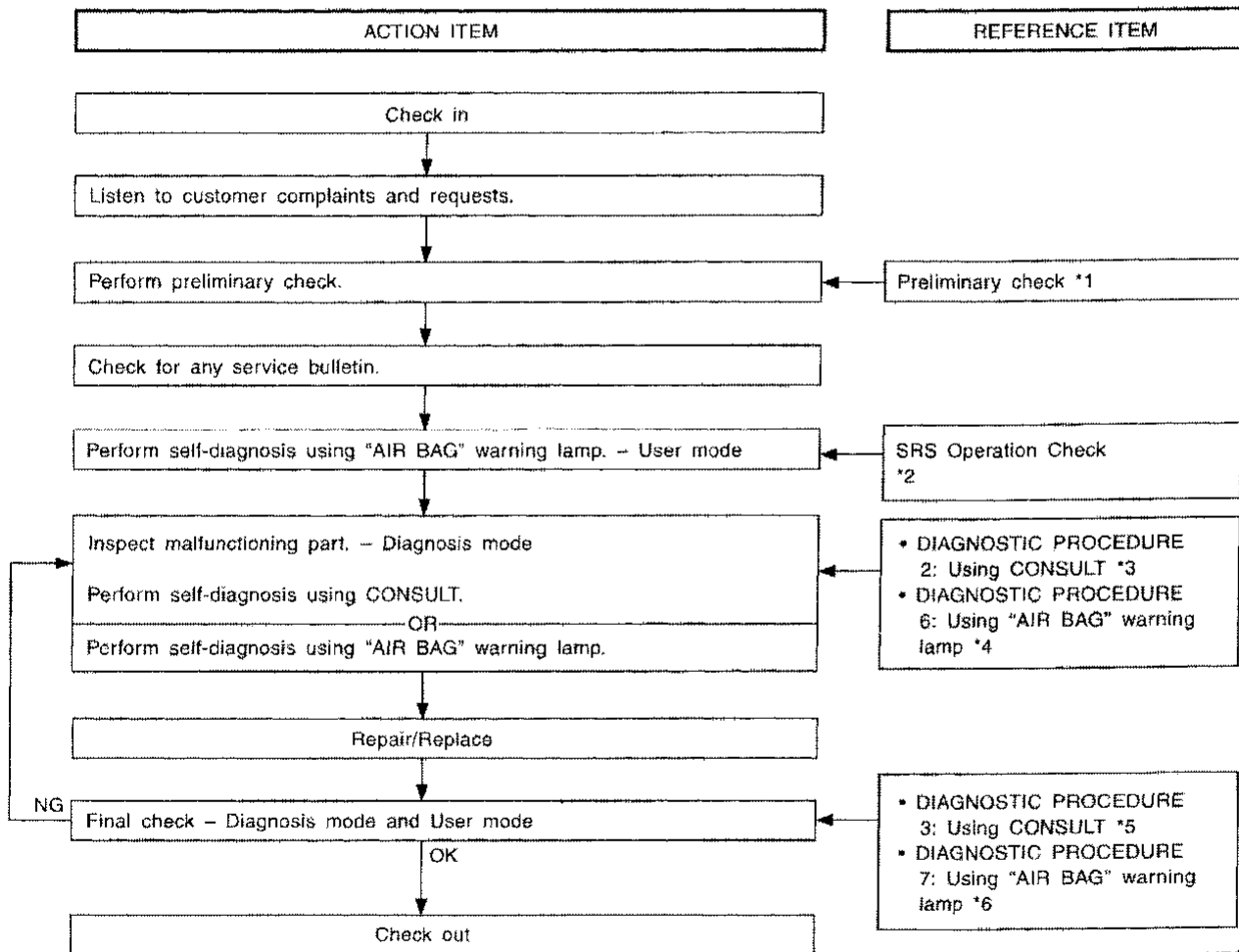
WHAT ..... Vehicle model  
WHEN ..... Date, Frequencies  
WHERE ..... Road conditions  
HOW ..... Operating conditions, Symptoms

### PRELIMINARY CHECK

Check that the following parts are in good order.

- Battery [Refer to SC section ("BATTERY").]
- Fuse [Refer to EL section ("Fuse", "POWER SUPPLY ROUTING").]
- System component-to-harness connections

### WORK FLOW



\*1: RS-23  
\*2: RS-27

\*3: RS-28  
\*4: RS-36

\*5: RS-30  
\*6: RS-37

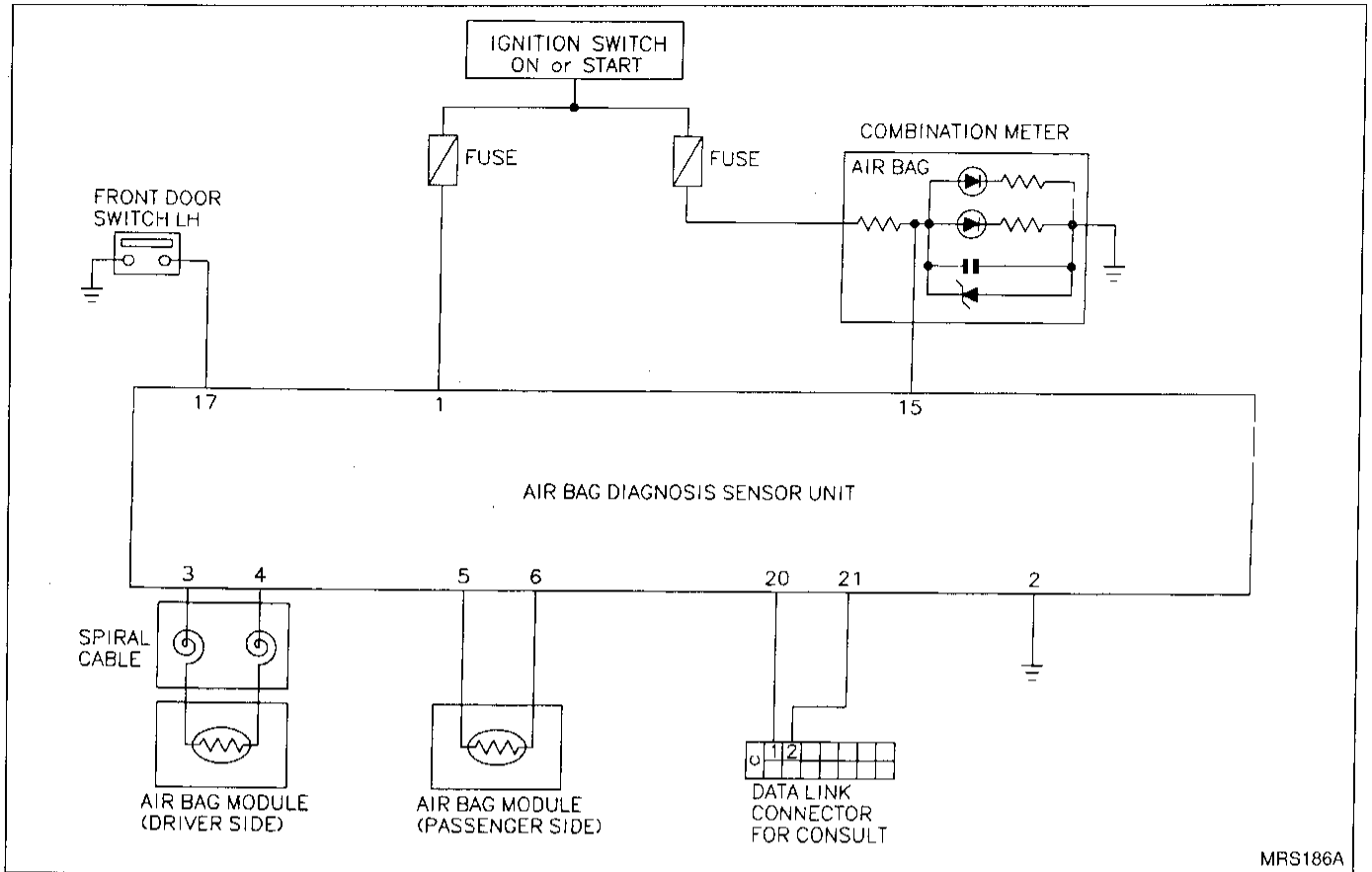
MRS174AA

# SUPPLEMENTAL RESTRAINT SYSTEM (SRS)

Schematic

## Schematic

NBRS0020





# SUPPLEMENTAL RESTRAINT SYSTEM (SRS)

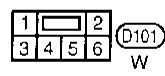
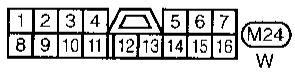
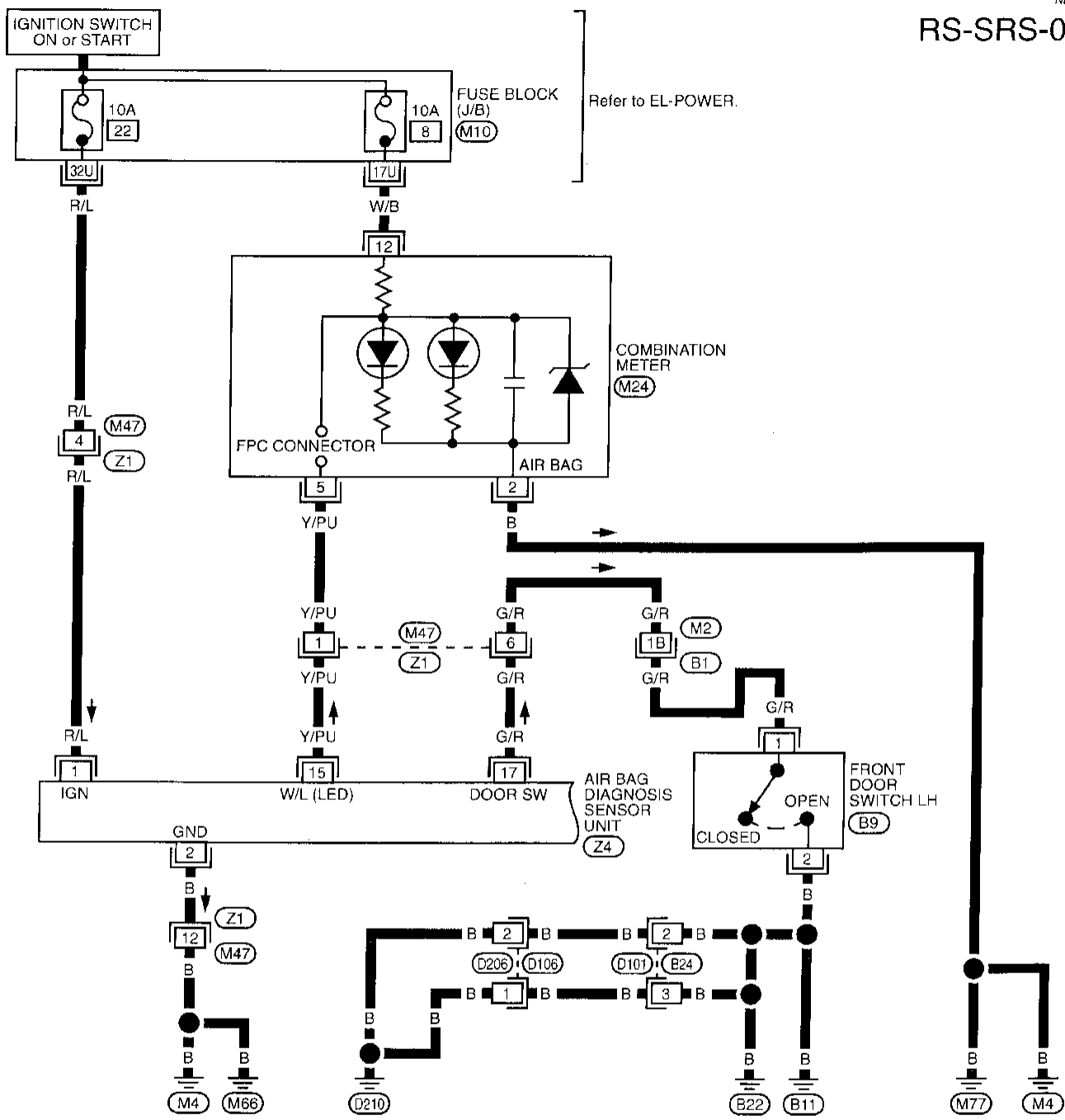
Wiring Diagram — SRS —

## Wiring Diagram — SRS —

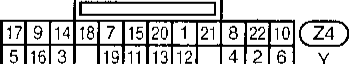
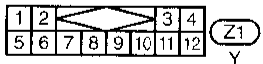
NBRS0021

RS-SRS-01

CI  
MA  
EM  
LC  
EC  
FE  
AT  
TF  
PD  
AX  
SU  
BR  
ST  
**RS**  
BT  
HA  
SC  
EL  
IDX



Refer to last page (Foldout page).

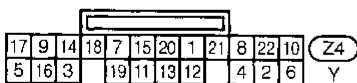
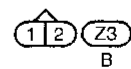
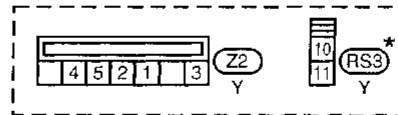
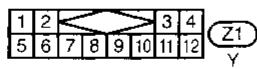
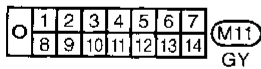
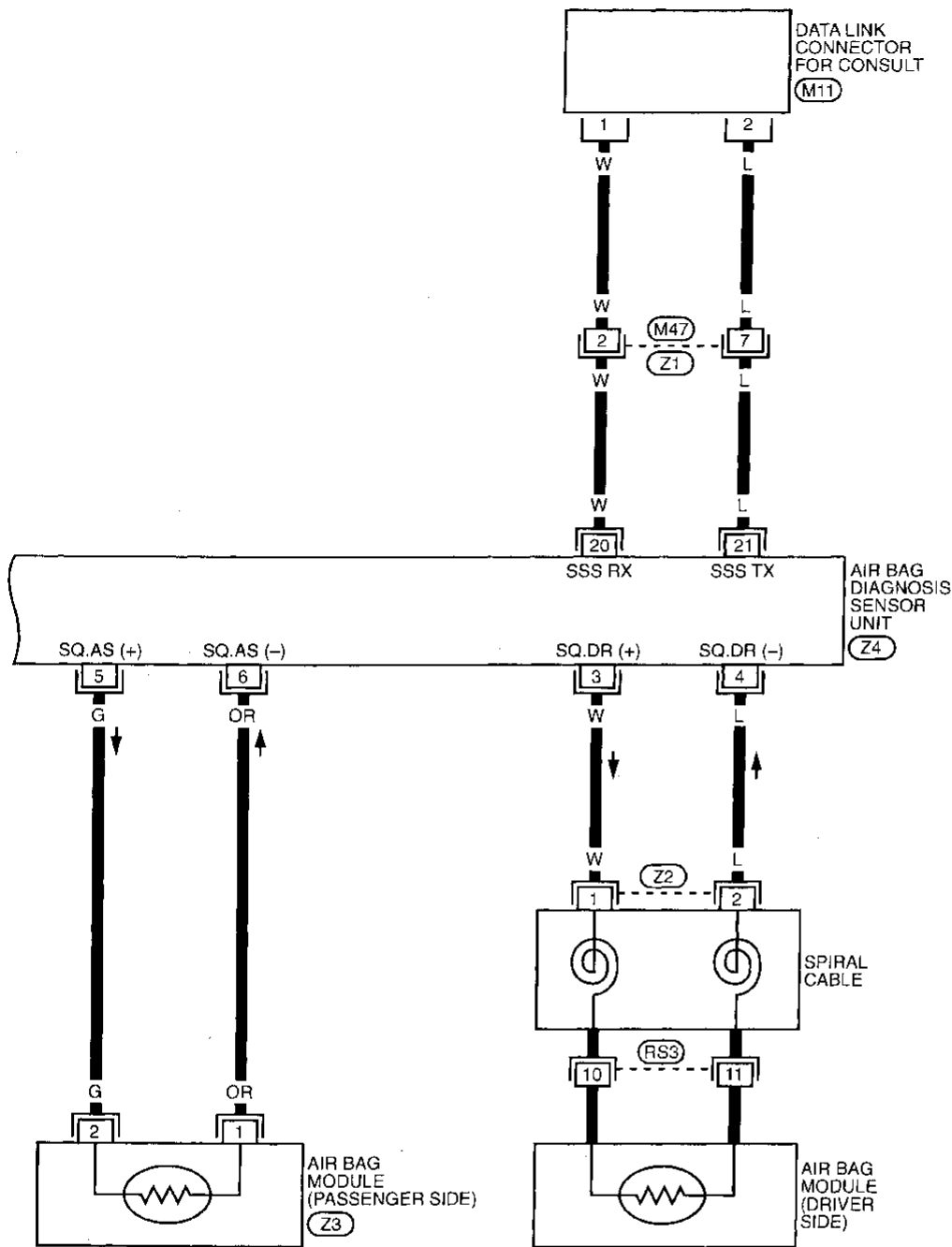


MRS187A

# SUPPLEMENTAL RESTRAINT SYSTEM (SRS)

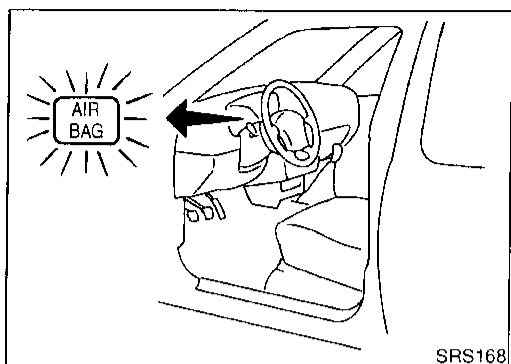
Wiring Diagram — SRS — (Cont'd)

RS-SRS-02



\*: This connector is not shown in "HARNESS LAYOUT" of EL section.

MRS188A



**SRS Operation Check**

**DIAGNOSTIC PROCEDURE 1**

Checking SRS operation by using "AIR BAG" warning lamp — User mode

NBRS0022

NBRS0022S01

1. After turning ignition switch from "OFF" to "ON", "AIR BAG" warning lamp operates.
2. Compare "AIR BAG" warning lamp operation to the chart below.

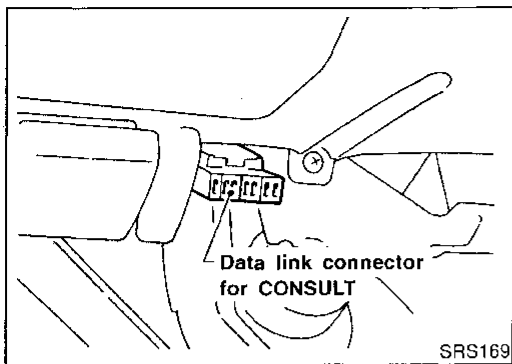
"AIR BAG" warning lamp operation — User mode —	SRS condition	Reference item
<p>MRS095A</p>	No malfunction is detected. No further action is necessary.	—
<p>MRS096A</p>	The system has problem and needs to be repaired as indicated.	Go to DIAGNOSTIC PROCEDURE 2 or 6 (RS-28 or RS-36).
<p>MRS097A</p>	Air bag is deployed.  Air bag fuse, diagnosis sensor unit or harness is malfunctioning and needs to be repaired.	Go to COLLISION DIAGNOSIS (RS-43).  Go to DIAGNOSTIC PROCEDURE 9 (RS-40).
<p>MRS098A</p>	One of the following has occurred and needs to be repaired. <ul style="list-style-type: none"> <li>• Meter fuse is blown.</li> <li>• "AIR BAG" warning lamp circuit has open or short.</li> <li>• Diagnosis sensor unit is malfunctioning.</li> </ul>	Go to DIAGNOSTIC PROCEDURE 10 (RS-41).

**NOTE:**

If "AIR BAG" warning lamp operates differently from the operations shown above, refer to "AIR BAG" warning lamp operation — Diagnosis mode —, DIAGNOSTIC PROCEDURE 6 (step 4), RS-36.

# SUPPLEMENTAL RESTRAINT SYSTEM (SRS)

④ Trouble Diagnoses with CONSULT



## ④ Trouble Diagnoses with CONSULT

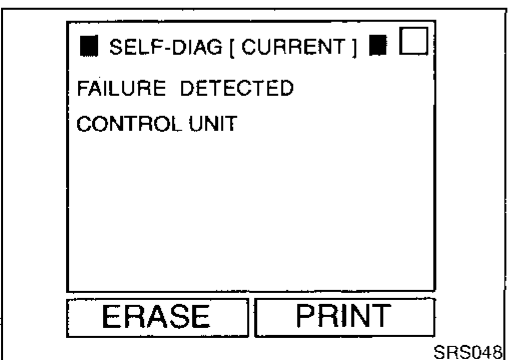
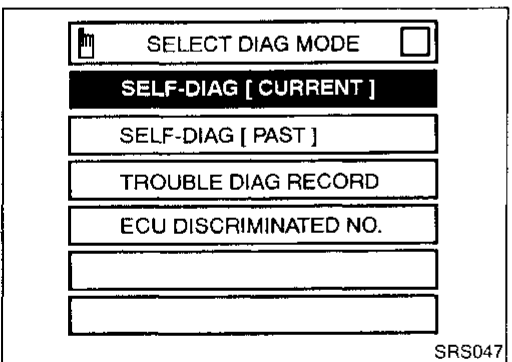
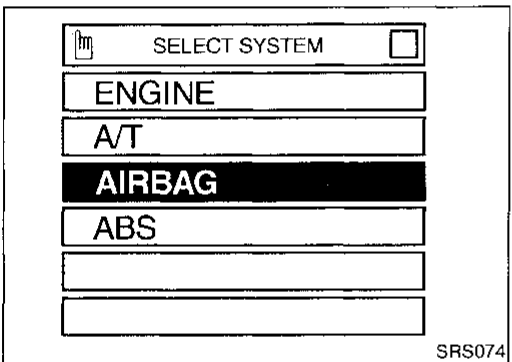
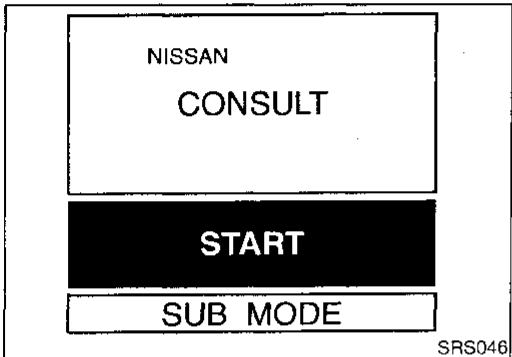
NBHS0023

### DIAGNOSTIC PROCEDURE 2

NBRS0023S01

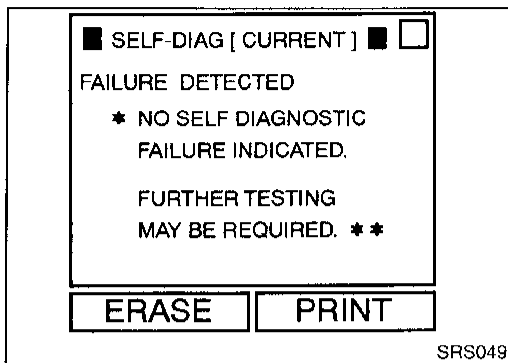
#### Inspecting SRS malfunctioning parts by using CONSULT — Diagnosis mode

1. Turn ignition switch "OFF".
2. Connect "CONSULT" to Data link connector.
3. Turn ignition switch "ON".
4. Touch "START".
5. Touch "AIRBAG".
6. Touch "SELF-DIAG [CURRENT]".
7. Diagnostic codes are displayed on "SELF-DIAG [CURRENT]".



# SUPPLEMENTAL RESTRAINT SYSTEM (SRS)

Ⓟ Trouble Diagnoses with CONSULT (Cont'd)



If no self-diagnostic failure is detected on "SELF-DIAG [CURRENT]" even though malfunction is detected in "SRS Operation Check", check the battery voltage. If the battery voltage is less than 9V, charge the battery. Then go to DIAGNOSTIC PROCEDURE 3, page RS-30. If the battery voltage is OK, go to DIAGNOSTIC PROCEDURE 4, page RS-32, to diagnose the following cases:

- Self-diagnostic failure "SELF-DIAG [PAST]" (previously stored in the memory) might not be erased after repair.
- The SRS system malfunctions intermittently.

8. Touch "PRINT".
9. Compare diagnostic codes to "CONSULT Diagnostic Code Chart", page RS-29.
10. Touch "BACK" key of CONSULT until SELECT SYSTEM appears in order to return to User mode from Diagnosis mode, then turn off CONSULT.
11. Turn ignition switch "OFF", then disconnect CONSULT and both battery cables.
12. Repair the system as outlined by the "Repair order" in "CONSULT Diagnostic Code Chart", that corresponds to the problem code. For replacement procedure of component parts, refer to RS-11.
13. After repairing the system, go to DIAGNOSTIC PROCEDURE 3, page RS-30 for final checking.

## CONSULT Diagnostic Code Chart ("SELF-DIAG [CURRENT]")

NBRS0023S0101

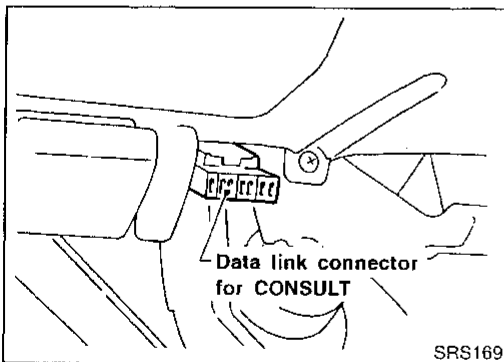
Diagnostic item	Explanation	Repair order "Recheck SRS at each replacement."
NO SELF DIAGNOSTIC FAILURE INDICATED.	<ul style="list-style-type: none"> <li>• Low battery voltage (Less than 9V)</li> </ul>	<ul style="list-style-type: none"> <li>• Go to DIAGNOSTIC PROCEDURE 3 (RS-30) after charging battery.</li> </ul>
	<ul style="list-style-type: none"> <li>• Self-diagnostic failure "SELF-DIAG [PAST]" (previously stored in the memory) might not be erased after repair.</li> <li>• Intermittent problem has been detected in the past.</li> </ul>	<ul style="list-style-type: none"> <li>• Go to DIAGNOSTIC PROCEDURE 4 (RS-32).</li> </ul>
	<ul style="list-style-type: none"> <li>• No malfunction is detected.</li> </ul>	<ul style="list-style-type: none"> <li>• Go to DIAGNOSTIC PROCEDURE 3 (RS-30).</li> </ul>
AIRBAG MODULE [OPEN]	<ul style="list-style-type: none"> <li>• Driver's air bag module circuit is open. (including the spiral cable)</li> </ul>	<ol style="list-style-type: none"> <li>1. Visually check the wiring harness connection.</li> <li>2. Replace the harness if it has visible damage.</li> <li>3. Replace driver's air bag module. (Before disposal of it, it must be deployed.)</li> <li>4. Replace the spiral cable.</li> <li>5. Replace the diagnosis sensor unit.</li> <li>6. Replace the air bag harness.</li> </ol>

# SUPPLEMENTAL RESTRAINT SYSTEM (SRS)

Ⓔ Trouble Diagnoses with CONSULT (Cont'd)

Diagnostic item	Explanation	Repair order "Recheck SRS at each replacement."
AIRBAG MODULE [VB-SHORT]	• Driver's air bag module circuit is shorted to some power supply circuit. (including the spiral cable)	<ol style="list-style-type: none"> <li>1. Visually check the wiring harness connection.</li> <li>2. Replace the harness if it has visible damage.</li> <li>3. Replace the spiral cable.</li> <li>4. Replace driver's air bag module. (Before disposal of it, it must be deployed.)</li> <li>5. Replace the diagnosis sensor unit.</li> <li>6. Replace the air bag harness.</li> </ol>
AIRBAG MODULE [GND-SHORT]	• Driver's air bag module circuit is shorted to ground. (including the spiral cable)	
AIRBAG MODULE [SHORT]	• Driver's air bag module circuits are shorted to each other.	
ASSIST A/B MODULE [VB-SHORT]	• Front passenger air bag module circuit is shorted to some power supply circuit.	<ol style="list-style-type: none"> <li>1. Visually check the wiring harness connection.</li> <li>2. Replace the harness if it has visible damage.</li> <li>3. Replace front passenger air bag module. (Before disposal of it, it must be deployed.)</li> <li>4. Replace the diagnosis sensor unit.</li> <li>5. Replace the air bag harness.</li> </ol>
ASSIST A/B MODULE [OPEN]	• Front passenger air bag module circuit is open.	
ASSIST A/B MODULE [GND-SHORT]	• Front passenger air bag module circuit is shorted to ground.	
ASSIST A/B MODULE [SHORT]	• Front passenger air bag module circuits are shorted to each other.	
CONTROL UNIT	• Diagnosis sensor unit is malfunctioning.	• Replace the diagnosis sensor unit.

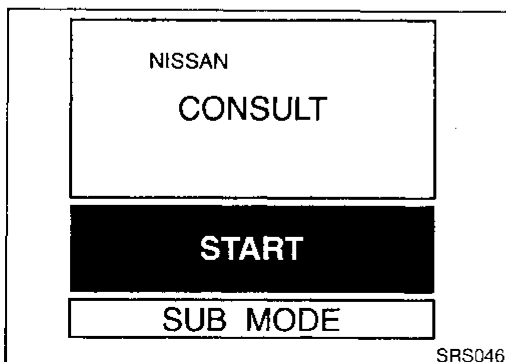
\* Follow the procedures in numerical order when repairing malfunctioning parts. Confirm whether malfunction is eliminated using the air bag warning lamp or CONSULT each time repair is finished. If malfunction is still observed, proceed to the next step. When malfunction is eliminated, further repair work is not required.



## DIAGNOSTIC PROCEDURE 3

Final checking after repairing SRS by using CONSULT — Diagnosis mode NBR50023S02

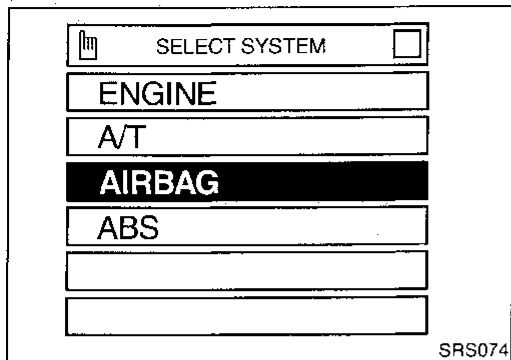
1. After repairing SRS, connect both battery cables.
2. Connect CONSULT to Data link connector.
3. Turn ignition switch from "OFF" to "ON".



4. Touch "START".

# SUPPLEMENTAL RESTRAINT SYSTEM (SRS)

 Trouble Diagnoses with CONSULT (Cont'd)



SELECT SYSTEM

ENGINE

A/T

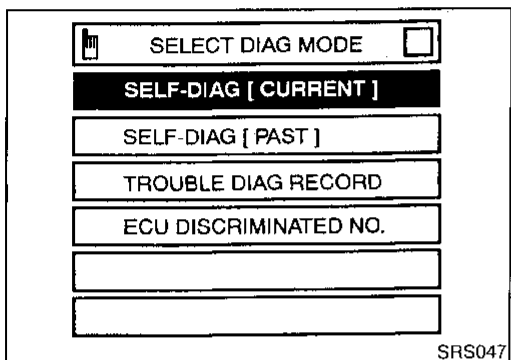
**AIRBAG**

ABS

SRS074

5. Touch "AIRBAG".

CI  
MA  
EM  
LC



SELECT DIAG MODE

**SELF-DIAG [CURRENT]**

SELF-DIAG [PAST]

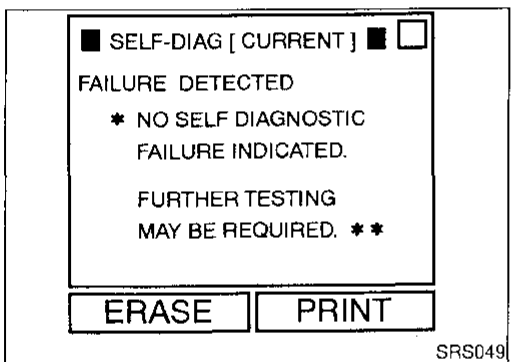
TROUBLE DIAG RECORD

ECU DISCRIMINATED NO.

SRS047

6. Touch "SELF-DIAG [CURRENT]".

EC  
FE  
AT  
TF



SELF-DIAG [CURRENT]

FAILURE DETECTED

\* NO SELF DIAGNOSTIC FAILURE INDICATED.

FURTHER TESTING MAY BE REQUIRED. \*\*

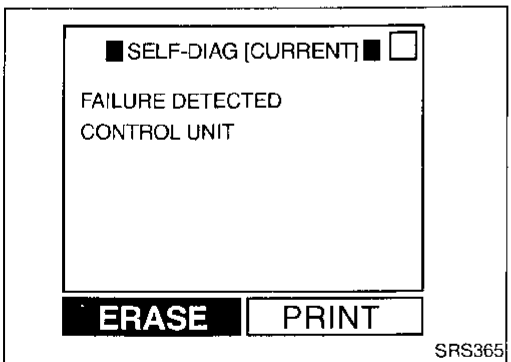
ERASE PRINT

SRS049

7. If no malfunction is detected on "SELF-DIAG [CURRENT]", repair of SRS is completed.

If any problem code is displayed on "SELF-DIAG [CURRENT]", the malfunctioning part is not repaired completely or another malfunctioning part is detected. Go to DIAGNOSTIC PROCEDURE 2, page RS-28, and repair malfunctioning part completely.

PD  
AX  
SU  
BR



SELF-DIAG [CURRENT]

FAILURE DETECTED CONTROL UNIT

ERASE PRINT

SRS365

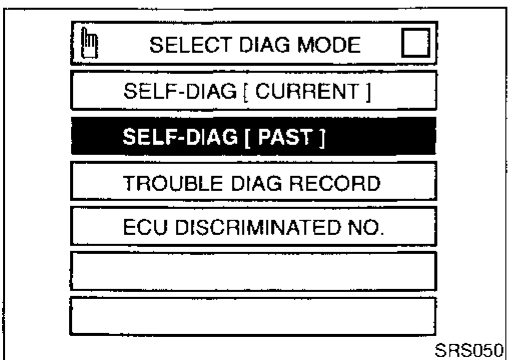
8. Touch "ERASE".

NOTE:

Touch "ERASE" to clear the memory of the malfunction ("SELF-DIAG [PAST]").

If the memory of the malfunction in "SELF-DIAG [PAST]" is not erased, the User mode shows the system malfunction by the operation of the warning lamp even if the malfunction is repaired completely.

RS  
BT  
HA



SELECT DIAG MODE

SELF-DIAG [CURRENT]

**SELF-DIAG [PAST]**

TROUBLE DIAG RECORD

ECU DISCRIMINATED NO.

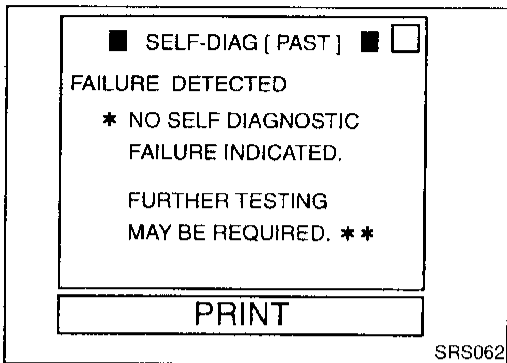
SRS050

9. Touch "BACK" key of CONSULT to "SELECT DIAG MODE" screen. Touch "SELF-DIAG [PAST]".

SC  
EL  
IDX

# SUPPLEMENTAL RESTRAINT SYSTEM (SRS)

Ⓟ Trouble Diagnoses with CONSULT (Cont'd)



10. Check that no self-diagnostic failure is detected on "SELF-DIAG [PAST]".

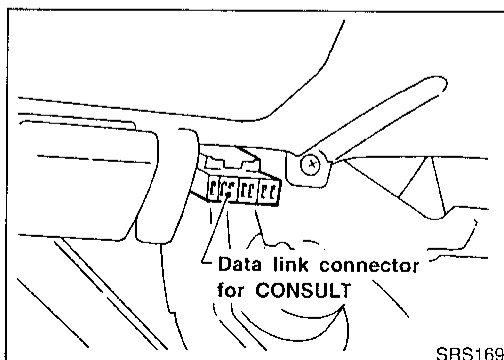
11. Touch "BACK" key of CONSULT until "SELECT SYSTEM" appears in order to return to User mode from Diagnosis mode, turn off CONSULT, then disconnect CONSULT.
12. Turn ignition switch "OFF".
13. Go to "SRS Operation Check", page RS-27 to check SRS operation by using "AIR BAG" warning lamp with User mode.

## DIAGNOSTIC PROCEDURE 4 (CONTINUED FROM DIAGNOSTIC PROCEDURE 2)

Inspecting SRS malfunctioning record

NBRS0023S03

<b>1</b>	<b>CONSIDER POSSIBILITY OF NOT ERASING PROBLEM CODE AFTER REPAIRING</b>	
Is it the first time for maintenance of SRS?		
Yes or No		
Yes	▶	Go to DIAGNOSTIC PROCEDURE 5 (RS-32).
No	▶	Self-diagnostic failure "SELF-DIAG [PAST]" (previously stored in the memory) might not be erased after repair. Go to DIAGNOSTIC PROCEDURE 3, step 8 (RS-30).



## DIAGNOSTIC PROCEDURE 5

Inspecting SRS intermittent problem by using CONSULT —  
 Diagnosis mode

NBHS0023S04

1. Turn ignition switch "OFF".
2. Connect "CONSULT" to Data link connector.



# SUPPLEMENTAL RESTRAINT SYSTEM (SRS)

Ⓔ Trouble Diagnoses with CONSULT (Cont'd)

NISSAN  
CONSULT

**START**

SUB MODE

SRS046

3. Turn ignition switch "ON".
4. Touch "START".

GI  
MA  
EM  
LC

SELECT SYSTEM

ENGINE

A/T

**AIRBAG**

ABS

SRS074

5. Touch "AIRBAG".

EC  
FE  
AT  
TF

SELECT DIAG MODE

SELF-DIAG [ CURRENT ]

**SELF-DIAG [ PAST ]**

TROUBLE DIAG RECORD

ECU DISCRIMINATED NO.

SRS050

6. Touch "SELF-DIAG [PAST]".

PD  
AX  
SU  
BR

■ SELF-DIAG [ PAST ] ■

FAILURE DETECTED  
CONTROL UNIT

PRINT

SRS054

7. If diagnostic codes are displayed on "SELF-DIAG [PAST]", go to step 10.

ST  
**RS**  
BT  
HA

■ SELF-DIAG [ PAST ] ■

FAILURE DETECTED

\* NO SELF DIAGNOSTIC  
FAILURE INDICATED.

FURTHER TESTING  
MAY BE REQUIRED. \*\*

PRINT

SRS062

If no self-diagnostic failure is detected on "SELF-DIAG [PAST]", touch "BACK" and go back to "SELECT DIAG MODE".

SC  
EL  
IDX

# SUPPLEMENTAL RESTRAINT SYSTEM (SRS)

☺ Trouble Diagnoses with CONSULT (Cont'd)

SELECT DIAG MODE

SELF-DIAG [ CURRENT ]

SELF-DIAG [ PAST ]

**TROUBLE DIAG RECORD**

ECU DISCRIMINATED NO.

SRS055

8. Touch "TROUBLE DIAG RECORD".

NOTE:

With "TROUBLE DIAG RECORD", diagnosis results previously erased by a reset operation can be displayed.

■ TROUBLE DIAG RECORD ■

FAILURE DETECTED

ASSIST A/B MODULE

[ OPEN ]

PRINT

SRS056

9. Diagnostic code is displayed on "TROUBLE DIAG RECORD".

10. Touch "PRINT".

11. Compare diagnostic codes to "Intermittent Problem Diagnostic Code Chart", page RS-35.

12. Touch "BACK" key of CONSULT until "SELECT SYSTEM" appears, then turn off CONSULT.

13. Turn ignition switch "OFF", then disconnect CONSULT and both battery cables.

14. Repair the system as outlined by the "Repair order" in "Intermittent Problem Diagnostic Code Chart", that corresponds to the problem code. For replacement procedure of component parts, refer to RS-11.

15. Go to DIAGNOSTIC PROCEDURE 3, page RS-30, for final checking.

# SUPPLEMENTAL RESTRAINT SYSTEM (SRS)

Ⓢ Trouble Diagnoses with CONSULT (Cont'd)

## Intermittent Problem Diagnostic Code Chart ("SELF-DIAG [PAST]" or "TROUBLE DIAG RECORD")

#NBR50023SD401

Diagnostic item	Explanation	Repair order
NO SELF DIAGNOSTIC FAILURE INDICATED.	<ul style="list-style-type: none"> <li>When malfunction is indicated by the "AIR BAG" warning lamp in User mode</li> <li>Low battery voltage (Less than 9V)</li> </ul>	<ul style="list-style-type: none"> <li>Go to DIAGNOSTIC PROCEDURE 3 (RS-30) after charging battery.</li> </ul>
	<ul style="list-style-type: none"> <li>No malfunction is detected.</li> </ul>	<ul style="list-style-type: none"> <li>Go to DIAGNOSTIC PROCEDURE 3 (RS-30).</li> </ul>
AIRBAG MODULE [OPEN]	<ul style="list-style-type: none"> <li>Driver's air bag module circuit is open. (including the spiral cable)</li> </ul>	<ol style="list-style-type: none"> <li>Visually check the wiring harness connection.</li> <li>Replace air bag harness if it has visible damage.</li> <li>If the harness check result is OK, replace driver's air bag module (Before disposal of it, it must be deployed.), diagnosis sensor unit and spiral cable.</li> </ol>
AIRBAG MODULE [VB-SHORT]	<ul style="list-style-type: none"> <li>Driver's air bag module circuit is shorted to some power supply circuit. (including the spiral cable)</li> </ul>	
AIRBAG MODULE [GND-SHORT]	<ul style="list-style-type: none"> <li>Driver's air bag module circuit is shorted to ground. (including the spiral cable)</li> </ul>	
AIRBAG MODULE [SHORT]	<ul style="list-style-type: none"> <li>Driver's air bag module circuits are shorted to each other.</li> </ul>	
ASSIST A/B MODULE [VB-SHORT]	<ul style="list-style-type: none"> <li>Front passenger air bag module circuit is shorted to some power supply circuit.</li> </ul>	<ol style="list-style-type: none"> <li>Visually check the wiring harness connection.</li> <li>Replace air bag harness if it has visible damage.</li> <li>If the harness check result is OK, replace front air bag module (Before disposal of it, it must be deployed.), and diagnosis sensor unit.</li> </ol>
ASSIST A/B MODULE [OPEN]	<ul style="list-style-type: none"> <li>Front passenger air bag module circuit is open.</li> </ul>	
ASSIST A/B MODULE [GND-SHORT]	<ul style="list-style-type: none"> <li>Front passenger air bag module circuit is shorted to ground.</li> </ul>	
ASSIST A/B MODULE [SHORT]	<ul style="list-style-type: none"> <li>Front passenger air bag module circuits are shorted to each other.</li> </ul>	
CONTROL UNIT	<ul style="list-style-type: none"> <li>Diagnosis sensor unit is malfunctioning.</li> </ul>	<ul style="list-style-type: none"> <li>Replace the diagnosis sensor unit.</li> </ul>

\*Intermittent problem areas cannot be easily located. For this reason, perform the procedures outlined under the repair order, then make the final system check.

GI

MA

EM

LC

EC

FE

AT

TF

PD

AX

SU

BR

ST

**RS**

BT

HA

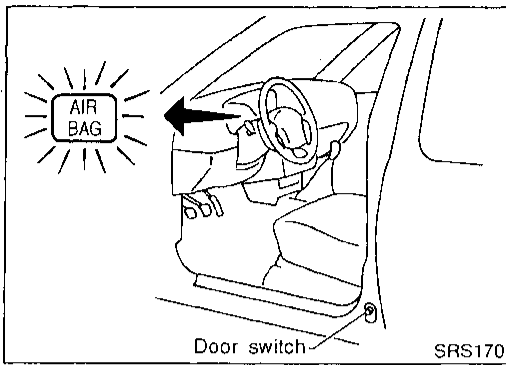
SC

EL

IDX

# SUPPLEMENTAL RESTRAINT SYSTEM (SRS)

⊗ Trouble Diagnoses without CONSULT



## ⊗ Trouble Diagnoses without CONSULT

=NBR50024

### DIAGNOSTIC PROCEDURE 6

NBR50024801

Inspecting SRS malfunctioning parts by using "AIR BAG" warning lamp — Diagnosis mode

**NOTE:**

SRS will not enter Diagnosis mode if no malfunction is detected in User mode.

1. Open driver's door.
2. Turn ignition switch from "OFF" to "ON".
3. Press driver's door switch at least 5 times within 7 seconds after turning ignition switch "ON".  
SRS is now in Diagnosis mode.
4. "AIR BAG" warning lamp operates in Diagnosis mode as follows:

**NOTE:**

If SRS does not enter Diagnosis mode even though malfunction is detected in User mode, go to DIAGNOSTIC PROCEDURE 11, page RS-42.

No.	"AIR BAG" warning lamp operation — Diagnosis mode —	SRS condition
1		<p>a through b are repeated.</p> <ul style="list-style-type: none"> <li>• Diagnosis results (previously stored in the memory) might not be erased after repair.</li> <li>• Intermittent problem has been detected in the past.</li> </ul> <p>Go to DIAGNOSTIC PROCEDURE 8 (RS-39).</p>
2		<p>a through d are repeated.</p> <p><b>NOTE:</b></p> <p>a — Interval I  b — Start signal (Start signal identifies display modes)  c — Interval II  d — Indicates malfunctioning part (0.5 sec. ON and 0.5 sec. OFF is counted as one flash.)</p> <p>The system has a problem and needs to be repaired.</p>

5. Malfunctioning part is indicated by the number of flashes (part d). Compare the number of flashes to "Warning Lamp Flash Code Chart", page RS-37, and locate malfunctioning part.
6. Turn ignition switch "OFF", and disconnect both battery cables.
7. Repair the system as outlined by the "Repair order" in "Warning Lamp Flash Code Chart" that corresponds to the flash code. For replacement procedure of component parts, refer to RS-11.
8. After repairing the system, go to DIAGNOSTIC PROCEDURE 7, page RS-37.

# SUPPLEMENTAL RESTRAINT SYSTEM (SRS)

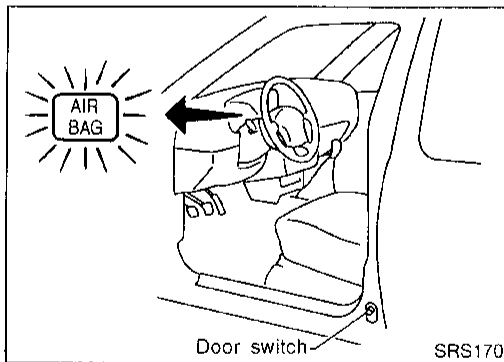
⊗ Trouble Diagnoses without CONSULT (Cont'd)

## Warning Lamp Flash Code Chart

NBRS0024S0101

Warning lamp	Flash code d (# of flashes)	Explanation	Repair order "Recheck SRS at each replacement."
"AIR BAG" warning lamp	0	<ul style="list-style-type: none"> <li>• Diagnosis results (previously stored in the memory) might not be erased after repair.</li> <li>• Intermittent problem has been detected in the past.</li> </ul>	Go to DIAGNOSTIC PROCEDURE 8 (RS-39).
	2	The driver's air bag module circuit is malfunctioning.	<ol style="list-style-type: none"> <li>1. Visually check the wiring harness connections.</li> <li>2. Replace the harness if it has visible damage.</li> <li>3. Replace the spiral cable.</li> <li>4. Replace the driver's air bag module. (Before disposing of it, it must be deployed.)</li> <li>5. Replace the diagnosis sensor unit.</li> <li>6. Replace the air bag harness.</li> </ol>
	7	The diagnosis sensor unit is malfunctioning.	<ol style="list-style-type: none"> <li>1. Visually check the wiring harness connections.</li> <li>2. Replace the diagnosis sensor unit.</li> </ol>
	8	The front passenger air bag module circuit is malfunctioning.	<ol style="list-style-type: none"> <li>1. Visually check the wiring harness connections.</li> <li>2. Replace the harness if it has visible damage.</li> <li>3. Replace the front passenger air bag module. (Before disposing of it, it must be deployed.)</li> <li>4. Replace the diagnosis sensor unit.</li> <li>5. Replace the air bag harness.</li> </ol>

\* Follow the procedures in numerical order when repairing malfunctioning parts. Confirm whether malfunction is eliminated using the air bag warning lamp or CONSULT each time repair is finished. If malfunction is still observed, proceed to the next step. When malfunction is eliminated, further repair work is not required.



### DIAGNOSTIC PROCEDURE 7

Final checking after repairing SRS by using "AIR BAG" warning lamp — Diagnosis mode and User mode

NBRS0024S02

1. After repairing SRS connect both battery cables.
2. Open driver's door.
3. Turn ignition switch from "OFF" to "ON".
4. "AIR BAG" warning lamp operates in Diagnosis mode as follows:

# SUPPLEMENTAL RESTRAINT SYSTEM (SRS)

⊗ Trouble Diagnoses without CONSULT (Cont'd)

No.	"AIR BAG" warning lamp operation — Diagnosis mode —	SRS condition
1		<p>a through b are repeated.</p> <p>No malfunction is detected or repair is completed. No further action is necessary.</p>
2		<p>a through d are repeated.</p> <p>NOTE:  a — Interval I  b — Start signal (Start signal identifies display modes)  c — Interval II  d — Indicates malfunctioning part (0.5 sec. ON and 0.5 sec. OFF is counted as one flash.)</p> <p>The system has a problem and needs to be repaired.</p>

**NOTE:**

When diagnosis sensor unit is replaced with new one, "AIR BAG" warning lamp will operate in User mode. Checking "AIR BAG" warning lamp operation in Diagnosis mode is not required. Go to step 6.

5. If "AIR BAG" warning lamp operates as shown in No. 1 in chart above, turn ignition switch "OFF" to reset from Diagnosis mode to User mode and to erase the memory of the malfunction. Then go to step 6.

If "AIR BAG" warning lamp operates as shown in No. 2 in chart above, the malfunctioning part is not repaired completely, or another malfunctioning part is detected. Go to DIAGNOSTIC PROCEDURE 6, page RS-36, and repair malfunctioning part completely.

6. Turn ignition switch "ON". "AIR BAG" warning lamp operates in User mode. Compare "AIR BAG" warning lamp operation to the chart below.

**NOTE:**

If switching Diagnosis mode to User mode is required while malfunction is being detected, turn ignition switch from "OFF" to "ON". Then press driver's door switch at least 5 times within 7 seconds after turning ignition switch "ON". SRS is now in User mode.

"AIR BAG" warning lamp operation — User mode —	SRS condition	Reference item
	<p>No malfunction is detected. No further action is necessary.</p>	—
	<p>The system has a problem and needs to be repaired as indicated.</p>	<p>Go to DIAGNOSTIC PROCEDURE 2 or 6 (RS-28 or RS-36).</p>

# SUPPLEMENTAL RESTRAINT SYSTEM (SRS)

⊗ Trouble Diagnoses without CONSULT (Cont'd)

"AIR BAG" warning lamp operation — User mode —	SRS condition	Reference item	
<p>MRS097A</p>	Air bag is deployed.	Go to COLLISION DIAGNOSIS (RS-43).	GI
	Air bag fuse, diagnosis sensor unit or harness is malfunctioning and needs to be repaired.	Go to DIAGNOSTIC PROCEDURE 9 (RS-40).	MA EM
<p>MRS098A</p>	One of the following has occurred and needs to be repaired.	Go to DIAGNOSTIC PROCEDURE 10 (RS-41).	LC EC FE
	<ul style="list-style-type: none"> <li>• Meter fuse is blown.</li> <li>• "AIR BAG" warning lamp circuit has open or short.</li> <li>• Diagnosis sensor unit is malfunctioning.</li> </ul>		

## DIAGNOSTIC PROCEDURE 8 (CONTINUED FROM DIAGNOSTIC PROCEDURE 6)

Inspecting SRS malfunctioning record

NBRS0024503

<b>1</b>	<b>CONSIDER POSSIBILITY OF NOT ERASING PROBLEM CODE AFTER REPAIRING</b>
Is it the first time for maintenance of SRS?	
Yes or No	
Yes	▶ Go to DIAGNOSTIC PROCEDURE 5 (RS-32).
No	▶ Diagnosis results (previously stored in the memory) might not be erased after repair. Go to DIAGNOSTIC PROCEDURE 7, step 5 (RS-37). (Further inspection cannot be performed without CONSULT.)

AT

TF

PD

AX

SU

BR

ST

**RS**

BT

HA

SC

EL

IDX

# SUPPLEMENTAL RESTRAINT SYSTEM (SRS)

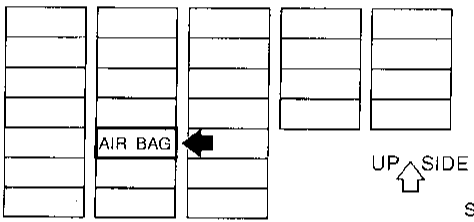
Trouble Diagnoses: "AIR BAG" Warning Lamp Does Not Turn Off





## Trouble Diagnoses: "AIR BAG" Warning Lamp Does Not Turn Off DIAGNOSTIC PROCEDURE 9

=NBR50025

NBR50025S01

<b>1</b>	<b>SEE THE DEPLOYMENT OF AIR BAG MODULE</b>
Is air bag module deployed?	
<b>Yes or No</b>	
Yes	▶ Refer to COLLISION DIAGNOSIS (RS-43).
No	▶ GO TO 2.

<b>2</b>	<b>CHECK AIR BAG FUSE</b>
Is SRS "Air Bag" fuse OK?	
	
<b>OK or NG</b>	
OK	▶ GO TO 3.
NG	▶ Replace fuse.

<b>3</b>	<b>CHECK DIAGNOSIS SENSOR UNIT</b>							
 Connect CONSULT and touch "START". <ul style="list-style-type: none"> <li>Is "AIRBAG" displayed on CONSULT?</li> </ul>								
<table border="1" style="margin: auto;"> <tr> <td style="text-align: center;">  SELECT SYSTEM <input type="checkbox"/> </td> </tr> <tr> <td style="text-align: center;">ENGINE</td> </tr> <tr> <td style="text-align: center;">A/T</td> </tr> <tr> <td style="text-align: center;">AIRBAG</td> </tr> <tr> <td style="text-align: center;">ABS</td> </tr> <tr> <td style="text-align: center;"> </td> </tr> <tr> <td style="text-align: center;"> </td> </tr> </table>		 SELECT SYSTEM <input type="checkbox"/>	ENGINE	A/T	AIRBAG	ABS		
 SELECT SYSTEM <input type="checkbox"/>								
ENGINE								
A/T								
AIRBAG								
ABS								
SRS180								
<b>Yes or No</b>								
Yes	▶ GO TO 4.							
No	▶ Visually check the wiring harness connection of diagnosis sensor unit. If the harness connection check result is OK, replace diagnosis sensor unit.							

<b>4</b>	<b>CHECK HARNESS CONNECTION</b>
Is harness connection between warning lamp and diagnosis sensor unit OK?	
<b>OK or NG</b>	
OK	▶ Replace diagnosis sensor unit.
NG	▶ Connect warning lamp and diagnosis sensor unit connector properly. If warning lamp still does not go off, replace harness.



# SUPPLEMENTAL RESTRAINT SYSTEM (SRS)

Trouble Diagnoses: "AIR BAG" Warning Lamp Does Not Turn On

## Trouble Diagnoses: "AIR BAG" Warning Lamp Does Not Turn On DIAGNOSTIC PROCEDURE 10

-NBR50026

NBR50026S01

<b>1</b>	<b>CHECK WARNING LAMP FUSE</b>
Is meter fuse OK?	
OK or NG	
OK	▶ GO TO 2.
NG	▶ Replace fuse.

<b>2</b>	<b>CHECK WARNING LAMP LED</b>
Is warning lamp LED OK?	
OK or NG	
OK	▶ GO TO 3.
NG	▶ Replace warning lamp LED.

<b>3</b>	<b>CHECK HARNESS CONNECTION BETWEEN DIAGNOSIS SENSOR UNIT AND WARNING LAMP</b>
Disconnect diagnosis sensor unit connector and turn ignition switch "ON".	
<ul style="list-style-type: none"> <li>Does warning lamp turn on?</li> </ul>	
Yes or No	
Yes	▶ Replace diagnosis sensor unit.
No	▶ Check the ground circuit of "AIR BAG" warning lamp.

GI

MA

EM

LC

EC

FE

AT

TF

PD

AX

SU

BR

ST

**RS**

BT

HA

SC

EL

IDX

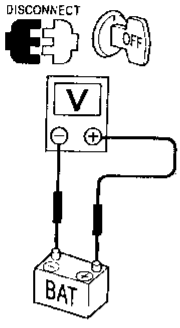
# SUPPLEMENTAL RESTRAINT SYSTEM (SRS)

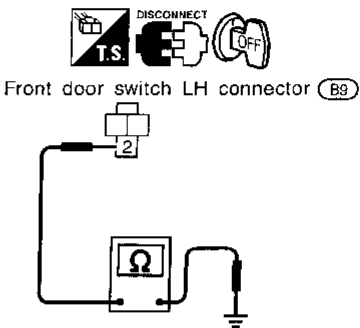
Trouble Diagnoses: SRS Does Not Enter Diagnosis Mode Using Door Switch

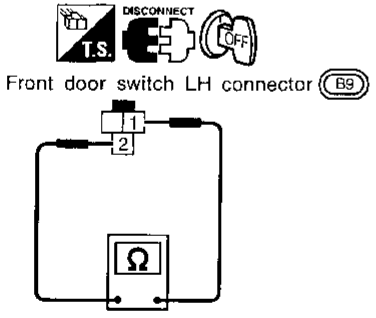
## Trouble Diagnoses: SRS Does Not Enter Diagnosis Mode Using Door Switch DIAGNOSTIC PROCEDURE 11

~NBR50027

NBR50027S01

<b>1</b>	<b>CHECK BATTERY VOLTAGE</b>
<p>Disconnect both battery cables and check battery voltage using circuit tester.</p> <ul style="list-style-type: none"> <li>Is battery voltage more than 9V?</li> </ul>	
	
SRS058	
<b>Yes or No</b>	
Yes	▶ GO TO 2.
No	▶ Charge battery.

<b>3</b>	<b>CHECK GROUND CIRCUIT FOR DRIVER'S DOOR SWITCH</b>
<p>Check harness continuity between driver's door switch connector terminal 2 and body ground.</p> <ul style="list-style-type: none"> <li>Does continuity exist?</li> </ul>	
	
SRS371	
<b>Yes or No</b>	
Yes	▶ Replace diagnosis sensor unit. Go to "SRS Operation Check" (RS-27).
No	▶ Replace or repair harness.

<b>2</b>	<b>CHECK DRIVER'S DOOR SWITCH</b>
<p>Remove driver's door switch and check continuity between driver's door switch connector terminals 1 and 2 under the following conditions.</p> <p><b>Continuity:</b></p> <p>Door switch is depressed (Door is closed). NO</p> <p>Door switch is released (Door is open). YES</p>	
	
SRS370	
<b>OK or NG</b>	
OK	▶ GO TO 3.
NG	▶ Replace driver's door switch.

## Collision Diagnosis

NBRS0028

To repair the SRS, perform the following steps.

**When SRS is activated in a collision:**

- 1) Replace the diagnosis sensor unit.
- 2) Remove the air bag modules.
- 3) Check the SRS components using the table shown below:
  - Replace any SRS components showing visible signs of damage (dents, cracks and deformation).
- 4) Install new air bag modules.
- 5) Conduct self-diagnosis using CONSULT or "AIR BAG" warning lamp. Refer to "SRS Operation Check" for details (RS-27). Ensure entire SRS operates properly.

**When SRS is not activated in a collision:**

- 1) Check the SRS components using the table shown below:
  - Replace any SRS components showing visible signs of damage (dents, cracks and deformation).
- 2) Conduct self-diagnosis using CONSULT or "AIR BAG" warning lamp. Refer to "SRS Operation Check" for details (RS-27). Ensure entire SRS operates properly.

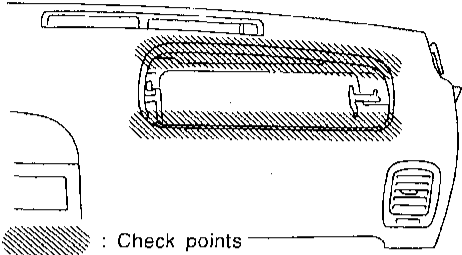
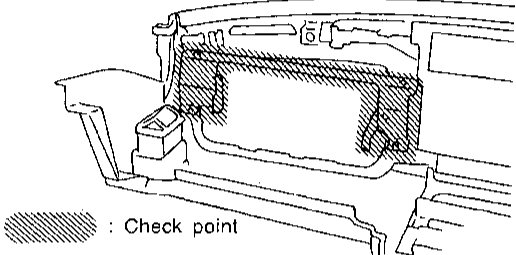
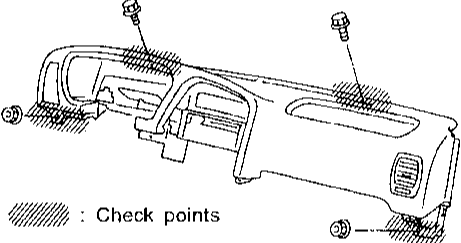
**SRS INSPECTION**

NBRS0028S01

Part	SRS is activated	SRS is NOT activated
Air bag module (driver and passenger side)	<b>REPLACE</b> Install with new bolts.	1. Remove air bag module. Check harness cover and connectors for damage, terminals for deformities, and harness for binding. 2. a. Install driver air bag module into the steering wheel to check fit and alignment with the wheel. b. Install passenger air bag module into the instrument panel to check fit with the instrument panel. 3. No damage found, reinstall with new bolts. 4. If damaged—REPLACE. Air bag must be deployed before discarding.
Diagnosis sensor unit	<b>REPLACE</b> Install with new bolts.	1. Check case for dents, cracks or deformities. 2. Check connectors for damage, and terminals for deformities. 3. If no damage is found, reinstall with new special bolts and ground bolt. 4. If damaged—REPLACE. Install diagnosis sensor unit with new special bolts and ground bolt.
Steering wheel		1. Visually check steering wheel for deformities. 2. Check harness (built into steering wheel) and connectors for damage, and terminals for deformities. 3. Install air bag module to check fit or alignment with steering wheel. 4. Check steering wheel for excessive free play. 5. If no damage is found, reinstall with bolts. 6. If damaged—REPLACE.
Spiral cable		1. Visually check spiral cable and combination switch for damage. 2. Check connectors and protective tape for damage. 3. Check steering wheel for noise, binding or heavy operation. 4. If no damage is found, reinstall with bolts. 5. If damaged—REPLACE.
Harness and Connectors		1. Check connectors for poor connection, damage, and terminals for deformities. 2. Check harness for binding, chafing, cuts, or deformities. 3. If no damage is found, reinstall the harness and connectors. 4. Damaged—REPLACE damaged section of harness. Do not attempt to repair, splice or modify any SRS harness.
Instrument panel	Refer to the table on next page.	

# SUPPLEMENTAL RESTRAINT SYSTEM (SRS)

Collision Diagnosis (Cont'd)

Part	SRS is activated	SRS is NOT activated
Instrument panel	<p>1. When passenger air bag inflates, check the following points for bending, deformities or cracks.</p> <ul style="list-style-type: none"> <li>● Opening portion for passenger air bag</li> </ul>  <p>: Check points</p> <ul style="list-style-type: none"> <li>● Passenger air bag module brackets</li> </ul> <p>Back face of instrument panel</p>  <p>: Check point</p> <ul style="list-style-type: none"> <li>● The portions securing the instrument panel</li> </ul>  <p>: Check points</p>	<p>SRS366</p> <p>SRS367</p> <p>SRS368</p> <p>2. If no damage is found, reinstall the instrument panel. 3. If damaged—REPLACE the instrument panel with bolts.</p>