

# ENGINE MECHANICAL

## SECTION **EM**

GI  
MA  
**EM**

### CONTENTS

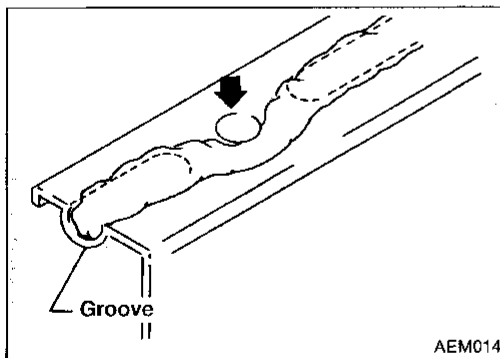
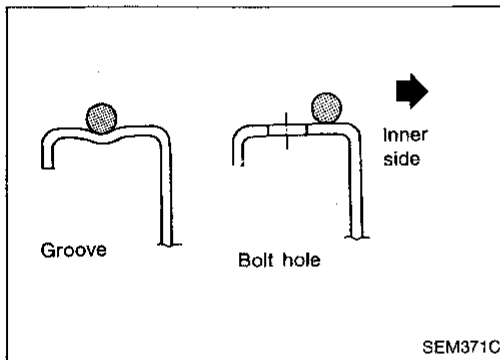
<b>PRECAUTIONS</b> .....	2	<b>SERVICE DATA AND SPECIFICATIONS (SDS)</b> .....	46
Parts Requiring Angular Tightening .....	2	General Specifications.....	46
Liquid Gasket Application Procedure .....	2	Inspection and Adjustment.....	46
<b>PREPARATION</b> .....	3		
Special Service Tools .....	3		
Commercial Service Tools .....	5		
		<b>KA24E</b>	
<b>OUTER COMPONENT PARTS</b> .....	6	<b>OUTER COMPONENT PARTS</b> .....	52
<b>COMPRESSION PRESSURE</b> .....	8	<b>COMPRESSION PRESSURE</b> .....	53
Measurement of Compression Pressure.....	8	Measurement of Compression Pressure.....	53
<b>OIL PAN</b> .....	9	<b>OIL PAN</b> .....	54
Removal.....	9	Removal.....	54
Installation.....	11	Installation.....	54
<b>TIMING BELT</b> .....	12	<b>TIMING CHAIN</b> .....	55
Removal.....	13	Removal.....	55
Inspection.....	14	Inspection.....	56
Installation.....	15	Installation.....	56
<b>OIL SEAL REPLACEMENT</b> .....	18	<b>OIL SEAL REPLACEMENT</b> .....	59
<b>CYLINDER HEAD</b> .....	20	<b>CYLINDER HEAD</b> .....	61
Removal.....	21	Removal.....	62
Disassembly.....	23	Disassembly.....	64
Inspection.....	24	Inspection.....	64
Assembly.....	29	Assembly.....	69
Installation.....	30	Installation.....	70
<b>ENGINE REMOVAL</b> .....	34	<b>ENGINE REMOVAL</b> .....	73
Removal.....	35	<b>CYLINDER BLOCK</b> .....	75
<b>CYLINDER BLOCK</b> .....	36	Disassembly.....	76
Disassembly.....	37	Inspection.....	76
Inspection.....	37	Assembly.....	82
Assembly.....	43	<b>SERVICE DATA AND SPECIFICATIONS (SDS)</b> .....	85
		General Specifications.....	85
		Inspection and Adjustment.....	85

LC  
EF & EC  
FE  
CL  
WT  
AT  
TF  
PD  
FA  
RA  
BR  
ST  
BF  
HA  
EL  
IDX

## PRECAUTIONS

### Parts Requiring Angular Tightening

- Some important engine parts are tightened using an angular-tightening method rather than a torque setting method.
- If these parts are tightened using a torque setting method, dispersal of the tightening force (axial bolt force) will be two or three times that of the dispersal produced by using the correct angular-tightening method.
- Although the torque setting values (described in this manual) are equivalent to those used when bolts and nuts are tightened with an angular-tightening method, they should be used for reference only.
- To assure the satisfactory maintenance of the engine, bolts and nuts must be tightened using an angular-tightening method.
- Before tightening the bolts and nuts, ensure that the thread and seating surfaces are clean and coated with engine oil.
- The bolts and nuts which require the angular-tightening method are as follows:
  - (1) Cylinder head bolts
  - (2) Connecting rod cap nuts

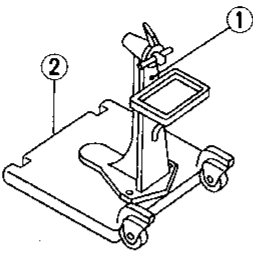
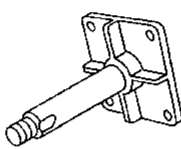
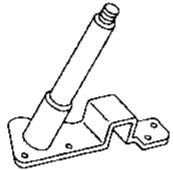
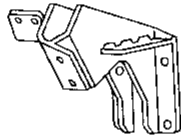
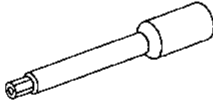
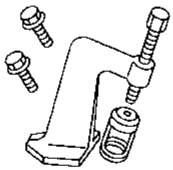
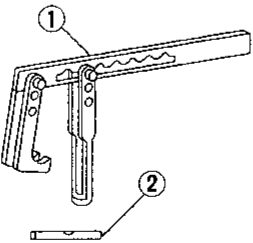
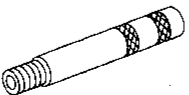


### Liquid Gasket Application Procedure

- Before applying liquid gasket, use a scraper to remove all traces of old liquid gasket from mating surfaces and grooves, and then completely clean any oil stains from these portions.**
- Apply a continuous bead of liquid gasket to mating surfaces. (Use Genuine Liquid Gasket or equivalent.)**
  - Be sure liquid gasket is 3.5 to 4.5 mm (0.138 to 0.177 in) wide (for oil pan).
  - Be sure liquid gasket is 2.0 to 3.0 mm (0.079 to 0.118 in) wide (in areas except oil pan).
- Apply liquid gasket to inner surface around hole perimeter area.**  
**(Assembly should be done within 5 minutes after coating.)**
- Wait at least 30 minutes before refilling engine oil and engine coolant.**

# PREPARATION

## Special Service Tools

Tool number (Kent-Moore No.) Tool name	Description	Engine application		
		VG30E	KA24E	
ST0501S000 ( — ) Engine stand assembly ① ST05011000 ( — ) Engine stand ② ST05012000 ( — ) Base		Disassembling and assembling	X	X
KV10106500 ( — ) Engine stand shaft			X	—
KV10105001 ( — ) Engine attachment			—	X
KV10110001 ( — ) Engine sub-attachment			X	—
ST10120000 (J24239-01) Cylinder head bolt wrench		Loosening and tightening cylinder head bolt	X	—
KV10110600 (J33986) Valve spring compressor		Disassembling and assembling valve components	X	—
KV101092S0 ( — ) Valve spring compressor ① KV10109210 ( — ) Compressor ② KV10109220 ( — ) Adapter		Disassembling and assembling valve components	—	X
KV10107501 ( — ) Valve oil seal drift		Installing valve oil seal	X	—

GI

MA

EM

LC

EF &amp; EC

FE

CL

MT

AT

TF

PD

FA

RA

BR

ST

BF

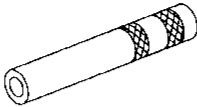
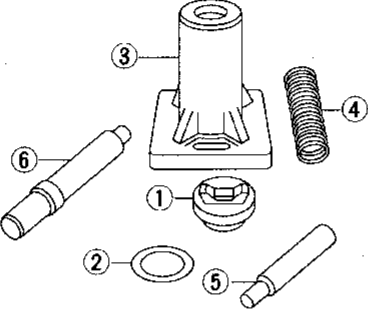
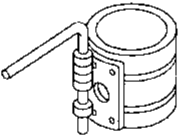
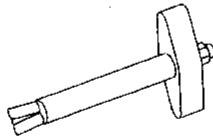
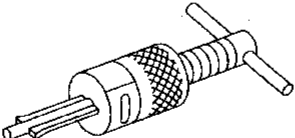
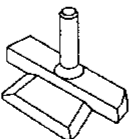
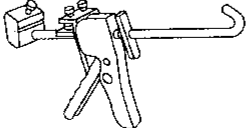
HA

EL

IDX

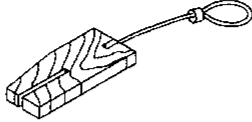
## PREPARATION

### Special Service Tools (Cont'd)

Tool number (Kent-Moore No.) Tool name	Description	Engine application		
		VG30E	KA24E	
KV109B0010 ( — ) Valve oil seal drift	 NT027	Installing valve oil seal.	—	X
KV10110300 ( — ) Piston pin press stand assembly ① KV10110310 ( — ) Cap ② KV10110330 ( — ) Spacer ③ ST13030020 ( — ) Press stand ④ ST13030030 ( — ) Spring ⑤ KV10110340 ( — ) Drift ⑥ KV10110320 ( — ) Center shaft	 NT036	Disassembling and assembling piston with connecting rod	X	X
EM03470000 (J8037) Piston ring compressor	 NT044	Installing piston assembly into cylinder bore	X	X
(J36467) Valve oil seal remover	 NT034	Displacement valve oil seal	—	X
ST16610001 (J23907) Pilot bushing puller	 NT045	Removing crankshaft pilot bushing	X	X
KV10111100 (J37228) Seal cutter	 NT046	Removing oil pan	X	X
WS39930000 ( — ) Tube presser	 NT052	Pressing the tube of liquid gasket	X	X

## PREPARATION

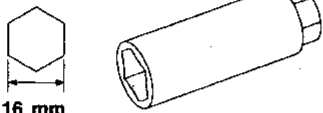
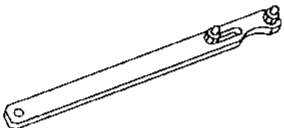

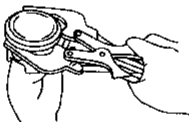
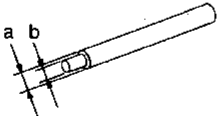
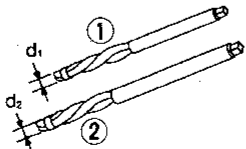
### Special Service Tools (Cont'd)

Tool number (Kent-Moore No.) Tool name	Description	Engine application	
		VG30E	KA24E
KV10105800 (J25660-C) Chain stopper	 Holding the timing chain NT010	—	X

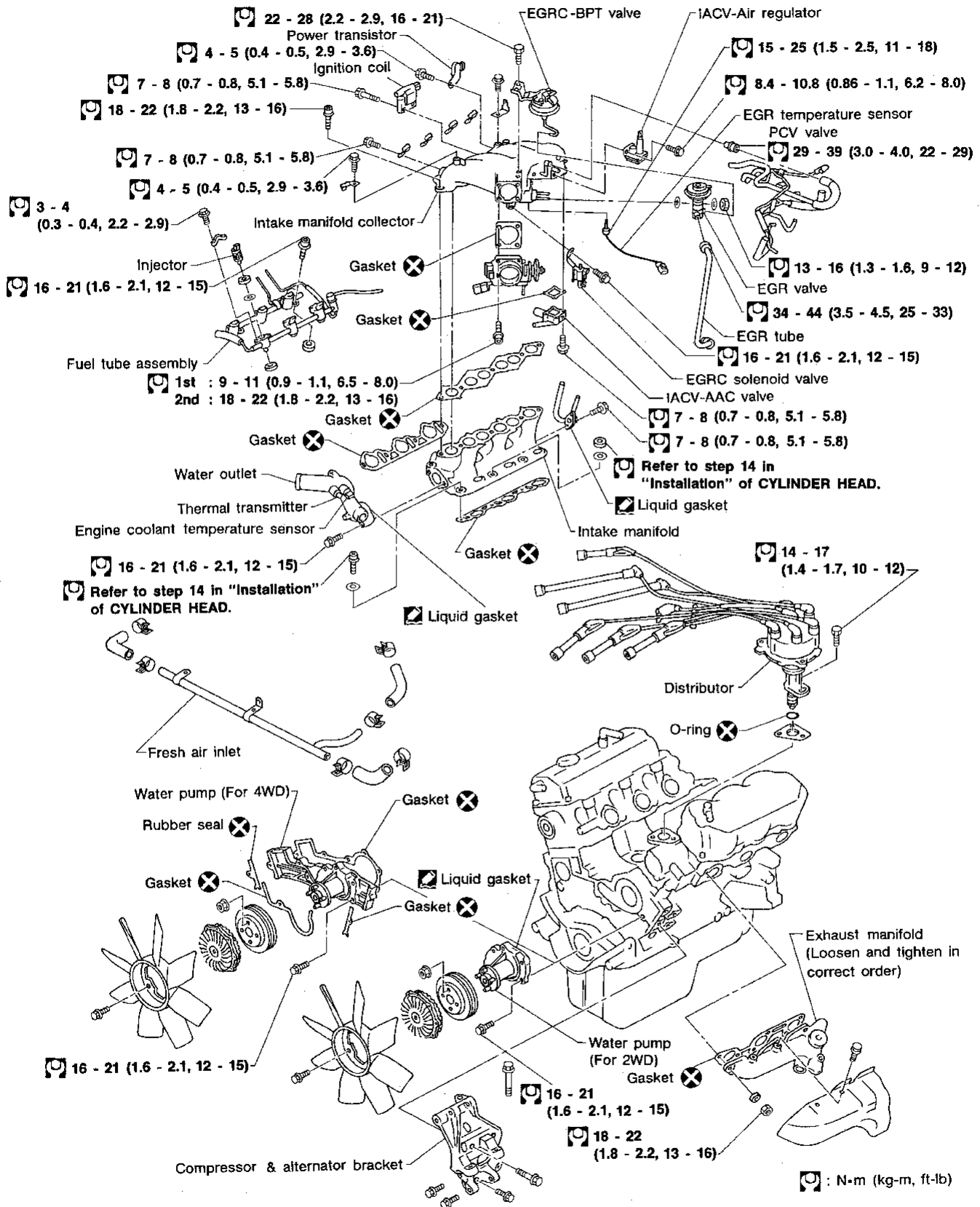
GI  
MA

### Commercial Service Tools

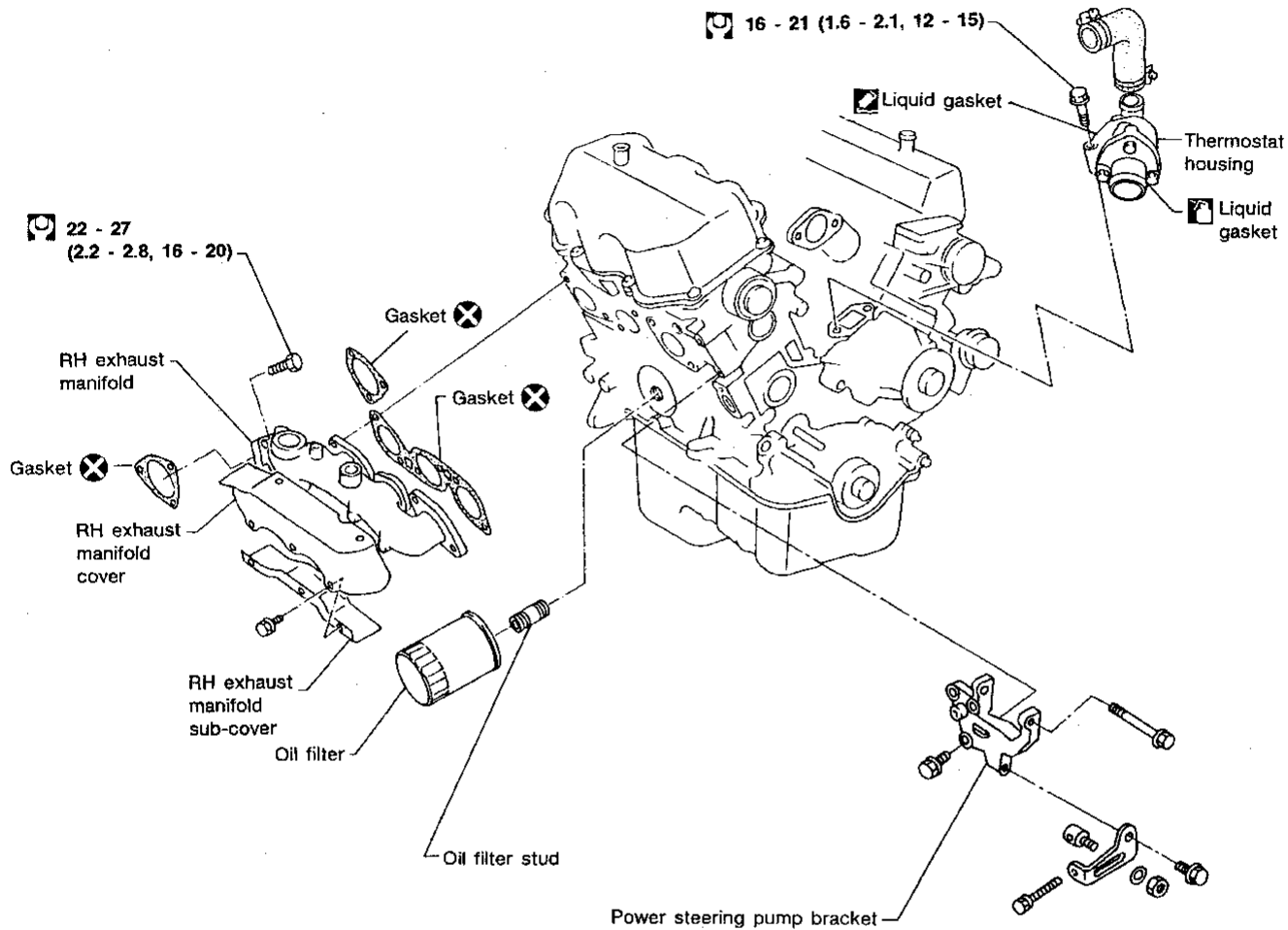
EM

Tool name	Description	Engine application																					
		VG30E	KA24E																				
Spark plug wrench	 Removing and installing spark plug 16 mm (0.63 in) NT047	X	X																				
Pulley holder	 Holding camshaft pulley while tightening or loosening camshaft bolt NT035	X	X																				
Valve seat cutter set	 Finishing valve seat dimensions NT048	X	X																				
Piston ring expander	 Removing and installing piston ring NT030	X	X																				
Valve guide drift	 Removing and installing valve guide <table border="1" style="margin-left: auto; margin-right: auto;"> <thead> <tr> <th colspan="2" rowspan="2">Diameter</th> <th colspan="2">mm (in)</th> </tr> <tr> <th>Intake</th> <th>Exhaust</th> </tr> </thead> <tbody> <tr> <td rowspan="2">VG30E</td> <td>a</td> <td colspan="2" style="text-align: center;">10.5 (0.413)</td> </tr> <tr> <td>b</td> <td colspan="2" style="text-align: center;">6.6 (0.260)</td> </tr> <tr> <td rowspan="2">KA24E</td> <td>a</td> <td style="text-align: center;">10.5 (0.413)</td> <td style="text-align: center;">11.5 (0.453)</td> </tr> <tr> <td>b</td> <td style="text-align: center;">6.6 (0.260)</td> <td style="text-align: center;">7.6 (0.299)</td> </tr> </tbody> </table> NT015	Diameter		mm (in)		Intake	Exhaust	VG30E	a	10.5 (0.413)		b	6.6 (0.260)		KA24E	a	10.5 (0.413)	11.5 (0.453)	b	6.6 (0.260)	7.6 (0.299)	X	X
Diameter				mm (in)																			
		Intake	Exhaust																				
VG30E	a	10.5 (0.413)																					
	b	6.6 (0.260)																					
KA24E	a	10.5 (0.413)	11.5 (0.453)																				
	b	6.6 (0.260)	7.6 (0.299)																				
Valve guide reamer	 Reaming valve guide ① or hole for oversize valve guide ② Intake: $d_1 = 7.0 \text{ mm (0.276 in) dia.}$ $d_2 = 11.2 \text{ mm (0.441 in) dia.}$ Exhaust: $d_1 = 8.0 \text{ mm (0.315 in) dia.}$ $d_2 = 12.2 \text{ mm (0.480 in) dia.}$ NT016	X	X																				

LC  
EF & EC  
FE  
CL  
MT  
AT  
TF  
PD  
FA  
RA  
BR  
ST  
BF  
HA  
EL



: N-m (kg-m, ft-lb)

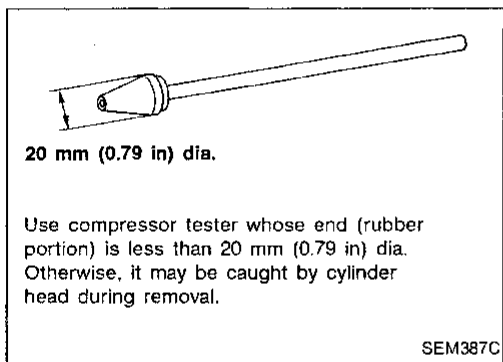
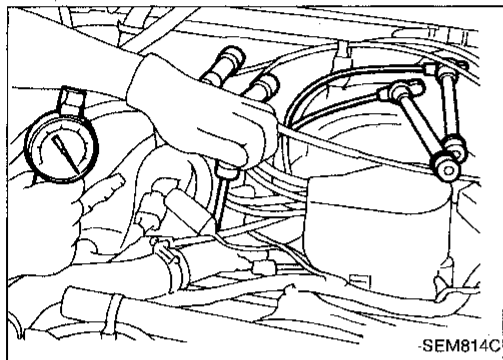


: N·m (kg-m, ft-lb)

GI  
MA  
EM  
LC  
EF & EC  
FE  
CL  
MT  
AT  
TF  
PD  
FA  
RA  
BR  
ST  
BF  
HA  
EL  
IDX  
69

**Measurement of Compression Pressure**

1. Warm up engine.
2. Turn ignition switch off.
3. Release fuel pressure.  
Refer to "Releasing Fuel Pressure" in EF & EC section.
4. Remove all spark plugs.
5. Disconnect distributor center cable.



6. Attach a compression tester to No. 1 cylinder.
7. Depress accelerator pedal fully to keep throttle valve wide open.
8. Crank engine and record highest gauge indication.
9. Repeat the measurement on each cylinder as shown above.

- **Always use a fully-charged battery to obtain specified engine speed.**

**Compression pressure: kPa (kg/cm<sup>2</sup>, psi)/300 rpm**

**Standard**

**1,196 (12.2, 173)**

**Minimum**

**883 (9.0, 128)**

**Difference limit between cylinders**

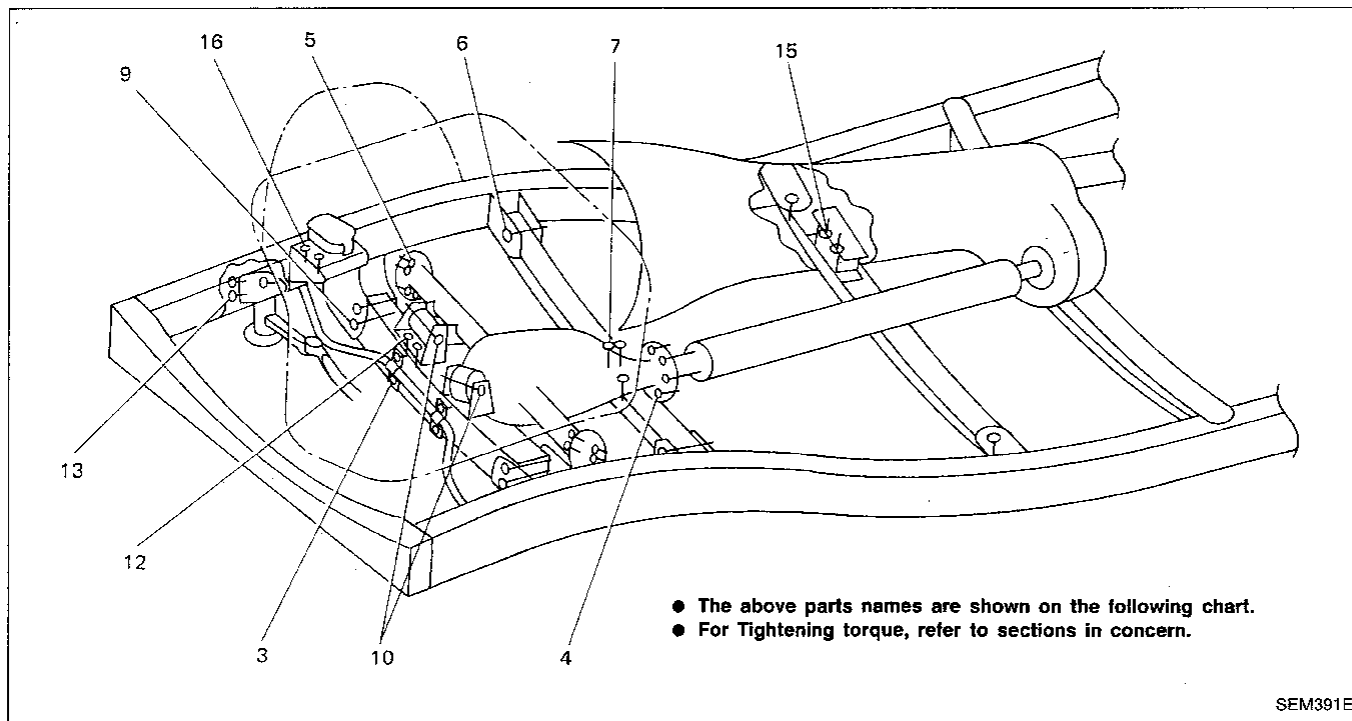
**98 (1.0, 14)**

10. If cylinder compression in one or more cylinders is low, pour a small amount of engine oil into cylinders through spark plug holes and retest compression.

- **If adding oil improves cylinder compression, piston rings may be worn or damaged. If so, replace piston rings after checking piston.**
- **If pressure stays low, a valve may be sticking or seating improperly. Inspect and repair valve and valve seat. (Refer to SDS) If valve or valve seat is damaged excessively, replace them.**
- **If compression in any two adjacent cylinders is low and if adding oil does not improve compression, there is leakage past the gasket surface. If so, replace cylinder head gasket.**



Removal



- The above parts names are shown on the following chart.
- For Tightening torque, refer to sections in concern.

SEM391E

Removal order and points		Applied model	
		2WD	4WD
1	Remove undercover.	○	○
2	Drain engine oil.	○	○
3	Remove stabilizer bracket bolts (RH & LH).	○	—
4	Remove front propeller shaft from front differential carrier.	—	○
5	Remove front drive shaft fixing bolts (RH & LH).	—	○
6	Remove front differential carrier member bolt (RH & LH).	—	○
7	Remove front differential carrier fixing bolts and support it.	—	○
8	Remove front differential carrier bleeder hose.	—	○
9	Remove front suspension crossmember.	○	—

Removal order and points		Applied model	
		2WD	4WD
10	Remove differential front mounting bolts (RH & LH).	—	○
11	Remove front differential carrier.	—	○
12	Remove front differential carrier mounting bracket.	—	○
13	Remove idler arm.	○	○
14	Remove starter motor.	○	○
15	Remove transmission to rear engine mounting bracket nuts (RH & LH).	—	○
16	Remove engine mounting bolts or nuts (RH & LH).	—	○
17	Remove engine gussets.	○	○
18	Lift up engine. If necessary, disconnect exhaust tube.	—	○
19	Remove oil pan.	*	*

\* Refer to next page.

GI

MA

EM

LC

EF & EC

FE

CL

MT

AT

TF

PD

FA

RA

BR

ST

BF

HA

EL

IDX

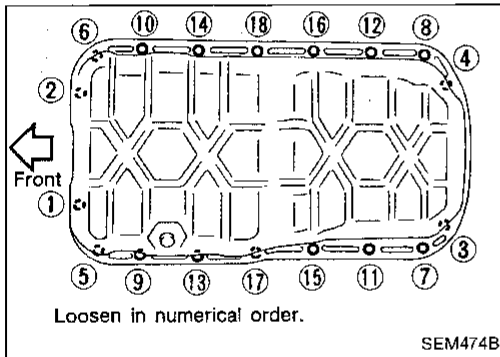
## Removal (Cont'd)

## WARNING:

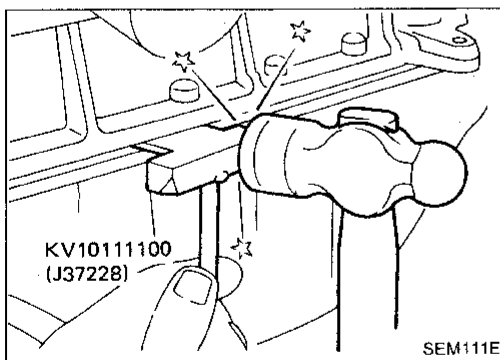
- a. Place vehicle on a flat and solid surface.
- b. Place chocks at front and rear of rear wheels.
- c. You should not remove oil pan until exhaust system and cooling system have completely cooled off. Otherwise, you may burn yourself and/or fire may break out in the fuel line.
- d. When remove front and/or rear engine mounting bolts or nuts, lift up slightly engine for safety work.

## CAUTION:

- a. In lifting engine, be careful not to hit against adjacent parts, especially against accelerator wire casing end, brake tube and brake master cylinder.
- b. For tightening torque, refer to AT, MT and PD sections.



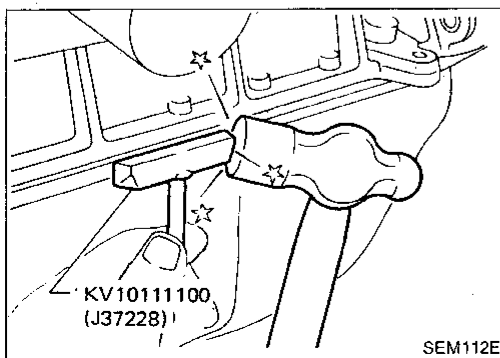
1. Remove oil pan bolts.



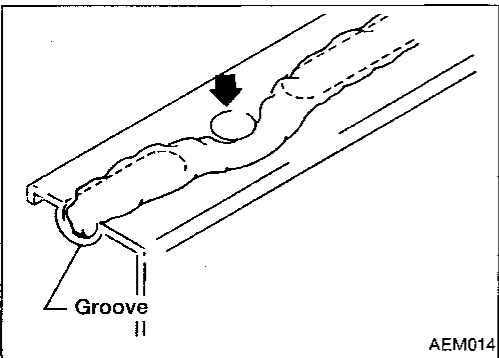
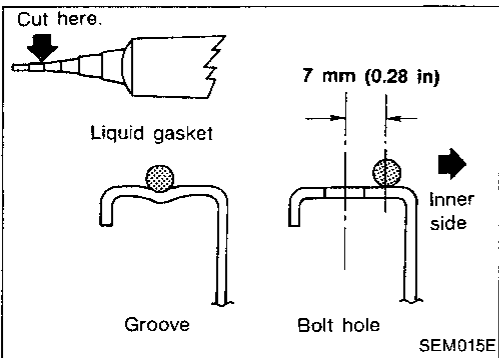
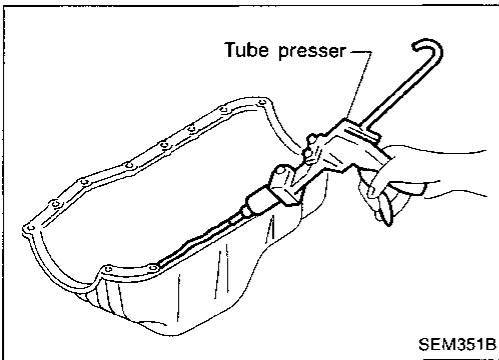
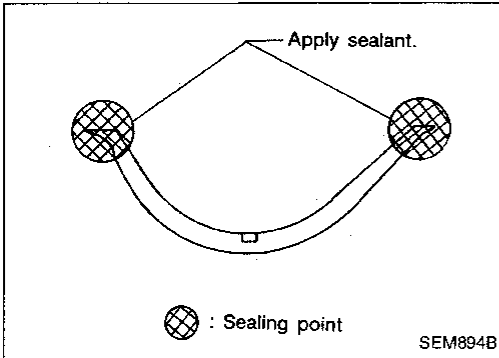
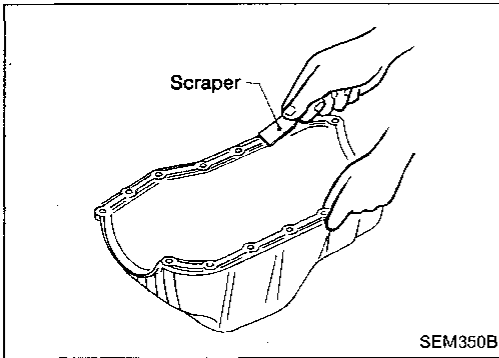
2. Remove oil pan.

- (1) Insert Tool between cylinder block and oil pan.

- Do not drive seal cutter into oil pump or rear oil seal retainer portion, or aluminum mating face will be damaged.
- Do not insert screwdriver, or oil pan flange will be deformed.



- (2) Slide Tool by tapping its side with a hammer, and remove oil pan.



**Installation**

1. Before installing oil pan, remove all traces of liquid gasket from mating surface using a scraper.
  - Also remove traces of liquid gasket from mating surface of cylinder block.
2. Apply sealant to oil pump gasket and rear oil seal retainer gasket.
3. Apply a continuous bead of liquid gasket to mating surface of oil pan.
  - **Use Genuine Liquid Gasket or equivalent.**
- Be sure liquid gasket is 3.5 to 4.5 mm (0.138 to 0.177 in) wide.
4. Apply liquid gasket to inner sealing surface as shown in figure.
  - Attaching should be done within 5 minutes after coating.
5. Install oil pan.
  - **Install bolts/nuts in their reverse order of removal.**
  - **Wait at least 30 minutes before refilling engine oil.**

GE

MA

EM

LC

EF & EC

FE

CL

MT

AT

TF

PD

FA

RA

BR

ST

BF

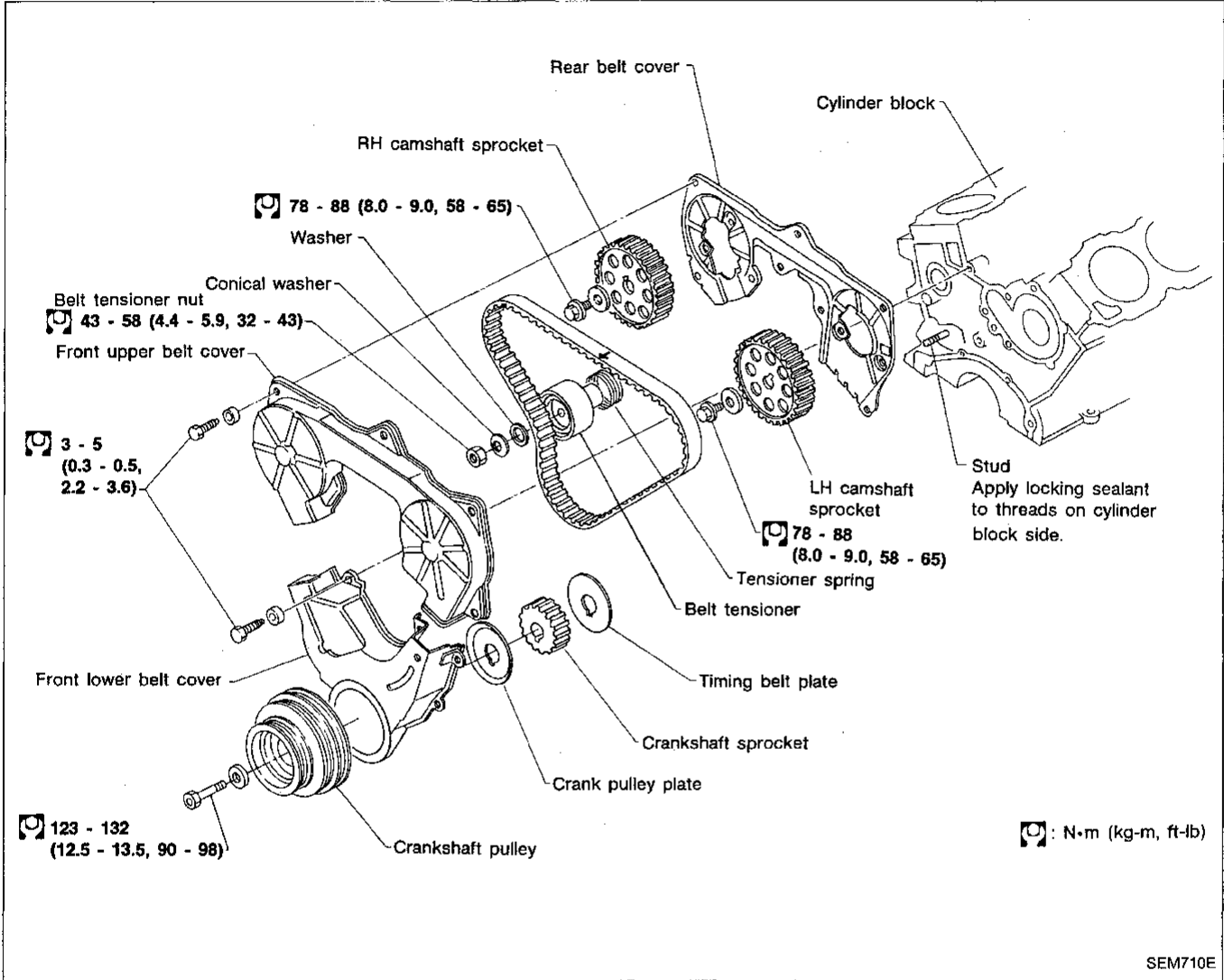
HA

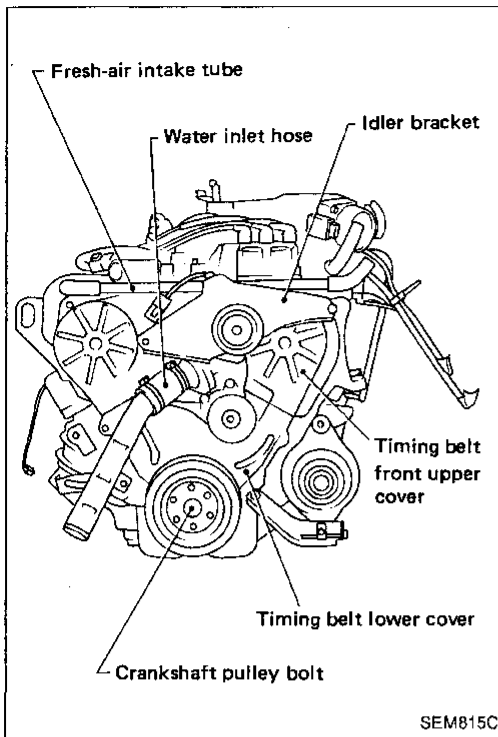
EL

IDX

**CAUTION:**

- a. Do not bend or twist timing belt.
- b. After removing timing belt, do not turn crankshaft and camshaft separately because valves will strike piston heads.
- c. Make sure that timing belt, camshaft sprocket, crankshaft sprocket and belt tensioner are clean and free from oil and water.
- d. Installation should be carried out when engine is cold.



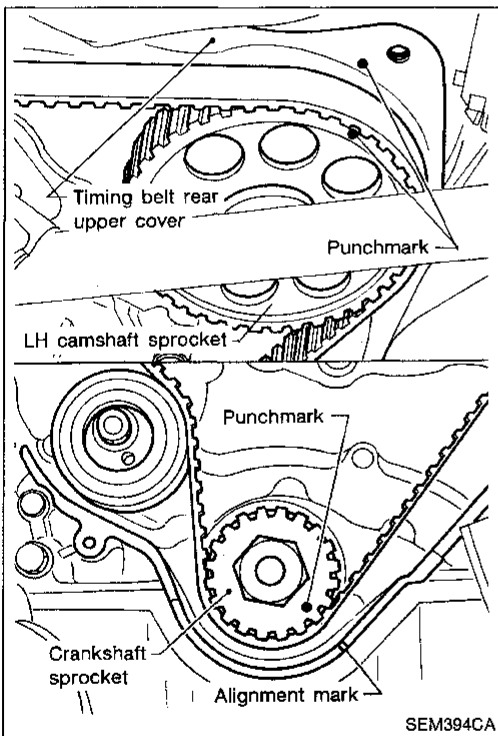


## Removal

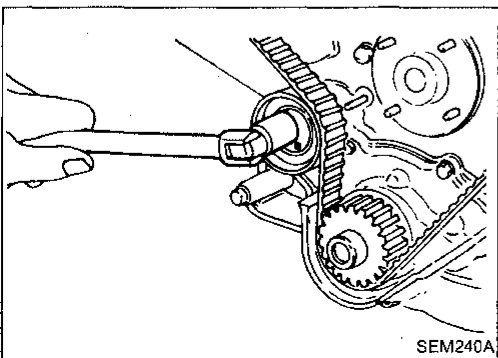
1. Remove engine under cover.
2. Drain engine coolant from radiator.

**Be careful not to spill coolant on drive belts.**

3. Remove radiator. (Refer to LC section.)
4. Remove engine cooling fan and water pump pulley.
5. Remove the following belts.
  - Power steering pump drive belt
  - Compressor drive belt
  - Alternator drive belt
6. Remove all spark plugs.
7. Remove distributor protector.
8. Remove compressor drive belt idler bracket.
9. Remove fresh-air intake tube for rocker cover.
10. Remove water hose for thermostat housing.
11. Remove crankshaft pulley bolt.
12. Remove crankshaft pulley with a suitable puller.
13. Remove front upper and lower belt covers.



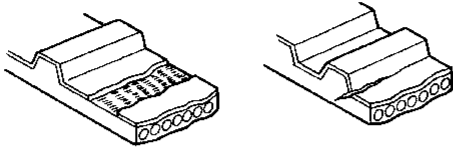
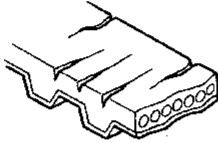
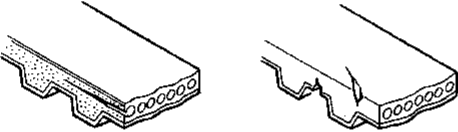
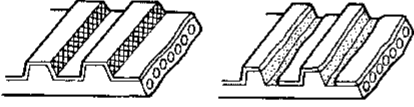
14. Set No. 1 piston at TDC on its compression stroke by rotating crankshaft.
  - Align punchmark on LH camshaft sprocket with punchmark on timing belt upper rear cover.
  - Align punchmark on crankshaft sprocket with notch on oil pump housing.
  - Temporarily install crank pulley bolt on crankshaft so that crankshaft can be rotated.



15. Loosen timing belt tensioner nut, turn tensioner, then remove timing belt.

**Inspection**

Visually check the condition of timing belt.  
Replace if any abnormality is found.

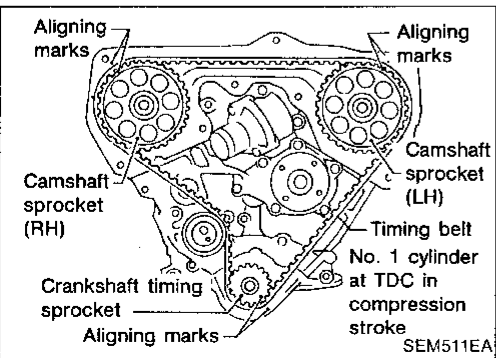
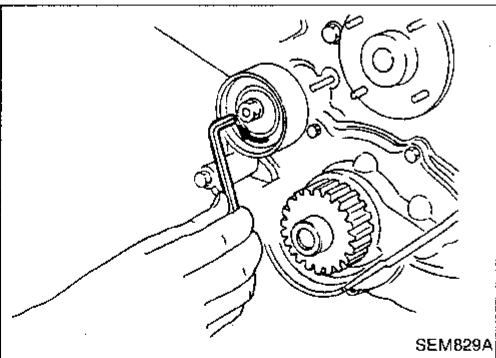
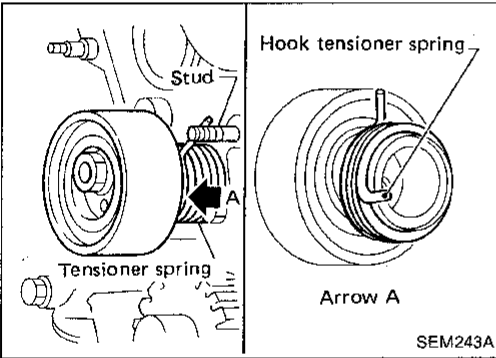
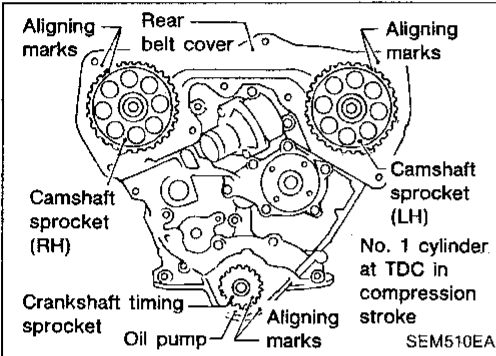
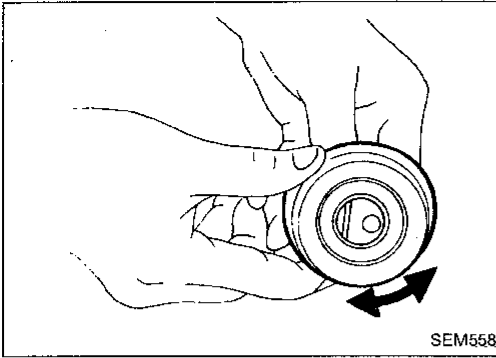
Item to check	Problem	Cause
Tooth is broken/tooth root is cracked.	 <p style="text-align: right;">SEM394A</p>	<ul style="list-style-type: none"> <li>● Camshaft jamming</li> <li>● Distributor jamming</li> <li>● Damaged camshaft/crankshaft oil seal</li> </ul>
Back surface is cracked/worn.	 <p style="text-align: right;">SEM395A</p>	<ul style="list-style-type: none"> <li>● Tensioner jamming</li> <li>● Overheated engine</li> <li>● Interference with belt cover</li> </ul>
Side surface is worn.	 <ul style="list-style-type: none"> <li>● Belt corners are worn and round.</li> <li>● Wicks are frayed and coming out.</li> </ul> <p style="text-align: right;">SEM396A</p>	<ul style="list-style-type: none"> <li>● Improper installation of belt</li> <li>● Malfunctioning crankshaft pulley plate/timing belt plate</li> </ul>
Teeth are worn.	 <p style="text-align: center;">Rotating direction</p> <ul style="list-style-type: none"> <li>● Canvas on tooth face is worn down.</li> <li>● Canvas on tooth is fluffy, rubber layer is worn down and faded white, or weft is worn down and invisible.</li> </ul> <p style="text-align: right;">SEM397A</p>	<ul style="list-style-type: none"> <li>● Poor belt cover sealing</li> <li>● Coolant leakage at water pump</li> <li>● Camshaft not functioning properly</li> <li>● Distributor not functioning properly</li> <li>● Excessive belt tension</li> </ul>
Oil/Coolant or water is stuck to belt.	<p style="text-align: center;">—</p>	<ul style="list-style-type: none"> <li>● Poor oil sealing of each oil seal</li> <li>● Coolant leakage at water pump</li> <li>● Poor belt cover sealing</li> </ul>

## TIMING BELT

### Inspection (Cont'd)

#### BELT TENSIONER AND TENSIONER SPRING

1. Check belt tensioner for smooth turning.
2. Check condition of tensioner spring.



### Installation

1. Confirm that No. 1 piston is set at TDC on its compression stroke.

2. Install tensioner and tensioner spring.

**If stud is once removed, apply locking sealant to threads of stud on cylinder block side before installing.**

3. Turn tensioner fully outward with hexagon wrench, and temporarily tighten lock nut.

4. Set timing belt.

- (1) **Align white lines on timing belt with punchmarks on camshaft sprockets and crankshaft sprocket.**
- (2) **Point arrow on timing belt toward front belt cover.**

#### Number of teeth (reference):

Number of timing belt teeth		133
Number of teeth between timing marks	Between LH and RH camshaft sprockets	40
	Between LH camshaft sprocket and crankshaft timing sprocket	43

GI

MA

EM

LC

EF &  
EC

FE

CL

MT

AT

TF

PD

FA

RA

BR

ST

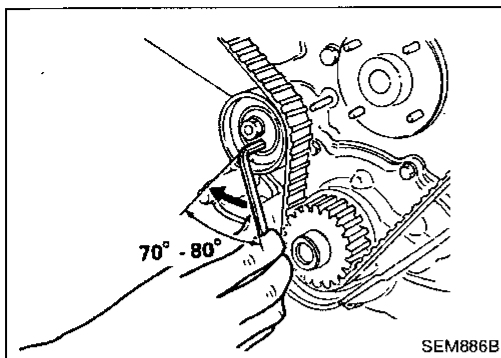
BF

HA

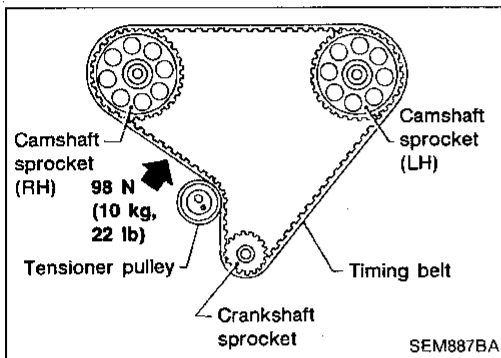
EL

IDX

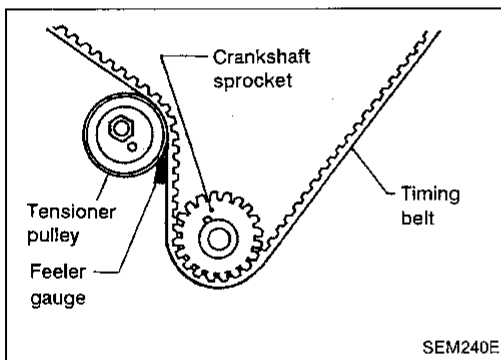
Installation (Cont'd)



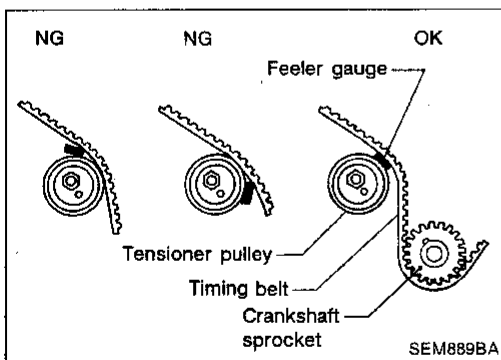
5. Loosen tensioner lock nut, keeping tensioner steady with hexagon wrench.
6. Turn tensioner 70 to 80 degrees clockwise with hexagon wrench, and temporarily tighten lock nut.
7. Turn crankshaft clockwise at least 2 times, then slowly set No. 1 piston at TDC on its compression stroke.



8. Push middle of timing belt between RH camshaft sprocket and tensioner pulley with force of 98 N (10 kg, 22 lb).
9. Loosen tensioner lock nut, keeping tensioner steady with hexagon wrench.



10. Set feeler gauge as shown in figure which is 0.35 mm (0.0138 in) thick and 12.7 mm (0.500 in) wide.



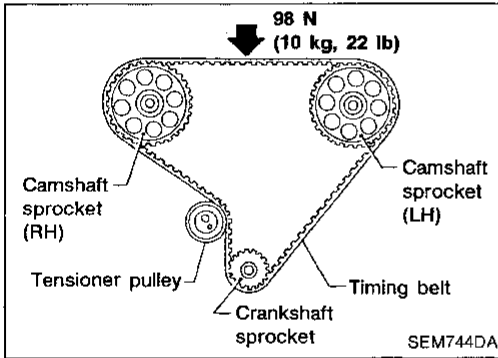
11. Turn crankshaft clockwise until feeler gauge is positioned as shown in figure.
  - Timing belt will move about 2.5 teeth.
12. Tighten tensioner lock nut, keeping tensioner steady with hexagon wrench.
13. Turn crankshaft clockwise or counterclockwise, and remove feeler gauge.
14. Turn crankshaft clockwise at least 2 times, then slowly set No. 1 piston at TDC on its compression stroke.
15. Install lower and upper belt covers.



Installation (Cont'd)

Tightened parts	Section	Parts tightened with bolts
Bolt A (6 pcs.) Rubber washer Bolt cover front (lower)	①, ②, ③ ④, ⑤, ⑭	①, ④: Oil pump ②, ③: Cylinder block ⑤, ⑭: Compressor bracket
Bolt B (1 pc.) Rubber washer Bolt cover front (lower) Water pump mounting bolts	⑥	Water pump mounting bolt
Bolt C (4 pcs.) Bolt cover (rear)	⑦, ⑧, ⑨ ⑩	Cylinder head
Bolt A (7 pcs.) Rubber washer Bolt cover front (upper) Bolt cover (rear) Welded nut (4 pcs.)	⑮, ⑯, ⑰ ⑱, ⑲, ⑲ ⑲	⑮, ⑯, ⑰, ⑱: Welded nuts ⑲, ⑲: Cylinder head ⑲: Water outlet

SEM711E



**BELT TENSION CHECK**

1. Set No. 1 piston at TDC on its compression stroke.
2. Measure deflection of timing belt midway between camshaft pulleys while pushing with 98 N (10 kg, 22 lb) force.

**Belt deflection (Reference value):**

**13 - 15 mm (0.51 - 0.59 in)/98 N (10 kg, 22 lb)**

GE

MA

EM

LC

EF &  
EC

FE

CL

MT

AT

TF

PD

FA

RA

BR

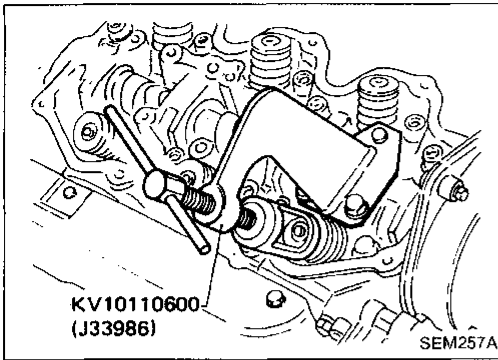
ST

BF

HA

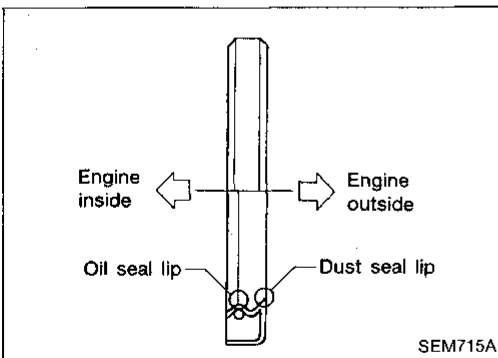
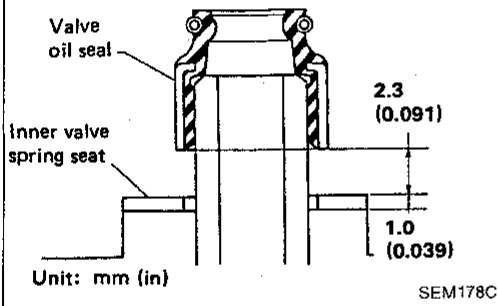
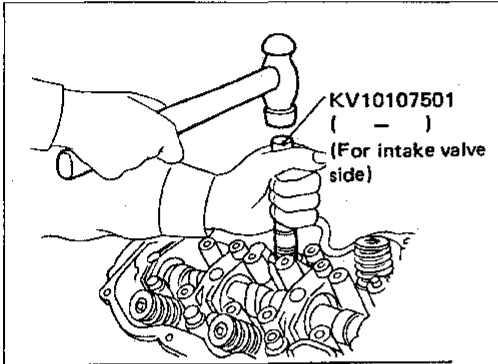
EL

IDX

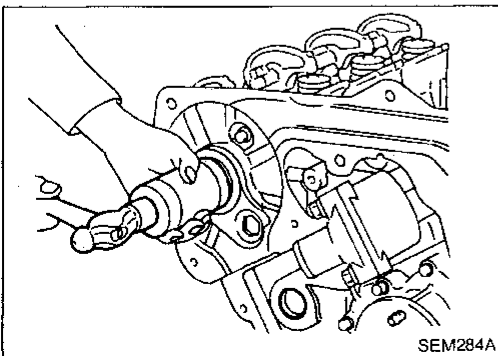


## VALVE OIL SEAL

1. Remove rocker cover.
2. Remove rocker shaft assembly and valve lifters with valve lifter guide.
3. Remove valve springs and valve oil seal.
  - Piston concerned should be set at TDC to prevent valve from falling.
  - When removing intake side valve oil seal, use Tool or suitable tool.
  - When removing exhaust side valve oil seal, pull it out with suitable tool.
4. Apply engine oil to new valve oil seal and install it.
  - Before installing valve oil seal, install inner valve spring seat.
  - When installing intake side valve oil seal, use Tool.
  - When installing exhaust side valve oil seal, set it by hand.

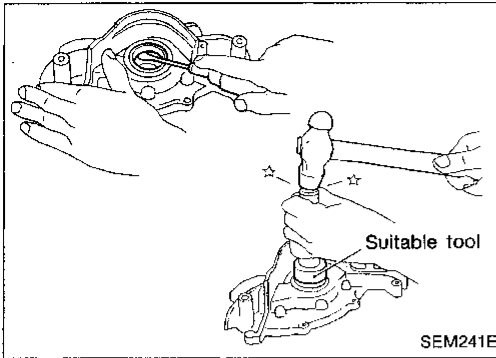


## OIL SEAL INSTALLING DIRECTION



## CAMSHAFT OIL SEAL

1. Remove timing belt.
  2. Remove camshaft sprocket.
  3. Remove camshaft.
  4. Remove camshaft oil seal.
- Be careful not to scratch camshaft.**
5. Apply engine oil to new camshaft oil seal.



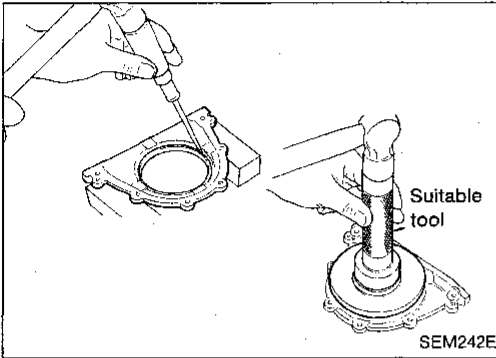
## FRONT OIL SEAL

1. Remove timing belt and crankshaft sprocket.
2. Remove oil pump assembly.
3. Remove front oil seal from oil pump body.
4. Apply engine oil to new oil seal and install it using suitable tool.

GI

MA

EM



## REAR OIL SEAL

1. Remove flywheel or drive plate.
2. Remove rear oil seal retainer.
3. Remove rear oil seal from retainer.
4. Apply engine oil to new oil seal and install it using suitable tool.
5. Install rear oil seal retainer with a new gasket to cylinder block.

LC

EF &  
EC

FE

CL

MT

AT

TF

PD

FA

RA

BR

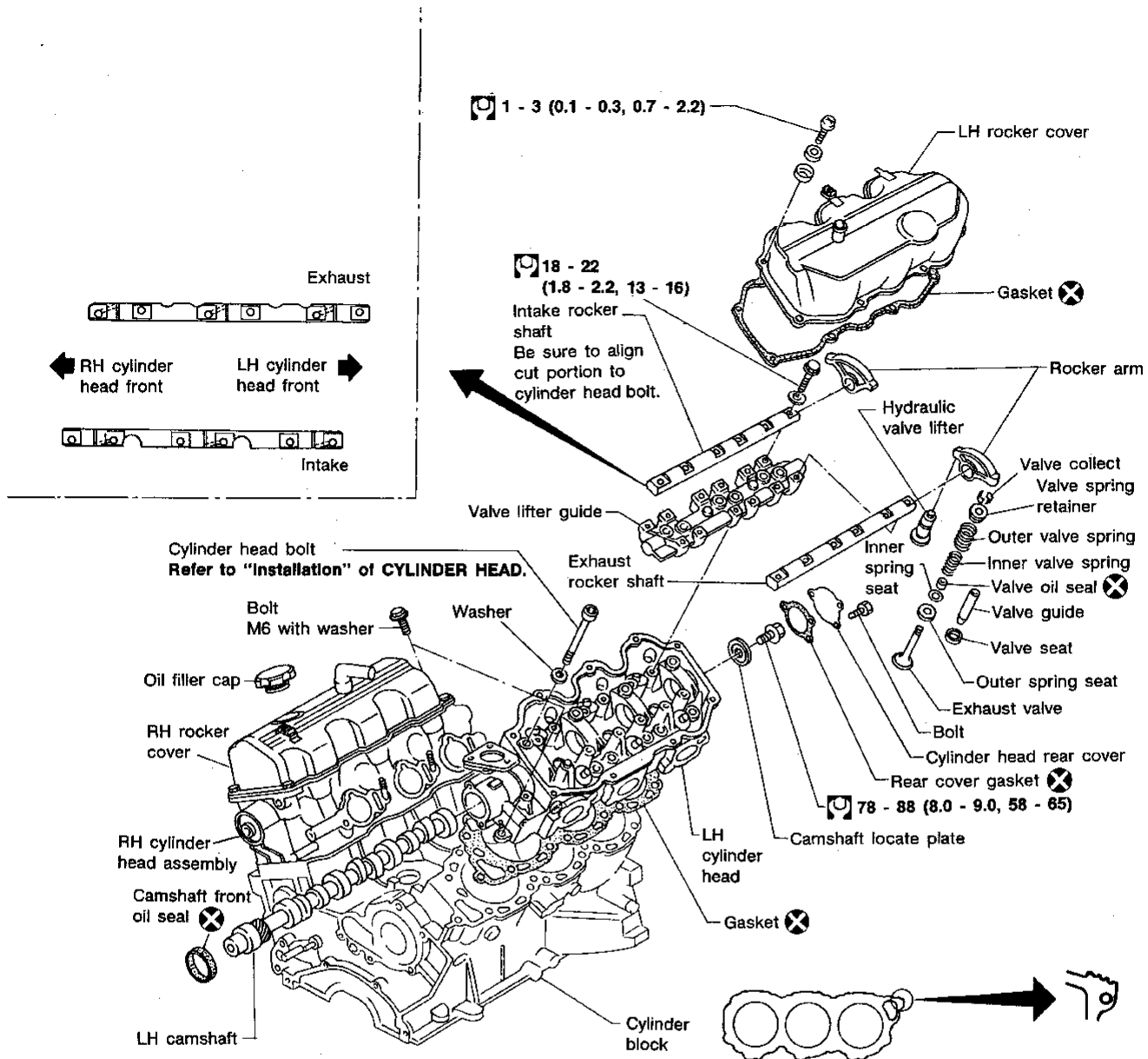
ST

BF

HA

EL

IDX



: N·m (kg-m, ft-lb)

**CAUTION:**

- When installing sliding parts such as rocker arms, camshaft and oil seal, be sure to apply new engine oil on their sliding surfaces.
- When tightening cylinder head bolts and rocker shaft bolts, apply new engine oil to thread portions and seat surfaces of bolts.

GI  
MA

EM

LC

EF &  
EC

FE

CL

MT

AT

TF

PD

FA

RA

BR

ST

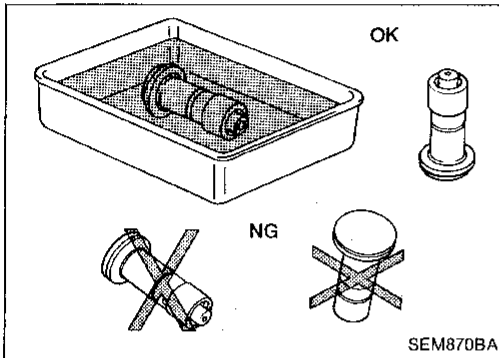
BF

HA

EL

IDX

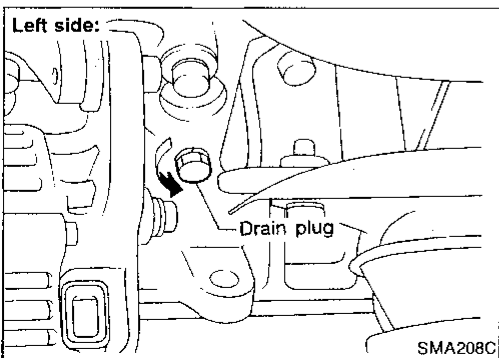
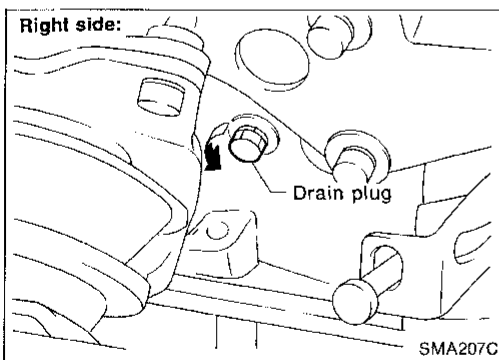
83



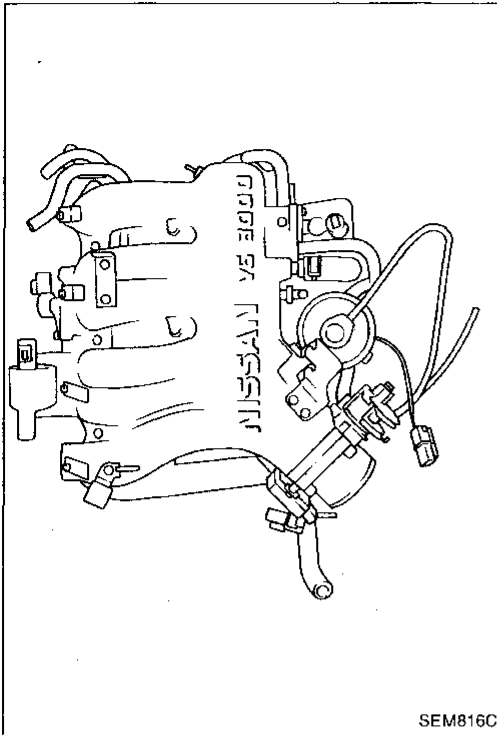
- If hydraulic valve lifter is kept on its side, there is a risk of air entering it. After removal, always set hydraulic valve lifter straight up, or when laying it on its side, have it soak in new engine oil.
- Do not disassemble hydraulic valve lifter.
- Attach tags to valve lifters so as not to mix them up.

**Removal**

1. Release fuel pressure.  
Refer to "Releasing Fuel Pressure" in EF & EC section.
2. Remove timing belt.  
Refer to "TIMING BELT — Removal" (EM-13).
3. Drain coolant by removing drain plugs from both sides of cylinder block.

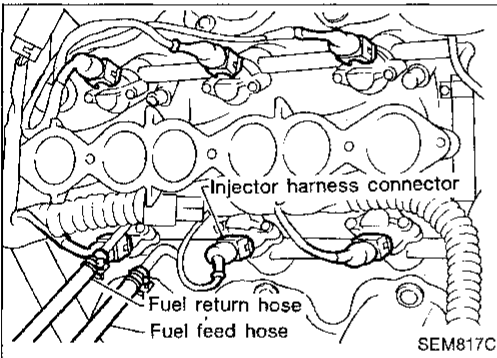


## Removal (Cont'd)



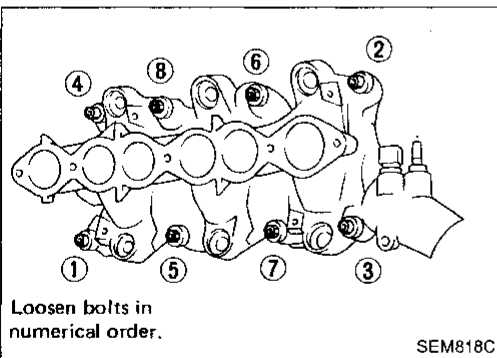
SEM816C

4. Separate ASCD and accelerator control wire from intake manifold collector.
5. Remove intake manifold collector from engine. The following parts should be disconnected to remove intake manifold collector.
  - a. Harness connectors for: IACV-AAC valve, Throttle position sensor, Throttle position switch, Ignition coil, Power transistor, EGRC-solenoid valve, IACV-air regulator and EGR temperature sensor.
  - b. Water hoses from collector
  - c. Heater hoses
  - d. PCV hose from RH rocker cover
  - e. Vacuum hoses for: Canister, Master brake cylinder and Pressure regulator.
  - f. Purge hose from canister
  - g. EGR tube
  - h. Earth harnesses
  - i. Air duct hose



SEM817C

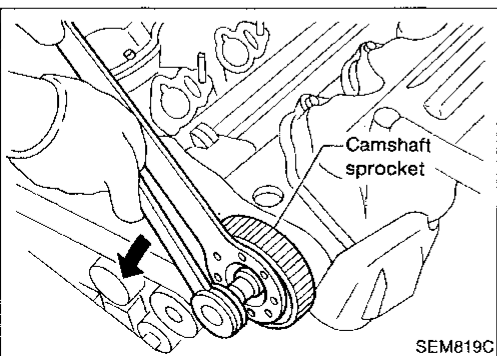
6. Remove fuel feed and fuel return hoses from injector fuel tube assembly.
7. Disconnect all injector harness connectors.
8. Remove injector fuel tube assembly.



Loosen bolts in numerical order.

SEM818C

9. Remove intake manifold from engine. The following parts should be disconnected to remove intake manifold.
  - a. Engine coolant temperature switch harness connector
  - b. Thermal transmitter harness connector
  - c. Water hose from thermostat housing



SEM819C

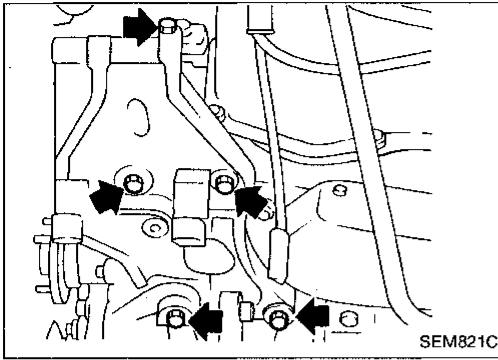
10. Remove both camshaft sprockets.
11. Remove rear timing belt cover.
12. Remove distributor and ignition wires.

**After pulling out distributor from cylinder head, do not rotate distributor rotor.**

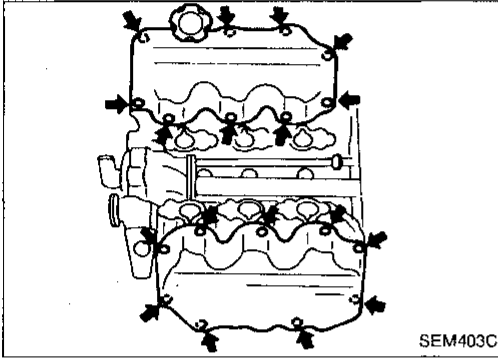
13. Remove harness clamp from RH rocker cover.
14. Remove front exhaust tube from exhaust manifold.

**CYLINDER HEAD**

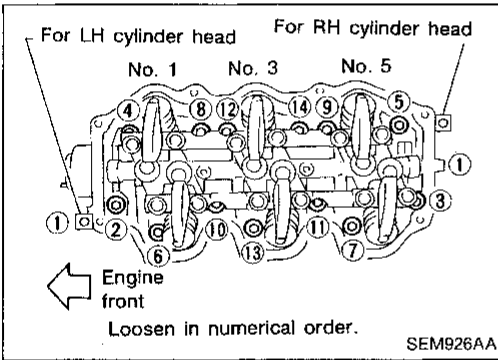
**Removal (Cont'd)**



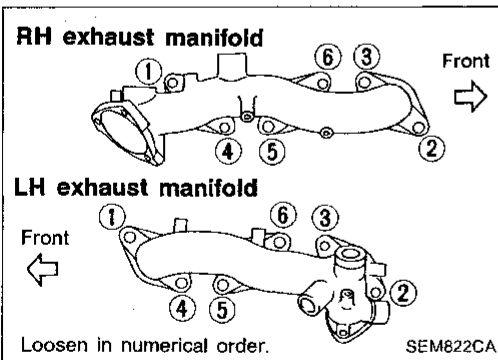
15. Remove compressor from its bracket.
16. Remove alternator from its bracket.
17. Remove compressor and alternator bracket.



18. Remove both rocker covers.

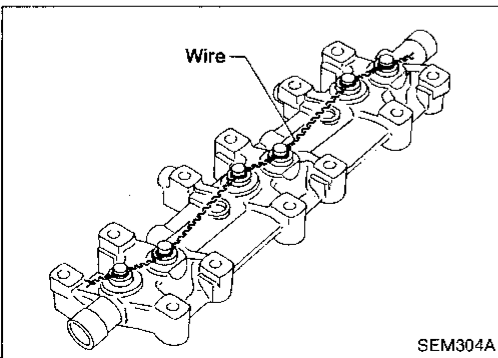


19. Remove cylinder head with exhaust manifold.
  - A warped or cracked cylinder head could result from removing in incorrect order.
  - Cylinder head bolts should be loosened in two or three steps.



**Disassembly**

1. Remove exhaust manifolds from cylinder head.



2. Remove rocker shafts with rocker arms.
  - Bolts should be loosened in two or three steps.
3. Remove hydraulic valve lifters and lifter guide.
  - Hold hydraulic valve lifters with wire so that they will not drop from lifter guide.
4. Remove oil seal and camshaft.
  - Before removing camshaft, measure camshaft end play.

GI

MA

EM

LC

EF &  
EC

FE

CL

MT

AT

TF

PD

FA

RA

BR

ST

BF

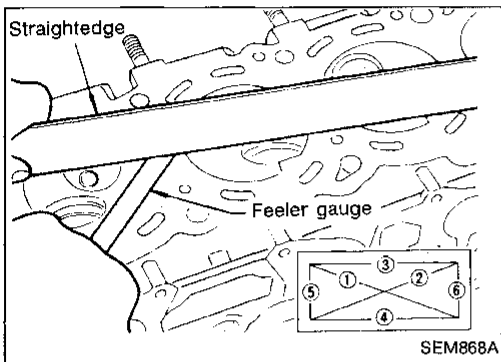
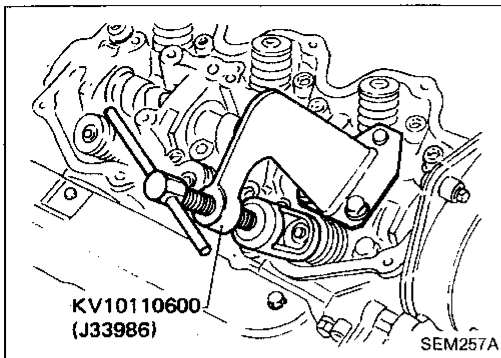
HA

EL

IDX

**Disassembly (Cont'd)**

5. Remove valve components with Tool.
6. Remove valve oil seals with Tool or suitable tool.



**Inspection**

**CYLINDER HEAD DISTORTION**

**Head surface flatness:**

**Less than 0.1 mm (0.004 in)**

If beyond the specified limit, replace it or resurface it.

**Resurfacing limit:**

The resurfacing limit of cylinder head is determined by the cylinder block resurfacing in an engine.

Amount of cylinder head resurfacing is "A".

Amount of cylinder block resurfacing is "B".

The maximum limit is as follows:

$$A + B = 0.2 \text{ mm (0.008 in)}$$

After resurfacing cylinder head, check that camshaft rotates freely by hand. If resistance is felt, cylinder head must be replaced.

**Nominal cylinder head height:**

**106.8 - 107.2 mm (4.205 - 4.220 in)**

**CAMSHAFT VISUAL CHECK**

Check camshaft for scratches, seizure and wear.

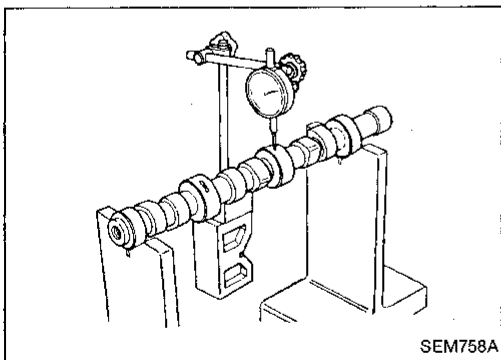
**CAMSHAFT RUNOUT**

1. Measure camshaft runout at the center journal.

**Runout (Total indicator reading):**

**Limit 0.1 mm (0.004 in)**

2. If it exceeds the limit, replace camshaft.



**CAMSHAFT CAM HEIGHT**

1. Measure camshaft cam height.

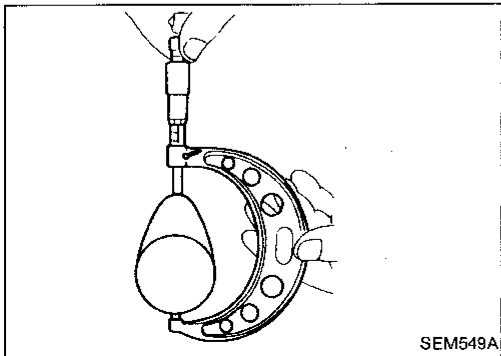
**Standard cam height:**

**39.537 - 39.727 mm (1.5566 - 1.5641 in)**

**Cam wear limit:**

**0.15 mm (0.0059 in)**

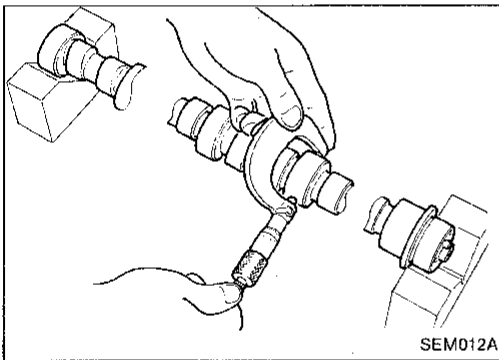
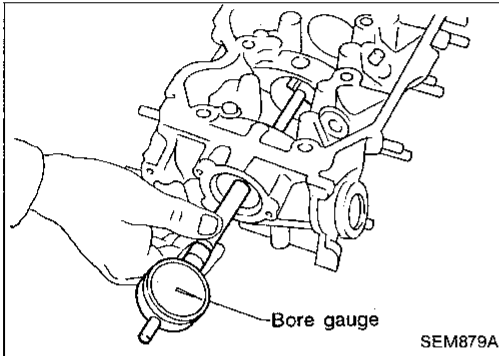
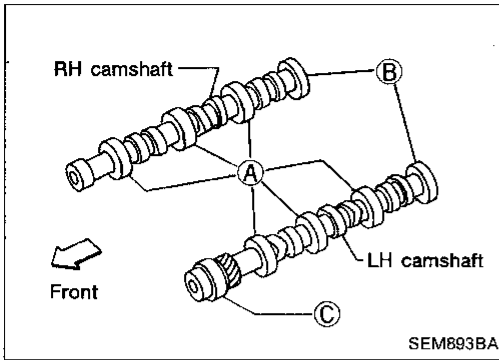
2. If wear is beyond the limit, replace camshaft.





Inspection (Cont'd)

CAMSHAFT JOURNAL CLEARANCE



1. Measure inner diameter of camshaft bearing.

**Standard inner diameter:**

- A 47.000 - 47.025 mm (1.8504 - 1.8514 in)
- B 42.500 - 42.525 mm (1.6732 - 1.6742 in)
- C 48.000 - 48.025 mm (1.8898 - 1.8907 in)

2. Measure outer diameter of camshaft journal.

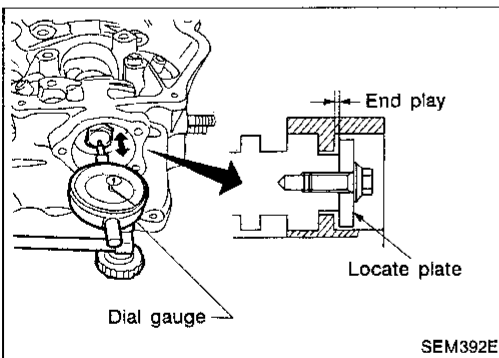
**Standard outer diameter:**

- A 46.920 - 46.940 mm (1.8472 - 1.8480 in)
- B 42.420 - 42.440 mm (1.6701 - 1.6709 in)
- C 47.920 - 47.940 mm (1.8866 - 1.8874 in)

3. If clearance exceeds the limit, replace camshaft and/or cylinder head.

**Camshaft journal clearance limit:**

0.15 mm (0.0059 in)

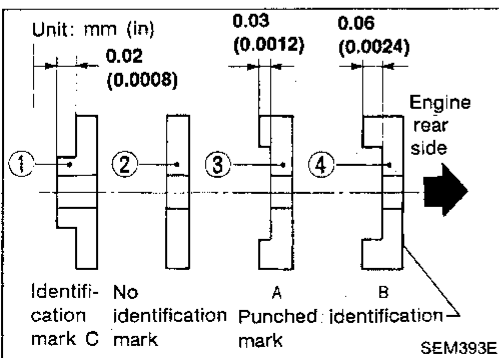


CAMSHAFT END PLAY

1. Install camshaft and locate plate in cylinder head.
2. Measure camshaft end play.

**Camshaft end play:**

Standard 0.03 - 0.06 mm (0.0012 - 0.0024 in)



3. If it is out of the specified range, select thickness of camshaft locate plate to obtain standard specified end play.

**Example:**

When camshaft end play is 0.08 mm (0.0031 in) with camshaft locate plate ②, replace camshaft locate plate ② with camshaft locate plate ③ to set the end play at 0.05 mm (0.0020 in).

GI

MA

EM

LC

EF &  
EC

FE

CL

MT

AT

TF

PD

FA

RA

BR

ST

BF

HA

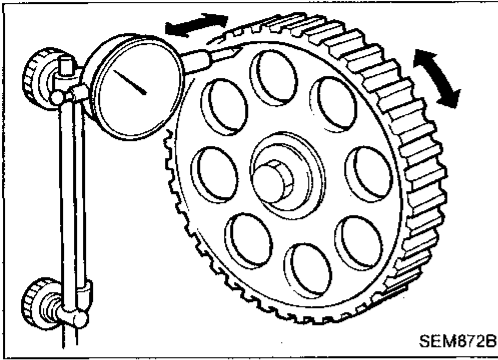
EL

EDX

**CYLINDER HEAD**

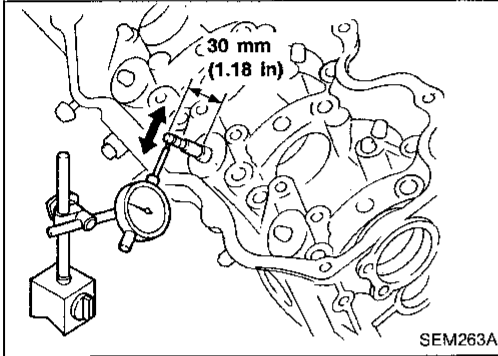
**Inspection (Cont'd)**

**CAMSHAFT SPROCKET RUNOUT**

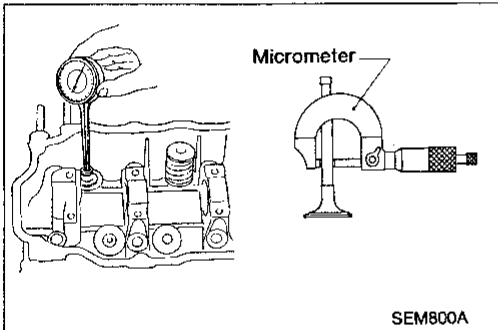


1. Install sprocket on camshaft.
2. Measure camshaft sprocket runout.  
**Runout (Total indicator reading):**  
**Limit 0.1 mm (0.004 in)**
3. If it exceeds the limit, replace camshaft sprocket.

**VALVE GUIDE CLEARANCE**



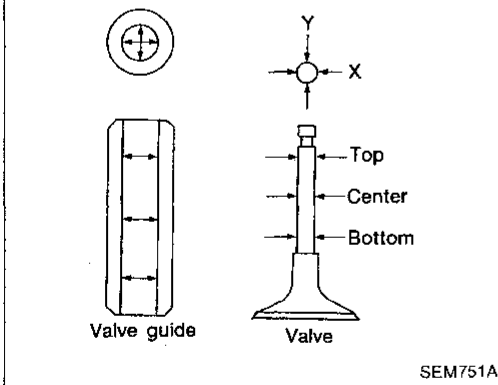
1. Measure valve deflection in a right-angled direction with camshaft. (Valve and valve guide mostly wear in this direction.)  
**Valve deflection limit (Dial gauge reading):**  
**0.20 mm (0.0079 in)**



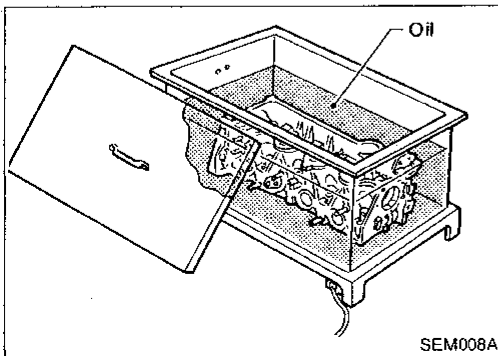
2. If it exceeds the limit, check valve to valve guide clearance.
- a. Measure valve stem diameter and valve guide inner diameter.
- b. Check that clearance is within specification.

**Valve to valve guide clearance:**  
**Intake**  
**0.020 - 0.053 mm (0.0008 - 0.0021 in)**  
**Exhaust**  
**0.040 - 0.073 mm (0.0016 - 0.0029 in)**  
**Limit**  
**0.10 mm (0.0039 in)**

- c. If it exceeds the limit, replace valve or valve guide.

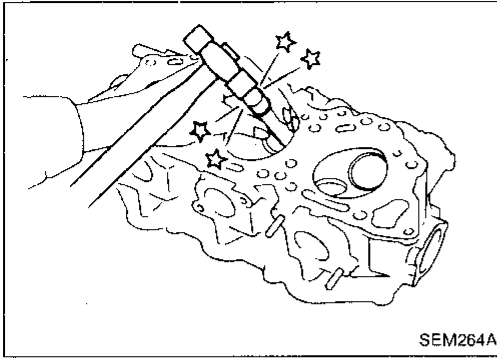


**VALVE GUIDE REPLACEMENT**



1. To remove valve guide, heat cylinder head to 150 to 160°C (302 to 320°F) by soaking in heated oil.

Inspection (Cont'd)



SEM264A

2. Drive out valve guide with a press [under a 20 kN (2 ton, 2.2 US ton, 2.0 Imp ton) pressure] or hammer and suitable tool.

GI

MA

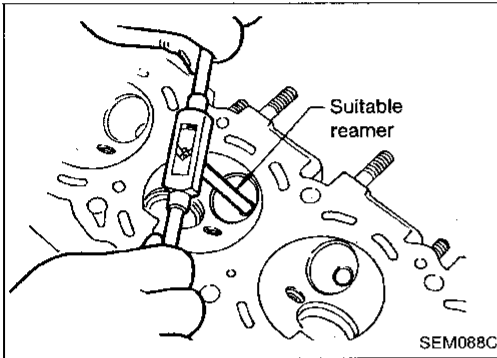
EM

LC

EF &  
EC

FE

CL



SEM088C

3. Ream cylinder head valve guide hole.

**Valve guide hole diameter  
(for service parts):**

**Intake**

11.175 - 11.196 mm (0.4400 - 0.4408 in)

**Exhaust**

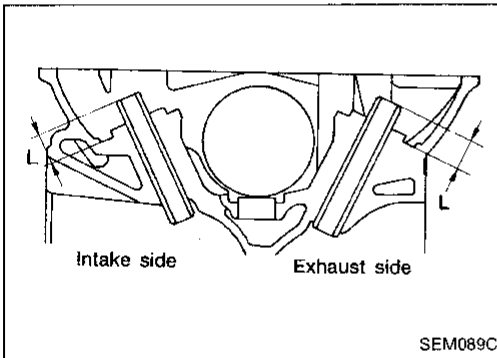
12.175 - 12.196 mm (0.4793 - 0.4802 in)

MT

AT

TF

PD



SEM089C

4. Heat cylinder head to 150 to 160°C (302 to 320°F) and press service valve guide onto cylinder head.

**Projection "L":**

13.2 - 13.4 mm (0.520 - 0.528 in)

5. Ream valve guide.

**Finished size:**

**Intake**

7.000 - 7.018 mm (0.2756 - 0.2763 in)

**Exhaust**

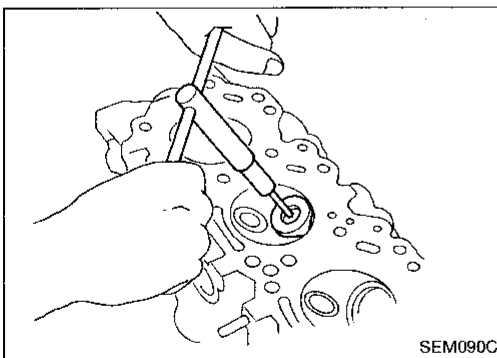
8.000 - 8.018 mm (0.3150 - 0.3157 in)

FA

RA

BR

ST



SEM090C

VALVE SEATS

Check valve seats for any evidence of pitting at valve contact surface, and reseat or replace if it has worn out excessively.

- Before repairing valve seats, check valve and valve guide for wear. If they have worn, replace them. Then correct valve seat.
- Cut with both hands to maintain a uniform cutting surface.

BF

HA

EL

IDX

REPLACING VALVE SEAT FOR SERVICE PARTS

1. Bore out old seat until it collapses. The machine depth stop should be set so that boring cannot continue beyond the bottom face of the seat recess in cylinder head.
2. Ream cylinder head recess.

**Reaming bore for service valve seat**

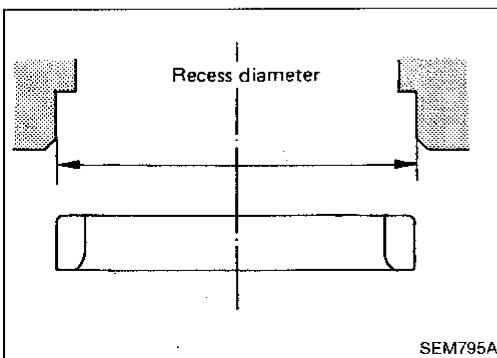
**Oversize [0.5 mm (0.020 in)]:**

**Intake**

44.500 - 44.516 mm (1.7520 - 1.7526 in)

**Exhaust**

37.500 - 37.516 mm (1.4764 - 1.4770 in)

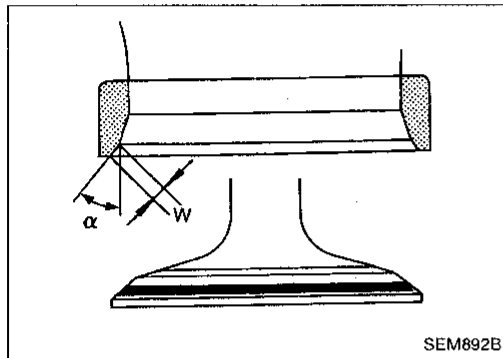


SEM795A

**Inspection (Cont'd)**

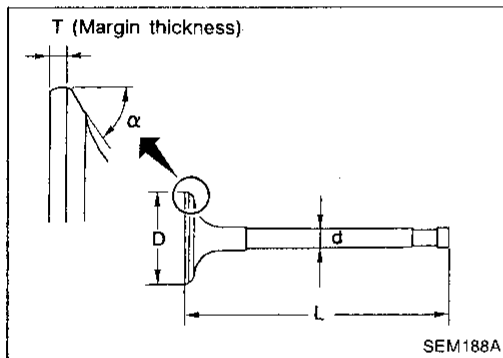
Reaming should be done in circles concentric to the valve guide center so that valve seat will have the correct fit.

3. Heat cylinder head to 150 to 160°C (302 to 320°F) by soaking in heated oil.
4. Press fit valve seat until it seats on the bottom.



5. Cut or grind valve seat using suitable tool at the specified dimensions as shown in SDS (EM-47).
6. After cutting, lap valve seat with abrasive compound.
7. Check valve seating condition.

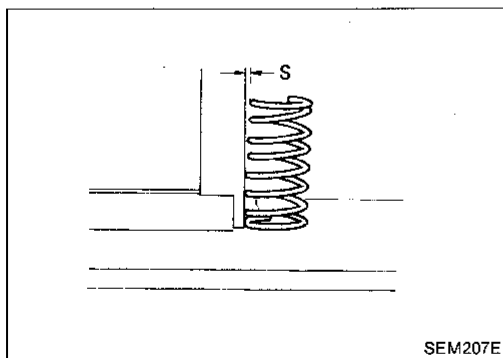
		Intake	Exhaust
Seat face angle "α"	degree	45	45
Contacting width "W"	mm (in)	1.75 (0.0689)	1.7 (0.067)



**VALVE DIMENSIONS**

Check dimensions in each valve. For dimensions, refer to SDS. When valve head has been worn down to 0.5 mm (0.020 in) in margin thickness, replace valve.

**Grinding allowance for valve stem tip is 0.2 mm (0.008 in) or less.**



**VALVE SPRING**

**Squareness**

1. Measure "S" dimension.

**Out-of-square:**

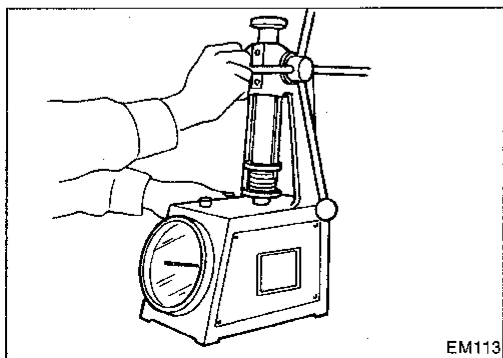
**Outer**

Less than 2.2 mm (0.087 in)

**Inner**

Less than 1.9 mm (0.075 in)

2. If it exceeds the limit, replace spring.



**Pressure**

Check valve spring pressure.

**Standard pressure: N (kg, lb) at height mm (in)**

**Outer: 523.7 (53.4, 117.7) at 30.0 (1.181)**

**Inner: 255.0 (26.0, 57.3) at 25.0 (0.984)**

**Limit pressure: N (kg, lb) at height mm (in)**

**Outer: More than 228.5 (23.3, 51.4) at 25.0 (0.984)**

**Inner: More than 225.6 (23.0, 50.7) at 25.0 (0.984)**

If it exceeds the limit, replace spring.

# CYLINDER HEAD

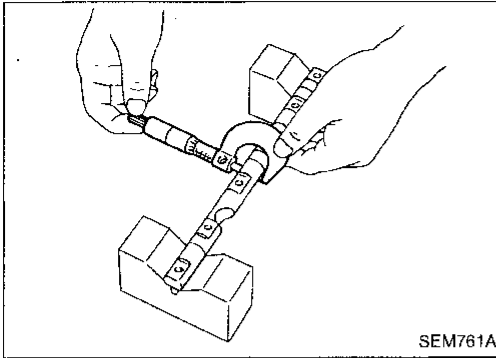
## Inspection (Cont'd)

### ROCKER SHAFT AND ROCKER ARM

1. Check rocker shafts for scratches, seizure and wear.
2. Check outer diameter of rocker shaft.

**Diameter:**

17.979 - 18.000 mm (0.7078 - 0.7087 in)



SEM761A

3. Check inner diameter of rocker arm.

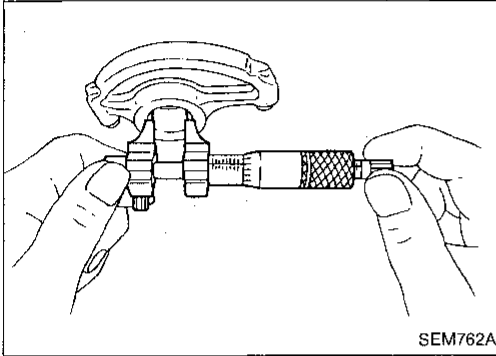
**Diameter:**

18.007 - 18.028 mm (0.7089 - 0.7098 in)

**Rocker arm to shaft clearance:**

0.007 - 0.049 mm (0.0003 - 0.0019 in)

- Keep rocker arm with hydraulic valve lifter standing to prevent air from entering hydraulic valve lifter when checking.



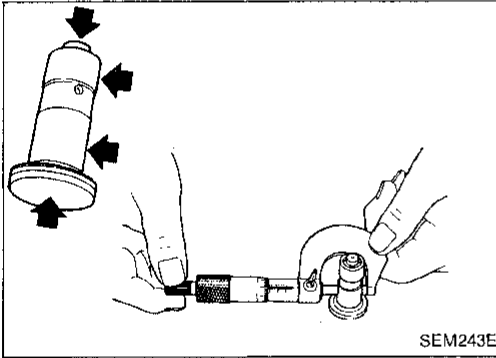
SEM762A

### HYDRAULIC VALVE LIFTER

1. Check contact and sliding surfaces for wear or scratches.
2. Check diameter of valve lifter.

**Outer diameter:**

15.947 - 15.957 mm (0.6278 - 0.6282 in)



SEM243E

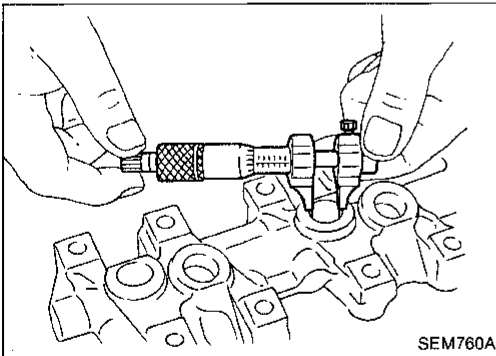
3. Check valve lifter guide inner diameter.

**Inner diameter:**

16.000 - 16.013 mm (0.6299 - 0.6304 in)

**Standard clearance between valve lifter and lifter guide:**

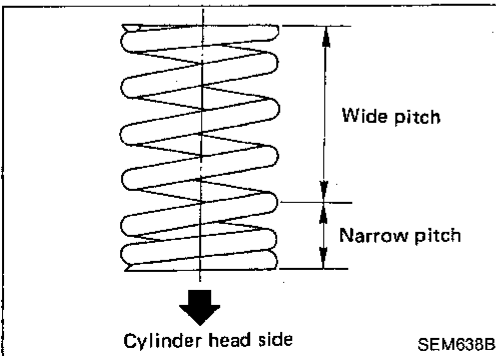
0.043 - 0.066 mm (0.0017 - 0.0026 in)



SEM760A

## Assembly

1. Install valve component parts.
  - Always use new valve oil seal. Refer to OIL SEAL REPLACEMENT (EM-18).
  - Before installing valve oil seal, install inner valve spring seat.
  - Install outer valve spring (uneven pitch type) with its narrow pitch side toward cylinder head side.
  - After installing valve component parts, use plastic hammer to lightly tap valve stem tip to assure a proper fit.



SEM638B

GI

MA

EM

LC

EF &

EC

FE

CL

MT

AT

TF

PD

FA

RA

BR

ST

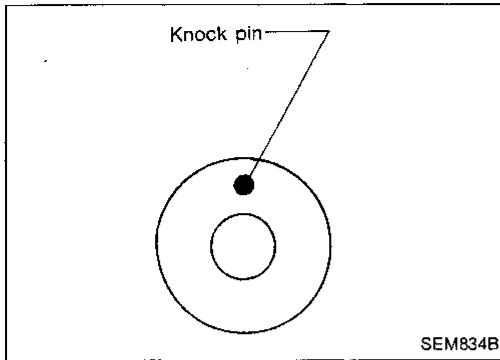
BF

HA

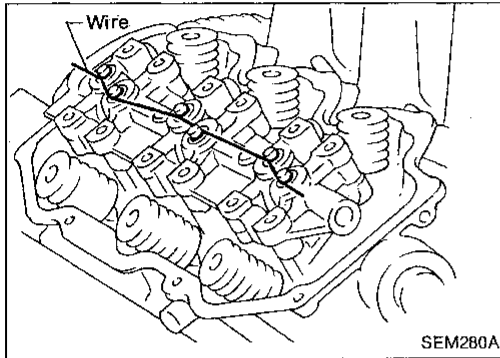
EL

IDX

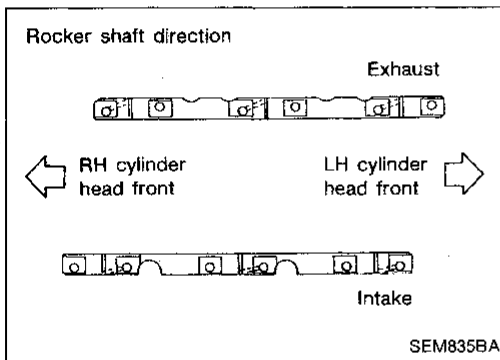
Assembly (Cont'd)



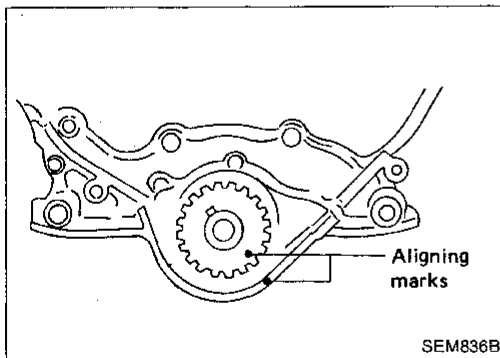
SEM834B



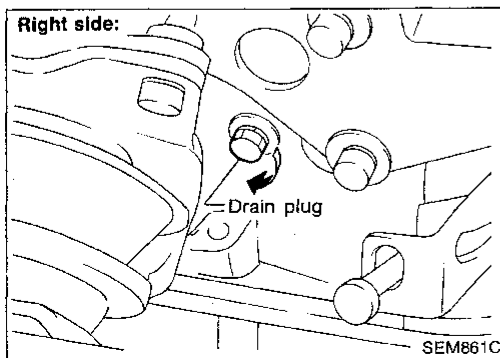
SEM280A



SEM835BA



SEM836B



SEM861C

2. Install camshafts, locate plates and cylinder head rear covers.

- Set knock pin of camshaft at the top.

3. Install valve lifters into valve lifter guide.

- Assemble valve lifters to their original position and hold all valve lifters with wire to prevent lifters from falling off.
- After installing, remove the wire.

4. Install rocker shafts with rocker arms.

- Tighten bolts gradually in two or three stages.
- Before tightening, be sure to set camshaft the lobe at the position where lobe is not lifted.

a. Set No. 1 piston at TDC on its compression stroke and tighten rocker shaft bolts for No. 2, No. 4 and No. 6 cylinders.

b. Set No. 4 piston at TDC on its compression stroke and tighten rocker shaft bolts for No. 1, No. 3 and No. 5 cylinders.

5. Install exhaust manifold to cylinder head in reverse order of removal.

Installation

1. Set No. 1 piston at TDC on its compression stroke as follows:

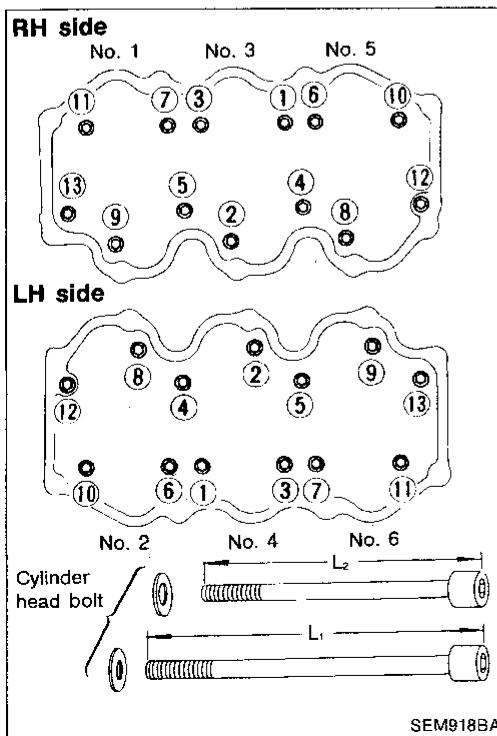
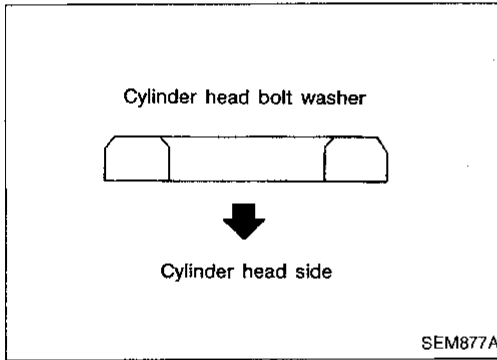
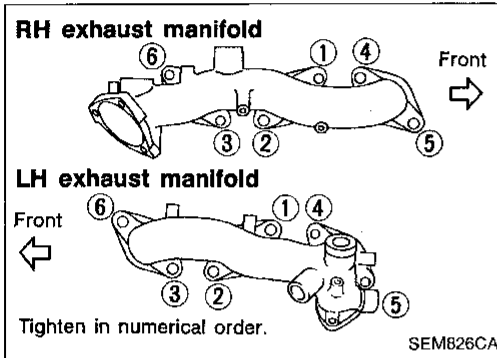
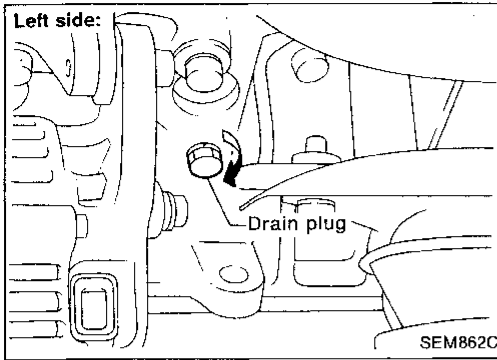
a. Align crankshaft sprocket aligning mark with mark on oil pump body.

b. Confirm that knock pin on camshaft is set at the top.

2. Install both drain plugs.

- Apply sealant to drain plug threads.

Installation (Cont'd)



3. Install exhaust manifolds to cylinder head.

4. Install cylinder head with new gasket.

- Be sure to install washers between bolts and cylinder head.
- Do not rotate crankshaft and camshaft separately, or valves will hit piston heads.

5. Tighten cylinder head bolts in numerical order using ST10120000 (J24239-01).

- Tightening procedure:

- (1) Tighten all bolts to 29 N·m (3.0 kg-m, 22 ft-lb).
- (2) Tighten all bolts to 59 N·m (6.0 kg-m, 43 ft-lb).
- (3) Loosen all bolts completely.
- (4) Tighten all bolts to 29 N·m (3.0 kg-m, 22 ft-lb).
- (5) Turn all bolts 60 to 65 degrees clockwise.

If an angle wrench is not available, tighten all bolts to 54 to 64 N·m (5.5 to 6.5 kg-m, 40 to 47 ft-lb).

- Bolts for ④, ⑤, ⑫ and ⑬ are longer than the others.

$L_1$ : 127 mm (5.00 in) for ④, ⑤, ⑫ and ⑬

$L_2$ : 106 mm (4.17 in) for others

GI

MA

EM

LC

EF &  
EC

FE

CL

MT

AT

TF

PD

FA

RA

BR

ST

BF

HA

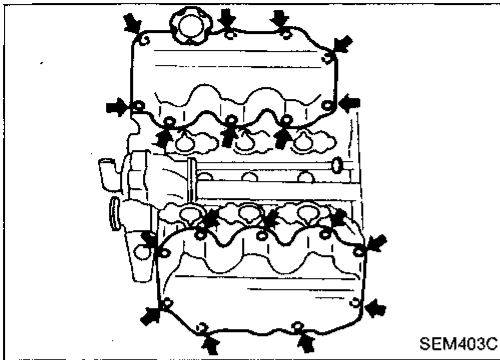
EL

IDX

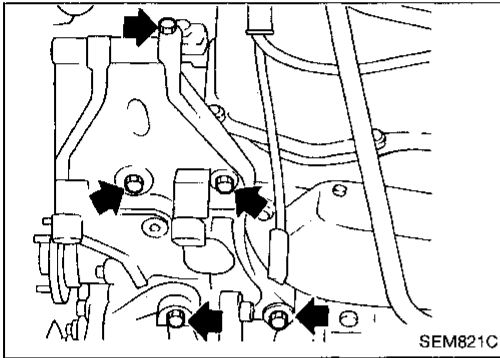
93

Installation (Cont'd)

6. Install both rocker covers.

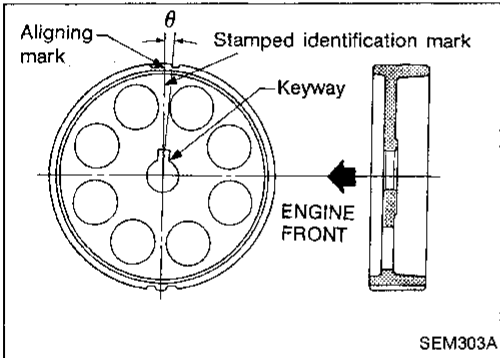


- 7. Install compressor and alternator bracket.
- 8. Install alternator.
- 9. Install compressor.
- 10. Install exhaust front tube to exhaust manifold.



11. Install rear belt cover and camshaft sprocket.

● **RH camshaft sprocket and LH camshaft sprocket are different parts. Be sure to install them in the correct location.**

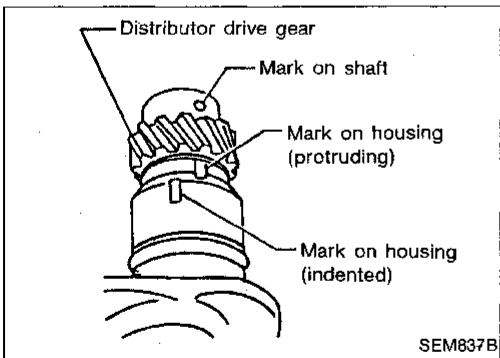


	Identification mark	$\theta$
RH camshaft sprocket	R3	0°53'
LH camshaft sprocket	L3	-3°27'

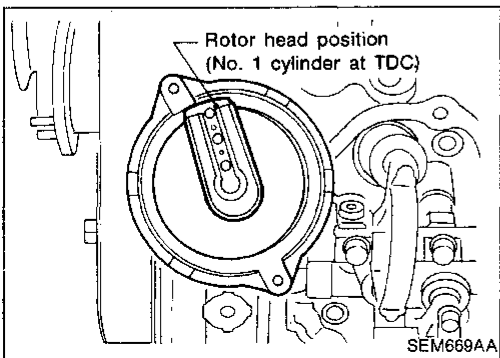
12. Install timing belt and adjust belt tension.  
Refer to "TIMING BELT — Installation" (EM-15).

13. Install distributor.

(1) Align mark on shaft with protruding mark on housing.



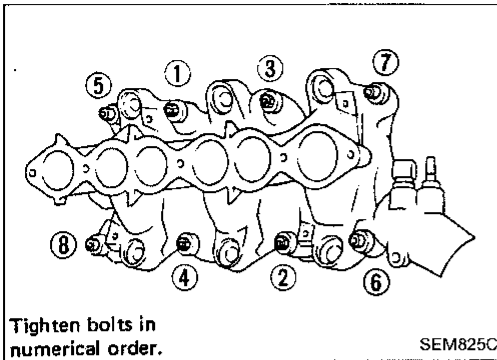
(2) After installing, confirm that distributor rotor head is set as shown in figure.





**CYLINDER HEAD**

**Installation (Cont'd)**



Tighten bolts in numerical order.

SEM825C

14. Install intake manifold.  
Install all parts which were removed in step 9 under "CYLINDER HEAD — Removal" (EM-21).

● **Tightening procedure**

(1) Tighten all bolts to 3 to 5 N·m (0.3 to 0.5 kg-m, 2.2 to 3.6 ft-lb).

Tighten all nuts to 3 to 5 N·m (0.3 to 0.5 kg-m, 2.2 to 3.6 ft-lb).

(2) Tighten all bolts to 16 to 20 N·m (1.6 to 2.0 kg-m, 12 to 14 ft-lb).

Tighten all nuts to 24 to 27 N·m (2.4 to 2.8 kg-m, 17 to 20 ft-lb).

(3) Tighten all bolts to 16 to 20 N·m (1.6 to 2.0 kg-m, 12 to 14 ft-lb).

Tighten all nuts to 24 to 27 N·m (2.4 to 2.8 kg-m, 17 to 20 ft-lb).

GI

MA

EM

LC

EF & EC

FE

CL

MT

AT

TF

PD

FA

RA

BR

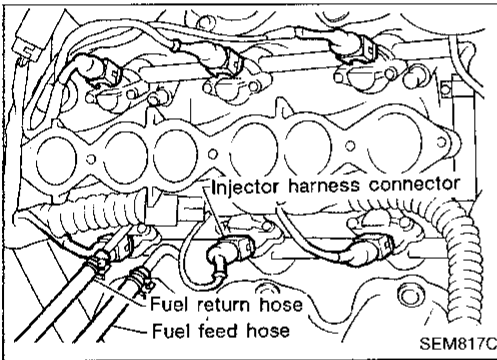
ST

BF

HA

EL

IDX

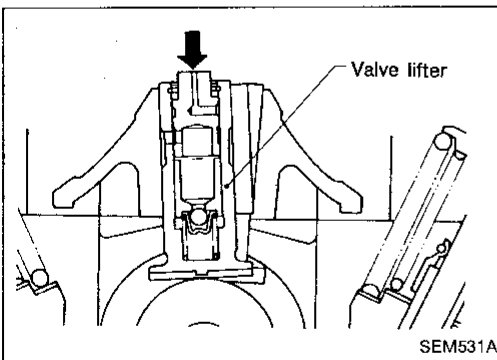


Injector harness connector

Fuel return hose  
Fuel feed hose

SEM817C

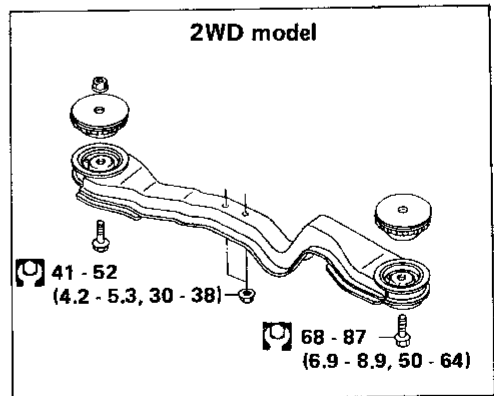
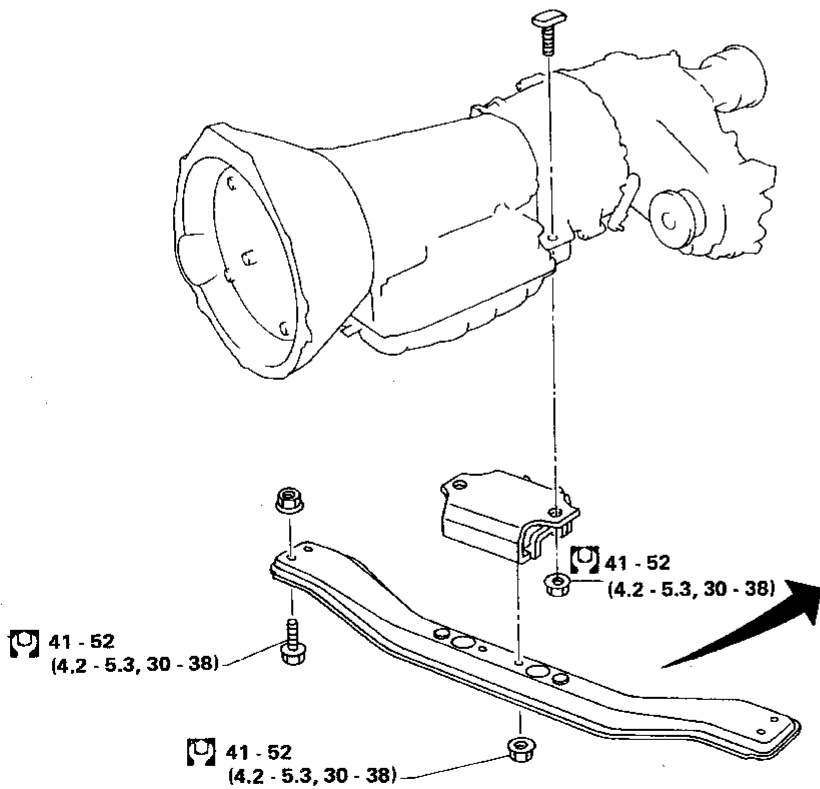
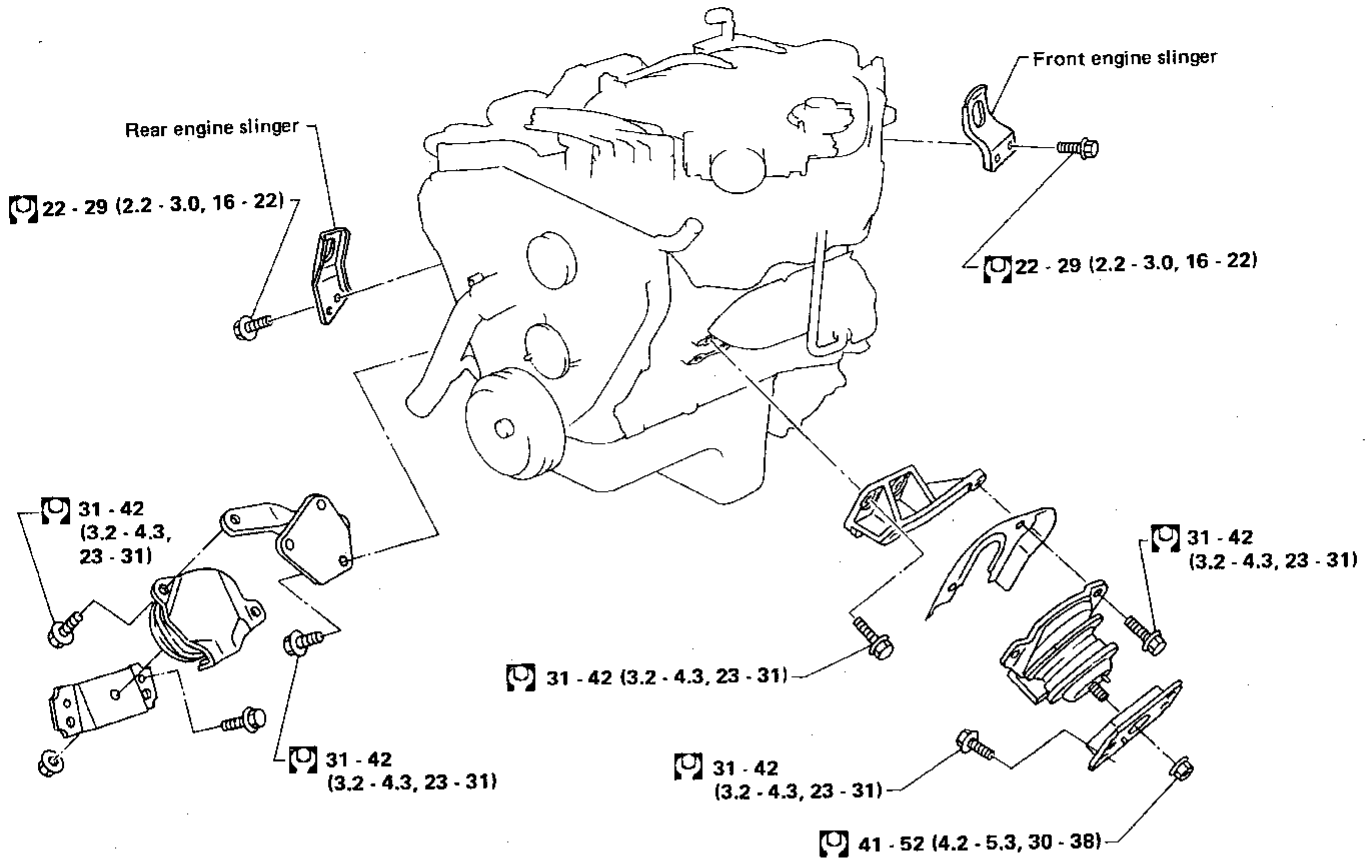
- 15. Install injector fuel tube assembly.
- 16. Connect all injector harness connectors.
- 17. Install fuel feed and fuel return hoses to injector fuel tube assembly.
- 18. Install intake manifold collector.  
Install all parts which were removed in step 5 under "CYLINDER HEAD — Removal" (EM-21).
- 19. Install ASCD and accelerator control wire.



Valve lifter

SEM531A

- 20. Check hydraulic valve lifter.
  - a. Push plunger forcefully with your finger.
- **Be sure to check it with rocker arm in its free position (not on the lobe).**
- b. If valve lifter moves more than 1 mm (0.04 in), air may be inside it.
- c. Bleed air off by running engine at 1,000 rpm under no load for about 10 minutes.
- d. If hydraulic valve lifters are still noisy, replace them and bleed air off again in the same manner as in step 20 (c).



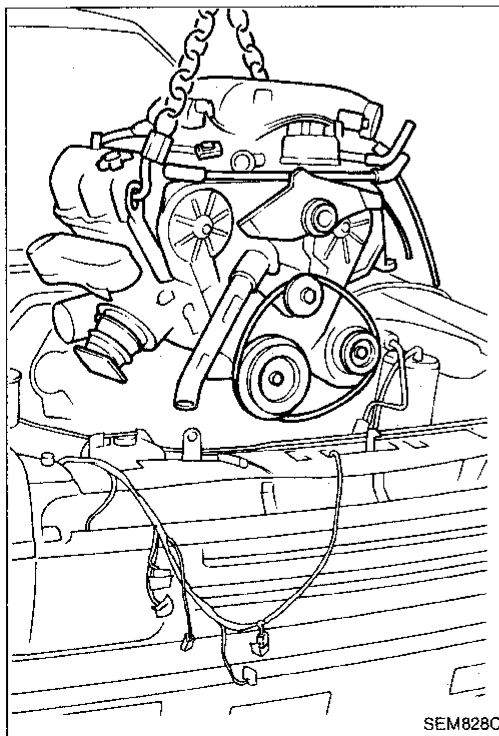
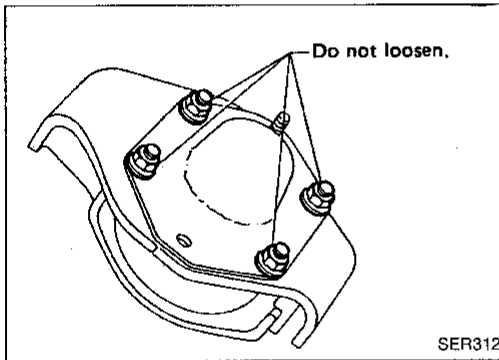
: N·m (kg·m, ft·lb)

**WARNING:**

- a. Situate vehicle on a flat and solid surface.
- b. Place chocks at front and back of rear wheels.
- c. Do not remove engine until exhaust system has completely cooled off. Otherwise, you may burn yourself and/or fire may break out in fuel line.
- d. For safety during subsequent steps, the tension of wires should be slackened against the engine.
- e. Before disconnecting fuel hose, release fuel pressure from fuel line.  
Refer to "Releasing Fuel Pressure" in EF & EC section.
- f. Before removing front axle from transmission, place safety stands under designated front supporting points. Refer to GI section for lifting points and towing.
- g. Be sure to hoist engine and transmission in a safe manner.
- h. For engines not equipped with engine slingers, attach proper slingers and bolts described in PARTS CATALOG.

**CAUTION:**

- When lifting engine, be careful not to strike adjacent parts, especially accelerator wire casing, brake lines, and brake master cylinder.
- In hoisting the engine, always use engine slingers in a safe manner.
- Do not loosen front engine mounting insulator cover securing nuts.  
When cover is removed, damper oil flows out and mounting insulator will not function.  
For tightening torque, refer to AT, MT and PD sections.  
For 4WD model, sealant should be applied between engine and transmission.  
Refer to "Installation" in MT section.



**Removal**

1. Remove engine undercover and hood.
2. Drain engine coolant.
3. Remove vacuum hoses, fuel tubes, wires, harnesses and connectors and so on.
4. Remove radiator with shroud and cooling fan.
5. Remove drive belts.
6. Remove power steering oil pump and air conditioner compressor.
7. Remove front exhaust tube.
8. Remove transmission from vehicle.  
Refer to "Removal" in MT and AT sections.
9. Install engine slingers.
10. Hoist engine with engine slingers and remove engine mounting bolts from both sides.
11. Remove engine from vehicle.

GI

MA

EM

LC

EF & EC

FE

CL

MT

AT

TF

PD

FA

RA

BR

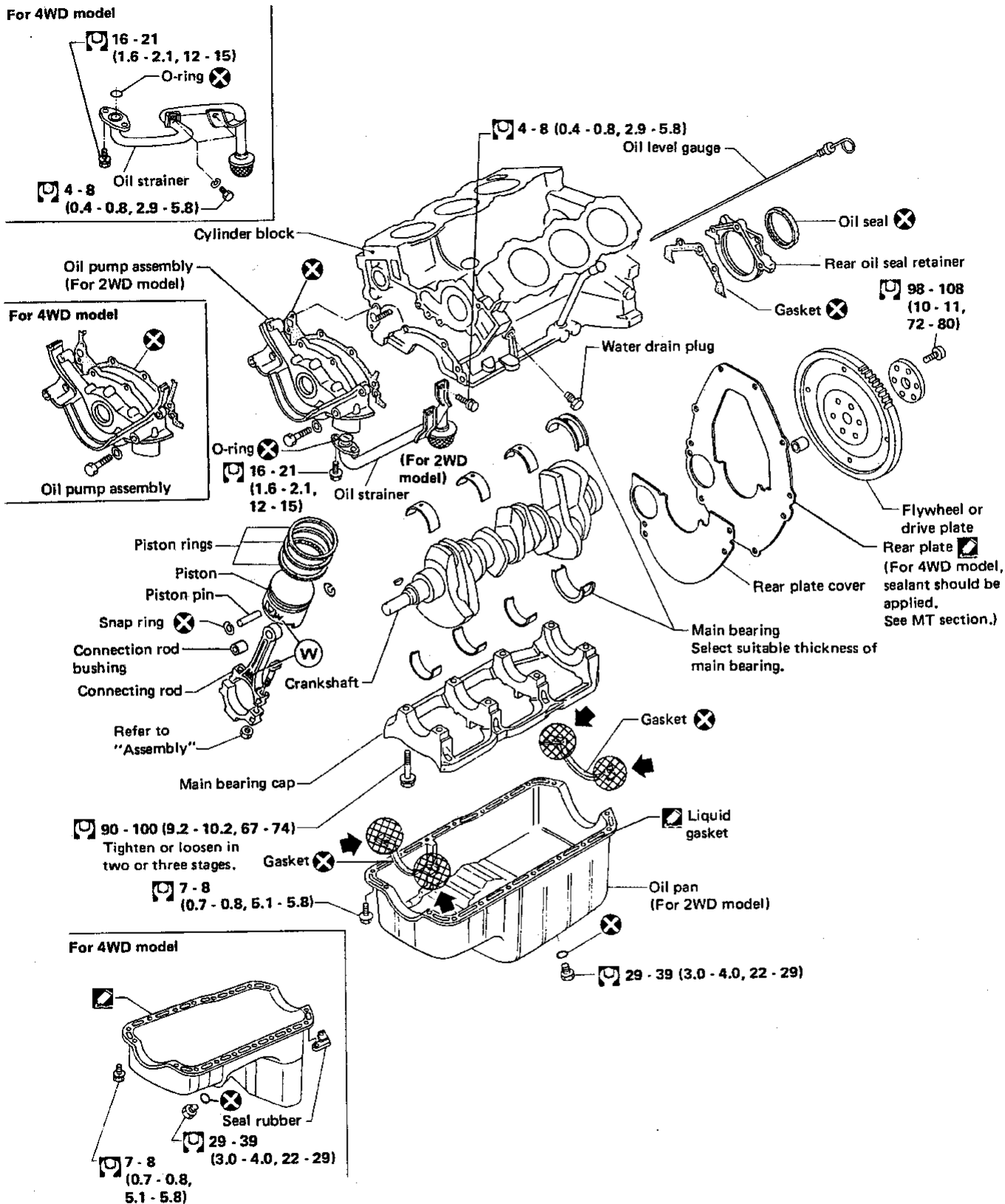
ST

BF

HA

EL

IDX



← : Apply sealant.  
 [ ] : N·m (kg·m, ft·lb)

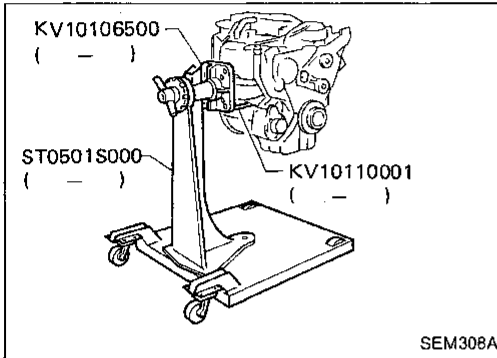
**CAUTION:**

- When installing sliding parts such as bearings and pistons, be sure to apply engine oil on the sliding surfaces.
- Place removed parts such as bearings and bearing caps in their proper order and direction.
- When tightening connecting rod bolts and main bearing cap bolts, apply engine oil to thread portion of bolts and seating surface of nuts.

GI

MA

EM



**Disassembly**

**PISTON AND CRANKSHAFT**

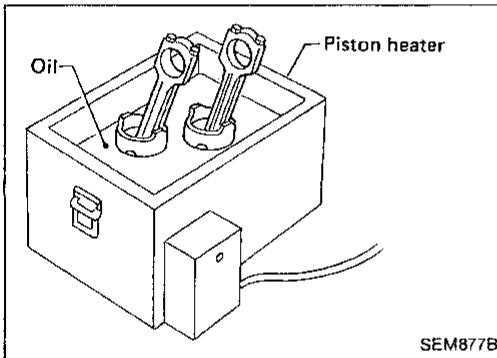
1. Place engine on a work stand.
2. Drain coolant and oil.
3. Remove oil pan and oil pump.
4. Remove timing belt.
5. Remove water pump.
6. Remove cylinder head.

LC

EF &  
EC

FE

CL



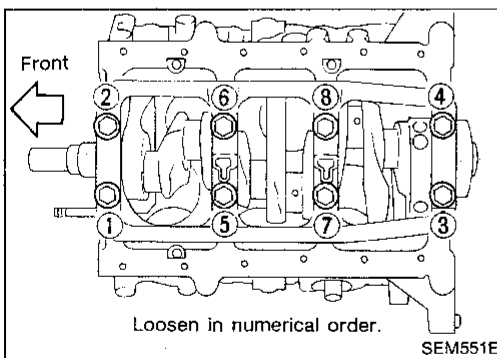
7. Remove pistons with connecting rods.
  - When disassembling piston and connecting rod, remove snap ring first, then heat piston to 60 to 70°C (140 to 158°F) or use piston pin press stand at room temperature.

MT

AT

TF

PD



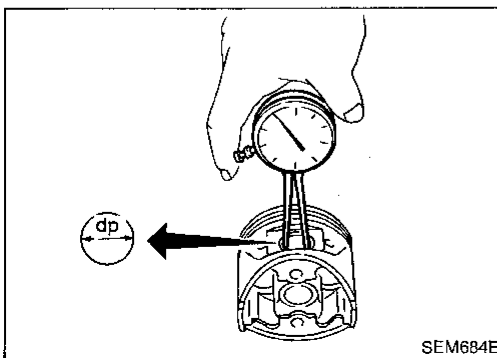
8. Remove bearing cap and crankshaft.
  - Before removing bearing cap, measure crankshaft end play.
  - Bolts should be loosened in two or three steps.

FA

RA

BR

ST



**Inspection**

**PISTON AND PISTON PIN CLEARANCE**

1. Measure inner diameter of piston pin hole "dp".
  - Standard diameter "dp":  
20.969 - 20.981 mm (0.8255 - 0.8260 in)

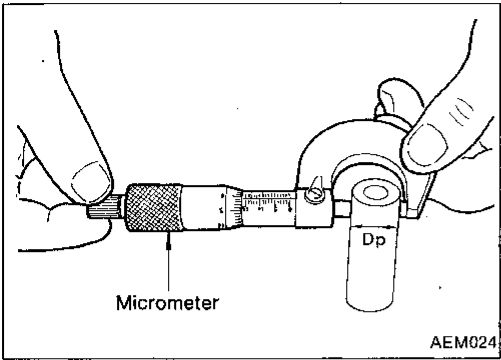
BF

HA

EL

IDX

**Inspection (Cont'd)**



2. Measure outer diameter of piston pin "Dp".

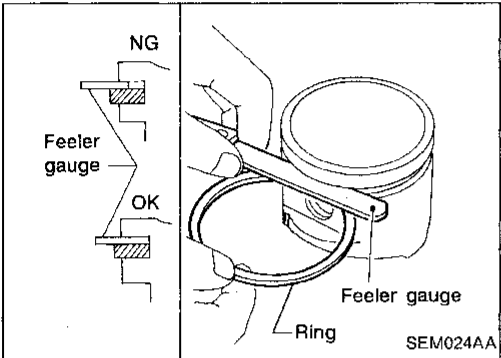
**Standard diameter "Dp":**

**20.971 - 20.983 mm (0.8256 - 0.8261 in)**

3. Calculate piston pin clearance.

**$dp - Dp = 0 - 0.004 \text{ mm (0 - 0.0002 in)}$**

If it exceeds the above value, replace piston assembly with pin.



**PISTON RING SIDE CLEARANCE**

**Side clearance:**

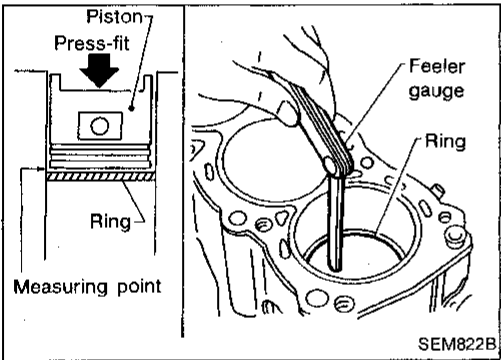
**Top ring: 0.040 - 0.073 mm (0.0016 - 0.0029 in)**

**2nd ring: 0.030 - 0.063 mm (0.0012 - 0.0025 in)**

**Max. limit of side clearance:**

**0.1 mm (0.004 in)**

If out of specification, replace piston and/or piston ring assembly.



**PISTON RING END GAP**

**End gap:**

**Top ring: 0.21 - 0.44 mm (0.0083 - 0.0173 in)**

**2nd ring: 0.18 - 0.44 mm (0.0071 - 0.0173 in)**

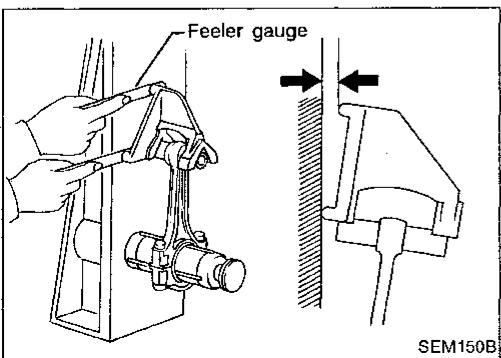
**Oil ring: 0.20 - 0.76 mm (0.0079 - 0.0299 in)**

**Max. limit of ring gap: 1.0 mm (0.039 in)**

If out of specification, replace piston ring. If gap still exceeds the limit even with a new ring, rebore cylinder and use oversized piston and piston rings.

**Refer to SDS (EM-49).**

- When replacing the piston, check the cylinder block surface for scratches or seizure. If scratches or seizure is found, hone or replace the cylinder block.



**CONNECTING ROD BEND AND TORSION**

**Bend:**

**Limit 0.15 mm (0.0059 in)**  
**per 100 mm (3.94 in) length**

**Torsion:**

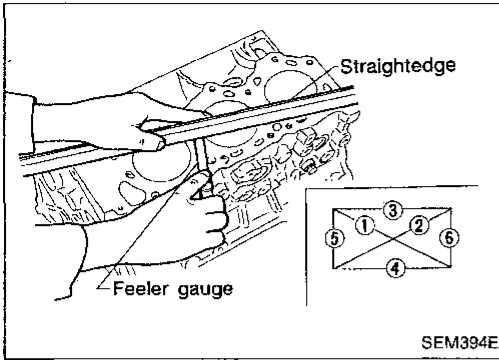
**Limit 0.30 mm (0.0118 in)**  
**per 100 mm (3.94 in) length**

If it exceeds the limit, replace connecting rod assembly.

# CYLINDER BLOCK

## Inspection (Cont'd)

### CYLINDER BLOCK DISTORTION AND WEAR



1. Clean upper face of cylinder block and measure the distortion.

Limit:  
0.10 mm (0.0039 in)

2. If out of specification, resurface it.  
The resurfacing limit is determined by cylinder head resurfacing in engine.

Amount of cylinder head resurfacing is "A".  
Amount of cylinder block resurfacing is "B".

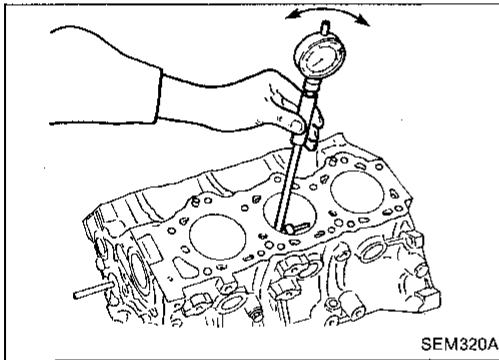
The maximum limit is as follows:

$$A + B = 0.2 \text{ mm (0.008 in)}$$

Nominal cylinder block height  
from crankshaft center:

$$227.60 - 227.70 \text{ mm (8.9606 - 8.9645 in)}$$

3. If necessary, replace cylinder block.



### PISTON-TO-BORE CLEARANCE

1. Using a bore gauge, measure cylinder bore for wear, out-of-round and taper.

Standard inner diameter:

$$87.000 - 87.030 \text{ mm (3.4252 - 3.4264 in)}$$

Wear limit:

$$0.20 \text{ mm (0.0079 in)}$$

If it exceeds the limit, rebore all cylinders. Replace cylinder block if necessary.

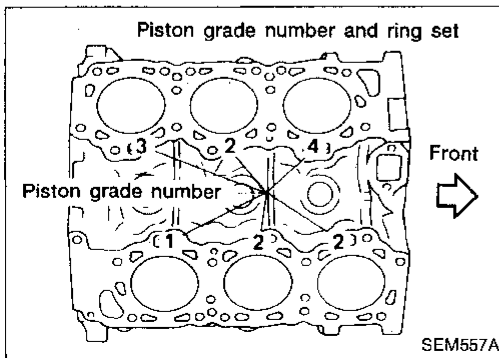
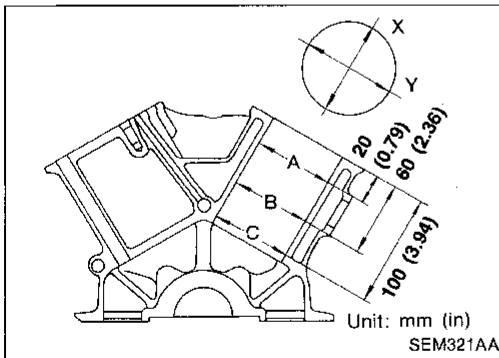
Out-of-round (X - Y) standard:

$$0.015 \text{ mm (0.0006 in)}$$

Taper (A - B or A - C) standard:

$$0.015 \text{ mm (0.0006 in)}$$

2. Check for scratches and seizure. If seizure is found, hone it.



- If both cylinder block and piston are replaced with new ones, select piston of the same grade number punched on cylinder block upper surface.

GI

MA

EM

LC

EF &  
EC

FE

CL

MT

AT

TF

PD

FA

RA

BR

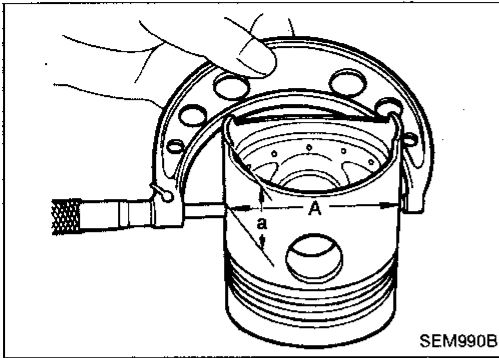
ST

BF

HA

EL

IDX



SEM990B

**Inspection (Cont'd)**

3. Measure piston skirt diameter.

**Piston diameter "A":**

**Refer to SDS (EM-49).**

**Measuring point "a" (Distance from the bottom):**

**18 mm (0.71 in)**

4. Check that piston-to-bore clearance is within specification.

**Piston-to-bore clearance "B":**

**0.015 - 0.035 mm (0.0006 - 0.0014 in)**

5. Determine piston oversize according to amount of cylinder wear.

**Oversize pistons are available for service. Refer to SDS (EM-49).**

6. Cylinder bore size is determined by adding piston-to-bore clearance to piston diameter "A".

**Rebored size calculation:**

$$D = A + B - C$$

where,

**D: Bored diameter**

**A: Piston diameter as measured**

**B: Piston-to-bore clearance**

**C: Honing allowance 0.02 mm (0.0008 in)**

7. Install main bearing caps, and tighten to the specified torque to prevent distortion of cylinder bores in final assembly.

8. Cut cylinder bores.

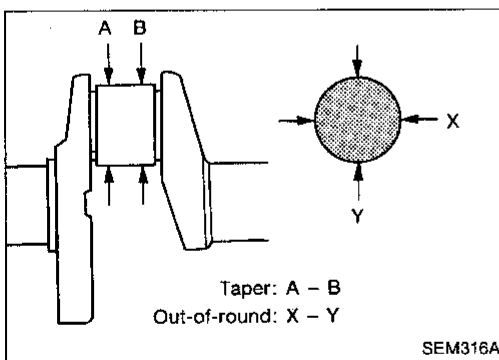
- **When any cylinder needs boring, all other cylinders must also be bored.**

- **Do not cut too much out of cylinder bore at a time. Cut only 0.05 mm (0.0020 in) or so in diameter at a time.**

9. Hone cylinders to obtain specified piston-to-bore clearance.

10. Measure finished cylinder bore for out-of-round and taper.

- **Measurement should be done after cylinder bore cools down.**



SEM316A

**CRANKSHAFT**

1. Check crankshaft main and pin journals for score, wear or cracks.

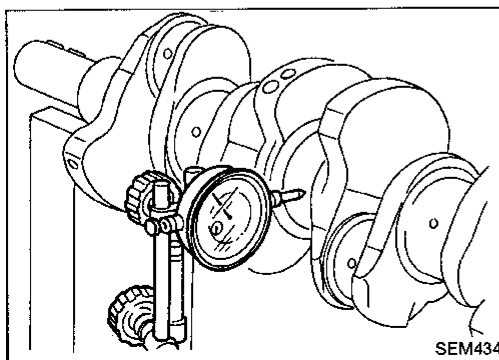
2. With a micrometer, measure journals for taper and out-of-round.

**Out-of-round (X - Y):**

**Less than 0.005 mm (0.0002 in)**

**Taper (A - B):**

**Less than 0.005 mm (0.0002 in)**



SEM434

3. Measure crankshaft runout.

**Runout (Total indicator reading):**

**Less than 0.10 mm (0.0039 in)**



# CYLINDER BLOCK

## Inspection (Cont'd)

### BEARING CLEARANCE

- Either of the following two methods may be used, however, method A gives more reliable results and is preferable.

#### Method A (Using bore gauge & micrometer)

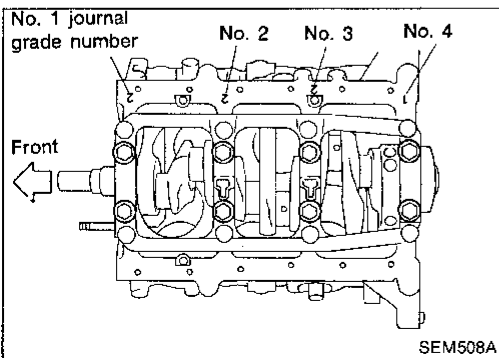
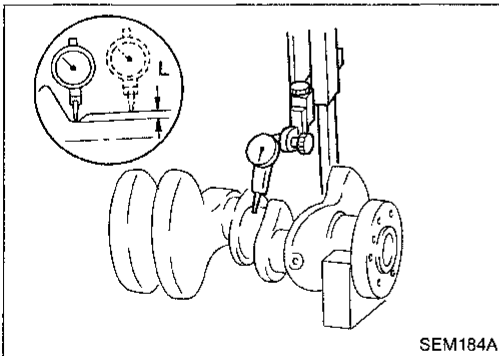
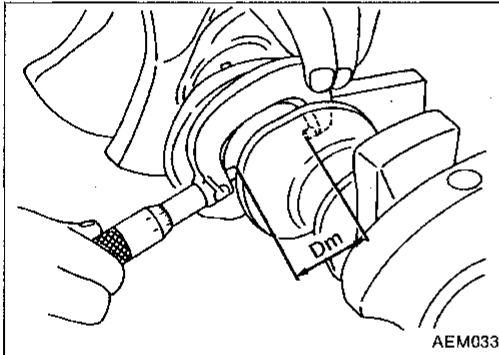
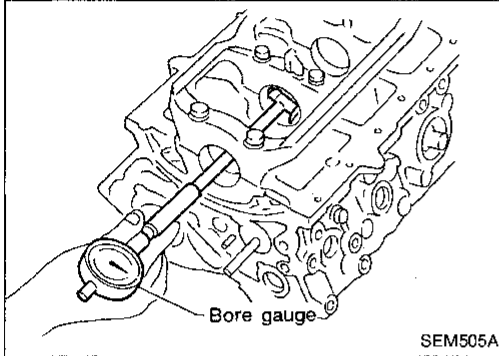
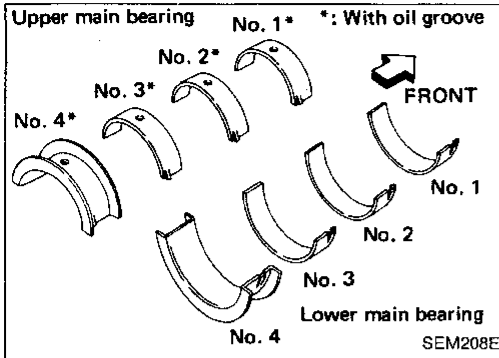
#### Main bearing

1. Set main bearings in their proper positions on cylinder block and main bearing cap.

2. Install main bearing cap to cylinder block.

**Tighten all bolts in correct order in two or three stages.**

3. Measure inner diameter "A" of each main bearing.



4. Measure outer diameter "Dm" of each crankshaft main journal.

5. Calculate main bearing clearance.

**Main bearing clearance (A – Dm):**

**Standard**

**0.028 - 0.055 mm (0.0011 - 0.0022 in)**

**Limit**

**0.090 mm (0.0035 in)**

6. If it exceeds the limit, replace bearing.
7. If clearance cannot be adjusted within the standard of any bearing, grind crankshaft journal and use undersized bearing.

- a. When grinding crankshaft journal, confirm that "L" dimension in fillet roll is more than the specified limit.

**"L": 0.1 mm (0.004 in)**

- b. Refer to SDS for grinding crankshaft and available service parts.

8. If crankshaft is reused, measure main bearing clearances and select thickness of main bearings.

If crankshaft is replaced with a new one, it is necessary to select thickness of main bearings as follows:

- a. Grade number of each cylinder block main journal is punched on the respective cylinder block. These numbers are punched in either Arabic or Roman numerals.

GI

MA

EM

LC

EF &  
EC

FE

CL

MT

AT

TF

PD

FA

RA

BR

ST

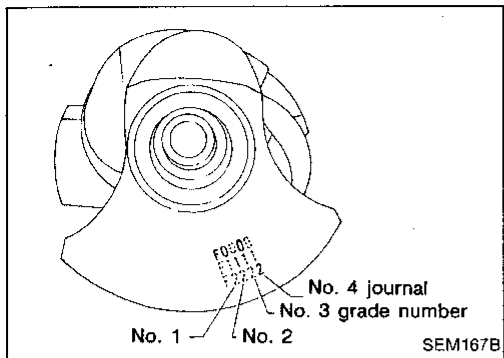
BF

HA

EL

IDX

**Inspection (Cont'd)**



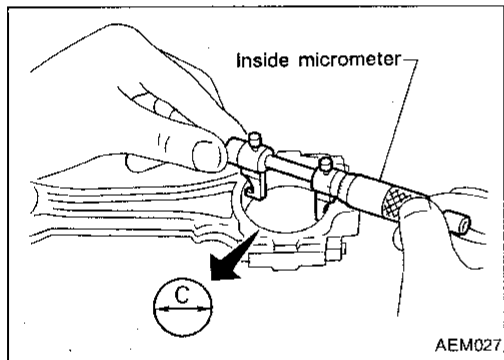
- b. Grade number of each crankshaft main journal is punched on the respective crankshaft. These numbers are punched in either Arabic or Roman numerals.
- c. Select main bearing with suitable thickness according to the following example or table.

For example:

Main journal grade number: 1  
 Crankshaft journal grade number: 2  
 Main bearing grade number = 1 + 2  
 = 3 (Yellow)

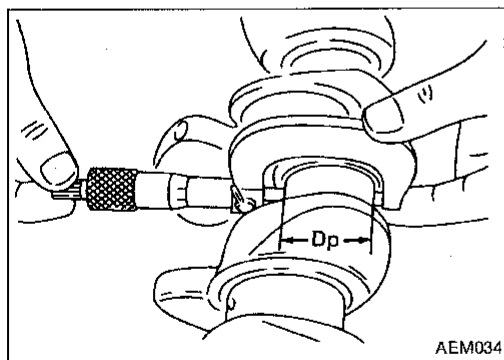
**Main bearing grade number and identification color:**

		Main journal grade number		
		"0"	"1" or "I"	"2" or "II"
Crankshaft journal grade number	"0"	0 (Black)	1 (Brown)	2 (Green)
	"1" or "I"	1 (Brown)	2 (Green)	3 (Yellow)
	"2" or "II"	2 (Green)	3 (Yellow)	4 (Blue)



**Connecting rod bearing (Big end)**

- 1. Install connecting rod bearing to connecting rod and cap.
  - 2. Install connecting rod cap to connecting rod.
- Tighten bolts to the specified torque.**
- 3. Measure inner diameter "C" of each bearing.



- 4. Measure outer diameter "Dp" of each crankshaft pin journal.
- 5. Calculate connecting rod bearing clearance.

**Connecting rod bearing clearance (C - Dp):**

**Standard**

0.014 - 0.054 mm (0.0006 - 0.0021 in)

**Limit**

0.090 mm (0.0035 in)

- 6. If it exceeds the limit, replace bearing.
- 7. If clearance cannot be adjusted within the standard of any bearing, grind crankshaft journal and use undersized bearing.

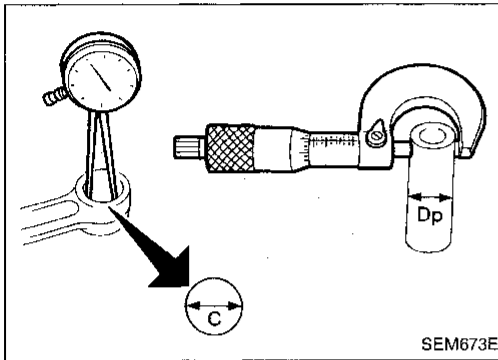
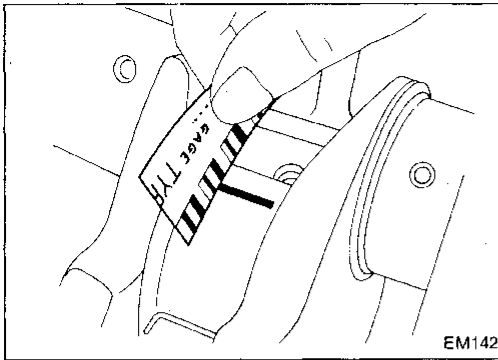
Refer to step 7 of "BEARING CLEARANCE — Main bearing" (EM-41).

Inspection (Cont'd)

Method B (Using plastigage)

CAUTION:

- Do not turn crankshaft or connecting rod while plastigage is being inserted.
- When bearing clearance exceeds the specified limit, ensure that the proper bearing has been installed. Then if excessive bearing clearance exists, use a thicker main bearing or undersized bearing so that the specified bearing clearance is obtained.

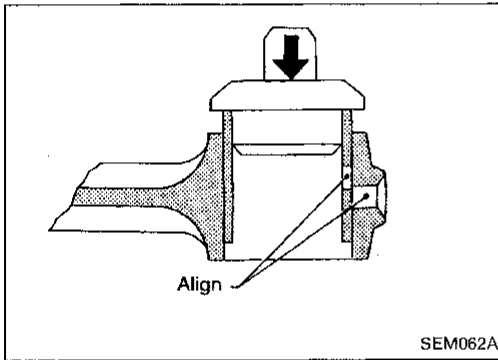


CONNECTING ROD BUSHING CLEARANCE (Small end)

1. Measure inner diameter "C" of bushing.
2. Measure outer diameter "Dp" of piston pin.
3. Calculate connecting rod bushing clearance.

Connecting rod bushing clearance = C - Dp  
 Standard: 0.005 - 0.017 mm (0.0002 - 0.0007 in)  
 Limit: 0.023 mm (0.0009 in)

If it exceeds the limit, replace connecting rod assembly or connecting rod bushing and/or piston set with pin.

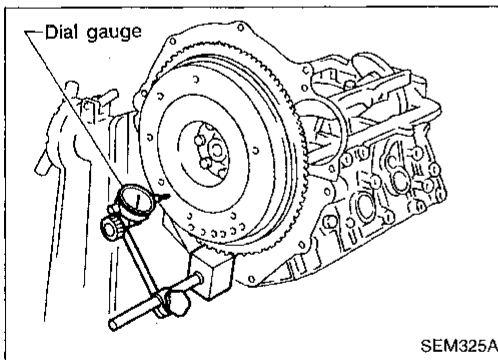


REPLACEMENT OF CONNECTING ROD BUSHING (Small end)

1. Drive in small end bushing until it is flush with end surface of rod.
2. After driving in small end bushing, ream the bushing so that clearance between connecting rod bushing and piston pin is the specified value.

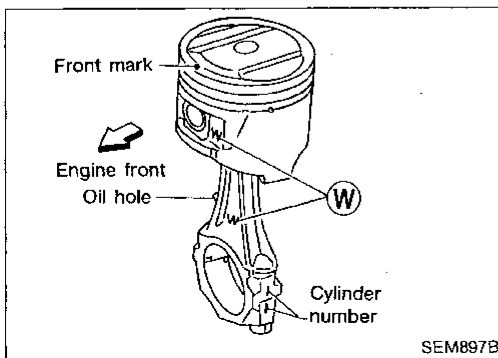
Be sure to align the oil holes.

Clearance between connecting rod bushing and piston pin:  
 0.005 - 0.017 mm (0.0002 - 0.0007 in)



FLYWHEEL/DRIVE PLATE RUNOUT

- Runout (Total indicator reading):  
 Flywheel (M/T model)  
 Less than 0.15 mm (0.0059 in)  
 Drive plate (A/T model)  
 Less than 0.15 mm (0.0059 in)



Assembly

PISTON

1. Install new snap ring on one side of piston pin hole.
  2. Heat piston to 60 to 70°C (140 to 158°F) and assemble piston, piston pin, connecting rod and new snap ring.
- Align the direction of piston and connecting rod.
  - Numbers stamped on connecting rod and cap correspond to each cylinder.
  - After assembly, make sure connecting rod swings smoothly.

GI

MA

EM

LC

EF & EC

FE

CL

MT

AT

TF

PD

FA

RA

BR

ST

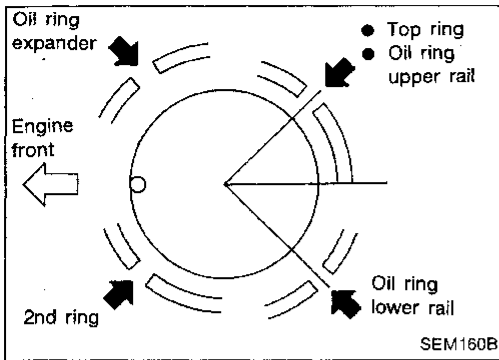
BF

HA

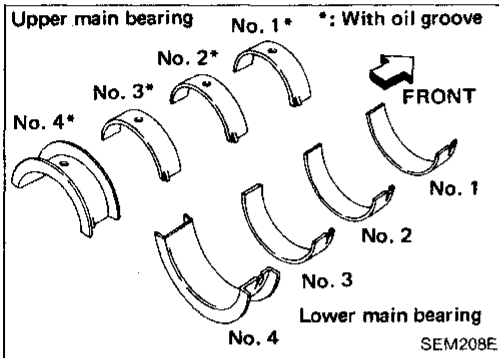
EL

IDX

Assembly (Cont'd)



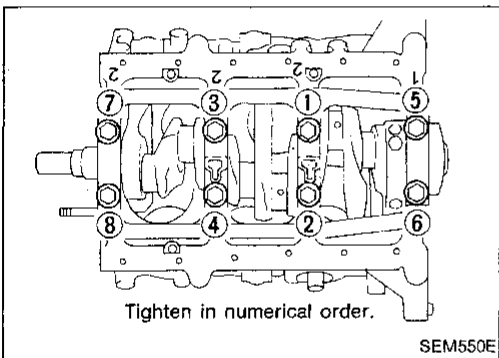
3. Set piston rings as shown.



CRANKSHAFT

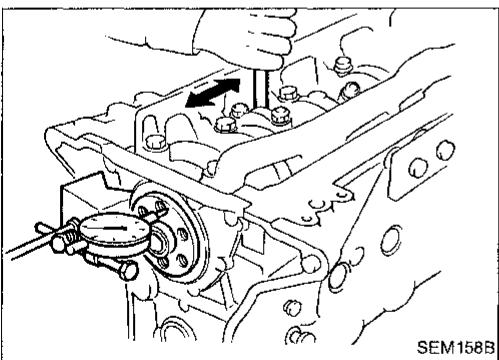
1. Set main bearings in their proper positions on cylinder block and main bearing cap.

● Confirm that correct main bearings are used. Refer to "Inspection" in this section (EM-40).



2. Install crankshaft and main bearing caps and tighten bolts to the specified torque.

- Prior to tightening bearing cap bolts, place bearing cap in its proper position by shifting crankshaft in the axial direction.
- Tighten bearing cap bolts gradually in two or three stages. Start with center bearing and move outward sequentially.
- After securing bearing cap bolts, make sure crankshaft turns smoothly by hand.



3. Measure crankshaft end play.

Crankshaft end play:

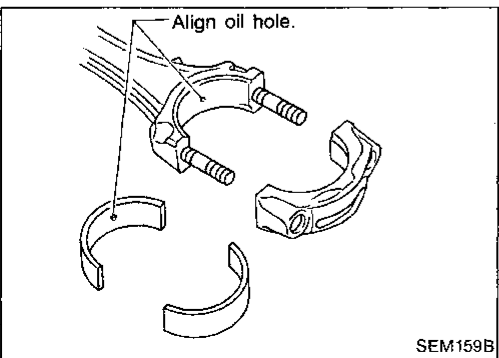
Standard

0.050 - 0.170 mm (0.0020 - 0.0067 in)

Limit

0.30 mm (0.0118 in)

If beyond the limit, replace bearing with a new one.



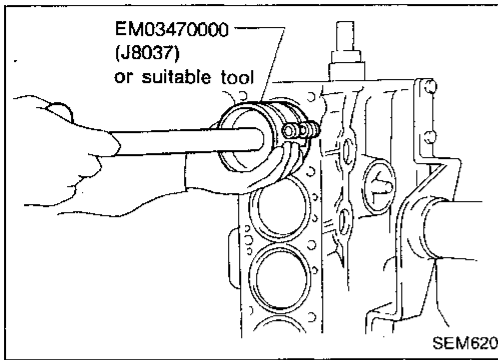
4. Install connecting rod bearings in connecting rods and connecting rod caps.

● Confirm that correct bearings are used. Refer to "Inspection".

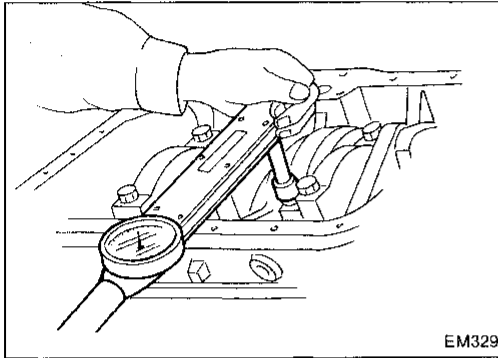
● Install bearings so that oil hole in connecting rod aligns with oil hole of bearing.

# CYLINDER BLOCK

## Assembly (Cont'd)

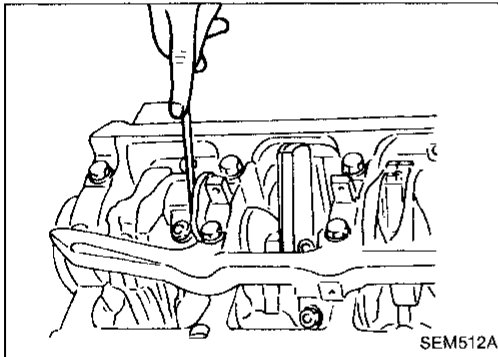


5. Install pistons with connecting rods.
  - a. Install them into corresponding cylinders with Tool.
    - Be careful not to scratch cylinder wall by connecting rod.
    - Arrange so that front mark on piston head faces toward front of engine.



- b. Install connecting rod bearing caps. Tighten connecting rod bearing cap nuts to the specified torque.

- Connecting rod bearing nut**
- (1) Tighten to 14 to 16 N·m (1.4 to 1.6 kg-m, 10 to 12 ft-lb).
  - (2) Turn nuts 60 to 65 degrees clockwise. If an angle wrench is not available, tighten nuts to 38 to 44 N·m (3.9 to 4.5 kg-m, 28 to 33 ft-lb).



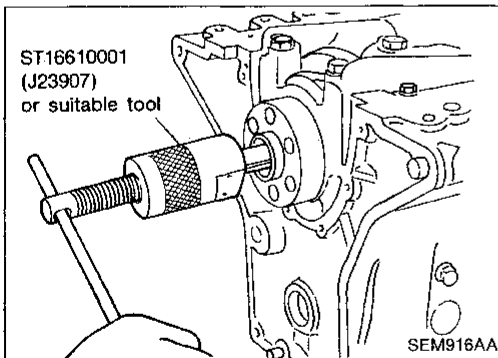
6. Measure connecting rod side clearance.
 

**Connecting rod side clearance:**

**Standard**  
0.20 - 0.35 mm (0.0079 - 0.0138 in)

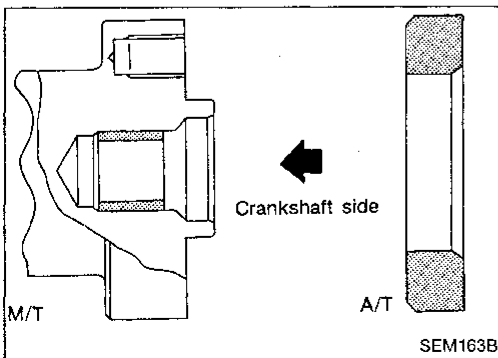
**Limit**  
0.40 mm (0.0157 in)

If beyond the limit, replace connecting rod and/or crankshaft.



## REPLACING PILOT BUSHING

1. Remove pilot bushing (M/T) or pilot converter (A/T).



2. Install pilot bushing (M/T) or pilot converter (A/T).

GI

MA

EM

LC

EF &  
EC

FE

CL

MT

AT

TF

PD

FA

RA

BR

ST

BF

HA

EL

IDX

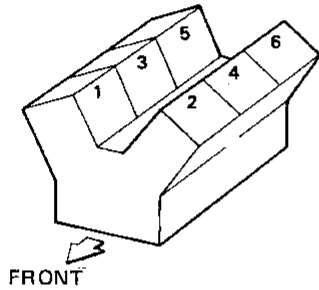
**General Specifications**

Unit: kPa (kg/cm<sup>2</sup>, psi)/300 rpm

Cylinder arrangement	V-6	
Displacement	cm <sup>3</sup> (cu in)	2,960 (180.62)
Bore and stroke	mm (in)	87 x 83 (3.43 x 3.27)
Valve arrangement	OHC	
Firing order	1-2-3-4-5-6	
Number of piston rings		
Compression	2	
Oil	1	
Number of main bearings	4	
Compression ratio	9.0	

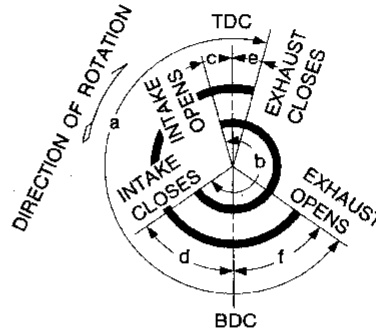
Compression pressure		
Standard	1,196 (12.2, 173)	
Minimum	883 (9.0, 128)	
Differential limit between cylinders	98 (1.0, 14)	

Cylinder number



SEM713A

Valve timing



EM120  
Unit: degree

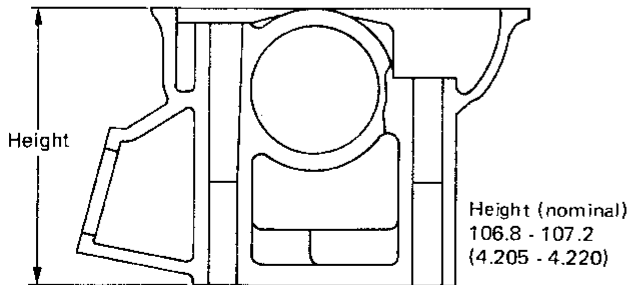
a	b	c	d	e	f
248	248	10	58	10	58

**Inspection and Adjustment**

**CYLINDER HEAD**

Unit: mm (in)

	Standard	Limit
Head surface distortion	Less than 0.03 (0.0012)	0.1 (0.004)

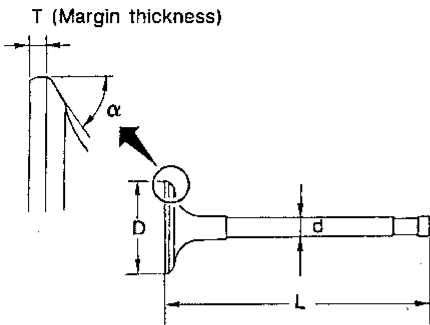


SEM082B

**Inspection and Adjustment (Cont'd)**

**VALVE**

Unit: mm (in)



SEM188

<b>Valve head diameter "D"</b>	
Intake	42.0 - 42.2 (1.654 - 1.661)
Exhaust	35.0 - 35.2 (1.378 - 1.386)
<b>Valve length "L"</b>	
Intake	125.3 - 125.9 (4.933 - 4.957)
Exhaust	124.2 - 124.8 (4.890 - 4.913)
<b>Valve stem diameter "d"</b>	
Intake	6.965 - 6.980 (0.2742 - 0.2748)
Exhaust	7.965 - 7.970 (0.3136 - 0.3138)
<b>Valve seat angle "α"</b>	
Intake	45°15' - 45°45'
Exhaust	
<b>Valve margin "T"</b>	
Intake	1.15 - 1.45 (0.0453 - 0.0571)
Exhaust	1.35 - 1.65 (0.0531 - 0.0650)
<b>Valve margin "T" limit</b>	More than 0.5 (0.020)
<b>Valve stem end surface grinding limit</b>	Less than 0.2 (0.008)
<b>Valve clearance</b>	
Intake	0 (0)
Exhaust	0 (0)

**Valve spring**

<b>Free height</b>	mm (in)	Outer	51.2 (2.016)
		Inner	44.1 (1.736)
<b>Pressure</b> N (kg, lb) at height mm (in)		Outer	523.7 (53.4, 117.7) at 30.0 (1.181)
		Inner	255.0 (26.0, 57.3) at 25.0 (0.984)
<b>Out-of-square</b>	mm (in)	Outer	2.2 (0.087)
		Inner	1.9 (0.075)

**Hydraulic valve lifter**

Unit: mm (in)

Lifter outside diameter	15.947 - 15.957 (0.6278 - 0.6282)
Lifter guide inside diameter	16.000 - 16.013 (0.6299 - 0.6304)
Clearance between lifter and lifter guide	0.043 - 0.066 (0.0017 - 0.0026)

**Valve guide**

Unit: mm (in)

		Standard	Service
<b>Valve guide</b>			
Outer diameter	Inner	11.023 - 11.034 (0.4340 - 0.4344)	11.223 - 11.234 (0.4418 - 0.4423)
	Exhaust	12.023 - 12.034 (0.4733 - 0.4738)	12.223 - 12.234 (0.4812 - 0.4817)
<b>Valve guide</b>			
Inner diameter (Finished size)	Intake	7.000 - 7.018 (0.2756 - 0.2763)	
	Exhaust	8.000 - 8.018 (0.3150 - 0.3157)	
Cylinder head valve guide hole diameter	Intake	10.975 - 10.996 (0.4321 - 0.4329)	11.175 - 11.196 (0.4400 - 0.4408)
	Exhaust	11.975 - 11.996 (0.4715 - 0.4723)	12.175 - 12.196 (0.4793 - 0.4802)
Interference fit of valve guide	Intake	0.027 - 0.059 (0.0011 - 0.0023)	
	Exhaust		
		Standard	Max. tolerance
Stem to guide clearance	Intake	0.020 - 0.053 (0.0008 - 0.0021)	0.10 (0.0039)
	Exhaust	0.040 - 0.073 (0.0016 - 0.0029)	
<b>Valve deflection limit</b>		—	0.20 (0.0079)

**Rocker shaft and rocker arm**

Unit: mm (in)

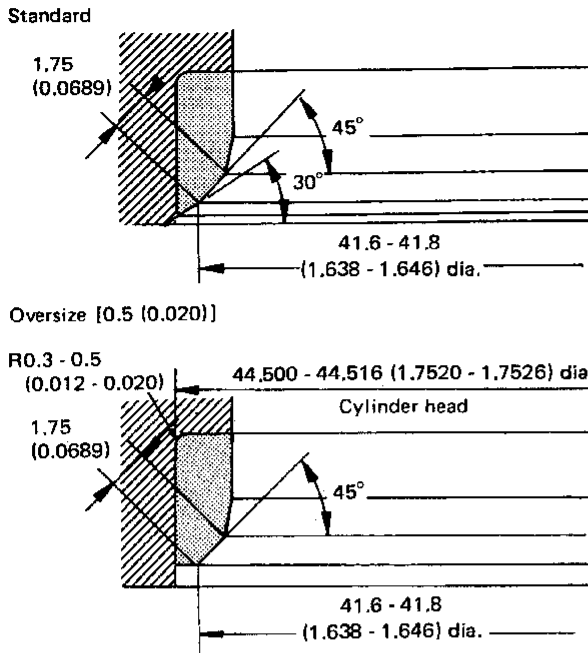
<b>Rocker shaft</b>		
Outer diameter		17.979 - 18.000 (0.7078 - 0.7087)
<b>Rocker arm</b>		
Inner diameter		18.007 - 18.028 (0.7089 - 0.7098)
Clearance between rocker arm and rocker shaft		0.007 - 0.049 (0.0003 - 0.0019)

Inspection and Adjustment (Cont'd)

CAMSHAFT AND CAMSHAFT BEARING

Unit: mm (in)

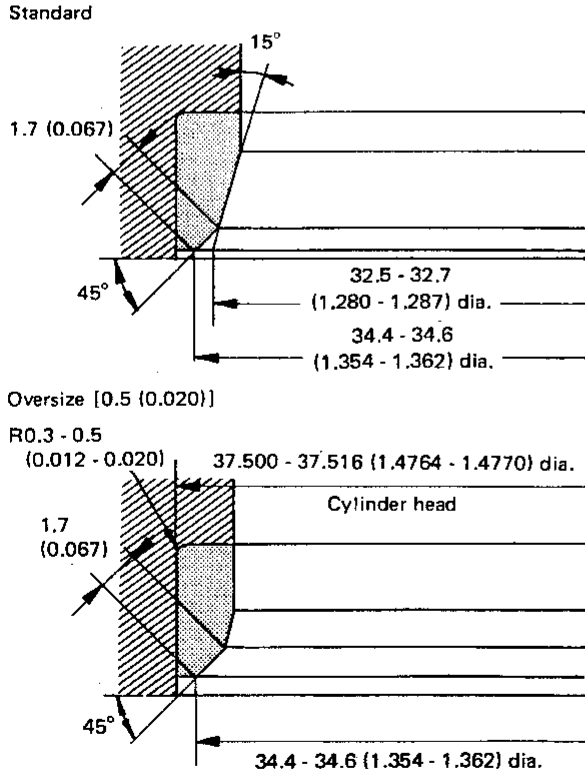
Intake valve seat



Unit: mm (in)

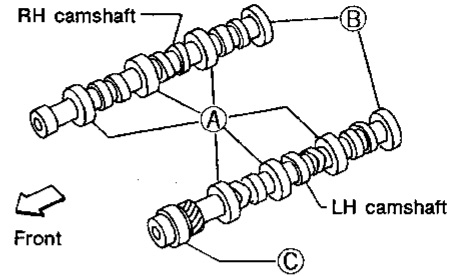
SEM755A

Exhaust valve seat

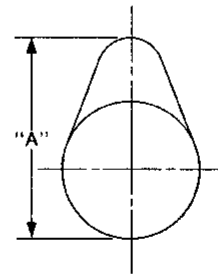


Unit: mm (in)

SEM756A



SEM893BA		
	Standard	Max. tolerance
Camshaft journal to bearing clearance	0.045 - 0.090 (0.0018 - 0.0035)	0.15 (0.0059)
Inner diameter of camshaft bearing	(A): 47.000 - 47.025 (1.8504 - 1.8514)	—
	(B): 42.500 - 42.525 (1.6732 - 1.6742)	—
	(C): 48.000 - 48.025 (1.8898 - 1.8907)	—
Outer diameter of camshaft journal	(A): 46.920 - 46.940 (1.8472 - 1.8480)	—
	(B): 42.420 - 42.440 (1.6701 - 1.6709)	—
	(D): 47.920 - 47.940 (1.8866 - 1.8874)	—
Camshaft runout [TIR*]	Less than 0.04 (0.0016)	0.1 (0.004)
Camshaft end play	0.03 - 0.06 (0.0012 - 0.0024)	—



EM671

Cam height "A"	
Intake	39.537 - 39.727 (1.5566 - 1.5641)
Exhaust	
Wear limit of cam height	0.15 (0.0059)

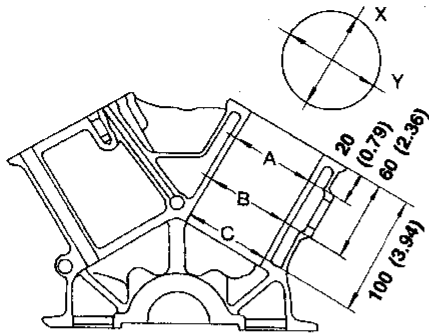
\*Total indicator reading



**Inspection and Adjustment (Cont'd)**

**CYLINDER BLOCK**

Unit: mm (in)



SEM321A

Surface flatness	
Standard	Less than 0.03 (0.0012)
Limit	0.10 (0.0039)
Cylinder bore	
Inner diameter	
Standard	
Grade No. 1	87.000 - 87.010 (3.4252 - 3.4256)
Grade No. 2	87.010 - 87.020 (3.4256 - 3.4260)
Grade No. 3	87.020 - 87.030 (3.4260 - 3.4264)
Wear limit	0.20 (0.0079)
Out-of-round (X — Y)	Less than 0.015 (0.0006)
Taper (A — B or A — C)	Less than 0.015 (0.0006)
Main journal inner diameter	
Grade No. 0	66.645 - 66.654 (2.6238 - 2.6242)
Grade No. 1	66.654 - 66.663 (2.6242 - 2.6245)
Grade No. 2	66.663 - 66.672 (2.6245 - 2.6249)
Difference in inner diameter between cylinders	
Standard	Less than 0.05 (0.0020)

**CONNECTING ROD**

Unit: mm (in)

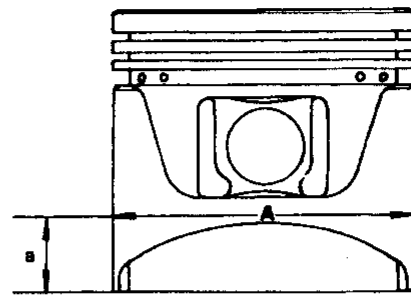
Center distance	154.1 - 154.2 (6.067 - 6.071)
Bend, torsion [per 100 (3.94)]	
Limit	Bend: 0.15 (0.0059) Torsion: 0.30 (0.0118)
Piston pin bushing inner diameter*	20.982 - 20.994 (0.8261 - 0.8265)
Connecting rod big end inner diameter	53.000 - 53.013 (2.0866 - 2.0871)
Side clearance	
Standard	0.20 - 0.35 (0.0079 - 0.0138)
Limit	0.40 (0.0157)

\*After installing in connecting rod

**PISTON, PISTON RING AND PISTON PIN**

**Available piston**

Unit: mm (in)



SEM891B

Piston skirt diameter "A"	
Standard	
Grade No. 1	86.965 - 86.975 (3.4238 - 3.4242)
Grade No. 2	86.975 - 86.985 (3.4242 - 3.4246)
Grade No. 3	86.985 - 86.995 (3.4246 - 3.4250)
0.25 (0.0098) oversize (Service)	87.215 - 87.265 (3.4337 - 3.4356)
0.50 (0.0197) oversize (Service)	87.465 - 87.515 (3.4435 - 3.4455)
"a" dimension	18 (0.71)
Piston pin hole diameter	20.969 - 20.981 (0.8255 - 0.8260)
Piston clearance to cylinder block	0.015 - 0.035 (0.0006 - 0.0014)

**Piston ring**

Unit: mm (in)

	Standard	Limit
Side clearance		
Top	0.040 - 0.073 (0.0016 - 0.0029)	0.1 (0.004)
2nd	0.030 - 0.063 (0.0012 - 0.0025)	
Oil	0.015 - 0.19 (0.0006 - 0.0075)	—
Ring gap		
Top	0.21 - 0.44 (0.0083 - 0.0173)	1.0 (0.039)
2nd	0.18 - 0.44 (0.0071 - 0.0173)	
Oil (rail ring)	0.20 - 0.76 (0.0079 - 0.0299)	

Inspection and Adjustment (Cont'd)

Piston pin

Unit: mm (in)

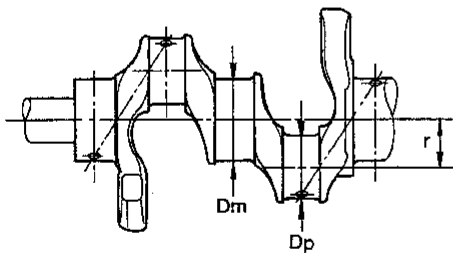
Piston pin outer diameter	20.971 - 20.983 (0.8256 - 0.8261)
Interference fit of piston pin to piston	0 - 0.004 (0 - 0.0002)
Piston pin to connecting rod bushing clearance	0.005 - 0.017 (0.0002 - 0.0007)

\*Values measured at ambient temperature of 20°C (68°F)

CRANKSHAFT

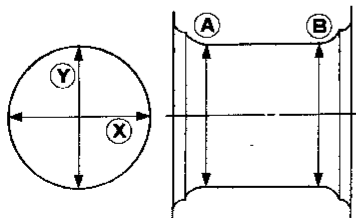
Unit: mm (in)

Main journal dia. "Dm"	
Grade No. 0	62.967 - 62.975 (2.4790 - 2.4793)
Grade No. 1	62.959 - 62.967 (2.4787 - 2.4790)
Grade No. 2	62.951 - 62.959 (2.4784 - 2.4787)
Pin journal dia. "Dp"	
	49.955 - 49.974 (1.9667 - 1.9675)
Center distance "r"	
	41.5 (1.634)
Out-of-round (X — Y)	
Standard	Less than 0.005 (0.0002)
Taper (A — B)	
Standard	Less than 0.005 (0.0002)
Runout [TIR]	
Standard	Less than 0.025 (0.0010)
Limit	Less than 0.10 (0.0039)
Free end play	
Standard	0.050 - 0.170 (0.0020 - 0.0067)
Limit	0.30 (0.0118)



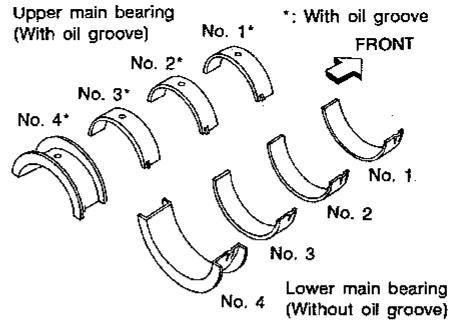
SEM645

Out-of-round (X) - (Y)  
Taper (A) - (B)



SEM715

AVAILABLE MAIN BEARING



SEM327A

No. 1 main bearing

Grade number	Thickness "T" mm (in)	Width "W" mm (in)	Identification color
0	1.817 - 1.821 (0.0715 - 0.0717)		Black
1	1.821 - 1.825 (0.0717 - 0.0719)		Brown
2	1.825 - 1.829 (0.0719 - 0.0720)	22.4 - 22.6 (0.882 - 0.890)	Green
3	1.829 - 1.833 (0.0720 - 0.0722)		Yellow
4	1.833 - 1.837 (0.0722 - 0.0723)		Blue

No. 2 and 3 main bearing

Grade number	Thickness "T" mm (in)	Width "W" mm (in)	Identification color
0	1.817 - 1.821 (0.0715 - 0.0717)		Black
1	1.821 - 1.825 (0.0717 - 0.0719)		Brown
2	1.825 - 1.829 (0.0719 - 0.0720)	18.9 - 19.1 (0.744 - 0.752)	Green
3	1.829 - 1.833 (0.0720 - 0.0722)		Yellow
4	1.833 - 1.837 (0.0722 - 0.0723)		Blue

**Inspection and Adjustment (Cont'd)**

**No. 4 main bearing**

Grade number	Thickness "T" mm (in)	Identification color
0	1.817 - 1.821 (0.0715 - 0.0717)	Black
1	1.821 - 1.825 (0.0717 - 0.0719)	Brown
2	1.825 - 1.829 (0.0719 - 0.0720)	Green
3	1.829 - 1.833 (0.0720 - 0.0722)	Yellow
4	1.833 - 1.837 (0.0722 - 0.0723)	Blue

GI

MA

**EM**

LC

EF &  
EC

FE

**Main bearing 0.25 mm (0.0098 in) undersize**

Unit: mm (in)

Thickness "T"	1.948 - 1.956 (0.0767 - 0.0770)
---------------	---------------------------------

**AVAILABLE CONNECTING ROD BEARING**

**Connecting rod bearing undersize**

Unit: mm (in)

	Thickness	Crank pin journal diameter "Dp"
Standard	1.502 - 1.506 (0.0591 - 0.0593)	49.955 - 49.974 (1.9667 - 1.9675)
Undersize		Grind so that bearing clearance is the specified value.
0.08 (0.0031)	1.542 - 1.546 (0.0607 - 0.0609)	
0.12 (0.0047)	1.562 - 1.566 (0.0615 - 0.0617)	
0.25 (0.0098)	1.627 - 1.631 (0.0641 - 0.0642)	

MT

AT

TF

PD

**MISCELLANEOUS COMPONENTS**

Unit: mm (in)

Flywheel/Drive plate	
Runout [TIR]	Less than 0.15 (0.0059)

FA

RA

**Bearing clearance**

Unit: mm (in)

Main bearing clearance	
Standard	0.028 - 0.055 (0.0011 - 0.0022)
Limit	0.090 (0.0035)
Connecting rod bearing clearance	
Standard	0.014 - 0.054 (0.0006 - 0.0021)
Limit	0.090 (0.0035)

BR

ST

BF

HA

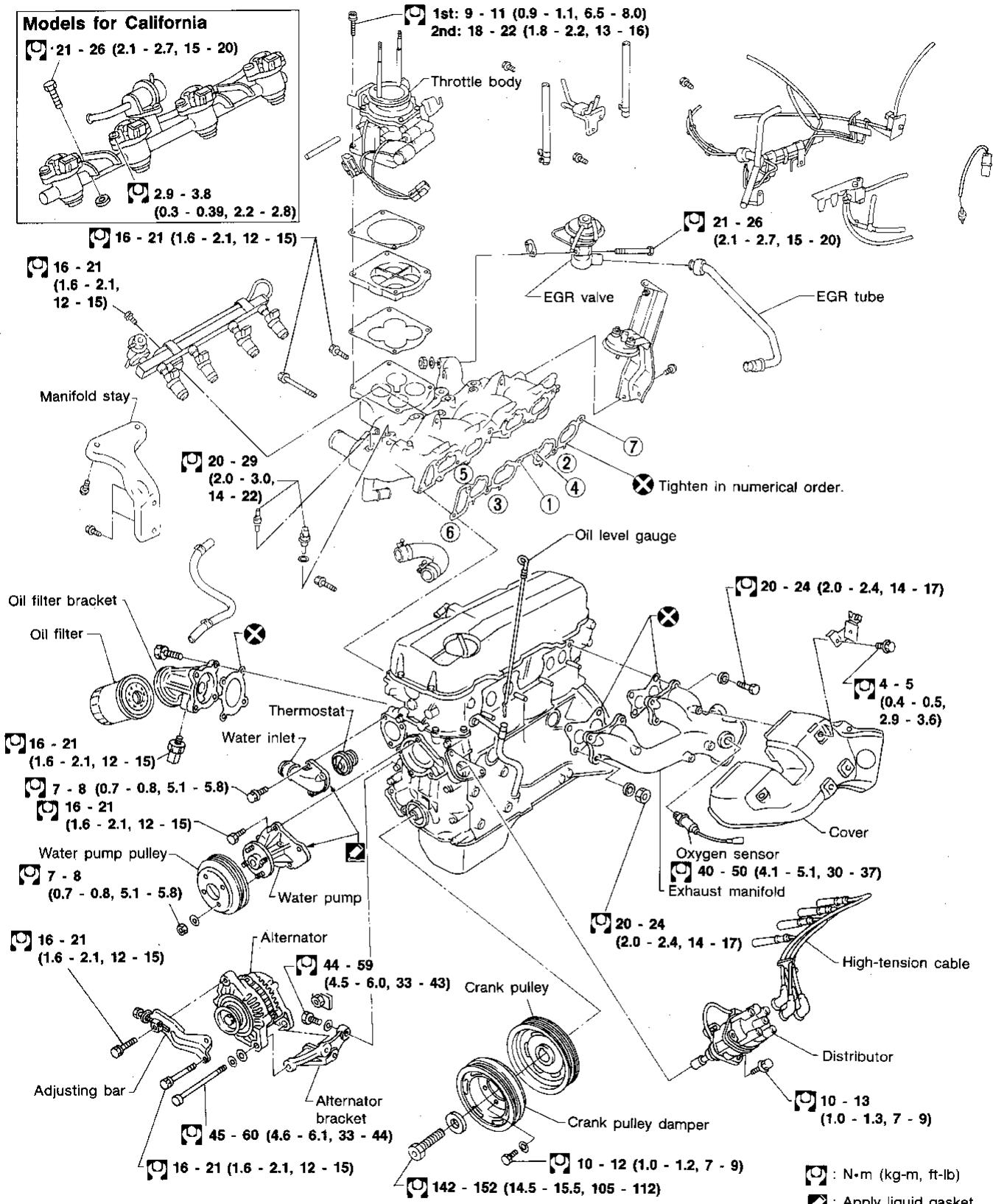
EL

IDX

**Models for California**

21 - 26 (2.1 - 2.7, 15 - 20)

2.9 - 3.8  
(0.3 - 0.39, 2.2 - 2.8)



: N·m (kg·m, ft·lb)  
 : Apply liquid gasket.

**Measurement of Compression Pressure**

1. Warm up engine.
2. Turn ignition switch off.
3. Disconnect fusible link for injectors.
4. Remove all spark plugs.
5. Disconnect distributor center cable.

GI

MA

EM

LC

EF &  
EC

FE

CL

MT

AT

TF

PD

FA

RA

BR

ST

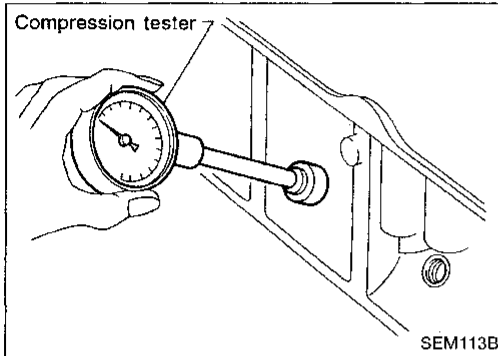
BF

HA

EL

IDX

115



6. Attach a compression tester to No. 1 cylinder.
7. Depress accelerator pedal fully to keep throttle valve wide open.
8. Crank engine and record highest gauge indication.
9. Repeat the measurement on each cylinder as shown above.

- Always use a fully-charged battery to obtain specified engine speed.

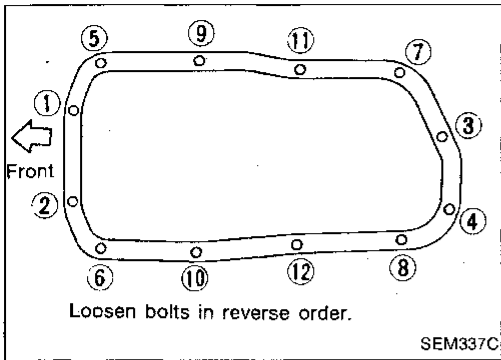
**Compression pressure:**  
kPa (kg/cm<sup>2</sup>, psi)/rpm

**Standard**  
1,324 (13.5, 192)/300

**Minimum**  
981 (10, 142)/300

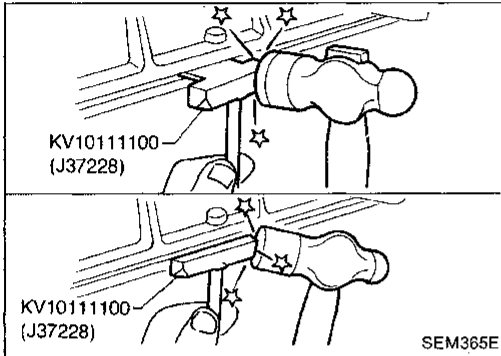
**Difference limit between cylinders**  
98 (1.0, 14)/300

10. If cylinder compression in one or more cylinders is low, pour a small amount of engine oil into cylinders through spark plug holes and retest compression.
  - If adding oil improves cylinder compression, piston rings may be worn or damaged. If so, replace piston rings after checking piston.
  - If pressure stays low, a valve may be sticking or seating improperly. Inspect and repair valve and valve seat. (Refer to SDS) If valve or valve seat is damaged excessively, replace them.
  - If compression in any two adjacent cylinders is low and if adding oil does not improve compression, there is leakage past the gasket surface. If so, replace cylinder head gasket.

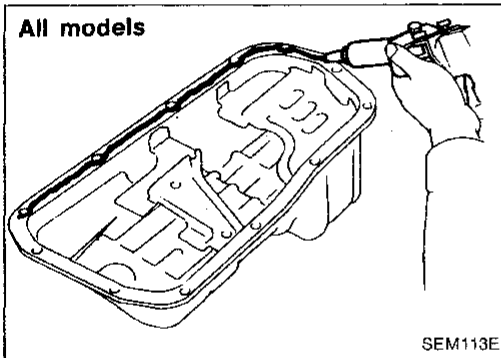


**Removal**

1. Raise vehicle and support it with safety stands.
2. Drain engine oil.
3. Remove front stabilizer bar securing bolts and nuts from side member.
4. Lift engine.
5. Remove oil pan bolts.

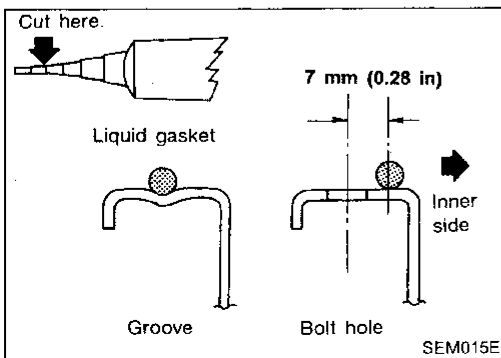
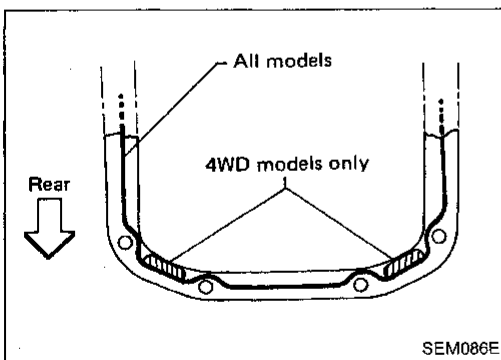


6. Remove oil pan.
  - (1) Insert Tool between cylinder block and oil pan.
    - Do not drive seal cutter into oil pump or rear oil seal retainer portion, or aluminum mating face will be damaged.
    - Do not insert screwdriver, or oil pan flange will be deformed.
  - (2) Slide Tool by tapping its side with a hammer, and remove oil pan.
7. Pull out oil pan from front side.

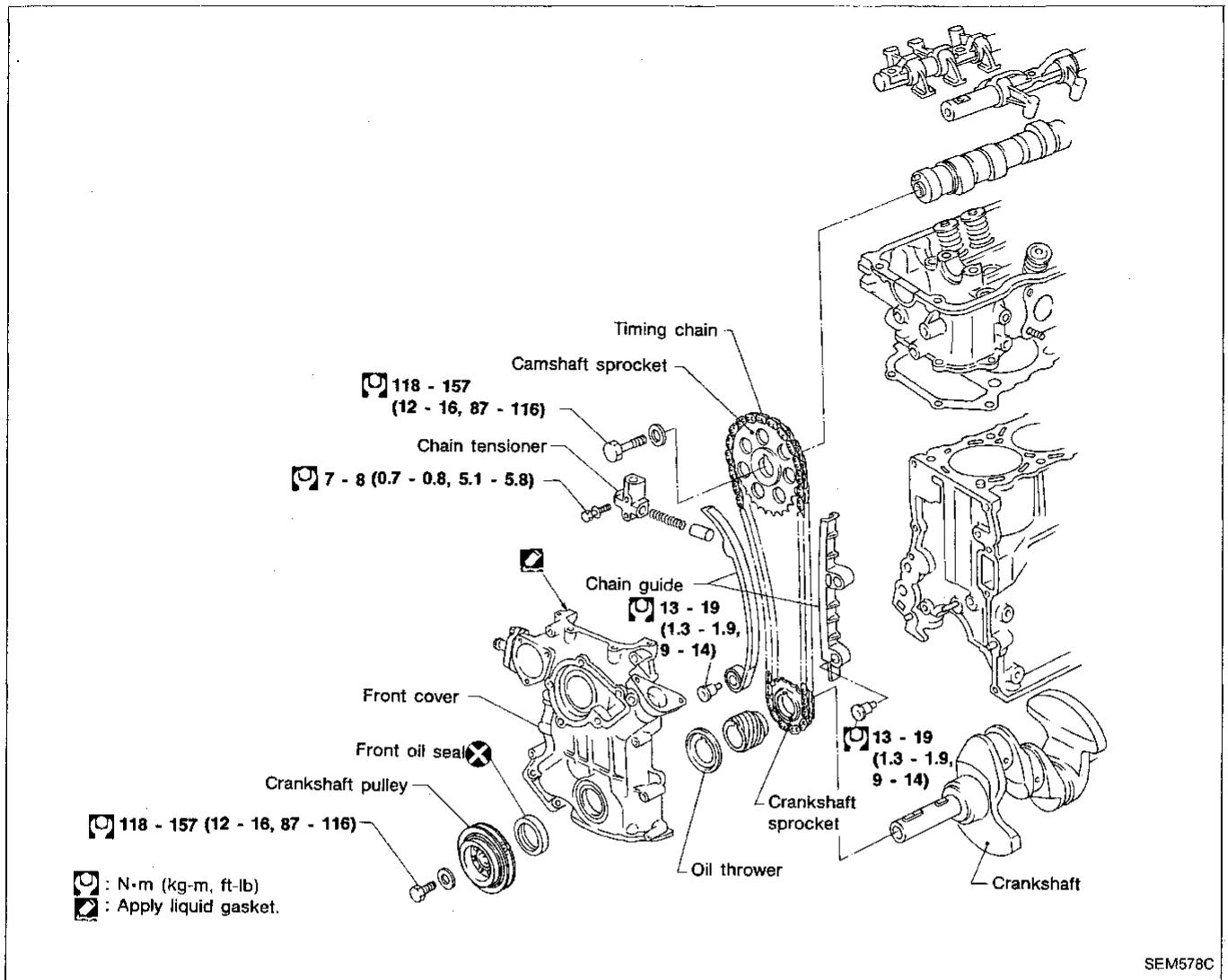


**Installation**

1. Before installing oil pan, remove all traces of liquid gasket from mating surface using a scraper.
  - Also remove traces of liquid gasket from mating surface of cylinder block.
2. Apply a continuous bead of liquid gasket to mating surface of oil pan.
  - Use Genuine Liquid Gasket or equivalent.



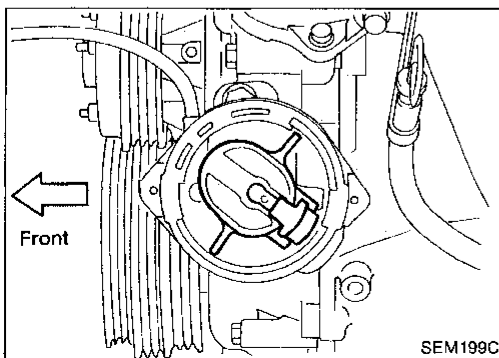
3. Apply liquid gasket to inner sealing surface as shown in figure.
  - Attaching should be done within 5 minutes after coating.
4. Install oil pan.
  - Wait at least 30 minutes before refilling engine oil.

**CAUTION:**

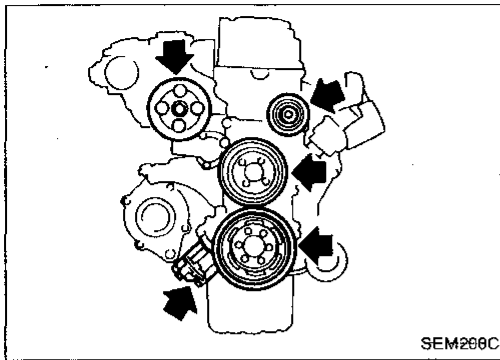
After removing timing chain, do not turn crankshaft and camshaft separately, or valves will strike piston heads.

**Removal**

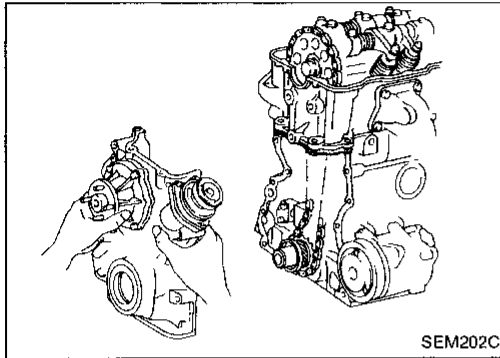
1. Disconnect battery terminal.
2. Drain coolant from radiator.
3. Remove radiator shroud and cooling fan.
4. Remove the following belts.
  - Power steering drive belt
  - Compressor drive belt
  - Alternator drive belt
5. Remove all spark plugs.
6. Set No. 1 piston at TDC on its compression stroke.



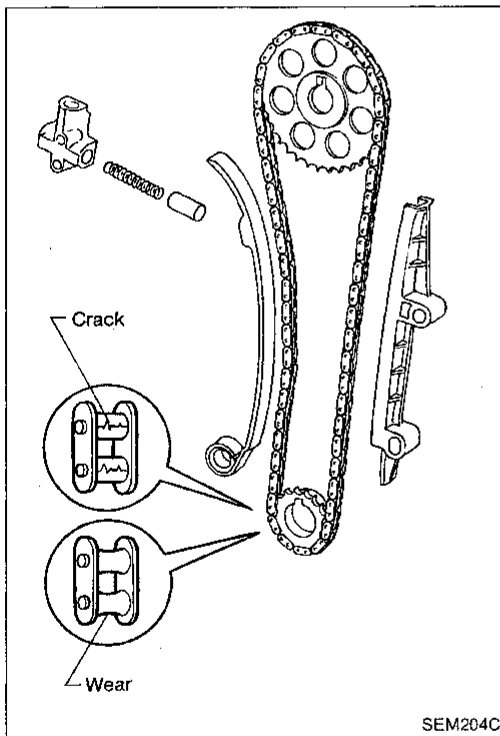
**Removal (Cont'd)**



7. Remove the following parts.
  - Power steering pump, idler pulley and power steering pump brackets
  - Compressor idler pulley
  - Crankshaft pulley with a suitable puller
  - Oil pump with pump drive spindle
  - Rocker cover



8. Remove oil pan. (Refer to OIL PAN.)
9. Remove front cover.

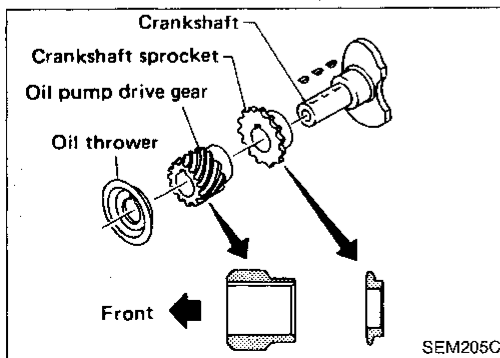


10. Remove the following parts.
  - Chain tensioner
  - Chain guides
  - Timing chain and sprocket
  - Oil thrower, oil pump drive gear and crankshaft sprocket

**Inspection**

**Check for cracks and excessive wear at roller links. Replace if necessary.**

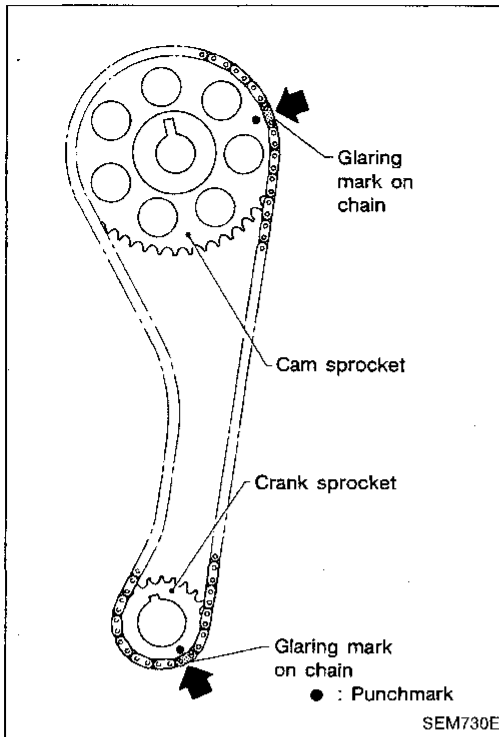
**Installation**



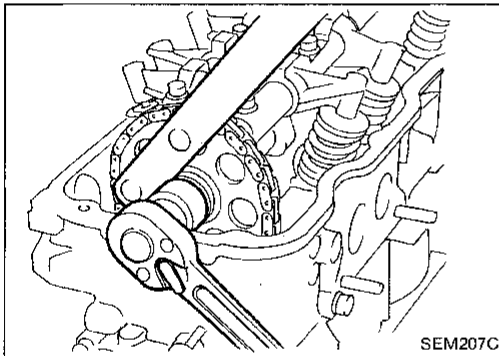
1. Install crankshaft sprocket, oil pump drive gear and oil thrower.
  - **Make sure that mating marks of crankshaft sprocket face engine front.**



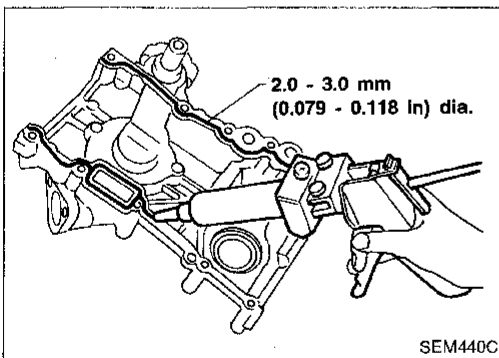
## Installation (Cont'd)



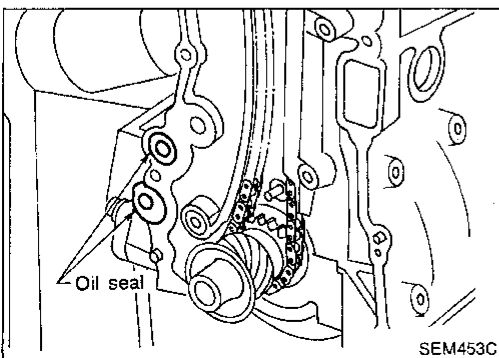
2. Install camshaft sprocket.
  3. Confirm that No. 1 piston is set at TDC on its compression stroke.
  4. Install timing chain.
- **Set timing chain by aligning its mating marks with those of crankshaft sprocket and camshaft sprocket.**



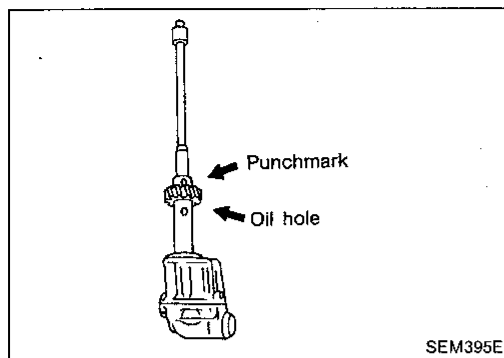
5. Tighten camshaft sprocket bolt.
6. Install chain guide and chain tensioner.



7. Apply liquid gasket to front cover.
8. Apply lithium grease to sealing lip of crankshaft oil seal.

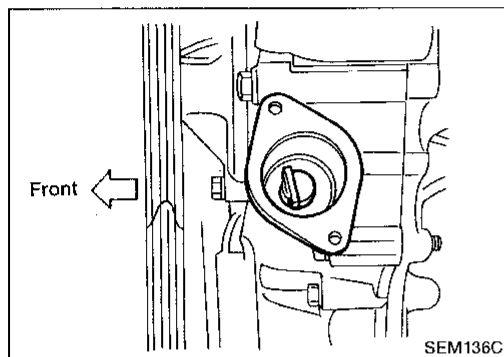


9. Install front cover.
- **Be careful not to damage cylinder head gasket.**
- **Do not forget oil seal.**
10. Install rubber plug. (Refer to "Installation" of CYLINDER HEAD.)
11. Install oil pan. (Refer to OIL PAN.)

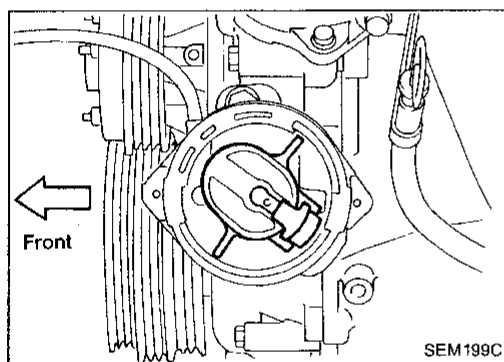
**Installation (Cont'd)**

12. Install oil pump and distributor driving spindle with new gasket in front cover.

- (1) Assemble oil pump and driving spindle, aligning punchmark on driving spindle with oil hole.

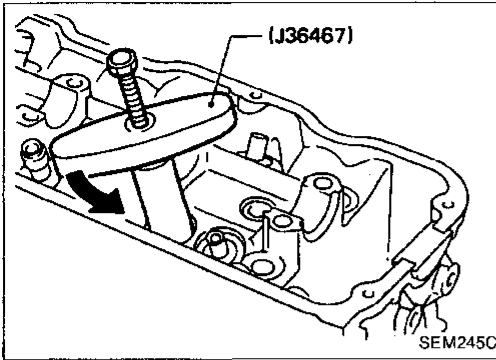


- (2) Make sure that driving spindle is set as shown in figure.



13. Install distributor.

14. Make sure that No. 1 piston is set at TDC and that distributor rotor is set at No. 1 cylinder spark position.



## VALVE OIL SEAL

1. Remove rocker cover.
2. Remove rocker shaft assembly.
3. Remove valve spring and valve oil seal with Tool or suitable tool.

**Piston concerned should be set at TDC to prevent valve from falling.**

CI

MA

EM

LC

EF &  
EC

FE

CL

MT

AT

TF

PD

FA

RA

BR

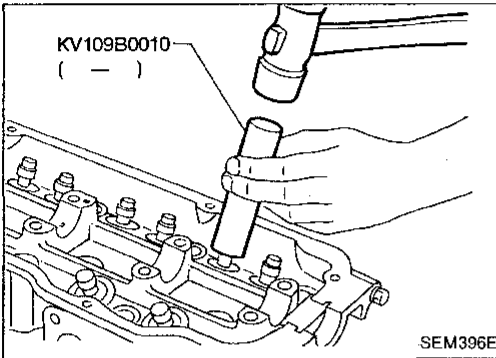
ST

BF

HA

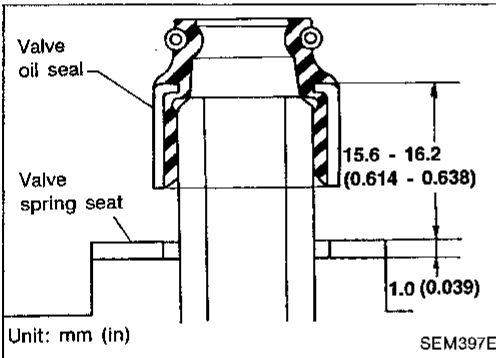
EL

IDX

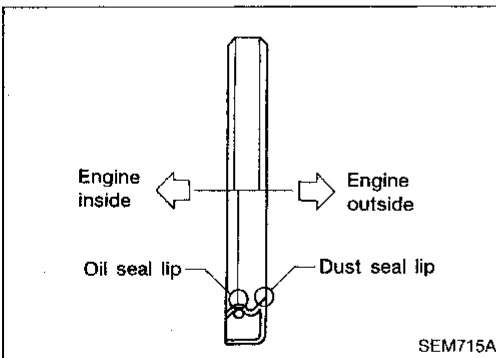


4. Apply engine oil to new valve oil seal and install it with Tool.

**Before installing valve oil seal, install valve spring seat.**

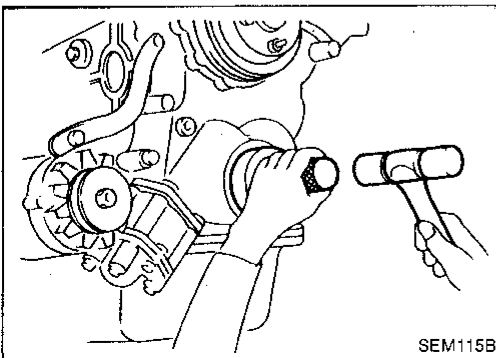


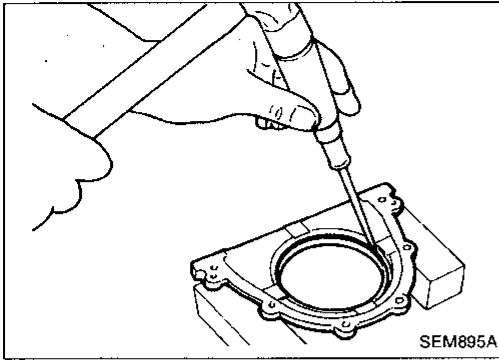
## OIL SEAL INSTALLING DIRECTION



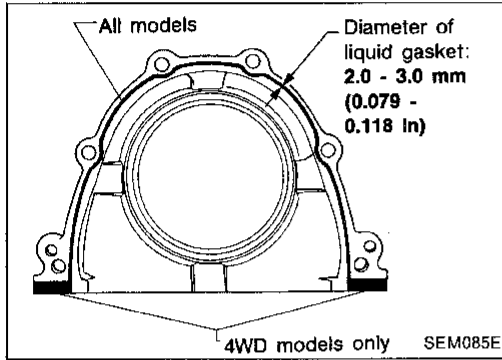
## FRONT OIL SEAL

1. Remove radiator shroud and crankshaft pulley.
  2. Remove front oil seal.
- Be careful not to damage crankshaft.**
3. Apply engine oil to new oil seal and install it using suitable tool.

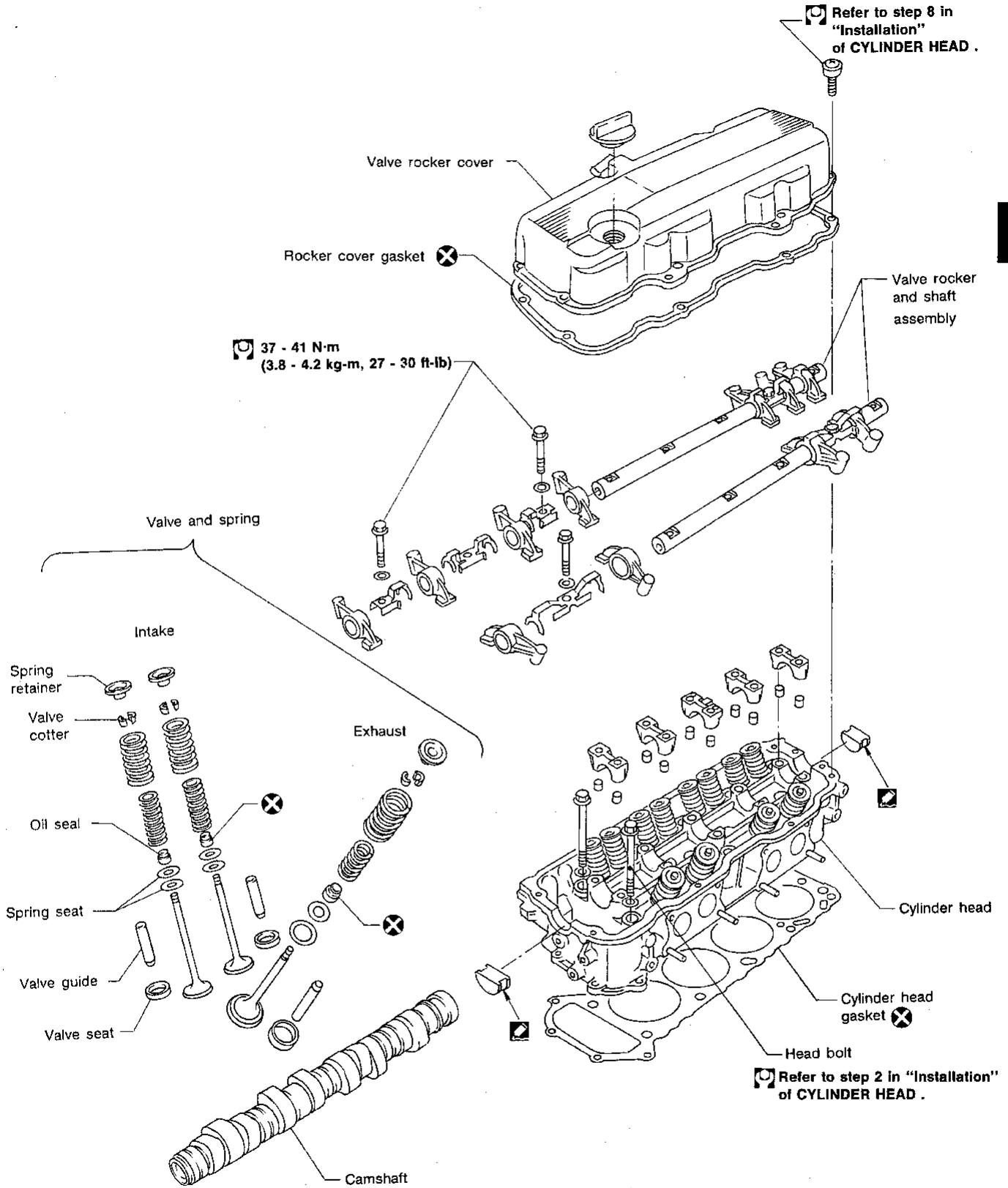


**REAR OIL SEAL**

1. Remove flywheel or drive plate.
2. Remove rear oil seal retainer.
3. Remove traces of liquid gasket using scraper.
4. Remove rear oil seal from retainer.
5. Apply engine oil to new oil seal and install it using suitable tool.



6. Apply liquid gasket to rear oil seal retainer.



GI

MA

EM

LC

EF & EC

FE

CL

MT

AT

TF

PD

FA

RA

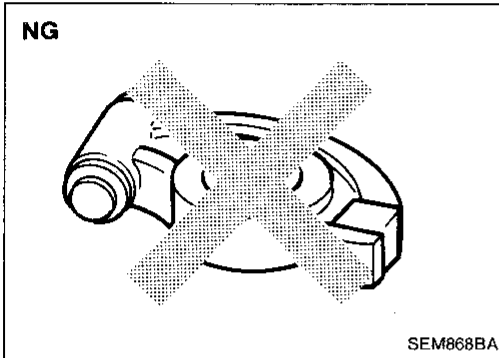
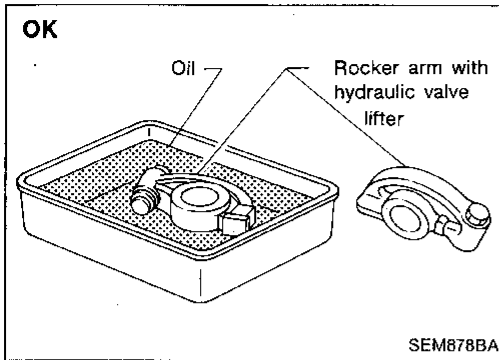
BR

ST

BF

HA

EL

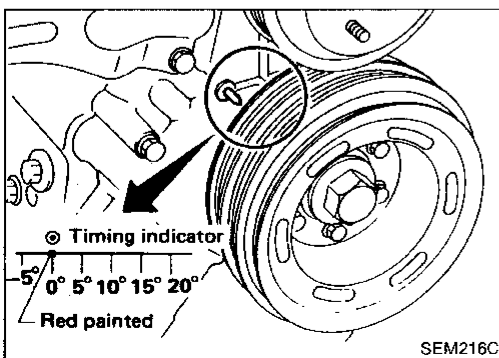
**CAUTION:**

- When installing sliding parts such as rocker arms, camshaft and oil seal, be sure to apply new engine oil on their sliding surfaces.
- When tightening cylinder head bolts and rocker shaft bolts, apply new engine oil to thread portions and seat surfaces of bolts.
- Hydraulic valve lifters are installed in each rocker arm. If hydraulic valve lifter is kept on its side, even when installed in rocker arm, there is a possibility of air entering it. After removal, always set rocker arm straight up, or when laying it on its side, have it soak in new engine oil.
- Do not disassemble hydraulic valve lifter.
- Attach tags to valve lifters so as not to mix them up.

**Removal**

1. Drain coolant from radiator and drain plug of block.
2. Remove the following parts.
  - Power steering drive belt
  - Power steering pump, idler pulley and power steering brackets
  - Vacuum hoses of SCV and pressure control solenoid valve
  - Accelerator wire bracket
3. Disconnect EGR tube from exhaust manifold.
4. Remove bolts which hold intake manifold collector to intake manifold.
5. Remove bolts which hold intake manifold to cylinder head while raising collector upwards.
6. Remove rocker cover.

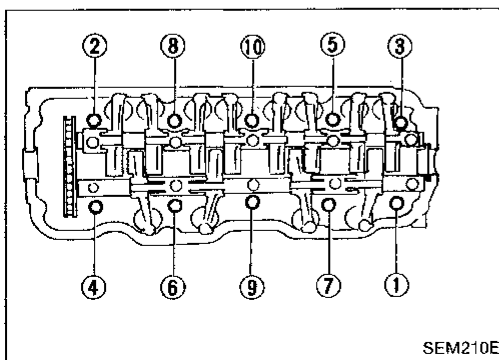
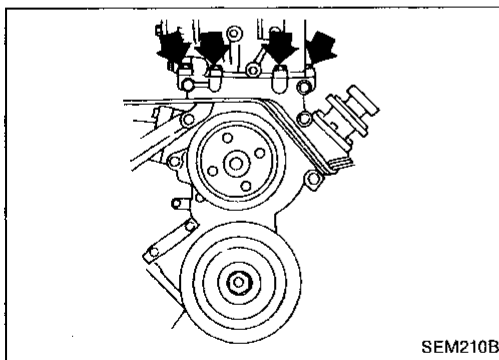
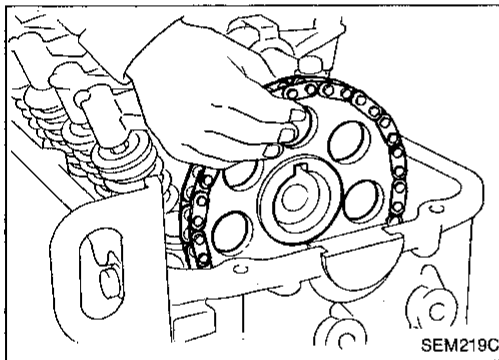
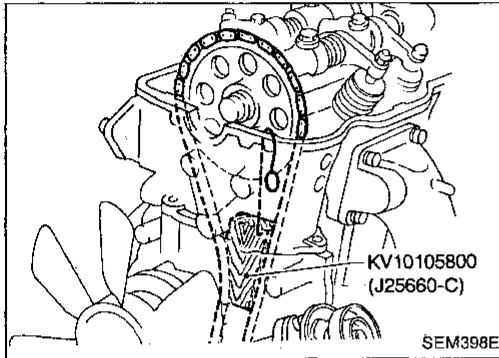
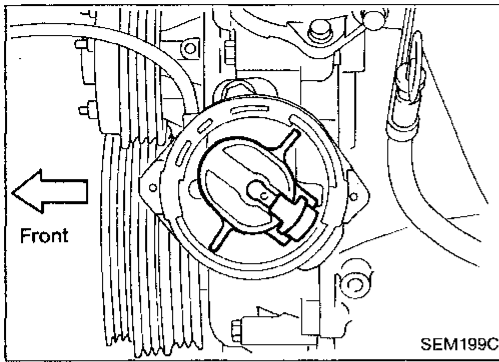
**When removing rocker cover, do not hit rocker cover against rocker arm.**



7. Set No. 1 piston at TDC on its compression stroke.

# CYLINDER HEAD Removal (Cont'd)

KA24E



8. Loosen camshaft sprocket bolt.
  - Support timing chain by using Tool as shown in figure.

9. Remove camshaft sprocket.

10. Remove front cover tightening bolts to cylinder head.

11. Remove cylinder head.
  - A warped or cracked cylinder head could result from removing in incorrect order.
  - Cylinder head bolts should be loosened in two or three steps.

GI

MA

EM

LC

EF &  
EC

FE

CL

MT

AT

TF

PD

FA

RA

BR

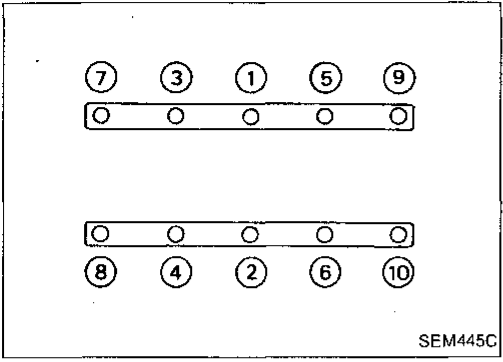
ST

BF

HA

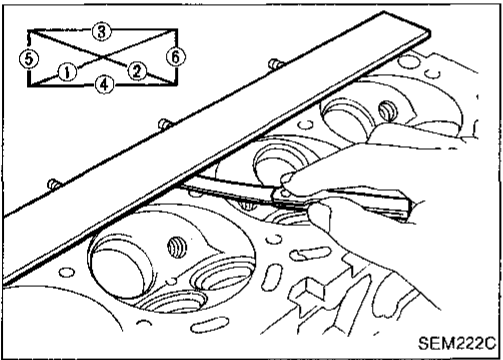
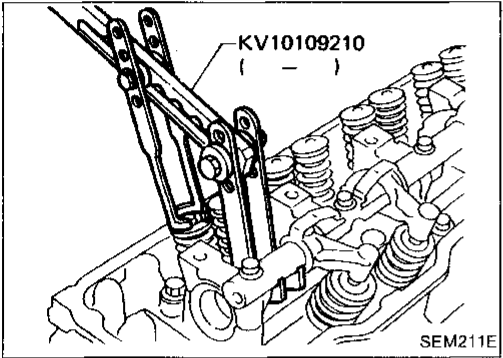
EL

IDX



**Disassembly**

1. Remove rocker shaft assembly.
  - a. **When loosening bolts, evenly loosen from outside in sequence.**
  - b. **Bolts should be loosened in two or three steps.**
2. Remove camshaft.
  - **Before removing camshaft, measure camshaft end play. (Refer to "Inspection".)**
3. Remove valve components with Tool.
4. Remove valve oil seals. (Refer to OIL SEAL REPLACEMENT.)



**Inspection**

**CYLINDER HEAD DISTORTION**

Head surface flatness:

Less than 0.1 mm (0.004 in)

If beyond the specified limit, replace it or resurface it.

**Resurfacing limit:**

The resurfacing limit of cylinder head is determined by the cylinder block resurfacing in an engine.

Amount of cylinder head resurfacing is "A"

Amount of cylinder block resurfacing is "B"

The maximum limit is as follows:

$$A + B = 0.2 \text{ mm (0.008 in)}$$

After resurfacing cylinder head, check that camshaft rotates freely by hand. If resistance is felt, cylinder head must be replaced.

**Nominal cylinder head height:**

98.8 - 99.0 mm (3.890 - 3.898 in)

**CAMSHAFT VISUAL CHECK**

Check camshaft for scratches, seizure and wear.

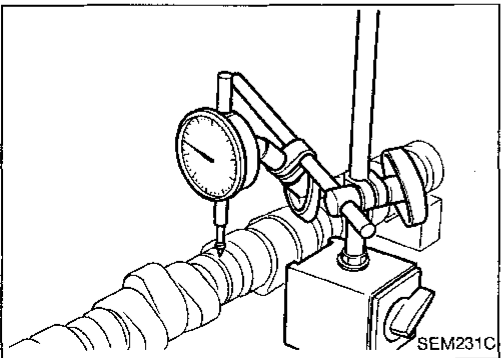
**CAMSHAFT RUNOUT**

1. Measure camshaft runout at the center journal.

**Runout (Total indicator reading):**

0 - 0.02 mm (0 - 0.0008 in)

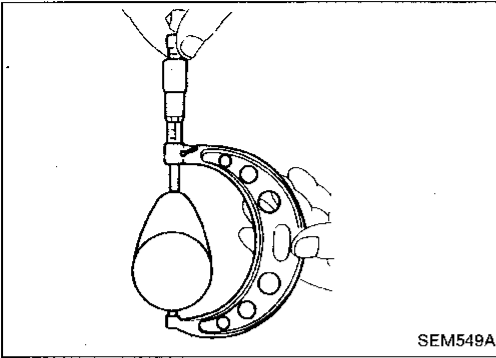
2. If it exceeds the limit, replace camshaft.





**Inspection (Cont'd)**

**CAMSHAFT CAM HEIGHT**

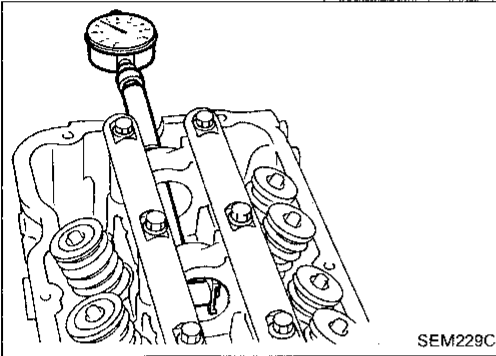


1. Measure camshaft cam height.  
**Standard cam height:**  
 44.839 - 45.029 mm (1.7653 - 1.7728 in)  
**Cam wear limit:**  
 0.2 mm (0.008 in)
2. If wear is beyond the limit, replace camshaft.

GI  
MA

**EM**

**CAMSHAFT JOURNAL CLEARANCE**

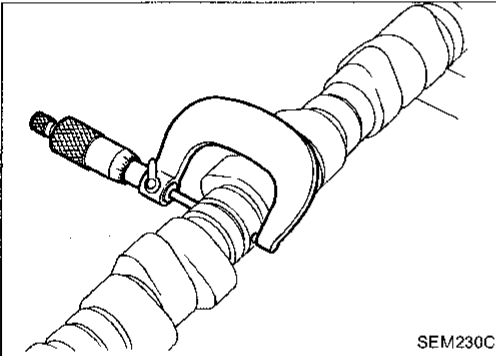


1. Install camshaft bracket and rocker shaft and tighten bolts to the specified torque.
2. Measure inner diameter of camshaft bearing.  
**Standard inner diameter:**  
 33.000 - 33.025 mm (1.2992 - 1.3002 in)

LC  
EF &  
EC

FE

CL



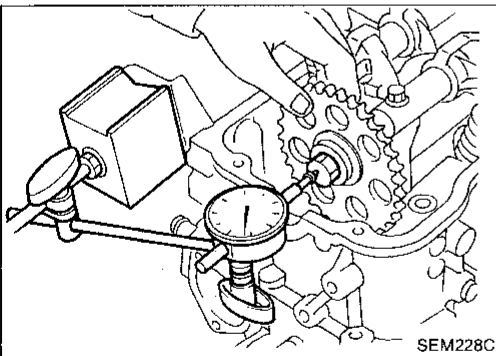
3. Measure outer diameter of camshaft journal.  
**Standard outer diameter:**  
 32.935 - 32.955 mm (1.2967 - 1.2974 in)
4. If clearance exceeds the limit, replace camshaft and/or cylinder head.  
**Camshaft journal clearance:**  
**Standard**  
 0.045 - 0.090 mm (0.0018 - 0.0035 in)  
**Limit**  
 0.12 mm (0.0047 in)

MT  
AT

TF

PD

**CAMSHAFT END PLAY**



1. Install camshaft in cylinder head.
2. Measure camshaft end play.  
**Camshaft end play:**  
**Standard**  
 0.07 - 0.15 mm (0.0028 - 0.0059 in)  
**Limit**  
 0.2 mm (0.008 in)

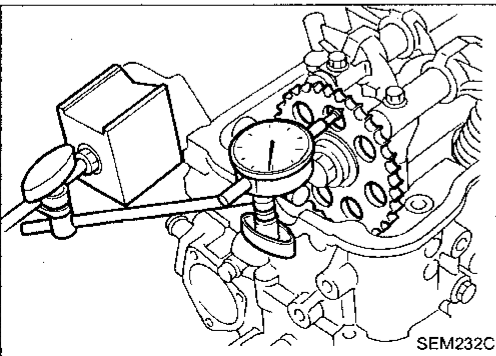
FA

RA

BR

ST

**CAMSHAFT SPROCKET RUNOUT**



1. Install sprocket on camshaft.
2. Measure camshaft sprocket runout.  
**Runout (Total indicator reading):**  
**Limit 0.12 mm (0.0047 in)**
3. If it exceeds the limit, replace camshaft sprocket.

BF

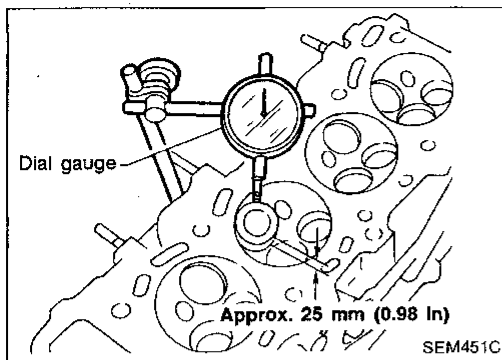
HA

EL

IDX

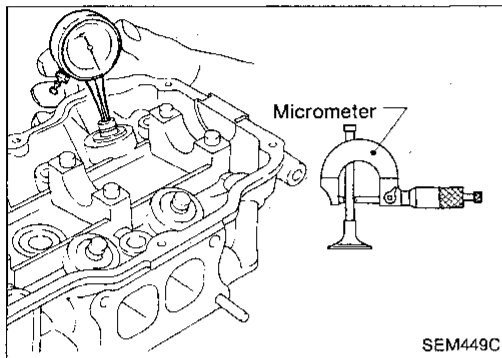
## Inspection (Cont'd)

## VALVE GUIDE CLEARANCE



1. Measure valve deflection in a right-angled direction with camshaft. (Valve and valve guide mostly wear in this direction.)

**Valve deflection limit (Dial gauge reading):**  
**0.15 mm (0.0059 in)**

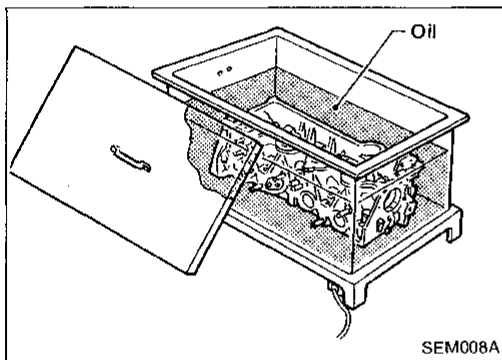


2. If it exceeds the limit, check valve to valve guide clearance.
  - a. Measure valve stem diameter and valve guide inner diameter.
  - b. Check that clearance is within specification.

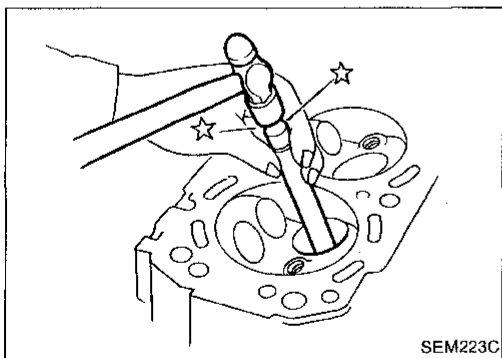
**Valve to valve guide clearance:**  
**Standard 0.020 - 0.053 mm**  
**(0.0008 - 0.0021 in) (Intake)**  
**0.040 - 0.070 mm**  
**(0.0016 - 0.0028 in) (Exhaust)**  
**Limit 0.1 mm (0.004 in)**

- c. If it exceeds the limit, replace valve or valve guide.

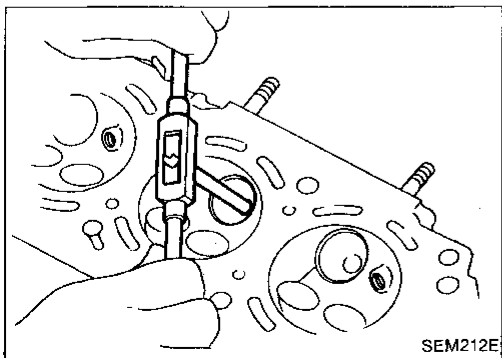
## VALVE GUIDE REPLACEMENT



1. To remove valve guide, heat cylinder head to 150 to 160°C (302 to 320°F) by soaking in heated oil.



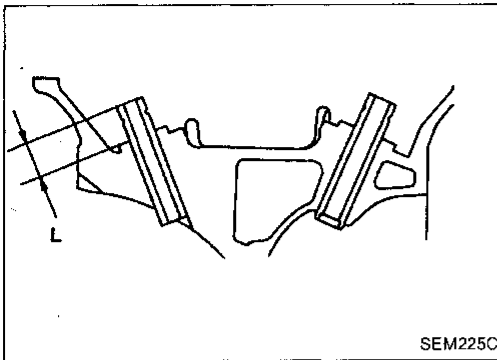
2. Drive out valve guide with a press [under a 20 kN (2 ton, 2.2 US ton, 2.0 Imp ton) pressure] or hammer and suitable tool.



3. Ream cylinder head valve guide hole.

**Valve guide hole diameter**  
**(for service parts):**  
**Intake**  
**11.175 - 11.196 mm (0.4400 - 0.4408 in)**  
**Exhaust**  
**12.175 - 12.196 mm (0.4793 - 0.4802 in)**

Inspection (Cont'd)



- Heat cylinder head to 150 to 160°C (302 to 320°F) and press service valve guide onto cylinder head.

**Projection "L":**

14.9 - 15.1 mm (0.587 - 0.594 in)

- Ream valve guide.

**Finished size:**

**Intake**

7.000 - 7.018 mm (0.2756 - 0.2763 in)

**Exhaust**

8.000 - 8.018 mm (0.3150 - 0.3157 in)

GI

MA

EM

VALVE SEATS

Check valve seats for any evidence of pitting at valve contact surface, and reseat or replace if it has worn out excessively.

LC

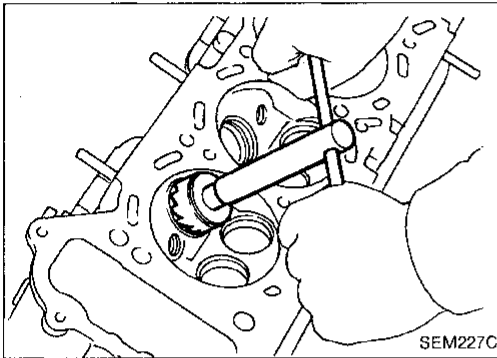
- Before repairing valve seats, check valve and valve guide for wear. If they have worn, replace them. Then correct valve seat.

EF & EC

- Cut with both hands to uniform the cutting surface.

FE

CL



REPLACING VALVE SEAT FOR SERVICE PARTS

- Bore out old seat until it collapses. The machine depth stop should be set so that boring cannot continue beyond the bottom face of the seat recess in cylinder head.

MT

- Ream cylinder head recess.

AT

**Reaming bore for service valve seat**

**Oversize [0.5 mm (0.020 in)]:**

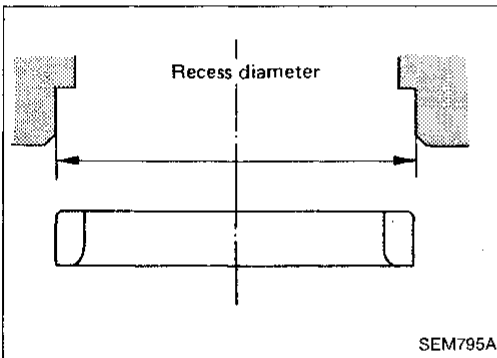
**Intake** 36.500 - 36.516 mm (1.4370 - 1.4376 in)

TF

**Exhaust** 42.500 - 42.516 mm (1.6732 - 1.6739 in)

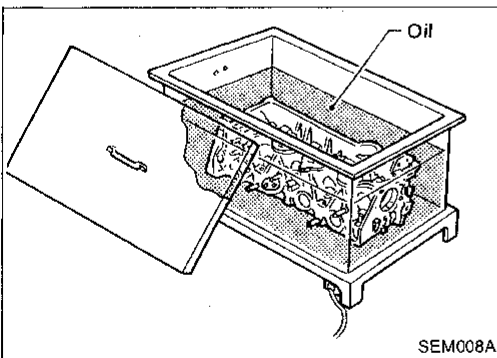
Reaming should be done to the concentric circles to valve guide center so that valve seat will have the correct fit.

PD



- Heat cylinder head to 150 to 160°C (302 to 320°F) by soaking in heated oil.

FA



RA

BR

ST

- Cut or grind valve seat using suitable tool at the specified dimensions as shown in SDS.

BF

- After cutting, lap valve seat with abrasive compound.

- Check valve seating condition.

**Seat face angle "α":**

45 deg.

HA

**Contacting width "W":**

**Intake**

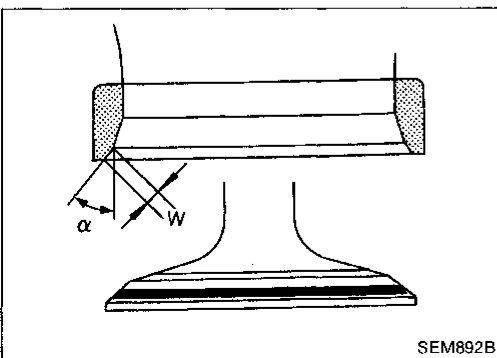
1.6 - 1.7 mm (0.063 - 0.067 in)

EL

**Exhaust**

1.7 - 2.1 mm (0.067 - 0.083 in)

IDX

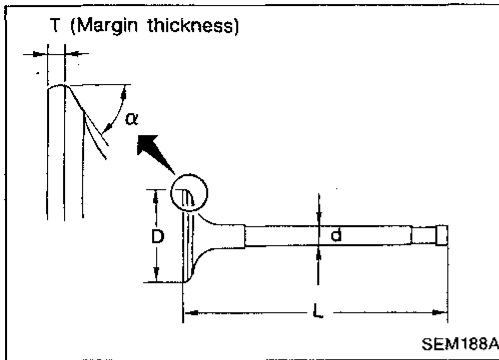


**Inspection (Cont'd)**

**VALVE DIMENSIONS**

Check dimensions in each valve. For dimensions, refer to SDS. When valve head has been worn down to 0.5 mm (0.020 in) in margin thickness, replace valve.

**Grinding allowance for valve stem tip is 0.2 mm (0.008 in) or less.**



**VALVE SPRING**

**Squareness**

1. Measure "S" dimension.

**Out-of-square:**

**Outer**

**Intake Less than 2.5 mm (0.098 in)**

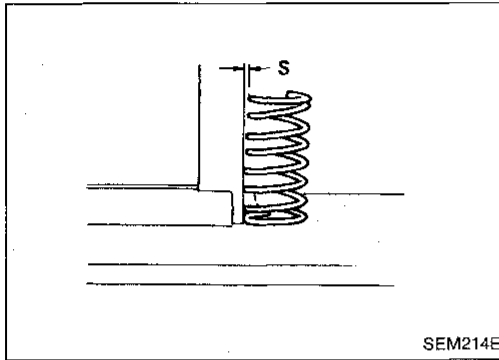
**Exhaust Less than 2.3 mm (0.091 in)**

**Inner**

**Intake Less than 2.3 mm (0.091 in)**

**Exhaust Less than 2.1 mm (0.083 in)**

2. If it exceeds the limit, replace spring.



**Pressure**

Check valve spring pressure.

**Pressure: N (kg, lb) at height mm (in)**

**Standard**

**Outer**

**Intake 604.1 (61.6, 135.8) at 37.6 (1.480)**

**Exhaust 640.4 (65.3, 144.0) at 34.1 (1.343)**

**Inner**

**Intake 284.4 (29.0, 63.9) at 32.6 (1.283)**

**Exhaust 328.5 (33.5, 73.9) at 29.1 (1.146)**

**Limit**

**Outer**

**Intake 567.8 (57.9, 127.7) at 37.6 (1.480)**

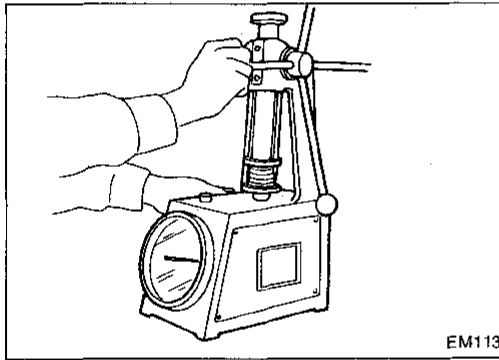
**Exhaust 620.8 (63.3, 139.6) at 34.1 (1.343)**

**Inner**

**Intake 266.8 (27.2, 60.0) at 32.6 (1.283)**

**Exhaust 318.7 (32.5, 71.7) at 29.1 (1.146)**

**If it exceeds the limit, replace spring.**

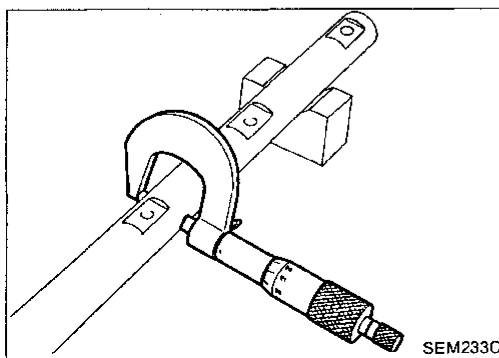


**ROCKER SHAFT AND ROCKER ARM**

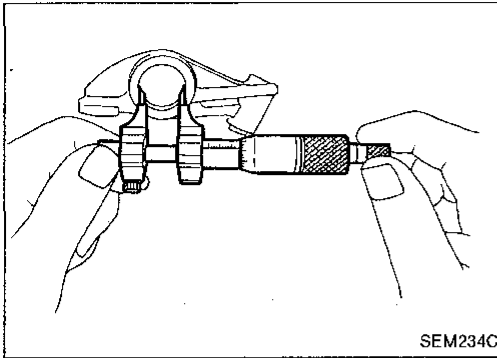
1. Check rocker shafts for scratches, seizure and wear.
2. Check outer diameter of rocker shaft.

**Diameter:**

**21.979 - 22.000 mm (0.8653 - 0.8661 in)**



Inspection (Cont'd)



3. Check inner diameter of rocker arm.

Diameter:

22.012 - 22.029 mm (0.8666 - 0.8673 in)

Rocker arm to shaft clearance:

0.012 - 0.050 mm (0.0005 - 0.0020 in)

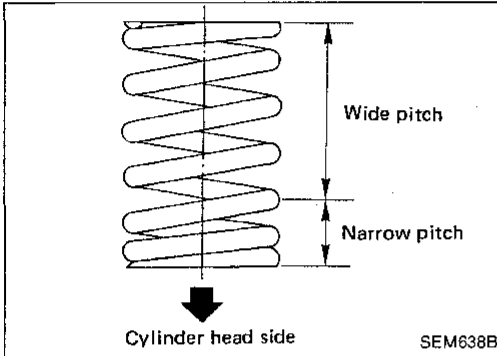
- Keep rocker arm with hydraulic valve lifter standing to prevent air from entering hydraulic valve lifter when checking.

GI

MA

EM

Assembly



1. Install valve component parts.

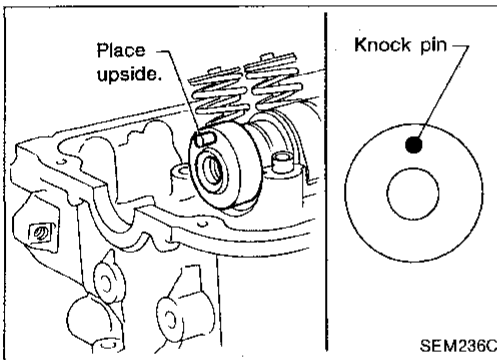
- Always use new valve oil seal. Refer to OIL SEAL REPLACEMENT.
- Before installing valve oil seal, install inner valve spring seat.
- Install outer valve spring (uneven pitch type) with its narrow pitch side toward cylinder head side.
- After installing valve component parts, use plastic hammer to lightly tap valve stem tip to assure a proper fit.

LC

EF & EC

FE

CL



2. Mount camshaft onto cylinder head, placing knock pin at front end to top position.

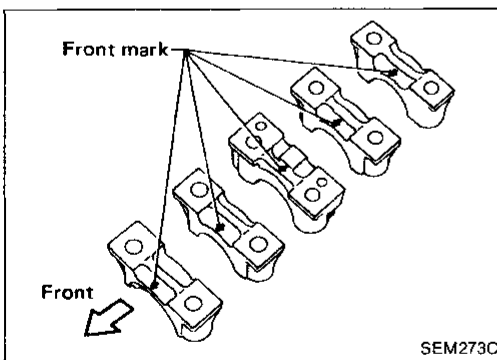
Apply engine oil to camshaft when mounting onto cylinder head.

MT

AT

TF

PD



3. Install camshaft brackets.

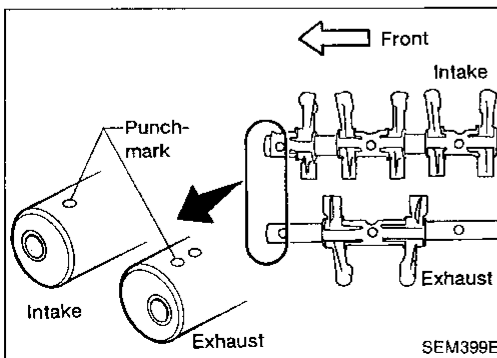
Front mark is punched on the camshaft bracket.

FA

RA

BR

ST



4. Install rocker shaft with rocker arms.

BF

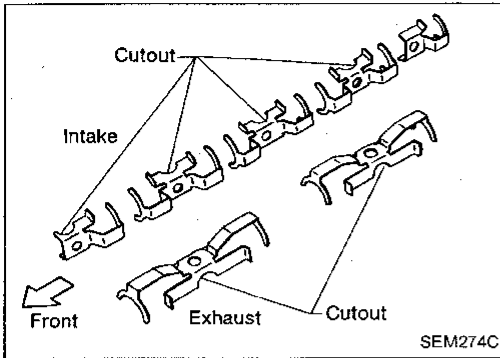
HA

EL

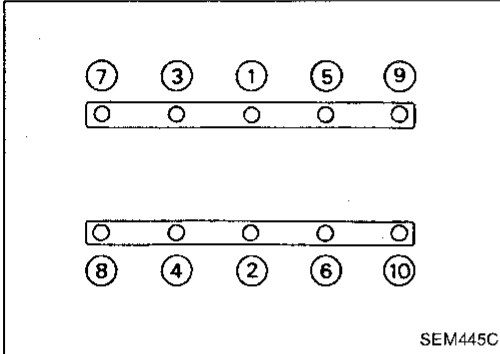
IDX

Assembly (Cont'd)

- Install retainer with cutout facing direction shown in figure at left.

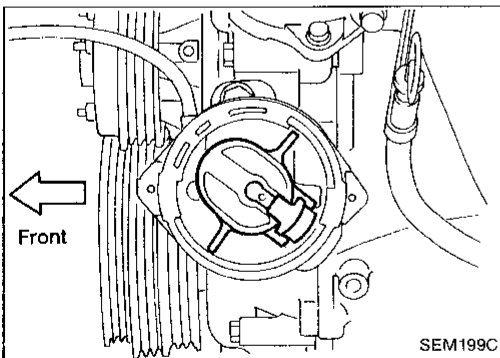
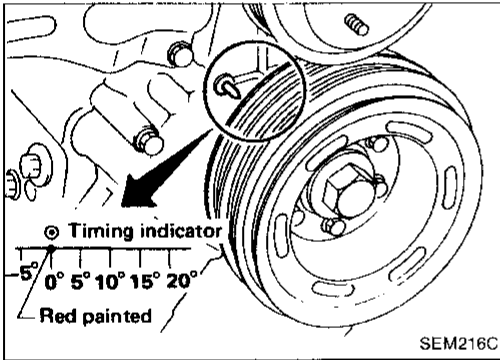


5. Tighten bolts as shown in figure at left.

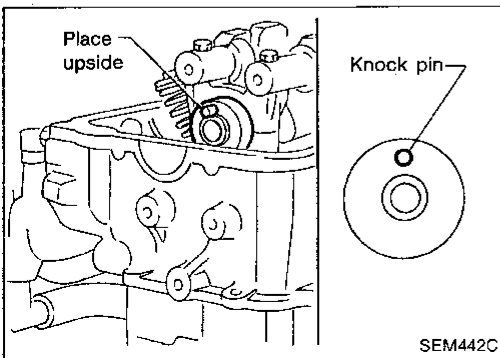


Installation

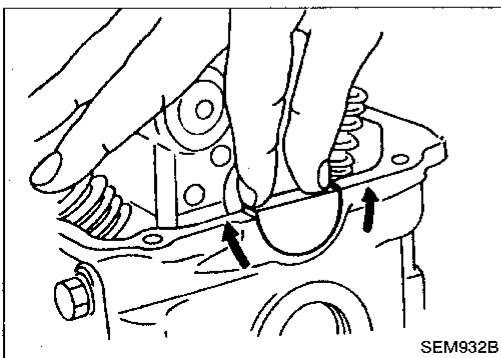
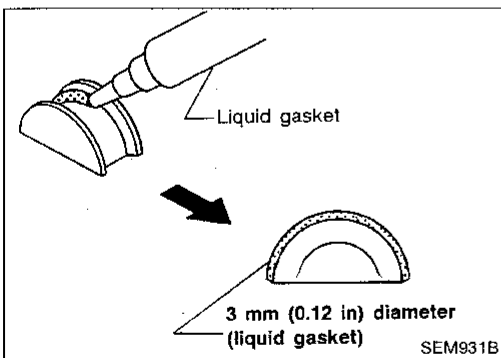
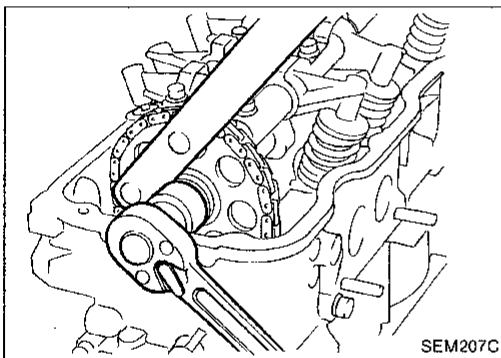
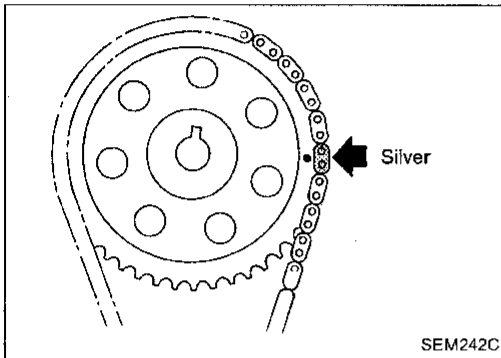
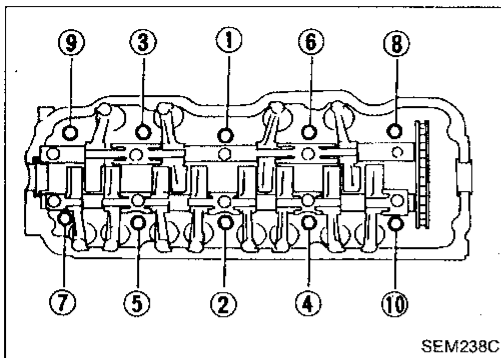
1. Set No. 1 piston at TDC on its compression stroke as follows:
  - (1) Align mark on crankshaft pulley with "0°" position and confirm that distributor rotor head is set as shown in figure.



- (2) Confirm that knock pin on camshaft is set at the top.



Installation (Cont'd)



2. Install cylinder head with new gasket and tighten cylinder head bolts in numerical order.

- Do not rotate crankshaft and camshaft separately, or valves will hit piston heads.

- Tightening procedure

(1) Tighten all bolts to 29 N·m (3.0 kg-m, 22 ft-lb).

(2) Tighten all bolts to 78 N·m (8.0 kg-m, 58 ft-lb).

(3) Loosen all bolts completely.

(4) Tighten all bolts to 29 N·m (3.0 kg-m, 22 ft-lb).

(5) Turn all bolts 80 to 85 degrees clockwise with an angle wrench, or if an angle wrench is not available, tighten all bolts to 74 to 83 N·m (7.5 to 8.5 kg-m, 54 to 61 ft-lb).

3. Set chain on camshaft sprocket by aligning each mating mark. Then install camshaft sprocket to camshaft.

4. Tighten camshaft sprocket bolt.

5. Install rubber plugs as follows:

(1) Apply liquid gasket to rubber plugs.

- Rubber plugs should be replaced with new ones.

- Rubber plugs should be installed within 5 minutes of applying liquid gasket.

(2) Install rubber plugs, then move them with your fingers to uniformly spread the gasket on cylinder head surface.

- Rubber plugs should be installed flush with the surface.

- Do not start the engine for 30 minutes after installing rocker cover.

- Wipe clean excessive liquid gasket from cylinder head top surface.

GI

MA

EM

LC

EF & EC

FE

CL

MT

AT

TF

PD

FA

RA

BR

ST

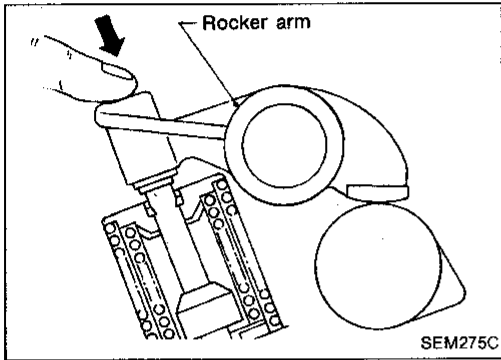
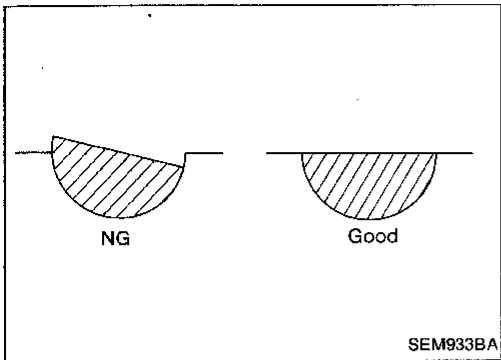
BF

HA

EL

IDX

Installation (Cont'd)

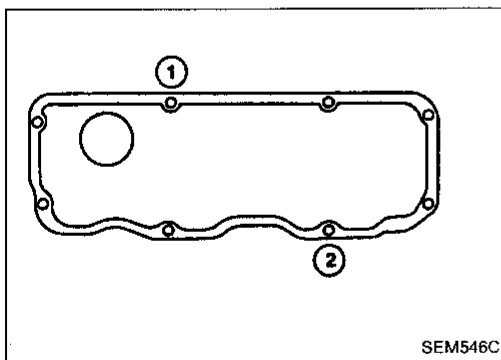


6. Check hydraulic valve lifter.

- (1) Push hydraulic valve lifter forcefully with your finger.
  - **Be sure to check it with rocker arm in its free position.**
- (2) If valve lifter moves more than 1 mm (0.04 in), air may be inside of it.
- (3) Bleed air off by running engine at 1,000 rpm under no-load for about 20 minutes.
- (4) If hydraulic valve lifters are still noisy, replace them and bleed air off again in the same manner as in step (3).

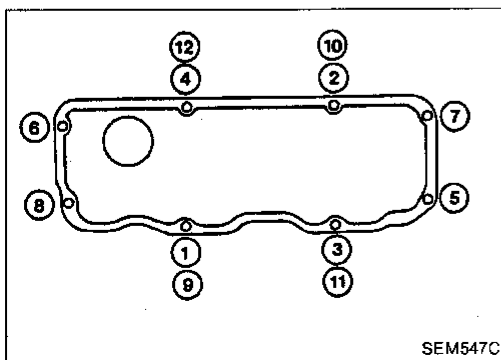
7. Install rocker cover.

- **Be sure to avoid interference between rocker cover and rocker arm.**



8. Tighten bolts as follows:

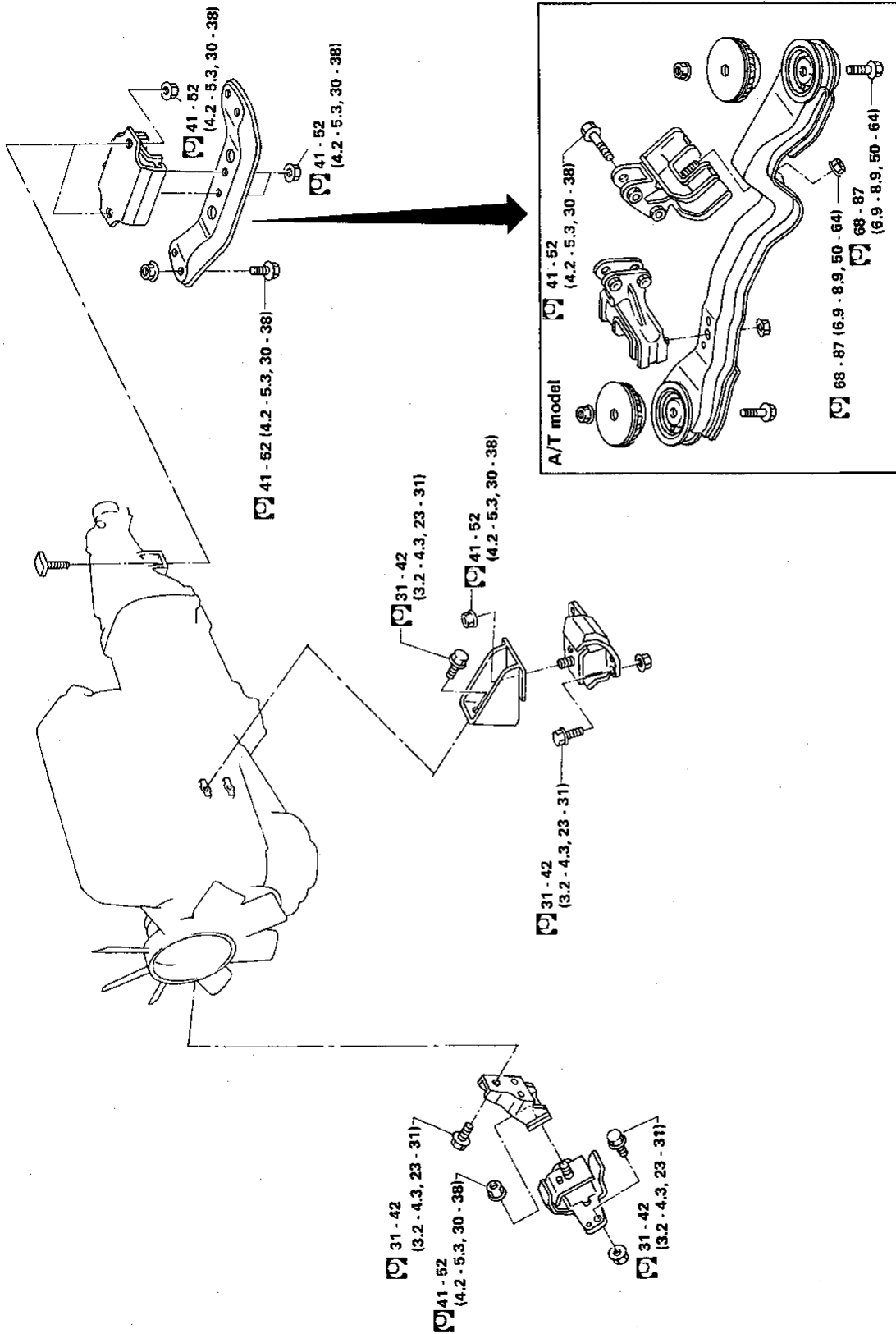
- (1) Tighten 2 bolts to 3 N·m (0.3 kg-m, 2.2 ft-lb) temporarily in order shown in figure.



- (2) Then tighten bolts to 7 to 11 N·m (0.7 to 1.1 kg-m, 5.1 to 8.0 ft-lb) in order shown in figure.

9. Install any parts removed.





☐ : N·m (kg·m, ft·lb)

GI

MA

**EM**

LC

EF &  
EC

FE

CL

MT

AT

TF

PD

FA

RA

BR

ST

BF

HA

EL

**WARNING:**

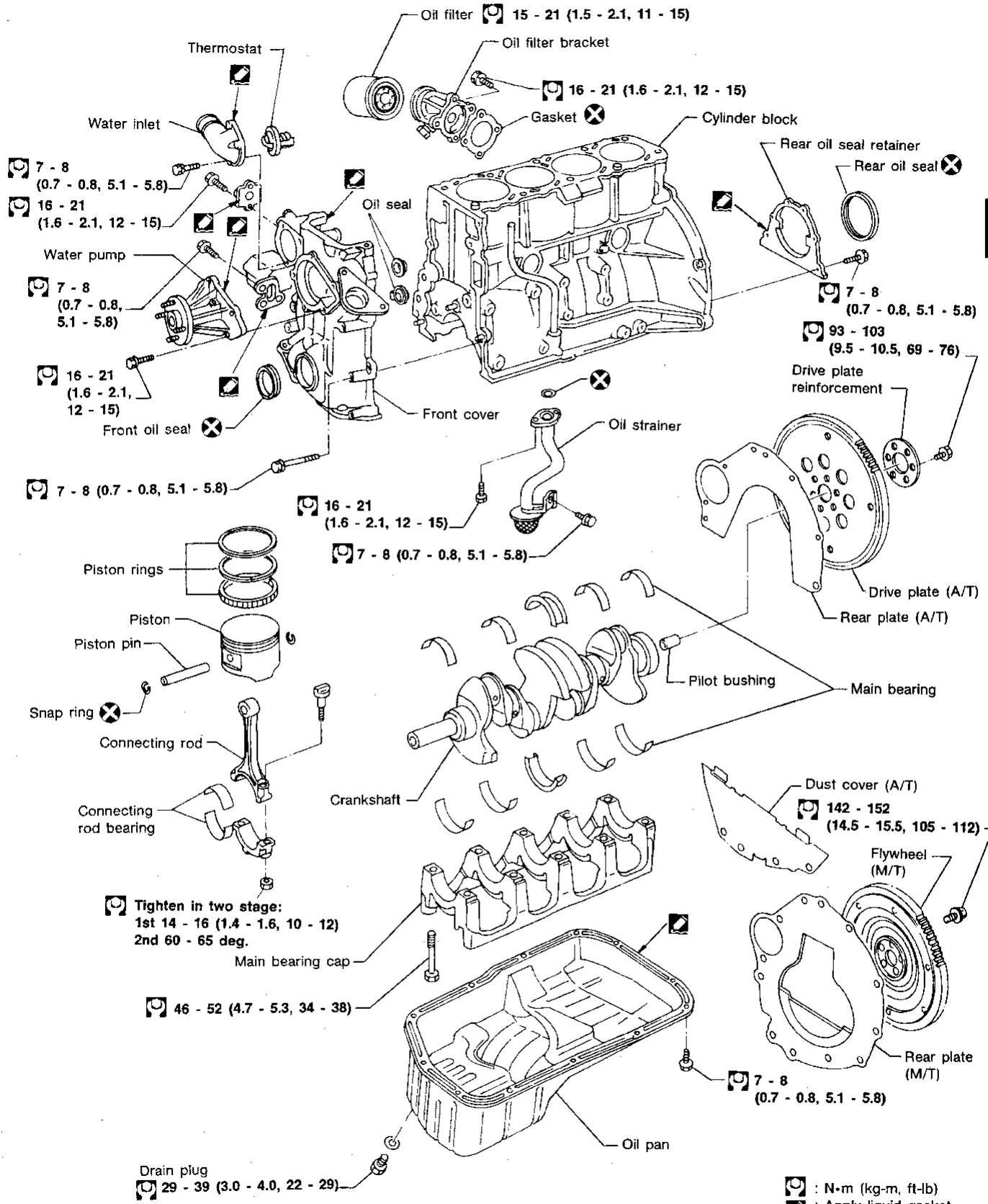
- a. Situate vehicle on a flat and solid surface.
- b. Place chocks at front and back of rear wheels.
- c. Do not remove engine until exhaust system has completely cooled off.  
Otherwise, you may burn yourself and/or fire may break out in fuel line.
- d. For safety during subsequent steps, the tension of wires should be slackened against the engine.
- e. Before disconnecting fuel hose, release fuel pressure from fuel line.  
Refer to "Releasing Fuel Pressure" in section EF & EC.
- f. Be sure to hoist engine and transmission in a safe manner.
- g. For engines not equipped with engine slingers, attach proper slingers and bolts described in PARTS CATALOG.

**CAUTION:**

- When lifting engine, be careful not to strike adjacent parts, especially accelerator wire casing, brake lines, and brake master cylinder.
- In hoisting the engine, always use engine slingers in a safe manner.

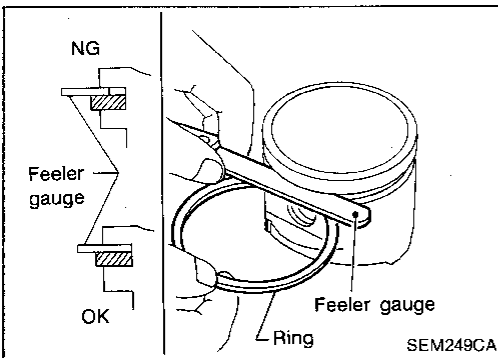
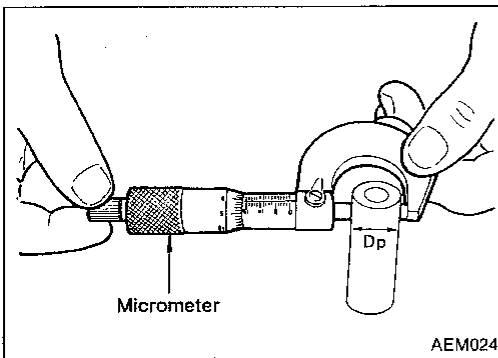
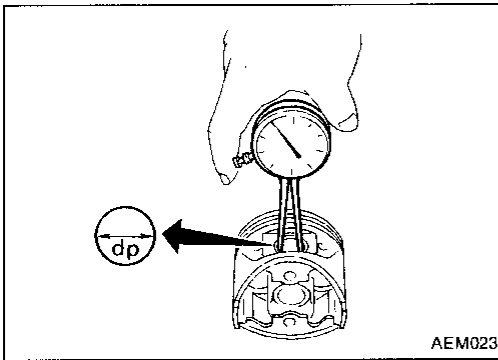
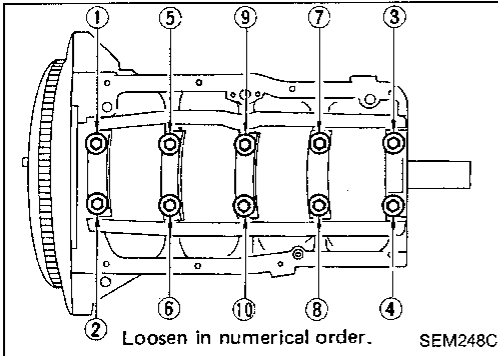
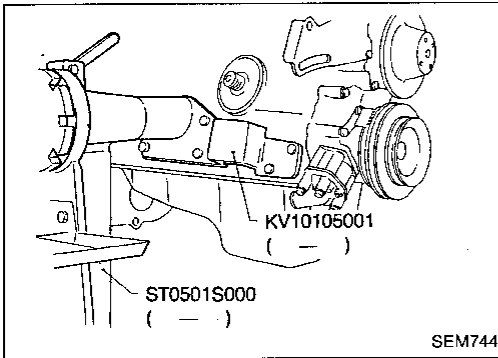
# CYLINDER BLOCK

KA24E



GI  
MA  
EM  
LC  
EF & EC  
FE  
CL  
MT  
AT  
TF  
PD  
FA  
RA  
BR  
ST  
BF  
HA  
EL

SEM247C



**Disassembly**

**PISTON AND CRANKSHAFT**

1. Place engine on a work stand.
  2. Drain coolant and oil.
  3. Remove oil pan.
  4. Remove timing chain.
  5. Remove water pump.
  6. Remove cylinder head.
  7. Remove pistons with connecting rod.
  8. Remove bearing caps and crankshaft.
- Before removing bearing caps, measure crankshaft end play.
  - Bolts should be loosened in two or three steps.

**Inspection**

**PISTON AND PISTON PIN CLEARANCE**

- Confirm the fitting of piston pin into piston pin hole to such an extent that it can be pressed smoothly by finger at room temperature.
1. Measure inner diameter of piston pin hole "dp".  
**Standard diameter "dp":**  
 21.002 - 21.008 mm (0.8268 - 0.8271 in)
  2. Measure outer diameter of piston pin "Dp".  
**Standard diameter "Dp":**  
 20.994 - 20.996 mm (0.8265 - 0.8266 in)
  3. Calculate interference fit of piston pin to piston.  
 $dp - Dp = 0.008 - 0.012 \text{ mm (0.0003 - 0.0005 in)}$
- If it exceeds the above value, replace piston assembly with pin.

**PISTON RING SIDE CLEARANCE**

**Side clearance:**

- Top ring** 0.04 - 0.08 mm (0.0016 - 0.0031 in)
- 2nd ring** 0.03 - 0.07 mm (0.0012 - 0.0028 in)
- Oil ring** 0.065 - 0.135 mm (0.0026 - 0.0053 in)

**Max. limit of side clearance:**

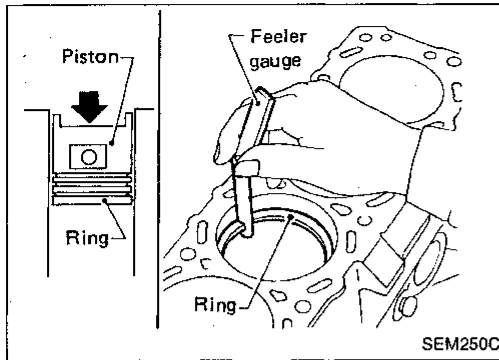
0.1 mm (0.004 in)

If out of specification, replace piston and/or piston ring assembly.

**CYLINDER BLOCK**

**Inspection (Cont'd)**

**PISTON RING END GAP**



**End gap:**

**Top ring**

0.28 - 0.52 mm (0.0110 - 0.0205 in)

**2nd ring**

0.45 - 0.69 mm (0.0177 - 0.0272 in)

(R or T is punched on the ring.)

0.55 - 0.70 mm (0.0217 - 0.0276 in)

(N is punched on the ring.)

**Oil ring**

0.20 - 0.69 mm (0.0079 - 0.0272 in)

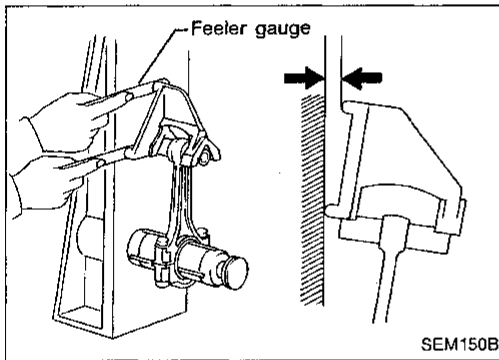
**Max. limit of ring gap:**

0.5 mm (0.020 in)

If out of specification, replace piston ring. If gap still exceeds the limit even with a new ring, rebore cylinder and use oversized piston and piston rings.

**Refer to SDS.**

- When replacing the piston, inspect cylinder block surface for scratches or a seizure. If scratches or a seizure is found, hone or replace the cylinder block.



**CONNECTING ROD BEND AND TORSION**

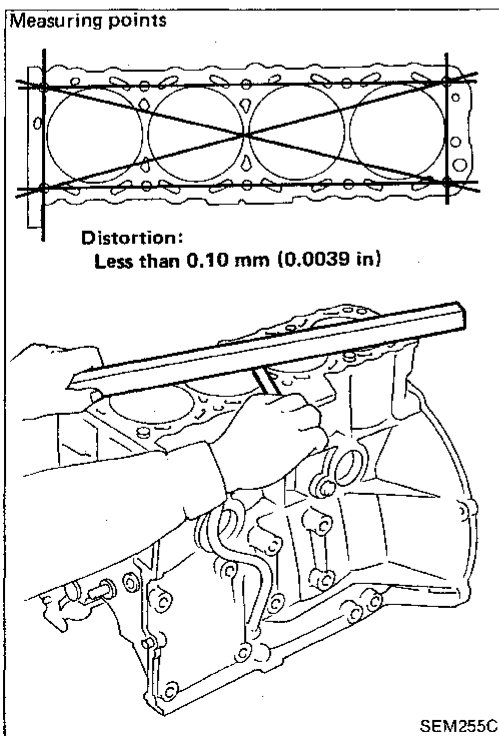
**Bend:**

Limit 0.15 mm (0.0059 in)  
per 100 mm (3.94 in) length

**Torsion:**

Limit 0.30 mm (0.0118 in)  
per 100 mm (3.94 in) length

If it exceeds the limit, replace connecting rod assembly.



**CYLINDER BLOCK DISTORTION AND WEAR**

1. Clean upper face of cylinder block and measure the distortion.

**Limit:**

0.10 mm (0.0039 in)

2. If out of specification, resurface it. The resurfacing limit is determined by cylinder head resurfacing in engine.

**Amount of cylinder head resurfacing is "A"**

**Amount of cylinder block resurfacing is "B"**

The maximum limit is as follows:

$$A + B = 0.2 \text{ mm (0.008 in)}$$

**Nominal cylinder block height from crankshaft center:**

246.95 - 247.05 mm (9.7224 - 9.7264 in)

3. If necessary, replace cylinder block.

GI

MA

EM

LC

EF & EC

FE

CL

MT

AT

TF

PD

FA

RA

BR

ST

BF

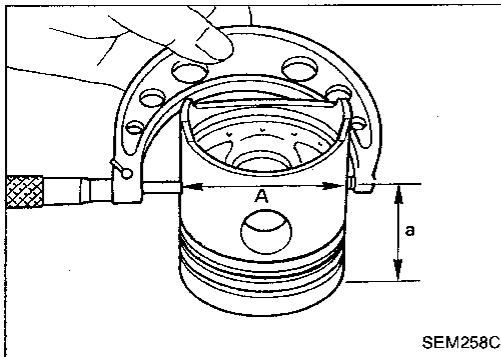
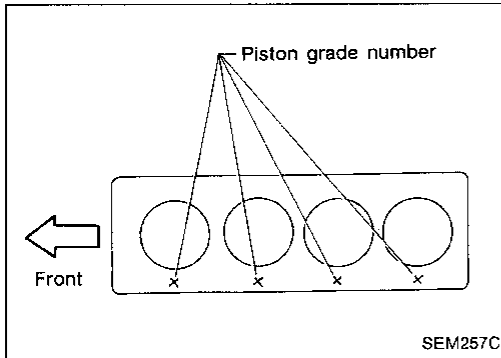
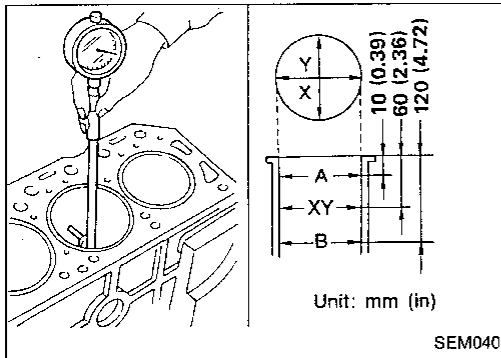
HA

EL

IDX

**Inspection (Cont'd)**

**PISTON-TO-BORE CLEARANCE**



- Using a bore gauge, measure cylinder bore for wear, out-of-round and taper.

**Standard inner diameter:**

**89.000 - 89.030 mm (3.5039 - 3.5051 in)**

**Wear limit: 0.2 mm (0.008 in)**

If it exceeds the limit, rebore all cylinders. Replace cylinder block if necessary.

**Out-of-round (X–Y) standard: 0.015 mm (0.0006 in)**

**Taper (A–B) standard: 0.015 mm (0.0006 in)**

- Check for scratches and seizure. If seizure is found, hone it.

- If both cylinder block and piston are replaced with new ones, select piston of the same grade number punched on cylinder block upper surface.

- Measure piston skirt diameter.

**Piston diameter "A":**

**Refer to SDS.**

**Measuring point "a" (Distance from the top):**

**52 mm (2.05 in)**

- Check that piston-to-bore clearance is within specification.

**Piston-to-bore clearance "B":**

**0.020 - 0.040 mm (0.0008 - 0.0016 in)**

- Determine piston oversize according to amount of cylinder wear.

**Oversize pistons are available for service. Refer to SDS.**

- Cylinder bore size is determined by adding piston-to-bore clearance to piston diameter "A".

**Rebored size calculation:**

$$D = A + B - C$$

where,

**D: Bored diameter**

**A: Piston diameter as measured**

**B: Piston-to-bore clearance**

**C: Honing allowance 0.02 mm (0.0008 in)**

- Install main bearing caps, and tighten to the specified torque to prevent distortion of cylinder bores in final assembly.
- Cut cylinder bores.

- When any cylinder needs boring, all other cylinders must also be bored.

- Do not cut too much out of cylinder bore at a time. Cut only 0.05 mm (0.0020 in) or so in diameter at a time.

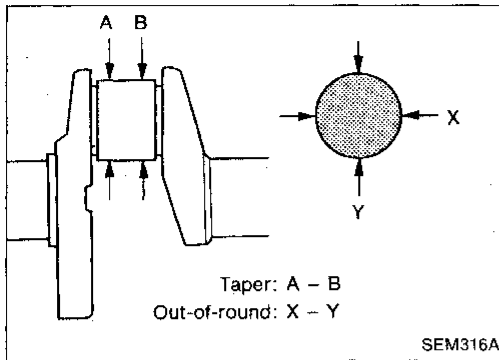
- Hone cylinders to obtain specified piston-to-bore clearance.

- Measure finished cylinder bore for out-of-round and taper.

- Measurement should be done after cylinder bore cools down.

## Inspection (Cont'd)

## CRANKSHAFT



1. Check crankshaft main and pin journals for score, wear or cracks.
2. With a micrometer, measure journals for taper and out-of-round.

**Out-of-round (X - Y):**

**Main journal** Less than 0.01 mm (0.0004 in)

**Crank pin** Less than 0.005 mm (0.0002 in)

**Taper (A - B):**

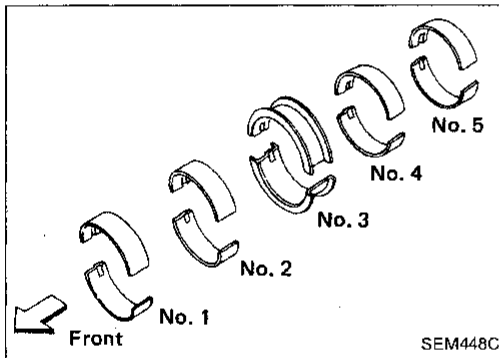
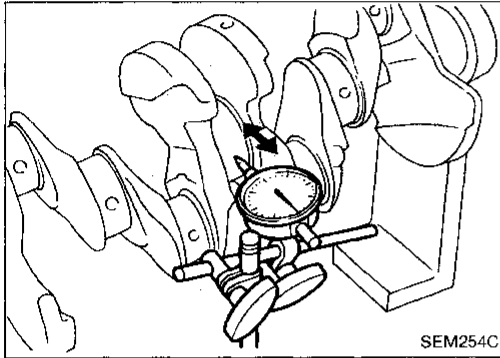
**Main journal** Less than 0.01 mm (0.0004 in)

**Crank pin** Less than 0.005 mm (0.0002 in)

3. Measure crankshaft runout.

**Runout (Total indicator reading):**

Less than 0.10 mm (0.0039 in)

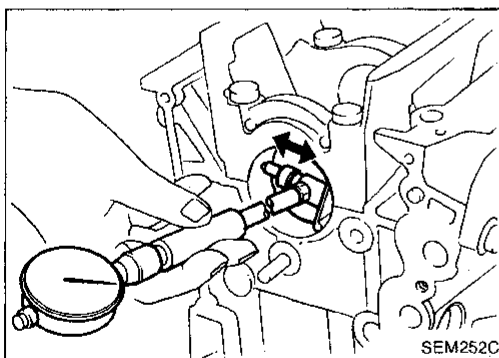


## BEARING CLEARANCE

## Method A (Using bore gauge and micrometer)

## Main bearing

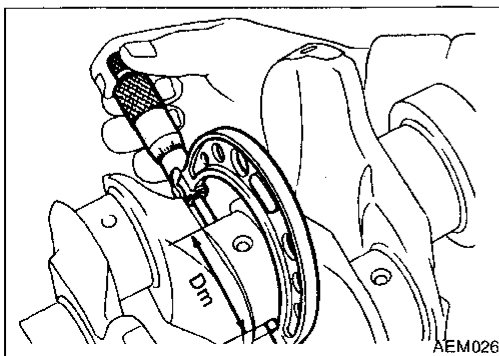
1. Set main bearings in their proper positions on cylinder block and main bearing cap.



2. Install main bearing cap to cylinder block.

**Tighten all bolts in correct order in two or three stages. Refer to "Assembly".**

3. Measure inner diameter "A" of each main bearing.



4. Measure outer diameter "Dm" of each crankshaft main journal.

5. Calculate main bearing clearance.

Main bearing clearance = A - Dm

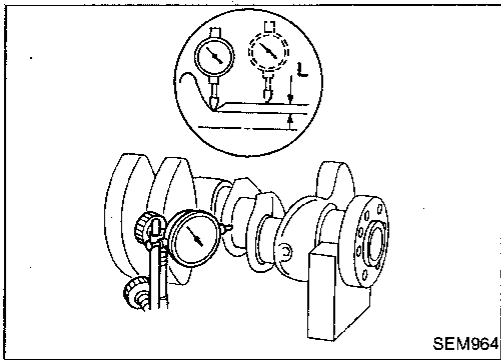
**Standard:**

0.020 - 0.047 mm (0.0008 - 0.0019 in)

**Limit: 0.1 mm (0.004 in)**

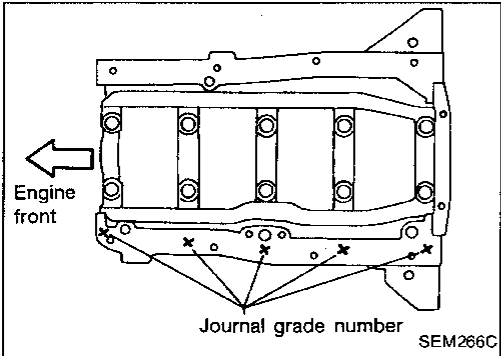
6. If it exceeds the limit, replace bearing.
7. If clearance cannot be adjusted within the standard of any bearing, grind crankshaft journal and use undersized bearing.

Inspection (Cont'd)



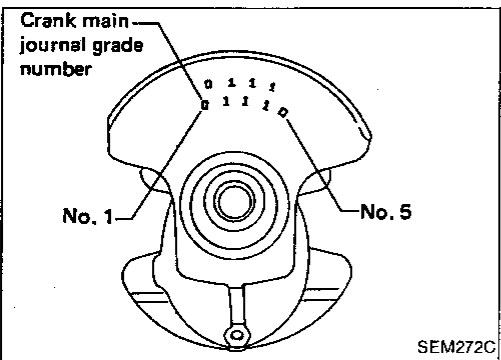
SEM964

- a. When grinding crankshaft journal, confirm that "L" dimension in fillet roll is more than the specified limit.  
"L": 0.1 mm (0.004 in)
- b. Refer to SDS for grinding crankshaft and available service parts.



SEM266C

- 8. If crankshaft is reused, measure main bearing clearance and select thickness of main bearing.  
If crankshaft is replaced with a new one, it is necessary to select thickness of main bearings as follows:
  - a. Grade number of each cylinder block main journal is punched on the respective cylinder block. These numbers are punched in either Arabic or Roman numerals.



SEM272C

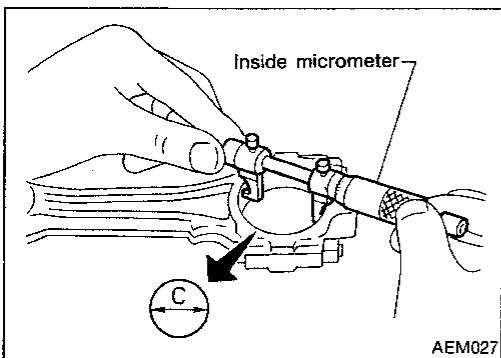
- b. Grade number of each crankshaft main journal is punched on crankshaft. These numbers are punched in either Arabic or Roman numerals.
- c. Select main bearing with suitable thickness according to the following example or table.

For example:

Main journal grade number: 1  
 Crankshaft journal grade number: 2  
 Main bearing grade number = 1 + 2  
 = 3 (Yellow)

Main bearing grade number and identification color:

		Main journal grade number		
		"0"	"1"	"2"
Crankshaft journal grade number	"0"	0 (Black)	1 (Brown)	2 (Green)
	"1" or "I"	1 (Brown)	2 (Green)	3 (Yellow)
	"2" or "II"	2 (Green)	3 (Yellow)	4 (Blue)



AEM027

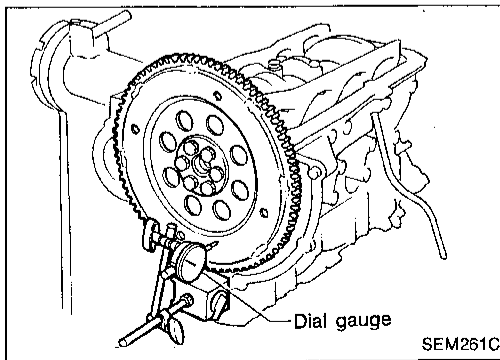
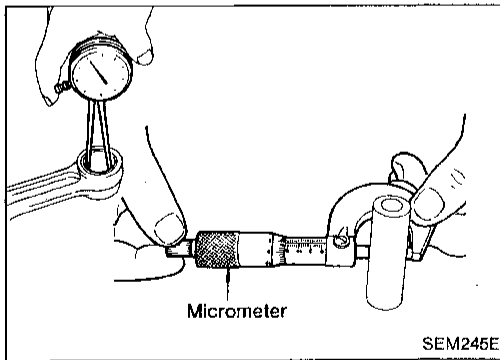
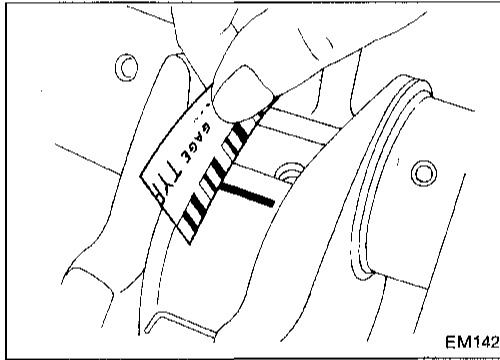
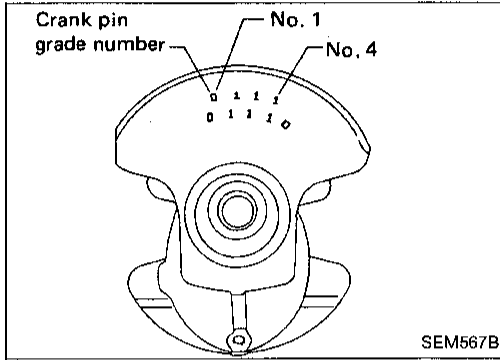
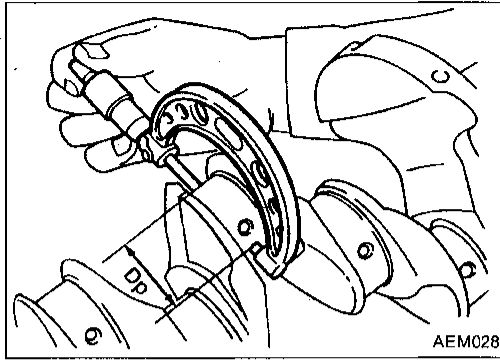
Connecting rod bearing (Big end)

- 1. Install connecting rod bearing to connecting rod and cap.
- 2. Install connecting rod cap to connecting rod.
- Tighten bolts to the specified torque.
- 3. Measure inner diameter "C" of each bearing.



**CYLINDER BLOCK**

**Inspection (Cont'd)**



4. Measure outer diameter "Dp" of each crankshaft pin journal.
5. Calculate connecting rod bearing clearance.

**Connecting rod bearing clearance = C - Dp**

**Standard: 0.010 - 0.035 mm (0.0004 - 0.0014 in)**

**Limit: 0.09 mm (0.0035 in)**

6. If it exceeds the limit, replace bearing.
7. If clearance cannot be adjusted within the standard of any bearing, grind crankshaft journal and use undersized bearing. Refer to step 7 of "BEARING CLEARANCE — Main bearing".
8. If crankshaft is replaced with a new one, select connecting rod bearing according to the following table.

**Connecting rod bearing grade number:**

These numbers are punched in either Arabic or Roman numerals.

Crank pin grade number	Connecting rod bearing grade number
0	0
1 or I	1
2 or II	2

**Method B (Using plastigage)**

**CAUTION:**

- Do not turn crankshaft or connecting rod while plastigage is being inserted.
- When bearing clearance exceeds the specified limit, ensure that the proper bearing has been installed. Then if excessive bearing clearance exists, use a thicker main bearing or undersized bearing so that the specified bearing clearance is obtained.

**CONNECTING ROD BUSHING CLEARANCE (Small end)**

1. Measure inner diameter "C" of bushing.
2. Measure outer diameter "Dp" of piston pin.
3. Calculate connecting rod bearing clearance.

**C - Dp =**  
**-0.015 to -0.033 mm (-0.0006 to -0.0013 in) (Standard)**

If it exceeds the limit, replace connecting rod assembly and/or piston set with pin.

**FLYWHEEL/DRIVE PLATE RUNOUT**

**Runout (Total indicator reading):**

**Flywheel (M/T model)**  
**Less than 0.1 mm (0.004 in)**

**Drive plate (A/T model)**  
**Less than 0.1 mm (0.004 in)**

GI

MA

EM

LC

EF &

EC

FE

CL

MT

AT

TF

PD

FA

RA

BR

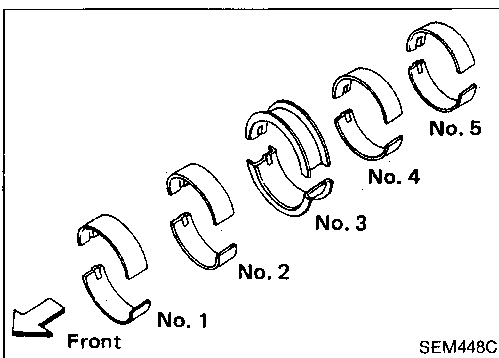
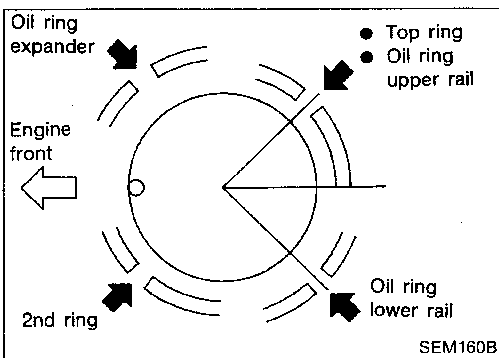
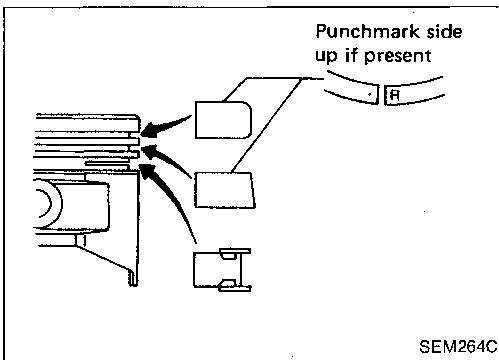
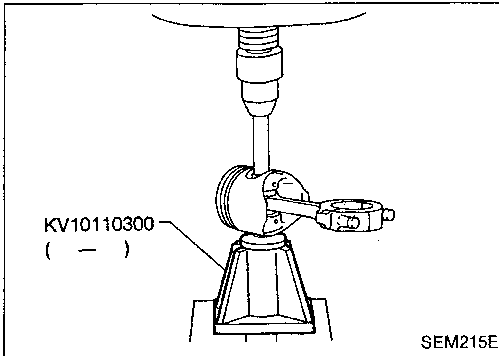
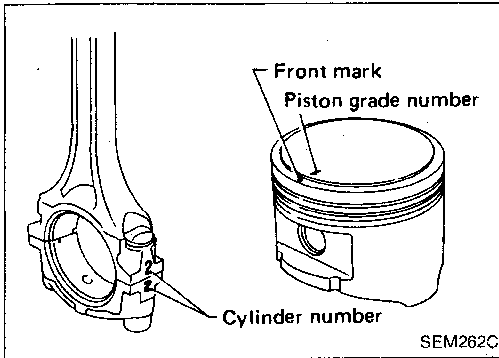
ST

BF

HA

EL

IDX



## Assembly

### PISTON

- Heat piston to 60 to 70°C (140 to 158°F) and assemble piston, piston pin and connecting rod.
  - Align the direction of piston and connecting rod.
  - Numbers stamped on connecting rod and cap correspond to each cylinder.
  - After assembly, make sure connecting rod swings smoothly.

- Set piston rings as shown.

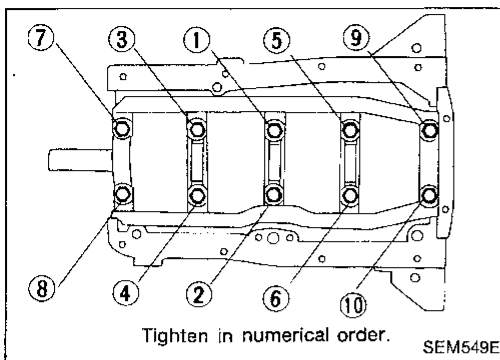
### CAUTION:

- When piston rings are not replaced, make sure that piston rings are mounted in their original positions.
- When piston rings are being replaced and no punchmark is present, piston rings can be mounted with either side up.

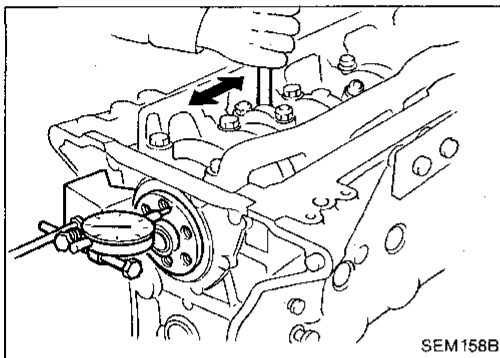
### CRANKSHAFT

- Set main bearings in their proper positions on cylinder block and main bearing beam.
  - Confirm that correct main bearings are used. Refer to "Inspection" of this section.

Assembly (Cont'd)



2. Install crankshaft and main bearing beam and tighten bolts to the specified torque.
  - Prior to tightening bearing cap bolts, place bearing cap in its proper position by shifting crankshaft in the axial direction.
  - Tighten bearing cap bolts gradually in two or three stages. Start with center bearing and move outward sequentially.
  - After securing bearing cap bolts, make sure crankshaft turns smoothly by hand.



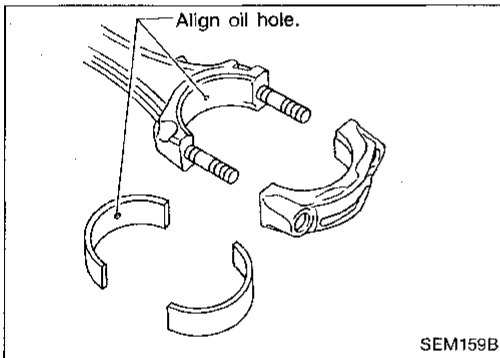
3. Measure crankshaft end play.
 

**Crankshaft end play:**

**Standard**  
0.05 - 0.18 mm (0.0020 - 0.0071 in)

**Limit**  
0.3 mm (0.012 in)

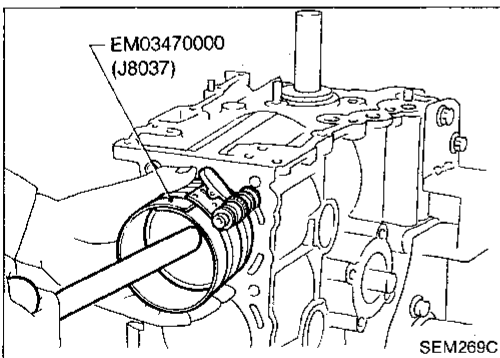
**If beyond the limit, replace bearing with a new one.**



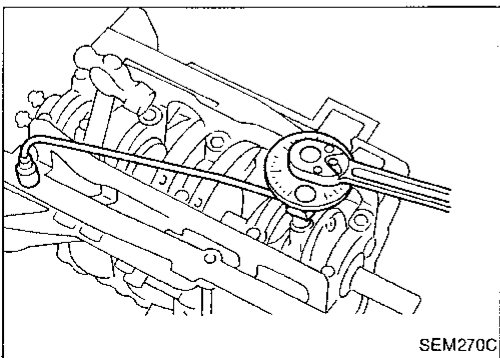
4. Install connecting rod bearings in connecting rods and connecting rod caps.
  - Confirm that correct bearings are used.

**Refer to "Inspection".**

  - Install bearings so that oil hole in connecting rod aligns with oil hole of bearing.



5. Install pistons with connecting rods.
  - a. Install them into corresponding cylinders with Tool.
    - Be careful not to scratch cylinder wall by connecting rod.
    - Arrange so that front mark on piston head faces toward front of engine.



- b. Install connecting rod bearing caps. Tighten connecting rod bearing cap nuts to the specified torque.
 

**Connecting rod bearing nut:**

    - (1) Tighten to 14 to 16 N·m (1.4 to 1.6 kg-m, 10 to 12 ft-lb).
    - (2) Tighten bolts 60 to 65 degrees clockwise with an angle wrench, or if an angle wrench is not available, tighten them to 38 to 44 N·m (3.9 to 4.5 kg-m, 28 to 33 ft-lb).

GI

MA

EM

LC

EF &  
EC

FE

CL

MT

AT

TF

PD

FA

RA

BR

ST

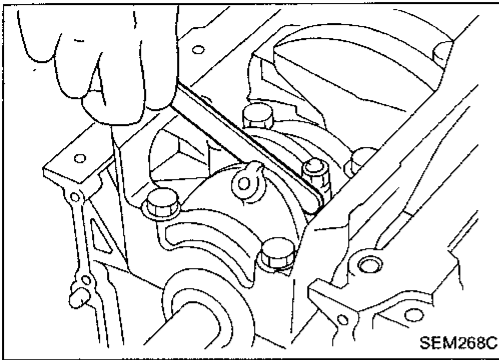
BF

HA

EL

IDX

**Assembly (Cont'd)**



6. Measure connecting rod side clearance.

**Connecting rod side clearance:**

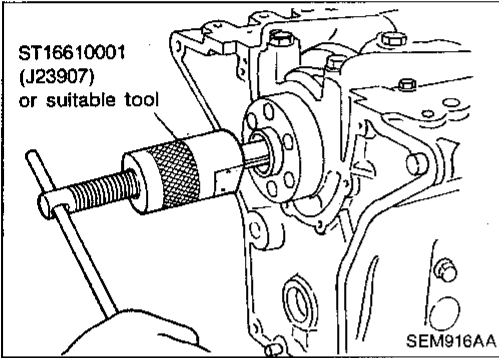
**Standard**

**0.2 - 0.4 mm (0.008 - 0.016 in)**

**Limit**

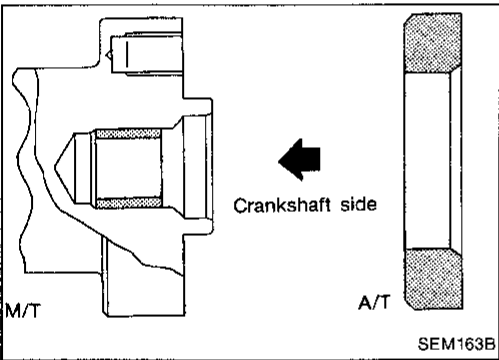
**0.6 mm (0.024 in)**

If beyond the limit, replace connecting rod and/or crankshaft.



**REPLACING PILOT BUSHING**

1. Remove pilot bushing (M/T) or pilot convertor (A/T).



2. Install pilot bushing (M/T) or pilot convertor (A/T).

**General Specifications**

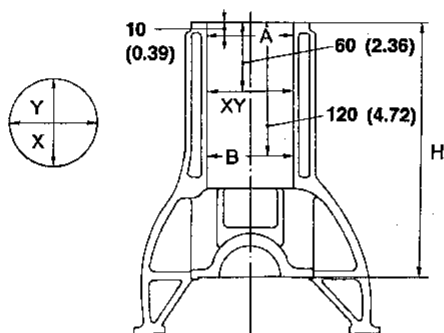
Cylinder arrangement	4, in-line
Displacement	cm <sup>3</sup> (cu in) 2,389 (145.78)
Bore x stroke	mm (in) 89 x 96 (3.50 x 3.78)
Valve arrangement	OHC
Firing order	1-3-4-2
Number of piston rings	
Compression	2
Oil	1
Number of main bearings	5
Compression ratio	8.6

Unit: kPa (kg/cm<sup>2</sup>, psi)/rpm

Compression pressure	
Standard	1,324 (13.5, 192)/300
Minimum	981 (10, 142)/300
Differential limit between cylinders	98 (1.0, 14)/300

**Inspection and Adjustment**

**CYLINDER BLOCK**



SEM400E

Unit: mm (in)

		Standard	Limit
Distortion		—	0.1 (0.004)
Cylinder bore	Inner diameter	Grade 1	89.000 - 89.010 (3.5039 - 3.5043)
		Grade 2	89.010 - 89.020 (3.5043 - 3.5047)
		Grade 3	89.020 - 89.030 (3.5047 - 3.5051)
	Out-of-round (X - Y)	Less than 0.015 (0.0006)	—
Taper (A - B)		Less than 0.015 (0.0006)	—
Difference in inner diameter between cylinders		Less than 0.05 (0.0020)	0.2 (0.008)
Piston-to-cylinder clearance		0.020 - 0.040 (0.0008 - 0.0016)	—
Cylinder block height (From crankshaft center)		246.95 - 247.05 (9.7224 - 9.7264)	0.2 (0.008)**

\* Wear limit

\*\* Total amount of cylinder head resurfacing and cylinder block resurfacing

**CYLINDER HEAD**

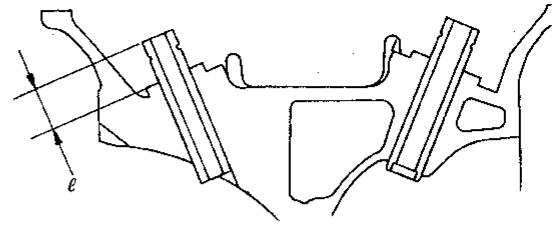
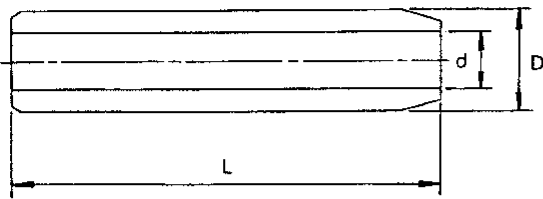
Unit: mm (in)

	Standard	Limit
Height (H)	98.8 - 99.0 (3.890 - 3.898)	0.2 (0.008)*
Surface distortion	0.03 (0.0012)	0.1 (0.004)

\* Total amount of cylinder head resurfacing and cylinder block resurfacing

Inspection and Adjustment (Cont'd)

VALVE GUIDE

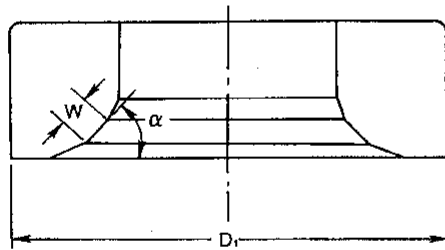


SEM401E

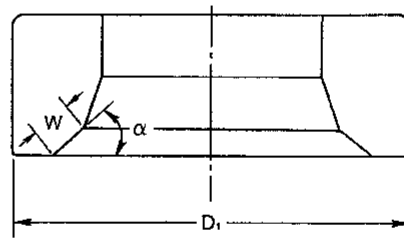
Unit: mm (in)

	Standard		Service		Limit
	Intake	Exhaust	Intake	Exhaust	
Length (L)	52.6 (2.071)	56.0 (2.205)	52.6 (2.071)	56.0 (2.205)	—
Outer diameter (D)	11.023 - 11.034 (0.4340 - 0.4344)	12.023 - 12.034 (0.4733 - 0.4738)	11.223 - 11.234 (0.4418 - 0.4423)	12.223 - 12.234 (0.4812 - 0.4817)	—
Inner diameter (d) (Finished size)	7.000 - 7.018 (0.2756 - 0.2763)	8.000 - 8.018 (0.3150 - 0.3157)	7.000 - 7.018 (0.2756 - 0.2763)	8.000 - 8.018 (0.3150 - 0.3157)	—
Cylinder head hole diameter	10.975 - 10.996 (0.4321 - 0.4329)	11.975 - 11.996 (0.4715 - 0.4723)	11.175 - 11.196 (0.4400 - 0.4408)	12.175 - 12.196 (0.4793 - 0.4802)	—
Interference fit	0.027 - 0.059 (0.0011 - 0.0023)				—
Stem to guide clearance	0.020 - 0.053 (0.0008 - 0.0021)	0.040 - 0.070 (0.0016 - 0.0028)	0.020 - 0.053 (0.0008 - 0.0021)	0.040 - 0.070 (0.0016 - 0.0028)	0.1 (0.004)
Tapping length (L)	14.9 - 15.1 (0.587 - 0.594)				

Standard



Service



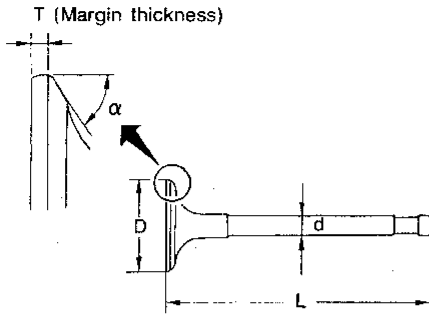
SEM402E

Unit: mm (in)

	Standard		Service	
	Intake	Exhaust	Intake	Exhaust
Cylinder head seat recess diameter	36.000 - 36.016 (1.4173 - 1.4179)	42.000 - 42.016 (1.6535 - 1.6542)	36.500 - 36.516 (1.4370 - 1.4376)	42.500 - 42.516 (1.6732 - 1.6739)
Valve seat outer diameter (D <sub>1</sub> )	36.080 - 36.096 (1.4205 - 1.4211)	42.080 - 42.096 (1.6567 - 1.6573)	36.580 - 36.596 (1.4402 - 1.4408)	42.580 - 42.596 (1.6764 - 1.6770)
Face angle (α)	45°	45°	45°	45°
Contacting width (W)	1.6 - 1.7 (0.063 - 0.067)	1.7 - 2.1 (0.067 - 0.083)	1.6 - 1.7 (0.063 - 0.067)	1.7 - 2.1 (0.067 - 0.083)

Inspection and Adjustment (Cont'd)

VALVE



SEM188A

Unit: mm (in)

		Standard	Limit
Valve head diameter (D)	In.	34.0 - 34.2 (1.339 - 1.346)	—
	Ex.	40.0 - 40.2 (1.575 - 1.583)	—
Valve length (L)	In.	119.9 - 120.2 (4.720 - 4.732)	—
	Ex.	120.67 - 120.97 (4.7508 - 4.7626)	—
Valve stem diameter (d)	In.	6.965 - 6.980 (0.2742 - 0.2748)	—
	Ex.	7.948 - 7.960 (0.3129 - 0.3134)	—
Valve face angle (α)	In.	45°30'	—
	Ex.	45°30'	—
Valve head margin (T)	In.	1.15 - 1.45 (0.0453 - 0.0571)	0.5 (0.020)
	Ex.	1.35 - 1.65 (0.0531 - 0.0650)	
Valve clearance		0 (0)	

VALVE SPRING

Unit: mm (in)

		Standard		Limit	
		Intake	Exhaust	Intake	Exhaust
Free height (H)	Outer	57.44 (2.2614)	53.21 (2.0949)	—	—
	Inner	53.34 (2.1000)	47.95 (1.8878)	—	—
Pressure N (kg, lb) at height	Outer	604.1 (61.6, 135.8) at 37.6 (1.480)	640.4 (65.3, 144.0) at 34.1 (1.343)	567.8 (57.9, 127.7) at 37.6 (1.480)	620.8 (63.3, 139.6) at 34.1 (1.343)
	Inner	284.4 (29.0, 63.9) at 32.6 (1.283)	328.5 (33.5, 73.9) at 29.1 (1.146)	266.8 (27.2, 60.0) at 32.6 (1.283)	318.7 (32.5, 71.7) at 29.1 (1.146)
Out-of-square	Outer	—	—	2.5 (0.098)	2.3 (0.091)
	Inner	—	—	2.3 (0.091)	2.1 (0.083)

GI

MA

EM

LC

EF & EC

FE

CL

MT

AT

TF

PD

FA

RA

BR

ST

BF

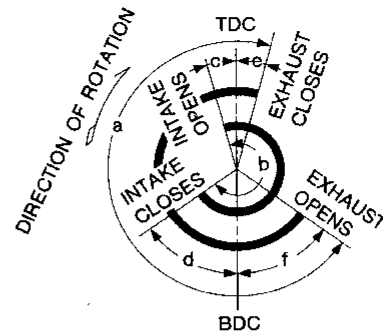
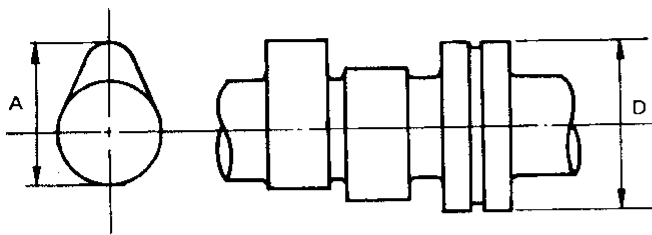
HA

EL

IDX

Inspection and Adjustment (Cont'd)

CAMSHAFT AND CAMSHAFT BEARING



SEM568A

EM120

Unit: mm (in)

	Standard	Limit
Cam height (A)	44.839 - 45.029 (1.7653 - 1.7728)	—
Valve lift (h)	9.86 (0.3882)	—
Wear limit of cam height	—	0.2 (0.008)
Camshaft journal to bearing clearance	0.045 - 0.090 (0.0018 - 0.0035)	0.12 (0.0047)
Inner diameter of camshaft bearing	33.000 - 33.025 (1.2992 - 1.3002)	—
Outer diameter of camshaft journal (D)	32.935 - 32.955 (1.2967 - 1.2974)	—
Camshaft runout	0 - 0.02 (0 - 0.0008)	—
Camshaft end play	0.07 - 0.15 (0.0028 - 0.0059)	0.2 (0.008)
Valve timing (Degree on crankshaft)	a	248
	b	240
	c	3
	d	57
	e	12
	f	56

ROCKER ARM AND ROCKER SHAFT

Unit: mm (in)

Rocker arm to shaft clearance	0.012 - 0.050 (0.0005 - 0.0020)
Rocker shaft diameter	21.979 - 22.000 (0.8653 - 0.8661)
Rocker arm rocker shaft hole diameter	22.012 - 22.029 (0.8666 - 0.8673)

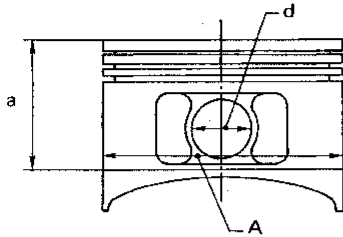


Inspection and Adjustment (Cont'd)

PISTON, PISTON RING AND PISTON PIN

Piston ring

Piston



SEM444C

Unit: mm (in)

Piston skirt diameter (A)	Standard	Grade No. 1	88.970 - 88.980 (3.5027 - 3.5031)
		Grade No. 2	88.980 - 88.990 (3.5031 - 3.5035)
		Grade No. 3	88.990 - 89.000 (3.5035 - 3.5039)
	Service (Oversize)	0.5 (0.020)	89.470 - 89.500 (3.5224 - 3.5236)
		1.0 (0.039)	89.970 - 90.000 (3.5421 - 3.5433)
Dimension (a)	Approximately 52 (2.05)		
Piston pin hole diameter (d)	21.002 - 21.008 (0.8268 - 0.8271)		
Piston-to-cylinder bore clearance	0.020 - 0.040 (0.0008 - 0.0016)		

Piston pin

Unit: mm (in)

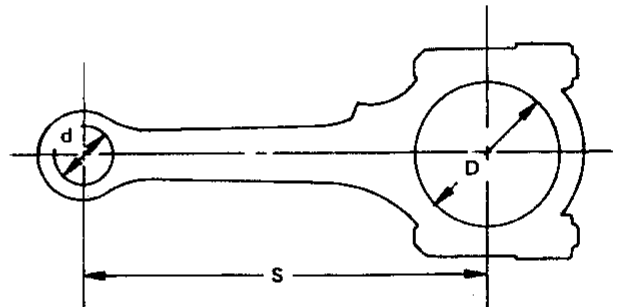
	Standard
Piston pin outer diameter	20.994 - 20.996 (0.8265 - 0.8266)
Pin to piston pin hole clearance	0.008 - 0.012 (0.0003 - 0.0005)
Piston pin to connecting rod clearance	-0.015 to -0.033 (-0.0006 to -0.0013)

Unit: mm (in)

		Standard	Limit
Side clearance	Top	0.040 - 0.080 (0.0016 - 0.0031)	0.1 (0.004)
	2nd	0.030 - 0.070 (0.0012 - 0.0028)	0.1 (0.004)
	Oil	0.065 - 0.135 (0.0026 - 0.0053)*	0.1 (0.004)
Ring gap	Top	0.28 - 0.52 (0.0110 - 0.0205)	0.5 (0.020)
	2nd	0.45 - 0.69 (0.0177 - 0.0272)	0.5 (0.020)
	Oil (rail ring)	0.20 - 0.69 (0.0079 - 0.0272)	0.5 (0.020)

\*: Riken-make

CONNECTING ROD



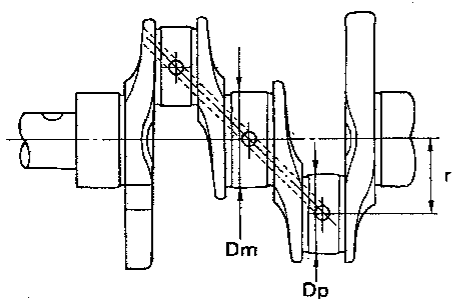
SEM216E

Unit: mm (in)

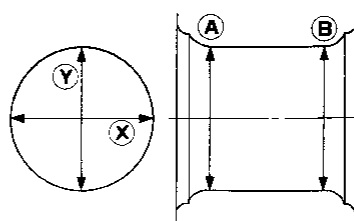
		Standard	Limit
Center distance (S)		164.95 - 165.05 (6.4941 - 6.4980)	—
Bend [per 100 mm (3.94 in)]		—	0.15 (0.0059)
Torsion [per 100 mm (3.94 in)]		—	0.3 (0.012)
Small end inner diameter (d)		20.948 - 20.978 (0.8247 - 0.8259)	—
Connecting rod big end inner diameter (D)		53.000 - 53.013 (2.0866 - 2.0871)	—
Side clearance		0.2 - 0.4 (0.008 - 0.016)	0.6 (0.024)

Inspection and Adjustment (Cont'd)

CRANKSHAFT



Out-of-round (X) - (Y)  
Taper (A) - (B)



SEM394

EM715

Unit: mm (in)

Main journal diameter (Dm)	No. 0	63.645 - 63.652 (2.5057 - 2.5060)	
	Grade No. 1	63.652 - 63.663 (2.5060 - 2.5064)	
	No. 2	63.663 - 63.672 (2.5064 - 2.5068)	
Pin journal diameter (Dp)		59.951 - 59.975 (2.3603 - 2.3612)	
Center distance (r)		47.97 - 48.03 (1.8886 - 1.8909)	
		Standard	Limit
Taper of journal and pin [(A) - (B)]	Journal	—	0.01 (0.0004)
	Pin	—	0.005 (0.0002)
Out-of-round of journal and pin [(X) - (Y)]	Journal	—	0.01 (0.0004)
	Pin	—	0.005 (0.0002)
Runout [TIR]*		—	0.10 (0.0039)
Free end play		0.05 - 0.18 (0.0020 - 0.0071)	0.3 (0.012)
Fillet roll		More than 0.1 (0.004)	

\* Total indicator reading

BEARING CLEARANCE

Unit: mm (in)

	Standard	Limit
Main bearing clearance	0.020 - 0.047 (0.0008 - 0.0019)	0.1 (0.004)
Connecting rod bearing clearance	0.010 - 0.035 (0.0004 - 0.0014)	0.09 (0.0035)

**Inspection and Adjustment (Cont'd)**

**AVAILABLE MAIN BEARING**

**Standard**

Grade number	Thickness mm (in)	Identification color
0	1.821 - 1.825 (0.0717 - 0.0719)	Black
1	1.825 - 1.829 (0.0719 - 0.0720)	Brown
2	1.829 - 1.833 (0.0720 - 0.0722)	Green
3	1.833 - 1.837 (0.0722 - 0.0723)	Yellow
4	1.837 - 1.841 (0.0723 - 0.0725)	Blue

**Undersize (service)**

Unit: mm (in)

	Thickness	Main journal diameter "Dm"
0.25 (0.0098)	1.952 - 1.960 (0.0769 - 0.0772)	Grind so that bearing clearance is the specified value.

**AVAILABLE CONNECTING ROD BEARING**

**Standard**

Grade number	Thickness mm (in)	Identification color
0	1.505 - 1.508 (0.0593 - 0.0594)	—
1	1.508 - 1.511 (0.0594 - 0.0595)	Brown
2	1.511 - 1.514 (0.0595 - 0.0596)	Green

**Undersize (service)**

Unit: mm (in)

	Thickness	Crank pin journal diameter "Dp"
0.08 (0.0031)	1.540 - 1.548 (0.0606 - 0.0609)	Grind so that bearing clearance is the specified value.
0.12 (0.0047)	1.560 - 1.568 (0.0614 - 0.0617)	
0.25 (0.0098)	1.625 - 1.633 (0.0640 - 0.0643)	

**MISCELLANEOUS COMPONENTS**

Unit: mm (in)

Camshaft sprocket runout [TIR]*	Less than 0.12 (0.0047)
Flywheel runout [TIR]*	Less than 0.1 (0.004)
Drive plate runout [TIR]*	Less than 0.1 (0.004)

\* Total indicator reading

GI

MA

EM

LC

EF &  
EC

FE

CL

MT

AT

TF

PD

FA

RA

BR

ST

BF

HA

EL

IDX