

ENGINE LUBRICATION & COOLING SYSTEMS

GI

MA

EM

LC

EC

FE

CL

MT

AT

TF

PD

AX

SU

BR

ST

RS

BT

HA

SC

EL

IDX

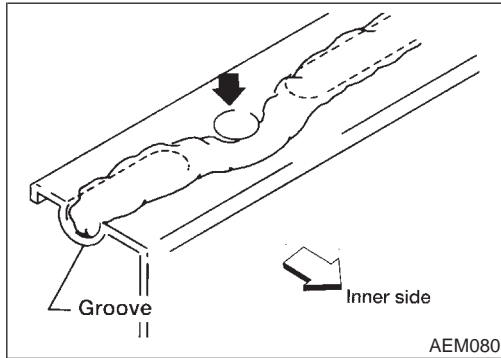
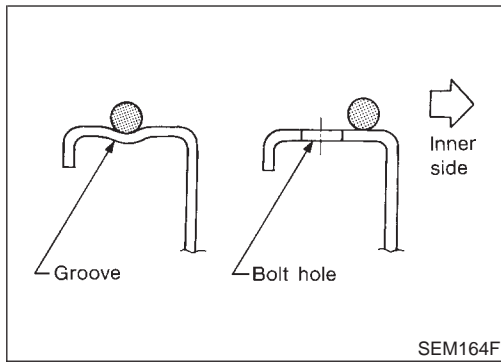
SECTION LC

CONTENTS

ENGINE LUBRICATION SYSTEM2	CHECKING RADIATOR CAP12	
Precautions2	CHECKING COOLING SYSTEM FOR LEAKS13	
LIQUID GASKET APPLICATION PROCEDURE.....2	Water Pump.....13	
Preparation2	REMOVAL AND INSTALLATION.....13	
SPECIAL SERVICE TOOLS2	REMOVAL.....13	
COMMERCIAL SERVICE TOOL3	INSPECTION.....15	
Lubrication Circuit.....3	INSTALLATION.....15	
Oil Pressure Check.....5	Thermostat.....17	
Oil Pump.....6	REMOVAL AND INSTALLATION.....17	
REMOVAL AND INSTALLATION.....6	INSPECTION.....17	
DISASSEMBLY AND ASSEMBLY.....6	Water Control Valve.....18	
OIL PUMP INSPECTION7	REMOVAL AND INSTALLATION.....18	
REGULATOR VALVE INSPECTION7	INSPECTION.....19	
OIL FILTER8	Radiator20	
Oil Cooler.....8	REMOVAL AND INSTALLATION.....20	
REMOVAL AND INSTALLATION.....8	Cooling Fan (Crankshaft driven)21	
INSPECTION.....9	REMOVAL AND INSTALLATION.....21	
Service Data and Specifications (SDS).....9	INSPECTION.....21	
OIL PRESSURE9	Refilling Engine Coolant21	
REGULATOR VALVE9	Radiator (Aluminum type).....22	
OIL PUMP.....9	PREPARATION22	
ENGINE COOLING SYSTEM10	DISASSEMBLY.....22	
Precautions10	ASSEMBLY23	
LIQUID GASKET APPLICATION PROCEDURE.....10	INSPECTION.....24	
Preparation10	Overheating Cause Analysis25	
SPECIAL SERVICE TOOLS10	Service Data and Specifications (SDS).....26	
Cooling Circuit11	THERMOSTAT26	
System Check.....12	WATER CONTROL VALVE26	
CHECKING COOLING SYSTEM HOSES.....12	RADIATOR.....26	
CHECKING RADIATOR.....12		

ENGINE LUBRICATION SYSTEM

Precautions



Precautions

LIQUID GASKET APPLICATION PROCEDURE

NALC0001

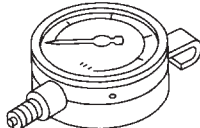
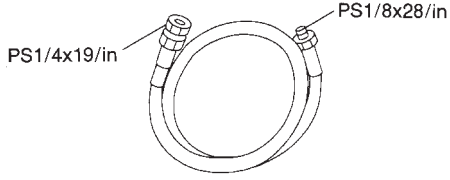
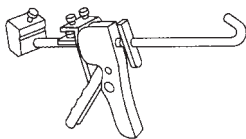
1. Use a scraper to remove all traces of old liquid gasket from mating surfaces and grooves. Also, completely clean any oil from these areas.
2. Apply a continuous bead of liquid gasket to mating surfaces. **(Use Genuine RTV silicone sealant Part No. 999MP-A7007 or equivalent.)**
 - For oil pan, be sure liquid gasket diameter is 4.0 to 5.0 mm (0.157 to 0.197 in).
 - For areas except oil pan, be sure liquid gasket diameter is 2.0 to 3.0 mm (0.079 to 0.118 in).
3. Apply liquid gasket around the inner side of bolt holes (unless otherwise specified).
4. Assembly should be done within 5 minutes after coating.
5. Wait at least 30 minutes before refilling engine oil and engine coolant.

Preparation

SPECIAL SERVICE TOOLS

NALC0002

The actual shapes of Kent-Moore tools may differ from those of special service tools illustrated here.

Tool number (Kent-Moore No.) Tool name	Description
ST25051001 (J25695-1) Oil pressure gauge	 NT050
ST25052000 (J25695-2) Hose	 NT559
WS39930000 () Tube pressure	 NT052

ENGINE LUBRICATION SYSTEM

Preparation (Cont'd)

COMMERCIAL SERVICE TOOL

NALC0040

Tool name	Description
Deep socket	<div data-bbox="548 268 805 464" data-label="Image"> </div> <p data-bbox="954 247 1393 300">Removing and installing oil pressure switch Deep socket 26 mm, 3/8 drive</p> <p data-bbox="423 495 483 516">NT818</p>

GI

MA

EM

LC

EC

FE

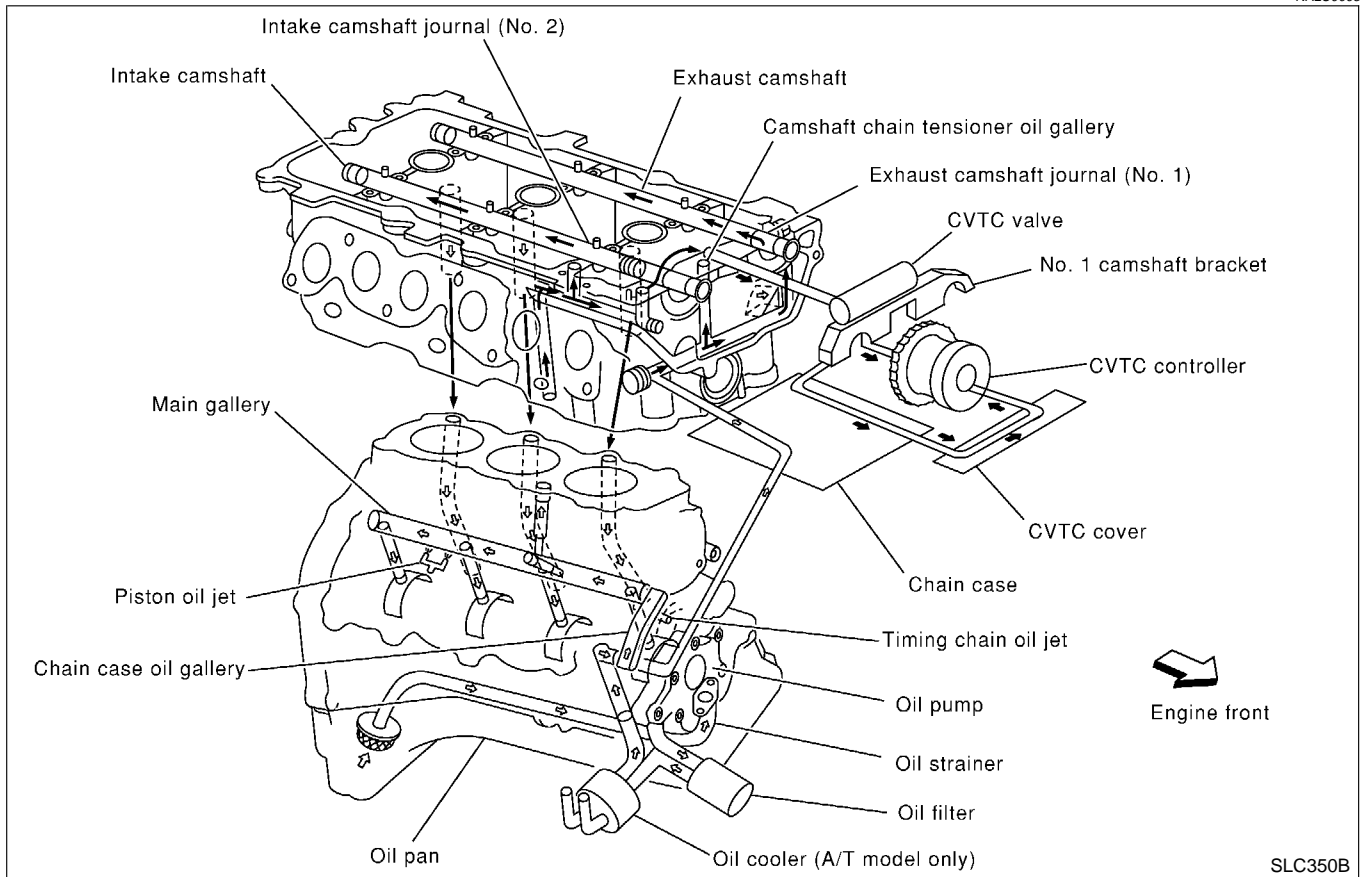
CL

MT

AT

Lubrication Circuit

NALC0003



TF

PD

AX

SU

BR

ST

RS

BT

HA

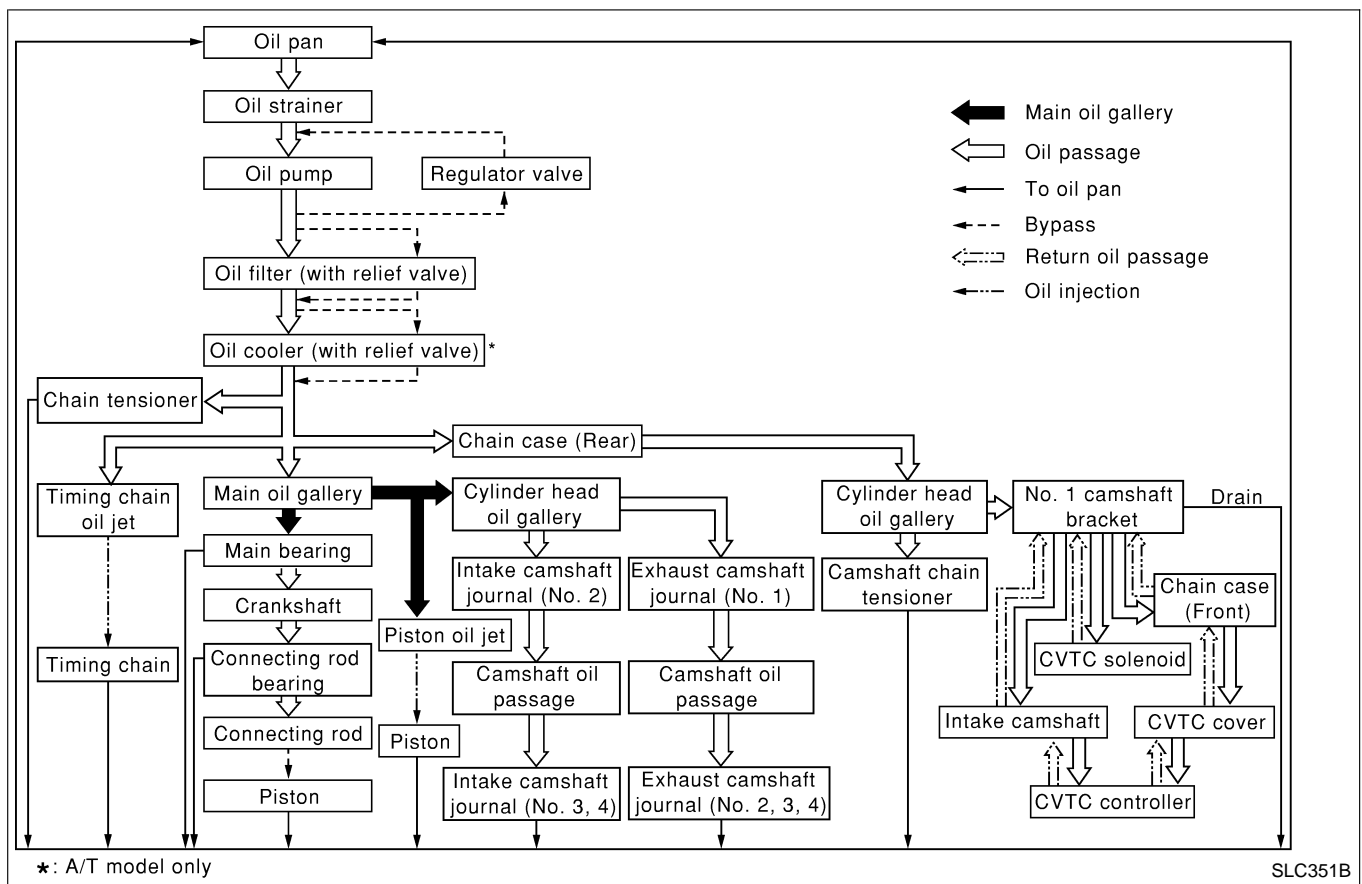
SC

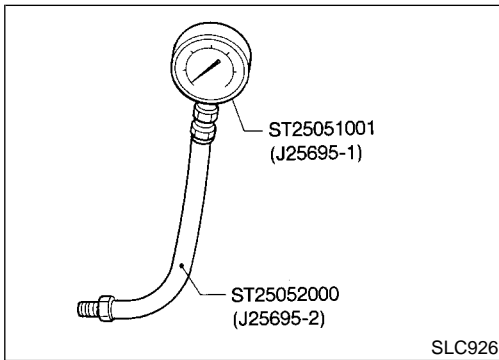
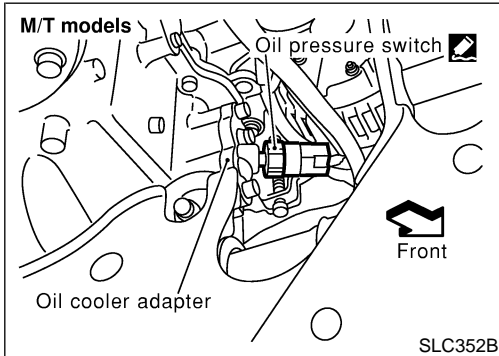
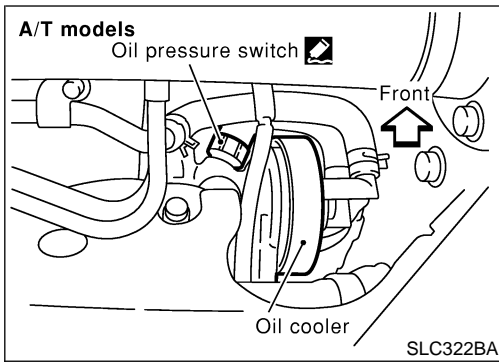
EL

IDX

ENGINE LUBRICATION SYSTEM

Lubrication Circuit (Cont'd)





Oil Pressure Check

WARNING:

- Be careful not to burn yourself, as the engine and oil may be hot.
 - Oil pressure check should be done in “Parking position”.
1. Check oil level.
 2. Disconnect oil pressure switch harness connector.
 3. Remove oil pressure switch using a deep socket. (Commercial service tool)
 4. Install pressure gauge.
 5. Start engine and warm it up to normal operating temperature.
 6. Check oil pressure with engine running under no-load.

Engine speed rpm	Approximate discharge pressure kPa (kg/cm ² , psi)
Idle speed 2,000	More than 98 (1.0, 14) 294 (3.0, 43)

If difference is extreme, check oil passage and oil pump for oil leaks.

7. After the inspections, install the oil pressure switch as follows.
 - a. Remove the old sealant adhering to switch and engine.
 - b. Apply Genuine RTV silicone sealant Part No. 999MP-A7007 or equivalent to the thread and tighten.

 **13 - 17 N·m (1.25 - 1.75 kg·m, 9 - 12 ft·lb)**

GI
MA
EM
LC
EC
FE
CL
MT
AT
TF
PD
AX
SU
BR
ST
RS
BT
HA
SC
EL
IDX

ENGINE LUBRICATION SYSTEM

Oil Pump

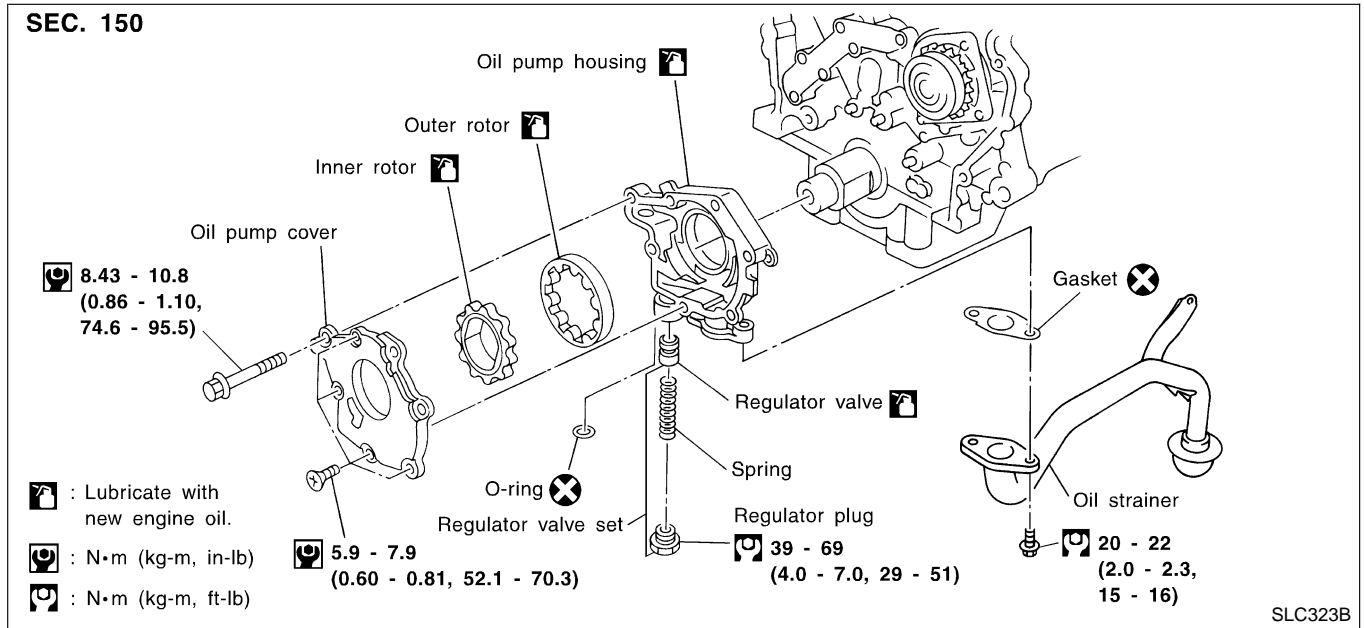
REMOVAL AND INSTALLATION

=NALC0005

1. Remove timing chain. Refer to EM-23, "Removal".
2. Remove oil pump assembly.
 - Inspect the oil pump after removing it.
3. Reinstall any parts removed in reverse order of removal.

DISASSEMBLY AND ASSEMBLY

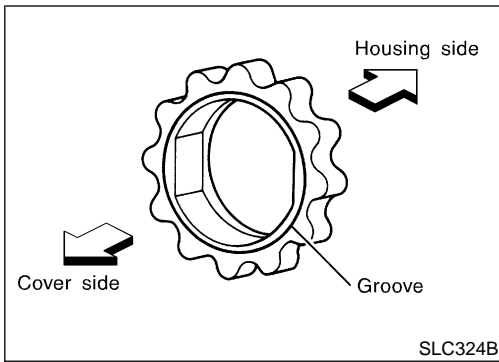
NALC0006



- When installing oil pump, apply engine oil to rotors.

ENGINE LUBRICATION SYSTEM

Oil Pump (Cont'd)



OIL PUMP INSPECTION

NALC0007

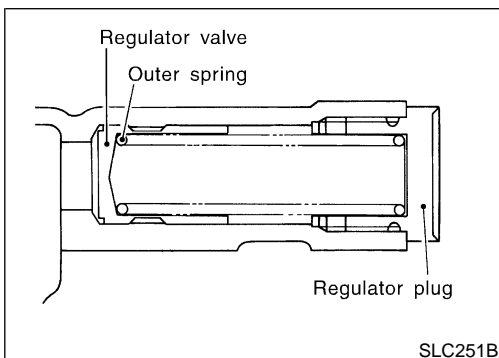
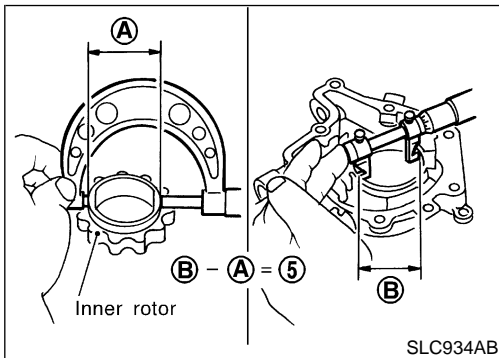
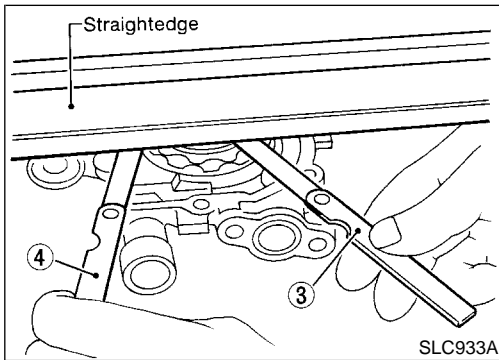
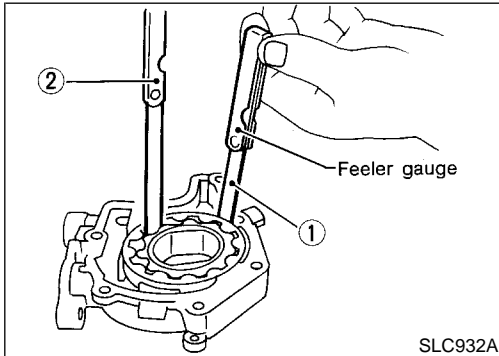
- Install oil pump with the groove of the inner rotor facing the oil pump cover.

Using a feeler gauge, straightedge and micrometers, check the following clearances:

Unit: mm (in)

Body to outer rotor radial clearance 1	0.114 - 0.200 (0.0045 - 0.0079)
Inner rotor to outer gear tip clearance 2	Below 0.18 (0.0071)
Body to inner rotor axial clearance 3	0.030 - 0.070 (0.0012 - 0.0028)
Body to outer rotor axial clearance 4	0.050 - 0.110 (0.0020 - 0.0043)
Inner rotor to brazed portion of housing clearance 5	0.045 - 0.091 (0.0018 - 0.0036)

- If the tip clearance (2) exceeds the limit, replace rotor set.
- If body to rotor clearances (1, 3, 4, 5) exceed the limit, replace oil pump body assembly.



REGULATOR VALVE INSPECTION

NALC0008

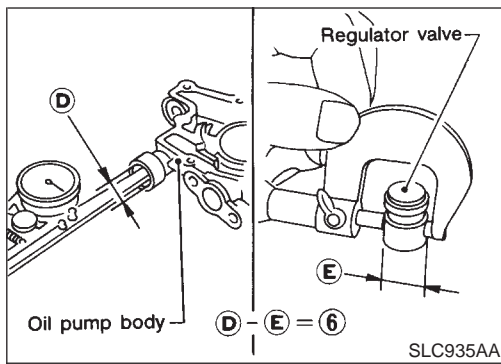
1. Visually inspect components for wear and damage.
2. Check oil pressure regulator valve sliding surface and valve spring.
3. Coat regulator valve with engine oil. Check that it falls smoothly into the valve hole by its own weight.

If damaged, replace regulator valve set or oil pump body.

GI
MA
EM
LC
EC
FE
CL
MT
AT
TF
PD
AX
SU
BR
ST
RS
BT
HA
SC
EL
IDX

ENGINE LUBRICATION SYSTEM

Oil Pump (Cont'd)

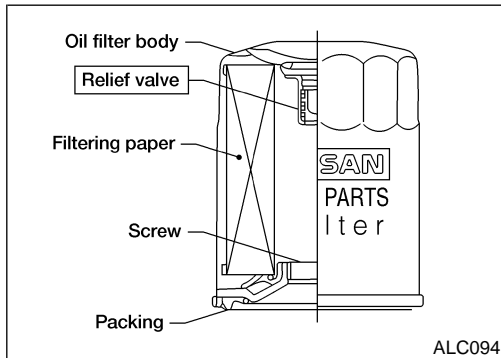


4. Check regulator valve to oil pump body clearance.

Clearance:

6 : 0.040 - 0.097 mm (0.0016 - 0.0038 in)

If it exceeds the limit, replace oil pump body.



OIL FILTER

The oil filter is a small, full-flow cartridge type and is provided with a relief valve. NALC0009

- Use Tool specified in MA-19 for changing oil filter.

Oil Cooler

REMOVAL AND INSTALLATION

NALC0036

SEC. 150-213
A/T models

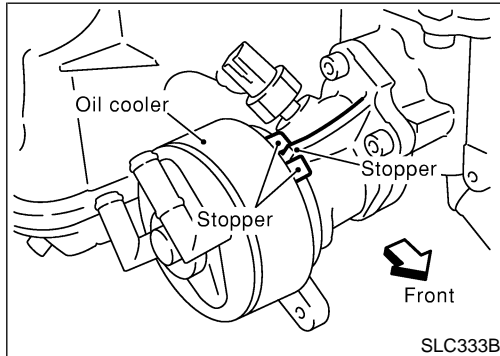
M/T models

: Apply liquid gasket (Genuine RTV silicone sealant Part No.999MP-A7007 or equivalent).
 : N•m (kg-m, ft-lb)

SLC353B

1. Drain engine oil and coolant.
 - Do not spill coolant on the drive belt.
2. Remove oil cooler.

- Inspect the oil cooler after removing it.



3. Installation is in reverse order of removal.
 - **When installing the oil cooler, align the oil cooler stopper with the stopper of the oil cooler bracket.**

INSPECTION

Oil Cooler

1. Check oil cooler for cracks.
2. Check oil cooler for clogging by blowing through coolant inlet. If necessary, replace oil cooler assembly.

Oil Pressure Relief Valve

Inspect oil pressure relief valve for movement, cracks and breaks by pushing the ball. If replacement is necessary, remove valve by prying it out with a suitable tool. Install a new valve in place by tapping it.

Service Data and Specifications (SDS)

OIL PRESSURE

Engine speed rpm	Approximate discharge pressure kPa (kg/cm ² , psi)
Idle speed 2,000	More than 98 (1.0, 14) 294 (3.0, 43)

REGULATOR VALVE

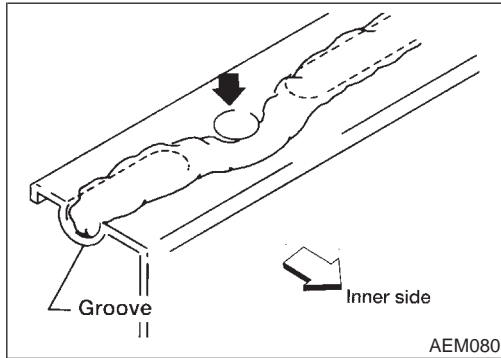
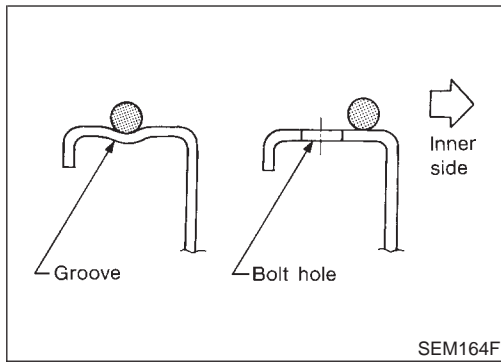
	Unit: mm (in)
Regulator valve to oil pump cover clearance	0.040 - 0.097 (0.0016 - 0.0038)

OIL PUMP

	Unit: mm (in)
Body to outer rotor radial clearance	0.114 - 0.200 (0.0045 - 0.0079)
Inner rotor to outer rotor tip clearance	Below 0.18 (0.0071)
Body to inner rotor axial clearance	0.030 - 0.070 (0.0012 - 0.0028)
Body to outer rotor axial clearance	0.050 - 0.110 (0.0020 - 0.0043)
Inner rotor to brazed portion of housing clearance	0.045 - 0.091 (0.0018 - 0.0036)

ENGINE COOLING SYSTEM

Precautions



Precautions

LIQUID GASKET APPLICATION PROCEDURE

NALC0013

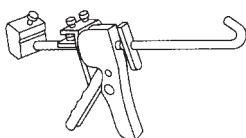
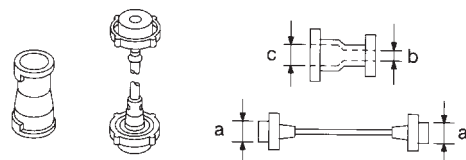


1. Use a scraper to remove all traces of old liquid gasket from mating surfaces and grooves. Also, completely clean any oil from these areas.
2. Apply a continuous bead of liquid gasket to mating surfaces. **(Use Genuine RTV silicone sealant Part No. 999MP-A7007 or equivalent.)**
 - For oil pan, be sure liquid gasket diameter is 4.0 to 5.0 mm (0.157 to 0.197 in).
 - For areas except oil pan, be sure liquid gasket diameter is 2.0 to 3.0 mm (0.079 to 0.118 in).
3. Apply liquid gasket around the inner side of bolt holes (unless otherwise specified).
4. Assembly should be done within 5 minutes after coating.
5. Wait at least 30 minutes before refilling engine oil and engine coolant.

Preparation

SPECIAL SERVICE TOOLS

NALC0014

The actual shapes of Kent-Moore tools may differ from those of special service tools illustrated here.

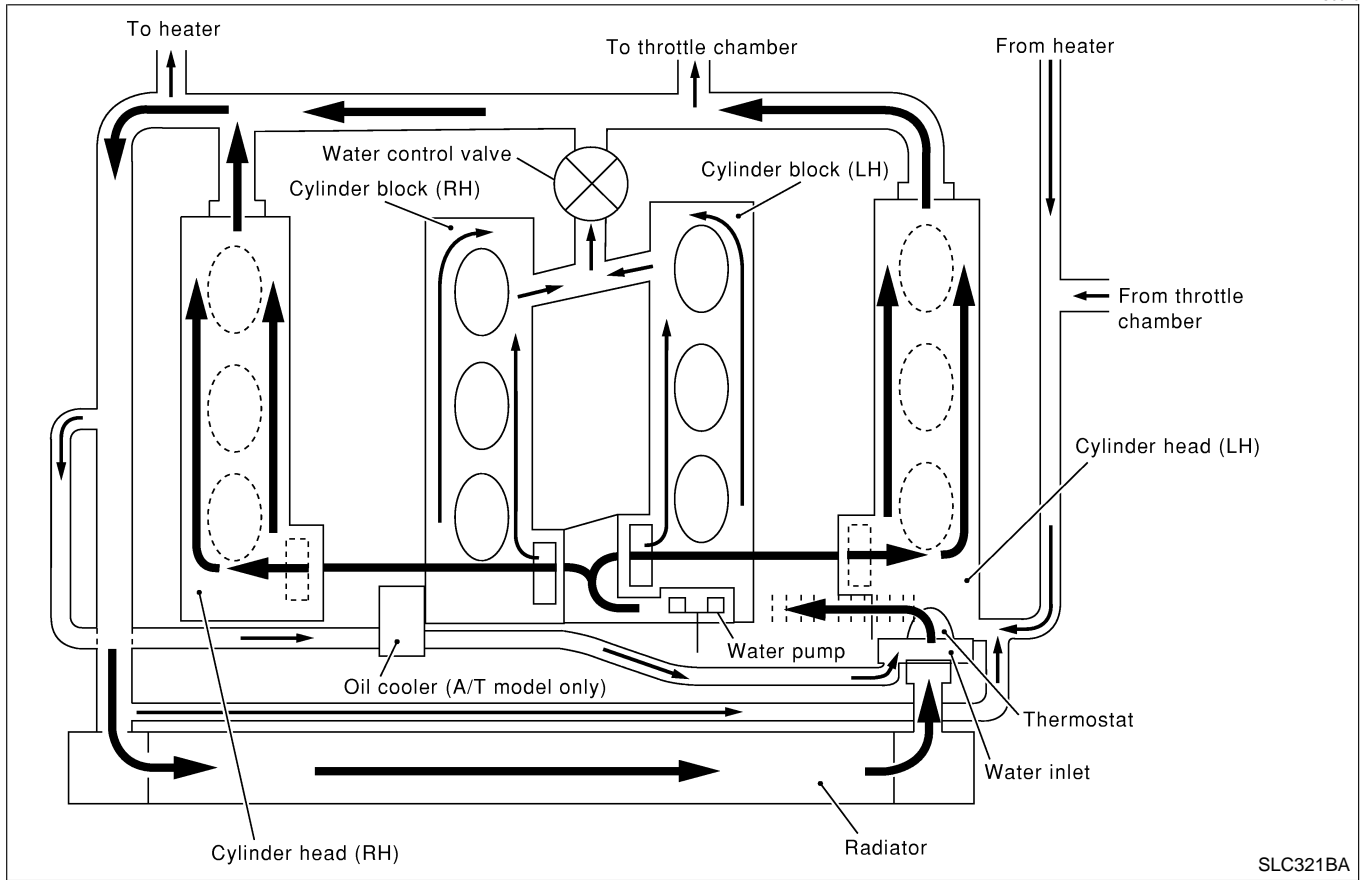
Tool number (Kent-Moore No.) Tool name	Description
WS39930000 (—) Tube pressure	 Pressing the tube of liquid gasket NT052
EG17650301 (J33984-A) Radiator cap tester adapter	 Adapting radiator cap tester to radiator filler neck a: 28 (1.10) dia. b: 31.4 (1.236) dia. c: 41.3 (1.626) dia. Unit: mm (in) NT564
KV99103510 (—) Radiator plate pliers A	 Installing radiator upper and lower tanks NT224
KV99103520 (—) Radiator plate pliers B	 Removing radiator upper and lower tanks NT225

ENGINE COOLING SYSTEM

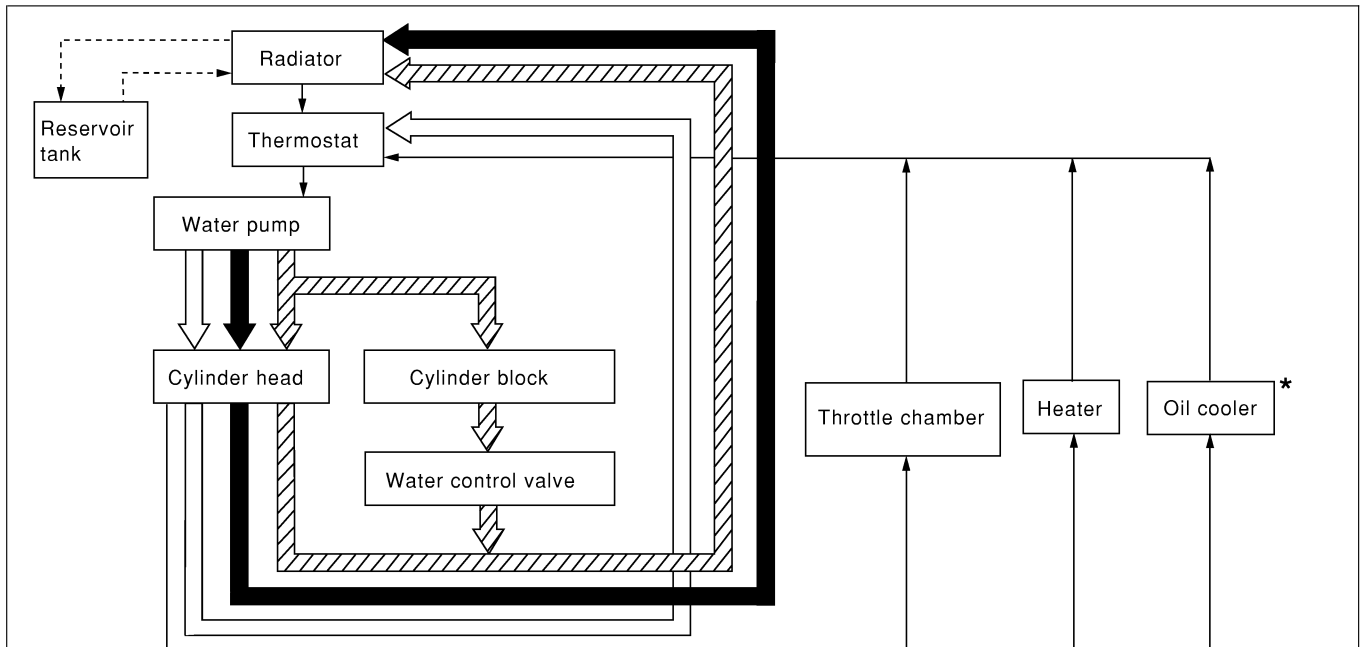
Cooling Circuit

Cooling Circuit

NALC0015



SLC321BA



	Thermostat	Water control valve
	Closed	Closed
	Open	Closed
	Open	Open

*: A/T model only

SLC325BA

GI
MA
EM
LC
EC
FE
CL
MT
AT
TF
PD
AX
SU
BR
ST
RS
BT
HA
SC
EL
IDX

System Check

NALC0016

WARNING:

Never remove the radiator cap when the engine is hot; serious burns could be caused by high pressure fluid escaping from the radiator.

Wrap a thick cloth around the cap and carefully remove it by turning it a quarter turn to allow built-up pressure to escape and then turn the cap all the way off.

CHECKING COOLING SYSTEM HOSES

NALC0016S01

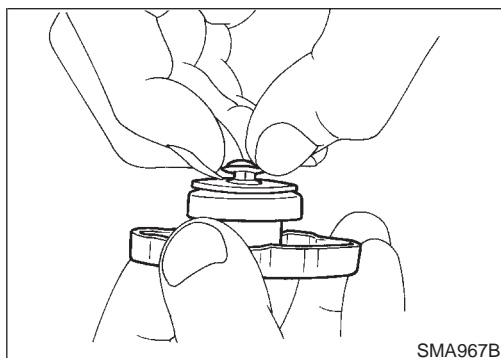
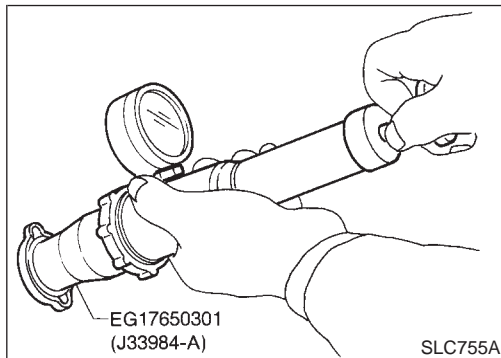
Check hoses for improper attachment, leaks, cracks, damage, loose connections, chafing and deterioration.

CHECKING RADIATOR

NALC0016S02

Check radiator for mud or clogging. If necessary, clean radiator as follows.

- Be careful not to bend or damage the radiator fins.
 - When radiator is cleaned without removal, remove all surrounding parts such as cooling fan, radiator shroud and horns. Then tape the harness and connectors to prevent water from entering.
1. Apply water by hose to the back side of the radiator core vertically downward.
 2. Apply water again to all radiator core surfaces once per minute.
 3. Stop washing if any stains no longer flow out from the radiator.
 4. Blow air into the back side of radiator core vertically downward.
 - Use compressed air lower than 490 kPa (5 kg/cm², 71 psi) and keep distance more than 30 cm (11.8 in).
 5. Blow air again into all the radiator core surfaces once per minute until no water sprays out.



CHECKING RADIATOR CAP

NALC0016S03

To check radiator cap, apply pressure to cap with a tester.

Radiator cap relief pressure:

Standard

78 - 98 kPa

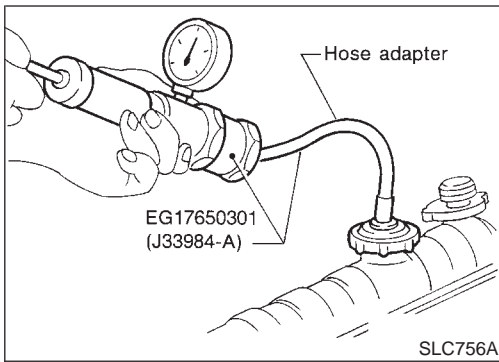
(0.8 - 1.0 kg/cm², 11 - 14 psi)

Limit

59 - 98 kPa

(0.6 - 1.0 kg/cm², 9 - 14 psi)

Pull the negative pressure valve to open it. Check that it closes completely when released.



CHECKING COOLING SYSTEM FOR LEAKS

NALC0016S04

To check for leakage, apply pressure to the cooling system with a tester.

Testing pressure:
157 kPa (1.6 kg/cm², 23 psi)

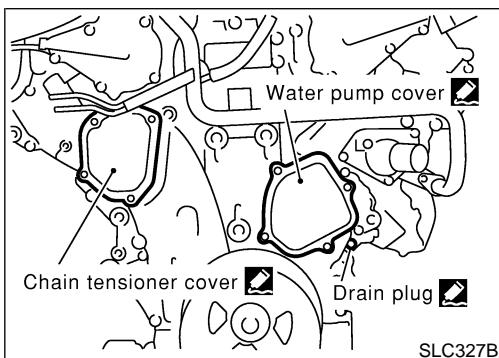
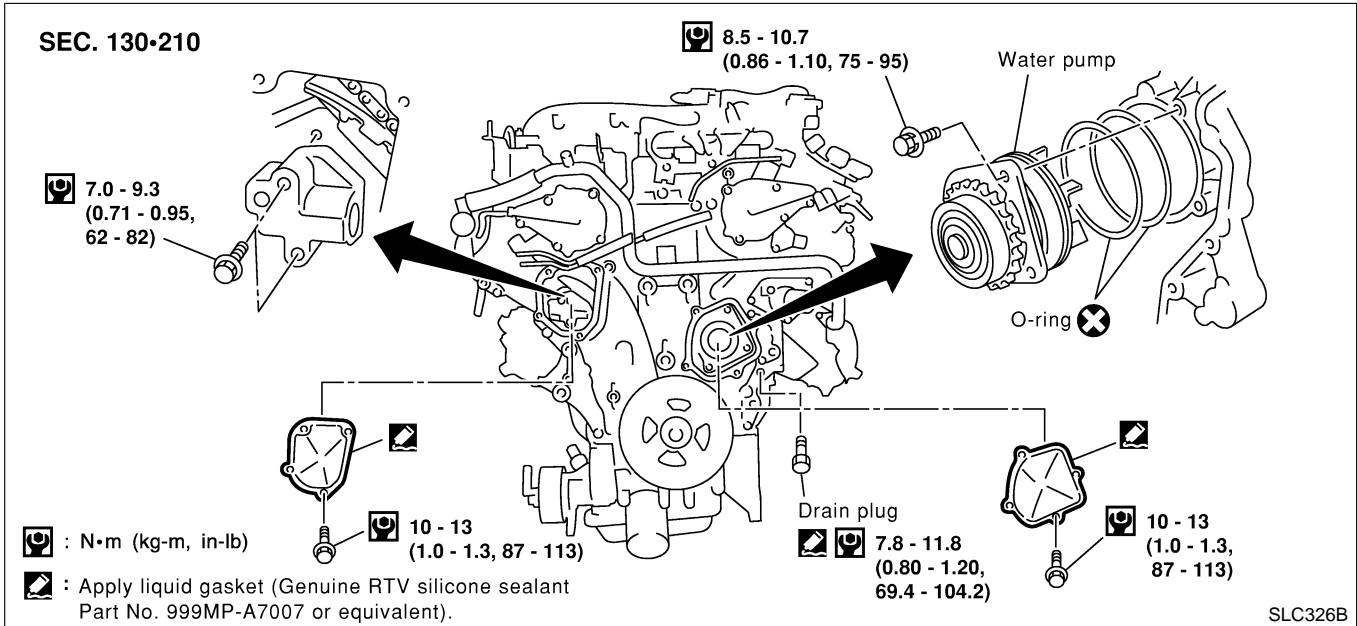
CAUTION:
Higher than the specified pressure may cause radiator damage.

Water Pump

REMOVAL AND INSTALLATION

NALC0017

- CAUTION:**
- When removing water pump assembly, be careful not to get coolant on drive belt.
 - Water pump cannot be disassembled and should be replaced as a unit.
 - After installing water pump, connect hose and clamp securely, then check for leaks using radiator cap tester.



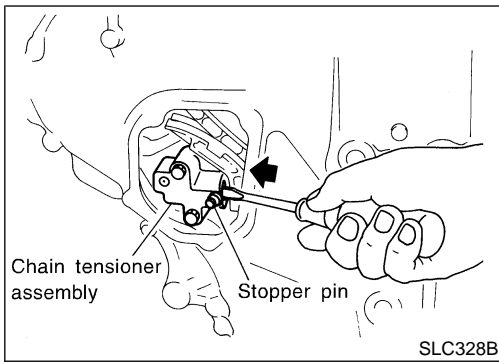
REMOVAL

NALC0018

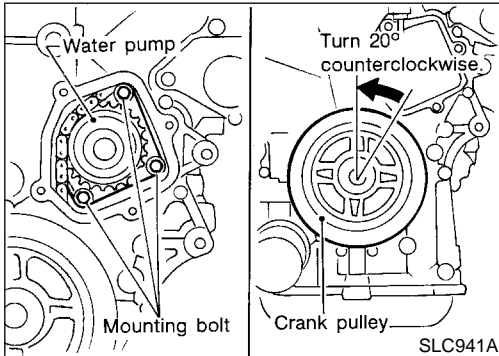
1. Remove undercover.
2. Remove suspension member stay.
3. Drain coolant from radiator.
4. Remove radiator shrouds.
5. Remove drive belts.
6. Remove cooling fan.
7. Remove water drain plug on water pump side of cylinder block.
8. Remove chain tensioner cover and water pump cover.

ENGINE COOLING SYSTEM

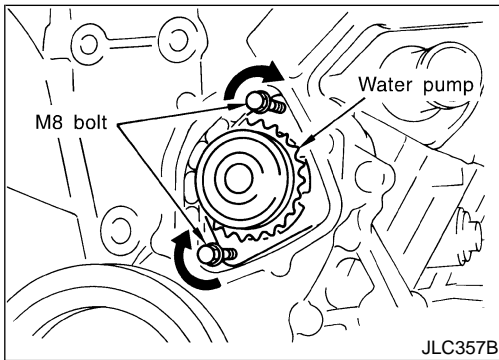
Water Pump (Cont'd)



9. Pushing timing chain tensioner sleeve, apply a stopper pin so it does not return. Then remove the chain tensioner assembly.



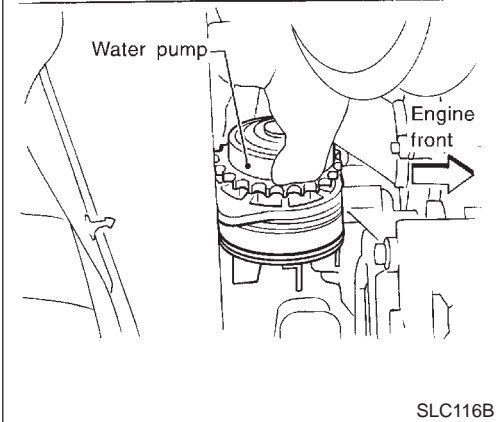
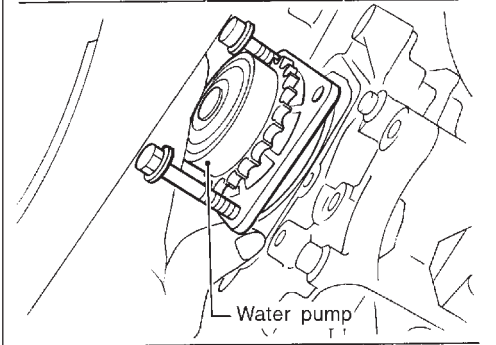
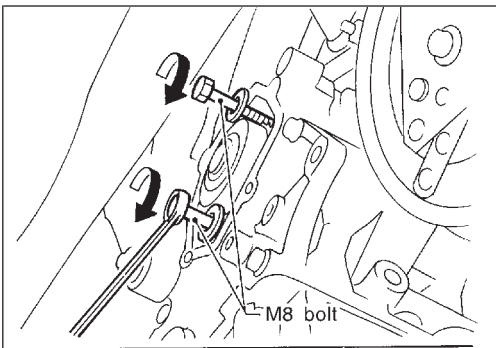
10. Remove the 3 water pump fixing bolts. Secure a gap between water pump gear and timing chain, by turning crankshaft pulley 20° backwards.



11. Put M8 bolts to two water pump fixing bolt holes.

ENGINE COOLING SYSTEM

Water Pump (Cont'd)

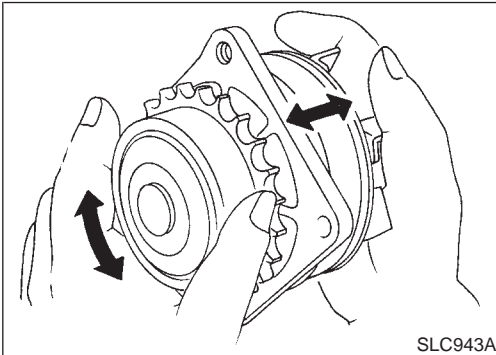


SLC116B

12. Tighten M8 bolts by turning half turn alternately until they reach timing chain rear case.
 - In order to prevent damages to water pump or timing chain rear case, do not tighten one bolt continuously. Always turn each bolt half turn each time.
13. Lift up water pump and remove it.
 - When lifting up water pump, do not allow water pump gear to hit timing chain.

GI
MA
EM
LC

EC
FE
CL
MT
AT
TF
PD
AX
SU



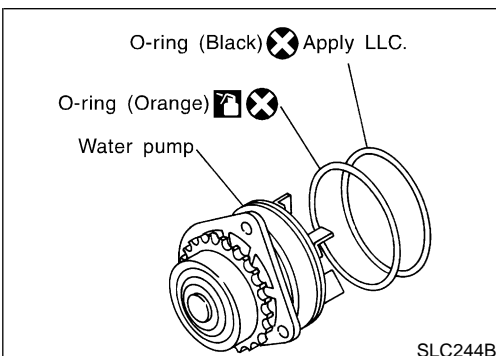
SLC943A

INSPECTION

1. Check for badly rusted or corroded body assembly.
2. Check for rough operation due to excessive end play.

NALC0019

BR
ST
RS
BT



SLC244B

INSTALLATION

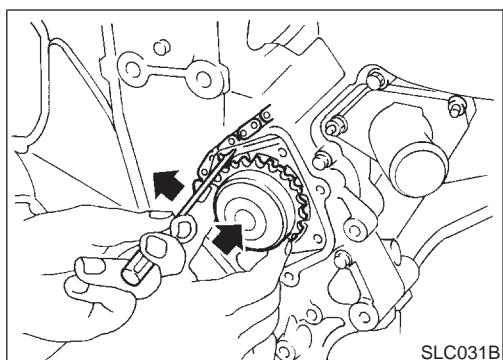
1. Apply engine oil and coolant to O-rings as shown in the figure.

NALC0020

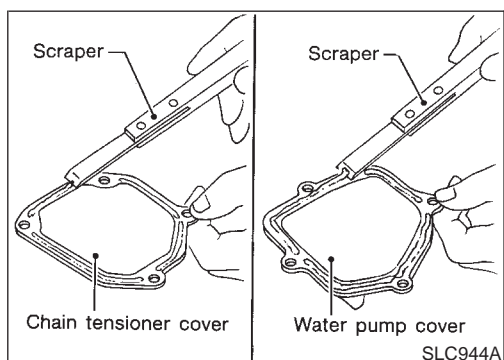
HA
SC
EL
IDX

ENGINE COOLING SYSTEM

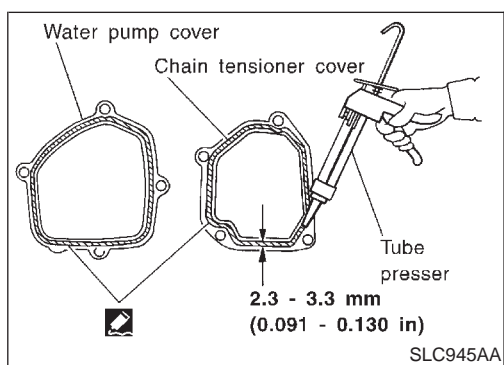
Water Pump (Cont'd)



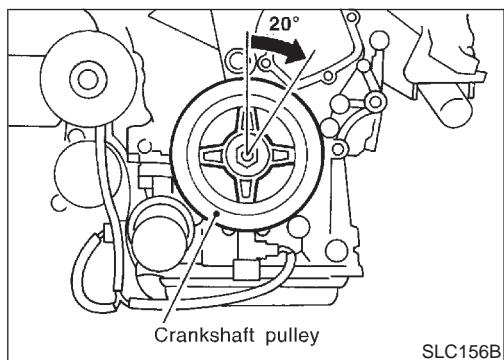
2. Install water pump.
 - Do not allow cylinder block to nip O-rings when installing water pump.



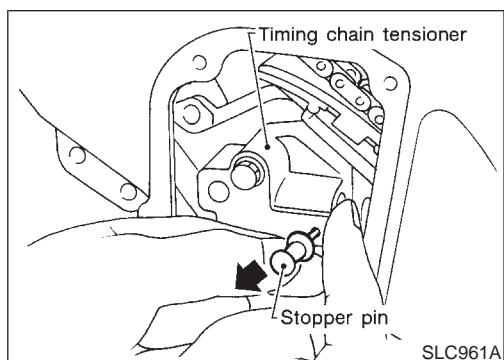
3. Before installing, remove all traces of liquid gasket from mating surface of water pump cover and chain tensioner cover using a scraper.
Also remove traces of liquid gasket from mating surface of front cover.



4. Apply a continuous bead of liquid gasket to mating surface of chain tensioner cover and water pump cover.



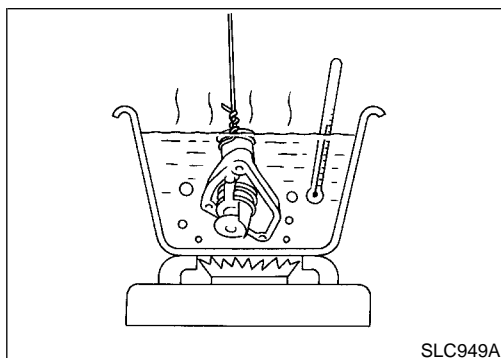
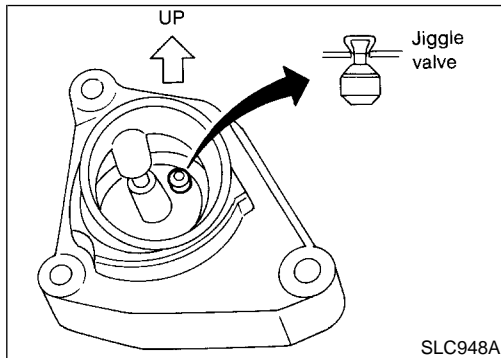
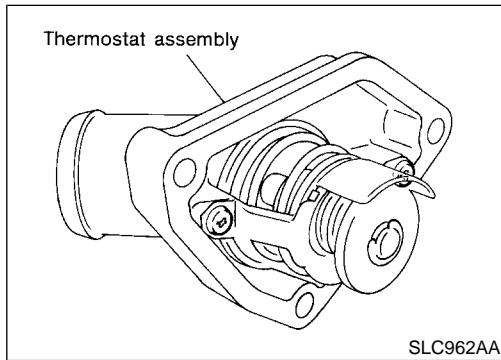
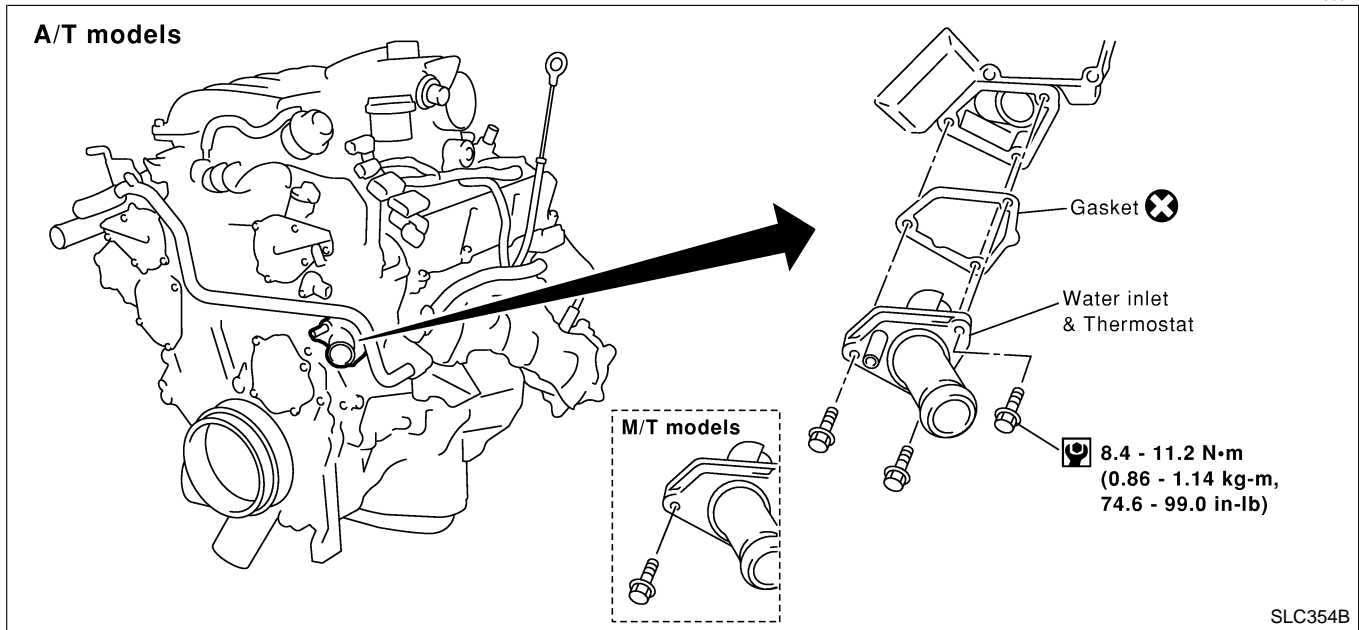
5. Return the crankshaft pulley to its original position by turning it 20° forward.



6. Install timing chain tensioner, then remove the stopper pin.
 - When installing the timing chain tensioner, engine oil should be applied to the oil hole and tensioner.
 - After starting engine, let idle for three minutes, then rev engine up to 3,000 rpm under no load to purge air from the high-pressure chamber of the chain tensioners. The engine may produce a rattling noise. This indicates that air still remains in the chamber and is not a matter of concern.
7. Reinstall any parts removed in reverse order of removal.

Thermostat REMOVAL AND INSTALLATION

NALC0021



1. Remove undercover.
2. Remove suspension member stay.
3. Drain coolant from radiator.
4. Remove drive belts.
5. Remove water drain plug on water pump side of cylinder block.
6. Disconnect lower radiator hose.
7. Remove water inlet and thermostat assembly.
 - **Do not disassemble water inlet and thermostat. Replace them as a unit, if necessary.**
8. Install thermostat with jiggle valve facing upward.
 - **After installation, run engine for a few minutes, and check for leaks.**
 - **Be careful not to spill coolant over engine compartment. Use a rag to absorb coolant.**
9. Reinstall any removed parts in reverse order of removal.

INSPECTION

NALC0022

1. Check valve seating condition at ordinary room temperatures. It should seat tightly.
2. Check valve opening temperature and maximum valve lift.

	Standard
Valve opening temperature	76.5°C (170°F)
Valve lift	More than 8.6 mm/90°C (0.339 in/194°F)

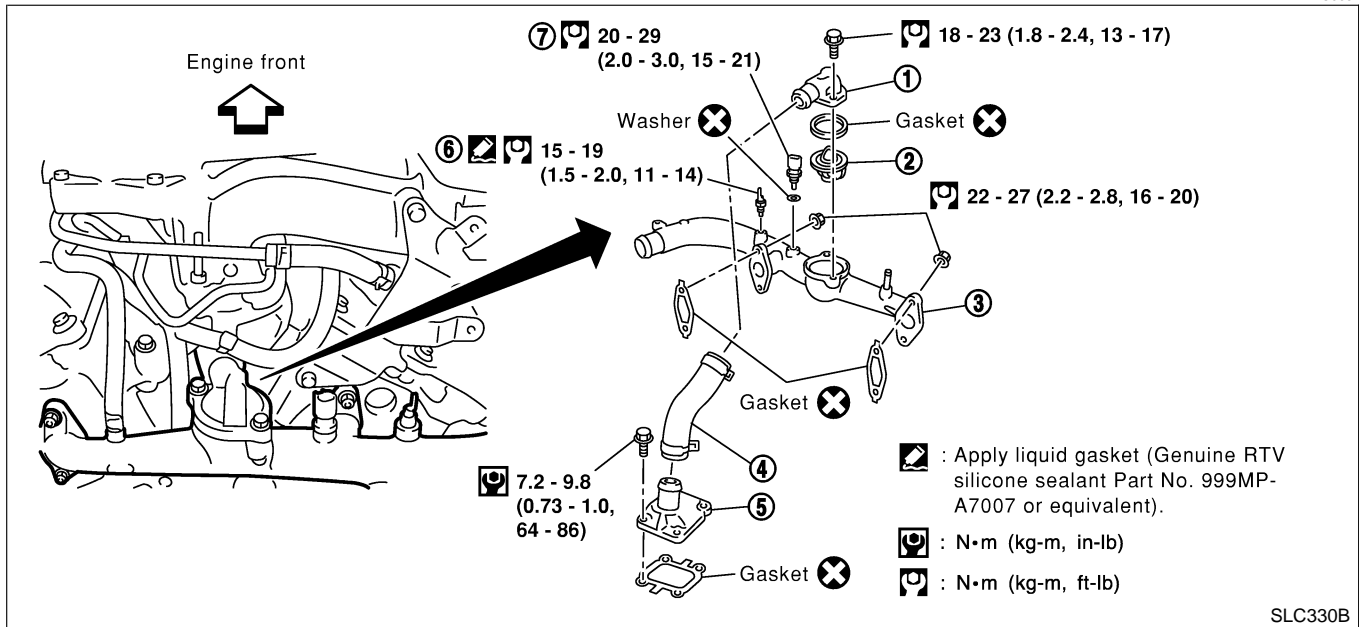
ENGINE COOLING SYSTEM

Thermostat (Cont'd)

- Then check if valve closes at 5°C (9°F) below valve opening temperature.

Water Control Valve REMOVAL AND INSTALLATION

NALC0032



- Water outlet housing
- Water control valve
- Water outlet

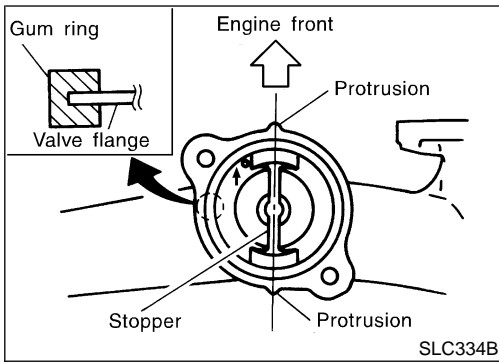
- Water hose
- Cylinder block water outlet
- Thermal transmitter

- Engine coolant temperature sensor

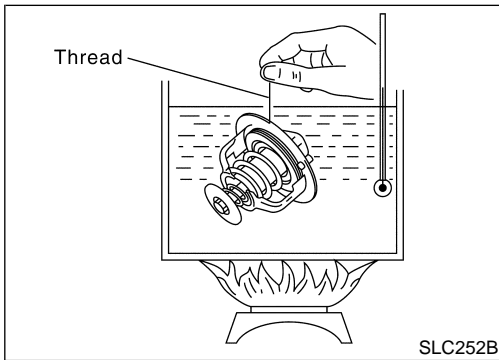
- Release fuel pressure. Refer to EC-39, "Fuel Pressure Release".
- Remove undercover.
- Remove suspension member stay.
- Drain coolant from radiator.
- Remove engine cover.
- Remove air duct with air cleaner assembly.
- Disconnect wires, hoses, harness and so on.
- Remove upper intake manifold corrector.
- Remove intake manifold corrector support bolts.
- Remove lower intake manifold corrector.
- Disconnect injector harness connectors.
- Remove injector tube.
- Remove intake manifold.
- Remove water outlet housing and water control valve.

ENGINE COOLING SYSTEM

Water Control Valve (Cont'd)



15. Install water control valve and water outlet housing.
 - a. Install gum ring to thermostat.
 - b. Point the arrow on the upper surface of the valve to the front of the engine, and also be sure to install the protrusions and the valve stopper so that they are aligned in a straight line.
16. Reinstall any removed parts in reverse order of removal.
 - **When installing intake manifold, injector tube and intake manifold collectors, refer to EM-12, "TIGHTENING PROCEDURES".**
 - **After installation, run engine for a few minutes, and check for leaks.**
 - **Be careful not to spill coolant over engine compartment. Use a rag to absorb coolant.**



INSPECTION

NALC0033

1. Check valve seating condition at ordinary room temperatures. It should seat tightly.
2. Check valve opening temperature and maximum valve lift.

	Standard
Valve opening temperature	95°C (203°F)
Valve lift	More than 8.0 mm/108°C (0.315 in/226°F)

3. Then check if valve closes at 5°C (9°F) below valve opening temperature.

GI
MA
EM
LC
EC
FE
CL
MT
AT
TF
PD
AX
SU
BR
ST
RS
BT
HA
SC
EL
IDX

ENGINE COOLING SYSTEM

Radiator

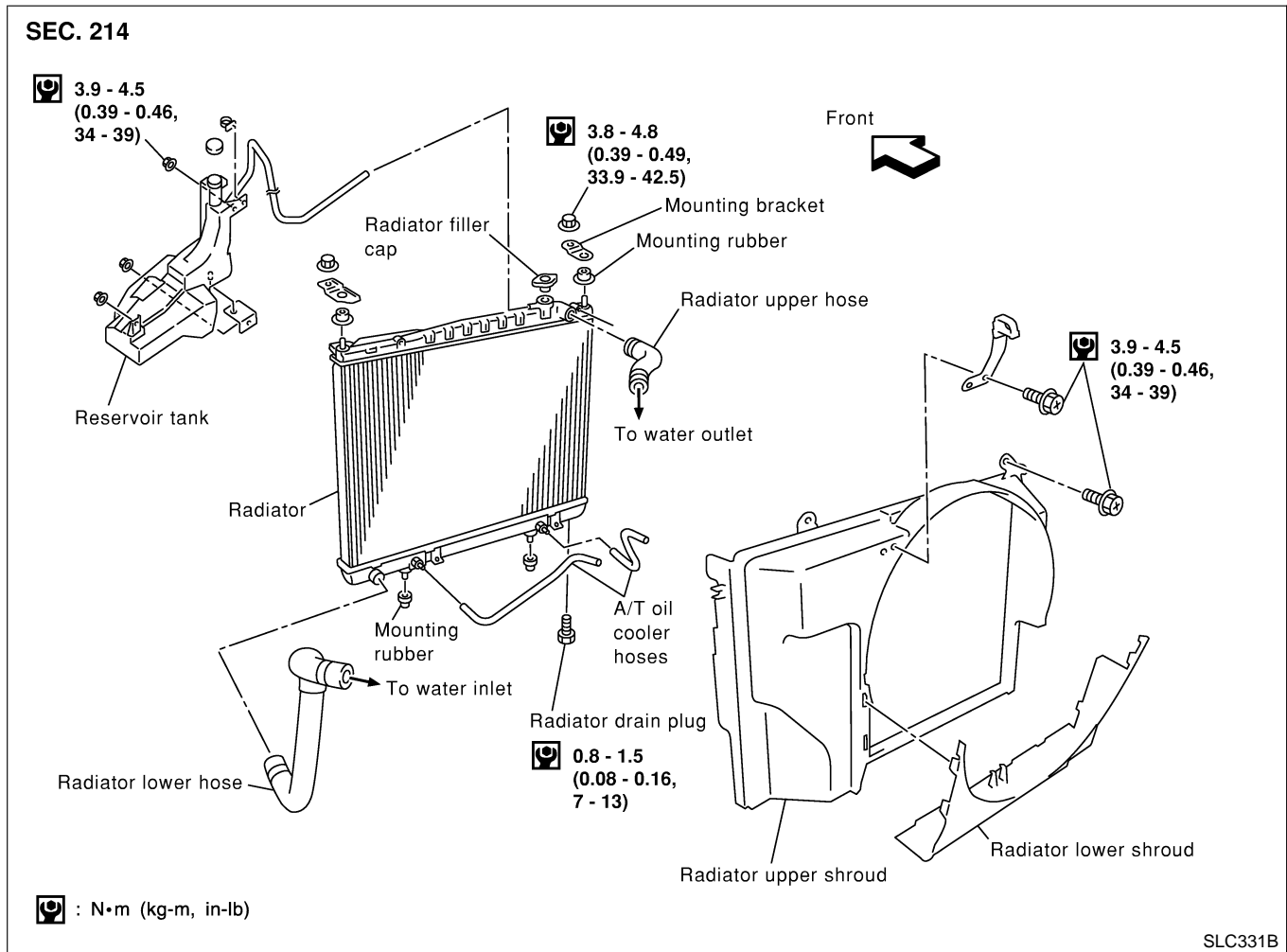
Radiator

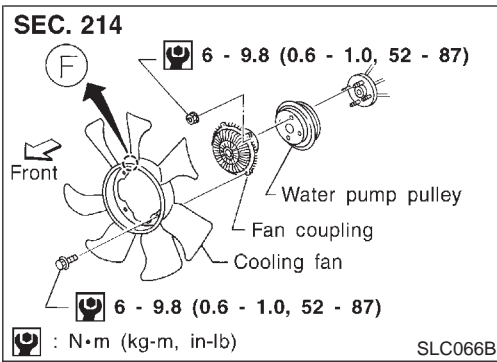
REMOVAL AND INSTALLATION

=NALC0023

1. Remove undercover.
2. Remove suspension member stay.
3. Drain coolant from radiator.
4. Disconnect radiator upper and lower hoses.
5. Remove upper and lower radiator shroud.
6. Remove A/T oil cooler hoses. (A/T)
7. Disconnect reservoir tank hose.
8. Remove radiator mounting bracket.
9. Remove radiator.
10. After repairing or replacing radiator, install any part removed in reverse order of removal.

When filling radiator with coolant, refer to MA-15, "Changing Engine Coolant".

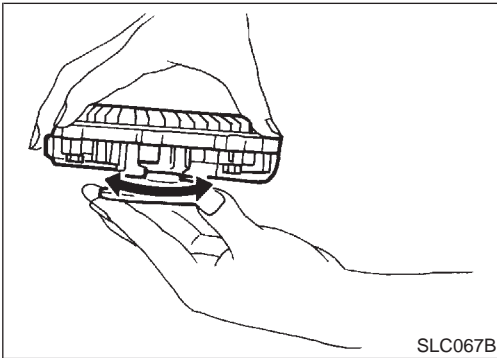




Cooling Fan (Crankshaft driven)

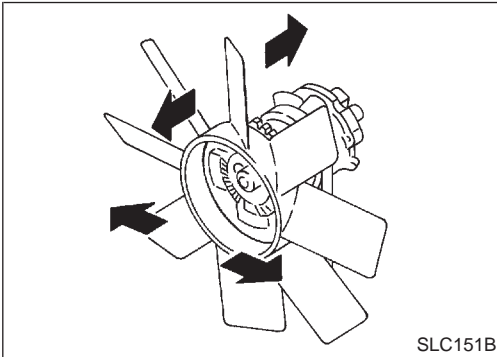
REMOVAL AND INSTALLATION

- Do not release the drive belt tension by removing the fan/water pump pulley.
- Fan coupling cannot be disassembled and should be replaced as a unit. If front mark **F** is present, install fan so that side marked **F** faces the front.
- Install the drive belt only after the fan and fan coupling to water pump flange bolts/nuts have been properly torqued.
- Proper alignment of these components is essential. Improper alignment will cause them to wobble and may eventually cause the fan to separate from the water pump causing extensive damage.



INSPECTION

Check fan coupling for rough operation, wobbling, oil leakage or bent bimetal.



After assembly, verify the fan does not wobble or flap while the engine is running.

WARNING:

- When the engine is running, keep hands and clothing away from moving parts such as drive belts and fan.

Refilling Engine Coolant

For details on refilling engine coolant, refer to MA-16, "REFILLING ENGINE COOLANT".

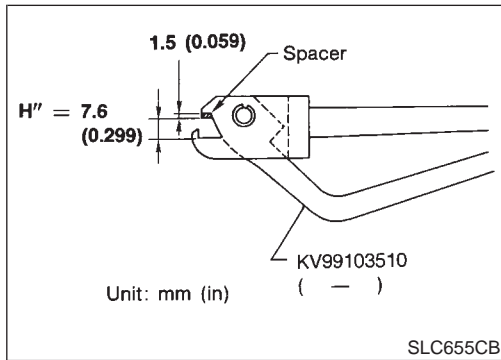
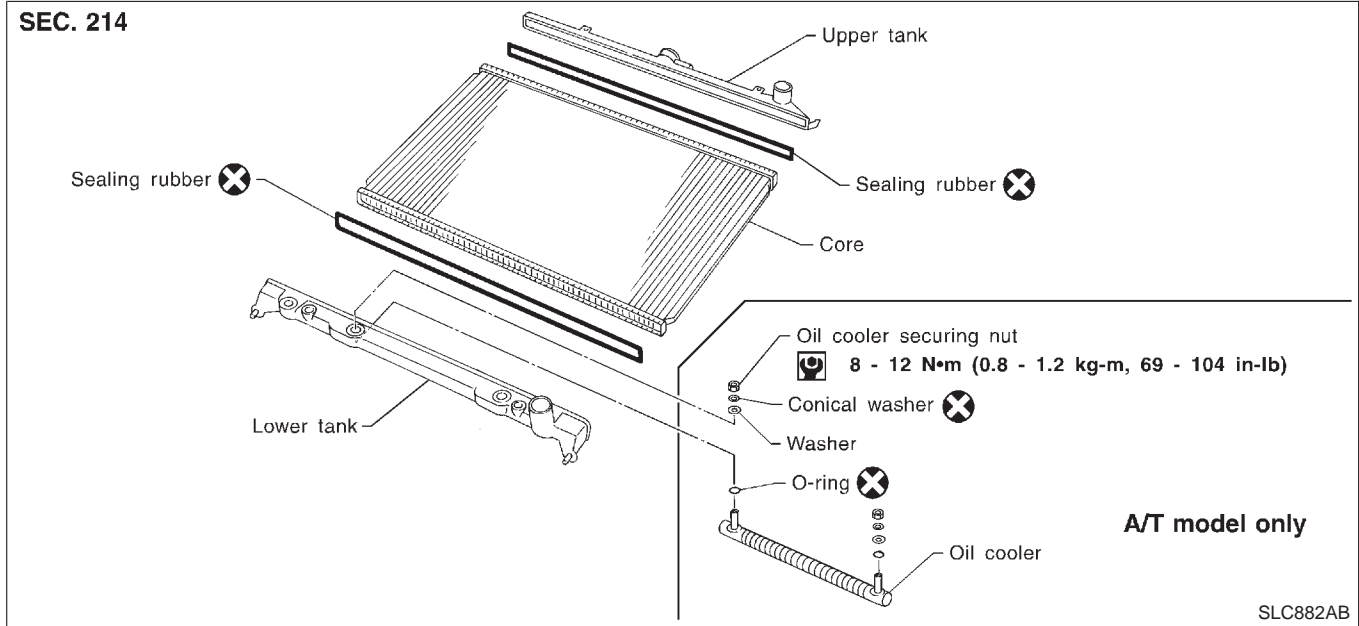
GI
MA
EM
LC
EC
FE
CL
MT
AT
TF
PD
AX
SU
BR
ST
RS
BT
HA
SC
EL
IDX

ENGINE COOLING SYSTEM

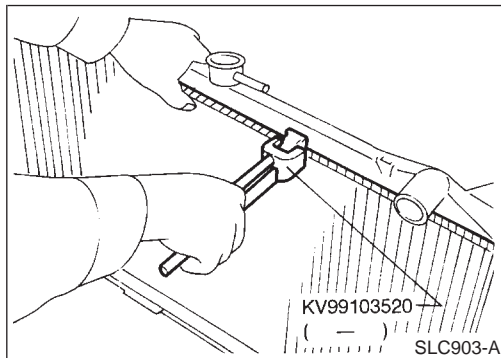
Radiator (Aluminum type)

Radiator (Aluminum type) PREPARATION

NALC0025



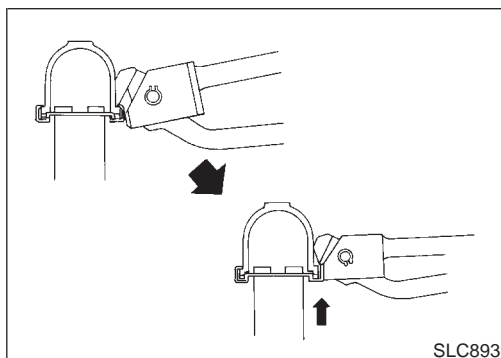
1. Attach the spacer to the tip of the radiator plate pliers A. Spacer specification: 1.5 mm (0.059 in) thick x 18 mm (0.71 in) wide x 8.5 mm (0.335 in) long.
2. Make sure that when radiator plate pliers A are closed dimension H'' is approx. 7.6 mm (0.299 in).
3. Adjust dimension H'' with the spacer, if necessary.



DISASSEMBLY

NALC0026

1. Remove tank with Tool.

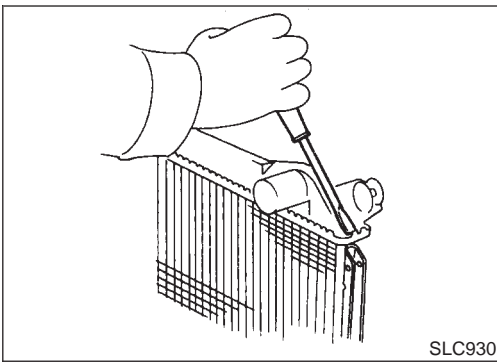


- Grip the crimped edge and bend it upwards so that Tool slips off.

Do not bend excessively.

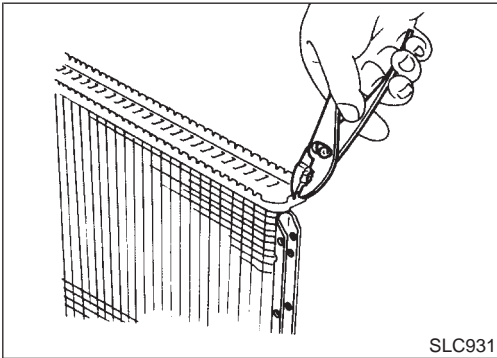
ENGINE COOLING SYSTEM

Radiator (Aluminum type) (Cont'd)

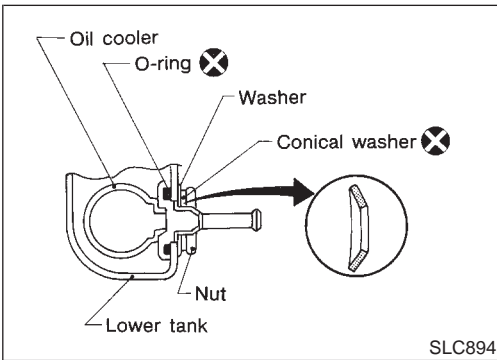


- In areas where Tool cannot be used, use a screwdriver to bend the edge up.

Be careful not to damage tank.



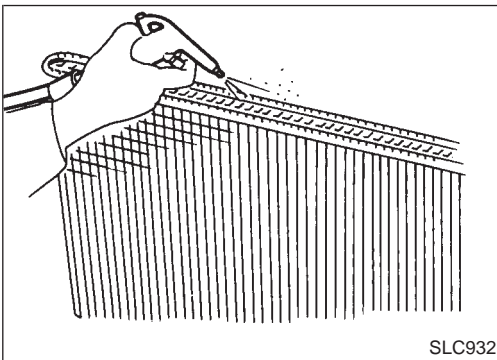
2. Make sure the edge stands straight up.
3. Remove oil cooler from tank.



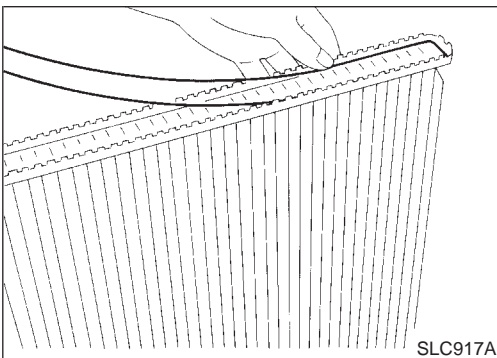
ASSEMBLY

1. Install oil cooler.

Pay attention to direction of conical washer.



2. Clean contact portion of tank.



3. Install sealing rubber.

Push it in with fingers.
Be careful not to twist sealing rubber.

GI

MA

EM

LC

EC

FE

CL

MT

AT

NALC0027

TF

PD

AX

SU

BR

ST

RS

BT

HA

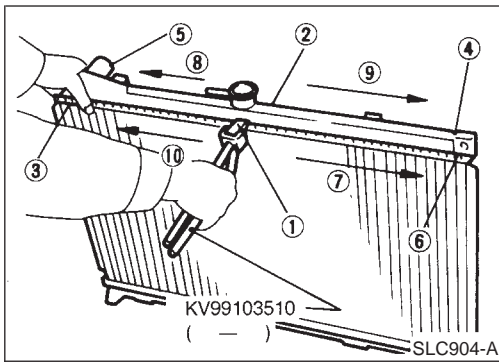
SC

EL

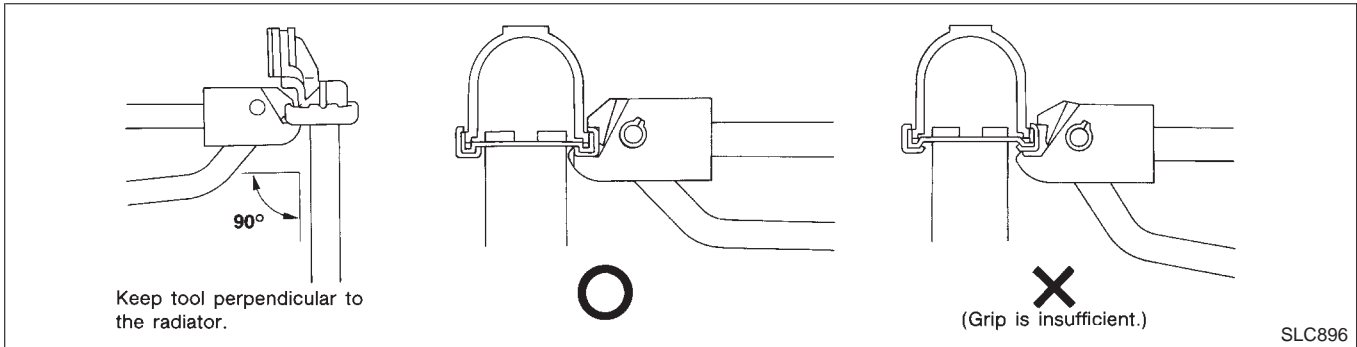
IDX

ENGINE COOLING SYSTEM

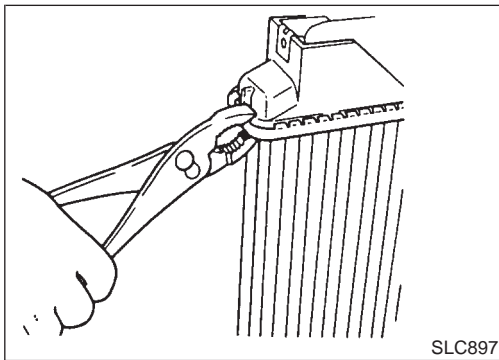
Radiator (Aluminum type) (Cont'd)



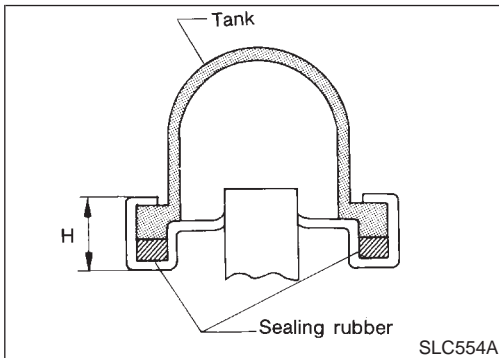
4. Caulk tank in specified sequence with Tool.



SLC896



• Use pliers in the locations where Tool cannot be used.



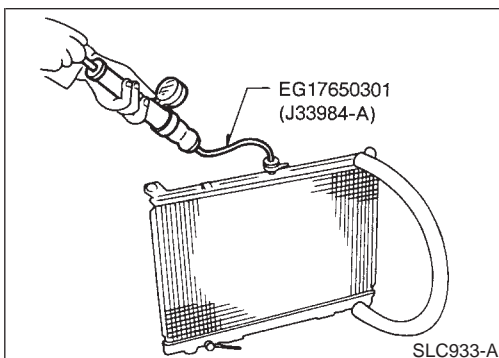
5. Make sure that the rim is completely crimped down.

Standard height "H":

8.0 - 8.4 mm (0.315 - 0.331 in)

6. Confirm that there is no leakage.

Refer to Inspection.



INSPECTION

Apply pressure with Tool.

Specified pressure value:

157 kPa (1.6 kg/cm², 23 psi)

WARNING:

To prevent the risk of the hose coming undone while under pressure, securely fasten it down with a hose clamp. Attach a hose to the oil cooler as well.

NALC0028

ENGINE COOLING SYSTEM

Overheating Cause Analysis

Overheating Cause Analysis

NALC0029

		Symptom	Check items			
Cooling system parts malfunction	Poor heat transfer	Water pump malfunction	Worn or loose drive belt	—	GI	
		Thermostat stuck closed	—		MA	
		Damaged fins	Dust contamination or paper clogging		—	EM
			Mechanical damage			LC
		Clogged radiator cooling tube	Excess foreign material (rust, dirt, sand, etc.)		EC	
	Reduced air flow	Cooling fan does not operate	—	—	FE	
		High resistance to fan rotation			CL	
		Damaged fan blades			MT	
	Damaged radiator shroud	—	—	—	AT	
	Improper coolant mixture ratio	—	—	—	TF	
	Poor coolant quality	—	—	—	PD	
	Insufficient coolant	Coolant leaks	Cooling hose	Loose clamp	AX	
				Cracked hose	SU	
			Water pump	Poor sealing	BR	
			Radiator cap	Loose	ST	
		Poor sealing		RS		
		Radiator	O-ring for damage, deterioration or improper fitting		BT	
			Cracked radiator tank		HA	
	Cracked radiator core			SC		
	Reservoir tank	Cracked reservoir tank		EL		
Overflowing reservoir tank	Exhaust gas leaks into cooling system	Cylinder head deterioration		IDX		
		Cylinder head gasket deterioration				

ENGINE COOLING SYSTEM

Overheating Cause Analysis (Cont'd)

	Symptom		Check items		
Except cooling system parts malfunction	—	Overload on engine	Abusive driving	High engine rpm under no load	
				Driving in low gear for extended time	
				Driving at extremely high speed	
			Powertrain system malfunction	—	
			Installed improper size wheels and tires		
			Dragging brakes		
	Blocked or restricted air flow	Blocked bumper	—	—	
			Blocked radiator grille		Installed car brassiere
					Mud contamination or paper clogging
			Blocked radiator		—
Blocked condenser			—		
Installed large fog lamp					

Service Data and Specifications (SDS)

THERMOSTAT

NALC0030

Valve opening temperature	76.5°C (170°F)
Valve lift	More than 8.6 mm/90°C (0.339 in/194°F)

WATER CONTROL VALVE

NALC0035

Valve opening temperature	95°C (203°F)
Valve lift	More than 8.0 mm/108°C (0.315 in/226°F)

RADIATOR

Unit: kPa (kg/cm², psi)
NALC0031

Cap relief pressure	Standard	78 - 98 (0.8 - 1.0, 11 - 14)
	Limit	59 - 98 (0.6 - 1.0, 9 - 14)
Leakage test pressure		157 (1.6, 23)