

# FRONT & REAR SUSPENSION

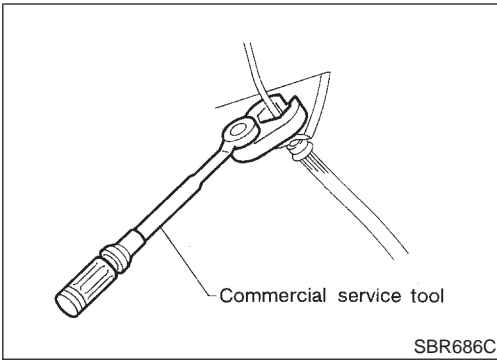
## SECTION SU

### CONTENTS

<b>FRONT SUSPENSION</b> .....	2	WHEEL ALIGNMENT (UNLADEN*1).....	14	GI
Precautions .....	2	LOWER BALL JOINT .....	15	MA
PRECAUTIONS .....	2	WHEELARCH HEIGHT (UNLADEN*).....	16	EM
Preparation .....	2	WHEEL RUNOUT AVERAGE* .....	16	LC
SPECIAL SERVICE TOOLS .....	2	<b>REAR SUSPENSION</b> .....	17	EC
COMMERCIAL SERVICE TOOLS.....	2	Precautions .....	17	FE
Noise, Vibration and Harshness (NVH)		PRECAUTIONS .....	17	CL
Troubleshooting .....	3	Preparation .....	17	MT
NVH TROUBLESHOOTING CHART .....	3	COMMERCIAL SERVICE TOOLS.....	17	AT
Components.....	4	Noise, Vibration and Harshness (NVH)		TF
2WD .....	4	Troubleshooting .....	17	PD
4WD .....	5	Components.....	18	AX
On-vehicle Service.....	6	On-vehicle Service.....	18	<b>SU</b>
FRONT SUSPENSION PARTS .....	6	REAR SUSPENSION PARTS .....	18	BR
FRONT WHEEL ALIGNMENT .....	7	Removal and Installation .....	19	ST
Coil Spring and Strut Assembly.....	9	Coil Spring and Shock Absorber .....	20	RS
COMPONENTS .....	9	COMPONENTS .....	20	BT
REMOVAL.....	11	REMOVAL AND INSTALLATION.....	21	HA
DISASSEMBLY.....	11	INSPECTION.....	21	SC
INSPECTION.....	11	Upper Link, Lower Link and Panhard Rod.....	21	EL
ASSEMBLY .....	12	INSPECTION.....	21	RS
Stabilizer Bar .....	12	BUSHING REPLACEMENT.....	21	BT
REMOVAL AND INSTALLATION.....	12	INSTALLATION.....	22	HA
INSPECTION.....	13	Stabilizer Bar .....	22	SC
Transverse Link and Lower Ball Joint .....	13	REMOVAL AND INSTALLATION.....	22	EL
REMOVAL AND INSTALLATION.....	13	Service Data and Specifications (SDS).....	22	BT
INSPECTION.....	14	GENERAL SPECIFICATIONS (REAR).....	22	HA
Service Data and Specifications (SDS).....	14			SC
GENERAL SPECIFICATIONS (FRONT).....	14			EL

# FRONT SUSPENSION

## Precautions



## Precautions

### PRECAUTIONS

NASU0001

- When installing rubber parts, final tightening must be carried out under unladen condition\* with tires on ground.  
\*Fuel, radiator coolant and engine oil full. Spare tire, jack, hand tools and mats in designated positions.
- Use flare nut wrench when removing and installing brake tubes.
- After installing removed suspension parts, check wheel alignment and adjust if necessary.
- Always torque brake lines when installing.

## Preparation

## SPECIAL SERVICE TOOLS

NASU0002

The actual shapes of Kent-Moore tools may differ from those of special service tools illustrated here.

Tool number (Kent-Moore No.) Tool name	Description
ST29020001 (J24319-01) Ball joint remover	<p>Removing tie-rod outer end and lower ball joint  <b>a: 34 mm (1.34 in)</b>  <b>b: 6.5 mm (0.256 in)</b>  <b>c: 61.5 mm (2.421 in)</b></p>
	NT694

## COMMERCIAL SERVICE TOOLS

NASU0003

Tool name	Description
1 Flare nut crowfoot 2 Torque wrench	<p>Removing and installing each brake piping  <b>a: 10 mm (0.39 in)</b></p>
	NT360
Spring compressor	<p>Removing and installing coil spring</p>
	NT717

# FRONT SUSPENSION

Noise, Vibration and Harshness (NVH) Troubleshooting

## Noise, Vibration and Harshness (NVH) Troubleshooting

=NASU0035

NASU0035S01

### NVH TROUBLESHOOTING CHART

Use the chart below to help you find the cause of the symptom. If necessary, repair or replace these parts.

Symptom		Possible Cause and SUSPECTED PARTS																	Reference page								
		Improper installation, looseness	Shock absorber deformation, damage or deflection	Bushing or mounting deterioration	Parts interference	Spring fatigue	Suspension looseness	Incorrect wheel alignment	Stabilizer bar fatigue	Out-of-round	Imbalance	Incorrect air pressure	Uneven tire wear	Deformation or damage	Non-uniformity	Incorrect tire size	PROPELLER SHAFT	DIFFERENTIAL	DRIVE SHAFT	AXLE	SUSPENSION	TIRES	ROAD WHEEL	BRAKES	STEERING	SU-4, 18	SU-9, 20
SUSPENSION	Noise	x	x	x	x	x	x										x	x	x	x							
	Shake	x	x	x	x		x										x		x	x							
	Vibration	x	x	x	x	x											x		x	x							
	Shimmy	x	x	x	x			x												x							
	Judder	x	x	x																x							
	Poor quality ride or handling	x	x	x	x	x		x	x											x							
TIRES	Noise	x								x	x	x	x	x			x	x	x	x	x						
	Shake	x								x	x	x	x				x	x	x	x	x						
	Vibration																x	x	x	x	x						
	Shimmy	x									x	x	x	x						x	x						
	Judder	x									x	x	x	x						x	x						
	Poor quality ride or handling	x									x	x	x	x						x	x						
ROAD WHEEL	Noise	x								x	x						x	x	x	x	x						
	Shake	x								x	x						x	x	x	x	x						
	Shimmy, Judder	x								x	x								x	x	x						
	Poor quality ride or handling	x								x	x								x	x	x						

x: Applicable

GI  
MA  
EM  
LC  
EC  
FE  
CL  
MT  
AT  
TF  
PD  
AX  
SU  
BR  
ST  
RS  
BT  
HA  
SC  
EL  
IDX

# FRONT SUSPENSION

Components

## Components

NASU0004

NASU0004S01

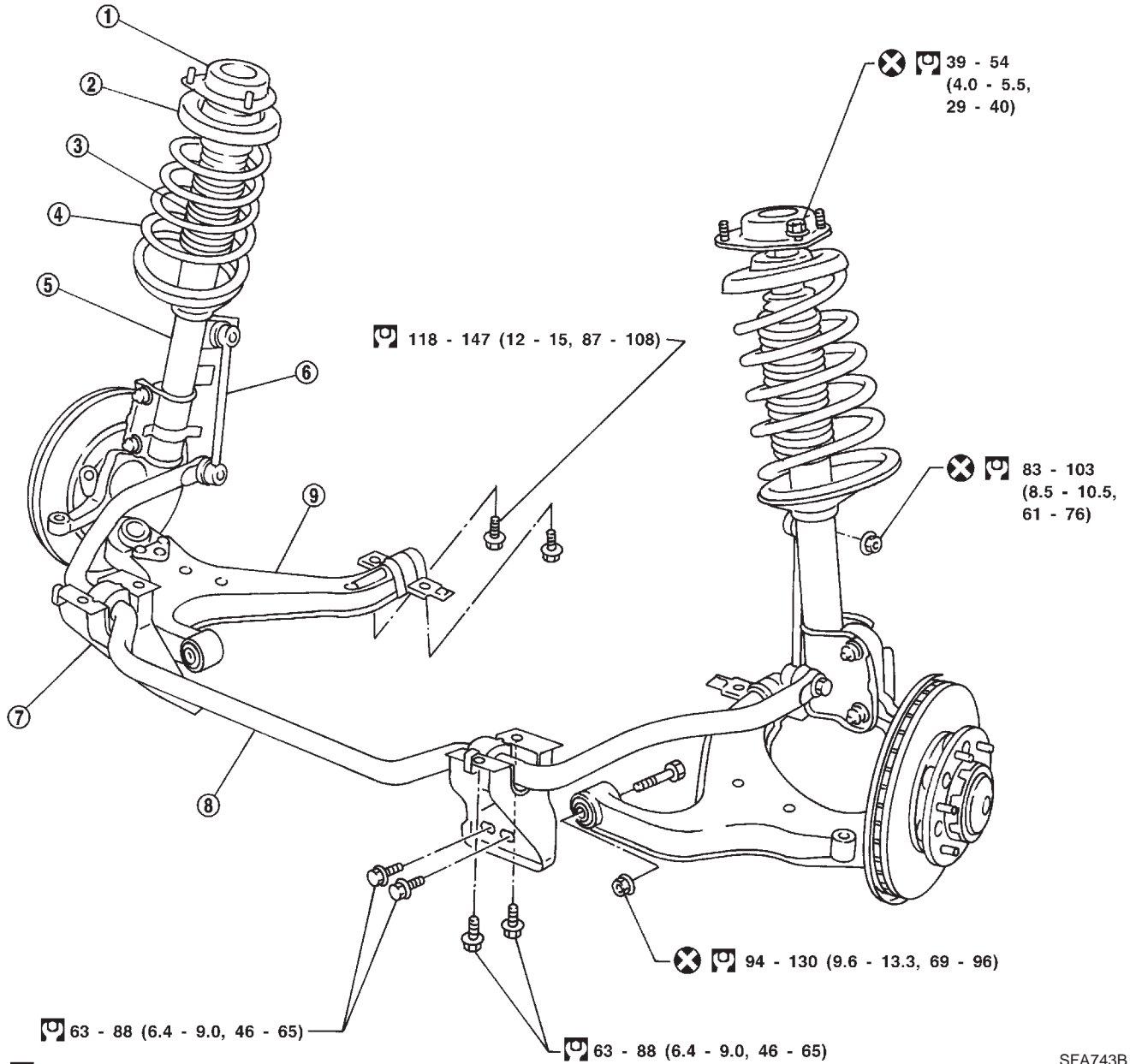
2WD

### SEC. 400•401

When installing rubber parts, final tightening must be carried out under unladen condition\* with tires on ground.

\* Fuel, radiator coolant and engine oil full.

Spare tire, jack, hand tools and mats in designated positions.



SFA743B

- 1. Strut mounting insulator
- 2. Spring upper seat
- 3. Bound bumper

- 4. Coil spring
- 5. Strut assembly
- 6. Stabilizer connecting rod

- 7. Bracket
- 8. Stabilizer bar
- 9. Transverse link

# FRONT SUSPENSION

Components (Cont'd)

4WD

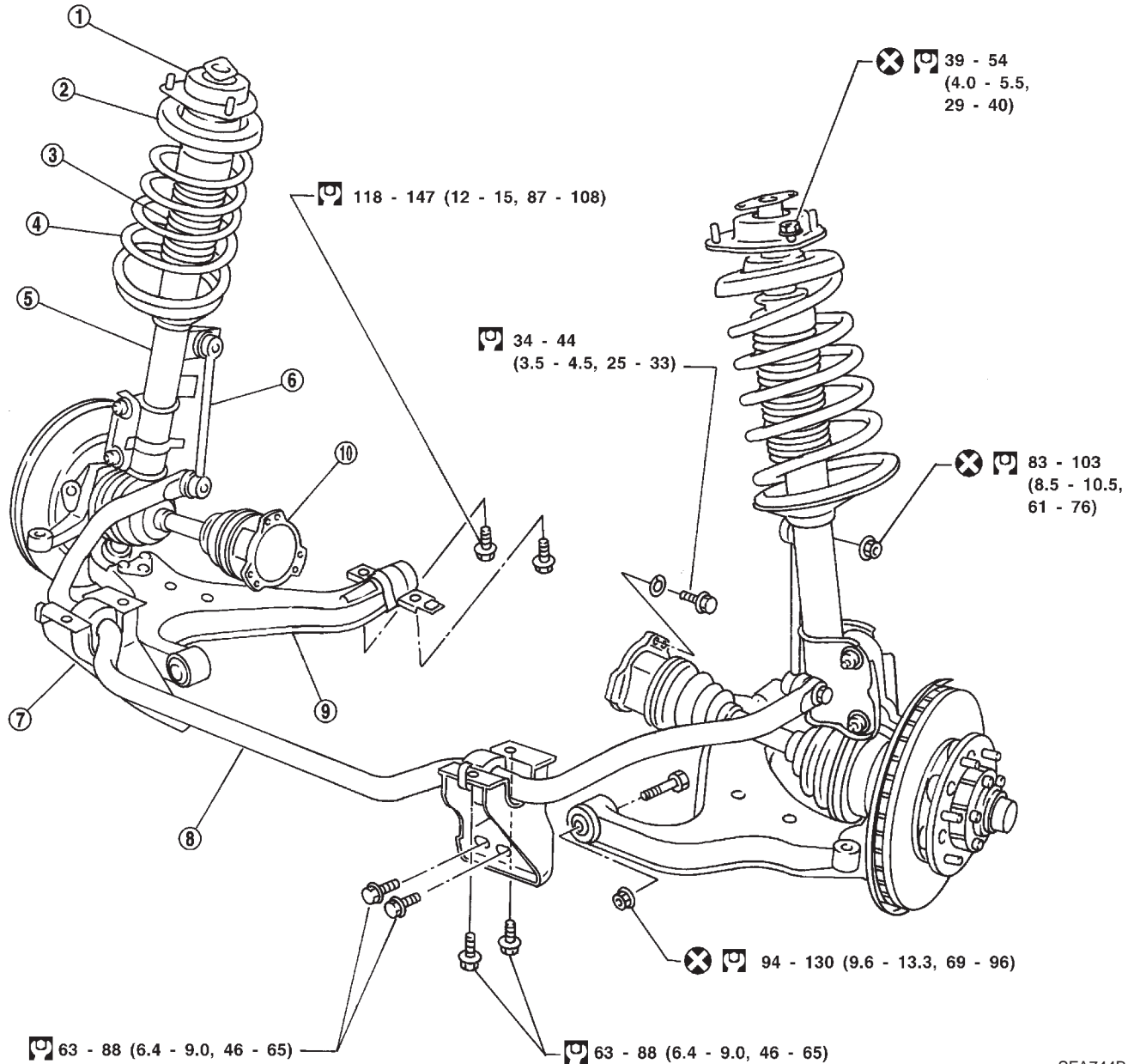
NASU0004S02

## SEC. 391•400•401

When installing rubber parts, final tightening must be carried out under unladen condition\* with tires on ground.

\* Fuel, radiator coolant and engine oil full.

Spare tire, jack, hand tools and mats in designated positions.



⊞ : N•m (kg-m, ft-lb)

1. Strut mounting insulator
2. Spring upper seat
3. Bound bumper
4. Coil spring

5. Strut assembly
6. Stabilizer connecting rod
7. Bracket

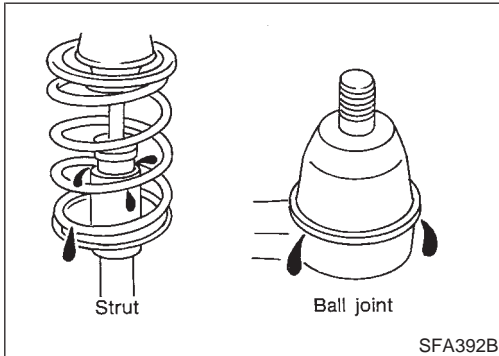
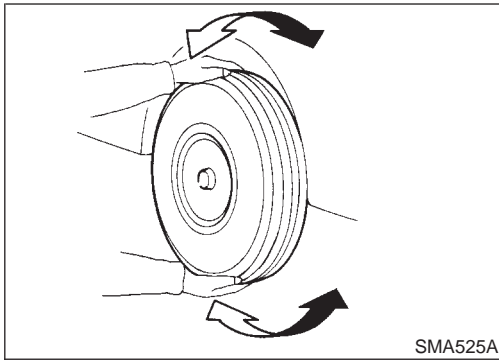
8. Stabilizer bar
9. Transverse link
10. Drive shaft

SFA744B

GI  
MA  
EM  
LC  
EC  
FE  
CL  
MT  
AT  
TF  
PD  
AX  
SU  
BR  
ST  
RS  
BT  
HA  
SC  
EL  
IDX

# FRONT SUSPENSION

On-vehicle Service



## On-vehicle Service FRONT SUSPENSION PARTS

NASU0005

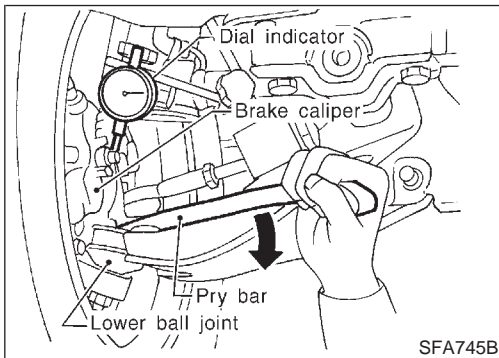
Check front axle and front suspension parts for excessive play, cracks, wear and other damage.

1. Shake each front wheel to check for excessive play.
2. Retighten all axle and suspensions nuts and bolts to the specified torque.

### Tightening torque:

Refer to "Components", SU-9.

3. Check strut (shock absorber) for oil leakage and other damage.
4. Check suspension ball joint for grease leakage and ball joint dust cover for cracks and other damage.  
If ball joint dust cover is cracked or damaged, replace ball joint assembly.
5. Check suspension ball joint end play.
  - a. Jack up front of vehicle and set the stands.
  - b. Clamp dial indicator onto transverse link and place indicator tip on lower edge of brake caliper.
  - c. Make sure front wheels are straight and brake pedal is depressed.

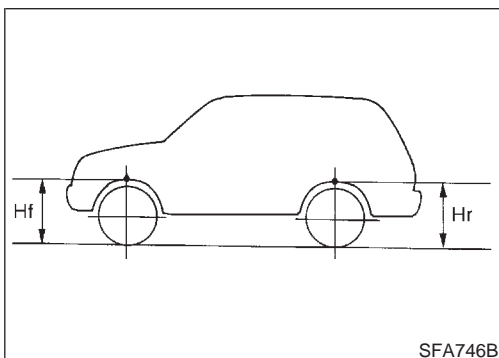


- d. Place a pry bar between transverse link and knuckle.
- e. While raising and releasing pry bar, observe maximum dial indicator value.

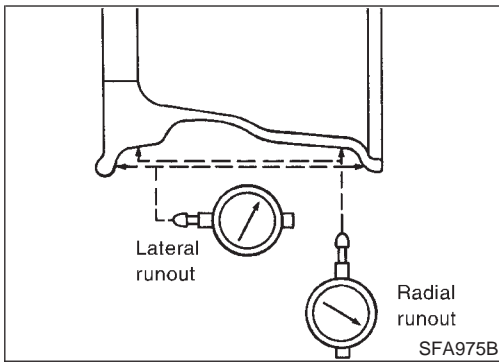
### Vertical end play:

0 mm (0 in)

If ball joint vertical end play exists, remove lower ball joint assembly and recheck the ball joint. Refer to "Transverse Link and Lower Ball Joint", SU-13.



6. Check spring height from top of wheelarch to ground using the following procedure.
  - a. Park vehicle on a level surface with vehicle unladen\*.  
\*: Fuel, radiator coolant and engine oil full. Spare tire, jack, hand tools and mats in designated positions.
  - b. Check tires for proper inflation and wear (tread wear indicator must not be showing).
  - c. Bounce vehicle up and down several times and measure dimensions Hf and Hr. Refer to SDS, SU-16.  
Spring height is not adjustable. If out of specification, check for worn springs and suspension parts.



## FRONT WHEEL ALIGNMENT

NASU0006

Before checking front wheel alignment, be sure to make a preliminary inspection (Unladen\*).

\*: Fuel, radiator coolant and engine oil full. Spare tire, jack, hand tools and mats in designated positions.

### Preliminary Inspection

NASU0006S01

1. Check tires for wear and improper inflation.
2. Check wheels for deformation, cracks and other damage. If deformed, remove wheel and check wheel runout.

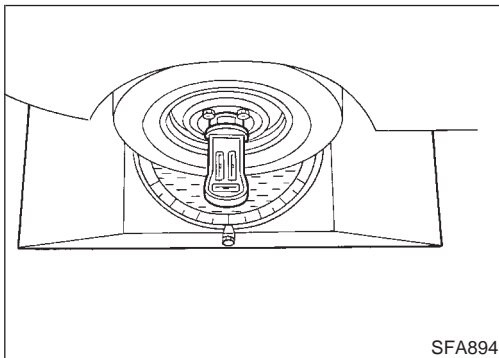
#### NOTE:

Measure both the inner and outer sides for the radial runout and lateral runout, and confirm the figures are within the standards.

**Wheel runout (Dial indicator value):**

**Refer to SDS.**

3. Check front wheel bearings for looseness.
4. Check front suspension for looseness.
5. Check steering linkage for looseness.
6. Check that front shock absorbers work properly.
7. Check vehicle posture (Unladen).



### Camber, Caster and Kingpin Inclination

NASU0006S02

**Camber, caster and kingpin inclination are preset at factory and cannot be adjusted.**

1. Measure camber, caster and kingpin inclination of both right and left wheels with a suitable alignment gauge.

**Camber, Caster and Kingpin inclination:**

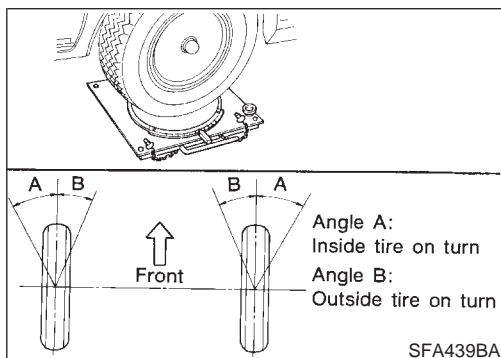
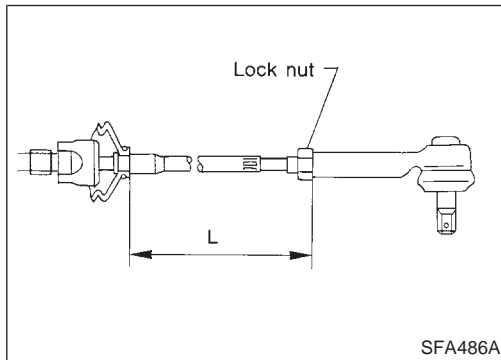
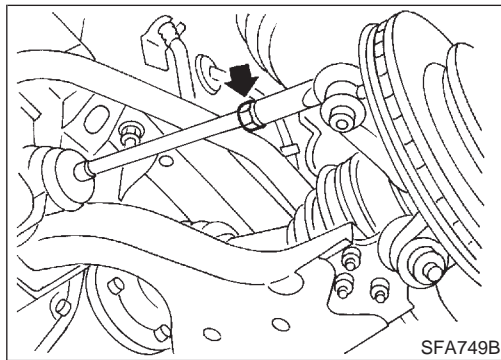
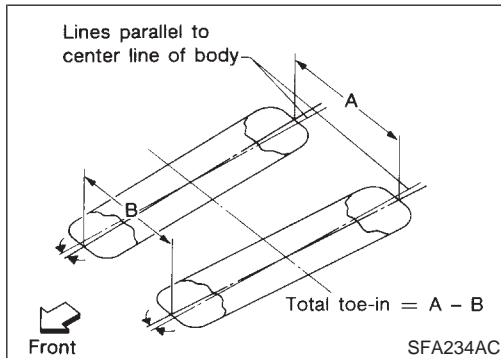
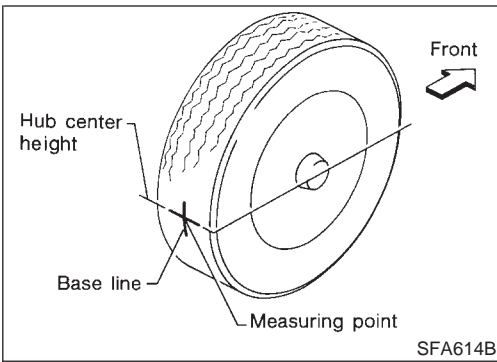
**Refer to SDS, SU-14.**

2. If camber, caster or kingpin inclination is not within specification, inspect front suspension parts. Replace damaged or worn out parts.

GI  
MA  
EM  
LC  
EC  
FE  
CL  
MT  
AT  
TF  
PD  
AX  
SU  
BR  
ST  
RS  
BT  
HA  
SC  
EL  
IDX

# FRONT SUSPENSION

On-vehicle Service (Cont'd)



## Toe-in

Measure toe-in using the following procedure.

NASU0006S03

### WARNING:

- Always perform the following procedure on a flat surface.
  - Make sure that no person is in front of the vehicle before pushing it.
1. Bounce front of vehicle up and down to stabilize the posture.
  2. Push the vehicle straight ahead about 5 m (16 ft).
  3. Put a mark on base line of the tread (rear side) of both tires at the same height of hub center. This mark is a measuring point.
  4. Measure distance "A" (rear side).
  5. Push the vehicle slowly ahead to rotate the wheels 180 degrees (1/2 turn).

If the wheels have rotated more than 180 degrees (1/2 turn), try the above procedure again from the beginning. Never push vehicle backward.

6. Measure distance "B" (front side).

**Total toe-in:**

**Refer to SDS, SU-14.**

7. Adjust toe-in by varying the length of steering tie-rods.
  - a. Loosen lock nuts.
  - b. Adjust toe-in by screwing tie-rods in and out.

Make sure both tie-rods are the same length.

**Standard length "L":**

**Refer to ST-33, "Steering Gear and Linkage".**

- c. Tighten lock nuts to specified torque.

**Lock nut tightening torque:**

**Refer to ST-18, "POWER STEERING GEAR AND LINKAGE".**

## Front Wheel Turning Angle

NASU0006S04

Turning angle is set by stroke length of steering gear rack and cannot be adjusted.

1. Set wheels in straight-ahead position. Then move vehicle forward until front wheels rest on turning radius gauge properly.
2. Rotate steering wheel all the way right and left; measure turning angle.

**Do not hold the steering wheel on full lock for more than 15 seconds.**

**Wheel turning angle (Full turn):**

**Refer to SDS, SU-14.**

**SU-8**



# FRONT SUSPENSION

Coil Spring and Strut Assembly

## Coil Spring and Strut Assembly

### COMPONENTS

2WD

NASU0007

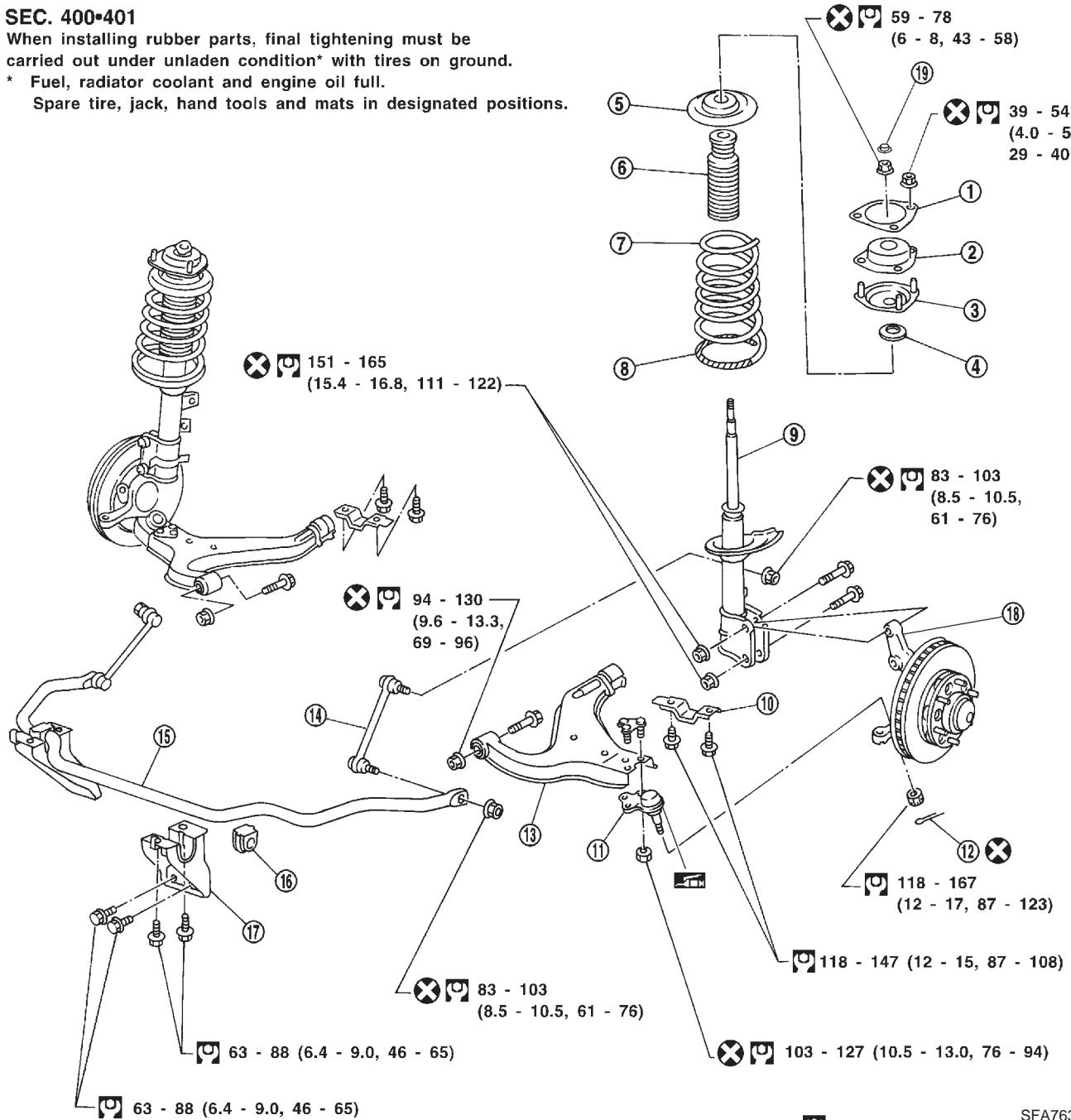
NASU0007S01

#### SEC. 400•401

When installing rubber parts, final tightening must be carried out under unladen condition\* with tires on ground.

\* Fuel, radiator coolant and engine oil full.

Spare tire, jack, hand tools and mats in designated positions.



- |                             |                               |                               |
|-----------------------------|-------------------------------|-------------------------------|
| 1. Spacer                   | 8. (Polyurethane tube)        | 14. Stabilizer connecting rod |
| 2. Strut mounting insulator | 9. Strut assembly             | 15. Stabilizer bar            |
| 3. Bracket                  | 10. Bracket                   | 16. Bushing                   |
| 4. Strut mounting bearing   | 11. Lower ball joint assembly | 17. Bracket                   |
| 5. Spring upper seat        | 12. Cotter pin                | 18. Knuckle spindle           |
| 6. Bound bumper             | 13. Transverse link           | 19. Cap                       |
| 7. Coil spring              |                               |                               |

: N•m (kg-m, ft-lb)

SFA763BA

GI  
MA  
EM  
LC  
EC  
FE  
CL  
MT  
AT  
TF  
PD  
AX  
SU  
BR  
ST  
RS  
BT  
HA  
SC  
EL  
IDX

# FRONT SUSPENSION

Coil Spring and Strut Assembly (Cont'd)

NASU0007S02

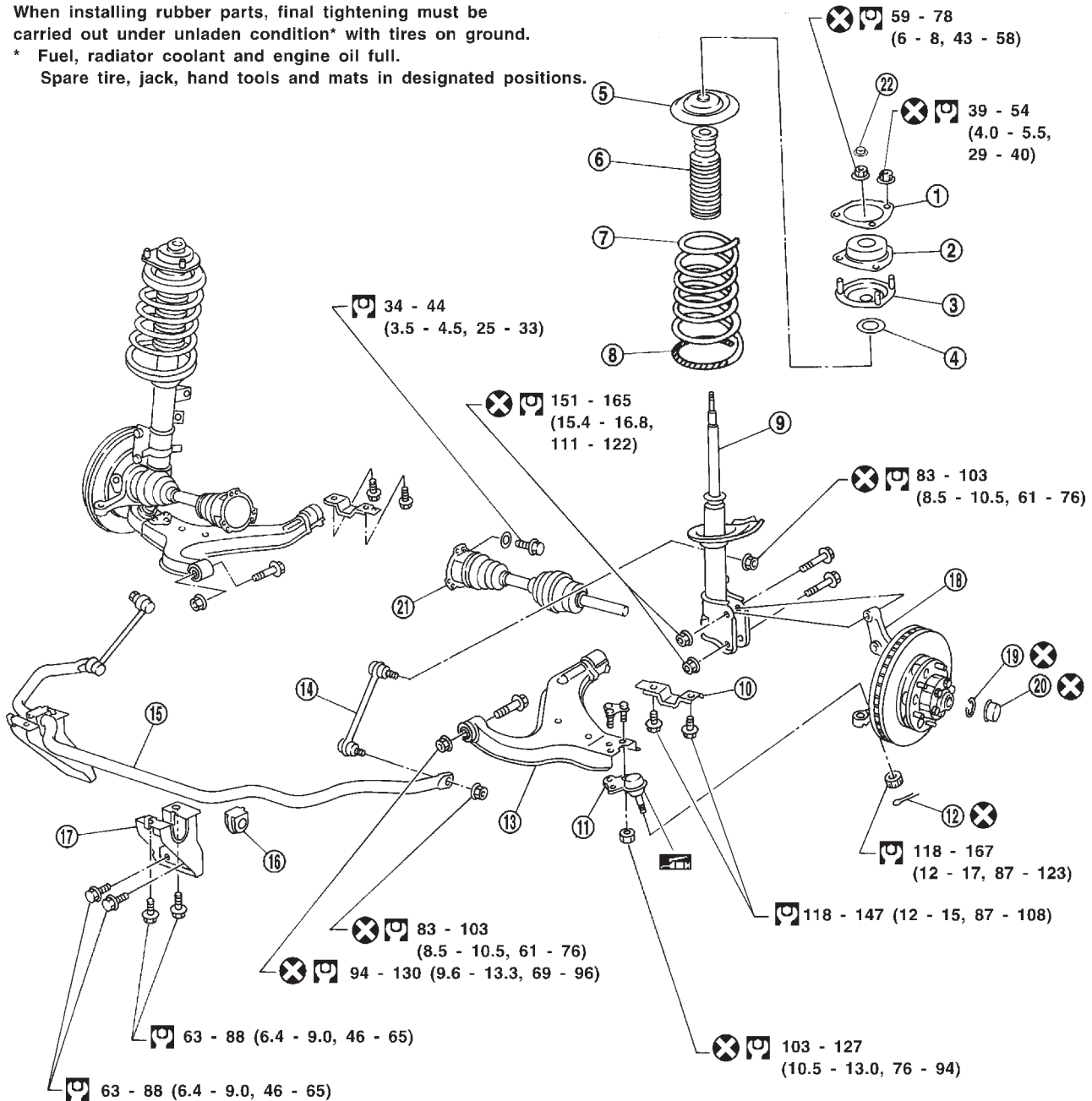
4WD

## SEC. 391•400•401

When installing rubber parts, final tightening must be carried out under unladen condition\* with tires on ground.

\* Fuel, radiator coolant and engine oil full.

Spare tire, jack, hand tools and mats in designated positions.



: N·m (kg-m, ft-lb)

SFA764BA

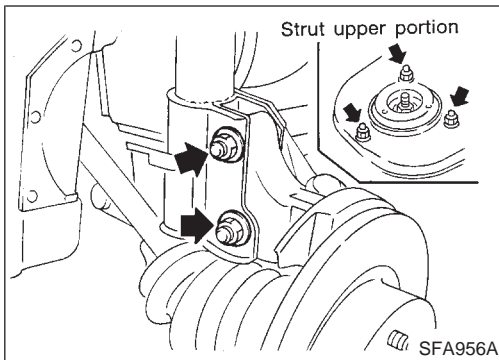
1. Spacer
2. Strut mounting insulator
3. Bracket
4. Strut mounting bearing
5. Spring upper seat
6. Bound bumper
7. Coil spring
8. (Polyurethane tube)

9. Strut assembly
10. Bracket
11. Lower ball joint assembly
13. Transverse link
14. Stabilizer connecting rod
15. Stabilizer bar

16. Bushing
17. Bracket
18. Knuckle spindle
19. Snap ring
20. Hub cap
21. Drive shaft
22. Cap

# FRONT SUSPENSION

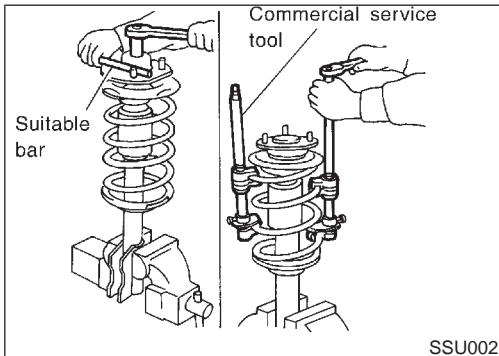
Coil Spring and Strut Assembly (Cont'd)



## REMOVAL

NASU0008

1. Remove stabilizer connecting rod.
2. Remove strut assembly fixing bolts and nuts (to hood-ledge).  
**Do not remove piston rod lock nut on vehicle.**



## DISASSEMBLY

NASU0009

1. Set strut assembly on vise, then **loosen** piston rod lock nut.

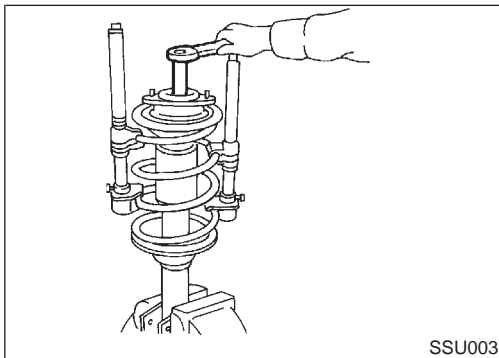
### WARNING:

**Do not remove piston rod lock nut at this time.**

2. Compress spring with tool so that the strut mounting insulator can be turned by hand.

### WARNING:

**Make sure that the pawls of the two spring compressors are firmly hooked on the spring. The spring compressors must be tightened alternately so as not to tilt the spring.**



3. Remove piston rod lock nut.

## INSPECTION

NASU0010

### Strut Assembly

NASU0010S01

- Check for smooth operation through a full stroke, both compression and extension.
- Check for oil leakage on welded and gland packing portion.
- Check piston rod for cracks, deformation and other damage.
- Replace if necessary.

### Strut Mounting Insulator and Rubber Parts

NASU0010S02

- Check cemented rubber-to-metal portion for separation and cracks. Check rubber parts for deterioration.
- Replace if necessary.

### Strut Mounting Bearing

NASU0010S03

- Check thrust bearing parts for abnormal noise and excessive rattle in axial direction.
- Replace if necessary.

### Coil Spring

NASU0010S04

- Check for cracks, deformation and other damage. Replace if necessary.

GI

MA

EM

LC

EC

FE

CL

MT

AT

TF

PD

AX

SU

BR

ST

RS

BT

HA

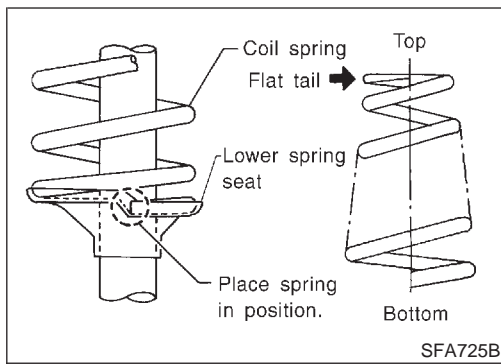
SC

EL

IDX

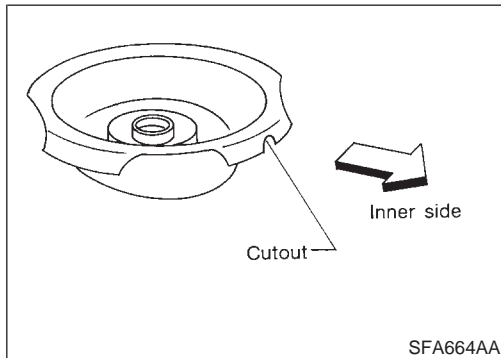
# FRONT SUSPENSION

## Coil Spring and Strut Assembly (Cont'd)

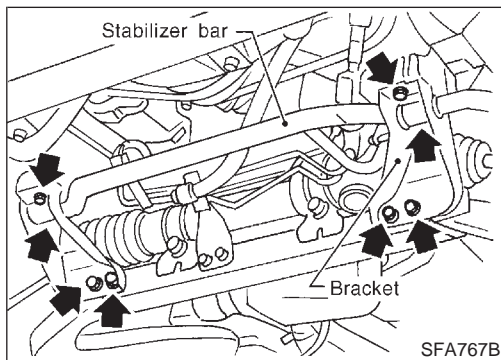


### ASSEMBLY

- When installing coil spring on strut, it must be positioned as shown in the figure at left. NASU0011

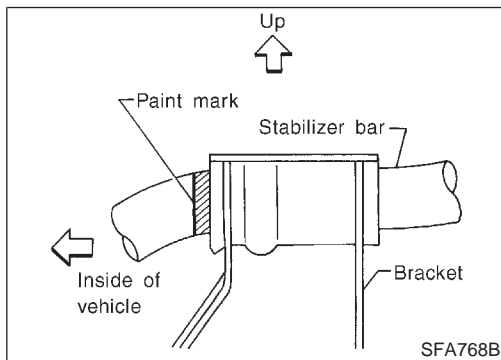


- Install upper spring seat with its cutout facing the inner side of vehicle.

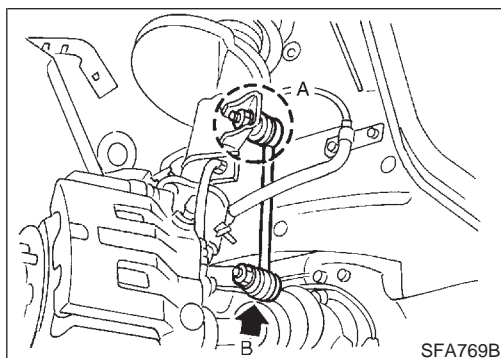


### Stabilizer Bar REMOVAL AND INSTALLATION

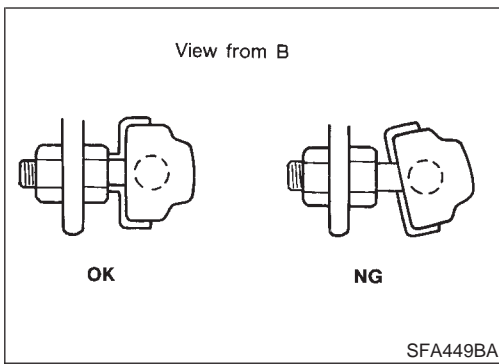
- Remove stabilizer bar and connecting rod. NASU0012



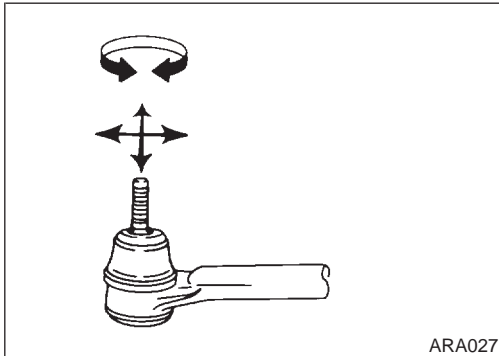
- When installing stabilizer, make sure that paint mark and bracket face in their correct directions.



- When removing and installing stabilizer bar fix portion A.

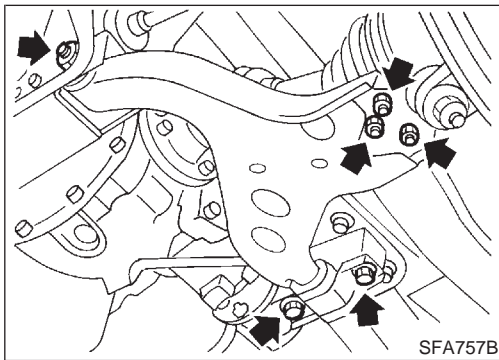


- Install stabilizer bar with ball joint socket properly placed.



## INSPECTION

- Check stabilizer for deformation and cracks. Replace if necessary. NASU0013
- Check rubber bushings for deterioration and cracks. Replace if necessary.
- Check ball joint can rotate in all directions. If movement is not smooth and free, replace stabilizer bar connecting rod.



## Transverse Link and Lower Ball Joint REMOVAL AND INSTALLATION

1. Separate drive shaft from knuckle. — 4WD — Refer to AX-12, "Drive Shaft". NASU0014
2. Separate lower ball joint stud from knuckle.
3. Remove lower ball joint assembly from transverse link.
4. Remove transverse link.
5. During installation, final tightening must be carried out at curb weight with tires on ground.
6. After installation, check wheel alignment. Refer to "FRONT WHEEL ALIGNMENT", "On-vehicle Service", SU-7.

GI

MA

EM

LC

EC

FE

CL

MT

AT

TF

PD

AX

**SU**

BR

ST

RS

BT

HA

SC

EL

IDX

# FRONT SUSPENSION

Transverse Link and Lower Ball Joint (Cont'd)

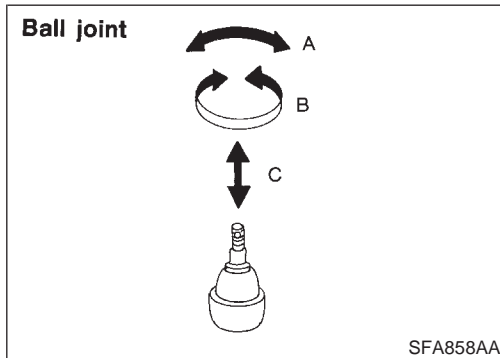
## INSPECTION

### Transverse Link

=NASU0015

NASU0015S01

- Check transverse link for damage, cracks and deformation. Replace it if necessary.
- Check rubber bushing for damage, cracks and deformation. Replace transverse link if necessary.



### Lower Ball Joint

NASU0015S02

- Check ball joint for excessive play. Replace lower ball joint assembly if any of the following exists:
  - Ball stud is worn.
  - Joint is hard to swing.
  - Play in axial direction is excessive.

Before checking, turn ball joint at least 10 revolutions so that ball joint is properly broken in.

**Swinging force "A":**

**(measuring point: cotter pin hole of ball stud)**

**Refer to SDS, SU-15.**

**Turning torque "B":**

**Refer to SDS, SU-15.**

**Vertical end play "C":**

**Refer to SDS, SU-15.**

Check dust cover for damage. Replace it and cover clamp if necessary.

## Service Data and Specifications (SDS)

### GENERAL SPECIFICATIONS (FRONT)

NASU0016

Suspension type	Independent macpherson strut with coil spring
Strut type	Double-acting hydraulic
Stabilizer bar	Standard equipment

### WHEEL ALIGNMENT (UNLADEN\*1)

Unit: Degree minute (Decimal degree)

NASU0017

Applied model		All
Camber	Minimum	-0°35' (-0.58°)
	Nominal	0°10' (0.17°)
	Maximum	0°55' (0.92°)
	Left and right difference	45' (0.75°) or less

# FRONT SUSPENSION

Service Data and Specifications (SDS) (Cont'd)

Caster			Minimum	2°15' (2.25°)	GI	
			Nominal	3°00' (3.00°)		
			Maximum	3°45' (3.75°)	MA	
			Left and right difference	45' (0.75°) or less	EM	
Kingpin inclination			Minimum	13°35' (13.58°)		
			Nominal	14°20' (14.33°)	LC	
			Maximum	15°05' (15.08°)		
Total toe-in	Distance (A - B)		Minimum	1 mm (0.04 in)	EC	
			Nominal	2 mm (0.08 in)		
			Maximum	3 mm (0.12 in)	FE	
	Angle (left plus right)			Minimum	5' (0.08°)	
				Nominal	10' (0.17°)	CL
				Maximum	15' (0.25°)	
Wheel turning angle	Full turn*2	Inside	Minimum	30°00' (30.00°)	MT	
			Nominal	33°00' (33.00°)		
			Maximum	34°00' (34.00°)	AT	
		Outside	Minimum	28°00' (28.00°)		
			Nominal	31°00' (31.00°)	TF	
			Maximum	32°00' (32.00°)		

\*1: Fuel, radiator coolant and engine oil full. Spare tire, jack, hand tools and mats in designated positions.

\*2: On power steering models, wheel turning force (at circumference of steering wheel) of 98 to 147 N (10 to 15 kg, 22 to 33 lb) with engine idle.

## LOWER BALL JOINT

NASU0018

Swinging force "A" (Measuring point: cotter pin hole of ball stud)	7.8 - 76.5 N (0.8 - 7.8 kg, 1.8 - 17.2 lb)	SU
Turning torque "B"	0.5 - 4.9 N·m (5 - 50 kg·cm, 4.3 - 43.4 in·lb)	
Vertical end play "C"	0 mm (0 in)	BR

ST

RS

BT

HA

SC

EL

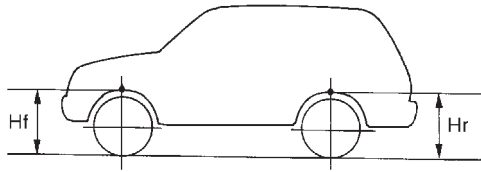
IDX

# FRONT SUSPENSION

Service Data and Specifications (SDS) (Cont'd)

## WHEELARCH HEIGHT (UNLADEN\*)

<sup>=NASU0019</sup>  
Unit: mm (in)



SFA746B

Applied model	2WD		4WD	
	P245/70 R16 tire P245/65 R17 tire	P255/65 R16 tire (With over fender)	P245/70 R16 tire P245/65 R17 tire	P255/65 R16 tire (With over fender)
Front (Hf)	840 (33.07)	840 (33.07)	837 (32.95)	824 (32.44)
Rear (Hr)	867 (34.13)	817 (32.17)	867 (34.13)	817 (32.17)

\*: Fuel, radiator coolant and engine oil full. Spare tire, jack, hand tools and mats in designated positions.

## WHEEL RUNOUT AVERAGE\*

<sup>NASU0020</sup>  
Unit: mm (in)

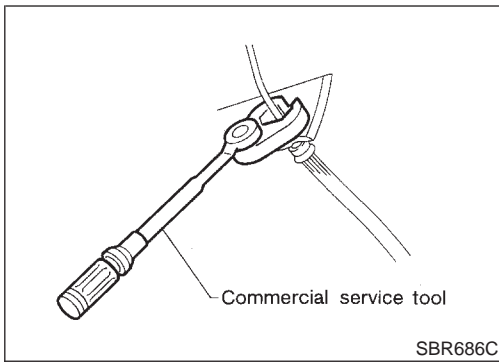
Wheel type	Aluminum	Steel
Radial runout limit	0.3 (0.012)	0.8 (0.031)
Lateral runout limit	0.3 (0.012)	0.8 (0.031)

\*: Wheel runout average = (Outside runout value + Inside runout value) x 0.5



# REAR SUSPENSION

Precautions



## Precautions

### PRECAUTIONS

- When installing rubber parts, final tightening must be carried out under unladen condition\* with tires on ground. \*Fuel, radiator coolant and engine oil full. Spare tire, jack, hand tools and mats in designated positions.
- Use flare nut wrench when removing and installing brake tubes.
- After installing removed suspension parts, check wheel alignment and adjust if necessary.
- Always torque brake lines when installing.

### Preparation

## COMMERCIAL SERVICE TOOLS

NASU0023

Tool name	Description
1 Flare nut crowfoot 2 Torque wrench	<p>Removing and installing each brake piping a: 10 mm (0.39 in)</p> <p>NT360</p>

## Noise, Vibration and Harshness (NVH)

### Troubleshooting

Refer to "Noise, Vibration and Harshness (NVH) Troubleshooting", "FRONT SUSPENSION", SU-3.

GI  
MA  
EM  
LC  
EC  
FE  
CL  
MT  
AT  
TF  
PD  
AX  
SU  
BR  
ST  
RS  
BT  
HA  
SC  
EL  
IDX

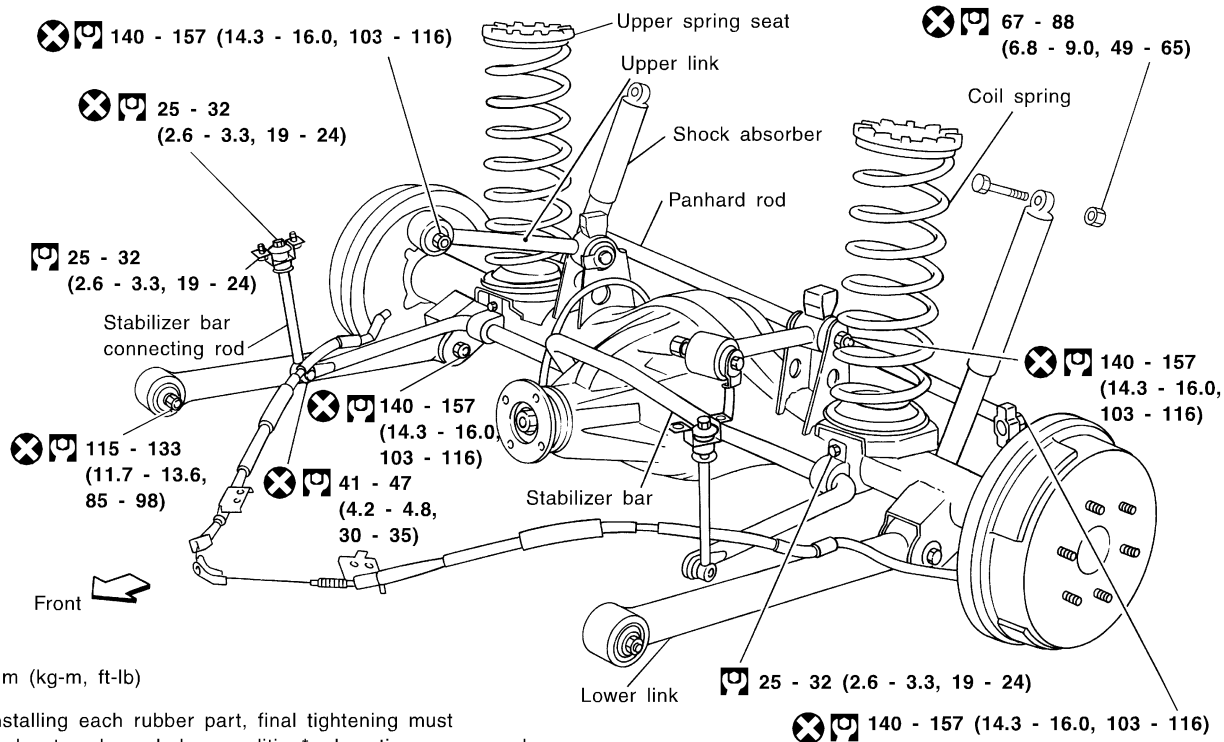
# REAR SUSPENSION

Components

## Components

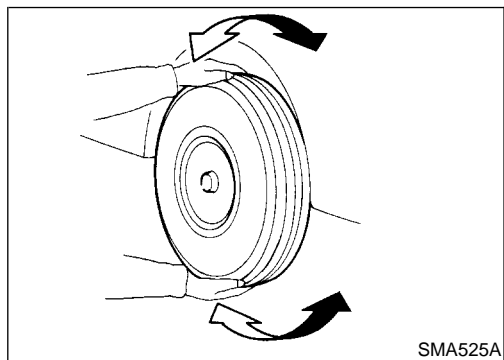
NASU0024

SEC. 380•430•431



When installing each rubber part, final tightening must be carried out under unladen condition\* when tires on ground.  
 \* Fuel, radiator coolant and engine oil full.  
 Spare tire, jack, hand tools and mats in designated positions.

SRA880A

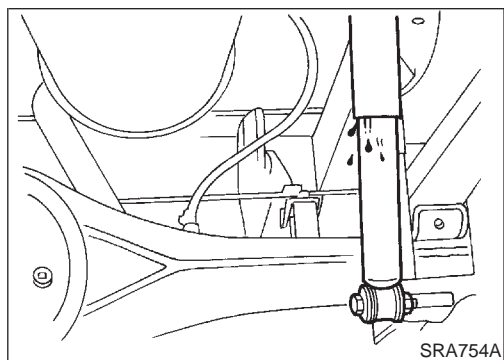


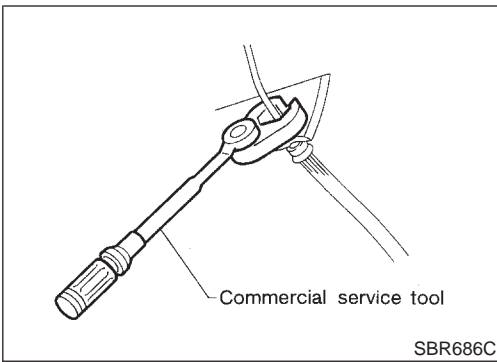
## On-vehicle Service REAR SUSPENSION PARTS

NASU0025

Check rear axle and rear suspension parts for excessive play, wear and damage.

1. Shake each rear wheel to check for excessive play.
2. Retighten all nuts and bolts to the specified torque.  
**Tightening torque: Refer to "Coil Spring and Shock Absorber", SU-20.**
3. Check shock absorber for oil leakage and other damage.
4. Check shock absorber bushing for excessive wear and other damage.
5. Check wheelarch height. Refer to "On-vehicle Service", "FRONT SUSPENSION", SU-6.





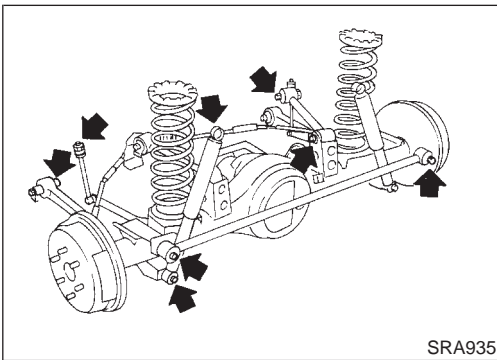
## Removal and Installation

NASU0026

1. Support axle and suspension components with a suitable jack and block.
2. Disconnect brake hydraulic line and parking brake cables at back plates.

### CAUTION:

- Use flare nut wrench when removing and installing brake tubes.
  - Before removing the rear suspension assembly, disconnect the ABS wheel sensor from the assembly. Then move it away from the rear suspension assembly. Failure to do so may result in damage to the sensor wires and the sensor becoming inoperative.
3. Remove stabilizer bar from body.
  4. Remove upper links and lower links from body.
  5. Remove panhard rod from body.
  6. Disconnect rear end of propeller shaft. Refer to PD-8, "Removal and Installation".
  7. Remove upper end nuts of shock absorber.



Final tightening for rubber parts requires to be carried out under unladen condition with tires on ground.

GI  
MA  
EM  
LC  
EC  
FE  
CL  
MT  
AT  
TF  
PD  
AX  
SU  
BR  
ST  
RS  
BT  
HA  
SC  
EL  
IDX

# REAR SUSPENSION

Coil Spring and Shock Absorber

## Coil Spring and Shock Absorber

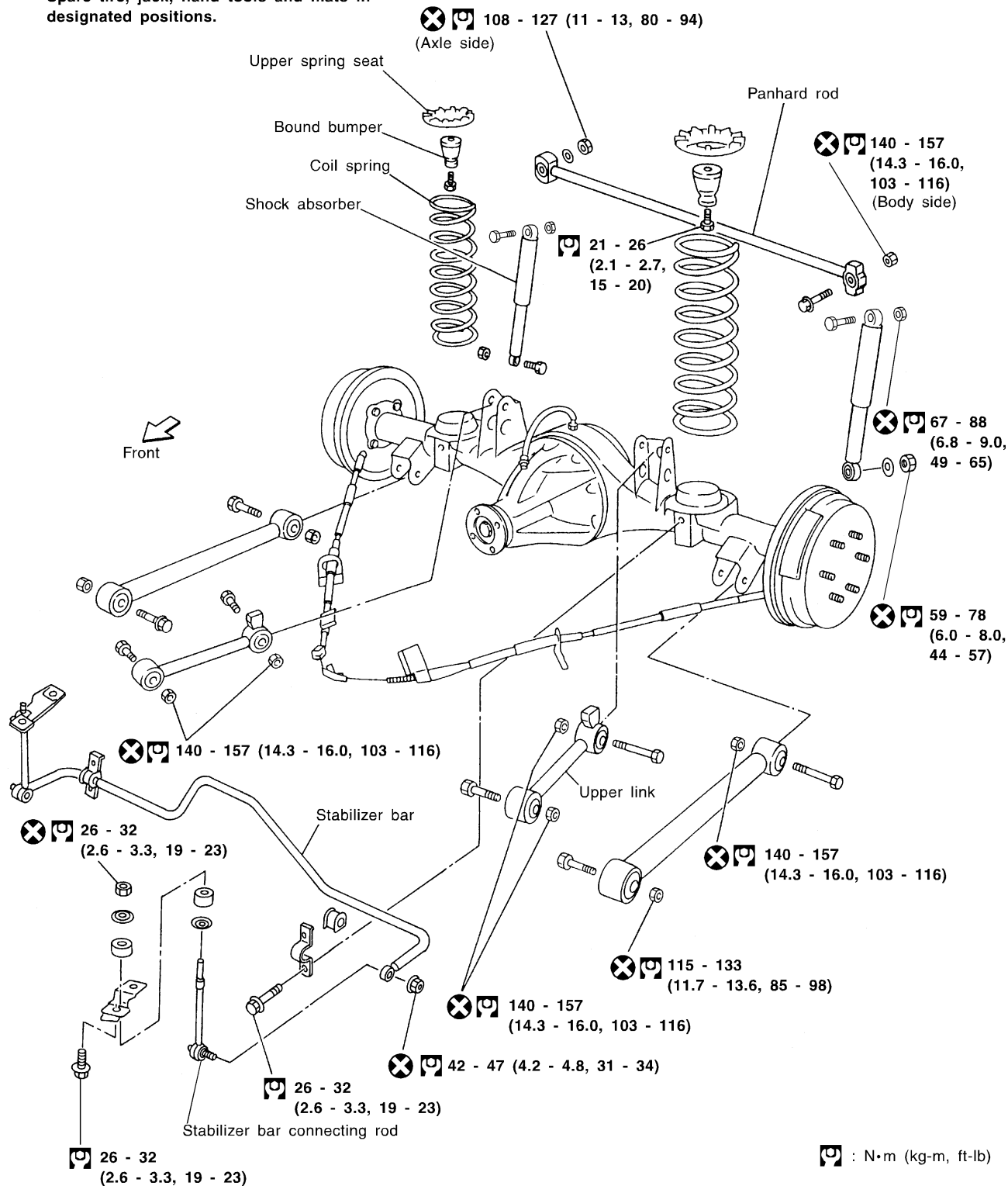
NASU0027

### COMPONENTS

#### SEC. 380•430•431

When installing rubber parts, final tightening must be carried out under unladen condition\* with tires on ground.

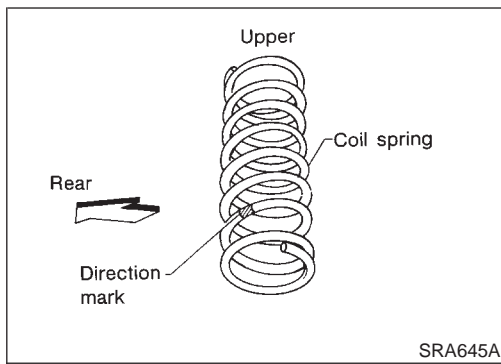
\* Fuel, radiator coolant and engine oil full.  
Spare tire, jack, hand tools and mats in designated positions.



SSU041

# REAR SUSPENSION

Coil Spring and Shock Absorber (Cont'd)



## REMOVAL AND INSTALLATION

Refer to "Removal and Installation", "REAR SUSPENSION", SU-19. NASU0028

**When installing coil spring, pay attention to its direction. Be sure spring rubber seat is not twisted and has not slipped off when installing coil spring.**

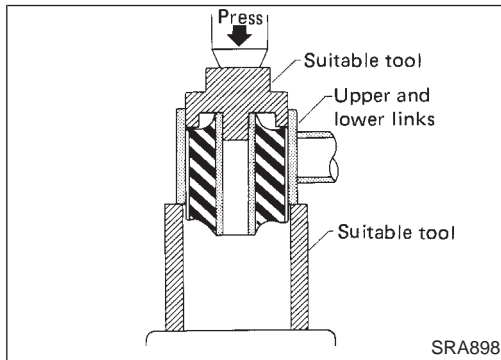
## INSPECTION

- Check coil spring for yield, deformation and cracks. NASU0029
- Check shock absorber for oil leakage, cracks and deformation. FE
- Check all rubber parts for wear, cracks and deformation. Replace if necessary. CL

## Upper Link, Lower Link and Panhard Rod

### INSPECTION

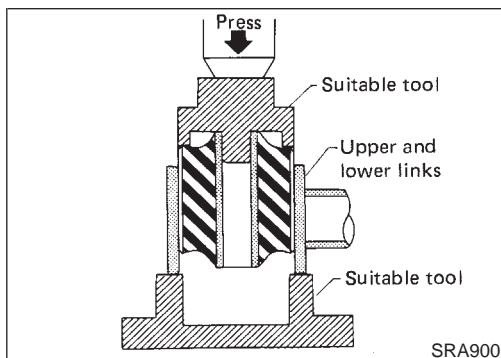
Check for cracks, distortion and other damage. Replace if necessary. NASU0030



## BUSHING REPLACEMENT

Check for cracks and other damage. Replace with suitable tool if necessary. NASU0031

- Remove bushing with suitable tool.



**When installing bushing, apply a coat of 1% soapy water to outer wall of bushing.**

**Always install new bushing.**

**Do not tap end face of bushing directly with a hammer.**

GI  
MA  
EM  
LC  
EC  
FE  
CL  
MT  
AT  
TF  
PD  
AX  
SU  
BR  
ST  
RS  
BT  
HA  
SC  
EL  
IDX

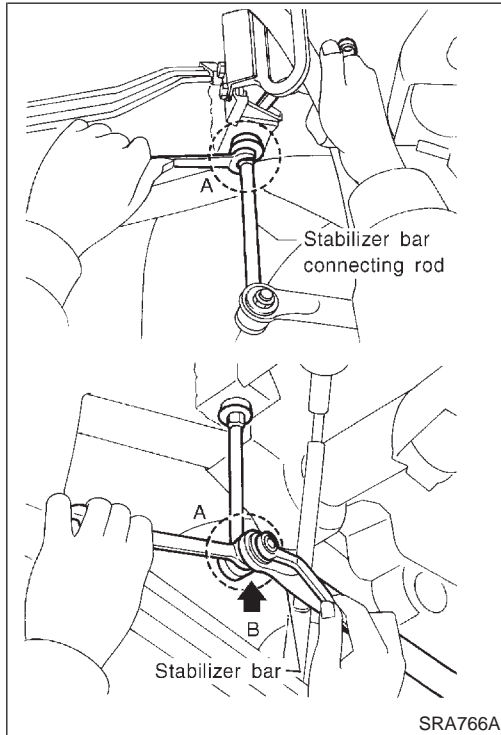
# REAR SUSPENSION

Upper Link, Lower Link and Panhard Rod (Cont'd)

## INSTALLATION

When installing each link, pay attention to direction of nuts and bolts. NASU0032

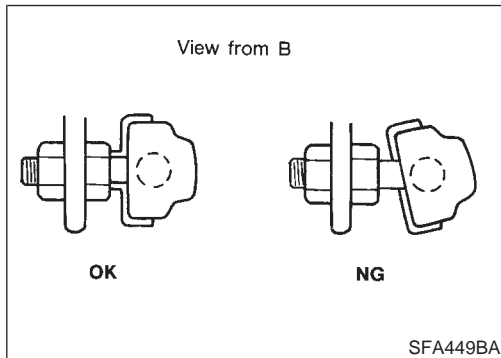
When installing each rubber part, final tightening must be carried out under unladen condition with tires on ground.



## Stabilizer Bar

### REMOVAL AND INSTALLATION

- When removing and installing stabilizer bar, fix portion A. NASU0033



- Install stabilizer bar with ball joint socket properly placed.

## Service Data and Specifications (SDS)

### GENERAL SPECIFICATIONS (REAR)

NASU0034

Suspension type	5-link type rigid with coil spring
Shock absorber type	Double-acting hydraulic
Stabilizer	Standard equipment