

SECTION **PWO**
POWER OUTLET

A
B
C
D
E
F
G
H
I
J
K
L
N
O
P

CONTENTS

| | | | |
|---|---|--------------------------------|---|
| PRECAUTION | 2 | POWER SOCKET | 3 |
| PRECAUTIONS | 2 | Wiring Diagram | 3 |
| Precaution for Supplemental Restraint System (SRS) "AIR BAG" and "SEAT BELT PRE-TENSIONER" | 2 | CIGARETTE LIGHTER | 6 |
| COMPONENT DIAGNOSIS | 3 | Wiring Diagram | 6 |
| | | ON-VEHICLE REPAIR | 8 |
| | | POWER SOCKET | 8 |
| | | Removal and Installation | 8 |

PWO

PRECAUTIONS

< PRECAUTION >

PRECAUTION

PRECAUTIONS

Precaution for Supplemental Restraint System (SRS) "AIR BAG" and "SEAT BELT PRE-TENSIONER"

INFOID:000000001723033

The Supplemental Restraint System such as "AIR BAG" and "SEAT BELT PRE-TENSIONER", used along with a front seat belt, helps to reduce the risk or severity of injury to the driver and front passenger for certain types of collision. This system includes seat belt switch inputs and dual stage front air bag modules. The SRS system uses the seat belt switches to determine the front air bag deployment, and may only deploy one front air bag, depending on the severity of a collision and whether the front occupants are belted or unbelted. Information necessary to service the system safely is included in the SR and SB section of this Service Manual.

WARNING:

- To avoid rendering the SRS inoperative, which could increase the risk of personal injury or death in the event of a collision which would result in air bag inflation, all maintenance must be performed by an authorized NISSAN/INFINITI dealer.
- Improper maintenance, including incorrect removal and installation of the SRS, can lead to personal injury caused by unintentional activation of the system. For removal of Spiral Cable and Air Bag Module, see the SR section.
- Do not use electrical test equipment on any circuit related to the SRS unless instructed to in this Service Manual. SRS wiring harnesses can be identified by yellow and/or orange harnesses or harness connectors.

POWER SOCKET

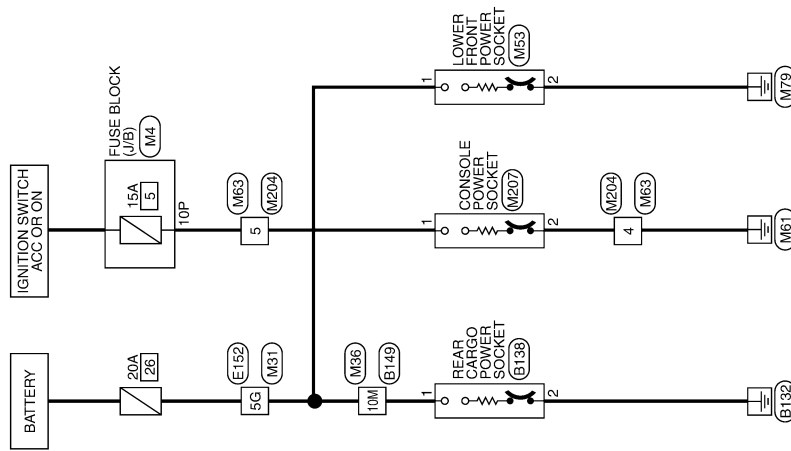
< COMPONENT DIAGNOSIS >

COMPONENT DIAGNOSIS

POWER SOCKET

Wiring Diagram

INFOID:000000001723034



POWER SOCKET

PWO

POWER SOCKET

< COMPONENT DIAGNOSIS >

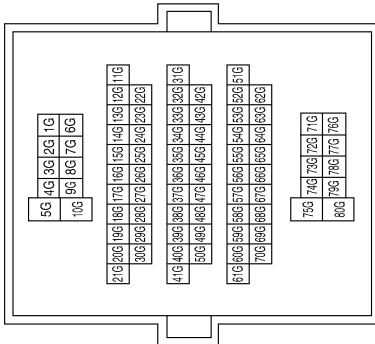
POWER SOCKET CONNECTORS

| | |
|-----------------|------------------|
| Connector No. | M4 |
| Connector Name | FUSE BLOCK (J/B) |
| Connector Color | WHITE |



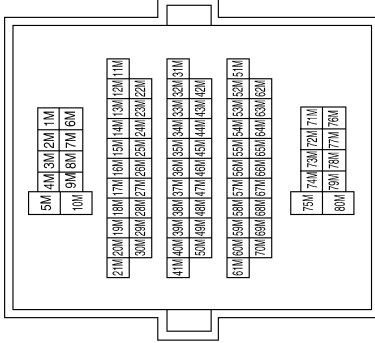
| Terminal No. | Color of Wire | Signal Name |
|--------------|---------------|-------------|
| 10P | G/Y | - |

| | |
|-----------------|--------------|
| Connector No. | M31 |
| Connector Name | WIRE TO WIRE |
| Connector Color | WHITE |



| Terminal No. | Color of Wire | Signal Name |
|--------------|---------------|-------------|
| 5G | R | - |

| | |
|-----------------|--------------|
| Connector No. | M36 |
| Connector Name | WIRE TO WIRE |
| Connector Color | WHITE |



| Terminal No. | Color of Wire | Signal Name |
|--------------|---------------|-------------|
| 10M | R | - |

| | |
|-----------------|--------------------------|
| Connector No. | M53 |
| Connector Name | LOWER FRONT POWER SOCKET |
| Connector Color | BLACK |



| Terminal No. | Color of Wire | Signal Name |
|--------------|---------------|-------------|
| 1 | R | - |
| 2 | B | - |

| | |
|-----------------|--------------|
| Connector No. | M63 |
| Connector Name | WIRE TO WIRE |
| Connector Color | WHITE |



| Terminal No. | Color of Wire | Signal Name |
|--------------|---------------|-------------|
| 4 | B | - |
| 5 | G/Y | - |

| | |
|-----------------|--------------|
| Connector No. | M204 |
| Connector Name | WIRE TO WIRE |
| Connector Color | WHITE |



| Terminal No. | Color of Wire | Signal Name |
|--------------|---------------|-------------|
| 4 | B | - |
| 5 | G/Y | - |

POWER SOCKET

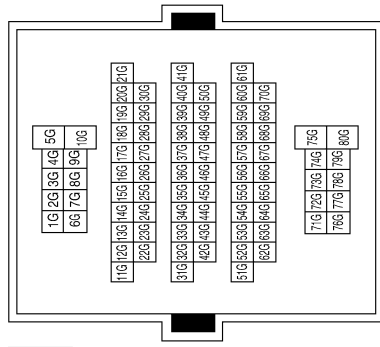
< COMPONENT DIAGNOSIS >

| | |
|-----------------|----------------------|
| Connector No. | M207 |
| Connector Name | CONSOLE POWER SOCKET |
| Connector Color | BLACK |



| Terminal No. | Color of Wire | Signal Name |
|--------------|---------------|-------------|
| 1 | G/Y | - |
| 2 | B | - |

| | |
|-----------------|--------------|
| Connector No. | E152 |
| Connector Name | WIRE TO WIRE |
| Connector Color | WHITE |



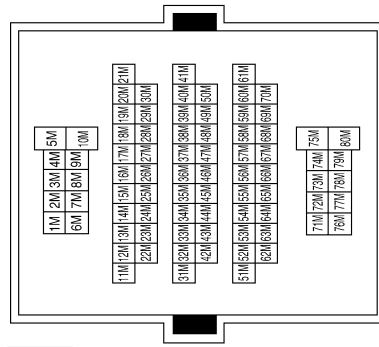
| | | | | | |
|--------------|----|---------------|---|-------------|---|
| Terminal No. | 5G | Color of Wire | R | Signal Name | - |
|--------------|----|---------------|---|-------------|---|

| | |
|-----------------|-------------------------|
| Connector No. | B138 |
| Connector Name | REAR CARGO POWER SOCKET |
| Connector Color | BLACK |



| Terminal No. | Color of Wire | Signal Name |
|--------------|---------------|-------------|
| 1 | R | - |
| 2 | B | - |

| | |
|-----------------|--------------|
| Connector No. | B149 |
| Connector Name | WIRE TO WIRE |
| Connector Color | WHITE |



| | | | | | |
|--------------|-----|---------------|---|-------------|---|
| Terminal No. | 10M | Color of Wire | R | Signal Name | - |
|--------------|-----|---------------|---|-------------|---|

ALMIA0162GB

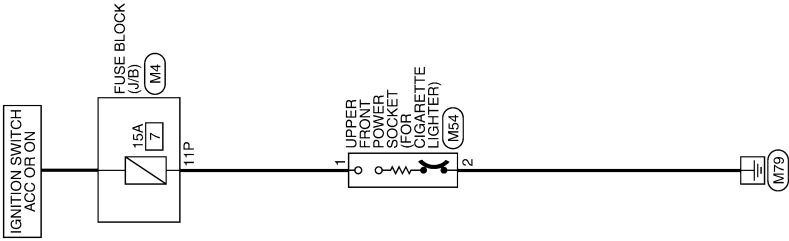
CIGARETTE LIGHTER

< COMPONENT DIAGNOSIS >

CIGARETTE LIGHTER

Wiring Diagram

INFOID:000000001723035



CIGARETTE LIGHTER

ALMWA0092Gf

CIGARETTE LIGHTER

< COMPONENT DIAGNOSIS >

CIGARETTE LIGHTER CONNECTORS

| | |
|-----------------|------------------|
| Connector No. | M4 |
| Connector Name | FUSE BLOCK (J/B) |
| Connector Color | WHITE |



| Terminal No. | Color of Wire | Signal Name |
|--------------|---------------|-------------|
| 11P | G/B | - |

| | |
|-----------------|--|
| Connector No. | M54 |
| Connector Name | UPPER FRONT POWER SOCKET (FOR CIGARETTE LIGHTER) |
| Connector Color | GRAY |



| Terminal No. | Color of Wire | Signal Name |
|--------------|---------------|-------------|
| 1 | G/B | - |
| 2 | B | - |

A
B
C
D
E
F
G
H
I
J
K
L
N
O
P

PWO

ALMIA0206GB

POWER SOCKET

< ON-VEHICLE REPAIR >

ON-VEHICLE REPAIR

POWER SOCKET

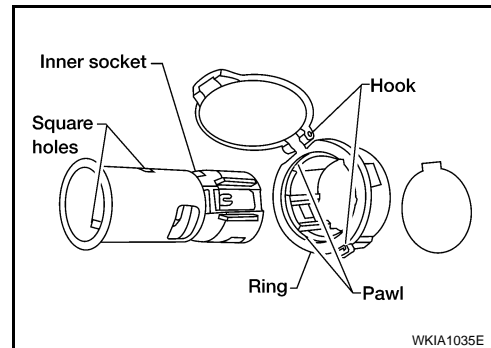
Removal and Installation

INFOID:000000001723036

LOWER FRONT POWER SOCKET AND REAR CARGO POWER SOCKET

Removal

1. Disconnect battery negative terminal.
2. Remove inner socket from the ring, while pressing the hook on the ring out from square hole.
3. Disconnect power socket connector.
4. Remove ring from power socket finisher while pressing pawls.



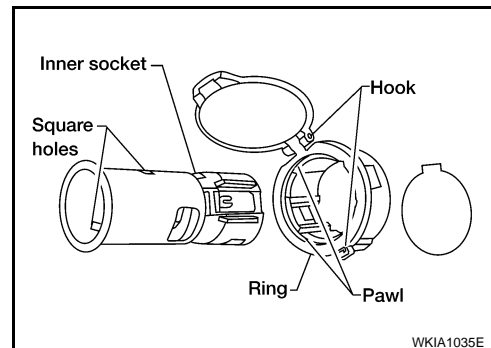
Installation

Installation is in the reverse order of removal.

UPPER FRONT POWER SOCKET (FOR CIGARETTE LIGHTER) AND CONSOLE POWER SOCKET

Removal

1. Remove inner socket from the ring, while pressing the hook on the ring out from square hole.
2. Disconnect power socket connector.
3. Remove ring from power socket finisher while pressing pawls.



Installation

Installation is in the reverse order of removal.