

SECTION **VTL**
VENTILATION SYSTEM

A
B
C
D
E
F
G
H
I
J
K
L
M
N
O
P

CONTENTS

PRECAUTION	2	Component	13
PRECAUTIONS	2	Removal and Installation	13
Precaution for Supplemental Restraint System (SRS) "AIR BAG" and "SEAT BELT PRE-TENSIONER"	2	VARIABLE BLOWER CONTROL	15
Precaution for Working with HFC-134a (R-134a).....	2	Removal and Installation	15
Precaution for Procedure without Cowl Top Cover.....	3	REAR BLOWER MOTOR RESISTOR	16
PREPARATION	4	Removal and Installation	16
PREPARATION	4	HEATER & COOLING UNIT ASSEMBLY	17
Commercial Service Tool	4	Component	17
FUNCTION DIAGNOSIS	5	Removal and Installation	18
IN-CABIN MICROFILTER	5	EVAPORATOR	21
Description	5	Removal and Installation for Front Evaporator	21
ON-VEHICLE MAINTENANCE	6	Removal and Installation for Rear Evaporator	22
IN-CABIN MICROFILTER	6	EXPANSION VALVE	24
Removal and Installation	6	Removal and Installation for Rear Expansion Valve	24
ON-VEHICLE REPAIR	8	HEATER CORE	25
CONTROL UNIT	8	Component	25
Removal and Installation	8	Removal and Installation	26
IN-VEHICLE SENSOR	10	INTAKE DOOR MOTOR	27
Removal and Installation	10	Removal and Installation	27
OPTICAL SENSOR	11	MODE DOOR MOTOR	28
Removal and Installation	11	Removal and Installation	28
INTAKE SENSOR	12	AIR MIX DOOR MOTOR	29
Removal and Installation	12	Component	29
BLOWER MOTOR	13	Removal and Installation	29
		DUCTS AND GRILLES	31
		Component	31
		Removal and Installation	33

VTL

PRECAUTIONS

< PRECAUTION >

PRECAUTION

PRECAUTIONS

Precaution for Supplemental Restraint System (SRS) "AIR BAG" and "SEAT BELT PRE-TENSIONER"

INFOID:000000001672944

The Supplemental Restraint System such as "AIR BAG" and "SEAT BELT PRE-TENSIONER", used along with a front seat belt, helps to reduce the risk or severity of injury to the driver and front passenger for certain types of collision. This system includes seat belt switch inputs and dual stage front air bag modules. The SRS system uses the seat belt switches to determine the front air bag deployment, and may only deploy one front air bag, depending on the severity of a collision and whether the front occupants are belted or unbelted. Information necessary to service the system safely is included in the SR and SB section of this Service Manual.

WARNING:

- To avoid rendering the SRS inoperative, which could increase the risk of personal injury or death in the event of a collision which would result in air bag inflation, all maintenance must be performed by an authorized NISSAN/INFINITI dealer.
- Improper maintenance, including incorrect removal and installation of the SRS, can lead to personal injury caused by unintentional activation of the system. For removal of Spiral Cable and Air Bag Module, see the SR section.
- Do not use electrical test equipment on any circuit related to the SRS unless instructed to in this Service Manual. SRS wiring harnesses can be identified by yellow and/or orange harnesses or harness connectors.

Precaution for Working with HFC-134a (R-134a)

INFOID:000000001672945

WARNING:

- CFC-12 (R-12) refrigerant and HFC-134a (R-134a) refrigerant are not compatible. If the refrigerants are mixed compressor failure is likely to occur. Refer to [HA-3, "Contaminated Refrigerant"](#). To determine the purity of HFC-134a (R-134a) in the vehicle and recovery tank, use refrigerant recovery/recycling equipment and refrigerant identifier.
- Use only specified oil for the HFC-134a (R-134a) A/C system and HFC-134a (R-134a) components. If oil other than that specified is used, compressor failure is likely to occur.
- The specified HFC-134a (R-134a) oil rapidly absorbs moisture from the atmosphere. The following handling precautions must be observed:
 - When removing refrigerant components from a vehicle, immediately cap (seal) the component to minimize the entry of moisture from the atmosphere.
 - When installing refrigerant components to a vehicle, do not remove the caps (unseal) until just before connecting the components. Connect all refrigerant loop components as quickly as possible to minimize the entry of moisture into system.
 - Only use the specified oil from a sealed container. Immediately reseal containers of oil. Without proper sealing, oil will become moisture saturated and should not be used.
 - Avoid breathing A/C refrigerant and oil vapor or mist. Exposure may irritate eyes, nose and throat. Remove HFC-134a (R-134a) from the A/C system using certified service equipment meeting requirements of SAE J2210 [HFC-134a (R-134a) recycling equipment], or SAE J2209 [HFC-134a (R-134a) recovery equipment]. If accidental system discharge occurs, ventilate work area before resuming service. Additional health and safety information may be obtained from refrigerant and oil manufacturers.
 - Do not allow the refrigerant oil to come in contact with styrofoam parts. Damage may result.

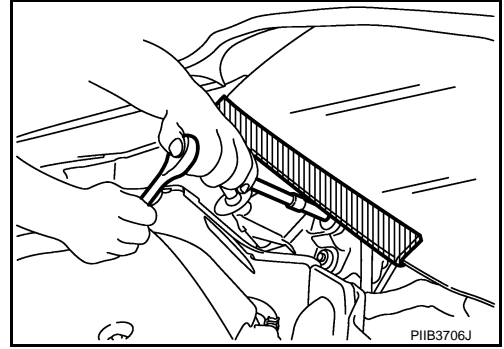
PRECAUTIONS

< PRECAUTION >

Precaution for Procedure without Cowl Top Cover

INFOID:000000001672947

When performing the procedure after removing cowl top cover, cover the lower end of windshield with urethane, etc.



A
B
C
D
E
F
G
H
J
K
L
M
N
O
P

VTL

PREPARATION

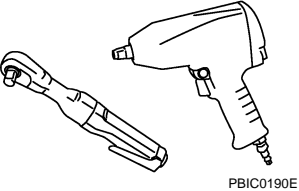
< PREPARATION >

PREPARATION

PREPARATION

Commercial Service Tool

INFOID:000000001672948

Tool name	Description
Power tool 	Loosening bolts and nuts

IN-CABIN MICROFILTER

< FUNCTION DIAGNOSIS >

FUNCTION DIAGNOSIS

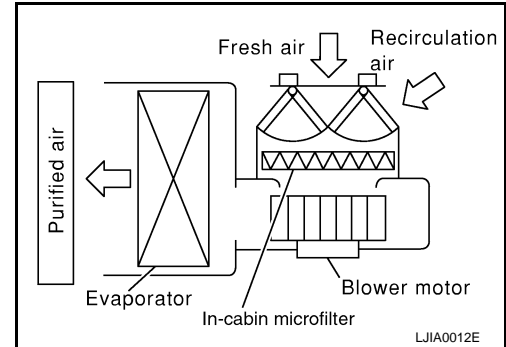
IN-CABIN MICROFILTER

Description

INFOID:000000001672949

FUNCTION

The air inside the passenger compartment is filtered by the in-cabin microfilters when the heater or A/C controls are set on either the recirculation or fresh mode. The two in-cabin microfilters are located in the front heater and cooling unit assembly. The rear heater and cooling unit assembly only draws in air from the passenger compartment to recirculate into the passenger compartment, so the rear heater and cooling unit assembly is not equipped with in-cabin microfilters.



REPLACEMENT TIMING

Replacement of the two in-cabin microfilters is recommended on a regular interval depending on the driving conditions. Refer to [MA-6. "Introduction of Periodic Maintenance"](#). It may also be necessary to replace the two in-cabin microfilters as part of a component replacement if the in-cabin microfilters are damaged.

A
B
C
D
E
F
G
H
J
K
L
M
N
O
P

VTL

IN-CABIN MICROFILTER

< ON-VEHICLE MAINTENANCE >

ON-VEHICLE MAINTENANCE

IN-CABIN MICROFILTER

Removal and Installation

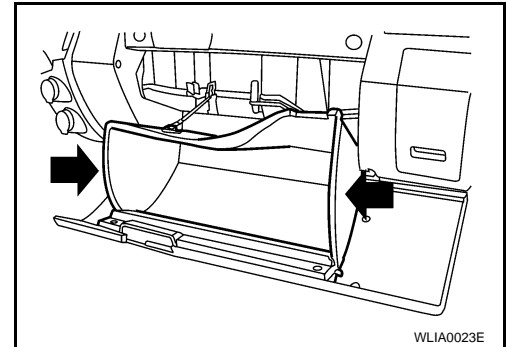
INFOID:000000001672951

REPLACEMENT TIMING

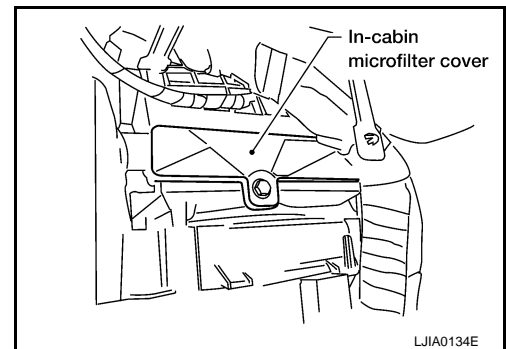
Replacement of the two in-cabin microfilters is recommended on a regular interval depending on the driving conditions. Refer to [MA-6, "Introduction of Periodic Maintenance"](#). It may also be necessary to replace the two in-cabin microfilters as part of a component replacement if the in-cabin microfilters are damaged.

REPLACEMENT PROCEDURE

1. Open the lower glove box and press in on the sides so that it will open completely allowing it to hang by the cord.



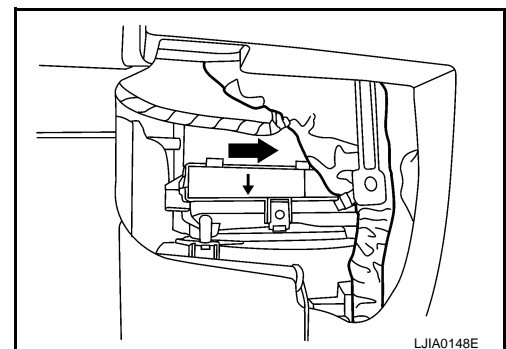
2. Remove the screw and remove the in-cabin microfilter cover.
3. Remove the in-cabin microfilters from the front heater and cooling unit housing.



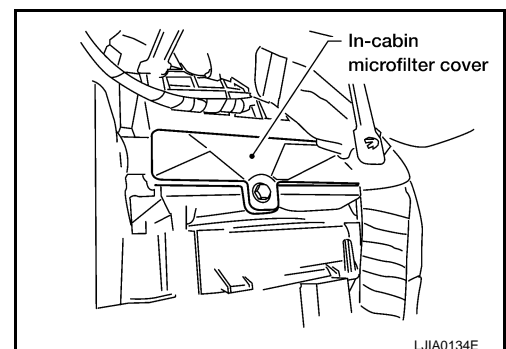
4. Insert the first new in-cabin microfilter into the front heater and cooling unit housing and slide it over to the right. Insert the second new in-cabin microfilter into the front heater and cooling unit housing.

NOTE:

The in-cabin microfilters are marked with air flow arrows. The end of the microfilter with the arrow should face the rear of the vehicle. The arrows should point downward.



5. Install the in-cabin microfilter cover.



IN-CABIN MICROFILTER

< ON-VEHICLE MAINTENANCE >

6. Close the lower glove box completely.

A

B

C

D

E

F

G

H

VTL

J

K

L

M

N

O

P

CONTROL UNIT

< ON-VEHICLE REPAIR >

ON-VEHICLE REPAIR

CONTROL UNIT

Removal and Installation

INFOID:000000001683802

A/C and AV SWITCH ASSEMBLY

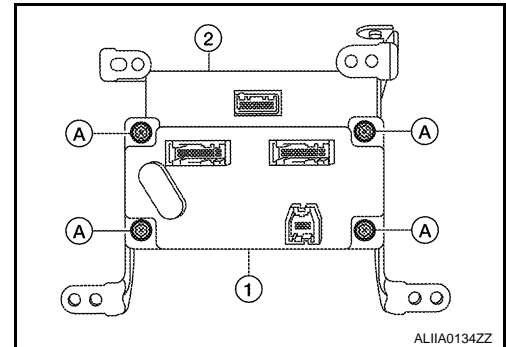
Removal and Installation

The front A/C switch is integrated into the A/C and AV switch assembly in cluster lid C in the instrument panel. Refer to [AV-134, "Removal and Installation"](#).

A/C AUTO AMP.

Removal

1. Remove the display unit. Refer to [AV-136, "Removal and Installation"](#).
2. Remove the four A/C auto amp. screws (A) and remove the A/C auto amp. (1) from the back of the display unit (2).



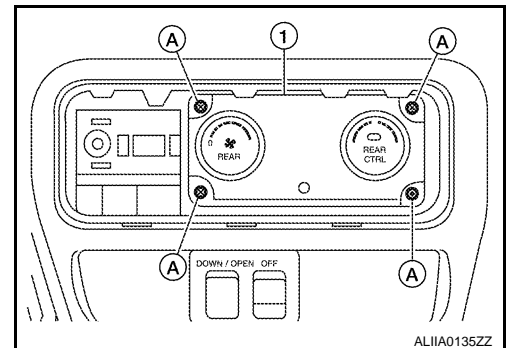
Installation

Installation is in the reverse order of removal.

REAR AIR CONTROL (FRONT)

Removal

1. Remove the front roof console finisher from the front roof console. Refer to [INT-16, "Removal and Installation"](#).
2. Remove the four rear air control (front) screws (A), disconnect the rear air control (front) connector and remove the rear air control (front) (1) from the front roof console.



Installation

Installation is in the reverse order of removal.

REAR AIR CONTROL (REAR)

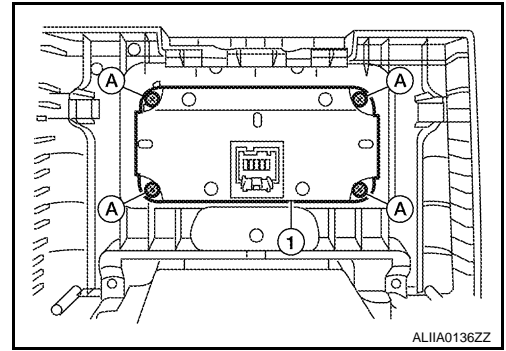
Removal

1. Remove the rear finisher assembly from the center console. Refer to [IP-10, "Exploded View"](#).

CONTROL UNIT

< ON-VEHICLE REPAIR >

2. Remove the four rear air control (rear) screws (A) and remove the rear air control (rear) (1) from the rear finisher assembly.



Installation

Installation is in the reverse order of removal.

A
B
C
D
E
F
G
H
J
K
L
M
N
O
P

VTL

IN-VEHICLE SENSOR

< ON-VEHICLE REPAIR >

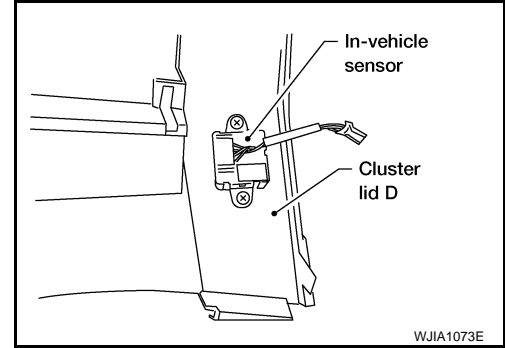
IN-VEHICLE SENSOR

Removal and Installation

INFOID:000000001672960

REMOVAL

1. Remove the cluster lid D. Refer to [IP-10. "Removal and Installation"](#).
2. Remove the two screws and remove the in-vehicle sensor.



INSTALLATION

Installation is in the reverse order of removal.

OPTICAL SENSOR

< ON-VEHICLE REPAIR >

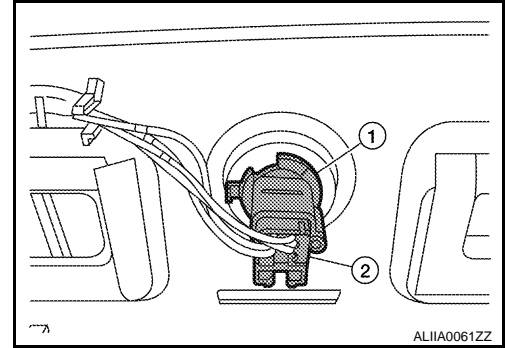
OPTICAL SENSOR

Removal and Installation

INFOID:000000001683811

REMOVAL

1. Remove the defroster grille from the instrument panel. Refer to [IP-10, "Exploded View"](#).
2. Disconnect the optical sensor connector (2).
3. Twist the optical sensor (1) counter clockwise to remove it from the defroster grille.



INSTALLATION

Installation is in the reverse order of removal.

A

B

C

D

E

F

G

H

VTL

J

K

L

M

N

O

P

INTAKE SENSOR

< ON-VEHICLE REPAIR >

INTAKE SENSOR

Removal and Installation

INFOID:000000001672962

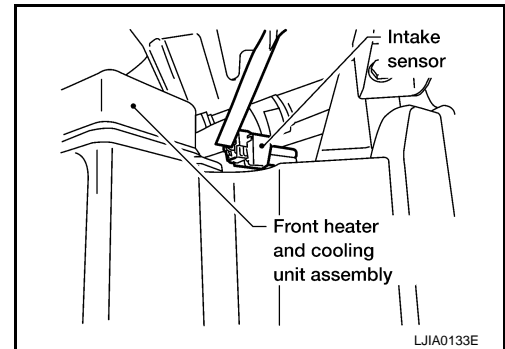
REMOVAL

1. Remove the front kick plate. Refer to [INT-12, "Component"](#).
2. Remove the lower dash side finisher. Refer to [IP-10, "Exploded View"](#).
3. Remove the front pillar lower finisher. Refer to [INT-12, "Component"](#).
4. Remove the assist grip handle.
5. Remove the front pillar upper finisher. Refer to [INT-12, "Component"](#).
6. Remove the lower glove box. Refer to [IP-10, "Exploded View"](#).
7. Remove the upper glove box (cluster lid E). Refer to [IP-10, "Exploded View"](#).
8. Disconnect the intake sensor electrical connector.

NOTE:

The intake sensor is located on the top of the front heater and cooling unit assembly next to the A/C evaporator cover.

9. Twist the intake sensor to remove the intake sensor from the front heater and cooling unit assembly.



INSTALLATION

Installation is in the reverse order of removal.

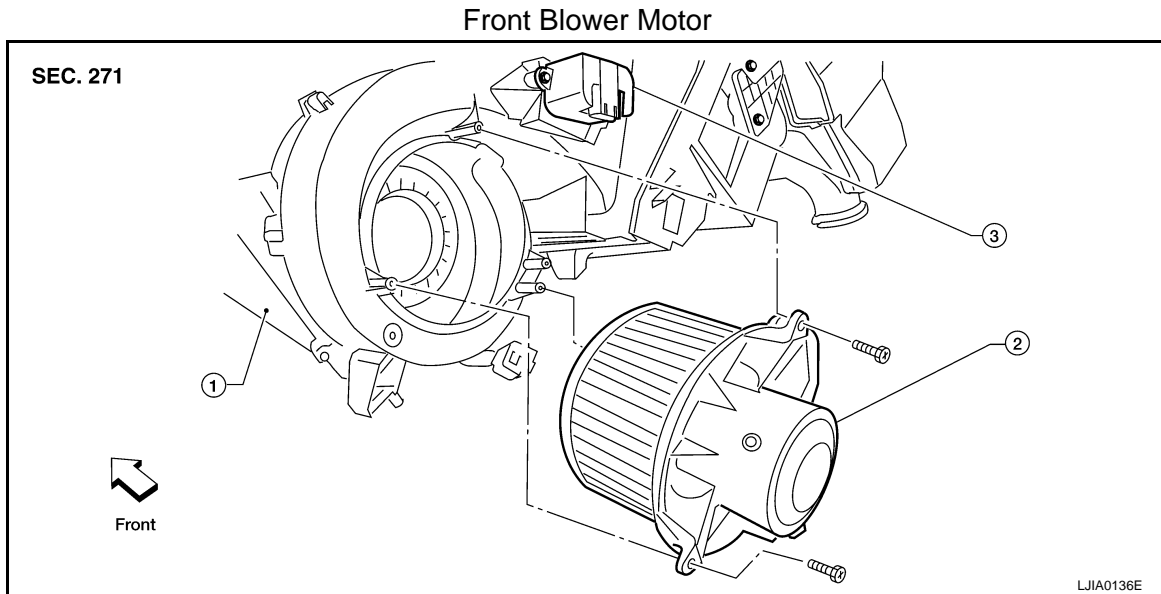
BLOWER MOTOR

< ON-VEHICLE REPAIR >

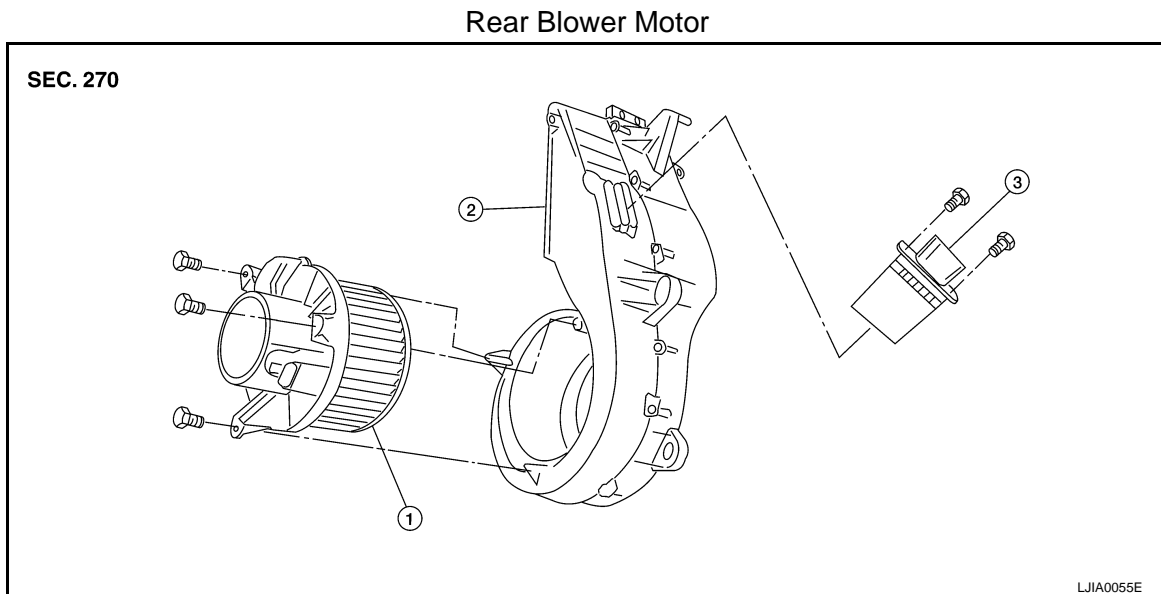
BLOWER MOTOR

Component

INFOID:000000001672963



1. Front heater and cooling unit assembly
2. Front blower motor
3. Variable blower control



1. Rear blower motor
2. Rear blower motor case
3. Rear blower motor resistor

Removal and Installation

INFOID:000000001672964

FRONT BLOWER MOTOR

Removal

1. Remove the lower glove box assembly. Refer to [IP-10, "Exploded View"](#).
2. Disconnect the front blower motor electrical connector.
3. Remove the three screws and remove the front blower motor.

Installation

Installation is in the reverse order of removal.

A
B
C
D
E
F
G
H
VTL
J
K
L
M
N
O
P

BLOWER MOTOR

< ON-VEHICLE REPAIR >

REAR BLOWER MOTOR

Removal

1. Remove the rear heater and cooling unit assembly. Refer to [VTL-18, "Removal and Installation"](#).
2. Disconnect the rear blower motor electrical connector.
3. Remove the three screws and remove the rear blower motor.

Installation

Installation is in the reverse order of removal.

VARIABLE BLOWER CONTROL

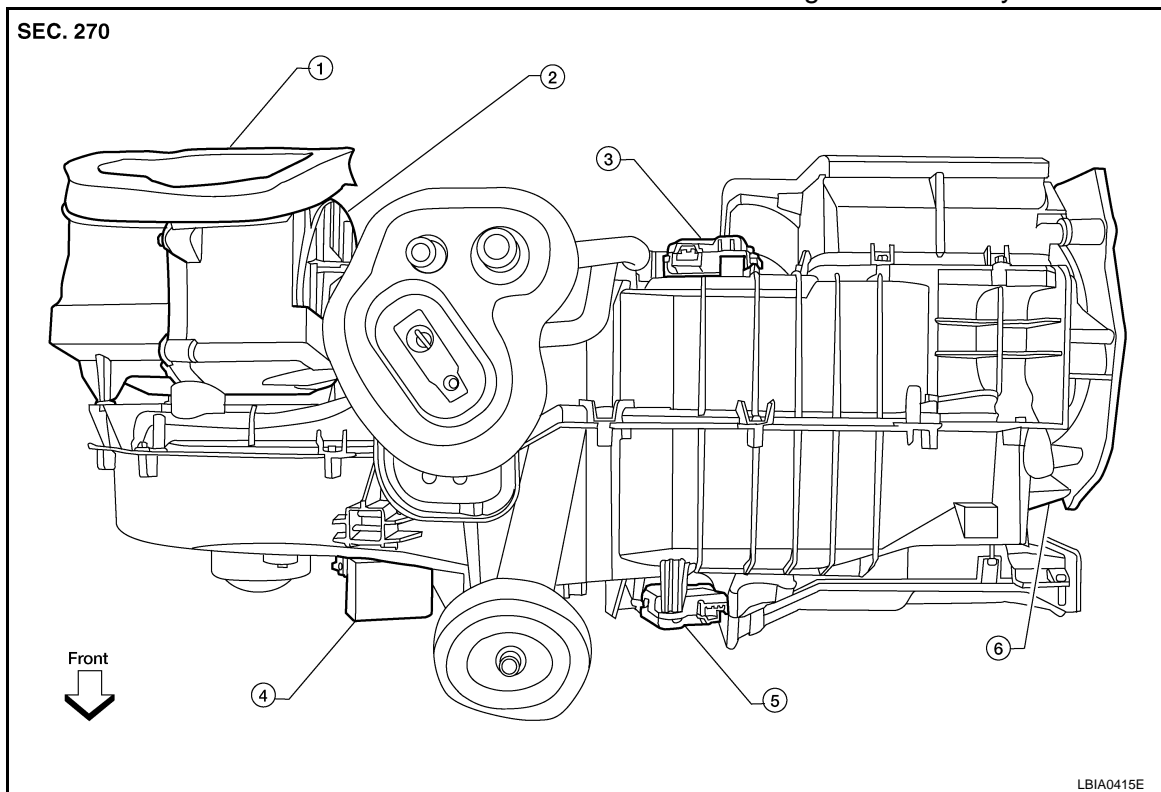
< ON-VEHICLE REPAIR >

VARIABLE BLOWER CONTROL

Removal and Installation

INFOID:000000001672973

Variable Blower Control - Front Heater and Cooling Unit Assembly



- | | | |
|---|--------------------------------|-----------------------------------|
| 1. Front heater and cooling unit assembly | 2. Intake door motor | 3. Air mix door motor (passenger) |
| 4. Variable blower control | 5. Air mix door motor (driver) | 6. Mode door motor |

REMOVAL

1. Disconnect the variable blower control electrical connector.
2. Remove the two screws and remove the variable blower control.

INSTALLATION

Installation is in the reverse order of removal.

A
B
C
D
E
F
G
H
VTL
J
K
L
M
N
O
P

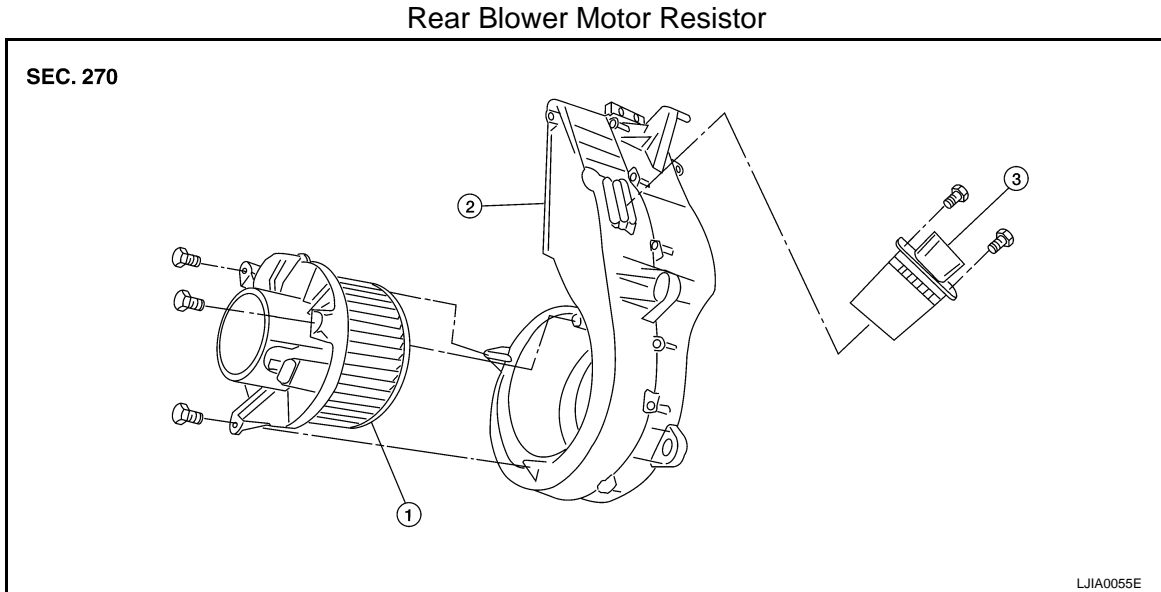
REAR BLOWER MOTOR RESISTOR

< ON-VEHICLE REPAIR >

REAR BLOWER MOTOR RESISTOR

Removal and Installation

INFOID:000000001672974



1. Rear blower motor

2. Rear blower motor case

3. Rear blower motor resistor

REMOVAL

1. Remove the luggage side lower finisher RH. Refer to [INT-12. "Component"](#).
2. Disconnect the rear blower motor resistor electrical connector.
3. Remove the two screws and remove the rear blower motor resistor.

INSTALLATION

Installation is in the reverse order of removal.

HEATER & COOLING UNIT ASSEMBLY

< ON-VEHICLE REPAIR >

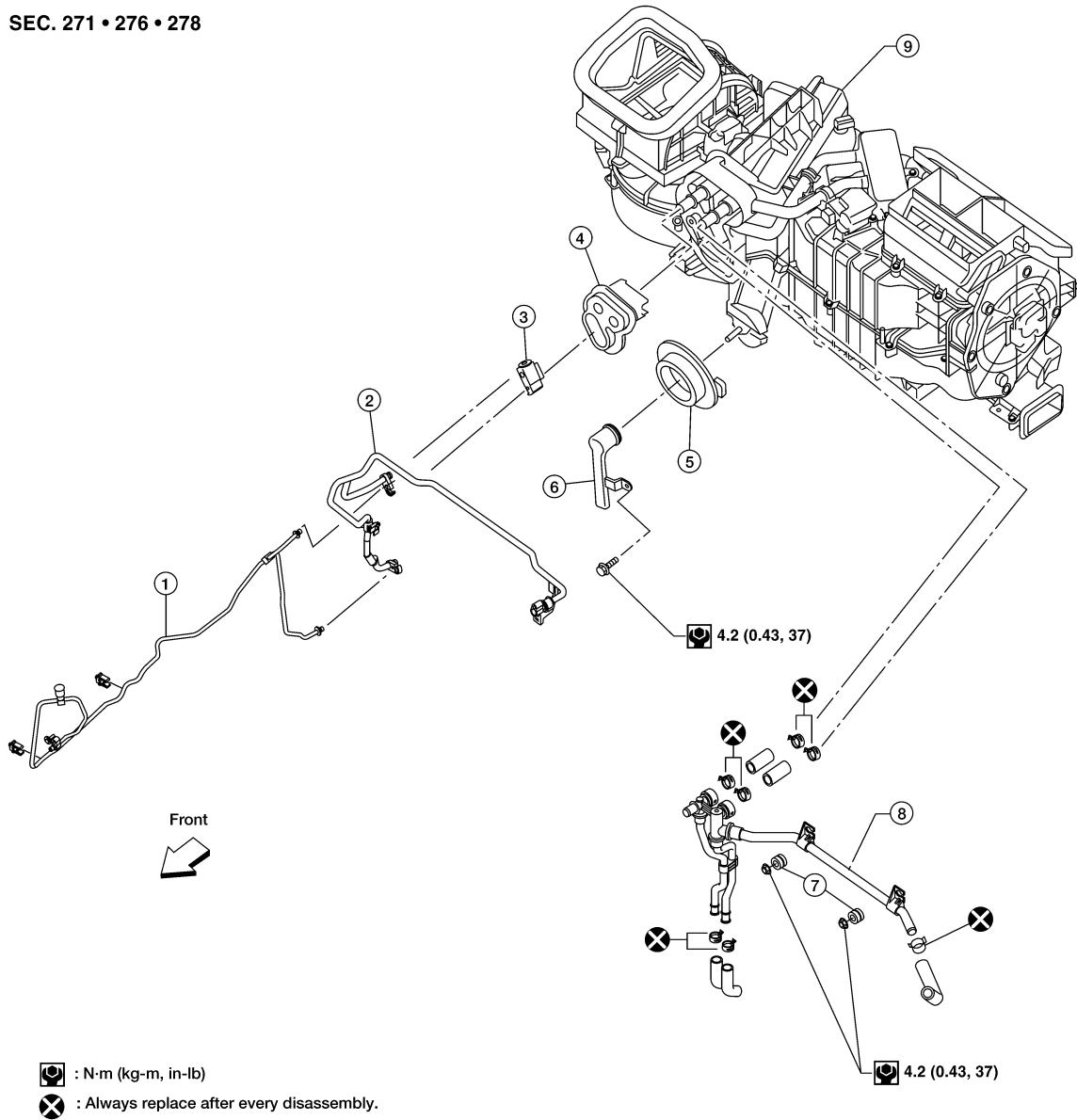
HEATER & COOLING UNIT ASSEMBLY

Component

INFOID:000000001672965

Front Heater and Cooling Unit Assembly

SEC. 271 • 276 • 278



- | | | |
|---|---------------------------------|---|
| 1. Front high-pressure A/C pipe | 2. Front low-pressure A/C pipe | 3. Front expansion valve |
| 4. Front heater core and evaporator pipes grommet | 5. Front A/C drain hose grommet | 6. Front A/C drain hose |
| 7. Front heater core pipe mounts | 8. Front heater core pipes | 9. Front heater and cooling unit assembly |

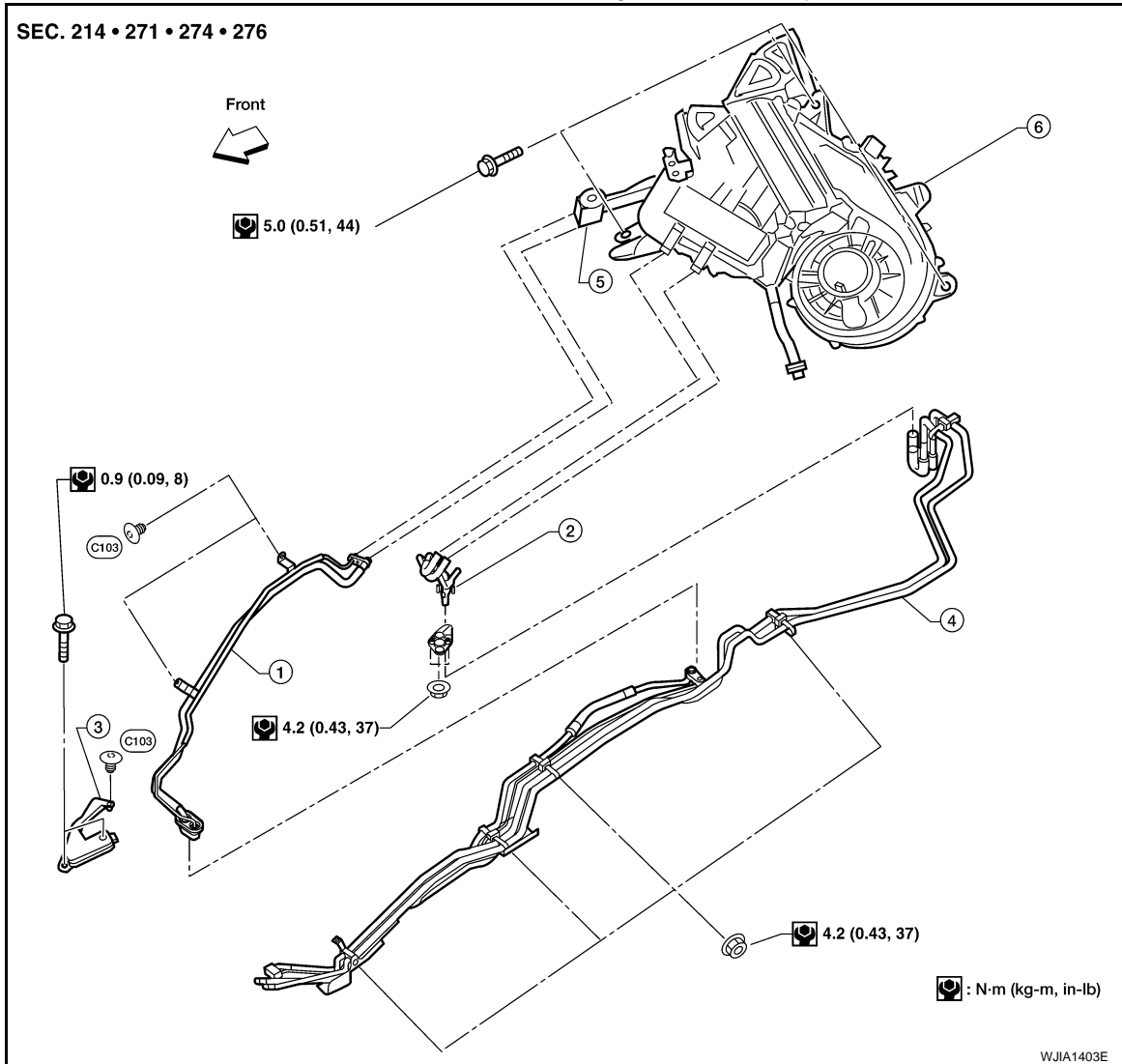
WJIA1402E

A
B
C
D
E
F
G
H
VTL
J
K
L
M
N
O
P

HEATER & COOLING UNIT ASSEMBLY

< ON-VEHICLE REPAIR >

Rear Heater and Cooling Unit Assembly



- | | | |
|---|---------------------------|--|
| 1. Rear high- and low-pressure A/C pipes | 2. Rear heater core hoses | 3. Rear high- and low-pressure A/C pipes cover |
| 4. Underfloor rear high- and low-pressure A/C and heater core pipes | 5. Rear expansion valve | 6. Rear heater and cooling unit assembly |

Removal and Installation

INFOID:000000001672966

FRONT HEATER AND COOLING UNIT ASSEMBLY

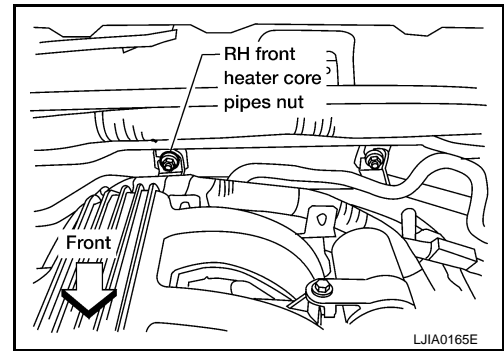
Removal

1. Discharge the refrigerant from the A/C system. Refer to [HA-37, "HFC-134a \(R-134a\) Service Procedure"](#).
2. Drain the coolant from the engine cooling system. Refer to [CO-12, "Changing Engine Coolant"](#) (VQ40DE), [CO-39, "Changing Engine Coolant"](#) (VK56DE).

HEATER & COOLING UNIT ASSEMBLY

< ON-VEHICLE REPAIR >

3. Remove the front heater core pipes RH nut.
 4. Disconnect the front heater core hoses from the front heater core.
 5. Disconnect the high- and low-pressure A/C pipes from the front expansion valve.
 6. Move the two front seats to the rearmost position on the seat track.
 7. Remove the instrument panel and console panel. Refer to [IP-10, "Removal and Installation"](#).
 8. Remove the two front floor ducts.
 9. Remove the steering column. Refer to [ST-17, "Removal and Installation"](#).
 10. Disconnect the instrument panel wire harness at the RH and LH in-line connector brackets, and the fuse block (SMJ) electrical connectors. Refer to [PG-31, "Harness Layout"](#).
 11. Remove the covers then remove the three steering member bolts from each side to disconnect the steering member from the vehicle body.
 12. Remove the front heater and cooling unit assembly with it attached to the steering member, from the vehicle.
- CAUTION:**
- Use care not to damage the seats and interior trim panels when removing the front heater and cooling unit assembly with it attached to the steering member.
 - Use suitable plugs on the heater core pipes to prevent coolant leakage.
13. Remove the front heater and cooling unit assembly from the steering member.



Installation

Installation is in the reverse order of removal.

CAUTION:

- Replace the O-ring of the low-pressure A/C pipe and high-pressure A/C pipe with a new one, and apply compressor oil to the O-ring for installation. Refer to [HA-34, "Component"](#).
- After charging the refrigerant, check for leaks. Refer to [HA-29, "Checking of Refrigerant Leaks"](#).

NOTE:

- Fill the engine cooling system with the specified coolant mixture. Refer to [CO-12, "Changing Engine Coolant"](#) (VQ40DE), [CO-39, "Changing Engine Coolant"](#) (VK56DE).
- Recharge the A/C system. Refer to [HA-37, "HFC-134a \(R-134a\) Service Procedure"](#).

REAR HEATER AND COOLING UNIT ASSEMBLY

Removal

1. Discharge the refrigerant from the A/C system. Refer to [HA-37, "HFC-134a \(R-134a\) Service Procedure"](#).
2. Drain the coolant from the engine cooling system. Refer to [CO-12, "Changing Engine Coolant"](#) (VQ40DE), [CO-39, "Changing Engine Coolant"](#) (VK56DE).
3. Remove the luggage side lower finisher RH. Refer to [INT-19, "Removal and Installation"](#).
4. Disconnect the rear heater core hoses from the rear heater core.
5. Disconnect the rear A/C high- and low-pressure A/C pipes from the rear expansion valve.
6. Disconnect the following electrical connectors:
 - Rear blower motor
 - Rear blower motor resistor
 - Rear air mix door motor
7. Disconnect the ducts from the rear heater and cooling unit assembly.
8. Remove the three bolts to remove the rear heater and cooling unit assembly.

Installation

Installation is in the reverse order of removal.

CAUTION:

- Replace the O-ring of the low-pressure A/C pipe and high-pressure A/C pipe with a new one, and apply compressor oil to the O-ring for installation. Refer to [HA-34, "Component"](#).
- After charging the refrigerant, check for leaks. Refer to [HA-29, "Checking of Refrigerant Leaks"](#).

NOTE:

HEATER & COOLING UNIT ASSEMBLY

< ON-VEHICLE REPAIR >

- Fill the engine cooling system with the specified coolant mixture. Refer to [CO-12. "Changing Engine Coolant"](#) (VQ40DE), [CO-39. "Changing Engine Coolant"](#) (VK56DE).
- Recharge the A/C system. Refer to [HA-37. "HFC-134a \(R-134a\) Service Procedure"](#).

EVAPORATOR

< ON-VEHICLE REPAIR >

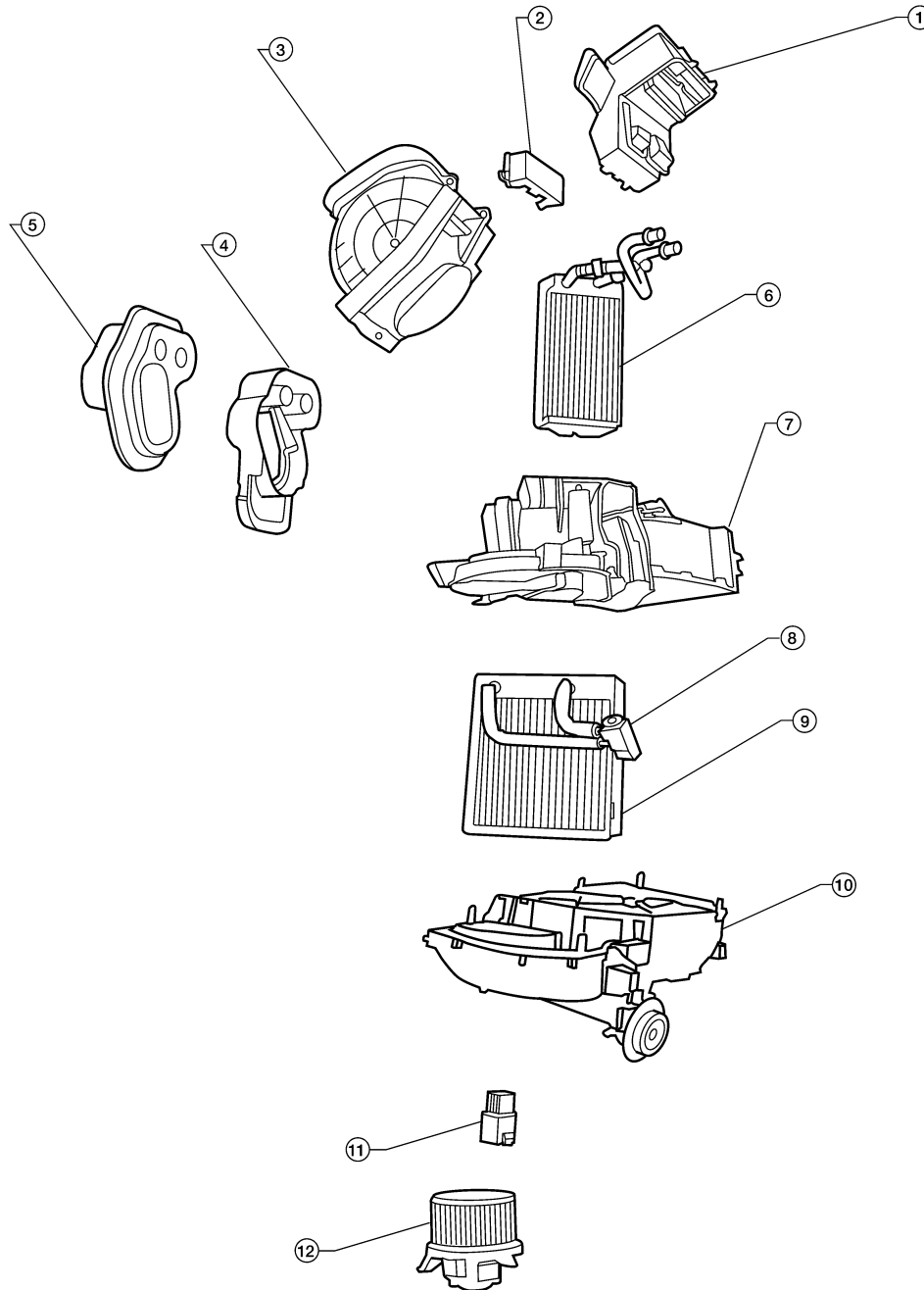
EVAPORATOR

Removal and Installation for Front Evaporator

INFOID:000000001672977

Front Heater and Cooling Unit Assembly

SEC. 270 • 271 • 272



- | | | |
|---|---|----------------------|
| 1. Center ventilator connector duct | 2. Front heater core cover | 3. Intake air case |
| 4. Front heater core and evaporator pipes bracket | 5. Front heater core and evaporator pipes grommet | 6. Front heater core |
| 7. Upper heater and cooling unit case | 8. Front expansion valve | 9. Front evaporator |
| 10. Lower heater and cooling unit case | 11. Variable blower control | 12. Blower motor |

LJJA0178E

REMOVAL

A
B
C
D
E
F
G
H
VTL
J
K
L
M
N
O
P

EVAPORATOR

< ON-VEHICLE REPAIR >

1. Remove the front heater core. Refer to [VTL-26. "Removal and Installation"](#).
2. Separate the heater and cooling unit case.
3. Remove the front evaporator.

INSTALLATION

Installation is in the reverse order of removal.

CAUTION:

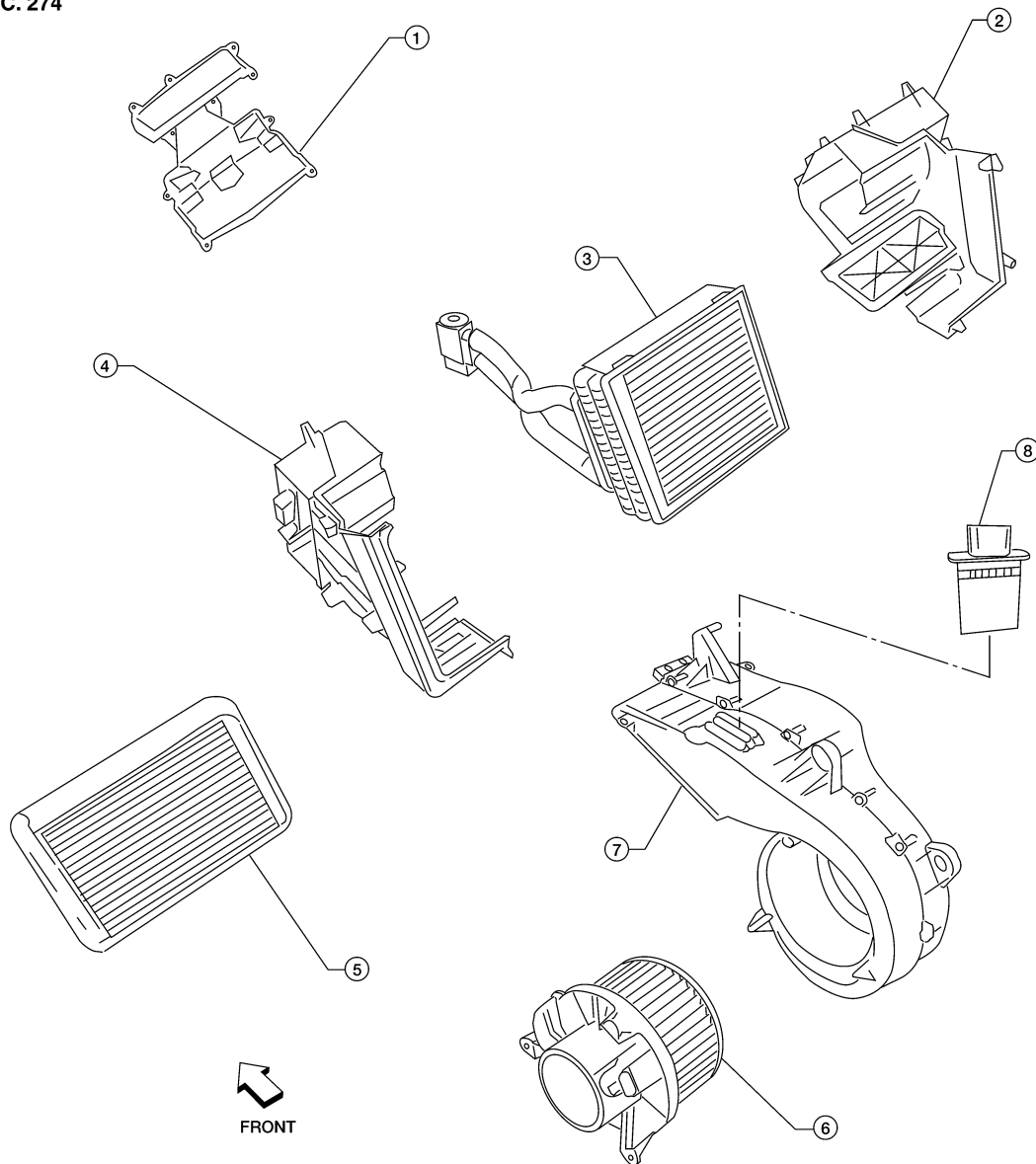
Replace the O-rings on the front A/C low-pressure flexible A/C hose and the front high-pressure A/C pipe with new ones. Apply compressor oil to the O-rings for installation.

Removal and Installation for Rear Evaporator

INFOID:000000001672978

Rear Heater and Cooling Unit Assembly

SEC. 274



LJIA0135E

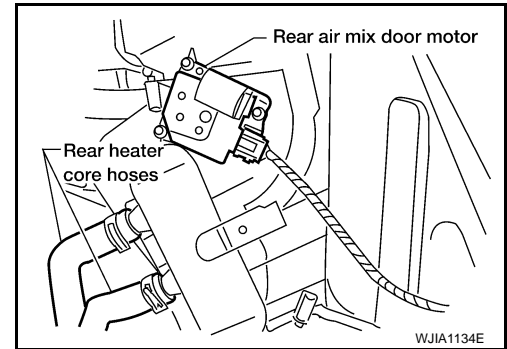
- | | | |
|----------------------|---|----------------------|
| 1. Front cover | 2. Rear evaporator and heater core case | 3. Rear evaporator |
| 4. Side cover | 5. Rear heater core | 6. Rear blower motor |
| 7. Blower motor case | 8. Rear blower motor resistor | |

REMOVAL

EVAPORATOR

< ON-VEHICLE REPAIR >

1. Remove the rear heater and cooling unit assembly from the vehicle. Refer to [VTL-18. "Removal and Installation"](#).
2. Remove the rear blower motor.
3. Remove the rear blower speed resistor.
4. Remove the rear air mix door motor.
5. Remove the rear duct and blend door assembly. Refer to [VTL-33. "Removal and Installation"](#).
6. Disassemble the rear heater and cooling unit assembly to remove the rear evaporator.



INSTALLATION

Installation is in the reverse order of removal.

CAUTION:

- Replace the O-rings on the rear high- and low-pressure A/C pipes with new ones. Apply compressor oil to the O-rings for installation.
- After charging refrigerant, check for leaks.

A
B
C
D
E
F
G
H
J
K
L
M
N
O
P

VTL

EXPANSION VALVE

< ON-VEHICLE REPAIR >

EXPANSION VALVE

Removal and Installation for Rear Expansion Valve

INFOID:000000001672979

REMOVAL

1. Discharge the refrigerant. Refer to [HA-37, "HFC-134a \(R-134a\) Service Procedure"](#).
2. Remove the luggage side lower finisher RH access door.
3. Disconnect the rear high- and low-pressure A/C pipes from the rear expansion valve.

CAUTION:

Cap or wrap the A/C refrigerant pipe ends with a suitable material such as vinyl tape to avoid the entry of air and contaminants.

4. Remove the expansion valve.

INSTALLATION

Installation is in the reverse order of removal.

Expansion valve bolts : Refer to [HA-34, "Component"](#).

A/C refrigerant pipe to expansion valve bolt : Refer to [HA-34, "Component"](#).

CAUTION:

- Replace the O-rings on the rear expansion valve and the rear high- and low-pressure A/C pipes with new ones, then apply compressor oil to them for installation.
- After charging refrigerant, check for leaks.

HEATER CORE

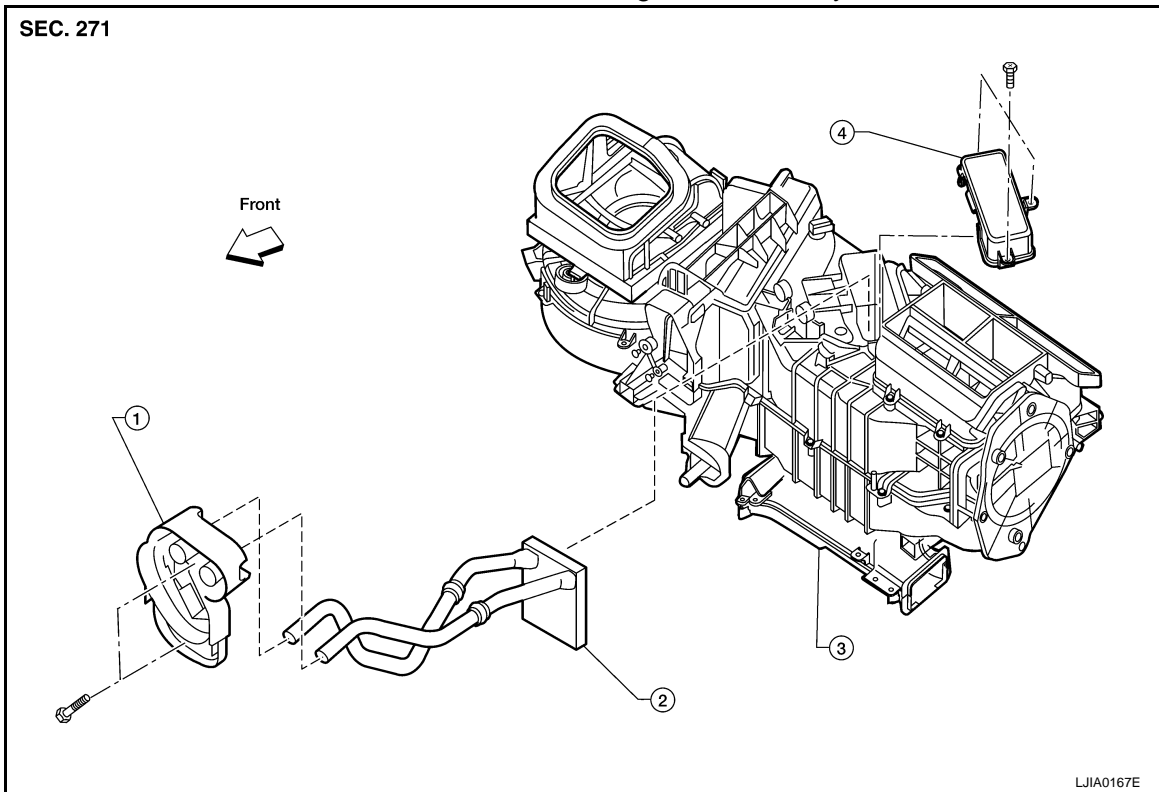
< ON-VEHICLE REPAIR >

HEATER CORE

Component

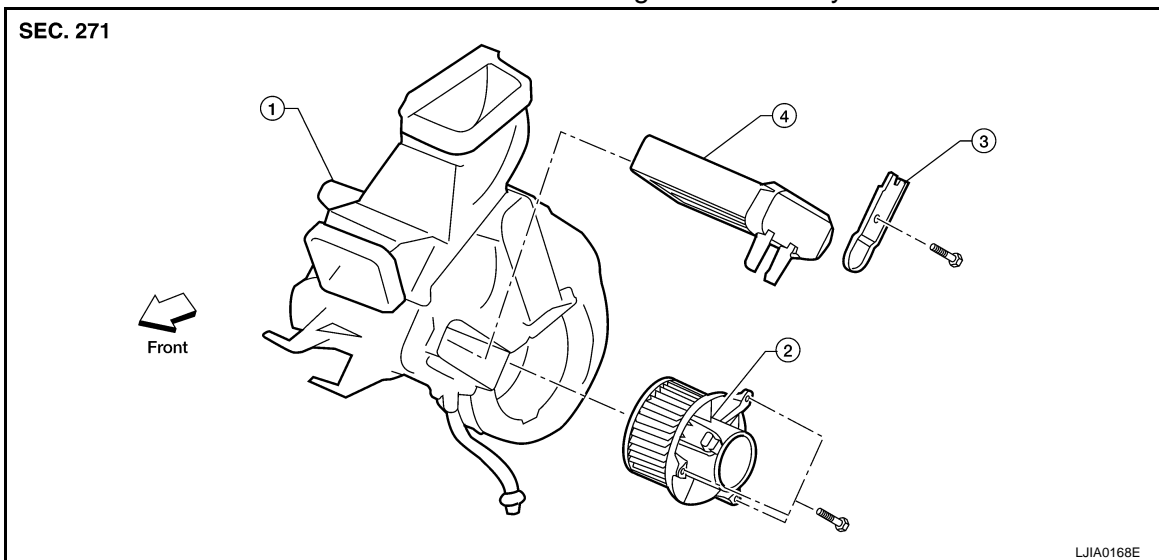
INFOID:000000001672967

Front Heater and Cooling Unit Assembly



1. Front heater core and evaporator pipe
2. Front heater core bracket
3. Front heater and cooling unit assembly
4. Front heater core cover

Rear Heater and Cooling Unit Assembly



1. Rear heater and cooling unit assembly
2. Rear blower motor
3. Rear heater core bracket
4. Rear heater core

A
B
C
D
E
F
G
H
VTL
J
K
L
M
N
O
P

HEATER CORE

< ON-VEHICLE REPAIR >

Removal and Installation

INFOID:000000001672968

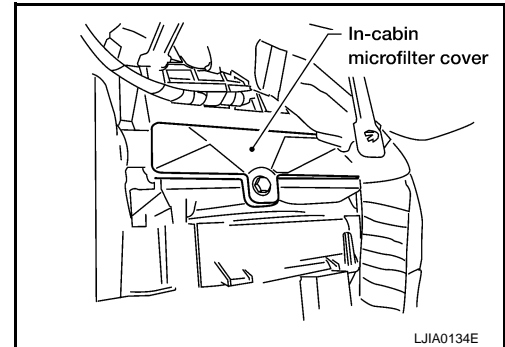
FRONT HEATER CORE

Removal

1. Remove the front heater and cooling unit assembly. Refer to [VTL-18, "Removal and Installation"](#).
2. Remove the three screws and remove the front heater core cover.
3. Remove the front heater core and evaporator pipe bracket.
4. Remove the front heater core.

NOTE:

If the in-cabin microfilters are contaminated from coolant leaking from the front heater core, replace the in-cabin microfilters with new ones before installing the new front heater core.



Installation

Installation is in the reverse order of removal.

REAR HEATER CORE

Removal

1. Partially drain the engine cooling system. Refer to [CO-12, "Changing Engine Coolant"](#) (VQ40DE), [CO-39, "Changing Engine Coolant"](#) (VK56DE).
2. Remove the rear heater and cooling unit assembly. Refer to [VTL-18, "Removal and Installation"](#).
3. Remove the rear heater core bracket.
4. Remove the heater core.

Installation

Installation is in the reverse order of removal.

INTAKE DOOR MOTOR

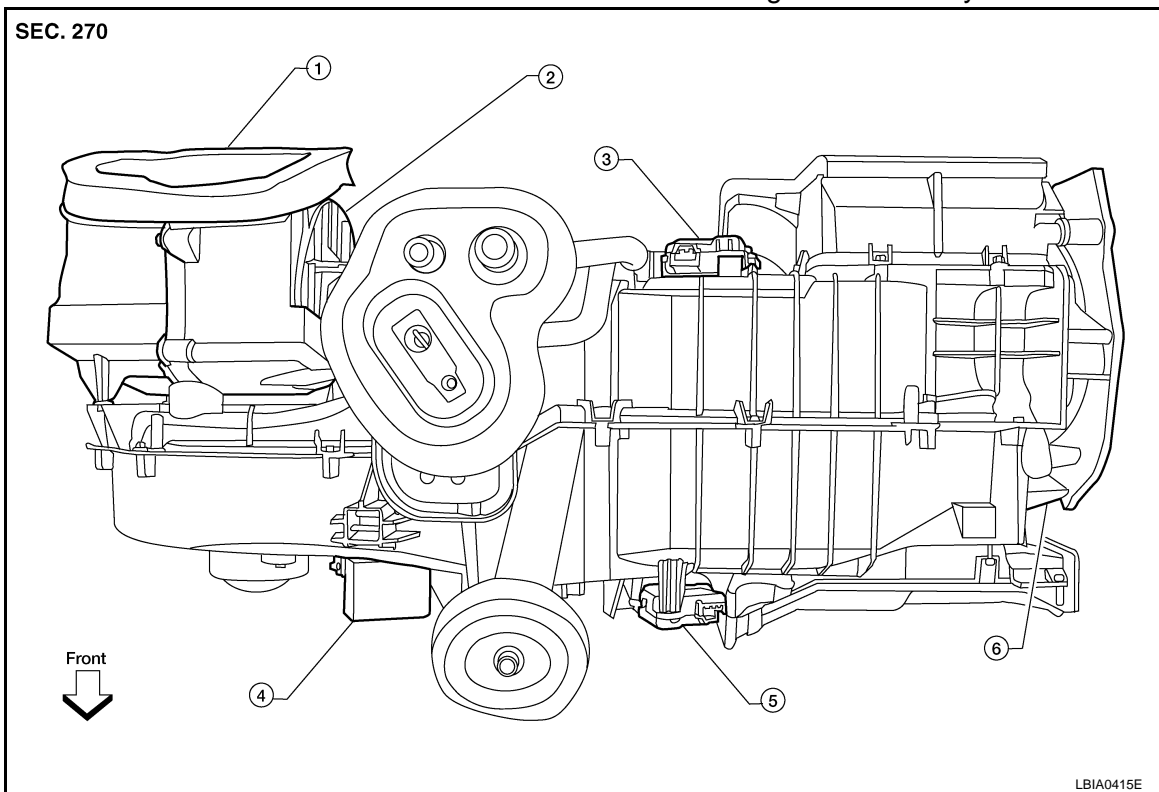
< ON-VEHICLE REPAIR >

INTAKE DOOR MOTOR

Removal and Installation

INFOID:000000001672969

Intake Door Motor - Front Heater and Cooling Unit Assembly



- | | | |
|---|--------------------------------|-----------------------------------|
| 1. Front heater and cooling unit assembly | 2. Intake door motor | 3. Air mix door motor (passenger) |
| 4. Variable blower control | 5. Air mix door motor (driver) | 6. Mode door motor |

REMOVAL

1. Remove the front heater and cooling unit assembly. Refer to [VTL-18. "Removal and Installation"](#).
2. Remove the steering member from the front heater and cooling unit assembly.
3. Disconnect the intake door motor electrical connector.
4. Remove the three screws and remove the intake door motor.

INSTALLATION

Installation is in the reverse order of removal.

MODE DOOR MOTOR

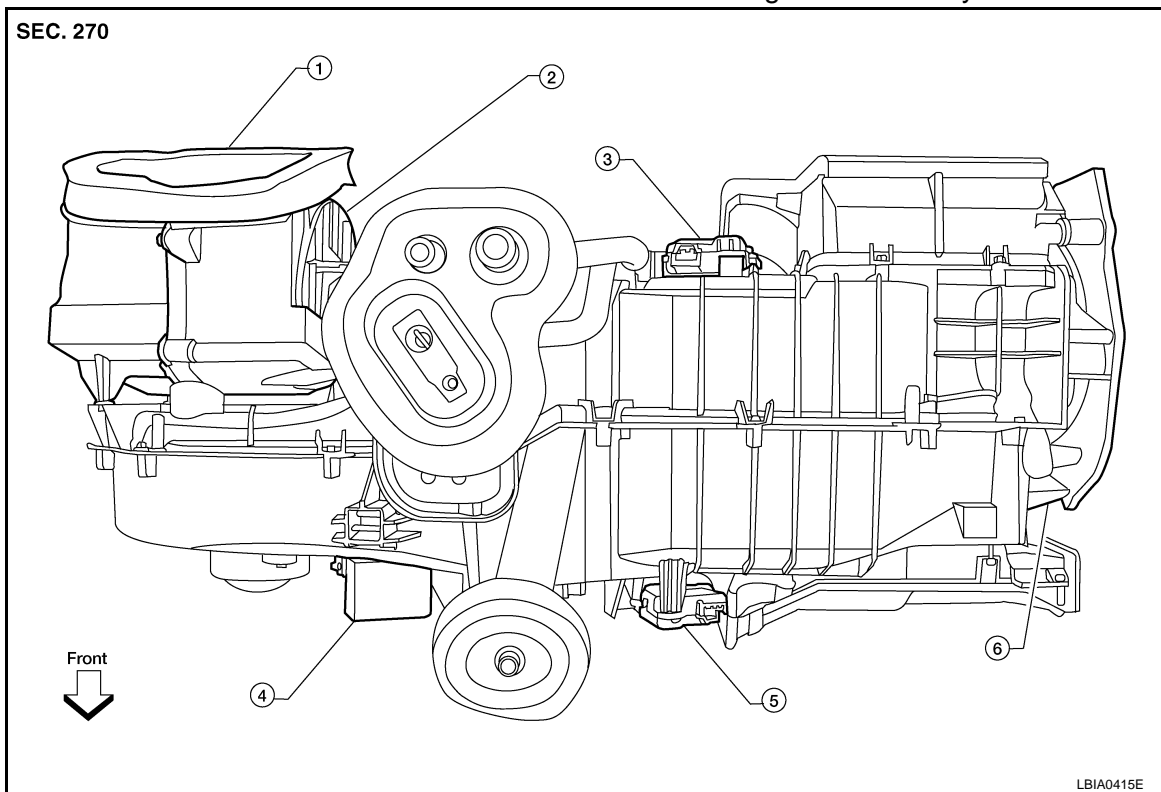
< ON-VEHICLE REPAIR >

MODE DOOR MOTOR

Removal and Installation

INFOID:000000001672970

Mode Door Motor - Front Heater and Cooling Unit Assembly



- | | | |
|---|--------------------------------|-----------------------------------|
| 1. Front heater and cooling unit assembly | 2. Intake door motor | 3. Air mix door motor (passenger) |
| 4. Variable blower control | 5. Air mix door motor (driver) | 6. Mode door motor |

REMOVAL

1. Remove the instrument panel side finisher. Refer to [IP-10, "Exploded View"](#).
2. Remove the lower instrument cover. Refer to [IP-10, "Exploded View"](#).
3. Disconnect the mode door motor electrical connector.
4. Remove the three screws and remove the mode door motor.

INSTALLATION

Installation is in the reverse order of removal.

AIR MIX DOOR MOTOR

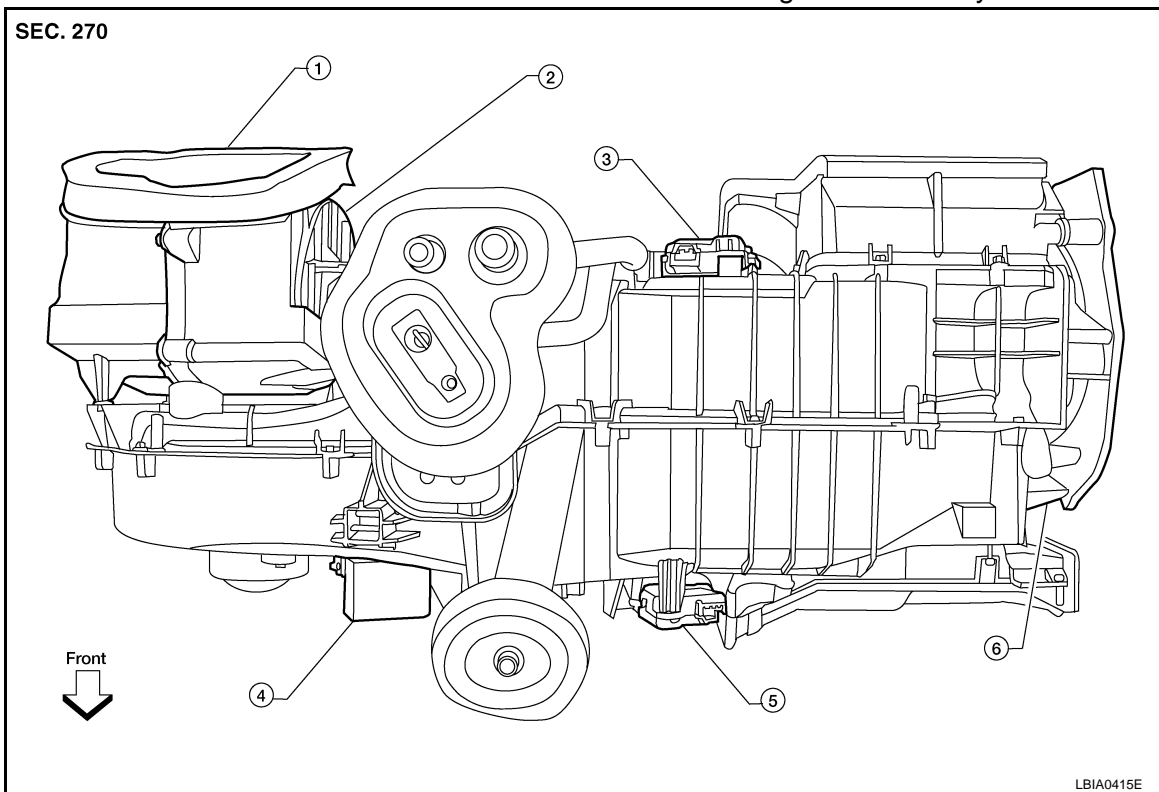
< ON-VEHICLE REPAIR >

AIR MIX DOOR MOTOR

Component

INFOID:000000001672971

Air Mix Door Motors - Front Heater and Cooling Unit Assembly



- | | | |
|---|--------------------------------|-----------------------------------|
| 1. Front heater and cooling unit assembly | 2. Intake door motor | 3. Air mix door motor (passenger) |
| 4. Variable blower control | 5. Air mix door motor (driver) | 6. Mode door motor |

Removal and Installation

INFOID:000000001672972

FRONT AIR MIX DOOR MOTOR (DRIVER)

Removal

1. Remove the instrument panel side finisher. Refer to [IP-10, "Exploded View"](#).
2. Remove the lower instrument panel RH. Refer to [IP-10, "Exploded View"](#).
3. Disconnect the air mix door motor electrical connector.
4. Remove the three screws and remove the air mix door motor.

Installation

Installation is in the reverse order of removal.

FRONT AIR MIX DOOR MOTOR (PASSENGER)

Removal

1. Remove the front heater and cooling unit assembly. Refer to [VTL-18, "Removal and Installation"](#).
2. Remove the steering member from the front heater and cooling unit assembly.
3. Disconnect the air mix door motor electrical connector.
4. Remove the three screws and remove the air mix door motor.

Installation

Installation is in the reverse order of removal.

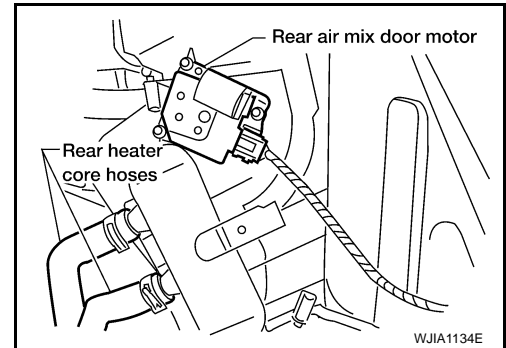
REAR AIR MIX DOOR MOTOR

AIR MIX DOOR MOTOR

< ON-VEHICLE REPAIR >

Removal

1. Remove the luggage side lower finisher RH. Refer to [INT-18. "Component"](#).
2. Disconnect the rear air mix door motor electrical connector.
3. Remove the three screws and remove the rear air mix door motor.



Installation

Installation is in the reverse order of removal.

DUCTS AND GRILLES

< ON-VEHICLE REPAIR >

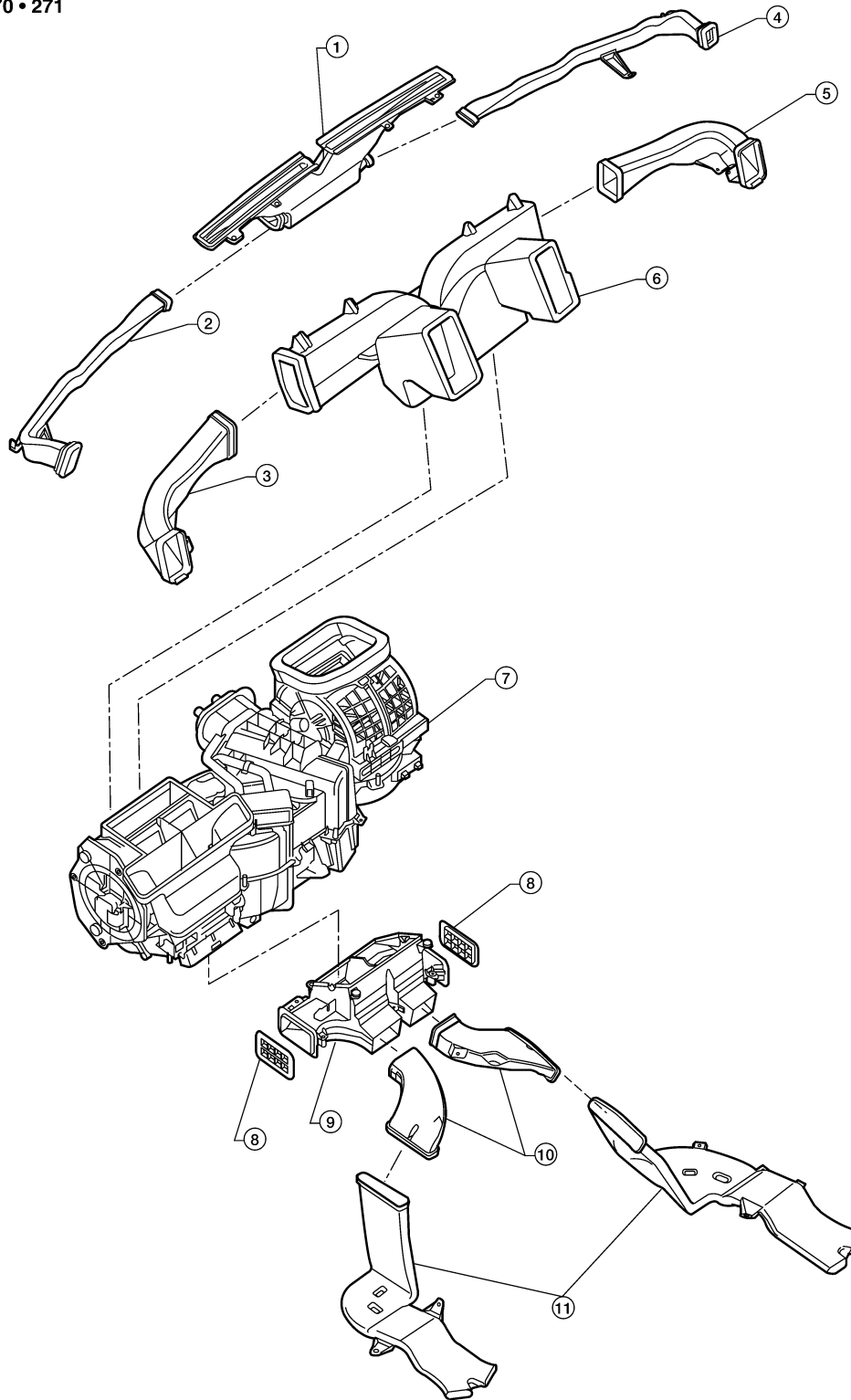
DUCTS AND GRILLES

Component

INFOID:000000001672975

Ducts - Front Heater and Cooling Unit Assembly

SEC. 270 • 271



- 1. Defroster nozzle
- 4. RH side demister duct

- 2. LH side demister duct
- 5. RH ventilator duct

- 3. LH ventilator duct
- 6. Center ventilator duct

WJIA1260E

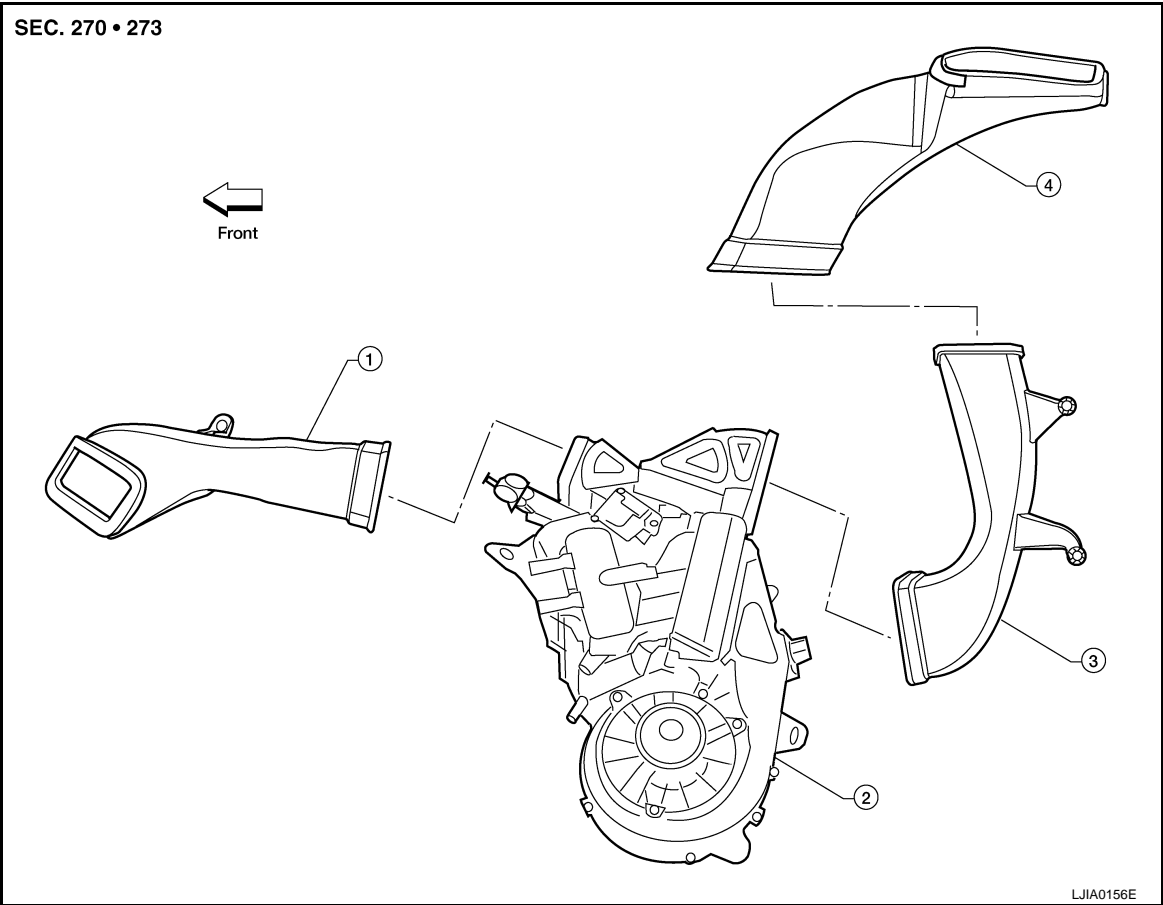
A
B
C
D
E
F
G
H
VTL
J
K
L
M
N
O
P

DUCTS AND GRILLES

< ON-VEHICLE REPAIR >

- 7. Front heater and cooling unit assembly
- 8. Floor connector duct grilles
- 9. Floor connector duct
- 10. Front floor ducts
- 11. Rear floor ducts

Ducts - Rear Heater and Cooling Unit Assembly



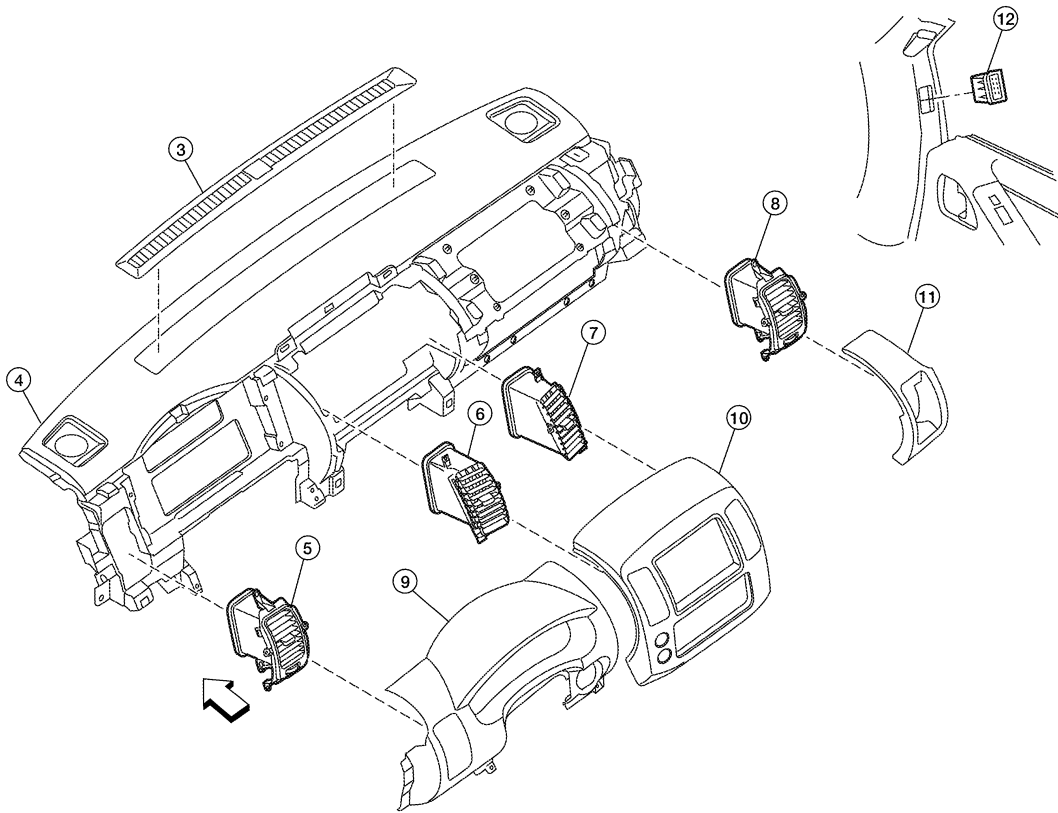
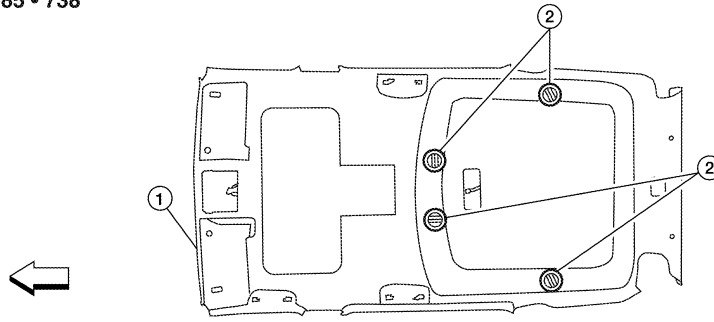
- 1. Side rear floor duct
- 2. Rear heater and cooling unit assembly
- 3. Rear lower overhead duct
- 4. Rear upper overhead duct

DUCTS AND GRILLES

< ON-VEHICLE REPAIR >

Grilles

SEC. 280 • 685 • 738



- 1. Headliner
- 4. Instrument panel and pad assembly
- 7. RH ventilator grille
- 10. Cluster lid C

- 2. Overhead grilles
- 5. LH side ventilator grille
- 8. RH side ventilator grille

- 3. Defroster grille
- 6. LH ventilator grille
- 9. Cluster lid A
- 11. Instrument side finisher
- 12. RH side demister grille

AWIA0569ZZ

Removal and Installation

INFOID:000000001672976

DEFROSTER NOZZLE

Removal

1. Remove the front heater and cooling unit assembly. Refer to [VTL-18. "Removal and Installation"](#).

DUCTS AND GRILLES

< ON-VEHICLE REPAIR >

2. Remove the defroster nozzle.

Installation

Installation is in the reverse order of removal.

RH AND LH SIDE DEMISTER DUCT

Removal

1. Remove the front heater and cooling unit assembly. Refer to [VTL-18, "Removal and Installation"](#).
2. Remove the center console. Refer to [IP-15, "Exploded View"](#).
3. Remove the RH or LH side demister duct.

Installation

Installation is in the reverse order of removal.

RH AND LH VENTILATOR DUCT

Removal

1. Remove the front heater and cooling unit assembly. Refer to [VTL-18, "Removal and Installation"](#).
2. Remove the center console. Refer to [IP-15, "Exploded View"](#).
3. Remove the RH or LH ventilator duct.

Installation

Installation is in the reverse order of removal.

CENTER VENTILATOR DUCT

Removal

1. Remove the front heater and cooling unit assembly. Refer to [VTL-18, "Removal and Installation"](#).
2. Remove the center console. Refer to [IP-15, "Exploded View"](#).
3. Remove the defroster nozzle.
4. Remove the RH and LH ventilator ducts.
5. Remove the RH and LH side demister ducts.
6. Remove the center ventilator duct.

Installation

Installation is in the reverse order of removal.

FLOOR CONNECTOR DUCT

Removal

1. Remove the front heater and cooling unit assembly. Refer to [VTL-18, "Removal and Installation"](#).
2. Remove the center console. Refer to [IP-15, "Exploded View"](#).
3. Remove the floor connector duct.

Installation

Installation is in the reverse order of removal.

FRONT AND REAR FLOOR DUCTS

Removal

1. Remove the center console. Refer to [IP-15, "Exploded View"](#).
2. Remove the floor carpet. Refer to [INT-15, "Removal and Installation"](#).
3. Remove the clips and remove the front and rear floor ducts.

Installation

Installation is in the reverse order of removal.

REAR OVERHEAD DUCTS

Removal

1. Remove the luggage side lower finisher RH. Refer to [INT-18, "Component"](#).
2. Remove the headliner. Refer to [INT-16, "Removal and Installation"](#).

DUCTS AND GRILLES

< ON-VEHICLE REPAIR >

NOTE:

The rear headliner duct (connected to the rear upper overhead duct) is part of the headliner and is replaced as an assembly.

3. Remove the clips and remove the rear upper and lower overhead ducts.

Installation

Installation is in the reverse order of removal.

SIDE REAR FLOOR DUCT

Removal

1. Remove the luggage side lower finisher RH. Refer to [INT-18. "Component"](#).
2. Reposition the floor carpet out of the way.
3. Remove the clips and remove the side rear floor duct.

Installation

Installation is in the reverse order of removal.

GRILLES

Removal

1. Remove the necessary interior trim panel(s) to access the grille. Refer to [INT-12. "Component"](#).

NOTE:

The overhead grilles are part of the headliner. To replace the overhead grilles the headliner must be replaced. Refer to [VTL-33. "Removal and Installation"](#).

2. Remove the grille from the interior trim panel.

Installation

Installation is in the reverse order of removal.

A

B

C

D

E

F

G

H

VTL

J

K

L

M

N

O

P