

SECTION **DLN**  
DRIVELINE

A  
B  
C

DLN

CONTENTS

E

<b>TRANSFER: ATX14B</b>	Description .....	31	F
	DTC Logic .....	31	
	Diagnosis Procedure .....	31	
<b>BASIC INSPECTION</b> .....		8	
<b>DIAGNOSIS AND REPAIR WORKFLOW</b> .....	<b>P1808 VEHICLE SPEED SENSOR (ABS)</b> .....	32	G
Work Flow .....	Description .....	32	
Preliminary Check .....	DTC Logic .....	32	
	Diagnosis Procedure .....	32	H
<b>FUNCTION DIAGNOSIS</b> .....		12	
<b>4WD SYSTEM</b> .....	<b>P1810 NEUTRAL-4LO SWITCH</b> .....	33	
System Diagram .....	Description .....	33	I
System Description .....	DTC Logic .....	33	
Component Parts Location .....	Diagnosis Procedure .....	33	
CAN Communication .....	Component Inspection .....	35	J
Cross-Sectional View .....			
Power Transfer .....	<b>P1813 4WD SHIFT SWITCH</b> .....	36	
	Description .....	36	K
<b>DIAGNOSIS SYSTEM (TRANSFER CONTROL UNIT)</b> .....	DTC Logic .....	36	
CONSULT-III Function (ALL MODE AWD/4WD) .....	Diagnosis Procedure .....	36	
	Component Inspection .....	38	
<b>NOISE, VIBRATION AND HARSHNESS (NVH) TROUBLESHOOTING</b> .....	<b>P1814 WAIT DETECTION SWITCH</b> .....	40	L
NVH Troubleshooting Chart .....	Description .....	40	
	DTC Logic .....	40	
<b>COMPONENT DIAGNOSIS</b> .....	Diagnosis Procedure .....	40	M
	Component Inspection .....	42	
<b>P1811 POWER SUPPLY CIRCUIT FOR TRANSFER CONTROL UNIT</b> .....	<b>P1816 PNP SWITCH</b> .....	43	
Description .....	Description .....	43	N
DTC Logic .....	DTC Logic .....	43	
Diagnosis Procedure .....	Diagnosis Procedure .....	43	
Component Inspection .....	<b>P1817 ACTUATOR MOTOR</b> .....	44	O
	Description .....	44	
<b>P1802 – P1804, P1809 TRANSFER CONTROL UNIT</b> .....	DTC Logic .....	44	
Description .....	Diagnosis Procedure .....	44	P
DTC Logic .....	Component Inspection .....	48	
Diagnosis Procedure .....	<b>P1818 ACTUATOR POSITION SWITCH</b> .....	50	
	Description .....	50	
<b>P1807 VEHICLE SPEED SENSOR (A/T)</b> .....	DTC Logic .....	50	
	Diagnosis Procedure .....	50	

Component Inspection .....	52	DTC Logic .....	83
<b>P1819 TRANSFER CONTROL DEVICE .....</b>	<b>53</b>	Diagnosis Procedure .....	83
Description .....	53	<b>P1832 TCS OPERATION SIGNAL (ABS) .....</b>	<b>84</b>
DTC Logic .....	53	Description .....	84
Diagnosis Procedure .....	53	DTC Logic .....	84
<b>P1820 ENGINE SPEED SIGNAL .....</b>	<b>57</b>	Diagnosis Procedure .....	84
Description .....	57	<b>ECU DIAGNOSIS .....</b>	<b>85</b>
DTC Logic .....	57	<b>TRANSFER CONTROL UNIT .....</b>	<b>85</b>
Diagnosis Procedure .....	57	Reference Value .....	85
<b>P1822 CLUTCH PRESSURE SOLENOID .....</b>	<b>58</b>	Wiring Diagram .....	93
Description .....	58	DTC Index .....	102
DTC Logic .....	58	<b>SYMPTOM DIAGNOSIS .....</b>	<b>107</b>
Diagnosis Procedure .....	58	<b>4WD SYSTEM SYMPTOMS .....</b>	<b>107</b>
Component Inspection .....	60	Symptom Table .....	107
<b>P1823 2-4 SOLENOID .....</b>	<b>62</b>	<b>4WD SHIFT INDICATOR LAMP AND 4LO IN-</b>	
Description .....	62	<b>DICATOR LAMP DO NOT TURN ON .....</b>	<b>108</b>
DTC Logic .....	62	Description .....	108
Diagnosis Procedure .....	62	Diagnosis Procedure .....	108
Component Inspection .....	65	<b>4WD WARNING LAMP DOES NOT TURN ON.</b>	<b>111</b>
<b>P1824 TRANSFER MOTOR .....</b>	<b>66</b>	Description .....	111
Description .....	66	Diagnosis Procedure .....	111
DTC Logic .....	66	<b>4WD SHIFT INDICATOR LAMP OR 4LO INDI-</b>	
Diagnosis Procedure .....	66	<b>CATOR LAMP DO NOT CHANGE .....</b>	<b>114</b>
Component Inspection .....	70	Description .....	114
<b>P1826 TRANSFER FLUID TEMPERATURE ...</b>	<b>72</b>	Diagnosis Procedure .....	114
Description .....	72	<b>ATP WARNING LAMP DOES NOT TURN ON.</b>	<b>116</b>
DTC Logic .....	72	Description .....	116
Diagnosis Procedure .....	72	Diagnosis Procedure .....	116
Component Inspection .....	73	<b>4WD SHIFT INDICATOR LAMP KEEPS</b>	
<b>P1827 CLUTCH PRESSURE SWITCH .....</b>	<b>75</b>	<b>FLASHING .....</b>	<b>118</b>
Description .....	75	Description .....	118
DTC Logic .....	75	Diagnosis Procedure .....	118
Diagnosis Procedure .....	75	<b>4WD WARNING LAMP FLASHES RAPIDLY..</b>	<b>119</b>
Component Inspection .....	76	Description .....	119
<b>P1828 LINE PRESSURE SWITCH .....</b>	<b>78</b>	Diagnosis Procedure .....	119
Description .....	78	<b>4WD WARNING LAMP FLASHES SLOWLY ..</b>	<b>120</b>
DTC Logic .....	78	Description .....	120
Diagnosis Procedure .....	78	Diagnosis Procedure .....	120
Component Inspection .....	80	<b>HEAVY TIGHT-CORNER BRAKING SYMP-</b>	
<b>P1829 THROTTLE POSITION SIGNAL (ECM)</b>		<b>TOM OCCURS .....</b>	<b>121</b>
... <b>81</b>		Description .....	121
Description .....	81	Diagnosis Procedure .....	121
DTC Logic .....	81	<b>ATP SWITCH .....</b>	<b>123</b>
Diagnosis Procedure .....	81	Description .....	123
<b>P1830 ABS OPERATION SIGNAL (ABS) .....</b>	<b>82</b>	Diagnosis Procedure .....	123
Description .....	82	<b>4WD SYSTEM DOES NOT OPERATE .....</b>	<b>125</b>
DTC Logic .....	82	Description .....	125
Diagnosis Procedure .....	82		
<b>P1831 VDC OPERATION SIGNAL (ABS) .....</b>	<b>83</b>		
Description .....	83		

Diagnosis Procedure .....	125
<b>PRECAUTION .....</b>	<b>126</b>
<b>PRECAUTIONS .....</b>	<b>126</b>
Precaution for Supplemental Restraint System (SRS) "AIR BAG" and "SEAT BELT PRE-TENSIONER" .....	126
Precaution for Transfer Assembly and Transfer Control Unit Replacement .....	126
Precaution Necessary for Steering Wheel Rotation After Battery Disconnect .....	126
Precaution .....	127
Service Notice .....	127
<b>PREPARATION .....</b>	<b>129</b>
<b>PREPARATION .....</b>	<b>129</b>
Special Service Tool .....	129
Commercial Service Tool .....	132
<b>ON-VEHICLE MAINTENANCE .....</b>	<b>133</b>
<b>TRANSFER FLUID .....</b>	<b>133</b>
Replacement .....	133
Inspection .....	133
<b>TRANSFER OIL FILTER .....</b>	<b>134</b>
Removal and Installation .....	134
<b>ON-VEHICLE REPAIR .....</b>	<b>136</b>
<b>TRANSFER CONTROL UNIT .....</b>	<b>136</b>
Removal and Installation .....	136
<b>FRONT OIL SEAL .....</b>	<b>137</b>
Removal and Installation .....	137
<b>REAR OIL SEAL .....</b>	<b>139</b>
Removal and Installation .....	139
<b>SIDE OIL SEAL .....</b>	<b>141</b>
Removal and Installation .....	141
<b>TRANSFER CONTROL DEVICE .....</b>	<b>142</b>
Removal and Installation .....	142
<b>AIR BREATHER HOSE .....</b>	<b>143</b>
Removal and Installation .....	143
<b>TRANSFER MOTOR .....</b>	<b>148</b>
Removal and Installation .....	148
<b>REMOVAL AND INSTALLATION .....</b>	<b>149</b>
<b>TRANSFER ASSEMBLY .....</b>	<b>149</b>
Removal and Installation .....	149
<b>DISASSEMBLY AND ASSEMBLY .....</b>	<b>150</b>
<b>TRANSFER ASSEMBLY .....</b>	<b>150</b>
Disassembly and Assembly .....	150

<b>SERVICE DATA AND SPECIFICATIONS (SDS) .....</b>	<b>187</b>
<b>SERVICE DATA AND SPECIFICATIONS (SDS) .....</b>	<b>187</b>
General Specification .....	187
Inspection and Adjustment .....	187
<b>TRANSFER: TX15B</b>	
<b>BASIC INSPECTION .....</b>	<b>189</b>
<b>DIAGNOSIS AND REPAIR WORKFLOW .....</b>	<b>189</b>
Work Flow .....	189
<b>FUNCTION DIAGNOSIS .....</b>	<b>191</b>
<b>4WD SYSTEM .....</b>	<b>191</b>
System Diagram .....	191
System Description .....	192
Component Parts Location .....	194
CAN Communication .....	195
Cross-Sectional View .....	195
Power Transfer .....	196
<b>DIAGNOSIS SYSTEM (TRANSFER CONTROL UNIT) .....</b>	<b>198</b>
CONSULT-III Function (ALL MODE AWD/4WD) ..	198
<b>NOISE, VIBRATION AND HARSHNESS (NVH) TROUBLESHOOTING .....</b>	<b>201</b>
NVH Troubleshooting Chart .....	201
<b>COMPONENT DIAGNOSIS .....</b>	<b>202</b>
<b>P1801, P1811 POWER SUPPLY CIRCUIT FOR TRANSFER CONTROL UNIT .....</b>	<b>202</b>
Description .....	202
DTC Logic .....	202
Diagnosis Procedure .....	202
Component Inspection .....	204
<b>P1802 – P1804, P1809 TRANSFER CONTROL UNIT .....</b>	<b>205</b>
Description .....	205
DTC Logic .....	205
Diagnosis Procedure .....	205
<b>P1807 VEHICLE SPEED SENSOR (A/T) .....</b>	<b>207</b>
Description .....	207
DTC Logic .....	207
Diagnosis Procedure .....	207
<b>P1808 VEHICLE SPEED SENSOR (ABS) .....</b>	<b>208</b>
Description .....	208
DTC Logic .....	208
Diagnosis Procedure .....	208
<b>P1810 4 LO SWITCH .....</b>	<b>209</b>
Description .....	209
DTC Logic .....	209
Diagnosis Procedure .....	209

A

B

C

DLN

E

F

G

H

I

J

K

L

M

N

O

P

Component Inspection .....	211	<b>4WD SHIFT INDICATOR LAMP OR 4LO INDI-</b>	
<b>P1813 4WD SHIFT SWITCH .....</b>	<b>212</b>	<b>CATOR LAMP DO NOT CHANGE .....</b>	<b>253</b>
Description .....	212	Description .....	253
DTC Logic .....	212	Diagnosis Procedure .....	253
Diagnosis Procedure .....	212	<b>ATP WARNING LAMP DOES NOT TURN ON.</b>	<b>255</b>
Component Inspection .....	214	Description .....	255
<b>P1814 WAIT DETECTION SWITCH .....</b>	<b>215</b>	Diagnosis Procedure .....	255
Description .....	215	<b>4WD SHIFT INDICATOR LAMP KEEPS</b>	
DTC Logic .....	215	<b>FLASHING .....</b>	<b>257</b>
Diagnosis Procedure .....	215	Description .....	257
Component Inspection .....	217	Diagnosis Procedure .....	257
<b>P1816 PNP SWITCH .....</b>	<b>218</b>	<b>4WD WARNING LAMP FLASHES SLOWLY ..</b>	<b>258</b>
Description .....	218	Description .....	258
DTC Logic .....	218	Diagnosis Procedure .....	258
Diagnosis Procedure .....	218	<b>ATP SWITCH .....</b>	<b>259</b>
<b>P1817 ACTUATOR MOTOR .....</b>	<b>219</b>	Description .....	259
Description .....	219	Diagnosis Procedure .....	259
DTC Logic .....	219	Component Inspection .....	260
Diagnosis Procedure .....	219	<b>PRECAUTION .....</b>	<b>262</b>
Component Inspection .....	224	<b>PRECAUTIONS .....</b>	<b>262</b>
<b>P1818 ACTUATOR POSITION SWITCH .....</b>	<b>226</b>	Precaution for Supplemental Restraint System	
Description .....	226	(SRS) "AIR BAG" and "SEAT BELT PRE-TEN-	
DTC Logic .....	226	SIONER" .....	262
Diagnosis Procedure .....	226	Precaution for Transfer Assembly and Transfer	
<b>P1819 TRANSFER CONTROL DEVICE .....</b>	<b>229</b>	Control Unit Replacement .....	262
Description .....	229	Precaution Necessary for Steering Wheel Rota-	
DTC Logic .....	229	tion After Battery Disconnect .....	263
Diagnosis Procedure .....	229	Precaution .....	264
<b>P1820 ENGINE SPEED SIGNAL .....</b>	<b>232</b>	Service Notice .....	265
Description .....	232	<b>PREPARATION .....</b>	<b>266</b>
DTC Logic .....	232	<b>PREPARATION .....</b>	<b>266</b>
Diagnosis Procedure .....	232	Special Service Tool .....	266
<b>ECU DIAGNOSIS .....</b>	<b>233</b>	Commercial Service Tool .....	268
<b>TRANSFER CONTROL UNIT .....</b>	<b>233</b>	<b>ON-VEHICLE MAINTENANCE .....</b>	<b>270</b>
Reference Value .....	233	<b>TRANSFER FLUID .....</b>	<b>270</b>
Wiring Diagram .....	238	Replacement .....	270
DTC Index .....	245	Inspection .....	270
<b>SYMPTOM DIAGNOSIS .....</b>	<b>248</b>	<b>ON-VEHICLE REPAIR .....</b>	<b>271</b>
<b>4WD SYSTEM SYMPTOMS .....</b>	<b>248</b>	<b>TRANSFER CONTROL UNIT .....</b>	<b>271</b>
Symptom Table .....	248	Removal and Installation .....	271
<b>4WD WARNING LAMP DOES NOT TURN ON</b>	<b>249</b>	<b>FRONT OIL SEAL .....</b>	<b>272</b>
Description .....	249	Removal and Installation .....	272
Diagnosis Procedure .....	249	<b>REAR OIL SEAL .....</b>	<b>274</b>
<b>4WD SHIFT INDICATOR LAMP AND 4LO IN-</b>		Removal and Installation .....	274
<b>DICATOR LAMP DO NOT TURN ON .....</b>	<b>251</b>	<b>TRANSFER CONTROL DEVICE .....</b>	<b>276</b>
Description .....	251	Removal and Installation .....	276
Diagnosis Procedure .....	251		

<b>AIR BREATHER HOSE</b> .....	278	General Specification .....	313	
Removal and Installation .....	278	Snap Ring .....	313	A
<b>REMOVAL AND INSTALLATION</b> .....	280	<b>PROPELLER SHAFT: 2S1330</b>		
<b>TRANSFER ASSEMBLY</b> .....	280	<b>PREPARATION</b> .....	314	B
Removal and Installation .....	280	<b>PREPARATION</b> .....	314	
<b>DISASSEMBLY AND ASSEMBLY</b> .....	281	Commercial Service Tool .....	314	C
<b>TRANSFER ASSEMBLY</b> .....	281	<b>FUNCTION DIAGNOSIS</b> .....	315	
Disassembly and Assembly .....	281	<b>NOISE, VIBRATION, AND HARSHNESS</b>		
<b>PLANETARY CARRIER</b> .....	297	<b>(NVH) TROUBLESHOOTING</b> .....	315	DLN
Disassembly and Assembly .....	297	NVH Troubleshooting Chart .....	315	
<b>FRONT DRIVE SHAFT</b> .....	301	<b>ON-VEHICLE REPAIR</b> .....	316	E
Disassembly and Assembly .....	301	<b>PROPELLER SHAFT</b> .....	316	
<b>SHIFT CONTROL</b> .....	303	On-Vehicle Service .....	316	F
Disassembly and Assembly .....	303	<b>REMOVAL AND INSTALLATION</b> .....	317	
<b>SERVICE DATA AND SPECIFICATIONS</b>		<b>PROPELLER SHAFT</b> .....	317	G
<b>(SDS)</b> .....	305	Removal and Installation .....	317	
<b>SERVICE DATA AND SPECIFICATIONS</b>		<b>DISASSEMBLY AND ASSEMBLY</b> .....	319	H
<b>(SDS)</b> .....	305	<b>PROPELLER SHAFT</b> .....	319	
General Specification .....	305	Disassembly and Assembly .....	319	
Inspection and Adjustment .....	305	<b>SERVICE DATA AND SPECIFICATIONS</b>		I
<b>PROPELLER SHAFT: 2F1310</b>		<b>(SDS)</b> .....	321	
<b>PREPARATION</b> .....	306	<b>SERVICE DATA AND SPECIFICATIONS</b>		J
<b>PREPARATION</b> .....	306	<b>(SDS)</b> .....	321	
Commercial Service Tool .....	306	General Specification .....	321	
<b>FUNCTION DIAGNOSIS</b> .....	307	Snap Ring .....	322	K
<b>NOISE, VIBRATION, AND HARSHNESS</b>		<b>PROPELLER SHAFT: 2S1350</b>		
<b>(NVH) TROUBLESHOOTING</b> .....	307	<b>PREPARATION</b> .....	323	L
NVH Troubleshooting Chart .....	307	<b>PREPARATION</b> .....	323	
<b>ON-VEHICLE REPAIR</b> .....	308	Commercial Service Tool .....	323	M
<b>PROPELLER SHAFT</b> .....	308	<b>FUNCTION DIAGNOSIS</b> .....	324	
On-Vehicle Service .....	308	<b>NOISE, VIBRATION, AND HARSHNESS</b>		
<b>REMOVAL AND INSTALLATION</b> .....	309	<b>(NVH) TROUBLESHOOTING</b> .....	324	N
<b>PROPELLER SHAFT</b> .....	309	NVH Troubleshooting Chart .....	324	
Removal and Installation .....	309	<b>ON-VEHICLE REPAIR</b> .....	325	O
<b>DISASSEMBLY AND ASSEMBLY</b> .....	311	<b>PROPELLER SHAFT</b> .....	325	
<b>PROPELLER SHAFT</b> .....	311	On-Vehicle Service .....	325	P
Disassembly and Assembly .....	311	<b>REMOVAL AND INSTALLATION</b> .....	326	
<b>SERVICE DATA AND SPECIFICATIONS</b>		<b>PROPELLER SHAFT</b> .....	326	
<b>(SDS)</b> .....	313	Removal and Installation .....	326	
<b>SERVICE DATA AND SPECIFICATIONS</b>		<b>DISASSEMBLY AND ASSEMBLY</b> .....	328	
<b>(SDS)</b> .....	313	<b>PROPELLER SHAFT</b> .....	328	

Disassembly and Assembly .....	328
<b>SERVICE DATA AND SPECIFICATIONS (SDS) .....</b>	<b>330</b>
<b>SERVICE DATA AND SPECIFICATIONS (SDS) .....</b>	<b>330</b>
General Specification .....	330
Snap Ring .....	330
<b>FRONT FINAL DRIVE: R180A</b>	
<b>PRECAUTION .....</b>	<b>331</b>
<b>PRECAUTIONS .....</b>	<b>331</b>
Precaution for Servicing Front Final Drive .....	331
<b>PREPARATION .....</b>	<b>332</b>
<b>PREPARATION .....</b>	<b>332</b>
Special Service Tool .....	332
Commercial Service Tool .....	334
<b>FUNCTION DIAGNOSIS .....</b>	<b>336</b>
<b>NOISE, VIBRATION AND HARSHNESS (NVH) TROUBLESHOOTING .....</b>	<b>336</b>
NVH Troubleshooting Chart .....	336
<b>DESCRIPTION .....</b>	<b>337</b>
Cross-Sectional View .....	337
<b>ON-VEHICLE MAINTENANCE .....</b>	<b>338</b>
<b>DIFFERENTIAL GEAR OIL .....</b>	<b>338</b>
Changing Differential Gear Oil .....	338
Checking Differential Gear Oil .....	338
<b>ON-VEHICLE REPAIR .....</b>	<b>339</b>
<b>FRONT OIL SEAL .....</b>	<b>339</b>
Removal and Installation .....	339
<b>SIDE OIL SEAL .....</b>	<b>341</b>
Removal and Installation .....	341
<b>CARRIER COVER .....</b>	<b>342</b>
Removal and Installation .....	342
<b>REMOVAL AND INSTALLATION .....</b>	<b>343</b>
<b>FRONT FINAL DRIVE ASSEMBLY .....</b>	<b>343</b>
Removal and Installation .....	343
<b>DISASSEMBLY AND ASSEMBLY .....</b>	<b>345</b>
<b>FRONT FINAL DRIVE .....</b>	<b>345</b>
Disassembly and Assembly .....	345
<b>SERVICE DATA AND SPECIFICATIONS (SDS) .....</b>	<b>364</b>

<b>SERVICE DATA AND SPECIFICATIONS (SDS) .....</b>	<b>364</b>
General Specification .....	364
Inspection and Adjustment .....	364
<b>FRONT FINAL DRIVE: M205</b>	
<b>PRECAUTION .....</b>	<b>366</b>
<b>PRECAUTIONS .....</b>	<b>366</b>
Precaution for Servicing Front Final Drive .....	366
<b>PREPARATION .....</b>	<b>367</b>
<b>PREPARATION .....</b>	<b>367</b>
Special Service Tool .....	367
Commercial Service Tool .....	369
<b>FUNCTION DIAGNOSIS .....</b>	<b>370</b>
<b>NOISE, VIBRATION AND HARSHNESS (NVH) TROUBLESHOOTING .....</b>	<b>370</b>
NVH Troubleshooting Chart .....	370
<b>ON-VEHICLE MAINTENANCE .....</b>	<b>371</b>
<b>DIFFERENTIAL GEAR OIL .....</b>	<b>371</b>
Changing Differential Gear Oil .....	371
Checking Differential Gear Oil .....	371
<b>ON-VEHICLE REPAIR .....</b>	<b>372</b>
<b>SIDE OIL SEAL .....</b>	<b>372</b>
Removal and Installation .....	372
<b>FRONT OIL SEAL .....</b>	<b>373</b>
Removal and Installation .....	373
<b>CARRIER COVER .....</b>	<b>375</b>
Removal and Installation .....	375
<b>REMOVAL AND INSTALLATION .....</b>	<b>376</b>
<b>FRONT FINAL DRIVE .....</b>	<b>376</b>
Removal and Installation .....	376
<b>DISASSEMBLY AND ASSEMBLY .....</b>	<b>378</b>
<b>FRONT FINAL DRIVE .....</b>	<b>378</b>
Disassembly and Assembly .....	378
<b>SERVICE DATA AND SPECIFICATIONS (SDS) .....</b>	<b>395</b>
<b>SERVICE DATA AND SPECIFICATIONS (SDS) .....</b>	<b>395</b>
General Specification .....	395
Inspection and Adjustment .....	395
<b>REAR FINAL DRIVE: R200</b>	
<b>PRECAUTION .....</b>	<b>397</b>
<b>PRECAUTIONS .....</b>	<b>397</b>

Precaution for Servicing Rear Final Drive .....	397	<b>PRECAUTION .....</b>	<b>434</b>	A
<b>PREPARATION .....</b>	<b>398</b>	<b>PRECAUTIONS .....</b>	<b>434</b>	B
<b>PREPARATION .....</b>	<b>398</b>	Precaution for Servicing Rear Final Drive .....	434	C
Special Service Tool .....	398	<b>PREPARATION .....</b>	<b>435</b>	DLN
Commercial Service Tool .....	401	<b>PREPARATION .....</b>	<b>435</b>	E
<b>FUNCTION DIAGNOSIS .....</b>	<b>402</b>	Special Service Tool .....	435	F
<b>NOISE, VIBRATION AND HARSHNESS</b>		Commercial Service Tool .....	438	G
<b>(NVH) TROUBLESHOOTING .....</b>	<b>402</b>	<b>FUNCTION DIAGNOSIS .....</b>	<b>439</b>	H
NVH Troubleshooting Chart .....	402	<b>NOISE, VIBRATION AND HARSHNESS</b>		I
<b>DESCRIPTION .....</b>	<b>403</b>	<b>(NVH) TROUBLESHOOTING .....</b>	<b>439</b>	J
Cross-Sectional View .....	403	NVH Troubleshooting Chart .....	439	K
<b>ON-VEHICLE MAINTENANCE .....</b>	<b>404</b>	<b>DESCRIPTION .....</b>	<b>440</b>	L
<b>DIFFERENTIAL GEAR OIL .....</b>	<b>404</b>	Cross-Sectional View .....	440	M
Changing Differential Gear Oil .....	404	<b>ON-VEHICLE MAINTENANCE .....</b>	<b>441</b>	N
Checking Differential Gear Oil .....	404	<b>DIFFERENTIAL GEAR OIL .....</b>	<b>441</b>	O
<b>ON-VEHICLE REPAIR .....</b>	<b>405</b>	Changing Differential Gear Oil .....	441	P
<b>FRONT OIL SEAL .....</b>	<b>405</b>	Checking Differential Gear Oil .....	441	
Removal and Installation .....	405	<b>ON-VEHICLE REPAIR .....</b>	<b>442</b>	
<b>SIDE OIL SEAL .....</b>	<b>407</b>	<b>FRONT OIL SEAL .....</b>	<b>442</b>	
Removal and Installation .....	407	Removal and Installation .....	442	
<b>CARRIER COVER .....</b>	<b>409</b>	<b>SIDE OIL SEAL .....</b>	<b>444</b>	
Removal and Installation .....	409	Removal and Installation .....	444	
<b>REMOVAL AND INSTALLATION .....</b>	<b>410</b>	<b>CARRIER COVER .....</b>	<b>446</b>	
<b>REAR FINAL DRIVE .....</b>	<b>410</b>	Removal and Installation .....	446	
Removal and Installation .....	410	<b>REMOVAL AND INSTALLATION .....</b>	<b>447</b>	
<b>DISASSEMBLY AND ASSEMBLY .....</b>	<b>413</b>	<b>REAR FINAL DRIVE .....</b>	<b>447</b>	
<b>REAR FINAL DRIVE .....</b>	<b>413</b>	Removal and Installation .....	447	
Disassembly and Assembly .....	413	<b>DISASSEMBLY AND ASSEMBLY .....</b>	<b>450</b>	
<b>SERVICE DATA AND SPECIFICATIONS</b>		<b>REAR FINAL DRIVE .....</b>	<b>450</b>	
<b>(SDS) .....</b>	<b>432</b>	Disassembly and Assembly .....	450	
<b>SERVICE DATA AND SPECIFICATIONS</b>		<b>SERVICE DATA AND SPECIFICATIONS</b>		
<b>(SDS) .....</b>	<b>432</b>	<b>(SDS) .....</b>	<b>467</b>	
General Specification .....	432	<b>SERVICE DATA AND SPECIFICATIONS</b>		
Inspection and Adjustment .....	432	<b>(SDS) .....</b>	<b>467</b>	
<b>REAR FINAL DRIVE: R230 (4WD)</b>		General Specification .....	467	
		Inspection and Adjustment .....	467	

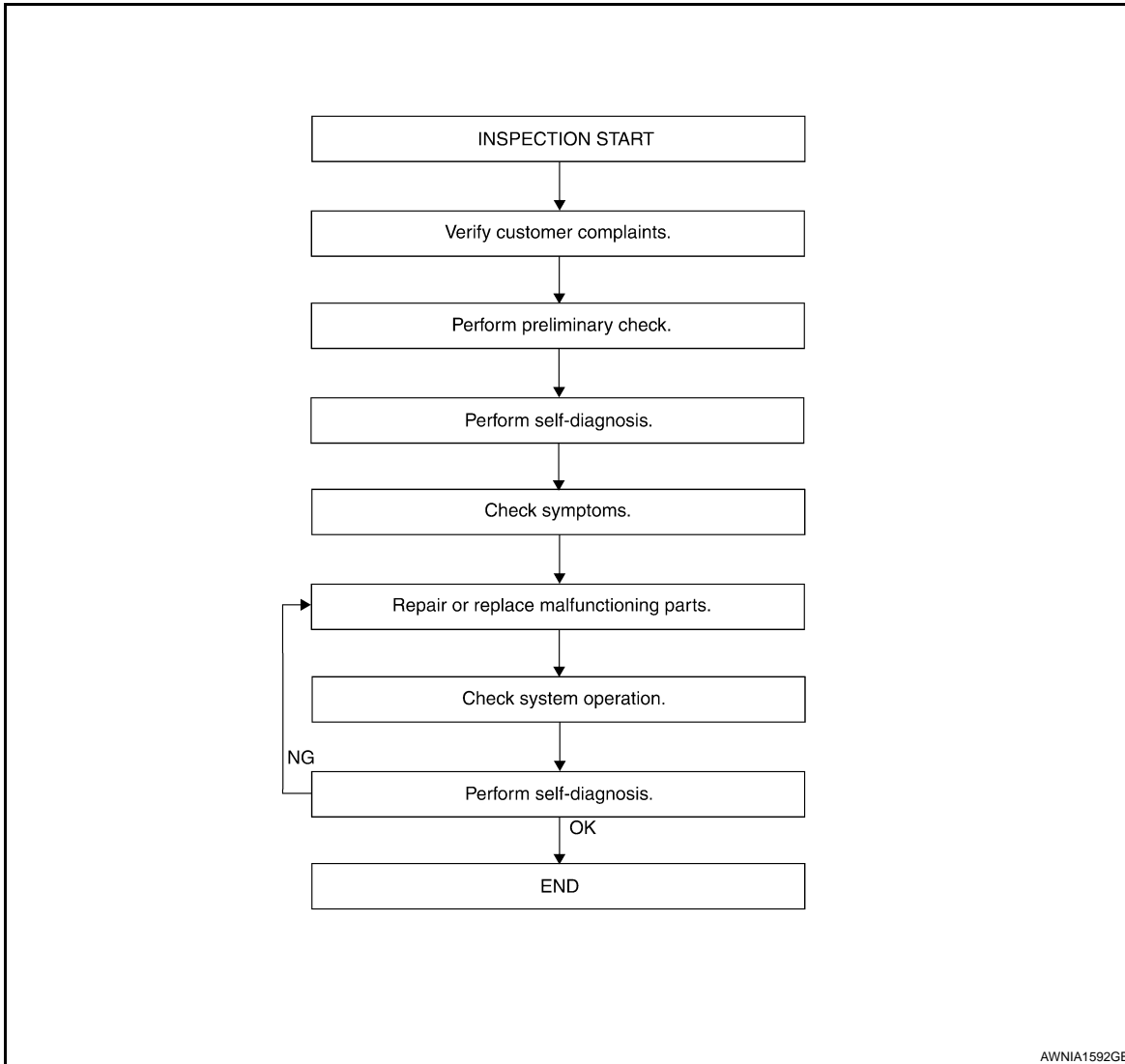
## BASIC INSPECTION

### DIAGNOSIS AND REPAIR WORKFLOW

Work Flow

INFOID:000000003937184

WORK FLOW



DETAILED FLOW

### 1. CUSTOMER INFORMATION

Interview the customer to obtain detailed information about the symptom.

>> GO TO 2

### 2. PRELIMINARY CHECK

Perform preliminary check. Refer to [DLN-9, "Preliminary Check"](#).

>> GO TO 3

### 3. SELF-DIAGNOSIS

Perform self-diagnosis. Refer to [DLN-22, "CONSULT-III Function \(ALL MODE AWD/4WD\)"](#).



# DIAGNOSIS AND REPAIR WORKFLOW

< BASIC INSPECTION >

[TRANSFER: ATX14B]

>> GO TO 4

## 4.SYMPTOM

Check for symptoms. Refer to [DLN-107. "Symptom Table"](#).

>> GO TO 5

## 5.MALFUNCTIONING PARTS

Repair or replace the applicable parts.

>> GO TO 6

## 6.SYSTEM OPERATION

Check system operation.

>> GO TO 7

## 7.SELF-DIAGNOSIS

Perform self-diagnosis.

Are any DTC's displayed?

- YES >> GO TO 5
- NO >> Inspection End

## Preliminary Check

INFOID:000000003937185

## TRANSFER FLUID CHECK

Check for leaks and fluid level. Refer to [DLN-133. "Inspection"](#).

## PREPARATION FOR ROAD TEST

The purpose of the test is to determine overall performance of transfer case and analyze causes of malfunctions.

When a malfunction is found in any part of transfer, perform the road test to locate the malfunction area and repair the malfunction parts.

The road test consists of the following three parts.

1. CHECK BEFORE ENGINE IS STARTED
2. CHECK AT IDLE
3. CRUISE TEST

### ROAD TEST PROCEDURE

1. Check before engine is started



2. Check at idle



3. Cruise test

SMT089D

## CHECK BEFORE ENGINE IS STARTED

### 1.CHECK 4WD SHIFT INDICATOR LAMP

1. Park vehicle on flat surface.
2. Turn ignition switch to OFF position.
3. Move A/T selector lever to P position.
4. Set 4WD shift switch to 2WD position.
5. Turn ignition switch to ON position. (Do not start engine.)

Does 4WD shift indicator lamp turn ON for approximately 1 second?

- YES >> GO TO 2.
- NO >> GO TO [DLN-108. "Diagnosis Procedure"](#).

### 2.CHECK 4WD WARNING LAMP

1. Turn ignition switch to OFF position.
2. Move A/T selector lever to P position.
3. Set 4WD shift switch to 2WD position.
4. Turn ignition switch to ON position. (Do not start engine.)

# DIAGNOSIS AND REPAIR WORKFLOW

[TRANSFER: ATX14B]

< BASIC INSPECTION >

Does 4WD warning lamp turn ON?

- YES >> GO TO CHECK AT IDLE.
- NO >> GO TO [DLN-111, "Diagnosis Procedure"](#).

CHECK AT IDLE

## 1. CHECK 4WD SHIFT INDICATOR LAMP

1. Park vehicle on flat surface and engage the parking brake.
2. Turn ignition switch to OFF position.
3. Move A/T selector lever to P position.
4. Set 4WD shift switch to 2WD position.
5. Start engine.

Does 4WD shift indicator lamp turn ON?

- YES >> GO TO 3.
- NO >> GO TO 2.

## 2. CHECK 4WD WARNING LAMP

Check 4WD warning lamp state.

Is 4WD warning lamp turned ON?

- YES >> Perform the self-diagnosis. Refer to [DLN-22, "CONSULT-III Function \(ALL MODE AWD/4WD\)"](#).
- NO >> Refer to [DLN-114, "Diagnosis Procedure"](#).







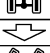
## 3. CHECK 4WD SHIFT INDICATOR AND 4LO INDICATOR OPERATION

1. Brake pedal depressed.
2. Move A/T selector lever to N position.
3. Set 4WD shift switch to 2WD, AUTO, 4H, 4LO, 4H, AUTO and 2WD in order. (Stay at each switch position for at least 1 second.)

Do 4WD shift indicator and 4LO indicator lamps change properly?

Does buzzer sound?

- YES >> GO TO CRUISE TEST.
- NO >> GO TO [DLN-114, "Diagnosis Procedure"](#).

4WD shift switch	4WD shift indicator lamp	4LO indicator lamp	Buzzer sound
2WD		4LO OFF	
	↓		"Pip"
AUTO		4LO OFF	
	↓		"Pip"
4H		4LO OFF	
	↓	Lamp flasher	"Pip"
4LO		4LO ON	
	↓	Lamp flasher	"Pip"
4H		4LO OFF	
	↓		"Pip"
AUTO		4LO OFF	
	↓		"Pip"
2WD		4LO OFF	

WDIA0136E

CRUISE TEST

## 1. CHECK INPUT SIGNAL

1. Warm up engine to normal operating temperature.
2. Park vehicle on flat surface.
3. Move A/T selector lever to P position.
4. Set 4WD shift switch to AUTO position.
5. Start engine.
6. Drive vehicle for at least 30 seconds at a speed higher than 20 km/h (12 MPH).

Is 4WD warning lamp turned ON?

- On steady>>Perform the self-diagnosis. Refer to [DLN-22, "CONSULT-III Function \(ALL MODE AWD/4WD\)"](#).

# DIAGNOSIS AND REPAIR WORKFLOW

< BASIC INSPECTION >

[TRANSFER: ATX14B]

Flash rapidly>>Refer to [DLN-119, "Diagnosis Procedure"](#).

Flash slowly>>Refer to [DLN-120, "Diagnosis Procedure"](#).

NO >> GO TO 2.

A

## 2.CHECK TIGHT CORNER BRAKING SYMPTOM (1)

1. Set 4WD shift switch to AUTO position.

2. Drive vehicle at speed lower than 20 km/h (12 MPH) with steering wheel fully turned.

B

Does tight corner braking symptom occur?

YES >> GO TO [DLN-121, "Diagnosis Procedure"](#).

NO >> GO TO 3.

C

## 3.CHECK TIGHT CORNER BRAKING SYMPTOM (2)

1. Set 4WD shift switch to 4HI position.

2. Drive vehicle at speed lower than 20 km/h (12 MPH) with steering wheel fully turned.

DLN

Does tight corner braking symptom occur?

YES >> Inspection End.

NO >> GO TO [DLN-125, "Diagnosis Procedure"](#).

E

F

G

H

I

J

K

L

M

N

O

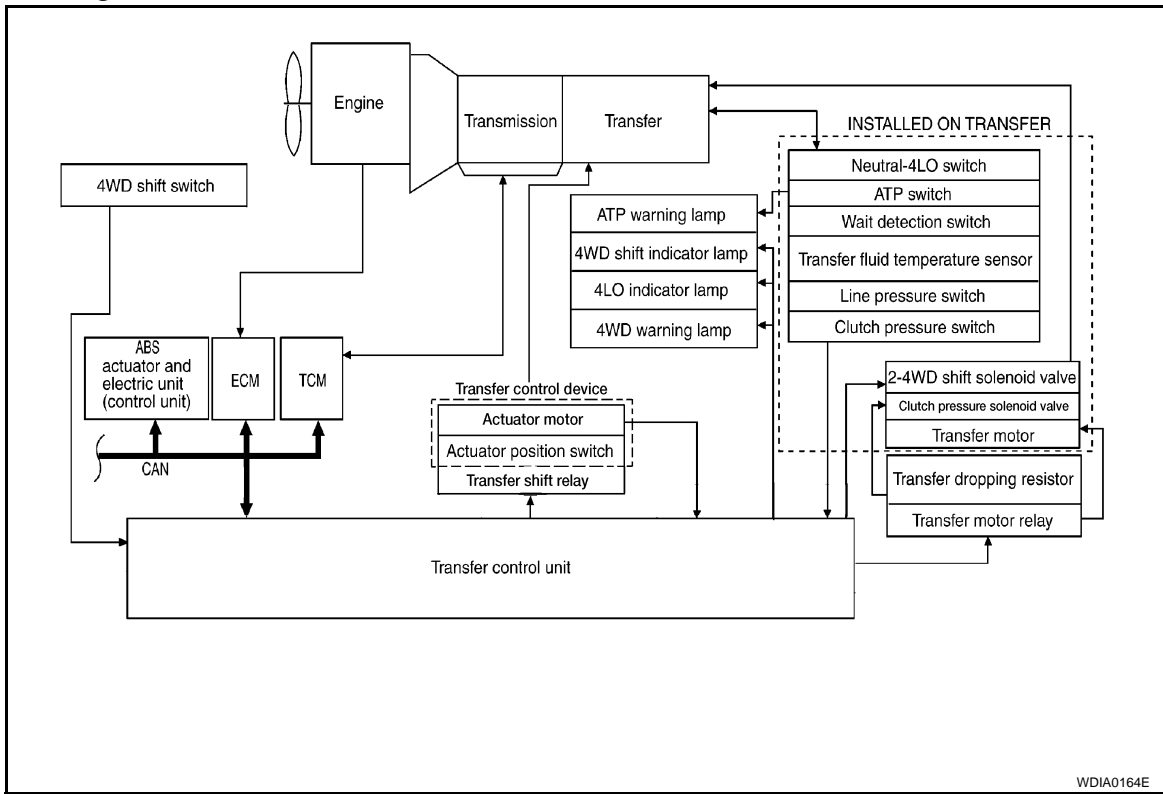
P

FUNCTION DIAGNOSIS

4WD SYSTEM

System Diagram

INFOID:000000003937186



COMPONENT DESCRIPTION

Components	Function
Transfer control unit	Controls transfer control device, control valves and shifts between 2WD/4WD and 4H/4LO.
Transfer control device	Integrates actuator motor and actuator position switch.
2-4WD shift solenoid valve	Controls oil pressure and allows shifting between 2WD and 4WD.
Clutch pressure solenoid valve	Controls oil pressure and distributes torque between front and rear tires.
Line pressure switch	Detects line pressure.
Clutch pressure switch	Detects clutch pressure.
Transfer fluid temperature sensor	Detects transfer fluid temperature.
Actuator motor	Moves shift rods when signaled by transfer control unit.
Actuator position switch	Detects actuator motor position.
Wait detection switch	Detects whether or not 4WD lock gear is locked.
4LO switch	Detects if transfer case is in 4LO.
ATP switch	Detects if transfer case is in neutral.
4WD shift switch	Allows driver to select from 2WD/4WD, 4H/4LO and AUTO.
4WD warning lamp	<ul style="list-style-type: none"> <li>• Illuminates if malfunction is detected in 4WD system.</li> <li>• Flashes (1 flash / 2 seconds) if large difference in diameter of front and rear tires.</li> <li>• Flashes (2 flashes / 1 second) if high transfer fluid temperature is detected.</li> </ul>
ATP warning lamp	Indicates that A/T parking mechanism does not operate when A/T selector lever is in P position because transfer case is in neutral.
4WD shift indicator lamp	Displays driving range selected by 4WD shift switch.
4LO indicator lamp	Displays 4LO range.

# 4WD SYSTEM

< FUNCTION DIAGNOSIS >

[TRANSFER: ATX14B]

Components	Function
ABS actuator and electric unit (control unit)	Transmits vehicle speed signal via CAN communication to transfer control unit.
TCM	Transmits the following signal via CAN communication to transfer control unit. <ul style="list-style-type: none"><li>• Output shaft revolution signal</li><li>• A/T position indicator signal (PNP switch signal)</li></ul>
ECM	Transmits the following signals via CAN communication to transfer control unit. <ul style="list-style-type: none"><li>• Engine speed signal</li><li>• Accelerator pedal position signal</li></ul>

A  
B  
C

## System Description

INFOID:000000003937187

DLN

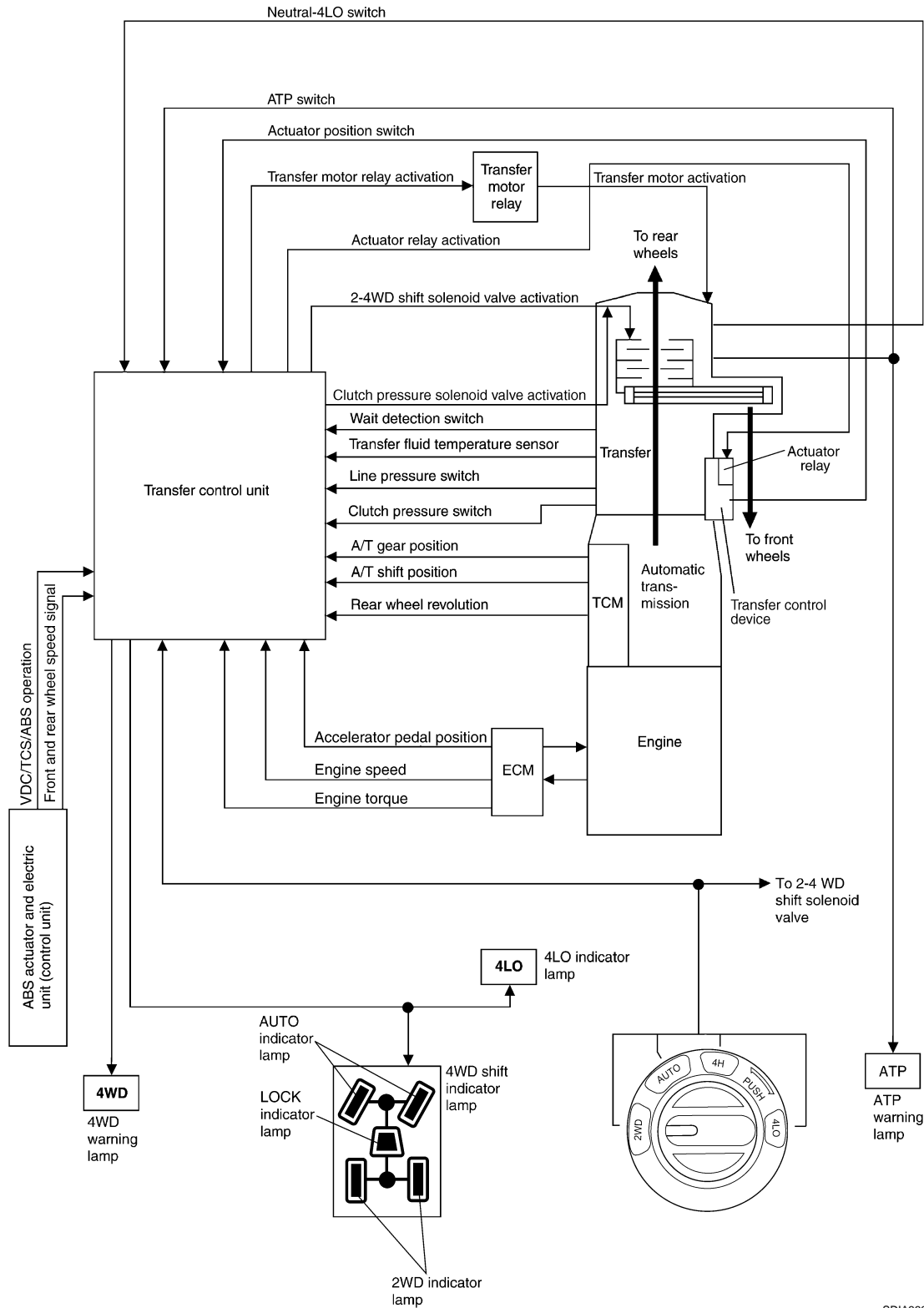
## CONTROL SYSTEM

E  
F  
G  
H  
I  
J  
K  
L  
M  
N  
O  
P

# 4WD SYSTEM

< FUNCTION DIAGNOSIS >

[TRANSFER: ATX14B]



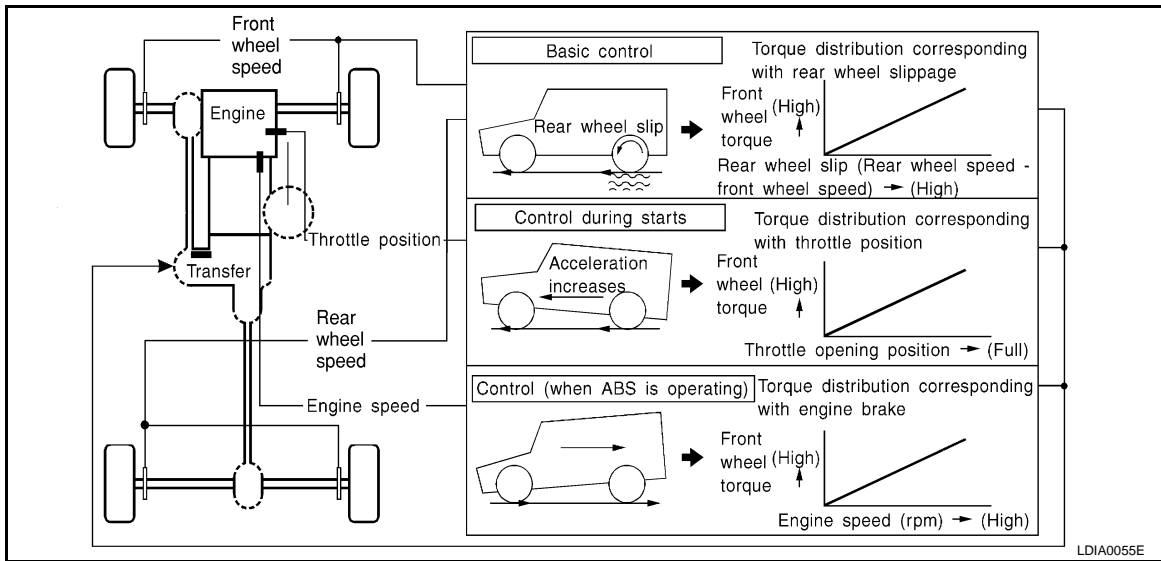
SDIA3396E

ALL-MODE 4WD Transfer Basic Control

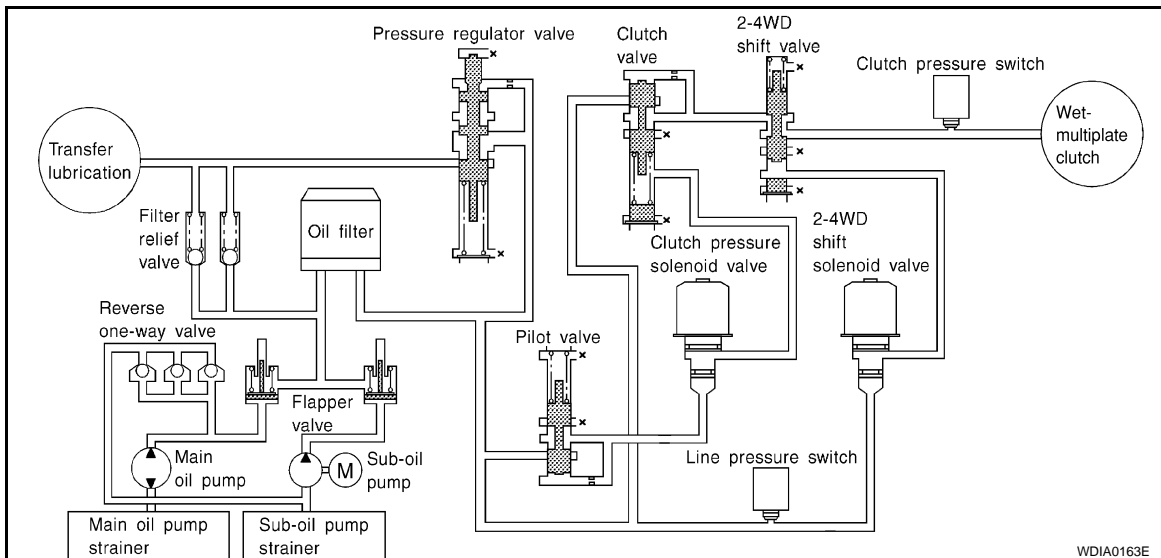
# 4WD SYSTEM

< FUNCTION DIAGNOSIS >

[TRANSFER: ATX14B]



## Hydraulic Control Circuits



## TRANSFER CONTROL UNIT

- Transfer control unit controls transfer control device and it directs shifts from 4H-4LO and 2WD-4WD.
- Self-diagnosis can be done.

## TRANSFER SHIFT HIGH AND LOW RELAYS

Transfer shift high and low relays apply power supply to transfer control device (actuator motor).

## TRANSFER SHUT OFF RELAY

Transfer shut off relay applies power supply to transfer motor relay.

## 4WD SHIFT SWITCH AND INDICATOR LAMPS

### 4WD Shift Switch

Able to select from 2WD, AUTO, 4H or 4LO.

### 4WD Shift Indicator Lamp

- Displays driving conditions selected by 4WD shift switch with 2WD, AUTO and 4H indicators while engine is running. (When 4WD warning lamp is turned on, all 4WD shift indicator lamps are turned off.)
- Turns ON for approximately 1 second when ignition switch is turned ON, for purpose of lamp check.

### 4LO Indicator Lamp

## 4WD SYSTEM

[TRANSFER: ATX14B]

### < FUNCTION DIAGNOSIS >

- Displays 4LO condition while engine is running. 4LO indicator lamp flashes if transfer gear does not shift completely under 2WD, AUTO, 4H⇔4LO. (When 4WD warning lamp is turned on, 4LO indicator lamp is turned off.)
- Turns ON for approximately 1 second when ignition switch is turned ON, for purpose of lamp check.

### 4WD WARNING LAMP

Turns on or flashes when there is a malfunction in 4WD system.

Also turns on when ignition switch is turned ON, for purpose of lamp check. Turns OFF approximately 1 second after the engine starts if system is normal.

### 4WD Warning Lamp Indication

Condition	4WD warning lamp
System normal	OFF
Lamp check	Turns ON when ignition switch is turned ON. Turns OFF after engine start.
4WD system malfunction	ON
During self-diagnosis	Flashes malfunction mode.
Large difference in diameter of front/rear tires	Flashes slow (1 flash / 2 seconds) (Continues to flash until the ignition switch is turned OFF)
High fluid temperature in transfer case	Flashes rapidly (2 flashes / 1 second) (Continues to flash until fluid temperature returns to normal)

### ATP WARNING LAMP

When the A/T selector lever is in P position, the vehicle may move if the transfer case is in neutral. ATP warning lamp is turned on to indicate this condition to the driver.

### LINE PRESSURE SWITCH

- With the transfer system design, control of the oil pressure provides the transmission of drive torque to the front wheels. The main pressure to control the oil pressure is referred to as the line pressure.
- The line pressure switch determines whether or not adequate line pressure has built up under different operating conditions.
- The line pressure switch closes when line pressure is produced.
- The line pressure switch senses line pressure abnormalities and turns the 4WD warning lamp ON.

### CLUTCH PRESSURE SWITCH

- The clutch pressure switch determines whether or not adequate clutch pressure has built up under different operating conditions.
- The clutch pressure switch closes when clutch pressure is produced.
- The clutch pressure switch senses clutch pressure abnormalities and turns the 4WD warning lamp ON.

### WAIT DETECTION SWITCH

- The wait detection switch operates when there is circulating torque produced in the propeller shaft (L→H) or when there is a phase difference between 2-4 sleeve and clutch drum (H→L). After the release of the circulating torque, the wait detection switch helps provide the 4WD lock gear (clutch drum) shifts. A difference may occur between the operation of the 4WD shift switch and actual drive mode. At this point, the wait detection switch senses an actual drive mode.
- The wait detection switch operates as follows.
  - 4WD lock gear (clutch drum) locked: ON
  - 4WD lock gear (clutch drum) released: OFF
- The wait detection switch senses an actual drive mode and the 4WD shift indicator lamp indicates the vehicle drive mode.

### ATP SWITCH

ATP switch detects if transfer case is in neutral by the position of the L-H shift fork.

#### **NOTE:**

Transfer case may be in neutral when shifting between 4H-4LO.

### NEUTRAL-4LO SWITCH

The neutral-4LO switch detects that transfer gear is in neutral or 4LO (or shifting from neutral to 4LO) condition by L-H shift fork position.



# 4WD SYSTEM

< FUNCTION DIAGNOSIS >

[TRANSFER: ATX14B]

## TRANSFER FLUID TEMPERATURE SENSOR

The transfer fluid temperature sensor detects the transfer fluid temperature and sends a signal to the transfer control unit.

## TRANSFER MOTOR

- The transfer motor drives the sub-oil pump to provide proper lubrication and oil pressure control when the vehicle is at standstill, during low-speed operations or is being driven in reverse.
- The main oil pump is operated by the driving force of the mainshaft. In other words, sufficient oil pressure buildup does not occur when the vehicle is at standstill or during low-speed operations. While the vehicle is being driven in reverse, the main oil pump rotates in the reverse direction. Therefore the main oil pump does not discharge oil pressure. During any of the above vehicle operations, the transfer motor drives the sub-oil pump to compensate for insufficient oil pressure.
- The transfer motor operates as follows:
  - The motor relay turns OFF in the 2WD mode.
  - The motor relay operates as described in the table below in modes other than the 2WD mode.
- 4WD shift switch, PNP switch, Neutral-4LO switch, vehicle speed sensor and throttle position sensor are used in conjunction with the transfer motor.

Transfer Motor Relay Operation

4WD shift switch	A/T selector lever position	Vehicle speed (VSS)	Accelerator pedal position	Motor relay drive command	
2WD	—	—	—	OFF	
4H (LOCK) and 4LO	N position	0	—	ON	
	P position	0	0 - 0.07/8	OFF*	
			0.07/8 - 1/8	HOLD	
			1/8 - MAX	ON	
	Other than R position	0 < VSS ≤ 50 km/h (31 MPH) 50 km/h (31 MPH) < VSS < 55 km/h (34 MPH) 55 km/h (34 MPH) ≤ VSS	—	ON	
				HOLD	
				OFF	
R position	—	—	—	ON	
AUTO	R position	—	—	ON	
	P or N position	0	0 - 0.07/8	OFF*	
			0.07/8 - 1/8	HOLD	
			1/8 - MAX	ON	
			0 < VSS ≤ 50 km/h (31 MPH) 50 km/h (31 MPH) < VSS < 55 km/h (34 MPH) 55 km/h (34 MPH) ≤ VSS	—	ON
					HOLD
					OFF
	Other than R, P and N position	0 < VSS ≤ 50 km/h (31 MPH) 50 km/h (31 MPH) < VSS < 55 km/h (34 MPH) 55 km/h (34 MPH) ≤ VSS	—	ON	
				HOLD	
				OFF	

\*: After 2.5 seconds have elapsed.

## CLUTCH PRESSURE SOLENOID VALVE

The clutch pressure solenoid valve distributes front and rear torque in AUTO mode.

## 2-4WD SHIFT SOLENOID VALVE

The 2-4WD shift solenoid valve operates to apply oil pressure to the wet-multiplate clutch, depending on the drive mode. The driving force is transmitted to the front wheels through the clutch so the vehicle is set in the 4WD mode. Setting the vehicle in the 2WD mode requires no pressure buildup. In other words, pressure force applied to the wet-multiplate clutch becomes zero.

## TRANSFER CONTROL DEVICE

Integrates actuator motor and actuator position switch.

# 4WD SYSTEM

[TRANSFER: ATX14B]

## < FUNCTION DIAGNOSIS >

### Actuator Motor

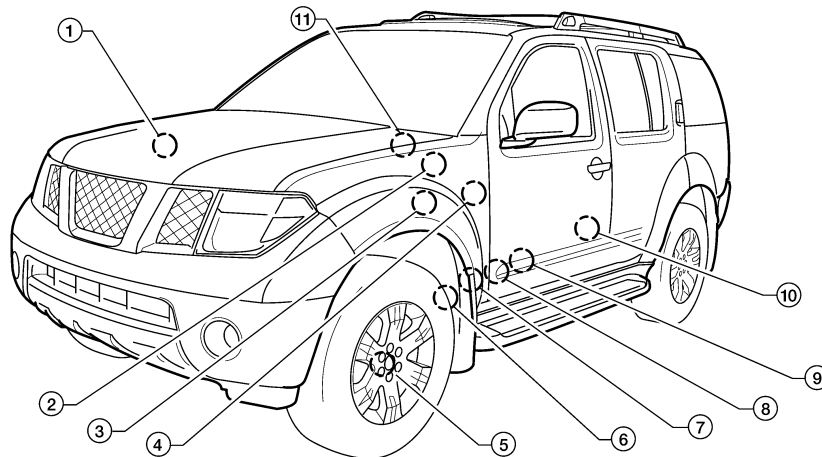
Moves shift rods when signaled by transfer control unit.

### Actuator Position Switch

Detects actuator motor position and then sends signal to transfer control unit.

## Component Parts Location

INFOID:000000003937188



<p>① Fuse and relay box</p> <p>Transfer shut off relay (E155)</p> <p>Transfer shift high relay (E46)</p> <p>Transfer shift low relay (E47)</p>	<p>②</p> <p>Transfer motor relay (E153)</p> <p>(E154)</p> <p>Transfer dropping resistor (E135)</p>	<p>③</p> <p>4WD shift switch (M141)</p>
<p>④ View with lower instrument cover removed</p> <p>Transfer control unit (M152, M153)</p>	<p>⑤</p> <p>Front wheel sensor RH (E117)</p>	<p>⑥</p> <p>Actuator</p> <p>Transfer control device (F58)</p> <p>Front</p> <p>Transfer unit</p>
<p>⑦ View with transfer unit removed</p> <p>Wait detection switch (F59)</p> <p>Front</p>	<p>⑧ Control valve (in transfer unit)</p> <p>Clutch pressure switch (F56)</p> <p>Line pressure switch (F56)</p> <p>Clutch pressure solenoid valve (F56)</p> <p>2-4WD shift solenoid valve (F56)</p> <p>Transfer fluid temperature sensor (F56)</p>	<p>⑨ ATP switch (F55)</p> <p>Transfer motor (F57)</p> <p>Transfer terminal cord assembly</p> <p>Neutral 4LO switch (F60)</p> <p>Oil filter</p>
<p>⑩</p> <p>Rear wheel sensor LH (C13)</p> <p>Rear wheel sensor RH (C13)</p>	<p>⑪</p> <p>Combination meter (M24)</p> <p>ATP warning lamp</p> <p>4WD warning lamp</p> <p>4LO indicator lamp</p> <p>4WD shift indicator lamp</p>	

WDIA0124E

# 4WD SYSTEM

< FUNCTION DIAGNOSIS >

[TRANSFER: ATX14B]

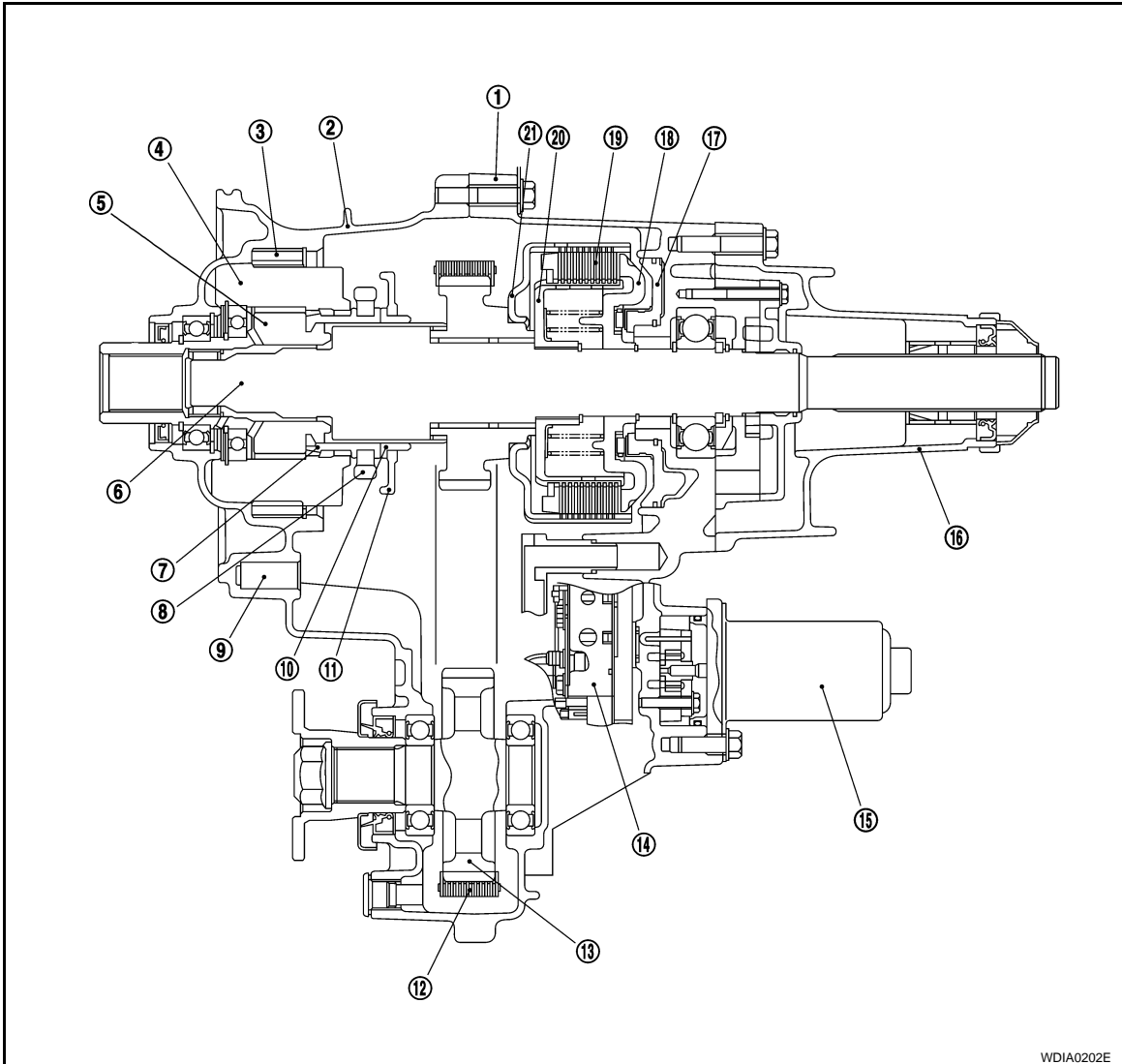
## CAN Communication

INFOID:000000003937189

Refer to [LAN-57. "CAN System Specification Chart"](#).

## Cross-Sectional View

INFOID:000000004404656



- |                               |                            |                          |
|-------------------------------|----------------------------|--------------------------|
| 1. Center case                | 2. Front case              | 3. Internal gear         |
| 4. Planetary carrier assembly | 5. Sun gear assembly       | 6. Main shaft            |
| 7. L-H sleeve                 | 8. L-H fork                | 9. Shift rod             |
| 10. 2-4 sleeve                | 11. 2-4 fork               | 12. Drive chain          |
| 13. Front drive shaft         | 14. Control valve assembly | 15. Transfer motor       |
| 16. Rear case                 | 17. Clutch piston          | 18. Press flange         |
| 19. Multiple disc clutch      | 20. Clutch hub assembly    | 21. Clutch drum assembly |

## Power Transfer

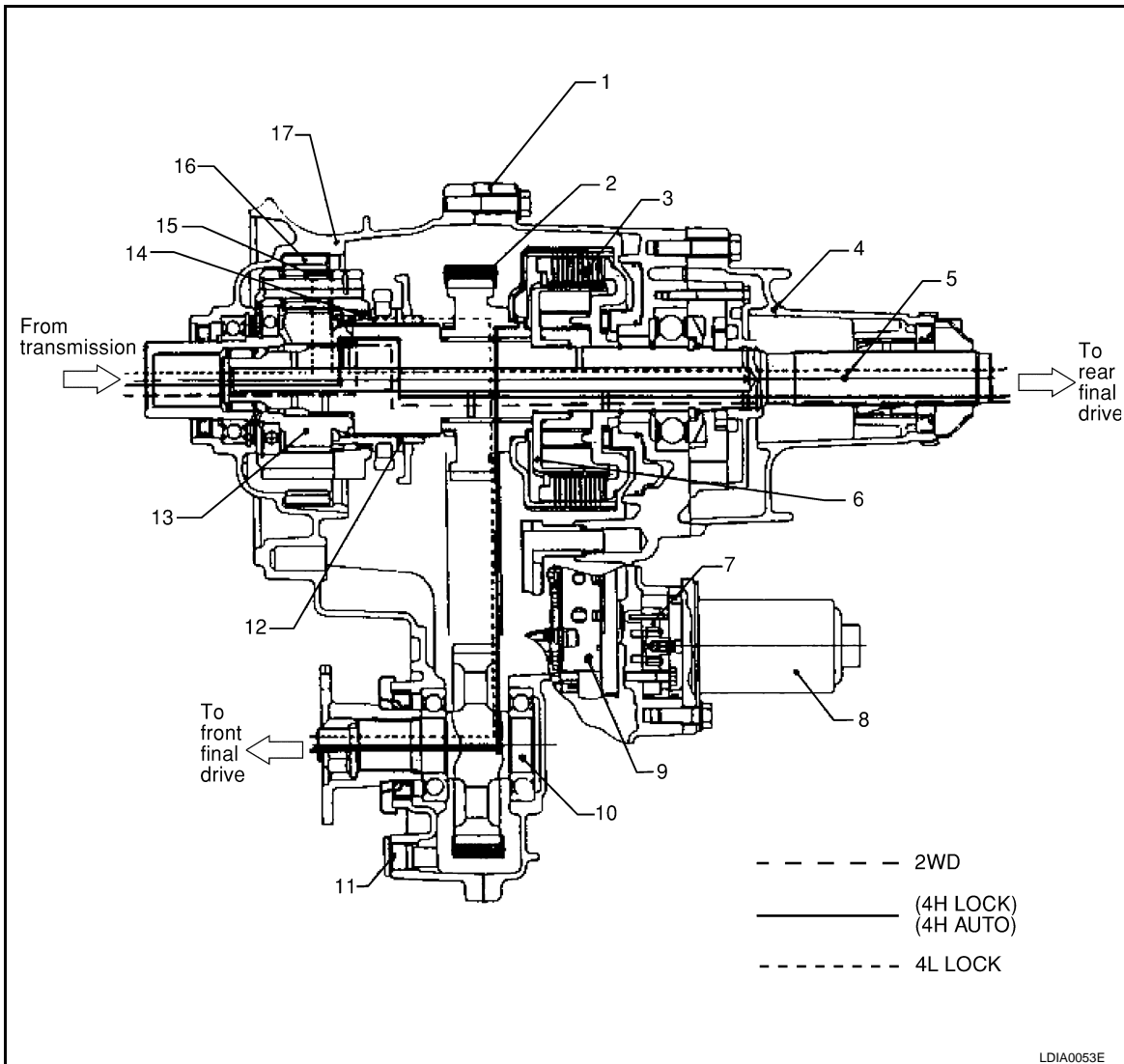
INFOID:000000004404657

## POWER TRANSFER DIAGRAM

# 4WD SYSTEM

< FUNCTION DIAGNOSIS >

[TRANSFER: ATX14B]



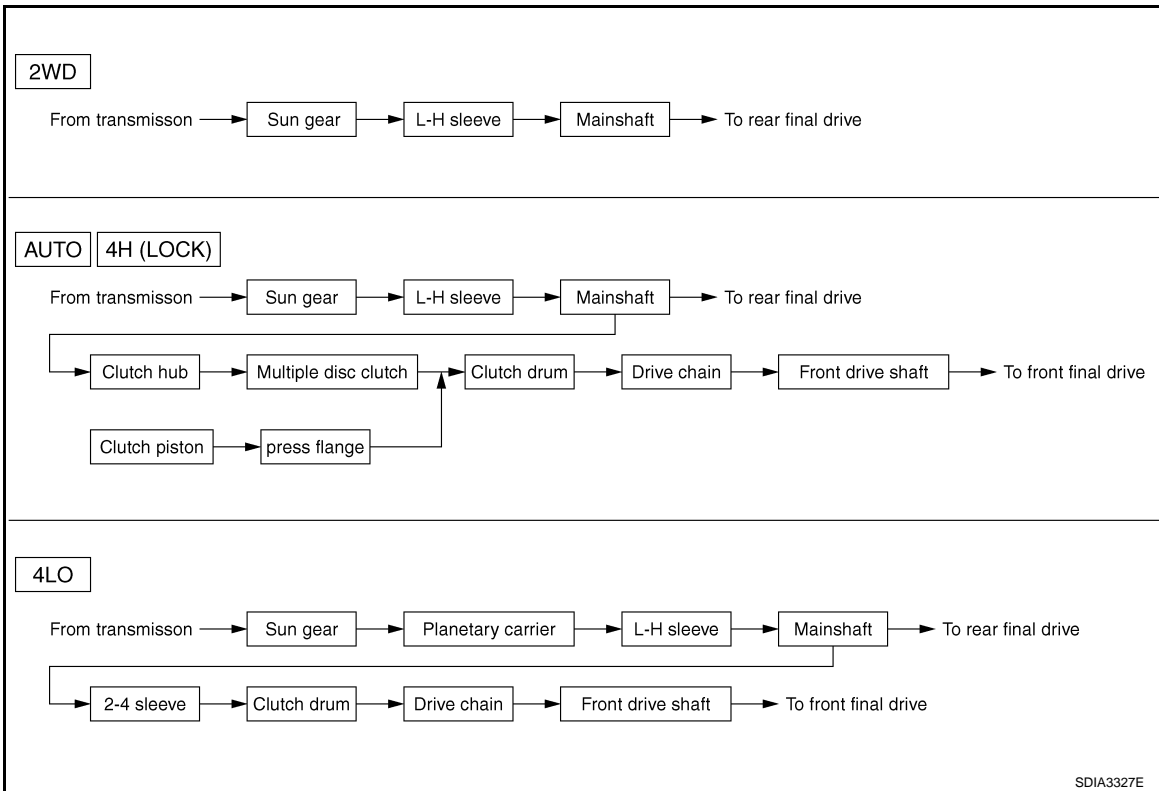
- |                       |                   |                                |
|-----------------------|-------------------|--------------------------------|
| 1. Center case        | 2. Chain          | 3. Multiple disc clutch        |
| 4. Rear case          | 5. Mainshaft      | 6. Clutch hub assembly         |
| 7. Sub oil pump       | 8. Transfer motor | 9. Control valve               |
| 10. Front drive shaft | 11. Drain plug    | 12. 2-4 sleeve                 |
| 13. Sun gear assembly | 14. L-H sleeve    | 15. Planetary carrier assembly |
| 16. Internal gear     | 17. Front case    |                                |

## POWER TRANSFER FLOW

# 4WD SYSTEM

< FUNCTION DIAGNOSIS >

[TRANSFER: ATX14B]



A

B

C

**DLN**

E

F

G

H

I

J

K

L

M

N

O

P

# DIAGNOSIS SYSTEM (TRANSFER CONTROL UNIT)

< FUNCTION DIAGNOSIS >

[TRANSFER: ATX14B]

## DIAGNOSIS SYSTEM (TRANSFER CONTROL UNIT)

### CONSULT-III Function (ALL MODE AWD/4WD)

INFOID:000000003937190

#### FUNCTION

CONSULT-III can display each diagnostic item using the diagnostic test modes shown following.

ALL MODE AWD/4WD diagnostic mode	Description
SELF-DIAG RESULTS	Displays transfer control unit self-diagnosis results.
DATA MONITOR	Displays transfer control unit input/output data in real time.
WORK SUPPORT	Supports inspections and adjustments. Commands are transmitted to the transfer control unit for setting the status suitable for required operation, input/output signals are received from the transfer control unit and received data is displayed.
CAN DIAG SUPPORT MNTR	The results of transmit/receive diagnosis of CAN communication can be read.
ECU PART NUMBER	Transfer control unit part number can be read.

#### SELF-DIAG RESULT MODE

##### Operation Procedure

1. Connect CONSULT-III.
2. With engine at idle, touch SELF-DIAG RESULTS.  
Display shows malfunction experienced since the last erasing operation.

##### NOTE:

The details for TIME are as follows:

- 0: Error currently detected with transfer control unit.
- Except for 0: Error detected in the past and memorized with transfer control unit.  
Detects frequency of driving after DTC occurs (frequency of turning ignition switch ON/OFF).

##### How to Erase Self-diagnostic Results

1. Perform applicable inspection of malfunctioning item and then repair or replace.
2. Start engine and select SELF-DIAG RESULTS mode for ALL MODE AWD/4WD with CONSULT-III.
3. Touch ERASE on CONSULT-III screen to erase DTC memory.

##### **CAUTION:**

**If memory cannot be erased, perform applicable diagnosis.**

#### ⊗ SELF-DIAGNOSTIC PROCEDURE (WITHOUT CONSULT-III)

##### Description

If the engine starts when there is a malfunction in the 4WD system, the 4WD warning lamp turns ON or flickers in the combination meter. When the system functions properly, the warning lamp turns ON when the ignition switch is turned to ON, and it turns OFF after engine starts. To locate the cause of a malfunction, start the self-diagnosis function. The 4WD warning lamp in the combination meter will indicate the malfunction area by flashing according to the self-diagnostic results. Refer to [DLN-102, "DTC Index"](#).

##### Diagnostic Procedure

1. Warn up engine.
2. Move A/T selector lever to P position.
3. Turn 4WD shift switch to 2WD position.
4. Turn ignition switch ON and OFF at least twice, and then turn ignition switch OFF.
5. Turn 4WD shift switch to AUTO position.
6. Turn ignition switch ON. (Do not start engine.)
7. 4WD warning lamp ON.
8. Move A/T selector lever to R position.
9. Turn 4WD shift switch to 2WD, AUTO and 2WD in order.
10. Move A/T selector lever to D position.
11. Turn 4WD shift switch to 4H, AUTO and 4H in order.

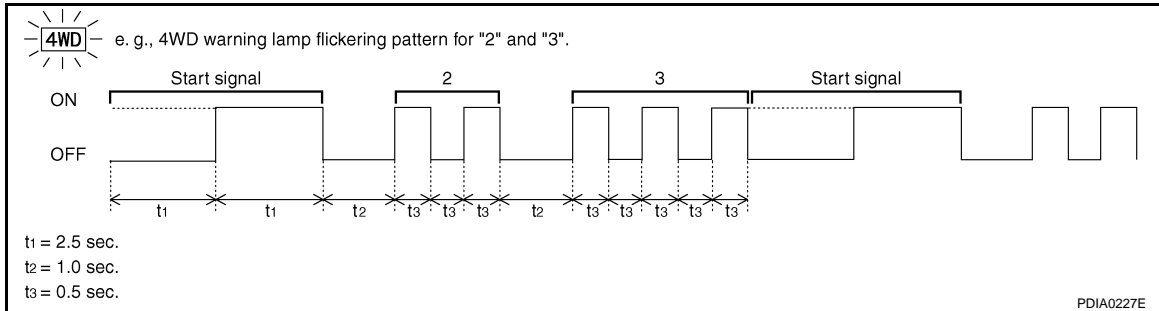
# DIAGNOSIS SYSTEM (TRANSFER CONTROL UNIT)

< FUNCTION DIAGNOSIS >

[TRANSFER: ATX14B]

12. Move A/T selector lever to N position.
13. Turn 4WD shift switch to AUTO position.
14. Move A/T selector lever to P position.
15. Read the flickering of 4WD warning lamp.

Self-diagnosis example



## ERASE SELF-DIAGNOSIS

- In order to make it easier to find the cause of hard-to-duplicate malfunctions, malfunction information is stored into the control unit as necessary during use by the user. This memory is not erased no matter how many times the ignition switch is turned ON and OFF.
- However, this information is erased by turning ignition switch OFF after performing self-diagnostics or by erasing the memory using the CONSULT-III.

## DATA MONITOR MODE

Operation Procedure

1. Connect CONSULT-III.
2. Touch DATA MONITOR.
3. Select from SELECT MONITOR ITEM, screen of data monitor mode is displayed.

**NOTE:**

**When malfunction is detected, CONSULT-III performs REAL-TIME DIAGNOSIS.  
Also, any malfunction detected while in this mode will be displayed at real time.**

Display Item List

×: Standard    -: Not applicable

Monitored item (Unit)	Monitor item selection			Remarks
	ECU INPUT SIGNALS	MAIN SIGNALS	SELECTION FROM MENU	
VHCL/S SEN-FR [km/h] or [mph]	×	-	×	Wheel speed calculated by ABS actuator and electric unit (control unit). Signal input with CAN communication line.
VHCL/S SEN-RR [km/h] or [mph]	×	-	×	Wheel speed calculated by TCM. Signal input with CAN communication line.
ENGINE SPEED [rpm]	×	-	×	Engine speed calculated by ECM. Signal input with CAN communication line.
THRTL POS SEN [V]	×	-	×	Accelerator pedal position (APP) sensor signal voltage is displayed. Signal input with CAN communication line.
FLUID TEMP SE [V]	×	-	×	Transfer fluid temperature sensor signal voltage is displayed.
BATTERY VOLT [V]	×	-	×	Power supply voltage for transfer control unit.
2WD SWITCH [ON/OFF]	×	-	×	4WD shift switch status is displayed.
AUTO SWITCH [ON/OFF]	×	-	×	4WD shift switch status is displayed.
LOCK SWITCH [ON/OFF]	×	-	×	4WD shift switch status is displayed. (LOCK means 4H of 4WD shift switch.)

# DIAGNOSIS SYSTEM (TRANSFER CONTROL UNIT)

< FUNCTION DIAGNOSIS >

[TRANSFER: ATX14B]

Monitored item (Unit)	Monitor item selection			Remarks
	ECU INPUT SIGNALS	MAIN SIGNALS	SELECTION FROM MENU	
4L SW [ON/OFF]	×	-	×	4WD shift switch status is displayed. (4L means 4LO of 4WD shift switch.)
N POSI SW TF [ON/OFF]	×	-	×	Neutral-4LO switch signal status is displayed.
ATP SWITCH [ON/OFF]	×	-	×	ATP switch signal status is displayed.
WAIT DETCT SW [ON/OFF]	×	-	×	Wait detection switch status is displayed.
LINE PRES SW [ON/OFF]	×	-	×	Line pressure switch status is displayed.
CL PRES SW [ON / OFF]	×	-	×	Clutch pressure switch status is displayed.
N POSI SW AT [ON/OFF]	×	-	×	N position signal of A/T PNP switch status is displayed. Signal input with CAN communication line.
R POSI SW AT [ON/OFF]	×	-	×	R position signal of A/T PNP switch status is displayed. Signal input with CAN communication line.
P POSI SW AT [ON/OFF]	×	-	×	P position signal of A/T PNP switch status is displayed. Signal input with CAN communication line.
ABS OPER SW [ON/OFF]	×	-	×	ABS operation signal status is displayed. Signal input with CAN communication line.
VDC OPER SW [ON/OFF]	×	-	×	VDC operation signal status is displayed. Signal input with CAN communication line.
TCS OPER SW [ON/OFF]	×	-	×	TCS operation signal status is displayed. Signal input with CAN communication line.
THROTTLE POSI [0.0/8]	-	×	×	Thottle position status is displayed. Signal input with CAN communication line.
4WD MODE [AUTO/LOCK/2WD/4L]	-	×	×	Control status of 4WD recognized by transfer control unit. (AUTO, 4H, 2WD or 4LO)
VHCL/S COMP [km/h] or [mph]	-	×	×	Vehicle speed recognized by transfer control unit.
COMP CL TORQ [kgm]	-	×	×	Calculated torque recognized by transfer control unit.
DUTY SOLENOID [%]	-	×	×	Control value of clutch pressure solenoid.
2-4WD SOL [ON/OFF]	-	×	×	Output condition to 2-4WD solenoid.
2-4WD SOL MON [ON/OFF]	-	-	×	Check signal for transfer control unit signal output.
MOTOR RELAY [ON/OFF]	-	×	×	Transfer motor relay signal status is displayed.
MOTOR RELAY MON [ON/OFF]	-	-	×	Check signal for transfer control unit signal output.
4WD FAIL LAMP [ON/OFF]	-	×	×	Control status of 4WD warning lamp is displayed.
2WD IND [ON/OFF]	-	-	×	Control status of 4WD shift indicator lamp (2WD indicator lamp) is displayed.
AUTO IND [ON/OFF]	-	-	×	Control status of 4WD shift indicator lamp (2WD and AUTO indicator lamp) is displayed.
LOCK IND [ON/OFF]	-	-	×	Control status of 4WD shift indicator lamp (2WD, AUTO and Lock indicator) is displayed.
4L IND [ON/OFF]	-	-	×	Control status of 4LO indicator lamp is displayed.



# DIAGNOSIS SYSTEM (TRANSFER CONTROL UNIT)

< FUNCTION DIAGNOSIS >

[TRANSFER: ATX14B]

Monitored item (Unit)	Monitor item selection			Remarks
	ECU INPUT SIGNALS	MAIN SIGNALS	SELECTION FROM MENU	
ATP IND [ON/OFF]	-	-	×	Control status of ATP warning lamp is displayed.
SHIFT POS SW1 [ON/OFF]	×	-	×	Actuator position switch 1 (Low) signal status is displayed.
SHIFT POS SW2 [ON/OFF]	×	-	×	Actuator position switch 2 (high) signal status is displayed.
SHIFT ACT1 [ON/OFF]	-	×	×	Output condition to actuator motor (clockwise)
SHIFT AC MON1 [ON/OFF]	×	-	×	Check signal for transfer control unit signal output
SHIFT ACT2 [ON/OFF]	-	×	×	Output condition to actuator motor (counter-clockwise)
SHIFT AC MON2 [ON/OFF]	×	-	×	Check signal for transfer control unit signal output
T/F F SPEED [km/h] or [mph]	×	-	×	Displayed, but do not use.
A/T R SPEED [km/h] or [mph]	×	-	×	Output shaft revolution signal (Revolution sensor) calculated by TCM. Signal input with CAN communication line.
AT GEAR POSI [1/2/3/4/5]	×	-	×	A/T actual gear position is displayed.

## WORK SUPPORT

When there is no malfunction with transfer and 4WD system, the following symptoms in AUTO mode may be claimed by a customer: vibration when accelerating on a low  $\mu$  road (snow-covered or icy road) or a slight shock is felt at a few hertz as if it were being pushed lightly from behind.

It is possible to deal with these symptoms by changing the CLUTCH FORCE RELEASE LIMIT VALUE. However, be careful when changing the value because it may adversely affect driving performance.

### Operation Procedure

1. Connect CONSULT-III.
2. Touch WORK SUPPORT.
3. Select from CLUTCH/F RLS LIM ADJ, screen of data monitor mode is displayed.

### Clutch Force Release Limit Adjustment

1. Initial CLUTCH FORCE RELEASE LIMIT value 0.3 kgm appears under CONDITION SETTING on CONSULT-III display.

**1.2 kg-m** : Tight corner braking symptom is alleviated.  
However, vibration may occur when accelerating on a low  $\mu$  road (icy road, etc.).

**0.3 kg-m** : Initial set value.

**0.2 kg-m** : Do not set to this value because the tight corner braking symptom will get worse.

2. Touch 1.2 on the display.
3. Display changes to NOW ADJUSTING in a short time.
4. When clutch force release limit value is set to 1.2 kgm, current value 0.3 kgm shown on display will be replaced by 1.2 kgm and ADJUSTMENT COMPLETE will appear at the same time. Clutch force release limit value setting is now complete.

# NOISE, VIBRATION AND HARSHNESS (NVH) TROUBLESHOOTING

< FUNCTION DIAGNOSIS >

[TRANSFER: ATX14B]

## NOISE, VIBRATION AND HARSHNESS (NVH) TROUBLESHOOTING

### NVH Troubleshooting Chart

INFOID:000000003937191

Use the chart below to help you find the cause of the symptom. The numbers indicate the order of the inspection. If necessary, repair or replace these parts.

Reference page		<a href="#">DLN-133</a>			<a href="#">DLN-150</a>			<a href="#">DLN-150</a>	<a href="#">DLN-150</a>	<a href="#">DLN-150</a>
SUSPECTED PARTS (Possible cause)		TRANSFER FLUID (Level low)	TRANSFER FLUID (Wrong)	TRANSFER FLUID (Level too high)	LIQUID GASKET (Damaged)	O-RING (Worn or damaged)	OIL SEAL (Worn or damaged)	SHIFT FORK (Worn or damaged)	GEAR (Worn or damaged)	BEARING (Worn or damaged)
Symptom	Noise	1	2						3	3
	Transfer fluid leakage		3	1	2	2	2			
	Hard to shift or will not shift		1	1				2		

# P1811 POWER SUPPLY CIRCUIT FOR TRANSFER CONTROL UNIT

< COMPONENT DIAGNOSIS >

[TRANSFER: ATX14B]

## COMPONENT DIAGNOSIS

### P1811 POWER SUPPLY CIRCUIT FOR TRANSFER CONTROL UNIT

#### Description

INFOID:000000003937192

Power supply to transfer control unit is abnormally low while driving.

#### DTC Logic

INFOID:000000003937193

#### DTC DETECTION LOGIC

DTC	CONSULT-III	Diagnostic item is detected when...	Reference
[P1811]	BATTERY VOLTAGE	Power supply voltage for transfer control unit is abnormally low while driving.	Refer to <a href="#">DLN-27</a> .

#### DTC CONFIRMATION PROCEDURE

##### 1. DTC CONFIRMATION PROCEDURE

1. Turn ignition switch ON.
2. Perform self-diagnosis.

##### Is DTC P1811 detected?

- YES >> Perform diagnosis procedure. Refer to [DLN-27, "Diagnosis Procedure"](#).  
 NO >> Inspection End.

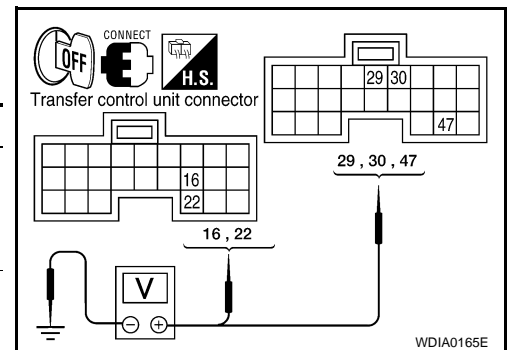
#### Diagnosis Procedure

INFOID:000000003937194

##### 1. CHECK POWER SUPPLY

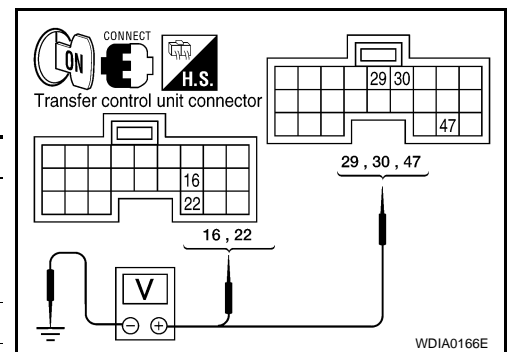
1. Turn ignition switch "OFF". (Stay for at least 5 seconds.)
2. Connect transfer control unit harness connector.
3. Check voltage between transfer control unit harness connector terminals and ground.

Connector	Terminal	Voltage (Approx.)
M152	16 - Ground	0V
	22 - Ground	
M153	29 - Ground	Battery voltage
	30 - Ground	
	47 - Ground	



4. Turn ignition switch "ON". (Do not start engine.)
5. Check voltage between transfer control unit harness connector terminals and ground.

Connector	Terminal	Voltage (Approx.)
M152	16 - Ground	Battery voltage
	22 - Ground	
M153	29 - Ground	0V
	30 - Ground	
	47 - Ground	



##### OK or NG

- OK >> GO TO 2.  
 NG >> Check the following. If any items are damaged, repair or replace damaged parts.
- 40A fusible link (No. j, located in the fuse and fusible link box).

# P1811 POWER SUPPLY CIRCUIT FOR TRANSFER CONTROL UNIT

[TRANSFER: ATX14B]

## < COMPONENT DIAGNOSIS >

- 10A fuses [No. 21 located in fuse block (J/B)] and No. 59 (located in the fuse and relay box).
- Harness for short or open between battery and transfer control unit harness connector M153 terminals 47.
- Harness for short or open between ignition switch and transfer control unit harness connector M153 terminal 29.
- Harness for short or open between battery and transfer shut off relay harness connector E155 terminal 1 and 3.
- Harness for short or open between transfer shut off relay harness connector E155 terminal 2 and transfer control unit harness connector M153 terminal 30.
- Harness for short or open between transfer shut off relay harness connector E155 terminal 5 and transfer control unit harness connector M152 terminals 16 and 22.
- Battery and ignition switch.
- Transfer shut off relay. Refer to [DLN-28. "Component Inspection"](#).

## 2.CHECK GROUND CIRCUIT

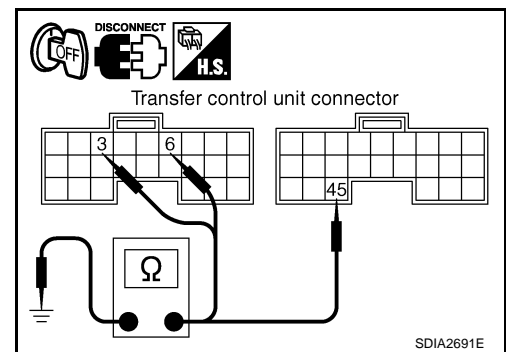
1. Turn ignition switch "OFF". (Stay for at least 5 seconds.)
2. Disconnect transfer control unit harness connector.
3. Check continuity between transfer control unit harness connector M152 terminals 3, 6, M153 terminal 45 and ground.

**Continuity should exist.**

Also check harness for short to power.

### OK or NG

- OK >> GO TO 3.  
 NG >> Repair open circuit or short to power in harness or connectors.



## 3.CHECK TRANSFER CONTROL UNIT

Check transfer control unit input/output signal. Refer to [DLN-85. "Reference Value"](#).

### OK or NG

- OK >> GO TO 4.  
 NG >> Check transfer control unit pin terminals for damage or loose connection with harness connector. If any items are damaged, repair or replace damaged parts.

## 4.CHECK DTC

Perform the self-diagnosis, after driving a vehicle for a while.

### OK or NG

- OK >> Inspection End.  
 NG >> Replace transfer control unit. Refer to [DLN-136. "Removal and Installation"](#).

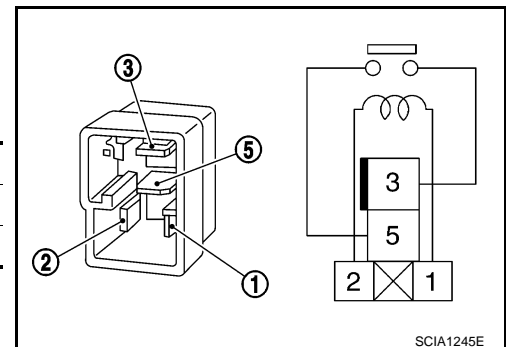
## Component Inspection

INFOID:000000003937195

1. Turn ignition switch OFF. (Stay for at least 5 seconds.)
2. Remove transfer shut off relay. Refer to [DLN-18. "Component Parts Location"](#).
3. Apply 12V direct current between transfer shut off relay terminals 1 and 2.
4. Check continuity between relay terminals 3 and 5.

Condition	Continuity
12V direct current supply between terminals 1 and 2	Yes
OFF	No

5. If inspection results are abnormal replace the transfer shut off relay.



# P1802 – P1804, P1809 TRANSFER CONTROL UNIT

< COMPONENT DIAGNOSIS >

[TRANSFER: ATX14B]

## P1802 – P1804, P1809 TRANSFER CONTROL UNIT

### Description

INFOID:000000003937196

The transfer control unit controls the transfer control device which controls shifts between AUTO, 4H and 4LO and between 2WD and 4WD. A DTC may set when any of the following occur:

- Malfunction is detected in the memory (RAM) system of transfer control unit.
- Malfunction is detected in the memory (ROM) system of transfer control unit.
- Malfunction is detected in the memory (EEPROM) system of transfer control unit.
- AD converter system of transfer control unit is malfunctioning.

### DTC Logic

INFOID:000000003937197

### DTC DETECTION LOGIC

DTC	CONSULT-III	Diagnostic item is detected when...	Reference
[P1802]	CONTROL UNIT 1	Malfunction is detected in the memory (RAM) system of transfer control unit.	Refer to <a href="#">DLN-29</a> .
[P1803]	CONTROL UNIT 2	Malfunction is detected in the memory (ROM) system of transfer control unit.	
[P1804]	CONTROL UNIT 3	Malfunction is detected in the memory (EEPROM) system of transfer control unit.	
[P1809]	CONTROL UNIT 4	AD converter system of transfer control unit is malfunctioning.	

### DTC CONFIRMATION PROCEDURE

#### 1. DTC CONFIRMATION PROCEDURE

1. Turn ignition switch ON.
2. Perform self-diagnosis.

Are DTC's P1802 - P1804 or P1809 detected?

- YES >> Perform diagnosis procedure. Refer to [DLN-29. "Diagnosis Procedure"](#).  
NO >> Inspection End.

### Diagnosis Procedure

INFOID:000000003937198

#### 1. INSPECTION START

Do you have CONSULT-III?

YES or NO

- YES >> GO TO 2.  
NO >> GO TO 3.

#### 2. PERFORM SELF-DIAGNOSIS (WITH CONSULT-III)

 **With CONSULT-III**

1. Turn ignition switch ON. (Do not start engine.)
2. Select SELF-DIAG RESULTS mode for ALL MODE AWD/4WD with CONSULT-III.
3. Touch ERASE.
4. Turn ignition switch OFF and wait at least 10 seconds.
5. Perform the self-diagnosis again.

Is the CONTROL UNIT 1 [P1802], CONTROL UNIT 2 [P1803], CONTROL UNIT 3 [P1804] or CONTROL UNIT 4 [P1809] displayed?

- YES >> Replace transfer control unit. Refer to [DLN-136. "Removal and Installation"](#).  
NO >> Inspection End.

#### 3. PERFORM SELF-DIAGNOSIS (WITHOUT CONSULT-III)

## P1802 – P1804, P1809 TRANSFER CONTROL UNIT

< COMPONENT DIAGNOSIS >

[TRANSFER: ATX14B]

---

⊗ **Without CONSULT-III**

1. Perform the self-diagnosis and then erase self-diagnostic results. Refer to [DLN-22. "CONSULT-III Function \(ALL MODE AWD/4WD\)"](#).
2. Perform the self-diagnosis again.

Do the self-diagnostic results indicate AD converter?

YES >> Replace transfer control unit.

NO >> Inspection End.

# P1807 VEHICLE SPEED SENSOR (A/T)

< COMPONENT DIAGNOSIS >

[TRANSFER: ATX14B]

## P1807 VEHICLE SPEED SENSOR (A/T)

### Description

INFOID:000000003937199

The transmission control module (TCM) transmits the output shaft revolution signal via CAN communication to Transfer control unit. DTC P1807 will set when a malfunction is detected in the output shaft revolution signal or an improper signal is input while driving.

### DTC Logic

INFOID:000000003937200

### DTC DETECTION LOGIC

DTC	CONSULT-III	Diagnostic item is detected when...	Reference
[P1807]	VHCL SPEED SEN-AT	<ul style="list-style-type: none"><li>Malfunction is detected in output shaft revolution signal that is output from TCM through CAN communication.</li><li>Improper signal is input while driving.</li></ul>	Refer to <a href="#">DLN-31</a> .

### DTC CONFIRMATION PROCEDURE

#### 1. DTC CONFIRMATION PROCEDURE

1. Turn ignition switch ON.
2. Perform self-diagnosis.

#### Is DTC P1807 detected?

- YES >> Perform diagnosis procedure. Refer to [DLN-31](#), "[Diagnosis Procedure](#)".  
NO >> Inspection End.

### Diagnosis Procedure

INFOID:000000003937201

#### 1. CHECK DTC WITH TCM

Perform self-diagnosis with TCM. Refer to [TM-36](#), "[CONSULT-III Function \(TRANSMISSION\)](#)".

#### Is any malfunction detected by self-diagnosis?

- YES >> Check the malfunctioning system.  
NO >> GO TO 2.

#### 2. CHECK TRANSFER CONTROL UNIT

Check transfer control unit input/output signal. Refer to [DLN-85](#), "[Reference Value](#)".

#### Are the inspection results normal?

- YES >> GO TO 3.  
NO >> Check transfer control unit pin terminals for damage or loose connection with harness connector.  
If any items are damaged, repair or replace damaged parts.

#### 3. CHECK DTC

Drive the vehicle and then perform self-diagnosis.

#### Are the inspection results normal?

- YES >> Inspection End.  
NO >> Perform self-diagnosis with TCM again.

# P1808 VEHICLE SPEED SENSOR (ABS)

< COMPONENT DIAGNOSIS >

[TRANSFER: ATX14B]

## P1808 VEHICLE SPEED SENSOR (ABS)

### Description

INFOID:000000003937202

The ABS actuator and electric unit (control unit) transmits a vehicle speed signal via CAN communication to the transfer control unit. DTC P1808 sets when a malfunction is detected in the vehicle speed signal that is output from the ABS actuator and electric unit (control unit) or an improper signal is input while driving.

### DTC Logic

INFOID:000000003937203

### DTC DETECTION LOGIC

DTC	CONSULT-III	Diagnostic item is detected when...	Reference
[P1808]	VHCL SPEED SEN-ABS	<ul style="list-style-type: none"><li>Malfunction is detected in vehicle speed signal that is output from ABS actuator and electric unit (control unit) through CAN communication.</li><li>Improper signal is input while driving.</li></ul>	Refer to <a href="#">DLN-32</a> .

### DTC CONFIRMATION PROCEDURE

#### 1. DTC CONFIRMATION PROCEDURE

1. Turn ignition switch ON.
2. Perform self-diagnosis.

Is DTC P1808 displayed?

- YES >> Perform diagnosis procedure. Refer to [DLN-32, "Diagnosis Procedure"](#).  
NO >> Inspection End.

### Diagnosis Procedure

INFOID:000000003937204

#### 1. CHECK DTC WITH ABS ACTUATOR AND ELECTRIC UNIT (CONTROL UNIT)

Perform self-diagnosis with ABS actuator and electric unit (control unit). Refer to [BRC-153, "CONSULT-III Function \(ABS\)"](#).

Is any malfunction detected by self-diagnosis?

- YES >> Check the malfunctioning system.  
NO >> GO TO 2.

#### 2. CHECK TRANSFER CONTROL UNIT

Check transfer control unit input/output signal. Refer to [DLN-85, "Reference Value"](#).

Are the inspection results normal?

- YES >> GO TO 3.  
NO >> Check transfer control unit pin terminals for damage or loose connection with harness connector.  
If any items are damaged, repair or replace damaged parts.

#### 3. CHECK DTC

Perform the self-diagnosis, after driving a vehicle for a while.

Are the inspection results normal?

- YES >> Inspection End.  
NO >> Perform self-diagnosis with ABS actuator and electric unit (control unit) again.



# P1810 NEUTRAL-4LO SWITCH

< COMPONENT DIAGNOSIS >

[TRANSFER: ATX14B]

## P1810 NEUTRAL-4LO SWITCH

### Description

INFOID:000000003937205

The neutral-4LO switch detects that the transfer case is in neutral or 4LO range. DTC P1810 will set when an improper signal from the neutral-4LO switch is input due to an open or short circuit.

### DTC Logic

INFOID:000000003937206

### DTC DETECTION LOGIC

DTC	CONSULT-III	Diagnostic item is detected when...	Reference
[P1810]	4L POSI SW TF	Improper signal from neutral-4LO switch is input due to open or short circuit.	Refer to <a href="#">DLN-33</a> .

### DTC CONFIRMATION PROCEDURE

#### 1. DTC CONFIRMATION PROCEDURE

1. Turn ignition switch ON.
2. Perform self-diagnosis.

#### Is DTC P1810 displayed?

- YES >> Perform diagnosis procedure. Refer to [DLN-33, "Diagnosis Procedure"](#).  
 NO >> Inspection End.

### Diagnosis Procedure

INFOID:000000003937207

#### 1. CHECK 4LO POSITION SWITCH SIGNAL

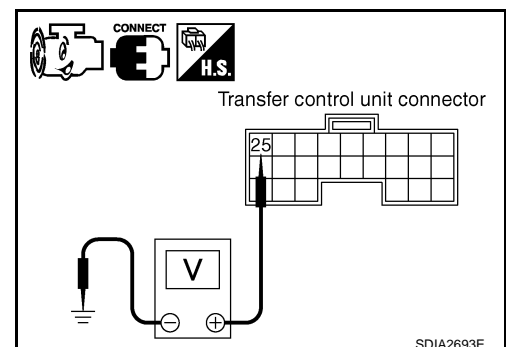
##### With CONSULT-III

1. Start engine.
2. Select DATA MONITOR mode for ALL MODE AWD/4WD with CONSULT-III.
3. Read out the value of N POSI SW TF.

Condition	Display value
	4WD shift switch: 2WD, AUTO or 4H OFF
<ul style="list-style-type: none"> <li>• Vehicle stopped</li> <li>• Engine running</li> <li>• A/T selector lever N position</li> <li>• Brake pedal depressed</li> </ul>	4WD shift switch: 4H to 4LO (While actuator motor is operating.) OFF → ON
	4WD shift switch: 4LO to 4H (While actuator motor is operating.) ON → OFF
	4WD shift switch: 4LO ON

##### Without CONSULT-III

1. Start engine.
2. Check voltage between transfer control unit harness connector terminal and ground.



# P1810 NEUTRAL-4LO SWITCH

< COMPONENT DIAGNOSIS >

[TRANSFER: ATX14B]

Connector	Terminal (Wire color)	Condition	Voltage (Approx.)
M153	25 - Ground	4WD shift switch: 2WD, AUTO or 4H	Battery voltage
		4WD shift switch: 4H to 4LO (While actuator motor is operating.)	Battery voltage → 0V
		4WD shift switch: 4LO to 4H (While actuator motor is operating.)	0V → Battery voltage
		4WD shift switch: 4LO	0V

Are inspection results normal?

- YES >> GO TO 5.  
NO >> GO TO 2.

## 2.CHECK HARNESS BETWEEN TRANSFER CONTROL UNIT AND NEUTRAL-4LO SWITCH

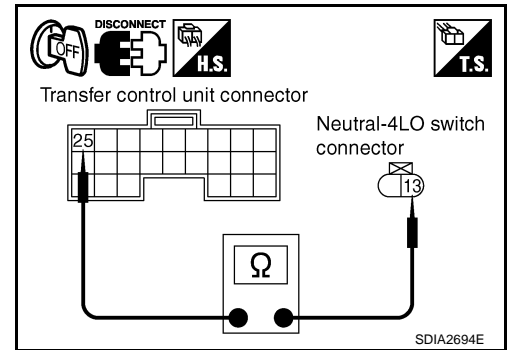
1. Turn ignition switch OFF. (Stay for at least 5 seconds.)
2. Disconnect transfer control unit harness connector and the neutral-4LO switch harness connector.
3. Check continuity between transfer control unit harness connector M153 terminal 25 and neutral-4LO switch harness connector F60 terminal 13.

**Continuity should exist.**

Also check harness for short to ground and short to power.

Are inspection results normal?

- YES >> GO TO 3.  
NO >> Repair or replace damaged parts.



## 3.CHECK GROUND CIRCUIT

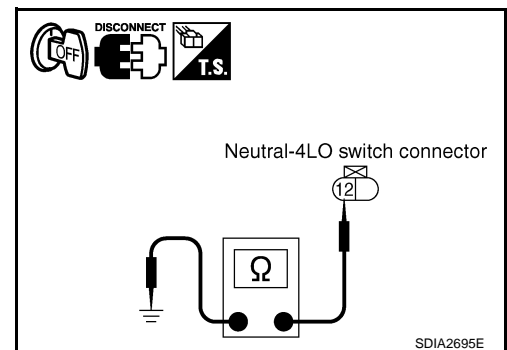
1. Turn ignition switch OFF. (Stay for at least 5 seconds.)
2. Disconnect neutral-4LO switch harness connector.
3. Check continuity between neutral-4LO switch harness connector F60 terminal 12 and ground.

**Continuity should exist.**

Also check harness for short to ground and short to power.

Are inspection results normal?

- YES >> GO TO 4.  
NO >> Repair open circuit or short to ground or short to power in harness or connectors.



## 4.CHECK 4LO SWITCH

1. Turn ignition switch OFF.
2. Disconnect neutral-4LO switch harness connector.
3. Remove neutral-4LO switch.

# P1810 NEUTRAL-4LO SWITCH

[TRANSFER: ATX14B]

## < COMPONENT DIAGNOSIS >

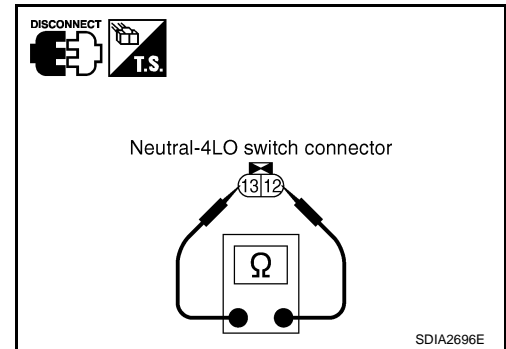
- Push and release neutral-4LO switch and check continuity between neutral-4LO switch terminals 12 and 13.

Terminal	Condition	Continuity
12 - 13	Push neutral-4LO switch	Yes
	Release neutral-4LO switch	No

Are inspection results normal?

YES >> GO TO 5.

NO >> Replace neutral-4LO switch. Refer to [DLN-18, "Component Parts Location"](#).



## 5. CHECK TRANSFER CONTROL UNIT

Check transfer control unit input/output signal. Refer to [DLN-85, "Reference Value"](#).

Are inspection results normal?

YES >> GO TO 6.

NO >> Check transfer control unit pin terminals for damage or loose connection with harness connector. If any items are damaged, repair or replace damaged parts.

## 6. CHECK DTC

Drive the vehicle and then perform self-diagnosis.

Are inspection results normal?

YES >> Inspection End.

NO >> Replace transfer control unit. Refer to [DLN-136, "Removal and Installation"](#).

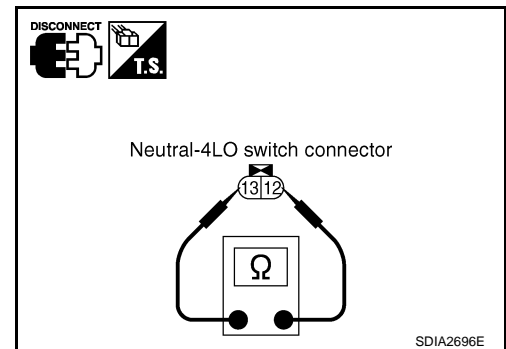
## Component Inspection

INFOID:000000003937208

- Turn ignition switch OFF. (Stay for at least 5 seconds.)
- Disconnect neutral-4LO switch harness connector.
- Remove neutral-4LO switch. Refer to [DLN-18, "Component Parts Location"](#).
- Push and release neutral-4LO switch and check continuity between neutral-4LO switch terminals 12 and 13.

Terminal	Condition	Continuity
12 - 13	Push neutral-4LO switch	Yes
	Release neutral-4LO switch	No

- If the inspection results are abnormal replace the neutral-4LO switch.



# P1813 4WD SHIFT SWITCH

< COMPONENT DIAGNOSIS >

[TRANSFER: ATX14B]

## P1813 4WD SHIFT SWITCH

### Description

INFOID:000000003937209

The 4WD shift switch allows the driver to select AUTO, 2WD or 4WD and 4H or 4LO. DTC P1813 will set if more than two switch inputs are simultaneously detected by the transfer control unit due to a short circuit in the 4WD shift switch.

### DTC Logic

INFOID:000000003937210

### DTC DETECTION LOGIC

DTC	CONSULT-III	Diagnostic item is detected when...	Reference
[P1813]	4WD MODE SW	More than two switch inputs are simultaneously detected due to short circuit of 4WD shift switch.	Refer to <a href="#">DLN-36</a> .

### DTC CONFIRMATION PROCEDURE

#### 1. DTC CONFIRMATION PROCEDURE

1. Turn ignition switch ON.
2. Perform self-diagnosis.

Is DTC P1813 displayed?

- YES >> Perform diagnosis procedure. Refer to [DLN-36, "Diagnosis Procedure"](#).  
 NO >> Inspection End.

### Diagnosis Procedure

INFOID:000000003937211

#### 1. CHECK 4WD SHIFT SWITCH SIGNAL

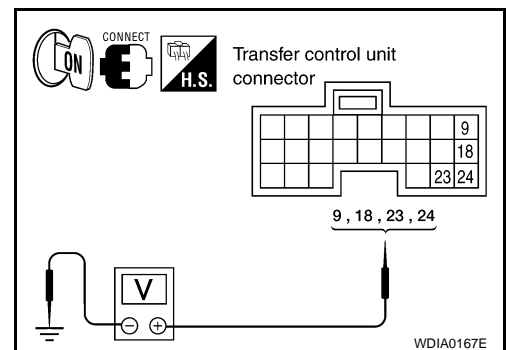
##### Ⓟ With CONSULT-III

1. Turn ignition switch "ON". (Do not start engine.)
2. Select "DATA MONITOR" mode for "ALL MODE AWD/4WD" with CONSULT-III.
3. Read out ON/OFF switching action of the "2WD SWITCH", "AUTO SWITCH", "LOCK SWITCH" and "4L SWITCH" while operating 4WD shift switch.

##### ⓧ Without CONSULT-III

1. Turn ignition switch "ON". (Do not start engine.)
2. Check voltage between transfer control unit harness connector terminals and ground.

Connector	Terminal	Condition	Voltage (Approx.)
M152	9 - ground	4WD shift switch: 2WD	Battery voltage
		4WD shift switch: AUTO, 4H or 4LO	0V
	18 - ground	4WD shift switch: 4H	Battery voltage
		4WD shift switch: 2WD, AUTO or 4LO	0V
	23 - ground	4WD shift switch: 4LO	Battery voltage
		4WD shift switch: 2WD, AUTO or 4H	0V
24 - ground	4WD shift switch: AUTO	Battery voltage	
	4WD shift switch: 2WD, 4H or 4LO	0V	



### OK or NG

- OK >> GO TO 5.  
 NG >> GO TO 2.

# P1813 4WD SHIFT SWITCH

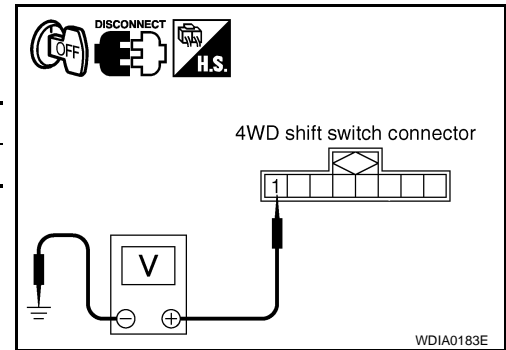
[TRANSFER: ATX14B]

< COMPONENT DIAGNOSIS >

## 2. CHECK 4WD SHIFT SWITCH POWER SUPPLY CIRCUIT

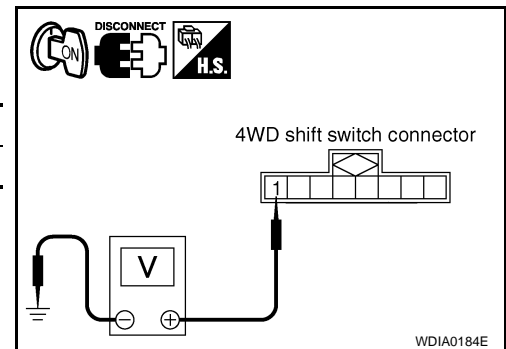
1. Turn ignition switch "OFF". (Stay for at least 5 seconds.)
2. Disconnect 4WD shift switch harness connector.
3. Check voltage between 4WD shift switch harness connector terminal 1 and ground.

Connector	Terminal	Voltage (Approx.)
M141	1 - Ground	0V



4. Turn ignition switch "ON". (Do not start engine.)
5. Check voltage between 4WD shift switch harness connector terminal 1 and ground.

Connector	Terminal	Voltage (Approx.)
M141	1 - Ground	Battery voltage



**OK or NG**

OK >> GO TO 3.

NG >> Check the following. If any items are damaged, repair or replace damaged parts.

- Harness for short or open between transfer shut off relay harness connector E155 terminal 5.
- Power supply circuit for transfer control unit. Refer to [DLN-27, "Diagnosis Procedure"](#).

## 3. CHECK HARNESS BETWEEN 4WD SHIFT SWITCH AND TRANSFER CONTROL UNIT

1. Turn ignition switch "OFF". (Stay for at least 5 seconds.)
2. Disconnect transfer control unit harness connector and the 4WD shift switch harness connector.
3. Check continuity between the following terminals.
  - Transfer control unit harness connector M152 terminal 9 and 4WD shift switch harness connector M141 terminal 2.
  - Transfer control unit harness connector M152 terminal 18 and 4WD shift switch harness connector M141 terminal 5.
  - Transfer control unit harness connector M152 terminal 23 and 4WD shift switch harness connector M141 terminal 6.
  - Transfer control unit harness connector M152 terminal 24 and 4WD shift switch harness connector M141 terminal 3.

**Continuity should exist.**

Also check harness for short to ground and short to power.

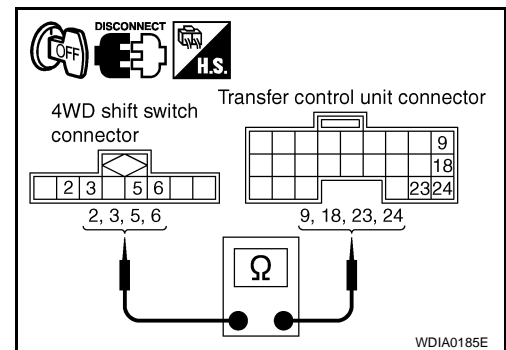
**OK or NG**

OK >> GO TO 4.

NG >> Repair or replace damaged parts.

## 4. CHECK 4WD SHIFT SWITCH

1. Turn ignition switch "OFF". (Stay for at least 5 seconds.)
2. Disconnect 4WD shift switch harness connector.



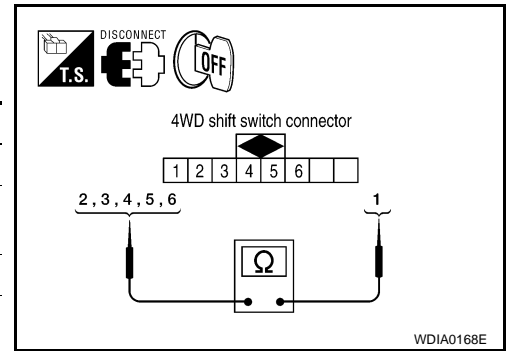
# P1813 4WD SHIFT SWITCH

[TRANSFER: ATX14B]

## < COMPONENT DIAGNOSIS >

3. Operate 4WD shift switch and check continuity between 4WD shift switch terminals.

Connector	Terminal	Condition	Continuity
M141	1 - 2	4WD shift switch: 2WD	Yes
		4WD shift switch: AUTO, 4H and 4LO	No
	1 - 3	4WD shift switch: AUTO	Yes
		4WD shift switch: 2WD, 4H and 4LO	No
	1 - 4	4WD shift switch: 2WD	No
		4WD shift switch: AUTO, 4H and 4LO	Yes
	1 - 5	4WD shift switch: 4H	Yes
		4WD shift switch: 2WD, AUTO, and 4LO	No
	1 - 6	4WD shift switch: 4LO	Yes
		4WD shift switch: 2WD, AUTO and 4H	No



### OK or NG

OK >> GO TO 5.

NG >> Replace 4WD shift switch.

## 5. CHECK TRANSFER CONTROL UNIT

Check transfer control unit input/output signal. Refer to [DLN-85. "Reference Value"](#).

### OK or NG

OK >> GO TO 6.

NG >> Check transfer control unit pin terminals for damage or loose connection with harness connector. If any items are damaged, repair or replace damaged parts.

## 6. CHECK DTC

Perform the self-diagnosis, after driving a vehicle for a while.

### OK or NG

OK >> Inspection End.

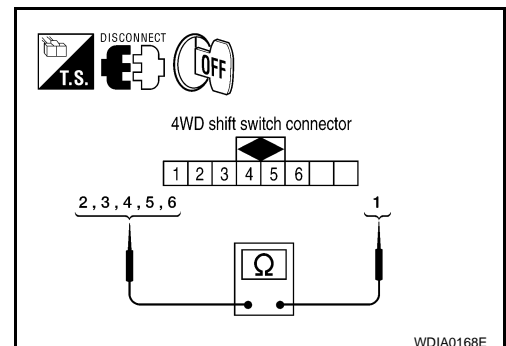
NG >> Replace transfer control unit. Refer to [DLN-136. "Removal and Installation"](#).

## Component Inspection

INFOID:000000003937212

### 4WD SHIFT SWITCH

1. Turn ignition switch "OFF". (Stay for at least 5 seconds.)
2. Disconnect 4WD shift switch harness connector.
3. Operate 4WD shift switch and check continuity between 4WD shift switch terminals.



# P1813 4WD SHIFT SWITCH

< COMPONENT DIAGNOSIS >

[TRANSFER: ATX14B]

Connector	Terminal	Condition	Continuity
M141	1 - 2	4WD shift switch: 2WD	Yes
		4WD shift switch: AUTO, 4H and 4LO	No
	1 - 3	4WD shift switch: AUTO	Yes
		4WD shift switch: 2WD, 4H and 4LO	No
	1 - 4	4WD shift switch: 2WD	No
		4WD shift switch: AUTO, 4H and 4LO	Yes
	1 - 5	4WD shift switch: 4H	Yes
		4WD shift switch: 2WD, AUTO, and 4LO	No
	1 - 6	4WD shift switch: 4LO	Yes
		4WD shift switch: 2WD, AUTO and 4H	No

4. If NG, replace the 4WD shift switch.

A  
B  
C  
DLN  
E  
F  
G  
H  
I  
J  
K  
L  
M  
N  
O  
P

# P1814 WAIT DETECTION SWITCH

< COMPONENT DIAGNOSIS >

[TRANSFER: ATX14B]

## P1814 WAIT DETECTION SWITCH

### Description

INFOID:0000000039372.13

The wait detection switch detects if the transfer case is in 4WD. DTC P1814 will set if an improper signal from the wait detection switch is input due to open or short circuit.

### DTC Logic

INFOID:0000000039372.14

### DTC DETECTION LOGIC

DTC	CONSULT-III	Diagnostic item is detected when...	Reference
[P1814]	4WD DETECT SWITCH	Improper signal from wait detection switch is input due to open or short circuit.	Refer to <a href="#">DLN-40</a> .

### DTC CONFIRMATION PROCEDURE

#### 1. DTC CONFIRMATION PROCEDURE

1. Turn ignition switch ON.
2. Perform self-diagnosis.

#### Is DTC P1814 detected?

- YES >> Perform diagnosis procedure. Refer to [DLN-40, "Diagnosis Procedure"](#).  
 NO >> Inspection End.

### Diagnosis Procedure

INFOID:0000000039372.15

#### 1. CHECK WAIT DETECTION SWITCH SIGNAL

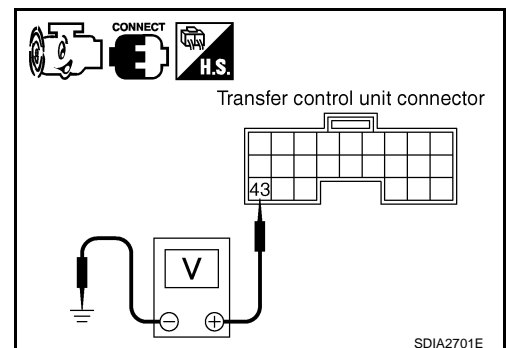
##### Ⓜ With CONSULT-III

1. Start engine.
2. Select "DATA MONITOR" mode for "ALL MODE AWD/4WD" with CONSULT-III.
3. Read out the value of "WAIT DETCT SW".

Condition	Display value
4WD shift switch: 2WD, AUTO or 4H	OFF
<ul style="list-style-type: none"> <li>• Vehicle stopped</li> <li>• Engine running</li> <li>• A/T selector lever "N" position</li> <li>• Brake pedal depressed</li> </ul> 4WD shift switch: 4H to 4LO (While actuator motor is operating.)	OFF → ON
4WD shift switch: 4LO to 4H (While actuator motor is operating.)	ON → OFF
4WD shift switch: 4LO	ON

##### ⓧ Without CONSULT-III

1. Start engine.
2. Check voltage between transfer control unit harness connector terminal and ground.





# P1814 WAIT DETECTION SWITCH

< COMPONENT DIAGNOSIS >

[TRANSFER: ATX14B]

Connector	Terminal	Condition	Voltage (Approx.)
M153	43 - Ground	4WD shift switch: 2WD, AUTO or 4H	Battery voltage
		4WD shift switch: 4H to 4LO (While actuator motor is operating.)	Battery voltage → 0V
		4WD shift switch: 4LO to 4H (While actuator motor is operating.)	0V → Battery voltage
		4WD shift switch: 4LO	0V

OK or NG

- OK >> GO TO 5.
- NG >> GO TO 2.

## 2. CHECK HARNESS BETWEEN TRANSFER CONTROL UNIT AND WAIT DETECTION SWITCH

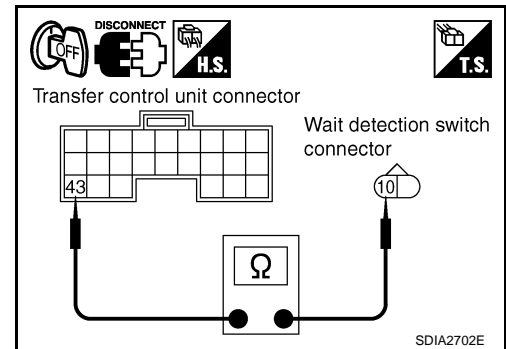
1. Turn ignition switch "OFF". (Stay for at least 5 seconds.)
2. Disconnect transfer control unit harness connector and the wait detection switch harness connector.
3. Check continuity between transfer control unit harness connector M153 terminal 43 and wait detection switch harness connector F59 terminal 10.

**Continuity should exist.**

Also check harness for short to ground and short to power.

OK or NG

- OK >> GO TO 3.
- NG >> Repair or replace damaged parts.



## 3. CHECK GROUND CIRCUIT

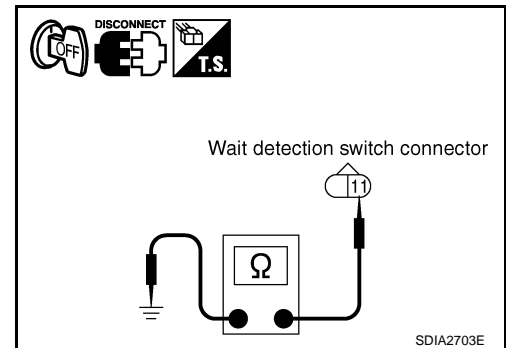
1. Turn ignition switch "OFF". (Stay for at least 5 seconds.)
2. Disconnect wait detection switch harness connector.
3. Check continuity between wait detection switch harness connector F59 terminal 11 and ground.

**Continuity should exist.**

Also check harness for short to power.

OK or NG

- OK >> GO TO 4.
- NG >> Repair open circuit or short to power in harness or connectors.



## 4. CHECK WAIT DETECTION SWITCH

1. Turn ignition switch "OFF". (Stay for at least 5 seconds.)
2. Disconnect wait detection switch harness connector.
3. Remove wait detection switch. Refer to [DLN-18, "Component Parts Location"](#).

# P1814 WAIT DETECTION SWITCH

[TRANSFER: ATX14B]

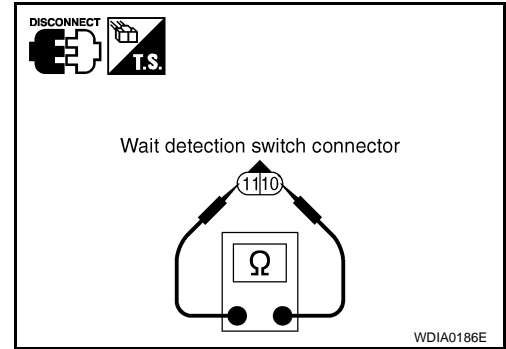
## < COMPONENT DIAGNOSIS >

4. Push and release wait detection switch and check continuity between wait detection switch terminals 10 and 11.

Terminal	Condition	Continuity
10 - 11	Push wait detection switch	Yes
	Release wait detection switch	No

### OK or NG

- OK >> GO TO 5.  
 NG >> Replace wait detection switch.



## 5. CHECK TRANSFER CONTROL UNIT

Check transfer control unit input/output signal. Refer to [DLN-85, "Reference Value"](#).

### OK or NG

- OK >> GO TO 6.  
 NG >> Check transfer control unit pin terminals for damage or loose connection with harness connector. If any items are damaged, repair or replace damaged parts.

## 6. CHECK DTC

Perform the self-diagnosis, after driving a vehicle for a while.

### OK or NG

- OK >> Inspection End.  
 NG >> Replace transfer control unit. Refer to [DLN-136, "Removal and Installation"](#).

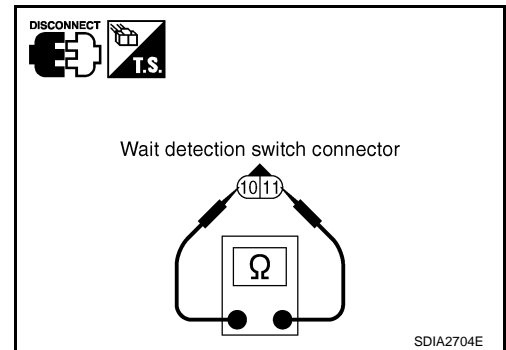
## Component Inspection

INFOID:000000003937216

1. Turn ignition switch OFF. (Stay for at least 5 seconds.)
2. Disconnect wait detection switch harness connector.
3. Remove wait detection switch. Refer to [DLN-18, "Component Parts Location"](#).
4. Push and release wait detection switch and check continuity between wait detection switch terminals 10 and 11.

Terminal	Condition	Continuity
10 - 11	Push wait detection switch	Yes
	Release wait detection switch	No

5. If the inspection results are abnormal replace the wait detection switch.



# P1816 PNP SWITCH

< COMPONENT DIAGNOSIS >

[TRANSFER: ATX14B]

## P1816 PNP SWITCH

### Description

INFOID:000000003937217

The A/T PNP switch transmits the A/T position indicator signal (PNP switch signal) via CAN communication to the transfer control unit. DTC P1816 will set when the A/T PNP switch signal is malfunctioning or there is a communication error.

### DTC Logic

INFOID:000000003937218

### DTC DETECTION LOGIC

DTC	CONSULT-III	Diagnostic item is detected when...	Reference
[P1816]	PNP SW/CIRC	When A/T PNP switch signal is malfunction or communication error between the control units.	Refer to <a href="#">DLN-43</a> .

### DTC CONFIRMATION PROCEDURE

#### 1. DTC CONFIRMATION PROCEDURE

1. Turn ignition switch ON.
2. Perform self-diagnosis.

#### Is DTC P1816 displayed?

- YES >> Perform diagnosis procedure. Refer to [DLN-43, "Diagnosis Procedure"](#).  
NO >> Inspection End.

### Diagnosis Procedure

INFOID:000000003937219

#### 1. CHECK DTC WITH TCM

Perform self-diagnosis with TCM. Refer to [TM-36, "CONSULT-III Function \(TRANSMISSION\)"](#).

#### Is any malfunction detected by self-diagnosis?

- YES >> Check the malfunctioning system.  
NO >> GO TO 2.

#### 2. CHECK TRANSFER CONTROL UNIT

Check transfer control unit input/output signal. Refer to [DLN-85, "Reference Value"](#).

#### Are inspection results normal?

- YES >> GO TO 3.  
NO >> Check transfer control unit pin terminals for damage or loose connection with harness connector. If any items are damaged, repair or replace damaged parts.

#### 3. CHECK DTC

Drive the vehicle and then perform self-diagnosis.

#### Are inspection results normal?

- YES >> Inspection End.  
NO >> Perform self-diagnosis with TCM again.

# P1817 ACTUATOR MOTOR

< COMPONENT DIAGNOSIS >

[TRANSFER: ATX14B]

## P1817 ACTUATOR MOTOR

### Description

INFOID:000000003937220

The actuator motor receives signals from the transfer control unit and controls shift rods which shift the transfer case. DTC P1817 will set when any of the following occur:

- Motor does not operate properly due to open or short circuit in actuator motor.
- Malfunction is detected in the actuator motor. (When 4WD shift switch is operated and actuator motor does not operate)
- Malfunction is detected in transfer shift high relay or transfer shift low relay.

### DTC Logic

INFOID:000000003937221

### DTC DETECTION LOGIC

DTC	CONSULT-III	Diagnostic item is detected when...	Reference
[P1817]	SHIFT ACTUATOR	<ul style="list-style-type: none"><li>• Motor does not operate properly due to open or short circuit in actuator motor.</li><li>• Malfunction is detected in the actuator motor. (When 4WD shift switch is operated and actuator motor is not operated)</li><li>• Malfunction is detected in transfer shift high relay and transfer shift low relay.</li></ul>	Refer to <a href="#">DLN-44</a> .

### DTC CONFIRMATION PROCEDURE

#### 1. DTC CONFIRMATION PROCEDURE

1. Turn ignition switch ON.
2. Perform self-diagnosis.

#### Is DTC P1817 detected?

- YES >> Perform diagnosis procedure. Refer to [DLN-44, "Diagnosis Procedure"](#).  
NO >> Inspection End.

### Diagnosis Procedure

INFOID:000000003937222

#### 1. CHECK ACTUATOR MOTOR SIGNAL

##### With CONSULT-III

1. Start engine.
2. Select "DATA MONITOR" mode for "ALL MODE AWD/4WD" with CONSULT-III.
3. Read out the value of "SHIFT ACT1", "SHIFT AC MON1", "SHIFT ACT2" and "SHIFT AC MON2".

Monitored item	Condition	Display value
SHIFT ACT1	<ul style="list-style-type: none"><li>• Vehicle stopped</li><li>• Engine running</li><li>• A/T selector lever "N" position</li><li>• Brake pedal depressed</li></ul> 4WD shift switch: 4H to 4LO ("Wait" function is operating.)	ON
	Except the above	OFF
SHIFT AC MON1	<ul style="list-style-type: none"><li>• Vehicle stopped</li><li>• Engine running</li><li>• A/T selector lever "N" position</li><li>• Brake pedal depressed</li></ul> 4WD shift switch: 4H to 4LO ("Wait" function is operating.)	ON
	Except the above	OFF

# P1817 ACTUATOR MOTOR

< COMPONENT DIAGNOSIS >

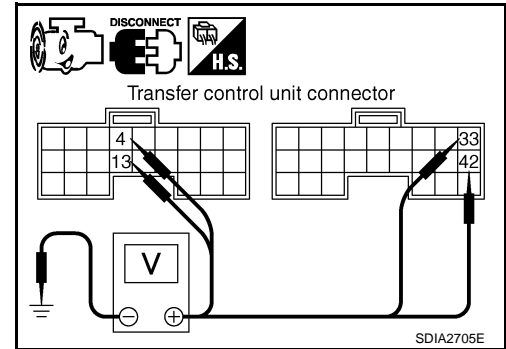
[TRANSFER: ATX14B]

Monitored item	Condition		Display value
SHIFT ACT2	<ul style="list-style-type: none"> <li>Vehicle stopped</li> <li>Engine running</li> <li>A/T selector lever "N" position</li> <li>Brake pedal depressed</li> </ul>	4WD shift switch: 4LO to 4H ("Wait" function is operating.)	ON
		Except the above	OFF
SHIFT AC MON2	<ul style="list-style-type: none"> <li>Vehicle stopped</li> <li>Engine running</li> <li>A/T selector lever "N" position</li> <li>Brake pedal depressed</li> </ul>	4WD shift switch: 4LO to 4H ("Wait" function is operating.)	ON
		Except the above	OFF

⊗ Without CONSULT-III

- Start engine.
- Check voltage between transfer control unit harness connector terminal and ground.

Connector	Terminal	Condition		Voltage (Approx.)
M152	4 - Ground	<ul style="list-style-type: none"> <li>Vehicle stopped</li> <li>Engine running</li> <li>A/T selector lever "N" position</li> <li>Brake pedal depressed</li> </ul>	4WD shift switch: 4H to 4LO ("Wait" function is operating.)	Battery voltage
			Except the above	0V
	13 - Ground	<ul style="list-style-type: none"> <li>Vehicle stopped</li> <li>Engine running</li> <li>A/T selector lever "N" position</li> <li>Brake pedal depressed</li> </ul>	4WD shift switch: 4LO to 4H ("Wait" function is operating.)	Battery voltage
			Except the above	0V
M153	33 - Ground	<ul style="list-style-type: none"> <li>Vehicle stopped</li> <li>Engine running</li> <li>A/T selector lever "N" position</li> <li>Brake pedal depressed</li> </ul>	4WD shift switch: 4H to 4LO ("Wait" function is operating.)	Battery voltage
			Except the above	0V
	42 - Ground	<ul style="list-style-type: none"> <li>Vehicle stopped</li> <li>Engine running</li> <li>A/T selector lever "N" position</li> <li>Brake pedal depressed</li> </ul>	4WD shift switch: 4LO to 4H ("Wait" function is operating.)	Battery voltage
			Except the above	0V



OK or NG

- OK >> GO TO 7.  
 NG >> GO TO 2.

## 2. CHECK ACTUATOR MOTOR POWER SUPPLY CIRCUIT

- Turn ignition switch "OFF". (Stay for at least 5 seconds.)
- Remove transfer shift high relay and transfer shift low relay.

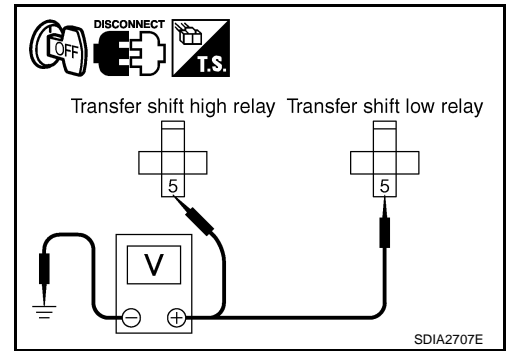
# P1817 ACTUATOR MOTOR

[TRANSFER: ATX14B]

## < COMPONENT DIAGNOSIS >

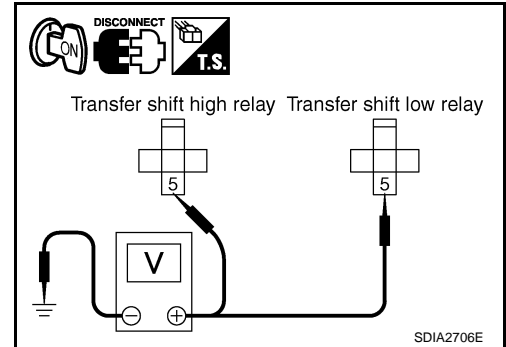
- Check voltage between transfer shift high relay harness connector E46 terminal 5, transfer shift low relay harness connector E47 terminal 5 and ground.

Connector	Terminal	Voltage (Approx.)
E46	5 - Ground	Battery voltage
E47	5 - Ground	



- Turn ignition switch "ON". (Do not start engine.)
- Check voltage between transfer shift high relay harness connector E46 terminal 5, transfer shift low relay harness connector E47 terminal 5 and ground.

Connector	Terminal	Voltage (Approx.)
E46	5 - Ground	Battery voltage
E47	5 - Ground	



### OK or NG

- OK    >> GO TO 3.
- NG    >> Check the following. If any items are damaged, repair or replace damaged parts.
- 20A fuse (No. 58, located in the fuse and relay box).
  - Harness for short or open between battery, transfer shift high harness connector terminal 5 and transfer shift low harness connector terminal 5.

## 3. CHECK ACTUATOR MOTOR GROUND CIRCUIT

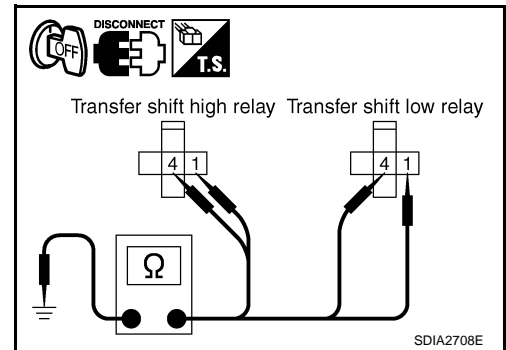
- Turn ignition switch "OFF". (Stay for at least 5 seconds.)
- Remove transfer shift high relay and transfer shift low relay. Refer to [DLN-18. "Component Parts Location"](#).
- Check continuity between transfer shift high relay harness connector E46 terminals 1 and 4, and transfer shift low relay harness connector E47 terminals 1 and 4 and ground.

**Continuity should exist.**

Also check harness for short to power.

### OK or NG

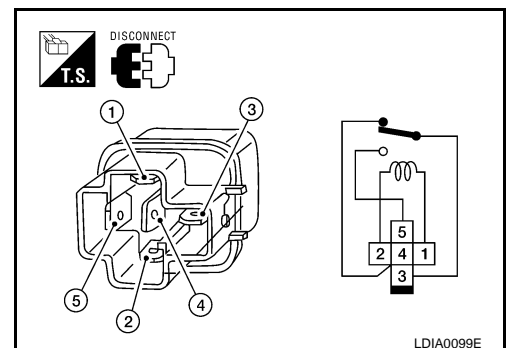
- OK    >> GO TO 4.
- NG    >> Repair open circuit or short to power in harness or connectors.



## 4. CHECK TRANSFER SHIFT RELAYS

- Turn ignition switch "OFF".
- Remove transfer shift high relay and transfer shift low relay.
- Apply 12V direct current between transfer shift relay terminals 1 and 2.
- Check continuity between relay terminals 3 and 4, 3 and 5.

Terminal	Condition	Continuity
3 - 4	12V direct current supply between terminals 1 and 2	No
	OFF	Yes
3 - 5	12V direct current supply between terminals 1 and 2	Yes
	OFF	No



### OK or NG

# P1817 ACTUATOR MOTOR

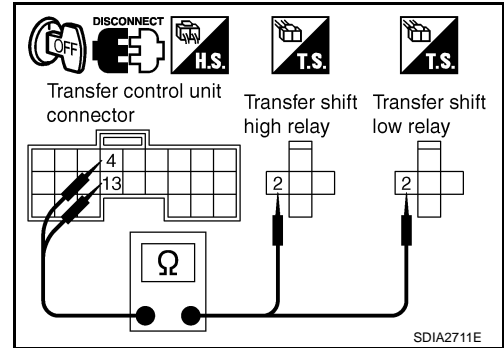
[TRANSFER: ATX14B]

## < COMPONENT DIAGNOSIS >

- OK >> GO TO 5.
- NG >> Replace the transfer shift relay.

### 5. CHECK HARNESS BETWEEN TRANSFER CONTROL UNIT AND TRANSFER SHIFT RELAY

1. Turn ignition switch "OFF". (Stay for at least 5 seconds.)
2. Disconnect transfer control unit harness connector and the transfer control device (actuator motor) harness connector.
3. Remove transfer shift high relay and transfer shift low relay.
4. Check continuity between the following terminals.
  - Transfer control unit harness connector M152 terminal 4 and transfer shift high relay harness connector E46 terminal 2.
  - Transfer control unit harness connector M152 terminal 13 and transfer shift low relay harness connector E47 terminal 2.



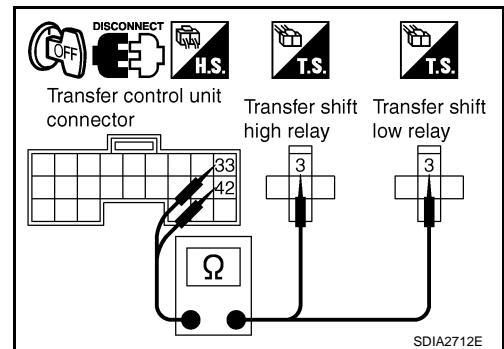
- Transfer control unit harness connector M153 terminal 33 and transfer shift high relay harness connector E46 terminal 3.
- Transfer control unit harness connector M153 terminal 42 and transfer shift low relay harness connector E47 terminal 3.

**Continuity should exist.**

Also check harness for short to ground and short to power.

#### OK or NG

- OK >> GO TO 6.
- NG >> Repair or replace damaged parts.



### 6. CHECK HARNESS BETWEEN TRANSFER CONTROL UNIT AND ACTUATOR MOTOR

1. Turn ignition switch "OFF". (Stay for at least 5 seconds.)
2. Disconnect transfer control unit harness connector and the transfer control device (actuator motor) harness connector.
3. Check continuity between the following terminals.
  - Transfer control unit harness connector M153 terminal 33 and transfer control device (actuator motor) harness connector F58 terminal 21.
  - Transfer control unit harness connector M153 terminal 42 and transfer control device (actuator motor) harness connector F58 terminal 24.

**Continuity should exist.**

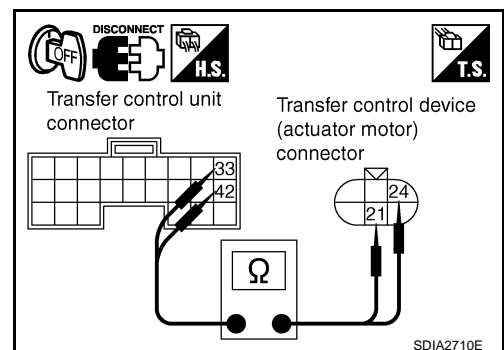
Also check harness for short to ground and short to power.

#### OK or NG

- OK >> GO TO 7.
- NG >> Repair or replace damaged parts.

### 7. CHECK ACTUATOR MOTOR

1. Remove transfer control device. Refer to [DLN-142. "Removal and Installation"](#).



# P1817 ACTUATOR MOTOR

[TRANSFER: ATX14B]

## < COMPONENT DIAGNOSIS >

- Check operation by applying battery voltage to transfer control device (actuator motor) terminals 21 and 24.

### CAUTION:

- Do not operate actuator motor for more than 1 second.
- Change the actuator motor position to "HIGH" when installing.
- Be careful not to overheat the harness.

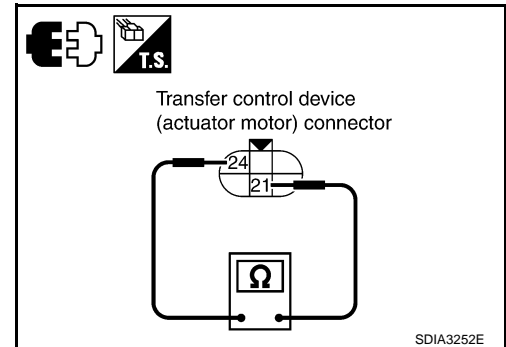
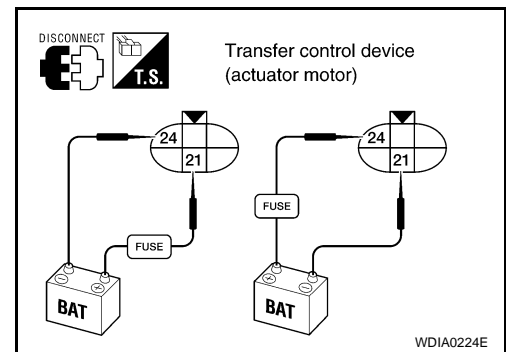
Terminal	Actuator motor
21 (Battery voltage) - 24 (Ground)	Clockwise rotate
24 (Battery voltage) - 21 (Ground)	Counterclockwise rotate

- Check resistance between transfer control device (actuator motor) terminals 21 and 24.

21 - 24 : Approx. 0.2 Ω

### OK or NG

- OK >> GO TO 8.  
 NG >> Replace transfer control device (actuator motor).



## 8. CHECK TRANSFER CONTROL UNIT

Check transfer control unit input/output signal. Refer to [DLN-85. "Reference Value"](#).

### OK or NG

- OK >> GO TO 9.  
 NG >> Check transfer control unit pin terminals for damage or loose connection with harness connector. If any items are damaged, repair or replace damaged parts.

## 9. CHECK DTC

Perform the self-diagnosis, after driving a vehicle for a while.

### OK or NG

- OK >> Inspection End.  
 NG >> Replace transfer control unit. Refer to [DLN-136. "Removal and Installation"](#).

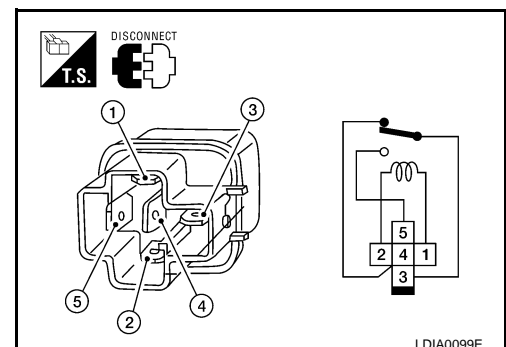
## Component Inspection

INFOID:000000003937223

### TRANSFER SHIFT RELAY

- Turn ignition switch "OFF". (Stay for at least 5 seconds.)
- Remove transfer shift high relay and transfer shift low relay. Refer to [DLN-18. "Component Parts Location"](#).
- Apply 12V direct current between transfer shift relay terminals 1 and 2.
- Check continuity between relay terminals 3 and 4, 3 and 5.

Terminal	Condition	Continuity
3 - 4	12V direct current supply between terminals 1 and 2	Yes
	OFF	No
3 - 5	12V direct current supply between terminals 1 and 2	Yes
	OFF	No



- If NG, replace transfer shift relay.

### TRANSFER CONTROL DEVICE

- Remove transfer control device. Refer to [DLN-142. "Removal and Installation"](#).



# P1817 ACTUATOR MOTOR

## < COMPONENT DIAGNOSIS >

[TRANSFER: ATX14B]

- Check operation by applying battery voltage to transfer control device (actuator motor) terminals 21 and 24.

**CAUTION:**

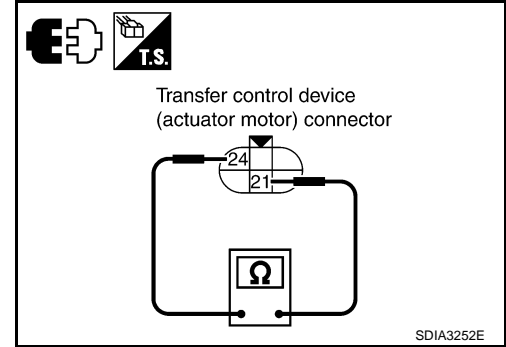
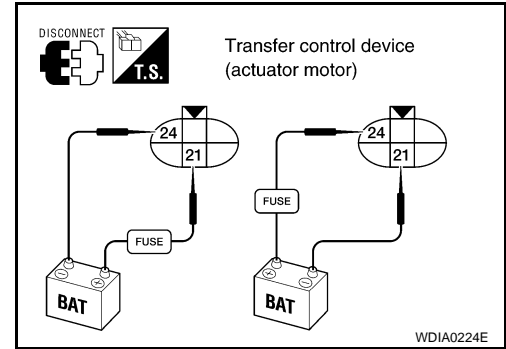
- Do not operate actuator motor for more than 1 second.
- Change the actuator motor position to "HIGH" when installing.
- Be careful not to overheat the harness.

Terminal	Actuator motor
21 (Battery voltage) - 24 (Ground)	Clockwise rotate
24 (Battery voltage) - 21 (Ground)	Counterclockwise rotate

- Check resistance between transfer control device (actuator motor) terminals 21 and 24.

**21 - 24 : Approx. 0.2 Ω**

- If NG, replace transfer control device (actuator motor).



A  
B  
C  
DLN  
E  
F  
G  
H  
I  
J  
K  
L  
M  
N  
O  
P

# P1818 ACTUATOR POSITION SWITCH

< COMPONENT DIAGNOSIS >

[TRANSFER: ATX14B]

## P1818 ACTUATOR POSITION SWITCH

### Description

INFOID:000000003937224

The actuator position switch detects the current actuator motor range. DTC P1818 will set if either of the following occur:

- Improper signal from actuator position switch is input due to open or short circuit.
- Malfunction is detected in actuator position switch.

### DTC Logic

INFOID:000000003937225

### DTC DETECTION LOGIC

DTC	CONSULT-III	Diagnostic item is detected when...	Reference
[P1818]	SHIFT ACT POSI SW	<ul style="list-style-type: none"> <li>• Improper signal from actuator position switch is input due to open or short circuit.</li> <li>• Malfunction is detected in the actuator position switch.</li> </ul>	Refer to <a href="#">DLN-50</a> .

### DTC CONFIRMATION PROCEDURE

#### 1. DTC CONFIRMATION PROCEDURE

1. Turn ignition switch ON.
2. Perform self-diagnosis.

#### Is DTC P1818 detected?

- YES >> Perform diagnosis procedure. Refer to [DLN-50, "Diagnosis Procedure"](#).  
 NO >> Inspection End.

### Diagnosis Procedure

INFOID:000000003937226

#### 1. CHECK ACTUATOR POSITION SWITCH SIGNAL

##### With CONSULT-III

1. Start engine.
2. Select "DATA MONITOR" mode for "ALL MODE AWD/4WD" with CONSULT-III.
3. Read out the value of "SHIFT POS SW1" and "SHIFT POS SW2".

Monitored item	Condition	Display value
SHIFT POS SW1	<ul style="list-style-type: none"> <li>• Vehicle stopped</li> <li>• Engine running</li> </ul> 4WD shift switch: 4LO	ON
	<ul style="list-style-type: none"> <li>• A/T selector lever "N" position</li> <li>• Brake pedal depressed</li> </ul> 4WD shift switch: 2WD, AUTO or 4H	OFF
SHIFT POS SW2	<ul style="list-style-type: none"> <li>• Vehicle stopped</li> <li>• Engine running</li> </ul> 4WD shift switch: 4H, AUTO or 2WD	ON
	<ul style="list-style-type: none"> <li>• A/T selector lever "N" position</li> <li>• Brake pedal depressed</li> </ul> 4WD shift switch: 4LO	OFF

##### Without CONSULT-III

1. Start engine.

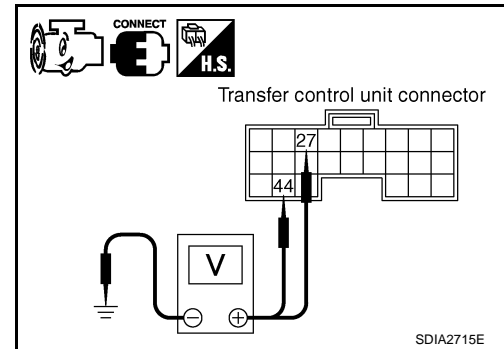
# P1818 ACTUATOR POSITION SWITCH

[TRANSFER: ATX14B]

## < COMPONENT DIAGNOSIS >

- Check voltage between transfer control unit harness connector terminal and ground.

Connector	Terminal	Condition	Voltage (Approx.)
M153	27 - Ground	<ul style="list-style-type: none"> <li>Vehicle stopped</li> <li>Engine running</li> <li>A/T selector lever "N" position</li> <li>Brake pedal depressed</li> </ul>	4WD shift switch: 4H, AUTO or 2WD 0V
			4WD shift switch: 4LO Battery voltage
	44 - Ground	<ul style="list-style-type: none"> <li>Vehicle stopped</li> <li>Engine running</li> <li>A/T selector lever "N" position</li> <li>Brake pedal depressed</li> </ul>	4WD shift switch: 4LO 0V
			4WD shift switch: 2WD, AUTO or 4H Battery voltage

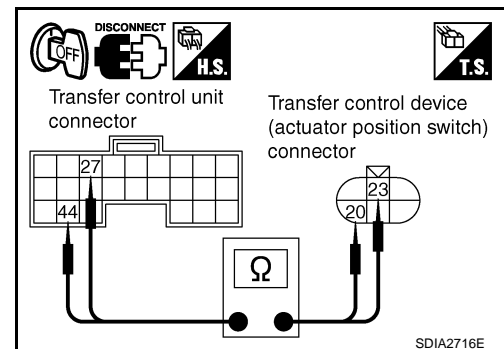


### OK or NG

- OK >> GO TO 5.  
NG >> GO TO 2.

## 2. CHECK HARNESS BETWEEN TRANSFER CONTROL UNIT AND ACTUATOR POSITION SWITCH

- Turn ignition switch "OFF". (Stay for at least 5 seconds.)
- Disconnect transfer control unit harness connector and the transfer control device (actuator position switch) harness connector.
- Check continuity between the following terminals.
  - Transfer control unit harness connector M153 terminal 27 and transfer control device (actuator position switch) harness connector F58 terminal 23.
  - Transfer control unit harness connector M153 terminal 44 and transfer control device (actuator position switch) harness connector F58 terminal 20.



**Continuity should exist.**

Also check harness for short to ground and short to power.

### OK or NG

- OK >> GO TO 3.  
NG >> Repair or replace damaged parts.

## 3. CHECK GROUND CIRCUIT

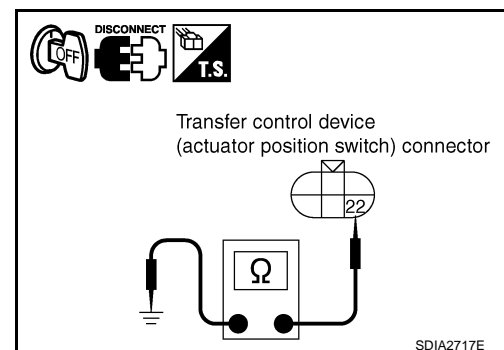
- Turn ignition switch "OFF". (Stay for at least 5 seconds.)
- Disconnect transfer control device (actuator position switch) harness connector.
- Check continuity between transfer control device (actuator position switch) harness connector F58 terminal 22 and ground.

**Continuity should exist.**

Also check harness for short to power.

### OK or NG

- OK >> GO TO 4.  
NG >> Repair open circuit or short to power in harness or connectors.



## 4. CHECK ACTUATOR POSITION SWITCH

- Remove transfer control device. Refer to [DLN-142, "Removal and Installation"](#).

# P1818 ACTUATOR POSITION SWITCH

[TRANSFER: ATX14B]

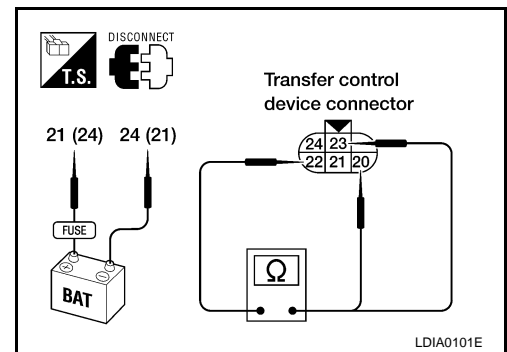
## < COMPONENT DIAGNOSIS >

- Check operation by applying battery voltage to transfer control device (actuator motor) terminals 21 and 24.

**CAUTION:**

- Do not operate actuator motor for more than 1 second.
- Change the actuator motor position to "HIGH" when installing.
- Be careful not to overheat the harness.

Terminal	Continuity	Continuity
24 (Battery voltage) - 21 (Ground)	20 - 22	YES
	22 - 23	NO
21 (Battery voltage) - 24 (Ground)	22 - 23	YES
	20 - 22	NO



OK or NG

- YES >> GO TO 5.
- NO >> Replace transfer control device.

## 5.CHECK TRANSFER CONTROL UNIT

Check transfer control unit input/output signal. Refer to [DLN-85, "Reference Value"](#).

OK or NG

- OK >> GO TO 6.
- NG >> Check transfer control unit pin terminals for damage or loose connection with harness connector. If any items are damaged, repair or replace damaged parts.

## 6.CHECK DTC

Perform the self-diagnosis, after driving a vehicle for a while.

OK or NG

- OK >> Inspection End.
- NG >> Replace transfer control device.

## Component Inspection

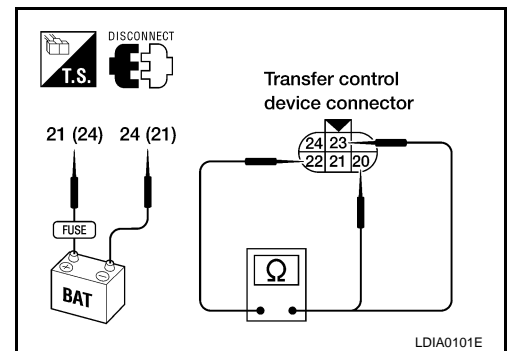
INFOID:000000003937227

- Remove transfer control device. Refer to [DLN-142, "Removal and Installation"](#).
- Check operation by applying battery voltage to transfer control device (actuator motor) terminals 21 and 24.

**CAUTION:**

- Do not operate actuator motor for more than 1 second.
- Change the actuator motor position to HIGH when installing.
- Be careful not to overheat the harness.

Terminal	Continuity	Continuity
24 (Battery voltage) - 21 (Ground)	20 - 22	Yes
	22 - 23	No
21 (Battery voltage) - 24 (Ground)	22 - 23	Yes
	20 - 22	No



- If the inspection results are abnormal replace transfer control device (actuator motor).

# P1819 TRANSFER CONTROL DEVICE

< COMPONENT DIAGNOSIS >

[TRANSFER: ATX14B]

## P1819 TRANSFER CONTROL DEVICE

### Description

INFOID:000000003937228

The transfer control device integrates the actuator motor and actuator position switch. DTC P1819 will set if either of the following conditions exist:

- Malfunction occurs in transfer control device actuator circuit.
- Malfunction is detected in the transfer shut off relay.

### DTC Logic

INFOID:000000003937229

### DTC DETECTION LOGIC

DTC	CONSULT-III	Diagnostic item is detected when...	Reference
[P1819]	SHIFT ACT CIR	<ul style="list-style-type: none"> <li>• Transfer control device actuator circuit is shorted or open. (Malfunctions are detected when transfer shift relay circuit is open/shorted or relay monitor circuit is open/shorted.)</li> <li>• Malfunction occurs in transfer control device drive circuit.</li> <li>• Malfunction is detected in transfer shut off relay.</li> </ul>	Refer to <a href="#">DLN-53</a> .

### DTC CONFIRMATION PROCEDURE

#### 1. DTC CONFIRMATION PROCEDURE

1. Turn ignition switch ON.
2. Perform self-diagnosis.

#### Is DTC P1819 detected?

- YES >> Perform diagnosis procedure. Refer to [DLN-53, "Diagnosis Procedure"](#).
- NO >> Inspection End.

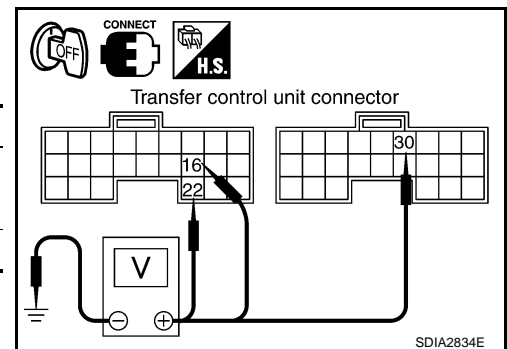
### Diagnosis Procedure

INFOID:000000003937230

#### 1. CHECK POWER SUPPLY

1. Turn ignition switch "OFF". (Stay for at least 5 seconds.)
2. Connect transfer control unit harness connector.
3. Check voltage between transfer control unit harness connector terminal and ground.

Connector	Terminal	Voltage (Approx.)
M152	16 - Ground	0V
	22 - Ground	
M153	30 - Ground	Battery voltage



# P1819 TRANSFER CONTROL DEVICE

[TRANSFER: ATX14B]

## < COMPONENT DIAGNOSIS >

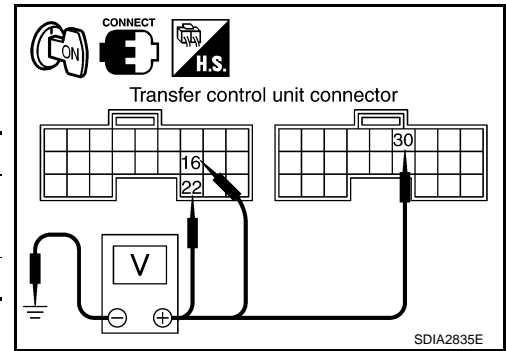
- Turn ignition switch "ON". (Do not start engine.)
- Check voltage between transfer control unit harness connector terminals and ground.

Connector	Terminal	Voltage (Approx.)
M152	16 - Ground	Battery voltage
	22 - Ground	
M153	30 - Ground	0V

### OK or NG

OK >> GO TO 2.

- NG >> Check the following. If any items are damaged, repair or replace damaged parts.
- 10A fuse (No. 59, located in the fuse and relay box).
  - Harness for short or open between battery and transfer shut off relay harness connector E155 terminal 1.
  - Harness for short or open between transfer shut off relay harness connector E155 terminal 2 and transfer control unit harness connector terminal 30.
  - Harness for short or open between battery and transfer shut off relay harness connector E155 terminal 3.
  - Harness for short or open between transfer shut off relay harness connector E155 terminal 5 and transfer control unit harness connector 22.
  - Transfer shut off relay. Refer to [DLN-28, "Component Inspection"](#).



## 2. CHECK GROUND CIRCUIT

- Turn ignition switch "OFF". (Stay for at least 5 seconds.)
- Disconnect transfer control unit harness connector.
- Check continuity between transfer control unit harness connector M152 terminals 3, 6 and M153 terminal 45 and ground.

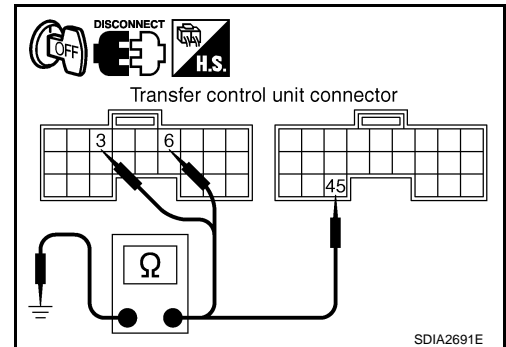
**Continuity should exist.**

Also check harness for short to power.

### OK or NG

OK >> GO TO 3.

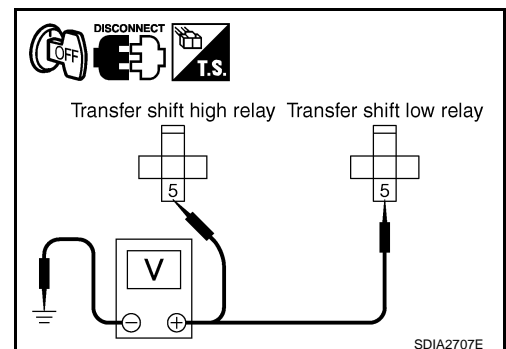
- NG >> Repair open circuit or short to power in harness or connectors.



## 3. CHECK ACTUATOR MOTOR POWER SUPPLY CIRCUIT

- Turn ignition switch "OFF". (Stay for at least 5 seconds.)
- Remove transfer shift high relay and transfer shift low relay. Refer to [DLN-18, "Component Parts Location"](#).
- Check voltage between transfer shift high relay harness connector E46 terminal 5, transfer shift low relay harness connector E47 terminal 5 and ground.

Connector	Terminal	Voltage (Approx.)
E46	5 - Ground	Battery voltage
E47	5 - Ground	



# P1819 TRANSFER CONTROL DEVICE

[TRANSFER: ATX14B]

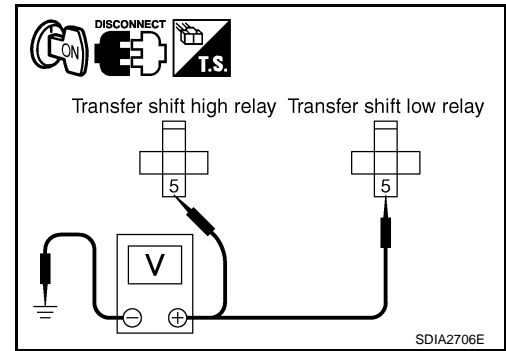
## < COMPONENT DIAGNOSIS >

- Turn ignition switch "ON". (Do not start engine.)
- Check voltage between transfer shift high relay harness connector E46 terminal 5, transfer shift low relay harness connector E47 terminal 5 and ground.

Connector	Terminal	Voltage (Approx.)
E46	5 - Ground	Battery voltage
E47	5 - Ground	

### OK or NG

- OK >> GO TO 4.
- NG >> Check the following. If any items are damaged, repair or replace damaged parts.
- 20A fuse [No. 58, located in the fuse and relay box].
  - Harness for short or open between battery, transfer shift high harness connector E46 terminal 5 and transfer shift low harness connector E47 terminal 5.



## 4. CHECK HARNESS BETWEEN TRANSFER CONTROL UNIT AND TRANSFER SHIFT RELAY

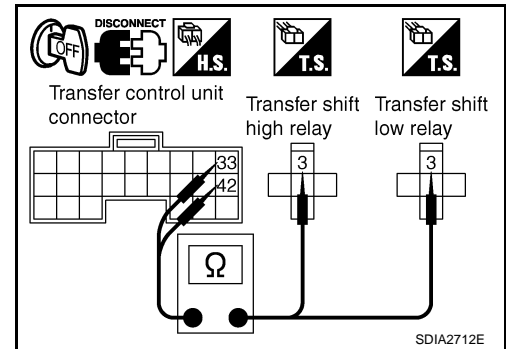
- Turn ignition switch "OFF". (Stay for at least 5 seconds.)
- Disconnect transfer control unit harness connector and transfer control device (actuator motor) harness connector.
- Remove transfer shift high relay and transfer shift low relay.
- Check continuity between the following terminals.
  - Transfer control unit harness connector M153 terminal 33 and transfer shift high relay harness connector E46 terminal 3.
  - Transfer control unit harness connector M153 terminal 42 and transfer shift low relay harness connector E47 terminal 3.

**Continuity should exist.**

Also check harness for short to ground and short to power.

### OK or NG

- OK >> GO TO 5.
- NG >> Repair or replace damaged parts.



## 5. CHECK TRANSFER SHIFT RELAY GROUND CIRCUIT

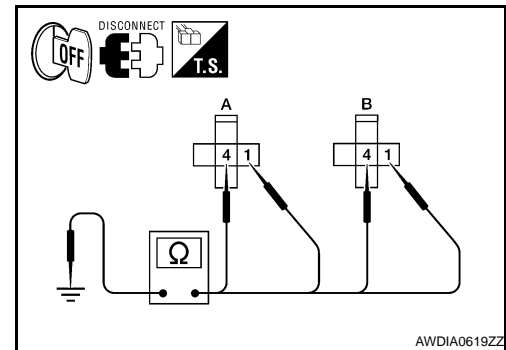
- Turn ignition switch "OFF". (Stay for at least 5 seconds.)
- Remove transfer shift high relay and transfer shift low relay.
- Check continuity between transfer shift high relay harness connector E46 (A) terminals 1 and 4 and transfer shift low relay harness connector E47 (B) terminals 1 and 4 and ground.

**Continuity should exist.**

Also check harness for short to power.

### OK or NG

- OK >> GO TO 6.
- NG >> Repair open circuit or short to power in harness or connectors.



## 6. CHECK TRANSFER CONTROL UNIT

Check transfer control unit input/output signal. Refer to [DLN-85, "Reference Value"](#).

### OK or NG

- OK-1 >> With CONSULT-III: GO TO 7.
- OK-2 >> Without CONSULT-III: GO TO 8.
- NG >> Check transfer control unit pin terminals for damage or loose connection with harness connector. If any items are damaged, repair or replace damaged parts.

## 7. PERFORM SELF-DIAGNOSIS (WITH CONSULT-III)

# P1819 TRANSFER CONTROL DEVICE

< COMPONENT DIAGNOSIS >

[TRANSFER: ATX14B]

---

**With CONSULT-III**

1. Turn ignition switch "ON". (Do not start engine.)
2. Select "SELF-DIAG RESULTS" mode for "ALL MODE AWD/4WD" with CONSULT-III.
3. Touch "ERASE".
4. Turn ignition switch "OFF" and wait at least 10 seconds.
5. Perform the self-diagnosis again.

Is the "SHIFT ACT CIR [P1819]" displayed?

YES >> Replace transfer control unit. Refer to [DLN-136. "Removal and Installation"](#).

NO >> Inspection End.

## 8.PERFORM SELF-DIAGNOSIS (WITHOUT CONSULT-III)

---

**Without CONSULT-III**

1. Perform the self-diagnosis and then erase self-diagnostic results. Refer to [DLN-22. "CONSULT-III Function \(ALL MODE AWD/4WD\)"](#).
2. Perform the self-diagnosis again.

Do the self-diagnostic results indicate transfer control device?

YES >> Replace transfer control unit.

NO >> Inspection End.



# P1820 ENGINE SPEED SIGNAL

< COMPONENT DIAGNOSIS >

[TRANSFER: ATX14B]

## P1820 ENGINE SPEED SIGNAL

### Description

INFOID:000000003937231

The ECM transmits the engine speed signal via CAN communication to the transfer control unit. DTC P1820 will set when either of the following occur:

- Malfunction is detected in engine speed signal that is output from the ECM.
- Improper signal is input while driving.

### DTC Logic

INFOID:000000003937232

### DTC DETECTION LOGIC

DTC	CONSULT-III	Diagnostic item is detected when...	Reference
[P1820]	ENGINE SPEED SIG	<ul style="list-style-type: none"><li>• Malfunction is detected in engine speed signal that is output from ECM through CAN communication.</li><li>• Improper signal is input while driving.</li></ul>	Refer to <a href="#">DLN-57</a> .

### DTC CONFIRMATION PROCEDURE

#### 1. DTC CONFIRMATION PROCEDURE

1. Turn ignition switch ON.
2. Perform self-diagnosis.

#### Is DTC P1820 detected?

- YES >> Perform diagnosis procedure. Refer to [DLN-57](#). "Diagnosis Procedure".  
NO >> Inspection End.

### Diagnosis Procedure

INFOID:000000003937233

#### 1. CHECK DTC WITH ECM

Perform self-diagnosis with ECM. Refer to [EC-546](#). "CONSULT-III Function (ENGINE)".

#### Is any malfunction detected by self-diagnosis?

- YES >> Check the malfunctioning system.  
NO >> GO TO 2.

#### 2. CHECK TRANSFER CONTROL UNIT

Check transfer control unit input/output signal. Refer to [DLN-85](#). "Reference Value".

#### Are the inspection results normal?

- YES >> GO TO 3.  
NO >> Check transfer control unit pin terminals for damage or loose connection with harness connector.  
If any items are damaged, repair or replace damaged parts.

#### 3. CHECK DTC

Drive the vehicle and then perform self-diagnosis.

#### Are the inspection results normal?

- YES >> Inspection End.  
NO >> Perform self-diagnosis with ECM again.

# P1822 CLUTCH PRESSURE SOLENOID

< COMPONENT DIAGNOSIS >

[TRANSFER: ATX14B]

## P1822 CLUTCH PRESSURE SOLENOID

### Description

INFOID:000000003937234

Proper voltage is not applied to the clutch pressure solenoid valve due to open or short circuit.

### DTC Logic

INFOID:000000003937235

### DTC DETECTION LOGIC

DTC	CONSULT-III	Diagnostic item is detected when...	Reference
[P1822]	DUTY SOLENOID	Proper voltage is not applied to clutch pressure solenoid valve due to open or short circuit.	Refer to <a href="#">DLN-58</a> .

### DTC CONFIRMATION PROCEDURE

#### 1. DTC CONFIRMATION PROCEDURE

1. Turn ignition switch ON.
2. Perform self-diagnosis.

#### Is DTC P1822 displayed?

- YES >> Perform diagnosis procedure. Refer to [DLN-58. "Diagnosis Procedure"](#).  
 NO >> Inspection End.

### Diagnosis Procedure

INFOID:000000003937236

#### 1. CHECK CLUTCH PRESSURE SIGNAL

##### Ⓜ With CONSULT-III

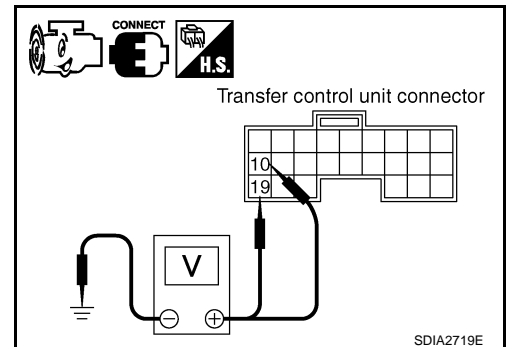
1. Start engine.
2. Select DATA MONITOR mode for ALL MODE AWD/4WD with CONSULT-III.
3. Read out the value of DUTY SOLENOID.

Condition	Display value	
<ul style="list-style-type: none"> <li>• Vehicle stopped</li> <li>• Engine running</li> <li>• A/T selector lever N position</li> <li>• Brake pedal depressed</li> </ul>	4WD shift switch: 2WD	4%
	4WD shift switch: AUTO	96 - 4%
	4WD shift switch: 4H or 4LO	4%

##### ⓧ Without CONSULT-III

1. Start engine.
2. Check voltage between transfer control unit harness connector terminal and ground.

Connector	Terminal	Condition	Voltage (Approx.)	
M152	10 - Ground	<ul style="list-style-type: none"> <li>• Vehicle stopped</li> <li>• Engine running</li> <li>• A/T selector lever N position</li> </ul>	4WD shift switch: AUTO	4 - 14V
		<ul style="list-style-type: none"> <li>• Brake pedal depressed</li> </ul>	4WD shift switch: 2WD, 4H or 4LO	Less than 1V
	19 - Ground	<ul style="list-style-type: none"> <li>• Vehicle stopped</li> <li>• Engine running</li> <li>• A/T selector lever N position</li> </ul>	4WD shift switch: AUTO	1.5 - 3V
		<ul style="list-style-type: none"> <li>• Brake pedal depressed</li> </ul>	4WD shift switch: 2WD, 4H or 4LO	Less than 1V



# P1822 CLUTCH PRESSURE SOLENOID

< COMPONENT DIAGNOSIS >

[TRANSFER: ATX14B]

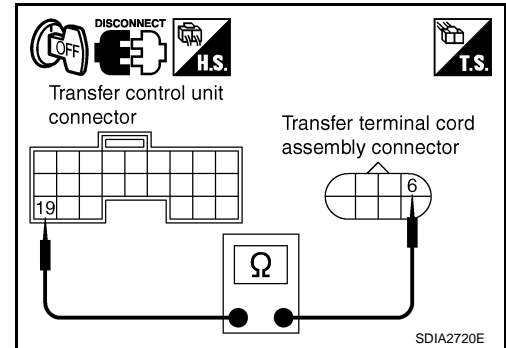
Are the inspection results normal?

- YES >> GO TO 7.
- NO >> GO TO 2.

## 2.CHECK HARNESS BETWEEN TRANSFER CONTROL UNIT AND CLUTCH PRESSURE SOLENOID VALVE

1. Turn ignition switch OFF. (Stay for at least 5 seconds.)
2. Disconnect transfer control unit harness connector, transfer terminal cord assembly harness connector and transfer dropping resistor.
3. Check continuity between transfer control unit harness connector M152 terminal 19 and transfer terminal cord assembly harness connector F56 terminal 6.

**Continuity should exist.**



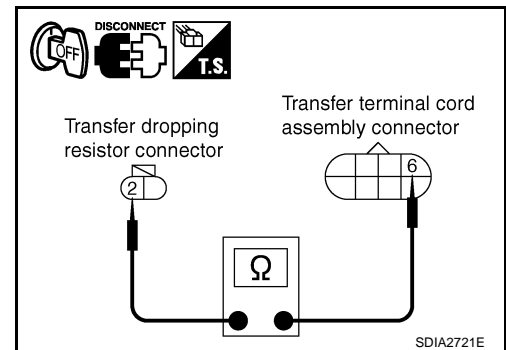
4. Check continuity between transfer dropping resistor harness connector E135 terminal 2 and transfer terminal cord assembly harness connector F56 terminal 6.

**Continuity should exist.**

Also check harness for short to ground and short to power.

Are the inspection results normal?

- YES >> GO TO 3.
- NO >> Repair or replace damaged parts.



## 3.CHECK HARNESS BETWEEN TRANSFER CONTROL UNIT AND TRANSFER DROPPING RESISTOR

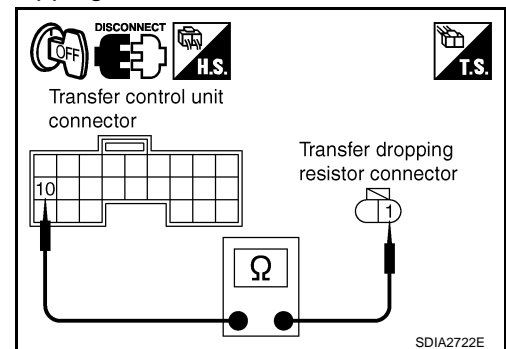
1. Turn ignition switch OFF. (Stay for at least 5 seconds.)
2. Disconnect transfer control unit harness connector and transfer dropping resistor harness connector.
3. Check continuity between transfer control unit harness connector M152 terminal 10 and transfer dropping resistor harness connector E135 terminal 1.

**Continuity should exist.**

Also check harness for short to ground and short to power.

Are the inspection results normal?

- YES >> GO TO 4.
- NO >> Repair or replace damaged parts.



## 4.CHECK GROUND CIRCUIT

1. Turn ignition switch OFF. (Stay for at least 5 seconds.)
2. Disconnect transfer terminal cord assembly harness connector.

A  
B  
C  
DLN  
E  
F  
G  
H  
I  
J  
K  
L  
M  
N  
O  
P

# P1822 CLUTCH PRESSURE SOLENOID

[TRANSFER: ATX14B]

## < COMPONENT DIAGNOSIS >

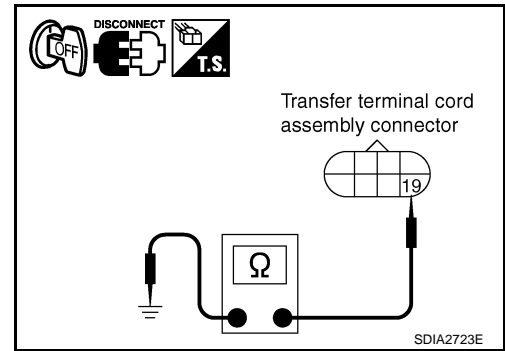
3. Check continuity between transfer terminal cord assembly harness connector F56 terminal 19 and ground.

**Continuity should exist.**

Also check harness for short to ground and short to power.

Are the inspection results normal?

- YES >> GO TO 5.  
NO >> Repair open circuit or short to ground or short to power in harness or connectors.



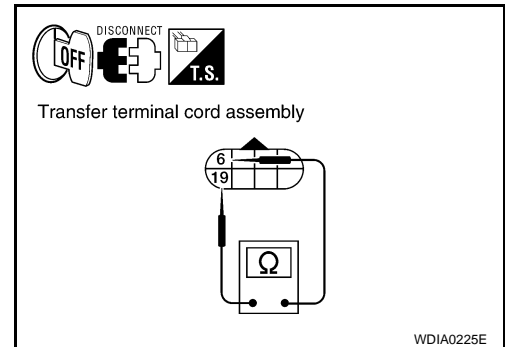
## 5. CHECK CLUTCH PRESSURE SOLENOID

1. Turn ignition switch OFF. (Stay for at least 5 seconds.)
2. Disconnect transfer terminal cord assembly harness connector.
3. Check resistance between transfer terminal cord assembly harness connector F56 terminals 6 and 19.

**6 - 19 : Approx. 3.0 - 3.4 Ω**

Are the inspection results normal?

- YES >> GO TO 6.  
NO >> Replace clutch pressure solenoid. Refer to [DLN-18, "Component Parts Location"](#).



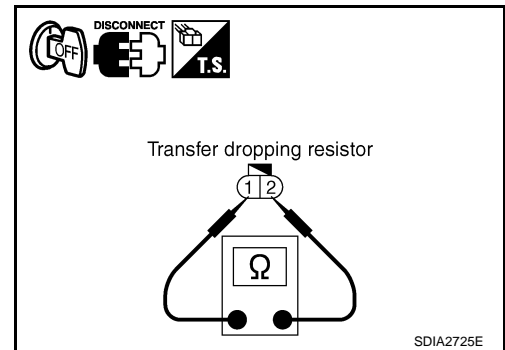
## 6. CHECK TRANSFER DROPPING RESISTOR

1. Turn ignition switch OFF. (Stay for at least 5 seconds.)
2. Disconnect transfer dropping resistor harness connector.
3. Check resistance between transfer dropping resistor terminals 1 and 2.

**1 - 2 : Approx. 11.2 - 12.8 Ω**

Are the inspection results normal?

- YES >> GO TO 7.  
NO >> Replace transfer dropping resistor.



## 7. CHECK TRANSFER CONTROL UNIT

Check transfer control unit input/output signal. Refer to [DLN-85, "Reference Value"](#).

Are the inspection results normal?

- YES >> GO TO 8.  
NO >> Check transfer control unit pin terminals for damage or loose connection with harness connector. If any items are damaged, repair or replace damaged parts.

## 8. CHECK DTC

Drive the vehicle and then perform self-diagnosis.

Are the inspection results normal?

- YES >> Inspection End.  
NO >> Replace transfer control unit. Refer to [DLN-136, "Removal and Installation"](#).

## Component Inspection

### CLUTCH PRESSURE SOLENOID

1. Turn ignition switch OFF. (Stay for at least 5 seconds.)

# P1822 CLUTCH PRESSURE SOLENOID

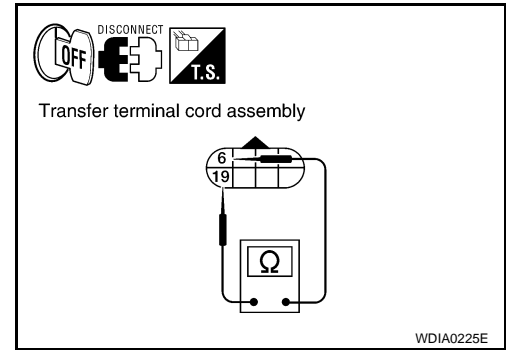
[TRANSFER: ATX14B]

## < COMPONENT DIAGNOSIS >

2. Disconnect transfer terminal cord assembly harness connector.
3. Check resistance between transfer terminal cord assembly terminals 6 and 19.

**6 - 19 : Approx. 3.0 - 3.4  $\Omega$**

4. If the inspection results are abnormal replace clutch pressure solenoid. Refer to [DLN-18, "Component Parts Location"](#).

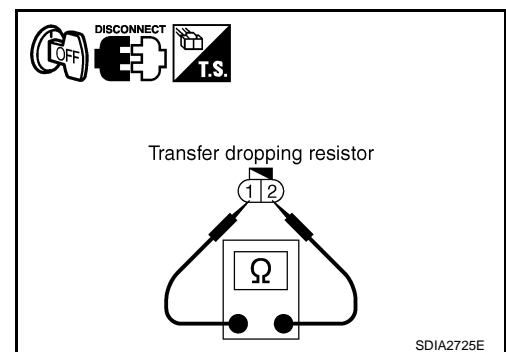


## TRANSFER DROPPING RESISTOR

1. Turn ignition switch OFF. (Stay for at least 5 seconds.)
2. Disconnect transfer dropping resistor harness connector.
3. Check resistance between transfer dropping resistor terminals 1 and 2.

**1 - 2 : Approx. 11.2 - 12.8  $\Omega$**

4. If the inspection results are abnormal replace transfer dropping resistor. Refer to [DLN-18, "Component Parts Location"](#).



A  
B  
C  
DLN  
E  
F  
G  
H  
I  
J  
K  
L  
M  
N  
O  
P

# P1823 2-4 SOLENOID

< COMPONENT DIAGNOSIS >

[TRANSFER: ATX14B]

## P1823 2-4 SOLENOID

### Description

INFOID:000000003937238

Proper voltage is not applied to the 2-4WD solenoid valve due to an open or short circuit.

### DTC Logic

INFOID:000000003937239

### DTC DETECTION LOGIC

DTC	CONSULT-III	Diagnostic item is detected when...	Reference
[P1823]	2-4WD SOLENOID	Proper voltage is not applied to 2-4WD solenoid valve due to open or short circuit.	Refer to <a href="#">DLN-62</a> .

### DTC CONFIRMATION PROCEDURE

#### 1. DTC CONFIRMATION PROCEDURE

1. Turn ignition switch ON.
2. Perform self-diagnosis.

#### Is DTC P1823 displayed?

- YES >> Perform diagnosis procedure. Refer to [DLN-62, "Diagnosis Procedure"](#).  
 NO >> Inspection End.

### Diagnosis Procedure

INFOID:000000003937240

#### 1. CHECK 4WD SHIFT SWITCH SYSTEM

Perform self-diagnosis. Refer to [DLN-22, "CONSULT-III Function \(ALL MODE AWD/4WD\)"](#).

Is the "4WD MOD SW [P1814]" (with CONSULT-III) or "Flickering pattern:16" (without CONSULT-III) detected?

- YES >> Perform trouble diagnosis for 4WD shift switch. Refer to [DLN-36, "Diagnosis Procedure"](#).  
 NO >> GO TO 2

#### 2. CHECK 2-4WD SHIFT SOLENOID SIGNAL

#### With CONSULT-III

1. Start engine.
2. Select "DATA MONITOR" mode for "ALL MODE AWD/4WD" with CONSULT-III.
3. Read out the value of "2-4WD SOL" and "2-4WD SOL MON".

Monitored item	Condition	Display value	
2-4WD SOL	4WD shift switch: 2WD	OFF	
	<ul style="list-style-type: none"> <li>• Vehicle stopped</li> <li>• Engine running</li> <li>• A/T selector lever "N" position</li> <li>• Brake pedal depressed</li> </ul>	4WD shift switch: AUTO	ON
		4WD shift switch: 4H	
		4WD shift switch: 4LO	OFF
		4WD shift switch: AUTO ("Wait" function is operating.)	
	4WD shift switch: 4H ("Wait" function is operating.)	OFF	

# P1823 2-4 SOLENOID

## < COMPONENT DIAGNOSIS >

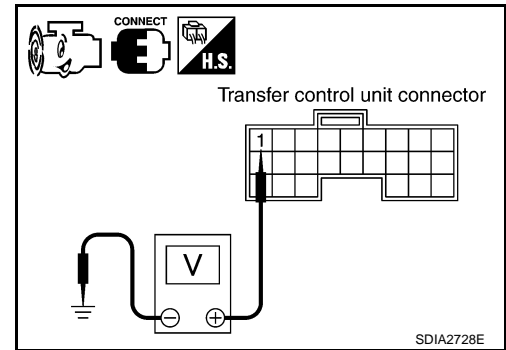
[TRANSFER: ATX14B]

Monitored item	Condition	Display value
2-4WD SOL MON	4WD shift switch: 2WD	OFF
	4WD shift switch: AUTO	ON
	4WD shift switch: 4H	
	4WD shift switch: 4LO	
	4WD shift switch: AUTO ("Wait" function is operating.)	OFF
	4WD shift switch: 4H ("Wait" function is operating.)	OFF

**⊗ Without CONSULT-III**

- Start engine.
- Check voltage between transfer control unit harness connector terminal and ground.

Connector	Terminal	Condition	Voltage (Approx.)
M152	1 - Ground	4WD shift switch: 2WD	0V
		4WD shift switch: AUTO, 4H or 4LO	Battery voltage



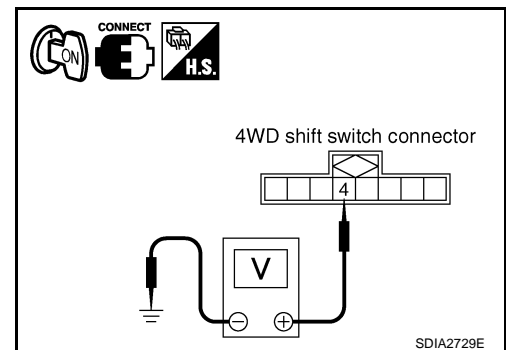
**OK or NG**

- OK >> GO TO 7.
- NG >> GO TO 3.

### 3. CHECK 4WD SHIFT SWITCH SIGNAL

- Turn ignition switch "ON". (Do not start engine.)
- Check voltage between transfer control unit harness connector terminals and ground.

Connector	Terminal	Condition	Voltage (Approx.)
M141	4 - ground	4WD shift switch: AUTO, 4H or 4LO	Battery voltage
		4WD shift switch: 2WD	0V



**OK or NG**

- OK >> GO TO 4.
- NG >> Check 4WD shift switch. Refer to [DLN-38, "Component Inspection"](#).

### 4. CHECK HARNESS BETWEEN 4WD SHIFT SWITCH AND TRANSFER TERMINAL CORD ASSEMBLY

- Turn ignition switch "OFF". (Stay for at least 5 seconds.)
- Disconnect 4WD shift switch harness connector and transfer terminal cord assembly harness connector.

## P1823 2-4 SOLENOID

[TRANSFER: ATX14B]

### < COMPONENT DIAGNOSIS >

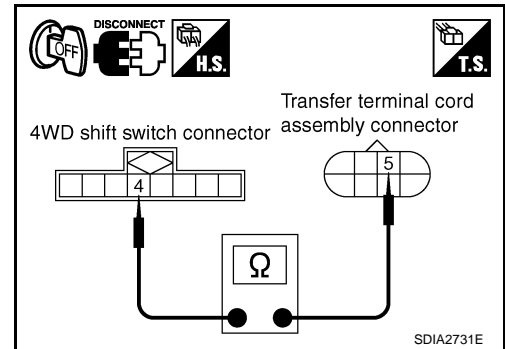
3. Check continuity between 4WD shift switch harness connector M141 terminal 4 and transfer terminal cord assembly harness connector F56 terminal 5.

**Continuity should exist.**

Also check harness for short to ground and short to power.

#### OK or NG

- OK >> GO TO 5.  
NG >> Repair or replace damaged parts.



### 5. CHECK HARNESS BETWEEN TRANSFER CONTROL UNIT AND TRANSFER TERMINAL CORD ASSEMBLY

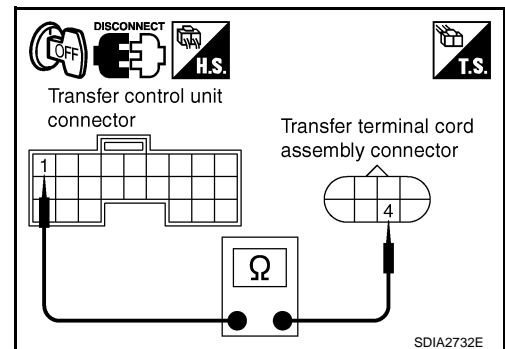
1. Turn ignition switch "OFF". (Stay for at least 5 seconds.)
2. Disconnect transfer control unit harness connector and transfer terminal cord assembly harness connector.
3. Check continuity between transfer control unit harness connector M152 terminal 1 and transfer terminal cord assembly harness connector F56 terminal 4.

**Continuity should exist.**

Also check harness for short to ground and short to power.

#### OK or NG

- OK >> GO TO 6.  
NG >> Repair or replace damaged parts.



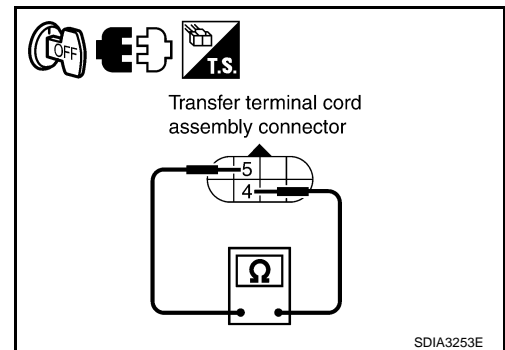
### 6. CHECK 2-4WD SOLENOID

1. Turn ignition switch "OFF". (Stay for at least 5 seconds.)
2. Disconnect transfer terminal cord assembly harness connector.
3. Check resistance between transfer terminal cord assembly terminals 4 and 5.

**4 - 5 : Approx. 22.8 - 25.2 Ω**

#### OK or NG

- OK >> GO TO 7.  
NG >> 2-4WD solenoid is malfunctioning. Refer to [DLN-18](#), "[Component Parts Location](#)".



### 7. CHECK TRANSFER CONTROL UNIT

Check transfer control unit input/output signal. Refer to [DLN-85](#), "[Reference Value](#)".

#### OK or NG

- OK >> GO TO 8.  
NG >> Check transfer control unit pin terminals for damage or loose connection with harness connector. If any items are damaged, repair or replace damaged parts.

### 8. CHECK DTC

Perform the self-diagnosis, after driving a vehicle for a while.

#### OK or NG

- OK >> Inspection End.  
NG >> Replace transfer control unit. Refer to [DLN-136](#), "[Removal and Installation](#)".



# P1823 2-4 SOLENOID

< COMPONENT DIAGNOSIS >

[TRANSFER: ATX14B]

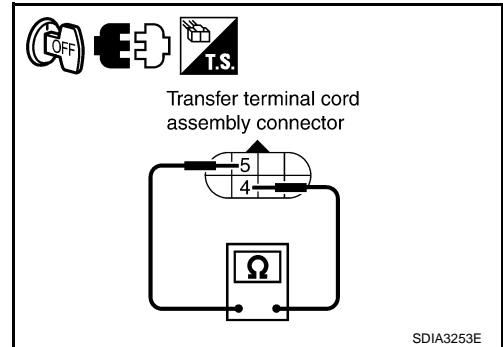
## Component Inspection

INFOID:000000003937241

1. Turn ignition switch "OFF". (Stay for at least 5 seconds.)
2. Disconnect transfer terminal cord assembly harness connector.
3. Check resistance between transfer terminal cord assembly terminals 4 and 5.

**4 - 5 : Approx. 22.8 - 25.2  $\Omega$**

4. If NG, replace the 2-4WD solenoid. Refer to [DLN-18. "Component Parts Location"](#).



A  
B  
C  
DLN  
E  
F  
G  
H  
I  
J  
K  
L  
M  
N  
O  
P

# P1824 TRANSFER MOTOR

< COMPONENT DIAGNOSIS >

[TRANSFER: ATX14B]

## P1824 TRANSFER MOTOR

### Description

INFOID:000000003937242

Motor does not operate properly due to open or short circuit in transfer motor or transfer motor relay.

### DTC Logic

INFOID:000000003937243

### DTC DETECTION LOGIC

DTC	CONSULT-III	Diagnostic item is detected when...	Reference
[P1824]	MOTOR RELAY	Motor does not operate properly due to open or short circuit in transfer motor or transfer motor relay.	Refer to <a href="#">DLN-66</a> .

### DTC CONFIRMATION PROCEDURE

#### 1. DTC CONFIRMATION PROCEDURE

1. Turn ignition switch ON.
2. Perform self-diagnosis.

#### Is DTC P1824 displayed?

- YES >> Perform diagnosis procedure. Refer to [DLN-66. "Diagnosis Procedure"](#).  
 NO >> Inspection End.

### Diagnosis Procedure

INFOID:000000003937244

#### 1. CHECK TRANSFER MOTOR RELAY SIGNAL

##### ⓐ With CONSULT-III

1. Start engine.
2. Select "DATA MONITOR" mode for "ALL MODE AWD/4WD" with CONSULT-III.
3. Read out the value of "MOTOR RELAY" and "MOTOR RELAY MON".

Monitored item	Condition	Display value (Approx.)
MOTOR RELAY	4WD shift switch: 2WD	OFF
	4WD shift switch: AUTO or 4LO (A/T selector lever "P" or "N" position)	OFF ("ON" for approx. 2 sec. after shifting to "P" and "N".)
	4WD shift switch: AUTO or 4LO (Except for A/T selector lever "P" or "N" position)	ON
	4WD shift switch: 4H (A/T selector lever "P" position)	OFF ("ON" for approx. 2 sec. after shifting to "P".)
	4WD shift switch: 4H (Except for A/T selector lever "P" position)	ON

# P1824 TRANSFER MOTOR

[TRANSFER: ATX14B]

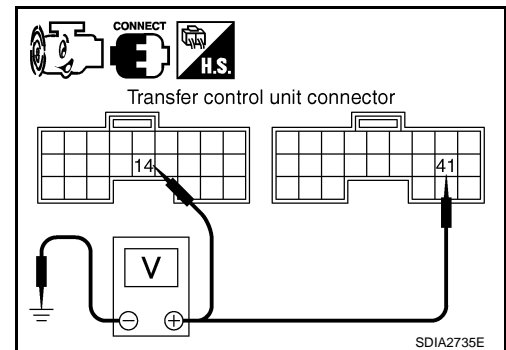
## < COMPONENT DIAGNOSIS >

Monitored item	Condition	Display value (Approx.)
MOTOR RELAY MON	4WD shift switch: 2WD	OFF
	4WD shift switch: AUTO or 4LO (A/T selector lever "P" or "N" position)	OFF ("ON" for approx. 2 sec. after shifting to "P" and "N".)
	4WD shift switch: AUTO or 4LO (Except for A/T selector lever "P" or "N" position)	ON
	4WD shift switch: 4H (A/T selector lever "P" position)	OFF ("ON" for approx. 2 sec. after shifting to "P".)
	4WD shift switch: 4H (Except for A/T selector lever "P" position)	ON

⊗ Without CONSULT-III

- Start engine.
- Check voltage between transfer control unit harness connector terminal and ground.

Connector	Terminal	Condition	Voltage (Approx.)
M152	14 - Ground	4WD shift switch: 2WD	Battery voltage
		4WD shift switch: AUTO or 4LO (A/T selector lever "P" or "N" position)	Battery voltage (0V for approx. 2 sec. after shifting to "P" and "N".)
		4WD shift switch: AUTO or 4LO (Except for A/T selector lever "P" or "N" position)	0V
		4WD shift switch: 4H (A/T selector lever "P" position)	Battery voltage (0V for approx. 2 sec. after shifting to "P".)
		4WD shift switch: 4H (Except for A/T selector lever "P" position)	0V



A  
B  
C  
DLN  
E  
F  
G  
H  
I  
J  
K  
L  
M  
N  
O  
P

# P1824 TRANSFER MOTOR

< COMPONENT DIAGNOSIS >

[TRANSFER: ATX14B]

Connector	Terminal	Condition	Voltage (Approx.)	
M153	41 - Ground	<ul style="list-style-type: none"> <li>• Accelerator pedal depressed</li> <li>• Vehicle stopped</li> <li>• Engine running</li> <li>• Brake pedal depressed</li> </ul>	4WD shift switch: 2WD	0V
			4WD shift switch: AUTO or 4LO (A/T selector lever "P" or "N" position)	0V (Battery voltage for approx. 2 sec. after shifting to "P" and "N".)
			4WD shift switch: AUTO or 4LO (Except for A/T selector lever "P" or "N" position)	Battery voltage
			4WD shift switch: 4H (A/T selector lever "P" position)	0V (Battery voltage for approx. 2 sec. after shifting to "P".)
			4WD shift switch: 4H (Except for A/T selector lever "P" position)	Battery voltage

OK or NG

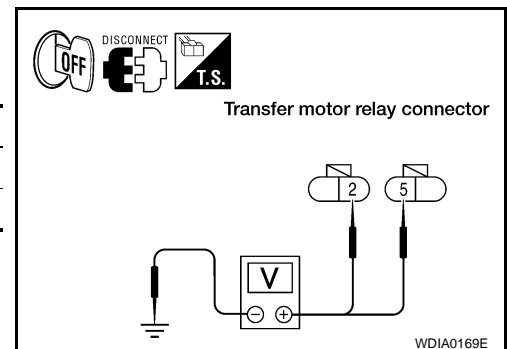
OK >> GO TO 8.

NG >> GO TO 2.

## 2. CHECK TRANSFER MOTOR RELAY POWER SUPPLY CIRCUIT

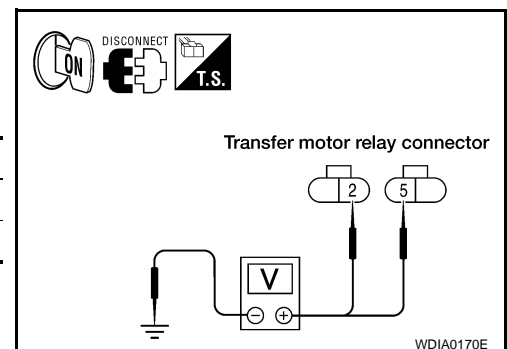
1. Turn ignition switch "OFF". (Stay for at least 5 seconds.)
2. Connect transfer control unit harness connector.
3. Disconnect transfer motor relay.
4. Check voltage between transfer motor relay harness connector terminals and ground.

Connector	Terminal	Voltage (Approx.)
E153	2 - Ground	0V
E154	5 - Ground	Battery voltage



5. Turn ignition switch "ON". (Do not start engine.)
6. Check voltage between transfer motor relay harness connector terminals and ground.

Connector	Terminal	Voltage (Approx.)
E153	2 - Ground	Battery voltage
E154	5 - Ground	Battery voltage



OK or NG

OK >> GO TO 3.

NG >> Check the following. If any items are damaged, repair or replace damaged parts.

- 20A fuse (No. 57, located in the fuse and relay box).
- 10A fuse (No. 59, located in the fuse and relay box).
- Harness for short or open between battery and transfer motor relay harness connector E154 terminals 5.

# P1824 TRANSFER MOTOR

[TRANSFER: ATX14B]

## < COMPONENT DIAGNOSIS >

- Harness for short or open between transfer shut off relay harness connector E155 terminal 5 and transfer motor relay harness connector E153 terminal 2.
- Battery and ignition switch.

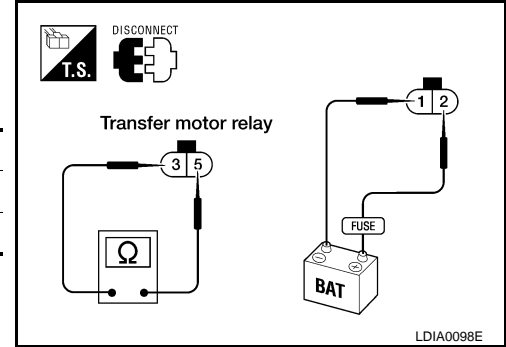
### 3.CHECK TRANSFER MOTOR RELAY

1. Turn ignition switch "OFF". (Stay for at least 5 seconds.)
2. Remove transfer motor relay. Refer to [DLN-18, "Component Parts Location"](#).
3. Apply 12V direct current between transfer motor relay terminals 1 and 2.
4. Check continuity between relay terminals 3 and 5.

Condition	Continuity
12V direct current supply between terminals 1 and 2	Yes
OFF	No

#### OK or NG

- OK >> GO TO 4.
- NG >> Replace the transfer motor relay.



### 4.CHECK HARNESS BETWEEN TRANSFER CONTROL UNIT AND TRANSFER MOTOR RELAY

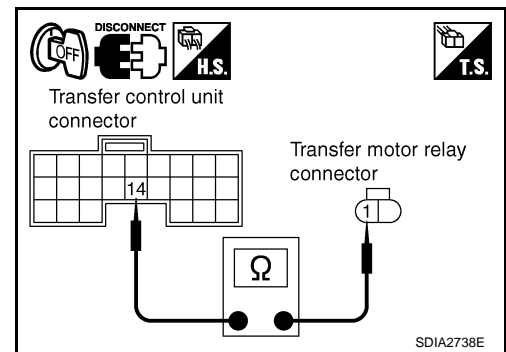
1. Turn ignition switch "OFF". (Stay for at least 5 seconds.)
2. Disconnect transfer control unit harness connector.
3. Remove transfer motor relay.
4. Check continuity between the following terminals.
  - Transfer control unit harness connector M152 terminal 14 and transfer motor relay harness connector E154 terminal 1.

**Continuity should exist.**

Also check harness for short to ground and short to power.

#### OK or NG

- OK >> GO TO 5.
- NG >> Repair or replace damaged parts.



### 5.CHECK TRANSFER MOTOR POWER SUPPLY CIRCUIT

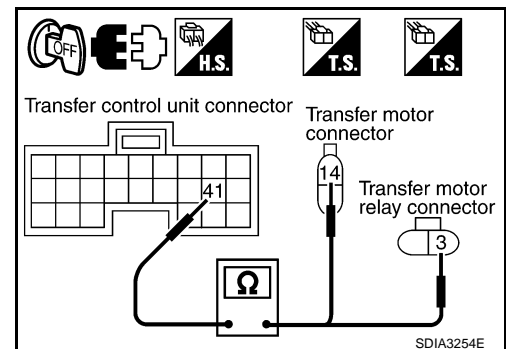
1. Turn ignition switch "OFF". (Stay for at least 5 seconds.)
2. Disconnect transfer control unit harness connector and transfer motor harness connector.
3. Remove transfer motor relay.
4. Check continuity between the following terminals.
  - Transfer control unit harness connector M153 terminal 41 and transfer motor relay harness connector E154 terminal 3.
  - Transfer control unit harness connector M153 terminal 41 and transfer motor harness connector F57 terminal 14.

**Continuity should exist.**

Also check harness for short to ground and short to power.

#### OK or NG

- OK >> GO TO 6.
- NG >> Repair or replace damaged parts.



### 6.CHECK TRANSFER MOTOR GROUND CIRCUIT

1. Turn ignition switch "OFF". (Stay for at least 5 seconds.)
2. Disconnect transfer motor harness connector.

# P1824 TRANSFER MOTOR

[TRANSFER: ATX14B]

## < COMPONENT DIAGNOSIS >

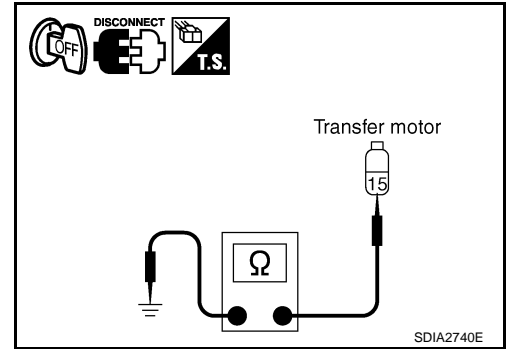
3. Check continuity between transfer motor harness connector F57 terminal 15 and ground.

**Continuity should exist.**

Also check harness for short to power.

### OK or NG

- OK >> GO TO 7.  
 NG >> Repair open circuit or short to power in harness or connectors.

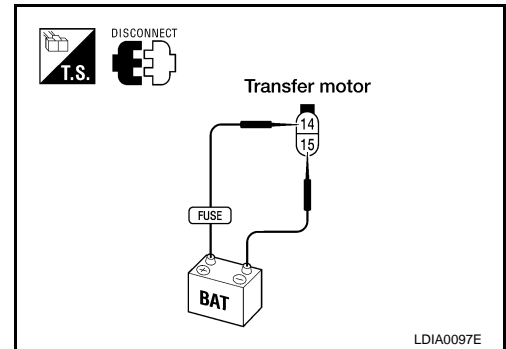


## 7.CHECK TRANSFER MOTOR

1. Turn ignition switch "OFF". (Stay for at least 5 seconds.)
2. Disconnect transfer motor harness connector.
3. Apply 12V direct current between transfer motor terminals 14 and 15.

### Does transfer motor operate?

- YES >> GO TO 8.  
 NO >> Replace transfer motor. Refer to [DLN-148. "Removal and Installation"](#).



## 8.CHECK TRANSFER CONTROL UNIT

Check transfer control unit input/output signal. Refer to [DLN-85. "Reference Value"](#).

### OK or NG

- OK >> GO TO 9.  
 NG >> Check transfer control unit pin terminals for damage or loose connection with harness connector. If any items are damaged, repair or replace damaged parts.

## 9.CHECK DTC

Perform the self-diagnosis, after driving a vehicle for a while.

### OK or NG

- OK >> Inspection End.  
 NG >> Replace transfer control unit. Refer to [DLN-136. "Removal and Installation"](#).

## Component Inspection

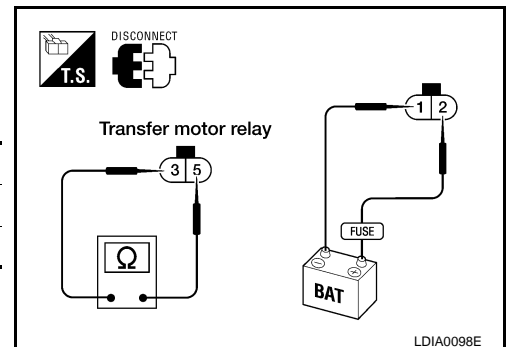
INFOID:000000003937245

### TRANSFER MOTOR RELAY

1. Turn ignition switch OFF. (Stay for at least 5 seconds.)
2. Remove transfer motor relay. Refer to [DLN-18. "Component Parts Location"](#).
3. Apply 12V direct current between transfer motor relay terminals 1 and 2.
4. Check continuity between relay terminals 3 and 5.

Condition	Continuity
12V direct current supply between terminals 1 and 2	Yes
OFF	No

5. If inspection results are abnormal replace transfer motor relay.



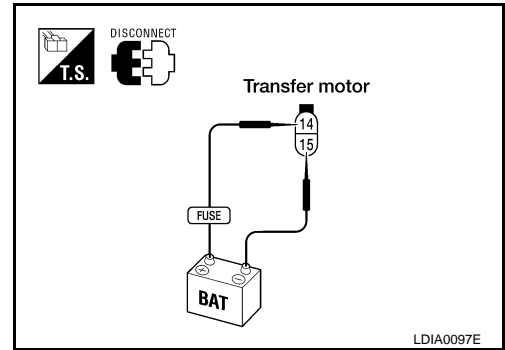
### TRANSFER MOTOR

# P1824 TRANSFER MOTOR

[TRANSFER: ATX14B]

## < COMPONENT DIAGNOSIS >

1. Turn ignition switch OFF. (Stay for at least 5 seconds.)
2. Remove transfer motor. Refer to [DLN-148, "Removal and Installation"](#).
3. Apply 12V direct current between transfer motor terminals 14 and 15.
4. If transfer motor does not operate, replace transfer motor.



A

B

C

DLN

E

F

G

H

I

J

K

L

M

N

O

P

# P1826 TRANSFER FLUID TEMPERATURE

< COMPONENT DIAGNOSIS >

[TRANSFER: ATX14B]

## P1826 TRANSFER FLUID TEMPERATURE

### Description

INFOID:000000003937246

Signal voltage from the transfer fluid temperature sensor is abnormally high (Transfer fluid temperature is abnormally low) while driving.

### DTC Logic

INFOID:000000003937247

### DTC DETECTION LOGIC

DTC	CONSULT-III	Diagnostic item is detected when...	Reference
[P1826]	OIL TEMP SEN	Signal voltage from transfer fluid temperature sensor is abnormally high (Transfer fluid temperature is abnormally low) while driving.	Refer to <a href="#">DLN-72</a> .

### DTC CONFIRMATION PROCEDURE

#### 1. DTC CONFIRMATION PROCEDURE

1. Turn ignition switch ON.
2. Perform self-diagnosis.

Is DTC P1826 displayed?

- YES >> Perform diagnosis procedure. Refer to [DLN-72, "Diagnosis Procedure"](#).  
 NO >> Inspection End.

### Diagnosis Procedure

INFOID:000000003937248

#### 1. CHECK TRANSFER FLUID TEMPERATURE SENSOR SIGNAL

##### With CONSULT-III

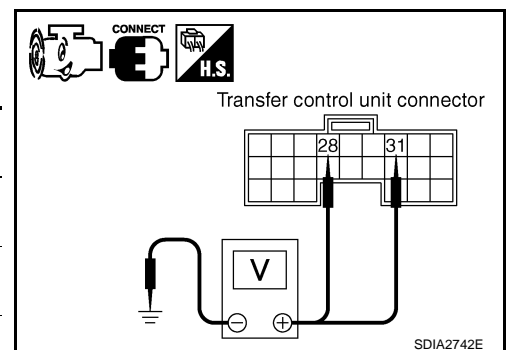
1. Start engine.
2. Select DATA MONITOR mode for ALL MODE AWD/4WD with CONSULT-III.
3. Read out the value of FLUID TEMP SE.

Condition	Display value (Approx.)
Transfer fluid temperature approx. 20 - 80°C (68 - 176°F)	1.1 - 0.3V

##### Without CONSULT-III

1. Start engine.
2. Check voltage between transfer control unit harness connector terminals and ground.

Connector	Terminal	Condition	Data (Approx.)	
M153	28 - Ground	Always	0V	
	31 - Ground	Ignition switch: ON	Transfer fluid temperature approx. 20°C (68°F)	1.1V
			Transfer fluid temperature approx. 80°C (176°F)	0.3V



Are inspection results normal?

- YES >> GO TO 4.  
 NO >> GO TO 2.

#### 2. CHECK HARNESS BETWEEN TRANSFER CONTROL UNIT AND TRANSFER TERMINAL CORD AS-



# P1826 TRANSFER FLUID TEMPERATURE

< COMPONENT DIAGNOSIS >

[TRANSFER: ATX14B]

## SEMBLY

1. Turn ignition switch OFF. (Stay for at least 5 seconds.)
2. Disconnect transfer control unit harness connector and transfer terminal cord assembly harness connector.
3. Check continuity between the following terminals.
  - Transfer control unit harness connector M153 terminal 28 and transfer terminal cord assembly harness connector F56 terminal 3.
  - Transfer control unit harness connector M153 terminal 31 and transfer terminal cord assembly harness connector F56 terminal 2.

**Continuity should exist.**

Also check harness for short to ground and short to power.

Are inspection results normal?

YES >> GO TO 3.

NO >> Repair or replace damaged parts.

## 3.CHECK TRANSFER FLUID TEMPERATURE SENSOR

1. Turn ignition switch OFF. (Stay for at least 5 seconds.)
2. Disconnect transfer terminal cord assembly harness connector.
3. Check resistance between transfer terminal cord assembly terminals 2 and 3.

Temperature °C (°F)	Resistance (Approx.)
20 (68)	2.5 kΩ
80 (176)	0.3 kΩ

Are inspection results normal?

YES >> GO TO 4.

NO >> Replace transfer fluid temperature sensor. Refer to [DLN-18. "Component Parts Location"](#).

## 4.CHECK TRANSFER CONTROL UNIT

Check transfer control unit input/output signal. Refer to [DLN-85. "Reference Value"](#).

Are inspection results normal?

YES >> GO TO 5.

NO >> Check transfer control unit pin terminals for damage or loose connection with harness connector. If any items are damaged, repair or replace damaged parts.

## 5.CHECK DTC

Drive the vehicle and then perform self-diagnosis.

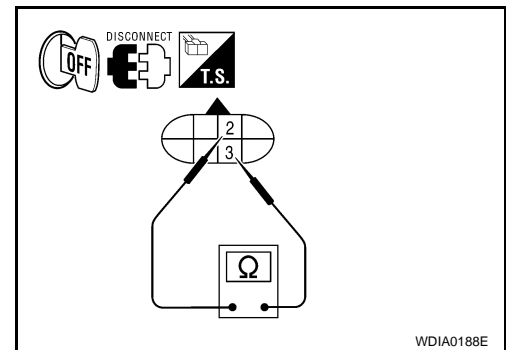
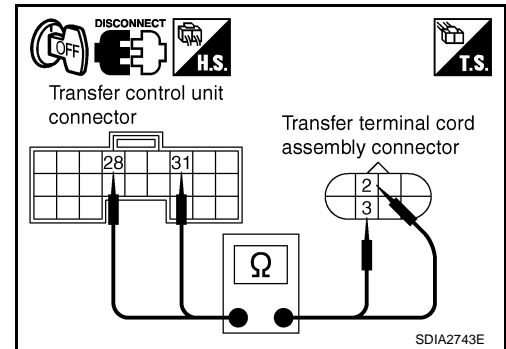
Are inspection results normal?

YES >> Inspection End.

NO >> Replace transfer control unit. Refer to [DLN-136. "Removal and Installation"](#).

## Component Inspection

1. Turn ignition switch OFF. (Stay for at least 5 seconds.)
2. Disconnect transfer terminal cord assembly harness connector.



INFOID:000000003937249

# P1826 TRANSFER FLUID TEMPERATURE

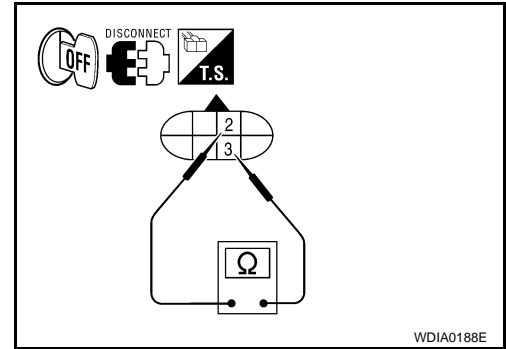
## < COMPONENT DIAGNOSIS >

[TRANSFER: ATX14B]

3. Check resistance between transfer terminal cord assembly terminals 2 and 3.

Temperature °C (°F)	Resistance (Approx.)
20 (68)	2.5 k $\Omega$
80 (176)	0.3 k $\Omega$

4. If the inspection results are abnormal replace the transfer fluid temperature sensor. Refer to [DLN-18, "Component Parts Location"](#).



# P1827 CLUTCH PRESSURE SWITCH

< COMPONENT DIAGNOSIS >

[TRANSFER: ATX14B]

## P1827 CLUTCH PRESSURE SWITCH

### Description

INFOID:000000003937250

Improper signal from the clutch pressure switch is input due to open or short circuit. Also, a malfunction may have occurred in clutch pressure switch or hydraulic circuit.

### DTC Logic

INFOID:000000003937251

### DTC DETECTION LOGIC

DTC	CONSULT-III	Diagnostic item is detected when...	Reference
[P1827]	CLUTCH PRES SW	<ul style="list-style-type: none"> <li>Improper signal from clutch pressure switch is input due to open or short circuit.</li> <li>Malfunction occurs in clutch pressure switch or hydraulic circuit.</li> </ul>	Refer to <a href="#">DLN-75</a> .

### DTC CONFIRMATION PROCEDURE

#### 1. DTC CONFIRMATION PROCEDURE

- Turn ignition switch ON.
- Perform self-diagnosis.

#### Is DTC P1827 displayed?

- YES >> Perform diagnosis procedure. Refer to [DLN-75, "Diagnosis Procedure"](#).  
 NO >> Inspection End.

### Diagnosis Procedure

INFOID:000000003937252

#### 1. CHECK CLUTCH PRESSURE SWITCH SIGNAL

##### With CONSULT-III

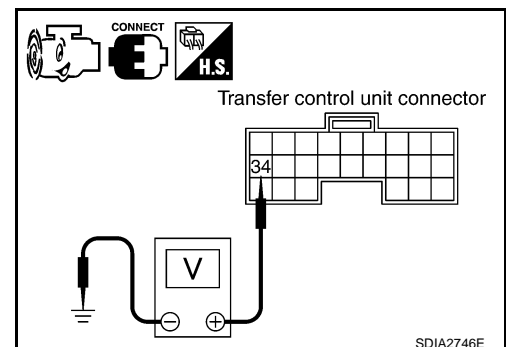
- Start engine.
- Select DATA MONITOR mode for ALL MODE AWD/4WD with CONSULT-III.
- Read out ON/OFF switching action of the CL PRES SW while operating 4WD shift switch.

Condition		Display value
<ul style="list-style-type: none"> <li>Ignition switch: ON</li> <li>A/T selector lever D position</li> </ul>	4WD shift switch: AUTO or 4H (Wait function is not operating.)	ON
Ignition switch: ON	4WD shift switch: 2WD (Wait function is not operating.)	OFF

##### Without CONSULT-III

- Start engine.
- Check voltage between transfer control unit harness connector terminals and ground.

Connector	Terminal	Condition	Voltage (Approx.)
M153	34 - Ground	<ul style="list-style-type: none"> <li>Ignition switch: ON</li> <li>A/T selector lever D position</li> </ul>	0V
		Ignition switch: ON	Battery voltage



Are inspection results normal?

# P1827 CLUTCH PRESSURE SWITCH

< COMPONENT DIAGNOSIS >

[TRANSFER: ATX14B]

- YES >> GO TO 5.
- NO >> GO TO 2.

## 2. CHECK HARNESS BETWEEN TRANSFER CONTROL UNIT AND CLUTCH PRESSURE SWITCH

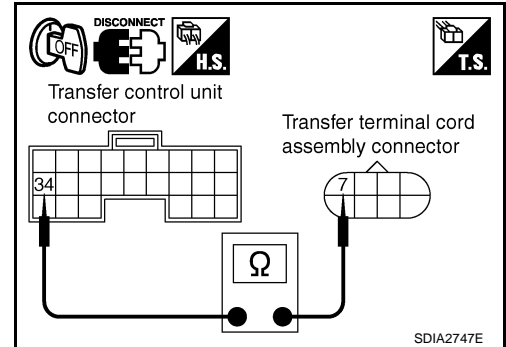
1. Turn ignition switch OFF. (Stay for at least 5 seconds.)
2. Disconnect transfer control unit harness connector and the transfer terminal cord assembly harness connector.
3. Check continuity between transfer control unit harness connector M153 terminal 34 and transfer terminal cord assembly harness connector F56 terminal 7

**Continuity should exist.**

Also check harness for short to ground and short to power.

Are inspection results normal?

- YES >> GO TO 3.
- NO >> Repair or replace damaged parts.



## 3. CHECK TRANSFER CONTROL UNIT

Check transfer control unit input/output signal. Refer to [DLN-85, "Reference Value"](#).

Are inspection results normal?

- YES >> GO TO 4.
- NO >> Check transfer control unit pin terminals for damage or loose connection with the harness connector. If any items are damaged, repair or replace damaged parts.

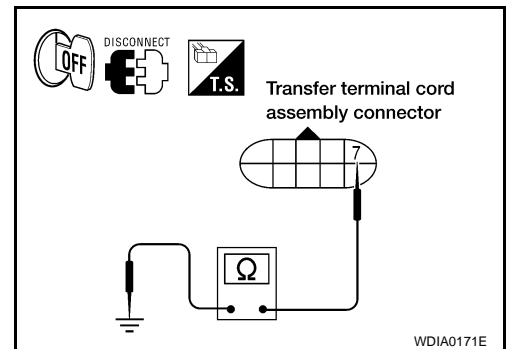
## 4. CHECK CLUTCH PRESSURE SWITCH

1. Turn ignition switch OFF. (Stay for at least 5 seconds.)
2. Remove clutch pressure switch. Refer to [DLN-18, "Component Parts Location"](#).
3. Push and release clutch pressure switch and check continuity between terminal 7 and ground.

Terminal	Condition	Continuity
7 -	Push clutch pressure switch	Yes
Ground	Release clutch pressure switch	No

Are inspection results normal?

- YES >> GO TO 5.
- NO >> Replace clutch pressure switch.



## 5. CHECK DTC

Perform the self-diagnosis, after driving a vehicle for a while.

Are inspection results normal?

- YES >> GO TO 6.
- NO >> Replace transfer control unit. Refer to [DLN-136, "Removal and Installation"](#).

## 6. CRUISE TEST

Perform cruise test. Refer to [DLN-9, "Preliminary Check"](#).

Are inspection results normal?

- YES >> Inspection End.
- NO >> Perform the applicable trouble diagnosis.

## Component Inspection

INFOID:000000003937253

1. Turn ignition switch OFF. (Stay for at least 5 seconds.)
2. Remove clutch pressure switch. Refer to [DLN-18, "Component Parts Location"](#).

# P1827 CLUTCH PRESSURE SWITCH

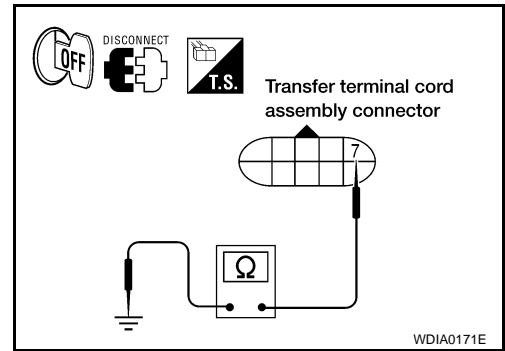
[TRANSFER: ATX14B]

## < COMPONENT DIAGNOSIS >

3. Push and release clutch pressure switch and check continuity between terminal 7 and ground.

Terminal	Condition	Continuity
7 - Ground	Push clutch pressure switch	Yes
	Release clutch pressure switch	No

4. If the inspection results are abnormal replace the clutch pressure switch.



A  
B  
C

DLN

E  
F  
G  
H  
I  
J  
K  
L  
M  
N  
O  
P

# P1828 LINE PRESSURE SWITCH

< COMPONENT DIAGNOSIS >

[TRANSFER: ATX14B]

## P1828 LINE PRESSURE SWITCH

### Description

INFOID:000000003937254

Improper signal from line pressure switch is input due to open or short circuit. Also, a malfunction may have occurred in the line pressure switch or hydraulic circuit.

### DTC Logic

INFOID:000000003937255

### DTC DETECTION LOGIC

DTC	CONSULT-III	Diagnostic item is detected when...	Reference
[P1828]	LINE PRES SW	<ul style="list-style-type: none"> <li>Improper signal from line pressure switch is input due to open or short circuit.</li> <li>Malfunction occurs in line pressure switch or hydraulic circuit.</li> </ul>	Refer to <a href="#">DLN-78</a> .

### DTC CONFIRMATION PROCEDURE

#### 1. DTC CONFIRMATION PROCEDURE

- Turn ignition switch ON.
- Perform self-diagnosis.

#### Is DTC P1828 displayed?

- YES >> Perform diagnosis procedure. Refer to [DLN-78, "Diagnosis Procedure"](#).  
 NO >> Inspection End.

### Diagnosis Procedure

INFOID:000000003937256

#### 1. CHECK LINE PRESSURE SWITCH SIGNAL

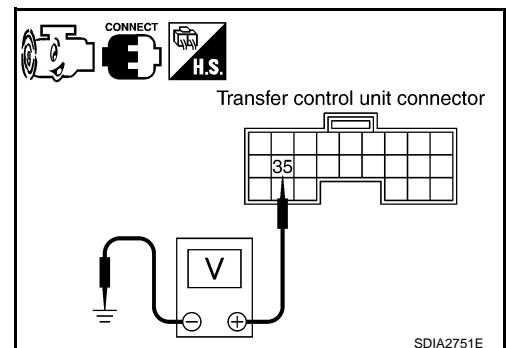
##### With CONSULT-III

- Start engine.
- Select DATA MONITOR mode for ALL MODE AWD/4WD with CONSULT-III.
- Read out ON/OFF switching action of LINE PRES SW while operating 4WD shift switch.

Condition		Display value
<ul style="list-style-type: none"> <li>A/T selector lever D position</li> <li>4WD shift switch: AUTO</li> </ul>		ON
<ul style="list-style-type: none"> <li>Except the above</li> <li>The vehicle has been left at room temperature for 5 minutes and more with ignition switch in OFF position.</li> </ul>	<ul style="list-style-type: none"> <li>Ignition switch: ON</li> <li>A/T selector lever: P or N position</li> <li>4WD shift switch: other than AUTO</li> </ul>	OFF

##### Without CONSULT-III

- Start engine.
- Check voltage between transfer control unit harness connector terminals and ground.



# P1828 LINE PRESSURE SWITCH

< COMPONENT DIAGNOSIS >

[TRANSFER: ATX14B]

Connector	Terminal	Condition		Voltage (Approx.)
M153	35 - Ground	• A/T selector lever D position	4WD shift switch: AUTO	0V
		• Except the above • The vehicle has been left at room temperature for 5 minutes and more with ignition switch in OFF position.	• Ignition switch: ON • A/T selector lever: P or N position • 4WD shift switch: other than AUTO	Battery voltage

Are inspection results normal?

- YES >> GO TO 5.
- NO >> GO TO 2.

## 2. CHECK HARNESS BETWEEN TRANSFER CONTROL UNIT AND LINE PRESSURE SWITCH

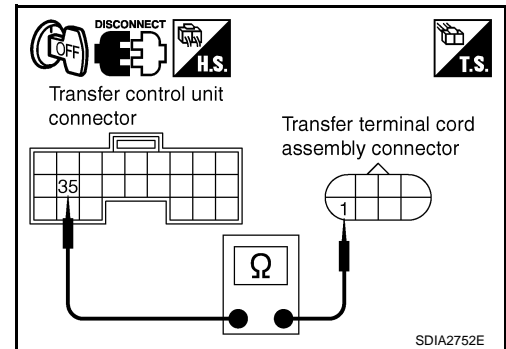
- Turn ignition switch OFF. (Stay for at least 5 seconds.)
- Disconnect transfer control unit harness connector and the transfer terminal cord assembly harness connector.
- Check continuity between transfer control unit harness connector M153 terminal 35 and transfer terminal cord assembly harness connector F56 terminal 1.

**Continuity should exist.**

Also check harness for short to ground and short to power.

Are inspection results normal?

- YES >> GO TO 3.
- NO >> Repair or replace damaged parts.



## 3. CHECK TRANSFER CONTROL UNIT

Check transfer control unit input/output signal. Refer to [DLN-85. "Reference Value"](#).

Are inspection results normal?

- YES >> GO TO 4.
- NO >> Check the following. If any items are damaged, repair or replace damaged parts.
  - Transfer control unit pin terminals for damage or loose connection with harness connector.
  - Transfer control unit. Refer to [DLN-136. "Removal and Installation"](#).

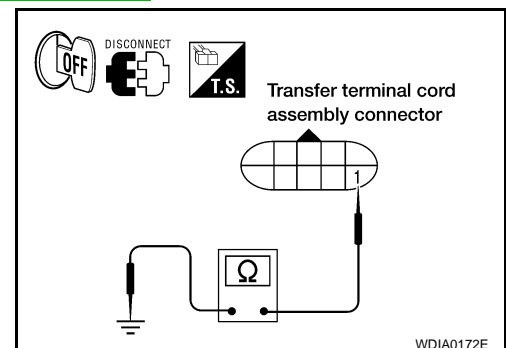
## 4. CHECK LINE PRESSURE SWITCH

- Turn ignition switch OFF. (Stay for at least 5 seconds.)
- Remove line pressure switch. Refer to [DLN-18. "Component Parts Location"](#).
- Push and release line pressure switch and check continuity between terminal 1 and ground.

Terminal	Condition	Continuity
1 - Ground	Push line pressure switch	Yes
	Release line pressure switch	No

Are inspection results normal?

- YES >> GO TO 5.
- NO >> Replace line pressure switch.



## 5. CHECK DTC

Perform the self-diagnosis, after driving a vehicle for a while.

# P1828 LINE PRESSURE SWITCH

< COMPONENT DIAGNOSIS >

[TRANSFER: ATX14B]

Are inspection results normal?

- YES >> GO TO 6.
- NO >> Replace transfer control unit.

## 6. CRUISE TEST

Perform cruise test. Refer to [DLN-9, "Preliminary Check"](#).

Are inspection results normal?

- YES >> Inspection End.
- NO >> Perform the applicable trouble diagnosis.

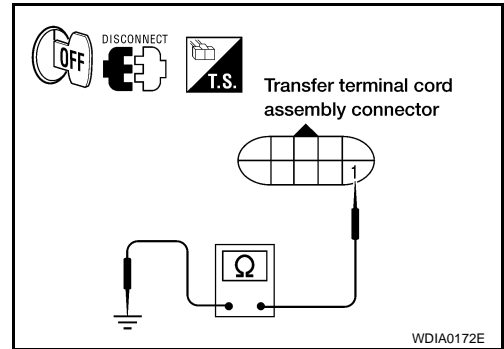
## Component Inspection

INFOID:000000003937257

1. Turn ignition switch OFF. (Stay for at least 5 seconds.)
2. Remove line pressure switch. Refer to [DLN-18, "Component Parts Location"](#).
3. Push and release line pressure switch and check continuity between terminal 1 and ground.

Terminal	Condition	Continuity
1 - Ground	Push line pressure switch	Yes
	Release line pressure switch	No

4. If the inspection results are abnormal, replace the line pressure switch.





# P1829 THROTTLE POSITION SIGNAL (ECM)

< COMPONENT DIAGNOSIS >

[TRANSFER: ATX14B]

## P1829 THROTTLE POSITION SIGNAL (ECM)

### Description

INFOID:000000003937258

Malfunction is detected in accelerator pedal position signal that is output from ECM through CAN communication. Also, the signal voltage from accelerator pedal position sensor may be abnormally high or low.

### DTC Logic

INFOID:000000003937259

### DTC DETECTION LOGIC

DTC	CONSULT-III	Diagnostic item is detected when...	Reference
[P1829]	THROTTLE POSI SEN	<ul style="list-style-type: none"><li>Malfunction is detected in accelerator pedal position signal that is output from ECM through CAN communication.</li><li>Signal voltage from accelerator pedal position sensor is abnormally high or low.</li></ul>	Refer to <a href="#">DLN-81</a> .

### DTC CONFIRMATION PROCEDURE

#### 1. DTC CONFIRMATION PROCEDURE

1. Turn ignition switch ON.
2. Perform self-diagnosis.

Is DTC P1829 displayed?

- YES >> Perform diagnosis procedure. Refer to [DLN-81, "Diagnosis Procedure"](#).  
NO >> Inspection End.

### Diagnosis Procedure

INFOID:000000003937260

#### 1. CHECK DTC WITH ECM

Perform self-diagnosis with ECM. Refer to [EC-546, "CONSULT-III Function \(ENGINE\)"](#).

Is any malfunction detected by self-diagnosis?

- YES >> Check the malfunctioning system.  
NO >> GO TO 2.

#### 2. CHECK TRANSFER CONTROL UNIT

Check transfer control unit input/output signal. Refer to [DLN-85, "Reference Value"](#).

Are inspection results normal?

- YES >> GO TO 3.  
NO >> Check transfer control unit pin terminals for damage or loose connection with harness connector.  
If any items are damaged, repair or replace damaged parts.

#### 3. CHECK DTC

Perform the self-diagnosis, after driving a vehicle for a while.

Are inspection results normal?

- YES >> Inspection End.  
NO >> Perform self-diagnosis with ECM again.

# P1830 ABS OPERATION SIGNAL (ABS)

< COMPONENT DIAGNOSIS >

[TRANSFER: ATX14B]

## P1830 ABS OPERATION SIGNAL (ABS)

### Description

INFOID:000000003937261

Malfunction is detected in ABS operation signal that is output from ABS actuator and electric unit (control unit) through CAN communication.

### DTC Logic

INFOID:000000003937262

### DTC DETECTION LOGIC

DTC	CONSULT-III	Diagnostic item is detected when...	Reference
[P1830]	ABS OP SIG	Malfunction is detected in ABS operation signal that is output from ABS actuator and electric unit (control unit) through CAN communication.	Refer to <a href="#">DLN-82</a> .

### DTC CONFIRMATION PROCEDURE

#### 1. DTC CONFIRMATION PROCEDURE

1. Turn ignition switch ON.
2. Perform self-diagnosis.

Is DTC P1830 displayed?

- YES >> Perform diagnosis procedure. Refer to [DLN-82, "Diagnosis Procedure"](#).  
NO >> Inspection End.

### Diagnosis Procedure

INFOID:000000003937263

#### 1. CHECK DTC WITH ABS ACTUATOR AND ELECTRIC UNIT (CONTROL UNIT)

Perform self-diagnosis with ABS actuator and electric unit (control unit). Refer to [BRC-153, "CONSULT-III Function \(ABS\)"](#).

Is any malfunction detected by self-diagnosis?

- YES >> Check the malfunctioning system.  
NO >> GO TO 2.

#### 2. CHECK TRANSFER CONTROL UNIT

Check transfer control unit input/output signal. Refer to [DLN-85, "Reference Value"](#).

Are the inspection results normal?

- YES >> GO TO 3.  
NO >> Check transfer control unit pin terminals for damage or loose connection with harness connector.  
If any items are damaged, repair or replace damaged parts.

#### 3. CHECK DTC

Perform the self-diagnosis, after driving a vehicle for a while.

Are the inspection results normal?

- YES >> Inspection End.  
NO >> Perform self-diagnosis with ABS actuator and electric unit (control unit) again.

# P1831 VDC OPERATION SIGNAL (ABS)

< COMPONENT DIAGNOSIS >

[TRANSFER: ATX14B]

## P1831 VDC OPERATION SIGNAL (ABS)

### Description

INFOID:000000003937264

Malfunction is detected in the VDC operation signal that is output from ABS actuator and electric unit (control unit) through CAN communication.

### DTC Logic

INFOID:000000003937265

### DTC DETECTION LOGIC

DTC	CONSULT-III	Diagnostic item is detected when...	Reference
[P1831]	VDC OP SIG	Malfunction is detected in VDC operation signal that is output from ABS actuator and electric unit (control unit) through CAN communication.	Refer to <a href="#">DLN-83</a> .

### DTC CONFIRMATION PROCEDURE

#### 1. DTC CONFIRMATION PROCEDURE

1. Turn ignition switch ON.
2. Perform self-diagnosis.

Is DTC P1831 displayed?

- YES >> Perform diagnosis procedure. Refer to [DLN-83, "Diagnosis Procedure"](#).  
NO >> Inspection End.

### Diagnosis Procedure

INFOID:000000003937266

#### 1. CHECK DTC WITH ABS ACTUATOR AND ELECTRIC UNIT

Perform self-diagnosis with ABS actuator and electric unit (control unit). Refer to [BRC-153, "CONSULT-III Function \(ABS\)"](#).

Is any malfunction detected by self-diagnosis?

- YES >> Check the malfunctioning system.  
NO >> GO TO 2.

#### 2. CHECK TRANSFER CONTROL UNIT

Check transfer control unit input/output signal. Refer to [DLN-85, "Reference Value"](#).

Are the inspection results normal?

- YES >> GO TO 3.  
NO >> Check transfer control unit pin terminals for damage or loose connection with harness connector.  
If any items are damaged, repair or replace damaged parts.

#### 3. CHECK DTC

Perform the self-diagnosis, after driving a vehicle for a while.

Are the inspection results normal?

- YES >> Inspection End.  
NO >> Perform self-diagnosis with ABS actuator electric unit (control unit) again.

# P1832 TCS OPERATION SIGNAL (ABS)

< COMPONENT DIAGNOSIS >

[TRANSFER: ATX14B]

## P1832 TCS OPERATION SIGNAL (ABS)

### Description

INFOID:000000003937267

Malfunction is detected in TCS operation signal that is output from ABS actuator and electric unit (control unit) through CAN communication.

### DTC Logic

INFOID:000000003937268

### DTC DETECTION LOGIC

DTC	CONSULT-III	Diagnostic item is detected when...	Reference
[P1832]	TCS OP SIG	Malfunction is detected in TCS operation signal that is output from ABS actuator and electric unit (control unit) through CAN communication.	Refer to <a href="#">DLN-84</a> .

### DTC CONFIRMATION PROCEDURE

#### 1. DTC CONFIRMATION PROCEDURE

1. Turn ignition switch ON.
2. Perform self-diagnosis.

Is DTC P1832 displayed?

- YES >> Perform diagnosis procedure. Refer to [DLN-84, "Diagnosis Procedure"](#).  
NO >> Inspection End.

### Diagnosis Procedure

INFOID:000000003937269

#### 1. CHECK DTC WITH ABS ACTUATOR AND ELECTRIC UNIT

Perform self-diagnosis with ABS actuator and electric unit (control unit). Refer to [BRC-153, "CONSULT-III Function \(ABS\)"](#).

Is any malfunction detected by self-diagnosis?

- YES >> Check the malfunctioning system.  
NO >> GO TO 2.

#### 2. CHECK TRANSFER CONTROL UNIT

Check transfer control unit input/output signal. Refer to [DLN-85, "Reference Value"](#).

Are the inspection results normal?

- YES >> GO TO 3.  
NO >> Check transfer control unit pin terminals for damage or loose connection with harness connector.  
If any items are damaged, repair or replace damaged parts.

#### 3. CHECK DTC

Perform the self-diagnosis, after driving a vehicle for a while.

Are the inspection results normal?

- YES >> Inspection End.  
NO >> Perform self-diagnosis with ABS actuator electric unit (control unit) again.

# TRANSFER CONTROL UNIT

< ECU DIAGNOSIS >

[TRANSFER: ATX14B]

## ECU DIAGNOSIS

### TRANSFER CONTROL UNIT

#### Reference Value

INFOID:000000003937270

#### VALUE ON THE DIAGNOSIS TOOL

CONSULT-III data monitor item

Monitored item [Unit]	Content	Condition	Display value
VHCL/S SEN-FR [km/h] or [mph]	Wheel speed (Front wheel)	Vehicle stopped	0 km/h (0 mph)
		Vehicle running <b>CAUTION:</b> Check air pressure of tire under standard condition.	Approximately equal to the indication on speedometer (Inside of ±10%)
VHCL/S SEN-RR [km/h] or [mph]	Wheel speed (Rear wheel)	Vehicle stopped	0 km/h (0 mph)
		Vehicle running <b>CAUTION:</b> Check air pressure of tire under standard condition.	Approximately equal to the indication on speedometer (Inside of ±10%)
ENGINE SPEED [rpm]	Engine speed	Engine stopped (Engine speed: Less than 400 rpm)	0 rpm
		Engine running (Engine speed: 400 rpm or more)	Approximately equal to the indication on tachometer
THRTL POS SEN [V]	Accelerator pedal position (APP) sensor signal voltage	Accelerator pedal: Released	Approx. 0.5V
		Accelerator pedal: Fully depressed	Approx. 4.0V
FLUID TEMP SE [V]	Transfer fluid temperature signal voltage	Transfer fluid temperature approx. 20 - 80°C (68 - 176°F)	Approx. 1.1 - 0.3V
BATTERY VOLT [V]	Power supply voltage for transfer control unit	Ignition switch: ON	Battery voltage
2WD SWITCH [ON/OFF]	Input condition from 4WD shift switch	4WD shift switch: 2WD	ON
		4WD shift switch: AUTO, 4H or 4LO	OFF
AUTO SWITCH [ON/OFF]	Input condition from 4WD shift switch	4WD shift switch: AUTO	ON
		4WD shift switch: 2WD, 4H or 4LO	OFF
LOCK SWITCH [ON/OFF]	Input condition from 4WD shift switch	4WD shift switch: 4H	ON
		4WD shift switch: 2WD, AUTO or 4LO	OFF
4L SWITCH [ON/OFF]	Input condition from 4WD shift switch	4WD shift switch: 4LO	ON
		4WD shift switch: 2WD, AUTO or 4H	OFF
N POSI SW TF [ON/OFF]	Condition of neutral-4LO switch	4WD shift switch: 2WD, AUTO or 4H	OFF
		• Vehicle stopped • Engine running • A/T selector lever N position • Brake pedal depressed 4WD shift switch: 4H to 4LO (While actuator motor is operating.)	OFF→ON
		4WD shift switch: 4LO to 4H (While actuator motor is operating.)	ON→OFF
		4WD shift switch: 4LO	ON

# TRANSFER CONTROL UNIT

< ECU DIAGNOSIS >

[TRANSFER: ATX14B]

Monitored item [Unit]	Content	Condition		Display value
ATP SWITCH [ON/OFF]	Condition of ATP switch	<ul style="list-style-type: none"> <li>Vehicle stopped</li> <li>Engine running</li> <li>A/T selector lever N position</li> <li>Brake pedal depressed</li> </ul>	4WD shift switch : 4H to 4LO or 4LO to 4H (While actuator motor is operating.)	ON
			Except the above	OFF
WAIT DETCT SW [ON/OFF]	Condition of wait detection switch	<ul style="list-style-type: none"> <li>Vehicle stopped</li> <li>Engine running</li> <li>A/T selector lever N position</li> <li>Brake pedal depressed</li> </ul>	4WD shift switch: 2WD, AUTO or 4H	OFF
			4WD shift switch: 4H to 4LO (While actuator motor is operating.)	OFF→ON
			4WD shift switch: 4LO to 4H (While actuator motor is operating.)	ON→OFF
			4WD shift switch: 4LO	ON
LINE PRES SW [ON/OFF]	Condition of line pressure switch	<ul style="list-style-type: none"> <li>A/T selector lever D position</li> <li>4WD shift switch: AUTO</li> </ul>		ON
		<ul style="list-style-type: none"> <li>Except the above</li> <li>The vehicle has been left at room temperature for 5 minutes and more with ignition switch in OFF position.</li> </ul>	<ul style="list-style-type: none"> <li>Ignition switch: ON</li> <li>A/T selector lever: P or N position</li> <li>4WD shift switch: other than AUTO</li> </ul>	OFF
CL PRES SW [ON/OFF]	Condition of clutch pressure switch	<ul style="list-style-type: none"> <li>Vehicle stopped</li> <li>Engine running</li> <li>A/T selector lever D position</li> <li>4WD shift switch: AUTO or 4H (Wait function is not operating.)</li> </ul>		ON
		<ul style="list-style-type: none"> <li>Vehicle stopped</li> <li>Engine running</li> <li>4WD shift switch: 2WD (Wait function is not operating.)</li> </ul>		OFF
N POSI SW AT [ON/OFF]	Input condition from A/T PNP switch	<ul style="list-style-type: none"> <li>Vehicle stopped</li> <li>Engine running</li> <li>Brake pedal depressed</li> </ul>	A/T selector lever position: N	ON
			Except the above	OFF
R POSI SW AT [ON/OFF]	Input condition from A/T PNP switch	<ul style="list-style-type: none"> <li>Vehicle stopped</li> <li>Engine running</li> <li>Brake pedal depressed</li> </ul>	A/T selector lever position: R	ON
			Except the above	OFF
P POSI SW AT [ON/OFF]	Input condition from A/T PNP switch	<ul style="list-style-type: none"> <li>Vehicle stopped</li> <li>Engine running</li> <li>Brake pedal depressed</li> </ul>	A/T selector lever position: P	ON
			Except the above	OFF
ABS OPER SW [ON/OFF]	Condition of ABS operating	ABS is operating.		ON
		ABS is not operating.		OFF
VDC OPER SW [ON/OFF]	Condition of VDC operating	VDC is operating.		ON
		VDC is not operating.		OFF
TCS OPER SW [ON/OFF]	Condition of TCS operating	TCS is operating.		ON
		TCS is not operating.		OFF
THROTTLE POSI [0.0/8]	Condition of throttle opening	When depressing accelerator pedal (Value rises gradually in response to throttle position.)		0.0/8 - 8.0/8
4WD MODE [AUTO/LOCK/2WD/4L]	Control status of 4WD (Output condition of 4WD shift indicator lamp and 4LO indicator lamp)	<ul style="list-style-type: none"> <li>Vehicle stopped</li> <li>Engine running</li> <li>A/T selector lever N position</li> <li>Brake pedal depressed</li> </ul>	4WD shift switch: 2WD	2WD
			4WD shift switch: AUTO	AUTO
			4WD shift switch: 4H	LOCK
			4WD shift switch: 4LO	4L

# TRANSFER CONTROL UNIT

< ECU DIAGNOSIS >

[TRANSFER: ATX14B]

Monitored item [Unit]	Content	Condition	Display value	
VHCL/S COMP [km/h] or [mph]	Vehicle speed	Vehicle stopped	0 km/h (0 mph)	
		Vehicle running <b>CAUTION:</b> Check air pressure of tire under standard condition.	Approximately equal to the indication on speedometer (Inside of ±10%)	
COMP CL TORQ [kgm]	Condition of control torque	<ul style="list-style-type: none"> <li>• Vehicle stopped</li> <li>• Engine running</li> <li>• A/T selector lever N position</li> <li>• Brake pedal depressed</li> </ul>	4WD shift switch: 2WD	0 kg-m
			4WD shift switch: AUTO	39 - 1,353 N·m (4 - 138 kg-m, 29 - 998 ft-lb)
			4WD shift switch: 4H or 4LO	1,353 N·m (138 kg-m, 998 ft-lb)
DUTY SOLENOID [%]	Condition of clutch pressure solenoid	<ul style="list-style-type: none"> <li>• Vehicle stopped</li> <li>• Engine running</li> <li>• A/T selector lever N position</li> <li>• Brake pedal depressed</li> </ul>	4WD shift switch: 2WD	4%
			4WD shift switch: AUTO	96 - 4%
			4WD shift switch: 4H or 4LO	4%
2-4WD SOL [ON/OFF]	Condition of 2-4WD shift solenoid valve	<ul style="list-style-type: none"> <li>• Vehicle stopped</li> <li>• Engine running</li> <li>• A/T selector lever N position</li> <li>• Brake pedal depressed</li> </ul>	4WD shift switch: 2WD	OFF
			4WD shift switch: AUTO	ON
			4WD shift switch: 4H	
			4WD shift switch: 4LO	OFF
			4WD shift switch: AUTO (Wait function is operating.)	
			4WD shift switch: 4H (Wait function is operating.)	
2-4WD SOL MON [ON/OFF]	Check signal for transfer control unit signal output	<ul style="list-style-type: none"> <li>• Vehicle stopped</li> <li>• Engine running</li> <li>• A/T selector lever N position</li> <li>• Brake pedal depressed</li> </ul>	4WD shift switch: 2WD	OFF
			4WD shift switch: AUTO	ON
			4WD shift switch: 4H	
			4WD shift switch: 4LO	OFF
			4WD shift switch: AUTO (Wait function is operating.)	
			4WD shift switch: 4H (Wait function is operating.)	
MOTOR RELAY [ON/OFF]	Condition of transfer motor relay	<ul style="list-style-type: none"> <li>• Accelerator pedal depressed</li> <li>• Vehicle stopped</li> <li>• Engine running</li> <li>• Brake pedal depressed</li> </ul>	4WD shift switch: 2WD	OFF
			4WD shift switch: AUTO or 4LO (A/T selector lever P or N position)	OFF (ON for approx. 2 sec. after shifting to P and N.)
			4WD shift switch: AUTO or 4LO (Except for A/T selector lever P or N position)	ON
			4WD shift switch: 4H (A/T selector lever P position)	OFF (ON for approx. 2 sec. after shifting to P.)
			4WD shift switch: 4H (Except for A/T selector lever P position)	ON

A  
B  
C  
DLN  
E  
F  
G  
H  
I  
J  
K  
L  
M  
N  
O  
P

# TRANSFER CONTROL UNIT

< ECU DIAGNOSIS >

[TRANSFER: ATX14B]

Monitored item [Unit]	Content	Condition	Display value
MOTOR RELAY MON [ON/OFF]	Check signal for transfer control unit signal output	4WD shift switch: 2WD	OFF
		4WD shift switch: AUTO or 4LO (A/T selector lever P or N position)	OFF (ON for approx. 2 sec. after shifting to P and N.)
		4WD shift switch: AUTO or 4LO (Except for A/T selector lever P or N position)	ON
		4WD shift switch: 4H (A/T selector lever P position)	OFF (ON for approx. 2 sec. after shifting to P.)
		4WD shift switch: 4H (Except for A/T selector lever P position)	ON
4WD FAIL LAMP [ON/OFF]	Condition of 4WD warning lamp	4WD warning lamp: ON	ON
		4WD warning lamp: OFF	OFF
2WD IND [ON/OFF]	Condition of 4WD shift indicator lamp (2WD indicator lamp)	2WD indicator lamp of 4WD shift indicator lamp: OFF	OFF
		2WD indicator lamp of 4WD shift indicator lamp: ON	ON
AUTO IND [ON/OFF]	Condition of 4WD shift indicator lamp (AUTO indicator lamp)	AUTO indicator lamp of 4WD shift indicator lamp: OFF	OFF
		AUTO indicator lamp of 4WD shift indicator lamp: ON	ON
LOCK IND [ON/OFF]	Condition of 4WD shift indicator lamp (Lock indicator lamp)	Lock indicator lamp of 4WD shift indicator lamp: OFF	OFF
		Lock indicator lamp of 4WD shift indicator lamp: ON	ON
4L IND [ON/OFF]	Condition of 4LO indicator lamp condition	4LO indicator lamp: OFF	OFF
		4LO indicator lamp: ON	ON
ATP IND [ON/OFF]	Condition of ATP indicator lamp	ATP indicator lamp: ON	ON
		ATP indicator lamp: OFF	OFF
SHIFT POS SW1 [ON/OFF]	Condition of actuator position switch 1 (Low)	4WD shift switch: 4LO	ON
		4WD shift switch: 2WD, AUTO or 4H	OFF
SHIFT POS SW2 [ON/OFF]	Condition of actuator position switch 2 (High)	4WD shift switch: 4H, AUTO or 2WD	ON
		4WD shift switch: 4LO	OFF
SHIFT ACT1 [ON/OFF]	Output condition to actuator motor (High)	4WD shift switch: 4H to 4LO (Wait function is operating.)	ON
		Except the above	OFF
SHIFT AC MON1 [ON/OFF]	Check signal for transfer control unit signal output	4WD shift switch: 4H to 4LO (Wait function is operating.)	ON
		Except the above	OFF
SHIFT ACT2 [ON/OFF]	Output condition to actuator motor (Low)	4WD shift switch: 4LO to 4H (Wait function is operating.)	ON
		Except the above	OFF



# TRANSFER CONTROL UNIT

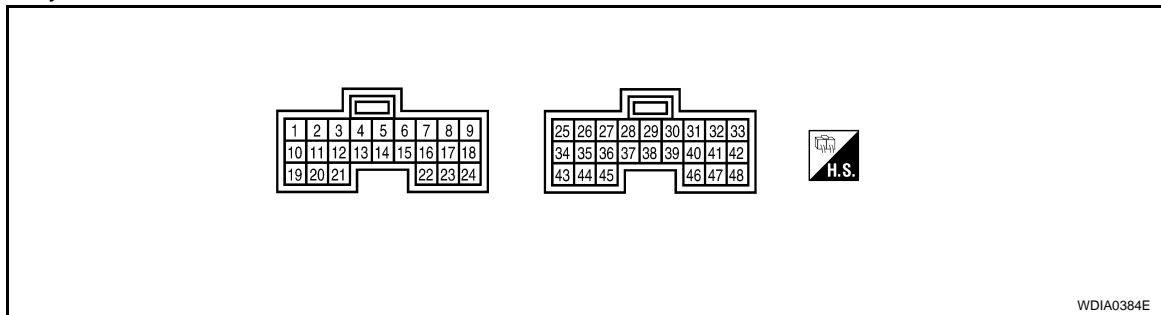
< ECU DIAGNOSIS >

[TRANSFER: ATX14B]

Monitored item [Unit]	Content	Condition	Display value
SHIFT AC MON2 [ON/OFF]	Check signal for transfer control unit signal output	<ul style="list-style-type: none"> <li>• Vehicle stopped</li> <li>• Engine running</li> <li>• A/T selector lever N position</li> </ul>	4WD shift switch: 4LO to 4H (Wait function is operating.)
		• Brake pedal depressed	Except the above
T/F SPEED [km/h] or [mph]	Displayed, but do not use.		
A/T R SPEED [km/h] or [mph]	Condition of vehicle speed sensor A/T (Revolution sensor)	During driving	Approximately matches the output shaft speed.
AT GEAR POSI [1/2/3/4/5]	Condition of A/T selector lever position	Displays actual A/T gear position.	1 2 3 4 5

## PHYSICAL VALUES

### Terminal Layout



Terminal	Wire color	Item	Condition	Data (Approx.)
1	GR	2-4WD shift solenoid valve	<ul style="list-style-type: none"> <li>• Vehicle stopped</li> <li>• Engine running</li> <li>• A/T selector lever "N" position</li> </ul>	4WD shift switch: 2WD
			• Brake pedal depressed	4WD shift switch: AUTO, 4H or 4LO
2	V	4WD shift indicator lamp (2WD indicator lamp)	2WD indicator lamp: OFF	
			2WD indicator lamp: ON	
3	B	Ground	Always	0V
4	SB	Transfer shift high relay	<ul style="list-style-type: none"> <li>• Vehicle stopped</li> <li>• Engine running</li> <li>• A/T selector lever "N" position</li> </ul>	4WD shift switch: 4H to 4LO ("Wait" function is operating.)
			• Brake pedal depressed	Except the above
5	GR	4WD warning lamp	4WD warning lamp: ON	
			4WD warning lamp: OFF	
6	B	Ground	Always	0V
7	L	CAN-H	—	—
8	P	CAN-L	—	—
9	G	4WD shift switch (2WD)	Ignition switch: ON	4WD shift switch: 2WD
				4WD shift switch: AUTO, 4H or 4LO

# TRANSFER CONTROL UNIT

< ECU DIAGNOSIS >

[TRANSFER: ATX14B]

Terminal	Wire color	Item	Condition	Data (Approx.)	
10	P	Transfer dropping resistor	<ul style="list-style-type: none"> <li>• Vehicle stopped</li> <li>• Engine running</li> <li>• A/T selector lever "N" position</li> <li>• Brake pedal depressed</li> </ul>	4WD shift switch: AUTO	4 - 14V
				4WD shift switch: 2WD, 4H or 4LO	Less than 1V
11	BR	4WD shift indicator lamp (Lock indicator lamp)	Lock indicator lamp of 4WD shift indicator lamp: OFF		Battery voltage
			Lock indicator lamp of 4WD shift indicator lamp: ON		0V
12	O	4LO indicator lamp	4LO indicator lamp: OFF		Battery voltage
			4LO indicator lamp: ON		0V
13	G	Transfer shift low relay	<ul style="list-style-type: none"> <li>• Vehicle stopped</li> <li>• Engine running</li> <li>• A/T selector lever "N" position</li> <li>• Brake pedal depressed</li> </ul>	4WD shift switch: 4LO to 4H ("Wait" function is operating.)	Battery voltage
				Except the above	0V
14	V	Transfer motor relay	<ul style="list-style-type: none"> <li>• Accelerator pedal depressed</li> <li>• Vehicle stopped</li> <li>• Engine running</li> <li>• Brake pedal depressed</li> </ul>	4WD shift switch: 2WD	Battery voltage
				4WD shift switch: AUTO or 4LO (A/T selector lever "P" or "N" position)	Battery voltage (0V for approx. 2 sec. after shifting to "P" and "N".)
				4WD shift switch: AUTO or 4LO (Except for A/T selector lever "P" or "N" position)	0V
				4WD shift switch: 4H (A/T selector lever "P" position)	Battery voltage (0V for approx. 2 sec. after shifting to "P".)
				4WD shift switch: 4H (Except for A/T selector lever "P" position)	0V
15	LG	ATP warning lamp	ATP indicator lamp: ON		0V
			ATP indicator lamp: OFF		Battery voltage
16	Y	Power supply	Ignition switch: ON		Battery voltage
			Ignition switch: OFF (5 seconds after ignition switch is turned OFF)		0V
18	O	4WD shift switch (4H)	Ignition switch: ON	4WD shift switch: 4H	Battery voltage
				4WD shift switch: 2WD, AUTO or 4LO	0V
19	R	Clutch pressure solenoid valve	<ul style="list-style-type: none"> <li>• Vehicle stopped</li> <li>• Engine running</li> <li>• A/T selector lever "N" position</li> <li>• Brake pedal depressed</li> </ul>	4WD shift switch: AUTO	1.5 - 3V
				4WD shift switch: 2WD, 4H or 4LO	Less than 1V
21	B	4WD shift indicator lamp (AUTO indicator lamp)	AUTO indicator lamp of 4WD shift indicator lamp: OFF		Battery voltage
			AUTO indicator lamp of 4WD shift indicator lamp: ON		0V
22	GR	Power supply	Ignition switch: ON		Battery voltage
			Ignition switch: OFF (5 seconds after ignition switch is turned OFF)		0V
23	W	4WD shift switch (4LO)	Ignition switch: ON	4WD shift switch: 4LO	Battery voltage
				4WD shift switch: 2WD, AUTO or 4H	0V
24	LG	4WD shift switch (AUTO)	Ignition switch: ON	4WD shift switch: AUTO	Battery voltage
				4WD shift switch: 2WD, 4H or 4LO	0V

# TRANSFER CONTROL UNIT

< ECU DIAGNOSIS >

[TRANSFER: ATX14B]

Terminal	Wire color	Item	Condition		Data (Approx.)
25	Y	Neutral-4LO switch	<ul style="list-style-type: none"> <li>Vehicle stopped</li> <li>Engine running</li> <li>A/T selector lever "N" position</li> <li>Brake pedal depressed</li> </ul>	4WD shift switch: 2WD, AUTO or 4H	Battery voltage
				4WD shift switch: 4H to 4LO (While actuator motor is operating.)	Battery voltage → 0V
				4WD shift switch: 4LO to 4H (While actuator motor is operating.)	0V → Battery voltage
				4WD shift switch: 4LO	0V
27	W	Actuator position switch 2 (High)	<ul style="list-style-type: none"> <li>Vehicle stopped</li> <li>Engine running</li> <li>A/T selector lever "N" position</li> <li>Brake pedal depressed</li> </ul>	4WD shift switch: 4H, AUTO or 2WD	0V
				4WD shift switch: 4LO	Battery voltage
28	P	Sensor ground	Always		0V
29	W/G	Ignition switch monitor	Ignition switch: ON		Battery voltage
			Ignition switch: OFF		0V
30	V	Shut off relay	Ignition switch: ON		0V
			Ignition switch: OFF (5 seconds after ignition switch is turned OFF)		Battery voltage
31	G	Transfer fluid temperature sensor	Ignition switch: ON	Transfer fluid temperature approx. 20°C (68°F)	1.1V
				Transfer fluid temperature approx. 80°C (176°F)	0.3V
33	GR	Transfer shift high relay monitor	<ul style="list-style-type: none"> <li>Vehicle stopped</li> <li>Engine running</li> <li>A/T selector lever "N" position</li> <li>Brake pedal depressed</li> </ul>	4WD shift switch: 4H to 4LO ("Wait" function is operating.)	Battery voltage
				Except the above	
34	BR	Clutch pressure switch	<ul style="list-style-type: none"> <li>Vehicle stopped</li> <li>Engine running</li> <li>A/T selector lever "D" position</li> </ul>	4WD shift switch: AUTO or 4H ("Wait" function is not operating.)	0V
				<ul style="list-style-type: none"> <li>Vehicle stopped</li> <li>Engine running</li> </ul>	4WD shift switch: 2WD ("Wait" function is not operating.)
35	L	Line pressure switch	<ul style="list-style-type: none"> <li>Ignition switch: ON</li> <li>A/T selector lever "D" position</li> <li>4WD shift switch: AUTO</li> </ul>		0V
			<ul style="list-style-type: none"> <li>After the vehicle has been left at room temperature for 5 minutes and more with ignition switch in "OFF" position.</li> </ul>	<ul style="list-style-type: none"> <li>Ignition switch: ON</li> <li>A/T selector lever: "P" or "N" position</li> <li>4WD shift switch: other than AUTO</li> </ul>	Battery voltage
40	R	ATP switch	<ul style="list-style-type: none"> <li>Vehicle stopped</li> <li>Engine running</li> <li>A/T selector lever "N"</li> <li>Brake pedal depressed</li> </ul>	4WD shift switch: 4H to 4LO or 4LO to 4H (While actuator motor is operating.)	0V
				Except the above	

A

B

C

DLN

E

F

G

H

I

J

K

L

M

N

O

P

# TRANSFER CONTROL UNIT

< ECU DIAGNOSIS >

[TRANSFER: ATX14B]

Terminal	Wire color	Item	Condition	Data (Approx.)	
41	SB	Transfer motor relay monitor	<ul style="list-style-type: none"> <li>• Accelerator pedal depressed</li> <li>• Vehicle stopped</li> <li>• Engine running</li> <li>• Brake pedal depressed</li> </ul>	4WD shift switch: 2WD	0V
				4WD shift switch: AUTO or 4LO (A/T selector lever "P" or "N" position)	0V (Battery voltage for approx. 2 sec. after shifting to "P" and "N".)
				4WD shift switch: AUTO or 4LO (Except for A/T selector lever "P" or "N" position)	Battery voltage
				4WD shift switch: 4H (A/T selector lever "P" position)	0V (Battery voltage for approx. 2 sec. after shifting to "P".)
				4WD shift switch: 4H (Except for A/T selector lever "P" position)	Battery voltage
42	Y	Transfer shift low relay monitor	<ul style="list-style-type: none"> <li>• Vehicle stopped</li> <li>• Engine running</li> <li>• A/T selector lever "N" position</li> <li>• Brake pedal depressed</li> </ul>	4WD shift switch: 4LO to 4H ("Wait" function is operating.)	Battery voltage
				Except the above	0V
43	O	Wait detection switch	<ul style="list-style-type: none"> <li>• Vehicle stopped</li> <li>• Engine running</li> <li>• A/T selector lever "N" position</li> <li>• Brake pedal depressed</li> </ul>	4WD shift switch: 2WD, AUTO or 4H	Battery voltage
				4WD shift switch: 4H to 4LO (While actuator motor is operating.)	Battery voltage → 0V
				4WD shift switch: 4LO to 4H (While actuator motor is operating.)	0V → Battery voltage
				4WD shift switch: 4LO	0V
44	LG	Actuator position switch 1 (Low)	<ul style="list-style-type: none"> <li>• Vehicle stopped</li> <li>• Engine running</li> <li>• A/T selector lever "N" position</li> <li>• Brake pedal depressed</li> </ul>	4WD shift switch: 4LO	0V
				4WD shift switch: 2WD, AUTO or 4H	Battery voltage
45	B	Ground	Always	0V	
47	B	Power supply (Memory back-up)	Ignition switch: ON	Battery voltage	
			Ignition switch: OFF	Battery voltage	

**CAUTION:**

When using a circuit tester to measure voltage for inspection, be sure not to extend forcibly any connector terminals.

**NOTE:**

Data are reference value and are measured between each terminal and ground.

# TRANSFER CONTROL UNIT

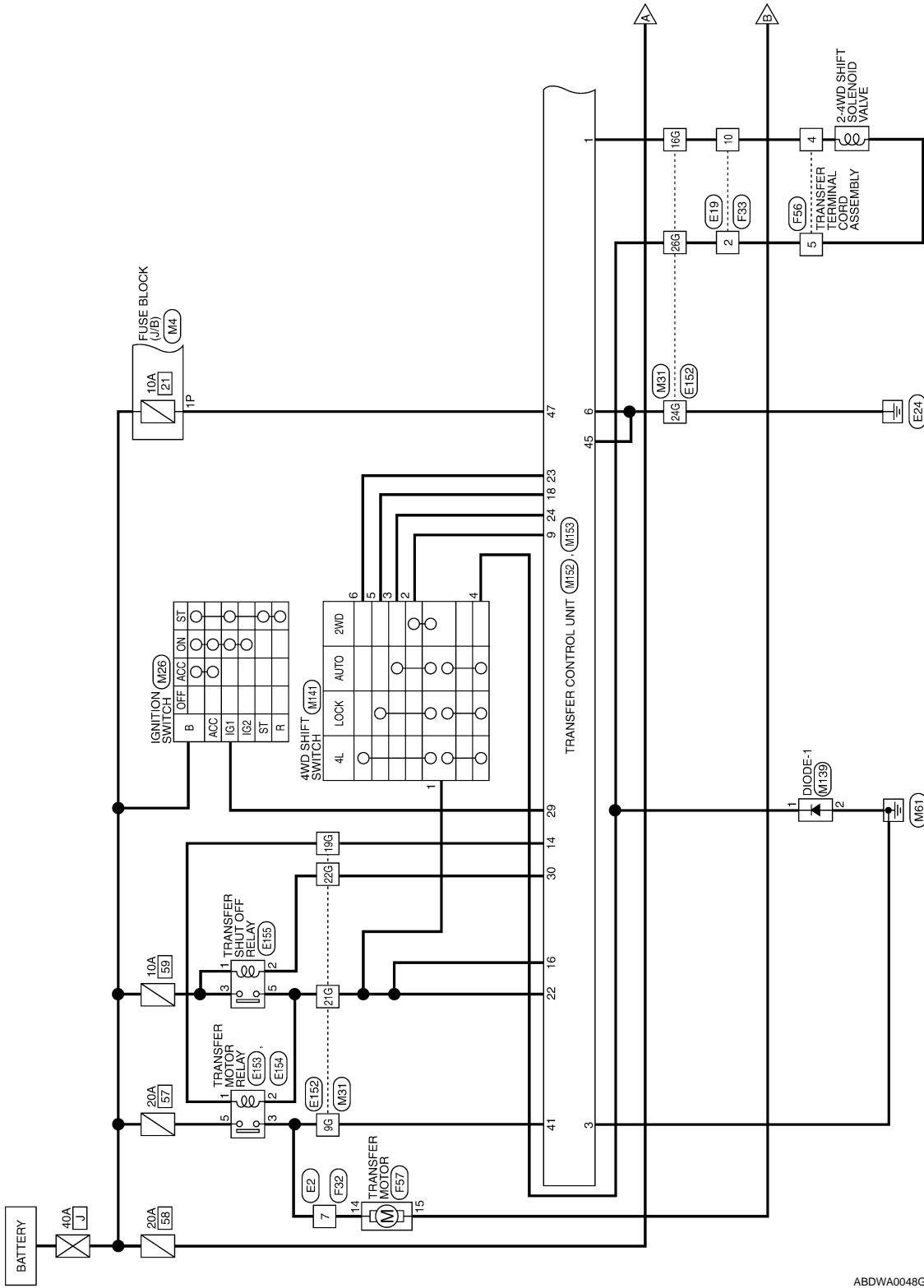
< ECU DIAGNOSIS >

[TRANSFER: ATX14B]

## Wiring Diagram

INFOID:000000003937271

### ALL-MODE 4WD SYSTEM



ABDWA0048GE

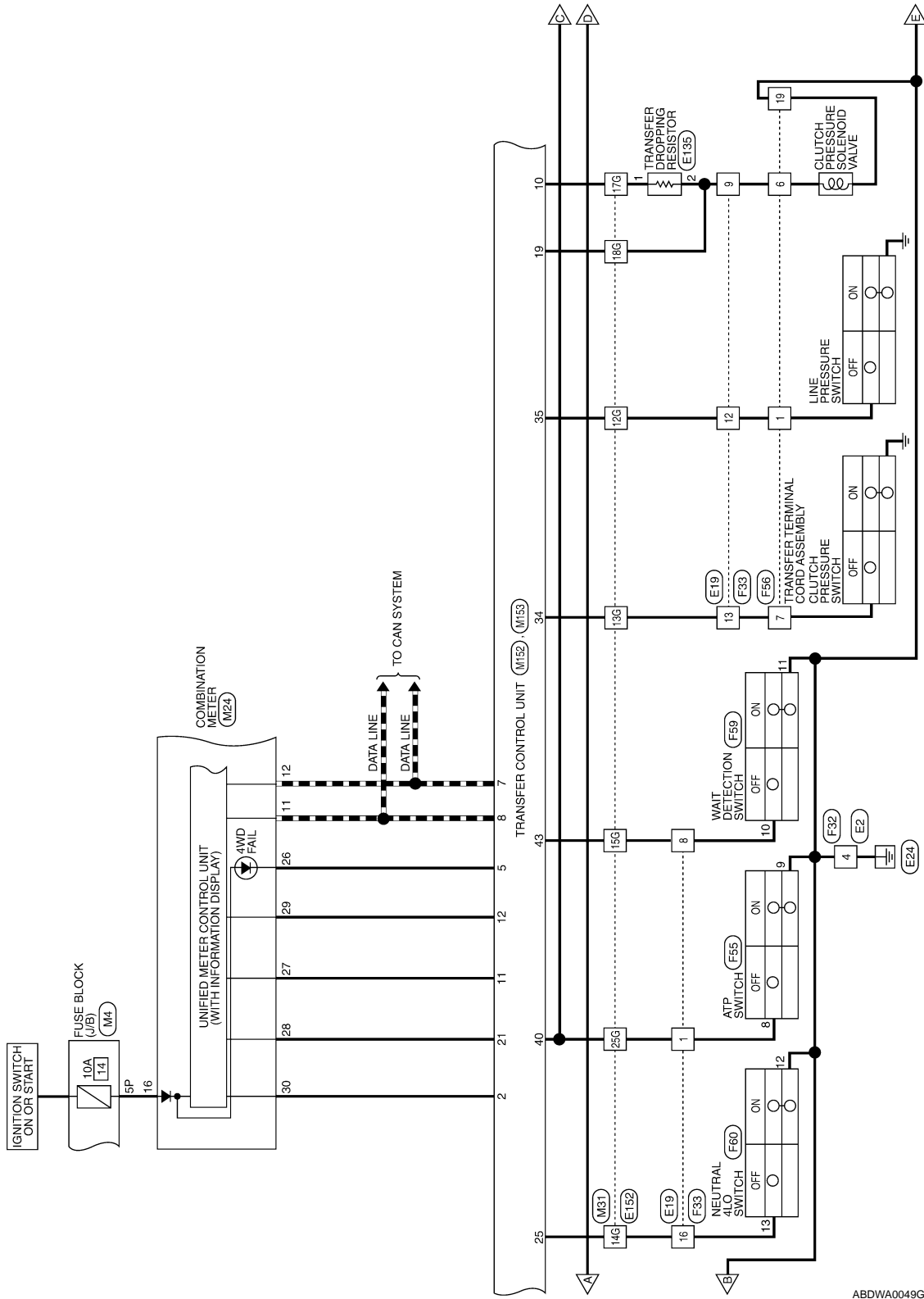
A  
B  
C  
DLN  
E  
F  
G  
H  
I  
J  
K  
L  
M  
N  
O  
P

# TRANSFER CONTROL UNIT

< ECU DIAGNOSIS >

[TRANSFER: ATX14B]

— : DATA LINE

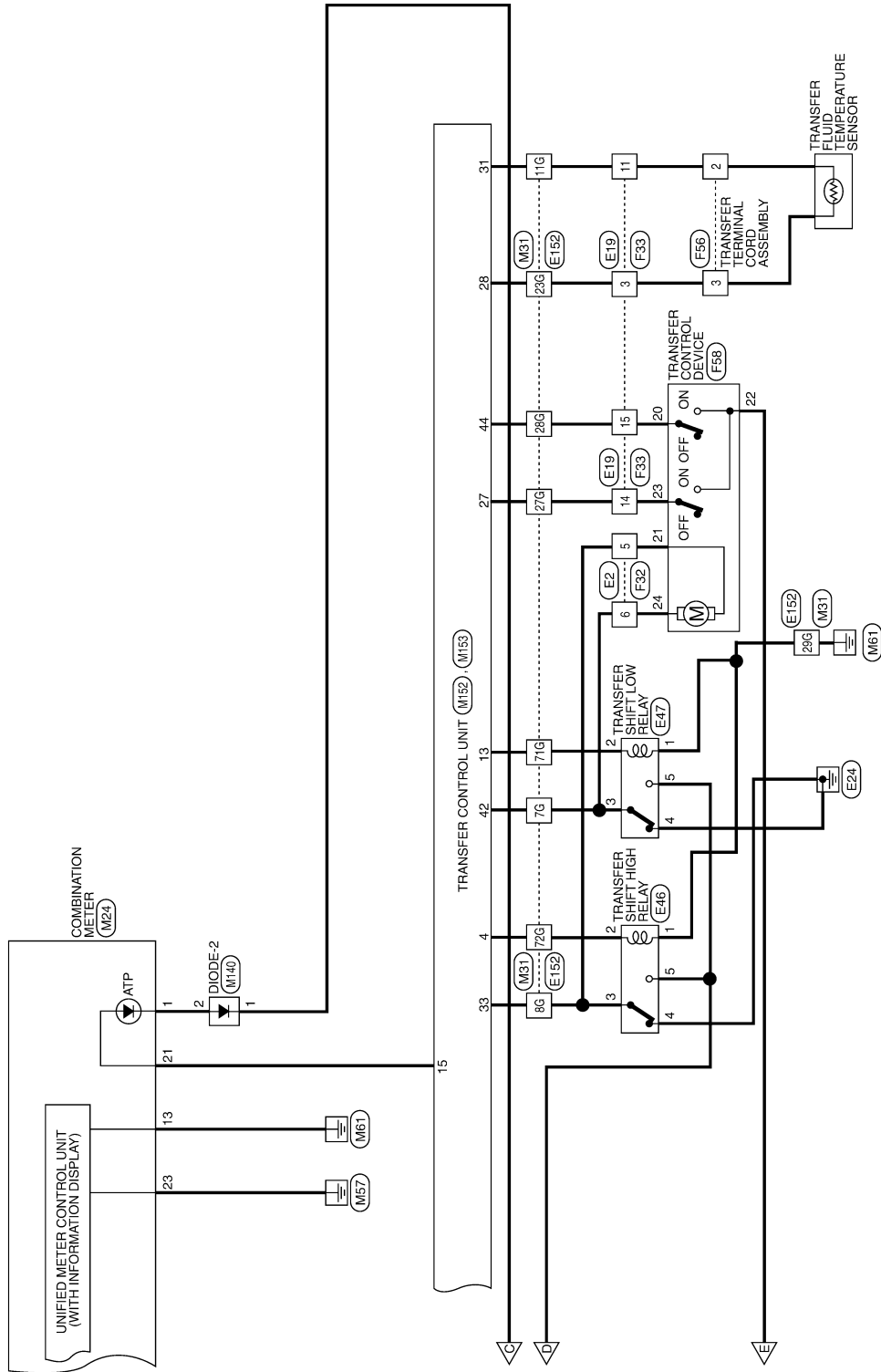


ABDWA0049G1

# TRANSFER CONTROL UNIT

< ECU DIAGNOSIS >

[TRANSFER: ATX14B]



ABDWA0050GE

A  
B  
C  
DLN  
E  
F  
G  
H  
I  
J  
K  
L  
M  
N  
O  
P

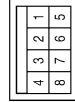
ALL-MODE 4WD SYSTEM CONNECTORS

Connector No.	M4
Connector Name	FUSE BLOCK (J/B)
Connector Color	WHITE



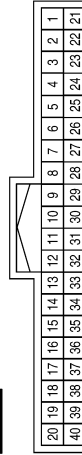
Terminal No.	Color of Wire	Signal Name
1P	R/B	-
5P	W/G	-

Connector No.	M6
Connector Name	WIRE TO WIRE
Connector Color	WHITE



Terminal No.	Color of Wire	Signal Name
2	W/G	-

Connector No.	M24
Connector Name	COMBINATION METER
Connector Color	WHITE



Terminal No.	Color of Wire	Signal Name
1	R	ATP-
11	P	CAN-L

Terminal No.	Color of Wire	Signal Name
12	L	CAN-H
13	GR	GROUND
16	W/G	RUN START
21	LG	ATP+
23	B	POWER GND
26	GR	4WD FAIL
27	BR	LOCK/4H
28	B	AUTO
29	O	4LO
30	V	2WD

Connector No.	M26
Connector Name	IGNITION SWITCH
Connector Color	WHITE



Terminal No.	Color of Wire	Signal Name
B	G	-
IG1	W/G	-

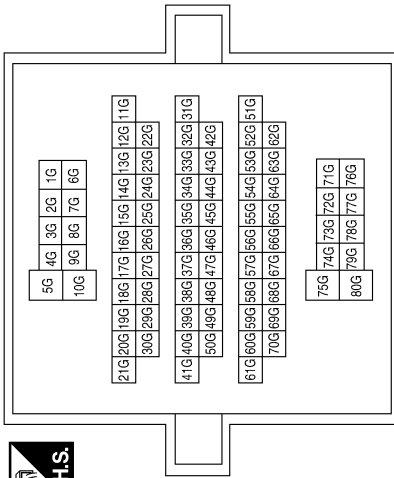


# TRANSFER CONTROL UNIT

< ECU DIAGNOSIS >

[TRANSFER: ATX14B]

Connector No.	M31
Connector Name	WIRE TO WIRE
Connector Color	WHITE



Terminal No.	Color of Wire	Signal Name
7G	Y	-
8G	GR	-
9G	SB	-
11G	G	-
12G	L	-
13G	BR	-
14G	Y	-
15G	O	-
16G	GR	-
17G	P	-
18G	R	-
19G	V	-
21G	GR	-
22G	V	-

Terminal No.	Color of Wire	Signal Name
23G	P	-
24G	B	-
25G	V	-
26G	SB	-
27G	W	-
28G	LG	-
29G	BR	-
71G	G	-
72G	SB	-

Connector No.	M139
Connector Name	DIODE-1
Connector Color	BLACK



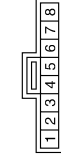
Terminal No.	Color of Wire	Signal Name
1	G	-
2	B	-

Connector No.	M140
Connector Name	DIODE-2
Connector Color	BLACK



Terminal No.	Color of Wire	Signal Name
1	V	-
2	R	-

Connector No.	M141
Connector Name	4WD SHIFT SWITCH(ALL-MODE 4WD SYSTEM)
Connector Color	GRAY



Terminal No.	Color of Wire	Signal Name
1	Y	-
2	G	-
3	LG	-
4	SB	-
5	O	-
6	W	-
7	R	-
8	BR	-

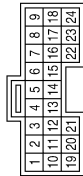
A  
B  
C  
DLN  
E  
F  
G  
H  
I  
J  
K  
L  
M  
N  
O  
P

# TRANSFER CONTROL UNIT

< ECU DIAGNOSIS >

[TRANSFER: ATX14B]

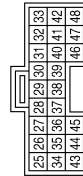
Connector No.	M152
Connector Name	TRANSFER CONTROL UNIT (ALL-MODE 4WD SYSTEM)
Connector Color	WHITE



Terminal No.	Color of Wire	Signal Name
1	GR	2-4WD SOL
2	V	2WD IND
3	B	GND
4	SB	RLY CONT1
5	GR	ETS FAIL
6	B	GND
7	L	CAN-H
8	P	CAN-L
9	G	2WD SW
10	P	CLUTCH PRESSURE SOLD/R
11	BR	LOCK IND
12	O	4LO IND
13	G	RLY CONT2

Terminal No.	Color of Wire	Signal Name
14	V	ETS MTR RLY
15	LG	ATP-IND
16	Y	VIGN
17	-	-
18	O	LOCK SW
19	R	CLUTCH PRESSURE SOL
20	-	-
21	B	AUTO IND
22	GR	VIGN
23	W	4L SW
24	LG	AUTO SW

Connector No.	M153
Connector Name	TRANSFER CONTROL UNIT (ALL-MODE 4WD SYSTEM)
Connector Color	WHITE



Terminal No.	Color of Wire	Signal Name
25	Y	ON-OFF NSW
26	-	-
27	W	ACTR SW2
28	P	ETS-SENS-GND
29	W/G	IGN-SW
30	V	SSOF
31	G	ETS
32	-	-
33	GR	R/CONTMON 1
34	BR	CLUTCH PRESS SW
35	L	LINE PRESS SW
36	-	-
37	-	-
38	-	-
39	-	-

Terminal No.	Color of Wire	Signal Name
40	R	ATP-SW
41	SB	ETS MTR MON
42	Y	R/CONTMON 2
43	O	WAIT DETECTION SW
44	LG	ACTR SW1
45	B	GND
46	-	-
47	B	MEMORY B/U
48	-	-

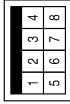
ABDIA0124GB

# TRANSFER CONTROL UNIT

< ECU DIAGNOSIS >

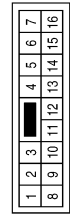
[TRANSFER: ATX14B]

Connector No.	E10
Connector Name	WIRE TO WIRE
Connector Color	WHITE



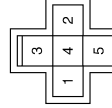
Terminal No.	Color of Wire	Signal Name
7	W	-

Connector No.	E2
Connector Name	WIRE TO WIRE
Connector Color	WHITE



Terminal No.	Color of Wire	Signal Name
4	B	-
5	V	-
6	P	-
7	SB	-

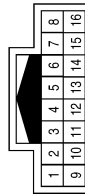
Connector No.	E46
Connector Name	TRANSFER SHIFT HIGH RELAY(ALL-MODE 4WD SYSTEM)
Connector Color	BLACK



Terminal No.	Color of Wire	Signal Name
1	BR	-
2	SB	-
3	V	-
4	B	-
5	P	-

Terminal No.	Color of Wire	Signal Name
1	V	-
2	SB	-
3	P	-
8	O	-
9	R	-
10	GR	-
11	G	-
12	L	-
13	BR	-
14	W	-
15	LG	-
16	Y	-

Connector No.	E19
Connector Name	WIRE TO WIRE
Connector Color	WHITE



ABDIA0125GB

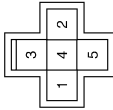
A  
B  
C  
DLN  
E  
F  
G  
H  
I  
J  
K  
L  
M  
N  
O  
P

# TRANSFER CONTROL UNIT

< ECU DIAGNOSIS >

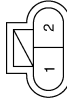
[TRANSFER: ATX14B]

Connector No.	E47
Connector Name	TRANSFER SHIFT LOW RELAY (ALL-MODE 4WD SYSTEM)
Connector Color	BLACK



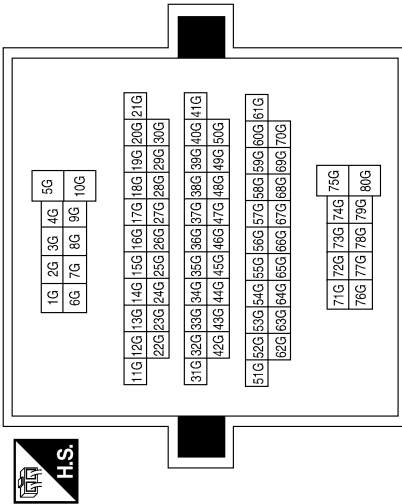
Terminal No.	Color of Wire	Signal Name
1	BR	-
2	G	-
3	P	-
4	B	-
5	R	-

Connector No.	E135
Connector Name	TRANSFER DROPPING RESISTOR
Connector Color	GRAY



Terminal No.	Color of Wire	Signal Name
1	P	-
2	L	-

Connector No.	E152
Connector Name	WIRE TO WIRE
Connector Color	WHITE



Terminal No.	Color of Wire	Signal Name
21G	GR	-
22G	V	-
23G	P	-
24G	B	-
25G	V	-
26G	SB	-
27G	W	-
28G	LG	-
29G	BR	-
71G	G	-
72G	SB	-

Terminal No.	Color of Wire	Signal Name
7G	Y	-
8G	GR	-
9G	SB	-
11G	G	-
12G	L	-
13G	BR	-
14G	Y	-
15G	O	-
16G	GR	-
17G	P	-
18G	R	-
19G	V	-

ABDIA0126GB

# TRANSFER CONTROL UNIT

< ECU DIAGNOSIS >

[TRANSFER: ATX14B]

Connector No.	E155
Connector Name	TRANSFER SHUT OFF RELAY
Connector Color	BLUE



Terminal No.	Color of Wire	Signal Name
1	G	-
2	V	-
3	G	-
5	GR	-

Connector No.	E154
Connector Name	TRANSFER MOTOR RELAY
Connector Color	WHITE



Terminal No.	Color of Wire	Signal Name
3	SB	-
5	L	-

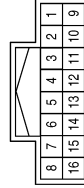
Connector No.	E153
Connector Name	TRANSFER MOTOR RELAY
Connector Color	WHITE



Terminal No.	Color of Wire	Signal Name
1	V	-
2	Y	-

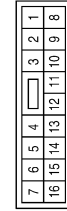
Terminal No.	Color of Wire	Signal Name
3	P	-
8	O	-
9	R	-
10	GR	-
11	G	-
12	L	-
13	BR	-
14	W	-
15	LG	-
16	Y	-

Connector No.	F33
Connector Name	WIRE TO WIRE
Connector Color	WHITE



Terminal No.	Color of Wire	Signal Name
1	V	-
2	SB	-

Connector No.	F32
Connector Name	WIRE TO WIRE
Connector Color	WHITE



Terminal No.	Color of Wire	Signal Name
4	B	-
5	V	-
6	P	-
7	SB	-

ABDIA0127GB

A  
B  
C  
DLN  
E  
F  
G  
H  
I  
J  
K  
L  
M  
N  
O  
P

# TRANSFER CONTROL UNIT

< ECU DIAGNOSIS >

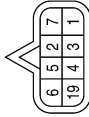
[TRANSFER: ATX14B]

Connector No.	F57
Connector Name	TRANSFER MOTOR
Connector Color	BLACK



Terminal No.	Color of Wire	Signal Name
14	SB	-
15	B	-

Connector No.	F56
Connector Name	TRANSFER TERMINAL CORD ASSEMBLY
Connector Color	BLACK



Terminal No.	Color of Wire	Signal Name
1	L	-
2	G	-
3	P	-
4	GR	-
5	SB	-
6	R	-
7	BR	-
19	B	-

Connector No.	F55
Connector Name	ATP SWITCH (ALL-MODE 4WD SYSTEM)
Connector Color	BLACK



Terminal No.	Color of Wire	Signal Name
8	V	-
9	B	-

Connector No.	F60
Connector Name	NEUTRAL 4LO SWITCH (ALL-MODE 4WD SYSTEM)
Connector Color	GRAY



Terminal No.	Color of Wire	Signal Name
12	B	-
13	Y	-

Connector No.	F59
Connector Name	WAIT DETECTION SWITCH (ALL-MODE 4WD SYSTEM)
Connector Color	BLACK



Terminal No.	Color of Wire	Signal Name
10	O	-
11	B	-

Connector No.	F58
Connector Name	TRANSFER CONTROL DEVICE (ALL-MODE 4WD SYSTEM)
Connector Color	GRAY



Terminal No.	Color of Wire	Signal Name
20	LG	-
21	V	-
22	B	-
23	W	-
24	P	-

ABDIA0128GB

INFOID:000000003937272

DTC Index

DTC CHART

# TRANSFER CONTROL UNIT

< ECU DIAGNOSIS >

[TRANSFER: ATX14B]

DTC	CONSULT-III	Diagnostic item is detected when...	Reference	
[P1802]	CONTROL UNIT 1	Malfunction is detected in the memory (RAM) system of transfer control unit.		A
[P1803]	CONTROL UNIT 2	Malfunction is detected in the memory (ROM) system of transfer control unit.	Refer to <a href="#">DLN-29</a> .	B
[P1804]	CONTROL UNIT 3	Malfunction is detected in the memory (EEPROM) system of transfer control unit.		C
[P1807]	VHCL SPEED SEN-AT	<ul style="list-style-type: none"> <li>Malfunction is detected in output shaft revolution signal that is output from TCM through CAN communication.</li> <li>Improper signal is input while driving.</li> </ul>	Refer to <a href="#">DLN-31</a> .	<b>DLN</b>
[P1808]	VHCL SPEED SEN-ABS	<ul style="list-style-type: none"> <li>Malfunction is detected in vehicle speed signal that is output from ABS actuator and electric unit (control unit) through CAN communication.</li> <li>Improper signal is input while driving.</li> </ul>	Refer to <a href="#">DLN-32</a> .	E
[P1809]	CONTROL UNIT 4	AD converter system of transfer control unit is malfunctioning.	Refer to <a href="#">DLN-29</a> .	F
[P1810]	4L POSI SW TF	Improper signal from neutral-4LO switch is input due to open or short circuit.	Refer to <a href="#">DLN-33</a> .	
[P1811]	BATTERY VOLTAGE	Power supply voltage for transfer control unit is abnormally low while driving.	Refer to <a href="#">DLN-27</a> .	G
[P1813]	4WD MODE SW	More than two switch inputs are simultaneously detected due to short circuit of 4WD shift switch.	Refer to <a href="#">DLN-36</a> .	H
[P1814]	4WD DETECT SWITCH	Improper signal from wait detection switch is input due to open or short circuit.	Refer to <a href="#">DLN-40</a> .	
[P1816]	PNP SW/CIRC	When A/T PNP switch signal is malfunction or communication error between the control units.	Refer to <a href="#">DLN-43</a> .	I
[P1817]	SHIFT ACTUATOR	<ul style="list-style-type: none"> <li>Motor does not operate properly due to open or short circuit in actuator motor.</li> <li>Malfunction is detected in the actuator motor. (When 4WD shift switch is operated and actuator motor is not operated)</li> <li>Malfunction is detected in transfer shift high relay and transfer shift low relay.</li> </ul>	Refer to <a href="#">DLN-44</a> .	J
[P1818]	SHIFT ACT POSI SW	<ul style="list-style-type: none"> <li>Improper signal from actuator position switch is input due to open or short circuit.</li> <li>Malfunction is detected in the actuator position switch.</li> </ul>	Refer to <a href="#">DLN-50</a> .	K
[P1819]	SHIFT ACT CIR	<ul style="list-style-type: none"> <li>Transfer control device actuator circuit is shorted or open. (Malfunctions are detected when transfer shift relay circuit is open/shorted or relay monitor circuit is open/shorted.)</li> <li>Malfunction occurs in transfer control device drive circuit.</li> <li>Malfunction is detected in transfer shut off relay.</li> </ul>	Refer to <a href="#">DLN-53</a> .	L
[P1820]	ENGINE SPEED SIG	<ul style="list-style-type: none"> <li>Malfunction is detected in engine speed signal that is output from ECM through CAN communication.</li> <li>Improper signal is input while driving.</li> </ul>	Refer to <a href="#">DLN-57</a> .	M
[P1822]	DUTY SOLENOID	Proper voltage is not applied to clutch pressure solenoid valve due to open or short circuit.	Refer to <a href="#">DLN-58</a> .	N
[P1823]	2-4WD SOLENOID	Proper voltage is not applied to 2-4WD solenoid valve due to open or short circuit.	Refer to <a href="#">DLN-62</a> .	O
[P1824]	MOTOR RELAY	Motor does not operate properly due to open or short circuit in transfer motor or transfer motor relay.	Refer to <a href="#">DLN-66</a> .	P

# TRANSFER CONTROL UNIT

< ECU DIAGNOSIS >

[TRANSFER: ATX14B]

DTC	CONSULT-III	Diagnostic item is detected when...	Reference
[P1826]	OIL TEMP SEN	Signal voltage from transfer fluid temperature sensor is abnormally high (Transfer fluid temperature is abnormally low) while driving.	Refer to <a href="#">DLN-72</a> .
[P1827]	CLUTCH PRES SW	<ul style="list-style-type: none"> <li>Improper signal from clutch pressure switch is input due to open or short circuit.</li> <li>Malfunction occurs in clutch pressure switch or hydraulic circuit.</li> </ul>	Refer to <a href="#">DLN-75</a> .
[P1828]	LINE PRES SW	<ul style="list-style-type: none"> <li>Improper signal from line pressure switch is input due to open or short circuit.</li> <li>Malfunction occurs in line pressure switch or hydraulic circuit.</li> </ul>	Refer to <a href="#">DLN-78</a> .
[P1829]	THROTTLE POSI SEN	<ul style="list-style-type: none"> <li>Malfunction is detected in accelerator pedal position signal that is output from ECM through CAN communication.</li> <li>Signal voltage from accelerator pedal position sensor is abnormally high or low.</li> </ul>	Refer to <a href="#">DLN-81</a> .
[P1830]	ABS OP SIG	Malfunction is detected in ABS operation signal that is output from ABS actuator and electric unit (control unit) through CAN communication.	Refer to <a href="#">DLN-82</a> .
[P1831]	VDC OP SIG	Malfunction is detected in VDC operation signal that is output from ABS actuator and electric unit (control unit) through CAN communication.	Refer to <a href="#">DLN-83</a> .
[P1832]	TCS OP SIG	Malfunction is detected in TCS operation signal that is output from ABS actuator and electric unit (control unit) through CAN communication.	Refer to <a href="#">DLN-84</a> .

**CAUTION:**

- If **CAN COMM CIRCUIT [U1000]** or **CONTROL UNIT (CAN) [U1010]** are displayed with other DTCs, first perform the trouble diagnosis for CAN communication line.
- If **ABS OP SIG [P1830]**, **VDC OP SIG [P1831]** or **TCS OP SIG [P1832]** is displayed, first perform the trouble diagnosis for ABS system.
- If **VHCL SPEED SEN-AT [P1807]** is displayed, first perform the trouble diagnosis for A/T system.

**NOTE:**

- If **SHIFT ACT POSI SW [P1818]** or **SHIFT ACT CIR [P1819]** is displayed, first erase self-diagnostic results. (SHIFT ACT POSI SW [P1818] or SHIFT ACT CIR [P1819] may be displayed after installing transfer control unit or transfer assembly.)
- If **CL PRES SW [P1827]** or **LINE PRES SW [P1828]** is displayed only while driving in reverse, check the continuity of R position on A/T PNP switch. When there is no malfunction found in the electrical system, check the hydraulic system.

## FLASH CODE CHART

Flashing pattern	Item	Diagnostic item is detected when...	Reference
2	Vehicle speed signal (from A/T)	<ul style="list-style-type: none"> <li>Malfunction is detected in output shaft revolution signal that is output from TCM through CAN communication.</li> <li>Improper signal is input while driving.</li> </ul>	Refer to <a href="#">DLN-31</a> .
3	Clutch pressure solenoid signal	Proper voltage is not applied to clutch pressure solenoid valve due to open or short circuit.	Refer to <a href="#">DLN-58</a> .
4	2-4WD solenoid signal	Proper voltage is not applied to 2-4WD solenoid valve due to open or short circuit.	Refer to <a href="#">DLN-62</a> .
5	Transfer motor	Transfer motor does not operate properly due to open or short circuit in transfer motor or transfer motor relay.	Refer to <a href="#">DLN-66</a> .
6	Vehicle speed signal (from ABS)	<ul style="list-style-type: none"> <li>Malfunction is detected in vehicle speed signal that is output from ABS actuator and electric unit (control unit) through CAN communication.</li> <li>Improper signal is input while driving.</li> </ul>	Refer to <a href="#">DLN-32</a> .
7	CAN communication	Malfunction has been detected from CAN communication line.	Refer to <a href="#">DLN-19</a>
8	AD converter	AD converter system of transfer control unit is malfunctioning.	Refer to <a href="#">DLN-29</a> .



# TRANSFER CONTROL UNIT

< ECU DIAGNOSIS >

[TRANSFER: ATX14B]

Flashing pattern	Item	Diagnostic item is detected when...	Reference
9	Transfer fluid temperature	Signal voltage from transfer fluid temperature sensor is abnormally high (Transfer fluid temperature is abnormally low) while driving.	Refer to <a href="#">DLN-72</a> .
10	Neutral-4LO switch	Improper signal from neutral-4LO switch is input due to open or short circuit.	Refer to <a href="#">DLN-33</a> .
11	Clutch pressure switch	<ul style="list-style-type: none"> <li>Improper signal is input due to open or short circuit.</li> <li>Malfunction occurs in clutch pressure switch or hydraulic circuit.</li> </ul>	Refer to <a href="#">DLN-75</a> .
12	Line pressure switch	<ul style="list-style-type: none"> <li>Improper signal is input due to open or short circuit.</li> <li>Malfunction occurs in line pressure switch or hydraulic circuit.</li> </ul>	Refer to <a href="#">DLN-78</a> .
13	Engine speed signal (from ECM)	<ul style="list-style-type: none"> <li>Malfunction is detected in engine speed signal that is output from ECM through CAN communication.</li> <li>Improper signal is input while driving.</li> </ul>	Refer to <a href="#">DLN-57</a> .
14	Accelerator pedal position sensor (from ECM)	<ul style="list-style-type: none"> <li>Malfunction is detected in accelerator pedal position signal that is output from ECM through CAN communication.</li> <li>Signal voltage from accelerator pedal position sensor is abnormally high or low.</li> </ul>	Refer to <a href="#">DLN-81</a> .
15	Power supply	Power supply voltage for transfer control unit is abnormally low while driving.	Refer to <a href="#">DLN-27</a> .
16	4WD shift switch	More than two switch inputs are simultaneously detected due to short circuit of 4WD shift switch.	Refer to <a href="#">DLN-36</a> .
17	ABS operation signal (from ABS)	Malfunction is detected in ABS operation signal that is output from ABS actuator and electric unit (control unit) through CAN communication.	Refer to <a href="#">DLN-82</a> .
18	Wait detection switch	Improper signal from wait detection switch is input due to open or short circuit.	Refer to <a href="#">DLN-40</a> .
19	Actuator motor	<ul style="list-style-type: none"> <li>Motor does not operate properly due to open or short circuit in actuator motor.</li> <li>Malfunction is detected in the actuator motor. (When 4WD shift switch is operated and actuator motor is not operated)</li> <li>Malfunction is detected in transfer shift high relay and transfer shift low relay.</li> </ul>	Refer to <a href="#">DLN-44</a> .
20	Actuator position switch	<ul style="list-style-type: none"> <li>Improper signal from actuator position switch is input due to open or short circuit.</li> <li>Malfunction is detected in the actuator position switch.</li> </ul>	Refer to <a href="#">DLN-50</a> .
21	Actuator circuit	<ul style="list-style-type: none"> <li>Transfer control device actuator circuit is shorted or open. (Malfunctions are detected when motor relay circuit is open/shorted or relay transfer shift circuit is open/shorted.)</li> <li>Malfunction occurs in transfer control device drive circuit.</li> </ul>	Refer to <a href="#">DLN-53</a> .
22	VDC operation signal (from VDC)	Malfunction is detected in VDC operation signal that is output from ABS actuator and electric unit (control unit) through CAN communication.	Refer to <a href="#">DLN-83</a> .
23	TCS operation signal (from TCS)	Malfunction is detected in TCS operation signal that is output from ABS actuator and electric unit (control unit) through CAN communication.	Refer to <a href="#">DLN-84</a> .
24	PNP switch signal (from TCM)	When A/T PNP switch signal is malfunction or communication error between the vehicles.	Refer to <a href="#">DLN-43</a> .
Repeats flickering every 2 to 5 sec.	—	System normal.	—
Repeats flickering every 0.25 sec.	Data erase display	<ul style="list-style-type: none"> <li>Power supply failure of memory back-up.</li> <li>Battery performance is poor.</li> </ul>	Refer to <a href="#">DLN-27</a> .
No flickering	PNP switch or 4WD shift switch	PNP switch or 4WD shift switch circuit is shorted or open.	Refer to <a href="#">DLN-43</a> or <a href="#">DLN-36</a> .

A  
B  
C  
DLN  
E  
F  
G  
H  
I  
J  
K  
L  
M  
N  
O  
P

# TRANSFER CONTROL UNIT

< ECU DIAGNOSIS >

[TRANSFER: ATX14B]

---

**CAUTION:**

- If CAN communication is displayed with other DTCs, first perform the trouble diagnosis for CAN communication line.
- If ABS operation signal, VDC operation signal or TCS operation signal is displayed, first perform the trouble diagnosis for ABS system.
- If Output shaft revolution signal is displayed, first perform the trouble diagnosis for A/T system.

**NOTE:**

- If actuator position switch or actuator circuit is displayed, first erase self-diagnostic results. (Actuator position switch or actuator circuit may be displayed after installing transfer control unit or transfer assembly.)
- If clutch pressure switch or line pressure switch is displayed only while driving in reverse, check the continuity of R position on A/T PNP switch. When there is no malfunction found in the electrical system, check the hydraulic system.

# 4WD SYSTEM SYMPTOMS

< SYMPTOM DIAGNOSIS >

[TRANSFER: ATX14B]

## SYMPTOM DIAGNOSIS

### 4WD SYSTEM SYMPTOMS

#### Symptom Table

INFOID:000000003937273

If 4WD warning lamp turns ON, perform self-diagnosis. Refer to [DLN-22, "CONSULT-III Function \(ALL MODE AWD/4WD\)"](#).

Symptom	Condition	Reference page
4WD shift indicator lamp and 4LO indicator lamp do not turn ON (4WD shift indicator lamp and 4LO indicator lamp check)	Ignition switch: ON	<a href="#">DLN-108</a>
4WD warning lamp does not turn ON (4WD warning lamp check)	Ignition switch: ON	<a href="#">DLN-111</a>
4WD shift indicator lamp or 4LO indicator lamp does not change	Engine running	<a href="#">DLN-114</a>
ATP warning lamp does not turn ON	Engine running	<a href="#">DLN-116</a>
4WD shift indicator lamp keeps flashing	Engine running	<a href="#">DLN-118</a>
4WD warning lamp flashes rapidly (2 times/second)	While driving	<a href="#">DLN-119</a>
4WD warning lamp flashes slowly (1 time/2 seconds)	While driving	<a href="#">DLN-120</a>
Heavy tight-corner braking symptom occurs (See NOTE.)	<ul style="list-style-type: none"> <li>While driving</li> <li>AUTO mode</li> <li>Steering wheel is turned fully to either side</li> </ul>	<a href="#">DLN-121</a>
ATP switch does not operate	Engine running	<a href="#">DLN-123</a>
4WD system does not operate	While driving	<a href="#">DLN-125</a>

#### NOTE:

- Light tight-corner braking symptom may occur depending on driving conditions in AUTO mode. This is not a malfunction.
- Heavy tight-corner braking symptom occurs when vehicle is driven in the following conditions: 4WD shift switch is 4H or 4LO, steering wheel is turned fully to either side.

# 4WD SHIFT INDICATOR LAMP AND 4LO INDICATOR LAMP DO NOT TURN ON

< SYMPTOM DIAGNOSIS > [TRANSFER: ATX14B]

## 4WD SHIFT INDICATOR LAMP AND 4LO INDICATOR LAMP DO NOT TURN ON

### Description

INFOID:000000003937274

4WD shift indicator lamp and 4LO indicator lamp do not turn ON for approx. 1 second when turning ignition switch to ON.

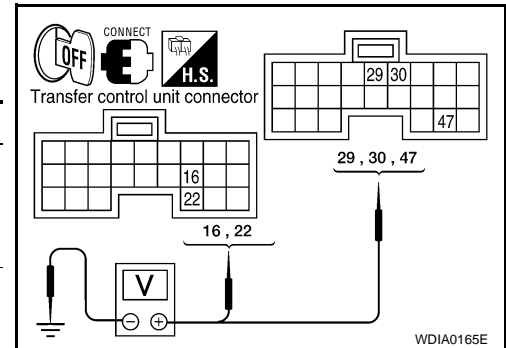
### Diagnosis Procedure

INFOID:000000003937275

#### 1. CHECK TRANSFER CONTROL UNIT POWER SUPPLY CIRCUIT

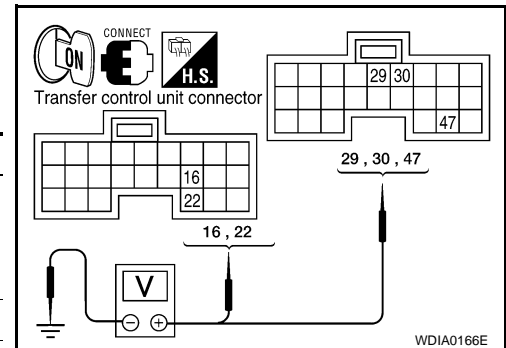
1. Turn ignition switch "OFF". (Stay for at least 5 seconds.)
2. Connect transfer control unit harness connector.
3. Check voltage between transfer control unit harness connector terminals and ground.

Connector	Terminal	Voltage (Approx.)
M152	16 - Ground	0V
	22 - Ground	
M153	29 - Ground	Battery voltage
	30 - Ground	
	47 - Ground	



4. Turn ignition switch "ON". (Do not start engine.)
5. Check voltage between transfer control unit harness connector terminals and ground.

Connector	Terminal	Voltage (Approx.)
M152	16 - Ground	Battery voltage
	22 - Ground	
M153	29 - Ground	0V
	30 - Ground	
	47 - Ground	



#### OK or NG

- OK >> GO TO 2.
- NG >> Check the following. If any items are damaged, repair or replace damaged parts.
- 10A fuses [No. 21 located in fuse block (J/B) and No. 59 (located in the fuse and relay box)].
  - Harness for short or open between battery and transfer control unit harness connector M153 terminals 47.
  - Harness for short or open between ignition switch and transfer control unit harness connector M153 terminal 29.
  - Harness for short or open between battery and transfer shut off relay harness connector E155 terminal 1 and 3.
  - Harness for short or open between transfer shut off relay harness connector E155 terminal 2 and transfer control unit harness connector M153 terminal 30.
  - Harness for short or open between transfer shut off relay harness connector E155 terminal 5 and transfer control unit harness connector M152 terminals 16 and 22.
  - Battery and ignition switch.
  - Transfer shut off relay. Refer to [DLN-27, "Diagnosis Procedure"](#).

#### 2. CHECK TRANSFER CONTROL UNIT GROUND CIRCUIT

1. Turn ignition switch "OFF". (Stay for at least 5 seconds.)
2. Disconnect transfer control unit harness connector.

# 4WD SHIFT INDICATOR LAMP AND 4LO INDICATOR LAMP DO NOT TURN ON [TRANSFER: ATX14B]

## < SYMPTOM DIAGNOSIS >

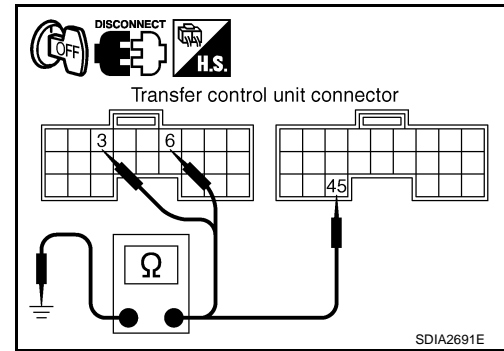
- Check continuity between transfer control unit harness connector M152 terminals 3 and 6, and M153 terminal 45 and ground.

**Continuity should exist.**

Also check harness for short to power.

**OK or NG**

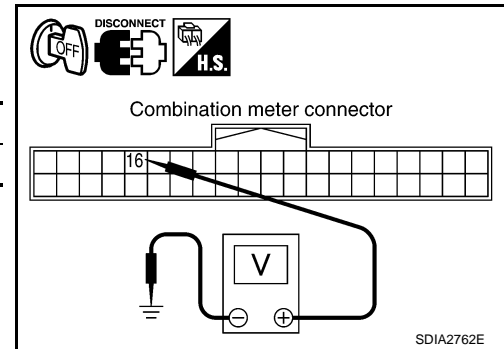
- OK >> GO TO 3.
- NG >> Repair open circuit or short to power in harness or connectors.



### 3. CHECK COMBINATION METER POWER SUPPLY CIRCUIT

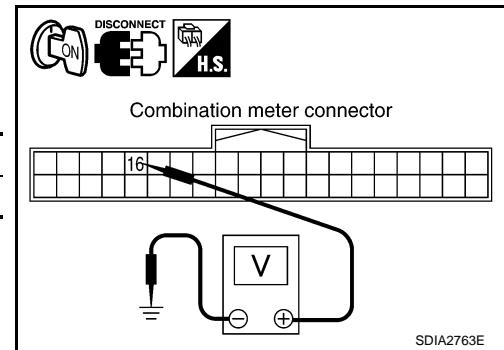
- Turn ignition switch "OFF". (Stay for at least 5 seconds.)
- Disconnect transfer control unit harness connector.
- Check voltage between combination meter harness connector terminal and ground.

Connector	Terminal	Voltage (Approx.)
M24	16 - Ground	0V



- Turn ignition switch "ON". (Do not start engine.)
- Check voltage between combination meter harness connector terminal and ground.

Connector	Terminal	Voltage (Approx.)
M24	16 - Ground	Battery voltage



**OK or NG**

- OK >> GO TO 4.
- NG >> Check the following. If any items are damaged, repair or replace damaged parts.
  - 10A fuse [No. 14, located in the fuse block (J/B)].
  - Harness for short or open between ignition switch and combination meter harness connector M24 terminal 16.
  - Ignition switch.

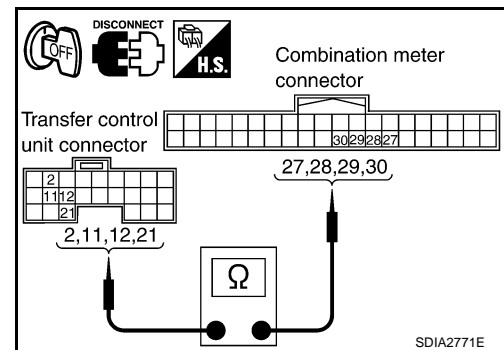
### 4. CHECK HARNESS BETWEEN TRANSFER CONTROL UNIT AND COMBINATION METER

- Turn ignition switch "OFF". (Stay for at least 5 seconds.)
- Disconnect transfer control unit harness connector and combination meter harness connector.
- Check continuity between the following terminals.
  - Transfer control unit harness connector M152 terminal 2 and combination meter harness connector M24 terminal 30.
  - Transfer control unit harness connector M152 terminal 11 and combination meter harness connector M24 terminal 27.
  - Transfer control unit harness connector M152 terminal 12 and combination meter harness connector M24 terminal 29.
  - Transfer control unit harness connector M152 terminal 21 and combination meter harness connector M24 terminal 28.

**Continuity should exist.**

Also check harness for short to ground and short to power.

**OK or NG**



# 4WD SHIFT INDICATOR LAMP AND 4LO INDICATOR LAMP DO NOT TURN ON

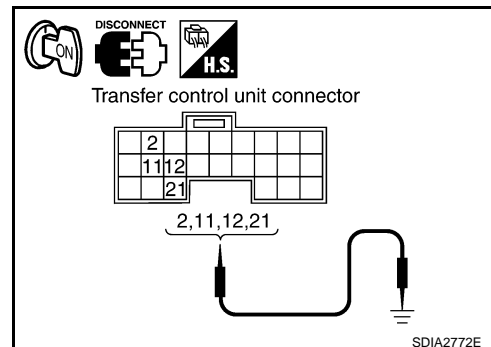
< SYMPTOM DIAGNOSIS >

[TRANSFER: ATX14B]

- OK >> GO TO 5.
- NG >> Repair or replace damaged parts.

## 5. CHECK INDICATOR LAMP CIRCUIT

1. Connect combination meter harness connector.
2. Disconnect transfer control unit harness connector.
3. Turn ignition switch "ON".
4. Ground the following terminals using suitable wiring.
  - Transfer control unit harness connector M152 terminal 2 and ground.
  - Transfer control unit harness connector M152 terminal 11 and ground.
  - Transfer control unit harness connector M152 terminal 12 and ground.
  - Transfer control unit harness connector M152 terminal 21 and ground.



Do indicator lamps turn on?

- OK >> GO TO 6.
- NG >> Replace combination meter. Refer to [MWI-94, "Removal and Installation"](#).

## 6. SYMPTOM CHECK

Check again.

OK or NG

- OK >> Inspection End.
- NG >> GO TO 7.

## 7. CHECK TRANSFER CONTROL UNIT

Check transfer control unit input/output signal. Refer to [DLN-85, "Reference Value"](#).

OK or NG

- OK >> Inspection End.
- NG >> Check transfer control unit pin terminals for damage or loose connection with harness connector. If any items are damaged, repair or replace damaged parts.

# 4WD WARNING LAMP DOES NOT TURN ON

< SYMPTOM DIAGNOSIS >

[TRANSFER: ATX14B]

## 4WD WARNING LAMP DOES NOT TURN ON

### Description

INFOID:000000003937276

4WD warning lamp does not turn ON when turning ignition switch to ON.

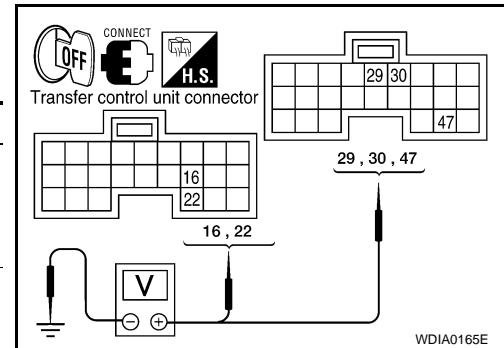
### Diagnosis Procedure

INFOID:000000003937277

#### 1. CHECK TRANSFER CONTROL UNIT POWER SUPPLY CIRCUIT

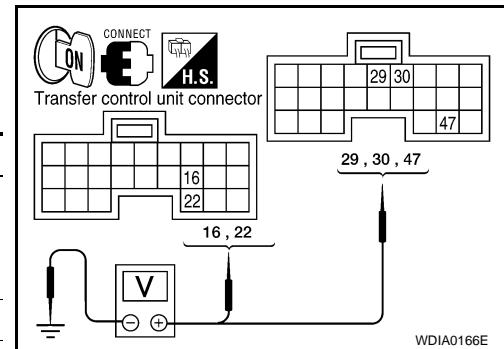
1. Turn ignition switch "OFF". (Stay for at least 5 seconds.)
2. Connect transfer control unit harness connector.
3. Check voltage between transfer control unit harness connector terminals and ground.

Connector	Terminal	Voltage (Approx.)
M152	16 - Ground	0V
	22 - Ground	
M153	29 - Ground	Battery voltage
	30 - Ground	
	47 - Ground	



4. Turn ignition switch "ON". (Do not start engine.)
5. Check voltage between transfer control unit harness connector terminals and ground.

Connector	Terminal	Voltage (Approx.)
M152	16 - Ground	Battery voltage
	22 - Ground	
M153	29 - Ground	0V
	30 - Ground	
	47 - Ground	



#### OK or NG

- OK >> GO TO 2.
- NG >> Check the following. If any items are damaged, repair or replace damaged parts.
- 10A fuses [No. 21 located in fuse block (J/B) and No. 59 (located in the fuse and relay box)].
  - Harness for short or open between battery and transfer control unit harness connector M153 terminals 47.
  - Harness for short or open between ignition switch and transfer control unit harness connector M153 terminal 29.
  - Harness for short or open between battery and transfer shut off relay harness connector E155 terminal 1 and 3.
  - Harness for short or open between transfer shut off relay harness connector E155 terminal 2 and transfer control unit harness connector M153 terminal 30.
  - Harness for short or open between transfer shut off relay harness connector E155 terminal 5 and transfer control unit harness connector M152 terminals 16 and 22.
  - Battery and ignition switch.
  - Transfer shut off relay. Refer to [DLN-27, "Diagnosis Procedure"](#) .

#### 2. CHECK TRANSFER CONTROL UNIT GROUND CIRCUIT

1. Turn ignition switch "OFF". (Stay for at least 5 seconds.)
2. Disconnect transfer control unit harness connector.

# 4WD WARNING LAMP DOES NOT TURN ON

[TRANSFER: ATX14B]

## < SYMPTOM DIAGNOSIS >

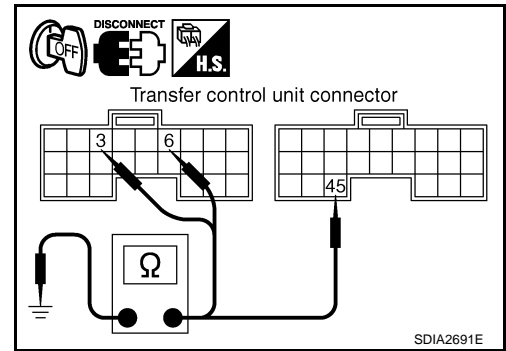
3. Check continuity between transfer control unit harness connector M152 terminals 3 and 6, and M153 terminal 45 and ground.

**Continuity should exist.**

Also check harness for short to power.

### OK or NG

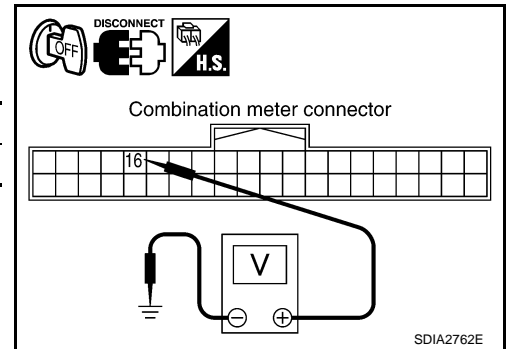
- OK >> GO TO 3.  
 NG >> Repair open circuit or short to power in harness or connectors.



## 3. CHECK COMBINATION METER POWER SUPPLY CIRCUIT

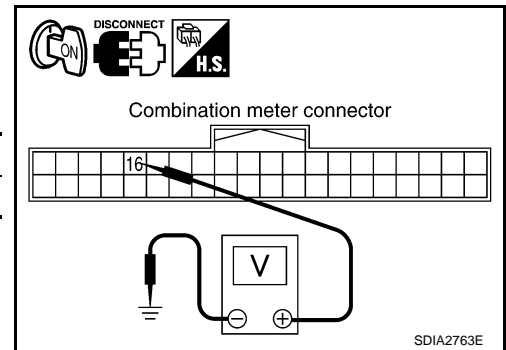
1. Turn ignition switch "OFF". (Stay for at least 5 seconds.)
2. Disconnect transfer control unit harness connector.
3. Check voltage between combination meter harness connector terminal and ground.

Connector	Terminal	Voltage (Approx.)
M24	16 - Ground	0V



4. Turn ignition switch "ON". (Do not start engine.)
5. Check voltage between combination meter harness connector terminal and ground.

Connector	Terminal	Voltage (Approx.)
M24	16 - Ground	Battery voltage



### OK or NG

- OK >> GO TO 4.  
 NG >> Check the following. If any items are damaged, repair or replace damaged parts.
- 10A fuse [No. 14, located in the fuse block (J/B)].
  - Harness for short or open between ignition switch and combination meter harness connector M24 terminal 16.
  - Ignition switch.

## 4. CHECK HARNESS BETWEEN TRANSFER CONTROL UNIT AND COMBINATION METER

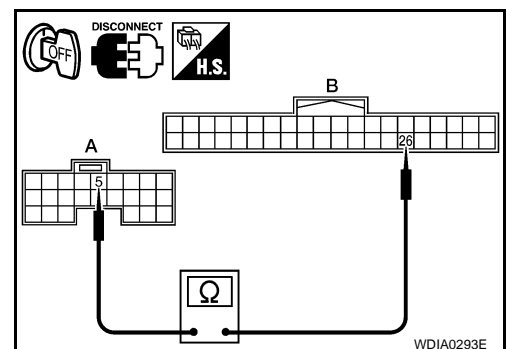
1. Turn ignition switch "OFF". (Stay for at least 5 seconds.)
2. Disconnect transfer control unit harness connector and combination meter harness connector.
3. Check continuity between transfer control unit and combination meter.

A		B		Continuity
Connector	Terminal	Connector	Terminal	
Transfer control unit: M152	5	Combination meter: M24	26	Yes

- Also check harness for short to ground and short to power.

### OK or NG

- OK >> GO TO 5.  
 NG >> Repair or replace damaged parts.





# 4WD WARNING LAMP DOES NOT TURN ON

< SYMPTOM DIAGNOSIS >

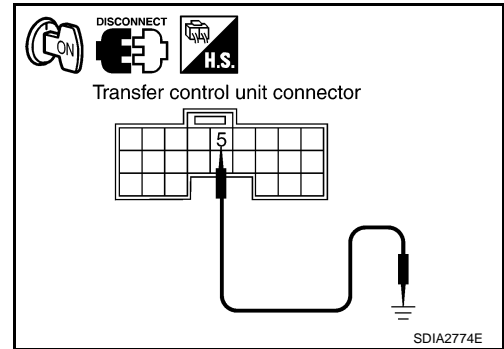
[TRANSFER: ATX14B]

## 5. CHECK INDICATOR LAMP CIRCUIT

1. Connect combination meter harness connector.
2. Disconnect transfer control unit harness connector.
3. Turn ignition switch "ON". (Do not start engine.)
4. Ground the following terminal using suitable wiring.
  - Transfer control unit harness connector M152 terminal 5 and ground.

Does 4WD warning lamp turn on?

- OK >> GO TO 6.  
NG >> Replace combination meter. Refer to [MWI-94](#).  
["Removal and Installation"](#).



## 6. SYMPTOM CHECK

Check again.

OK or NG

- OK >> Inspection End  
NG >> GO TO 7.

## 7. CHECK TRANSFER CONTROL UNIT

Check transfer control unit input/output signal. Refer to [DLN-85](#). "Reference Value".

OK or NG

- OK >> Inspection End.  
NG >> Check transfer control unit pin terminals for damage or loose connection with harness connector.  
If any items are damaged, repair or replace damaged parts.

## 4WD SHIFT INDICATOR LAMP OR 4LO INDICATOR LAMP DO NOT CHANGE

### Description

INFOID:000000003937278

4WD shift indicator lamp or 4LO indicator lamp do not change when switching the 4WD shift switch.

### Diagnosis Procedure

INFOID:000000003937279

#### 1.CONFIRM THE SYMPTOM

Confirm 4WD shift indicator lamp and 4LO indicator lamp turn on when ignition switch is turned to ON.

Do 4WD shift indicator lamp and 4LO indicator lamp turn on?

YES >> GO TO 2.

NO >> Refer to [DLN-108, "Diagnosis Procedure"](#).

#### 2.CHECK SYSTEM FOR 4WD SHIFT SWITCH

Perform trouble diagnosis for 4WD shift switch system. Refer to [DLN-36, "Diagnosis Procedure"](#).

Are the inspection results normal?

YES >> GO TO 3.

NO >> Repair or replace damaged parts.

#### 3.CHECK SYSTEM FOR WAIT DETECTION SWITCH

Perform trouble diagnosis for wait detection switch system. Refer to [DLN-40, "Diagnosis Procedure"](#).

Are the inspection results normal?

YES >> GO TO 4.

NO >> Repair or replace damaged parts.

#### 4.CHECK SYSTEM FOR NEUTRAL-4LO SWITCH

Perform trouble diagnosis for neutral-4LO switch system. Refer to [DLN-33, "Diagnosis Procedure"](#).

Are the inspection results normal?

YES >> GO TO 5.

NO >> Repair or replace damaged parts.

#### 5.CHECK SYSTEM FOR ATP SWITCH

Perform trouble diagnosis for ATP switch system. Refer to [DLN-123, "Diagnosis Procedure"](#).

Are the inspection results normal?

YES >> GO TO 6.

NO >> Repair or replace damaged parts.

#### 6.CHECK SYSTEM FOR 2-4WD SOLENOID

Perform trouble diagnosis for 2-4WD solenoid system. Refer to [DLN-62, "Diagnosis Procedure"](#).

Are the inspection results normal?

YES >> GO TO 7.

NO >> Repair or replace damaged parts.

#### 7.CHECK SYSTEM FOR TRANSFER CONTROL DEVICE

Perform trouble diagnosis for transfer control device system. Refer to [DLN-53, "Diagnosis Procedure"](#).

Are the inspection results normal?

YES >> GO TO 8.

NO >> Repair or replace damaged parts.

#### 8.CHECK SYSTEM FOR ACTUATOR MOTOR

Perform trouble diagnosis for actuator motor system. Refer to [DLN-44, "Diagnosis Procedure"](#).

Are the inspection results normal?

YES >> GO TO 9.

NO >> Repair or replace damaged parts.

# 4WD SHIFT INDICATOR LAMP OR 4LO INDICATOR LAMP DO NOT CHANGE

< SYMPTOM DIAGNOSIS >

[TRANSFER: ATX14B]

## 9. CHECK SYSTEM FOR ACTUATOR POSITION SWITCH

Perform trouble diagnosis for actuator position switch system. Refer to [DLN-50. "Diagnosis Procedure"](#).

Are the inspection results normal?

YES >> GO TO 10.

NO >> Repair or replace damaged parts.

## 10. SYMPTOM CHECK

Check again.

Are the inspection results normal?

YES >> Inspection End.

NO >> GO TO 11.

## 11. CHECK TRANSFER CONTROL UNIT

Check transfer control unit input/output signal. Refer to [DLN-85. "Reference Value"](#).

Are the inspection results normal?

YES >> GO TO 12.

NO >> Check transfer control unit pin terminals for damage or loose connection with harness connector.  
If any items are damaged, repair or replace damaged parts.

## 12. CHECK TRANSFER INNER PARTS

1. Disassemble transfer assembly. Refer to [DLN-150. "Disassembly and Assembly"](#).

2. Check transfer inner parts.

Are the inspection results normal?

YES >> Inspection End.

NO >> Repair or replace damaged parts.

A  
B  
C  
DLN  
E  
F  
G  
H  
I  
J  
K  
L  
M  
N  
O  
P

# ATP WARNING LAMP DOES NOT TURN ON

< SYMPTOM DIAGNOSIS >

[TRANSFER: ATX14B]

## ATP WARNING LAMP DOES NOT TURN ON

### Description

INFOID:000000003937280

ATP warning lamp does not turn ON when the transfer case is switched in or out of 4LO with the A/T selector lever in N position.

### Diagnosis Procedure

INFOID:000000003937281

#### 1. CHECK SYSTEM FOR CAN COMMUNICATION LINE

Perform self-diagnosis. Refer to [DLN-22. "CONSULT-III Function \(ALL MODE AWD/4WD\)"](#).

Do the self-diagnostic results indicate CAN communication?

- YES >> Perform trouble diagnosis for CAN communication line.
- NO >> GO TO 2.

#### 2. CHECK SYSTEM FOR 4WD SHIFT SWITCH

Perform trouble diagnosis for 4WD shift switch system. Refer to [DLN-36. "Diagnosis Procedure"](#).

OK or NG

- OK >> GO TO 3.
- NG >> Repair or replace damaged parts.

#### 3. CHECK SYSTEM FOR PNP SWITCH SIGNAL

Perform trouble diagnosis for PNP switch signal system. Refer to [DLN-43. "Diagnosis Procedure"](#).

OK or NG

- OK >> GO TO 4.
- NG >> Repair or replace damaged parts.

#### 4. CHECK SYSTEM FOR ATP SWITCH

Perform trouble diagnosis for ATP switch system. Refer to [DLN-123. "Diagnosis Procedure"](#).

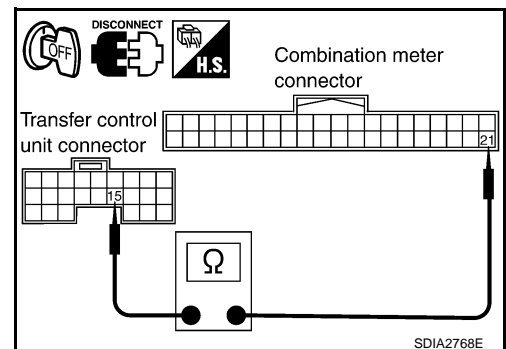
OK or NG

- OK >> GO TO 5.
- NG >> Repair or replace damaged parts.

#### 5. CHECK HARNESS BETWEEN TRANSFER CONTROL UNIT AND COMBINATION METER

1. Turn ignition switch "OFF". (Stay for at least 5 seconds.)
2. Disconnect transfer control unit harness connector and combination meter harness connector.
3. Check continuity between the following terminals.
  - Transfer control unit harness connector M152 terminal 15 and combination meter harness connector M24 terminal 21.

**Continuity should exist.**



# ATP WARNING LAMP DOES NOT TURN ON

[TRANSFER: ATX14B]

## < SYMPTOM DIAGNOSIS >

- Transfer control unit harness connector M153 terminal 40 and combination meter harness connector M24 terminal 1.

**40 TO 1: Continuity should not exist.**

**1 to 40: Continuity should exist.**

Also check harness for short to ground and short to power.

### OK or NG

OK >> GO TO 6.

NG >> Repair or replace damaged parts.

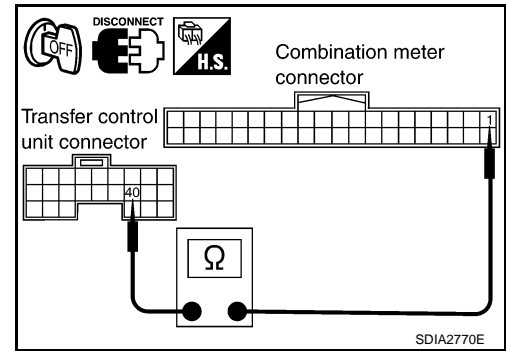
## 6. CHECK ATP WARNING LAMP CIRCUIT

1. A/T selector lever "P" position.
  2. Connect combination meter harness connector and transfer control unit harness connector.
  3. Disconnect ATP switch harness connector.
  4. Ground the following terminal using suitable wiring.
  5. Turn ignition switch "ON". (Do not start engine.)
- ATP switch harness connector F55 terminal 8 and ground.

### Does indicator lamp turn on?

OK >> GO TO 7.

NG >> Replace combination meter. Refer to [MWI-94, "Removal and Installation"](#).



A

B

C

DLN

## 7. SYMPTOM CHECK

Check again.

### OK or NG

OK >> Inspection End.

NG >> GO TO 8.

## 8. CHECK TRANSFER CONTROL UNIT

Check transfer control unit input/output signal. Refer to [DLN-85, "Reference Value"](#).

### OK or NG

OK >> GO TO 9.

NG >> Check transfer control unit pin terminals for damage or loose connection with harness connector. If any items are damaged, repair or replace damaged parts.

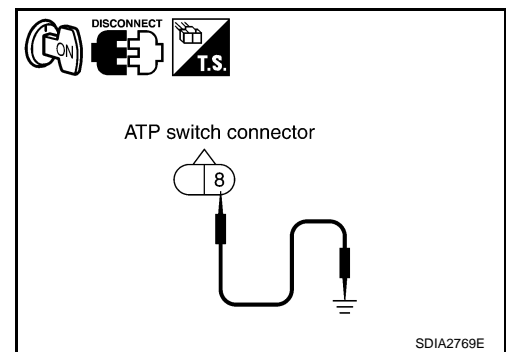
## 9. CHECK TRANSFER INNER PARTS

1. Disassemble transfer assembly. Refer to [DLN-150, "Disassembly and Assembly"](#).
2. Check transfer inner parts.

### OK or NG

OK >> Inspection End.

NG >> Repair or replace damaged parts.



E

F

G

H

I

J

K

L

M

N

O

P

# 4WD SHIFT INDICATOR LAMP KEEPS FLASHING

< SYMPTOM DIAGNOSIS >

[TRANSFER: ATX14B]

## 4WD SHIFT INDICATOR LAMP KEEPS FLASHING

### Description

INFOID:000000003937282

The 4WD shift indicator lamp keeps flashing.

### Diagnosis Procedure

INFOID:000000003937283

#### 1.CONFIRM THE SYMPTOM

1. Set 4WD shift switch to 2WD.
2. Move vehicle forward and backward, or drive straight increasing or decreasing under 20 km/h (12 MPH).

Dose 4WD shift indicator lamp keep flashing?

- YES >> GO TO 2.  
NO >> Inspection End.

#### 2.CHECK SYSTEM FOR WAIT DETECTION SWITCH

Perform trouble diagnosis for wait detection switch system. Refer to [DLN-40, "Diagnosis Procedure"](#).

Are the inspection results normal?

- YES >> GO TO 3.  
NO >> Repair or replace damaged parts.

#### 3.CHECK SYSTEM FOR NEUTRAL-4LO SWITCH

Perform trouble diagnosis for neutral-4LO switch system. Refer to [DLN-33, "Diagnosis Procedure"](#).

Are the inspection results normal?

- YES >> GO TO 4.  
NO >> Repair or replace damaged parts.

#### 4.SYMPTOM CHECK

Check again.

Are the inspection results normal?

- YES >> Inspection End.  
NO >> GO TO 5.

#### 5.CHECK TRANSFER CONTROL UNIT

Check transfer control unit input/output signal. Refer to [DLN-85, "Reference Value"](#).

Are the inspection results normal?

- YES >> GO TO 6.  
NO >> Check transfer control unit pin terminals for damage or loose connection with harness connector.  
If any items are damaged, repair or replace damaged parts.

#### 6.CHECK TRANSFER INNER PARTS

1. Disassemble transfer assembly. Refer to [DLN-150, "Disassembly and Assembly"](#).
2. Check transfer inner parts.

Are the inspection results normal?

- YES >> Inspection End.  
NO >> Repair or replace damaged parts.

# 4WD WARNING LAMP FLASHES RAPIDLY

< SYMPTOM DIAGNOSIS >

[TRANSFER: ATX14B]

## 4WD WARNING LAMP FLASHES RAPIDLY

### Description

INFOID:000000003937284

The 4WD warning lamp flashes quickly while driving (2 times / second). The lamp continues to flash until the ignition switch is turned OFF.

### Diagnosis Procedure

INFOID:000000003937285

#### 1.CHECK TIRE

Check the following.

- Tire pressure
- Wear condition
- Longitudinal tire size (There is no difference between longitudinal tires.)

Are the inspection results normal?

YES >> GO TO 2.

NO >> Repair or replace damaged parts.

#### 2.CHECK 4WD WARNING LAMP

Stop the vehicle and allow it to idle for a short period of time.

Does flashing stop?

YES >> Inspection End.

NO >> GO TO 3.

#### 3.CHECK TRANSFER FLUID TEMPERATURE

Perform trouble diagnosis for transfer fluid temperature system. Refer to [DLN-72, "Diagnosis Procedure"](#).

Are the inspection results normal?

YES >> GO TO 4.

NO >> Repair or replace damaged parts.

#### 4.SYMPTOM CHECK

Check again.

Are the inspection results normal?

YES >> Inspection End.

NO >> GO TO 5.

#### 5.CHECK TRANSFER CONTROL UNIT

Check transfer control unit input/output signal. Refer to [DLN-85, "Reference Value"](#).

Are the inspection results normal?

YES >> Inspection End.

NO >> Check transfer control unit pin terminals for damage or loose connection with harness connector.  
If any items are damaged, repair or replace damaged parts.

A  
B  
C  
DLN  
E  
F  
G  
H  
I  
J  
K  
L  
M  
N  
O  
P

# 4WD WARNING LAMP FLASHES SLOWLY

< SYMPTOM DIAGNOSIS >

[TRANSFER: ATX14B]

## 4WD WARNING LAMP FLASHES SLOWLY

### Description

INFOID:000000003937286

The 4WD warning lamp flashes slowly while driving (1 time / 2 seconds). The lamp continues to flash until the ignition switch is turned OFF.

### Diagnosis Procedure

INFOID:000000003937287

#### 1. CHECK TIRE

Check the following.

- Tire pressure
- Wear condition
- Longitudinal tire size (There is no difference between longitudinal tires.)

#### OK or NG

OK >> GO TO 2.

NG >> Repair or replace damaged parts.

#### 2. CHECK TRANSFER FLUID TEMPERATURE

Perform trouble diagnosis for transfer fluid temperature system. Refer to [DLN-72, "Diagnosis Procedure"](#).

#### Are the inspection results normal?

YES >> GO TO 3.

NO >> Repair or replace damaged parts.

#### 3. CHECK CLUTCH PRESSURE SWITCH

Perform trouble diagnosis for clutch pressure switch system. Refer to [DLN-75, "Diagnosis Procedure"](#).

#### Are the inspection results normal?

YES >> GO TO 4.

NO >> Repair or replace damaged parts.

#### 4. SYMPTOM CHECK

Check again.

#### Are the inspection results normal?

YES >> Inspection End.

NO >> GO TO 5.

#### 5. CHECK TRANSFER CONTROL UNIT

Check transfer control unit input/output signal. Refer to [DLN-85, "Reference Value"](#).

#### Are the inspection results normal?

YES >> Inspection End.

NO >> Check transfer control unit pin terminals for damage or loose connection with harness connector. If any items are damaged, repair or replace damaged parts.



# HEAVY TIGHT-CORNER BRAKING SYMPTOM OCCURS

< SYMPTOM DIAGNOSIS >

[TRANSFER: ATX14B]

## HEAVY TIGHT-CORNER BRAKING SYMPTOM OCCURS

### Description

INFOID:000000003937288

This symptom occurs when the vehicle is accelerating in 4WD and the steering wheel is turned fully either direction. It may feel like a bump or being pushed from behind. A small amount of this bumping feeling is acceptable under certain road conditions. The transfer case may be adjusted using the CONSULT-III to compensate for this condition.

### Diagnosis Procedure

INFOID:000000003937289

#### DIAGNOSTIC PROCEDURE

##### NOTE:

- Light tight-corner braking symptom may occur depending on driving conditions in AUTO mode. This is not a malfunction.
- Heavy tight-corner braking symptom occurs when vehicle is driven in the following conditions: 4WD shift switch is 4H or 4LO, steering wheel is turned fully to either side.

#### 1. CHECK SYSTEM FOR CAN COMMUNICATION LINE

Perform self-diagnosis. Refer to [DLN-22, "CONSULT-III Function \(ALL MODE AWD/4WD\)"](#).

Is CAN COMM CIRCUIT [U1000] displayed?

- YES >> Perform trouble diagnosis for CAN communication line.
- NO >> GO TO 2.

#### 2. CHECK SYSTEM FOR 4WD SHIFT SWITCH

Perform trouble diagnosis for 4WD shift switch system. Refer to [DLN-36, "Diagnosis Procedure"](#).

Are the inspection results normal?

- YES >> GO TO 3.
- NO >> Repair or replace damaged parts.

#### 3. CHECK ACCELERATOR PEDAL POSITION SIGNAL CIRCUIT

Perform self diagnosis for ECM. Refer to [EC-546, "CONSULT-III Function \(ENGINE\)"](#).

Is any malfunction detected by self-diagnosis?

- YES >> Check the malfunctioning system.
- NO >> GO TO 4.

#### 4. CHECK SYSTEM FOR CLUTCH PRESSURE SOLENOID

Perform trouble diagnosis for clutch pressure solenoid system. Refer to [DLN-58, "Diagnosis Procedure"](#).

Are the inspection results normal?

- YES >> GO TO 5.
- NO >> Repair or replace damaged parts.

#### 5. SYMPTOM CHECK

Check again.

Are the inspection results normal?

- YES >> Inspection End.
- NO >> GO TO 6.

#### 6. CHECK TRANSFER CONTROL UNIT

Check transfer control unit input/output signal. Refer to [DLN-85, "Reference Value"](#).

Are the inspection results normal?

- YES >> GO TO 7.
- NO >> Check transfer control unit pin terminals for damage or loose connection with harness connector. If any items are damaged, repair or replace damaged parts.

#### 7. CHECK TRANSFER INNER PARTS

1. Disassemble transfer assembly. Refer to [DLN-150, "Disassembly and Assembly"](#).
2. Check transfer inner parts.

A  
B  
C  
DLN

E  
F  
G  
H  
I  
J  
K  
L  
M  
N  
O  
P

## HEAVY TIGHT-CORNER BRAKING SYMPTOM OCCURS

< SYMPTOM DIAGNOSIS >

[TRANSFER: ATX14B]

---

Are the inspection results normal?

YES >> Inspection End.

NO >> Repair or replace damaged parts.

# ATP SWITCH

< SYMPTOM DIAGNOSIS >

[TRANSFER: ATX14B]

## ATP SWITCH

### Description

INFOID:000000003937290

The ATP indicator is ON when the transfer case is not in neutral.

### Diagnosis Procedure

INFOID:000000003937291

#### DIAGNOSTIC PROCEDURE

#### 1. CHECK ATP SWITCH SIGNAL

##### With CONSULT-III

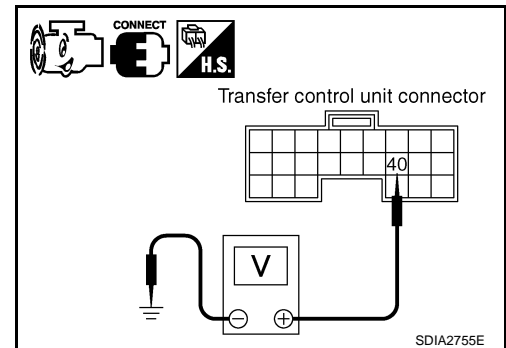
1. Start engine.
2. Select DATA MONITOR mode for ALL MODE AWD/4WD with CONSULT-III.
3. Read out the value of ATP SWITCH.

Condition	Display value
<ul style="list-style-type: none"> <li>• Vehicle stopped</li> <li>• Engine running</li> <li>• A/T selector lever N</li> </ul>	4WD shift switch : 4H to 4LO or 4LO to 4H (While actuator motor is operating.)
<ul style="list-style-type: none"> <li>• Brake pedal depressed</li> </ul>	Except the above
	ON
	OFF

##### Without CONSULT-III

1. Start engine.
2. Check voltage between transfer control unit harness connector terminal and ground.

Connector	Terminal	Condition	Voltage (Approx.)
M153	40 - Ground	<ul style="list-style-type: none"> <li>• Vehicle stopped</li> <li>• Engine running</li> <li>• A/T selector lever N</li> </ul>	4WD shift switch: 4H to 4LO or 4LO to 4H (While actuator motor is operating.)
		<ul style="list-style-type: none"> <li>• Brake pedal depressed</li> </ul>	Except the above
			0V
			Battery voltage



#### Are inspection results normal?

YES >> GO TO 5.

NO >> GO TO 2.

#### 2. CHECK HARNESS BETWEEN TRANSFER CONTROL UNIT AND ATP SWITCH

1. Turn ignition switch OFF. (Stay for at least 5 seconds.)
2. Disconnect transfer control unit harness connector and the ATP switch harness connector.
3. Check continuity between transfer control unit harness connector M153 terminal 40 and ATP switch harness connector F55 terminal 8.

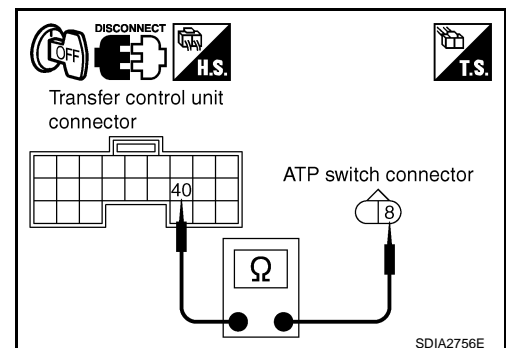
**Continuity should exist.**

Also check harness for short to ground and short to power.

#### Are inspection results normal?

YES >> GO TO 3.

NO >> Repair or replace damaged parts.



#### 3. CHECK GROUND CIRCUIT

A  
B  
C  
DLN

E  
F  
G  
H  
I  
J  
K  
L

M  
N  
O  
P

# ATP SWITCH

[TRANSFER: ATX14B]

## < SYMPTOM DIAGNOSIS >

1. Turn ignition switch OFF. (Stay for at least 5 seconds.)
2. Disconnect ATP switch harness connector.
3. Check continuity between ATP switch harness connector F55 terminal 9 and ground.

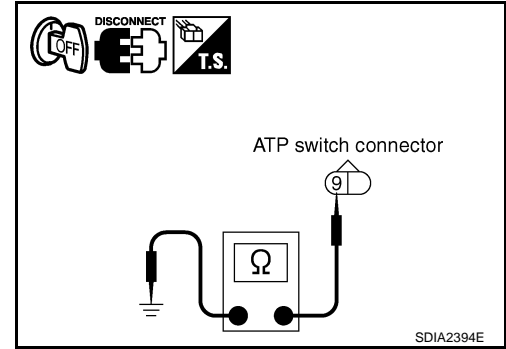
**Continuity should exist.**

Also check harness for short to ground and short to power.

Are inspection results normal?

YES >> GO TO 4.

NO >> Repair open circuit or short to ground or short to power in harness or connectors.



## 4.CHECK ATP SWITCH

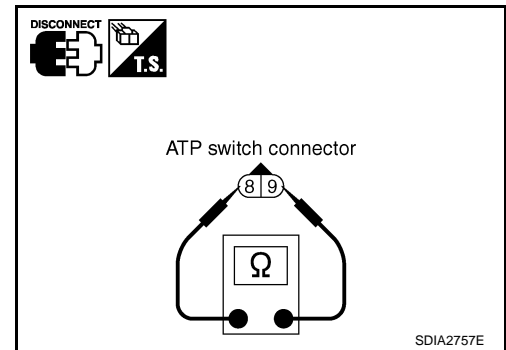
1. Turn ignition switch OFF. (Stay for at least 5 seconds.)
2. Disconnect ATP switch harness connector.
3. Remove ATP switch. Refer to [DLN-18. "Component Parts Location"](#).
4. Push and release ATP switch and check continuity between ATP switch terminals 8 and 9.

Terminal	Condition	Continuity
8 - 9	Push ATP switch	Yes
	Release ATP switch	No

Are inspection results normal?

YES >> GO TO 5.

NO >> Replace ATP switch.



## 5.CHECK TRANSFER CONTROL UNIT

Check transfer control unit input/output signal. Refer to [DLN-85. "Reference Value"](#).

Are inspection results normal?

YES >> GO TO 6.

NO >> Check transfer control unit pin terminals for damage or loose connection with harness connector. If any items are damaged, repair or replace damaged parts.

## 6.CHECK ATP WARNING LAMP

1. Turn ignition switch ON. (Do not start engine.)
2. Move A/T selector lever to P position.
3. Set 4WD shift switch from 4H to 4LO or 4LO to 4H.

Does ATP warning lamp turn ON while switching?

YES >> Inspection End.

NO >> GO TO [DLN-116. "Diagnosis Procedure"](#).

# 4WD SYSTEM DOES NOT OPERATE

< SYMPTOM DIAGNOSIS >

[TRANSFER: ATX14B]

## 4WD SYSTEM DOES NOT OPERATE

### Description

INFOID:000000003937292

The vehicle can not be put into 4WD mode. (Possible hydraulic malfunction)

### Diagnosis Procedure

INFOID:000000003937293

#### 1.CHECK SYSTEM FOR 4WD SHIFT SWITCH

Perform trouble diagnosis for 4WD shift switch system. Refer to [DLN-36, "Diagnosis Procedure"](#).

Are the inspection results normal?

- YES >> GO TO 2.
- NO >> Repair or replace damaged parts.

#### 2.CHECK SYSTEM FOR CLUTCH PRESSURE SWITCH

Perform trouble diagnosis for clutch pressure switch system. Refer to [DLN-75, "Diagnosis Procedure"](#).

Are the inspection results normal?

- YES >> GO TO 3.
- NO >> Repair or replace damaged parts.

#### 3.SYMPTOM CHECK

Check again.

Are the inspection results normal?

- YES >> Inspection End.
- NO >> GO TO 4.

#### 4.CHECK TRANSFER CONTROL UNIT

Check transfer control unit input/output signal. Refer to [DLN-85, "Reference Value"](#).

Are the inspection results normal?

- YES >> GO TO 5.
- NO >> Check transfer control unit pin terminals for damage or loose connection with harness connector.  
If any items are damaged, repair or replace damaged parts.

#### 5.CHECK TRANSFER INNER PARTS

1. Disassemble transfer assembly. Refer to [DLN-150, "Disassembly and Assembly"](#).
2. Check transfer inner parts.

Are the inspection results normal?

- YES >> Inspection End.
- NO >> Repair or replace damaged parts.

A  
B  
C  
DLN  
E  
F  
G  
H  
I  
J  
K  
L  
M  
N  
O  
P

## PRECAUTION

### PRECAUTIONS

#### Precaution for Supplemental Restraint System (SRS) "AIR BAG" and "SEAT BELT PRE-TENSIONER"

INFOID:000000003937294

The Supplemental Restraint System such as "AIR BAG" and "SEAT BELT PRE-TENSIONER", used along with a front seat belt, helps to reduce the risk or severity of injury to the driver and front passenger for certain types of collision. This system includes seat belt switch inputs and dual stage front air bag modules. The SRS system uses the seat belt switches to determine the front air bag deployment, and may only deploy one front air bag, depending on the severity of a collision and whether the front occupants are belted or unbelted. Information necessary to service the system safely is included in the SR and SB section of this Service Manual.

**WARNING:**

- To avoid rendering the SRS inoperative, which could increase the risk of personal injury or death in the event of a collision which would result in air bag inflation, all maintenance must be performed by an authorized NISSAN/INFINITI dealer.
- Improper maintenance, including incorrect removal and installation of the SRS, can lead to personal injury caused by unintentional activation of the system. For removal of Spiral Cable and Air Bag Module, see the SR section.
- Do not use electrical test equipment on any circuit related to the SRS unless instructed to in this Service Manual. SRS wiring harnesses can be identified by yellow and/or orange harnesses or harness connectors.

#### Precaution for Transfer Assembly and Transfer Control Unit Replacement

INFOID:000000003937295

When replacing transfer assembly or transfer control unit, check the 4WD shift indicator lamp as follows.

1. Turn ignition switch ON.
2. Check 4WD shift indicator lamp is turned ON for approximately 1 second.
  - If OK, the position between transfer assembly and transfer control unit is correct.
  - If NG, the position is different between transfer assembly and transfer control unit. Adjust the position between transfer assembly and transfer control unit. See METHOD FOR POSITION ADJUSTMENT that follows.

#### METHOD FOR POSITION ADJUSTMENT

1. Start engine. Run the engine for at least 10 seconds.
2. Stop vehicle and move A/T selector lever to N position with brake pedal depressed. Stay in N for at least 2 seconds.
3. Turn 4WD shift switch to 2WD position. Stay in 2WD for at least 2 seconds.
4. Turn ignition switch OFF.
5. Start engine.
6. Erase self-diagnosis. Refer to [DLN-22, "CONSULT-III Function \(ALL MODE AWD/4WD\)"](#).
7. Check 4WD shift indicator lamp. Refer to [DLN-9, "Preliminary Check"](#).  
If 4WD shift indicator lamp does not indicate 2WD, install new transfer control unit and retry the above check.

#### Precaution Necessary for Steering Wheel Rotation After Battery Disconnect

INFOID:000000004468086

**NOTE:**

- This Procedure is applied only to models with Intelligent Key system and NATS (NISSAN ANTI-THEFT SYSTEM).
- Remove and install all control units after disconnecting both battery cables with the ignition knob in the "LOCK" position.
- Always use CONSULT-III to perform self-diagnosis as a part of each function inspection after finishing work. If DTC is detected, perform trouble diagnosis according to self-diagnostic results.

For models equipped with the Intelligent Key system and NATS, an electrically controlled steering lock mechanism is adopted on the key cylinder.

# PRECAUTIONS

[TRANSFER: ATX14B]

## < PRECAUTION >

For this reason, if the battery is disconnected or if the battery is discharged, the steering wheel will lock and steering wheel rotation will become impossible.  
If steering wheel rotation is required when battery power is interrupted, follow the procedure below before starting the repair operation.

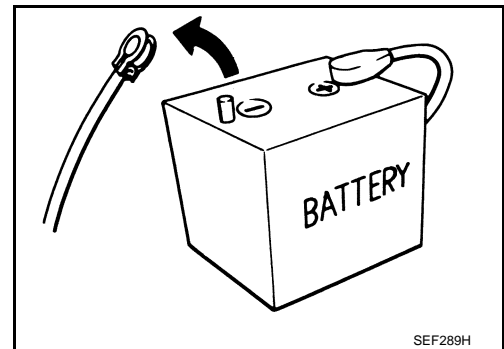
### OPERATION PROCEDURE

1. Connect both battery cables.  
**NOTE:**  
Supply power using jumper cables if battery is discharged.
2. Use the Intelligent Key or mechanical key to turn the ignition switch to the "ACC" position. At this time, the steering lock will be released.
3. Disconnect both battery cables. The steering lock will remain released and the steering wheel can be rotated.
4. Perform the necessary repair operation.
5. When the repair work is completed, return the ignition switch to the "LOCK" position before connecting the battery cables. (At this time, the steering lock mechanism will engage.)
6. Perform a self-diagnosis check of all control units using CONSULT-III.

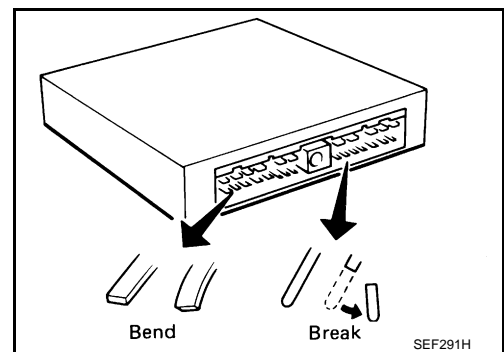
### Precaution

INFOID:000000003937296

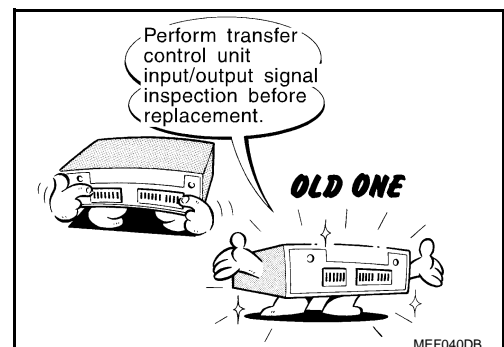
- Before connecting or disconnecting the transfer control unit harness connector, turn ignition switch "OFF" and disconnect battery cables. Failure to do so may damage the transfer control unit. Battery voltage is applied to transfer control unit even if ignition switch is turned "OFF".



- When connecting or disconnecting pin connectors into or from transfer control unit, take care not to damage pin terminals (bend or break).  
When connecting pin connectors make sure that there are not any bends or breaks on transfer control unit pin terminals.



- Before replacing transfer control unit, perform transfer control unit input/output signal inspection and make sure transfer control unit functions properly. Refer to [DLN-85, "Reference Value"](#).



### Service Notice

INFOID:000000003937297

- After overhaul refill the transfer with new transfer fluid.

## PRECAUTIONS

[TRANSFER: ATX14B]

< PRECAUTION >

- Check the fluid level or replace the fluid only with the vehicle parked on level ground.
- During removal or installation, keep inside of transfer clear of dust or dirt.
- Disassembly should be done in a clean work area.
- Before proceeding with disassembly, thoroughly clean the transfer. It is important to prevent the internal parts from becoming contaminated by dirt or other foreign matter.
- Check for the correct installation status prior to removal or disassembly. If matchmarks are required, be certain they do not interfere with the function of the parts when applied.
- All parts should be carefully cleaned with a general purpose, non-flammable solvent before inspection or reassembly.
- Check appearance of the disassembled parts for damage, deformation, and unusual wear. Replace them with new ones if necessary.
- Gaskets, seals and O-rings should be replaced any time the transfer is disassembled.
- In principle, tighten bolts or nuts gradually in several steps working diagonally from inside to outside. If tightening sequence is specified, use it.
- Observe the specified torque when assembling.
- Clean and flush the parts sufficiently and blow-dry them.
- Be careful not to damage sliding surfaces and mating surfaces.
- Use lint-free cloth or towels for wiping parts clean. Common shop rags can leave fibers that could interfere with the operation of the transfer.



# PREPARATION

< PREPARATION >

[TRANSFER: ATX14B]

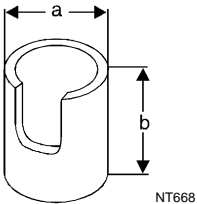
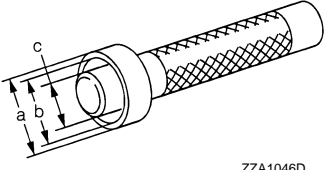
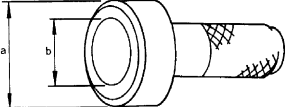
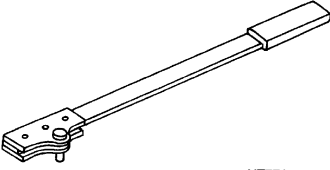
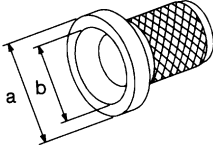
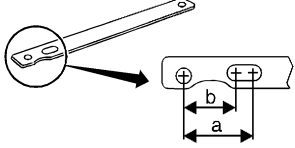
## PREPARATION

### PREPARATION

#### Special Service Tool

INFOID:000000003937298

The actual shapes of Kent-Moore tools may differ from those of special service tools illustrated here.

Tool number (Kent-Moore No.) Tool name	Description
KV31103300 ( — ) Drift	 • Removing press flange snap ring • Installing press flange snap ring • Installing carrier bearing <b>a: 76.3 mm (3.004 in) dia.</b> <b>b: 130 mm (5.12 in)</b>
KV38100300 (J-25523) Drift	 • Removing mainshaft rear bearing <b>a: 54 mm (2.13 in) dia.</b> <b>b: 46 mm (1.81 in) dia.</b> <b>c: 32 mm (1.26 in) dia.</b>
KV38100500 ( — ) Drift	 • Installing front oil seal <b>a: 80 mm (3.15 in) dia.</b> <b>b: 60 mm (2.36 in) dia.</b>
KV38108300 (J-44195) Companion flange tool	 • Removing and installing companion flange
KV40100621 (J-25273) Drift	 • Installing front drive shaft front bearing • Installing front drive shaft rear bearing <b>a: 76 mm (2.99 in) dia.</b> <b>b: 69 mm (2.72 in) dia.</b>
KV40104000 ( — ) Flange wrench	 • Removing self-lock nut • Installing self-lock nut <b>a: 85 mm (3.35 in)</b> <b>b: 65 mm (2.56 in)</b>

A

B

C

DLN

E

F

G

H

I

J

K

L

M

N

O

P

# PREPARATION

< PREPARATION >

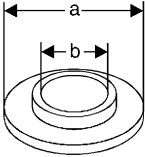
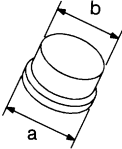
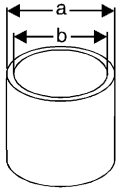
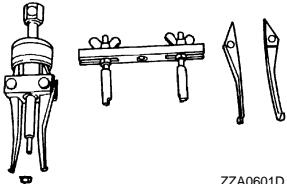
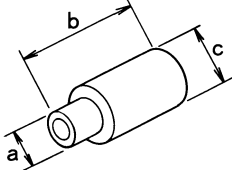
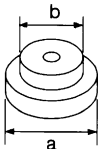
[TRANSFER: ATX14B]

Tool number (Kent-Moore No.) Tool name	Description
KV40105310 ( — ) Drift	<ul style="list-style-type: none"> <li>Installing dust cover</li> <li><b>a: 89 mm (3.50 in) dia.</b></li> <li><b>b: 80.7 mm (3.17 in) dia.</b></li> </ul>
ST15310000 (J-25640-B) Drift	<ul style="list-style-type: none"> <li>Installing mainshaft rear bearing</li> <li><b>a: 96 mm (3.78 in) dia.</b></li> <li><b>b: 84 mm (3.31 in) dia.</b></li> </ul>
ST22360002 (J-25679-01) Drift	<ul style="list-style-type: none"> <li>Installing side oil seal</li> <li><b>a: 23 mm (0.91 in) dia.</b></li> <li><b>b: 32 mm (1.26 in) dia.</b></li> </ul>
ST22452000 (J-34335) Drift	<ul style="list-style-type: none"> <li>Removing press flange snap ring</li> <li>Installing press flange snap ring</li> <li><b>a: 45 mm (1.77 in) dia.</b></li> <li><b>b: 36 mm (1.42 in) dia.</b></li> <li><b>c: 400 mm (15.76 in) dia.</b></li> </ul>
ST30031000 ( — ) Puller	<ul style="list-style-type: none"> <li>Removing carrier bearing</li> <li>Removing front drive shaft front bearing</li> <li>Removing front drive shaft rear bearing</li> <li><b>a: 90 mm (3.54 in) dia.</b></li> <li><b>b: 50 mm (1.97 in) dia.</b></li> </ul>
ST30032000 (J-26010-01) Base	<ul style="list-style-type: none"> <li>Installing front drive shaft front bearing</li> <li>Installing front drive shaft rear bearing</li> <li><b>a: 38 mm (1.50 in) dia.</b></li> <li><b>b: 80 mm (3.15 in) dia.</b></li> </ul>
ST30720000 (J-25405) Drift	<ul style="list-style-type: none"> <li>Installing rear oil seal</li> <li>Installing input bearing</li> <li>Installing input oil seal</li> <li><b>a: 77 mm (3.03 in) dia.</b></li> <li><b>b: 55.5 mm (2.185 in) dia.</b></li> </ul>

# PREPARATION

< PREPARATION >

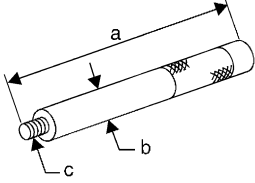
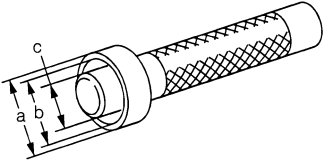
[TRANSFER: ATX14B]

Tool number (Kent-Moore No.) Tool name	Description	
ST30911000 ( — ) Puller	 <p style="text-align: center;">NT664</p> <ul style="list-style-type: none"> <li>• Removing press flange snap ring</li> <li>• Installing press flange snap ring</li> <li>• Installing mainshaft</li> <li>• Installing carrier bearing</li> </ul> <p><b>a: 98 mm (3.86 in) dia.</b> <b>b: 40.5 mm (1.594 in) dia.</b></p>	A B C
ST33052000 ( — ) Adapter	 <p style="text-align: center;">NT431</p> <ul style="list-style-type: none"> <li>• Removing front drive shaft front bearing</li> <li>• Removing front drive shaft rear bearing</li> <li>• Installing mainshaft</li> </ul> <p><b>a: 28 mm (1.10 in) dia.</b> <b>b: 22 mm (0.87 in) dia.</b></p>	DLN E F
ST33200000 (J-26082) Drift	 <p style="text-align: center;">NT661</p> <ul style="list-style-type: none"> <li>• Removing input bearing</li> <li>• Installing sun gear assembly and planetary carrier assembly</li> <li>• Installing input oil seal</li> </ul> <p><b>a: 74.5 mm (2.933 in) dia.</b> <b>b: 62.5 mm (2.461 in) dia.</b></p>	G H
ST33290001 (J-34286) Puller	 <p style="text-align: center;">ZZA0601D</p> <ul style="list-style-type: none"> <li>• Removing front oil seal</li> <li>• Removing rear oil seal</li> <li>• Removing metal bushing</li> </ul>	I J
ST33710000 ( — ) Drift	 <p style="text-align: center;">ZZA1057D</p> <ul style="list-style-type: none"> <li>• Removing needle bearing</li> <li>• Removing metal bushing</li> </ul> <p><b>a: 24 mm (0.94 in) dia.</b> <b>b: 89 mm (3.5 in)</b> <b>c: 30 mm (1.18 in) dia.</b></p>	K L M
ST35300000 ( — ) Drift	 <p style="text-align: center;">NT073</p> <ul style="list-style-type: none"> <li>• Removing sun gear assembly and planetary carrier assembly</li> <li>• Removing carrier bearing</li> <li>• Installing metal bushing</li> </ul> <p><b>a: 59 mm (2.32 in) dia.</b> <b>b: 45 mm (1.77 in) dia.</b></p>	N O P

# PREPARATION

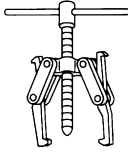
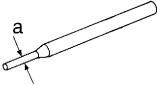
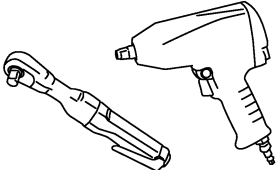
< PREPARATION >

[TRANSFER: ATX14B]

Tool number (Kent-Moore No.) Tool name	Description
ST35325000 ( — ) Drift bar	 <p style="text-align: center;">NT663</p> <ul style="list-style-type: none"> <li>• Removing metal bushing</li> <li><b>a: 215 mm (8.46 in)</b></li> <li><b>b: 25 mm (0.98 in) dia.</b></li> <li><b>c: M12 × 1.5P</b></li> </ul>
ST3322000 ( — ) Drift	 <p style="text-align: center;">ZZA1046D</p> <ul style="list-style-type: none"> <li>• Installing needle bearing</li> <li><b>a: 37 mm (1.46 in) dia.</b></li> <li><b>b: 31 mm (1.22 in) dia.</b></li> <li><b>c: 22 mm (0.87 in) dia.</b></li> </ul>

## Commercial Service Tool

INFOID:000000003937299

Tool name	Description
Puller	 <p style="text-align: center;">NT077</p> <ul style="list-style-type: none"> <li>• Removing companion flange</li> </ul>
Pin punch	 <p style="text-align: center;">NT410</p> <ul style="list-style-type: none"> <li>• Removing retainer pin</li> <li>• Installing retainer pin</li> <li><b>a: 6 mm (0.24 in) dia.</b></li> </ul>
Power tool	 <p style="text-align: center;">PBIC0190E</p> <ul style="list-style-type: none"> <li>• Removing transfer case assembly</li> </ul>

ON-VEHICLE MAINTENANCE

TRANSFER FLUID

Replacement

INFOID:000000003937300

**CAUTION:**

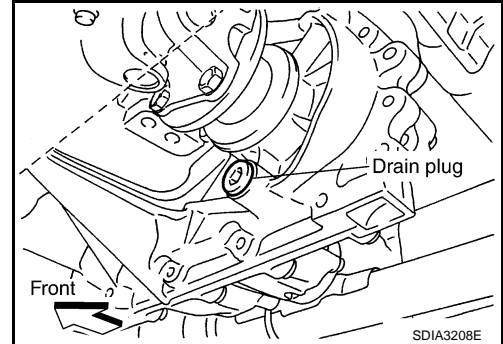
If using the vehicle for towing, the transfer fluid must be replaced as specified. Refer to [MA-7, "Introduction of Periodic Maintenance"](#).

DRAINING

1. Stop engine.
2. Remove the drain plug and gasket and drain the fluid.
3. Install the drain plug with a new gasket to the transfer. Tighten to the specified torque. Refer to [DLN-150, "Disassembly and Assembly"](#).

**CAUTION:**

Do not reuse gasket.



FILLING

1. Remove the filler plug and gasket.
2. Fill the transfer with new fluid until the fluid level reaches the specified limit near the filler plug hole.

Fluid grade and capacity : Refer to [MA-12, "Fluids and Lubricants"](#).

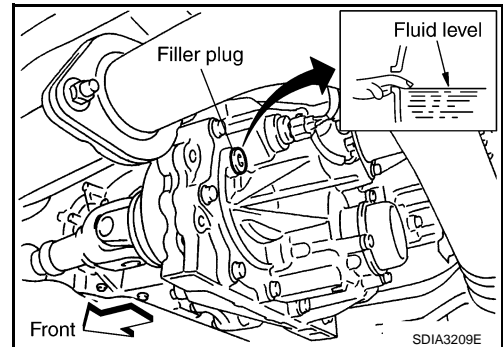
**CAUTION:**

Carefully fill fluid. (Fill up for approx. 3 minutes.)

3. Leave the vehicle for 3 minutes, and check fluid level again.
4. Install the filler plug with a new gasket to the transfer. Tighten to the specified torque. Refer to [DLN-150, "Disassembly and Assembly"](#).

**CAUTION:**

Do not reuse gasket.



Inspection

INFOID:000000003937301

**CAUTION:**

If using the vehicle for towing, the transfer fluid must be replaced as specified. Refer to [MA-7, "Introduction of Periodic Maintenance"](#).

FLUID LEAKAGE AND FLUID LEVEL

1. Make sure that fluid is not leaking from the transfer assembly or around it.
2. Check fluid level from the filler plug hole as shown.

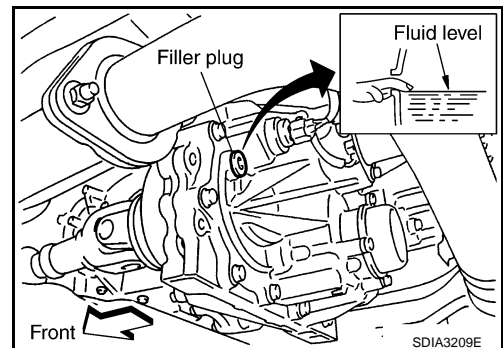
**CAUTION:**

Do not start engine while checking fluid level.

3. Install the filler plug with a new gasket to the transfer. Tighten to the specified torque. Refer to [DLN-150, "Disassembly and Assembly"](#).

**CAUTION:**

Do not reuse gasket.



A

B

C

DLN

E

F

G

H

I

J

K

L

M

N

O

P

# TRANSFER OIL FILTER

< ON-VEHICLE MAINTENANCE >

[TRANSFER: ATX14B]

## TRANSFER OIL FILTER

### Removal and Installation

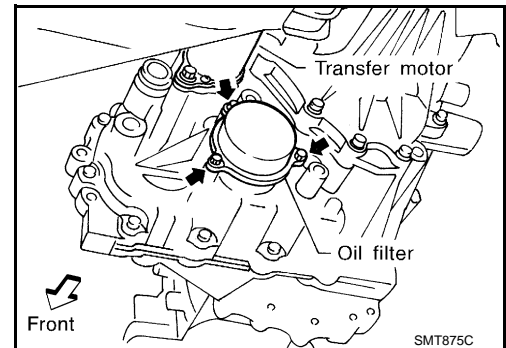
INFOID:000000003937302

#### REMOVAL

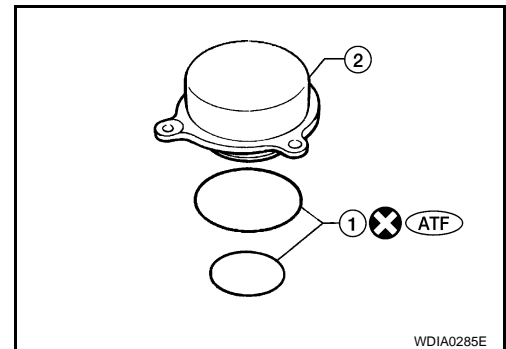
1. Remove the oil filter bolts and oil filter.

**CAUTION:**

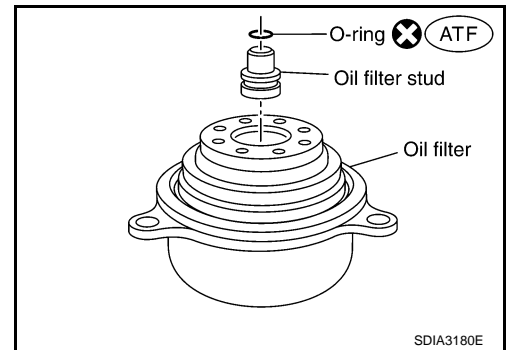
- Do not damage center case or oil filter.
- Loosen bolts and detach oil filter evenly.



2. Remove the O-rings (1) from the oil filter (2).



3. Remove the oil filter stud from the oil filter.
4. Remove the O-ring from the oil filter stud.



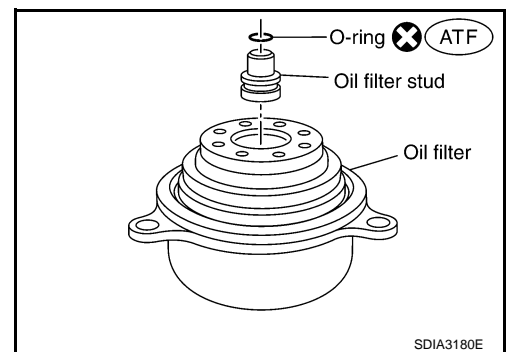
#### INSTALLATION

1. Apply ATF to the new O-ring, and install it on the oil filter stud.

**CAUTION:**

**Do not reuse O-ring.**

2. Install the oil filter stud to the oil filter.



# TRANSFER OIL FILTER

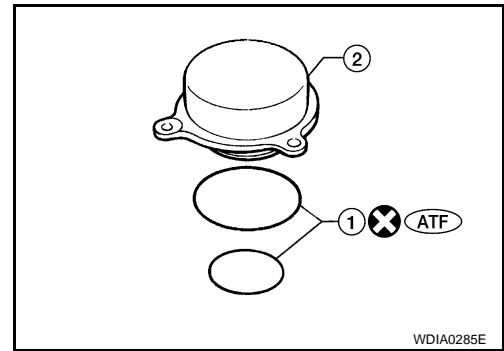
< ON-VEHICLE MAINTENANCE >

[TRANSFER: ATX14B]

3. Apply ATF to the two new O-rings (1), and install them on the oil filter (2).

**CAUTION:**

**Do not reuse O-rings.**

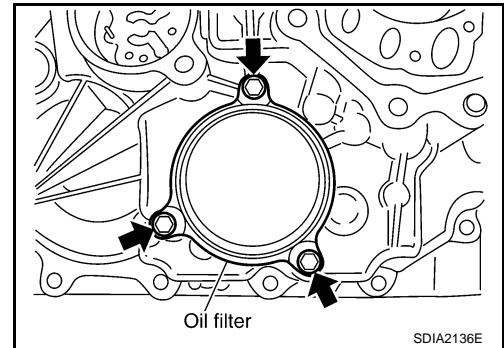


4. Install the oil filter to the transfer assembly. Tighten the bolts to the specified torque. Refer to [DLN-150, "Disassembly and Assembly"](#).

**CAUTION:**

- Do not damage oil filter.
- Attach oil filter and tighten bolts evenly.

5. Check the transfer fluid. Refer to [DLN-133, "Inspection"](#).
6. Start the engine for one minute. Then stop the engine and recheck the transfer fluid. Refer to [DLN-133, "Inspection"](#).



A  
B  
C  
DLN  
E  
F  
G  
H  
I  
J  
K  
L  
M  
N  
O  
P

## ON-VEHICLE REPAIR

### TRANSFER CONTROL UNIT

#### Removal and Installation

INFOID:000000003937303

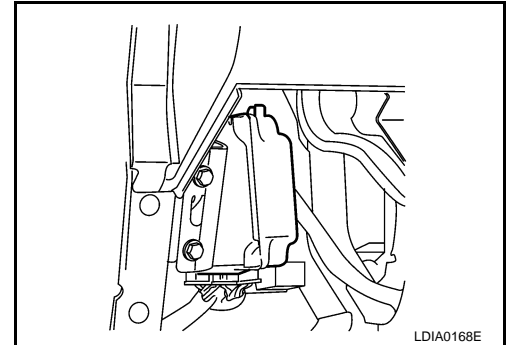
#### REMOVAL

1. Set transfer state as 2WD when 4WD shift switch is at 2WD, or as AUTO when 4WD shift switch is at AUTO.

**CAUTION:**

**When removing transfer control unit, transfer state must be at 2WD or AUTO.**

2. Turn the ignition switch OFF and disconnect negative battery terminal.
3. Remove the lower instrument panel LH. Refer to [IP-10, "Exploded View"](#).
4. Disconnect the two transfer control unit connectors.
5. Remove the transfer control unit bolts.
6. Remove the transfer control unit.



#### INSTALLATION

Installation is in the reverse order of removal.

- When installing the transfer control unit, tighten bolts to the specified torque.

**Transfer control unit bolts : 3.4 N·m (0.35 kg·m, 30 in·lb)**

**CAUTION:**

**Do not connect harness connector to transfer control unit when 4WD shift switch is at 4LO.**

- After the installation, check perform self-diagnosis. Refer to [DLN-22, "CONSULT-III Function \(ALL MODE AWD/4WD\)"](#). If NG, adjust position between transfer assembly and transfer control unit. Refer to [DLN-126, "Precaution for Transfer Assembly and Transfer Control Unit Replacement"](#).



## FRONT OIL SEAL

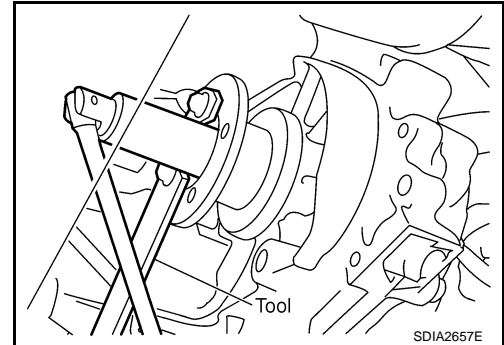
### Removal and Installation

INFOID:000000003937304

#### REMOVAL

1. Partially drain the transfer fluid. Refer to [DLN-133](#).
2. Remove the front propeller shaft. Refer to [DLN-309, "Removal and Installation"](#).
3. Remove the companion flange self-lock nut using Tool.

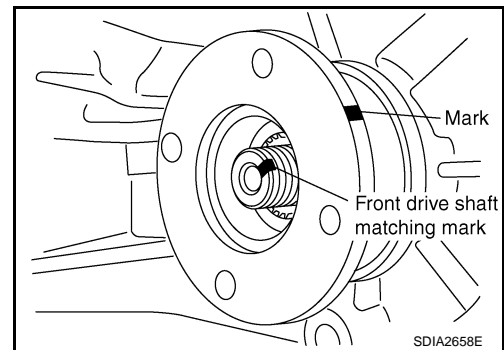
**Tool number** : KV40104000 ( — )



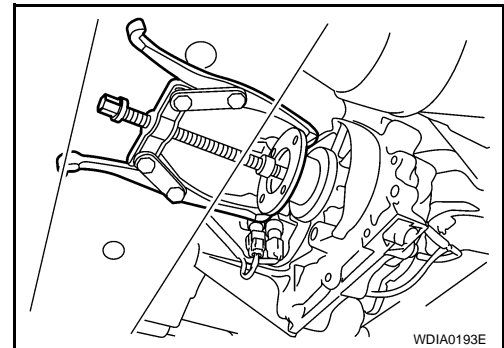
4. Put a matching mark on top of the front drive shaft in line with the mark on the companion flange.

**CAUTION:**

Use paint to make the matching mark on the front drive shaft. Do not damage the front drive shaft.



5. Remove the companion flange using suitable tool.

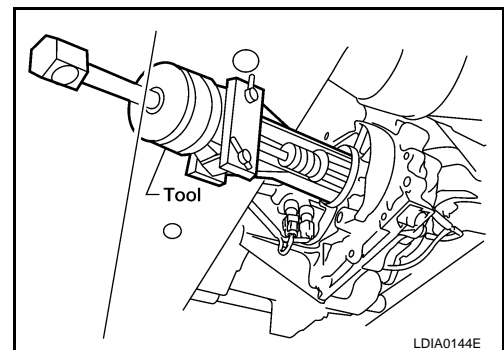


6. Remove the front oil seal from the front case using Tool.

**Tool number** : ST33290001 (J-34286)

**CAUTION:**

Do not damage front case.



#### INSTALLATION

A  
B  
C  
DLN  
E  
F  
G  
H  
I  
J  
K  
L  
M  
N  
O  
P

# FRONT OIL SEAL

< ON-VEHICLE REPAIR >

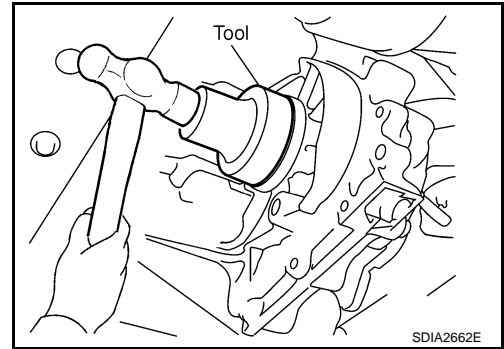
[TRANSFER: ATX14B]

1. Install the new front oil seal until it is flush with the end face of the front case using Tool.

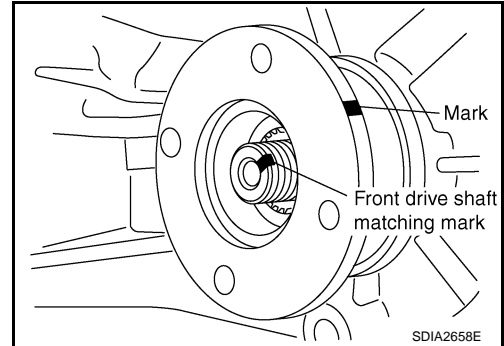
**Tool number** : KV38100500 ( — )

**CAUTION:**

- Do not reuse oil seal.
- Apply petroleum jelly to oil seal.



2. Align the matching mark of the front drive shaft with the matching mark of the companion flange, then install the companion flange.



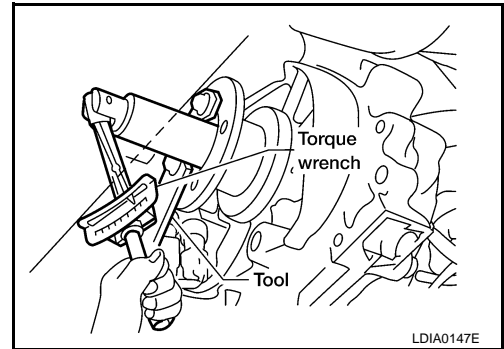
3. Install the new self-lock nut. Tighten to the specified torque using Tool. Refer to [DLN-150, "Disassembly and Assembly"](#).

**Tool number** : KV40104000 ( — )

**CAUTION:**

**Do not reuse self-lock nut.**

4. Install the front propeller shaft. Refer to [DLN-309, "Removal and Installation"](#).
5. Refill the transfer with fluid and check for fluid leakage and fluid level. Refer to [DLN-133](#).



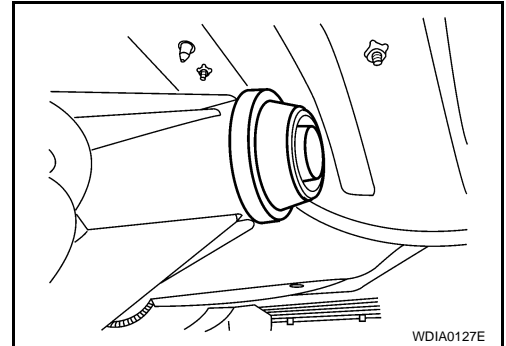
## REAR OIL SEAL

### Removal and Installation

INFOID:000000003937305

#### REMOVAL

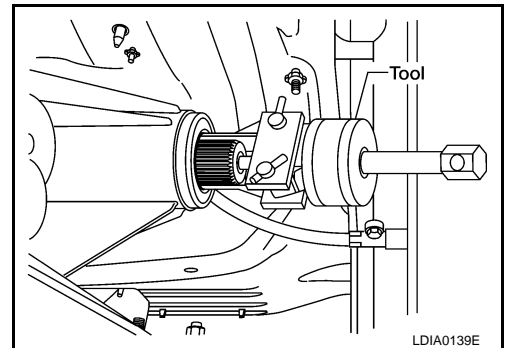
1. Partially drain the transfer fluid. Refer to [DLN-133](#).
2. Remove the rear propeller shaft. Refer to [DLN-317, "Removal and Installation"](#) (2S1330), [DLN-326, "Removal and Installation"](#) (2S1350).
3. Remove the dust cover from the rear case.  
**CAUTION:**  
Do not damage the rear case.



4. Remove the rear oil seal from the rear case using Tool.

**Tool number** : ST33290001 (J-34286)

**CAUTION:**  
Do not damage the rear case.



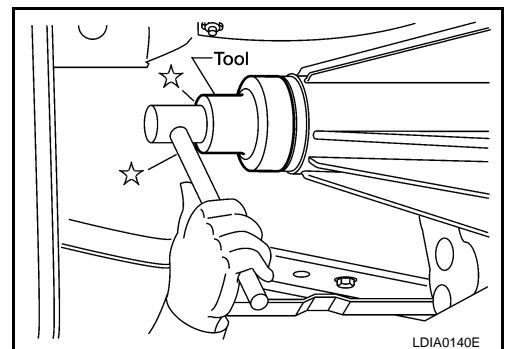
#### INSTALLATION

1. Install the new rear oil seal until it is flush with the end face of the rear case using Tool.

**Tool number** : ST30720000 (J-25405)

**CAUTION:**

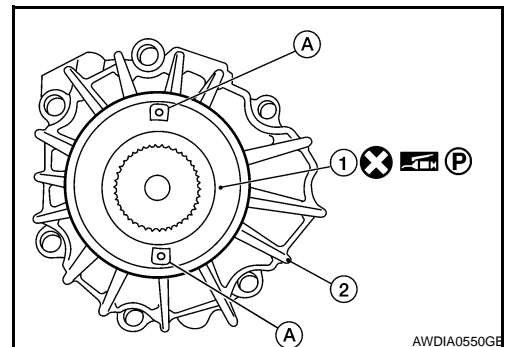
- Do not reuse oil seal.
- Apply petroleum jelly to oil seal.



2. Apply petroleum jelly to the circumference of the new dust cover. Position the new dust cover as shown.

**CAUTION:**

- Do not reuse dust cover.
- Position the identification mark at the position shown.
- 1: Dust cover
- 2: Rear case assembly
- A: Protrusions



A  
B  
C  
DLN  
E  
F  
G  
H  
I  
J  
K  
L  
M  
N  
O  
P

## REAR OIL SEAL

< ON-VEHICLE REPAIR >

[TRANSFER: ATX14B]

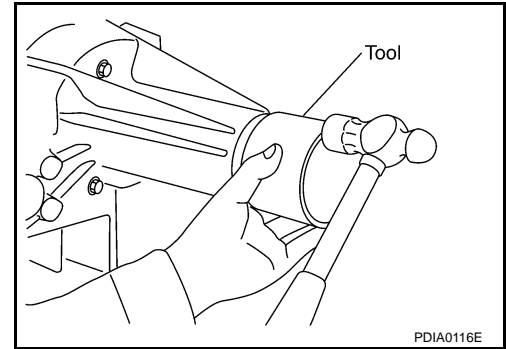
3. Install the new dust cover to the rear case using Tool.

**Tool number** : KV40105310 ( — )

**CAUTION:**

- Do not reuse dust cover.
- Apply petroleum jelly to dust cover.

4. Install the rear propeller shaft. Refer to [DLN-317, "Removal and Installation"](#) (2S1330), [DLN-326, "Removal and Installation"](#) (2S1350).
5. Refill the transfer with fluid and check for fluid leakage and fluid level. Refer to [DLN-133](#).



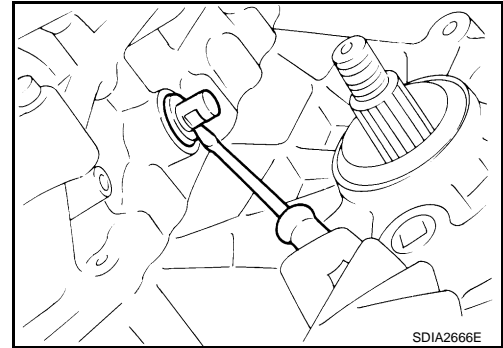
## SIDE OIL SEAL

### Removal and Installation

INFOID:000000003937306

#### REMOVAL

1. Remove the front propeller shaft. Refer to [DLN-309, "Removal and Installation"](#).
2. Remove the companion flange. Refer to [DLN-281, "Disassembly and Assembly"](#).
3. Remove the transfer control device from the transfer assembly. Refer to [DLN-276, "Removal and Installation"](#).
4. Remove the side oil seal using suitable tool.  
**CAUTION:**  
**Do not damage shift cross.**



#### INSTALLATION

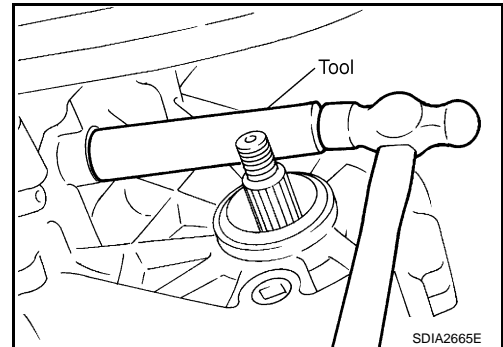
1. Install the new side oil seal until it is flush with the end face of case using Tool.

**Tool number** : **ST22360002 (J-25679-01)**

**CAUTION:**

- Do not reuse oil seal.
- Apply petroleum jelly to oil seal.

2. Install the transfer control device to the transfer assembly. Refer to [DLN-276, "Removal and Installation"](#).
3. Install the companion flange. Refer to [DLN-281, "Disassembly and Assembly"](#).
4. Install the front propeller shaft. Refer to [DLN-309, "Removal and Installation"](#).



A  
B  
C  
DLN  
E  
F  
G  
H  
I  
J  
K  
L  
M  
N  
O  
P

# TRANSFER CONTROL DEVICE

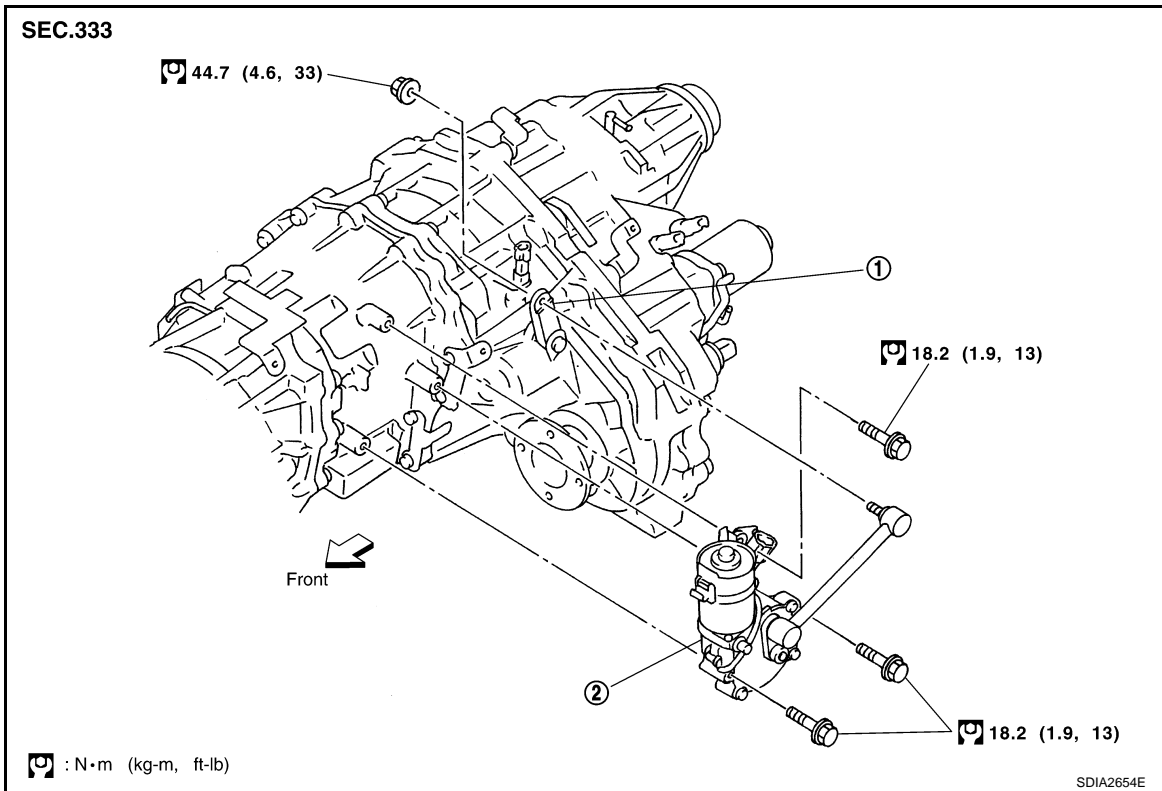
< ON-VEHICLE REPAIR >

[TRANSFER: ATX14B]

## TRANSFER CONTROL DEVICE

### Removal and Installation

INFOID:000000003937307



1. Shift lever

2. Actuator

#### CAUTION:

- Change vehicle state to 2WD, and then remove and install transfer control device.
- Check 4WD shift indicator after installation. Refer to [DLN-126, "Precaution for Transfer Assembly and Transfer Control Unit Replacement"](#).

# AIR BREATHER HOSE

< ON-VEHICLE REPAIR >

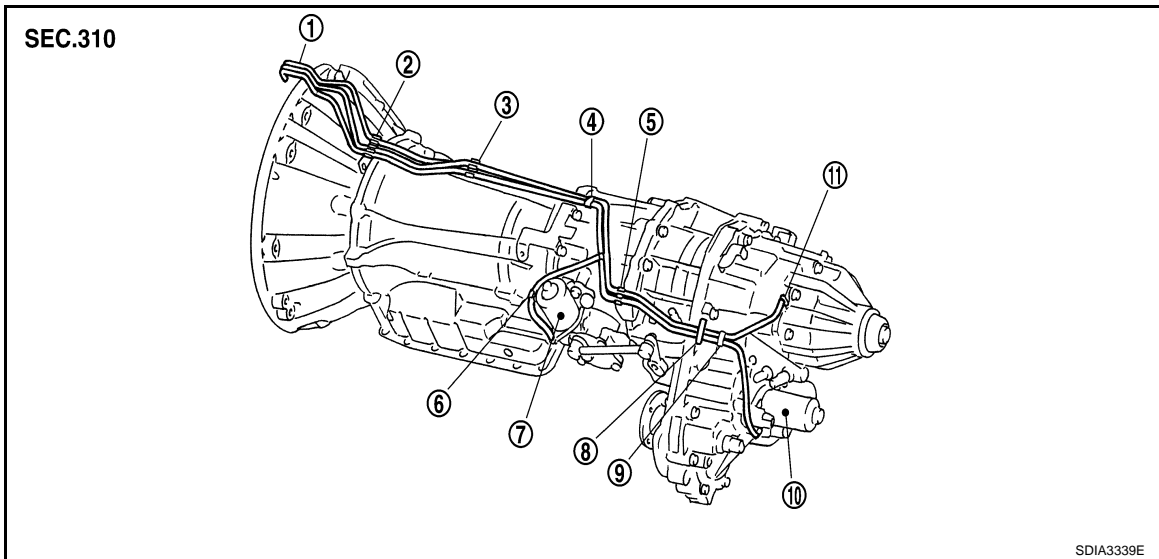
[TRANSFER: ATX14B]

## AIR BREATHER HOSE

### Removal and Installation

INFOID:000000003937308

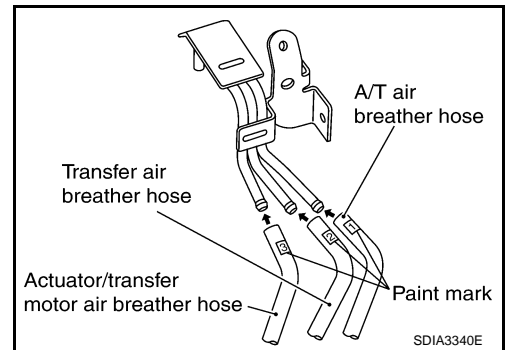
VQ40DE



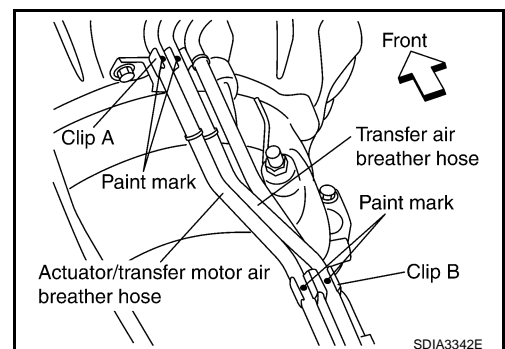
- |                    |                              |           |
|--------------------|------------------------------|-----------|
| 1. Breather tube   | 2. Clip A                    | 3. Clip B |
| 4. Clip C          | 5. Clip D                    | 6. Clip E |
| 7. Actuator        | 8. Air breather hose clamp   | 9. Clip F |
| 10. Transfer motor | 11. Breather tube (transfer) |           |

#### CAUTION:

- Make sure there are no pinched or restricted areas on each air breather hose caused by folding or bending when installing it.
- Install each air breather hose into the breather tube (metal connector) until the hose end reaches the end of the curve section. Set each air breather hose with paint mark facing upward.



- Install actuator/transfer motor air breather hose and transfer air breather hose on clip A with the paint mark facing upward.



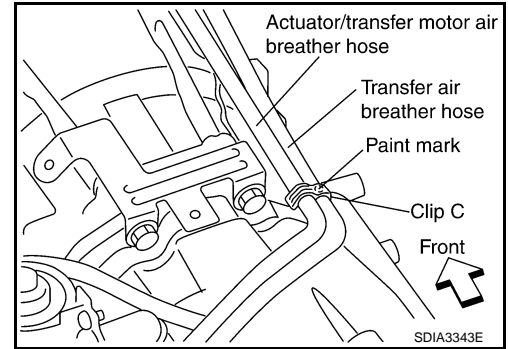
A  
B  
C  
DLN  
E  
F  
G  
H  
I  
J  
K  
L  
M  
N  
O  
P

# AIR BREATHER HOSE

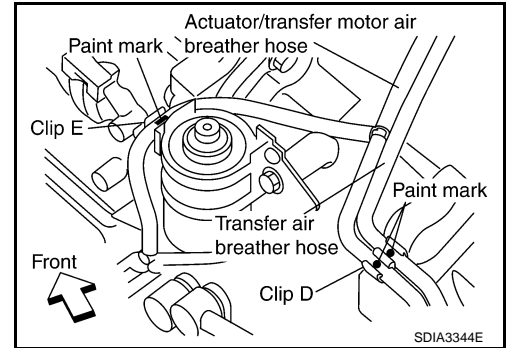
< ON-VEHICLE REPAIR >

[TRANSFER: ATX14B]

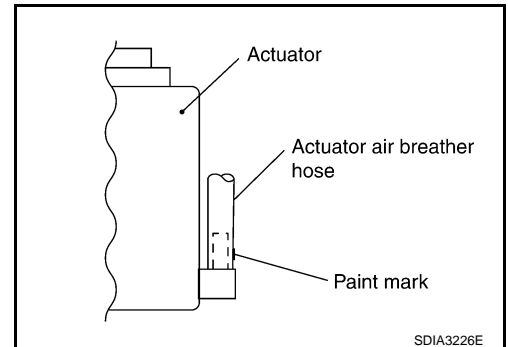
- Install clip C on actuator/transfer motor air breather hose and transfer air breather hose with the paint mark matched.



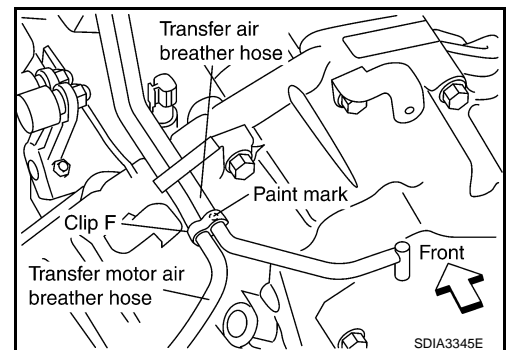
- Install actuator/transfer motor air breather hose and transfer air breather hose on clip D and clip E with the paint mark facing upward.



- Install the actuator air breather hose into the actuator (case connector) until the hose end reaches the base of the tube. Set actuator air breather hose with paint mark facing leftward.



- Install clip F on transfer motor air (control device) breather hose and transfer air breather hose with the paint mark matched.



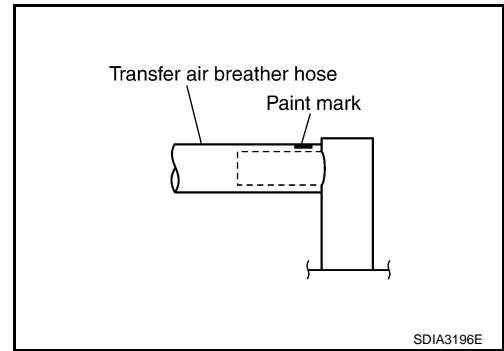


# AIR BREATHER HOSE

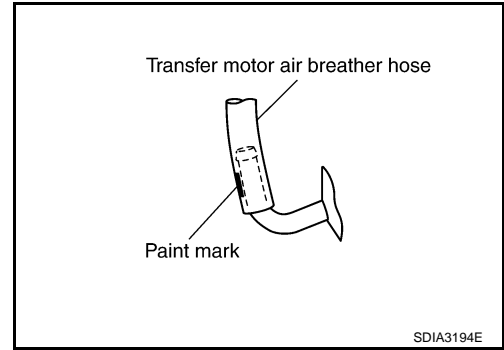
< ON-VEHICLE REPAIR >

[TRANSFER: ATX14B]

- Install the transfer air breather hose into the breather tube (transfer, metal connector) until the hose end reaches the base of the tube. Set transfer air breather hose with paint mark facing upwards.

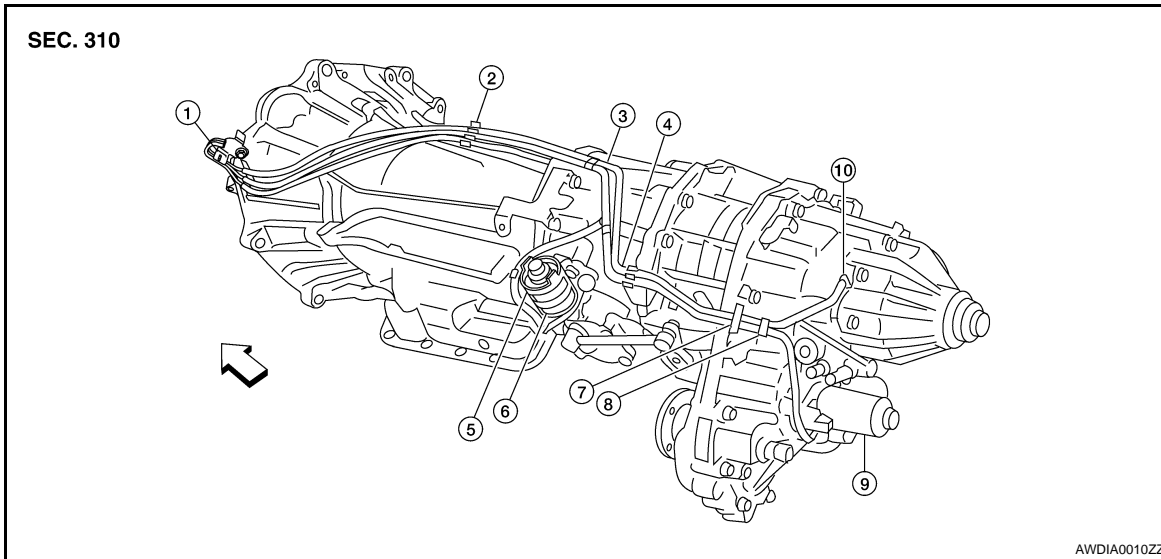


- Install the transfer motor air breather hose into the transfer motor (case connector) until the hose end reaches the end of the curved section. Set transfer motor air breather hose with paint mark facing leftward.



## Removal and Installation

VK56DE



- |                              |                 |                   |
|------------------------------|-----------------|-------------------|
| 1. Breather tube             | 2. Clip A       | 3. Clip B         |
| 4. Clip C                    | 5. Clip D       | 6. Actuator       |
| 7. Air breather hose clamp   | 8. Clip E       | 9. Transfer motor |
| 10. Breather tube (transfer) | ⇨ Vehicle front |                   |

### CAUTION:

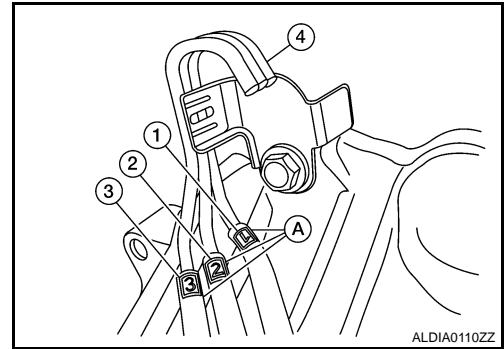
- Make sure there are no pinched or restricted areas on each air breather hose caused by folding or bending when installing it.

# AIR BREATHER HOSE

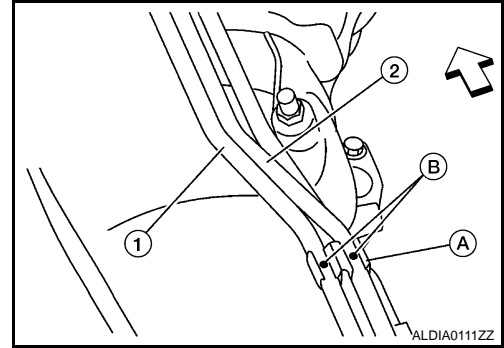
< ON-VEHICLE REPAIR >

[TRANSFER: ATX14B]

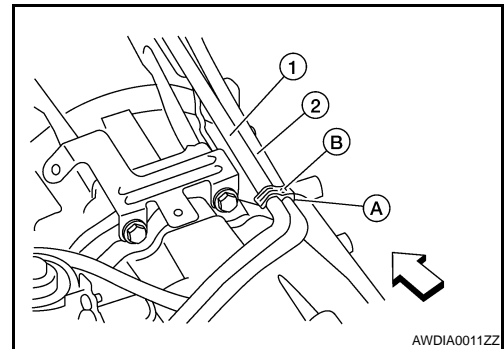
- Install each air breather hose into the breather tube (4). Set each air breather hose with paint mark facing upward.
- A: Paint marks
- 1: A/T breather hose
- 2: Transfer air breather hose
- 3: Actuator/transfer motor air breather hose



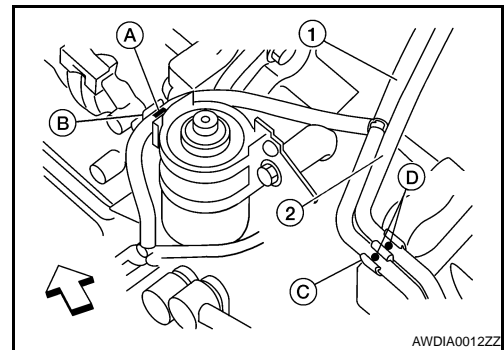
- Install actuator/transfer motor air breather hose (1) and transfer air breather hose (2) on clip (A) with the paint mark (B) facing upward.
- ⇐: Front



- Install clip (A) on actuator/transfer motor air breather hose (1) and transfer air breather hose (2) with the paint mark (B) matched.
- ⇐: Front



- Install actuator/transfer motor air breather hose (1) and transfer air breather hose (2) on clip (C) and clip (B) with the paint mark (A) and (D) facing upward.
- ⇐: Front

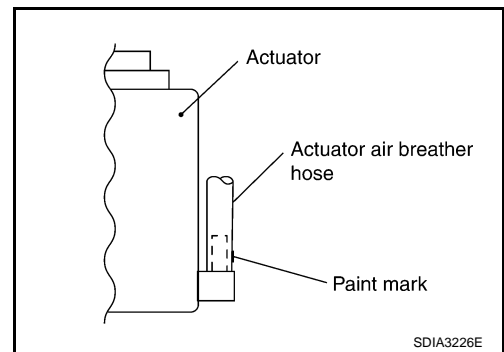


# AIR BREATHER HOSE

< ON-VEHICLE REPAIR >

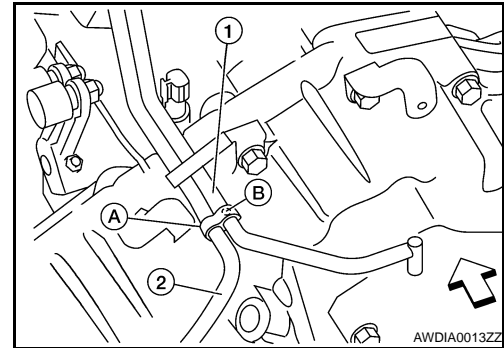
[TRANSFER: ATX14B]

- Install the actuator air breather hose into the actuator (case connector) until the hose end reaches the base of the tube. Set actuator air breather hose with paint mark facing leftward.

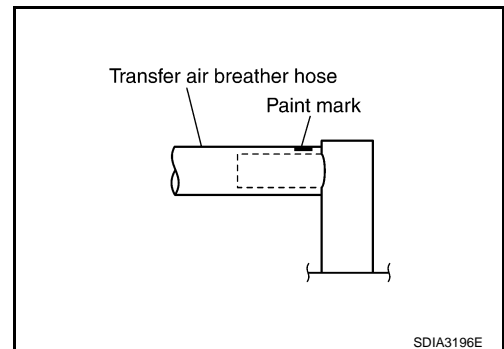


- Install clip (A) on transfer motor air breather hose (2) and transfer air breather hose (1) with the paint mark (B) matched.

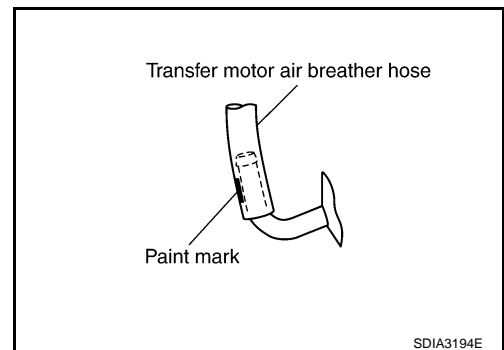
⇐: Front



- Install the transfer air breather hose into the breather tube (transfer, metal connector) until the hose end reaches the base of the tube. Set transfer air breather hose with paint mark facing upwards.



- Install the transfer motor air breather hose into the transfer motor (case connector) until the hose end reaches the end of the curved section. Set transfer motor air breather hose with paint mark facing leftward.



A  
B  
C  
DLN  
E  
F  
G  
H  
I  
J  
K  
L  
M  
N  
O  
P

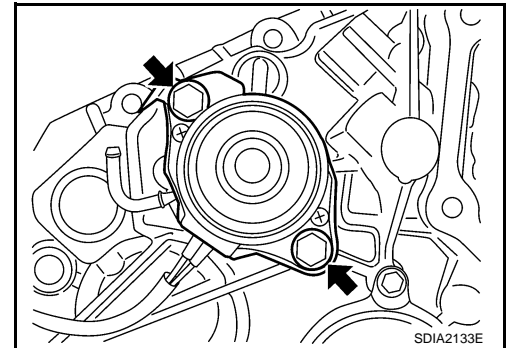
## TRANSFER MOTOR

## Removal and Installation

INFOID:000000003937309

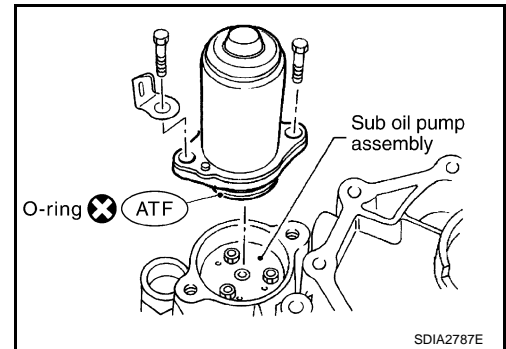
## REMOVAL

1. Disconnect the transfer motor connector.
2. Remove the transfer motor air breather hose from the transfer motor. Refer to [DLN-143, "Removal and Installation"](#).
3. Remove the transfer motor bolts.
4. Remove the transfer motor.



## INSTALLATION

1. Apply ATF to the new O-ring and install it to the transfer motor.  
**CAUTION:**  
**Do not reuse O-rings.**
2. Fit the double-flat end of the transfer motor shaft into the slot of the sub-oil pump assembly. Then tighten to the specified torque. Refer to [DLN-150, "Disassembly and Assembly"](#).  
**CAUTION:**  
**Be sure to install connector bracket.**
3. Install the transfer motor air breather hose to the transfer motor. Refer to [DLN-143, "Removal and Installation"](#).
4. Connect the transfer motor connector.
5. Check the transfer fluid. Refer to [DLN-133, "Inspection"](#).
6. Start the engine for one minute. Then stop the engine and recheck the transfer fluid. Refer to [DLN-133, "Inspection"](#).



# REMOVAL AND INSTALLATION

## TRANSFER ASSEMBLY

### Removal and Installation

INFOID:000000003937310

#### REMOVAL

1. Set transfer state as 2WD when 4WD shift switch is at 2WD.
2. Remove the undercovers using power tool.
3. Drain the transfer fluid. Refer to [DLN-133, "Replacement"](#).
4. Remove the center exhaust tube and main muffler. Refer to [EX-6, "Removal and Installation"](#).
5. Remove the front and rear propeller shafts. Refer to [DLN-309, "Removal and Installation"](#) (front), [DLN-317, "Removal and Installation"](#) or [DLN-326, "Removal and Installation"](#) (rear).

**CAUTION:**

**Do not damage spline, sleeve yoke and rear oil seal when removing rear propeller shaft.**

**NOTE:**

Insert a plug into the rear oil seal after removing the rear propeller shaft.

6. Remove the A/T nuts from the A/T crossmember. Refer to [TM-217, "4WD : Exploded View"](#).
7. Position two suitable jacks under the A/T and transfer assembly.
8. Remove the crossmember. Refer to [TM-217, "4WD : Exploded View"](#).

**WARNING:**

**Support A/T and transfer assembly using two suitable jacks while removing crossmember.**

9. Disconnect the electrical connectors from the following:
  - ATP switch
  - Neutral 4LO switch
  - Wait detection switch
  - Transfer motor
  - Transfer control device
  - Transfer terminal cord assembly
10. Disconnect each air breather hose from the following. Refer to [DLN-143, "Removal and Installation"](#).
  - Actuator
  - Breather tube (transfer)
  - Transfer motor
11. Remove the transfer control device from the extension housing.
12. Remove the transfer to A/T and A/T to transfer bolts.
13. Remove the transfer assembly.

**WARNING:**

**Support transfer assembly with suitable jack while removing it.**

**CAUTION:**

**Do not damage rear oil seal (A/T).**

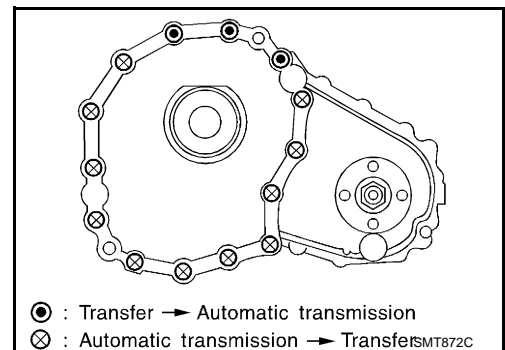
#### INSTALLATION

Installation is in the reverse order of removal.

- Tighten the bolts to specification.

**Transfer bolt torque : 36 N·m (3.7 kg·m, 27 ft·lb)**

- Fill the transfer with new fluid and check for fluid leakage and fluid level. Refer to [DLN-133](#).
- Start the engine for one minute. Then stop the engine and recheck the transfer fluid. Refer to [DLN-133, "Inspection"](#).



# TRANSFER ASSEMBLY

< DISASSEMBLY AND ASSEMBLY >

[TRANSFER: ATX14B]

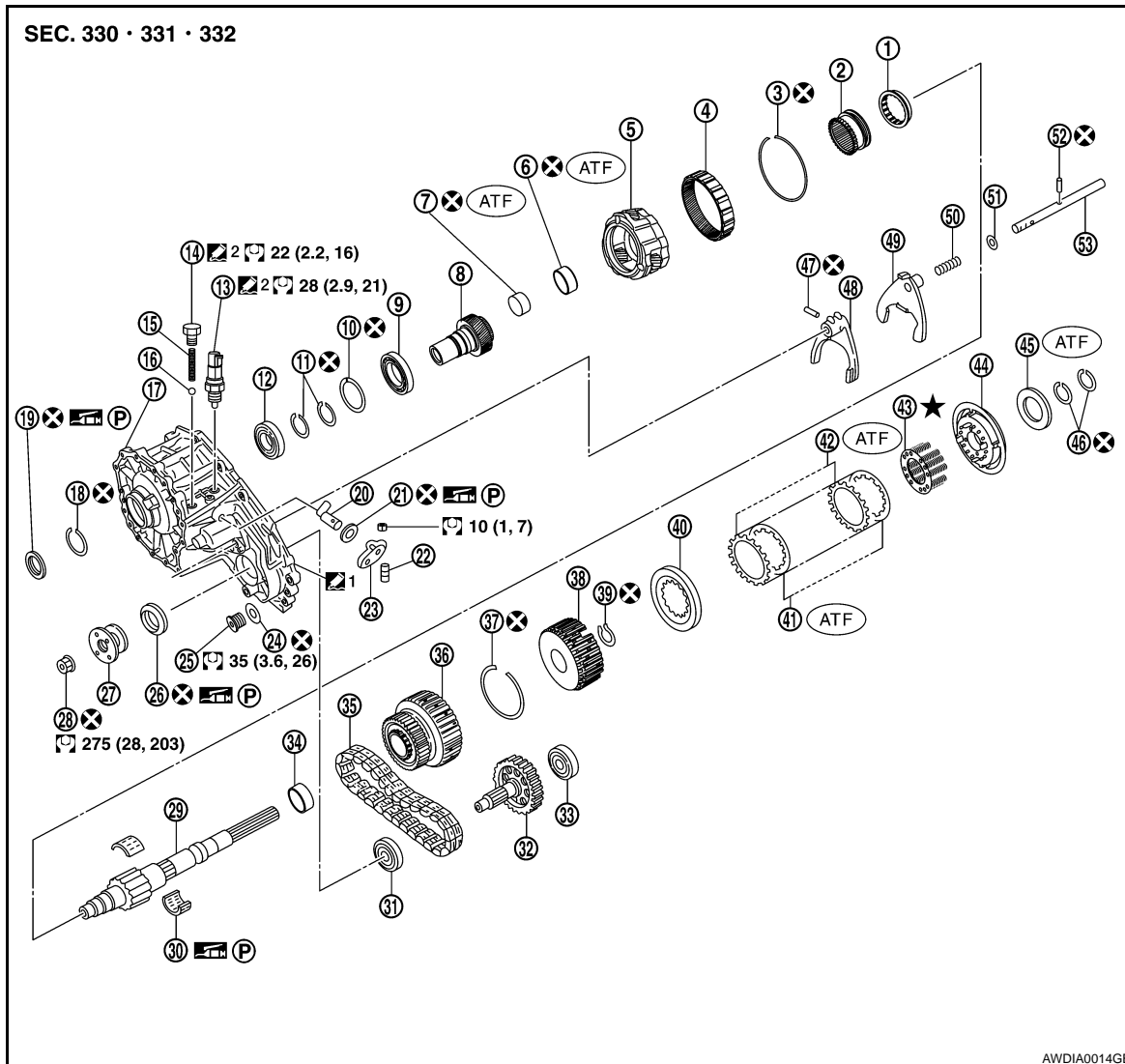
## DISASSEMBLY AND ASSEMBLY

### TRANSFER ASSEMBLY

#### Disassembly and Assembly

INFOID:000000003937311

#### COMPONENTS



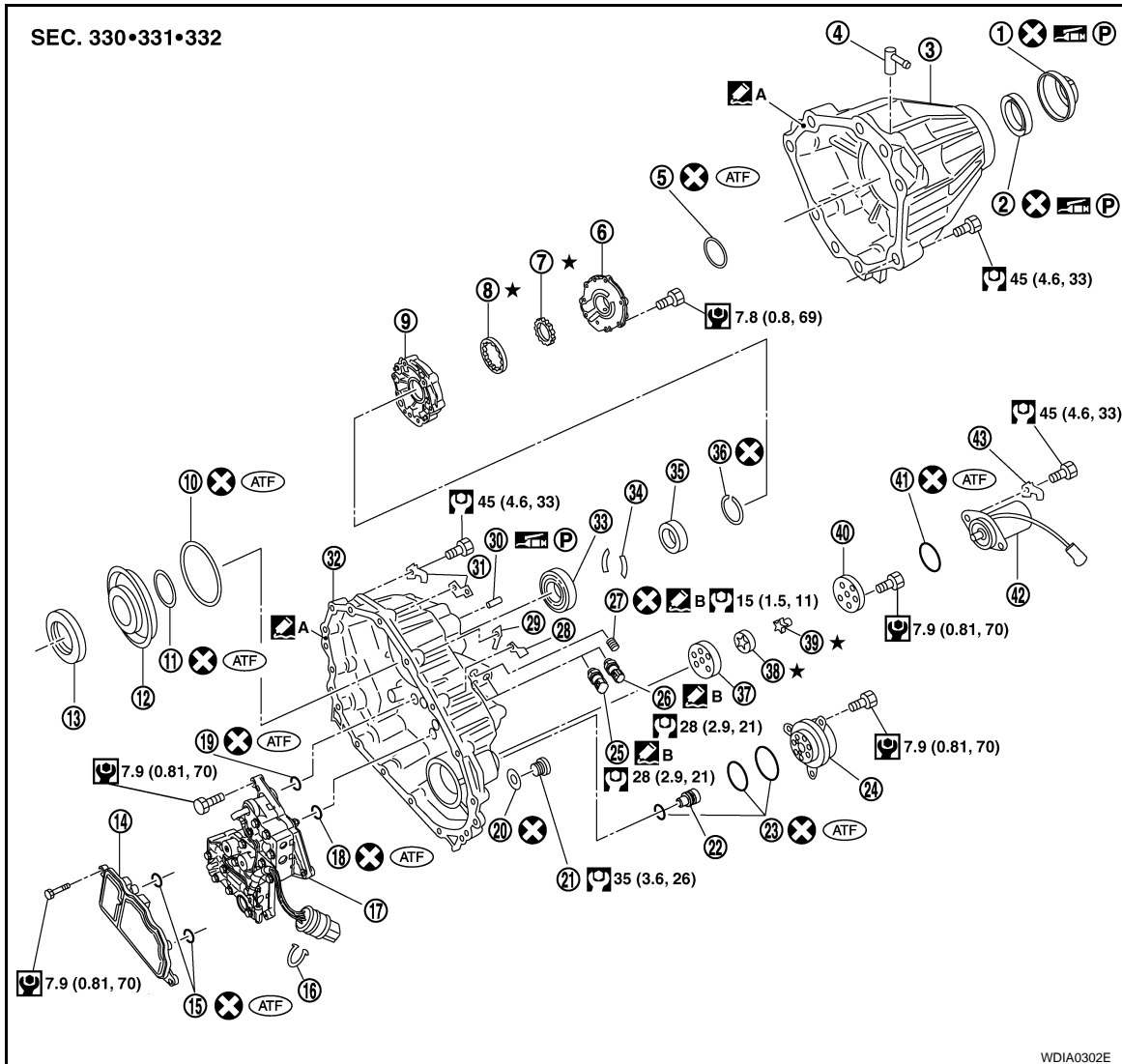
- |     |                       |     |                            |     |                  |
|-----|-----------------------|-----|----------------------------|-----|------------------|
| 1.  | 2-4 sleeve            | 2.  | L-H sleeve                 | 3.  | Snap ring        |
| 4.  | Internal gear         | 5.  | Planetary carrier assembly | 6.  | Metal bushing    |
| 7.  | Needle bearing        | 8.  | Sun gear                   | 9.  | Carrier bearing  |
| 10. | Snap ring             | 11. | Snap ring                  | 12. | Input bearing    |
| 13. | Wait detection switch | 14. | Check plug                 | 15. | Check spring     |
| 16. | Check ball            | 17. | Front case                 | 18. | Snap ring        |
| 19. | Input oil seal        | 20. | Shift cross                | 21. | Side oil seal    |
| 22. | Lock pin              | 23. | Shift lever                | 24. | Gasket           |
| 25. | Drain plug            | 26. | Front oil seal             | 27. | Companion flange |
| 28. | Self-lock nut         | 29. | Mainshaft                  | 30. | Needle bearing   |
| 31. | Front bearing         | 32. | Front drive shaft          | 33. | Rear bearing     |
| 34. | Spacer                | 35. | Drive chain                | 36. | Clutch drum      |
| 37. | Snap ring             | 38. | Clutch hub                 | 39. | Snap ring        |

# TRANSFER ASSEMBLY

< DISASSEMBLY AND ASSEMBLY >

[TRANSFER: ATX14B]

- |                            |                             |                            |
|----------------------------|-----------------------------|----------------------------|
| 40. Retaining plate        | 41. Driven plate (10 sheet) | 42. Drive plate (10 sheet) |
| 43. Return spring assembly | 44. Press flange            | 45. Thrust needle bearing  |
| 46. Snap ring              | 47. Retaining pin           | 48. L-H fork               |
| 49. 2-4 fork               | 50. Shift fork spring       | 51. Fork guide             |
| 52. Retainer pin           | 53. Shift rod               |                            |



- |                                |                             |                               |
|--------------------------------|-----------------------------|-------------------------------|
| 1. Dust cover                  | 2. Rear oil seal            | 3. Rear case                  |
| 4. Breather tube               | 5. Seal ring                | 6. Main oil pump cover        |
| 7. Inner gear                  | 8. Outer gear               | 9. Main oil pump housing      |
| 10. D-ring                     | 11. D-ring                  | 12. Clutch piston             |
| 13. Thrust needle bearing race | 14. Oil strainer            | 15. O-ring                    |
| 16. Snap ring                  | 17. Control valve assembly  | 18. Lip seal (large 5 pieces) |
| 19. Lip seal (small 2 pieces)  | 20. Gasket                  | 21. Filler plug               |
| 22. Oil filter stud            | 23. O-ring                  | 24. Oil filter                |
| 25. ATP switch                 | 26. Neutral-4LO switch      | 27. Oil pressure check plug   |
| 28. Harness bracket            | 29. Air breather hose clamp | 30. Stem bleeder              |
| 31. Harness bracket            | 32. Center case             | 33. Mainshaft rear bearing    |
| 34. C-ring                     | 35. Washer holder           | 36. Snap ring                 |
| 37. Sub oil pump housing       | 38. Outer gear              | 39. Inner gear                |

A  
B  
C  
DLN  
E  
F  
G  
H  
I  
J  
K  
L  
M  
N  
O  
P

# TRANSFER ASSEMBLY

## < DISASSEMBLY AND ASSEMBLY >

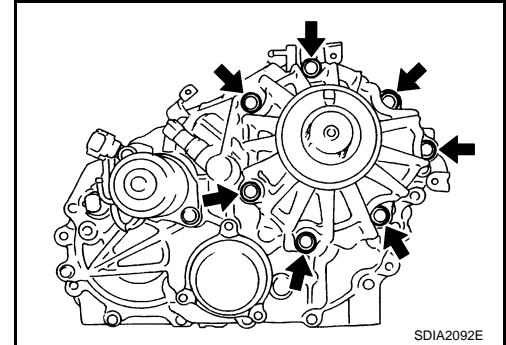
[TRANSFER: ATX14B]

- |                        |   |  |
|------------------------|---|--|
| 40. Sub oil pump cover | 41. O-ring  | 42. Transfer motor   |
| 43. Connector bracket  | A. Apply Genuine Anaerobic Liquid Gasket, Three Bond TB1133C or equivalent. | B. Apply Genuine Liquid Gasket, Three Bond TB1215 or equivalent. |

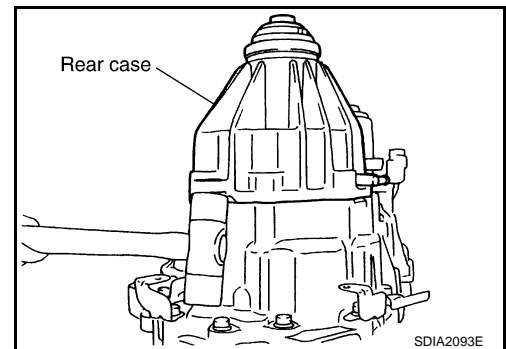
### DISASSEMBLY

#### Rear Case

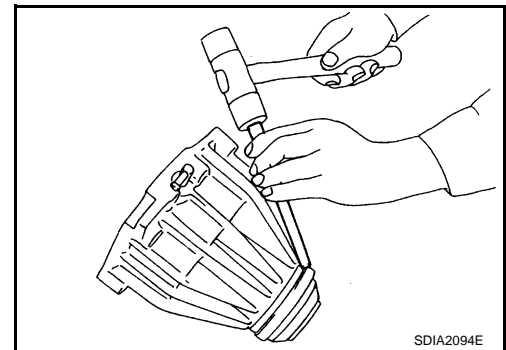
1. Remove the rear case bolts.



2. Remove the rear case from the center case.



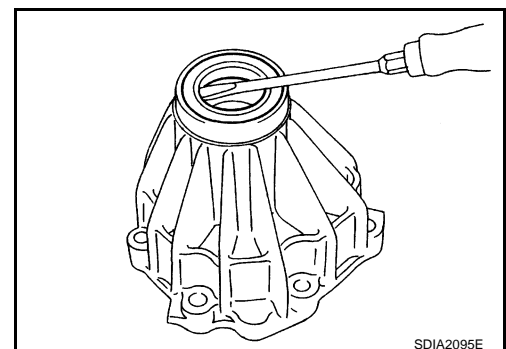
3. Remove the dust cover using suitable tool.



4. Remove the rear oil seal using suitable tool.

**CAUTION:**  
**Do not damage rear case.**

5. Remove the breather tube.



#### Front Case

1. Remove the rear case assembly. Refer to [DLN-150, "Disassembly and Assembly"](#).
2. Remove the lock pin nut.

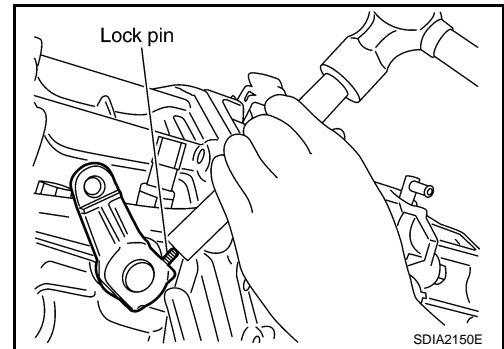


# TRANSFER ASSEMBLY

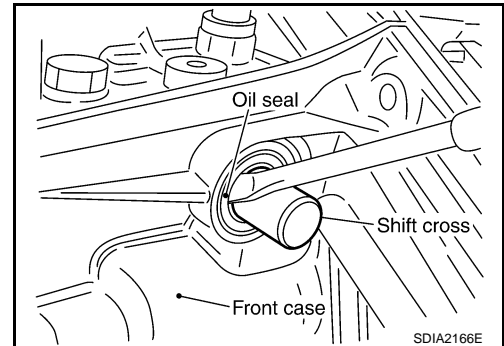
[TRANSFER: ATX14B]

## < DISASSEMBLY AND ASSEMBLY >

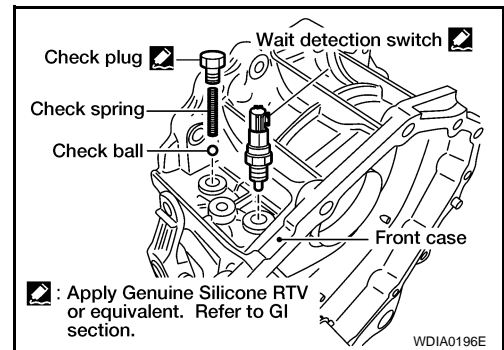
3. Remove the lock pin using suitable tool.
4. Remove the shift lever.



5. Remove the side oil seal from the front case using suitable tool.  
**CAUTION:**  
Do not damage front case or shift cross.

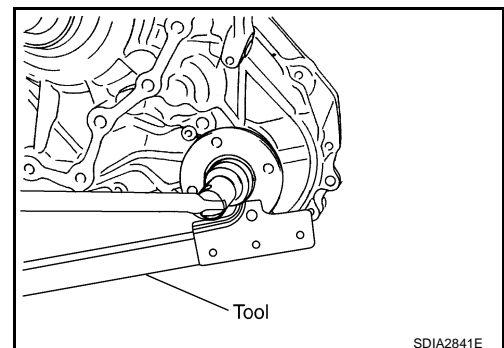


6. Remove the check plug, check spring and check ball.
7. Remove the wait detection switch.

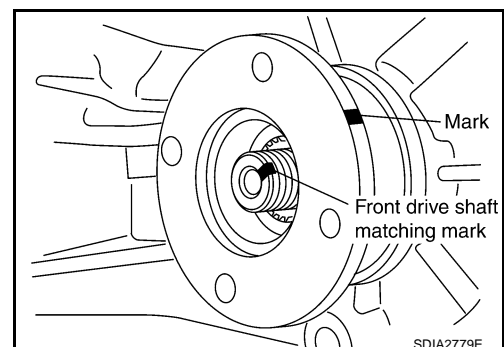


8. Remove the self-lock nut from the companion flange using Tool.

**Tool number** : KV38108300 (J-44195)



9. Put a matching mark on top of the front drive shaft thread in line with the mark on the companion flange.  
**CAUTION:**  
Use paint to make the matching mark on the front drive shaft thread. Never damage the front drive shaft.



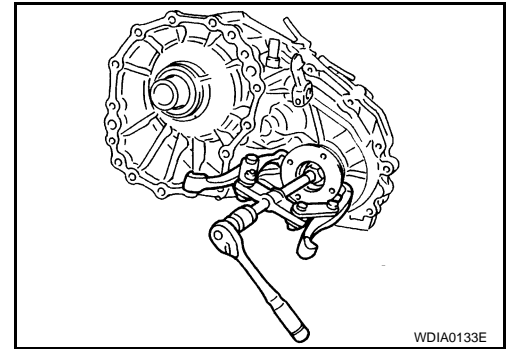
A  
B  
C  
DLN  
E  
F  
G  
H  
I  
J  
K  
L  
M  
N  
O  
P

# TRANSFER ASSEMBLY

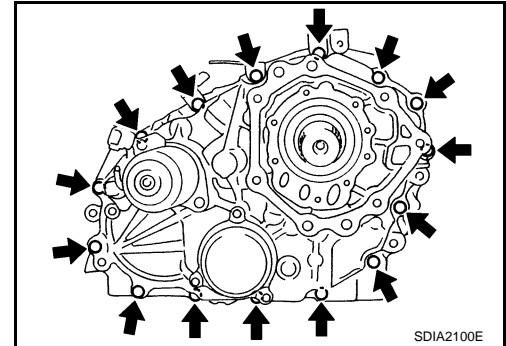
< DISASSEMBLY AND ASSEMBLY >

[TRANSFER: ATX14B]

10. Remove the companion flange using suitable tool.



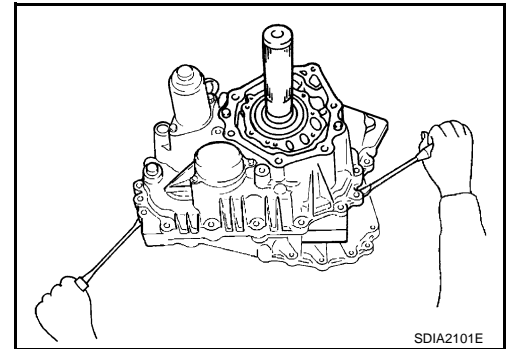
11. Remove the center case bolts, harness bracket and air breather.  
12. Remove the filler plug and gasket.



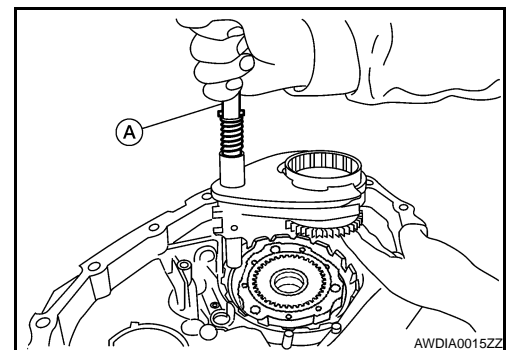
13. Separate the center case from the front case. Then remove the center case from the front case by prying it up using suitable tool.

**CAUTION:**

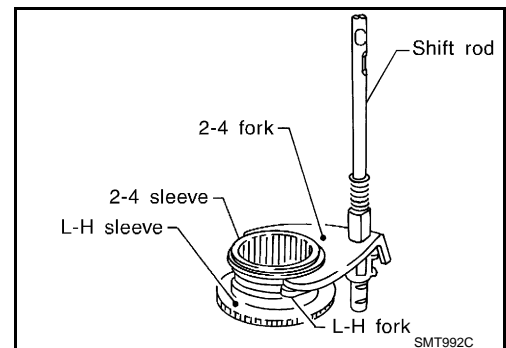
**Do not damage the mating surfaces.**



14. Remove the shift rod components together with the 2-4 sleeve and L-H sleeve.  
15. Remove the shift cross from the front case, using shift rod (A).



16. Remove the 2-4 sleeve and L-H sleeve from the 2-4 fork and L-H fork respectively.

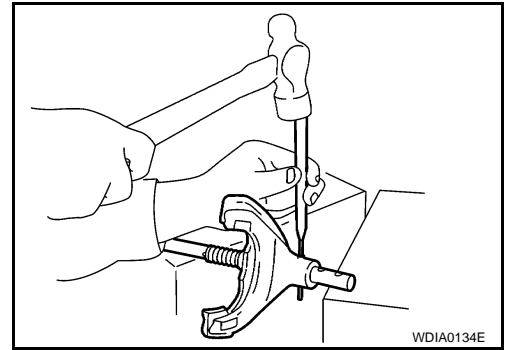


# TRANSFER ASSEMBLY

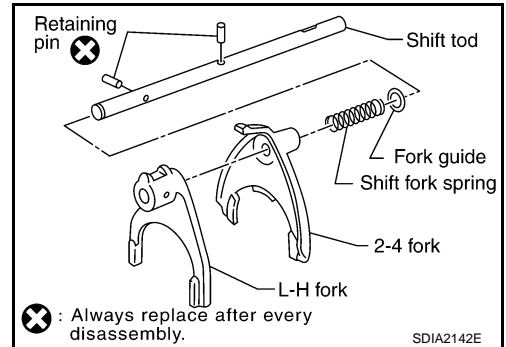
< DISASSEMBLY AND ASSEMBLY >

[TRANSFER: ATX14B]

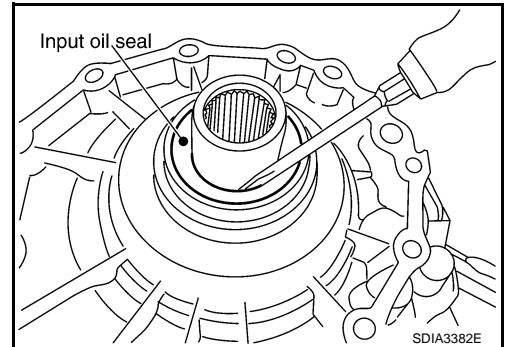
17. Drive out the retaining pin from the shift rod using suitable tool.



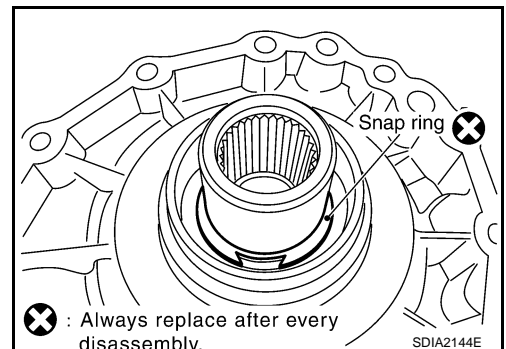
18. Remove the L-H fork, 2-4 fork, shift fork spring and fork guide from the shift rod.



19. Remove the input oil seal from the front case using suitable tool.  
**CAUTION:**  
Do not damage front case or sun gear.

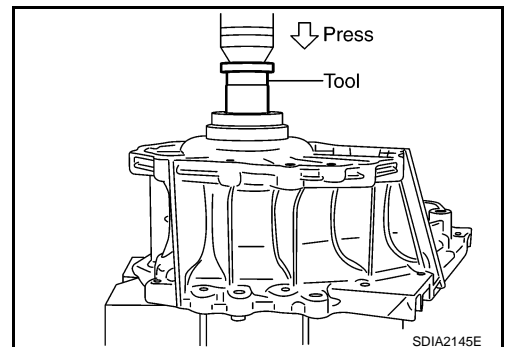


20. Remove the snap ring from the sun gear.  
**CAUTION:**  
Do not damage front case or sun gear.



21. Remove the sun gear assembly and planetary carrier assembly from the front case using Tool.

Tool number : ST35300000 ( — )



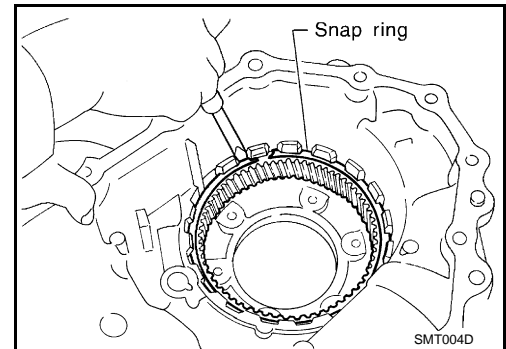
A  
B  
C  
DLN  
E  
F  
G  
H  
I  
J  
K  
L  
M  
N  
O  
P

# TRANSFER ASSEMBLY

< DISASSEMBLY AND ASSEMBLY >

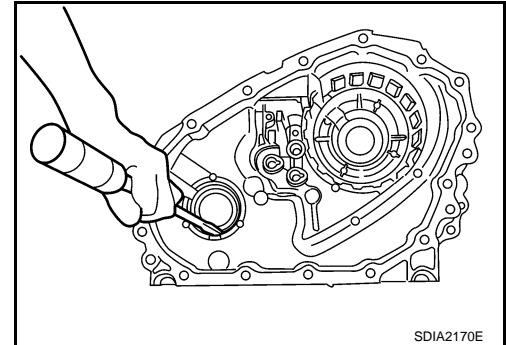
[TRANSFER: ATX14B]

22. Remove the snap ring and internal gear using suitable tool.

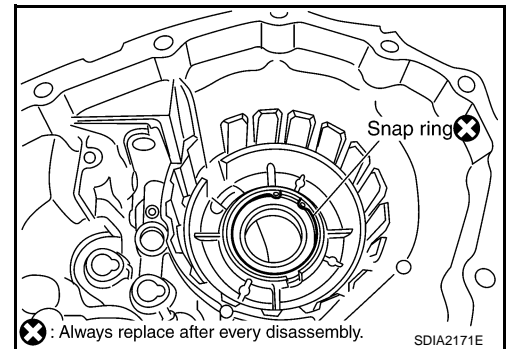


23. Remove the front oil seal using suitable tool.

**CAUTION:**  
Do not damage front case.

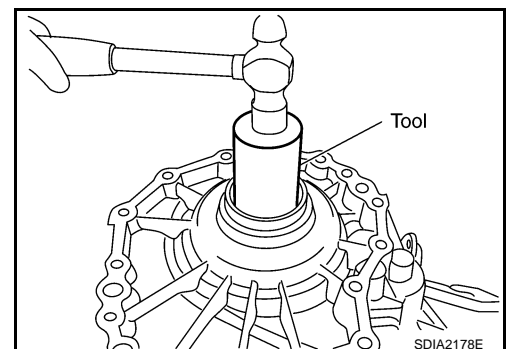


24. Remove the snap ring from the front case.

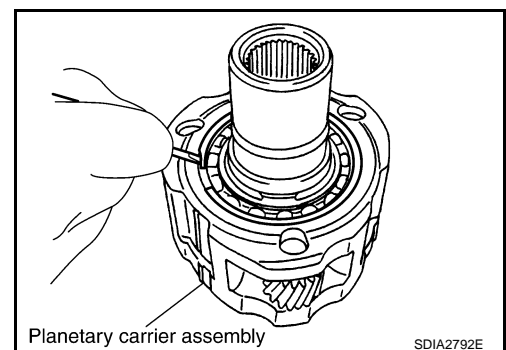


25. Remove the input bearing from the front case using Tool.

**Tool number : ST33200000 (J-26082)**



26. Remove the snap ring from the planetary carrier assembly using suitable tool.

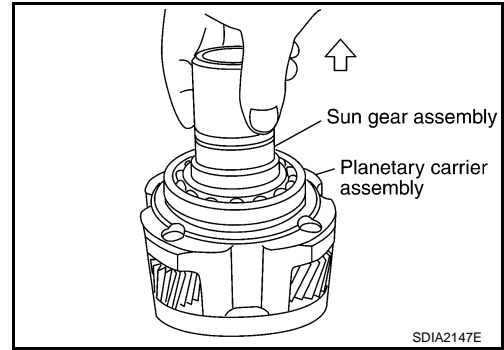


# TRANSFER ASSEMBLY

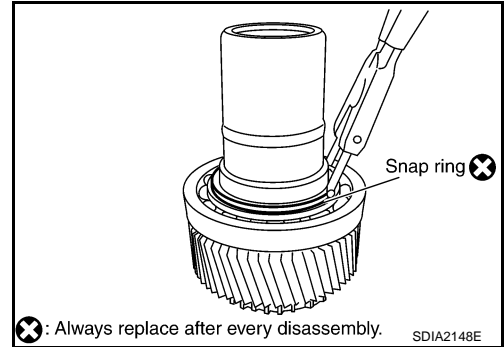
< DISASSEMBLY AND ASSEMBLY >

[TRANSFER: ATX14B]

27. Remove the sun gear assembly from the planetary carrier assembly.

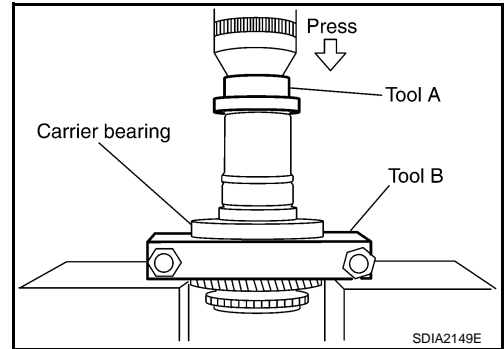


28. Remove the snap ring from the sun gear assembly using suitable tool.



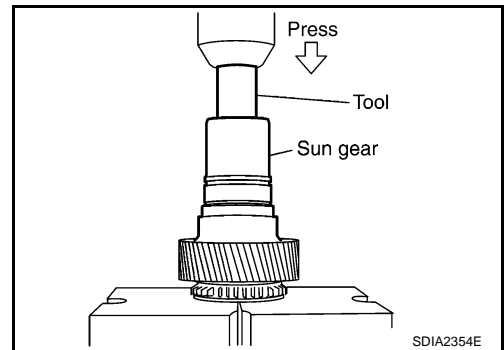
29. Remove the carrier bearing from the sun gear using Tools.

**Tool number**      **A: ST35300000 ( — )**  
                              **B: ST30031000 ( — )**



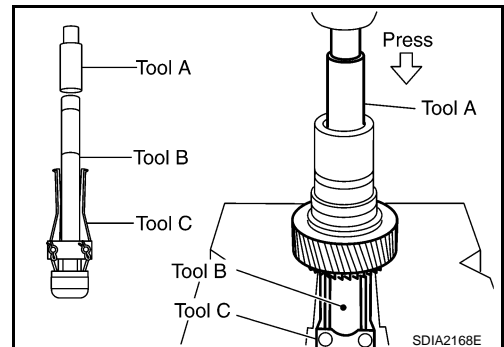
30. Remove the needle bearing from the sun gear using Tool.

**Tool number**      **: ST33710000 ( — )**



31. Remove the metal bushing from the sun gear using Tools.

**Tool number**      **A: ST33710000 ( — )**  
                              **B: ST35325000 ( — )**  
                              **C: ST3329000 (J-34286)**



A  
B  
C  
DLN  
E  
F  
G  
H  
I  
J  
K  
L  
M  
N  
O  
P

# TRANSFER ASSEMBLY

[TRANSFER: ATX14B]

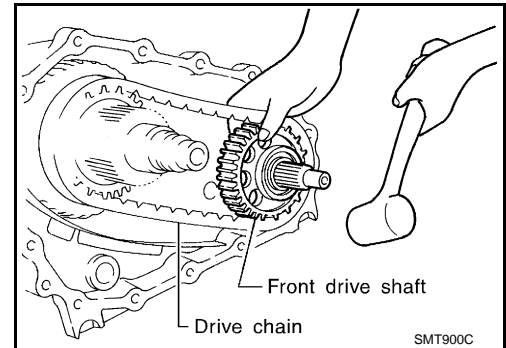
## < DISASSEMBLY AND ASSEMBLY >

### Center Case

1. Remove the rear case assembly. Refer to [DLN-150, "Disassembly and Assembly"](#).
2. Remove the front case assembly. Refer to [DLN-150, "Disassembly and Assembly"](#).
3. Hold the front drive shaft with one hand and tap to remove the front drive shaft with the drive chain.

**CAUTION:**

**Do not tap drive chain.**

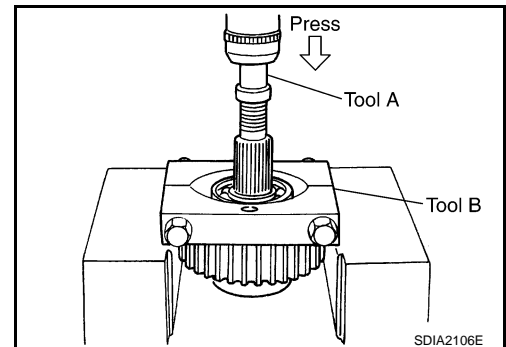


4. Remove the front drive shaft front bearing using Tools.

**Tool number**

**A: ST33052000 ( — )**

**B: ST30031000 ( — )**

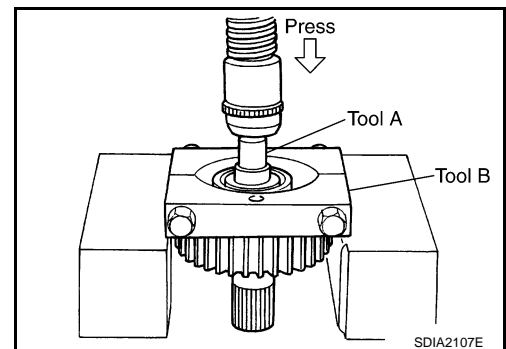


5. Remove the front drive shaft rear bearing using suitable tools.

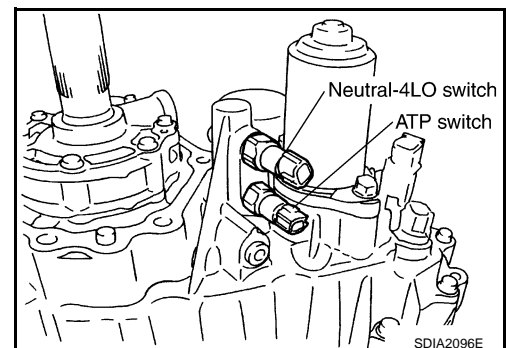
**Tool number**

**A: ST33052000 ( — )**

**B: ST30031000 ( — )**



6. Remove the neutral-4LO and ATP switches.

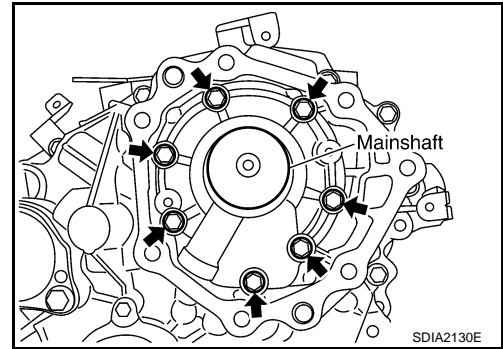


# TRANSFER ASSEMBLY

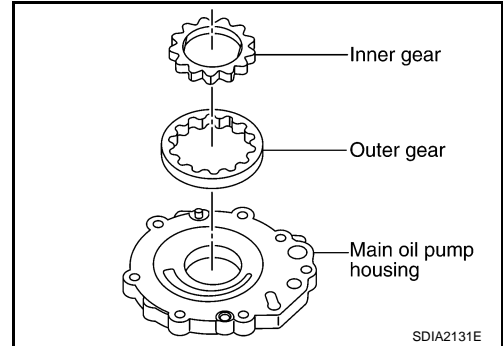
< DISASSEMBLY AND ASSEMBLY >

[TRANSFER: ATX14B]

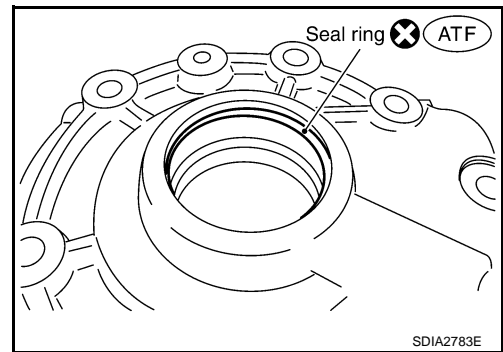
7. Remove the bolts and main oil pump cover.



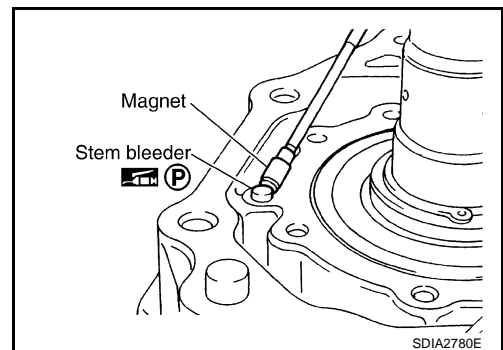
8. Remove the outer gear, inner gear and main oil pump housing from the center case.



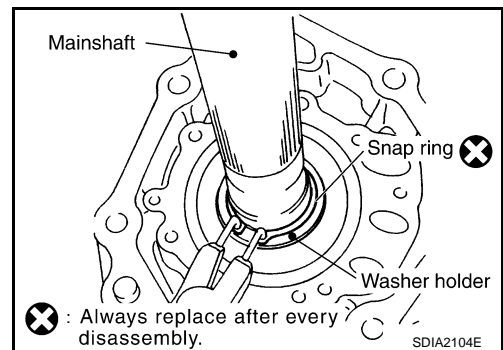
9. Remove the seal ring from the main oil pump cover.



10. Remove the stem bleeder from the bleed hole.



11. Remove the snap ring and washer holder from the mainshaft.



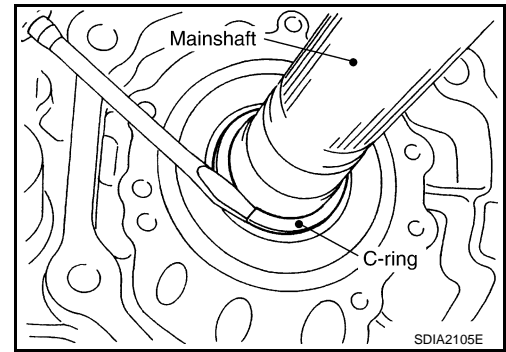
A  
B  
C  
DLN  
E  
F  
G  
H  
I  
J  
K  
L  
M  
N  
O  
P

# TRANSFER ASSEMBLY

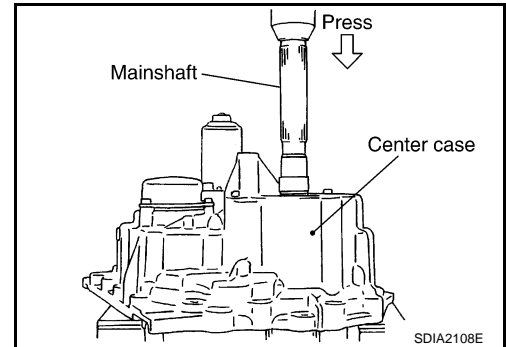
< DISASSEMBLY AND ASSEMBLY >

[TRANSFER: ATX14B]

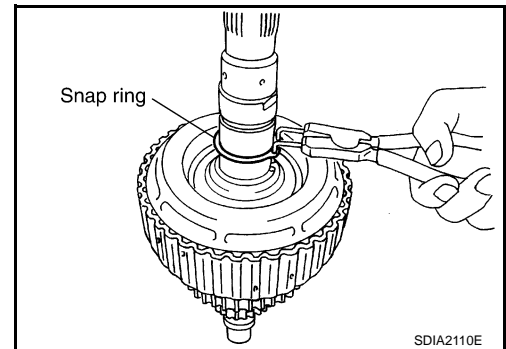
12. Remove the C-rings from the mainshaft using suitable tool.



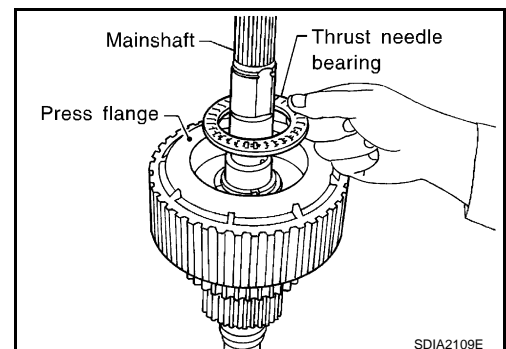
13. Set the center case on the press stand. Remove the mainshaft from the center case.



14. Remove the snap ring from the mainshaft using suitable tool.

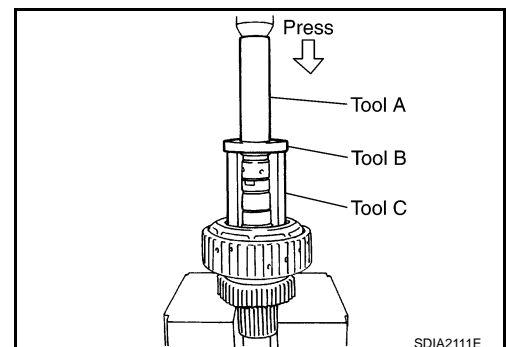


15. Remove the thrust needle bearing from the press flange.



16. Press the press flange until the snap ring is out of place using Tools.

- Tool number**
- A: ST22452000 (J-34335)**
  - B: ST30911000 ( — )**
  - C: KV31103300 ( — )**



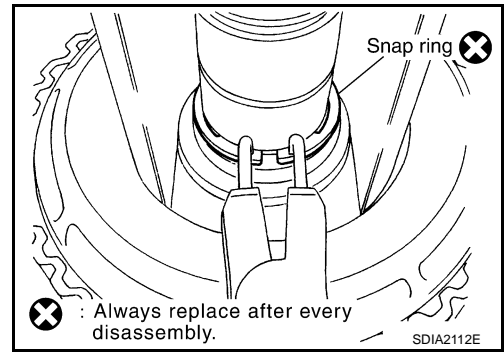


# TRANSFER ASSEMBLY

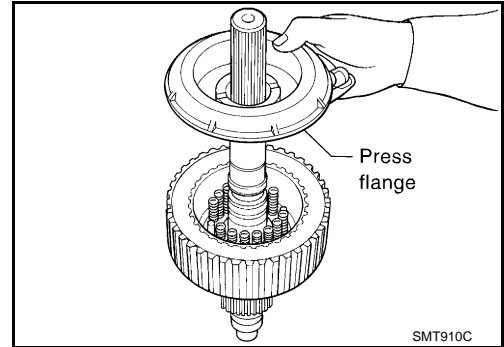
< DISASSEMBLY AND ASSEMBLY >

[TRANSFER: ATX14B]

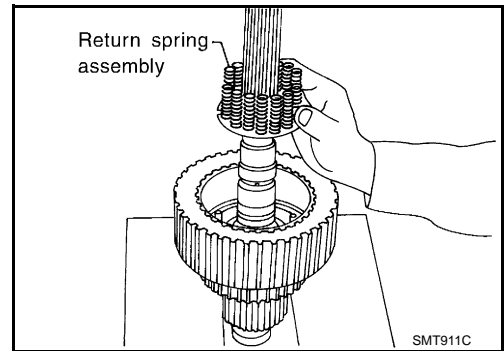
17. Remove the snap ring from the mainshaft using suitable tool.



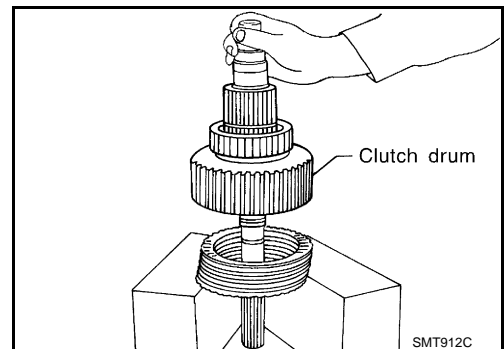
18. Remove the press flange from the mainshaft.



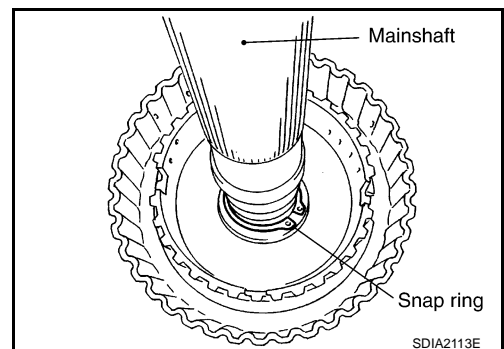
19. Remove the return spring assembly from the clutch hub.



20. Remove each plate from the clutch drum.



21. Remove the snap ring from the mainshaft.



A

B

C

DLN

E

F

G

H

I

J

K

L

M

N

O

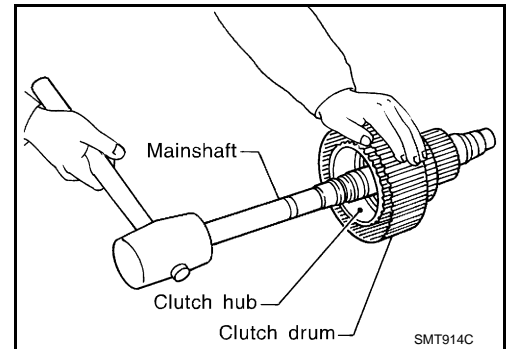
P

# TRANSFER ASSEMBLY

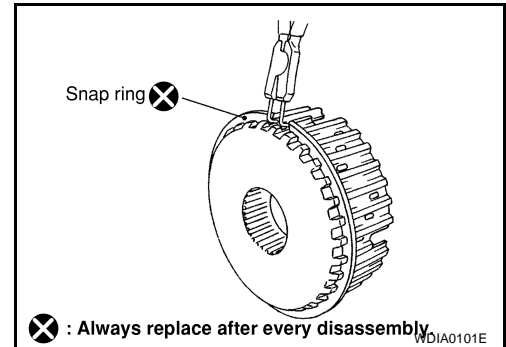
## < DISASSEMBLY AND ASSEMBLY >

[TRANSFER: ATX14B]

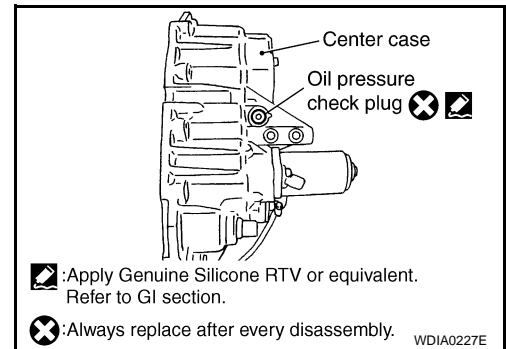
22. Remove the mainshaft from the clutch drum and clutch hub using suitable tool.
23. Remove the needle bearing and spacer from the mainshaft.



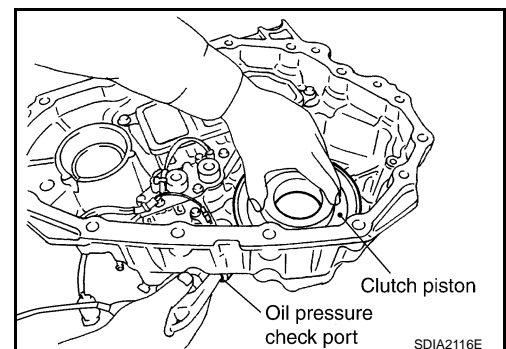
24. Remove the snap ring from the clutch hub using suitable tool.



25. Remove the oil pressure check plug from the oil pressure check port.



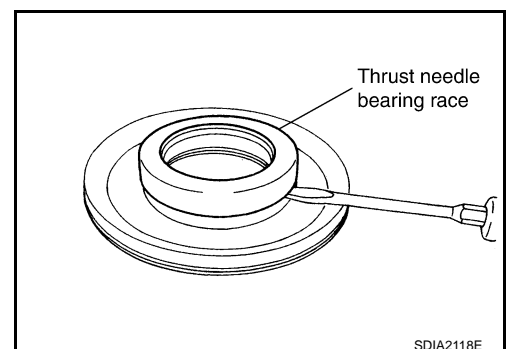
26. Apply air gradually from the oil pressure check port, and remove the clutch piston assembly from the center case.



27. Remove the thrust needle bearing race from the clutch piston by hooking a edge into 3 notches of the thrust needle bearing race using suitable tool.

**CAUTION:**

**Do not damage clutch piston or thrust needle bearing race.**

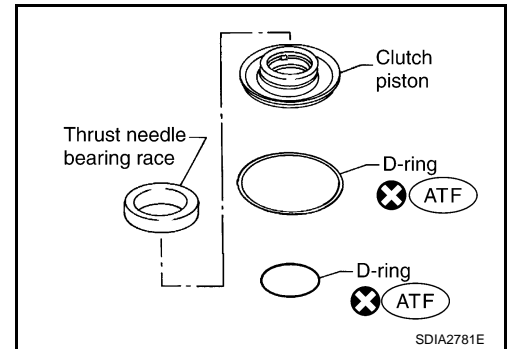


# TRANSFER ASSEMBLY

< DISASSEMBLY AND ASSEMBLY >

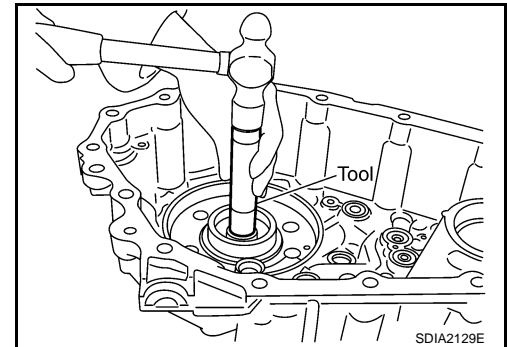
[TRANSFER: ATX14B]

28. Remove the two D-rings from the clutch piston.

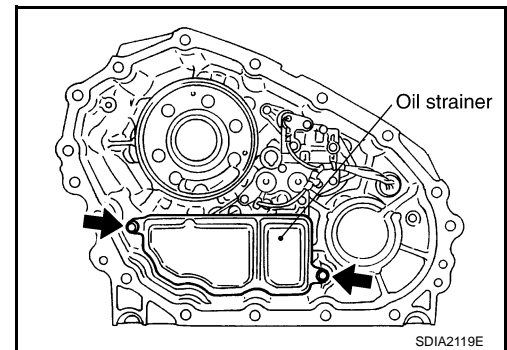


29. Remove the mainshaft rear bearing from the center case using Tool.

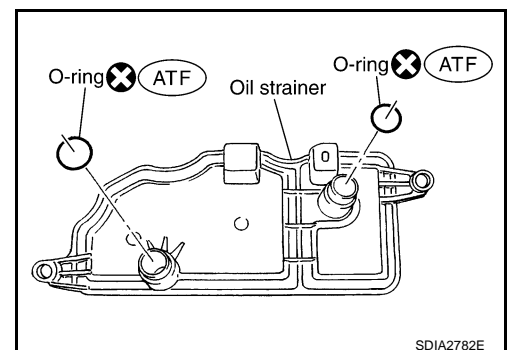
**Tool number : KV38100300 (J-25523)**



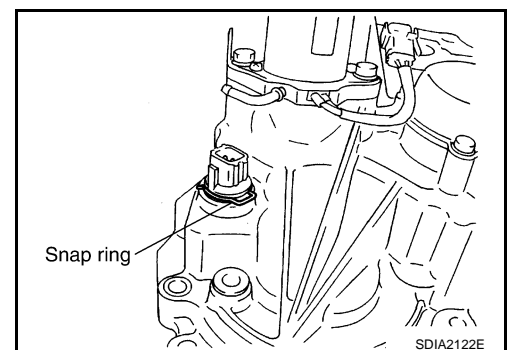
30. Remove the two bolts and oil strainer.



31. Remove the two O-rings from the oil strainer.



32. Remove the snap ring. Then push the connector assembly into the center case to remove the control valve assembly.



A  
B  
C  
DLN

E  
F  
G  
H  
I  
J  
K  
L  
M  
N  
O  
P

# TRANSFER ASSEMBLY

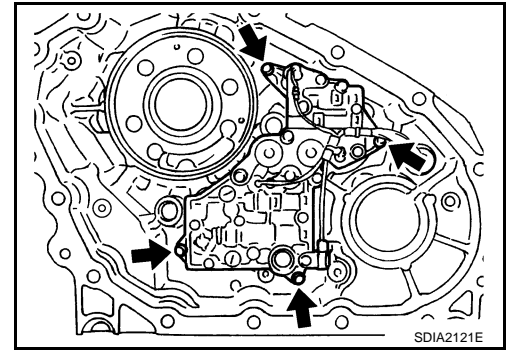
< DISASSEMBLY AND ASSEMBLY >

[TRANSFER: ATX14B]

33. Remove the control valve assembly bolts.
34. Remove the control valve assembly.

**CAUTION:**

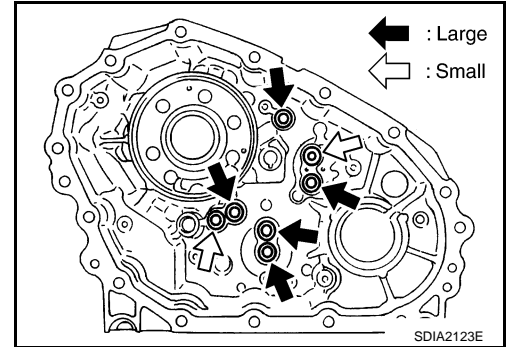
- Do not reuse any part that has been dropped or damaged.
- Make sure valve is assembled in the proper direction.
- Do not use a magnet because residual magnetism stays during disassembly.



35. Remove the lip seals from the center case.

**CAUTION:**

There are two kinds of lip seals (lip seal of large inner diameter: 5 pieces, lip seal of small inner diameter: 2 pieces). Confirm the position before disassembly.

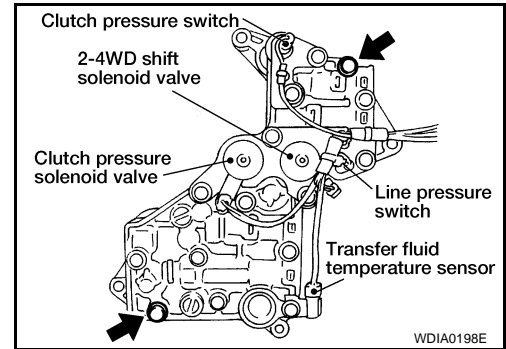


36. Disassemble the control valve assembly with the following procedure.

**CAUTION:**

- Do not reuse any part that has been dropped or damaged.
- Make sure valve is assembled in the proper direction.
- Do not use a magnet because residual magnetism stays during disassembly.

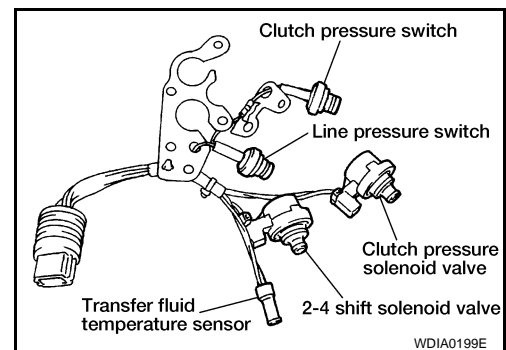
- a. Remove all the bolts except for the two shown.



- b. Remove the following from the control valve assembly:

- Clutch pressure solenoid valve
- Clutch pressure switch
- 2-4WD shift solenoid valve
- Line pressure switch
- Transfer fluid temperature sensor

- c. Remove the O-rings from each solenoid valve, switch and terminal body.



# TRANSFER ASSEMBLY

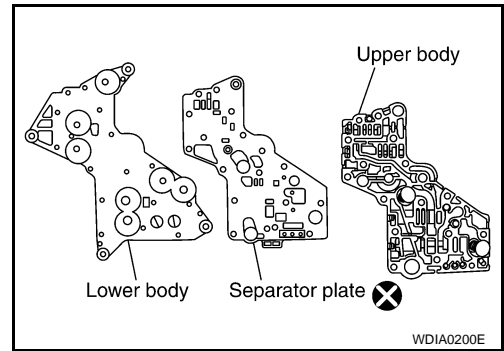
[TRANSFER: ATX14B]

## < DISASSEMBLY AND ASSEMBLY >

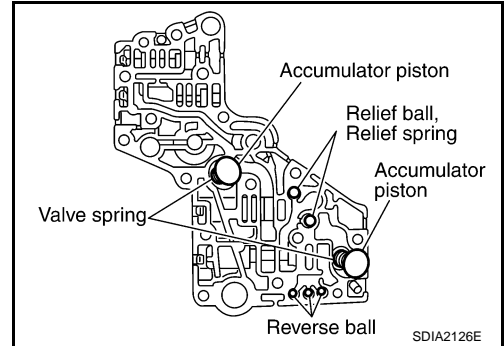
- d. Place the control valve with the lower body facing up. Remove the two bolts, and then remove the lower body and separator plate from the upper body.

**CAUTION:**

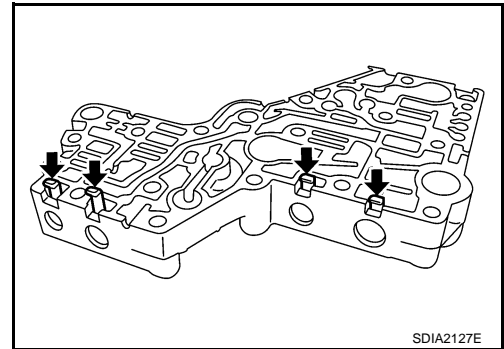
**Do not drop relief balls. Detach lower body carefully.**



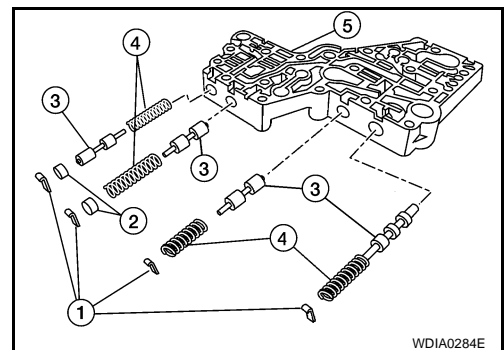
- e. Make sure the reverse balls, relief balls, relief springs, accumulator pistons and valve springs are securely installed as shown, and remove them.



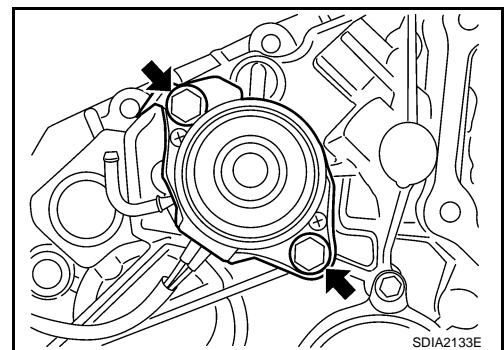
- f. Remove the retainer plates.



- g. Remove each retainer plate (1), plug (2), control valve (3) and spring (4) from the upper body (5).



37. Remove the transfer motor bolts and motor from the center case. Then remove the O-ring from the transfer motor.



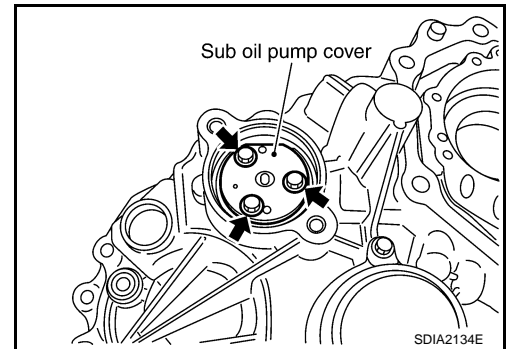
A  
B  
C  
DLN  
E  
F  
G  
H  
I  
J  
K  
L  
M  
N  
O  
P

# TRANSFER ASSEMBLY

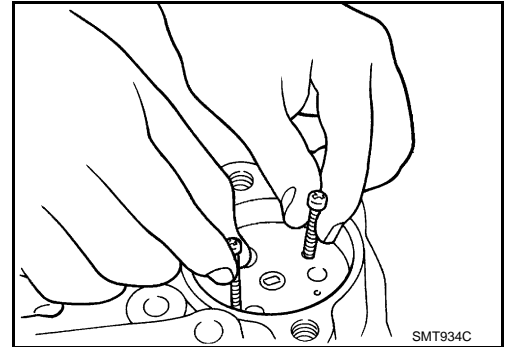
< DISASSEMBLY AND ASSEMBLY >

[TRANSFER: ATX14B]

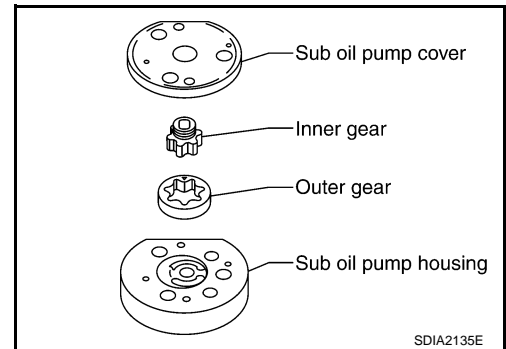
38. Remove the sub oil pump cover bolts.



39. Thread two bolts (M4 x 0.8) into the holes of sub oil pump cover as shown, and pull out to remove the sub oil pump assembly.



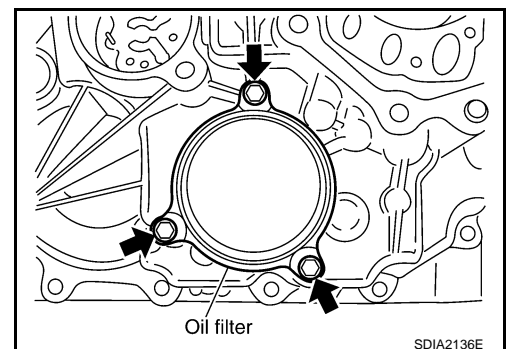
40. Remove the outer gear and inner gear from the sub oil pump housing.



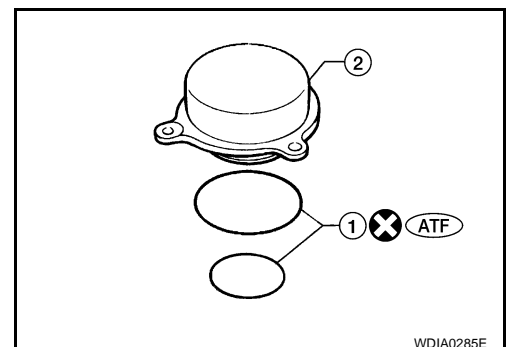
41. Remove the oil filter bolts and oil filter.

**CAUTION:**

- Do not damage center case and oil filter.
- Loosen bolts and detach oil filter evenly.



42. Remove the O-rings (1) from the oil filter (2).

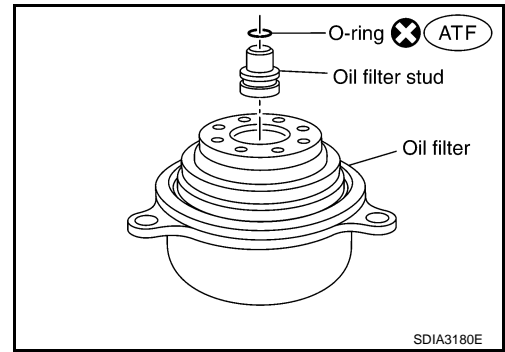


# TRANSFER ASSEMBLY

## < DISASSEMBLY AND ASSEMBLY >

[TRANSFER: ATX14B]

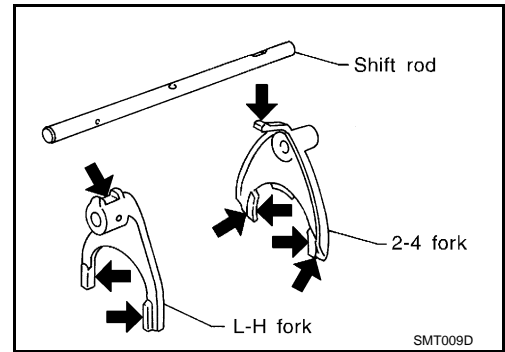
43. Remove the oil filter stud from the oil filter.
44. Remove the O-ring from the oil filter stud.



## INSPECTION AFTER DISASSEMBLY

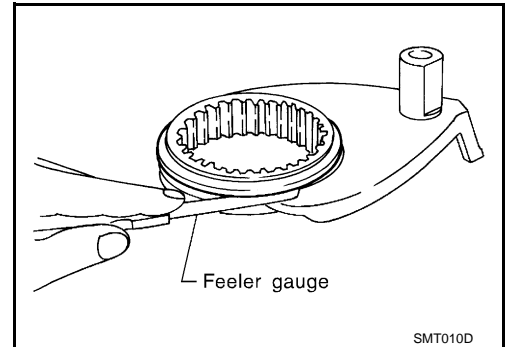
### Shift Rod Components

- Check the working face of the shift rod and fork for wear, partial wear, bending and other abnormality. If any is found, replace with a new one.



- Measure the clearance between the shift fork and sleeve. If it is out of specification, replace it with a new one.

**Specification : Less than 0.36 mm (0.0142 in)**

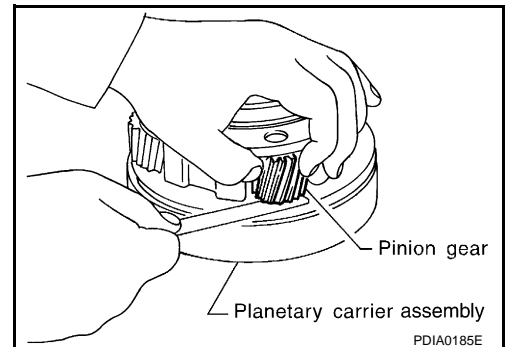


### Planetary Carrier

- Measure the end play of each pinion gear. If it is out of specification, replace the planetary carrier assembly with a new one.

**Pinion gear end play : 0.1 - 0.7 mm (0.004 - 0.028 in)**

- Check the working face of each gear and bearing for damage, burrs, partial wear, dents and other abnormality. If any is found, replace the planetary carrier assembly with a new one.



### Sun Gear

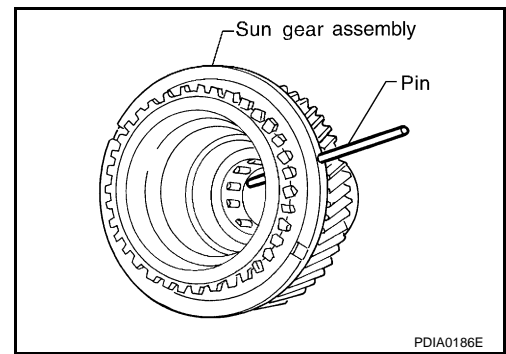
A  
B  
C  
DLN  
E  
F  
G  
H  
I  
J  
K  
L  
M  
N  
O  
P

# TRANSFER ASSEMBLY

## < DISASSEMBLY AND ASSEMBLY >

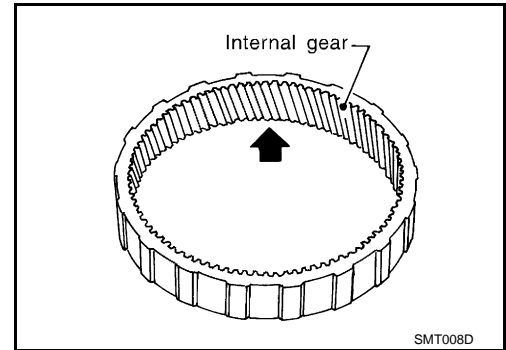
[TRANSFER: ATX14B]

- Check if the oil passage of the sun gear assembly is clogged. For this, try to pass a 3.6 mm (0.142 in) dia. pin through the oil passage as shown.
- Check the sliding and contact surface of each gear and bearing for damage, burrs, partial wear, dents, and other abnormality. If any is found, replace the sun gear assembly with a new one.



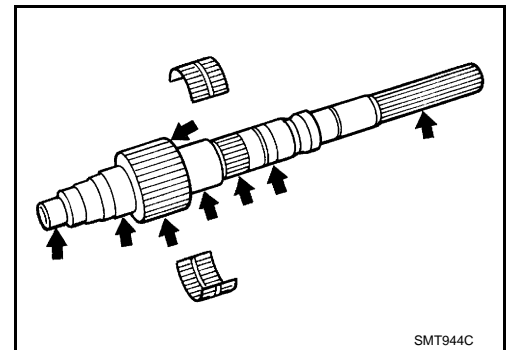
### Internal Gear

- Check the internal gear teeth for damage, partial wear, dents and other abnormality. If any is found, replace the internal gear with a new one.



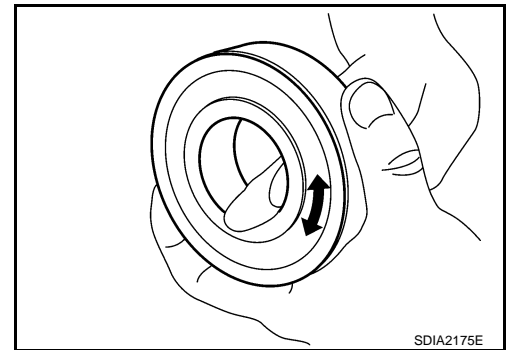
### Gears and Drive Chain

- Check the gear faces and shaft for wear, cracks, damage, and seizure.
- Check the surfaces which contact the sun gear, clutch drum, clutch hub, press flange, clutch piston and each bearing for damage, peel, partial wear, dents, bending, or other abnormal damage. If any is found, replace with a new one.



### Bearing

- Make sure the bearings roll freely and are free from noise, pitting and cracks.



### Main Oil Pump



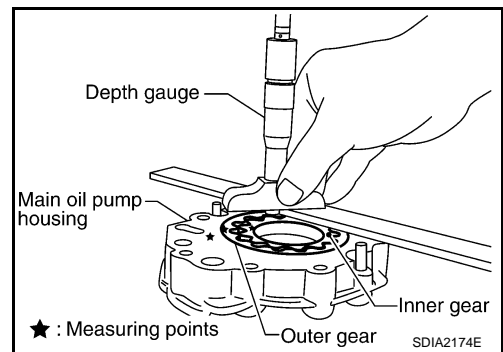
# TRANSFER ASSEMBLY

## < DISASSEMBLY AND ASSEMBLY >

[TRANSFER: ATX14B]

1. Check the inner and outer circumference, tooth face, and side-face of the inner and outer gears for damage or abnormal wear.
2. Measure the side clearance between the main oil pump housing and the inner and outer gears.
3. Make sure the side clearance is within specification. If the measurement is out of specification, replace the inner and outer gears with new ones as a set. Refer to [DLN-187, "Inspection and Adjustment"](#).

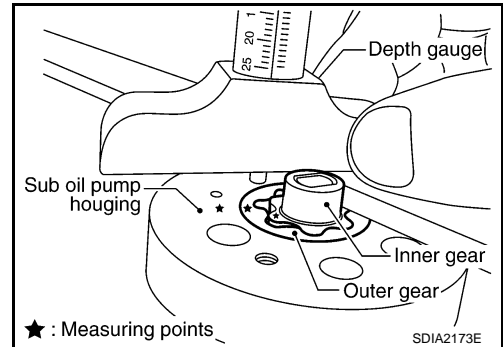
**Specification : 0.015 - 0.035 mm (0.0006 - 0.0014 in)**



### Sub-oil Pump

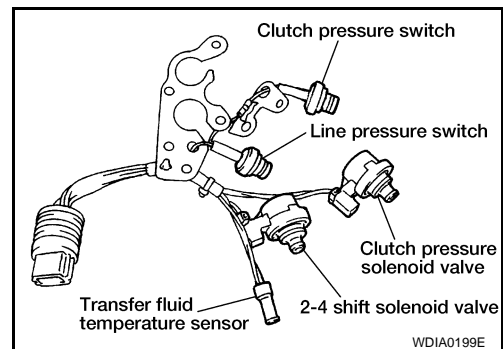
1. Check the inner and outer circumference, tooth face, and side-face of the inner and outer gears for damage or abnormal wear.
2. Measure the side clearance between the sub oil pump housing and the inner and outer gears.
3. Make sure the side clearance is within specification. If the measurement is out of specification, replace the inner and outer gears with new ones as a set. Refer to [DLN-187, "Inspection and Adjustment"](#).

**Specification : 0.015 - 0.035 mm (0.0006 - 0.0014 in)**



### Control Valve

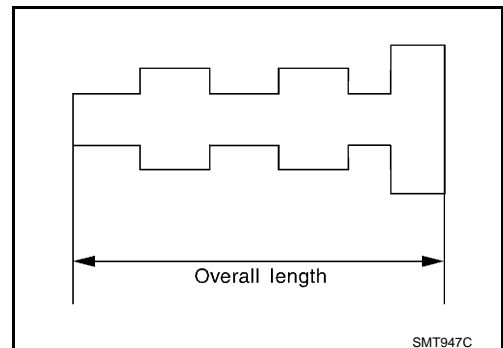
- Check resistance between the terminals of the clutch pressure solenoid valve, 2-4WD shift solenoid valve, clutch pressure switch, line pressure switch and the transfer fluid temperature sensor. Refer to [DLN-60, "Component Inspection"](#) (clutch pressure solenoid valve), [DLN-65, "Component Inspection"](#) (2-4WD solenoid valve), [DLN-76, "Component Inspection"](#) (clutch pressure switch), [DLN-80, "Component Inspection"](#) (line pressure switch) and [DLN-73, "Component Inspection"](#) (transfer fluid temperature sensor).



- Check the sliding faces of the control valves and plugs for abnormality. If any is found, replace the control valve assembly with a new one. Refer to [DLN-187, "Inspection and Adjustment"](#).

**CAUTION:**

**Replace control valve body together with clutch return spring as a set.**



A  
B  
C  
DLN  
E  
F  
G  
H  
I  
J  
K  
L  
M  
N  
O  
P

# TRANSFER ASSEMBLY

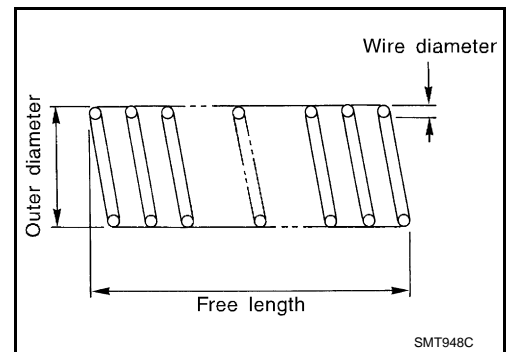
[TRANSFER: ATX14B]

## < DISASSEMBLY AND ASSEMBLY >

- Check each control valve spring for damage or distortion. Also check its free length, outer diameter and wire diameter. If any damage or fatigue is found, replace the control valve body with a new one. Refer to [DLN-187, "Inspection and Adjustment"](#).

**CAUTION:**

Replace control valve body together with clutch return spring as a set.

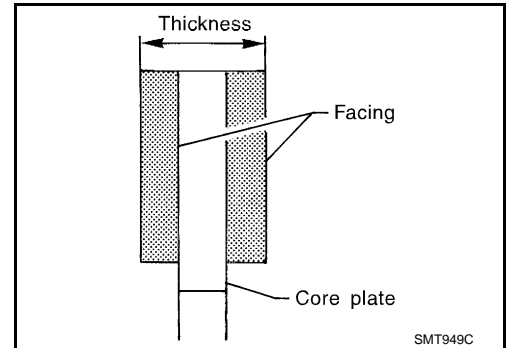


### Clutch

- Check the drive plate facings and driven plate for damage, cracks or other abnormality. If any abnormalities are found, replace with a new one.
- Check the thickness of the drive plate facings and driven plate. Refer to [DLN-187, "Inspection and Adjustment"](#).

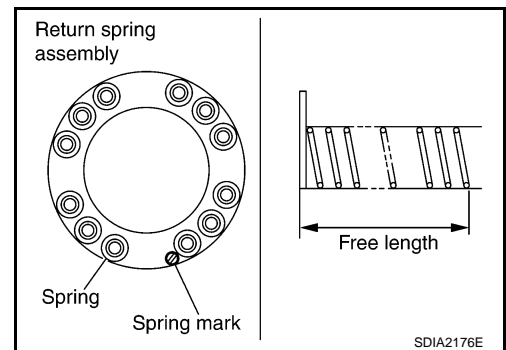
**CAUTION:**

- Measure facing thickness at 3 points to take an average.
- Check all drive and driven plates.
- Check return spring for damage or deformation.
- Do not remove spring from plate.



### Return Spring

- Check the stamped mark shown. Then, check that the free lengths, (include thickness of plate) are within specifications. If any abnormality is found, replace with a new return spring assembly of the same stamped number. Refer to [DLN-187, "Inspection and Adjustment"](#).



## ASSEMBLY

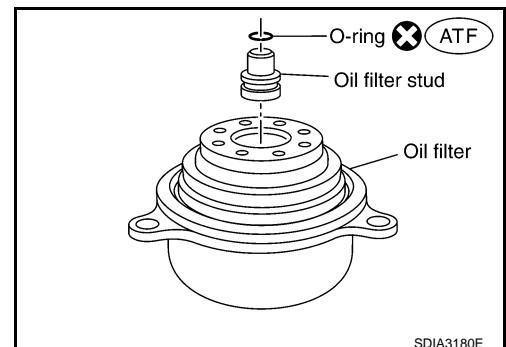
### Center Case

1. Apply ATF to the new O-ring, and install it on the oil filter stud.

**CAUTION:**

Do not reuse O-rings.

2. Install the oil filter stud to the oil filter.



# TRANSFER ASSEMBLY

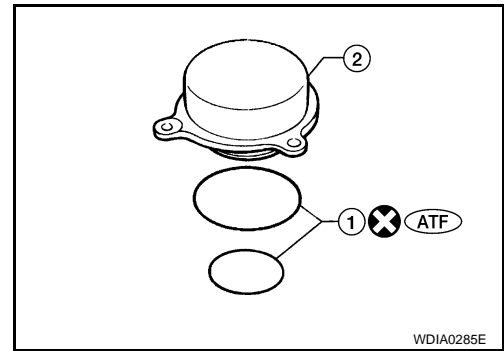
## < DISASSEMBLY AND ASSEMBLY >

[TRANSFER: ATX14B]

3. Apply ATF to the two new O-rings (1), and install them on the oil filter (2).

**CAUTION:**

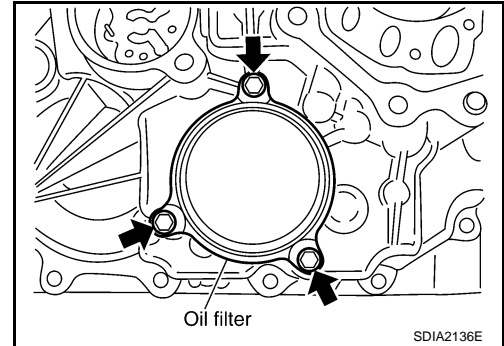
**Do not reuse O-rings.**



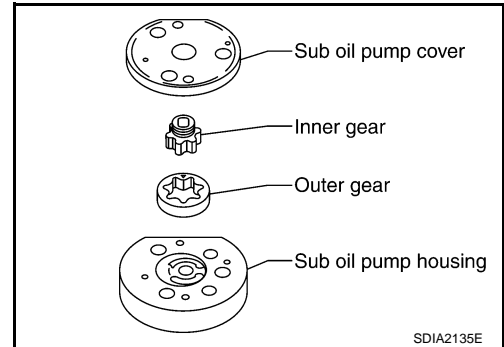
4. Install the oil filter to the center case. Tighten the bolts to the specified torque. Refer to [DLN-150, "Disassembly and Assembly"](#).

**CAUTION:**

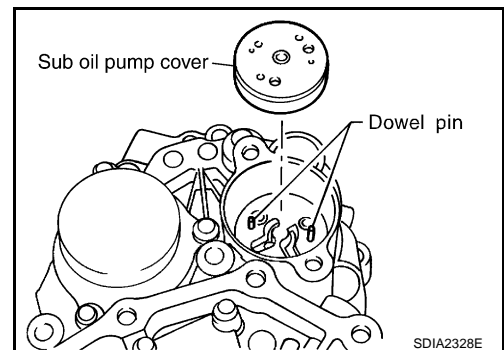
- Do not damage oil filter.
- Attach oil filter and tighten bolts evenly.



5. Install the outer gear and inner gear into the sub oil pump housing, and measure the side clearance. Refer to ["DLN-150, "Disassembly and Assembly"](#).



6. Align the dowel pin hole and bolt hole of the sub oil pump assembly with the center case. Install the sub oil pump cover. Then tighten to the specified torque. Refer to [DLN-150, "Disassembly and Assembly"](#).



7. Apply ATF to the new O-ring and install it to the transfer motor.

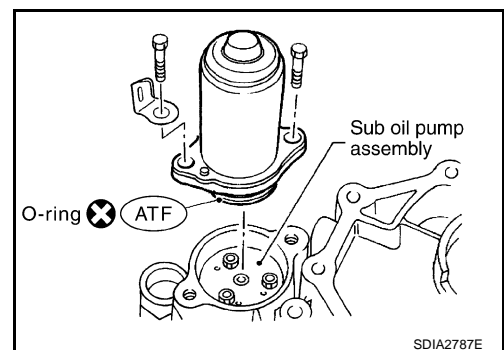
**CAUTION:**

**Do not reuse O-rings.**

8. Fit the double-flat end of the transfer motor shaft into the slot of the sub-oil pump assembly. Then tighten to the specified torque. Refer to [DLN-150, "Disassembly and Assembly"](#).

**CAUTION:**

**Be sure to install connector bracket.**



# TRANSFER ASSEMBLY

< DISASSEMBLY AND ASSEMBLY >

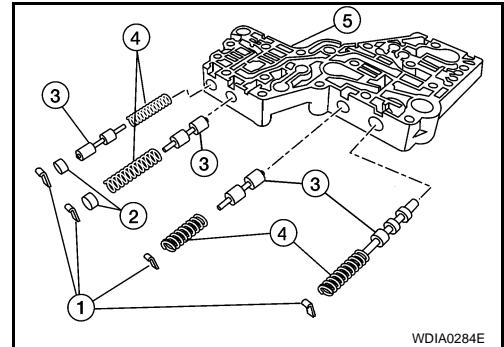
[TRANSFER: ATX14B]

9. Assemble the control valve assembly with the following procedure.

**CAUTION:**

- Do not reuse any part that has been dropped or damaged.
- Make sure valve is assembled in the proper direction.
- Do not use a magnet because residual magnetism stays during assembly.

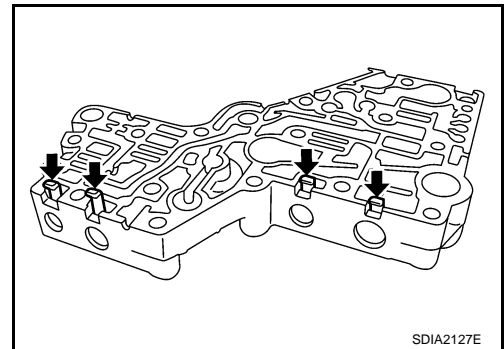
- a. Clean the upper body (5), control valves (3) and springs (4) with cleaning agent, and dry with compressed air.
- b. Dip the control valves in ATF, and apply ATF to the valve-mounting area of the upper body.



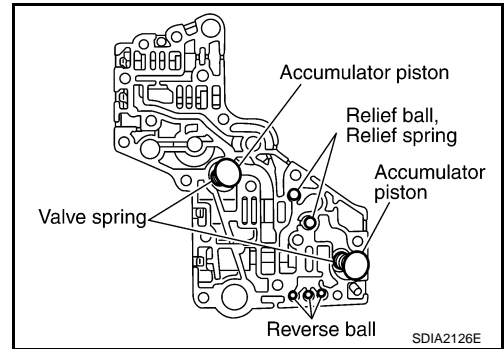
c. Install each control valve (3), springs (4), and plugs (2) to the upper body (5), and install retainer plates (1) to hold them in place.

**CAUTION:**

- To insert control valves into upper body, place upper body on a level surface in order to prevent flaw or damage.
- Make sure each control valve is smoothly inserted.



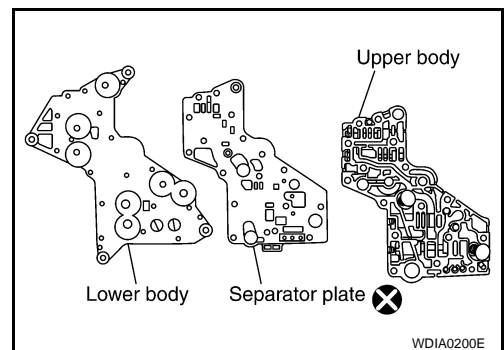
d. Install the reverse balls, relief balls and relief springs, accumulator pistons and valve springs to the upper body.



e. Install the lower body and separator plate to the upper body.

**CAUTION:**

**Do not reuse separator plates.**



# TRANSFER ASSEMBLY

## < DISASSEMBLY AND ASSEMBLY >

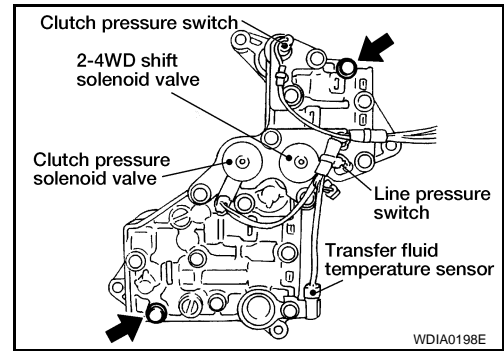
[TRANSFER: ATX14B]

- f. With the lower body down, tighten the two bolts shown.
- g. Apply ATF to the new O-rings, and install them to each solenoid valve, switch and terminal body.

**CAUTION:**

**Do not reuse O-rings.**

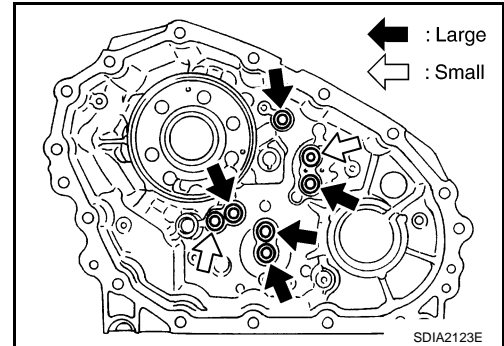
- h. Install the following to the control valve assembly:
  - Clutch pressure solenoid valve
  - Clutch pressure switch
  - 2-4WD shift solenoid valve
  - Line pressure switch
  - Transfer fluid temperature sensor



10. Apply ATF to the new lip seals, and install them to the center case.

**CAUTION:**

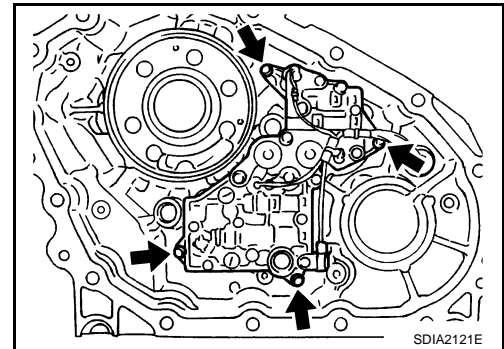
- Do not reuse lip seals.
- There are 2 kinds of lip seals (lip seal of large inner diameter: 5 pieces, lip seal of small inner diameter: 2 pieces). Confirm their position for installation.



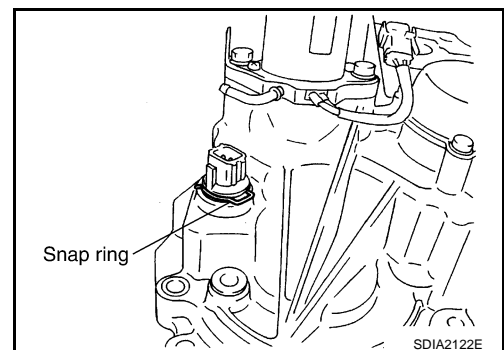
11. Install the control valve assembly to the center case, and tighten to the specified torque. Refer to [DLN-150, "Disassembly and Assembly"](#).

**CAUTION:**

- Do not reuse any part that has been dropped or damaged.
- Make sure valve is assembled in the proper direction.
- Do not use a magnet because residual magnetism stays during assembly.



12. Install the connector assembly into the center case, and secure with a snap ring.

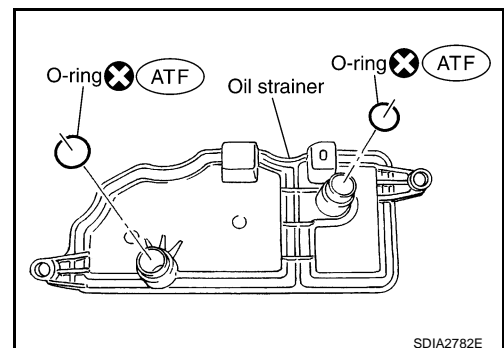


13. Apply ATF to the new O-rings, and install them on the oil strainer.

**CAUTION:**

**Do not reuse O-rings.**

14. Install the oil strainer to the control valve assembly.



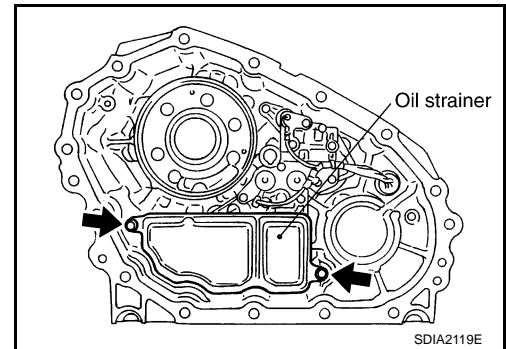
A  
B  
C  
DLN  
E  
F  
G  
H  
I  
J  
K  
L  
M  
N  
O  
P

# TRANSFER ASSEMBLY

< DISASSEMBLY AND ASSEMBLY >

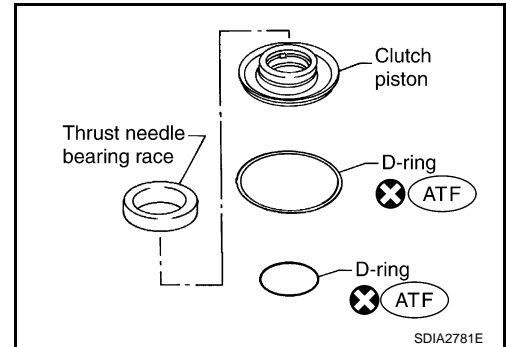
[TRANSFER: ATX14B]

15. Tighten the bolts to the specified torque. Refer to [DLN-150, "Disassembly and Assembly"](#).

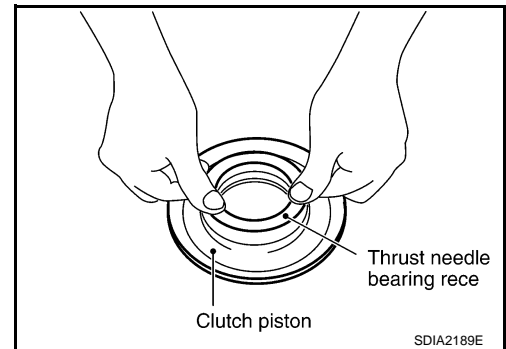


16. Apply ATF to the new D-rings, and install them to the clutch piston.

**CAUTION:**  
Do not reuse D-rings.

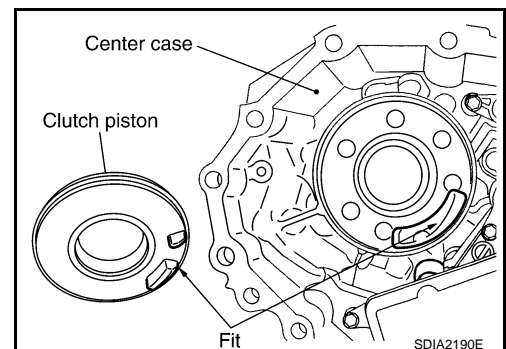


17. Install the thrust needle bearing race to the clutch piston.



18. Install the clutch piston to the center case as shown.

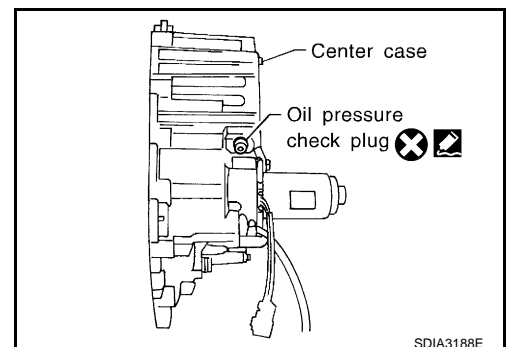
**CAUTION:**  
Install so the fitting protrusion of clutch piston aligns with the dent of center case.



19. Remove all the sealant from the oil pressure check port and inside the center case.

**CAUTION:**  
Remove old sealant adhering to mating surfaces. Also remove any moisture, oil, or foreign material adhering to application and mating surfaces.

20. Thread the new oil pressure check plug in 1 or 2 pitches and apply sealant to the oil pressure check plug threads. Tighten to the specified torque. Refer to [DLN-150, "Disassembly and Assembly"](#).



# TRANSFER ASSEMBLY

< DISASSEMBLY AND ASSEMBLY >

[TRANSFER: ATX14B]

- Use Genuine Silicone RTV or equivalent. Refer to [GI-26. "Recommended Chemical Products and Sealants"](#).

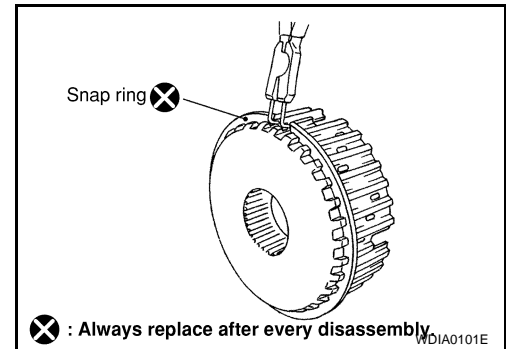
**CAUTION:**

**Do not reuse oil pressure check plug.**

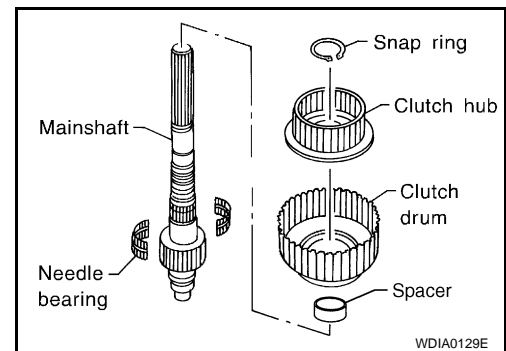
21. Install the new snap ring to the clutch hub using suitable tool.

**CAUTION:**

**Do not reuse snap ring.**



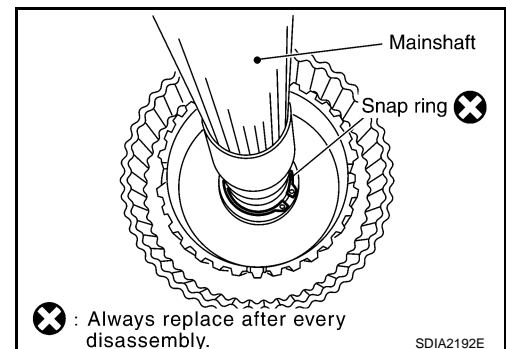
22. Apply petroleum jelly to the needle bearing, and install the needle bearing, spacer, clutch drum and clutch hub to the mainshaft.



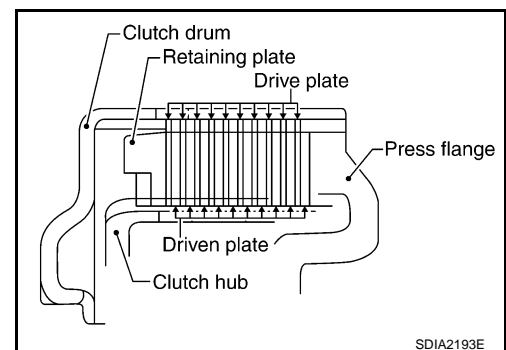
23. Install the new snap ring to the mainshaft.

**CAUTION:**

**Do not reuse snap rings.**



24. Apply ATF each plate, then install them into the clutch drum as shown.



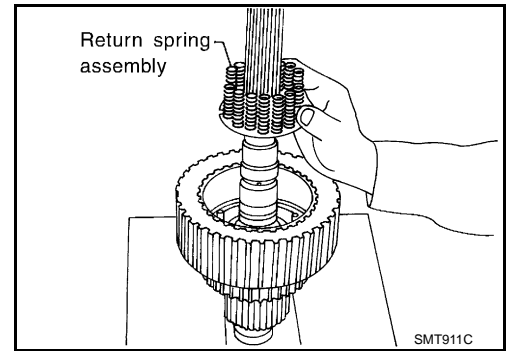
A  
B  
C  
DLN  
E  
F  
G  
H  
I  
J  
K  
L  
M  
N  
O  
P

# TRANSFER ASSEMBLY

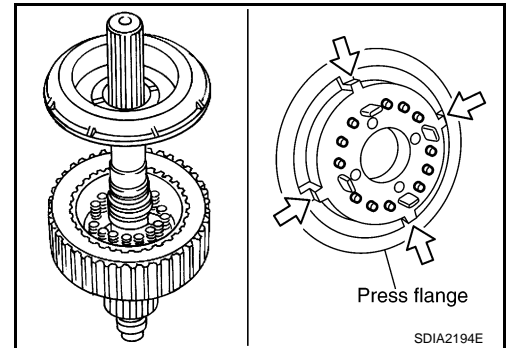
< DISASSEMBLY AND ASSEMBLY >

[TRANSFER: ATX14B]

25. Install the return spring assembly into the clutch hub.



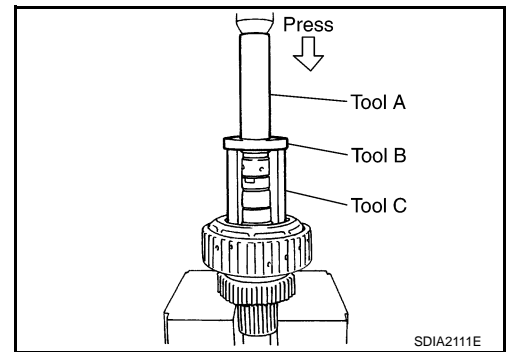
26. Install the press flange by aligning the notches to the clutch hub as shown.



27. Press the press flange to install the new snap ring into snap ring groove on mainshaft using Tools.

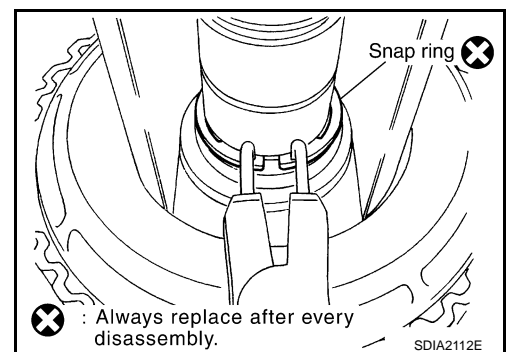
**Tool number**      **A: ST22452000 (J-34335)**  
                             **B: ST30911000 ( — )**  
                             **C: KV31103300 ( — )**

**CAUTION:**  
Do not reuse snap ring.

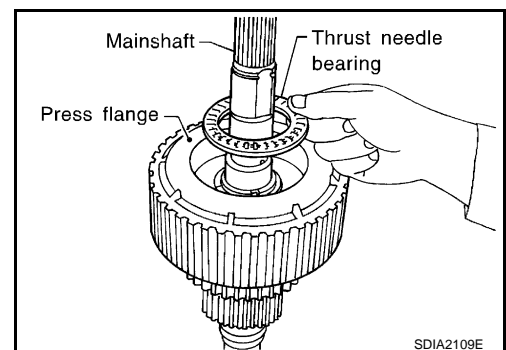


28. Install the new snap ring to the mainshaft using suitable tool.

**CAUTION:**  
Do not reuse snap ring.



29. Apply ATF to the thrust needle bearing and install it on the press flange.





# TRANSFER ASSEMBLY

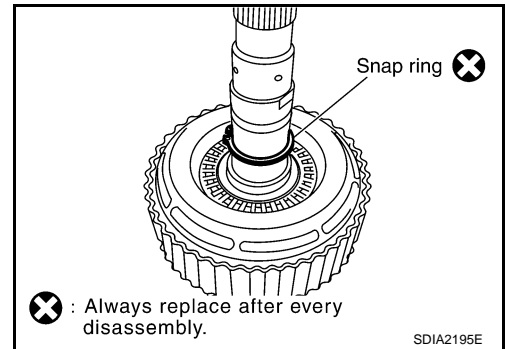
< DISASSEMBLY AND ASSEMBLY >

[TRANSFER: ATX14B]

30. Install the new snap ring to the main shaft.

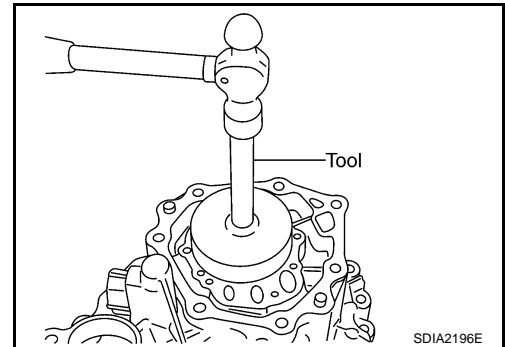
**CAUTION:**

**Do not reuse snap ring.**



31. Install the mainshaft rear bearing to the center case using Tool.

**Tool number** : ST15310000 (J-25640-B)

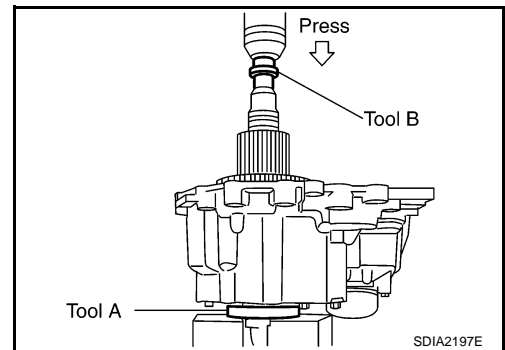


32. Install the mainshaft assembly using a press.

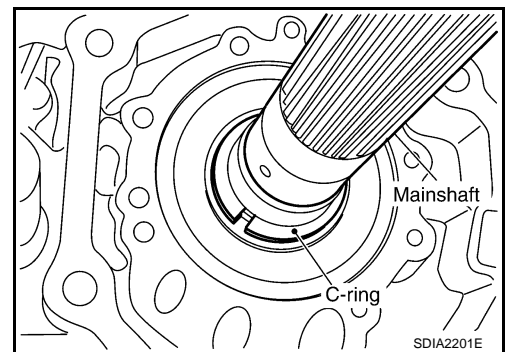
- Press the mainshaft into the center case using Tools.

**Tool number** A: ST30911000 ( — )

B: ST35300000 ( — )



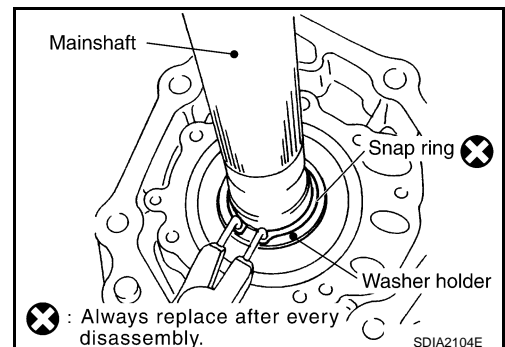
33. Install the C-rings to the mainshaft.



34. Set the washer holder on the mainshaft, and secure it with a new snap ring.

**CAUTION:**

**Do not reuse snap ring.**



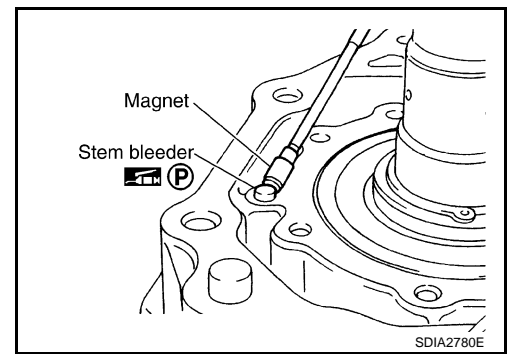
A  
B  
C  
DLN  
E  
F  
G  
H  
I  
J  
K  
L  
M  
N  
O  
P

# TRANSFER ASSEMBLY

< DISASSEMBLY AND ASSEMBLY >

[TRANSFER: ATX14B]

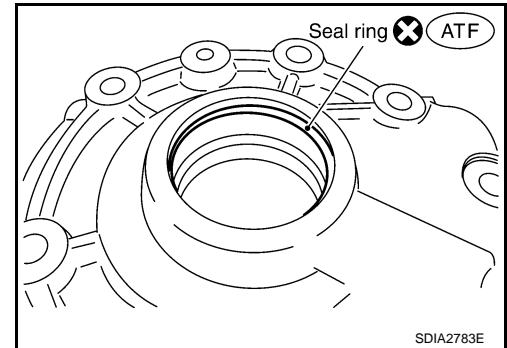
35. Apply petroleum jelly to the stem bleeder and install it to the center case.



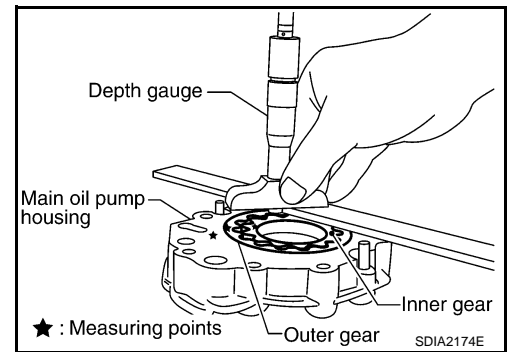
36. Apply ATF to the new seal ring and install it to the main oil pump cover.

**CAUTION:**

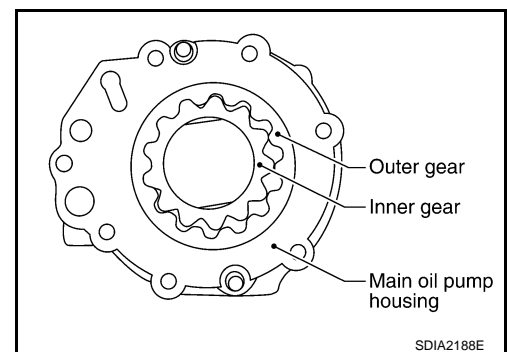
**Do not reuse seal ring.**



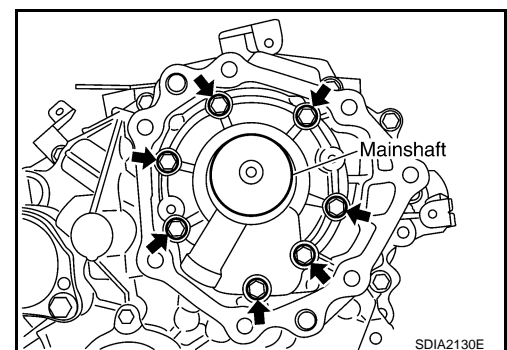
37. Install the inner gear and outer gear in the main oil pump housing. Then, measure the side clearance. Refer to [DLN-187](#), "[Inspection and Adjustment](#)".



38. Install the main oil pump housing, outer gear and inner gear to the center case.



39. Install the main oil pump cover to the center case, and tighten to the specified torque. Refer to [DLN-150](#), "[Disassembly and Assembly](#)".



# TRANSFER ASSEMBLY

< DISASSEMBLY AND ASSEMBLY >

[TRANSFER: ATX14B]

40. Remove all the sealant from the switch location area and inside the center case.

**CAUTION:**

Remove old sealant adhering to mounting surfaces. Also remove any moisture, oil, or foreign material adhering to application and mounting surfaces.

41. Thread the ATP switch and neutral-4LO switch in one to two pitches and apply sealant to the threads of the switches. Tighten to the specified torque. Refer to [DLN-150, "Disassembly and Assembly"](#).

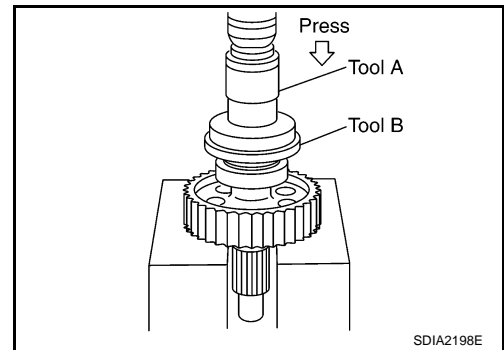
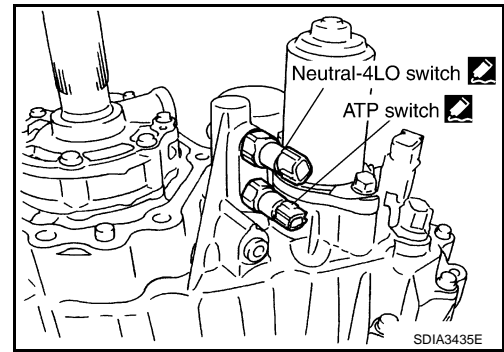
- Use Genuine Silicone RTV or equivalent. Refer to [GI-26, "Recommended Chemical Products and Sealants"](#).

**NOTE:**

- Neutral-4LO switch harness connector is gray.
- ATP switch harness connector is black.

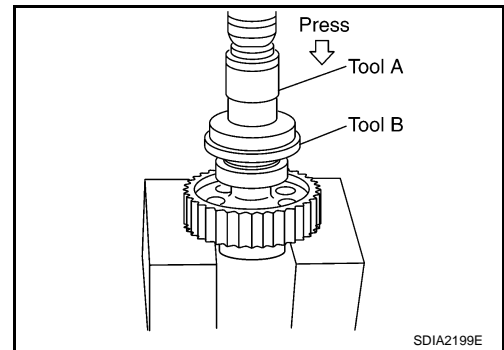
42. Install the front drive shaft rear bearing using Tools.

**Tool number**            **A: KV40100621 (J-25273)**  
                                 **B: ST30032000 (J-26010-01)**



43. Install the front drive shaft to the front bearing using Tools.

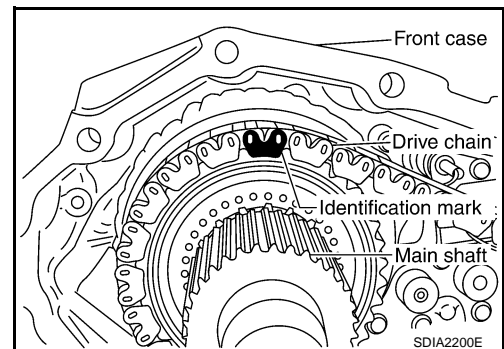
**Tool number**            **A: KV40100621 (J-25273)**  
                                 **B: ST30032000 (J-26010-01)**



44. Install the drive chain to the front drive shaft and clutch drum.

**CAUTION:**

Install drive chain by aligning identification marks to the rear as shown.



A  
B  
C  
DLN  
E  
F  
G  
H  
I  
J  
K  
L  
M  
N  
O  
P

# TRANSFER ASSEMBLY

< DISASSEMBLY AND ASSEMBLY >

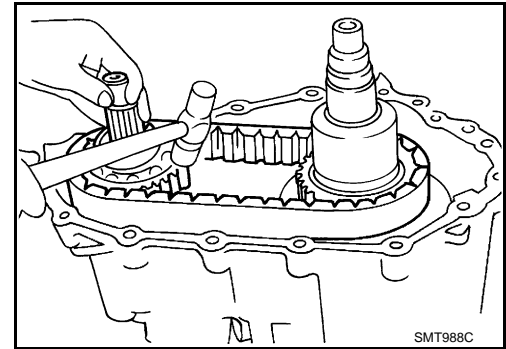
[TRANSFER: ATX14B]

45. Tap the front drive shaft while keeping it upright and press-fit the front drive shaft rear bearing.

**CAUTION:**

**Do not tap drive chain.**

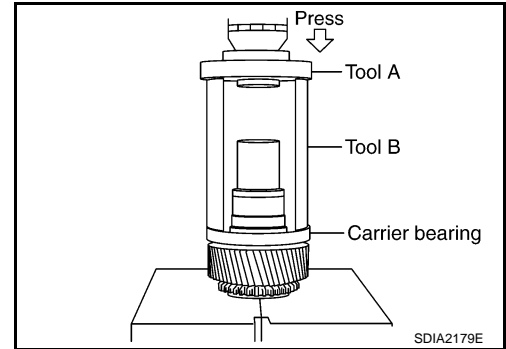
46. Install the front case assembly. Refer to [DLN-150, "Disassembly and Assembly"](#).  
 47. Install the rear case assembly. Refer to [DLN-150, "Disassembly and Assembly"](#).



Front Case

1. Install the carrier bearing to the sun gear using Tools.

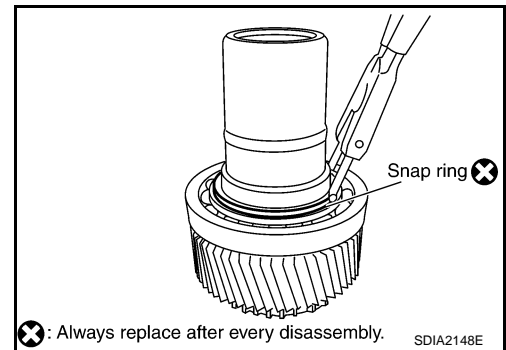
**Tool number**            **A: ST30911000 ( — )**  
                                  **B: KV31103300 ( — )**



2. Install the new snap ring to the sun gear assembly using suitable tool.

**CAUTION:**

**Do not reuse snap ring.**

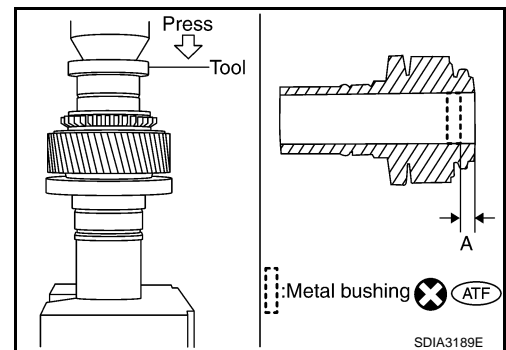


3. Apply ATF to the circumference of the new metal bushing and install it to the sun gear assembly using suitable tool.

**Dimension A**            **: 7.7 - 8.3 mm (0.303 - 0.327 in)**

**CAUTION:**

- Do not reuse metal bushing.
- Apply ATF to metal bushing before installing.



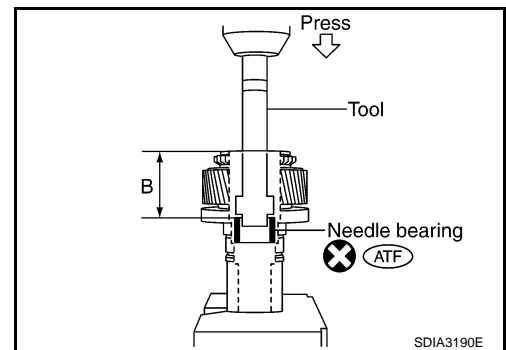
4. Apply ATF to the new needle bearing and install it to the sun gear assembly using Tool.

**Tool number**            **: ST33220000 ( — )**

**Dimension B**            **: 62.5 - 63.1 mm (2.461 - 2.484 in)**

**CAUTION:**

- Do not reuse needle bearing.
- Apply ATF to needle bearing before installing.

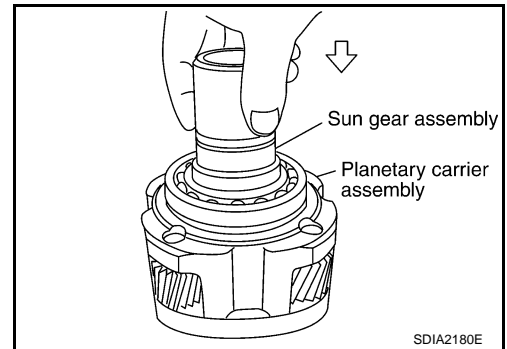


# TRANSFER ASSEMBLY

< DISASSEMBLY AND ASSEMBLY >

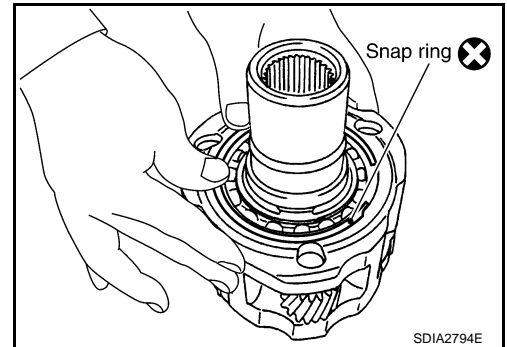
[TRANSFER: ATX14B]

5. Install the sun gear assembly to the planetary carrier assembly.



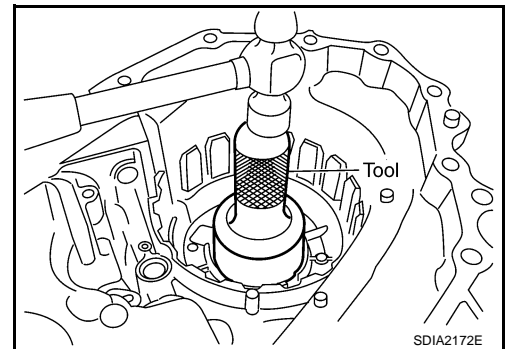
6. Install the new snap ring to the planetary carrier assembly.

**CAUTION:**  
Do not reuse snap ring.



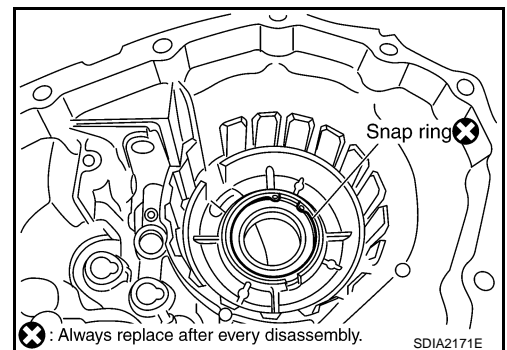
7. Set the input bearing into the front case and install using Tool.

**Tool number** : ST30720000 (J-25405)



8. Install the new snap ring into the front case.

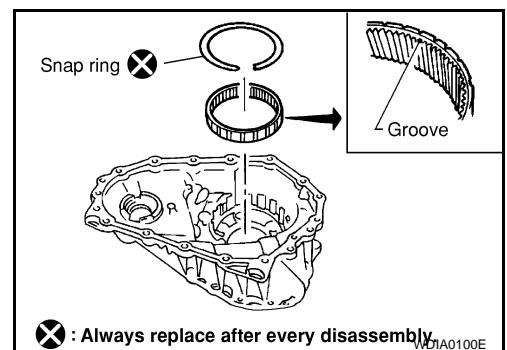
**CAUTION:**  
Do not reuse snap ring.



⊗: Always replace after every disassembly.

9. Install the internal gear with its groove facing the snap ring into the front case. Then secure it with the new snap ring.

**CAUTION:**  
Do not reuse snap ring.



⊗: Always replace after every disassembly.

A  
B  
C  
DLN  
E  
F  
G  
H  
I  
J  
K  
L  
M  
N  
O  
P

# TRANSFER ASSEMBLY

< DISASSEMBLY AND ASSEMBLY >

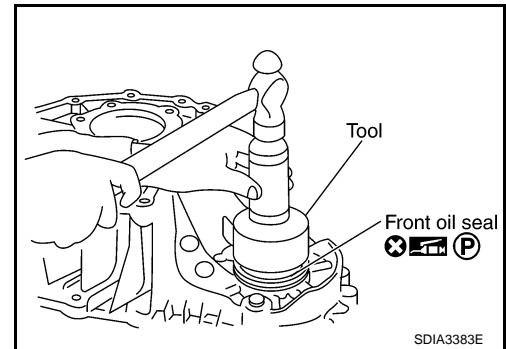
[TRANSFER: ATX14B]

10. Install the new front oil seal until it is seated flush with the end face of the front case using Tool.

**Tool number** : KV38100500 ( — )

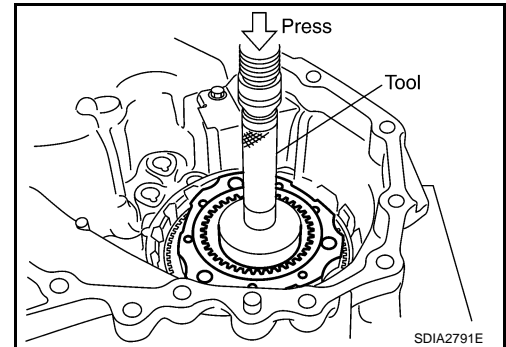
**CAUTION:**

- Do not reuse oil seal.
- Apply petroleum jelly to oil seal lip before installing.



11. Install the planetary carrier assembly and sun gear assembly to the front case using Tool.

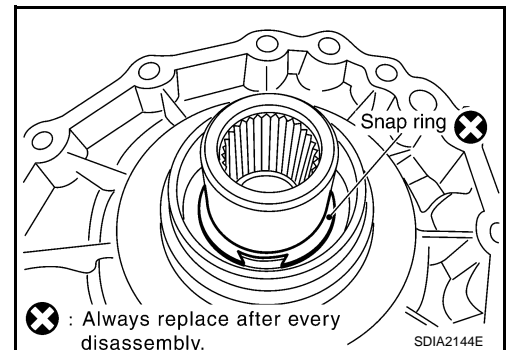
**Tool number** : ST33200000 (J-26082)



12. Install the new snap ring to the sun gear.

**CAUTION:**

Do not reuse snap ring.



13. Apply petroleum jelly to the circumference of the new oil seal, and install it to the front case using Tools.

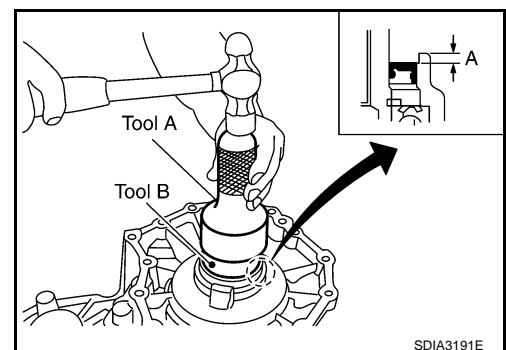
**Tool numbers** A: ST30720000 (J-25405)

B: ST33200000 (J-26802)

**Dimension (A)** : 4.0 - 4.6 mm (0.157 - 0.181 in)

**CAUTION:**

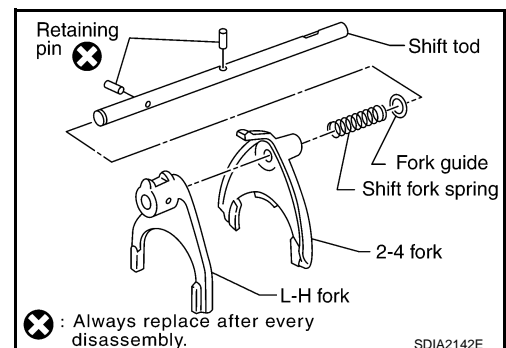
- Do not reuse oil seal.
- Apply petroleum jelly to oil seal.



14. Install the fork guide, shift fork spring, 2-4 fork, and L-H fork to the shift rod, and secure them with new retaining pins.

**CAUTION:**

Do not reuse retaining pins.

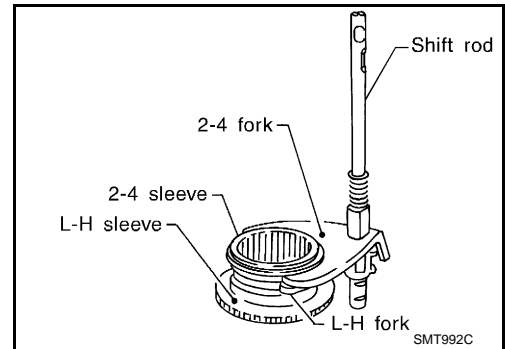


# TRANSFER ASSEMBLY

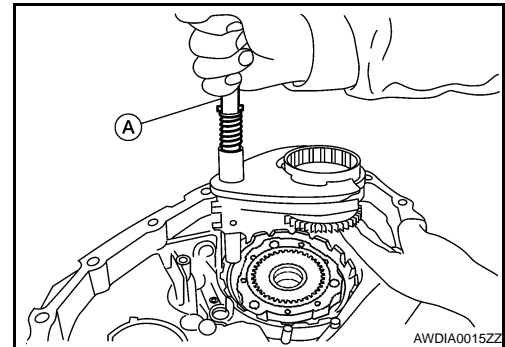
< DISASSEMBLY AND ASSEMBLY >

[TRANSFER: ATX14B]

15. Install the 2-4 sleeve and L-H sleeve to each fork.
16. Install the shift cross to the front case.



17. While aligning the L-H sleeve with the planetary carrier, install the shift rod assembly (A) to the front case.

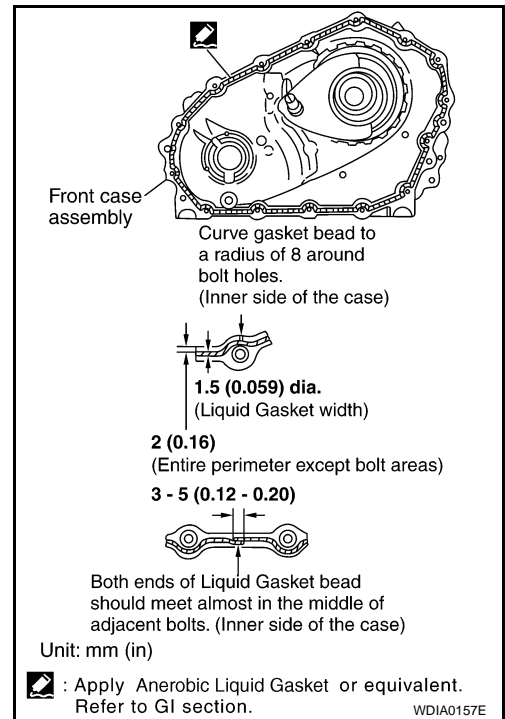


18. Apply liquid gasket to the entire center case mating surface of the front case assembly as shown.

- Use **Genuine Anaerobic Liquid Gasket** or equivalent. Refer to [GI-26, "Recommended Chemical Products and Sealants"](#).

**CAUTION:**

Remove all foreign materials such as water, oil and grease from center case and front case mating surfaces.

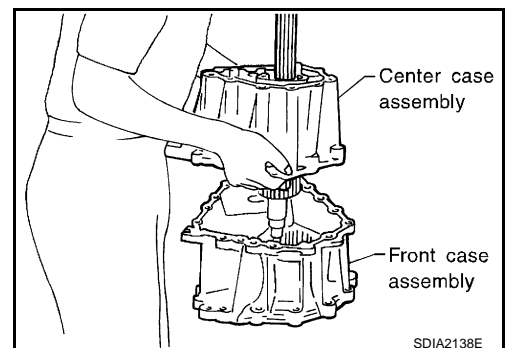


19. Install the center case assembly to the front case assembly.

**CAUTION:**

Do not damage mainshaft end.

20. Tap the center case lightly and press-fit the front drive shaft bearing into the front case.



A  
B  
C  
DLN  
E  
F  
G  
H  
I  
J  
K  
L  
M  
N  
O  
P

## TRANSFER ASSEMBLY

< DISASSEMBLY AND ASSEMBLY >

[TRANSFER: ATX14B]

21. Tighten the front case bolts to the specified torque. Refer to [DLN-150, "Disassembly and Assembly"](#).

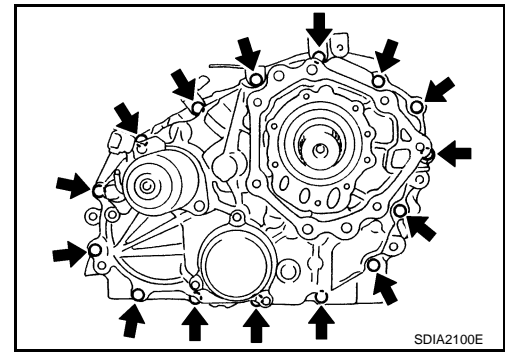
**CAUTION:**

Be sure to install air breather hose clamp, connector bracket and harness clip.

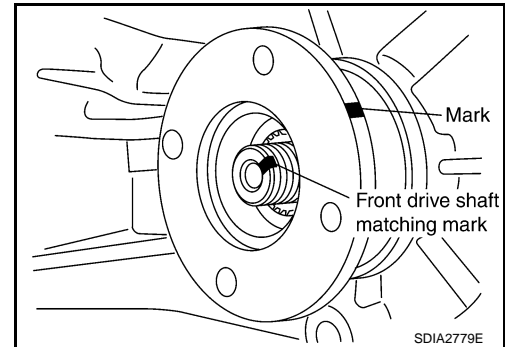
22. Install the drain plug with a new gasket.

**CAUTION:**

Do not reuse gasket.



23. Align the matching mark on the front drive shaft with the mark on the companion flange, then install the companion flange.

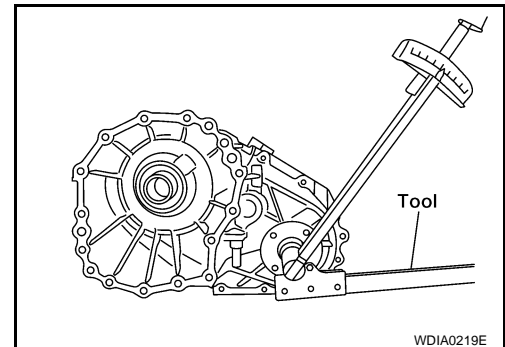


24. Install a new companion flange self-lock nut. Tighten to the specified torque using Tool. Refer to [DLN-150, "Disassembly and Assembly"](#).

**Tool number** : KV38108300 (J-44195)

**CAUTION:**

Do not reuse self-lock nut.



25. Remove all the sealant from the check plug, switch and front case.

**CAUTION:**

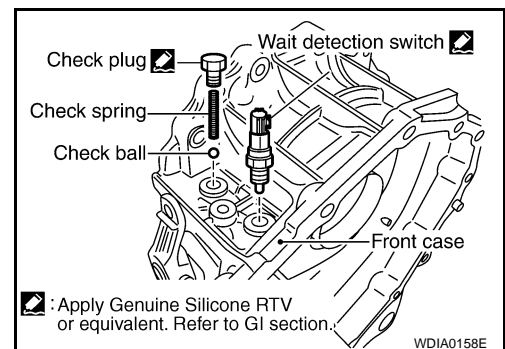
Remove old sealant adhering to mating surfaces. Also remove any moisture, oil, or foreign material adhering to application and mounting surfaces.

26. Install the check ball and check spring to the front case. Apply sealant to the check plug and wait detection switch and install them to the front case. Tighten to the specified torque. Refer to [DLN-150, "Disassembly and Assembly"](#).

• Use Genuine Silicone RTV or equivalent. Refer to [GI-26, "Recommended Chemical Products and Sealants"](#).

**NOTE:**

Wait detection switch harness connector is black.





# TRANSFER ASSEMBLY

< DISASSEMBLY AND ASSEMBLY >

[TRANSFER: ATX14B]

27. Install the new oil seal in the front case using Tool.

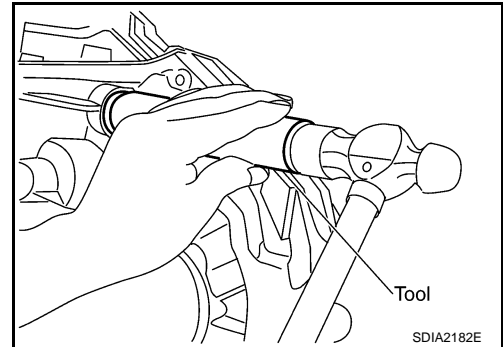
**Tool number** : ST22360002 (J-25679-01)

**CAUTION:**

- Do not reuse oil seal.
- Apply petroleum jelly to seal lip before installing.

28. Install the shift lever to the shift cross.

29. Install the lock pin and lock pin nut. Tighten to the specified torque. Refer to [DLN-150, "Disassembly and Assembly"](#).



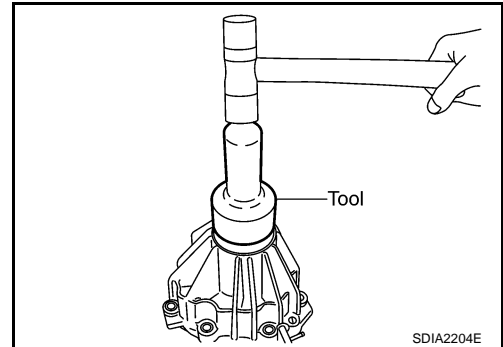
## Rear Case

1. Apply petroleum jelly to the circumference of the new rear oil seal. Install the new rear oil seal so that it is flush with the case tip face using Tool.

**Tool number** : ST30720000 (J-25405)

**CAUTION:**

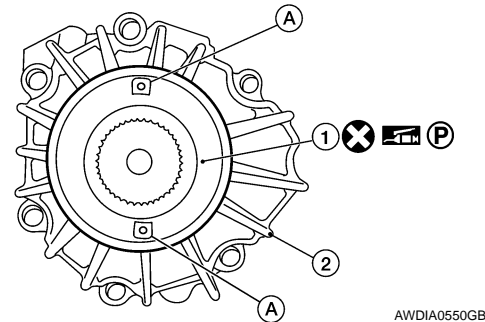
- Do not reuse oil seal.
- Apply petroleum jelly to seal lip before installing.



2. Apply petroleum jelly to the circumference of the new dust cover (1). Position the new dust cover with protrusions (A) as shown.

**CAUTION:**

- Do not reuse dust cover.
- Position the identification mark at the position shown.



3. Install the new dust cover using Tool.

**Tool number** : KV40105310 ( — )

4. Install the air breather into the rear case.

5. Remove all the sealant from the rear case to center case mating surfaces.

**CAUTION:**

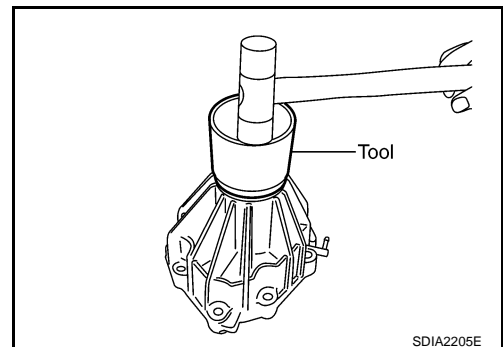
Remove all foreign materials such as water, oil, and grease from center case and rear case mating surfaces.

6. Apply liquid gasket to the entire rear case mating surface of the center case.

- Use Genuine Anaerobic Liquid Gasket or equivalent. Refer to [GI-26, "Recommended Chemical Products and Sealants"](#).

**CAUTION:**

Do not to allow Liquid Gasket to enter stem bleeder hole.



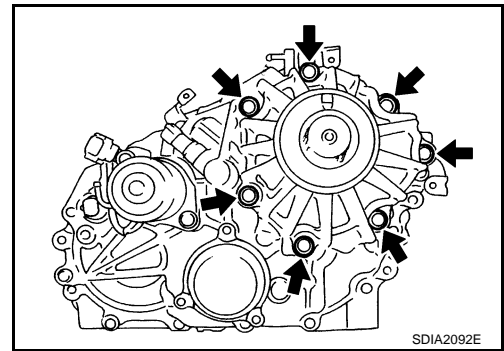
A  
B  
C  
DLN  
E  
F  
G  
H  
I  
J  
K  
L  
M  
N  
O  
P

## TRANSFER ASSEMBLY

< DISASSEMBLY AND ASSEMBLY >

[TRANSFER: ATX14B]

7. Install the rear case to the center case. Tighten the bolts to the specified torque. Refer to [DLN-150, "Disassembly and Assembly"](#).



# SERVICE DATA AND SPECIFICATIONS (SDS)

< SERVICE DATA AND SPECIFICATIONS (SDS)

[TRANSFER: ATX14B]

## SERVICE DATA AND SPECIFICATIONS (SDS)

### SERVICE DATA AND SPECIFICATIONS (SDS)

#### General Specification

INFOID:000000003937312

Applied model	VQ40DE		VK56DE
Transfer model	ATX14B		
Fluid capacity (Approx.)	ℓ (US qt, Imp qt)	3.0 (3-1/8, 2-5/8)	
Gear ratio	High	1.000	
	Low	2.596	2.625
Number of teeth	Planetary gear	Sun gear	57
		Internal gear	91
	Front drive sprocket		38
	Front drive shaft		38

#### Inspection and Adjustment

INFOID:000000003937313

#### CLEARANCE BETWEEN INNER GEAR AND OUTER GEAR

Unit: mm (in)

Item	Specification
Sub-oil pump	0.015 - 0.035 (0.0006 - 0.0014)
Main oil pump	0.015 - 0.035 (0.0006 - 0.0014)

#### CLUTCH

Unit: mm (in)

Item	Limit value
Drive plate	1.4 (0.055)

#### PINION GEAR END PLAY

Unit: mm (in)

Item	Standard
Pinion gear end play	0.1 - 0.7 (0.004 - 0.028)

#### CLEARANCE BETWEEN SHIFT FORK AND SLEEVE

Unit: mm (in)

Item	Standard
Shift fork and sleeve	Less than 0.36 (0.0142)

#### SELECTIVE PARTS

##### Sub-oil Pump

Unit: mm (in)

Gear thickness	Part number*	
	Inner gear	Outer gear
9.27 - 9.28 (0.3650 - 0.3654)	31346 0W462	31347 0W462
9.28 - 9.29 (0.3654 - 0.3657)	31346 0W461	31347 0W461
9.29 - 9.30 (0.3657 - 0.3661)	31346 0W460	31347 0W460

\*: Always check with the Parts Department for the latest parts information.

##### Main Oil Pump

# SERVICE DATA AND SPECIFICATIONS (SDS)

< SERVICE DATA AND SPECIFICATIONS (SDS)

[TRANSFER: ATX14B]

Unit: mm (in)

Gear thickness	Part number*	
	Inner gear	Outer gear
8.27 - 8.28 (0.3256 - 0.3260)	31346 7S112	31347 7S112
8.28 - 8.29 (0.3260 - 0.3264)	31346 7S111	31347 7S111
8.29 - 8.30 (0.3264 - 0.3268)	31346 7S110	31347 7S110

\*: Always check with the Parts Department for the latest parts information.

## Control Valve

Unit: mm (in)

Mounting position (Part name)	Part number*	Outer dia.	Overall length
L1 (2-4 shift valve)	31772 21X00	8.0 (0.315)	38.5 (1.516)
L2 (Clutch valve)	31772 80X11	10.0 (0.394)	40.0 (1.575)
L4 (Pilot valve)	31772 80X11	10.0 (0.394)	40.0 (1.575)
L5 (Regulator valve)	31741 0W410	12.0 (0.472)	68.0 (2.677)

\*: Always check with the Parts Department for the latest parts information.

## Control Valve Spring

Unit: mm (in)

Mounting position (Part name)	Part number*	Free length	Outer dia.	Overall length
L1 (2-4 shift valve spring)	31742 2W500	31.85 (1.2539)	7.0 (0.276)	0.6 (0.024)
L2 (Clutch valve spring)	31742 2W505	40.6 (1.598)	8.9 (0.350)	0.7 (0.028)
L4 (Pilot valve spring)	31742 0W410	28.1 (1.106)	9.0 (0.354)	1.2 (0.047)
L5 (Regulator valve spring)	31742 2W515	39.7 (1.563)	11.0 (0.433)	1.3 (0.051)

\*: Always check with the Parts Department for the latest parts information.

## Return Spring

Unit: mm (in)

Stamped mark	Part number*	Free length
1	31521 7S111	42.7 (1.668)
2	31521 7S112	43.1 (1.697)
3	31521 7S113	43.6 (1.717)
4	31521 7S114	44.0 (1.731)

\*: Always check with the Parts Department for the latest parts information.

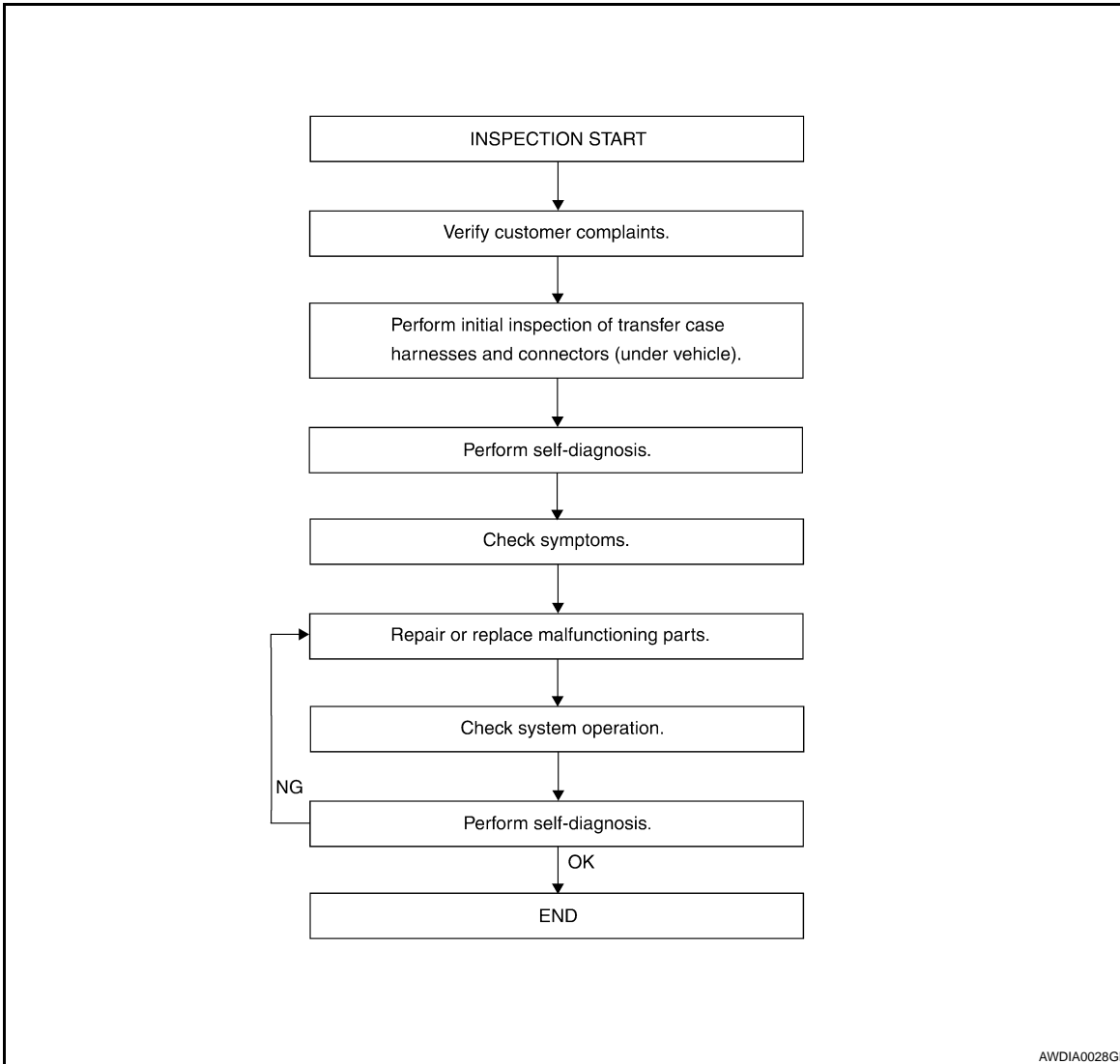
**BASIC INSPECTION**

DIAGNOSIS AND REPAIR WORKFLOW

Work Flow

INFOID:000000003937314

WORK FLOW



DETAILED FLOW

**1.CUSTOMER INFORMATION**

Interview the customer to obtain detailed information about the symptom.

>> GO TO 2

**2.INITIAL INSPECTION**

Perform an initial inspection of all accessible transfer case harnesses and connectors under the vehicle.

>> GO TO 3

**3.SELF-DIAGNOSIS**

Perform self-diagnosis. Refer to [DLN-198, "CONSULT-III Function \(ALL MODE AWD/4WD\)"](#).

A  
B  
C

**DLN**

E  
F  
G  
H  
I  
J  
K  
L  
M

N  
O  
P

# DIAGNOSIS AND REPAIR WORKFLOW

< BASIC INSPECTION >

[TRANSFER: TX15B]

---

>> GO TO 4

## 4.SYMPTOM

---

Check for symptoms. Refer to [DLN-248, "Symptom Table"](#).

>> GO TO 5

## 5.MALFUNCTIONING PARTS

---

Repair or replace the applicable parts.

>> GO TO 6

## 6.SYSTEM OPERATION

---

Check system operation.

>> GO TO 7

## 7.SELF-DIAGNOSIS

---

Perform self-diagnosis.

Are any DTC's displayed?

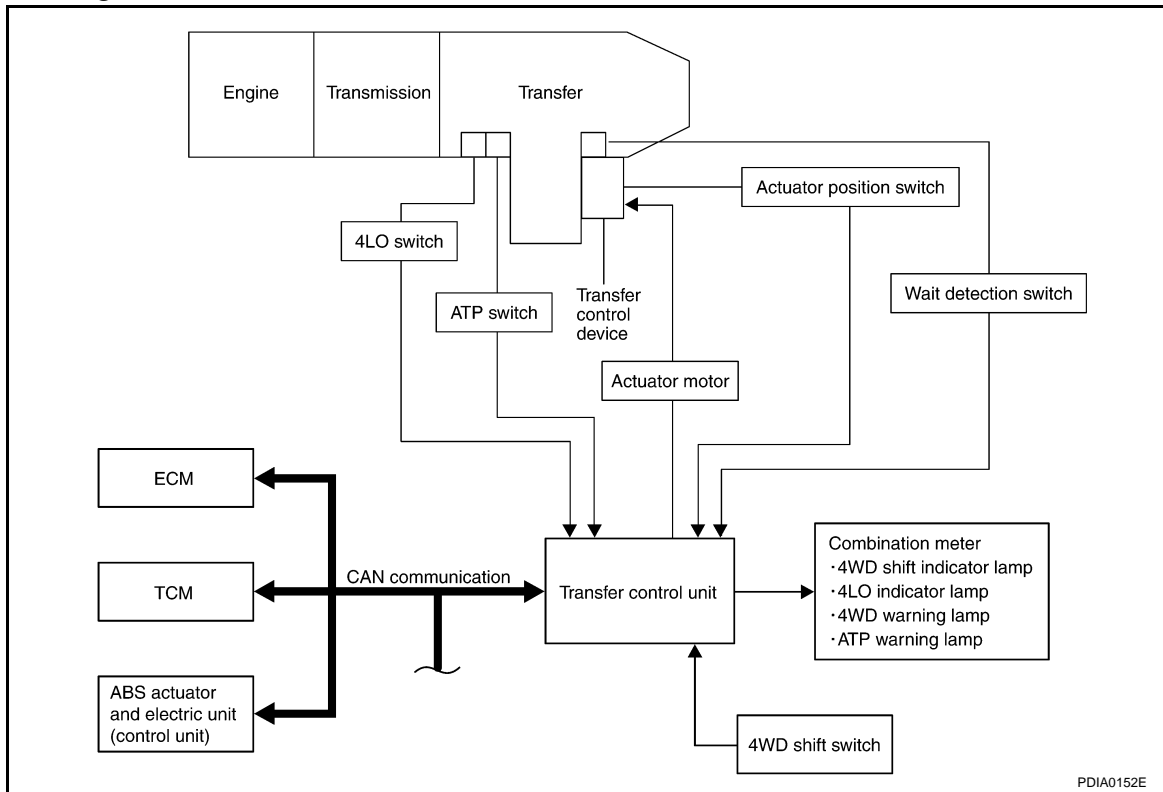
YES >> GO TO 5

NO >> Inspection End

## FUNCTION DIAGNOSIS

### 4WD SYSTEM

#### System Diagram



#### COMPONENT DESCRIPTION

Components	Function
Transfer control unit	Controls transfer control device and controls shifts between 2WD/4WD and 4H/4LO.
Transfer control device	Integrates actuator motor and actuator position switch.
Actuator motor	Moves shift rods when signaled by transfer control unit.
Actuator position switch	Detects actuator motor position.
Wait detection switch	Detects if transfer case is in 4WD.
4LO switch	Detects if transfer case is in 4LO.
ATP switch	Detects if transfer case is in neutral.
4WD shift switch	Allows driver to select from 2WD/4WD and 4H/4LO.
4WD warning lamp	<ul style="list-style-type: none"> <li>• Illuminates if malfunction is detected in 4WD system.</li> <li>• Flashes (1 flash / 2 seconds) if rotation difference of front wheels and rear wheels is large.</li> </ul>
ATP warning lamp	Indicates that A/T parking mechanism does not operate when A/T selector lever is in "P" position because transfer case is in neutral.
4WD shift indicator lamp	Displays driving range selected by 4WD shift switch.
4LO indicator lamp	Displays 4LO range.
ABS actuator and electric unit (control unit)	Transmits the following signals via CAN communication to transfer control unit. <ul style="list-style-type: none"> <li>• Vehicle speed signal</li> <li>• Stop lamp switch signal (brake signal)</li> </ul>
TCM	Transmits the following signal via CAN communication to transfer control unit. <ul style="list-style-type: none"> <li>• Output shaft revolution signal</li> <li>• A/T position indicator signal (PNP switch signal)</li> </ul>
ECM	Transmits engine speed signal via CAN communication to transfer control unit.

# 4WD SYSTEM

## System Description

### TRANSFER CONTROL DEVICE

Integrates actuator motor and actuator position switch.

#### Actuator Motor

Moves shift rods when signaled by transfer control unit.

#### Actuator Position Switch

Detects actuator motor position and then sends signal to transfer control unit.

### WAIT DETECTION SWITCH

Detects if transfer case is in 4WD by the 2-4 shift fork position.

#### NOTE:

If 4WD shift switch is switched to 4H or 4LO and the transfer case is not in 4WD completely, the wait detection system will operate.

### 4LO SWITCH

4LO switch detects if the transfer case is in 4LO by the position of the L-H shift fork.

### ATP SWITCH

ATP switch detects if transfer case is in neutral by the position of the L-H shift fork.

#### NOTE:

Transfer case may be in neutral when shifting between 4H-4LO.

### TRANSFER CONTROL UNIT

- Transfer control unit controls transfer control device and it directs shifts from 4H-4LO and 2WD-4WD.
- Self-diagnosis can be done.





### TRANSFER SHIFT HIGH AND LOW RELAYS

Transfer shift high and low relays apply power supply to transfer control device (actuator motor).

### TRANSFER SHUT OFF RELAYS

Transfer shut off relays 1 and 2 apply power supply to transfer control unit.

### 4WD SHIFT SWITCH AND INDICATOR LAMP

4WD shift switch	Indicator lamp		Operation of 4WD shift switch	Use condition
	4WD shift	4LO		
2WD		OFF	2WD ⇌ 4H switching can be done while driving. The indicator lamp will change when the driving mode is changed. Gear shifting between 2WD ⇌ 4H position must be performed at speeds below 100km/h (60 MPH).	For driving on dry, paved roads.
4H				For driving on rough, sandy or snow-covered roads.
4LO		Flashing	To shift between 4H ⇌ 4LO, stop the vehicle and select the A/T selector lever to the "N" position with the brake pedal depressed. Depress and turn the 4WD shift switch. The 4WD shift switch will not shift to the desired mode if the transmission is not in "N" or the vehicle is moving with the brake pedal depressed. The 4LO indicator lamp will be lit when the 4LO is engaged.	The 4LO indicator lamp flashes when shifting between 4LO ⇌ 4H.
		ON		For use when maximum power and traction is required at low speed (for example on steep grades or rocky, sandy, muddy roads.).

WDIA0138E

#### 4WD Shift Switch

4WD shift switch is able to select from 2WD, 4H or 4LO.

#### 4WD Shift Indicator Lamp

- Displays driving conditions selected by the 4WD shift switch while engine is running. When the 4WD warning lamp is turned on, all 4WD shift indicator lamps will turn off.
- Turns ON when ignition switch is turned ON, for purpose of lamp check. Turns OFF approximately for 1 second after the engine starts if system is normal.



# 4WD SYSTEM

## < FUNCTION DIAGNOSIS >

[TRANSFER: TX15B]

### 4LO Indicator Lamp

- Displays 4LO while engine is running. 4LO indicator lamp flashes if transfer gear does not shift completely into 4H⇔4LO. In this condition, the transfer case may be in neutral and the A/T parking mechanism may not operate.
- Turns ON when ignition switch is turned ON, for purpose of lamp check. Turns OFF approximately for 1 second after the engine starts if system is normal.

### 4WD WARNING LAMP

Turns on or flashes when there is a malfunction in 4WD system.

Also turns on when ignition switch is turned ON, for purpose of lamp check. Turns OFF approximately for 1 second after the engine starts if system is normal.

### 4WD Warning Lamp Indication

Condition	4WD warning lamp
System normal	OFF
Lamp check	Turns ON when ignition switch is turned ON. Turns OFF after engine start.
4WD system malfunction	ON
During self-diagnosis	Flashes malfunction mode.
Large difference in diameter of front/rear tires	Flashes slow (1 flash / 2 seconds) (Continues to flash until the ignition switch is turned OFF)

### ATP WARNING LAMP

When the A/T selector lever is in "P" position, the vehicle may move if the transfer case is in neutral. ATP warning lamp is turned on to indicate this condition to the driver.

A  
B  
C  
DLN  
E  
F  
G  
H  
I  
J  
K  
L  
M  
N  
O  
P

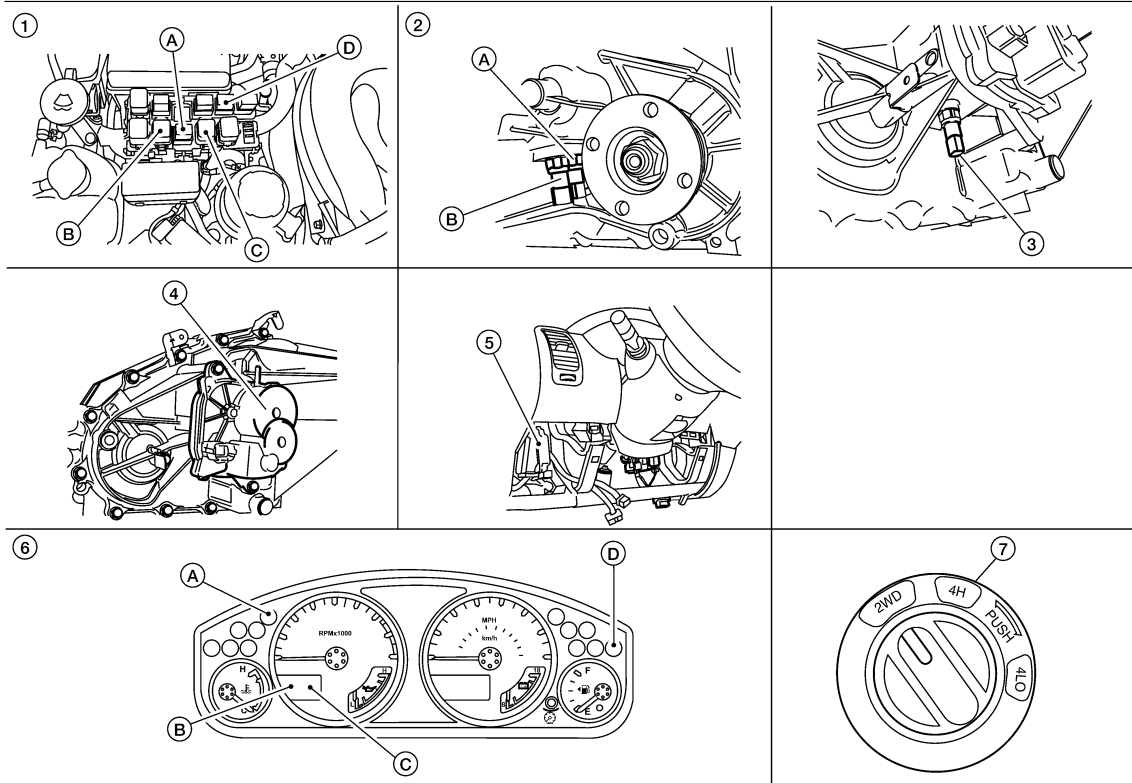
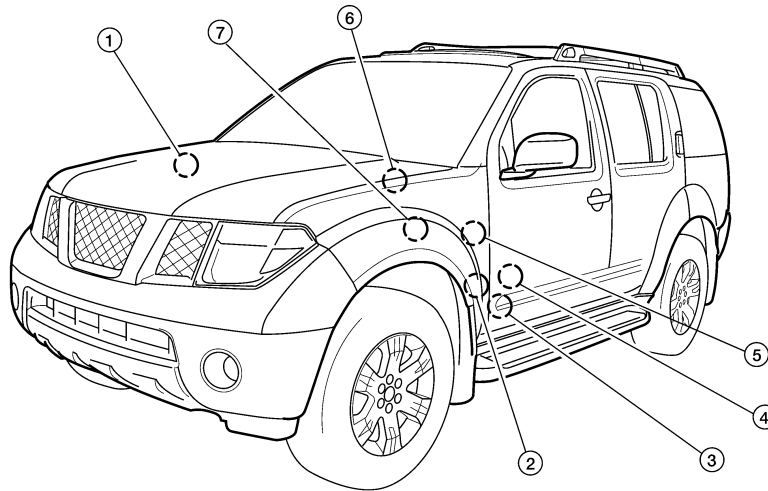
# 4WD SYSTEM

< FUNCTION DIAGNOSIS >

[TRANSFER: TX15B]

## Component Parts Location

INFOID:000000003937317



WDIA0337E

- |   |   |                                     |
|---|---|-------------------------------------|
| <p>1. Fuse and relay box<br/>         A: Transfer shut off relay 1 E156<br/>         B: Transfer shift high relay E44<br/>         C: Transfer shift low relay E43<br/>         D: Transfer shut off relay 2 E157</p> | <p>2. A: ATP switch F71<br/>         B: 4 LO switch F74<br/>         (View with front propeller shaft removed.)</p> | <p>3. Wait detection switch F73</p> |
|---|---|-------------------------------------|

# 4WD SYSTEM

## < FUNCTION DIAGNOSIS >

[TRANSFER: TX15B]

- |                                |  |  |
|--------------------------------|--|--|
| 4. Transfer control device F72 | 5. Transfer control unit M165, M166<br>(View with lower instrument cover removed.) | 6. Combination meter M24<br>A: 4WD warning lamp<br>B: 4LO indicator lamp<br>C: 4WD shift indicator lamp<br>D: ATP warning lamp |
| 7. 4WD shift switch M138       |  |  |

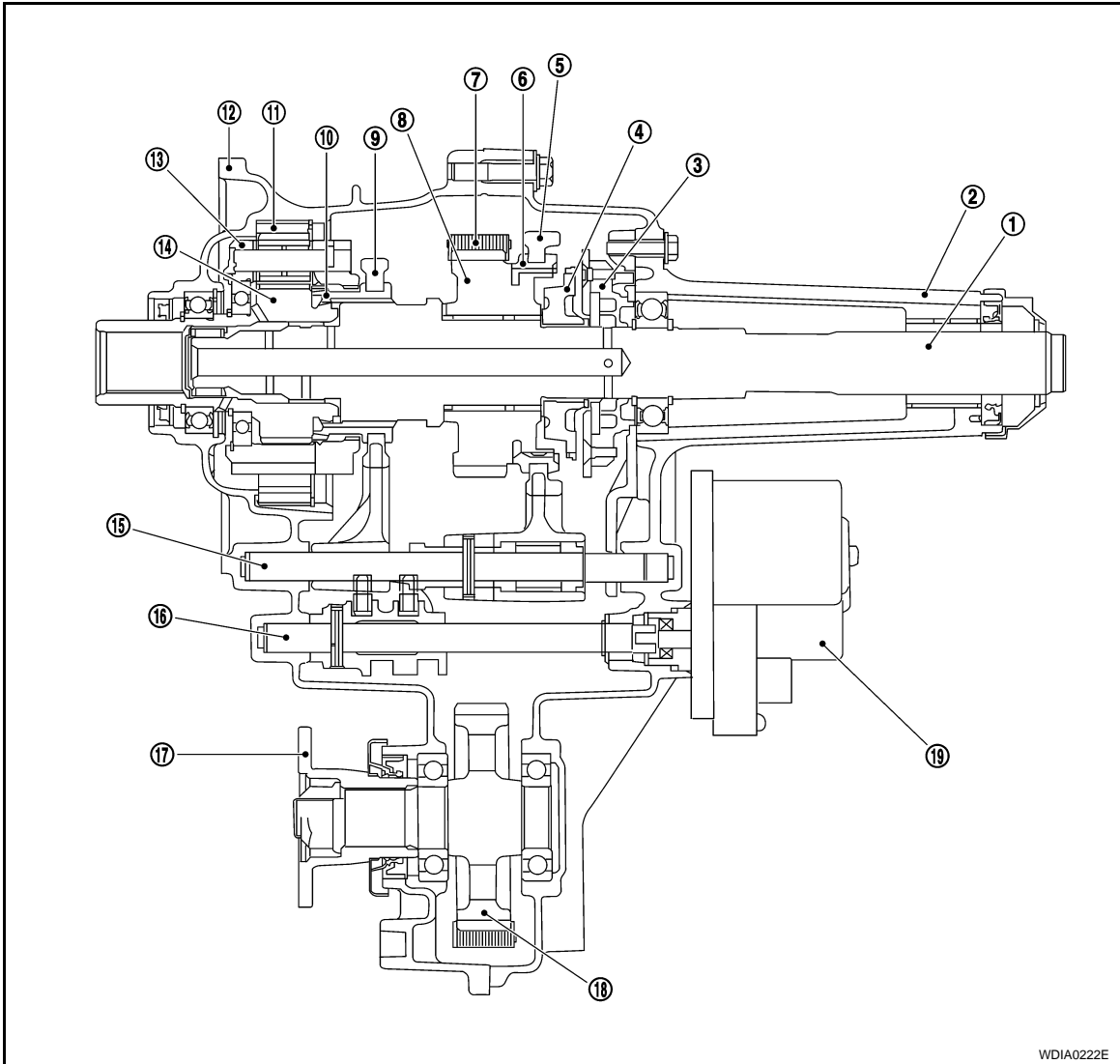
## CAN Communication

INFOID:000000003937318

Refer to [LAN-65, "DTC Index"](#).

## Cross-Sectional View

INFOID:000000003937319



- |                                |                       |                       |
|--------------------------------|-----------------------|-----------------------|
| 1. Mainshaft                   | 2. Rear case          | 3. Oil pump assembly  |
| 4. Clutch gear                 | 5. 2-4 shift fork     | 6. 2-4 sleeve         |
| 7. Drive chain                 | 8. Sprocket           | 9. L-H shift fork     |
| 10. L-H sleeve                 | 11. Internal gear     | 12. Front case        |
| 13. Planetary carrier assembly | 14. Sun gear assembly | 15. L-H shift rod     |
| 16. Control shift rod          | 17. Companion flange  | 18. Front drive shaft |
| 19. Transfer control device    |                       |                       |

# 4WD SYSTEM

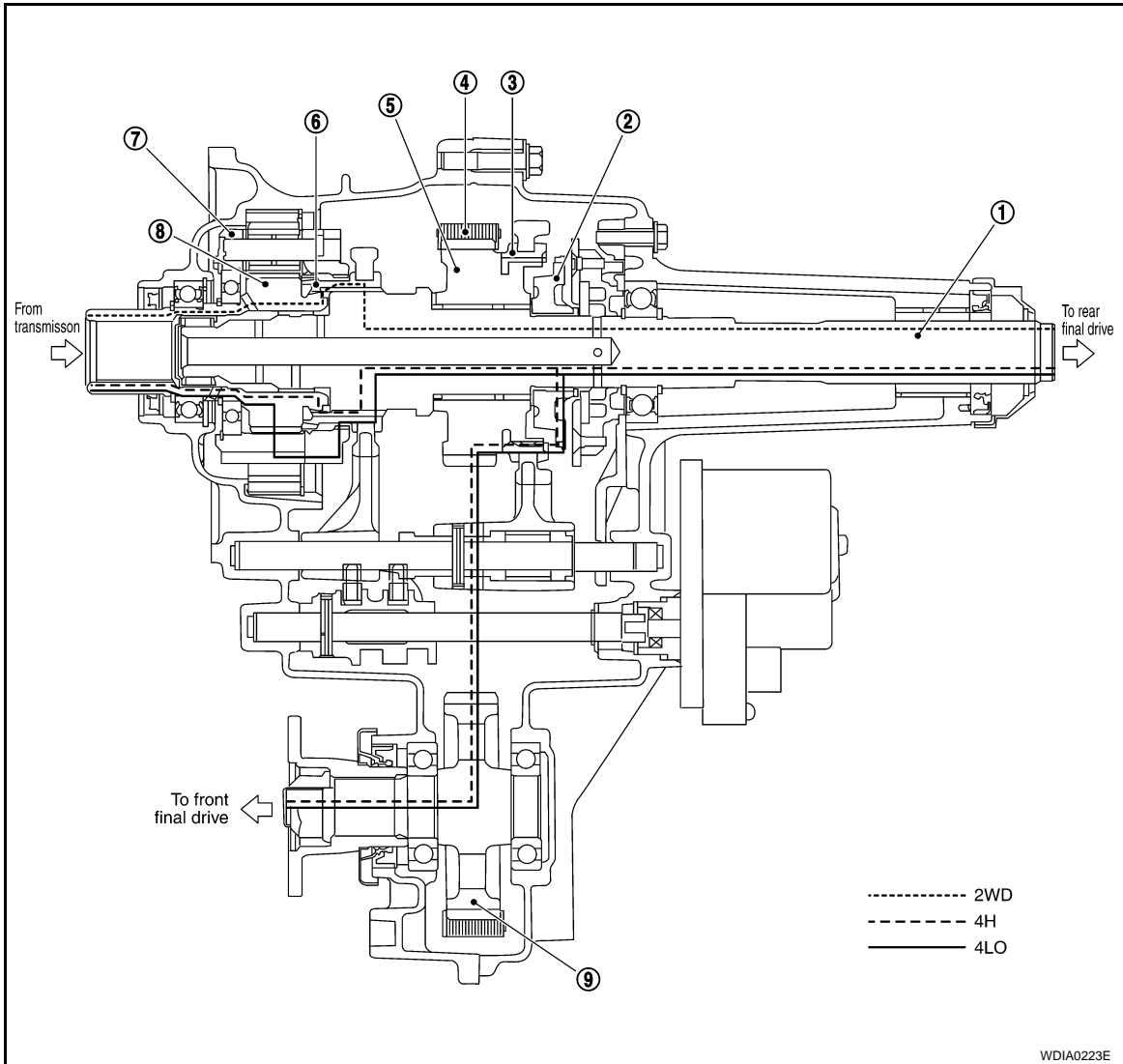
< FUNCTION DIAGNOSIS >

[TRANSFER: TX15B]

## Power Transfer

INFOID:000000003937320

### POWER TRANSFER DIAGRAM



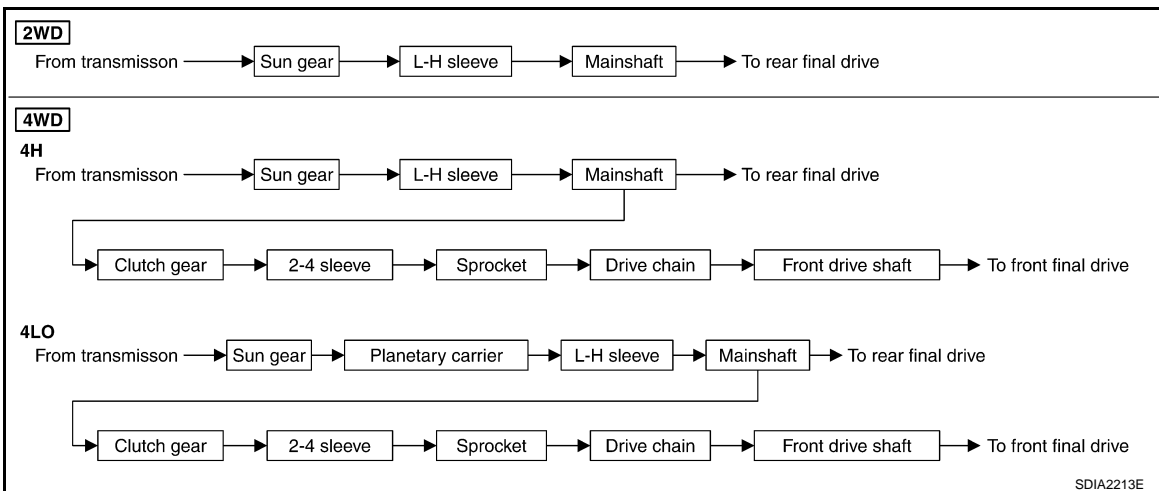
- |                               |                      |                      |
|-------------------------------|----------------------|----------------------|
| 1. Mainshaft                  | 2. Clutch gear       | 3. 2-4 sleeve        |
| 4. Drive chain                | 5. Sprocket          | 6. L-H sleeve        |
| 7. Planetary carrier assembly | 8. Sun gear assembly | 9. Front drive shaft |

### POWER TRANSFER FLOW

# 4WD SYSTEM

< FUNCTION DIAGNOSIS >

[TRANSFER: TX15B]



A

B

C

DLN

E

F

G

H

I

J

K

L

M

N

O

P

# DIAGNOSIS SYSTEM (TRANSFER CONTROL UNIT)

< FUNCTION DIAGNOSIS >

[TRANSFER: TX15B]

## DIAGNOSIS SYSTEM (TRANSFER CONTROL UNIT)

### CONSULT-III Function (ALL MODE AWD/4WD)

INFOID:000000003937321

#### FUNCTION

CONSULT-III can display each diagnostic item using the diagnostic test modes shown following.

ALL MODE AWD/4WD diagnostic mode	Description
SELF-DIAG RESULTS	Displays transfer control unit self-diagnosis results.
DATA MONITOR	Displays transfer control unit input/output data in real time.
CAN DIAG SUPPORT MNTR	The results of transmit/receive diagnosis of CAN communication can be read.
ECU PART NUMBER	Transfer control unit part number can be read.

#### SELF-DIAG RESULT MODE

##### Operation Procedure

1. Connect "CONSULT-III".
2. With engine at idle, touch "SELF-DIAG RESULTS".  
Display shows malfunction experienced since the last erasing operation.

##### NOTE:

The details for "TIME" are as follows:

- "0": Error currently detected with transfer control unit.
- Except for "0": Error detected in the past and memorized with transfer control unit.  
Detects frequency of driving after DTC occurs (frequency of turning ignition switch "ON/OFF").

##### How to Erase Self-diagnostic Results

1. Perform applicable inspection of malfunctioning item and then repair or replace.
2. Start engine and select "SELF-DIAG RESULTS" mode for "ALL MODE AWD/4WD" with CONSULT-III.
3. Touch "ERASE" on CONSULT-III screen to erase DTC memory.

##### **CAUTION:**

**If memory cannot be erased, perform applicable diagnosis.**

#### ⊗ SELF-DIAGNOSTIC PROCEDURE (WITHOUT CONSULT-III)

##### Description

If the engine starts when there is something wrong with the 4WD system, the 4WD warning lamp turns ON or flickers in the combination meter. When the system functions properly, the warning lamp turns ON when the ignition switch is turned to "ON", and it turns OFF after engine starts. To locate the cause of a problem, start the self-diagnosis function. The 4WD warning lamp in the combination meter will indicate the problem area by flickering according to the self-diagnostic results. Refer to [DLN-245. "DTC Index"](#).

##### Diagnostic Procedure

1. Warm up engine.
2. Turn ignition switch "ON" and "OFF" at least twice, and then turn ignition switch "OFF".
3. Move A/T selector lever to "P" position.
4. Turn 4WD shift switch to "2WD" position.
5. Turn ignition switch "ON". (Do not start engine.)
6. 4WD warning lamp ON.  
If 4WD warning lamp does not turn ON, refer to [DLN-249. "Diagnosis Procedure"](#).
7. Move A/T selector lever to "R" position.
8. Turn 4WD shift switch to "2WD", "4H" and "2WD" in order.
9. Move A/T selector lever to "P" position.
10. Turn 4WD shift switch to "4H", "2WD" and "4H" in order.
11. Move A/T selector lever to "N" position.
12. Turn 4WD shift switch to "2WD" position.
13. Move A/T selector lever to "P" position.

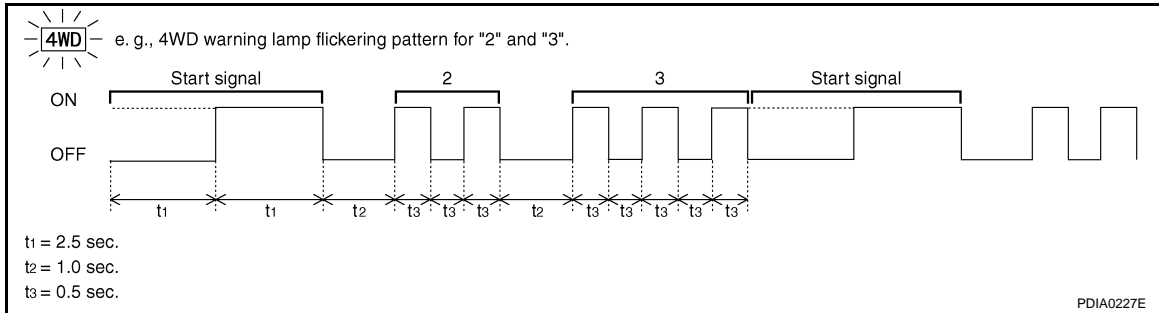
# DIAGNOSIS SYSTEM (TRANSFER CONTROL UNIT)

< FUNCTION DIAGNOSIS >

[TRANSFER: TX15B]

## 14. Read the flickering of 4WD warning lamp.

Self-diagnosis example



## DATA MONITOR MODE

Operation Procedure

1. Connect "CONSULT-III."
2. Touch "DATA MONITOR".
3. Select from "SELECT MONITOR ITEM", screen of data monitor mode is displayed.

**NOTE:**

**When malfunction is detected, CONSULT-III performs REAL-TIME DIAGNOSIS.**

**Also, any malfunction detected while in this mode will be displayed at real time.**

Display Item List

×: Standard    -: Not applicable

Monitored item (Unit)	Monitor item selection			Remarks
	ECU INPUT SIGNALS	MAIN SIGNALS	SELECTION FROM MENU	
VHCL/S SEN-FR [km/h] or [mph]	×	-	×	Wheel speed calculated by ABS actuator and electric unit (control unit). Signal input with CAN communication line.
VHCL/S SEN-RR [km/h] or [mph]	×	-	×	Wheel speed calculated by TCM. Signal input with CAN communication line.
ENGINE SPEED [rpm]	×	-	×	Engine speed is displayed. Signal input with CAN communication line.
BATTERY VOLT [V]	×	-	×	Power supply voltage for transfer control unit.
2WD SWITCH [ON/OFF]	×	-	×	4WD shift switch signal status is displayed. (4L means 4LO of 4WD shift switch.)
4H SWITCH [ON/OFF]	×	-	×	
4L SWITCH [ON/OFF]	×	-	×	
4L POSI SW [ON/OFF]	×	-	×	4LO switch signal status is displayed.
ATP SWITCH [ON/OFF]	×	-	×	ATP switch signal status is displayed.
WAIT DETCT SW [ON/OFF]	×	-	×	Wait detection switch signal status is displayed.
4WD MODE [2H/4H/4L]	-	×	×	Control status of 4WD recognized by transfer control unit. (2WD, 4H or 4LO)
VHCL/S COMP [km/h] or [mph]	-	×	×	Vehicle speed recognized by transfer control unit.
SHIFT ACT 1 [ON/OFF]	-	×	×	Output condition to actuator motor (clockwise)
SHIFT AC MON 1 [ON/OFF]	-	-	×	Check signal for transfer control unit signal output
SHIFT ACT 2 [ON/OFF]	-	×	×	Output condition to actuator motor (counterclockwise)

# DIAGNOSIS SYSTEM (TRANSFER CONTROL UNIT)

< FUNCTION DIAGNOSIS >

[TRANSFER: TX15B]

Monitored item (Unit)	Monitor item selection			Remarks
	ECU INPUT SIGNALS	MAIN SIGNALS	SELECTION FROM MENU	
SHIFT AC MON 2 [ON/OFF]	-	-	×	Check signal for transfer control unit signal output
SFT ACT/R MON [ON/OFF]	-	-	×	Operating condition of actuator motor relay (integrated in transfer control unit)
SHIFT POS SW 1 [ON/OFF]	×	-	×	Condition of actuator position switch 1
SHIFT POS SW 2 [ON/OFF]	×	-	×	Condition of actuator position switch 2
SHIFT POS SW 3 [ON/OFF]	×	-	×	Condition of actuator position switch 3
SHIFT POS SW 4 [ON/OFF]	×	-	×	Condition of actuator position switch 4
4WD FAIL LAMP [ON/OFF]	-	×	×	Control status of 4WD warning lamp is displayed.
2WD IND [ON/OFF]	-	-	×	Control status of 4WD shift indicator lamp (rear) is displayed.
4H IND [ON/OFF]	-	-	×	Control status of 4WD shift indicator lamp (front and center) is displayed.
4L IND [ON/OFF]	-	-	×	Control status of 4LO indicator lamp is displayed.



# NOISE, VIBRATION AND HARSHNESS (NVH) TROUBLESHOOTING

< FUNCTION DIAGNOSIS >

[TRANSFER: TX15B]

## NOISE, VIBRATION AND HARSHNESS (NVH) TROUBLESHOOTING

### NVH Troubleshooting Chart

INFOID:000000003937322

Use the chart below to help you find the cause of the symptom. The numbers indicate the order of the inspection. If necessary, repair or replace these parts.

Reference page		<a href="#">DLN-270</a>			<a href="#">DLN-281</a>			<a href="#">DLN-303</a>	<a href="#">DLN-281</a>	<a href="#">DLN-297</a>
SUSPECTED PARTS (Possible cause)		TRANSFER FLUID (Level low)	TRANSFER FLUID (Wrong)	TRANSFER FLUID (Level too high)	LIQUID GASKET (Damaged)	O-RING (Worn or damaged)	OIL SEAL (Worn or damaged)	SHIFT FORK (Worn or damaged)	GEAR (Worn or damaged)	BEARING (Worn or damaged)
Symptom	Noise	1	2						3	3
	Transfer fluid leakage		3	1	2	2	2			
	Hard to shift or will not shift		1	1				2		

A  
B  
C  
DLN  
E  
F  
G  
H  
I  
J  
K  
L  
M  
N  
O  
P

# P1801, P1811 POWER SUPPLY CIRCUIT FOR TRANSFER CONTROL UNIT

< COMPONENT DIAGNOSIS >

[TRANSFER: TX15B]

## COMPONENT DIAGNOSIS

### P1801, P1811 POWER SUPPLY CIRCUIT FOR TRANSFER CONTROL UNIT

#### Description

INFOID:000000003937323

The transfer control unit controls the transfer control device which controls shifts between 4H and 4LO and between 2WD and 4WD. When the vehicle battery is removed, the power supply to the transfer control unit is interrupted, and self-diagnosis memory function is suspended. These DTC's may also set when the power supply voltage for the transfer control unit is abnormally low while driving.

#### DTC Logic

INFOID:000000003937324

#### DTC DETECTION LOGIC

DTC	CONSULT-III	Diagnostic item is detected when...	Reference
[P1801]	*INITIAL START*	Due to removal of battery which cuts off power supply to transfer control unit, self-diagnosis memory function is suspended.	<a href="#">DLN-202</a>
[P1811]	BATTERY VOLTAGE	Power supply voltage for transfer control unit is abnormally low while driving.	

#### DTC CONFIRMATION PROCEDURE

##### 1. DTC CONFIRMATION PROCEDURE

1. Turn ignition switch ON.
2. Perform self-diagnosis.

Are DTC's "P1801 or P1811 detected?"

YES >> Perform diagnosis procedure. Refer to [DLN-202, "Diagnosis Procedure"](#).

NO >> Inspection End.

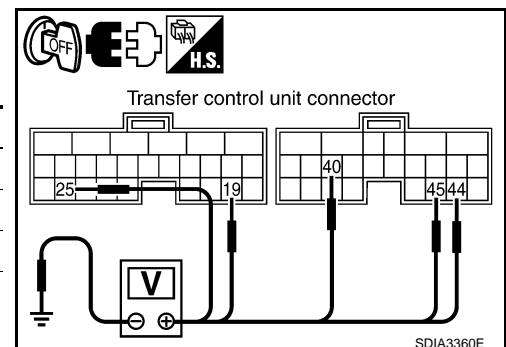
#### Diagnosis Procedure

INFOID:000000003937325

##### 1. CHECK POWER SUPPLY

1. Turn ignition switch "OFF". (Stay for at least 5 seconds.)
2. Disconnect transfer control unit harness connector.
3. Check voltage between transfer control unit harness connector terminals and ground.

Connector	Terminal	Voltage (Approx.)
M165	19 - Ground	Battery voltage
	25 - Ground	0V
M166	40 - Ground	Battery voltage
	44 - Ground	0V
	45 - Ground	



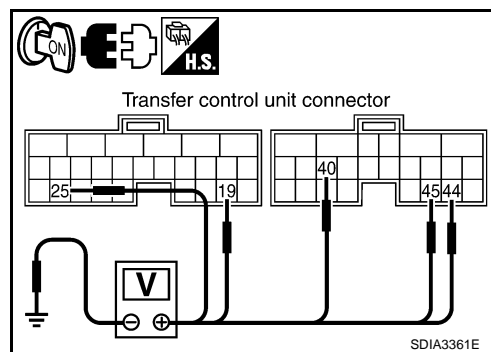
# P1801, P1811 POWER SUPPLY CIRCUIT FOR TRANSFER CONTROL UNIT

< COMPONENT DIAGNOSIS >

[TRANSFER: TX15B]

4. Turn ignition switch "ON". (Do not start engine.)
5. Check voltage between transfer control unit harness connector terminals and ground.

Connector	Terminal	Voltage (Approx.)
M165	19 - Ground	Battery voltage
	25 - Ground	
M166	40 - Ground	
	44 - Ground	
	45 - Ground	



Is there voltage?

YES >> GO TO 2.

NO >> Check the following. If any items are damaged, repair or replace damaged parts.

- 40A fuse (No. j, located in the fuse and fusible link box).
- 10A fuses (No. 21, located in the fuse block (J/B) and Nos. 60 and 61 located in the fuse and relay box).
- Harness for short or open between battery and transfer control unit harness connector M165 terminal 19.
- Harness for short or open between battery and transfer shut off relay 2 harness connector E157 terminal 1 and 3.
- Harness for short or open between battery and transfer shut off relay 1 harness connector E156 terminal 3.
- Harness for short or open between ignition switch and transfer control unit harness connector M165 terminal 25.
- Harness for short or open between ignition switch and transfer shut off relay 1 harness connector E156 terminal 1.
- Harness for short or open between transfer shut off relay 2 harness connector E157 terminal 5 and transfer control unit harness connector M166 terminals 44, 45.
- Harness for short or open between transfer shut off relay 1 harness connector E156 terminal 5 and transfer control unit harness connector M166 terminals 44, 45.
- Harness for short or open between transfer shut off relay 2 harness connector E157 terminal 2 and transfer control unit harness connector M166 terminal 40.
- Harness for open between transfer shut off relay 1 harness connector E156 terminal 2 and ground.
- Battery and ignition switch.
- Transfer shut off relay 1, 2. Refer to [DLN-204, "Component Inspection"](#).

## 2.CHECK GROUND CIRCUIT

1. Turn ignition switch "OFF".
2. Disconnect transfer control unit harness connector.
3. Check continuity between transfer control unit harness connector M165 terminals 6 and 18, and M166 terminal 32 and ground.

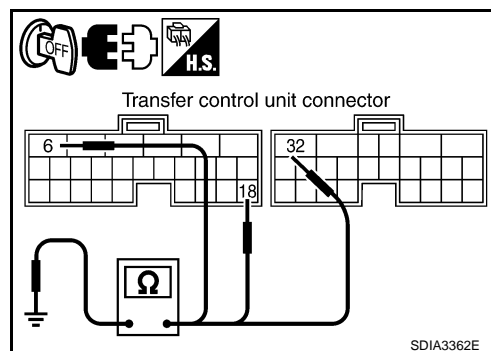
**Continuity should exist.**

Also check harness for short to power.

Do you have continuity?

YES >> GO TO 3.

NO >> Repair open circuit or short to power in harness or connectors.



## 3.CHECK TRANSFER CONTROL UNIT

Check transfer control unit input/output signal. Refer to [DLN-233, "Reference Value"](#).

Are the inspection results normal?

YES >> GO TO 4.

# P1801, P1811 POWER SUPPLY CIRCUIT FOR TRANSFER CONTROL UNIT

< COMPONENT DIAGNOSIS >

[TRANSFER: TX15B]

NO >> Check transfer control unit pin terminals for damage or loose connection with harness connector.  
If any items are damaged, repair or replace damaged parts.

## 4.CHECK DTC

Drive vehicle and then perform Self-diagnosis.

Do DTC's P1801 or P1811 display?

YES >> Replace transfer control unit. Refer to [DLN-271, "Removal and Installation"](#).

NO >> Inspection End.

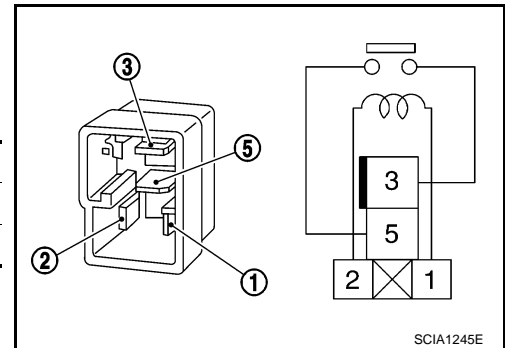
## Component Inspection

INFOID:000000003937326

1. Turn ignition switch "OFF". (Stay for at least 5 seconds.)
2. Remove transfer shut off relay 1 and transfer shut off relay 2. Refer to [DLN-194, "Component Parts Location"](#).
3. Apply 12V direct current between transfer shut off relay terminals 1 and 2.
4. Check continuity between relay terminals 3 and 5.

Condition	Continuity
12V direct current supply between terminals 1 and 2	Yes
OFF	No

5. If inspection results are not normal, replace the transfer shut off relay 1 or 2.



# P1802 – P1804, P1809 TRANSFER CONTROL UNIT

< COMPONENT DIAGNOSIS >

[TRANSFER: TX15B]

## P1802 – P1804, P1809 TRANSFER CONTROL UNIT

### Description

INFOID:000000003937327

The transfer control unit controls the transfer control device which controls shifts between 4H and 4LO and between 2WD and 4WD. A DTC may set when any of the following occur:

- Malfunction is detected in the memory (RAM) system of transfer control unit.
- Malfunction is detected in the memory (ROM) system of transfer control unit.
- Malfunction is detected in the memory (EEPROM) system of transfer control unit.
- AD converter system of transfer control unit is malfunctioning.

### DTC Logic

INFOID:000000003937328

### DTC DETECTION LOGIC

DTC	CONSULT-III	Diagnostic item is detected when...	Reference
[P1802]	CONTROL UNIT 1	Malfunction is detected in the memory (RAM) system of transfer control unit.	<a href="#">DLN-205</a>
[P1803]	CONTROL UNIT 2	Malfunction is detected in the memory (ROM) system of transfer control unit.	
[P1804]	CONTROL UNIT 3	Malfunction is detected in the memory (EEPROM) system of transfer control unit.	
[P1809]	CONTROL UNIT 4	AD converter system of transfer control unit is malfunctioning.	

### DTC CONFIRMATION PROCEDURE

#### 1. DTC CONFIRMATION PROCEDURE

1. Turn ignition switch ON.
2. Perform self-diagnosis.

Are DTC's "P1802 - P1804 or P1809 detected?"

- YES >> Perform diagnosis procedure. Refer to [DLN-205, "Diagnosis Procedure"](#).  
NO >> Inspection End.

### Diagnosis Procedure

INFOID:000000003937329

#### 1. INSPECTION START

Do you have CONSULT-III?

YES or NO

- YES >> GO TO 2.  
NO >> GO TO 3.

#### 2. PERFORM SELF-DIAGNOSIS (WITH CONSULT-III)

1. Turn ignition switch "ON".
2. Select "SELF-DIAG RESULTS" mode for "ALL MODE AWD/4WD" with CONSULT-III.
3. Touch "ERASE".
4. Turn ignition switch "OFF" and wait at least 10 seconds.
5. Perform the self-diagnosis again.

Is the "CONTROL UNIT 1 [P1802]", "CONTROL UNIT 2 [P1803]", "CONTROL UNIT 3 [P1804]" or CONTROL UNIT 4 [P1809]" displayed?

- YES >> Replace transfer control unit. Refer to [DLN-271, "Removal and Installation"](#).  
NO >> Inspection End.

#### 3. PERFORM SELF-DIAGNOSIS (WITHOUT CONSULT-III)

1. Perform the self-diagnosis and then erase self-diagnostic results. Refer to [DLN-198, "CONSULT-III Function \(ALL MODE AWD/4WD\)"](#).
2. Perform the self-diagnosis again.

## P1802 – P1804, P1809 TRANSFER CONTROL UNIT

< COMPONENT DIAGNOSIS >

[TRANSFER: TX15B]

---

Do the self-diagnostic results indicate AD converter?

- YES >> Replace transfer control unit. Refer to [DLN-271, "Removal and Installation"](#).
- NO >> Inspection End.

# P1807 VEHICLE SPEED SENSOR (A/T)

< COMPONENT DIAGNOSIS >

[TRANSFER: TX15B]

## P1807 VEHICLE SPEED SENSOR (A/T)

### Description

INFOID:000000003937330

The transmission control module (TCM) transmits the output shaft revolution signal via CAN communication to Transfer control unit. DTC P1807 will set when a malfunction is detected in the output shaft revolution signal or an improper signal is input while driving.

### DTC Logic

INFOID:000000003937331

### DTC DETECTION LOGIC

DTC	CONSULT-III	Diagnostic item is detected when...	Reference
[P1807]	VHCL SPEED SEN-AT	<ul style="list-style-type: none"><li>Malfunction is detected in output shaft revolution signal that is output from TCM through CAN communication.</li><li>Improper signal is input while driving.</li></ul>	<a href="#">DLN-207</a>

### DTC CONFIRMATION PROCEDURE

#### 1. DTC CONFIRMATION PROCEDURE

1. Turn ignition switch ON.
2. Perform self-diagnosis.

#### Is DTC P1807 detected?

- YES >> Perform diagnosis procedure. Refer to [DLN-207](#). "Diagnosis Procedure".  
NO >> Inspection End.

### Diagnosis Procedure

INFOID:000000003937332

#### 1. CHECK DTC WITH TCM

Perform self-diagnosis with TCM. Refer to [TM-36](#). "CONSULT-III Function (TRANSMISSION)".

#### Is any malfunction detected by self-diagnosis?

- YES >> Check the malfunctioning system.  
NO >> GO TO 2.

#### 2. CHECK TRANSFER CONTROL UNIT

Check transfer control unit input/output signal. Refer to [DLN-233](#). "Reference Value".

#### Are the inspection results normal?

- YES >> GO TO 3.  
NO >> Check transfer control unit pin terminals for damage or loose connection with harness connector.  
If any items are damaged, repair or replace damaged parts.

#### 3. CHECK DTC

Drive vehicle and then perform Self-diagnosis.

#### Is DTC P1807 displayed?

- YES >> Perform self-diagnosis with TCM again.  
NO >> Inspection End.

# P1808 VEHICLE SPEED SENSOR (ABS)

< COMPONENT DIAGNOSIS >

[TRANSFER: TX15B]

## P1808 VEHICLE SPEED SENSOR (ABS)

### Description

INFOID:000000003937333

The ABS actuator and electric unit (control unit) transmits a vehicle speed signal via CAN communication to the transfer control unit. DTC P1808 sets when a malfunction is detected in the vehicle speed signal that is output from the ABS actuator and electric unit (control unit) or an improper signal is input while driving.

### DTC Logic

INFOID:000000003937334

### DTC DETECTION LOGIC

DTC	CONSULT-III	Diagnostic item is detected when...	Reference
[P1808]	VHCL SPEED SEN-ABS	<ul style="list-style-type: none"><li>Malfunction is detected in vehicle speed signal that is output from ABS actuator and electric unit (control unit) through CAN communication.</li><li>Improper signal is input while driving.</li></ul>	<a href="#">DLN-208</a>

### DTC CONFIRMATION PROCEDURE

#### 1. DTC CONFIRMATION PROCEDURE

1. Turn ignition switch ON.
2. Perform self-diagnosis.

Is DTC "P1808 displayed?"

- YES >> Perform diagnosis procedure. Refer to [DLN-208, "Diagnosis Procedure"](#).  
NO >> Inspection End.

### Diagnosis Procedure

INFOID:000000003937335

#### 1. CHECK DTC WITH ABS ACTUATOR AND ELECTRIC UNIT (CONTROL UNIT)

Perform self-diagnosis with ABS actuator and electric unit (control unit) for specific BRC system type.

Is any malfunction detected by self-diagnosis?

- YES >> Check the malfunctioning system.  
NO >> GO TO 2.

#### 2. CHECK TRANSFER CONTROL UNIT

Check transfer control unit input/output signal. Refer to [DLN-233, "Reference Value"](#).

Are the inspection results normal?

- YES >> GO TO 3.  
NO >> Check transfer control unit pin terminals for damage or loose connection with harness connector.  
If any items are damaged, repair or replace damaged parts.

#### 3. CHECK DTC

Drive vehicle and then perform Self-diagnosis.

Is DTC P1808 displayed?

- YES >> Perform self-diagnosis with ABS actuator and electric unit (control unit) for specific BRC system type.  
NO >> Inspection End.



# P1810 4 LO SWITCH

< COMPONENT DIAGNOSIS >

[TRANSFER: TX15B]

## P1810 4 LO SWITCH

### Description

INFOID:000000003937336

The 4LO switch detects that the transfer case is in 4LO range. DTC P1810 will set when an improper signal from the 4LO switch is input due to an open or short circuit.

### DTC Logic

INFOID:000000003937337

### DTC DETECTION LOGIC

DTC	CONSULT-III	Diagnostic item is detected when...	Reference
[P1810]	4L POSI SW TF	Improper signal from 4LO switch is input due to open or short circuit.	<a href="#">DLN-209</a>

### DTC CONFIRMATION PROCEDURE

#### 1. DTC CONFIRMATION PROCEDURE

1. Turn ignition switch ON.
2. Perform self-diagnosis.

#### Is DTC P1810 displayed?

- YES >> Perform diagnosis procedure. Refer to [DLN-209, "Diagnosis Procedure"](#).  
 NO >> Inspection End.

### Diagnosis Procedure

INFOID:000000003937338

#### 1. CHECK 4LO POSITION SWITCH SIGNAL

##### With CONSULT-III

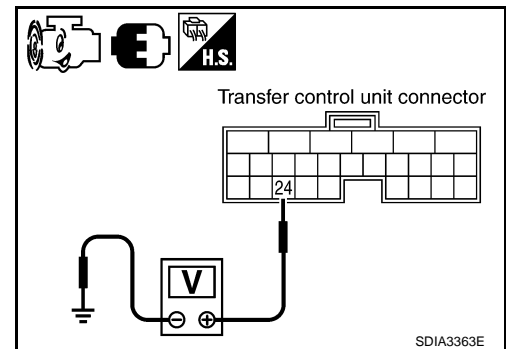
1. Start engine.
2. Select "DATA MONITOR" mode for "ALL MODE AWD/4WD" with CONSULT-III.
3. Read out the value of "4L POSI SW".

Condition	Display value
<ul style="list-style-type: none"> <li>• Vehicle stopped</li> <li>• Engine running</li> <li>• A/T selector lever "N" position</li> <li>• Brake pedal depressed</li> </ul>	4WD shift switch: 4LO ON
Except the above	OFF

##### Without CONSULT-III

1. Start engine.
2. Check voltage between transfer control unit harness connector terminal and ground.

Connector	Terminal	Condition	Voltage (Approx.)
M165	24 - Ground	<ul style="list-style-type: none"> <li>• Vehicle stopped</li> <li>• Engine running</li> <li>• A/T selector lever "N" position</li> <li>• Brake pedal depressed</li> </ul>	4WD shift switch: 4LO 0V
		Except the above	Battery voltage



#### Are the inspection results normal?

- YES >> GO TO 5.  
 NO >> GO TO 2.

#### 2. CHECK HARNESS BETWEEN TRANSFER CONTROL UNIT AND 4LO SWITCH

1. Turn ignition switch "OFF". (Stay for at least 5 seconds.)

# P1810 4 LO SWITCH

[TRANSFER: TX15B]

## < COMPONENT DIAGNOSIS >

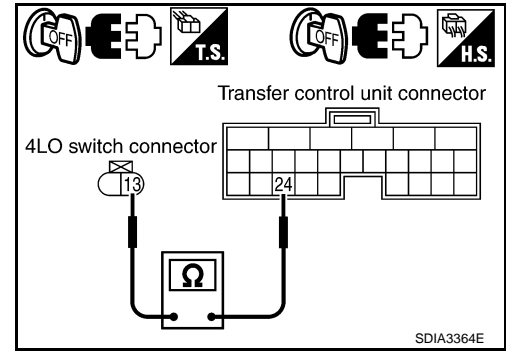
- Disconnect transfer control unit harness connector and the 4LO switch harness connector.
- Check continuity between transfer control unit harness connector M165 terminal 24 and 4LO switch harness connector F74 terminal 13.

**Continuity should exist.**

Also check harness for short to ground and short to power.

Is there continuity?

- YES >> GO TO 3.  
NO >> Repair or replace damaged parts.



## 3.CHECK GROUND CIRCUIT

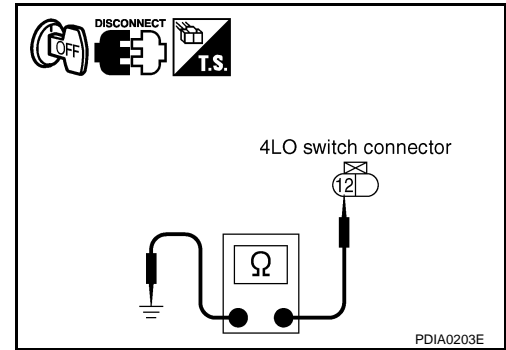
- Turn ignition switch "OFF". (Stay for at least 5 seconds.)
- Disconnect 4LO switch harness connector.
- Check continuity between 4LO switch harness connector F74 terminal 12 and ground.

**Continuity should exist.**

Also check harness for short to power.

Is there continuity?

- YES >> GO TO 4.  
NO >> Repair open circuit or short to power in harness or connectors.



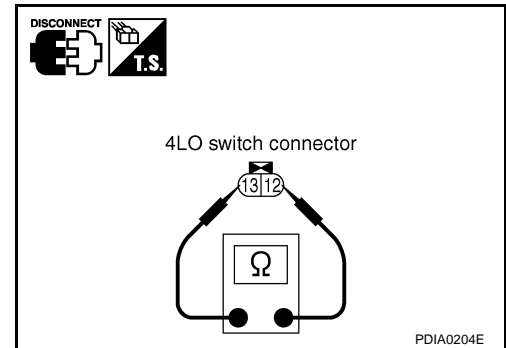
## 4.CHECK 4LO SWITCH

- Turn ignition switch "OFF". (Stay for at least 5 seconds.)
- Disconnect 4LO switch harness connector.
- Remove 4LO switch. Refer to [DLN-194. "Component Parts Location"](#).
- Push and release 4LO switch and check continuity between 4LO switch terminals 12 and 13.

Terminal	Condition	Continuity
12 - 13	Push 4LO switch	Yes
	Release 4LO switch	No

Are the inspection results normal?

- YES >> GO TO 5.  
NO >> Replace 4LO switch.



## 5.CHECK TRANSFER CONTROL UNIT

Check transfer control unit input/output signal. Refer to [DLN-233. "Reference Value"](#).

Are the inspection results normal?

- YES >> GO TO 6.  
NO >> Check transfer control unit pin terminals for damage or loose connection with harness connector.  
If any items are damaged, repair or replace damaged parts.

## 6.CHECK DTC

Drive the vehicle and then perform self-diagnosis.

Is DTC P1810 displayed?

- YES >> Replace transfer control unit. Refer to [DLN-271. "Removal and Installation"](#).  
NO >> Inspection End.

# P1810 4 LO SWITCH

< COMPONENT DIAGNOSIS >

[TRANSFER: TX15B]

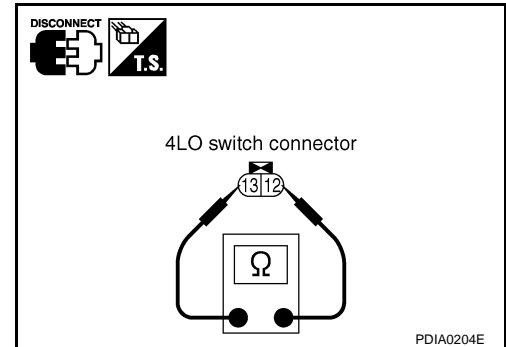
## Component Inspection

INFOID:000000003937339

1. Turn ignition switch "OFF". (Stay for at least 5 seconds.)
2. Disconnect 4LO switch harness connector.
3. Remove 4LO switch. Refer to [DLN-194, "Component Parts Location"](#).
4. Push and release 4LO switch and check continuity between 4LO switch terminals 12 and 13.

Terminal	Condition	Continuity
12 - 13	Push 4LO switch	Yes
	Release 4LO switch	No

5. If the inspection results are not normal replace the 4LO switch.



A  
B  
C  
DLN  
E  
F  
G  
H  
I  
J  
K  
L  
M  
N  
O  
P

# P1813 4WD SHIFT SWITCH

< COMPONENT DIAGNOSIS >

[TRANSFER: TX15B]

## P1813 4WD SHIFT SWITCH

### Description

INFOID:000000003937340

The 4WD shift switch allows the driver to select 2WD or 4WD and 4H or 4LO. DTC P1813 will set if more than two switch inputs are simultaneously detected by the transfer control unit due to a short circuit in the 4WD shift switch.

### DTC Logic

INFOID:000000003937341

### DTC DETECTION LOGIC

DTC	CONSULT-III	Diagnostic item is detected when...	Reference
[P1813]	4WD MODE SW	More than two switch inputs are simultaneously detected due to short circuit of 4WD shift switch.	<a href="#">DLN-212</a>

### DTC CONFIRMATION PROCEDURE

#### 1. DTC CONFIRMATION PROCEDURE

1. Turn ignition switch ON.
2. Perform self-diagnosis.

Is DTC P1813 displayed?

- YES >> Perform diagnosis procedure. Refer to [DLN-212. "Diagnosis Procedure"](#).  
 NO >> Inspection End.

### Diagnosis Procedure

INFOID:000000003937342

#### 1. CHECK 4WD SHIFT SWITCH SIGNAL

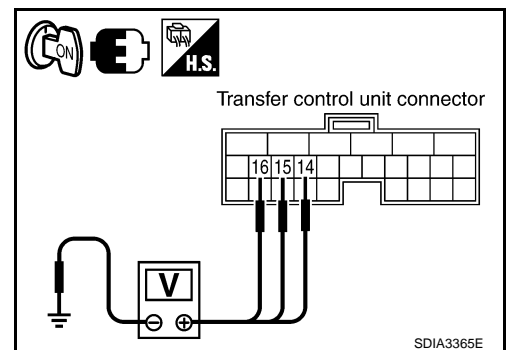
##### With CONSULT-III

1. Turn ignition switch "ON".
2. Select "DATA MONITOR" mode for "ALL MODE AWD/4WD" with CONSULT-III.
3. Read out ON/OFF switching action of the "2WD SWITCH", "4H SWITCH", "4L SWITCH" with operating 4WD shift switch.

##### Without CONSULT-III

1. Turn ignition switch "ON".
2. Check voltage between transfer control unit harness connector terminals and ground.

Connector	Terminal	Condition	Voltage (Approx.)
M165	14 - Ground	4WD shift switch: 2WD	Battery voltage
		4WD shift switch: 4H and 4LO	0V
	15 - Ground	4WD shift switch: 4H	Battery voltage
		4WD shift switch: 2WD and 4LO	0V
	16 - Ground	4WD shift switch: 4LO	Battery voltage
		4WD shift switch: 2WD and 4H	0V



Are the inspection results normal?

- YES >> GO TO 5.  
 NO >> GO TO 2.

#### 2. CHECK 4WD SHIFT SWITCH POWER SUPPLY CIRCUIT

1. Turn ignition switch "OFF". (Stay for at least 5 seconds.)

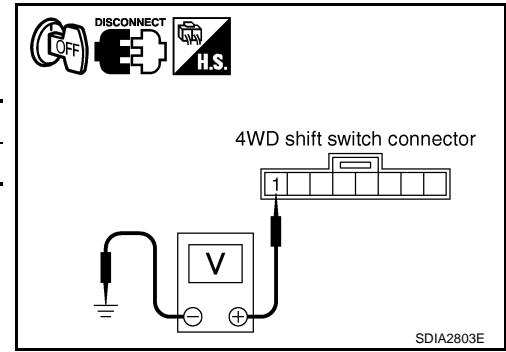
# P1813 4WD SHIFT SWITCH

[TRANSFER: TX15B]

## < COMPONENT DIAGNOSIS >

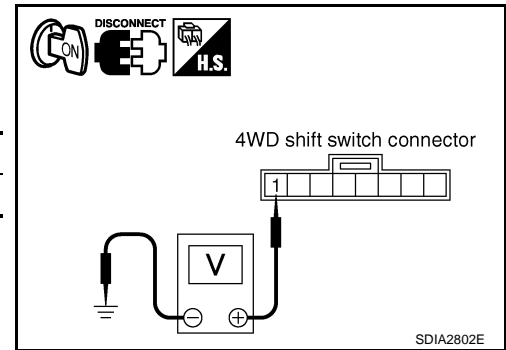
- Disconnect 4WD shift switch harness connector.
- Check voltage between 4WD shift switch harness connector terminal 1 and ground.

Connector	Terminal	Voltage (Approx.)
M138	1 - Ground	0V



- Turn ignition switch "ON". (Do not start engine.)
- Check voltage between 4WD shift switch harness connector terminal 1 and ground.

Connector	Terminal	Voltage (Approx.)
M138	1 - Ground	Battery voltage



### Is there voltage?

YES >> GO TO 3.

NO >> 1. Check harness for short or open between 4WD shift switch harness connector terminal 1 and transfer shut off relay 2 harness connector E157 terminal 5 and 10A fuse (No. 61 located in the fuse block). If any items are damaged, repair or replace damaged parts.

2. Perform trouble diagnosis for power supply circuit. Refer to [DLN-202. "Diagnosis Procedure"](#).

## 3. CHECK HARNESS BETWEEN 4WD SHIFT SWITCH AND TRANSFER CONTROL UNIT

- Turn ignition switch "OFF". (Stay for at least 5 seconds.)
- Disconnect transfer control unit harness connector and the 4WD shift switch harness connector.
- Check continuity between the following terminals.
  - Transfer control unit harness connector M165 terminal 14 and 4WD shift switch harness connector M138 terminal 3.
  - Transfer control unit harness connector M165 terminal 15 and 4WD shift switch harness connector M138 terminal 5.
  - Transfer control unit harness connector M165 terminal 16 and 4WD shift switch harness connector M138 terminal 6.

**Continuity should exist.**

Also check harness for short to ground and short to power.

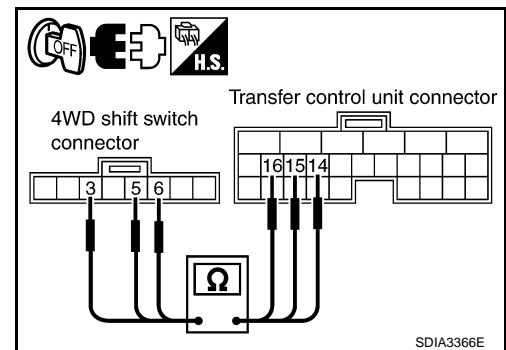
### Is there continuity?

YES >> GO TO 4.

NO >> Repair or replace damaged parts.

## 4. CHECK 4WD SHIFT SWITCH

- Turn ignition switch "OFF". (Stay for at least 5 seconds.)
- Remove 4WD shift switch harness connector.



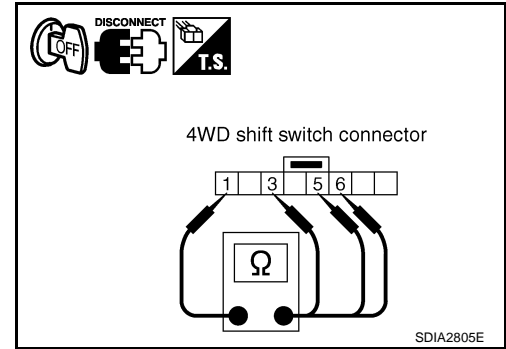
# P1813 4WD SHIFT SWITCH

[TRANSFER: TX15B]

## < COMPONENT DIAGNOSIS >

- Operate 4WD shift switch and check continuity between 4WD shift switch terminals.

Terminal	Condition	Continuity
1 - 3	4WD shift switch: 2WD	Yes
	4WD shift switch: 4H and 4LO	No
1 - 5	4WD shift switch: 4H	Yes
	4WD shift switch: 2WD and 4LO	No
1 - 6	4WD shift switch: 4LO	Yes
	4WD shift switch: 2WD and 4H	No



Are the inspection results normal?

- YES >> GO TO 5.
- NO >> Replace 4WD shift switch.

## 5.CHECK TRANSFER CONTROL UNIT

Check transfer control unit input/output signal. Refer to [DLN-233, "Reference Value"](#).

Are the inspection results normal?

- YES >> GO TO 6.
- NO >> Check transfer control unit pin terminals for damage or loose connection with harness connector. If any items are damaged, repair or replace damaged parts.

## 6.CHECK DTC

Drive the vehicle and then perform self-diagnosis.

Is DTC P1813 displayed?

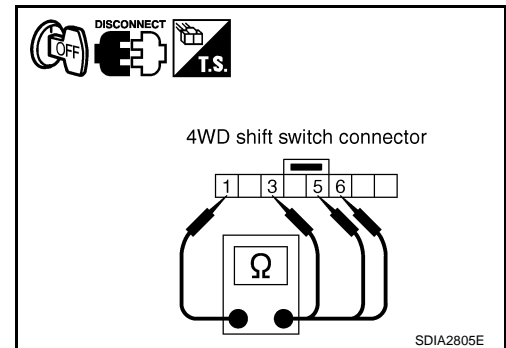
- YES >> Replace transfer control unit. Refer to [DLN-271, "Removal and Installation"](#).
- NO >> Inspection End.

## Component Inspection

INFOID:000000003937343

- Turn ignition switch "OFF". (Stay for at least 5 seconds.)
- Remove 4WD shift switch harness connector.
- Operate 4WD shift switch and check continuity between 4WD shift switch terminals.

Terminal	Condition	Continuity
1 - 3	4WD shift switch: 2WD	Yes
	4WD shift switch: 4H and 4LO	No
1 - 5	4WD shift switch: 4H	Yes
	4WD shift switch: 2WD and 4LO	No
1 - 6	4WD shift switch: 4LO	Yes
	4WD shift switch: 2WD and 4H	No



- If the inspection results are abnormal replace the 4WD shift switch.

# P1814 WAIT DETECTION SWITCH

< COMPONENT DIAGNOSIS >

[TRANSFER: TX15B]

## P1814 WAIT DETECTION SWITCH

### Description

INFOID:000000003937344

The wait detection switch detects if the transfer case is in 4WD. DTC P1814 will set if an improper signal from the wait detection switch is input due to open or short circuit.

### DTC Logic

INFOID:000000003937345

### DTC DETECTION LOGIC

DTC	CONSULT-III	Diagnostic item is detected when...	Reference
[P1814]	4WD DETECT SWITCH	Improper signal from wait detection switch is input due to open or short circuit.	<a href="#">DLN-215</a>

### DTC CONFIRMATION PROCEDURE

#### 1. DTC CONFIRMATION PROCEDURE

1. Turn ignition switch ON.
2. Perform self-diagnosis.

#### Is DTC P1814 detected?

- YES >> Perform diagnosis procedure. Refer to [DLN-215, "Diagnosis Procedure"](#).  
 NO >> Inspection End.

### Diagnosis Procedure

INFOID:000000003937346

#### 1. CHECK WAIT DETECTION SWITCH SIGNAL

##### With CONSULT-III

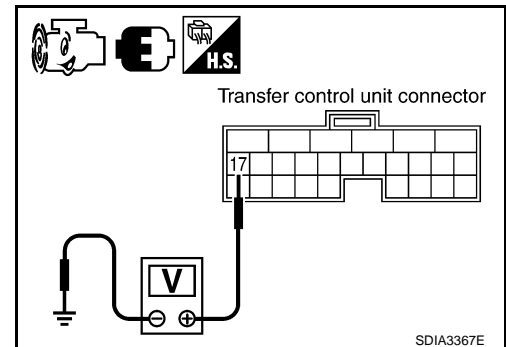
1. Start engine.
2. Select "DATA MONITOR" mode for "ALL MODE AWD/4WD" with CONSULT-III.
3. Read out the value of "WAIT DETCT SW".

Condition		Display value
<ul style="list-style-type: none"> <li>• Vehicle stopped</li> <li>• Engine running</li> <li>• A/T selector lever "N" position</li> <li>• Brake pedal depressed</li> </ul>	4WD shift switch: 4H and 4LO	ON
	4WD shift switch: 2WD	OFF

##### Without CONSULT-III

1. Start engine.
2. Check voltage between transfer control unit harness connector terminal and ground.

Connector	Terminal	Condition		Voltage (Approx.)
M165	17 - Ground	<ul style="list-style-type: none"> <li>• Vehicle stopped</li> <li>• Engine running</li> </ul>	4WD shift switch : 4H and 4LO	0V
		<ul style="list-style-type: none"> <li>• A/T selector lever "N" position</li> <li>• Brake pedal depressed</li> </ul>	4WD shift switch: 2WD	Battery voltage



#### Are the inspection results normal?

- YES >> GO TO 5.  
 NO >> GO TO 2.

#### 2. CHECK HARNESS BETWEEN TRANSFER CONTROL UNIT AND WAIT DETECTION SWITCH

# P1814 WAIT DETECTION SWITCH

## < COMPONENT DIAGNOSIS >

[TRANSFER: TX15B]

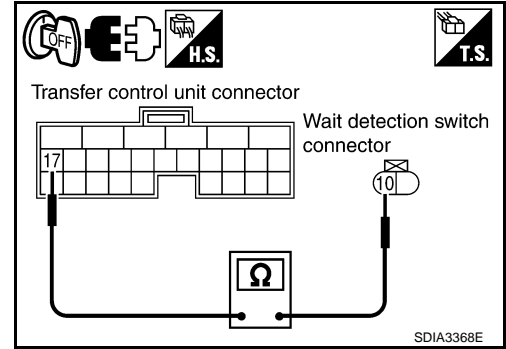
1. Turn ignition switch "OFF". (Stay for at least 5 seconds.)
2. Disconnect transfer control unit harness connector and the wait detection switch harness connector.
3. Check continuity between transfer control unit harness connector M165 terminal 17 and wait detection switch harness connector F73 terminal 10.

**Continuity should exist.**

Also check harness for short to ground and short to power.

Is there continuity?

- YES >> GO TO 3.  
NO >> Repair or replace damaged parts.



### 3.CHECK GROUND CIRCUIT

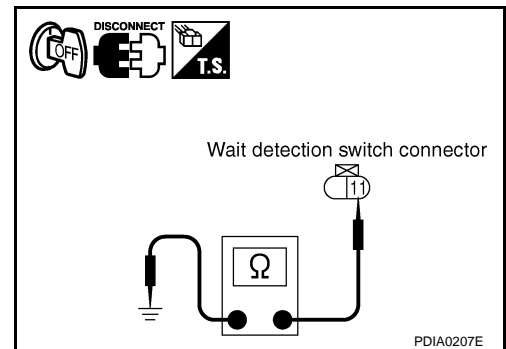
1. Turn ignition switch "OFF". (Stay for at least 5 seconds.)
2. Disconnect wait detection switch harness connector.
3. Check continuity between wait detection switch harness connector F73 terminal 11 and ground.

**Continuity should exist.**

Also check harness for short to power.

Is there continuity?

- YES >> GO TO 4.  
NO >> Repair open circuit or short to power in harness or connectors.



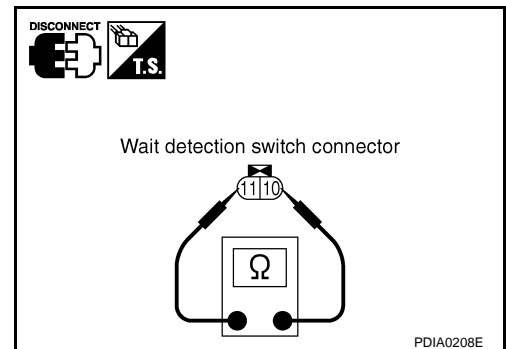
### 4.CHECK WAIT DETECTION SWITCH

1. Turn ignition switch "OFF". (Stay for at least 5 seconds.)
2. Disconnect wait detection switch harness connector.
3. Remove wait detection switch. Refer to [DLN-194, "Component Parts Location"](#).
4. Push and release wait detection switch and check continuity between wait detection switch terminals 10 and 11.

Terminal	Condition	Continuity
10 - 11	Push wait detection switch	Yes
	Release wait detection switch	No

Are the inspection results normal?

- YES >> GO TO 5.  
NO >> Replace wait detection switch.



### 5.CHECK TRANSFER CONTROL UNIT

Check transfer control unit input/output signal. Refer to [DLN-233, "Reference Value"](#).

Are the inspection results normal?

- YES >> GO TO 6.  
NO >> Check transfer control unit pin terminals for damage or loose connection with harness connector.  
If any items are damaged, repair or replace damaged parts.

### 6.CHECK DTC

Drive the vehicle and then perform self-diagnosis.

Is DTC P1814 displayed?

- YES >> Replace transfer control unit. Refer to [DLN-271, "Removal and Installation"](#).  
NO >> Inspection End.



# P1814 WAIT DETECTION SWITCH

< COMPONENT DIAGNOSIS >

[TRANSFER: TX15B]

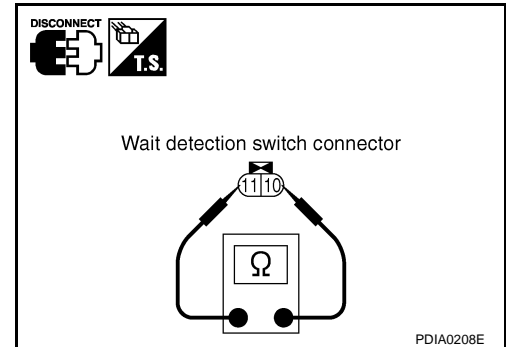
## Component Inspection

INFOID:000000003937347

1. Turn ignition switch "OFF". (Stay for at least 5 seconds.)
2. Disconnect wait detection switch harness connector.
3. Remove wait detection switch. Refer to [DLN-194, "Component Parts Location"](#).
4. Push and release wait detection switch and check continuity between wait detection switch terminals 10 and 11.

Terminal	Condition	Continuity
10 - 11	Push wait detection switch	Yes
	Release wait detection switch	No

5. If the inspection results are abnormal replace the wait detection switch.



A  
B  
C  
DLN  
E  
F  
G  
H  
I  
J  
K  
L  
M  
N  
O  
P

# P1816 PNP SWITCH

< COMPONENT DIAGNOSIS >

[TRANSFER: TX15B]

## P1816 PNP SWITCH

### Description

INFOID:000000003937348

The A/T PNP switch transmits the A/T position indicator signal (PNP switch signal) via CAN communication to the transfer control unit. DTC P1816 will set when the A/T PNP switch signal is malfunctioning or there is a communication error.

### DTC Logic

INFOID:000000003937349

### DTC DETECTION LOGIC

DTC	CONSULT-III	Diagnostic item is detected when...	Reference
[P1816]	PNP SW/CIRC	When A/T PNP switch signal is malfunction or communication error between the vehicles.	<a href="#">DLN-218</a>

### DTC CONFIRMATION PROCEDURE

#### 1. DTC CONFIRMATION PROCEDURE

1. Turn ignition switch ON.
2. Perform self-diagnosis.

Is DTC P1816 displayed?

- YES >> Perform diagnosis procedure. Refer to [DLN-218, "Diagnosis Procedure"](#).  
NO >> Inspection End.

### Diagnosis Procedure

INFOID:000000003937350

#### 1. CHECK DTC WITH TCM

Perform self-diagnosis with TCM. Refer to [TM-36, "CONSULT-III Function \(TRANSMISSION\)"](#).

Is any malfunction detected by self-diagnosis?

- YES >> Check the malfunctioning system.  
NO >> GO TO 2.

#### 2. CHECK TRANSFER CONTROL UNIT

Check transfer control unit input/output signal. Refer to [DLN-233, "Reference Value"](#).

Is the inspection result normal?

- YES >> GO TO 3.  
NO >> Check transfer control unit pin terminals for damage or loose connection with harness connector.  
If any items are damaged, repair or replace damaged parts.

#### 3. CHECK DTC

Drive the vehicle and then perform self-diagnosis.

Is DTC P1816 displayed?

- YES >> Perform self-diagnosis with TCM again.  
NO >> Inspection End.

# P1817 ACTUATOR MOTOR

< COMPONENT DIAGNOSIS >

[TRANSFER: TX15B]

## P1817 ACTUATOR MOTOR

### Description

INFOID:000000003937351

The actuator motor receives signals from the transfer control unit and controls shift rods which shift the transfer case. DTC P1817 will set when any of the following occur:

- Motor does not operate properly due to open or short circuit in actuator motor.
- Malfunction is detected in the actuator motor. (When 4WD shift switch is operated and actuator motor does not operate)
- Malfunction is detected in transfer shift high relay or transfer shift low relay.

### DTC Logic

INFOID:000000003937352

### DTC DETECTION LOGIC

DTC	CONSULT-III	Diagnostic item is detected when...	Reference
[P1817]	SHIFT ACTUATOR	<ul style="list-style-type: none"><li>• Motor does not operate properly due to open or short circuit in actuator motor.</li><li>• Malfunction is detected in the actuator motor. (When 4WD shift switch is operated and actuator motor is not operated)</li><li>• Malfunction is detected in transfer shift high relay or transfer shift low relay.</li></ul>	<a href="#">DLN-219</a>

### DTC CONFIRMATION PROCEDURE

#### 1. DTC CONFIRMATION PROCEDURE

1. Turn ignition switch ON.
2. Perform self-diagnosis.

#### Is DTC P1817 detected?

- YES >> Perform diagnosis procedure. Refer to [DLN-219, "Diagnosis Procedure"](#).  
NO >> Inspection End.

### Diagnosis Procedure

INFOID:000000003937353

#### 1. CHECK ACTUATOR MOTOR SIGNAL

##### With CONSULT-III

1. Start engine.
2. Select "DATA MONITOR" mode for "ALL MODE AWD/4WD" with CONSULT-III.
3. Read out the value of "SHIFT ACT1", "SHIFT AC MON1", "SHIFT ACT2", "SHIFT AC MON2".

# P1817 ACTUATOR MOTOR

< COMPONENT DIAGNOSIS >

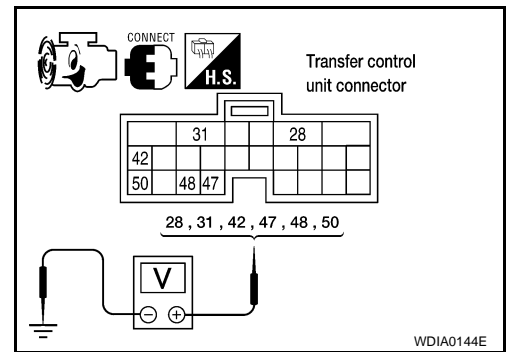
[TRANSFER: TX15B]

Monitored item	Condition	Display value
SHIFT ACT1	4WD shift switch: 2WD to 4H or 4H to 4LO or 2WD to 4LO	ON
	Except the above	OFF
SHIFT AC MON1	<ul style="list-style-type: none"> <li>• Vehicle stopped</li> <li>• Engine running</li> </ul> 4WD shift switch: 2WD to 4H or 4H to 4LO or 2WD to 4LO	ON
	Except the above	OFF
SHIFT ACT2	<ul style="list-style-type: none"> <li>• A/T selector lever "N" position</li> <li>• Brake pedal depressed</li> </ul> 4WD shift switch: 4LO to 4H or 4H to 2WD or 4LO to 2WD	ON
	Except the above	OFF
SHIFT AC MON2	4WD shift switch: 4LO to 4H or 4H to 2WD or 4LO to 2WD	ON
	Except the above	OFF

⊗ Without CONSULT-III

1. Start engine.
2. Depress brake pedal and stop vehicle.
3. Set A/T selector lever to "N" position.
4. Check voltage between transfer control unit harness connector terminal and ground.

Connector	Terminal	Condition	Voltage (Approx.)
M165	28 - Ground	When 4WD shift switch is operated (While actuator motor is operating.)	Battery voltage → 0V
		When 4WD shift switch is not operated	0V
	31 - Ground	Always	0V
M165	42 - Ground	<ul style="list-style-type: none"> <li>• Vehicle stopped</li> <li>• Engine running</li> </ul> 4WD shift switch: 2WD to 4H or 4H to 4LO or 2WD to 4LO	0V
		<ul style="list-style-type: none"> <li>• A/T selector lever "N" position</li> <li>• Brake pedal depressed</li> </ul> Except the above	Battery voltage
M165	47 - Ground	4WD shift switch: 2WD to 4H or 4H to 4LO or 2WD to 4LO	Battery voltage → 0V
		Except the above	0V
	48 - Ground	4WD shift switch: 4LO to 4H or 4H to 2WD or 4LO to 2WD	Battery voltage → 0V
		Except the above	0V
	50 - Ground	4WD shift switch: 4LO to 4H or 4H to 2WD or 4LO to 2WD	0V
Except the above		Battery voltage	



# P1817 ACTUATOR MOTOR

[TRANSFER: TX15B]

## < COMPONENT DIAGNOSIS >

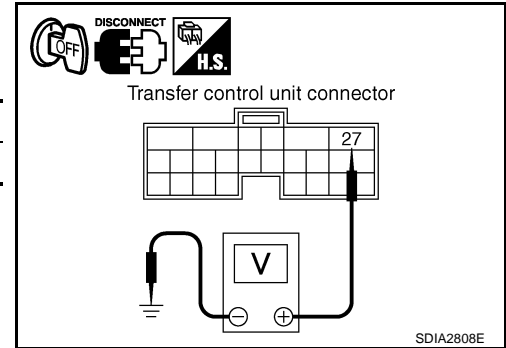
Are the inspection results normal?

- YES >> GO TO 9.
- NO >> GO TO 2.

### 2. CHECK ACTUATOR MOTOR POWER SUPPLY CIRCUIT

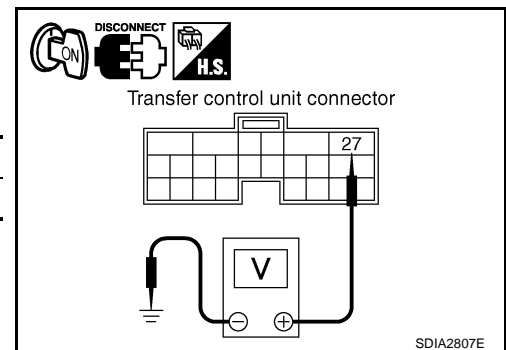
1. Turn ignition switch "OFF". (Stay for at least 5 seconds.)
2. Disconnect transfer control unit harness connector.
3. Check voltage between transfer control unit harness connector terminal 27 and ground.

Connector	Terminal	Voltage (Approx.)
M165	27 - Ground	0V



4. Turn ignition switch "ON".
5. Check voltage between transfer control unit harness connector terminal 27 and ground.

Connector	Terminal	Voltage (Approx.)
M165	27 - Ground	Battery voltage



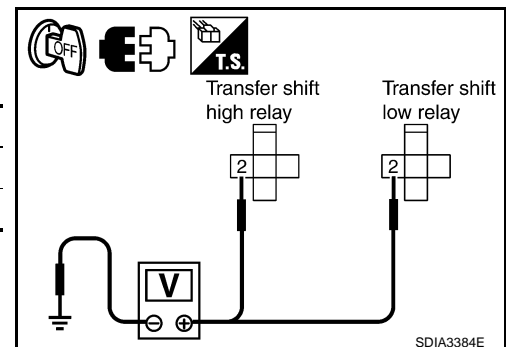
Are the inspection results normal?

- YES >> GO TO 3.
- NO >> 1. Check harness for short or open between transfer control unit harness connector M165 terminal 27 and transfer shut off relay 2 harness connector E157 terminal 5 and 10A fuse (No. 57, located in the fuse and relay block). If any items are damaged, repair or replace damaged parts.
- 2. Perform trouble diagnosis for power supply circuit. Refer to [DLN-202, "Diagnosis Procedure"](#).

### 3. CHECK TRANSFER RELAY POWER SUPPLY CIRCUIT

1. Turn ignition switch "OFF". (Stay for at least 5 seconds.)
2. Remove transfer shift high relay and transfer shift low relay. Refer to [DLN-194, "Component Parts Location"](#).
3. Check voltage between transfer control unit harness connector terminal and ground.

Connector	Terminal	Voltage (Approx.)
E44	2 - Ground	0V
E43	2 - Ground	0V



# P1817 ACTUATOR MOTOR

## < COMPONENT DIAGNOSIS >

[TRANSFER: TX15B]

- Turn ignition switch "ON". (Do not start engine.)
- Check voltage between transfer control unit harness connector terminal and ground.

Connector	Terminal	Voltage (Approx.)
E44	2 - Ground	Battery voltage
E43	2 - Ground	Battery voltage

Are the inspection results normal?

YES >> GO TO 4.

NO >> Check the following. If any items are damaged, repair or replace damaged parts.

- Harness for short or open between transfer control unit harness connector terminal 27 and transfer shift high relay harness connector E44 terminal 2.
- Harness for short or open between transfer control unit harness connector terminal 27 and transfer shift low relay harness connector terminal E43 terminal 2.

### 4. CHECK TRANSFER RELAY

- Turn ignition switch "OFF". (Stay for at least 5 seconds.)
- Remove transfer shift high relay and transfer shift low relay.
- Apply 12V direct current between transfer shift high and low relay terminals 1 and 2.
- Check continuity between relay terminals 3 and 4, 3 and 5.

Terminal	Condition	Continuity
3 - 4	12V direct current supply between terminals 1 and 2	No
	OFF	Yes
3 - 5	12V direct current supply between terminals 1 and 2	Yes
	OFF	No

Are the inspection results normal?

YES >> GO TO 5.

NO >> Replace the transfer shift high or low relay.

### 5. CHECK (1): HARNESS BETWEEN TRANSFER CONTROL UNIT AND TRANSFER SHIFT RELAY

- Turn ignition switch "OFF". (Stay for at least 5 seconds.)
- Disconnect transfer control unit harness connector.
- Remove transfer shift high relay and transfer shift low relay.
- Check continuity between the following terminals.
  - Transfer control unit harness connector M165 terminal 42 and transfer shift high relay harness connector E44 terminal 1.
  - Transfer control unit harness connector M165 terminal 50 and transfer shift low relay harness connector E43 terminal 1.

**Continuity should exist.**

Also check harness for short to ground and short to power.

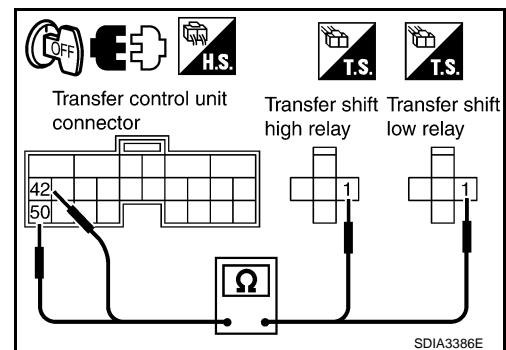
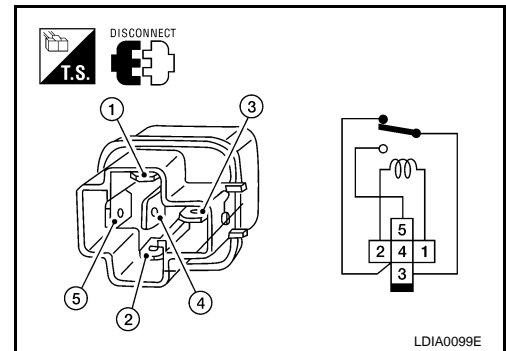
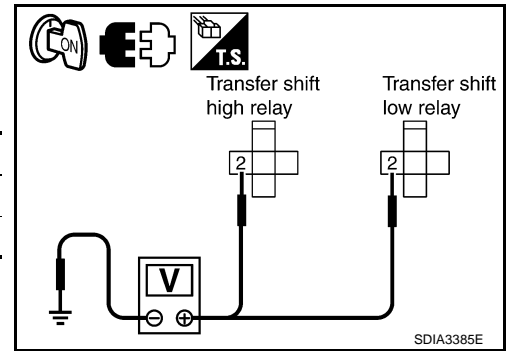
Is there continuity?

YES >> GO TO 6.

NO >> Repair or replace damaged parts.

### 6. CHECK (2): HARNESS BETWEEN TRANSFER CONTROL UNIT AND TRANSFER SHIFT RELAY

- Turn ignition switch "OFF". (Stay for at least 5 seconds.)
- Disconnect transfer control unit harness connector.
- Remove transfer shift high relay and transfer shift low relay.



# P1817 ACTUATOR MOTOR

## < COMPONENT DIAGNOSIS >

[TRANSFER: TX15B]

4. Check continuity between the following terminals.
  - Transfer control unit harness connector M165 terminal 28 and transfer shift high relay harness connector E44 terminal 5.
  - Transfer control unit harness connector M165 terminal 28 and transfer shift low relay harness connector E43 terminal 5.
  - Transfer control unit harness connector M165 terminal 31 and transfer shift high relay harness connector E44 terminal 4.
  - Transfer control unit harness connector M165 terminal 31 and transfer shift low relay harness connector E43 terminal 4.

**Continuity should exist.**

Also check harness for short to ground and short to power.

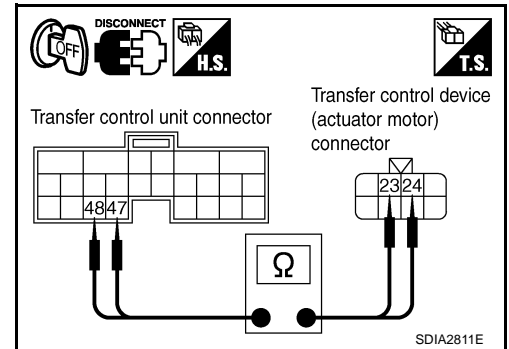
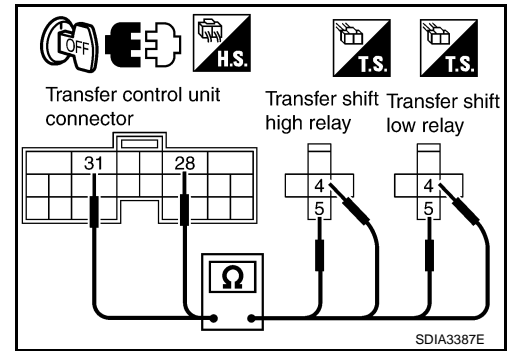
Is there continuity?

YES >> GO TO 7.

NO >> Repair or replace damaged parts.

## 7. CHECK ACTUATOR MOTOR OPERATION CIRCUIT

1. Turn ignition switch "OFF". (Stay for at least 5 seconds.)
2. Disconnect transfer control unit harness connector and the transfer control device (actuator motor) harness connector.
3. Check continuity between the following terminals.
  - Transfer control unit harness connector M165 terminal 47 and transfer control device (actuator motor) harness connector F72 terminal 23.
  - Transfer control unit harness connector M165 terminal 48 and transfer control device (actuator motor) harness connector F72 terminal 24.



- Transfer control device (actuator motor) harness connector F72 terminal 24 and transfer shift high relay harness connector E44 terminal 3.
- Transfer control device (actuator motor) harness connector F72 terminal 23 and transfer shift low relay harness connector E43 terminal 3.

**Continuity should exist.**

Also check harness for short to ground and short to power.

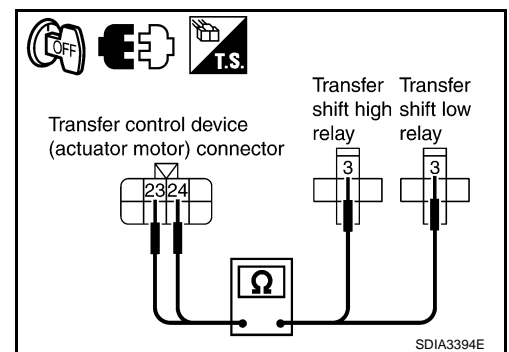
Is there continuity?

YES >> GO TO 8.

NO >> Repair or replace damaged parts.

## 8. CHECK ACTUATOR MOTOR

1. Remove transfer control device. Refer to [DLN-276, "Removal and Installation"](#).



# P1817 ACTUATOR MOTOR

[TRANSFER: TX15B]

## < COMPONENT DIAGNOSIS >

- Check operation by applying battery voltage to transfer control device (actuator motor) terminals 23 and 24.

**CAUTION:**

**Be careful not to overheat the harness.**

Terminal	Actuator motor
24 (Battery voltage) - 23 (Ground)	Clockwise rotate
23 (Battery voltage) - 24 (Ground)	Counterclockwise rotate

### Does actuator motor rotate?

YES >> GO TO 9.

NO >> Replace transfer control device (actuator motor).

## 9. CHECK TRANSFER CONTROL UNIT

Check transfer control unit input/output signal. Refer to [DLN-233, "Reference Value"](#).

### Are the inspection results normal?

YES >> GO TO 10.

NO >> Check transfer control unit pin terminals for damage or loose connection with harness connector.  
If any items are damaged, repair or replace damaged parts.

## 10. CHECK DTC

Perform the self-diagnosis, after driving a vehicle for a while.

### Is DTC P1817 displayed?

YES >> Replace transfer control unit. Refer to [DLN-271, "Removal and Installation"](#).

NO >> Inspection End.

## Component Inspection

INFOID:000000003937354

### ACTUATOR MOTOR

- Remove transfer control device. Refer to [DLN-276, "Removal and Installation"](#).
- Check operation by applying battery voltage to transfer control device (actuator motor) terminals 23 and 24.

**CAUTION:**

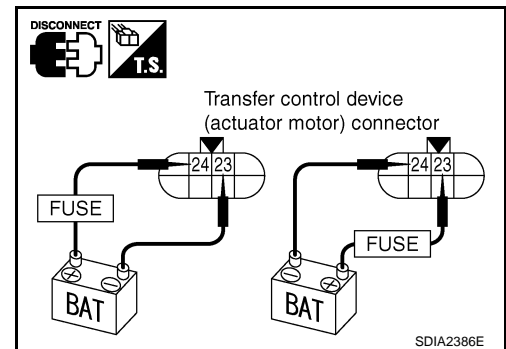
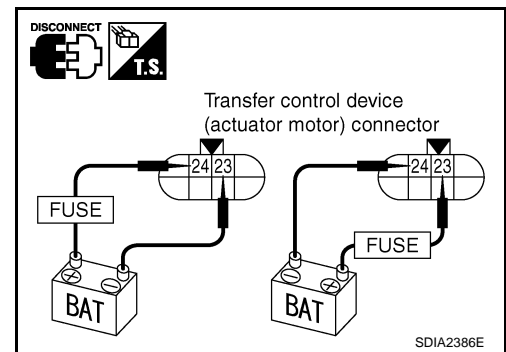
**Be careful not to overheat the harness.**

Terminal	Actuator motor
24 (Battery voltage) - 23 (Ground)	Clockwise rotate
23 (Battery voltage) - 24 (Ground)	Counterclockwise rotate

- If the inspection results are abnormal replace the transfer control device (actuator motor).

### TRANSFER RELAY

- Turn ignition switch "OFF". (Stay for at least 5 seconds.)
- Remove transfer shift high relay and transfer shift low relay 2. Refer to [DLN-194, "Component Parts Location"](#).
- Apply 12V direct current between transfer shift high and low relay terminals 1 and 2.





# P1817 ACTUATOR MOTOR

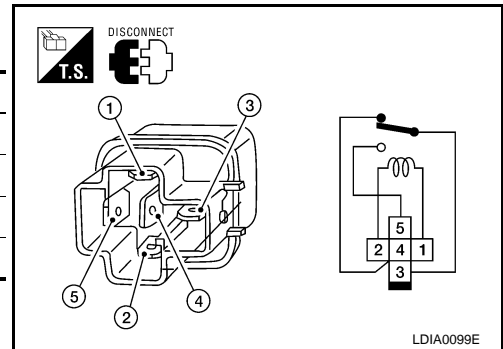
## < COMPONENT DIAGNOSIS >

[TRANSFER: TX15B]

4. Check continuity between relay terminals 3 and 4, and 3 and 5.

Terminal	Condition	Continuity
3 - 4	12V direct current supply between terminals 1 and 2	No
	OFF	Yes
3 - 5	12V direct current supply between terminals 1 and 2	Yes
	OFF	No

5. If the inspection results are abnormal replace the transfer shift high or low relay.



A  
B  
C

DLN

E  
F  
G  
H  
I  
J  
K  
L  
M  
N  
O  
P

# P1818 ACTUATOR POSITION SWITCH

< COMPONENT DIAGNOSIS >

[TRANSFER: TX15B]

## P1818 ACTUATOR POSITION SWITCH

### Description

INFOID:000000003937355

The actuator position switch detects the current actuator motor range. DTC P1818 will set if either of the following occur:

- Improper signal from actuator position switch is input due to open or short circuit.
- Malfunction is detected in actuator position switch.

### DTC Logic

INFOID:000000003937356

### DTC DETECTION LOGIC

DTC	CONSULT-III	Diagnostic item is detected when...	Reference
[P1818]	SHIFT ACT POSI SW	<ul style="list-style-type: none"><li>• Improper signal from actuator position switch is input due to open or short circuit.</li><li>• Malfunction is detected in actuator position switch.</li></ul>	<a href="#">DLN-226</a>

### DTC CONFIRMATION PROCEDURE

#### 1. DTC CONFIRMATION PROCEDURE

1. Turn ignition switch ON.
2. Perform self-diagnosis.

#### Is DTC P1818 detected?

- YES >> Perform diagnosis procedure. Refer to [DLN-226, "Diagnosis Procedure"](#).  
NO >> Inspection End.

### Diagnosis Procedure

INFOID:000000003937357

#### 1. CHECK ACTUATOR POSITION SWITCH SIGNAL

##### With CONSULT-III

1. Start engine.
2. Depress brake pedal and stop vehicle.
3. Set A/T selector lever to "N" position.
4. Select "DATA MONITOR" mode for "ALL MODE AWD/4WD" with CONSULT-III.
5. Read out the value of "SHIFT POS SW1", "SHIFT POS SW2", "SHIFT POS SW3", "SHIFT POS SW4".

Monitored item	Condition	Display value
SHIFT POS SW1	4WD shift switch: 2WD and 4LO	ON
	4WD shift switch: 4H	OFF
SHIFT POS SW2	4WD shift switch: 4LO	ON
	4WD shift switch: 2WD and 4H	OFF
SHIFT POS SW3	4WD shift switch: 2WD and 4H	ON
	4WD shift switch: 4LO	OFF
SHIFT POS SW4	4WD shift switch: 4H and 4LO	ON
	4WD shift switch: 2WD	OFF

##### Without CONSULT-III

1. Start engine.
2. Depress brake pedal and stop vehicle.
3. Set A/T selector lever to "N" position.

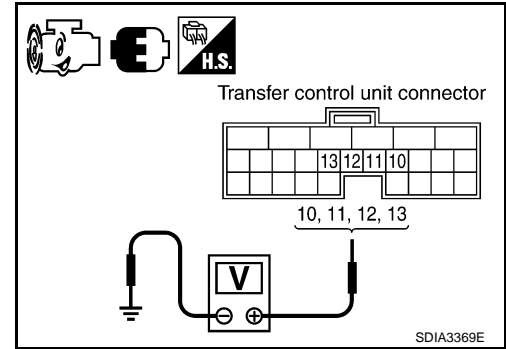
# P1818 ACTUATOR POSITION SWITCH

[TRANSFER: TX15B]

## < COMPONENT DIAGNOSIS >

- Check voltage between transfer control unit harness connector terminal and ground.

Connector	Terminal	Condition	Voltage (Approx.)
M165	10 - Ground	4WD shift switch: 2WD and 4LO	0V
		4WD shift switch: 4H	Battery voltage
	11 - Ground	4WD shift switch: 4LO	0V
		4WD shift switch: 2WD and 4H	Battery voltage
	12 - Ground	4WD shift switch: 2WD and 4H	0V
		4WD shift switch: 4LO	Battery voltage
13 - Ground	4WD shift switch: 4H and 4LO	0V	
	4WD shift switch: 2WD	Battery voltage	

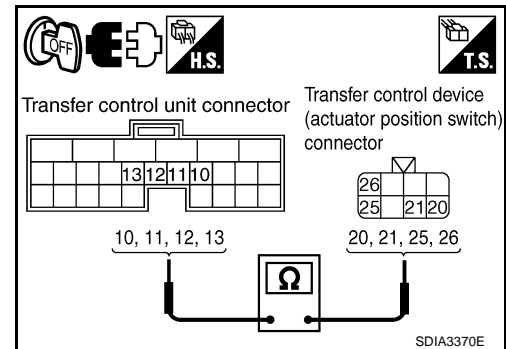


Are the inspection results normal?

- YES >> GO TO 4.  
NO >> GO TO 2.

## 2. CHECK HARNESS BETWEEN TRANSFER CONTROL UNIT AND ACTUATOR POSITION SWITCH

- Turn ignition switch "OFF". (Stay for at least 5 seconds.)
- Disconnect transfer control unit harness connector and the transfer control device (actuator position switch) harness connector.
- Check continuity between the following terminals.
  - Transfer control unit harness connector M165 terminal 10 and transfer control device (actuator position switch) harness connector F72 terminal 26.
  - Transfer control unit harness connector M165 terminal 11 and transfer control device (actuator position switch) harness connector F72 terminal 20.
  - Transfer control unit harness connector M165 terminal 12 and transfer control device (actuator position switch) harness connector F72 terminal 21.
  - Transfer control unit harness connector M165 terminal 13 and transfer control device (actuator position switch) harness connector F72 terminal 25.



**Continuity should exist.**

Also check harness for short to ground and short to power.

Is there continuity?

- YES >> GO TO 3.  
NO >> Repair or replace damaged parts.

## 3. CHECK GROUND CIRCUIT

- Turn ignition switch "OFF". (Stay for at least 5 seconds.)

# P1818 ACTUATOR POSITION SWITCH

< COMPONENT DIAGNOSIS >

[TRANSFER: TX15B]

2. Check continuity between transfer control device (actuator position switch) harness connector F72 terminal 22 and ground.

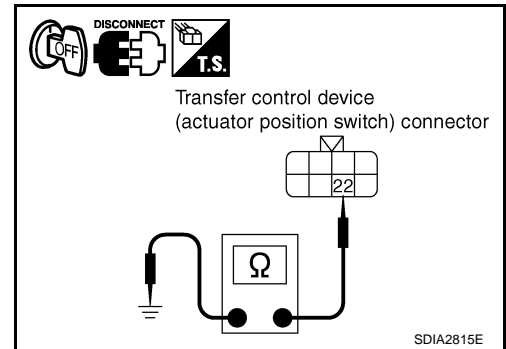
**Continuity should exist.**

Also check harness for short to power.

Is there continuity?

YES >> GO TO 4.

NO >> Repair open circuit or short to power in harness or connectors.



## 4.CHECK TRANSFER CONTROL UNIT

Check transfer control unit input/output signal. Refer to [DLN-233, "Reference Value"](#).

Are the inspection results normal?

YES >> GO TO 5.

NO >> Check transfer control unit pin terminals for damage or loose connection with harness connector. If any items are damaged, repair or replace damaged parts.

## 5.CHECK DTC

Perform the self-diagnosis, after driving a vehicle for a while.

Is DTC P1818 displayed?

YES >> Replace transfer control device. Refer to [DLN-271, "Removal and Installation"](#).

NO >> Inspection End.

# P1819 TRANSFER CONTROL DEVICE

< COMPONENT DIAGNOSIS >

[TRANSFER: TX15B]

## P1819 TRANSFER CONTROL DEVICE

### Description

INFOID:000000003937358

The transfer control device integrates the actuator motor and actuator position switch. DTC P1819 will set if either of the following conditions exist:

- Malfunction occurs in transfer control device drive circuit.
- Malfunction is detected in transfer shut off relay 1 and transfer shut off relay 2.

### DTC Logic

INFOID:000000003937359

### DTC DETECTION LOGIC

DTC	CONSULT-III	Diagnostic item is detected when...	Reference
[P1819]	SHIFT ACT CIR	<ul style="list-style-type: none"> <li>• Malfunction is detected in transfer shut off relay 1 and transfer shut off relay 2.</li> <li>• Malfunction occurs in transfer control device drive circuit.</li> </ul>	<a href="#">DLN-229</a>

### DTC CONFIRMATION PROCEDURE

#### 1. DTC CONFIRMATION PROCEDURE

1. Turn ignition switch ON.
2. Perform self-diagnosis.

#### Is DTC P1819 detected?

- YES >> Perform diagnosis procedure. Refer to [DLN-229, "Diagnosis Procedure"](#).
- NO >> Inspection End.

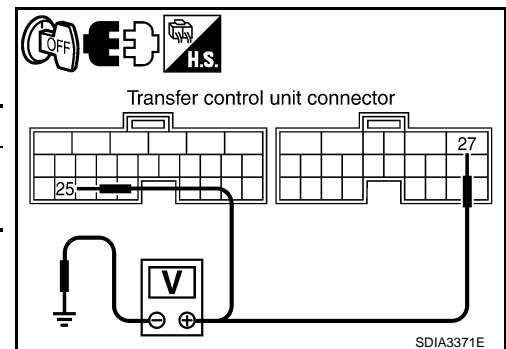
### Diagnosis Procedure

INFOID:000000003937360

#### 1. CHECK POWER SUPPLY

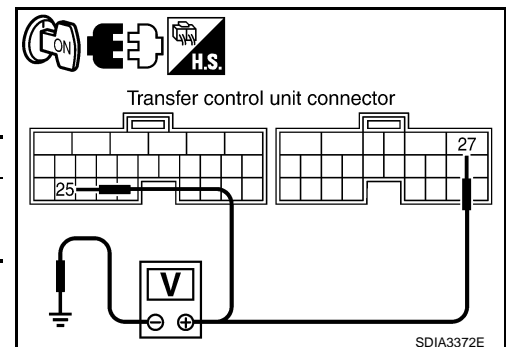
1. Turn ignition switch "OFF". (Stay for at least 5 seconds.)
2. Disconnect transfer control unit harness connector.
3. Check voltage between transfer control unit harness connector terminal and ground.

Connector	Terminal	Voltage (Approx.)
M165	25 - Ground	0V
M166	27 - Ground	



4. Turn ignition switch "ON". (Do not start engine.)
5. Check voltage between transfer control unit harness connector terminals and ground.

Connector	Terminal	Voltage (Approx.)
M165	25 - Ground	Battery voltage
M166	27 - Ground	



#### Are the inspection results normal?

- YES >> GO TO 2.
- NO >> Check the following. If any items are damaged, repair or replace damaged parts.
- 10A fuse (No. 57, located in the fuse and relay box).

# P1819 TRANSFER CONTROL DEVICE

## < COMPONENT DIAGNOSIS >

[TRANSFER: TX15B]

- 40A fuse (No. J, located in the fuse and fusible link box).
- Harness for short or open between battery and transfer shut off relay 1 harness connector E156 terminal 3.
- Harness for short or open between transfer control unit harness connector M166 terminal 27 and transfer shut off relay 1 harness connector E156 terminal 5.
- Harness for short or open between ignition switch and transfer shut off relay 1 harness connector E156 terminal 1.
- Harness for short or open between transfer shut off relay 1 harness connector E156 terminal 2 and ground.
- Harness for short or open between ignition switch and transfer control unit harness connector M165 terminal 25.
- Battery and ignition switch.
- Transfer shut off relay 1. Refer to [DLN-204, "Component Inspection"](#).

### 2. CHECK GROUND CIRCUIT

1. Turn ignition switch "OFF".
2. Disconnect transfer control unit harness connector.
3. Check continuity between transfer control unit harness connector M166 terminal 32 and ground.

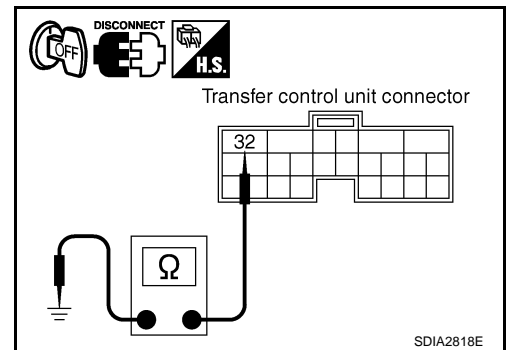
**Continuity should exist.**

Also check harness for short to power.

Is there continuity?

YES >> GO TO 3.

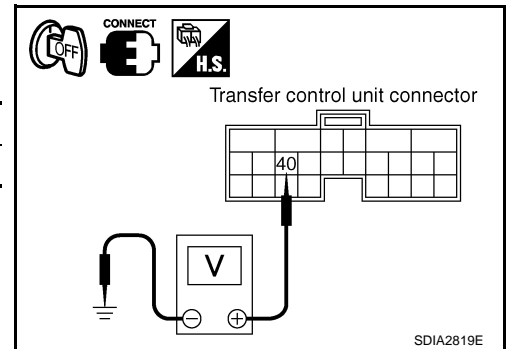
NO >> Repair open circuit or short to power in harness or connectors.



### 3. CHECK POWER SUPPLY SIGNAL

1. Turn ignition switch "OFF". (Stay for at least 5 seconds.)
2. Connect transfer control unit harness connector.
3. Check voltage between transfer control unit harness connector terminal and ground.

Connector	Terminal	Voltage (Approx.)
M166	40 - Ground	Battery voltage



4. Turn ignition switch "ON". (Do not start engine.)
5. Check voltage between transfer control unit harness connector terminal and ground.

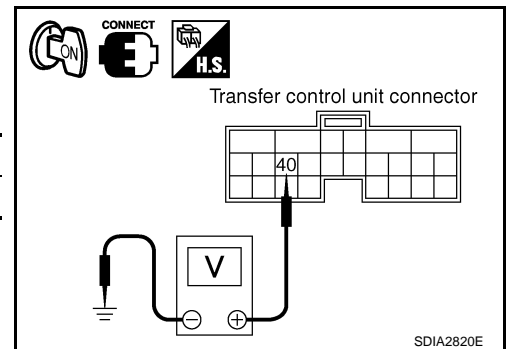
Connector	Terminal	Voltage (Approx.)
M166	40 - Ground	0V

Are the inspection results normal?

YES >> GO TO 4.

NO >> Check the following. If any items are damaged, repair or replace damaged parts.

- Harness for short or open between battery and transfer shut off relay 2 harness connector E157 terminal 1.
- Harness for short or open between transfer shut off relay 2 harness connector E157 terminal 2 and transfer control unit harness connector M166 terminal 40.
- Transfer shut off relay 2.



# P1819 TRANSFER CONTROL DEVICE

< COMPONENT DIAGNOSIS >

[TRANSFER: TX15B]

## 4. CHECK TRANSFER CONTROL UNIT

Check transfer control unit input/output signal. Refer to [DLN-233. "Reference Value"](#).

Are the inspection results normal?

YES >> GO TO 5 (With CONSULT-III) or GO TO 6 (Without CONSULT-III).

NO >> Check transfer control unit pin terminals for damage or loose connection with harness connector.  
If any items are damaged, repair or replace damaged parts.

## 5. PERFORM SELF-DIAGNOSIS (WITH CONSULT-III)

### With CONSULT-III

1. Turn ignition switch "ON". (Do not start engine.)
2. Select "SELF-DIAG RESULTS" mode for "ALL MODE AWD/4WD" with CONSULT-III.
3. Touch "ERASE".
4. Turn ignition switch "OFF" and wait at least 10 seconds.
5. Perform the self-diagnosis again.

Is the "SHIFT ACT CIR [P1819]" displayed?

YES >> Replace transfer control unit. Refer to [DLN-271. "Removal and Installation"](#).

NO >> Inspection End.

## 6. PERFORM SELF-DIAGNOSIS (WITHOUT CONSULT-III)

### Without CONSULT-III

1. Perform the self-diagnosis and then erase self-diagnostic results. Refer to [DLN-198. "CONSULT-III Function \(ALL MODE AWD/4WD\)"](#).
2. Perform the self-diagnosis again.

Do the self-diagnostic results indicate transfer control device?

YES >> Replace transfer control unit. Refer to [DLN-271. "Removal and Installation"](#).

NO >> Inspection End.

A  
B  
C  
DLN  
E  
F  
G  
H  
I  
J  
K  
L  
M  
N  
O  
P

# P1820 ENGINE SPEED SIGNAL

< COMPONENT DIAGNOSIS >

[TRANSFER: TX15B]

## P1820 ENGINE SPEED SIGNAL

### Description

INFOID:000000003937361

The ECM transmits the engine speed signal via CAN communication to the transfer control unit. DTC P1820 will set when either of the following occur:

- Malfunction is detected in engine speed signal that is output from the ECM.
- Improper signal is input while driving.

### DTC Logic

INFOID:000000003937362

### DTC DETECTION LOGIC

DTC	CONSULT-III	Diagnostic item is detected when...	Reference
[P1820]	ENGINE SPEED SIG	<ul style="list-style-type: none"><li>• Malfunction is detected in engine speed signal that is output from ECM through CAN communication.</li><li>• Improper signal is input while driving.</li></ul>	<a href="#">DLN-232</a>

### DTC CONFIRMATION PROCEDURE

#### 1. DTC CONFIRMATION PROCEDURE

1. Turn ignition switch ON.
2. Perform self-diagnosis.

#### Is DTC P1820 detected?

- YES >> Perform diagnosis procedure. Refer to [DLN-232, "Diagnosis Procedure"](#).  
NO >> Inspection End.

### Diagnosis Procedure

INFOID:000000003937363

#### 1. CHECK DTC WITH ECM

Perform self-diagnosis with ECM. Refer to [EC-73, "CONSULT-III Function \(ENGINE\)"](#).

#### Is any malfunction detected by self-diagnosis?

- YES >> Check the malfunctioning system.  
NO >> GO TO 2.

#### 2. CHECK TRANSFER CONTROL UNIT

Check transfer control unit input/output signal. Refer to [DLN-233, "Reference Value"](#).

#### Are the inspection results normal?

- YES >> GO TO 3.  
NO >> Check transfer control unit pin terminals for damage or loose connection with harness connector.  
If any items are damaged, repair or replace damaged parts.

#### 3. CHECK DTC

Perform the self-diagnosis, after driving a vehicle for a while.

#### Is DTC P1820 displayed?

- YES >> Perform self-diagnosis with ECM again.  
NO >> Inspection End.



# TRANSFER CONTROL UNIT

< ECU DIAGNOSIS >

[TRANSFER: TX15B]

## ECU DIAGNOSIS

### TRANSFER CONTROL UNIT

#### Reference Value

INFOID:000000003937364

#### VALUE ON THE DIAGNOSIS TOOL

CONSULT-III data monitor item

Monitored item [Unit]	Content	Condition	Display value
VHCL/S SEN-FR [km/h] or [mph]	Wheel speed (Front wheel)	Vehicle stopped	0 km/h (0 mph)
		Vehicle running <b>CAUTION:</b> Check air pressure of tire under standard condition.	Approximately equal to the indication on speedometer (Inside of ±10%)
VHCL/S SEN-RR [km/h] or [mph]	Wheel speed (Rear wheel)	Vehicle stopped	0 km/h (0 mph)
		Vehicle running <b>CAUTION:</b> Check air pressure of tire under standard condition.	Approximately equal to the indication on speedometer (Inside of ±10%)
ENGINE SPEED [rpm]	Engine speed	Engine stopped (Engine speed: Less than 400 rpm)	0 rpm
		Engine running (Engine speed: 400 rpm or more)	Approximately equal to the indication on tachometer
BATTERY VOLT [V]	Power supply voltage for transfer control unit	Ignition switch: ON	Battery voltage
2WD SWITCH [ON/OFF]	Input condition from 4WD shift switch	4WD shift switch: 2WD	ON
		4WD shift switch: 4H and 4LO	OFF
4H SWITCH [ON/OFF]	Input condition from 4WD shift switch	4WD shift switch: 4H	ON
		4WD shift switch: 2WD and 4LO	OFF
4L SWITCH [ON/OFF]	Input condition from 4WD shift switch	4WD shift switch: 4LO	ON
		4WD shift switch: 2WD and 4H	OFF
4L POSI SW [ON/OFF]	Condition of 4LO switch	<ul style="list-style-type: none"> <li>Vehicle stopped</li> <li>Engine running</li> <li>A/T selector lever "N" position</li> <li>Brake pedal depressed</li> </ul> 4WD shift switch: 4LO	ON
		Except the above	OFF
ATP SWITCH [ON/OFF]	Condition of ATP switch	<ul style="list-style-type: none"> <li>Vehicle stopped</li> <li>Engine running</li> <li>A/T selector lever "N" position</li> <li>Brake pedal depressed</li> </ul> 4WD shift switch : 4H to 4LO or 4LO to 4H (While actuator motor is operating.)	ON
		Except the above	OFF
WAIT DETCT SW [ON/OFF]	Condition of wait detection switch	<ul style="list-style-type: none"> <li>Vehicle stopped</li> <li>Engine running</li> <li>A/T selector lever "N" position</li> <li>Brake pedal depressed</li> </ul> 4WD shift switch : 4H and 4LO	ON
		4WD shift switch: 2WD	OFF
4WD MODE [2H/4H/4L]	Control status of 4WD (Output condition of 4WD shift indicator lamp and 4LO indicator lamp)	4WD shift switch (Engine running)	2WD
			4H
			4L

A  
B  
C  
DLN  
E  
F  
G  
H  
I  
J  
K  
L  
M  
N  
O  
P

# TRANSFER CONTROL UNIT

< ECU DIAGNOSIS >

[TRANSFER: TX15B]

Monitored item [Unit]	Content	Condition		Display value
VHCL/S COMP [km/h] or [mph]	Vehicle speed	Vehicle stopped		0 km/h (0 mph)
		Vehicle running <b>CAUTION:</b> Check air pressure of tire under standard condition.		Approximately equal to the indication on speedometer (Inside of ±10%)
SHIFT ACT 1 [ON/OFF]	Output condition to actuator motor (clockwise)	<ul style="list-style-type: none"> <li>Vehicle stopped</li> <li>Engine running</li> <li>A/T selector lever "N" position</li> <li>Brake pedal depressed</li> </ul>	4WD shift switch : 2WD to 4H or 4H to 4LO or 2WD to 4LO	ON
		Except the above		OFF
SHIFT AC MON1 [ON/OFF]	Check signal for transfer control unit signal output	<ul style="list-style-type: none"> <li>Vehicle stopped</li> <li>Engine running</li> <li>A/T selector lever "N" position</li> <li>Brake pedal depressed</li> </ul>	4WD shift switch : 2WD to 4H or 4H to 4LO or 2WD to 4LO	ON
		Except the above		OFF
SHIFT ACT 2 [ON/OFF]	Output condition to actuator motor (counterclockwise)	<ul style="list-style-type: none"> <li>Vehicle stopped</li> <li>Engine running</li> <li>A/T selector lever "N" position</li> <li>Brake pedal depressed</li> </ul>	4WD shift switch : 4LO to 4H or 4H to 2WD or 4LO to 2WD	ON
		Except the above		OFF
SHIFT AC MON2 [ON/OFF]	Check signal for transfer control unit signal output	<ul style="list-style-type: none"> <li>Vehicle stopped</li> <li>Engine running</li> <li>A/T selector lever "N" position</li> <li>Brake pedal depressed</li> </ul>	4WD shift switch : 4LO to 4H or 4H to 2WD or 4LO to 2WD	ON
		Except the above		OFF
SHIFT ACT/R MON [ON/OFF]	Operating condition of actuator motor relay (integrated in transfer control unit)	<ul style="list-style-type: none"> <li>Vehicle stopped</li> <li>Engine running</li> <li>A/T selector lever "N" position</li> <li>Brake pedal depressed</li> </ul>		When 4WD shift switch is operated
				When 4WD shift switch is not operated
SHIFT POS SW1 [ON/OFF]	Condition of actuator position switch 1			4WD shift switch: 2WD and 4LO
SHIFT POS SW2 [ON/OFF]	Condition of actuator position switch 2	<ul style="list-style-type: none"> <li>Vehicle stopped</li> <li>Engine running</li> <li>A/T selector lever "N" position</li> <li>Brake pedal depressed</li> </ul>		4WD shift switch: 4H
				4WD shift switch: 4LO
SHIFT POS SW3 [ON/OFF]	Condition of actuator position switch 3			4WD shift switch: 2WD and 4H
				4WD shift switch: 4LO
SHIFT POS SW4 [ON/OFF]	Condition of actuator position switch 4			4WD shift switch: 4H and 4LO
				4WD shift switch: 2WD
4WD FAIL LAMP [ON/OFF]	4WD warning lamp condition	4WD warning lamp: ON		ON
		4WD warning lamp: OFF		OFF
2WD IND [ON/OFF]	Rear indicator of 4WD shift indicator lamp condition	Rear indicator of 4WD shift indicator lamp: ON		ON
		Rear indicator of 4WD shift indicator lamp: OFF		OFF
4H IND [ON/OFF]	Front and center indicator of 4WD shift indicator lamp condition	Front and center indicator of 4WD shift indicator lamp : ON		ON
		Front and center indicator of 4WD shift indicator lamp : OFF		OFF
4L IND [ON/OFF]	4LO indicator lamp condition	4LO indicator lamp: ON		ON
		4LO indicator lamp: OFF		OFF

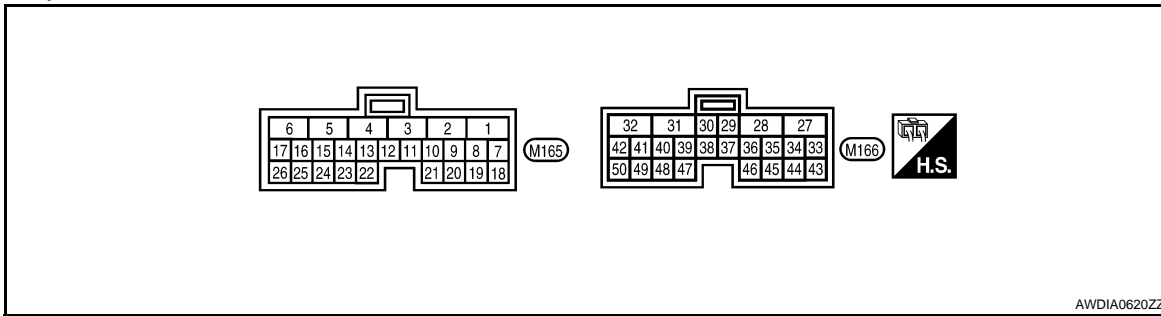
PHYSICAL VALUES

# TRANSFER CONTROL UNIT

< ECU DIAGNOSIS >

[TRANSFER: TX15B]

## Terminal Layout



Terminal	Wire color	Item	Condition	Data (Approx.)
1	L	CAN-H	-	-
2	P	CAN-L	-	-
3	SB	K-LINE (CONSULT-III signal)	-	-
6	B	Ground	Always	0V
10	LG	Actuator position switch 1	4WD shift switch: 2WD and 4LO	0V
11	W	Actuator position switch 2	4WD shift switch: 4H	Battery voltage
			4WD shift switch: 4LO	0V
12	BR	Actuator position switch 3	4WD shift switch: 2WD and 4H	Battery voltage
			4WD shift switch: 2WD and 4H	0V
13	L	Actuator position switch 4	4WD shift switch: 4LO	Battery voltage
			4WD shift switch: 4H and 4LO	0V
14	G	4WD shift switch (2WD)	4WD shift switch: 2WD	Battery voltage
			4WD shift switch: 4H and 4LO	0V
15	O	4WD shift switch (4H)	4WD shift switch: 4H	Battery voltage
			4WD shift switch: 2WD and 4LO	0V
16	W	4WD shift switch (4LO)	4WD shift switch: 4LO	Battery voltage
			4WD shift switch: 2WD and 4H	0V
17	O	Wait detection switch	4WD shift switch: 4H and 4LO	0V
			4WD shift switch: 2WD	Battery voltage
18	B	Ground	Always	0V
19	R	Power supply (Memory back-up)	Ignition switch: ON	Battery voltage
			Ignition switch: OFF	Battery voltage
23	R	ATP switch	4WD shift switch : 4H to 4LO or 4LO to 4H (While actuator motor is operating.)	0V
			Except the above	Battery voltage
24	Y	4LO switch	4WD shift switch: 4LO	0V
			Except the above	Battery voltage

# TRANSFER CONTROL UNIT

< ECU DIAGNOSIS >

[TRANSFER: TX15B]

Terminal	Wire color	Item	Condition		Data (Approx.)		
25	W/G	Ignition switch monitor	Ignition switch: ON		Battery voltage		
			Ignition switch: OFF		0V		
27	L	Actuator motor power supply	Ignition switch: ON		Battery voltage		
			Ignition switch: OFF (5 seconds after ignition switch is turned OFF)		0V		
28	SB	Actuator motor (+)	<ul style="list-style-type: none"> <li>• Vehicle stopped</li> <li>• Engine running</li> <li>• A/T selector lever "N" position</li> <li>• Brake pedal depressed</li> </ul>	When 4WD shift switch is operated (while actuator motor is operating)	Battery voltage → 0V		
31	G	Actuator motor (-)		When 4WD shift switch is not operated	0V		
				Always	0V		
32	B	Ground	Always		0V		
35	V	4WD shift indicator lamp (Rear indicator)	Engine running	Rear indicator of 4WD shift indicator lamp : ON	0V		
				Rear indicator of 4WD shift indicator lamp : OFF	Battery voltage		
36	BR	4WD shift indicator lamp (Front and center indicator)		Front and center indicator of 4WD shift indicator lamp: ON	0V		
				Front and center indicator of 4WD shift indicator lamp: OFF	Battery voltage		
37	O	4LO indicator lamp		4LO indicator lamp: ON	0V		
				4LO indicator lamp: OFF	Battery voltage		
38	GR	4WD warning lamp		4WD warning lamp: ON	0V		
				4WD warning lamp: OFF	Battery voltage		
39	LG	ATP warning lamp		<ul style="list-style-type: none"> <li>• Vehicle stopped</li> <li>• Engine running</li> <li>• A/T selector lever "P" position</li> <li>• Brake pedal depressed</li> </ul>		4WD shift switch: 4H to 4LO or 4LO to 4H (While actuator motor is operating.)	Battery voltage
				Except the above		0V	
40	V	Transfer shut off relay	Ignition switch: ON		0V		
			Ignition switch: OFF (5 seconds after ignition switch is turned OFF)		Battery voltage		
42	LG	Transfer shift high relay	<ul style="list-style-type: none"> <li>• Vehicle stopped</li> <li>• Engine running</li> <li>• A/T selector lever "N" position</li> <li>• Brake pedal depressed</li> </ul>		4WD shift switch: 2WD to 4H or 4H to 4LO or 2WD to 4LO	0V	
			Except the above		Battery voltage		
44	Y	Power supply	Ignition switch: ON		Battery voltage		
			Ignition switch: OFF (5 seconds after ignition switch is turned OFF)		0V		
45	GR	Power supply	Ignition switch: ON		Battery voltage		
			Ignition switch: OFF (5 seconds after ignition switch is turned OFF)		0V		

# TRANSFER CONTROL UNIT

< ECU DIAGNOSIS >

[TRANSFER: TX15B]

Terminal	Wire color	Item	Condition	Data (Approx.)
47	O	Transfer shift high relay monitor	4WD shift switch: 2WD to 4H or 4H to 4LO or 2WD to 4LO (while actuator motor is operating)	Battery voltage → 0V
			Except the above	0V
48	R	Transfer shift low relay monitor	4WD shift switch: 4LO to 4H or 4H to 2WD or 4LO to 2WD (while actuator motor is operating)	Battery voltage → 0V
			Except the above	0V
50	Y	Transfer shift low relay	4WD shift switch: 4LO to 4H or 4H to 2WD or 4LO to 2WD	0V
			Except the above	Battery voltage

**CAUTION:**

When using a circuit tester to measure voltage for inspection, be sure not to extend forcibly any connector terminals.

**NOTE:**

Data are reference value and are measured between each terminal and ground.

A  
B  
C  
DLN  
E  
F  
G  
H  
I  
J  
K  
L  
M  
N  
O  
P

# TRANSFER CONTROL UNIT

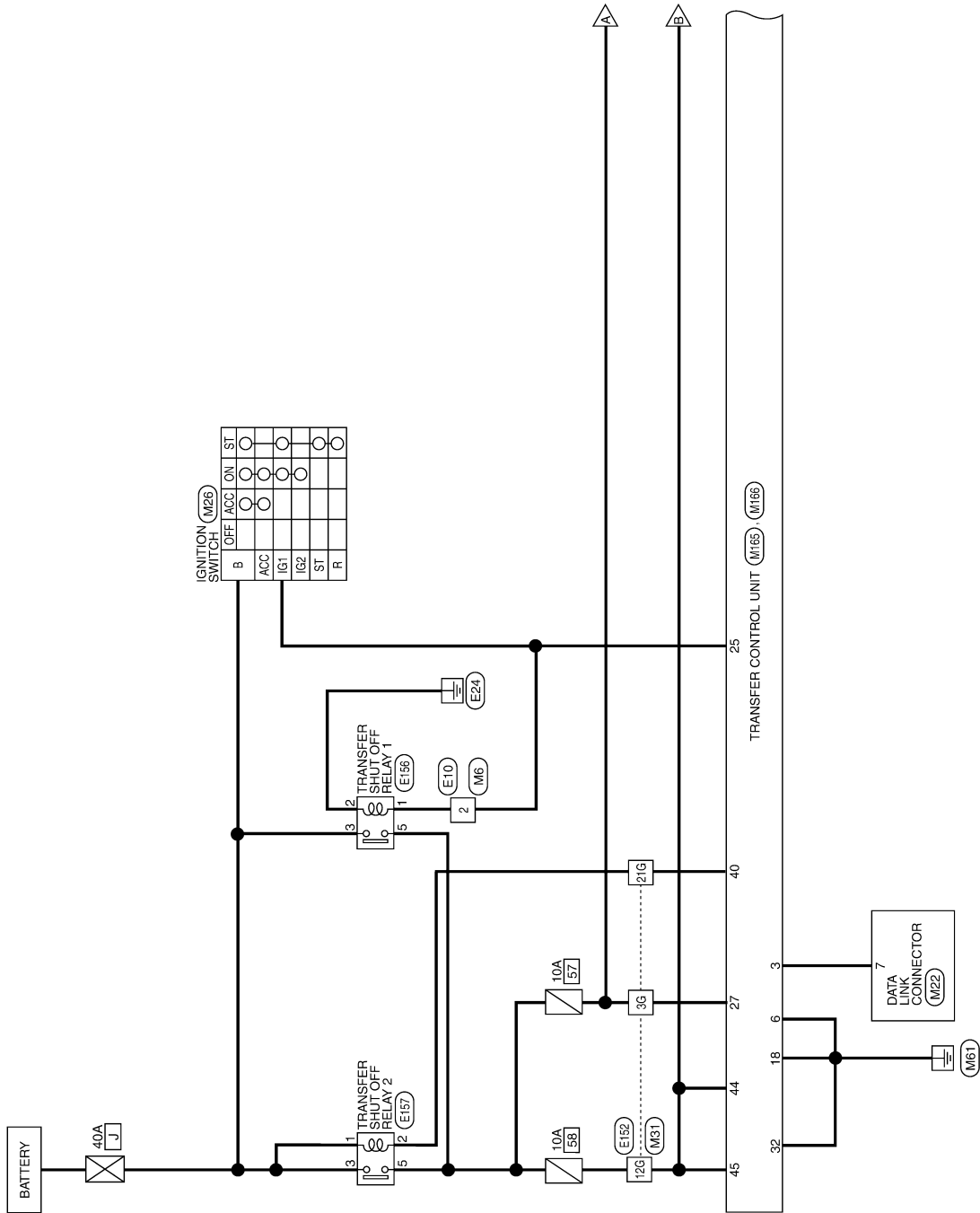
< ECU DIAGNOSIS >

[TRANSFER: TX15B]

## Wiring Diagram

INFOID:000000003937365

### PART TIME 4WD SYSTEM

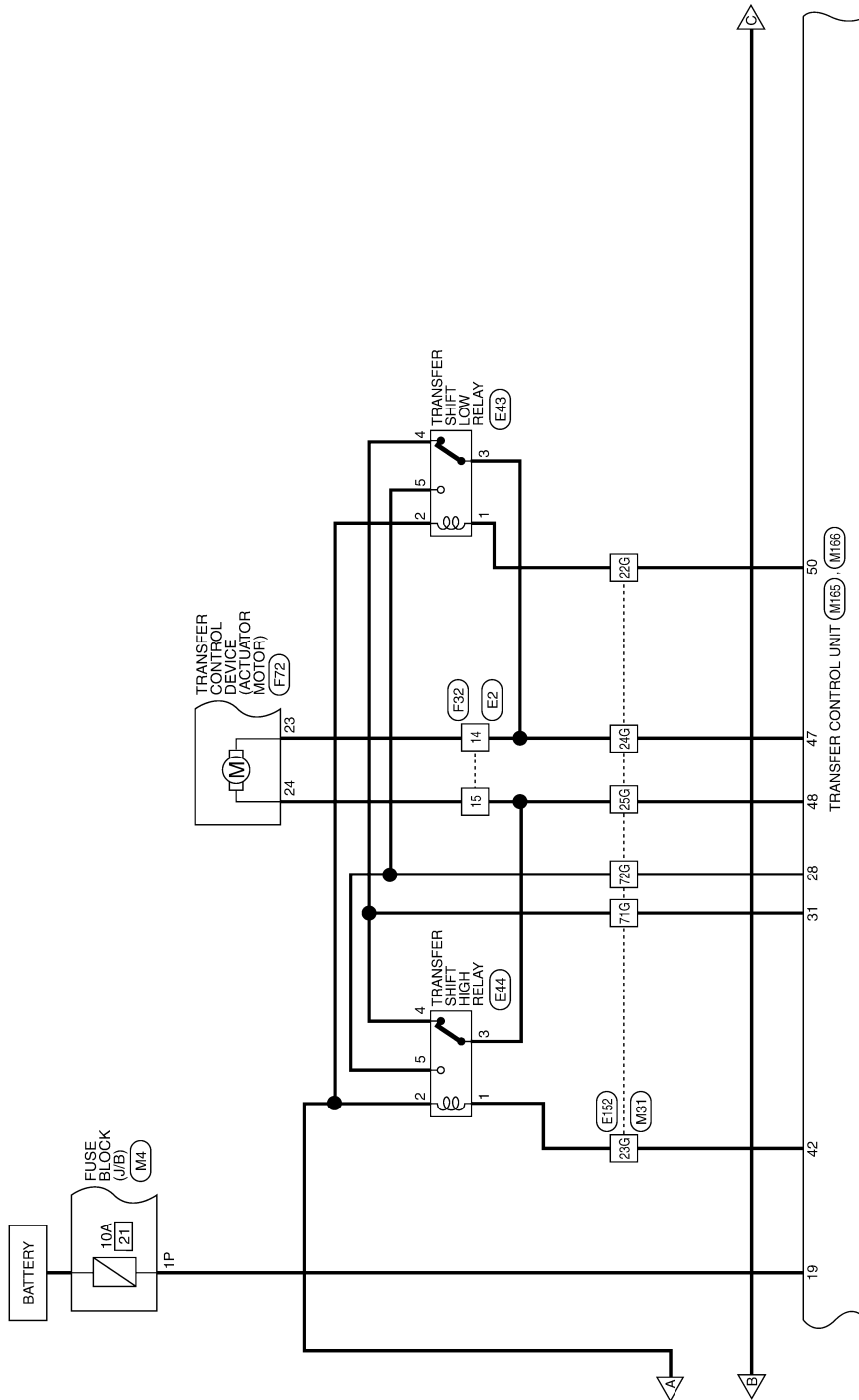


ABDWA0045Gf

# TRANSFER CONTROL UNIT

< ECU DIAGNOSIS >

[TRANSFER: TX15B]



ABDWA0046GE

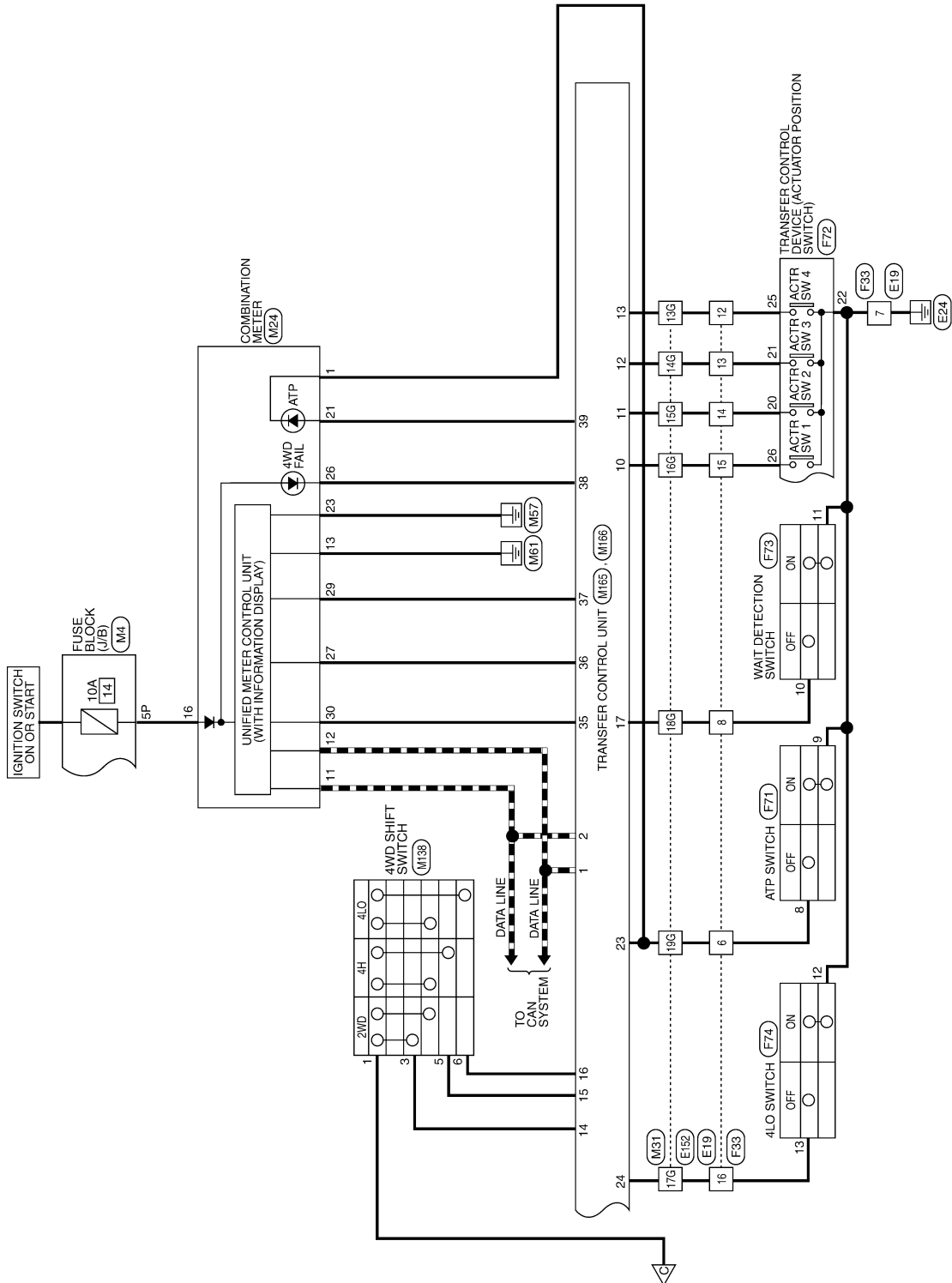
A  
B  
C  
DLN  
E  
F  
G  
H  
I  
J  
K  
L  
M  
N  
O  
P

# TRANSFER CONTROL UNIT

< ECU DIAGNOSIS >

[TRANSFER: TX15B]

--- : DATA LINE



ABDWA0047G1



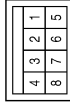
## PART TIME 4WD SYSTEM CONNECTORS

Connector No.	M4
Connector Name	FUSE BLOCK (J/B)
Connector Color	WHITE



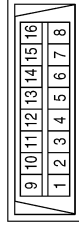
Terminal No.	Color of Wire	Signal Name
1P	R/B	-
5P	W/G	-

Connector No.	M6
Connector Name	WIRE TO WIRE
Connector Color	WHITE



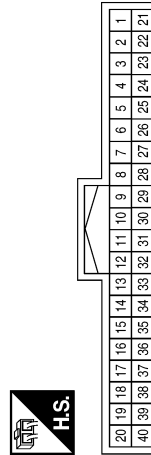
Terminal No.	Color of Wire	Signal Name
2	W/G	-

Connector No.	M22
Connector Name	DATA LINK CONNECTOR
Connector Color	WHITE



Terminal No.	Color of Wire	Signal Name
7	W	-

Connector No.	M24
Connector Name	COMBINATION METER
Connector Color	WHITE



Terminal No.	Color of Wire	Signal Name
1	R	ATP-
11	P	CAN-L
12	L	CAN-H
13	GR	GROUND
16	W/G	RUN START
21	LG	ATP+
23	B	POWER GND
26	GR	4WD FAIL
27	BR	LOCK/4H
29	O	4LO
30	V	2WD

Connector No.	M26
Connector Name	IGNITION SWITCH
Connector Color	WHITE



Terminal No.	Color of Wire	Signal Name
B	G	-
IG1	W/G	-

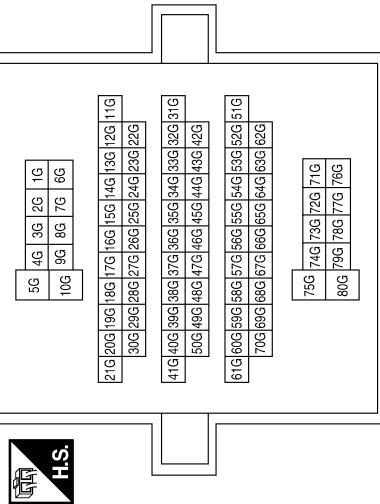
A  
B  
C  
DLN  
E  
F  
G  
H  
I  
J  
K  
L  
M  
N  
O  
P

# TRANSFER CONTROL UNIT

< ECU DIAGNOSIS >

[TRANSFER: TX15B]

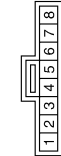
Connector No.	M31
Connector Name	WIRE TO WIRE
Connector Color	WHITE



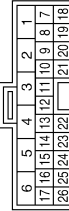
Terminal No.	Color of Wire	Signal Name
3G	L	-
12G	GR	-
13G	L	-
14G	BR	-
15G	W	-
16G	LG	-
17G	Y	-
18G	O	-
19G	R	-
21G	V	-
22G	Y	-
23G	LG	-

Terminal No.	Color of Wire	Signal Name
24G	O	-
25G	R	-
71G	G	-
72G	SB	-

Connector No.	M138
Connector Name	4WD SHIFT SWITCH (PART TIME 4WD SYSTEM)
Connector Color	GRAY



Connector No.	M165
Connector Name	TRANSFER CONTROL UNIT (PART TIME 4WD SYSTEM)
Connector Color	WHITE



Terminal No.	Color of Wire	Signal Name
1	Y	-
3	G	-
5	O	-
6	W	-

Terminal No.	Color of Wire	Signal Name
1	L	CAN-H
2	P	CAN-L
3	SB	K-LINE
4	-	-
5	-	-
6	B	GND
7	-	-
8	-	-
9	-	-
10	LG	ACTR SW1

Terminal No.	Color of Wire	Signal Name
11	W	ACTR SW2
12	BR	ACTR SW3
13	L	ACTR SW4
14	G	2WD SW
15	O	4H SW
16	W	4L SW
17	O	4WD-POSITION-SW
18	B	GND
19	R	MEMORY B/U
20	-	-
21	-	-
22	-	-
23	R	ATP-SW
24	Y	4L-POSITION-SW
25	W/G	IGN-SW
26	-	-

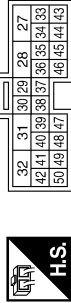
ABDIA0118GB

# TRANSFER CONTROL UNIT

< ECU DIAGNOSIS >

[TRANSFER: TX15B]

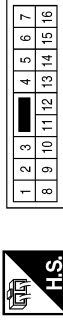
Connector No.	M166
Connector Name	TRANSFER CONTROL UNIT (PART TIME 4WD SYSTEM)
Connector Color	WHITE



Terminal No.	Color of Wire	Signal Name
27	L	VIGN
28	SB	MOTOR_+
29	-	-
30	-	-
31	G	MOTOR_-
32	B	GND
33	-	-
34	-	-
35	V	2WD IND

Terminal No.	Color of Wire	Signal Name
36	BR	4H IND
37	O	4LO IND
38	GR	4WD_FAIL
39	LG	ATP IND
40	V	SSOF
41	-	-
42	LG	MTR_RLY_1
43	-	-
44	Y	VIGN
45	GR	VIGN
46	-	-
47	O	MTR_MONITOR_1
48	R	MTR_MONITOR_2
49	-	-
50	Y	MTR_RELAY_2

Connector No.	E2
Connector Name	WIRE TO WIRE
Connector Color	WHITE



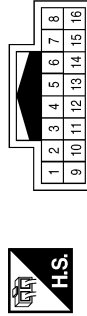
Terminal No.	Color of Wire	Signal Name
14	O	-
15	GR	-

Connector No.	E10
Connector Name	WIRE TO WIRE
Connector Color	WHITE



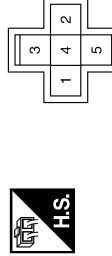
Terminal No.	Color of Wire	Signal Name
2	W/G	-

Connector No.	E19
Connector Name	WIRE TO WIRE
Connector Color	WHITE



Terminal No.	Color of Wire	Signal Name
6	R	-
7	B	-
8	O	-
12	L	-
13	BR	-
14	W	-
15	LG	-
16	Y	-

Connector No.	E43
Connector Name	TRANSFER SHIFT LOW RELAY (PART TIME 4WD SYSTEM)
Connector Color	BLACK



Terminal No.	Color of Wire	Signal Name
1	Y	-
2	R	-
3	O	-
4	G	-
5	SB	-

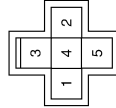
A  
B  
C  
DLN  
E  
F  
G  
H  
I  
J  
K  
L  
M  
N  
O  
P

# TRANSFER CONTROL UNIT

< ECU DIAGNOSIS >

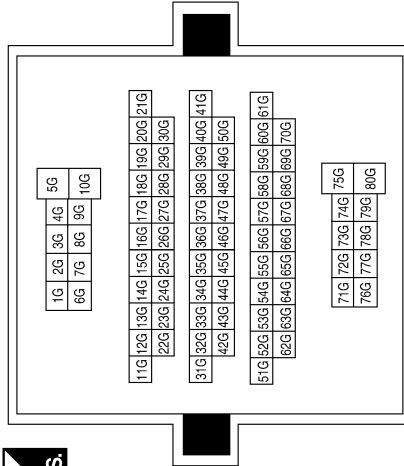
[TRANSFER: TX15B]

Connector No.	E44
Connector Name	TRANSFER SHIFT HIGH RELAY (PART TIME 4WD SYSTEM)
Connector Color	BLACK



Terminal No.	Color of Wire	Signal Name
1	LG	-
2	R	-
3	GR	-
4	G	-
5	SB	-

Connector No.	E152
Connector Name	WIRE TO WIRE
Connector Color	WHITE



Terminal No.	Color of Wire	Signal Name
3G	L	-
12G	GR	-
13G	L	-
14G	BR	-
15G	W	-
16G	LG	-
17G	Y	-
18G	O	-
19G	R	-
21G	V	-
22G	Y	-
23G	LG	-
24G	O	-
25G	R	-
71G	G	-
72G	SB	-

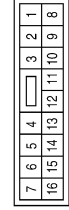
Connector No.	E156
Connector Name	TRANSFER SHUT OFF RELAY 1
Connector Color	BLUE



Connector No.	E157
Connector Name	TRANSFER SHUT OFF RELAY 2
Connector Color	BLUE



Connector No.	F32
Connector Name	WIRE TO WIRE
Connector Color	WHITE



Terminal No.	Color of Wire	Signal Name
1	W/G	-
2	B	-
3	B	-
5	W	-

Terminal No.	Color of Wire	Signal Name
1	G	-
2	V	-
3	B	-
5	W	-

Terminal No.	Color of Wire	Signal Name
14	O	-
15	GR	-

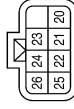
ABDIA0120GB

# TRANSFER CONTROL UNIT

< ECU DIAGNOSIS >

[TRANSFER: TX15B]

Connector No.	F72
Connector Name	TRANSFER CONTROL DEVICE (PART TIME 4WD SYSTEM)
Connector Color	BLACK



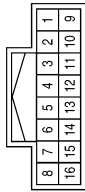
Terminal No.	Color of Wire	Signal Name
20	W	-
21	BR	-
22	B	-
23	O	-
24	GR	-
25	L	-
26	LG	-

Connector No.	F71
Connector Name	ATP SWITCH (PART TIME 4WD SYSTEM)
Connector Color	BLACK



Terminal No.	Color of Wire	Signal Name
8	R	-
9	B	-

Connector No.	F33
Connector Name	WIRE TO WIRE
Connector Color	WHITE



Terminal No.	Color of Wire	Signal Name
6	R	-
7	B	-
8	O	-
12	L	-
13	BR	-
14	W	-
15	LG	-
16	Y	-

Connector No.	F74
Connector Name	4LO SWITCH (PART TIME 4WD SYSTEM)
Connector Color	GRAY



Terminal No.	Color of Wire	Signal Name
12	B	-
13	Y	-

Connector No.	F73
Connector Name	WAIT DETECTION SWITCH (PART TIME 4WD SYSTEM)
Connector Color	GRAY



Terminal No.	Color of Wire	Signal Name
10	O	-
11	B	-

DTC Index

DTC CHART

ABDIA0121GB

INFOID:000000003937366

A  
B  
C  
DLN  
E  
F  
G  
H  
I  
J  
K  
L  
M  
N  
O  
P

# TRANSFER CONTROL UNIT

< ECU DIAGNOSIS >

[TRANSFER: TX15B]

DTC	CONSULT-III	Diagnostic item is detected when...	Reference
[P1801]	*INITIAL START*	Due to removal of battery which cuts off power supply to transfer control unit, self-diagnosis memory function is suspended.	<a href="#">DLN-202</a>
[P1802]	CONTROL UNIT (1,2,3)	Malfunction is detected in the memory (RAM) system of transfer control unit.	<a href="#">DLN-205</a>
[P1803]		Malfunction is detected in the memory (ROM) system of transfer control unit.	
[P1804]		Malfunction is detected in the memory (EEPROM) system of transfer control unit.	
[P1807]	VHCL SPEED SEN-AT	<ul style="list-style-type: none"> <li>Malfunction is detected in output shaft revolution signal that is output from TCM through CAN communication.</li> <li>Improper signal is input while driving.</li> </ul>	<a href="#">DLN-207</a>
[P1808]	VHCL SPEED SEN-ABS	<ul style="list-style-type: none"> <li>Malfunction is detected in vehicle speed signal that is output from ABS actuator and electric unit (control unit) through CAN communication.</li> <li>Improper signal is input while driving.</li> </ul>	<a href="#">DLN-208</a>
[P1809]	CONTROL UNIT 4	AD converter system of transfer control unit is malfunctioning.	<a href="#">DLN-205</a>
[P1810]	4L POSI SW TF	Improper signal from 4LO switch is input due to open or short circuit.	<a href="#">DLN-209</a>
[P1811]	BATTERY VOLTAGE	Power supply voltage for transfer control unit is abnormally low while driving.	<a href="#">DLN-202</a>
[P1813]	4WD MODE SW	More than two switch inputs are simultaneously detected due to short circuit of 4WD shift switch.	<a href="#">DLN-212</a>
[P1814]	4WD DETECT SWITCH	Improper signal from wait detection switch is input due to open or short circuit.	<a href="#">DLN-215</a>
[P1816]	PNP SW/CIRC	When A/T PNP switch signal is malfunction or communication error between the vehicles.	<a href="#">DLN-218</a>
[P1817]	SHIFT ACTUATOR	<ul style="list-style-type: none"> <li>Motor does not operate properly due to open or short circuit in actuator motor.</li> <li>Malfunction is detected in the actuator motor. (When 4WD shift switch is operated and actuator motor is not operated)</li> <li>Malfunction is detected in transfer shift high relay or transfer shift low relay.</li> </ul>	<a href="#">DLN-219</a>
[P1818]	SHIFT ACT POSI SW	<ul style="list-style-type: none"> <li>Improper signal from actuator position switch is input due to open or short circuit.</li> <li>Malfunction is detected in actuator position switch.</li> </ul>	<a href="#">DLN-226</a>
[P1819]	SHIFT ACT CIR	<ul style="list-style-type: none"> <li>Malfunction is detected in transfer shut off relay 1 and transfer shut off relay 2.</li> <li>Malfunction occurs in transfer control device drive circuit.</li> </ul>	<a href="#">DLN-229</a>
[P1820]	ENGINE SPEED SIG	<ul style="list-style-type: none"> <li>Malfunction is detected in engine speed signal that is output from ECM through CAN communication.</li> <li>Improper signal is input while driving.</li> </ul>	<a href="#">DLN-232</a>

**NOTE:**

If "SHIFT ACT POSI SW [P1818]" or "SHIFT ACT CIR [P1819]" is displayed, first erase self-diagnostic results. ("SHIFT ACT POSI SW [P1818]" or "SHIFT ACT CIR [P1819]" may be displayed after installing transfer control unit or transfer assembly.)

**FLASH CODE CHART**

# TRANSFER CONTROL UNIT

< ECU DIAGNOSIS >

[TRANSFER: TX15B]

Flashing pattern	Item	Diagnostic item is detected when...	Reference	
2	Output shaft revolution signal (from TCM)	<ul style="list-style-type: none"> <li>Malfunction is detected in output shaft revolution signal that is output from TCM through CAN communication.</li> <li>Improper signal is input while driving.</li> </ul>	<a href="#">DLN-207</a>	A
3	Vehicle speed signal (from ABS)	<ul style="list-style-type: none"> <li>Malfunction is detected in vehicle speed signal that is output from ABS actuator and electric unit (control unit) through CAN communication.</li> <li>Improper signal is input while driving.</li> </ul>	<a href="#">DLN-208</a>	B
4	CAN communication	Malfunction has been detected from CAN communication.	<a href="#">DLN-195</a>	C
5	AD converter	AD converter system of transfer control unit is malfunctioning.	<a href="#">DLN-205</a>	<b>DLN</b>
6	4LO switch	Improper signal from 4LO switch is input due to open or short circuit.	<a href="#">DLN-209</a>	E
7	Engine speed signal	<ul style="list-style-type: none"> <li>Malfunction is detected in engine speed signal that is output from ECM through CAN communication.</li> <li>Improper signal is input while driving.</li> </ul>	<a href="#">DLN-232</a>	F
8	Power supply	Power supply voltage for transfer control unit is abnormally low while driving.	<a href="#">DLN-202</a>	G
9	4WD shift switch	More than two switch inputs are simultaneously detected due to short circuit of 4WD shift switch.	<a href="#">DLN-212</a>	H
10	Wait detection switch	Improper signal from wait detection switch is input due to open or short circuit.	<a href="#">DLN-215</a>	I
11	Actuator motor	<ul style="list-style-type: none"> <li>Motor does not operate properly due to open or short circuit in actuator motor.</li> <li>Malfunction is detected in the actuator motor. (When 4WD shift switch is operated and actuator motor is not operated.)</li> <li>Malfunction is detected in transfer shift high relay or transfer shift low relay.</li> </ul>	<a href="#">DLN-219</a>	J
12	Actuator position switch	<ul style="list-style-type: none"> <li>Improper signal from actuator position switch is input due to open or short circuit.</li> <li>Malfunction is detected in the actuator position switch.</li> </ul>	<a href="#">DLN-226</a>	K
13	Transfer control device	<ul style="list-style-type: none"> <li>Malfunction is detected in transfer shut off relay 1 and transfer shut off 2.</li> <li>Malfunction occurs in transfer control device drive circuit.</li> </ul>	<a href="#">DLN-229</a>	L
14	PNP switch signal	When A/T PNP switch signal is malfunction or communication error between the vehicles.	<a href="#">DLN-218</a>	M
Repeats flickering every 0.25 sec.	Data erase display	<ul style="list-style-type: none"> <li>Power supply failure of memory back-up.</li> <li>Battery is disconnected for a long time.</li> <li>Battery performance is poor.</li> </ul>	<a href="#">DLN-202</a>	N
Repeats flickering every 2 to 5 sec.	—	Circuits that the self-diagnosis covers have no malfunction.	—	O
No flickering	PNP switch or 4WD shift switch	PNP switch or 4WD shift switch circuit is shorted or open.	<a href="#">DLN-218</a> or <a href="#">DLN-212</a>	P

**NOTE:**

If actuator position switch” or transfer control device” is displayed, first erase self-diagnostic results. (They may be displayed after installing transfer control unit or transfer assembly.)

# 4WD SYSTEM SYMPTOMS

< SYMPTOM DIAGNOSIS >

[TRANSFER: TX15B]

## SYMPTOM DIAGNOSIS

### 4WD SYSTEM SYMPTOMS

#### Symptom Table

INFOID:000000003937367

Symptom	Condition	Reference page
4WD shift indicator lamp and 4LO indicator lamp do not turn ON (lamp check)	Ignition switch: ON	<a href="#">DLN-251</a>
4WD warning lamp does not turn ON (lamp check)		<a href="#">DLN-249</a>
4WD shift indicator lamp or 4LO indicator lamp does not change	Engine running	<a href="#">DLN-253</a>
ATP warning lamp does not turn ON		<a href="#">DLN-255</a>
ATP switch is malfunctioning		<a href="#">DLN-259</a>
4WD shift indicator lamp repeats flashing	While driving	<a href="#">DLN-257</a>
4WD warning lamp flashes slowly (1 time/2 seconds)		<a href="#">DLN-258</a>



# 4WD WARNING LAMP DOES NOT TURN ON

< SYMPTOM DIAGNOSIS >

[TRANSFER: TX15B]

## 4WD WARNING LAMP DOES NOT TURN ON

### Description

INFOID:000000003937368

4WD warning lamp does not turn ON when turning ignition switch to ON.

### Diagnosis Procedure

INFOID:000000003937369

### 1. CHECK TRANSFER CONTROL UNIT POWER SUPPLY AND GROUND CIRCUITS

Refer to [DLN-202, "Diagnosis Procedure"](#).

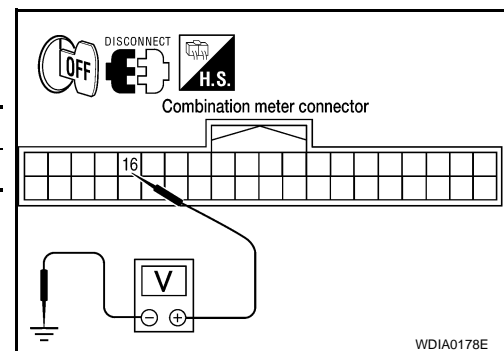
Are the inspection results normal?

- YES >> GO TO 2.  
 NO >> Perform repairs as necessary.

### 2. CHECK COMBINATION METER POWER SUPPLY CIRCUIT

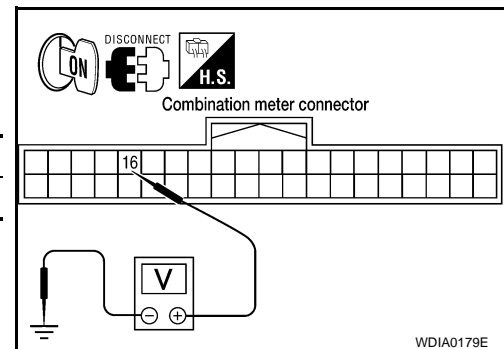
- Turn ignition switch "OFF". (Stay for at least 5 seconds.)
- Disconnect combination meter harness connector.
- Check voltage between combination meter harness connector terminals and ground.

Connector	Terminal	Voltage (Approx.)
M24	16 - Ground	0V



- Turn ignition switch "ON". (Do not start engine.)
- Check voltage between combination meter harness connector terminals and ground.

Connector	Terminal	Voltage (Approx.)
M24	16 - Ground	Battery voltage



Are the inspection results normal?

- YES >> GO TO 3.  
 NO >> Check the following. If any items are damaged, repair or replace damaged parts.
- 10A fuse [No. 14, located in the fuse block (J/B)] or ignition switch.
  - Harness for short or open between ignition switch and combination meter harness connector terminal 16

### 3. CHECK HARNESS BETWEEN TRANSFER CONTROL UNIT AND COMBINATION METER

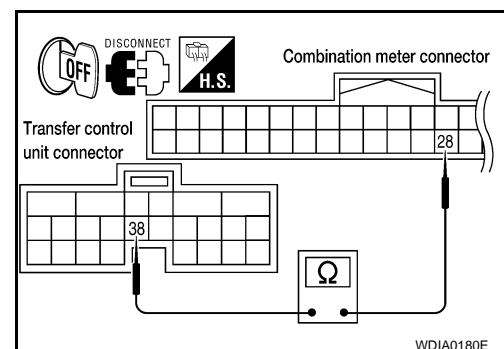
- Turn ignition switch "OFF". (Stay for at least 5 seconds.)
- Check continuity between transfer control unit harness connector M166 terminal 38 and combination meter harness connector M24 terminal 28.

**Continuity should exist.**

Also check harness for short to ground and short to power.

Is there continuity?

- YES >> GO TO 4.  
 NO >> Repair or replace damaged parts.



# 4WD WARNING LAMP DOES NOT TURN ON

< SYMPTOM DIAGNOSIS >

[TRANSFER: TX15B]

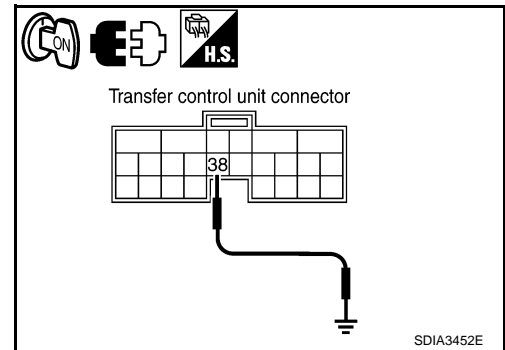
## 4. CHECK INDICATOR LAMP CIRCUIT

1. Turn ignition switch "OFF". (Stay for at least 5 seconds.)
2. Connect combination meter harness connector.
3. Disconnect transfer control unit harness connector.
4. Turn ignition switch "ON". (Do not start engine.)
5. Ground the following terminal using suitable wiring.
  - Transfer control unit harness connector M166 terminal 38 and ground.

Does the indicator lamp turn on?

YES >> GO TO 5.

NO >> Replace the combination meter. Refer to [MWI-94](#), "[Removal and Installation](#)".



## 5. SYMPTOM CHECK

Check again.

Does the symptom still occur?

YES >> GO TO 6.

NO >> Inspection End.

## 6. CHECK TRANSFER CONTROL UNIT

Check transfer control unit input/output signal. Refer to [DLN-233](#), "[Reference Value](#)".

Are the inspection results normal?

YES >> Inspection End.

NO >> Check transfer control unit pin terminals for damage or loose connection with harness connector. If any items are damaged, repair or replace damaged parts.

# 4WD SHIFT INDICATOR LAMP AND 4LO INDICATOR LAMP DO NOT TURN ON

< SYMPTOM DIAGNOSIS > [TRANSFER: TX15B]

## 4WD SHIFT INDICATOR LAMP AND 4LO INDICATOR LAMP DO NOT TURN ON

### Description

INFOID:000000003937370

4WD shift indicator lamp and 4LO indicator lamp do not turn ON for approx. 1 second when turning ignition switch to ON.

### Diagnosis Procedure

INFOID:000000003937371

#### 1. CHECK TRANSFER CONTROL UNIT POWER SUPPLY AND GROUND CIRCUITS

Refer to [DLN-202. "Diagnosis Procedure"](#).

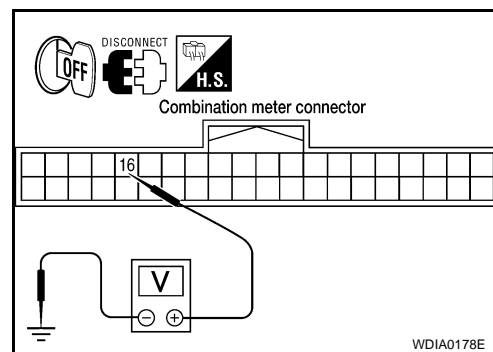
Are the inspection results normal?

- YES >> GO TO 2.  
 NO >> Perform repairs as necessary.

#### 2. CHECK COMBINATION METER POWER SUPPLY CIRCUIT

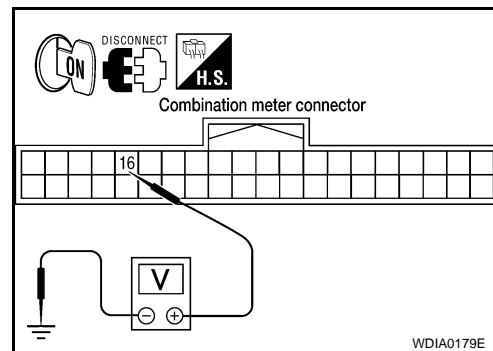
1. Turn ignition switch "OFF". (Stay for at least 5 seconds.)
2. Disconnect combination meter harness connector.
3. Check voltage between combination meter harness connector terminals and ground.

Connector	Terminal	Voltage (Approx.)
M24	16 - Ground	0V



4. Turn ignition switch "ON". (Do not start engine.)
5. Check voltage between combination meter harness connector terminals and ground.

Connector	Terminal	Voltage (Approx.)
M24	16 - Ground	Battery voltage



Are the inspection results normal?

- YES >> GO TO 3.  
 NO >> Check the following. If any items are damaged, repair or replace damaged parts.
- 10A fuse [No. 14, located in the fuse block (J/B) or] ignition switch.
  - Harness for short or open between ignition switch and combination meter harness connector terminal 16

#### 3. CHECK HARNESS BETWEEN TRANSFER CONTROL UNIT AND COMBINATION METER

1. Turn ignition switch "OFF". (Stay for at least 5 seconds.)

# 4WD SHIFT INDICATOR LAMP AND 4LO INDICATOR LAMP DO NOT TURN ON

[TRANSFER: TX15B]

## < SYMPTOM DIAGNOSIS >

2. Check continuity between the following terminals.
  - Transfer control unit harness connector M166 terminal 35 and combination meter harness connector M24 terminal 30.
  - Transfer control unit harness connector M166 terminal 36 and combination meter harness connector M24 terminal 27.
  - Transfer control unit harness connector M166 terminal 37 and combination meter harness connector M24 terminal 29.

**Continuity should exist.**

Also check harness for short to ground and short to power.

Does continuity exist?

- YES >> GO TO 4.
- NO >> Repair or replace damaged parts.

## 4. CHECK INDICATOR LAMP CIRCUIT

1. Turn ignition switch "OFF". (Stay for at least 5 seconds.)
2. Connect combination meter harness connector.
3. Disconnect transfer control unit harness connector.
4. Turn ignition switch "ON". (Do not start engine.)
5. Ground the following terminals using suitable wiring.
  - Transfer control unit harness connector M166 terminal 35 and ground.
  - Transfer control unit harness connector M166 terminal 36 and ground.
  - Transfer control unit harness connector M166 terminal 37 and ground.

Do indicator lamps turn on?

- YES >> GO TO 5.
- NO >> Replace the combination meter. Refer to [MWI-94](#).  
["Removal and Installation"](#).

## 5. SYMPTOM CHECK

Check again.

Does the symptom still occur?

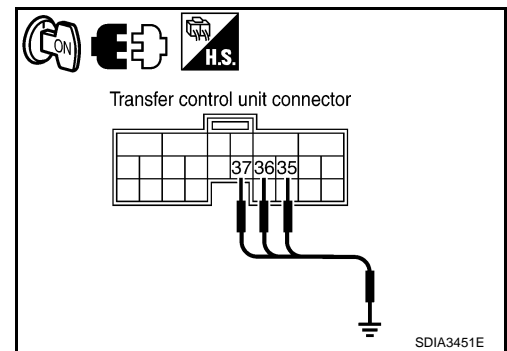
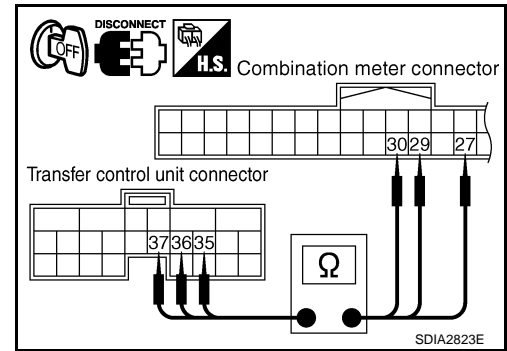
- YES >> GO TO 6.
- NO >> Inspection End.

## 6. CHECK TRANSFER CONTROL UNIT

Check transfer control unit input/output signal. Refer to [DLN-233](#). ["Reference Value"](#).

Are the inspection results normal?

- YES >> Inspection End.
- NO >> Check transfer control unit pin terminals for damage or loose connection with harness connector. If any items are damaged, repair or replace damaged parts.



# 4WD SHIFT INDICATOR LAMP OR 4LO INDICATOR LAMP DO NOT CHANGE

## Description

INFOID:000000003937372

4WD shift indicator lamp or 4LO indicator lamp do not change when switching the 4WD shift switch.

## Diagnosis Procedure

INFOID:000000003937373

### 1.CONFIRM THE SYMPTOM

Confirm 4WD shift indicator lamp and 4LO indicator lamp when ignition switch is turned to ON.

Do 4WD shift indicator lamp and 4LO indicator lamp turn on?

YES >> GO TO 2.

NO >> Go to [DLN-251, "Diagnosis Procedure"](#).

### 2.CHECK SYSTEM FOR 4WD SHIFT SWITCH

Perform trouble diagnosis for 4WD shift switch system. Refer to [DLN-212, "Diagnosis Procedure"](#).

Are the inspection results normal?

YES >> GO TO 3.

NO >> Repair or replace damaged parts.

### 3.CHECK SYSTEM FOR WAIT DETECTION SWITCH

Perform trouble diagnosis for wait detection switch system. Refer to [DLN-215, "Diagnosis Procedure"](#).

Are the inspection results normal?

YES >> GO TO 4.

NO >> Repair or replace damaged parts.

### 4.CHECK SYSTEM FOR 4LO SWITCH

Perform trouble diagnosis for 4LO switch system. Refer to [DLN-209, "Diagnosis Procedure"](#).

Are the inspection results normal?

YES >> GO TO 5.

NO >> Repair or replace damaged parts.

### 5.CHECK SYSTEM FOR ATP SWITCH

Perform trouble diagnosis for ATP switch system. Refer to [DLN-259, "Diagnosis Procedure"](#).

Are the inspection results normal?

YES >> GO TO 6.

NO >> Repair or replace damaged parts.

### 6.SYMPTOM CHECK

Check again.

Does the symptom still occur?

YES >> GO TO 7.

NO >> Inspection End

### 7.CHECK TRANSFER CONTROL UNIT

Check transfer control unit input/output signal. Refer to [DLN-233, "Reference Value"](#).

Are the inspection results normal?

YES >> GO TO 8.

NO >> Check transfer control unit pin terminals for damage or loose connection with harness connector.  
If any items are damaged, repair or replace damaged parts.

### 8.CHECK TRANSFER INNER PARTS

1. Disassemble transfer assembly. Refer to [DLN-281, "Disassembly and Assembly"](#).

2. Check transfer inner parts.

Are the inspection results normal?

A

B

C

DLN

E

F

G

H

I

J

K

L

M

N

O

P

# 4WD SHIFT INDICATOR LAMP OR 4LO INDICATOR LAMP DO NOT CHANGE

< SYMPTOM DIAGNOSIS >

[TRANSFER: TX15B]

---

- YES >> Inspection End.
- NO >> Repair or replace damaged parts.

# ATP WARNING LAMP DOES NOT TURN ON

< SYMPTOM DIAGNOSIS >

[TRANSFER: TX15B]

## ATP WARNING LAMP DOES NOT TURN ON

### Description

INFOID:000000003937374

ATP warning lamp does not turn ON when the transfer case is switched in or out of 4LO with the A/T selector lever in N position.

### Diagnosis Procedure

INFOID:000000003937375

#### 1. CHECK SYSTEM FOR CAN COMMUNICATION LINE

Perform self-diagnosis. Refer to [DLN-198, "CONSULT-III Function \(ALL MODE AWD/4WD\)"](#).

Do the self-diagnostic results indicate CAN communication?

- YES >> Perform trouble diagnosis for CAN communication line. Refer to [LAN-65, "DTC Index"](#).
- NO >> GO TO 2.

#### 2. CHECK SYSTEM FOR 4WD SHIFT SWITCH

Perform trouble diagnosis for 4WD shift switch system. Refer to [DLN-212, "Diagnosis Procedure"](#).

Are the inspection results normal?

- YES >> GO TO 3.
- NO >> Repair or replace damaged parts.

#### 3. CHECK SYSTEM FOR PNP SWITCH SIGNAL

Perform trouble diagnosis for PNP switch signal system. Refer to [DLN-218, "Diagnosis Procedure"](#).

Are the inspection results normal?

- YES >> GO TO 4.
- NO >> Repair or replace damaged parts.

#### 4. CHECK SYSTEM FOR ATP SWITCH

Perform trouble diagnosis for ATP switch system. Refer to [DLN-259, "Diagnosis Procedure"](#).

Are the inspection results normal?

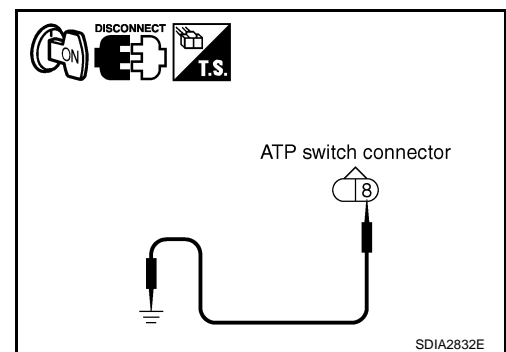
- YES >> GO TO 5.
- NO >> Repair or replace damaged parts.

#### 5. CHECK ATP WARNING LAMP CIRCUIT

1. Disconnect ATP switch harness connector.
2. Turn ignition switch "ON". (Do not start engine.)
3. Ground terminal 8 on ATP switch connector F71 using suitable wiring.
4. Turn ignition switch "OFF". (Stay for at least 5 seconds.)

Does ATP warning lamp turn on?

- YES >> GO TO 9.
- NO >> GO TO 6.



#### 6. CHECK HARNESS BETWEEN TRANSFER CONTROL UNIT AND COMBINATION METER

1. Turn ignition switch "OFF". (Stay for at least 5 seconds.)
2. Disconnect transfer control unit harness connector and combination meter harness connector.

# ATP WARNING LAMP DOES NOT TURN ON

< SYMPTOM DIAGNOSIS >

[TRANSFER: TX15B]

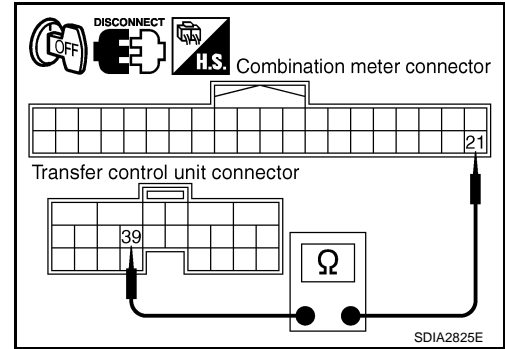
3. Check continuity between transfer control unit harness connector M166 terminal 39 and combination meter harness connector M24 terminal 21.

**Continuity should exist.**

Also check harness for short to ground and short to power.

Does continuity exist?

- YES >> GO TO 7.
- NO >> Repair or replace damaged parts.



## 7. CHECK HARNESS BETWEEN COMBINATION METER AND ATP SWITCH

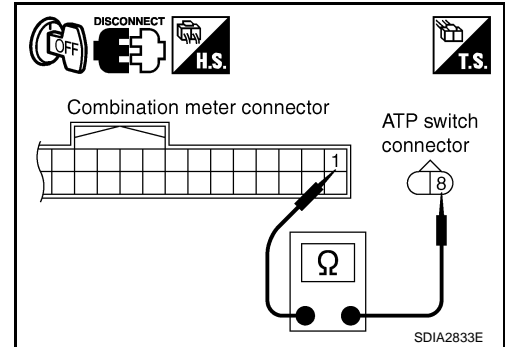
1. Turn ignition switch "OFF". (Stay for at least 5 seconds.)
2. Disconnect ATP switch harness connector.
3. Check continuity between combination meter harness connector M24 terminal 1 and ATP switch harness connector F71 terminal 8.

**Continuity should exist.**

Also check harness for short to ground and short to power.

Does continuity exist?

- YES >> GO TO 8.
- NO >> Repair or replace damaged parts.



## 8. SYMPTOM CHECK

Check again.

Does the symptom still occur?

- YES >> GO TO 9.
- NO >> Inspection End.

## 9. CHECK TRANSFER CONTROL UNIT

Check transfer control unit input/output signal. Refer to [DLN-233, "Reference Value"](#).

Are the inspection results normal?

- YES >> GO TO 10.
- NO >> Check transfer control unit pin terminals for damage or loose connection with harness connector. If any items are damaged, repair or replace damaged parts.

## 10. CHECK TRANSFER INNER PARTS

1. Disassemble transfer assembly. Refer to [DLN-281, "Disassembly and Assembly"](#).
2. Check transfer inner parts.

Are the inspection results normal?

- YES >> Inspection End.
- NO >> Repair or replace damaged parts.



# 4WD SHIFT INDICATOR LAMP KEEPS FLASHING

< SYMPTOM DIAGNOSIS >

[TRANSFER: TX15B]

## 4WD SHIFT INDICATOR LAMP KEEPS FLASHING

### Description

INFOID:000000003937376

The 4WD shift indicator lamp keeps flashing.

### Diagnosis Procedure

INFOID:000000003937377

#### 1.CONFIRM THE SYMPTOM

1. Set 4WD shift switch to "2WD".
2. Drive the vehicle straight forward and backward keeping speed under 20 km/h (12 MPH).

Does 4WD shift indicator lamp keep flashing?

- YES >> GO TO 2.  
NO >> Inspection End.

#### 2.CHECK SYSTEM FOR WAIT DETECTION SWITCH

Perform trouble diagnosis for wait detection switch system. Refer to [DLN-215, "Diagnosis Procedure"](#).

Are the inspection results normal?

- YES >> GO TO 3.  
NO >> Repair or replace damaged parts.

#### 3.CHECK SYSTEM FOR 4LO SWITCH

Perform trouble diagnosis for 4LO switch. Refer to [DLN-209, "Diagnosis Procedure"](#).

Are the inspection results normal?

- YES >> GO TO 4.  
NO >> Repair or replace damaged parts.

#### 4.SYMPTOM CHECK

Check again.

Does the symptom still occur?

- YES >> GO TO 5.  
NO >> Inspection End.

#### 5.CHECK TRANSFER CONTROL UNIT

Check transfer control unit input/output signal. Refer to [DLN-233, "Reference Value"](#).

Are the inspection results normal?

- YES >> GO TO 6.  
NO >> Check transfer control unit pin terminals for damage or loose connection with harness connector.  
If any items are damaged, repair or replace damaged parts.

#### 6.CHECK TRANSFER INNER PARTS

1. Disassemble transfer assembly. Refer to [DLN-281, "Disassembly and Assembly"](#).
2. Check transfer inner parts.

Are the inspection results normal?

- YES >> Inspection End.  
NO >> Repair or replace damaged parts.

A  
B  
C  
DLN  
E  
F  
G  
H  
I  
J  
K  
L  
M  
N  
O  
P

# 4WD WARNING LAMP FLASHES SLOWLY

< SYMPTOM DIAGNOSIS >

[TRANSFER: TX15B]

## 4WD WARNING LAMP FLASHES SLOWLY

### Description

INFOID:000000003937378

The 4WD warning lamp flashes slowly while driving (1 time / 2 seconds). The lamp continues to flash until the ignition switch is turned OFF.

### Diagnosis Procedure

INFOID:000000003937379

#### 1.CHECK TIRES

Check the following. Refer to [WT-52, "Tire"](#).

- Tire size
- Tire wear
- Tire pressure

Are the inspection results normal?

YES >> GO TO 2.

NO >> Repair or replace damaged parts.

#### 2.SYMPTOM CHECK

Check again.

Does the symptom still occur?

YES >> GO TO 3.

NO >> Inspection End.

#### 3.CHECK TRANSFER CONTROL UNIT

Check transfer control unit input/output signal. Refer to [DLN-233, "Reference Value"](#).

Are the inspection results normal?

YES >> Inspection End.

NO >> Check transfer control unit pin terminals for damage or loose connection with harness connector.  
If any items are damaged, repair or replace damaged parts.

# ATP SWITCH

< SYMPTOM DIAGNOSIS >

[TRANSFER: TX15B]

## ATP SWITCH

### Description

INFOID:000000003937380

The ATP indicator does not come on when the transfer is in neutral and the A/T lever is in neutral or, the ATP indicator stays on when the transfer case is not in neutral.

### Diagnosis Procedure

INFOID:000000003937381

#### DIAGNOSTIC PROCEDURE

#### 1. CHECK ATP SWITCH SIGNAL

##### With CONSULT-III

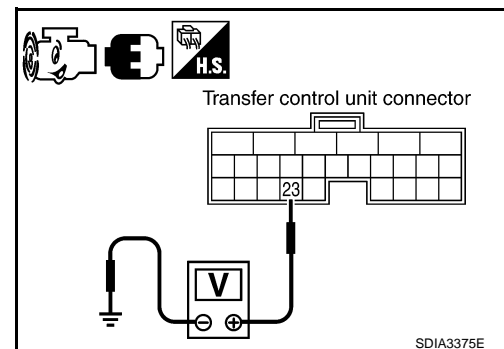
1. Start engine.
2. Select "DATA MONITOR" mode for "ALL MODE AWD/4WD" with CONSULT-III.
3. Read out the value of "ATP SWITCH".

Condition		Display value
<ul style="list-style-type: none"> <li>• Vehicle stopped</li> <li>• Engine running</li> <li>• A/T selector lever "N" position</li> <li>• Brake pedal depressed</li> </ul>	4WD shift switch: 4H to 4LO or 4LO to 4H (While actuator motor is operating.)	ON
	Except the above	OFF

##### Without CONSULT-III

1. Start engine.
2. Check voltage between transfer control unit harness connector terminal and ground.

Connector	Terminal	Condition	Voltage (Approx.)
M165	23 - Ground	<ul style="list-style-type: none"> <li>• Vehicle stopped</li> <li>• Engine running</li> <li>• A/T selector lever "N" position</li> <li>• Brake pedal depressed</li> </ul>	4WD shift switch: 4H to 4LO or 4LO to 4H (While actuator motor is operating.)
		Except the above	Battery voltage



Are the inspection results normal?

- YES >> GO TO 5.  
NO >> GO TO 2.

#### 2. CHECK HARNESS BETWEEN TRANSFER CONTROL UNIT AND ATP SWITCH

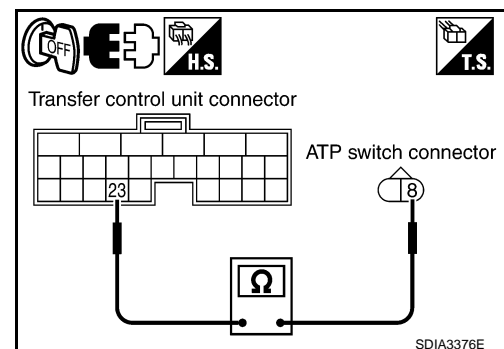
1. Turn ignition switch "OFF". (Stay for at least 5 seconds.)
2. Disconnect transfer control unit harness connector and the ATP switch harness connector.
3. Check continuity between transfer control unit harness connector M165 terminal 23 and ATP switch harness connector F71 terminal 8.

**Continuity should exist.**

Also check harness for short to ground and short to power.

Does continuity exist?

- YES >> GO TO 3.  
NO >> Repair or replace damaged parts.



# ATP SWITCH

[TRANSFER: TX15B]

< SYMPTOM DIAGNOSIS >

## 3. CHECK GROUND CIRCUIT

1. Turn ignition switch "OFF". (Stay for at least 5 seconds.)
2. Disconnect ATP switch harness connector.
3. Check continuity between ATP switch harness connector F71 terminal 9 and ground.

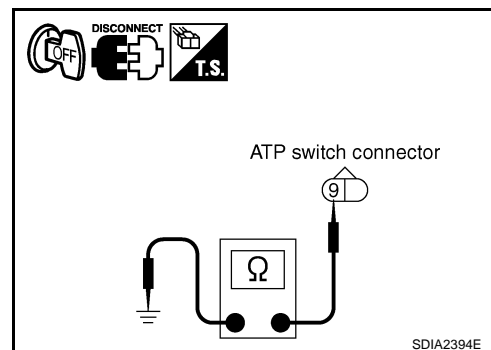
**Continuity should exist.**

Also check harness for short to power.

Does continuity exist?

YES >> GO TO 4.

NO >> Repair open circuit or short to power in harness or connectors.



## 4. CHECK ATP SWITCH

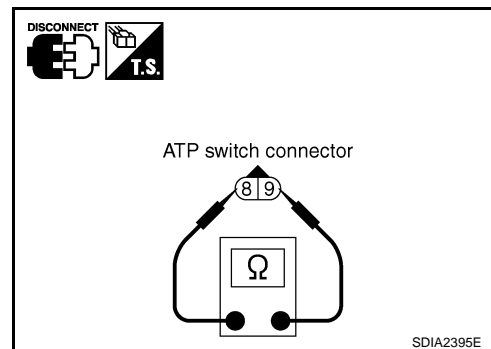
1. Turn ignition switch "OFF". (Stay for at least 5 seconds.)
2. Remove ATP switch. Refer to [DLN-194, "Component Parts Location"](#).
3. Push and release ATP switch and check continuity between ATP switch terminals 8 and 9.

Terminal	Condition	Continuity
8 - 9	Push ATP switch	Yes
	Release ATP switch	No

Are the inspection results normal?

YES >> GO TO 5.

NO >> Replace ATP switch.



## 5. CHECK TRANSFER CONTROL UNIT

Check transfer control unit input/output signal. Refer to [DLN-233, "Reference Value"](#).

Are the inspection results normal?

YES >> GO TO 6.

NO >> Check transfer control unit pin terminals for damage or loose connection with harness connector. If any items are damaged, repair or replace damaged parts.

## 6. CHECK ATP WARNING LAMP

1. Turn ignition switch "ON". (Do not start engine.)
2. A/T selector lever "N" position and engage the parking brake.
3. Switch 4WD shift switch from 4H to 4LO or 4LO to 4H.

Does the ATP warning lamp turn ON while the actuator motor is operating?

YES >> Inspection End.

NO >> Refer to [DLN-255, "Diagnosis Procedure"](#).

## Component Inspection

INFOID:000000003937382

1. Turn ignition switch "OFF". (Stay for at least 5 seconds.)
2. Disconnect ATP switch harness connector.
3. Remove ATP switch. Refer to [DLN-194, "Component Parts Location"](#).

# ATP SWITCH

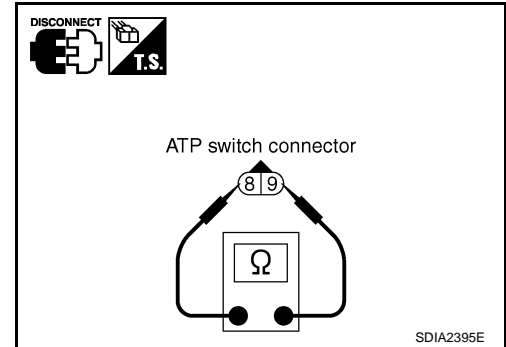
## < SYMPTOM DIAGNOSIS >

[TRANSFER: TX15B]

4. Push and release ATP switch and check continuity between ATP switch terminals 8 and 9.

Terminal	Condition	Continuity
8 - 9	Push ATP switch	Yes
	Release ATP switch	No

5. If the inspection results are abnormal replace the ATP switch.



A  
B  
C

DLN

E  
F  
G  
H  
I  
J  
K  
L  
M  
N  
O  
P

PRECAUTION

PRECAUTIONS

Precaution for Supplemental Restraint System (SRS) "AIR BAG" and "SEAT BELT PRE-TENSIONER"

INFOID:000000003937383

The Supplemental Restraint System such as "AIR BAG" and "SEAT BELT PRE-TENSIONER", used along with a front seat belt, helps to reduce the risk or severity of injury to the driver and front passenger for certain types of collision. This system includes seat belt switch inputs and dual stage front air bag modules. The SRS system uses the seat belt switches to determine the front air bag deployment, and may only deploy one front air bag, depending on the severity of a collision and whether the front occupants are belted or unbelted. Information necessary to service the system safely is included in the SR and SB section of this Service Manual.

**WARNING:**

- To avoid rendering the SRS inoperative, which could increase the risk of personal injury or death in the event of a collision which would result in air bag inflation, all maintenance must be performed by an authorized NISSAN/INFINITI dealer.
- Improper maintenance, including incorrect removal and installation of the SRS, can lead to personal injury caused by unintentional activation of the system. For removal of Spiral Cable and Air Bag Module, see the SR section.
- Do not use electrical test equipment on any circuit related to the SRS unless instructed to in this Service Manual. SRS wiring harnesses can be identified by yellow and/or orange harnesses or harness connectors.





Precaution for Transfer Assembly and Transfer Control Unit Replacement

INFOID:000000003937384

When replacing transfer assembly or transfer control unit, check the 4WD shift indicator pattern and adjustment of the position between transfer assembly and transfer control unit if necessary.

CHECK 4WD SHIFT INDICATOR PATTERN

1. Set 4WD shift switch to "2WD", "4H", "4LO", "4H" and "2WD" in order. Stay at each switch position for at least 2 seconds.
2. Confirm 4WD shift indicator lamp and 4LO indicator lamp are changed properly as follows.

4WD shift switch	Indicator lamp		Operation of 4WD shift switch
	4WD shift	4LO	
2WD		OFF	2WD ⇄ 4H switching can be done while driving. The indicator lamp will change when the driving mode is changed. Gear shifting between 2WD ⇄ 4H position must be performed at speeds below 100km/h (60 MPH).
4H			
4LO		Flashing	To shift between 4H ⇄ 4LO, stop the vehicle and select the A/T selector lever to the "N" position with the brake pedal depressed. Depress and turn the 4WD shift switch. The 4WD shift switch will not shift to the desired mode if the transmission is not in "N" or the vehicle is moving with the brake pedal depressed. The 4LO indicator lamp will be lit when the 4LO is engaged.
		ON	

WDIA0137E

- If OK, the position between transfer assembly and transfer control unit is correct.
- If NG, the position is different between transfer assembly and transfer control unit. Adjust the position between transfer assembly and transfer control unit. Refer to pattern table below.

Transfer position adjustment pattern

4WD shift switch condition	Refer procedure
4WD shift switch is under "2WD" condition when engine is being stopped.	"METHOD FOR ADJUSTMENT WITH 4WD SHIFT SWITCH AT "2WD""
4WD shift switch is under "4H" or "4LO" condition when engine is being stopped.	"METHOD FOR ADJUSTMENT WITH 4WD SHIFT SWITCH AT "4H" OR "4LO""

# PRECAUTIONS

< PRECAUTION >

[TRANSFER: TX15B]

**NOTE:**

Method of adjustment can be chosen voluntarily, according to location of 4WD shift switch.

## METHOD FOR ADJUSTMENT WITH 4WD SHIFT SWITCH AT "2WD"

### Select Adjustment Pattern

1. Start engine. Run engine for at least 10 seconds.
2. Check 4WD shift indicator lamp and 4LO indicator lamp.

Indicator lamp condition	Refer procedure
When 4WD shift indicator lamp or 4LO indicator lamp is flashing.	"Pattern A"
Except for above.	"Pattern B"

### Pattern A

1. Stop vehicle and move A/T selector lever to "N" position with brake pedal depressed. Stay in "N" for at least 2 seconds.
2. Turn 4WD shift switch to "4LO" position. Stay in "4LO" for at least 2 seconds.
3. Turn ignition switch "OFF".
4. Start engine.
5. Erase self-diagnosis. Refer to [DLN-198, "CONSULT-III Function \(ALL MODE AWD/4WD\)"](#).
6. Check 4WD shift indicator lamp and 4LO indicator lamp again. Refer to "CHECK 4WD SHIFT INDICATOR PATTERN".  
If 4WD shift indicator lamp and 4LO indicator lamp do not indicate proper pattern, install new transfer control unit and retry the above check.

### Pattern B

1. Stop vehicle and move A/T selector lever to "N" position with brake pedal depressed. Stay in "N" for at least 2 seconds.
2. Turn ignition switch "OFF".
3. Start engine.
4. Erase self-diagnosis. Refer to [DLN-198, "CONSULT-III Function \(ALL MODE AWD/4WD\)"](#).
5. Check 4WD shift indicator lamp and 4LO indicator lamp again. Refer to "CHECK 4WD SHIFT INDICATOR PATTERN".  
If 4WD shift indicator lamp and 4LO indicator lamp do not indicate proper pattern, install new transfer control unit and retry the above check.

## METHOD FOR ADJUSTMENT WITH 4WD SHIFT SWITCH AT "4H" OR "4LO"

1. Start engine. Run the engine for at least 10 seconds.
2. Stop vehicle and move A/T selector lever to "N" position with brake pedal depressed. Stay in "N" for at least 2 seconds.)
3. Turn 4WD shift switch to "2WD" position. Stay in "2WD" for at least 2 seconds.
4. Turn ignition switch "OFF".
5. Start engine.
6. Erase self-diagnosis. Refer to [DLN-198, "CONSULT-III Function \(ALL MODE AWD/4WD\)"](#).
7. Check 4WD shift indicator lamp and 4LO indicator lamp again. Refer to "CHECK 4WD SHIFT INDICATOR PATTERN".  
If 4WD shift indicator lamp and 4LO indicator lamp do not indicate proper pattern, install new transfer control unit and retry the above check.

## Precaution Necessary for Steering Wheel Rotation After Battery Disconnect

INFOID:000000004468087

**NOTE:**

- This Procedure is applied only to models with Intelligent Key system and NATS (NISSAN ANTI-THEFT SYSTEM).
- Remove and install all control units after disconnecting both battery cables with the ignition knob in the "LOCK" position.

# PRECAUTIONS

[TRANSFER: TX15B]

## < PRECAUTION >

- Always use CONSULT-III to perform self-diagnosis as a part of each function inspection after finishing work. If DTC is detected, perform trouble diagnosis according to self-diagnostic results. For models equipped with the Intelligent Key system and NATS, an electrically controlled steering lock mechanism is adopted on the key cylinder. For this reason, if the battery is disconnected or if the battery is discharged, the steering wheel will lock and steering wheel rotation will become impossible. If steering wheel rotation is required when battery power is interrupted, follow the procedure below before starting the repair operation.

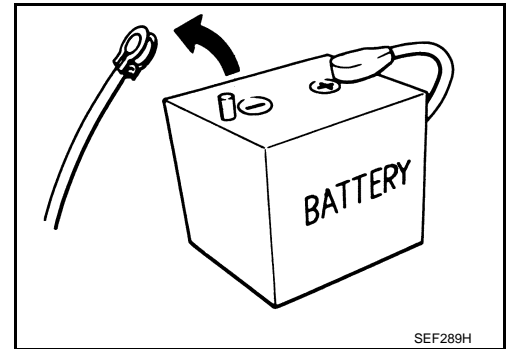
### OPERATION PROCEDURE

1. Connect both battery cables.  
**NOTE:**  
Supply power using jumper cables if battery is discharged.
2. Use the Intelligent Key or mechanical key to turn the ignition switch to the "ACC" position. At this time, the steering lock will be released.
3. Disconnect both battery cables. The steering lock will remain released and the steering wheel can be rotated.
4. Perform the necessary repair operation.
5. When the repair work is completed, return the ignition switch to the "LOCK" position before connecting the battery cables. (At this time, the steering lock mechanism will engage.)
6. Perform a self-diagnosis check of all control units using CONSULT-III.

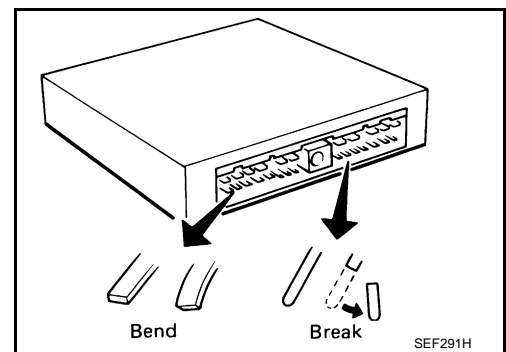
### Precaution

INFOID:000000003937385

- Before connecting or disconnecting the transfer control unit harness connector, turn ignition switch "OFF" and disconnect the battery cables. Battery voltage is applied to transfer control unit even if ignition switch is turned "OFF".



- When connecting or disconnecting pin connectors into or from transfer control unit, take care not to damage pin terminals (bend or break). When connecting pin connectors make sure that there are not any bends or breaks on transfer control unit pin terminals.



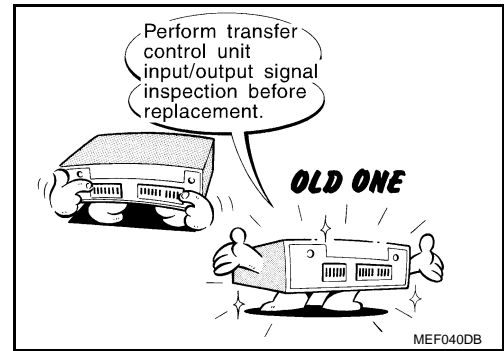


# PRECAUTIONS

< PRECAUTION >

[TRANSFER: TX15B]

- Before replacing transfer control unit, perform transfer control unit input/output signal inspection and make sure transfer control unit functions properly. Refer to [DLN-233, "Reference Value"](#).



## Service Notice

INFOID:000000003937386

- After overhaul refill the transfer with new transfer fluid.
- Check the fluid level or replace the fluid only with the vehicle parked on level ground.
- During removal or installation, keep inside of transfer clear of dust or dirt.
- Disassembly should be done in a clean work area.
- Before proceeding with disassembly, thoroughly clean the transfer. It is important to prevent the internal parts from becoming contaminated by dirt or other foreign matter.
- Check for the correct installation status prior to removal or disassembly. If matchmarks are required, be certain they do not interfere with the function of the parts when applied.
- All parts should be carefully cleaned with a general purpose, non-flammable solvent before inspection or reassembly.
- Check appearance of the disassembled parts for damage, deformation, and unusual wear. Replace them with a new ones if necessary.
- Gaskets, seals and O-rings should be replaced any time the transfer is disassembled.
- In principle, tighten bolts or nuts gradually in several steps working diagonally from inside to outside. If tightening sequence is specified, use it.
- Observe the specified torque when assembling.
- Clean and flush the parts sufficiently and blow-dry them.
- Be careful not to damage sliding surfaces and mating surfaces.
- Use lint-free cloth or towels for wiping parts clean. Common shop rags can leave fibers that could interfere with the operation of the transfer.

# PREPARATION

< PREPARATION >

[TRANSFER: TX15B]

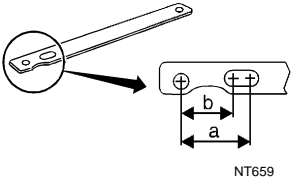
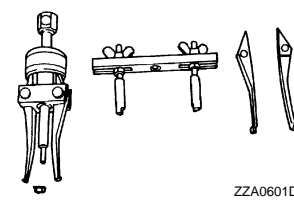
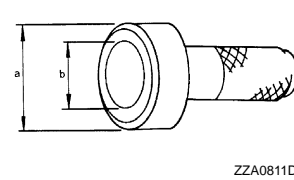
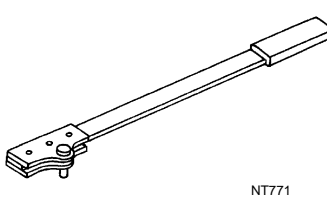
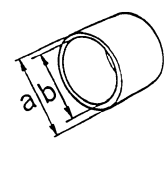
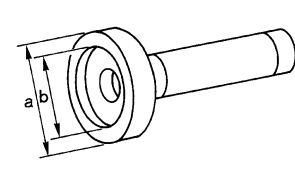
## PREPARATION

### PREPARATION

#### Special Service Tool

INFOID:000000003937387

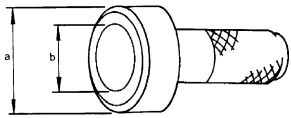
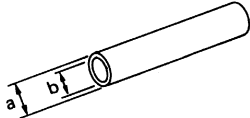
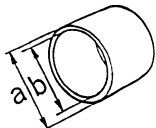
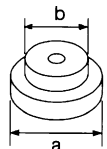
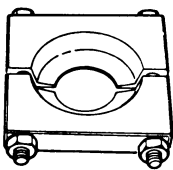
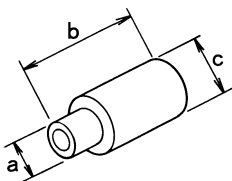
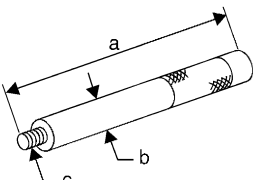
The actual shapes of Kent-Moore tools may differ from those of special service tools illustrated here.

Tool number (Kent-Moore No.) Tool name	Description
KV40104000 ( — ) Flange wrench	 <ul style="list-style-type: none"> <li>Removing self-lock nut</li> <li>Installing self-lock nut</li> </ul> <p><b>a: 85 mm (3.35 in)</b> <b>b: 65 mm (2.56 in)</b></p>
ST33290001 (J-34286) Puller	 <ul style="list-style-type: none"> <li>Removing front oil seal</li> <li>Removing rear oil seal</li> <li>Removing metal bushing</li> </ul>
KV38100500 ( — ) Drift	 <ul style="list-style-type: none"> <li>Installing front oil seal</li> <li>Installing rear oil seal</li> <li>Installing rear bearing</li> <li>Installing front bearing</li> </ul> <p><b>a: 80 mm (3.15 in) dia.</b> <b>b: 60 mm (2.36 in) dia.</b></p>
KV38100300 (J-44195) Companion flange wrench	 <ul style="list-style-type: none"> <li>Removing and installing companion flange</li> </ul>
KV40105310 ( — ) Drift	 <ul style="list-style-type: none"> <li>Installing dust cover</li> </ul> <p><b>a: 89 mm (3.50 in) dia.</b> <b>b: 80.7 mm (3.17 in) dia.</b></p>
KV38100200 ( — ) Drift	 <ul style="list-style-type: none"> <li>Removing sun gear assembly and planetary carrier assembly</li> <li>Removing input bearing</li> <li>Installing sun gear assembly and planetary carrier assembly</li> </ul> <p><b>a: 65 mm (2.56 in) dia.</b> <b>b: 49 mm (1.93 in) dia.</b></p>

# PREPARATION

< PREPARATION >

[TRANSFER: TX15B]

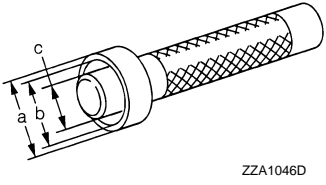
Tool number (Kent-Moore No.) Tool name	Description	
ST30720000 (J-25405) Drift	 <p style="text-align: center;">ZZA0811D</p> <ul style="list-style-type: none"> <li>• Installing input bearing</li> <li>• Installing input oil seal</li> <li>• Installing carrier bearing</li> <li><b>a: 77 mm (3.03 in) dia.</b></li> <li><b>b: 55 mm (2.17 in) dia.</b></li> </ul>	A B C
KV32102700 ( — ) Drift	 <p style="text-align: center;">ZZA0534D</p> <ul style="list-style-type: none"> <li>• Installing mainshaft rear bearing</li> <li><b>a: 48 mm (1.89 in) dia.</b></li> <li><b>b: 41 mm (1.61 in) dia.</b></li> </ul>	DLN E F
KV40104830 ( — ) Drift	 <p style="text-align: center;">ZZA1003D</p> <ul style="list-style-type: none"> <li>• Installing input oil seal</li> <li><b>a: 70 mm (2.76 in) dia.</b></li> <li><b>b: 63.5 mm (2.50 in) dia.</b></li> </ul>	G H
ST35300000 ( — ) Drift	 <p style="text-align: center;">NT073</p> <ul style="list-style-type: none"> <li>• Removing carrier bearing</li> <li>• Installing metal bushing</li> <li>• Removing front bearing</li> <li><b>a: 59 mm (2.32 in) dia.</b></li> <li><b>b: 45 mm (1.77 in) dia.</b></li> </ul>	I J K
ST30021000 (J-22912-01) Puller	 <p style="text-align: center;">ZZA0537D</p> <ul style="list-style-type: none"> <li>• Removing carrier bearing</li> <li>• Removing front bearing</li> <li>• Removing rear bearing</li> </ul>	L M
ST33710000 ( — ) Drift	 <p style="text-align: center;">ZZA1057D</p> <ul style="list-style-type: none"> <li>• Removing needle bearing</li> <li>• Removing metal bushing</li> <li>• Removing rear bearing</li> <li><b>a: 89 mm (3.5 in)</b></li> <li><b>b: 30 mm (1.18 in) dia.</b></li> <li><b>c: 24 mm (0.94 in) dia.</b></li> </ul>	N O
ST35325000 ( — ) Drift bar	 <p style="text-align: center;">NT663</p> <ul style="list-style-type: none"> <li>• Removing metal bushing</li> <li><b>a: 215 mm (8.46 in)</b></li> <li><b>b: 25 mm (0.98 in) dia.</b></li> <li><b>c: M12 × 1.5P</b></li> </ul>	P

# PREPARATION

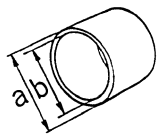
< PREPARATION >

[TRANSFER: TX15B]

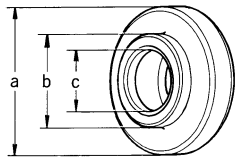
Tool number (Kent-Moore No.) Tool name	Description
ST33220000 ( — ) Drift	<ul style="list-style-type: none"> <li>Installing needle bearing</li> <li><b>a: 37 mm (1.46 in) dia.</b></li> <li><b>b: 31 mm (1.22 in) dia.</b></li> <li><b>c: 22 mm (0.87 in) dia.</b></li> </ul>
ST27863000 ( — ) Drift	<ul style="list-style-type: none"> <li>Installing carrier bearing</li> <li><b>a: 75 mm (2.95 in) dia.</b></li> <li><b>b: 62 mm (2.44 in) dia.</b></li> </ul>
ST30901000 (J-26010-01) Drift	<ul style="list-style-type: none"> <li>Installing rear bearing</li> <li>Installing front bearing</li> <li><b>a: 79 mm (3.11 in) dia.</b></li> <li><b>b: 45 mm (1.77 in) dia.</b></li> <li><b>c: 35.2 mm (1.38 in) dia.</b></li> </ul>



ZZA1046D



ZZA1003D

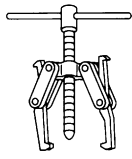


ZZA0978D

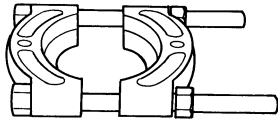
## Commercial Service Tool

INFOID:000000003937388

Tool name	Description
Puller	<ul style="list-style-type: none"> <li>Removing companion flange</li> <li>Removing mainshaft rear bearing</li> </ul>
Puller	<ul style="list-style-type: none"> <li>Removing mainshaft rear bearing</li> </ul>



NT077

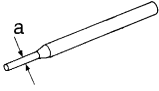
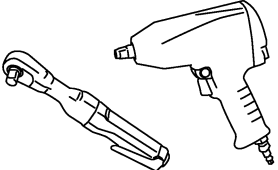


ZZB0823D

# PREPARATION

< PREPARATION >

[TRANSFER: TX15B]

Tool name	Description
Pin punch   NT410	<ul style="list-style-type: none"> <li>Removing retaining pin  <b>a: 6 mm (0.24 in) dia.</b></li> </ul>
Power tool   PBIC0190E	<ul style="list-style-type: none"> <li>Loosening bolts and nuts</li> </ul>

A  
B  
C  
DLN  
E  
F  
G  
H  
I  
J  
K  
L  
M  
N  
O  
P

## ON-VEHICLE MAINTENANCE

### TRANSFER FLUID

#### Replacement

INFOID:000000003937389

**CAUTION:**

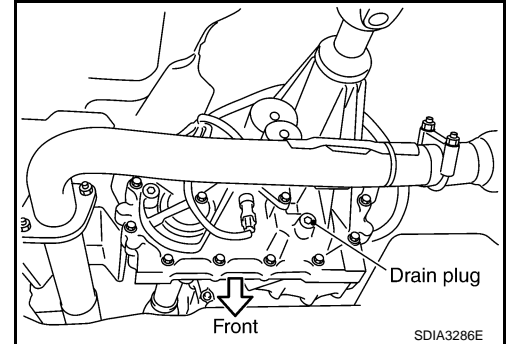
If using the vehicle for towing, the transfer fluid must be replaced as specified. Refer to [MA-7, "Introduction of Periodic Maintenance"](#).

#### DRAINING

1. Stop engine.
2. Remove the drain plug and gasket and drain the fluid.
3. Install the drain plug with a new gasket to the transfer. Tighten to the specified torque. Refer to [DLN-281, "Disassembly and Assembly"](#).

**CAUTION:**

Do not reuse gasket.



#### FILLING

1. Remove the filler plug and gasket.
2. Fill the transfer with new fluid until the fluid level reaches the specified limit near the filler plug hole.

**Fluid grade and capacity** : Refer to [MA-12, "Fluids and Lubricants"](#).

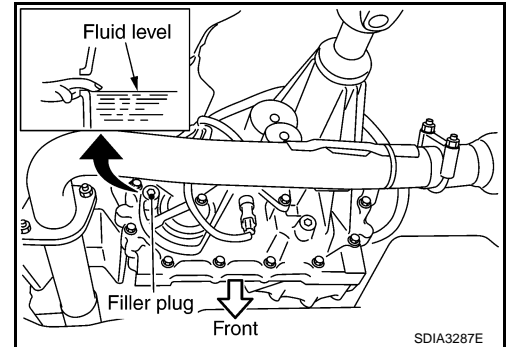
**CAUTION:**

Carefully fill fluid. (Fill up for approx. 3 minutes.)

3. Leave the vehicle for 3 minutes, and check fluid level again.
4. Install the filler plug with a new gasket to the transfer. Tighten to the specified torque. Refer to [DLN-281, "Disassembly and Assembly"](#).

**CAUTION:**

Do not reuse gasket.



#### Inspection

INFOID:000000003937390

**CAUTION:**

If using the vehicle for towing, the transfer fluid must be replaced as specified. Refer to [MA-7, "Introduction of Periodic Maintenance"](#).

#### FLUID LEAKAGE AND FLUID LEVEL

1. Make sure that fluid is not leaking from the transfer assembly or around it.
2. Check fluid level from the filler plug hole as shown.

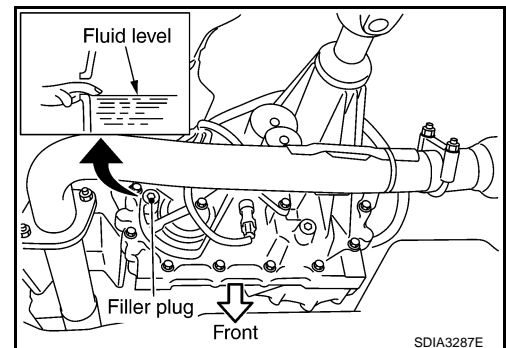
**CAUTION:**

Do not start engine while checking fluid level.

3. Install the filler plug with a new gasket to the transfer. Tighten to the specified torque. Refer to [DLN-281, "Disassembly and Assembly"](#).

**CAUTION:**

Do not reuse gasket.



## ON-VEHICLE REPAIR

### TRANSFER CONTROL UNIT

#### Removal and Installation

INFOID:000000003937391

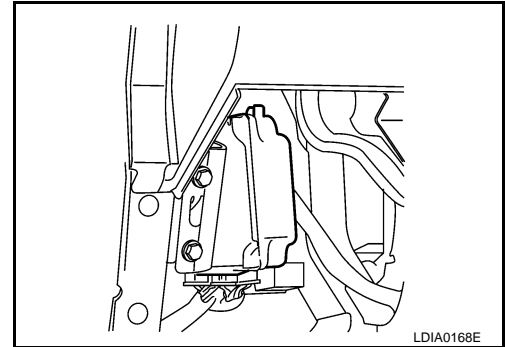
#### REMOVAL

1. Switch 4WD shift switch to 2WD and set transfer assembly to 2WD.

**CAUTION:**

**When removing transfer control unit, transfer state must be at 2WD.**

2. Turn the ignition switch OFF and disconnect negative battery terminal.
3. Remove the lower instrument panel LH. Refer to [IP-11. "Removal and Installation"](#).
4. Disconnect the two transfer control unit connectors.
5. Remove the transfer control unit bolts.
6. Remove the transfer control unit.



#### INSTALLATION

Installation is in the reverse order of removal.

- When installing the transfer control unit, tighten bolts to the specified torque.

**Transfer control unit bolts : 3.4 N-m (0.35 kg-m, 30 in-lb)**

- After the installation, check 4WD shift indicator pattern. If NG, adjust position between transfer assembly and transfer control unit. Refer to [DLN-262. "Precaution for Transfer Assembly and Transfer Control Unit Replacement"](#).

# FRONT OIL SEAL

< ON-VEHICLE REPAIR >

[TRANSFER: TX15B]

## FRONT OIL SEAL

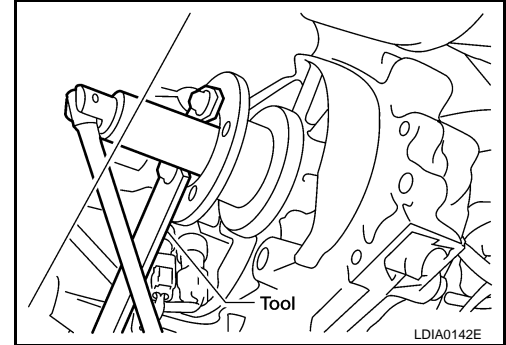
### Removal and Installation

INFOID:000000003937392

#### REMOVAL

1. Partially drain the transfer fluid. Refer to [DLN-270, "Replacement"](#).
2. Remove the front propeller shaft. Refer to [DLN-309, "Removal and Installation"](#).
3. Remove the companion flange self-lock nut using Tool.

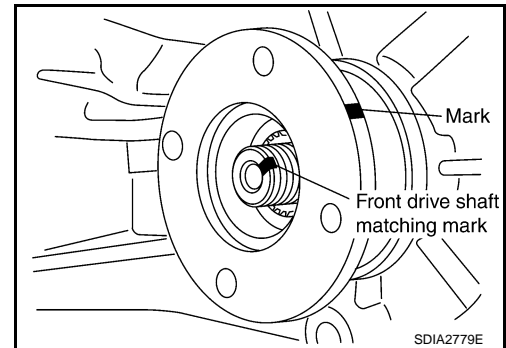
**Tool number** : KV40104000 ( — )



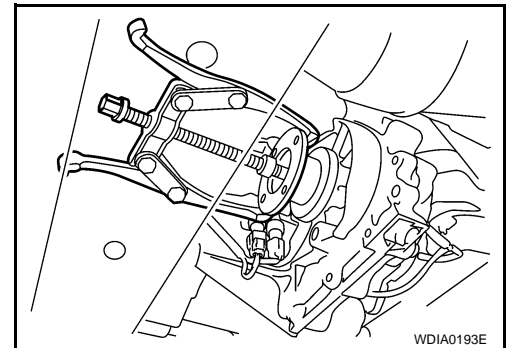
4. Put a matching mark on top of the front drive shaft in line with the mark on the companion flange.

**CAUTION:**

**Use paint to make the matching mark on the front drive shaft. Do not damage the front drive shaft.**



5. Remove the companion flange using suitable tool.

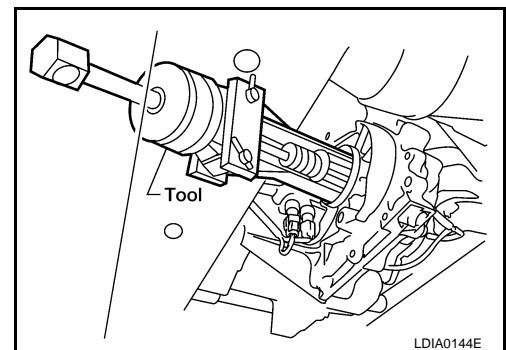


6. Remove the front oil seal from the front case using Tool.

**Tool number** : ST33290001 (J-34286)

**CAUTION:**

**Do not damage front case.**



#### INSTALLATION



# FRONT OIL SEAL

< ON-VEHICLE REPAIR >

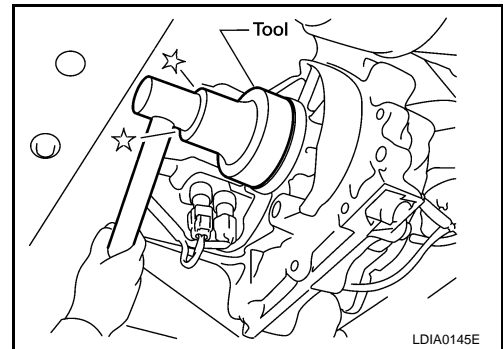
[TRANSFER: TX15B]

1. Install the new front oil seal until it is flush with the end face of the front case using Tool.

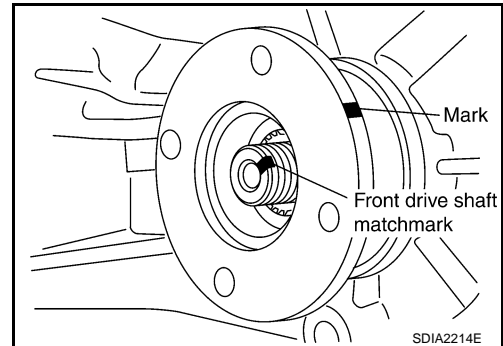
**Tool number** : KV38100500 ( — )

**CAUTION:**

- Do not reuse oil seal.
- Apply petroleum jelly to oil seal.



2. Align the matching mark of the front drive shaft with the matching mark of the companion flange, then install the companion flange.



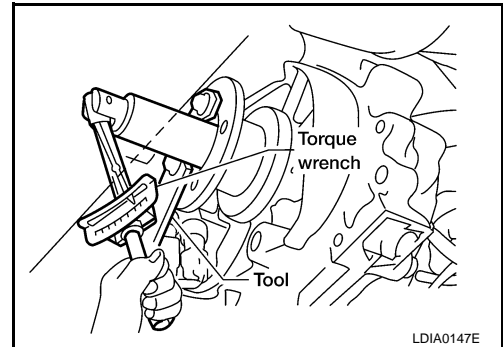
3. Install the new self-lock nut and tighten to the specified torque using Tool. Refer to [DLN-281, "Disassembly and Assembly"](#).

**Tool number** : KV40104000 ( — )

**CAUTION:**

**Do not reuse self-lock nut.**

4. Install the front propeller shaft. Refer to [DLN-309, "Removal and Installation"](#).
5. Refill the transfer with fluid and check for fluid leakage and fluid level. Refer to [DLN-270, "Inspection"](#).



A  
B  
C  
DLN  
E  
F  
G  
H  
I  
J  
K  
L  
M  
N  
O  
P

# REAR OIL SEAL

< ON-VEHICLE REPAIR >

[TRANSFER: TX15B]

## REAR OIL SEAL

### Removal and Installation

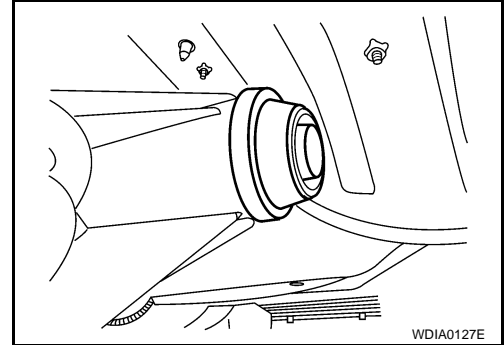
INFOID:000000003937393

#### REMOVAL

1. Partially drain the transfer fluid. Refer to [DLN-270, "Replacement"](#).
2. Remove the rear propeller shaft. Refer to [DLN-317, "Removal and Installation"](#).
3. Remove the dust cover from the rear case.

**CAUTION:**

Do not damage the rear case.

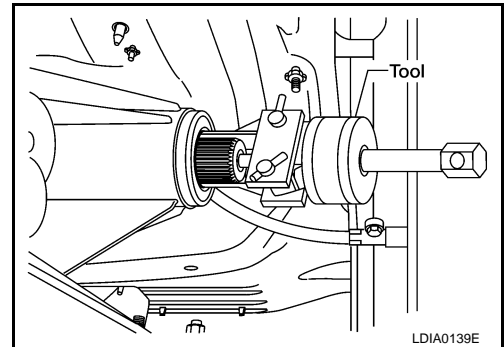


4. Remove the rear oil seal from the rear case using Tool.

**CAUTION:**

Do not damage the rear case.

**Tool number** : ST33290001 (J-34286)



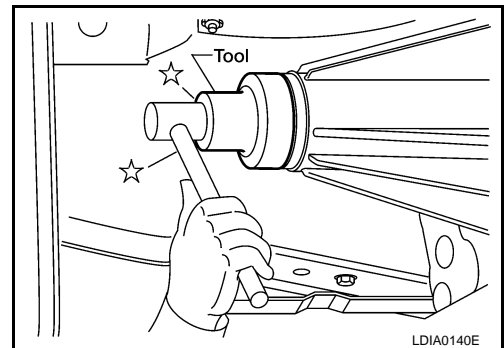
#### INSTALLATION

1. Install the new rear oil seal until it is flush with the end face of the rear case using Tool.

**Tool number** : KV38100500 ( — )

**CAUTION:**

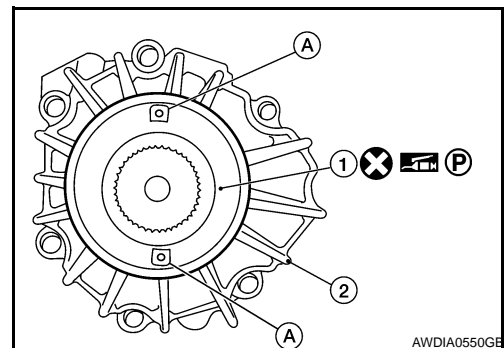
- Do not reuse oil seal.
- Apply petroleum jelly to oil seal.



2. Apply petroleum jelly to the circumference of the new dust cover. Position the new dust cover as shown.

**CAUTION:**

- Do not reuse dust cover.
- Position the identification mark at the position shown.
- 1: Dust cover
- A: Protrusions
- 2: Rear case assembly



## REAR OIL SEAL

< ON-VEHICLE REPAIR >

[TRANSFER: TX15B]

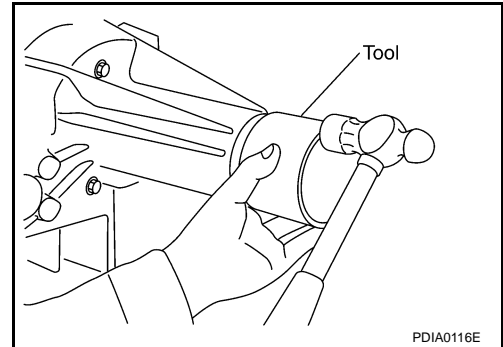
3. Install the new dust cover to the rear case using Tool.

**Tool number** : KV40105310 ( — )

**CAUTION:**

- Do not reuse dust cover.
- Apply petroleum jelly to dust cover.

4. Install the rear propeller shaft. Refer to [DLN-317. "Removal and Installation"](#).
5. Refill the transfer with fluid and check for fluid leakage and fluid level. Refer to [DLN-270. "Inspection"](#).



A  
B  
C

DLN

E  
F  
G  
H  
I  
J  
K  
L  
M  
N  
O  
P

# TRANSFER CONTROL DEVICE

< ON-VEHICLE REPAIR >

[TRANSFER: TX15B]

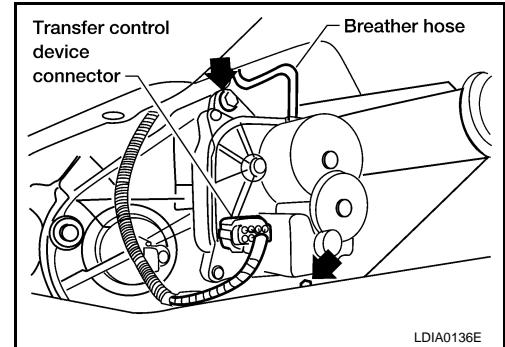
## TRANSFER CONTROL DEVICE

### Removal and Installation

INFOID:000000003937394

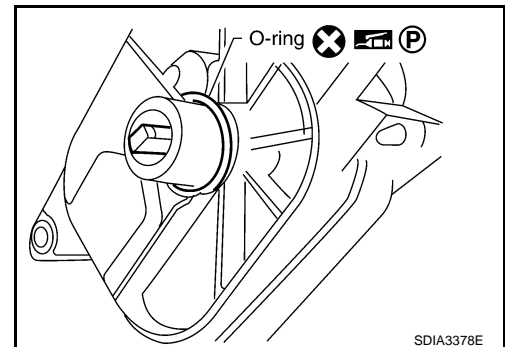
#### REMOVAL

1. Switch the 4WD shift switch to 2WD and set the transfer assembly to 2WD.
2. Disconnect the transfer control device connector.
3. Remove the breather hose from the transfer control device.
4. Remove the bolts and detach the transfer control device.

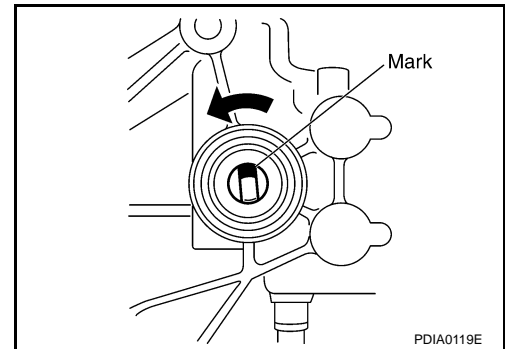


#### INSTALLATION

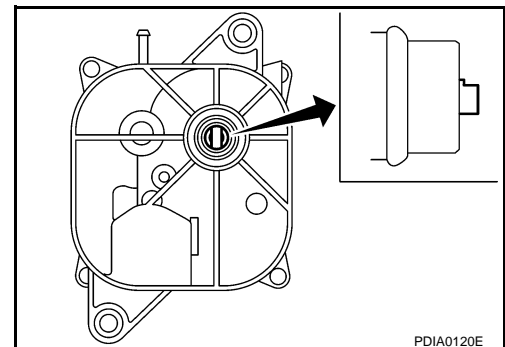
1. Install the new O-ring to the transfer control device.  
**CAUTION:**
  - Do not reuse O-ring.
  - Apply petroleum jelly to O-ring.



2. Install the transfer control device.
  - a. Turn the control shift rod fully counterclockwise using a flat-bladed screwdriver, and then put a mark on the control shift rod.



- b. Align the transfer control device shaft cutout with the mark on the control shift rod, and install.  
**NOTE:**  
Turn the transfer control device when the transfer control device connection does not match.

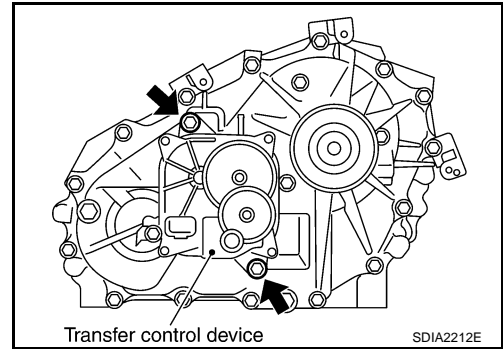


## TRANSFER CONTROL DEVICE

< ON-VEHICLE REPAIR >

[TRANSFER: TX15B]

- c. Tighten the bolts to the specified torque. Refer to [DLN-281. "Dis-assembly and Assembly"](#).
3. Install the breather hose to the transfer control device.
4. Connect the transfer control device connector.
5. After the installation, check the 4WD shift indicator pattern. If NG, adjust the position between the transfer assembly and transfer control unit. Refer to [DLN-262. "Precaution for Transfer Assembly and Transfer Control Unit Replacement"](#).



A

B

C

DLN

E

F

G

H

I

J

K

L

M

N

O

P

# AIR BREATHER HOSE

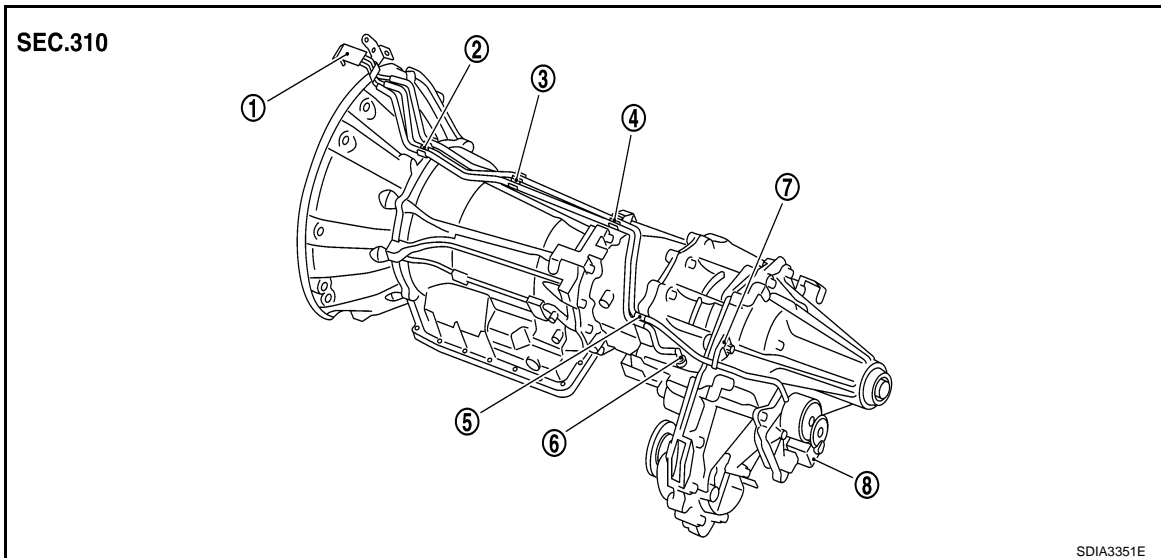
< ON-VEHICLE REPAIR >

[TRANSFER: TX15B]

## AIR BREATHER HOSE

### Removal and Installation

INFOID:000000003937395

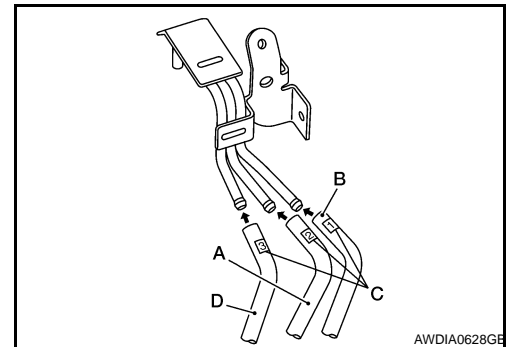


- |                            |                            |  |
|----------------------------|----------------------------|--|
| 1. Breather tube           | 2. Clip A                  | 3. Clip B                                    |
| 4. Clip C                  | 5. Clip D                  | 6. Breather tube (transfer)                  |
| 7. Air breather hose clamp | 8. Transfer control device | A. Transfer control device air breather hose |
| B. A/T breather hose       | C. Paint marks             | D. Transfer air breather hose                |

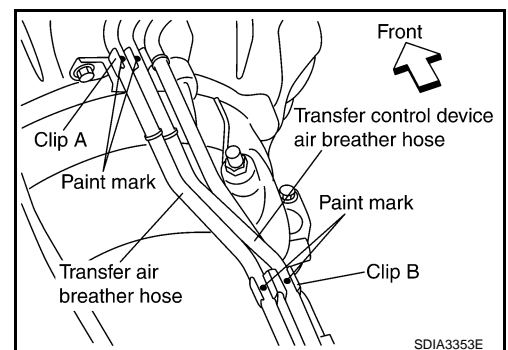
#### CAUTION:

- Make sure there are no pinched or restricted areas on each air breather hose caused by folding or bending when installing it.

- Install each air breather hose into the breather tube (metal connector) until the hose end reaches the end of the curved section. Set each air breather hose with paint mark facing upward.



- Install transfer control device air breather hose and transfer air breather hose on clip A and clip B with the paint mark facing upward.

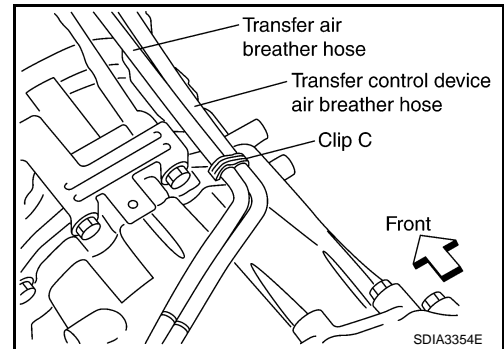


# AIR BREATHER HOSE

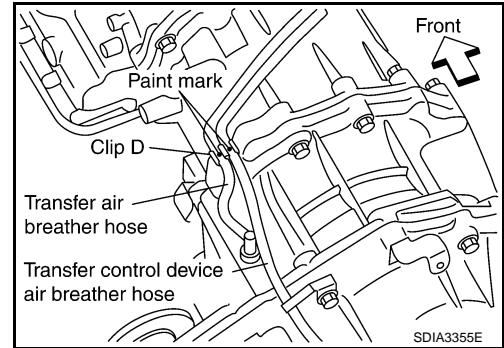
< ON-VEHICLE REPAIR >

[TRANSFER: TX15B]

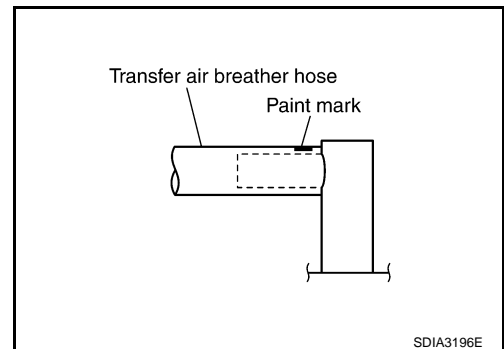
- Install clip C on transfer control device air breather hose and transfer air breather hose with the paint mark matched.



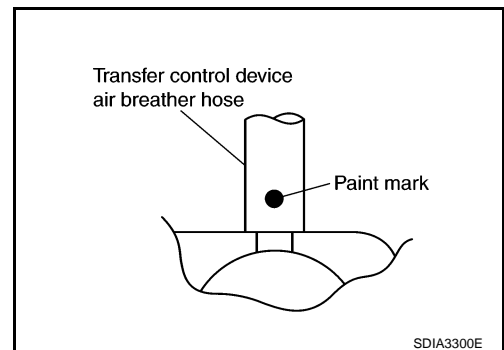
- Install transfer control device air breather hose and transfer air breather hose on clip D with the paint mark facing upward.



- Install transfer air breather hose into the breather tube (transfer, metal connector) until the hose end reaches the base of the tube. Set transfer air breather hose with paint mark facing upward.



- Install transfer control device air breather hose into transfer control device (case connector) until the hose end reaches the base of the tube. Set transfer control device air breather hose with paint mark facing forward.



A  
B  
C  
DLN  
E  
F  
G  
H  
I  
J  
K  
L  
M  
N  
O  
P

# REMOVAL AND INSTALLATION

## TRANSFER ASSEMBLY

### Removal and Installation

INFOID:000000003937399

#### REMOVAL

1. Switch 4WD shift switch to 2WD and set transfer assembly to 2WD.
2. Remove the undercovers using power tool.
3. Drain the transfer fluid. Refer to [DLN-270](#).
4. Remove the center exhaust tube and main muffler. Refer to [EX-6, "Removal and Installation"](#).
5. Remove the front and rear propeller shafts. Refer to [DLN-309, "Removal and Installation"](#) (front), [DLN-317, "Removal and Installation"](#) (rear).

**CAUTION:**

**Do not damage spline, sleeve yoke and rear oil seal when removing rear propeller shaft.**

**NOTE:**

Insert a plug into the rear oil seal after removing the rear propeller shaft.

6. Remove the A/T nuts from the A/T crossmember. Refer to [TM-217, "4WD : Exploded View"](#).
7. Position two suitable jacks under the A/T and transfer assembly.
8. Remove the A/T crossmember. Refer to [TM-217, "4WD : Exploded View"](#).
9. Disconnect the electrical connectors from the following:
  - ATP switch
  - 4LO switch
  - Wait detection switch
  - Transfer control device
10. Disconnect each air breather hose from the following. Refer to [TM-210, "4WD : Removal and Installation"](#).
  - Transfer control device
  - Breather tube (transfer)
11. Remove the transfer to A/T and A/T to transfer bolts.
12. Remove the transfer assembly.

**WARNING:**

**support transfer assembly with suitable jack while removing it.**

**CAUTION:**

**Do not damage rear oil seal (A/T).**

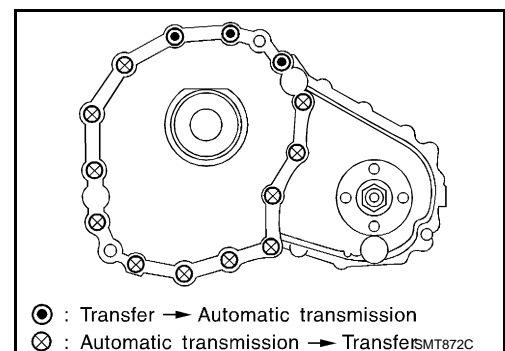
#### INSTALLATION

Installation is in the reverse order of removal.

- Tighten the bolts to specification.

**Tightening torque : 36 N·m (3.7kg-m, 27 ft-lb)**

- Fill the transfer with new fluid and check for fluid leakage and fluid level. Refer to [DLN-270, "Inspection"](#).
- Start the engine for one minute. Then stop the engine and recheck the transfer fluid. Refer to [DLN-270, "Inspection"](#).
- After the installation, check the 4WD shift indicator pattern. If NG, adjust the position between the transfer assembly and transfer control unit. Refer to [DLN-262, "Precaution for Transfer Assembly and Transfer Control Unit Replacement"](#).





# TRANSFER ASSEMBLY

< DISASSEMBLY AND ASSEMBLY >

[TRANSFER: TX15B]

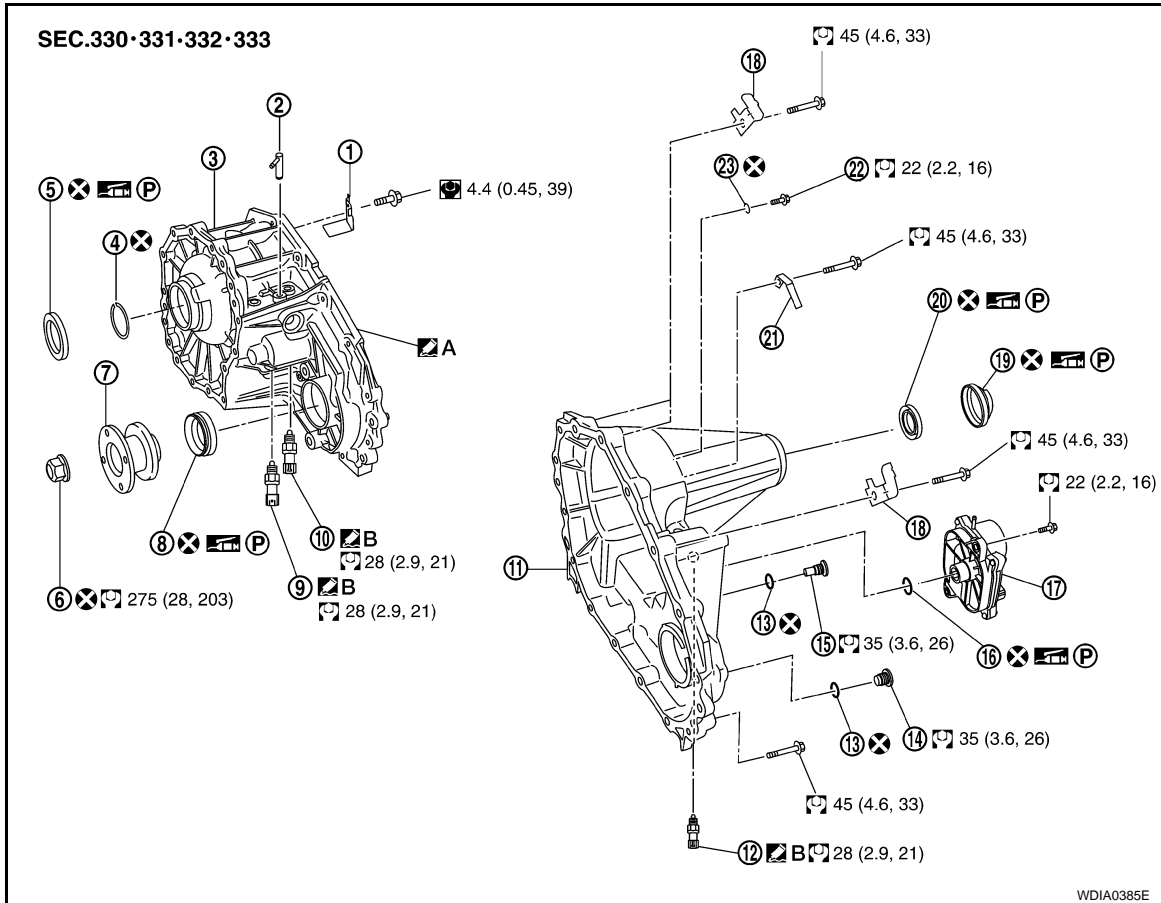
## DISASSEMBLY AND ASSEMBLY

### TRANSFER ASSEMBLY

#### Disassembly and Assembly

#### COMPONENTS

INFOID:000000003937400

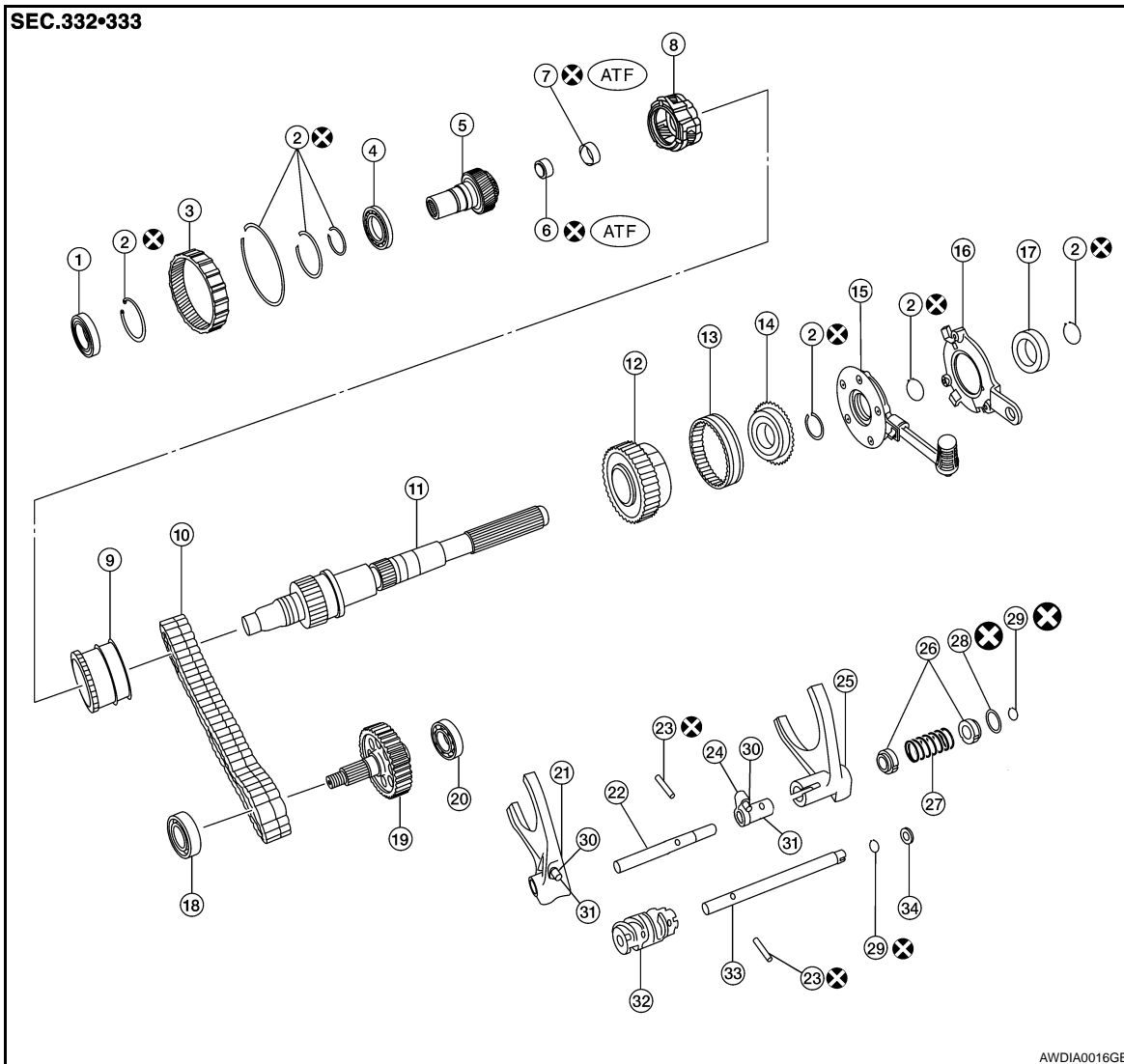


- |                        |                             |   |
|------------------------|-----------------------------|---|
| 1. Baffle plate        | 2. Breather tube            | 3. Front case   |
| 4. Snap ring           | 5. Input oil seal           | 6. Self-lock nut  |
| 7. Companion flange    | 8. Front oil seal           | 9. 4LO switch (gray with green paint)                   |
| 10. ATP switch (black) | 11. Rear case               | 12. Wait detection switch (gray)                        |
| 13. Gasket             | 14. Filler plug             | 15. Drain plug  |
| 16. O-ring             | 17. Transfer control device | 18. Harness bracket                                     |
| 19. Dust cover         | 20. Rear oil seal           | 21. Air breather hose clamp                             |
| 22. Retainer bolt      | 23. Gasket                  | A. Apply Genuine Anaerobic Liquid Gasket or equivalent. |
- B. Apply Genuine Silicone RTV or equivalent.

# TRANSFER ASSEMBLY

< DISASSEMBLY AND ASSEMBLY >

[TRANSFER: TX15B]



- |                       |                               |                           |
|-----------------------|-------------------------------|---------------------------|
| 1. Input bearing      | 2. Snap ring                  | 3. Internal gear          |
| 4. Carrier bearing    | 5. Sun gear                   | 6. Needle bearing         |
| 7. Metal bushing      | 8. Planetary carrier assembly | 9. L-H sleeve             |
| 10. Drive chain       | 11. Mainshaft                 | 12. Sprocket              |
| 13. 2-4 sleeve        | 14. Clutch gear               | 15. Oil pump assembly     |
| 16. Retainer          | 17. Mainshaft rear bearing    | 18. Front bearing         |
| 19. Front drive shaft | 20. Rear bearing              | 21. L-H shift fork        |
| 22. L-H shift rod     | 23. Retaining pin             | 24. 2-4 shift bracket     |
| 25. 2-4 shift fork    | 26. Fork guide collar         | 27. 2-4 shift fork spring |
| 28. Retaining ring    | 29. Snap ring                 | 30. Shift collar          |
| 31. Clevis pin        | 32. Drum cam                  | 33. Control shift rod     |
| 34. Spacer            |                               |                           |

## DISASSEMBLY

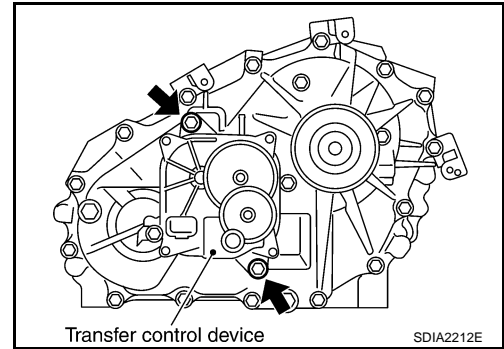
1. Remove the drain plug and filler plug.

# TRANSFER ASSEMBLY

< DISASSEMBLY AND ASSEMBLY >

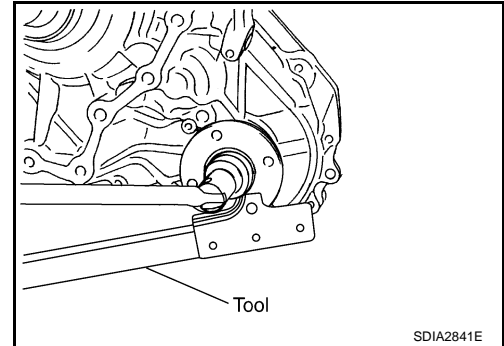
[TRANSFER: TX15B]

2. Remove the transfer control device from the rear case.
3. Remove the O-ring from the transfer control device.



4. Remove the self-lock nut from the companion flange using Tool.

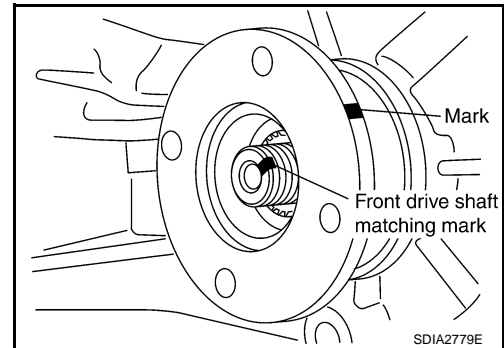
**Tool number : KV38108300 (J-44195)**



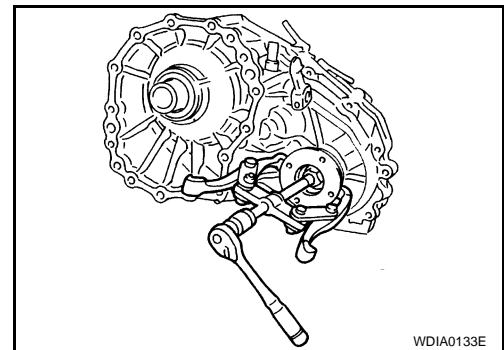
5. Put a matching mark on top of the front drive shaft in line with the mark on the companion flange.

**CAUTION:**

**Use paint to make the matching mark on the front drive shaft. Do not damage the front drive shaft.**



6. Remove the companion flange using suitable tool.

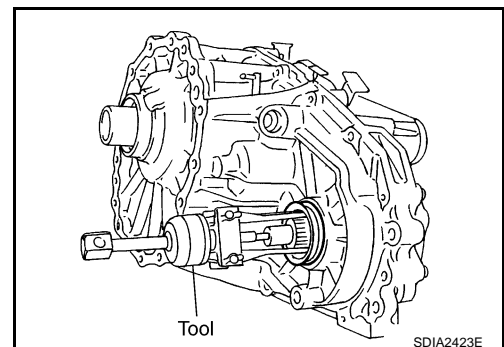


7. Remove the front oil seal from the front case using Tool.

**Tool number : ST33290001 (J-34286)**

**CAUTION:**

**Do not damage front case or front drive shaft.**



A  
B  
C  
DLN

E  
F  
G  
H  
I  
J  
K

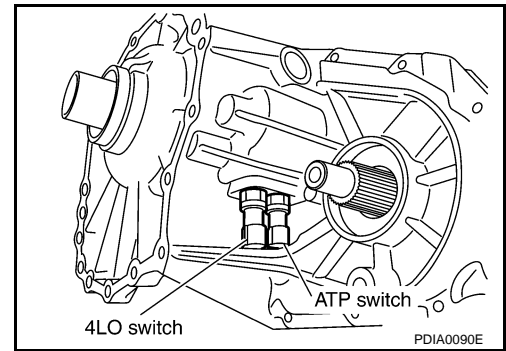
L  
M  
N  
O  
P

# TRANSFER ASSEMBLY

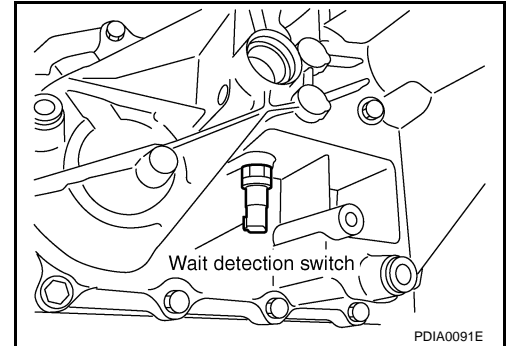
< DISASSEMBLY AND ASSEMBLY >

[TRANSFER: TX15B]

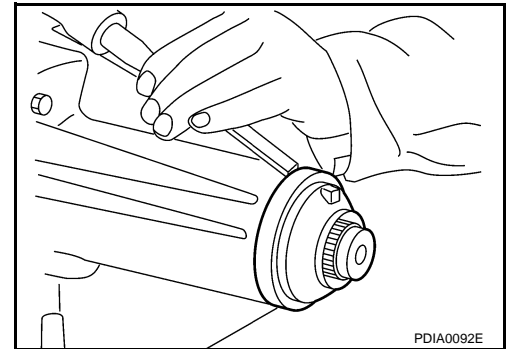
8. Remove the 4LO switch [gray (with green paint)] and ATP switch (black) from the front case.



9. Remove the wait detection switch (gray) from the rear case.



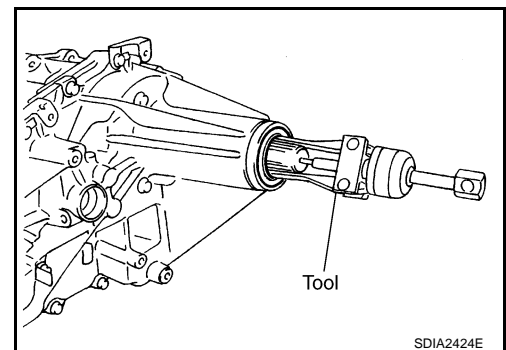
10. Remove the dust cover from the rear case using suitable tool.  
**CAUTION:**  
Do not damage rear case.



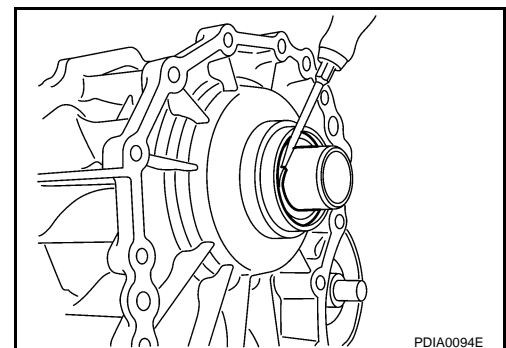
11. Remove the rear oil seal from the rear case using Tool.

**Tool number** : ST33290001 (J-34286)

**CAUTION:**  
Do not damage rear case or mainshaft.



12. Remove the input oil seal from the front case using suitable tool.  
**CAUTION:**  
Do not damage front case, sun gear or input bearing.

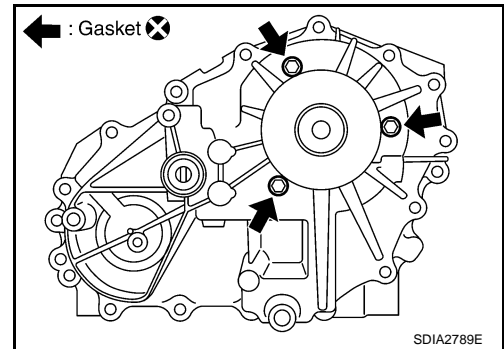


# TRANSFER ASSEMBLY

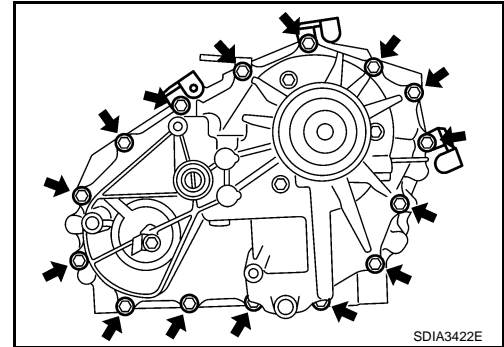
< DISASSEMBLY AND ASSEMBLY >

[TRANSFER: TX15B]

13. Remove the retainer bolts and gaskets.



14. Remove the rear case bolts, harness bracket and air breather hose clamp from the rear case.

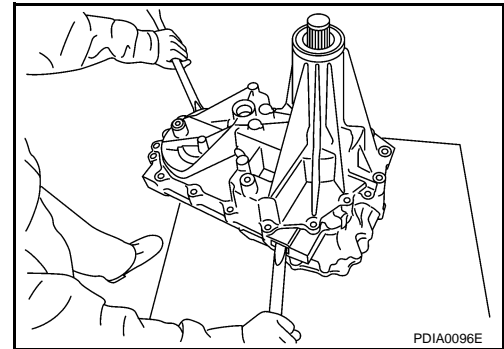


15. Separate the front case from the rear case. Then remove the rear case by prying it up using suitable tool.

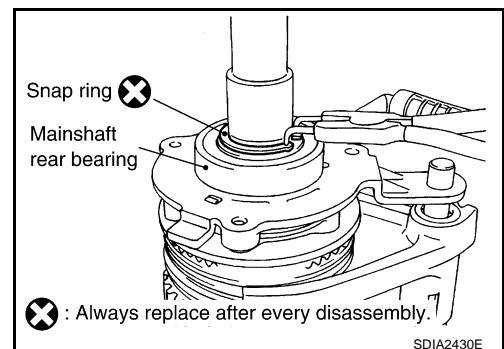
**CAUTION:**  
Do not damage the mating surface.

16. Remove the spacer from the control shift rod.

**CAUTION:**  
Do not drop spacer.

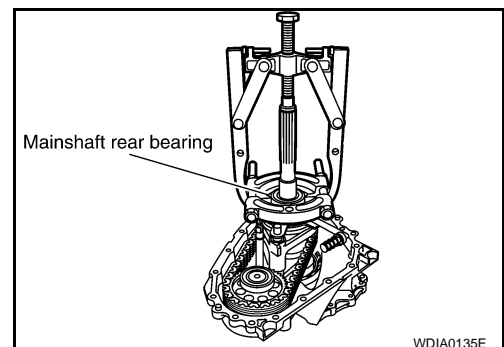


17. Remove the snap ring from the mainshaft using suitable tool.



18. Remove the mainshaft rear bearing from the mainshaft using suitable tools.

19. Remove the retainer from the mainshaft.



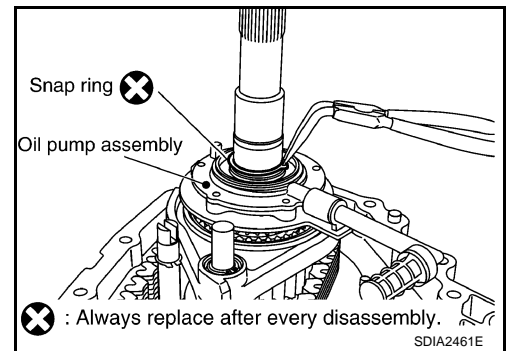
A  
B  
C  
DLN  
E  
F  
G  
H  
I  
J  
K  
L  
M  
N  
O  
P

# TRANSFER ASSEMBLY

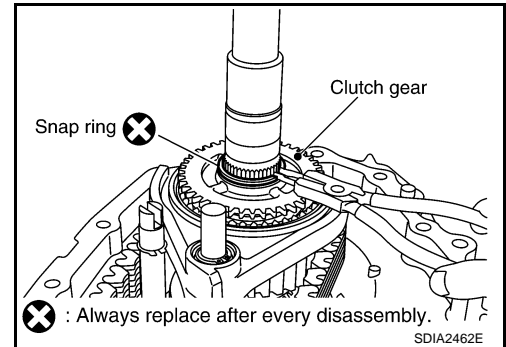
## < DISASSEMBLY AND ASSEMBLY >

[TRANSFER: TX15B]

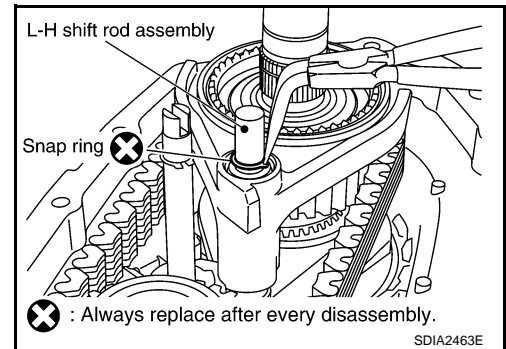
20. Remove the snap ring from the mainshaft using suitable tool.
21. Remove the oil pump assembly from the mainshaft.



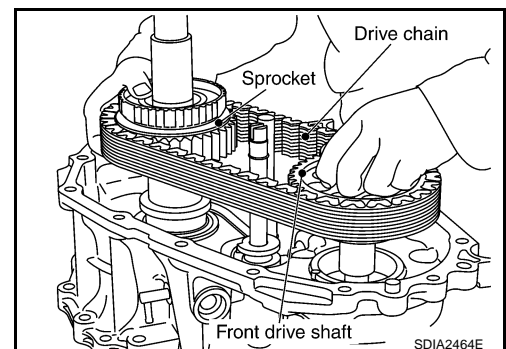
22. Remove the snap ring from the mainshaft using suitable tool.
23. Remove the clutch gear from the mainshaft.



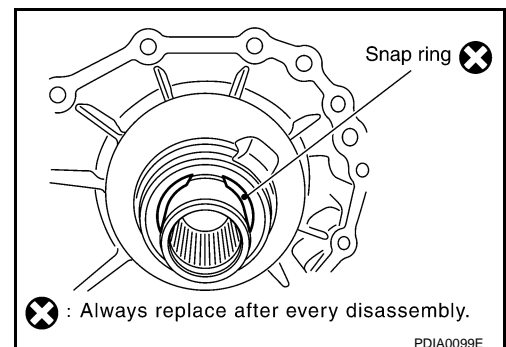
24. Remove the snap ring from the L-H shift rod assembly using suitable tool.
25. Remove the 2-4 sleeve and 2-4 shift fork assembly from the mainshaft.



26. Remove the drive chain together with the sprocket and front drive shaft from the front case.
27. Remove the mainshaft from the sun gear assembly.
28. Remove the L-H shift rod assembly and control shift rod assembly from the front case.
29. Remove the L-H sleeve together with the L-H shift fork from the planetary carrier assembly.



30. Remove the snap ring from the sun gear.  
**CAUTION:**  
Do not damage sun gear or input bearing.



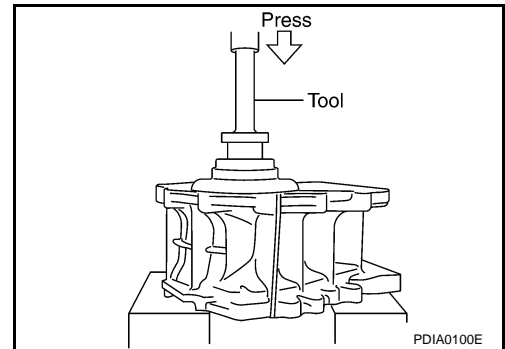
# TRANSFER ASSEMBLY

< DISASSEMBLY AND ASSEMBLY >

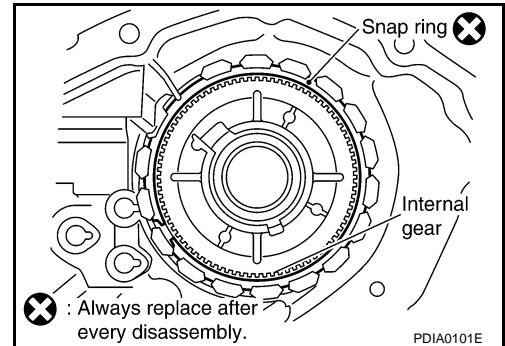
[TRANSFER: TX15B]

31. Press the sun gear assembly and planetary carrier assembly from the front case using Tool.

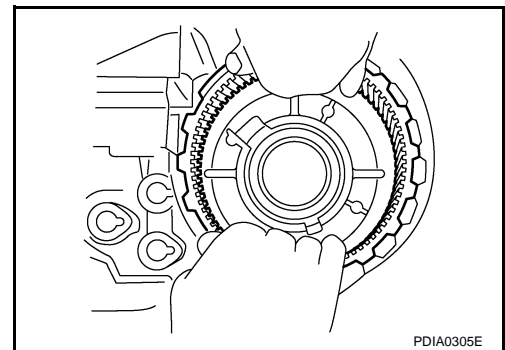
**Tool number** : KV38100200 ( — )



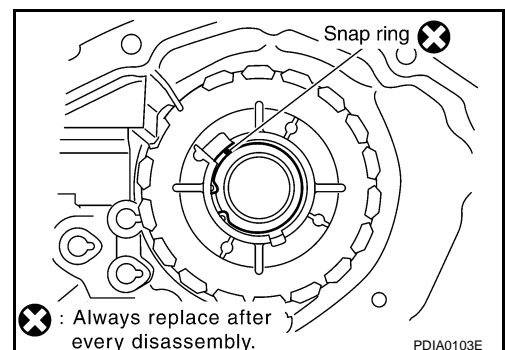
32. Remove the snap ring from the front case.



33. Remove the internal gear from the front case.

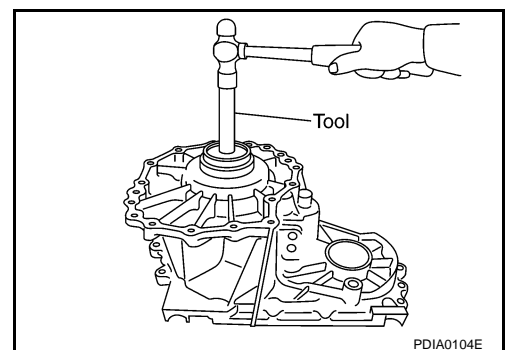


34. Remove the snap ring from the front case.



35. Remove the input bearing from the front case using Tool.

**Tool number** : KV38100200 ( — )



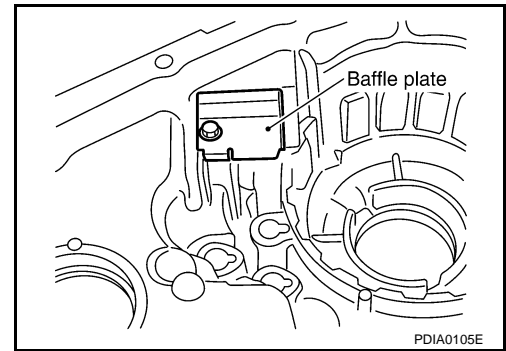
A  
B  
C  
DLN  
E  
F  
G  
H  
I  
J  
K  
L  
M  
N  
O  
P

# TRANSFER ASSEMBLY

## < DISASSEMBLY AND ASSEMBLY >

[TRANSFER: TX15B]

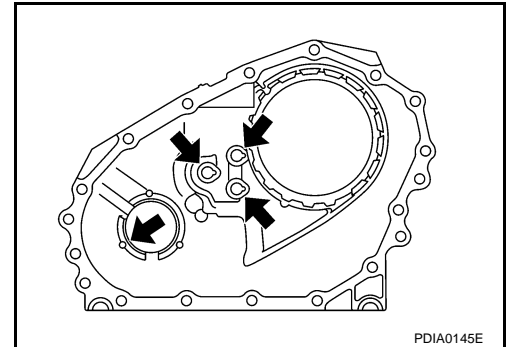
36. Remove the baffle plate from the front case.
37. Remove the breather tube from the front case.



## INSPECTION AFTER DISASSEMBLY

### Case

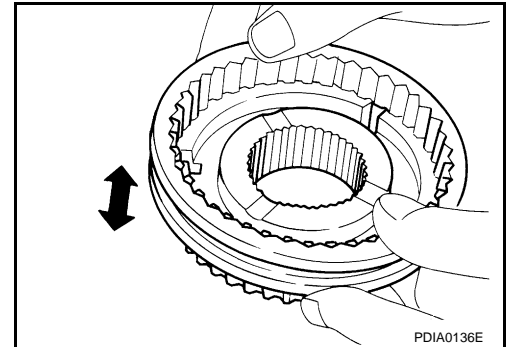
Check the contact surfaces of the shift rod and bearing for wear and damage. If any is found, replace with a new one.



### Sleeve

Check the items below. If necessary, replace them with new ones.

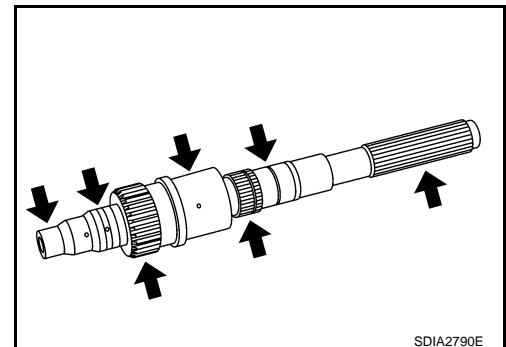
- Damage and excessive wear of the contact surfaces of the sprocket, mainshaft and sleeve.
- Sleeve must move smoothly.



### Gear, Shaft and Drive Chain

Check the items below. If necessary, replace them with new ones.

- Damage, peeling, uneven wear and bending of the shaft.
- Excessive wear, damage and peeling of the gear.



### Bearing

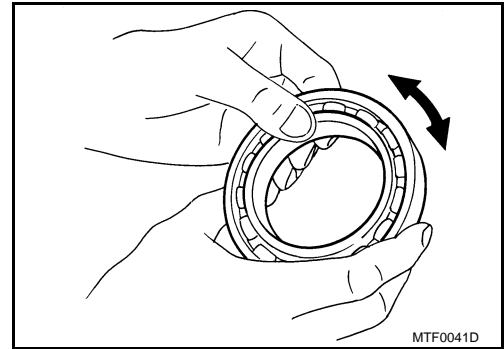


# TRANSFER ASSEMBLY

## < DISASSEMBLY AND ASSEMBLY >

[TRANSFER: TX15B]

Check the bearing for damage and rough rotation. If necessary, replace it with a new one.

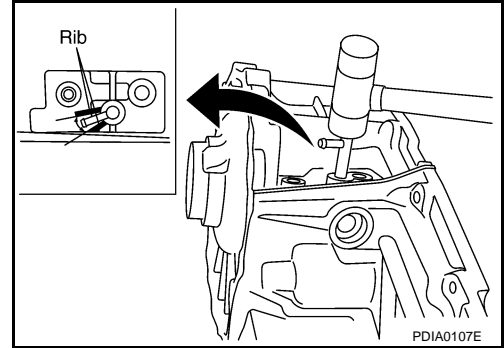


A  
B  
C

## ASSEMBLY

1. Install the breather tube.

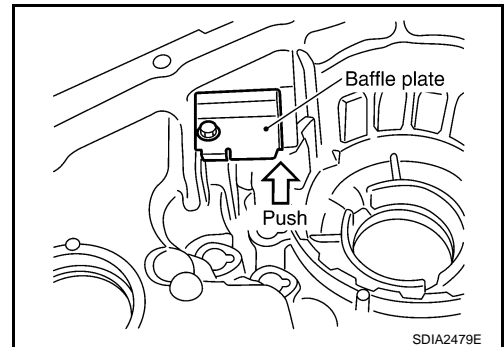
**CAUTION:**  
Install breather tube in the direction shown.



E  
F  
G

2. Install the baffle plate to the front case. Tighten the bolt to the specified torque. Refer to [DLN-281, "Disassembly and Assembly"](#).

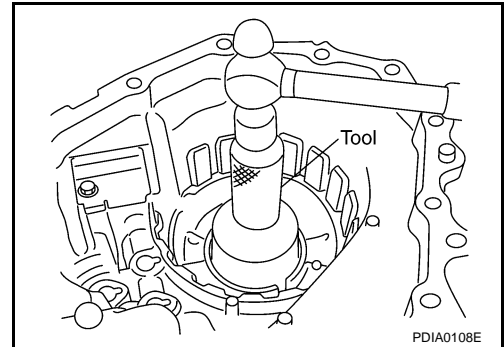
**CAUTION:**  
Install baffle plate by pushing it in the direction shown while tightening the bolt.



H  
I  
J

3. Install the input bearing to the front case using Tool.

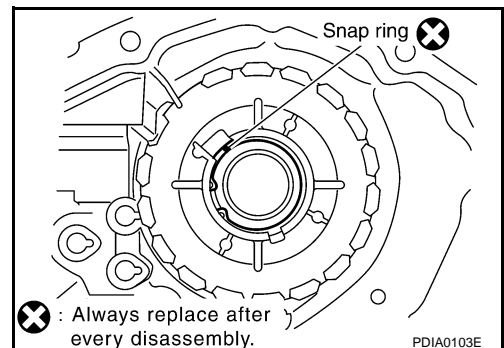
**Tool number** : ST30720000 (J-25405)



L  
M  
N

4. Install the new snap ring to the front case.

**CAUTION:**  
Do not reuse snap ring.



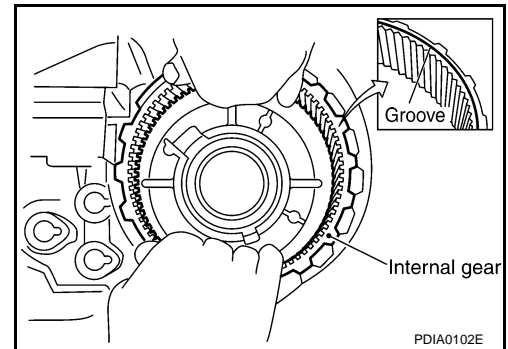
O  
P

# TRANSFER ASSEMBLY

< DISASSEMBLY AND ASSEMBLY >

[TRANSFER: TX15B]

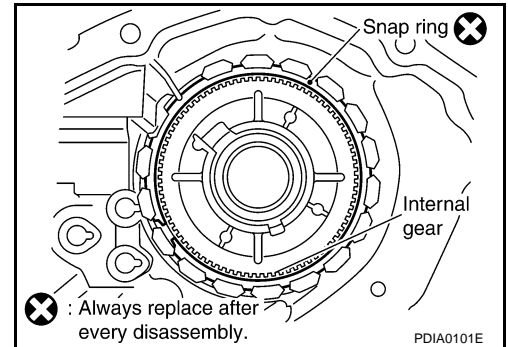
5. Install the internal gear with the groove facing up into the front case.



6. Install the new snap ring to the front case.

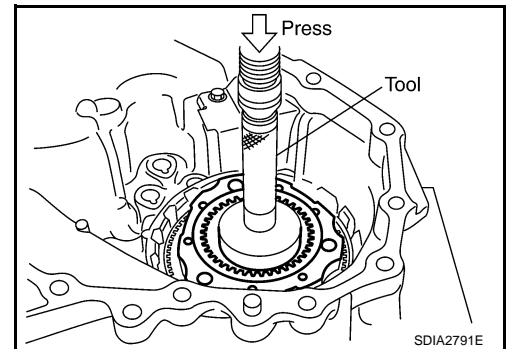
**CAUTION:**

**Do not reuse snap ring.**



7. Install the planetary carrier assembly and sun gear assembly to the front case using Tool.

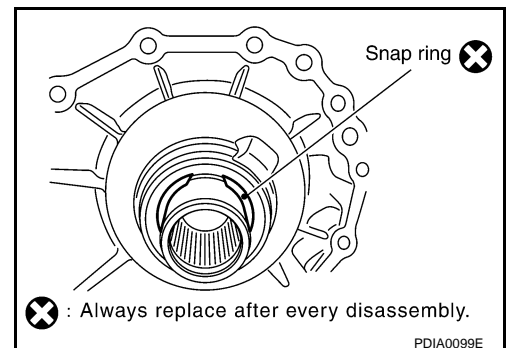
**Tool number** : KV38100200 ( — )



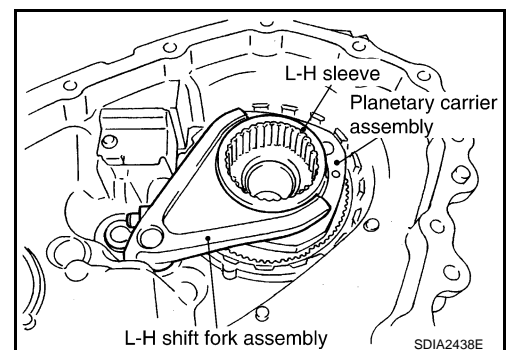
8. Install the new snap ring to the sun gear.

**CAUTION:**

- Do not reuse snap ring.
- Do not damage sun gear.



9. Set the L-H sleeve together with the L-H shift fork assembly onto the planetary carrier assembly.



# TRANSFER ASSEMBLY

< DISASSEMBLY AND ASSEMBLY >

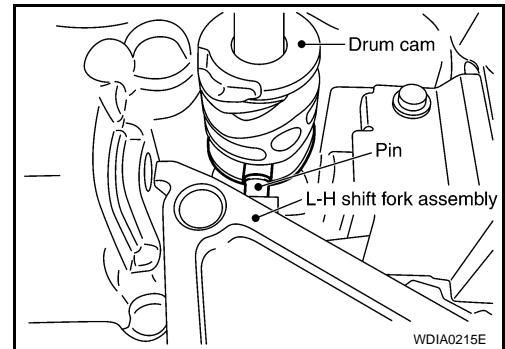
[TRANSFER: TX15B]

10. Install the control shift rod assembly to the front case.

**CAUTION:**

**Set pin of L-H shift fork assembly into the groove of drum cam.**

11. Turn the control shift rod assembly fully counterclockwise.

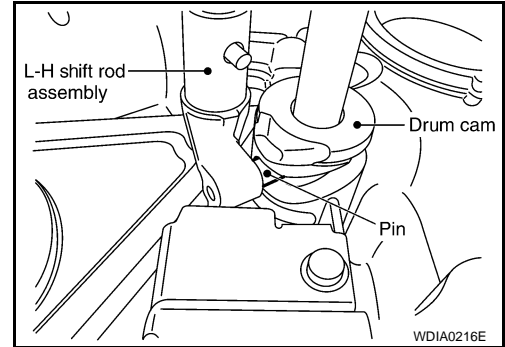


12. Install the L-H shift rod assembly through the L-H shift fork assembly opening to the front case.

**CAUTION:**

**Set pin of L-H shift rod assembly into the groove of drum cam.**

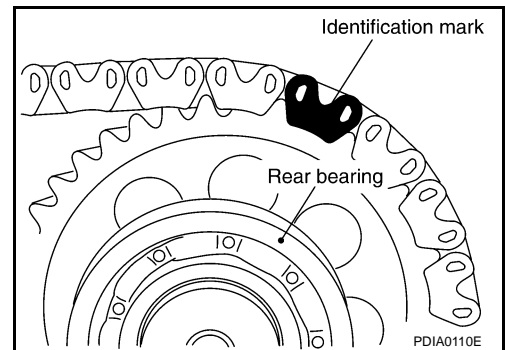
13. Install the mainshaft to the sun gear assembly.



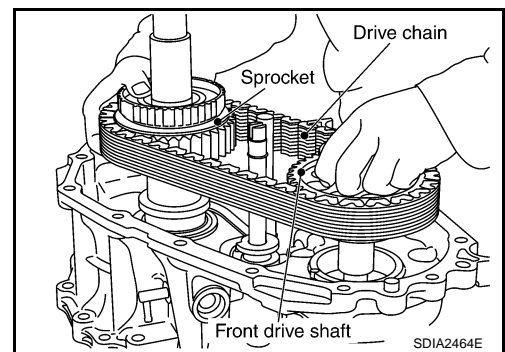
14. Install the drive chain to the front drive shaft and sprocket.

**CAUTION:**

**Install with the Identification mark of drive chain on the side of the rear bearing of front drive shaft.**



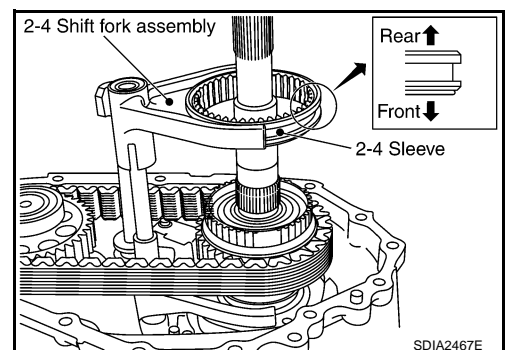
15. Install the drive chain together with the front drive shaft and sprocket to the front case.



16. Install the 2-4 sleeve and 2-4 shift fork assembly to the mainshaft.

**CAUTION:**

- Install with proper orientation of 2-4 sleeve.
- Install 2-4 shift fork with engaging the grooves of 2-4 shift fork in the retaining pin of 2-4 shift bracket.



A  
B  
C  
DLN  
E  
F  
G  
H  
I  
J  
K  
L  
M  
N  
O  
P

# TRANSFER ASSEMBLY

< DISASSEMBLY AND ASSEMBLY >

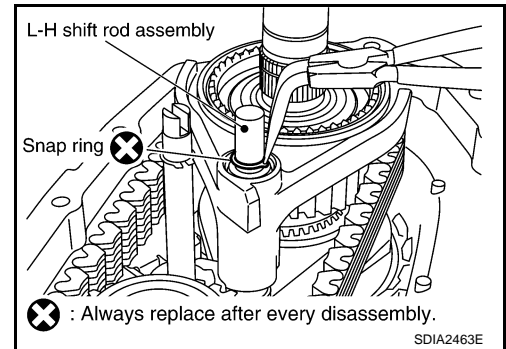
[TRANSFER: TX15B]

17. Install the new snap ring to the L-H shift rod assembly using suitable tool.

**CAUTION:**

**Do not reuse snap ring.**

18. Install the clutch gear to the mainshaft.

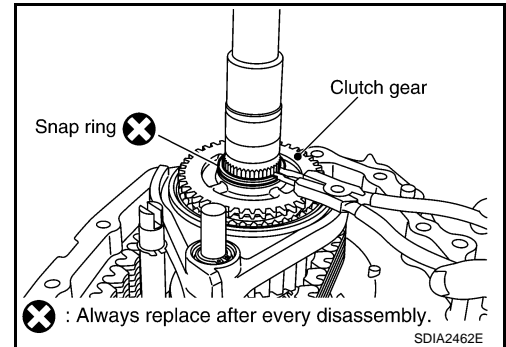


19. Install the new snap ring to the mainshaft using suitable tool.

**CAUTION:**

**Do not reuse snap ring.**

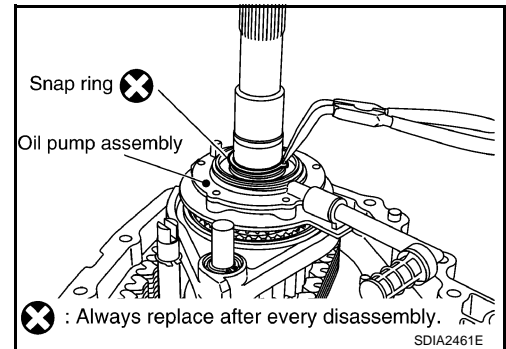
20. Install the oil pump assembly to the mainshaft.



21. Install the new snap ring to the mainshaft using suitable tool.

**CAUTION:**

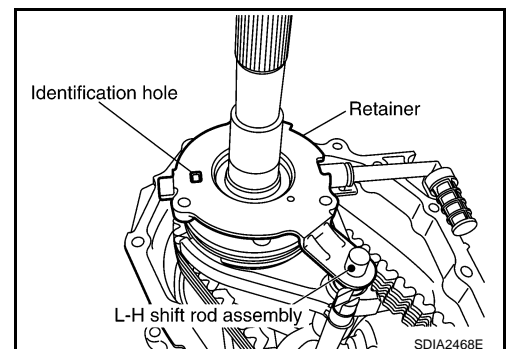
**Do not reuse snap ring.**



22. Install the retainer to the mainshaft.

**CAUTION:**

**Set the projection of oil pump assembly to the identification hole, and then align locating hole of retainer to the L-H shift rod assembly.**

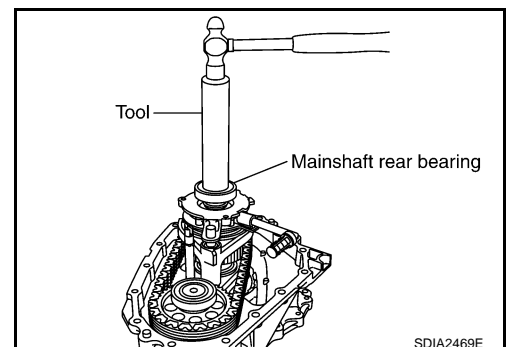


23. Install the mainshaft rear bearing to the mainshaft using Tool.

**Tool number** : KV32102700 ( — )

**CAUTION:**

**Do not push too hard in order to avoid snap rings becoming dislodged from mainshaft.**



# TRANSFER ASSEMBLY

< DISASSEMBLY AND ASSEMBLY >

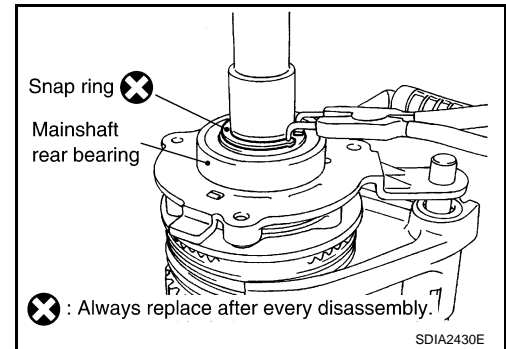
[TRANSFER: TX15B]

24. Install the new snap ring to the mainshaft using suitable tool.

**CAUTION:**

**Do not reuse snap ring.**

25. Install the spacer to the control shift rod.



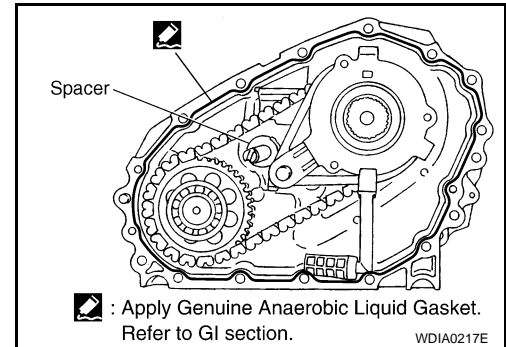
26. Apply liquid gasket to the mating surface of the front case.

- Use Genuine Anaerobic Liquid Gasket or equivalent. Refer to [GI-26, "Recommended Chemical Products and Sealants"](#).

**CAUTION:**

Remove old sealant adhering to mating surfaces. Also remove any moisture, oil, or foreign material adhering to application and mating surfaces.

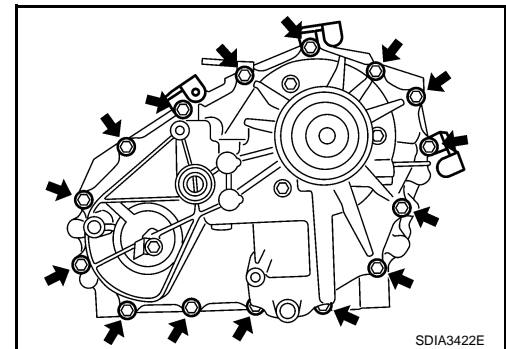
27. Install the rear case to the front case.



28. Tighten the bolts to the specified torque. Refer to [DLN-281, "Disassembly and Assembly"](#).

**CAUTION:**

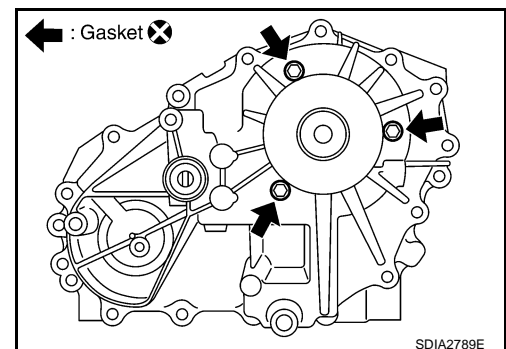
Be sure to install the harness brackets and air breather hose clamp.



29. Install the retainer bolts with new gaskets. Tighten the bolts to the specified torque. Refer to [DLN-281, "Disassembly and Assembly"](#).

**CAUTION:**

- Do not reuse gasket.
- Tighten them to the specified torque again.



30. Apply petroleum jelly to the circumference of the new oil seal, and install it to the front case using Tools.

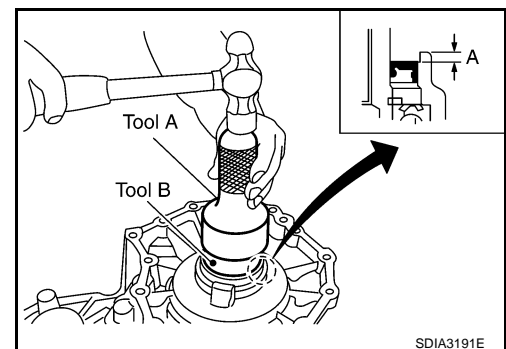
**Tool number**            **A: ST30720000 (J-25405)**

**B: KV40104830 ( — )**

**Dimension A**            **: 4.0 - 4.6 mm (0.157 - 0.181 in)**

**CAUTION:**

- Do not reuse oil seal.
- Apply petroleum jelly to oil seal.



A  
B  
C  
DLN  
E  
F  
G  
H  
I  
J  
K  
L  
M  
N  
O  
P

## TRANSFER ASSEMBLY

< DISASSEMBLY AND ASSEMBLY >

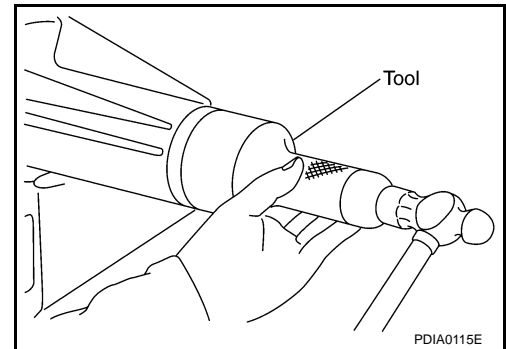
[TRANSFER: TX15B]

31. Install the new rear oil seal until it is flush with the end face of the rear case using Tool.

**Tool number** : KV38100500 ( — )

**CAUTION:**

- Do not reuse oil seal.
- Apply petroleum jelly to oil seal.

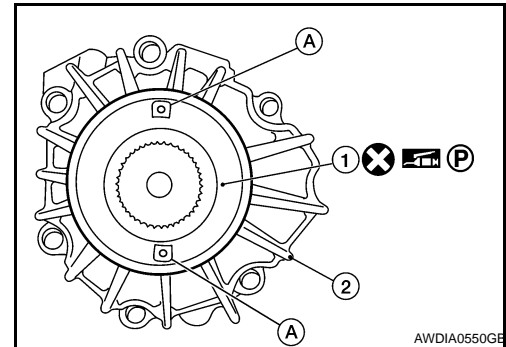


32. Apply petroleum jelly to the circumference of the new dust cover (1). Position the new dust cover (A) as shown.

- 2: Rear case assembly

**CAUTION:**

- Do not reuse dust cover.
- Position the identification mark at the position shown.

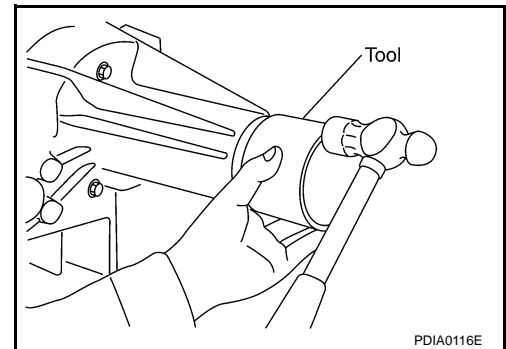


33. Install the new dust cover to the rear case using Tool.

**Tool number** : KV40105310 ( — )

**CAUTION:**

- Do not reuse dust cover.
- Apply petroleum jelly to dust cover.

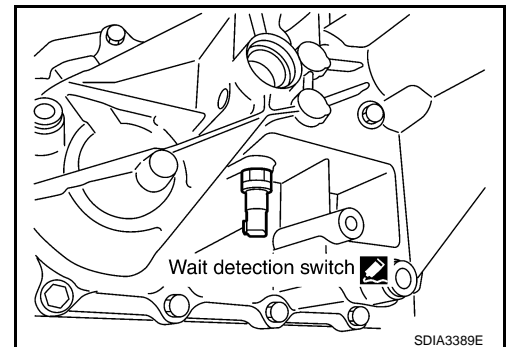


34. Apply sealant to the threads of the wait detection switch (gray). Then install it to the rear case and tighten to the specified torque. Refer to [DLN-281, "Disassembly and Assembly"](#).

- Use Genuine Silicone RTV or equivalent. Refer to [GI-26, "Recommended Chemical Products and Sealants"](#).

**CAUTION:**

Remove old sealant and oil adhering to threads.



# TRANSFER ASSEMBLY

< DISASSEMBLY AND ASSEMBLY >

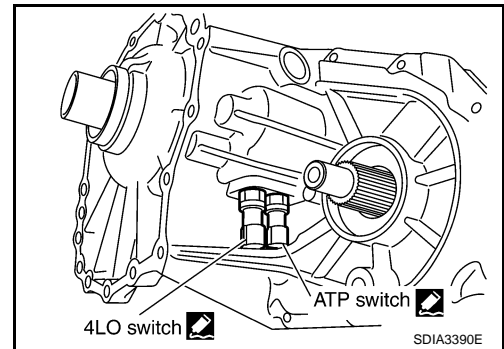
[TRANSFER: TX15B]

35. Apply sealant to the threads of the 4LO switch (gray with green paint) and ATP switch (black). Then install them to the front case and tighten to the specified torque. Refer to [DLN-281](#), "Disassembly and Assembly".

- Use Genuine Silicone RTV or equivalent. Refer to [GI-26](#), "Recommended Chemical Products and Sealants".

**CAUTION:**

Remove old sealant and oil adhering to threads.

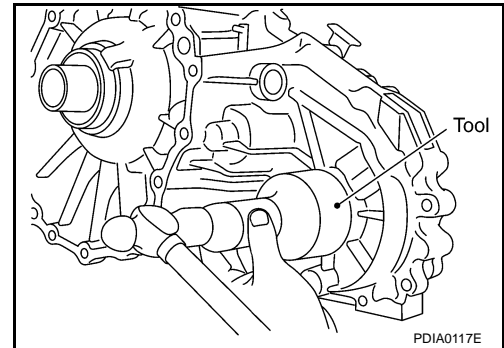


36. Install the new front oil seal until it is flush with the end face of the front case using Tool.

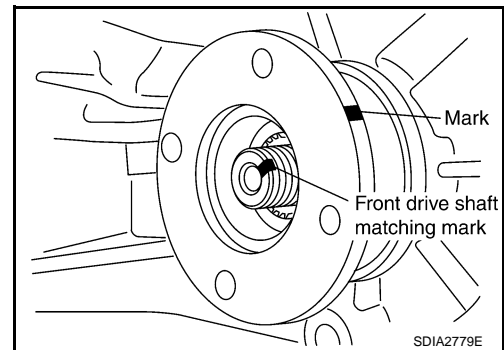
Tool number : KV38100500 ( — )

**CAUTION:**

- Do not reuse oil seal.
- Apply petroleum jelly to oil seal.



37. Align the matching mark on the front drive shaft with the mark on the companion flange, then install the companion flange.

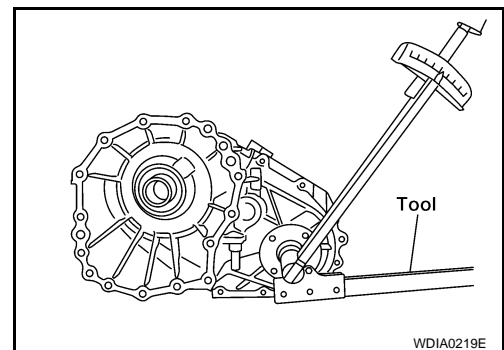


38. Install the new companion flange self-lock nut. Tighten to the specified torque using Tool. Refer to [DLN-281](#), "Disassembly and Assembly".

Tool number : KV38108200 (J-44195)

**CAUTION:**

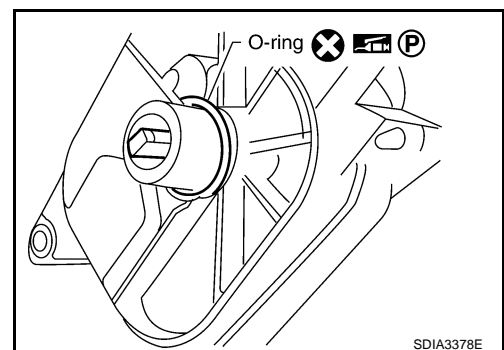
Do not reuse self-lock nut.



39. Install the new O-ring to the transfer control device.

**CAUTION:**

- Do not reuse O-ring.
- Apply petroleum jelly to O-ring.



A  
B  
C  
DLN  
E  
F  
G  
H  
I  
J  
K  
L  
M  
N  
O  
P

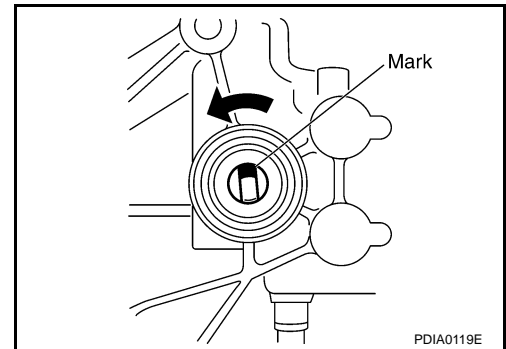
## TRANSFER ASSEMBLY

< DISASSEMBLY AND ASSEMBLY >

[TRANSFER: TX15B]

40. Install the transfer control device to the rear case.

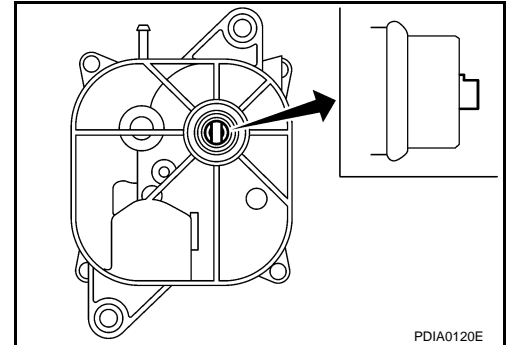
- a. Turn the control shift rod fully counterclockwise using a flat-bladed screwdriver, and then put a mark on the control shift rod.



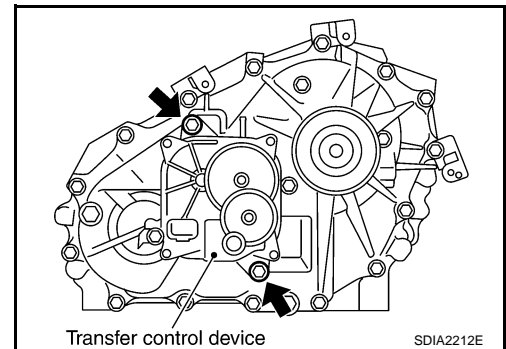
- b. Align the transfer control device shaft cutout with the mark on the control shift rod, and install it.

**NOTE:**

Turn the transfer control device when the transfer control device connection does not match.



- c. Tighten the bolts to the specified torque. Refer to [DLN-281, "Disassembly and Assembly"](#).



41. Install the drain plug and filler plug with new gaskets to the rear case. Tighten to the specified torque. Refer to [DLN-281, "Disassembly and Assembly"](#).

**CAUTION:**

Do not reuse gaskets.



# PLANETARY CARRIER

< DISASSEMBLY AND ASSEMBLY >

[TRANSFER: TX15B]

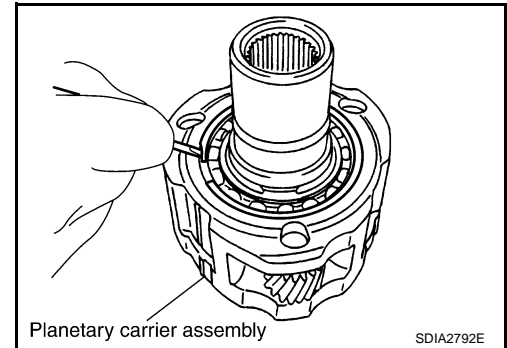
## PLANETARY CARRIER

### Disassembly and Assembly

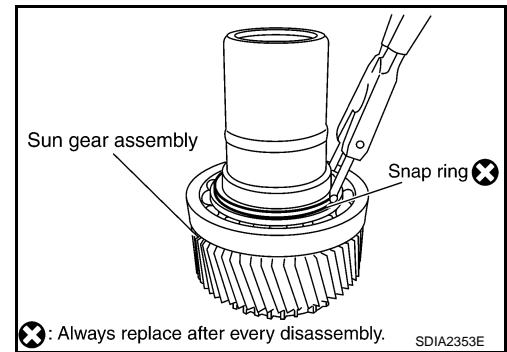
INFOID:000000003937396

#### DISASSEMBLY

1. Remove the snap ring.
2. Remove the sun gear assembly from the planetary carrier assembly using suitable tool.

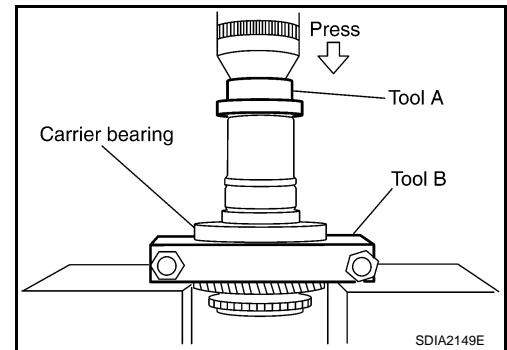


3. Remove the snap ring from the sun gear assembly using suitable tool.



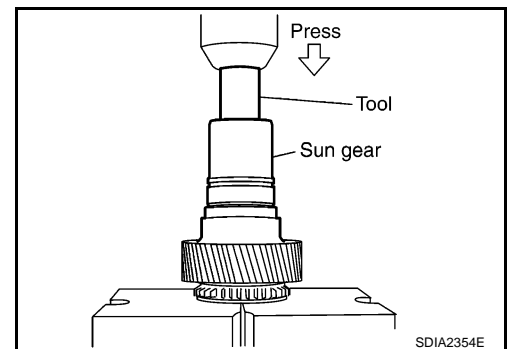
4. Remove the carrier bearing from the sun gear using Tools.

**Tool number**      **A: ST35300000 ( — )**  
                             **B: ST30021000 (J-22912-01)**



5. Remove the needle bearing from the sun gear using Tool.

**Tool number**      **: ST33710000 ( — )**



A  
B  
C  
DLN  
E  
F  
G  
H  
I  
J  
K  
L  
M  
N  
O  
P

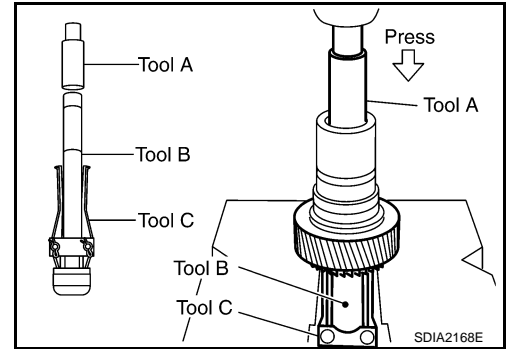
# PLANETARY CARRIER

< DISASSEMBLY AND ASSEMBLY >

[TRANSFER: TX15B]

6. Remove the metal bushing from the sun gear using Tools.

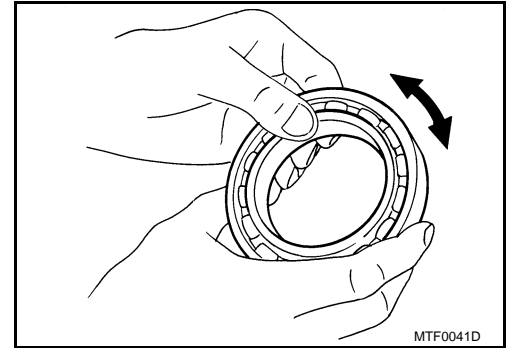
**Tool number**      **A: ST33710000 ( — )**  
                             **B: ST35325000 ( — )**  
                             **C: ST33290001 (J-34286)**



## INSPECTION AFTER DISASSEMBLY

### Bearing

Check the bearing for damage and rough rotation. If necessary, replace the bearing with a new one.

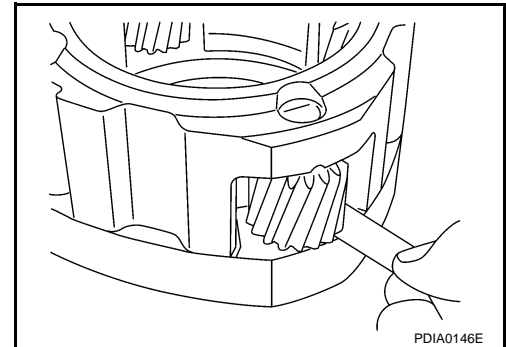


### Planetary Carrier

• Measure the end play of each pinion gear. If it is out of specification, replace the planetary carrier assembly with new one.

**Pinion gear end play : 0.1 - 0.7 mm (0.004 - 0.028 in)**

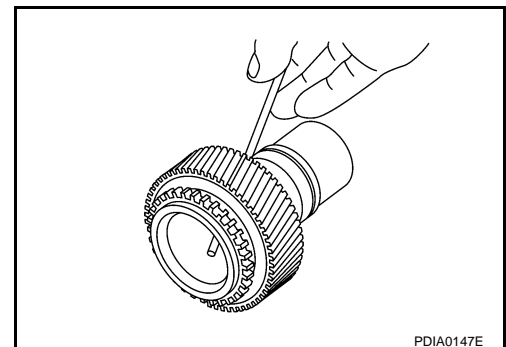
• Check the working face of each gear and bearing for damage, burrs, partial wear, dents and other abnormality. If any is found, replace the planetary carrier assembly with a new one.



### Sun Gear

• Check if the oil passage of the sun gear assembly is clogged. For this, try to pass a 3.6 mm (0.142 in) dia. wire through the oil passage as shown.

• Check the sliding and contact surface of each gear and bearing for damage, burrs, partial wear, dents and other abnormality. If any is found, replace the sun gear assembly with a new one.



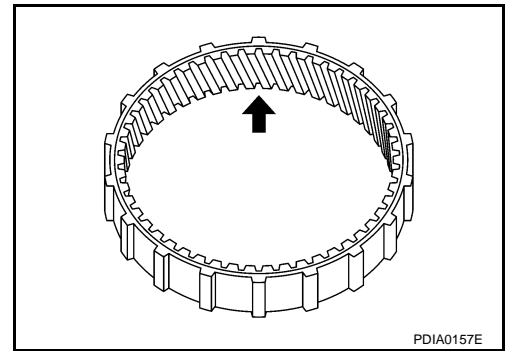
### Internal Gear

# PLANETARY CARRIER

## < DISASSEMBLY AND ASSEMBLY >

[TRANSFER: TX15B]

Check the internal gear teeth for damage, partial wear, dents or other abnormality. If any is found, replace the internal gear with a new one.



## ASSEMBLY

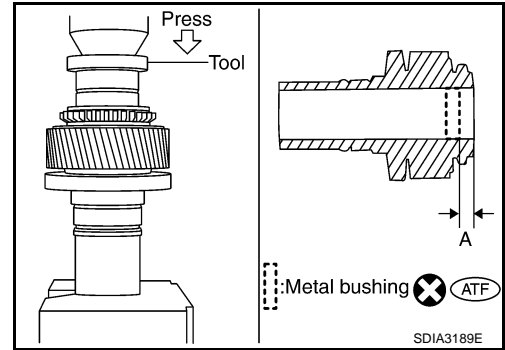
1. Apply ATF to the new metal bushing, then install the new metal bushing until it becomes "Dimension A" using Tool.

**Tool number** : ST35300000 ( — )

**Dimension A** : 7.7 - 8.3mm (0.303 - 0.327in)

**CAUTION:**

Do not reuse metal bushing.



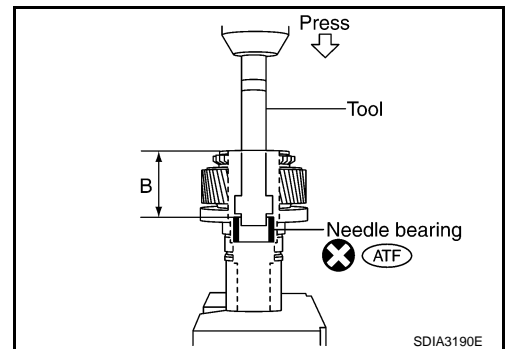
2. Apply ATF to the new needle bearing, then install the new needle bearing until it becomes "Dimension B" using Tool.

**Tool number** : ST33220000 ( — )

**Dimension B** : 62.5 - 63.1mm (2.461 - 2.484in)

**CAUTION:**

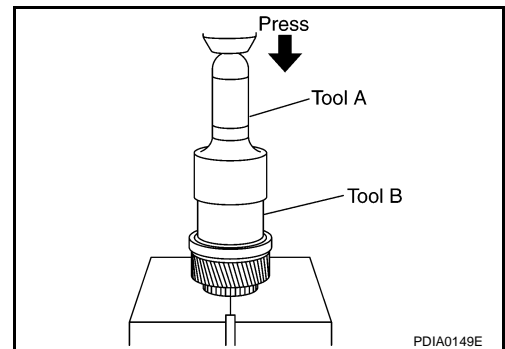
Do not reuse needle bearing.



3. Install the carrier bearing to the sun gear using Tools.

**Tool number** A: ST30720000 (J-25405)

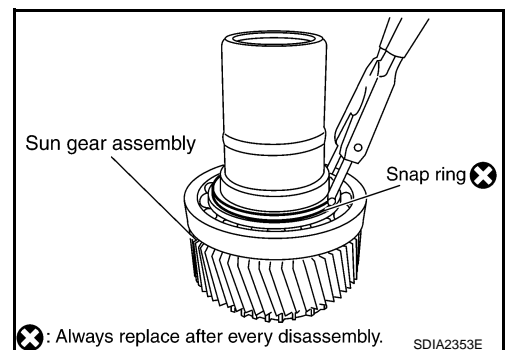
B: ST27863000 ( — )



4. Install the new snap ring to the sun gear assembly using suitable tool.

**CAUTION:**

Do not reuse snap ring.



A  
B  
C  
DLN  
E  
F  
G  
H  
I  
J  
K  
L  
M  
N  
O  
P

## PLANETARY CARRIER

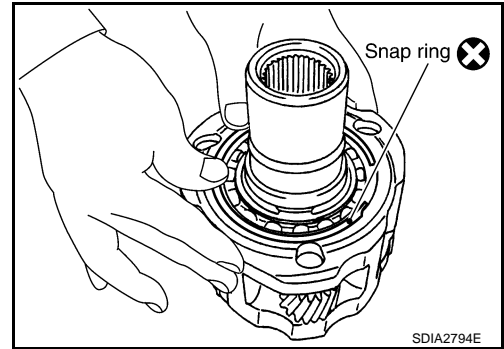
< DISASSEMBLY AND ASSEMBLY >

[TRANSFER: TX15B]

5. Install the sun gear assembly to the planetary carrier assembly.
6. Install the new snap ring to the planetary carrier assembly.

**CAUTION:**

**Do not reuse snap ring.**



# FRONT DRIVE SHAFT

< DISASSEMBLY AND ASSEMBLY >

[TRANSFER: TX15B]

## FRONT DRIVE SHAFT

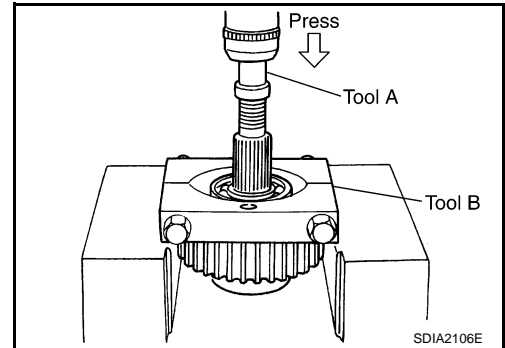
### Disassembly and Assembly

INFOID:000000003937397

#### DISASSEMBLY

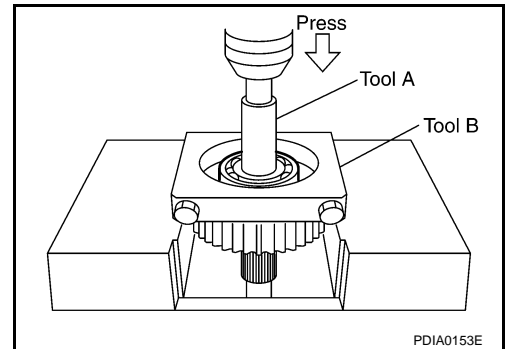
1. Remove the front bearing using Tools.

**Tool number**      **A: ST35300000 ( — )**  
                             **B: ST30021000 (J-22912-01)**



2. Remove the rear bearing using Tools.

**Tool number**      **A: ST33710000 ( — )**  
                             **B: ST30021000 (J-22912-01)**

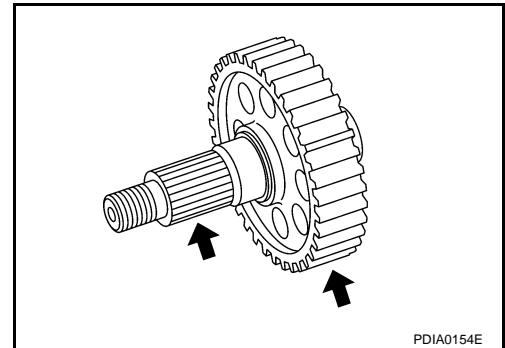


#### INSPECTION AFTER DISASSEMBLY

##### Front Drive Shaft

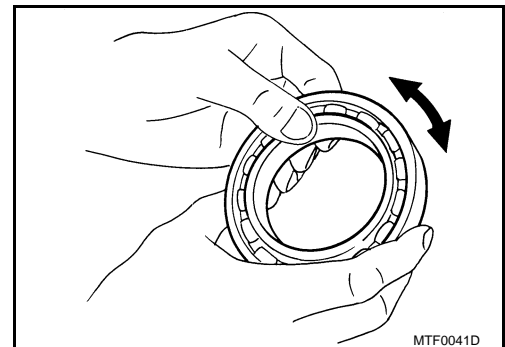
Check the items below. If necessary, replace them with new ones.

- Damage, peeling, dent, uneven wear and bending of the shaft.
- Excessive wear, damage and peeling of the gear.



##### Bearing

Check the bearing for damage and rough rotation. If necessary, replace the bearing with a new one.



#### ASSEMBLY

A  
B  
C  
DLN  
E  
F  
G  
H  
I  
J  
K  
L  
M  
N  
O  
P

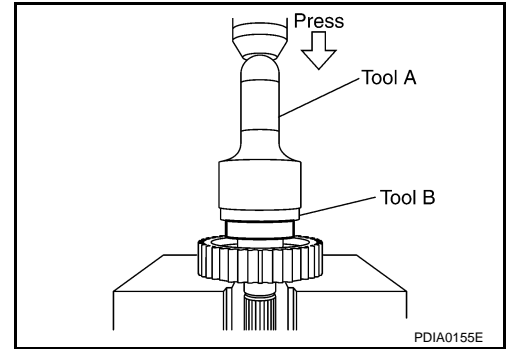
# FRONT DRIVE SHAFT

< DISASSEMBLY AND ASSEMBLY >

[TRANSFER: TX15B]

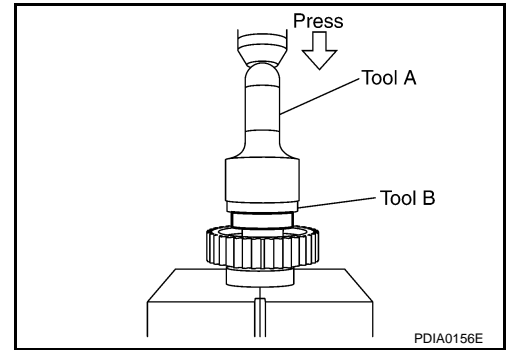
1. Install the rear bearing using Tools.

**Tool number**      **A: KV38100500 ( — )**  
                             **B: ST30901000 (J-26010-01)**



2. Install the front bearing using Tools.

**Tool number**      **A: KV38100500 ( — )**  
                             **B: ST30901000 (J-26010-01)**



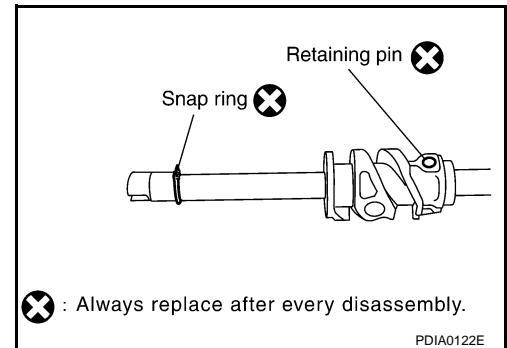
## SHIFT CONTROL

### Disassembly and Assembly

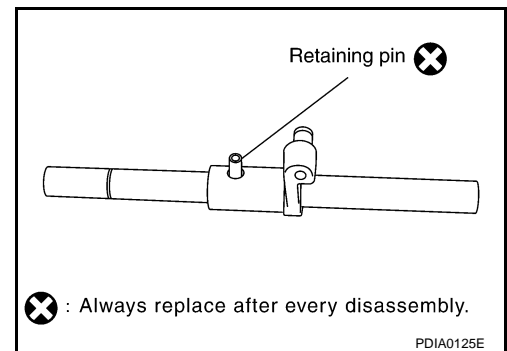
INFOID:000000003937398

#### DISASSEMBLY

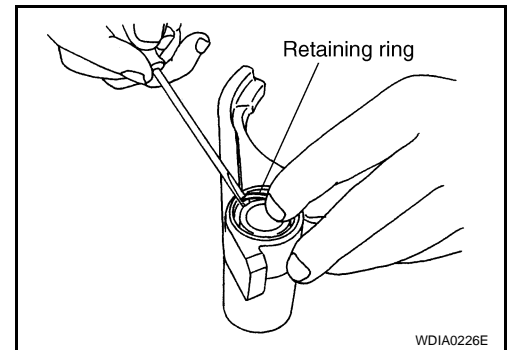
1. Remove the snap ring.
2. Remove the retaining pin.
3. Remove the drum cam from the control shift rod.



4. Remove the retaining pin from the L-H shift rod.
5. Remove the 2-4 shift bracket.



6. Remove the retaining ring from the 2-4 shift fork using suitable tool.
7. Remove the fork guide collar and 2-4 shift fork spring from the 2-4 shift fork.



#### INSPECTION AFTER DISASSEMBLY

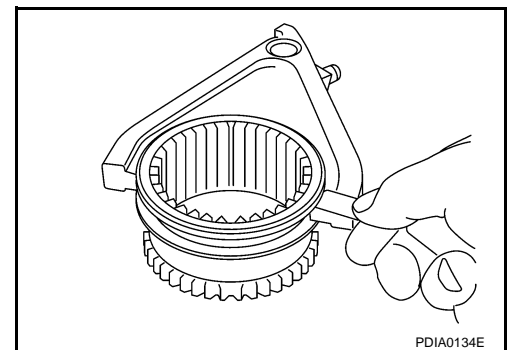
##### Shift Fork

- Measure the clearance between the shift fork and sleeve. If it is out of specification, replace it with a new one.

##### Standard value

2-4 : Less than 0.46 mm (0.018 in)

L-H : Less than 0.46 mm (0.018 in)



#### Shift Rod and Fork Components

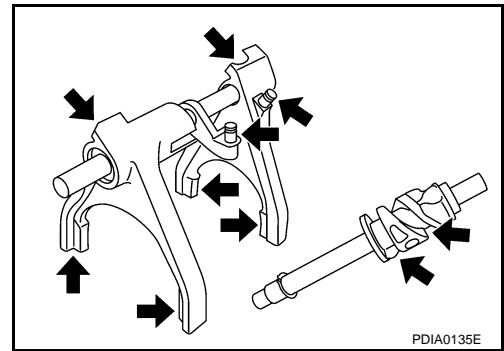
A  
B  
C  
DLN  
E  
F  
G  
H  
I  
J  
K  
L  
M  
N  
O  
P

# SHIFT CONTROL

## < DISASSEMBLY AND ASSEMBLY >

[TRANSFER: TX15B]

- Check the working face of the shift rod and fork for wear, partial wear, abrasion, bending and other abnormality. If any is found, replace with a new one.



## ASSEMBLY

1. Install clevis pin and shift collar to L-H shift fork after assembling them.

**CAUTION:**

**Use caution when installing L-H shift fork, clevis pin or shift collar.**

2. Install clevis pin and shift collar to 2-4 shift bracket after assembling them.

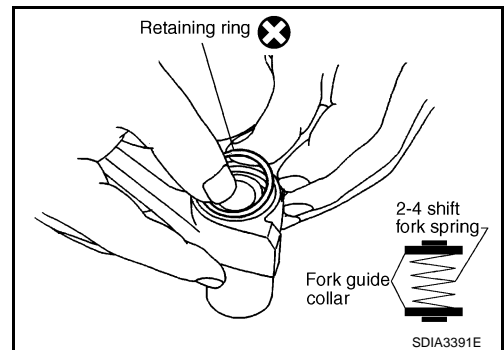
**CAUTION:**

**Use caution when installing 2-4 shift bracket.**

3. Install guide fork collar and 2-4 shift fork spring to the 2-4 shift fork, and then secure it with the new retaining ring.

**CAUTION:**

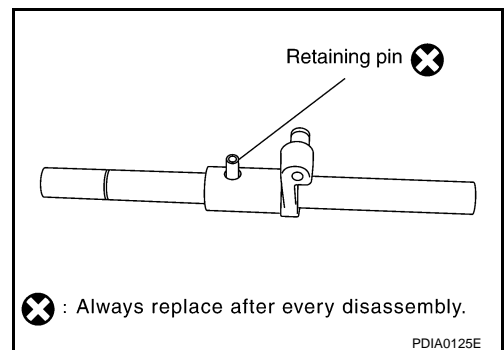
- Do not reuse retaining ring.
- Be careful with orientation.



4. Install the 2-4 shift bracket to the L-H shift rod.
5. Install the new retaining pin evenly to the L-H shift rod.

**CAUTION:**

**Do not reuse retaining pin.**



⊗ : Always replace after every disassembly.

6. Install the drum cam to the control shift rod, and then secure it with the new retaining pin.

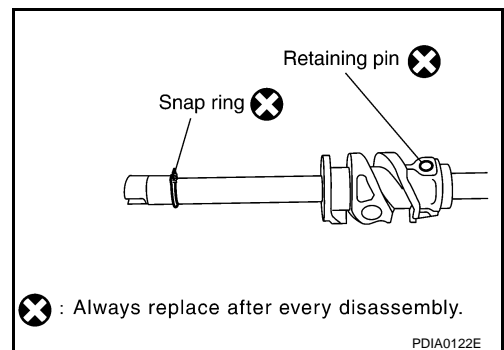
**CAUTION:**

**Do not reuse retaining pin.**

7. Install the new snap ring to the control shift rod.

**CAUTION:**

**Do not reuse snap ring.**



⊗ : Always replace after every disassembly.



# SERVICE DATA AND SPECIFICATIONS (SDS)

< SERVICE DATA AND SPECIFICATIONS (SDS)

[TRANSFER: TX15B]

## SERVICE DATA AND SPECIFICATIONS (SDS)

### SERVICE DATA AND SPECIFICATIONS (SDS)

#### General Specification

INFOID:000000003937401

Applied model			VQ40DE
Transfer model			TX15B
Gear ratio	High		1.000
	Low		2.625
Number of teeth	Planetary gear	Sun gear	56
		Internal gear	91
	Front drive sprocket		38
	Front drive shaft		38
Fluid Capacity (Approx)	ℓ (US qt, Imp qt)	2.0 (2 1/8, 1 3/4)	

#### Inspection and Adjustment

INFOID:000000003937402

##### PINION GEAR END PLAY

Unit: mm (in)

Item	Standard
Pinion gear end play	0.1 - 0.7 (0.004 - 0.028)

##### CLEARANCE BETWEEN SHIFT FORK AND SLEEVE

Unit: mm (in)

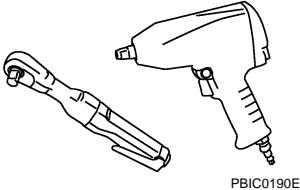
Item	Standard
2-4 shift fork to 2-4 sleeve	Less than 0.46 (0.018)
L-H shift fork to L-H sleeve	Less than 0.46 (0.018)

PREPARATION

PREPARATION

Commercial Service Tool

INFOID:000000003937403

Tool name	Description
Power tool 	Loosening bolts and nuts

# NOISE, VIBRATION, AND HARSHNESS (NVH) TROUBLESHOOTING

< FUNCTION DIAGNOSIS >

[PROPELLER SHAFT: 2F1310]

## FUNCTION DIAGNOSIS

### NOISE, VIBRATION, AND HARSHNESS (NVH) TROUBLESHOOTING

#### NVH Troubleshooting Chart

INFOID:000000003937404

Use the chart below to help you find the cause of the symptom. If necessary, repair or replace these parts.

Symptom	Possible cause and suspected parts											
	Uneven rotation torque	Rotation imbalance	Excessive run out	Differential	Axle	Suspension	Tires	Road wheel	Drive shaft	Brakes	Steering	
Noise	x	x	x	x	x	x	x	x	x	x	x	x
Shake					x	x	x	x	x	x		x
Vibration	x	x	x		x	x	x		x			x

x: Applicable

A  
B  
C  
DLN  
E  
F  
G  
H  
I  
J  
K  
L  
M  
N  
O  
P

## ON-VEHICLE REPAIR

### PROPELLER SHAFT

#### On-Vehicle Service

INFOID:000000003937405

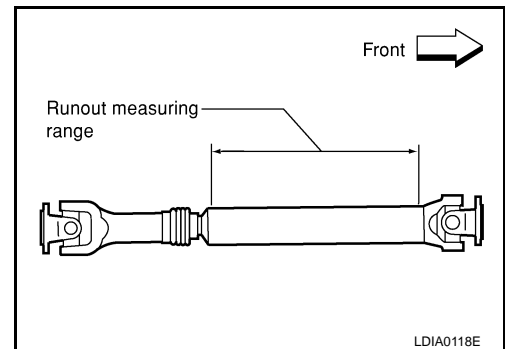
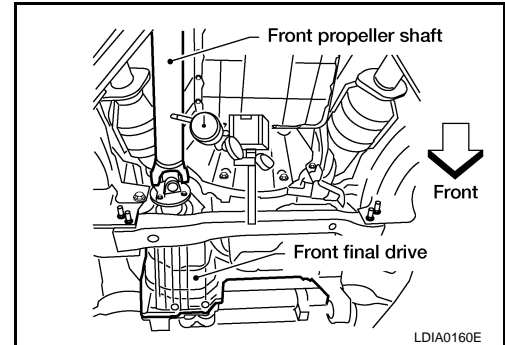
#### APPEARANCE AND NOISE INSPECTION

- Check the propeller shaft tube surface for dents or cracks. If damaged, replace the propeller shaft assembly.
- Check the bearings for noise and damage. Repair or replace the bearings as necessary.

#### PROPELLER SHAFT VIBRATION

If a vibration is present at high speed, inspect the propeller shaft runout first.

1. Measure the runout of the propeller shaft tube at several points by rotating the final drive companion flange with your hands. Refer to [DLN-313, "General Specification"](#).
2. If the runout exceeds specifications, disconnect the propeller shaft at the final drive companion flange; then rotate the companion flange 90°, 180° and 270° and reconnect the propeller shaft.
3. Check the runout again. If the runout still exceeds specifications, replace the propeller shaft assembly.
4. After installation, check for vibration by driving the vehicle.



# PROPELLER SHAFT

< REMOVAL AND INSTALLATION >

[PROPELLER SHAFT: 2F1310]

## REMOVAL AND INSTALLATION

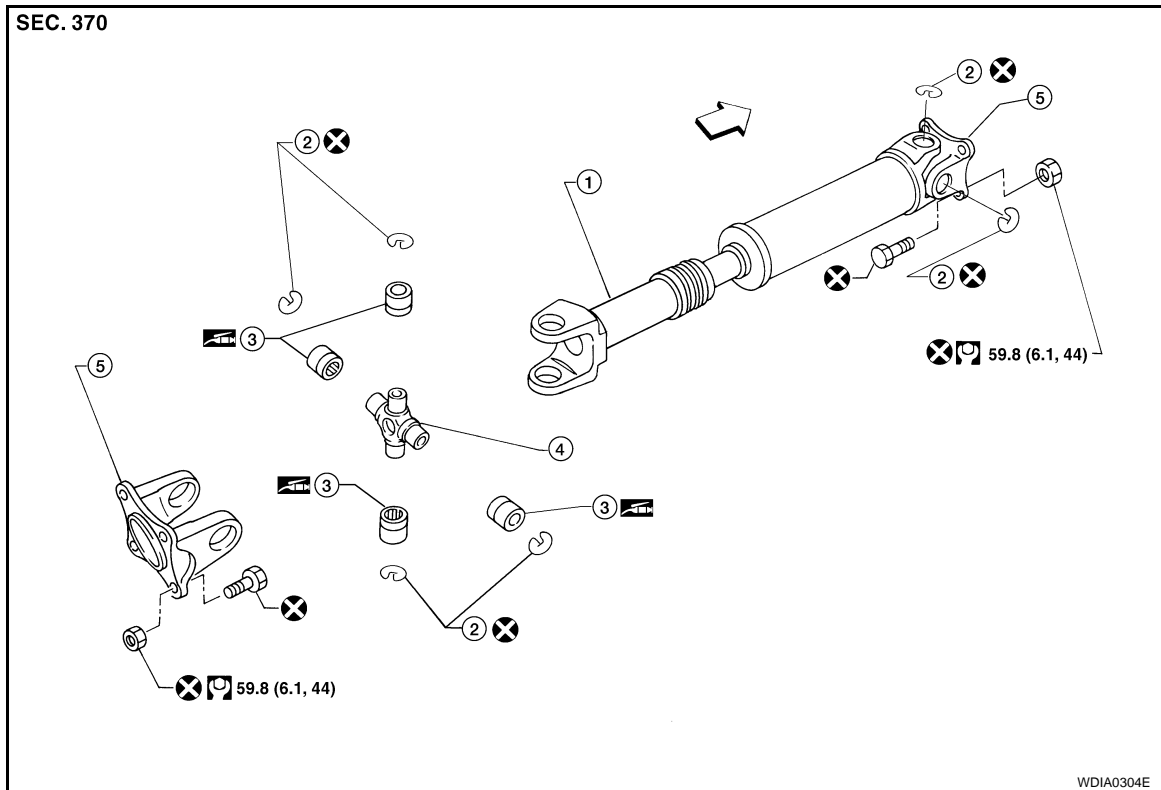
### PROPELLER SHAFT

#### Removal and Installation

INFOID:000000003937406

#### COMPONENTS

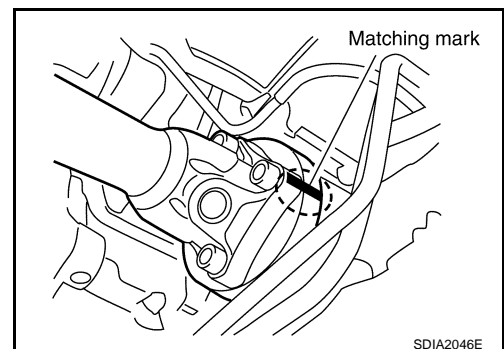
Model 2F1310



- |                         |                |                    |
|-------------------------|----------------|--------------------|
| 1. Propeller shaft tube | 2. Snap ring   | 3. Journal bearing |
| 4. Journal              | 5. Flange yoke | ⇐: Front           |

#### REMOVAL

- Put matching marks on the front propeller shaft flange yoke and the front final drive companion flange as shown.  
**CAUTION:**  
For matching marks, use paint. Never damage the flange yoke and companion flange of the front final drive.
- Put matching marks on the front propeller shaft flange yoke and the transfer companion flange.  
**CAUTION:**  
For matching marks, use paint. Never damage the flange yoke and companion flange of the front final drive.
- Remove the bolts and then remove the front propeller shaft from the front final drive and transfer.



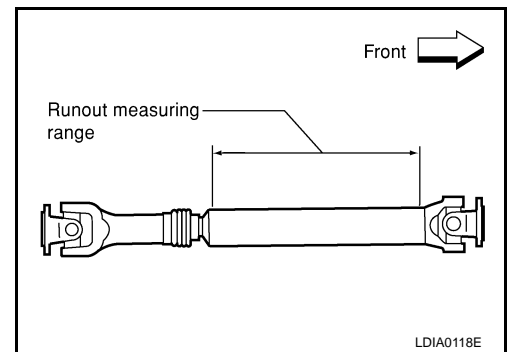
#### INSPECTION

# PROPELLER SHAFT

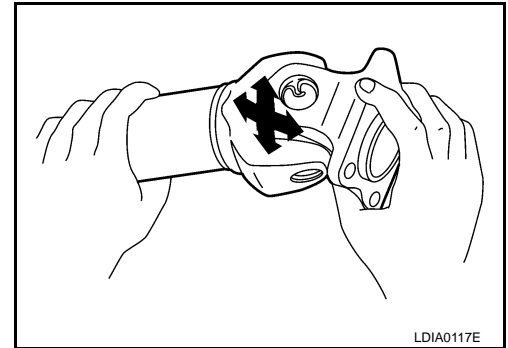
## < REMOVAL AND INSTALLATION >

[PROPELLER SHAFT: 2F1310]

- Inspect the propeller shaft runout. If runout exceeds the limit, replace the propeller shaft assembly. Refer to [DLN-313, "General Specification"](#).



- While holding the flange yoke on one side, check axial play of the joint as shown. If the journal axial play exceeds the specification, repair or replace the journal parts. Refer to [DLN-313, "General Specification"](#).
- Check the propeller shaft tube surface for dents or cracks. If damage is detected, replace the propeller shaft assembly.



## INSTALLATION

Installation is in the reverse order of removal.

- After installation, check for vibration by driving the vehicle. Refer to [DLN-324, "NVH Troubleshooting Chart"](#).

### **CAUTION:**

**Do not reuse the bolts and nuts. Always install new ones.**

DISASSEMBLY AND ASSEMBLY

PROPELLER SHAFT

Disassembly and Assembly

INFOID:000000003937407

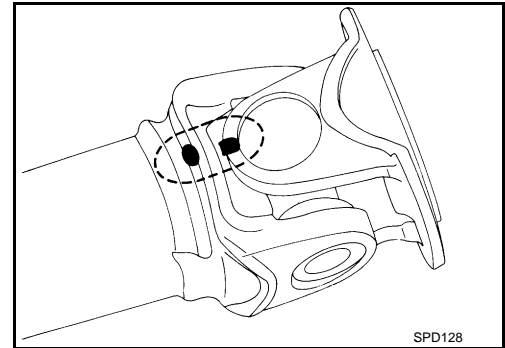
DISASSEMBLY

Journal

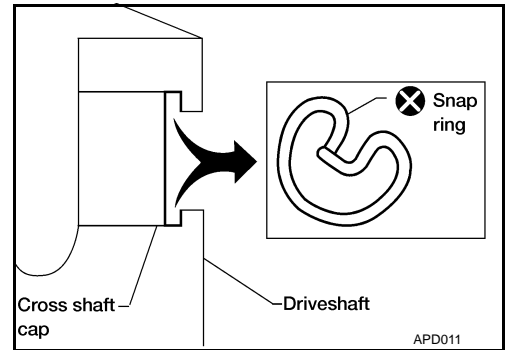
- Put matching marks on the front propeller shaft and flange yoke as shown.

**CAUTION:**

For matching marks, use paint. Never damage the front propeller shaft or flange yoke.



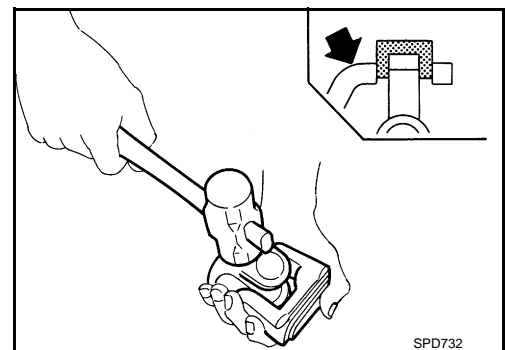
- Remove the snap rings.



- Push out and remove the journal bearings by lightly tapping the flange yoke with a hammer, taking care not to damage the journal or flange yoke hole.

**NOTE:**

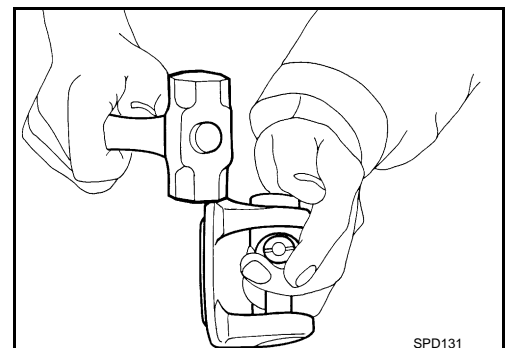
Put marks on the disassembled parts so that they can be reinstalled in their original positions from which they were removed.



- Push out and remove the remaining journal bearings at the opposite side by lightly tapping the flange yoke with a hammer, taking care not to damage the journal or flange yoke hole.

**NOTE:**

Put marks on the disassembled parts so that they can be reinstalled in their original positions from which they were removed.



ASSEMBLY

A  
B  
C  
DLN  
E  
F  
G  
H  
I  
J  
K  
L  
M  
N  
O  
P

# PROPELLER SHAFT

< DISASSEMBLY AND ASSEMBLY >

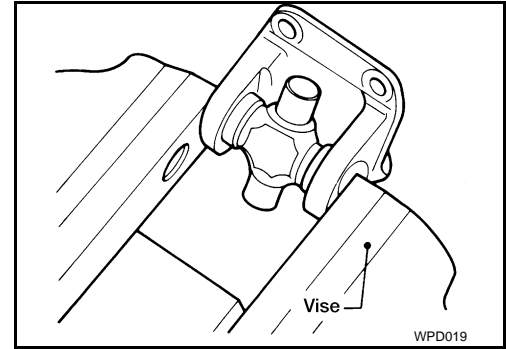
[PROPELLER SHAFT: 2F1310]

## Journal

1. Assemble the journal bearings. Apply multipurpose grease on the bearing inner surface.

**NOTE:**

During assembly, use caution so that the needle bearings do not fall down.



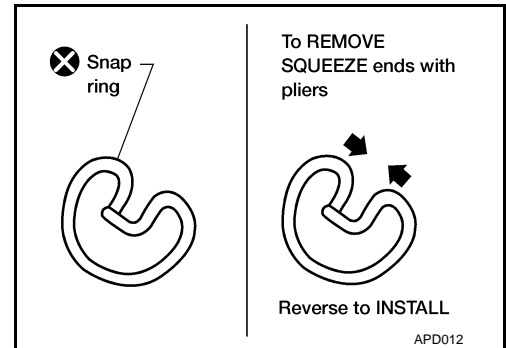
2. Select new snap rings that will provide the specified play in an axial direction of the journal, and install them. Refer to [DLN-313](#).

**CAUTION:**

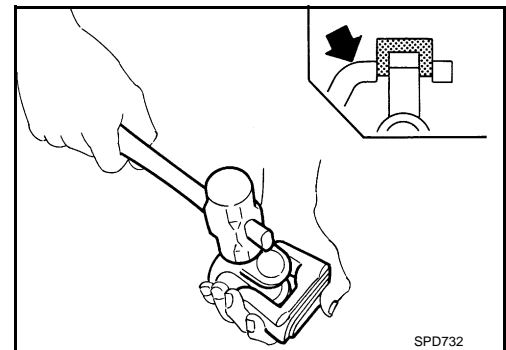
**Do not reuse snap rings**

**NOTE:**

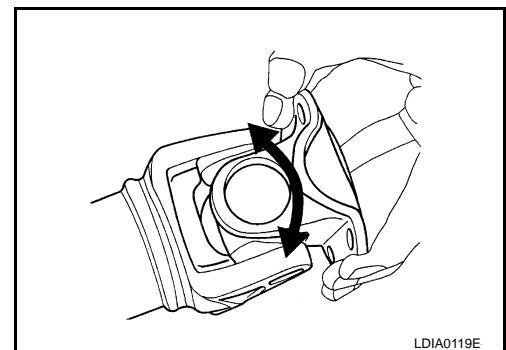
Select snap rings with a difference in thickness at both sides within 0.02 mm (0.0008 in).



3. Adjust the thrust clearance between the bearing and snap ring to zero by tapping the yoke.



4. Make sure that the journal moves smoothly and is below the joint flex effort specification. Refer to [DLN-313](#). "[General Specification](#)".





# SERVICE DATA AND SPECIFICATIONS (SDS)

< SERVICE DATA AND SPECIFICATIONS (SDS)

[PROPELLER SHAFT: 2F1310]

## SERVICE DATA AND SPECIFICATIONS (SDS)

### SERVICE DATA AND SPECIFICATIONS (SDS)

#### General Specification

INFOID:000000003937408

Unit: mm (in)

Applied model	4WD	
	VQ40DE	VK56DE
Propeller shaft model	A/T	
Number of joints	2F1310	
Coupling method with front final drive	2	
Coupling method with transfer	Flange type	
Shaft length (Spider to spider)	Flange type	
Shaft outer diameter	696 mm (27.40 in)	
	63.5 mm (2.5 in)	

#### Propeller Shaft Runout

Unit: mm (in)

Item	Limit
Propeller shaft runout	0.6 mm (0.024 in)

#### Propeller Shaft Joint Flex Effort

N-m (kg-m, in-lb)

Item	Limit
Propeller shaft joint flex effort	2.26 (0.23 , 20 ) or less

#### Journal Axial Play

Unit: mm (in)

Item	Limit
Journal axial play	0.02 mm (0.0008 in) or less

#### Snap Ring

INFOID:000000003937409

Model 2F1310 (4WD)

Unit: mm (in)

Thickness	Color	Part Number*
1.99 (0.0783)	White	37146-C9400
2.02 (0.0795)	Yellow	37147-C9400
2.05 (0.0807)	Red	37148-C9400
2.08 (0.0819)	Green	37149-C9400
2.11 (0.0831)	Blue	37150-C9400
2.14 (0.0843)	Light brown	37151-C9400
2.17 (0.0854)	Black	37152-C9400
2.20 (0.0866)	No paint	37153-C9400

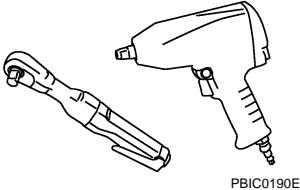
\*Always check with the Parts Department for the latest parts information.

PREPARATION

PREPARATION

Commercial Service Tool

INFOID:000000003937410

Tool name	Description
Power tool 	Loosening bolts and nuts

# NOISE, VIBRATION, AND HARSHNESS (NVH) TROUBLESHOOTING

< FUNCTION DIAGNOSIS >

[PROPELLER SHAFT: 2S1330]

## FUNCTION DIAGNOSIS

### NOISE, VIBRATION, AND HARSHNESS (NVH) TROUBLESHOOTING

#### NVH Troubleshooting Chart

INFOID:000000003937411

Use the chart below to help you find the cause of the symptom. If necessary, repair or replace these parts.

Symptom	Possible cause and suspected parts											
	Uneven rotation torque	Rotation imbalance	Excessive run out	Differential	Axle	Suspension	Tires	Road wheel	Drive shaft	Brakes	Steering	
Noise	x	x	x	x	x	x	x	x	x	x	x	x
Shake					x	x	x	x	x	x	x	x
Vibration	x	x	x		x	x	x		x			x

x: Applicable

A  
B  
C  
DLN  
E  
F  
G  
H  
I  
J  
K  
L  
M  
N  
O  
P

## ON-VEHICLE REPAIR

### PROPELLER SHAFT

#### On-Vehicle Service

INFOID:000000003937412

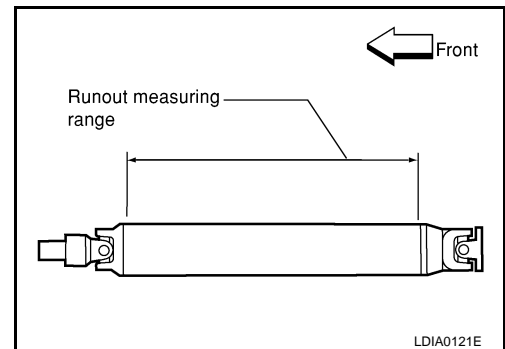
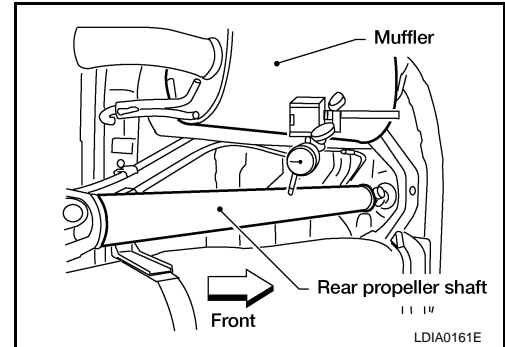
#### APPEARANCE AND NOISE INSPECTION

- Check the propeller shaft tube surface for dents or cracks. If damaged, replace the propeller shaft assembly.
- Check the bearings for noise and damage. Repair or replace the bearings as necessary.

#### PROPELLER SHAFT VIBRATION

If a vibration is present at high speed, inspect the propeller shaft runout first.

1. Measure the runout of the propeller shaft tube at several points by rotating the final drive companion flange with your hands. Refer to [DLN-321, "General Specification"](#).
2. If the runout exceeds specifications, disconnect the propeller shaft at the final drive companion flange; then rotate the companion flange 90°, 180° and 270° and reconnect the propeller shaft.
3. Check the runout again. If the runout still exceeds specifications, replace the propeller shaft assembly.
4. After installation, check for vibration by driving vehicle.



# PROPELLER SHAFT

< REMOVAL AND INSTALLATION >

[PROPELLER SHAFT: 2S1330]

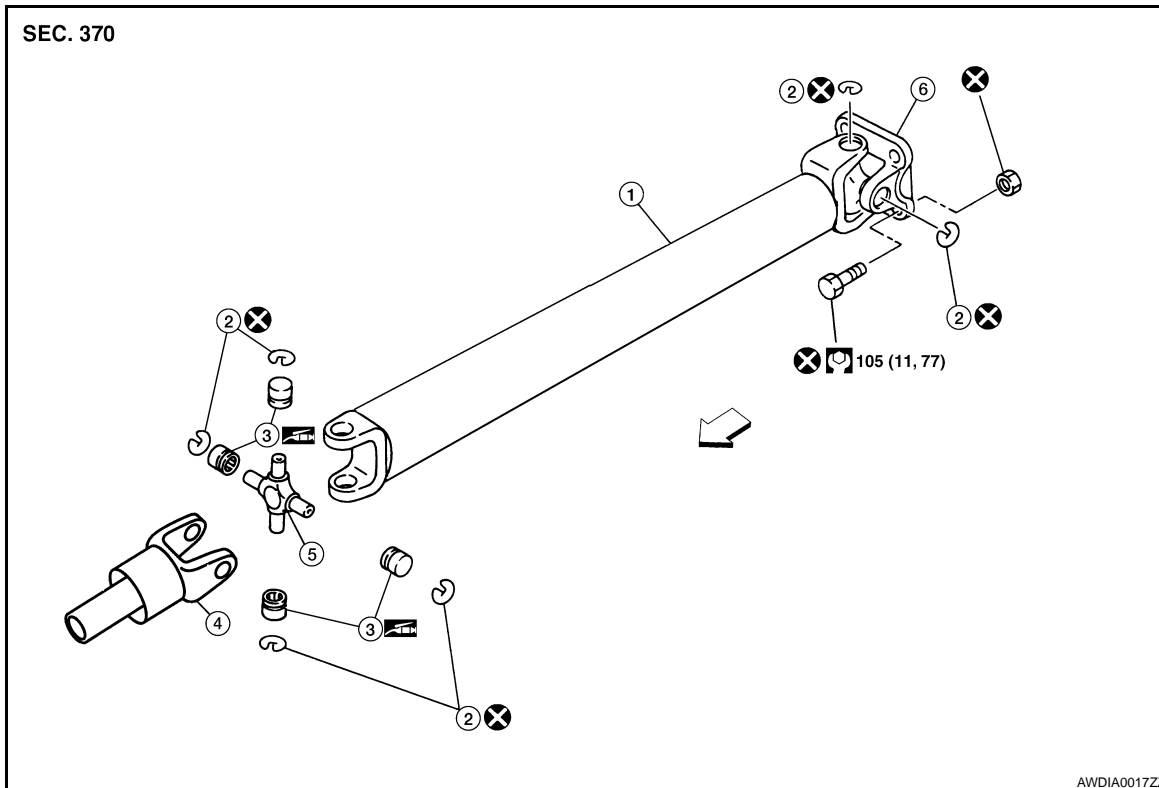
## REMOVAL AND INSTALLATION

### PROPELLER SHAFT

#### Removal and Installation

INFOID:000000003937413

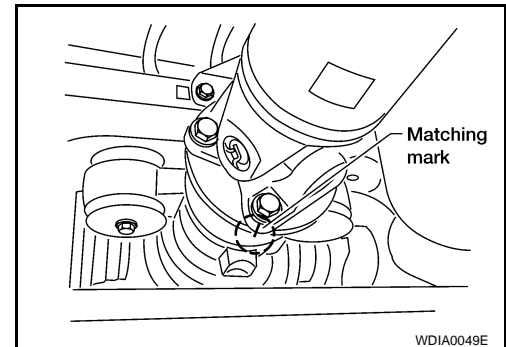
#### COMPONENTS



- |                         |              |                    |
|-------------------------|--------------|--------------------|
| 1. Propeller shaft tube | 2. Snap ring | 3. Journal bearing |
| 4. Sleeve yoke          | 5. Journal   | 6. Flange yoke     |
- ←: Front

#### REMOVAL

1. Move the A/T select lever to the N position and release the parking brake.
2. Put matching marks on the rear propeller shaft flange yoke and the rear final drive companion flange as shown.  
**CAUTION:**  
**For matching marks, use paint. Never damage the rear propeller shaft flange yoke or the companion flange.**
3. Remove the bolts, then remove the propeller shaft from the rear final drive and A/T or transfer.



#### INSPECTION

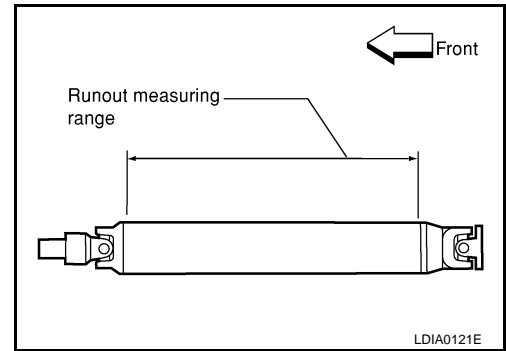
A  
B  
C  
DLN  
E  
F  
G  
H  
I  
J  
K  
L  
M  
N  
O  
P

# PROPELLER SHAFT

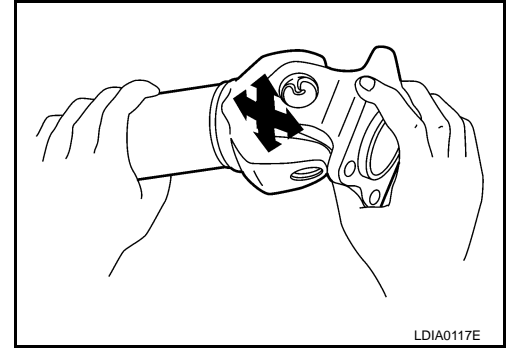
## < REMOVAL AND INSTALLATION >

[PROPELLER SHAFT: 2S1330]

- Inspect the propeller shaft runout. If runout exceeds the limit, replace the propeller shaft assembly. Refer to [DLN-321, "General Specification"](#).



- While holding the flange yoke on one side, check axial play of the joint as shown. If the journal axial play exceeds the specification, repair or replace the journal parts. Refer to [DLN-321, "General Specification"](#).
- Check the propeller shaft tube for dents or cracks. If damage is detected, replace the propeller shaft assembly.



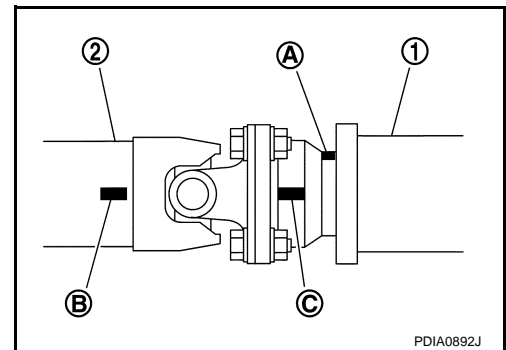
## INSTALLATION

Installation is in the reverse order of removal.

- After installation, check for vibration by driving the vehicle. Refer to [DLN-324, "NVH Troubleshooting Chart"](#).
- If propeller shaft assembly or final drive assembly has been replaced, connect them as follows:
  - Face companion flange mark (A) of the final drive (1) upward. With the mark (A) faced upward, couple the propeller shaft and the final drive so that the matching mark (B) of the propeller shaft (2) can be positioned as close as possible with the matching mark (C) of the final drive companion flange.
  - Tighten propeller shaft and final drive bolts and nuts to specifications. Refer to [DLN-317, "Removal and Installation"](#).

### CAUTION:

**Do not reuse the bolts and nuts. Always install new ones.**



DISASSEMBLY AND ASSEMBLY

PROPELLER SHAFT

Disassembly and Assembly

INFOID:000000003937414

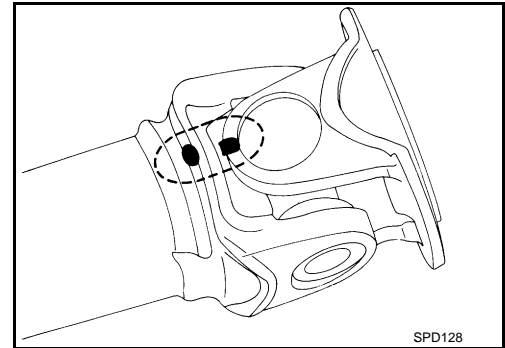
DISASSEMBLY

Journal

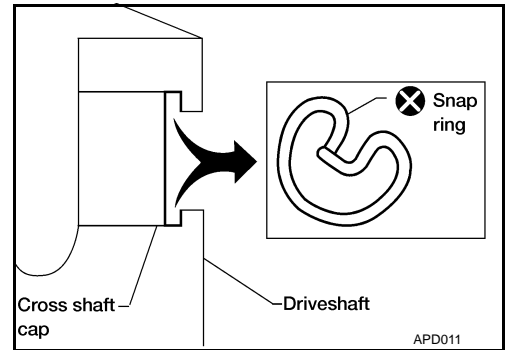
1. Put matching marks on the rear propeller shaft and flange yoke as shown.

**CAUTION:**

For matching marks use paint. Never damage the rear propeller shaft or flange yoke.



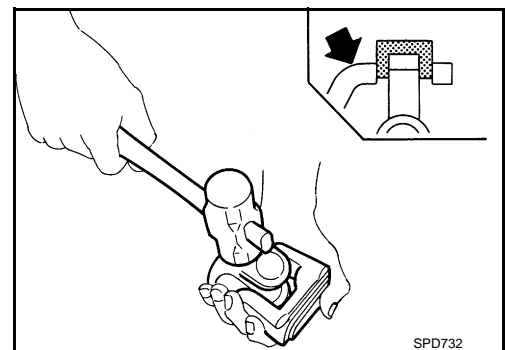
2. Remove the snap rings.



3. Push out and remove the journal bearings by lightly tapping the flange yoke with a hammer, taking care not to damage the journal or flange yoke hole.

**NOTE:**

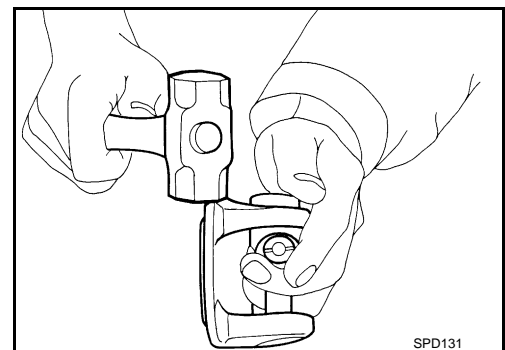
Put marks on the disassembled parts so that they can be reinstalled in their original positions from which they were removed.



4. Push out and remove the remaining journal bearings at the opposite side by lightly tapping the flange yoke with a hammer, taking care not to damage the journal or flange yoke hole.

**NOTE:**

Put marks on the disassembled parts so that they can be reinstalled in their original positions from which they were removed.



ASSEMBLY

A  
B  
C  
DLN  
E  
F  
G  
H  
I  
J  
K  
L  
M  
N  
O  
P

# PROPELLER SHAFT

< DISASSEMBLY AND ASSEMBLY >

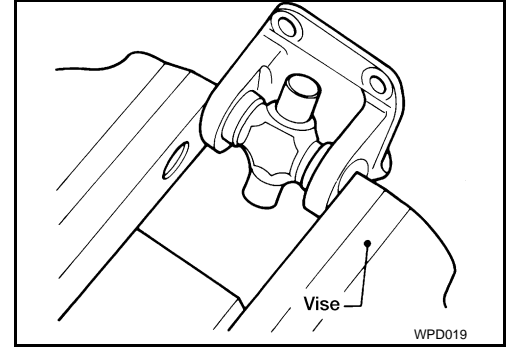
[PROPELLER SHAFT: 2S1330]

## Journal

1. Assemble the journal bearings. Apply multipurpose grease on the bearing inner surface.

**NOTE:**

During assembly, use caution so that the needle bearings do not fall down.



2. Select new snap rings that will provide the specified play in an axial direction of the journal, and install them. Refer to [DLN-322](#).

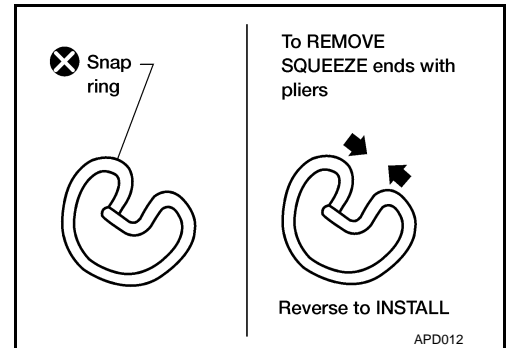
**"Snap Ring".**

**CAUTION:**

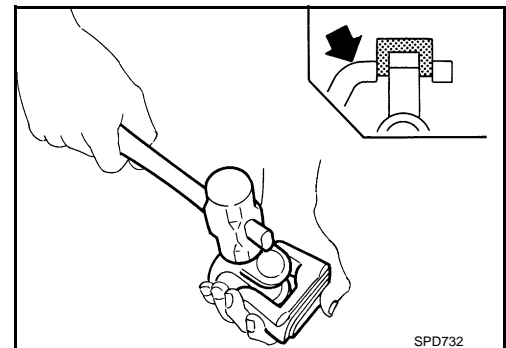
**Do not reuse snap rings**

**NOTE:**

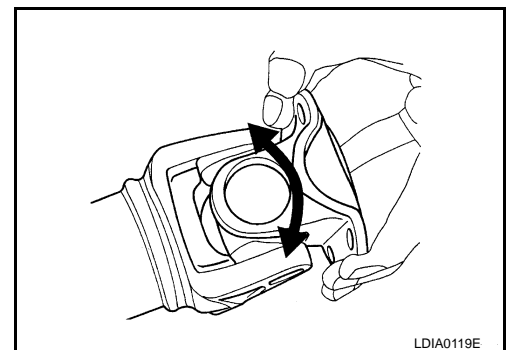
Select snap rings with a difference in thickness at both sides within 0.02 mm (0.0008 in).



3. Adjust the thrust clearance between the bearing and snap ring to zero by tapping the yoke.



4. Make sure that the journal moves smoothly and is below the propeller joint flex effort specification. Refer to [DLN-321](#). "**General Specification**".





# SERVICE DATA AND SPECIFICATIONS (SDS)

< SERVICE DATA AND SPECIFICATIONS (SDS)

[PROPELLER SHAFT: 2S1330]

## SERVICE DATA AND SPECIFICATIONS (SDS)

### SERVICE DATA AND SPECIFICATIONS (SDS)

#### General Specification

INFOID:000000003937415

##### 2WD models

Applied model	2WD
	VQ40DE
	A/T
Propeller shaft model	2S1330 (aluminum tube)
Number of joints	2
Coupling method with rear final drive	Flange type
Coupling method with transmission	Sleeve type
Shaft length (Spider to spider)	1395.2 mm (54.93 in)
Shaft outer diameter	127.6 mm (5.02 in)

#### Propeller Shaft Runout

Item	Limit
Propeller shaft runout	1.02 mm (0.0402 in) or less

#### Propeller Shaft Joint Flex Effort

Item	Limit
Propeller shaft joint flex effort	2.26 N·m (0.23 kg·m, 20 in-lb) or less

#### Journal Axial Play

Item	Limit
Journal axial play	0.02 mm (0.0008 in) or less

##### 4WD models

Applied model	4WD	
	Part time	Full time
	VQ40DE	
	A/T	
Propeller shaft model	2S1330 (steel tube)	
Number of joints	2	
Coupling method with front final drive	Flange type	
Coupling method with transfer	Sleeve type	
Shaft length (Spider to spider)	952.8 mm (37.51 in)	890.8 mm (35.07 in)
Shaft outer diameter	76.2 mm (3.00 in)	

#### Propeller Shaft Runout

Item	Limit
Propeller shaft runout	0.6 mm (0.024 in) or less

#### Propeller Shaft Joint Flex Effort

A  
B  
C  
DLN  
E  
F  
G  
H  
I  
J  
K  
L  
M  
N  
O  
P

# SERVICE DATA AND SPECIFICATIONS (SDS)

< SERVICE DATA AND SPECIFICATIONS (SDS)

[PROPELLER SHAFT: 2S1330]

Item	Limit
Propeller shaft joint flex effort	2.26 N·m (0.23 kg-m, 20 in-lb) or less

## Journal Axial Play

Item	Limit
Journal axial play	0.02 mm (0.0008 in) or less

## Snap Ring

INFOID:000000003937416

Model 2S1330 (4WD)

Unit: mm (in)

Thickness	Color	Part Number*
1.99 (0.0783)	White	37146-C9400
2.02 (0.0795)	Yellow	37147-C9400
2.05 (0.0807)	Red	37148-C9400
2.08 (0.0819)	Green	37149-C9400
2.11 (0.0831)	Blue	37150-C9400
2.14 (0.0843)	Light brown	37151-C9400
2.17 (0.0854)	Black	37152-C9400
2.20 (0.0866)	No paint	37153-C9400

\*Always check with the Parts Department for the latest parts information.

Model 2S1330 (2WD)

Unit: mm (in)

Thickness	Color	Part Number*
1.600 - 1.638 (0.0630 - 0.0645)	Black	37146-EA500
1.549 - 1.588 (0.0610 - 0.0625)	Black	37147-EA500
1.524 - 1.562 (0.0600 - 0.0615)	Black	37148-EA500
1.499 - 1.537 (0.0590 - 0.0605)	Black	37149-EA500

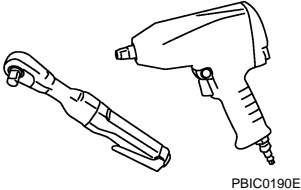
\*Always check with the Parts Department for the latest parts information.

PREPARATION

PREPARATION

Commercial Service Tool

INFOID:000000003937417

Tool name	Description
Power tool 	Loosening bolts and nuts

A  
B  
C  
DLN  
E  
F  
G  
H  
I  
J  
K  
L  
M  
N  
O  
P

# NOISE, VIBRATION, AND HARSHNESS (NVH) TROUBLESHOOTING

< FUNCTION DIAGNOSIS >

[PROPELLER SHAFT: 2S1350]

## FUNCTION DIAGNOSIS

### NOISE, VIBRATION, AND HARSHNESS (NVH) TROUBLESHOOTING

#### NVH Troubleshooting Chart

INFOID:000000003937418

Use the chart below to help you find the cause of the symptom. If necessary, repair or replace these parts.

Symptom		Possible cause and suspected parts										
		Uneven rotation torque	Rotation imbalance	Excessive run out	Differential	Axle	Suspension	Tires	Road wheel	Drive shaft	Brakes	Steering
Noise		×	×	×	×	×	×	×	×	×	×	×
Shake						×	×	×	×	×	×	×
Vibration		×	×	×		×	×	×		×		×

×: Applicable

Reference page		Possible cause and suspected parts										
		DLN-325	DLN-325	DLN-330	DLN-336, "NVH Troubleshooting Chart" DLN-370, "NVH Troubleshooting Chart" DLN-402, "NVH Troubleshooting Chart" DLN-439, "NVH Troubleshooting Chart"	FAX-4, "NVH Troubleshooting Chart" RAX-4, "NVH Troubleshooting Chart"	FSU-5, "NVH Troubleshooting Chart" RSU-5, "NVH Troubleshooting Chart"	WT-45, "NVH Troubleshooting Chart"	WT-45, "NVH Troubleshooting Chart"	DLN-307, "NVH Troubleshooting Chart" DLN-315, "NVH Troubleshooting Chart" DLN-324, "NVH Troubleshooting Chart"	BR-6, "NVH Troubleshooting Chart"	ST-9, "NVH Troubleshooting Chart"
Noise		×	×	×	×	×	×	×	×	×	×	×
Shake						×	×	×	×	×	×	×
Vibration		×	×	×		×	×	×		×		×

ON-VEHICLE REPAIR

PROPELLER SHAFT

On-Vehicle Service

INFOID:000000003937419

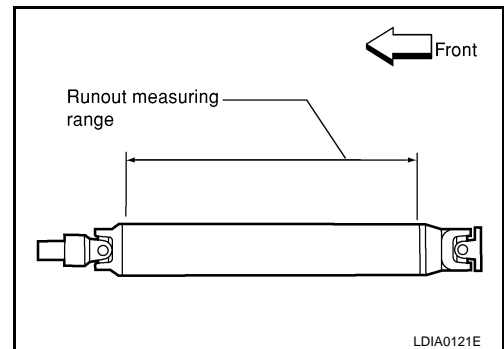
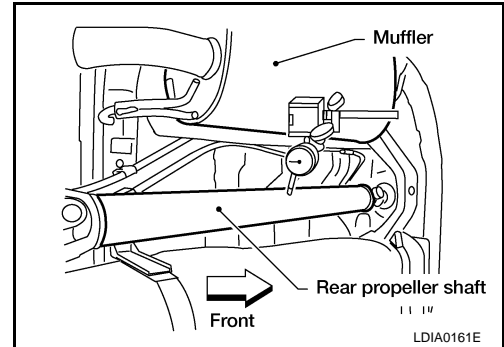
APPEARANCE AND NOISE INSPECTION

- Check the propeller shaft tube surface for dents or cracks. If damaged, replace the propeller shaft assembly.
- Check the bearings for noise and damage. Repair or replace the bearings as necessary.

PROPELLER SHAFT VIBRATION

If a vibration is present at high speed, inspect the propeller shaft runout first.

1. Measure the runout of the propeller shaft tube at several points by rotating the final drive companion flange with your hands. Refr to [DLN-330, "General Specification"](#).
2. If the runout exceeds specifications, disconnect the propeller shaft at the final drive companion flange; then rotate the companion flange 90°, 180° and 270° and reconnect the propeller shaft.
3. Check the runout again. If the runout still exceeds specifications, replace the propeller shaft assembly.
4. After installation, check for vibration by driving vehicle.



A  
B  
C  
DLN  
E  
F  
G  
H  
I  
J  
K  
L  
M  
N  
O  
P

# PROPELLER SHAFT

< REMOVAL AND INSTALLATION >

[PROPELLER SHAFT: 2S1350]

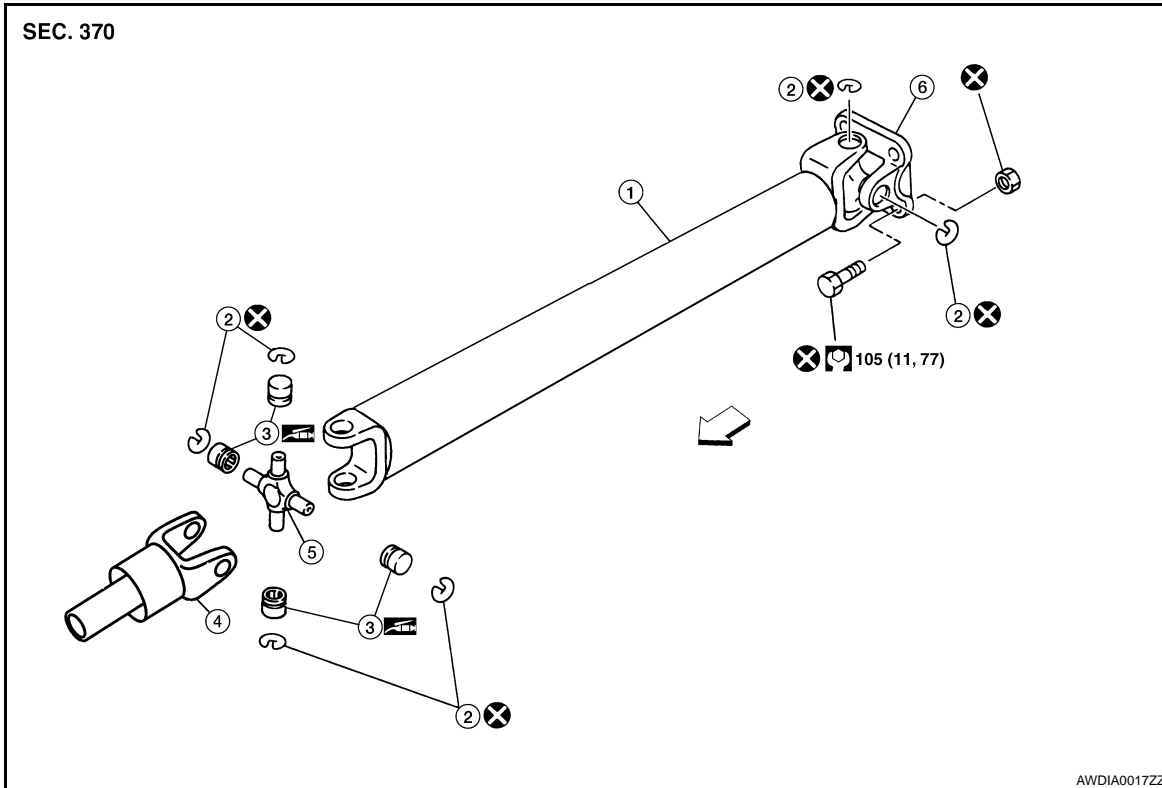
## REMOVAL AND INSTALLATION

### PROPELLER SHAFT

#### Removal and Installation

INFOID:000000003937420

#### COMPONENTS



- |                         |              |                    |
|-------------------------|--------------|--------------------|
| 1. Propeller shaft tube | 2. Snap ring | 3. Journal bearing |
| 4. Sleeve yoke          | 5. Journal   | 6. Flange yoke     |
- ⇐: Front

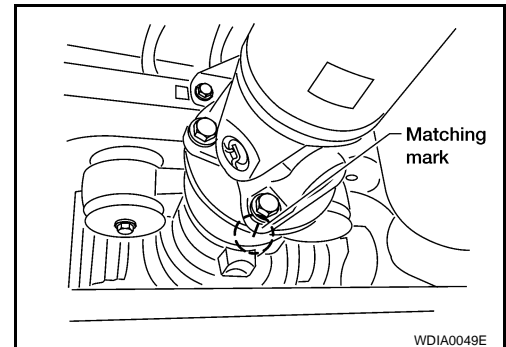
#### REMOVAL

1. Move the A/T select lever to the N position and release the parking brake.
2. Put matching marks on the rear propeller shaft flange yoke and the rear final drive companion flange as shown.

**CAUTION:**

**For matching marks, use paint. Never damage the rear propeller shaft flange yoke or the companion flange.**

3. Remove the bolts, then remove the propeller shaft from the rear final drive and A/T or transfer.



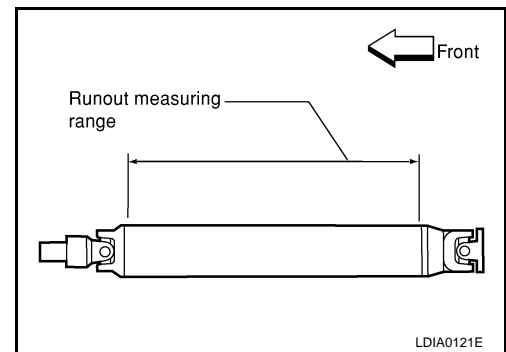
#### INSPECTION

# PROPELLER SHAFT

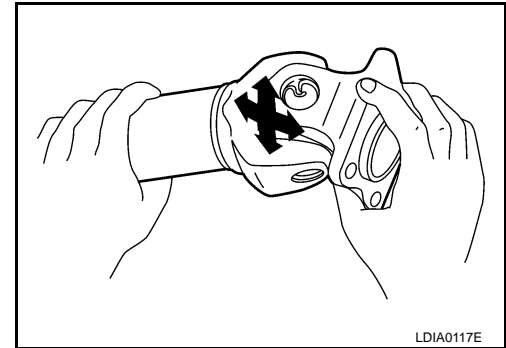
## < REMOVAL AND INSTALLATION >

[PROPELLER SHAFT: 2S1350]

- Inspect the propeller shaft runout. If runout exceeds the limit, replace the propeller shaft assembly. Refer to [DLN-330, "General Specification"](#).



- While holding the flange yoke on one side, check axial play of the joint as shown. If the journal axial play exceeds the specification, repair or replace the journal parts. Refer to [DLN-330, "General Specification"](#).
- Check the propeller shaft tube for dents or cracks. If damage is detected, replace the propeller shaft assembly.



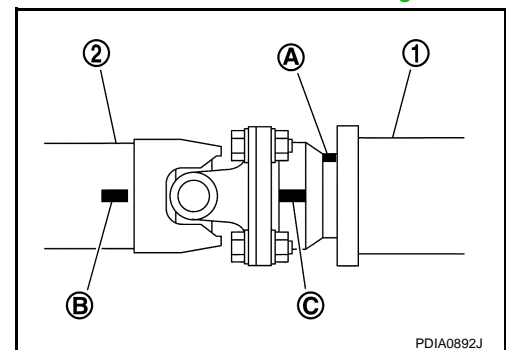
## INSTALLATION

Installation is in the reverse order of removal.

- After installation, check for vibration by driving the vehicle. Refer to [DLN-324, "NVH Troubleshooting Chart"](#).
- If propeller shaft assembly of final drive assembly has been replaced, connect them as follows:
  - Face companion flange mark (A) of the final drive (1) upward. With the mark (A) faced upward, couple the propeller shaft and the final drive so that the matching mark (B) of the propeller shaft (2) can be positioned as close as possible with the matching mark (C) of the final drive companion flange.
  - Tighten propeller shaft and final drive bolts and nuts of the to specification. Refer to [DLN-326, "Removal and Installation"](#).

### CAUTION:

**Do not reuse the bolts and nuts. Always install new ones.**



DISASSEMBLY AND ASSEMBLY

PROPELLER SHAFT

Disassembly and Assembly

INFOID:000000003937421

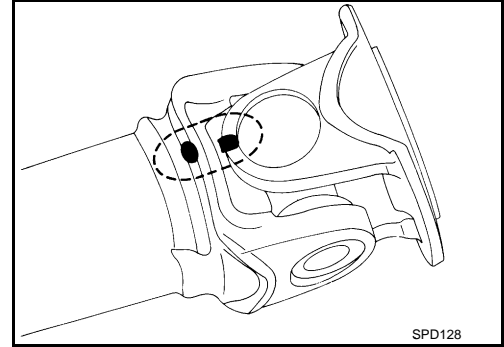
DISASSEMBLY

Journal

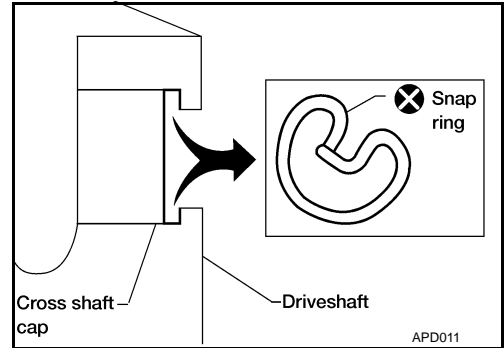
1. Put matching marks on the rear propeller shaft and flange yoke as shown.

**CAUTION:**

For matching marks use paint. Never damage the rear propeller shaft or flange yoke.



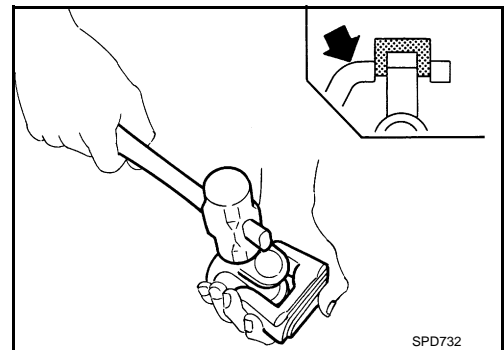
2. Remove the snap rings.



3. Push out and remove the journal bearings by lightly tapping the flange yoke with a hammer, taking care not to damage the journal or flange yoke hole.

**NOTE:**

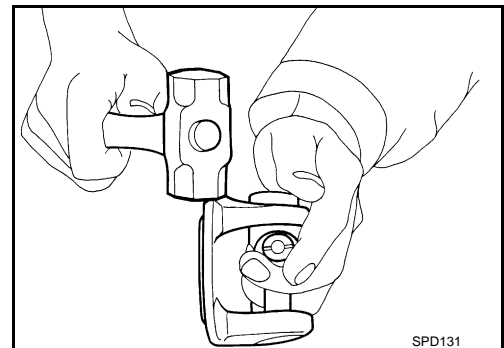
Put marks on the disassembled parts so that they can be reinstalled in their original positions from which they were removed.



4. Push out and remove the remaining journal bearings at the opposite side by lightly tapping the flange yoke with a hammer, taking care not to damage the journal or flange yoke hole.

**NOTE:**

Put marks on the disassembled parts so that they can be reinstalled in their original positions from which they were removed.



ASSEMBLY



# PROPELLER SHAFT

< DISASSEMBLY AND ASSEMBLY >

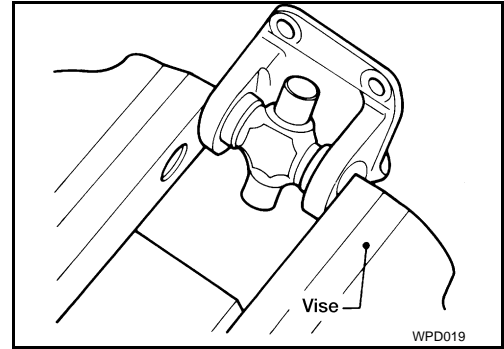
[PROPELLER SHAFT: 2S1350]

## Journal

1. Assemble the journal bearings. Apply multipurpose grease on the bearing inner surface.

**NOTE:**

During assembly, use caution so that the needle bearings do not fall down.



2. Select new snap rings that will provide the specified play in an axial direction of the journal, and install them. Refer to [DLN-330](#).

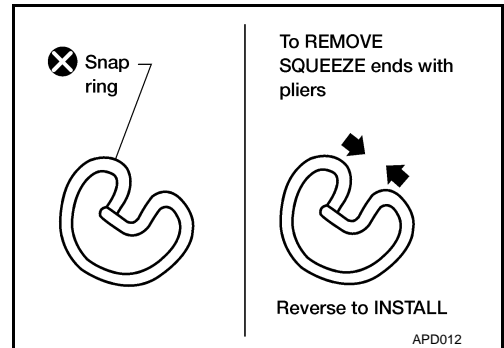
**"Snap Ring".**

**CAUTION:**

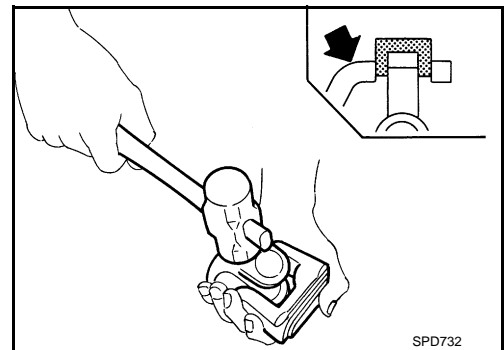
**Do not reuse snap rings**

**NOTE:**

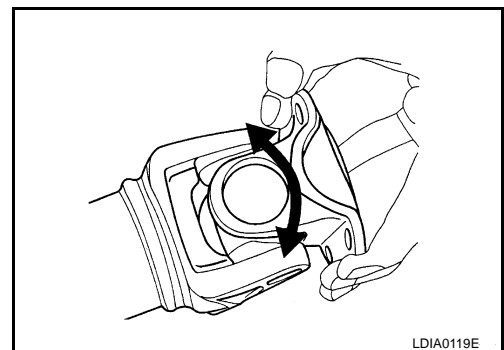
Select snap rings with a difference in thickness at both sides within 0.02 mm (0.0008 in).



3. Adjust the thrust clearance between the bearing and snap ring to zero by tapping the yoke.



4. Make sure that the journal moves smoothly and is below the joint flex effort specification. Refer to [DLN-330](#). "[General Specification](#)".



A  
B  
C  
DLN  
E  
F  
G  
H  
I  
J  
K  
L  
M  
N  
O  
P

# SERVICE DATA AND SPECIFICATIONS (SDS)

< SERVICE DATA AND SPECIFICATIONS (SDS)

[PROPELLER SHAFT: 2S1350]

## SERVICE DATA AND SPECIFICATIONS (SDS)

### SERVICE DATA AND SPECIFICATIONS (SDS)

#### General Specification

INFOID:0000000003937422

4WD models

Unit: mm (in)

Applied model	4WD
	VK56DE
	A/T
Propeller shaft model	2S1350 (aluminum tube)
Number of joints	2
Coupling method with rear final drive	Flange type
Coupling method with transfer	Sleeve type
Shaft length (Spider to spider)	850.7 (33.49)
Shaft outer diameter	102.5 (4.04)

#### Propeller Shaft Runout

Unit: mm (in)

Item	Limit
Propeller shaft runout	0.6 (0.024) or less

#### Propeller Shaft Joint Flex Effort

Unit: N·m (kg·m, in·lb)

Item	Limit
Propeller shaft joint flex effort	2.26 (0.23, 20 ) or less

#### Journal Axial Play

Unit: mm (in)

Item	Limit
Journal axial play	0.02 (0.0008) or less

#### Snap Ring

INFOID:0000000003937423

Unit: mm (in)

Thickness	Color	Part Number*
1.99 (0.0783)	White	37146-C9400
2.02 (0.0795)	Yellow	37147-C9400
2.05 (0.0807)	Red	37148-C9400
2.08 (0.0819)	Green	37149-C9400
2.11 (0.0831)	Blue	37150-C9400
2.14 (0.0843)	Light brown	37151-C9400
2.17 (0.0854)	Black	37152-C9400
2.20 (0.0866)	No paint	37153-C9400

\*Always check with the Parts Department for the latest parts information.

# PRECAUTION

## PRECAUTIONS

### Precaution for Servicing Front Final Drive

INFOID:000000003937424

- Before starting diagnosis of the vehicle, understand the symptoms well. Perform correct and systematic operations.
- Check for the correct installation status prior to removal or disassembly. When matching marks are required, be certain they do not interfere with the function of the parts they are applied to.
- Overhaul should be done in a clean work area, a dust proof area is recommended.
- Before disassembly, completely remove sand and mud from the exterior of the unit, preventing them from entering into the unit during disassembly or assembly.
- Always use shop paper for cleaning the inside of components.
- Avoid using cotton gloves or a shop cloth to prevent the entering of lint.
- Check appearance of the disassembled parts for damage, deformation, and abnormal wear. Replace them with new ones if necessary.
- Gaskets, seals and O-rings should be replaced any time the unit is disassembled.
- Clean and flush the parts sufficiently and blow them dry.
- Be careful not to damage sliding surfaces and mating surfaces.
- When applying sealant, remove the old sealant from the mating surface; then remove any moisture, oil, and foreign materials from the application and mating surfaces.
- In principle, tighten nuts or bolts gradually in several steps working diagonally from inside to outside. If a tightening sequence is specified, observe it.
- During assembly, observe the specified tightening torque.
- Add new differential gear oil, petroleum jelly, or multi-purpose grease, as specified.

A  
B  
C  
DLN  
E  
F  
G  
H  
I  
J  
K  
L  
M  
N  
O  
P



# PREPARATION

< PREPARATION >

[FRONT FINAL DRIVE: R180A]

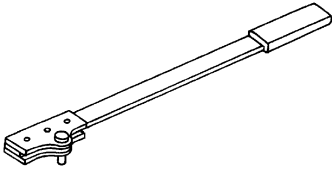
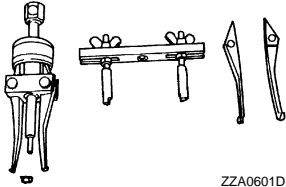
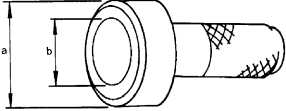
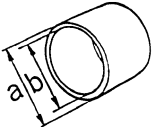
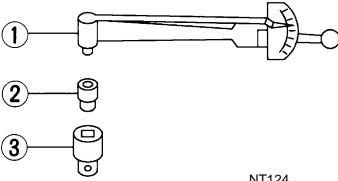
## PREPARATION

### PREPARATION

#### Special Service Tool

INFOID:000000003937425

The actual shapes of Kent-Moore tools may differ from those of special service tools illustrated here.

Tool number (Kent-Moore No.) Tool name	Description
KV38108300 (J-44195) Flange wrench   NT771	Removing and installing drive pinion lock nut
KV381054S0 (J-34286) Puller   ZZA0601D	Removing front oil seal
ST30720000 (J-25405) Drift   ZZA0811D	<ul style="list-style-type: none"> <li>• Installing front oil seal</li> <li>• Installing side oil seal</li> </ul> <b>a: 77 mm (3.03 in) dia.</b> <b>b: 55.5 mm (2.185 in) dia.</b>
ST27863000 ( — ) Drift   ZZA1003D	<ul style="list-style-type: none"> <li>• Installing front oil seal</li> <li>• Installing side oil seal</li> </ul> <b>a: 74.5 mm (2.933 in) dia.</b> <b>b: 62.5 mm (2.461 in) dia.</b>
ST3127S000 (J-25765-A) Preload gauge 1: GG91030000 (J-25765) Torque wrench 2: HT62940000 ( — ) Socket adapter (1/2") 3: HT62900000 ( — ) Socket adapter (3/8")   NT124	Measuring drive pinion bearing preload torque and total preload torque

# PREPARATION

< PREPARATION >

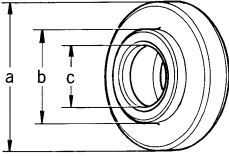
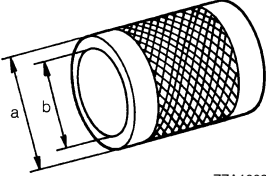
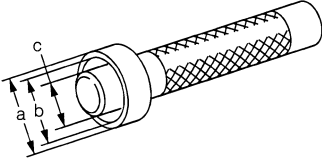

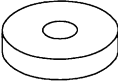
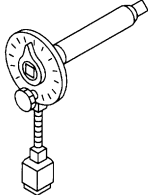
[FRONT FINAL DRIVE: R180A]

Tool number (Kent-Moore No.) Tool name	Description	
KV10111100 (J-37228) Seal cutter	Removing carrier cover	A B C
ST3306S001 ( — ) Differential side bearing puller set 1: ST33051001 (J-22888-20) Puller 2: ST33061000 (J-8107-2) Base	Removing and installing side bearing inner race <b>a: 28.5 mm (1.122 in) dia.</b> <b>b: 38 mm (1.50 in) dia.</b>	DLN E F
ST30031000 (J-22912-01) Replacer	Removing drive pinion rear bearing inner race	G H
KV38100600 (J-25267) Drift	Installing side bearing adjusting washer	I J K
ST30613000 (J-25742-3) Drift	Installing drive pinion rear bearing outer race <b>a: 72 mm (2.83 in) dia.</b> <b>b: 48 mm (1.89 in) dia.</b>	L M
ST30611000 (J-25742-1) Drift bar	Installing drive pinion rear bearing outer race (Use with ST30613000)	N O
KV38100200 (J-26233) Drift	Installing drive pinion front bearing outer race <b>a: 65 mm (2.56 in) dia.</b> <b>b: 49 mm (1.93 in) dia.</b>	P

# PREPARATION

< PREPARATION >

[FRONT FINAL DRIVE: R180A]

Tool number (Kent-Moore No.) Tool name		Description
ST30901000 (J-26010-01) Drift	 <p style="text-align: right; font-size: small;">ZZA0978D</p>	Installing drive pinion rear bearing inner race <b>a: 79 mm (3.11 in) dia.</b> <b>b: 45 mm (1.77 in) dia.</b> <b>c: 35.2 mm (1.386 in) dia.</b>
ST33200000 (J-26082) Drift	 <p style="text-align: right; font-size: small;">ZZA1002D</p>	Installing drive pinion front bearing inner race <b>a: 60 mm (2.36 in) dia.</b> <b>b: 44.5 mm (1.752 in) dia.</b>
ST33230000 (J-35867) Drift	 <p style="text-align: right; font-size: small;">ZZA1046D</p>	Installing side bearing inner race <b>a: 51 mm (2.01 in) dia.</b> <b>b: 41 mm (1.61 in) dia.</b> <b>c: 28 mm (1.10 in) dia.</b>
( — ) (J-34309) Differential shim selector tool	 <p style="text-align: right; font-size: small;">NT134</p>	Adjusting bearing preload and drive pinion height
( — ) (J-25269-18) Side bearing disc (2 Req'd)	 <p style="text-align: right; font-size: small;">NT135</p>	Selecting drive pinion height adjusting washer
KV10112100 (BT-8653-A) Angle wrench	 <p style="text-align: right; font-size: small;">NT014</p>	Tightening bolts for drive gear

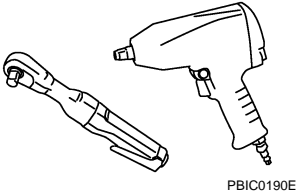
Commercial Service Tool

INFOID:000000003937426

# PREPARATION

< PREPARATION >

[FRONT FINAL DRIVE: R180A]

Tool name	Description
<p data-bbox="164 197 277 222">Power tool</p>  <p data-bbox="850 415 922 432">PBIC0190E</p>	<p data-bbox="1013 197 1263 222">Loosening nuts and bolts</p>

A  
B  
C

**DLN**

E  
F  
G  
H  
I  
J  
K  
L  
M  
N  
O  
P

# NOISE, VIBRATION AND HARSHNESS (NVH) TROUBLESHOOTING

< FUNCTION DIAGNOSIS >

[FRONT FINAL DRIVE: R180A]

## FUNCTION DIAGNOSIS

### NOISE, VIBRATION AND HARSHNESS (NVH) TROUBLESHOOTING

#### NVH Troubleshooting Chart

INFOID:000000003937427

Use the chart below to help you find the cause of the symptom. If necessary, repair or replace these parts.

Symptom	Noise														
Reference page		<a href="#">DLN-345</a>	<a href="#">DLN-345</a>	<a href="#">DLN-345</a>	<a href="#">DLN-345</a>	<a href="#">DLN-345</a>	<a href="#">DLN-338</a>	<a href="#">DLN-324, "NVH Troubleshooting Chart"</a>	<a href="#">FAX-4, "NVH Troubleshooting Chart"</a>	<a href="#">FSU-5, "NVH Troubleshooting Chart"</a>	<a href="#">WT-45, "NVH Troubleshooting Chart"</a>	<a href="#">WT-45, "NVH Troubleshooting Chart"</a>	<a href="#">RAX-4, "NVH Troubleshooting Chart"</a>	<a href="#">BR-6, "NVH Troubleshooting Chart"</a>	<a href="#">ST-9, "NVH Troubleshooting Chart"</a>
Possible cause and SUSPECTED PARTS		Gear tooth rough	Gear contact improper	Tooth surfaces worn	Backlash incorrect	Companion flange excessive runout	Gear oil improper	PROPELLER SHAFT	FRONT AXLE	FRONT SUSPENSION	TIRES	ROAD WHEEL	DRIVE SHAFT	BRAKES	STEERING
		×	×	×	×	×	×	×	×	×	×	×	×	×	×

×: Applicable



# DESCRIPTION

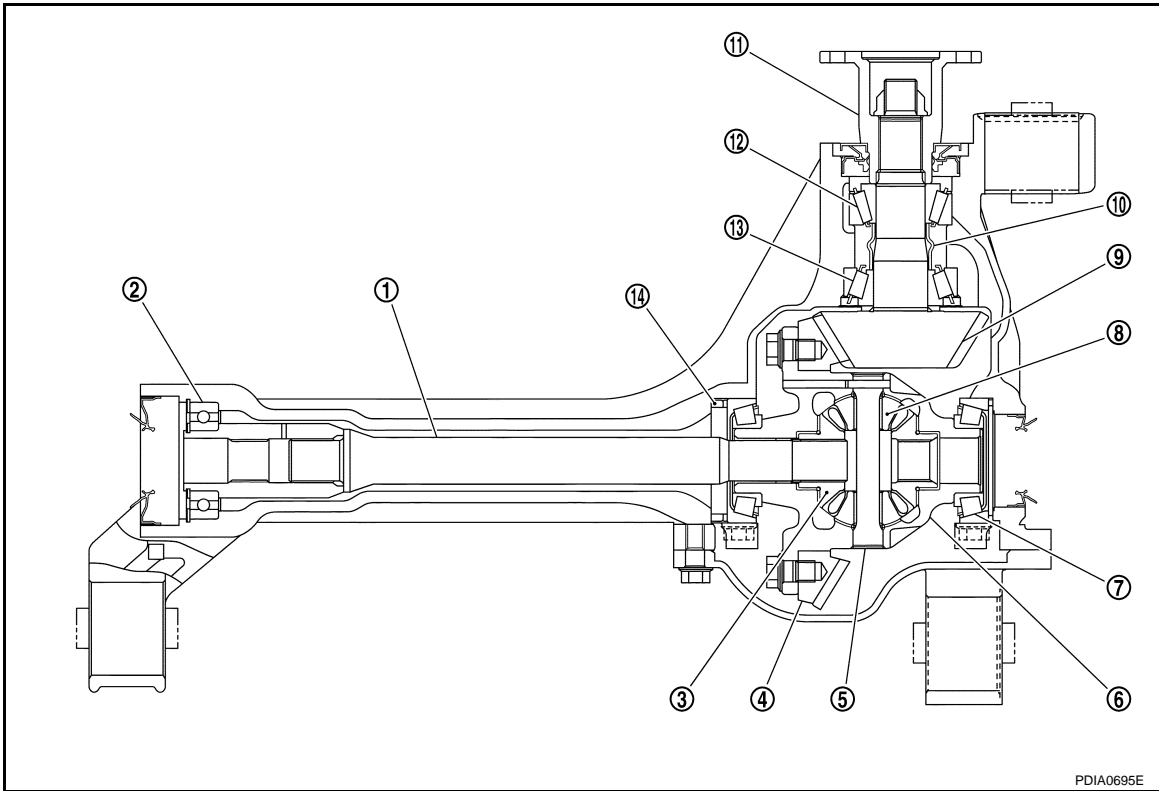
< FUNCTION DIAGNOSIS >

[FRONT FINAL DRIVE: R180A]

## DESCRIPTION

### Cross-Sectional View

INFOID:000000003937428



- |                               |                                    |                                |
|-------------------------------|------------------------------------|--------------------------------|
| 1. Differential side shaft    | 2. Differential side shaft bearing | 3. Side gear                   |
| 4. Drive gear                 | 5. Pinion mate shaft               | 6. Differential case           |
| 7. Side bearing               | 8. Pinion mate gear                | 9. Drive pinion                |
| 10. Collapsible spacer        | 11. Companion flange               | 12. Drive pinion front bearing |
| 13. Drive pinion rear bearing | 14. Housing spacer                 |                                |

A

B

C

DLN

E

F

G

H

I

J

K

L

M

N

O

P

## ON-VEHICLE MAINTENANCE

### DIFFERENTIAL GEAR OIL

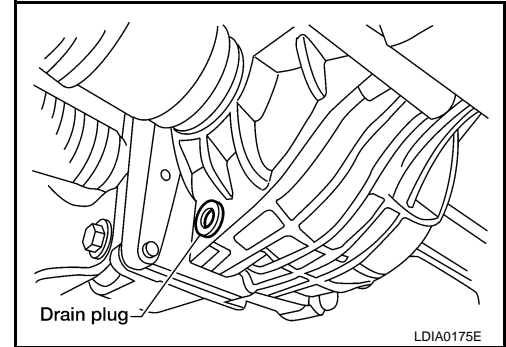
#### Changing Differential Gear Oil

INFOID:000000003937429

#### DRAINING

1. Stop the engine.
2. Remove the drain plug and gasket from the front final drive assembly to drain the differential gear oil.
3. Install the drain plug with a new gasket to the front final drive assembly. Tighten to the specified torque. Refer to [DLN-345, "Disassembly and Assembly"](#).

**CAUTION:**  
Do not reuse gasket.



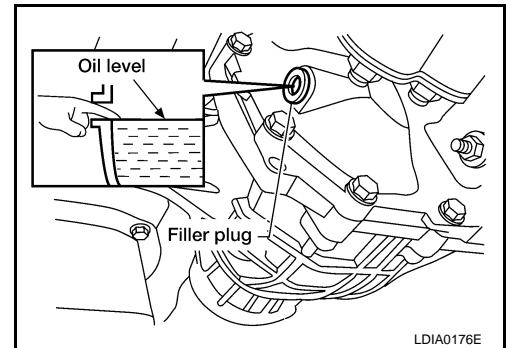
#### FILLING

1. Remove the filler plug and gasket from the front final drive assembly.
2. Fill the front final drive assembly with new differential gear oil until the level reaches the specified level near the filler plug hole.

**Differential gear oil grade and capacity** : Refer to [MA-12, "Fluids and Lubricants"](#).

3. Install the filler plug with a new gasket on it to the front final drive assembly. Tighten to the specified torque. Refer to [DLN-345, "Disassembly and Assembly"](#).

**CAUTION:**  
Do not reuse gasket.



#### Checking Differential Gear Oil

INFOID:000000003937430

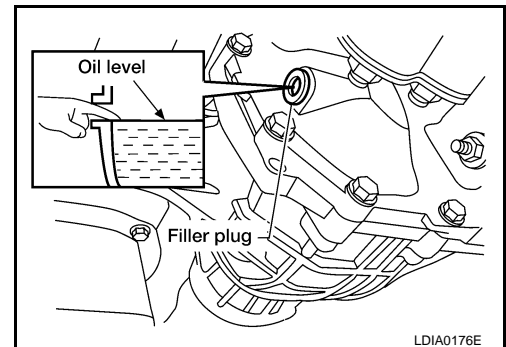
#### DIFFERENTIAL GEAR OIL LEAKAGE AND LEVEL

1. Make sure that differential gear oil is not leaking from the front final drive assembly or around it.
2. Check the differential gear oil level from the filler plug hole as shown.

**CAUTION:**  
Do not start engine while checking differential gear oil level.

3. Install the filler plug with a new gasket on it to the front final drive assembly. Tighten to the specified torque. Refer to [DLN-345, "Disassembly and Assembly"](#).

**CAUTION:**  
Do not reuse gasket.



ON-VEHICLE REPAIR

FRONT OIL SEAL

Removal and Installation

INFOID:000000003937431

REMOVAL

1. Remove the drive shafts from the front final drive assembly. Refer to [RAX-9. "Removal and Installation"](#).
2. Remove the front propeller shaft from the front final drive assembly. Refer to [DLN-309. "Removal and Installation"](#).
3. Measure the total preload torque. Refer to [DLN-345. "Disassembly and Assembly"](#).

**NOTE:**

Record the total preload torque measurement.

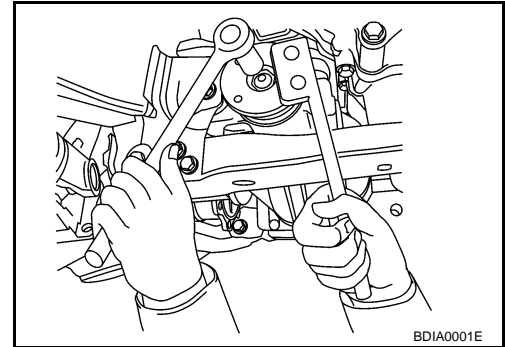
4. Remove the drive pinion lock nut using Tool.

**Tool number** : KV38108300 ( — )

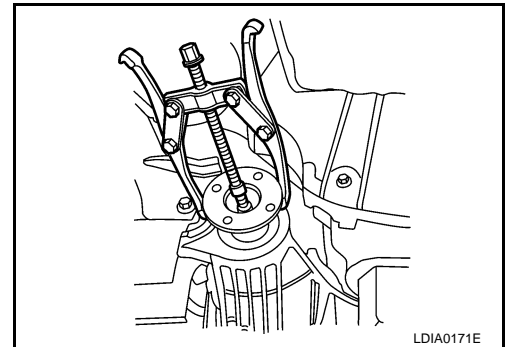
5. Put matching marks on the companion flange and drive pinion using paint.

**CAUTION:**

**Use paint to make the matching marks. Do not damage the companion flange or drive pinion.**

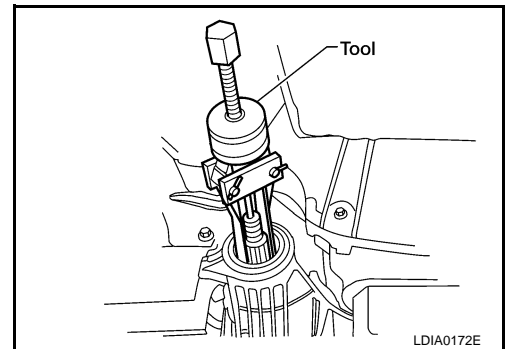


6. Remove the companion flange using suitable tool.



7. Remove the front oil seal using Tool.

**Tool number** : KV381054S0 (J-34286)



INSTALLATION

A  
B  
C  
DLN  
E  
F  
G  
H  
I  
J  
K  
L  
M  
N  
O  
P

## FRONT OIL SEAL

< ON-VEHICLE REPAIR >

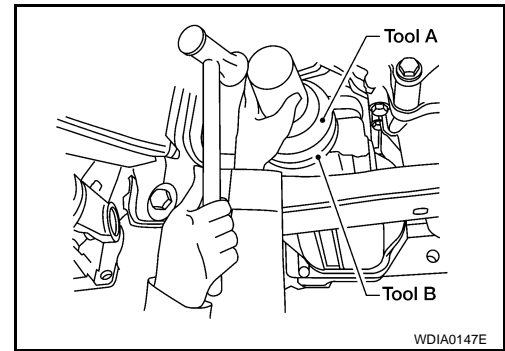
[FRONT FINAL DRIVE: R180A]

1. Apply multi-purpose grease to the lips and differential gear oil to the circumference of the new front oil seal. Then drive the new front oil seal in evenly until it becomes flush with the gear carrier using Tools.

**Tool number**     **A: ST30720000 (J-25405)**  
                          **B: ST27863000 ( — )**

**CAUTION:**

- Do not reuse front oil seal.
- Do not incline the new front oil seal when installing.
- Apply multi-purpose grease to the lips and differential gear oil to the circumference of the new front oil seal.



2. Install the companion flange to the drive pinion while aligning the matching marks.
3. Apply anti-corrosive oil to the threads of the drive pinion and the seating surface of the new drive pinion lock nut. Then adjust the drive pinion lock nut tightening torque using Tool A, and check the total preload torque using Tool B.

**Tool number**     **A: KV38108300 ( — )**  
                          **B: ST3127S000 (J-25765-A)**

**Total preload torque:** Refer to [DLN-345, "Disassembly and Assembly"](#).

- The total preload torque should be within the total preload torque specification. When not replacing the collapsible spacer, it should also be equal to the measurement taken during removal plus an additional 0.56 N·m (0.06 Kg·m, 5 in·lb).
- If the total preload torque is low, tighten the drive pinion lock nut in 6.8 N·m (0.69 Kg·m, 5ft·lb) increments until the total preload torque is met.

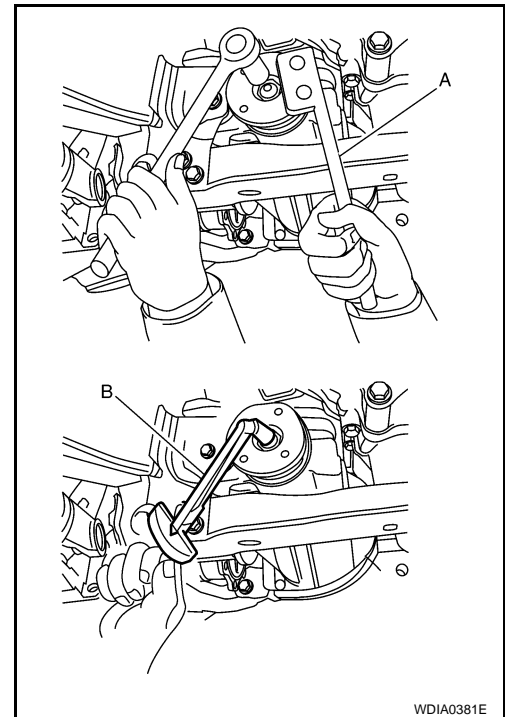
**CAUTION:**

- Do not reuse drive pinion lock nut.
- Apply anti-corrosive oil to the threads of the drive pinion and the seating surface of the new drive pinion lock nut.
- Adjust the drive pinion lock nut tightening torque to the lower limit first. Do not exceed the drive pinion lock nut specified torque. Refer to [DLN-345, "Disassembly and Assembly"](#).
- Do not loosen drive pinion lock nut to adjust the total preload torque. If the drive pinion lock nut torque or the total preload torque exceeds the specifications, replace the collapsible spacer and tighten it again to adjust. Refer to [DLN-345, "Disassembly and Assembly"](#).
- After adjustment, rotate drive pinion back and forth 2 to 3 times to check for unusual noise, rotation malfunction, and other malfunctions.

4. Install new side oil seals into the front final drive assembly. Refer to [DLN-341, "Removal and Installation"](#).
5. Installation of the remaining components is in the reverse order of removal.

**CAUTION:**

Check the differential gear oil level after installation. Refer to [DLN-338, "Checking Differential Gear Oil"](#).



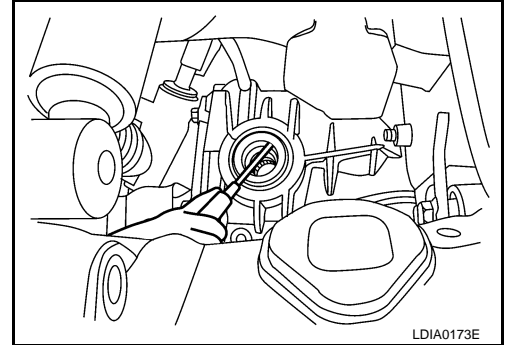
## SIDE OIL SEAL

### Removal and Installation

INFOID:000000003937432

#### REMOVAL

1. Remove the drive shafts from the front final drive assembly. Refer to [FAX-6, "VQ40DE : Removal and Installation"](#).
2. Remove the side oil seal using suitable tool.  
**CAUTION:**  
**Do not reuse the side oil seal.**



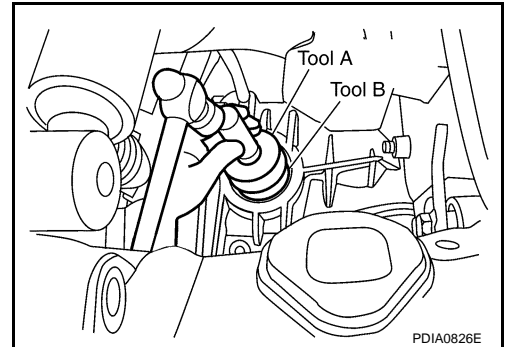
#### INSTALLATION

1. Apply multi-purpose grease to the lips and differential gear oil to the circumference of the new side oil seal. Then drive the new side oil seal in evenly until it becomes flush with the gear carrier using Tools.

**Tool number**     **A: ST30720000 (J-25405)**  
                          **B: ST27863000 ( — )**

**CAUTION:**

- Do not reuse side oil seal.
- Do not incline the new side oil seal when installing.
- Apply multi-purpose grease to the lips and differential gear oil to the circumference of the new side oil seal.



2. Installation of the remaining components is in the reverse order of removal.  
**CAUTION:**  
**Check the differential gear oil level after installation. Refer to [DLN-338, "Checking Differential Gear Oil"](#).**

## CARRIER COVER

### Removal and Installation

INFOID:000000003937433

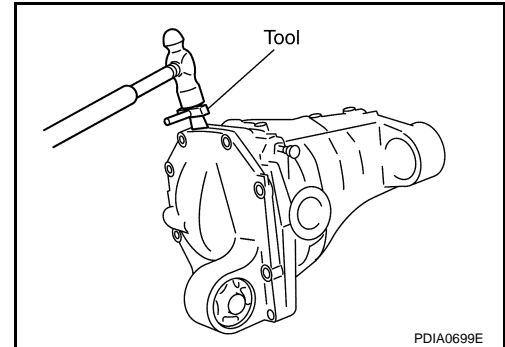
#### REMOVAL

1. Remove the front final drive assembly. Refer to [DLN-343, "Removal and Installation"](#).
2. Remove the carrier cover bolts and separate the carrier cover from the gear carrier using Tool.

**Tool number** : KV10111100 (J-37228)

**CAUTION:**

- Do not damage the mating surface.
- Do not insert flat-bladed screwdriver, this will damage the mating surface.



#### INSTALLATION

1. Apply a 3 mm (0.12 in) bead of sealant to the mating surface of the carrier cover as shown.
  - Use Genuine Silicone RTV or equivalent. Refer to [GI-26, "Recommended Chemical Products and Sealants"](#).

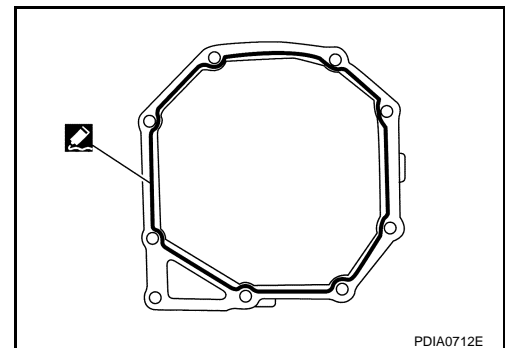
**CAUTION:**

**Remove any old sealant adhering to the mating surfaces. Also remove any moisture, oil, or foreign material adhering to the application and mating surfaces.**

2. Install the carrier cover to the gear carrier. Tighten the bolts to the specified torque. Refer to [DLN-345, "Disassembly and Assembly"](#).
3. Install the front final drive assembly. Refer to [DLN-343, "Removal and Installation"](#).

**CAUTION:**

**Fill the front final drive assembly with recommended differential gear oil. Refer to [DLN-338](#).**



# FRONT FINAL DRIVE ASSEMBLY

< REMOVAL AND INSTALLATION >

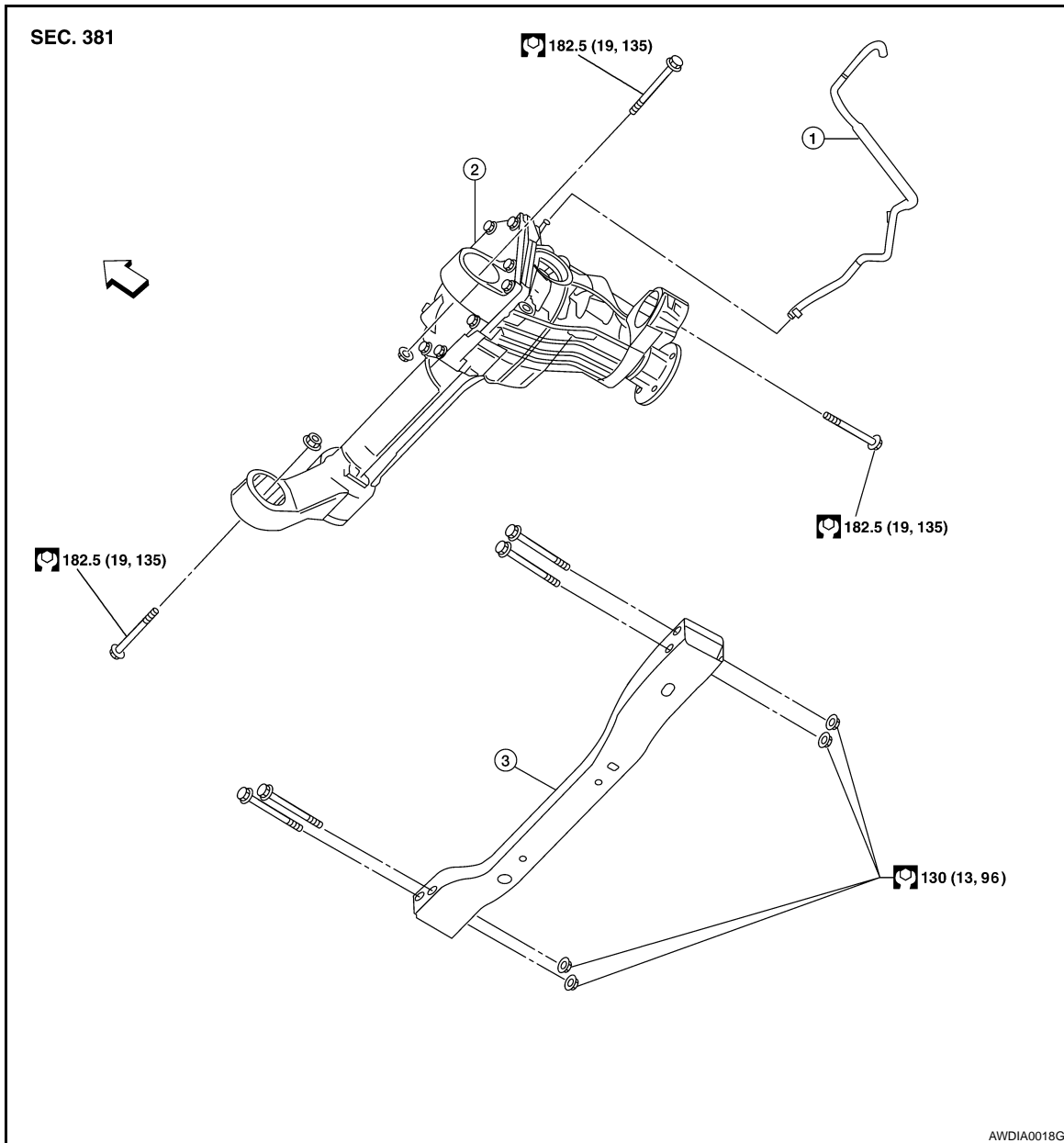
[FRONT FINAL DRIVE: R180A]

## REMOVAL AND INSTALLATION

### FRONT FINAL DRIVE ASSEMBLY

#### Removal and Installation

INFOID:000000003937434



1. Breather hose

2. Front final drive assembly

3. Front crossmember

⇒ Vehicle front

#### REMOVAL

1. Drain the differential gear oil. Refer to [DLN-338](#).
2. Remove the drive shafts from the front final drive assembly. Refer to [FAX-6. "VQ40DE : Removal and Installation"](#).
3. Remove the front crossmember.
4. Remove the front propeller shaft from the front final drive assembly. Refer to [DLN-309. "Removal and Installation"](#).
5. Disconnect the vent hose from the front final drive assembly.

**DLN-343**

## FRONT FINAL DRIVE ASSEMBLY

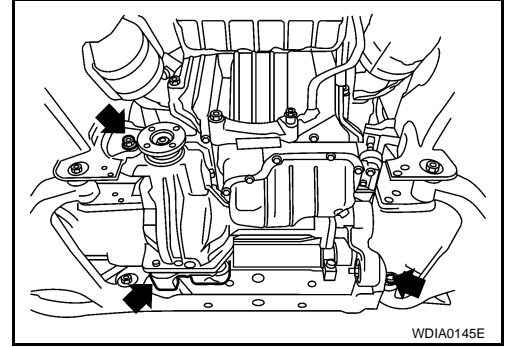
< REMOVAL AND INSTALLATION >

[FRONT FINAL DRIVE: R180A]

6. Support the front final drive assembly using a suitable jack.
7. Remove the front final drive assembly bolts, then remove the front final drive assembly.

**CAUTION:**

**Support the front final drive assembly while removing using a suitable jack.**



### INSTALLATION

Installation is in the reverse order of removal.

- Install new side oil seals into the front final drive assembly. Refer to [DLN-341, "Removal and Installation"](#).

**CAUTION:**

- **Make sure there are no pinched or restricted areas on the breather hose caused by folding or bending when installing it.**
- **Fill the front final drive assembly with differential gear oil after installation. Refer to [DLN-338](#).**



# FRONT FINAL DRIVE

< DISASSEMBLY AND ASSEMBLY >

[FRONT FINAL DRIVE: R180A]

## DISASSEMBLY AND ASSEMBLY

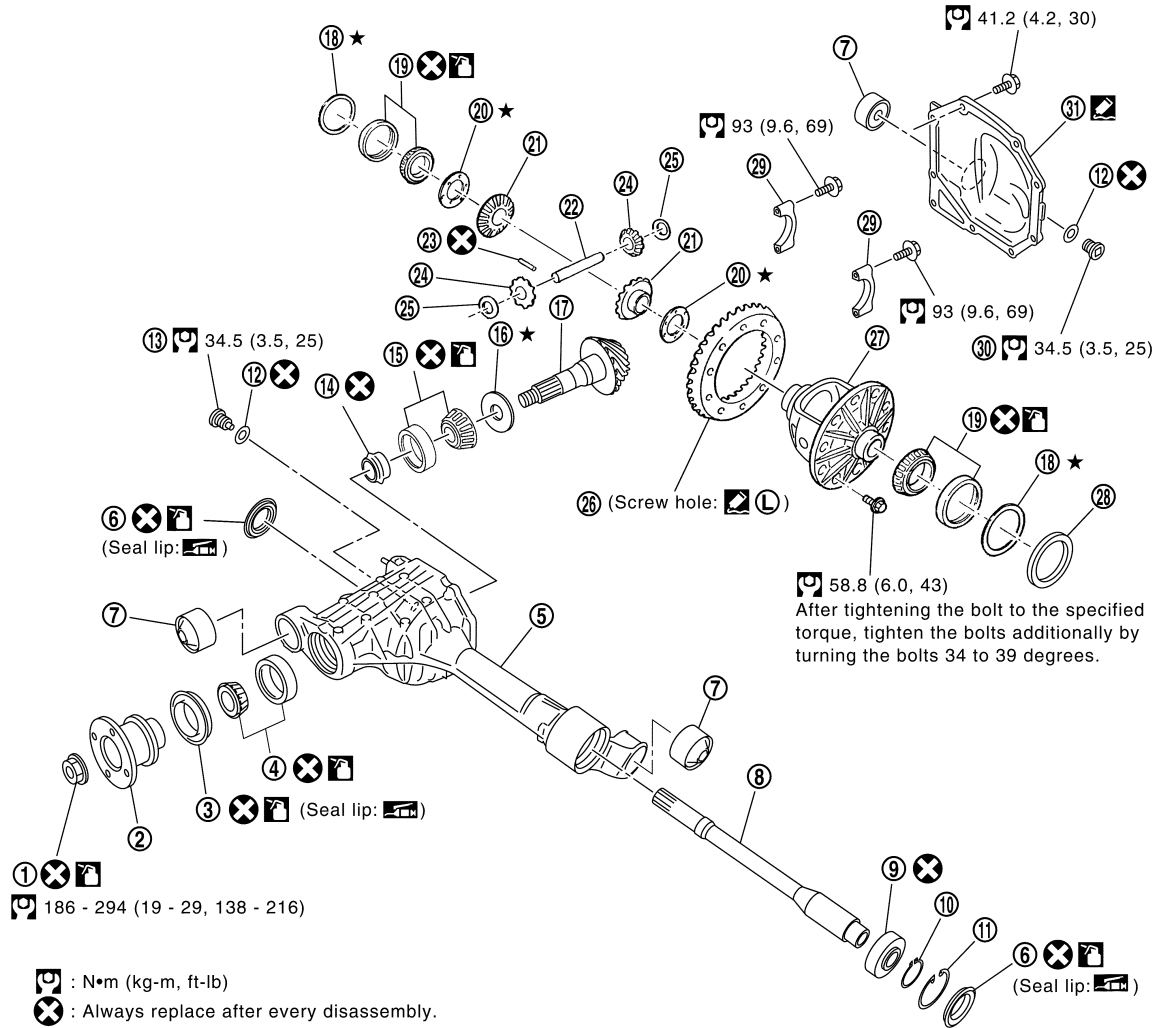
### FRONT FINAL DRIVE

#### Disassembly and Assembly

INFOID:000000003937435

#### COMPONENTS

##### SEC. 380



58.8 (6.0, 43)  
After tightening the bolt to the specified torque, tighten the bolts additionally by turning the bolts 34 to 39 degrees.

- : N•m (kg-m, ft-lb)
- : Always replace after every disassembly.
- ★ : Select with proper thickness.
- : Apply multi-purpose grease.
- : Apply gear oil.
- : Apply Genuine Silicone RTV or equivalent. Refer to GI section.
- : Apply Genuine High Strength Thread Locking Sealant or equivalent. Refer to GI section.

WDIA0265E

- |  |                             |                                    |
|--|-----------------------------|------------------------------------|
| 1. Drive pinion lock nut                 | 2. Companion flange         | 3. Front oil seal                  |
| 4. Drive pinion front bearing            | 5. Gear carrier             | 6. Side oil seal                   |
| 7. Bushing                               | 8. Differential side shaft  | 9. Differential side shaft bearing |
| 10. Snap ring                            | 11. Snap ring               | 12. Gasket                         |
| 13. Drain plug                           | 14. Collapsible spacer      | 15. Drive pinion rear bearing      |
| 16. Drive pinion height adjusting washer | 17. Drive pinion            | 18. Side bearing adjusting washer  |
| 19. Side bearing                         | 20. Side gear thrust washer | 21. Side gear                      |
| 22. Pinion mate shaft                    | 23. Lock pin                | 24. Pinion mate gear               |
| 25. Pinion mate thrust washer            | 26. Drive gear              | 27. Differential case              |

A  
B  
C  
DLN  
E  
F  
G  
H  
I  
J  
K  
L  
M  
N  
O  
P

# FRONT FINAL DRIVE

< DISASSEMBLY AND ASSEMBLY >

[FRONT FINAL DRIVE: R180A]

- 28. Housing spacer
- 31. Carrier cover

29. Side bearing cap

30. Filler plug

## ASSEMBLY INSPECTION AND ADJUSTMENT

- Drain the differential gear oil before inspection and adjustment. Refer to [DLN-338](#).
- Remove and install the carrier cover as necessary for inspection and adjustment. Refer to [DLN-342](#).

### Total Preload Torque

1. Install the differential side shaft if necessary. Refer to [DLN-341, "Removal and Installation"](#).

**CAUTION:**

**The differential side shaft must be installed in order to measure total preload torque.**

2. Rotate the drive pinion back and forth 2 to 3 times to check for unusual noise and rotation malfunction.
3. Rotate the drive pinion at least 20 times to check for smooth operation of the bearings.
4. Measure total preload torque using Tool.

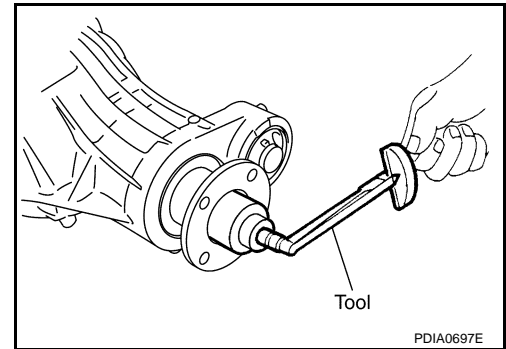
**Tool number : ST3127S000 (J-25765-A)**

**Total preload torque:**

**1.67 - 2.74 N·m (0.17 - 0.27 kg·m, 15 - 24 in·lb)**

**NOTE:**

**Total preload torque = Drive pinion bearing preload torque + Side bearing preload torque**



- If the measured value is out of the specification, check and adjust each part. Adjust the drive pinion bearing preload torque first, then adjust the side bearing preload torque.

### If the total preload torque is greater than specification

**On drive pinion bearings:** Replace the collapsible spacer.

**On side bearings:** Use thinner side bearing adjusting washers by the same amount on each side. Refer to [DLN-364, "Inspection and Adjustment"](#).

### If the total preload torque is less than specification

**On drive pinion bearings:** Tighten the drive pinion lock nut.

**On side bearings:** Use thicker side bearing adjusting washers by the same amount on each side. Refer to [DLN-364, "Inspection and Adjustment"](#).

**CAUTION:**

**Select a side bearing adjusting washer for right and left individually.**

### Drive Gear Runout

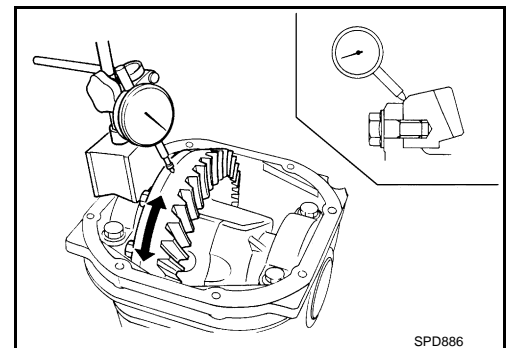
1. Fit a dial indicator to the drive gear back face.
2. Rotate the drive gear to measure runout.

**Runout limit: 0.08 mm (0.0031 in) or less**

- If the runout is outside of the limit, check the condition of the drive gear assembly. Foreign material may be caught between the drive gear and differential case, or the differential case or drive gear may be deformed.

**CAUTION:**

**Replace drive gear and drive pinion as a set.**



### Tooth Contact

# FRONT FINAL DRIVE

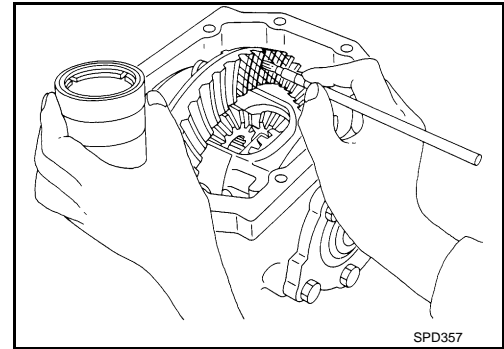
## < DISASSEMBLY AND ASSEMBLY >

## [FRONT FINAL DRIVE: R180A]

1. Apply red lead to the drive gear.

**NOTE:**

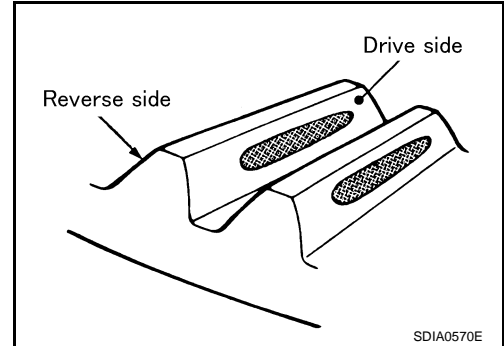
Apply red lead to both faces of three to four gears, at four locations evenly spaced on the drive gear.



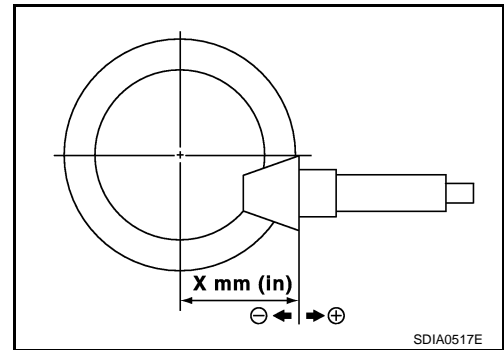
2. Rotate the drive gear back and forth several times. Then check for correct drive pinion to drive gear tooth contact as shown.

**CAUTION:**

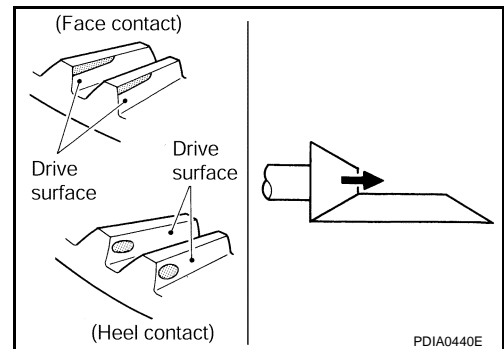
**Check tooth contact on drive side and reverse side.**



- If the tooth contact is improperly adjusted, adjust the drive pinion height (dimension X).



- If the tooth contact is near the face (face contact), or near the heel (heel contact), use a thicker drive pinion height adjusting washer to move drive pinion closer to the drive gear. Refer to [DLN-364, "Inspection and Adjustment"](#).



A

B

C

DLN

E

F

G

H

I

J

K

L

M

N

O

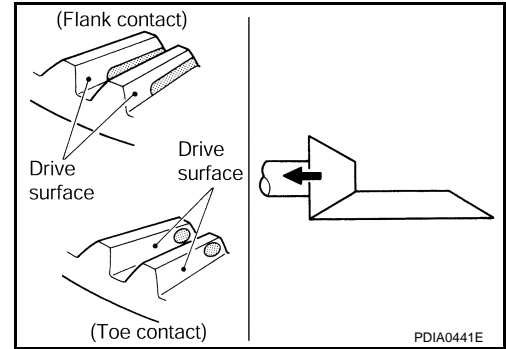
P

# FRONT FINAL DRIVE

## < DISASSEMBLY AND ASSEMBLY >

[FRONT FINAL DRIVE: R180A]

- If the tooth contact is near the flank (flank contact), or near the toe (toe contact), use a thinner drive pinion height adjusting washer to move the drive pinion farther from the drive gear. Refer to [DLN-364, "Inspection and Adjustment"](#).



### Backlash

1. Fit a dial indicator to the drive gear face to measure the backlash.

**Backlash: 0.10 - 0.15 mm (0.0039 - 0.0059 in)**

- If the backlash is outside of the specification, change the thickness of the side bearing adjusting washers.

#### If the backlash is greater than specification:

**Make side bearing adjusting washer thicker on drive gear back side, and side bearing adjusting washer thinner on drive gear tooth side by the same amount. Refer to [DLN-364, "Inspection and Adjustment"](#).**

#### If the backlash is less than specification:

**Make side bearing adjusting washer thinner on drive gear back side, and side bearing adjusting washer thicker on drive gear tooth side by the same amount. Refer to [DLN-364, "Inspection and Adjustment"](#).**

### CAUTION:

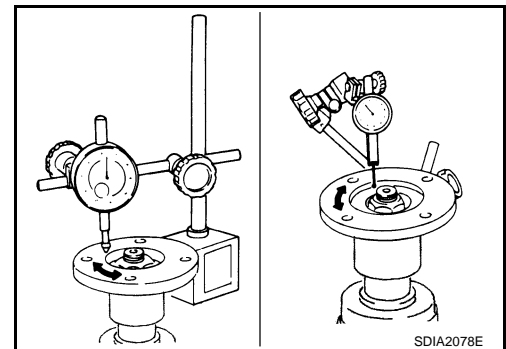
**Do not change the total thickness of side bearing adjusting washers as it will change the side bearing preload torque.**

### Companion Flange Runout

1. Rotate companion flange and check for runout on the companion flange face (inner side of the bolt holes) and companion flange inner side (socket diameter) using suitable tool.

**Runout limit: 0.1 mm (0.004 in) or less**

2. If the runout is outside the runout limit, follow the procedure below to adjust.
  - a. Rotate the companion flange on the drive pinion by 90°, 180° and 270° while checking for the position where the runout is minimum.
  - b. If the runout is still outside of the runout limit after the companion flange has been rotated on the drive pinion, possible cause could be an assembly malfunction of drive pinion and drive pinion bearing or a malfunctioning drive pinion bearing.
  - c. If the runout is still outside of the runout limit after repair of the assembly of drive pinion and drive pinion bearing or drive pinion bearing, replace the companion flange.



## DISASSEMBLY

### Differential side shaft

1. Drain the differential gear oil if necessary.

# FRONT FINAL DRIVE

< DISASSEMBLY AND ASSEMBLY >

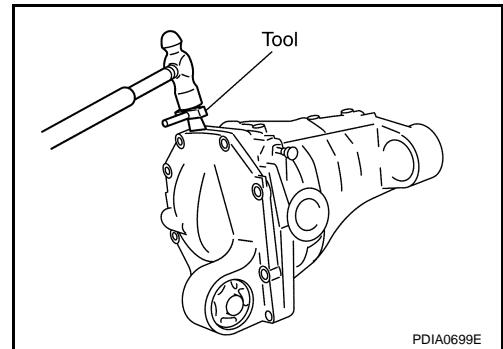
[FRONT FINAL DRIVE: R180A]

2. Remove the carrier cover bolts and separate the carrier cover from the gear carrier using Tool.

**Tool number** : KV10111100 (J-37228)

**CAUTION:**

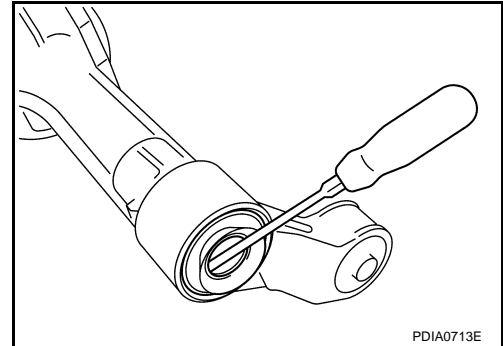
- Do not damage the mating surface.
- Do not insert flat-bladed screwdriver, this will damage the mating surface.



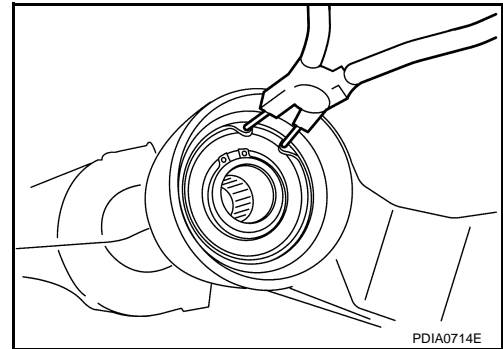
3. Remove side oil seal.

**CAUTION:**

**Do not damage gear carrier.**



4. Remove snap ring (hole side) using suitable tool.

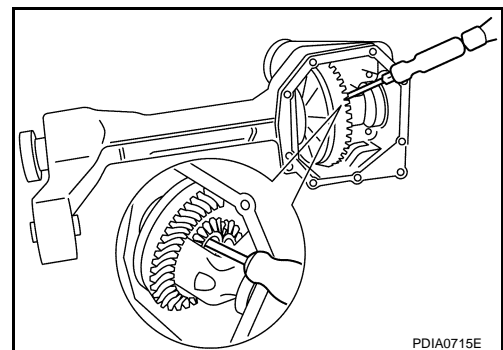


5. Remove differential side shaft assembly out of gear carrier using suitable tool.

**NOTE:**

Tap on differential side shaft assembly from side gear side.

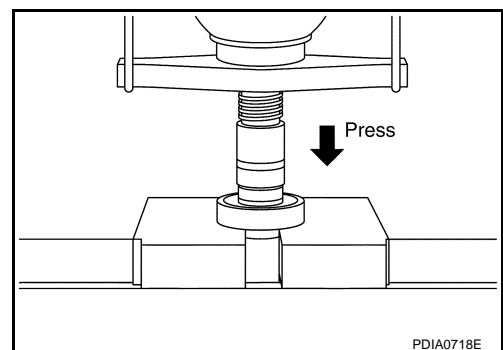
6. Remove snap ring (differential side shaft side).



7. Press differential side shaft out of differential side shaft bearing.

**CAUTION:**

**Do not drop differential side shaft.**



A  
B  
C  
DLN  
E  
F  
G  
H  
I  
J  
K  
L  
M  
N  
O  
P

# FRONT FINAL DRIVE

< DISASSEMBLY AND ASSEMBLY >

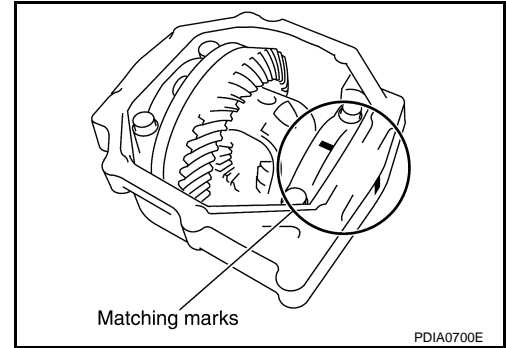
[FRONT FINAL DRIVE: R180A]

## Differential Assembly

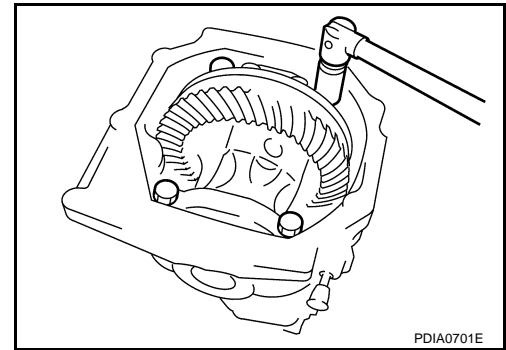
1. Remove differential side shaft assembly. Refer to [DLN-341, "Removal and Installation"](#).
2. Remove side seal from gear carrier using suitable tool.
3. For proper reinstallation, paint matching marks on one side of the side bearing cap and gear carrier.

**CAUTION:**

- For matching marks, use paint. Do not damage side bearing cap or gear carrier.
- Side bearing caps are line-board during manufacture. The matching marks are used to reinstall them in their original positions.



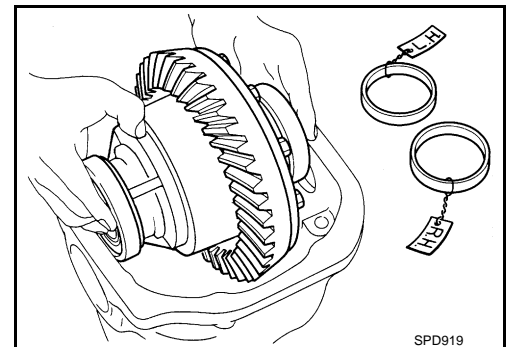
4. Remove the side bearing caps.



5. Lift the differential case assembly out of the gear carrier.

**CAUTION:**

- Keep side bearing outer races together with side bearing inner races. Do not mix them up.
- Keep side bearing adjusting washers together with side bearings.

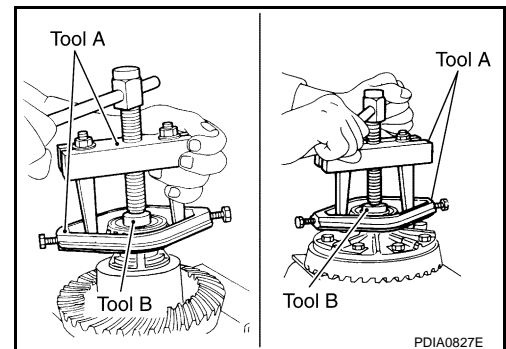


6. Remove housing spacer.
7. Remove side bearing inner race using Tools as shown.

**Tool number**     **A: ST33051001 (J-22888-20)**  
                             **B: ST33061000 (J-8107-2)**

**CAUTION:**

- Do not remove side bearing inner race unless it is being replaced.
- Place copper plates between the vise and the side bearing inner race and drive gear to prevent damage.

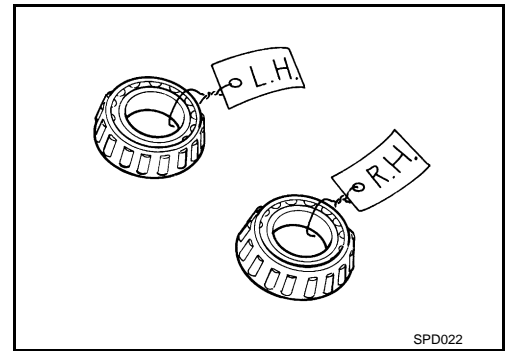


# FRONT FINAL DRIVE

< DISASSEMBLY AND ASSEMBLY >

[FRONT FINAL DRIVE: R180A]

- Keep side bearing outer races together with side bearing inner races. Do not mix them up.



8. For proper reinstallation, paint matching marks on the differential case and drive gear.

**CAUTION:**

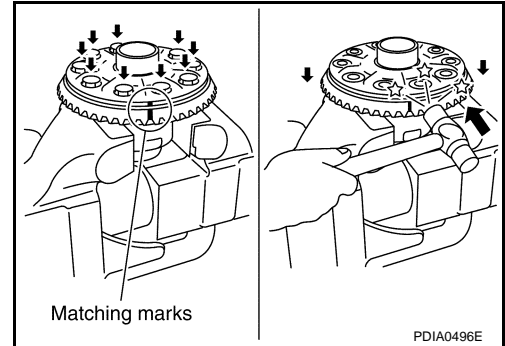
**Use paint for matching marks. Do not damage differential case or drive gear.**

9. Remove the drive gear bolts.

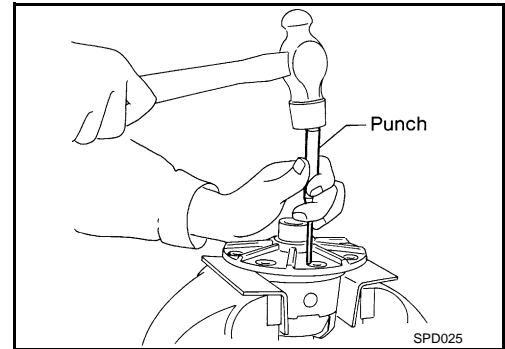
10. Tap the drive gear off the differential case using suitable tool.

**CAUTION:**

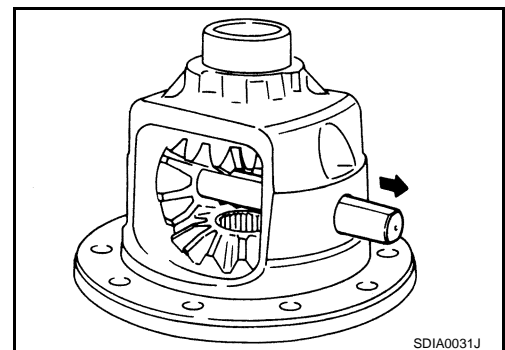
**Tap evenly all around to keep drive gear from bending.**



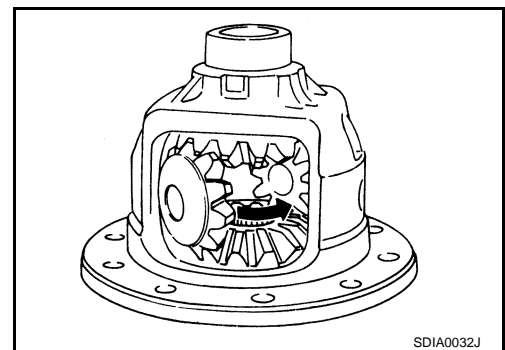
11. Remove the lock pin of the pinion mate shaft from the drive gear side using suitable tool.



12. Remove the pinion mate shaft.



13. Turn the pinion mate gear, then remove the pinion mate gear, pinion mate thrust washer, side gear and side gear thrust washer from the differential case.



A  
B  
C  
DLN

E  
F  
G  
H  
I  
J  
K  
L  
M  
N  
O  
P

# FRONT FINAL DRIVE

< DISASSEMBLY AND ASSEMBLY >

[FRONT FINAL DRIVE: R180A]

## Drive Pinion Assembly

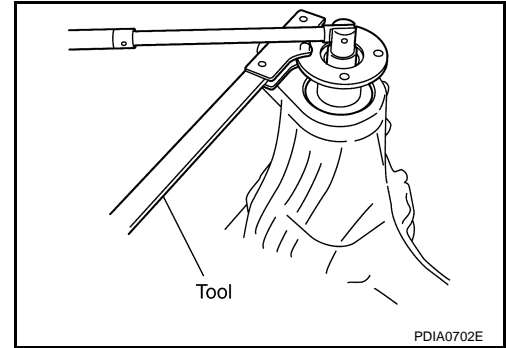
1. Remove the differential assembly. Refer to [DLN-345, "Disassembly and Assembly"](#).
2. Remove the drive pinion lock nut using Tool.

**Tool number** : KV38108300 (J-44195)

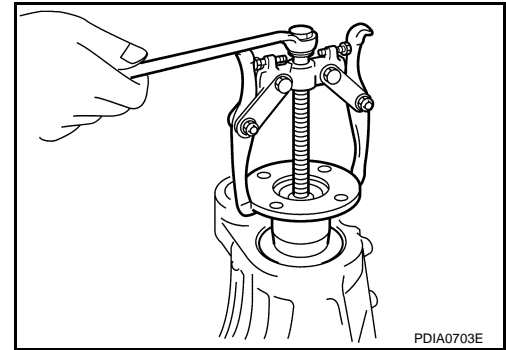
3. Put matching marks on the companion flange and drive pinion using paint.

**CAUTION:**

**Use paint to make the matching marks. Do not damage the companion flange or drive pinion.**



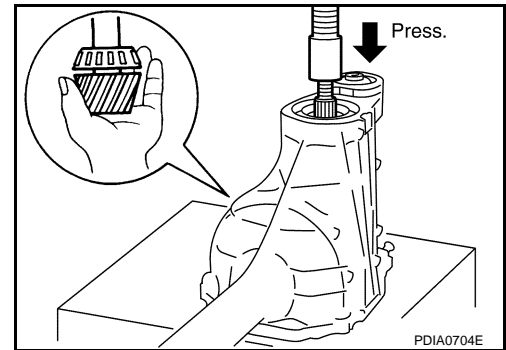
4. Remove the companion flange using suitable tool.



5. Press the drive pinion assembly (with rear inner bearing race and collapsible spacer) out of the gear carrier.

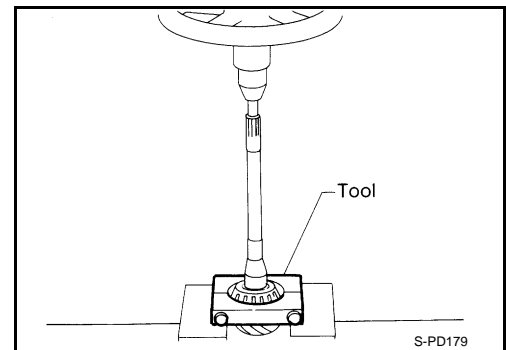
**CAUTION:**

**Do not drop drive pinion assembly.**



6. Remove the drive pinion rear bearing inner race and drive pinion height adjusting washer using Tool.

**Tool number** : ST30031000 (J-22912-01)





## FRONT FINAL DRIVE

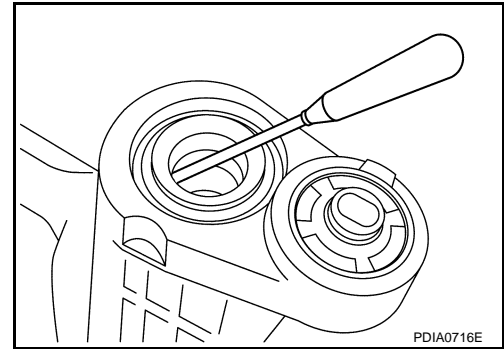
< DISASSEMBLY AND ASSEMBLY >

[FRONT FINAL DRIVE: R180A]

7. Remove the front oil seal using suitable tool.

**CAUTION:**

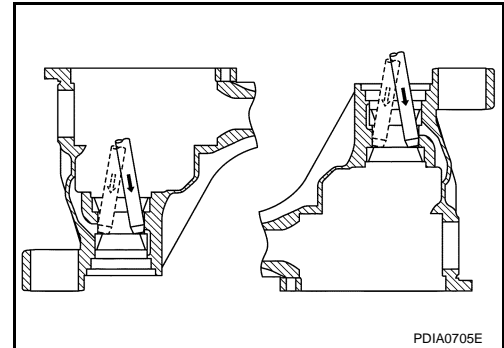
**Do not damage gear carrier.**



8. Remove the drive pinion front bearing inner race.  
9. Remove the drive pinion front and rear bearing outer races by tapping them uniformly using suitable tool.

**CAUTION:**

**Do not damage gear carrier.**



### INSPECTION AFTER DISASSEMBLY

Clean the disassembled parts. Then inspect the parts for wear or damage. If wear or damage are found, follow the measures below.

#### Drive Pinion and Drive Gear

- If the drive pinion and drive gear teeth do not mesh or line-up correctly, determine the cause and adjust, repair, or replace as necessary.
- If the drive pinion or drive gear are worn, cracked, damaged, pitted or chipped (by friction) noticeably, replace with new drive pinion and drive gear.
- Drive pinion and drive gear are supplied in matched sets only. Matching numbers on both drive pinion and drive gear are etched for verification. If a new drive pinion and drive gear set are being used, verify the numbers of each drive pinion and drive gear before proceeding with assembly.

#### Bearing

- If bearings are chipped (by friction), pitted, worn, rusted, scratched, or unusual noise is coming from bearing, replace with new bearing assembly (as a new set).
- Bearing must be replaced with a new one whenever disassembled.

#### Side Gear and Pinion Mate Gear

- If any cracks or damage are found on the surface of the teeth, replace with new one.
- If any worn or chipped marks are found on the side of the side gear and pinion mate gear which contact the thrust washer, replace with new one.
- Replace both side gear and pinion mate gear as a set when replacing side gear or pinion mate gear.

#### Side Gear Thrust Washer and Pinion Mate Thrust Washer

- If any chips (by friction), damage, or unusual wear are found, replace with new one.

#### Gear Carrier

- If any wear or cracks are found on the contact sides of gear carrier, replace with new one.

#### Companion Flange

- If any chips (about 0.1mm, 0.004 in) or other damage on the companion flange surface which contacts the front oil seal lips are found, replace with new one.

### ADJUSTING AND SELECTING WASHERS

#### Side Gear Back Clearance

- Assemble the differential parts if they are disassembled. Refer to "[DLN-345. "Disassembly and Assembly"](#)."

A

B

C

DLN

E

F

G

H

I

J

K

L

M

N

O

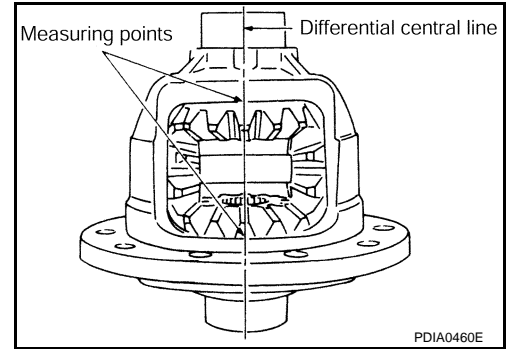
P

# FRONT FINAL DRIVE

< DISASSEMBLY AND ASSEMBLY >

[FRONT FINAL DRIVE: R180A]

1. Place the differential case straight up so that the side gear to be measured is upward.



2. Using feeler gauges, measure the clearance between the side gear back and differential case at three different points, while rotating the side gear. Average the three readings to calculate the clearance. (Measure the clearance of the other side as well.)

**Side gear back clearance: 0.1 mm (0.004 in) or less.**

- If the side gear back clearance is outside of the specification, use a thicker or thinner side gear thrust washer to adjust. Refer to [DLN-364, "Inspection and Adjustment"](#).

**If the side gear back clearance is greater than specification:**

**Use a thicker side gear thrust washer.**

**If the side gear back clearance is less than specification:**

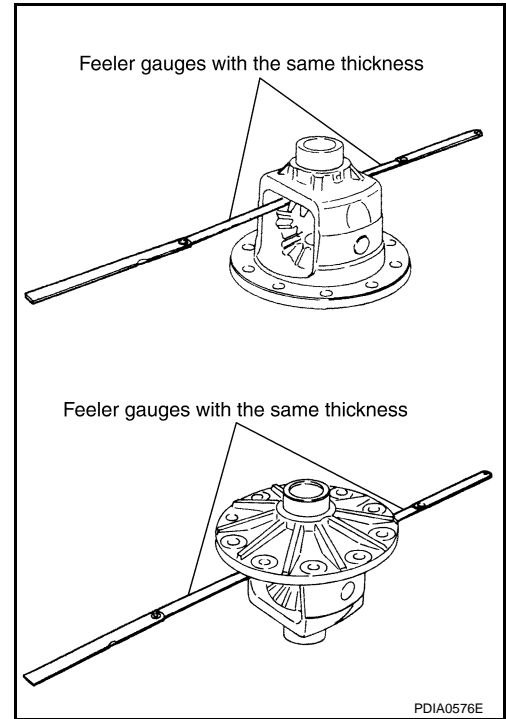
**Use a thinner side gear thrust washer.**

**CAUTION:**

- Insert feeler gauges with the same thickness on both sides to prevent side gear from tilting.
- Each gear should rotate smoothly without excessive resistance during differential motion.
- Select a side gear thrust washer for right and left individually.

**NOTE:**

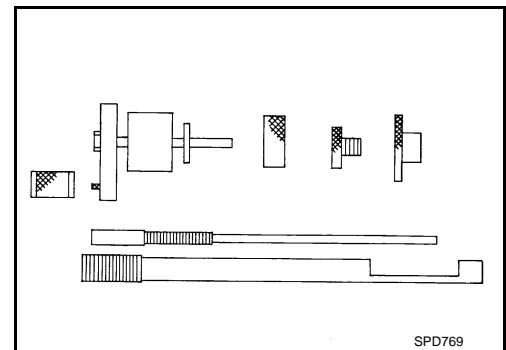
Side gear back clearance is clearance between side gear and differential case for adjusting side gear backlash.



## Drive Pinion Height

1. Make sure all parts are clean and that the bearings are well lubricated.
2. Assemble the drive pinion bearings onto the Tool.

**Tool number : — (J-34309)**



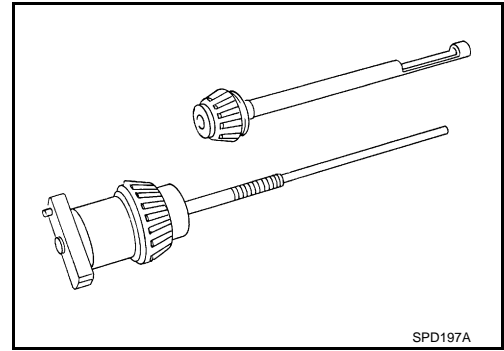
# FRONT FINAL DRIVE

< DISASSEMBLY AND ASSEMBLY >

[FRONT FINAL DRIVE: R180A]

- **Drive pinion front bearing;** make sure the J-34309-3 drive pinion front bearing seat is secured tightly against the J-34309-2 gauge anvil. Then turn the J-34309-7 drive pinion front bearing pilot to secure the drive pinion front bearing in its proper position.
- **Drive pinion rear bearing;** the J-34309-8 drive pinion rear bearing pilot is used to center the drive pinion rear bearing only. The J-34309-4 drive pinion rear bearing locking seat is used to lock the drive pinion rear bearing to the assembly.
- **Installation of J-34309-9 and J-34309-16;** place a suitable 2.5 mm (0.098 in) thick plain washer between J-34309-9 and J-34309-16. Both surfaces of J-34309-9 and J-34309-16 must be parallel with a clearance of 2.5 mm (0.098 in).

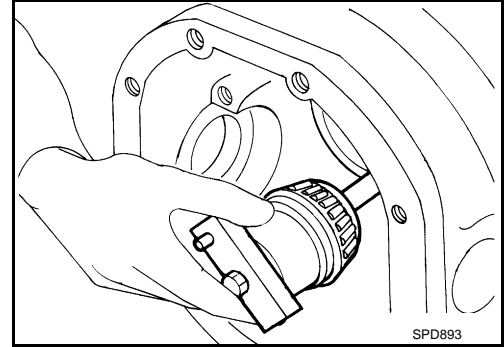
3. Install the drive pinion rear bearing inner race into the gear carrier. Then insert the drive pinion height adjusting washer selector tool, J-34309-1, gauge screw assembly.



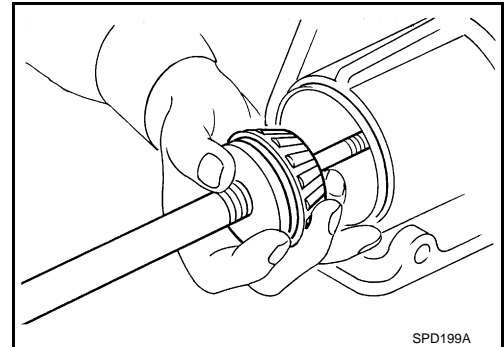
A  
B  
C

DLN

4. Assemble the drive pinion front bearing inner race and the J-34309-2 gauge anvil. Assemble them together with the J-34309-1 gauge screw in the gear carrier. Make sure that the drive pinion height gauge plate, J-34309-16, will turn a full 360°. Tighten the two sections together by hand.

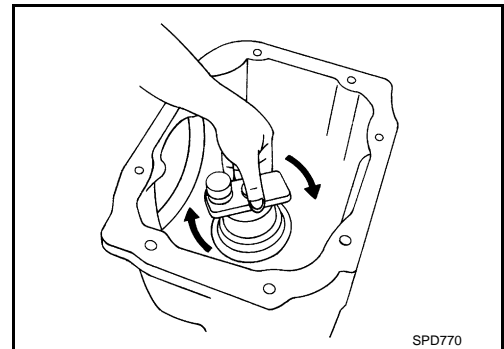


E  
F  
G



H  
I  
J

5. Turn the assembly several times to seat the drive pinion bearings.



K  
L  
M

N  
O  
P

# FRONT FINAL DRIVE

## < DISASSEMBLY AND ASSEMBLY >

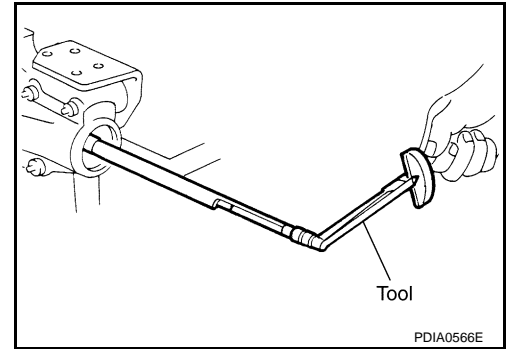
[FRONT FINAL DRIVE: R180A]

6. Measure the turning torque at the end of the J-34309-2 gauge anvil using Tool.

**Tool number : ST3127S000 (J-25765- A)**

**Turning torque specification:**

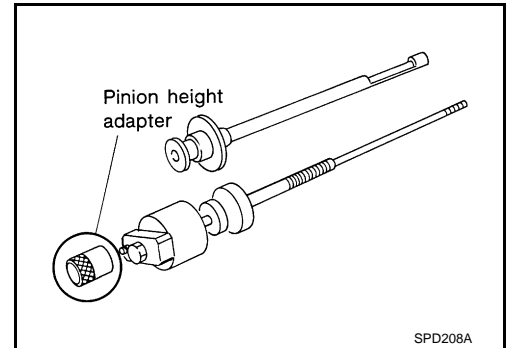
**1.0 - 1.6 N·m (0.11 - 0.16 kg-m, 9 - 14 in-lb)**



7. Place the J-34309-10 "R180A" drive pinion height adapter onto the gauge plate and tighten it by hand.

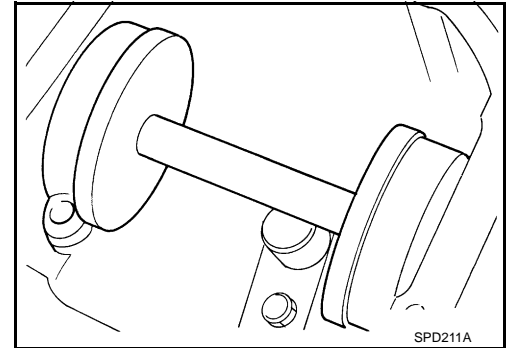
**CAUTION:**

**Make sure all machined surfaces are clean.**

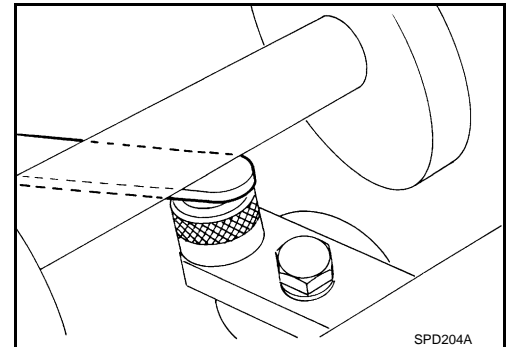


8. Position the side bearing discs, Tool, and arbor firmly into the side bearing bores. Install the side bearing caps and tighten the side bearing cap bolts to the specified torque. Refer to [DLN-345](#), "[Disassembly and Assembly](#)".

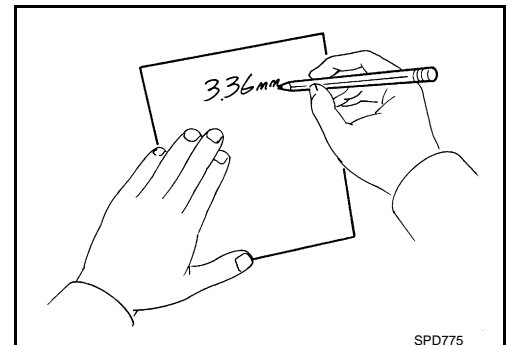
**Tool number : — (J-25269-18)**



9. Select the correct standard drive pinion height adjusting washer thickness. Select by using a standard gauge of 3 mm (0.12 in) and your J-34309-101 feeler gauge. Measure the distance between the J-34309-10 drive pinion height adapter, including the standard gauge and the arbor.



10. Write down the exact measurement (the value of feeler gauge).

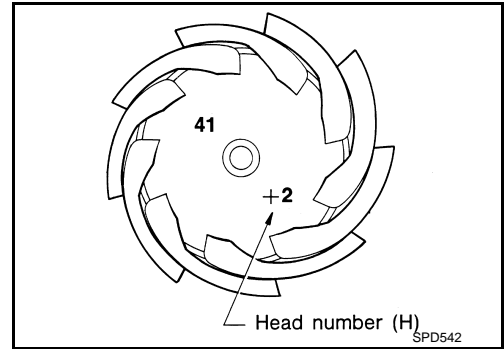


# FRONT FINAL DRIVE

< DISASSEMBLY AND ASSEMBLY >

[FRONT FINAL DRIVE: R180A]

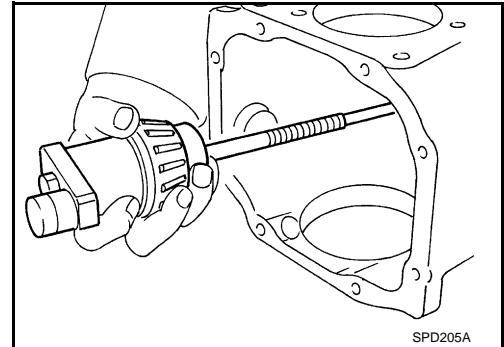
11. Correct the drive pinion height adjusting washer size by referring to the drive pinion "head number".  
**There are two numbers painted on the drive pinion. The first one refers to the drive pinion and drive gear as a matched set. This number should be the same as the number on the drive gear. The second number is the drive pinion "head number". It refers to the ideal drive pinion height from standard for quietest operation. Use the following chart to determine the correct drive pinion height adjusting washer.**



Head number	Add or remove from the standard drive pinion height adjusting washer thickness measurement
-6	Add 0.06 mm (0.0024 in)
-5	Add 0.05 mm (0.0020 in)
-4	Add 0.04 mm (0.0016 in)
-3	Add 0.03 mm (0.0012 in)
-2	Add 0.02 mm (0.0008 in)
-1	Add 0.01 mm (0.0004 in)
0	Use the selected washer thickness
+1	Subtract 0.01 mm (0.0004 in)
+2	Subtract 0.02 mm (0.0008 in)
+3	Subtract 0.03 mm (0.0012 in)
+4	Subtract 0.04 mm (0.0016 in)
+5	Subtract 0.05 mm (0.0020 in)
+6	Subtract 0.06 mm (0.0024 in)

12. Select the correct drive pinion height adjusting washer. Refer to [DLN-364, "Inspection and Adjustment"](#).  
 13. Remove the Tool from the gear carrier and disassemble to retrieve the drive pinion bearings.

**Tool number : — (J-34309)**



## ASSEMBLY

Drive Pinion Assembly

A  
B  
C  
DLN  
E  
F  
G  
H  
I  
J  
K  
L  
M  
N  
O  
P

# FRONT FINAL DRIVE

< DISASSEMBLY AND ASSEMBLY >

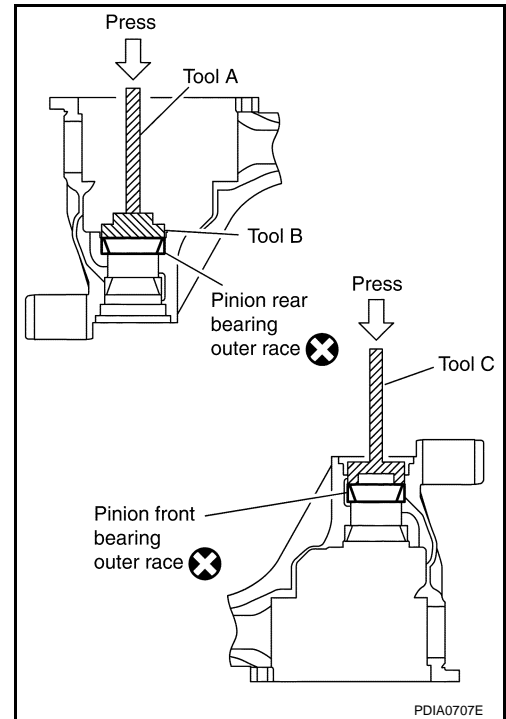
[FRONT FINAL DRIVE: R180A]

1. Install drive pinion rear bearing outer race and drive pinion front bearing outer race using Tools.

**Tool number**     **A: ST30611000 (J-25742-1)**  
                          **B: ST30613000 (J-25742-3)**  
                          **C: KV38100200 (J-26233)**

**CAUTION:**

- First tap the drive pinion bearing outer race until it becomes flush with the gear carrier.
- Do not reuse drive pinion front and rear bearing outer race.

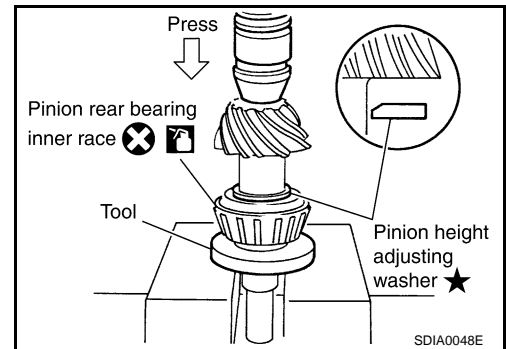


2. Select drive pinion height adjusting washer. Refer to [DLN-364, "Inspection and Adjustment"](#).
3. Install the selected drive pinion height adjusting washer to the drive pinion. Press the drive pinion rear bearing inner race to it using Tool.

**Tool number**     **: ST30901000 (J-26010-01)**

**CAUTION:**

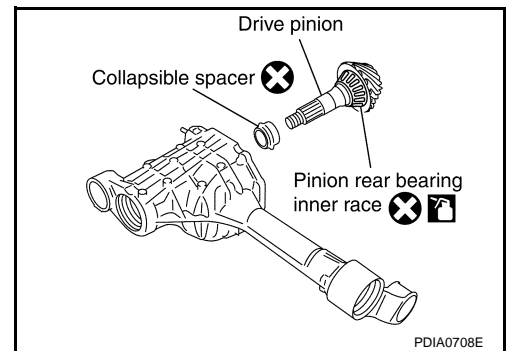
- Install the drive pinion height adjusting washer in the proper direction as shown.
- Do not reuse drive pinion rear bearing inner race.



4. Install the collapsible spacer to the drive pinion.
5. Apply differential gear oil to the drive pinion rear bearing, and install the drive pinion assembly to the gear carrier.
6. Apply differential gear oil to the drive pinion front bearing, and install the drive pinion front bearing inner race to the drive pinion assembly.

**CAUTION:**

- Do not reuse drive pinion front bearing inner race.



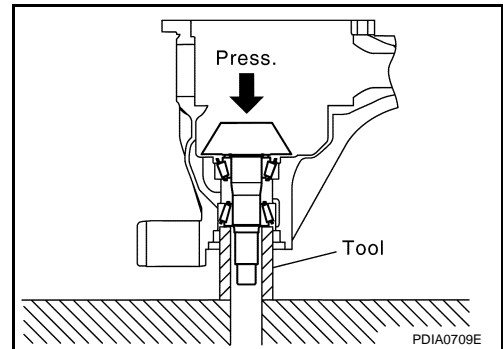
# FRONT FINAL DRIVE

< DISASSEMBLY AND ASSEMBLY >

[FRONT FINAL DRIVE: R180A]

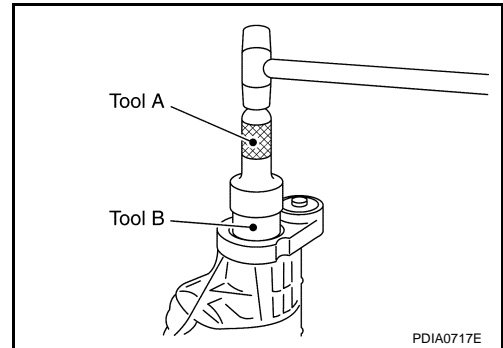
7. Press the drive pinion front bearing inner race to the drive pinion as far as drive pinion lock nut can be tightened using Tool.

**Tool number** : ST33200000 (J-26082)



8. Apply multi-purpose grease to the lips and differential gear oil to the circumference of the new front oil seal. Then drive the new front oil seal in evenly until it becomes flush with the gear carrier using Tools.

**Tool number** A: ST30720000 (J-25405)  
B: ST27863000 ( — )



### CAUTION:

- Do not reuse front oil seal.
- Do not incline the new front oil seal when installing.
- Apply multi-purpose grease to the lips and differential gear oil to the circumference of the new front oil seal.

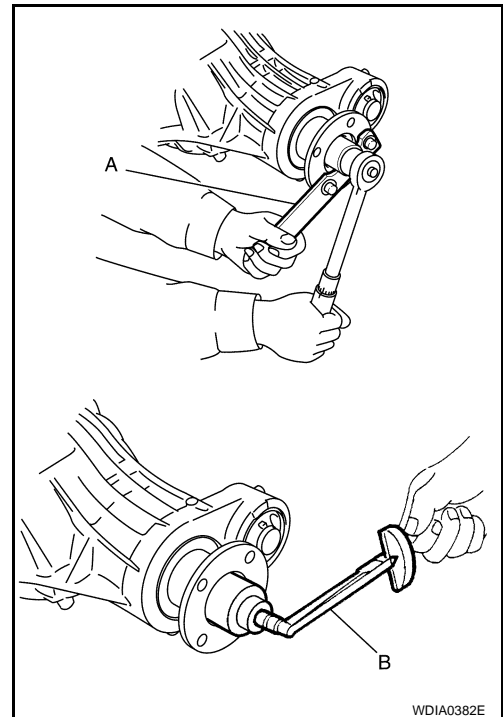
9. Install the companion flange to the drive pinion while aligning the matching marks.
10. Apply anti-corrosive oil to the threads of the drive pinion and the seating surface of the new drive pinion lock nut. Then adjust the drive pinion lock nut tightening torque using Tool A, and check the drive pinion bearing preload torque using Tool B.

**Tool number** A: KV38108300 (J-44195)  
B: ST3127S000 (J-25765-A)

**Drive pinion bearing preload torque:**  
1.08 - 1.66 N-m (0.11 - 0.16 kg-m, 10 - 14 in-lb)

### CAUTION:

- Do not reuse drive pinion lock nut.
- Apply anti-corrosive oil to the threads of the drive pinion and the seating surface of the new drive pinion lock nut.
- Adjust the drive pinion lock nut tightening torque to the lower limit first. Do not exceed the drive pinion lock nut specified torque. Refer to [DLN-345, "Disassembly and Assembly"](#).
- If the drive pinion bearing preload torque exceeds the specified value, replace collapsible spacer and tighten it again to adjust. Do not loosen drive pinion lock nut to adjust the drive pinion bearing preload torque.
- After adjustment, rotate drive pinion back and forth 2 to 3 times to check for unusual noise, rotation malfunction, and other malfunctions.



11. Check companion flange runout. Refer to [DLN-364, "Inspection and Adjustment"](#).
12. Install the differential case assembly. Refer to [DLN-345, "Disassembly and Assembly"](#).

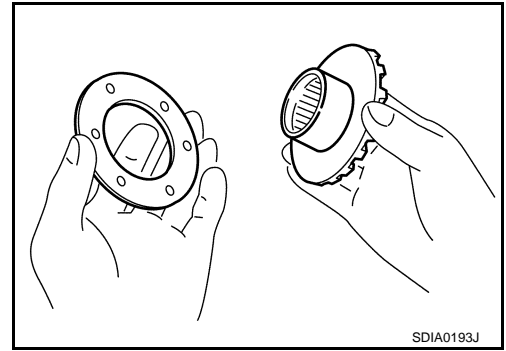
Differential Assembly

# FRONT FINAL DRIVE

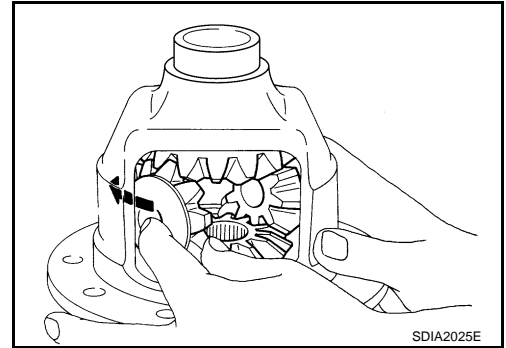
## < DISASSEMBLY AND ASSEMBLY >

[FRONT FINAL DRIVE: R180A]

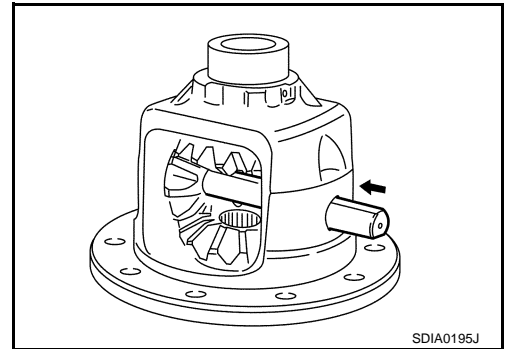
1. Install side gear thrust washers with the same thickness as the ones installed prior to disassembly, or reinstall the old ones on the side gears.



2. Install the side gears and side gear thrust washers into the differential case.
3. Install the pinion mate thrust washers to the two pinion mate gears. Then install the pinion mate gears with the pinion mate thrust washers by aligning them in diagonally opposite positions and rotating them into the differential case.

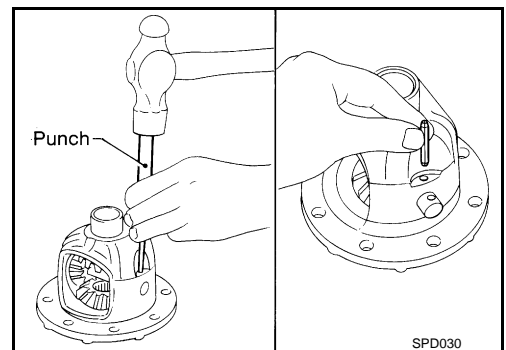


4. Install the pinion mate shaft and align the lock pin hole on the pinion mate shaft with the lock pin hole on the differential case.
5. Measure the side gear end play. If necessary, select the appropriate side gear thrust washers. Refer to [DLN-364, "Inspection and Adjustment"](#).

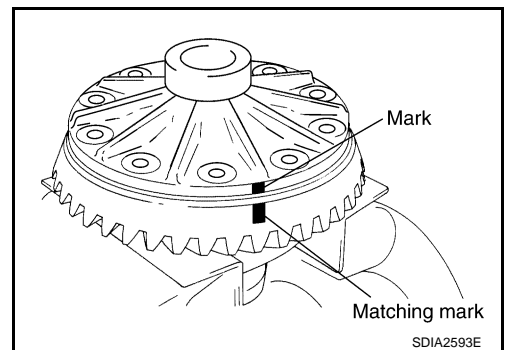


6. Drive a new lock pin into the pinion mate shaft until it is flush with the differential case using suitable tool.

**CAUTION:**  
Do not reuse lock pin.



7. Align the matching mark of the differential case with the mark of the drive gear, then place the drive gear onto the differential case.





# FRONT FINAL DRIVE

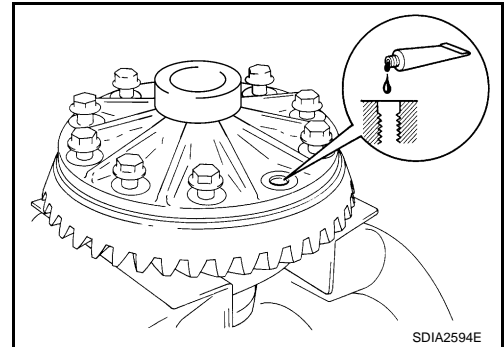
## < DISASSEMBLY AND ASSEMBLY >

## [FRONT FINAL DRIVE: R180A]

8. Apply thread locking sealant into the threaded holes of the drive gear and install the new drive gear bolts.
- Use Genuine High Strength Thread Locking Sealant or equivalent. Refer to [GI-26. "Recommended Chemical Products and Sealants"](#).

**CAUTION:**

Make sure the drive gear back and threaded holes are clean.

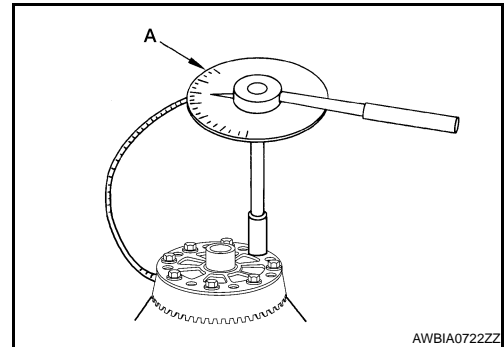


9. Tighten the new drive gear bolts to the specified torque. Refer to [DLN-345. "Disassembly and Assembly"](#). After tightening the new drive gear bolts to the specified torque, tighten an additional 34° to 39° using Tool.

**Tool number** : KV10112100-A (BT-8653-A)

**CAUTION:**

- Always use Tool. Avoid tightening based on visual check alone.
- Tighten new drive gear bolts in a crisscross pattern.



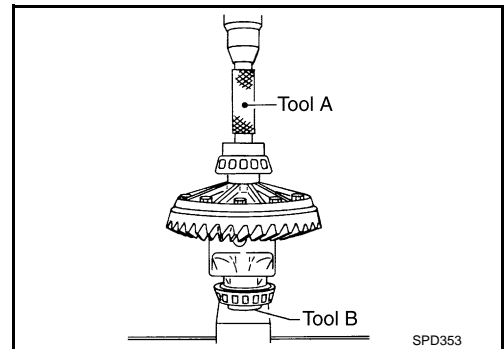
10. Press the new side bearing inner races to the differential case using Tools.

**Tool number** A: ST33230000 (J-35867)

B: ST33061000 (J-8107-2)

**CAUTION:**

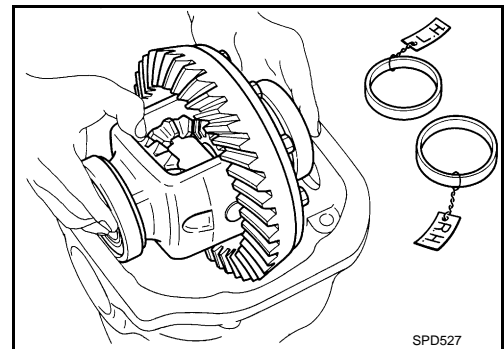
Do not reuse side bearing inner races.



11. Install housing spacer into gear carrier.
12. Apply differential gear oil to the side bearings, and install the differential case assembly with the side bearing outer races into the gear carrier.

**CAUTION:**

Do not reuse side bearing outer race when replacing side bearing inner race (replace as a set).



A  
B  
C  
DLN  
E  
F  
G  
H  
I  
J  
K  
L  
M  
N  
O  
P

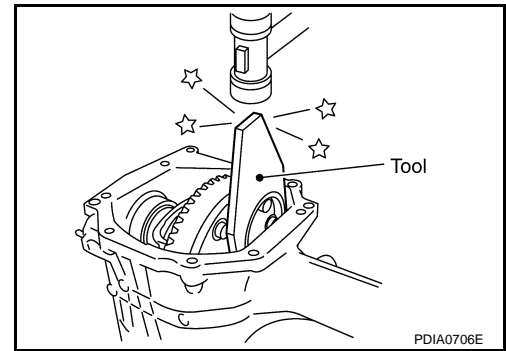
# FRONT FINAL DRIVE

## < DISASSEMBLY AND ASSEMBLY >

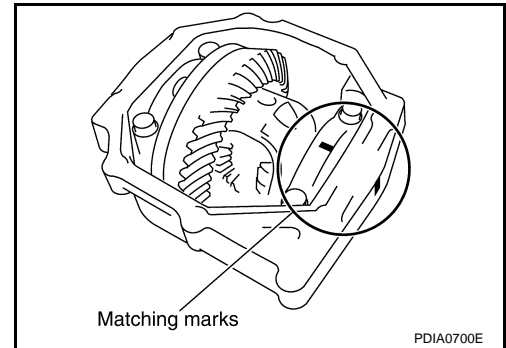
## [FRONT FINAL DRIVE: R180A]

13. Insert left and right original side bearing adjusting washers in place between side bearings and gear carrier using Tool.

**Tool number** : KV38100600 (J-25267)



14. Install the side bearing caps with the matching marks aligned and tighten the side bearing cap bolts to the specified torque. Refer to [DLN-345, "Disassembly and Assembly"](#).

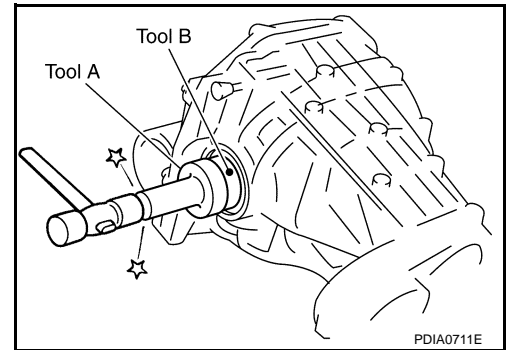


15. Apply multi-purpose grease to the lips and differential gear oil to the circumference of the new side oil seal. Then drive the new side oil seal in evenly until it becomes flush with the gear carrier using Tools.

**Tool number** A: ST30720000 (J-25405)  
B: ST27863000 ( — )

**CAUTION:**

- Do not reuse side oil seal.
- Do not incline the new side oil seal when installing.
- Apply multi-purpose grease to the lips and differential gear oil to the circumference of the new side oil seal.



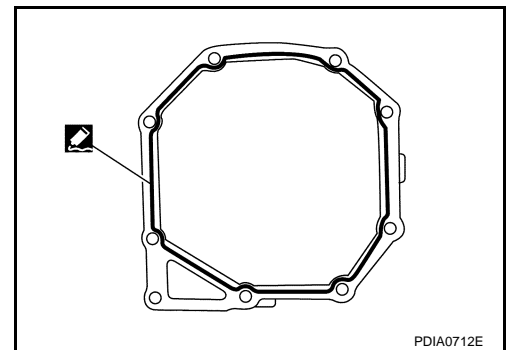
16. Check and adjust tooth contact, backlash, drive gear runout and total preload torque. Refer to [DLN-364, "Inspection and Adjustment"](#).  
Recheck above items.

17. Apply a 3 mm (0.12 in) bead of sealant to the mating surface of the carrier cover as shown.  
• Use Genuine Silicone RTV or equivalent. Refer to [GI-26, "Recommended Chemical Products and Sealants"](#).

**CAUTION:**

Remove any old sealant adhering to the mating surfaces. Also remove any moisture, oil, or foreign material adhering to the application and mating surfaces.

18. Install the carrier cover to the gear carrier. Tighten the bolts to the specified torque. Refer to [DLN-345, "Disassembly and Assembly"](#).



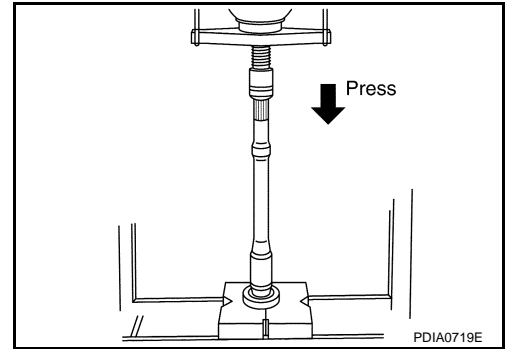
Differential side shaft

# FRONT FINAL DRIVE

< DISASSEMBLY AND ASSEMBLY >

[FRONT FINAL DRIVE: R180A]

1. Press differential side shaft bearing to differential side shaft.  
**CAUTION:**  
**Do not reuse differential side shaft bearing.**
2. Install snap ring (differential side shaft side).
3. Install differential side shaft assembly into gear carrier.
4. Install snap ring (hole side).

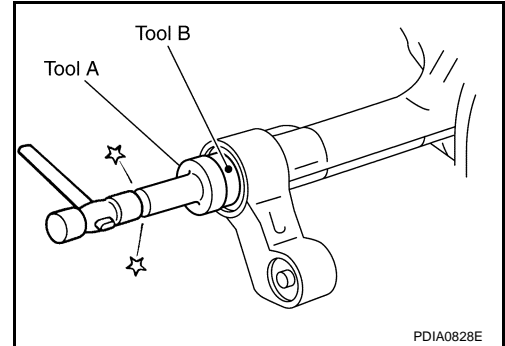


5. Apply multi-purpose grease to the lips and differential gear oil to the circumference of the new side oil seal. Then drive the new side oil seal in evenly until it becomes flush with the gear carrier using Tools.

**Tool number**     **A: ST30720000 (J-25405)**  
                              **B: ST27863000 ( — )**

**CAUTION:**

- Do not reuse side oil seal.
- Do not incline the new side oil seal when installing.
- Apply multi-purpose grease to the lips and differential gear oil to the circumference of the new side oil seal.



A  
B  
C  
DLN  
E  
F  
G  
H  
I  
J  
K  
L  
M  
N  
O  
P

# SERVICE DATA AND SPECIFICATIONS (SDS)

< SERVICE DATA AND SPECIFICATIONS (SDS)

[FRONT FINAL DRIVE: R180A]

## SERVICE DATA AND SPECIFICATIONS (SDS)

### SERVICE DATA AND SPECIFICATIONS (SDS)

#### General Specification

INFOID:000000003937436

Applied model	VQ40DE
Final drive model	R180A
Gear ratio	3.357
Number of teeth (Drive gear/Drive pinion)	47/14
Differential gear oil capacity (Approx.)	0.85 ℓ (1-3/4 US pt, 1-1/2 Imp pt)
Number of pinion gears	2
Drive pinion adjustment spacer type	Collapsible

#### Inspection and Adjustment

INFOID:000000003937437

##### DRIVE GEAR RUNOUT

Unit: mm (in)

Item	Runout limit
Drive gear back face	0.08 (0.0031) or less

##### SIDE GEAR CLEARANCE

Unit: mm (in)

Item	Specification
Side gear back clearance (Clearance between side gear and differential case for adjusting side gear backlash)	0.1 (0.004) or less (Each gear should rotate smoothly without excessive resistance during differential motion.)

##### PRELOAD TORQUE

Unit: N·m (kg·m, in·lb)

Item	Specification
Drive pinion bearing preload torque	1.08 - 1.66 (0.11 - 0.16, 10 - 14)
Side bearing preload torque	0.59 - 1.08 (0.06 - 0.11, 6 - 9)
Total preload torque (Total preload torque = drive pinion bearing preload torque + side bearing preload torque).	1.67 - 2.74 (0.17 - 0.27, 15 - 24)

##### BACKLASH

Unit: mm (in)

Item	Specification
Drive gear to drive pinion backlash	0.10 - 0.15 (0.0039 - 0.0059)

##### COMPANION FLANGE RUNOUT

Unit: mm (in)

Item	Runout limit
Companion flange face	0.1 (0.004) or less
Companion flange inner side	0.1 (0.004) or less

##### SELECTIVE PARTS

Drive Pinion Height Adjusting Washer

# SERVICE DATA AND SPECIFICATIONS (SDS)

< SERVICE DATA AND SPECIFICATIONS (SDS)

[FRONT FINAL DRIVE: R180A]

Unit: mm (in)

Thickness	Part number*	Thickness	Part number*
3.09 (0.1217)	38154 EA000	3.39 (0.1335)	38154 EA010
3.12 (0.1228)	38154 EA001	3.42 (0.1346)	38154 EA011
3.15 (0.1240)	38154 EA002	3.45 (0.1358)	38154 EA012
3.18 (0.1252)	38154 EA003	3.48 (0.1370)	38154 EA013
3.21 (0.1264)	38154 EA004	3.51 (0.1382)	38154 EA014
3.24 (0.1276)	38154 EA005	3.54 (0.1394)	38154 EA015
3.27 (0.1287)	38154 EA006	3.57 (0.1406)	38154 EA016
3.30 (0.1299)	38154 EA007	3.60 (0.1417)	38154 EA017
3.33 (0.1311)	38154 EA008	3.63 (0.1429)	38154 EA018
3.36 (0.1323)	38154 EA009	3.66 (0.1441)	38154 EA019

\*: Always check with the Parts Department for the latest parts information.

## Side Gear Thrust Washer

Unit: mm (in)

Thickness	Part number*	Thickness	Part number*
0.75 (0.0295)	38424 W2010	0.87 (0.0343)	38424 W2014
0.78 (0.0307)	38424 W2011	0.90 (0.0354)	38424 W2015
0.81 (0.0319)	38424 W2012	0.93 (0.0366)	38424 W2016
0.84 (0.0331)	38424 W2013	0.96 (0.0378)	38424 W2017

\*: Always check with the Parts Department for the latest parts information.

## Side Bearing Adjusting Washer

Unit: mm (in)

Thickness	Part number*	Thickness	Part number*
1.95 (0.0768)	38453 EA000	2.35 (0.0925)	38453 EA008
2.00 (0.0787)	38453 EA001	2.40 (0.0945)	38453 EA009
2.05 (0.0807)	38453 EA002	2.45 (0.0965)	38453 EA010
2.10 (0.0827)	38453 EA003	2.50 (0.0984)	38453 EA011
2.15 (0.0846)	38453 EA004	2.55 (0.1004)	38453 EA012
2.20 (0.0866)	38453 EA005	2.60 (0.1024)	38453 EA013
2.25 (0.0886)	38453 EA006	2.65 (0.1043)	38453 EA014
2.30 (0.0906)	38453 EA007		

\*: Always check with the Parts Department for the latest parts information.

A  
B  
C  
DLN  
E  
F  
G  
H  
I  
J  
K  
L  
M  
N  
O  
P

## PRECAUTION

### PRECAUTIONS

#### Precaution for Servicing Front Final Drive

INFOID:000000003937438

- Before starting diagnosis of the vehicle, understand the symptoms well. Perform correct and systematic operations.
- Check for the correct installation status prior to removal or disassembly. When matching marks are required, be certain they do not interfere with the function of the parts they are applied to.
- Overhaul should be done in a clean work area, a dust proof area is recommended.
- Before disassembly, completely remove sand and mud from the exterior of the unit, preventing them from entering into the unit during disassembly or assembly.
- Always use shop paper for cleaning the inside of components.
- Avoid using cotton gloves or a shop cloth to prevent the entering of lint.
- Check appearance of the disassembled parts for damage, deformation, and abnormal wear. Replace them with new ones if necessary.
- Gaskets, seals and O-rings should be replaced any time the unit is disassembled.
- Clean and flush the parts sufficiently and blow them dry.
- Be careful not to damage sliding surfaces and mating surfaces.
- When applying sealant, remove the old sealant from the mating surface; then remove any moisture, oil, and foreign materials from the application and mating surfaces.
- In principle, tighten nuts or bolts gradually in several steps working diagonally from inside to outside. If a tightening sequence is specified, observe it.
- During assembly, observe the specified tightening torque.
- Add new differential gear oil, petroleum jelly, or multi-purpose grease, as specified.

# PREPARATION

< PREPARATION >

[FRONT FINAL DRIVE: M205]

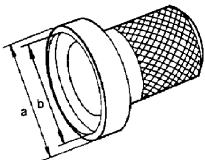
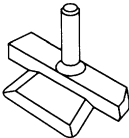
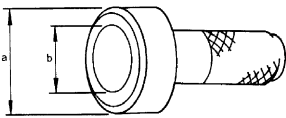
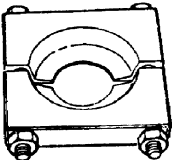
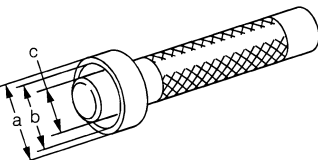
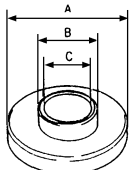
## PREPARATION

### PREPARATION

#### Special Service Tool

INFOID:000000003937439

The actual shapes of Kent-Moore tools may differ from those of special service tools illustrated here.

Tool number (Kent-Moore No.) Tool name	Description
ST35271000 ( — ) Drift  <p style="text-align: center;">ZZA0702D</p>	Installing drive pinion front bearing outer race. <b>a: 72 mm (2.83 in) dia.</b> <b>b: 36 mm (1.42 in) dia.</b>
KV10111100 (J-37228) Seal cutter  <p style="text-align: center;">NT046</p>	Removing carrier cover
KV38100500 (J-25273) Drift  <p style="text-align: center;">ZZA0811D</p>	Installing front oil seal. <b>a: 80 mm (3.15 in) dia.</b> <b>b: 60 mm (2.36 in) dia.</b>
ST30021000 ( — ) Puller  <p style="text-align: center;">ZZA0700D</p>	<ul style="list-style-type: none"> <li>• Removing side bearing inner race.</li> <li>• Removing drive pinion rear bearing inner race.</li> </ul>
KV38100300 (J-25523) Drift  <p style="text-align: center;">ZZA1046D</p>	Installing side bearing inner race. <b>a: 54 mm (2.13 in) dia.</b> <b>b: 46 mm (1.81 in) dia.</b> <b>c: 32 mm (1.26 in) dia.</b>
ST30901000 ( — ) Drift  <p style="text-align: center;">SDIA0217J</p>	Installing drive pinion rear bearing outer race. <b>A: 79 mm (3.11 in) dia.</b> <b>B: 45 mm (1.77 in) dia.</b> <b>C: 35.2 mm (1.39 in) dia.</b>

A

B

C

DLN

E

F

G

H

I

J

K

L

M

N

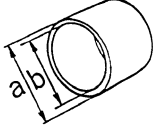
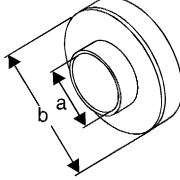
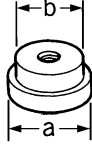
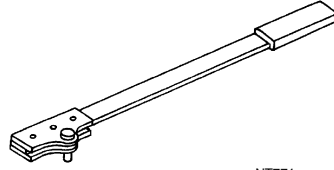
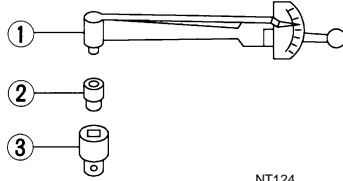
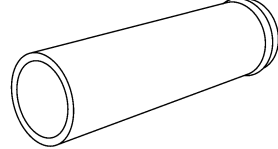
O

P

# PREPARATION

< PREPARATION >

[FRONT FINAL DRIVE: M205]

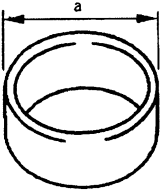
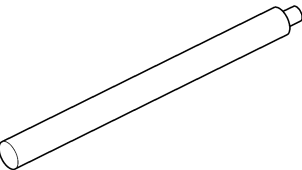
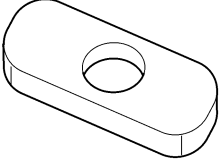
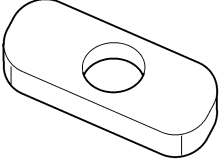
Tool number (Kent-Moore No.) Tool name	Description
KV40104810 ( — ) Drift	Installing drive pinion front bearing outer race. <b>a: 68 mm (2.68 in) dia.</b> <b>b: 55 mm (2.17 in) dia.</b>
 ZZA1003D	
KV38102200 ( — ) Drift	Installing front oil seal. <b>a: 90 mm (3.54 in) dia.</b> <b>b: 55.3 mm (2.18 in) dia.</b>
 NT660	
ST33081000 ( — ) Adapter	Removing and installing side bearing inner race. <b>a: 43 mm (1.69 in) dia.</b> <b>b: 33.5 mm (1.32 in) dia.</b>
 ZZA1000D	
KV38108300 (J-44195) Companion flange wrench	Removing and installing drive pinion nut.
 NT771	
ST3127S000 (J-25765-A) Preload gauge 1. GG91030000 (J-25765) Torque wrench 2. HT62940000 ( — ) Socket adapter (1/2") 3. HT62900000 ( — ) Socket adapter (3/8")	Inspecting drive pinion bearing preload and total preload
 NT124	
— (C-4040) Installer	Installing drive pinion rear bearing inner race.
 SDIA2607E	



# PREPARATION

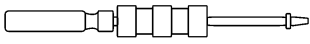
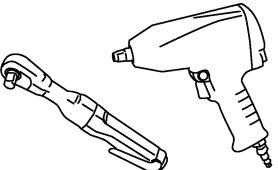
< PREPARATION >

[FRONT FINAL DRIVE: M205]

Tool number (Kent-Moore No.) Tool name		Description	
KV40105230 ( — ) Drift	 ZZA0898D	Installing drive pinion rear bearing outer race. <b>a: 92 mm (3.62 in) dia.</b>	A B C
— (C-4171) Handle	 LDIA0134E	<ul style="list-style-type: none"> <li>• Removing drive pinion front bearing outer race</li> <li>• Removing drive pinion rear bearing outer race</li> </ul>	DLN E F
— (D-103) Remover	 LDIA0135E	Removing drive pinion front bearing outer race	G H
— (C-4307) Remover	 LDIA0135E	Removing drive pinion rear bearing outer race	I J K

## Commercial Service Tool

INFOID:000000003937440

(Kent-Moore No.) Tool name		Description	
(SP8P) Slide hammer	 LDIA0133E	<ul style="list-style-type: none"> <li>• Removing front oil seal</li> <li>• Removing side oil seal</li> </ul>	L M N O
Power tool	 PBIC0190E	Loosening bolts and nuts	P

# NOISE, VIBRATION AND HARSHNESS (NVH) TROUBLESHOOTING

< FUNCTION DIAGNOSIS >

[FRONT FINAL DRIVE: M205]

## FUNCTION DIAGNOSIS

### NOISE, VIBRATION AND HARSHNESS (NVH) TROUBLESHOOTING

#### NVH Troubleshooting Chart

INFOID:000000003937441

Use the chart below to help you find the cause of the symptom. If necessary, repair or replace these parts.

Symptom	Noise														
Reference page		<a href="#">DLN-378</a>	<a href="#">DLN-378</a>	<a href="#">DLN-378</a>	<a href="#">DLN-378</a>	<a href="#">DLN-378</a>	<a href="#">DLN-371</a>	<a href="#">DLN-307, "NVH Troubleshooting Chart"</a> <a href="#">DLN-315, "NVH Troubleshooting Chart"</a> <a href="#">DLN-324, "NVH Troubleshooting Chart"</a>	<a href="#">FAX-4, "NVH Troubleshooting Chart"</a>	<a href="#">FSU-5, "NVH Troubleshooting Chart"</a>	<a href="#">WT-45, "NVH Troubleshooting Chart"</a>	<a href="#">WT-45, "NVH Troubleshooting Chart"</a>	<a href="#">FAX-4, "NVH Troubleshooting Chart"</a>	<a href="#">BR-6, "NVH Troubleshooting Chart"</a>	<a href="#">ST-9, "NVH Troubleshooting Chart"</a>
Possible cause and SUSPECTED PARTS		Gear tooth rough	Gear contact improper	Tooth surfaces worn	Incorrect backlash	Companion flange excessive runout	Gear oil improper	PROPELLER SHAFT	FRONT AXLE	FRONT SUSPENSION	TIRES	ROAD WHEEL	DRIVE SHAFT	BRAKES	STEERING
		×	×	×	×	×	×	×	×	×	×	×	×	×	×

×: Applicable

## ON-VEHICLE MAINTENANCE

### DIFFERENTIAL GEAR OIL

#### Changing Differential Gear Oil

INFOID:000000003937442

#### DRAINING

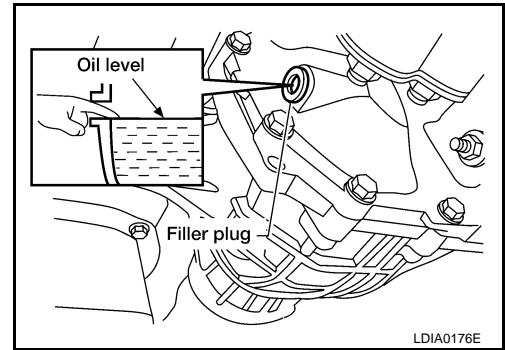
1. Stop the engine.
2. Remove the drain plug from the front final drive assembly to drain the differential gear oil.
3. Install the drain plug with sealant applied on the threads to the front final drive assembly. Tighten to the specified torque. Refer to [DLN-378, "Disassembly and Assembly"](#).
  - Use High Performance Thread Sealant or equivalent. Refer to [GI-26, "Recommended Chemical Products and Sealants"](#).

#### FILLING

1. Remove the filler plug from the front final drive assembly.
2. Fill the front final drive assembly with new differential gear oil until the level reaches the specified level near the filler plug hole.

**Differential gear oil grade and capacity** : Refer to [MA-12, "Fluids and Lubricants"](#).

3. Install the filler plug with sealant applied on the threads to the front final drive assembly. Tighten to the specified torque. Refer to [DLN-378, "Disassembly and Assembly"](#).
  - Use High Performance Thread Sealant or equivalent. Refer to [GI-26, "Recommended Chemical Products and Sealants"](#).



#### Checking Differential Gear Oil

INFOID:000000003937443

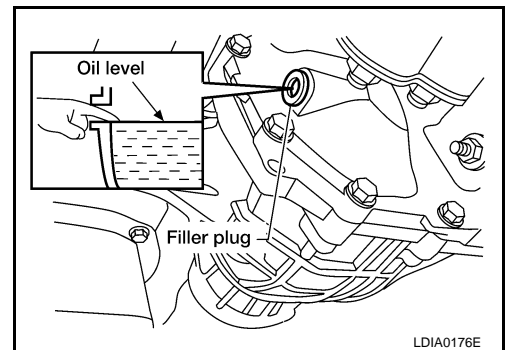
#### DIFFERENTIAL GEAR OIL LEAKAGE AND LEVEL

1. Make sure that differential gear oil is not leaking from the front final drive assembly or around it.
2. Check the differential gear oil level from the filler plug hole as shown.

**CAUTION:**

**Do not start engine while checking differential gear oil level.**

3. Install the filler plug with sealant applied on the threads to the front final drive assembly. Tighten to the specified torque. Refer to [DLN-378, "Disassembly and Assembly"](#).
  - Use High Performance Thread Sealant or equivalent. Refer to [GI-26, "Recommended Chemical Products and Sealants"](#).

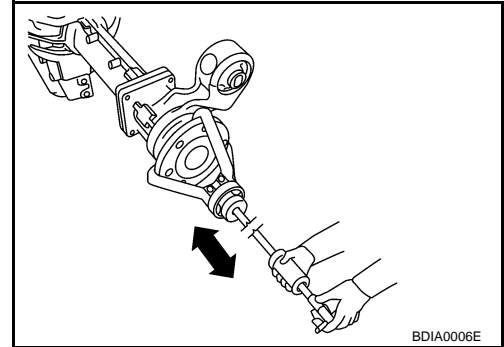


**ON-VEHICLE REPAIR****SIDE OIL SEAL****Removal and Installation**

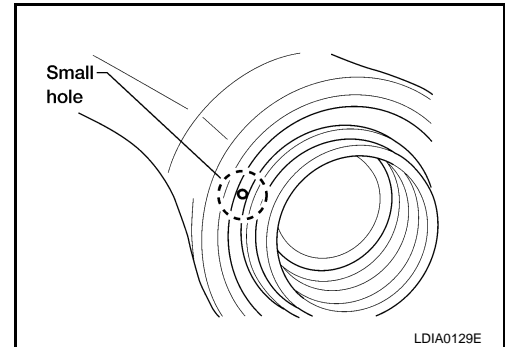
INFOID:000000003937444

**REMOVAL**

1. Remove the front final drive assembly. Refer to [DLN-376. "Removal and Installation"](#).
2. Remove the differential side shaft and differential side flange using suitable tool.

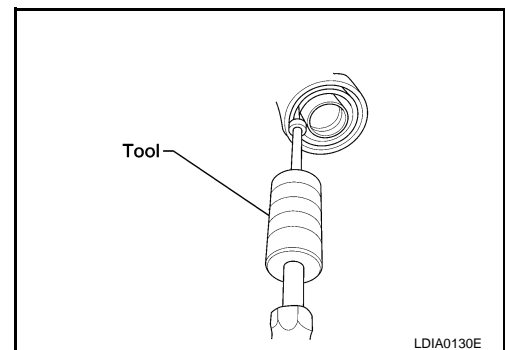


3. Place a small hole in the side oil seal case using suitable tool.



4. Remove the side oil seal using Tool as shown.

**Tool number : SP8P**

**INSTALLATION**

1. Apply multi-purpose grease to the lips of the new side oil seal. Then drive the new side oil seal in evenly to the gear carrier using suitable tool.

**CAUTION:**

- Do not reuse side oil seal.
- Do not incline the new side oil seal when installing.
- Apply multi-purpose grease to the lips of the new side oil seal.

2. Installation of the remaining components is in the reverse order of removal.

**CAUTION:**

Check the differential gear oil level after installation. Refer to [DLN-371](#).

## FRONT OIL SEAL

### Removal and Installation

INFOID:000000003937445

#### REMOVAL

1. Remove the drive shafts from the front final drive assembly. Refer to [FAX-6. "VQ40DE : Removal and Installation"](#).
2. Remove the front propeller shaft from the front final drive assembly. Refer to [DLN-309. "Removal and Installation"](#).
3. Measure the total preload torque. Refer to [DLN-378. "Disassembly and Assembly"](#).

**NOTE:**

Record the total preload torque measurement.

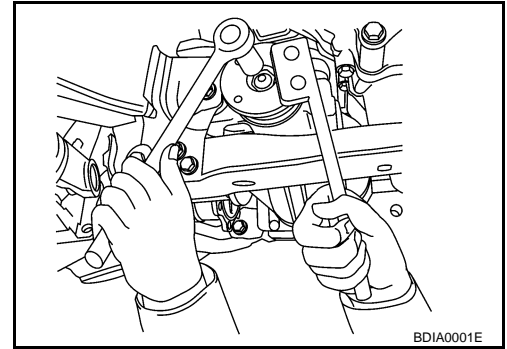
4. Remove the drive pinion lock nut using Tool.

**Tool number : KV38108300 (J-44195)**

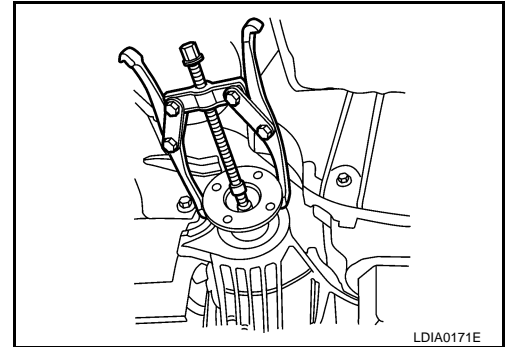
5. Put matching marks on the companion flange and drive pinion using paint.

**CAUTION:**

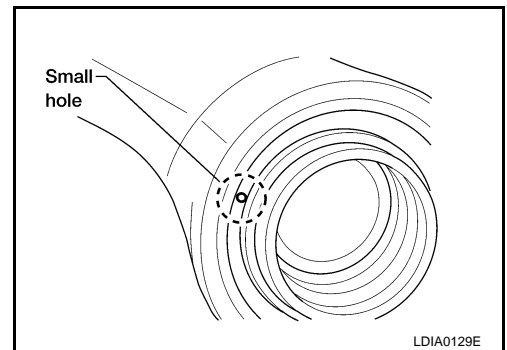
**Use paint to make the matching marks. Do not damage the companion flange or drive pinion.**



6. Remove companion flange using suitable tool.



7. Place a small hole in the front oil seal case using suitable tool.



A  
B  
C  
DLN  
E  
F  
G  
H  
I  
J  
K  
L  
M  
N  
O  
P

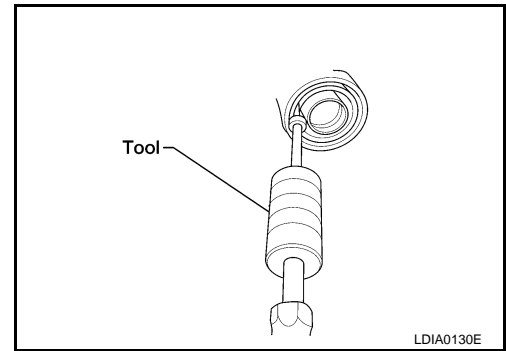
# FRONT OIL SEAL

< ON-VEHICLE REPAIR >

[FRONT FINAL DRIVE: M205]

8. Remove the front oil seal using Tool as shown.

**Tool number** : SP8P



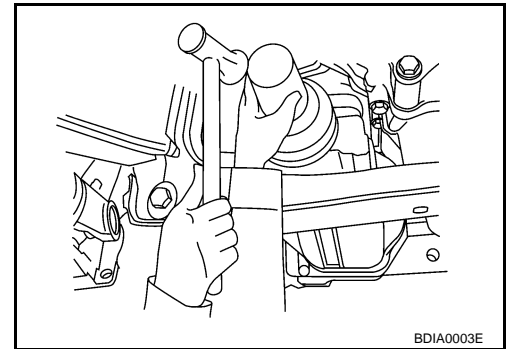
## INSTALLATION

1. Apply multi-purpose grease to the lips of the new front oil seal. Then drive the new front oil seal in evenly to the gear carrier using Tool.

**Tool number** : KV38100500 (J-25273)

### CAUTION:

- Do not reuse front oil seal.
- Do not incline the new front oil seal when installing.
- Apply multi-purpose grease to the lips of the new front oil seal.



2. Install the companion flange to the drive pinion while aligning the matching marks.

3. Apply anti-corrosive oil to the threads of the drive pinion and the seating surface of the new drive pinion lock nut. Then adjust the drive pinion lock nut tightening torque using Tool A, and check the total preload torque using Tool B.

**Tool number** A: KV38108300 (J-44195)

B: ST3127S000 (J-25765-A)

**Total preload torque:** Refer to [DLN-378, "Disassembly and Assembly"](#).

- The total preload torque should be within the total preload torque specification. When not replacing the collapsible spacer, it should also be equal to the measurement taken during removal plus an additional 0.56 N·m (0.06 Kg·m, 5 in·lb).
- If the total preload torque is low, tighten the drive pinion lock nut in 6.8 N·m (0.69 Kg·m, 5ft·lb) increments until the total preload torque is met.

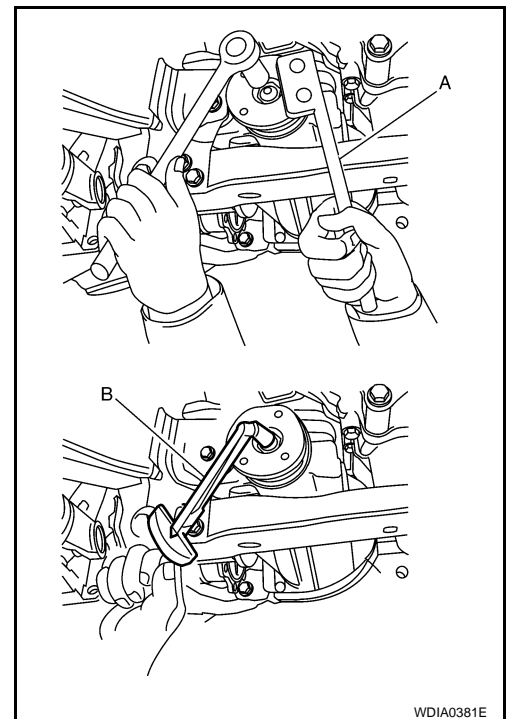
### CAUTION:

- Do not reuse drive pinion lock nut.
- Apply anti-corrosive oil to the threads of the drive pinion and the seating surface of the new drive pinion lock nut.
- Adjust the drive pinion lock nut tightening torque to the lower limit first. Do not exceed the drive pinion lock nut specified torque. Refer to [DLN-378, "Disassembly and Assembly"](#).
- Do not loosen drive pinion lock nut to adjust the total preload torque. If the drive pinion lock nut torque or the total preload torque exceeds the specifications, replace the collapsible spacer and tighten it again to adjust. Refer to [DLN-378, "Disassembly and Assembly"](#).
- After adjustment, rotate drive pinion back and forth 2 to 3 times to check for unusual noise, rotation malfunction, and other malfunctions.

4. Installation of the remaining components is in the reverse order of removal.

### CAUTION:

Check the differential gear oil level after installation. Refer to [DLN-371](#).



# CARRIER COVER

< ON-VEHICLE REPAIR >

[FRONT FINAL DRIVE: M205]

## CARRIER COVER

### Removal and Installation

INFOID:000000003937446

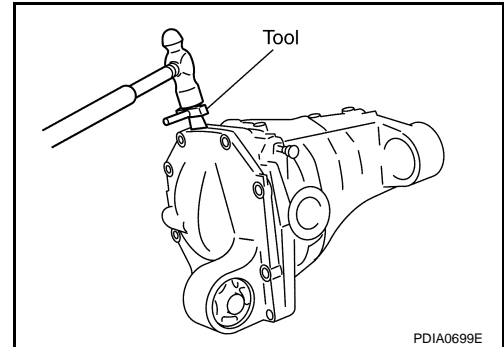
#### REMOVAL

1. Remove the front final drive assembly. Refer to [DLN-376. "Removal and Installation"](#).
2. Remove the carrier cover bolts and separate the carrier cover from the gear carrier using Tool.

**Tool number** : KV10111100 (J-37228)

**CAUTION:**

- Do not damage the mating surface.
- Do not insert flat-bladed screwdriver, this will damage the mating surface.



#### INSTALLATION

1. Apply 3 mm (0.12 in) bead of sealant to the mating surface of the carrier cover as shown.
  - Use Genuine Silicone RTV or equivalent. Refer to [GI-26. "Recommended Chemical Products and Sealants"](#).

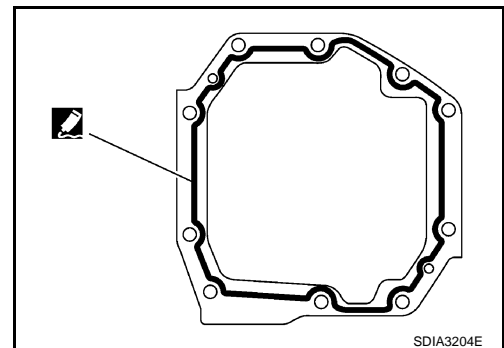
**CAUTION:**

**Remove any old sealant adhering to the mating surfaces. Also remove any moisture, oil, or foreign material adhering to the application and mating surfaces.**

2. Install the carrier cover to the gear carrier. Tighten the bolts to the specified torque. Refer to [DLN-378. "Disassembly and Assembly"](#).
3. Install the front final drive assembly. Refer to [DLN-376. "Removal and Installation"](#).

**CAUTION:**

**Fill the front final drive assembly with recommended differential gear oil. Refer to [DLN-371.](#)**



A  
B  
C  
DLN  
E  
F  
G  
H  
I  
J  
K  
L  
M  
N  
O  
P

# FRONT FINAL DRIVE

< REMOVAL AND INSTALLATION >

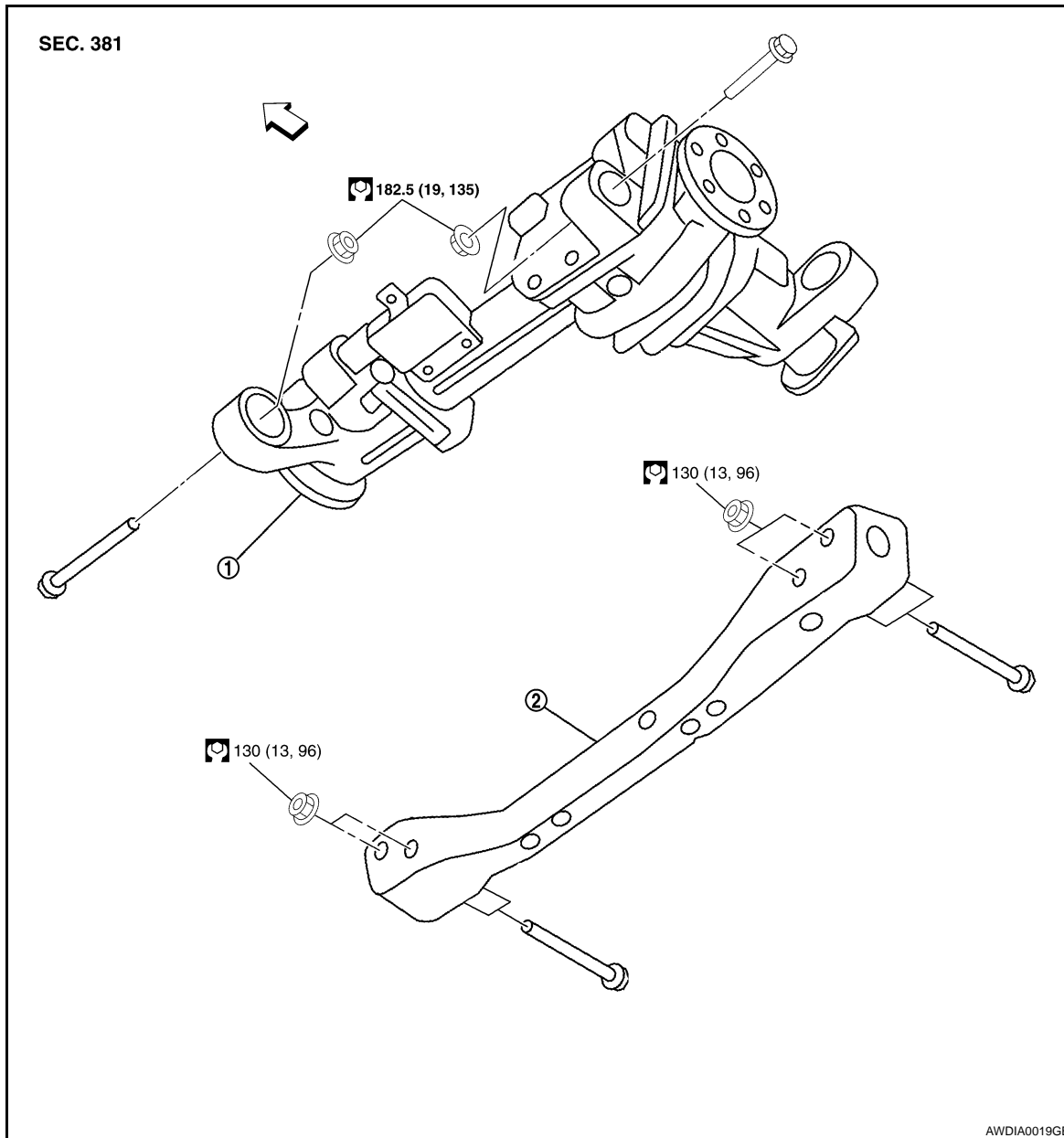
[FRONT FINAL DRIVE: M205]

## REMOVAL AND INSTALLATION

### FRONT FINAL DRIVE

#### Removal and Installation

INFOID:000000003937447



1. Front final drive assembly

2. Front cross member

⇒ Front

#### REMOVAL

1. Drain the differential gear oil. Refer to [DLN-371](#).
2. Remove the drive shafts from the front final drive assembly. Refer to [FAX-6, "VQ40DE : Removal and Installation"](#).
3. Remove the front cross member.
4. Remove the front propeller shaft from the front final drive assembly. Refer to [DLN-309, "Removal and Installation"](#).
5. Disconnect the vent hose from the front final drive assembly.
6. Support the front final drive assembly using a suitable jack.

**DLN-376**



## FRONT FINAL DRIVE

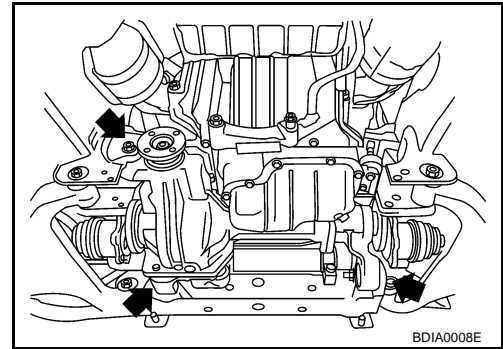
### < REMOVAL AND INSTALLATION >

[FRONT FINAL DRIVE: M205]

7. Remove the front final drive assembly bolts, then remove the front final drive assembly.

**CAUTION:**

**Support the front final drive assembly while removing using a suitable jack.**



### INSTALLATION

Installation is in the reverse order of removal.

**CAUTION:**

- Make sure there are no pinched or restricted areas on the breather hose caused by folding or bending when installing it.
- Fill the front final drive assembly with differential gear oil after installation. Refer to [DLN-371](#).

A

B

C

DLN

E

F

G

H

I

J

K

L

M

N

O

P

# FRONT FINAL DRIVE

< DISASSEMBLY AND ASSEMBLY >

[FRONT FINAL DRIVE: M205]

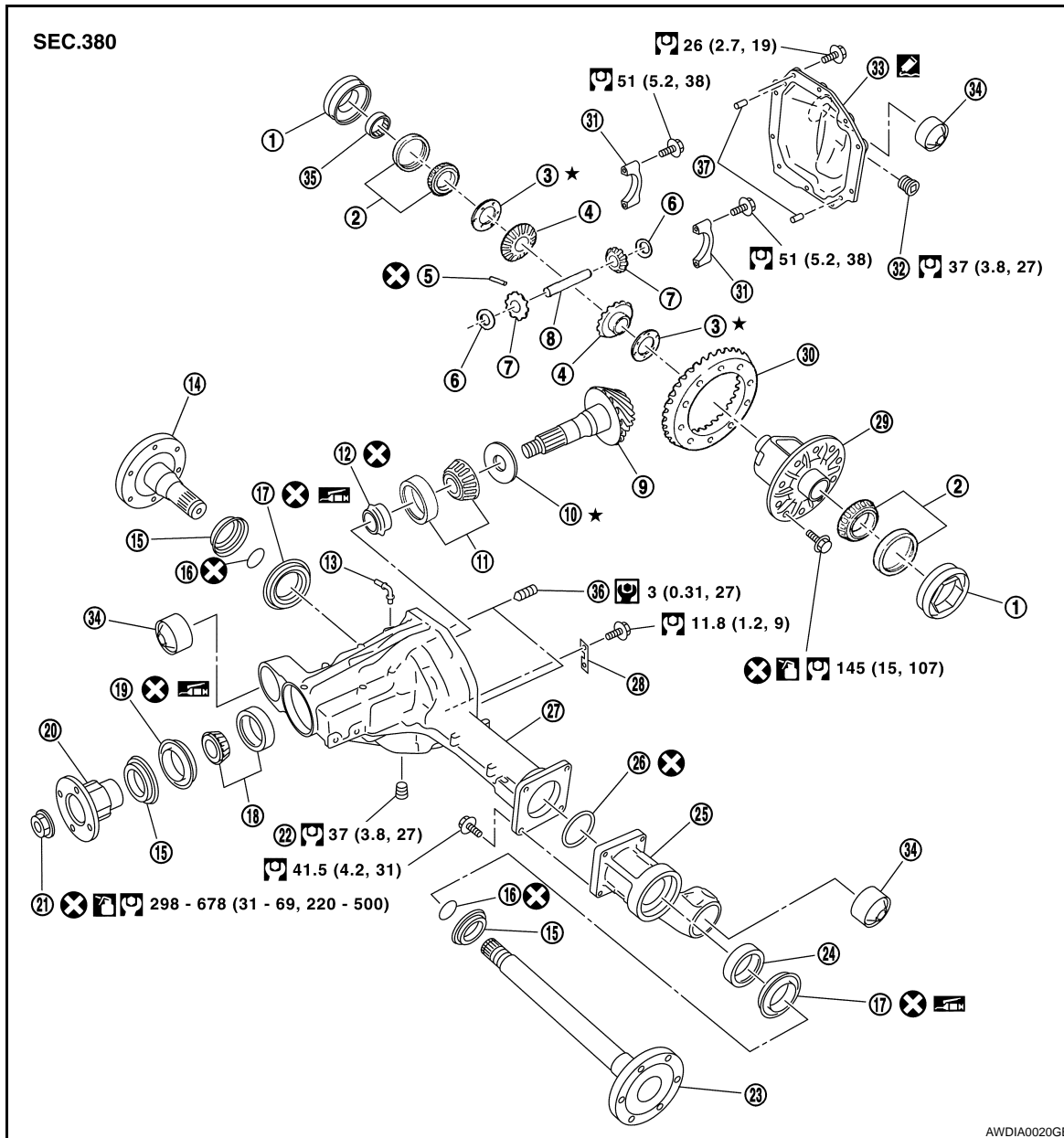
## DISASSEMBLY AND ASSEMBLY

### FRONT FINAL DRIVE

#### Disassembly and Assembly

INFOID:000000003937448

#### COMPONENTS



AWDIA0020GE

- |  |                               |                                     |
|--|-------------------------------|-------------------------------------|
| 1. Side bearing adjuster                 | 2. Side bearing               | 3. Side gear thrust washer          |
| 4. Side gear                             | 5. Lock pin                   | 6. Pinion mate thrust washer        |
| 7. Pinion mate gear                      | 8. Pinion mate shaft          | 9. Drive pinion                     |
| 10. Drive pinion height adjusting washer | 11. Drive pinion rear bearing | 12. Collapsible spacer              |
| 13. Breather tube                        | 14. Differential side flange  | 15. Dust shield                     |
| 16. Circular clip                        | 17. Side oil seal             | 18. Drive pinion front bearing      |
| 19. Front oil seal                       | 20. Companion flange          | 21. Drive pinion lock nut           |
| 22. Drain plug                           | 23. Differential side shaft   | 24. Differential side shaft bearing |
| 25. Extension tube                       | 26. O-ring                    | 27. Gear carrier                    |

# FRONT FINAL DRIVE

< DISASSEMBLY AND ASSEMBLY >

[FRONT FINAL DRIVE: M205]

- |                      |                       |                   |
|----------------------|-----------------------|-------------------|
| 28. Plate            | 29. Differential case | 30. Drive gear    |
| 31. Side bearing cap | 32. Filler plug       | 33. Carrier cover |
| 34. Bushing          | 35. Bearing           | 36. Screw         |
| 37. Dowel pin        |                       |                   |

## ASSEMBLY INSPECTION AND ADJUSTMENT

- Drain the differential gear oil before inspection and adjustment. Refer to [DLN-371](#).
- Remove and install the carrier cover as necessary for inspection and adjustment. Refer to [DLN-375](#).

### Total Preload Torque

1. Install the differential side shaft and differential side flange if necessary.

**CAUTION:**

**The differential side shaft and differential side flange must be installed in order to measure total preload torque.**

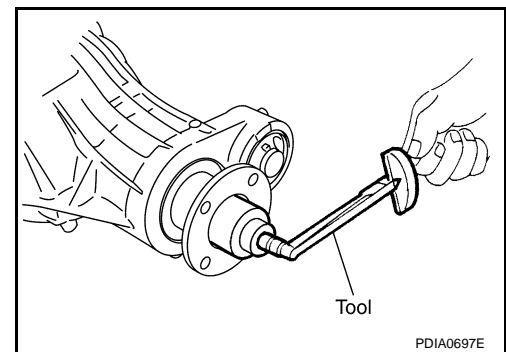
2. Rotate the drive pinion back and forth 2 to 3 times to check for unusual noise and rotation malfunction.
3. Rotate the drive pinion at least 20 times to check for smooth operation of the bearings.
4. Measure total preload torque using Tool.

**Tool number : ST3127S000 (J-25765-A)**

**Total preload torque:  
2.98 - 4.76 N·m (0.31 - 0.48 kg-m, 27 - 42 in-lb)**

**NOTE:**

**Total preload torque = Drive pinion bearing preload torque + Side bearing preload torque**



- If the measured value is out of the specification, check and adjust each part. Adjust the drive pinion bearing preload torque first, then adjust the side bearing preload torque.

**If the total preload torque is greater than specification**

**On drive pinion bearings: Replace the collapsible spacer.**

**On side bearings: Loosen the side bearing adjuster by the same amount on each side.**

**If the total preload torque is less than specification**

**On drive pinion bearings: Tighten the drive pinion lock nut.**

**On side bearings: Tighten the side bearing adjuster by the same amount on each side.**

### Drive Gear Runout

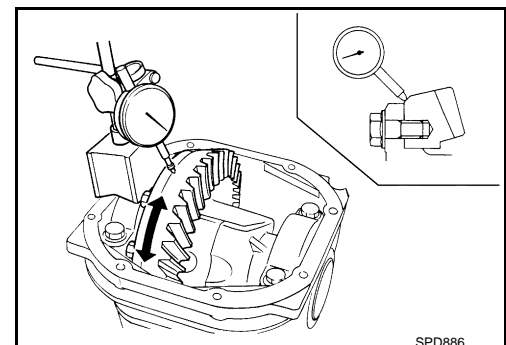
1. Fit a dial indicator to the drive gear back face.
2. Rotate the drive gear to measure runout.

**Runout limit: 0.08 mm (0.0031 in) or less**

- If the runout is outside of the limit, check the condition of the drive gear assembly. Foreign material may be caught between the drive gear and differential case, or the differential case or drive gear may be deformed.

**CAUTION:**

**Replace drive gear and drive pinion as a set.**



### Tooth Contact

# FRONT FINAL DRIVE

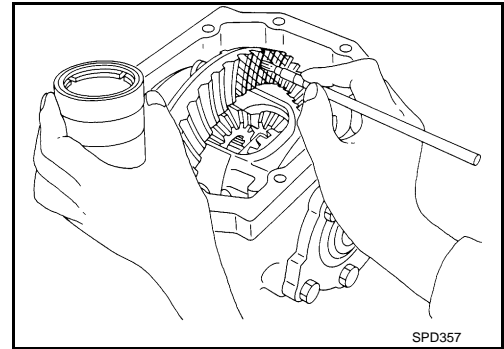
## < DISASSEMBLY AND ASSEMBLY >

[FRONT FINAL DRIVE: M205]

1. Apply red lead to the drive gear.

**NOTE:**

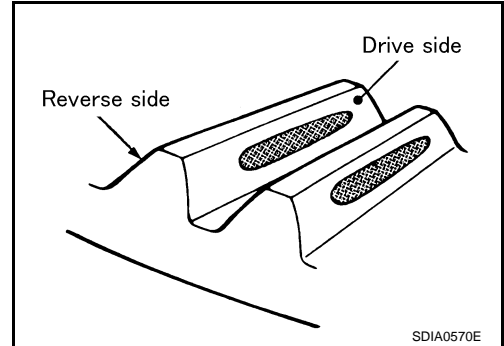
Apply red lead to both faces of three to four gears, at four locations evenly spaced on the drive gear.



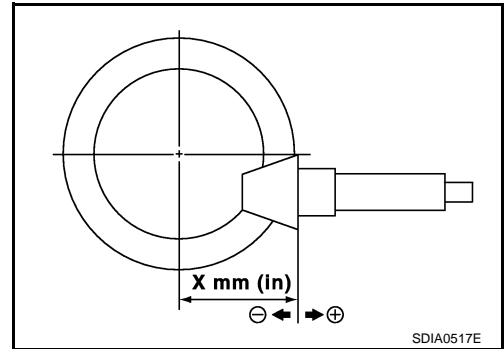
2. Rotate the drive gear back and forth several times. Then check for correct drive pinion to drive gear tooth contact as shown.

**CAUTION:**

**Check tooth contact on drive side and reverse side.**

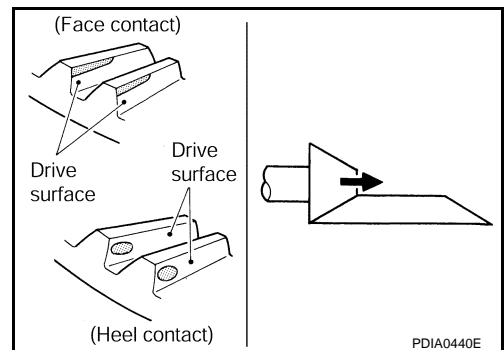


3. If the tooth contact is improperly adjusted, follow the procedure below to adjust the drive pinion height (dimension X).



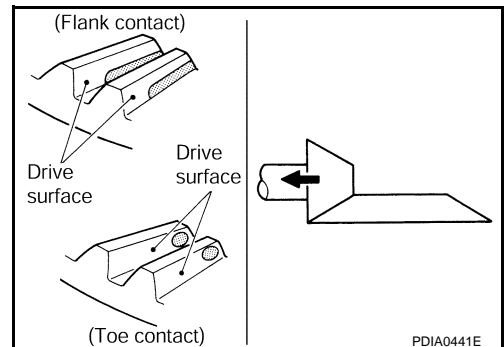
- If the tooth contact is near the face (face contact), or near the heel (heel contact), use a thicker drive pinion height adjusting washer to move drive pinion closer to the drive gear.

Refer to [DLN-395, "Inspection and Adjustment"](#).



- If the tooth contact is near the flank (flank contact), or near the toe (toe contact), use a thinner drive pinion height adjusting washer to move the drive pinion farther from the drive gear.

Refer to [DLN-395, "Inspection and Adjustment"](#).



# FRONT FINAL DRIVE

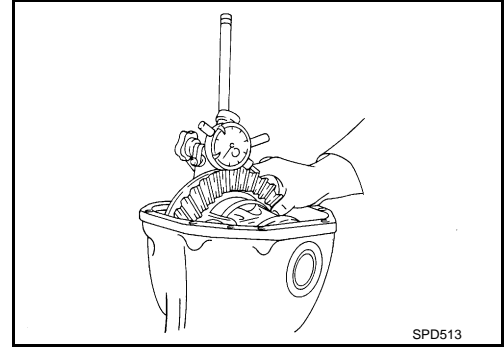
< DISASSEMBLY AND ASSEMBLY >

[FRONT FINAL DRIVE: M205]

## Backlash

1. Fit a dial indicator to the drive gear face to measure the backlash.

**Backlash:**            **0.13 - 0.18 mm (0.0051 - 0.0071 in)**



- If the backlash is outside of the specification, adjust each side bearing adjuster.

**If the backlash is greater than specification:**

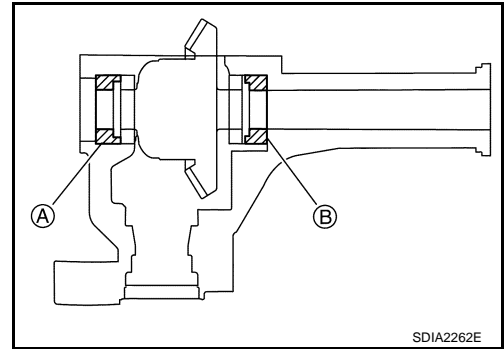
**Loosen side bearing adjuster A and tighten side bearing adjuster B by the same amount.**

**If the backlash is less than specification:**

**Loosen side bearing adjuster B and tighten side bearing adjuster A by the same amount.**

**CAUTION:**

**Do not change the side bearing adjusters by different amounts as it will change the side bearing preload torque.**



## Companion Flange Runout

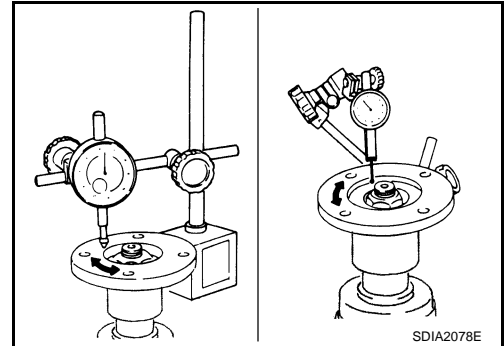
1. Rotate companion flange and check for runout on the companion flange face (inner side of the bolt holes) and companion flange inner side (socket diameter) using suitable tool.

**Runout limit**

**Companion flange face:            0.10 mm (0.0039 in)**

**Companion flange inner side:    0.13 mm (0.0051 in)**

2. If the runout is outside the runout limit, follow the procedure below to adjust.
  - a. Rotate the companion flange on the drive pinion by 90°, 180° and 270° while checking for the position where the runout is minimum.
  - b. If the runout is still outside of the runout limit after the companion flange has been rotated on the drive pinion, possible cause could be an assembly malfunction of drive pinion and drive pinion bearing or a malfunctioning drive pinion bearing.
  - c. If the runout is still outside of the runout limit after repair of the assembly of drive pinion and drive pinion bearing or drive pinion bearing, replace the companion flange.



## DISASSEMBLY

### Differential Assembly

1. Drain the differential gear oil if necessary.

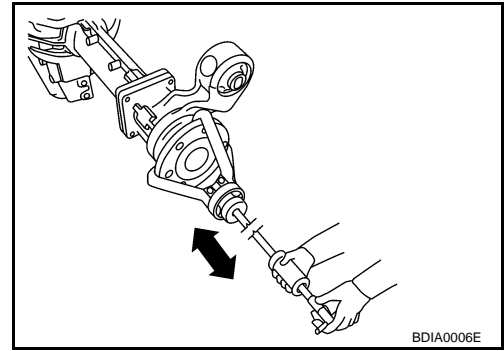
A  
B  
C  
DLN  
E  
F  
G  
H  
I  
J  
K  
L  
M  
N  
O  
P

# FRONT FINAL DRIVE

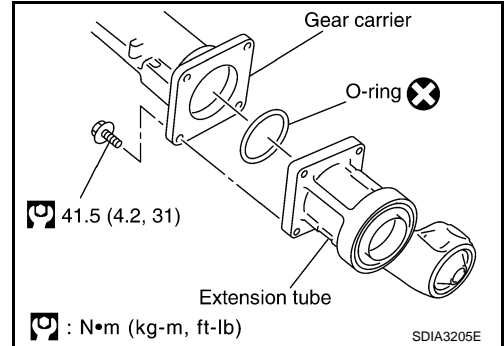
## < DISASSEMBLY AND ASSEMBLY >

[FRONT FINAL DRIVE: M205]

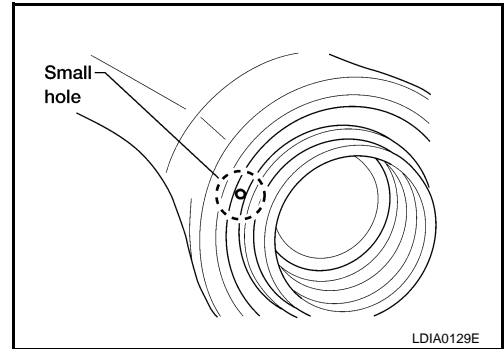
2. Remove the differential side shaft and differential side flange using suitable tool.



3. Remove the extension tube and O-ring from the gear carrier.

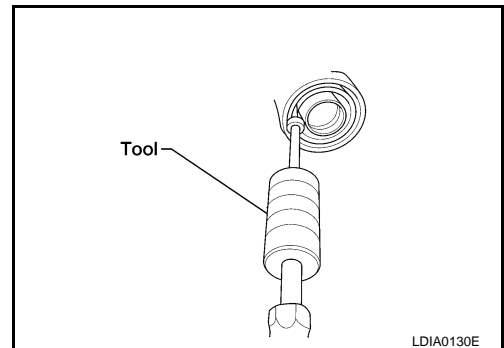


4. Place a small hole in the side oil seal case using suitable tool.



5. Remove the side oil seal using Tool as shown.

**Tool number** : — **SP8P**

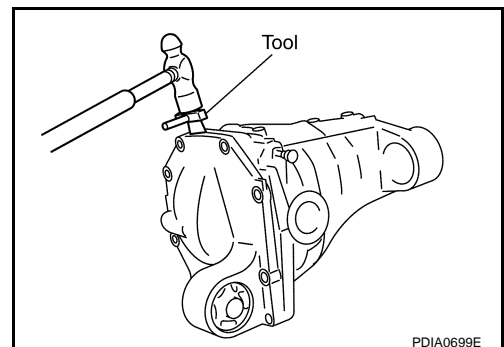


6. Remove the carrier cover bolts and separate the carrier cover from the gear carrier using Tool.

**Tool number** : **KV10111100 (J-37228)**

**CAUTION:**

- Do not damage the mating surface.
- Do not insert flat-bladed screwdriver, this will damage the mating surface.



# FRONT FINAL DRIVE

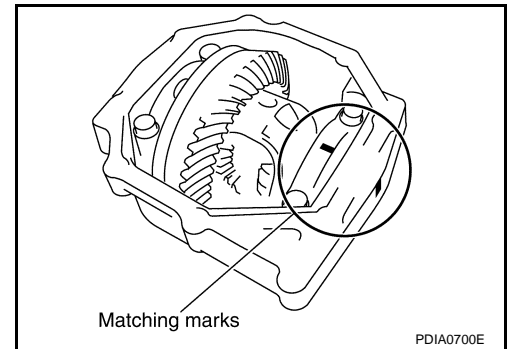
## < DISASSEMBLY AND ASSEMBLY >

## [FRONT FINAL DRIVE: M205]

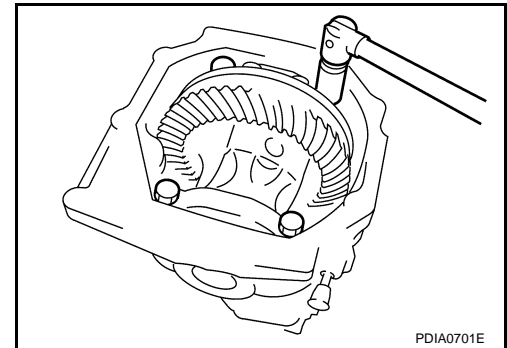
7. For proper reinstallation, paint matching marks on one side of the side bearing cap and gear carrier.

**CAUTION:**

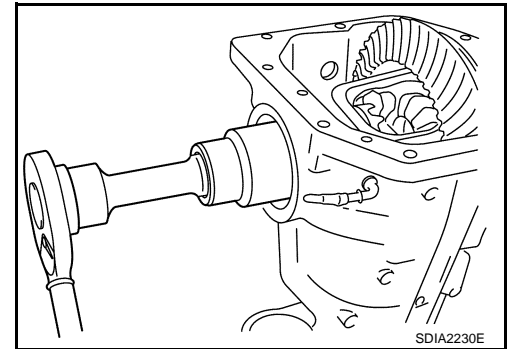
- For matching marks, use paint. Do not damage side bearing cap or gear carrier.
- Side bearing caps are line-board during manufacture. The matching marks are used to reinstall them in their original positions.



8. Remove the side bearing caps.



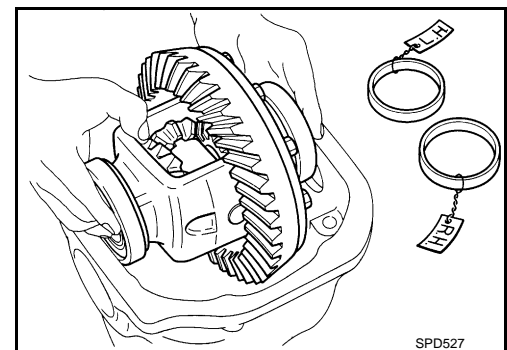
9. Remove the side bearing adjuster.



10. Lift the differential case assembly out of the gear carrier.

**CAUTION:**

Keep side bearing outer races together with side bearing inner races. Do not mix them up.

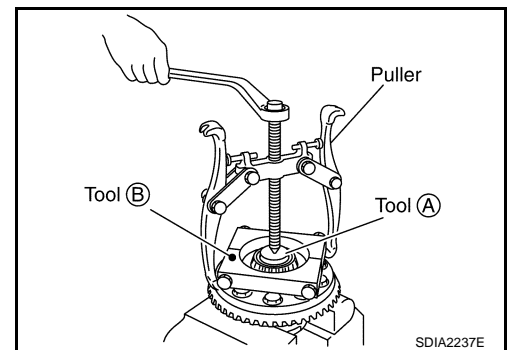


11. Remove side bearing inner race using Tools as shown.

**Tool number**     **A:** ST33081000 ( — )  
                               **B:** ST30021000 ( — )

**CAUTION:**

- Do not remove side bearing inner race unless it is being replaced.
- Place copper plates between the vise and the side bearing inner race and drive gear to prevent damage.
- Engage puller jaws in groove to prevent damage to bearing.



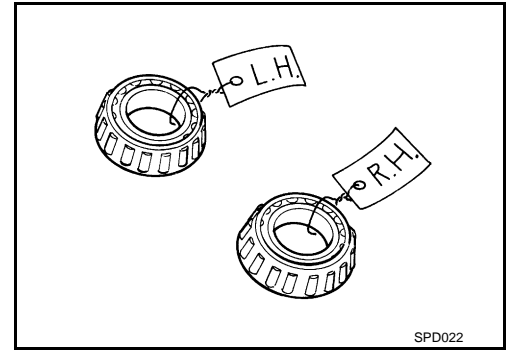
A  
B  
C  
DLN  
E  
F  
G  
H  
I  
J  
K  
L  
M  
N  
O  
P

# FRONT FINAL DRIVE

< DISASSEMBLY AND ASSEMBLY >

[FRONT FINAL DRIVE: M205]

- Keep side bearing outer races together with side bearing inner races. Do not mix them up.



12. For proper reinstallation, paint matching marks on the differential case and drive gear.

**CAUTION:**

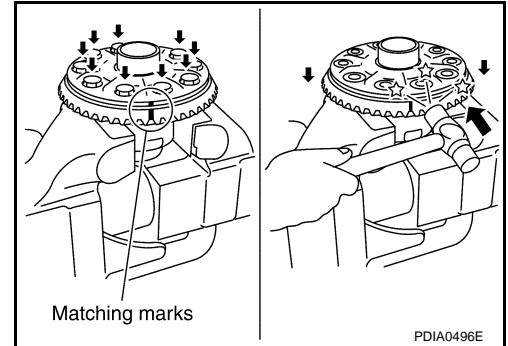
**Use paint for matching marks. Do not damage differential case or drive gear.**

13. Remove the drive gear bolts.

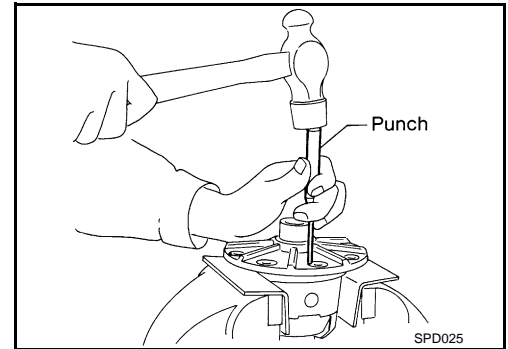
14. Tap the drive gear off the differential case using suitable tool.

**CAUTION:**

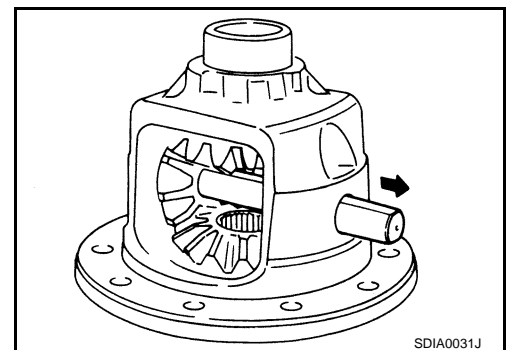
**Tap evenly all around to keep drive gear from bending.**



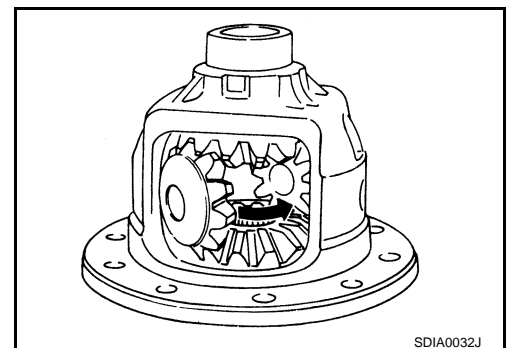
15. Remove the lock pin of the pinion mate shaft from the drive gear side using suitable tool.



16. Remove the pinion mate shaft.



17. Turn the pinion mate gear, then remove the pinion mate gear, pinion mate thrust washer, side gear and side gear thrust washer from the differential case.





# FRONT FINAL DRIVE

< DISASSEMBLY AND ASSEMBLY >

[FRONT FINAL DRIVE: M205]

## Drive Pinion Assembly

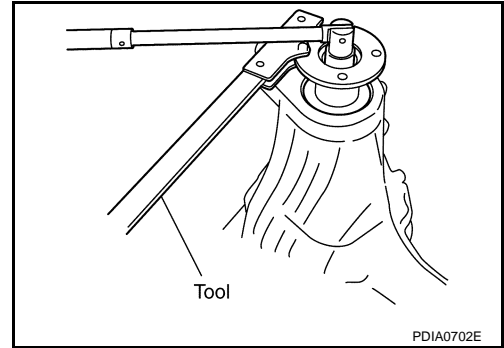
1. Remove the differential assembly. Refer to [DLN-345, "Disassembly and Assembly"](#).
2. Remove the drive pinion lock nut using Tool.

**Tool number** : KV38108300 (J-44195)

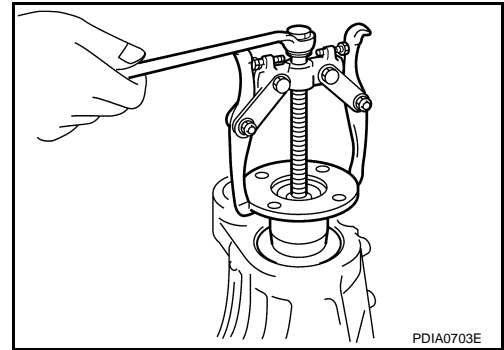
3. Put matching marks on the companion flange and drive pinion using paint.

**CAUTION:**

**Use paint to make the matching marks. Do not damage the companion flange or drive pinion.**



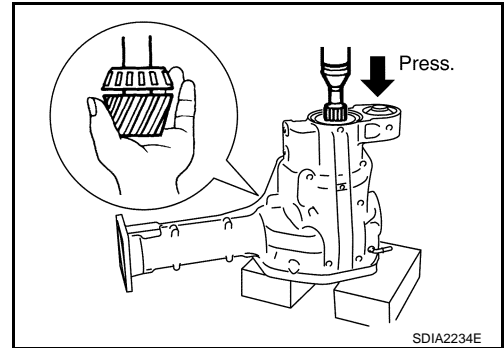
4. Remove the companion flange using suitable tool.



5. Press the drive pinion assembly (with rear inner bearing race and collapsible spacer) out of the gear carrier.

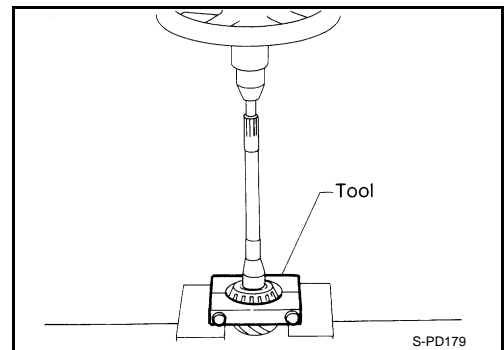
**CAUTION:**

**Do not drop drive pinion assembly.**



6. Remove the drive pinion rear bearing inner race and drive pinion height adjusting washer using Tool.

**Tool number** : ST30021000 ( — )



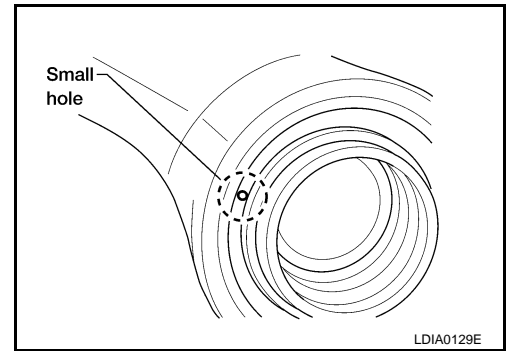
A  
B  
C  
DLN  
E  
F  
G  
H  
I  
J  
K  
L  
M  
N  
O  
P

# FRONT FINAL DRIVE

< DISASSEMBLY AND ASSEMBLY >

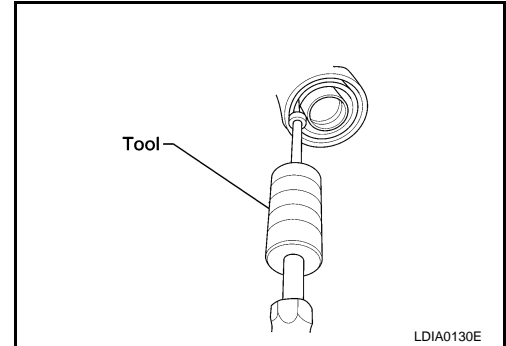
[FRONT FINAL DRIVE: M205]

7. Place a small hole in the front oil seal case using suitable tool.



8. Remove the front oil seal using Tool as shown.

**Tool number** : — **SP8P**

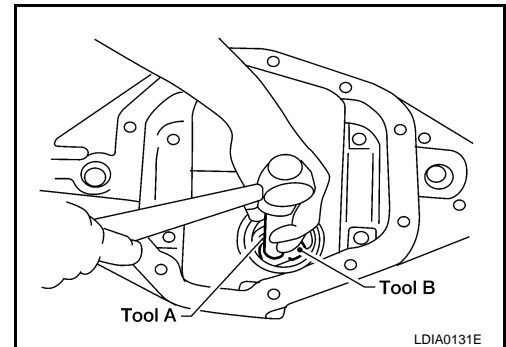


9. Remove the drive pinion front bearing inner race.

10. Remove the drive pinion front bearing outer race using Tool as shown. Locate the driver on the back edge of the drive pinion front bearing outer race, then drive the drive pinion front bearing outer race out.

**Tool number**    **A:** —    **C-4171**  
                          **B:** —    **D-103**

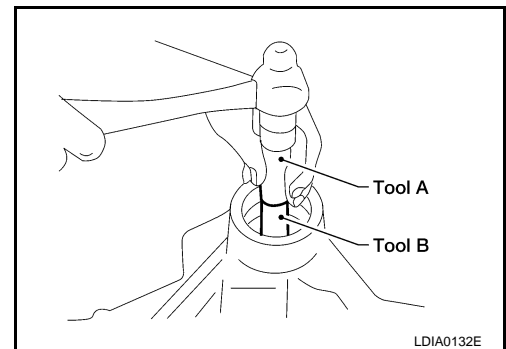
**CAUTION:**  
**Do not damage gear carrier.**



11. Remove the drive pinion rear bearing outer race using Tool as shown. Locate the driver on the back edge of the drive pinion rear bearing outer race, then drive the drive pinion rear bearing outer race out.

**Tool number**    **A:** —    **C-4171**  
                          **B:** —    **C-4307**

**CAUTION:**  
**Do not damage gear carrier.**



## INSPECTION AFTER DISASSEMBLY

Clean the disassembled parts. Then inspect the parts for wear or damage. If wear or damage are found, follow the measures below.

### Drive Pinion and Drive Gear

- If the drive pinion and drive gear teeth do not mesh or line-up correctly, determine the cause and adjust, repair, or replace as necessary.
- If the drive pinion or drive gear are worn, cracked, damaged, pitted or chipped (by friction) noticeably, replace with new drive pinion and drive gear.

# FRONT FINAL DRIVE

## < DISASSEMBLY AND ASSEMBLY >

[FRONT FINAL DRIVE: M205]

- Drive pinion and drive gear are supplied in matched sets only. Matching numbers on both drive pinion and drive gear are etched for verification. If a new drive pinion and drive gear set are being used, verify the numbers of each drive pinion and drive gear before proceeding with assembly.

### Bearing

- If bearings are chipped (by friction), pitted, worn, rusted, scratched, or unusual noise is coming from bearing, replace with new bearing assembly (as a new set).
- Bearing must be replaced with a new one whenever disassembled.

### Side Gear and Pinion Mate Gear

- If any cracks or damage are found on the surface of the teeth, replace with new one.
- If any worn or chipped marks are found on the side of the side gear and pinion mate gear which contact the thrust washer, replace with new one.
- Replace both side gear and pinion mate gear as a set when replacing side gear or pinion mate gear.

### Side Gear Thrust Washer and Pinion Mate Thrust Washer

- If any chips (by friction), damage, or unusual wear are found, replace with new one.

### Gear Carrier

- If any wear or cracks are found on the contact sides of gear carrier, replace with new one.

### Companion Flange

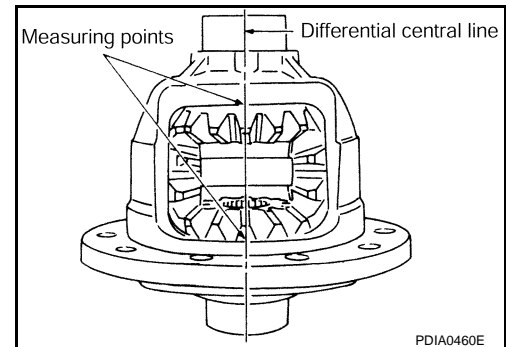
- If any chips (about 0.1mm, 0.004 in) or other damage on the companion flange surface which contacts the front oil seal lips are found, replace with new one.

## ADJUSTING AND SELECTING WASHERS

### Side Gear Back Clearance

- Assemble the differential parts if they are disassembled. Refer to [DLN-345, "Disassembly and Assembly"](#)

1. Place the differential case straight up so that the side gear to be measured is upward.



# FRONT FINAL DRIVE

< DISASSEMBLY AND ASSEMBLY >

[FRONT FINAL DRIVE: M205]

2. Using feeler gauges, measure the clearance between the side gear back and differential case at three different points, while rotating the side gear. Average the three readings to calculate the clearance. (Measure the clearance of the other side as well.)

**Side gear back clearance: 0.20 mm (0.0079 in) or less**

- If the side gear back clearance is outside of the specification, use a thicker or thinner side gear thrust washer to adjust. Refer to [DLN-395, "Inspection and Adjustment"](#).

**If the side gear back clearance is greater than specification:**

**Use a thicker side gear thrust washer.**

**If the side gear back clearance is less than specification:**

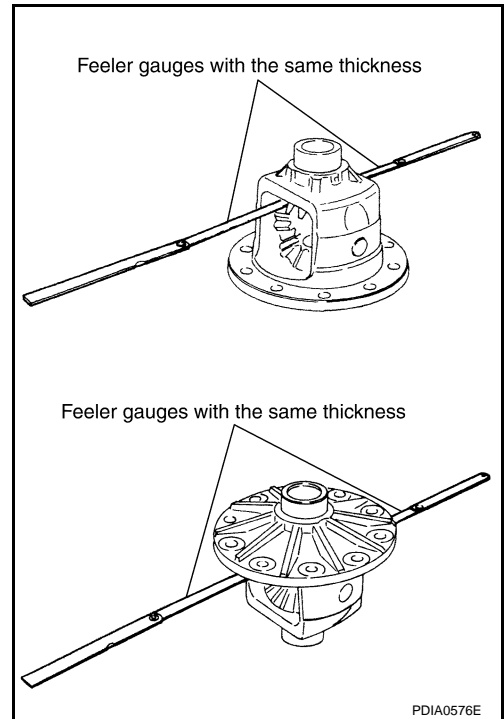
**Use a thinner side gear thrust washer.**

**CAUTION:**

- Insert feeler gauges with the same thickness on both sides to prevent side gear from tilting.
- Each gear should rotate smoothly without excessive resistance during differential motion.
- Select a side gear thrust washer for right and left individually.

**NOTE:**

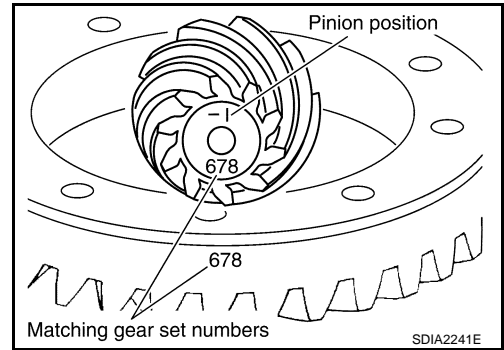
Side gear back clearance is clearance between side gear and differential case for adjusting side gear backlash.



PDIA0576E

**Drive Pinion Height**

- Drive gear and drive pinion are supplied in matched sets only. Matching numbers on both drive pinion and drive gear are etched for verification. If a new gear set is being used, verify the numbers of each drive pinion and drive gear before proceeding with assembly.



- The mounting distance from the centerline of the drive gear to the back face of the drive pinion for the M205 final drive assembly is 103.5 mm (4.0748 inches).

On the button end of each drive pinion, there is etched a plus (+) number, a minus (-) number, or a zero (0), which indicates the best running position for each particular gear set. This dimension is controlled by a selective drive pinion height adjusting washer between the drive pinion rear bearing inner race and drive pinion.

For example: If a drive pinion is etched m+8 (+3), it would require 0.08 mm (0.003 inch) less drive pinion height adjusting washer than a drive pinion etched "0". This means decreasing drive pinion height adjusting washer thickness; increases the mounting distance of the drive pinion to 103.6 mm (4.0778 inches). If a drive pinion is etched m-8 (-3), it would require adding 0.08mm (0.003 inch) more to the drive pinion height adjusting washer than would be required if the drive pinion were etched "0". By adding 0.08 mm (0.003 inch), the mounting distance of the drive pinion was decreased to 103.4 mm (4.0718 inches) which is just what a m-8 (-3) etching indicated.

- To change the drive pinion height, use different drive pinion height adjusting washers which come in different thickness.
- Use the following tables as a guide for selecting the correct drive pinion height adjusting washer thickness to add or subtract from the old drive pinion height adjusting washer.

# FRONT FINAL DRIVE

< DISASSEMBLY AND ASSEMBLY >

[FRONT FINAL DRIVE: M205]

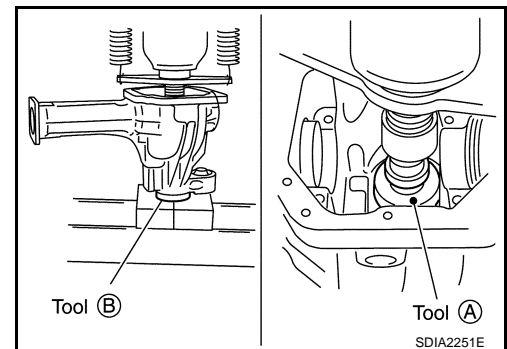
OLD DRIVE PINION MARKING	NEW DRIVE PINION MARKING mm (in)								
	-10 (-4)	-8 (-3)	-5 (-2)	-3 (-1)	0 (0)	+3 (+1)	+5 (+2)	+8 (+3)	+10 (+4)
+10 (+4)	+0.20 (+0.008)	+0.18 (+0.007)	+0.15 (+0.006)	+0.13 (+0.005)	+0.10 (+0.004)	+0.08 (+0.003)	+0.05 (+0.002)	+0.02 (+0.001)	0 (0)
+8 (+3)	+0.18 (+0.007)	+0.15 (+0.006)	+0.13 (+0.005)	+0.10 (+0.004)	+0.08 (+0.003)	+0.05 (+0.002)	+0.02 (+0.001)	0 (0)	-0.02 (-0.001)
+5 (+2)	+0.15 (+0.006)	+0.13 (+0.005)	+0.10 (+0.004)	+0.08 (+0.003)	+0.05 (+0.002)	+0.02 (+0.001)	0 (0)	-0.02 (-0.001)	-0.05 (-0.002)
+3 (+1)	+0.13 (+0.005)	+0.10 (+0.004)	+0.08 (+0.003)	+0.05 (+0.002)	+0.02 (+0.001)	0 (0)	-0.02 (-0.001)	-0.05 (-0.002)	-0.08 (-0.003)
0 (0)	+0.10 (+0.004)	+0.08 (+0.003)	+0.05 (+0.002)	+0.02 (+0.001)	0 (0)	-0.02 (-0.001)	-0.05 (-0.002)	-0.08 (-0.003)	-0.10 (-0.004)
-3 (-1)	+0.08 (+0.003)	+0.05 (+0.002)	+0.02 (+0.001)	0 (0)	-0.02 (-0.001)	-0.05 (-0.002)	-0.08 (-0.003)	-0.10 (-0.004)	-0.13 (-0.005)
-5 (-2)	+0.05 (+0.002)	+0.02 (+0.001)	0 (0)	-0.02 (-0.001)	-0.05 (-0.002)	-0.08 (-0.003)	-0.10 (-0.004)	-0.13 (-0.005)	-0.15 (-0.006)
-8 (-3)	+0.02 (+0.001)	0 (0)	-0.02 (-0.001)	-0.05 (-0.002)	-0.08 (-0.003)	-0.10 (-0.004)	-0.13 (-0.005)	-0.15 (-0.006)	-0.18 (-0.007)
-10 (-4)	0 (0)	-0.02 (-0.001)	-0.05 (-0.002)	-0.08 (-0.003)	-0.10 (-0.004)	-0.13 (-0.005)	-0.15 (-0.006)	-0.18 (-0.007)	-0.20 (-0.008)

## ASSEMBLY

### Drive Pinion Assembly

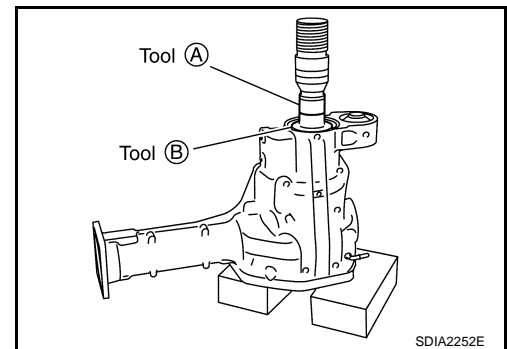
1. Install drive pinion rear bearing outer race using Tools.

**Tool number**    **A: ST30901000 ( — )**  
                           **B: KV40105230 ( — )**



2. Install drive pinion front bearing outer race using Tools.

**Tool number**    **A: ST35271000 ( — )**  
                           **B: KV40104810 ( — )**



3. Select drive pinion height adjusting washer. Refer to [DLN-364, "Inspection and Adjustment"](#).

# FRONT FINAL DRIVE

## < DISASSEMBLY AND ASSEMBLY >

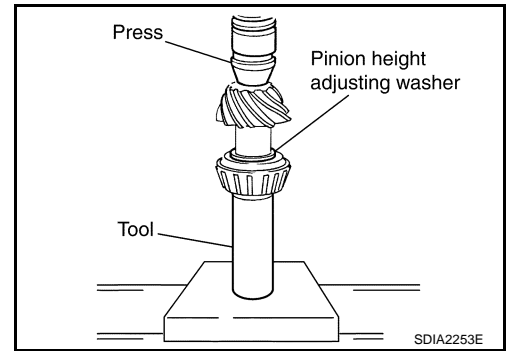
## [FRONT FINAL DRIVE: M205]

4. Install the selected drive pinion height adjusting washer to the drive pinion. Press the drive pinion rear bearing inner race to it using Tool.

**Tool number** : — C-4040

**CAUTION:**

**Do not reuse drive pinion rear bearing inner race.**



5. Install the collapsible spacer to the drive pinion.

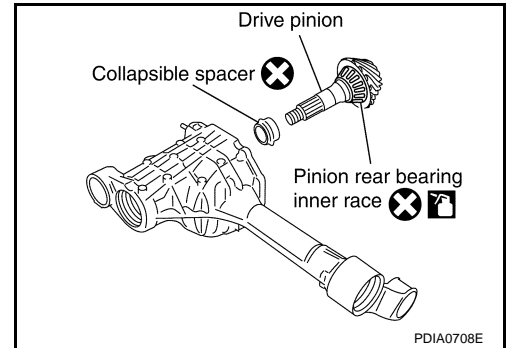
**CAUTION:**

**Do not reuse collapsible spacer.**

6. Apply differential gear oil to the drive pinion rear bearing, and install the drive pinion assembly to the gear carrier.
7. Apply differential gear oil to the drive pinion front bearing, and install the drive pinion front bearing inner race to the drive pinion assembly.

**CAUTION:**

**Do not reuse drive pinion front bearing inner race.**



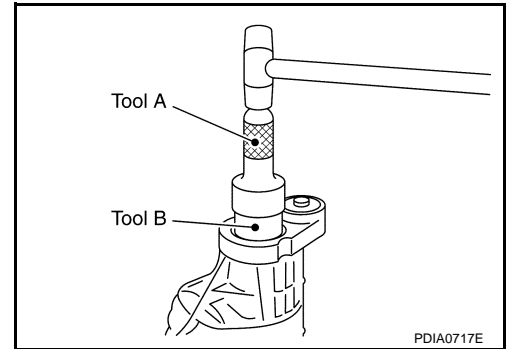
8. Apply multi-purpose grease to the lips of the new front oil seal. Then drive the new front oil seal in evenly using Tools.

**Tool number** A: KV38100500 (J-25273)

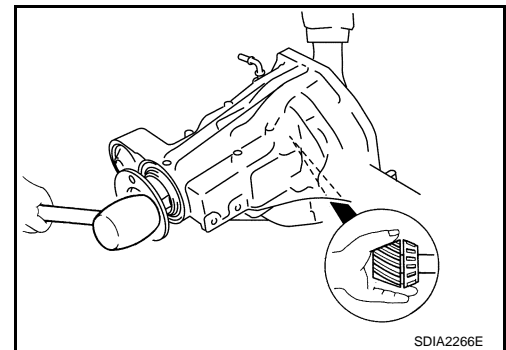
B: KV38102200 ( — )

**CAUTION:**

- Do not reuse front oil seal.
- Do not incline the new front oil seal when installing.
- Apply multi-purpose grease to the lips of the new front oil seal.



9. Install the companion flange to the drive pinion while aligning the matching marks. Tap the companion flange until fully seated using suitable tool.



# FRONT FINAL DRIVE

< DISASSEMBLY AND ASSEMBLY >

[FRONT FINAL DRIVE: M205]

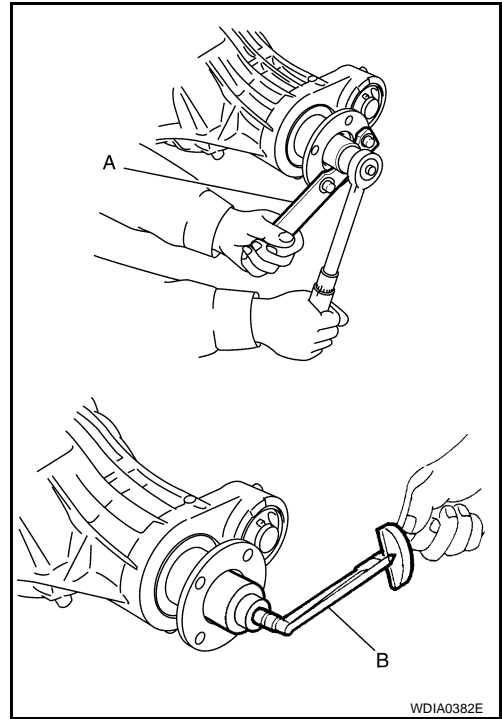
10. Apply anti-corrosive oil to the threads of the drive pinion and the seating surface of the new drive pinion lock nut. Then adjust the drive pinion lock nut tightening torque using Tool A, and check the drive pinion bearing preload torque using Tool B.

**Tool number**    **A: KV38108300 (J-44195)**  
                         **B: ST3127S000 (J-25765-A)**

**Drive pinion bearing preload torque:**  
**2.3 - 3.4 N·m (24 - 34 kg·cm, 21 - 30 in·lb)**

**CAUTION:**

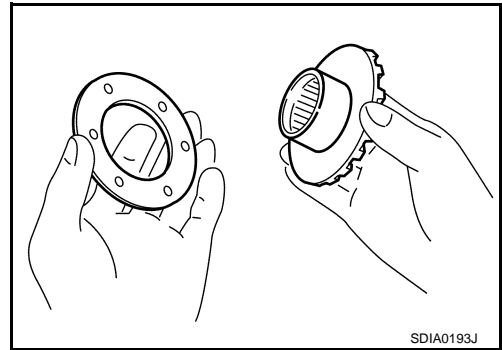
- Do not reuse drive pinion lock nut.
- Apply anti-corrosive oil to the threads of the drive pinion and the seating surface of the new drive pinion lock nut.
- Adjust the drive pinion lock nut tightening torque to the lower limit first. Do not exceed the drive pinion lock nut specified torque. Refer to [DLN-345, "Disassembly and Assembly"](#).
- If the drive pinion bearing preload torque exceeds the specified value, replace collapsible spacer and tighten it again to adjust. Do not loosen drive pinion lock nut to adjust the drive pinion bearing preload torque.
- After adjustment, rotate drive pinion back and forth 2 to 3 times to check for unusual noise, rotation malfunction, and other malfunctions.



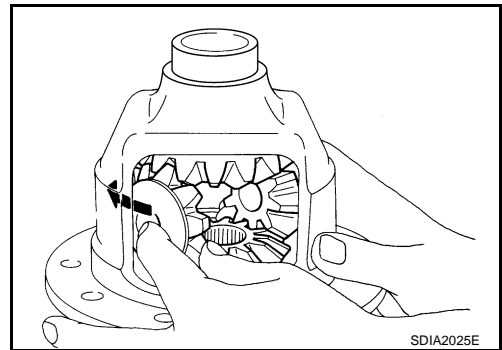
11. Check companion flange runout. Refer to [DLN-364, "Inspection and Adjustment"](#).  
12. Install the differential case assembly. Refer to [DLN-345, "Disassembly and Assembly"](#).

Differential Assembly

1. Install side gear thrust washers with the same thickness as the ones installed prior to disassembly, or reinstall the old ones on the side gears.



2. Install the side gears and side gear thrust washers into the differential case.  
3. Install the pinion mate thrust washers to the two pinion mate gears. Then install the pinion mate gears with the pinion mate thrust washers by aligning them in diagonally opposite positions and rotating them into the differential case.



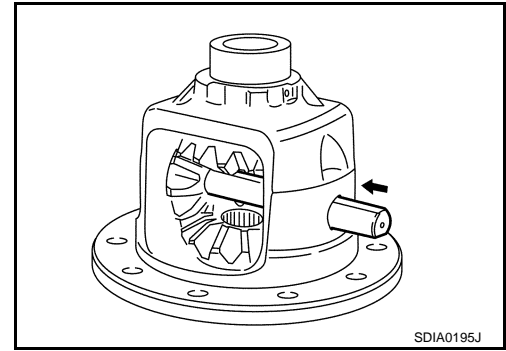
A  
B  
C  
DLN  
E  
F  
G  
H  
I  
J  
K  
L  
M  
N  
O  
P

# FRONT FINAL DRIVE

## < DISASSEMBLY AND ASSEMBLY >

[FRONT FINAL DRIVE: M205]

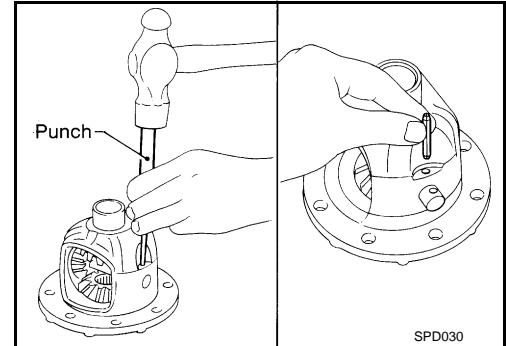
4. Install the pinion mate shaft and align the lock pin hole on the pinion mate shaft with the lock pin hole on the differential case.
5. Measure the side gear end play. If necessary, select the appropriate side gear thrust washers. Refer to [DLN-364, "Inspection and Adjustment"](#).



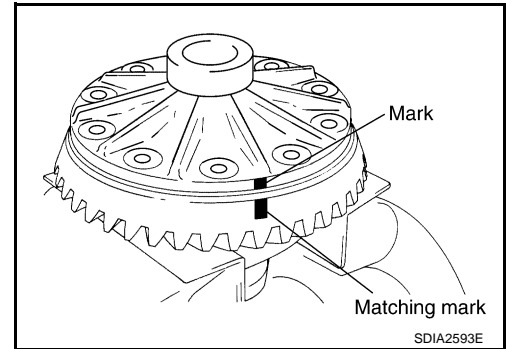
6. Drive a new lock pin into the pinion mate shaft until it is flush with the differential case using suitable tool.

**CAUTION:**

**Do not reuse lock pin.**



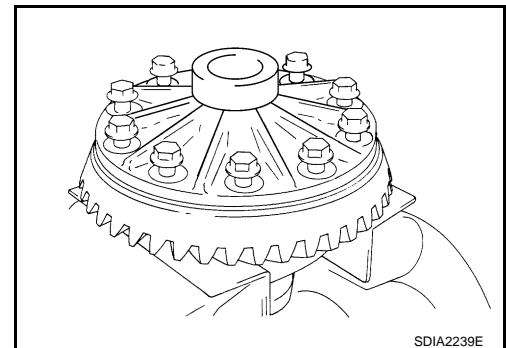
7. Align the matching mark of the differential case with the mark of the drive gear, then place the drive gear onto the differential case.



8. Install and tighten the new drive gear bolts to the specified torque. Refer to [DLN-345, "Disassembly and Assembly"](#).

**CAUTION:**

- Make sure the drive gear back and threaded holes are clean.
- Do not reuse drive gear bolts.
- Tighten new drive gear bolts in a crisscross pattern.



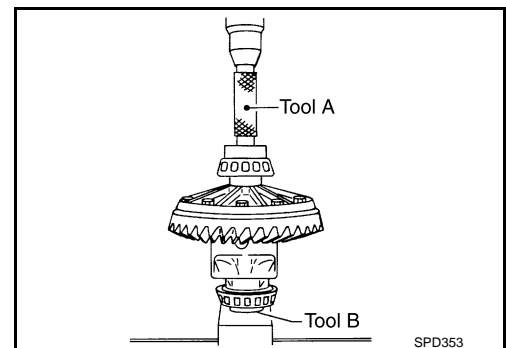
9. Press the new side bearing inner races to the differential case using Tools.

**Tool number**     **A: KV38100300 (J-25523)**

**B: ST33081000 ( — )**

**CAUTION:**

**Do not reuse side bearing inner races.**





# FRONT FINAL DRIVE

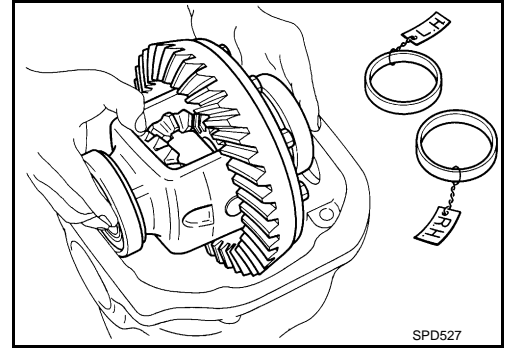
< DISASSEMBLY AND ASSEMBLY >

[FRONT FINAL DRIVE: M205]

10. Install side bearing adjusters into gear carrier.
11. Apply differential gear oil to the side bearings, and install the differential case assembly with the side bearing outer races into the gear carrier.

**CAUTION:**

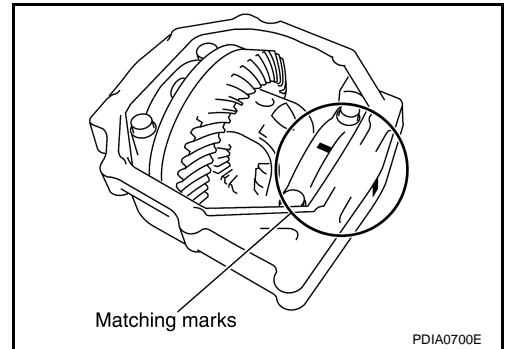
Do not reuse side bearing outer race when replacing side bearing inner race (replace as a set).



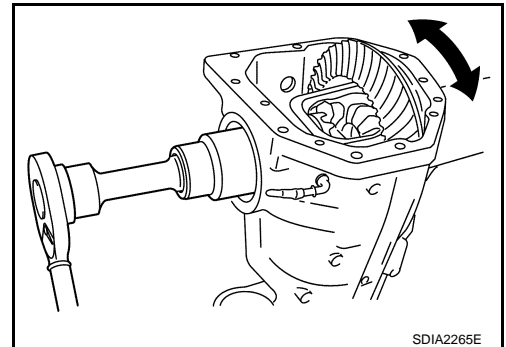
12. Install the side bearing caps with the matching marks aligned.

**NOTE:**

Do not tighten at this step. This allows further tightening of side bearing adjusters.



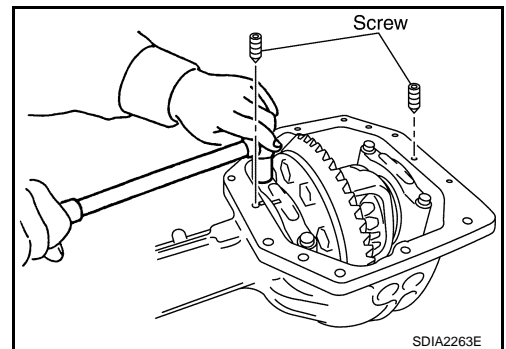
13. Tighten each side bearing adjuster alternately turning drive gear.



14. Check and adjust tooth contact, backlash, drive gear runout and total preload torque. Refer to [DLN-364, "Inspection and Adjustment"](#).

Recheck above items.

- After adjusting tooth contact and backlash secure side bearing adjuster with screws and tighten side bearing cap bolt to the specified torque. Refer to [DLN-345, "Disassembly and Assembly"](#).



15. Apply multi-purpose grease to the lips of the new side oil seal. Then drive the new side oil seal in evenly to the gear carrier using suitable tool.

**CAUTION:**

- Do not reuse side oil seal.
- Do not incline the new side oil seal when installing.
- Apply multi-purpose grease to the lips of the new side oil seal.

A  
B  
C  
DLN  
E  
F  
G  
H  
I  
J  
K  
L  
M  
N  
O  
P

## FRONT FINAL DRIVE

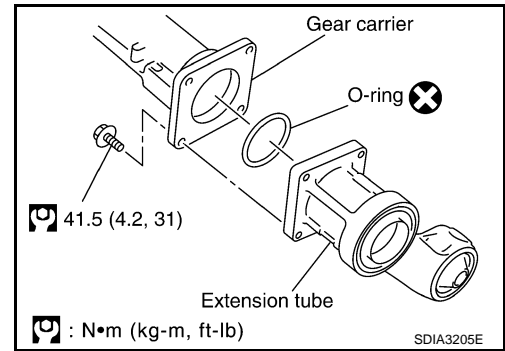
### < DISASSEMBLY AND ASSEMBLY >

[FRONT FINAL DRIVE: M205]

16. Install the extension tube with a new O-ring.

**CAUTION:**

- Do not reuse O-ring.
- If the extension tube is being replaced, install a new axle shaft bearing.



17. Apply 3 mm (0.12 in) bead of sealant to the mating surface of the carrier cover as shown.

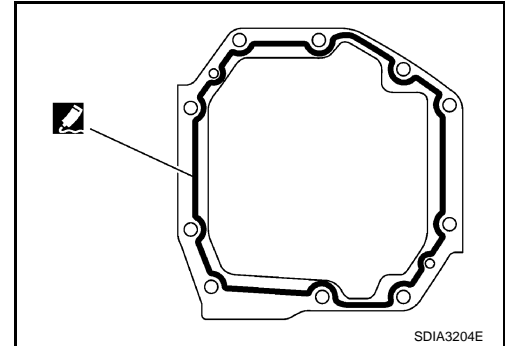
- Use Genuine Silicone RTV or equivalent. Refer to [GI-26, "Recommended Chemical Products and Sealants"](#).

**CAUTION:**

**Remove any old sealant adhering to the mating surfaces. Also remove any moisture, oil, or foreign material adhering to the application and mating surfaces.**

18. Install the carrier cover to the gear carrier. Tighten the bolts to the specified torque. Refer to [DLN-345, "Disassembly and Assembly"](#).

19. Install side shaft and side flange.



# SERVICE DATA AND SPECIFICATIONS (SDS)

< SERVICE DATA AND SPECIFICATIONS (SDS)

[FRONT FINAL DRIVE: M205]

## SERVICE DATA AND SPECIFICATIONS (SDS)

### SERVICE DATA AND SPECIFICATIONS (SDS)

#### General Specification

INFOID:0000000003937449

Applied model	VK56DE
Final drive model	M205
Gear ratio	2.937
Number of teeth (Drive gear/Drive pinion)	47/16
Differential gear oil capacity (Approx.)	1.6 ℓ (3 3/8 US pt, 2 7/8 Imp pt)
Number of pinion gears	2
Drive pinion adjustment spacer type	Collapsible

#### Inspection and Adjustment

INFOID:0000000003937450

##### DRIVE GEAR RUNOUT

Unit: mm (in)

Item	Runout limit
Drive gear back face	0.08 (0.0031) or less

##### SIDE GEAR CLEARANCE

Unit: mm (in)

Item	Specification
Side gear back clearance (Clearance between side gear and differential case for adjusting side gear backlash)	0.20 (0.0079) or less (Each gear should rotate smoothly without excessive resistance during differential motion.)

##### PRELOAD TORQUE

Unit: N·m (kg·m, in·lb)

Item	Specification
Drive pinion bearing preload torque	2.3 - 3.4 (0.23 - 0.35, 21 - 31)
Total preload torque (Total preload torque = drive pinion bearing preload torque + side bearing preload torque).	2.98 - 4.76 (0.31 - 0.48, 27 - 42)

##### BACKLASH

Unit: mm (in)

Item	Specification
Drive gear to drive pinion backlash	0.13 - 0.18 (0.0051 - 0.0071)

##### COMPANION FLANGE RUNOUT

Unit: mm (in)

Item	Runout limit
Companion flange face	0.10 (0.0039) or less
Companion flange inner side	0.13 (0.0051) or less

##### SELECTIVE PARTS

Drive Pinion Height Adjusting Washer

# SERVICE DATA AND SPECIFICATIONS (SDS)

< SERVICE DATA AND SPECIFICATIONS (SDS)

[FRONT FINAL DRIVE: M205]

Unit: mm (in)

Thickness	Package part number*
1.22 (0.048) 1.24 (0.049) 1.27 (0.050) 1.30 (0.051) 1.32 (0.052)	38154 8S111
1.35 (0.053) 1.37 (0.054) 1.40 (0.055) 1.42 (0.056) 1.45 (0.057)	38154 8S112
1.47 (0.058) 1.50 (0.059) 1.52 (0.060) 1.55 (0.061) 1.57 (0.062)	38154 8S113
1.60 (0.063) 1.63 (0.064) 1.65 (0.065) 1.68 (0.066) 1.70 (0.067)	38154 8S114
1.73 (0.068) 1.75 (0.069) 1.78 (0.070) 1.80 (0.071) 1.83 (0.072)	38154 8S115

\*Always check with the Parts Department for the latest parts information.

## Side Gear Thrust Washer

Unit: mm (in)

Thickness	Package part number*
0.76 (0.030) 0.79 (0.031) 0.81 (0.032) 0.84 (0.033) 0.87 (0.034)	38424 8S111
0.89 (0.035) 0.91 (0.036) 0.94 (0.037) 0.97 (0.038) 0.99 (0.039)	38424 8S112

\*: Always check with the Parts Department for the latest parts information.

# PRECAUTION

## PRECAUTIONS

### Precaution for Servicing Rear Final Drive

INFOID:000000003937451

- Before starting diagnosis of the vehicle, understand the symptoms well. Perform correct and systematic operations.
- Check for the correct installation status prior to removal or disassembly. When matching marks are required, be certain they do not interfere with the function of the parts they are applied to.
- Overhaul should be done in a clean work area, a dust proof area is recommended.
- Before disassembly, completely remove sand and mud from the exterior of the unit, preventing them from entering into the unit during disassembly or assembly.
- Always use shop paper for cleaning the inside of components.
- Avoid using cotton gloves or a shop cloth to prevent the entering of lint.
- Check appearance of the disassembled parts for damage, deformation, and abnormal wear. Replace them with new ones if necessary.
- Gaskets, seals and O-rings should be replaced any time the unit is disassembled.
- Clean and flush the parts sufficiently and blow them dry.
- Be careful not to damage sliding surfaces and mating surfaces.
- When applying sealant, remove the old sealant from the mating surface; then remove any moisture, oil, and foreign materials from the application and mating surfaces.
- In principle, tighten nuts or bolts gradually in several steps working diagonally from inside to outside. If a tightening sequence is specified, observe it.
- During assembly, observe the specified tightening torque.
- Add new differential gear oil, petroleum jelly, or multi-purpose grease, as specified.

A  
B  
C  
DLN  
E  
F  
G  
H  
I  
J  
K  
L  
M  
N  
O  
P



# PREPARATION

< PREPARATION >

[REAR FINAL DRIVE: R200]

## PREPARATION

### PREPARATION

#### Special Service Tool

INFOID:000000003937452

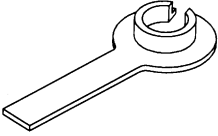
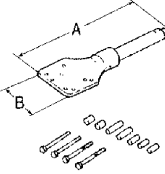
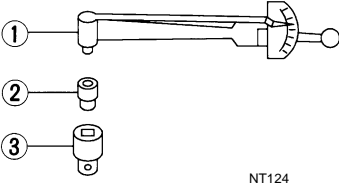
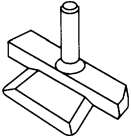
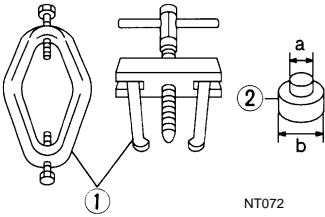
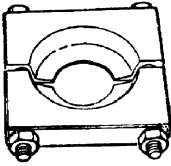
The actual shapes of Kent-Moore tools may differ from those of special service tools illustrated here.

Tool number (Kent-Moore No.) Tool name	Description
KV40104000 ( — ) Flange wrench	Removing and installing drive pinion lock nut <b>a: 85 mm (3.35 in) dia.</b> <b>b: 65 mm (2.56 in) dia.</b>
KV381054S0 (J-34286) Puller	Removing front oil seal
ST30720000 (J-25405) Drift	<ul style="list-style-type: none"> <li>Installing front oil seal</li> <li>Installing drive pinion rear bearing outer race</li> </ul> <b>a: 77 mm (3.03 in) dia.</b> <b>b: 55.5 mm (2.185 in) dia.</b>
ST36230000 (J-25840-A) Sliding hammer	Removing side flange
KV40104100 ( — ) Attachment	Removing side flange
KV38100200 (J-26233) Drift	Installing side oil seal <b>a: 65 mm (2.56 in) dia.</b> <b>b: 49 mm (1.93 in) dia.</b>

# PREPARATION

< PREPARATION >

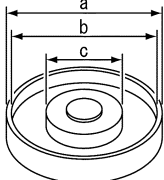
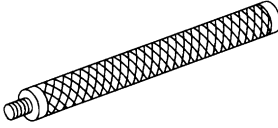
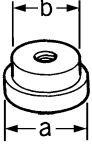
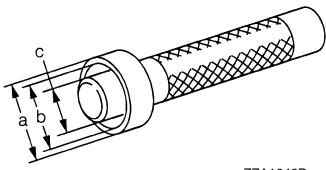
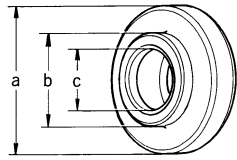

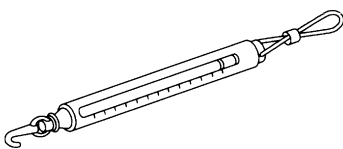
[REAR FINAL DRIVE: R200]

Tool number (Kent-Moore No.) Tool name	Description	
KV38107900 (J-39352) Protector	 <p style="text-align: center;">S-NT129</p>	A B C
KV38100800 (J-25604-01) Attachment	 <p style="text-align: center;">SDIA0267E</p>	DLN E F
ST3127S000 (J-25765-A) Preload gauge 1: GG91030000 (J-25765) Torque wrench 2: HT62940000 ( — ) Socket adapter (1/2") 3: HT62900000 ( — ) Socket adapter (3/8")	 <p style="text-align: center;">NT124</p>	G H I
KV10111100 (J-37228) Seal cutter	 <p style="text-align: center;">S-NT046</p>	J K
ST3306S001 ( — ) Differential side bearing puller set 1: ST33051001 (J-22888-20) Puller 2: ST33061000 (J-8107-2) Base	 <p style="text-align: center;">NT072</p>	L M N
ST30031000 (J-22912-01) Puller	 <p style="text-align: center;">ZZA0700D</p>	O P

# PREPARATION

< PREPARATION >

[REAR FINAL DRIVE: R200]


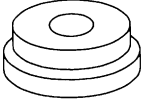
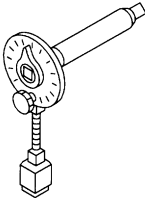
Tool number (Kent-Moore No.) Tool name		Description
KV40105230 ( — ) Drift	 <p style="text-align: right; font-size: small;">PDIA0591E</p>	Installing drive pinion rear bearing outer race <b>a: 92 mm (3.62 in) dia.</b> <b>b: 86 mm (3.39 in) dia.</b> <b>c: 45 mm (1.77 in) dia.</b>
ST30611000 (J-25742-1) Drift bar	 <p style="text-align: right; font-size: small;">S-NT090</p>	Installing drive pinion front bearing outer race (Use with ST30613000)
ST30613000 (J-25742-3) Drift	 <p style="text-align: right; font-size: small;">ZZA1000D</p>	Installing drive pinion front bearing outer race <b>a: 72 mm (2.83 in) dia.</b> <b>b: 48 mm (1.89 in) dia.</b>
KV38100300 (J-25523) Drift	 <p style="text-align: right; font-size: small;">ZZA1046D</p>	Installing side bearing inner race <b>a: 54 mm (2.13 in) dia.</b> <b>b: 46 mm (1.81 in) dia.</b> <b>c: 32 mm (1.26 in) dia.</b>
ST30901000 (J-26010-01) Drift	 <p style="text-align: right; font-size: small;">ZZA0978D</p>	Installing drive pinion rear bearing inner race <b>a: 79 mm (3.11 in) dia.</b> <b>b: 45 mm (1.77 in) dia.</b> <b>c: 35.2 mm (1.386 in) dia.</b>
HT72400000 ( — ) Slide hammer	 <p style="text-align: right; font-size: small;">S-NT125</p>	Removing differential case assembly
— (J-8129) Spring gauge	 <p style="text-align: right; font-size: small;">NT127</p>	Measuring turning torque



# PREPARATION

< PREPARATION >

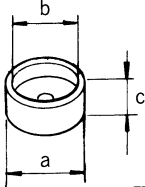
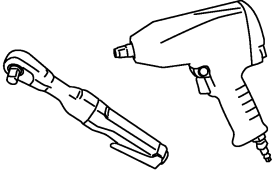
[REAR FINAL DRIVE: R200]

Tool number (Kent-Moore No.) Tool name		Description
— (J-34309) Differential shim selector tool	 NT134	Adjusting drive pinion bearing preload and drive pinion height
— (J-25269-4) Side bearing disc (2 Req'd)	 NT136	Selecting drive pinion height adjusting washer
KV10112100 (BT-8653-A) Angle wrench	 NT014	Tightening bolts for drive gear

A  
B  
C  
DLN  
E  
F  
G  
H  
I  
J  
K  
L  
M  
N  
O  
P

## Commercial Service Tool

INFOID:000000003937453

Tool name		Description
Spacer	 ZZA1133D	Installing drive pinion front bearing inner race <b>a: 60 mm (2.36 in) dia.</b> <b>b: 36 mm (1.42 in) dia.</b> <b>c: 30 mm (1.18 in)</b>
Power tool	 PBIC0190E	Loosening nuts and bolts

# NOISE, VIBRATION AND HARSHNESS (NVH) TROUBLESHOOTING

< FUNCTION DIAGNOSIS >

[REAR FINAL DRIVE: R200]

## FUNCTION DIAGNOSIS

### NOISE, VIBRATION AND HARSHNESS (NVH) TROUBLESHOOTING

#### NVH Troubleshooting Chart

INFOID:000000003937454

Use the chart below to help you find the cause of the symptom. If necessary, repair or replace these parts.

Symptom	Noise														
Reference page		<a href="#">DLN-413</a>	<a href="#">DLN-413</a>	<a href="#">DLN-413</a>	<a href="#">DLN-413</a>	<a href="#">DLN-432</a>	<a href="#">MA-12</a>	<a href="#">DLN-315, "NVH Troubleshooting Chart"</a> <a href="#">DLN-324, "NVH Troubleshooting Chart"</a>	<a href="#">RAX-4, "NVH Troubleshooting Chart"</a>	<a href="#">RSU-5, "NVH Troubleshooting Chart"</a>	<a href="#">WT-45, "NVH Troubleshooting Chart"</a>	<a href="#">WT-45, "NVH Troubleshooting Chart"</a>	<a href="#">RAX-4, "NVH Troubleshooting Chart"</a>	<a href="#">BR-6, "NVH Troubleshooting Chart"</a>	<a href="#">ST-9, "NVH Troubleshooting Chart"</a>
Possible cause and SUSPECTED PARTS		Gear tooth rough	Gear contact improper	Tooth surfaces worn	Backlash incorrect	Companion flange excessive runout	Gear oil improper	PROPELLER SHAFT	REAR AXLE	REAR SUSPENSION	TIRES	ROAD WHEEL	DRIVE SHAFT	BRAKES	STEERING
		×	×	×	×	×	×	×		×	×	×	×	×	×

×: Applicable

# DESCRIPTION

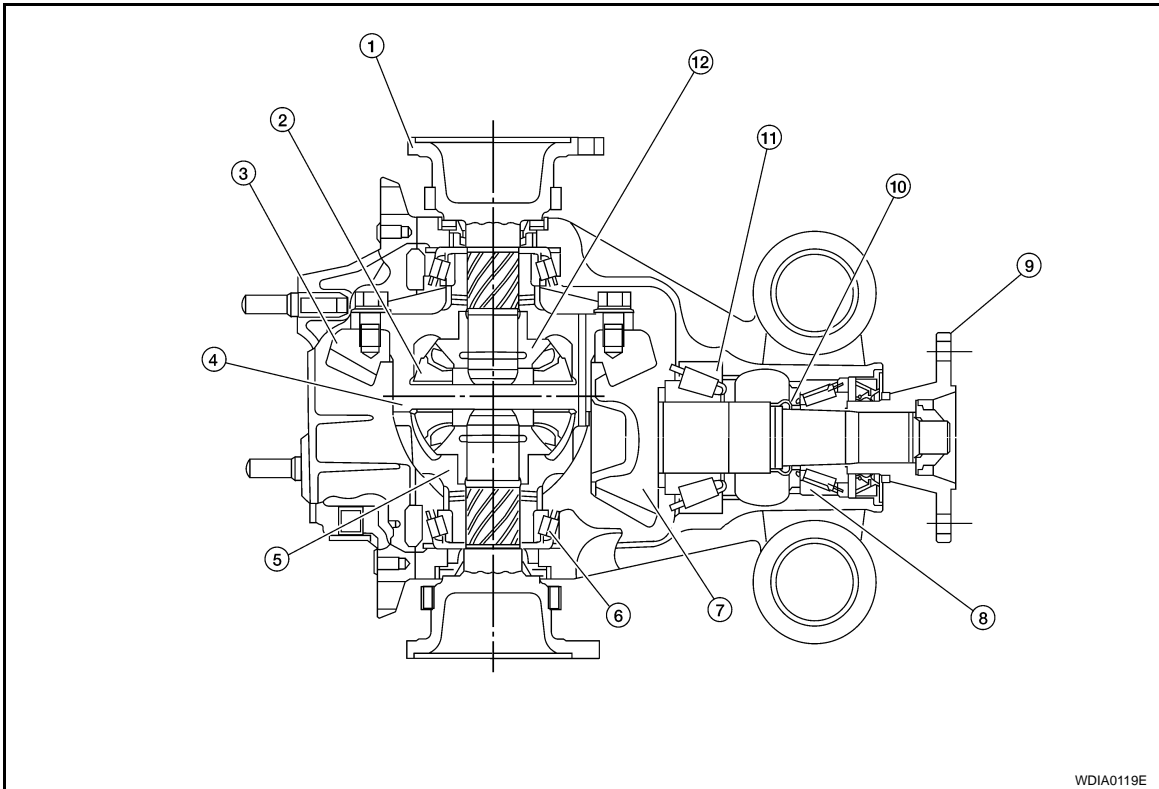
< FUNCTION DIAGNOSIS >

[REAR FINAL DRIVE: R200]

## DESCRIPTION

### Cross-Sectional View

INFOID:000000003937455



WDIA0119E

- |                        |                               |                     |
|------------------------|-------------------------------|---------------------|
| 1. Side flange         | 2. Pinion mate gear           | 3. Drive gear       |
| 4. Pinion mate shaft   | 5. Differential case          | 6. Side bearing     |
| 7. Drive pinion        | 8. Drive pinion front bearing | 9. Companion flange |
| 10. Collapsible spacer | 11. Drive pinion rear bearing | 12. Side gear       |

A

B

C

DLN

E

F

G

H

I

J

K

L

M

N

O

P

## ON-VEHICLE MAINTENANCE

### DIFFERENTIAL GEAR OIL

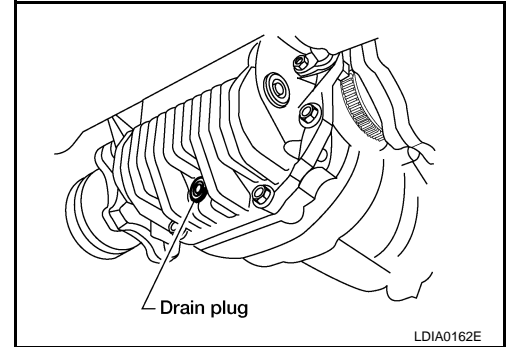
#### Changing Differential Gear Oil

INFOID:000000003937456

#### DRAINING

1. Stop the engine.
2. Remove the drain plug and gasket from the rear final drive assembly to drain the differential gear oil.
3. Install the drain plug with a new gasket to the rear final drive assembly. Tighten to the specified torque. Refer to [DLN-413, "Disassembly and Assembly"](#).

**CAUTION:**  
Do not reuse gasket.



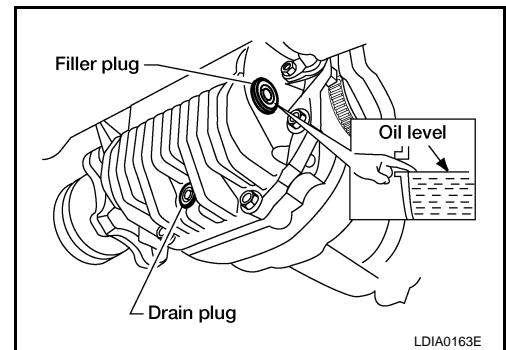
#### FILLING

1. Remove the filler plug and gasket from the rear final drive assembly.
2. Fill the rear final drive assembly with new differential gear oil until the level reaches the specified level near the filler plug hole.

**Differential gear oil grade and capacity** : Refer to [MA-12, "Fluids and Lubricants"](#).

3. Install the filler plug with a new gasket on it to the rear final drive assembly. Tighten to the specified torque. Refer to [DLN-413, "Disassembly and Assembly"](#).

**CAUTION:**  
Do not reuse gasket.



#### Checking Differential Gear Oil

INFOID:000000003937457

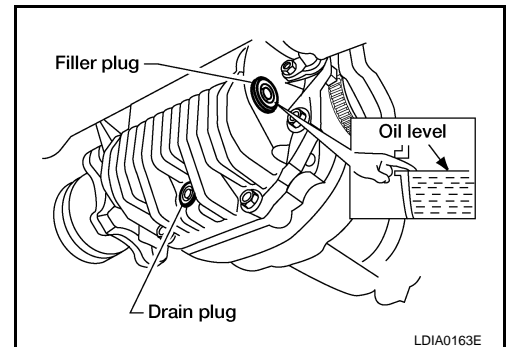
#### OIL LEAKAGE AND OIL LEVEL

1. Make sure that differential gear oil is not leaking from the rear final drive assembly or around it.
2. Check the differential gear oil level from the filler plug hole as shown.

**CAUTION:**  
Do not start engine while checking differential gear oil level.

3. Install the filler plug with a new gasket on it to the rear final drive assembly. Tighten to the specified torque. Refer to [DLN-413, "Disassembly and Assembly"](#).

**CAUTION:**  
Do not reuse gasket.



ON-VEHICLE REPAIR

FRONT OIL SEAL

Removal and Installation

INFOID:000000003937458

REMOVAL

1. Remove the drive shafts from the rear final drive assembly. Refer to [RAX-9, "Removal and Installation"](#).
2. Remove the side flanges and side oil seals. Refer to [DLN-407, "Removal and Installation"](#).
3. Remove the rear propeller shaft. Refer to [DLN-317, "Removal and Installation"](#) (2S1330) or [DLN-326, "Removal and Installation"](#) (2S1350).
4. Measure the total preload torque. Refer to [DLN-413, "Disassembly and Assembly"](#).

**NOTE:**

Record the total preload torque measurement.

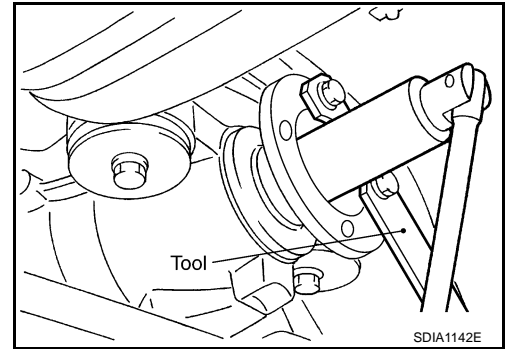
5. Remove the drive pinion lock nut using Tool.

**Tool number** : KV40104000 ( — )

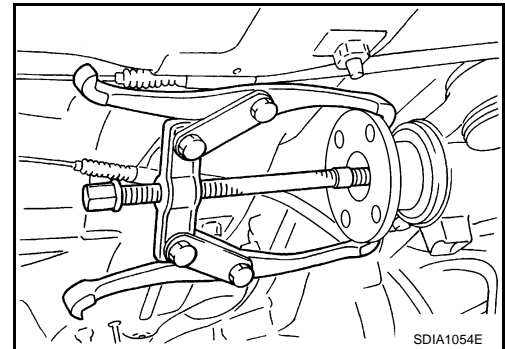
6. Put matching marks on the companion flange and drive pinion using paint.

**CAUTION:**

Use paint to make the matching marks. Do not damage the companion flange or drive pinion.

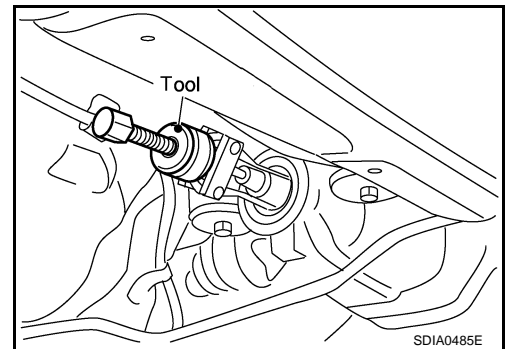


7. Remove the companion flange using suitable tool.



8. Remove the front oil seal using Tool.

**Tool number** : KV381054S0 (J-34286)



INSTALLATION

A  
B  
C  
DLN  
E  
F  
G  
H  
I  
J  
K  
L  
M  
N  
O  
P

# FRONT OIL SEAL

< ON-VEHICLE REPAIR >

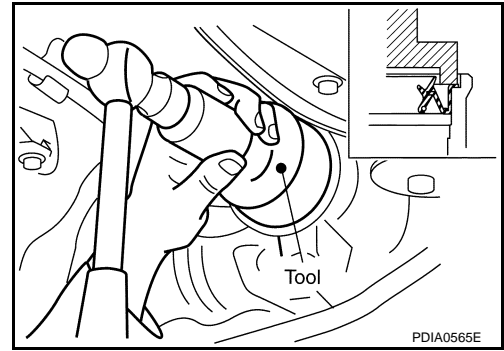
[REAR FINAL DRIVE: R200]

1. Apply multi-purpose grease to the lips and differential gear oil to the circumference of the new front oil seal. Then drive the new front oil seal in evenly until it becomes flush with the gear carrier using Tool.

**Tool number** : ST30720000 (J-25405)

**CAUTION:**

- Do not reuse front oil seal.
- Do not incline the new front oil seal when installing.
- Apply multi-purpose grease to the lips and differential gear oil to the circumference of the new front oil seal.



2. Install the companion flange to the drive pinion while aligning the matching marks.
3. Apply anti-corrosive oil to the threads of the drive pinion and the seating surface of the new drive pinion lock nut. Then adjust the drive pinion lock nut tightening torque using Tool A, and check the total preload torque using Tool B.

**Tool number** A: KV40104000 ( — )

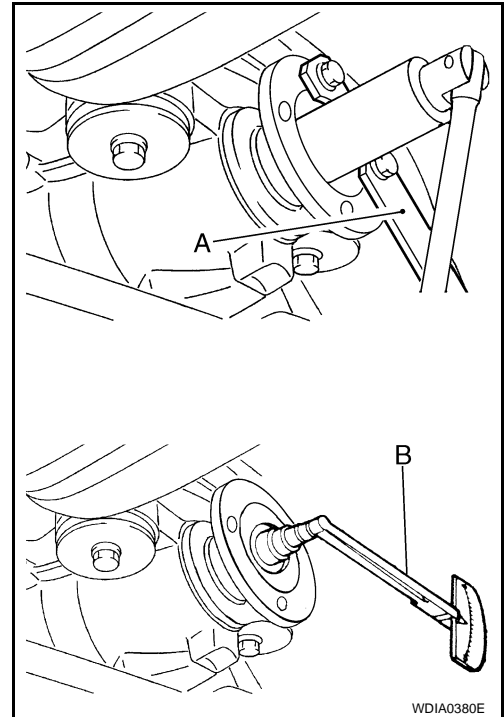
B: ST3127S000 (J-25765-A)

**Total preload torque:** Refer to [DLN-432, "Inspection and Adjustment"](#).

- The total preload torque should be within the total preload torque specification. When not replacing the collapsible spacer, it should also be equal to the measurement taken during removal plus an additional 0.56 N·m (0.06 Kg·m, 5 in·lb).
- If the total preload torque is low, tighten the drive pinion lock nut in 6.8 N·m (0.69 Kg·m, 5ft·lb) increments until the total preload torque is met.

**CAUTION:**

- Do not reuse drive pinion lock nut.
- Apply anti-corrosive oil to the threads of the drive pinion and the seating surface of the new drive pinion lock nut.
- Adjust the drive pinion lock nut tightening torque to the lower limit first. Do not exceed the drive pinion lock nut specified torque. Refer to [DLN-413, "Disassembly and Assembly"](#).
- Do not loosen drive pinion lock nut to adjust the total preload torque. If the total preload torque exceeds the specifications, replace the collapsible spacer and tighten it again to adjust. Refer to [DLN-413, "Disassembly and Assembly"](#).
- After adjustment, rotate drive pinion back and forth 2 to 3 times to check for unusual noise, rotation malfunction, and other malfunctions.



4. Installation of the remaining components is in the reverse order of removal.

**CAUTION:**

Check the differential gear oil level after installation. Refer to [DLN-404, "Checking Differential Gear Oil"](#).

## SIDE OIL SEAL

### Removal and Installation

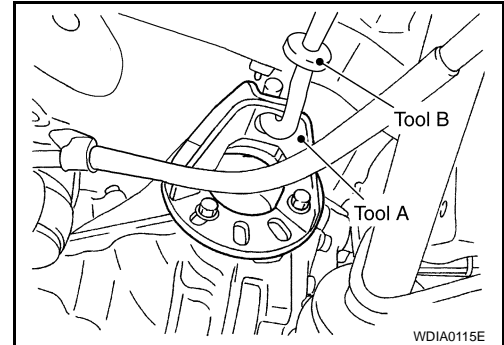
INFOID:000000003937459

#### REMOVAL

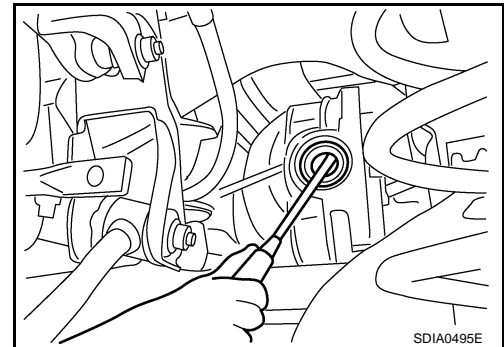
1. Remove the rear wheel sensor. Refer to [BRC-129, "Removal and Installation"](#).
2. Remove the drive shaft from the rear final drive assembly. Refer to [RAX-9, "Removal and Installation"](#).
3. Remove the side flange using Tools.

**Tool numbers**    **A: KV40104100 ( — )**  
                           **B: ST36230000 (J-25840-A)**

**NOTE:**  
**Circular clip installation position: Rear final drive side**



4. Remove the side oil seal using suitable tool.  
**CAUTION:**  
**Do not to damage gear carrier.**



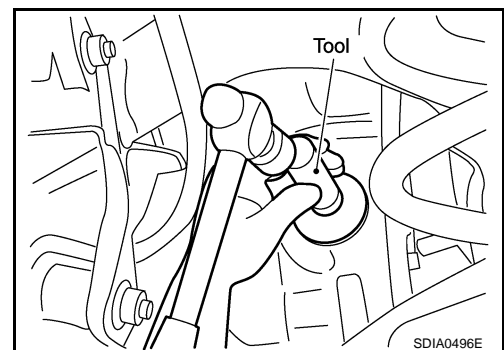
#### INSTALLATION

1. Apply multi-purpose grease to the lips and differential gear oil to the circumference of the new side oil seal. Then drive the new side oil seal in evenly until it becomes flush with the gear carrier using Tool.

**Tool number**        **: KV38100200 (J-26233)**

**CAUTION:**

- Do not reuse side oil seal.
- Do not incline the new side oil seal when installing.
- Apply multi-purpose grease to the lips and differential gear oil to the circumference of the new side oil seal.

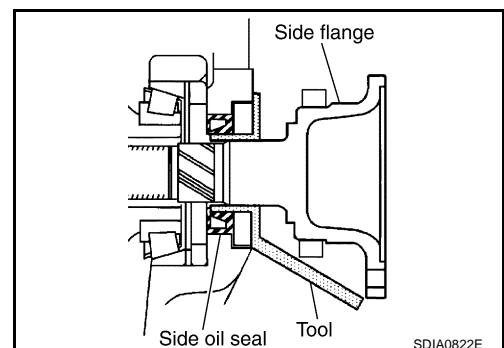


2. Install the side flange using Tool.
  - a. Install the Tool to the side oil seal as shown.

**Tool number**        **: KV38107900 (J-39352)**

- b. Insert the side flange until the serrated part of the side flange has engaged the serrated part of the side gear and remove the Tool.
- c. Drive in the side flange using suitable tool.

**NOTE:**  
 Installation is completed when the driving sound of the side flange turns into a sound which seems to affect the whole rear final drive assembly.



3. Installation of the remaining components is in the reverse order of removal.

A  
B  
C  
DLN  
E  
F  
G  
H  
I  
J  
K  
L  
M  
N  
O  
P

## SIDE OIL SEAL

< ON-VEHICLE REPAIR >

[REAR FINAL DRIVE: R200]

---

**CAUTION:**

Check the differential gear oil level after installation. Refer to [DLN-404, "Checking Differential Gear Oil"](#).



# CARRIER COVER

< ON-VEHICLE REPAIR >

[REAR FINAL DRIVE: R200]

## CARRIER COVER

### Removal and Installation

INFOID:000000003937460

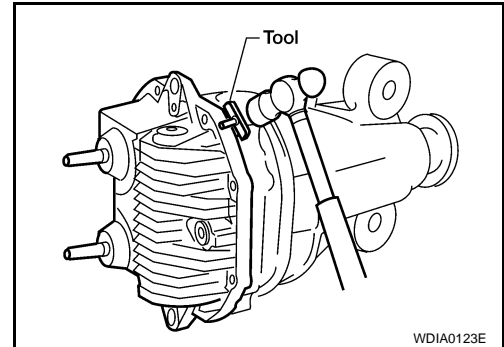
#### REMOVAL

1. Remove the rear final drive assembly. Refer to [DLN-410, "Removal and Installation"](#).
2. Remove the carrier cover bolts and separate the carrier cover from the gear carrier using Tool.

**Tool number** : KV10111100 (J-37228)

**CAUTION:**

- Do not damage the mating surface.
- Do not insert flat-bladed screwdriver, this will damage the mating surface.



#### INSTALLATION

1. Apply a 3 mm (0.12 in) bead of sealant to the mating surface of the carrier cover as shown.
  - Use Genuine Silicone RTV or equivalent. Refer to [GI-26, "Recommended Chemical Products and Sealants"](#).

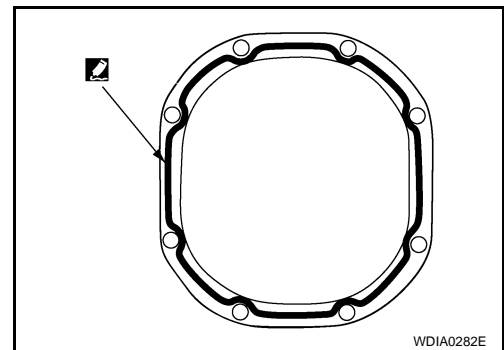
**CAUTION:**

Remove any old sealant adhering to the mating surfaces. Also remove any moisture, oil, or foreign material adhering to the application and mating surfaces.

2. Install the carrier cover to the gear carrier. Tighten the bolts to the specified torque. Refer to [DLN-413, "Disassembly and Assembly"](#).
3. Install the rear final drive assembly. Refer to [DLN-410, "Removal and Installation"](#).

**CAUTION:**

Fill the rear final drive assembly with recommended differential gear oil. Refer to [DLN-404, "Changing Differential Gear Oil"](#).



A  
B  
C  
DLN  
E  
F  
G  
H  
I  
J  
K  
L  
M  
N  
O  
P

## REMOVAL AND INSTALLATION

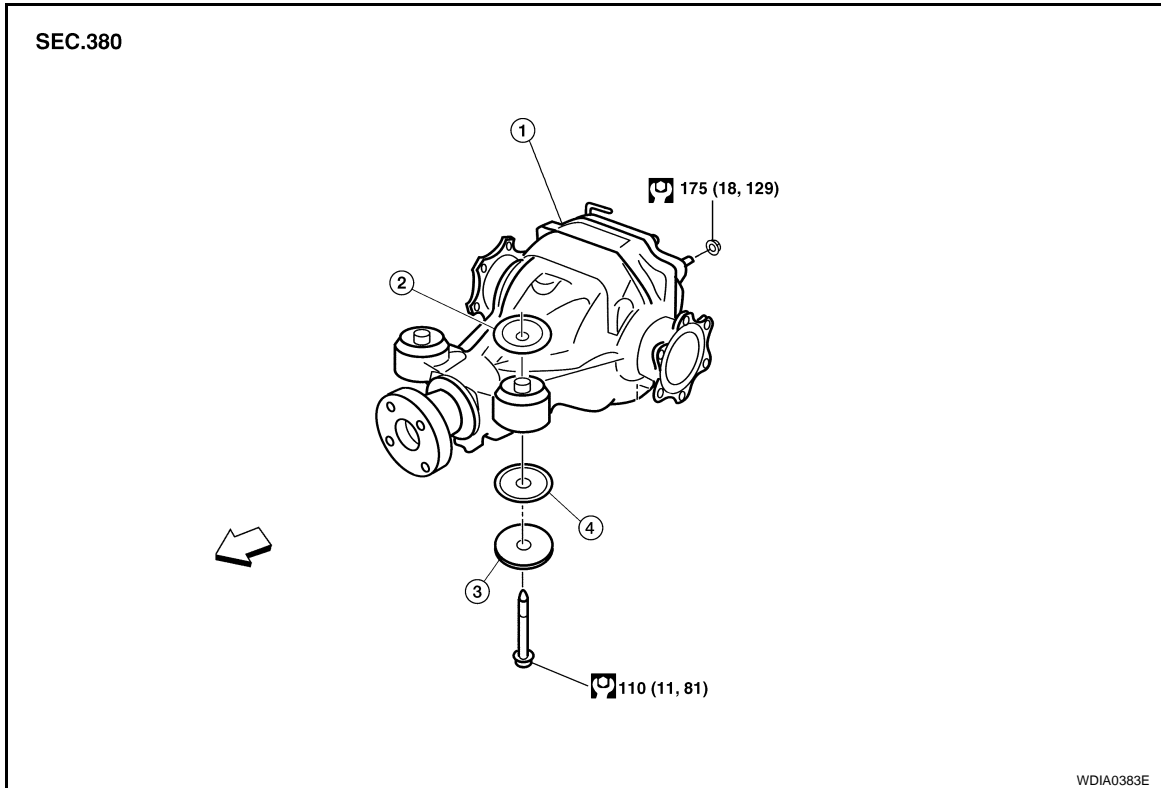
### REAR FINAL DRIVE

#### Removal and Installation

INFOID:000000003937461

#### COMPONENTS

Rear Final Drive



1. Rear final drive assembly

2. Upper stopper

3. Washer

4. Lower stopper

⇐: Front

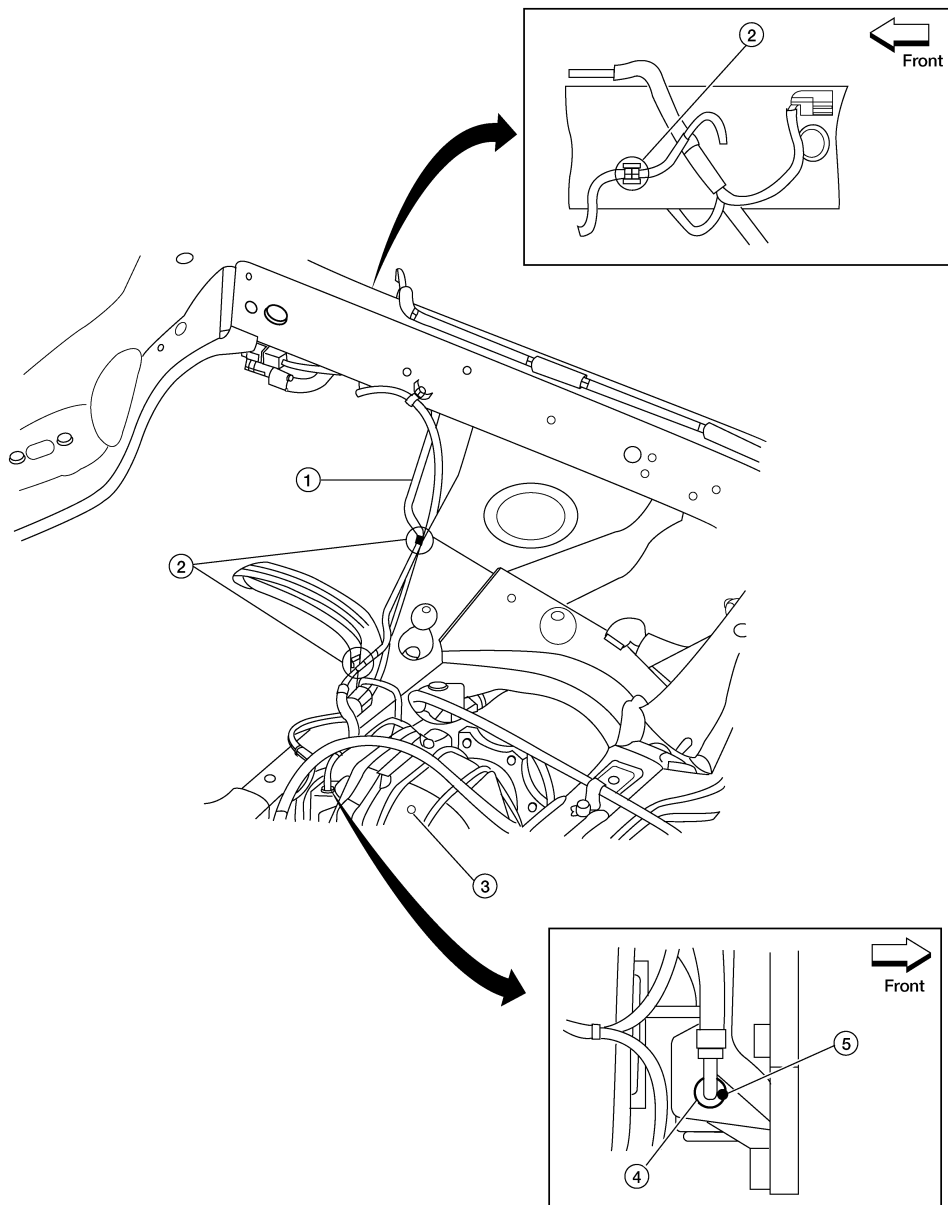
# REAR FINAL DRIVE

< REMOVAL AND INSTALLATION >

[REAR FINAL DRIVE: R200]

## Rear Final Drive Breather Hose

SEC. 380



LDIA0166E

- |                    |                       |                              |
|--------------------|-----------------------|------------------------------|
| 1. Breather hose   | 2. Plastic connectors | 3. Rear final drive assembly |
| 4. Metal connector | 5. Paint mark         |                              |

### REMOVAL

1. Remove the spare tire.
2. Drain the differential gear oil. Refer to [DLN-404, "Changing Differential Gear Oil"](#).
3. Remove the rear stabilizer bar. Refer to [RSU-22, "Removal and Installation"](#).
4. Remove the rear propeller shaft. Refer to [DLN-317, "Removal and Installation"](#).

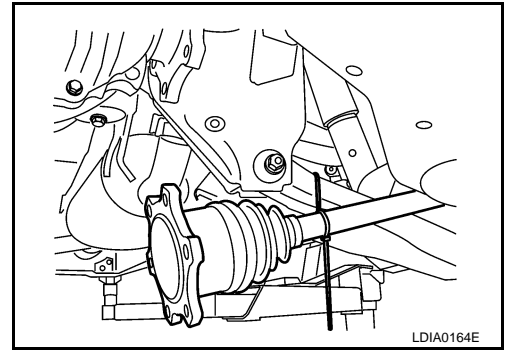
A  
B  
C  
DLN  
E  
F  
G  
H  
I  
J  
K  
L  
M  
N  
O  
P

## REAR FINAL DRIVE

### < REMOVAL AND INSTALLATION >

[REAR FINAL DRIVE: R200]

5. Remove the rear drive shafts from the rear final drive assembly and support them using suitable wire. Refer to [RAX-9, "Removal and Installation"](#).



6. Disconnect the breather hose from the rear final drive assembly.
7. Remove the rear wheel sensors. Refer to [BRC-129, "Removal and Installation"](#).

8. Place a suitable jack under the rear final drive assembly.

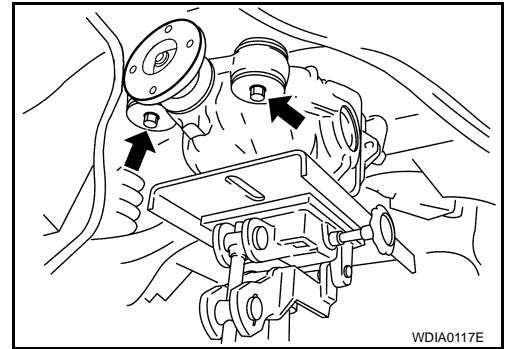
**CAUTION:**

**Do not place the jack on the carrier cover.**

9. Remove the nuts and bolts and remove the rear final drive assembly.

**CAUTION:**

**Secure rear final drive assembly to the jack while removing it.**



### INSTALLATION

Installation is in the reverse order of removal.

**CAUTION:**

- When installing the breather hose make sure the painted marking on the metal end of breather hose is to the front of the vehicle and there are no pinched or restricted areas on the breather hose caused by folding or bending when installing it.
- Make sure the breather hose plastic connectors are in the appropriate holes.
- Fill the front final drive assembly with differential gear oil after installation. Refer to [DLN-404, "Changing Differential Gear Oil"](#).

# REAR FINAL DRIVE

< DISASSEMBLY AND ASSEMBLY >

[REAR FINAL DRIVE: R200]

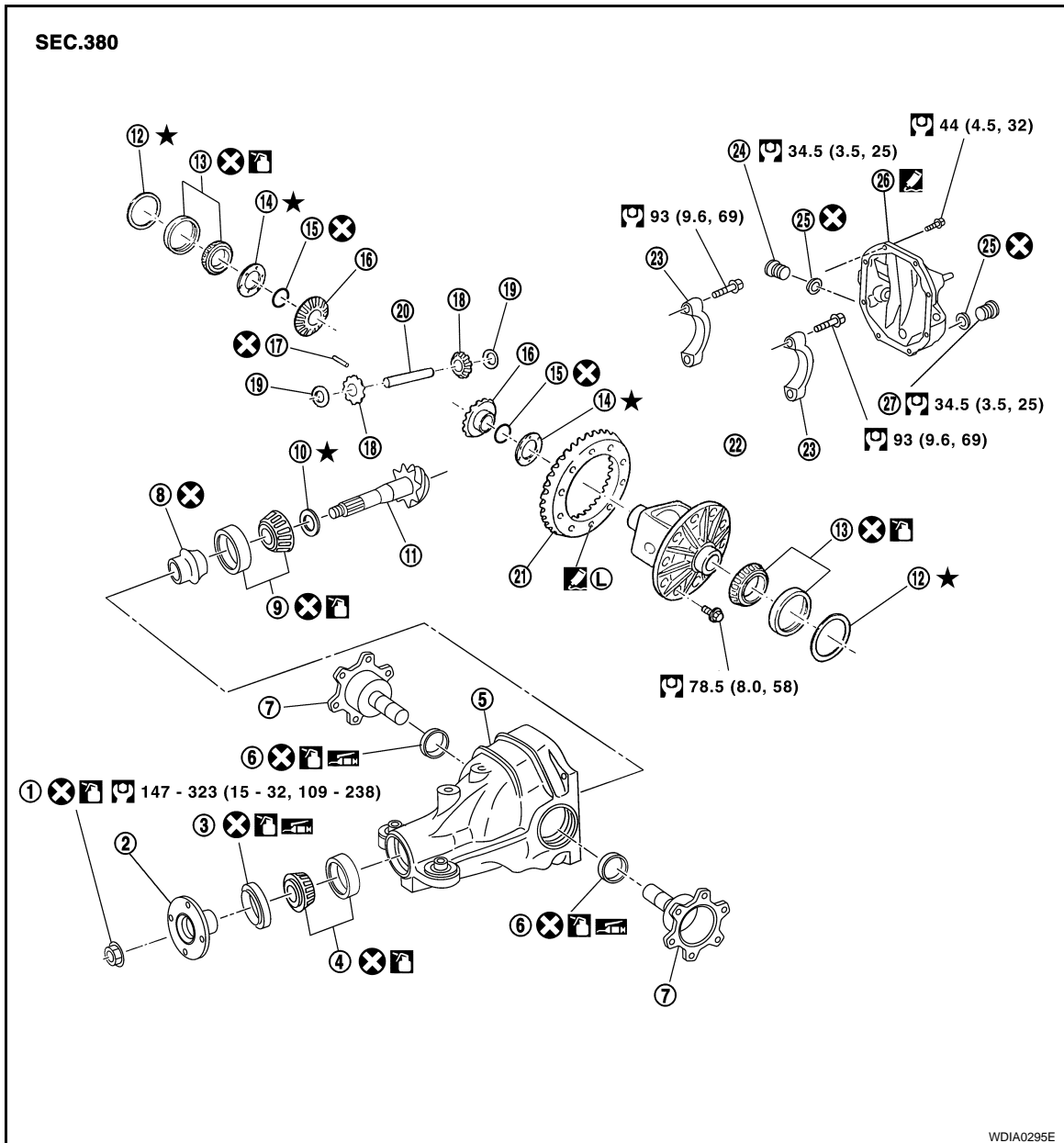
## DISASSEMBLY AND ASSEMBLY

### REAR FINAL DRIVE

#### Disassembly and Assembly

INFOID:000000003937462

#### COMPONENTS



- |  |                             |                                   |
|--|-----------------------------|-----------------------------------|
| 1. Drive pinion lock nut                 | 2. Companion flange         | 3. Front oil seal                 |
| 4. Drive pinion front bearing            | 5. Gear carrier             | 6. Side oil seal                  |
| 7. Side flange                           | 8. Collapsible spacer       | 9. Drive pinion rear bearing      |
| 10. Drive pinion height adjusting washer | 11. Drive pinion            | 12. Side bearing adjusting washer |
| 13. Side bearing                         | 14. Side gear thrust washer | 15. Circular clip                 |
| 16. Side gear                            | 17. Lock pin                | 18. Pinion mate gear              |
| 19. Pinion mate thrust washer            | 20. Pinion mate shaft       | 21. Drive gear                    |
| 22. Differential case                    | 23. Side bearing cap        | 24. Filler plug                   |
| 25. Gasket                               | 26. Carrier cover           | 27. Drain plug                    |

A  
B  
C  
DLN  
E  
F  
G  
H  
I  
J  
K  
L  
M  
N  
O  
P

# REAR FINAL DRIVE

< DISASSEMBLY AND ASSEMBLY >

[REAR FINAL DRIVE: R200]

## ASSEMBLY INSPECTION AND ADJUSTMENT

- Drain the differential gear oil before inspection and adjustment. Refer to [DLN-404, "Changing Differential Gear Oil"](#).
- Remove and install the carrier cover as necessary for inspection and adjustment. Refer to [DLN-409, "Removal and Installation"](#).

### Total Preload Torque

1. Remove the side flanges if necessary. Refer to [DLN-407, "Removal and Installation"](#).

**CAUTION:**

**The side flanges shaft must removed in order to measure total preload torque.**

2. Rotate the drive pinion back and forth 2 to 3 times to check for unusual noise and rotation malfunction.
3. Rotate the drive pinion at least 20 times to check for smooth operation of the bearings.
4. Measure total preload torque using Tool.

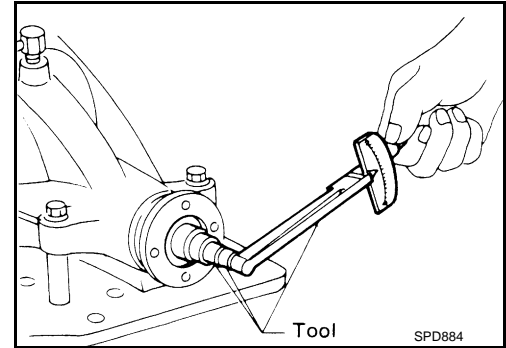
**Tool number** : ST3127S000 (J-25765-A)

**Total preload torque:**

**2.84 - 3.75 N·m (0.29 - 0.38 kg·m, 26 - 33 in·lb)**

**NOTE:**

**Total preload torque = Drive pinion bearing preload torque + Side bearing preload torque**



- If the measured value is out of the specification, check and adjust each part. Adjust the drive pinion bearing preload torque first, then adjust the side bearing preload torque.

**If the total preload torque is greater than specification**

**On drive pinion bearings:** Replace the collapsible spacer.

**On side bearings:** Use thinner side bearing adjusting washers by the same amount on each side. Refer to [DLN-432, "Inspection and Adjustment"](#).

**If the total preload torque is less than specification**

**On drive pinion bearings:** Tighten the drive pinion lock nut.

**On side bearings:** Use thicker side bearing adjusting washers by the same amount on each side. Refer to [DLN-432, "Inspection and Adjustment"](#).

**CAUTION:**

**Select a side bearing adjusting washer for right and left individually.**

### Drive Gear Runout

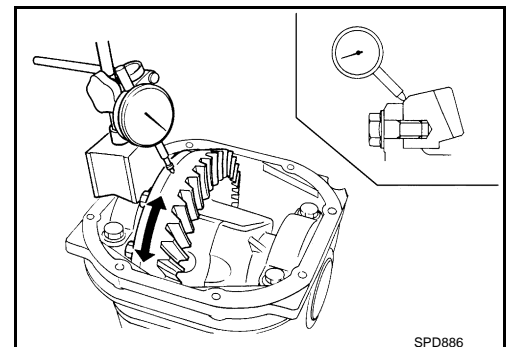
1. Fit a dial indicator to the drive gear back face.
2. Rotate the drive gear to measure runout.

**Runout limit** : 0.05 mm (0.0020 in) or less

- If the runout is outside of the limit, check the condition of the drive gear assembly. Foreign material may be caught between the drive gear and differential case, or the differential case or drive gear may be deformed.

**CAUTION:**

**Replace drive gear and drive pinion as a set.**



### Tooth Contact

# REAR FINAL DRIVE

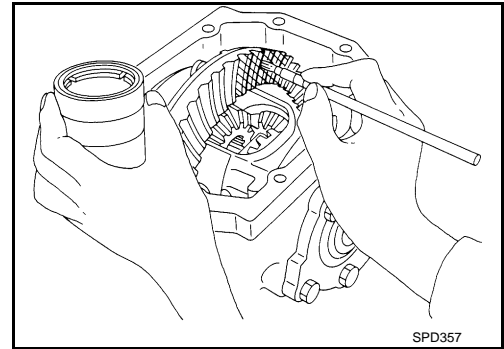
## < DISASSEMBLY AND ASSEMBLY >

[REAR FINAL DRIVE: R200]

1. Apply red lead to the drive gear.

**NOTE:**

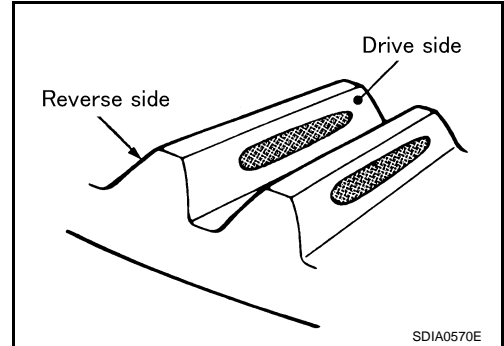
Apply red lead to both faces of three to four gears, at four locations evenly spaced on the drive gear.



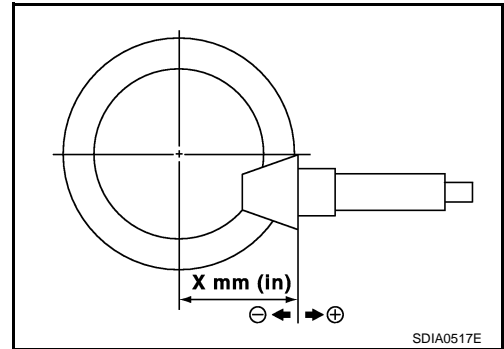
2. Rotate the drive gear back and forth several times. Then check for correct drive pinion to drive gear tooth contact as shown.

**CAUTION:**

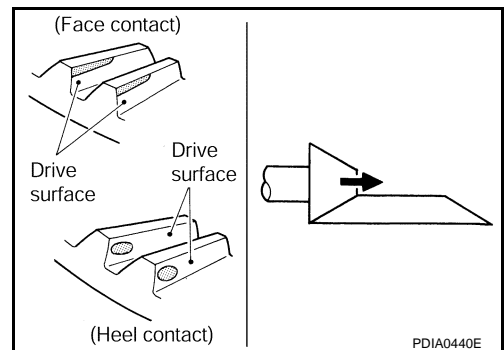
**Check tooth contact on drive side and reverse side.**



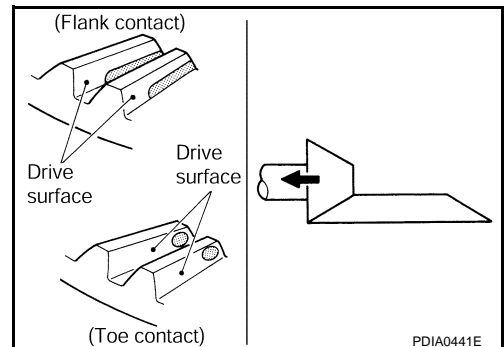
3. If the tooth contact is improperly adjusted, follow the procedure below to adjust the pinion height (dimension X).



- If the tooth contact is near the face (face contact), or near the heel (heel contact), use a thicker drive pinion height adjusting washers to move the drive pinion closer to the drive gear. Refer to [DLN-432, "Inspection and Adjustment"](#).



- If the tooth contact is near the flank (flank contact), or near the toe (toe contact), use a thinner drive pinion height adjusting washers to move the drive pinion farther from the drive gear. Refer to [DLN-432, "Inspection and Adjustment"](#).



A  
B  
C  
DLN

E  
F  
G  
H  
I  
J  
K

L  
M  
N  
O  
P

# REAR FINAL DRIVE

< DISASSEMBLY AND ASSEMBLY >

[REAR FINAL DRIVE: R200]

## Backlash

1. Fit a dial indicator to the drive gear face to measure the backlash.

**Backlash:**            **0.10 - 0.15 mm (0.0039 - 0.0059 in)**

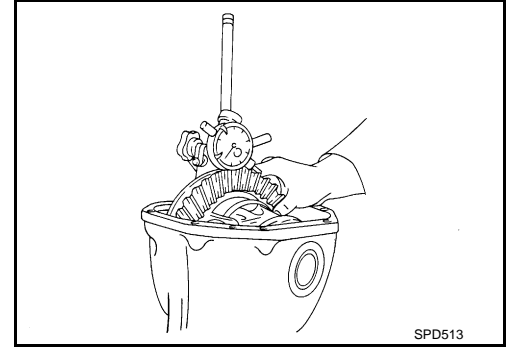
- If the backlash is outside of the specification, change the thickness of the side bearing adjusting washers.

**If the backlash is greater than specification:**

**Make side bearing adjusting washer thicker on drive gear back side, and side bearing adjusting washer thinner on drive gear tooth side by the same amount.**  
**Refer to [DLN-413](#), "[Disassembly and Assembly](#)".**

**If the backlash is less than specification:**

**Make side bearing adjusting washer thinner on drive gear back side, and side bearing adjusting washer thicker on drive gear tooth side by the same amount.**  
**Refer to [DLN-413](#), "[Disassembly and Assembly](#)".**



## CAUTION:

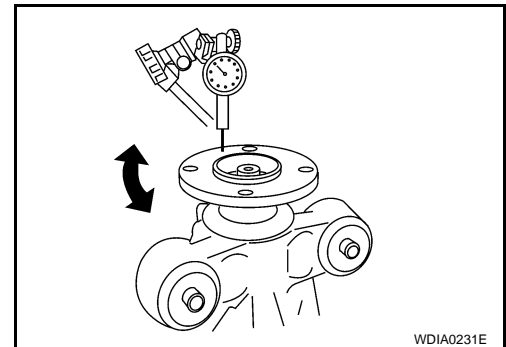
**Do not change the total thickness of side bearing adjusting washers as it will change the side bearing preload torque.**

## Companion Flange Runout

1. Rotate companion flange and check for runout on the outer face of the companion flange using suitable tool.

**Runout limit : 0.08 mm (0.0031 in) or less**

2. If the runout is outside of the runout limit, follow the procedure below to adjust.
  - a. Rotate the companion flange on the drive pinion by 90°, 180° and 270° while checking for the position where the runout is minimum.
  - b. If the runout is still outside of the runout limit after the companion flange has been rotated on the drive pinion, possible cause could be an assembly malfunction of drive pinion and drive pinion bearing or a malfunctioning drive pinion bearing.
  - c. If the runout is still outside of the runout limit after repair of the assembly of drive pinion and drive pinion bearing or drive pinion bearing, replace the companion flange.



## DISASSEMBLY

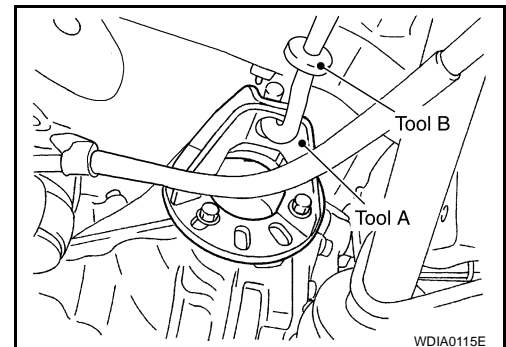
### Side Flange

1. Drain the differential gear oil if necessary.
2. Remove the side flange using Tools.

**Tool numbers    A: KV40104100 ( — )**  
**B: ST36230000 (J-25840-A)**

## NOTE:

**Circular clip installation position: Rear final drive side**





# REAR FINAL DRIVE

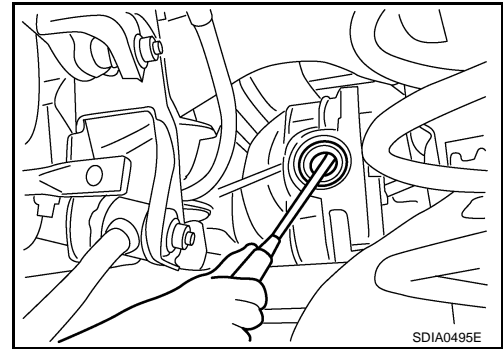
< DISASSEMBLY AND ASSEMBLY >

[REAR FINAL DRIVE: R200]

3. Remove the side oil seal using suitable tool.

**CAUTION:**

**Do not to damage gear carrier.**



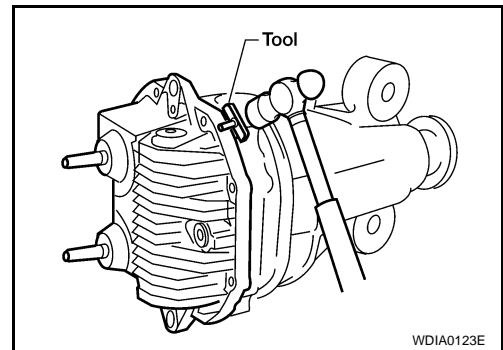
## Differential Assembly

1. Remove the side flanges. Refer to [DLN-407, "Removal and Installation"](#).
2. Remove the carrier cover bolts.
3. Remove the carrier cover bolts and separate the carrier cover from the gear carrier using Tool.

**Tool number : KV10111100 (J-37228)**

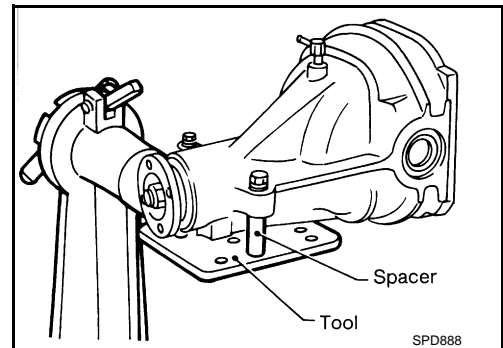
**CAUTION:**

- Do not damage the mating surface.
- Do not insert flat-bladed screwdriver, this will damage the mating surface.



4. Mount the carrier on the Tool using two 45 mm (1.77 in) spacers.

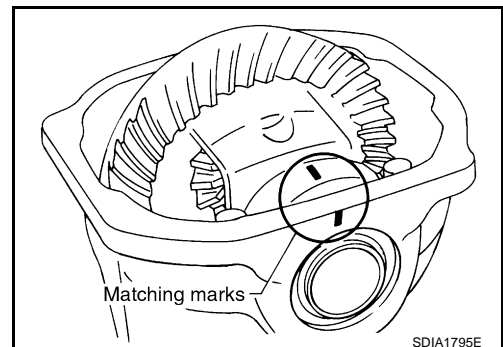
**Tool number : KV38100800 (J-25604-01)**



5. For proper reinstallation, paint matching marks on one side of the side bearing cap and gear carrier.

**CAUTION:**

- For matching marks, use paint. Do not damage side bearing cap or gear carrier.
- Side bearing caps are line-board during manufacture. The matching marks are used to reinstall them in their original positions.



A

B

C

DLN

E

F

G

H

I

J

K

L

M

N

O

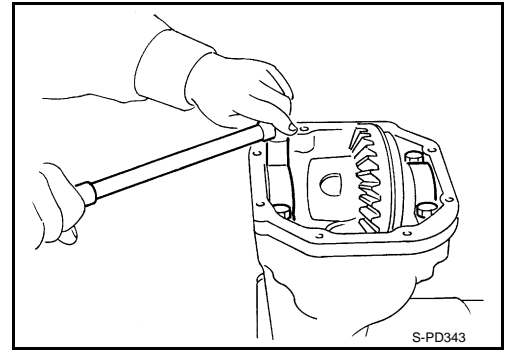
P

## REAR FINAL DRIVE

< DISASSEMBLY AND ASSEMBLY >

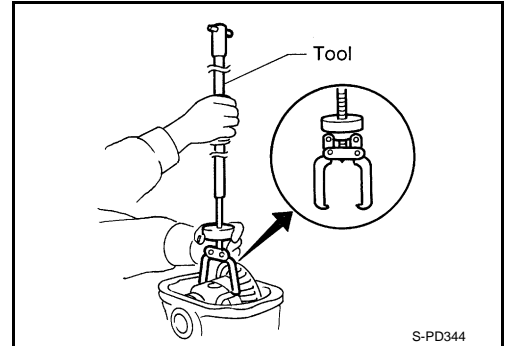
[REAR FINAL DRIVE: R200]

6. Remove the side bearing caps.



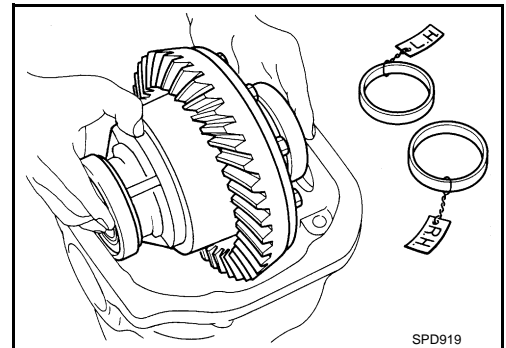
7. Lift the differential case assembly out using Tool.

Tool number : HT72400000 ( — )



### CAUTION:

- Keep side bearing outer races together with inner race. Do not mix them up.
- Keep side bearing adjusting washers together with side bearings.



# REAR FINAL DRIVE

< DISASSEMBLY AND ASSEMBLY >

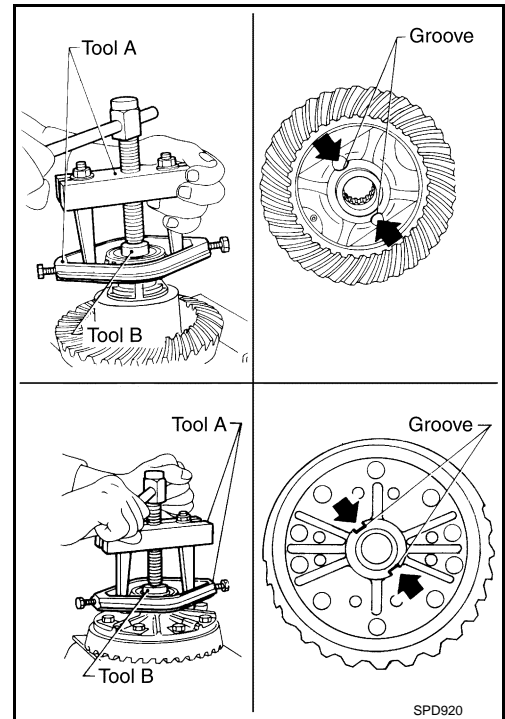
[REAR FINAL DRIVE: R200]

8. Remove the side bearing inner races using Tools.

**Tool number** A: ST33051001 (J-22888-20)  
B: ST33061000 (J-8107-2)

**CAUTION:**

- Engage Tool jaws in bearing groove to prevent damage.
- Place copper plates between the side bearing and drive gear and the vise to prevent damage.
- Do not remove side bearing inner race unless it is being replaced.



9. For proper reinstallation, paint matching marks on the differential case and drive gear.

**CAUTION:**

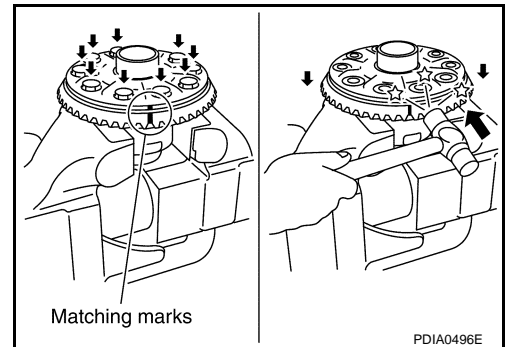
**Use paint for matching marks. Do not damage differential case or drive gear.**

10. Remove the drive gear bolts.

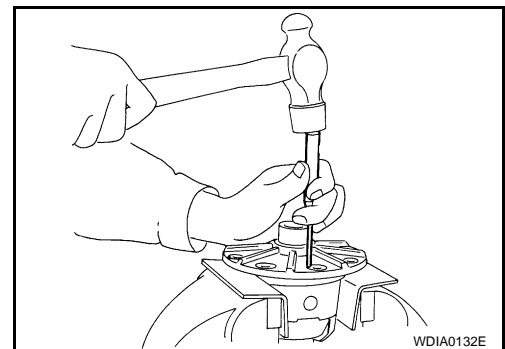
11. Tap the drive gear off the differential case using suitable tool.

**CAUTION:**

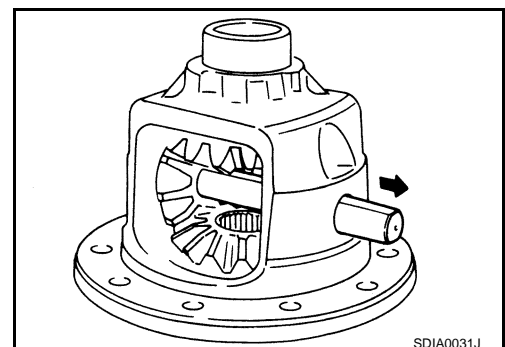
**Tap evenly all around to keep drive gear from bending.**



12. Remove the lock pin of the pinion mate shaft from the drive gear side using suitable tool.



13. Remove the pinion mate shaft.



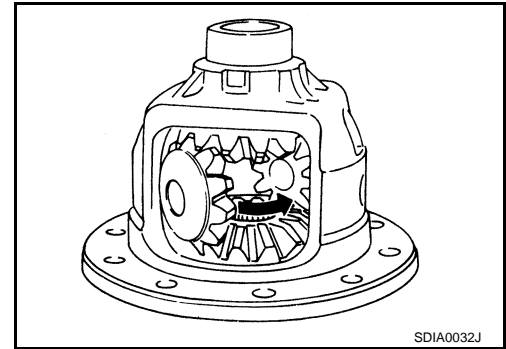
A  
B  
C  
DLN  
E  
F  
G  
H  
I  
J  
K  
L  
M  
N  
O  
P

## REAR FINAL DRIVE

< DISASSEMBLY AND ASSEMBLY >

[REAR FINAL DRIVE: R200]

14. Turn the pinion mate gear, then remove the pinion mate gear, pinion mate thrust washer, side gear and side gear thrust washer from the differential case.



### Drive Pinion Assembly

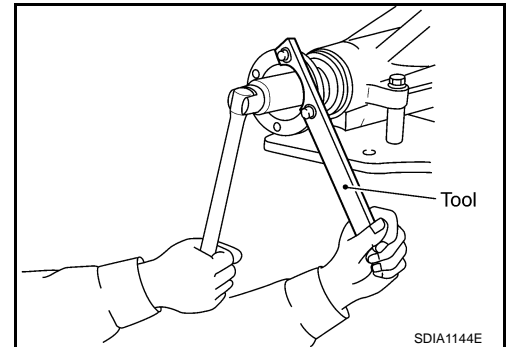
1. Remove the differential assembly. Refer to [DLN-410, "Removal and Installation"](#).
2. Remove the drive pinion lock nut using Tool.

**Tool number** : KV40104000 ( — )

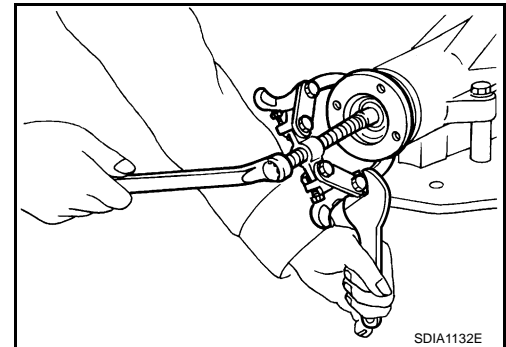
3. Put matching marks on the companion flange and drive pinion using paint.

**CAUTION:**

**Use paint to make the matching marks. Do not damage the companion flange or drive pinion.**



4. Remove the companion flange using suitable tool.



5. Press the drive pinion assembly (with rear inner bearing race and collapsible spacer) out of the gear carrier.

**CAUTION:**

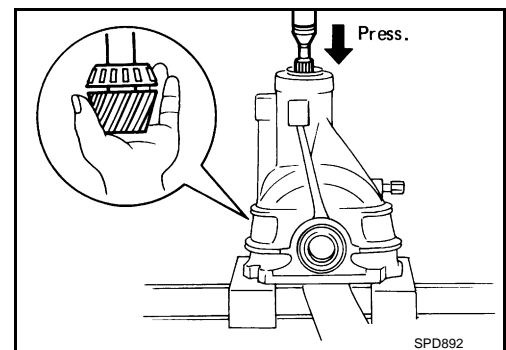
**Do not drop drive pinion assembly.**

6. Remove the front oil seal.

**CAUTION:**

**Do not damage gear carrier.**

7. Remove the drive pinion front bearing inner race.



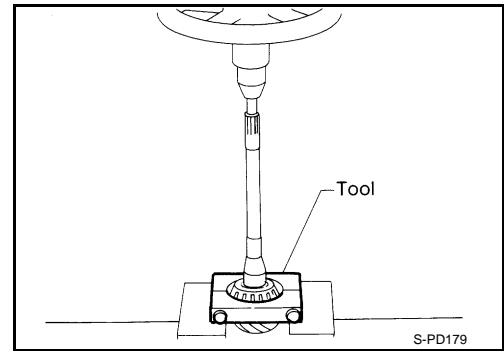
## REAR FINAL DRIVE

### < DISASSEMBLY AND ASSEMBLY >

[REAR FINAL DRIVE: R200]

8. Remove the drive pinion rear bearing inner race and drive pinion height adjusting washer using Tool.

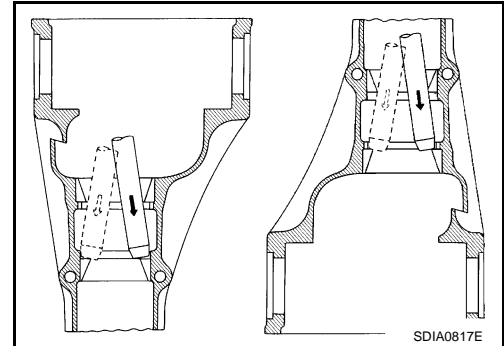
**Tool number : ST30031000 (J-22912-01)**



9. Remove the drive pinion front and rear bearing outer races by tapping them uniformly using suitable tool.

**CAUTION:**

**Do not damage gear carrier.**



### INSPECTION AFTER DISASSEMBLY

Clean the disassembled parts. Then inspect the parts for wear or damage. If wear or damage are found, follow the measures below.

#### Drive Pinion and Drive Gear

- If the drive pinion and drive gear teeth do not mesh or line-up correctly, determine the cause and adjust, repair, or replace as necessary.
- If the drive pinion or drive gear are worn, cracked, damaged, pitted or chipped (by friction) noticeably, replace with new drive pinion and drive gear.
- Drive pinion and drive gear are supplied in matched sets only. Matching numbers on both drive pinion and drive gear are etched for verification. If a new drive pinion and drive gear set are being used, verify the numbers of each drive pinion and drive gear before proceeding with assembly.

#### Bearing

- If bearings are chipped (by friction), pitted, worn, rusted, scratched, or unusual noise is coming from bearing, replace with new bearing assembly (as a new set).
- Bearing must be replaced with a new one whenever disassembled.

#### Side Gear and Pinion Mate Gear

- If any cracks or damage are found on the surface of the teeth, replace with new one.
- If any worn or chipped marks are found on the side of the side gear and pinion mate gear which contact the thrust washer, replace with new one.
- Replace both side gear and pinion mate gear as a set when replacing side gear or pinion mate gear.

#### Side Gear Thrust Washer and Pinion Mate Thrust Washer

- If any chips (by friction), damage, or unusual wear are found, replace with new one.

#### Gear Carrier

- If any wear or cracks are found on the contact sides of gear carrier, replace with new one.

#### Companion Flange

- If any chips (about 0.1mm, 0.004 in) or other damage on the companion flange surface which contacts the front oil seal lips are found, replace with new one.

### ADJUSTING AND SELECTING WASHERS

#### Side Gear Back Clearance

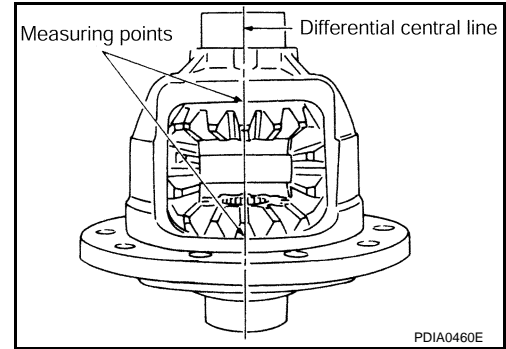
- Assemble the differential parts if they are disassembled. Refer to [DLN-413, "Disassembly and Assembly"](#).

# REAR FINAL DRIVE

## < DISASSEMBLY AND ASSEMBLY >

## [REAR FINAL DRIVE: R200]

1. Place the differential case straight up so that the side gear to be measured is upward.



2. Using feeler gauges, measure the clearance between the side gear back and differential case at three different points, while rotating the side gear. Average the three readings to calculate the clearance. (Measure the clearance of the other side as well.)

**Side gear back clearance: 0.2 mm (0.008 in) or less.**

- If the side gear back clearance is outside of the specification, use a thicker or thinner side gear thrust washer to adjust. Refer to [DLN-432, "Inspection and Adjustment"](#).

**If the side gear back clearance is greater than specification:**

**Use a thicker side gear thrust washer.**

**If the side gear back clearance is less than specification:**

**Use a thinner side gear thrust washer.**

**CAUTION:**

- Insert feeler gauges with the same thickness on both sides to prevent side gear from tilting.
- Each gear should rotate smoothly without excessive resistance during differential motion.
- Select a side gear thrust washer for right and left individually.

**NOTE:**

Side gear back clearance is clearance between side gear and differential case for adjusting side gear backlash.

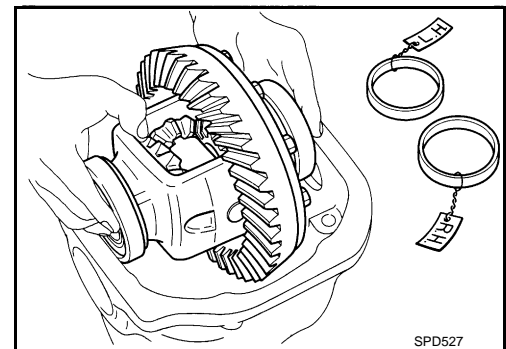
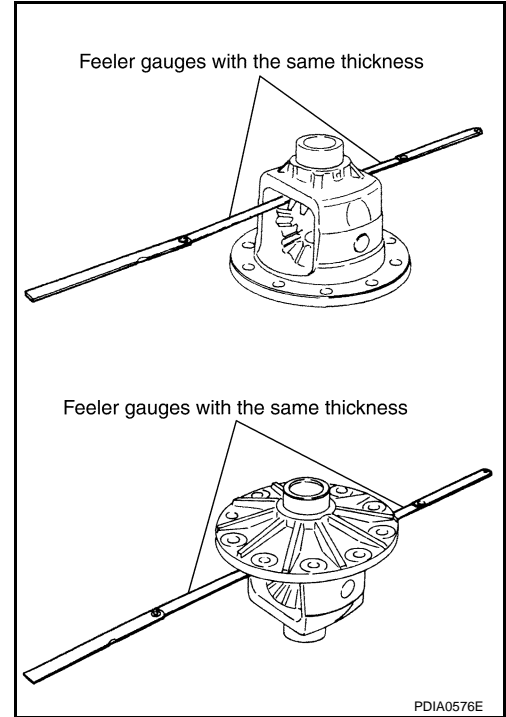
### Side Bearing Preload Torque

- A selection of side bearing adjusting washers is required for successful completion of this procedure.

1. Apply differential gear oil to the side bearings, and install the differential case assembly with the side bearing outer races into the gear carrier.

**CAUTION:**

**Do not reuse side bearing outer race when replacing side bearing inner race (replace as a set).**

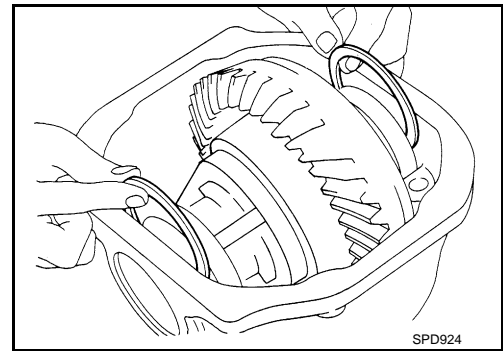


# REAR FINAL DRIVE

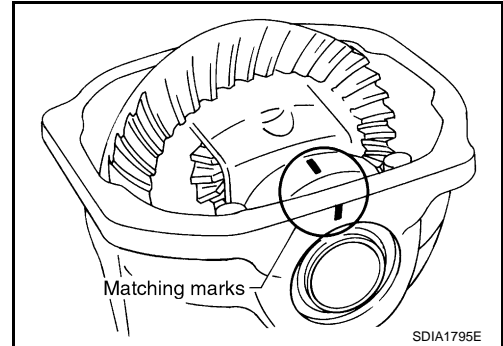
## < DISASSEMBLY AND ASSEMBLY >

## [REAR FINAL DRIVE: R200]

2. Insert the left and right original side bearing adjusting washers in place between side bearings and gear carrier.



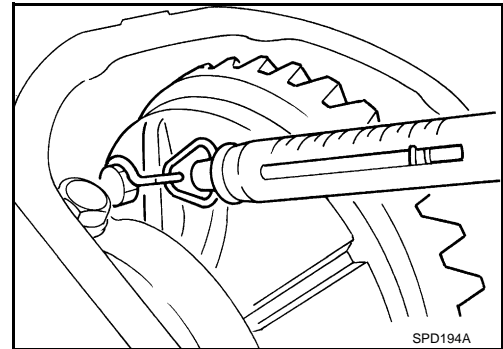
3. Align the matching mark on the side bearing cap with the matching mark on the gear carrier.
4. Install the side bearing caps and tighten the side bearing cap bolts to the specified torque. Refer to [DLN-413. "Disassembly and Assembly"](#).
5. Turn the differential assembly several times to seat the side bearings.



6. To determine side bearing preload torque, measure the pulling force of the differential assembly at the drive gear bolt using Tool.

**Tool number** : — (J-8129)

**Specification** : 34.2 - 39.2 N (3.5 - 4.0 kg, 7.7 - 8.8 lb) of pulling force at the drive gear bolt



### NOTE:

If pulling force of the differential assembly at the drive gear bolt is within specification, side bearing preload torque will also be within specification. Refer to [DLN-432. "Inspection and Adjustment"](#).

7. If the pulling force is outside the specification, use a thicker or thinner side bearing adjusting washer to adjust. Refer to [DLN-432. "Inspection and Adjustment"](#).

**If the pulling force is less than the specification:**

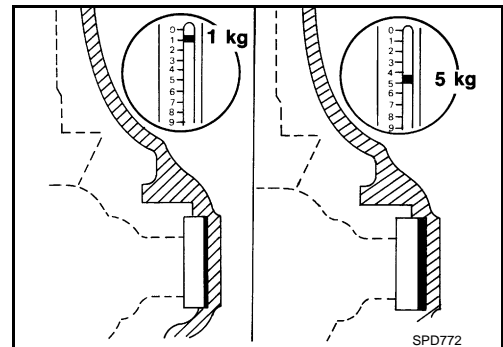
**Use a thicker side bearing adjusting washer.**

**If the pulling force is greater than the specification:**

**Use a thinner side bearing adjusting washer.**

### CAUTION:

**Select a side bearing adjusting washer for right and left individually.**



8. Record the total amount of washer thickness required for the correct side bearing preload torque.

Drive Pinion Height

A  
B  
C  
DLN  
E  
F  
G  
H  
I  
J  
K  
L  
M  
N  
O  
P

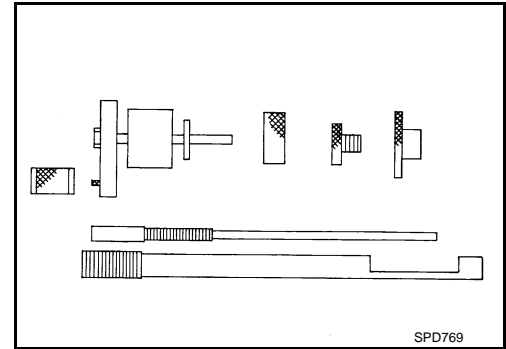
## REAR FINAL DRIVE

### < DISASSEMBLY AND ASSEMBLY >

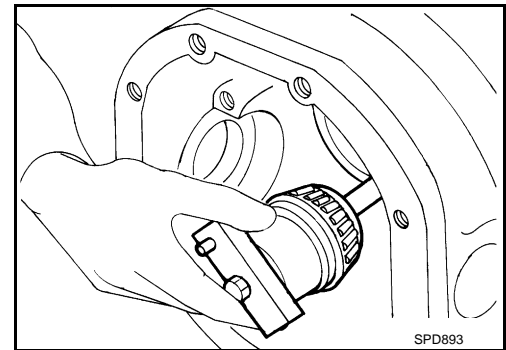
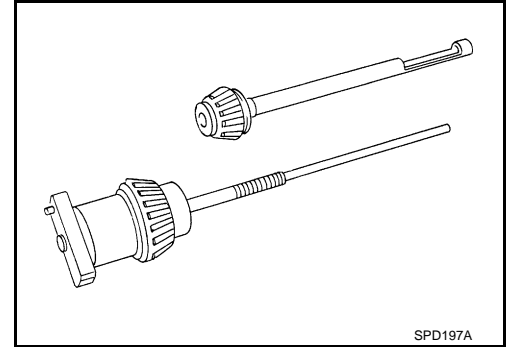
[REAR FINAL DRIVE: R200]

1. Make sure all parts are clean and that the bearings are well lubricated.
2. Assemble the drive pinion bearings onto the Tool.

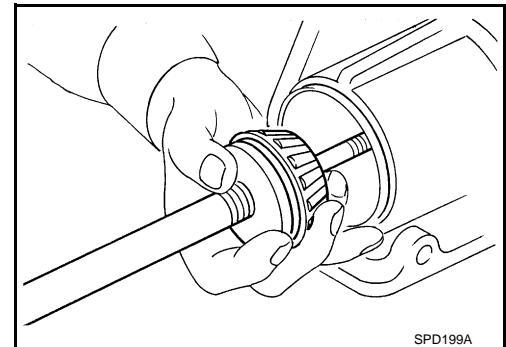
**Tool number** : — **(J-34309)**



- **Drive pinion front bearing;** make sure the J-34309-3 drive pinion front bearing seat is secured tightly against the J-34309-2 gauge anvil. Then turn the J-34309-5 drive pinion front bearing pilot to secure the drive pinion bearing in its proper position.
  - **Drive pinion rear bearing;** the J-34309-8 drive pinion rear bearing pilot is used to center the drive pinion rear bearing only. The J-34309-4 drive pinion rear bearing locking seat is used to lock the drive pinion rear bearing to the assembly.
  - **Installation of J-34309-9 and J-34309-16;** place a suitable 2.5 mm (0.098 in) thick plain washer between J-34309-9 and J-34309-16. Both surfaces of J-34309-9 and J-34309-16 must be parallel with a clearance of 2.5 mm (0.098 in).
3. Install the drive pinion rear bearing inner race into the gear carrier. Then insert the drive pinion height adjusting washer selector tool, J-34309-1, gauge screw assembly.



4. Assemble the drive pinion front bearing inner race and the J-34309-2 gauge anvil. Assemble them together with the J-34309-1 gauge screw in the gear carrier. Make sure that the drive pinion height gauge plate, J-34309-16, will turn a full 360°. Tighten the two sections together by hand.



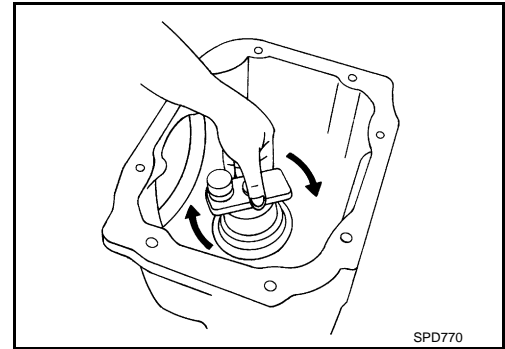


## REAR FINAL DRIVE

### < DISASSEMBLY AND ASSEMBLY >

[REAR FINAL DRIVE: R200]

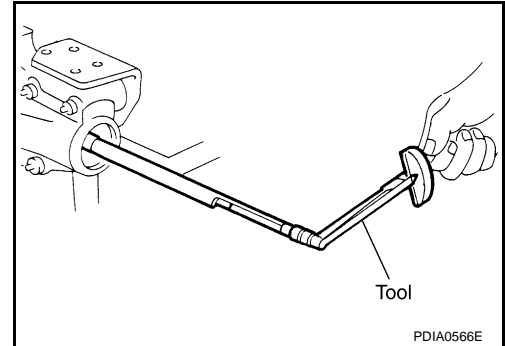
5. Turn the assembly several times to seat the drive pinion bearings.



6. Measure the turning torque at the end of the J-34309-2 gauge anvil using Tool.

**Tool number** : ST3127S000 (J-25765- A)

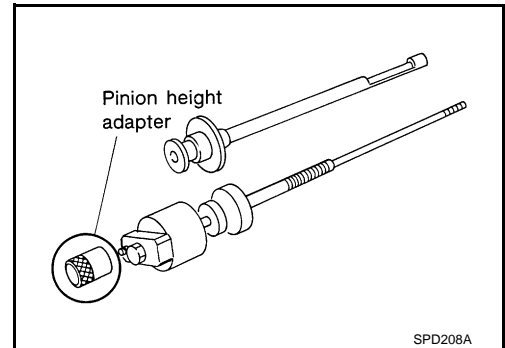
**Turning torque:** 1.0 - 1.3 N·m (0.11 - 0.13 kg·m,  
9 - 11 in·lb)



7. Place the J-34309-11 "R200A" drive pinion height adapter onto the gauge plate and tighten it by hand.

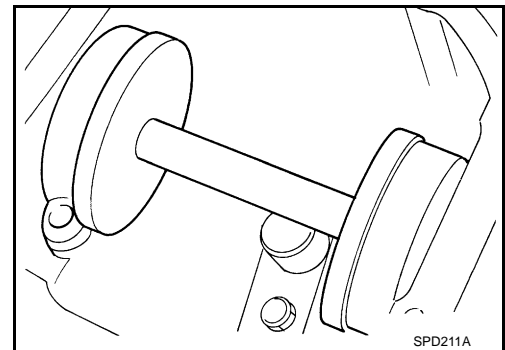
**CAUTION:**

**Make sure all machined surfaces are clean.**

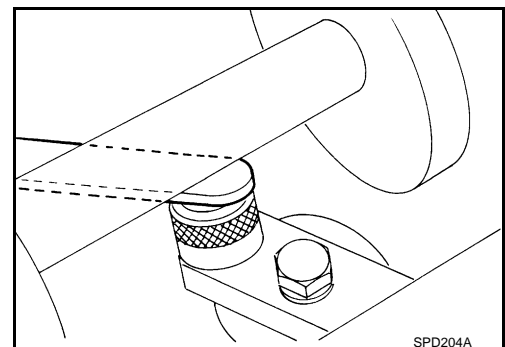


8. Position the side bearing discs, Tool, and arbor firmly into the side bearing bores. Install the side bearing caps and tighten the side bearing cap bolts to the specified torque. Refer to [DLN-413, "Disassembly and Assembly"](#).

**Tool number** : — (J-25269-4)



9. Select the correct standard drive pinion height adjusting washer thickness. Select by using a standard gauge of 3 mm (0.12 in) and your J-34309-101 feeler gauge. Measure the distance between the J-34309-11 drive pinion height adapter, including the standard gauge and the arbor.



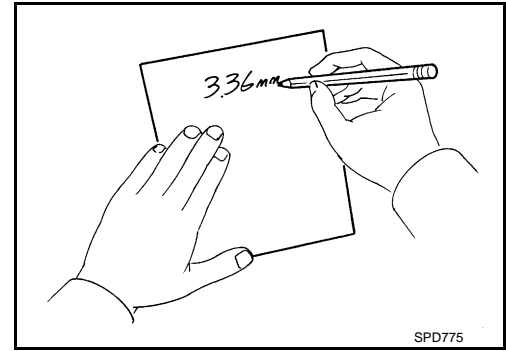
A  
B  
C  
DLN  
E  
F  
G  
H  
I  
J  
K  
L  
M  
N  
O  
P

# REAR FINAL DRIVE

< DISASSEMBLY AND ASSEMBLY >

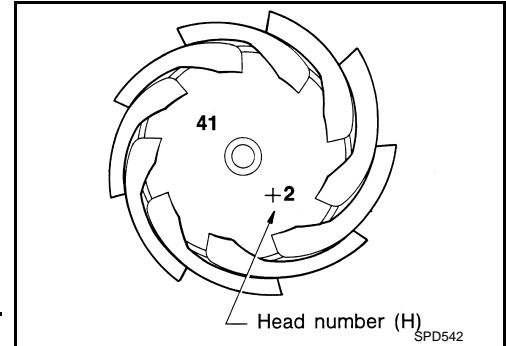
[REAR FINAL DRIVE: R200]

10. Write down the exact measurement (the value of feeler gauge).



11. Correct the drive pinion height adjusting washer size by referring to the drive pinion "head number".

**There are two numbers painted on the drive pinion. The first one refers to the drive pinion and drive gear as a matched set. This number should be the same as the number on the drive gear. The second number is the drive pinion "head number". It refers to the ideal drive pinion height from standard for quietest operation. Use the following chart to determine the correct drive pinion height adjusting washer.**

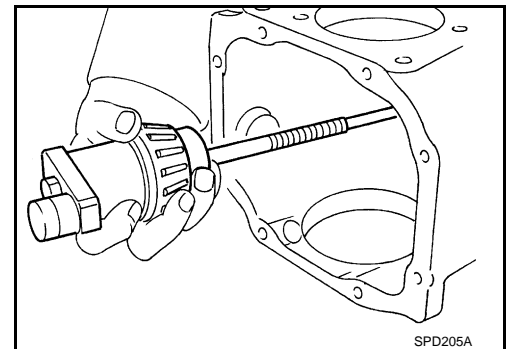


Head number	Add or remove from the standard drive pinion height adjusting washer thickness measurement
-6	Add 0.06 mm (0.0024 in)
-5	Add 0.05 mm (0.0020 in)
-4	Add 0.04 mm (0.0016 in)
-3	Add 0.03 mm (0.0012 in)
-2	Add 0.02 mm (0.0008 in)
-1	Add 0.01 mm (0.0004 in)
0	Use the selected washer thickness
+1	Subtract 0.01 mm (0.0004 in)
+2	Subtract 0.02 mm (0.0008 in)
+3	Subtract 0.03 mm (0.0012 in)
+4	Subtract 0.04 mm (0.0016 in)
+5	Subtract 0.05 mm (0.0020 in)
+6	Subtract 0.06 mm (0.0024 in)

12. Select the correct drive pinion height adjusting washer. Refer to [DLN-432. "Inspection and Adjustment"](#).

13. Remove the Tool from the gear carrier and disassemble to retrieve the drive pinion bearings.

**Tool number : — (J-34309)**



## ASSEMBLY

Drive Pinion Assembly

# REAR FINAL DRIVE

< DISASSEMBLY AND ASSEMBLY >

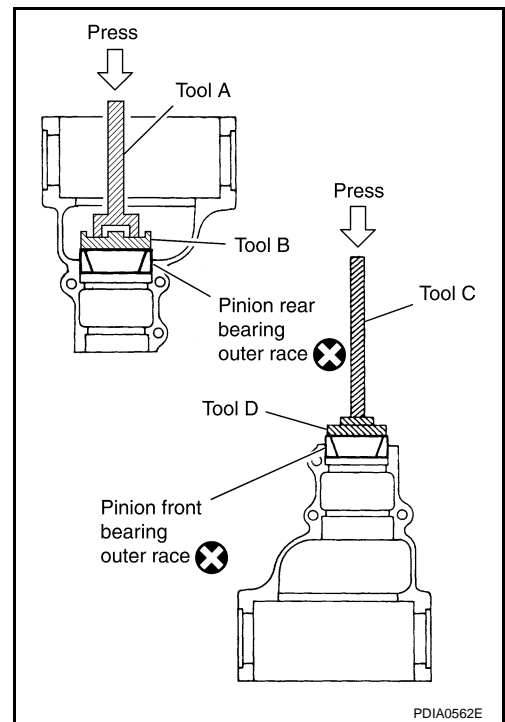
[REAR FINAL DRIVE: R200]

1. Install the drive pinion front and rear bearing outer races using Tools.

**Tool number**    **A: ST30720000 (J-25405)**  
                          **B: KV40105230 ( — )**  
                          **C: ST30611000 (J-25742-1)**  
                          **D: ST30613000 (J-25742-3)**

**CAUTION:**

- First tap the drive pinion bearing outer race until it becomes flush with the gear carrier.
- Do not reuse drive pinion front and rear bearing outer race.

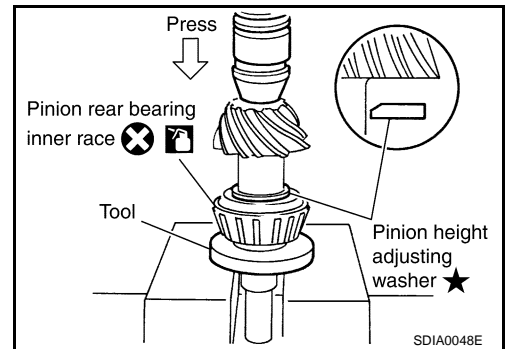


2. Select a drive pinion height adjusting washer. Refer to [DLN-413, "Disassembly and Assembly"](#).
3. Install the selected drive pinion height adjusting washer to the drive pinion. Press the drive pinion rear bearing inner race to it using Tool.

**Tool number**    : **ST30901000 (J-26010-01)**

**CAUTION:**

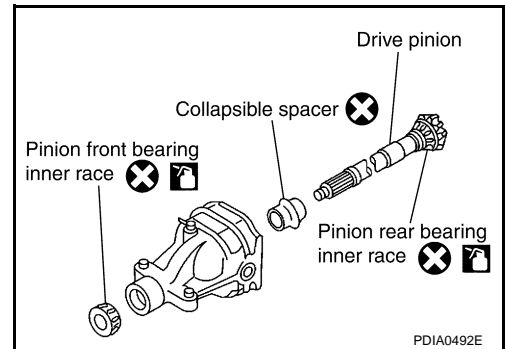
- Install the drive pinion height adjusting washer in the proper direction as shown.
- Do not reuse drive pinion rear bearing inner race.



4. Assemble the collapsible spacer to the drive pinion.
5. Apply differential gear oil to the drive pinion rear bearing, and install the drive pinion assembly to the gear carrier.
6. Apply differential gear oil to the drive pinion front bearing, and install the drive pinion front bearing inner race to the drive pinion assembly.

**CAUTION:**

**Do not reuse drive pinion front bearing inner race.**

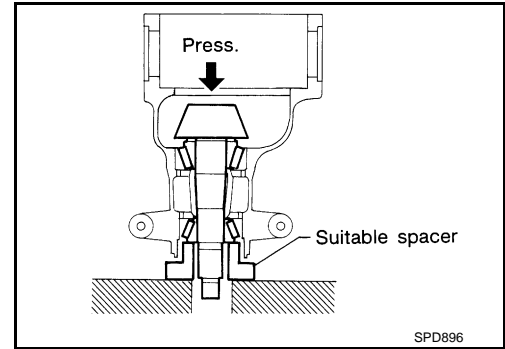


## REAR FINAL DRIVE

### < DISASSEMBLY AND ASSEMBLY >

### [REAR FINAL DRIVE: R200]

7. Press the drive pinion front bearing inner race to the drive pinion as far as drive pinion lock nut can be tightened using suitable spacer.

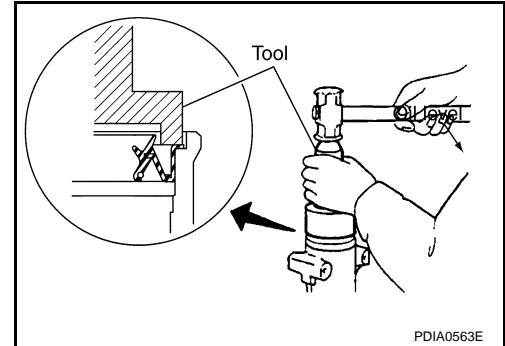


8. Apply multi-purpose grease to the lips and differential gear oil to the circumference of the new front oil seal. Then drive the new front oil seal in evenly until it becomes flush with the gear carrier using Tool.

**Tool number** : ST30720000 (J-25405)

#### CAUTION:

- Do not reuse front oil seal.
- Do not incline the new front oil seal when installing.
- Apply multi-purpose grease to the lips and differential gear oil to the circumference of the new front oil seal.



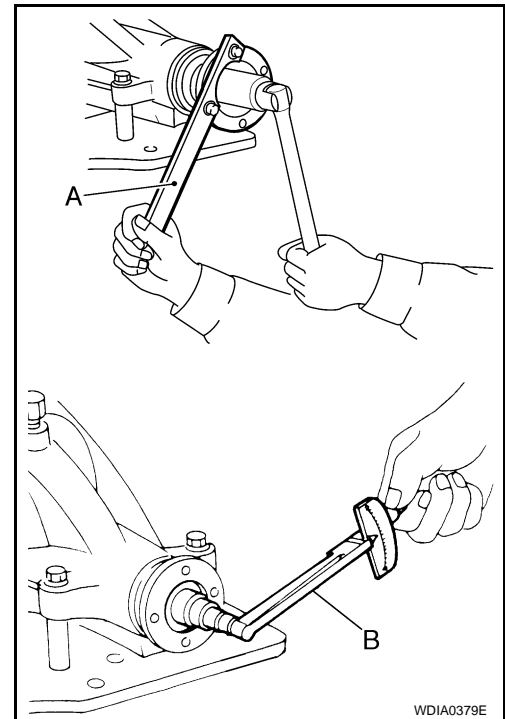
9. Install the companion flange to the drive pinion while aligning the matching marks.
10. Apply anti-corrosive oil to the threads of the drive pinion and the seating surface of the new drive pinion lock nut. Then adjust the drive pinion lock nut tightening torque using Tool A, and check the drive pinion bearing preload torque using Tool B.

**Tool number** A: KV40104000 ( — )  
B: ST3127S000 (J-25765-A)

**Drive pinion bearing preload torque:**  
2.65 - 3.23 N·m (0.27 - 0.32 kg·m, 24 - 28 in·lb)

#### CAUTION:

- Do not reuse drive pinion lock nut.
- Apply anti-corrosive oil to the threads of the drive pinion and the seating surface of the new drive pinion lock nut.
- Adjust the drive pinion lock nut tightening torque to the lower limit first. Do not exceed the drive pinion lock nut specified torque. Refer to [DLN-413, "Disassembly and Assembly"](#).
- If the drive pinion bearing preload torque exceeds the specified value, replace collapsible spacer and tighten it again to adjust. Do not loosen drive pinion lock nut to adjust the drive pinion bearing preload torque.
- After adjustment, rotate drive pinion back and forth 2 to 3 times to check for unusual noise, rotation malfunction, and other malfunctions.



11. Check companion flange runout. Refer to [DLN-413, "Disassembly and Assembly"](#).
12. Install the differential case assembly. Refer to [DLN-410, "Removal and Installation"](#).

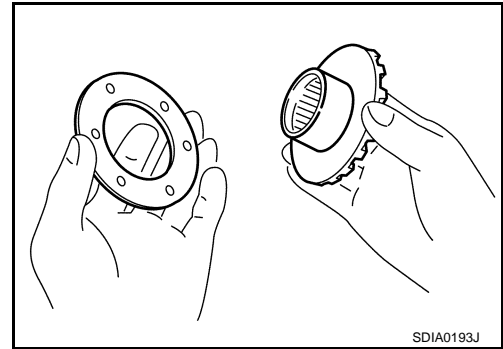
Differential Assembly

# REAR FINAL DRIVE

## < DISASSEMBLY AND ASSEMBLY >

## [REAR FINAL DRIVE: R200]

1. Install side gear thrust washers with the same thickness as the ones installed prior to disassembly, or reinstall the old ones on the side gears.

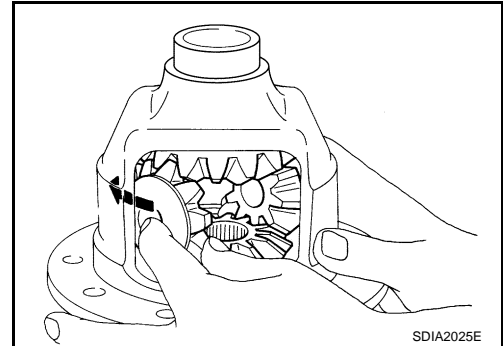


2. Install the side gears and side gear thrust washers into the differential case.

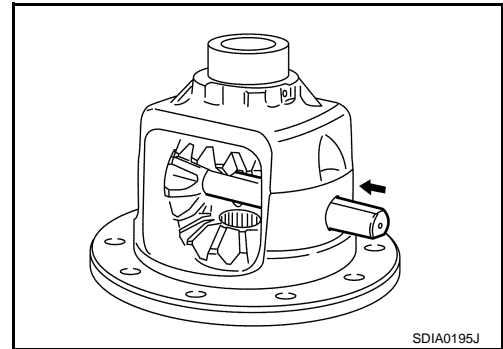
**CAUTION:**

**Make sure that the circular clip is installed to side gears.**

3. Install the pinion mate thrust washers to the two pinion mate gears. Then install the pinion mate gears with the pinion mate thrust washers by aligning them in diagonally opposite positions and rotating them into the differential case.



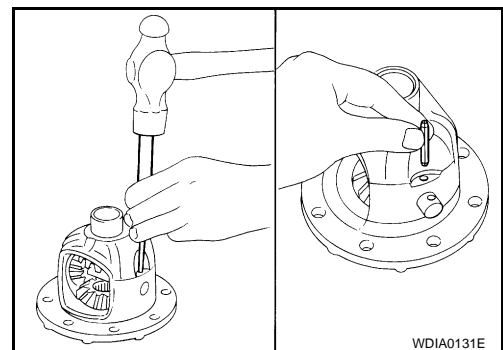
4. Align the lock pin hole on the differential case with the lock pin hole on the pinion mate shaft, and install the pinion mate shaft.
5. Measure the side gear end play. If necessary, select the appropriate side gear thrust washers. Refer to [DLN-432, "Inspection and Adjustment"](#).



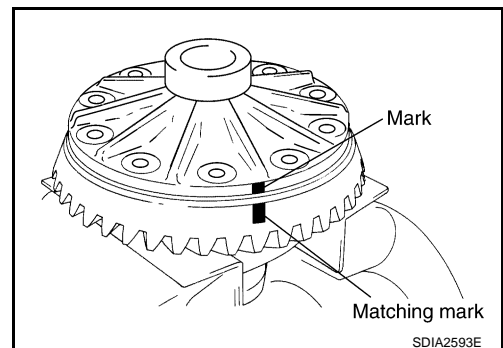
6. Drive a new lock pin into the pinion mate shaft until it is flush with the differential case using suitable tool.

**CAUTION:**

**Do not reuse lock pin.**



7. Align the matching mark of the differential case with the mark of the drive gear, then place the drive gear onto the differential case.



A  
B  
C  
DLN  
E  
F  
G  
H  
I  
J  
K  
L  
M  
N  
O  
P

## REAR FINAL DRIVE

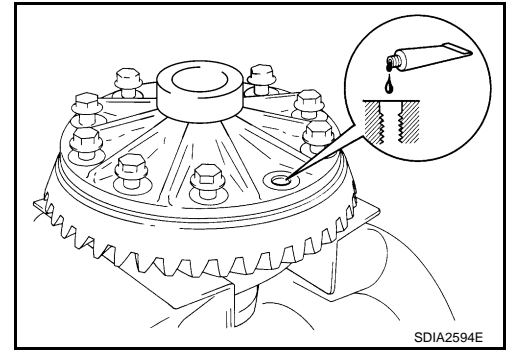
< DISASSEMBLY AND ASSEMBLY >

[REAR FINAL DRIVE: R200]

8. Apply thread locking sealant into the threaded holes of the drive gear and install the bolts.
- Use Genuine Medium Strength Thread Locking Sealant or equivalent. Refer to [GI-26. "Recommended Chemical Products and Sealants"](#).

**CAUTION:**

**Make sure the drive gear back and threaded holes are clean.**

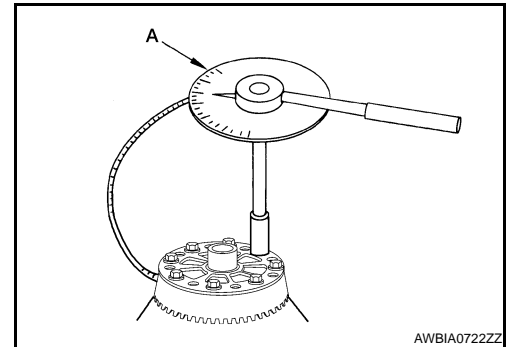


9. Tighten the drive gear bolts to the specified torque. Refer to [DLN-413. "Disassembly and Assembly"](#). After tightening the drive gear bolts to the specified torque, tighten an additional 31° to 36° using Tool.

**Tool number** : KV10112100-A (BT-8653-A)

**CAUTION:**

- Always use Tool. Avoid tightening based on visual check alone.
- Tighten drive gear bolts in a crisscross pattern.



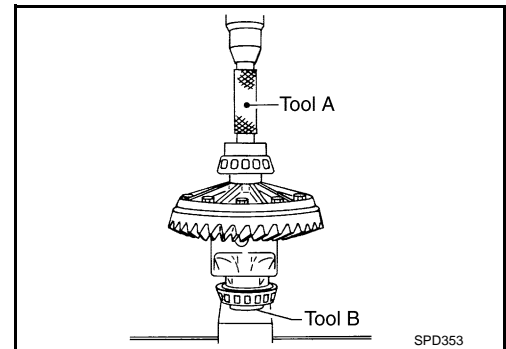
10. Press the side bearing inner races into the differential case using Tools.

**Tool number** A: KV38100300 (J-25523)

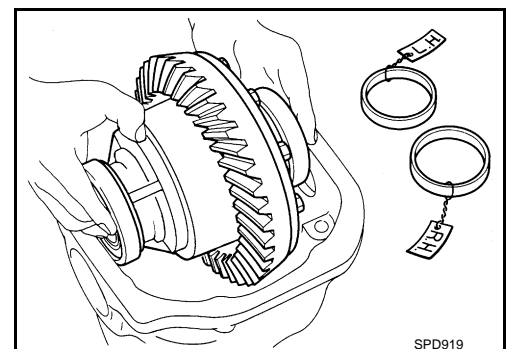
**Tool number** B: ST33061000 (J-8107-2)

**CAUTION:**

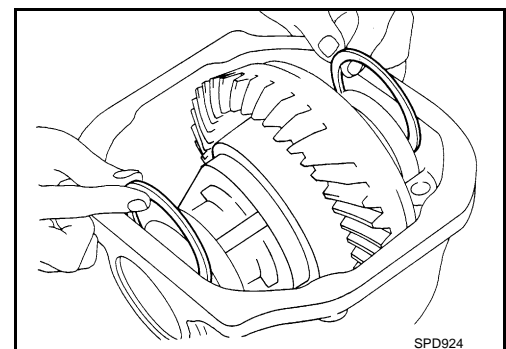
**Do not reuse side bearing inner race.**



11. Install the differential case assembly with the side bearing outer races into the gear carrier.
12. Measure the side bearing preload torque. If necessary, select the appropriate side bearing adjusting washers. Refer to [DLN-413. "Disassembly and Assembly"](#).



13. Insert the selected left and right side bearing adjusting washers in place between the side bearings and gear carrier.

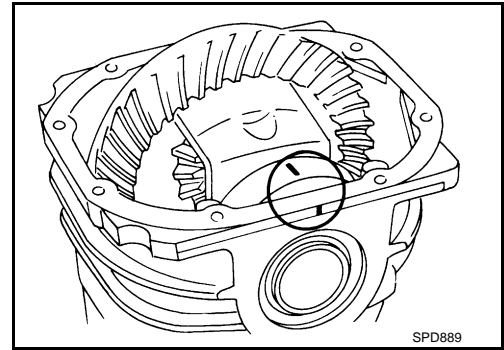


# REAR FINAL DRIVE

< DISASSEMBLY AND ASSEMBLY >

[REAR FINAL DRIVE: R200]

14. Install the side bearing caps with the matching marks aligned and tighten the side bearing cap bolts to the specified torque. Refer to [DLN-413, "Disassembly and Assembly"](#).



15. Check and adjust the drive gear runout, tooth contact, drive gear to drive pinion backlash, and total preload torque. Refer to [DLN-432, "Inspection and Adjustment"](#). Recheck the above items.
16. Install the side flanges. Refer to [DLN-413, "Disassembly and Assembly"](#).

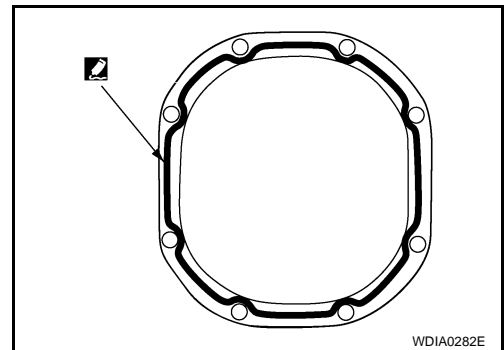
17. Apply a 3.2mm (0.126 in) bead of sealant to the mating surface of the carrier cover.

- Use Genuine Silicone RTV or equivalent. Refer to [GI-26, "Recommended Chemical Products and Sealants"](#).

**CAUTION:**

**Remove any old sealant adhering to the mating surfaces. Also remove any moisture, oil, or foreign material adhering to the application and mating surfaces.**

18. Install the carrier cover to the gear carrier. Tighten the bolts to the specified torque. Refer to [DLN-413, "Disassembly and Assembly"](#).
19. Install the side flange. Refer to [DLN-413, "Disassembly and Assembly"](#).



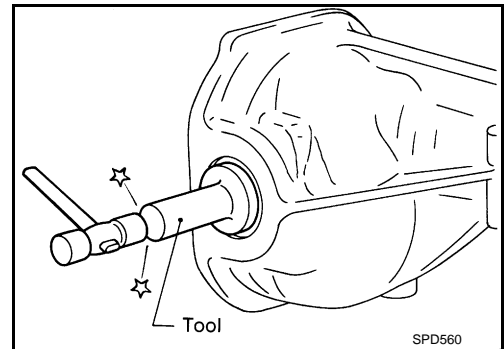
## Side Flange

1. Apply multi-purpose grease to the lips and differential gear oil to the circumference of the new side oil seal. Then drive the new side oil seal in evenly until it becomes flush with the gear carrier using Tool.

**Tool number : KV38100200 (J-26233)**

**CAUTION:**

- Do not reuse side oil seal.
- Do not incline the new side oil seal when installing.
- Apply multi-purpose grease to the lips and differential gear oil to the circumference of the new side oil seal.



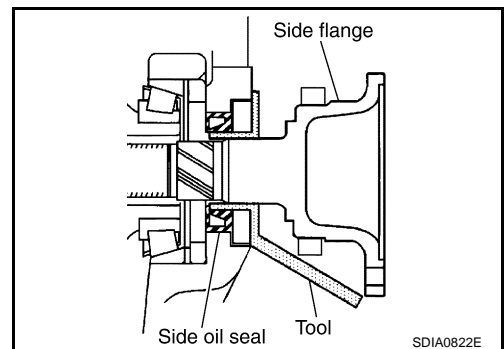
2. Install the side flange using Tool.
- a. Install the Tool to the side oil seal as shown.

**Tool number : KV38107900 (J-39352)**

- b. Insert the side flange until the serrated part of the side flange has engaged the serrated part of the side gear and remove the Tool.
- c. Drive in the side flange using suitable tool.

**NOTE:**

Installation is completed when the driving sound of the side flange turns into a sound which seems to affect the whole rear final drive assembly.



A  
B  
C  
DLN  
E  
F  
G  
H  
I  
J  
K  
L  
M  
N  
O  
P

# SERVICE DATA AND SPECIFICATIONS (SDS)

< SERVICE DATA AND SPECIFICATIONS (SDS)

[REAR FINAL DRIVE: R200]

## SERVICE DATA AND SPECIFICATIONS (SDS)

### SERVICE DATA AND SPECIFICATIONS (SDS)

#### General Specification

INFOID:000000003937463

Applied model	VQ40DE	
	2WD	4WD
Final drive model	R200	
Gear ratio	3.133	3.357
Number of teeth (Drive gear/Drive pinion)	47/15	47/14
Oil capacity (Approx.)	1.4 ℓ (3 US pt, 2-1/2 Imp pt)	
Number of pinion gears	2	
Drive pinion adjustment spacer type	Collapsible	

#### Inspection and Adjustment

INFOID:000000003937464

#### DRIVE GEAR RUNOUT

Unit: mm (in)

Item	Runout limit
Drive gear back face	0.05 (0.0020) or less

#### SIDE GEAR CLEARANCE

Unit: mm (in)

Item	Specification
Side gear back clearance (Clearance between side gear and differential case for adjusting side gear backlash)	0.2 (0.008) or less (Each gear should rotate smoothly without excessive resistance during differential motion.)

#### PRELOAD TORQUE

Item	Specification
Drive pinion bearing preload torque	2.65 - 3.23 N·m (0.27 - 0.32 kg-m, 24 - 28 in-lb)
Side bearing preload torque (reference value determined by drive gear bolt pulling force)	0.20 - 0.52 N·m (0.02 - 0.05 kg-m, 2 - 4 in-lb)
Drive gear bolt pulling force (by spring gauge)	34.2 - 39.2 N (3.5 - 4 kg, 7.7 - 8.8 lb)
Total preload torque (Total preload torque = drive pinion bearing preload torque + Side bearing preload torque)	2.84 - 3.75 N·m (0.29 - 0.38 kg-m, 26 - 33 in-lb)

#### BACKLASH

Unit: mm (in)

Item	Specification
Drive gear to drive pinion gear	0.10 - 0.15 (0.0039 - 0.0059)

#### COMPANION FLANGE RUNOUT

Unit: mm (in)

Item	Runout limit
Outer side of the companion flange	0.08 (0.0031) or less

#### SELECTIVE PARTS

Side Gear Thrust Washer



# SERVICE DATA AND SPECIFICATIONS (SDS)

< SERVICE DATA AND SPECIFICATIONS (SDS)

[REAR FINAL DRIVE: R200]

Unit: mm (in)

Thickness	Part number*	Thickness	Part number*
0.75 (0.0295)	38424 0C000	0.87 (0.0343)	38424 0C004
0.78 (0.0307)	38424 0C001	0.90 (0.0350)	38424 0C005
0.81 (0.0319)	38424 0C002	0.93 (0.0366)	38424 0C006
0.84 (0.0331)	38424 0C003		

\*: Always check with the Parts Department for the latest parts information.

## Drive Pinion Height Adjusting Washer

Unit: mm (in)

Thickness	Part number*	Thickness	Part number*
3.05 (0.1201)	38154 0C000	3.17 (0.1248)	38154 0C004
3.08 (0.1213)	38154 0C001	3.20 (0.1260)	38154 0C005
3.11 (0.1224)	38154 0C002	3.23 (0.1272)	38154 0C006
3.14 (0.1236)	38154 0C003	3.26 (0.1283)	38154 0C007

\*: Always check with the Parts Department for the latest parts information.

## Side Bearing Adjusting Washer

Unit: mm (in)

Thickness	Part number*	Thickness	Part number*
2.00 (0.0787)	38453 N3100	2.35 (0.0925)	38453 N3107
2.05 (0.0807)	38453 N3101	2.40 (0.0945)	38453 N3108
2.10 (0.0827)	38453 N3102	2.45 (0.0965)	38453 N3109
2.15 (0.0846)	38453 N3103	2.50 (0.0984)	38453 N3110
2.20 (0.0866)	38453 N3104	2.55 (0.1004)	38453 N3111
2.25 (0.0886)	38453 N3105	2.60 (0.1024)	38453 N3112
2.30 (0.0906)	38453 N3106	2.65 (0.1043)	38453 N3113

\*: Always check with the Parts Department for the latest parts information.

A  
B  
C  
DLN  
E  
F  
G  
H  
I  
J  
K  
L  
M  
N  
O  
P

## PRECAUTION

### PRECAUTIONS

#### Precaution for Servicing Rear Final Drive

INFOID:000000003937465

- Before starting diagnosis of the vehicle, understand the symptoms well. Perform correct and systematic operations.
- Check for the correct installation status prior to removal or disassembly. When matching marks are required, be certain they do not interfere with the function of the parts they are applied to.
- Overhaul should be done in a clean work area, a dust proof area is recommended.
- Before disassembly, completely remove sand and mud from the exterior of the unit, preventing them from entering into the unit during disassembly or assembly.
- Always use shop paper for cleaning the inside of components.
- Avoid using cotton gloves or a shop cloth to prevent the entering of lint.
- Check appearance of the disassembled parts for damage, deformation, and abnormal wear. Replace them with new ones if necessary.
- Gaskets, seals and O-rings should be replaced any time the unit is disassembled.
- Clean and flush the parts sufficiently and blow them dry.
- Be careful not to damage sliding surfaces and mating surfaces.
- When applying sealant, remove the old sealant from the mating surface; then remove any moisture, oil, and foreign materials from the application and mating surfaces.
- In principle, tighten nuts or bolts gradually in several steps working diagonally from inside to outside. If a tightening sequence is specified, observe it.
- During assembly, observe the specified tightening torque.
- Add new differential gear oil, petroleum jelly, or multi-purpose grease, as specified.

# PREPARATION

< PREPARATION >

[REAR FINAL DRIVE: R230 (4WD)]

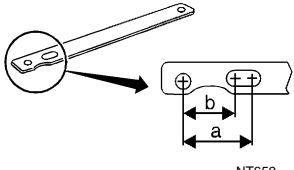
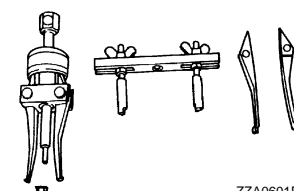
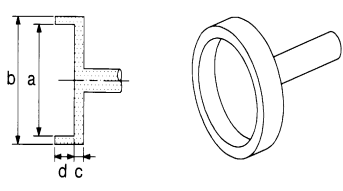
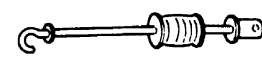
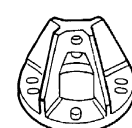
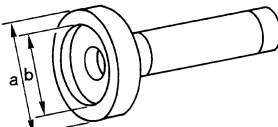
## PREPARATION

### PREPARATION

#### Special Service Tool

INFOID:000000003937466

The actual shapes of Kent-Moore tools may differ from those of special service tools illustrated here.

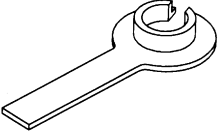
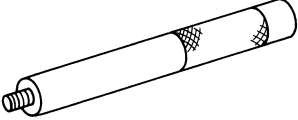
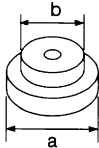
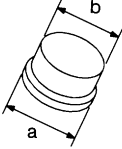
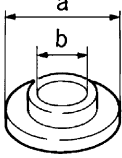
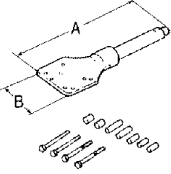
Tool number (Kent-Moore No.) Tool name	Description
KV40104000 ( — ) Flange wrench 	Removing and installing drive pinion lock nut <b>a: 85 mm (3.35 in) dia.</b> <b>b: 65 mm (2.56 in) dia.</b>
KV381054S0 (J-34286) Puller 	Removing front oil seal
ST15310000 (J-25640-B) Drift 	Installing oil seal <b>a: 84 mm (3.31 in) dia.</b> <b>b: 96 mm (3.78 in) dia.</b> <b>c: 8 mm (0.31 in) dia.</b> <b>d: 20 mm (0.79 in)</b>
ST36230000 (J-25840-A) Sliding hammer 	Removing side flange
KV40104100 ( — ) Attachment 	Removing side flange
KV38100200 (J-26233) Drift 	Installing side oil seal <b>a: 65 mm (2.56 in) dia.</b> <b>b: 49 mm (1.93 in) dia.</b>

A  
B  
C  
DLN  
E  
F  
G  
H  
I  
J  
K  
L  
M  
N  
O  
P

# PREPARATION

< PREPARATION >

[REAR FINAL DRIVE: R230 (4WD)]

Tool number (Kent-Moore No.) Tool name	Description
KV38107900 (J-39352) Protector   S-NT129	Installing side flange
ST35325000 ( — ) Drift bar   ZZA1140D	Installing drive pinion outer race
ST30621000 (J-25742-5) Drift   NT073	Installing drive pinion outer race <b>a: 79 mm (3.11 in) dia.</b> <b>b: 59 mm (2.32 in) dia.</b>
SR33081000 ( — ) Adapter   NT431	Installing side bearing race <b>a: 43 mm (1.69 in) dia.</b> <b>b: 33.5 mm (1.319 in) dia.</b>
ST30022000 ( — ) Insert   ZZA0920D	Installing drive pinion inner race <b>a: 110 mm (4.33 in) dia.</b> <b>b: 46 mm (1.81 in) dia.</b>
KV38100800 (J-25604-01) Attachment   SDIA0267E	Securing unit assembly <b>a: 541 mm (21.30 in)</b> <b>b: 200 mm (7.87 in)</b>

# PREPARATION

< PREPARATION >

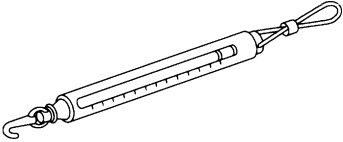
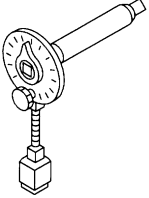
[REAR FINAL DRIVE: R230 (4WD)]

Tool number (Kent-Moore No.) Tool name	Description	
ST3127S000 (J-25765-A) Preload gauge 1: GG91030000 (J-25765) Torque wrench 2: HT62940000 ( — ) Socket adapter (1/2") 3: HT62900000 ( — ) Socket adapter (3/8")	Measuring drive pinion bearing preload torque and total preload torque	A B C <b>DLN</b>
KV10111100 (J-37228) Seal cutter	Removing carrier cover	E F G
ST3306S001 ( — ) Differential side bearing puller set 1: ST33051001 (J-22888-20) Puller 2: ST33061000 (J-8107-2) Base	Removing and installing side bearing inner race <b>a: 28.5 mm (1.122 in) dia.</b> <b>b: 38 mm (1.50 in) dia.</b>	H I
ST30031000 (J-22912-01) Puller	Removing drive pinion rear bearing inner race	J K L
ST35271000 ( — ) Drift	Installing oil seal <b>a: 72 mm (2.83 in) dia.</b> <b>b: 63 mm (2.48 in) dia.</b>	M N
HT72400000 ( — ) Slide hammer	Removing differential case assembly	O P

# PREPARATION

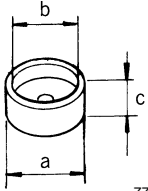
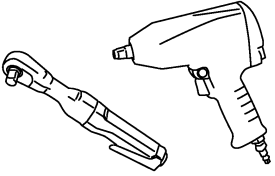
< PREPARATION >

[REAR FINAL DRIVE: R230 (4WD)]

Tool number (Kent-Moore No.) Tool name	Description
<p>— (J-8129) Spring gauge</p> <div style="text-align: center;">  <p>NT127</p> </div>	<p>Measuring turning torque</p>
<p>KV10112100 (BT-8653-A) Angle wrench</p> <div style="text-align: center;">  <p>NT014</p> </div>	<p>Tightening bolts for drive gear</p>

## Commercial Service Tool

INFOID:000000003937467

Tool name	Description
<p>Spacer</p> <div style="text-align: center;">  <p>ZZA1133D</p> </div>	<p>Installing drive pinion front bearing inner race  <b>a: 60 mm (2.36 in) dia.</b>  <b>b: 36 mm (1.42 in) dia.</b>  <b>c: 30 mm (1.18 in)</b></p>
<p>Power tool</p> <div style="text-align: center;">  <p>PBIC0190E</p> </div>	<p>Loosening nuts and bolts</p>

# NOISE, VIBRATION AND HARSHNESS (NVH) TROUBLESHOOTING

< FUNCTION DIAGNOSIS >

[REAR FINAL DRIVE: R230 (4WD)]

## FUNCTION DIAGNOSIS

### NOISE, VIBRATION AND HARSHNESS (NVH) TROUBLESHOOTING

#### NVH Troubleshooting Chart

INFOID:000000003937468

Use the chart below to help you find the cause of the symptom. If necessary, repair or replace these parts.

Symptom	Noise														
Reference page		<a href="#">DLN-450</a>	<a href="#">DLN-450</a>	<a href="#">DLN-450</a>	<a href="#">DLN-450</a>	<a href="#">DLN-467</a>	<a href="#">MA-12. "Fluids and Lubricants"</a>	<a href="#">DLN-315. "NVH Troubleshooting Chart"</a> <a href="#">DLN-324. "NVH Troubleshooting Chart"</a>	<a href="#">RAX-4. "NVH Troubleshooting Chart"</a>	<a href="#">RSU-5. "NVH Troubleshooting Chart"</a>	<a href="#">WT-45. "NVH Troubleshooting Chart"</a>	<a href="#">WT-45. "NVH Troubleshooting Chart"</a>	<a href="#">RAX-4. "NVH Troubleshooting Chart"</a>	<a href="#">BR-6. "NVH Troubleshooting Chart"</a>	<a href="#">ST-9. "NVH Troubleshooting Chart"</a>
Possible cause and SUSPECTED PARTS		Gear tooth rough	Gear contact improper	Tooth surfaces worn	Backlash incorrect	Companion flange excessive runout	Gear oil improper	PROPELLER SHAFT	REAR AXLE	REAR SUSPENSION	TIRES	ROAD WHEEL	DRIVE SHAFT	BRAKES	STEERING
		x	x	x	x	x	x	x		x	x	x	x	x	x

x: Applicable

A  
B  
C  
DLN  
E  
F  
G  
H  
I  
J  
K  
L  
M  
N  
O  
P

# DESCRIPTION

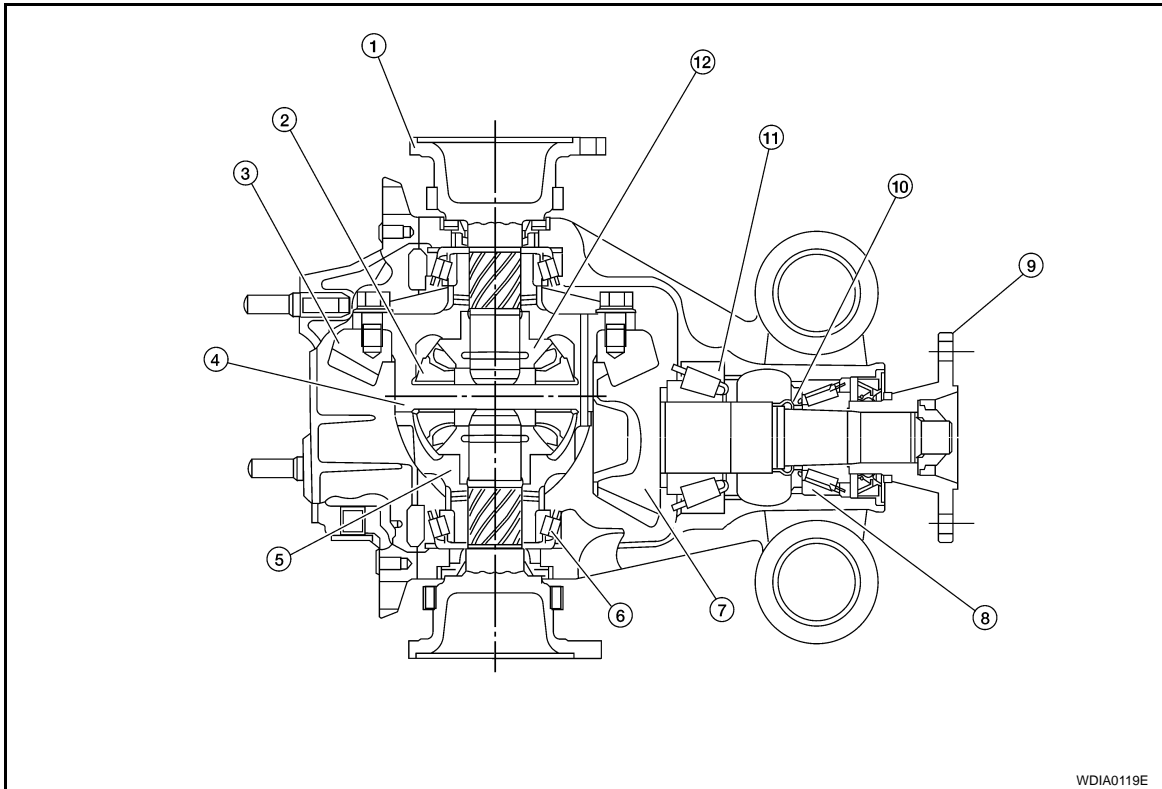
< FUNCTION DIAGNOSIS >

[REAR FINAL DRIVE: R230 (4WD)]

## DESCRIPTION

### Cross-Sectional View

INFOID:000000003937469



WDIA0119E

- |                        |                               |                     |
|------------------------|-------------------------------|---------------------|
| 1. Side flange         | 2. Pinion mate gear           | 3. Drive gear       |
| 4. Pinion mate shaft   | 5. Differential case          | 6. Side bearing     |
| 7. Drive pinion        | 8. Drive pinion front bearing | 9. Companion flange |
| 10. Collapsible spacer | 11. Drive pinion rear bearing | 12. Side gear       |



# DIFFERENTIAL GEAR OIL

< ON-VEHICLE MAINTENANCE >

[REAR FINAL DRIVE: R230 (4WD)]

## ON-VEHICLE MAINTENANCE

### DIFFERENTIAL GEAR OIL

#### Changing Differential Gear Oil

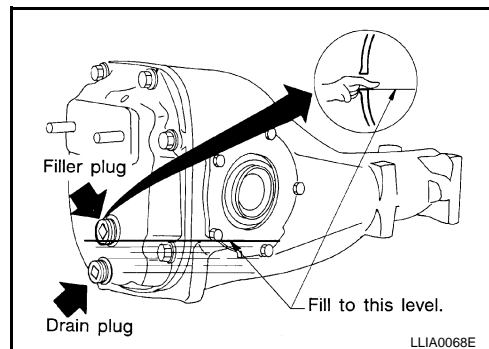
INFOID:000000003937470

#### DRAINING

1. Stop the engine.
2. Remove the drain plug and gasket from the rear final drive assembly to drain the differential gear oil.
3. Install the drain plug with a new gasket to the rear final drive assembly. Tighten to the specified torque. Refer to [DLN-450, "Disassembly and Assembly"](#).

**CAUTION:**

**Do not reuse gasket.**



#### FILLING

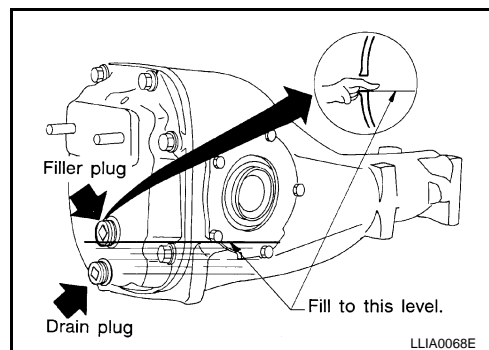
1. Remove the filler plug and gasket from the rear final drive assembly.
2. Fill the rear final drive assembly with new differential gear oil until the level reaches the specified level near the filler plug hole.

**Differential gear oil grade and capacity** : Refer to [MA-12, "Fluids and Lubricants"](#).

3. Install the filler plug with a new gasket on it to the rear final drive assembly. Tighten to the specified torque. Refer to [DLN-450, "Disassembly and Assembly"](#).

**CAUTION:**

**Do not reuse gasket.**



#### Checking Differential Gear Oil

INFOID:000000003937471

#### OIL LEAKAGE AND OIL LEVEL

1. Make sure that differential gear oil is not leaking from the rear final drive assembly or around it.
2. Check the differential gear oil level from the filler plug hole as shown.

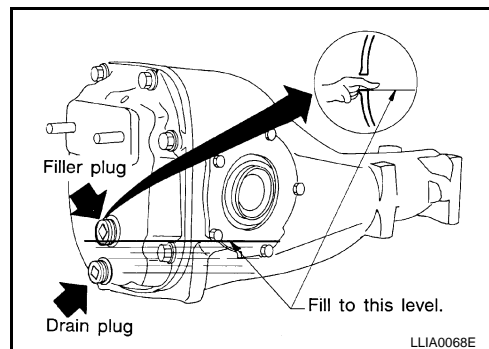
**CAUTION:**

**Do not start engine while checking differential gear oil level.**

3. Install the filler plug with a new gasket on it to the rear final drive assembly. Tighten to the specified torque. Refer to [DLN-450, "Disassembly and Assembly"](#).

**CAUTION:**

**Do not reuse gasket.**



A  
B  
C  
DLN  
E  
F  
G  
H  
I  
J  
K  
L  
M  
N  
O  
P

ON-VEHICLE REPAIR

FRONT OIL SEAL

Removal and Installation

INFOID:000000003937472

REMOVAL

1. Remove the drive shafts from the rear final drive assembly. Refer to [RAX-9, "Removal and Installation"](#).
2. Remove the side flanges and side oil seals. Refer to [DLN-444, "Removal and Installation"](#).
3. Remove the rear propeller shaft. Refer to [DLN-326, "Removal and Installation"](#).
4. Measure the total preload torque. Refer to [DLN-467, "Inspection and Adjustment"](#).

**NOTE:**

Record the total preload torque measurement.

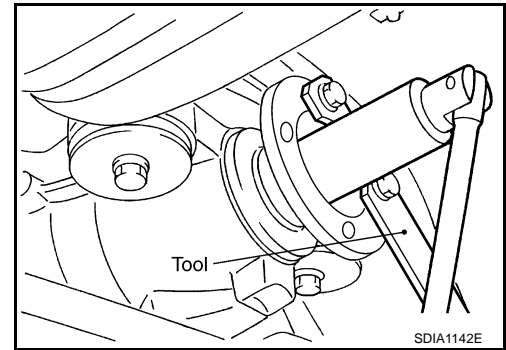
5. Remove the drive pinion lock nut using Tool.

**Tool number** : KV40104000 ( — )

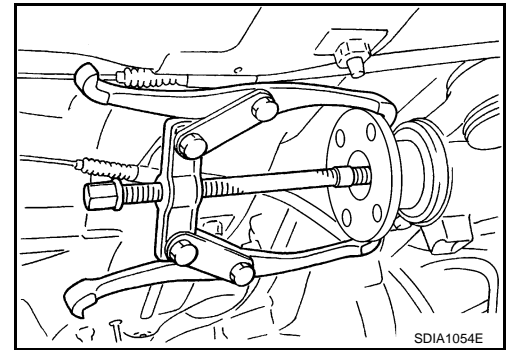
6. Put matching marks on the companion flange and drive pinion using paint.

**CAUTION:**

Use paint to make the matching marks. Do not damage the companion flange or drive pinion.

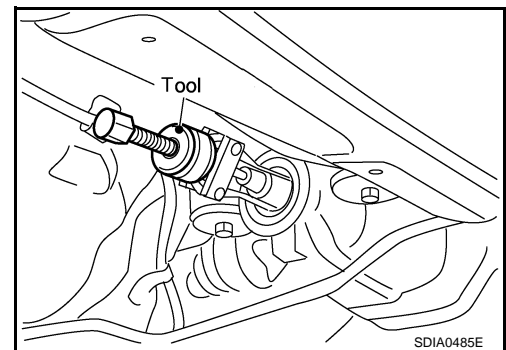


7. Remove the companion flange using suitable tool.



8. Remove the front oil seal using Tool.

**Tool number** : KV381054S0 (J-34286)



INSTALLATION

## FRONT OIL SEAL

< ON-VEHICLE REPAIR >

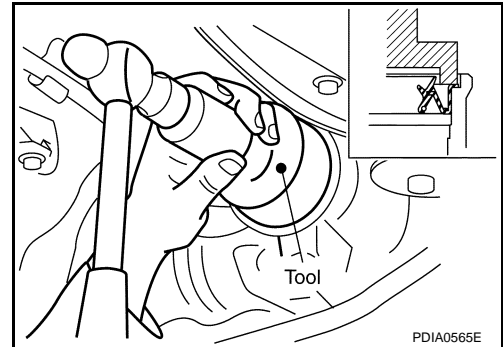
[REAR FINAL DRIVE: R230 (4WD)]

1. Apply multi-purpose grease to the lips of the new front oil seal. Then drive the new front oil seal in evenly until it becomes flush with the gear carrier using Tool.

**Tool number** : ST15310000 ( — )

**CAUTION:**

- Do not reuse front oil seal.
- Do not incline the new front oil seal when installing.
- Apply multi-purpose grease to the lips of the new front oil seal.



2. Install the companion flange to the drive pinion while aligning the matching marks.
3. Apply anti-corrosive oil to the threads of the drive pinion and the seating surface of the new drive pinion lock nut. Then adjust the drive pinion lock nut tightening torque using Tool A, and check the total preload torque using Tool B.

**Tool number**            **A:** KV40104000 ( — )  
                                 **B:** ST3127S000 (J-25765-A)

**Total preload torque:** Refer to [DLN-467, "Inspection and Adjustment"](#).

- The total preload torque should be within the total preload torque specification. When not replacing the collapsible spacer, it should also be equal to the measurement taken during removal plus an additional 0.56 N·m (0.06 Kg-m, 5 in-lb).
- If the total preload torque is low, tighten the drive pinion lock nut in 6.8 N·m (0.69 Kg-m, 5ft-lb) increments until the total preload torque is met.

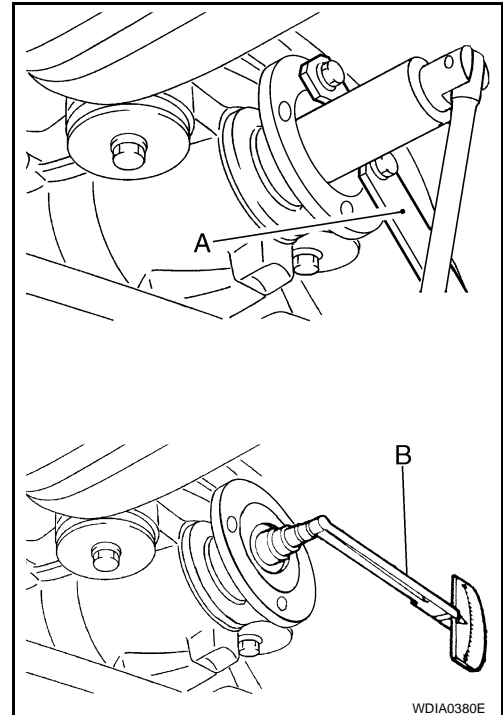
**CAUTION:**

- Do not reuse drive pinion lock nut.
- Apply anti-corrosive oil to the threads of the drive pinion and the seating surface of the new drive pinion lock nut.
- Adjust the drive pinion lock nut tightening torque to the lower limit first. Do not exceed the drive pinion lock nut specified torque. Refer to [DLN-450, "Disassembly and Assembly"](#).
- Do not loosen drive pinion lock nut to adjust the total preload torque. If the total preload torque exceeds the specifications, replace the collapsible spacer and tighten it again to adjust. Refer to [DLN-450, "Disassembly and Assembly"](#).
- After adjustment, rotate drive pinion back and forth 2 to 3 times to check for unusual noise, rotation malfunction, and other malfunctions.

4. Installation of the remaining components is in the reverse order of removal.

**CAUTION:**

Check the differential gear oil level after installation. Refer to [DLN-441, "Checking Differential Gear Oil"](#).



A  
B  
C

DLN

E  
F  
G  
H  
I  
J  
K

L  
M

N

O

P

# SIDE OIL SEAL

< ON-VEHICLE REPAIR >

[REAR FINAL DRIVE: R230 (4WD)]

## SIDE OIL SEAL

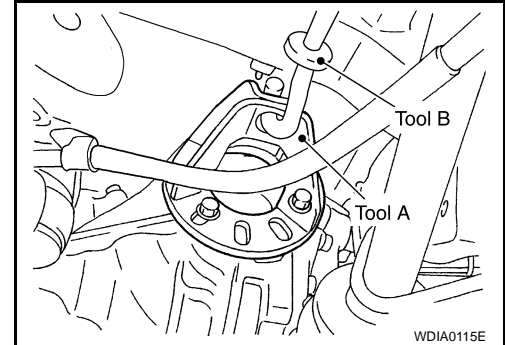
### Removal and Installation

INFOID:000000003937473

#### REMOVAL

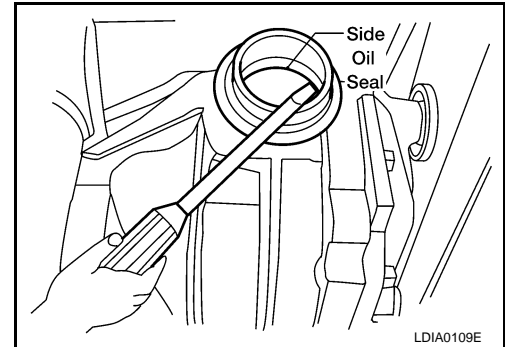
1. Remove the drive shaft from the rear final drive assembly. Refer to [RAX-9. "Removal and Installation"](#).
2. Remove the side flange using Tools.

**Tool numbers**    **A: KV40104100 ( — )**  
                          **B: ST36230000 (J-25840-A)**



3. Remove the side oil seal using suitable tool.

**CAUTION:**  
Do not to damage gear carrier.



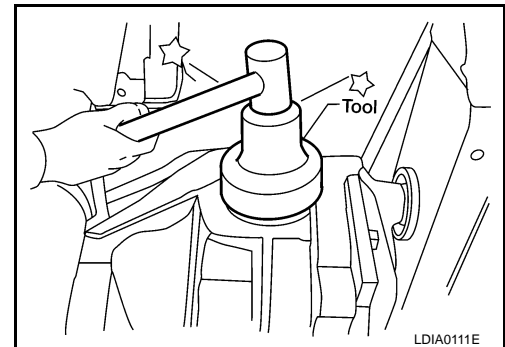
#### INSTALLATION

1. Apply multi-purpose grease to the lips of the new side oil seal. Then drive the new side oil seal in evenly until it becomes flush with the gear carrier using Tool.

**Tool number**        **: ST35271000 (J-26091)**

**CAUTION:**

- Do not reuse side oil seal.
- Do not incline the new side oil seal when installing.
- Apply multi-purpose grease to the lips of the new side oil seal.

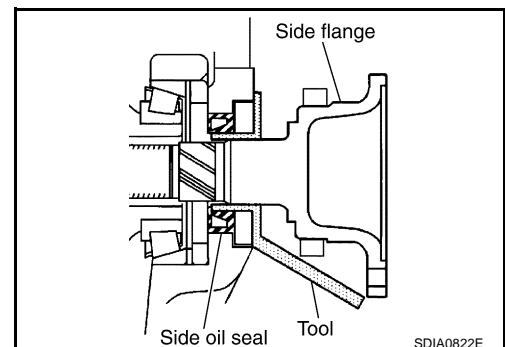


2. Install the side flange using Tool.
  - a. Install the Tool to the side oil seal as shown.

**Tool number**        **: KV38107900 (J-39352)**

- b. Insert the side flange until the serrated part of the side flange has engaged the serrated part of the side gear and remove the Tool.
- c. Drive in the side flange using suitable tool.

**NOTE:**  
Installation is completed when the driving sound of the side flange turns into a sound which seems to affect the whole rear final drive assembly.



3. Installation of the remaining components is in the reverse order of removal.

**CAUTION:**

# SIDE OIL SEAL

< ON-VEHICLE REPAIR >

[REAR FINAL DRIVE: R230 (4WD)]

Check the differential gear oil level after installation. Refer to [DLN-441, "Checking Differential Gear Oil"](#).

A

B

C

DLN

E

F

G

H

I

J

K

L

M

N

O

P

# CARRIER COVER

< ON-VEHICLE REPAIR >

[REAR FINAL DRIVE: R230 (4WD)]

## CARRIER COVER

### Removal and Installation

INFOID:000000003937474

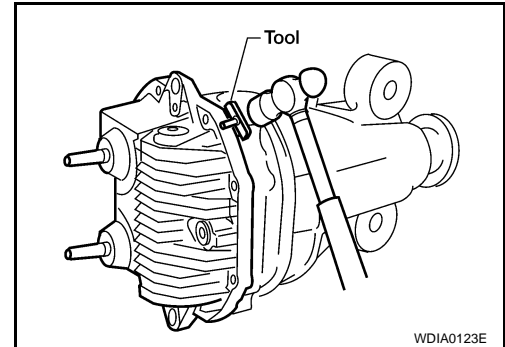
#### REMOVAL

1. Remove the rear final drive assembly. Refer to [DLN-447, "Removal and Installation"](#).
2. Remove the carrier cover bolts and separate the carrier cover from the gear carrier using Tool.

**Tool number** : KV10111100 (J-37228)

**CAUTION:**

- Do not damage the mating surface.
- Do not insert flat-bladed screwdriver, this will damage the mating surface.



#### INSTALLATION

1. Apply a 3 mm (0.12 in) bead of sealant to the mating surface of the carrier cover as shown.
  - Use Genuine Silicone RTV or equivalent. Refer to [GI-26, "Recommended Chemical Products and Sealants"](#).

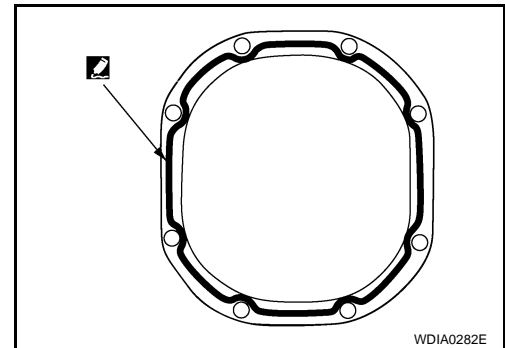
**CAUTION:**

**Remove any old sealant adhering to the mating surfaces. Also remove any moisture, oil, or foreign material adhering to the application and mating surfaces.**

2. Install the carrier cover to the gear carrier. Tighten the bolts to the specified torque. Refer to [DLN-450, "Disassembly and Assembly"](#).
3. Install the rear final drive assembly. Refer to [DLN-447, "Removal and Installation"](#).

**CAUTION:**

**Fill the rear final drive assembly with recommended differential gear oil. Refer to [DLN-441](#).**



# REAR FINAL DRIVE

< REMOVAL AND INSTALLATION >

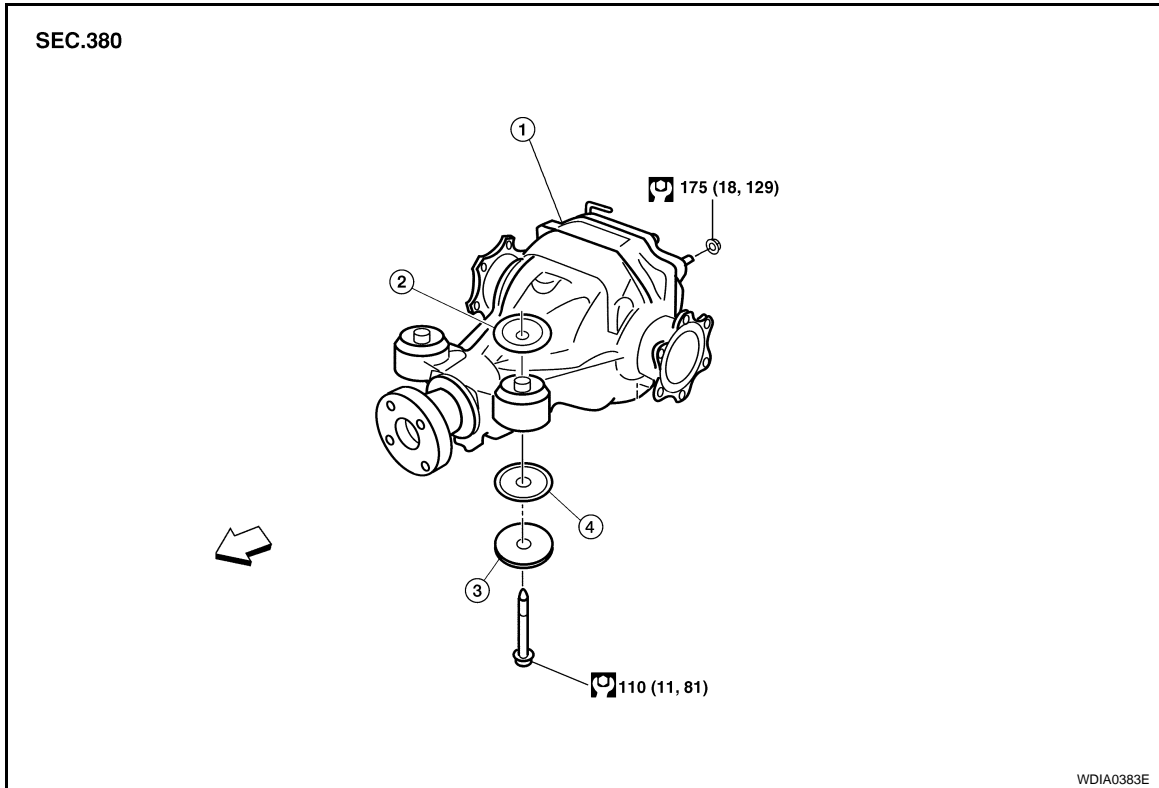
[REAR FINAL DRIVE: R230 (4WD)]

## REMOVAL AND INSTALLATION

### REAR FINAL DRIVE

#### Removal and Installation

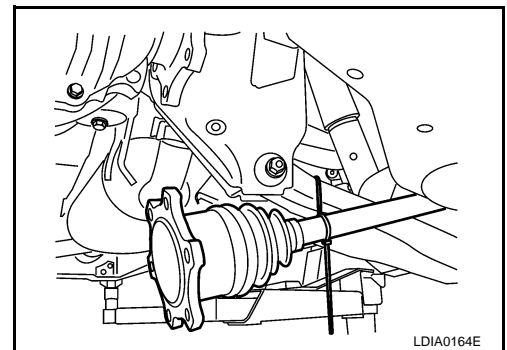
INFOID:000000003937475



- 1. Rear final drive assembly
- 2. Upper stopper
- 3. Washer
- 4. Lower stopper
- ⇒ Vehicle front

#### REMOVAL

1. Remove the spare tire.
2. Drain the differential gear oil. Refer to [DLN-441. "Changing Differential Gear Oil"](#).
3. Remove the rear stabilizer bar. Refer to [RSU-22. "Removal and Installation"](#).
4. Remove the rear propeller shaft. Refer to [DLN-317. "Removal and Installation"](#) (2S1330) or [DLN-326. "Removal and Installation"](#) (2S1350).
5. Remove the rear drive shafts from the rear final drive assembly and support them using suitable wire. Refer to [RAX-9. "Removal and Installation"](#).



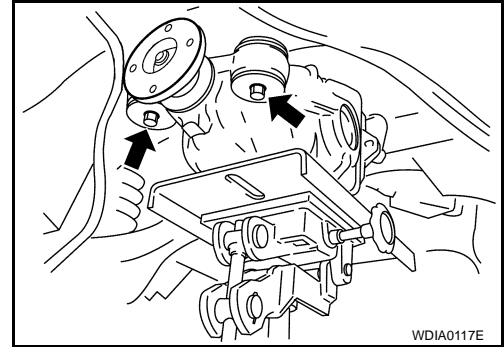
6. Disconnect the breather hose from the rear final drive assembly.

## REAR FINAL DRIVE

### < REMOVAL AND INSTALLATION >

[REAR FINAL DRIVE: R230 (4WD)]

7. Place a suitable jack under the rear final drive assembly.  
**CAUTION:**  
**Do not place the jack on the carrier cover.**
8. Remove the nuts and bolts and remove the rear final drive assembly.  
**CAUTION:**  
**Secure rear final drive assembly to the jack while removing it.**



### INSTALLATION

Installation is in the reverse order of removal.

#### **CAUTION:**

- When installing the breather hose make sure the painted marking on the metal end of breather hose is to the front of the vehicle and there are no pinched or restricted areas on the breather hose caused by folding or bending when installing it.
- When installing the breather hose insert the plastic end of the breather hose into the hole in the suspension member.

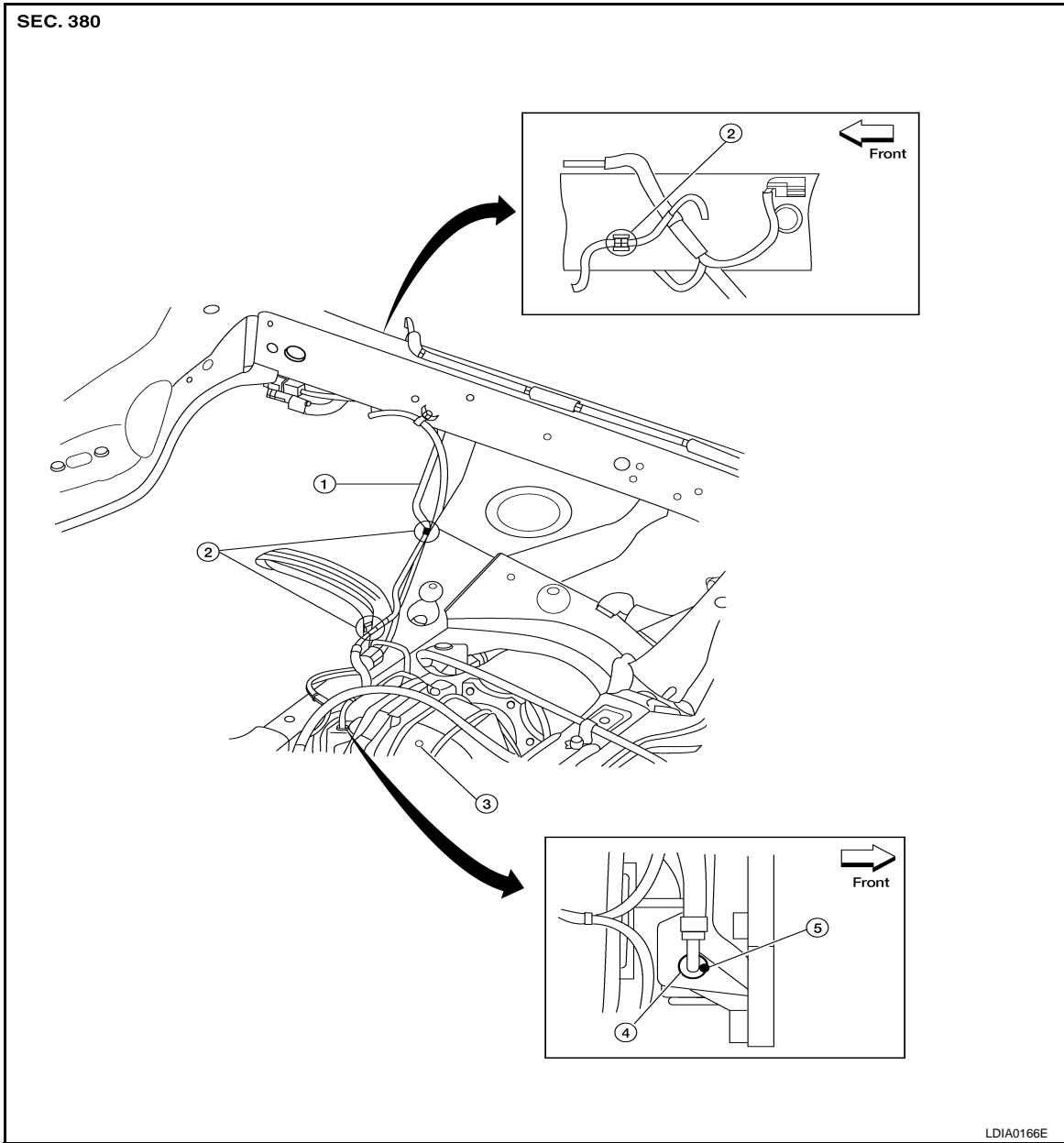


# REAR FINAL DRIVE

< REMOVAL AND INSTALLATION >

[REAR FINAL DRIVE: R230 (4WD)]

## REAR FINAL DRIVE BREATHER



- |                    |                      |                              |
|--------------------|----------------------|------------------------------|
| 1. Breather hose   | 2. Plastic connector | 3. Rear final drive assembly |
| 4. Metal connector | 5. Paint mark        |                              |

- Fill the rear final drive assembly with differential gear oil after installation. Refer to [DLN-441, "Changing Differential Gear Oil"](#).

# REAR FINAL DRIVE

< DISASSEMBLY AND ASSEMBLY >

[REAR FINAL DRIVE: R230 (4WD)]

## DISASSEMBLY AND ASSEMBLY

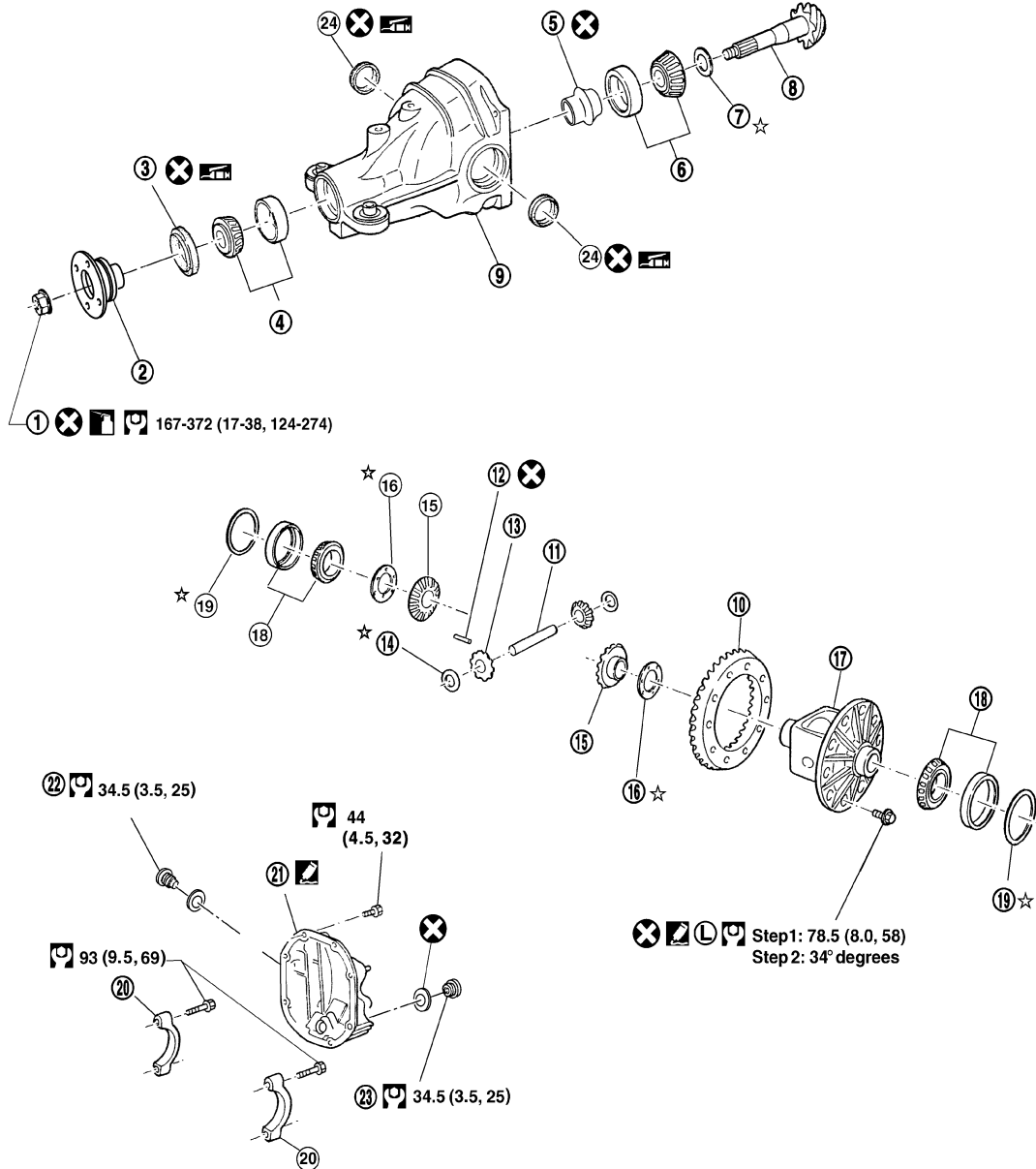
### REAR FINAL DRIVE

#### Disassembly and Assembly

INFOID:000000003937476

#### COMPONENTS

SEC.380



- : Lubricate with new gear oil
- : Apply genuine medium strength locking sealant or equivalent. Refer to GI section.
- : N•m (kg•m, ft•lb)
- : Apply genuine thread sealant or equivalent. Refer to GI section.
- ☆ : Adjustment is required.
- : Always replace after every disassembly.
- : Lubricate with grease.

WDIA0191E

# REAR FINAL DRIVE

< DISASSEMBLY AND ASSEMBLY >

[REAR FINAL DRIVE: R230 (4WD)]

- |   |                               |                              |
|---|-------------------------------|------------------------------|
| 1. Drive pinion lock nut                | 2. Companion flange           | 3. Front oil seal            |
| 4. Drive pinion front bearing           | 5. Collapsible spacer         | 6. Drive pinion rear bearing |
| 7. Drive pinion height adjusting washer | 8. Drive pinion               | 9. Gear carrier              |
| 10. Drive gear                          | 11. Pinion mate shaft         | 12. Lock pin                 |
| 13. Pinion mate gear                    | 14. Pinion mate thrust washer | 15. Side gear                |
| 16. Side gear thrust washer             | 17. Differential case         | 18. Side bearing             |
| 19. Side bearing adjusting washer       | 20. Bearing cap               | 21. Carrier cover            |
| 22. Filler plug                         | 23. Drain plug                | 24. Side oil seal            |

## ASSEMBLY INSPECTION AND ADJUSTMENT

- Drain the differential gear oil before inspection and adjustment. Refer to [DLN-441](#).
- Remove and install the carrier cover as necessary for inspection and adjustment. Refer to [DLN-446](#).

### Total Preload Torque

1. Remove the side flanges if necessary. Refer to [DLN-444, "Removal and Installation"](#).

**CAUTION:**

**The side flanges shaft must removed in order to measure total preload torque.**

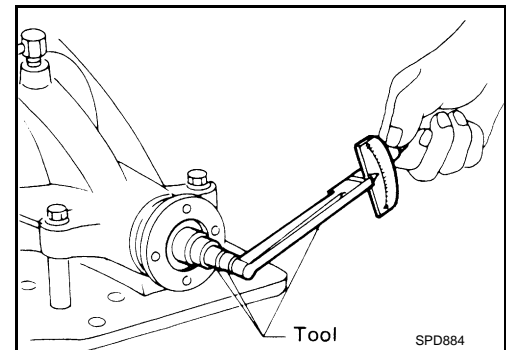
2. Rotate the drive pinion back and forth 2 to 3 times to check for unusual noise and rotation malfunction.
3. Rotate the drive pinion at least 20 times to check for smooth operation of the bearings.
4. Measure the total preload torque using Tool.

**Tool number : ST3127S000 (J-25765-A)**

**Total preload torque:  
2.05 - 4.11 N·m (0.21 - 0.42 kg·m, 19 - 36 in·lb)**

**NOTE:**

**Total preload torque = Drive pinion bearing preload torque + Side bearing preload torque**



- If the measured value is out of the specification, check and adjust each part. Adjust the drive pinion bearing preload torque first, then adjust the side bearing preload torque.

**If the total preload torque is greater than specification**

**On drive pinion bearings: Replace the collapsible spacer.**

**On side bearings: Use thinner side bearing adjusting washers by the same amount on each side. Refer to [DLN-467, "Inspection and Adjustment"](#).**

**If the total preload torque is less than specification**

**On drive pinion bearings: Tighten the drive pinion lock nut.**

**On side bearings: Use thicker side bearing adjusting washers by the same amount on each side. Refer to [DLN-467, "Inspection and Adjustment"](#).**

**CAUTION:**

**Select a side bearing adjusting washer for right and left individually.**

Drive Gear Runout

# REAR FINAL DRIVE

## < DISASSEMBLY AND ASSEMBLY >

## [REAR FINAL DRIVE: R230 (4WD)]

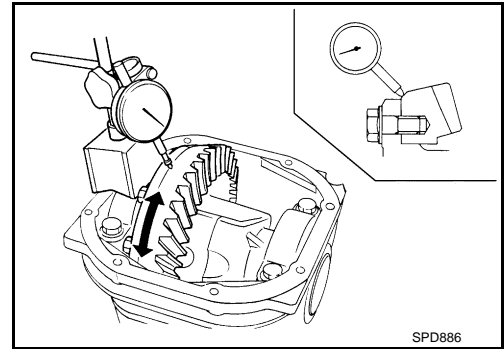
1. Fit a dial indicator to the drive gear back face.
2. Rotate the drive gear to measure runout.

**Runout limit : 0.05 mm (0.0020 in) or less**

- If the runout is outside of the limit, check the condition of the drive gear assembly. Foreign material may be caught between the drive gear and differential case, or the differential case or drive gear may be deformed.

**CAUTION:**

**Replace drive gear and drive pinion as a set.**

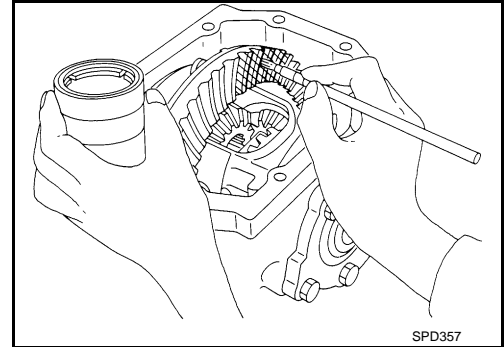


### Tooth Contact

1. Apply red lead to the drive gear.

**NOTE:**

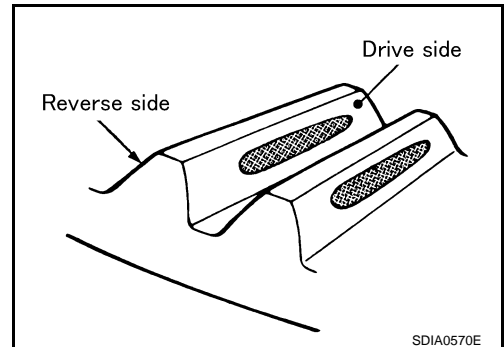
Apply red lead to both faces of three to four gears, at four locations evenly spaced on the drive gear.



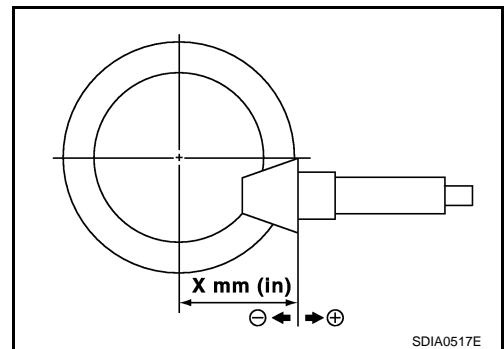
2. Rotate the drive gear back and forth several times. Then check for correct drive pinion to drive gear tooth contact as shown.

**CAUTION:**

**Check tooth contact on drive side and reverse side.**



3. If the tooth contact is improperly adjusted, follow the procedure below to adjust the pinion height (dimension X).

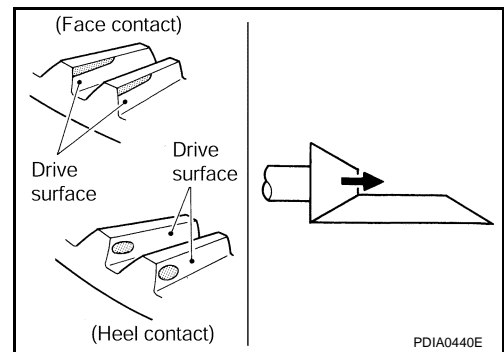


# REAR FINAL DRIVE

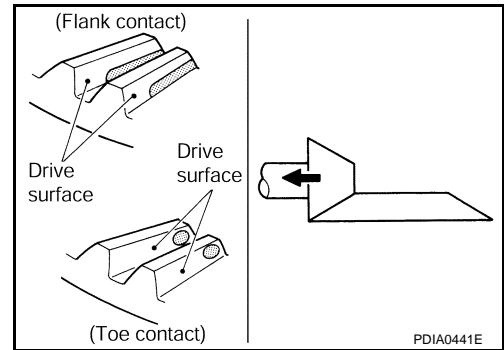
< DISASSEMBLY AND ASSEMBLY >

[REAR FINAL DRIVE: R230 (4WD)]

- If the tooth contact is near the face (face contact), or near the heel (heel contact), use a thicker drive pinion height adjusting washers to move the drive pinion closer to the drive gear. Refer to [DLN-467, "Inspection and Adjustment"](#).



- If the tooth contact is near the flank (flank contact), or near the toe (toe contact), use a thinner drive pinion height adjusting washers to move the drive pinion farther from the drive gear. Refer to [DLN-467, "Inspection and Adjustment"](#).



## Backlash

1. Fit a dial indicator to the drive gear face to measure the backlash.

**Backlash : 0.13 - 0.18 mm (0.0051 - 0.0070 in)**

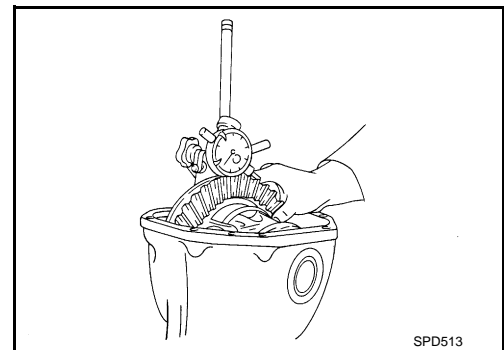
- If the backlash is outside of the specification, change the thickness of the side bearing adjusting washers.

**If the backlash is greater than specification:**

**Make side bearing adjusting washer thicker on drive gear back side, and side bearing adjusting washer thinner on drive gear tooth side by the same amount. Refer to [DLN-467, "Inspection and Adjustment"](#).**

**If the backlash is less than specification:**

**Make side bearing adjusting washer thinner on drive gear back side, and side bearing adjusting washer thicker on drive gear tooth side by the same amount. Refer to [DLN-467, "Inspection and Adjustment"](#).**



## CAUTION:

**Do not change the total thickness of side bearing adjusting washers as it will change the side bearing preload torque.**

Companion Flange Runout

A  
B  
C  
DLN  
E  
F  
G  
H  
I  
J  
K  
L  
M  
N  
O  
P

# REAR FINAL DRIVE

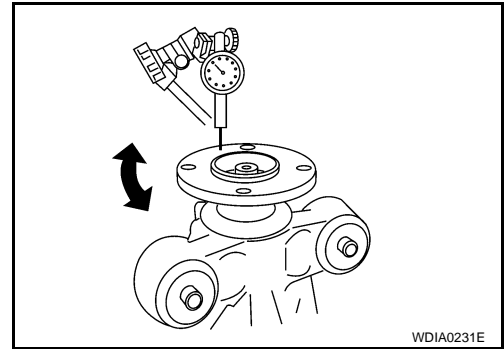
## < DISASSEMBLY AND ASSEMBLY >

## [REAR FINAL DRIVE: R230 (4WD)]

1. Rotate companion flange and check for runout on the outer face of the companion flange using suitable tool.

**Runout limit : 0.08 mm (0.0031 in) or less**

2. If the runout is outside of the runout limit, follow the procedure below to adjust.
  - a. Rotate the companion flange on the drive pinion by 90°, 180° and 270° while checking for the position where the runout is minimum.
  - b. If the runout is still outside of the runout limit after the companion flange has been rotated on the drive pinion, possible cause could be an assembly malfunction of drive pinion and drive pinion bearing or a malfunctioning drive pinion bearing.
  - c. If the runout is still outside of the runout limit after repair of the assembly of drive pinion and drive pinion bearing or drive pinion bearing, replace the companion flange.

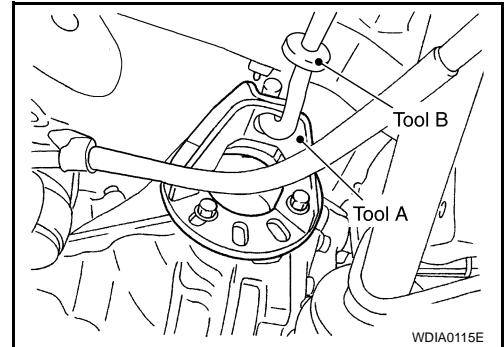


## DISASSEMBLY

### Side Flange

1. Drain the differential gear oil if necessary.
2. Remove the side flange using Tools.

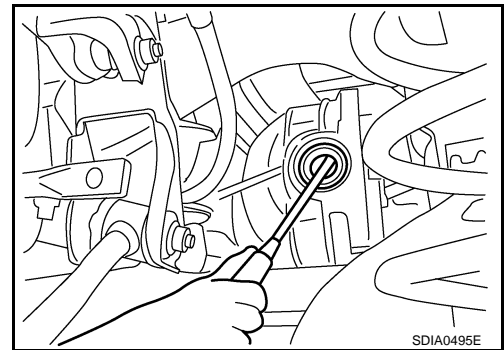
**Tool numbers**    **A: KV40104100 ( — )**  
                          **B: ST36230000 (J-25840-A)**



3. Remove the side oil seal using suitable tool.

### **CAUTION:**

**Do not to damage gear carrier.**



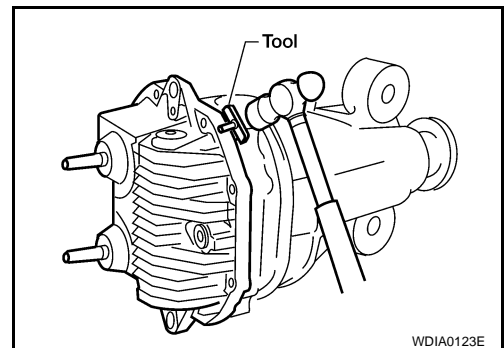
### Differential Assembly

1. Remove the side flanges. Refer to [DLN-444, "Removal and Installation"](#).
2. Remove the carrier cover bolts.
3. Remove the carrier cover bolts and separate the carrier cover from the gear carrier using Tool.

**Tool number**    : **KV10111100 (J-37228)**

### **CAUTION:**

- Do not damage the mating surface.
- Do not insert flat-bladed screwdriver, this will damage the mating surface.



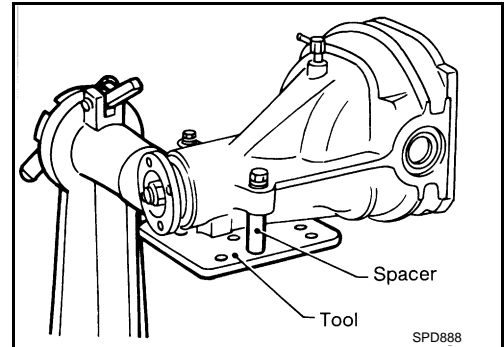
# REAR FINAL DRIVE

< DISASSEMBLY AND ASSEMBLY >

[REAR FINAL DRIVE: R230 (4WD)]

4. Mount the carrier on the Tool using two 45 mm (1.77 in) spacers.

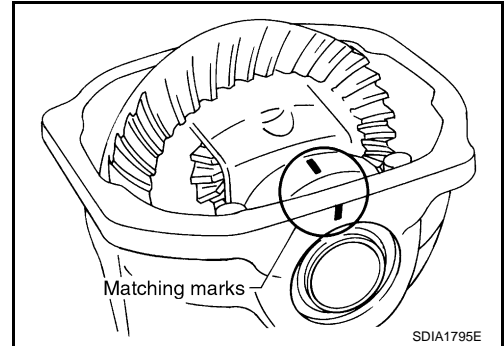
**Tool number** : KV38100800 (J-25604-01)



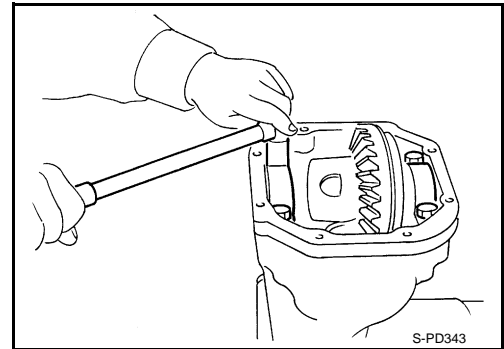
5. For proper reinstallation, paint matching marks on one side of the side bearing cap and gear carrier.

**CAUTION:**

- For matching marks, use paint. Do not damage side bearing cap or gear carrier.
- Side bearing caps are line-board during manufacture. The matching marks are used to reinstall them in their original positions.

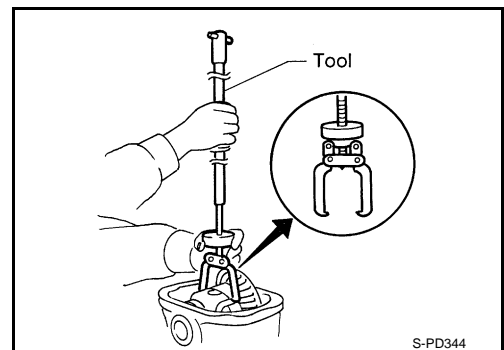


6. Remove the side bearing caps.



7. Lift the differential case assembly out using Tool.

**Tool number** : HT72400000 ( — )



**CAUTION:**

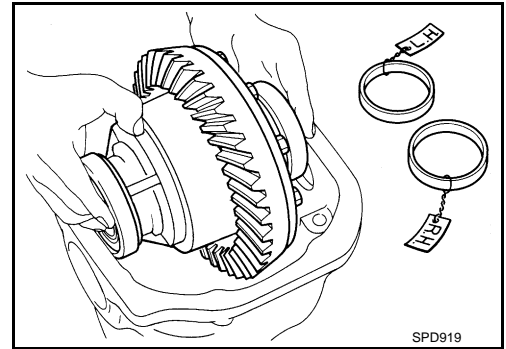
A  
B  
C  
DLN  
E  
F  
G  
H  
I  
J  
K  
L  
M  
N  
O  
P

# REAR FINAL DRIVE

< DISASSEMBLY AND ASSEMBLY >

[REAR FINAL DRIVE: R230 (4WD)]

- Keep side bearing outer races together with inner race. Do not mix them up.
- Keep side bearing adjusting washers together with side bearings.

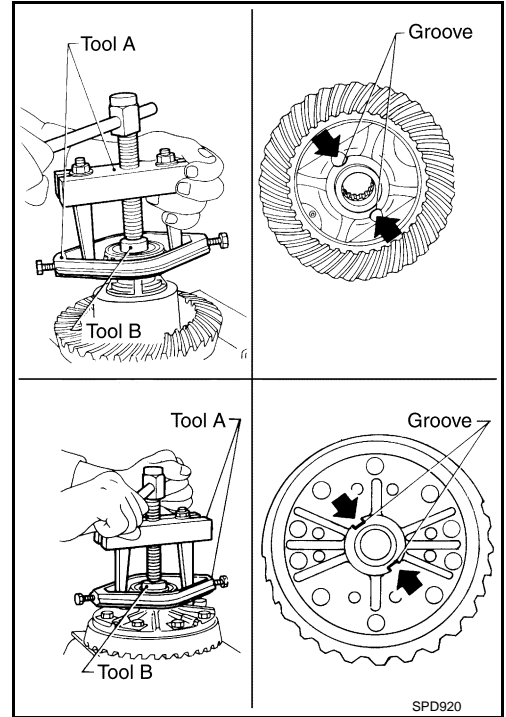


8. Remove the side bearing inner races using Tools.

**Tool number**      **A: ST3306S001 ( — )**  
                              **B: ST33061000 (J-8107-2)**

**CAUTION:**

- Engage Tool jaws in bearing groove to prevent damage.
- Place copper plates between the side bearing and drive gear and the vise to prevent damage.
- Do not remove side bearing inner race unless it is being replaced.

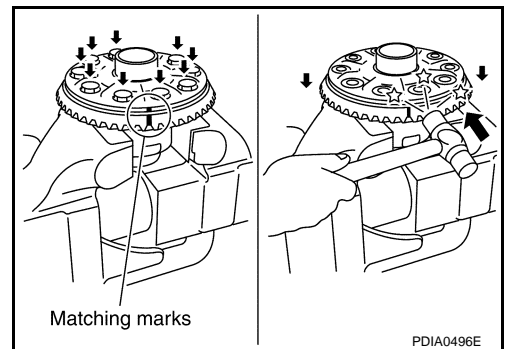


9. For proper reinstallation, paint matching marks on the differential case and drive gear.

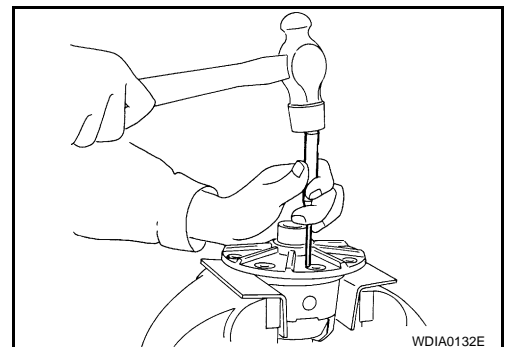
- CAUTION:**  
**Use paint for matching marks. Do not damage differential case or drive gear.**

10. Remove the drive gear bolts.  
 11. Tap the drive gear off the differential case using suitable tool.

- CAUTION:**  
**Tap evenly all around to keep drive gear from bending.**



12. Remove the lock pin of the pinion mate shaft from the drive gear side using suitable tool.



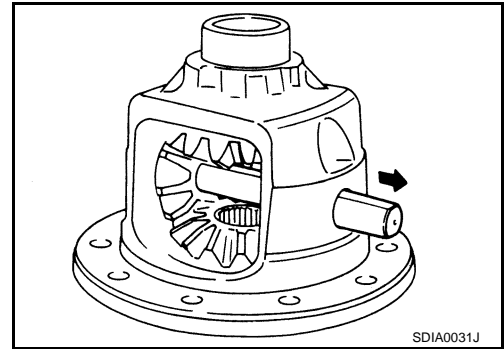


# REAR FINAL DRIVE

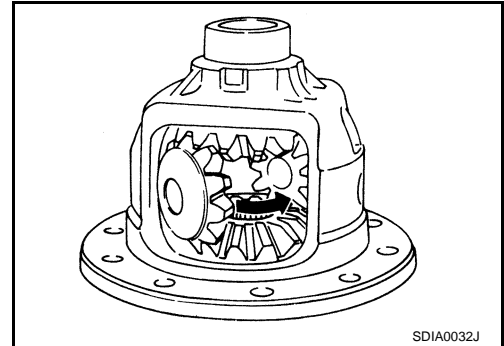
< DISASSEMBLY AND ASSEMBLY >

[REAR FINAL DRIVE: R230 (4WD)]

13. Remove the pinion mate shaft.



14. Turn the pinion mate gear, then remove the pinion mate gear, pinion mate thrust washer, side gear and side gear thrust washer from the differential case.



## Drive Pinion Assembly

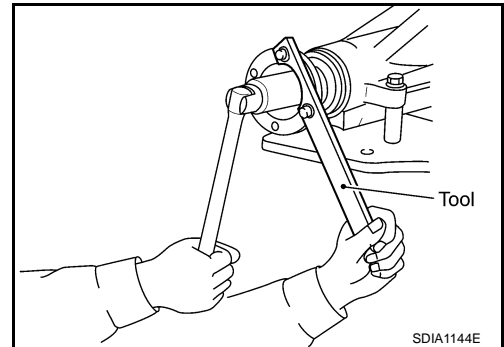
1. Remove the differential assembly. Refer to [DLN-447. "Removal and Installation"](#).
2. Remove the drive pinion lock nut using Tool.

**Tool number** : KV40104000 ( — )

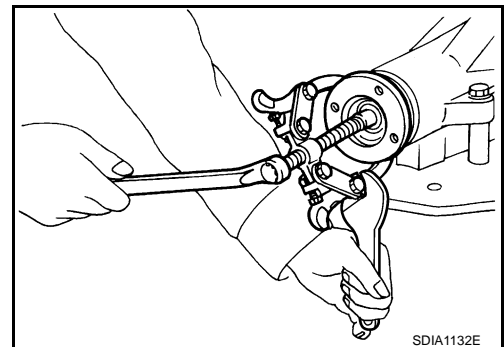
3. Put matching marks on the companion flange and drive pinion using paint.

**CAUTION:**

**Use paint to make the matching marks. Do not damage the companion flange or drive pinion.**



4. Remove the companion flange using suitable tool.



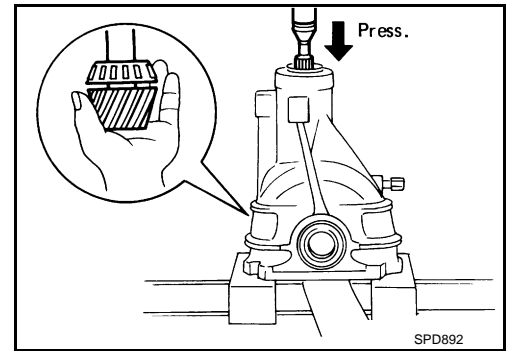
A  
B  
C  
DLN  
E  
F  
G  
H  
I  
J  
K  
L  
M  
N  
O  
P

## REAR FINAL DRIVE

### < DISASSEMBLY AND ASSEMBLY >

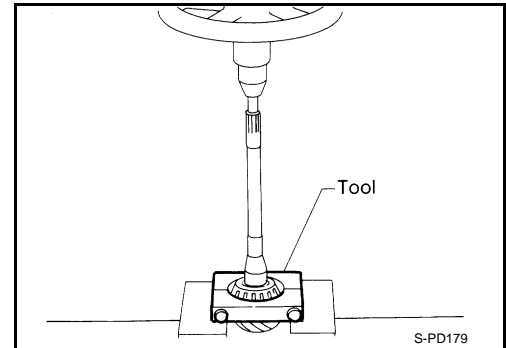
### [REAR FINAL DRIVE: R230 (4WD)]

5. Press the drive pinion assembly (with rear inner bearing race and collapsible spacer) out of the gear carrier.  
**CAUTION:**  
**Do not drop drive pinion assembly.**
6. Remove the front oil seal.  
**CAUTION:**  
**Do not damage gear carrier.**
7. Remove the drive pinion front bearing inner race.

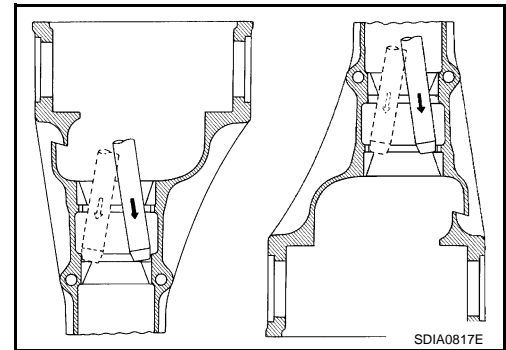


8. Remove the drive pinion rear bearing inner race and drive pinion height adjusting washer using Tool.

**Tool number:** : ST30031000 (J-22912-01)



9. Remove the drive pinion front and rear bearing outer races by tapping them uniformly using suitable tool.  
**CAUTION:**  
**Do not damage gear carrier.**



### INSPECTION AFTER DISASSEMBLY

Clean the disassembled parts. Then inspect the parts for wear or damage. If wear or damage are found, follow the measures below.

#### Drive Pinion and Drive Gear

- If the drive pinion and drive gear teeth do not mesh or line-up correctly, determine the cause and adjust, repair, or replace as necessary.
- If the drive pinion or drive gear are worn, cracked, damaged, pitted or chipped (by friction) noticeably, replace with new drive pinion and drive gear.
- Drive pinion and drive gear are supplied in matched sets only. Matching numbers on both drive pinion and drive gear are etched for verification. If a new drive pinion and drive gear set are being used, verify the numbers of each drive pinion and drive gear before proceeding with assembly.

#### Bearing

- If bearings are chipped (by friction), pitted, worn, rusted, scratched, or unusual noise is coming from bearing, replace with new bearing assembly (as a new set).
- Bearing must be replaced with a new one whenever disassembled.

#### Side Gear and Pinion Mate Gear

- If any cracks or damage are found on the surface of the teeth, replace with new one.
- If any worn or chipped marks are found on the side of the side gear and pinion mate gear which contact the thrust washer, replace with new one.
- Replace both side gear and pinion mate gear as a set when replacing side gear or pinion mate gear.

#### Side Gear Thrust Washer and Pinion Mate Thrust Washer

- If any chips (by friction), damage, or unusual wear are found, replace with new one.

# REAR FINAL DRIVE

< DISASSEMBLY AND ASSEMBLY >

[REAR FINAL DRIVE: R230 (4WD)]

## Gear Carrier

- If any wear or cracks are found on the contact sides of gear carrier, replace with new one.

## Companion Flange

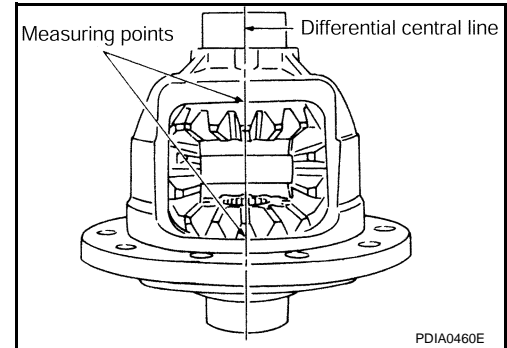
- If any chips (about 0.1mm, 0.004 in) or other damage on the companion flange surface which contacts the front oil seal lips are found, replace with new one.

## ADJUSTING AND SELECTING WASHERS

### Side Gear Back Clearance

- Assemble the differential parts if they are disassembled. Refer to [DLN-450, "Disassembly and Assembly"](#).

1. Place the differential case straight up so that the side gear to be measured is upward.



2. Using feeler gauges, measure the clearance between the side gear back and differential case at three different points, while rotating the side gear. Average the three readings to calculate the clearance. (Measure the clearance of the other side as well.)

**Side gear back clearance: 0.20 mm (0.0079 in) or less.**

- If the side gear back clearance is outside of the specification, use a thicker or thinner side gear thrust washer to adjust. Refer to [DLN-467, "Inspection and Adjustment"](#).

**If the side gear back clearance is greater than specification:**

**Use a thicker side gear thrust washer.**

**If the side gear back clearance is less than specification:**

**Use a thinner side gear thrust washer.**

### CAUTION:

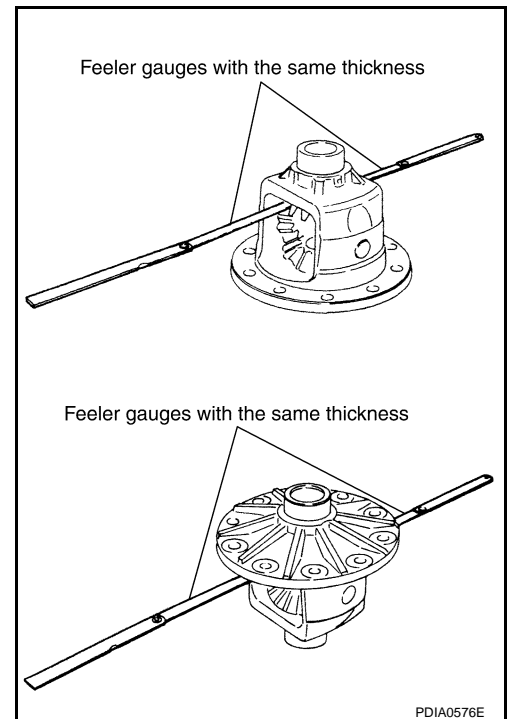
- Insert feeler gauges with the same thickness on both sides to prevent side gear from tilting.
- Each gear should rotate smoothly without excessive resistance during differential motion.
- Select a side gear thrust washer for right and left individually.

### NOTE:

Side gear back clearance is clearance between side gear and differential case for adjusting side gear backlash.

### Side Bearing Preload Torque

- A selection of side bearing adjusting washers is required for successful completion of this procedure.



# REAR FINAL DRIVE

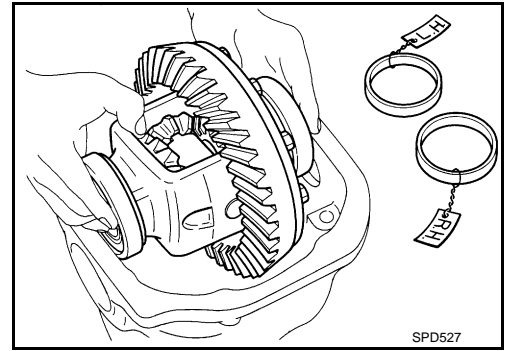
## < DISASSEMBLY AND ASSEMBLY >

## [REAR FINAL DRIVE: R230 (4WD)]

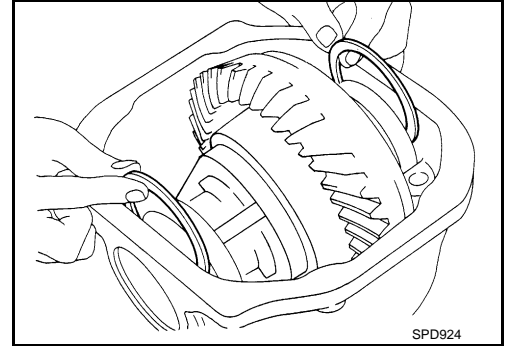
1. Apply differential gear oil to the side bearings, and install the differential case assembly with the side bearing outer races into the gear carrier.

**CAUTION:**

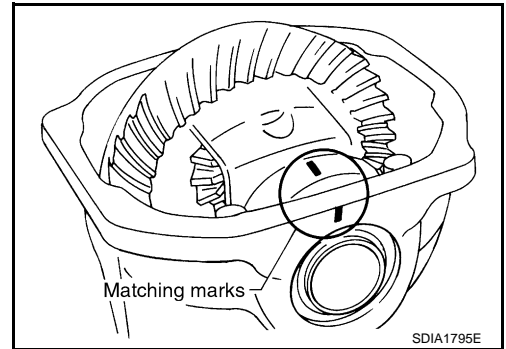
**Do not reuse side bearing outer race when replacing side bearing inner race (replace as a set).**



2. Insert the left and right original side bearing adjusting washers in place between side bearings and gear carrier.



3. Align the matching mark on the side bearing cap with the matching mark on the gear carrier.
4. Install the side bearing caps and tighten the side bearing cap bolts to the specified torque. Refer to [DLN-450, "Disassembly and Assembly"](#).
5. Turn the differential assembly several times to seat the side bearings.



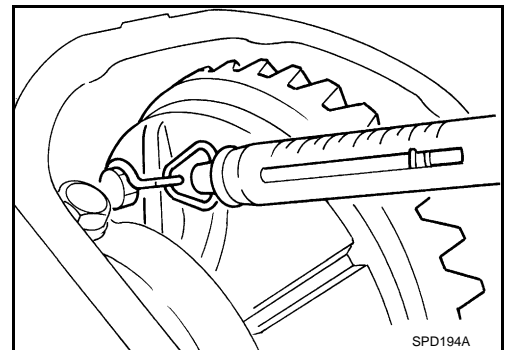
6. To determine side bearing preload torque, measure the pulling force of the differential assembly at the drive gear bolt using Tool.

**Tool number** : — (J-8129)

**Specification** : 34.2 - 39.2 N (3.5 - 4.0 kg, 7.7 - 8.8 lb)  
of pulling force at the drive gear bolt

**NOTE:**

If pulling force of the differential assembly at the drive gear bolt is within specification, side bearing preload torque will also be within specification. Refer to [DLN-467, "Inspection and Adjustment"](#).



# REAR FINAL DRIVE

< DISASSEMBLY AND ASSEMBLY >

[REAR FINAL DRIVE: R230 (4WD)]

- If the pulling force is outside the specification, use a thicker or thinner side bearing adjusting washer to adjust. Refer to [DLN-467. "Inspection and Adjustment"](#).

**If the pulling force is less than the specification:**

**Use a thicker side bearing adjusting washer.**

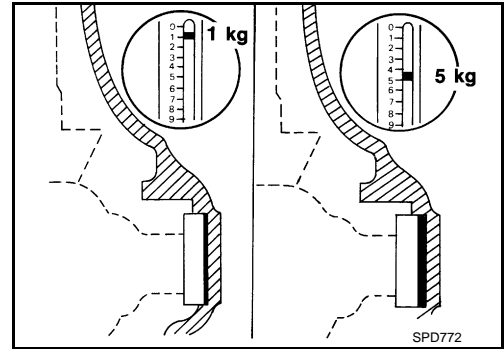
**If the pulling force is greater than the specification:**

**Use a thinner side bearing adjusting washer.**

**CAUTION:**

Select a side bearing adjusting washer for right and left individually.

- Record the total amount of washer thickness required for the correct side bearing preload torque.



## ASSEMBLY

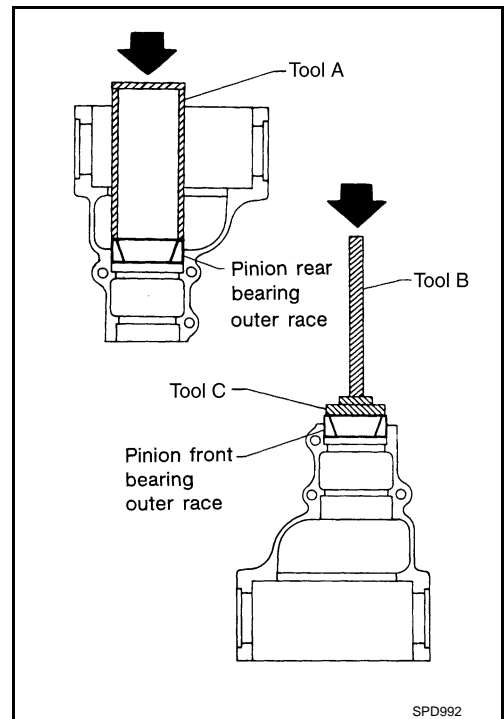
### Drive Pinion Assembly

- Install the drive pinion front and rear bearing outer races using Tools.

**Tool number**    **A:** ST15310000 ( — )  
                           **B:** ST35325000 ( — )  
                           **C:** ST30621000 (J-25742-5)

**CAUTION:**

Do not reuse drive pinion front and rear bearing outer race.

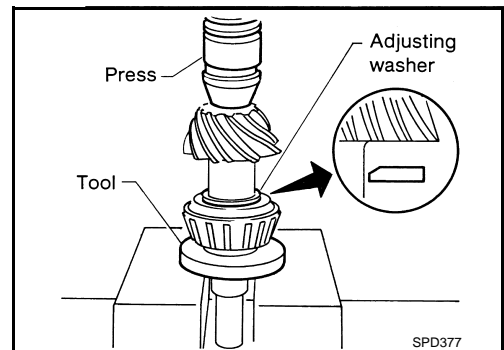


- Select a drive pinion height adjusting washer. Refer to [DLN-467. "Inspection and Adjustment"](#).
- Install the selected drive pinion height adjusting washer to the drive pinion. Press the drive pinion rear bearing inner race to it using Tool.

**Tool number**        : ST30022000 ( — )

**CAUTION:**

- Install the drive pinion height adjusting washer in the proper direction as shown.
- Do not reuse drive pinion rear bearing inner race.



## REAR FINAL DRIVE

< DISASSEMBLY AND ASSEMBLY >

[REAR FINAL DRIVE: R230 (4WD)]

4. Assemble the collapsible spacer to the drive pinion.

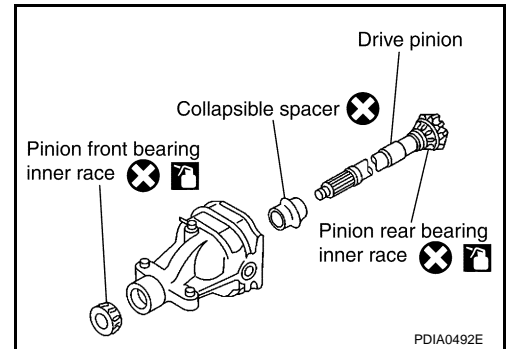
**CAUTION:**

**Do not reuse collapsible spacer.**

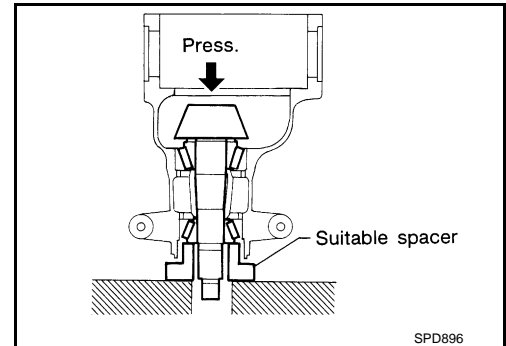
5. Apply differential gear oil to the drive pinion rear bearing, and install the drive pinion assembly to the gear carrier.
6. Apply differential gear oil to the drive pinion front bearing, and install the drive pinion front bearing inner race to the drive pinion assembly.

**CAUTION:**

**Do not reuse drive pinion front bearing inner race.**



7. Press the drive pinion front bearing inner race to the drive pinion as far as drive pinion lock nut can be tightened using suitable spacer.

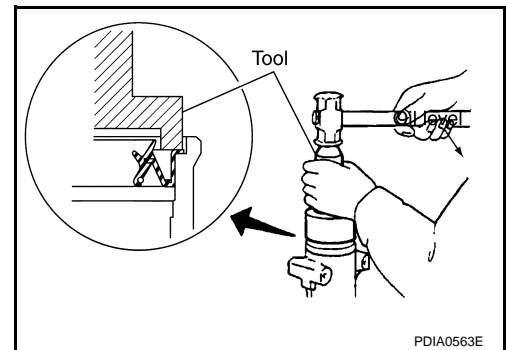


8. Apply multi-purpose grease to the lips of the new front oil seal. Then drive the new front oil seal in evenly until it becomes flush with the gear carrier using Tool.

**Tool number** : ST15310000 ( — )

**CAUTION:**

- Do not reuse front oil seal.
- Do not incline the new front oil seal when installing.
- Apply multi-purpose grease to the lips of the new front oil seal.



9. Install the companion flange to the drive pinion while aligning the matching marks.

## REAR FINAL DRIVE

< DISASSEMBLY AND ASSEMBLY >

[REAR FINAL DRIVE: R230 (4WD)]

- Apply anti-corrosive oil to the threads of the drive pinion and the seating surface of the new drive pinion lock nut. Then adjust the drive pinion lock nut tightening torque using Tool A, and check the drive pinion bearing preload torque using Tool B.

**Tool number**    **A:** KV40104000 ( — )  
                         **B:** ST3127S000 (J-25765-A)

**Drive pinion bearing preload torque:**  
**1.77 - 2.64 N·m (0.18 - 0.26 kg·m, 16 - 23 in·lb)**

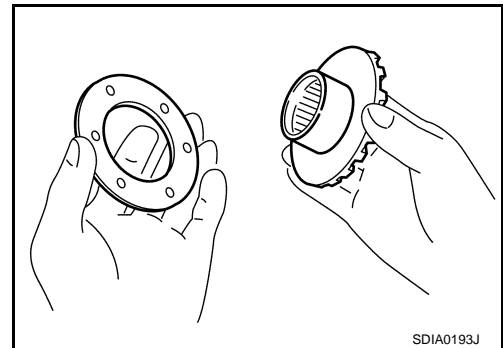
### CAUTION:

- Do not reuse drive pinion lock nut.
- Apply anti-corrosive oil to the threads of the drive pinion and the seating surface of the new drive pinion lock nut.
- Adjust the drive pinion lock nut tightening torque to the lower limit first. Do not exceed the drive pinion lock nut specified torque. Refer to [DLN-450, "Disassembly and Assembly"](#).
- If the drive pinion bearing preload torque exceeds the specified value, replace collapsible spacer and tighten it again to adjust. Do not loosen drive pinion lock nut to adjust the drive pinion bearing preload torque.
- After adjustment, rotate drive pinion back and forth 2 to 3 times to check for unusual noise, rotation malfunction, and other malfunctions.

- Check companion flange runout. Refer to [DLN-467, "Inspection and Adjustment"](#).
- Install the differential case assembly. Refer to [DLN-450, "Disassembly and Assembly"](#).

### Differential Assembly

- Install side gear thrust washers with the same thickness as the ones installed prior to disassembly, or reinstall the old ones on the side gears.

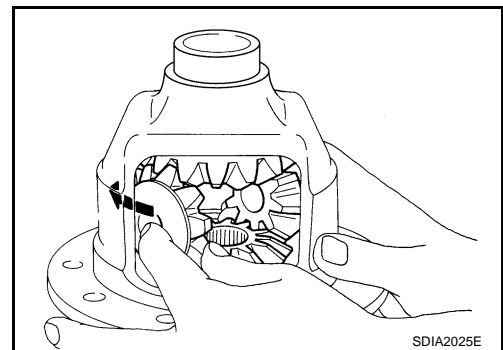


- Install the side gears and side gear thrust washers into the differential case.

### CAUTION:

**Make sure that the circular clip is installed to side gears.**

- Install the pinion mate thrust washers to the two pinion mate gears. Then install the pinion mate gears with the pinion mate thrust washers by aligning them in diagonally opposite positions and rotating them into the differential case.



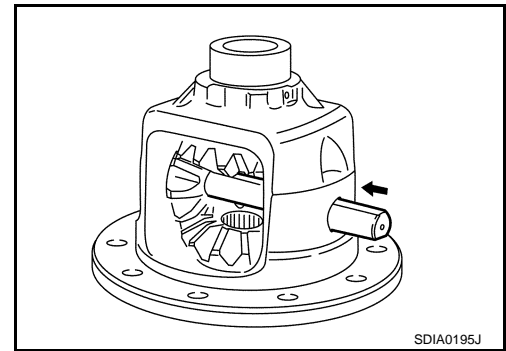
A  
B  
C  
DLN  
E  
F  
G  
H  
I  
J  
K  
L  
M  
N  
O  
P

# REAR FINAL DRIVE

## < DISASSEMBLY AND ASSEMBLY >

## [REAR FINAL DRIVE: R230 (4WD)]

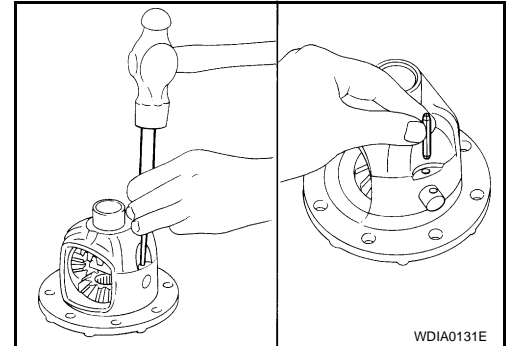
- Align the lock pin hole on the differential case with the lock pin hole on the pinion mate shaft, and install the pinion mate shaft.
- Measure the side gear end play. If necessary, select the appropriate side gear thrust washers. Refer to [DLN-467. "Inspection and Adjustment"](#).



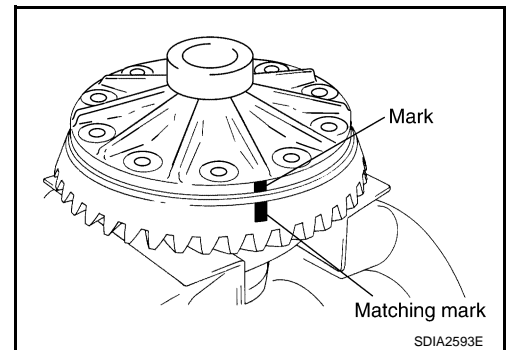
- Drive a new lock pin into the pinion mate shaft until it is flush with the differential case using suitable tool.

**CAUTION:**

**Do not reuse lock pin.**



- Align the matching mark of the differential case with the mark of the drive gear, then place the drive gear onto the differential case.

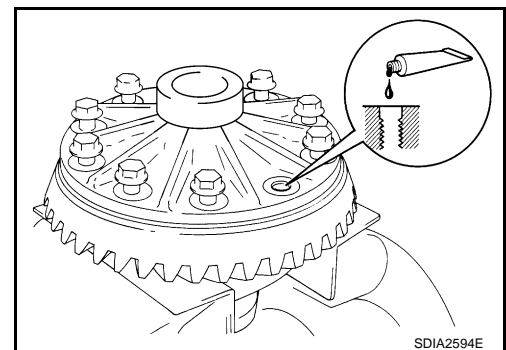


- Apply thread locking sealant into the threaded holes of the drive gear and install the bolts.

- Use Genuine Medium Strength Thread Locking Sealant or equivalent. Refer to [GI-26. "Recommended Chemical Products and Sealants"](#).

**CAUTION:**

**Make sure the drive gear back and threaded holes are clean.**

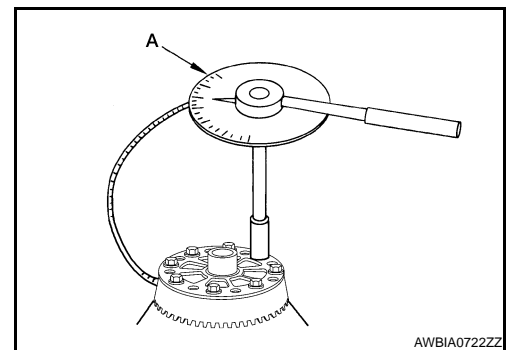


- Tighten the drive gear bolts to the specified torque. Refer to [DLN-450. "Disassembly and Assembly"](#). After tightening the drive gear bolts to the specified torque, tighten an additional 34° using Tool.

**Tool number** : KV10112100-A (BT-8653-A)

**CAUTION:**

- Always use Tool. Avoid tightening based on visual check alone.
- Tighten drive gear bolts in a crisscross pattern.





## REAR FINAL DRIVE

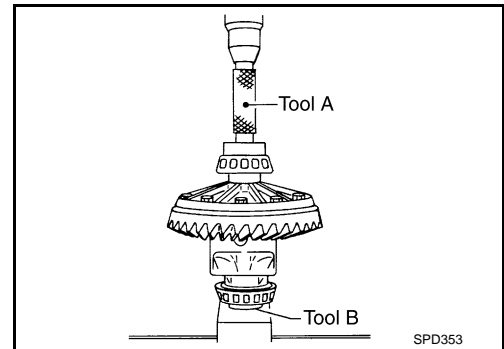
< DISASSEMBLY AND ASSEMBLY >

[REAR FINAL DRIVE: R230 (4WD)]

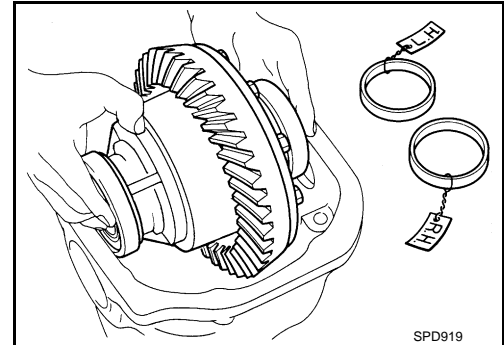
10. Press the side bearing inner races into the differential case using Tools.

**Tool number**    **A: KV38100200 (J-26233)**  
                         **B: ST33081000 ( — )**

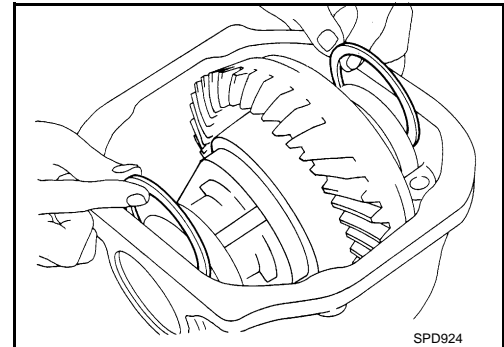
**CAUTION:**  
**Do not reuse side bearing inner race.**



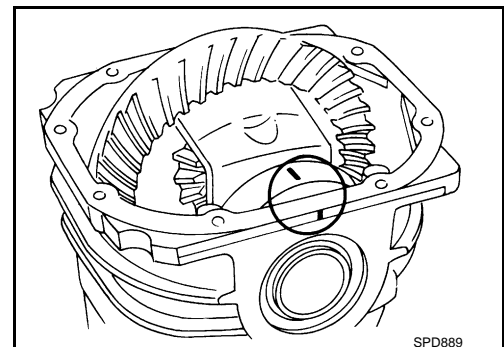
11. Install the differential case assembly with the side bearing outer races into the gear carrier.
12. Measure the side bearing preload torque. If necessary, select the appropriate side bearing adjusting washers. Refer to [DLN-467, "Inspection and Adjustment"](#) "Side Bearing Preload Torque".



13. Insert the selected left and right side bearing adjusting washers in place between the side bearings and gear carrier.



14. Install the side bearing caps with the matching marks aligned and tighten the side bearing cap bolts to the specified torque. Refer to [DLN-450, "Disassembly and Assembly"](#).



15. Check and adjust the drive gear runout, tooth contact, drive gear to drive pinion backlash, and total preload torque. Refer to [DLN-467, "Inspection and Adjustment"](#). Recheck the above items.
16. Install the side flanges. Refer to [DLN-444, "Removal and Installation"](#).

A  
B  
C  
DLN  
E  
F  
G  
H  
I  
J  
K  
L  
M  
N  
O  
P

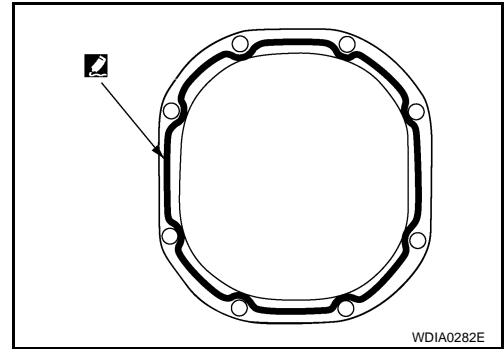
## REAR FINAL DRIVE

### < DISASSEMBLY AND ASSEMBLY >

[REAR FINAL DRIVE: R230 (4WD)]

17. Apply a 3.2mm (0.126 in) bead of sealant to the mating surface of the carrier cover.
  - Use Genuine Silicone RTV or equivalent. Refer to [GI-26. "Recommended Chemical Products and Sealants"](#).

**CAUTION:**  
Remove any old sealant adhering to the mating surfaces. Also remove any moisture, oil, or foreign material adhering to the application and mating surfaces.
18. Install the carrier cover to the gear carrier. Tighten the bolts to the specified torque. Refer to [DLN-450. "Disassembly and Assembly"](#).
19. Install the side flange. Refer to [DLN-444. "Removal and Installation"](#).



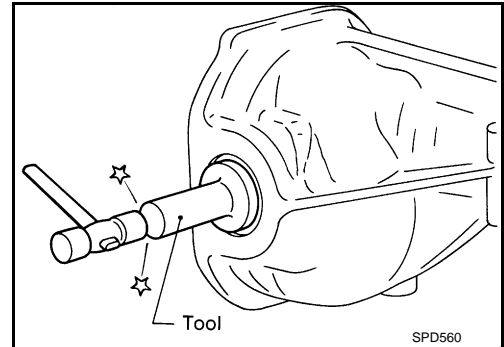
#### Side Flange

1. Apply multi-purpose grease to the lips of the new side oil seal. Then drive the new side oil seal in evenly until it becomes flush with the gear carrier using Tool.

**Tool number** : ST35271000 ( — )

**CAUTION:**

- Do not reuse side oil seal.
- Do not incline the new side oil seal when installing.
- Apply multi-purpose grease to the lips of the new side oil seal.



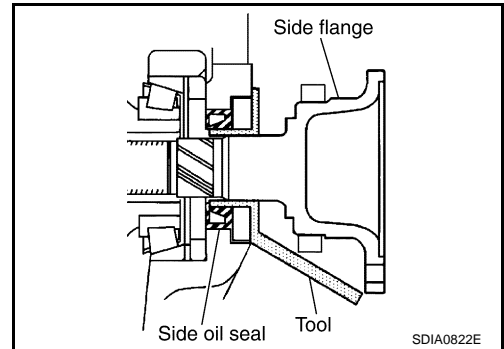
2. Install the side flange using Tool.
  - a. Install the Tool to the side oil seal as shown.

**Tool number** : KV38107900 (J-39352)

- b. Insert the side flange until the serrated part of the side flange has engaged the serrated part of the side gear and remove the Tool.
  - c. Drive in the side flange using suitable tool.

**NOTE:**

Installation is completed when the driving sound of the side flange turns into a sound which seems to affect the whole rear final drive assembly.



# SERVICE DATA AND SPECIFICATIONS (SDS)

< SERVICE DATA AND SPECIFICATIONS (SDS)

[REAR FINAL DRIVE: R230 (4WD)]

## SERVICE DATA AND SPECIFICATIONS (SDS)

### SERVICE DATA AND SPECIFICATIONS (SDS)

#### General Specification

INFOID:000000003937477

Applied model	VK56DE
Final drive model	R230
Gear ratio	2.937
Number of teeth (Drive gear/Drive pinion)	47 / 16
Oil capacity (Approx.)	1.75 ℓ (3 3/4 US pt, 3 1/8 Imp pt)
Number of pinion gears	2
Drive pinion adjustment spacer type	Collapsible

#### Inspection and Adjustment

INFOID:000000003937478

##### DRIVE GEAR RUNOUT

Unit: mm (in)

Item	Runout limit
Drive gear back face	0.05 (0.0020) or less

##### SIDE GEAR CLEARANCE

Unit: mm (in)

Item	Specification
Side gear back clearance (Clearance limit between side gear and differential case for adjusting side gear backlash)	0.20 (0.0079) or less (Each gear should rotate smoothly without excessive resistance during differential motion.)

##### PRELOAD TORQUE

Unit: N·m (kg·m, in·lb)

Item	Specification
Drive pinion bearing preload torque	1.77 – 2.64 N·m (0.18 – 0.26 kg·m, 16 – 23 in·lb)
Side bearing preload torque (reference value determined by drive gear bolt pulling force)	0.20 – 0.52 N·m (0.02 – 0.05 kg·m, 2 – 4 in·lb)
Drive gear bolt pulling force (by spring gauge)	34.2 – 39.2 N (3.5 – 4 kg, 7.7 – 8.8 lb)
Total preload torque (Total preload torque = drive pinion bearing preload torque + Side bearing preload torque)	2.05 – 4.11 N·m (0.21 – 0.42 kg·m, 19 – 36 in·lb)

##### BACKLASH

Unit: mm (in)

Item	Specification
Drive gear to drive pinion gear	0.13 – 0.18 (0.0051 – 0.0070)

##### COMPANION FLANGE RUNOUT

Unit: mm (in)

Item	Runout limit
Outer side of the companion flange	0.08 (0.0031) or less

##### SELECTIVE PARTS

Side Gear Thrust Washer

# SERVICE DATA AND SPECIFICATIONS (SDS)

< SERVICE DATA AND SPECIFICATIONS (SDS)

[REAR FINAL DRIVE: R230 (4WD)]

Unit: mm (in)

Thickness	Part number*
1.75 (0.0688)	38424 7S000
1.80 (0.0708)	38424 7S001
1.85 (0.0728)	38424 7S002

\*: Always check with the Parts Department for the latest parts information.

## Drive Pinion Height Adjusting Washer

Unit: mm (in)

Thickness	Part number*	Thickness	Part number*
2.59 (0.1020)	38154 40P00	2.79 (0.1098)	38154 40P10
2.61 (0.1028)	38154 40P01	2.81 (0.1106)	38154 40P11
2.63 (0.1035)	38154 40P02	2.83 (0.1114)	38154 40P12
2.65 (0.1043)	38154 40P03	2.85 (0.1122)	38154 40P13
2.67 (0.1051)	38154 40P04	2.87 (0.1130)	38154 40P14
2.69 (0.1059)	38154 40P05	2.89 (0.1138)	38154 40P15
2.71 (0.1067)	38154 40P06	2.91 (0.1146)	38154 40P16
2.73 (0.1075)	38154 40P07	2.93 (0.1154)	38154 40P17
2.75 (0.1083)	38154 40P08	2.95 (0.1161)	38154 40P18
2.77 (0.1091)	38154 40P09	2.97 (0.1169)	38154 40P19

\*: Always check with the Parts Department for the latest parts information.

## Side Bearing Adjusting Washer

Unit: mm (in)

Thickness	Part number*	Thickness	Part number*
2.00 (0.0787)	38453 40P00	2.35 (0.0925)	38453 40P07
2.05 (0.0807)	38453 40P01	2.40 (0.0945)	38453 40P08
2.10 (0.0827)	38453 40P02	2.45 (0.0965)	38453 40P09
2.15 (0.0846)	38453 40P03	2.50 (0.0984)	38453 40P10
2.20 (0.0866)	38453 40P04	2.55 (0.1004)	38453 40P11
2.25 (0.0886)	38453 40P05	2.60 (0.1024)	38453 40P12
2.30 (0.0906)	38453 40P06		

\*: Always check with the Parts Department for the latest parts information.