



COOLING SYSTEM SPECIFICATIONS

1990 Nissan 240SX

1990 ENGINE COOLING
Specifications & Electric Cooling Fans

Axxess, Maxima, Pathfinder, Pickup,
Pulsar NX, Sentra, Stanza, 240SX, 300ZX

NOTE: For water pump removal procedure, see appropriate article in
ENGINE.

BELT ADJUSTMENT

BELT TENSION ADJUSTMENT

Application	(1) Deflection In. (mm)
Axxess	
Alternator	1/4 (6)
A/C Compressor	1/4 (6)
Power Steering Pump	1/4 (6)
Maxima	
Alternator	5/16 (8)
A/C Compressor	1/4 (6)
Power Steering Pump	3/8 (9)
Pathfinder & Pickup	
4-Cylinder	
Alternator	5/16 (8)
A/C Compressor	9/32 (7)
Power Steering Pump	3/8 (9)
V6	
Alternator	1/4 (6)
A/C Compressor	5/16 (8)
Power Steering Pump	13/32 (10)
Pulsar NX	
Alternator	9/32 (7)
A/C Compressor	1/4 (6)
Power Steering Pump	5/32 (4)
Sentra	
Alternator	9/32 (7)
A/C Compressor	5/32 (4)
Power Steering Pump	5/32 (4)
Stanza	
Alternator	1/4 (6)
A/C Compressor	3/16 (5)
Power Steering Pump	1/4 (6)
240SX	
Alternator	9/32 (7)
A/C Compressor	9/32 (7)
Power Steering Pump	5/16 (8)
300ZX	
Alternator	19/64 (7.5)
A/C Compressor	5/16 (8)
Power Steering Pump	29/64 (11.5)



(1) - Deflection is with 22 lbs. (10 kg) pressure applied midway on longest run of a NEW belt.

COOLING SYSTEM SPECIFICATIONS TABLE

COOLING SYSTEM SPECIFICATIONS

Application	Specification
Coolant Replacement Interval	30,000 Miles
Coolant Capacity (1)	
Axxess	7.8 Qts. (7.4L)
Maxima	8.8 Qts. (8.3L)
Pathfinder & Pickup	
4-Cylinder	
2WD	8.6 Qts. (8.1L)
4WD	9.5 Qts. (9.0L)
V6	
2WD	11.4 Qts. (10.8L)
4WD	12.4 Qts. (11.7L)
Pulsar NX	
Auto. Trans.	5.9 Qts. (5.6L)
Man. Trans.	5.4 Qts. (5.1L)
Sentra	
Auto. Trans.	
2WD	5.7 Qts. (5.4L)
4WD	6.2 Qts. (5.9L)
Man. Trans	5.7 Qts. (5.4L)
Stanza	7.7 Qts. (7.3L)
240SX	7.1 Qts. (6.7L)
300ZX	9.5 Qts. (9.0L)
Pressure Cap	11-14 psi
Thermostat Opening	
Temperature	
Maxima	180 °F (82 °C)
All Other Models	170 °F (77 °C)

(1) - Including heater core.

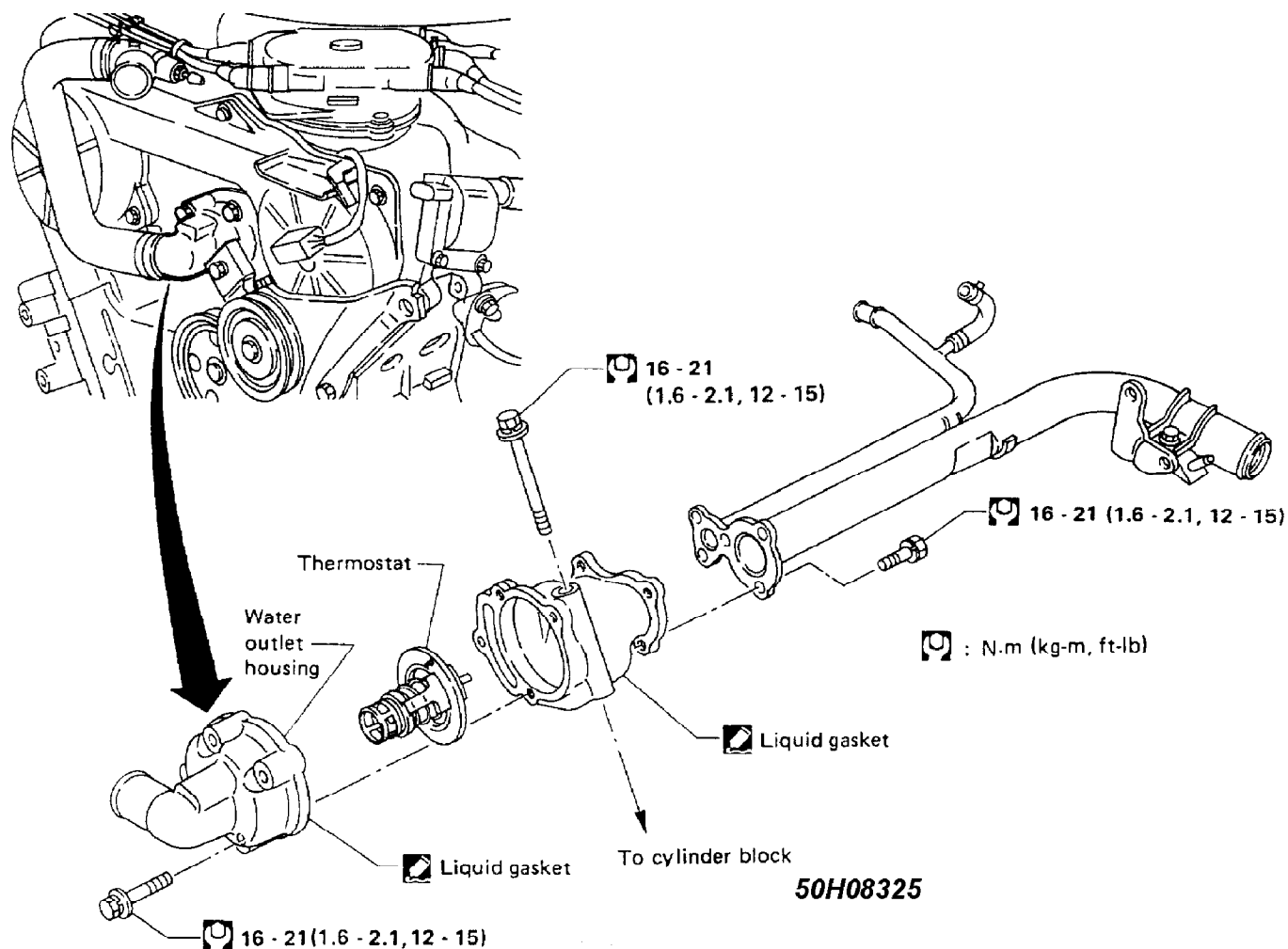


Fig. 1: Location of Thermostat (Maxima 3.0L V6)
 Courtesy of Nissan Motor Co., U.S.A.