

SECTION **HA**

GI
MA
EM
LC
EC
FE
CL
MT
AT
PD
FA
RA
BR
ST
RS
BT
HA
EL
IDX

CONTENTS

PRECAUTIONS AND PREPARATION2	TROUBLE DIAGNOSES 18
Supplemental Restraint System (SRS) "AIR BAG".....2	Contents..... 18
Precautions for Working with HFC-134a (R-134a)2	Wiring Diagram — A/C —39
General Refrigerant Precautions.....2	SERVICE PROCEDURES62
Precautions for Refrigerant Connection3	HFC-134a (R-134a) Service Procedure62
Precautions for Servicing Compressor.....4	Maintenance of Lubricant Quantity in Compressor 64
Special Service Tools4	Refrigerant Lines 66
HFC-134a (R-134a) Service Tools and Equipment.....5	Checking Refrigerant Leaks 67
Precautions for Service Equipment.....7	Compressor Mounting 69
DESCRIPTION9	Belt Tension 69
Refrigeration Cycle9	Fast Idle Control Device (FICD) 69
Component Layout10	Push Control Unit70
Discharge Air Flow.....11	Compressor71
Control Operation12	Compressor Clutch.....71
V-6 Variable Displacement Compressor.....13	SERVICE DATA AND SPECIFICATIONS (SDS)75
	General Specifications.....75
	Inspection and Adjustment75

When you read wiring diagrams:

- Read GI section, "HOW TO READ WIRING DIAGRAMS".
- See EL section, "POWER SUPPLY ROUTING" for power distribution circuit.

When you perform trouble diagnoses, read GI section, "HOW TO FOLLOW FLOW CHART IN TROUBLE DIAGNOSES" and "HOW TO PERFORM EFFICIENT DIAGNOSIS FOR AN ELECTRICAL INCIDENT".

PRECAUTIONS AND PREPARATION

Supplemental Restraint System (SRS) "AIR BAG"

The Supplemental Restraint System "Air Bag", used along with a seat belt, helps to reduce the risk or severity of injury to the driver and front passenger in a frontal collision. The Supplemental Restraint System consists of air bag modules (located in the center of the steering wheel and on the instrument panel on the passenger side), a diagnosis sensor unit, warning lamp, wiring harness and spiral cable. Information necessary to service the system safely is included in the **RS section** of this Service Manual.

WARNING:

- To avoid rendering the SRS inoperative, which could increase the risk of personal injury or death in the event of a collision which would result in air bag inflation, all maintenance must be performed by an authorized NISSAN dealer.
- Improper maintenance, including incorrect removal and installation of the SRS, can lead to personal injury caused by unintentional activation of the system.
- Do not use electrical test equipment on any circuit related to the SRS unless instructed to in this Service Manual. SRS wiring harnesses are covered with yellow insulation either just before the harness connectors or for the complete harness, for easy identification.

Precautions for Working with HFC-134a (R-134a)

WARNING:

- CFC-12 (R-12) refrigerant and HFC-134a (R-134a) refrigerant are not compatible. These refrigerants must never be mixed, even in the smallest amounts. If the refrigerants are mixed, compressor failure is likely to occur.
- Use only specified lubricant for the HFC-134a (R-134a) A/C system and HFC-134a (R-134a) components. If lubricant other than that specified is used, compressor failure is likely to occur.
- The specified HFC-134a (R-134a) lubricant rapidly absorbs moisture from the atmosphere. The following handling precautions must be observed:
 - a: When removing refrigerant components from a vehicle, immediately cap (seal) the component to minimize the entry of moisture from the atmosphere.
 - b: When installing refrigerant components to a vehicle, do not remove the caps (unseal) until just before connecting the components. Connect all refrigerant loop components as quickly as possible to minimize the entry of moisture into system.
 - c: Only use the specified lubricant from a sealed container. Immediately reseal containers of lubricant. Without proper sealing, lubricant will become moisture saturated and should not be used.
 - d: Avoid breathing A/C refrigerant and lubricant vapor or mist. Exposure may irritate eyes, nose and throat. Remove R-134a from the A/C system, using certified service equipment meeting requirements of SAE J2210 (R-134a recycling equipment), or J2209 (R-134a recovery equipment). If accidental system discharge occurs, ventilate work area before resuming service. Additional health and safety information may be obtained from refrigerant and lubricant manufacturers.
 - e: Do not allow lubricant (Nissan A/C System Oil Type S) to come in contact with styrofoam parts. Damage may result.

General Refrigerant Precautions

WARNING:

- Do not release refrigerant into the air. Use approved recovery/recycling equipment to capture the refrigerant every time an air conditioning system is discharged.
- Always wear eye and hand protection (goggles and gloves) when working with any refrigerant or air conditioning system.
- Do not store or heat refrigerant containers above 52°C (125°F).
- Do not heat a refrigerant container with an open flame; if container warming is required, place the bottom of the container in a warm pail of water.
- Do not intentionally drop, puncture, or incinerate refrigerant containers.
- Keep refrigerant away from open flames: poisonous gas will be produced if refrigerant burns.
- Refrigerant will displace oxygen, therefore be certain to work in well ventilated areas to prevent suffocation.
- Do not introduce compressed air to any refrigerant container or refrigerant component.

PRECAUTIONS AND PREPARATION

Precautions for Refrigerant Connection

WARNING:

Make sure all refrigerant is discharged into the recycling equipment and the pressure in the system is less than atmospheric pressure. Then gradually loosen the discharge side hose fitting and remove it.

CAUTION:

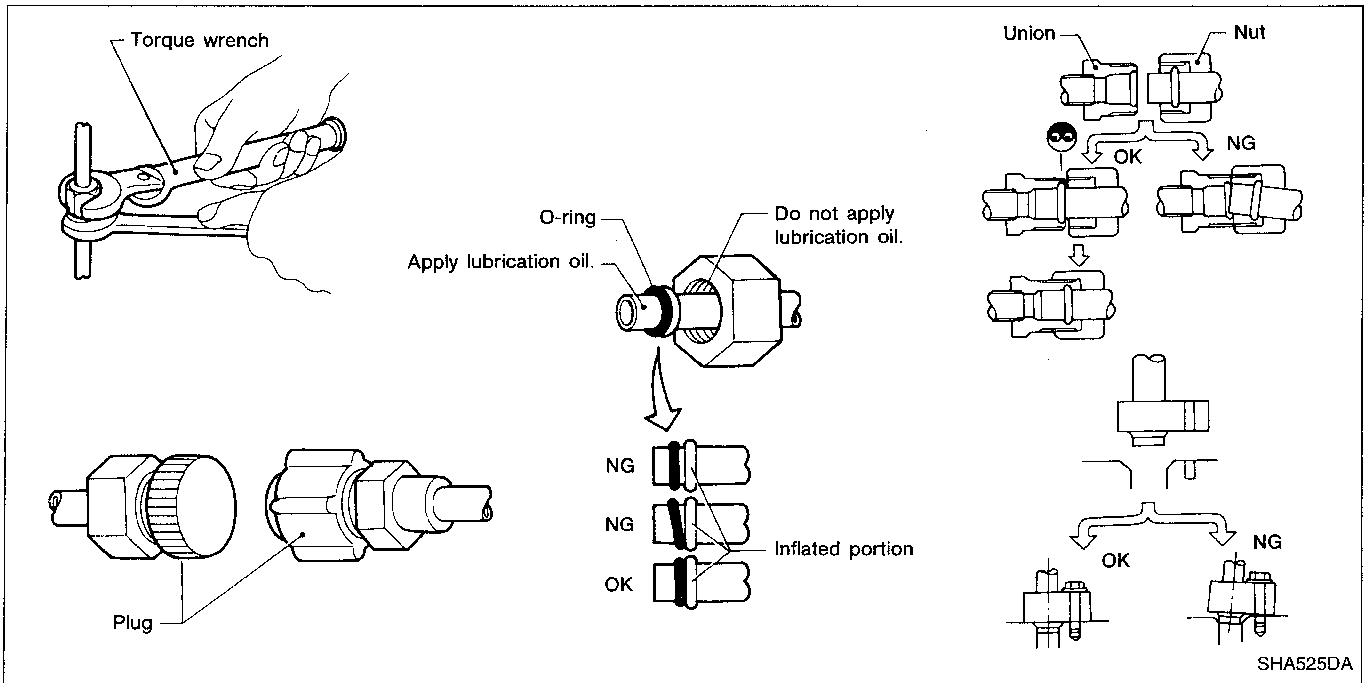
When replacing or cleaning refrigerant cycle components, observe the following.

- When the compressor is removed, store it in the same position as it is when mounted on the car. Failure to do so will cause lubricant to enter the low pressure chamber.
- When connecting tubes, always use a torque wrench and a back-up wrench.
- After disconnecting tubes, immediately plug all openings to prevent entry of dirt and moisture.
- When installing an air conditioner in the vehicle, connect the pipes as the final stage of the operation. Remove the seal caps of the pipes and other components just before connecting such pipes and components.
- Allow components stored in cool areas to warm to working area temperature before removing the seal caps. This is to prevent the condensation of moisture inside A/C components.
- Thoroughly remove moisture from the refrigeration system before charging the refrigerant.
- Always replace used O-rings.
- When connecting tube, apply lubricant to portions shown in illustration. Be careful not to apply lubricant to threaded portion.

Lubricant name: Nissan A/C System Oil Type S

Part number: KLH00-PAGS0

- O-ring must be closely attached to inflated portion of tube.
- After inserting tube into union until O-ring is no longer visible, tighten nut to specified torque.
- After connecting line, conduct leak test and make sure that there is no leakage from connections. When the gas leaking point is found, disconnect that line and replace the O-ring. Then tighten connections of seal seat to the specified torque.



GI
MA
EM
LC
EC
FE
CL
MT
AT
PD
FA
PA
BR
ST
RS
BT
HA
EL
IDX

PRECAUTIONS AND PREPARATION

Precautions for Servicing Compressor

- Plug all openings to prevent moisture and foreign matter from entering.
- When the compressor is removed, store it in the same position as it is when mounted on the car.
- When replacing or repairing compressor, follow "Maintenance of Lubricant Quantity in Compressor" exactly. Refer to HA-64.
- Keep friction surfaces between clutch and pulley clean. If the surface is contaminated, with lubricant, wipe it off by using a clean waste cloth moistened with thinner.
- After compressor service operation, turn the compressor shaft by hand more than five turns in both directions. This will equally distribute lubricant inside the compressor. After the compressor is installed, let the engine idle and operate the compressor for one hour.
- After replacing the compressor magnet clutch, apply voltage to the new one and check for normal operation.

Special Service Tools

The actual shapes of Kent-Moore tools may differ from those of special service tools illustrated here.

Tool number (Kent-Moore No.) Tool name	Description
KV99106100 (J-41260) Clutch disc wrench	<div style="display: flex; justify-content: space-between;"> <div data-bbox="396 911 464 932">NT232</div> <div data-bbox="532 751 841 919"> </div> <div data-bbox="971 743 1192 772">Removing center bolt</div> </div> <div style="margin-top: 20px;"> <p style="margin-left: 40px;">When replacing the magnet clutch in the above compressor, use a clutch disc wrench with the pin side on the clutch disc to remove it.</p> </div> <div style="display: flex; justify-content: space-between; margin-top: 20px;"> <div data-bbox="396 1423 464 1444">NT378</div> <div data-bbox="509 1325 943 1436"> </div> </div>
KV99232340 (J-38874) or KV992T0001 (—) Clutch disc puller	<div style="display: flex; justify-content: space-between;"> <div data-bbox="396 1675 464 1696">NT376</div> <div data-bbox="537 1478 818 1688"> </div> <div data-bbox="971 1457 1192 1486">Removing clutch disc</div> </div>
KV99106200 (J-41261) Pulley installer	<div style="display: flex; justify-content: space-between;"> <div data-bbox="396 1877 464 1898">NT235</div> <div data-bbox="634 1745 732 1864"> </div> <div data-bbox="971 1709 1127 1738">Installing pulley</div> </div>

PRECAUTIONS AND PREPARATION

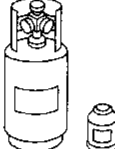

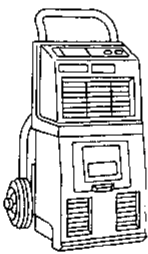
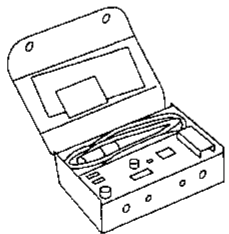
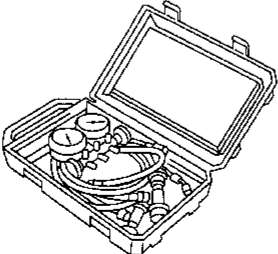
HFC-134a (R-134a) Service Tools and Equipment

Never mix HFC-134a refrigerant and/or its specified lubricant with CFC-12 (R-12) refrigerant and/or its lubricant.

Separate and non-interchangeable service equipment must be used for handling each type of refrigerant/lubricant.

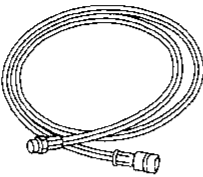
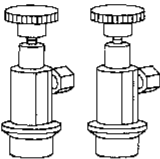

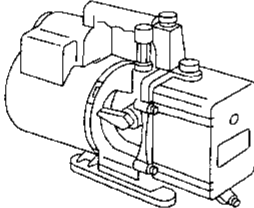
Refrigerant container fittings, service hose fittings and service equipment fittings (equipment which handles refrigerant and/or lubricant) are different between CFC-12 (R-12) and HFC-134a (R-134a). This is to avoid mixed use of the refrigerants/lubricant.

Adapters that convert one size fitting to another must never be used: refrigerant/lubricant contamination will occur and compressor failure will result.

Tool number (Kent-Moore No.) Tool name	Description	Note
HFC-134a (R-134a) refrigerant	 NT196	Container color: Light blue Container marking: HFC-134a (R-134a) Fitting size: Thread size <ul style="list-style-type: none"> • large container 1/2"-16 ACME
KLH00-PAGS0 (—) Nissan A/C System Oil Type S	 NT197	Type: Poly alkylene glycol oil (PAG), type S Application: HFC-134a (R-134a) swash plate (piston) compressors (Nissan only) Lubricity: 40 ml (1.4 US fl oz, 1.4 Imp fl oz)
(J-39500-NI) Recovery/Recycling equipment (ACR4)	 NT195	Function: Refrigerant Recovery and Recycling and Recharging
(J-39400) Electrical leak detector	 NT198	Power supply: <ul style="list-style-type: none"> • DC 12 V (Cigarette lighter)
(J-39183) Manifold gauge set (with hoses and couplers)	 NT199	Identification: <ul style="list-style-type: none"> • The gauge face indicates R-134a. Fitting size: Thread size <ul style="list-style-type: none"> • 1/2"-16 ACME

PRECAUTIONS AND PREPARATION

HFC-134a (R-134a) Service Tools and Equipment (Cont'd)

Tool number (Kent-Moore No.) Tool name	Description	Note
Service hoses <ul style="list-style-type: none"> • High side hose (J-39501-72) • Low side hose (J-39502-72) • Utility hose (J-39476-72) 	 NT201	Hose color: <ul style="list-style-type: none"> • Low hose: Blue with black stripe • High hose: Red with black stripe • Utility hose: Yellow with black stripe or green with black stripe Hose fitting to gauge: <ul style="list-style-type: none"> • 1/2"-16 ACME
Service couplers <ul style="list-style-type: none"> • High side coupler (J-39500-20) • Low side coupler (J-39500-24) 	 NT202	Hose fitting to service hose: <ul style="list-style-type: none"> • M14 x 1.5 fitting is optional or permanently attached.
(J-39650) Refrigerant weight scale	 NT200	For measuring of refrigerant Fitting size: Thread size <ul style="list-style-type: none"> • 1/2"-16 ACME
(J-39649) Vacuum pump (Including the isolator valve)	 NT203	Capacity: <ul style="list-style-type: none"> • Air displacement: 4 CFM • Micron rating: 20 microns • Oil capacity: 482 g (17 oz) Fitting size: Thread size <ul style="list-style-type: none"> • 1/2"-16 ACME

PRECAUTIONS AND PREPARATION

Precautions for Service Equipment

RECOVERY/RECYCLING EQUIPMENT

Follow the manufacturer's instructions for machine operation and machine maintenance. Never introduce any refrigerant other than that specified into the machine.

ELECTRONIC LEAK DETECTOR

Follow the manufacturer's instructions for tester operation and tester maintenance.

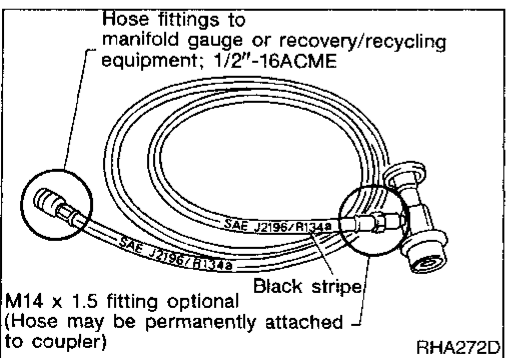
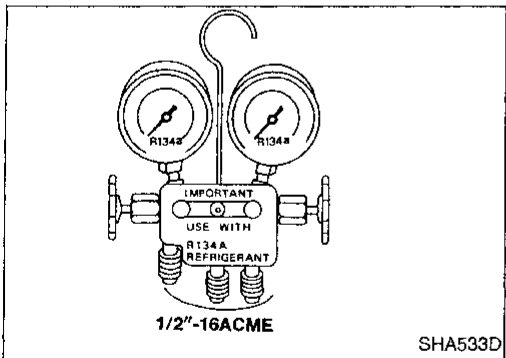
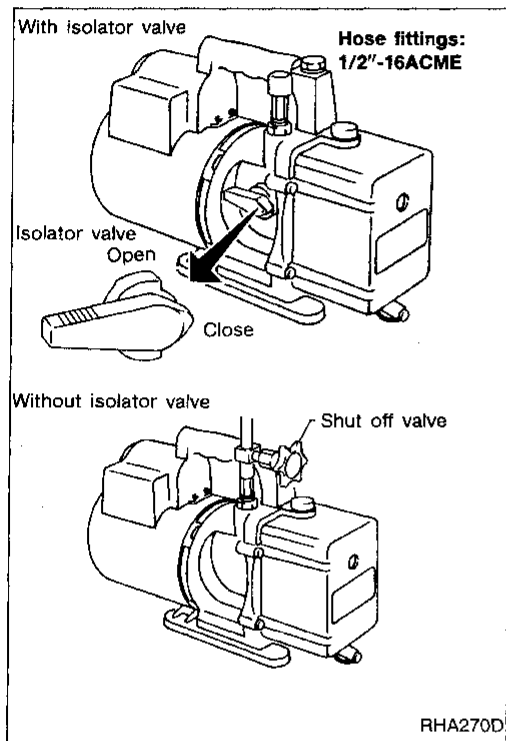
VACUUM PUMP

The lubricant contained inside the vacuum pump is not compatible with the specified lubricant for HFC-134a (R-134a) A/C systems. The vent side of the vacuum pump is exposed to atmospheric pressure. So the vacuum pump lubricant may migrate out of the pump into the service hose. This is possible when the pump is switched off after evacuation (vacuuming) and hose is connected to it.

To prevent this migration, use a manual valve situated near the hose-to-pump connection, as follows.

- Usually vacuum pumps have a manual isolator valve as part of the pump. Close this valve to isolate the service hose from the pump.
- For pumps without an isolator, use a hose equipped with a manual shut-off valve near the pump end. Close the valve to isolate the hose from the pump.
- If the hose has an automatic shut off valve, disconnect the hose from the pump: as long as the hose is connected, the valve is open and lubricating oil may migrate.

Some one-way valves open when vacuum is applied and close under a no vacuum condition. Such valves may restrict the pump's ability to pull a deep vacuum and are not recommended.



MANIFOLD GAUGE SET

Be certain that the gauge face indicates R-134a or 134a. Make sure the gauge set has 1/2"-16 ACME threaded connections for service hoses. Confirm the set has been used only with refrigerant HFC-134a (R-134a) along with specified lubricant.

SERVICE HOSES

Be certain that the service hoses display the markings described (colored hose with black stripe). All hoses must include positive shut off devices (either manual or automatic) near the end of the hoses opposite the manifold gauge.

GI

MA

EM

LC

EC

FE

CL

MT

AT

PD

FA

RA

BR

ST

RS

BT

HA

EL

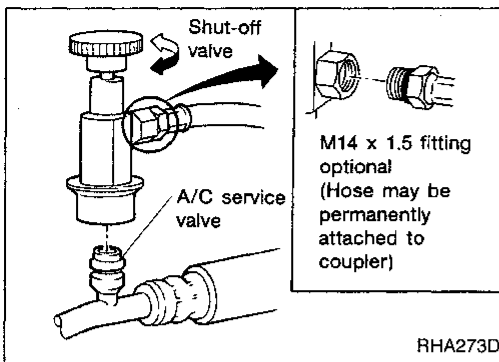
IDX

PRECAUTIONS AND PREPARATION

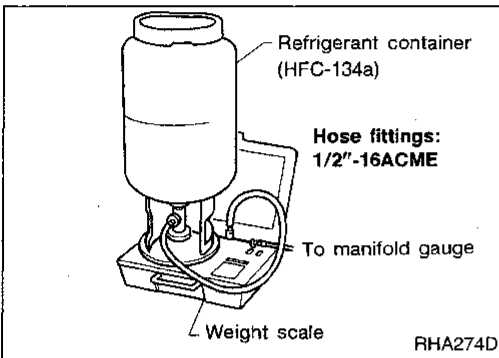
Precautions for Service Equipment (Cont'd)

SERVICE COUPLERS

Never attempt to connect HFC-134a (R-134a) service couplers to an CFC-12 (R-12) A/C system. The HFC-134a (R-134a) couplers will not properly connect to the CFC-12 (R-12) system. However, if an improper connection is attempted, discharging and contamination may occur.



Shut off valve rotation	A/C service valve
Clockwise	Open
Counterclockwise	Close



REFRIGERANT WEIGHT SCALE

Verify that no refrigerant other than HFC-134a (R-134a) and specified lubricants have been used with the scale. If the scale controls refrigerant flow electronically, the hose fitting must be 1/2"-16 ACME.

CHARGING CYLINDER

Using a charging cylinder is not recommended. Refrigerant may be vented into air from cylinder's top valve when filling the cylinder with refrigerant. Also, the accuracy of the cylinder is generally less than that of an electronic scale or of quality recycle/recharge equipment.

DESCRIPTION

Refrigeration Cycle

REFRIGERANT FLOW

The refrigerant flows in the standard pattern. It flows from compressor through condenser, liquid tank, evaporator and back to compressor.

The refrigerant evaporation through the evaporator coil is controlled by an externally equalized expansion valve, located inside the evaporator case.

FREEZE PROTECTION

The compressor cycles on and off to maintain the evaporator temperature within a specified range. When the evaporator coil temperature falls below a specified point, the thermo control amplifier interrupts the compressor operation. When the evaporator coil temperature rises above the specification, the thermo control amplifier allows compressor operation.

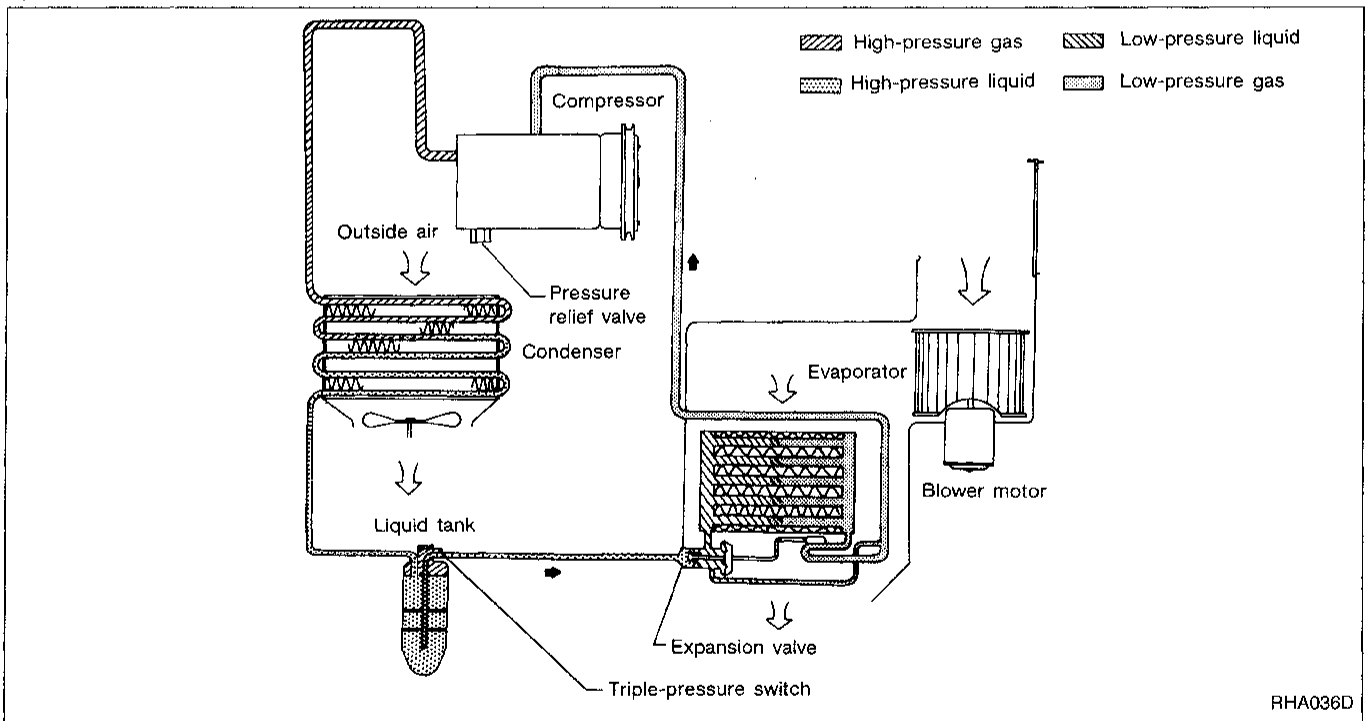
REFRIGERANT SYSTEM PROTECTION

Triple-pressure switch

The refrigerant system is protected against excessively high or low pressure. The protection is effected by the triple pressure switch located on the liquid tank. If the pressure rises or falls out of specifications, the switch opens to interrupt the compressor operation. Also, triple-pressure switch operates the cooling fan motor.

Pressure relief valve

The refrigerant system is also protected by a pressure relief valve. The valve is located on the bottom of the compressor. When refrigerant pressure in the system increases abnormally [over 3,727 kPa (38 kg/cm², 540 psi)], the relief valve's release port opens automatically. The valve then releases refrigerant into the atmosphere.



GI

MA

EM

LC

EC

FE

CL

MT

AT

PD

FA

RA

BR

ST

RS

BT

HA

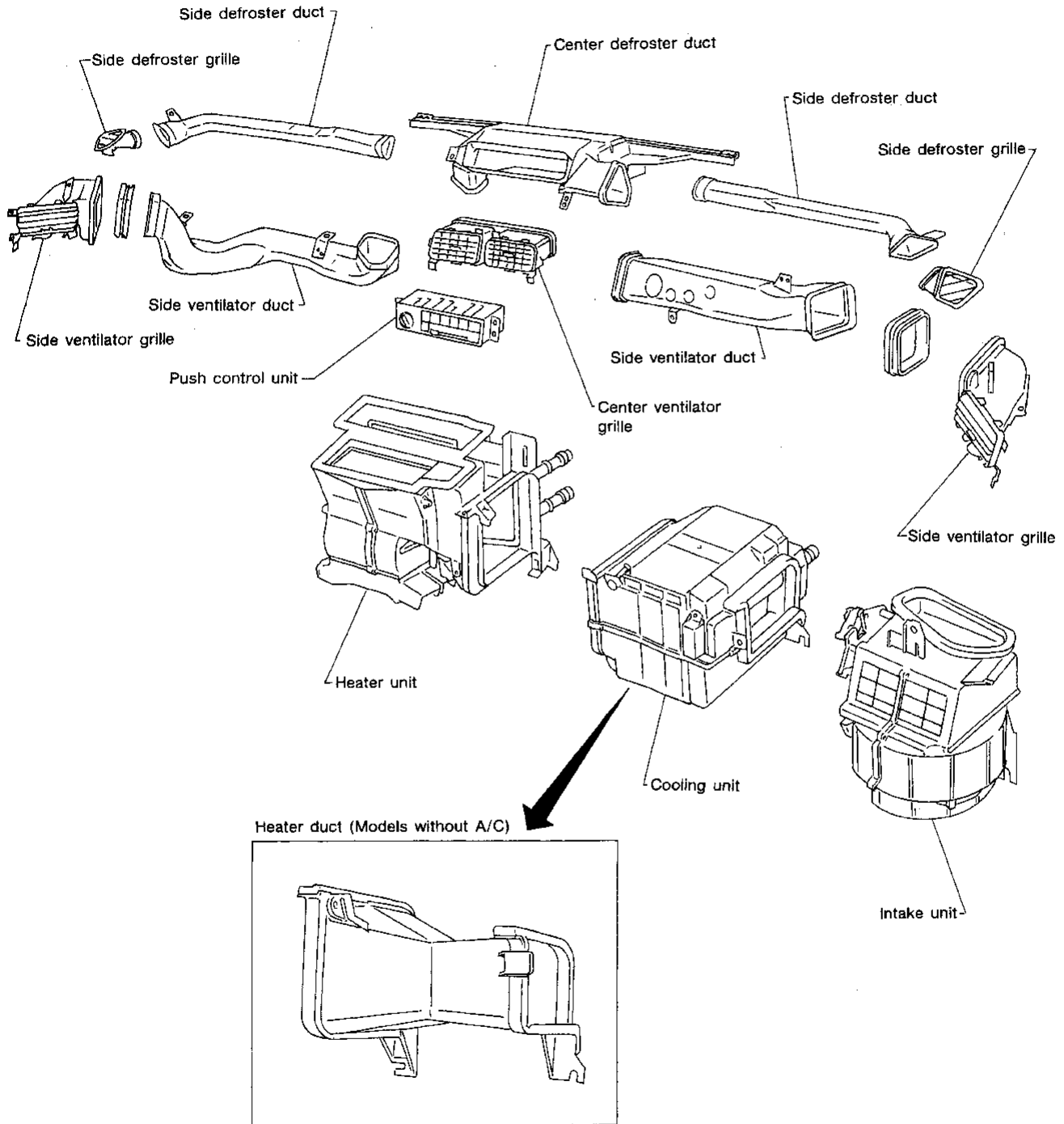
EL

IDX

DESCRIPTION

Component Layout

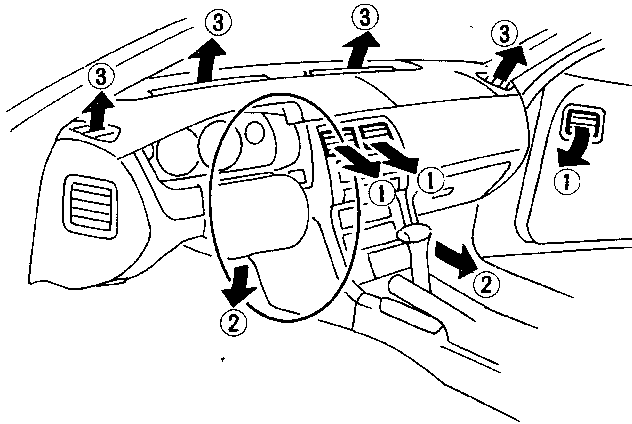
SEC. 270-271-272-273-685



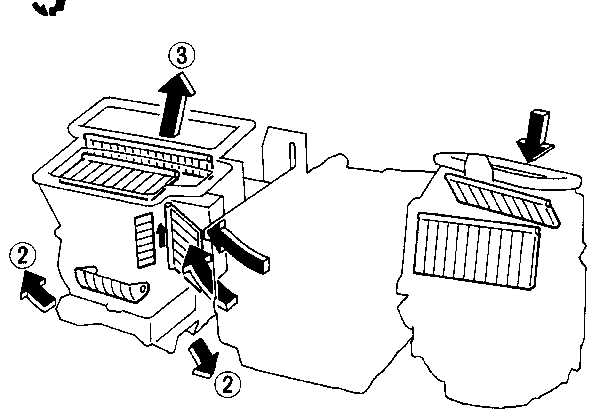
DESCRIPTION

Discharge Air Flow

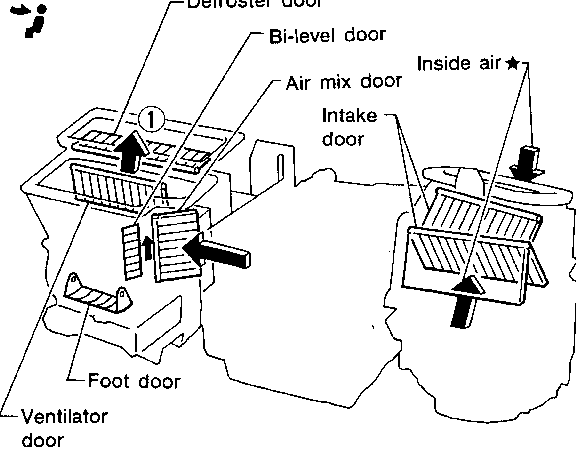
Air outlets



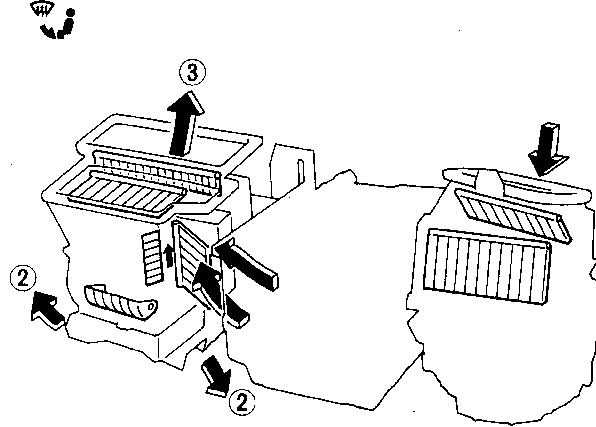
Foot



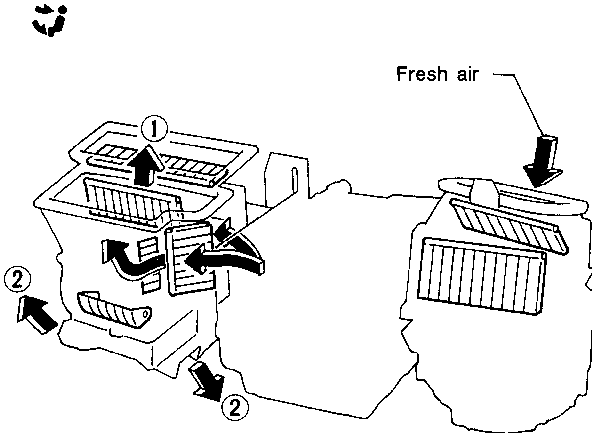
Face



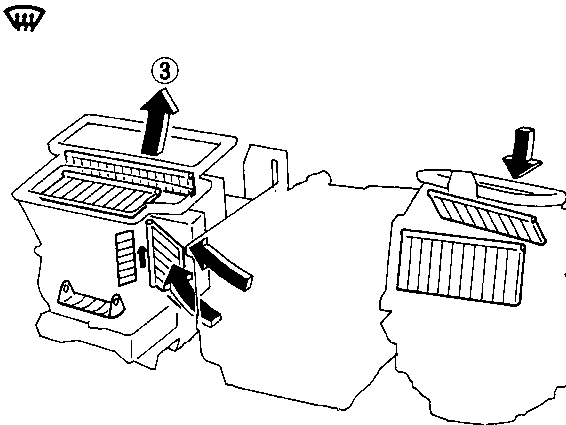
Foot and defroster



Bi-level



Defroster



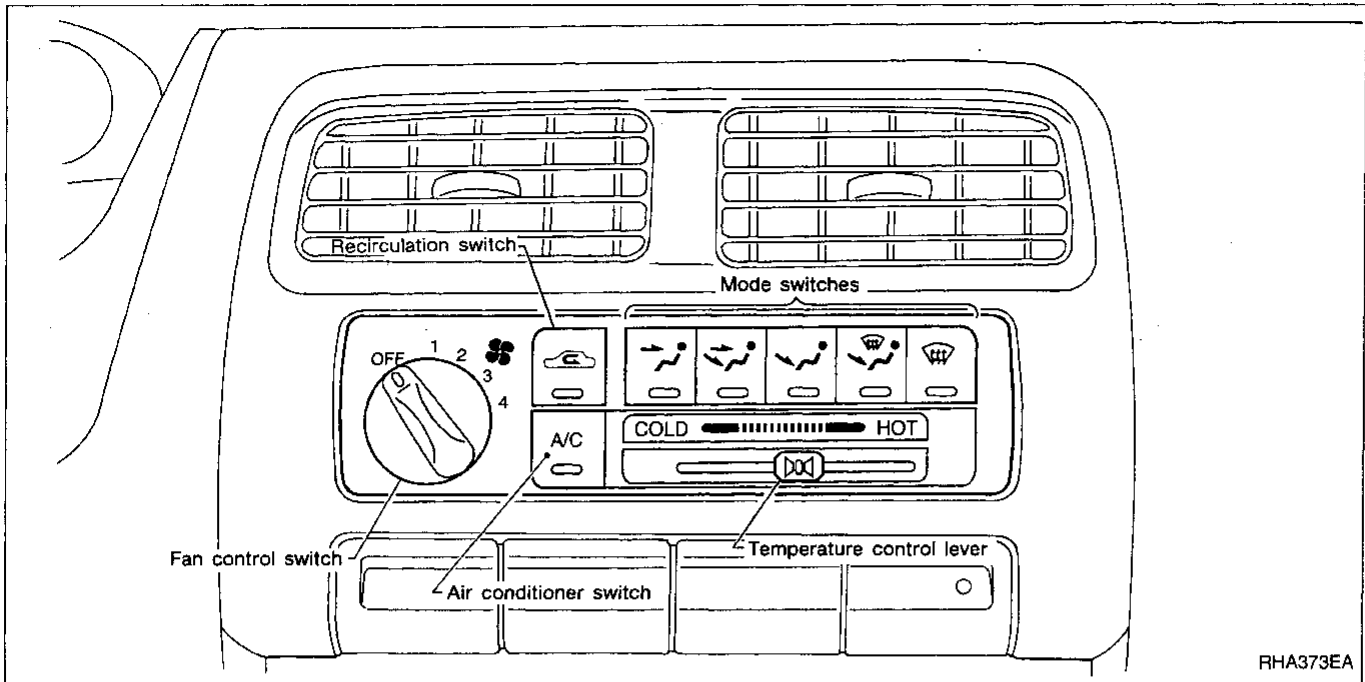
- ① : To face
- ② : To foot
- ③ : To defroster
- ★ : When recirculation switch is ON

For air flow %, refer to "Operational Check", "TROUBLE DIAGNOSES".

GI
MA
EM
LC
EC
FE
CL
MT
AT
PD
FA
RA
BR
ST
RS
BT
HA
EL
IDX

DESCRIPTION

Control Operation



FAN CONTROL SWITCH

This switch turns the fan ON and OFF, and controls fan speed.

MODE SWITCHES

These switches control the outlet air flow.

In "DEFROSTER (DEF)" or "F/D" mode, the intake door is set to "FRESH". The compressor turns on in the "DEF" mode.

TEMPERATURE CONTROL LEVER

This lever allows adjustment of the temperature of the outlet air.

RECIRCULATION (REC) SWITCH

OFF position:

Outside air is drawn into the passenger compartment.

ON position:

Interior air is recirculated inside the vehicle.

Recirculation is canceled when DEF or F/D is selected, recirculation resumes when another mode is chosen.

AIR CONDITIONER SWITCH

The air conditioner switch controls the A/C system. When the switch is depressed with the fan ON, the compressor will turn ON. The indicator lamp will also light.

The air conditioner cooling function operates only when the engine is running.

V-6 Variable Displacement Compressor

GENERAL INFORMATION

1. The V-6 variable compressor differs from previous units. The vent temperatures of the V-6 variable compressor do not drop too far below 5°C (41°F) when:
 - evaporator intake air temperature is less than 20°C (68°F)
 - engine is running at speeds less than 1,500 rpm.This is because the V-6 compressor provides a means of “capacity” control.
2. The V-6 variable compressor provides refrigerant control under varying conditions. When ambient temperatures are low, it may not produce high refrigerant pressure discharge (compared to previous units).
3. A “clanking” sound may occasionally be heard during refrigerant charge. The sound indicates that the tilt angle of the swash plate has changed and is not a problem.
4. For air conditioning systems with the V-6 compressor, the clutch remains engaged unless: the system main switch, fan switch or ignition switch is turned OFF. When ambient (outside) temperatures are low or when the amount of refrigerant is insufficient, the clutch is disengaged to protect the compressor.
5. A constant range of suction pressure is maintained when engine speed is greater than a certain value. It normally ranges from 147 to 177 kPa (1.5 to 1.8 kg/cm², 21 to 26 psi) under varying conditions. In previous compressors, however, suction pressure was reduced with increases in engine speed.

CI

MA

EM

LC

EC

FE

CL

MT

AT

PD

FA

RA

BR

ST

RS

BT

HA

EL

IDX

DESCRIPTION

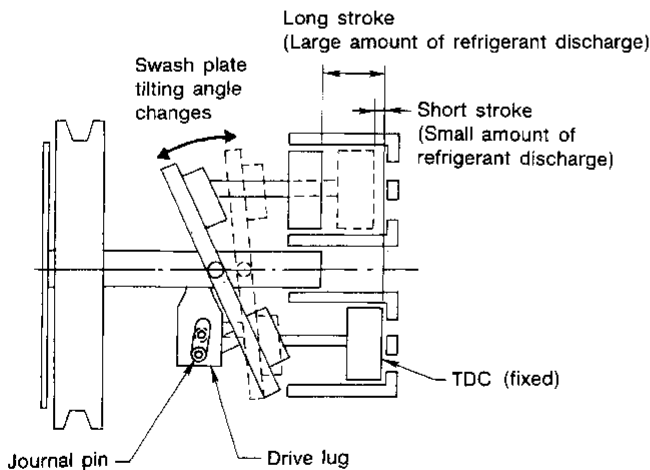
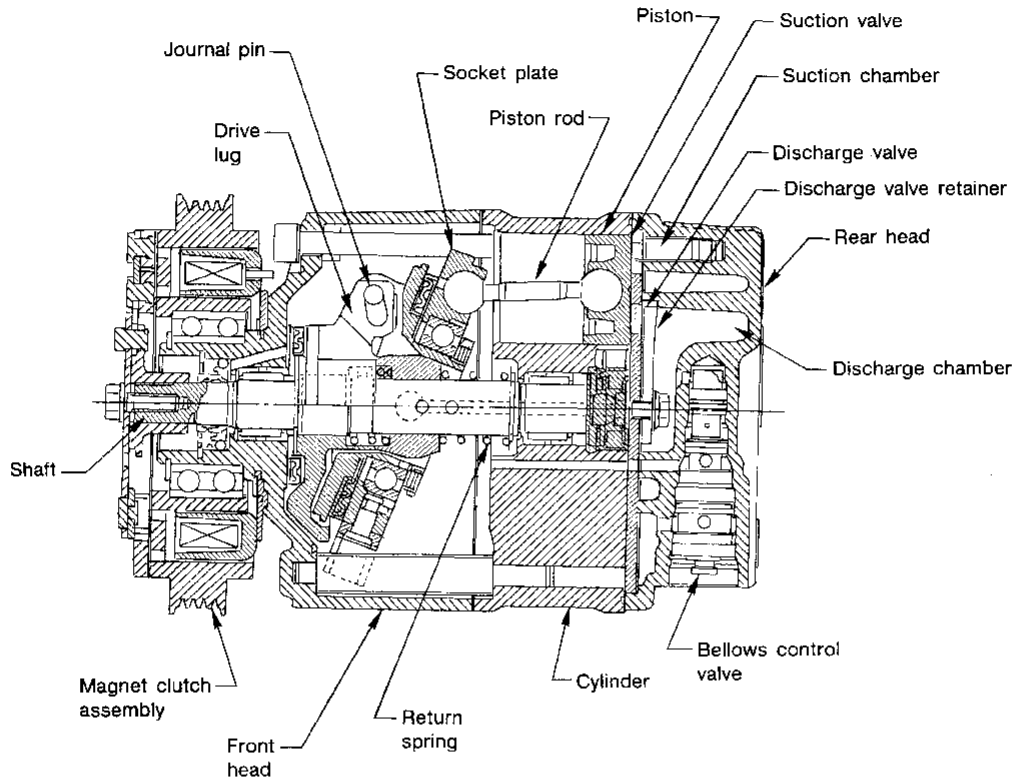
V-6 Variable Displacement Compressor (Cont'd)

DESCRIPTION

General

The variable compressor is basically a swash plate type that changes piston stroke in response to the required cooling capacity.

The tilt of the swash plate allows the piston's stroke to change so that refrigerant discharge can be continuously changed from 10.5 to 165 cm³ (0.641 to 10.07 cu in).



Discharge control	Discharge capacity cm ³ (cu in)/rev.	Piston stroke length mm (in)
Minimum	10.5 (0.641)	1.6 (0.063)
Maximum	165 (10.07)	25.6 (1.008)

RHA969DA

DESCRIPTION

V-6 Variable Displacement Compressor (Cont'd)

Operation

1. Operation control valve

Operation control valve is located in the suction port (low-pressure) side, and opens or closes in response to changes in refrigerant suction pressure.

Operation of the valve controls the internal pressure of the crankcase.

The angle of the swash plate is controlled between the crankcase's internal pressure and the piston cylinder pressure.

CI

MA

EM

LC

EC

FE

CL

MT

AT

PD

FA

RA

BR

ST

RS

BT

HA

EL

IDX

2. Maximum cooling

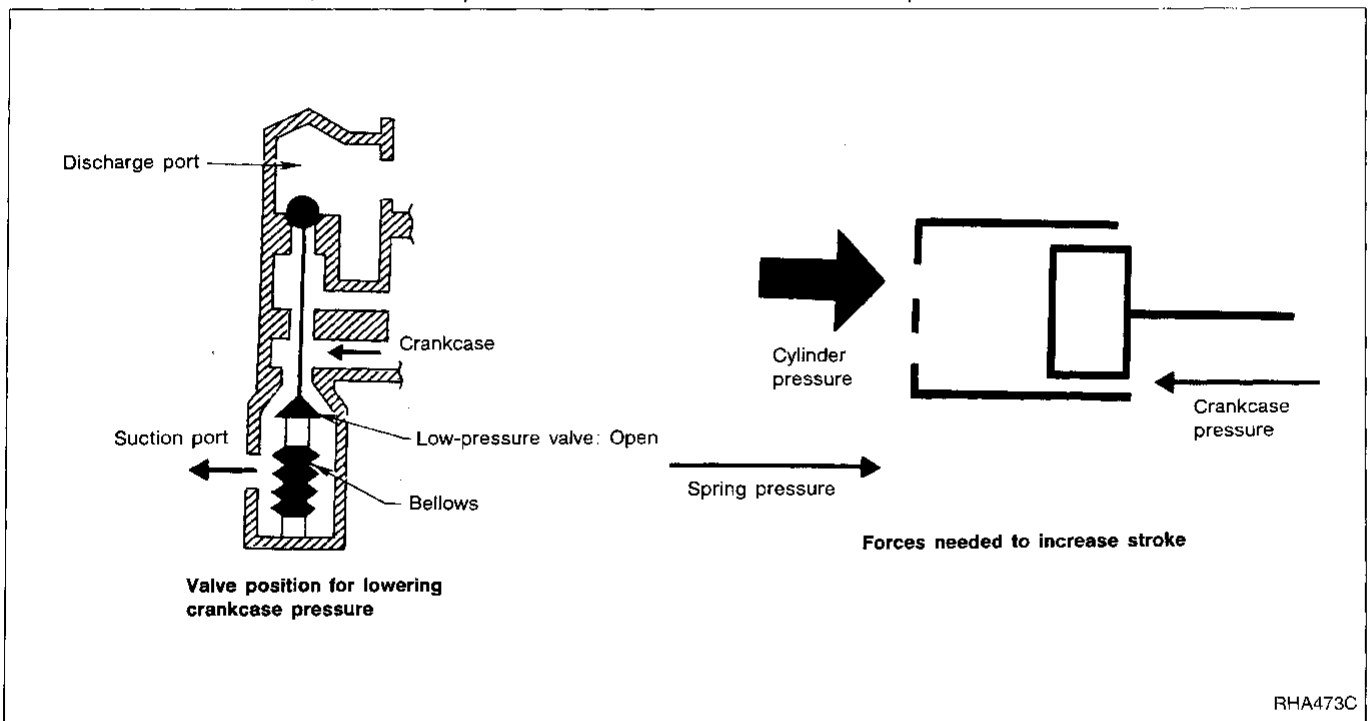
Refrigerant pressure on the low-pressure side increases with an increase in heat loads.

When this occurs, the control valve's bellows compress to open the low-pressure side valve and close the high-pressure side valve.

This causes the following pressure changes:

- the crankcase's internal pressure to equal the pressure on the low-pressure side;
- the cylinder's internal pressure to be greater than the crankcase's internal pressure.

Under this condition, the swash plate is set to the maximum stroke position.



DESCRIPTION

V-6 Variable Displacement Compressor (Cont'd)

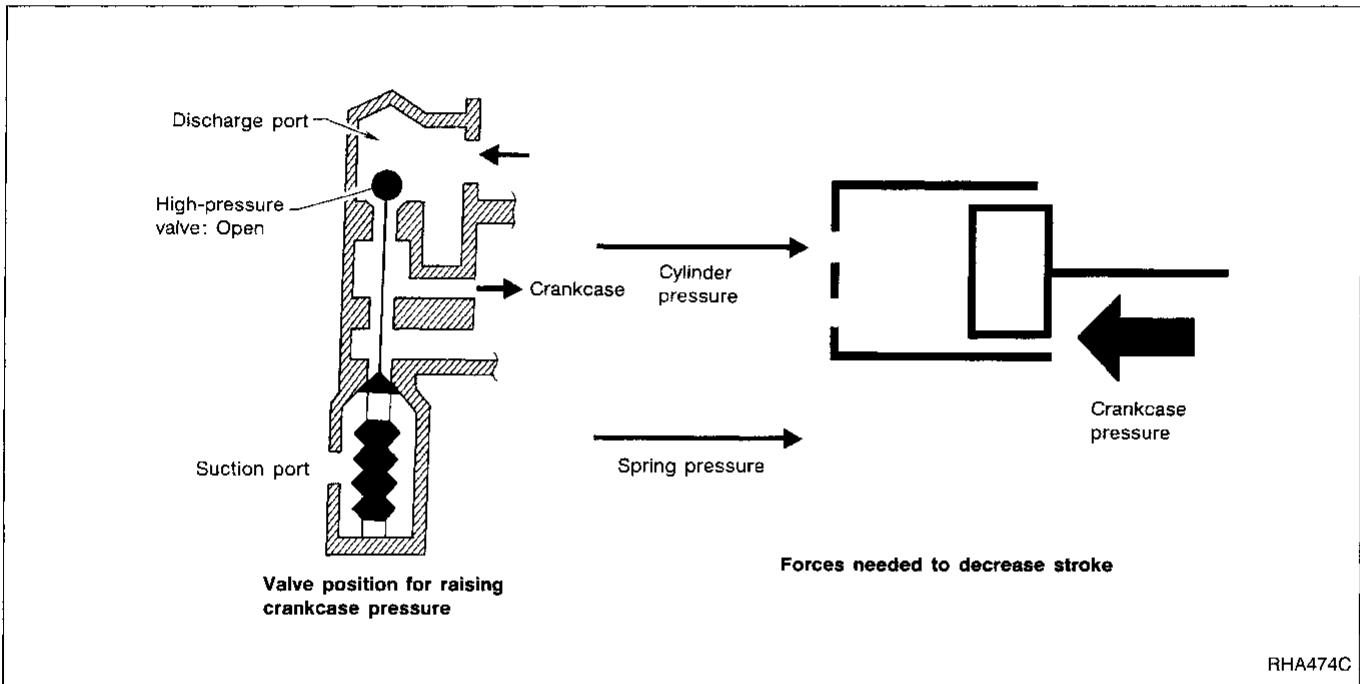
3. Capacity control

- Refrigerant pressure on suction side is low during high speed driving or when ambient or interior temperature is low.
- The bellows expands when refrigerant pressure on the suction pressure side drops below approximately 177 kPa (1.8 kg/cm², 26 psi).

Since suction pressure is low, it makes the suction port close and the discharge port open. Thus, crankcase pressure becomes high as high pressure enters the crankcase.

- The force acts around the journal pin near the swash plate, and is generated by the pressure difference before and behind the piston.

The drive lug and journal pin are located where the piston generates the highest pressure. Piston pressure is between suction pressure P_s and discharge pressure P_d , which is near suction pressure P_s . If crankcase pressure P_c rises due to capacity control, the force around the journal pin makes the swash plate angle decrease and also the piston stroke decrease. In other words, crankcase pressure increase triggers pressure difference between the piston and the crankcase. The pressure difference changes the angle of the swash plate.



DESCRIPTION

NOTE

GI

MA

EM

LC

EC

FE

CL

MT

AT

PD

FA

RA

BR

ST

RS

BT

HA

EL

IDX

TROUBLE DIAGNOSES

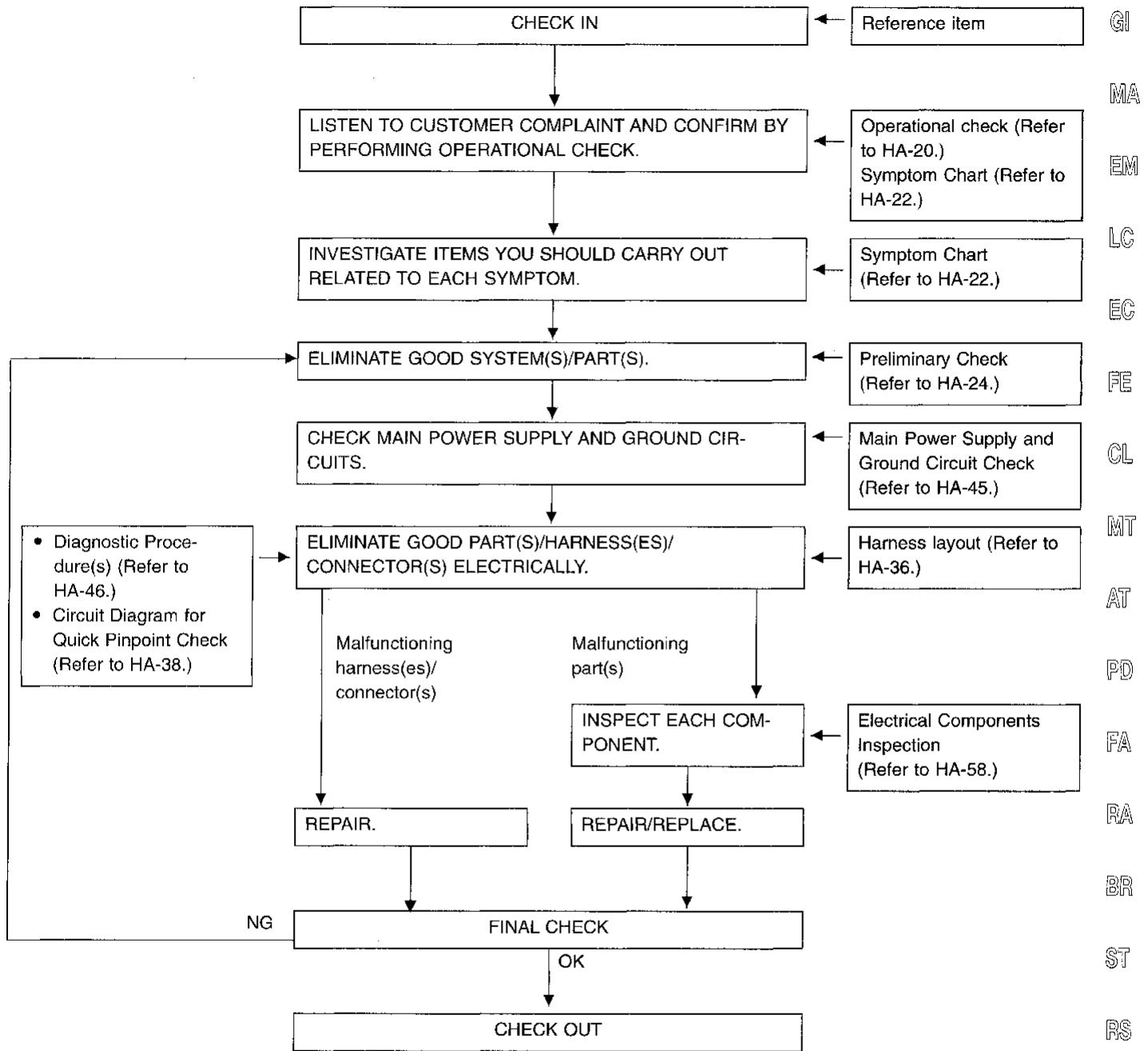
Contents

How to Perform Trouble Diagnoses for Quick and Accurate Repair	HA-19
Operational Check	HA-20
Symptom Chart	HA-22
Preliminary Check	HA-24
PRELIMINARY CHECK 1 (Intake door is not set at "FRESH" in DEF or F/D mode.).....	HA-24
PRELIMINARY CHECK 2 (A/C does not blow cold air.).....	HA-25
PRELIMINARY CHECK 3 (Magnet clutch does not engage in DEF mode.).....	HA-26
PRELIMINARY CHECK 4 (Air outlet does not change.).....	HA-27
PRELIMINARY CHECK 5 (Noise)	HA-28
PRELIMINARY CHECK 6 (Insufficient heating)	HA-29
Performance Test Diagnoses	HA-30
INSUFFICIENT COOLING	HA-30
Performance Chart	HA-32
TEST CONDITION	HA-32
TEST READING	HA-32
Trouble Diagnoses for Abnormal Pressure	HA-33
Harness Layout	HA-36
Circuit Diagram	HA-38
Wiring Diagram — A/C —	HA-39
Main Power Supply and Ground Circuit Check	HA-45
Diagnostic Procedure 1 (SYMPTOM: Blower motor does not rotate.).....	HA-46
Diagnostic Procedure 2 (SYMPTOM: Air outlet does not change.)	HA-48
Diagnostic Procedure 3 (SYMPTOM: Intake door does not change in VENT, B/L or FOOT mode.).....	HA-50
Diagnostic Procedure 4 (SYMPTOM: Air mix door does not change.)	HA-51
Diagnostic Procedure 5 (SYMPTOM: Bi-level (B/L) door does not operate.)	HA-53
Diagnostic Procedure 6 (SYMPTOM: Magnet clutch does not engage when A/C switch and fan switch are ON.)	HA-54
Electrical Components Inspection	HA-58
Control Linkage Adjustment	HA-60

TROUBLE DIAGNOSES

How to Perform Trouble Diagnoses for Quick and Accurate Repair

WORK FLOW



GI
MA
EM
LC
EC
FE
CL
MT
AT
PD
FA
RA
BR
ST
RS
BT
HA
EL
IDX

Operational Check

The purpose of the operational check is to confirm that the system is as it should be. The systems which will be checked are the blower, mode (discharge air), intake air, temperature decrease, temperature increase and A/C switch.

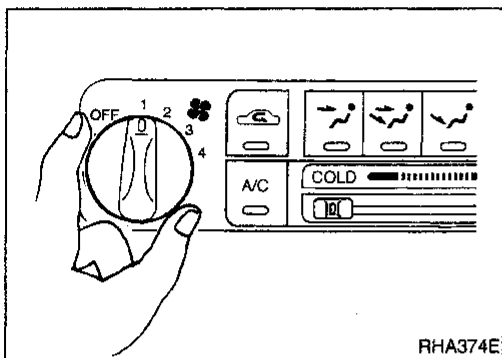
CONDITIONS:

- Engine running and at normal operating temperature.

PROCEDURE:

1. Check blower

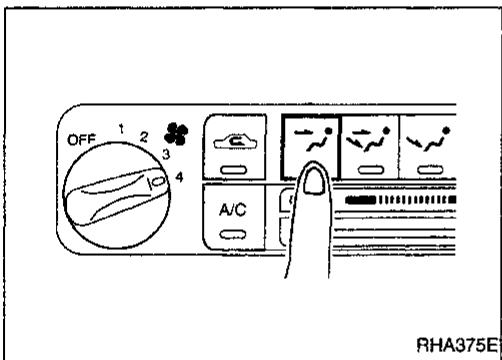
- 1) Turn fan switch to 1-speed.
Blower should operate on low speed.
- 2) Then turn fan switch to 2-speed.
- 3) Continue checking blower speed until all speeds are checked.
- 4) Leave blower on speed 4.



RHA374E

2. Check discharge air.

- 1) Press each mode switch.




RHA375E

- 2) Confirm that discharge air comes out according to the air distribution table at left.

Refer to "Discharge Air Flow", "DESCRIPTION" (HA-11).






NOTE:

Confirm that the compressor clutch is engaged (visual inspection) and intake door position is at FRESH when the DEF  button is pressed.

Confirm that the intake door position is at FRESH when the F/D  button is pressed.

Intake door position is checked in the next step.

Discharge air flow


Switch mode/ indicator	Air outlet/distribution		
	Face	Foot	Defroster
	100%	—	—
	60%	40%	—
	—	80%	20%
	—	63%	37%
	—	—	100%

RHA376E

TROUBLE DIAGNOSES

Operational Check (Cont'd)

3. Check recirculation

- 1) Press REC  switch.
Recirculation indicator should illuminate.
- 2) Listen for intake door position change (you should hear blower sound change slightly).

GI

MA

EM

LC

EC

FE

CL

MT

AT

PD

FA

RA

BR

ST

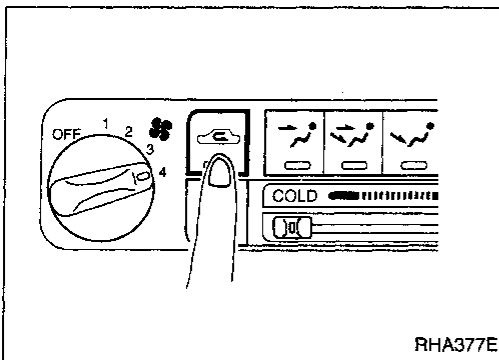
RS

BT

HA

EL

IDX



RHA377E

4. Check temperature decrease

- 1) Slide temperature control lever to full cold.
- 2) Check for cold air at discharge air outlets.

LC

EC

FE

CL

MT

AT

PD

FA

RA

BR

ST

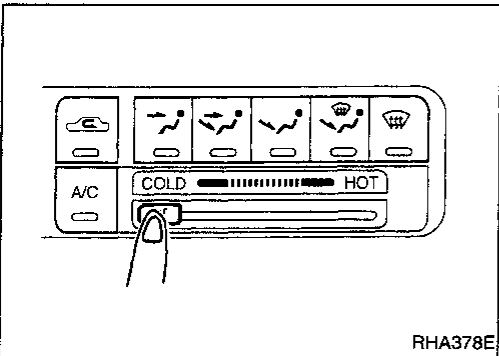
RS

BT

HA

EL

IDX



RHA378E

5. Check temperature increase

- 1) Slide temperature control lever to full hot.
- 2) Check for hot air at discharge air outlets.

MT

AT

PD

FA

RA

BR

ST

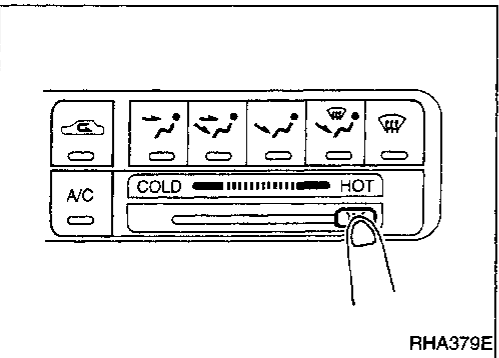
RS

BT

HA

EL

IDX



RHA379E

6. Check air conditioning switch

Move the fan control switch to the desired (1 to 4 speed) position and push the A/C switch to turn ON the air conditioner. The indicator lamp should come on when air conditioner is ON.

RA

BR

ST

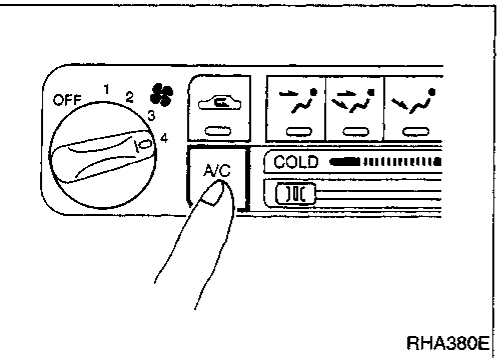
RS

BT

HA

EL

IDX



RHA380E

TROUBLE DIAGNOSES

Symptom Chart

DIAGNOSTIC TABLE

PROCEDURE	Preliminary Check						Diagnostic Procedure						Main Power Supply and Ground Circuit Check			
	HA-24	HA-25	HA-26	HA-27	HA-28	HA-29	HA-46	HA-48	HA-50	HA-51	HA-53	HA-54	HA-45	HA-45	HA-45	HA-45
REFERENCE PAGE	HA-24	HA-25	HA-26	HA-27	HA-28	HA-29	HA-46	HA-48	HA-50	HA-51	HA-53	HA-54	HA-45	HA-45	HA-45	HA-45
SYMPTOM	Preliminary check 1	Preliminary check 2	Preliminary check 3	Preliminary check 4	Preliminary check 5	Preliminary check 6	Diagnostic procedure 1	Diagnostic procedure 2	Diagnostic procedure 3	Diagnostic procedure 4	Diagnostic procedure 5	Diagnostic procedure 6	15A Fuses (#19, #20)	7.5A Fuse (#21)	7.5A Fuse (#33 or #48)	Push control unit
A/C does not blow cold air.		①					○			○			○	○		
Insufficient heating.						①	○					○				
Blower motor does not rotate.		①					②						○			
Air outlet does not change.				①				②						○		○
Intake door does not change in VENT, B/L or FOOT mode.									①					○		○
Intake door does not change.	①								○					○		○
Air mix door does not change.		①								②						
Fresh vent door does not change.											①					
Magnet clutch does not engage when A/C switch and fan switch are ON.		①										②		○	○	
Magnet clutch does not engage in DEF mode.		①	②									○		○	○	
Noise					①											

①, ② : The number means checking order.
 ○ : Checking order depends on malfunction in each flow chart.

TROUBLE DIAGNOSES

Symptom Chart (Cont'd)

Electrical Components Inspection

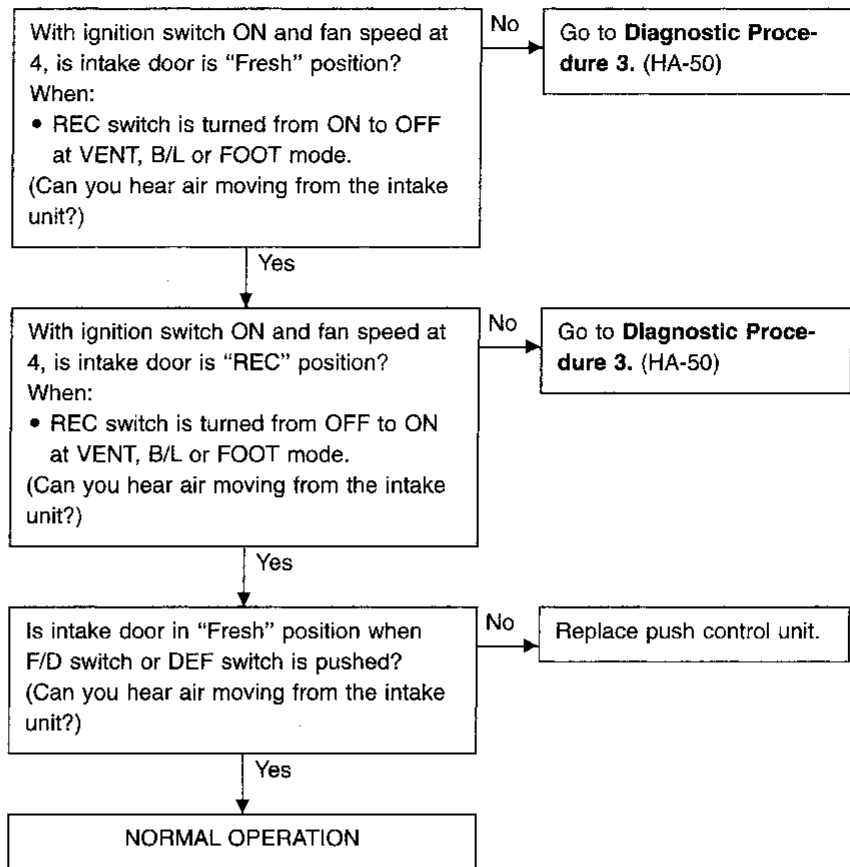
		Electrical Components Inspection																						
HA-58	Blower motor																		HA-58					
HA-58	Resistor	○	○																					HA-58
—	A/C switch	○																						—
—	REC switch		○																					—
—	VENT switch			○																				—
—	B/L switch				○																			—
—	FOOT switch					○																		—
—	F/D switch						○																	—
—	DEF switch							○																—
HA-58	Fan switch	○	○																					HA-58
—	Mode door motor					○																		—
—	Intake door motor						○																	—
—	Air mix door motor							○																—
—	BI-LEVEL (B/L) door motor								○															—
HA-59	A/C relay	○																						HA-59
HA-59	Triple-pressure switch	○																						HA-59
—	Compressor (Magnet clutch)	○																						—
HA-59	Compressor																							HA-59
—	Ambient temperature switch	○																						—
Refer to EC section.	ECM (ECCS control module)	○																						Refer to EC section.
—	Harness	○																						—

GI
MA
EM
LC
EC
FE
CL
MT
AT
PD
FA
RA
BR
ST
RS
BT
HA
EL
IDX

Preliminary Check

PRELIMINARY CHECK 1

Intake door does not change.

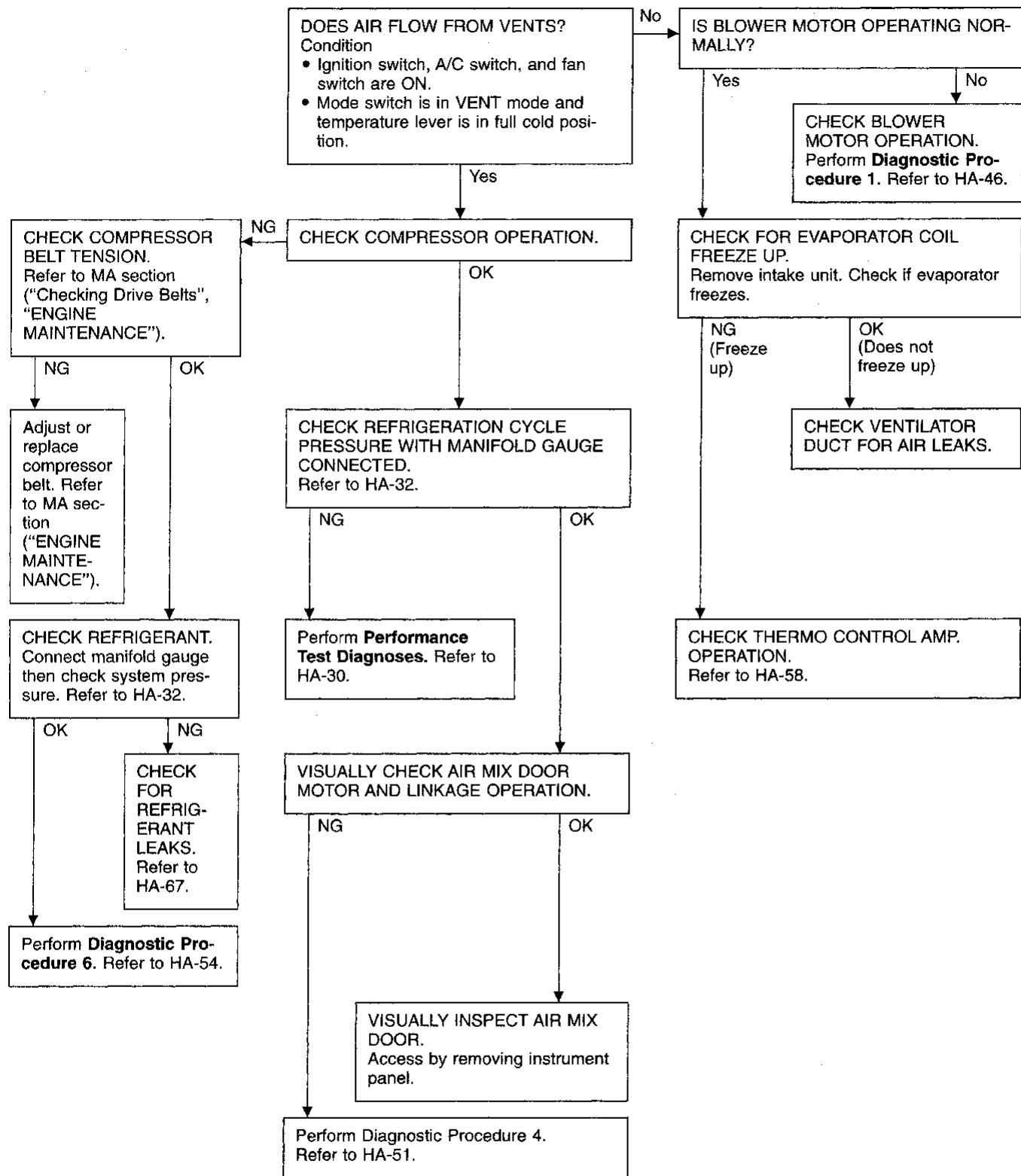


TROUBLE DIAGNOSES

Preliminary Check (Cont'd)

PRELIMINARY CHECK 2

A/C does not blow cold air.



GI
MA
EM
LC
EC
FE
CL
MT
AT
PD
FA
RA
BR
ST
RS
BT
HA
EL
IDX

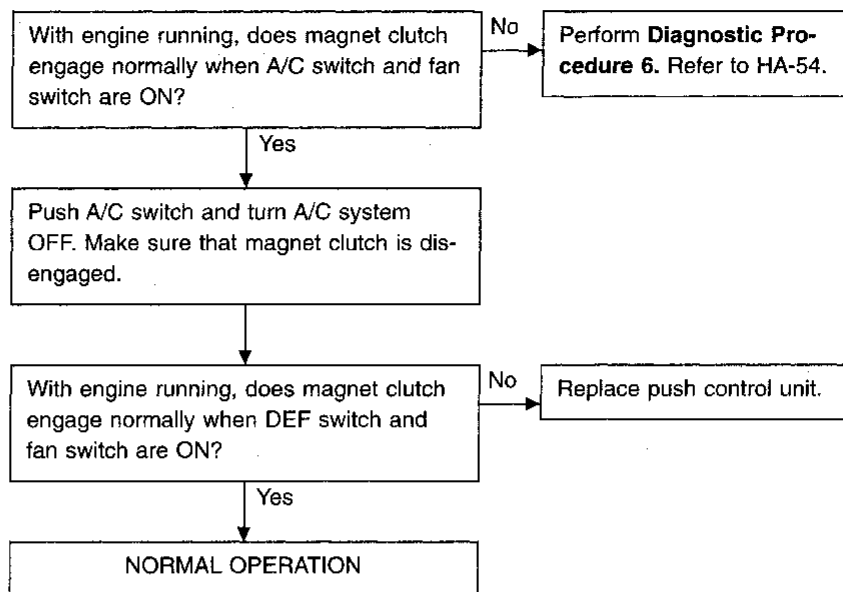
TROUBLE DIAGNOSES

Preliminary Check (Cont'd)

PRELIMINARY CHECK 3

Magnet clutch does not engage in DEF mode.

- Perform PRELIMINARY CHECK 2 before referring to the following flow chart.

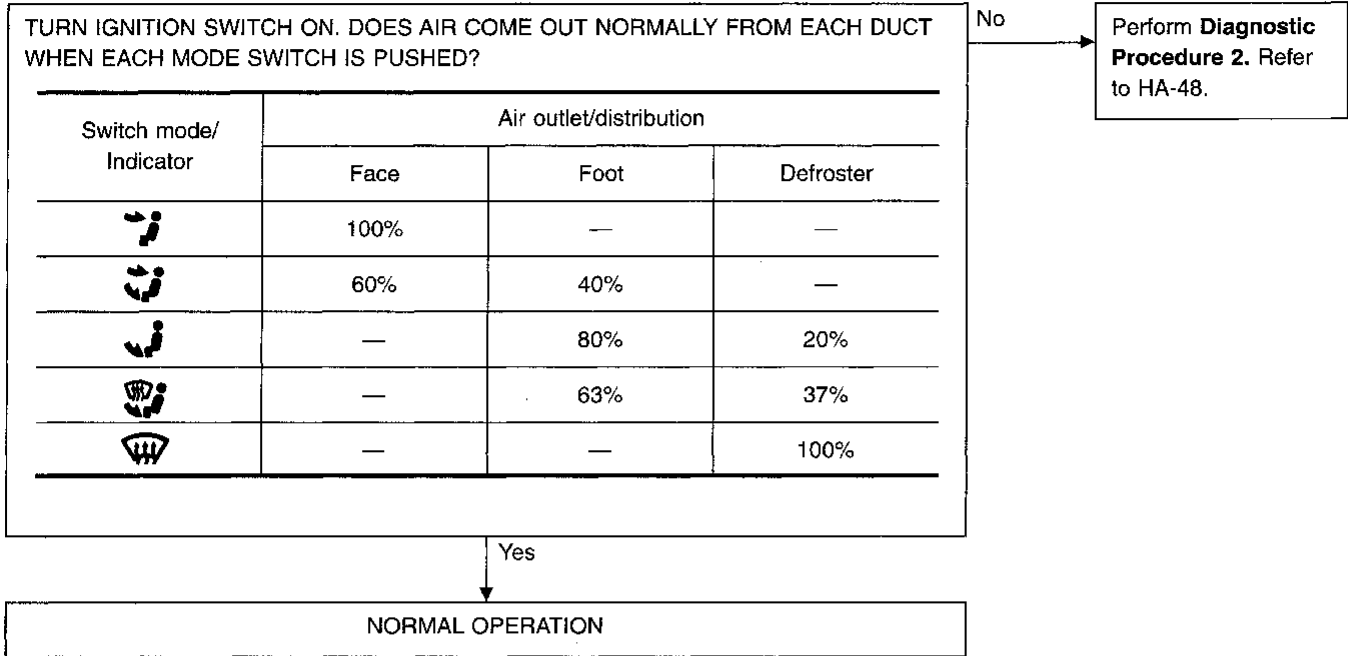


TROUBLE DIAGNOSES

Preliminary Check (Cont'd)

PRELIMINARY CHECK 4

Air outlet does not change.



GI

MA

EM

LC

EC

FE

CL

MT

AT

PD

FA

RA

BR

ST

RS

BT

HA

EL

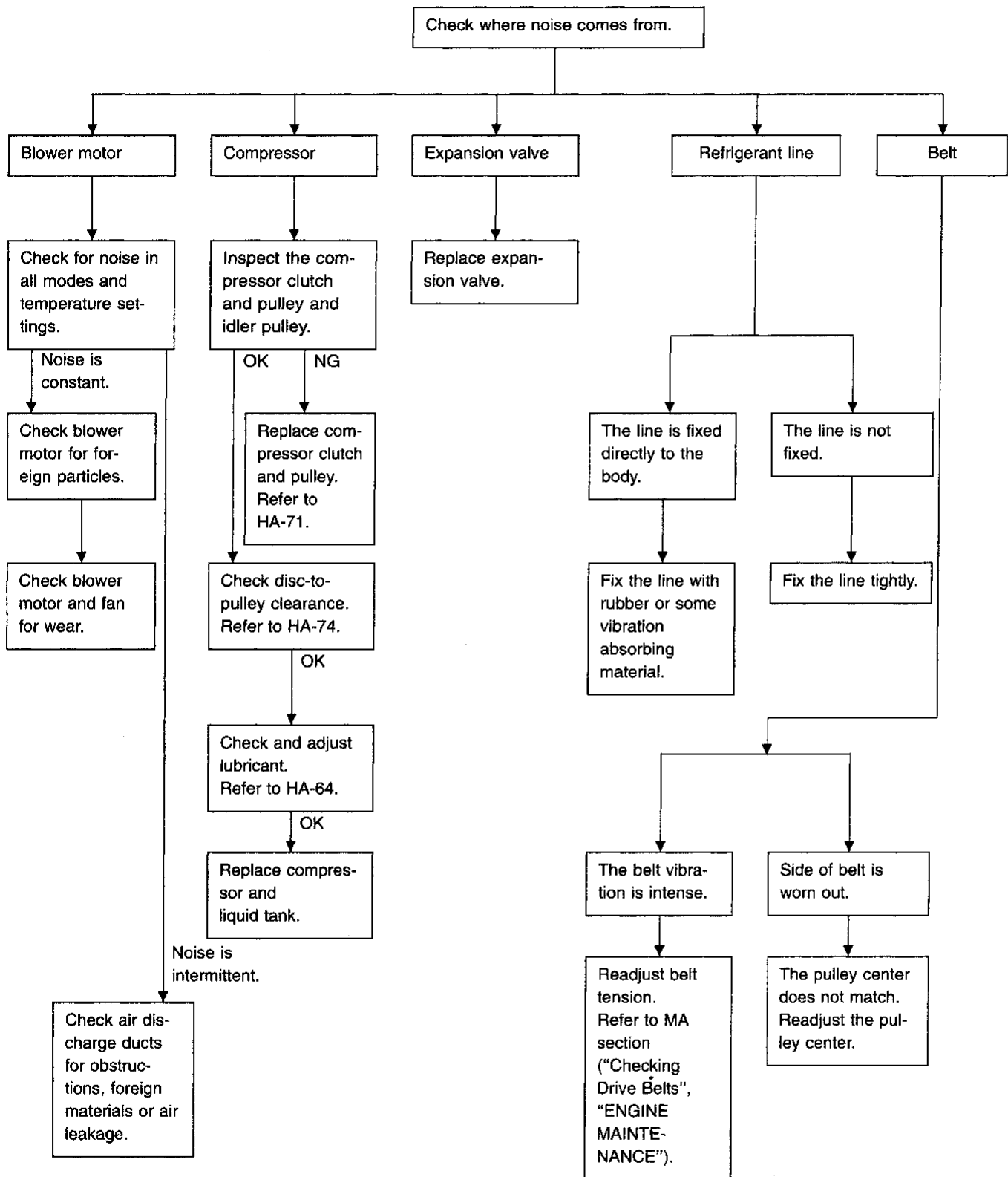
IDX

TROUBLE DIAGNOSES

Preliminary Check (Cont'd)

PRELIMINARY CHECK 5

Noise

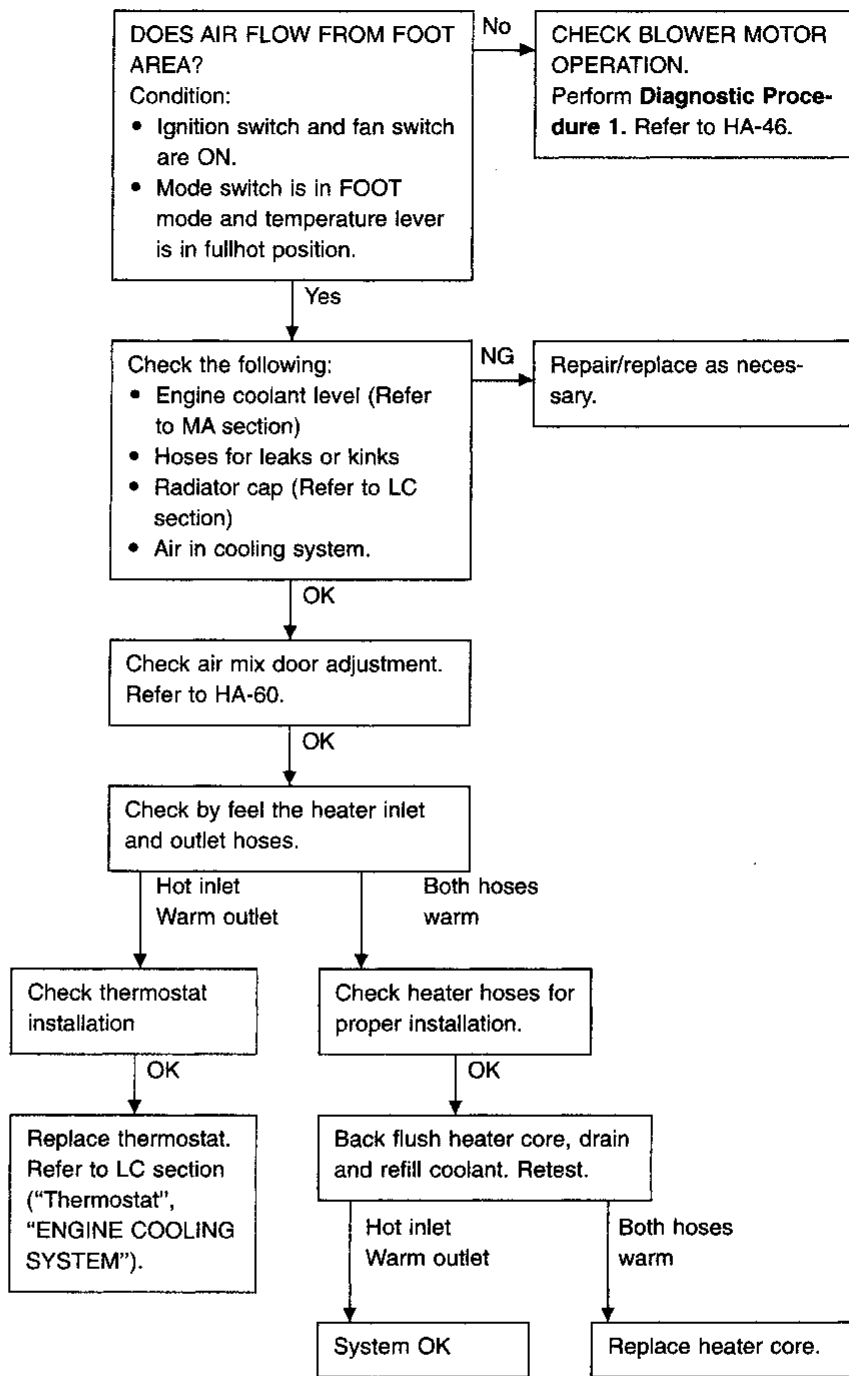


TROUBLE DIAGNOSES

Preliminary Check (Cont'd)

PRELIMINARY CHECK 6

Insufficient heating



GI

MA

EM

LC

EC

FE

CL

MT

AT

PD

FA

RA

BR

ST

RS

BT

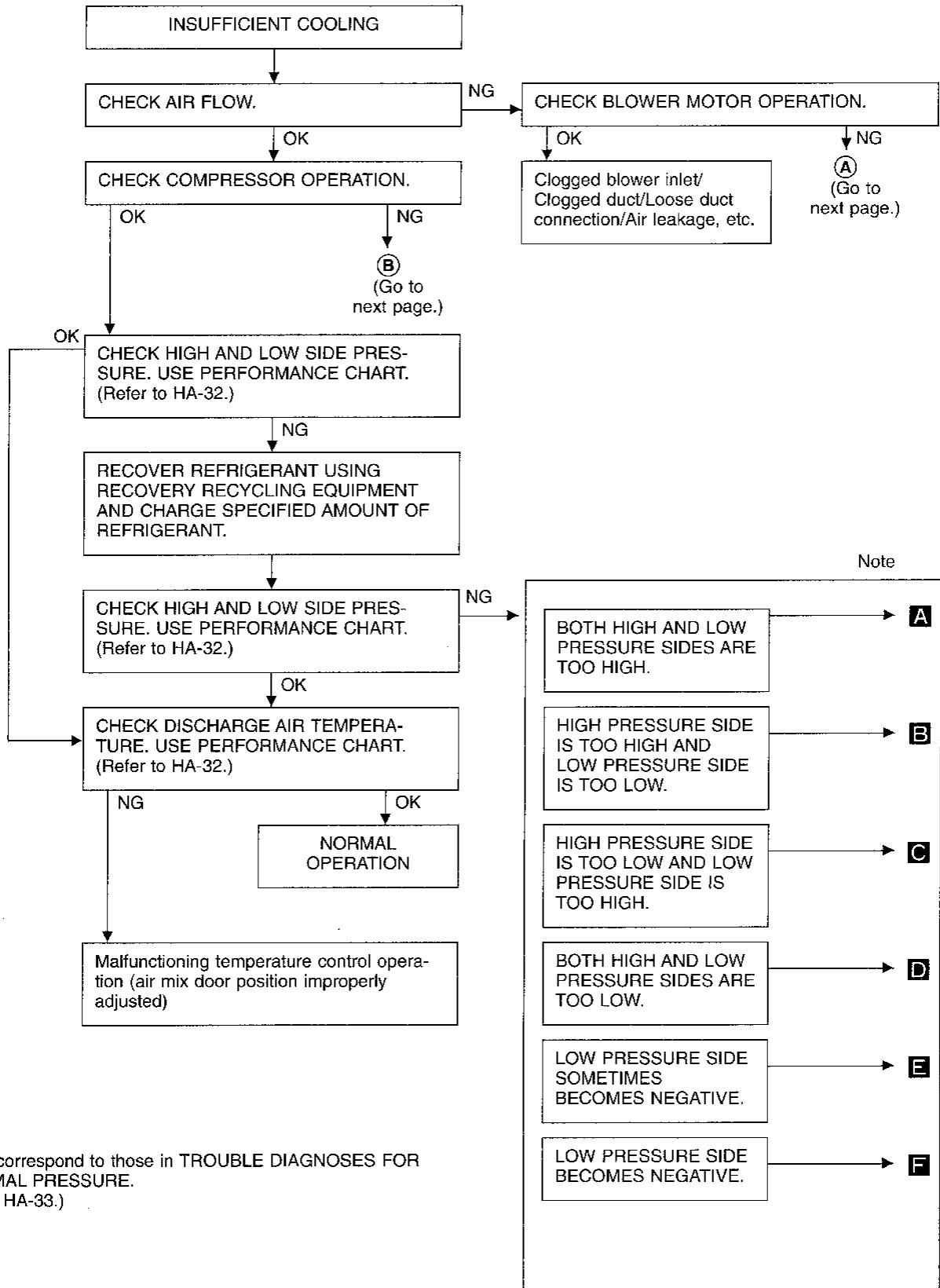
HA

EL

IDX

TROUBLE DIAGNOSES

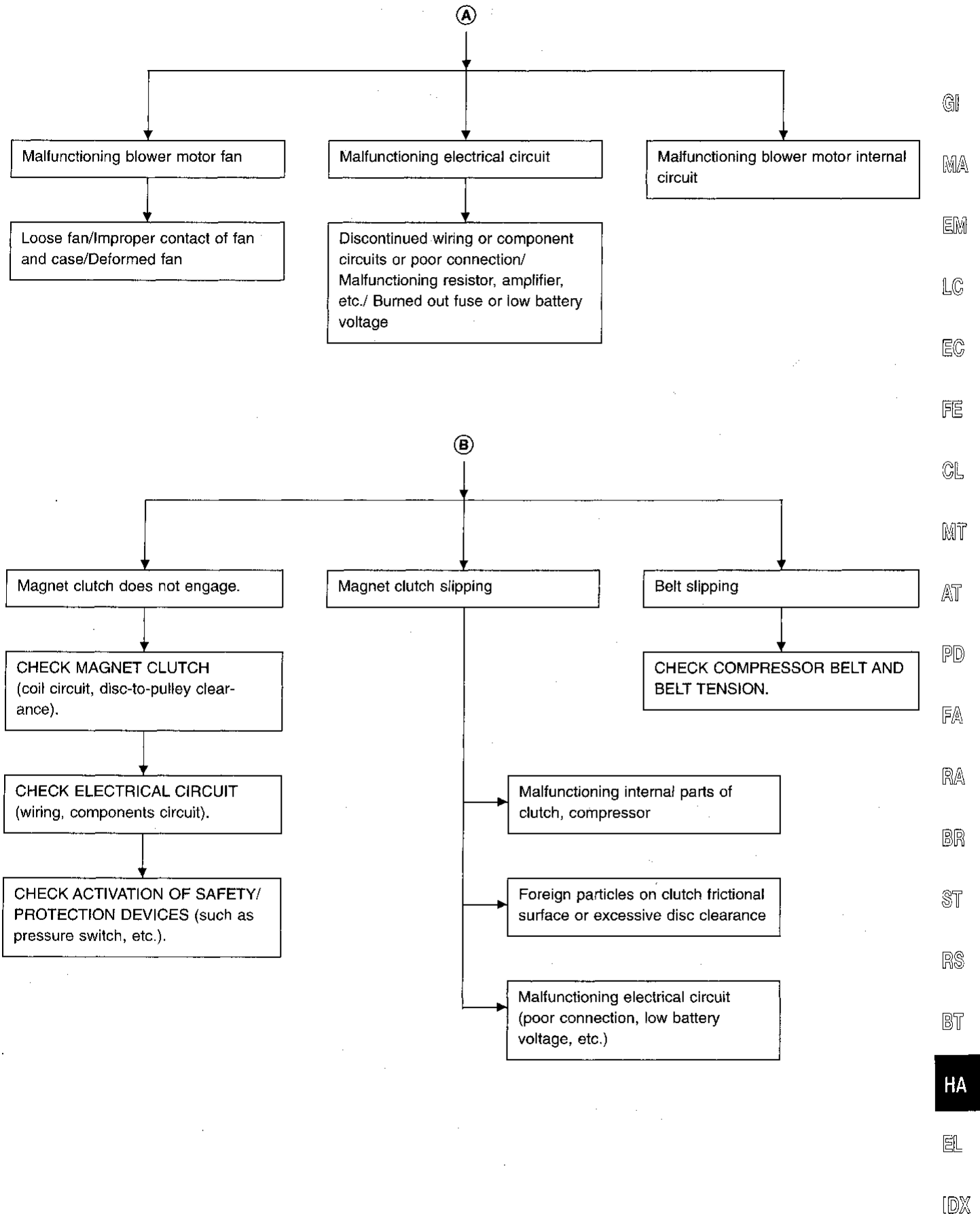
Performance Test Diagnoses INSUFFICIENT COOLING



Note: **A-F** correspond to those in TROUBLE DIAGNOSES FOR ABNORMAL PRESSURE. (Refer to HA-33.)

TROUBLE DIAGNOSES

Performance Test Diagnoses (Cont'd)



TROUBLE DIAGNOSES

Performance Chart

TEST CONDITION

Testing must be performed as follows:

Vehicle location: Indoors or in the shade (in a well ventilated place)

Doors: Closed

Door window: Open (Front driver side only)

Hood: Open

TEMP. setting: Max. COLD

Discharge Air: Face Vent

Recirculation switch: (Recirculation) ON

FAN speed: 4-speed

A/C switch: ON

Engine speed: 1,000 rpm

Operate the air conditioning system for 10 minutes before taking measurements.

TEST READING

Recirculating-to-discharge air temperature table

Inside air at blower assembly inlet for recirculation*		Discharge air temperature at center ventilator °C (°F)
Relative humidity %	Air temperature °C (°F)	
50 - 60	20 (68)	3.7 - 6.3 (39 - 43)
	25 (77)	8.3 - 11.5 (47 - 53)
	30 (86)	13.0 - 16.6 (55 - 62)
	35 (95)	17.6 - 21.8 (64 - 71)
	40 (104)	22.2 - 27.0 (72 - 81)
60 - 70	20 (68)	6.3 - 9.2 (43 - 49)
	25 (77)	11.5 - 14.9 (53 - 59)
	30 (86)	16.6 - 20.5 (62 - 69)
	35 (95)	21.8 - 26.1 (71 - 79)
	40 (104)	27.0 - 31.8 (81 - 89)

* Thermometer should be placed at intake unit under RH side of instrument panel.

Ambient air temperature-to-operating pressure table

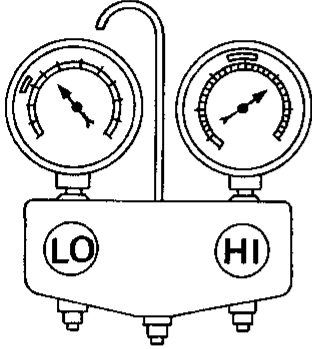
Ambient air		High-pressure (Discharge side) kPa (kg/cm ² , psi)	Low-pressure (Suction side) kPa (kg/cm ² , psi)
Relative humidity %	Air temperature °C (°F)		
50 - 70	20 (68)	736 - 892 (7.5 - 9.1, 107 - 129)	147 - 226 (1.5 - 2.3, 21 - 33)
	25 (77)	922 - 1,118 (9.4 - 11.4, 134 - 162)	147 - 226 (1.5 - 2.3, 21 - 33)
	30 (86)	1,157 - 1,393 (11.8 - 14.2, 168 - 202)	147 - 226 (1.5 - 2.3, 21 - 33)
	35 (95)	1,393 - 1,687 (14.2 - 17.2, 202 - 245)	157 - 265 (1.6 - 2.7, 23 - 38)
	40 (104)	1,638 - 2,001 (16.7 - 20.4, 237 - 290)	196 - 324 (2.0 - 3.3, 28 - 47)

If pressure is not within range, refer to HA-33, "Trouble Diagnoses for Abnormal Pressure".

TROUBLE DIAGNOSES

Trouble Diagnoses for Abnormal Pressure

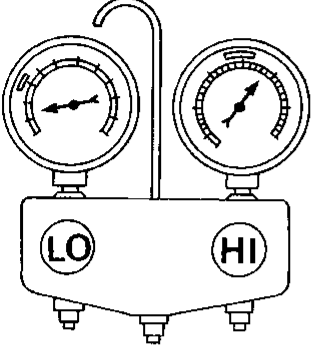
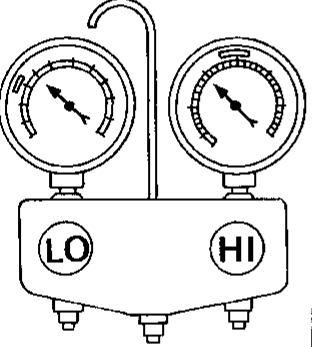
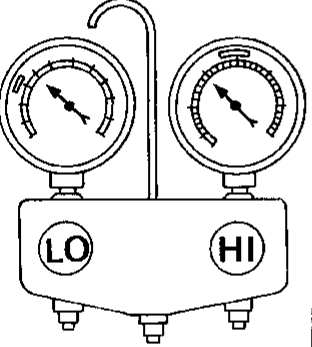
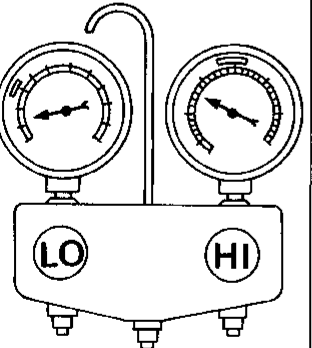
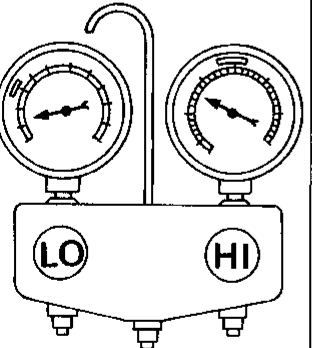
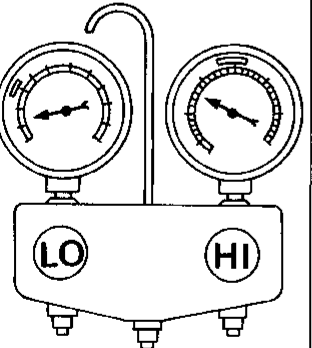
Whenever system's high and/or low side pressure is abnormal, diagnose using a manifold gauge. The marker on top of the gauge scale (see illustrations below) indicates the standard (normal) pressure range for each side. Since the standard (normal) pressure, however, differs from vehicle to vehicle, refer to HA-32 ("Ambient air temperature-to-operating pressure table").

Gauge indication	Refrigerant cycle	Probable cause	Corrective action
<p>Both high and low-pressure sides are too high.</p> <p>A</p>  <p>AC359A</p>	<ul style="list-style-type: none"> Pressure is reduced soon after water is splashed on condenser. 	Excessive refrigerant charge in refrigeration cycle	Reduce refrigerant until specified pressure is obtained.
	<p>Air suction by cooling fan is insufficient.</p>	<p>Insufficient condenser cooling performance</p> <p>↓</p> <ol style="list-style-type: none"> Condenser fins are clogged. Improper fan rotation of cooling fan 	<ul style="list-style-type: none"> Clean condenser. Check and repair cooling fan as necessary.
	<ul style="list-style-type: none"> Low-pressure pipe is not cold. When compressor is stopped high-pressure value quickly drops by approximately 196 kPa (2 kg/cm², 28 psi). It then decreases gradually thereafter. 	<p>Poor heat exchange in condenser (After compressor operation stops, high pressure decreases too slowly.)</p> <p>↓</p> <p>Air in refrigeration cycle</p>	Evacuate repeatedly and recharge system.
	<p>Engine tends to overheat.</p>	<p>Engine cooling systems malfunction.</p>	Check and repair each engine cooling system.
	<ul style="list-style-type: none"> An area of the low-pressure pipe is colder than areas near the evaporator. Plates are sometimes covered with frost. 	<ul style="list-style-type: none"> Excessive liquid refrigerant on low-pressure side Excessive refrigerant discharge flow Expansion valve is open a little compared with the specification. <p>↓</p> <ol style="list-style-type: none"> Improper thermal valve installation Improper expansion valve adjustment 	Replace expansion valve.

GI
MA
EM
LC
EC
FE
CL
MT
AT
PD
FA
RA
BR
ST
RS
BT
HA
EL
IDX

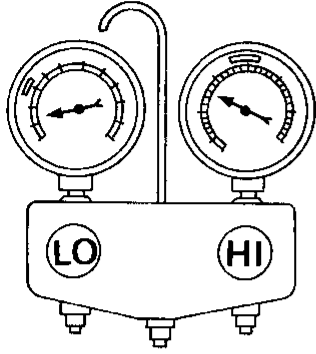
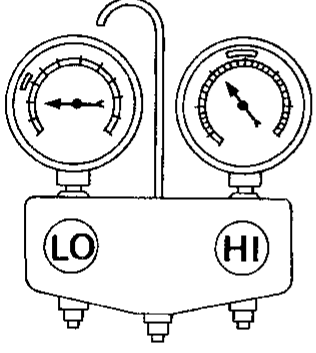
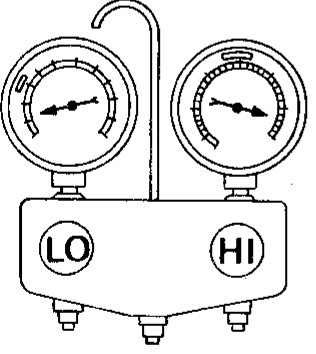
TROUBLE DIAGNOSES

Trouble Diagnoses for Abnormal Pressure (Cont'd)

Gauge indication	Refrigerant cycle	Probable cause	Corrective action
<p>High-pressure side is too high and low-pressure side is too low.</p> <p>B</p>  <p>AC360A</p>	<p>Upper side of condenser and high-pressure side are hot, however, liquid tank is not so hot.</p>	<p>High-pressure tube or parts located between compressor and condenser are clogged or crushed.</p>	<ul style="list-style-type: none"> • Check and repair or replace malfunctioning parts. • Check lubricant for contamination.
<p>High-pressure side is too low and low-pressure side is too high.</p> <p>C</p>  <p>AC356A</p>	<p>High and low-pressure sides become equal soon after compressor operation stops.</p>	<p>Compressor pressure operation is improper.</p> <p style="text-align: center;">↓</p> <p>Damaged inside compressor packings</p>	<p>Replace compressor.</p>
<p>High-pressure side is too low and low-pressure side is too high.</p> <p>C</p>  <p>AC356A</p>	<p>No temperature difference between high and low-pressure sides</p>	<p>Compressor discharge capacity does not change. (Compressor stroke is set at maximum.)</p>	<p>Replace compressor.</p>
<p>Both high- and low-pressure sides are too low.</p> <p>D</p>  <p>AC353A</p>	<ul style="list-style-type: none"> • There is a big temperature difference between liquid tank outlet and inlet. Outlet temperature is extremely low. • Liquid tank inlet and expansion valve are frosted. 	<p>Liquid tank inside is clogged a little.</p>	<ul style="list-style-type: none"> • Replace liquid tank. • Check lubricant for contamination.
<p>Both high- and low-pressure sides are too low.</p> <p>D</p>  <p>AC353A</p>	<ul style="list-style-type: none"> • Temperature of expansion valve inlet is extremely low as compared with areas near liquid tank. • Expansion valve inlet may be frosted. • Temperature difference occurs somewhere in high-pressure side 	<p>High-pressure pipe located between liquid tank and expansion valve is clogged.</p>	<ul style="list-style-type: none"> • Check and repair malfunctioning parts. • Check lubricant for contamination.
<p>Both high- and low-pressure sides are too low.</p> <p>D</p>  <p>AC353A</p>	<ul style="list-style-type: none"> • Expansion valve and liquid tank are warm or only cool when touched. 	<p>Low refrigerant charge</p> <p style="text-align: center;">↓</p> <p>Leaking fittings or components</p>	<ul style="list-style-type: none"> • Check refrigerant for leaks. Refer to "Checking Refrigerant Leaks", HA-67.

TROUBLE DIAGNOSES

Trouble Diagnoses for Abnormal Pressure (Cont'd)

Gauge indication	Refrigerant cycle	Probable cause	Corrective action
<p>Both high- and low-pressure sides are too low.</p> <p>D</p>  <p>AC353A</p>	<p>There is a big temperature difference between expansion valve inlet and outlet while the valve itself is frosted.</p>	<p>Expansion valve closes a little compared with the specification.</p> <p>↓</p> <p>① Improper expansion valve adjustment ② Malfunctioning thermal valve ③ Outlet and inlet may be clogged.</p>	<ul style="list-style-type: none"> Remove foreign particles by using compressed air. Check lubricant for contamination.
	<p>An area of the low-pressure pipe is colder than areas near the evaporator outlet.</p>	<p>Low-pressure pipe is clogged or crushed.</p>	<ul style="list-style-type: none"> Check and repair malfunctioning parts. Check lubricant for contamination.
	<p>Air flow volume is not enough or is too low.</p>	<p>Compressor operation is improper.</p>	<p>Replace compressor.</p>
<p>Low-pressure side sometimes becomes negative.</p> <p>E</p>  <p>AC354A</p>	<ul style="list-style-type: none"> Air conditioning system does not function and does not cyclically cool the compartment air. The system constantly functions for a certain period of time after compressor is stopped and restarted. 	<p>Refrigerant does not discharge cyclically.</p> <p>↓</p> <p>Moisture is frozen at expansion valve outlet and inlet.</p> <p>↓</p> <p>Water is mixed with refrigerant.</p>	<ul style="list-style-type: none"> Drain water from refrigerant or replace refrigerant. Replace liquid tank.
<p>Low-pressure side becomes negative.</p> <p>F</p>  <p>AC362A</p>	<p>Liquid tank or front/rear side of expansion valve's pipe is frosted or dewed.</p>	<p>High-pressure side is closed and refrigerant does not flow.</p> <p>↓</p> <p>Expansion valve or liquid tank is frosted.</p>	<p>Leave the system at rest until no frost is present. Start it again to check whether or not the problem is caused by water or foreign particles.</p> <ul style="list-style-type: none"> If water is the cause, initially cooling is okay. Then the water freezes, causing a blockage. Drain water from refrigerant or replace refrigerant. If due to foreign particles, remove expansion valve and remove the particles with dry and compressed air. If either of the above methods cannot correct the problem, replace expansion valve. Replace liquid tank. Check lubricant for contamination.

GI

MA

EM

LC

EC

FE

CL

MT

AT

PD

FA

RA

BR

ST

RS

BT

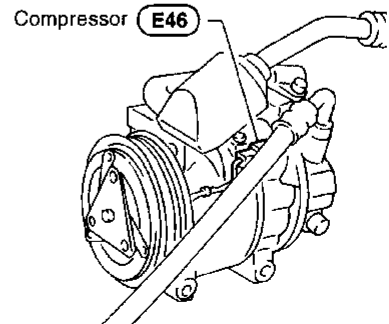
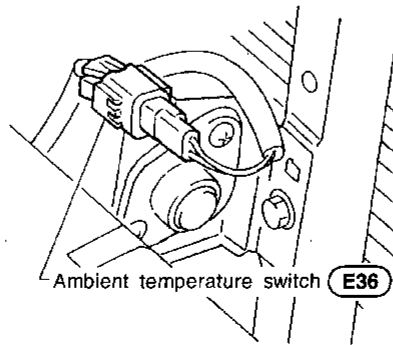
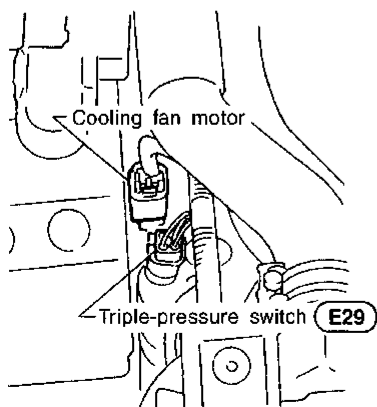
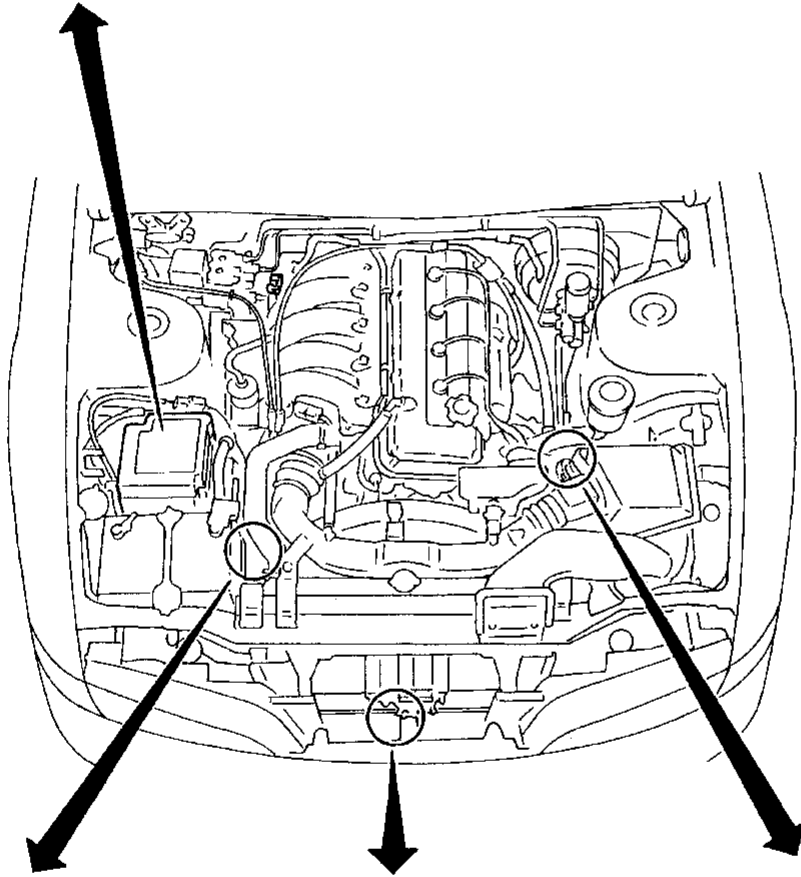
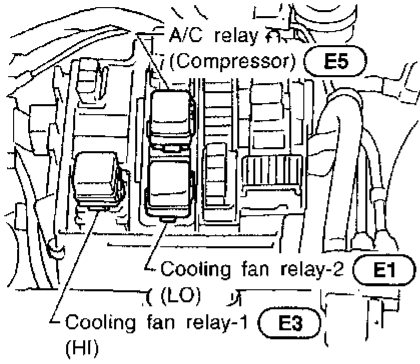
HA

EL

IDX

Harness Layout

Engine compartment

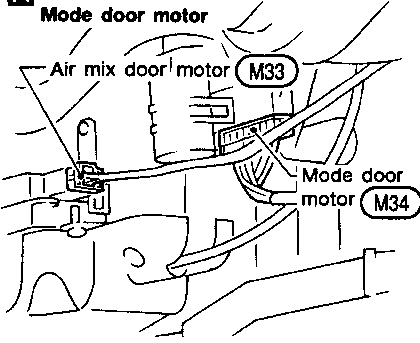


TROUBLE DIAGNOSES

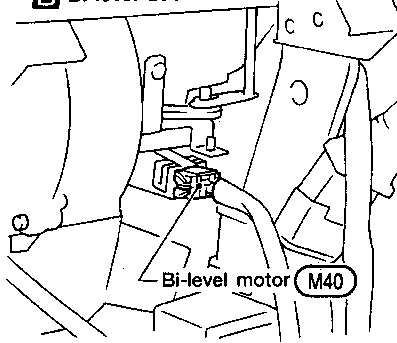
Harness Layout (Cont'd)

Passenger compartment

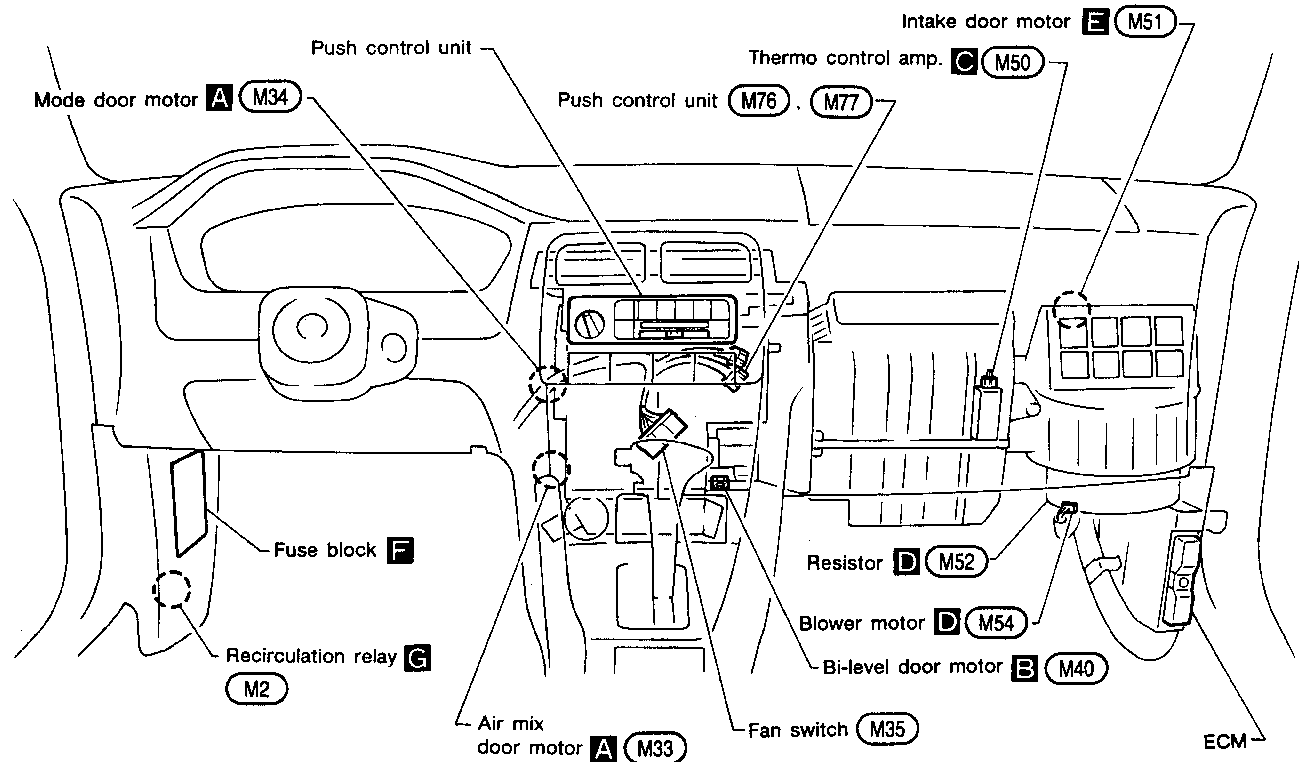
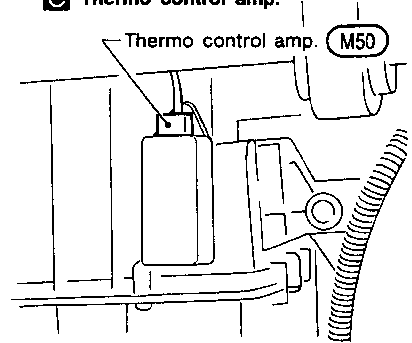
A Air mix door motor
Mode door motor



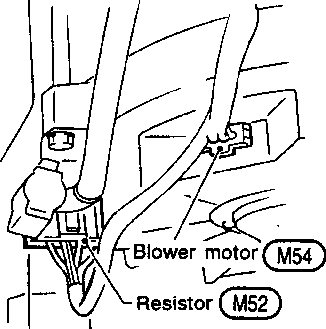
B Bi-level door motor



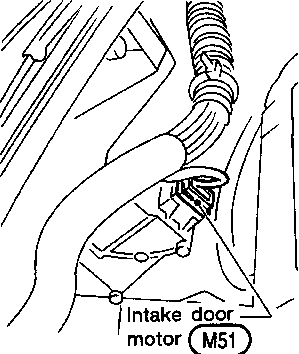
C Thermo control amp.



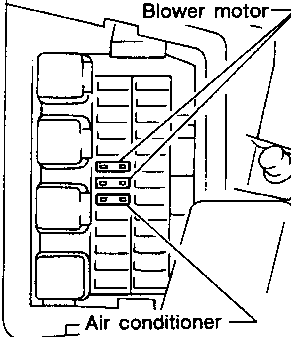
D Blower motor
Resistor



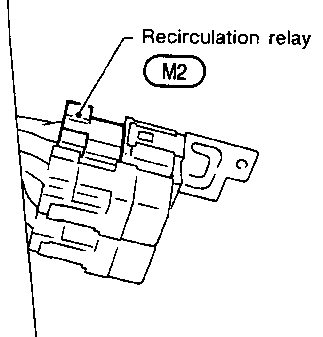
E Intake door motor



F Fuse block

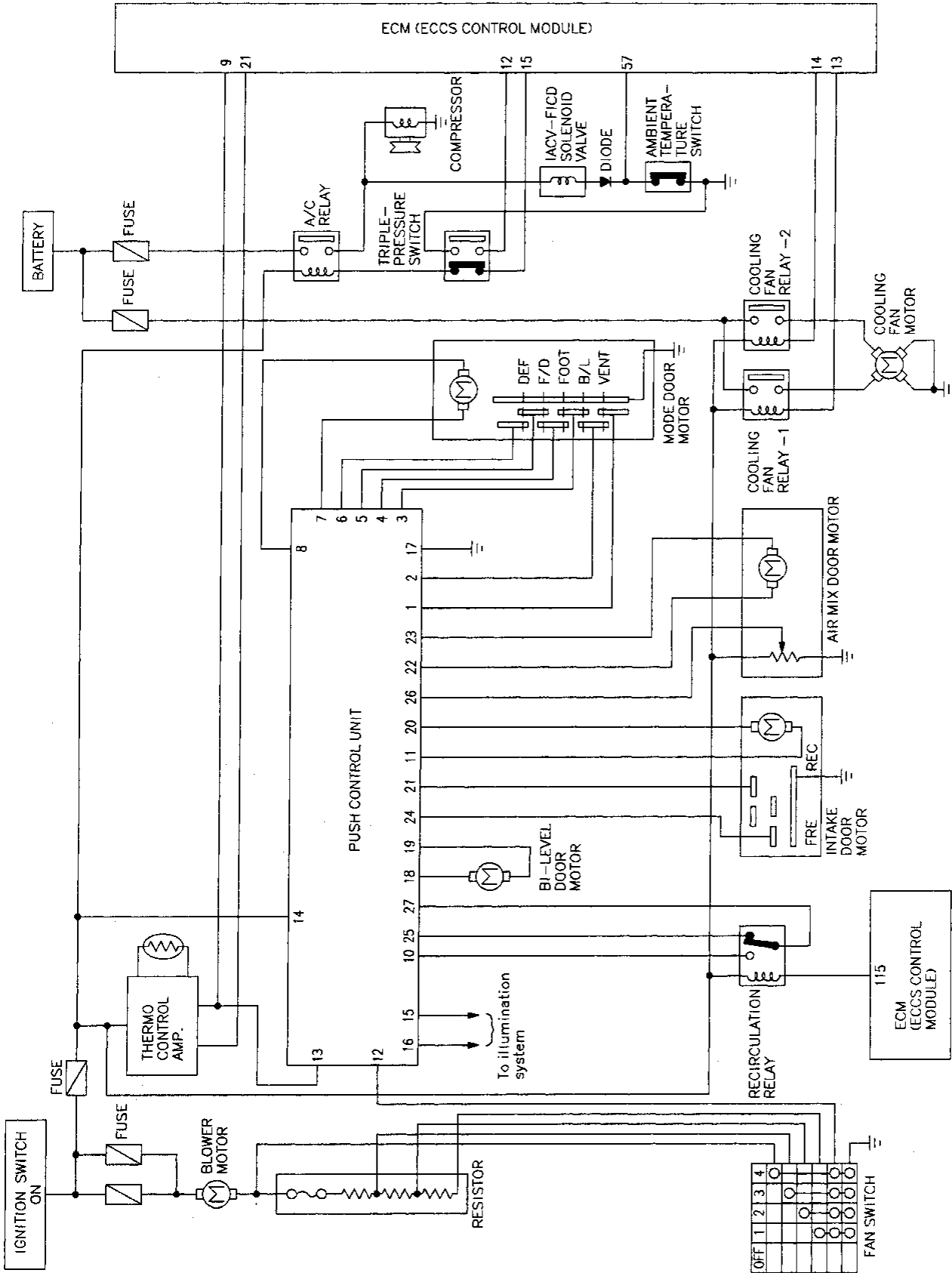


G Rec relay



GI
MA
EM
LC
EC
FE
CL
MT
AT
PD
FA
RA
BR
ST
RS
BT
HA
EL
IDX

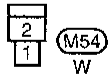
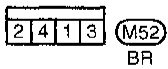
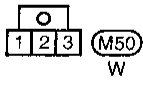
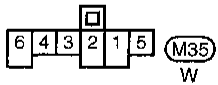
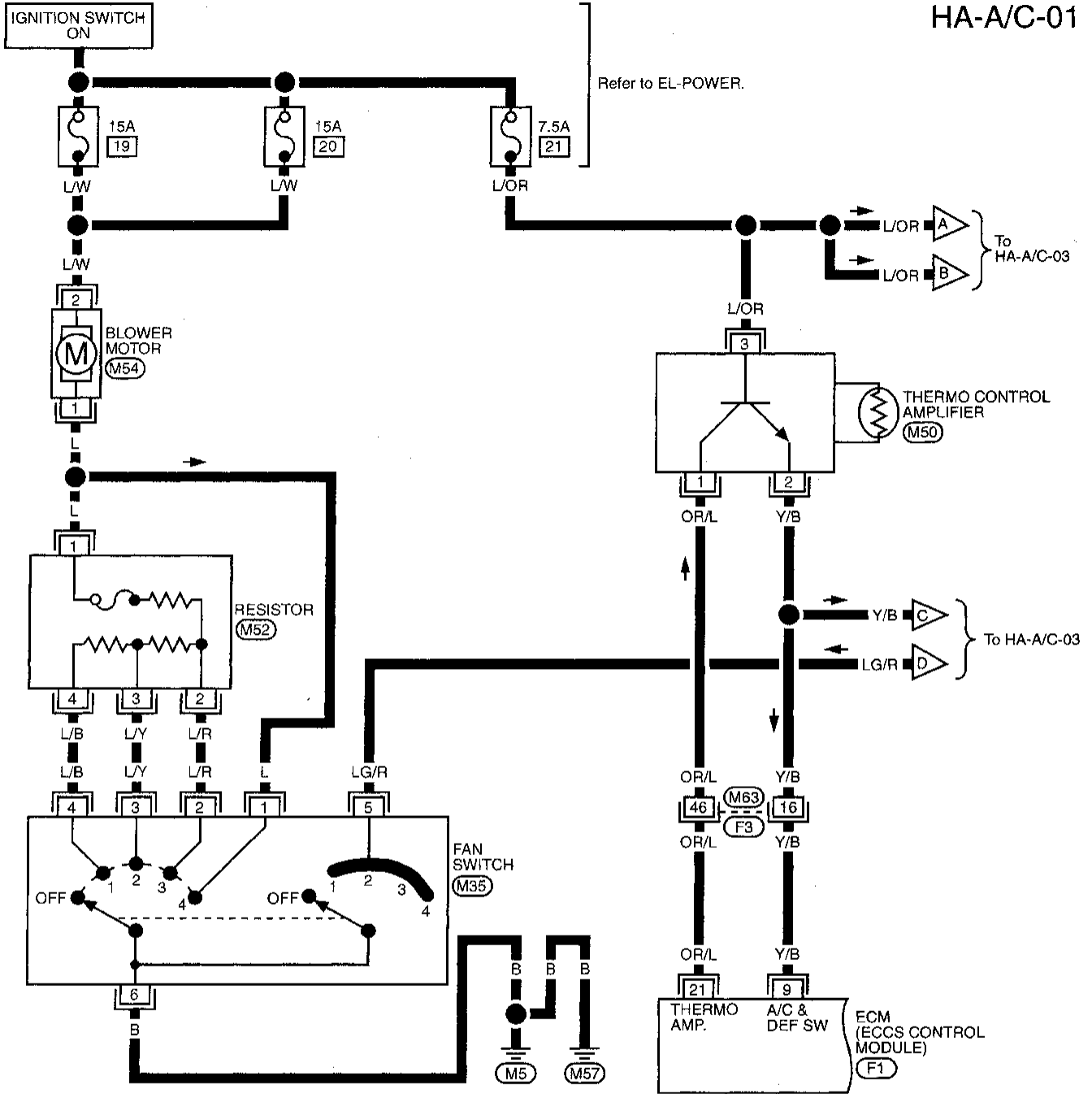
Circuit Diagram



TROUBLE DIAGNOSES

Wiring Diagram — A/C —

HA-A/C-01



Refer to last page (Foldout page).

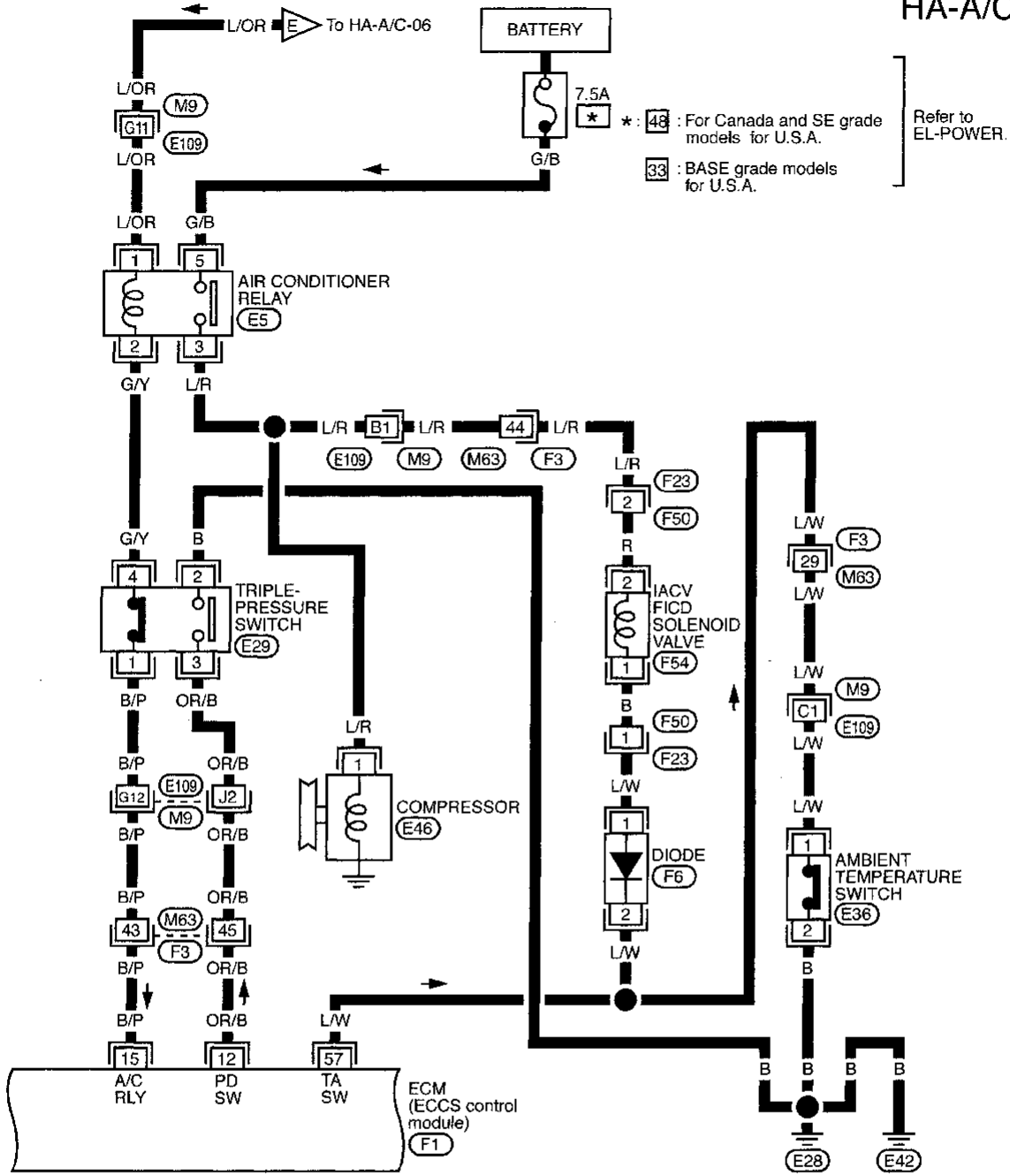
(F1)
(F3), (M63)

GI
MA
EM
LC
EC
FE
CL
MT
AT
PD
FA
RA
BR
ST
RS
BT
HA
EL
IDX

TROUBLE DIAGNOSES

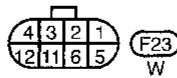
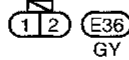
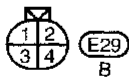
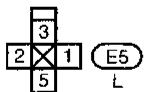
Wiring Diagram — A/C — (Cont'd)

HA-A/C-02



*: 48 : For Canada and SE grade models for U.S.A.
 33 : BASE grade models for U.S.A.

Refer to EL-POWER.



Refer to last page (Foldout page).

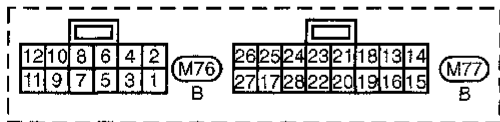
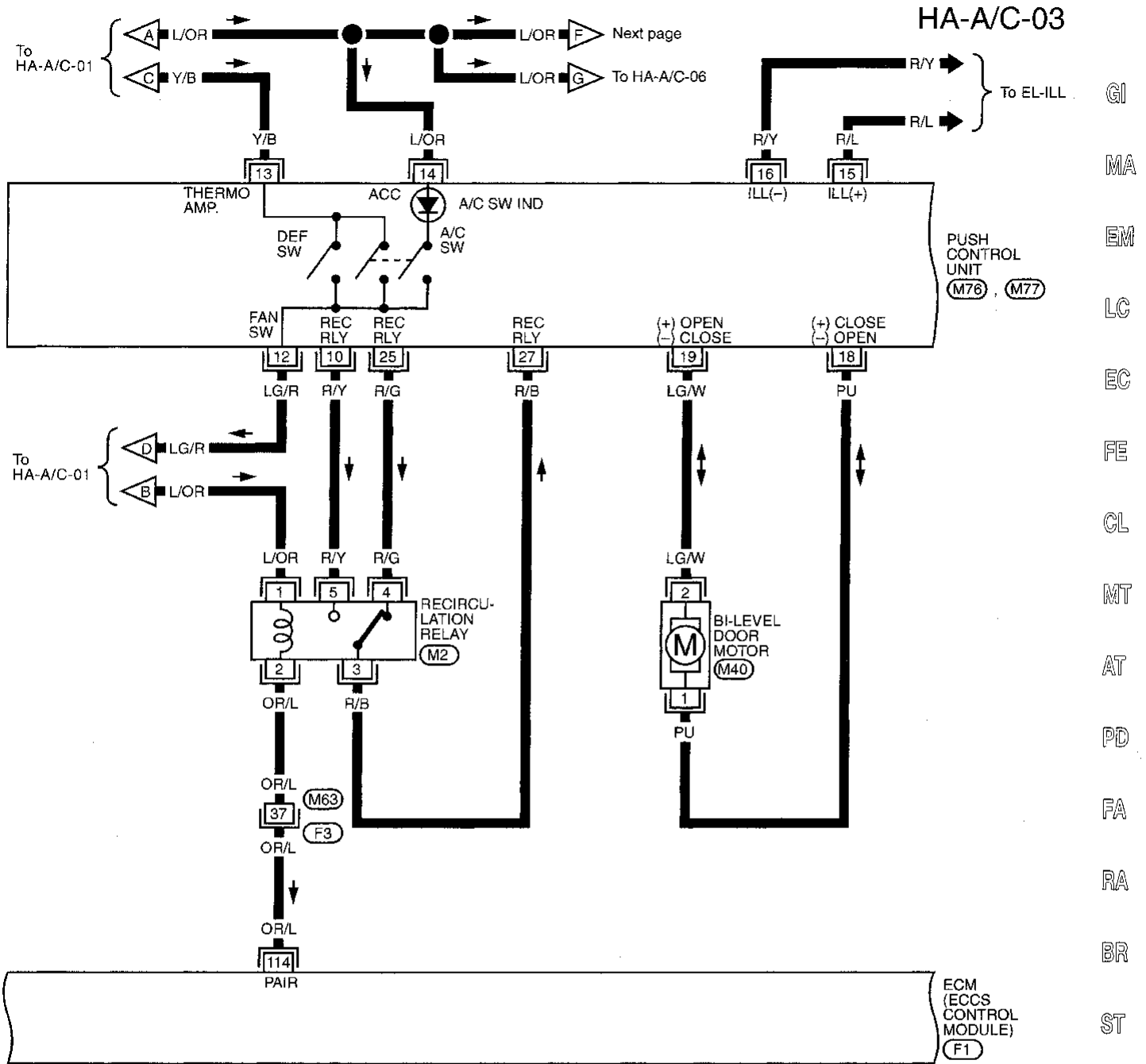
(M9), (E109)

(F1)

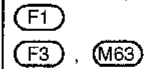
(F3), (M63)

TROUBLE DIAGNOSES

Wiring Diagram — A/C — (Cont'd)



Refer to last page (Foldout page).

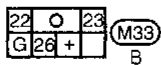
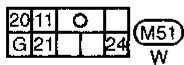
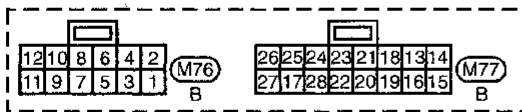
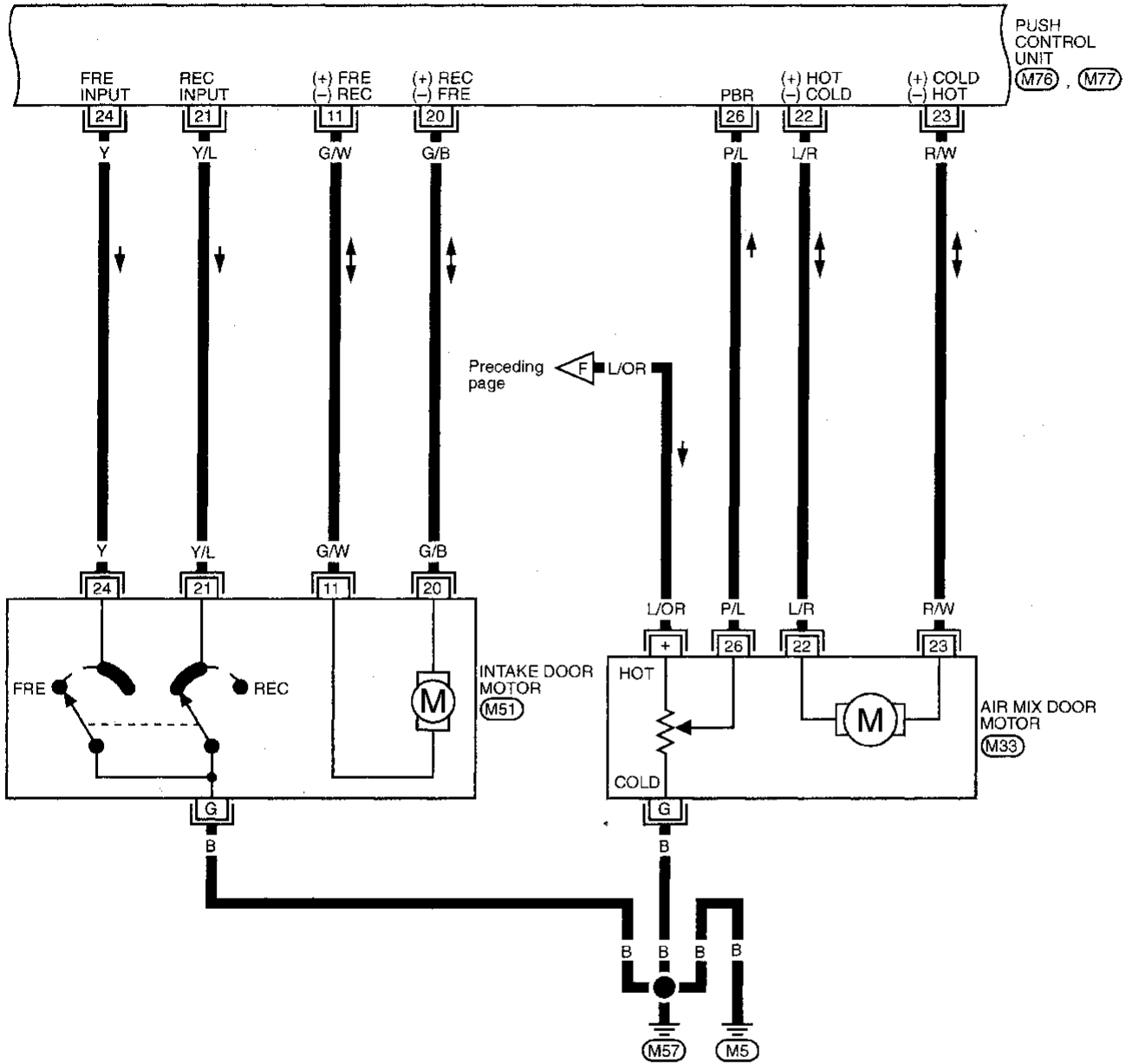


GI
MA
EM
LC
EC
FE
CL
MT
AT
PD
FA
RA
BR
ST
RS
BT
HA
EL
IDX

TROUBLE DIAGNOSES

Wiring Diagram — A/C — (Cont'd)

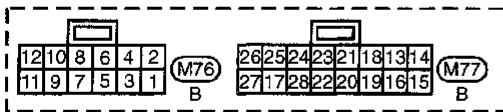
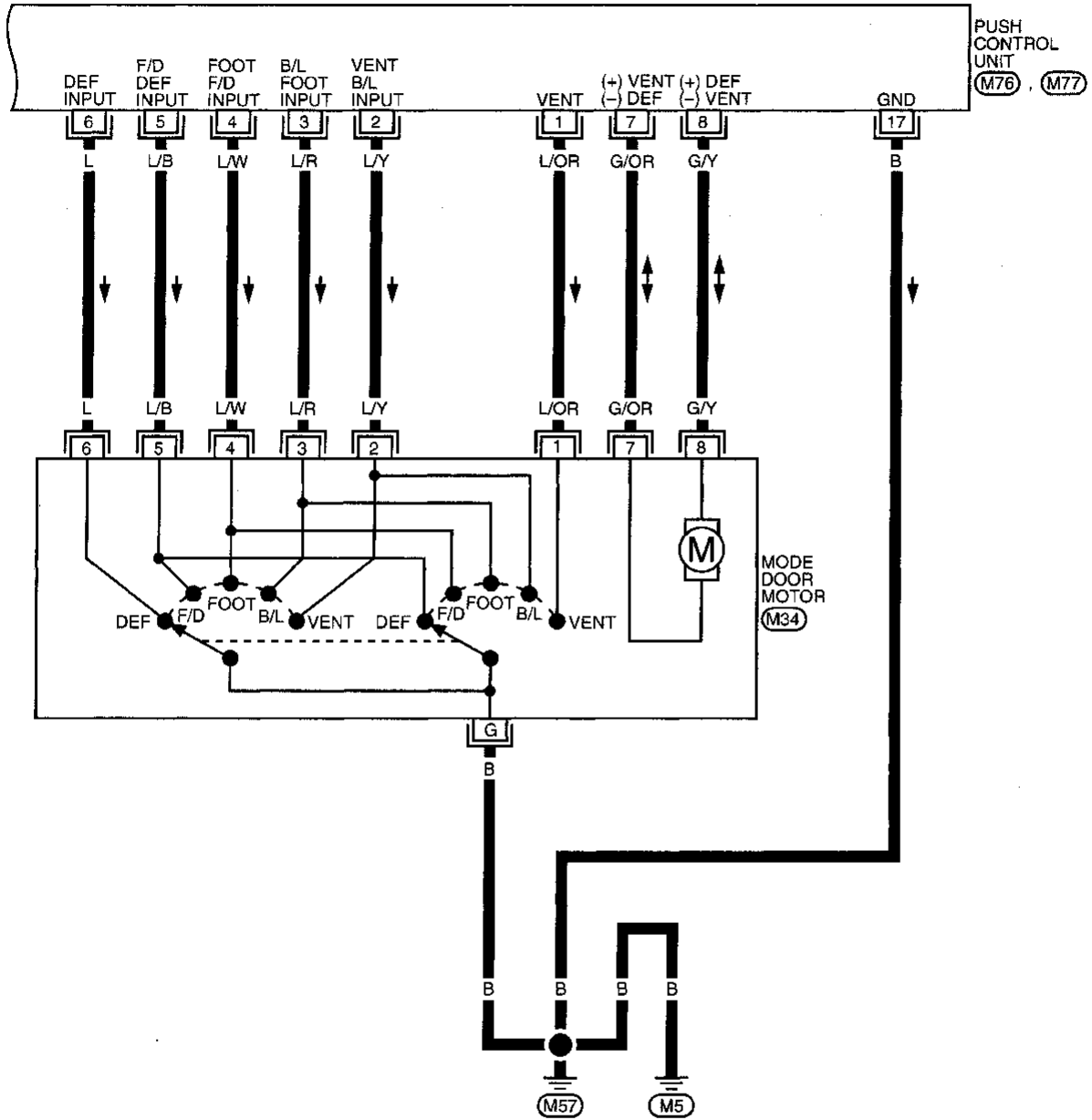
HA-A/C-04



TROUBLE DIAGNOSES

Wiring Diagram — A/C — (Cont'd)

HA-A/C-05

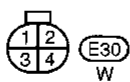
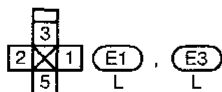
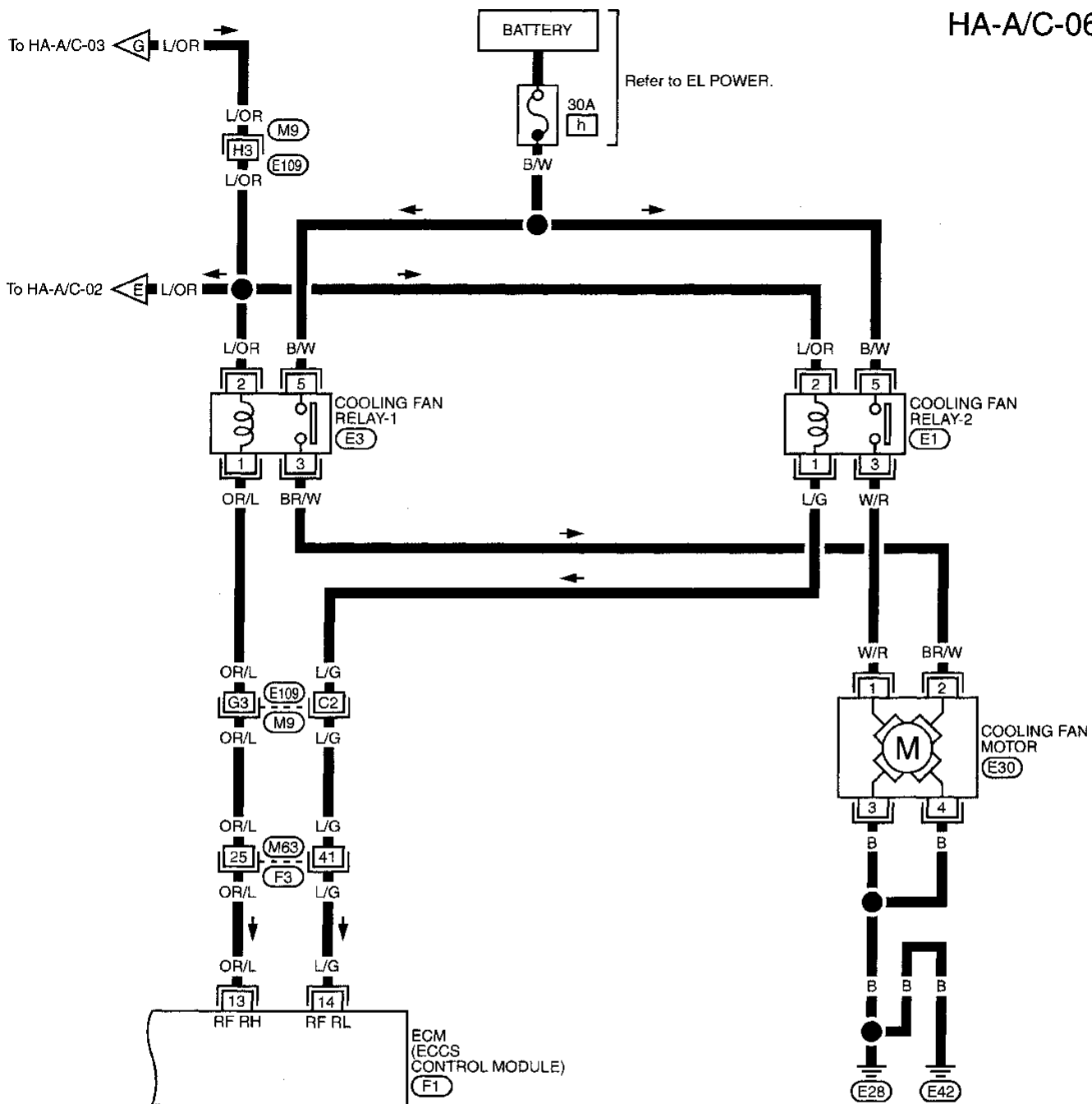


GI
MA
EM
LC
EC
FE
CL
MT
AT
PD
FA
RA
BR
ST
RS
BT
HA
EL
IDX

TROUBLE DIAGNOSES

Wiring Diagram — A/C — (Cont'd)

HA-A/C-06



Refer to last page (Foldout page).

- (M9) , (E109)
- (F1)
- (F3) , (M63)

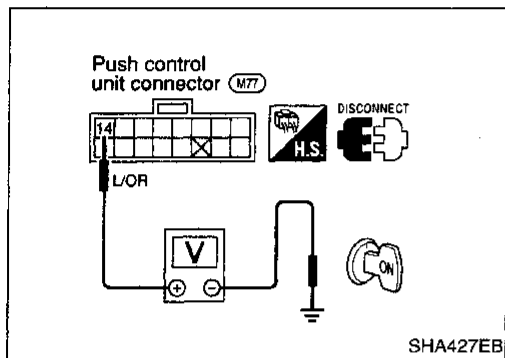
TROUBLE DIAGNOSES

Main Power Supply and Ground Circuit Check

POWER SUPPLY CIRCUIT CHECK

Check power supply circuit for air conditioning system.

Refer to EL section ("Wiring Diagram", "POWER SUPPLY ROUTING").

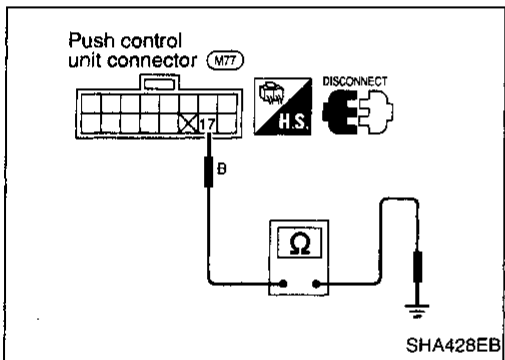


PUSH CONTROL UNIT CHECK

Check power supply circuit for push control unit with ignition switch at ON.

1. Disconnect push control unit harness connector.
2. Connect voltmeter from harness side.
3. Measure voltage across terminal No. ⑭ and body ground.

Voltmeter terminal		Voltage
⊕	⊖	
⑭	Body ground	Approx. 12V



Check body ground circuit for push control unit.

1. Disconnect push control unit harness connector.
2. Connect ohmmeter from harness side.
3. Check for continuity between terminal No. ⑰ and body ground.

Ohmmeter terminal		Continuity
⊕	⊖	
⑰	Body ground	Yes

GI

MA

EM

LC

EC

FE

CL

MT

AT

PD

FA

RA

BR

ST

RS

BT

HA

EL

IDX

TROUBLE DIAGNOSES

	INCIDENT	Flow chart No.
1	Fan fails to rotate.	①
2	Fan does not rotate at 1-speed.	②
3	Fan does not rotate at 2-speed.	③
4	Fan does not rotate at 3-speed.	④
5	Fan does not rotate at 4-speed.	⑤

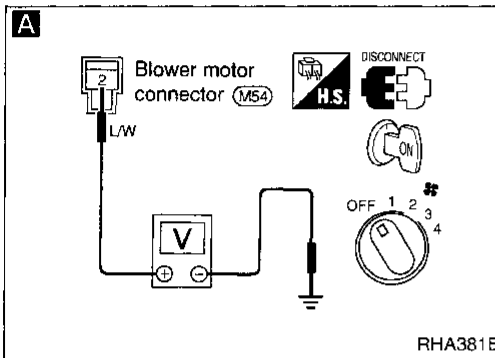
Diagnostic Procedure 1

SYMPTOM: Blower motor does not rotate.

- Perform **PRELIMINARY CHECK 2** before referring to the following flow chart.

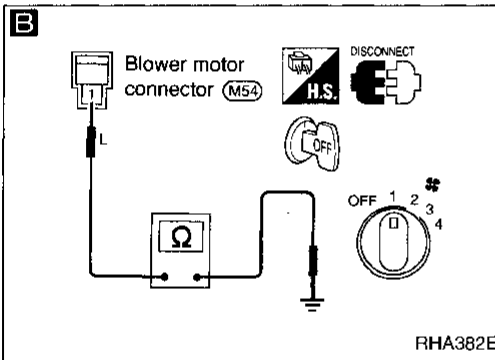
Check if blower motor rotates properly at each fan speed.
Conduct check as per flow chart at left.

② ③ ④ ⑤
(Go to next page.)



A
CHECK POWER SUPPLY FOR BLOWER MOTOR.
Disconnect blower motor harness connector.
Do approx. 12 volts exist between blower motor harness terminal No. ② and body ground?

No → Check power supply circuit and 15A fuses (No. ⑱ and ⑳), located in the fuse block.
Refer to EL section ("Wiring Diagram", "POWER SUPPLY ROUTING").

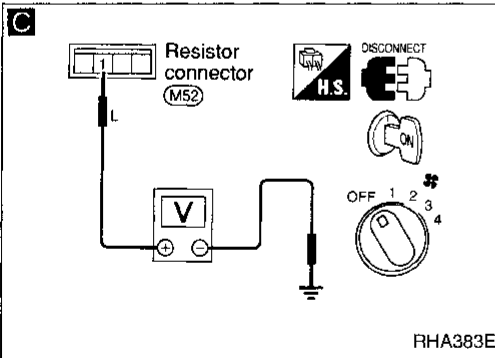


B
Check circuit continuity between blower motor harness terminal No. ① and body ground.

OK → **CHECK BLOWER MOTOR.**
(Refer to HA-58.)

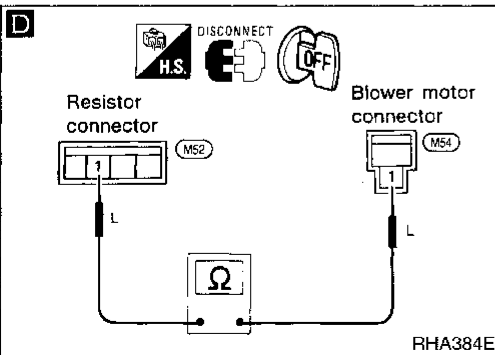
NG → Reconnect blower motor harness connector.

NG → Replace blower motor.



C
CHECK BLOWER MOTOR CIRCUIT BETWEEN BLOWER MOTOR AND RESISTOR.
Do approx. 12 volts exist between resistor harness terminal No. ① and body ground?

No → Disconnect blower motor and resistor harness connectors.



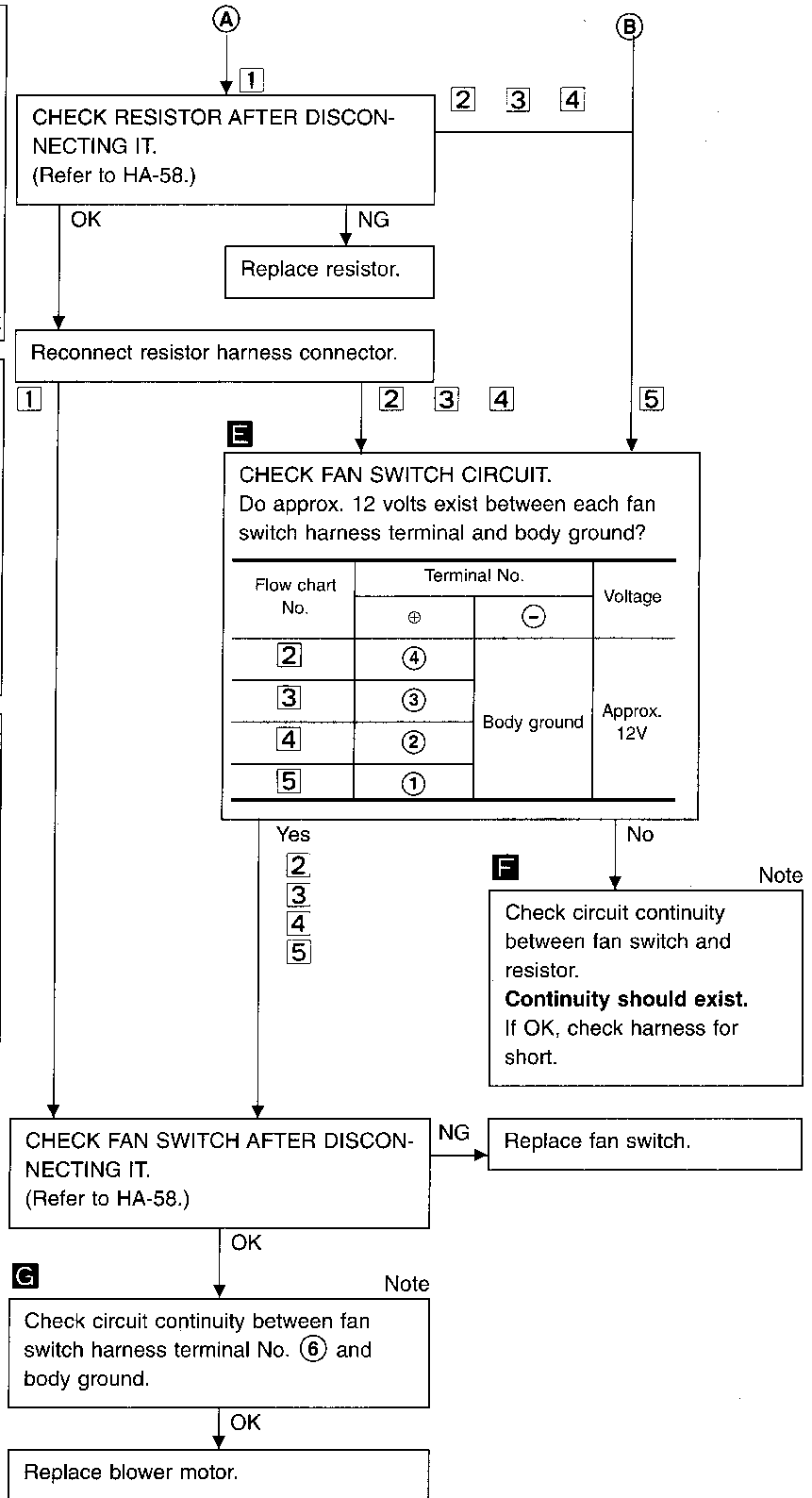
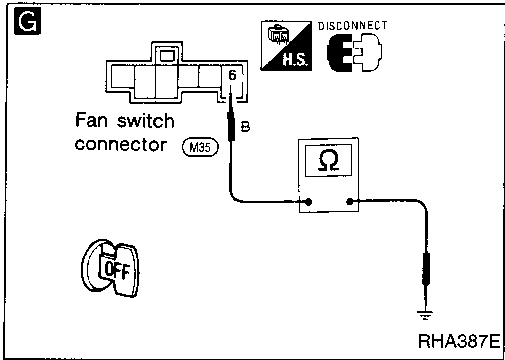
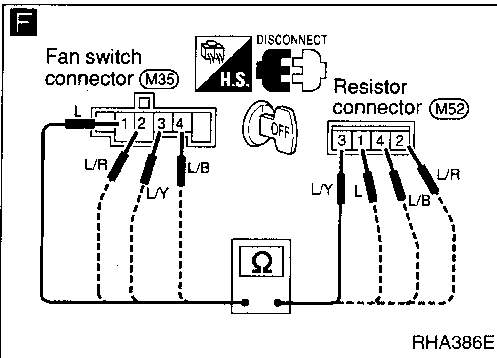
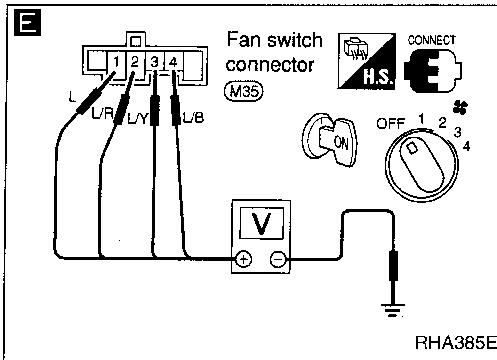
Yes → (Go to next page.)

D Note
Check circuit continuity between blower motor harness terminal No. ① and resistor harness terminal No. ①.
Continuity should exist.
If OK, check harness for short.

Note:
If the result is NG after checking circuit continuity, repair harness or connector.

TROUBLE DIAGNOSES

Diagnostic Procedure 1 (Cont'd)



Note:

If the result is NG after checking circuit continuity, repair harness or connector.

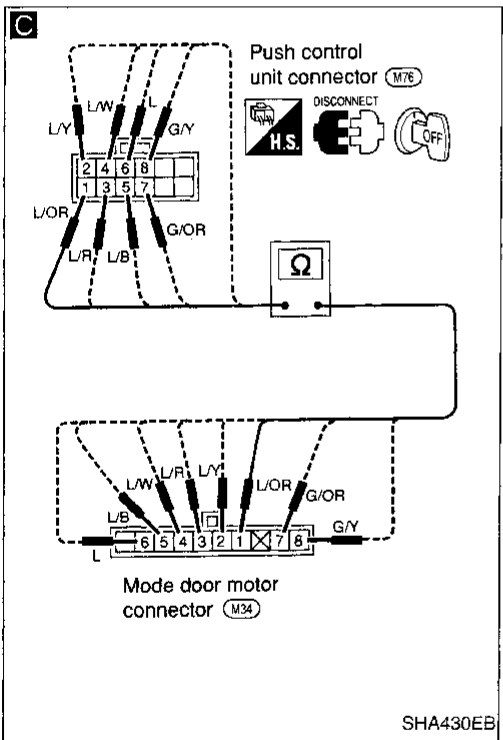
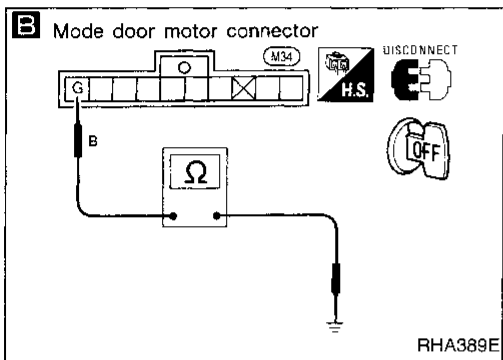
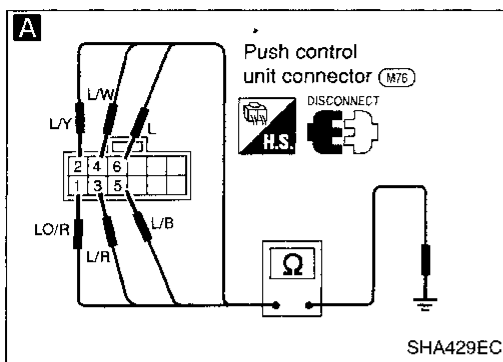
GI
MA
EM
LC
EC
FE
CL
MT
AT
PD
FA
RA
BR
ST
RS
BT
HA
EL
IDX

TROUBLE DIAGNOSES

Diagnostic Procedure 2

SYMPTOM: Air outlet does not change.

- Perform PRELIMINARY CHECK 4, Main Power Supply and Ground Circuit Check before referring to flow chart below.



A

CHECK MODE DOOR MOTOR POSITION SWITCH.

1. Turn VENT switch ON with ignition switch at ON position.
2. Turn ignition switch OFF.
Disconnect push control unit connector.
3. Check for continuity between terminal ① or ② of push control unit harness connector and body ground.
4. Using above procedures, check for continuity in any other mode, as indicated in chart.

Mode switch	Terminal No.		Continuity
	⊕	⊖	
VENT	① or ②	Body ground	Yes
B/L	② or ③		
FOOT	③ or ④		
F/D	④ or ⑤		
DEF	⑤ or ⑥		

OK

CHECK SIDE LINK.
Refer to Control Linkage Adjustment. (HA-60)

NG → Disconnect mode door motor harness connector.

B Note

CHECK BODY GROUND CIRCUIT FOR MODE DOOR MOTOR.
Does continuity exist between mode door motor harness terminal No. ⑥ and body ground?

Yes

C Note

Check circuit continuity between each terminal on push control unit and on mode door motor.

Terminal No.		Continuity
⊕	⊖	
Push control unit	Mode door motor	Yes
①	①	
②	②	
③	③	
④	④	
⑤	⑤	
⑥	⑥	
⑦	⑦	

If OK, check harness for short.

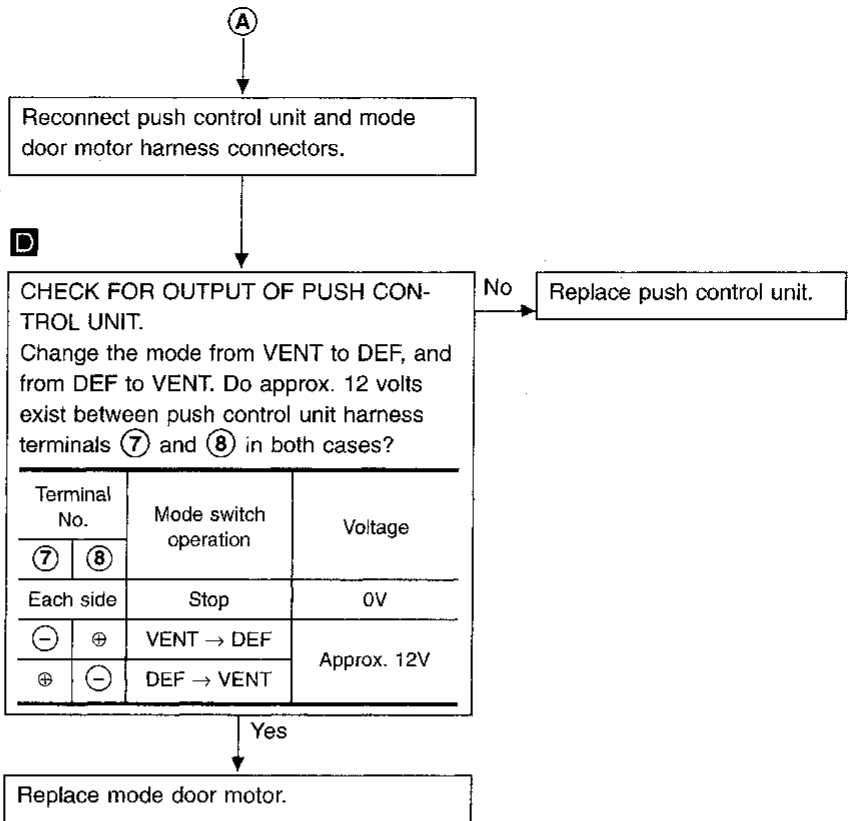
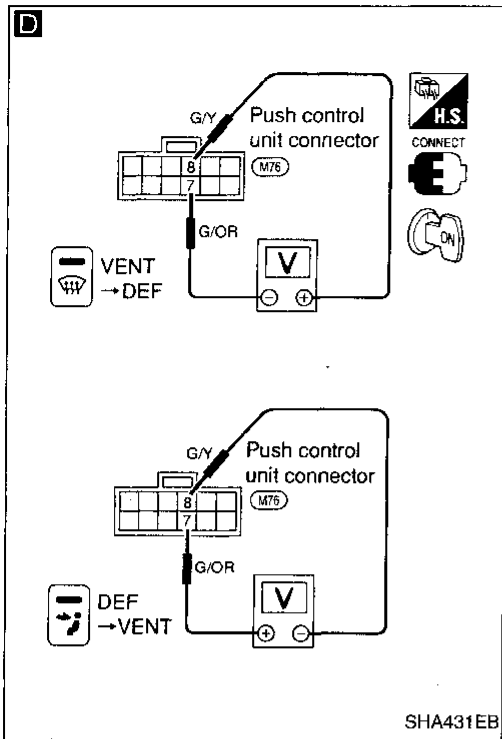
OK

Ⓐ (Go to next page.)

Note:
If the result is NG or No after checking circuit continuity, repair harness or connector.

TROUBLE DIAGNOSES

Diagnostic Procedure 2 (Cont'd)



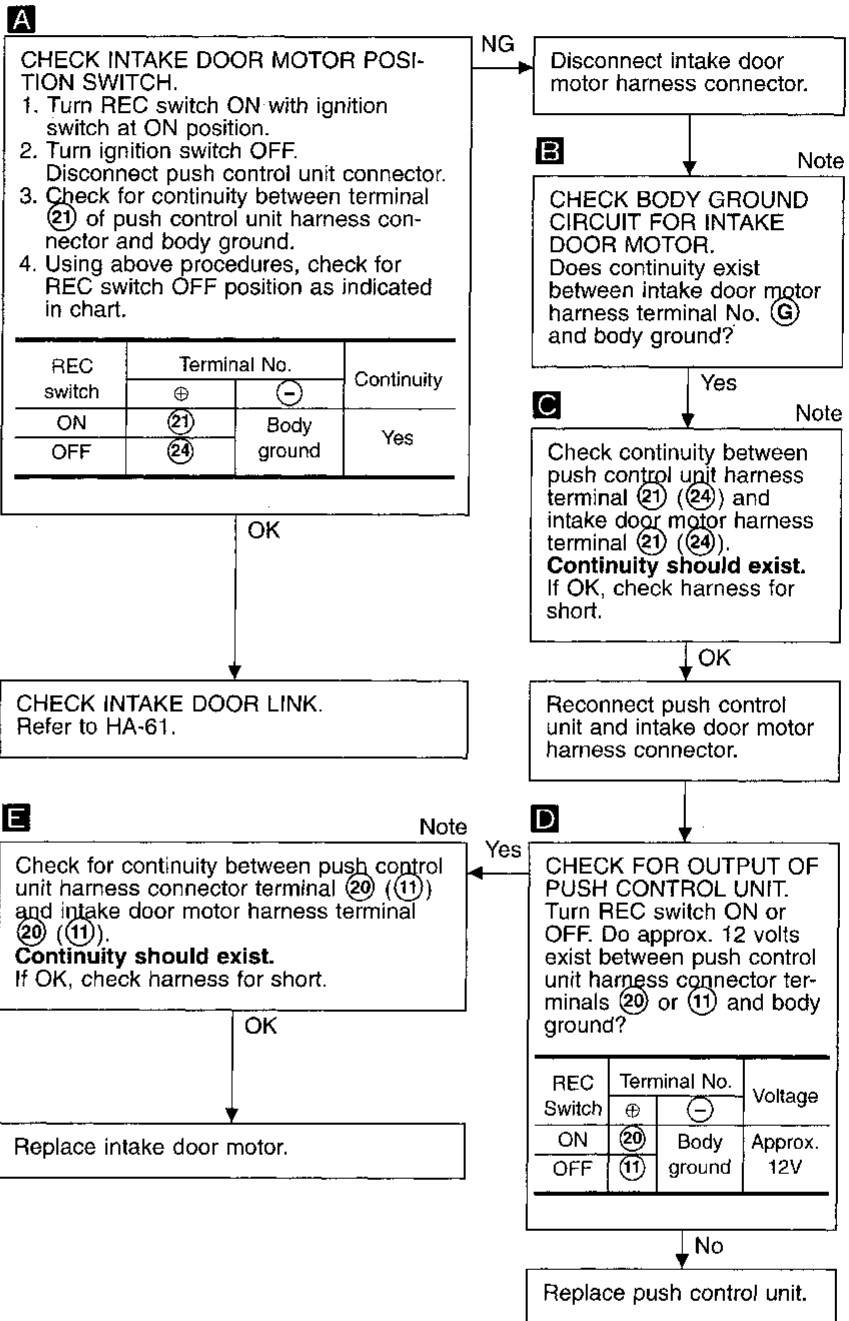
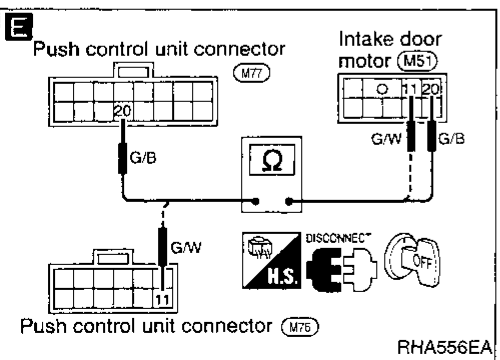
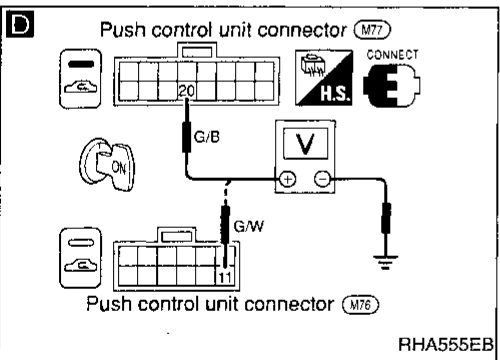
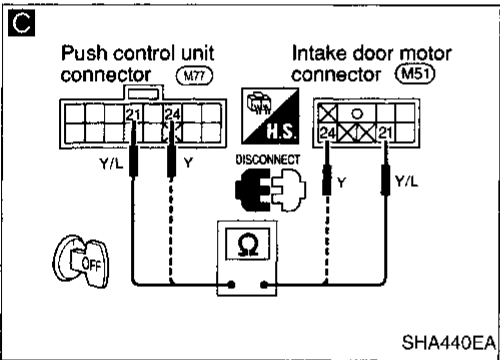
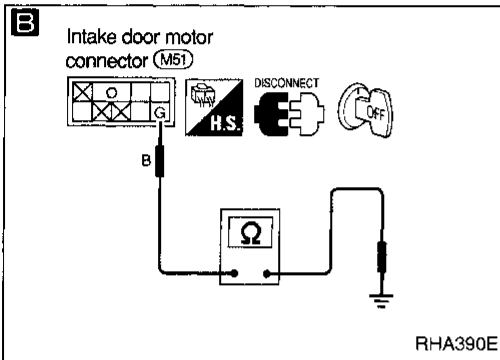
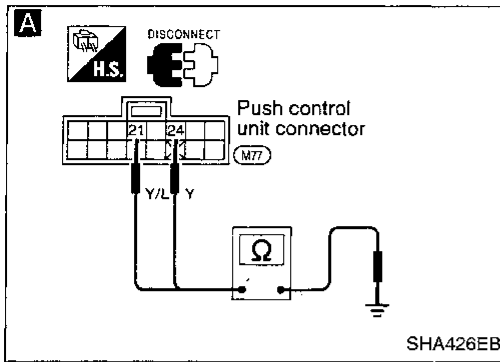
GI
MA
EM
LC
EC
FE
CL
MT
AT
PD
FA
RA
BR
ST
RS
BT
HA
EL
IDX

TROUBLE DIAGNOSES

Diagnostic Procedure 3

SYMPTOM: Intake door does not change in VENT, B/L or FOOT mode.

- Perform **PRELIMINARY CHECK 1, Main Power Supply and Ground Circuit Check** before referring to flow chart below.



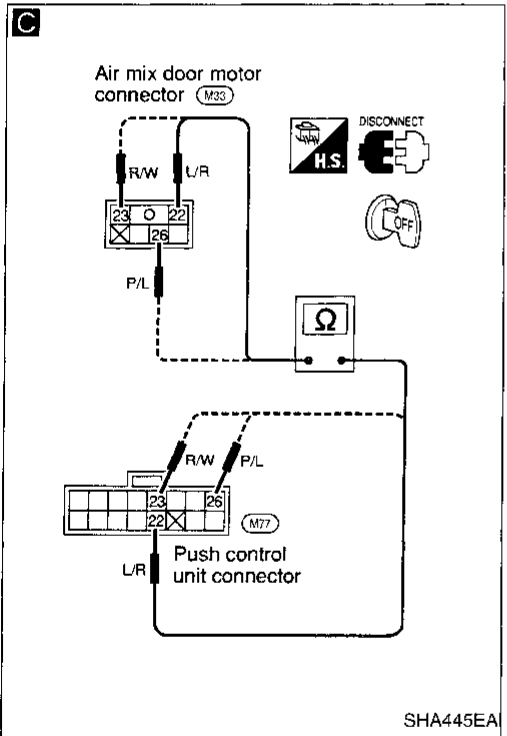
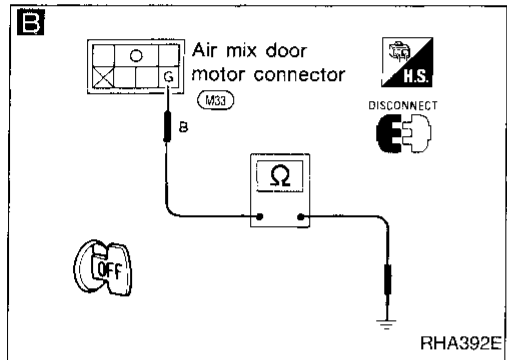
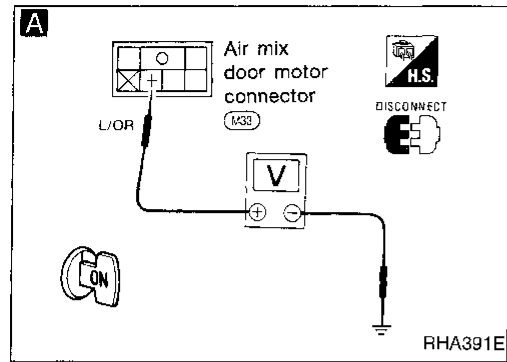
Note: If the result is NG or No after checking circuit continuity, repair harness or connector.

TROUBLE DIAGNOSES

Diagnostic Procedure 4

SYMPTOM: Air mix door does not change.

Perform Main Power Supply and Ground Circuit Check before referring to the following chart.



A

CHECK POWER SUPPLY FOR AIR MIX DOOR MOTOR.
Disconnect air mix door motor harness connector.
Do approx. 12V exist between air mix door motor harness terminal No. ⊕ and body ground?

No → Check power supply circuit and 7.5A fuse (No. 21, located in the fuse block). Refer to EL section ("Wiring Diagram", "POWER SUPPLY ROUTING").

Yes

B

Note

Check circuit continuity between air mix door motor harness terminal No. ⊙ and body ground.

OK

Disconnect push control unit harness connector.

C

Note

Check circuit continuity between each terminal on push control unit and air mix door motor.
Continuity should exist.
If OK, check harness for short.

OK

Reconnect push control unit and air mix door motor harness connector.

Ⓐ

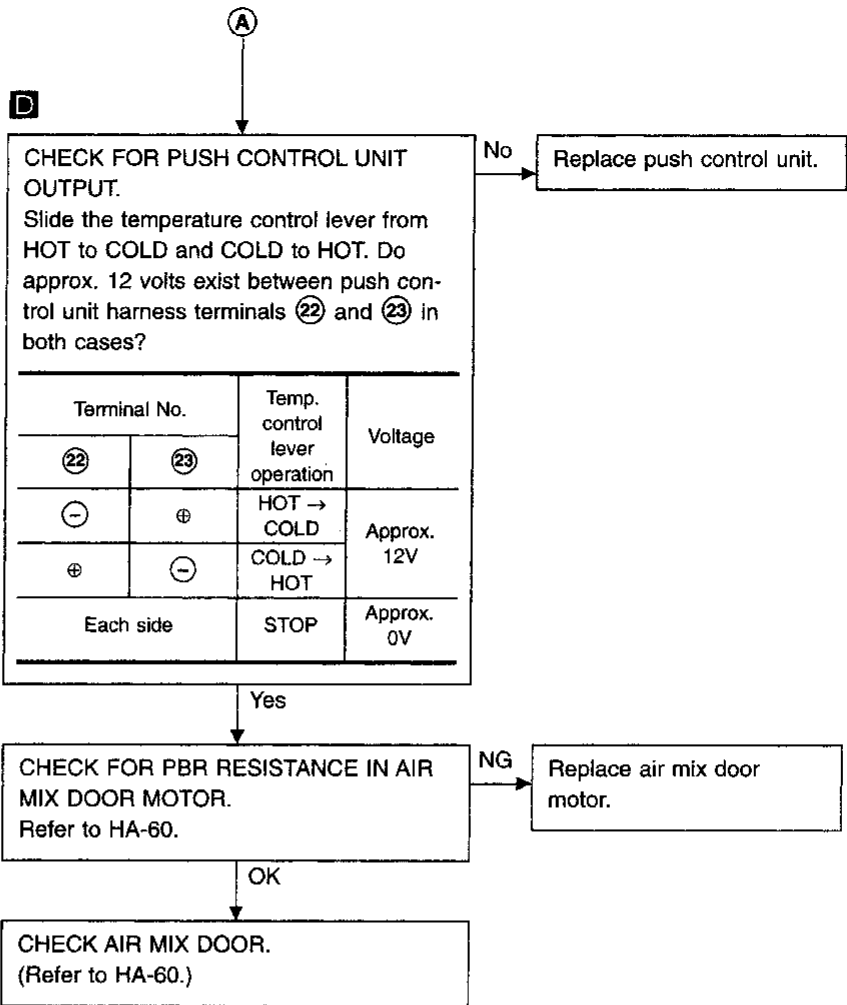
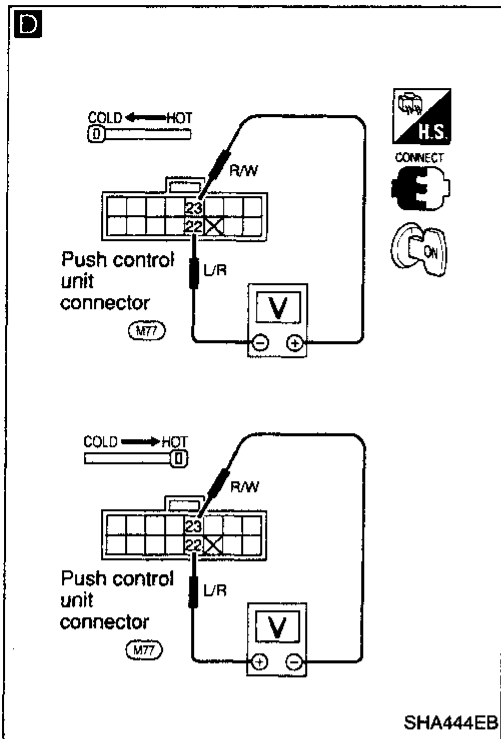
(Go to next page.)

Note:
If the result is NG after checking circuit continuity, repair harness or connector.

GI
MA
EM
LC
EC
FE
CL
MT
AT
PD
FA
RA
BR
ST
RS
BT
HA
EL
IDX

TROUBLE DIAGNOSES

Diagnostic Procedure 4 (Cont'd)

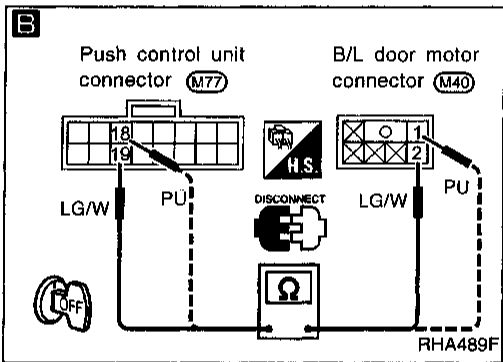
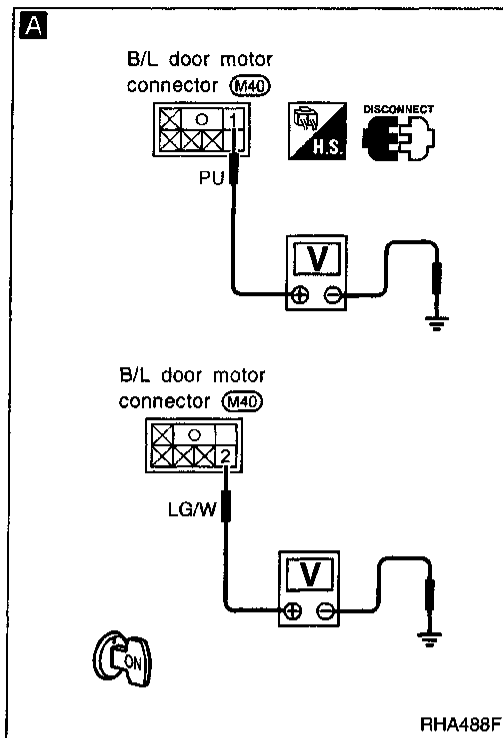


TROUBLE DIAGNOSES

Diagnostic Procedure 5

SYMPTOM: Bi-level (B/L) door does not operate.

- Perform Main Power Supply and Ground Circuit Check before referring to the following chart.



A

CHECK POWER SUPPLY FOR B/L DOOR MOTOR.
Disconnect B/L door motor harness connector.
Do approx. 12 volts exist between B/L door motor harness terminal No. ① and body ground when B/L SWITCH is pressed ON?
Do approx. 12 volts exist between B/L door motor harness terminal No. ② and body ground when B/L SWITCH is pressed OFF?

No → Disconnect push control unit connector.

B Note

Check circuit continuity between B/L door motor harness terminal No. ① (②) and push control unit harness terminal No. ⑱ (⑲).
Continuity should exist.
If OK, check harness for short.

OK → Replace push control unit.

Yes → Replace B/L door motor.

Note:
If the result is NG after checking circuit continuity, repair harness or connector.

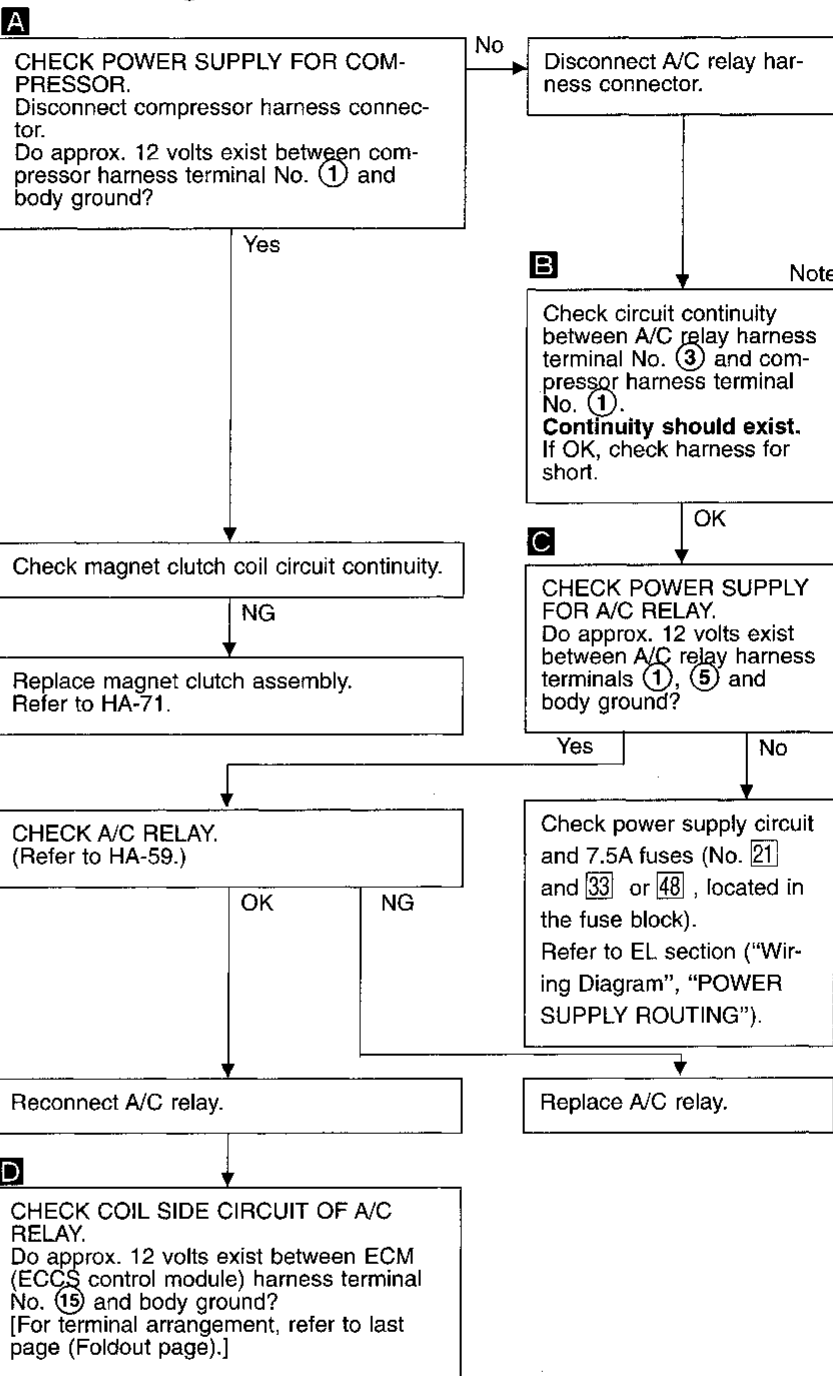
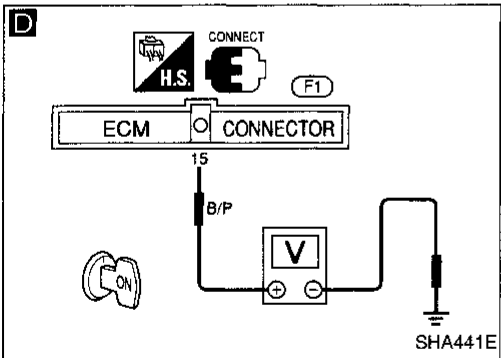
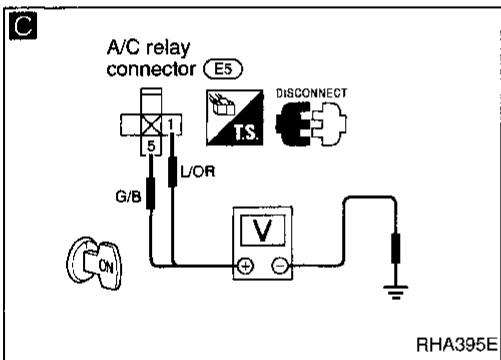
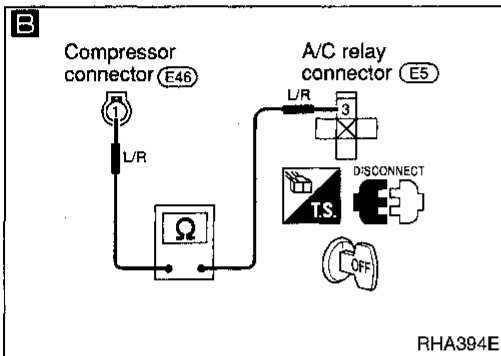
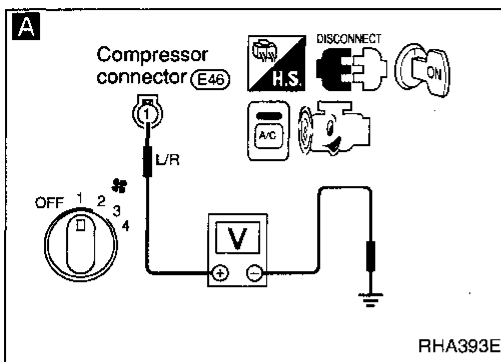
GI
MA
EM
LC
EC
FE
CL
MT
AT
PD
FA
RA
BR
ST
RS
BT
HA
EL
IDX

TROUBLE DIAGNOSES

Diagnostic Procedure 6

SYMPTOM: Magnet clutch does not engage when A/C switch and fan switch are ON.

- Perform PRELIMINARY CHECK 2 before referring to the following chart.

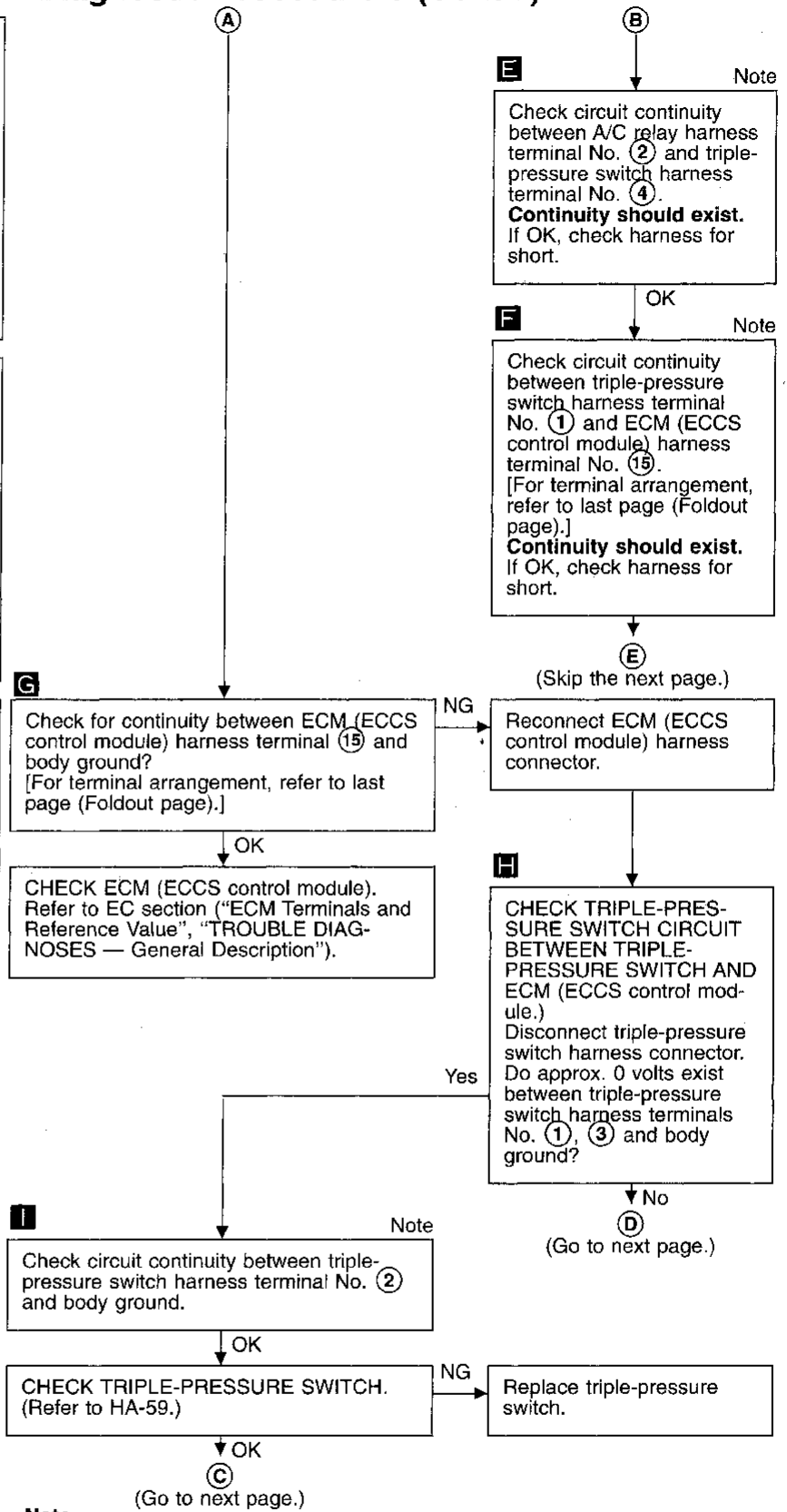
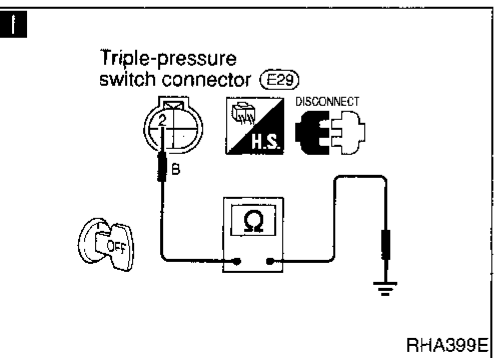
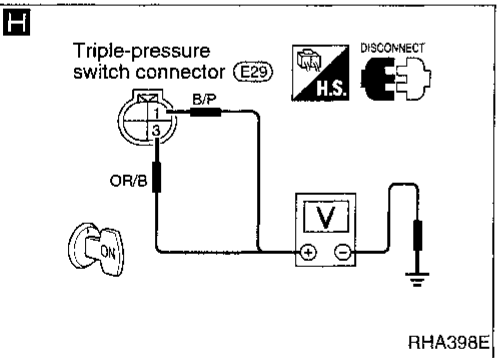
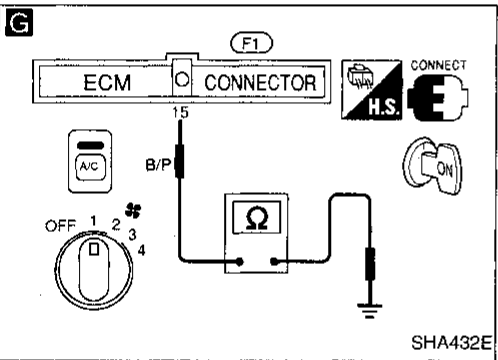
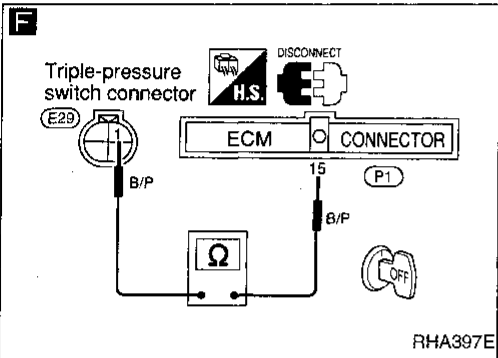
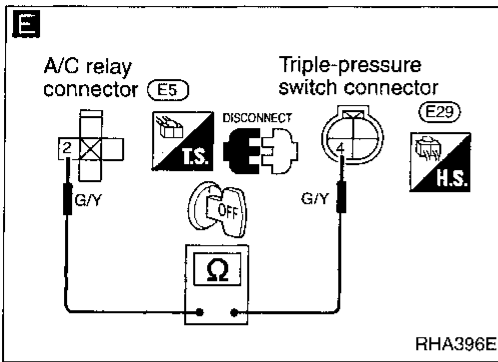


↓ Yes (A) (Go to next page.) ↓ No (B)

Note: If the result is NG after checking circuit continuity, repair harness or connector.

TROUBLE DIAGNOSES

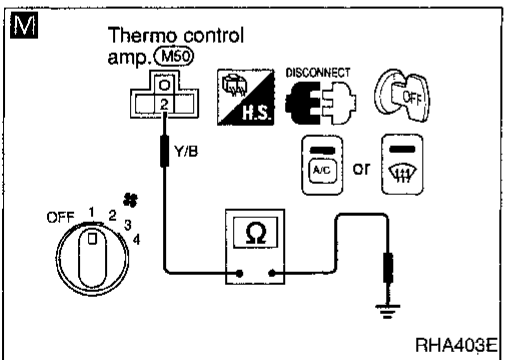
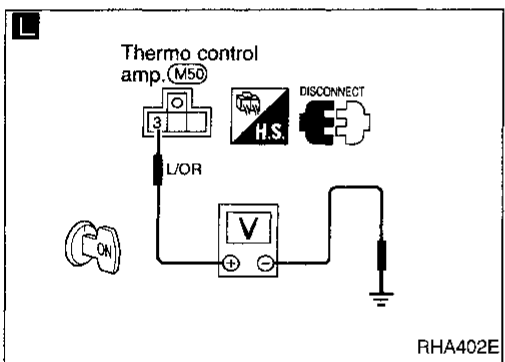
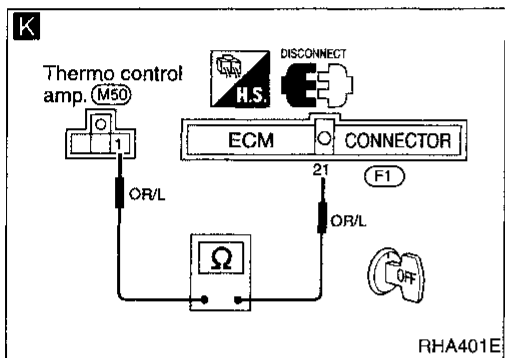
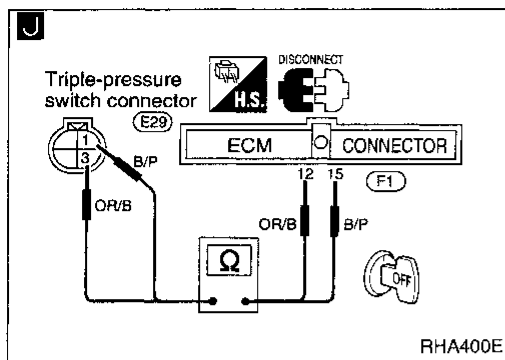
Diagnostic Procedure 6 (Cont'd)



Note: If the result is NG after checking circuit continuity, repair harness or connector.

TROUBLE DIAGNOSES

Diagnostic Procedure 6 (Cont'd)



C

Disconnect thermo control amp. harness connector.

D

Disconnect ECM (ECCS control module) harness connector.

J Note

Check circuit continuity between ECM (ECCS control module) harness terminal No. ⑫ (⑮) and triple-pressure switch harness terminal No. ③ (①). [For terminal arrangement, refer to last page (Foldout page).] **Continuity should exist.** If OK, check harness for short.

OK

Replace ECM (ECCS control module).

K Note

Check circuit continuity between thermo control amp. harness terminal No. ① and ECM (ECCS control module) harness terminal No. ⑫. **Continuity should exist.** If OK, check harness for short.

OK

L

CHECK POWER SUPPLY FOR THERMO CONTROL AMP.
Disconnect thermo control amp. harness connector.
Do approx. 12 volts exist between thermo control amp. harness terminal No. ③ and body ground?

No

Check power supply circuit and 7.5A fuse (No. ⑫), located in the fuse block. Refer to EL section ("Wiring Diagram", "POWER SUPPLY ROUTING").

Yes

M

CHECK BODY GROUND CIRCUIT FOR THERMO CONTROL AMP.
Turn A/C switch or DEF switch ON.
Check for continuity between thermo control amp. harness terminal ② and body ground.

OK

Replace thermo control amp.

NG

Disconnect push control unit harness connector.

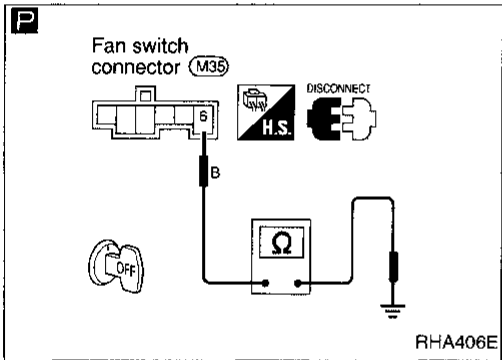
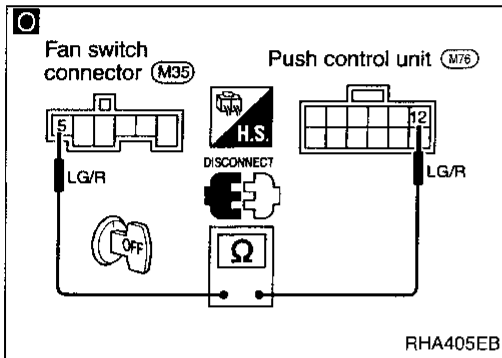
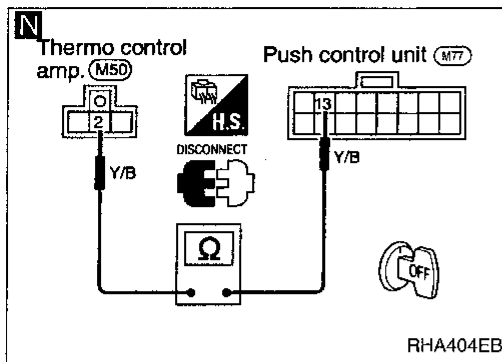
E

(Go to next page.)

Note:
If the result is NG after checking circuit continuity, repair harness or connector.

TROUBLE DIAGNOSES

Diagnostic Procedure 6 (Cont'd)



E

N Note

Check circuit continuity between thermo control amp. harness terminal No. (2) and push control unit harness terminal No. (13).
Continuity should exist.
If OK, check harness for short.

OK

Disconnect fan switch harness connector.

O Note

Check circuit continuity between push control unit terminal No. (12) and fan switch harness terminal No. (5).
Continuity should exist.
If OK, check harness for short.

OK

P Note

CHECK BODY GROUND CIRCUIT FOR FAN SWITCH.
Check for continuity between fan switch harness terminal (6) and body ground.

OK

CHECK FAN SWITCH.
(Refer to HA-58.)

NG → Replace fan switch.

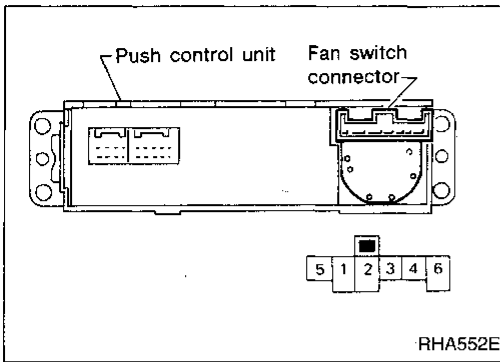
OK

Replace push control unit.

Note:
If the result is NG after checking circuit continuity, repair harness or connector.

GI
MA
EM
LC
EC
FE
CL
MT
AT
PD
FA
RA
BR
ST
RS
BT
HA
EL
IDX

TROUBLE DIAGNOSES

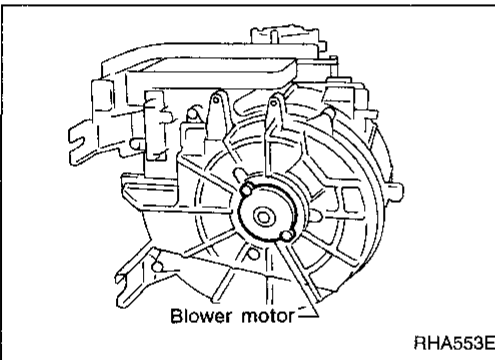


Electrical Components Inspection

FAN SWITCH

Check continuity between terminals at each position.

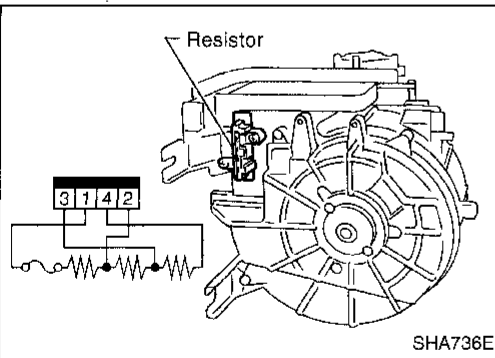
POSITION	TERMINAL
OFF	
1	④ - ⑤ - ⑥
2	③ - ⑤ - ⑥
3	② - ⑤ - ⑥
4	① - ⑤ - ⑥



BLOWER MOTOR

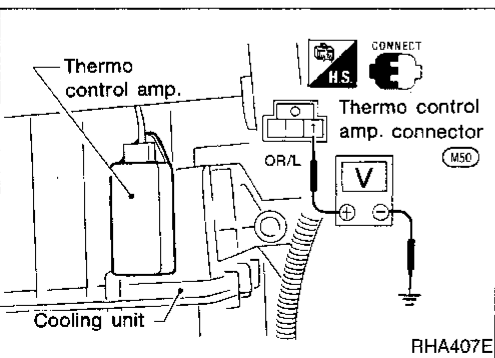
Check blower motor for smooth rotation.

- Ensure that there are no foreign particles inside the intake unit.



BLOWER RESISTOR

Check continuity between terminals.



THERMO CONTROL AMP.

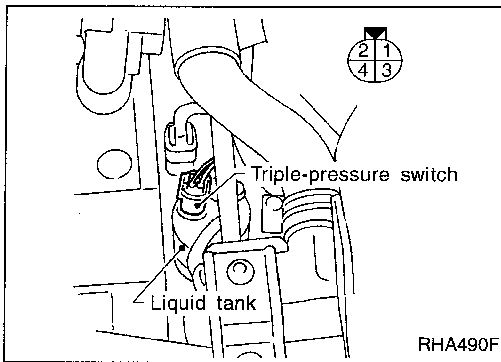
1. Run engine, and operate A/C system.
2. Connect the voltmeter from harness side.
3. Check thermo control amp. operation shown in the table.

Evaporator outlet air temperature °C (°F)	Thermo amp. operation	Tester
Decreasing to 0.5 - 1.5 (33 - 35)	Turn OFF	Approx. 12V
Increasing to 1 - 2 (34 - 36)	Turn ON	Approx. 0V

TROUBLE DIAGNOSES

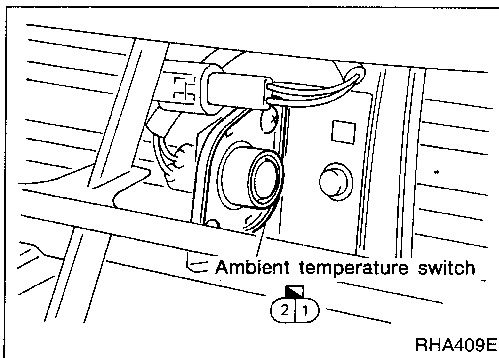
Electrical Components Inspection (Cont'd)

TRIPLE-PRESSURE SWITCH



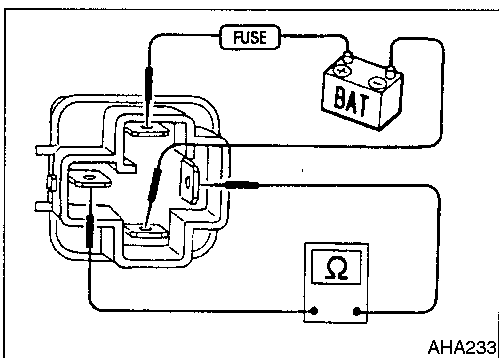
	Terminals	High-pressure side line pressure kPa (kg/cm ² , psi)	Operation	Continuity
Low-pressure side	① - ④	Increasing to 157 - 226 (1.6 - 2.3, 23 - 33)	ON	Exist
		Decreasing to 152.0 - 201.0 (1.55 - 2.05, 22.0 - 29.2)	OFF	Does not exist
Medium-pressure side*	② - ③	Increasing to 1,422 - 1,618 (14.5 - 16.5, 206 - 235)	ON	Exist
		Decreasing to 1,128 - 1,422 (11.5 - 14.5, 164 - 206)	OFF	Does not exist
High-pressure side	① - ④	Decreasing to 1,667 - 2,059 (17 - 21, 242 - 299)	ON	Exist
		Increasing to 2,452 - 2,844 (25 - 29, 356 - 412)	OFF	Does not exist

* For cooling fan motor operation.



AMBIENT TEMPERATURE SWITCH

Ambient temperature °C (°F)	Ambient temp. switch operation	Continuity
Increasing to approx. 19 - 22 (66 - 72).	Turn OFF	No
Decreasing to approx. 22 - 25 (72 - 77)	Turn ON	Yes



A/C RELAY

Check circuit continuity between terminals by supplying 12 volts to coil side terminals of the relay.

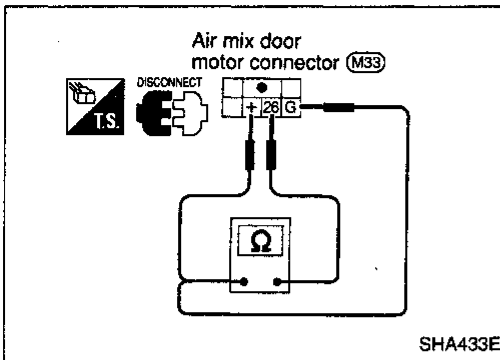
TROUBLE DIAGNOSES

Electrical Components Inspection (Cont'd)

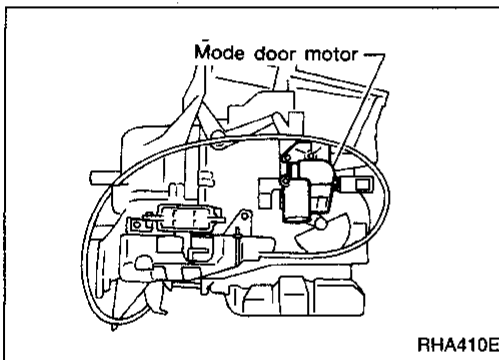
AIR MIX DOOR MOTOR

Check for PBR resistance.

1. Turn ignition switch ON and temperature control lever to FULL HOT position.
2. Turn ignition switch OFF.
3. Disconnect air mix door motor connector.
4. Check for resistance between air mix door motor harness terminal ⊕ and ⊖.
5. Using above procedures, check for each terminal as indicated in chart below.

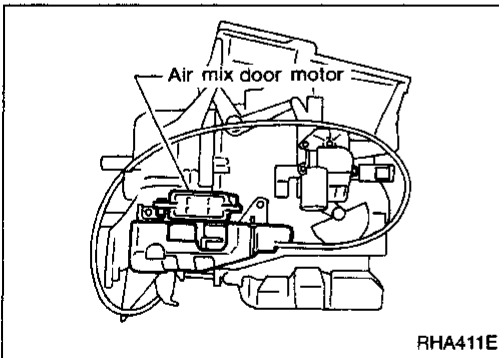


Terminal No.		Temp. control lever position	Resistance
⊕	⊖	FULL HOT	Approx. 0Ω
⊕	⊖	FULL COLD	Approx. 3 kΩ
⊖	⊖	FULL HOT	Approx. 3 kΩ
⊖	⊖	FULL COLD	Approx. 0Ω



Control Linkage Adjustment MODE DOOR

1. Move side link by hand and hold mode door in DEF mode.
2. Install mode door motor on heater unit and connect it to main harness.
3. Turn ignition switch to ON.
4. Turn VENT switch ON.
5. Attach mode door motor rod to side link rod holder.
6. Turn DEF switch ON. Check that side link operates at the fully-open position. Also turn DEF switch ON to check that side link operates at the fully-open position.



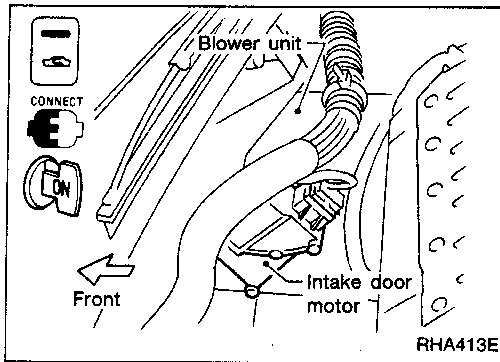
AIR MIX DOOR

1. Move air mix link by hand and hold air mix door in full cold position.
2. Install air mix door motor on heater unit and connect sub-harness.
3. Turn ignition switch to ON.
4. Slide temperature control lever to full cold.
5. Attach air mix door motor rod to air mix door link rod holder.
6. Check that air mix door operates properly when temperature control lever is slid to full hot and full cold.

TROUBLE DIAGNOSES

Control Linkage Adjustment (Cont'd)

INTAKE DOOR



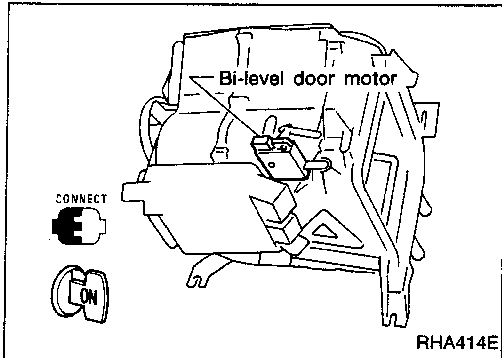
1. Connect intake door motor harness connector before installing intake door motor.
2. Turn ignition switch to ON.
3. Turn REC switch ON.
4. Install intake door motor on intake unit.
5. Install intake door lever.
6. Set intake door rod in REC position and fasten door rod to holder on intake door lever.
7. Check that intake door operates properly when REC switch is turned ON and OFF.

GI

MA

EM

BI-LEVEL (B/L) DOOR



1. Connect B/L door motor harness connector before installing B/L door motor.
2. Turn ignition switch to ON.
3. Install B/L door motor on heater unit.
4. Attach B/L door rod to B/L door link rod holder.
5. Check that B/L door operates properly when bi-level switch is turned ON and OFF with the temperature control lever in the middle position.

LC

EC

FE

CL

MT

AT

PD

FA

RA

BR

ST

RS

BT

HA

EL

IDX

SERVICE PROCEDURES

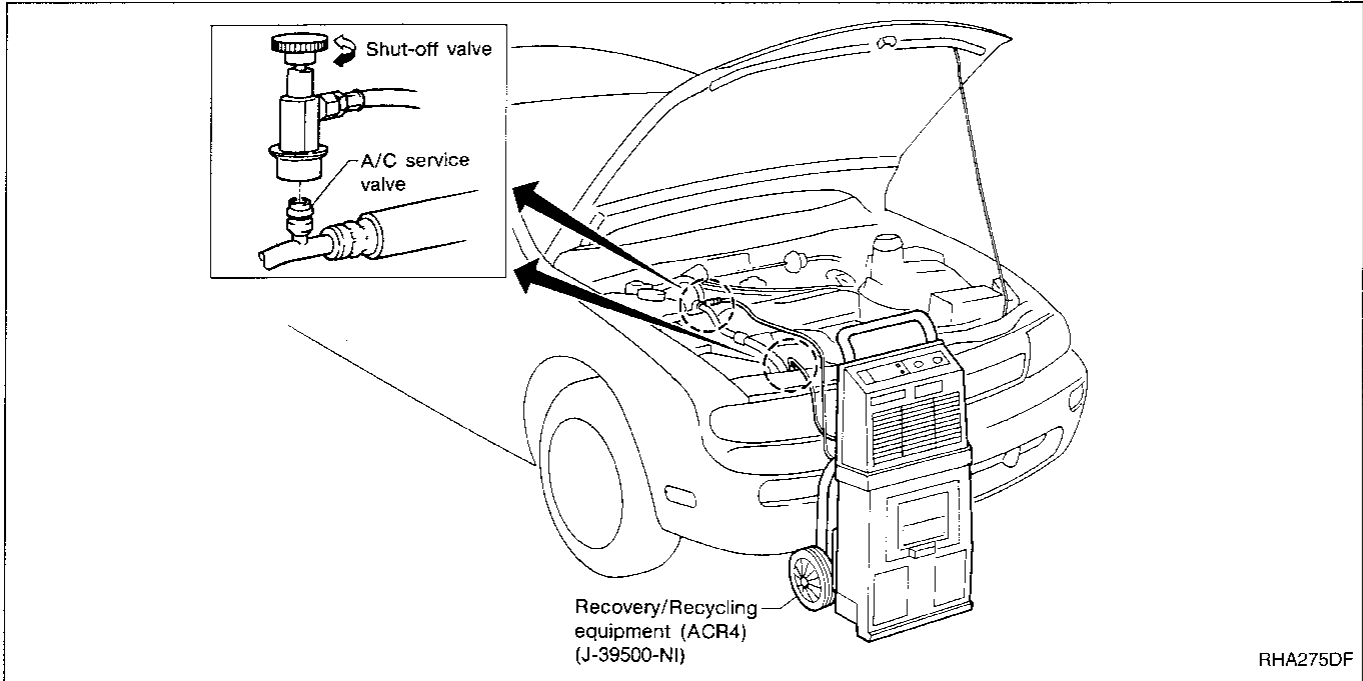
HFC-134a (R-134a) Service Procedure

SETTING OF SERVICE TOOLS AND EQUIPMENT

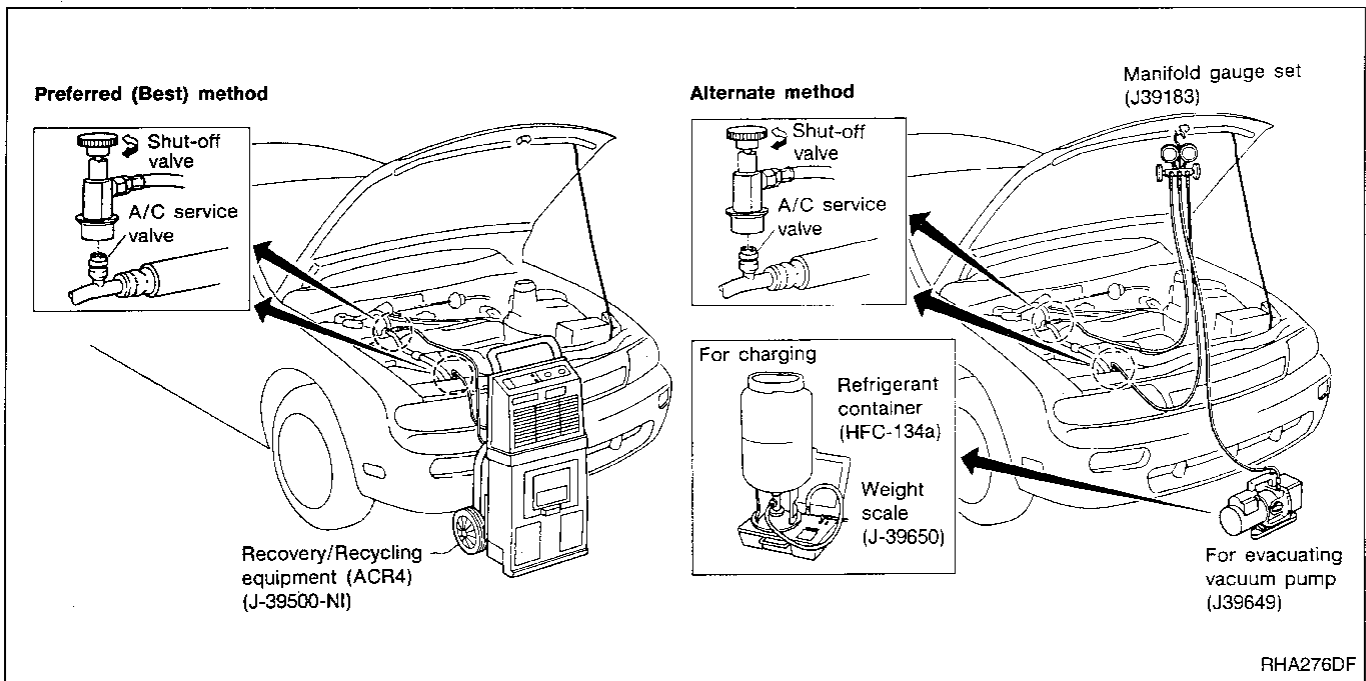
DISCHARGING REFRIGERANT

WARNING:

Avoid breathing A/C refrigerant and lubricant vapor or mist. Exposure may irritate eyes, nose and throat. Remove R-134a from A/C system, using certified service equipment meeting requirements of SAE J2210 (R-134a recycling equipment), or J2209 (R-134a recovery equipment). If accidental system discharge occurs, ventilate work area before resuming service. Additional health and safety information may be obtained from refrigerant and lubricant manufacturers.

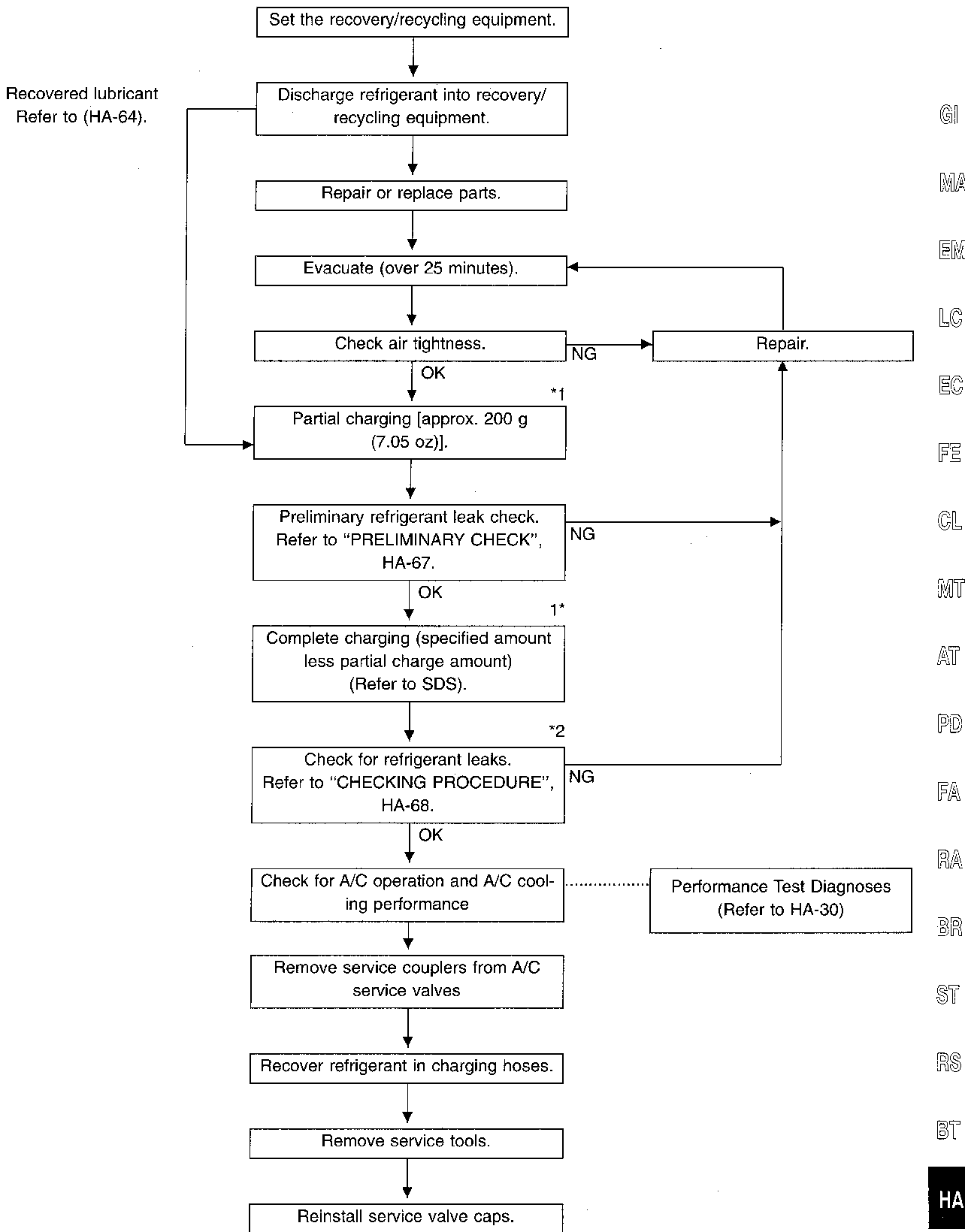


EVACUATING SYSTEM AND CHARGING REFRIGERANT



SERVICE PROCEDURES

HFC-134a (R-134a) Service Procedure (Cont'd)



Note: *1 Before charging refrigerant, ensure engine is off.

*2 Before checking for leaks, start engine to activate air conditioning system then turn engine off. Service valve caps must be installed to prevent leakage.

Maintenance of Lubricant Quantity in Compressor

The lubricant used in the compressor circulates through the system with the refrigerant. Add lubricant to the compressor to maintain the specified amount when: replacing any component of the system, or a large amount of gas leakage occurs.

If lubricant quantity is not maintained properly, the following malfunctions may result:

- Lack of lubricant: May lead to a seized compressor
- Excessive lubricant: Inadequate cooling (thermal exchange interference)

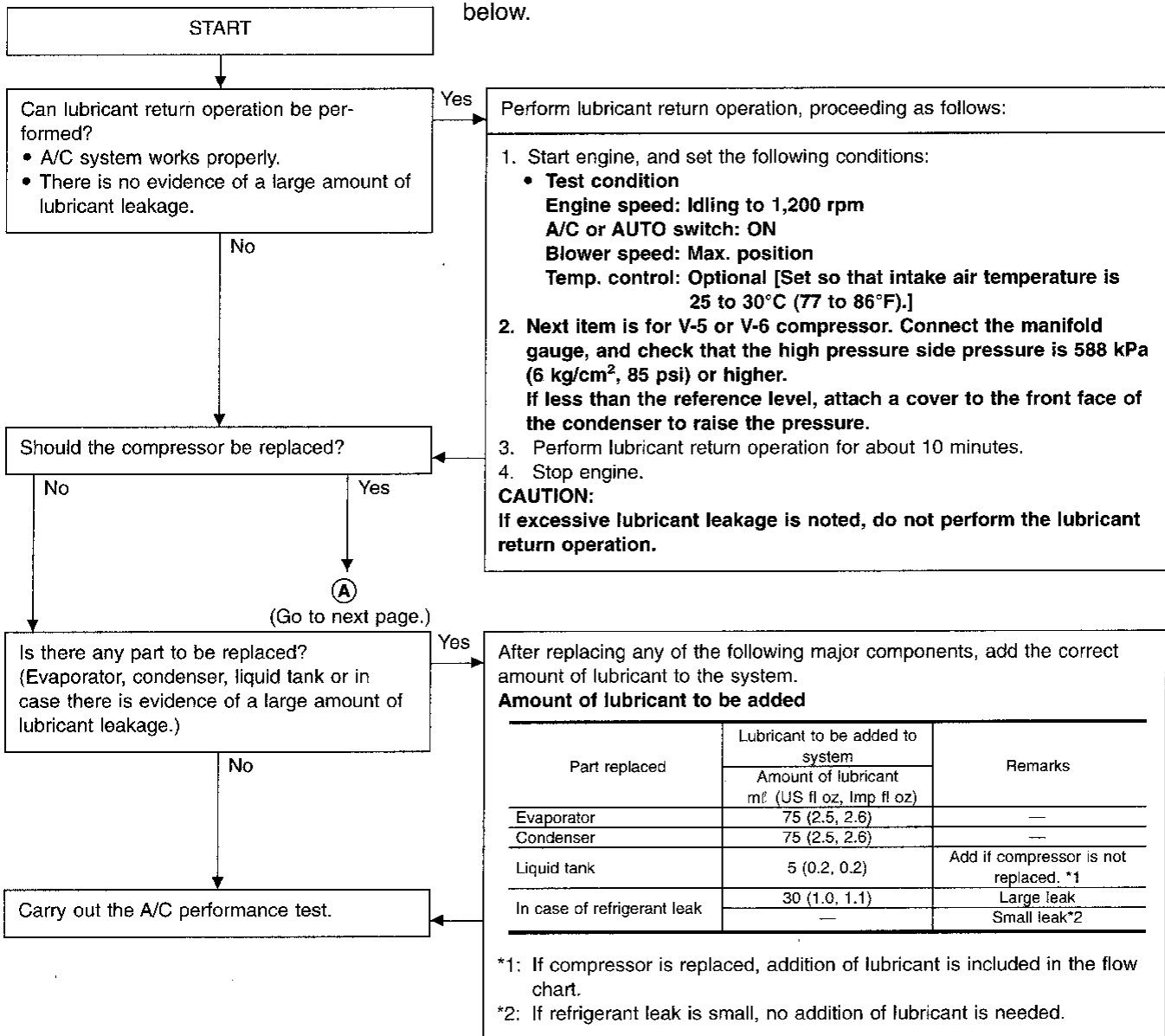
LUBRICANT

Name: Nissan A/C System Oil Type S

Part number: KLH00-PAGS0

CHECKING AND ADJUSTING

Adjust the lubricant quantity according to the flowchart shown below.



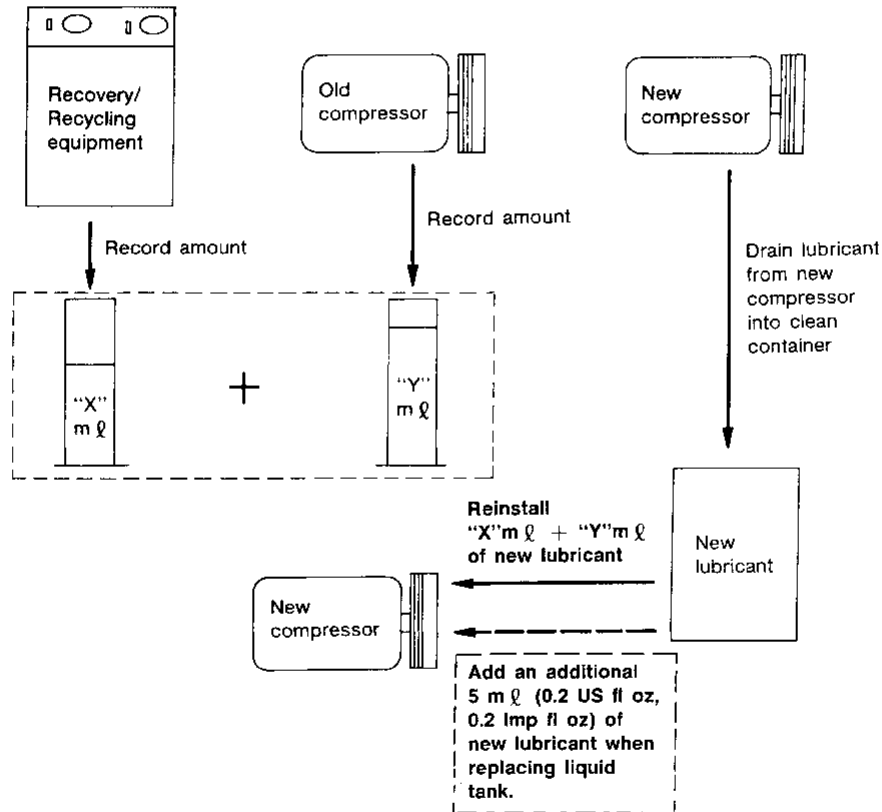
SERVICE PROCEDURES

Maintenance of Lubricant Quantity in Compressor (Cont'd)

(A)

1. Discharge refrigerant into the refrigerant recovery/recycling equipment. Measure lubricant discharged into the recovery/ recycling equipment.
2. Remove the drain plug of the "old" (removed) compressor (applicable only to V-5, V-6 or DKS-16H compressor). Drain the lubricant into a graduated container and record the amount of drained lubricant.
3. Remove the drain plug and drain the lubricant from the "new" compressor into a separate, clean container.
4. Put the same amount (refer to 2. above) of new lubricant into the new compressor. Put it through the drain plug or suction port opening.
5. Also add the old lubricant amount [discharged from A/C system (refer to 1. above)] of the new lubricant to the new compressor.
6. Torque the drain plug.
V-5 or V-6 compressor: 18 - 19 N·m (1.8 - 1.9 kg-m, 13 - 14 ft-lb)
DKS-16H compressor: 14 - 16 N·m (1.4 - 1.6 kg-m, 10 - 12 ft-lb)
7. If the liquid tank also needs to be replaced, add an additional 5 mℓ (0.2 US fl oz, 0.2 Imp fl oz) of lubricant at this time.
Do not add this 5 mℓ (0.2 US fl oz, 0.2 Imp fl oz) of lubricant if only replacing the compressor.

Lubricant adjusting procedure for compressor replacement



RHA065DD

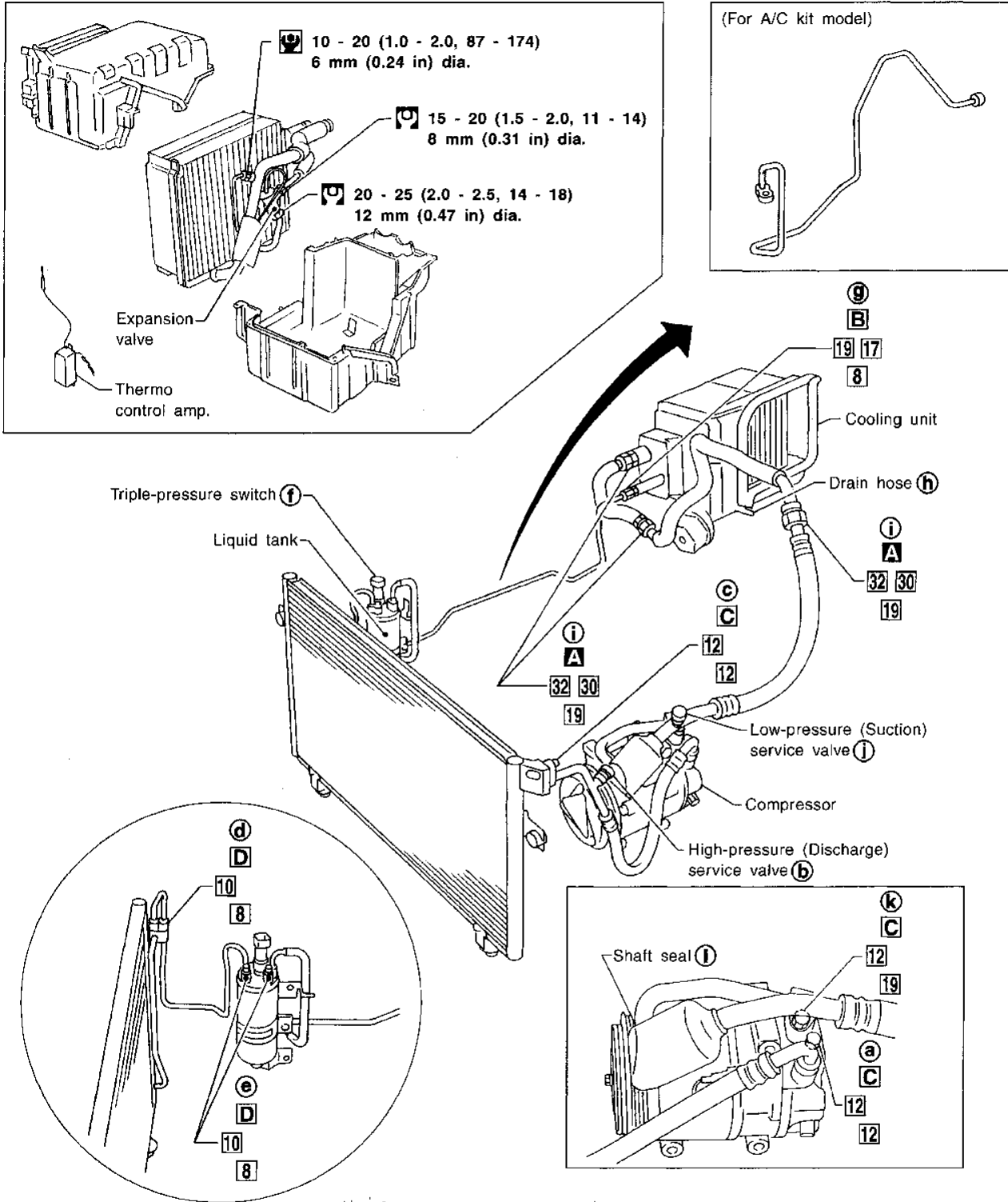
GI
MA
EM
LC
EC
FE
CL
MT
AT
PD
FA
RA
BR
ST
RS
BT
HA
EL
IDX

SERVICE PROCEDURES

Refrigerant Lines

- Refer to "Precautions for Refrigerant Connection", HA-3.

SEC. 271•272•276



- : Refrigerant leak checking order
- : (Tightening torque)
- : (Wrench size)
- : (O-ring size)
- Ⓜ : N·m (kg-m, ft-lb)
- A : 25 - 34 (2.5 - 3.5, 18 - 25)
- Ⓜ : N·m (kg-m, in-lb)
- B : 10 - 20 (1.0 - 2.0, 87 - 174)
- C : 8 - 11 (0.8 - 1.1, 69 - 95)
- D : 2.9 - 3.9 (0.3 - 0.4, 26 - 35)

Checking Refrigerant Leaks

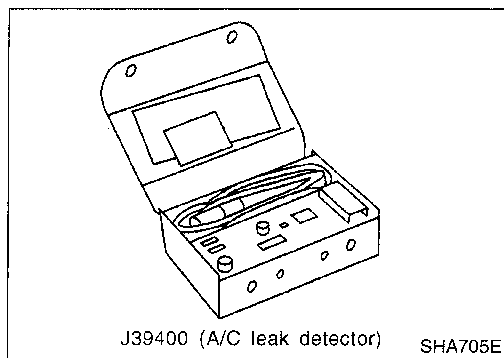
PRELIMINARY CHECK

Perform a visual inspection of all refrigeration parts, fittings, hoses, and components for signs of A/C lubricant leakage, damage and corrosion.

GI

MA

EM



PRECAUTIONS FOR HANDLING LEAK DETECTOR

When performing a refrigerant leak check, use a J39400 A/C leak detector or equivalent. Ensure that the instrument is calibrated and set properly per the operating instructions.

LC

The leak detector is a delicate device. In order to use the leak detector properly, read the operating instructions and perform any specified maintenance.

EC

Other gases in the work area or substances on the A/C components, for example, anti-freeze, windshield washer fluid, solvents and cleaners, may falsely trigger the leak detector. Make sure the surfaces to be checked are clean. Do not allow the sensor tip of the detector to come into contact with any substance. This can also cause false readings and may damage the detector.

FE

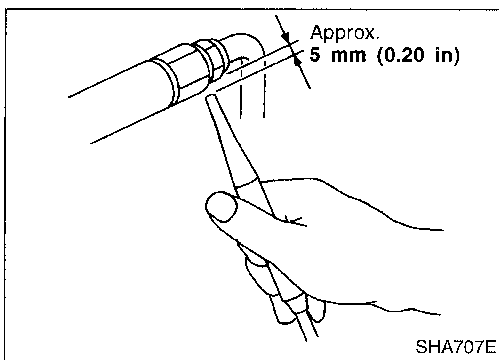
CL

MT

AT

PD

FA



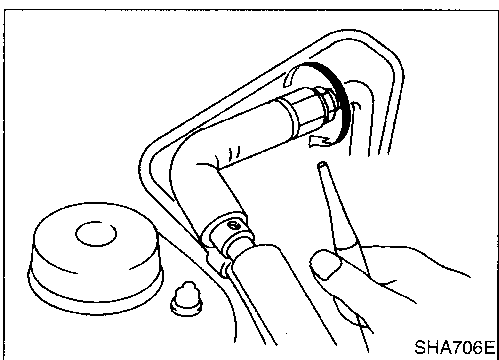
1. Position probe approximately 5 mm (0.20 in) away from point to be checked.

RA

BR

ST

RS



2. When testing, circle each fitting completely with probe.

BT

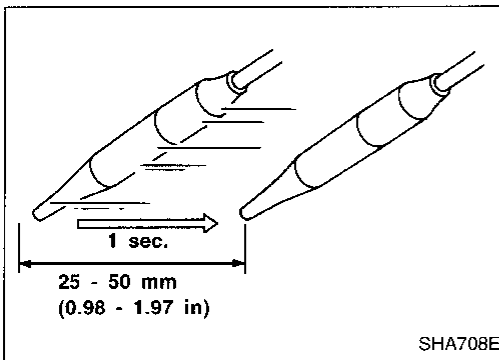
HA

EL

DX

SERVICE PROCEDURES

Checking Refrigerant Leaks (Cont'd)

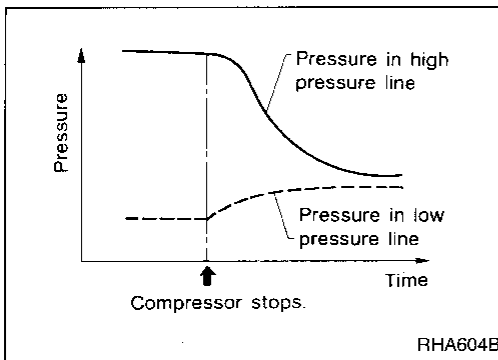


3. Move probe along component approximately 25 to 50 mm (0.98 to 1.97 in)/sec.

CHECKING PROCEDURE

To prevent inaccurate or false readings, make sure there is no refrigerant vapor or tobacco smoke in the vicinity of the vehicle. Perform the leak test in calm area (low air/wind movement so that the leaking refrigerant is not dispersed).

1. Charge the system with the specified amount of refrigerant.
2. Run the engine with the A/C compressor ON for at least 2 minutes.
3. Stop engine.



Refrigerant leaks should be checked immediately after stopping the engine. Begin with the leak detector on the high pressure line. The pressure in the high pressure line will gradually drop after refrigerant circulation stops and pressure in the low pressure line will gradually rise, as shown in the graph. Leaks are more easily detected when pressure is high.

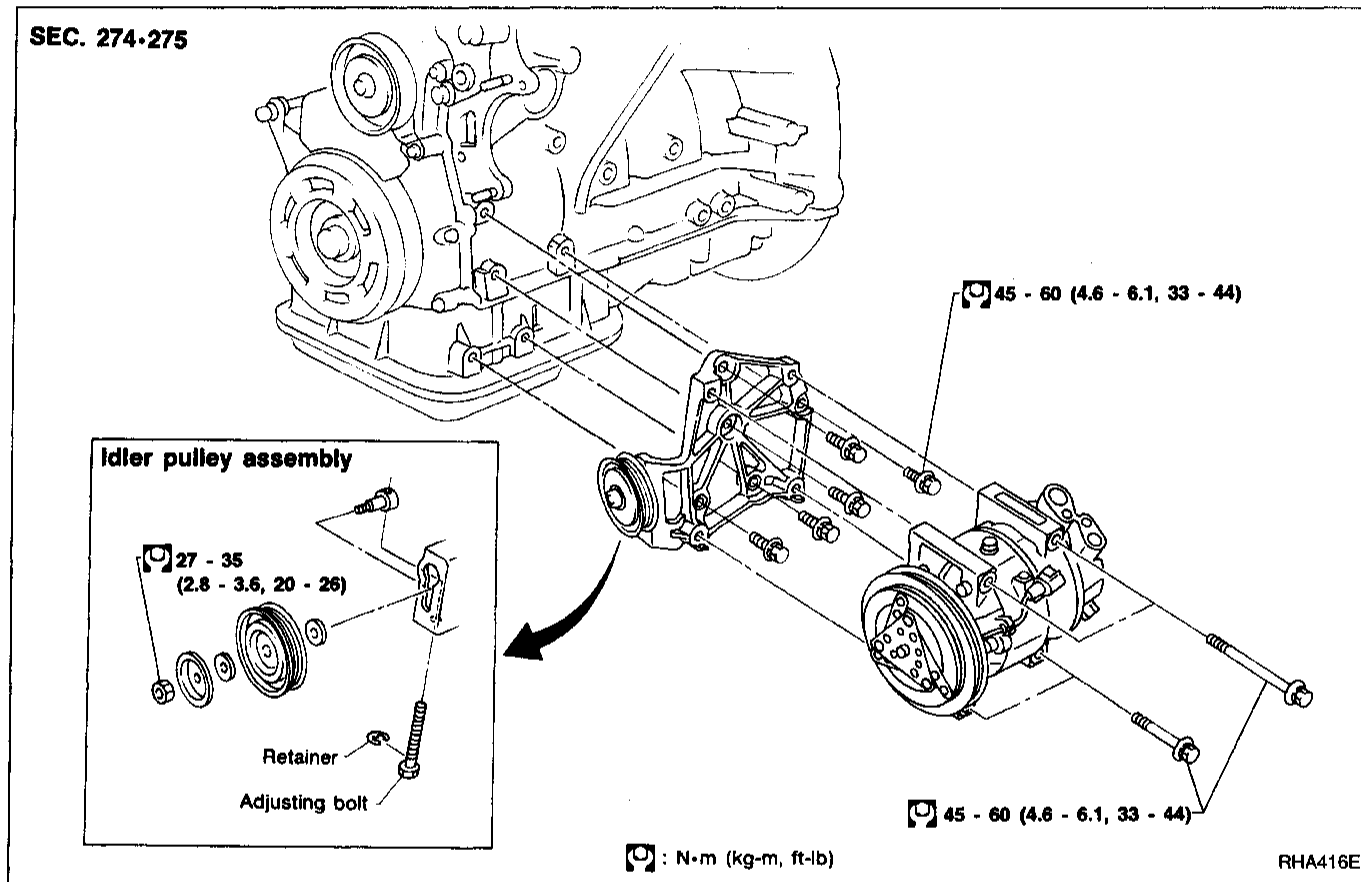
4. Conduct the leak test from the high side to the low side at points (a) through (j). Refer to HA-66. Perform a leak check for the following areas carefully. Clean the component to be checked and move the leak detector probe completely around the connection/component.
 - **Compressor**
Check the fitting of high and low pressure hoses, relief valve and shaft seal.
 - **Liquid tank**
Check the pressure switch, tube fitting and the fusible plug mounts.
 - **Service valves**
Check all around the service valves. Ensure service valve caps are secured on the service valves (to prevent leaks).
 - **Cooling unit**
Turn blower fan on "High" for at least 15 seconds to dissipate any refrigerant trace in the cooling unit. Insert the leak detector probe into the drain hose immediately after stopping the engine. (Keep the probe inserted for at least ten seconds.)
5. If leak detector detects a leak, confirm the leak using soapy water.

SERVICE PROCEDURES

Checking Refrigerant Leaks (Cont'd)

6. Discharge A/C system and repair the leaking fitting or component as necessary.
7. Evacuate and recharge A/C system and perform the leak test to confirm no refrigerant leaks.

Compressor Mounting



Belt Tension

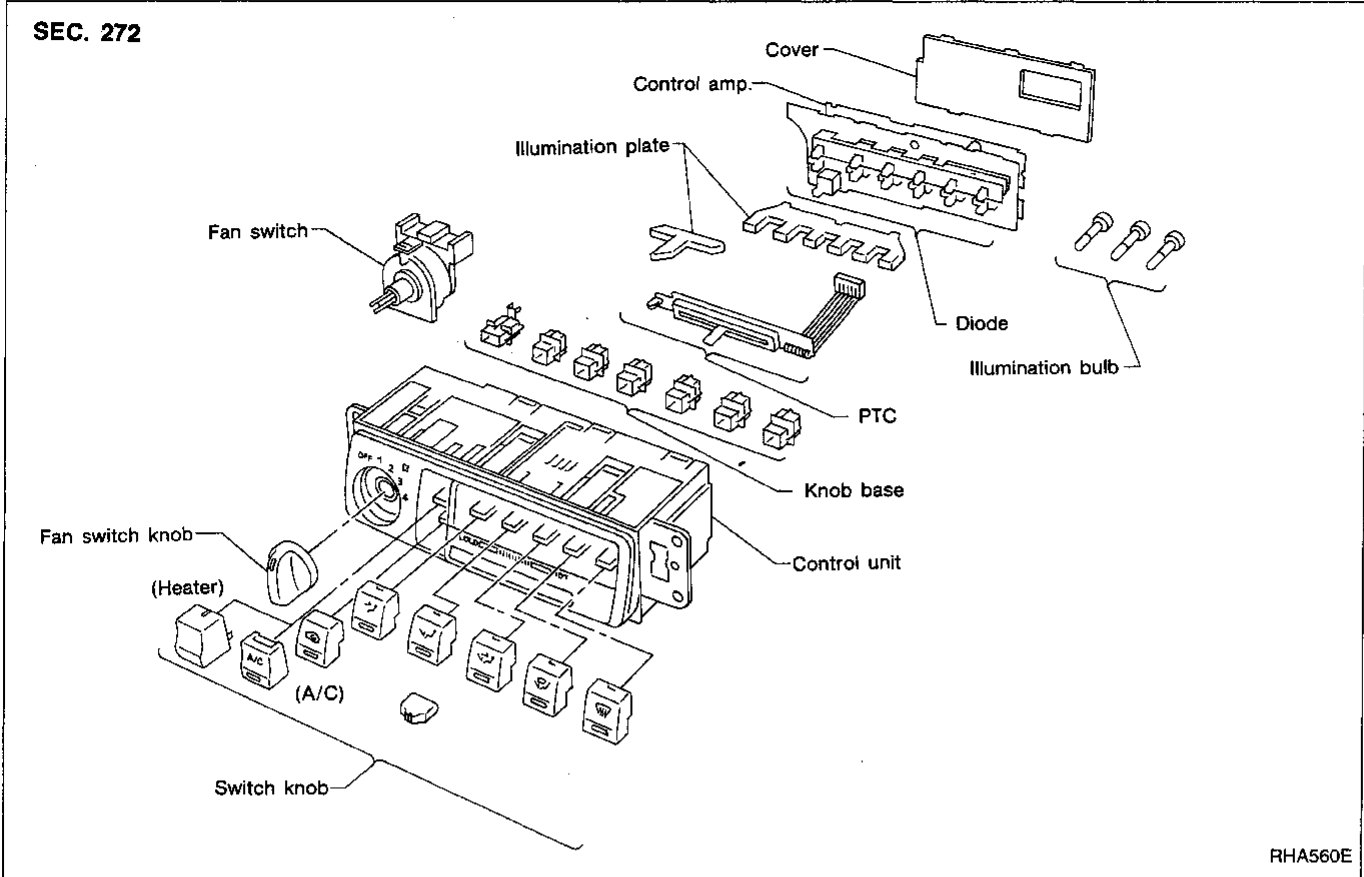
- Refer to MA section ("Checking Drive Belts", "ENGINE MAINTENANCE").

Fast Idle Control Device (FICD)

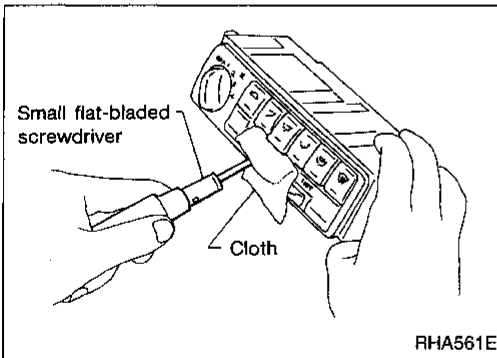
- Refer to EC section ("IACV-FICD SOLENOID VALVE", "TROUBLE DIAGNOSES FOR NON-DETECTIVE ITEMS").

Push Control Unit

SEC. 272



RHA560E

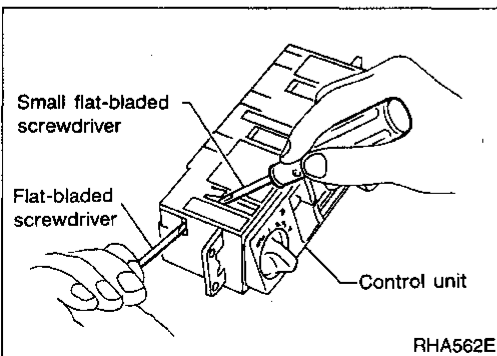


RHA561E

DISASSEMBLY

1. Remove switch knobs.

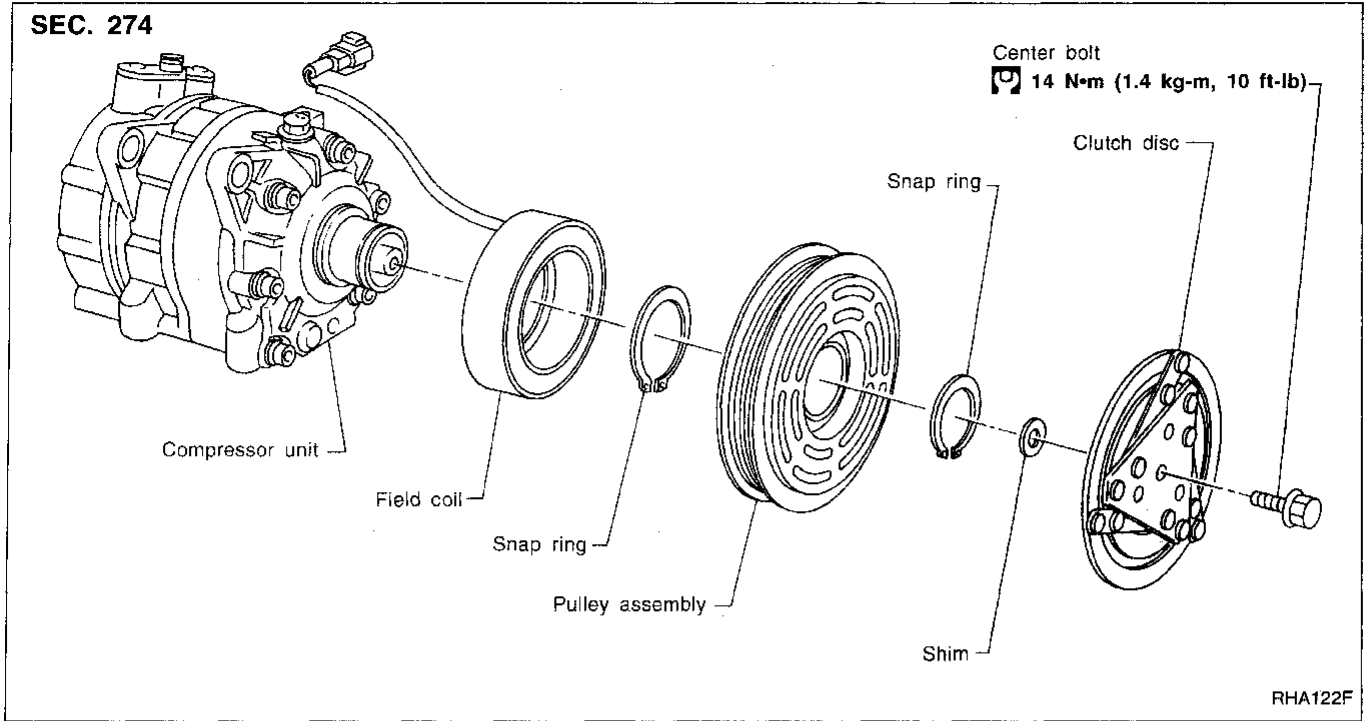
Be careful not to scratch knobs during removal.



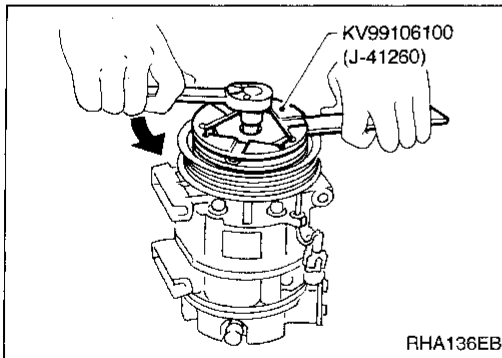
RHA562E

2. Remove fan switch knob.

Compressor

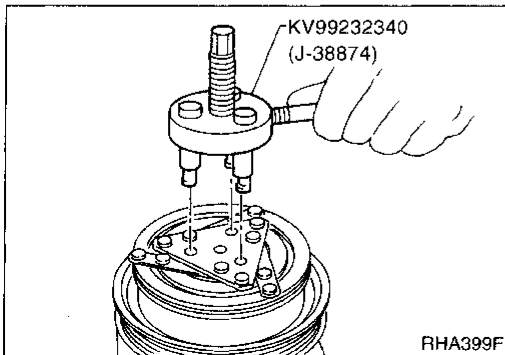


GI
 MA
 EM
 LC
 EC
 FE
 CL
 MT
 AT
 PD
 FA
 RA
 BR
 ST
 RS
 BT
 HA
 EL
 IDX



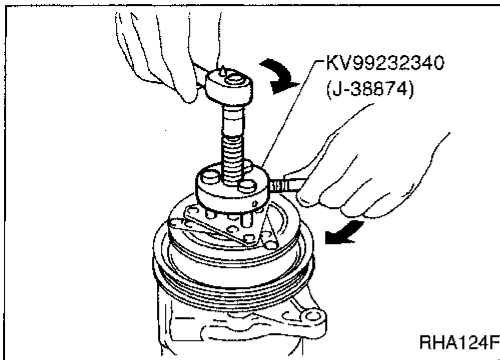
**Compressor Clutch
 REMOVAL**

- When removing center bolt, hold clutch disc with clutch disc wrench.

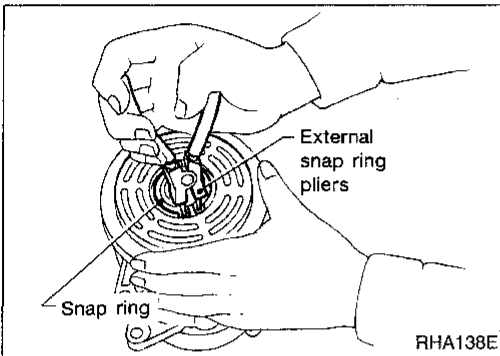


SERVICE PROCEDURES

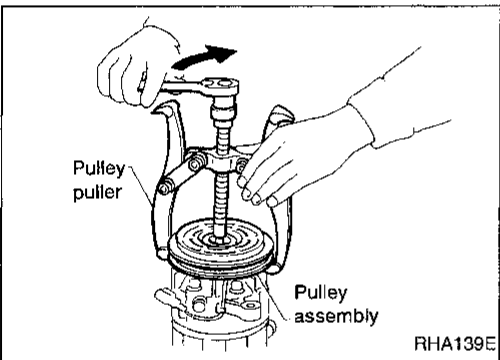
Compressor Clutch (Cont'd)



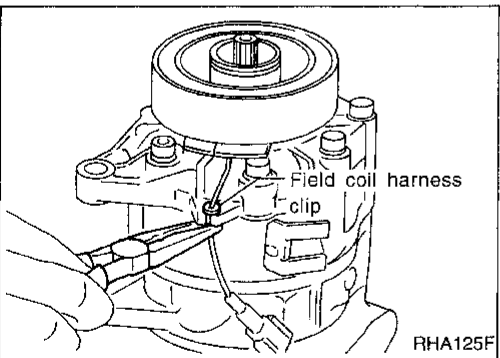
- Remove the clutch disc using the clutch disc puller. Insert the holder's three pins into the holes in the clutch disc. Rotate the holder clockwise to hook it onto the plate. Then, tighten the center bolt to remove the clutch disc. After removing the clutch disc, remove the shims from either the drive shaft or the clutch disc.



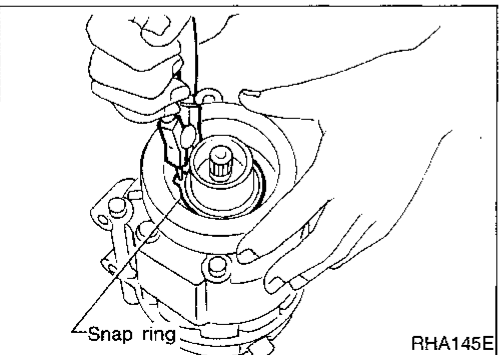
- Remove the snap ring using external snap ring pliers.



- Pulley removal
Position the center pulley puller on the end of the drive shaft, and remove the pulley assembly using any commercially available pulley puller.
To prevent the pulley groove from being deformed, the puller claws should be positioned onto the edge of the pulley assembly.



- Remove the field coil harness clip using a pair of pliers.



- Remove the snap ring using external snap ring pliers.

SERVICE PROCEDURES

Compressor Clutch (Cont'd)

INSPECTION

Clutch disc

If the contact surface shows signs of damage due to excessive heat, replace clutch disc and pulley.

Pulley

Check the appearance of the pulley assembly. If the contact surface of pulley shows signs of excessive grooving, replace clutch disc and pulley. The contact surfaces of the pulley assembly should be cleaned with a suitable solvent before reinstallation.

Coil

Check coil for loose connection or cracked insulation.

INSTALLATION

- Install the field coil.

Be sure to align the coil's pin with the hole in the compressor's front head.

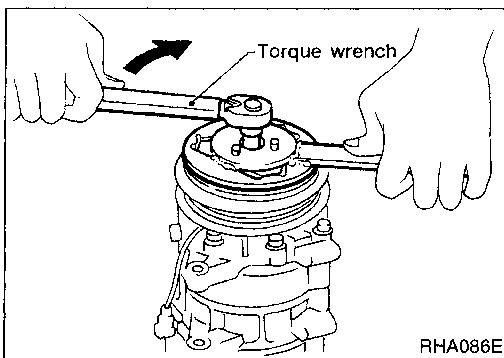
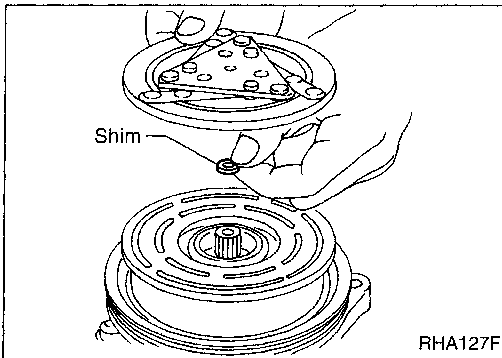
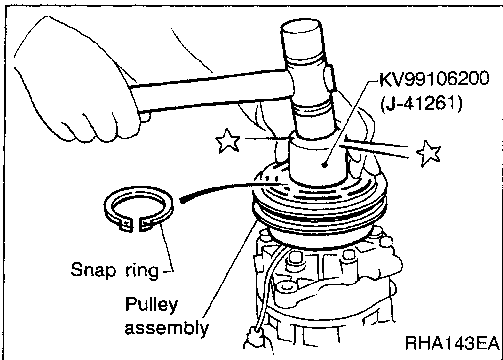
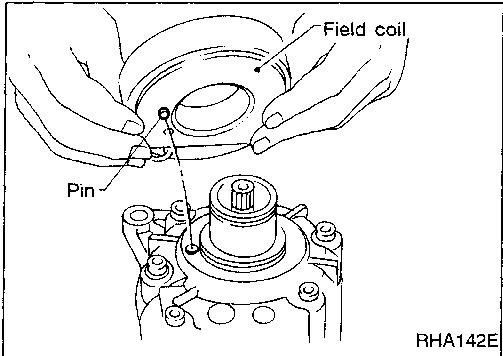
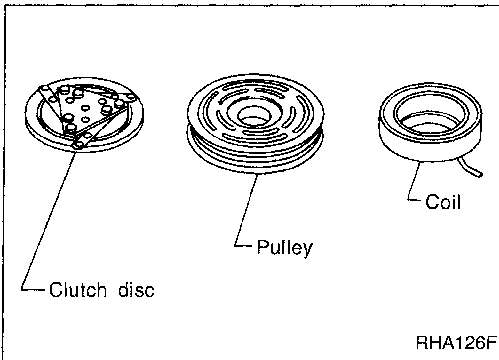
- Install the field coil harness clip using a screwdriver.

- Install the pulley assembly using the installer and a hand press, and then install the snap ring using snap ring pliers.

- Install the clutch disc on the drive shaft, together with the original shim(s). Press the clutch disc down by hand.

- Using the holder to prevent clutch disc rotation, tighten the bolt to 14 N·m (1.4 kg-m, 10 ft-lb) torque.

After tightening the bolt, check that the pulley rotates smoothly.



GI

MA

EM

LC

EC

FE

CL

MT

AT

PD

FA

RA

BR

ST

RS

BT

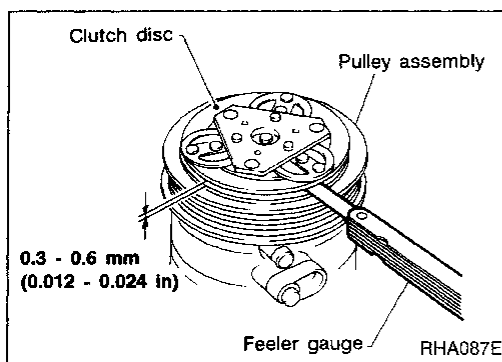
HA

EL

IDX

SERVICE PROCEDURES

Compressor Clutch (Cont'd)



- Check clearance around the entire periphery of clutch disc.

Disc-to-pulley clearance:

0.3 - 0.6 mm (0.012 - 0.024 in)

If the specified clearance is not obtained, replace adjusting spacer and readjust.

BREAK-IN OPERATION

When replacing compressor clutch assembly, always carry out the break-in operation. This is done by engaging and disengaging the clutch about thirty times. Break-in operation raises the level of transmitted torque.

SERVICE DATA AND SPECIFICATIONS (SDS)

General Specifications

COMPRESSOR

Model	CALSONIC make V-6	
Type	V-6 variable displacement	
Displacement	cm ³ (cu in)/rev.	
Max.		165 (10.07)
Min.		10.5 (0.641)
Cylinder bore x stroke	mm (in)	37 (1.46) x [1.6 - 25.6 (0.063 - 1.008)]
Direction of rotation	Clockwise (viewed from drive end)	
Drive belt	Poly V	

LUBRICANT

Model	CALSONIC make V-6	
Name	Nissan A/C System Oil Type S	
Part number	KLH00-PAGS0	
Capacity	ml (US fl oz, Imp fl oz)	
Total in system		250 (8.5, 8.8)
Compressor (Service part) charging amount		250 (8.5, 8.8)

REFRIGERANT

Type	HFC-134a (R-134a)	
Capacity	kg (lb)	0.60 - 0.70 (1.32 - 1.54)

Inspection and Adjustment

ENGINE IDLING SPEED

When A/C is ON

- Refer to EC section ("Inspection and Adjustments", "SERVICE DATA AND SPECIFICATIONS").

BELT TENSION

- Refer to MA section ("Checking Drive Belts", "ENGINE MAINTENANCE").

COMPRESSOR CLUTCH

Model	CALSONIC make V-6	
Clutch disc-pulley clearance	mm (in)	0.3 - 0.6 (0.012 - 0.024)

GI
MA
EM
LC
EC
FE
CL
MT
AT
PD
FA
RA
BR
ST
RS
BT
HA
EL
IDX