

## SECTION **BT**

GI

MA

EM

LC

EC

FE

CL

MT

AT

PD

FA

RA

BR

ST

RS

**BT**

HA

EL

IDX

## CONTENTS

<b>PRECAUTIONS</b> .....	2	Roof Trim .....	22
Service Notice.....	2	Trunk Room Trim.....	23
Supplemental Restraint System (SRS) "AIR BAG" .....	2	<b>EXTERIOR</b> .....	24
<b>GENERAL SERVICING</b> .....	3	<b>SEAT</b> .....	31
Clip and Fastener .....	3	Front Seat .....	31
<b>BODY END</b> .....	6	Rear Seat .....	33
Body Front End.....	6	<b>SUNROOF</b> .....	34
Body Rear End and Opener.....	9	<b>WINDSHIELD AND WINDOWS</b> .....	38
<b>DOOR</b> .....	11	Windshield and Rear Window .....	38
Door Glass Fitting Adjustment.....	12	Side Window.....	39
<b>INSTRUMENT PANEL</b> .....	16	<b>MIRROR</b> .....	40
<b>INTERIOR TRIM</b> .....	19	Door Mirror.....	40
Side and Floor Trim .....	19	<b>BODY ALIGNMENT</b> .....	41
Door Trim.....	21	Engine Compartment.....	41
		Underbody .....	43

★ For seat belt, refer to MA and RS section.

★ For wiring diagrams of body electrical systems, refer to EL section.

## PRECAUTIONS

---

### Service Notice

- When removing or installing various parts, place a cloth or padding onto the vehicle body to prevent scratches.
- Handle trim, molding, instruments, grille, etc. carefully during removing or installing. Be careful not to soil or damage them.
- Apply sealing compound where necessary when installing parts.
- When applying sealing compound, be careful that the sealing compound does not protrude from parts.
- When replacing any metal parts (for example body outer panel, members, etc.), be sure to take rust prevention measures.

### Supplemental Restraint System (SRS) “AIR BAG”

The Supplemental Restraint System “Air Bag”, used along with a seat belt, helps to reduce the risk or severity of injury to the driver and front passenger in a frontal collision. The Supplemental Restraint System consists of air bag modules (located in the center of the steering wheel and on the instrument panel on the passenger side), a diagnosis sensor unit, warning lamp, wiring harness and spiral cable. Information necessary to service the system safely is included in the **RS section** of this Service Manual.


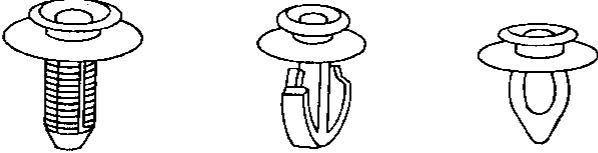
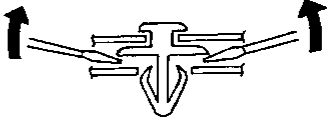

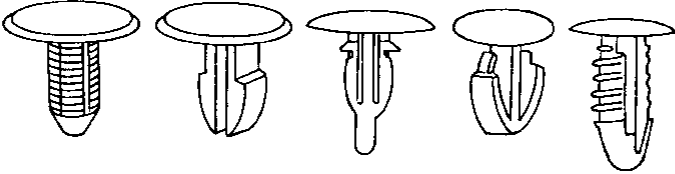
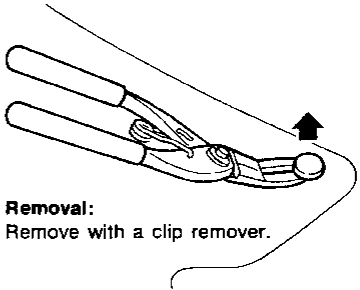
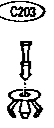
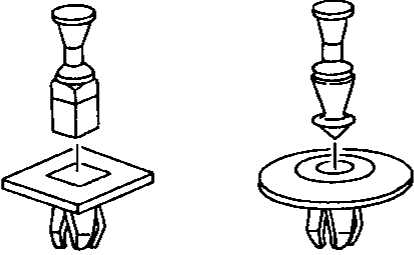
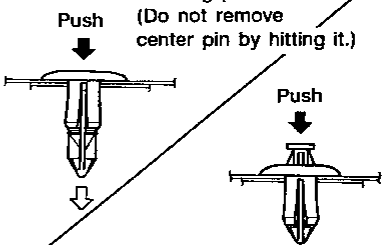
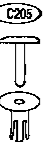
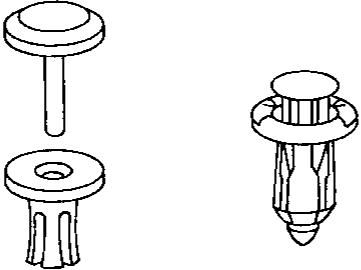
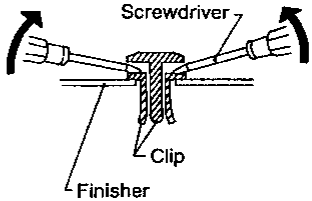
#### **WARNING:**

- **To avoid rendering the SRS inoperative, which could increase the risk of personal injury or death in the event of a collision which would result in air bag inflation, all maintenance must be performed by an authorized NISSAN dealer.**
- **Improper maintenance, including incorrect removal and installation of the SRS, can lead to personal injury caused by unintentional activation of the system.**
- **Do not use electrical test equipment on any circuit related to the SRS unless instructed to in this Service Manual. SRS wiring harnesses are covered with yellow insulation either just before the harness connectors or for the complete harness, for easy identification.**

# GENERAL SERVICING

## Clip and Fastener

- Clips and fasteners in BT section correspond to the following numbers and symbols.
- Replace any clips and/or fasteners which are damaged during removal or installation.

Symbol No.	Shapes	Removal & Installation
	 <p style="text-align: right;">SBF302H</p>	<p><b>Removal:</b> Remove by bending up with flat-bladed screwdrivers or clip remover.</p>  <p style="text-align: right;">SB0F367BA</p>
	 <p style="text-align: right;">SBF303H</p>	 <p><b>Removal:</b> Remove with a clip remover.</p> <p style="text-align: right;">SBF423H</p>
	 <p style="text-align: right;">SBF258G</p>	<p>Push center pin to catching position. (Do not remove center pin by hitting it.)</p>  <p><b>Installation:</b></p> <p style="text-align: right;">SBF708E</p>
	 <p style="text-align: right;">MBF518B</p>	<p><b>Removal:</b></p>  <p style="text-align: right;">SBF638C</p>

GI

MA

EM

LC

EC

FE

CL

MT

AT

PD

FA

RA

BR

ST

RS

**BT**


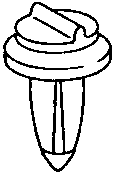
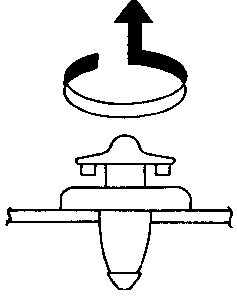
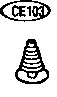
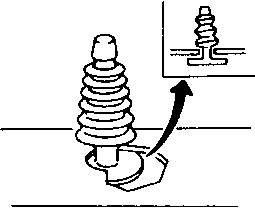
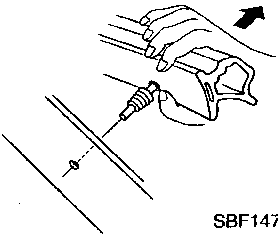

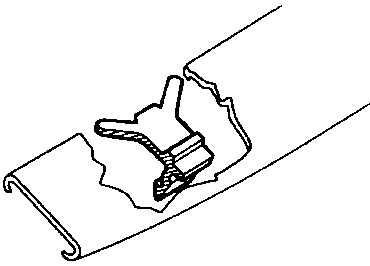
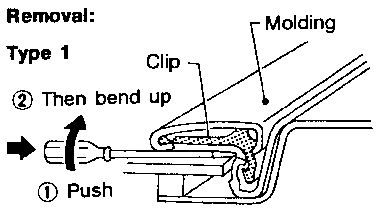
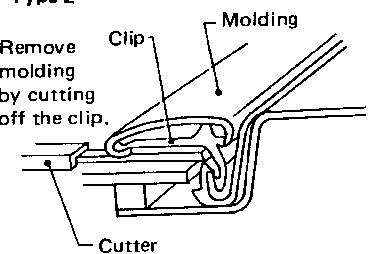

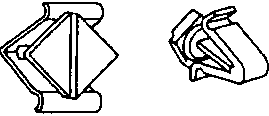

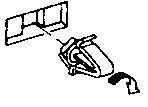

HA

EL

IDX


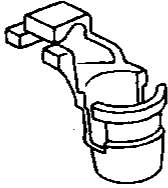
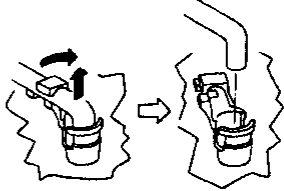

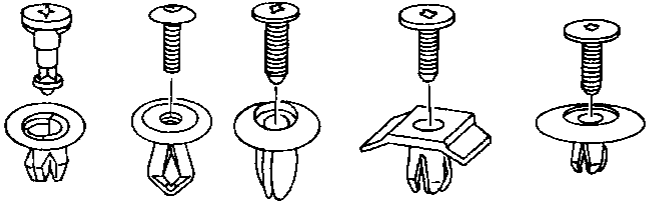
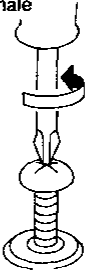
# GENERAL SERVICING

## Clip and Fastener (Cont'd)

Symbol No.	Shapes	Removal & Installation
 C205	 MBF519B	 MBF520B
 CE104	 SBF104B	<b>Removal:</b>  SBF147B
 CE106	 SBF654B	<b>Removal:</b> <b>Type 1</b>  SBF654B <b>Type 2</b>  SBF653B Remove molding by cutting off the clip. Cutter SBF914B
 CG101	 SBF145B	<b>Removal:</b>  Rotate 45° to remove. <b>Installation:</b>  SBF085B <b>Removal:</b> 

# GENERAL SERVICING

## Clip and Fastener (Cont'd)

Symbol No.	Shapes	Removal & Installation
	 <p style="text-align: right;">SBF768B</p>	<p><b>Removal:</b> Holder portion of clip must be spread out to remove rod.</p>  <p style="text-align: right;">SBF770B</p>
	 <p style="text-align: right;">SBF078B</p>	<p><b>Removal:</b></p> <ol style="list-style-type: none"> <li>Screw out with a Phillips screwdriver.</li> <li>Remove female portion with flat-bladed screwdriver.</li> </ol>  <p style="text-align: right;">SBF992G</p>

GI

MA

EM

LC

EC

FE

CL

MT

AT

PD

FA

RA

BR

ST

RS

BT

HA

EL

IDX

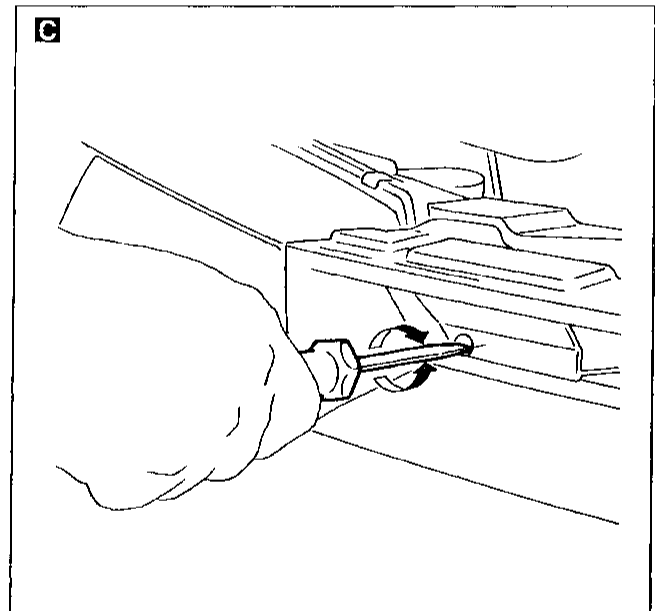
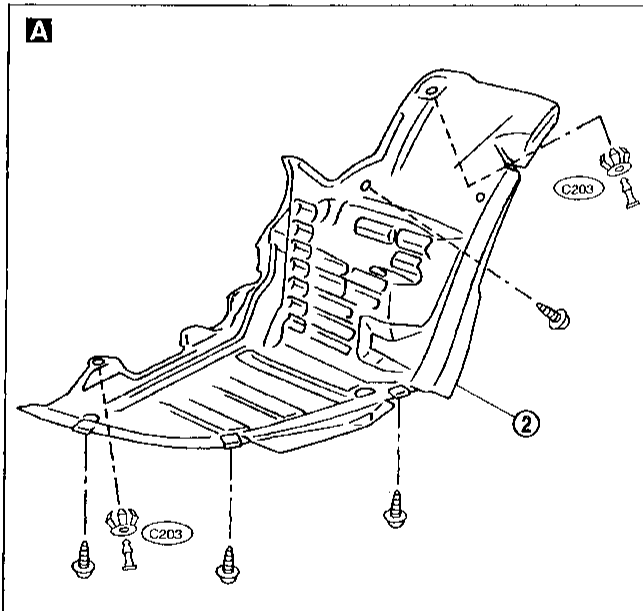
953

## Body Front End

- When removing or installing hood, place a cloth or other padding on hood. This prevents vehicle body from being scratched.
- Bumper fascia is made of plastic. Do not use excessive force and be sure to keep oil away from it.
- Hood adjustment: Adjust at hinge portion.
- Hood lock adjustment: After adjusting, check hood lock control operation. Apply a coat of grease to hood locks engaging mechanism.
- Hood opener: Do not attempt to bend cable forcibly. Doing so increases effort required to unlock hood.

### REMOVAL — Front bumper assembly

- ① Remove front air spoiler. Refer to "Front air spoiler" in "EXTERIOR" for details, BT-29.
- ② Remove clips (C203) and screws securing front fender protectors on left and right side. **A**
- ③ Remove bolts securing bumper fascia to engine undercover. **B**
- ④ Remove clips (C610), then remove the radiator grille. **C**
- ⑤ Remove screws securing left and right combination lamps and remove the lamps. **D**
- ⑥ Remove bolts and nuts securing headlamps and remove the lamps. **E**
- ⑦ Remove screws securing left and right turn signal lamps and remove the lamps.
- ⑧ Remove left and right bolts securing bumper fascia to fender. **F**
- ⑨ Remove bolts securing bumper upper retainer to bumper fascia. **G**
- ⑩ Remove bumper fascia assembly.
- ⑪ Remove energy absorber.
- ⑫ Remove bolts and nuts securing bumper upper retainer. **H**
- ⑬ Remove clips (C103) securing bumper reinforcement. **J**
- ⑭ Remove bolts and nuts securing bumper reinforcement. **K**
- ⑮ Remove bumper reinforcement assembly.



SBT259

# BODY END

## Body Front End (Cont'd)

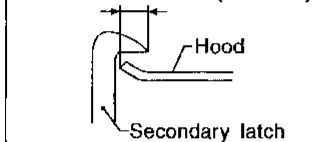
**SEC. 260•261•262•263•620•623•630•650•747**

**Hood lock adjustment**

- Adjust hood so that hood primary lock meshes at a position 1 to 1.5 mm (0.039 to 0.059 in) lower than fender.
- After hood lock adjustment, adjust bumper rubber.
- When securing hood lock, ensure it does not tilt. Striker must be positioned at the center of hood primary lock.
- After adjustment, ensure that hood primary and secondary lock operate properly.

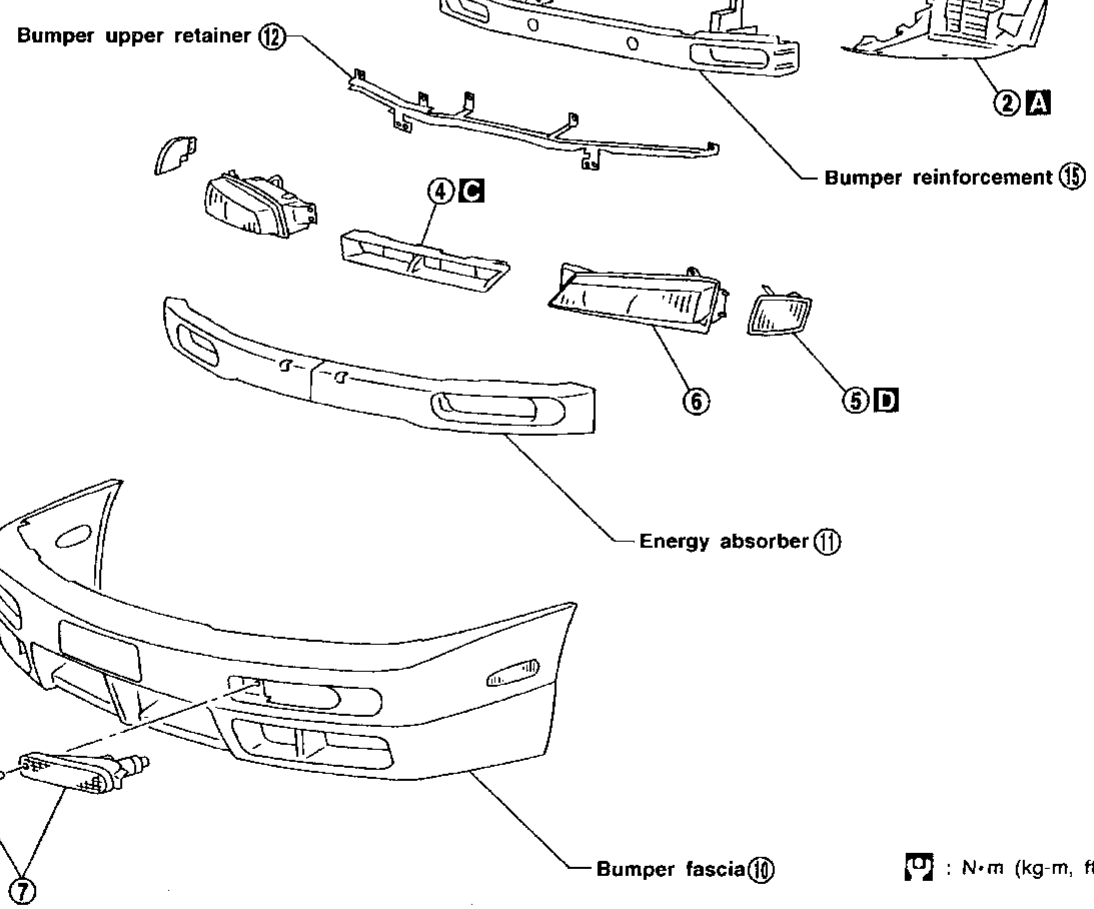
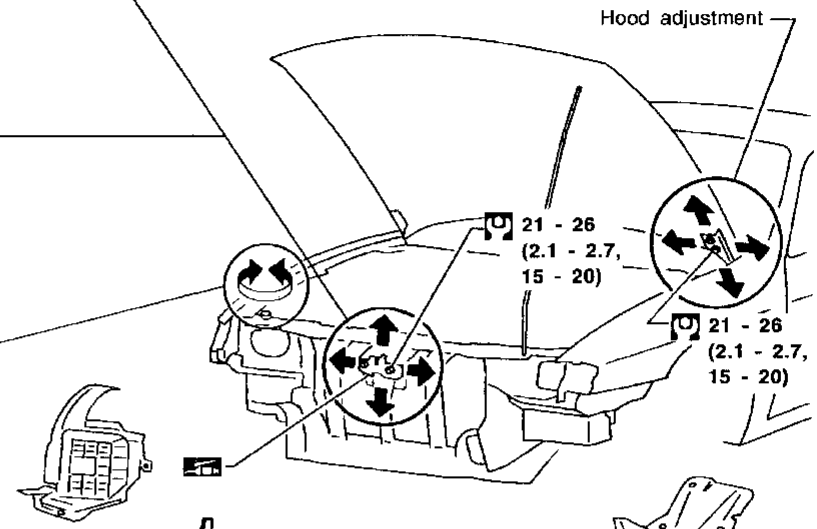
**Hood lock secondary latch hooking length**

**More than 5.0 mm (0.197 in)**



**Bumper rubber adjustment**

- Adjust so that hood is aligned with fender. At that time deflection is approx. 2 mm (0.08 in). [Bumper rubber free height is approx. 13 mm (0.51 in).]

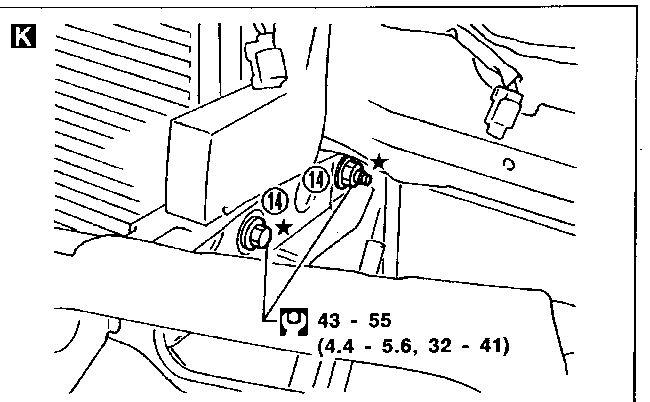
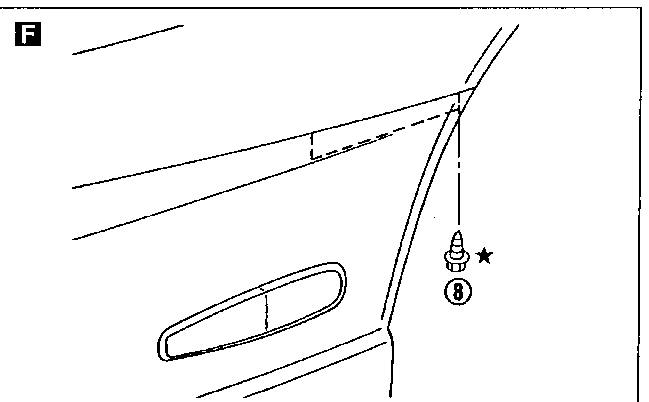
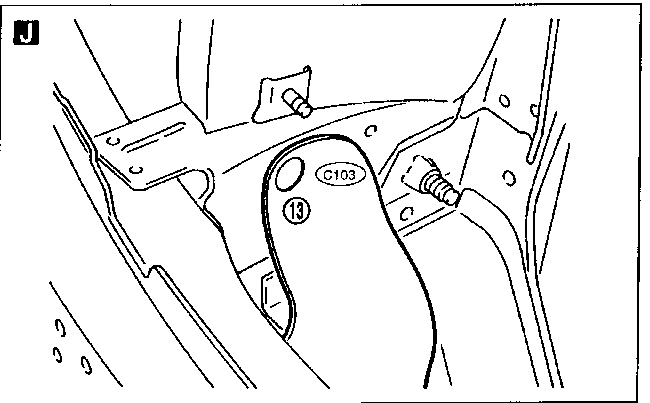
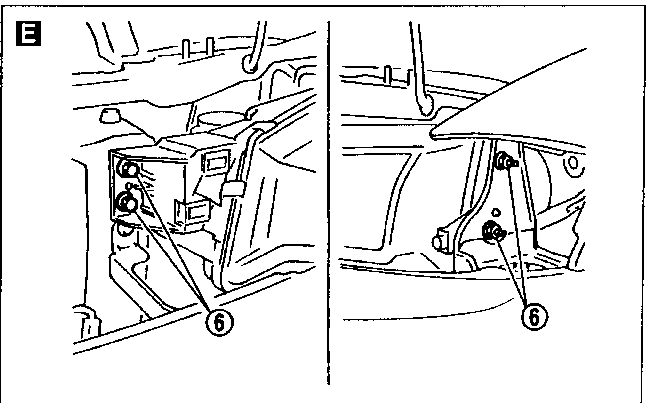
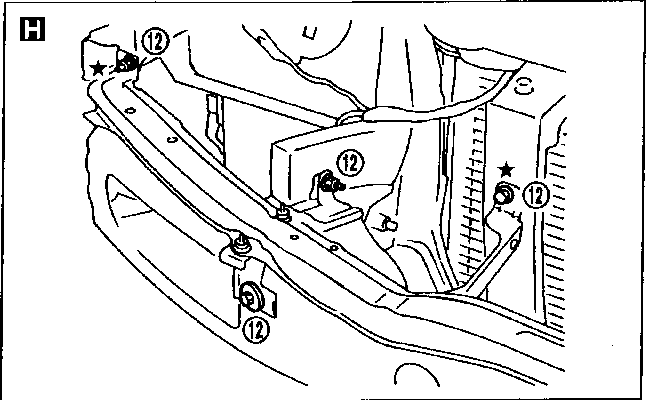
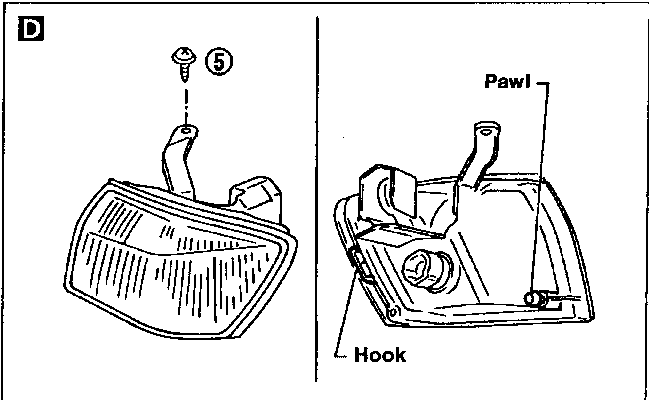
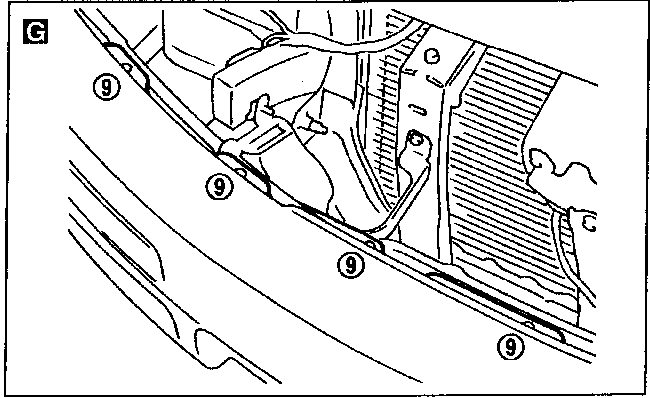
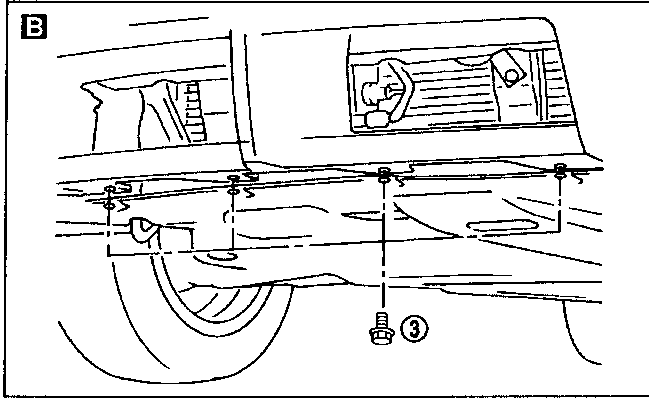


: N•m (kg•m, ft•lb)

GI  
MA  
EM  
LC  
EC  
FE  
CL  
MT  
AT  
PD  
FA  
RA  
BR  
ST  
RS  
BT  
HA  
EL  
IDX

# BODY END

## Body Front End (Cont'd)



43 - 55  
(4.4 - 5.6, 32 - 41)

★: Bumper assembly mounting bolts, screws & nuts

: N·m (kg-m, ft-lb)



Body Rear End and Opener

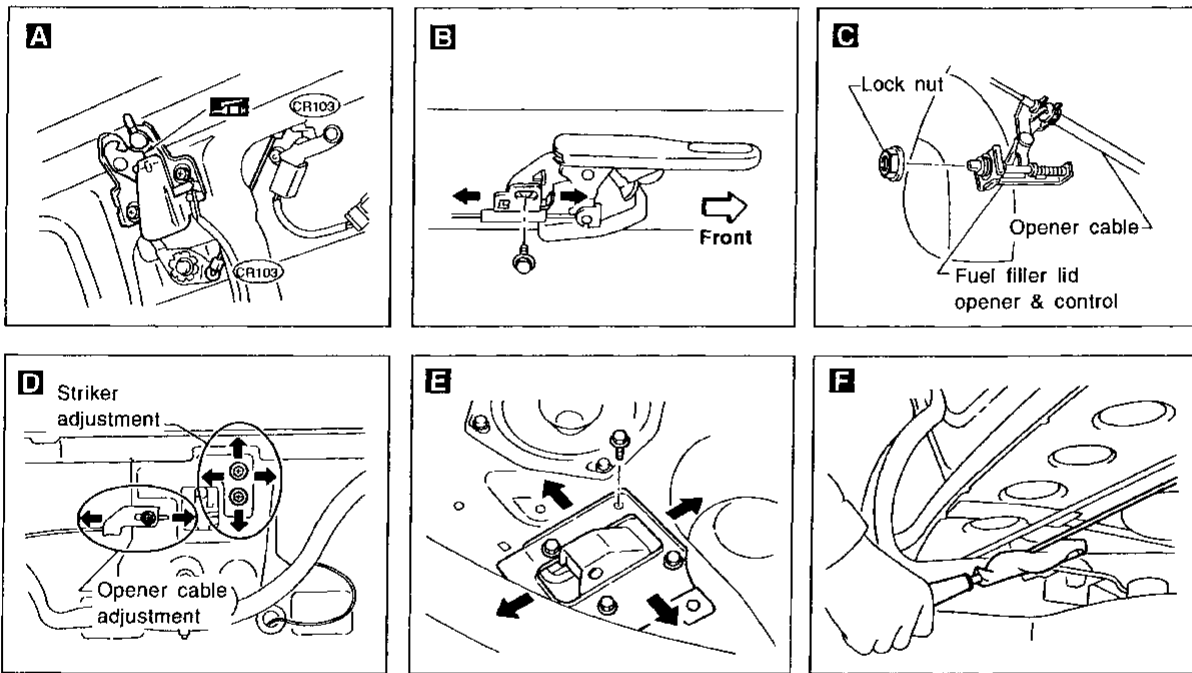
- When removing or installing trunk lid, place a cloth or other padding on trunk lid. This prevents vehicle body from being scratched.
- Trunk lid adjustment: Adjust at hinge-trunk lid portion for proper trunk lid fit.
- Trunk lid lock system adjustment: Adjust striker so that it is in the center of the lock. After adjustment, check trunk lid lock operation.
- Opener cable: do not attempt to bend cable using excessive force.
- After installation, make sure that trunk lid and fuel filler lid open smoothly.

GI  
MA

REMOVAL — Rear bumper assembly

- 1 Remove screws from lower side of each side bumper.
- 2 Remove clips (CS10) from lower side of bumper fascia.
- 3 Remove clips (C205) from upper side of bumper fascia.
- 4 Remove screws and clip (C203) securing license plate to bumper fascia.
- 5 Remove trunk room trim. Refer to "Trunk Room Trim" in "INTERIOR TRIM" for details, BT-23.
- 6 Working inside trunk, remove nuts securing left and right rear fenders to bumper fascia.
- 7 Working inside trunk, remove nuts securing left and right rear panels to bumper fascia.
- 8 Remove bumper fascia assembly.
- 9 Working inside trunk, remove left and right plugs from floor, then remove bolts.
- 10 Remove bumper reinforcement.

EM  
LC  
EC  
FE



CL  
MT  
AT  
PD  
FA  
RA  
BR  
ST  
RS

BT

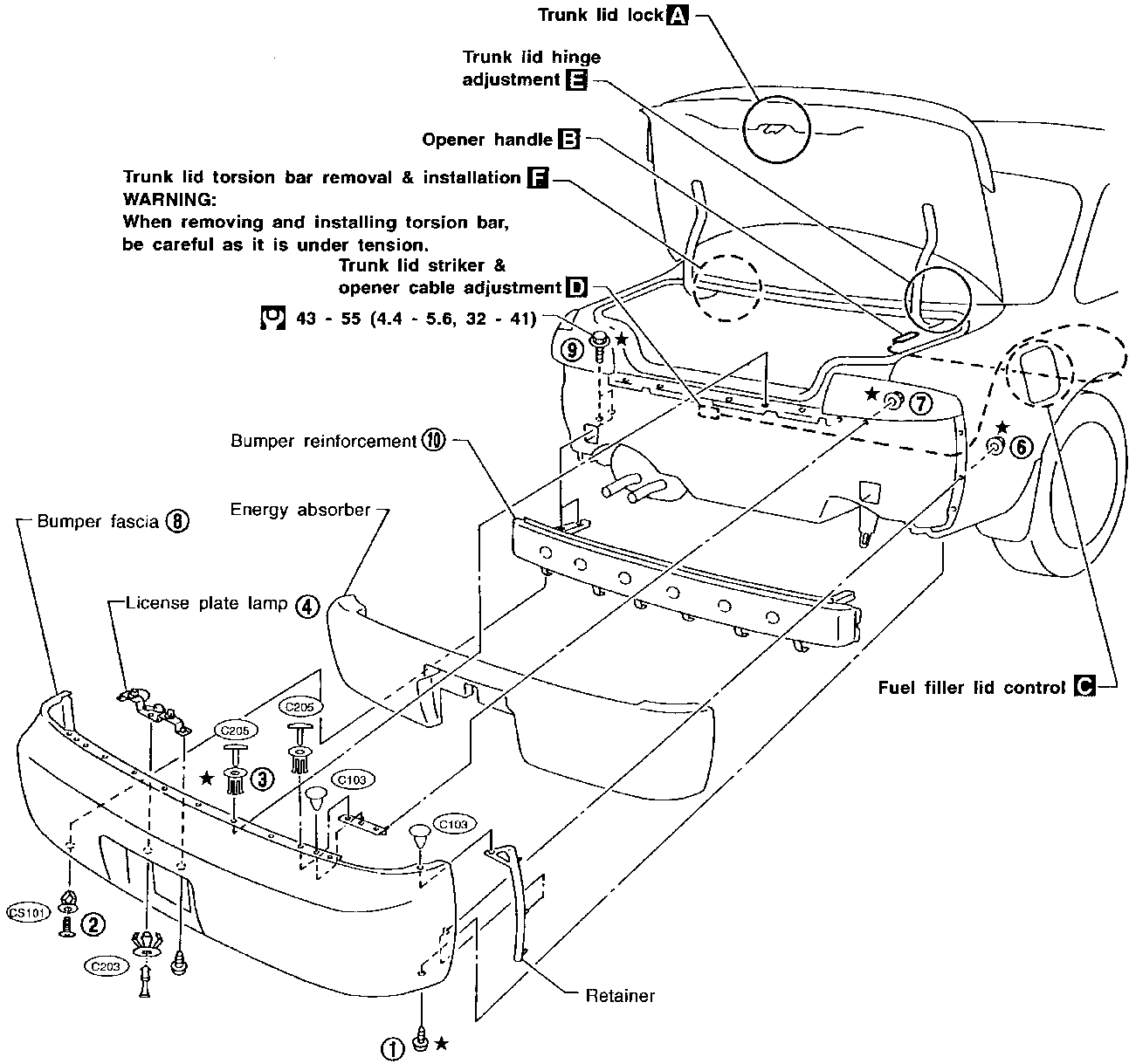
SBT123

HA  
EL  
IDX

# BODY END

## Body Rear End and Opener (Cont'd)

SEC. 843•850



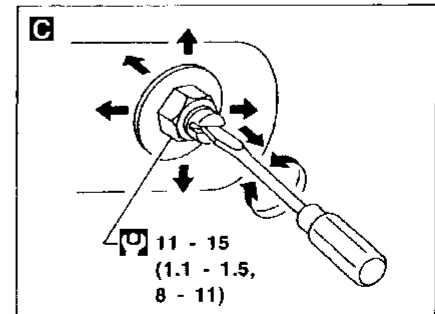
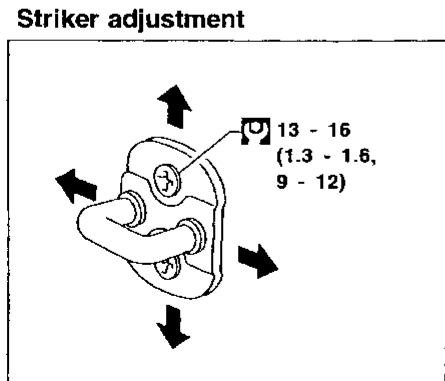
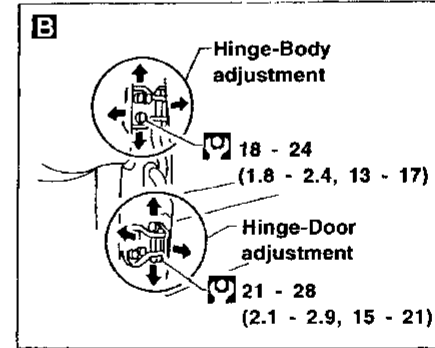
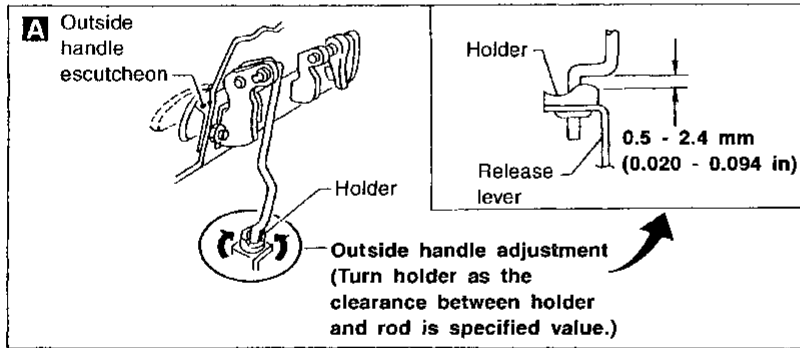
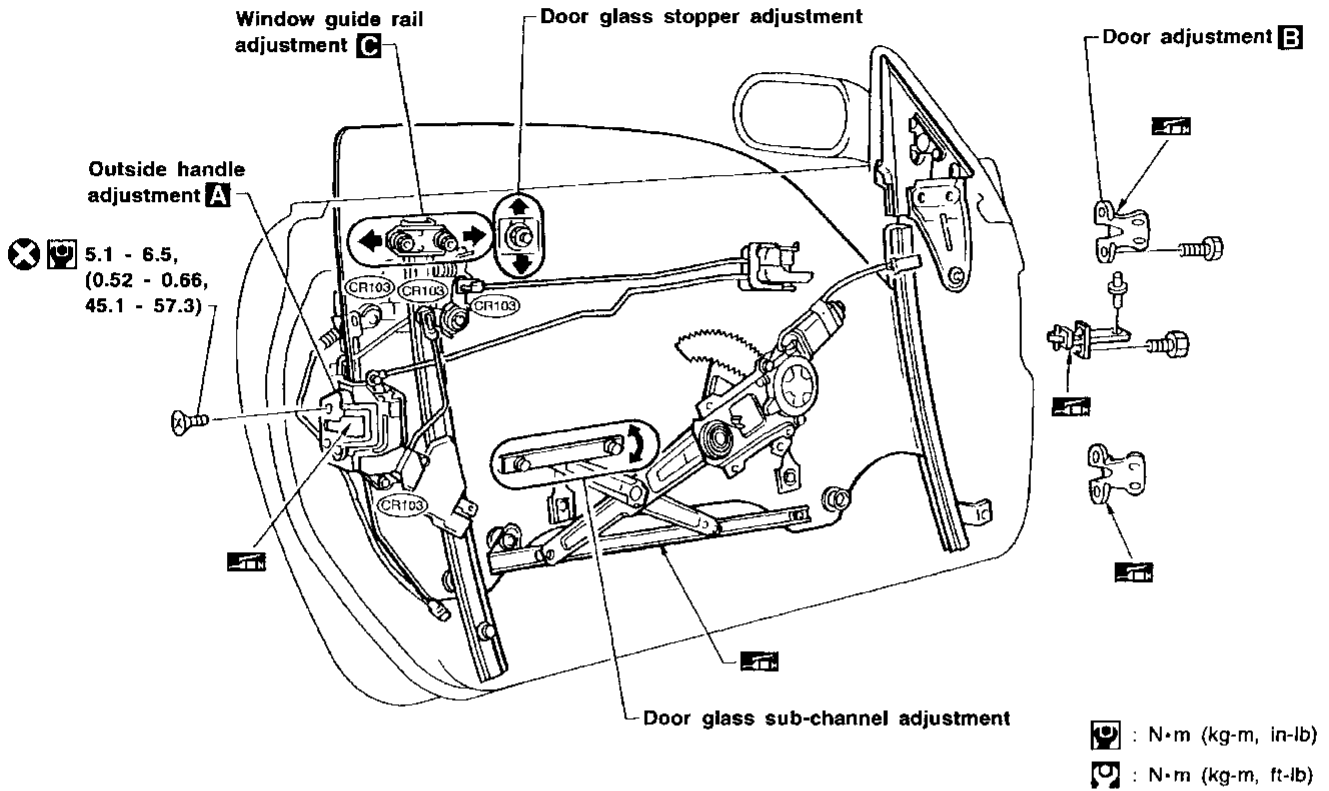
★ : Bumper assembly mounting bolts, nuts and clips

Ⓜ : N•m (kg-m, ft-lb)

# DOOR

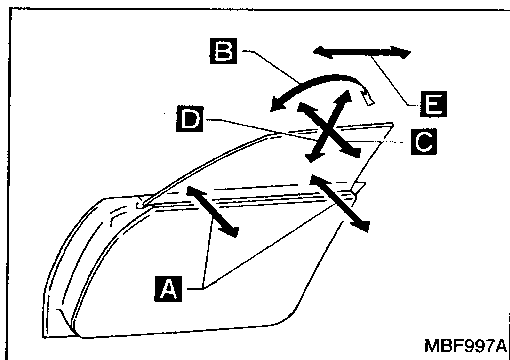
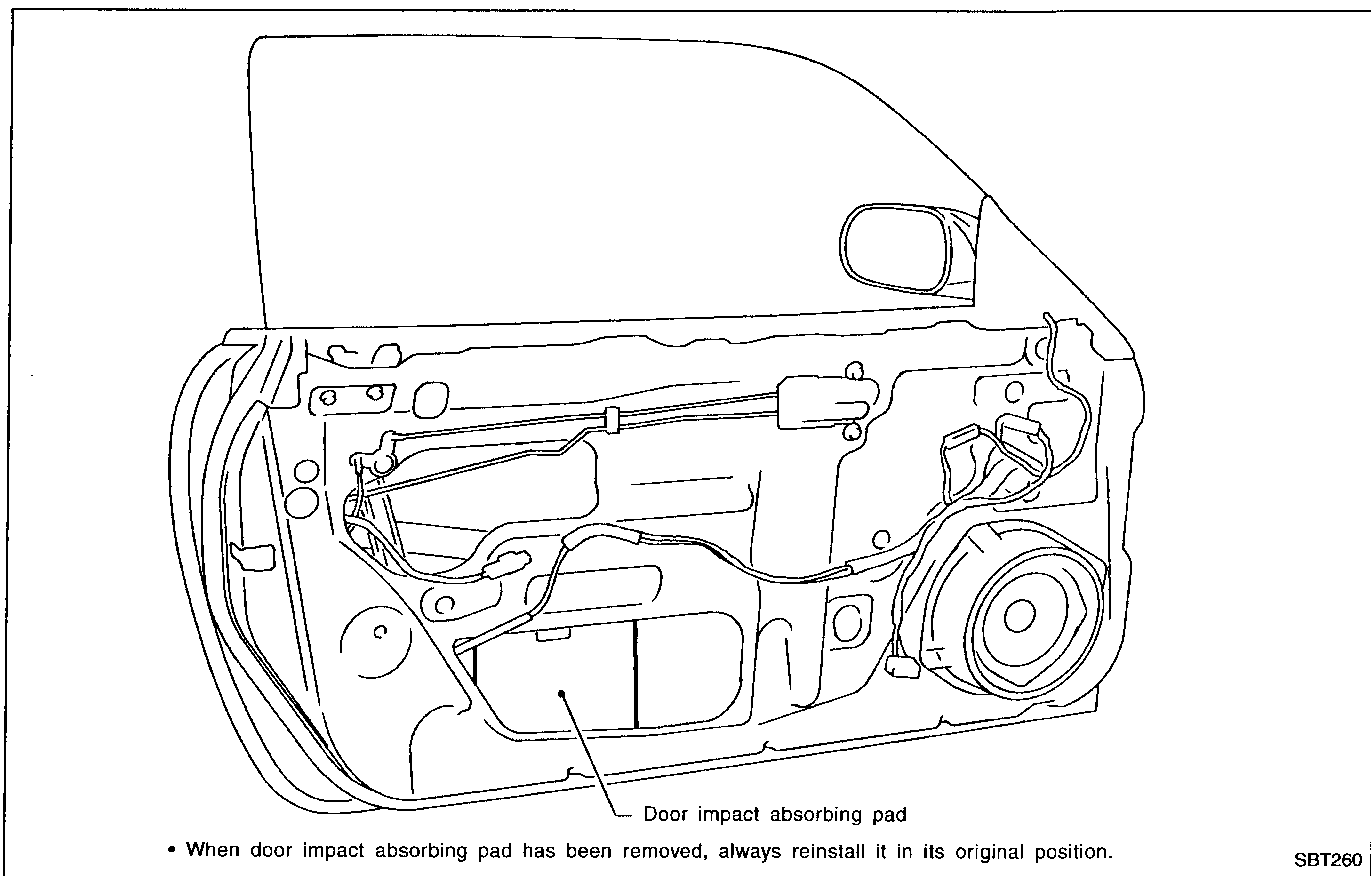
- For removal of door trim. Refer to "Door Trim" in "INTERIOR TRIM" for details, BT-21.
- After adjusting door or door lock, check door lock operation.

SEC. 800•803•805



GI  
MA  
EM  
LC  
EC  
FE  
CL  
MT  
AT  
PD  
FA  
RA  
BR  
ST  
RS  
BT  
HA  
EL  
IDX

## DOOR



### Door Glass Fitting Adjustment

The door glass is properly adjusted using the following five methods:

- A** In-out adjustment (at the glass waist)
- B** Fore-aft tilt adjustment
- C** In-out tilt adjustment (at the glass upper stop)
- D** Up-stop adjustment
- E** Fore-aft adjustment

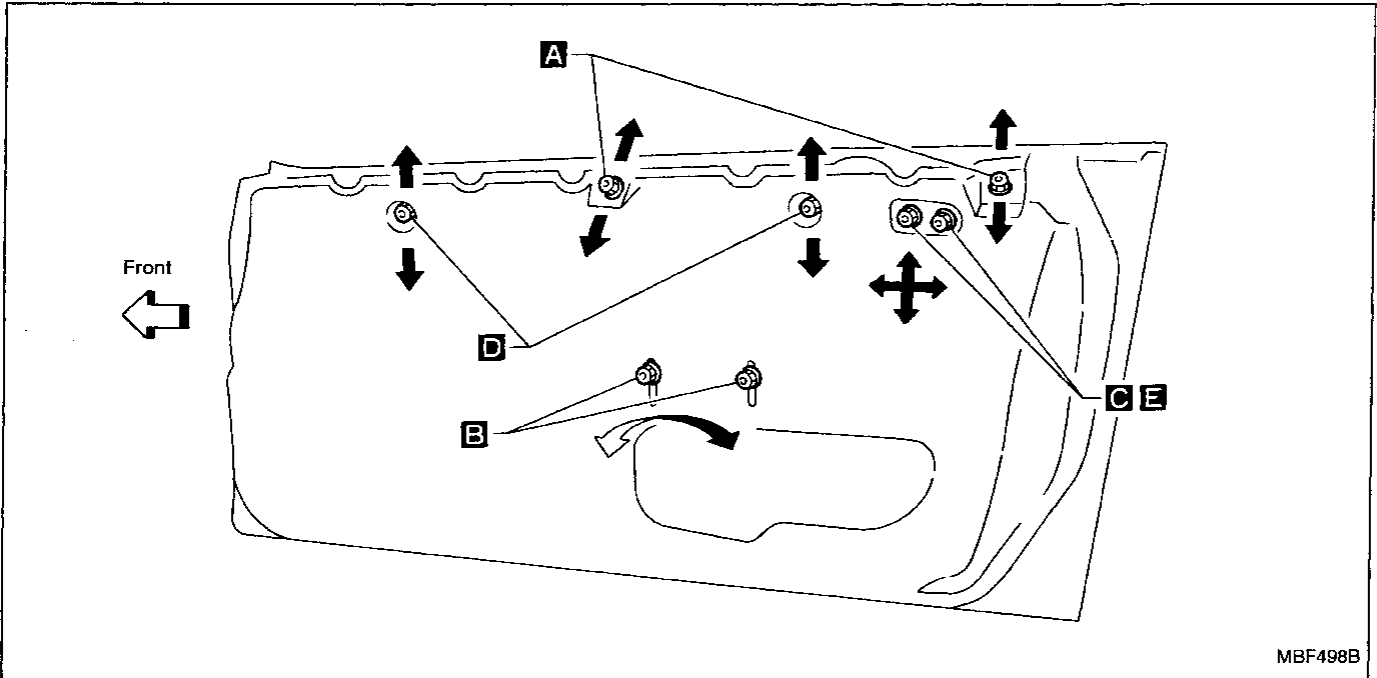
#### NOTICE:

When adjusting the door glass, it is not necessary to remove the outside door molding.

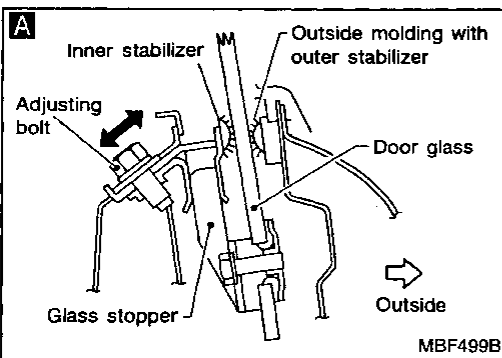
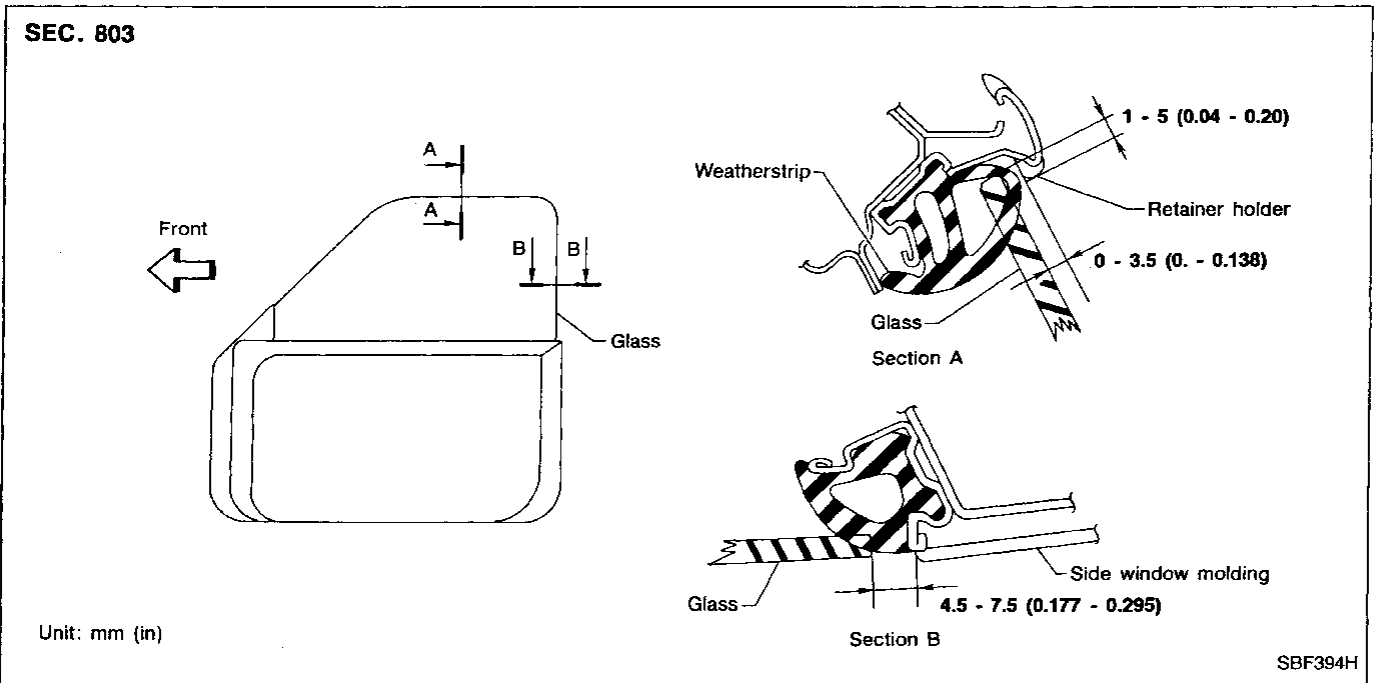
# DOOR

## Door Glass Fitting Adjustment (Cont'd)

### Adjustment locations



### Adjustment standard clearance



#### **A IN-OUT ADJUSTMENT (at the glass waist)**

1. Raise door glass until glass stopper is in contact with inner stabilizer, just before the window stops.
2. Loosen adjusting bolts.
3. Lightly press door glass upper end outward so that glass outer surface contacts outer stabilizer. With glass held in that position, press inner stabilizer to glass inner surface and tighten adjusting bolt.

**CAUTION:**

Make sure nap portions of stabilizers are clean and free from oil, grease, etc.

GI  
MA  
EM  
LC  
EC  
FE  
CL

MT  
AT  
PD  
FA  
RA  
BR  
ST  
RS

**BT**

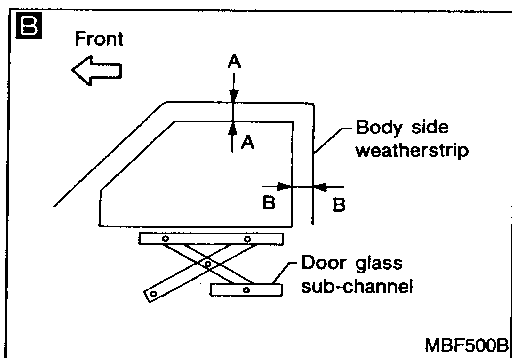
HA

EL

IDX

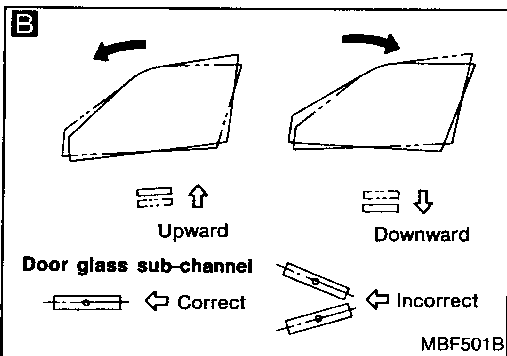
# DOOR

## Door Glass Fitting Adjustment (Cont'd)



### B FORE-AFT TILT ADJUSTMENT

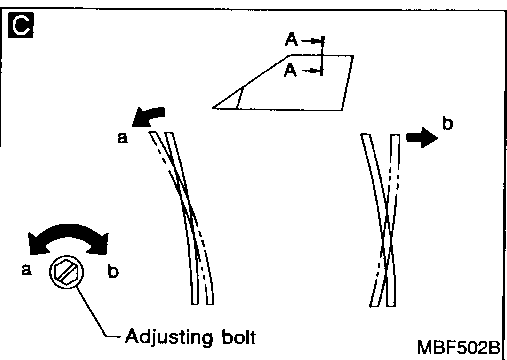
- Adjust front glass sub-channel so that specified dimensions A-A and B-B are obtained at the glass and retainer holder/body side weatherstrip location.



- For sub-channel adjustment procedures, refer to figure at left as a guide.

#### CAUTION:

- Make sure door glass sub-channel is horizontal.
- The fore-aft tilt adjustment must be made at the same time the fore-aft adjustment **B** is made.

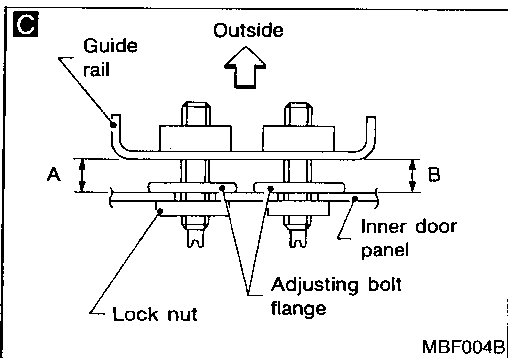


### C IN-OUT TILT ADJUSTMENT (at glass upper stop)

- Adjust door glass-to-holder clearance to 0 to 3.5 mm (0 to 0.138 in) (A) with the adjusting bolts.

#### CAUTION:

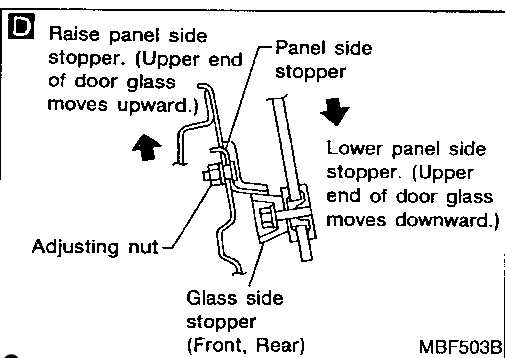
- Turn adjusting bolt clockwise to move door glass upper end outward.
- Turn adjusting bolt counterclockwise to move door glass upper end inward.



- For sub-channel adjustment procedures, refer to figure at left as a guide.

#### CAUTION:

- Make sure door glass sub-channel is horizontal.
- The fore-aft tilt adjustment must be made at the same time the fore-aft adjustment **B** is made.

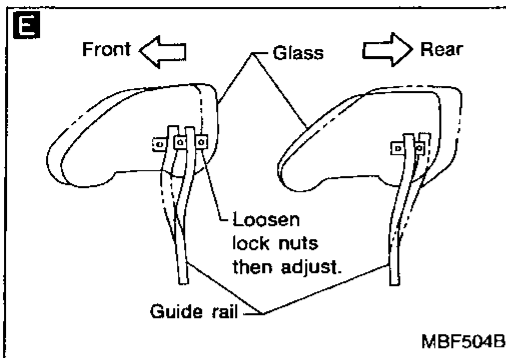


### D UP-STOP ADJUSTMENT

- Adjust panel stopper height so that clearance at upper edge of door is standard measurement (A). Make sure front and rear glass stoppers lightly contact front and rear panel stoppers, then tighten adjusting nuts.
- If stoppers do not contact each other, adjust sub-channel nut. Refer to "**B** Fore-aft tilt adjustment".
- Open and close doors to make sure upper end of door glass does not contact holder.

# DOOR

## Door Glass Fitting Adjustment (Cont'd)

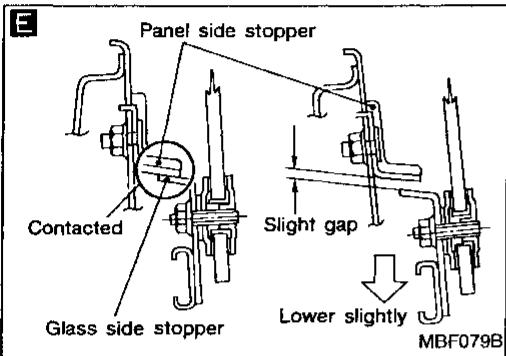


### E FORE-AFT ADJUSTMENT

1. Adjust guide rail in the fore-aft direction so that clearance between upper edge of door glass and holder is constant at the midpoint of holder (specified dimension A) when door is closed or opened.
2. If outer perimeter of door glass interferes with holder when door is opened or closed, refer to "E Fore-aft tilt adjustment" for procedures.

#### CAUTION:

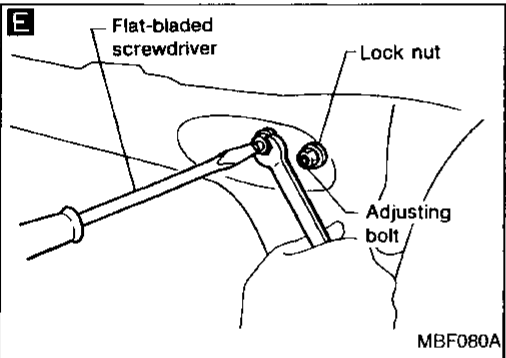
When loosening guide rail lock nut, prevent adjusting bolt from turning by holding it with a standard screwdriver.



3. Lower the glass slightly until the glass side stopper comes off the panel side stopper.

#### CAUTION:

Do not lower the glass excessively.



- After completing door glass adjustment, retighten all lock nuts.

#### CAUTION:

While tightening lock nuts, hold adjusting bolts using a standard screwdriver to prevent them from turning.

GI

MA

EM

LC

EC

FE

CL

MT

AT

PD

FA

RA

BR

ST

RS

BT

HA

EL

IDX

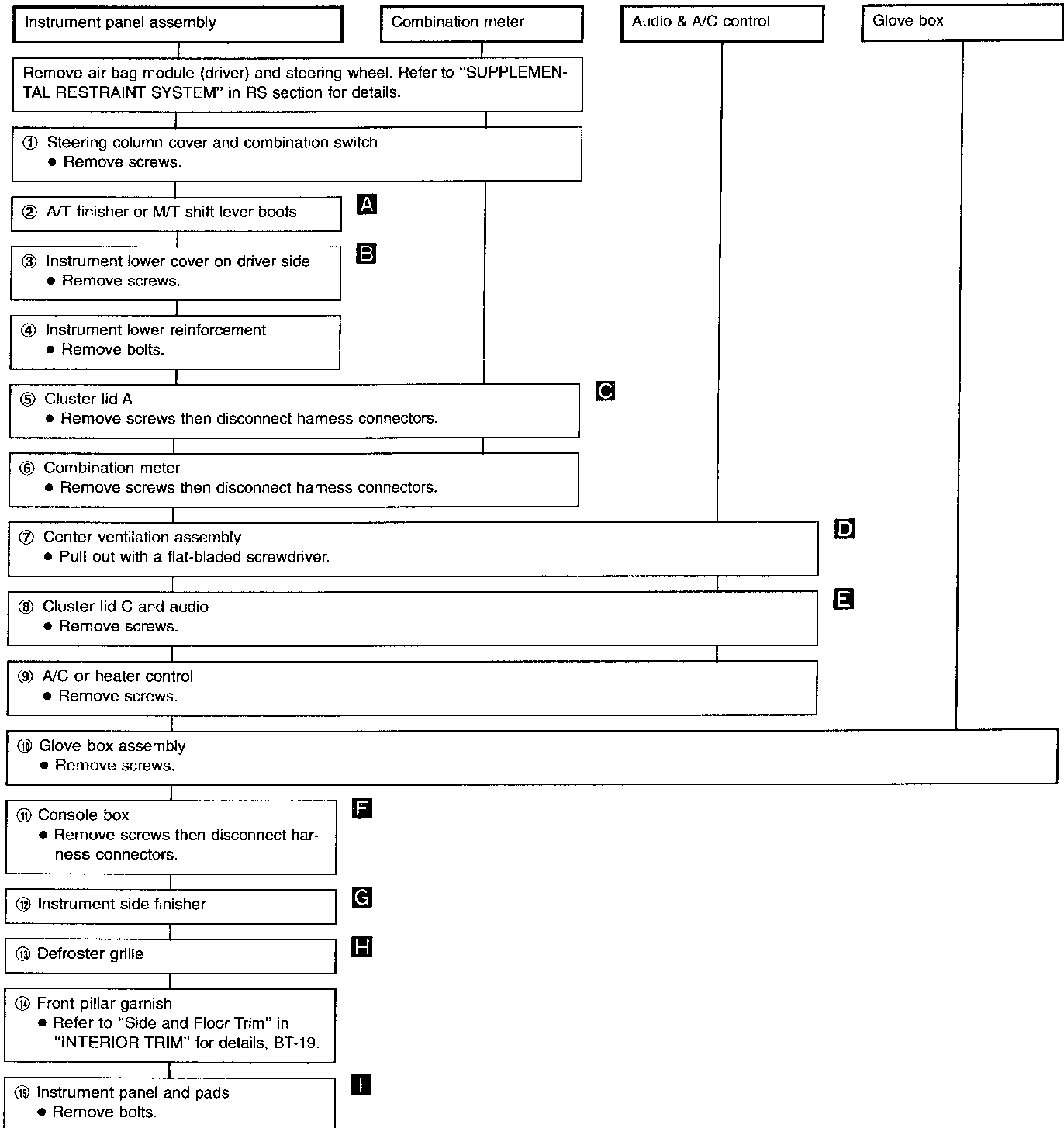
963

# INSTRUMENT PANEL

**CAUTION:**

- Disconnect ground terminal from battery in advance.
- Disconnect air bag system line in advance.
- Never tamper with or force air bag lid open, as this may adversely affect air bag performance.
- Be careful not to scratch pad and other parts.

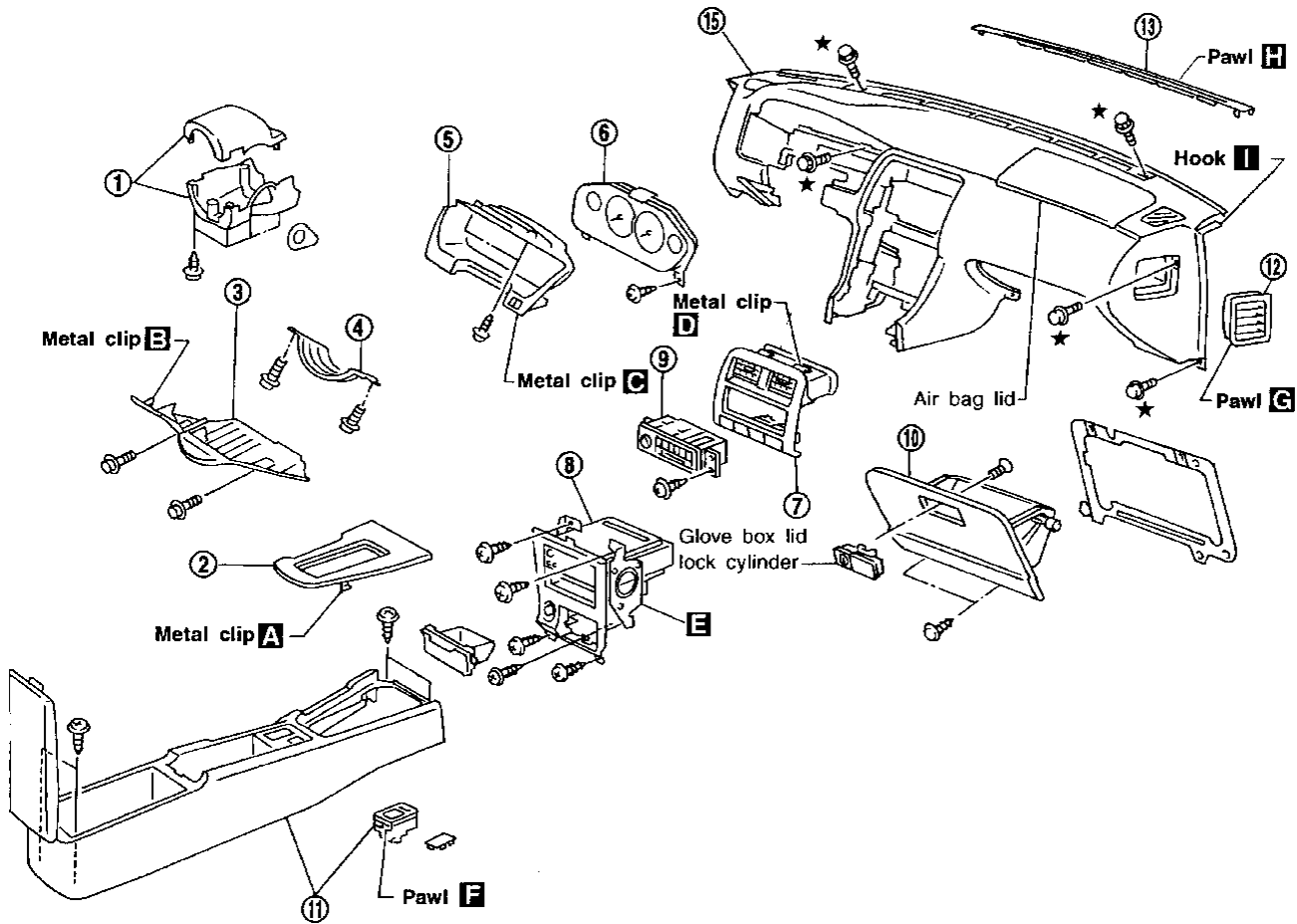
**REMOVAL — Instrument panel assembly**



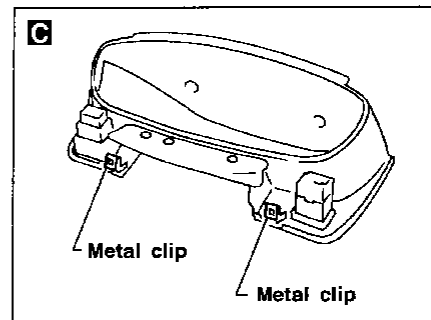
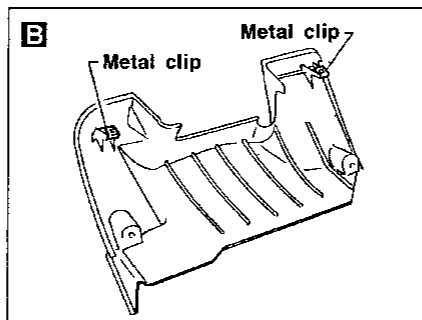
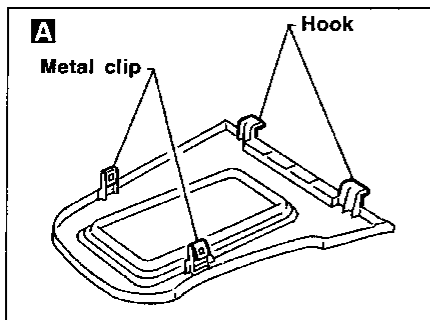


# INSTRUMENT PANEL

SEC. 248•487•680•685•969

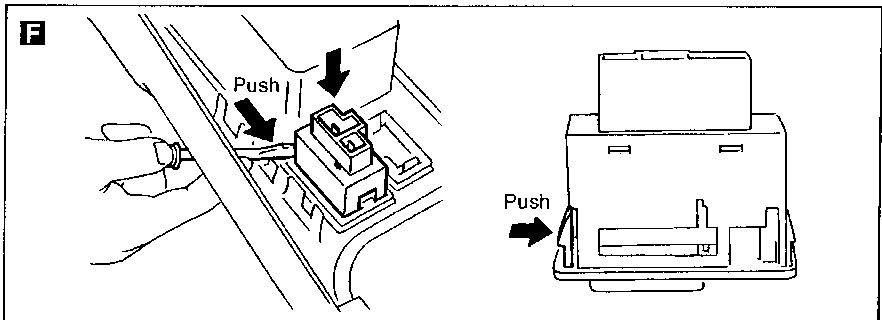
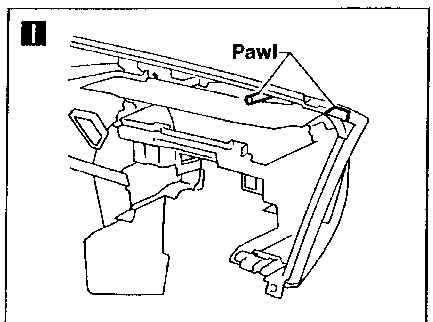
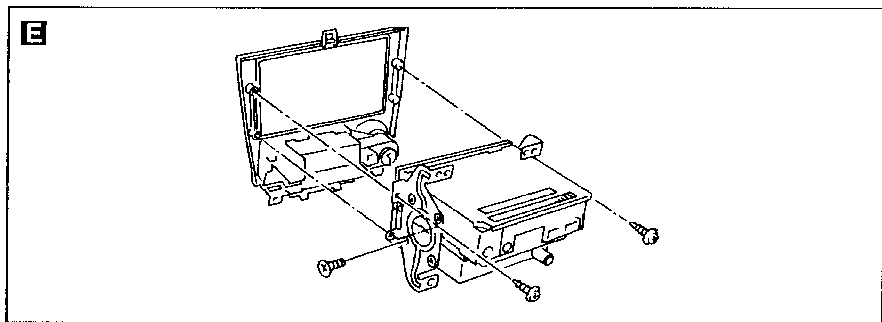
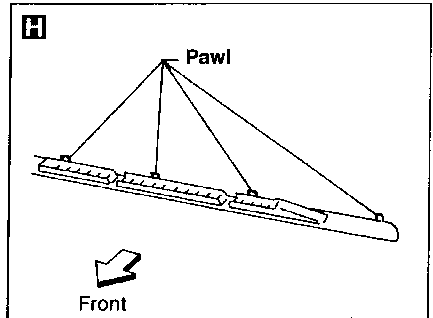
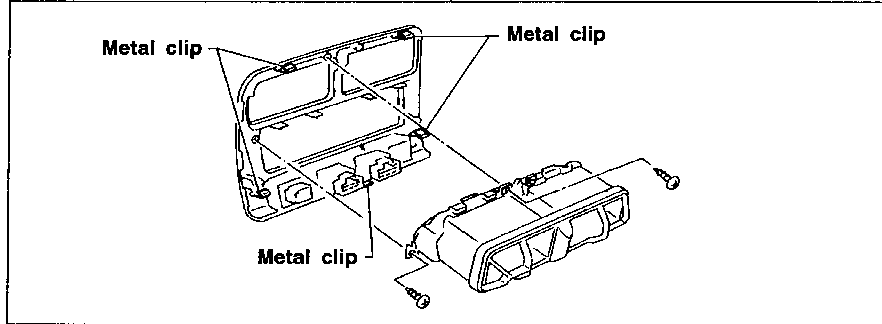
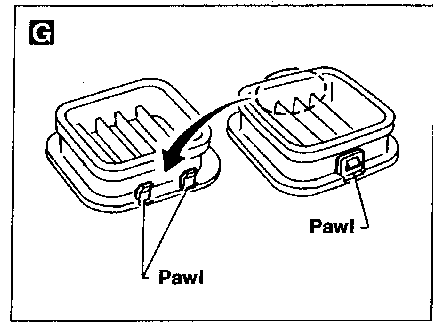
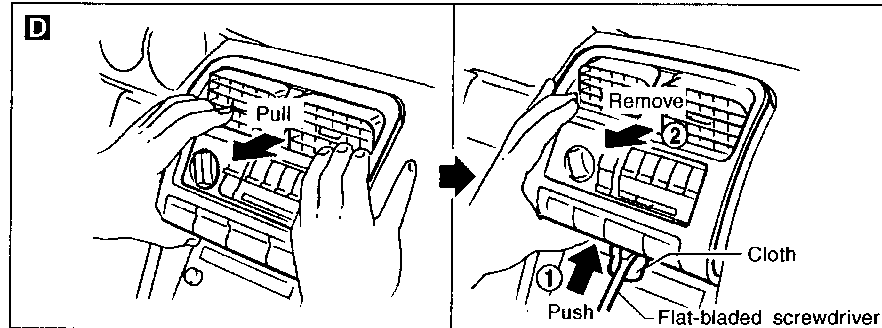


★ : Instrument panel assembly mounting bolts



GI  
MA  
EM  
LC  
EC  
FE  
CL  
MT  
AT  
PD  
FA  
RA  
BR  
ST  
RS  
BT  
HA  
EL  
IDX

# INSTRUMENT PANEL



# INTERIOR TRIM

## Side and Floor Trim

### CAUTION:

Wrap the tip of flat-bladed screwdriver with a cloth when removing metal clips from garnishes.

### REMOVAL — Body side trim

- ① Remove front and rear seat. Refer to "SEAT" for details, BT-31.
- ② Remove dash side finisher.
- ③ Remove kicking plate.
- ④ Remove front pillar garnish.
- ⑤ Remove rear side finisher.
- ⑥ Remove rear pillar finisher.
- ⑦ Remove rear parcel shelf.
- ⑧ Remove seat back finisher welt. Refer to "Trunk Room Trim" in "INTERIOR TRIM" for details, BT-23.
- ⑨ Remove seat back finishers (Right, Center, Left).

GI

MA

EM

LC

EC

FE

CL

MT

AT

PD

FA

RA

BR

ST

RS

**BT**

HA

EL

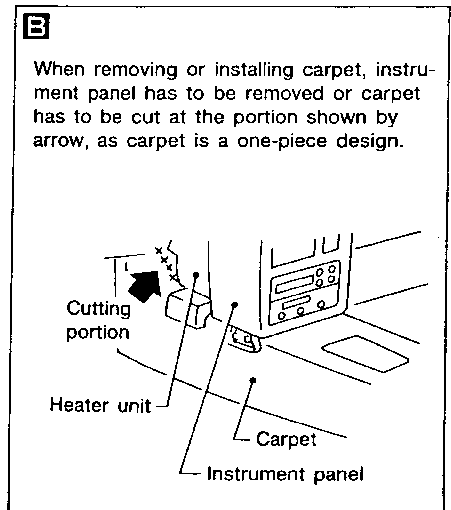
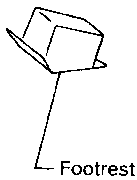
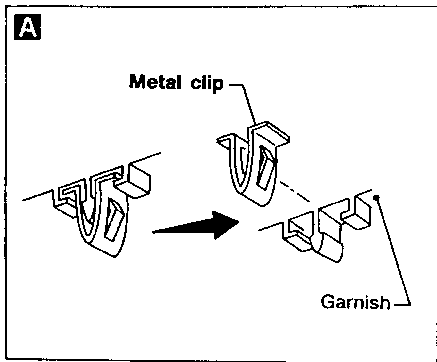
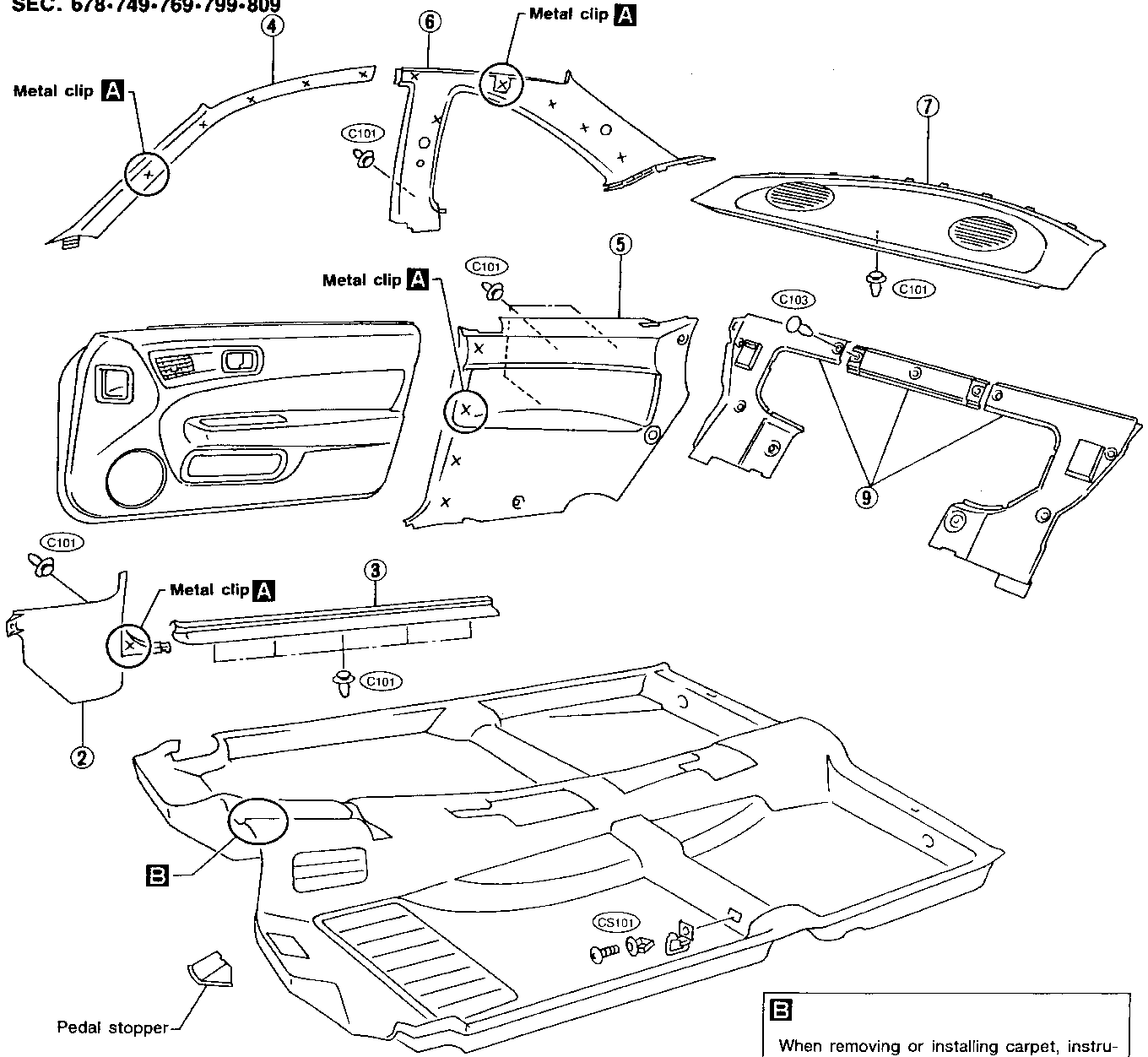
IDX

967

# INTERIOR TRIM

## Side and Floor Trim (Cont'd)

SEC. 678-749-769-799-809



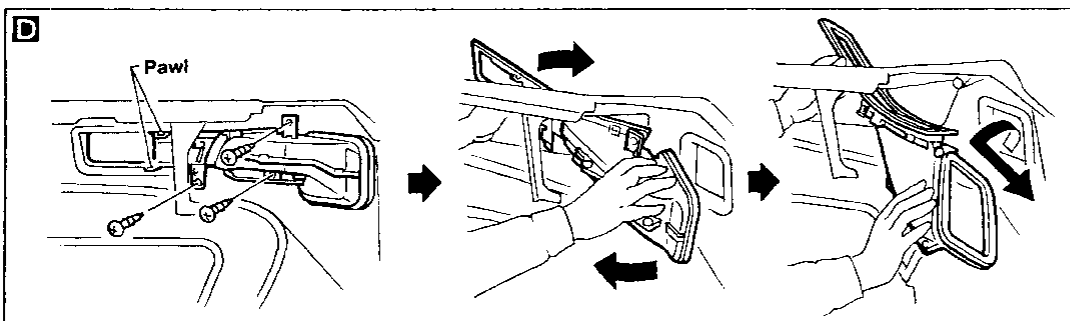
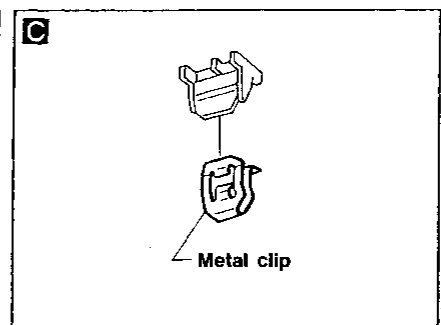
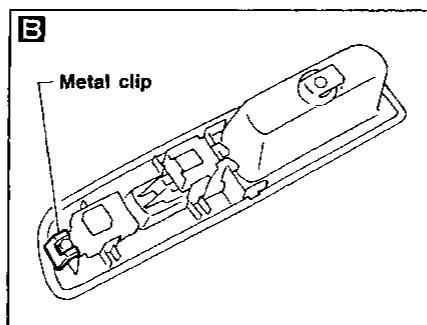
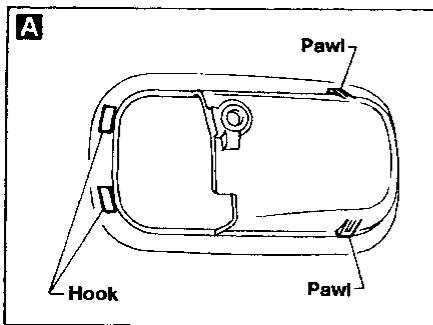
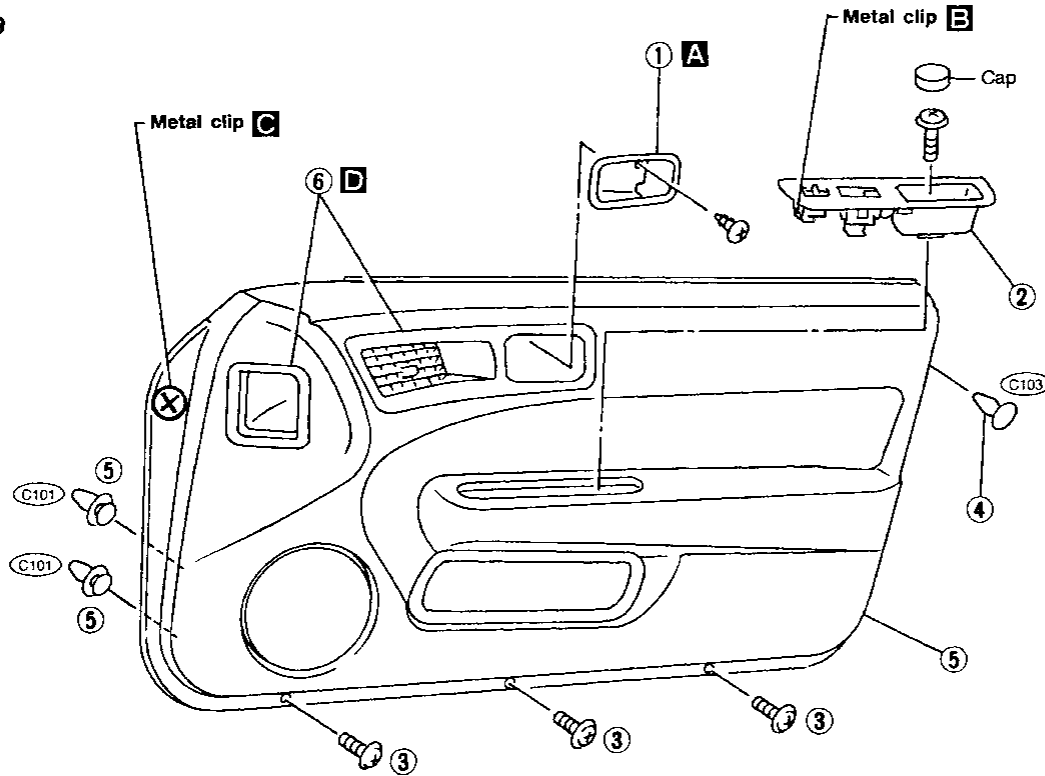
# INTERIOR TRIM

## Door Trim

### REMOVAL — Door trim

- 1 Remove screws securing inside handle escutcheon **A**.
- 2 Remove power window switch **B**.
- 3 Remove screws securing door finisher.
- 4 Remove clips securing door finisher.
- 5 Pull door finisher to remove clips **C101** and metal clips **C** from door panel and remove door finisher. Disconnect main and door harnesses.
- 6 Remove ventilator grille and ventilator duct assembly from door finisher **D**.

SEC. 809



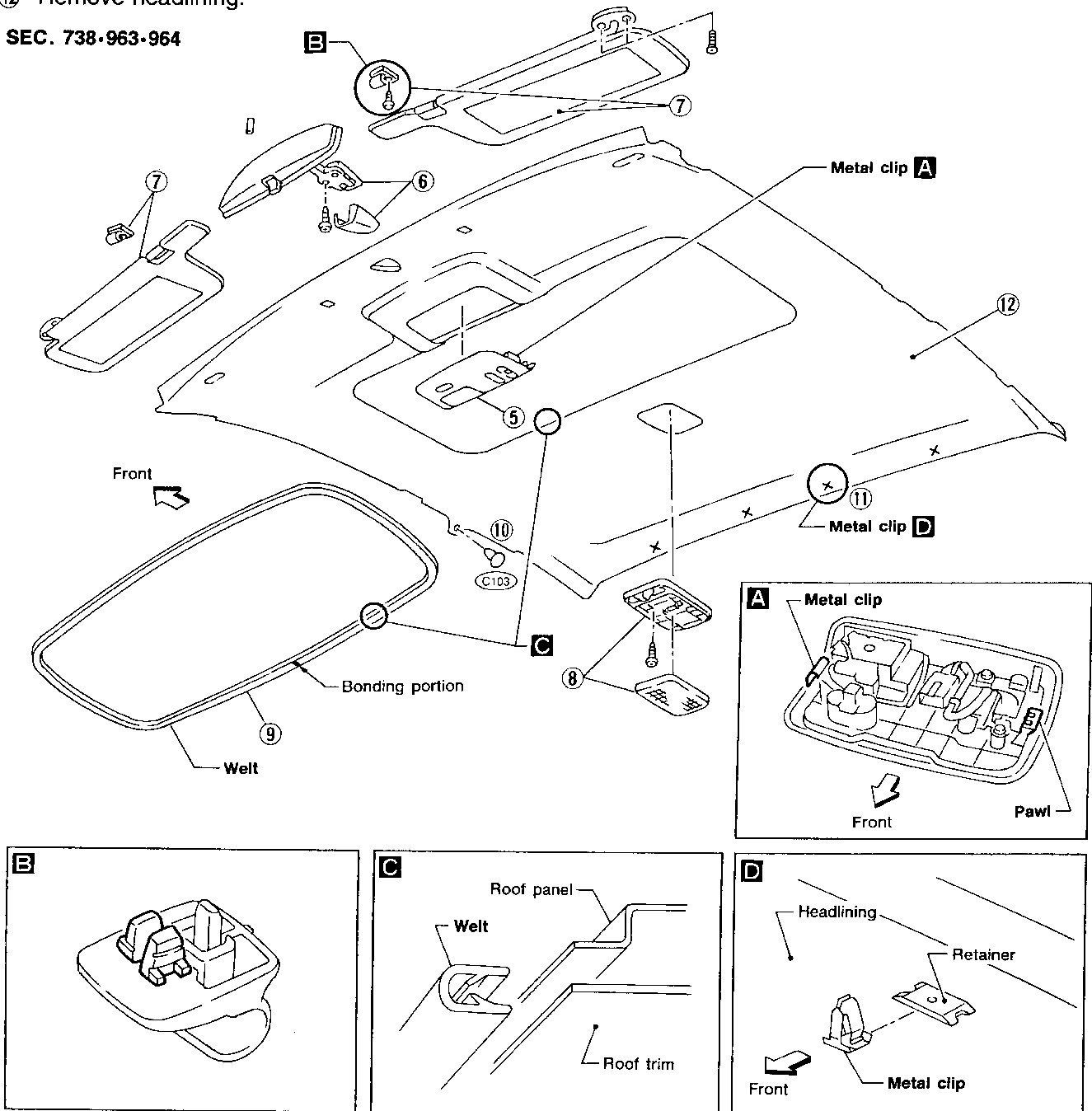
GI  
MA  
EM  
LC  
EC  
FE  
CL  
MT  
AT  
PD  
FA  
RA  
BR  
ST  
RS  
BT  
HA  
EL  
IDX

## Roof Trim

### REMOVAL — Headlining

- ① Remove rear seat. Refer to "Rear Seat" in "SEAT" for details, BT-33.
- ② Remove seat belt adjuster cover over anchor bolt.
- ③ Remove front and rear seat belts. Refer to "SEAT BELTS" in RS section for details.
- ④ Remove body side trim. Refer to "Side and Floor Trim" in "INTERIOR TRIM" for details, BT-19.
- ⑤ Remove sunroof switch **A**.
- ⑥ Remove inside mirror assembly.
- ⑦ Remove sun visors **B**.
- ⑧ Remove interior lamp assembly.
- ⑨ Remove sunroof welt **C**.
- ⑩ Remove clips **C103** securing each side of headlining.
- ⑪ Remove metal clips securing headlining **D**.
- ⑫ Remove headlining.

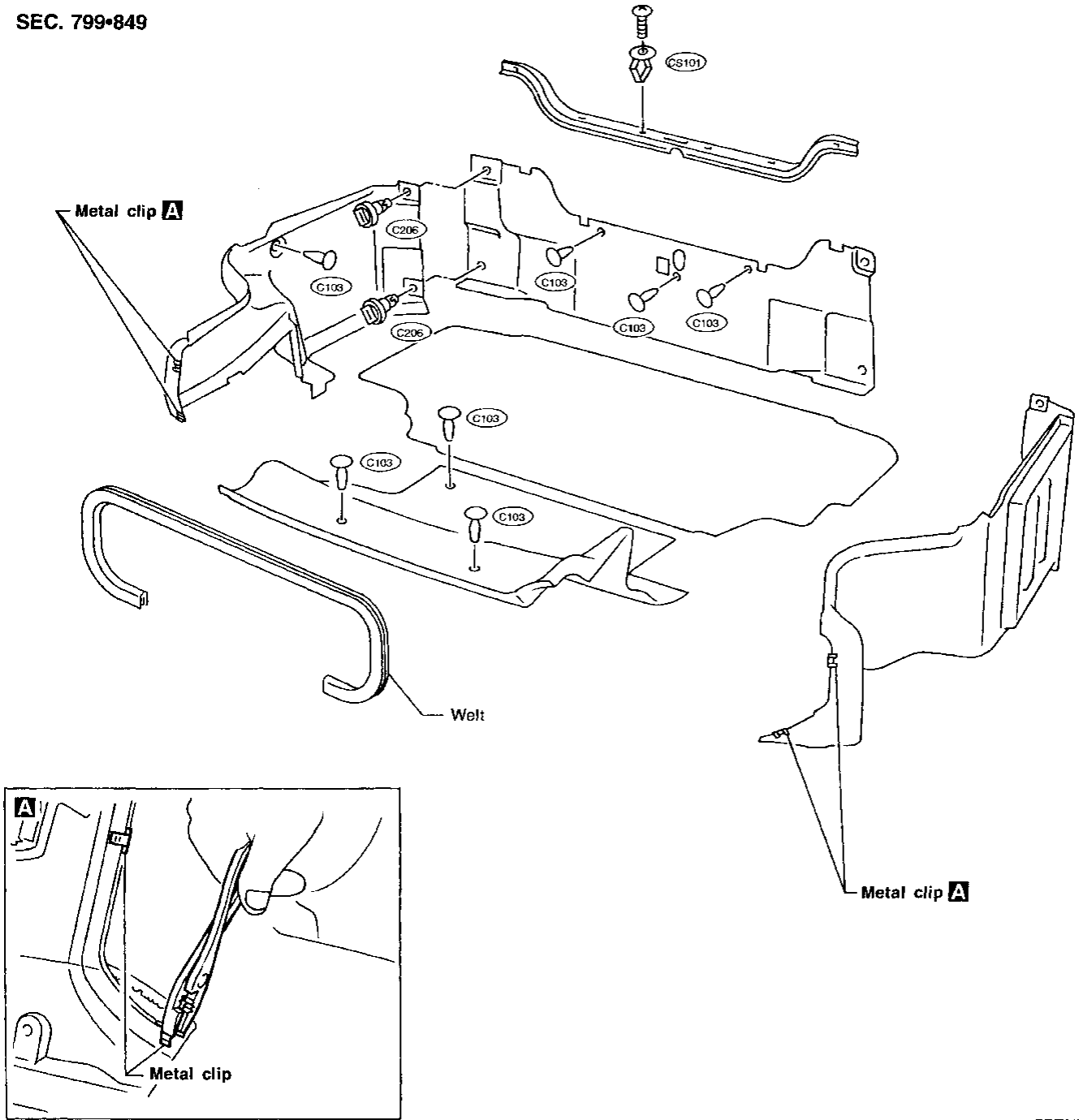
SEC. 738-963-964



# INTERIOR TRIM

## Trunk Room Trim

SEC. 799•849



GI  
MA  
EM  
LC  
EC  
FE  
CL  
MT  
AT  
PD  
FA  
RA  
BR  
ST  
RS

SBT252

**BT**

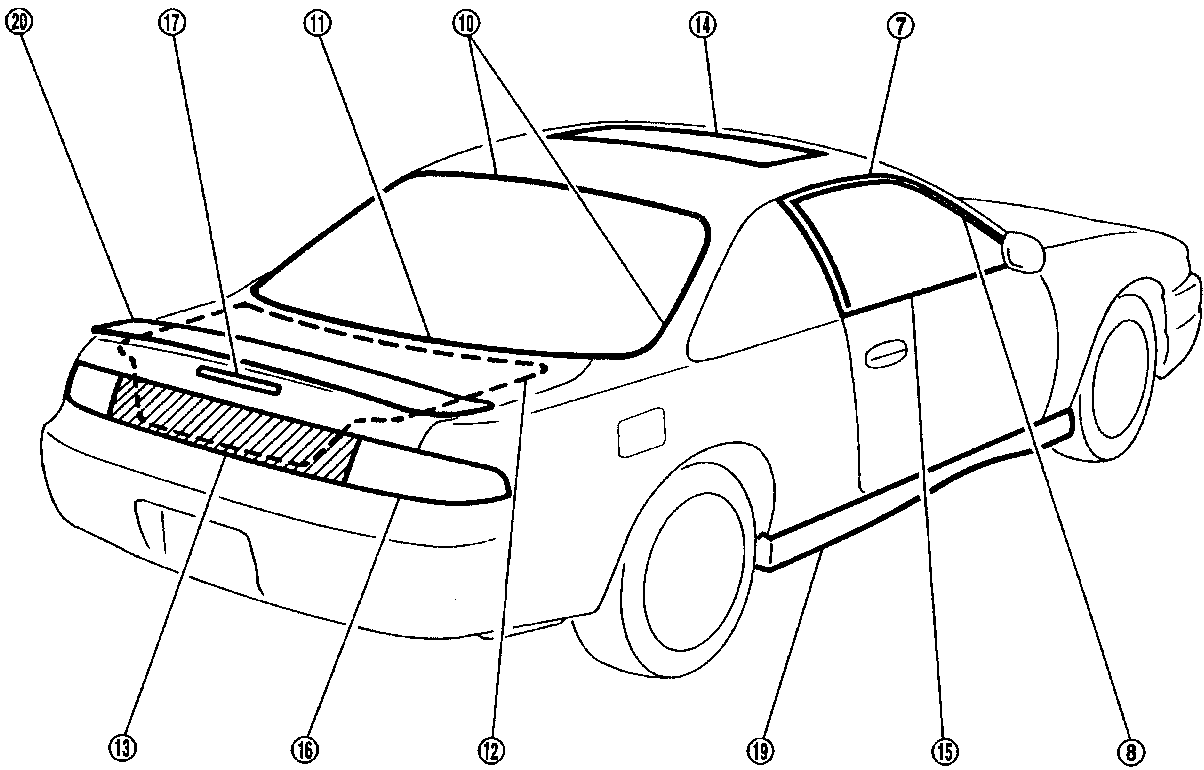
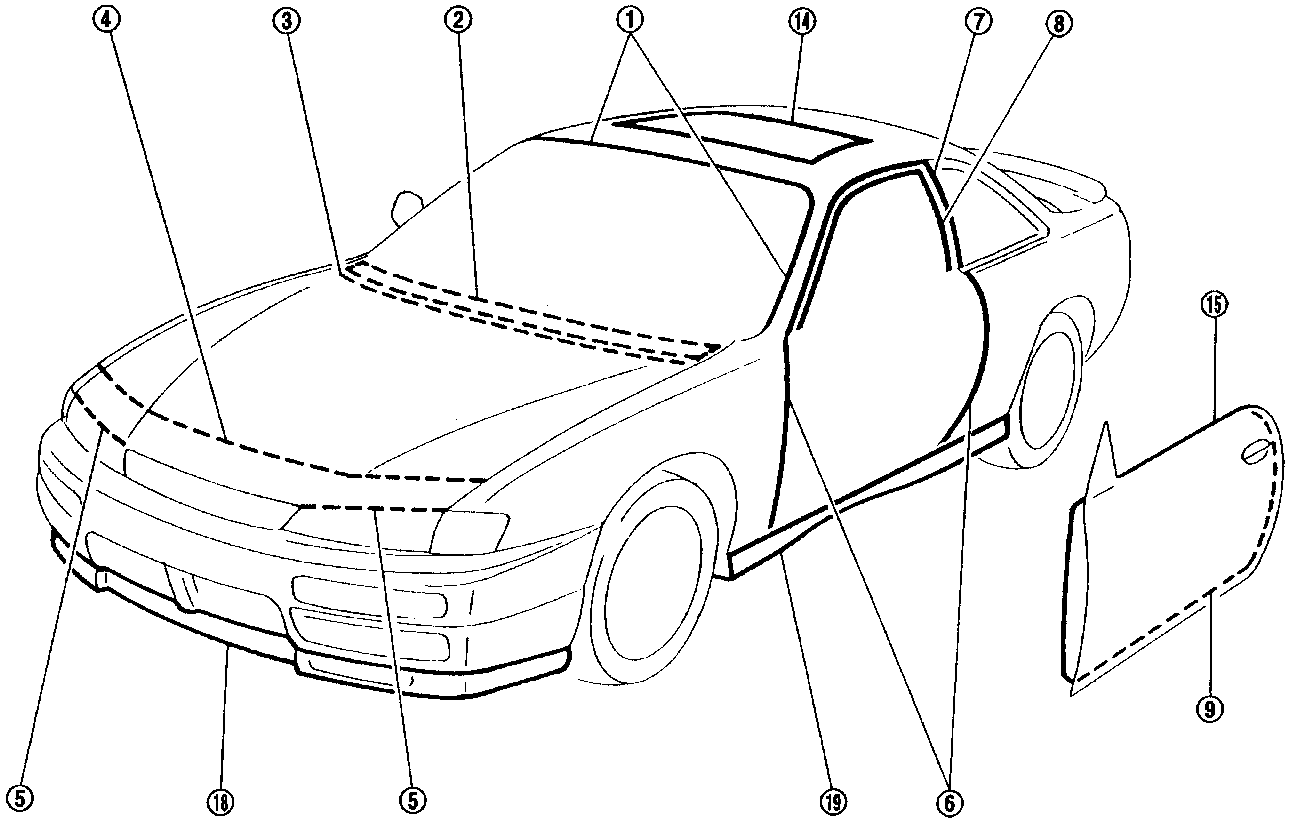
HA

EL

IDX

971

# EXTERIOR

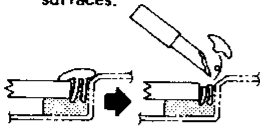




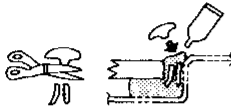
① Windshield upper and side molding

Method 1

Cut off top portion of molding and clean glass and panel surfaces.



Apply sealant to top portion of molding.



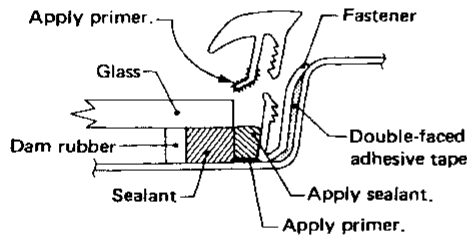
Cut off lower portion of new molding.



Finish well to give it a good appearance.

Method 2

1. Cut off sealant at glass end.
2. Clean the side on which panel was mounted.
3. Set molding fastener and apply sealant to body panel, and apply primer to molding and body.

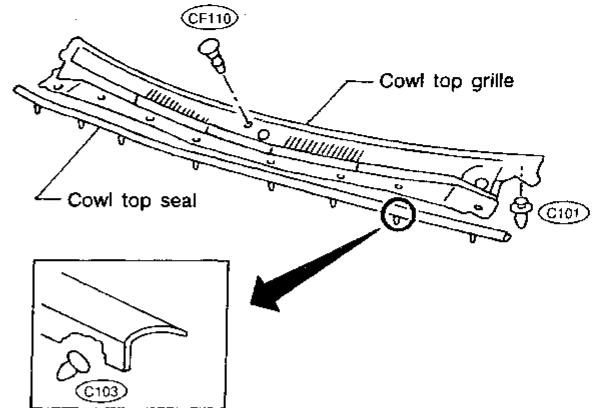


4. Install molding by aligning the molding mark located on center with vehicle center. Be sure to install tightly so that there is no gap around the corner.

SBF161E

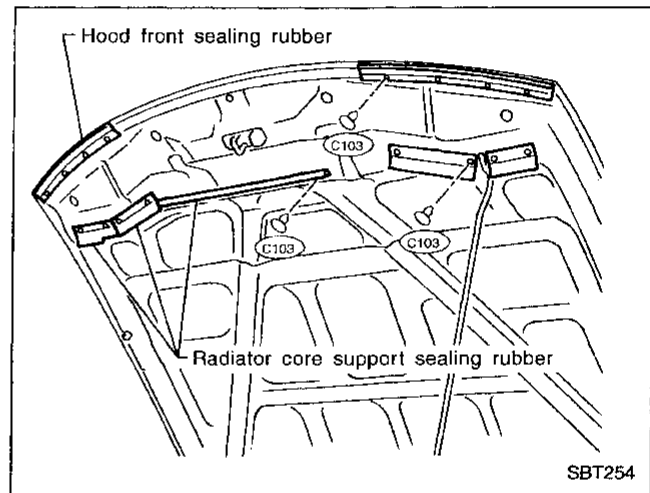
②, ③ Cowl top grille and hood rear sealing rubber

SEC. 660



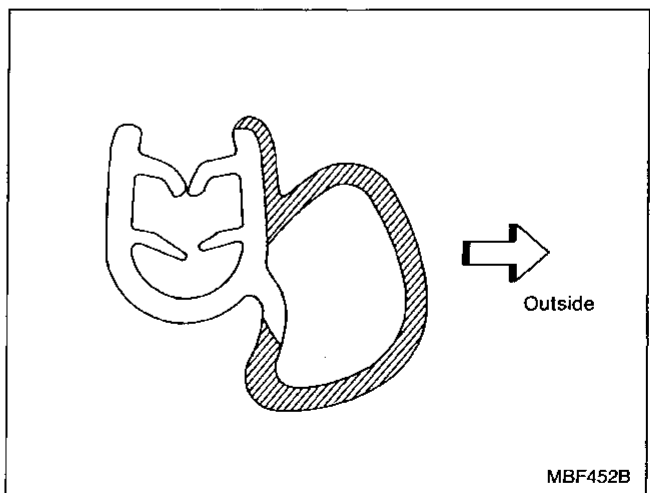
MBF450B

④, ⑤ Hood front sealing rubber



SBT254

⑥ Body side welt



MBF452B

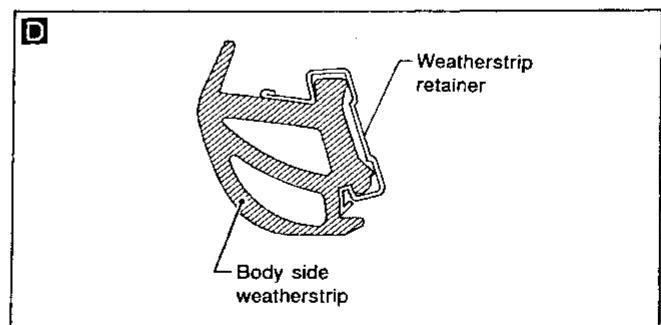
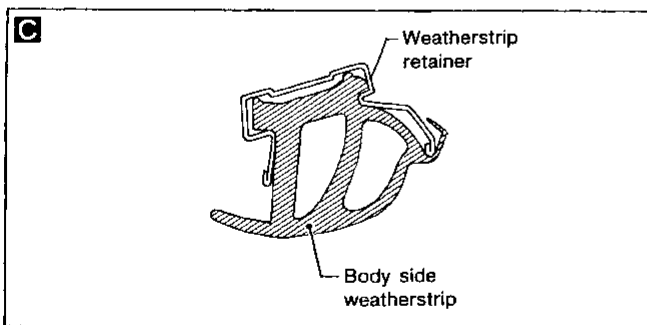
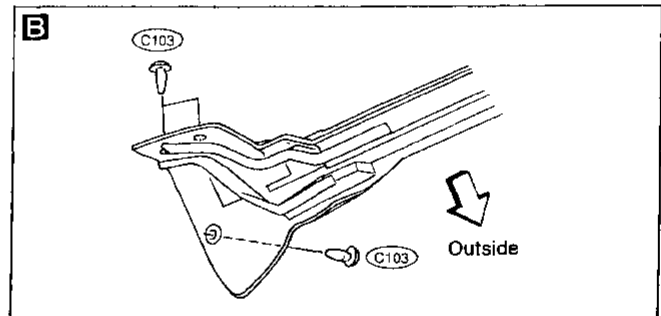
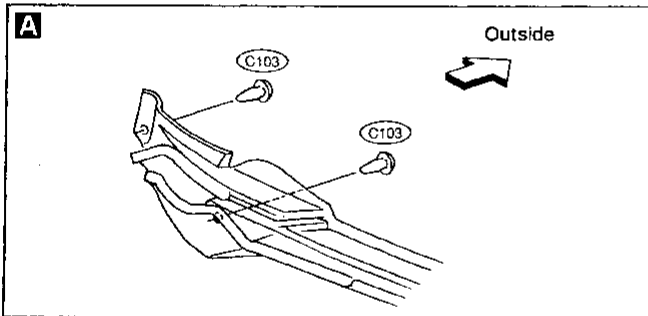
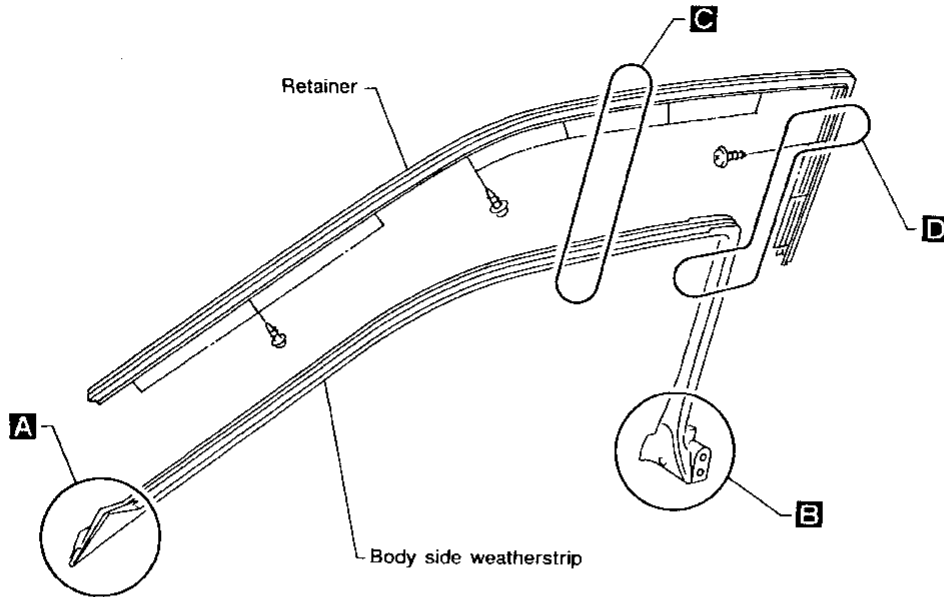
GI  
MA  
EM  
LC  
EC  
FE  
CL  
MT  
AT  
PD  
FA  
RA  
BR  
ST  
RS  
BT  
HA  
EL  
IDX

BT

# EXTERIOR

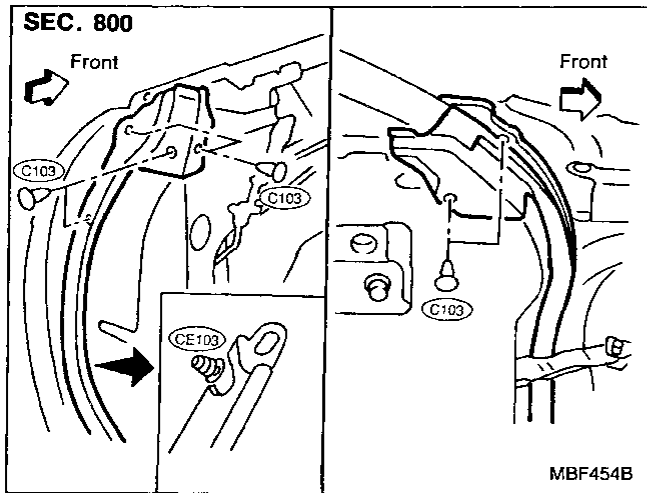
## ⑦, ⑧ Body side weatherstrip and weatherstrip retainer

SEC. 766



⑨ Door weatherstrip

Before removing door weatherstrip, remove door trim. Refer to "Door Trim" in "INTERIOR TRIM" for details, BT-21.



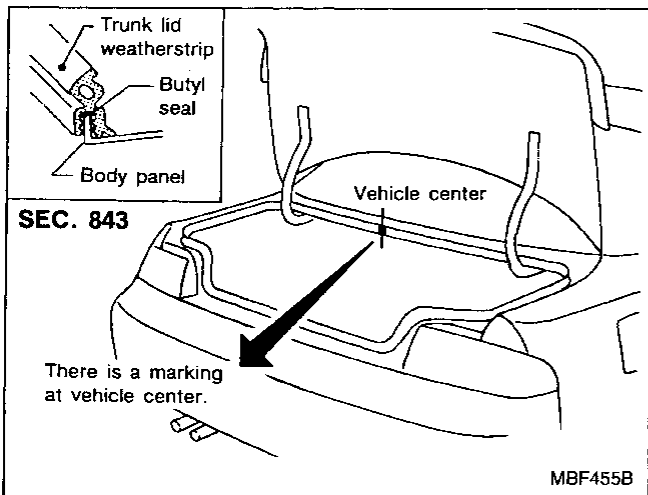
⑩ Back window upper and side molding (SEC. 797)

Basically the same as windshield upper and side molding.

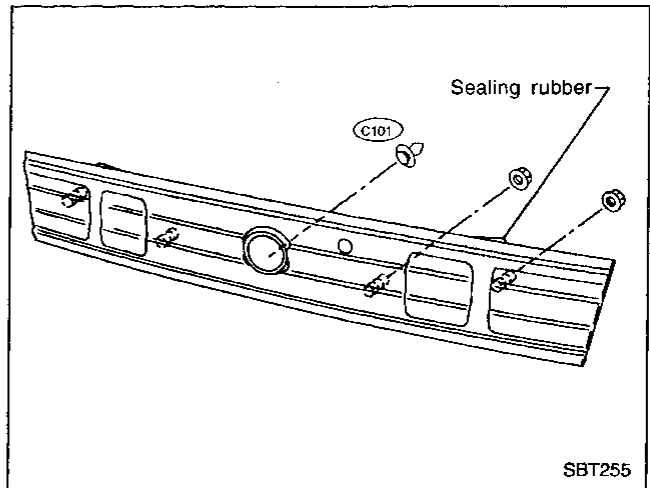
⑪ Back window lower molding (SEC. 797)

It is mounted with screws.

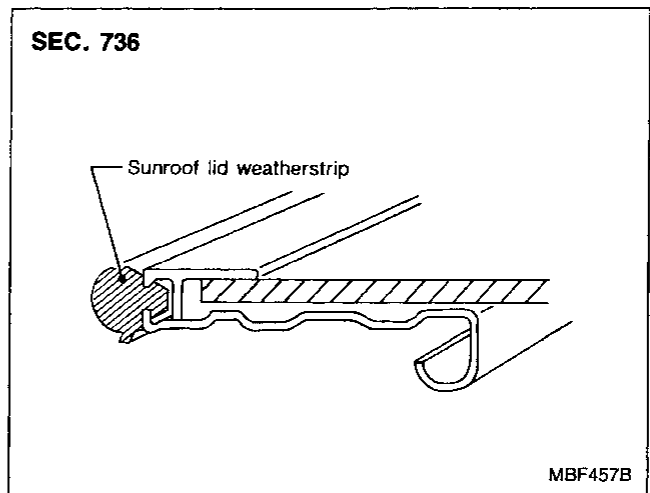
⑫ Trunk lid weatherstrip



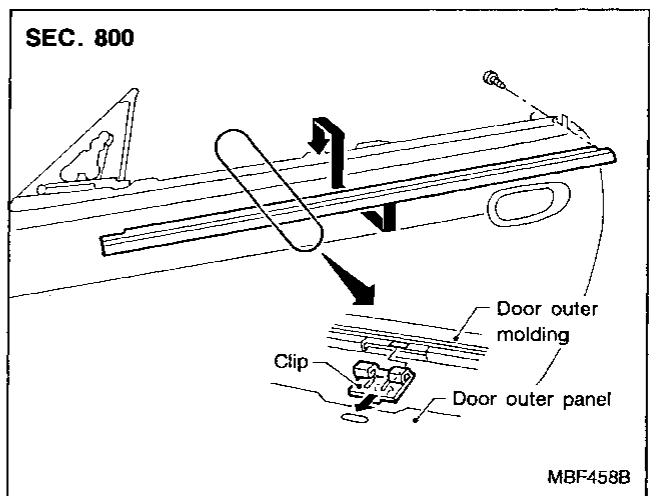
⑬ Rear panel finisher



⑭ Sunroof lid weatherstrip



⑮ Door waist outside molding

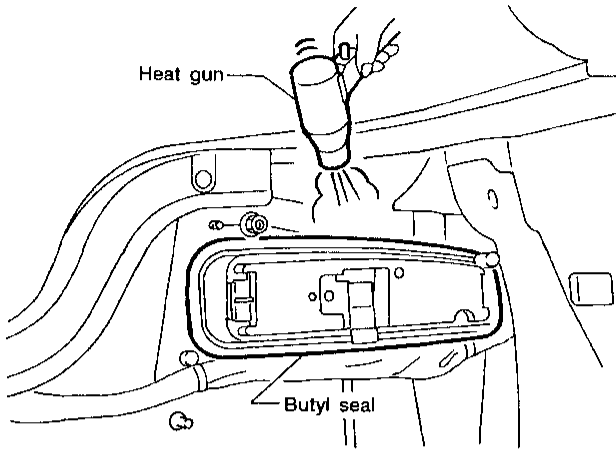


GI  
MA  
EM  
LC  
EC  
FE  
CL  
MT  
AT  
PD  
FA  
RA  
BR  
ST  
RS  
BT  
HA  
EL  
IDX

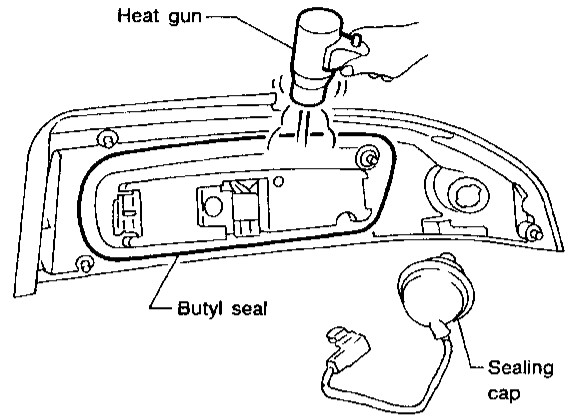


16 Rear combination lamp

SEC. 265



- Warm up lamp assembly area to a temperature a little below 60°C (140°F).

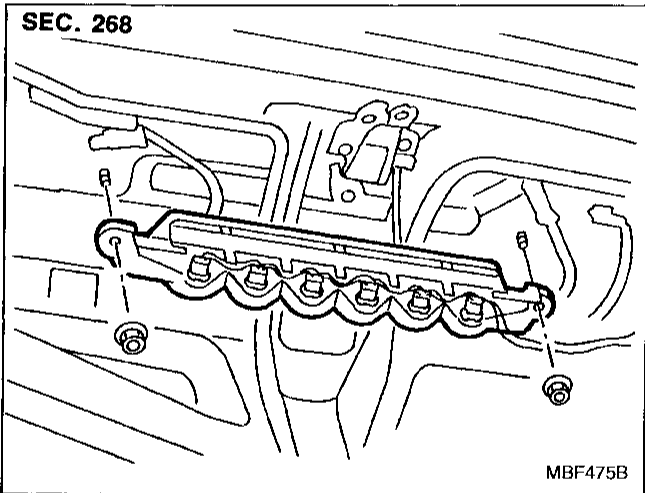


- Apply butyl seal evenly as it tends to become thin in the corners.
- Warm up lamp assembly area to a temperature a little below 60°C (140°F).

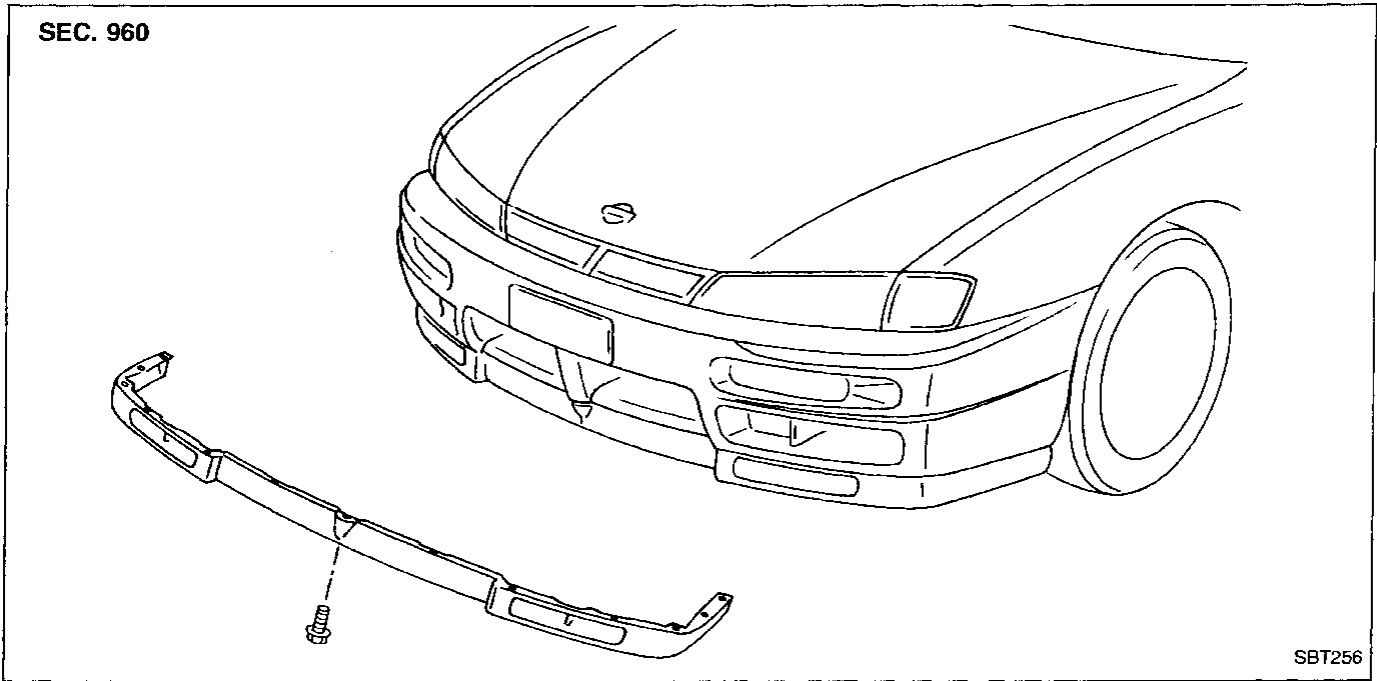
MBF459B

17 High-mounted stop lamp

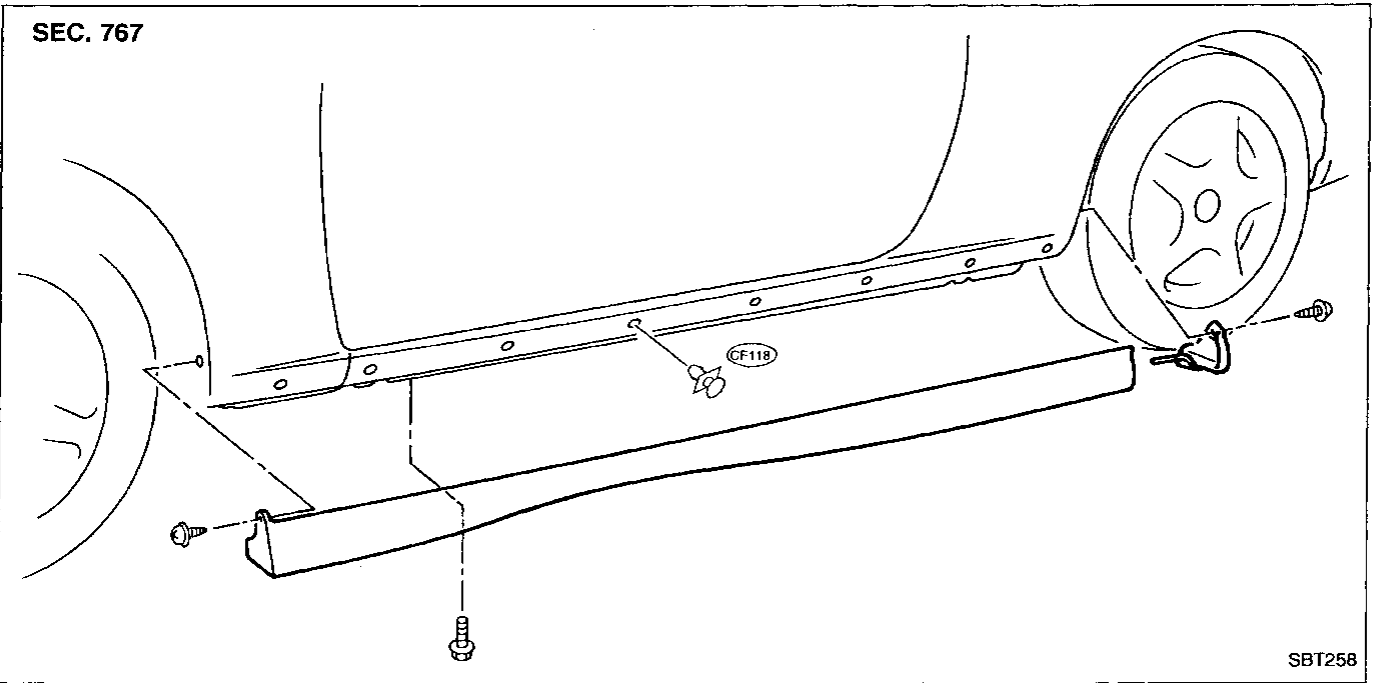
SEC. 268



19 Front air spoiler



19 Side mudguard

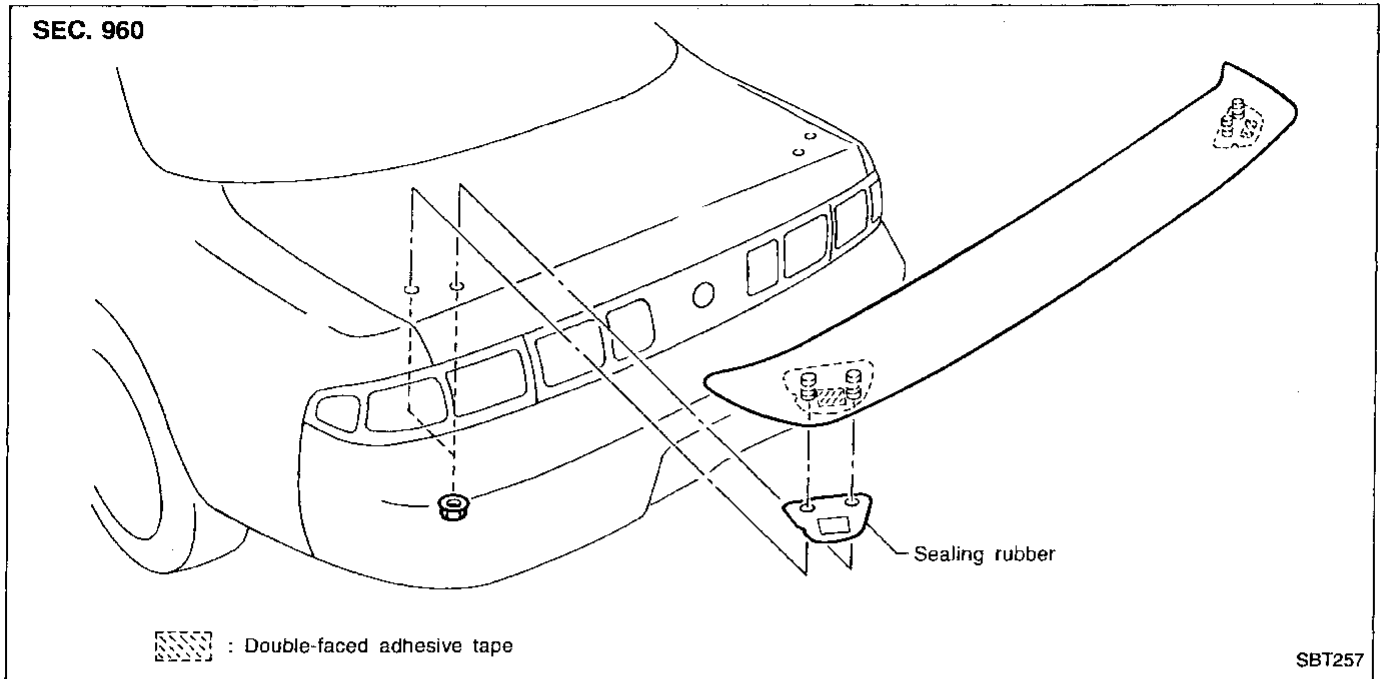


GI  
MA  
EM  
LC  
EC  
FE  
CL  
MT  
AT  
PD  
FA  
RA  
BR  
ST  
RS  
BT  
HA  
EL  
IDX

BT

## ⑳ Rear air spoiler

- When installing, make sure that there are not gaps or waves at ends of air spoiler.
- Before installing spoiler, clean and remove oil from surface where spoiler will be mounted.

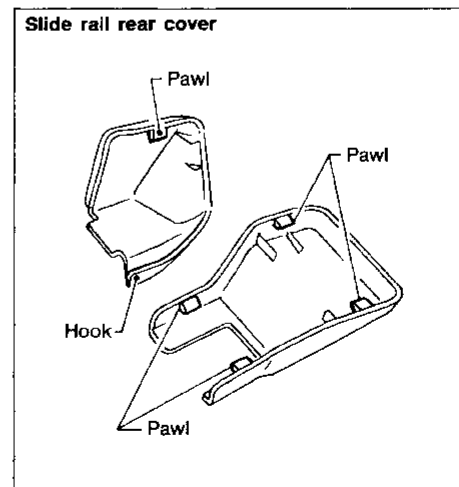
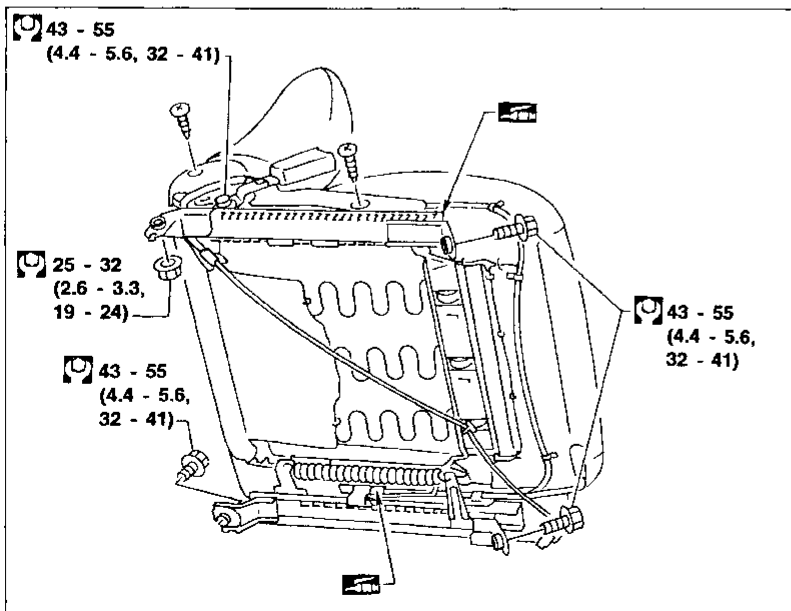
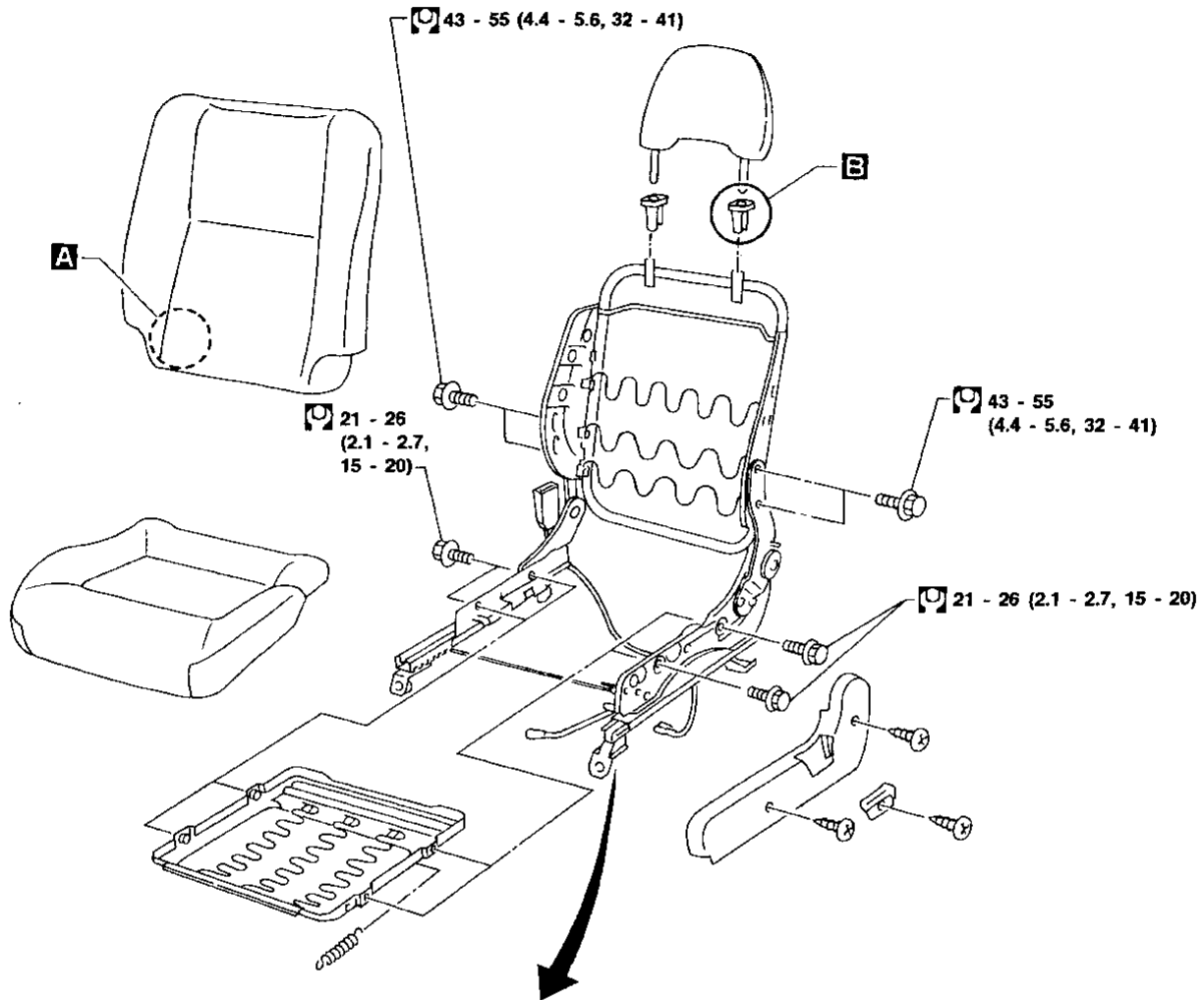


# SEAT

- When removing or installing the seat trim, carefully handle it to keep dirt out and avoid damage.

## Front Seat

SEC. 870



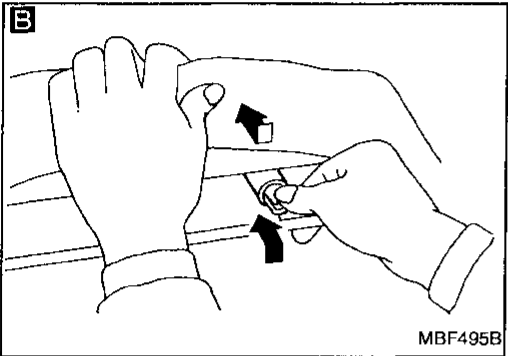
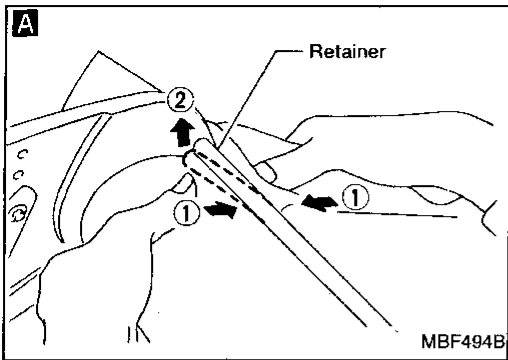
: N·m (kg·m, ft·lb)

GI  
MA  
EM  
LC  
EC  
FE  
CL  
MT  
AT  
PD  
FA  
RA  
BR  
ST  
RS  
**BT**  
HA  
EL  
IDX

## SEAT

### Front Seat (Cont'd)

Remove retainer from lower side of seatback with fingers.



Roll up seatback trim all the way to gain access to headrest holder pawls. Disengage and push headrest holder pawls to unlock holder. Lift off headrest holder.



# SEAT

## Rear Seat

SEC. 880

GI

MA

EM

LC

EC

FE

CL

MT

AT

PD

FA

RA

BR

ST

RS

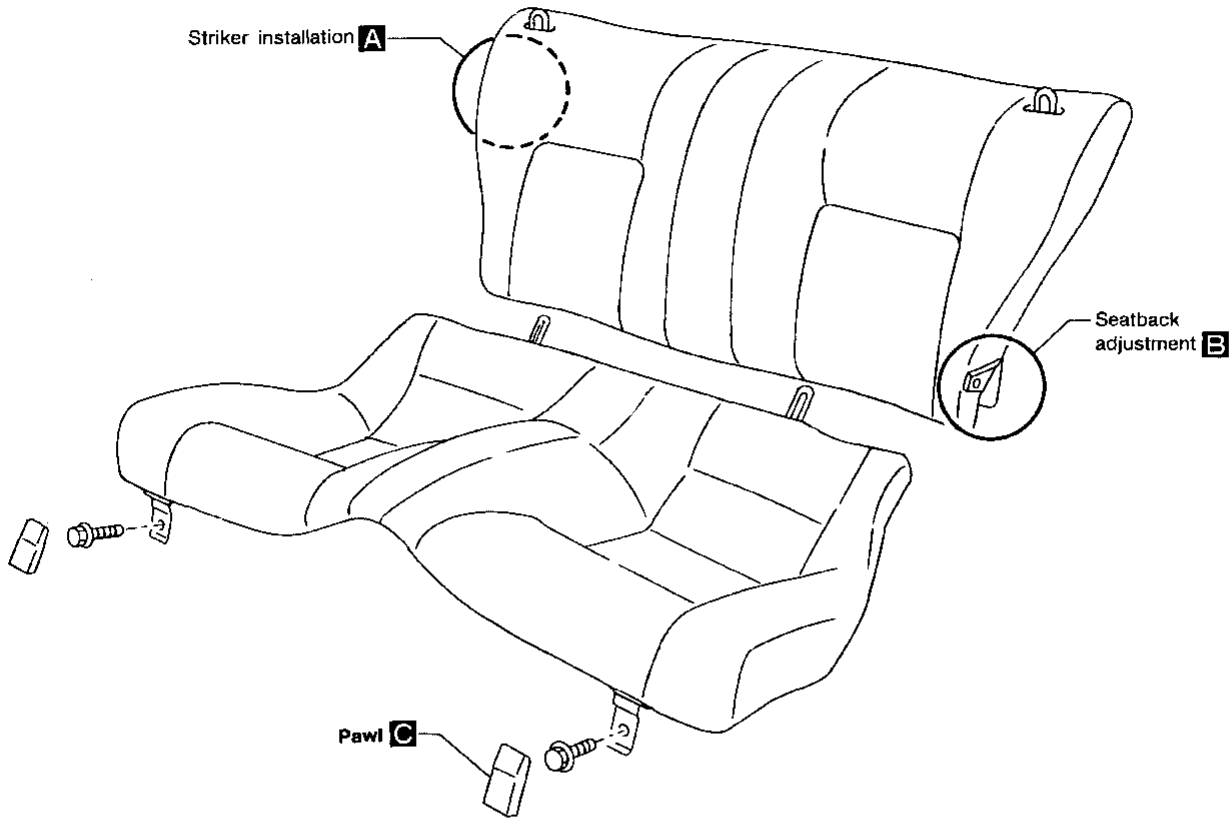
**BT**

HA

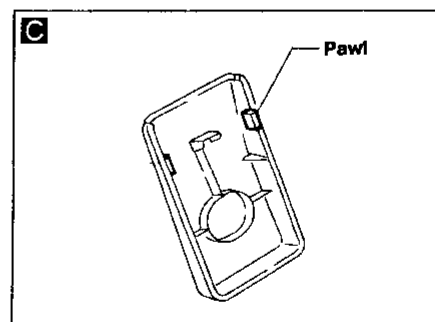
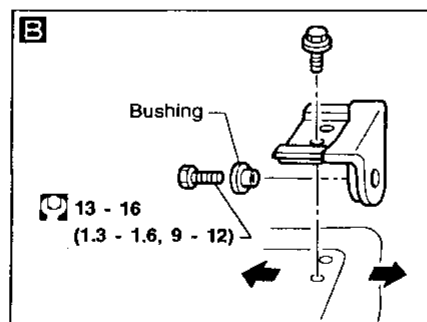
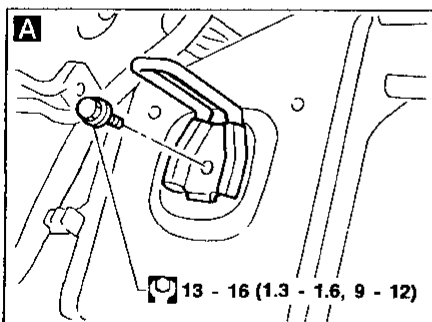
EL

IDX

981



SEC. 880



: N·m (kg·m, ft·lb)

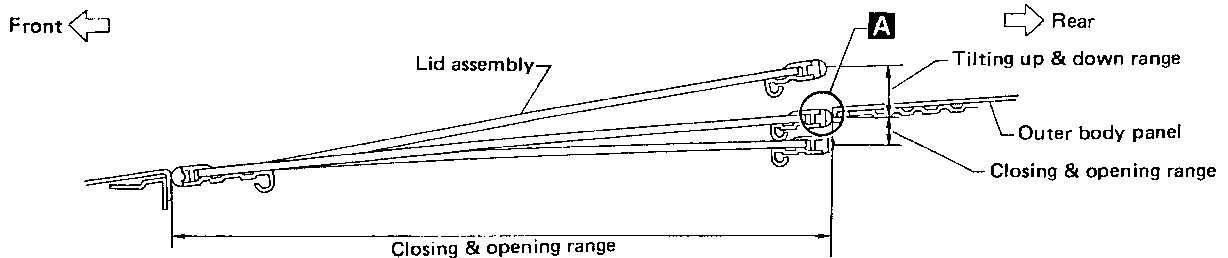
# SUNROOF

★ For Wiring Diagram, refer to “ELECTRIC SUNROOF” in EL section.

## ADJUSTMENT

Install motor & limit SW assembly and sunroof rail assembly in the following sequence:

1. Arrange equal lengths of link and wire assemblies on both sides of sunroof opening.
2. Connect sunroof connector to sunroof switch and positive (+) power supply.
3. Set lid assembly to fully closed position **A** by operating OPEN switch and TILT switch.
4. Fit outer side of lid assembly to the surface of roof on body outer panel.
5. Remove motor, and keep OPEN switch pressed until motor pinion gear reaches the end of its rotating range.
6. Install motor.
7. Check that motor drive gear fits properly in wires.
8. Press TILT-UP switch to check lid assembly for normal tilting.
9. Check sunroof lid assembly for normal operations (tilt-up, tilt-down, open, and close).



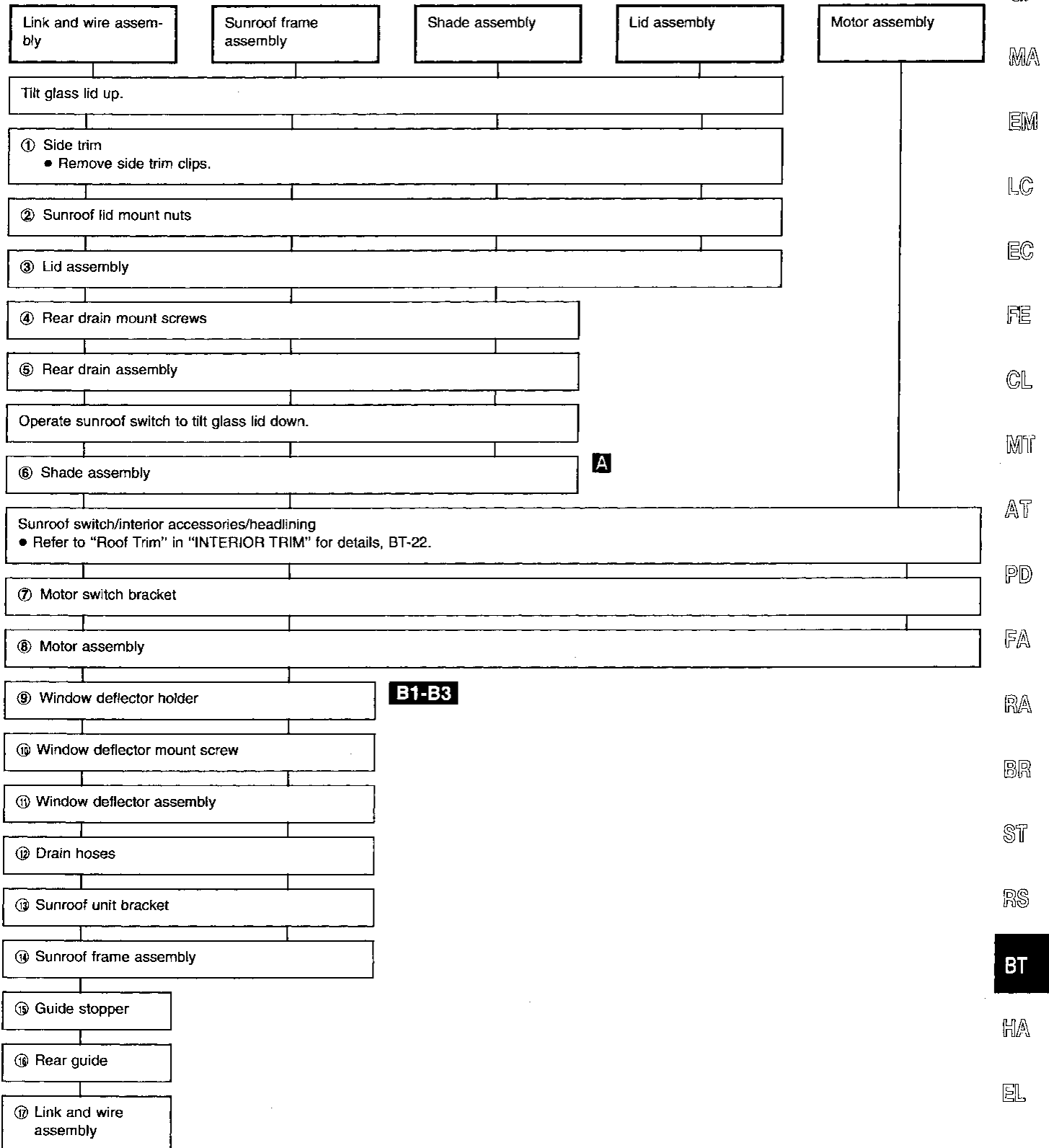
SBF920F

# SUNROOF

- After any adjustment, check sunroof operation and lid alignment.
- Handle finisher plate and glass lid with care so not to cause damage.
- It is desirable for easy installation to mark each point before removal.

**CAUTION:**

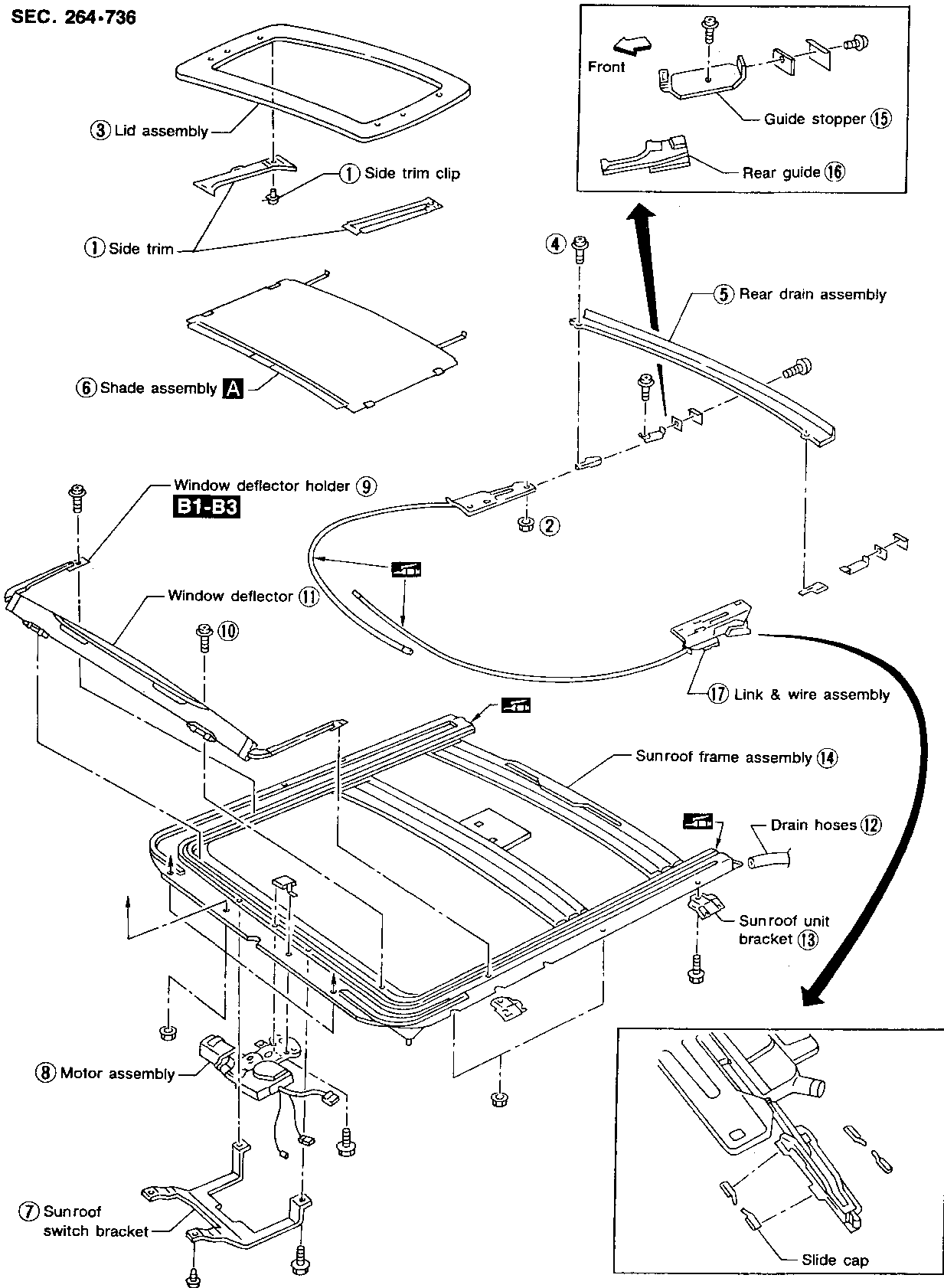
**Always work with a helper.**



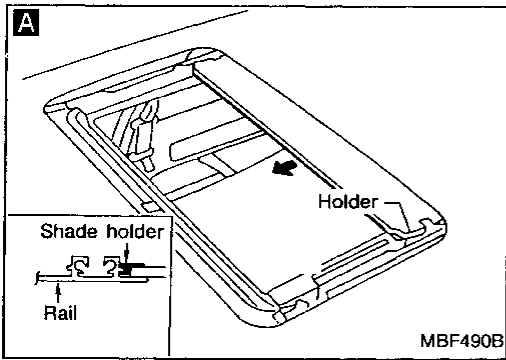
GI  
MA  
EM  
LC  
EC  
FE  
CL  
MT  
AT  
PD  
FA  
RA  
BR  
ST  
RS  
BT  
HA  
EL  
IDX

# SUNROOF

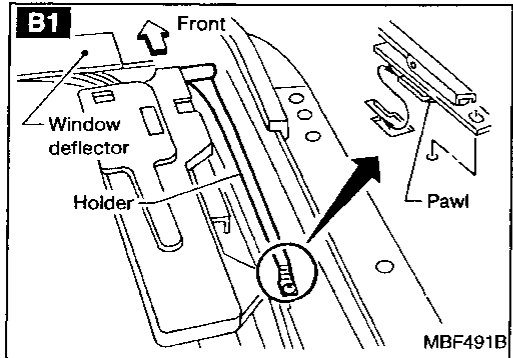
SEC. 264-736



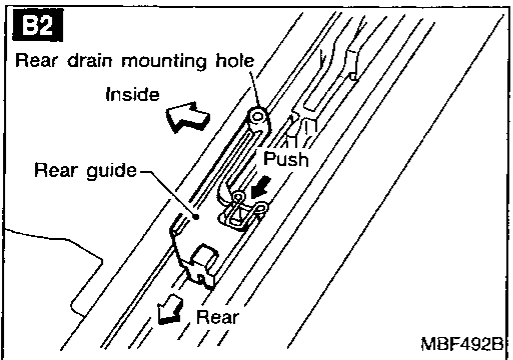
# SUNROOF



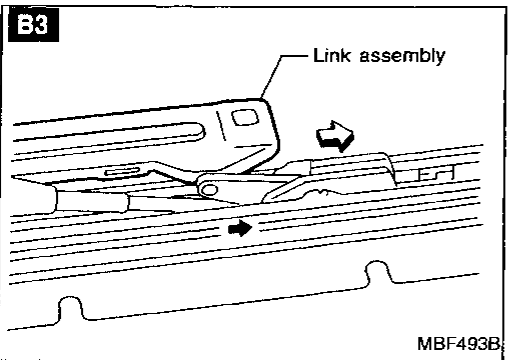
**A** Using flat-bladed screwdriver, pry shade assembly holder off rail. Then pull shade assembly forward to remove it from rail.



**B1** Disengage pawls from rail, then remove window deflector holder.



**B2** Using flat-bladed screwdriver, pry stopper spring off rail groove. Then slide rear guide backward to remove it from rail.



**B3** Remove wire and link assembly from rail while pushing link back with flat-bladed screwdriver.

GI

MA

EM

LC

EC

FE

CL

MT

AT

PD

FA

RA

BR

ST

RS

**BT**

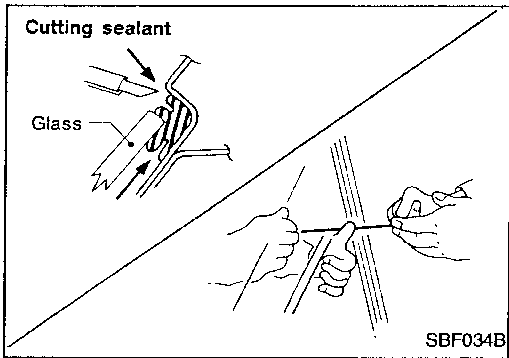
HA

EL

IDX

985

# WINDSHIELD AND WINDOWS



## REMOVAL

After removing moldings, remove glass.

### CAUTION:

Be careful not to scratch glass when removing.

## INSTALLATION

- Use genuine Nissan Sealant kit or equivalent. Follow instructions furnished with it.
- After installation, the vehicle should remain stationary until the sealant hardens.

### WARNING:

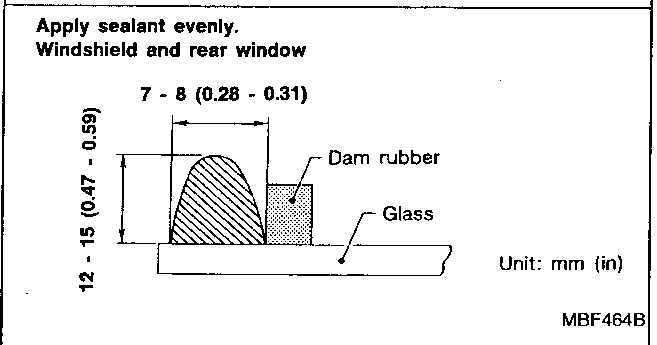
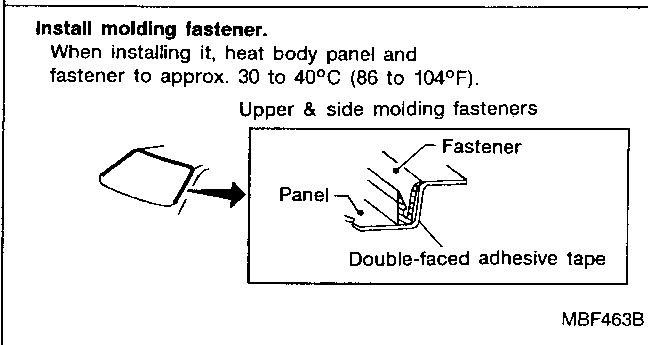
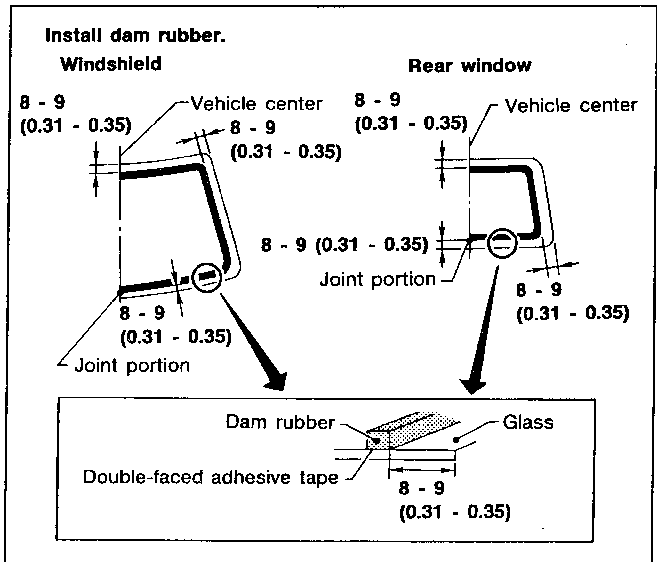
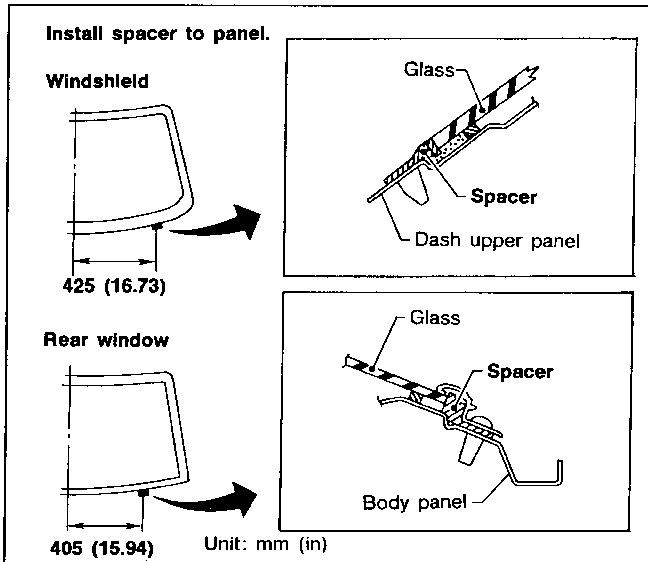
Keep heat and open flames away as primers are flammable.

### CAUTION:

Advise users not to drive the vehicle on rough roads until sealant has properly vulcanized.

- Do not use sealant which is past its usable term.
- Do not leave cartridge unattended with its cap open.
- Keep primers and sealant in a cool, dry place. Ideally, they should be stored in a refrigerator.
- Molding must be installed securely so that it is in position and leaves no gap.

## Windshield and Rear Window



## REPAIRING WATER LEAKS FOR WINDSHIELD AND WINDOWS

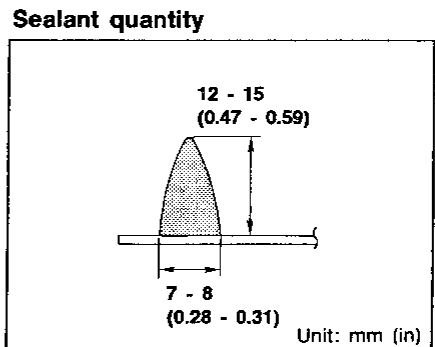
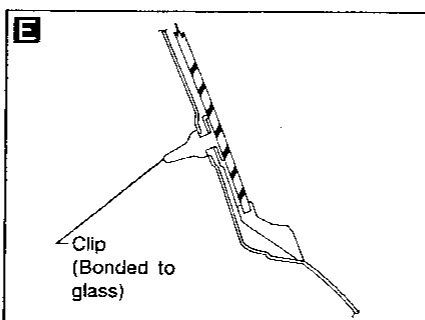
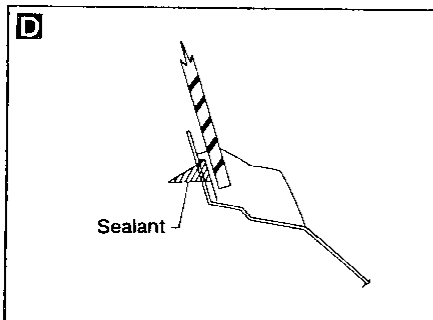
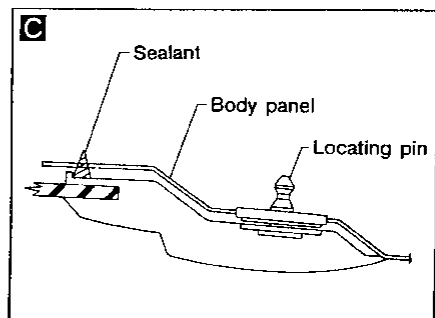
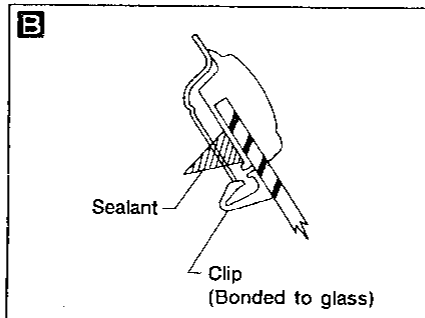
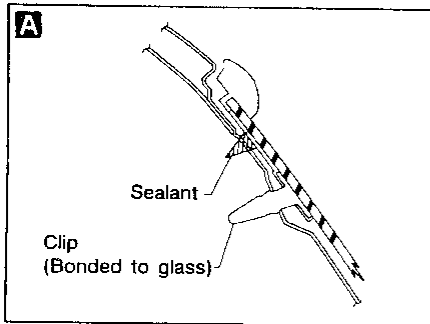
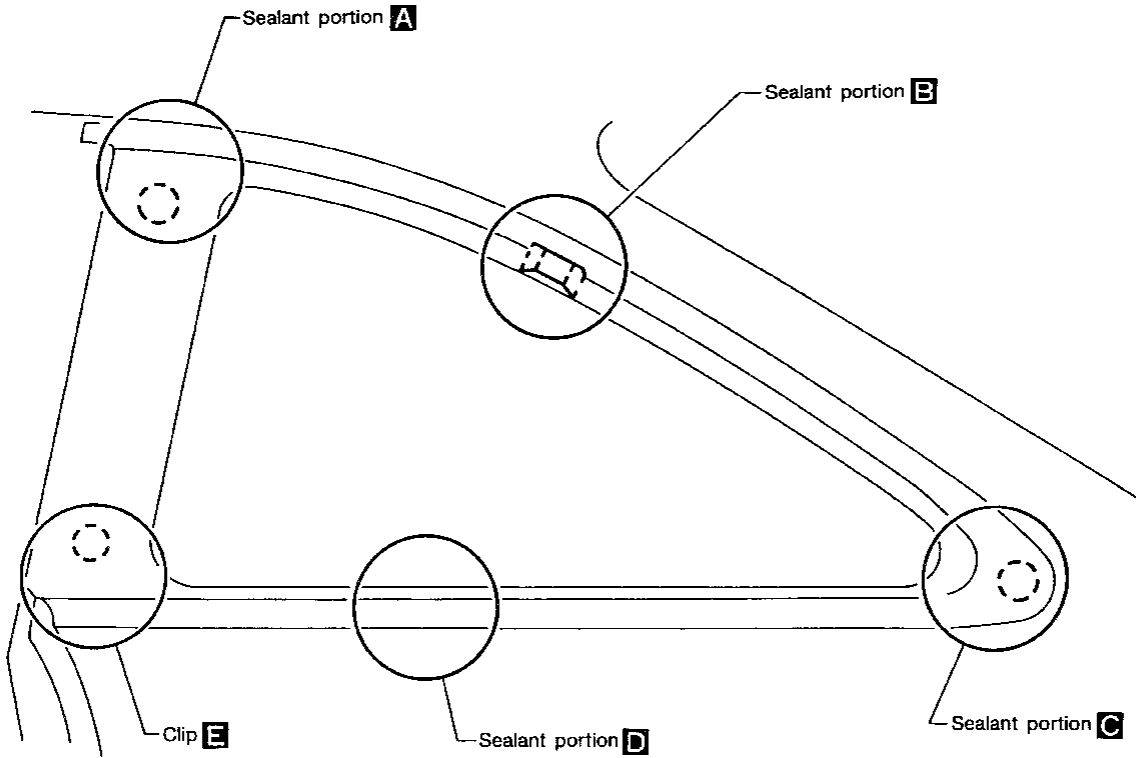
Leaks can be repaired without removing and reinstalling glass.

If water is leaking between caulking material and body or glass, determine the extent of leaking. This can be determined by applying water while pushing glass outward.

To stop the leak, apply primer and then sealant to the leak point.

## Side Window

SEC. 830



GI  
MA  
EM  
LC  
EC  
FE  
CL  
MT  
AT  
PD  
FA  
RA  
BR  
ST  
RS  
BT  
HA  
EL  
IDX

# MIRROR

## Door Mirror

### CAUTION:

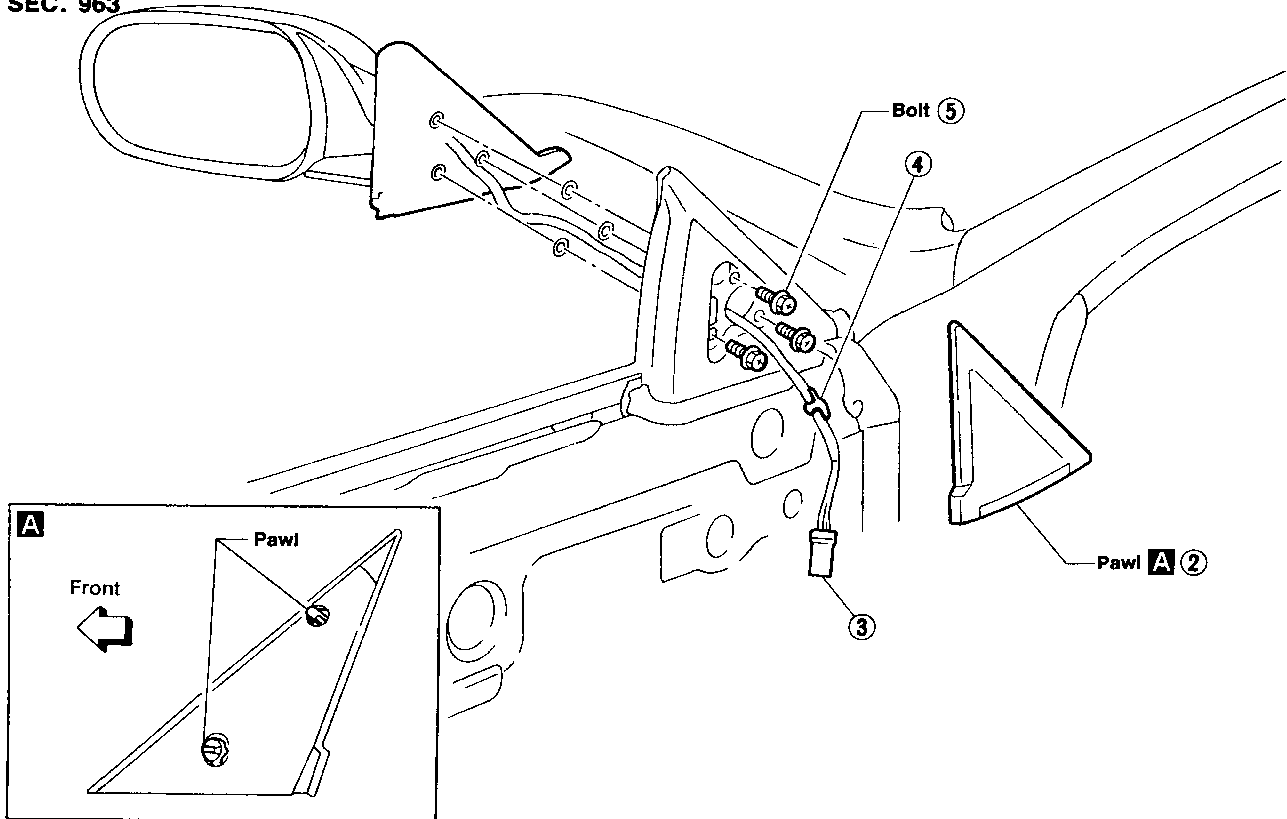
Be careful not to scratch door rearview mirror body.

★ For Wiring Diagram, refer to "POWER DOOR MIRROR" in EL section.

### REMOVAL — Door mirror

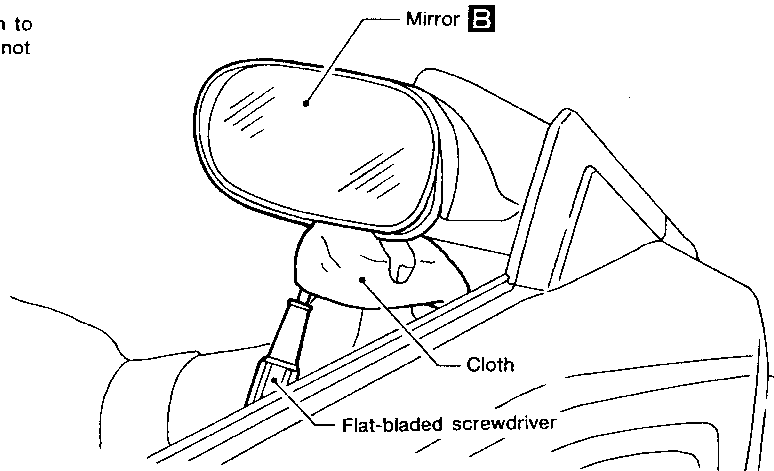
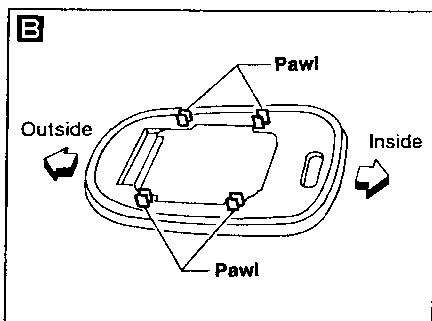
- ① Remove door trim. Refer to "Door Trim" in "INTERIOR TRIM" for details, BT-21.
- ② Remove inner cover front corner of door. **A**
- ③ Disconnect door mirror harness connector.
- ④ Remove harness clips.
- ⑤ Remove three bolts securing door mirror.

SEC. 963



### Removal:

- Wrap flat-bladed of screwdriver with a cloth to prevent scratching rear of door mirror. Do not insert screwdriver too far.

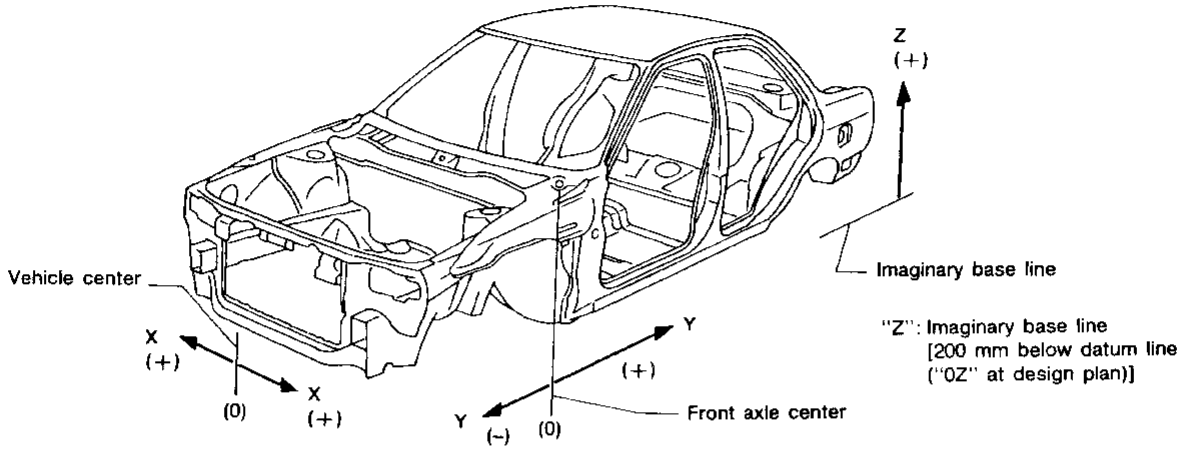


MBF466B



# BODY ALIGNMENT

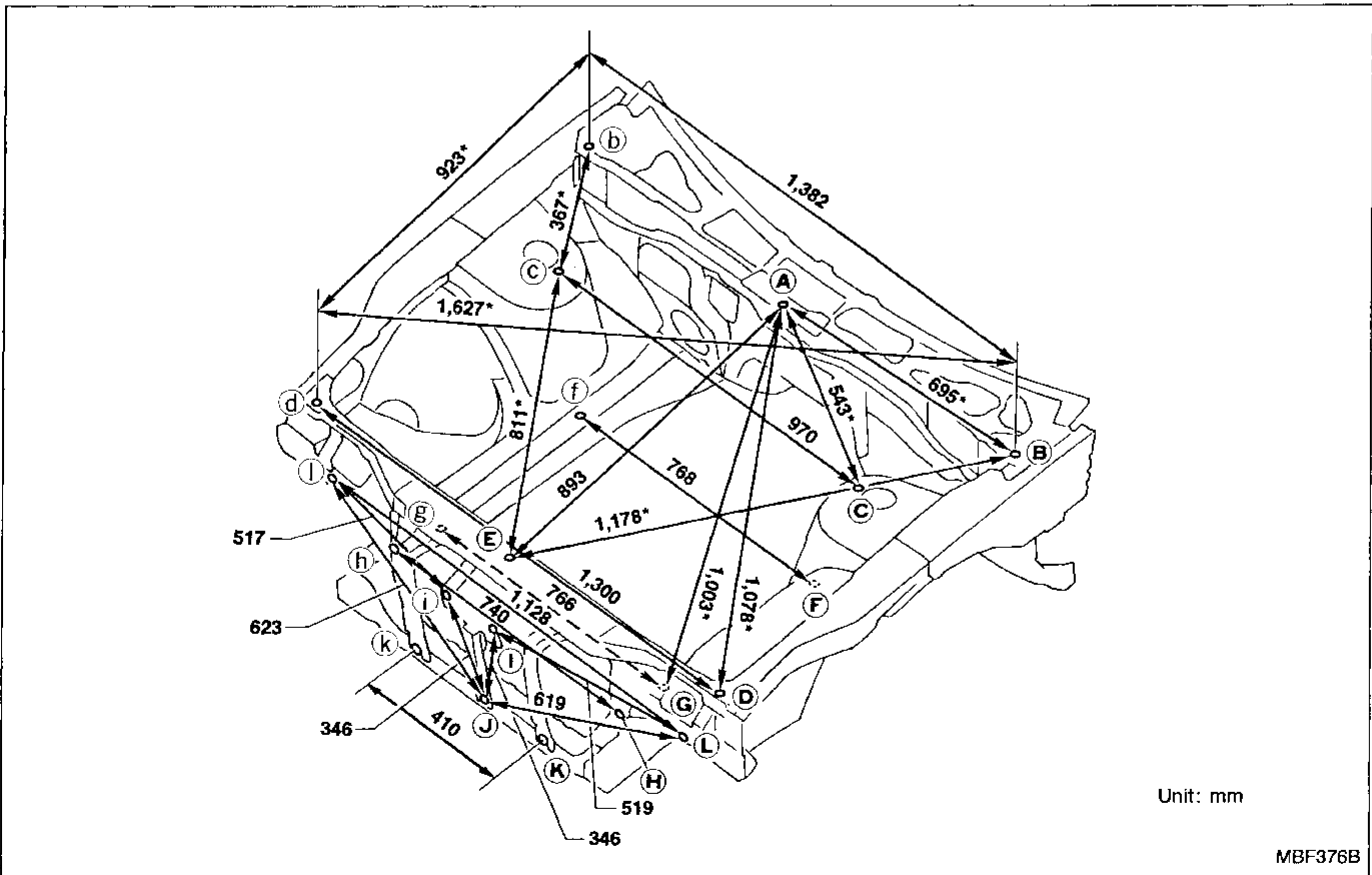
- All dimensions indicated in figures are actual ones.
- When using a tracking gauge, adjust both pointers to equal length. Then check the pointers and gauge itself to make sure there is no free play.
- When a measuring tape is used, check to be sure there is no elongation, twisting or bending.
- Measurements should be taken at the center of the mounting holes.
- An asterisk (\*) following the value at the measuring point indicates that the measuring point on the other side is symmetrically the same value.
- The coordinates of the measurement points are the distances measured from the standard line of "X", "Y" and "Z".



## Engine Compartment

SBF874GB

### MEASUREMENT



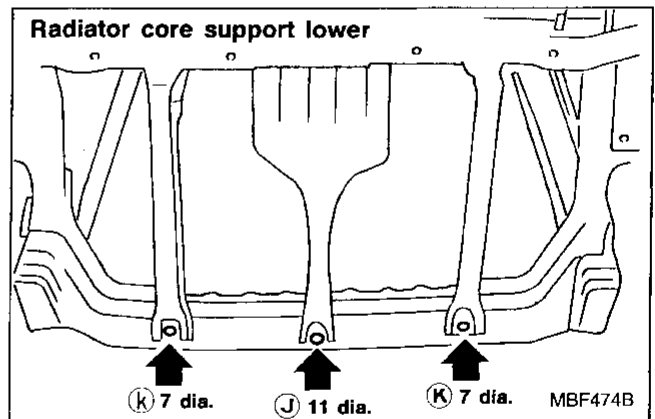
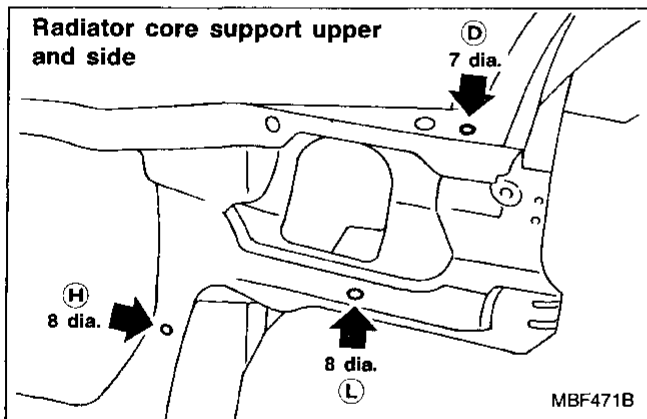
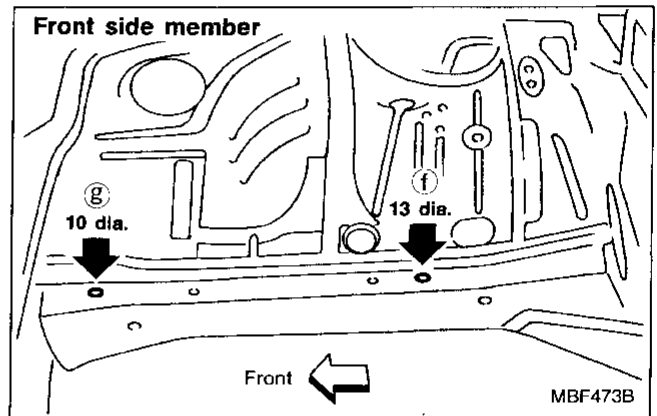
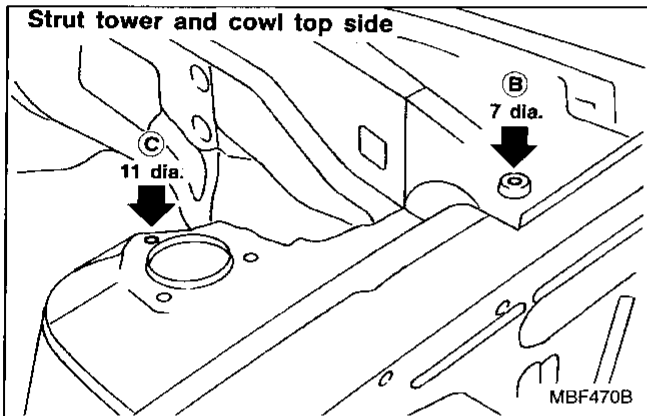
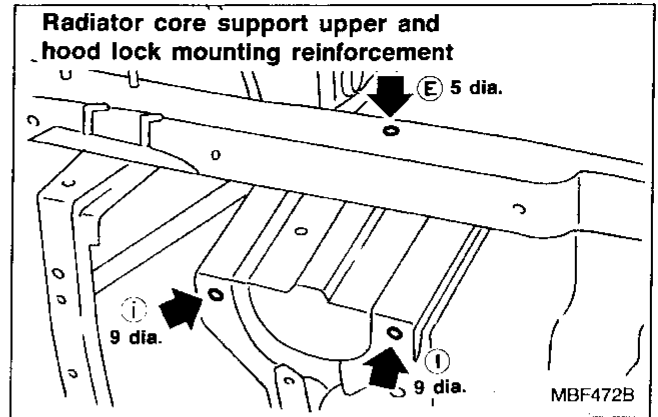
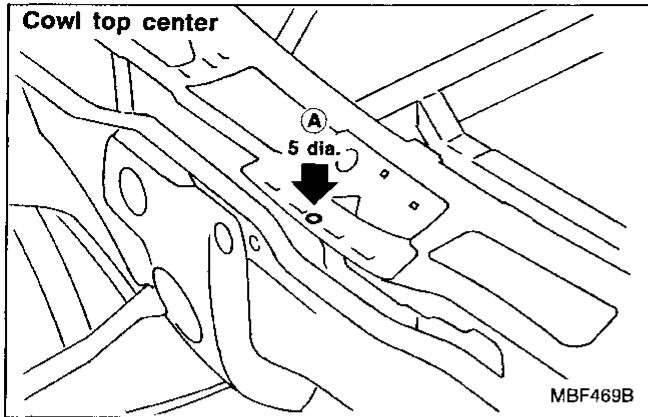
GI  
MA  
EM  
LC  
EC  
FE  
CL  
MT  
AT  
PD  
FA  
RA  
BR  
ST  
RS  
BT  
HA  
EL  
IDX

# BODY ALIGNMENT

## Engine Compartment (Cont'd)

### MEASUREMENT POINTS

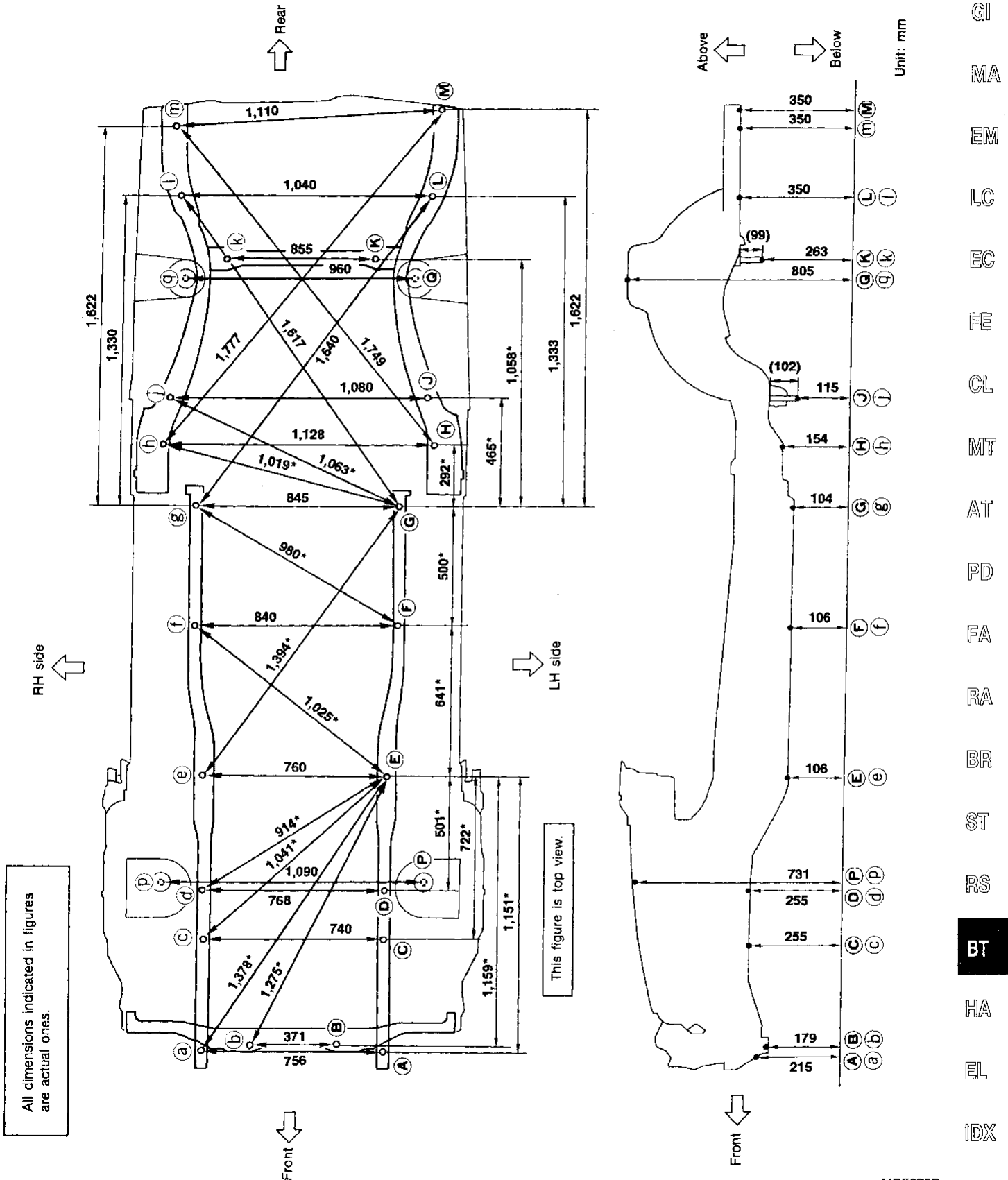
Unit: mm



# BODY ALIGNMENT

## Underbody

### MEASUREMENT

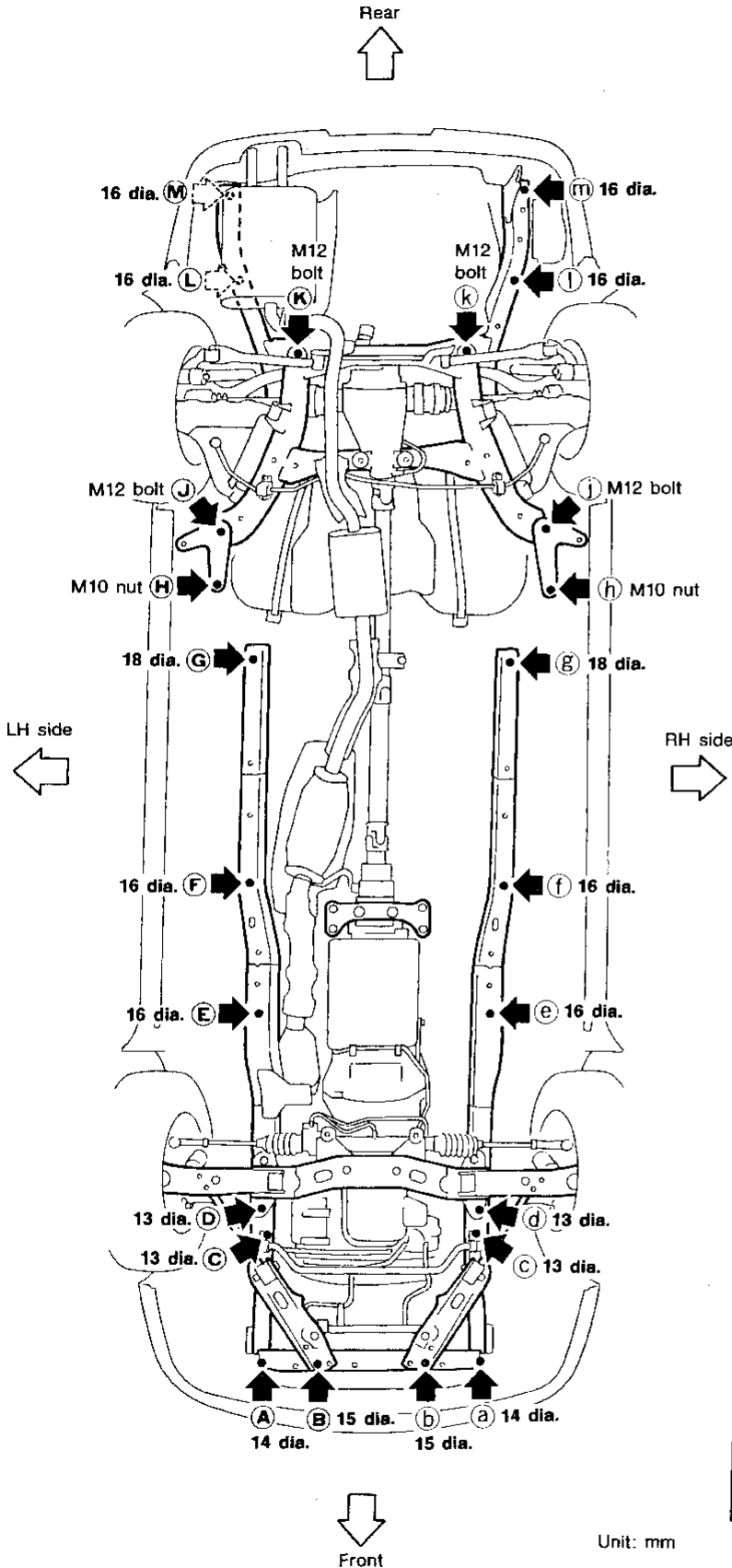


- CI
- MA
- EM
- LC
- EC
- FE
- CL
- MT
- AT
- PD
- FA
- RA
- BR
- ST
- RS
- BT**
- HA
- EL
- IDX

# BODY ALIGNMENT

## Underbody (Cont'd)

### MEASUREMENT POINTS



Front coordinates:      Rear coordinates:

**(A), (a)**      **(G), (g)**  
 X : 378      X : 422.5  
 Y : -635.5      Y : 1,650  
 Z : 214.5      Z : 103.9

**(B), (b)**      **(H), (h)**  
 X : 185.3      X : 564  
 Y : -630      Y : 1,900  
 Z : 179      Z : 154

**(C), (c)**      **(J), (j)**  
 X : 370      X : 540  
 Y : -196.5      Y : 2,100  
 Z : 254.9      Z : 115.2

**(D), (d)**      **(K), (k)**  
 X : 384.2      X : 308  
 Y : 32      Y : 2,690  
 Z : 254.9      Z : 262.8

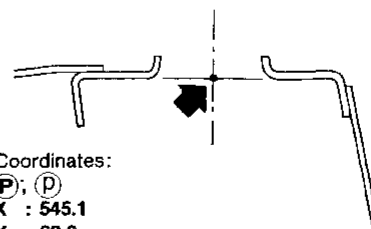
**(E), (e)**      **(L)**  
 X : 380      X : 540  
 Y : 510      Y : 2,955  
 Z : 106.2      Z : 350

**(F), (f)**      **(I)**  
 X : 420      X : 500  
 Y : 1,150      Y : 2,955  
 Z : 106.2      Z : 350

**(M)**  
 X : 580  
 Y : 3,245  
 Z : 350

**(m)**  
 X : 530  
 Y : 3,250  
 Z : 350

#### Front and rear strut tower centers



Coordinates:

**(P), (P)**  
 X : 545.1  
 Y : 63.6  
 Z : 730.9

**(Q), (Q)**  
 X : 479.8  
 Y : 2,608  
 Z : 804.6

Front: **(P), (P)** 82.2 dia.  
 Rear: **(Q), (Q)** 66 dia.

Unit: mm