

# SERVICE MANUAL

## MODEL L20A, L24 SERIES ENGINES



**NISSAN MOTOR CO., LTD.**  
TOKYO, JAPAN

## SECTION SE

# SERVICE EQUIPMENT

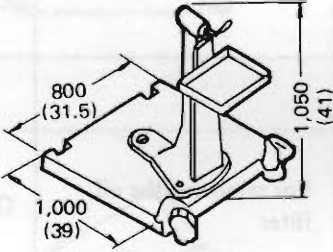
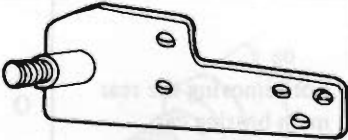
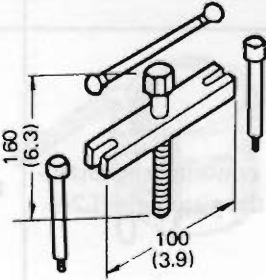
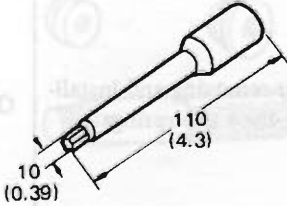
L20A, L24 ENGINE SPECIAL SERVICE TOOL .....SE- 1

SE

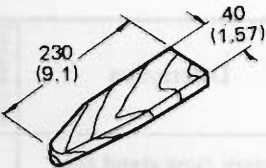
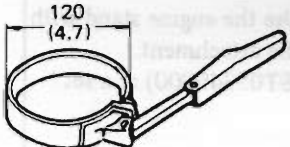
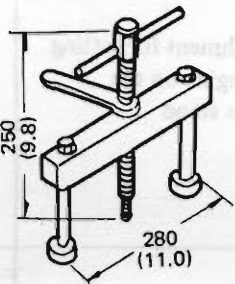
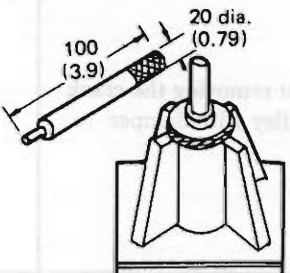
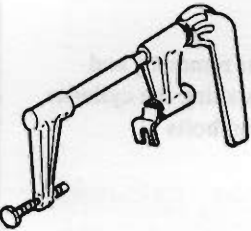
# SERVICE EQUIPMENT

## L20A, L24 ENGINE SPECIAL SERVICE TOOL

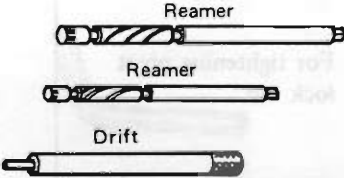
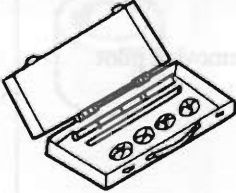
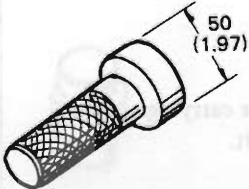
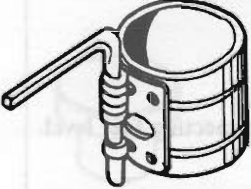
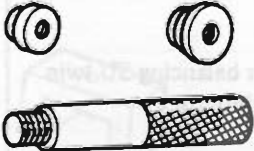
510 Special service tool set number ST09110000

Tool number Tool name	Figure mm (in)	Description	510 special service tool set	Applied model	S.M. reference page (See Fig. No.)
ST0501S000 { ST05011000 { ST05012000  Engine stand assembly { Stand body { Base plate		Rotary type stand for efficient, safe disassembly or reassembly of the engine  Use the engine stand with the attachment (ST05340000) as a set		All	Fig. EM-11
ST05340001  Engine attachment		Attachment for setting the engine on the engine stand		L24 L20A	Fig. EM-11
ST16540000  Crank pulley puller		For removing the crank pulley with damper		L24 L20	Fig. EM-17
ST10120000  Cylinder head bolt wrench		For removing and installing the cylinder head bolts	O	L24 L20A L16 L13	Fig. EM-19 Fig. EM-82



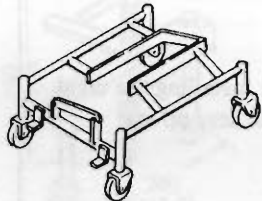
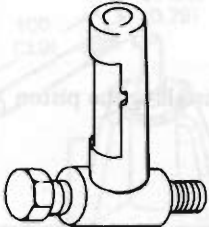

# ENGINE

Tool number Tool name	Figure mm (in)	Description	510 special service tool set	Applied model	S.M. reference page (See Fig. No.)
ST17420001  Chain stopper		For supporting the timing chain	O	L24 L20A L16 L13	Fig. EM-18
ST19320000  Oil filter wrench		For removing the oil filter	O	All	
ST1651S000 { ST16511000 { ST16512001  Crankshaft main bearing cap puller assembly { Puller body { Adapter		For removing the rear main bearing cap	O	L24 L20A L16 L13	Fig. EM-23
ST13030001  Piston pin press stand		For removing and installing the piston pin (L24)	O	L24 L20A L16 L13	Fig. EM-27
ST12070000  Valve lifter set		For removing and installing the valve springs	O	All	Fig. EM-30 Fig. EM-69

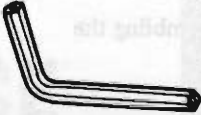


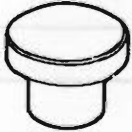
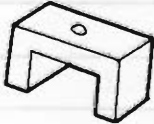
# SERVICE EQUIPMENT

Tool number Tool name	Figure mm (in)	Description	510 special service tool set	Applied model	S.M. reference page (See Fig. No.)
<p>ST1103S000</p> <ul style="list-style-type: none"> <li>└ ST11031000</li> <li>└ ST11032000</li> <li>└ ST11033000</li> </ul> <p>Valve guide reamer assembly</p> <ul style="list-style-type: none"> <li>└ Reamer [12.2φ (0.480φ)]</li> <li>└ Reamer [8.0φ (0.3150φ)]</li> <li>└ Drift bar</li> </ul>	 <p style="text-align: center;">Reamer Reamer Drift</p>	<p>For replacing and correcting the valve guide</p>		<p>L24 L20A L20 L16 L13</p>	<p>Fig. EM-40</p>
<p>ST11650001</p> <p>Valve seat cutter</p>		<p>For correcting the valve seat insert</p>		<p>L24 L20A L16 L13</p>	<p>Fig. EM-41</p>
<p>ST15310000</p> <p>Crankshaft rear oil seal drift</p>		<p>For installing the crankshaft rear oil seal</p>		<p>L24 L20A L16 L13</p>	
<p>EM03470000</p> <p>Piston ring compressor</p>		<p>For installing the piston</p>		<p>All</p>	<p>Fig. EM-79</p>
<p>ST1524S000</p> <ul style="list-style-type: none"> <li>└ ST15241000</li> <li>└ ST15242000</li> <li>└ ST15243000</li> </ul> <p>Front oil seal drift assembly</p> <ul style="list-style-type: none"> <li>└ Adapter (press in)</li> <li>└ Adapter (press out)</li> <li>└ Drift bar</li> </ul>		<p>For replacing oil seal</p>		<p>L24 L20A</p>	

# ENGINE

Tool number Tool name	Figure mm (in)	Description	S10 special service tool set	Applied model	S.M. reference page (See Fig. No.)
ST10640001  Pivot adjuster		For tightening pivot lock nut.		L24 L20A L16 L13	
ST16610001  Pilot bush puller		For removing pilot bush.		L24 L20A L16 L13	
ST07010000  Engine carrier		For carrying engine unit.		L24 L20	
ST19200000  Float level gauge		For inspecting fuel level.		L24 L16 A12	
EG1670000  Flow meter		For balancing SU twin carburetor		L24 L16 U20 R	Fig. EF-40 Fig. EC-29

## SERVICE EQUIPMENT

Tool number Tool name	Figure mm (in)	Description	510 special service tool set	Applied model	S.M. reference page (See Fig. No.)
*ST19810000  Hexagon wrench		For removing and installing the rotor ring assembly		L24	Fig. EC-10
*ST19820000  Support for disassembling rotor ring		For supporting the rotor ring in case of needle bearing removal and installation		L24	Fig. EC-11
*ST19830000  Attachment for pushing out needle bearing		For removing the needle bearing		L24	Fig. EE-11
*ST19840000  Attachment for pressing in needle bearing		For installing the needle bearing		L24	Page EC-11
*ST19850000  Bridge for pulling out relief valve		Use as a bridge for removing the relief valve by the puller		L24	Fig. EC-13

