

SERVICE MANUAL

DATSUN 240Z
MODEL S30 SERIES



NISSAN

NISSAN MOTOR CO., LTD.
TOKYO, JAPAN

SECTION EE

ENGINE ELECTRICAL SYSTEM

EE

BATTERY	EE- 2
STARTING MOTOR	EE- 3
CHARGING CIRCUIT	EE-11
ALTERNATOR	EE-13
REGULATOR	EE-20
IGNITION CIRCUIT	EE-26
DISTRIBUTOR	EE-27
IGNITION COIL	EE-33
SPARK PLUG	EE-34

BATTERY

CONTENTS

REMOVAL	EE-2	Battery freezing	EE-3
CHECKING ELECTROLYTE LEVEL	EE-2	CHARGING	EE-3
CHECKING SPECIFIC GRAVITY	EE-2	INSTALLATION	EE-3

REMOVAL

1. Disconnect negative and positive terminals.
2. Remove nuts from battery clamps; take out clamps.
3. Remove battery.

CHECKING ELECTROLYTE LEVEL

Battery comes into two types; self-filling and conventional. To check the level, remove one vent plug and see if the float is raised to the correct level (self-filling type).

If it is below the specified level, raise to correct level by pouring distilled water into the battery case.

On standard type, remove six vent plugs and check for electrolyte level in each cell.

If necessary, pour distilled water.

CHECKING SPECIFIC GRAVITY

Specific gravity of battery electrolyte is tested by a hydrometer. If the state of charge of battery is 60% full, or specific-gravity reading is below 1.20 [as corrected at 20°C (68°F)], battery must be recharged or battery-electrolyte concentration adjusted.

Add or subtract gravity points according to whether the electrolyte temperature is above or below 20°C (68°F) standard.

The gravity of electrolyte changes 0.0007 for every 1°C (1.8°F) temperature. A correction can then be made by using the following formula:

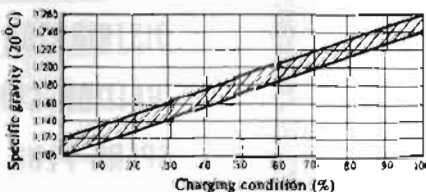
$$St + 0.0007 (t - 20)$$

Where

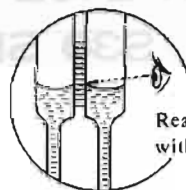
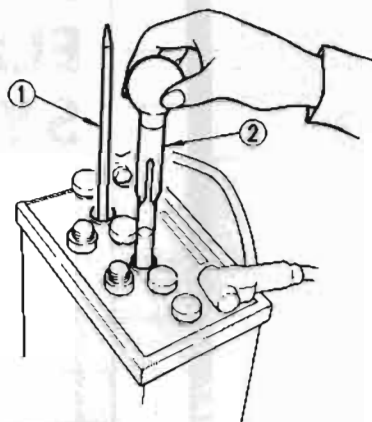
- St: Specific gravity of electrolyte at t°C
- S20: Specific gravity of electrolyte corrected at 20°C (68°F)
- t: Electrolyte temperature

For example: A hydrometer reading of 1.260 at 30°C (86°F) would be 1.267 corrected to 20°C (68°F), indicating fully charged battery. On the other hand, a hydrometer reading of 1.220 at -10°C (14°F) would be 1.199 corrected to 20°C (68°F), indicating a partially charged battery.

The state of charge of battery can be determined by the following table if the specific gravity of electrolyte is known. Before checking, check to be sure that cells are filled to correct level.



EE002
Fig. EE-2 Charging condition

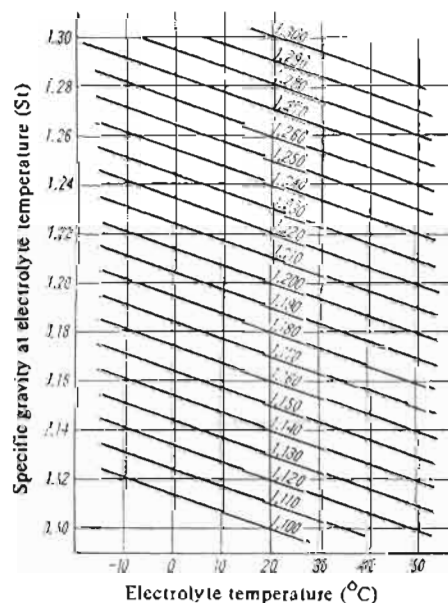


Read top level with scale

- 1 Thermal gauge
 - 2 Hydrometer
- EE001

Fig. EE-1 Checking specific gravity

Converted specific gravity (S20)



EE003

Fig. EE-3 Specific gravity at electrolyte temperature

ENGINE ELECTRICAL SYSTEM

Battery freezing

Temperatures at which battery electrolyte freezes vary with acid concentration or its specific gravity. A battery with an insufficient state of charge will freeze at lower temperatures. If specific gravity of a battery

falls below 1.1, the indication is that the battery is completely discharged and will freeze readily when temperatures fall below freezing.

Note: Use extreme caution to avoid freezing battery since it will generally ruin the battery.

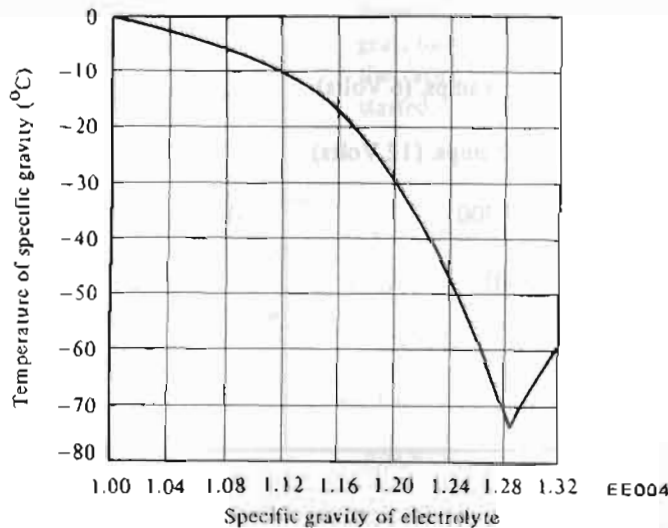


Fig. EE-4 Freezing point of electrolyte

CHARGING

Battery must be recharged when electrolyte-gravity reading falls below 1.20 with electrolyte level being satisfactory. If battery is quick-

charged to bring it up to full charge, the operation should be carried out with negative terminal removed.

Prior to charging, corroded ter-

minals should be cleaned with a brush and common baking-soda solution. In addition, the following items should be observed during recharging battery:

1. Be sure that electrolyte level is above top of each plate.
2. Keep removed plugs in a safe location.
3. Do not allow electrolyte temperature to go over 45°C (113°F).
4. After recharging, check to be certain that specific gravity does not exceed 1.260 [at 20°C (68°F)]. Correction can be made by adding distilled water into cells as necessary.
5. Keep battery away from open flame while it is being recharged.
6. After all vent plugs have been tightened, clean all sprayed electrolyte off upper face of battery.

INSTALLATION

1. Install and tighten clamps securely.
2. After clamps have been tightened, clean battery cable terminals and apply grease to retard formation of corrosion.

STARTING MOTOR

CONTENTS

SPECIFICATIONS	EE- 4	Over-running clutch assembly	EE- 8
DESCRIPTION	EE- 4	Brush holder test for ground	EE- 8
OPERATION	EE- 4	Pinion case bearing metal	EE- 8
CONSTRUCTION	EE- 5	Magnetic switch assembly	EE- 9
REMOVAL	EE- 6	ASSEMBLY	EE- 9
DISASSEMBLY	EE- 6	TEST	EE- 9
CLEANING AND INSPECTION	EE- 7	Performance test	EE- 9
Terminal	EE- 7	Diagnosis of test	EE- 9
Field coil	EE- 7	Magnetic switch assembly test	EE- 9
Brushes and brush lead wire	EE- 7	SERVICE DATA	EE-10
Brush spring tension	EE- 7	TROUBLE DIAGNOSES AND	
Armature assembly	EE- 7	CORRECTIONS	EE-10

ENGINE ELECTRICAL SYSTEM

SPECIFICATIONS

Model	L24 engine	
Type	HITACHI S114-122N (For manual transmission)	HITACHI S114-182 (For automatic transmission)
Voltage	12 Volts	←
Output	1.0 KW	1.2 KW
Starting current (Voltage)	Less than 460 amps. (6 Volts)	Less than 500 amps. (5 Volts)
No load current (Voltage)	Less than 60 amps. (12 Volts)	←
No load starter revolution rpm	More than 5,000	More than 6,000
Shift type of pinion gear	Magnetic shift	←
Number of teeth on pinion gear	9	←
Number of teeth on ring gear	120	←

DESCRIPTION

The function of the starting system, consisting of the battery, ignition switch, starting motor and solenoid, is to crank the engine. The electrical energy is supplied from the battery,

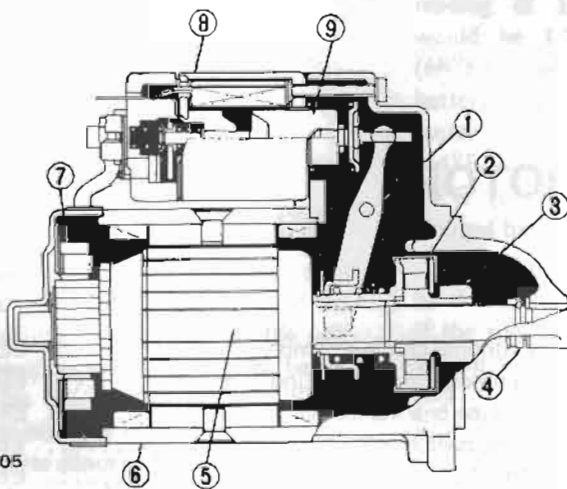
the solenoid completes the circuit to operate the starting motor, and then the motor carries out the actual cranking of the engine.

flywheel ring gear. Then the solenoid switch contacts close after the drive pinion is partially engaged with the ring gear.

Closing of the solenoid switch contacts causes the motor to crank the engine and also cut out the "series" coil of the solenoid, the magnetic pull of the "shunt" coil being sufficient to hold the pinion in mesh after the shifting has been performed.

After the engine starts running, the driver releases the ignition key and it automatically returns to the ON position.

This breaks the solenoid circuit so that reverse current flows through the series coil, and the magnetic field builds up in the direction in which the plunger moves back. As this happens, the resultant force of the magnetic fields in the shunt coil and the series coil becomes zero. The return spring then actuates the shift lever to pull the plunger, which allows to open the solenoid switch contacts. Consequently, the starting motor stops.



- 1 Shift lever
- 2 Over-running clutch
- 3 Pinion
- 4 Pinion stopper
- 5 Armature
- 6 Yoke
- 7 Brush
- 8 Magnetic switch Ass'y
- 9 Plunger

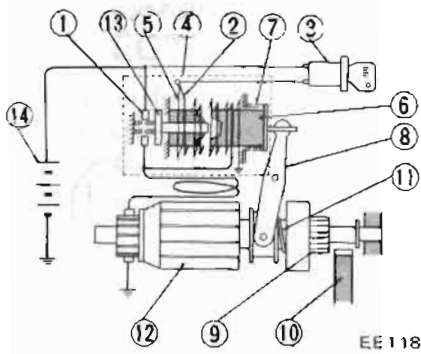
Fig. EE-5 Sectional view of starting motor

OPERATION

When the ignition switch is turned fully clockwise to the START position, battery current flows through

"series" and "shunt" coils of the solenoid, magnetizing the solenoid. The plunger is pulled into the solenoid so that it operates the shift lever to move the drive pinion into the

ENGINE ELECTRICAL SYSTEM

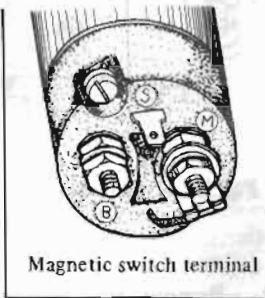
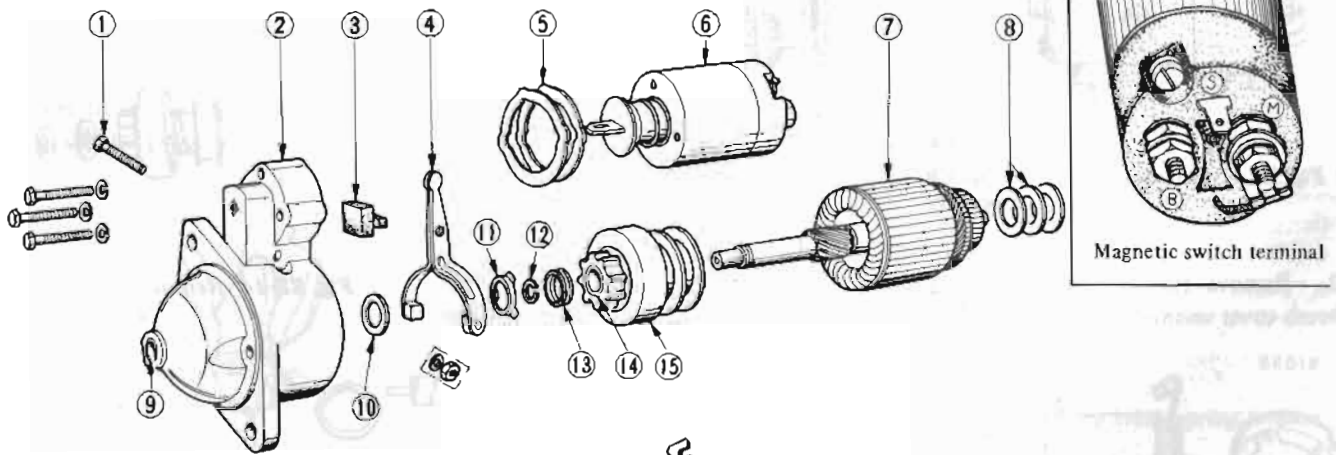


- | | |
|----------------------|-------------------------|
| 1 Stationary contact | 8 Shift lever |
| 2 Series coil | 9 Drive pinion |
| 3 Ignition switch | 10 Ring gear |
| 4 Solenoid | 11 Pinion sleeve spring |
| 5 Shunt coil | 12 Armature |
| 6 Plunger | 13 Movable contactor |
| 7 Return spring | 14 Battery |

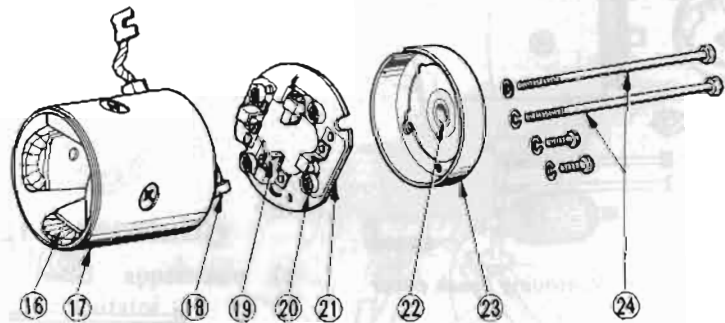
Fig. EE-6 Starting motor circuit

More positive meshing and demeshing of the pinion and the ring gear teeth are secured by means of the over-running clutch. The over-running clutch employs a shift lever to slide the pinion along the armature shaft, into or out of mesh with the ring gear teeth. The over-running clutch is designed to transmit driving torque from the motor armature to the ring gear, but permit the pinion to over-run the armature after the engine has started.

CONSTRUCTION



- | | |
|-------------------------|------------------------|
| 1 Shift lever pin | 13 Pinion stopper |
| 2 Gear case | 14 Pinion |
| 3 Dust cover | 15 Over running clutch |
| 4 Shift lever | 16 Field coil |
| 5 Dust cover | 17 Yoke |
| 6 Magnetic switch Ass'y | 18 Brush (+) |
| 7 Armature | 19 Brush (-) |
| 8 Thrust washer | 20 Brush spring |
| 9 Metal | 21 Brush holder Ass'y |
| 10 Thrust washer | 22 Metal |
| 11 Stopper washer | 23 Rear cover |
| 12 Stopper clip | 24 Through bolt |



EE007

Fig. EE 7 Exploded view of starting motor

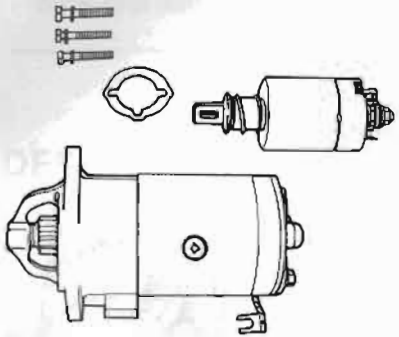
ENGINE ELECTRICAL SYSTEM

REMOVAL

1. Disconnect battery ground cable. Disconnect black wire with yellow tracer from magnetic switch terminal, and black battery cable from battery terminal of magnetic switch.
2. Remove two bolts securing starting motor to gear case. Pull starter assembly forward and remove starting motor.

DISASSEMBLY

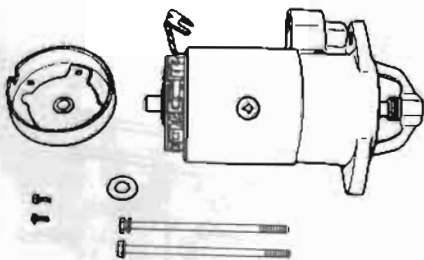
1. Loosen nut securing connecting plate to magnetic switch "M" terminal. Remove three screws securing magnetic switch and remove magnetic switch assembly.



EE008

Fig. EE-8 Removing magnetic switch assembly

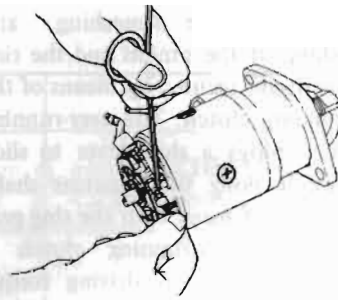
2. Remove two through bolts and brush cover assembly.



EE009

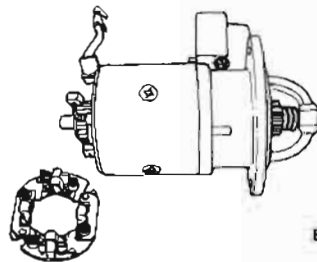
Fig. EE-9 Removing brush cover

3. Set free brushes from commutator by lifting up brush springs.



EE013

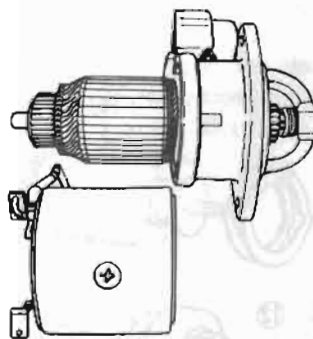
Fig. EE-10 Setting free brushes



EE014

Fig. EE-11 Removing brush holder

4. Remove yoke assembly by hitting lightly with a wooden hammer.



EE010

Fig. EE-12 Removing yoke assembly

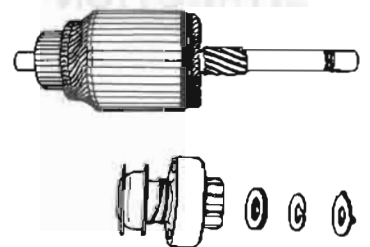
5. Withdraw armature assembly and shift lever.



EE011

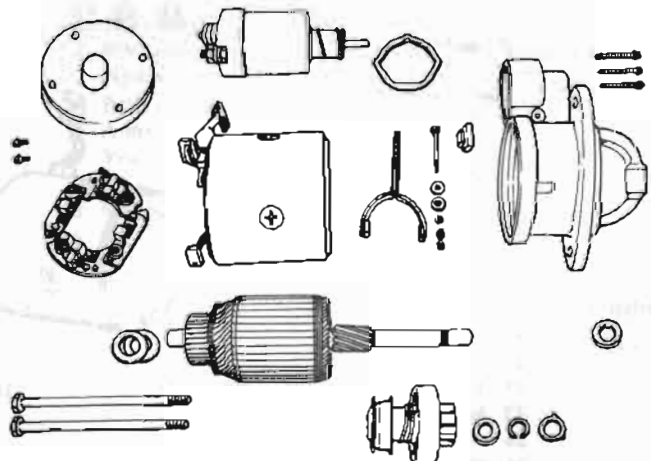
Fig. EE-13 Removing armature assembly and shift lever

6. Remove pinion stop ring located at the end of armature shaft. To remove stop ring, first push stop ring to clutch side and then, after removing snap ring, remove stop ring with over-running clutch. Withdraw over-running clutch assembly from armature shaft.



EE012

Fig. EE-14 Removing over-running clutch assembly



EE015

Fig. EE-15 Disassembly

CLEANING AND INSPECTION

Clean all disassembled parts, but do not use grease dissolving solvents for cleaning over-running clutch, armature assembly, magnetic switch assembly and field coils since such a solvent would dissolve grease packed in clutch mechanism and would damage coils or other insulators.

Check them for excessive damage or wear, and they should be replaced if necessary.

Terminal

Check terminal for damage and wear, and replace if necessary.

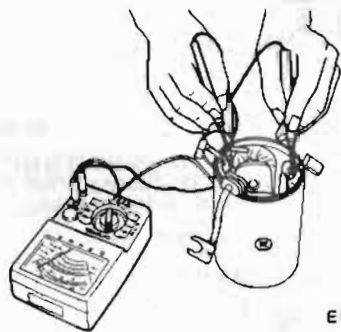
Field coil

Check field coil for insulation. If the insulation of coil is damaged or worn it should be replaced.

Testing field coil for continuity:

Connect the probe of a circuit tester or an ohmmeter to field coil positive terminal and positive brush holder.

If tester shows no conduction field circuit or coil is open.



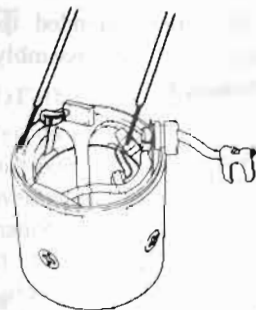
EE016

Fig. EE-16 Testing field coil for continuity

Testing field coil for ground:

Place one probe of circuit tester onto yoke and the other onto field coil lead (positive terminal).

If very little resistance is read, field coil is grounded.



EE017

Fig. EE-17 Testing field coil for ground

Field coil tester for short:

Unsolder the connected portion of each coil and proceed as mentioned above.

If a defective coil is found, it should be replaced.

Brushes and brush lead wire

Check the surface condition of brush contact and wear of brush. If a loose contact may be found it should be replaced.

If brush is worn and its length is less than 12.5 mm (0.492 in), replace.

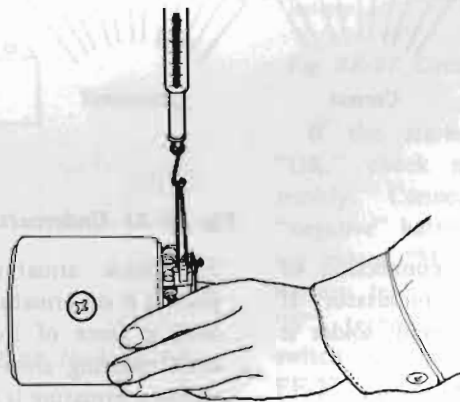
Check the connection of lead clip and lead wire.

Check brush holders and spring clip to see if they are not deformed or bent, and will properly hold brushes against the commutator.

If brushes or brush holders are dirty, they should be cleaned.

Brush spring tension

Check brush spring tension by a spring scale as shown in Figure EE-18. The reading should be 1.6 kg (3.53 lbs). Replace spring if tension is lower than 1.4 kg (3.09 lbs).



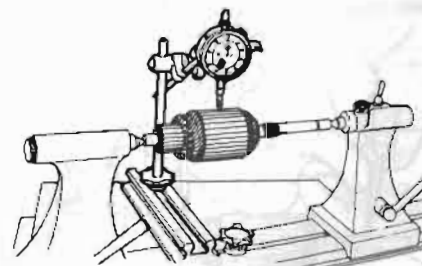
EE018

Fig. EE-18 Inspecting brush spring tension

Armature assembly

Check external appearance of armature and commutator.

1. Measure armature shaft for bend by a dial gauge. Replace armature shaft if the bend exceeds 0.08 mm (0.0031 in).



EE019

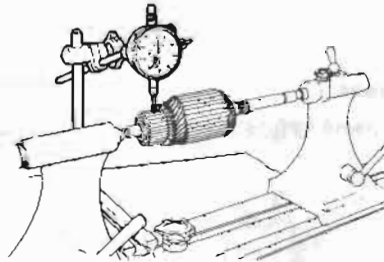
Fig. EE-19 Inspecting armature shaft for bend

ENGINE ELECTRICAL SYSTEM

2. Inspect commutator. If the surface of commutator is rough, it must be sanded lightly with a No. 500 emery cloth. Commutator must be checked also for out-of-round. If the out-of-round is more than 0.2 mm (0.0079 in), or the depth of insulating mica is less than 0.2 mm (0.0079 in) from commutator surface, commutator (armature) should be turned in a lathe, so that the out-of-round is less than 0.05 mm (0.0020 in). Insulating mica should also be undercut so that the depth of it is 0.5 to 0.8 mm (0.0197 to 0.0315 in).

The wear limit of commutator diameter is 2 mm (0.0787 in). If commutator is beyond repair, replace.

Note: It is recommended to replace commutator as an assembly if worn or damaged.

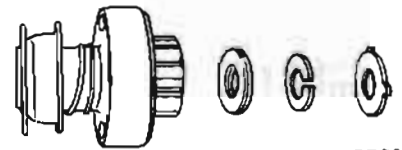


EE020

Fig. EE-20 Inspecting commutator

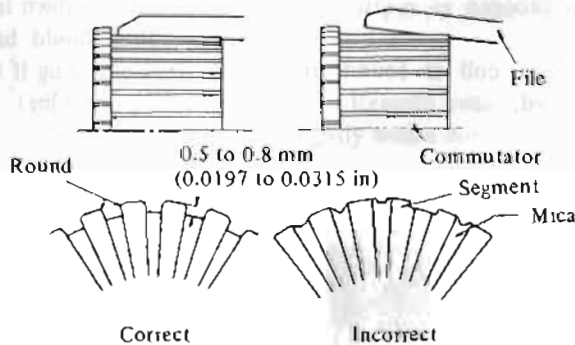
Over-running clutch assembly

Inspect pinion assembly and screw sleeve. Screw sleeve must slide freely along armature shaft splines. If damages are found or resistance would be felt when sliding, it must be repaired. Inspect pinion teeth. If excessive rubbing would be found on teeth, it should be replaced. Flywheel ring gear also must be inspected.



EE024

Fig. EE-24 Over-running clutch assembly



EE021

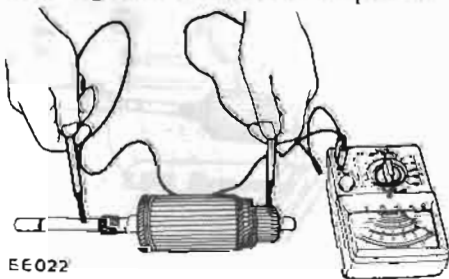
Fig. EE-21 Undercutting insulating mica

3. Inspect soldered connection of armature lead and commutator. If loose connection is found, solder it using rosin flux.

4. Armature test for ground

Using a circuit tester, place one test probe onto armature shaft and other onto each commutator bar.

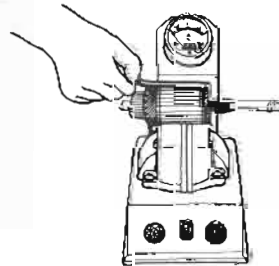
If tester shows conductive, armature is grounded and must be replaced.



EE022

Fig. EE-22 Testing armature for ground

5. Check armature for short by placing it on armature tester (growler) with a piece of iron over armature core, rotating armature. If the plate vibrates, armature is shorted.



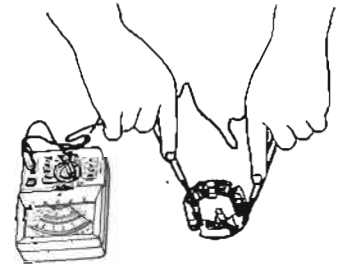
EE023

Fig. EE-23 Testing armature for short

6. Check armature for continuity by placing probes of tester on two segments side by side. If tester shows no conduction, the circuit is open.

Brush holder test for ground

Using a circuit tester, place one test probe onto negative side brush holder and another onto positive side. If tester shows conduction, brush holder is shorted to ground. Replace an insulator or brush holder.



EE025

Fig. EE-25 Testing brush for ground

Pinion case bearing metal

Inspect bearing metal for wear or side play. If the clearance between bearing metal and armature shaft is more than 0.2 mm (0.0079 in), replace metal. Press in a new bearing and adjust the clearance to 0.03 to 0.10 mm (0.0012 to 0.0039 in). Bearing metal should be so pressed in that the end of the bearing metal would be flush with gear case.

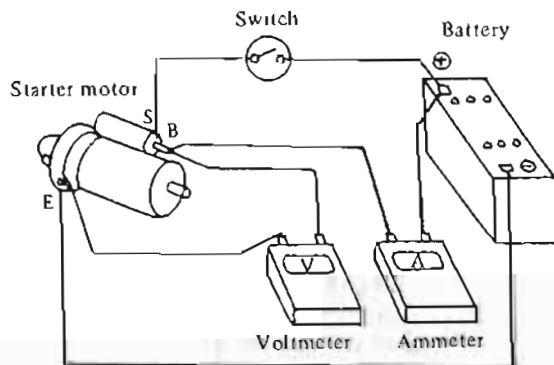
Magnetic switch assembly

Inspect magnetic switch contacts. If a rough welding be found on the contact, it should be repaired.

ASSEMBLY

Reassemble starting motor in reverse sequence of disassembly.

When assembling, make sure to apply grease to gear case and rear cover bearing metal, and apply oil to pinion slightly.



EE026

Fig. EE-26 No-load testing

Diagnosis of test

1. Low speed with no-load and high current draw may result from the following causes.

- (1) Tight, dirty or worn bearings.
- (2) Bent armature shaft or loosened field probe.
- (3) Shorted armature;
 - Check armature further.
- (4) A grounded armature or field;
 - a. Remove input terminal.
 - b. Raise two negative side brushes from commutator.

c. Using a circuit tester, place one probe onto input terminal and the other onto yoke.

TEST

Performance test

Starter motor should be subjected to a "no-load" test whenever it has been overhauled to ensure that its performance will be satisfactory when installed to engine. Starter motor should also be subjected to the test when the cause of abnormal operation is to be determined. A brief outline of the test is given below.

No-load test

Connect starting motor in series with specified (12 volts) battery and an ammeter capable of indicating 1,000 amperes.

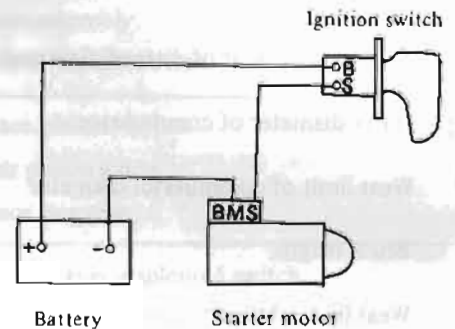
Specified current draw and revolution in these test are shown in "specification."

(3) Burned out commutator bar:

Weak brush spring tension, broken brush spring, rubber bush, thrust out of mica in commutator or a loose contact between brush and commutator would cause to burn commutator bar.

3. Low current draw and low no-load speed would cause high internal resistance due to loose connections, defective leads, dirty commutator and causes listed on item 2-(3).

Magnetic switch assembly test

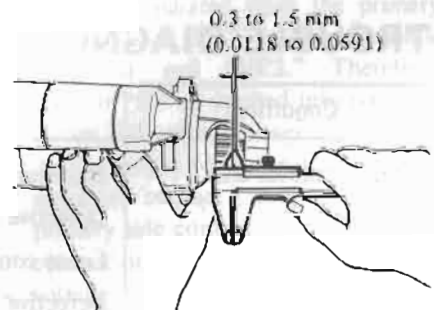


EE027

Fig. EE-27 Circuit of magnetic switch assembly test

If the starting motor check is "OK," check magnetic switch assembly. Connect cables between "negative" battery terminal and starting motor "M" terminal, "positive" battery terminal and starting motor "S" terminal connecting ignition switch in series as shown in Figure EE-27.

With ignition switch on, measure the gap "ℓ" between pinion front edge and pinion stopper.



EE028

Fig. EE-28 Measuring gap "ℓ"

d. If tester indicates conduction, raise the other two brushes and check field and armature separately to determine whether field or armature is grounded.

2. Failure to operate with high current draw may result from the following items.

- (1) A grounded or open field coil:
 - Inspect the connection and trace circuit by a circuit tester.

(2) Armature coil does not operate:

- Inspect commutator for excessive burning. In this case, arc may occur on defective commutator when motor is operated with no-load.

ENGINE ELECTRICAL SYSTEM

SERVICE DATA

Item	Model		
	S114-122N	S114-182	
Armature shaft diameter (pinion side)	mm (in)	12.950 to 12.968 (0.5098 to 0.5106)	12.450 to 12.468 (0.491 to 0.492)
Armature shaft diameter (rear end)	mm (in)	11.450 to 11.468 (0.4508 to 0.4515)	12.450 to 12.468 (0.491 to 0.492)
Amendment limit of shaft diameter	mm (in)	0.1 (0.0039)	←
Amendment limit of shaft bent	mm (in)	0.08 (0.0031)	←
Clearance between shaft and bush	mm (in)	0.03 to 0.1 (0.0012 to 0.0039)	←
Amendment limit of dittoed clearance	mm (in)	0.2 (0.0079)	←
Outer diameter of commutator	mm (in)	35.0 (1.3780)	40.0 (1.575)
Wear limit of commutator diameter	mm (in)	1.0 (0.0394)	1.0 (0.0394)
Brush length	mm (in)	18.5 (0.7283)	16.0 (0.63)
Wear limit of dittoed length (remaining brush should be more than)	mm (in) mm (in)	6.0 (0.2362) 12.5 (0.4921)	4.0 (0.1575) 12.0 (0.473)
Brush spring tension	kg (lb)	1.6 (35.3)	←
Front bracket metal inner diameter	mm (in)	13.000 to 13.018 (0.5118 to 0.5125)	12.500 to 12.527 (0.492 to 0.494)
Rear cover metal inner-diameter	mm (in)	11.500 to 11.521 (0.4528 to 0.4536)	12.500 to 12.521 (0.492 to 0.493)
Center bearing metal inner diameter	mm (in)	17.650 to 17.675 (0.6949 to 0.6959)	←

TROUBLE DIAGNOSES AND CORRECTIONS

Condition	Probable cause	Corrective action
Starting motor will not operate.	<ul style="list-style-type: none"> Discharged battery. Defective solenoid switch. Loose connections of terminal. Defective brushes. Defective starting motor. 	<ul style="list-style-type: none"> Charge or replace battery. Repair or replace solenoid switch. Clean and tighten terminal. Replace brushes. Remove starting motor and make test.

ENGINE ELECTRICAL SYSTEM

Condition	Probable cause	Corrective action
Noisy starting motor.	Loose securing bolt. Worn pinion gear. Poor lubrication. Worn commutator. Worn brushes.	Tighten bolt. Replace pinion gear. Fill in oil. Disassemble motor. Replace brushes.
Starting motor cranks slowly.	Discharged battery. Loose connection of terminal. Worn brushes. Locked brushes.	Charge or replace battery. Clean and tighten terminal. Replace brushes. Inspect brush spring tension or repair brush holder.
Starting motor cranks slowly	Dirty or worn commutator. Armature rubs field coil. Defective solenoid switch.	Clean and repair. Replace assembly. Repair or replace switch.
Starting motor operates but does not crank engine.	Worn pinion. Locked pinion guide. Worn ring gear.	Replace pinion. Repair pinion guide. Replace ring gear.
Starting motor will not disengage even ignition switch is turned off.	Defective solenoid switch. Defective gear teeth.	Repair or replace solenoid switch. Replace defective gear.

CHARGING CIRCUIT

The charging circuit consists of the battery, alternator, regulator and necessary wiring to connect these parts. The purpose of this system is to convert mechanical energy from the engine into electrical energy which is used to operate all electrically operated units and to keep the battery fully charged.

When the ignition switch is set to "ON," current flows from the battery to ground through the ignition switch, voltage regulator IG terminal, primary side contact point "P1," movable contact point "P2," voltage regulator "F" terminal, alternator "F" terminal, field coil and alternator "E" terminal, as shown in Figure EE-29 by full line arrow marks. Then the rotor in the alternator is excited. On the other hand, current flows from the battery to ground through the ignition switch,

warning lamp, voltage regulator "L" terminal, lamp side contact point "P4," movable contact point "P5," and voltage regulator "E" terminal, as shown by dotted line arrow marks. Then, the warning lamp lights.

When the alternator begins to operate, three-phase alternating current is induced in the stator coil. This alternating current is rectified by the positive and negative silicon diodes. The rectified direct current output reaches the alternator "A" and "E" terminals.

On the other hand, the neutral point voltage reaches "N" and "E" terminals (nearly a half of the output voltage), and current flows from voltage regulator "N" terminal to "E" terminal or ground through the coil "VC1" as shown in Figure EE-30 by the dotted line arrow marks. Then, the

coil "VC1" is excited, and the movable contact point "P5" comes into contact with voltage winding side contact point "P6." This action causes to turn off the warning lamp and complete the voltage winding circuit, as shown by the full line arrow marks.

When the alternator speed is increased or the voltage starts to rise excessively, the movable contact point "P2" is separated from the primary side contact "P1" by the magnetic force of coil "VC2." Therefore, resistor "R1" is applied into the rotor circuit and output voltage is decreased. As the output voltage is decreased, the movable contact point "P2" and primary side contact "P1" comes into contact once again, and the alternator voltage increases. Thus, the rapid vibration of the movable contact point "P2," maintains an alternator output

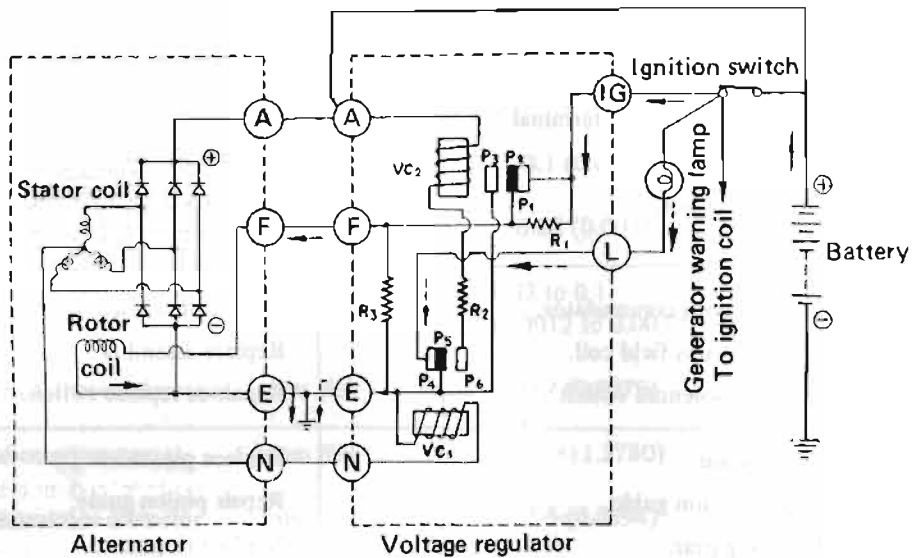
ENGINE ELECTRICAL SYSTEM

voltage constant.

When the alternator speed is further increased or the voltage starts to rise excessively, the movable contact point "P2" comes into contact with

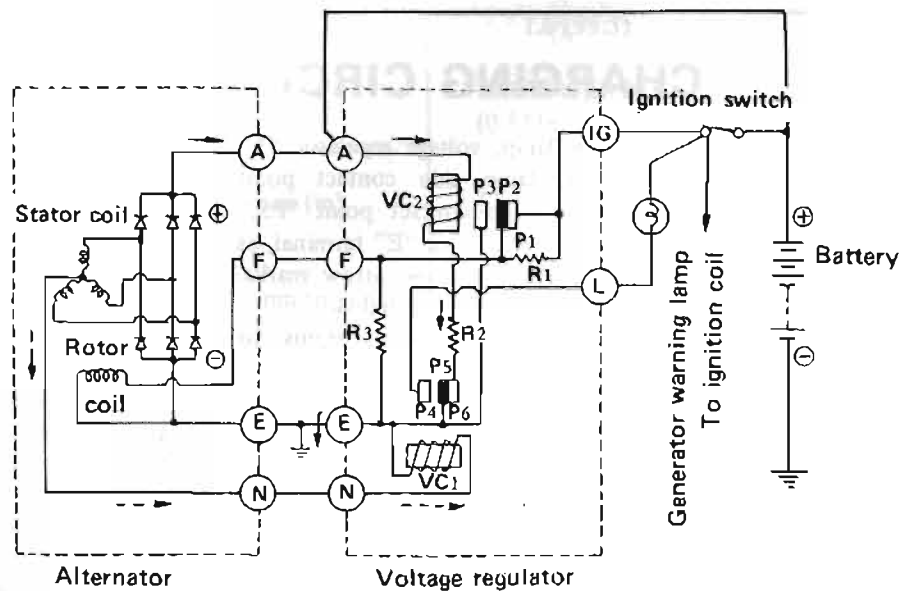
secondary side contact point "P3." Then, the rotor current is shut off and alternator output voltage is decreased immediately. This action causes to separate movable contact "P2" from

secondary contact "P3." Thus, the rapid vibration of the movable contact point "P2" or breaking and completing the rotor circuit maintains an alternator output voltage constant.



EE029

Fig. EE-29 Charging circuit (I)



EE030

Fig. EE-30 Charging circuit (II)

ENGINE ELECTRICAL SYSTEM

ALTERNATOR

CONTENTS

DESCRIPTION	EE-13	Inspection of brush	EE-17
REMOVAL	EE-14	Spring pressure test	EE-17
DISASSEMBLY	EE-14	REASSEMBLY	EE-17
INSPECTION AND REPAIR	EE-15	ALTERNATOR TEST	EE-18
Rotor inspection	EE-15	SPECIFICATIONS AND SERVICE	
Inspection of stator	EE-15	DATA	EE-18
Inspection of diode	EE-16	Specifications	EE-18
		Service data	EE-19

DESCRIPTION

Alternator	Vehicle
LT150-10	S30 model except for Canada
LT160-23	S30 model for Canada

In the alternator, a magnetic field is produced by the rotor which consists of alternator shaft, field coil, pole pieces, and slip rings. The slip rings pressed in the shaft conduct only a

small field current. Output current is generated in the armature coils located in the stator. The stator has three windings and generates three-phase alternating current. Silicon diodes act like a one-way valve for electricity so that charging current passes easily but reverse current is shut out.

In model LT150-10, LT160-23 pack type silicone diodes are used.

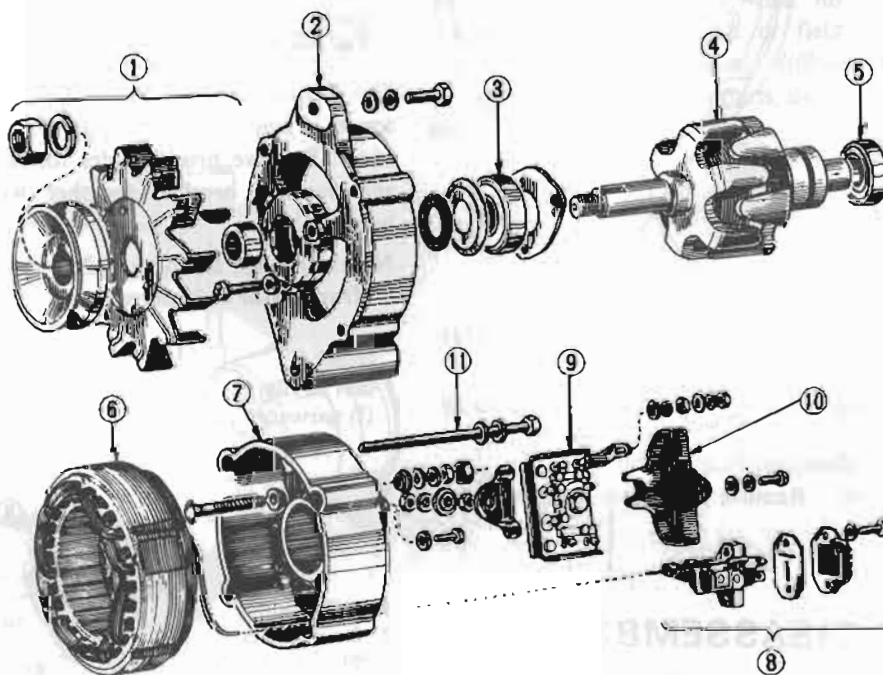
Six diodes (three negatives and three positives), are installed in positive and negative plates as an assembly.

These diodes are direct-soldered at their tips, and constructed with positive and negative conjunction.

They are mounted on the two plates which combine the function of heat-dissipating plate and positive/negative terminals and are light in weight and easy to service.

Three each diodes (three negatives and three positives) are installed in positive and negative side rear cover.

LT150-10 is primarily the same but differ only in quantity. In this chapter, under LT150-10 is described as the standard and other explanations are added to it when the other models differ from it in instruction procedure.

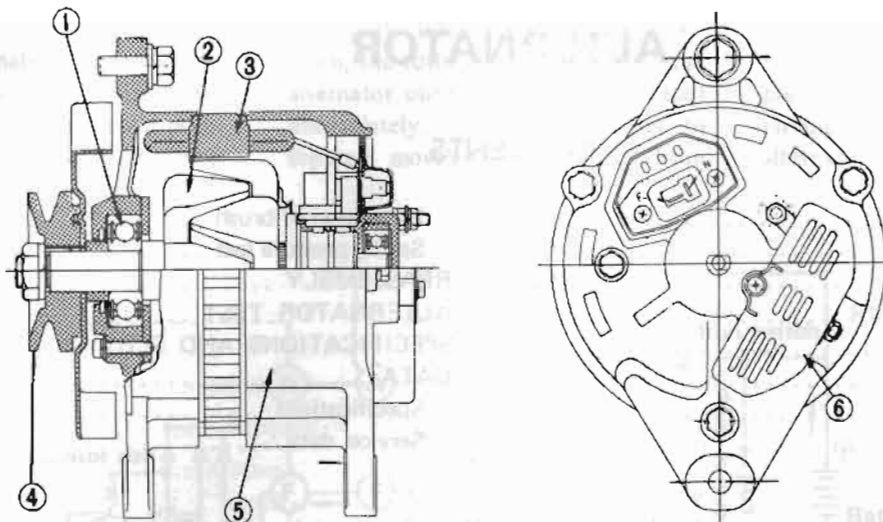


- 1 Pulley assembly
- 2 Front cover
- 3 Front bearing
- 4 Rotor
- 5 Rear bearing
- 6 Stator
- 7 Rear cover
- 8 Brush assembly
- 9 Diode set plate assembly
- 10 Diode cover
- 11 Through bolts

EE119

Fig. EE-31 Exploded view

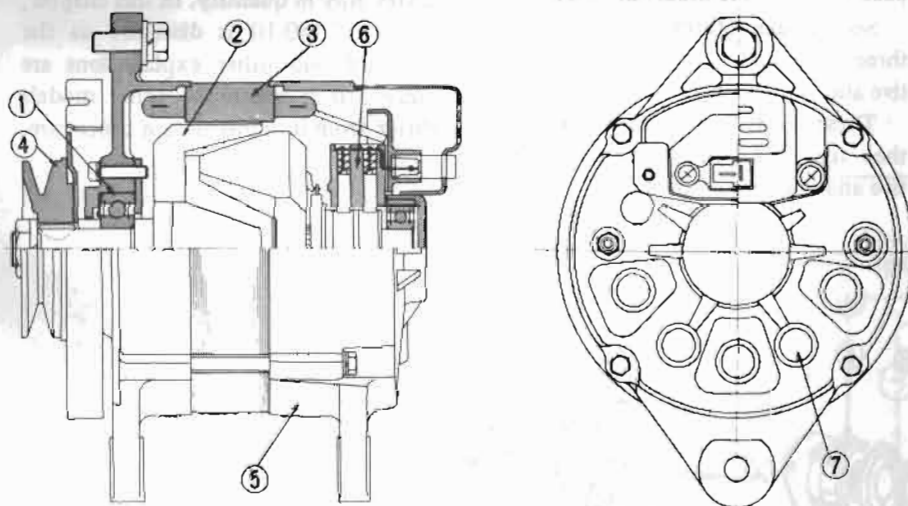
ENGINE ELECTRICAL SYSTEM



EE032

- | | |
|-----------------|-----------------|
| 1 Front bearing | 4 Pulley |
| 2 Rotor | 5 Rear cover |
| 3 Stator | 6 Encased diode |

Fig. EE-32 Sectional view of LT150-10



- | | |
|-----------------|-------------------------|
| 1 Front bearing | 5 Rear cover |
| 2 Rotor | 6 Brush holder assembly |
| 3 Starter | 7 Diode |
| 4 Pulley | |

EE121

Fig. EE-33 Sectional view of LT160-20

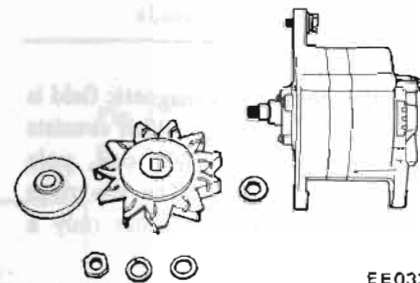
alternator from engine.
6. Remove alternator from vehicle.

REMOVAL

1. Disconnect negative battery terminal.
2. Disconnect two lead wires and connector from alternator.
3. Loosen adjusting bolt.
4. Remove alternator drive belt.
5. Remove parts associated with

DISASSEMBLY

1. Remove pulley nut, pulley rim, fan and spacer.

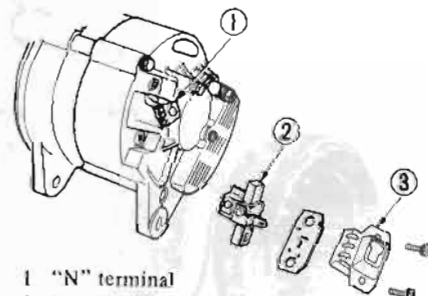


EE033

Fig. EE-34 Removing pulley and fan

2. Remove brush holder fixing screws, and remove brush holder cover. Remove brush holder forward, and remove brushes together with brush holder.

Note: Do not disconnect N terminal from stator coil lead wire.

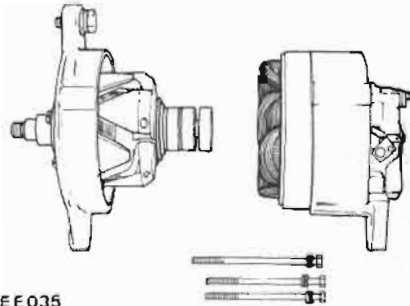


EE034

Fig. EE-35 Removing brush

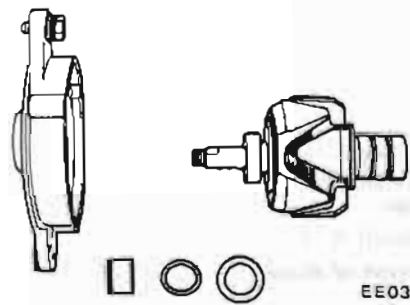
ENGINE ELECTRICAL SYSTEM

3. Loosen and remove through bolts. Separate front cover with rotor from rear cover with stator by lightly tapping front bracket with a wooden mallet.



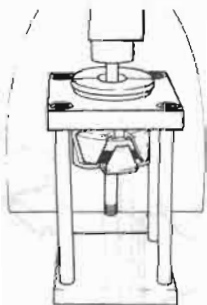
EE035
Fig. EE-36 Separating front cover with rotor from rear cover

4. Remove three set screws from bearing retainer, and separate rotor from front cover.

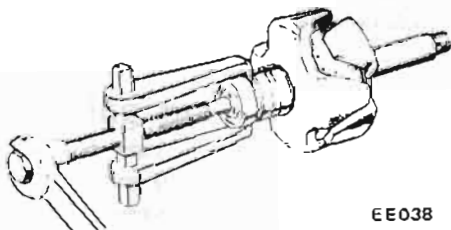


EE036
Fig. EE-37 Removing rotor

5. Pull out rear bearing from rotor assembly with a press or bearing puller.



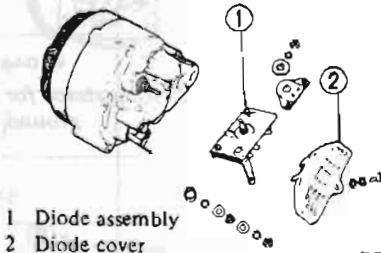
EE037
Fig. EE-38 Pulling out of rear bearing (I)



EE038
Fig. EE-39 Pulling out of rear bearing (II)

6. Remove diode cover fixing screw, and remove diode cover. Disconnect three stator coil lead wires from diode terminal with a soldering iron.

7. Remove A terminal nut and diode installation nut, and remove diode assembly.



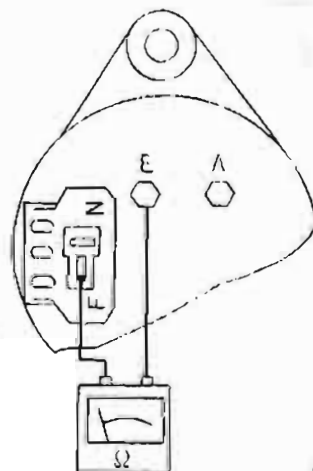
1 Diode assembly
2 Diode cover
EE039
Fig. EE-40 Removing diode assembly

Note: Use care in handling diode assembly to prevent an undue stress on it.

INSPECTION AND REPAIR

Remove alternator from vehicle and apply tester between lead wire F (white with black tracer) and lead wire E (black color).

When the resistance is approximately 5Ω , the condition of brush and field coil is satisfactory. When no conduction exists in brush or field coil, or when resistance differs remarkably between those parts, disassemble and inspect.

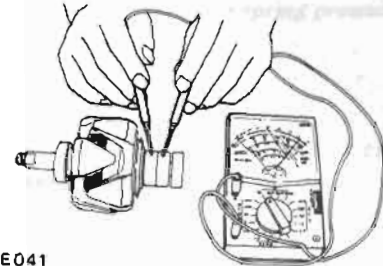


EE040
Fig. EE-41 Inspecting alternator

Rotor inspection

1. Conduction test of rotor coil

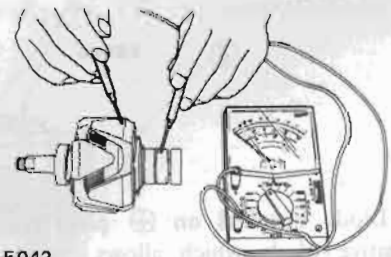
Apply tester between slip rings of rotor as shown in Figure EE-46. If there is no conduction, discontinuity of field coil may exist. When resistance is approximately 4.4Ω at normal ambient temperature, condition is satisfactory.



EE041
Fig. EE-42 Conduction test of rotor coil

2. Ground test of rotor coil

Check conduction between slip ring and rotor core. If conduction exists, replace rotor assembly, because field coil or slip ring may be grounded.



EE042
Fig. EE-43 Testing rotor coil for ground

Inspection of stator

1. Conduction test

Stator is normal when there is conduction between individual stator coil terminals. When there is no conduction between individual terminals, cable is broken.

Replace with stator assembly.



EE043
Fig. EE-44 Testing stator for conduction

ENGINE ELECTRICAL SYSTEM

2. Ground test

If each lead wire of armature coil (including neutral wire) is not conductive with stator core, condition is satisfactory. If there is conduction, stator coil is grounded.

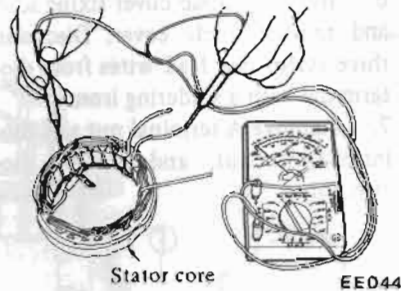


Fig. EE-45 Testing stator for ground

Inspection of diode

Perform a conduction test on diodes in both directions, using an ohmmeter. A total of six diodes are used; three are mounted on the positive \oplus plate, and other three are on the negative \ominus plate. The conduction test should be performed on each diode, between the terminal and plate.

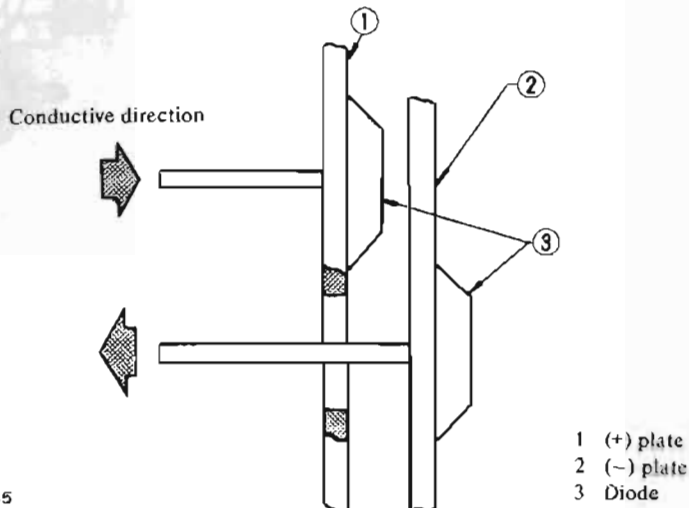


Fig. EE-46 Conductive direction of diode

Diode installed on \oplus plate is a positive diode which allows current flowing from terminal to \oplus plate only. In other words, current does not flow from \oplus plate to terminal.

Diode installed on \ominus plate is a negative diode which allows current flowing from \ominus plate to terminal only. In other words, current does not flow from terminal to \ominus plate.

If current flows toward both positive and negative directions, diode is short-circuited. If current flows in the same direction only, diode is in good condition. If there is a defective diode, replace all diodes (six diodes) as an assembly. (See below table.) These diodes are unserviceable.

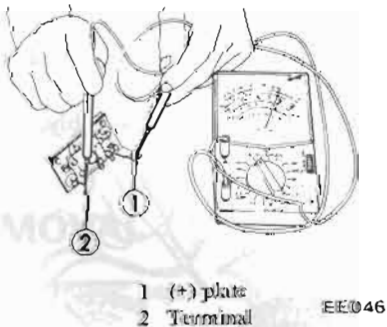


Fig. EE-47 Inspecting positive diode

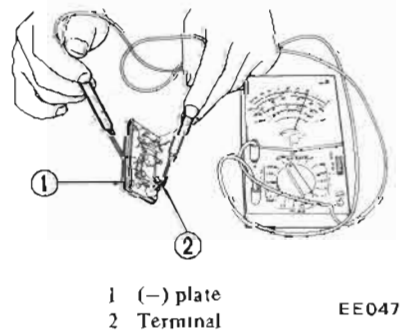


Fig. EE-48 Inspecting negative diode

ENGINE ELECTRICAL SYSTEM

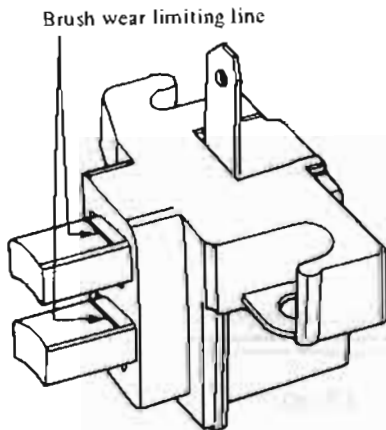
Test probe of a circuit tester		Conduction
⊖ terminal	⊕ plate	
⊖ terminal	⊕ plate	0
⊕ plate	terminal	-
terminal	⊖ plate	-
⊖ plate	terminal	0
⊖ plate	⊕ plate	0
⊕ plate	⊖ plate	-

Inspection of brush

Check movement of brush and if movement is unsmooth, check brush holder and clean it.

Check brush for wear. If it is worn down to less than the specified limit, replace brush assembly.

Check brush pig tail and, if found defective, replace.



EE127

Fig. EE-50 Brush wear limit

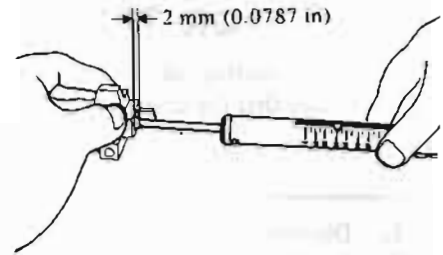
Spring pressure test

With brush projected approximately 2 mm (0.0787 in) from brush holder, measure brush spring pressure by the use of a spring balance. Normally, the rated pressure of a new

brush spring is 255 to 345 g (9.0 to 12.2 oz).

Moreover, when brush is worn, pressure decreases approximately 20 g (0.7 oz) per 1 mm (0.0394 in) wear.

3. Tighten pulley nut with tightening torque of 350 to 400 kg-cm (301 to 344 in-lb). When pulley is tightened, make sure that deflection of V-groove is less than 0.3 mm (0.0118 in).



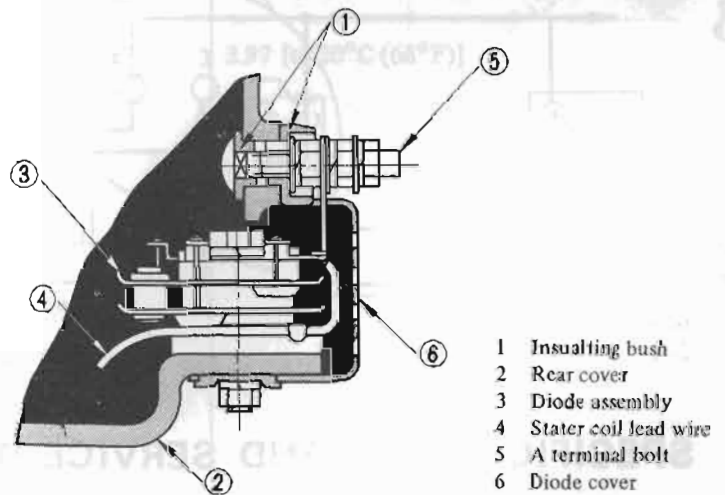
EE049

Fig. EE-51 Measuring spring pressure

REASSEMBLY

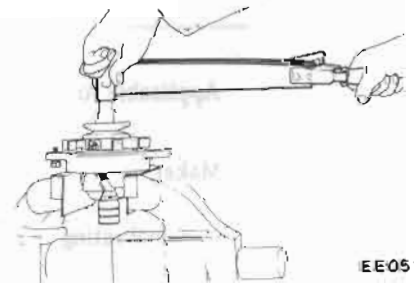
Reassemble alternator in the reverse sequence of disassembly noting following matters:

1. When soldering each stator coil lead wire to diode assembly terminal, carry out the operation as fast as possible.
2. When installing diode A terminal, install insulating bush and insulating tube correctly.



- 1 Insulating bush
- 2 Rear cover
- 3 Diode assembly
- 4 Stator coil lead wire
- 5 A terminal bolt
- 6 Diode cover

Fig. EE-52 Sectional view of diode and A terminal



EE051

Fig. EE-53 Tightening pulley nut

ENGINE ELECTRICAL SYSTEM

ALTERNATOR TEST

Before conducting an alternator test, make sure that the battery is fully charged.

To conduct a test, it is necessary to use a 30-volt voltmeter and suitable test probes.

Set up a test circuit as shown in Figure EE-54 and test alternator in the manner indicated in the flow chart below:

1. Disconnect connectors at alternator.
2. Connect one test probe from voltmeter positive terminal to "N" terminal or "BAT" terminal. Connect the other test probe to ground. Make sure that voltmeter registers battery voltage.
3. Turn on headlights and switch to Main Beam.
4. Start engine.
5. Increase engine speed gradually until it is approx. 1,100 rpm., and take the voltmeter reading.

Measured value: Below 12.5 volts
Alternator is in trouble. remove and check it for condition.

Measured value: Over 12.5 volts
Alternator is in good condition.

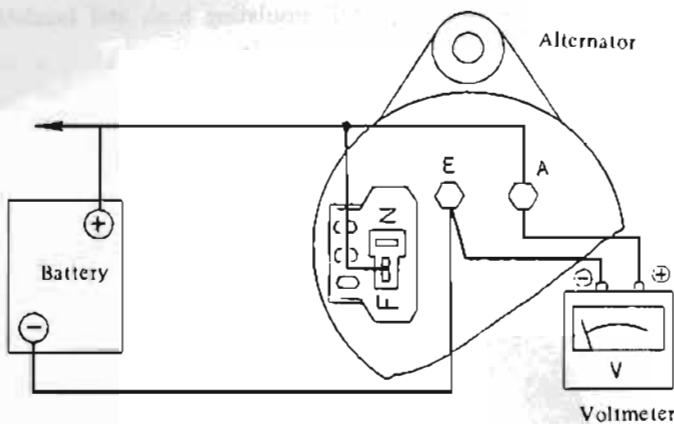


Fig. EE-54 Testing alternator

Notes:

- a. Do not run engine at the speed of more than 1,100 rpm while test is being conducted on alternator.
- b. Do not race engine.

SPECIFICATIONS AND SERVICE DATA

Specifications

Item	Model	LT150-10	LT160-23
Applicable to		S30 model except for Canada	S30 model for Canada
Maker		HITACHI	←
Nominal rating		12V-50A	12V-60A
Ground polarity		Negative	←

ENGINE ELECTRICAL SYSTEM

Item	Model	Model	
		LT150-10	LT160-23
Revolution	rpm	1,000 to 13,500	1,050 to 13,500
Minimum revolution under no load	rpm	Less than 1,000	Less than 1,050
Output current	rpm	37.5A (14V, 2,500 rpm)	45A (14V, 2,500 rpm)
Pulley ratio		2.09	←

Service data

Item	Model	Model	
		LT150-10	LT160-23
Stator coil			
Resistance per a phase	Ω	0.17 [at 20°C (68°F)]	0.045 [at 20°C (68°F)]
Rotor coil			
Resistance	Ω	4.4 [at 20°C (68°F)]	3.97 [at 20°C (68°F)]
Brush			
Brush length	mm (in)	14.5 (0.571)	←
Wear limit	mm (in)	7 (0.2756)	←
Spring pressure	kg (lb)	0.25 to 0.35 (0.55 to 0.77)	←
Slip ring			
Outer dia.	mm (in)	31 (1.220)	←
Reduction limit	mm (in)	1 (0.0394)	←
Repair accuracy	mm (in)	0.05 (0.0197)	←

ENGINE ELECTRICAL SYSTEM

REGULATOR

CONTENTS

DESCRIPTION	EE-20	Charging relay	EE-22
MEASUREMENT OF REGULATOR		SPECIFICATIONS AND SERVICE	
VOLTAGE	EE-21	DATA	EE-24
ADJUSTMENT	EE-23	TROUBLE DIAGNOSES AND	
Voltage regulator	EE-23	CORRECTIONS (Including alternator)	EE-25

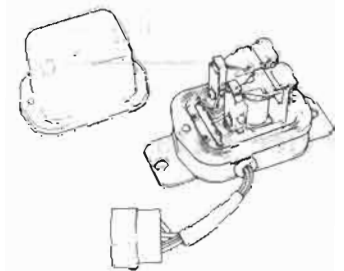
DESCRIPTION

The regulator consists basically of a voltage regulator and a charge relay. The voltage regulator has two sets of contact points, a lower set and upper set, to control alternator voltage. An armature plate placed between the two sets of contacts, moves upward or downward or vibrates. The lower contacts, when closed, complete the

field circuit direct to ground; and the upper contacts, when closed, complete the field circuit to ground through a resistance (field coil), and produces alternator output.

The charge relay is similar in construction to the voltage regulator.

When the upper contacts are closed, ignition warning lamp goes on.



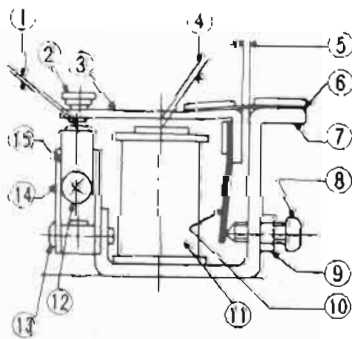
EE145

Fig. EE-55 View of removing cover

Regulator model	Vehicle	Alternator
TL1Z-57	S30 model	LT150-10 or *LT160-20

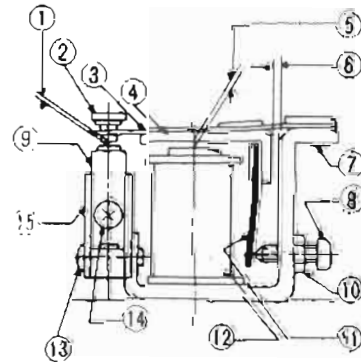
*LT160-20: For Canada

As for the construction, the voltage regulator is very similar to the charge relay as shown in Figure EE-56.



- | | |
|---------------------|--------------------------------|
| 1 Point gap | 10 Adjust spring |
| 2 Lower contact | 11 Coil |
| 3 Armature | 12 3 mm (0.1181 in) dia. screw |
| 4 Core gap | 13 4 mm (0.1575 in) dia. screw |
| 5 Yoke gap | 14 Contact set |
| 6 Connecting spring | 15 Upper contact |
| 7 Yoke | |
| 8 Adjusting screw | |
| 9 Lock nut | |

(a) Construction of voltage regulator



- | | |
|-----------------------------|--------------------------------|
| 1 Point gap | 10 Lock nut |
| 2 Charge relay contact | 11 Adjust spring |
| 3 Connecting spring | 12 Coil |
| 4 Armature | 13 3 mm (0.1181 in) dia. screw |
| 5 Core gap | 14 4 mm (0.1575 in) dia. screw |
| 6 Yoke gap | 15 Contact set |
| 7 Yoke | |
| 8 Adjusting screw | |
| 9 Voltage regulator contact | |

(b) Construction of charge relay

Fig. EE-56 Structural view

ENGINE ELECTRICAL SYSTEM

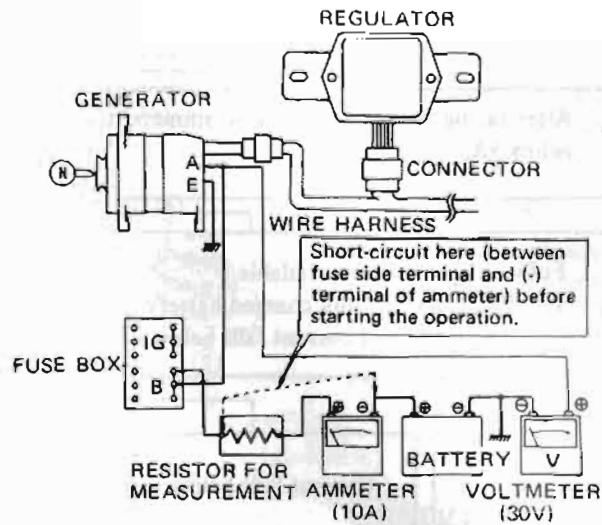
MEASUREMENT OF REGULATOR VOLTAGE

Regulator voltage is measured with regulator assembled with alternator. When measuring voltage with regulator mounted on vehicle, it is necessary to rotate engine at high speed.

Connect DC voltmeter (15-30V), DC ammeter (15-30A), battery and resistor (0.25 ohms) with cables as shown.

(1) Check to be sure that all electrical loads such as lamps, air conditioner, radio etc. are disconnected.

(2) Before starting engine, be sure to make short circuit with a cable between fuse side terminal of resistor (0.25Ω) and negative side terminal of ammeter. Failure to follow this caution causes needle of ammeter to swing violently and reversely, resulting in a damaged ammeter.

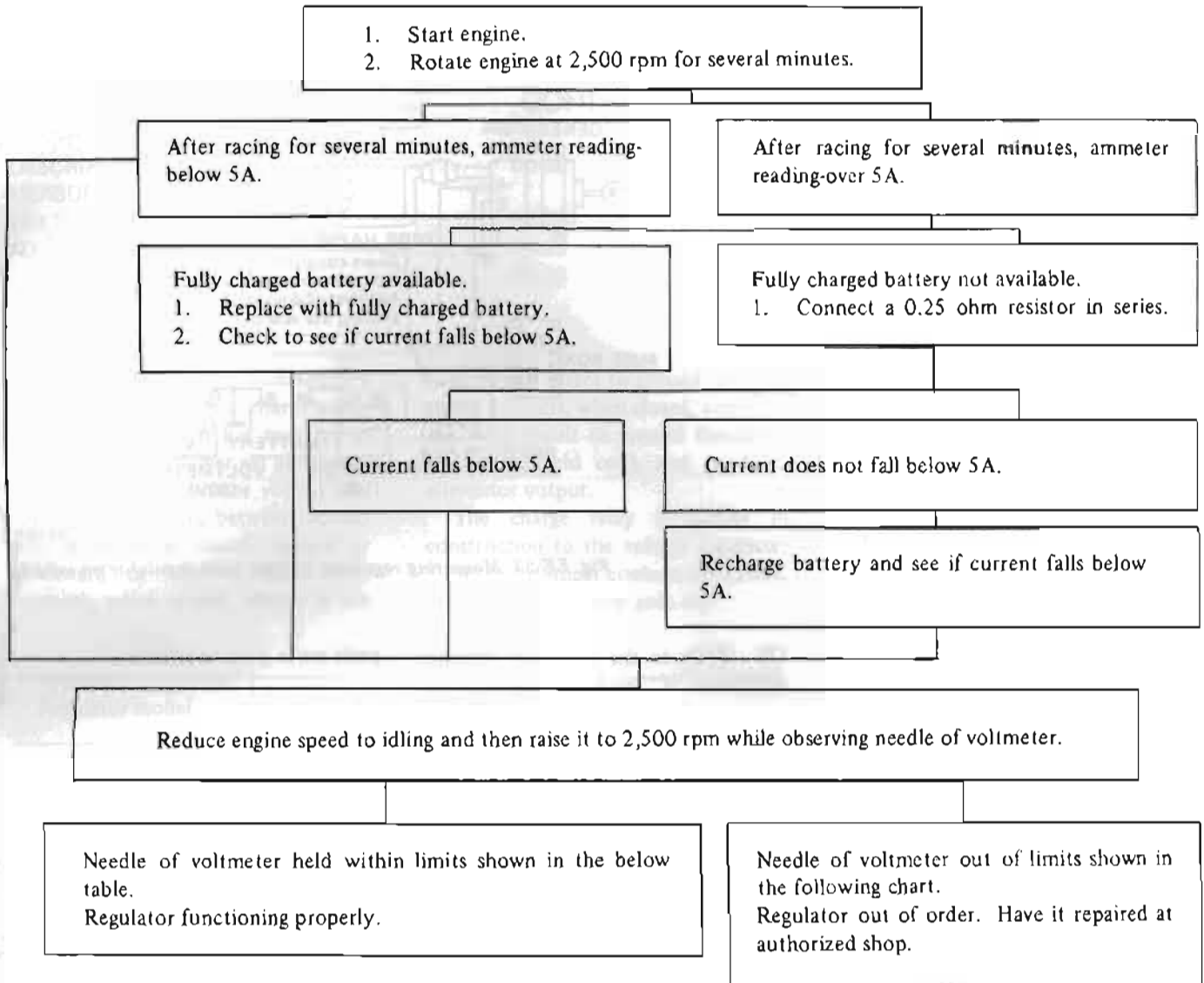


EE055

Fig. EE-57 Measuring regulator voltage with regulator on vehicle

(3) Refer to the following chart to determine if regulator and relative parts are in good condition:

ENGINE ELECTRICAL SYSTEM



Regulator model TL1Z-S7 (HITACHI)

Temperature °C (°F)	Voltage V
-10 (14)	14.75 to 15.25
0 (32)	14.60 to 15.10
10 (50)	14.45 to 14.95
20 (68)	14.30 to 14.80
30 (86)	14.15 to 14.65
40 (104)	14.00 to 14.50

speed.

- c. Voltage may be approx. 0.3 V higher than the rated for two to three minutes after engine is started, or more specifically, when regulator becomes self-heated. Measurements should then be made within one minute after starting engine, or when regulator is cold.
- d. The regulator is of a temperature-compensating type. Before measuring voltage, be sure to measure surrounding temperature and correct measurements according to the table in the left hand side.

Notes:

- a. Do not measure voltage immediately after driving. Do this while regulator is cold.
- b. To measure voltage, raise engine speed gradually from idling to rated

ADJUSTMENT

Voltage regulator

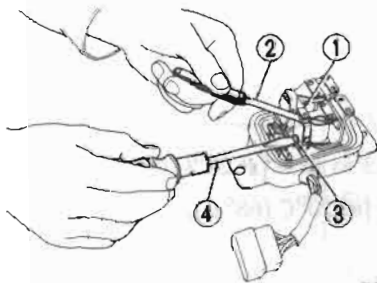
As the result of above measurement, when regulating voltage is deviated from rated value, adjust regulator in accordance with the following instructions.

1. Inspect contact surface, and if rough, lightly polish surface with fine emery paper (#500 or 600).

2. Measure each gap, and adjust if necessary. Adjust core gap and point gap in that order. No adjustment is required for yoke gap.

3. Adjusting core gap

Loosen screw [4 mm (0.1575 in) diameter] which is used to secure contact set on yoke, and move contact upward or downward properly. (See Figure EE-58.)

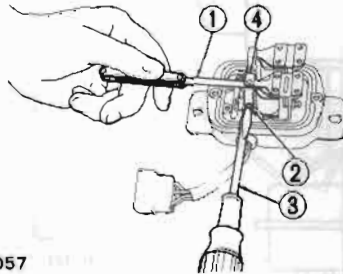


- 1 Contact set
- 2 Thickness gauge
- 3 4 mm (0.1575 in) dia. screw
- 4 Crosshead screwdriver

Fig. EE-58 Adjusting core gap

4. Adjusting point gap

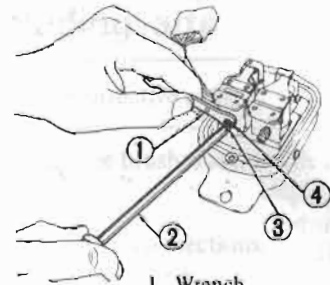
Loosen screw [3 mm (0.1181 in) diameter] used to secure upper contact, and move upper contact upward or downward adequately. (See Figure EE-59.)



EE057

- 1 Thickness gauge
- 2 3 mm (0.1181 in) dia. screw
- 3 Crosshead screwdriver
- 4 Upper contact

Fig. EE-59 Adjusting point gap



EE058

- 1 Wrench
- 2 Crosshead screwdriver
- 3 Adjusting screw
- 4 Lock nut

Fig. EE-60 Adjusting regulating voltage

Charging relay

Normal relay operating voltage is 8 to 10V as measured at alternator "A" terminal. Relay itself, however, operates at 4 to 5 V.

Use a DC voltmeter, and set up a circuit as shown in Figure EE-61.

5. Adjusting voltage

Adjust regulating voltage as follows:

Loosen lock nut securing adjusting screw. Turn this screw clockwise to increase, or counterclockwise to decrease, regulating voltage. (See Figure EE-60.)

1. Connect positive terminal of voltmeter to regulator lead connector "N" terminal with negative terminal grounded.
2. Start engine and keep it idle.
3. Take voltmeter reading.

0 Volt

1. Check for continuity between "N" terminals of regulator and alternator.
2. Alternator circuit defective if continuity exists.

Below 5.2 Volts

- (Pilot lamp remains lit)
1. Check fan belt tension.
 2. If correct, remove regulator and adjust as necessary.

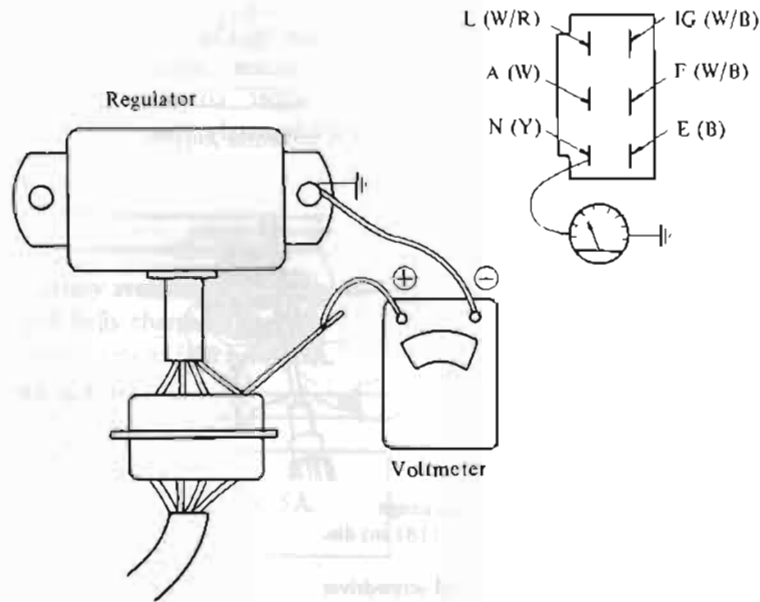
Over 5.2 Volts

- (Pilot lamp remains lit)
- Pilot lamp relay coil or contact points out of order.
Replace regulator.

Over 5.2 Volts

- (Pilot lamp does not lit)
- Pilot lamp relay assembly is in good condition.

ENGINE ELECTRICAL SYSTEM



EE059

Fig. EE-61 Testing charging relay

SPECIFICATIONS AND SERVICE DATA

Voltage regulator

Model	TL1Z-57
Regulating voltage (with fully charged battery) V	*14.3 to 15.3 [at 20°C (68°F)]
Voltage coil resistance Ω	10.5 [at 20°C (68°F)]
Rotor coil inserting resistance Ω	10
Voltage coil series resistance Ω	31
Smoothing resistance Ω	40
Core gap mm (in)	0.6 to 1.0 (0.0236 to 0.0394)
Point gap mm (in)	0.3 to 0.4 (0.0118 to 0.0157)

Charge relay

Release voltage V	4.2 to 5.2 at "N" terminal
Voltage coil resistance Ω	37.8 [at 20°C (68°F)]
Core gap mm (in)	0.8 to 1.0 (0.0315 to 0.0394)
Point gap mm (in)	0.4 to 0.6 (0.0157 to 0.0236)

*Standard temperature gradient: $-0.015V/°C$

ENGINE ELECTRICAL SYSTEM

TROUBLE DIAGNOSES AND CORRECTIONS (Including alternator)

Condition	Probable cause	Corrective action
No output	Sticking brushes. Dirty brushes and slip rings. Loose connections or broken leads. Open stator winding. Open rotor winding. Open diodes. Shorted rotor. Shorted stator. Grounded "BAT" terminal. Broken fan belt.	Correct or replace brushes and brush springs. Clean. Retighten or solder connections. Replace leads if necessary. Repair or replace stator. Replace rotor. Replace diodes. Replace rotor. Repair or replace stator. Replace insulator. Replace belt.
Excessive output	Broken neutral wire (color of wire is white.) Defective voltage regulator. Poor grounding of alternator and voltage regulator "E" terminal. Broken ground wire (color of wire is black.)	Replace wire. Check regulator operation and repair or replace as required. Retighten terminal connection. Replace wire.
Low output	Loose or worn fan belt. Sticking brushes. Low brush spring tension. Defective voltage regulator. Dirty slip rings. Partial short, ground, or open in stator winding. Partially shorted or grounded rotor winding. Open or defective diode	Retighten or replace belt. Correct or replace brushes and springs if necessary. Replace brush springs. Check regulator operation and repair or replace as required. Clean. Replace stator. Replace rotor. Replace diode.
Noisy alternator	Loose mounting. Loose drive pulley. Defective ball bearing. Improperly seated brushes.	Retighten mounting bolts. Retighten pulley correctly. Replace bearing. Seat brushes correctly.

ENGINE ELECTRICAL SYSTEM

IGNITION CIRCUIT

The ignition circuit consists of the ignition switch, coil, distributor, wiring, spark plugs and battery.

Two types of distributors are used for this engine. One is the conventional single point type for L24 engine coupled with the manual transmission. The other is the dual point distributor for L24 engine with the automatic transmission.

The circuit is equipped with a resistor. During cranking, electrical current bypasses the resistor, thereby connecting the ignition coil directly to battery. This provides full battery voltage available at coil and keeps ignition voltage as high as possible.

The low voltage current is supplied by the battery or alternator and flows through the primary circuit. It consists of the ignition switch, resistor, primary winding of the ignition coil, distributor contact points, condenser and all connecting low tension wiring.

The high voltage current is produced by the ignition coil and flows through the secondary circuit, resulting in high voltage spark between the electrodes of the spark plugs in engine cylinders. This circuit contains the

secondary winding of the ignition coil, coil to distributor high tension cables, distributor rotor and cap.

When the ignition switch is turned on and the distributor contact points are closed, the primary current flows through the primary winding of the coil and through the contact points to ground. This flowing produces a magnetic field around the coil winding and then electrical energy in the coil.

When the contact points are opened by the revolving distributor cam, the magnetic field built up in the primary winding of the coil moves through the secondary winding of the coil inducing high voltage. The high voltage is produced every time the contact points open.

The dual point distributor consists of the ignition advance and retard points. With the relay switched on, then current flows to the retard points, causing an ignition delay of 7° with respect to angular displacement of the engine crankshaft.

Under that condition, current is also flowing through the advance points. The current, however, is not cut off effectively as the points

separate due to the current flowing through the retard points.

The high voltage current flows through the high tension cable to the distributor cap, then the rotor distributes the current to one of the spark plug terminals in the distributor cap.

Then the spark obtains while the high voltage current jumps the gap between the insulated electrode and the ground side electrode of the spark plug. This process is repeated for each power stroke of the engine.

The distributor contact points and spark plugs require periodic service. That is, the breaker points should be inspected, cleaned and regapped at tune up or replaced if necessary. In addition, lubricate distributor shaft and cam heel every suitable maintenance period. Spark plugs should be removed, inspected and maintained to obtain good firing.

The remainder of the ignition component parts should be inspected for only their operation, tightness of electrical terminals, and wiring condition.

The ignition circuit is shown below:

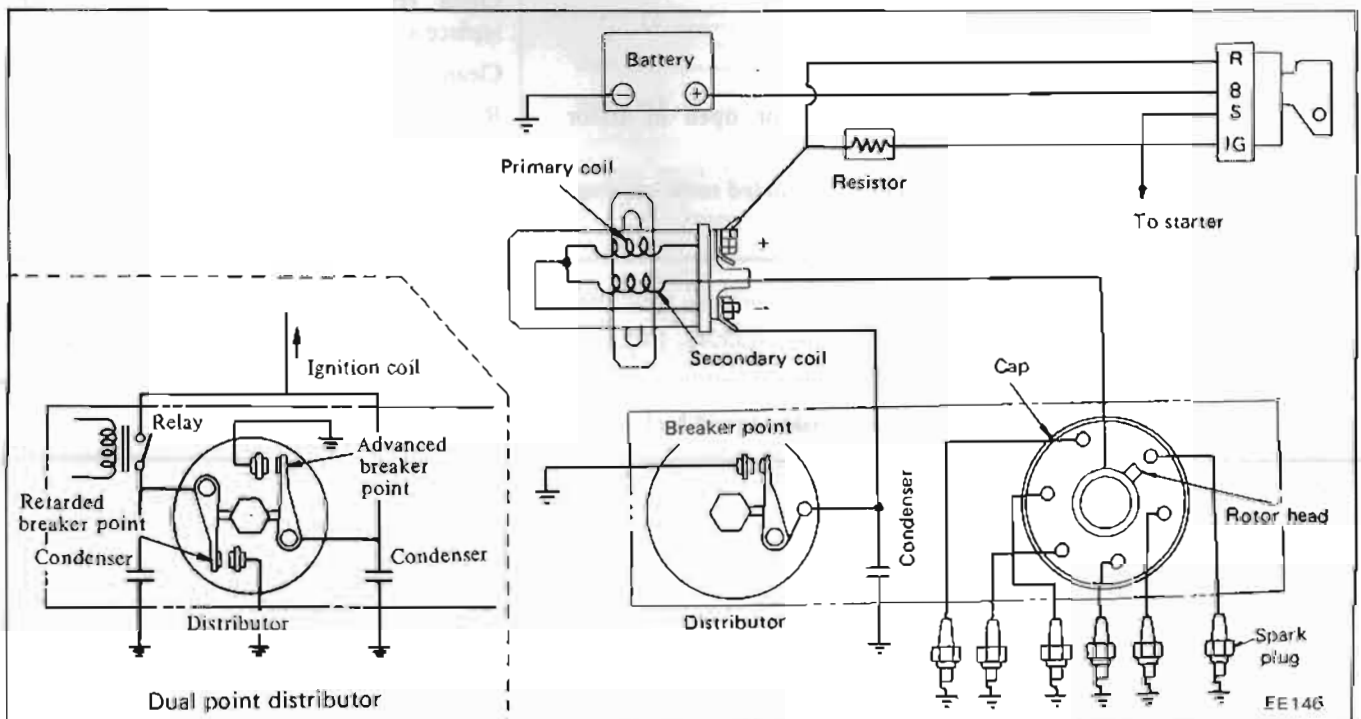


Fig. EE-62 Ignition system circuit diagram

ENGINE ELECTRICAL SYSTEM

DISTRIBUTOR

CONTENTS

CONSTRUCTION	EE-27	DISASSEMBLY AND ASSEMBLY	EE-31
CHECKING AND ADJUSTMENT	EE-28	Disassembly	EE-31
Cap and rotor head	EE-28	Assembly	EE-32
Point	EE-28	SPECIFICATIONS AND SERVICE	
Condenser	EE-30	DATA	EE-32
Advance mechanism	EE-30		

CONSTRUCTION

Distributor model	Applied model
D611-54	Manual transmission
D612-54	Automatic transmission

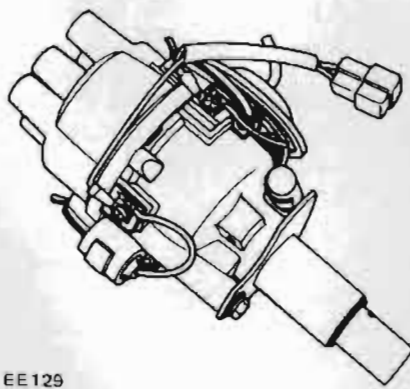
The distributor follows the conventional design except for the dual points; i.e., breaker plate with contact points, centrifugal advance mechanism, vacuum unit, drive shaft and rotor. Figure EE-65 and EE-66 show an exploded view of the unit.

Type D612-54 distributor has two breaker points, located opposite to each other with a phase difference as shown in Figure EE-64.

The difference in phase can be adjusted by turning the adjusting screw.

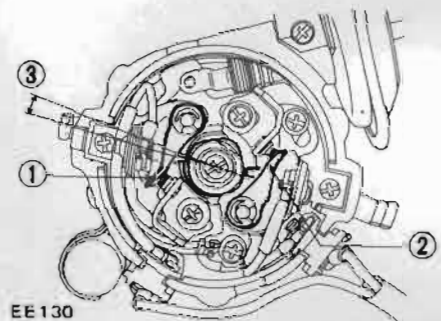
A phase difference of 7° crank angles is adopted. Two breaker points, which consists of advance and retard breakers, are placed in parallel with each other in the primary ignition circuit.

The retard breaker point works when the relay is switched "ON" and the advance breaker point works when the relay is switched "OFF."



EE129

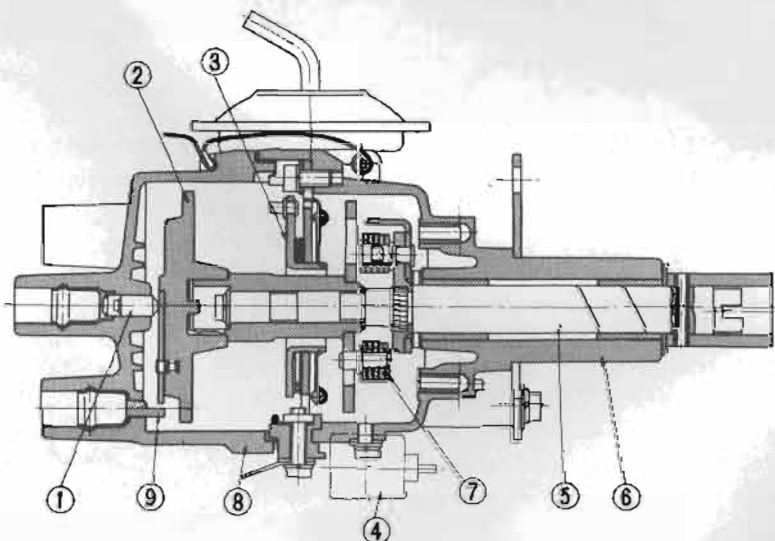
Fig. EE-63 External view of distributor



EE130

- 1 Advanced breaker point
- 2 Retarded breaker point
- 3 Phase difference

Fig. EE-64 External view of dual points

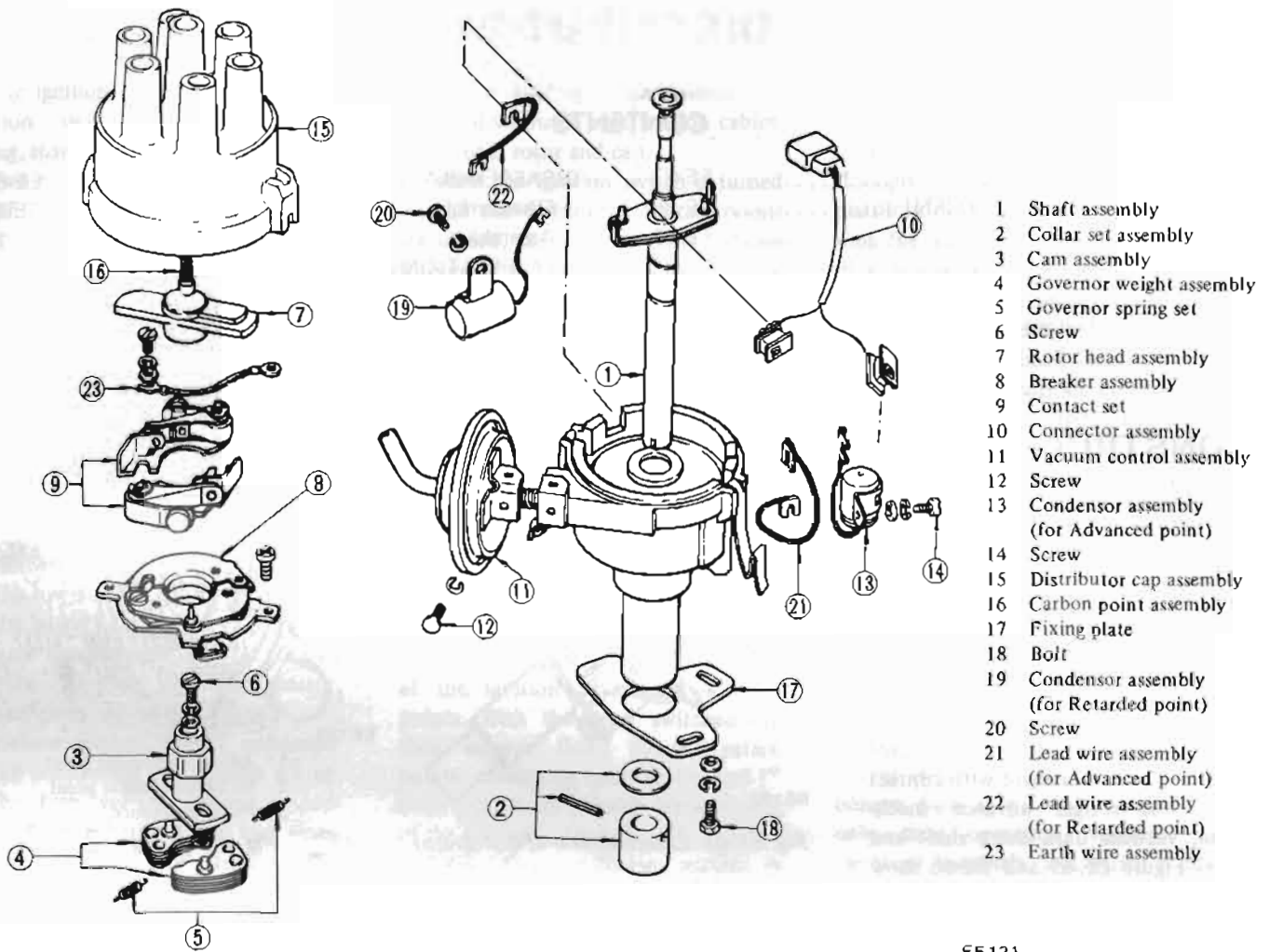


EE062

- | | | |
|---------------------------|-------------|-------------------|
| 1 Center carbon | 4 Condenser | 7 Governor weight |
| 2 Rotor head | 5 Shaft | 8 Cap |
| 3 Breaker plate (Contact) | 6 Housing | 9 Side plug |

Fig. EE-65 Construction

ENGINE ELECTRICAL SYSTEM



- 1 Shaft assembly
- 2 Collar set assembly
- 3 Cam assembly
- 4 Governor weight assembly
- 5 Governor spring set
- 6 Screw
- 7 Rotor head assembly
- 8 Breaker assembly
- 9 Contact set
- 10 Connector assembly
- 11 Vacuum control assembly
- 12 Screw
- 13 Condenser assembly (for Advanced point)
- 14 Screw
- 15 Distributor cap assembly
- 16 Carbon point assembly
- 17 Fixing plate
- 18 Bolt
- 19 Condenser assembly (for Retarded point)
- 20 Screw
- 21 Lead wire assembly (for Advanced point)
- 22 Lead wire assembly (for Retarded point)
- 23 Earth wire assembly

EE131

Fig. EE-66 Components of distributor (Type D612-54)

CHECKING AND ADJUSTMENT

Cap and rotor head

Cap and rotor head must be inspected at regular intervals. In addition, remove cap and clean all dust and carbon deposits from cap and rotor from time to time. If cap is cracked or is leaking, replace with a new one.

Point

Standard gaps of both points are 0.45 to 0.55 mm (0.0177 to 0.0217 in) (both single point and dual point distributors). If the gap is off the standard, adjustment should be made by loosening point screws. Gap gauge

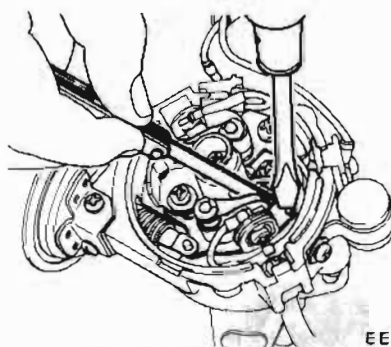
is required for adjustment. Point gaps must be checked from time to time.

Point gap:

0.45 to 0.55 mm
(0.0177 to 0.0217 in)

Dwell angle:

35° to 41° (D611-54)
33° to 39° (D612-54)



EE132

Fig. EE-67 Measuring point gap

If point gap is adjusted by examining dwell angle, install distributor on engine and proceed as follows:

1. Disconnect wiring harness of distributor from engine harness.
2. Using a lead wire, connect B (black) of engine harness and B (black) of distributor harness (advance side).
3. Adjust dwell angle of advance side by loosening point screw.
4. Disconnect lead wire from B (black) of distributor harness and then connect it to Y (yellow) of distributor (Retard side).
5. Adjust dwell angle of retard side by loosening point screw.
6. After adjustment, disconnect lead wire then connect engine harness and distributor harness securely.

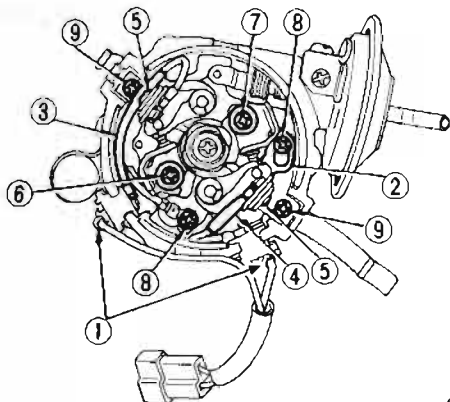
ENGINE ELECTRICAL SYSTEM

When point surface is rough, take off any irregularities with fine sand paper of No. 500 or 600 or with oil stone.

At this time, grease must be sup-

plied to camshaft and cam heel.

When wear on breaker points is noticeable, replace points together with contact arm. To replace, proceed as follows;

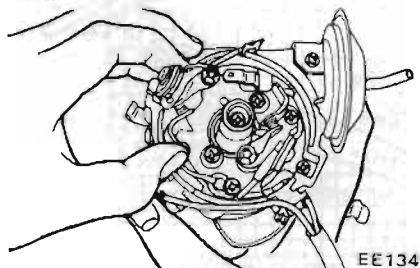


EE133

Fig. EE-68 Breaker

First turn out primary lead wire set screws (See Figure EE-68 at (5)) just for enough to pull out primary lead wires.

Unscrew contact set screws (See Figure EE-68 at (6) and (7)), and remove contact set assembly by lifting it up by fingers.



EE134

Fig. EE-69 Disassembling contact set (Advanced)

Install new contact set in reverse sequence of removal. Coat cam heel and camshaft head with a light coating of grease.

Inspection and adjustment of phase difference

To check phase difference, install distributor on engine and proceed as follows:

1. Disconnect wiring harness of distributor from engine harness.
2. Using a lead wire, connect B

(black) of engine harness and B (black) of distributor harness. (Advance side). Refer to Figure EE-76.

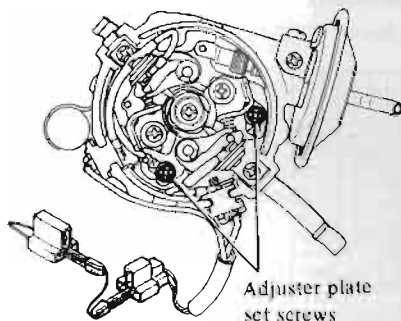


Fig. EE-70 Short-circuit between both primary terminals

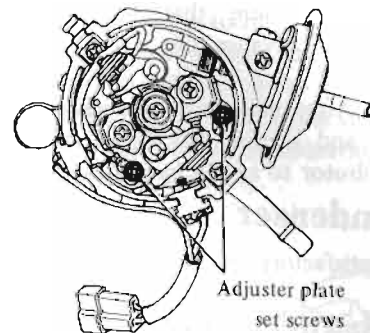
3. With engine idling, adjust ignition timing by rotating distributor to specifications.

4. Disconnect lead wire from B (black) of distributor harness and then connect it to Y (yellow) of distributor harness. (Retard side)

5. With engine still idling, check to determine that phase delay is 7 degrees in terms of crank shaft angular displacement.

To correct, further proceed as follows:

- (1) Referring to Figure EE-71, turn out adjuster plate set screw 1/2 to 2 turns. The screw is located at contact set on retard side.

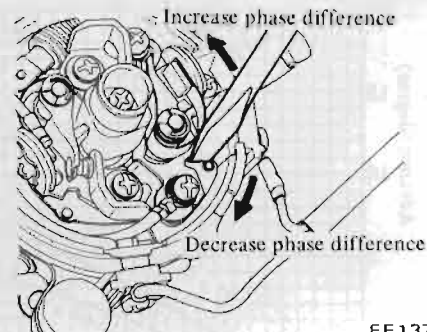


EE136

Fig. EE-71 Adjuster plate set screws

- (2) Using a notch in adjuster plate as a hold, turn adjuster plate as required until correct delay is obtained. Ignition timing is retarded when plate is turned counterclockwise.

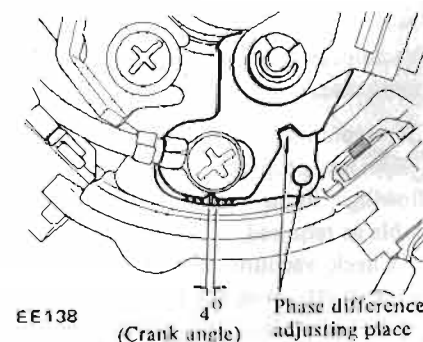
Note: Refer to graduations on breaker plate to make adjustment easier. One graduation corresponds to crankshaft angular displacement of 4 degrees.



EE137

Fig. EE-72 Adjusting phase difference

- (3) Tighten adjuster plate set screws to secure the adjustment.



EE138

Fig. EE-73 Phase difference adjusting scale

ENGINE ELECTRICAL SYSTEM

(4) Make sure that the ignition timing of advance side is the specifications.

(5) After adjustment, remove lead wire and connect wiring harness of distributor to engine harness securely.

Condenser

Satisfactory performance of con-

denser depends on capacity and degree of insulation, requiring attention to be sure that terminals are clean and set screws are tight.

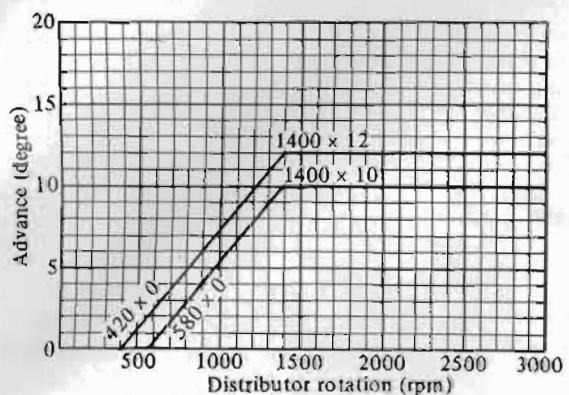
Checking of condenser is made by a capacity tester. This can also be made by a circuit tester with its range set to high resistance reading. When needle

of tester swings violently and then moves back to infinite gradually, it is an indication that condenser is in good condition.

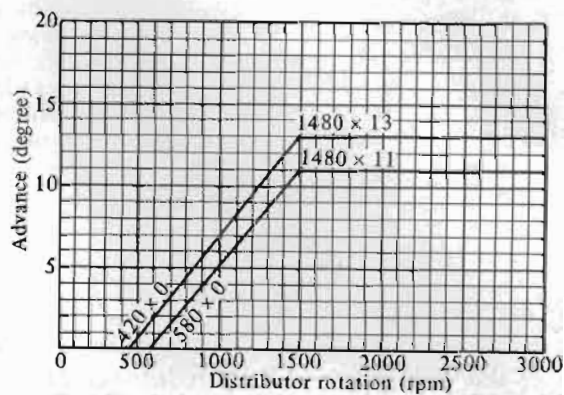
If needle shows any steady reading or if it registers zero, the likelihood is that transformer is out of order, calling for replacement.

Advance mechanisms

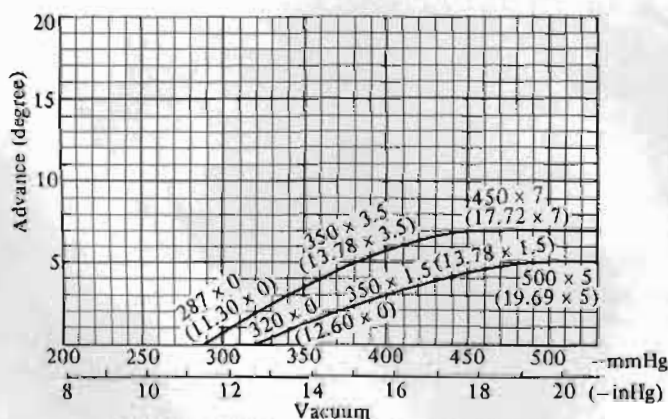
◀ Performances ▶



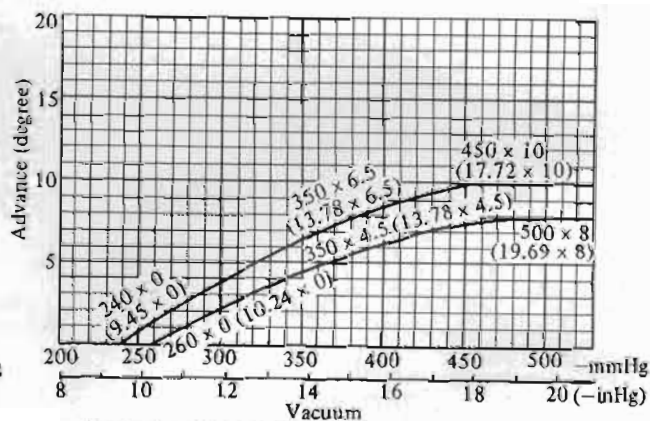
Centrifugal advance (for manual transmission model)



Centrifugal advance (for automatic transmission model)



Vacuum advance (for manual transmission model)



Vacuum advance (for automatic transmission model)

Fig. EE-74 Performance curves

◀ Vacuum advance mechanism mechanical parts ▶

If vacuum advance mechanism fails to operate properly, check for the following items and correct the trouble as required.

1. Check vacuum inlet for signs of leakage at its connection. If necessary, retighten or replace with a new one.
2. Check vacuum diaphragm for air leak.

If leak is found, replace diaphragm with a new one.

3. Inspect breaker plate for smooth moving.

If plate does not move smoothly, this condition could be due to sticky steel balls or pivot. Apply grease to steel balls or, if necessary, replace breaker plate as an assembly.

◀ Centrifugal advance mechanical parts ▶

When cause of engine trouble is traced to centrifugal advance mechanical part, use distributor tester to check its characteristic.

When nothing is wrong with its characteristic, conceivable causes are defectiveness or abnormal wearing-out of driving part or others.

ENGINE ELECTRICAL SYSTEM

So do not disassemble it. In case of improper characteristic, take off switch on-off part and check closely cam assembly, governor weight, shaft and governor spring, etc.

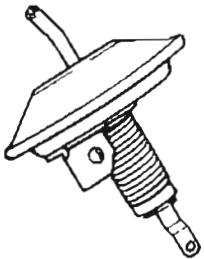
In case centrifugal advance mechanical part is reassembled, be sure to check advance characteristic by distributor tester.

DISASSEMBLY AND ASSEMBLY

Disassembly

To disassemble, follow the below procedure.

1. Take off cap and disconnect rotor head.
2. Remove vacuum controller.



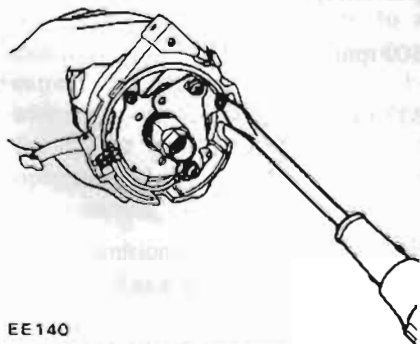
EE070

Fig. EE-75 Disassembling vacuum controller

3. Remove contact set

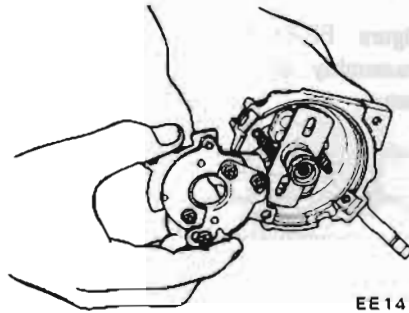
Refer to Figure EE-69, when contact set is removed.

4. Unscrew two contact breaker set screws and remove contact breaker assembly.



EE140

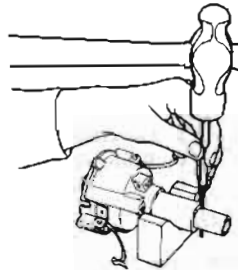
Fig. EE-76 Unscrewing breaker set screws



EE141

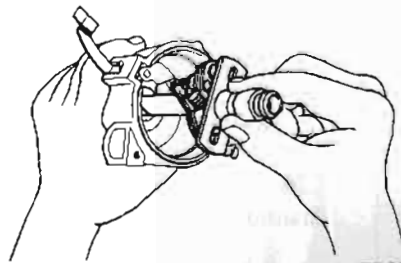
Fig. EE-77 Removing contact breaker

5. Pull knock pin out and disconnect collar to remove the entire rotating parts.



EE073

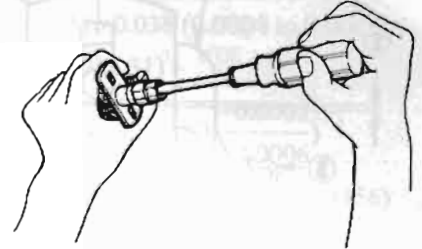
Fig. EE-78 Removing knock pin



EE074

Fig. EE-79 Removing rotation parts

6. When cam is to be removed, first remove set screw since shaft head is fastened by the screw to hold cam down. Put match mark across cam and shaft so that original combination can be restored at assembly.



EE075

Fig. EE-80 Removing cam

7. When governor weight and spring are disconnected, be careful not to stretch or deform governor spring.

After disassembling, apply grease to governor weights.

ENGINE ELECTRICAL SYSTEM

Assembly

Assembly can be made in reverse sequence of disassembly. Refer to

Figure EE-81 for replacement and reassembly of governor spring and cam.

In assembling distributor, use caution so that rotor head positioning tip at cam is set on governor spring circular hook side.

Then weight pin for governor spring A with circular hook comes in long rectangular hole.

Also check to be sure that weight pin on spring A is in slit in cam plate with a clearance between the two at beginning and end of governor operation.

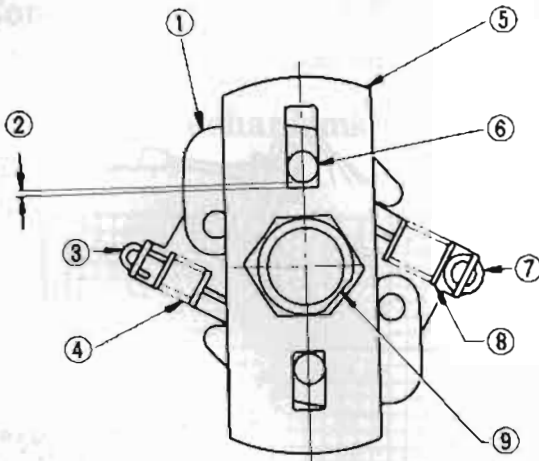
Meanwhile, weight pin on opposite side comes in short rectangular hole.

It does not leave clearance either at the start and end of advancing.

With unit assembled, check to be sure that driven slit and rotor position tip (9) are set in the same direction. See Figure EE-81.

After assembly check operation of governor before installing it on engine.

Ignition timing should be tested with unit mounted on engine.



- 1 Governor weight
- 2 Clearance for start and end of advancing angle
- 3 Rectangular hook
- 4 Governor spring (B)
- 5 Cam plate
- 6 Weight pin
- 7 Circular hook
- 8 Governor spring (A)
- 9 Rotor positioning tip

EE077

Fig. EE-81 Setting governor spring and cam

SPECIFICATIONS AND SERVICE DATA

Distributor type	D611-54	D612-54
Make	HITACHI	←
Applied engine (vehicle)	L24 with Manual Transmission	L24 with Automatic Transmission
Firing order	1-5-3-6-2-4	←
Rotating direction	Counterclockwise	←
Ignition timing (degree)	7° (B.T.D.C.)/750 rpm	5° (B.T.D.C.)/600 rpm (Retard) 15° (B.T.D.C.)/600 rpm (Advance)
Idling rpm	750 rpm	600 rpm
Dwell angle (degree)	35° to 41°	33° to 39°
Condenser capacity (μ F)		
Advanced side	0.20 to 0.24	0.20 to 0.24
Retarded side	—	0.05 ± 15%
Phase difference (degree)	—	10° at crank angle

ENGINE ELECTRICAL SYSTEM

< All distributors >

Point gap	mm (in)	0.45 to 0.55 (0.0177 to 0.0217)
		(Advanced and Retarded side equally)
Point pressure	kg (lb)	0.50 to 0.65 (1.10 to 1.43)
Shaft diameter (lower part)	mm (in)	12.430 to 12.440 (0.4894 to 0.4898)
Housing inner diameter	mm (in)	12.450 to 12.468 (0.4902 to 0.4909)
Clearance between shaft and housing	mm (in)	0.010 to 0.038 (0.0004 to 0.0015)
Repair limit of clearance	mm (in)	0.08 (0.0031)
Shaft diameter (upper part)	mm (in)	8 $\begin{matrix} -0.005 \\ -0.014 \end{matrix}$ (0.3150 $\begin{matrix} -0.0002 \\ -0.0006 \end{matrix}$)
Cam inner diameter	mm (in)	8.000 to 8.015 (0.3150 to 0.3156)
Clearance between shaft and cam	mm (in)	0.005 to 0.029 (0.0002 to 0.0011)
Weight pivot diameter	mm (in)	4.972 to 4.990 (0.1959 to 0.1965)
Weight hole diameter	mm (in)	5.000 to 5.018 (0.1969 to 0.1976)
Clearance between pivot and hole	mm (in)	0.01 to 0.046 (0.0004 to 0.0018)

IGNITION COIL

The ignition coil is of an oil-filled type. The ignition coil case is filled with oil which has good insulating and heat-radiating characteristics.

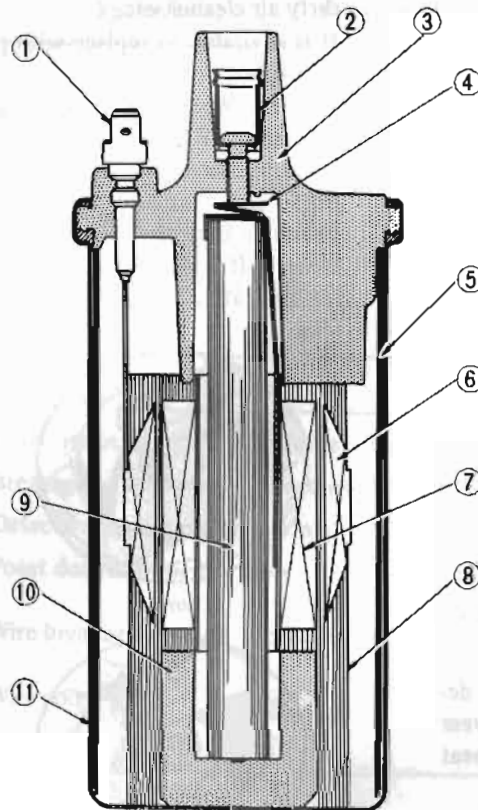
The ignition coil has a greater ratio between the primary and secondary windings to step up the battery voltage to the high voltage to cause stronger sparks to jump the spark plug gap.

The **cap** is made of alkyd resin which offers high resistance to electric arc and increased insulation.

The resistor in the ignition coil circuit helps produce strong sparks from starting to high-speed full-power operation.

The internal resistor limits to a maximum safe flow of the primary current through the coil and distributor contact points. Thus, it protects the contact points during slow speed operation when they are closed for long intervals.

The **ignition coil** and resistor should be handled as a matched set.



- 1 Primary terminal
- 2 Secondary terminal
- 3 Cap
- 4 Spring
- 5 Side core
- 6 Primary coil
- 7 Secondary coil
- 8 Insulator oil
- 9 Center core
- 10 Segment
- 11 Case

EE143

Fig. EE-82 Construction

ENGINE ELECTRICAL SYSTEM

SPECIFICATIONS

Make and type	HANSHIN HP5-13E11	HITACHI C6R-205
Applied resistor	RC-15	5660R-1510
Primary voltage V	12	←
Spark gap mm (in)	more than 7 (0.2756)	←
Primary resistance at 20°C (68°F) Ω	1.5 to 1.7	←
Secondary resistance at 20°C (68°F) KΩ	9.5 to 11.6	←
External resistor at 20°C (68°F) Ω	1.6	←

SPARK PLUG

CONTENTS

DESCRIPTION	EE-34	SPECIFICATIONS AND SERVICE DATA	EE-35
INSPECTION	EE-34	TROUBLE DIAGNOSES AND	
CLEANING AND REGAP	EE-35	CORRECTIONS	EE-35

DESCRIPTION

The spark plugs are of the resistor type, having 14 mm (0.551 in) threads and 0.8 to 0.9 mm (0.031 to 0.035 in) gap. The inspection and cleaning should be made every suitable maintenance period. If necessary, replace.

Note: All spark plugs installed on an engine, must be of the same brand and number of heat range.

INSPECTION

1. Remove spark plug wire by pulling on boot, not on wire itself.
2. Remove spark plugs.
3. Check electrodes and inner and outer porcelains of plugs, noting the type of deposits and the degree of electrode erosion. Refer to Figure EE-84.

Normal: Brown to grayish-tan deposits and slight electrode wear indicate correct spark plug heat range.

Carbon fouled: Dry fluffy carbon deposits on the insulator and electrode were mostly caused by slow speed driving in city, weak

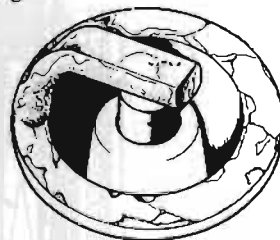
ignition, too rich fuel mixture, dirty air cleaner, etc.

It is advisable to replace with plugs having hotter heat range.

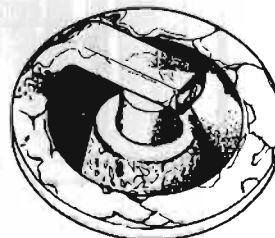
Oil fouled: Wet black deposits show excessive oil entrance into combustion chamber through worn rings and pistons or excessive clearance between valve guides and stems. If the same condition remains after repair, use a hotter plug.

Overheating: White or light gray insulator with black or gray brown spots and bluish burnt electrodes indicate engine overheating. Moreover, the appearance results from incorrect ignition timing, loose spark plugs, low fuel pump pressure, wrong selection of fuel, a hotter plug, etc.

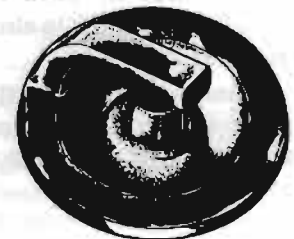
It is advisable to replace with plugs having colder heat range.



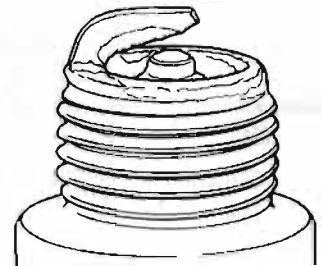
Normal



Overheating



Carbon fouled



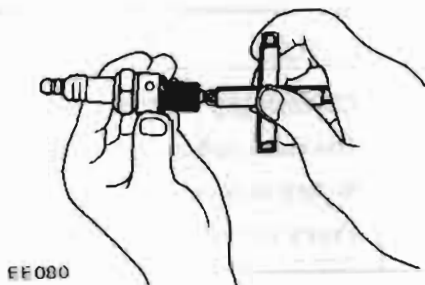
Life

Fig. EE-83 Spark plug

EE079

ENGINE ELECTRICAL SYSTEM

4. After cleaning, dress electrodes with a small fine file to flatten the surfaces of both center and side electrodes in parallel. Set spark plug gap to specification.
5. Install spark plugs and torque each plug to 1.5 to 2.0 kg-m (11 to 15 ft-lb).
6. Connect spark plug wires.



EE080

Fig. EE-84 Setting spark plug gap

CLEANING AND REGAP

Clean spark plugs in a sand blast type cleaner. Avoid excessive blasting. Clean and remove carbon or oxide deposits, but do not wear away porcelain. If deposits are too stubborn, discard plugs.

After cleaning spark plugs, renew firing surface of electrodes with file mentioned above. Then gap spark plugs to 0.8 to 0.9 mm (0.031 to 0.035 in) using a round wire feeler gauge. All spark plugs new or used should have the gap checked and reset by bending ground electrode.

TROUBLE DIAGNOSES AND CORRECTIONS

1. When engine does not start
If there is no trouble in fuel system, ignition system should be checked. This can be easily done by detaching a

high tension cable from spark plug, starting engine and observing condition of spark that occurs between

high tension cable and spark plug terminal. After checking this, repair as necessary.

SERVICE DATA AND SPECIFICATIONS

Item	Make	NGK
	Model	BP-6ES
Applied engine	L24	
Size (screw dia. x reach)	14 x 19 (0.55 x 0.75)	
Plug gap	mm (in)	0.8 to 0.9 (0.031 to 0.035)
Tightening torque	kg-m (ft-lb)	1.5 to 2.5 (11.0 to 15.0)

Spark length	Trouble location	Causes	Remedies
No sparks at all	Distributor	Defective insulation of condenser.	Replace.
		Breakage of lead-wire on low tension side.	Repair.
		Defective insulation of cap and rotor head.	Replace.
		Point does not open or close.	Repair.
	Ignition coil	Wire breakage or short circuit of coil.	Replace with new one.
	High tension cable	Wire coming off. Defective insulation.	Repair. Replace.
1 to 2 mm (0.0394 to 0.0787 in) or irregular.	Distributor	Point gap too wide.	Correct.
		Oil sticking on point.	Clean.
		Point burnt too much.	Replace.

ENGINE ELECTRICAL SYSTEM

Troubles	Trouble location	Causes	Remedies
Less than 6 mm (0.2362 in)	Spark plugs	Electrode gap too wide. Too much carbon. Broken neck of insulator. Expiry of plug life.	Correct or replace. Clean or replace. Replace. Replace.

2. When engine rotates but does not run smoothly.

In this case, there are many causes

resulting from the ignition system and other engine conditions not related to ignition. Therefore, first complete

inspection of ignition system should be carried out.

Troubles	Trouble location	Causes	Remedies
Engine misses	Distributor	Dirty point. Improper point gap. Leak of electricity of cap and rotor head. Defective insulation of condenser. Defective arm. Defective spring of arm. Breakage of lead wire. Worn out or shaky breaker plate. Worn out or shaky distributor shaft.	Clean. Correct. Repair or replace. Replace. Oil shaft. Replace assembly. Replace. Replace assembly. Replace assembly.
	Ignition coil	Layer short circuit or use of inferior quality.	Replace with good one.
	High tension code	Deterioration of insulation and leak of electricity.	Replace.
	Spark plugs	Dirty. Leak of electricity at upper porcelain insulator.	Clean. Repair or replace.
Engine causes knocking very often	Distributor	Improper and advance timing. Coming off or breakage of governor spring. A pin or a hole of governor portion worn out.	Correct the fitting. Correct or replace. Replace.
	Spark plugs	Burnt too much.	Replace.
Engine does not give enough power	Distributor	Improper and retarded timing. Defective function of governor. Dirty point. Point gap too narrow.	Correct the fitting. Replace assembly. Clean. Correct.
	Spark plugs	Dirty.	Clean.

