

A  
B  
C

# SECTION INL

## INTERIOR LIGHTING SYSTEM

### CONTENTS

<p><b>BASIC INSPECTION</b> ..... 3</p> <p><b>DIAGNOSIS AND REPAIR WORKFLOW</b> ..... 3</p> <p style="padding-left: 20px;">Work Flow .....3</p> <p><b>FUNCTION DIAGNOSIS</b> ..... 5</p> <p><b>INTERIOR ROOM LAMP CONTROL SYSTEM</b></p> <p style="text-align: right;">..... 5</p> <p style="padding-left: 20px;">System Diagram .....5</p> <p style="padding-left: 20px;">System Description .....5</p> <p style="padding-left: 20px;">Component Parts Location .....7</p> <p style="padding-left: 20px;">Component Description .....8</p> <p><b>INTERIOR ROOM LAMP BATTERY SAVER SYSTEM</b> ..... 9</p> <p style="padding-left: 20px;">System Diagram .....9</p> <p style="padding-left: 20px;">System Description .....9</p> <p style="padding-left: 20px;">Component Parts Location .....10</p> <p style="padding-left: 20px;">Component Description .....11</p> <p><b>ILLUMINATION CONTROL SYSTEM</b> .....12</p> <p style="padding-left: 20px;">System Diagram .....12</p> <p style="padding-left: 20px;">System Description .....12</p> <p style="padding-left: 20px;">Component Parts Location .....13</p> <p style="padding-left: 20px;">Component Description .....13</p> <p><b>DIAGNOSIS SYSTEM (BCM)</b> .....14</p> <p><b>COMMON ITEM</b> .....14</p> <p style="padding-left: 20px;">COMMON ITEM : CONSULT-III Function (BCM - COMMON ITEM) .....14</p> <p><b>INT LAMP</b> .....14</p> <p style="padding-left: 20px;">INT LAMP : CONSULT-III Function (BCM - INT LAMP) .....15</p> <p><b>BATTERY SAVER</b> .....16</p> <p style="padding-left: 20px;">BATTERY SAVER : CONSULT-III Function (BCM - BATTERY SAVER) .....16</p> <p><b>COMPONENT DIAGNOSIS</b> .....18</p>	<p><b>POWER SUPPLY AND GROUND CIRCUIT</b> ....18</p> <p><b>BCM (BODY CONTROL MODULE)</b> .....18</p> <p style="padding-left: 20px;">BCM (BODY CONTROL MODULE) : Diagnosis Procedure .....18</p> <p><b>INTERIOR ROOM LAMP POWER SUPPLY CIRCUIT</b> .....19</p> <p style="padding-left: 20px;">Description .....19</p> <p style="padding-left: 20px;">Component Function Check .....19</p> <p style="padding-left: 20px;">Diagnosis Procedure .....19</p> <p><b>INTERIOR ROOM LAMP CONTROL CIRCUIT</b> .....21</p> <p style="padding-left: 20px;">Description .....21</p> <p style="padding-left: 20px;">Component Function Check .....21</p> <p style="padding-left: 20px;">Diagnosis Procedure .....21</p> <p><b>IGNITION KEYHOLE ILLUMINATION CONTROL CIRCUIT</b> .....23</p> <p style="padding-left: 20px;">Description .....23</p> <p style="padding-left: 20px;">Component Function Check .....23</p> <p style="padding-left: 20px;">Diagnosis Procedure .....23</p> <p><b>LUGGAGE ROOM LAMP CIRCUIT</b> .....25</p> <p style="padding-left: 20px;">Description .....25</p> <p style="padding-left: 20px;">Component Function Check .....25</p> <p style="padding-left: 20px;">Diagnosis Procedure .....25</p> <p><b>INTERIOR ROOM LAMP CONTROL SYSTEM</b> .....27</p> <p style="padding-left: 20px;">Wiring Diagram - INTERIOR ROOM LAMP - .....27</p> <p><b>ILLUMINATION</b> .....34</p> <p style="padding-left: 20px;">Wiring Diagram - ILLUMINATION - .....34</p> <p><b>ECU DIAGNOSIS</b> .....41</p> <p><b>BCM (BODY CONTROL MODULE)</b> .....41</p> <p style="padding-left: 20px;">Reference Value .....41</p> <p style="padding-left: 20px;">Wiring Diagram - BCM - .....56</p> <p style="padding-left: 20px;">Fail-safe .....60</p>
--	---

A  
B  
C  
D  
E  
F  
G  
H  
I  
J  
K  
INL

DTC Inspection Priority Chart .....	61	<b>VANITY MIRROR LAMP .....</b>	<b>66</b>
DTC Index .....	61	Exploded View .....	66
<b>SYMPTOM DIAGNOSIS .....</b>	<b>63</b>	Replacement .....	66
<b>INTERIOR LIGHTING SYSTEM SYMPTOMS...</b>	<b>63</b>	<b>GLOVE BOX LAMP .....</b>	<b>67</b>
Symptom Table .....	63	Exploded View .....	67
<b>PRECAUTION .....</b>	<b>64</b>	Replacement .....	67
<b>PRECAUTIONS .....</b>	<b>64</b>	<b>ROOM LAMP .....</b>	<b>68</b>
<b>FOR USA AND CANADA .....</b>	<b>64</b>	Exploded View .....	68
FOR USA AND CANADA : Precaution for Supplemental Restraint System (SRS) "AIR BAG" and "SEAT BELT PRE-TENSIONER" .....	64	Removal and Installation .....	68
<b>FOR MEXICO .....</b>	<b>64</b>	Replacement .....	68
FOR MEXICO : Precaution for Supplemental Restraint System (SRS) "AIR BAG" and "SEAT BELT PRE-TENSIONER" .....	64	<b>IGNITION KEYHOLE ILLUMINATION .....</b>	<b>69</b>
<b>ON-VEHICLE REPAIR .....</b>	<b>65</b>	Exploded View .....	69
<b>MAP LAMP .....</b>	<b>65</b>	Replacement .....	69
Exploded View .....	65	<b>LUGGAGE ROOM LAMP .....</b>	<b>70</b>
Removal and Installation .....	65	Exploded View .....	70
Replacement .....	65	Removal and Installation .....	70
		Replacement .....	70
		<b>SERVICE DATA AND SPECIFICATIONS (SDS) .....</b>	<b>71</b>
		<b>SERVICE DATA AND SPECIFICATIONS (SDS) .....</b>	<b>71</b>
		Bulb Specifications .....	71

# DIAGNOSIS AND REPAIR WORKFLOW

< BASIC INSPECTION >

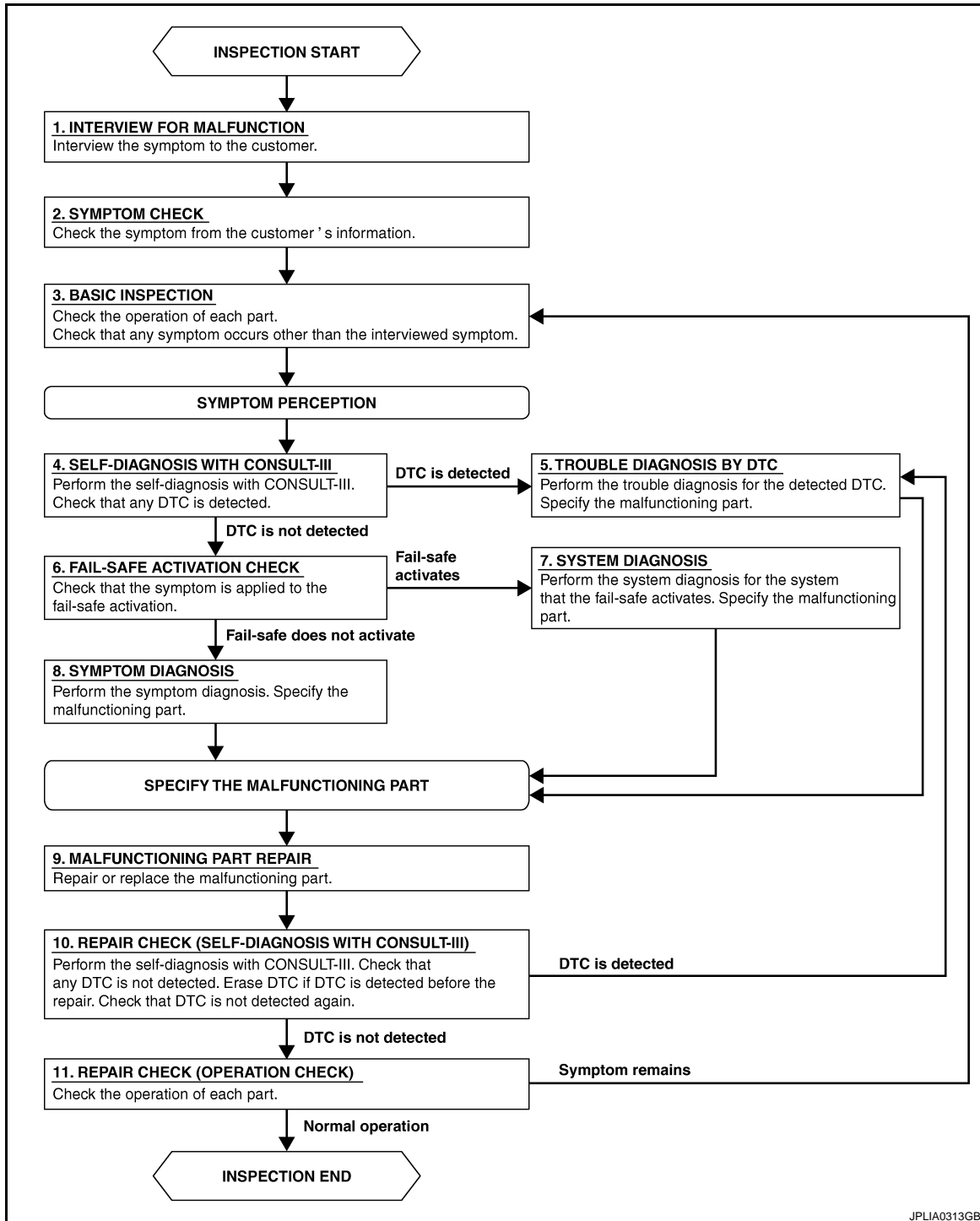
## BASIC INSPECTION

### DIAGNOSIS AND REPAIR WORKFLOW

Work Flow

INFOID:000000004232600

#### OVERALL SEQUENCE



#### DETAILED FLOW

##### 1. INTERVIEW FOR MALFUNCTION

Interview the symptom to the customer.

# DIAGNOSIS AND REPAIR WORKFLOW

< BASIC INSPECTION >

---

>> GO TO 2.

## 2. SYMPTOM CHECK

---

Check the symptom from the customer's information.

>> GO TO 3.

## 3. BASIC INSPECTION

---

Check the operation of each part. Check that any symptom occurs other than the interviewed symptom.

>> GO TO 4.

## 4. SELF-DIAGNOSIS WITH CONSULT-III

---

Perform the self-diagnosis with CONSULT-III. Check that any DTC is detected.

Is any DTC detected?

YES >> GO TO 5.

NO >> GO TO 6.

## 5. TROUBLE DIAGNOSIS BY DTC

---

Perform the trouble diagnosis for the detected DTC. Specify the malfunctioning part.

>> GO TO 9.

## 6. FAIL-SAFE ACTIVATION CHECK

---

Check that the symptom is applied to the fail-safe activation.

Does the fail-safe activate?

YES >> GO TO 7.

NO >> GO TO 8.

## 7. SYSTEM DIAGNOSIS

---

Perform the system diagnosis for the system that the fail-safe activates. Specify the malfunctioning part.

>> GO TO 9.

## 8. SYMPTOM DIAGNOSIS

---

Perform the symptom diagnosis. Specify the malfunctioning part.

>> GO TO 9.

## 9. MALFUNCTION PART REPAIR

---

Repair or replace the malfunctioning part.

>> GO TO 10.

## 10. REPAIR CHECK (SELF-DIAGNOSIS WITH CONSULT-III)

---

Perform the self-diagnosis with CONSULT-III. Check that any DTC is not detected. Erase DTC if DTC is detected before the repair. Check that DTC is not detected again.

Is any DTC detected?

YES >> GO TO 5.

NO >> GO TO 11.

## 11. REPAIR CHECK (OPERATION CHECK)

---

Check the operation of each part.

Does it operate normally?

YES >> INSPECTION END

NO >> GO TO 3.

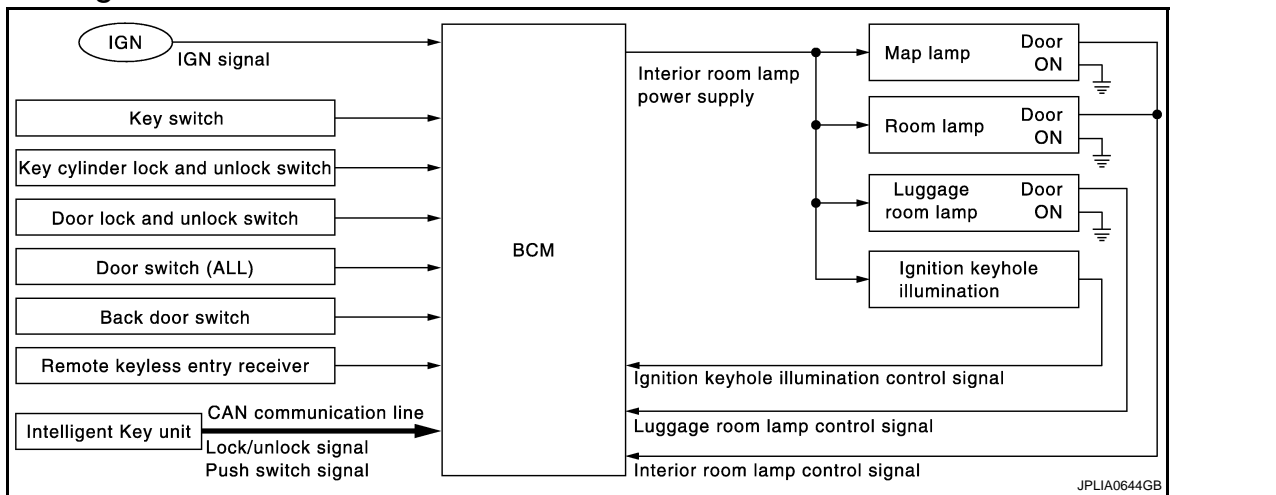
# INTERIOR ROOM LAMP CONTROL SYSTEM

< FUNCTION DIAGNOSIS >

## FUNCTION DIAGNOSIS

### INTERIOR ROOM LAMP CONTROL SYSTEM

#### System Diagram



#### System Description

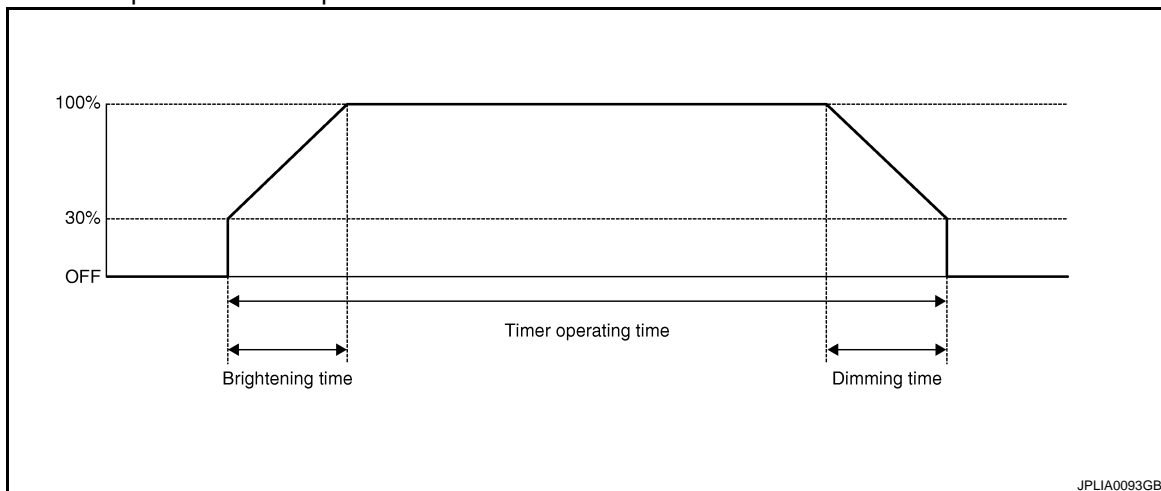
INFOID:000000004232602

#### OUTLINE

- Interior room lamps\* are controlled by interior room lamp timer control function of BCM.  
\*: Map lamp, room lamp and ignition keyhole illumination (when map lamp and room lamp switch is in DOOR position).
- Luggage room lamp is controlled by luggage room lamp control function of BCM.

#### INTERIOR ROOM LAMP TIMER CONTROL

##### Interior Room Lamp Timer Basic Operation



- The interior room lamp turns ON and OFF (gradual brightening and dimming) by the interior room timer.
- BCM judges the vehicle condition with the following items. It activates the interior room lamp timer.
  - Ignition switch status
  - Door switch signal (ALL)
  - Door lock/unlock signal (Remote keyless entry receiver, Intelligent Key unit, key cylinder door lock and unlock switch, door lock and unlock switch)
  - Key switch signal
  - Push switch signal

#### NOTE:

Each function of interior room lamp timer can be set by CONSULT-III. Refer to [INL-15. "INT LAMP : CONSULT-III Function \(BCM - INT LAMP\)"](#).

# INTERIOR ROOM LAMP CONTROL SYSTEM

## < FUNCTION DIAGNOSIS >

---

### Interior Room Lamp ON Operation

- BCM always turns the interior room lamp ON when any door opens.
- BCM activates the interior room lamp timer in any of the following conditions to turn the interior room lamp ON for a period of time.
  - Any door opened and all doors closed.
  - Key switch is turned ON → OFF.
  - All door unlock signal is detected when all doors close with ignition switch OFF.
  - Push switch is turned ON → OFF.

#### **NOTE:**

Restart the timer if new condition is input during the timer operating time.

### Interior Room Lamp OFF Operation

BCM stops the timer in any of the following conditions to turns the interior room lamp OFF.

- The timer operating time is expired.
- Ignition switch position is ON with all doors close.
- All door lock operation is detected with all doors close (when locked with the door lock and unlock switch, ignition keyhole illumination to be turned OFF when the time up).

### LUGGAGE ROOM LAMP CONTROL

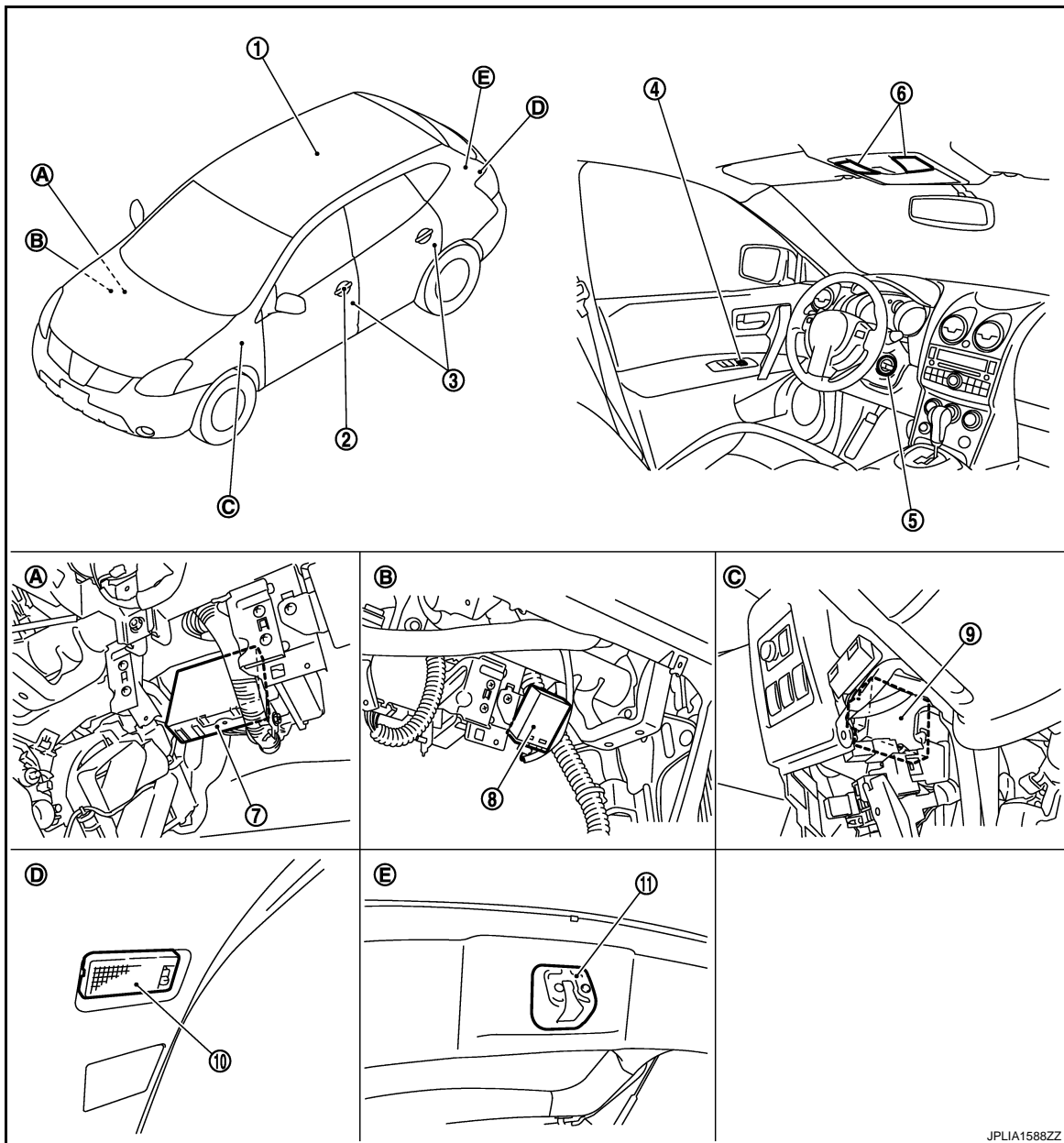
BCM controls the luggage room lamp (ground-side) to turn ON with the back door switch ON (when luggage room lamp switch is in DOOR position).

# INTERIOR ROOM LAMP CONTROL SYSTEM

< FUNCTION DIAGNOSIS >

## Component Parts Location

INFOID:000000004232603



- |                                  |   |   |
|----------------------------------|---|---|
| 1. Room lamp                     | 2. Key cylinder door lock and unlock switch   | 3. Door switch  |
| 4. Door lock and unlock switch   | 5. • Key switch<br>• Push switch (With Intelligent Key system)<br>• Ignition keyhole illumination | 6. Map lamp   |
| 7. BCM                           | 8. Remote keyless entry receiver (Without Intelligent Key system)                                 | 9. Intelligent Key unit (With Intelligent Key system) |
| 10. Luggage room lamp            | 9. Back door switch   |   |
| A. Over the glove box            | B. Over the glove box   | C. Over the instrument lower panel (driver side)      |
| D. Back door trim finisher lower | E. Back door lock assembly  |   |

# INTERIOR ROOM LAMP CONTROL SYSTEM

< FUNCTION DIAGNOSIS >

## Component Description

INFOID:000000004232604

Part	Description
BCM	Activates the interior room lamp timer depending on the vehicle condition to turn the interior room lamps ON/OFF.
Remote keyless entry receiver	<ul style="list-style-type: none"><li>• Receives the lock/unlock signal from Keyfob.</li><li>• Transmits the lock/unlock signal to BCM.</li></ul>
Intelligent Key unit	Transmits the lock/unlock signal and push switch signal to BCM with CAN communication.
<ul style="list-style-type: none"><li>• Door lock and unlock switch</li><li>• Key cylinder door lock and unlock switch</li></ul>	Inputs the lock/unlock signal to BCM.
<ul style="list-style-type: none"><li>• Door switch</li><li>• Back door switch</li></ul>	Inputs the door switch signal to BCM.
Key switch	Inputs the key switch signal to BCM.

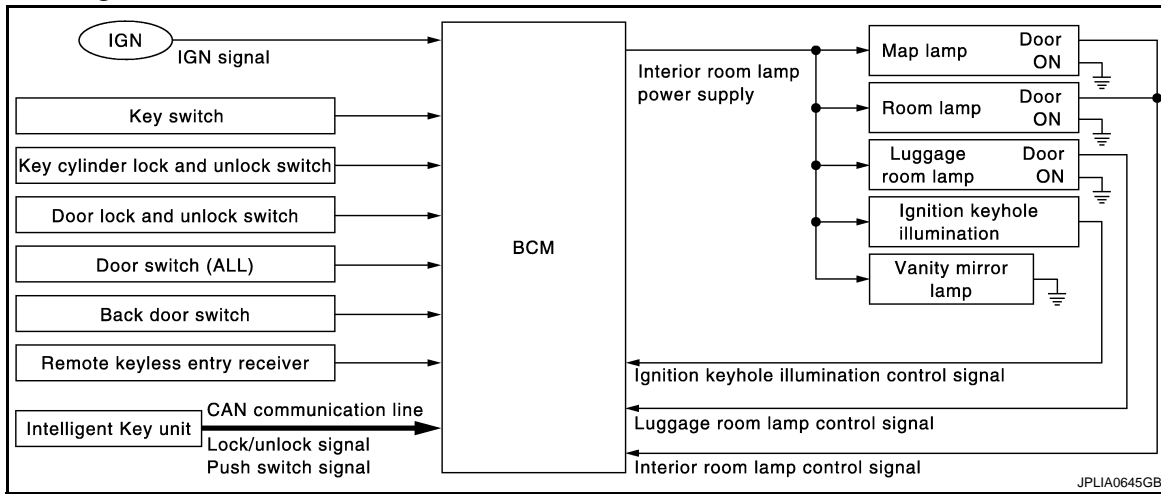


# INTERIOR ROOM LAMP BATTERY SAVER SYSTEM

< FUNCTION DIAGNOSIS >

## INTERIOR ROOM LAMP BATTERY SAVER SYSTEM

### System Diagram



### System Description

INFOID:000000004232606

#### OUTLINE

- Interior room lamp battery saver is controlled by BCM.
- BCM turns applicable lamps OFF depending on the vehicle condition. This function prevents the battery from over-discharging if the driver neglect turning OFF the any lamps.

#### Applicable lamps

- Map lamp
- Room lamp
- Ignition keyhole illumination
- Luggage room lamp
- Vanity mirror lamp

#### INTERIOR ROOM LAMP BATTERY SAVER FUNCTION

- When the ignition switch is turned OFF, BCM operates the timer for a period of time to cut the interior room lamp power supply.
- BCM restart the timer when any of the following signals changes while operating the timer.
  - Ignition switch status
  - Door switch signal (ALL)
  - Door lock/unlock signal (Remote keyless entry receiver, Intelligent Key unit, key cylinder door lock and unlock switch, door lock and unlock switch)
  - Key switch signal
  - Push switch signal
- BCM provides the interior room lamp power supply continuously when the ignition switch position is ON.

#### NOTE:

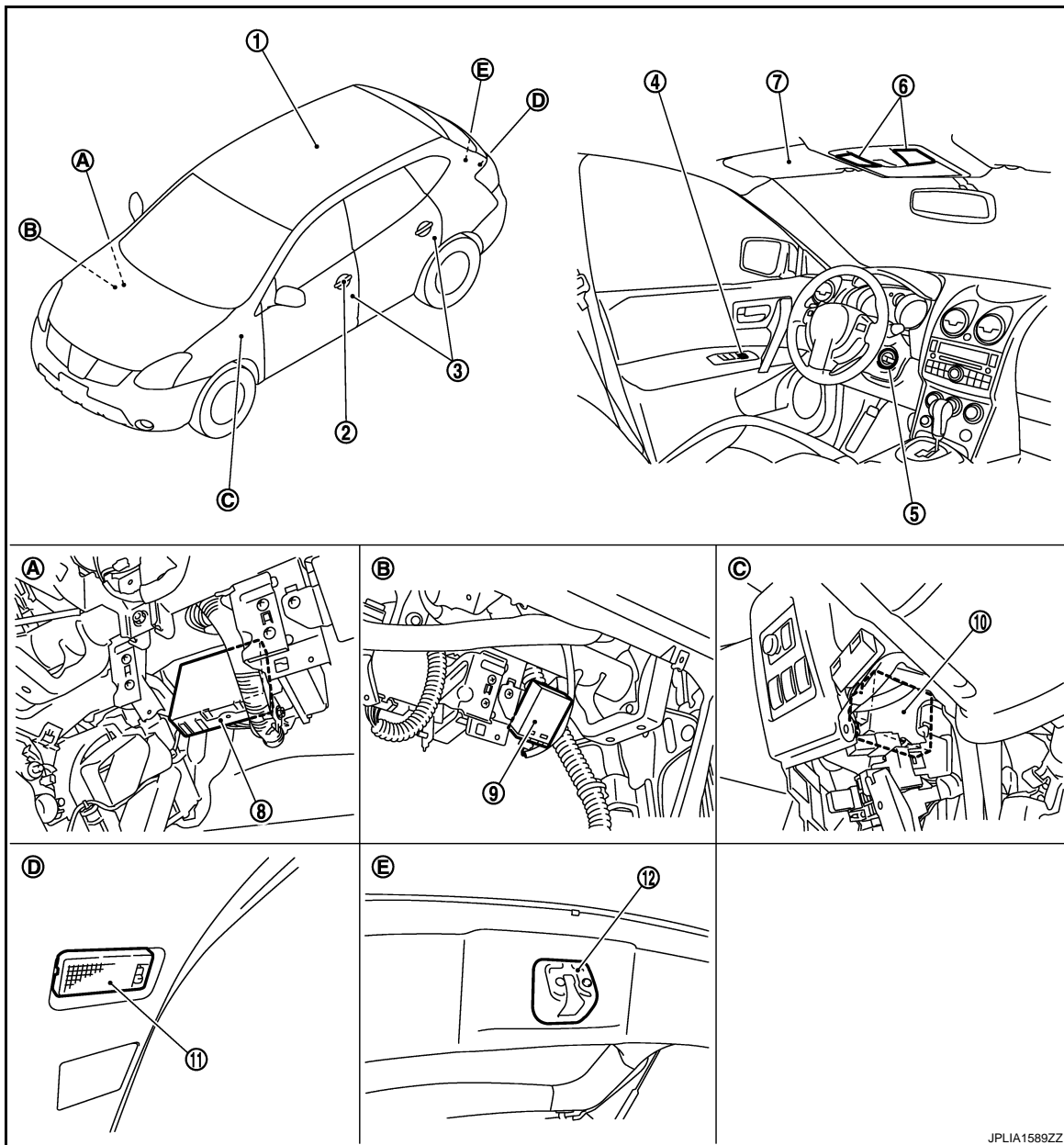
Each function of interior room lamp battery saver can be set by CONSULT-III. Refer to [INL-16, "BATTERY SAVER : CONSULT-III Function \(BCM - BATTERY SAVER\)"](#).

# INTERIOR ROOM LAMP BATTERY SAVER SYSTEM

< FUNCTION DIAGNOSIS >

## Component Parts Location

INFOID:000000004232607



JPLIA1589ZZ

- |   |   |  |
|---|---|--|
| 1. Room lamp  | 2. Key cylinder door lock and unlock switch   | 3. Door switch   |
| 4. Door lock and unlock switch                            | 5. <ul style="list-style-type: none"> <li>• Key switch</li> <li>• Push switch (With Intelligent Key system)</li> <li>• Ignition keyhole illumination</li> </ul> | 6. Map lamp  |
| 7. Vanity mirror lamp                                     | 8. BCM  | 9. Remote keyless entry receiver<br>(Without Intelligent Key system) |
| 10. Intelligent Key unit<br>(With Intelligent Key system) | 11. Luggage room lamp   | 12. Back door switch   |
| A. Over the glove box                                     | B. Over the glove box   | C. Over the instrument lower panel<br>(driver side)                  |
| D. Back door trim finisher lower                          | Back door lock assembly   |  |

# INTERIOR ROOM LAMP BATTERY SAVER SYSTEM

< FUNCTION DIAGNOSIS >

## Component Description

INFOID:000000004232608

Part	Description
BCM	Operates the interior room lamp battery saver depending on the vehicle condition to cut the interior room lamp power supply.
Remote keyless entry receiver	<ul style="list-style-type: none"><li>• Receives the lock/unlock signal from Keyfob.</li><li>• Transmits the lock/unlock signal to BCM.</li></ul>
Intelligent Key unit	Transmits the lock/unlock signal and push switch signal to BCM with CAN communication.
<ul style="list-style-type: none"><li>• Door lock and unlock switch</li><li>• Key cylinder door lock and unlock switch</li></ul>	Inputs the lock/unlock signal to BCM.
<ul style="list-style-type: none"><li>• Door switch</li><li>• Back door switch</li></ul>	Inputs the door switch signal to BCM.
Key switch	Inputs the key switch signal to BCM.

A

B

C

D

E

F

G

H

I

J

K

INL

M

N

O

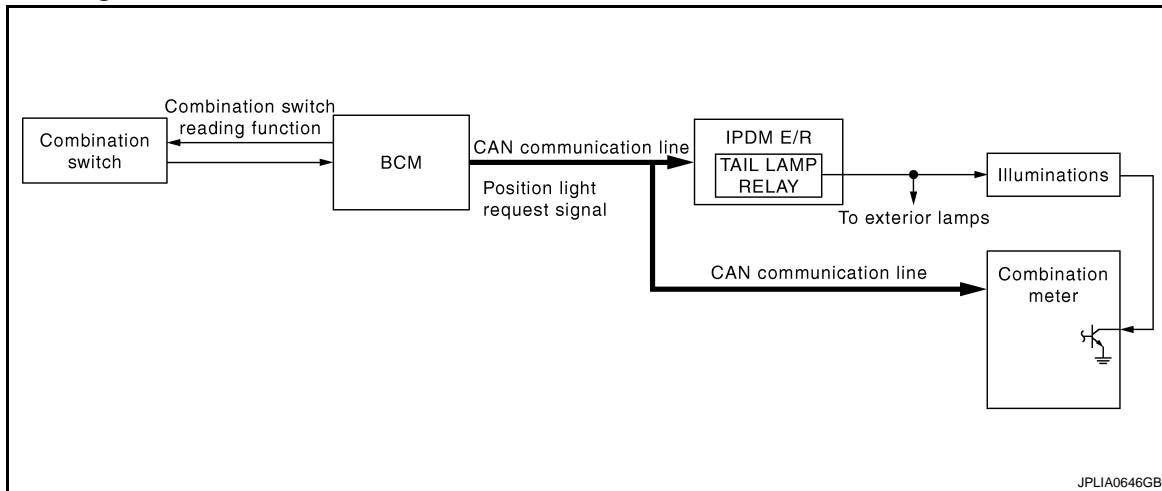
P

# ILLUMINATION CONTROL SYSTEM

< FUNCTION DIAGNOSIS >

## ILLUMINATION CONTROL SYSTEM

### System Diagram



### System Description

INFOID:000000004232610

#### OUTLINE

Each illumination lamp is controlled by each function of BCM and IPDM E/R and combination meter.

Control by BCM

- Combination switch reading function
- Headlamp control function

Control by IPDM E/R

- Relay control function

Control by combination meter

- Meter illumination control function (Refer to [MWI-24, "METER ILLUMINATION CONTROL : System Diagram"](#))

#### ILLUMINATION CONTROL

- BCM detects the combination switch condition by the combination switch reading function.
- BCM transmits position light request signal to IPDM E/R and combination meter according to tail lamp ON condition.

Tail lamp ON condition

- Lighting switch 1ST
- Lighting switch 2ND

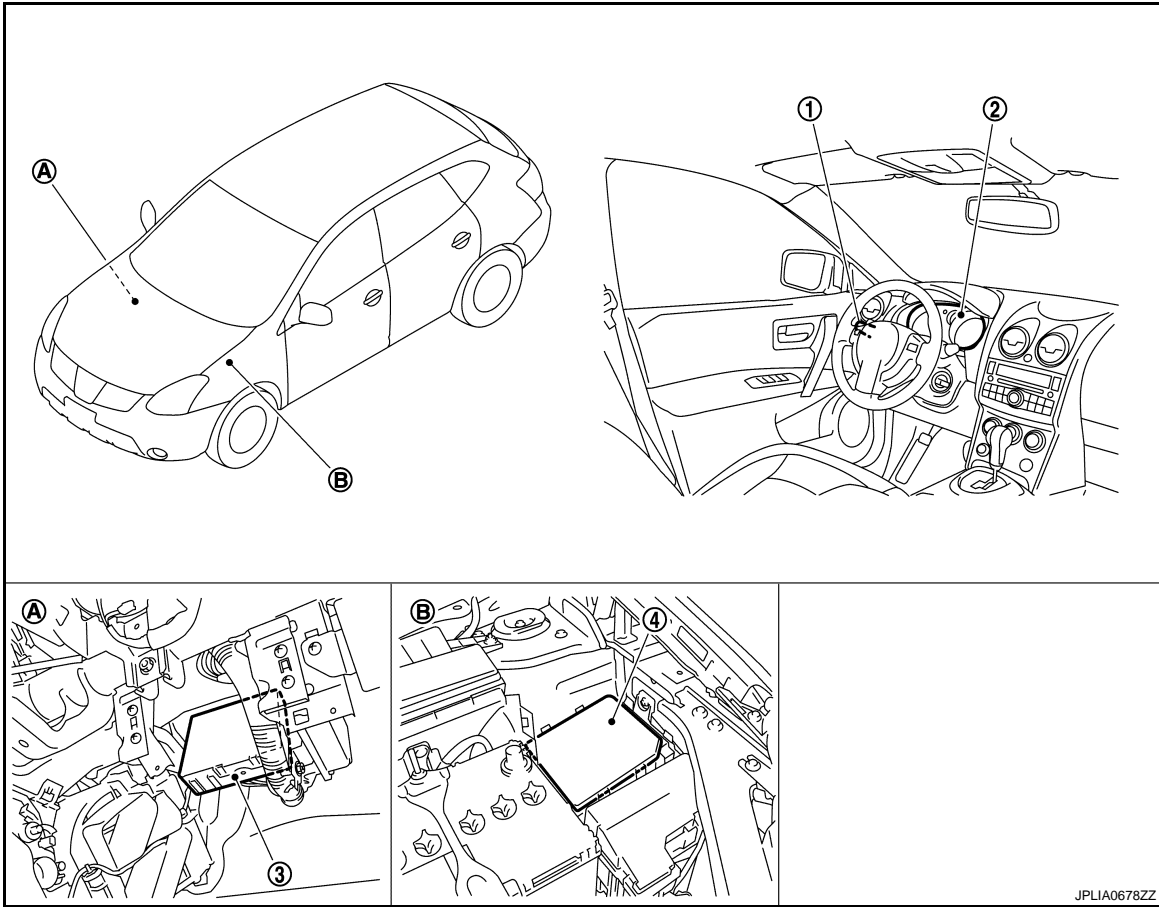
- IPDM E/R turns the integrated tail lamp relay ON according to position light request signal. It provides the power supply to each illumination lamp.
- Combination meter enters in the nighttime mode according to position light request signal. Under the nighttime mode the combination meter controls the illuminance by controlling the each illumination lamp (ground-side).

# ILLUMINATION CONTROL SYSTEM

< FUNCTION DIAGNOSIS >

## Component Parts Location

INFOID:000000004232611



1. Combination switch

2. Combination meter

3. BCM

4. IPDM E/R

A Over the glove box

B. Engine room (LH)

## Component Description

INFOID:000000004232612

A  
B  
C  
D  
E  
F  
G  
H  
I  
J  
K

INL

M

N

O

P

Part	Description
BCM	<ul style="list-style-type: none"> <li>Judges each switch condition by the combination switch reading function.</li> <li>Judges the illumination lamp ON/OFF status depending on the vehicle condition. And then it transmits position light request signal to IPDM E/R and combination meter (with CAN communication).</li> </ul>
IPDM E/R	Controls the integrated relay according to the request signal from BCM (with CAN communication).
Combination meter	<ul style="list-style-type: none"> <li>Enters in nighttime mode according to the request from BCM (with CAN communication).</li> <li>Controls each illumination in the nighttime mode.</li> </ul> Refer to <a href="#">MWI-24, "METER ILLUMINATION CONTROL : System Diagram"</a> .
Combination switch (Lighting & turn signal switch)	Refer to <a href="#">BCS-9, "System Diagram"</a> .

# DIAGNOSIS SYSTEM (BCM)

< FUNCTION DIAGNOSIS >

## DIAGNOSIS SYSTEM (BCM)

### COMMON ITEM

### COMMON ITEM : CONSULT-III Function (BCM - COMMON ITEM)

INFOID:000000004539461

### APPLICATION ITEM

CONSULT-III can display each diagnostic item using the diagnostic test modes shown following.

Diagnosis mode	Function description
ECU Identification	BCM part number is displayed.
Self-Diagnostic Result	Displays the diagnosis results judged by BCM. Refer to <a href="#">INL-61, "DTC Index"</a> .
Data Monitor	BCM input/output signals are displayed.
Active Test	The signals used to activate each device are forcibly supplied from BCM.
Work Support	Changes the setting for each system function.
Configuration	<ul style="list-style-type: none"> <li>Read and save the vehicle specification.</li> <li>Write the vehicle specification when replacing BCM.</li> </ul>
CAN Diag Support Monitor	Monitors the reception status of CAN communication viewed from BCM.

### SYSTEM APPLICATION

BCM can perform the following functions for each system.

#### NOTE:

It can perform the diagnosis modes except the following for all sub system selection items.

×: Applicable item

System	CONSULT-III sub system selection item	Diagnosis mode		
		Work Support	Data Monitor	Active Test
Door lock	DOOR LOCK	×	×	×
Rear window defogger	REAR DEFOGGER		×	×
Warning chime	BUZZER		×	×
Interior room lamp control	INT LAMP	×	×	×
Remote keyless entry system	MULTI REMOTE ENT	×	×	×
Exterior lamp	HEAD LAMP	×	×	×
Wiper and washer	WIPER	×	×	×
Turn signal and hazard warning lamps	FLASHER		×	×
Air conditioner	AIR CONDITONER		×	
Intelligent Key system	INTELLIGENT KEY		×	
Combination switch	COMB SW		×	
—	BCM	×		
Immobilizer	IMMU		×	×
Interior room lamp battery saver	BATTERY SAVER	×	×	×
Back door open	TRUNK		×	×
Vehicle security system	THEFT ALM	×	×	×
RAP system	RETAINED PWR	×	×	×
Signal buffer system	SIGNAL BUFFER		×	×
—	FUEL LID*			
TPMS	TPMS (AIR PRESSURE MONITOR)	×	×	×
Panic alarm system	PANIC ALARM			×

\*: This item is displayed, but is not function.

### INT LAMP

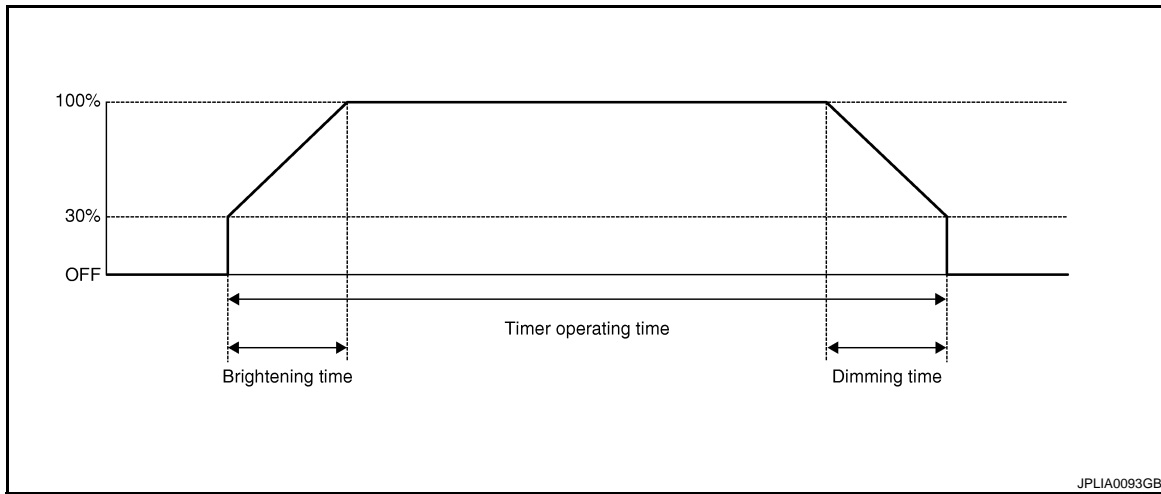
# DIAGNOSIS SYSTEM (BCM)

< FUNCTION DIAGNOSIS >

## INT LAMP : CONSULT-III Function (BCM - INT LAMP)

INFOID:000000004232614

### WORK SUPPORT



Service item	Setting item	Setting
SET I/L D-UNLCK INTCON	On*	With the interior room lamp timer function
	Off	Without the interior room lamp timer function
ROOM LAMP ON TIME SET	MODE 1	0.5 sec.
	MODE 2*	1 sec.
	MODE 3	2 sec.
	MODE 4	3 sec.
	MODE 5	4 sec.
	MODE 6	5 sec.
	MODE 7	0 sec.
		Sets the interior room lamp gradual brightening time.
ROOM LAMP OFF TIME SET	MODE 1	0.5 sec.
	MODE 2*	1 sec.
	MODE 3	2 sec.
	MODE 4	3 sec.
	MODE 5	4 sec.
	MODE 6	5 sec.
	MODE 7	0 sec.
		Sets the interior room lamp gradual dimming time.

\*: Factory setting

### DATA MONITOR

Monitor item [Unit]	Description
IGN ON SW [On/Off]	Ignition switch (ON) status judges from IGN signal (ignition power supply)
KEY ON SW [On/Off]	The switch status input from key switch
DOOR SW-DR [On/Off]	The switch status input from front door switch (driver side)
DOOR SW-AS [On/Off]	The switch status input from front door switch (passenger side)
DOOR SW-RR [On/Off]	The switch status input from rear door switch RH

# DIAGNOSIS SYSTEM (BCM)

## < FUNCTION DIAGNOSIS >

Monitor item [Unit]	Description
DOOR SW- RL [On/Off]	The switch status input from rear door switch LH
BACK DOOR SW [On/Off]	The switch status input from back door switch
KEY CYL LK-SW [On/Off]	Lock switch status input from key cylinder switch
KEY CYL UN-SW [On/Off]	Unlock switch status input from key cylinder switch
CDL LOCK SW [On/Off]	Lock switch status input from door lock and unlock switch
CDL UNLOCK SW [On/Off]	Unlock switch status input from door lock and unlock switch
I-KEY LOCK [On/Off]	Lock signal status received from Intelligent Key unit by CAN communication
I-KEY UNLOCK [On/Off]	Unlock signal status received from Intelligent Key unit by CAN communication
KEYLESS LOCK [On/Off]	Lock signal status received from remote keyless entry receiver
KEYLESS UNLOCK [On/Off]	Unlock signal status received from remote keyless entry receiver

## ACTIVE TEST

Test item	Operation	Description
INT LAMP	On	Outputs the interior room lamp control signal to turn the interior room lamps ON. [Map lamp, room lamp (when applicable lamps switch is in DOOR position.)]
	Off	Stops the interior room lamp control signal to turn the interior room lamps OFF.
IGN ILLUM	On	Outputs the ignition keyhole illumination control signal to turn ignition keyhole illumination ON.
	Off	Stops the ignition keyhole illumination control signal to turn ignition keyhole illumination OFF.
STEP LAMP TEST	On	<b>NOTE:</b> The item is indicated, but not operate.
	Off	
LUGGAGE LAMP TEST	On	Outputs the luggage room lamp control signal to turn luggage room lamp ON.
	Off	Stops the luggage room lamp control signal to turn luggage room lamp OFF.

## BATTERY SAVER

### BATTERY SAVER : CONSULT-III Function (BCM - BATTERY SAVER)

INFOID:000000004232615

## WORK SUPPORT

Service item	Setting item	Setting
ROOM LAMP TIMER SET	MODE 1*	30 min.
	MODE 2	60 min.
		Sets the interior room lamp battery saver timer operating time.

\*: Factory setting

## DATA MONITOR



# DIAGNOSIS SYSTEM (BCM)

## < FUNCTION DIAGNOSIS >

Monitor item [Unit]	Description
IGN ON SW [On/Off]	Ignition switch (ON) status judges from IGN signal (ignition power supply)
KEY ON SW [On/Off]	The switch status input from key switch
DOOR SW-DR [On/Off]	The switch status input from front door switch (driver side)
DOOR SW-AS [On/Off]	The switch status input from front door switch (passenger side)
DOOR SW-RR [On/Off]	The switch status input from rear door switch RH
DOOR SW- RL [On/Off]	The switch status input from rear door switch LH
BACK DOOR SW [On/Off]	The switch status input from back door switch
KEY CYL LK-SW [On/Off]	Lock switch status input from key cylinder switch
KEY CYL UN-SW [On/Off]	Unlock switch status input from key cylinder switch
CDL LOCK SW [On/Off]	Lock switch status input from door lock and unlock switch
CDL UNLOCK SW [On/Off]	Unlock switch status input from door lock and unlock switch
I-KEY LOCK [On/Off]	Lock signal status received from Intelligent Key unit by CAN communication
I-KEY UNLOCK [On/Off]	Unlock signal status received from Intelligent Key unit by CAN communication
KEYLESS LOCK [On/Off]	Lock signal status received from remote keyless entry receiver
KEYLESS UNLOCK [On/Off]	Unlock signal status received from remote keyless entry receiver

## ACTIVE TEST

Test item	Operation	Description
BATTERY SAVER	Off	Cuts the interior room lamp power supply to turn interior room lamps OFF.
	On	Outputs the interior room lamp power supply to turn interior room lamps ON.*

\*: Each lamp switch is in ON position.

A  
B  
C  
D  
E  
F  
G  
H  
I  
J  
K  
  
INL  
  
M  
  
N  
  
O  
  
P

# POWER SUPPLY AND GROUND CIRCUIT

< COMPONENT DIAGNOSIS >

## COMPONENT DIAGNOSIS

### POWER SUPPLY AND GROUND CIRCUIT

#### BCM (BODY CONTROL MODULE)

#### BCM (BODY CONTROL MODULE) : Diagnosis Procedure

INFOID:000000004539458

### 1. CHECK FUSES AND FUSIBLE LINK

Check that the following fuses and fusible link are not fusing.

Signal name	Fuses and fusible link No.
Battery power supply	10
	J
ACC power supply	20
Ignition power supply	1

#### Is the fuse fusing?

YES >> Replace the blown fuse or fusible link after repairing the affected circuit if a fuse or fusible link is blown.

NO >> GO TO 2.

### 2. CHECK POWER SUPPLY CIRCUIT

1. Turn the ignition switch OFF.
2. Disconnect BCM connectors.
3. Check voltage between BCM harness connector and the ground.

Terminals		Ignition switch position			
(+)	(-)		OFF	ACC	ON
BCM					
Connector	Terminal				
M67	70	Ground	Battery voltage	Battery voltage	Battery voltage
	57		Battery voltage	Battery voltage	Battery voltage
M65	11		Approx. 0 V	Battery voltage	Battery voltage
	38		Approx. 0 V	Approx. 0 V	Battery voltage

#### Is the measurement value normal?

YES >> GO TO 3.

NO >> Repair the harness or connector.

### 3. CHECK GROUND CIRCUIT

Check continuity between BCM harness connector and the ground.

BCM		Ground	Continuity
Connector	Terminal		
M67	67		Existed

#### Does continuity exist?

YES >> INSPECTION END

NO >> Repair the harness or connector.

# INTERIOR ROOM LAMP POWER SUPPLY CIRCUIT

< COMPONENT DIAGNOSIS >

## INTERIOR ROOM LAMP POWER SUPPLY CIRCUIT

### Description

INFOID:000000004232617

Provides the interior room lamp power supply. Also cuts the power supply when the interior room lamp battery saver activating.

### Component Function Check

INFOID:000000004232618

#### 1. CHECK INTERIOR ROOM LAMP POWER SUPPLY FUNCTION

##### CONSULT-III ACTIVE TEST

- Turn ignition switch ON.
- Turn each interior room lamp ON.
  - Map lamp
  - Room lamp
  - Ignition keyhole illumination
  - Vanity mirror lamp
  - Luggage room lamp
- Select "BATTERY SAVER" of BCM (BATTERY SAVER) active test item.
- With operating the test items, check that each interior room lamp is turned ON/OFF.

**Off** : Interior room lamp OFF

**On** : Interior room lamp ON

Is the interior room lamp turned ON/OFF?

- YES >> Interior room lamp power supply circuit is normal.  
NO >> Refer to [INL-19, "Diagnosis Procedure"](#).

### Diagnosis Procedure

INFOID:000000004232619

#### 1. CHECK INTERIOR ROOM LAMP POWER SUPPLY OUTPUT

##### CONSULT-III ACTIVE TEST

- Turn ignition switch ON.
- Select "BATTERY SAVER" of BCM (BATTERY SAVER) active test item.
- With operating the test item, check voltage between BCM harness connector and ground.

Terminals		Test item	Voltage (Approx.)
(+)	(-)		
BCM		BATTERY SAVER	0 V
Connector	Terminal		
M67	56	Off	0 V
		On	Battery voltage

Is the measurement value normal?

- YES >> GO TO 2.  
NO >> Replace BCM. Refer to [BCS-67, "Removal and Installation"](#).

#### 2. CHECK INTERIOR ROOM LAMP POWER SUPPLY OPEN CIRCUIT

- Turn ignition switch OFF.
- Disconnect the following connectors.
  - Map lamp
  - Room lamp
  - Ignition keyhole illumination
  - Vanity mirror lamp (driver side)
  - Vanity mirror lamp (passenger side)
  - Luggage room lamp
- Check continuity between BCM harness connector and each interior room lamp harness connector.

# INTERIOR ROOM LAMP POWER SUPPLY CIRCUIT

## < COMPONENT DIAGNOSIS >

BCM		Each interior room lamp			Continuity
Connector	Terminal	Connector		Terminal	
M67	56	Map lamp	R4	1	Existed
		Room lamp	R15	2	
		Ignition keyhole illumination	M68	1	
		Vanity mirror lamp (driver side)	R14	1	
		Vanity mirror lamp (passenger side)	R10	1	
		Luggage room lamp	D155	2	

**Does continuity exist?**

YES >> GO TO 3.

NO >> Repair the harnesses or connectors.

### 3. CHECK INTERIOR ROOM LAMP POWER SUPPLY SHORT CIRCUIT

Check continuity between BCM harness connector and ground.

BCM		Ground	Continuity
Connector	Terminal		
M67	56		Not existed

**Does continuity exist?**

YES >> Repair the harnesses or connectors.

NO >> Check that each interior room lamp has no internal short circuit.

# INTERIOR ROOM LAMP CONTROL CIRCUIT

< COMPONENT DIAGNOSIS >

## INTERIOR ROOM LAMP CONTROL CIRCUIT

### Description

INFOID:000000004232620

Controls each interior room lamp (ground side) by PWM signal.

#### NOTE:

PWM signal control period is approximately 250 Hz (in the gradual brightening/dimming).

### Component Function Check

INFOID:000000004232621

#### CAUTION:

Before the diagnosis, check that the following items are normal.

- Interior room lamp power supply
- Map lamp bulb
- Room lamp bulb

### 1.CHECK INTERIOR ROOM LAMP CONTROL FUNCTION

#### CONSULT-III ACTIVE TEST

1. Switch the map lamp switch to DOOR.
2. Turn ignition switch ON.
3. Select "INT LAMP" of BCM (INT LAMP) active test item.
4. With operating the test items, check that each interior room lamp turns ON/OFF (gradual brightening/dimming).

**On** : Interior room lamp gradual brightening

**Off** : Interior room lamp gradual dimming

Does the interior room lamp turns ON/OFF (gradual brightening/dimming)?

YES >> Interior room lamp control circuit is normal.

NO >> Refer to [INL-21, "Diagnosis Procedure"](#).

### Diagnosis Procedure

INFOID:000000004232622

### 1.CHECK INTERIOR ROOM LAMP CONTROL OUTPUT

#### CONSULT-III ACTIVE TEST

1. Turn ignition switch OFF.
2. Remove all the bulbs of following lamps.
  - Map lamp
  - Room lamp
3. Select "INT LAMP" of BCM (INT LAMP) active test item.
4. With operating the test item, check continuity between BCM harness connector and ground.

BCM		Ground	Test item	Continuity
Connector	Terminal		INT LAMP	
M67	63	Ground	On	Existed
			Off	Not existed

Is the measurement value normal?

YES >> GO TO 2.

Fixed ON>>GO TO 3.

Fixed OFF>>Replace BCM. Refer to [BCS-67, "Removal and Installation"](#).

### 2.CHECK INTERIOR ROOM LAMP CONTROL OPEN CIRCUIT

1. Turn ignition switch OFF.
2. Disconnect the following connectors.
  - Map lamp
  - Room lamp

## INTERIOR ROOM LAMP CONTROL CIRCUIT

### < COMPONENT DIAGNOSIS >

3. Check continuity between BCM harness connector, map lamp harness connector, and room lamp harness connector.

BCM		Map lamp/room lamp			Continuity
Connector	Terminal	Connector		Terminal	
M67	63	Map lamp	R4	2	Existed
		Room lamp	R15	1	

**Does continuity exist?**

YES >> Replace the map lamp or the room lamp.

NO >> Repair the harnesses or connectors.

### 3. CHECK INTERIOR ROOM LAMP CONTROL SHORT CIRCUIT

1. Turn ignition switch OFF.
2. Disconnect BCM connector, map lamp connector and room lamp connector.
3. Check continuity between BCM harness connector and ground.

BCM		Ground	Continuity
Connector	Terminal		
M67	63		Not existed

**Does continuity exist?**

YES >> Repair the harnesses or connectors.

NO >> Replace BCM. Refer to [BCS-67, "Removal and Installation"](#).

# IGNITION KEYHOLE ILLUMINATION CONTROL CIRCUIT

< COMPONENT DIAGNOSIS >

## IGNITION KEYHOLE ILLUMINATION CONTROL CIRCUIT

### Description

INFOID:000000004232623

Controls the ignition keyhole illumination (ground side) by PWM signal.

#### NOTE:

PWM signal control period is approximately 250 Hz (in the gradual brightening/dimming).

### Component Function Check

INFOID:000000004232624

#### CAUTION:

Before performing the diagnosis, check that the following is normal.

- Interior room lamp power supply
- Ignition keyhole illumination bulb

### 1.CHECK IGNITION KEYHOLE ILLUMINATION OPERATION

#### CONSULT-III ACTIVE TEST

1. Turn ignition switch ON.
2. Select "IGN ILLUM" of BCM (INT LAMP) active test item.
3. With operating the test items, check that ignition keyhole illumination turns ON/OFF.

**On** : Ignition keyhole illumination ON

**Off** : Ignition keyhole illumination OFF

Does the ignition keyhole illumination turn ON/OFF?

YES >> Ignition keyhole illumination circuit is normal.

NO >> Refer to [INL-23. "Diagnosis Procedure"](#).

### Diagnosis Procedure

INFOID:000000004232625

### 1.CHECK IGNITION KEYHOLE ILLUMINATION OUTPUT

#### CONSULT-III ACTIVE TEST

1. Turn ignition switch OFF.
2. Remove ignition keyhole illumination bulb.
3. Turn ignition switch ON.
4. Select "IGN ILLUM" of BCM (INT LAMP) active test item.
5. With operating the test item, check continuity between BCM harness connector and ground.

BCM		Ground	Test item	Continuity
Connector	Terminal		IGN ILLUM TEST	
M65	1		On	Existed
			Off	Not existed

Is the measurement value normal?

YES >> GO TO 2.

Fixed ON>>GO TO 3.

Fixed OFF>>Replace BCM.

### 2.CHECK IGNITION KEYHOLE ILLUMINATION OPEN CIRCUIT

1. Turn ignition switch OFF.
2. Disconnect BCM connector and ignition keyhole illumination connector.
3. Check continuity between BCM harness connector and ignition keyhole illumination harness connector.

BCM		Ignition keyhole illumination		Continuity
Connector	Terminal	Connector	Terminal	
M65	1	M68	2	Existed

Does continuity exist?

# IGNITION KEYHOLE ILLUMINATION CONTROL CIRCUIT

## < COMPONENT DIAGNOSIS >

---

YES >> Replace ignition keyhole illumination.

NO >> Repair harnesses or connectors.

### 3. CHECK IGNITION KEYHOLE ILLUMINATION SHORT CIRCUIT

---

1. Turn ignition switch OFF.
2. Disconnect BCM connector and ignition keyhole illumination connector.
3. Check continuity between BCM harness connector and ground.

BCM		Ground	Continuity
Connector	Terminal		
M65	1		Not existed

#### Does continuity exist?

YES >> Repair harnesses or connectors.

NO >> Replace BCM.



# LUGGAGE ROOM LAMP CIRCUIT

< COMPONENT DIAGNOSIS >

## LUGGAGE ROOM LAMP CIRCUIT

### Description

INFOID:000000004232626

Controls the luggage room lamp (ground side) to turn the luggage room lamp ON and OFF.

### Component Function Check

INFOID:000000004232627

#### CAUTION:

Before performing the diagnosis, check that the following is normal.

- Interior room lamp power supply
- Luggage room lamp bulb

### 1.CHECK LUGGAGE ROOM LAMP OPERATION

#### CONSULT-III ACTIVE TEST

1. Turn ignition switch ON.
2. Select "LUGGAGE LAMP TEST " of BCM (INT LAMP) active test item.
3. With operating the test items, check that luggage room lamp turns ON/OFF.

**On** : Luggage room lamp ON

**Off** : Luggage room lamp OFF

#### Does the luggage room lamp turn ON/OFF?

- YES >> Luggage room lamp circuit is normal.  
 NO >> Refer to [INL-25, "Diagnosis Procedure"](#).

### Diagnosis Procedure

INFOID:000000004232628

### 1.CHECK LUGGAGE ROOM LAMP OUTPUT

#### CONSULT-III ACTIVE TEST

1. Turn ignition switch OFF.
2. Remove luggage room lamp bulb.
3. Turn ignition switch ON.
4. Select "LUGGAGE LAMP TEST" of BCM (INT LAMP) active test item.
5. With operating the test item, check continuity between BCM harness connector and ground.

BCM		Ground	Test item	Continuity
Connector	Terminal		LUGGAGE LAMP TEST	
M66	49		On	Existed
			Off	Not existed

#### Is the measurement value normal?

- YES >> GO TO 2.  
 Fixed ON>>GO TO 3.  
 Fixed OFF>>Replace BCM.

### 2.CHECK LUGGAGE ROOM LAMP OPEN CIRCUIT

1. Turn ignition switch OFF.
2. Disconnect BCM connector and luggage room lamp connector.
3. Check continuity between BCM harness connector and luggage room lamp harness connector.

BCM		Luggage room lamp		Continuity
Connector	Terminal	Connector	Terminal	
M66	49	D155	4	Existed

#### Does continuity exist?

- YES >> Replace luggage room lamp.

# LUGGAGE ROOM LAMP CIRCUIT

## < COMPONENT DIAGNOSIS >

---

NO >> Repair harnesses or connectors.

### 3. CHECK LUGGAGE ROOM LAMP SHORT CIRCUIT

---

1. Turn ignition switch OFF.
2. Disconnect BCM connector and luggage room lamp connector.
3. Check continuity between BCM harness connector and ground.

BCM		Ground	Continuity
Connector	Terminal		
M66	49		Not existed

#### Does continuity exist?

YES >> Repair harnesses or connectors.

NO >> Replace BCM.

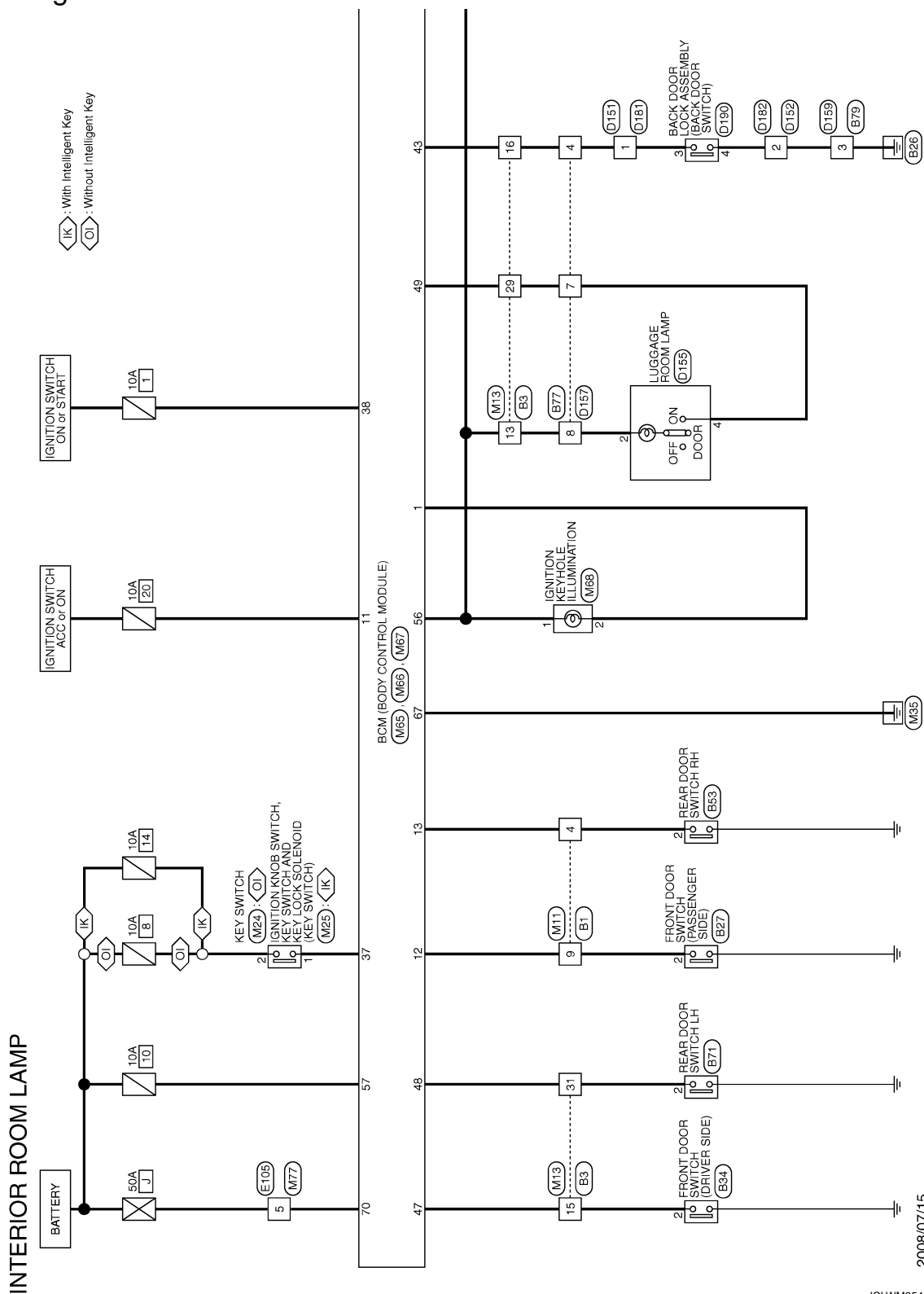
# INTERIOR ROOM LAMP CONTROL SYSTEM

< COMPONENT DIAGNOSIS >

## INTERIOR ROOM LAMP CONTROL SYSTEM

### Wiring Diagram - INTERIOR ROOM LAMP -

INFOID:000000004232629

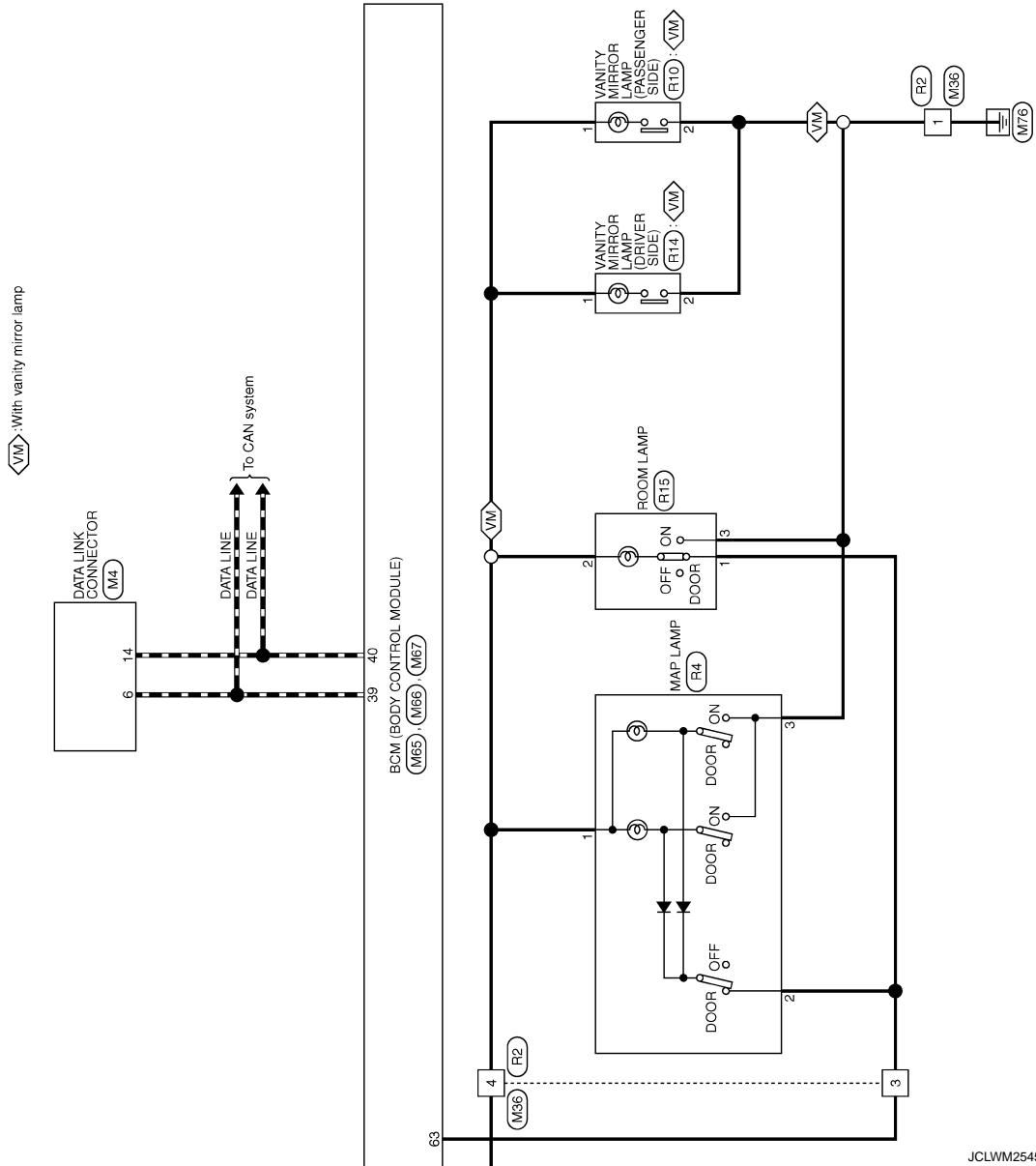


A  
B  
C  
D  
E  
F  
G  
H  
I  
J  
K  
L  
M  
N  
O  
P

INL

# INTERIOR ROOM LAMP CONTROL SYSTEM

## < COMPONENT DIAGNOSIS >



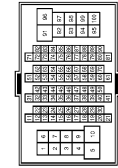
JCLWM2545GE

# INTERIOR ROOM LAMP CONTROL SYSTEM

## < COMPONENT DIAGNOSIS >

### INTERIOR ROOM LAMP

Connector No.	B1
Connector Name	WIRE TO WIRE
Connector Type	TH80MW-CS (F-TM4)



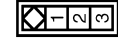
Terminal No.	Color of Wire	Signal Name [Specification]
4	L	-
9	BR	-

Connector No.	B3
Connector Name	WIRE TO WIRE
Connector Type	TH42MP-NH



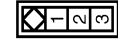
Terminal No.	Color of Wire	Signal Name [Specification]
13	Y	-
15	P	-
16	W	-
29	L	-
31	GR	-

Connector No.	B27
Connector Name	FRONT DOOR SWITCH (PASSENGER SIDE)
Connector Type	A03FW



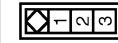
Terminal No.	Color of Wire	Signal Name [Specification]
2	BR	-

Connector No.	B34
Connector Name	FRONT DOOR SWITCH (DRIVER SIDE)
Connector Type	A03FW



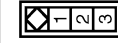
Terminal No.	Color of Wire	Signal Name [Specification]
2	P	-

Connector No.	B53
Connector Name	REAR DOOR SWITCH RH
Connector Type	A03FW



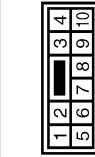
Terminal No.	Color of Wire	Signal Name [Specification]
2	L	-

Connector No.	B71
Connector Name	REAR DOOR SWITCH LH
Connector Type	A03FW



Terminal No.	Color of Wire	Signal Name [Specification]
2	GR	-

Connector No.	B77
Connector Name	WIRE TO WIRE
Connector Type	NS10MW-CS



Terminal No.	Color of Wire	Signal Name [Specification]
4	W	-
7	L	-
8	Y	-

Connector No.	B79
Connector Name	WIRE TO WIRE
Connector Type	MM4MW-LC



Terminal No.	Color of Wire	Signal Name [Specification]
3	B	-

JCLWM2546GE

A  
B  
C  
D  
E  
F  
G  
H  
I  
J  
K  
L  
M  
N  
O  
P

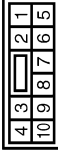
INL

# INTERIOR ROOM LAMP CONTROL SYSTEM

## < COMPONENT DIAGNOSIS >

### INTERIOR ROOM LAMP

Connector No.	D157
Connector Name	WIRE TO WIRE
Connector Type	NSJDFW-CS



Terminal No.	Color of Wire	Signal Name [Specification]
4	W	
7	L	
8	Y	

Connector No.	D155
Connector Name	LUGGAGE ROOM LAMP
Connector Type	CJGF4W



Terminal No.	Color of Wire	Signal Name [Specification]
2	Y	
4	L	

Connector No.	D152
Connector Name	WIRE TO WIRE
Connector Type	M02FW-GY-LC



Terminal No.	Color of Wire	Signal Name [Specification]
2	B	

Connector No.	D151
Connector Name	WIRE TO WIRE
Connector Type	NSDBER-CS



Terminal No.	Color of Wire	Signal Name [Specification]
1	W	

Connector No.	D190
Connector Name	BACK DOOR LOOK ASSEMBLY
Connector Type	NSQ4FW-CS



Terminal No.	Color of Wire	Signal Name [Specification]
3	W	
4	B	

Connector No.	D182
Connector Name	WIRE TO WIRE
Connector Type	M02MW-GY-LC



Terminal No.	Color of Wire	Signal Name [Specification]
2	B	

Connector No.	D181
Connector Name	WIRE TO WIRE
Connector Type	NSQ0MR-CS



Terminal No.	Color of Wire	Signal Name [Specification]
1	W	

Connector No.	D159
Connector Name	WIRE TO WIRE
Connector Type	M04FW-LC



Terminal No.	Color of Wire	Signal Name [Specification]
3	B	

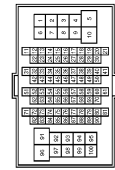
JCLWM2547GE

# INTERIOR ROOM LAMP CONTROL SYSTEM

## < COMPONENT DIAGNOSIS >

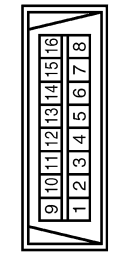
### INTERIOR ROOM LAMP

Connector No.	E105
Connector Name	WIRE TO WIRE
Connector Type	THBDFW-CS16-TM4



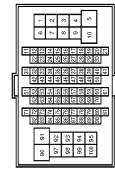
Terminal No.	Color of Wire	Signal Name [Specification]
5	Y	-

Connector No.	M4
Connector Name	DATA LINK CONNECTOR
Connector Type	BD1DFW



Terminal No.	Color of Wire	Signal Name [Specification]
6	L	-
14	P	-

Connector No.	M11
Connector Name	WIRE TO WIRE
Connector Type	THBDFW-CS16-TM4



Terminal No.	Color of Wire	Signal Name [Specification]
4	LG	-
9	P	-

Connector No.	M13
Connector Name	WIRE TO WIRE
Connector Type	THBDFW-NH



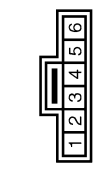
Terminal No.	Color of Wire	Signal Name [Specification]
13	Y	-
15	W	-
16	V	-
29	L	-
31	GR	-

Connector No.	M24
Connector Name	KEY SWITCH
Connector Type	TK02MBR-P



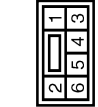
Terminal No.	Color of Wire	Signal Name [Specification]
1	LG	-
2	GR	-

Connector No.	M25
Connector Name	IGNITION KNOB SWITCH, KEY SWITCH AND KEY LOCK SOLENOID
Connector Type	TK08MGY



Terminal No.	Color of Wire	Signal Name [Specification]
1	B	-
2	R	-

Connector No.	M36
Connector Name	WIRE TO WIRE
Connector Type	NS08FBR-CS



Terminal No.	Color of Wire	Signal Name [Specification]
1	B	-
3	R	-
4	Y	-

Connector No.	M65
Connector Name	ECM (BODY CONTROL MODULE)
Connector Type	TH4DFW-NH



Terminal No.	Color of Wire	Signal Name [Specification]
1	V	KEY RING OUTPUT
11	SB	ACC
12	P	DR SW AS
13	LG	DR SW RR
37	LG	KEY SW
38	G	IGN
39	L	CAN-H
40	P	CAN-L

A  
B  
C  
D  
E  
F  
G  
H  
I  
J  
K  
L  
M  
N  
O  
P

INL

# INTERIOR ROOM LAMP CONTROL SYSTEM

## < COMPONENT DIAGNOSIS >

### INTERIOR ROOM LAMP

Connector No.	M66
Connector Name	BCM (BODY CONTROL MODULE)
Connector Type	FEA03FW-FHA6-SA



41	42	43	44	45	46	47	48	49
50	51	52	53	54	55			

Terminal No.	Color of Wire	Signal Name [Specification]
43	V	BACK DOOR SW
47	W	DR SW DR
48	GR	DR SW RL
48	L	LUGGAGE LAMP OUTPUT

Connector No.	M67
Connector Name	BCM (BODY CONTROL MODULE)
Connector Type	FEA03FB-FHA6-SA



56	57	58	59	60	61	62	63	64
65	66	67	68	69	70			

Terminal No.	Color of Wire	Signal Name [Specification]
56	Y	BATTERYSAVEROUTPUT
57	G	BAT FUSE
63	R	ROOMLAMPOUTPUT
67	B	GND
70	Y	BAT FL

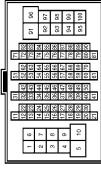
Connector No.	M68
Connector Name	IGNITION KEYHOLE ILLUMINATION
Connector Type	A02MW



1	2
---	---

Terminal No.	Color of Wire	Signal Name [Specification]
1	Y	
2	V	

Connector No.	M77
Connector Name	WIRE TO WIRE
Connector Type	TR80MM-CS16-TM4



Terminal No.	Color of Wire	Signal Name [Specification]
5	Y	

Connector No.	R2
Connector Name	WIRE TO WIRE
Connector Type	NS06MR-CS



1	2
3	4
5	6

Connector No.	R4
Connector Name	MAP LAMP
Connector Type	TK06FGY



6	5	4	3	2	1
---	---	---	---	---	---

Connector No.	R10
Connector Name	VANITY MIRROR LAMP (PASSENGER SIDE)
Connector Type	5557-02R



2	1
---	---

Connector No.	R14
Connector Name	VANITY MIRROR LAMP (DRIVER SIDE)
Connector Type	5557-02R



2	1
---	---

Terminal No.	Color of Wire	Signal Name [Specification]
1	B	
3	R	
4	Y	

Terminal No.	Color of Wire	Signal Name [Specification]
1	Y	
2	R	
3	B	

Terminal No.	Color of Wire	Signal Name [Specification]
1	Y	
2	B	

Terminal No.	Color of Wire	Signal Name [Specification]
1	Y	
2	B	

JCLWM2549GE




# INTERIOR ROOM LAMP CONTROL SYSTEM


## < COMPONENT DIAGNOSIS >

A  
B  
C  
D  
E  
F  
G  
H  
I  
J  
K  
L  
M  
N  
O  
P

**INTERIOR ROOM LAMP**

Connector No.	R15
Connector Name	ROOM LAMP
Connector Type	24342-3M10D





Terminal No.	Color of Wire	Signal Name [Specification]
1	R	-
2	Y	-
3	B	-

INL

JCLWM2550GE

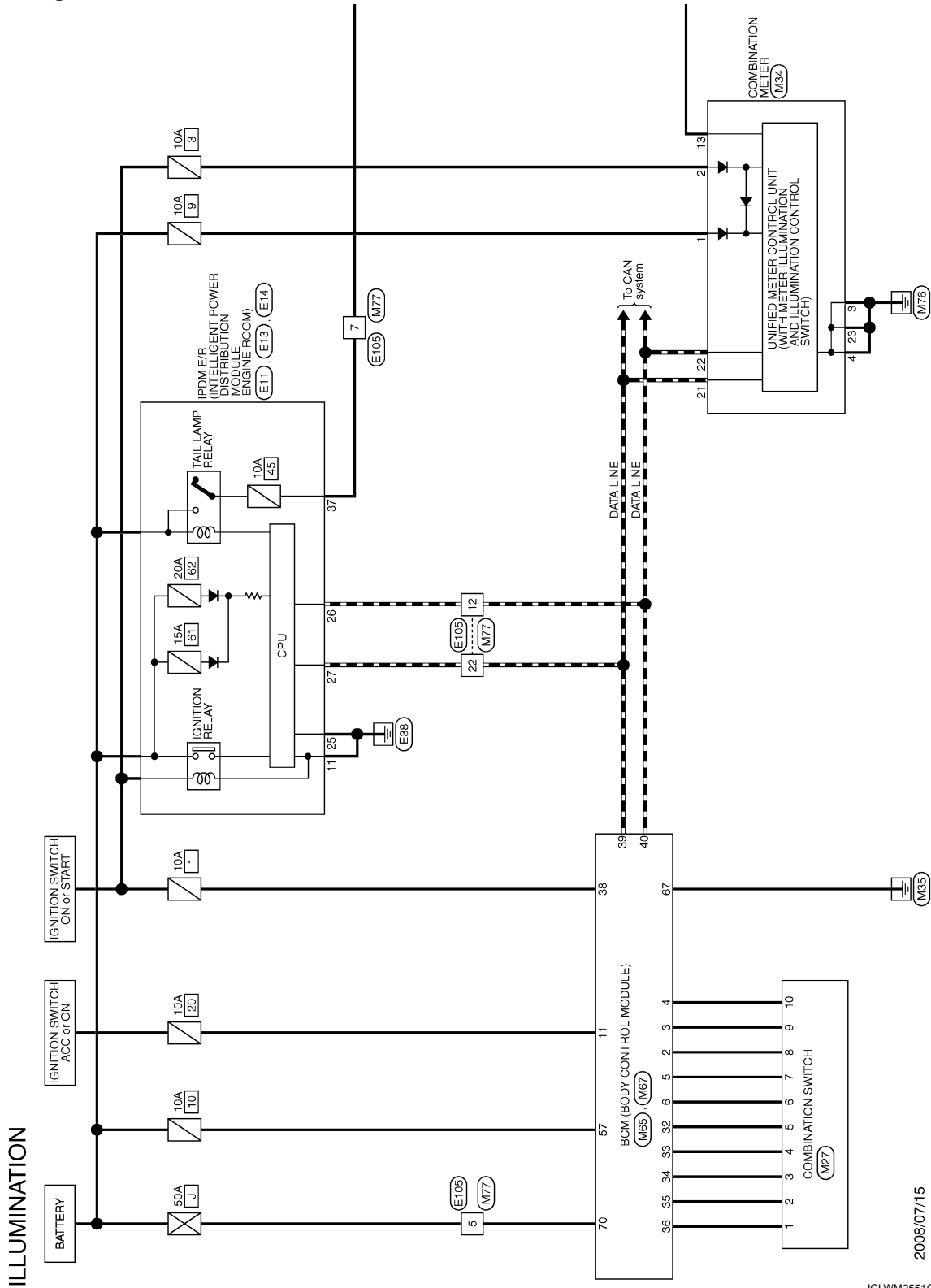
# ILLUMINATION

< COMPONENT DIAGNOSIS >

## ILLUMINATION

### Wiring Diagram - ILLUMINATION -

INFOID:000000004232630



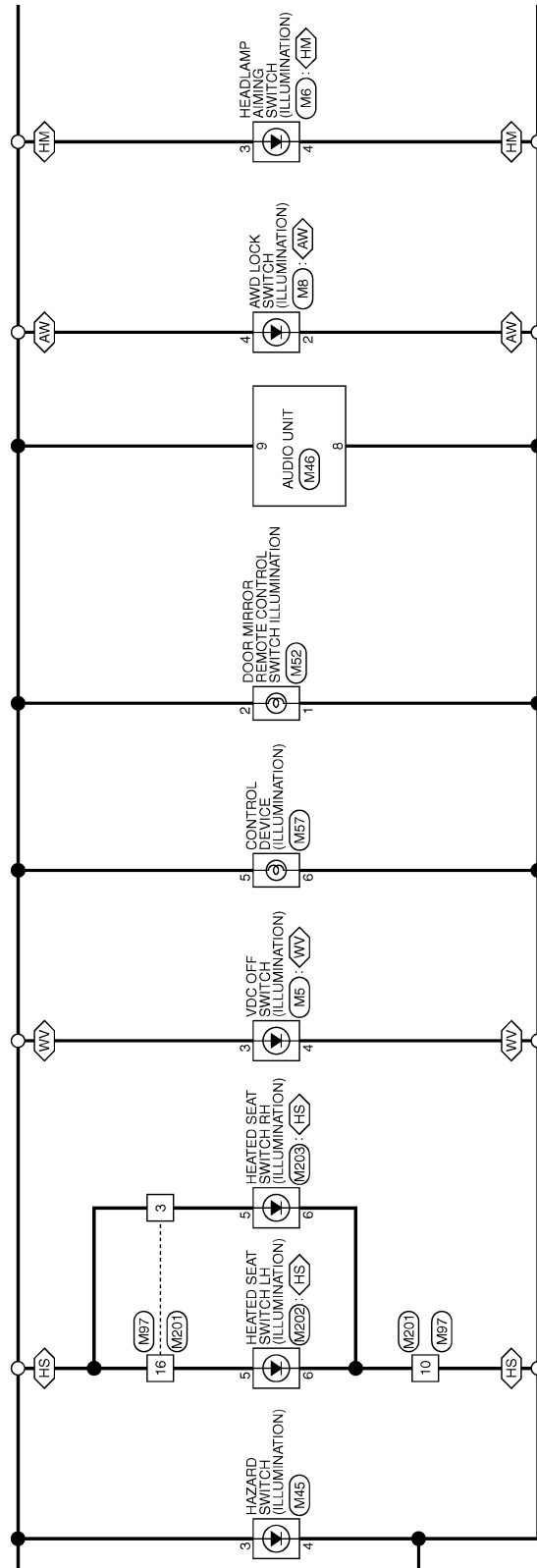
2008/07/15

JCLWM2551GE

# ILLUMINATION

## < COMPONENT DIAGNOSIS >

- ◁AW▷ : AWD models
- ◁HS▷ : With heated seat
- ◁WV▷ : With VDC
- ◁HM▷ : With headlamp manual aiming



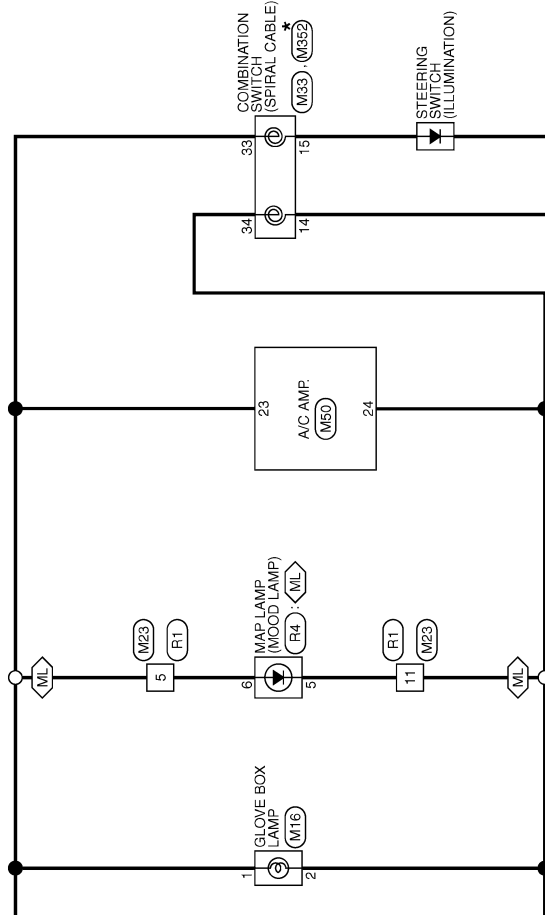
JCLWM2552GE

A  
B  
C  
D  
E  
F  
G  
H  
I  
J  
K  
INL  
M  
N  
O  
P

# ILLUMINATION

## < COMPONENT DIAGNOSIS >

◁ ML ▷ : With mood lamp



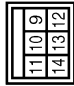


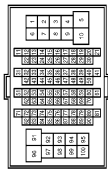


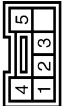

\* : This connector is not shown in "Harness Layout".

JCLWM2553GE

# ILLUMINATION

## < COMPONENT DIAGNOSIS >

### ILLUMINATION

Connector No. E11	IPDM E/R (INTELLIGENT POWER DISTRIBUTION MODULE ENGINE ROOM)	MOBEP-LC		Terminal No. 11	Color of Wire B	Signal Name [Specification]	
Connector No. E13	IPDM E/R (INTELLIGENT POWER DISTRIBUTION MODULE ENGINE ROOM)	TH12FW-NH		Terminal No. 25	B		
				26	P		
				27	L		
Connector No. E14	IPDM E/R (INTELLIGENT POWER DISTRIBUTION MODULE ENGINE ROOM)	NS12FBR-CS		Terminal No. 37	R	Signal Name [Specification]	
Connector No. E105	WIRE TO WIRE	TH82FW-CS (P-TM4)		Terminal No. 5	Y	Signal Name [Specification]	
				7	R		
				12	P		
				22	L		
Connector No. M5	VDC OFF SWITCH	TK05FGY		Terminal No. 3	R	Signal Name [Specification]	
				4	Y		
Connector No. M6	HEADLAMP AIMING SWITCH	A04FW		Terminal No. 2	R	Signal Name [Specification]	
				4	Y		
Connector No. M8	AND LOCK SWITCH	TK08FW-TV		Terminal No. 2	Y	Signal Name [Specification]	
				4	R		
Connector No. M16	GLOVE BOX LAMP	A02FW		Terminal No. 1	R	Signal Name [Specification]	
				2	Y		

JCLWM2554GE

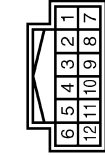
A  
B  
C  
D  
E  
F  
G  
H  
I  
J  
K  
INL  
M  
N  
O  
P

# ILLUMINATION

## < COMPONENT DIAGNOSIS >

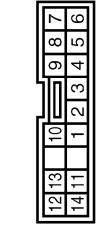
### ILLUMINATION

Connector No.	M23
Connector Name	WIRE TO WIRE
Connector Type	TH12FW-NH



Terminal No.	Color of Wire	Signal Name [Specification]
5	R	-
11	Y	-

Connector No.	M27
Connector Name	COMBINATION SWITCH
Connector Type	TK18FW



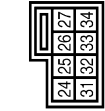
Terminal No.	Color of Wire	Signal Name [Specification]
1	V	INPUT 1
2	B	INPUT 2
3	L	INPUT 3
4	GR	INPUT 4
5	BR	INPUT 5
6	P	OUTPUT 1
7	R	OUTPUT 2
8	G	OUTPUT 3
9	Y	OUTPUT 4
10	W	OUTPUT 3

Connector No.	M45
Connector Name	HAZARD SWITCH
Connector Type	TK04FW



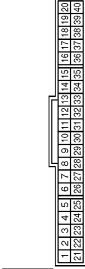
Terminal No.	Color of Wire	Signal Name [Specification]
3	R	-
4	Y	-

Connector No.	M33
Connector Name	COMBINATION SWITCH (SPIRAL CABLE)
Connector Type	TK08FGY-IV



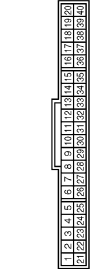
Terminal No.	Color of Wire	Signal Name [Specification]
33	R	-
34	Y	-

Connector No.	M34
Connector Name	COMBINATION METER
Connector Type	SA640FW



Terminal No.	Color of Wire	Signal Name [Specification]
1	LG	BAT
2	O	IGN
3	B	GND2(POWER)
4	B	GND3(ILL)
13	Y	ILL OUT
21	L	GAIN-H
22	P	GAIN-L
23	B	GND3(CIRCUIT)

Connector No.	M50
Connector Name	A/C AMP.
Connector Type	SA640FW



Terminal No.	Color of Wire	Signal Name [Specification]
23	GR	LIGHT+
24	SB	LIGHT-

Connector No.	M52
Connector Name	DOOR MIRROR REMOTE CONTROL SWITCH ILLUMINATION
Connector Type	A02FW



Terminal No.	Color of Wire	Signal Name [Specification]
1	Y	-
2	R	-

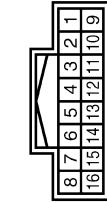
JCLWM2555GE

# ILLUMINATION

## < COMPONENT DIAGNOSIS >

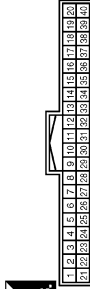
### ILLUMINATION

Connector No.	M57
Connector Name	CONTROL DEVICE
Connector Type	TH16FW-IN1



Terminal No.	Color of Wire	Signal Name [Specification]
5	R	-
6	Y	-

Connector No.	M65
Connector Name	BCM (BODY CONTROL MODULE)
Connector Type	TH4QFP-NH



Terminal No.	Color of Wire	Signal Name [Specification]
2	G	INPUT 5
3	Y	INPUT 4
4	W	INPUT 3
5	R	INPUT 2
6	P	INPUT 1
11	SB	ACC
32	BR	OUTPUT 6
33	GR	OUTPUT 4
34	L	OUTPUT 3
35	B	OUTPUT 2
36	V	OUTPUT 1

Connector No.	M77
Connector Name	WIRE TO WIRE
Connector Type	TH80MW-CS16-TM4



Terminal No.	Color of Wire	Signal Name [Specification]
5	Y	-
7	R	-
12	P	-
22	L	-

38	G	IGN
39	L	CAN-H
40	P	CAN-L

Connector No.	M67
Connector Name	BCM (BODY CONTROL MODULE)
Connector Type	FEA09FB-FHA6-SA



Terminal No.	Color of Wire	Signal Name [Specification]
57	G	BAT FUSE
67	B	GND
70	Y	BAT FL

Connector No.	M201
Connector Name	WIRE TO WIRE
Connector Type	NS16MW-CS



Terminal No.	Color of Wire	Signal Name [Specification]
3	R	-
10	Y	-
16	R	-

Connector No.	M202
Connector Name	HEATED SEAT SWITCH LH
Connector Type	NS09FW-CS



Terminal No.	Color of Wire	Signal Name [Specification]
5	R	-
6	Y	-

JCLWM2556GE







A  
B  
C  
D  
E  
F  
G  
H  
I  
J  
K  
L  
M  
N  
O  
P

INL

# ILLUMINATION

## < COMPONENT DIAGNOSIS >

### ILLUMINATION

Connector No.	M203	Connector No.	R1	Connector No.	R4	Terminal No.	5	Color of Wire	R	Terminal No.	5	Color of Wire	Y	Terminal No.	5	Color of Wire	Y
Connector Name	HEATED SEAT SWITCH RH	Connector Name	WIRE TO WIRE	Connector Name	MAP LAMP	Terminal No.	6	Color of Wire	Y	Terminal No.	6	Color of Wire	GR	Terminal No.	6	Color of Wire	GR
Connector Type	HS06BF-CS	Connector Type	TH12MW-NH	Connector Type	TK08FGY	Signal Name [Specification]	-	Signal Name [Specification]	-	Signal Name [Specification]	-	Signal Name [Specification]	-	Signal Name [Specification]	-	Signal Name [Specification]	-
																	
																	

JCLWM2557GE



# BCM (BODY CONTROL MODULE)

< ECU DIAGNOSIS >

## ECU DIAGNOSIS

### BCM (BODY CONTROL MODULE)

Reference Value

INFOID:000000004539453

#### VALUES ON THE DIAGNOSIS TOOL

Monitor Item	Condition	Value/Status
IGN ON SW	Ignition switch OFF or ACC	Off
	Ignition switch ON	On
KEY ON SW	Mechanical key is removed from key cylinder	Off
	Mechanical key is inserted to key cylinder	On
CDL LOCK SW	Door lock/unlock switch does not operate	Off
	Press door lock/unlock switch to the lock side	On
CDL UNLOCK SW	Door lock/unlock switch does not operate	Off
	Press door lock/unlock switch to the unlock side	On
DOOR SW-DR	Driver's door closed	Off
	Driver's door opened	On
DOOR SW-AS	Passenger door closed	Off
	Passenger door opened	On
DOOR SW-RR	Rear RH door closed	Off
	Rear RH door opened	On
DOOR SW-RL	Rear LH door closed	Off
	Rear LH door opened	On
BACK DOOR SW	Back door closed	Off
	Back door opened	On
KEY CYL LK-SW	Other than driver door key cylinder LOCK position	Off
	Driver door key cylinder LOCK position	On
KEY CYL UN-SW	Other than driver door key cylinder UNLOCK position	Off
	Driver door key cylinder UNLOCK position	On
KEYLESS LOCK	"LOCK" button of key fob is not pressed	Off
	"LOCK" button of key fob is pressed	On
KEYLESS UNLOCK	"UNLOCK" button of key fob is not pressed	Off
	"UNLOCK" button of key fob is pressed	On
I-KEY LOCK	"LOCK" button of Intelligent Key or door request switch are not pressed	Off
	"LOCK" button of Intelligent Key or door request switch are pressed	On
I-KEY UNLOCK	"UNLOCK" button of Intelligent Key or door request switch are not pressed	Off
	"UNLOCK" button of Intelligent Key or door request switch are pressed	On
ACC ON SW	Ignition switch OFF	Off
	Ignition switch ACC or ON	On
REAR DEF SW	Rear window defogger switch OFF	Off
	Rear window defogger switch ON	On
LIGHT SW 1ST	Lighting switch OFF	Off
	Lighting switch 1ST	On

A  
B  
C  
D  
E  
F  
G  
H  
I  
J  
K  
L  
M  
N  
O  
P

INL

## BCM (BODY CONTROL MODULE)

### < ECU DIAGNOSIS >

Monitor Item	Condition	Value/Status
BUCKLE SW	The seat belt (driver side) is unfastened. [Seat belt switch (driver side) OFF]	Off
	The seat belt (driver side) is fastened. [Seat belt switch (driver side) ON]	On
KEYLESS PANIC	PANIC button of key fob is not pressed	Off
	PANIC button of key fob is pressed	On
KEYLESS TRUNK	<b>NOTE:</b> The item is indicated, but not monitored.	Off
TRNK OPN MNTR	<b>NOTE:</b> The item is indicated, but not monitored.	Off
RKE LCK-UNLCK	LOCK/UNLOCK button of key fob is not pressed and held simultaneously	Off
	LOCK/UNLOCK button of key fob is pressed and held simultaneously	On
RKE KEEP UNLK	UNLOCK button of key fob is not pressed	Off
	UNLOCK button of key fob is pressed and held	On
HI BEAM SW	Lighting switch OFF	Off
	Lighting switch HI	On
HEAD LAMP SW 1	Lighting switch OFF	Off
	Lighting switch 2ND	On
HEAD LAMP SW 2	Lighting switch OFF	Off
	Lighting switch 2ND	On
AUTO LIGHT SW	<b>NOTE:</b> The item is indicated, but not monitored.	Off
PASSING SW	Other than lighting switch PASS	Off
	Lighting switch PASS	On
FR FOG SW	Front fog lamp switch OFF	Off
	Front fog lamp switch ON	On
RR FOG SW	<b>NOTE:</b> The item is indicated, but not monitored.	Off
TURN SIGNAL R	Turn signal switch OFF	Off
	Turn signal switch RH	On
TURN SIGNAL L	Turn signal switch OFF	Off
	Turn signal switch LH	On
ENGINE RUN	Engine stopped	Off
	Engine running	On
PKB SW	Parking brake switch is OFF	Off
	Parking brake switch is ON	On
CARGO LAMP SW	<b>NOTE:</b> The item is indicated, but not monitored.	Off
OPTICAL SENSOR	<b>NOTE:</b> The item is indicated, but not monitored.	0 V
IGN SW CAN	Ignition switch OFF or ACC	Off
	Ignition switch ON	On
FR WIPER HI	Front wiper switch OFF	Off
	Front wiper switch HI	On
FR WIPER LOW	Front wiper switch OFF	Off
	Front wiper switch LO	On

## BCM (BODY CONTROL MODULE)

### < ECU DIAGNOSIS >

Monitor Item	Condition	Value/Status	
FR WIPER INT	Front wiper switch OFF	Off	A
	Front wiper switch INT	On	
FR WASHER SW	Front washer switch OFF	Off	B
	Front washer switch ON	On	
INT VOLUME	Wiper intermittent dial is in a dial position 1 - 7	1 - 7	
FR WIPER STOP	Any position other than front wiper stop position	Off	C
	Front wiper stop position	On	
VEHICLE SPEED	While driving	Equivalent to speedometer reading	D
RR WIPER ON	Rear wiper switch OFF	Off	
	Rear wiper switch ON	On	
RR WIPER INT	Rear wiper switch OFF	Off	E
	Rear wiper switch INT	On	
RR WASHER SW	Rear washer switch OFF	Off	F
	Rear washer switch ON	On	
RR WIPER STOP	Rear wiper stop position	Off	
	Other than rear wiper stop position	On	G
RR WIPER STP2	<b>NOTE:</b> The item is indicated, but not monitored.	Off	
H/L WASH SW	<b>NOTE:</b> The item is indicated, but not monitored.	Off	H
HAZARD SW	Hazard switch OFF	Off	
	Hazard switch ON	On	I
BRAKE SW	Brake pedal is not depressed	Off	
	Brake pedal is depressed	On	J
FAN ON SIG	Blower fan motor switch OFF	Off	
	Blower fan motor switch ON (other than OFF)	On	
AIR COND SW	Compressor ON is not requested from auto amp. (A/C indicator OFF, blower fan motor switch OFF or etc.)	Off	K
	Compressor ON is requested from auto amp. (A/C indicator ON and blower fan motor switch ON).	On	INL
I-KEY TRUNK	<b>NOTE:</b> The item is indicated, but not monitored.	Off	
I-KEY PW DWN	UNLOCK button of Intelligent Key is not pressed	Off	M
	UNLOCK button of Intelligent Key is pressed and held	On	
I-KEY PANIC	PANIC button of Intelligent Key is not pressed	Off	
	PANIC button of Intelligent Key is pressed	On	N
PUSH SW	Return to ignition switch to "LOCK" position	Off	
	Press ignition switch	On	O
TRNK OPNR SW	When back door opener switch is not pressed	Off	
	When back door opener switch is pressed	On	
TRUNK CYL SW	<b>NOTE:</b> The item is indicated, but not monitored.	Off	P
HOOD SW	Close the hood	Off	
	<b>NOTE:</b> Vehicles of except for Mexico are OFF-fixed Open the hood	On	

## BCM (BODY CONTROL MODULE)

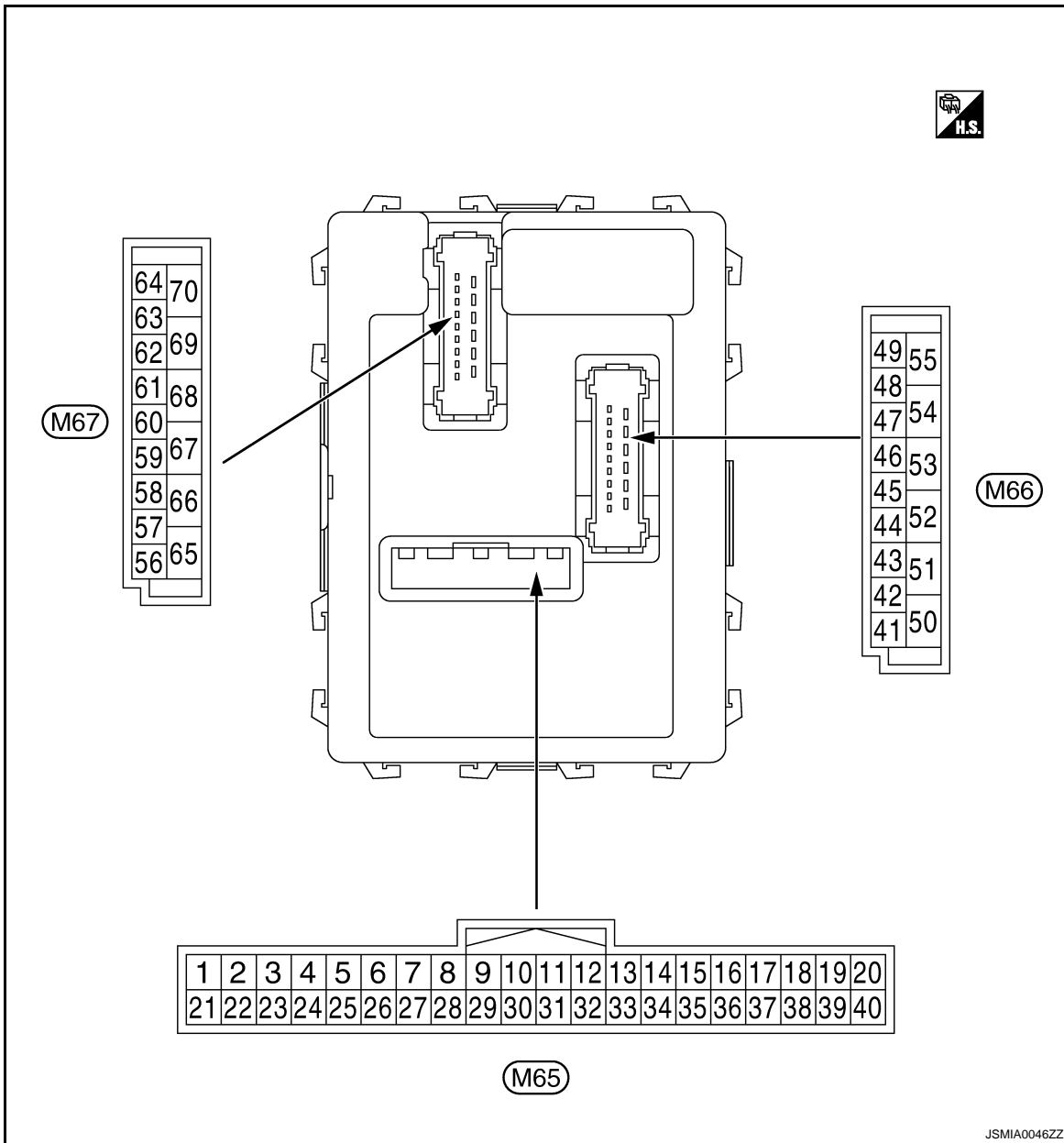
### < ECU DIAGNOSIS >

Monitor Item	Condition	Value/Status
OIL PRESS SW	<ul style="list-style-type: none"> <li>• Ignition switch OFF or ACC</li> <li>• Engine running</li> </ul>	Off
	Ignition switch ON	On
AIR PRESS FL	Ignition switch ON (Only when the signal from the transmitter is received)	Air pressure of front LH tire
AIR PRESS FR	Ignition switch ON (Only when the signal from the transmitter is received)	Air pressure of front RH tire
AIR PRESS RR	Ignition switch ON (Only when the signal from the transmitter is received)	Air pressure of rear RH tire
AIR PRESS RL	Ignition switch ON (Only when the signal from the transmitter is received)	Air pressure of rear LH tire
ID REGST FL1	ID of front LH tire transmitter is registered	Done
	ID of front LH tire transmitter is not registered	Yet
ID REGST FR1	ID of front RH tire transmitter is registered	Done
	ID of front RH tire transmitter is not registered	Yet
ID REGST RR1	ID of rear RH tire transmitter is registered	Done
	ID of rear RH tire transmitter is not registered	Yet
ID REGST RL1	ID of rear LH tire transmitter is registered	Done
	ID of rear LH tire transmitter is not registered	Yet
WARNING LAMP	Tire pressure indicator OFF	Off
	Tire pressure indicator ON	On
BUZZER	Tire pressure warning alarm is not sounding	Off
	Tire pressure warning alarm is sounding	On

# BCM (BODY CONTROL MODULE)

< ECU DIAGNOSIS >

## TERMINAL LAYOUT



### PHYSICAL VALUES

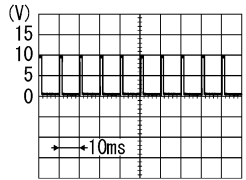
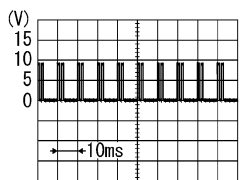
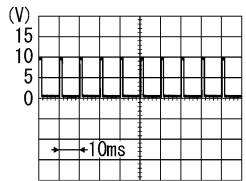
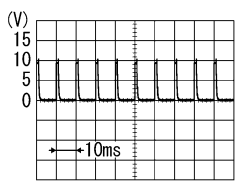
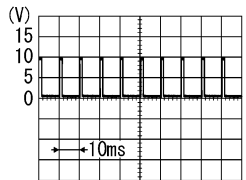
**CAUTION:**

- Check combination switch system terminal waveform under the loaded condition with lighting switch, turn signal switch and wiper switch OFF is not to be fluctuated by being overloaded.
- Turn wiper intermittent dial position to 4 except when checking waveform or voltage of wiper intermittent dial position. Wiper intermittent dial position can be confirmed on CONSULT-III. Refer to [BCS-27, "COMB SW : CONSULT-III Function \(BCM - COMB SW\)"](#).
- BCM reads the status of the combination switch at 10 ms internal normally. Refer to [BCS-9, "System Diagram"](#).

Terminal No. (Wire color)		Description		Condition		Value (Approx.)
+	-	Signal name	Input/ Output	Ignition key hole illumination	OFF	Battery voltage
1 (V)	Ground	Ignition key hole illumination control	Output		ON	

# BCM (BODY CONTROL MODULE)

## < ECU DIAGNOSIS >

Terminal No. (Wire color)		Description		Condition	Value (Approx.)	
+	-	Signal name	Input/ Output			
2 (G)	Ground	Combination switch INPUT 5	Input	Combination switch (Wiper intermit- tent dial 4)	All switch OFF	0 V
					Turn signal switch RH	
					Lighting switch HI	
					Lighting switch 1ST	
					Lighting switch 2ND	
3 (Y)	Ground	Combination switch INPUT 4	Input	Combination switch (Wiper intermit- tent dial 4)	All switch OFF	0 V
					Turn signal switch LH	
					Lighting switch PASS	
					Lighting switch 2ND	
					Front fog lamp switch ON	
4 (W)	Ground	Combination switch INPUT 3	Input	Combination switch (Wiper intermit- tent dial 4)	All switch OFF	0 V
					Front wiper switch LO	
					Front wiper switch MIST	
					Front wiper switch INT	

# BCM (BODY CONTROL MODULE)

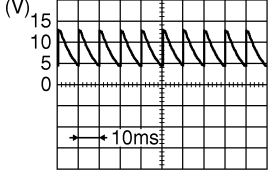
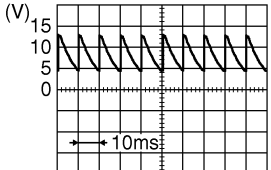
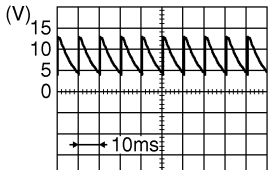
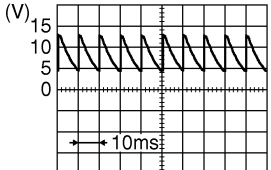
## < ECU DIAGNOSIS >

Terminal No. (Wire color)		Description		Condition	Value (Approx.)			
+	-	Signal name	Input/ Output					
5 (R)	Ground	Combination switch INPUT 2	Input	Combination switch	All switch OFF (Wiper intermittent dial 4)	0 V	A	
					Front washer switch (Wiper intermittent dial 4)		B	
					Rear washer ON (Wiper intermittent dial 4)		C	
					Any of the condition below with all switch OFF <ul style="list-style-type: none"> <li>• Wiper intermittent dial 1</li> <li>• Wiper intermittent dial 5</li> <li>• Wiper intermittent dial 6</li> </ul>		1.0 V	D
					Rear wiper switch ON (Wiper intermittent dial 4)		0.8 V	E
6 (P)	Ground	Combination switch INPUT 1	Input	Combination switch	All switch OFF (Wiper intermittent dial 4)	0 V	F	
					Front wiper switch HI (Wiper intermittent dial 4)		G	
					Rear wiper switch INT (Wiper intermittent dial 4)		H	
					Wiper intermittent dial 3 (All switch OFF)		1.0 V	I
								Any of the condition below with all switch OFF <ul style="list-style-type: none"> <li>• Wiper intermittent dial 1</li> <li>• Wiper intermittent dial 2</li> </ul>
			Any of the condition below with all switch OFF <ul style="list-style-type: none"> <li>• Wiper intermittent dial 6</li> <li>• Wiper intermittent dial 7</li> </ul>		0.8 V	K		

INL

# BCM (BODY CONTROL MODULE)

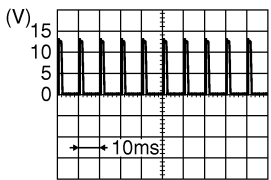
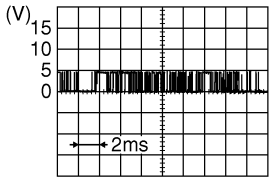
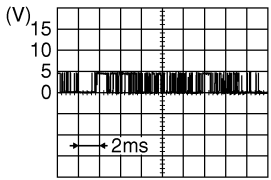
## < ECU DIAGNOSIS >

Terminal No. (Wire color)		Description		Condition		Value (Approx.)
+	-	Signal name	Input/ Output			
7 (L)	Ground	Door key cylinder switch UNLOCK signal	Input	Door key cylinder switch	NEUTRAL position	 <p style="text-align: right; font-size: small;">JPMIA0587GB</p> <p style="text-align: center;">8.0 - 8.5 V</p>
					UNLOCK position	0 V
8 (R)	Ground	Door key cylinder switch LOCK signal	Input	Door key cylinder switch	NEUTRAL position	 <p style="text-align: right; font-size: small;">JPMIA0587GB</p> <p style="text-align: center;">8.0 - 8.5 V</p>
					LOCK position	0 V
9 (R)	Ground	Stop lamp switch	Input	Stop lamp switch	OFF (Brake pedal is not depressed)	0 V
					ON (Brake pedal is de- pressed)	Battery voltage
10 (SB)	Ground	Rear window defog- ger switch	Input	Rear window defogger switch	Not pressed	Battery voltage
					Pressed	0 V
11 (SB)	Ground	Ignition switch ACC	Input	Ignition switch OFF	0 V	
				Ignition switch ACC or ON	Battery voltage	
12 (P)	Ground	Passenger door switch	Input	Passenger door switch	OFF (When passenger door closed)	 <p style="text-align: right; font-size: small;">JPMIA0586GB</p> <p style="text-align: center;">7.5 - 8.0 V</p>
					ON (When passenger door opened)	0 V
13 (LG)	Ground	Rear door switch RH	Input	Rear door switch RH	OFF (When rear door RH closed)	 <p style="text-align: right; font-size: small;">JPMIA0587GB</p> <p style="text-align: center;">8.0 - 8.5 V</p>
					ON (When rear door RH opened)	0 V



# BCM (BODY CONTROL MODULE)

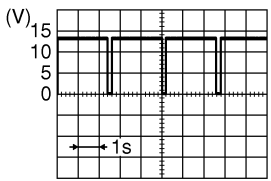
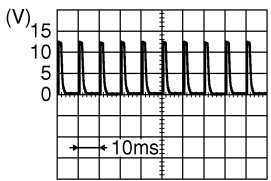
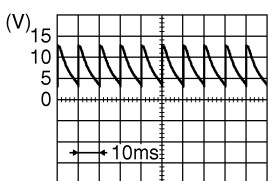
## < ECU DIAGNOSIS >

Terminal No. (Wire color)		Description		Condition		Value (Approx.)
+	-	Signal name	Input/ Output			
15* (O)	Ground	Tire pressure warning check switch	Input	Ignition switch OFF		 <p style="text-align: right; font-size: small;">JPMAI0588GB</p> <p style="text-align: center;">1.5 V</p>
18* (O)	Ground	Remote keyless entry receiver ground	Input	Ignition switch ON		0 V
19* (V)	Ground	Remote keyless entry receiver power supply	Input	Without Intelligent Key system	At any condition	5 V
				With Intelligent Key system	• Ignition switch OFF • For 3 seconds after ignition switch OFF to ON	0 V
					3 seconds or later after ignition switch OFF to ON	5 V
20* (GR)	Ground	Remote keyless entry receiver signal	Input	Without Intelligent Key system	At any condition	 <p style="text-align: right; font-size: small;">JPMAI0589GB</p> <p><b>NOTE:</b> The wave form changes according to signal-receiving condition.</p>
				With Intelligent Key system	• Ignition switch OFF • For 3 seconds after ignition switch OFF to ON	0 V
					3 seconds or later after ignition switch OFF to ON	 <p style="text-align: right; font-size: small;">JPMAI0589GB</p> <p><b>NOTE:</b> The wave form changes according to signal-receiving condition.</p>
21 (G)	Ground	Immobilizer antenna signal (Clock)	Input/ Output	Ignition switch OFF		Battery voltage

A  
B  
C  
D  
E  
F  
G  
H  
I  
J  
K  
INL  
M  
N  
O  
P

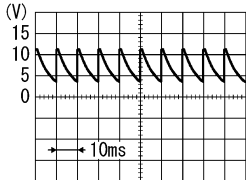
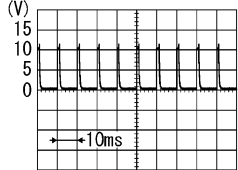
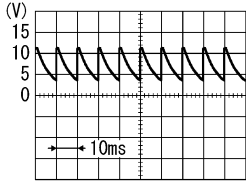
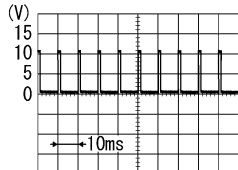
# BCM (BODY CONTROL MODULE)

## < ECU DIAGNOSIS >

Terminal No. (Wire color)		Description		Condition		Value (Approx.)
+	-	Signal name	Input/ Output			
23 (B)	Ground	Security indicator signal	Input	Security indica- tor	ON	0 V
					Blinking (Ignition switch OFF)	 <p style="text-align: right; font-size: small;">JPMIA0590GB</p>
					OFF	Battery voltage
25 (BR)	Ground	Immobilizer anten- na signal (Rx, Tx)	Input/ Output	Ignition switch OFF		Battery voltage
27 (Y)	Ground	A/C switch	Input	Ignition switch ON	A/C switch OFF	 <p style="text-align: right; font-size: small;">JPMIA0591GB</p>
					A/C switch ON	0 V
28 (LG)	Ground	Blower fan switch	Input	Ignition switch ON	Blower fan switch OFF	 <p style="text-align: right; font-size: small;">JPMIA0592GB</p>
					Blower fan switch ON	0 V
29 (W)	Ground	Hazard switch	Input	Hazard switch	OFF	Battery voltage
					ON	0 V
30 (G)	Ground	Back door opener switch	Input	Back door opener switch	Not pressed	Battery voltage
					Pressed	0 V

# BCM (BODY CONTROL MODULE)

## < ECU DIAGNOSIS >

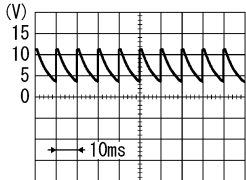
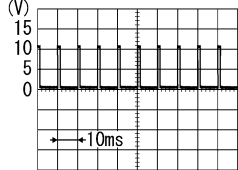
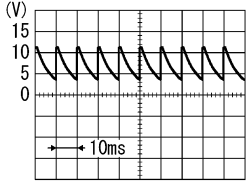
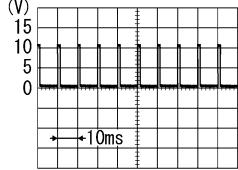
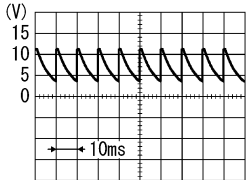
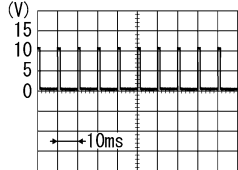
Terminal No. (Wire color)		Description		Condition	Value (Approx.)	
+	-	Signal name	Input/ Output			
32 (BR)	Ground	Combination switch OUTPUT 5	Output	Combination switch	All switch OFF (Wiper intermittent dial 4)	 <p style="text-align: center;">7.2 V</p>
					Front fog lamp switch ON (Wiper intermittent dial 4)	 <p style="text-align: center;">1.0 V</p>
					Rear wiper switch ON (Wiper intermittent dial 4)	
					Any of the condition below with all switch OFF <ul style="list-style-type: none"> <li>• Wiper intermittent dial 1</li> <li>• Wiper intermittent dial 2</li> <li>• Wiper intermittent dial 6</li> <li>• Wiper intermittent dial 7</li> </ul>	
33 (GR)	Ground	Combination switch OUTPUT 4	Output	Combination switch	All switch OFF (Wiper intermittent dial 4)	 <p style="text-align: center;">7.2 V</p>
					Lighting switch 1ST (Wiper intermittent dial 4)	 <p style="text-align: center;">1.2 V</p>
					Rear wiper switch INT (Wiper intermittent dial 4)	
					Any of the condition below with all switch OFF <ul style="list-style-type: none"> <li>• Wiper intermittent dial 1</li> <li>• Wiper intermittent dial 5</li> <li>• Wiper intermittent dial 6</li> </ul>	

A  
B  
C  
D  
E  
F  
G  
H  
I  
J  
K  
L  
M  
N  
O  
P

INL

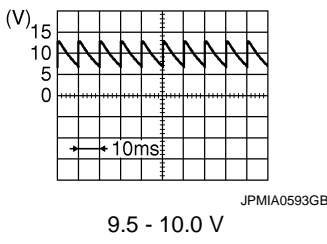
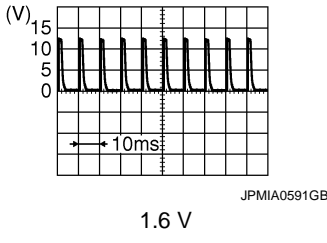
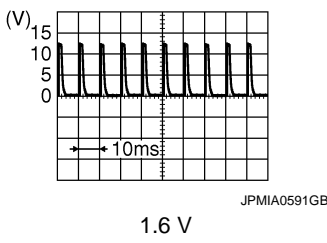
# BCM (BODY CONTROL MODULE)

## < ECU DIAGNOSIS >

Terminal No. (Wire color)		Description		Condition	Value (Approx.)	
+	-	Signal name	Input/ Output			
34 (L)	Ground	Combination switch OUTPUT 3	Output	Combination switch	All switch OFF (Wiper intermittent dial 4)	 <p style="text-align: right; font-size: small;">PKIB4960J</p> <p style="text-align: center;">7.2 V</p>
					Lighting switch 2ND (Wiper intermittent dial 4)	 <p style="text-align: right; font-size: small;">PKIB4958J</p> <p style="text-align: center;">1.2 V</p>
					Lighting switch HI (Wiper intermittent dial 4)	
					Rear washer switch ON (Wiper intermittent dial 4)	
Any of the condition below with all switch OFF <ul style="list-style-type: none"> <li>• Wiper intermittent dial 1</li> <li>• Wiper intermittent dial 2</li> <li>• Wiper intermittent dial 3</li> </ul>						
35 (B)	Ground	Combination switch OUTPUT 2	Output	Combination switch (Wiper intermit- tent dial 4)	All switch OFF	 <p style="text-align: right; font-size: small;">PKIB4960J</p> <p style="text-align: center;">7.2 V</p>
					Lighting switch 2ND	 <p style="text-align: right; font-size: small;">PKIB4958J</p> <p style="text-align: center;">1.2 V</p>
					Lighting switch PASS	
					Front wiper switch INT	
Front wiper switch HI						
36 (V)	Ground	Combination switch OUTPUT 1	Output	Combination switch (Wiper intermit- tent dial 4)	All switch OFF	 <p style="text-align: right; font-size: small;">PKIB4960J</p> <p style="text-align: center;">7.2 V</p>
					Turn signal switch RH	 <p style="text-align: right; font-size: small;">PKIB4958J</p> <p style="text-align: center;">1.2 V</p>
					Turn signal switch LH	
					Front wiper switch LO (Front wiper switch MIST)	
Front washer switch ON						

# BCM (BODY CONTROL MODULE)

## < ECU DIAGNOSIS >

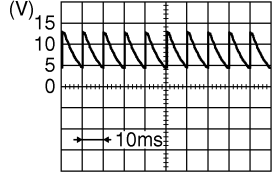
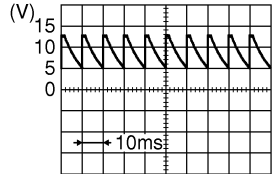
Terminal No. (Wire color)		Description		Condition	Value (Approx.)
+	-	Signal name	Input/ Output		
37 (LG)	Ground	Key switch	Input	Insert mechanical key into ignition key cylinder	Battery voltage
				Remove mechanical key from ignition key cylinder	0 V
38 (G)	Ground	Ignition switch ON	Input	Ignition switch OFF or ACC	0 V
				Ignition switch ON or START	Battery voltage
39 (L)	Ground	CAN-H	Input/ Output	—	—
40 (P)	Ground	CAN-L	Input/ Output	—	—
43 (V)	Ground	Back door switch	Input	Back door switch OFF (When back door closed)	 9.5 - 10.0 V
				Back door switch ON (When back door opened)	0 V
44 (B)	Ground	Rear wiper auto stop	Input	Ignition switch ON Rear wiper stop position	0 V
				Any position other than rear wiper stop position	Battery voltage
45 (P)	Ground	Door lock and unlock switch LOCK signal	Input	Door lock and unlock switch NEUTRAL position	 1.6 V
				Door lock and unlock switch LOCK position	0 V
46 (BR)	Ground	Door lock and unlock switch UNLOCK signal	Input	Door lock and unlock switch NEUTRAL position	 1.6 V
				Door lock and unlock switch UNLOCK position	0 V

A  
B  
C  
D  
E  
F  
G  
H  
I  
J  
K  
M  
N  
O  
P

INL

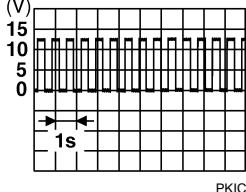
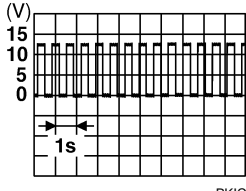
# BCM (BODY CONTROL MODULE)

## < ECU DIAGNOSIS >

Terminal No. (Wire color)		Description		Condition		Value (Approx.)
+	-	Signal name	Input/ Output			
47 (W)	Ground	Driver door switch	Input	Driver door switch	OFF (When driver door closed)	 <p style="text-align: right; font-size: small;">JPMIA0587GB</p> <p style="text-align: center;">8.0 - 8.5 V</p>
					ON (When driver door opened)	0 V
48 (GR)	Ground	Rear door switch LH	Input	Rear door switch LH	OFF (When rear door LH closed)	 <p style="text-align: right; font-size: small;">JPMIA0594GB</p> <p style="text-align: center;">8.5 - 9.0 V</p>
					ON (When rear door LH opened)	0 V
49 (L)	Ground	Back door lamp control	Output	Back door lamp switch DOOR position	Back door is closed (Back door lamp turns OFF)	Battery voltage
					Back door is opened (Back door lamp turns ON)	0 V
53 (V)	Ground	Back door open	Output	Back door opener switch	Not pressed (Back door actuator is activated)	0 V
					Pressed (Back door actuator is activated)	Battery voltage
55 (SB)	Ground	Rear wiper motor	Output	Ignition switch ON	Rear wiper switch OFF	0 V
					Rear wiper switch ON	Battery voltage
56 (Y)	Ground	Interior room lamp power supply	Output	Ignition switch OFF	After passing the interior room lamp battery saver operation time	0 V
					Any other time after passing the interior room lamp battery saver operation time	Battery voltage
57 (G)	Ground	Battery power supply	Input	Ignition switch OFF		Battery voltage
59 (L)	Ground	Driver door UNLOCK	Output	Driver door	UNLOCK (Actuator is activated)	Battery voltage
					Other than UNLOCK (Actuator is not activated)	0 V

# BCM (BODY CONTROL MODULE)

## < ECU DIAGNOSIS >

Terminal No. (Wire color)		Description		Condition	Value (Approx.)	
+	-	Signal name	Input/ Output			
60 (BR)	Ground	Turn signal LH	Output	Ignition switch OFF	0 V	
				Ignition switch ON	Turn signal switch LH	 6.0 V
61 (GR)	Ground	Turn signal RH	Output	Ignition switch OFF	0 V	
				Ignition switch ON	Turn signal switch RH	 6.0 V
63 (R)	Ground	Interior room lamp timer control	Output	Interior room lamp	OFF	Battery voltage
				ON	0 V	
65 (V)	Ground	All doors LOCK	Output	All doors	LOCK (Actuator is activated)	Battery voltage
				Other then LOCK (Actuator is not activated)	0 V	
66 (G)	Ground	Passenger door and rear door UNLOCK	Output	Passenger door and rear door	UNLOCK (Actuator is activated)	Battery voltage
				Other then UNLOCK (Actuator is not activated)	0 V	
67 (B)	Ground	Ground	Output	Ignition switch ON	0 V	
68 (L)	Ground	P/W power supply (RAP)	Output	Ignition switch ON	Battery voltage	
69 (P)	Ground	P/W power supply (BAT)	Output	Ignition switch OFF	Battery voltage	
70 (Y)	Ground	Battery power supply	Input	Ignition switch OFF	Battery voltage	

\*: Except for Mexico

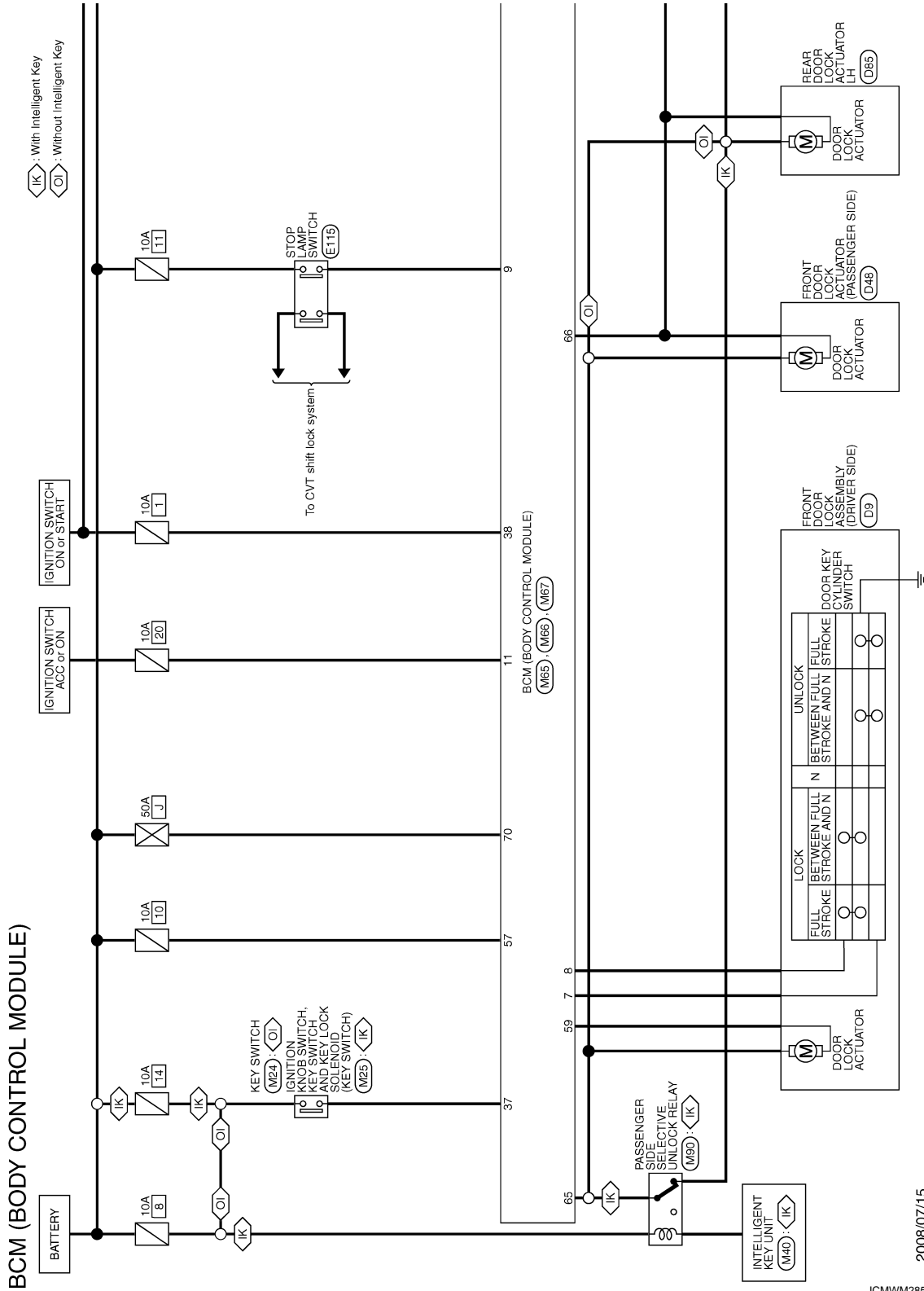
A  
B  
C  
D  
E  
F  
G  
H  
I  
J  
K  
INL  
M  
N  
O  
P

# BCM (BODY CONTROL MODULE)

< ECU DIAGNOSIS >

## Wiring Diagram - BCM -

INFOID:000000004539454



2008/07/15

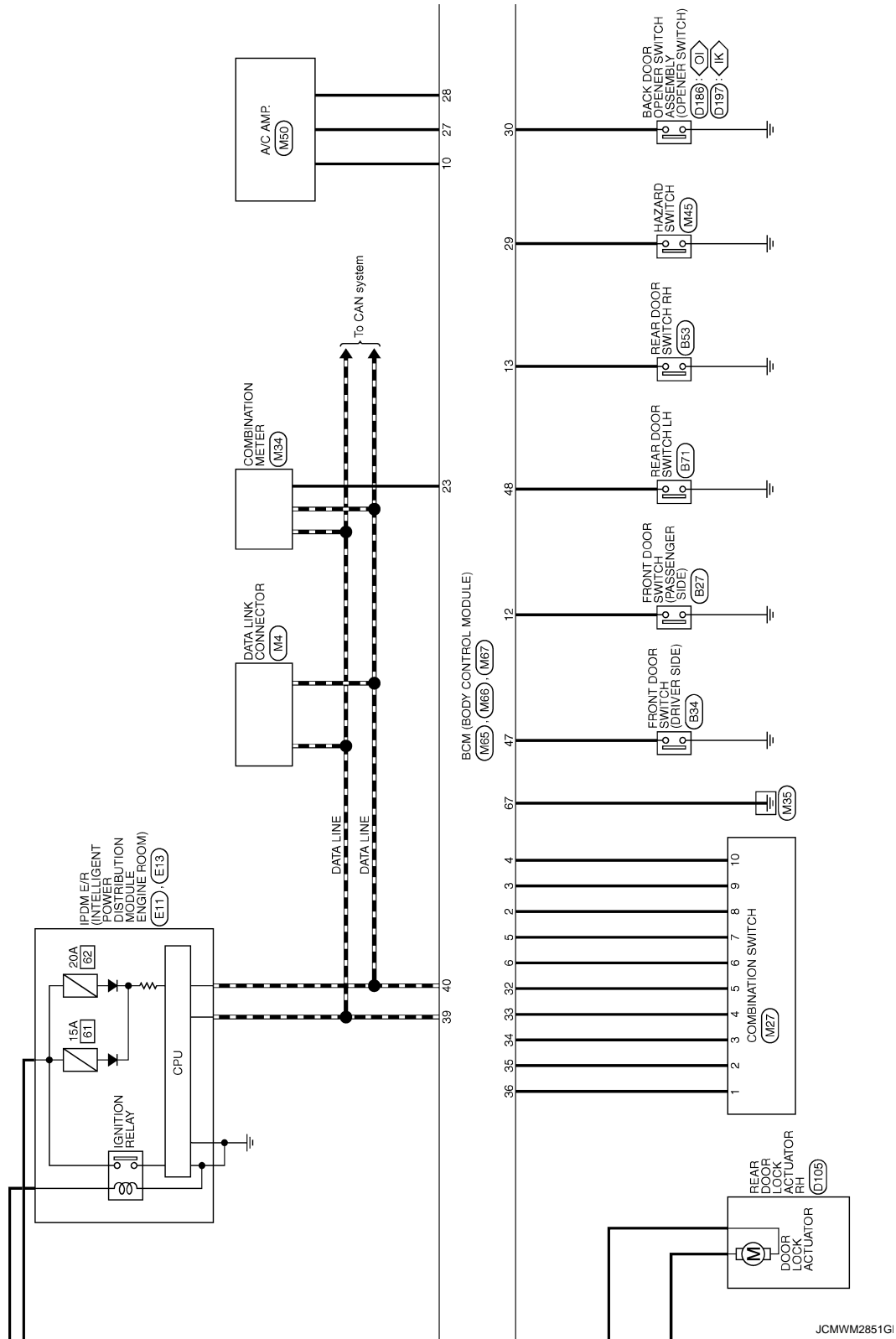
JCMWM2850G



# BCM (BODY CONTROL MODULE)

< ECU DIAGNOSIS >

IK : With Intelligent Key  
OI : Without Intelligent Key

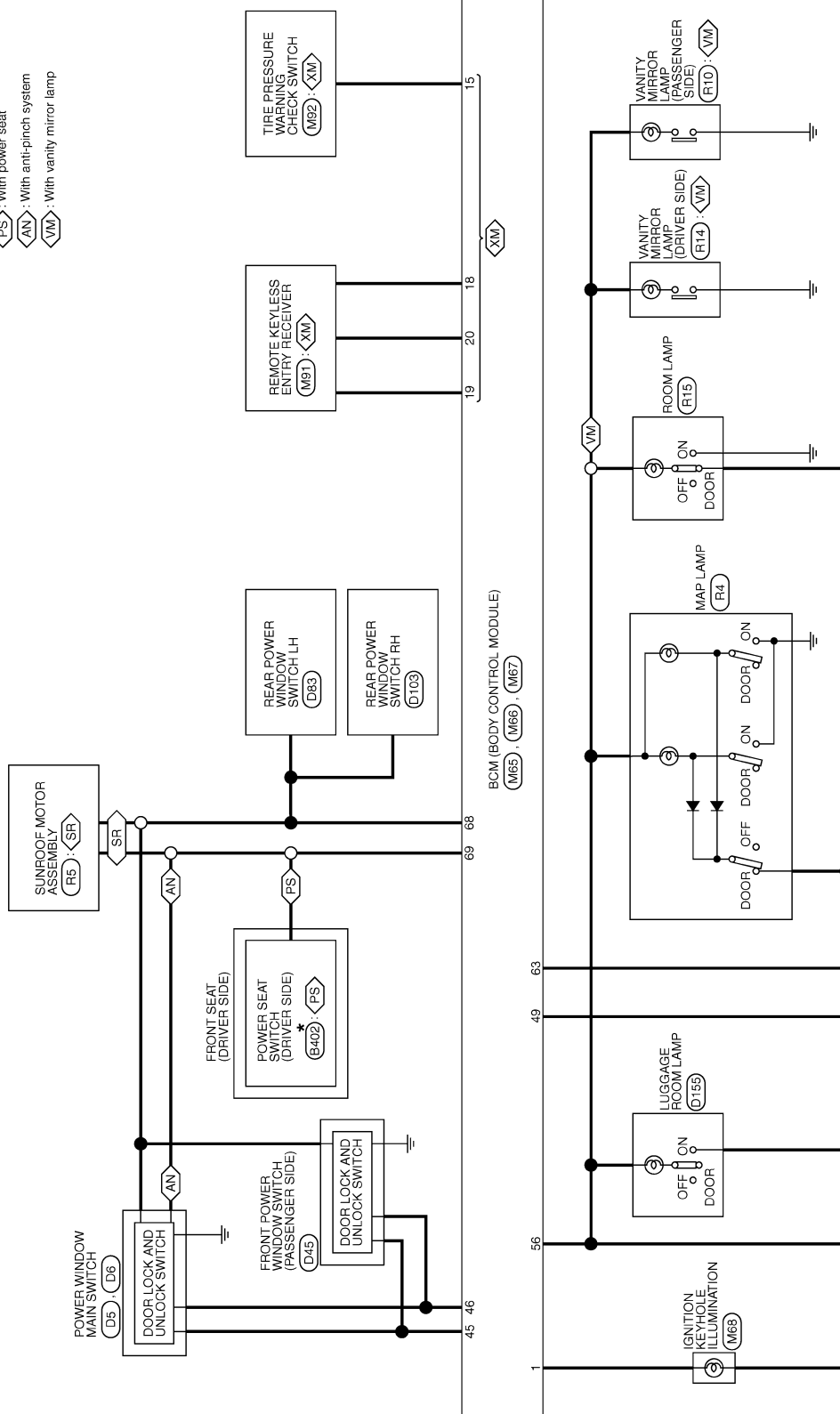


A  
B  
C  
D  
E  
F  
G  
H  
I  
J  
K  
INL  
M  
N  
O  
P

# BCM (BODY CONTROL MODULE)

< ECU DIAGNOSIS >

- <XM> : Except for Mexico
- <SR> : With sunroof
- <PS> : With power seat
- <AN> : With anti-pinch system
- <VM> : With vanity mirror lamp

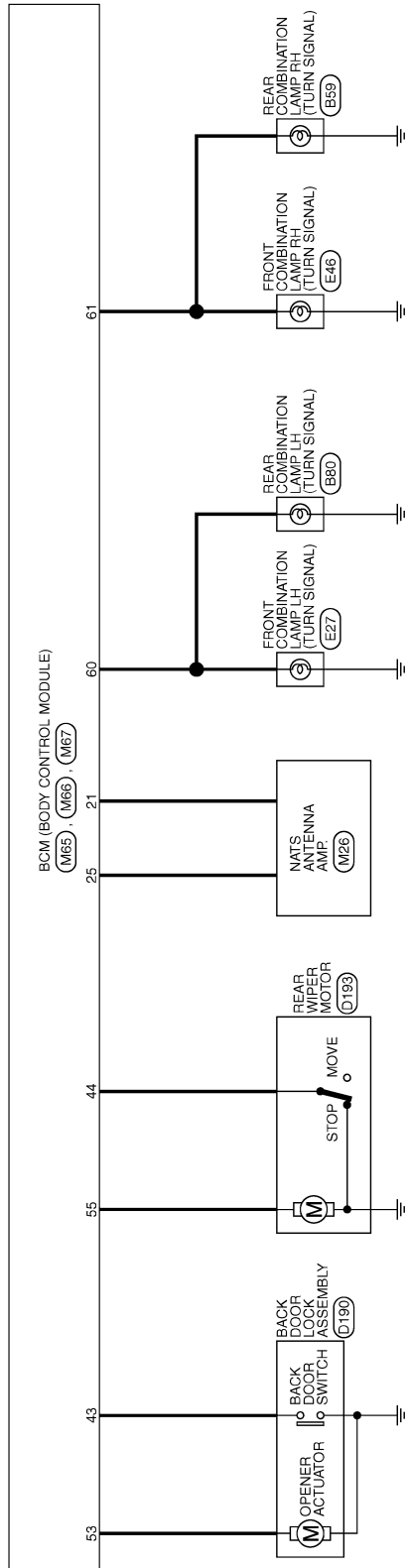


\*: This connector is not shown in "Harness Layout".

JCMWM2852G

# BCM (BODY CONTROL MODULE)

< ECU DIAGNOSIS >



JCMWM2853GI

A  
B  
C  
D  
E  
F  
G  
H  
I  
J  
K  
INL  
M  
N  
O  
P

# BCM (BODY CONTROL MODULE)

< ECU DIAGNOSIS >

## BCM (BODY CONTROL MODULE)

Connector No.	M27
Connector Name	COMBINATION SWITCH
Connector Type	TK16FW



12	13	14	15	16	17	18	19	20	21	22	23	24	25	26	27	28	29	30	31	32	33	34	35	36	37	38	39	40	41	42	43	44	45	46	47	48	49	50	51	52	53	54	55
----	----	----	----	----	----	----	----	----	----	----	----	----	----	----	----	----	----	----	----	----	----	----	----	----	----	----	----	----	----	----	----	----	----	----	----	----	----	----	----	----	----	----	----

Terminal No.	Color of Wire	Signal Name [Specification]
1	V	INPUT 1
2	B	INPUT 2
3	L	INPUT 3
4	GR	INPUT 4
5	BR	INPUT 5
6	P	OUTPUT 1
7	R	OUTPUT 2
8	G	OUTPUT 5
9	Y	OUTPUT 4
10	W	OUTPUT 3

Connector No.	M67
Connector Name	BCM (BODY CONTROL MODULE)
Connector Type	FEA08FB-FHA6-SA



56	57	58	59	60	61	62	63	64	65	66	67	68	69	70
----	----	----	----	----	----	----	----	----	----	----	----	----	----	----

Terminal No.	Color of Wire	Signal Name [Specification]
56	Y	BATTERYSAVEROUTPUT
57	G	BAT FUSE
58	L	D/L UNLOCK DR
59	BR	FLASHER OUT PUT (LEFT)
60	GR	FLASHER OUT PUT (RIGHT)
61	GR	ROOMLAMPOUTPUT
62	R	D/L LOCK ALL
63	V	D/L UNLOCK OTHER
64	G	GND
65	B	POWER WDM OUTPUT(GAP)
66	L	POWER WDM OUTPUT(BAT)
67	P	

Terminal No.	Color of Wire	Signal Name [Specification]
12	P	DR SW AS
13	LG	DR SW RR
14	O	TPMS MODE TRIGGER SW
15	O	KEYLESS TUNER SEQS GND
16	V	KEYLESS TUNER POWER
17	GR	KEYLESS TUNER SIGNAL
18	GR	IMMOBI ANT(CLOCK)
19	G	SECURITY IN0 OUT PUT
20	B	IMMOBI ANT(RX, TX)
21	BR	AIRCORN SW
22	Y	BLOWER FAN SW
23	LG	HAZARD SW
24	W	BACK DOOR OPEN SW
25	G	OUTPUT 5
26	BR	OUTPUT 4
27	GR	OUTPUT 5
28	L	OUTPUT 3
29	B	OUTPUT 2
30	L	OUTPUT 1
31	BR	KEY SW
32	LG	IGN
33	G	CAN-H
34	L	CAN-L

Connector No.	M66
Connector Name	BCM (BODY CONTROL MODULE)
Connector Type	FEA08FW-FHA6-SA



41	42	43	44	45	46	47	48	49	50	51	52	53	54	55
----	----	----	----	----	----	----	----	----	----	----	----	----	----	----

Terminal No.	Color of Wire	Signal Name [Specification]
43	V	BACK DOOR SW
44	B	RR WIP AUTO STOP
45	P	CDLUNLOCKSW
46	BR	CDLUNLOCKSW
47	W	DR SW DR
48	GR	DR SW RL
49	L	LUGGAGE LAMP OUTPUT
53	V	BACKDOORPEPPEROUTPUT
55	SB	RR WIP WTR OUT

## Fail-safe

### REAR WIPER MOTOR PROTECTION

BCM detects the rear wiper stopping position according to the rear wiper stop position signal. When the rear wiper stop position signal does not change more than 5 seconds while driving the rear wiper, BCM stops power supply to protect the rear wiper motor.

Condition of cancellation

JCMWMM2854G

INFOID:0000000004539455

# BCM (BODY CONTROL MODULE)

## < ECU DIAGNOSIS >

1. Pass more than 1 minute after the rear wiper stop.
2. Turn the rear wiper switch OFF.
3. Operate the rear wiper switch or rear washer switch.

### HIGH FLASHER OPERATION

BCM detects the turn signal lamp circuit status by the current value.  
 BCM increases the turn signal lamp blinking speed if the bulb or harness open is detected with the turn signal lamp operating.

**NOTE:**

The blinking speed is normal while activating the hazard warning lamp.

### DTC Inspection Priority Chart

INFOID:000000004539456

If some DTCs are displayed at the same time, perform inspections one by one based on the following priority chart.

Priority	DTC
1	U1000: CAN COMM CIRCUIT
2	C1735: IGN CIRCUIT OPEN
3	<ul style="list-style-type: none"> <li>• C1704: LOW PRESSURE FL</li> <li>• C1705: LOW PRESSURE FR</li> <li>• C1706: LOW PRESSURE RR</li> <li>• C1707: LOW PRESSURE RL</li> <li>• C1708: [NO DATA] FL</li> <li>• C1709: [NO DATA] FR</li> <li>• C1710: [NO DATA] RR</li> <li>• C1711: [NO DATA] RL</li> <li>• C1712: [CHECKSUM ERR] FL</li> <li>• C1713: [CHECKSUM ERR] FR</li> <li>• C1714: [CHECKSUM ERR] RR</li> <li>• C1715: [CHECKSUM ERR] RL</li> <li>• C1716: [PRESS DATA ERR] FL</li> <li>• C1717: [PRESS DATA ERR] FR</li> <li>• C1718: [PRESS DATA ERR] RR</li> <li>• C1719: [PRESS DATA ERR] RL</li> <li>• C1720: [CODE ERR] FL</li> <li>• C1721: [CODE ERR] FR</li> <li>• C1722: [CODE ERR] RR</li> <li>• C1723: [CODE ERR] RL</li> <li>• C1724: [BATT VOLT LOW] FL</li> <li>• C1725: [BATT VOLT LOW] FR</li> <li>• C1726: [BATT VOLT LOW] RR</li> <li>• C1727: [BATT VOLT LOW] RL</li> <li>• C1729: VHCL SPEED SIG ERR</li> </ul>

### DTC Index

INFOID:000000004539457

**NOTE:**

- Details of time display
- CRNT: Displays when there is a malfunction now or after returning to the normal condition until turning ignition switch OFF → ON again.
- 1 - 39: Displayed if any previous malfunction is present when current condition is normal. It increases like 1 → 2 → 3...38 → 39 after returning to the normal condition whenever ignition switch OFF → ON. The counter remains at 39 even if the number of cycles exceeds it. It is counted from 1 again when turning ignition switch OFF → ON after returning to the normal condition if the malfunction is detected again.

CONSULT display	Tire pressure monitor warning lamp ON	Reference
U1000: CAN COMM CIRCUIT	—	<a href="#">BCS-35</a>

## BCM (BODY CONTROL MODULE)

### < ECU DIAGNOSIS >

CONSULT display	Tire pressure monitor warning lamp ON	Reference
C1704: LOW PRESSURE FL	×	<a href="#">WT-15</a>
C1705: LOW PRESSURE FR	×	
C1706: LOW PRESSURE RR	×	
C1707: LOW PRESSURE RL	×	
C1708: [NO DATA] FL	×	<a href="#">WT-17</a>
C1709: [NO DATA] FR	×	
C1710: [NO DATA] RR	×	
C1711: [NO DATA] RL	×	
C1712: [CHECKSUM ERR] FL	×	<a href="#">WT-20</a>
C1713: [CHECKSUM ERR] FR	×	
C1714: [CHECKSUM ERR] RR	×	
C1715: [CHECKSUM ERR] RL	×	
C1716: [PRESS DATA ERR] FL	×	<a href="#">WT-23</a>
C1717: [PRESS DATA ERR] FR	×	
C1718: [PRESS DATA ERR] RR	×	
C1719: [PRESS DATA ERR] RL	×	
C1720: [CODE ERR] FL	×	<a href="#">WT-25</a>
C1721: [CODE ERR] FR	×	
C1722: [CODE ERR] RR	×	
C1723: [CODE ERR] RL	×	
C1724: [BATT VOLT LOW] FL	—	<a href="#">WT-28</a>
C1725: [BATT VOLT LOW] FR	—	
C1726: [BATT VOLT LOW] RR	—	
C1727: [BATT VOLT LOW] RL	—	
C1729: VHCL SPEED SIG ERR	×	<a href="#">WT-31</a>
C1735: IGN CIRCUIT OPEN	—	<a href="#">BCS-36</a>

# INTERIOR LIGHTING SYSTEM SYMPTOMS

< SYMPTOM DIAGNOSIS >

## SYMPTOM DIAGNOSIS

### INTERIOR LIGHTING SYSTEM SYMPTOMS

#### Symptom Table

INFOID:000000004232636

**CAUTION:**

Perform the self-diagnosis with CONSULT-III before the symptom diagnosis. Perform the trouble diagnosis if any DTC is detected.

Symptom	Possible cause	Inspection item
All the following lamps do not turn ON. <ul style="list-style-type: none"> <li>• Map lamp</li> <li>• Room lamp</li> <li>• Ignition keyhole illumination</li> <li>• Vanity mirror lamp</li> <li>• Luggage room lamp</li> </ul>	<ul style="list-style-type: none"> <li>• Harness between BCM and each interior room lamp</li> <li>• BCM</li> </ul>	Interior room lamp power supply circuit Refer to <a href="#">INL-19</a> .
<ul style="list-style-type: none"> <li>• Interior room lamp does not turn ON even though the door is open. (It turns ON when turning the interior room lamp ON.)</li> <li>• Interior room lamp does not turn OFF even though the door is closed.</li> </ul>	<ul style="list-style-type: none"> <li>• Harness between BCM and each door switch</li> <li>• Harness between BCM and each interior room lamp</li> <li>• BCM</li> </ul>	Each door switch circuit Refer to <a href="#">DLK-299</a> .  Interior room lamp control circuit Refer to <a href="#">INL-21</a> .
Interior room lamp timer does not activate. (It turns ON/ OFF when the door opens/closes.)	—	Check the interior room lamp setting. Refer to <a href="#">INL-15</a> .
<ul style="list-style-type: none"> <li>• Luggage room lamp does not turn ON. (The bulb is normal.)</li> <li>• Luggage room lamp does not turn OFF.</li> </ul>	<ul style="list-style-type: none"> <li>• Harness between BCM and back door switch</li> <li>• Harness between BCM and luggage room lamp</li> <li>• BCM</li> </ul>	Back door switch circuit Refer to <a href="#">DLK-299</a>  Luggage room lamp circuit Refer to <a href="#">INL-25</a>
Ignition keyhole illumination does not illuminate.	<ul style="list-style-type: none"> <li>• Harness between BCM and ignition keyhole illumination</li> <li>• BCM</li> </ul>	Ignition keyhole illumination circuit Refer to <a href="#">INL-23</a>
Interior room lamp battery saver does not activate.	—	Check the interior room lamp battery saver setting. Refer to <a href="#">INL-16</a> .

A  
B  
C  
D  
E  
F  
G  
H  
I  
J  
K  
M  
N  
O  
P

INL

# PRECAUTIONS

< PRECAUTION >

## PRECAUTION

### PRECAUTIONS

#### FOR USA AND CANADA

#### FOR USA AND CANADA : Precaution for Supplemental Restraint System (SRS) "AIR BAG" and "SEAT BELT PRE-TENSIONER"

INFOID:000000004539462

The Supplemental Restraint System such as "AIR BAG" and "SEAT BELT PRE-TENSIONER", used along with a front seat belt, helps to reduce the risk or severity of injury to the driver and front passenger for certain types of collision. This system includes seat belt switch inputs and dual stage front air bag modules. The SRS system uses the seat belt switches to determine the front air bag deployment, and may only deploy one front air bag, depending on the severity of a collision and whether the front occupants are belted or unbelted.

Information necessary to service the system safely is included in the "SRS AIRBAG" and "SEAT BELT" of this Service Manual.

#### **WARNING:**

- **To avoid rendering the SRS inoperative, which could increase the risk of personal injury or death in the event of a collision which would result in air bag inflation, all maintenance must be performed by an authorized NISSAN/INFINITI dealer.**
- **Improper maintenance, including incorrect removal and installation of the SRS, can lead to personal injury caused by unintentional activation of the system. For removal of Spiral Cable and Air Bag Module, see the "SRS AIRBAG".**
- **Never use electrical test equipment on any circuit related to the SRS unless instructed to in this Service Manual. SRS wiring harnesses can be identified by yellow and/or orange harnesses or harness connectors.**

#### FOR MEXICO

#### FOR MEXICO : Precaution for Supplemental Restraint System (SRS) "AIR BAG" and "SEAT BELT PRE-TENSIONER"

INFOID:000000004539464

The Supplemental Restraint System such as "AIR BAG" and "SEAT BELT PRE-TENSIONER", used along with a front seat belt, helps to reduce the risk or severity of injury to the driver and front passenger for certain types of collision. Information necessary to service the system safely is included in the "SRS AIRBAG" and "SEAT BELT" of this Service Manual.

#### **WARNING:**

- **To avoid rendering the SRS inoperative, which could increase the risk of personal injury or death in the event of a collision which would result in air bag inflation, all maintenance must be performed by an authorized NISSAN/INFINITI dealer.**
- **Improper maintenance, including incorrect removal and installation of the SRS, can lead to personal injury caused by unintentional activation of the system. For removal of Spiral Cable and Air Bag Module, see the "SRS AIRBAG".**
- **Do not use electrical test equipment on any circuit related to the SRS unless instructed to in this Service Manual. SRS wiring harnesses can be identified by yellow and/or orange harnesses or harness connectors.**



# MAP LAMP

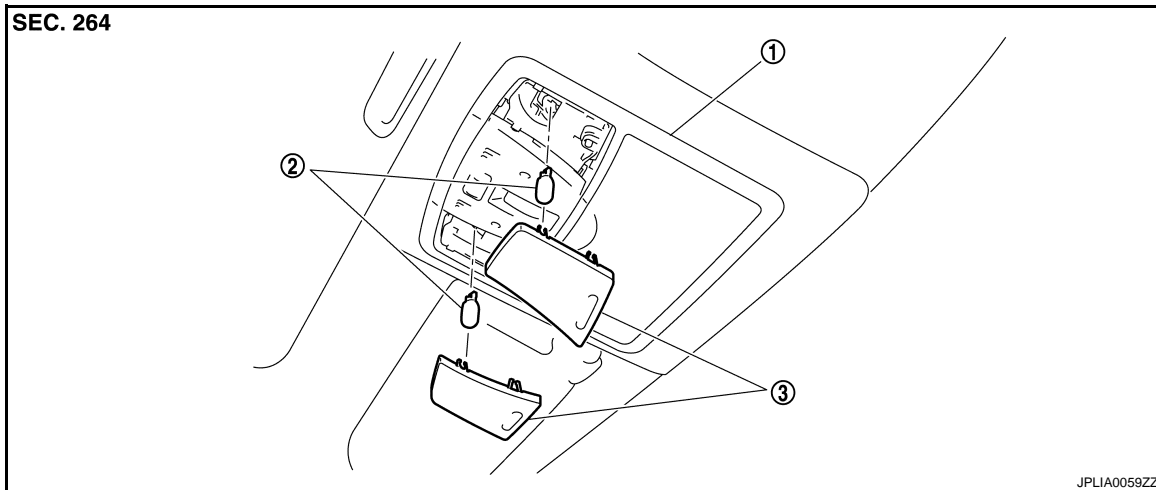
< ON-VEHICLE REPAIR >

## ON-VEHICLE REPAIR

### MAP LAMP

#### Exploded View

INFOID:000000004232639



1. Map lamp assembly

2. Bulb

3. Lens

#### Removal and Installation

INFOID:000000004232640

##### Normal roof

Refer to [INT-23. "NORMAL ROOF : Exploded View"](#) for the map lamp assembly installation/removal.

##### Sun roof

Refer to [INT-26. "SUNROOF : Exploded View"](#) for the map lamp assembly installation/removal.

#### Replacement

INFOID:000000004232641

##### **CAUTION:**

**Disconnect the battery negative terminal or the fuse.**

##### MAP LAMP BULB

1. Insert any appropriate tool into the gap between the lens. Remove the lens.
2. Remove the bulb.

A

B

C

D

E

F

G

H

I

J

K

INL

M

N

O

P

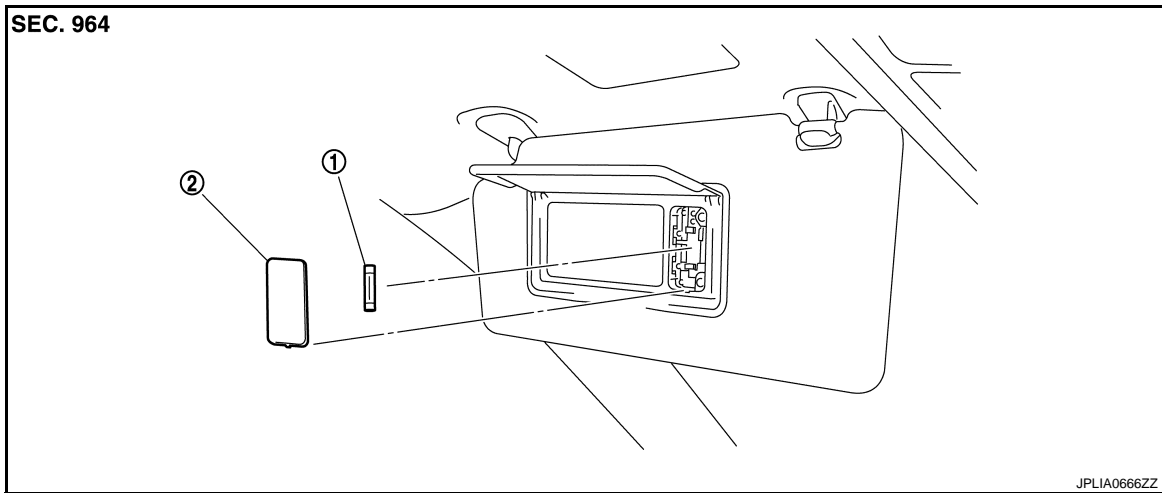
# VANITY MIRROR LAMP

< ON-VEHICLE REPAIR >

## VANITY MIRROR LAMP

Exploded View

INFOID:000000004232642



1. Bulb

2. Lens

### Replacement

INFOID:000000004232643

#### **CAUTION:**

**Disconnect the battery negative terminal or the fuse.**

#### VANITY MIRROR LAMP BULB

1. Insert any appropriate tool into the gap between the lens. Remove the lens.
2. Remove the bulb.

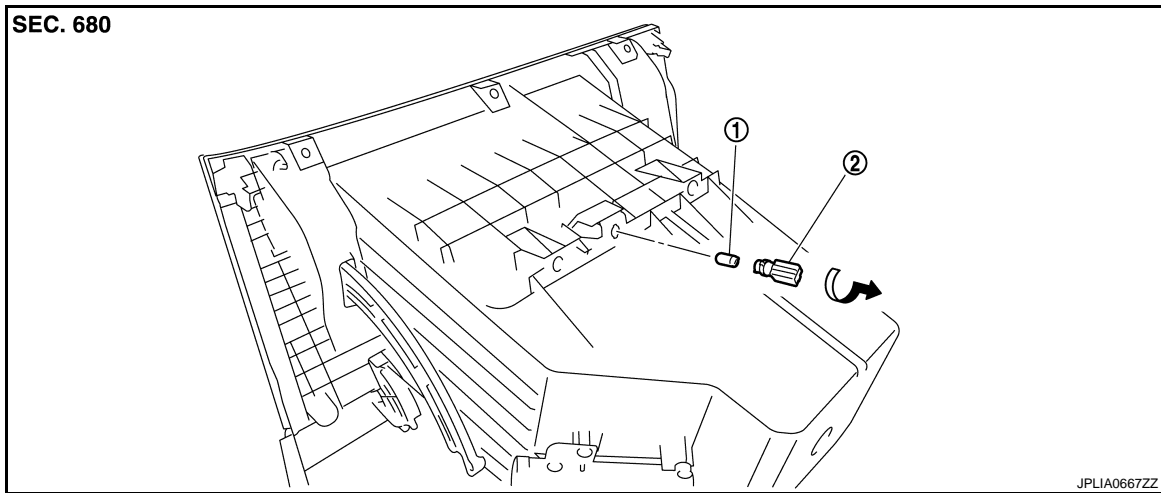
# GLOVE BOX LAMP

< ON-VEHICLE REPAIR >

## GLOVE BOX LAMP

### Exploded View

INFOID:000000004232644



1. Bulb

2. Bulb socket

### Replacement

INFOID:000000004232645

#### **CAUTION:**

**Disconnect the battery negative terminal or the fuse.**

#### GLOVE BOX LAMP BULB

1. Remove the glove box assembly. Refer to [IP-12, "Exploded View"](#).
2. Rotate the bulb socket counterclockwise and unlock it.
3. Remove the bulb.

A  
B  
C  
D  
E  
F  
G  
H  
I  
J  
K  
L  
M  
N  
O  
P

INL

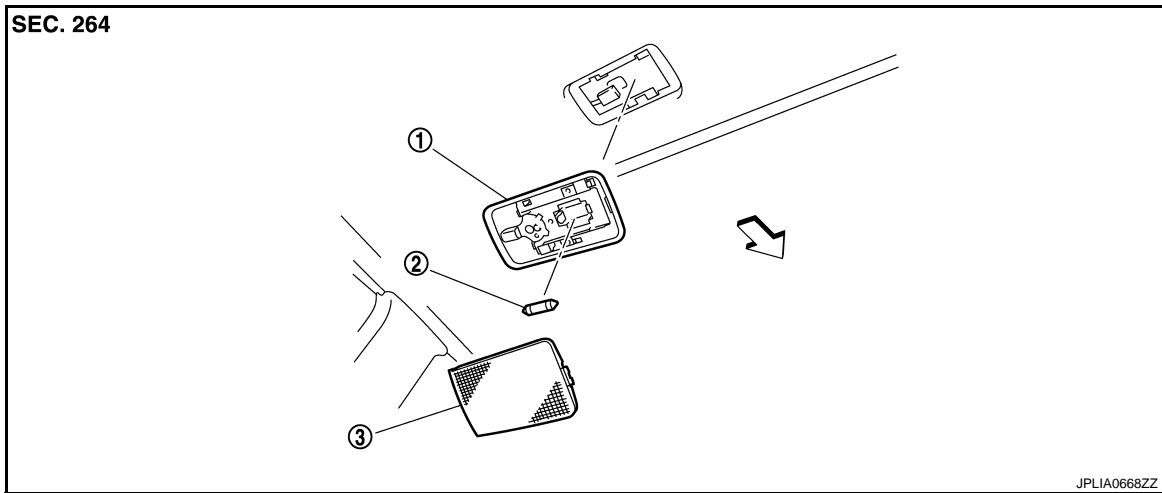
# ROOM LAMP

< ON-VEHICLE REPAIR >

## ROOM LAMP

### Exploded View

INFOID:000000004232646



1. Room lamp bulb housing

2. Bulb

3. Lens

↶ : Vehicle front

### Removal and Installation

INFOID:000000004232647

#### **CAUTION:**

**Disconnect the battery negative terminal or the fuse.**

#### REMOVAL

1. Insert any appropriate tool into the gap between the lens. And then remove the lens.
2. Insert any appropriate tool into the gap between the room lamp bulb housing and headlining. And then remove the room lamp bulb housing.
3. Disconnect the connector.

#### INSTALLATION

Install in the reverse order of removal.

### Replacement

INFOID:000000004232648

#### **CAUTION:**

**Disconnect the battery negative terminal or the fuse.**

#### ROOM LAMP BULB

1. Insert any appropriate tool into the gap between the lens. And then remove the lens.
2. Remove the bulb.

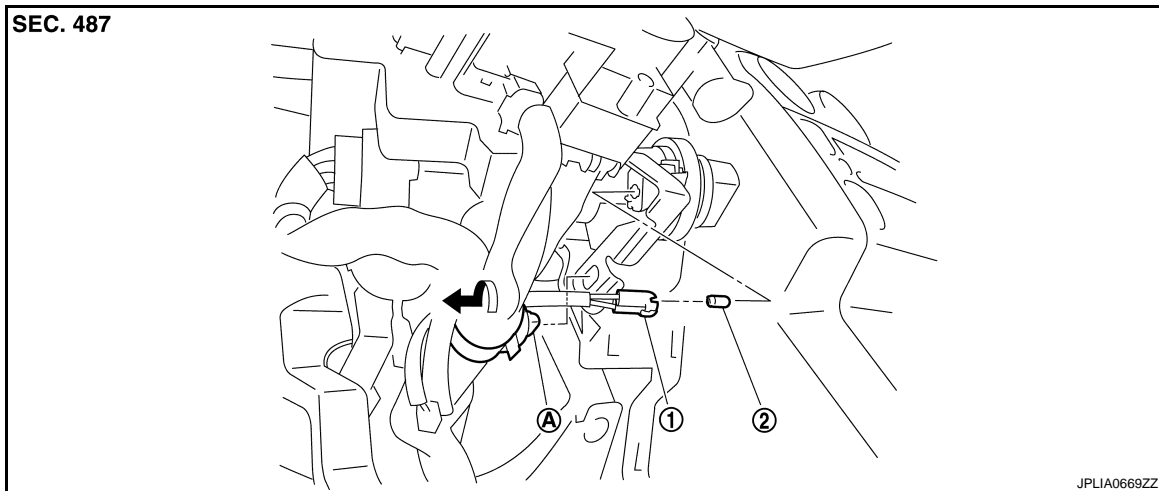
# IGNITION KEYHOLE ILLUMINATION

< ON-VEHICLE REPAIR >

## IGNITION KEYHOLE ILLUMINATION

Exploded View

INFOID:000000004232649



- 1. Bulb socket
- 2. Bulb
- A. Harness clip

Replacement

INFOID:000000004232650

### **CAUTION:**

**Disconnect the battery negative terminal or the fuse.**

### IGNITION KEYHOLE ILLUMINATION BULB

1. Remove steering column cover. Refer to [IP-12, "Exploded View"](#).
2. Remove the harness clip.
3. Rotate the bulb socket counterclockwise and unlock it.
4. Remove the bulb.

A  
B  
C  
D  
E  
F  
G  
H  
I  
J  
K  
INL  
M  
N  
O  
P

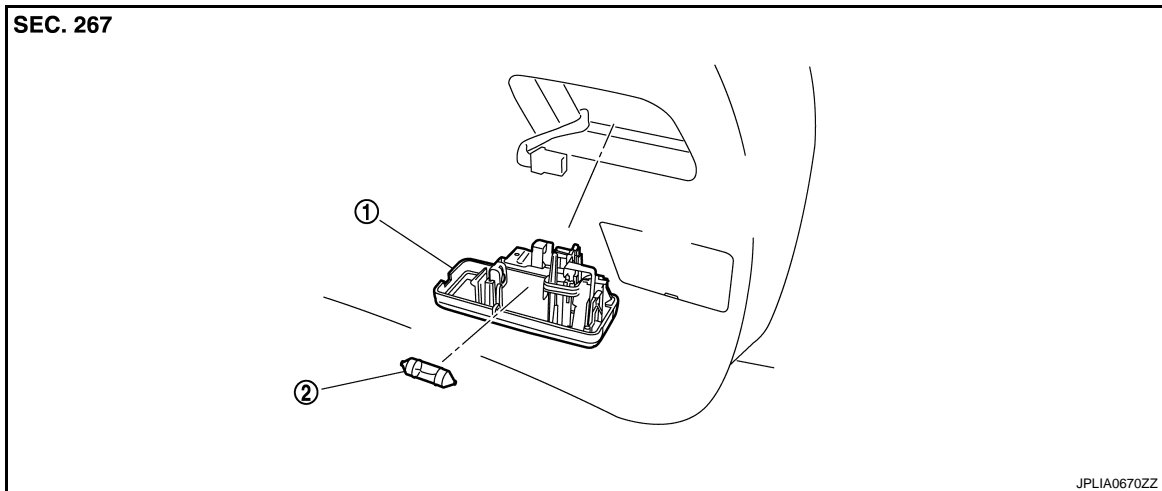
# LUGGAGE ROOM LAMP

< ON-VEHICLE REPAIR >

## LUGGAGE ROOM LAMP

Exploded View

INFOID:000000004232651



1. Luggage room lamp assembly
2. Bulb

## Removal and Installation

INFOID:000000004232652

### **CAUTION:**

**Disconnect the battery negative terminal or the fuse.**

### REMOVAL

1. Insert any appropriate tool into the gap between the luggage room lamp assembly and back door trim finisher lower. Remove the luggage room lamp assembly.
2. Disconnect the connector.

### INSTALLATION

Install in the reverse order of removal.

## Replacement

INFOID:000000004232653

### **CAUTION:**

**Disconnect the battery negative terminal or the fuse.**

### LUGGAGE ROOM LAMP BULB

1. Remove the luggage room lamp assembly.
2. Remove the bulb.

# SERVICE DATA AND SPECIFICATIONS (SDS)

< SERVICE DATA AND SPECIFICATIONS (SDS)

## SERVICE DATA AND SPECIFICATIONS (SDS)

### SERVICE DATA AND SPECIFICATIONS (SDS)

#### Bulb Specifications

INFOID:000000004232654

Item	Type	Wattage (W)
Map lamp	Wedge	8
Room lamp	—	8
Ignition keyhole illumination	—	1.4
Vanity mirror lamp	—	2
Grove box lamp	—	1.4
Luggage room lamp	—	8

A  
B  
C  
D  
E  
F  
G  
H  
I  
J  
K  
INL  
M  
N  
O  
P