

SECTION **IP**  
INSTRUMENT PANEL

A  
B  
C  
D  
E  
F  
G  
H  
I  
IP  
K  
L  
M  
N  
O  
P

CONTENTS

<b>SYMPTOM DIAGNOSIS</b> .....	2	FOR USA AND CANADA : Precaution Necessary for Steering Wheel Rotation After Battery Disconnect .....	9
<b>SQUEAK AND RATTLE TROUBLE DIAGNOSES</b> .....	2	FOR USA AND CANADA : Precaution .....	10
Work Flow .....	2	<b>PREPARATION</b> .....	11
Inspection Procedure .....	4	<b>PREPARATION</b> .....	11
Diagnostic Worksheet .....	6	Special Service Tools .....	11
<b>PRECAUTION</b> .....	8	Commercial Service Tools .....	11
<b>PRECAUTIONS</b> .....	8	<b>ON-VEHICLE REPAIR</b> .....	12
<b>FOR MEXICO</b> .....	8	<b>INSTRUMENT PANEL ASSEMBLY</b> .....	12
FOR MEXICO : Precaution for Supplemental Restraint System (SRS) "AIR BAG" and "SEAT BELT PRE-TENSIONER" .....	8	Exploded View .....	12
FOR MEXICO : Precaution Necessary for Steering Wheel Rotation After Battery Disconnect .....	8	Removal and Installation .....	13
FOR MEXICO : Precaution .....	8	<b>CENTER CONSOLE ASSEMBLY</b> .....	20
<b>FOR USA AND CANADA</b> .....	9	Exploded View .....	20
FOR USA AND CANADA : Precaution for Supplemental Restraint System (SRS) "AIR BAG" and "SEAT BELT PRE-TENSIONER" .....	9	Removal and Installation .....	20
		Disassembly and Assembly .....	22

# SQUEAK AND RATTLE TROUBLE DIAGNOSES

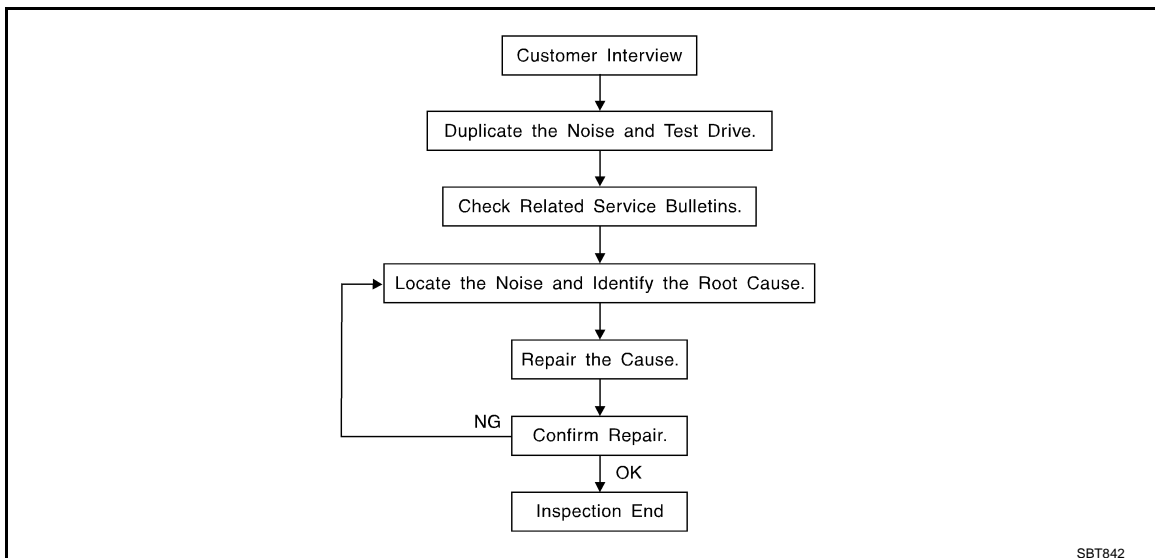
< SYMPTOM DIAGNOSIS >

## SYMPTOM DIAGNOSIS

### SQUEAK AND RATTLE TROUBLE DIAGNOSES

#### Work Flow

INFOID:000000004295955



#### CUSTOMER INTERVIEW

Interview the customer if possible, to determine the conditions that exist when the noise occurs. Use the Diagnostic Worksheet during the interview to document the facts and conditions when the noise occurs and any of customer's comments; refer to [IP-6. "Diagnostic Worksheet"](#). This information is necessary to duplicate the conditions that exist when the noise occurs.

- The customer may not be able to provide a detailed description or the location of the noise. Attempt to obtain all the facts and conditions that exist when the noise occurs (or does not occur).
- If there is more than one noise in the vehicle, perform a diagnosis and repair the noise that the customer is concerned about. This can be accomplished by performing a cruise test on the vehicle with the customer.
- After identifying the type of noise, isolate the noise in terms of its characteristics. The noise characteristics are provided so the customer, service adviser and technician are all speaking the same language when defining the noise.
- Squeak – (Like tennis shoes on a clean floor)  
Squeak characteristics include the light contact/fast movement/brought on by road conditions/hard surfaces = higher pitch noise/softer surfaces = lower pitch noises/edge to surface = chirping
- Creak – (Like walking on an old wooden floor)  
Creak characteristics include firm contact/slow movement/twisting with a rotational movement/pitch dependent on materials/often brought on by activity.
- Rattle – (Like shaking a baby rattle)  
Rattle characteristics include the fast repeated contact/vibration or similar movement/loose parts/missing clip or fastener/incorrect clearance.
- Knock – (Like a knock on a door)  
Knock characteristics include hollow sounding/sometimes repeating/often brought on by driver action.
- Tick – (Like a clock second hand)  
Tick characteristics include gentle contacting of light materials/loose components/can be caused by driver action or road conditions.
- Thump – (Heavy, muffled knock noise)  
Thump characteristics include softer knock/dead sound often brought on by activity.
- Buzz – (Like a bumblebee)  
Buzz characteristics include high frequency rattle/firm contact.
- Often the degree of acceptable noise level will vary depending up on the person. A noise that a technician may judge as acceptable may be very irritating to the customer.
- Weather conditions, especially humidity and temperature, may have a great effect on noise level.

#### DUPLICATE THE NOISE AND TEST DRIVE

# SQUEAK AND RATTLE TROUBLE DIAGNOSES

## < SYMPTOM DIAGNOSIS >

If possible, drive the vehicle with the customer until the noise is duplicated. Note any additional information on the Diagnostic Worksheet regarding the conditions or location of the noise. This information can be used to duplicate the same conditions when the repair is reconfirmed.

If the noise can be duplicated easily during the test drive, to help identify the source of the noise, try to duplicate the noise with the vehicle stopped by doing one or all of the following:

- 1) Close a door.
  - 2) Tap or push/pull around the area where the noise appears to be coming from.
  - 3) Rev the engine.
  - 4) Use a floor jack to recreate vehicle "twist".
  - 5) At idle, apply engine load (electrical load, half-clutch on M/T models, drive position on A/T models).
  - 6) Raise the vehicle on a hoist and hit a tire with a rubber hammer.
- Drive the vehicle and attempt to duplicate the conditions the customer states exist when the noise occurs.
  - If it is difficult to duplicate the noise, drive the vehicle slowly on an undulating or rough road to stress the vehicle body.

## CHECK RELATED SERVICE BULLETINS

After verifying the customer concern or symptom, check ASIST for Technical Service Bulletins (TSBs) related to that concern or symptom.

If a TSB relates to the symptom, follow the procedure to repair the noise.

## LOCATE THE NOISE AND IDENTIFY THE ROOT CAUSE

1. Narrow down the noise to a general area. To help pinpoint the source of the noise, use a listening tool (Chassis ear: J-39570, Engine ear and mechanics stethoscope).
2. Narrow down the noise to a more specific area and identify the cause of the noise by:
  - Removing the components in the area that is are suspected to be the cause of the noise. Do not use too much force when removing clips and fasteners, otherwise clips and fastener can be broken or lost during the repair, resulting in the creation of new noise.
  - Tapping or pushing/pulling the component that is are suspected to be the cause of the noise. Do not tap or push/pull the component with excessive force, otherwise the noise will be eliminated only temporarily.
  - Feeling for a vibration by hand by touching the component(s) that is are suspected to be the cause of the noise.
  - Placing a piece of paper between components that are suspected to be the cause of the noise.
  - Looking for loose components and contact marks.  
Refer to [IP-4, "Inspection Procedure"](#).

## REPAIR THE CAUSE

- If the cause is a loose component, tighten the component securely.
- If the cause is insufficient clearance between components:
  - Separate components by repositioning or loosening and retightening the component, if possible.
  - Insulate components with a suitable insulator such as urethane pads, foam blocks, felt cloth tape or urethane tape. A Nissan Squeak and Rattle Kit (J-43980) is available through the authorized Nissan Parts Department.

### **CAUTION:**

**Never use excessive force as many components are constructed of plastic and may be damaged.**

### **NOTE:**

Always check with the Parts Department for the latest parts information.

The following materials are contained in the Nissan Squeak and Rattle Kit (J-43980). Each item can be ordered separately as needed.

URETHANE PADS [1.5 mm (0.059 in) thick]

Insulates connectors, harness, etc.

- 76268-9E005: 100 × 135 mm (3.937 × 5.315 in)
- 76884-71L01: 60 × 85 mm (2.362 × 3.346 in)
- 76884-71L02: 15 × 25 mm (0.591 × 0.984 in)

INSULATOR (Foam blocks)

Insulates components from contact. Can be used to fill space behind a panel.

- 73982-9E000: 45 mm (1.772 in) thick, 50 × 50 mm (1.969 × 1.969 in)
- 73982-50Y00: 10 mm (0.394 in) thick, 50 × 50 mm (1.969 × 1.969 in)

INSULATOR (Light foam block)

80845-71L00: 30 mm (1.18 in) thick, 30 × 50 mm (1.181 × 1.969in)

FELT CLOTHTAPE

# SQUEAK AND RATTLE TROUBLE DIAGNOSES

## < SYMPTOM DIAGNOSIS >

---

Used to insulate where movement does not occur. Ideal for instrument panel applications.

- 68370-4B000: 15 × 25 mm (0.591 × 0.984 in) pad
- 68239-13E00: 5 mm (0.197 in) wide tape roll

The following materials, not found in the kit, can also be used to repair squeaks and rattles.

### UHMW (TEFLON) TAPE

Insulates where slight movement is present. Ideal for instrument panel applications.

### SILICONE GREASE

Used in place of UHMW tape that is be visible or does not fit. Will only last a few months.

### SILICONE SPRAY

Used when grease cannot be applied.

### DUCT TAPE

Used to eliminate movement.

## CONFIRM THE REPAIR

Confirm that the cause of a noise is repaired by test driving the vehicle. Operate the vehicle under the same conditions as when the noise originally occurred. Refer to the notes on the Diagnostic Worksheet.

## Inspection Procedure

INFOID:000000004295956

Refer to Table of Contents for specific component removal and installation information.

## INSTRUMENT PANEL

Most incidents are caused by contact and movement between:

1. The cluster lid A and instrument panel
2. Acrylic lens and combination meter housing
3. Instrument panel to front pillar garnish
4. Instrument panel to windshield
5. Instrument panel mounting pins
6. Wiring harnesses behind the combination meter
7. A/C defroster duct and duct joint

These incidents can usually be located by tapping or moving the components to duplicate the noise or by pressing on the components while driving to stop the noise. Most of these incidents can be repaired by applying felt cloth tape or silicon spray (in hard to reach areas). Urethane pads can be used to insulate wiring harness.

### **CAUTION:**

**Never use silicone spray to isolate a squeak or rattle. If the area is saturated with silicone, the recheck of repair becomes impossible.**

## CENTER CONSOLE

Components to pay attention to include:

1. Shifter assembly cover to finisher
2. A/C control unit and cluster lid C
3. Wiring harnesses behind audio and A/C control unit

The instrument panel repair and isolation procedures also apply to the center console.

## DOORS

Pay attention to the following:

1. Finisher and inner panel making a slapping noise
2. Inside handle escutcheon to door finisher
3. Wiring harnesses tapping
4. Door striker out of alignment causing a popping noise on starts and stops

Tapping or moving the components or pressing on them while driving to duplicate the conditions can isolate many of these incidents. The areas can usually be insulated with felt cloth tape or insulator foam blocks from the Nissan Squeak and Rattle Kit (J-43980) to repair the noise.

## TRUNK

Trunk noises are often caused by a loose jack or loose items put into the trunk by the customer.

In addition look for the following:

1. Trunk lid dumpers out of adjustment

# SQUEAK AND RATTLE TROUBLE DIAGNOSES

## < SYMPTOM DIAGNOSIS >

---

2. Trunk lid striker out of adjustment
3. The trunk lid torsion bars knocking together
4. A loose license plate or bracket

Most of these incidents can be repaired by adjusting, securing or insulating the item(s) or component(s) causing the noise.

## SUNROOF/HEADLINING

Noises in the sunroof/headlining area can often be traced to one of the following:

1. Sunroof lid, rail, linkage or seals making a rattle or light knocking noise
2. Sunvisor shaft shaking in the holder
3. Front or rear windshield touching headlining and squeaking

Again, pressing on the components to stop the noise while duplicating the conditions can isolate most of these incidents. Repairs usually consist of insulating with felt cloth tape.

## SEATS

When isolating seat noise it's important to note the position the seats in and the load placed on the seat when the noise occurs. These conditions should be duplicated when verifying and isolating the cause of the noise.

Cause of seat noise include:

1. Headrest rods and holder
2. A squeak between the seat pad cushion and frame
3. The rear seatback lock and bracket

These noises can be isolated by moving or pressing on the suspected components while duplicating the conditions under which the noise occurs. Most of these incidents can be repaired by repositioning the component or applying urethane tape to the contact area.

## UNDERHOOD

Some interior noise may be caused by components under the hood or on the engine wall. The noise is then transmitted into the passenger compartment.

Causes of transmitted underhood noise include:

1. Any component mounted to the engine wall
2. Components that pass through the engine wall
3. Engine wall mounts and connectors
4. Loose radiator mounting pins
5. Hood bumpers out of adjustment
6. Hood striker out of adjustment

These noises can be difficult to isolate since they cannot be reached from the interior of the vehicle. The best method is to secure, move or insulate one component at a time and test drive the vehicle. Also, engine RPM or load can be changed to isolate the noise. Repairs can usually be made by moving, adjusting, securing, or insulating the component causing the noise.

A  
B  
C  
D  
E  
F  
G  
H  
I  
IP  
K  
L  
M  
N  
O  
P

# SQUEAK AND RATTLE TROUBLE DIAGNOSES

< SYMPTOM DIAGNOSIS >

## Diagnostic Worksheet

INFOID:000000004235254



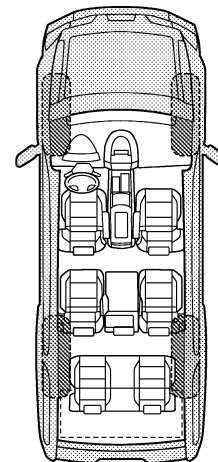
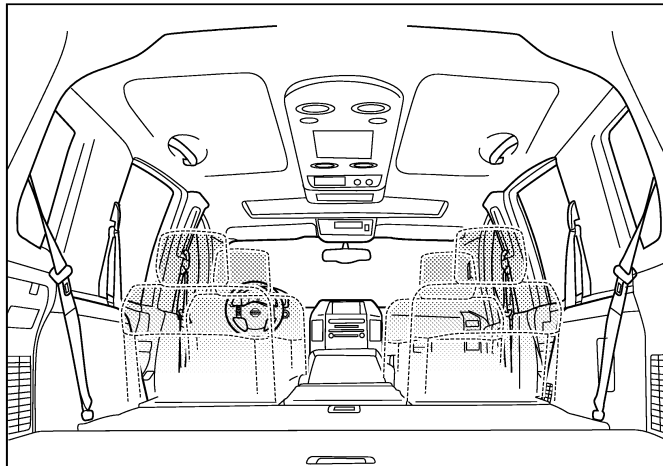
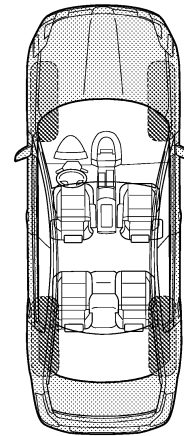
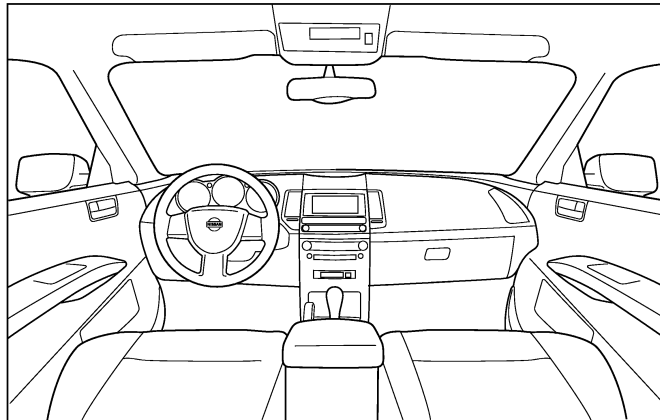
### SQUEAK & RATTLE DIAGNOSTIC WORKSHEET

Dear Nissan Customer:

We are concerned about your satisfaction with your Nissan vehicle. Repairing a squeak or rattle sometimes can be very difficult. To help us fix your Nissan right the first time, please take a moment to note the area of the vehicle where the squeak or rattle occurs and under what conditions. You may be asked to take a test drive with a service advisor or technician to ensure we confirm the noise you are hearing.

#### I. WHERE DOES THE NOISE COME FROM? (circle the area of the vehicle)

The illustrations are for reference only, and may not reflect the actual configuration of your vehicle.



Continue to page 2 of the worksheet and briefly describe the location of the noise or rattle. In addition, please indicate the conditions which are present when the noise occurs.

PIIB8740E

# SQUEAK AND RATTLE TROUBLE DIAGNOSES

< SYMPTOM DIAGNOSIS >

## SQUEAK & RATTLE DIAGNOSTIC WORKSHEET - page 2

Briefly describe the location where the noise occurs:

---

---

### II. WHEN DOES IT OCCUR? (please check the boxes that apply)

- |   |  |
|---|--|
| <input type="checkbox"/> anytime                      | <input type="checkbox"/> after sitting out in the rain |
| <input type="checkbox"/> 1st time in the morning      | <input type="checkbox"/> when it is raining or wet     |
| <input type="checkbox"/> only when it is cold outside | <input type="checkbox"/> dry or dusty conditions       |
| <input type="checkbox"/> only when it is hot outside  | <input type="checkbox"/> other:                        |

### III. WHEN DRIVING:

- through driveways
- over rough roads
- over speed bumps
- only about \_\_\_\_ mph
- on acceleration
- coming to a stop
- on turns: left, right or either (circle)
- with passengers or cargo
- other: \_\_\_\_\_
- after driving \_\_\_\_ miles or \_\_\_\_ minutes

### IV. WHAT TYPE OF NOISE

- squeak (like tennis shoes on a clean floor)
- creak (like walking on an old wooden floor)
- rattle (like shaking a baby rattle)
- knock (like a knock at the door)
- tick (like a clock second hand)
- thump (heavy, muffled knock noise)
- buzz (like a bumble bee)

### TO BE COMPLETED BY DEALERSHIP PERSONNEL

#### Test Drive Notes:

---

---

---

	YES	NO	Initials of person performing
Vehicle test driven with customer	<input type="checkbox"/>	<input type="checkbox"/>	_____
- Noise verified on test drive	<input type="checkbox"/>	<input type="checkbox"/>	_____
- Noise source located and repaired	<input type="checkbox"/>	<input type="checkbox"/>	_____
- Follow up test drive performed to confirm repair	<input type="checkbox"/>	<input type="checkbox"/>	_____

VIN: \_\_\_\_\_ Customer Name: \_\_\_\_\_  
W.O.# \_\_\_\_\_ Date: \_\_\_\_\_

This form must be attached to Work Order

PIIB8742E

A  
B  
C  
D  
E  
F  
G  
H  
I  
IP  
K  
L  
M  
N  
O  
P

# PRECAUTIONS

< PRECAUTION >

## PRECAUTION

### PRECAUTIONS FOR MEXICO

#### FOR MEXICO : Precaution for Supplemental Restraint System (SRS) "AIR BAG" and "SEAT BELT PRE-TENSIONER"

INFOID:000000004235255

The Supplemental Restraint System such as "AIR BAG" and "SEAT BELT PRE-TENSIONER", used along with a front seat belt, helps to reduce the risk or severity of injury to the driver and front passenger for certain types of collision. Information necessary to service the system safely is included in the "SRS AIRBAG" and "SEAT BELT" of this Service Manual.

#### **WARNING:**

- To avoid rendering the SRS inoperative, which could increase the risk of personal injury or death in the event of a collision which would result in air bag inflation, all maintenance must be performed by an authorized NISSAN/INFINITI dealer.
- Improper maintenance, including incorrect removal and installation of the SRS, can lead to personal injury caused by unintentional activation of the system. For removal of Spiral Cable and Air Bag Module, see the "SRS AIRBAG".
- Do not use electrical test equipment on any circuit related to the SRS unless instructed to in this Service Manual. SRS wiring harnesses can be identified by yellow and/or orange harnesses or harness connectors.

#### FOR MEXICO : Precaution Necessary for Steering Wheel Rotation After Battery Disconnect

INFOID:000000004235256

#### **NOTE:**

- This Procedure is applied only to models with Intelligent Key system and NVIS/IVIS (NISSAN/INFINITI VEHICLE IMMOBILIZER SYSTEM - NATS).
- Remove and install all control units after disconnecting both battery cables with the ignition knob in the "LOCK" position.
- Always use CONSULT-III to perform self-diagnosis as a part of each function inspection after finishing work. If DTC is detected, perform trouble diagnosis according to self-diagnostic results.

For models equipped with the Intelligent Key system and NVIS/IVIS, an electrically controlled steering lock mechanism is adopted on the key cylinder.

For this reason, if the battery is disconnected or if the battery is discharged, the steering wheel will lock and steering wheel rotation will become impossible.

If steering wheel rotation is required when battery power is interrupted, follow the procedure below before starting the repair operation.

#### OPERATION PROCEDURE

1. Connect both battery cables.

#### **NOTE:**

Supply power using jumper cables if battery is discharged.

2. Use the Intelligent Key or mechanical key to turn the ignition switch to the "ACC" position. At this time, the steering lock will be released.
3. Disconnect both battery cables. The steering lock will remain released and the steering wheel can be rotated.
4. Perform the necessary repair operation.
5. When the repair work is completed, return the ignition switch to the "LOCK" position before connecting the battery cables. (At this time, the steering lock mechanism will engage.)
6. Perform a self-diagnosis check of all control units using CONSULT-III.

#### FOR MEXICO : Precaution

INFOID:000000004533866

- Disconnect battery negative terminal in advance.
- Disconnect air bag system line in advance.
- Never tamper with or force air bag lid open, as this may adversely affect air bag performance.
- Be careful not to scratch pad and other parts.



# PRECAUTIONS

## < PRECAUTION >

- When removing or disassembling any part, be careful not to damage or deform it. Protect parts, which may get in the way with a shop cloth.
- When removing parts with a screwdriver or other tool, cover the tool surface by vinyl tape to protect parts.
- Keep removed parts protected with a shop cloth.
- If a clip is deformed or damaged, replace it.
- If an un reusable part is removed, replace it with a new one.
- Tighten bolts and nuts firmly to the specified torque.
- After reassembly has been completed, make sure each part functions correctly.
- Remove stains in the following way.

Water-soluble stains:

Dip a soft cloth in warm water, and then squeeze it tightly. After wiping the stain, wipe with a soft dry cloth.

Oil stain:

Dissolve a synthetic detergent in warm water (density of 2 to 3%), dip the cloth, then clean off the stain with the cloth. Next, dip the cloth in fresh water and squeeze it tightly. Then clean off the detergent completely. Then wipe the area with a soft dry cloth.

- Never use any organic solvent, such as thinner or benzine.

## FOR USA AND CANADA

### FOR USA AND CANADA : Precaution for Supplemental Restraint System (SRS) "AIR BAG" and "SEAT BELT PRE-TENSIONER"

INFOID:000000004235258

The Supplemental Restraint System such as "AIR BAG" and "SEAT BELT PRE-TENSIONER", used along with a front seat belt, helps to reduce the risk or severity of injury to the driver and front passenger for certain types of collision. This system includes seat belt switch inputs and dual stage front air bag modules. The SRS system uses the seat belt switches to determine the front air bag deployment, and may only deploy one front air bag, depending on the severity of a collision and whether the front occupants are belted or unbelted.

Information necessary to service the system safely is included in the "SRS AIRBAG" and "SEAT BELT" of this Service Manual.

#### **WARNING:**

- **To avoid rendering the SRS inoperative, which could increase the risk of personal injury or death in the event of a collision which would result in air bag inflation, all maintenance must be performed by an authorized NISSAN/INFINITI dealer.**
- **Improper maintenance, including incorrect removal and installation of the SRS, can lead to personal injury caused by unintentional activation of the system. For removal of Spiral Cable and Air Bag Module, see the "SRS AIRBAG".**
- **Never use electrical test equipment on any circuit related to the SRS unless instructed to in this Service Manual. SRS wiring harnesses can be identified by yellow and/or orange harnesses or harness connectors.**

### FOR USA AND CANADA : Precaution Necessary for Steering Wheel Rotation After Battery Disconnect

INFOID:000000004235259

#### **NOTE:**

- This Procedure is applied only to models with Intelligent Key system and NVIS/IVIS (NISSAN/INFINITI VEHICLE IMMOBILIZER SYSTEM - NATS).
- Remove and install all control units after disconnecting both battery cables with the ignition knob in the "LOCK" position.
- Always use CONSULT-III to perform self-diagnosis as a part of each function inspection after finishing work. If DTC is detected, perform trouble diagnosis according to self-diagnostic results.

For models equipped with the Intelligent Key system and NVIS/IVIS, an electrically controlled steering lock mechanism is adopted on the key cylinder.

For this reason, if the battery is disconnected or if the battery is discharged, the steering wheel will lock and steering wheel rotation will become impossible.

If steering wheel rotation is required when battery power is interrupted, follow the procedure below before starting the repair operation.

## OPERATION PROCEDURE

1. Connect both battery cables.

#### **NOTE:**

Supply power using jumper cables if battery is discharged.

# PRECAUTIONS

## < PRECAUTION >

2. Use the Intelligent Key or mechanical key to turn the ignition switch to the "ACC" position. At this time, the steering lock will be released.
3. Disconnect both battery cables. The steering lock will remain released and the steering wheel can be rotated.
4. Perform the necessary repair operation.
5. When the repair work is completed, return the ignition switch to the "LOCK" position before connecting the battery cables. (At this time, the steering lock mechanism will engage.)
6. Perform a self-diagnosis check of all control units using CONSULT-III.

## FOR USA AND CANADA : Precaution

INFOID:000000004533867

- Disconnect battery negative terminal in advance.
- Disconnect air bag system line in advance.
- Never tamper with or force air bag lid open, as this may adversely affect air bag performance.
- Be careful not to scratch pad and other parts.
- When removing or disassembling any part, be careful not to damage or deform it. Protect parts, which may get in the way with a shop cloth.
- When removing parts with a screwdriver or other tool, cover the tool surface by vinyl tape to protect parts.
- Keep removed parts protected with a shop cloth.
- If a clip is deformed or damaged, replace it.
- If an un reusable part is removed, replace it with a new one.
- Tighten bolts and nuts firmly to the specified torque.
- After reassembly has been completed, make sure each part functions correctly.
- Remove stains in the following way.

### Water-soluble stains:

Dip a soft cloth in warm water, and then squeeze it tightly. After wiping the stain, wipe with a soft dry cloth.

### Oil stain:

Dissolve a synthetic detergent in warm water (density of 2 to 3%), dip the cloth, then clean off the stain with the cloth. Next, dip the cloth in fresh water and squeeze it tightly. Then clean off the detergent completely. Then wipe the area with a soft dry cloth.

- Never use any organic solvent, such as thinner or benzine.

# PREPARATION

< PREPARATION >

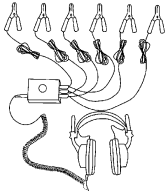
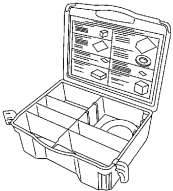
## PREPARATION

### PREPARATION

#### Special Service Tools

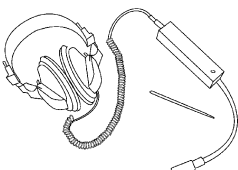
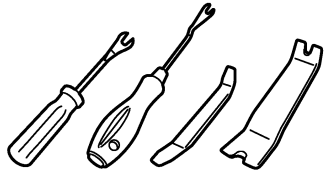
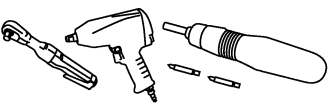
INFOID:000000004235261

The actual shapes of Kent-Moore tools may differ from those of special service tools illustrated here.

Tool number (Kent-Moore No.) Tool name	Description
(J-39570) Chassis ear   SIAA0993E	Locates the noise
(J-43980) NISSAN Squeak and Rattle Kit   SIAA0994E	Repairs the cause of noise

#### Commercial Service Tools

INFOID:000000004235262

Tool name	Description
Engine ear   SIAA0995E	Locates the noise
Remover tool   JMKA3050ZZ	Removes clips, pawls, and metal clips
Power tool   PIIB1407E	

# INSTRUMENT PANEL ASSEMBLY

< ON-VEHICLE REPAIR >

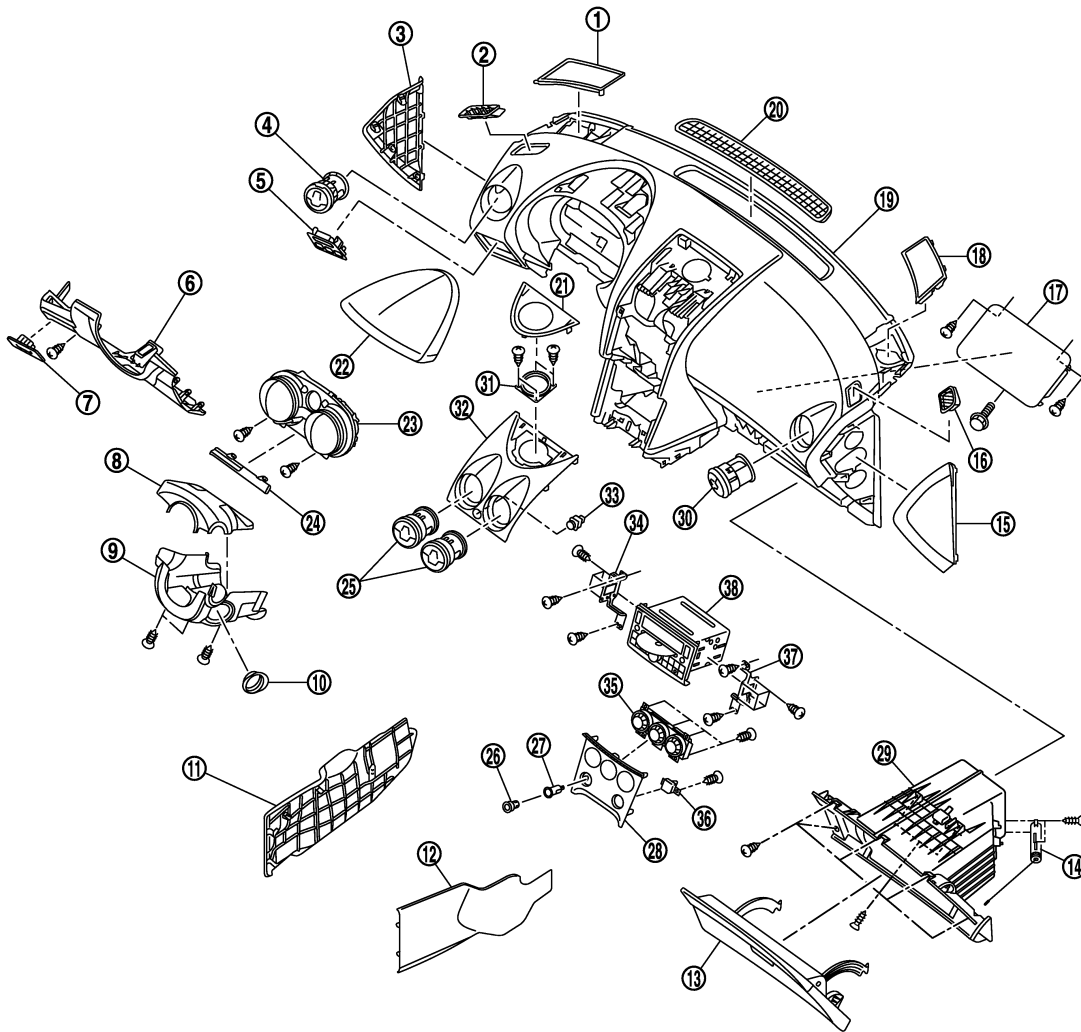
## ON-VEHICLE REPAIR

### INSTRUMENT PANEL ASSEMBLY

Exploded View

INFOID:000000004235263

SEC. 680



JMJIA1167ZZ

- |                               |                                |                                  |
|-------------------------------|--------------------------------|----------------------------------|
| 1. Tweeter grille LH          | 2. Side defroster grille LH    | 3. Instrument side finisher LH   |
| 4. Side ventilator grille LH  | 5. Switch panel                | 6. Instrument driver lower cover |
| 7. Fuse block lid             | 8. Steering column upper cover | 9. Steering column lower cover   |
| 10. Steering lock escutcheon  | 11. Instrument lower cover LH  | 12. Instrument lower cover RH    |
| 13. Glove box lid             | 14. Glove box dumper           | 15. Instrument side finisher RH  |
| 16. Side defroster grille RH  | 17. Passenger air bag module   | 18. Tweeter grille RH            |
| 19. Instrument panel assembly | 20. Front defroster grille     | 21. Center speaker grille        |
| 22. Cluster lid A             | 23. Combination meter          | 24. Steering column finisher     |
| 25. Center ventilator grille  | 26. Socket knob                | 27. Power socket                 |
| 28. Cluster lid D             | 29. Glove box cover assembly   | 30. Side ventilator grille RH    |
| 31. Center speaker            | 32. Cluster lid C              | 33. Hazard switch                |

# INSTRUMENT PANEL ASSEMBLY

< ON-VEHICLE REPAIR >

34. Audio bracket LH

35. A/C controller

36. Passenger air bag OFF indicator

37. Audio bracket RH

38. Audio unit

## Removal and Installation

INFOID:000000004235264

### WORK STEP

When removing instrument panel assembly, combination meter, audio unit, center console take steps in the order shown by the number below.

PARTS	INSTRUMENT PANEL ASSEMBLY	COMBINATION METER	AUDIO UNIT	CENTER CONSOLE ASSEMBLY
Console finisher	[1]			[1]
Cluster lid D	[2]		[1]	[2]
Instrument lower cover LH/RH	[3]			[3]
Center console assembly	[4]			[4]
Center speaker grille	[5]			
Center speaker	[6]			
Cluster lid C	[7]		[2]	
Audio unit	[8]		[3]	
Instrument side finisher LH	[9]			
Front body side welt LH	[10]			
Front pillar garnish LH	[11]			
Tweeter grille LH	[12]			
Instrument driver lower panel	[13]			
Knee protector	[14]			
Steering wheel	[15]			
Steering column cover	[16]	[1]		
Combination switch	[17]			
Cluster lid A	[18]	[2]		
Combination meter	[19]	[3]		
Switch panel	[20]			
Instrument side finisher RH	[21]			
Front body side welt RH	[22]			
Front pillar garnish RH	[23]			
Tweeter grille RH	[24]			
Glove box cover assembly	[25]			
Instrument panel assembly	[26]			

[ ]: Number indicates step in removal procedures.

### CAUTION:

**When removing, always use a remover tool that is made of plastic.**

### REMOVAL

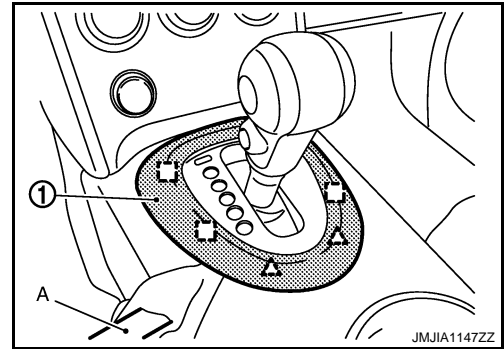
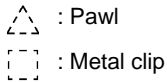
1. Put selector lever in [N] or [D] position.

# INSTRUMENT PANEL ASSEMBLY

## < ON-VEHICLE REPAIR >

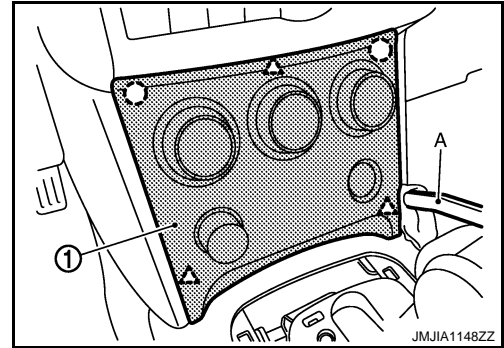
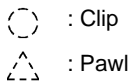
### 2. Remove console finisher.

- Remove console finisher (1) fixing pawls and metal clips with remover tool (A).
- Pull console finisher upward to disengage from center console.

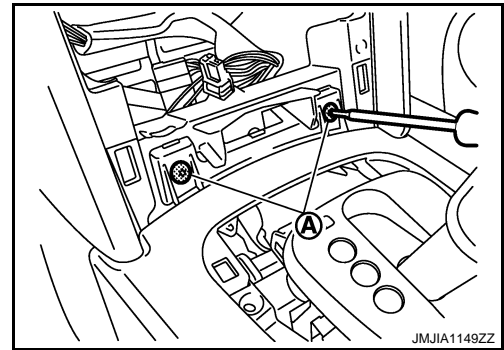


### 3. Remove cluster lid D.

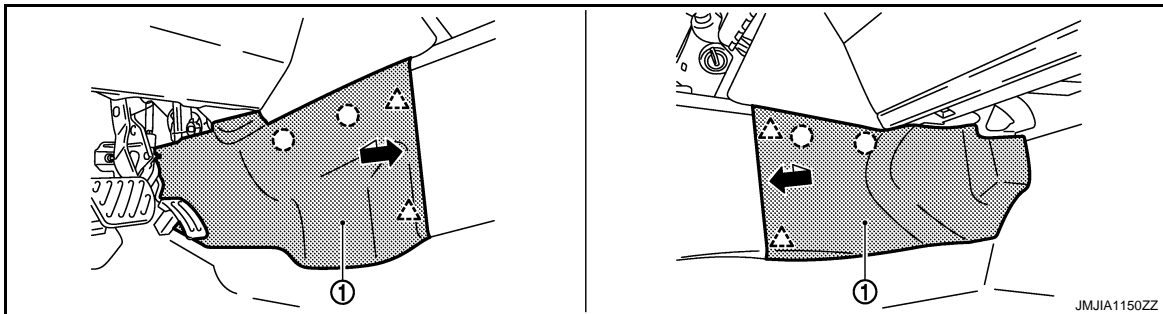
- Using remover tool (A), release cluster lid D (1) fixing pawls and clips, from lower to upper, from Instrument panel.
- Release harness connectors.



### 4. Remove screws (A) of center console front side.



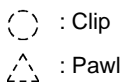
### 5. Remove instrument lower covers (LH/RH).



Instrument lower cover LH

Instrument lower cover RH

- Pull from the rear of instrument lower cover (1) to release rear pawls, use remover tool to release upper clips.
- Pull backward to release instrument lower cover from instrument panel.



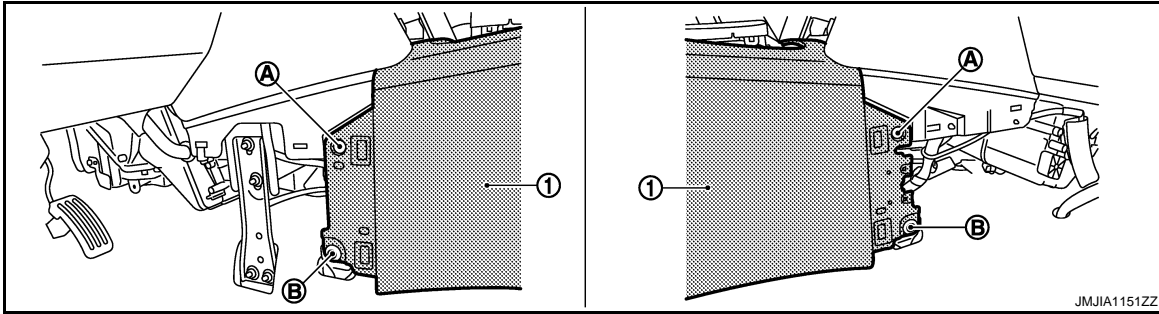
### CAUTION:

To avoid damaging parts, it is important to take care for removal of this part.

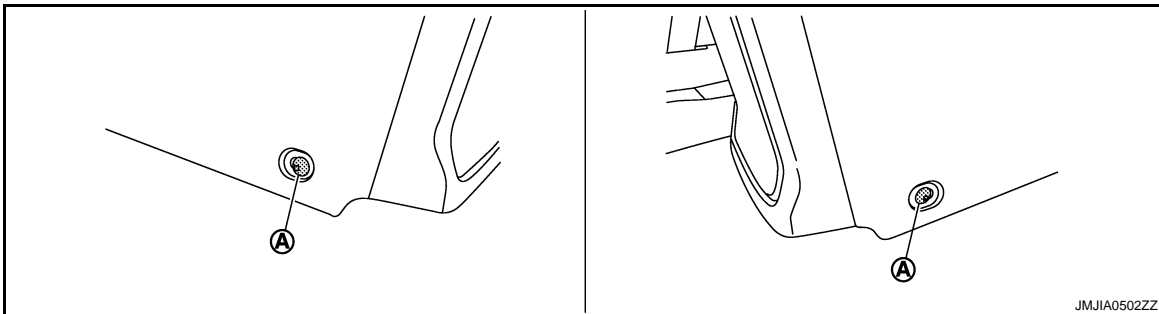
# INSTRUMENT PANEL ASSEMBLY

## < ON-VEHICLE REPAIR >

6. Remove center console (1) front fixing screws (A) and clips (B).



7. Remove center console rear fixing screws (A), move forward front seats if necessary.




8. Lift up the center console, and then disconnect harness connectors.

9. Remove center console assembly.

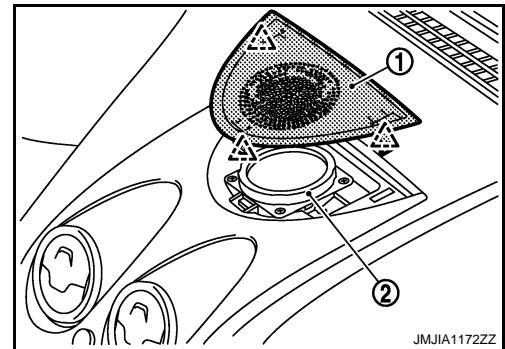
**CAUTION:**

**Always move center console with caution to avoid damaging seats, or other part.**


10. Remove center speaker grille. (with BOSE audio)
- Remove center speaker grille (1) fixing pawls with remover tool.
  - Pull up center speaker grille from cluster lid C.

 : Pawl

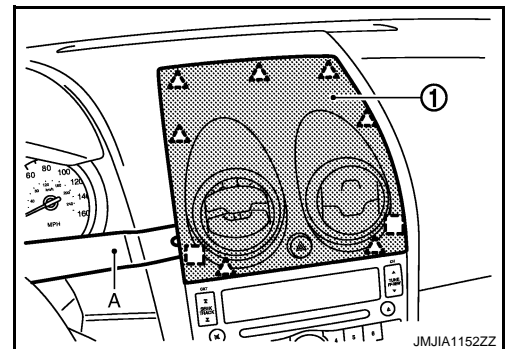
11. Remove center speaker (2). (with BOSE audio)  
Refer to [AV-153, "Removal and Installation"](#).



12. Remove cluster lid C.
- Remove cluster lid C (1) fixing pawls and metal clips with remover tool (A).
  - Pull back cluster lid C from lower to upper part.
  - Release harness connector.

 : Pawl

 : Metal clip



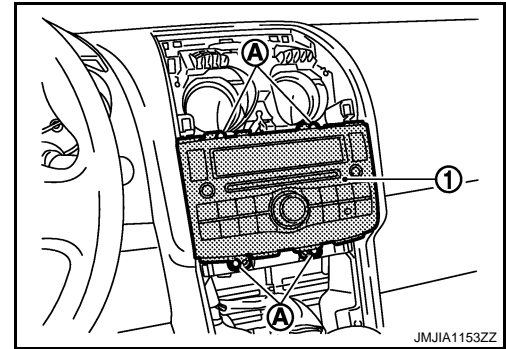
A  
B  
C  
D  
E  
F  
G  
H  
I  
IP  
K  
L  
M  
N  
O  
P

# INSTRUMENT PANEL ASSEMBLY

## < ON-VEHICLE REPAIR >


13. Remove audio unit. Refer to [AV-29, "Removal and Installation"](#).

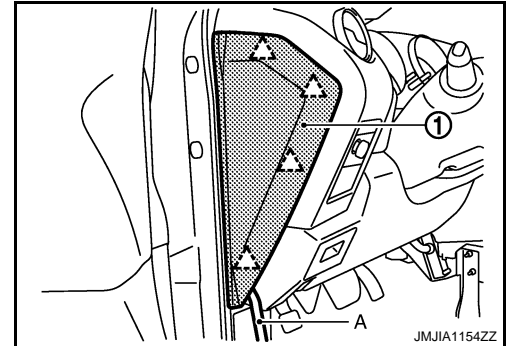
- Remove audio unit (1) mounting screws (A).
- Pull back audio unit.
- Disconnect antenna feeder and harness connectors.



14. Remove instrument side finisher LH.

- Insert a remover tool (A) into lower space, and disengage instrument side finisher LH (1) fixing pawls.
- Pull back instrument side finisher.

 : Pawl




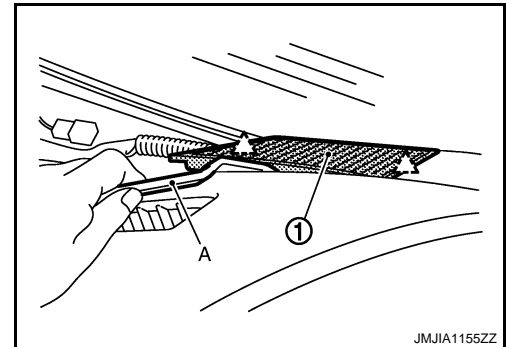
15. Remove front body side welt LH. Refer to [INT-17, "Exploded View"](#).

16. Remove front pillar garnish LH. Refer to [INT-17, "Removal and Installation"](#).

17. Remove tweeter grille LH.


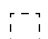
- Disengage tweeter grille (1) fixing pawls with remover tool (A).
- Pull up tweeter grille LH.

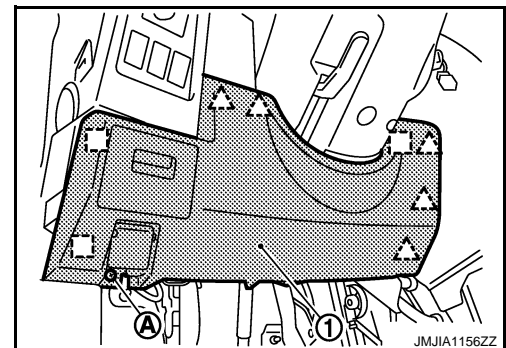
 : Pawl



18. Remove instrument driver lower panel.

- Remove instrument driver lower panel (1) mounting screw (A).
- Pull back instrument driver lower panel.
- Release date link connector (pawl) then remove it from instrument driver lower panel.
- Release hood opener cable. Refer to [DLK-226, "HOOD LOCK CONTROL : Exploded View"](#).
- Disconnect harness clamp.

 : Pawl  
 : Metal clip

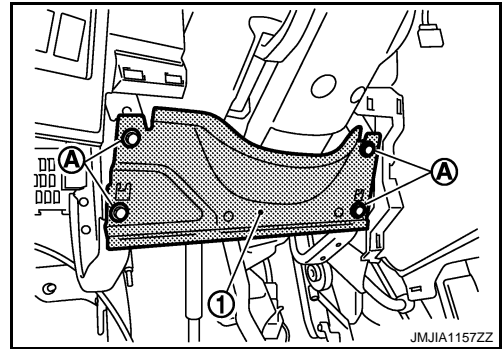




# INSTRUMENT PANEL ASSEMBLY


## < ON-VEHICLE REPAIR >

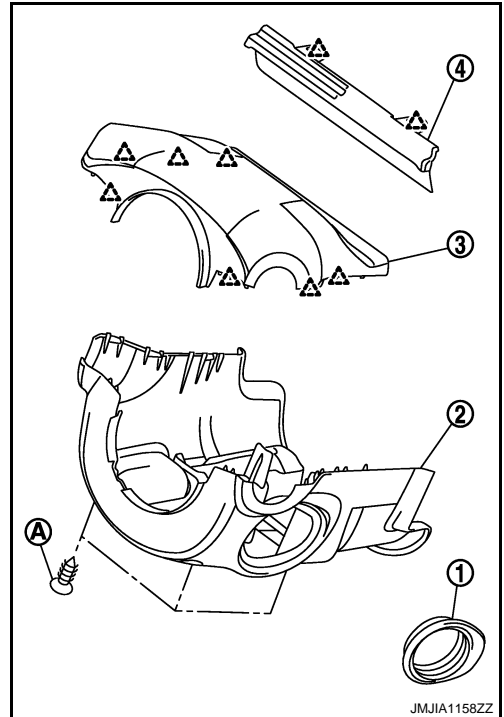
19. Remove knee protector mounting bolts (A) with power tool, and then remove knee protector (1).



20. Remove steering wheel. Refer to [ST-10, "Removal and Installation"](#).

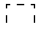
21. Remove steering column covers.
- Release steering column handle.
  - Remove steering lock escutcheon (1).
  - Remove steering column lower cover (2) fixing screws (A).
  - Pull up steering column upper cover (3), and then remove steering column upper cover.
  - Pull down steering column lower cover, and then remove steering column lower cover.
  - Release steering column finisher (4) fixing pawls, and then remove steering column finisher.

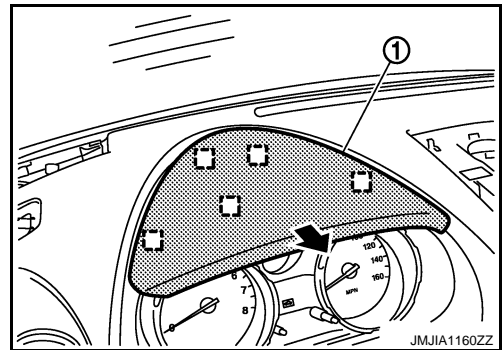
 : Pawl



22. Remove combination switch. Refer to [BCS-68, "Removal and Installation"](#).

23. Remove cluster lid A.
- Pull back cluster lid A (1), and disengage metal clips.
  - Remove cluster lid A.

 : Metal clip



24. Remove combination meter. Refer to [MWI-86, "Removal and Installation"](#).

- Remove combination meter fixing screws.
- Pull back combination meter.
- Disconnect harness connector.


A  
B  
C  
D  
E  
F  
G  
H  
I  
IP  
K  
L  
M  
N  
O  
P

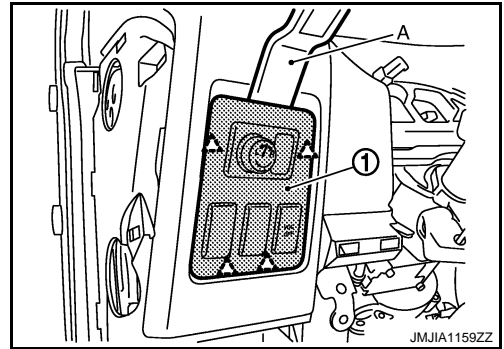
## INSTRUMENT PANEL ASSEMBLY

### < ON-VEHICLE REPAIR >

#### 25. Remove switch panel.


- Remove switch panel (1) fixing pawls with remover tool (A).
- Pull back switch panel.
- Release harness connectors.

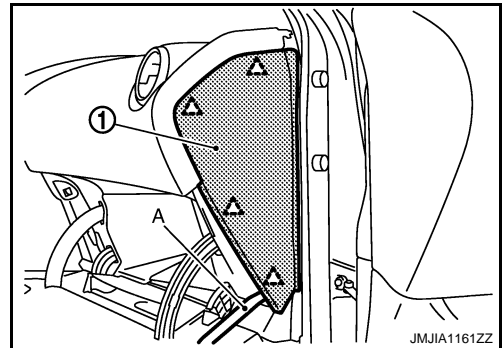
 : Pawl



#### 26. Remove instrument side finisher RH.

- Insert a remover tool (A) into lower space, and disengage instrument side finisher RH (1) fixing pawls.
- Pull back instrument side finisher.

 : Pawl




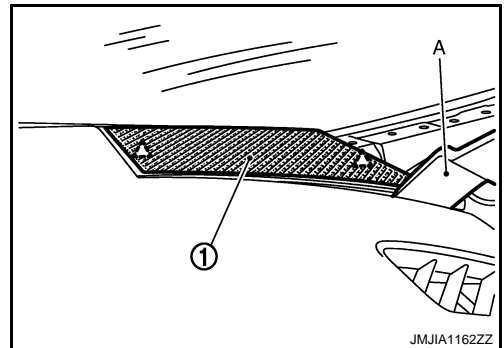
#### 27. Remove body side welt RH. Refer to [INT-17, "Exploded View"](#).

#### 28. Remove front pillar garnish RH. Refer to [INT-17, "Removal and Installation"](#).

#### 29. Remove tweeter grille RH.

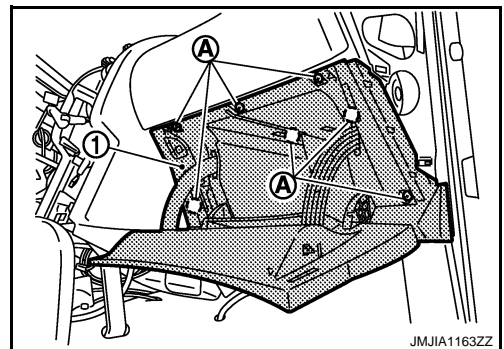
- Disengage tweeter grille (1) fixing pawls with remover tool (A).
- Pull up tweeter grille RH.

 : Pawl



#### 30. Remove glove box assembly.

- Open the glove box lid.
- Remove fixing screws (A).
- Pull glove box assembly (1).
- Disconnect glove box lamp harness connector.



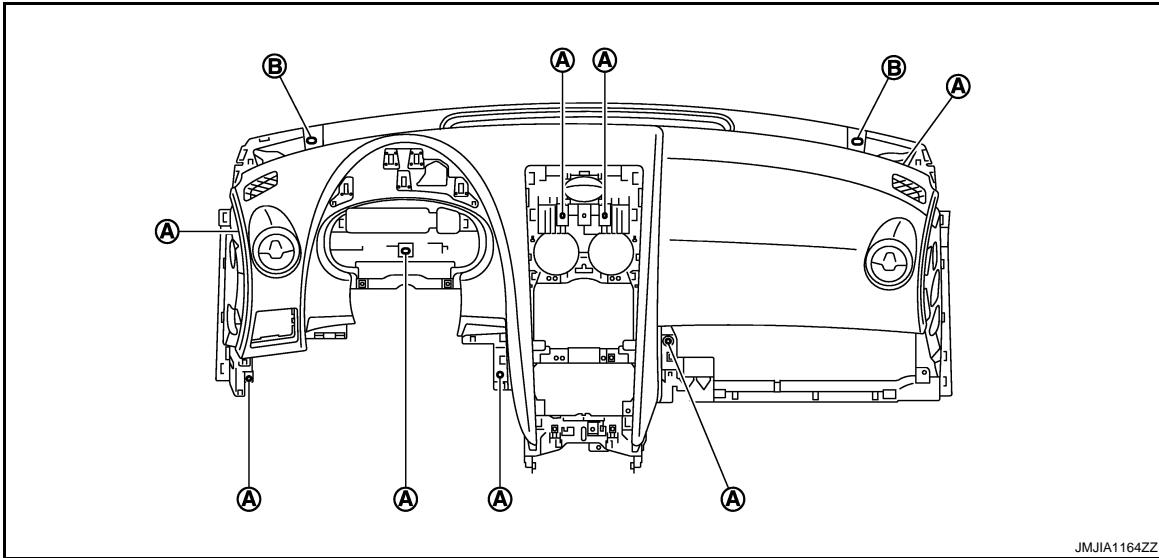
#### 31. Disconnect passenger air bag module connector. Refer to [SR-10, "Removal and Installation"](#).

#### 32. Remove passenger air bag module fixing bolt. Refer to [SR-10, "Exploded View"](#).

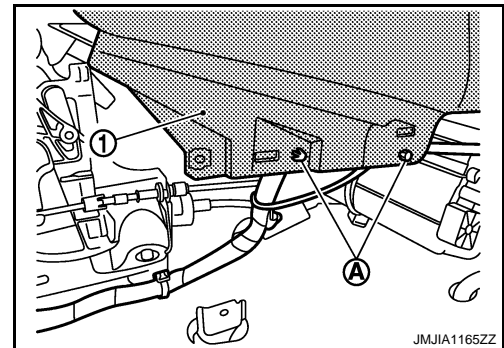
#### 33. Remove instrument panel assembly mounting screws (A) and bolts (B).

# INSTRUMENT PANEL ASSEMBLY

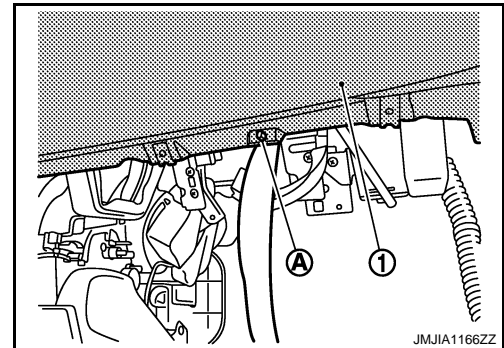
< ON-VEHICLE REPAIR >



34. Release floor harness clamps (A) from instrument panel (1).



35. Release glove box lamp harness clamp (A) from instrument panel (1).



36. Remove instrument panel assembly.

**CAUTION:**

- Cover shift knob (selector knob) upper surface with a shop cloth to prevent it from being damaged.
- When removing instrument panel, 2 workers are required so as to prevent it from dropping.

37. Remove the following parts after removing instrument panel & pad.

- Passenger air bag module. Refer to [SR-10, "Removal and Installation"](#).
- Center ventilator grille. Refer to [VTL-10, "CENTER VENTILATOR GRILLE : Removal and Installation"](#).
- Center ventilator duct. Refer to [VTL-11, "CENTER VENTILATOR DUCT : Removal and Installation"](#).
- Side ventilator grilles. Refer to [VTL-11, "SIDE VENTILATOR GRILLE : Removal and Installation"](#).
- Side ventilator ducts. Refer to [VTL-11, "SIDE VENTILATOR DUCT : Removal and Installation"](#).
- Side defroster grilles. Refer to [VTL-12, "SIDE DEFROSTER GRILLE : Removal and Installation"](#).
- Side defroster ducts. Refer to [VTL-12, "SIDE DEFROSTER DUCT : Removal and Installation"](#).
- Tweeter LH/RH. Refer to [AV-30, "Removal and Installation"](#).

## INSTALLATION

Install in the reverse order of removal.

A  
B  
C  
D  
E  
F  
G  
H  
I  
IP

K  
L  
M

N  
O  
P

# CENTER CONSOLE ASSEMBLY

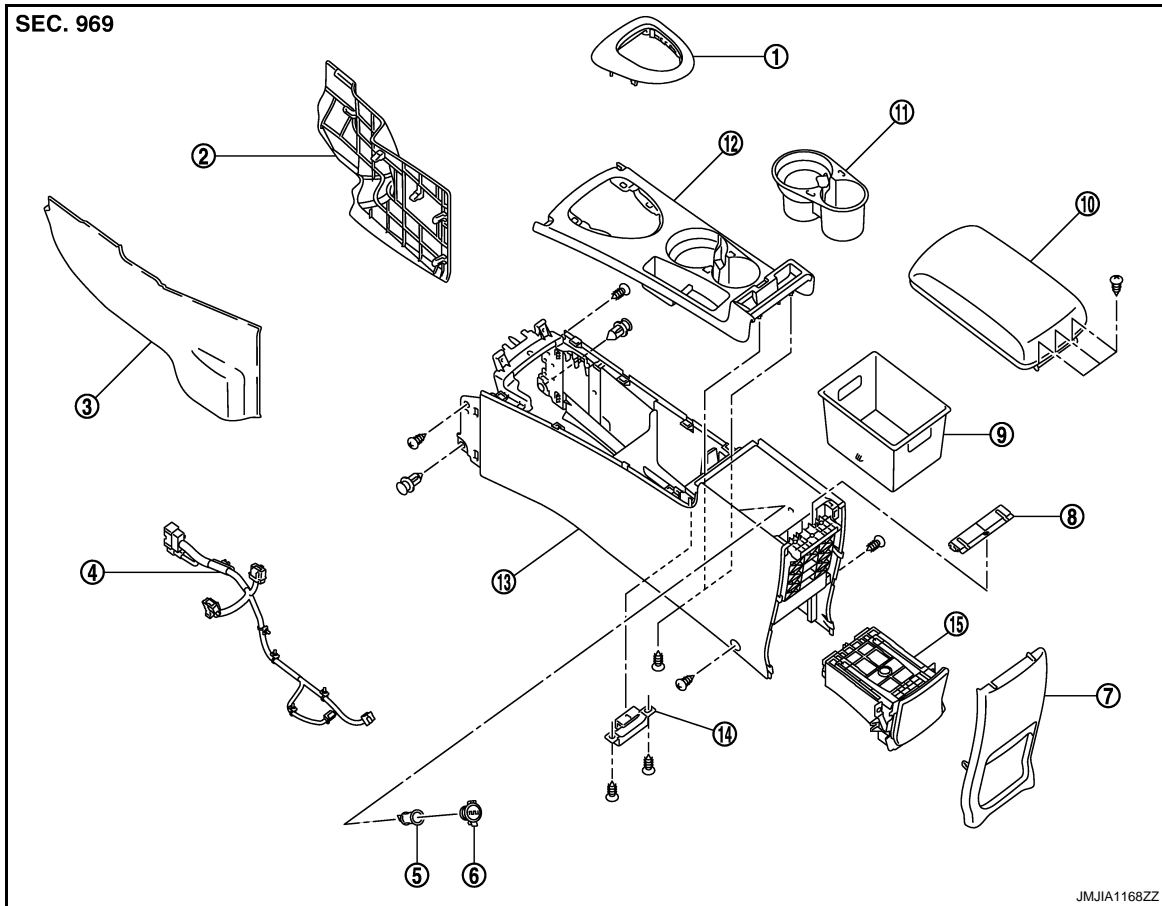
< ON-VEHICLE REPAIR >

## CENTER CONSOLE ASSEMBLY

Exploded View

INFOID:000000004235265

CENTER CONSOLE



- |                                   |                                |                              |
|-----------------------------------|--------------------------------|------------------------------|
| 1. Console finisher assembly      | 2. Instrument lower cover RH   | 3. Instrument lower cover LH |
| 4. Console harness assembly       | 5. Power socket                | 6. Socket knob               |
| 7. Console rear finisher assembly | 8. Console mask                | 9. Console pocket            |
| 10. Console lid assembly          | 11. Center cup holder assembly | 12. Console upper finisher   |
| 13. Console body assembly         | 14. Inside key antenna         | 15. Rear cup holder assembly |

### Removal and Installation

INFOID:000000004235266

#### **CAUTION:**

**When removing, always use a remover tool that is made of plastic.**

#### REMOVAL

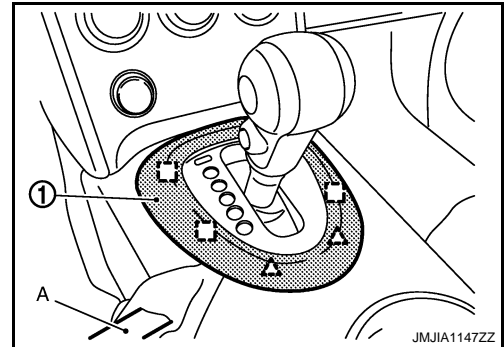
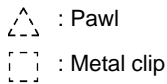
1. Put selector lever in [N] or [D] position.

# CENTER CONSOLE ASSEMBLY

## < ON-VEHICLE REPAIR >

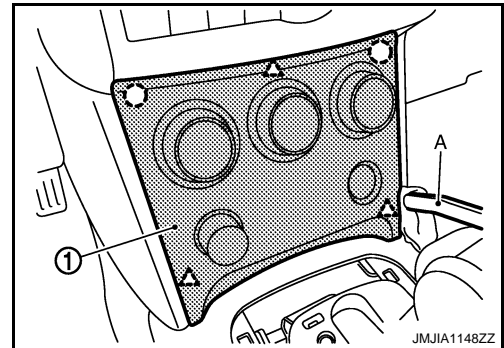
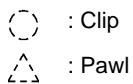
### 2. Remove console finisher.

- Remove console finisher (1) fixing pawls and metal clips with remover tool (A).
- Pull console finisher upward to disengage from center console.

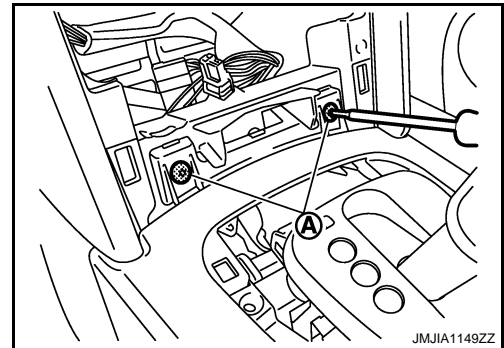


### 3. Remove cluster lid D.

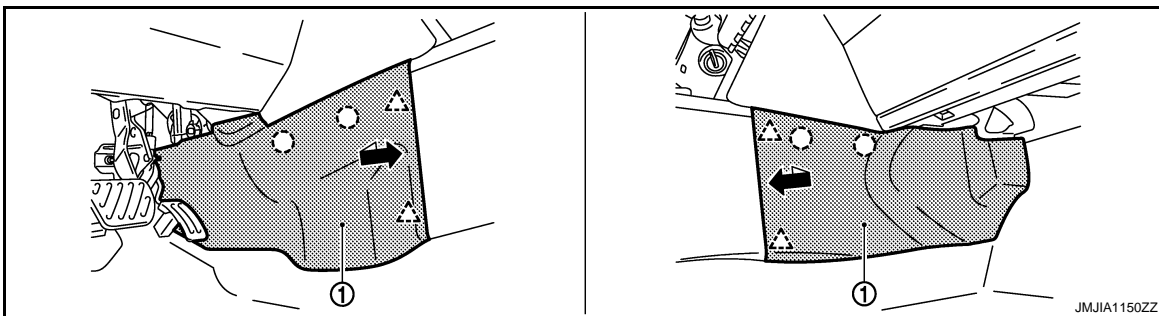
- Using remover tool (A), release cluster lid D (1) fixing pawls and clips, from lower to upper, from Instrument panel.
- Release harness connectors.



### 4. Remove screws (A) of center console front side.



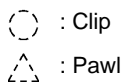
### 5. Remove instrument lower covers (LH/RH).



Instrument lower cover LH

Instrument lower cover RH

- Pull from the rear of instrument lower cover (1) to release rear pawls, use remover tool to release upper clips.
- Pull backward to release instrument lower cover from instrument panel.



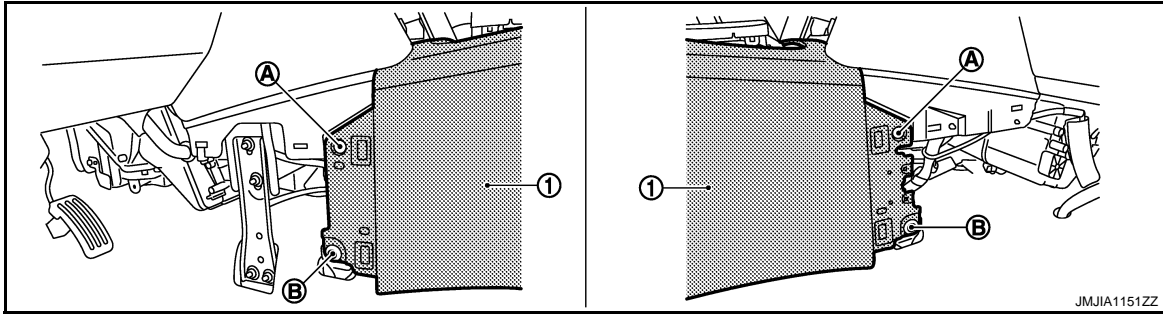
### CAUTION:

To avoid damaging parts, it is important to take care for removal of this part.

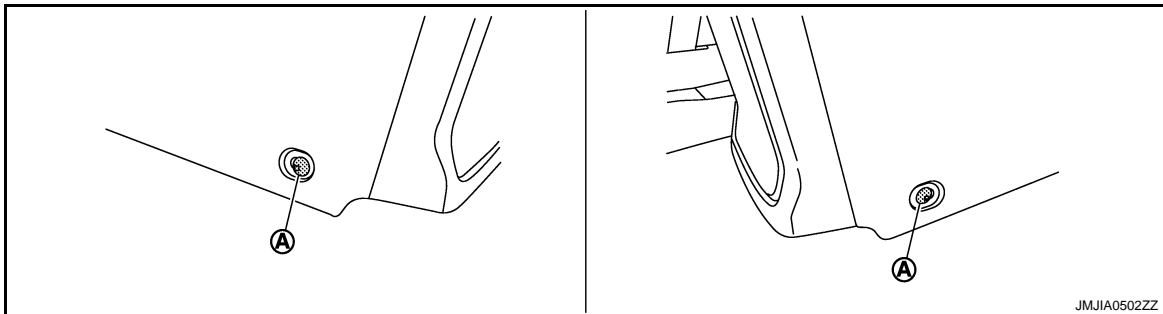
# CENTER CONSOLE ASSEMBLY

## < ON-VEHICLE REPAIR >

6. Remove center console (1) front fixing screws (A) and clips (B).



7. Remove center console rear fixing screws (A), move forward front seats if necessary.



8. Lift up the center console, and then disconnect harness connectors.

9. Remove center console assembly.

### **CAUTION:**

**Always move center console with caution to avoid damaging seats, or other part.**

## INSTALLATION

Install in the reverse order of removal.

## Disassembly and Assembly

INFOID:000000004235267

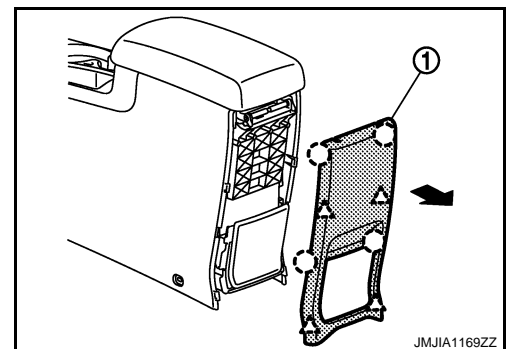
### **CAUTION:**

**When disassembling, always use a remover tool that is made of plastic.**

## Disassembly

1. Remove console rear finisher assembly.
  - Console rear finisher assembly (1) fixing clips and pawls using a remover tool.
  - Pull back console rear finisher assembly.

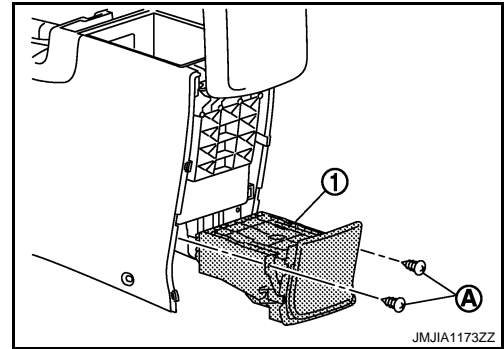
- : Clip
- △ : Pawl




# CENTER CONSOLE ASSEMBLY

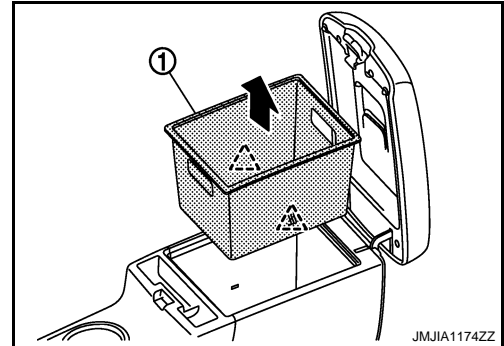
## < ON-VEHICLE REPAIR >

2. Remove rear cup holder assembly.
  - Remove rear cup holder assembly (1) fixing screws (A).
  - Pull back rear cup holder assembly.




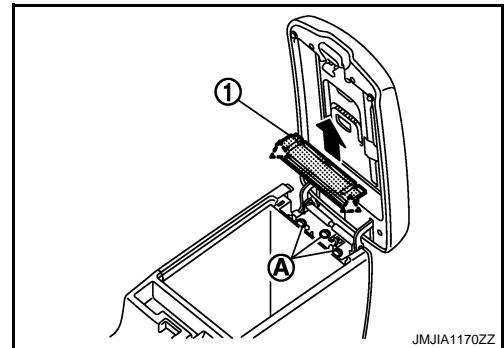
3. Remove console pocket.
  - Open the console lid assembly.
  - Pull up console pocket (1).

 : Pawl




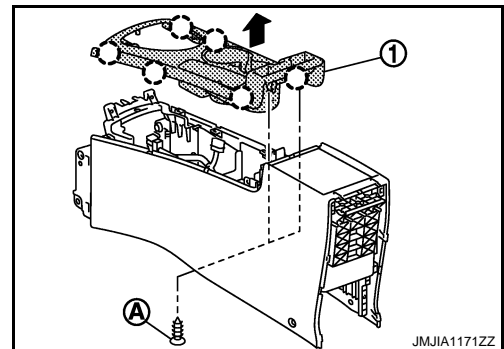
4. Remove console lid assembly.
  - Remove console mask (1) fixing pawls with remover tool, and then remove console mask.
  - Remove console lid assembly fixing screws (A).
  - Pull up console lid assembly.

 : Pawl



5. Remove console upper finisher.
  - Remove console upper finisher (1) fixing screws (A).
  - Remove console upper finisher fixing clips with remover tool.
  - Pull up console upper finisher.

 : Clip



6. Remove inside key antenna. Refer to [DLK-264, "CONSOLE : Removal and Installation"](#).
7. Remove power socket. Refer to [PWO-5, "CONSOLE POWER SOCKET : Removal and Installation"](#).
8. Remove console harness assembly.

### Assembly

Assemble in the reverse order of disassembly.

A  
B  
C  
D  
E  
F  
G  
H  
I  
IP  
K  
L  
M  
N  
O  
P