

SECTION EI
EXTERIOR & INTERIOR

A
 B
 C
 D
 E
 F
 G
 H
 EI
 J
 K
 L
 M

CONTENTS

PRECAUTIONS	3	REAR BUMPER	18
Precautions for Supplemental Restraint System (SRS) "AIR BAG" and "SEAT BELT PRE-TENSIONER"	3	Removal and Installation	18
Precautions for Work	3	REMOVAL	20
PREPARATION	4	INSTALLATION	21
Special Service Tools	4	REAR BUMPER FASCIA	21
Commercial Service Tools	4	REAR BUMPER CLOSING	22
SQUEAK AND RATTLE TROUBLE DIAGNOSES	5	DRAFTER GUARD	22
Work Flow	5	REAR FILLET MOLDING ASSEMBLY	22
CUSTOMER INTERVIEW	5	FRONT GRILLE	23
DUPLICATE THE NOISE AND TEST DRIVE	6	Removal and Installation	23
CHECK RELATED SERVICE BULLETINS	6	REMOVAL	23
LOCATE THE NOISE AND IDENTIFY THE ROOT CAUSE	6	INSTALLATION	23
REPAIR THE CAUSE	6	COWL TOP	24
CONFIRM THE REPAIR	7	Removal and Installation	24
Generic Squeak and Rattle Troubleshooting	7	REMOVAL	24
INSTRUMENT PANEL	7	INSTALLATION	24
CENTER CONSOLE	7	FENDER PROTECTOR	25
DOORS	7	Removal and Installation	25
TRUNK	8	REMOVAL	25
SUNROOF/HEADLINING	8	INSTALLATION	25
SEATS	8	DOOR OUTSIDE MOLDING	26
UNDERHOOD	8	Removal and Installation	26
Diagnostic Worksheet	9	FRONT DOOR OUTSIDE MOLDING	26
CLIP AND FASTENER	11	REAR DOOR OUTSIDE MOLDING	26
Clip and Fastener	11	DOOR OUTSIDE LOWER MOLDING	27
FRONT BUMPER	14	Removal and Installation	27
Removal and Installation	14	FRONT AND REAR DOOR OUTSIDE LOWER MOLDING	27
REMOVAL	16	DOOR PARTING SEAL	28
INSTALLATION	16	Removal and Installation	28
FRONT FILLET MOLDING ASSEMBLY	17	REMOVAL	28
		INSTALLATION	28
		CENTER MUD GUARD	29
		Removal and Installation	29
		REMOVAL	29
		INSTALLATION	29
		WINDSHIELD MOLDING	30
		Removal and Installation	30
		REMOVAL	30
		INSTALLATION	30

BACK DOOR WINDOW MOLDING	31	REAR)	39
Removal and Installation	31	FLOOR TRIM	40
REMOVAL	31	Removal and Installation	40
INSTALLATION	31	REMOVAL	40
ROOF SIDE MOLDING	33	INSTALLATION	41
Removal and Installation	33	HEADLINING	42
REMOVAL	33	Removal and Installation	42
INSTALLATION	33	REMOVAL	43
ROOF RAIL	34	INSTALLATION	43
Removal and Installation	34	LUGGAGE FLOOR TRIM	44
REMOVAL	34	Removal and Installation	44
INSTALLATION	34	REMOVAL	45
ROOF RAIL BRACKET	34	INSTALLATION	45
DOOR FINISHER	35	BACK DOOR TRIM	46
Removal and Installation	35	Removal and Installation	46
DOOR FINISHER (FRONT AND REAR)	35	REMOVAL	46
BODY SIDE TRIM	37	INSTALLATION	46
Removal and Installation	37	BACK DOOR OUTSIDE FINISHER	46
CENTER PILLAR LOWER GARNISH	37		
CENTER PILLAR UPPER GARNISH	38		
DASH SIDE FINISHER	38		
FRONT PILLAR GARNISH	39		
KICKING PLATE	39		
CENTER MUDGUARD FINISHER (FRONT/			

PRECAUTIONS

PRECAUTIONS

PPF:00001

Precautions for Supplemental Restraint System (SRS) “AIR BAG” and “SEAT BELT PRE-TENSIONER”

AIS0057R

The Supplemental Restraint System such as “AIR BAG” and “SEAT BELT PRE-TENSIONER”, used along with a front seat belt, helps to reduce the risk or severity of injury to the driver and front passenger for certain types of collision. This system includes seat belt switch inputs and dual stage front air bag modules. The SRS system uses the seat belt switches to determine the front air bag deployment, and may only deploy one front air bag, depending on the severity of a collision and whether the front occupants are belted or unbelted. Information necessary to service the system safely is included in the SRS and SB section of this Service Manual.

WARNING:

- To avoid rendering the SRS inoperative, which could increase the risk of personal injury or death in the event of a collision which would result in air bag inflation, all maintenance must be performed by an authorized NISSAN/INFINITI dealer.
- Improper maintenance, including incorrect removal and installation of the SRS, can lead to personal injury caused by unintentional activation of the system. For removal of Spiral Cable and Air Bag Module, see the SRS section.
- Do not use electrical test equipment on any circuit related to the SRS unless instructed to in this Service Manual. SRS wiring harnesses can be identified by yellow and/or orange harnesses or harness connectors.

Precautions for Work

AIS0057S

- After removing and installing the opening/closing parts, be sure to carry out fitting adjustments to check their operation.
- Check the lubrication level, damage, and wear of each part. If necessary, grease or replace it.

A

B

C

D

E

F

G

H

EI

J

K

L

M

PREPARATION

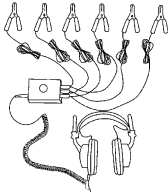
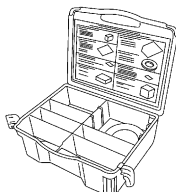
PREPARATION

PFP:00002

Special Service Tools

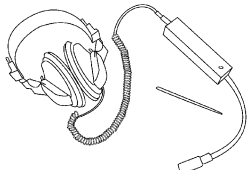

AIS00373

The actual shapes of Kent-Moore tools may differ from those of special service tools illustrated here.

Tool number (Kent-Moore No.) Tool name	Description
(J-39570) Chassis ear  SIIA0993E	Locating the noise
(J-43980) NISSAN Squeak and Rattle Kit  SIIA0994E	Repairing the cause of noise

Commercial Service Tools

AIS00374

Tool name	Description
Engine ear  SIIA0995E	Locating the noise
Power tool  PIIB1407E	

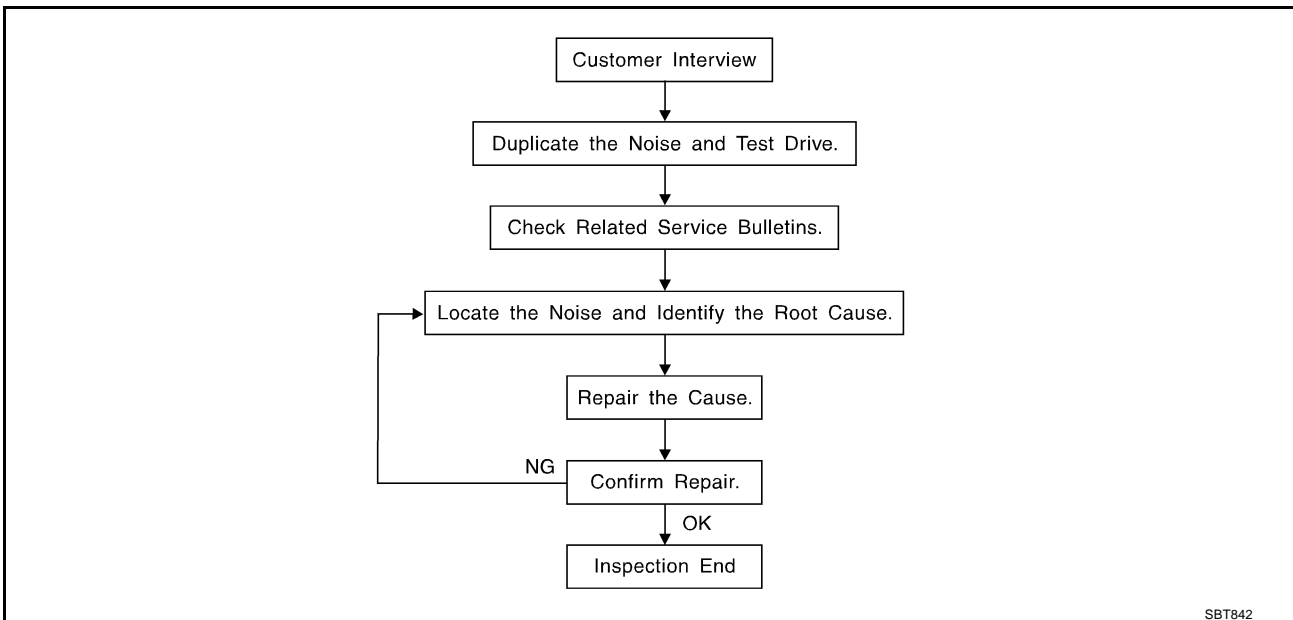
SQUEAK AND RATTLE TROUBLE DIAGNOSES

SQUEAK AND RATTLE TROUBLE DIAGNOSES

PPF:00000

Work Flow

AIS00375



CUSTOMER INTERVIEW

Interview the customer if possible, to determine the conditions that exist when the noise occurs. Use the Diagnostic Worksheet during the interview to document the facts and conditions when the noise occurs and any customer's comments; refer to [EI-9, "Diagnostic Worksheet"](#). This information is necessary to duplicate the conditions that exist when the noise occurs.

- The customer may not be able to provide a detailed description or the location of the noise. Attempt to obtain all the facts and conditions that exist when the noise occurs (or does not occur).
- If there is more than one noise in the vehicle, be sure to diagnose and repair the noise that the customer is concerned about. This can be accomplished by test driving the vehicle with the customer.
- After identifying the type of noise, isolate the noise in terms of its characteristics. The noise characteristics are provided so the customer, service adviser and technician are all speaking the same language when defining the noise.
- Squeak—(Like tennis shoes on a clean floor)
Squeak characteristics include the light contact/fast movement/brought on by road conditions/hard surfaces=higher pitch noise/softer surfaces=lower pitch noises/edge to surface=chirping
- Creak—(Like walking on an old wooden floor)
Creak characteristics include firm contact/slow movement/twisting with a rotational movement/pitch dependent on materials/often brought on by activity.
- Rattle—(Like shaking a baby rattle)
Rattle characteristics include the fast repeated contact/vibration or similar movement/loose parts/missing clip or fastener/incorrect clearance.
- Knock—(Like a knock on a door)
Knock characteristics include hollow sounding/sometimes repeating/often brought on by driver action.
- Tick—(Like a clock second hand)
Tick characteristics include gentle contacting of light materials/loose components/can be caused by driver action or road conditions.
- Thump—(Heavy, muffled knock noise)
Thump characteristics include softer knock/dead sound often brought on by activity.
- Buzz—(Like a bumble bee)
Buzz characteristics include high frequency rattle/firm contact.
- Often the degree of acceptable noise level will vary depending upon the person. A noise that you may judge as acceptable may be very irritating to the customer.
- Weather conditions, especially humidity and temperature, may have a great effect on noise level.

SQUEAK AND RATTLE TROUBLE DIAGNOSES

DUPLICATE THE NOISE AND TEST DRIVE

If possible, drive the vehicle with the customer until the noise is duplicated. Note any additional information on the Diagnostic Worksheet regarding the conditions or location of the noise. This information can be used to duplicate the same conditions when you confirm the repair.

If the noise can be duplicated easily during the test drive, to help identify the source of the noise, try to duplicate the noise with the vehicle stopped by doing one or all of the following:

- 1) Close a door.
 - 2) Tap or push/pull around the area where the noise appears to be coming from.
 - 3) Rev the engine.
 - 4) Use a floor jack to recreate vehicle "twist".
 - 5) At idle, apply engine load (electrical load, half-clutch on M/T model, drive position on A/T model).
 - 6) Raise the vehicle on a hoist and hit a tire with a rubber hammer.
- Drive the vehicle and attempt to duplicate the conditions the customer states exist when the noise occurs.
 - If it is difficult to duplicate the noise, drive the vehicle slowly on an undulating or rough road to stress the vehicle body.

CHECK RELATED SERVICE BULLETINS

After verifying the customer concern or symptom, check ASIST for Technical Service Bulletins (TSBs) related to that concern or symptom.

If a TSB relates to the symptom, follow the procedure to repair the noise.

LOCATE THE NOISE AND IDENTIFY THE ROOT CAUSE

1. Narrow down the noise to a general area. To help pinpoint the source of the noise, use a listening tool (Chassis Ear: J-39570, Engine Ear and mechanics stethoscope).
2. Narrow down the noise to a more specific area and identify the cause of the noise by:
 - removing the components in the area that you suspect the noise is coming from.
Do not use too much force when removing clips and fasteners, otherwise clips and fastener can be broken or lost during the repair, resulting in the creation of new noise.
 - tapping or pushing/pulling the component that you suspect is causing the noise.
Do not tap or push/pull the component with excessive force, otherwise the noise will be eliminated only temporarily.
 - feeling for a vibration with your hand by touching the component(s) that you suspect is (are) causing the noise.
 - placing a piece of paper between components that you suspect are causing the noise.
 - looking for loose components and contact marks.
Refer to [EI-7, "Generic Squeak and Rattle Troubleshooting"](#).

REPAIR THE CAUSE

- If the cause is a loose component, tighten the component securely.
- If the cause is insufficient clearance between components:
 - separate components by repositioning or loosening and retightening the component, if possible.
 - insulate components with a suitable insulator such as urethane pads, foam blocks, felt cloth tape or urethane tape. A Nissan Squeak and Rattle Kit (J-43980) is available through your authorized Nissan Parts Department.

CAUTION:

Do not use excessive force as many components are constructed of plastic and may be damaged.

Always check with the Parts Department for the latest parts information.

The following materials are contained in the Nissan Squeak and Rattle Kit (J-43980). Each item can be ordered separately as needed.

URETHANE PADS [1.5 mm (0.059 in) thick]

Insulates connectors, harness, etc.

76268-9E005: 100 × 135 mm (3.94 × 5.31 in)/76884-71L01: 60 × 85 mm (2.36 × 3.35 in)/76884-71L02: 15 × 25 mm (0.59 × 0.98 in)

INSULATOR (Foam blocks)

Insulates components from contact. Can be used to fill space behind a panel.

73982-9E000: 45 mm (1.77 in) thick, 50 × 50 mm (1.97 × 1.97 in)/73982-50Y00: 10 mm (0.39 in) thick, 50 × 50 mm (1.97 × 1.97 in)

SQUEAK AND RATTLE TROUBLE DIAGNOSES

INSULATOR (Light foam block)

80845-71L00: 30 mm (1.18 in) thick, 30 × 50 mm (1.18 × 1.97 in)

FELT CLOTHTAPE

Used to insulate where movement does not occur. Ideal for instrument panel applications.

68370-4B000: 15 × 25 mm (0.59 × 0.98 in) pad/68239-13E00: 5 mm (0.20 in) wide tape roll The following materials, not found in the kit, can also be used to repair squeaks and rattles.

UHMW(TEFLON) TAPE

Insulates where slight movement is present. Ideal for instrument panel applications.

SILICONE GREASE

Used in place of UHMW tape that will be visible or not fit.

Note: Will only last a few months.

SILICONE SPRAY

Use when grease cannot be applied.

DUCT TAPE

Use to eliminate movement.

CONFIRM THE REPAIR

Confirm that the cause of a noise is repaired by test driving the vehicle. Operate the vehicle under the same conditions as when the noise originally occurred. Refer to the notes on the Diagnostic Worksheet.

Generic Squeak and Rattle Troubleshooting

AIS00376

Refer to Table of Contents for specific component removal and installation information.

INSTRUMENT PANEL

Most incidents are caused by contact and movement between:

1. The cluster lid A and instrument panel
2. Acrylic lens and combination meter housing
3. Instrument panel to front pillar garnish
4. Instrument panel to windshield
5. Instrument panel mounting pins
6. Wiring harnesses behind the combination meter
7. A/C defroster duct and duct joint

These incidents can usually be located by tapping or moving the components to duplicate the noise or by pressing on the components while driving to stop the noise. Most of these incidents can be repaired by applying felt cloth tape or silicon spray (in hard to reach areas). Urethane pads can be used to insulate wiring harness.

CAUTION:

Do not use silicone spray to isolate a squeak or rattle. If you saturate the area with silicone, you will not be able to recheck the repair.

CENTER CONSOLE

Components to pay attention to include:

1. Shifter assembly cover to finisher
2. A/C control unit and cluster lid C
3. Wiring harnesses behind audio and A/C control unit

The instrument panel repair and isolation procedures also apply to the center console.

DOORS

Pay attention to the:

1. Finisher and inner panel making a slapping noise
2. Inside handle escutcheon to door finisher
3. Wiring harnesses tapping
4. Door striker out of alignment causing a popping noise on starts and stops

Tapping or moving the components or pressing on them while driving to duplicate the conditions can isolate many of these incidents. You can usually insulate the areas with felt cloth tape or insulator foam blocks from the Nissan Squeak and Rattle Kit (J-43980) to repair the noise.

SQUEAK AND RATTLE TROUBLE DIAGNOSES

TRUNK

Trunk noises are often caused by a loose jack or loose items put into the trunk by the owner. In addition look for:

1. Trunk lid dumpers out of adjustment
2. Trunk lid striker out of adjustment
3. The trunk lid torsion bars knocking together
4. A loose license plate or bracket

Most of these incidents can be repaired by adjusting, securing or insulating the item(s) or component(s) causing the noise.

SUNROOF/HEADLINING

Noises in the sunroof/headlining area can often be traced to one of the following:

1. Sunroof lid, rail, linkage or seals making a rattle or light knocking noise
2. Sunvisor shaft shaking in the holder
3. Front or rear windshield touching headlining and squeaking

Again, pressing on the components to stop the noise while duplicating the conditions can isolate most of these incidents. Repairs usually consist of insulating with felt cloth tape.

SEATS

When isolating seat noise it's important to note the position the seat is in and the load placed on the seat when the noise is present. These conditions should be duplicated when verifying and isolating the cause of the noise.

Cause of seat noise include:

1. Headrest rods and holder
2. A squeak between the seat pad cushion and frame
3. The rear seatback lock and bracket

These noises can be isolated by moving or pressing on the suspected components while duplicating the conditions under which the noise occurs. Most of these incidents can be repaired by repositioning the component or applying urethane tape to the contact area.

UNDERHOOD

Some interior noise may be caused by components under the hood or on the engine wall. The noise is then transmitted into the passenger compartment.

Causes of transmitted underhood noise include:

1. Any component mounted to the engine wall
2. Components that pass through the engine wall
3. Engine wall mounts and connectors
4. Loose radiator mounting pins
5. Hood bumpers out of adjustment
6. Hood striker out of adjustment

These noises can be difficult to isolate since they cannot be reached from the interior of the vehicle. The best method is to secure, move or insulate one component at a time and test drive the vehicle. Also, engine RPM or load can be changed to isolate the noise. Repairs can usually be made by moving, adjusting, securing, or insulating the component causing the noise.

SQUEAK AND RATTLE TROUBLE DIAGNOSES

Diagnostic Worksheet

AIS00377



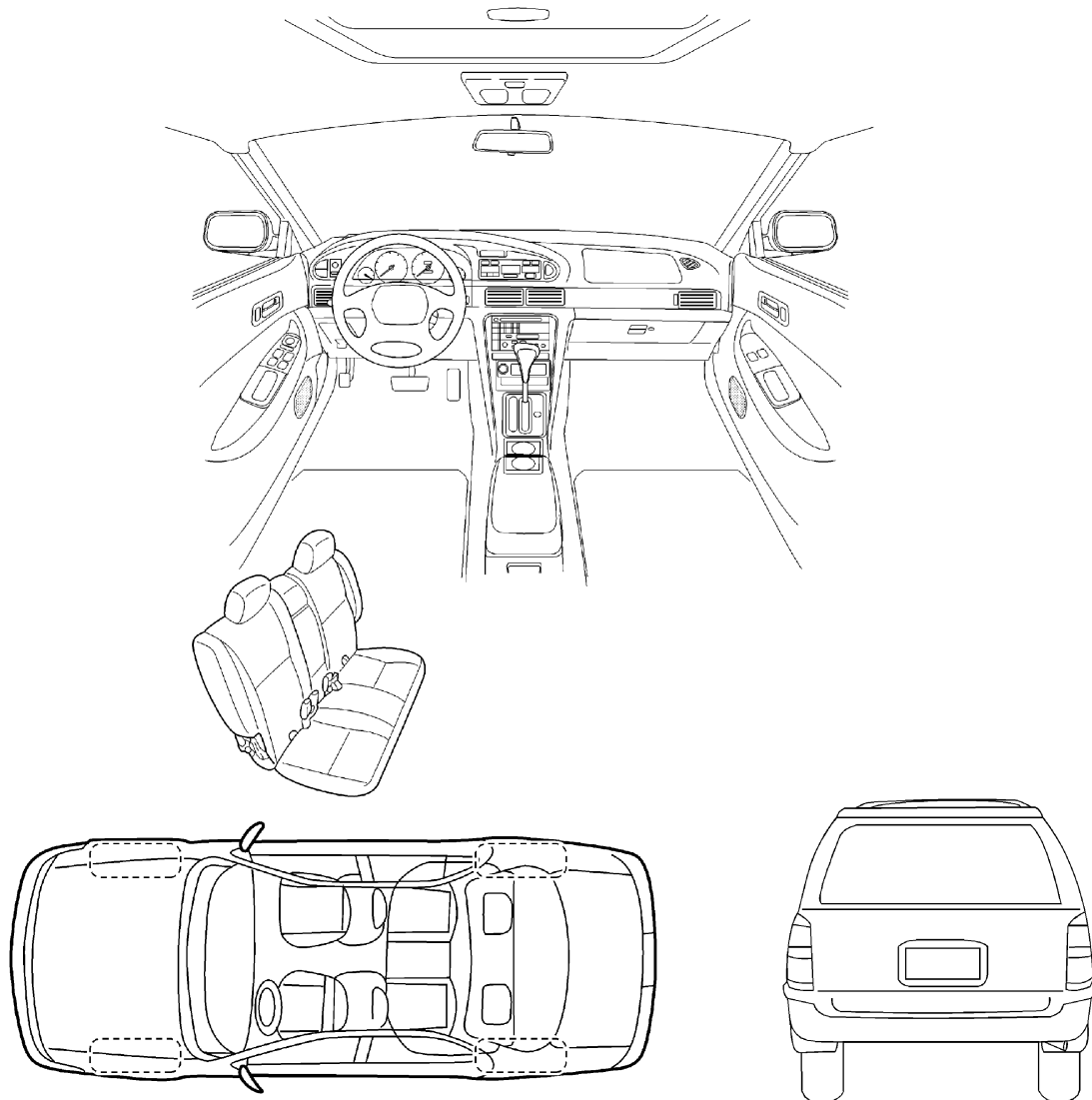
SQUEAK & RATTLE DIAGNOSTIC WORKSHEET

Dear Infiniti Customer:

We are concerned about your satisfaction with your Infiniti vehicle. Repairing a squeak or rattle sometimes can be very difficult. To help us fix your Infiniti right the first time, please take a moment to note the area of the vehicle where the squeak or rattle occurs and under what conditions. You may be asked to take a test drive with a service advisor or technician to ensure we confirm the noise you are hearing.

I. WHERE DOES THE NOISE COME FROM? (circle the area of the vehicle)

The illustrations are for reference only, and may not reflect the actual configuration of your vehicle.



Continue to the back of the worksheet and briefly describe the location of the noise or rattle. In addition, please indicate the conditions which are present when the noise occurs.

SBT860

A
B
C
D
E
F
G
H
EI
J
K
L
M

SQUEAK AND RATTLE TROUBLE DIAGNOSES

SQUEAK & RATTLE DIAGNOSTIC WORKSHEET- page 2

Briefly describe the location where the noise occurs:

II. WHEN DOES IT OCCUR? (check the boxes that apply)

- | | |
|--|---|
| <input type="checkbox"/> anytime | <input type="checkbox"/> after sitting out in the sun |
| <input type="checkbox"/> 1 st time in the morning | <input type="checkbox"/> when it is raining or wet |
| <input type="checkbox"/> only when it is cold outside | <input type="checkbox"/> dry or dusty conditions |
| <input type="checkbox"/> only when it is hot outside | <input type="checkbox"/> other: _____ |

III. WHEN DRIVING:

- through driveways
- over rough roads
- over speed bumps
- only at about ____ mph
- on acceleration
- coming to a stop
- on turns : left, right or either (circle)
- with passengers or cargo
- other: _____
- after driving ____ miles or ____ minutes

IV. WHAT TYPE OF NOISE?

- squeak (like tennis shoes on a clean floor)
- creak (like walking on an old wooden floor)
- rattle (like shaking a baby rattle)
- knock (like a knock on a door)
- tick (like a clock second hand)
- thump (heavy, muffled knock noise)
- buzz (like a bumble bee)

TO BE COMPLETED BY DEALERSHIP PERSONNEL

Test Drive Notes:

	YES	NO	Initials of person performing
Vehicle test driven with customer	<input type="checkbox"/>	<input type="checkbox"/>	_____
- Noise verified on test drive	<input type="checkbox"/>	<input type="checkbox"/>	_____
- Noise source located and repaired	<input type="checkbox"/>	<input type="checkbox"/>	_____
- Follow up test drive performed to confirm repair	<input type="checkbox"/>	<input type="checkbox"/>	_____

VIN: _____ Customer Name: _____

W.O. #: _____ Date: _____

This form must be attached to Work Order

SBT844


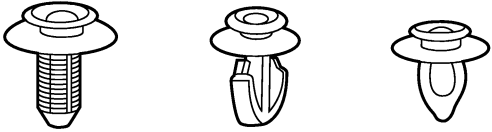


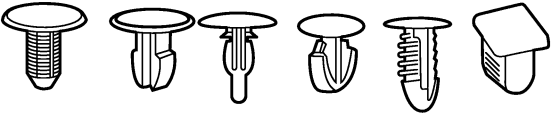
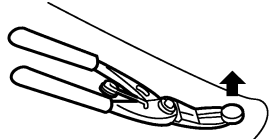

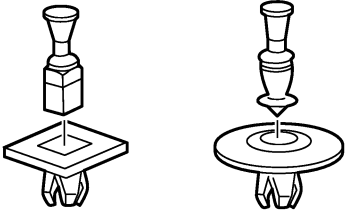
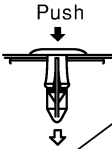
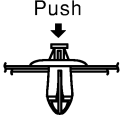

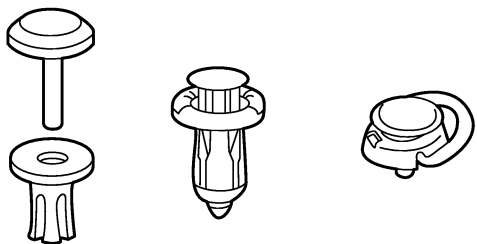

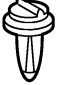
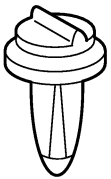
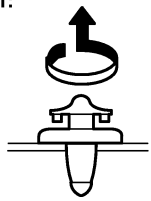
CLIP AND FASTENER

CLIP AND FASTENER

PFP:76906

Clip and Fastener

AIS00378


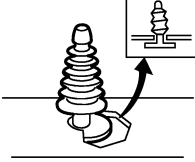
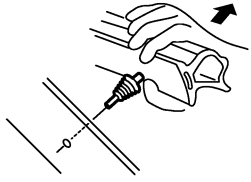

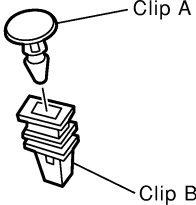
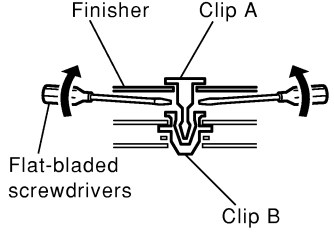

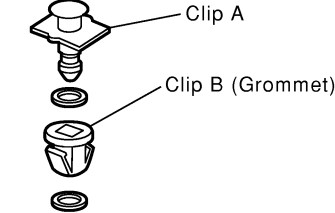
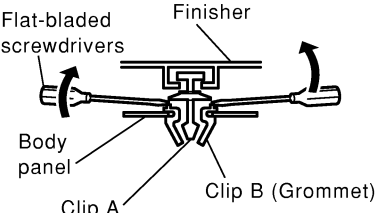
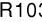

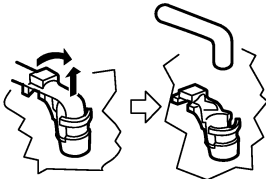

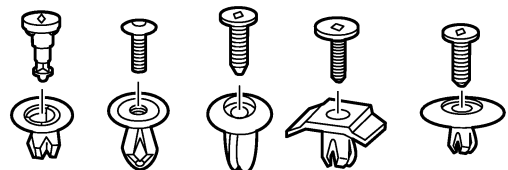

Symbol No.	Shapes	Removal & Installation
<p>C101</p> 		<p>Removal: Remove by bending up with flat-bladed screwdrivers or clip remover.</p> 
<p>C103</p> 		 <p>Removal: Remove with a clip remover.</p>
<p>C203</p> 		<p>Removal: Push center pin to catching position. (Do not remove center pin by hitting it.)</p>  <p>Installation:</p> 
<p>C205</p> 		<p>Removal: Flat-bladed screwdriver</p>  <p>Clip Finisher</p>
<p>C206</p> 		<p>Removal:</p> 

A
B
C
D
E
F
G
H
I
J
K
L
M

EI


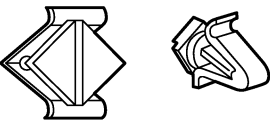

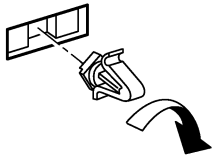





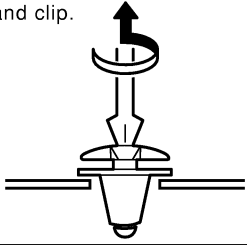



SIIA0315E

CLIP AND FASTENER

Symbol No.	Shapes	Removal & Installation
<p>CE103</p> 		<p>Removal:</p> 
<p>CF110</p> 		<p>Removal:</p> 
<p>CF118</p> 		<p>Removal:</p> 
<p>CR103</p> 		<p>Removal: Holder portion of clip must be spread out to remove rod.</p> 
<p>CS101</p> 		<p>Removal:</p> <ol style="list-style-type: none"> 1. Screw out with a Phillips screwdriver. 2. Remove female portion with flat-bladed screwdriver. 

SIIA0316E

CLIP AND FASTENER

Symbol No.	Shapes	Removal & Installation	
CG101 		Removal:  Rotate 45° to remove	Installation: 
CS102 			
CS113 		Removal: Disconnect upper connection of clip with a flat-bladed screwdriver, then remove clip while inserting a flat-bladed screwdriver between body panel and clip. 	
C111 			

A
B
C
D
E
F
G
H
EI
J
K
L
M

SIIA0317E

FRONT BUMPER

FRONT BUMPER

PFP:F2022

Removal and Installation

AIS00379

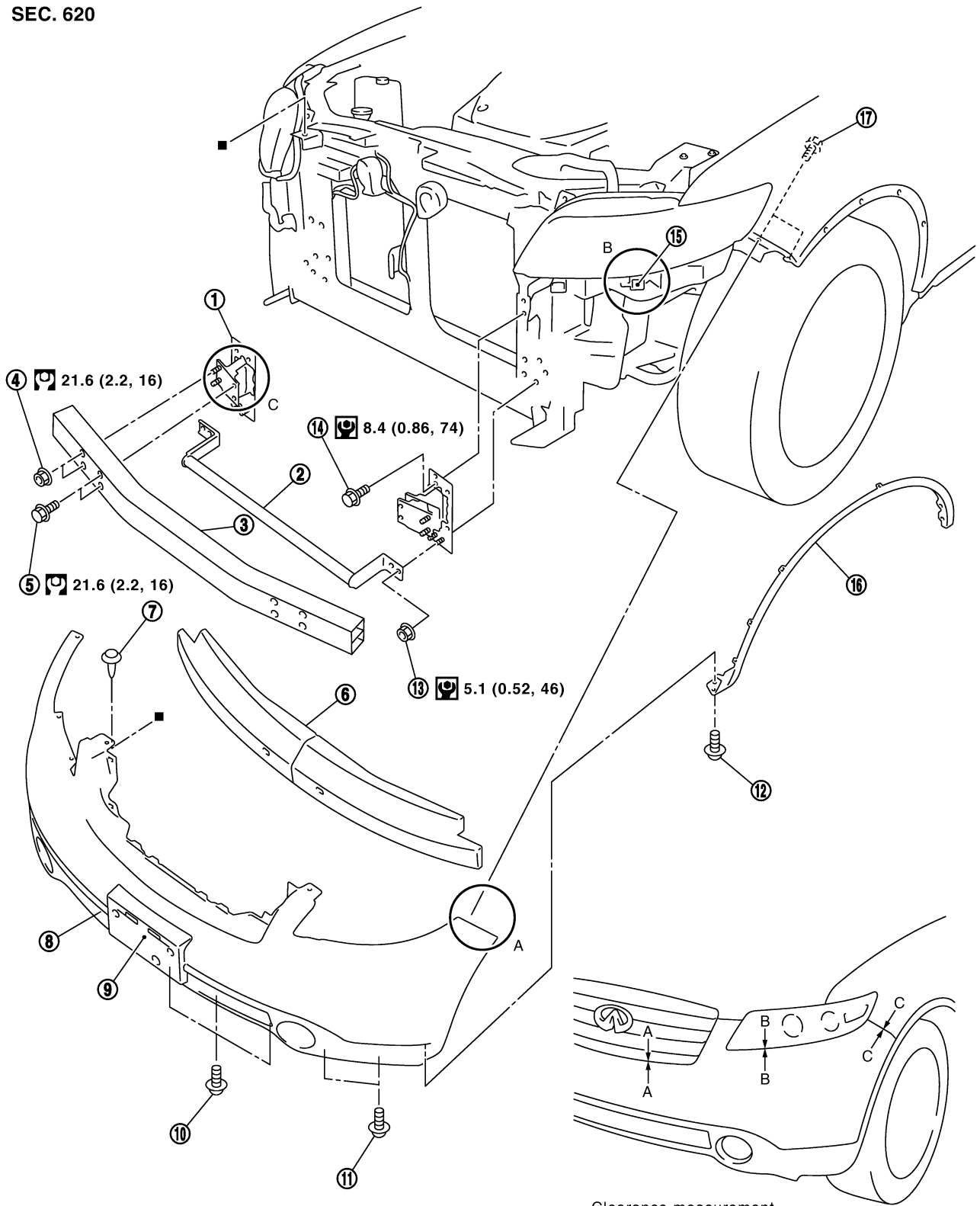
CAUTION:

Bumper fascia is made of resin. Do not apply strong force to it, and be careful to prevent contact with oil.

FRONT BUMPER

SEC. 620

A
B
C
D
E
F
G
H
EI
J
K
L
M



: N•m (kg-m, ft-lb)
 : N•m (kg-m, in-lb)

Clearance measurement
 between parts
 A - A : 0.5 - 3.5 (0.020 - 0.138)
 B - B : 1.5 - 4.5 (0.059 - 0.177)
 C - C : 0.5 - 1.5 (0.020 - 0.059)
 Unit: mm (in)

PIIA4330E

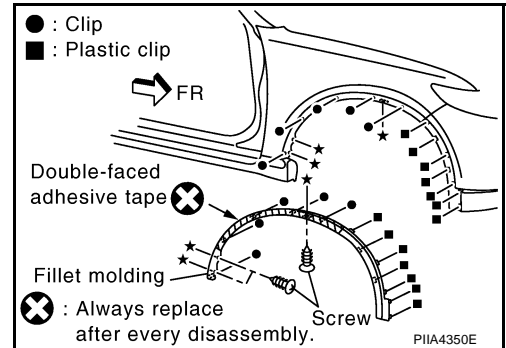
- | | | |
|----------------|---------------------------|-------------------------|
| 1. Bumper stay | 2. Front bumper guard bar | 3. Bumper reinforcement |
| 4. Nut | 5. Bolt | 6. Energy absorber |

FRONT BUMPER

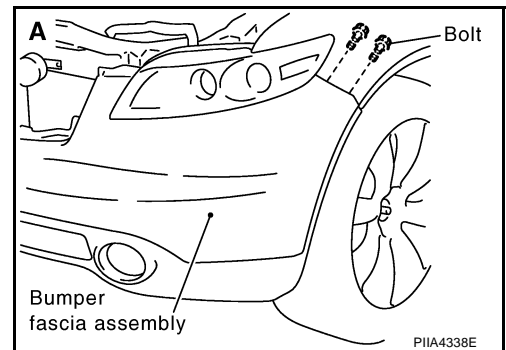
- | | | |
|--------------------|---------------------------|------------------------|
| 7. Clip (C205) | 8. Bumper fascia assembly | 9. Number plate holder |
| 10. Bolt | 11. Bolt | 12. Bolt |
| 13. Nut | 14. Bolt | 15. Clip ("S" type) |
| 16. Fillet molding | 17. Bolt | |

REMOVAL

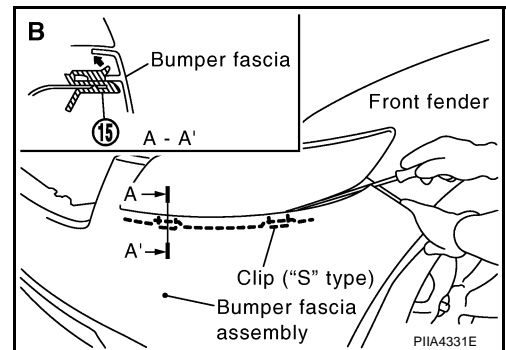
1. Remove front grille. Refer to [EI-23, "Removal and Installation"](#).
2. Remove front fillet molding assembly. Only the place connected with a front bumper fascia is removed.
3. Remove bolts and clips of front undercover.
4. Remove screws and clips of right/left fender protectors on front side. Refer to [EI-25, "Removal and Installation"](#).



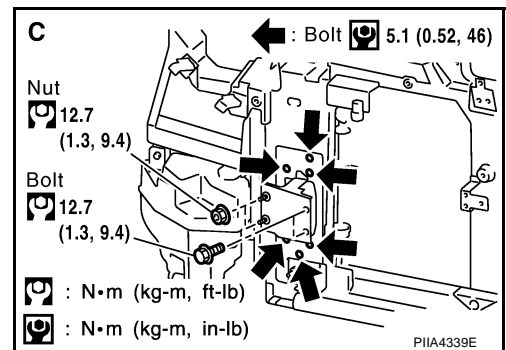
5. Remove bolts of right/left fender.



6. Insert driver rolled with cloth between bumper fascia and "S" type clips, and remove bumper fascia.
7. Disconnect harness connector of fog lamps.
8. Remove bumper fascia assembly.
9. Remove bumper energy absorber.
10. Remove bolts and nuts of bumper reinforcement, and remove bumper reinforcement. Remove bolts and nuts with power tool.
11. Remove ICC sensor with bracket. Refer to [ACS-67, "REMOVAL AND INSTALLATION"](#).



12. Remove nuts of bumper stay, and remove bumper stay. Remove nuts with power tool.
13. Remove nuts of front bumper guard bar, and remove front bumper guard bar. Remove nuts with power tool.
14. Remove fog lamps located in bumper fascia. Refer to [LT-88, "Removal and Installation"](#).



INSTALLATION

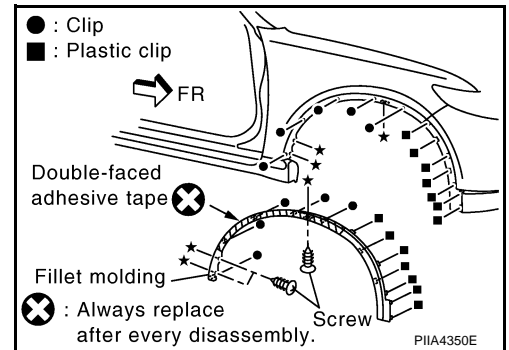
Install in the reverse order of removal.

FRONT BUMPER

FRONT FILLET MOLDING ASSEMBLY

Removal

1. Remove screws of fillet molding assembly.
2. Remove clips of fillet molding assembly.
3. Remove fillet molding assembly.



Installation

1. Clean adhesive portion of front fender with white gasoline.
2. Strip pattern from the new double adhesive tape and paste on front fender.
3. Fillet molding assembly hold with front fender.

A

B

C

D

E

F

G

H

EI

J

K

L

M

REAR BUMPER

REAR BUMPER

PFP:H5022

Removal and Installation

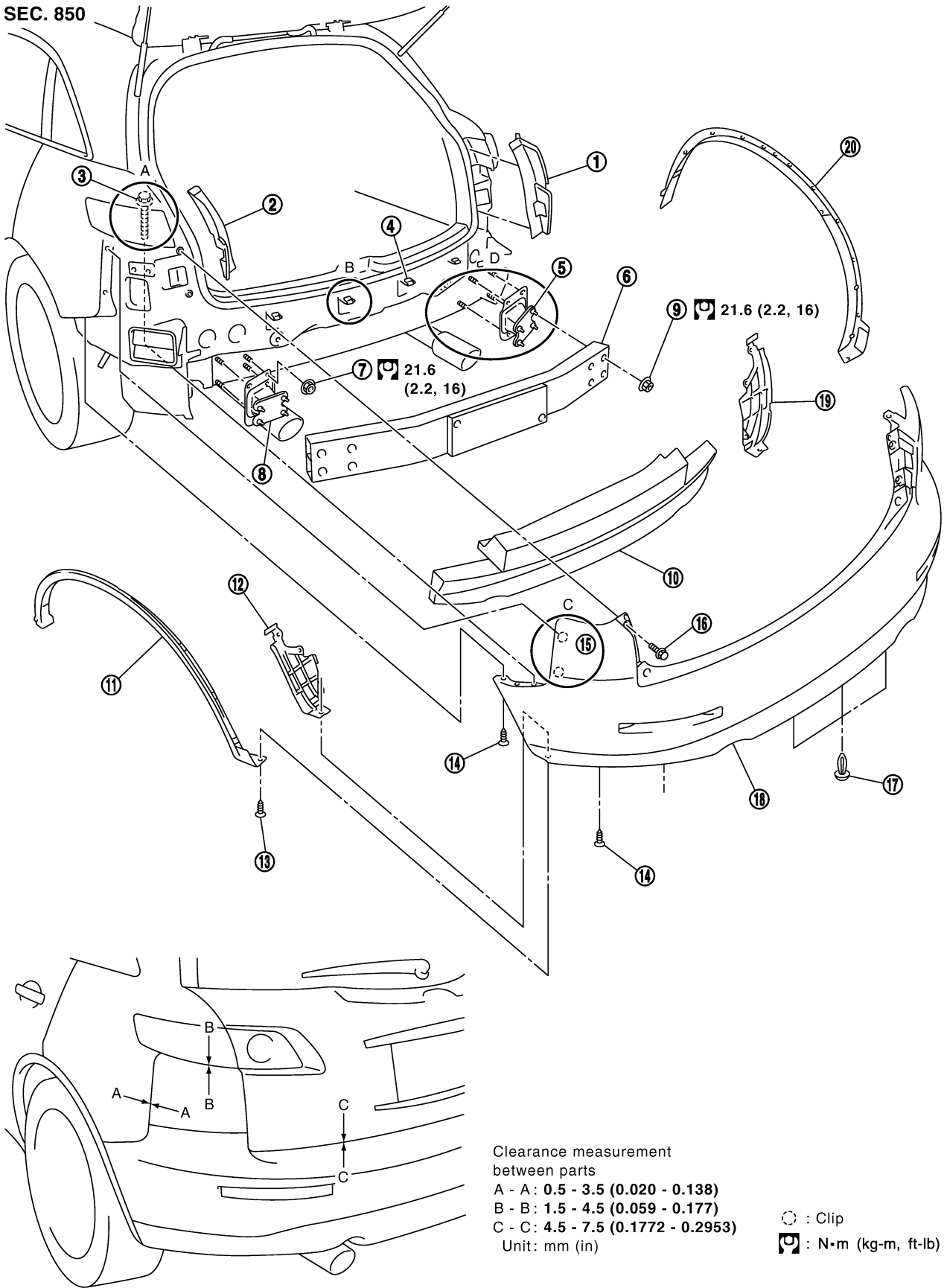
AIS0037A

CAUTION:

Bumper fascia is made of resin. Do not apply strong force to it, and be careful to prevent contact with oil.

REAR BUMPER

SEC. 850



A
B
C
D
E
F
G
H
EI
J
K
L
M

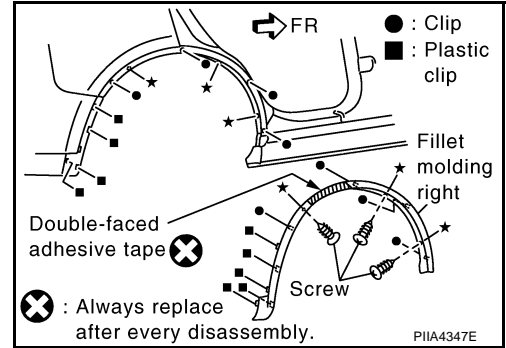
- 1. Bumper side cover A right
- 2. Bumper side cover A left
- 3. Special bolt
- 4. Clip ("S" type)
- 5. Bumper stay right
- 6. Bumper reinforcement

REAR BUMPER

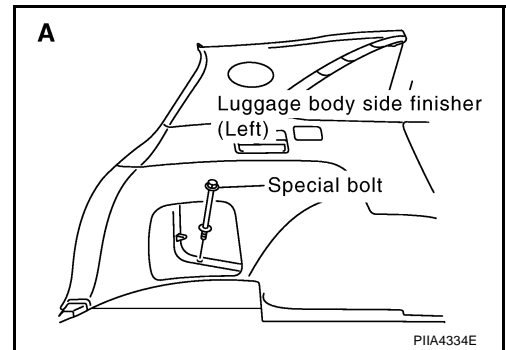
- | | | |
|--------------------------|--------------------------|----------------------------|
| 7. Nut | 8. Bumper stay left | 9. Nut |
| 10. Energy absorber | 11. Fillet molding left | 12. Bumper closing left |
| 13. Bolt | 14. Bolt | 15. Clip (C101) |
| 16. Bolt | 17. Clip (C205) | 18. Bumper fascia assembly |
| 19. Bumper closing right | 20. Fillet molding right | |

REMOVAL

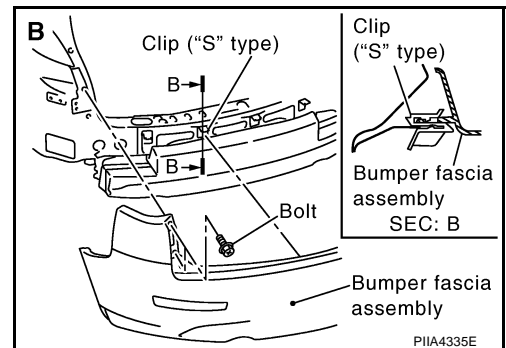
1. Remove bumper side cover A.
2. Remove fillet molding assembly. Only the place connected with a rear bumper fascia is removed.



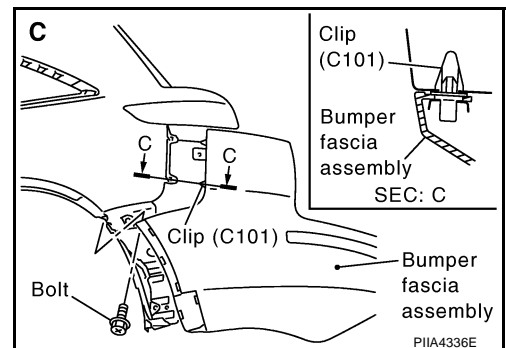
3. Remove luggage side inspection cover.
4. Remove bumper fascia special bolts from right/left rear fender.
5. Remove bumper fascia bolts from right/left rear fender.
6. Remove lower portion of bumper fascia bolts.



7. Insert driver rolled with cloth between bumper fascia and "S" type clips, and remove bumper fascia.

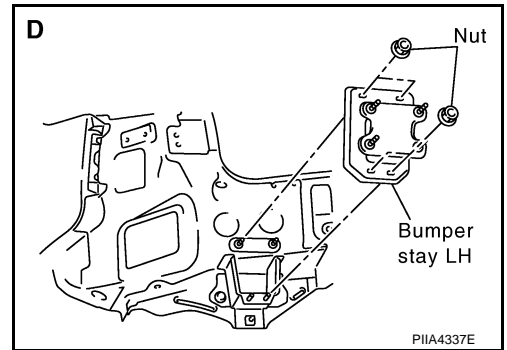


8. Remove bumper fascia assembly.
9. Remove bumper energy absorber.
10. Remove bumper reinforcement nuts and remove bumper reinforcement assembly. Remove nuts with power tool.



REAR BUMPER

11. Remove bumper nuts and remove bumper stay. Remove nuts with power tool.



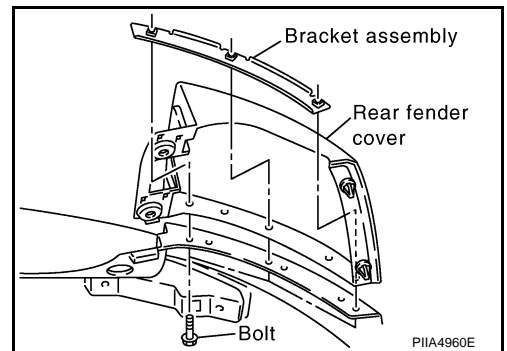
INSTALLATION

Install in the reverse order of removal.

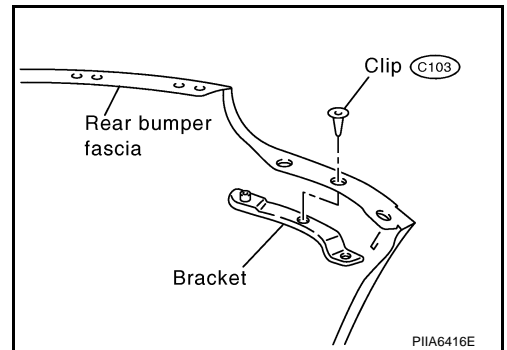
REAR BUMPER FASCIA

Removal

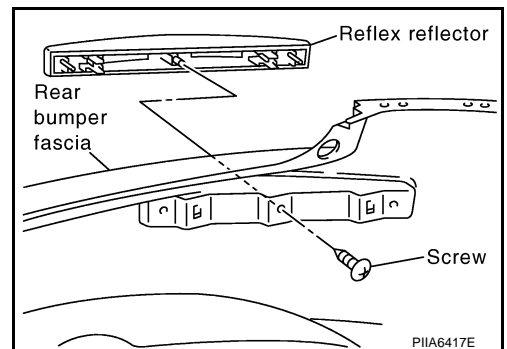
1. Remove rear fender cover bolt and remove rear fender.



2. Remove bracket clips and remove bracket.



3. Remove rear reflex reflector assembly screw and remove rear reflex reflector assembly.



Installation

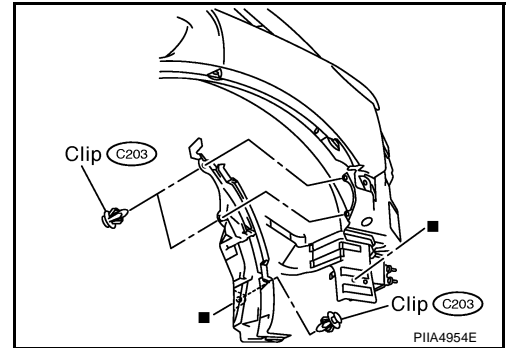
Install in the reverse order of removal.

REAR BUMPER

REAR BUMPER CLOSING

Removal

Remove clips of bumper closing and remove rear bumper closing.



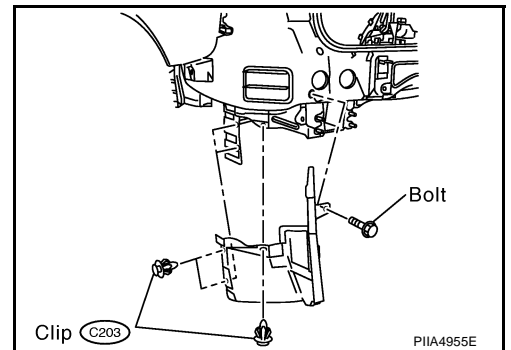
Installation

Install in the reverse order of removal.

DRAFTER GUARD

Removal

Remove clips and bolt of drafter guard and remove drafter guard.



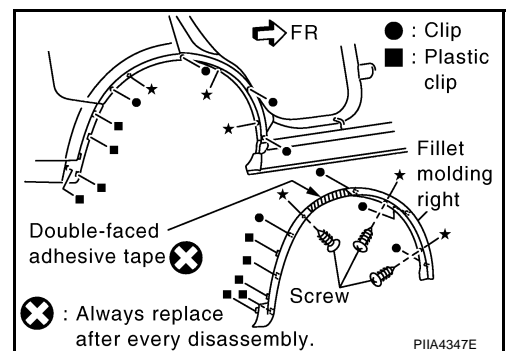
Installation

Install in the reverse order of removal.

REAR FILLET MOLDING ASSEMBLY

Removal

1. Remove bolts of fillet molding assembly.
2. Remove clips of fillet molding assembly.
3. Remove fillet molding assembly.



Installation

1. Clean adhesive portion of rear fender with white gasoline.
2. Strip pattern from the new double adhesive tape and paste on rear fender.
3. Fillet molding assembly hold with rear fender.

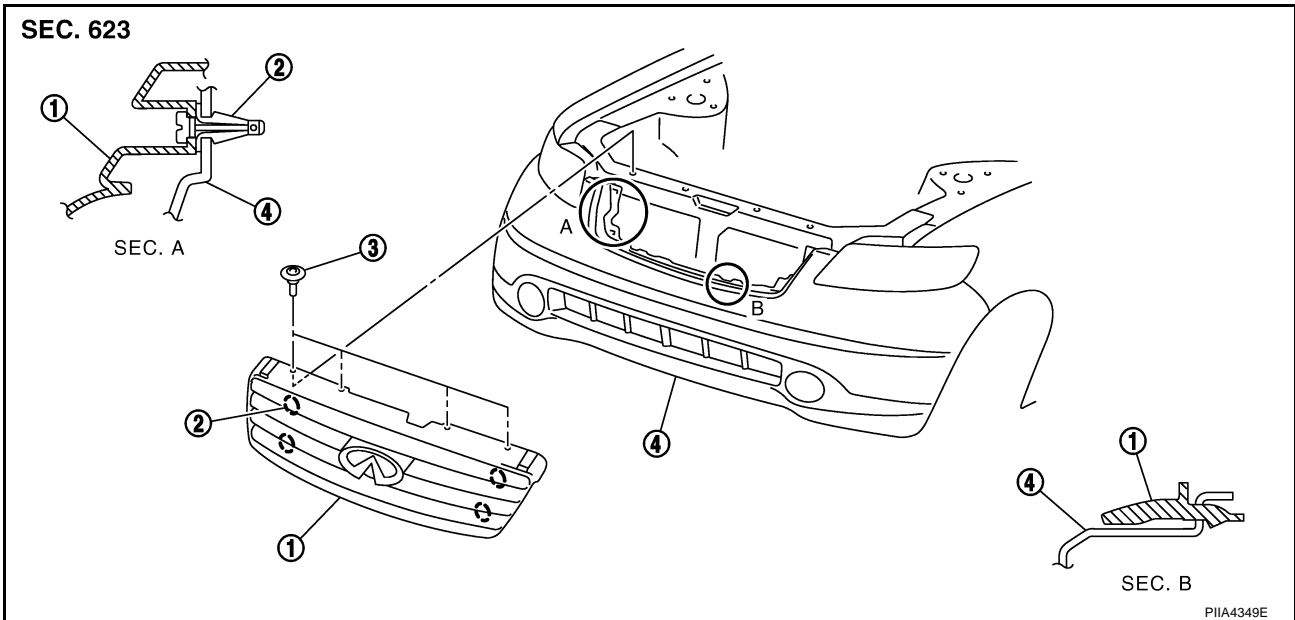
FRONT GRILLE

FRONT GRILLE

PFP:62310

Removal and Installation

AIS0037B



1. Front grille
4. Front bumper fascia

2. Turn fastener (CG101)

3. Clip (C205)

REMOVAL

1. Remove turn fastener of grille.
2. Remove clips on upper side of grille.
3. Pull out grille pawls, and remove grille assembly.

INSTALLATION

Install in the reverse order of removal.

A
B
C
D
E
F
G
H

EI

J
K
L
M

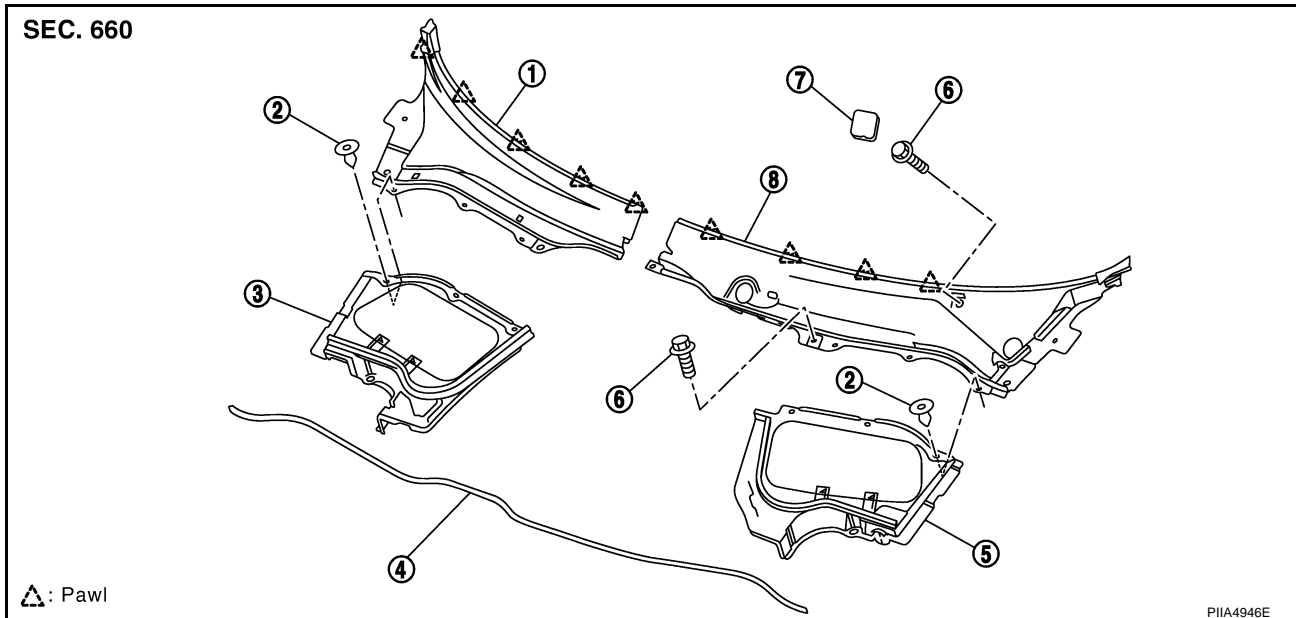
COWL TOP

COWL TOP

PFP:66100

Removal and Installation

AIS0037C



- | | | |
|---------------------------|----------------------------|-----------------------------|
| 1. Cowl top cover (right) | 2. Clip (C205) | 3. Hood ledge cover (right) |
| 4. Cowl top seal rubber | 5. Hood ledge cover (left) | 6. Bolt |
| 7. Cap | 8. Cowl top cover (left) | |

REMOVAL

1. Remove clips of hood ledge cover and remove hood ledge cover.
2. Remove right/left wiper arms. Refer to [WW-29, "Removal and Installation of Front Wiper Arms, Adjustment of Wiper Arms Stop Location"](#).
3. Remove cowl top seal rubber.
4. Remove clips of cowl top cover (right) and remove cowl top cover (right).
5. Remove clips, cap and bolts and remove cowl top cover (left).
6. Remove washer hose from cowl top cover.

INSTALLATION

Install in the reverse order of removal.

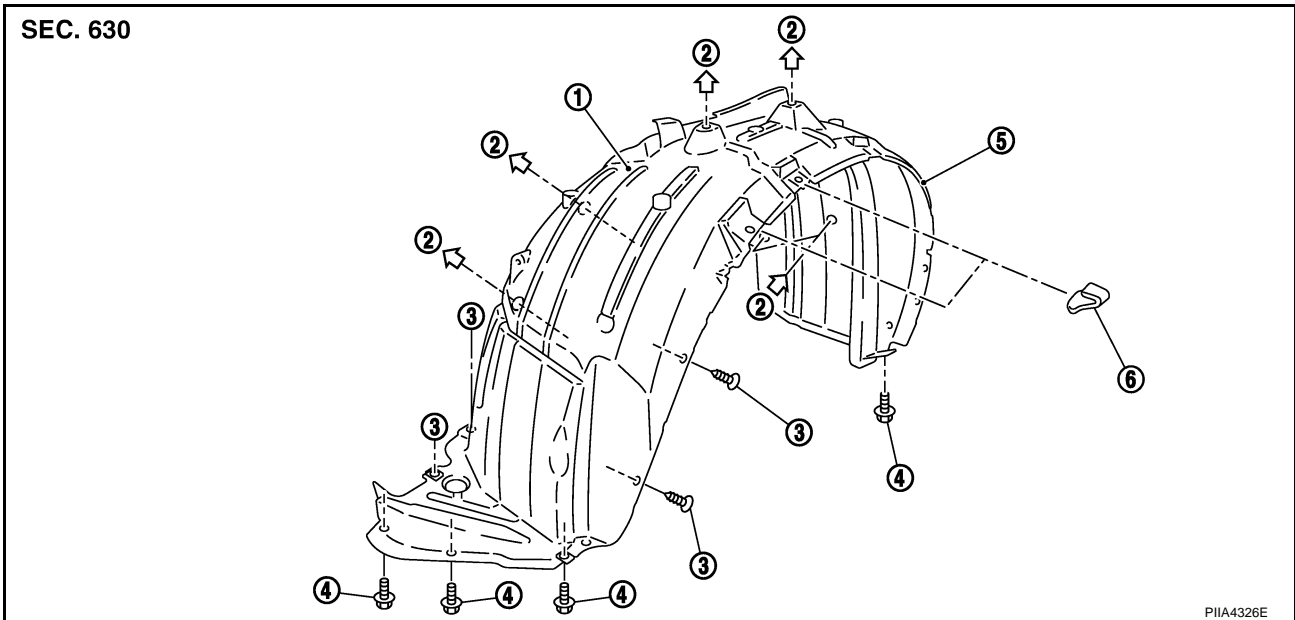
FENDER PROTECTOR

FENDER PROTECTOR Removal and Installation

PFP:63840

AIS0037D

A
B
C
D
E
F
G
H
EI
J
K
L
M



- | | | |
|---------------------------|--------------------------|----------|
| 1. Fender protector front | 2. Clip (C103) | 3. Screw |
| 4. Bolt | 5. Fender protector rear | 6. Clip |

REMOVAL

1. Remove bolts of fender protector front.
2. Remove clips of fender protector front.
3. Remove fender protector front.
4. Remove bolt of fender protector rear.
5. Remove clips of fender protector rear.
6. Remove fender protector rear.

INSTALLATION

Install in the reverse order of removal.

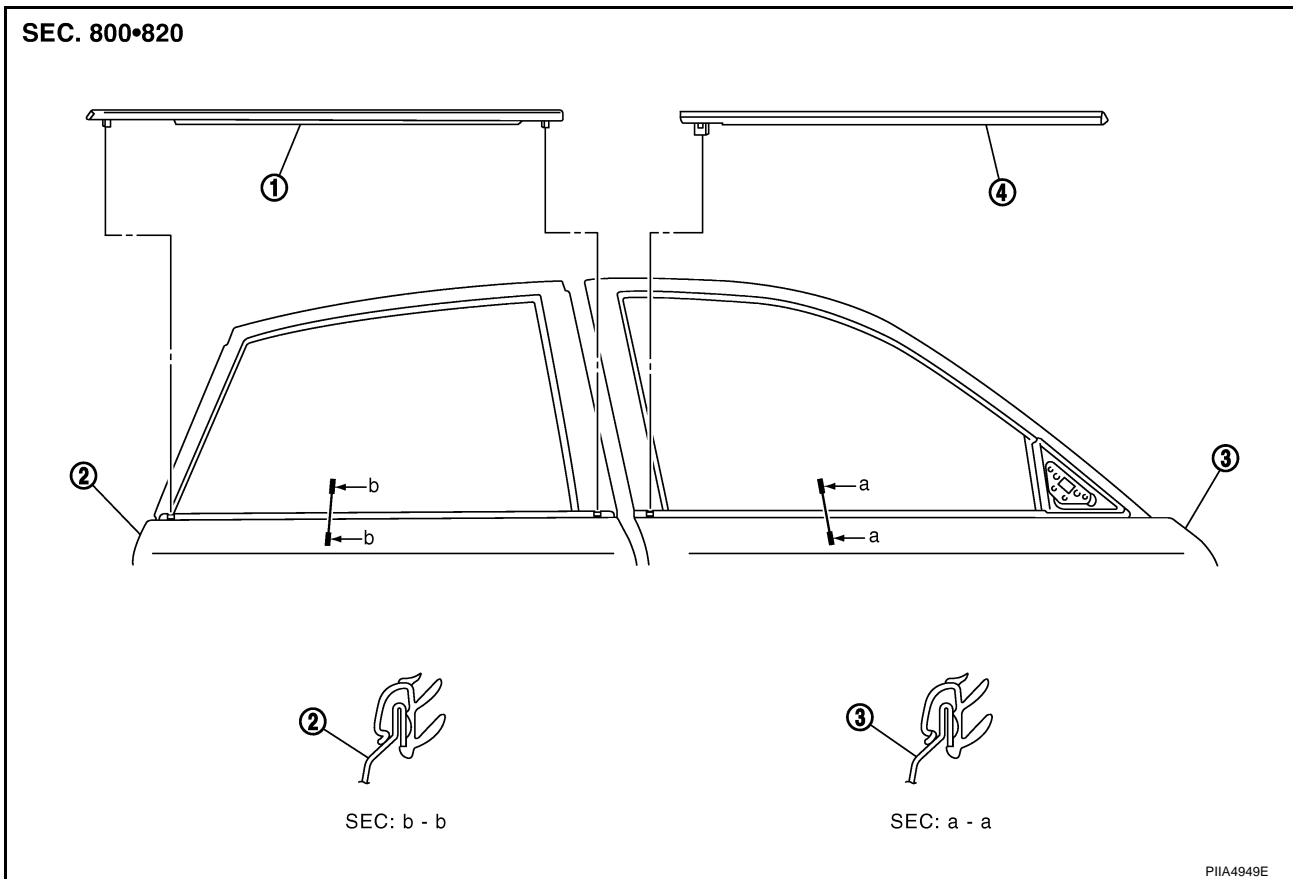
DOOR OUTSIDE MOLDING

DOOR OUTSIDE MOLDING

PFP:82820

Removal and Installation

AIS0037E



1. Rear door outside molding

2. Rear door panel

3. Front door panel

4. Front door outside molding

FRONT DOOR OUTSIDE MOLDING

Removal

1. Open windows fully.
2. Remove door mirror. Refer to [GW-113, "Removal and Installation"](#).
3. Disconnect pawl on rear edge of molding.
4. Lift up to upper side, and remove molding.

Installation

Install in the reverse order of removal.

REAR DOOR OUTSIDE MOLDING

Removal

1. Open windows fully.
2. Disconnect pawl on front edge and rear edge of molding.
3. Lift up to upper side, and remove molding.

Installation

Install in the reverse order of removal.

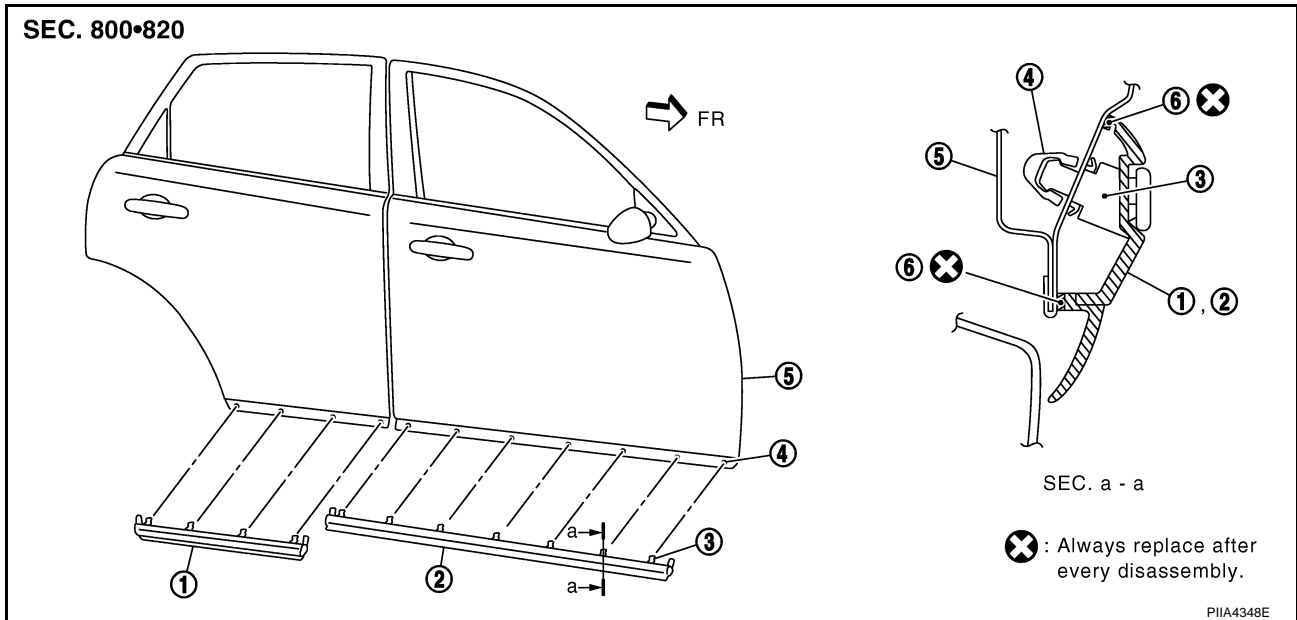
DOOR OUTSIDE LOWER MOLDING

DOOR OUTSIDE LOWER MOLDING

PFP:82877

Removal and Installation

AIS0037F



- | | | |
|------------------------------------|-------------------------------------|-------------------------------|
| 1. Rear door outside lower molding | 2. Front door outside lower molding | 3. Clip (with lower molding) |
| 4. Grommet | 5. Door panel | 6. Double-faced adhesive tape |

FRONT AND REAR DOOR OUTSIDE LOWER MOLDING

Removal

Remove clips, then remove door outside lower molding with double-faced adhesive tape.

Installation

1. Clean adhesive portion of front and rear door with white gasoline.
2. Strip pattern from the new door outside lower molding and paste on door.

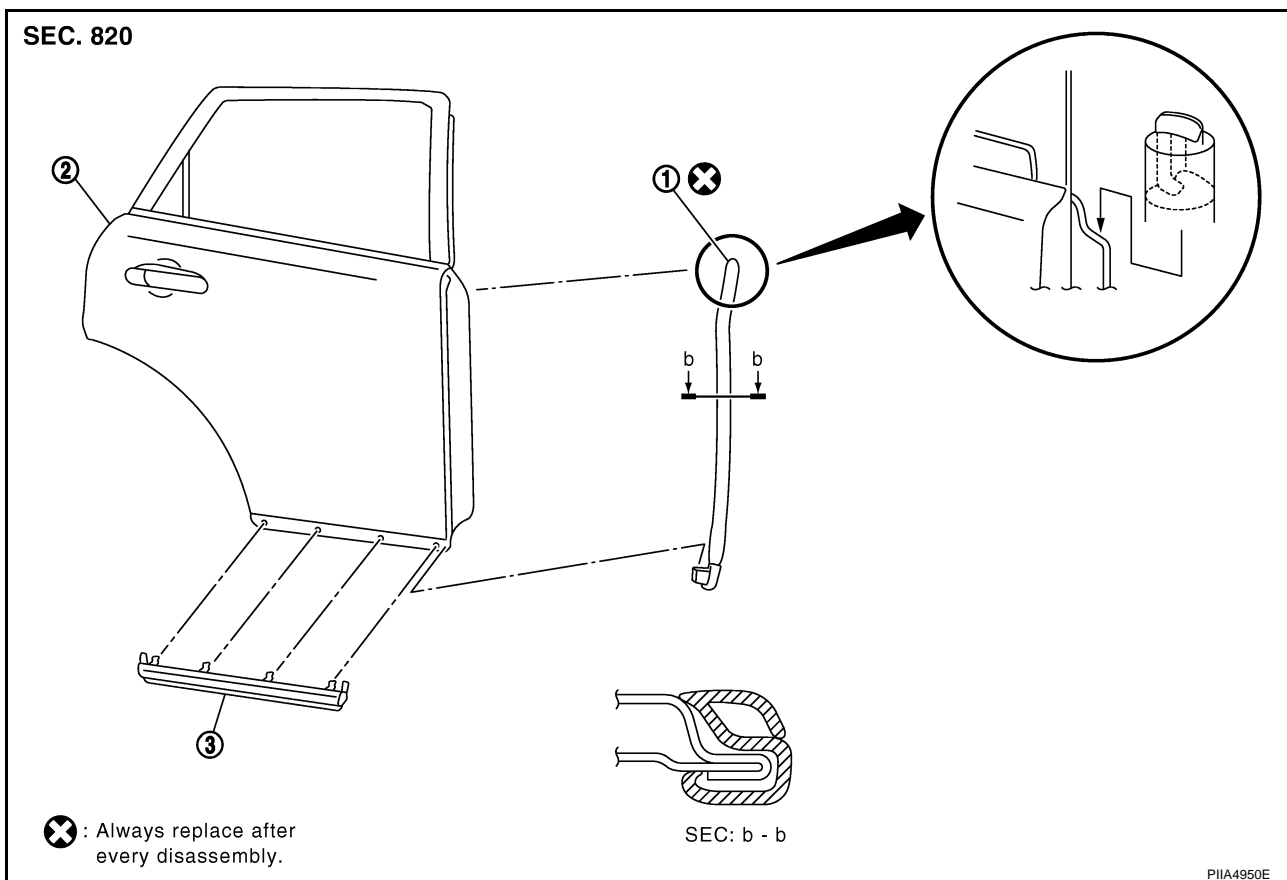
DOOR PARTING SEAL

PFP:80838

DOOR PARTING SEAL

Removal and Installation

AIS0037G



1. Rear door parting seal rubber

2. Rear door panel

3. Rear door outside lower molding

REMOVAL

1. Remove rear door outside lower molding. Refer to [EI-27, "Removal and Installation"](#).
2. Open front door fully.
3. Remove double-faced adhesive tapes and rear door parting seal.

INSTALLATION

1. Clean adhesive portion of rear door with white gasoline.
2. Strip pattern from the new rear door parting seal and paste on rear door panel.
3. Install rear door parting seal to rear door hem flange.
4. Install rear door outside lower molding. Refer to [EI-27, "Removal and Installation"](#).

CAUTION:

Rear door parting seal is not reusable. always use new rear door parting seal.

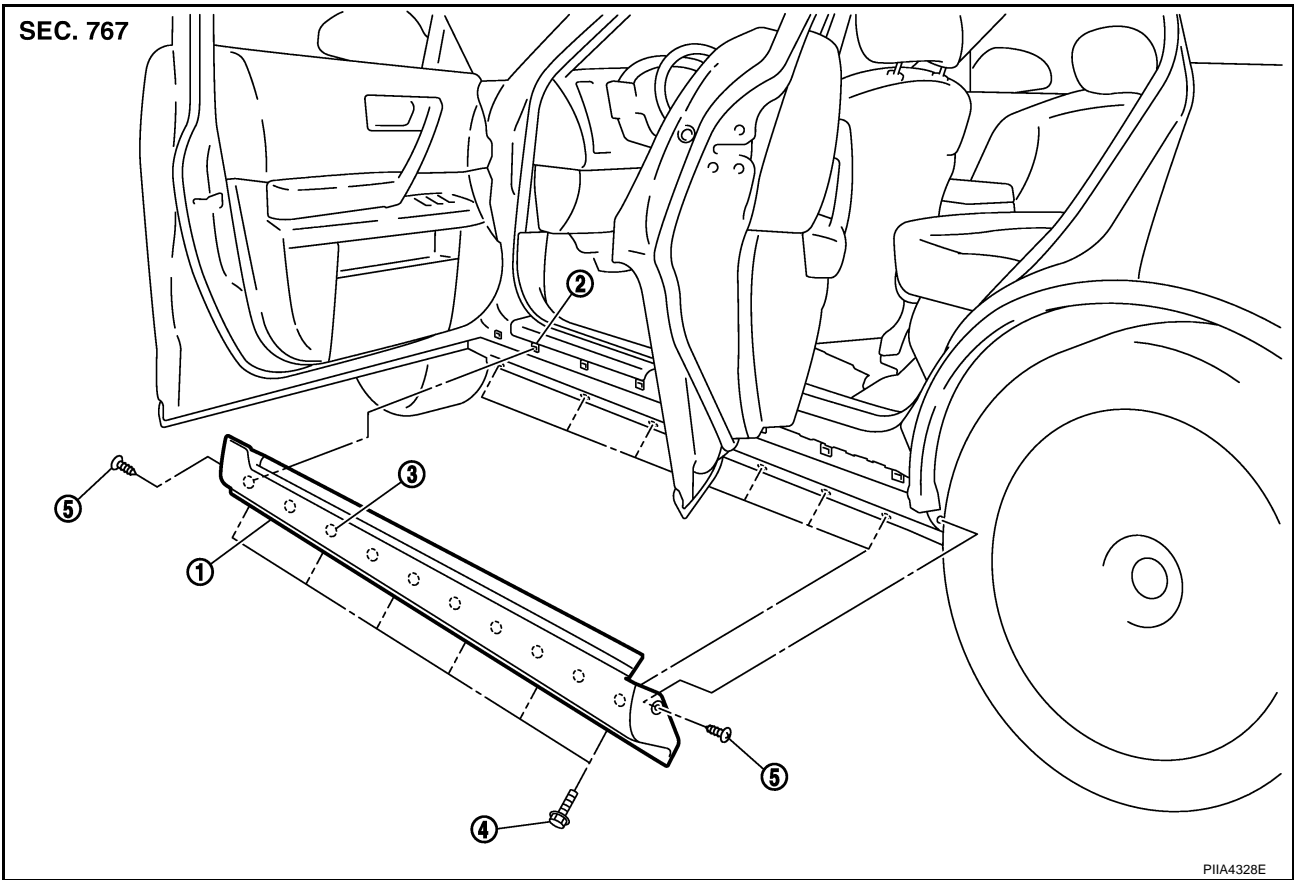
CENTER MUD GUARD

CENTER MUD GUARD Removal and Installation

PF7:76850

AIS0037H

SEC. 767



1. Center mud-guard
4. Bolt

2. Grommet
5. Screw

3. Clip

REMOVAL

1. Remove bolts center mud-guard lower portion.
2. Remove screws center mud-guard front and rear portion.
3. Insert driver rolled with cloth or tapes between guard and body side sill, then pull it back to your side.

INSTALLATION

Install in the reverse order of removal.

A
B
C
D
E
F
G
H
EI
J
K
L
M

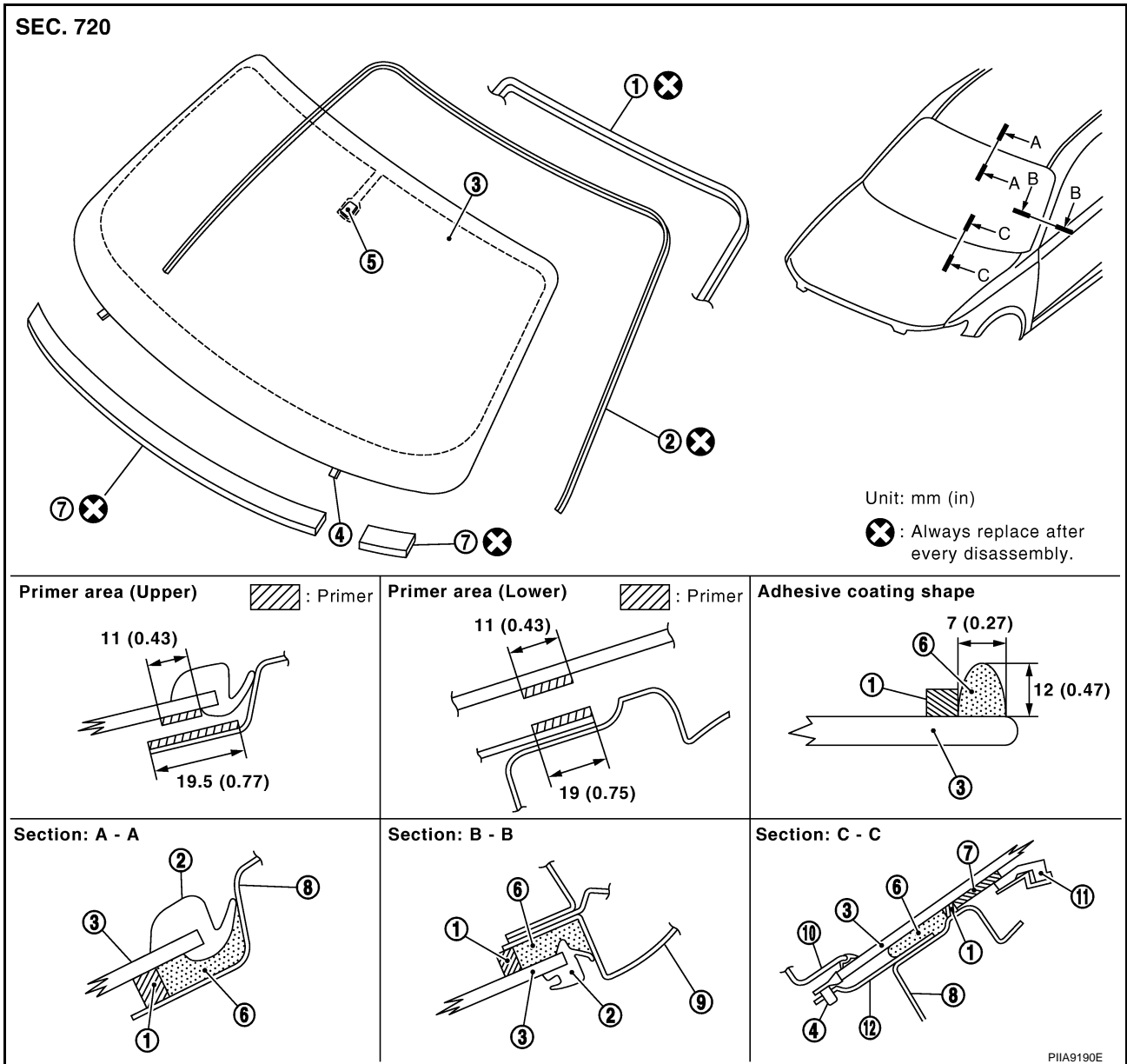
WINDSHIELD MOLDING

PFP:72700

AI500371

WINDSHIELD MOLDING

Removal and Installation



- 1. Dam rubber
- 4. Spacer
- 7. Insulator
- 10. Cowl top cover

- 2. Molding
- 5. Mirror base
- 8. Panel
- 11. Pad

- 3. Windshield glass
- 6. Bond
- 9. Body side (outer)
- 12. Bracket

REMOVAL

Remove windshield molding. Refer to [GW-11, "REMOVAL"](#).

INSTALLATION

Install windshield molding. Refer to [GW-12, "INSTALLATION"](#).

BACK DOOR WINDOW MOLDING

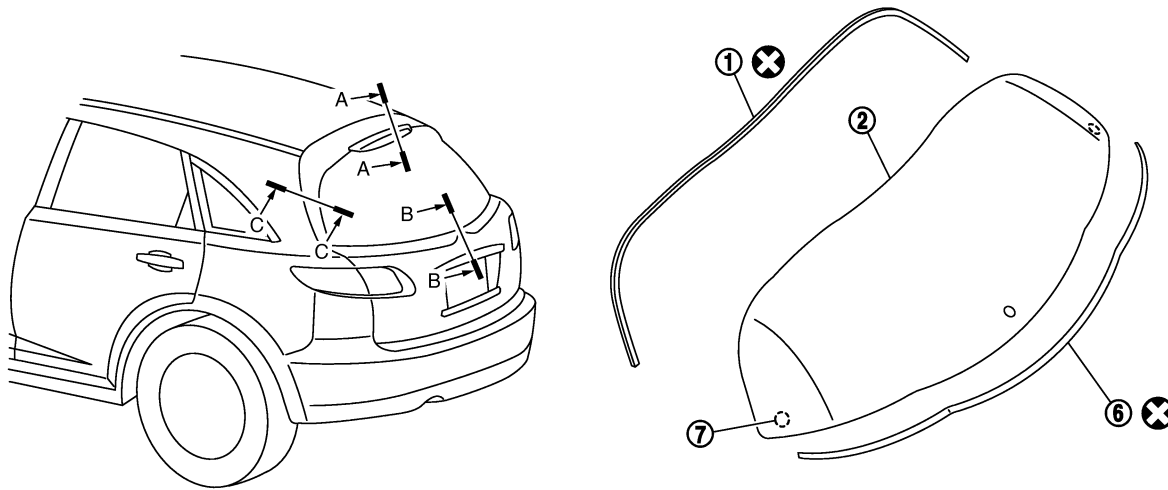
BACK DOOR WINDOW MOLDING

PFP:90352

Removal and Installation

AIS003C0

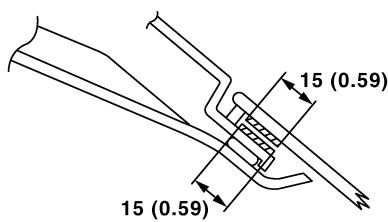
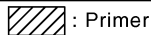
SEC. 797



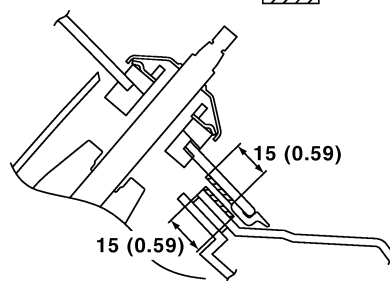
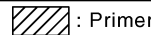
⊗ : Always replace after every disassembly.

Unit: mm (in)

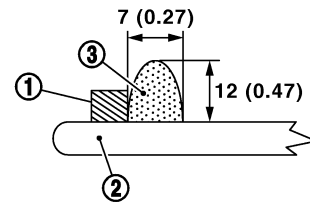
Primer area (Upper)



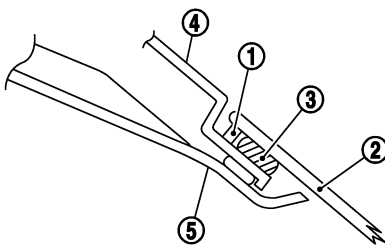
Primer area (Lower)



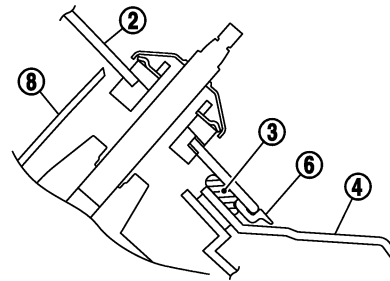
Adhesive coating shape



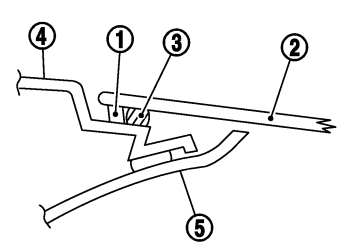
Section: A - A



Section: B - B



Section: C - C



PIA9191E

- | | | |
|--------------------------|---------------------------|-----------------------------|
| 1. Dam rubber | 2. Back door window glass | 3. Bond |
| 4. Back door outer panel | 5. Back door inner panel | 6. Back door window molding |
| 7. Clip | 8. Back door panel | |

REMOVAL

Remove back door window molding. Refer to [GW-13, "REMOVAL"](#) .

NOTE:

Apply a strip of protective tape along the contour of back door window glass (molding) to prevent paint surface from being damaged.

INSTALLATION

Install back door window molding. Refer to [GW-14, "INSTALLATION"](#) .

NOTE:

- Clean adhesive portion of back door window glass and around circumference with white gasoline.
- Apply dam rubber to upper and side surfaces of glass.
- Attach back door window molding to side face of glass.

BACK DOOR WINDOW MOLDING

- Back door window molding should not overlap on the surface of back door window glass.

ROOF SIDE MOLDING

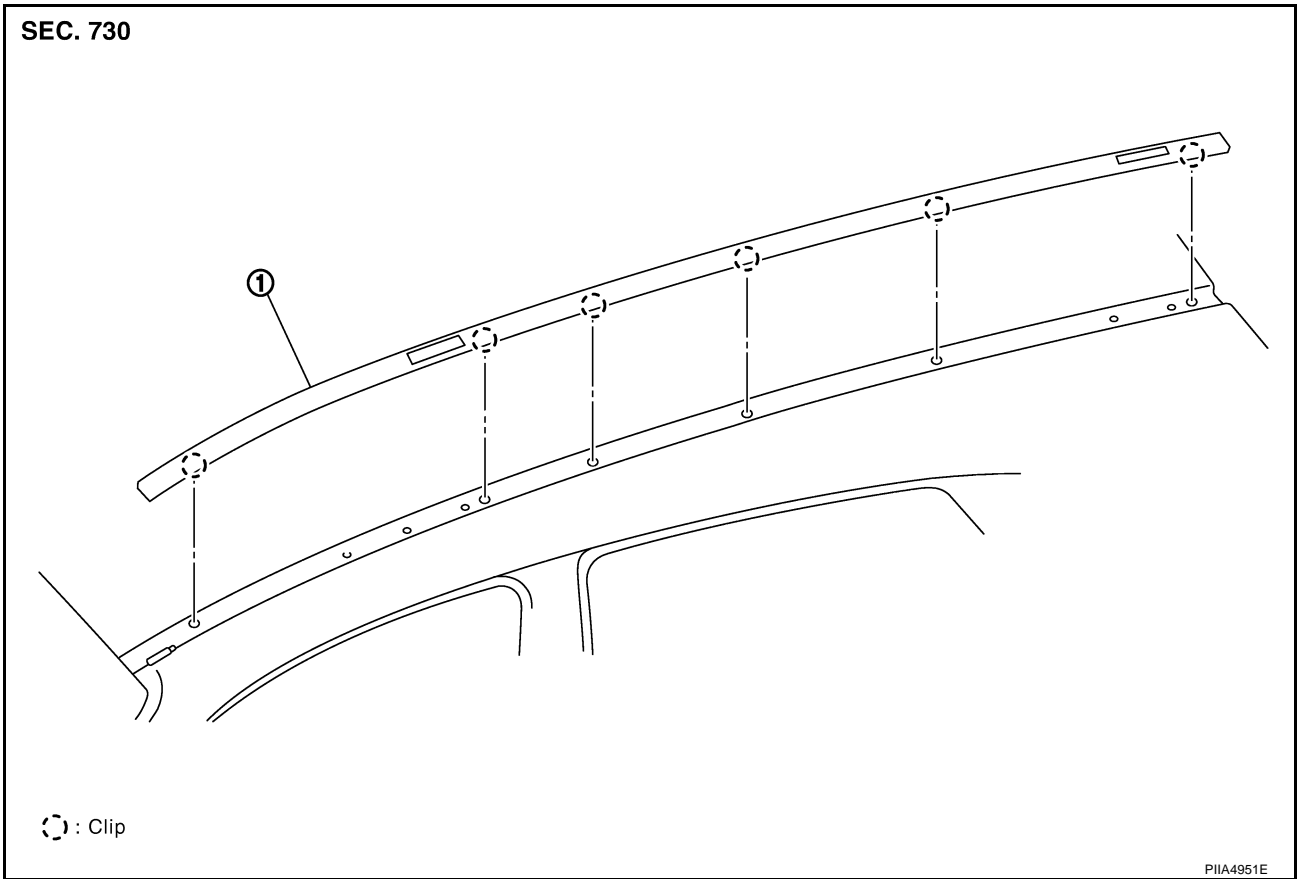
ROOF SIDE MOLDING

PFP:73854

Removal and Installation

AIS0037J

A
B
C
D
E
F
G
H
EI
J
K
L
M



1. Roof side molding

REMOVAL

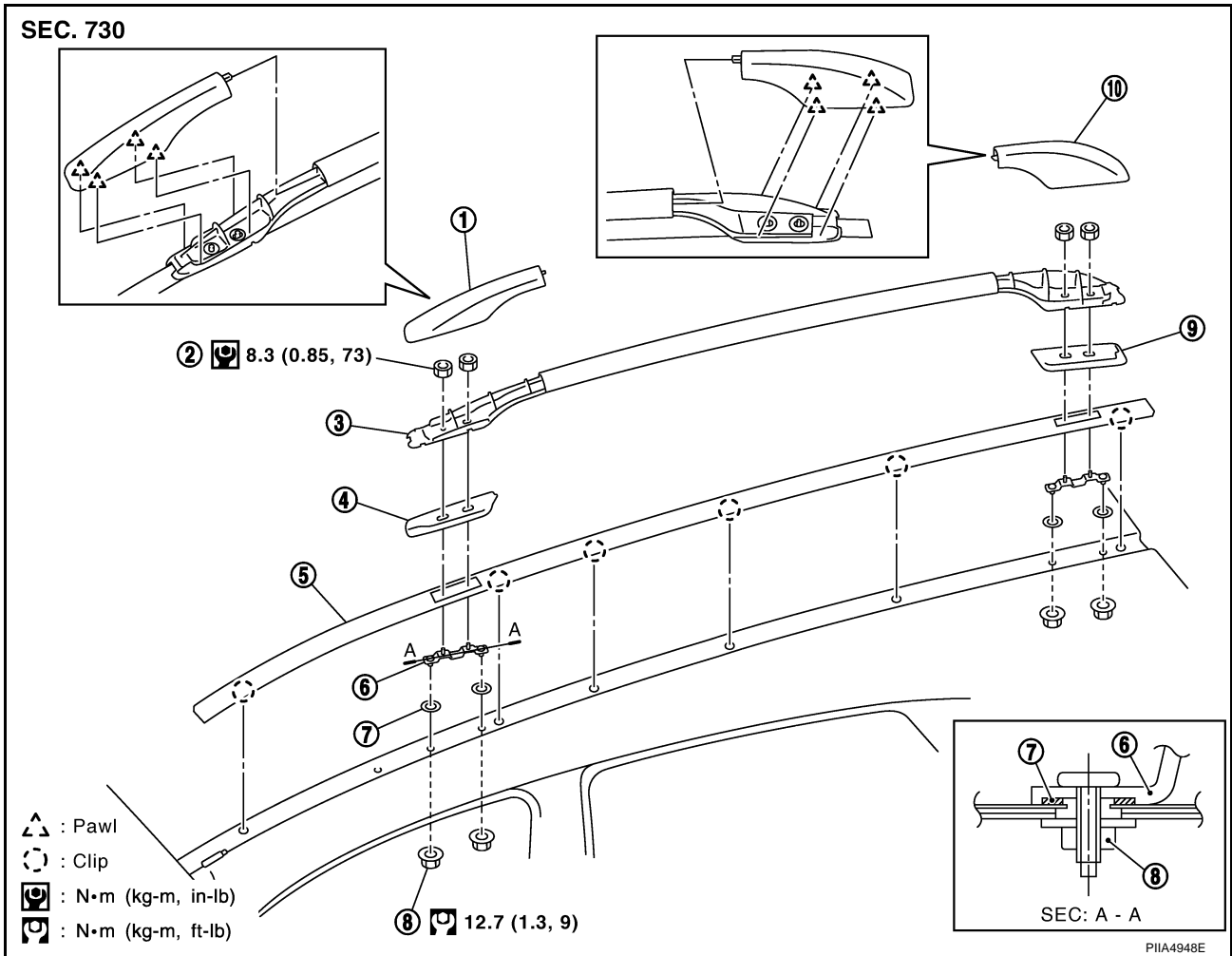
Disconnect molding from roof side clip and remove roof side molding.

INSTALLATION

Install in the reverse order of removal.

ROOF RAIL

Removal and Installation



- | | | |
|----------------------------|----------------------|-------------------------------|
| 1. Cover roof rail (front) | 2. Nut | 3. Roof rail assembly |
| 4. Rubber seal (front) | 5. Roof side molding | 6. Roof rail bracket assembly |
| 7. Seal | 8. Nut | 9. Rubber seal (rear) |
| 10. Cover roof rail (rear) | | |

REMOVAL

1. Remove cover roof rail (front/rear).
2. Remove nuts of roof rail and remove roof rail assembly.

INSTALLATION

Install in the reverse order of removal.

ROOF RAIL BRACKET

Removal

1. Remove roof rail assembly.
2. Remove roof side molding. Refer to [EI-33, "ROOF SIDE MOLDING"](#).
3. Remove headlining. Refer to [EI-42, "HEADLINING"](#).
4. Remove nuts of roof rail bracket assembly and remove roof rail bracket assembly.

Installation

Install in the reverse order of removal.

CAUTION:
Replace sealing washer.

DOOR FINISHER

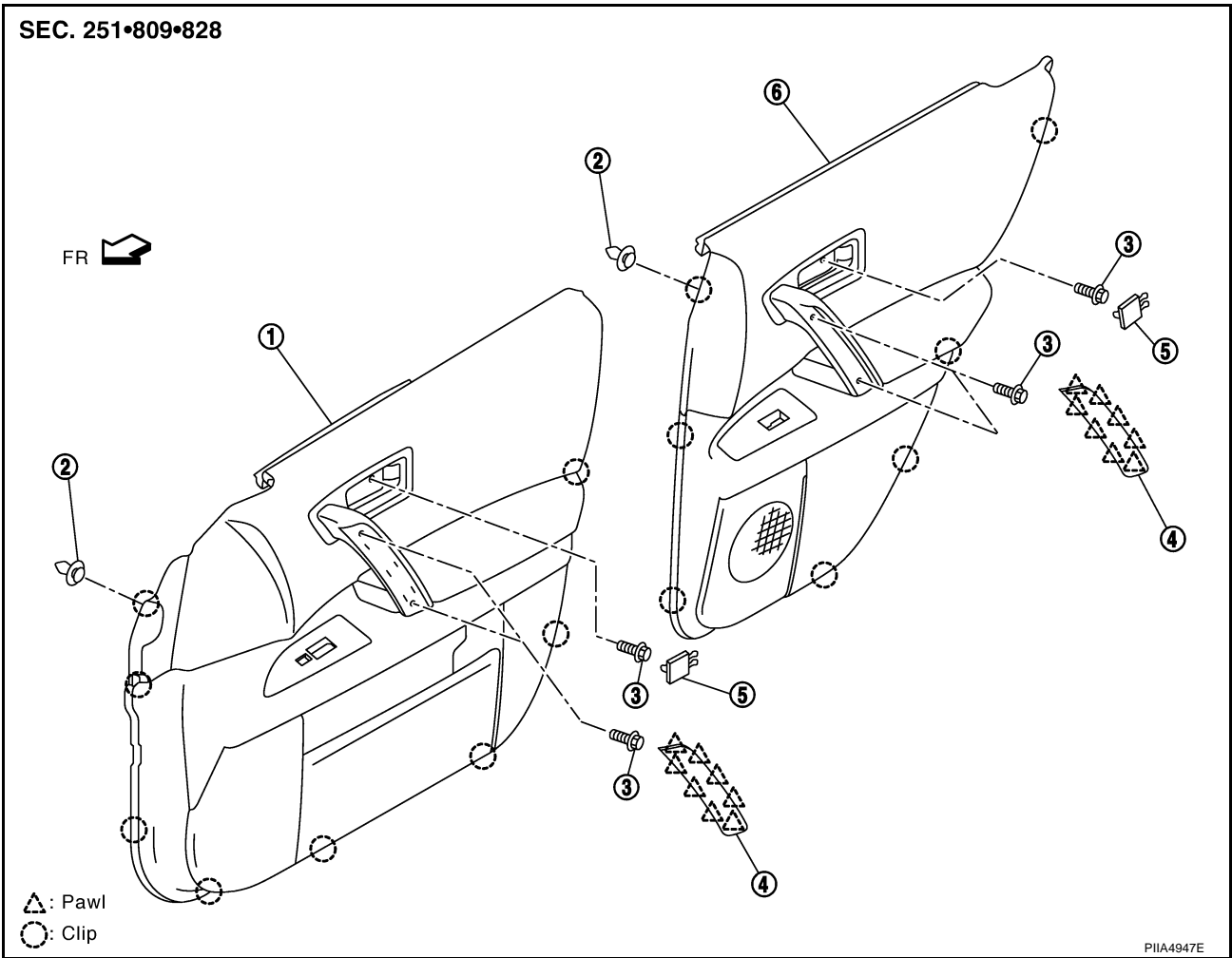
DOOR FINISHER

PFP:80900

Removal and Installation

AIS003BT

A
B
C
D
E
F
G
H
EI
J
K
L
M



- 1. Door finisher (front)
- 4. Door grip cap

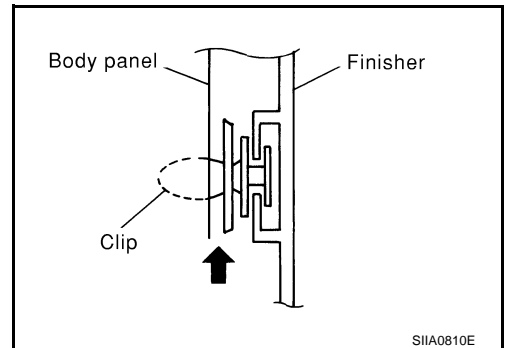
- 2. Clip (C101)
- 5. Door finisher cap

- 3. Bolt
- 6. Door finisher (rear)

DOOR FINISHER (FRONT AND REAR)

Removal

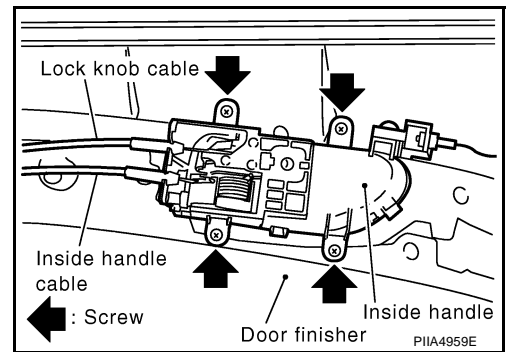
1. Remove door finisher cap of inside handle portion and remove bolt.
2. Remove door grip cap and remove bolts of door grip portion.
3. Insert screw driver rolled with cloth between panel on vehicle and clips (as indicated with arrow), and remove finisher.



4. Pull up door finisher, and remove electrical parts connectors.

DOOR FINISHER

5. Remove lock knob cable, inside handle cable and illumination harness connector (front door only) from backside of inside handle assembly.



6. Remove inside handle screws, and remove it from finisher.

Installation

Install in the reverse order of removal.

CAUTION:

To install finisher, check if all clips are matched over holes of panel on vehicle, then push it.

BODY SIDE TRIM

BODY SIDE TRIM

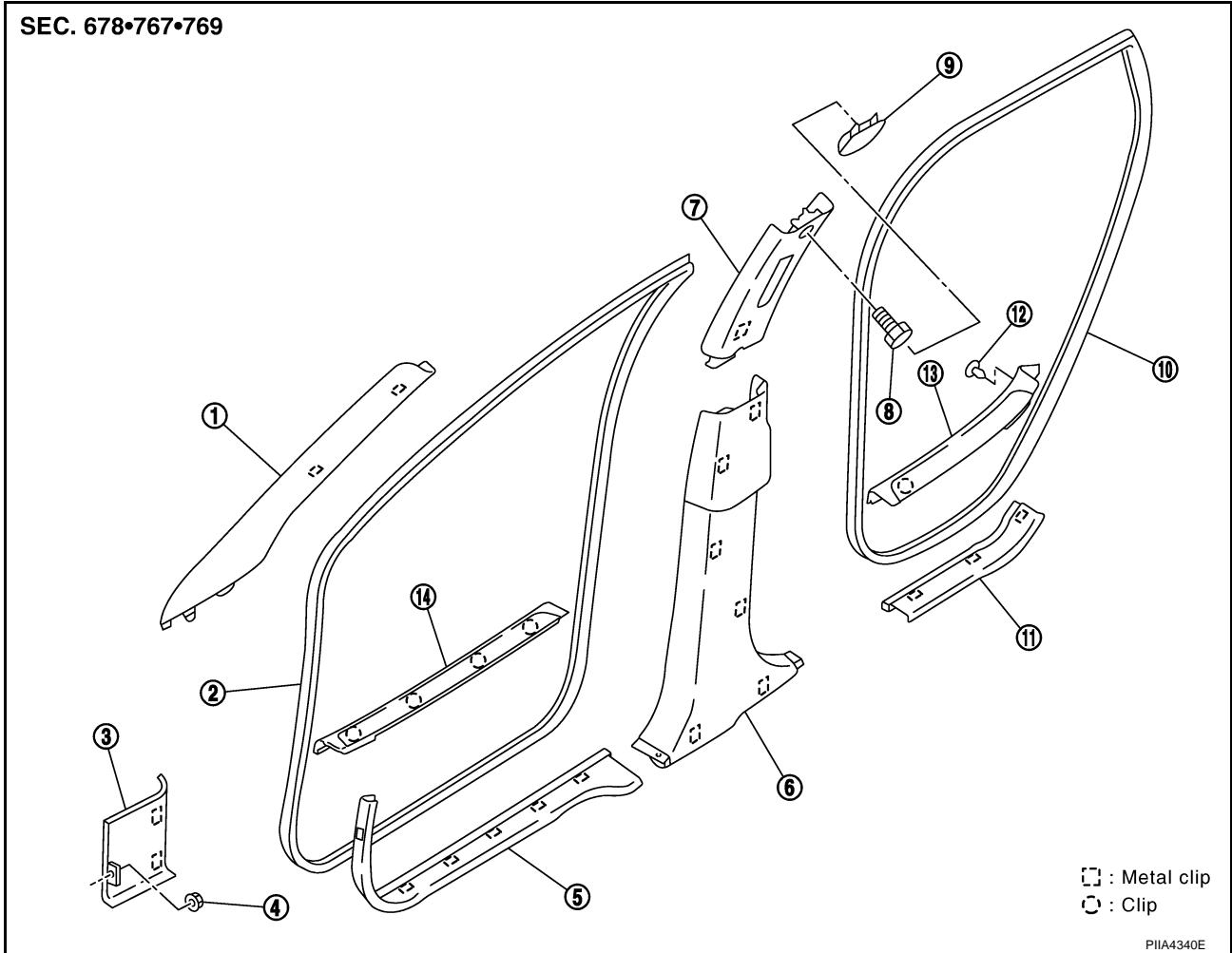
PFP:76913

Removal and Installation

AIS0037N

CAUTION:

Wrap the tip of flat-bladed screwdriver with a cloth when removing metal clips from garnishes.

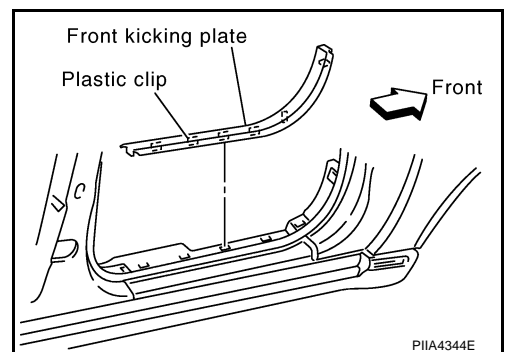


- | | | |
|-------------------------------------|--------------------------------------|--------------------------------|
| 1. Front pillar garnish | 2. Front body side welt | 3. Dash side finisher |
| 4. Nut | 5. Front kicking plate | 6. Center pillar lower garnish |
| 7. Center pillar upper garnish | 8. Bolt | 9. Center pillar upper cap |
| 10. Rear body side welt | 11. Rear kicking plate | 12. Clip (C203) |
| 13. Center mudguard finisher (rear) | 14. Center mudguard finisher (front) | |

CENTER PILLAR LOWER GARNISH

Removal

1. Remove front and rear kicking plate.
2. Remove front and rear body side welt.

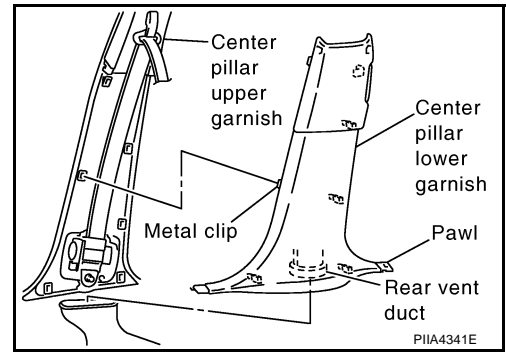


BODY SIDE TRIM

3. Remove center pillar lower garnish.

NOTE:

Insert screwdriver rolled with cloth between panel on vehicle and clips, then disconnect clips.



Installation

Install in the reverse order of removal.

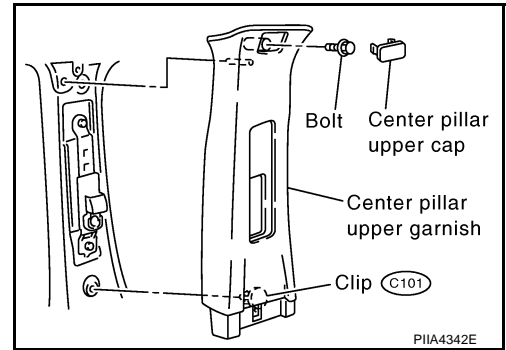
NOTE:

To install, check if all clips are matched over holes of panel on vehicle, then push on.

CENTER PILLAR UPPER GARNISH

Removal

1. Remove seat belt shoulder anchor. Refer to [SB-3, "Removal and Installation of Front Seat Belt"](#) .
2. Remove front and rear kicking plate.
3. Remove front and rear body side welt.
4. Remove center pillar lower garnish.
5. Remove center pillar upper cap and bolt.
6. Remove center pillar upper garnish.



Installation

Install in the reverse order of removal.

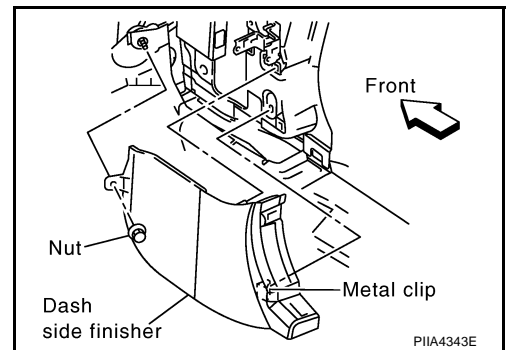
DASH SIDE FINISHER

Removal

1. Remove front kicking plate.
2. Remove front body side welt.
3. Remove nut.
4. Remove dash side finisher.

NOTE:

Insert screwdriver rolled with cloth between panel on vehicle and clips, then disconnect clips.



Installation

Install in the reverse order of removal.

NOTE:

To install, check if all clips are matched over holes of panel on vehicle, then push on.

BODY SIDE TRIM

FRONT PILLAR GARNISH

Removal

Remove front pillar garnish clips and remove front pillar garnish.

Installation

Install in the reverse order of removal.

KICKING PLATE

Removal

Remove kicking plate clips and remove kicking plate.

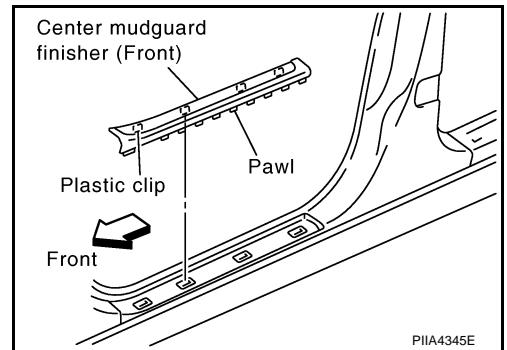
Installation

Install in the reverse order of removal.

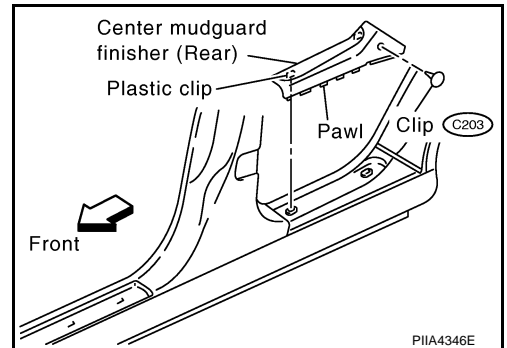
CENTER MUDGUARD FINISHER (FRONT/REAR)

Removal

1. Remove center mudguard finisher (front).



2. Remove center mudguard finisher clip and remove center mudguard finisher (rear).



Installation

Install in the reverse order of removal.

A
B
C
D
E
F
G
H
EI
J
K
L
M

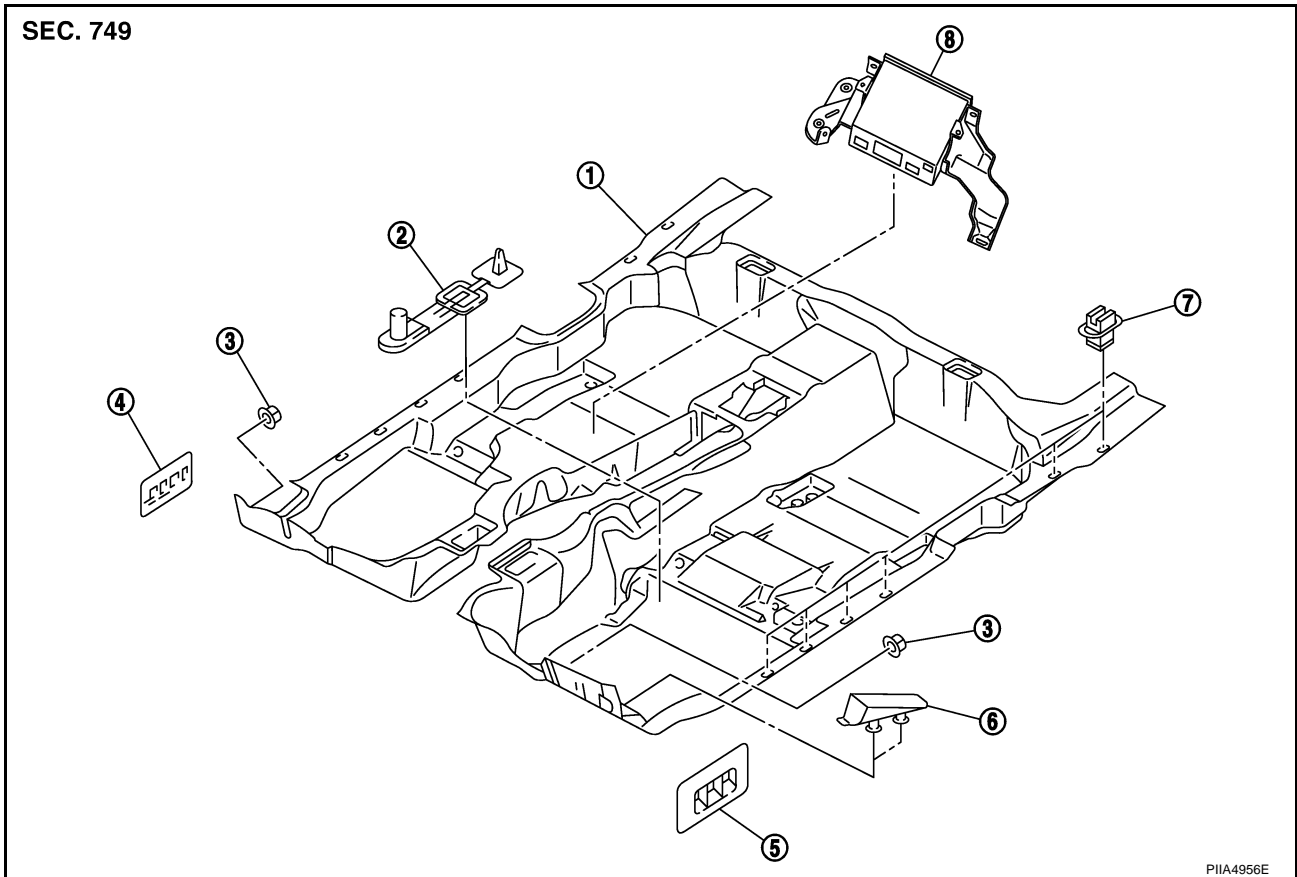
FLOOR TRIM

FLOOR TRIM

PFP:74902

Removal and Installation

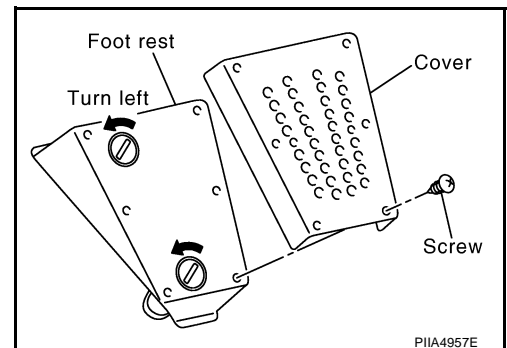
AIS00370



- | | | |
|------------------------|-----------------------|-----------------------|
| 1. Floor carpet | 2. Carpet hook | 3. Nut |
| 4. Foot-grille (right) | 5. Foot-grille (left) | 6. Foot-rest (driver) |
| 7. Fixing clip | 8. NAVI control unit | |

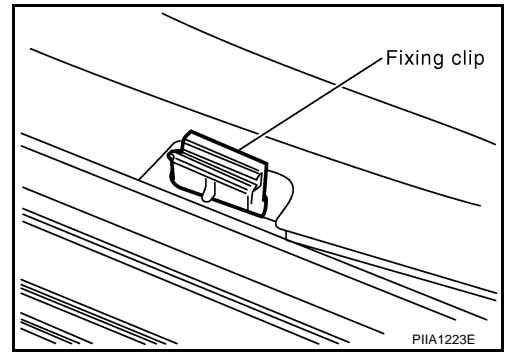
REMOVAL

1. Remove front seat and rear seat cushion. Refer to [SE-100, "Removal and Installation"](#) and [SE-106, "Removal and Installation"](#).
2. Remove center console assembly. Refer to [IP-10, "INSTRUMENT PANEL ASSEMBLY"](#).
3. Remove front and rear kicking plate. Refer to [EI-37, "Removal and Installation"](#).
4. Remove front and rear body side welt. Refer to [EI-37, "Removal and Installation"](#).
5. Remove center pillar lower garnish. Refer to [EI-37, "Removal and Installation"](#).
6. Remove footrest screw, cover and foot-rest.
7. Remove dash side finisher. Refer to [EI-37, "Removal and Installation"](#).
8. Remove foot-grille.
9. Remove NAVI control unit. Refer to [AV-182, "Removal and Installation of NAVI Control Unit"](#).
10. Remove carpet hook.



FLOOR TRIM

11. Remove floor carpet from carpet fixing clip and remove floor carpet.



A
B
C
D
E
F
G
H
EI
J
K
L
M

INSTALLATION

Install in the reverse order of removal.

HEADLINING

HEADLINING

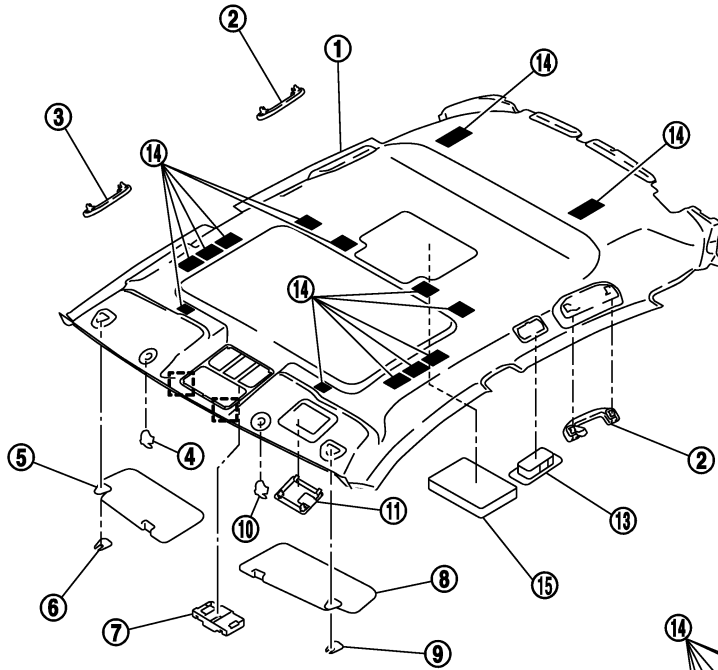
PFP:73910

Removal and Installation

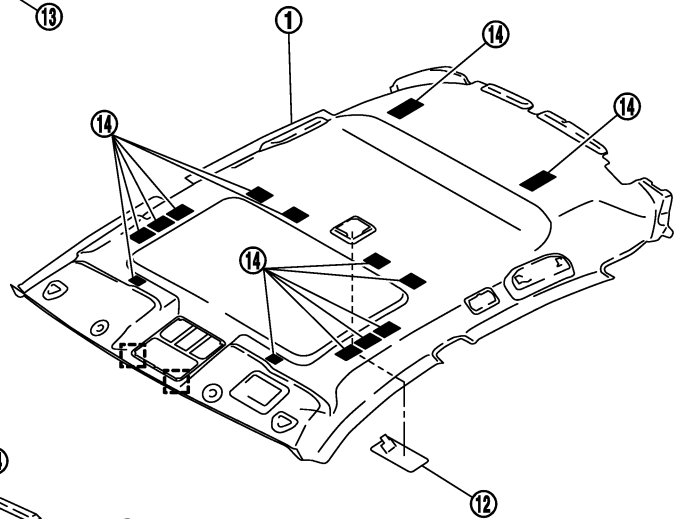
AIS0037P

SEC. 264•738•963•964

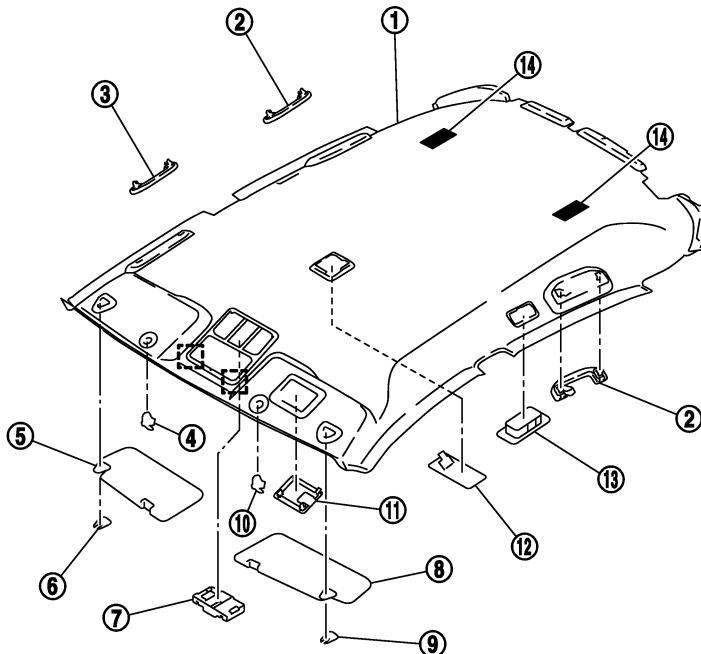
With sunroof and display



With sunroof except display



Except sunroof and display



: Metal clip

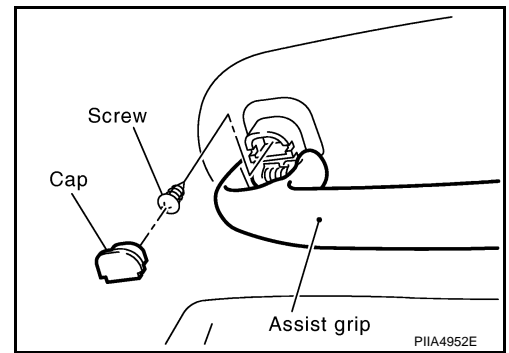
PIIA4332E

HEADLINING

- | | | |
|-----------------------------|-----------------------|----------------------------|
| 1. Headlining | 2. Assist grip (rear) | 3. Assist grip (front) |
| 4. Sun-visor holder (right) | 5. Sun-visor (right) | 6. Sun-visor cover (right) |
| 7. Spot lamp | 8. Sun-visor (left) | 9. Sun-visor cover (left) |
| 10. Sun-visor holder (left) | 11. Finisher | 12. Room lamp |
| 13. Personal lamp | 14. Fastener | 15. DVD display rear |

REMOVAL

1. Remove front pillar garnish. Refer to [EI-37, "Removal and Installation"](#) .
2. Remove kicking plate (front/rear). Refer to [EI-37, "Removal and Installation"](#) .
3. Remove body side welt. Refer to [EI-37, "Removal and Installation"](#) .
4. Remove seat belt shoulder anchor (front/rear). Refer to [SB-3, "Removal and Installation of Front Seat Belt"](#) and [SB-5, "Removal and Installation of Rear Seat Belt"](#) .
5. Remove center pillar garnish (lower/upper) and luggage side finisher assembly and rear pillar upper garnish assembly. Refer to [EI-37, "Removal and Installation"](#) and [EI-44, "Removal and Installation"](#) .
6. Remove assist grip caps and screw. Remove assist grip.



7. Remove sun-visor (drive and passenger), and disconnect harness connector with lamp model.
8. Remove sun-visor holder.
9. Remove DVD display rear. Refer to [AV-199, "Removal and Installation for DVD Display Unit"](#) .
10. Remove spot lamp. Refer to [LT-150, "Removal and Installation"](#) .
11. Disconnect harness connector at front left side of headlining.
12. Put front seat to front most and recline seat back to backward.
13. Remove headlining, turn and take out from back door.

CAUTION:

- Always remove or install in a pair.
 - Cover surroundings with waste to avoid scratches or damages.
 - Do not bend headlining too hard.
14. Remove following parts after removing headlining.
 - Room lamp
 - Personal lamp

INSTALLATION

Install in the reverse order of removal.

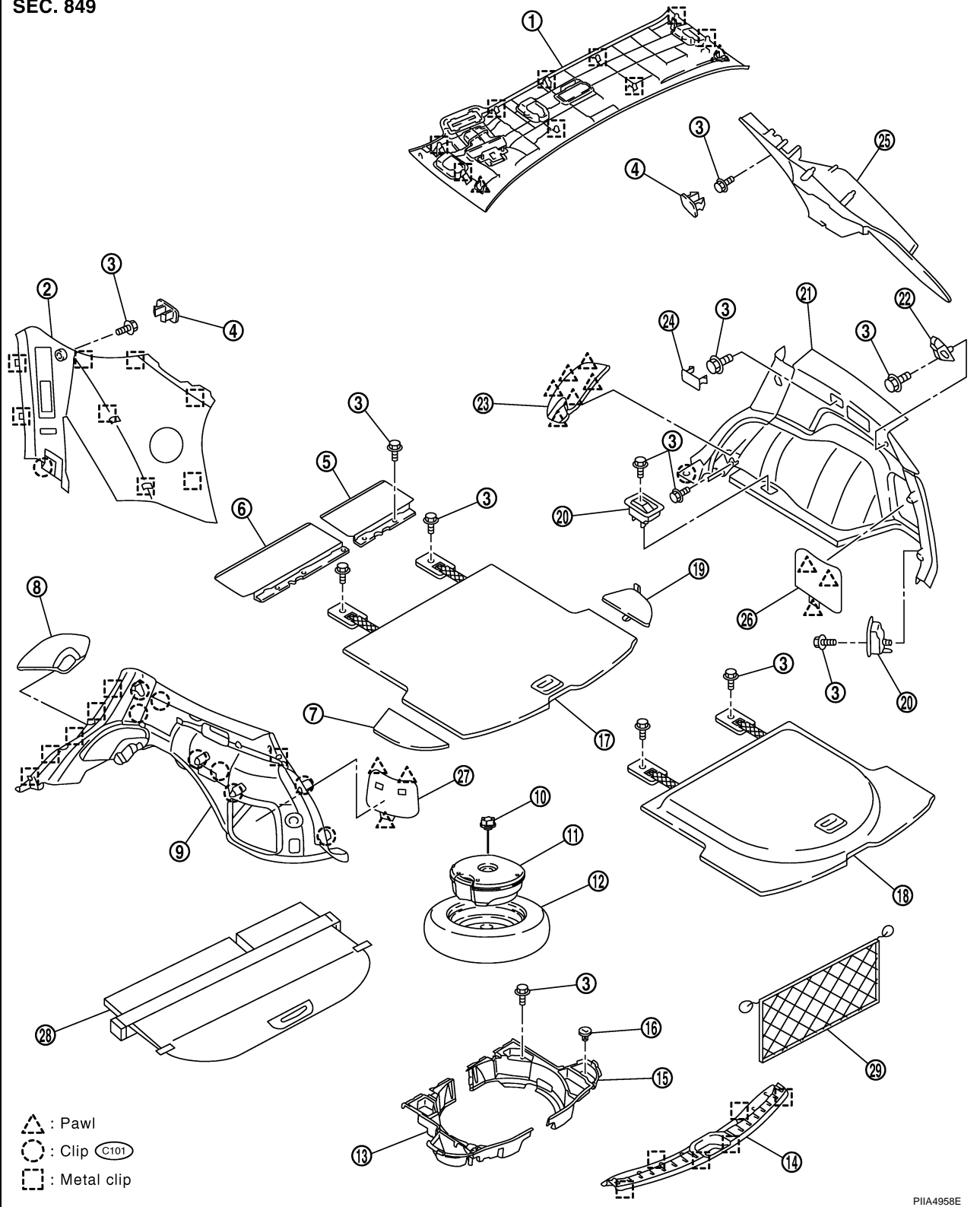
LUGGAGE FLOOR TRIM

LUGGAGE FLOOR TRIM Removal and Installation

PFP:84999

AIS0037Q

SEC. 849



PIIA4958E

- | | | |
|-------------------------------|--|--|
| 1. Roof rear garnish assembly | 2. Rear pillar upper garnish assembly (left) | 3. Bolt |
| 4. Cap | 5. Luggage floor cover assembly (right) | 6. Luggage floor cover assembly (left) |

LUGGAGE FLOOR TRIM

- | | | | |
|--|--|--|---|
| 7. Luggage floor side board assembly (left) | 8. Rear wheel house finisher assembly (left) | 9. Luggage side finisher assembly (left) | A |
| 10. Clamp | 11. Sub woofer box | 12. Spare tire | |
| 13. Luggage side box (left) | 14. Rear plate assembly | 15. Luggage side box (right) | B |
| 16. Cap | 17. Luggage floor board assembly | 18. Luggage floor board assembly (option for Canada) | B |
| 19. Luggage floor side board assembly (right) | 20. Net hook | 21. Luggage side finisher assembly (right) | C |
| 22. Luggage side hook | 23. Rear wheel house finisher assembly (right) | 24. Cap | C |
| 25. Rear pillar upper garnish assembly (right) | 26. Luggage finisher mask (right) | 27. Luggage finisher mask (left) | D |
| 28. Tonneau cover | 29. Net | | D |

REMOVAL

1. Remove tonneau cover.
2. Remove luggage side hook and remove net hook (left/right).
3. Remove luggage floor board assembly. Remove bolt with power tool.
4. Remove luggage floor side board assembly (left/right).
5. Remove back door weather strip.
6. Remove rear plate assembly.
7. Remove roof rear garnish assembly.
8. Remove luggage floor cover assembly (left/right).
9. Remove rear door kicking plate (left/right).
10. Remove rear body side welt.
11. Remove rear wheel house finisher assembly (left/right).
12. Remove luggage side finisher assembly bolt and remove luggage side finisher assembly (left/right).
13. Remove rear seat belt anchor (left/right). Refer to [SB-5, "Removal and Installation of Rear Seat Belt"](#).
14. Remove rear pillar upper garnish assembly cap and bolt, then remove rear pillar upper garnish assembly (left/right).
15. Remove spare tire clamp.
16. Remove sub-woofer box connector and remove sub-woofer box.
17. Remove spare tire.
18. Remove towing hook, wheel nut wrench, spanner, tire stopper, jack rod and jack complete.
19. Remove luggage side box bolt and luggage side box assembly (left/right).

INSTALLATION

Install in the reverse order of removal.

BACK DOOR TRIM

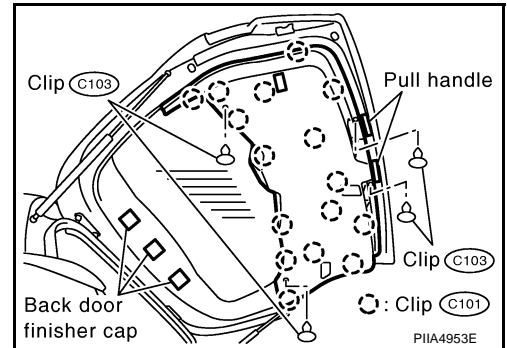
PFP:90900

BACK DOOR TRIM

Removal and Installation

REMOVAL

1. Remove pull handle.
2. Remove back door finisher clips and remove back door finisher.
3. Remove back door finisher cap.

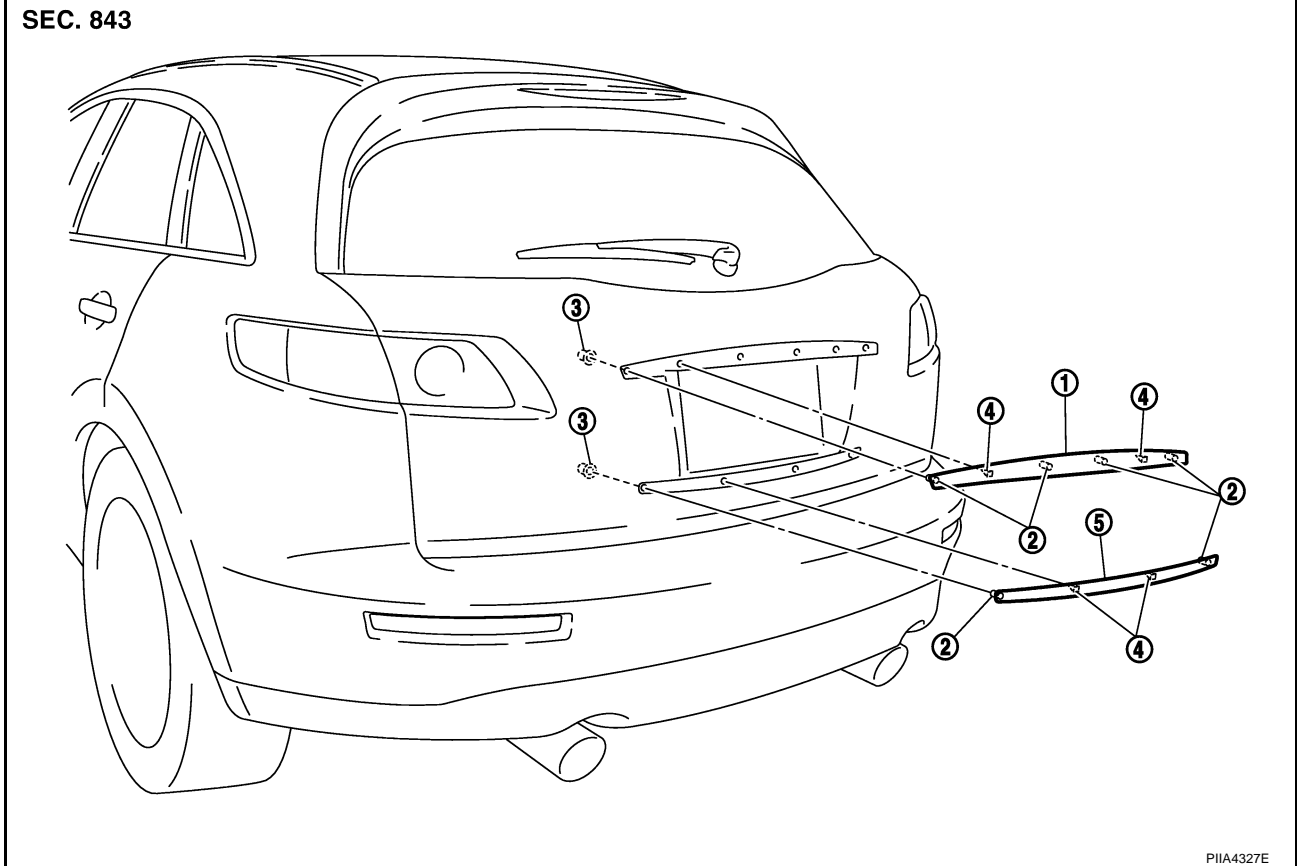


INSTALLATION

Install in the reverse order of removal.

BACK DOOR OUTSIDE FINISHER

Removal and Installation



- | | | |
|-------------------------------------|-------------------------------------|--------|
| 1. Back door outside finisher upper | 2. Bolt | 3. Nut |
| 4. Clip | 5. Back door outside finisher lower | |

REMOVAL

1. Remove back door finisher. Refer to [EI-46, "REMOVAL"](#).
2. Remove back door outside finisher upper nuts and back door outside finisher upper.
3. Remove back door outside finisher lower nuts and back door outside finisher lower.

INSTALLATION

Install in the reverse order of removal.