

**SECTION**  
TF  
**TRANSFER**

A  
B  
C

TF

**CONTENTS**

E  
F  
G  
H  
I  
J  
K  
L  
M

<b>PRECAUTIONS</b> ..... 3	AWD CONTROL UNIT INSPECTION TABLE .... 19
Precautions for Supplemental Restraint System (SRS) "AIR BAG" and "SEAT BELT PRE-TENSIONER" ..... 3	CONSULT-II Function (ALL MODE AWD/4WD) .... 21
Precautions ..... 3	FUNCTION ..... 21
Service Notice ..... 4	CONSULT-II SETTING PROCEDURE ..... 21
Wiring Diagrams and Trouble Diagnosis ..... 4	SELF-DIAG RESULT MODE ..... 21
<b>PREPARATION</b> ..... 5	DATA MONITOR MODE ..... 23
Special Service Tools ..... 5	ACTIVE TEST MODE ..... 24
Commercial Service Tools ..... 6	AWD CONTROL UNIT PART NUMBER ..... 24
<b>NOISE, VIBRATION AND HARSHNESS (NVH)</b>	<b>TROUBLE DIAGNOSIS FOR SYSTEM</b> ..... 25
<b>TROUBLESHOOTING</b> ..... 7	Power Supply Circuit For AWD Control Unit ..... 25
NVH Troubleshooting Chart ..... 7	CONSULT-II REFERENCE VALUE IN DATA
<b>TRANSFER FLUID</b> ..... 8	MONITOR MODE ..... 25
Replacement ..... 8	DIAGNOSTIC PROCEDURE ..... 25
DRAINING ..... 8	AWD Control Unit ..... 26
FILLING ..... 8	DIAGNOSTIC PROCEDURE ..... 26
Inspection ..... 8	ABS System ..... 26
FLUID LEAKAGE AND FLUID LEVEL ..... 8	DIAGNOSTIC PROCEDURE ..... 26
<b>AWD SYSTEM</b> ..... 9	AWD Solenoid ..... 27
Power Transfer Diagram ..... 9	CONSULT-II REFERENCE VALUE IN DATA
System Description ..... 9	MONITOR MODE ..... 27
DESCRIPTION ..... 9	DIAGNOSTIC PROCEDURE ..... 27
ELECTRIC CONTROLLED COUPLING ..... 10	COMPONENT INSPECTION ..... 29
AWD CONTROL UNIT ..... 10	AWD Actuator Relay ..... 30
AWD WARNING LAMP ..... 11	CONSULT-II REFERENCE VALUE IN DATA
System Diagram ..... 11	MONITOR MODE ..... 30
COMPONENTS FUNCTION DESCRIPTION .... 12	DIAGNOSTIC PROCEDURE ..... 30
CAN Communication ..... 12	Engine Control Signal ..... 31
SYSTEM DESCRIPTION ..... 12	DIAGNOSTIC PROCEDURE ..... 31
<b>TROUBLE DIAGNOSIS</b> ..... 13	CAN Communication Line ..... 31
Fail-Safe Function ..... 13	DIAGNOSTIC PROCEDURE ..... 31
How to Perform Trouble Diagnosis ..... 13	<b>TROUBLE DIAGNOSIS FOR SYMPTOMS</b> ..... 32
BASIC CONCEPT ..... 13	AWD Warning Lamp Does Not Turn ON When The
Location of Electrical Parts ..... 14	Ignition Switch Is Turned To ON ..... 32
Circuit Diagram ..... 15	DIAGNOSTIC PROCEDURE ..... 32
Wiring Diagram — AWD — ..... 16	AWD Warning Lamp Does Not Turn OFF Several
Trouble Diagnosis Chart for Symptoms ..... 19	Seconds After Engine Started ..... 32
AWD Control Unit Input/Output Signal Reference	DIAGNOSTIC PROCEDURE ..... 32
Values ..... 19	Heavy Tight-corner Braking Symptom Occurs
	When The Vehicle Is Driven And The Steering
	Wheel Is Turned Fully To Either Side After The

Engine Is Started .....	34	<b>REAR OIL SEAL .....</b>	<b>40</b>
DIAGNOSTIC PROCEDURE .....	34	Removal and Installation .....	40
Vehicle Does Not Enter AWD Mode Even Though		REMOVAL .....	40
AWD Warning Lamp Turned To OFF .....	35	INSTALLATION .....	41
DIAGNOSTIC PROCEDURE .....	35	<b>AIR BREATHER HOSE .....</b>	<b>42</b>
While Driving, AWD Warning Lamp Flashes Rapidly		Removal and Installation .....	42
(When Flashing In Approx. 1 Minute And Then Turn-		<b>TRANSFER ASSEMBLY .....</b>	<b>43</b>
ing OFF) .....	36	Removal and Installation .....	43
While Driving, AWD Warning Lamp Flashes Slowly		REMOVAL .....	43
(When Continuing To Flash Until Turning Ignition		INSTALLATION .....	43
Switch OFF) .....	36	Components .....	44
DIAGNOSTIC PROCEDURE .....	36	Disassembly and Assembly .....	45
<b>AWD CONTROL UNIT .....</b>	<b>38</b>	DISASSEMBLY .....	45
Removal and Installation .....	38	INSPECTION .....	49
REMOVAL .....	38	ASSEMBLY .....	49
INSTALLATION .....	38	<b>SERVICE DATA AND SPECIFICATIONS (SDS) .....</b>	<b>55</b>
<b>FRONT OIL SEAL .....</b>	<b>39</b>	General Specifications .....	55
Removal and Installation .....	39		
REMOVAL .....	39		
INSTALLATION .....	39		

# PRECAUTIONS

## PRECAUTIONS

PFP:00001

### Precautions for Supplemental Restraint System (SRS) "AIR BAG" and "SEAT BELT PRE-TENSIONER"

ADS000RH

The Supplemental Restraint System such as "AIR BAG" and "SEAT BELT PRE-TENSIONER", used along with a front seat belt, helps to reduce the risk or severity of injury to the driver and front passenger for certain types of collision. This system includes seat belt switch inputs and dual stage front air bag modules. The SRS system uses the seat belt switches to determine the front air bag deployment, and may only deploy one front air bag, depending on the severity of a collision and whether the front occupants are belted or unbelted. Information necessary to service the system safely is included in the SRS and SB section of this Service Manual.

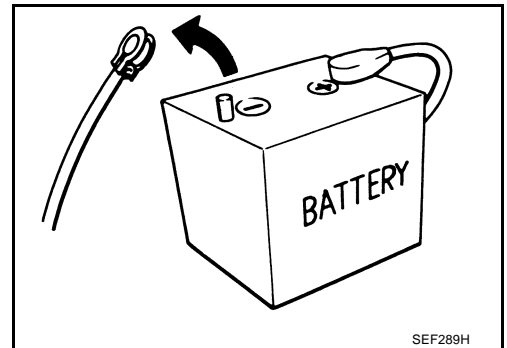
#### WARNING:

- To avoid rendering the SRS inoperative, which could increase the risk of personal injury or death in the event of a collision which would result in air bag inflation, all maintenance must be performed by an authorized NISSAN/INFINITI dealer.
- Improper maintenance, including incorrect removal and installation of the SRS, can lead to personal injury caused by unintentional activation of the system. For removal of Spiral Cable and Air Bag Module, see the SRS section.
- Do not use electrical test equipment on any circuit related to the SRS unless instructed to in this Service Manual. SRS wiring harnesses can be identified by yellow and/or orange harnesses or harness connectors.

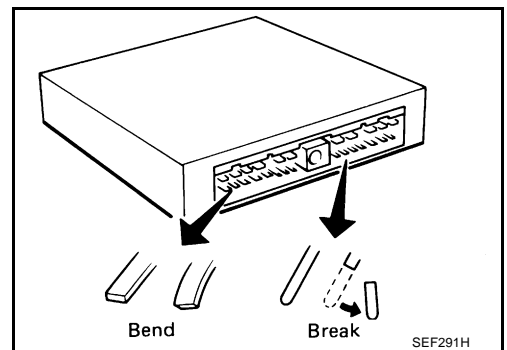
#### Precautions

ADS000RI

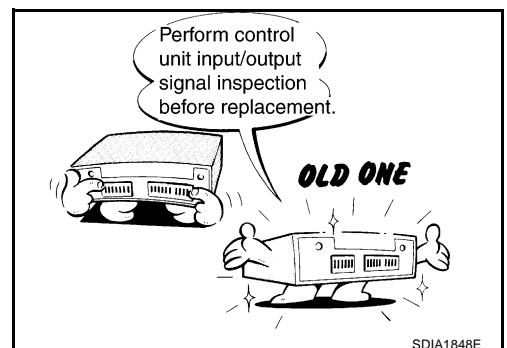
- Before connecting or disconnecting the AWD control unit harness connector, turn ignition switch "OFF" and disconnect negative battery cable. Because battery voltage is applied to AWD control unit even if ignition switch is turned "OFF".



- When connecting or disconnecting pin connectors into or from AWD control unit, take care not to damage pin terminals (bend or break). When connecting pin connectors, make sure that there are no bends or breaks on AWD control unit pin terminal.



- Before replacing AWD control unit, perform AWD control unit input/output signal inspection and make sure whether AWD control unit functions properly or not. Refer to [TF-19, "AWD Control Unit Input/Output Signal Reference Values"](#).



# PRECAUTIONS

## Service Notice

ADS000RJ

- After overhaul refill the transfer with new transfer fluid.
- Check the fluid level or replace the fluid only with the vehicle parked on level ground.
- During removal or installation, keep inside of transfer clear of dust or dirt.
- Replace all tires at the same time. Always use tires of the proper size and the same brand and pattern. Fitting improper size and unusual wear tires applies excessive force to vehicle mechanism and can cause longitudinal vibration.
- Disassembly should be done in a clean work area.
- Before proceeding with disassembly, thoroughly clean the transfer. It is important to prevent the internal parts from becoming contaminated by dirt or other foreign matter.
- Check for the correct installation status prior to removal or disassembly. If matching marks are required, be certain they do not interfere with the function of the parts when applied.
- All parts should be carefully cleaned with a general purpose, non-flammable solvent before inspection or reassembly.
- Check appearance of the disassembled parts for damage, deformation, and unusual wear. Replace them with a new ones if necessary.
- Gaskets, seals and O-rings should be replaced any time when the transfer is disassembled.
- In principle, tighten bolts or nuts gradually in several steps working diagonally from inside to outside. If tightening sequence is specified, use it.
- Observe the specified torque when assembling.
- Clean and flush the parts sufficiently and blow-dry them.
- Be careful not to damage sliding surfaces and mating surfaces.
- Use lint-free cloth or towels for wiping parts clean. Common shop rags can leave fibers that could interfere with the operation of the transfer.

## Wiring Diagrams and Trouble Diagnosis

ADS000RK

When you read wiring diagrams, refer to the following:

- [GI-15, "How to Read Wiring Diagrams"](#).
- [PG-3, "POWER SUPPLY ROUTING CIRCUIT"](#).

When you perform trouble diagnosis, refer to the following:

- [GI-11, "How to Follow Trouble Diagnoses"](#).
- [GI-27, "How to Perform Efficient Diagnosis for an Electrical Incident"](#).

# PREPARATION

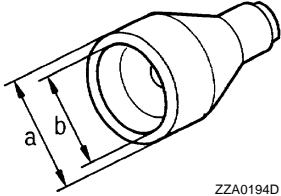
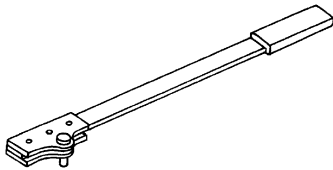
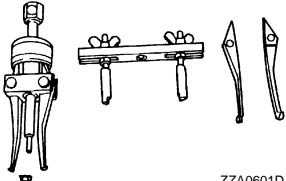
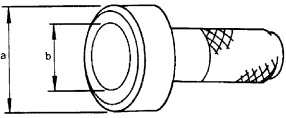
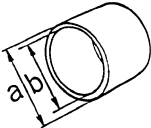
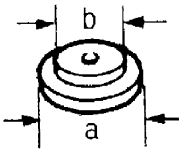
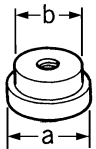
## PREPARATION

PFP:00002

### Special Service Tools

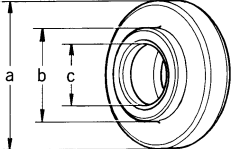
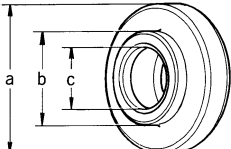
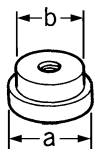
ADS000RL

The actual shapes of Kent-Moore tools may differ from those of special service tools illustrated here.

Tool number (Kent-Moore No.) Tool name	Description
ST27862000 ( — ) Drift a: 62.5 mm (2.461 in) dia. b: 42 mm (1.654 in) dia.	 ZZA0194D <ul style="list-style-type: none"> <li>● Installing front oil seal into front case</li> </ul>
KV38108300 (J44195) Flange wrench	 NT771 <ul style="list-style-type: none"> <li>● Removing and installing companion flange lock nut</li> </ul>
KV381054S0 (J34286) Puller	 ZZA0601D <ul style="list-style-type: none"> <li>● Removing rear oil seal</li> </ul>
ST30720000 (J25405) Drift a: 77 mm (3.03 in) dia. b: 55.5 mm (2.185 in) dia.	 ZZA0811D <ul style="list-style-type: none"> <li>● Installing rear oil seal</li> </ul>
KV40104830 ( — ) Drift a: 76.3 mm (3.004 in) dia. b: 67.9 mm (2.673 in) dia.	 ZZA1003D <ul style="list-style-type: none"> <li>● Installing rear oil seal</li> </ul>
ST33061000 (J8107-2) Drift a: 38 mm (1.50 in) dia. b: 28.5 mm (1.122 in) dia.	 ZZA0810D <ul style="list-style-type: none"> <li>● Removing front drive shaft front bearing</li> </ul>
ST35322000 ( — ) Drift a: 39 mm (1.54 in) dia. b: 31 mm (1.22 in) dia.	 ZZA1000D <ul style="list-style-type: none"> <li>● Removing front drive shaft rear bearing</li> </ul>

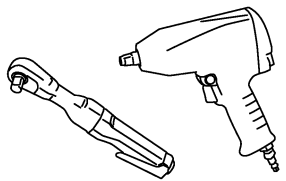
A  
B  
C  
TF  
E  
F  
G  
H  
I  
J  
K  
L  
M

# PREPARATION

Tool number (Kent-Moore No.) Tool name		Description
ST30022000 (      —      ) Drift a: 110 mm (4.33 in) dia. b: 56 mm (2.20 in) dia. c: 46 mm (1.81 in) dia.	 ZZA0978D	<ul style="list-style-type: none"> <li>● Installing front drive shaft front bearing</li> <li>● Installing main shaft into rear case</li> </ul>
ST30914000 (      —      ) Drift a: 98 mm (3.86 in) dia. b: 51 mm (2.01 in) dia. c: 40 mm (1.57 in) dia.	 ZZA0978D	<ul style="list-style-type: none"> <li>● Installing front drive shaft rear bearing</li> </ul>
ST30613000 (      —      ) Drift a: 72 mm (2.83 in) dia. b: 48 mm (1.89 in) dia.	 ZZA1000D	<ul style="list-style-type: none"> <li>● Installing main shaft oil seal into front case</li> </ul>

## Commercial Service Tools

ADS000SA

Tool name		Description
Power tool	 PBIC0190E	<ul style="list-style-type: none"> <li>● Loosening nuts and bolts</li> </ul>

# NOISE, VIBRATION AND HARSHNESS (NVH) TROUBLESHOOTING

## NOISE, VIBRATION AND HARSHNESS (NVH) TROUBLESHOOTING

PFP:00003

### NVH Troubleshooting Chart

ADS000RM

Use the chart below to help you find the cause of the symptom. The numbers indicate the order of the inspection. If necessary, repair or replace these parts.

Reference page		TF-8			TF-44	TF-44	TF-49	TF-49
SUSPECTED PARTS (Possible cause)		TRANSFER FLUID (Level low)	TRANSFER FLUID (Wrong)	TRANSFER FLUID (Level too high)	LIQUID GASKET (Damaged)	OIL SEAL (Worn or damaged)	GEAR (Worn or damaged)	BEARING (Worn or damaged)
Symptom	Noise	1	2				3	3
	Transfer fluid leakage		3	1	2	2		

A  
B  
C  
TF  
E  
F  
G  
H  
I  
J  
K  
L  
M

# TRANSFER FLUID

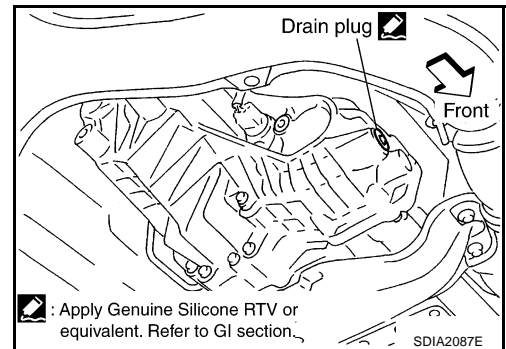
PF3:31001

ADS000RN

## TRANSFER FLUID

### Replacement DRAINING

1. Run the vehicle to warm up the transfer unit sufficiently.
2. Stop the engine, and remove the drain plug to drain the transfer fluid.
3. Apply sealant to drain plug. Install drain plug on transfer and tighten to the specified torque. Refer to [TF-44, "Components"](#).
  - **Use Genuine Silicone RTV or equivalent. Refer to [GI-48, "Recommended Chemical Products and Sealants"](#).**



### FILLING

1. Remove filler plug and add transfer fluid until fluid level reaches the specified limit near filler plug mounting hole.

#### Fluid capacity

: Approx. 1.25 ℓ (2-5/8 US pt, 2-1/4 Imp pt)

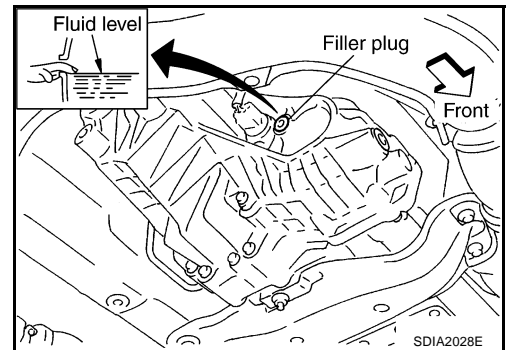
#### CAUTION:

Carefully fill the fluid. (Fill up for approx. 3 minutes.)

2. Leave the vehicle for 3 minutes, and check the fluid level again.
3. Set a new seal washer onto filler plug and install it on transfer and tighten to the specified torque. Refer to [TF-44, "Components"](#).

#### CAUTION:

Do not reuse seal washer.



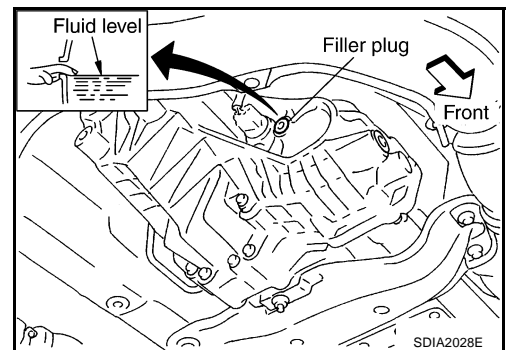
### Inspection

#### FLUID LEAKAGE AND FLUID LEVEL

1. Check fluid level from filler plug mounting hole as shown in the figure.
2. Before installing filler plug, set a new seal washer. Install filler plug on transfer and tighten to the specified torque. Refer to [TF-44, "Components"](#).

#### CAUTION:

Do not reuse seal washer.



ADS000RO

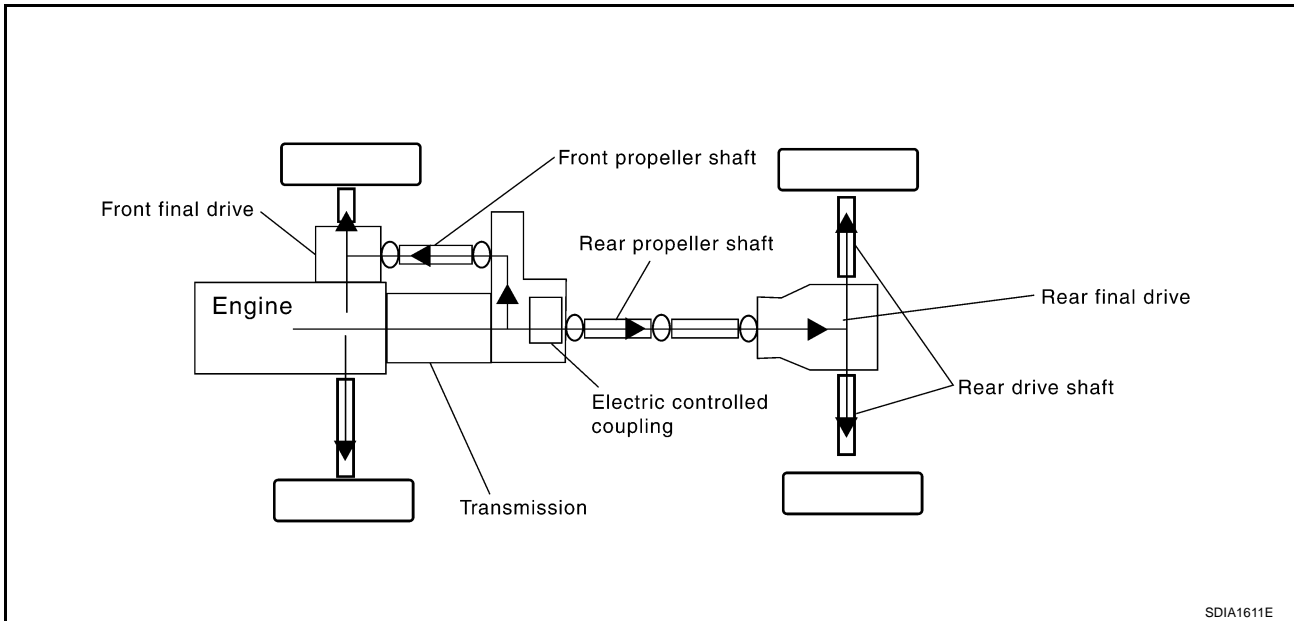


## AWD SYSTEM

PPF:41650

### Power Transfer Diagram

ADS000RV



SDIA1611E

### System Description

ADS000RW

#### DESCRIPTION

- Electronic control allows optimal distribution of torque to front/rear wheels to match road conditions.
- Makes possible stable driving, with no wheel spin, on snowy roads or other slippery surfaces.
- On roads which do not require AWD, it contributes to improved fuel economy by driving in conditions close to rear-wheel drive.
- Sensor inputs determine the vehicle's turning condition, and in response tight cornering/braking are controlled by distributing optimum torque to front wheels.

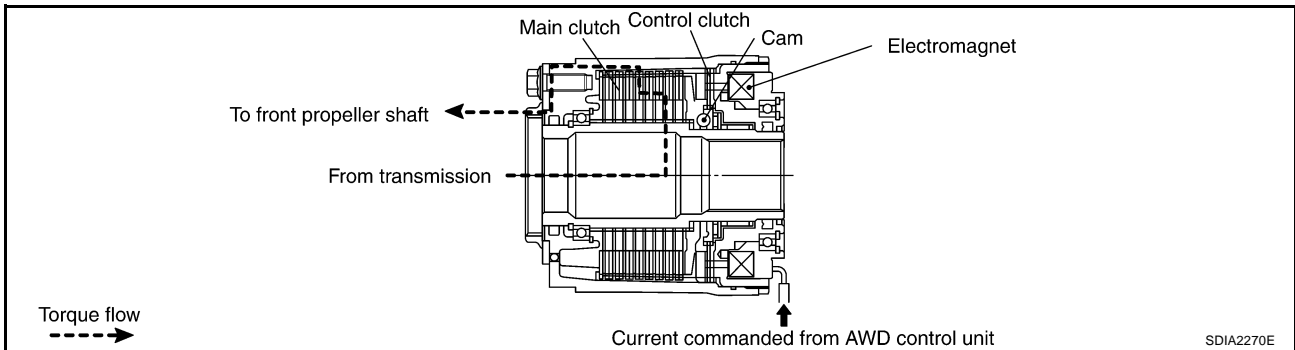
#### NOTE:

- When driving, if there is a large difference between front and rear wheel speed which continues for a long time, fluid temperature of drive system parts becomes too high and AWD warning lamp flashes rapidly. (When AWD warning lamp flashes, vehicle changes to rear-wheel drive conditions.) Also, optional distribution of torque sometimes becomes rigid before lamp flashes rapidly, but it is not malfunction.
- If AWD warning lamp is flashing rapidly, stop vehicle and allow it to idle for some time. Flashing will stop and AWD system will be restored.
- When driving, AWD warning lamp may flash slowly if there is a significant difference in diameter of the tires. At this time, vehicle performance is not fully available and cautious driving is required. (Continues until engine is turned OFF.)
- If the warning lamp flashes slowly during driving but remains OFF after engine is restarted, the system is normal. If it again flashes slowly after driving for some time, vehicle must be inspected.
- When the difference of revolution speed between the front and rear wheel with AUTO mode the shift occasionally changes to direct 4-wheel driving conditions automatically. This is not malfunction.

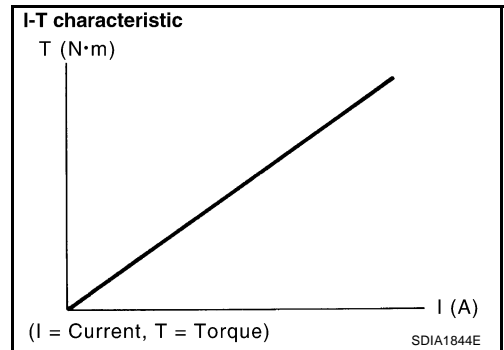
# AWD SYSTEM

## ELECTRIC CONTROLLED COUPLING

### Operation principle

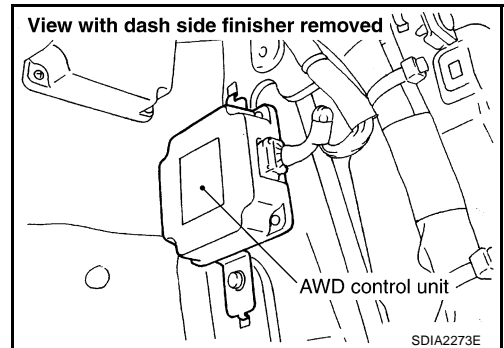


1. AWD control unit supplies command current to electric controlled coupling (AWD solenoid).
2. Control clutch is engaged by electromagnet and torque is detected in control clutch.
3. The cam operates in response to control clutch torque and applies pressure to main clutch.
4. Main clutch transmits torque to front wheels according to pressing power.
  - Transmission torque to front wheels is determined according to command current.



## AWD CONTROL UNIT

- Controls distribution of drive power between rear-wheel drive (0:100) and AWD (50:50) conditions according to signals from sensors.
- Self-diagnosis can be done with CONSULT-II.



# AWD SYSTEM

## AWD WARNING LAMP

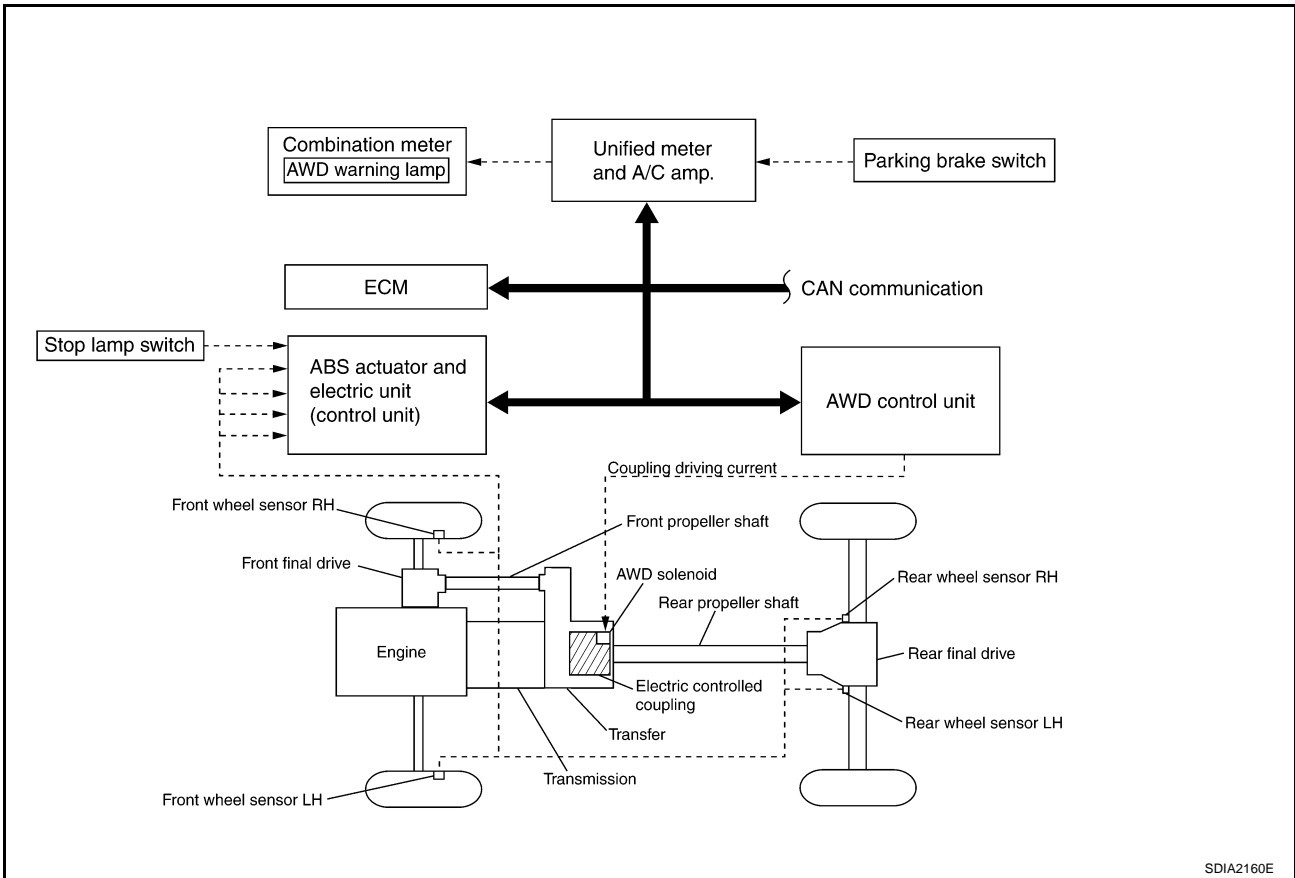
Turns ON when there is a malfunction in AWD system. It indicates that fail-safe mode is engaged and vehicle change to rear-wheel drive or shifting driving force-AWD (Front-wheels still have some driving torque). Also turns ON when ignition switch is turned ON, for purpose of lamp check. Turns OFF approximately for 1 seconds after the engine starts if system is normal.

## AWD Warning Lamp Indication

Condition	AWD warning lamp
Lamp check	Turns ON when ignition switch is turned ON. Turns OFF approx. 1 second after engine start.
AWD system malfunction	ON
Protection function is activated due to heavy load to electric controlled coupling. (AWD system is not malfunctioning and AWD system changes to 2WD mode.)	Rapid flashing: 2 times/second (Flashing in approx. 1 minute and then turning OFF.)
Large difference in diameter of front/rear tires	Slow flashing: 1 time/2 seconds (Continuing to flash until turning ignition switch OFF)
Other than above (system normal)	OFF

## System Diagram

ADS000RX



# AWD SYSTEM

## COMPONENTS FUNCTION DESCRIPTION

Component parts	Function
AWD control unit	<ul style="list-style-type: none"> <li>● Controls driving force distribution by signals from each sensor and switch from rear wheel driving mode (0:100) to AWD mode (50:50).</li> <li>● 2WD mode is available by fail-safe function if malfunction is detected in AWD system.</li> </ul>
Wheel sensors	Detects wheel speed.
AWD solenoid	Controls electric controlled coupling by command current from AWD control unit.
Electric controlled coupling	Transmits driving force to front final drive.
AWD warning lamp	<ul style="list-style-type: none"> <li>● Illuminates if malfunction is detected in electrical system of AWD system.</li> <li>● There is 1 blink in 2 seconds if rotation difference of front wheels and rear wheels is large.</li> <li>● There are 2 blinks in 1 second if load is still applied to driving parts.</li> </ul>
ABS actuator and electric unit (control unit)	Transmits the following signals via CAN communication to AWD control unit. <ul style="list-style-type: none"> <li>● Vehicle speed signal</li> <li>● Stop lamp switch signal (brake signal)</li> </ul>
ECM	Transmits the following signals via CAN communication to AWD control unit. <ul style="list-style-type: none"> <li>● Accelerator pedal position signal</li> <li>● Engine speed signal</li> </ul>
Unified meter and A/C amp.	Transmits conditions of parking brake switch via CAN communication to AWD control unit.

## CAN Communication SYSTEM DESCRIPTION

ADS000RY

CAN (Controller Area Network) is a serial communication line for real time application. It is an on-vehicle multiplex communication line with high data communication speed and excellent error detection ability. Many electronic control units are equipped onto a vehicle, and each control unit shares information and links with other control units during operation (not independent). In CAN communication, control units are connected with 2 communication lines (CAN H line, CAN L line) allowing a high rate of information transmission with less wiring. Each control unit transmits/receives data but selectively reads required data only. For details, refer to [LAN-6, "CAN Communication Unit"](#).

## TROUBLE DIAGNOSIS

PFP:00004

### Fail-Safe Function

ADS000S1

- If any malfunction occurs in AWD electrical system, and control unit detects the malfunction, AWD warning lamp on combination meter turns ON to indicate system malfunction.
- When AWD warning lamp is ON, vehicle changes to rear-wheel drive or shifting driving force-AWD (Front-wheels still have some driving torque).

### How to Perform Trouble Diagnosis BASIC CONCEPT

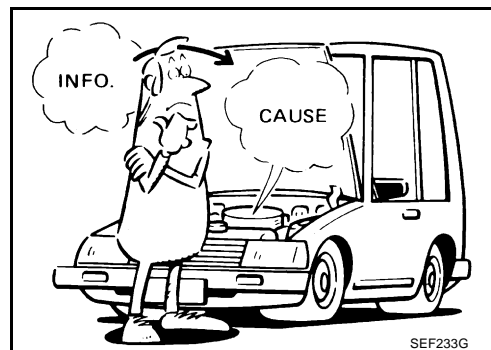
ADS000S2

- To perform trouble diagnosis, it is the most important to have understanding about vehicle systems (control and mechanism) thoroughly.
- It is also important to clarify customer complaints before inspection.

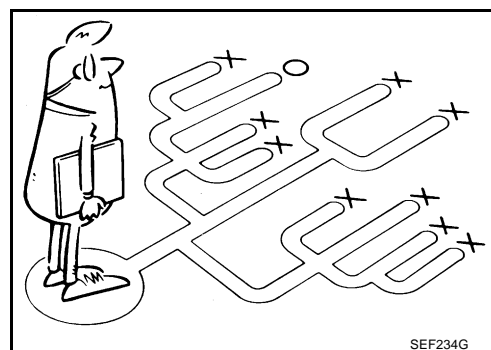
First of all, reproduce symptoms, and understand them fully. Ask customer about his/her complaints carefully. In some cases, it will be necessary to check symptoms by driving vehicle with customer.

**CAUTION:**

**Customers are not professional. It is dangerous to make an easy guess like "maybe the customer means that...," or "maybe the customer mentions this symptom".**



- It is essential to check symptoms right from the beginning in order to repair malfunctions completely. For intermittent malfunctions, reproduce symptoms based on interview with customer and past examples. Do not perform inspection on ad hoc basis. Most intermittent malfunctions are caused by poor contacts. In this case, it will be effective to shake suspected harness or connector by hand. When repairing without any symptom diagnosis, you cannot judge if malfunctions have actually been eliminated.
- After completing diagnosis, always erase diagnostic memory. Refer to [TF-22, "How to Erase Self-diagnostic Results"](#).
- For intermittent malfunctions, move harness or harness connector by hand. Then check for poor contact or reproduced open circuit.

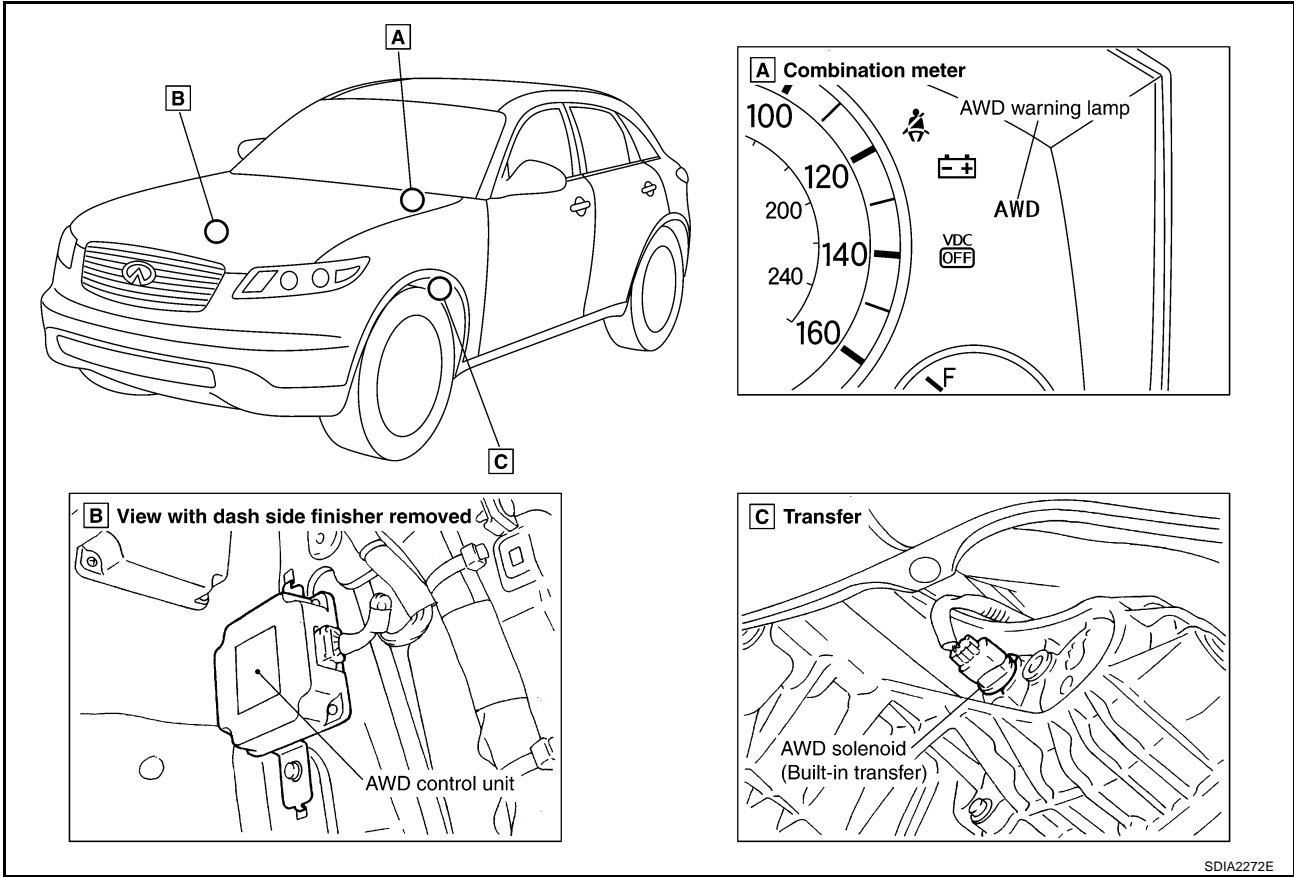


A  
B  
C  
TF  
E  
F  
G  
H  
I  
J  
K  
L  
M

# TROUBLE DIAGNOSIS

## Location of Electrical Parts

ADS000ST

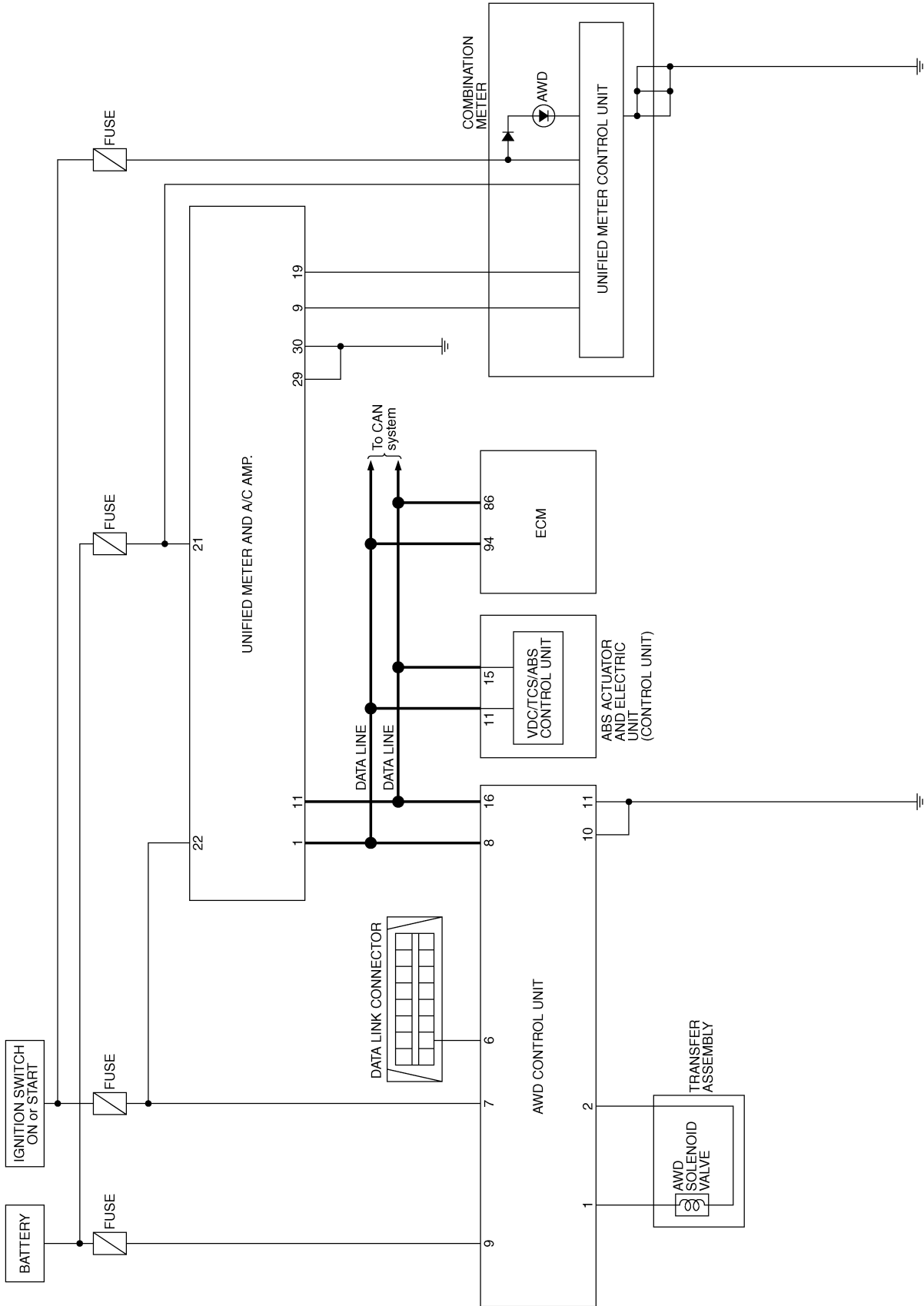


SDIA2272E

# TROUBLE DIAGNOSIS

## Circuit Diagram

ADS000RZ



A  
B  
C  
**TF**  
E  
F  
G  
H  
I  
J  
K  
L  
M

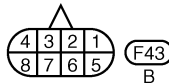
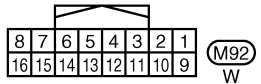
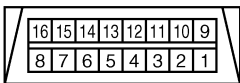
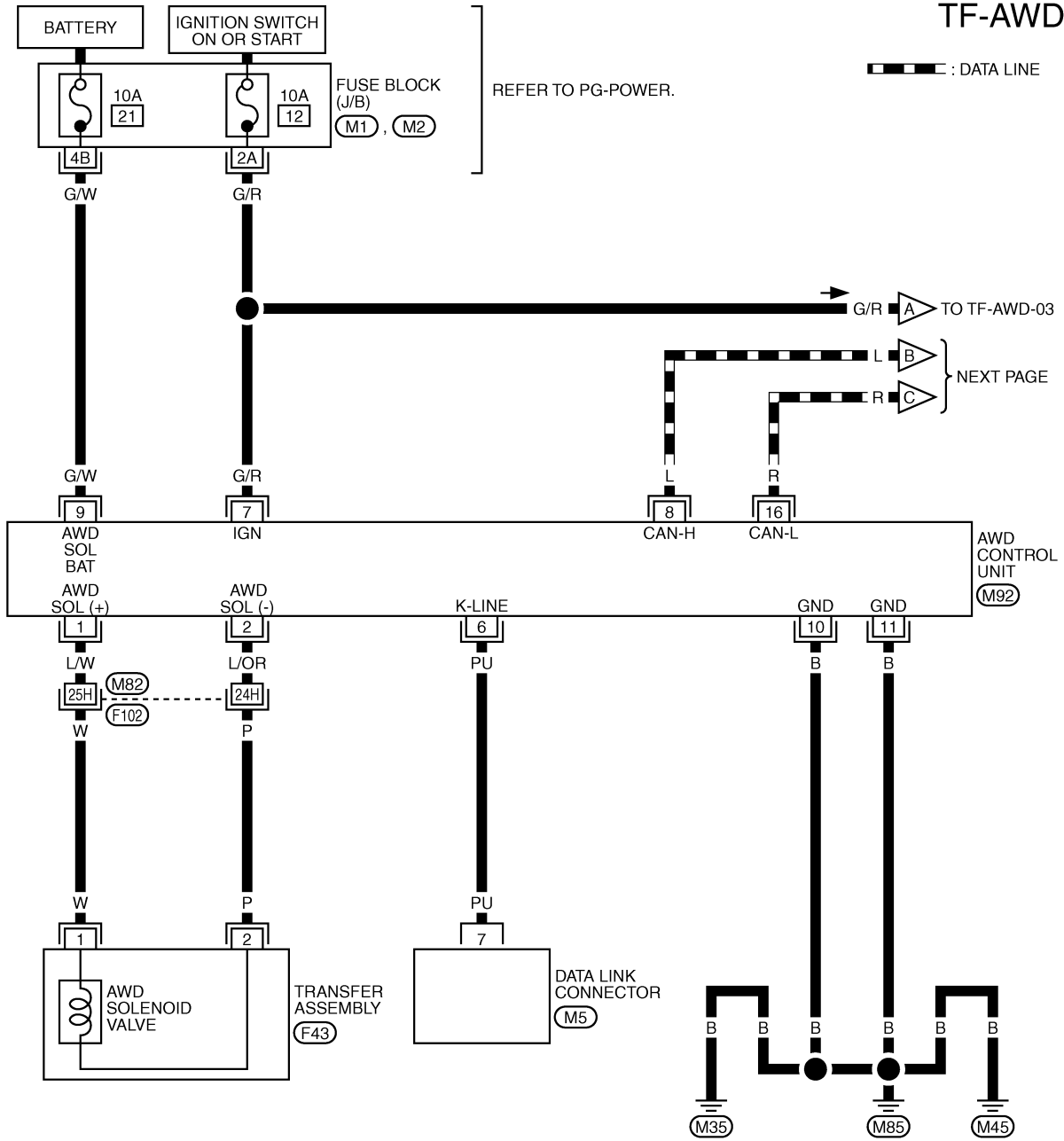
TDWM0015E

# TROUBLE DIAGNOSIS

## Wiring Diagram — AWD —

ADS000S0

### TF-AWD-01



REFER TO THE FOLLOWING.

(F102) -SUPER MULTIPLE JUNCTION (SMJ)

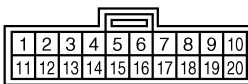
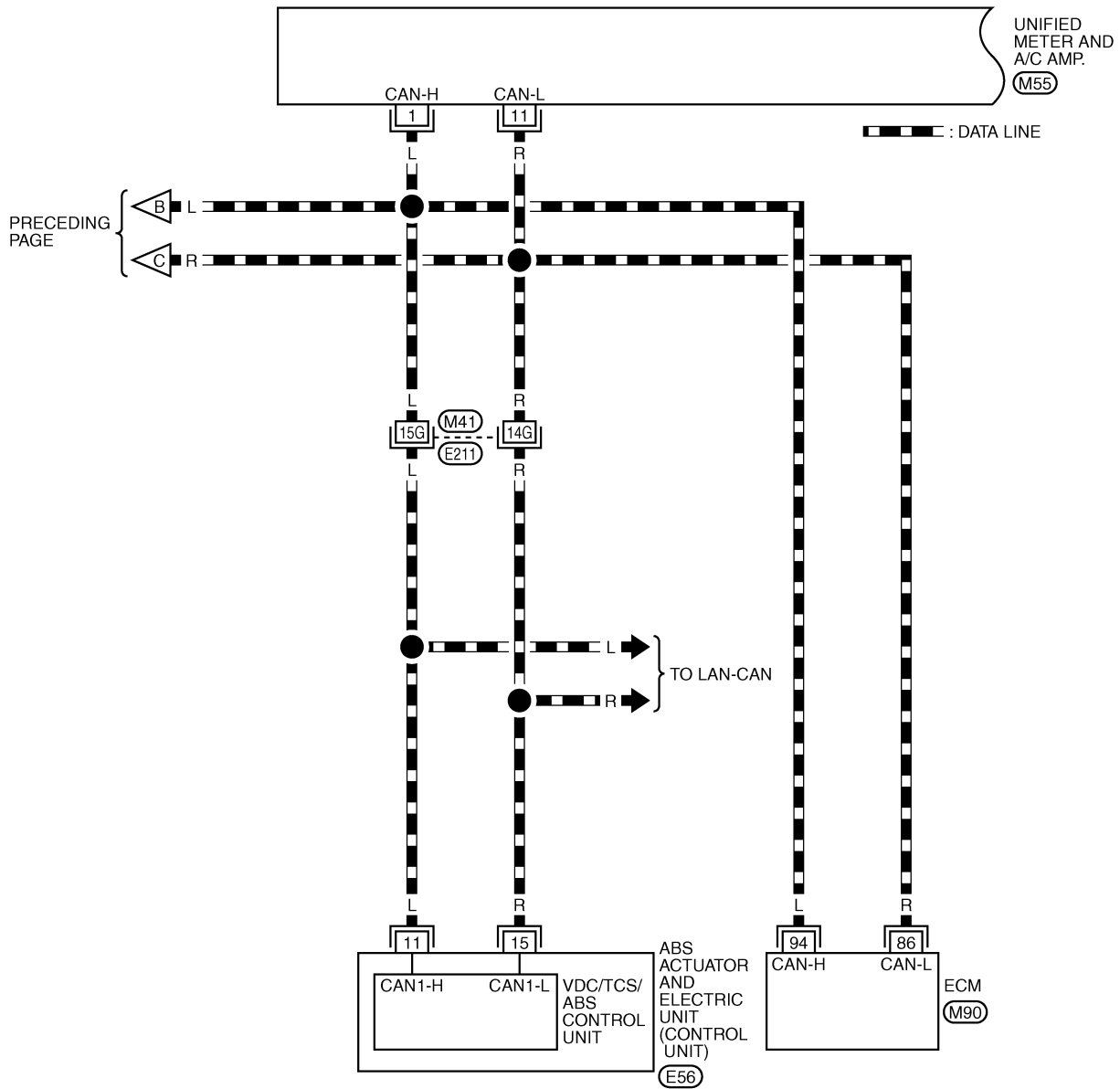
(M1), (M2) -FUSE BLOCK JUNCTION BOX (J/B)

TDWM0012E



# TROUBLE DIAGNOSIS

TF-AWD-02



M55  
GY



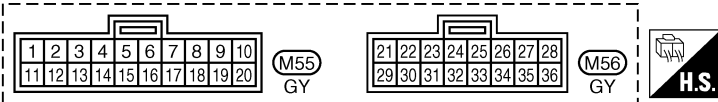
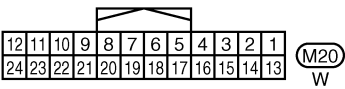
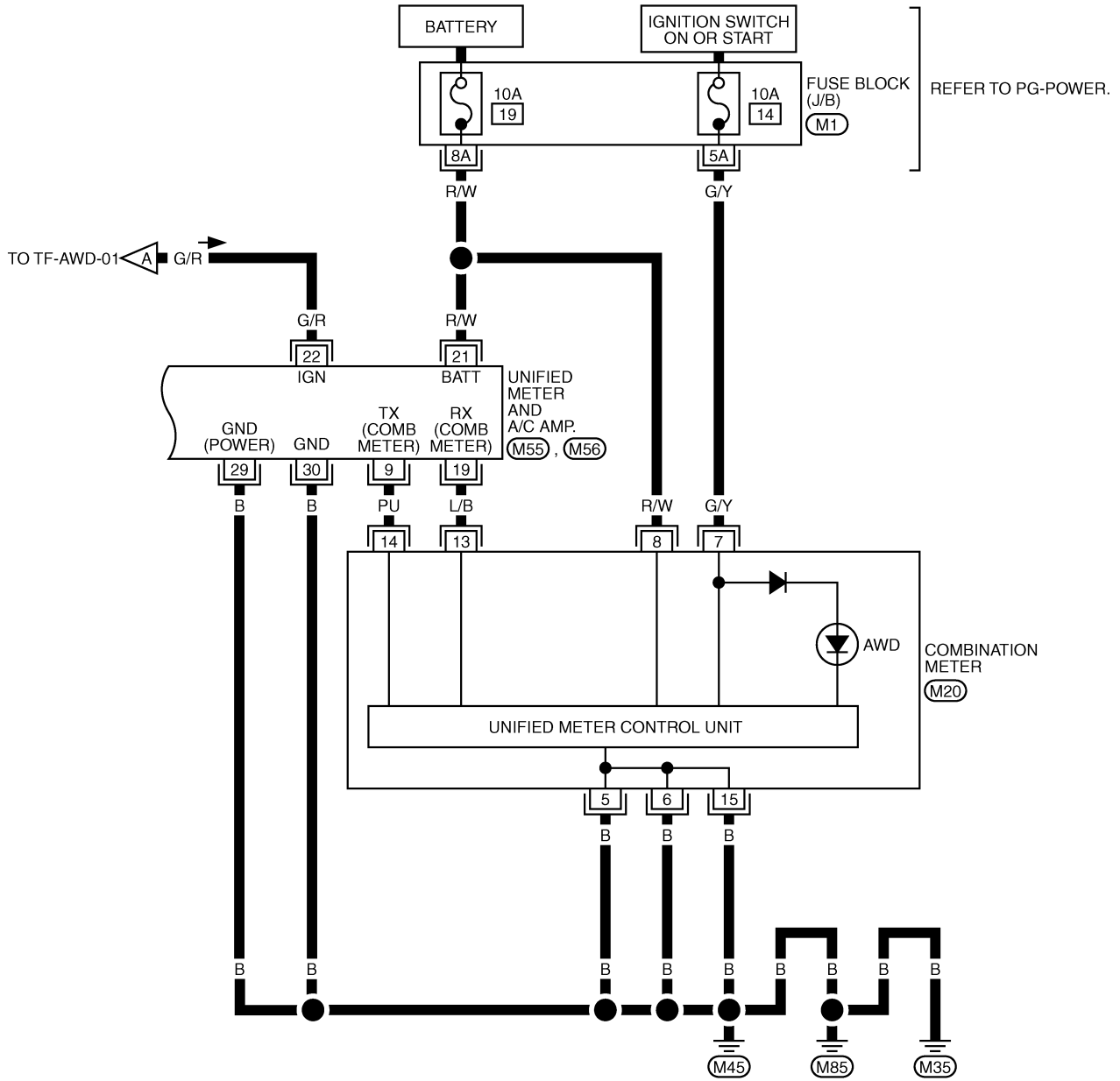
REFER TO THE FOLLOWING.

(E21) -SUPER MULTIPLE JUNCTION (SMJ)  
(M90), (E56) -ELECTRICAL UNITS

TDWM0016E

# TROUBLE DIAGNOSIS

TF-AWD-03



REFER TO THE FOLLOWING.  
 (M1) - FUSE BLOCK-JUNCTION BOX (J/B)

TDWM0017E

# TROUBLE DIAGNOSIS

## Trouble Diagnosis Chart for Symptoms

ADS000S3

If AWD warning lamp turns ON, perform self-diagnosis. Refer to [TF-21, "SELF-DIAG RESULT MODE"](#).

Symptom	Condition	Check items	Reference page
AWD warning lamp does not turn ON when the ignition switch is turned to ON. (AWD warning lamp check)	Ignition switch: ON	CAN communication line	<a href="#">TF-32</a>
		Unified meter and A/C amp.	
		Unified meter control unit	
AWD warning lamp does not turn OFF several seconds after engine started.	Engine running	CAN communication line	<a href="#">TF-32</a>
		Power supply and ground for AWD control unit	
		Unified meter and A/C amp.	
		Unified meter control unit	
		AWD solenoid	
		AWD actuator relay (integrated in AWD control unit)	
Heavy tight-corner braking symptom occurs when the vehicle is driven and the steering wheel is turned fully to either side after the engine is started. (See NOTE.)	<ul style="list-style-type: none"> <li>While driving</li> <li>Steering wheel is turned fully to either sides</li> </ul>	CAN communication line	<a href="#">TF-34</a>
		Accelerator pedal position signal	
		AWD solenoid	
		Mechanical malfunction of electric controlled coupling (clutch sticking etc.)	
Vehicle does not enter AWD mode even though AWD warning lamp turned to OFF.	While driving	AWD solenoid	<a href="#">TF-35</a>
		Mechanical malfunction of electric controlled coupling (Mechanical engagement of clutch is not possible.)	
While driving, AWD warning lamp flashes rapidly. (When flashing in approx. 1 minute and then turning OFF.) Rapid flashing: 2 times/second	While driving	Protection function is activated due to heavy load to electric controlled coupling. (AWD system is not malfunctioning. Also, optional distribution of torque sometimes becomes rigid before lamp flashes rapidly, but it is not malfunctioning.)	<a href="#">TF-36</a>
While driving, AWD warning lamp flashes slowly. (When continuing to flash until turning ignition switch OFF) Slow flashing: 1 time/2 seconds	<ul style="list-style-type: none"> <li>While driving</li> <li>Vehicle speed: 20 km/h (12 MPH) or more</li> </ul>	Tire size is different between front and rear of vehicle.	<a href="#">TF-36</a>

### NOTE:

Light tight-corner braking symptom may occur depending on driving conditions. This is not malfunction.

## AWD Control Unit Input/Output Signal Reference Values

ADS000S4

### AWD CONTROL UNIT INSPECTION TABLE

#### Specifications with CONSULT-II

Monitored item [Unit]	Content	Condition	Display value
FR RH SENSOR [km/h] or [mph]	Wheel speed (Front wheel right)	Vehicle stopped	0.00 km/h (0.00 mph)
		Vehicle running <b>CAUTION:</b> Check air pressure of tire under standard condition.	Approximately equal to the indication on speedometer (Inside of ±10%)
FR LH SENSOR [km/h] or [mph]	Wheel speed (Front wheel left)	Vehicle stopped	0.00 km/h (0.00 mph)
		Vehicle running <b>CAUTION:</b> Check air pressure of tire under standard condition.	Approximately equal to the indication on speedometer (Inside of ±10%)

## TROUBLE DIAGNOSIS

Monitored item [Unit]	Content	Condition	Display value
RR RH SENSOR [km/h] or [mph]	Wheel speed (Rear wheel right)	Vehicle stopped	0.00 km/h (0.00 mph)
		Vehicle running <b>CAUTION:</b> <b>Check air pressure of tire under standard condition.</b>	Approximately equal to the indication on speedometer (Inside of ±10%)
RR LH SENSOR [km/h] or [mph]	Wheel speed (Rear wheel left)	Vehicle stopped	0.00 km/h (0.00 mph)
		Vehicle running <b>CAUTION:</b> <b>Check air pressure of tire under standard condition.</b>	Approximately equal to the indication on speedometer (Inside of ±10%)
BATTERY VOLT [V]	Power supply voltage for AWD control unit	Ignition switch: ON	Battery voltage
THRTL POS SEN [%]	Throttle opening condition	When depressing accelerator pedal (Value rises gradually in response to throttle position.)	0 - 100%
ETS SOLENOID [A]	Monitored value of current at AWD solenoid	Engine running ● At idle speed	Approx. 0.000A
		Engine running ● When depressing accelerator pedal	Approx. 0.000 - 2.400A*
STOP LAMP SW [ON/OFF]	Condition of brake pedal operation	Brake pedal: Depressed	ON
		Brake pedal: Released	OFF
ENG SPEED SIG [RUN/STOP]	Condition of engine running	Engine stopped (Engine speed: Less than 400 rpm)	STOP
		Engine running (Engine speed: 400 rpm or more)	RUN
ETS ACTUATOR [ON/OFF]	Operating condition of AWD actuator relay (integrated in AWD control unit)	Engine stopped (Ignition switch: ON)	OFF
		Engine running	ON
4WD WARN LAMP [ON/OFF]	AWD warning lamp condition	AWD warning lamp: ON	ON
		AWD warning lamp: OFF	OFF
4WD MODE MON [AUTO]	Control status of AWD	Engine running	AUTO
DIS-TIRE MONI [mm]	Improper size tire installed condition	Vehicle running with normal size tire installed	0-4 mm
		Vehicle running with improper size tire installed (Front/rear tire size difference, wear condition)	4-8 mm, 8- mm
P BRAKE SW [ON/OFF]	Condition of parking brake	Parking brake operated	ON
		Parking brake not operated	OFF

\*: The values are changed by throttle opening and engine speed.

# TROUBLE DIAGNOSIS

## CONSULT-II Function (ALL MODE AWD/4WD) FUNCTION

ADS00055

CONSULT-II can display each diagnostic item using the diagnostic test modes shown following.

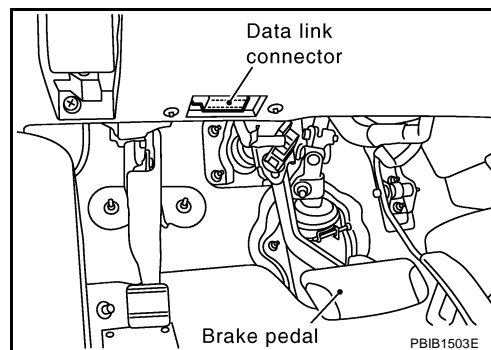
Diagnostic test mode	Function	Reference page
Self-diagnostic results	<ul style="list-style-type: none"> <li>Self-diagnostic results can be read and erased quickly.</li> </ul>	<a href="#">TF-21</a>
Data monitor	<ul style="list-style-type: none"> <li>Input/Output data in the AWD control unit can be read.</li> </ul>	<a href="#">TF-23</a>
CAN diagnostic support monitor	<ul style="list-style-type: none"> <li>The results of transmit/receive diagnosis of CAN communication can be read.</li> </ul>	—
Active test	<ul style="list-style-type: none"> <li>Diagnostic Test Mode in which CONSULT-II drives some actuators apart from the AWD control unit and also shifts some parameters in a specified range.</li> </ul>	<a href="#">TF-24</a>
ECU part number	<ul style="list-style-type: none"> <li>AWD control unit part number can be read.</li> </ul>	<a href="#">TF-24</a>

## CONSULT-II SETTING PROCEDURE

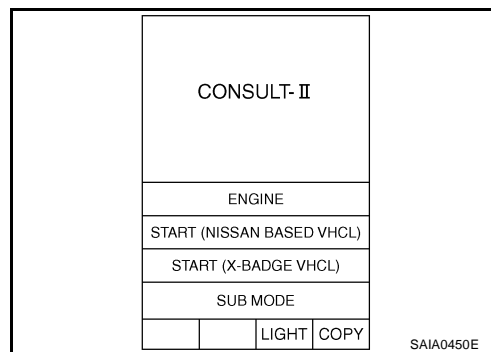
### CAUTION:

If CONSULT-II is used with no connection of CONSULT-II CONVERTER, malfunctions might be detected in self-diagnosis depending on control unit which carry out CAN communication.

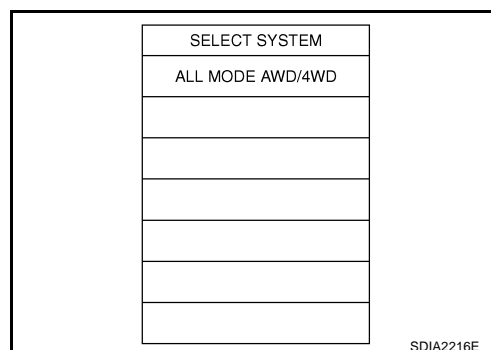
- For details, refer to the separate "CONSULT-II Operations Manual".
- Turn ignition switch "OFF".
  - Connect CONSULT-II and CONSULT-II CONVERTER to data link connector on vehicle.
  - Turn ignition switch "ON".



- Touch "START (NISSAN BASED VHCL)".



- Touch "ALL MODE AWD/4WD".  
If "ALL MODE AWD/4WD" is not indicated, go to [GI-40, "CONSULT-II Data Link Connector \(DLC\) Circuit"](#).
- Perform each diagnostic test mode according to each service procedure.



## SELF-DIAG RESULT MODE

### Operation Procedure

- Perform "CONSULT-II SETTING PROCEDURE". Refer to [TF-21, "CONSULT-II SETTING PROCEDURE"](#).
- Start engine and drive at 30 km/h (19 MPH) or more for approx. 1 minute.

# TROUBLE DIAGNOSIS

- Stop vehicle. With engine at idle, touch "SELF-DIAG RESULTS". Display shows malfunction experienced since the last erasing operation.

**NOTE:**

- The details for "TIME" are as follow:

- "0": Error currently detected with AWD control unit.
- Except for "0": Error detected in the past and memorized with AWD control unit. Detects frequency of driving after DTC occurs (frequency of turning ignition switch "ON/OFF").

SELF-DIAG RESULTS	
DTC RESULTS	TIME
CAN COMM CIRCUIT [U1000]	0
4WD SOLENOID [C1204]	1
ERASE	PRINT

SDIA2217E

## Display Item List

Items (CONSULT-II screen terms)	Malfunction detecting condition	Check item
CONTROLLER FAILURE [C1201]	Malfunction has occurred inside AWD control unit.	<a href="#">TF-26, "AWD Control Unit"</a>
ABS SYSTEM [C1203]	Malfunction related to wheel sensor has been detected by ABS actuator and electric unit (control unit).	<a href="#">TF-26, "ABS System"</a>
4WD SOLENOID [C1204]	Malfunction related to AWD solenoid has been detected.	<a href="#">TF-27, "AWD Solenoid"</a>
4WD ACTUATOR RLY [C1205]	Malfunction has been detected from AWD actuator relay integrated with AWD control unit, or malfunction related to AWD solenoid has been detected.	<a href="#">TF-30, "AWD Actuator Relay"</a> or <a href="#">TF-27, "AWD Solenoid"</a>
ENGINE SIGNAL 1 [C1210]	Malfunction has been detected from ECM.	<a href="#">TF-31, "Engine Control Signal"</a>
CAN COMM CIRCUIT [U1000]	Malfunction has been detected from CAN communication.	<a href="#">TF-31, "CAN Communication Line"</a>
NO DTC IS DETECTED. FURTHER TESTING MAY BE REQUIRED.	No NG item has been detected.	—

**CAUTION:**

- If "CAN COMM CIRCUIT [U1000]" is displayed with other DTCs, first perform the trouble diagnosis for CAN communication.
- Make sure that ABS warning lamp turns OFF by driving for a minute at vehicle speed of 30 km/h (19 MPH) or more after turning ignition switch "OFF" if AWD warning lamp turns ON with system malfunction of "ABS SYSTEM [C1203]". AWD warning lamp may not turn OFF if it is normal unless ignition switch turns OFF at once and engine restarts after that.

## How to Erase Self-diagnostic Results

- Perform applicably inspection of malfunctioning item and then repair or replace.
- Start engine and drive at 30 km/h (19 MPH) or more for approx. 1 minute.
- Make sure that ABS warning lamp turns OFF.

**NOTE:**

Make sure that ABS warning lamp turns OFF by driving for a minute at vehicle speed of 30 km/h (19 MPH) or more after turning ignition switch "OFF" if AWD warning lamp turns ON with system malfunction of "ABS SYSTEM [C1203]". AWD warning lamp may not turn OFF if it is normal unless ignition switch turns OFF at once and engine restarts after that.

- Turn ignition switch "OFF" to erase memory.
- Start engine and select "SELF-DIAG RESULTS" mode for "ALL MODE AWD/4WD" with CONSULT-II.
- Touch "ERASE" on CONSULT-II screen to erase DTC memory.

**CAUTION:**

If memory cannot be erased, perform applicably diagnosis.

- Drive at 30 km/h (19 MPH) or more for approx. 1 minute. Be sure AWD warning lamp is OFF.

# TROUBLE DIAGNOSIS

## DATA MONITOR MODE

### Operation Procedure

1. Perform "CONSULT-II SETTING PROCEDURE". Refer to [TF-21, "CONSULT-II SETTING PROCEDURE"](#)
2. Touch "DATA MONITOR".
3. Select from "SELECT MONITOR ITEM", screen of data monitor mode is displayed.

#### NOTE:

**When malfunction is detected, CONSULT-II performs REAL-TIME DIAGNOSIS.  
Also, any malfunction detected while in this mode will be displayed at real time.**

### Display Item List

×: Standard –: Not applicable

Monitored item (Unit)	Monitor item selection			Remarks
	ECU INPUT SIGNALS	MAIN SIGNALS	SELECTION FROM MENU	
FR RH SENSOR [km/h] or [mph]	×	×	×	Wheel speed calculated by front wheel sensor RH signal is displayed.
FR LH SENSOR [km/h] or [mph]	×	×	×	Wheel speed calculated by front wheel sensor LH signal is displayed.
RR RH SENSOR [km/h] or [mph]	×	×	×	Wheel speed calculated by rear wheel sensor RH signal is displayed.
RR LH SENSOR [km/h] or [mph]	×	×	×	Wheel speed calculated by rear wheel sensor LH signal is displayed.
BATTERY VOLT [V]	–	–	×	Power supply voltage for AWD control unit
THRTL POS SEN [%]	–	–	×	Throttle opening status is displayed.
ETS SOLENOID [A]	–	–	×	Monitored value of current at AWD solenoid
STOP LAMP SW [ON/OFF]	–	–	×	Stop lamp switch signal status via CAN communication line is displayed.
ENG SPEED SIG [RUN/STOP]	–	–	×	Engine status is displayed.
ETS ACTUATOR [ON/OFF]	–	–	×	Operating condition of AWD actuator relay (integrated in AWD control unit) is displayed.
4WD WARN LAMP [ON/OFF]	–	–	×	Control status of AWD warning lamp is displayed.
4WD MODE SW [AUTO]	–	–	×	AWD lock switch is not equipped, but displayed.
4WD MODE MON [AUTO]	–	–	×	Control status of AWD is displayed.
DIS-TIRE MONI [mm]	–	–	×	Improper size tire installed condition is displayed.
P BRAKE SW [ON/OFF]	–	–	×	Parking switch signal status via CAN communication line is displayed.
Voltage [V]	–	–	×	The value measured by the voltage probe is displayed.
Frequency [Hz]	–	–	×	The value measured by the pulse probe is displayed.
DUTY-HI (high) [%]	–	–	×	
DUTY-LOW (low) [%]	–	–	×	
PLS WIDTH-HI [msec]	–	–	×	
PLS WIDTH-LOW [msec]	–	–	×	

# TROUBLE DIAGNOSIS

## ACTIVE TEST MODE

### Description

Use this mode to determine and identify the details of a malfunction based on self-diagnostic results or data monitor. AWD control unit gives drive signal to actuator with receiving command from CONSULT-II to check operation of actuator.

### Test Item

Test item	Condition	Description
ETS S/V (Detects AWD solenoid valve)	<ul style="list-style-type: none"><li>● Vehicle stopped</li><li>● Engine running</li><li>● No DTC detected</li></ul>	<ul style="list-style-type: none"><li>● Change command current value to AWD solenoid, and then change driving mode. (Monitor value is normal if it is within approximately <math>\pm 10\%</math> of command value.) Qu: Increase current value in increments of 0.20A Qd: Decrease current value in increments of 0.20A UP: Increase current value in increments of 0.02A DOWN: Decrease current value in increments of 0.02A</li></ul>

**CAUTION:**

Do not continuously energize for a long time.

### AWD CONTROL UNIT PART NUMBER

Ignore the AWD control unit part number displayed in the "ECU PART NUMBER". Refer to parts catalog to order the AWD control unit.



# TROUBLE DIAGNOSIS FOR SYSTEM

## TROUBLE DIAGNOSIS FOR SYSTEM

PPF:00000

### Power Supply Circuit For AWD Control Unit CONSULT-II REFERENCE VALUE IN DATA MONITOR MODE

ADS000SX

Data are reference value.

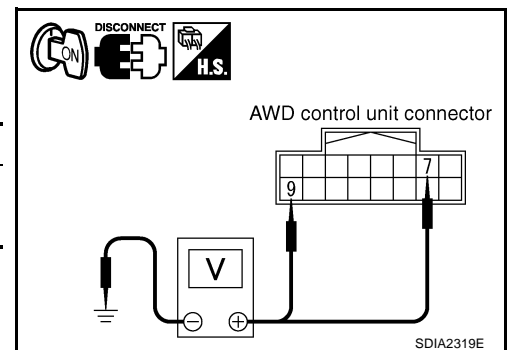
Monitored item [Unit]	Condition	Display value (Approx.)
BATTERY VOLT [V]	Ignition switch: ON	Battery voltage

## DIAGNOSTIC PROCEDURE

### 1. CHECK POWER SUPPLY

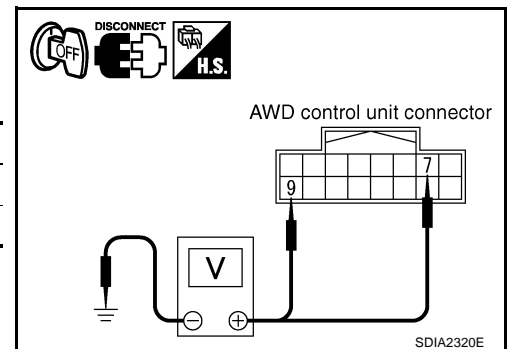
1. Turn ignition switch "OFF".
2. Disconnect AWD control unit harness connector.
3. Turn ignition switch "ON". (Do not start engine.)
4. Check voltage between AWD control unit harness connector terminals and ground.

Connector	Terminal (Wire color)	Voltage (Approx.)
M92	7 (G/R) - Ground	Battery voltage
	9 (G/W) - Ground	



5. Turn ignition switch "OFF".
6. Check voltage between AWD control unit harness connector terminals and ground.

Connector	Terminal (Wire color)	Voltage (Approx.)
M92	7 (G/R) - Ground	0V
	9 (G/W) - Ground	Battery voltage



#### OK or NG

OK >> GO TO 2.

NG >> Check the following. If any items are damaged, repair or replace damaged parts.

- 10A fuse [No. 12 or 21, located in the fuse block (J/B)]
- Harness for short or open between battery and AWD control unit harness connector terminal 9
- Harness for short or open between ignition switch and AWD control unit harness connector terminal 7
- Ignition switch. Refer to [PG-3, "POWER SUPPLY ROUTING CIRCUIT"](#) .

# TROUBLE DIAGNOSIS FOR SYSTEM

## 2. CHECK GROUND CIRCUIT

1. Turn ignition switch "OFF".
2. Disconnect AWD control unit harness connector.
3. Check continuity between AWD control unit harness connector M92 terminals 10 (B), 11 (B) and ground.

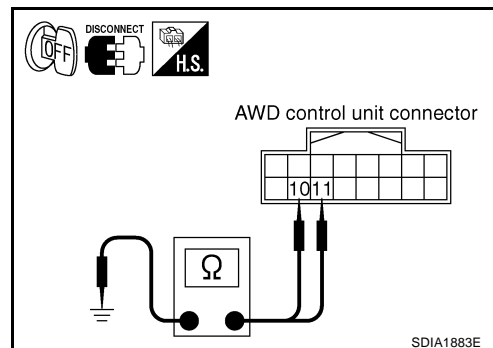
**Continuity should exist.**

Also check harness for short to ground and short to power.

OK or NG

OK >> GO TO 3.

NG >> Repair open circuit or short to ground or short to power in harness or connectors.



## 3. CHECK DTC

Start engine.

Does AWD warning lamp turn OFF?

YES >> **INSPECTION END**

NO >> Perform the self-diagnosis, repair or replace damaged parts. Refer to [TF-21, "SELF-DIAG RESULT MODE"](#).

### AWD Control Unit DIAGNOSTIC PROCEDURE

ADS000SY

- Check the following if "CONTROLLER FAILURE [C1201]" is displayed in self-diagnostic results of CONSULT-II.

#### 1. PERFORM SELF-DIAGNOSIS

 **With CONSULT-II**

1. Turn ignition switch "ON". (Do not start engine.)
2. Select "SELF-DIAG RESULTS" mode for "ALL MODE AWD/4WD" with CONSULT-II.
3. Touch "ERASE".
4. Turn ignition switch "OFF" and wait at least 10 seconds.
5. Perform the self-diagnosis again.

Is the "CONTROLLER FAILURE [C1201]" displayed?

YES >> Replace AWD control unit. Refer to [TF-38, "AWD CONTROL UNIT"](#).

NO >> **INSPECTION END**

### ABS System DIAGNOSTIC PROCEDURE

ADS000SZ

- Check the following if "ABS SYSTEM [C1203]" is displayed in self-diagnostic results of CONSULT-II.

#### 1. CHECK DTC WITH ABS ACTUATOR AND ELECTRIC UNIT (CONTROL UNIT)

Perform self-diagnosis with ABS actuator and electric unit (control unit). Refer to [BRC-27, "SELF-DIAGNOSIS"](#).

Is any malfunction detected by self-diagnosis?

YES >> Check the malfunctioning system.

NO >> GO TO 2.

# TROUBLE DIAGNOSIS FOR SYSTEM

## 2. CHECK DTC AFTER DRIVING

1. Turn ignition switch "OFF".
2. Start engine and drive vehicle at 30 km/h (19 MPH) for at least 1 minute.
3. Make sure that ABS warning lamp turns OFF.
4. Perform erase self-diagnostic results. Refer to [TF-22, "How to Erase Self-diagnostic Results"](#).
5. Stop vehicle and turn ignition switch "OFF".
6. Turn ignition switch "ON".
7. Perform self-diagnosis.

Is the "ABS SYSTEM [C1203]" displayed?

- YES >> GO TO 3.  
NO >> **INSPECTION END**

## 3. CHECK AWD CONTROL UNIT

Check AWD control unit input/output signal. Refer to [TF-19, "AWD Control Unit Input/Output Signal Reference Values"](#).

OK or NG

- OK >> GO TO 4.  
NG >> Check AWD control unit pin terminals for damage or loose connection with harness connector. If any items are damaged, repair or replace damaged parts.

## 4. CHECK DTC

Perform the self-diagnosis, after driving a vehicle for a while.

OK or NG

- OK >> **INSPECTION END**  
NG >> Perform self-diagnosis with ABS actuator and electric unit (control unit) again. Refer to [BRC-27, "SELF-DIAGNOSIS"](#).

### AWD Solenoid

#### CONSULT-II REFERENCE VALUE IN DATA MONITOR MODE

ADS00070

Data are reference value.

Monitored item [Unit]	Condition	Display value
ETS SOLENOID [A]	At idle speed	Approx. 0.000A
	When depressing accelerator pedal	Approx. 0.000 - 2.400A*

\*: The values are changed by throttle opening and engine speed.

#### DIAGNOSTIC PROCEDURE

- Check the following if "4WD SOLENOID [C1204]" is displayed in self-diagnostic results of CONSULT-II.

# TROUBLE DIAGNOSIS FOR SYSTEM

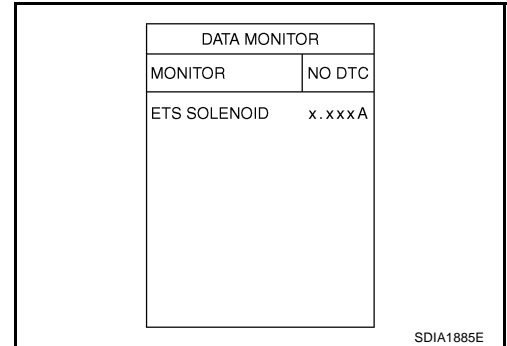
## 1. CHECK AWD SOLENOID SIGNAL

### With CONSULT-II

1. Start engine.
2. Select "DATA MONITOR" mode for "ALL MODE AWD/4WD" with CONSULT-II.
3. Read out the value of "ETS SOLENOID".

Condition		Display value
Engine running	At idle speed	Approx. 0.000A
	When depressing accelerator pedal	Approx. 0.000 - 2.400A*

\*: The values are changed by throttle opening and engine speed.



### OK or NG

- OK >> GO TO 6.  
 NG >> GO TO 2.

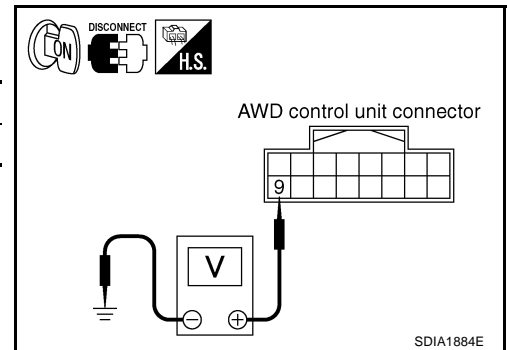
## 2. CHECK POWER SUPPLY

1. Turn ignition switch "OFF".
2. Disconnect AWD control unit harness connector.
3. Turn ignition switch "ON". (Do not start engine.)
4. Check voltage between AWD control unit harness connector terminal 9 and ground.

Connector	Terminal (Wire color)	Voltage (Approx.)
M92	9 (G/W) - Ground	Battery voltage

### OK or NG

- OK >> GO TO 3.  
 NG >> Check the following. If any items are damaged, repair or replace damaged parts.
- 10A fuse [No. 21, located in the fuse block (J/B)]
  - Harness for short or open between battery and AWD control unit harness connector terminal 9



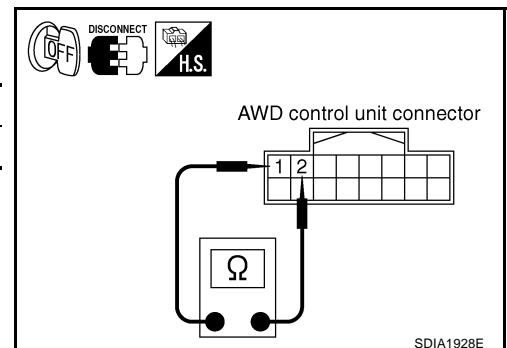
## 3. CHECK AWD SOLENOID CIRCUIT

1. Turn ignition switch "OFF".
2. Disconnect AWD control unit harness connector.
3. Check resistance between AWD control unit harness connector terminals 1 and 2.

Connector	Terminal (Wire color)	Resistance (Approx.)
M92	1 (L/W) - 2 (L/OR) (Ground)	2.45 Ω

### OK or NG

- OK >> GO TO 6.  
 NG >> GO TO 4.



# TROUBLE DIAGNOSIS FOR SYSTEM

## 4. CHECK AWD SOLENOID

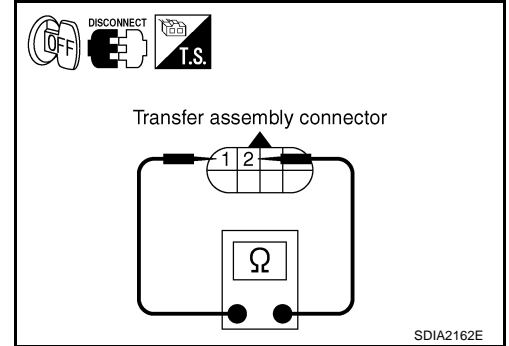
1. Turn ignition switch "OFF".
2. Disconnect transfer assembly harness connector.
3. Check resistance between transfer assembly harness connector F43 terminals 1 and 2.

**1 - 2 : Approx. 2.45Ω**

OK or NG

OK >> GO TO 5.

NG >> AWD solenoid is malfunctioning. Replace electric controlled coupling. Refer to [TF-45, "Disassembly and Assembly"](#) .



## 5. CHECK HARNESS BETWEEN AWD CONTROL UNIT AND AWD SOLENOID

1. Turn ignition switch "OFF".
2. Disconnect AWD control unit harness connector and transfer assembly harness connector.
3. Check continuity between the following terminals.
  - AWD control unit harness connector M92 terminal 1 (L/W) and transfer assembly harness connector F43 terminal 1 (W).
  - AWD control unit harness connector M92 terminal 2 (L/OR) and transfer assembly harness connector F43 terminal 2 (P).

**1 (L/W) - 1 (W) : Continuity should exist.**

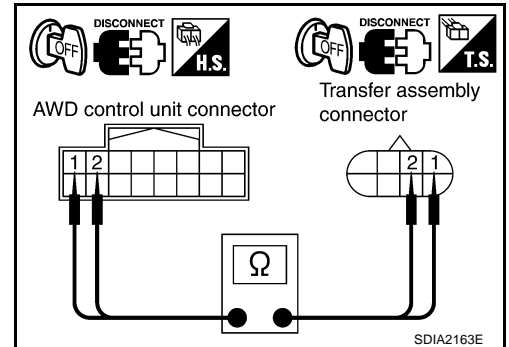
**2 (L/OR) - 2 (P) : Continuity should exist.**

Also check harness for short to ground and short to power.

OK or NG

OK >> GO TO 6.

NG >> Repair or replace damaged parts.



## 6. CHECK AWD CONTROL UNIT

Check AWD control unit input/output signal. Refer to [TF-19, "AWD Control Unit Input/Output Signal Reference Values"](#) .

OK or NG

OK >> GO TO 7.

NG >> Check AWD control unit pin terminals for damage or loose connection with harness connector. If any items are damaged, repair or replace damaged parts.

## 7. CHECK DTC

Perform the self-diagnosis, after driving a vehicle for a while.

OK or NG

OK >> **INSPECTION END**

NG >> Replace AWD control unit.

## COMPONENT INSPECTION

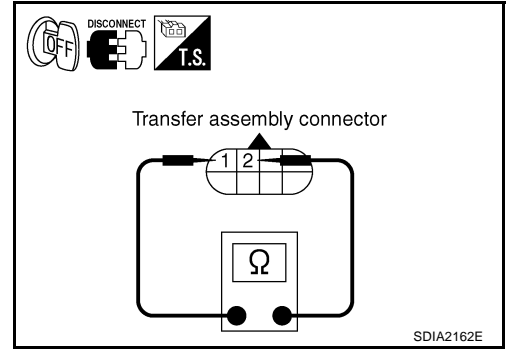
1. Turn ignition switch "OFF".
2. Disconnect transfer assembly harness connector.

# TROUBLE DIAGNOSIS FOR SYSTEM

3. Check resistance between transfer assembly harness connector F43 terminals 1 and 2.

**1 - 2 : Approx. 2.45Ω**

4. If NG, replace electric controlled coupling. Refer to [TF-45, "Dis-assembly and Assembly"](#) .



## AWD Actuator Relay CONSULT-II REFERENCE VALUE IN DATA MONITOR MODE

ADS000T1

Data are reference value.

Monitored item	Condition	Display value
ETS ACTUATOR [ON/OFF]	Engine stopped (Ignition switch: ON)	OFF
	Engine running	ON

### DIAGNOSTIC PROCEDURE

- Check the following if "4WD ACTUATOR RLY [C1205]" is displayed in self-diagnostic results of CONSULT-II.

#### 1. CHECK AWD SOLENOID SYSTEM

Perform self-diagnosis. Refer to [TF-21, "SELF-DIAG RESULT MODE"](#) .

Is the "4WD SOLENOID [C1204]" displayed?

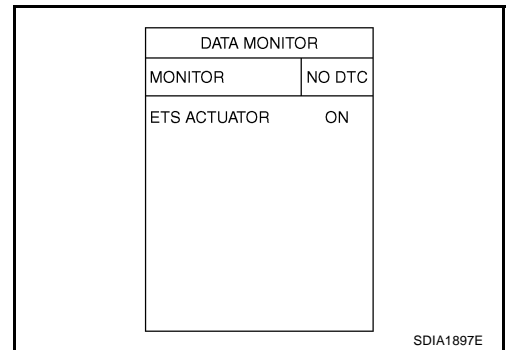
- YES >> Perform trouble diagnosis for AWD solenoid. Refer to [TF-27, "AWD Solenoid"](#) .  
 NO >> GO TO 2.

#### 2. CHECK AWD ACTUATOR RELAY SIGNAL

**With CONSULT-II**

- Turn ignition switch "ON". (Do not start engine.)
- Select "DATA MONITOR" mode for "ALL MODE AWD/4WD" with CONSULT-II.
- Start engine and read out ON/OFF signal of "ETS ACTUATOR".

Monitor item	Condition	Display value
ETS ACTUATOR	Engine stopped (Ignition switch: ON)	OFF
	Engine running	ON



OK or NG

- OK >> GO TO 4.  
 NG >> GO TO 3.

#### 3. CHECK AWD CONTROL UNIT

Check AWD control unit input/output signal. Refer to [TF-19, "AWD Control Unit Input/Output Signal Reference Values"](#) .

OK or NG

- OK >> GO TO 4.  
 NG >> Check AWD control unit pin terminals for damage or loose connection with harness connector. If any items are damaged, repair or replace damaged parts.

# TROUBLE DIAGNOSIS FOR SYSTEM

## 4. CHECK DTC

Perform the self-diagnosis, after driving a vehicle for a while.

OK or NG

- OK >> **INSPECTION END**
- NG >> Replace AWD control unit.

### Engine Control Signal DIAGNOSTIC PROCEDURE

ADS001G5

- Check the following if "ECM SIGNAL 1 [C1210]" is displayed in self-diagnostic results of CONSULT-II.

#### 1. CHECK DTC WITH ECM

Perform self-diagnosis with ECM. Refer to [EC-54, "Emission-Related Diagnostic Information"](#) (VQ engine models) or [EC-704, "Emission-related Diagnostic Information"](#) (VK engine models).

Is any malfunction detected by self-diagnosis?

- YES >> Check the malfunctioning system.
- NO >> GO TO 2.

#### 2. CHECK AWD CONTROL UNIT

Check AWD control unit input/output signal. Refer to [TF-19, "AWD Control Unit Input/Output Signal Reference Values"](#).

OK or NG

- OK >> GO TO 3.
- NG >> Check AWD control unit pin terminals for damage or loose connection with harness connector. If any items are damaged, repair or replace damaged parts.

## 3. CHECK DTC

Perform the self-diagnosis, after driving a vehicle for a while.

OK or NG

- OK >> **INSPECTION END**
- NG >> Perform self-diagnosis with ECM again. Refer to [EC-54, "Emission-Related Diagnostic Information"](#) (VQ engine models) or [EC-704, "Emission-related Diagnostic Information"](#) (VK engine models).

### CAN Communication Line DIAGNOSTIC PROCEDURE

ADS0018G

- Check the following if "CAN COMM CIRCUIT [U1000]" is detected in self-diagnostic results of CONSULT-II.

#### 1. CHECK CAN COMMUNICATION CIRCUIT

 **With CONSULT-II**

1. Turn ignition switch "ON" and start engine.
2. Select "SELF-DIAG RESULTS" mode for "ALL MODE AWD/4WD" with in CONSULT-II.
3. Perform the self-diagnosis.

Is the "CAN COMM CIRCUIT [U1000]" displayed?

- YES >> Go to [LAN-4, "Precautions When Using CONSULT-II"](#).
- NO >> **INSPECTION END**

SELF-DIAG RESULTS	
DTC RESULTS	TIME
CAN COMM CIRCUIT [U1000]	0
ERASE	PRINT

SDIA1850E

## TROUBLE DIAGNOSIS FOR SYMPTOMS

### AWD Warning Lamp Does Not Turn ON When The Ignition Switch Is Turned To ON

ADS000TW

#### DIAGNOSTIC PROCEDURE

#### 1. CHECK SYSTEM FOR CAN COMMUNICATION LINE

Perform self-diagnosis. Refer to [TF-21, "SELF-DIAG RESULT MODE"](#) .

Is the "CAN COMM CIRCUIT [U1000]" displayed?

- YES >> Perform trouble diagnoses for CAN communication line. Refer to [TF-31, "CAN Communication Line"](#) .
- NO >> GO TO 2.

#### 2. CHECK AWD CONTROL UNIT

Check AWD control unit input/output signal. Refer to [TF-19, "AWD Control Unit Input/Output Signal Reference Values"](#) .

OK or NG

- OK >> GO TO 3.
- NG >> Check AWD control unit pin terminals for damage or loose connection with harness connector. If any items are damaged, repair or replace damaged parts.

#### 3. CHECK OUTPUT SIGNAL WITH UNIFIED METER AND A/C AMP.

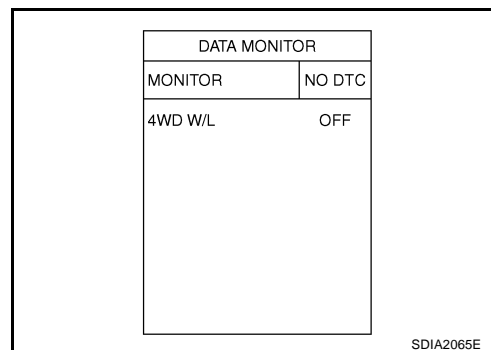
 With CONSULT-II

1. Turn ignition switch "ON". (Do not start engine.)
2. Select "DATA MONITOR" mode for "METER A/C AMP" with CONSULT-II.
3. Start the engine, and then make sure that "4WD W/L" display turns from "ON" to "OFF" after several seconds.

Monitor item	Condition	Display value
4WD W/L	Ignition switch ON	ON
	Start engine (after several seconds)	OFF

OK or NG

- OK >> GO TO 4.
- NG >> Perform trouble diagnoses for combination meter. Refer to [DI-13, "How to Proceed With Trouble Diagnosis"](#) .



#### 4. CHECK SYMPTOM

Check again.

OK or NG

- OK >> **INSPECTION END**
- NG >> Replace unified meter control unit assembly. Refer to [DI-26, "Disassembly and Assembly for Combination Meter"](#) .

### AWD Warning Lamp Does Not Turn OFF Several Seconds After Engine Started

ADS000TX

#### DIAGNOSTIC PROCEDURE

#### 1. CHECK SELF-DIAGNOSTIC RESULTS

Perform self-diagnosis. Refer to [TF-21, "SELF-DIAG RESULT MODE"](#) .

Is any malfunction detected by self-diagnosis?

- YES >> Check the malfunctioning system.
- NO >> GO TO 2.

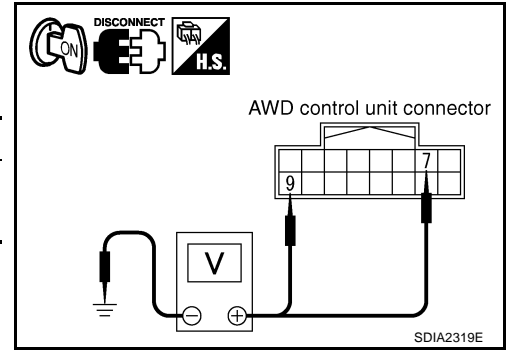


# TROUBLE DIAGNOSIS FOR SYMPTOMS

## 2. CHECK AWD CONTROL UNIT POWER SUPPLY CIRCUIT

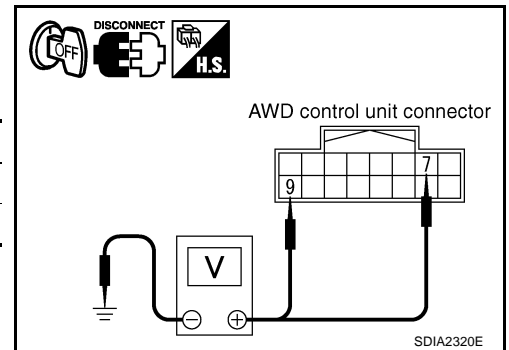
1. Turn ignition switch "OFF".
2. Disconnect AWD control unit harness connector.
3. Turn ignition switch "ON". (Do not start engine.)
4. Check voltage between AWD control unit harness connector terminals and ground.

Connector	Terminal (Wire color)	Voltage (Approx.)
M92	7 (G/R) - Ground	Battery voltage
	9 (G/W) - Ground	



5. Turn ignition switch "OFF".
6. Check voltage between AWD control unit harness connector terminals and ground.

Connector	Terminal (Wire color)	Voltage (Approx.)
M92	7 (G/R) - Ground	0V
	9 (G/W) - Ground	Battery voltage



### OK or NG

OK >> GO TO 3.

NG >> Check the following. If any items are damaged, repair or replace damaged parts.

- 10A fuse [No. 12 or 21, located in the fuse block (J/B)]
- Harness for short or open between battery and AWD control unit harness connector terminal 9
- Harness for short or open between ignition switch and AWD control unit harness connector terminal 7
- Ignition switch. Refer to [PG-3, "POWER SUPPLY ROUTING CIRCUIT"](#).

## 3. CHECK AWD CONTROL UNIT GROUND CIRCUIT

1. Turn ignition switch "OFF".
2. Disconnect AWD control unit harness connector.
3. Check continuity between AWD control unit harness connector M92 terminals 10 (B), 11 (B) and ground.

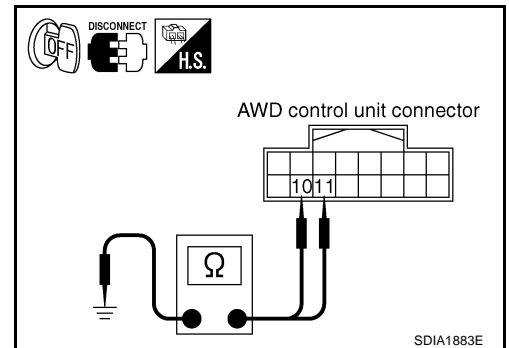
**Continuity should exist.**

Also check harness for short to ground and short to power.

### OK or NG

OK >> GO TO 4.

NG >> Repair open circuit or short to ground or short to power in harness or connectors.



# TROUBLE DIAGNOSIS FOR SYMPTOMS

## 4. CHECK AWD CONTROL UNIT

Check AWD control unit input/output signal. Refer to [TF-19, "AWD Control Unit Input/Output Signal Reference Values"](#) .

OK or NG

OK >> GO TO 5.

NG >> Check AWD control unit pin terminals for damage or loose connection with harness connector. If any items are damaged, repair or replace damaged parts.

## 5. CHECK OUTPUT SIGNAL WITH UNIFIED METER AND A/C AMP.

 With CONSULT-II

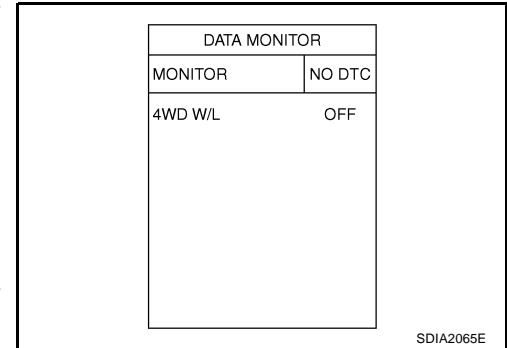
1. Turn ignition switch "ON". (Do not start engine.)
2. Select "DATA MONITOR" mode for "METER A/C AMP" with CONSULT-II.
3. Start the engine, and then make sure that "4WD W/L" display turns from "ON" to "OFF" after several seconds.

Monitor item	Condition	Display value
4WD W/L	Ignition switch ON	ON
	Start engine (after several seconds)	OFF

OK or NG

OK >> GO TO 6.

NG >> Perform trouble diagnoses for combination meter. Refer to [DI-13, "How to Proceed With Trouble Diagnosis"](#) .



## 6. CHECK SYMPTOM

Check again.

OK or NG

OK >> **INSPECTION END**

NG >> Replace unified meter control unit assembly. Refer to [DI-26, "Disassembly and Assembly for Combination Meter"](#) .

## Heavy Tight-corner Braking Symptom Occurs When The Vehicle Is Driven And The Steering Wheel Is Turned Fully To Either Side After The Engine Is Started

ADS0007Z

**NOTE:**

Light tight-corner braking symptom may occur depending on driving conditions. This is not malfunction.

### DIAGNOSTIC PROCEDURE

#### 1. CHECK SYSTEM FOR CAN COMMUNICATION LINE

Perform self-diagnosis. Refer to [TF-21, "SELF-DIAG RESULT MODE"](#) .

Is the "CAN COMM CIRCUIT [U1000]" displayed?

YES >> Perform trouble diagnoses for CAN communication line. Refer to [TF-31, "CAN Communication Line"](#) .

NO >> GO TO 2.

#### 2. CHECK ACCELERATOR PEDAL POSITION SIGNAL CIRCUIT

Perform self-diagnosis for ECM. Refer to [EC-54, "Emission-Related Diagnostic Information"](#) (VQ35DE models) or [EC-704, "Emission-related Diagnostic Information"](#) (VK45DE models).

Is any malfunction detected by self-diagnosis?

YES >> Check the malfunctioning system.

NO >> GO TO 3.

# TROUBLE DIAGNOSIS FOR SYMPTOMS

## 3. CHECK SYSTEM FOR AWD SOLENOID

Perform trouble diagnoses for AWD solenoid system. Refer to [TF-27, "AWD Solenoid"](#) .

OK or NG

- OK >> GO TO 4.
- NG >> Repair or replace damaged parts.

## 4. CHECK ELECTRIC CONTROLLED COUPLING

1. Turn ignition switch "OFF".
2. Set the selector lever to "N" (neutral) position and disengage the parking brake.
3. Lift up the vehicle.
4. Rotate the rear propeller shaft by hand.
5. Hold front propeller shaft lightly.

Does front propeller shaft rotate?

- YES >> Replace electric controlled coupling for mechanical malfunction (clutch sticking etc.). Refer to [TF-45, "Disassembly and Assembly"](#) .
- NO >> GO TO 5.

## 5. CHECK SYMPTOM

Check again.

OK or NG

- OK >> **INSPECTION END**
- NG >> GO TO 6.

## 6. CHECK AWD CONTROL UNIT

Check AWD control unit input/output signal. Refer to [TF-19, "AWD Control Unit Input/Output Signal Reference Values"](#) .

OK or NG

- OK >> **INSPECTION END**
- NG >> Check AWD control unit pin terminals for damage or loose connection with harness connector. If any items are damaged, repair or replace damaged parts.

## Vehicle Does Not Enter AWD Mode Even Though AWD Warning Lamp Turned To OFF

ADS000U0

### DIAGNOSTIC PROCEDURE

#### 1. CHECK AWD SOLENOID

Check AWD solenoid. Refer to [TF-29, "COMPONENT INSPECTION"](#) .

OK or NG

- OK >> GO TO 2.
- NG >> Replace electric controlled coupling for malfunction of AWD solenoid. Refer to [TF-45, "Disassembly and Assembly"](#) .

#### 2. CHECK AWD CONTROL UNIT

Check AWD control unit input/output signal. Refer to [TF-19, "AWD Control Unit Input/Output Signal Reference Values"](#) .

OK or NG

- OK >> GO TO 3.
- NG >> Check AWD control unit pin terminals for damage or loose connection with harness connector. If any items are damaged, repair or replace damaged parts.

# TROUBLE DIAGNOSIS FOR SYMPTOMS

## 3. CHECK SYMPTOM

Check again.

OK or NG

OK >> **INSPECTION END**

NG >> Replace electric controlled coupling for mechanical malfunction (mechanical engagement of clutch is not possible.). Refer to [TF-45, "Disassembly and Assembly"](#) .

### While Driving, AWD Warning Lamp Flashes Rapidly (When Flashing In Approx. 1 Minute And Then Turning OFF)

ADS000U1

**NOTE:**

**Rapid flashing: 2 times/second**

This symptom protects drivetrain parts when a heavy load is applied to the electric controlled coupling and multiple disc clutch temperature increases. Also, optional distribution of torque sometimes becomes rigid before lamp flashes rapidly. Both cases are not malfunction.

When this symptom occurs, stop vehicle and allow it to idle for some times. Flashing will stop and system will be restored.

### While Driving, AWD Warning Lamp Flashes Slowly (When Continuing To Flash Until Turning Ignition Switch OFF)

ADS000U2

**NOTE:**

**Slow flashing: 1 time/2 seconds**

## DIAGNOSTIC PROCEDURE

### 1. CHECK TIRE

Check the following.

- Tire pressure
- Wear condition
- Longitudinal tire size (There is no difference between longitudinal tires.)

OK or NG

OK >> GO TO 2.

NG >> Drive at vehicle speed of 20 km/h (20 MPH) or more for 5 seconds or more after repairing or replacing damaged parts. (Initialize improper size tire information.)

### 2. CHECK INPUT SIGNAL OF TIRE DIAMETER

 **With CONSULT-II**

1. Start engine.
2. Drive at 20 km/h (12 MPH) or more for approx. 200 seconds.
3. Select "DATA MONITOR" mode for "ALL MODE AWD/4WD" with CONSULT-II.
4. Check monitor "DIS-TIRE MONI".

Display of "DIS-TIRE MONI"

"0-4mm">>**INSPECTION END**

Except for "0-4mm">>GO TO 3.

DATA MONITOR	
MONITOR	NO DTC
DIS-TIRE MONI	0-4mm

SDIA1900E

# TROUBLE DIAGNOSIS FOR SYMPTOMS

---

## 3. CHECK AWD CONTROL UNIT

---

Check AWD control unit input/output signal. Refer to [TF-19, "AWD Control Unit Input/Output Signal Reference Values"](#) .

OK or NG

OK >> GO TO 4.

NG >> Check AWD control unit pin terminals for damage or loose connection with harness connector. If any items are damaged, repair or replace damaged parts.

---

## 4. CHECK SYMPTOM

---

Check again.

OK or NG

OK >> **INSPECTION END**

NG >> Replace AWD control unit.

A

B

C

TF

E

F

G

H

I

J

K

L

M

# AWD CONTROL UNIT

## AWD CONTROL UNIT

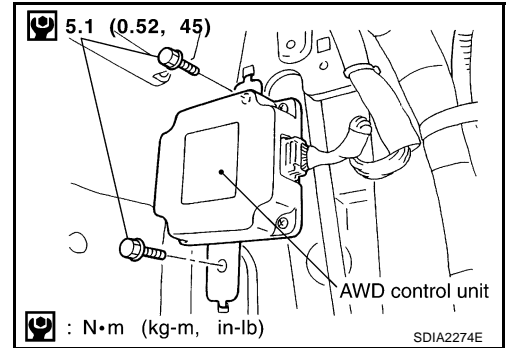
PFP:41650

### Removal and Installation

ADS000U3

#### REMOVAL

1. Remove the dash side finisher. Refer to [EI-38, "DASH SIDE FINISHER"](#) .
2. Disconnect AWD control unit connector.
3. Remove the AWD control unit.



#### INSTALLATION

Install in the reverse order of removal.

# FRONT OIL SEAL

## FRONT OIL SEAL

PFP:38189

### Removal and Installation

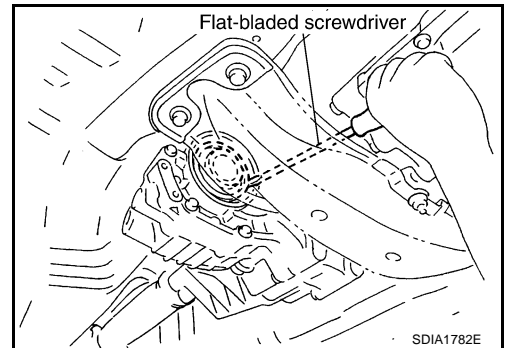
ADS000RP

#### REMOVAL

1. Remove the drain plug to drain the transfer fluid. Refer to [TF-8, "Replacement"](#).
2. Remove the front propeller shaft. Refer to [PR-4, "FRONT PROPELLER SHAFT"](#).
3. Remove front oil seal using a flat-bladed screwdriver.

**CAUTION:**

Be careful not to damage the center case.



#### INSTALLATION

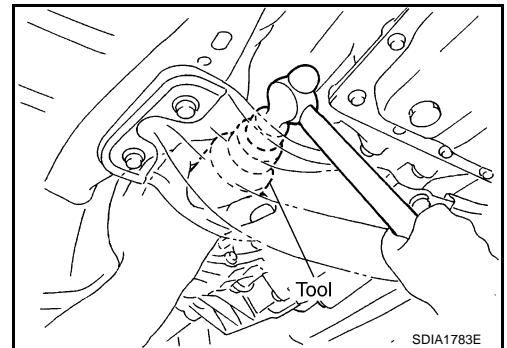
1. Apply multi-purpose grease to oil seal lips. Install the front oil seal with a drift until the end face of front case.

**Tool number** : ST27862000 ( — )

**CAUTION:**

- Do not reuse front oil seal.
- When installing, do not incline the oil seal.

2. Install front propeller shaft. Refer to [PR-4, "FRONT PROPELLER SHAFT"](#).
3. Install transfer fluid, check fluid level and for fluid leakage. Refer to [TF-8, "Inspection"](#).



A  
B  
C  
TF  
E  
F  
G  
H  
I  
J  
K  
L  
M

# REAR OIL SEAL

## REAR OIL SEAL

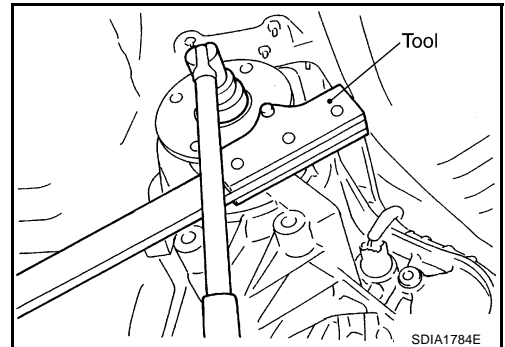
PFP:33140

### Removal and Installation REMOVAL

ADS000R0

1. Remove the rear propeller shaft. Refer to [PR-6, "REAR PROPELLER SHAFT"](#).
2. Remove companion flange lock nut using the flange wrench.

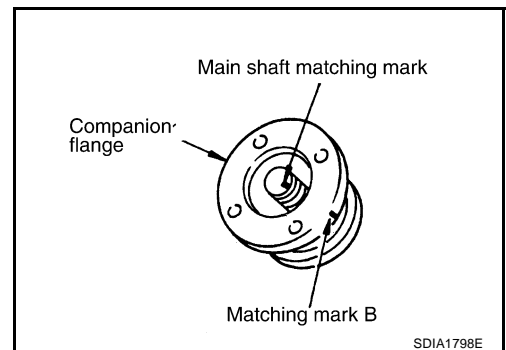
**Tool number** : KV38108300 (J44195)



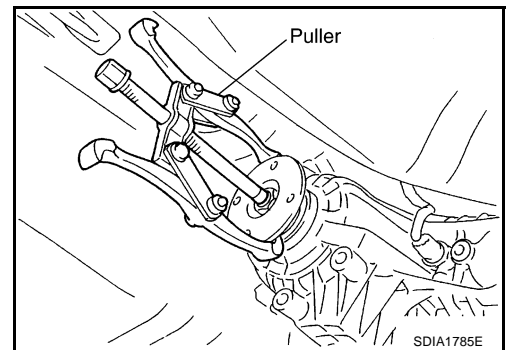
3. Put matching mark on the end of the main shaft corresponding to the B position matching mark on the companion flange.

**CAUTION:**

- For matching mark, use paint. Do not damage main shaft.
- The mark on the transfer companion flange indicates the maximum vertical runout position.



4. Remove the companion flange using a puller.

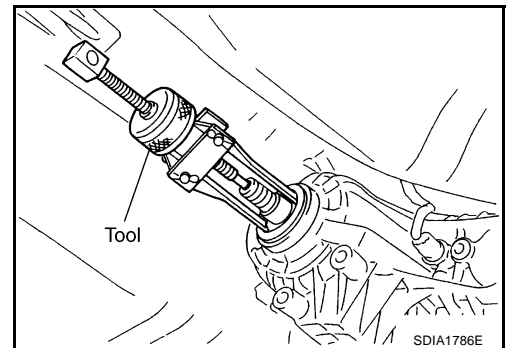


5. Remove the rear oil seal using a tool.

**Tool number** : KV381054S0 (J34286)

**CAUTION:**

Be careful not to damage the rear case.





# REAR OIL SEAL

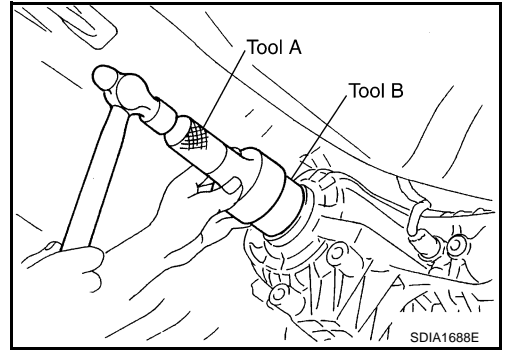
## INSTALLATION

1. Apply multi-purpose grease to oil seal lips. Install the rear oil seal with a drift.

**Tool number**     **A: ST30720000 (J25405)**  
                          **B: KV40104830 ( — )**

**CAUTION:**

- Do not reuse oil seal.
- When installing, do not incline the oil seal.



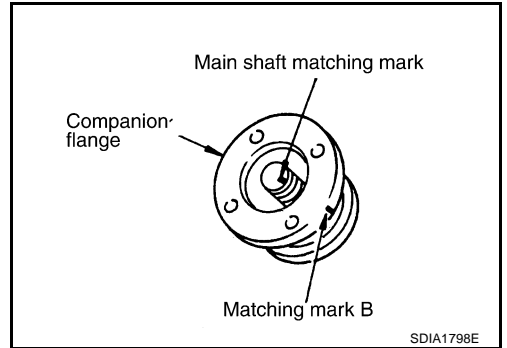
2. Align the matching mark of main shaft with the matching mark B of companion flange, then install the companion flange.
3. Using flange wrench, install the companion flange lock nut and tighten to the specified torque. Refer to [TF-44, "Components"](#) .

**Tool number**     **: KV38108300 (J44195)**

**CAUTION:**

**Do not reuse lock nut.**

4. Install the rear propeller shaft. Refer to [PR-6, "REAR PROPELLER SHAFT"](#) .
5. Check fluid level. Refer to [TF-8, "Inspection"](#) .



A  
B  
C  
TF  
E  
F  
G  
H  
I  
J  
K  
L  
M

# AIR BREATHER HOSE

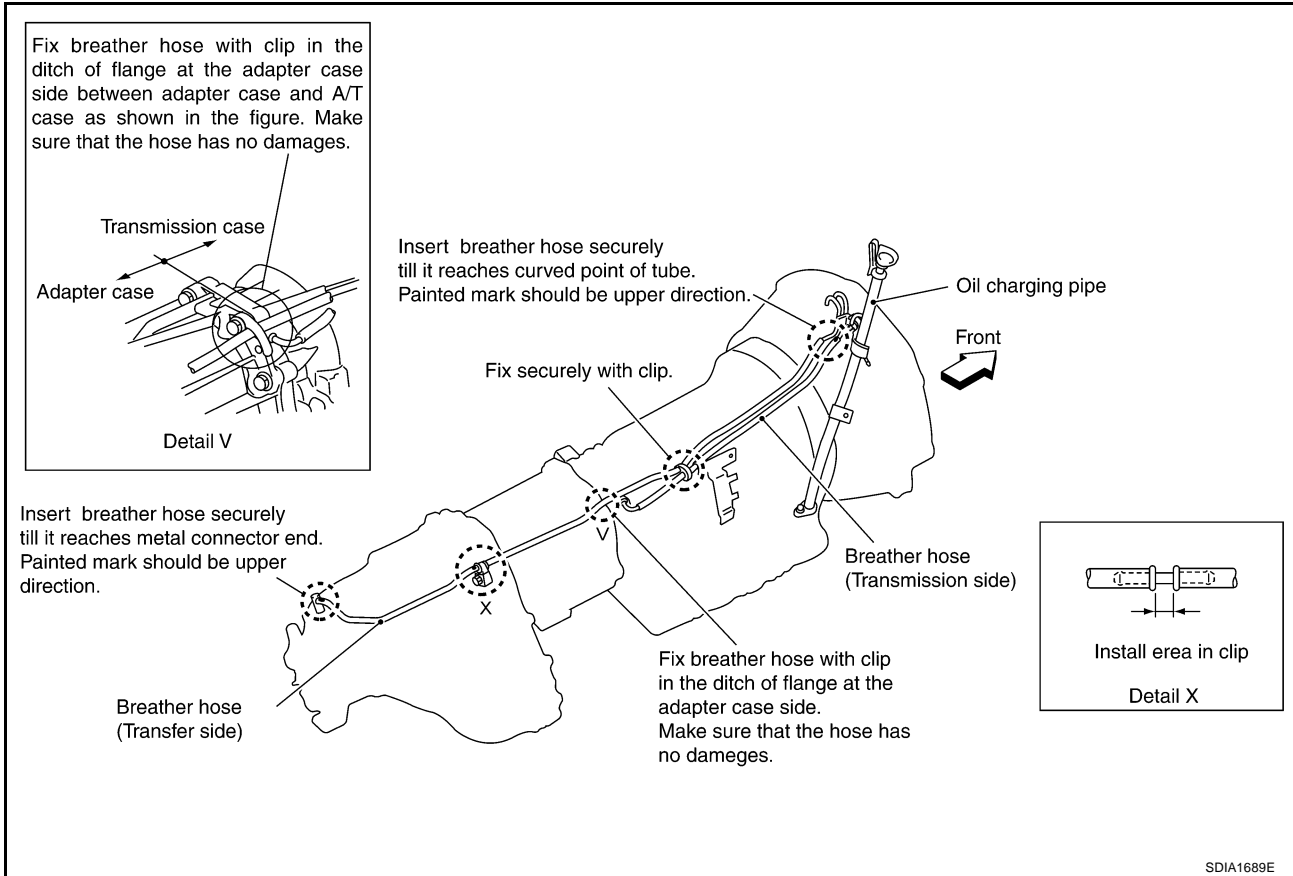
PFP:31098

## AIR BREATHER HOSE

### Removal and Installation

ADS000RR

- Refer to the figure for air breather hose removal and installation information.



### CAUTION:

- Be sure to insert air breather hose into transfer tube (metal connector) until hose end reaches the tube's base.
- Make sure there are no pinched or restricted areas on the air breather hose caused by bending or winding when installing it.

# TRANSFER ASSEMBLY

## TRANSFER ASSEMBLY

PFP:33100

### Removal and Installation

ADS000RS

#### REMOVAL

1. Remove tunnel stay. Refer to [RSU-17, "REAR SUSPENSION MEMBER"](#) .
2. Remove exhaust front tube. Refer to [EX-3, "EXHAUST SYSTEM"](#) .
3. Remove front and rear propeller shaft. Refer to [PR-4, "FRONT PROPELLER SHAFT"](#) and [PR-6, "REAR PROPELLER SHAFT"](#) .
4. Disconnect transfer assembly harness connector and separate harness from transfer assembly.
5. Remove air breather hose. Refer to [TF-42, "AIR BREATHER HOSE"](#) .
6. Support transfer assembly with a jack.
7. Remove engine rear mounting. Refer to [EM-110, "ENGINE ASSEMBLY"](#) (VQ35DE) or [EM-236, "ENGINE ASSEMBLY"](#) (VK45DE).
8. Remove transfer mounting bolts and separate transfer from transmission.

#### CAUTION:

**Secure transfer assembly to a jack.**

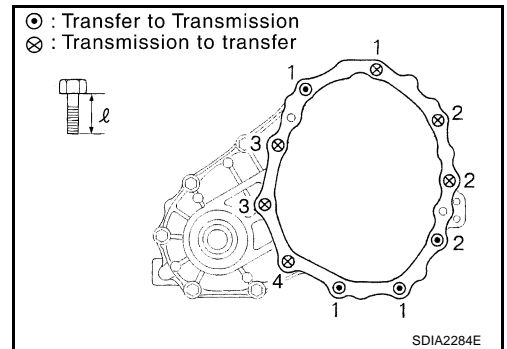
#### INSTALLATION

Note the following, and install in the reverse order of removal.

- When installing the transfer to the transmission, install the mounting bolts following the standard below.

Bolt No.	1	2	3	4
Quantity	4	3	2	1
Bolt length "ℓ" mm (in)	75 (2.95)	45 (1.77)	40 (1.57)	30 (1.18)
Tightening torque N·m (kg·m, ft·lb)	37 (3.8, 27)			

- After the installation, check the fluid level and for fluid leakage. Refer to [TF-8, "Inspection"](#) .

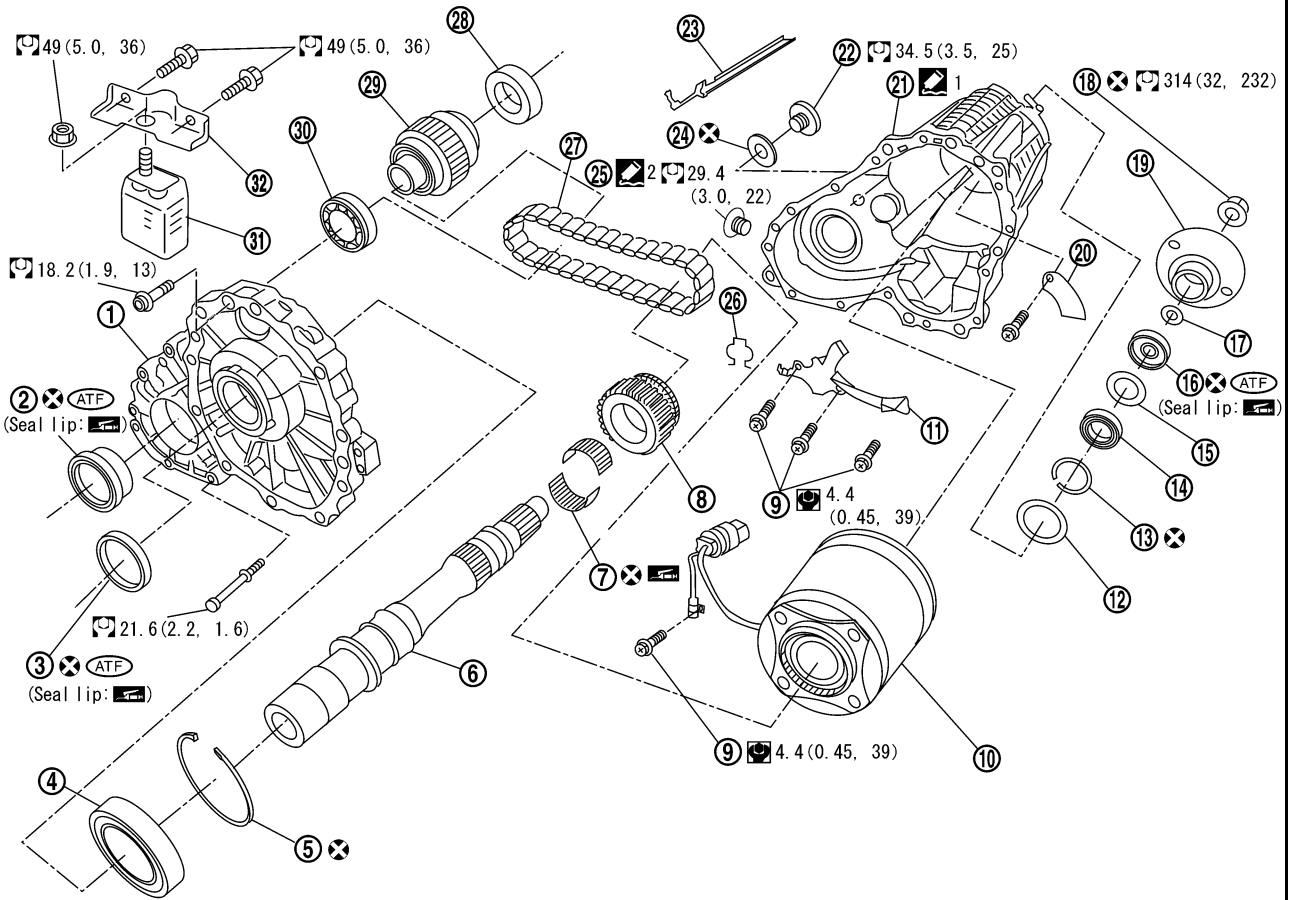


# TRANSFER ASSEMBLY

ADS000RT

## Components

SEC.330·331·332·333



SDIA2311E

- |                                    |                            |                                     |
|------------------------------------|----------------------------|-------------------------------------|
| 1. Front case                      | 2. Front oil seal          | 3. Main shaft oil seal              |
| 4. Main shaft bearing              | 5. Snap ring (hole)        | 6. Main shaft                       |
| 7. Needle bearing                  | 8. Sprocket                | 9. Bolts                            |
| 10. Electric controlled coupling   | 11. Oil cover              | 12. Spacer                          |
| 13. Snap ring (shaft)              | 14. Rear bearing           | 15. Snap ring (hole)                |
| 16. Rear oil seal                  | 17. Spacer                 | 18. Companion flange lock nut       |
| 19. Companion flange               | 20. Baffle plate           | 21. Rear case                       |
| 22. Filler plug                    | 23. Oil gutter             | 24. Seal washer                     |
| 25. Drain plug                     | 26. Retainer               | 27. Drive chain                     |
| 28. Front drive shaft rear bearing | 29. Front drive shaft      | 30. Front drive shaft front bearing |
| 31. Dynamic damper                 | 32. Dynamic damper bracket |                                     |

# TRANSFER ASSEMBLY

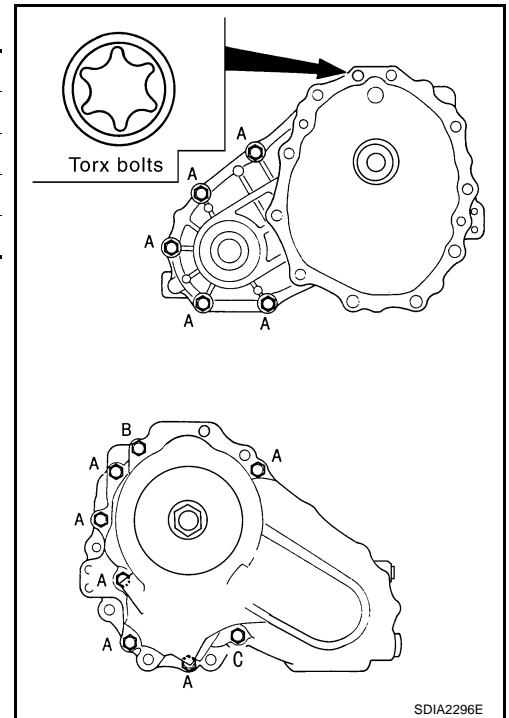
ADS000RU

## Disassembly and Assembly DISASSEMBLY

### Removal Front Case

1. Remove front case fixing bolts.

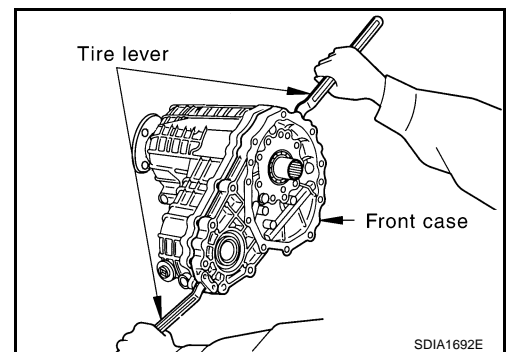
Bolts symbol	Quantity	Nominal length mm (in)
A	11	42 (1.65)
B	1	162 (6.38)
C	1	97 (3.82)
Torx bolts	1	40 (1.57)



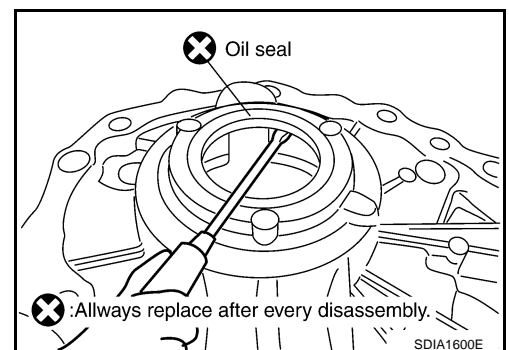
2. Insert tire lever as shown in the figure, separate front case and rear case. Then, remove rear case by levering it up with a tire lever or the like.

**CAUTION:**

**Be careful not to damage the mating surface.**



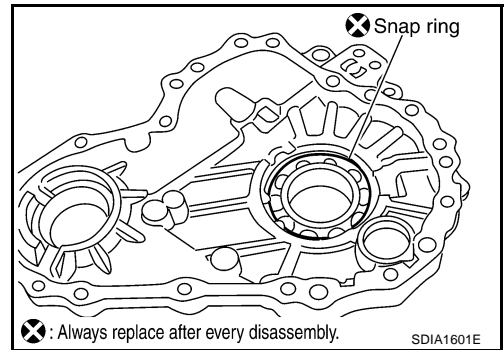
3. Remove the front oil seal and main shaft oil seal, from front case.



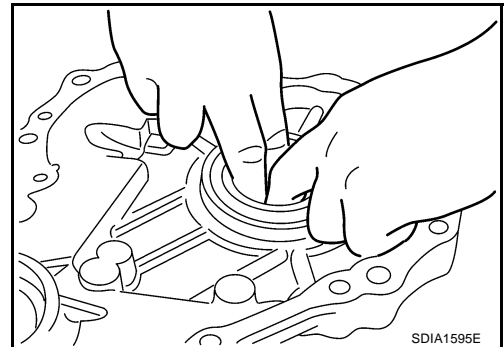
A  
B  
C  
TF  
E  
F  
G  
H  
I  
J  
K  
L  
M

# TRANSFER ASSEMBLY

4. Remove snap ring from front case.

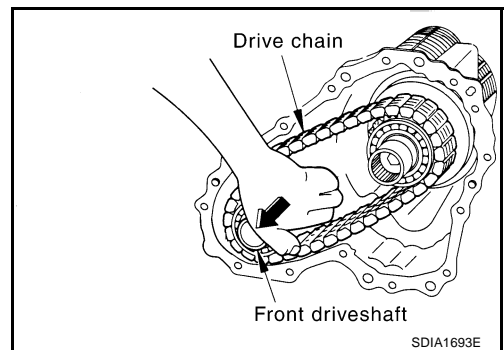


5. Remove main shaft bearing from front case.



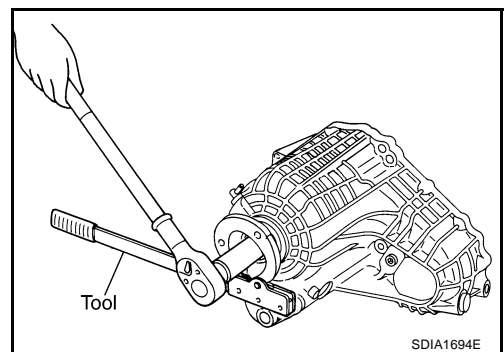
## Rear Case

1. Remove the drive chain and front drive shaft from rear case.

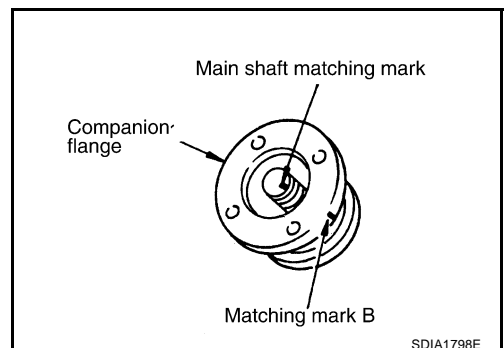


2. Remove companion flange lock nut from main shaft using the flange wrench.

**Tool number** : KV38108300 (J44195)



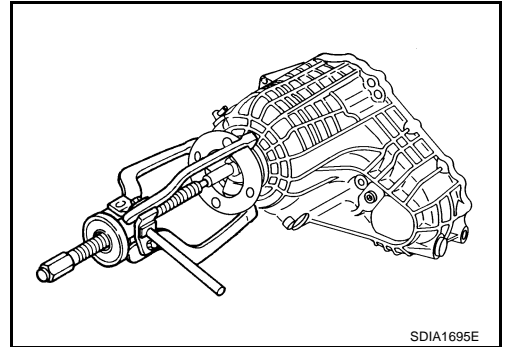
3. Put matching mark on the end of the main shaft corresponding to the B position matching mark on the companion flange.



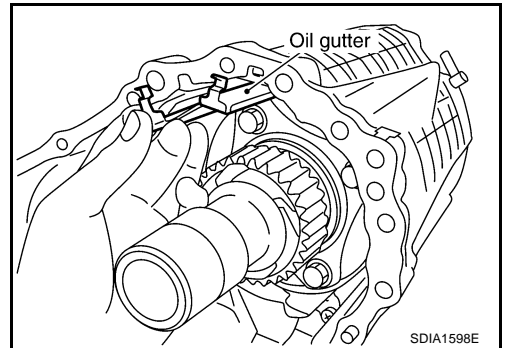
# TRANSFER ASSEMBLY

4. Remove the companion flange from main shaft using a suitable puller.
5. Remove spacer at the end of companion flange.

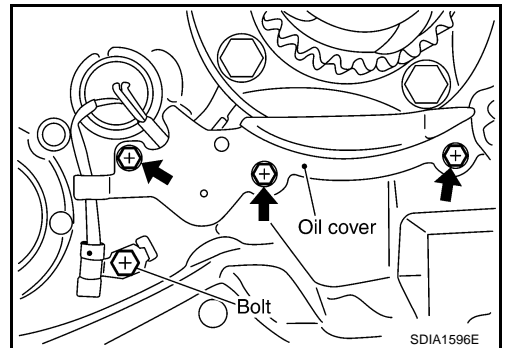
**CAUTION:**  
Be careful not to damage oil seal.



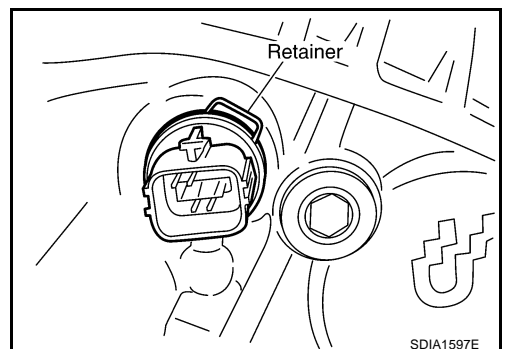
6. Remove the oil gutter from rear case.



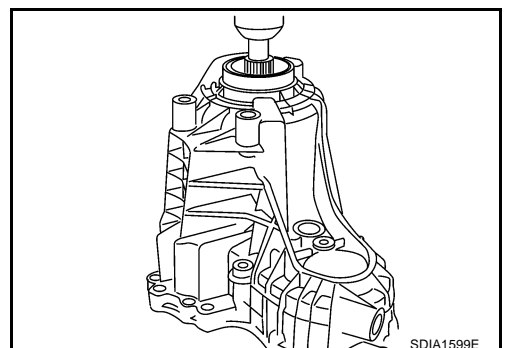
7. Remove the oil cover bolt from rear case.



8. Remove the retainer from connector.
9. Remove the connector from rear case.



10. Remove the main shaft and electric controlled coupling from rear case using a press.



A  
B  
C  
TF

E  
F  
G

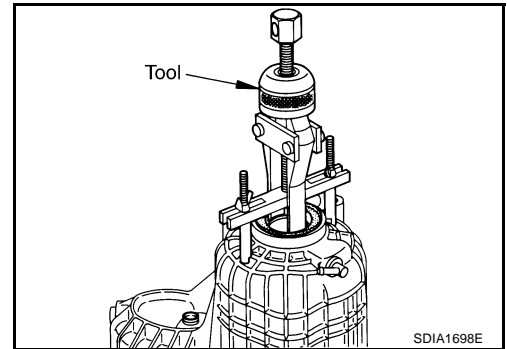
H  
I  
J  
K

L  
M

# TRANSFER ASSEMBLY

- Using a puller, remove the rear oil seal from rear case.

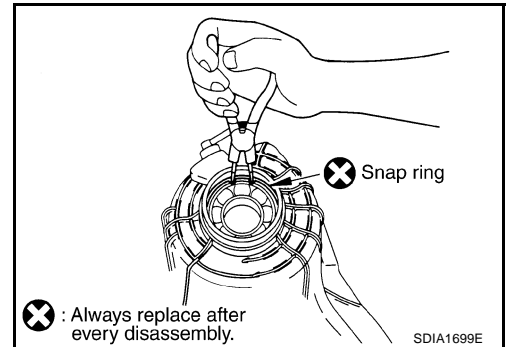
**Tool number : KV381054S0 (J34286)**



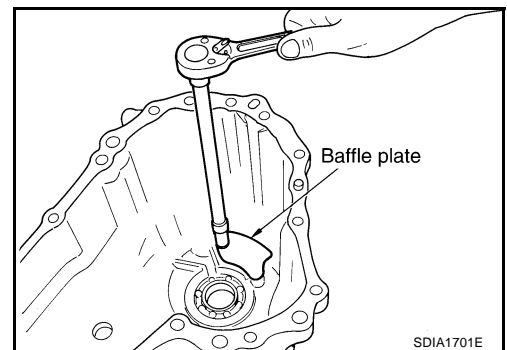
- Remove snap ring from rear case.

**CAUTION:**  
**Do not reuse snap ring.**

- Remove the rear bearing from rear case.



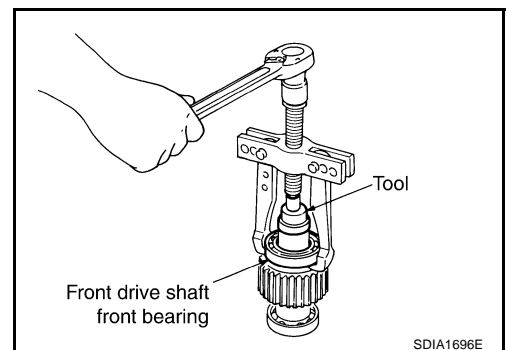
- Remove the baffle plate from rear case.



## Front Drive Shaft

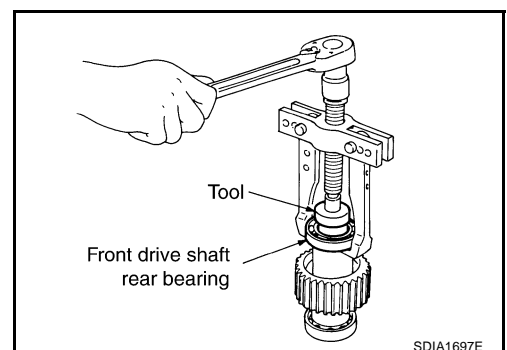
- Remove the front drive shaft front bearing from front drive shaft.

**Tool number : ST33061000 (J8107-2)**



- Remove the front drive shaft rear bearing from front drive shaft.

**Tool number : ST35322000 ( — )**

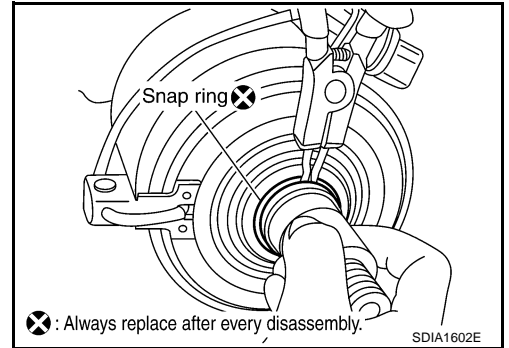




# TRANSFER ASSEMBLY

## Main Shaft and Electric Controlled Coupling

1. Remove the snap ring from main shaft.
2. Remove the spacer, electric controlled coupling, sprocket and needle bearing from main shaft.



## INSPECTION

### Gears

- Check the gear faces and shaft for wear, cracks, damage, and seizure.

### Bearings

- Check for seizure, peeling, wear, corrosion, sticking/abnormal noise/roughness in hand turning, and other damage.

#### **CAUTION:**

**When replacing the bearing, always replace the inner race and outer race as a pair.**

### Front Case and Rear Case

- Replace with a new one if found any wear or cracks on the contact sides of the case.

### Washers

- Check for seizure, damage, and unusual wear.

### Oil Seals

- Discard old oil seals, replace with new ones.
- If wear, deterioration of adherence (sealing force of lips), or damage is detected on the lips, replace them.

### Snap Ring

- Discard old snap rings, replace with new ones.

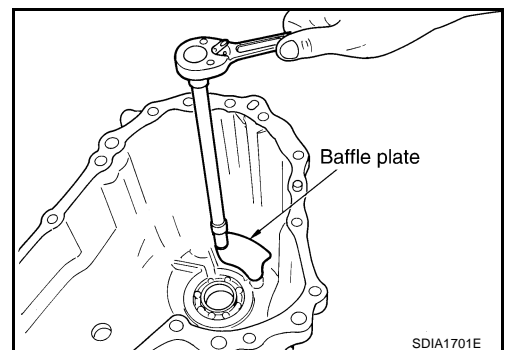
### Lock Nut

- Discard old lock nut, replace with new ones.

## ASSEMBLY

### Rear Case

1. Install the baffle plate into rear case.
2. Install the main shaft rear bearing into rear case.

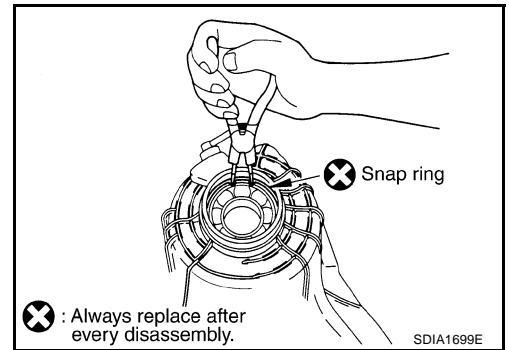


## TRANSFER ASSEMBLY

3. Install the snap ring to rear case.

**CAUTION:**

**Do not reuse snap ring.**

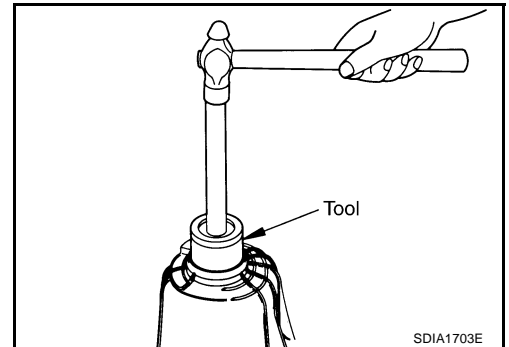


4. Using a drift, install the rear oil seal to the rear case.

**Tool number** : KV40104830 ( — )

**CAUTION:**

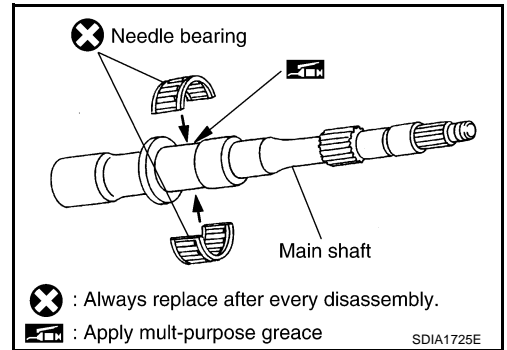
- Discard old oil seals; replace with new ones.
- Apply multi-purpose grease onto oil seal lips, and ATF onto the circumference of the oil seal.



# TRANSFER ASSEMBLY

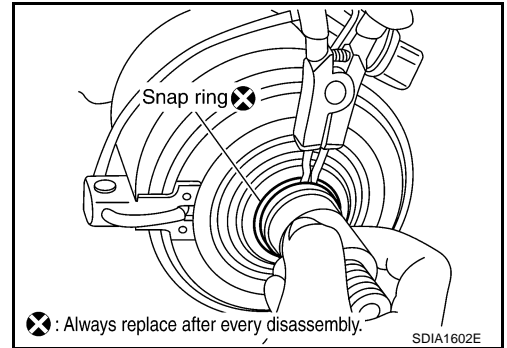
## Main Shaft and Electric Controlled Coupling

1. Fixing needle bearing to main shaft with grease.
2. Install the sprocket, electric controlled coupling and spacer to main shaft.



3. Install the snap ring to main shaft.

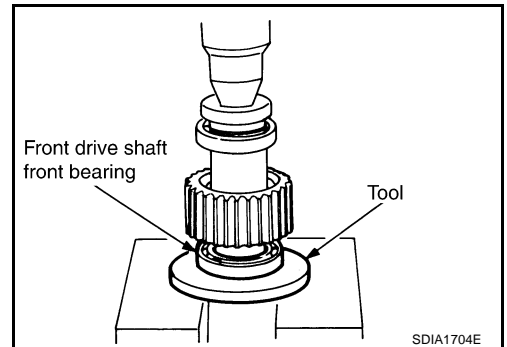
**CAUTION:**  
Do not reuse snap ring.



## Front Drive Shaft

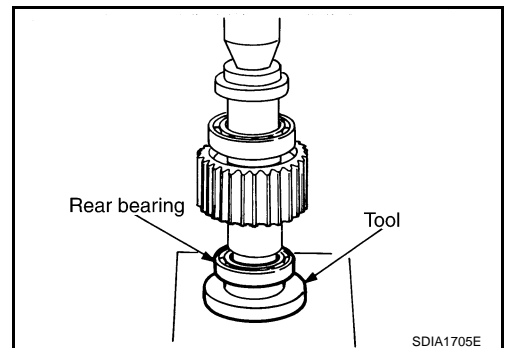
1. Using a press and drift, install the front drive shaft front bearing to front drive shaft.

**Tool number** : ST30022000 ( — )



2. Using a press and drift, install the front drive shaft rear bearing to front drive shaft.

**Tool number** : ST30914000 ( — )



A  
B  
C  
TF  
E  
F  
G  
H  
I  
J  
K  
L  
M

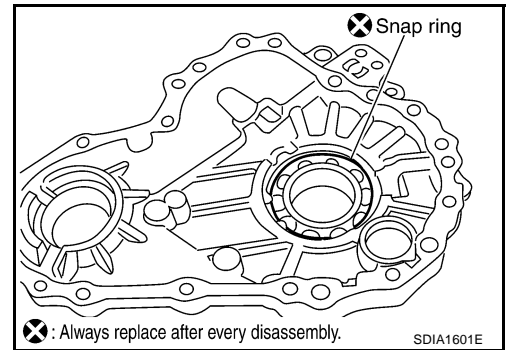
# TRANSFER ASSEMBLY

## Front Case

1. Install the main shaft bearing into front case.
2. Install the snap ring to front case.

**CAUTION:**

**Do not reuse snap ring.**

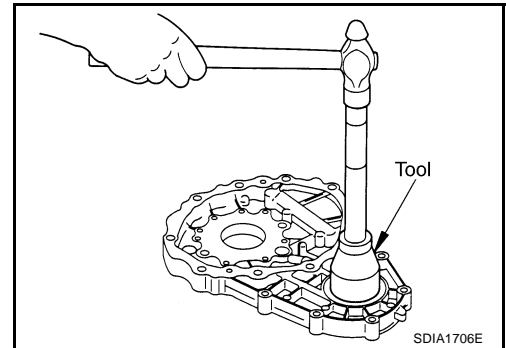


3. Using a drift, install the front oil seal into front case.

**Tool number** : ST27862000 ( — )

**CAUTION:**

- Discard old oil seals; replace with new ones.
- Apply multi-purpose grease onto oil seal lips, and ATF onto the circumference of the oil seal.

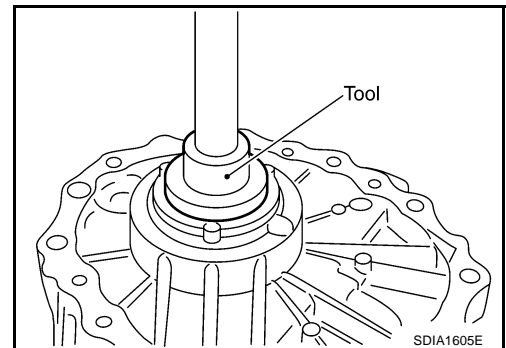


4. Using a drift, install the main shaft oil seal into front case.

**Tool number** : ST30613000 ( — )

**CAUTION:**

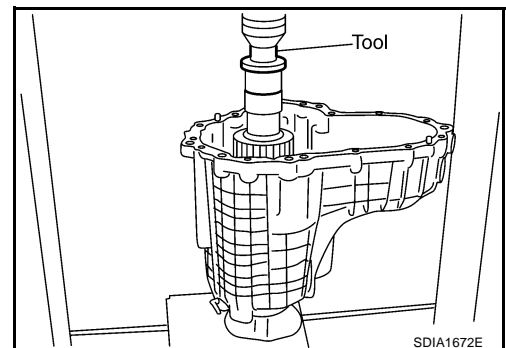
- Discard old oil seals; replace with new ones.
- Apply multi-purpose grease onto oil seal lips, and ATF onto the circumference of the oil seal.



## Install Rear Case

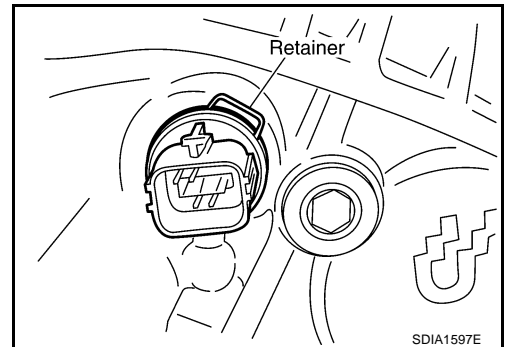
1. Using a press and drift, install the main shaft into rear case. When installing, make sure to fit electric controlled coupling detent to rear case ditch.

**Tool number** : ST30022000 ( — )

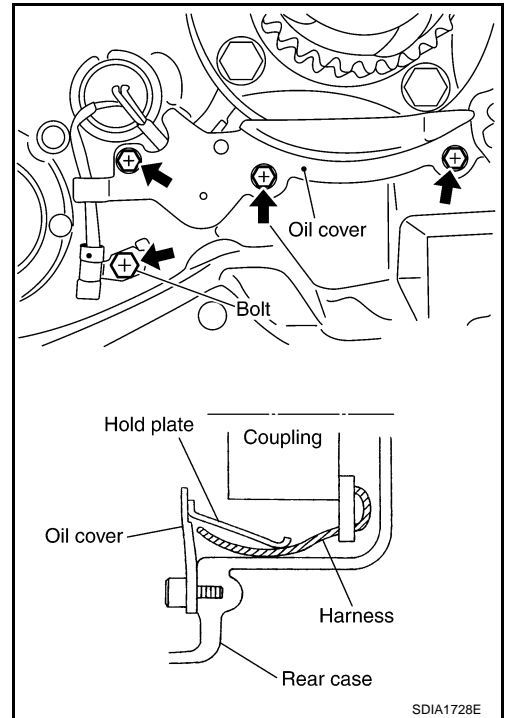


# TRANSFER ASSEMBLY

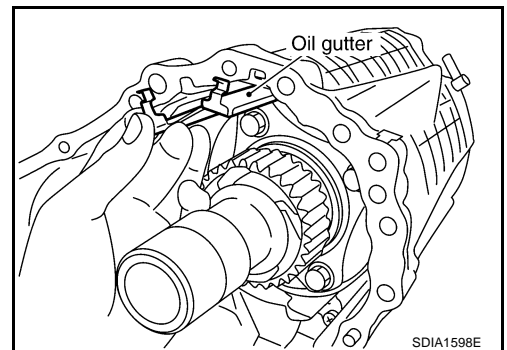
2. Install the coupling connector to rear case.
3. Install coupling connector to the ring after applying grease to the ring.
4. Install the retainer to connector.



5. Install the oil cover and temperature sensor bolt into rear case. Using harness dolly of oil cover, install electric controlled coupling harness between dolly and case.

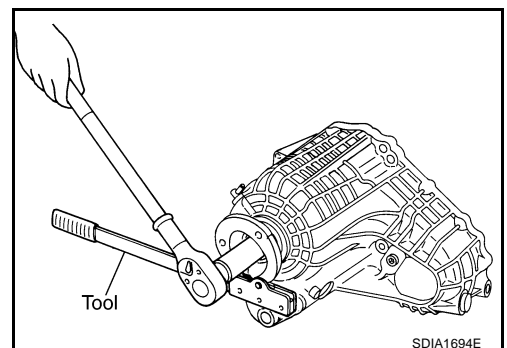


6. Install the oil gutter into rear case.



7. Install the companion flange and spacer to main shaft.
8. Install companion flange lock nut to companion flange.

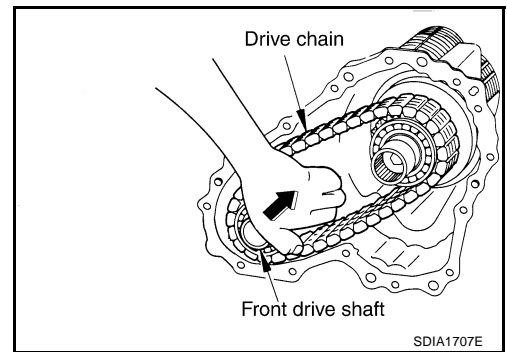
**CAUTION:**  
Do not companion flange lock nut.



A  
B  
C  
TF  
E  
F  
G  
H  
I  
J  
K  
L  
M

# TRANSFER ASSEMBLY

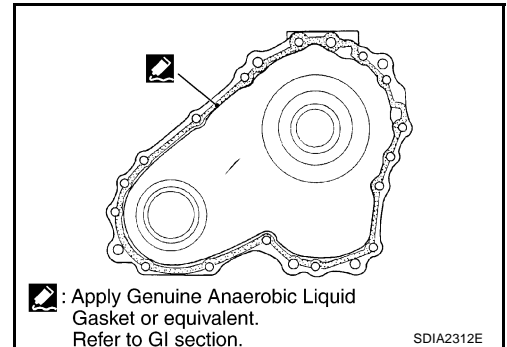
9. Install the drive chain and front drive shaft to rear case.



10. Apply liquid gasket to the entire front case mounting surface of rear case as shown in the figure.

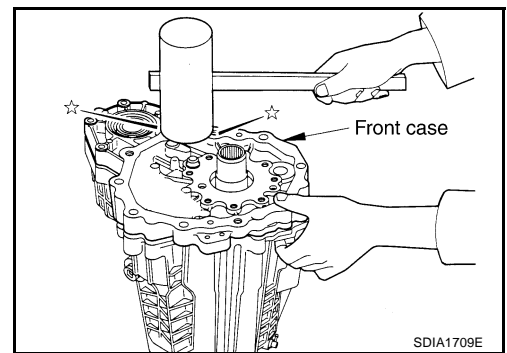
- Use Genuine Anaerobic Liquid Gasket or equivalent. Refer to [GI-48, "Recommended Chemical Products and Sealants"](#).

**CAUTION:**  
Be careful not to damage the mating surface.



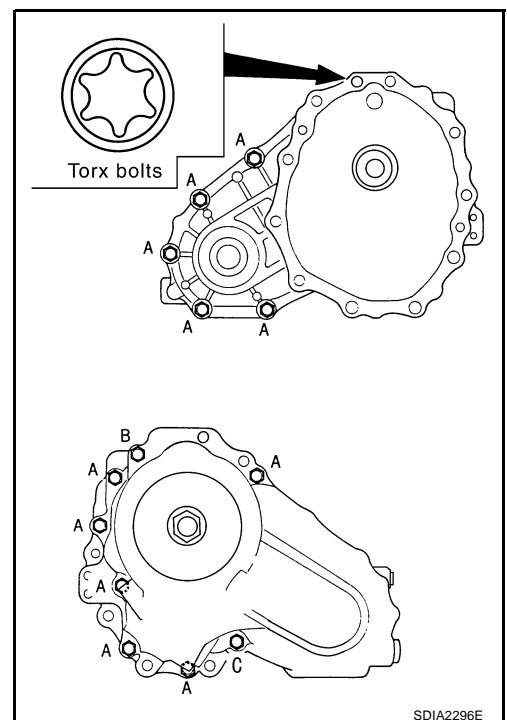
11. Install front case to rear case.

**CAUTION:**  
Be careful not to damage the mating surface transmission side.



12. Tighten bolts to specified torque.

Bolts symbol	Quantity	Nominal length mm (in)	Tighten torque N·m (kg·m, ft·lb)
A	11	42 (1.65)	21.6 (2.2, 16)
B	1	162 (6.38)	
C	1	97 (3.82)	
Torx bolts	1	40 (1.57)	18.2 (1.9, 13)



# SERVICE DATA AND SPECIFICATIONS (SDS)

## SERVICE DATA AND SPECIFICATIONS (SDS)

PFP:00030

### General Specifications

ADS000S9

Applied model	VQ35DE	VK45DE
Transfer model	ETX13B	
Fluid capacity (Approx.)	1.25 ℓ (2-5/8 US pt, 2-1/4 Imp pt)	

A  
B  
C  
TF  
E  
F  
G  
H  
I  
J  
K  
L  
M

# SERVICE DATA AND SPECIFICATIONS (SDS)

---