

SECTION **MA**
 MAINTENANCE

A
B
C
D
E
F
G
H
I
J
K
MA
M

CONTENTS

PREPARATION	3	INSPECTION AFTER REMOVAL	20
Special Service Tools	3	INSTALLATION	21
Commercial Service Tools	3	Checking EVAP Vapor Lines	21
GENERAL MAINTENANCE	4	ENGINE MAINTENANCE (VK45DE ENGINE)	22
Explanation of General Maintenance	4	Checking Drive Belts	22
PERIODIC MAINTENANCE	7	Tension Adjustment	22
Introduction of Periodic Maintenance	7	Changing Engine Coolant	22
Schedule 1	8	DRAINING ENGINE COOLANT	23
EMISSION CONTROL SYSTEM MAINTENANCE	8	REFILLING ENGINE COOLANT	23
CHASSIS AND BODY MAINTENANCE	9	FLUSHING COOLING SYSTEM	24
Schedule 2	10	Checking Fuel Lines	25
EMISSION CONTROL SYSTEM MAINTENANCE	10	Changing Air Cleaner Filter	25
CHASSIS AND BODY MAINTENANCE	11	VISCIOUS PAPER TYPE	25
RECOMMENDED FLUIDS AND LUBRICANTS	12	Changing Engine Oil	25
Fluids and Lubricants	12	Changing Oil Filter	26
SAE Viscosity Number	13	REMOVAL	26
GASOLINE ENGINE OIL	13	INSTALLATION	26
Anti-Freeze Coolant Mixture Ratio	13	INSPECTION AFTER INSTALLATION	27
ENGINE MAINTENANCE (VQ35DE ENGINE)	14	Changing Spark Plugs (Platinum-Tipped Type)	27
Checking Drive Belts	14	REMOVAL	27
Drive Belts Tension Adjustment	14	INSPECTION AFTER REMOVAL	27
ALTERNATOR AND POWER STEERING OIL PUMP BELT	15	INSTALLATION	28
A/C COMPRESSOR BELT	15	Checking EVAP Vapor Lines	28
Changing Engine Coolant	15	CHASSIS AND BODY MAINTENANCE	29
DRAINING ENGINE COOLANT	15	Checking Exhaust System	29
REFILLING ENGINE COOLANT	16	Checking A/T Fluid	29
FLUSHING COOLING SYSTEM	17	Changing A/T Fluid	31
Checking Fuel Lines	17	Checking Transfer Fluid	31
Changing Air Cleaner Filter	18	Changing Transfer Fluid	32
VISCIOUS PAPER TYPE	18	Checking Propeller Shaft	32
Changing Engine Oil	18	Checking Differential Gear Oil	32
Changing Oil Filter	19	Changing Differential Gear Oil	33
REMOVAL	19	Balancing Wheels (Bonding Weight Type)	33
INSTALLATION	19	REMOVAL	33
INSPECTION AFTER INSTALLATION	20	WHEEL BALANCE ADJUSTMENT	33
Changing Spark Plugs (Platinum-Tipped Type)	20	Tire Rotation	35
REMOVAL	20	Checking Brake Fluid Level and Leaks	35
		Checking Brake Lines and Cables	35
		Changing Brake Fluid	35
		Checking Disc Brake	36

ROTOR	36	MATE) (VQ35DE)	40
CALIPER	36	ENGINE COOLANT CAPACITY (APPROXI-	
PAD	36	MATE) (VK45DE)	40
Checking Steering Gear and Linkage	36	RADIATOR	40
STEERING GEAR	36	ENGINE OIL CAPACITY (APPROXIMATE)	
STEERING LINKAGE	36	(VQ35DE)	40
Checking Power Steering Fluid and Lines	37	ENGINE OIL CAPACITY (APPROXIMATE)	
Axle and Suspension Parts	37	(VK45DE)	41
Drive Shaft	38	SPARK PLUG (PLATINUM-TIPPED TYPE)	
Lubricating Locks, Hinges and Hood Latch	38	(VQ35DE)	41
Checking Seat Belt, Buckles, Retractors, Anchors		SPARK PLUG (PLATINUM-TIPPED TYPE)	
and Adjusters	39	(VK45DE)	41
SERVICE DATA AND SPECIFICATIONS (SDS)	40	WHEEL BALANCE	41
Standard and Limit	40		
BELT DEFLECTION AND TENSION (VQ35DE)..	40		
BELT DEFLECTION AND TENSION (VK45DE)..	40		
ENGINE COOLANT CAPACITY (APPROXI-			

PREPARATION

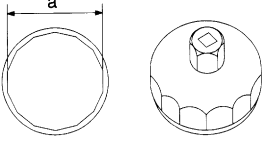
PREPARATION

PPF:00002

Special Service Tools

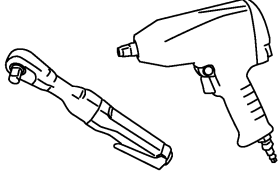
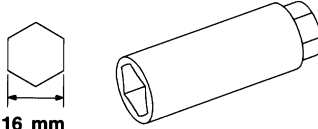
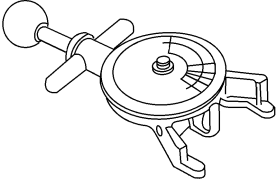
NLS0005U

The actual shapes of Kent-Moore tools may differ from those of special service tools illustrated here.

Tool number (Kent-Moore No.) Tool name	Description
KV10115801 (J38956) Oil filter wrench <div style="text-align: center;">  <p>S-NT375</p> </div>	Removing and installing oil filter a: 64.3 mm (2.531 in)

Commercial Service Tools

NLS0005V

Tool name (Kent-Moore No.)	Description
Power tool (—) <div style="text-align: center;">  <p>PBIC0190E</p> </div>	Loosening nuts and bolts
Spark plug wrench (—) <div style="text-align: center;">  <p>16 mm (0.63 in)</p> <p>S-NT047</p> </div>	Removing and installing spark plug
Belt tension gauge (BT3373-F) <div style="text-align: center;">  <p>AMA126</p> </div>	Checking drive belt tension (VQ35DE)

A
B
C
D
E
F
G
H
I
J
K
MA
M

MA

GENERAL MAINTENANCE

GENERAL MAINTENANCE

PFP:00000

Explanation of General Maintenance

NLS0005W

General maintenance includes those items which should be checked during the normal day-to-day operation of the vehicle. They are essential if the vehicle is to continue operating properly. The owners can perform checks and inspections themselves or have their **INFINITI** dealers do them.

GENERAL MAINTENANCE

OUTSIDE THE VEHICLE

The maintenance items listed here should be performed from time to time, unless otherwise specified.

Item		Reference page
Tires	Check the pressure with a gauge, including the spare, at least once a month and always prior to a long distance trips. Adjust to the specified pressure if necessary. Check carefully for damage, cuts or excessive wear.	—
Wheel nuts	When checking the tires, make sure no nuts are missing, and check for any loose nuts. Tighten if necessary.	—
Windshield	Clean the windshield on a regular basis. Check the windshield at least every six months for cracks or other damage. Repair as necessary.	—
Tire rotation	Tires should be rotated every 12,000 km (7,500 miles).	MA-35
Wheel alignment and balance	If the vehicle pulls to either side while driving on a straight and level road, or if you detect uneven or abnormal tire wear, there may be a need for wheel alignment. If the steering wheel or seat vibrates at normal highway speeds, wheel balancing may be needed.	MA-33 , FSU-6
Windshield wiper blades	Check for cracks or wear if they do not wipe properly.	—
Doors and engine hood	Check that all doors and the engine hood operate smoothly as well as the trunk lid and back hatch. Also make sure that all latches lock securely. Lubricate if necessary. Make sure that the secondary latch keeps the hood from opening when the primary latch is released. When driving in areas using road salt or other corrosive materials, check lubrication frequently.	MA-38
Lamps	Make sure that the headlamps, stop lamps, tail lamps, turn signal lamps, and other lamps are all operating properly and installed securely. Also check headlamp aim. Clean the headlamps on a regular basis.	—

INSIDE THE VEHICLE

The maintenance items listed here should be checked on a regular basis, such as when performing periodic maintenance, cleaning the vehicle, etc.

Item		Reference page
Warning lamps and chimes	Make sure that all warning lamps and chimes are operating properly.	—
Windshield wiper and washer	Check that the wipers and washer operate properly and that the wipers do not streak.	—
Windshield defroster	Check that the air comes out of the defroster outlets properly and in sufficient quantity when operating the heater or air conditioner.	—
Steering wheel	Check that it has the specified play. Be sure to check for changes in the steering condition, such as excessive play, hard steering or strange noises. Free play: Less than 35 mm (1.38 in)	—
Seats	Check seat position controls such as seat adjusters, seatback recliner, etc. to make sure they operate smoothly and that all latches lock securely in every position. Check that the head restraints move up and down smoothly and that the locks (if equipped) hold securely in all latched positions. Check that the latches lock securely for folding-down rear seatbacks.	—
Seat belts	Check that all parts of the seat belt system (e.g. buckles, anchors, adjusters and retractors) operate properly and smoothly, and are installed securely. Check the belt webbing for cuts, fraying, wear or damage.	MA-39
Accelerator pedal	Check the pedal for smooth operation and make sure the pedal does not catch or require uneven effort. Keep the floor mats away from the pedal.	—
Brakes	Check that the brake does not pull the vehicle to one side when applied.	—
Brake pedal and booster	Check the pedal for smooth operation and make sure it has the proper distance under it when depressed fully. Check the brake booster function. Be sure to keep the floor mats away from the pedal.	BR-6 , BR-15

GENERAL MAINTENANCE

Item	Reference page	
Parking brake	Check that the pedal has the proper travel and make sure that the vehicle is held securely on a fairly steep hill when only the parking brake is applied.	PB-3
Automatic transmission "Park" mechanism	Check that the lock release button on the selector lever operates properly and smoothly. On a fairly steep hill check that the vehicle is held securely with the selector lever in the P (Park) position without applying any brakes.	—

UNDER THE HOOD AND VEHICLE

The maintenance items listed here should be checked periodically (e.g. each time you check the engine oil or refuel).

Item	Reference page	
Windshield washer fluid	Check that there is adequate fluid in the tank.	—
Engine coolant level	Check the coolant level when the engine is cold.	MA-15, MA-22
Radiator and hoses	Check the front of the radiator and clean off any dirt, insects, leaves, etc., that may have accumulated. Make sure the hoses have no cracks, deformation, deterioration or loose connections.	—
Brake fluid level	Make sure that the brake fluid level is between the "MAX" and "MIN" lines on the reservoir.	MA-35
Battery	Check the fluid level in each cell. It should be between the "MAX" and "MIN" lines. Vehicles operated in high temperatures or under severe conditions require frequent checks of the battery fluid level.	SC-5
Engine drive belts	Make sure that no belt is frayed, worn, cracked or oily.	MA-14, MA-22
Engine oil level	Check the level on the oil level gauge after parking the vehicle on a level spot and turning off the engine.	MA-18, MA-25
Power steering fluid level and lines	Check the level on the dipstick with the engine off. Check the lines for improper attachment, leaks, cracks, etc.	MA-37
Exhaust system	Make sure there are no loose supports, cracks or holes. If the sound of the exhaust seems unusual or there is a smell of exhaust fumes, immediately locate the trouble and correct it.	MA-29
Underbody	The underbody is frequently exposed to corrosive substances such as those used on icy roads or to control dust. It is very important to remove these substances, otherwise rust will form on the floor pan, frame, fuel lines and around the exhaust system. At the end of winter, the underbody should be thoroughly flushed with plain water, being careful to clean those areas where mud and dirt can easily accumulate.	—
Fluid leaks	Check under the vehicle for fuel, oil, water or other fluid leaks after the vehicle has been parked for a while. Water dripping from the air conditioner after use is normal. If you should notice any leaks or gasoline fumes are evident, check for the cause and correct it immediately.	—

PERIODIC MAINTENANCE

PERIODIC MAINTENANCE

PF0:00026

Introduction of Periodic Maintenance

NLS0005X

Two different maintenance schedules are provided, and should be used, depending upon the conditions in which the vehicle is mainly operated. **After 60,000 miles (96,000 km) or 48 months, continue the periodic maintenance at the same mileage/time intervals.**

Schedule 1	Follow Periodic Maintenance Schedule 1 if the driving habits frequently include one or more of the following driving conditions: <ul style="list-style-type: none"> ● Repeated short trips of less than 5 miles (8 km). ● Repeated short trips of less than 10 miles (16 km) with outside temperatures remaining below freezing. ● Operating in hot weather in stop-and-go “rush hour” traffic. ● Extensive idling and/or low speed driving for long distances, such as police, taxi or door-to-door delivery use. ● Driving in dusty conditions. ● Driving on rough, muddy, or salt spread roads. ● Towing a trailer, using a camper or a car-top carrier. 	Emission Control System Maintenance	MA-8
		Chassis and Body Maintenance	MA-9
Schedule 2	Follow Periodic Maintenance Schedule 2 if none of driving conditions shown in Schedule 1 apply to the driving habits.	Emission Control System Maintenance	MA-10
		Chassis and Body Maintenance	MA-11

A
B
C
D
E
F
G
H
I
J
K
M

MA

PERIODIC MAINTENANCE

Schedule 1 EMISSION CONTROL SYSTEM MAINTENANCE

NLS0005Y

Abbreviations: R = Replace. I = Inspect. Correct or replace if necessary. []: At the mileage intervals only

MAINTENANCE OPERATION		MAINTENANCE INTERVAL								Reference Section - Page or - Content Title	
Perform at number of miles, kilometers or months, whichever comes first.	Miles x 1,000 (km x 1,000) Months	3.75 (6) 3	7.50 (12) 6	11.25 (18) 9	15 (24) 12	18.75 (30) 15	22.5 (36) 18	26.25 (42) 21	30 (48) 24		
Drive belts	NOTE (1)									[R]	MA-14 , MA-22
Air cleaner filter	NOTE (2)									[R]	MA-18 , MA-25
EVAP vapor lines										I*	MA-21 , MA-28
Fuel lines										I*	MA-17 , MA-25
Fuel filter	NOTE (3)										-
Engine coolant	NOTE (4)										MA-15 , MA-22
Engine oil		R	R	R	R	R	R	R	R		MA-18 , MA-25
Engine oil filter [Use part No. 15208 31U00 (for VK45DE), 15208 65F00 (for VQ35DE) or equivalent.]		R	R	R	R	R	R	R	R		MA-19 , MA-26
Spark plugs (PLATINUM-TIPPED type)		Replace every 105,000 miles (169,000 km).									MA-20 , MA-27
Intake & exhaust valve clearance*	NOTE (5)										EM-93 , "Valve Clearance", EM-222 , "Valve Clearance"

MAINTENANCE OPERATION		MAINTENANCE INTERVAL								Reference Section - Page or - Content Title	
Perform at number of miles, kilometers or months, whichever comes first.	Miles x 1,000 (km x 1,000) Months	33.75 (54) 27	37.5 (60) 30	41.25 (66) 33	45 (72) 36	48.75 (78) 39	52.5 (84) 42	56.25 (90) 45	60 (96) 48		
Drive belts	NOTE (1)									I*	MA-14 , MA-22
Air cleaner filter	NOTE (2)									[R]	MA-18 , MA-25
EVAP vapor lines										I*	MA-21 , MA-28
Fuel lines										I*	MA-17 , MA-25
Fuel filter	NOTE (3)										-
Engine coolant	NOTE (4)									R*	MA-15 , MA-22
Engine oil		R	R	R	R	R	R	R	R		MA-18 , MA-25
Engine oil filter [Use part No. 15208 31U00 (for VK45DE), 15208 65F00 (for VQ35DE) or equivalent.]		R	R	R	R	R	R	R	R		MA-19 , MA-26

PERIODIC MAINTENANCE

MAINTENANCE OPERATION		MAINTENANCE INTERVAL								Reference Section - Page or - Content Title
Perform at number of miles, kilometers or months, whichever comes first.	Miles x 1,000 (km x 1,000) Months	33.75 (54) 27	37.5 (60) 30	41.25 (66) 33	45 (72) 36	48.75 (78) 39	52.5 (84) 42	56.25 (90) 45	60 (96) 48	
Spark plugs (PLATINUM-TIPPED type)		Replace every 105,000 miles (169,000 km).								MA-20 , MA-27
Intake & exhaust valve clearance*	NOTE (5)									EM-93 , "Valve Clearance", EM-222 , "Valve Clearance"

NOTE:

- (1) After 60,000 miles (96,000 km) or 48 months, inspect every 15,000 miles (24,000 km) or 12 months. Replace the drive belts if found damaged or if the auto belt tensioner reading (only for VK45DE engine) reaches the maximum limit.
 - (2) If operating mainly in dusty conditions, more frequent maintenance may be required.
 - (3) Maintenance-free item. For service procedures, refer to FL section.
 - (4) After 60,000 miles (96,000 km) or 48 months, replace every 30,000 miles (48,000 km) or 24 months.
 - (5) If valve noise increases, inspect valve clearance.
- * Maintenance items and intervals with "*" are recommended by INFINITI for reliable vehicle operation. The owner need not perform such maintenance in order to maintain the emission warranty or manufacturer recall liability. Other maintenance items and intervals are required.

CHASSIS AND BODY MAINTENANCE

Abbreviations: R = Replace. I = Inspect. Correct or replace if necessary.

MAINTENANCE OPERATION		MAINTENANCE INTERVAL								Reference Section - Page or - Content Title
Perform at number of miles, kilometers or months, whichever comes first.	Miles x 1,000 (km x 1,000) Months	3.75 (6) 3	7.50 (12) 6	11.25 (18) 9	15 (24) 12	18.75 (30) 15	22.5 (36) 18	26.25 (42) 21	30 (48) 24	
Brake lines & cables					I				I	MA-35
Brake pads & rotors			I		I		I		I	MA-36
Automatic transmission & transfer fluid & differential gear oil	NOTE (1)				I				I	MA-29 , MA-31 , MA-32
Steering gear, linkage & transfer gear, axle & suspension parts			I		I		I		I	MA-36 , MA-37
Tire rotation	NOTE (2)									MA-4 , MA-35
Drive shaft boots and propeller shaft (AWD models)			I		I		I		I	MA-38 , MA-32
Exhaust system			I		I		I		I	MA-29
In-cabin microfilter					R				R	ATC-124

MAINTENANCE OPERATION		MAINTENANCE INTERVAL								Reference Section - Page or - Content Title
Perform at number of miles, kilometers or months, whichever comes first.	Miles x 1,000 (km x 1,000) Months	33.75 (54) 27	37.5 (60) 30	41.25 (66) 33	45 (72) 36	48.75 (78) 39	52.5 (84) 42	56.25 (90) 45	60 (96) 48	
Brake lines & cables					I				I	MA-35
Brake pads & rotors			I		I		I		I	MA-36

PERIODIC MAINTENANCE

MAINTENANCE OPERATION		MAINTENANCE INTERVAL								Reference Section - Page or - Content Title
Perform at number of miles, kilometers or months, whichever comes first.	Miles x 1,000 (km x 1,000) Months	33.75 (54) 27	37.5 (60) 30	41.25 (66) 33	45 (72) 36	48.75 (78) 39	52.5 (84) 42	56.25 (90) 45	60 (96) 48	
Automatic transmission & transfer fluid & differential gear oil	NOTE (1)				I				I	MA-29 , MA-31 , MA-32
Steering gear, linkage & transfer gear, axle & suspension parts			I		I		I		I	MA-36 , MA-37
Tire rotation	NOTE (2)									MA-4 , MA-35
Drive shaft boots and propeller shaft (AWD models)			I		I		I		I	MA-38 , MA-32
Exhaust system			I		I		I		I	MA-29
In-cabin microfilter					R				R	ATC-124

NOTE:

(1) If towing a trailer, using a camper or a car-top carrier, or driving on rough or muddy roads, change (not just inspect) fluid (A/T, transfer)/oil at every 30,000 miles (48,000 km) or 24 months. **Using automatic transmission fluid other than Genuine Nissan Matic J ATF will cause deterioration in driveability and automatic transmission durability, and may damage the automatic transmission, which is not covered by the INFINITI new vehicle limited warranty.**

(2) Refer to "Tire rotation" under the "GENERAL MAINTENANCE" heading earlier in this section.

Schedule 2 EMISSION CONTROL SYSTEM MAINTENANCE

NLS0005Z

Abbreviations: R = Replace. I = Inspect. Correct or replace if necessary. []: At the mileage intervals only

MAINTENANCE OPERATION		MAINTENANCE INTERVAL								Reference Section - Page or - Content Title
Perform at number of miles, kilometers or months, whichever comes first.	Miles x 1,000 (km x 1,000) Months	7.5 (12) 6	15 (24) 12	22.5 (36) 18	30 (48) 24	37.5 (60) 30	45 (72) 36	52.5 (84) 42	60 (96) 48	
Drive belts	NOTE (1)								I*	MA-14 , MA-22
Air cleaner filter					[R]				[R]	MA-18 , MA-25
EVAP vapor lines					I*				I*	MA-21 , MA-28
Fuel lines					I*				I*	MA-17 , MA-25
Fuel filter	NOTE (2)									-
Engine coolant	NOTE (3)								R*	MA-15 , MA-22
Engine oil		R	R	R	R	R	R	R	R	MA-18 , MA-25
Engine oil filter [Use part No. 15208 31U00 (for VK45DE), 15208 65F00 (for VQ35DE) or equivalent.]		R	R	R	R	R	R	R	R	MA-19 , MA-26
Spark plugs (PLATINUM-TIPPED type)		Replace every 105,000 miles (169,000 km).								MA-20 , MA-27
Intake & exhaust valve clearance*	NOTE (4)									EM-93 , "Valve Clearance", EM-222 , "Valve Clearance"

NOTE:

(1) After 60,000 miles (96,000 km) or 48 months, inspect every 15,000 miles (24,000 km) or 12 months. Replace the drive belts if found damaged or if the auto belt tensioner reading (only for VK45DE engine) reaches the maximum limit.

(2) Maintenance-free item. For service procedures, refer to FL section.

(3) After 60,000 miles (96,000 km) or 48 months, replace every 30,000 miles (48,000 km) or 24 months.

(4) If valve noise increases, inspect valve clearance.

PERIODIC MAINTENANCE

* Maintenance items and intervals with "*" are recommended by INFINITI for reliable vehicle operation. The owner need not perform such maintenance in order to maintain the emission warranty or manufacturer recall liability. Other maintenance items and intervals are required

CHASSIS AND BODY MAINTENANCE

Abbreviations: R = Replace. I = Inspect. Correct or replace if necessary.

MAINTENANCE OPERATION		MAINTENANCE INTERVAL								Reference Section - Page or - Content Title
Perform at number of miles, kilometers or months, whichever comes first.	Miles x 1,000 (km x 1,000) Months	7.5 (12) 6	15 (24) 12	22.5 (36) 18	30 (48) 24	37.5 (60) 30	45 (72) 36	52.5 (84) 42	60 (96) 48	
Brake lines & cables			I		I		I		I	MA-35
Brake pads & rotors			I		I		I		I	MA-36
Automatic transmission & transfer fluid & differential gear oil	NOTE (1)		I		I		I		I	MA-29, MA-31 , MA-32
Steering gear, linkage & transfer gear, axle & suspension parts					I				I	MA-36 , MA-37
Tire rotation	NOTE (2)									MA-4 , MA-35
Drive shaft boots and propeller shaft (AWD models)			I		I		I		I	MA-38 , MA-32
Exhaust system					I				I	MA-29
In-cabin microfilter			R		R		R		R	ATC-124

NOTE:

(1) Using automatic transmission fluid other than Genuine NISSAN Matic J ATF will cause deterioration in driveability and automatic transmission durability, and may damage the automatic transmission, which is not covered by the INFINITI new vehicle limited warranty.

(2) Refer to "Tire rotation" under the "GENERAL MAINTENANCE" heading earlier in this section.

A

B

C

D

E

F

G

H

I

J

K

MA

M

RECOMMENDED FLUIDS AND LUBRICANTS

RECOMMENDED FLUIDS AND LUBRICANTS

PFP:00000

Fluids and Lubricants

NLS00060

			Capacity (Approximate)			Recommended Fluids/Lubricants
			US measure	Imp measure	Liter	
Engine oil Drain and refill	With oil filter change	VK45DE	6-1/8 qt	5-1/8 qt	5.8	<ul style="list-style-type: none"> For VK45DE engine: API Certification Mark*1 API grade SJ or SL, Energy Conserving*1 ILSAC grade GF-II & GF-III*1 For VQ35DE engine: API Certification Mark*1 API grade SG/SH, Energy Conserving I & II or API grade SJ or SL, Energy Conserving*1 ILSAC grade GF-I, GF-II & GF-III *1
		VQ35DE	5 qt	4 - 1/8 qt	4.7	
	Without oil filter change	VK45DE	5-1/2 qt	4-5/8 qt	5.2	
		VQ35DE	4-5/8 qt	3-7/8 qt	4.4	
Dry engine (Overhaul)		VK45DE	7-3/8 qt	6-1/8 qt	7.0	<ul style="list-style-type: none"> API Certification Mark*1 API grade SG/SH, Energy Conserving I & II or API grade SJ or SL, Energy Conserving*1 ILSAC grade GF-I, GF-II & GF-III *1
		VQ35DE	5-3/4 qt	4-3/4 qt	5.4	
Cooling system	With res- ervoir tank	VK45DE	10-5/8 qt	8-3/4 qt	10.0	Genuine NISSAN Long Life Antifreeze/ Coolant or equivalent
		VQ35DE	9-1/8 qt	7-5/8 qt	8.6	
	Reservoir tank	VK45DE	7/8 qt	3/4 qt	0.8	
		VQ35DE	7/8 qt	3/4 qt	0.8	
Automatic transmission fluid			10-7/8 qt	9-1/8 qt	10.3	Genuine NISSAN Matic J ATF *2
Differential gear oil		Front	1-3/8 pt	1-1/8 pt	0.65	API GL-5, Viscosity SAE 80 W-90 *3
		Rear	3 pt	2-1/2 pt	1.40	
Transfer fluid			2-5/8 pt	2-1/4 pt	1.25	Genuine NISSAN Matic D ATF (Continental U.S. and Alaska) or Canada NISSAN Automatic Transmission Fluid*4
Power steering fluid (PSF)			1-1/8 qt	7/8 qt	1.0	Genuine NISSAN PSF or equivalent*5
Brake fluid			—	—	—	Genuine NISSAN Super Heavy Duty Brake Fluid*6 or equivalent DOT 3 (US FMVSS No. 116)
Multi-purpose grease			—	—	—	NLGI No. 2 (Lithium soap base)
Windshield washer fluid			—	—	—	Genuine NISSAN Windshield Washer Concen- trate Cleaner & Antifreeze Fluid or equivalent
Fuel recommendation		VK45DE	—	—	—	Refer to GI-7, "Precautions for Fuel (Unleaded Premium Gasoline Required)"
		VQ35DE	—	—	—	Refer to GI-6, "Precautions for Fuel (Unleaded Premium Gasoline Recommended)"

*1: For further details, see "SAE Viscosity Number".

***2: Using automatic transmission fluid other than Genuine NISSAN Matic J ATF will cause deterioration in driveability and automatic transmission durability, and may damage the automatic transmission, which is not covered by the INFINITI new vehicle limited warranty.**

*3: For hot climates, viscosity SAE 90 is suitable for ambient temperatures above 0°C (32°F).

*4: DEXRON™ III/ MERCON™ or equivalent may also be used. Outside the continental United States and Alaska contact an INFINITI dealer for more information regarding suitable fluids, including recommended brand(s) of DEXRON™ III/ MERCON™ automatic transmission fluid.

*5: For Canada, NISSAN Automatic Transmission Fluid (ATF), DEXRON™ III/ MERCON™, or equivalent ATF may also be used.

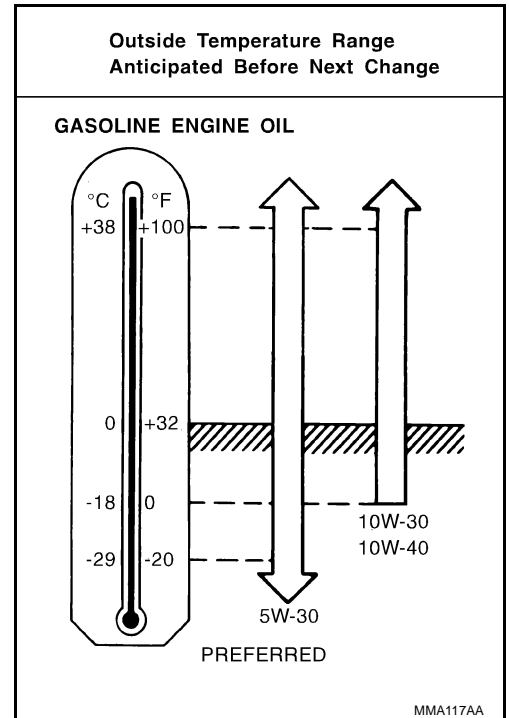
*6: Available in mainland U.S.A. through your INFINITI dealer.

RECOMMENDED FLUIDS AND LUBRICANTS

SAE Viscosity Number GASOLINE ENGINE OIL

NLS00061

SAE 5W-30 viscosity oil is preferred for all temperatures. SAE 10W-30 and 10W-40 viscosity oil may be used if the ambient temperature is above -18°C (0°F)



Anti-Freeze Coolant Mixture Ratio

NLS00062

The engine cooling system is filled at the factory with a high-quality, year-round, anti-freeze coolant solution. The anti-freeze solution contains rust and corrosion inhibitors. Therefore, additional cooling system additives are not necessary.

CAUTION:

When adding or replacing coolant, be sure to use only Genuine Nissan Long Life Antifreeze/ Coolant or equivalent with the proper mixture ratio of 50% anti-freeze and 50% demineralized water/distilled water.

Other types of coolant solutions may damage your cooling system.

Outside temperature down to		Anti-freeze	Demineralized water or distilled water
°C	°F		
-35	-30	50%	50%

SMA947CA

ENGINE MAINTENANCE (VQ35DE ENGINE)

ENGINE MAINTENANCE (VQ35DE ENGINE)

PFP:10001

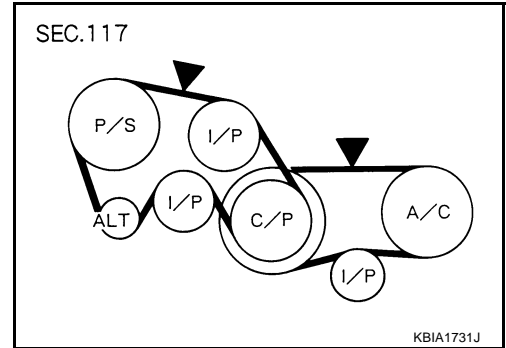
Checking Drive Belts

NLS00063

WARNING:

Be sure to perform when engine is stopped.

1. Inspect belts for cracks, fraying, wear and oil. If necessary, replace.
2. Inspect drive belt deflection or tension at a point on belt midway between pulleys.
 - Inspection should be done only when engine is cold, or over 30 minutes after engine is stopped.
 - Measure the belt tension with belt tension gauge (Commercial service tool: BT3373-F or equivalent) at points marked ▼ shown in the figure.
 - When measuring the deflection, apply 98 N (10 kg, 22 lb) at the ▼ marked point.
 - Adjust if the belt deflection exceeds the limit or if the belt tension is not within specifications.



CAUTION:

- When checking the belt deflection or the tension immediately after installation, first adjust it to the specified value. Then, after turning crankshaft two turns or more, re-adjust to the specified value to avoid variation in deflection between pulleys.
- Tighten idler pulley lock nut by hand and measure the deflection or the tension without looseness.

Belt Deflection and Tension

Items	Deflection adjustment		Unit: mm (in)	Tension adjustment*		Unit: N (kg, lb)
	Used belt			Used belt		
	Limit	After adjustment	New belt	Limit	After adjustment	New belt
Alternator and power steering oil pump belt	7 (0.28)	4 - 5 (0.16 - 0.20)	3.5 - 4.5 (0.138 - 0.177)	294 (30, 66)	730 - 818 (74.5 - 83.5, 164 - 184)	838 - 926 (85.5 - 94.5, 188 - 208)
A/C compressor belt	12 (0.47)	9 - 10 (0.35 - 0.39)	8 - 9 (0.31 - 0.35)	196 (20, 44)	348 - 436 (35.5 - 44.5, 78 - 98)	470 - 559 (48 - 57, 106 - 126)
Applied pushing force	98 N (10 kg, 22 lb)			—		

*: If belt tension gauge cannot be installed at check points shown, check drive belt tension at different location on belt.

Drive Belts Tension Adjustment

NLS00064

Portion	Belt tightening method for adjustment
Alternator and power steering oil pump belt	Adjusting bolt on idler pulley
A/C compressor belt	Adjusting bolt on idler pulley

CAUTION:

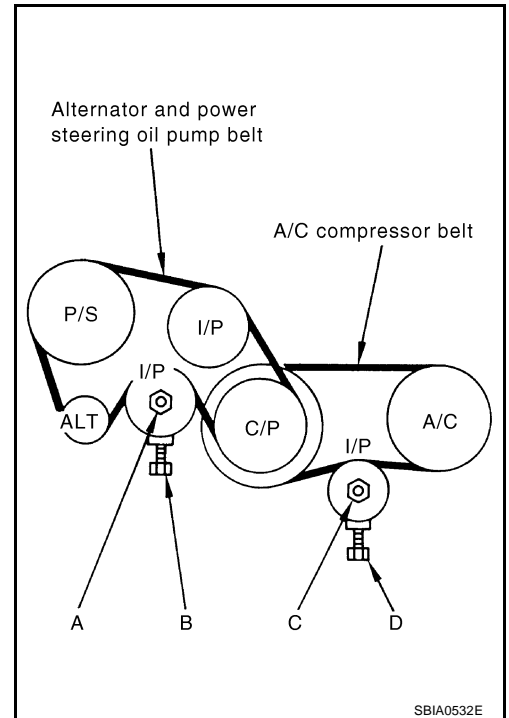
- When belt is replaced with a new one, adjust it to value for “New belt” to accommodate for insufficient adaptability with pulley grooves.
- When deflection or tension of belt being used exceeds “Limit”, adjust it to value for “After adjustment”.
- When checking belt deflection or tension immediately after installation, first adjust it to the specified value. Then, after turning crankshaft two turns or more, re-adjust to the specified value to avoid variation in deflection between pulleys.
- When installing belt, make sure that it is correctly engaged with pulley grooves.
- Keep engine oil, working fluid and engine coolant away from belt and pulley grooves.
- Do not twist or bend belt excessively.

ENGINE MAINTENANCE (VQ35DE ENGINE)

ALTERNATOR AND POWER STEERING OIL PUMP BELT

1. Remove front engine undercover with power tool.
2. Loosen idler pulley lock nut (A) and adjust tension by turning adjusting bolt (B).
 - For the specified belt tension, refer to [EM-15. "Checking Drive Belts"](#).
3. Tighten nut (A).

 : 34.8 N·m (3.5 kg-m, 26 ft-lb)



A/C COMPRESSOR BELT

1. Remove front engine undercover with power tool.
2. Loosen idler pulley lock nut (C) and adjust tension by turning adjusting bolt (D).
 - For the specified belt tension, refer to [EM-15. "Checking Drive Belts"](#).
3. Tighten nut (C).

 : 34.8 N·m (3.5 kg-m, 26 ft-lb)

Changing Engine Coolant

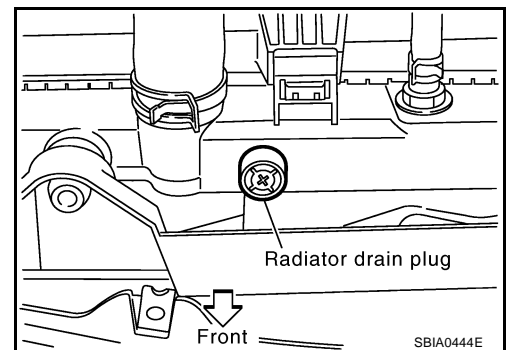
NLS00065

WARNING:

- To avoid being scalded, do not change engine coolant when the engine is hot.
- Wrap a thick cloth around radiator cap and carefully remove radiator cap. First, turn radiator cap a quarter of a turn to release built-up pressure. Then turn radiator cap all the way.
- Be careful not to allow engine coolant to contact drive belts.

DRAINING ENGINE COOLANT

1. Remove front engine undercover with power tool.
2. Open radiator drain plug at the bottom of radiator, and then remove radiator cap.



When draining all of engine coolant in the system, open water drain plugs on cylinder block. Refer to [EM-124. "DISASSEMBLY"](#).

ENGINE MAINTENANCE (VQ35DE ENGINE)

3. Remove reservoir tank as necessary, drain engine coolant and clean reservoir tank before installing.
4. Check drained engine coolant for contaminants such as rust, corrosion or discoloration. If contaminated, flush the engine cooling system. Refer to [CO-13, "FLUSHING COOLING SYSTEM"](#).

REFILLING ENGINE COOLANT

1. Install reservoir tank if removed, and radiator drain plug.

CAUTION:

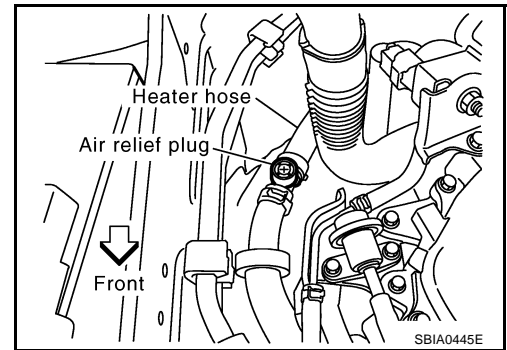
Be sure to clean drain plug and install with new O-ring.

Radiator drain plug:

 : 1.18 N·m (0.12 kg·m, 10 in·lb)

If water drain plugs on cylinder block are removed, close and tighten them. Refer to [EM-129, "ASSEMBLY"](#).

2. Make sure that each hose clamp has been firmly tightened.
3. Remove air relief plug on heater hose.



4. Fill radiator, and reservoir tank if removed, to specified level.
 - Pour engine coolant through engine coolant filler neck slowly of less than 2 ℓ (2-1/8 US qt, 1-3/4 Imp qt) a minute to allow air in system to escape.
 - Use Genuine NISSAN Long Life Antifreeze/Coolant or equivalent mixed with water (distilled or demineralized). Refer to [MA-12, "RECOMMENDED FLUIDS AND LUBRICANTS"](#).

Engine coolant capacity (With reservoir tank at "MAX" level)

: Approximately 8.6 ℓ (9-1/8 US qt, 7-5/8 Imp qt)

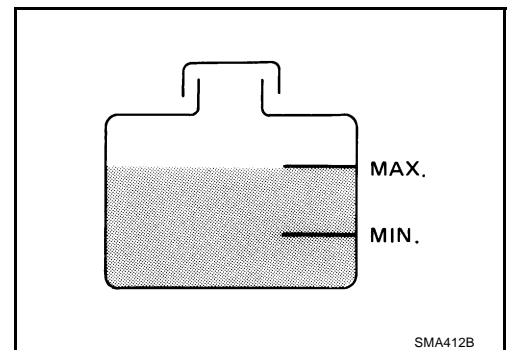
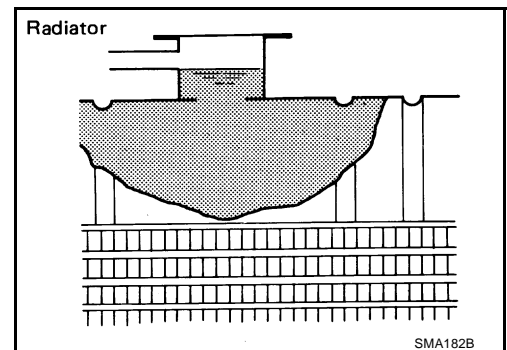
Reservoir tank engine coolant capacity (At "MAX" level)

: 0.8 ℓ (7/8 US qt, 3/4 Imp qt)

- When engine coolant overflows air relief hole on heater hose, install air relief plug with new O-ring.

Air relief plug:

 : 1.19 N·m (0.12 kg·m, 11 in·lb)



5. Install radiator cap.
6. Warm up until opening thermostat. Standard for warming-up time is approximately 10 minutes at 3,000 rpm.
 - Make sure thermostat opening condition by touching radiator hose (lower) to see a flow of warm water.
- CAUTION:**
Watch water temperature gauge so as not to overheat engine.
7. Stop the engine and cool down to less than approximately 50°C (122°F).

ENGINE MAINTENANCE (VQ35DE ENGINE)

- Cool down using fan to reduce the time.
 - If necessary, refill radiator up to filler neck with engine coolant.
8. Refill reservoir tank to "MAX" level line with engine coolant.
 9. Repeat steps 4 through 7 two or more times with radiator cap installed until engine coolant level no longer drops.
 10. Check cooling system for leaks with engine running.
 11. Warm up the engine, and check for sound of engine coolant flow while running engine from idle up to 3,000 rpm with heater temperature controller set at several position between "COOL" and "WARM".
 - Sound may be noticeable at heater unit.
 12. Repeat step 11 three times.
 13. If sound is heard, bleed air from cooling system by repeating step 4 through 7 until engine coolant level no longer drops.

FLUSHING COOLING SYSTEM

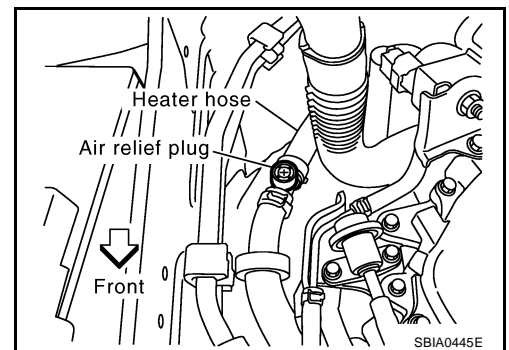
1. Install reservoir tank, and radiator drain plug.

Radiator drain plug:

 : 1.18 N·m (0.12 kg·m, 10 in-lb)

If water drain plugs on cylinder block are removed, close and tighten them. Refer to [EM-129, "ASSEMBLY"](#).

2. Remove air relief plug on heater hose.



3. Fill radiator with water until water spills from the air relief hole, then close air relief plug. Fill radiator and reservoir tank with water and reinstall radiator cap.

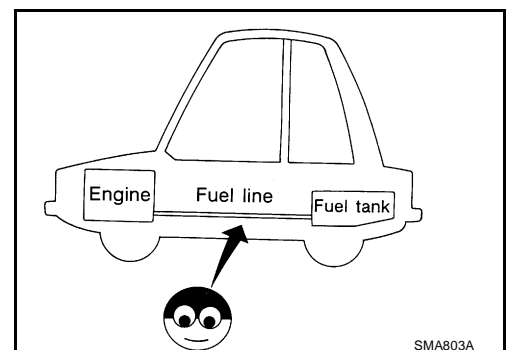
Air relief plug:

 : 1.19 N·m (0.12 kg·m, 11 in-lb)

4. Run the engine and warm it up to normal operating temperature.
5. Rev engine two or three times under no-load.
6. Stop the engine and wait until it cools down.
7. Drain water from the system. Refer to [CO-11, "DRAINING ENGINE COOLANT"](#).
8. Repeat steps 1 through 7 until clear water begins to drain from radiator.

Checking Fuel Lines

Inspect fuel lines, filler cap and tank for improper attachment, leaks, cracks, damage, loose connections, chafing or deterioration. If necessary, repair or replace damaged parts.

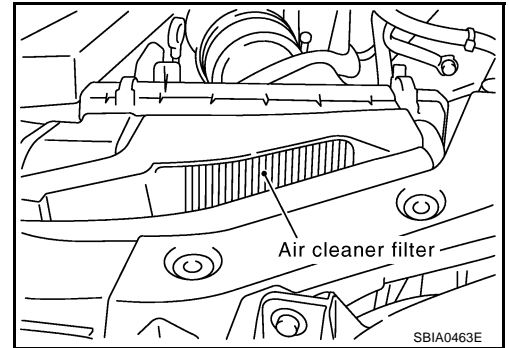


ENGINE MAINTENANCE (VQ35DE ENGINE)

Changing Air Cleaner Filter VISCIOUS PAPER TYPE

NLS00067

The viscous paper type filter does not need cleaning between replacement intervals. Refer to [MA-7, "PERIODIC MAINTENANCE"](#) .



Changing Engine Oil

NLS00068

WARNING:

- Be careful not to burn yourself, as engine oil may be hot.
- Prolonged and repeated contact with used engine oil may cause skin cancer; try to avoid direct skin contact with used engine oil. If skin contact is made, wash thoroughly with soap or hand cleaner as soon as possible.

1. Remove front engine undercover with power tool.
2. Warm up the engine, and check for engine oil leakage from engine components. Refer to [LU-7, "ENGINE OIL LEAKAGE"](#) .
3. Stop the engine and wait for 10 minutes.
4. Loosen oil filler cap and then remove drain plug.
5. Drain engine oil.
6. Install drain plug with new washer. Refer to [EM-30, "OIL PAN AND OIL STRAINER"](#) .

CAUTION:

Be sure to clean drain plug and install with new washer.

Oil pan drain plug:

 : 34.3 N-m (3.5 kg-m, 25 ft-lb)

7. Refill with new engine oil.
Engine oil specification and viscosity:
Refer to [MA-12, "RECOMMENDED FLUIDS AND LUBRICANTS"](#) .

Engine oil capacity (Approximate):

Unit: ℓ (US qt, Imp qt)

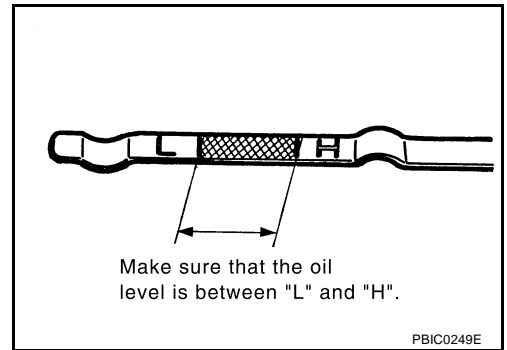
Drain and refill	With oil filter change	4.7 (5, 4-1/8)
	Without oil filter change	4.4 (4-5/8, 3-7/8)
Dry engine (Overhaul)		5.4 (5-3/4, 4-3/4)

CAUTION:

- When filling engine oil, do not pull out oil level gauge.
 - The refill capacity depends on the engine oil temperature and drain time. Use these specifications for reference only.
 - Always use oil level gauge to determine the proper amount of engine oil in engine.
8. Warm up the engine and check area around drain plug and oil filter for engine oil leakage.
 9. Stop the engine and wait for 10 minutes.

ENGINE MAINTENANCE (VQ35DE ENGINE)

10. Check the engine oil level.



A
B
C
D
E
F
G
H
I
J
K
MA
M

Changing Oil Filter REMOVAL

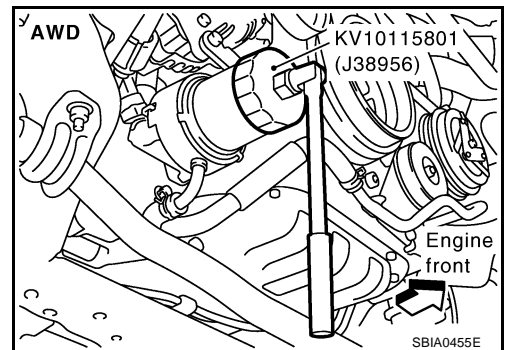
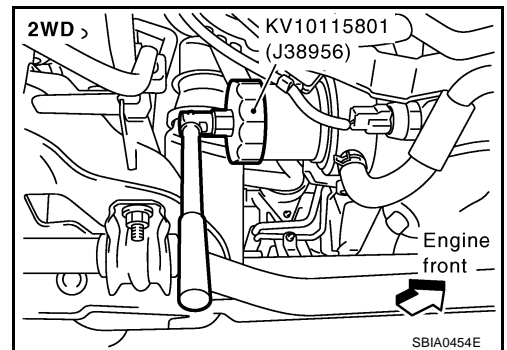
WARNING:

Be careful not to get burned when the engine and engine oil may be hot.

1. Remove front engine undercover with power tool.
2. Using oil filter wrench [SST], remove oil filter.

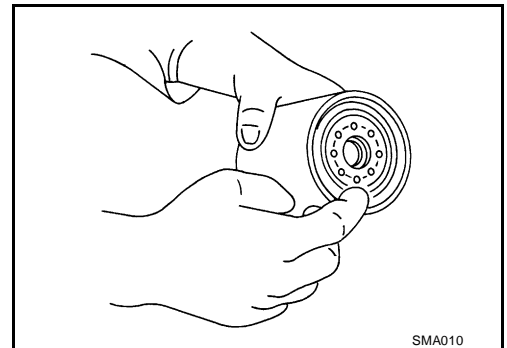
CAUTION:

- Oil filter is provided with relief valve. Use Genuine NISSAN Oil Filter or equivalent.
- When removing, prepare a shop cloth to absorb any engine oil leakage or spillage.
- Do not allow engine oil to adhere to drive belts.
- Completely wipe off any engine oil that adheres to engine and vehicle.



INSTALLATION

1. Remove foreign materials adhering to oil filter installation surface.
2. Apply engine oil to the oil seal contact surface of new oil filter.

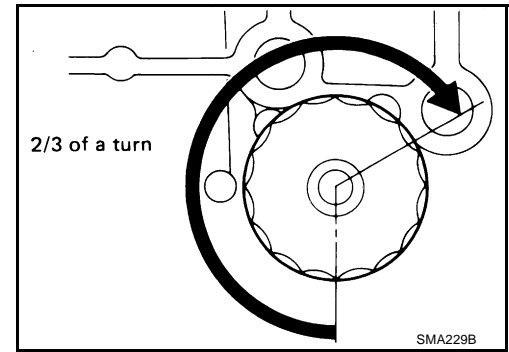


ENGINE MAINTENANCE (VQ35DE ENGINE)

- Screw oil filter manually until it touches the installation surface, then tighten it by 2/3 turn. Or tighten to the specification.

Oil filter:

 : 17.7 N·m (1.8 kg·m, 13 ft·lb)



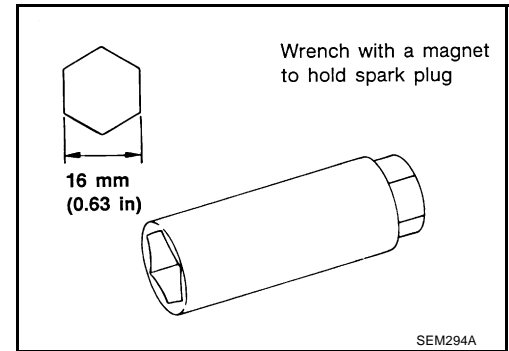
INSPECTION AFTER INSTALLATION

- Start the engine, and check there is no leak of engine oil.
- Stop the engine and wait for 10 minutes.
- Check the engine oil level, and adjust the level. Refer to [MA-18, "Changing Engine Oil"](#).

Changing Spark Plugs (Platinum-Tipped Type) REMOVAL

NLS0006A

- Remove engine cover with power tool. Refer to [EM-19, "INTAKE MANIFOLD COLLECTOR"](#).
- Remove ignition coil. Refer to [EM-42, "IGNITION COIL"](#).
- Remove spark plug with a spark plug wrench (commercial service tool).



INSPECTION AFTER REMOVAL

Use the standard type spark plug for normal condition.

The hot type spark plug is suitable when fouling occurs with the standard type spark plug under conditions such as:

- Frequent engine starts
- Low ambient temperatures

The cold type spark plug is suitable when spark knock occurs with the standard type spark plug under conditions such as:

- Extended highway driving
- Frequent high engine revolution

Make	NGK
Standard type	PLFR5A-11
Hot type	PLFR4A-11
Cold type	PLFR6A-11

Gap (Nominal) : 1.1 mm (0.043 in)

ENGINE MAINTENANCE (VQ35DE ENGINE)

CAUTION:

- Do not drop or shock spark plug.
- Do not use a wire brush for cleaning.
- If plug tip is covered with carbon, spark plug cleaner may be used.

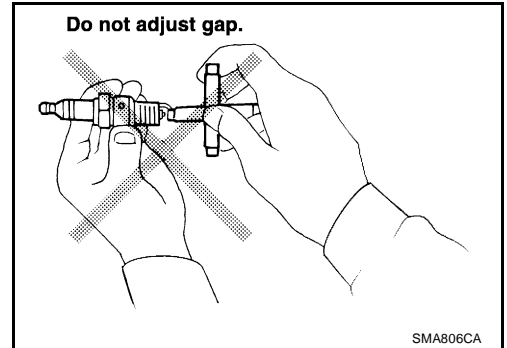
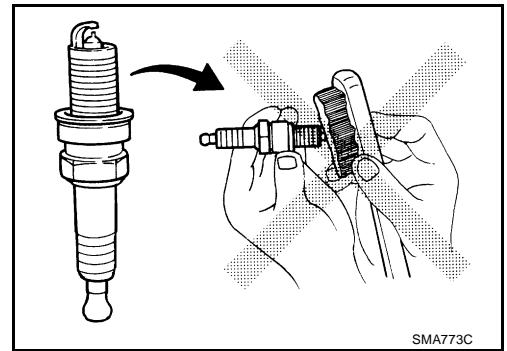
Cleaner air pressure:

Less than 588 kPa (6 kg/cm² , 85 psi)

Cleaning time:

Less than 20 seconds

- Checking and adjusting plug gap is not required between change intervals.



INSTALLATION

Install in the reverse order of removal.

 : 24.5 N·m (2.5 kg-m, 18 ft-lb)

Checking EVAP Vapor Lines

NLS0006B

1. Visually inspect EVAP vapor lines for improper attachment and for cracks, damage, loose connections, chafing and deterioration.
2. Inspect fuel tank filler cap vacuum relief valve for clogging, sticking, etc.
Refer to [EC-39, "EVAPORATIVE EMISSION SYSTEM"](#) .

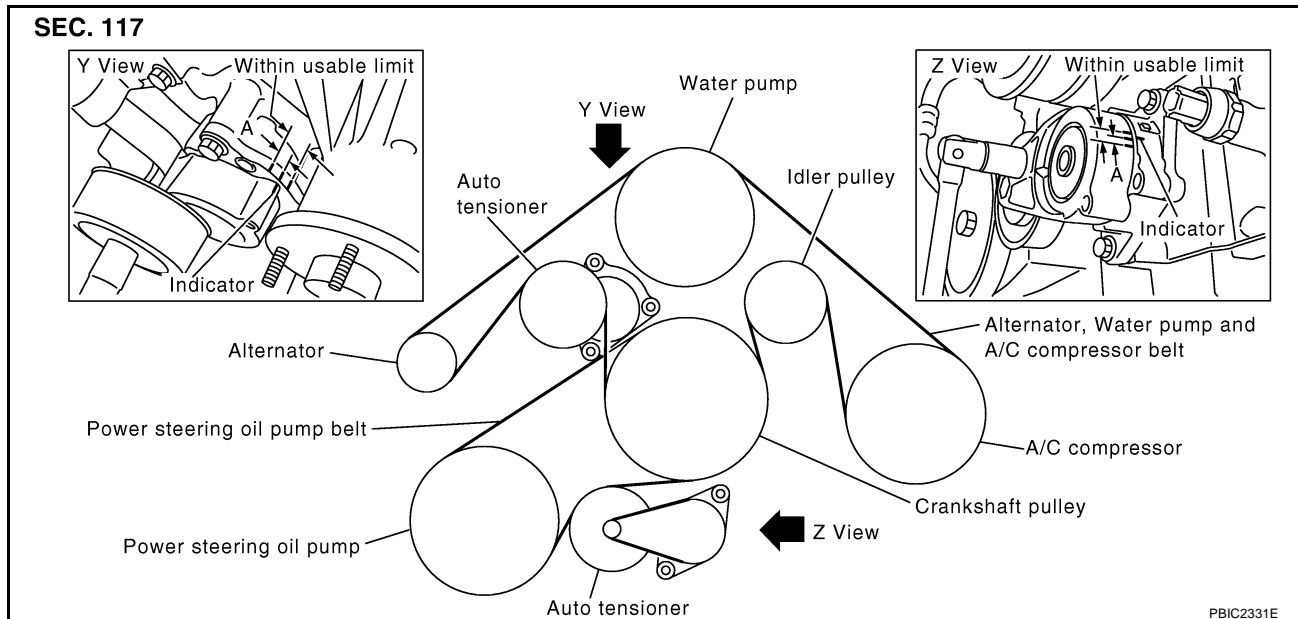
A
B
C
D
E
F
G
H
I
J
K
MA
M

ENGINE MAINTENANCE (VK45DE ENGINE)

PFP:10001

Checking Drive Belts

NLS0006C



WARNING:

Be sure to perform when the engine is stopped.

- Remove air duct (inlet) when inspecting drive belt for alternator, water pump and A/C compressor.
- Remove front engine undercover with power tool when inspecting power steering oil pump belt.
- Make sure that indicator (single line notch) of each auto tensioner is within the allowable working range (between three line notches).

NOTE:

- Check auto tensioner indication when engine is cold.
- When new drive belt is installed, the range should be "A".
- The indicator notch is located on the moving side of the tensioner for alternator, water pump and A/C compressor belt, while it is found on the fixed side for power steering oil pump belt.
- Visually check entire belt for wear, damage or cracks.
- If the indicator is out of allowable working range or belt is damaged, replace belt.

Tension Adjustment

NLS0006D

Belt tensioning is not necessary, as it is automatically adjusted by auto tensioner.

Changing Engine Coolant

NLS0006E

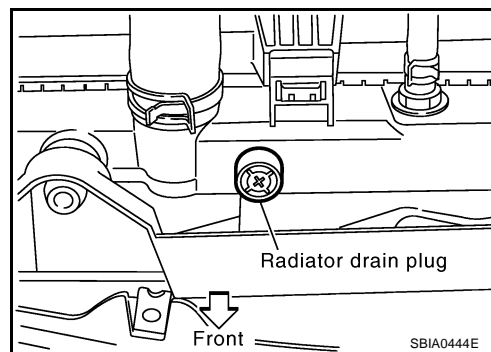
WARNING:

- To avoid being scalded, do not change engine coolant when engine is hot.
- Wrap a thick cloth around radiator cap and carefully remove radiator cap. First, turn radiator cap a quarter of a turn to release built-up pressure. Then turn radiator cap all the way.
- Be careful not to allow engine coolant to contact drive belts.

ENGINE MAINTENANCE (VK45DE ENGINE)

DRAINING ENGINE COOLANT

1. Remove front engine undercover with power tool.
2. Open radiator drain plug at the bottom of radiator, and then remove radiator cap.



When draining all of engine coolant in the system, open water drain plugs on cylinder block. Refer to [EM-249, "DISASSEMBLY"](#) .

3. Remove reservoir tank as necessary, and drain engine coolant and clean reservoir tank before installing.
4. Check drained engine coolant for contaminants such as rust, corrosion or discoloration. If contaminated, flush the engine cooling system. Refer to [MA-24, "FLUSHING COOLING SYSTEM"](#) .

REFILLING ENGINE COOLANT

1. Install reservoir tank, and radiator drain plug.

CAUTION:

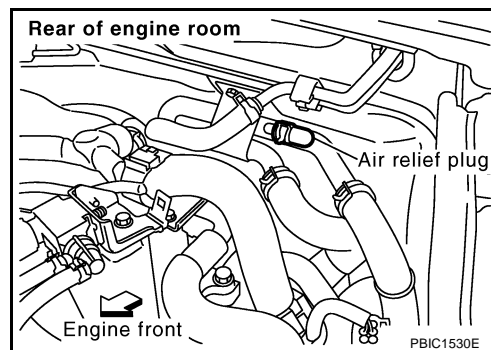
Be sure to clean radiator drain plug and install with new O-ring.

Radiator drain plug:

 : 1.19 N·m (0.12 kg·m, 11 in·lb)

If water drain plugs on cylinder block are removed, close and tighten them. Refer to [EM-253, "ASSEMBLY"](#) .

2. Make sure that each hose clamp has been firmly tightened.
3. Remove air relief plug on heater hose.



4. Fill thermostat housing and reservoir tank to specified level.
 - Refill engine coolant up to filler neck of thermostat housing.
 - Pour engine coolant through engine coolant filler neck slowly of less than 2 ℓ (2-1/8 US qt, 1-3/4 Imp qt) a minute to allow air in system to escape.
 - Use Genuine NISSAN long Life Antifreeze/Coolant or equivalent mixed with water (distilled or demineralized). Refer to [MA-12, "RECOMMENDED FLUIDS AND LUBRICANTS"](#) .

Engine coolant capacity

(With reservoir tank at "MAX" level):

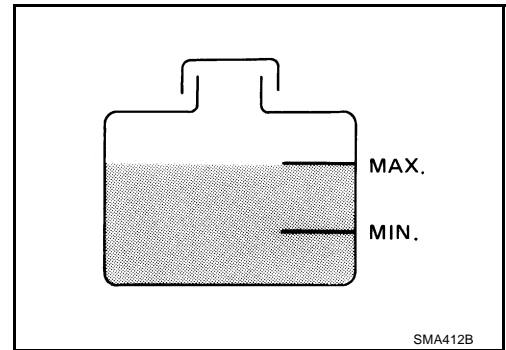
Approx. 10.0 ℓ (10-5/8 US qt, 8-3/4 Imp qt)

ENGINE MAINTENANCE (VK45DE ENGINE)

Reservoir tank engine coolant capacity (At "MAX" level):

0.8 ℓ (7/8 US qt, 3/4 Imp qt)

- When engine coolant overflows air relief hole on heater hose, install air relief plug.



5. Install radiator cap.
 6. Warm up until opening thermostat. Standard for warming-up time is approximately 10 minutes at 3,000 rpm.
 - Make sure thermostat opening condition by touching radiator hose (lower) to see a flow of warm water.
- CAUTION:**
Watch water temperature gauge so as not to overheat engine.
7. Stop engine and cool down to less than approximately 50°C (122°F).
 - Cool down using a fan to reduce the time.
 - If necessary, refill engine coolant up to filler neck of thermostat housing.
 8. Refill reservoir tank to "MAX" level line with engine coolant.
 9. Repeat steps 4 through 7 two or more times with radiator cap installed until engine coolant level no longer drops.
 10. Check cooling system for leaks with engine running.
 11. Warm up engine, and check for sound of engine coolant flow while running engine from idle up to 3,000 rpm with heater temperature controller set at several position between "COOL" and "WARM".
 - Sound may be noticeable at heater unit.
 12. Repeat step 11 three times.
 13. If sound is heard, bleed air from cooling system by repeating steps 4 through 7 until engine coolant level no longer drops.

FLUSHING COOLING SYSTEM

1. Install reservoir tank, and radiator drain plug.

CAUTION:

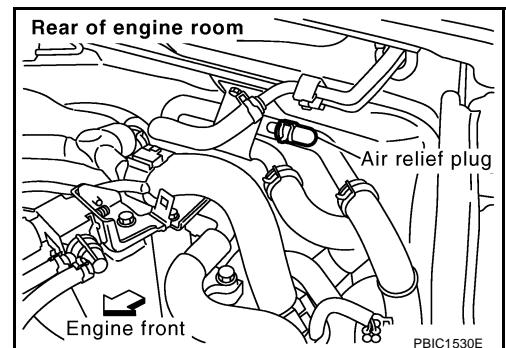
Be sure to clean drain plug and install with new O-ring.

Radiator drain plug:

 : 1.19 N·m (0.12 kg·m, 11 in·lb)

If water drain plugs on cylinder block are removed, close and tighten them. Refer to [EM-253](#), "[ASSEMBLY](#)".

2. Remove air relief plug on heater hose.



3. Fill thermostat housing with water until water spills from the air relief hole, then close air relief plug. Fill thermostat housing and reservoir tank with water and reinstall radiator cap.
4. Run engine and warm it up to normal operating temperature.

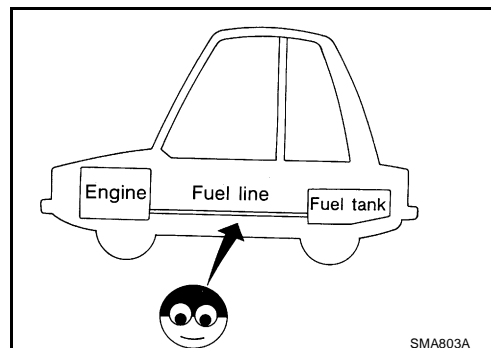
ENGINE MAINTENANCE (VK45DE ENGINE)

5. Rev engine two or three times under no-load.
6. Stop engine and wait until it cools down.
7. Drain water from the system. Refer to [MA-23, "DRAINING ENGINE COOLANT"](#).
8. Repeat steps 1 through 7 until clear water begins to drain from radiator.

Checking Fuel Lines

Inspect fuel lines, fuel filler cap and fuel tank for improper attachment, leaks, cracks, damage, loose connections, chafing or deterioration.

If necessary, repair or replace damaged parts.



Changing Air Cleaner Filter VISCIOUS PAPER TYPE

The viscous paper type filter does not need cleaning between replacement intervals. Refer to [MA-7, "PERIODIC MAINTENANCE"](#).

1. Remove air duct (inlet), air cleaner case and mass air flow sensor assembly. Refer to [EM-177, "AIR CLEANER AND AIR DUCT"](#).
2. Remove air cleaner filter from air cleaner case.

Changing Engine Oil

WARNING:

- Be careful not to burn yourself, as engine oil may be hot.
- Prolonged and repeated contact with used engine oil may cause skin cancer; try to avoid direct skin contact with used engine oil. If skin contact is made, wash thoroughly with soap or hand cleaner as soon as possible.

1. Remove front engine undercover with power tool.
2. Warm up engine, put vehicle horizontally and check for engine oil leakage from engine components. Refer to [LU-25, "ENGINE OIL LEAKAGE"](#).
3. Stop engine and wait for 15 minutes.
4. Loosen oil filler cap, and then remove drain plug.
5. Drain engine oil.
6. Install drain plug with new washer. Refer to [EM-187, "OIL PAN AND OIL STRAINER"](#).

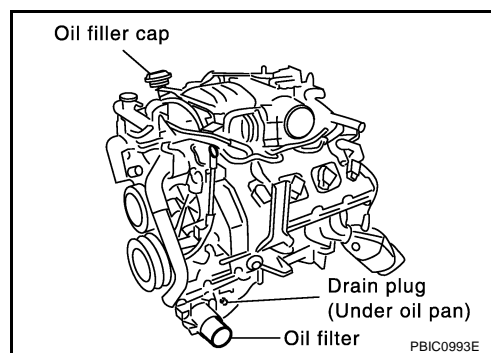
CAUTION:

Be sure to clean drain plug and install with new washer.

Oil pan drain plug:

 : 34.3 N·m (3.5 kg·m, 25 ft·lb)

7. Refill with new engine oil.
Engine oil specification and viscosity:
Refer to [MA-12, "RECOMMENDED FLUIDS AND LUBRICANTS"](#).



ENGINE MAINTENANCE (VK45DE ENGINE)

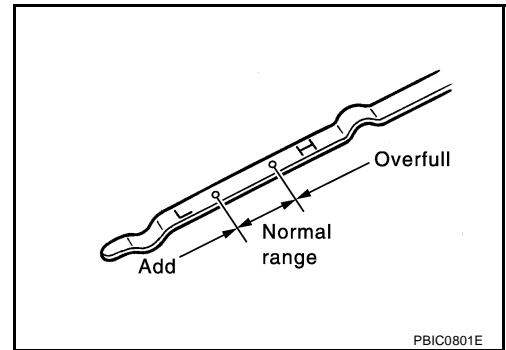
Engine oil capacity (Approximate):

Unit: ℓ (US qt, Imp qt)

Drain and refill	With oil filter change	5.8 (6-1/8, 5-1/8)
	Without oil filter change	5.2 (5-1/2, 4-5/8)
Dry engine (engine overhaul)		7.0 (7-3/8, 6-1/8)

CAUTION:

- The refill capacity depends on the engine oil temperature and drain time. Use these specifications for reference only.
 - Always use oil level gauge to determine the proper amount of engine oil in the engine.
8. Warm up engine and check area around drain plug and oil filter for oil leakage.
 9. Stop engine and wait for 15 minutes.
 10. Check the engine oil level.



Changing Oil Filter REMOVAL

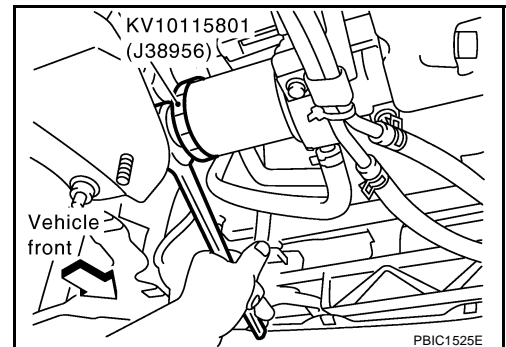
WARNING:

Be careful not to get burned when the engine and engine oil may be hot.

1. Remove front engine undercover with power tool.
2. Using the oil filter wrench (SST), remove the oil filter.

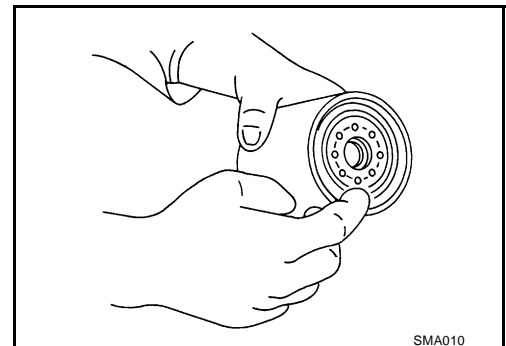
CAUTION:

- Oil filter is provided with relief valve. Use Genuine Nissan Oil Filter or equivalent.
- When removing, prepare a shop cloth to absorb any engine oil leakage or spillage.
- Do not allow engine oil to adhere to drive belts.
- Completely wipe off any engine oil that adhere to engine and vehicle.



INSTALLATION

1. Remove foreign materials adhering to oil filter installation surface.
2. Apply new engine oil to the oil seal circumference of the new oil filter.

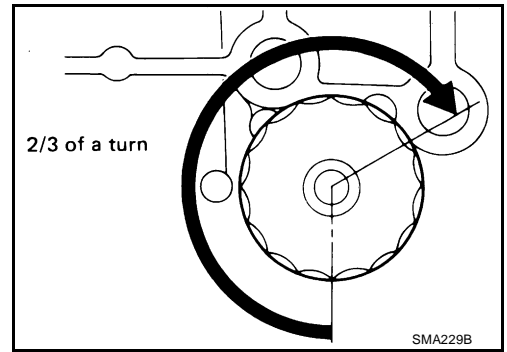


ENGINE MAINTENANCE (VK45DE ENGINE)

- Screw oil filter manually until it touches the installation surface, then tighten it by 2/3 turn. Or tighten to specification.

Oil filter:

 :17.7 N·m (1.8 kg·m, 13 ft·lb)



INSPECTION AFTER INSTALLATION

- Check the engine oil level. Refer to [MA-25, "Changing Engine Oil"](#) .
- Start engine, and check there is no leaks of engine oil.
- Stop engine and wait for 15 minutes.
- Check the engine oil level and add engine oil. Refer to [MA-25, "Changing Engine Oil"](#) .

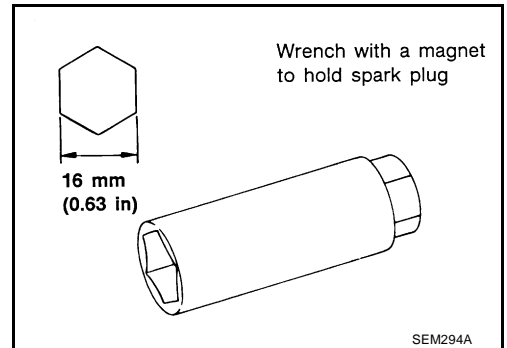
Changing Spark Plugs (Platinum-Tipped Type) REMOVAL

NLS0006J

- Remove engine cover with power tool. Refer to [EM-173, "ENGINE ROOM COVER"](#) .
- Remove ignition coil. Refer to [EM-191, "IGNITION COIL"](#) .
- Remove spark plug with spark plug wrench (commercial service tool).

CAUTION:

Do not drop or shock it.



INSPECTION AFTER REMOVAL

Use standard type spark plug for normal condition.

Hot type spark plug is suitable when fouling occurs with standard type spark plug under conditions such as:

- Frequent engine starts
- Low ambient temperatures

Cold type spark plug is suitable when spark plug knock occurs with standard type spark plug under conditions such as:

- Extended highway driving
- Frequent high engine revolution

Make	NGK
Standard type	PLFR5A-11
Hot type	PLFR4A-11
Cold type	PLFR6A-11

Gap (Nominal) : 1.1 mm (0.043 in)

CAUTION:

- Do not drop or shock spark plug.

ENGINE MAINTENANCE (VK45DE ENGINE)

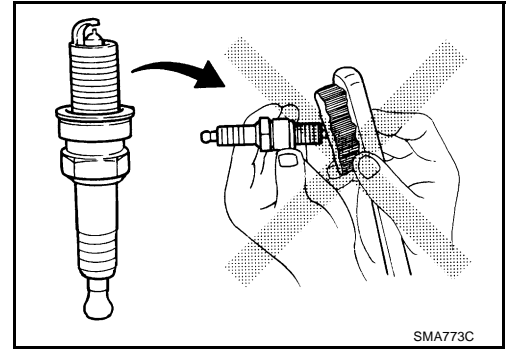
- Do not use wire brush for cleaning.
- If plug tip is covered with carbon, spark plug cleaner may be used.

Cleaner air pressure:

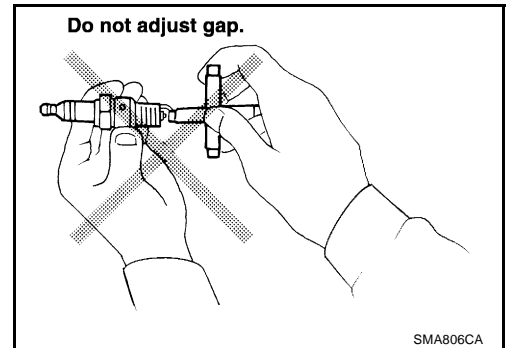
Less than 588 kPa (6 kg/cm² , 85 psi)

Cleaning time:

Less than 20 seconds



- Checking and adjusting plug gap is not required between change intervals.



INSTALLATION

Install in the reverse order of removal.

Spark plug:

 : 24.6 N·m (2.5 kg-m, 18 ft-lb)

Checking EVAP Vapor Lines

NLS0006K

1. Visually inspect EVAP vapor lines for improper attachment and for cracks, damage, loose connections, chafing and deterioration.
2. Inspect fuel tank filler cap vacuum relief valve for clogging, sticking, etc.

Refer to [EC-699, "EVAPORATIVE EMISSION SYSTEM"](#) .

CHASSIS AND BODY MAINTENANCE

CHASSIS AND BODY MAINTENANCE

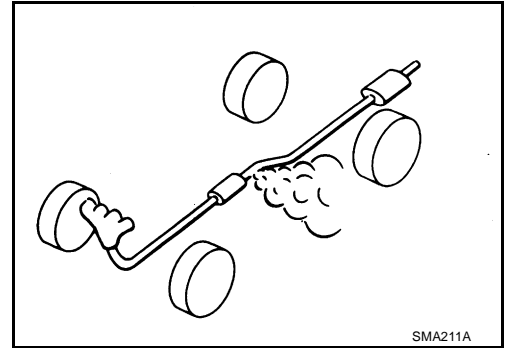
PFP:00100

Checking Exhaust System

NLS0006L

Check exhaust pipes, muffler and mounting for improper attachment, leaks, cracks, damage, chafing or deterioration.

- If anything is found, repair or replace damaged parts.



Checking A/T Fluid

NLS0006M

1. Warm up engine.
2. Check for A/T fluid leakage.
3. Loosen the level gauge bolt.
4. Before driving, A/T fluid level can be checked at A/T fluid temperatures of 30 to 50°C (86 to 122°F) using "COLD" range on A/T fluid level gauge as follows.
 - a. Park vehicle on level surface and set parking brake.
 - b. Start engine and move selector lever through each gear position. Leave selector lever in P position.
 - c. Check A/T fluid level with engine idling.
 - d. Remove A/T fluid level gauge and wipe clean with lint-free paper.

CAUTION:

When wiping away the A/T fluid level gauge, always use lint-free paper, not a cloth one.

- e. Re-insert A/T fluid level gauge into A/T fluid charging pipe as far as it will go.

CAUTION:

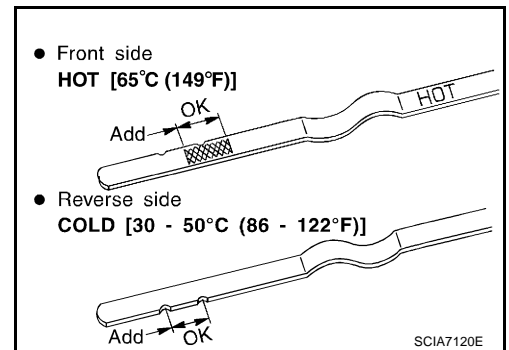
To check A/T fluid level, insert the A/T fluid level gauge until the cap contacts the end of the A/T fluid charging pipe, with the A/T fluid level gauge reversed from the normal attachment conditions.

- f. Remove A/T fluid level gauge and note reading. If reading is at low side of range, add ATF to the charging pipe.

CAUTION:

Do not overfill.

5. Drive vehicle for approximately 5 minutes in urban areas.
6. Make the A/T fluid temperature approximately 65°C (149°F).

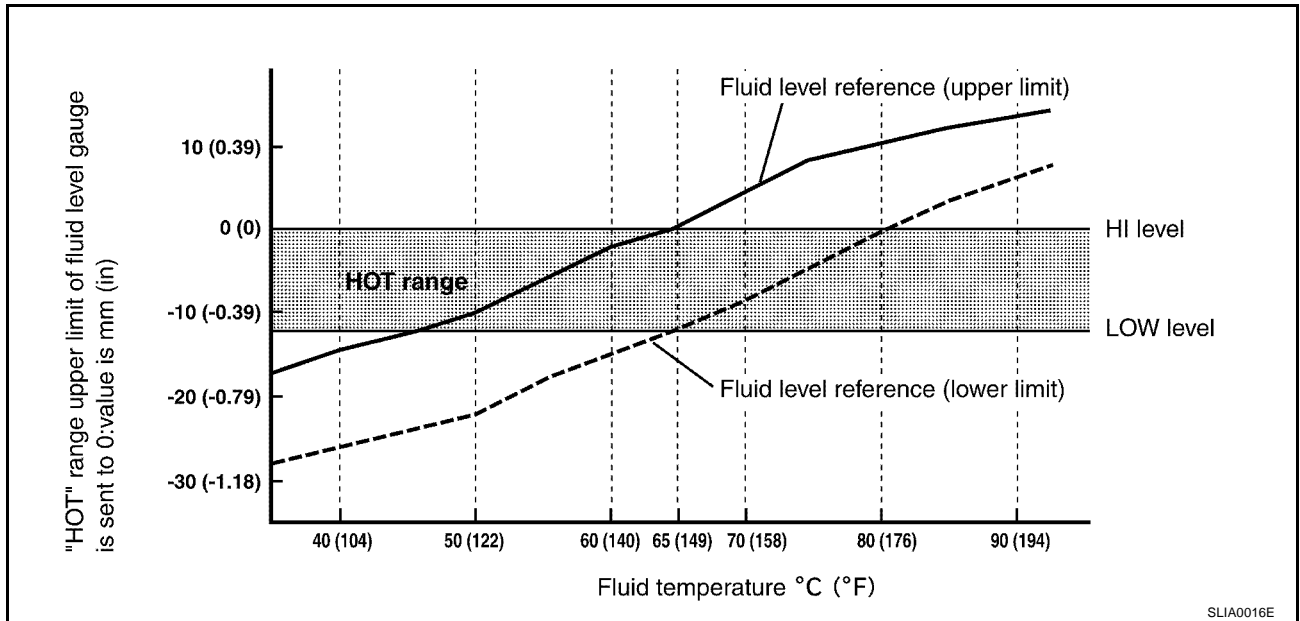


A
B
C
D
E
F
G
H
I
J
K
MA
M

CHASSIS AND BODY MAINTENANCE

NOTE:

A/T fluid level will be greatly affected by temperature as shown in figure. Therefore, be certain to perform operation while checking data with CONSULT-II.

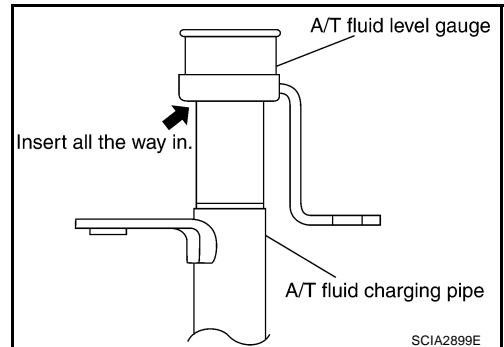


- a. Connect CONSULT-II to data link connector.
- b. Select "MAIN SIGNALS" in "DATA MONITOR" mode for "A/T" with CONSULT-II.
- c. Read out the value of "ATF TEMP 1".
7. Recheck A/T fluid level at A/T fluid temperatures of approximately 65°C (149°F) using "HOT" range on A/T fluid level gauge.

CAUTION:

- When wiping away the A/T fluid level gauge, always use lint-free paper, not a cloth one.
- To check A/T fluid level, insert the A/T fluid level gauge until the cap contacts the end of the A/T fluid charging pipe, with the A/T fluid level gauge reversed from the normal attachment conditions as shown.

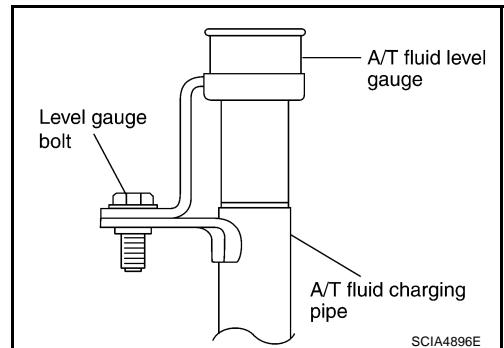
8. Check A/T fluid condition.
 - If ATF is very dark or smells burned, check operation of A/T. Flush cooling system after repair of A/T.
 - If ATF contains frictional material (clutches, bands, etc.), replace radiator and flush cooler line using cleaning solvent and compressed air after repair of A/T. Refer to [CO-14, "RADIATOR"](#) (for VQ35DE) or [CO-41, "RADIATOR"](#) (for VK45DE) and [AT-15, "A/T Fluid Cooler Cleaning"](#).



9. Install the removed A/T fluid level gauge in the A/T fluid charging pipe.
10. Tighten level gauge bolt.

Level gauge bolt:

: 5.1 N·m (0.52 kg·m, 45 in·lb)

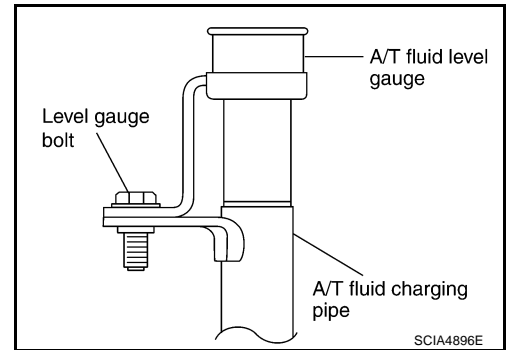


CHASSIS AND BODY MAINTENANCE

Changing A/T Fluid

NLS0006N

1. Warm up ATF.
2. Stop engine.
3. Loosen the level gauge bolt.
4. Drain ATF from drain plug and refill with new ATF. Always refill same volume with drained ATF.
 - To replace the ATF, pour in new ATF at the A/T fluid charging pipe with the engine idling, at the same time drain the old ATF from the radiator cooler hose return side.
 - When the color of the ATF coming out is almost same as the color of the new ATF, the replacement is complete. The amount of new ATF to use should be 30 to 50% of the stipulated amount.



ATF: Genuine NISSAN Matic J ATF

Fluid capacity: 10.3 l (10-7/8 US qt, 9-1/8 Imp qt)

CAUTION:

- Use only Genuine NISSAN Matic J ATF. Do not mix with other ATF.
- Using ATF other than Genuine NISSAN Matic J ATF will cause deterioration in driveability and A/T durability, and may damage the A/T, which is not covered by the warranty.
- When filling ATF, take care not to scatter heat generating parts such as exhaust.
- Do not reuse drain plug gasket.

Drain plug:

 : 34 N·m (3.5 kg-m, 25 ft-lb)

5. Run engine at idle speed for 5 minutes.
6. Check A/T fluid level and condition. Refer to [MA-29, "Checking A/T Fluid"](#) . If ATF is still dirty, repeat step 2. through 5.
7. Install the removed A/T fluid level gauge into A/T fluid charging pipe.
8. Tighten the level gauge bolt.

Level gauge bolt:

 : 5.1 N·m (0.52 kg-m, 45 in-lb)

Checking Transfer Fluid

NLS0006O

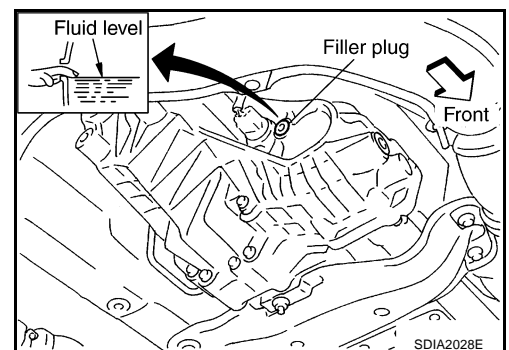
Check for fluid leakage and fluid level.

CAUTION:

Never start engine while checking fluid level.

Filler plug:

 : 35 N·m (3.6 kg-m, 26 ft-lb)



CHASSIS AND BODY MAINTENANCE

Changing Transfer Fluid

NLS0006P

CAUTION:

When draining fluid, protect exhaust tube flange with cover.

1. Drain fluid from drain plug and refill with new gear fluid.
2. Check fluid level.

CAUTION:

Carefully fill the fluid. (Fill up for Approx. 3 minutes.)

Fluid grade:

Genuine NISSAN Matic D ATF (Continental U.S. and Alaska) or Canada NISSAN Automatic Transmission Fluid

Refer to [MA-12, "RECOMMENDED FLUIDS AND LUBRICANTS"](#).

Fluid capacity:

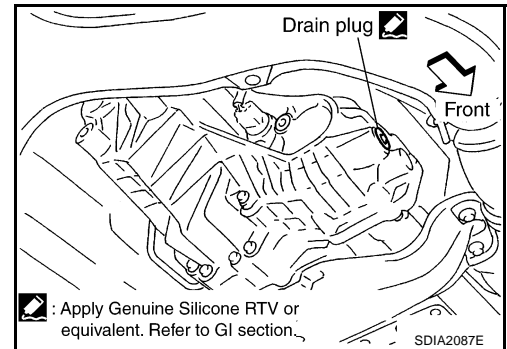
: Approx. 1.25 ℓ (2-5/8 US pt, 2-1/4 Imp pt)

Drain plug:

 : 29.4 N·m (3.0 kg·m, 22 ft·lb)

Filler plug:

 : 35 N·m (3.6 kg·m, 26 ft·lb)



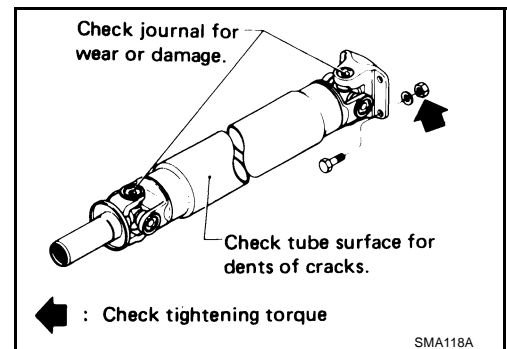
Checking Propeller Shaft

Check propeller shaft for damage, looseness or grease leakage.

Tightening torque:

Refer to [PR-7, "REAR PROPELLER SHAFT"](#)

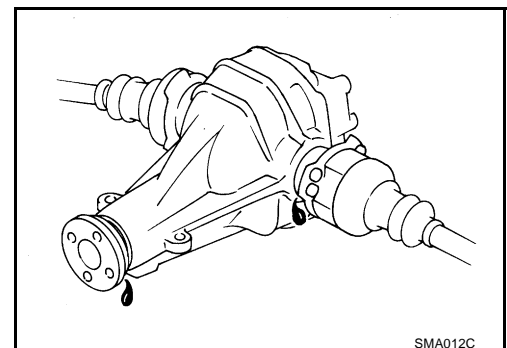
NLS0006Q



Checking Differential Gear Oil

Check for oil leakage.

NLS0006R



CHASSIS AND BODY MAINTENANCE

Changing Differential Gear Oil

NLS0006S

1. Drain oil from drain plug and refill with new gear oil.
2. Check oil level.

Oil grade and Viscosity:

Refer to [MA-12, "RECOMMENDED FLUIDS AND LUBRICANTS"](#) .

Capacity:

Front final drive (F160A)

0.65 ℓ (1 - 3/8 US pt, 1 - 1/8 Imp pt)

Rear final drive (R200)

1.4 ℓ (3 US pt, 2 - 1/2 Imp pt)

Filler plug:

Front final drive

 : 34.5 N-m (3.5 kg-m, 25 ft-lb)

Rear final drive

 : 34.5 N-m (3.5 kg-m, 25 ft-lb)

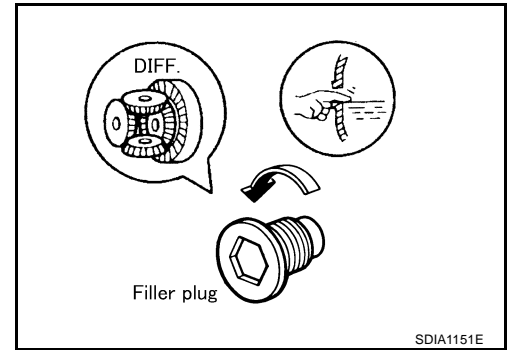
Drain plug:

Front final drive

 : 34.5 N-m (3.5 kg-m, 25 ft-lb)

Rear final drive

 : 34.5 N-m (3.5 kg-m, 25 ft-lb)



Balancing Wheels (Bonding Weight Type) REMOVAL

NLS0006T

1. Remove inner and outer balance weights from the road wheel.

CAUTION:

Be careful not to scratch the road wheel during removal.

2. Using releasing agent, remove double-faced adhesive tape from the road wheel.

CAUTION:

● **Be careful not to scratch the road wheel during removal.**

● **After removing double-faced adhesive tape, wipe clean traces of releasing agent from the road wheel.**

WHEEL BALANCE ADJUSTMENT

- If a tire balance machine has adhesion balance weight mode settings and drive-in weight mode setting, select and adjust a drive-in weight mode suitable for road wheels.
1. Set road wheel on tire balance machine using the center hole as a guide. Start the tire balance machine.
 2. When inner and outer unbalance values are shown on the tire balance machine indicator, multiply outer unbalance value by 5/3 to determine balance weight that should be used. Select the outer balance weight with a value closest to the calculated value above and install it to the designated outer position of, or at the designated angle in relation to the road wheel.

CAUTION:

● **Do not install the inner balance weight before installing the outer balance weight.**

CHASSIS AND BODY MAINTENANCE

- **Before installing the balance weight, be sure to clean the mating surface of the road wheel.**

Indicated unbalance value $\times 5/3 =$ balance weight to be installed
 Calculation example:

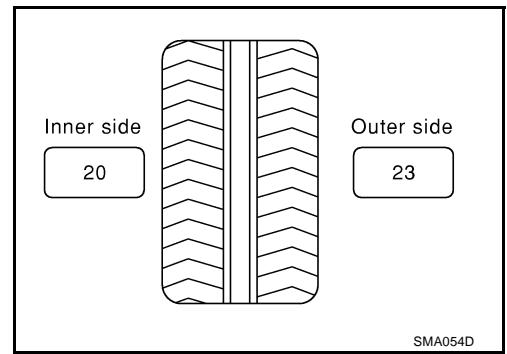
23 g (0.81 oz) $\times 5/3 = 38.33$ g (1.35 oz) \Rightarrow 40 g (1.41 oz) balance weight (closer to calculated balance weight value)

Note that balance weight value must be closer to the calculated balance weight value.

Example:

37.4 \Rightarrow 35 g (1.23 oz)

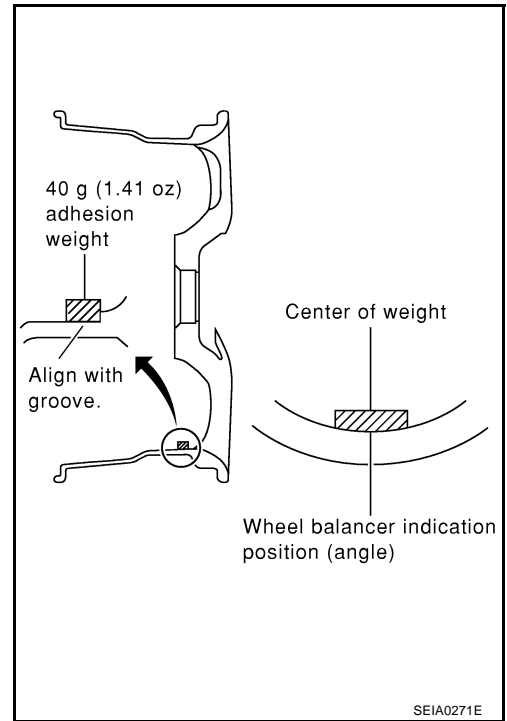
37.5 \Rightarrow 40 g (1.41 oz)



- Install balance weight in the position shown in the figure at right.
- When installing balance weight to road wheels, set it into the grooved area on the inner wall of the road wheel as shown in the figure so that the balance weight center is aligned with the tire balance machine indication position (angle).

CAUTION:

- **Always use genuine NISSAN adhesion balance weights.**
- **Balance weights are un reusable; always replace with new ones.**
- **Do not install more than three sheets of balance weight.**



- If calculated balance weight value exceeds 50 g (1.76 oz), install two balance weight sheets in line with each other (as shown in the figure).

CAUTION:

Do not install one balance weight sheet on top of another.

- Start tire balance machine again.
- Install drive-in balance weight on inner side of road wheel in the tire balance machine indication position (angle).

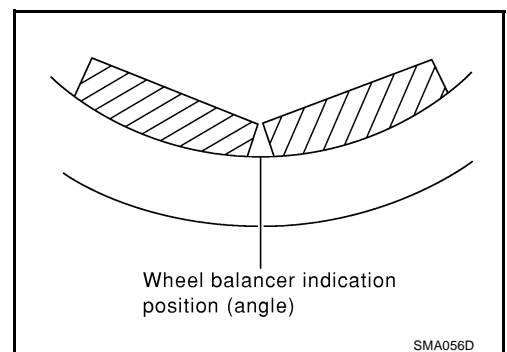
CAUTION:

Do not install more than two balance weights.

- Start tire balance machine. Make sure that inner and outer residual unbalance values are 5.0 g (0.18 oz) each or below.

- If either residual unbalance value exceeds 5.0 g (0.18 oz), repeat installation procedures.

Wheel balance (Maximum allowable unbalance):



Maximum allowable unbalance	Dynamic (At rim flange)	Less than 5.0 g (0.18 oz) (one side)
	Static (At rim flange)	Less than 20 g (0.71 oz)

CHASSIS AND BODY MAINTENANCE

Tire Rotation


NLS0006U

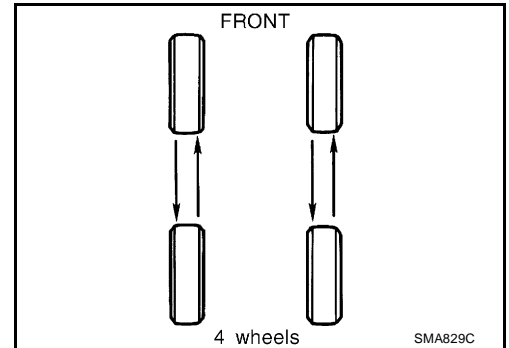
- After rotation the tires, adjust the tire pressure.
- Retighten the wheel nuts when the vehicle has been driven for 1,000 km (600 miles) (also in cases of a flat tire, etc.).

CAUTION:

- Do not include the T-type spare tire when rotating the tires.
- When installing wheels, tighten them diagonally by dividing the work two to three times in order to prevent the wheels from developing any distortion.

Tightening torque of wheel nut

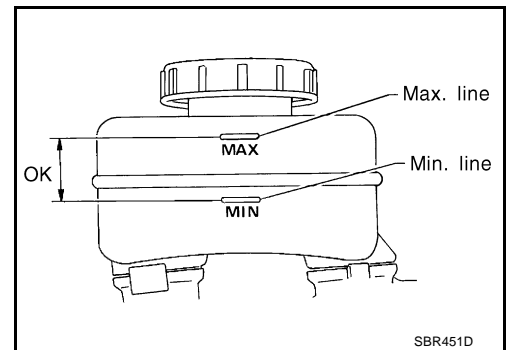
 : 108 N·m (11 kg, 80 ft-lb)



Checking Brake Fluid Level and Leaks

NLS0006V

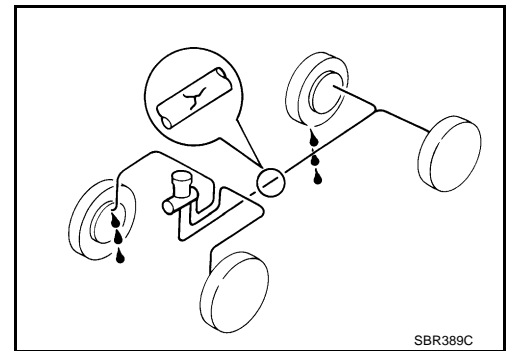
- If fluid level is extremely low, check brake system for leaks.



Checking Brake Lines and Cables

NLS0006W

- Check brake fluid lines and parking brake cables for improper attachment, leaks, chafing, abrasions, deterioration, etc.



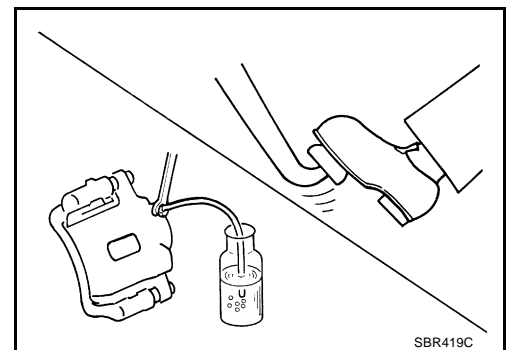
Changing Brake Fluid

NLS0006X

1. Drain brake fluid from each bleed valve.
2. Refill until new brake fluid comes out from each bleed valve. Use same procedure as in bleeding hydraulic system to refill brake fluid.

Refer to [BR-10, "Bleeding Brake System"](#).

- Refill with recommended Genuine Nissan Super Heavy Duty Brake Fluid or equivalent DOT 3 (US FMVSS No. 116). Refer to [MA-12, "RECOMMENDED FLUIDS AND LUBRICANTS"](#).
- Never reuse drained brake fluid.
- Be careful not to splash brake fluid on painted areas.



A
B
C
D
E
F
G
H
I
J
K
MA
M

CHASSIS AND BODY MAINTENANCE

NLS0006Y

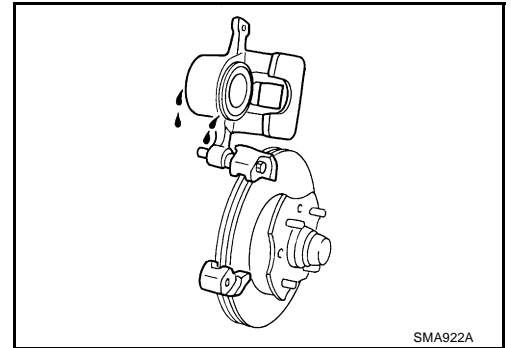
Checking Disc Brake ROTOR

Check condition, wear, and damage.

	Front	Rear
Standard thickness	34.0 mm (1.339 in)	16.0 mm (0.630 in)
Runout limit (with the disc rotor attached to the vehicle)	0.04 mm (0.0016 in)	0.05mm (0.0020 in)
Wear limit	32.0 mm (1.260 in)	14.0 mm (0.551 in)

CALIPER

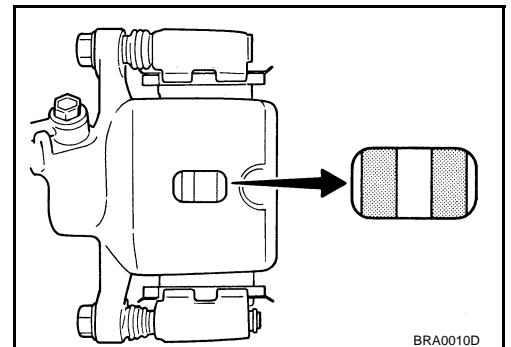
- Check for leakage.



PAD

- Check for wear or damage.

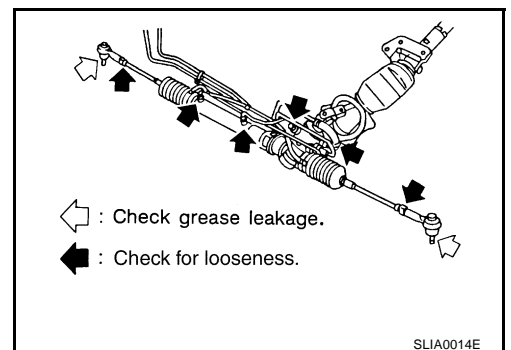
	Front	Rear
Standard thickness	11.0 mm (0.433 in)	8.5 mm (0.335 in)
Repair limit thickness	2.0 mm (0.079 in)	2.0 mm (0.079 in)



Checking Steering Gear and Linkage STEERING GEAR

NLS0006Z

- Check gear housing and boots for looseness, damage and grease leakage.
- Check connection with steering column for looseness.



STEERING LINKAGE

Check ball joint, dust cover and other component parts for looseness, wear, damage and grease leakage.

CHASSIS AND BODY MAINTENANCE

Checking Power Steering Fluid and Lines

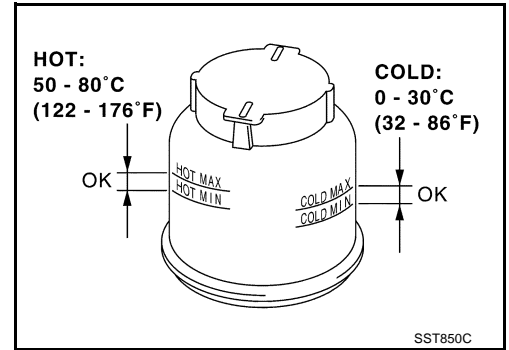
NLS00070

Check fluid level in reservoir tank with engine off.

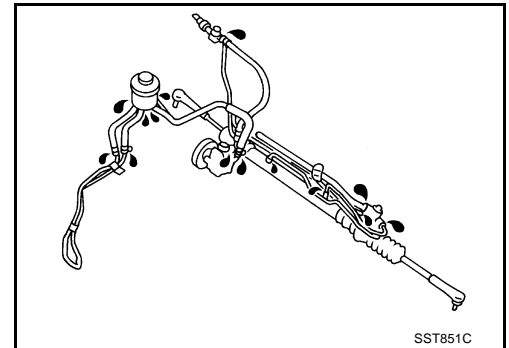
Use "HOT" range at fluid temperatures of 50 to 80°C (122 to 176°F) or "COLD" range at fluid temperatures of 0 to 30°C (32 to 86°F).

CAUTION:

- Do not overfill.
- Recommended fluid is Genuine NISSAN PSF or equivalent. Refer to [MA-12, "RECOMMENDED FLUIDS AND LUBRICANTS"](#)



- Check lines for improper attachment, leaks, cracks, damage, loose connections, chafing and deterioration.
- Check rack boots for accumulation of power steering fluid.

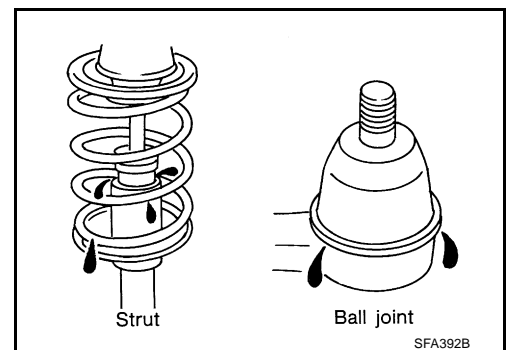
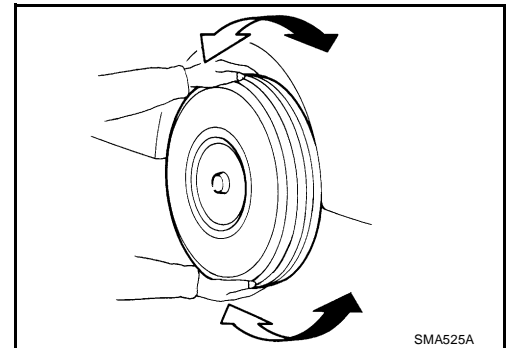


Axle and Suspension Parts

NLS00071

Check front and rear axle and suspension parts for excessive play, cracks, wear or other damage.

- Shake each wheel to check for excessive play.
- Check wheel bearings for smooth operation.
- Check axle and suspension nuts and bolts for looseness.
- Check strut (shock absorber) for oil leakage or other damage.
- Check suspension ball joint for grease leakage and ball joint dust cover for cracks or other damage.



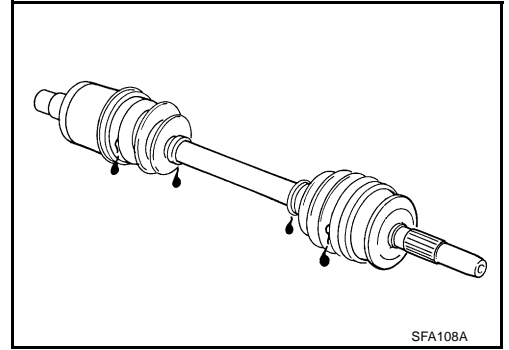
A
B
C
D
E
F
G
H
I
J
K
MA
M

CHASSIS AND BODY MAINTENANCE

Drive Shaft

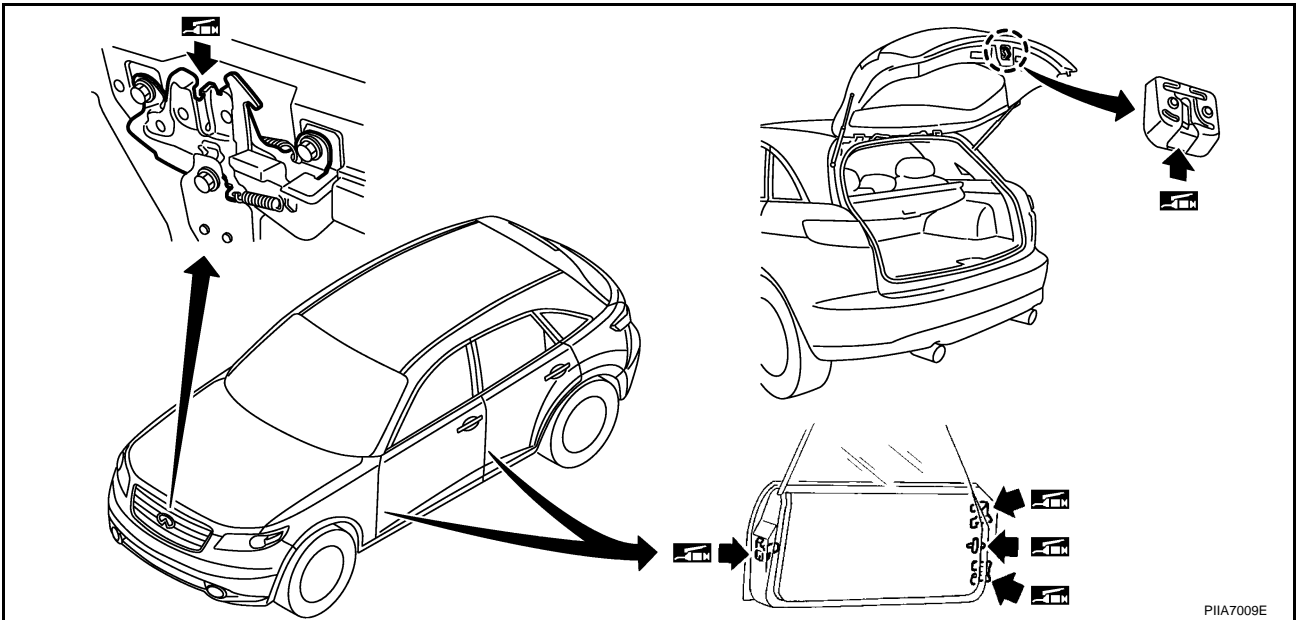
NLS00072

Check boot and drive shaft for cracks, wear, damage and grease leakage.



Lubricating Locks, Hinges and Hood Latch

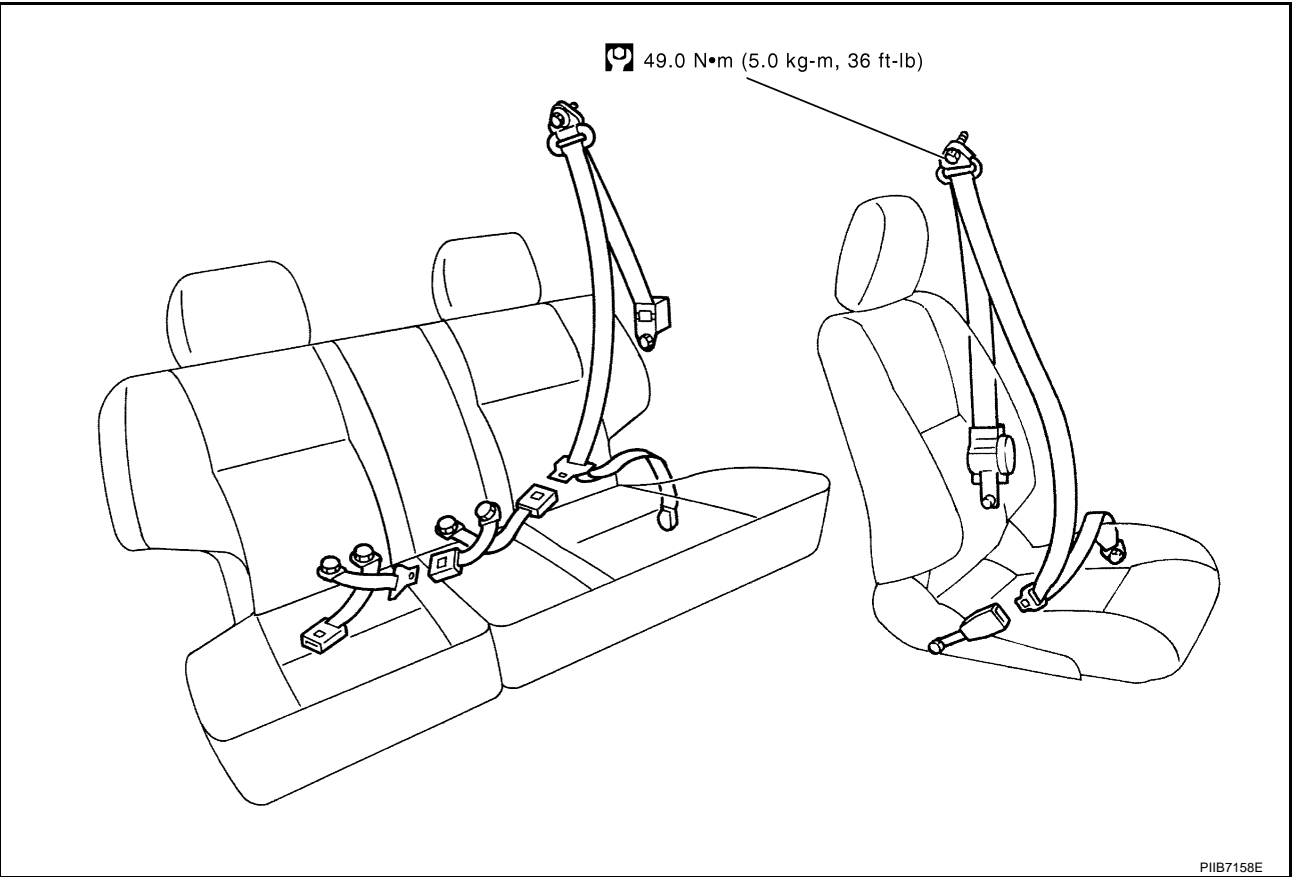
NLS00073



CHASSIS AND BODY MAINTENANCE

Checking Seat Belt, Buckles, Retractors, Anchors and Adjusters

NLS00074



CAUTION:

- After any collision, inspect all seat belt assemblies, including retractors and other attached hardware (i.e. anchor bolt, guide rail set). Nissan recommends to replace all seat belt assemblies in use during a collision, unless not damaged and properly operating after minor collision. Also inspect seat belt assemblies not in use during a collision, and replace if damaged or improperly operating. Seat belt pre-tensioner should be replaced even if the seat belts are not in use during a frontal collision where the driver and passenger air bags are deployed.
- If any component of seat belt assembly is questionable, do not repair. Replace as seat belt assembly.
- If webbing is cut, frayed, or damaged, replace belt assembly.
- Never oil tongue and buckle.
- Use a genuine NISSAN seat belt assembly.

For details, refer to Refer to Service Manual in SB section.

- Check anchors for loose mounting
- Check belts for damage
- Check retractor for smooth operation
- Check function of buckles and tongues when buckled and released

A
B
C
D
E
F
G
H
I
J
K
MA
M

SERVICE DATA AND SPECIFICATIONS (SDS)

SERVICE DATA AND SPECIFICATIONS (SDS)

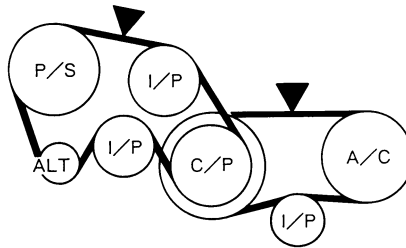
PFP:00030

Standard and Limit BELT DEFLECTION AND TENSION (VQ35DE)

NLS00075

	Deflection adjustment		Unit: mm (in)	Tension adjustment*		Unit: N (kg, lb)
	Used belt		New belt	Used belt		New belt
	Limit	After adjustment		Limit	After adjustment	
Alternator and power steering oil pump belt	7 (0.28)	4 - 5 (0.16 - 0.20)	3.5 - 4.5 (0.138 - 0.177)	294 (30, 66)	730 - 818 (74.5 - 83.5, 164 - 184)	838 - 926 (85.5 - 94.5, 188 - 208)
A/C compressor belt	12 (0.47)	9 - 10 (0.35 - 0.39)	8 - 9 (0.31 - 0.35)	196 (20, 44)	348 - 436 (35.5 - 44.5, 78 - 98)	470 - 559 (48 - 57, 106 - 126)
Applied pushing force	98 N (10 kg, 22 lb)			—		

SEC.117



KBIA1731J

*: If belt tension gauge cannot be installed at check points shown, check drive belt tension at different location on the belt.

BELT DEFLECTION AND TENSION (VK45DE)

Tension of drive belts	Auto-adjustment by auto tensioner
------------------------	-----------------------------------

ENGINE COOLANT CAPACITY (APPROXIMATE) (VQ35DE)

Unit: ℓ (US qt, Imp qt)

Engine coolant capacity (With reservoir tank at "MAX" level)	8.6 (9-1/8, 7-5/8)
Reservoir tank engine coolant capacity (At "MAX" level)	0.8 (7/8, 3/4)

ENGINE COOLANT CAPACITY (APPROXIMATE) (VK45DE)

Unit: ℓ (US qt, Imp qt)

Engine coolant capacity (With reservoir tank at "MAX" level)	10.0 (10-5/8, 8-3/4)
Reservoir tank engine coolant capacity (At "MAX" level)	0.8 (7/8, 3/4)

RADIATOR

Unit: kPa (kg/cm², psi)

Cap relief pressure	Standard	78 - 98 (0.8 - 1.0, 11 - 14)
	Limit	59 (0.6, 9)
Leakage testing pressure		157 (1.6, 23)

ENGINE OIL CAPACITY (APPROXIMATE) (VQ35DE)

Unit: ℓ (US qt, Imp qt)

Drain and refill	With oil filter change	4.7 (5, 4-1/8)
	Without oil filter change	4.4 (4-5/8, 3-7/8)
Dry engine (Overhaul)		5.4 (5-3/4, 4-3/4)

SERVICE DATA AND SPECIFICATIONS (SDS)

ENGINE OIL CAPACITY (APPROXIMATE) (VK45DE)

Unit: ℓ (US qt, Imp qt)

Drain and refill	With oil filter change	5.8 (6-1/8, 5-1/8)
	Without oil filter change	5.2 (5-1/2, 4-5/8)
Dry engine (Overhaul)		7.0 (7-3/8, 6-1/8)

SPARK PLUG (PLATINUM-TIPPED TYPE) (VQ35DE)

Make	NGK	
Type	Standard	PLFR5A-11
	Hot	PLFR4A-11
	Cold	PLFR6A-11
Spark plug gap		Nominal: 1.1mm (0.043 in)

SPARK PLUG (PLATINUM-TIPPED TYPE) (VK45DE)

Make	NGK	
Type	Standard	PLFR5A-11
	Hot	PLFR4A-11
	Cold	PLFR6A-11
Spark plug gap		Nominal: 1.1mm (0.043 in)

WHEEL BALANCE

Maximum allowable unbalance	Dynamic (At rim flange)	Less than 5.0 g (0.18 oz) (one side)
	Static (At rim flange)	Less than 20 g (0.71 oz)

A
B
C
D
E
F
G
H
I
J
K
M

MA

SERVICE DATA AND SPECIFICATIONS (SDS)
