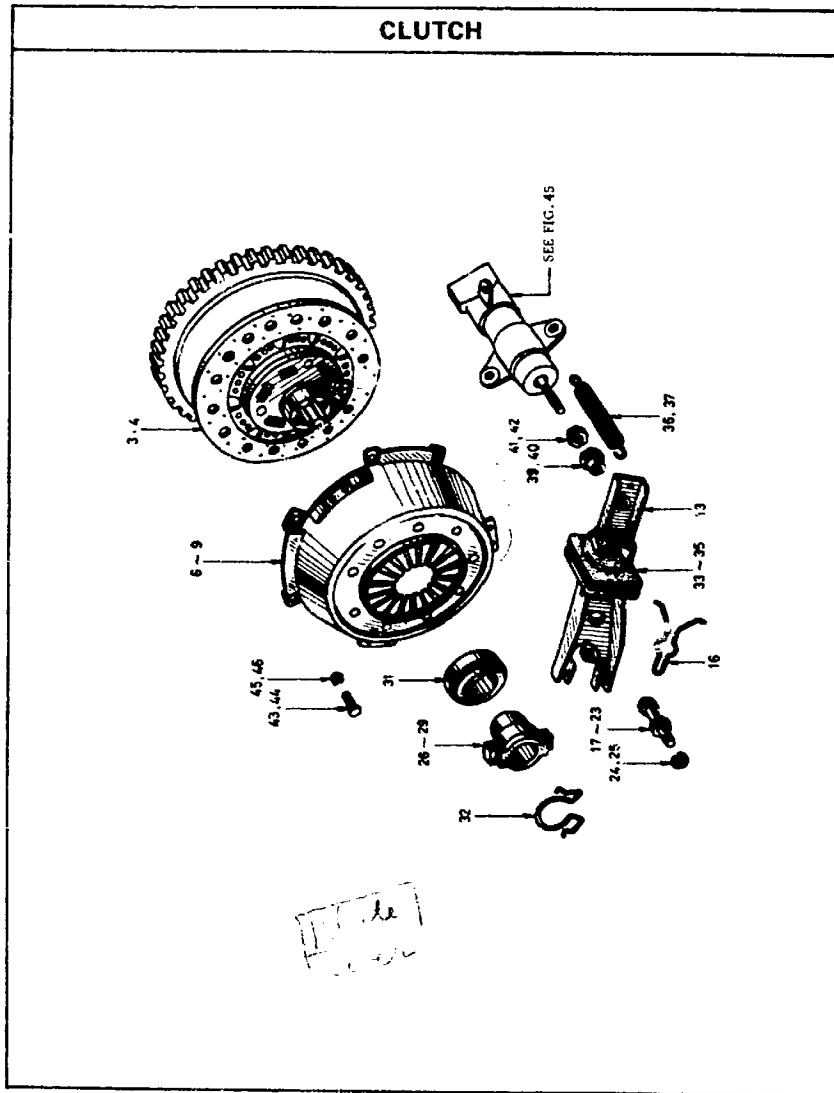


**C1**

## **POWER TRAIN**



S	KEY NO.	PART NO.	PART NAME	QTY	SALES UNIT	MODEL	ICA
			<b>CLUTCH</b>				
•	1	30100-14600	ASSY-DISC, CLUTCH	1		ALL	
•	2	30100-14691	ASSY-DISC, CLUTCH	1	1	ALL	Y
•	3	30100-14602	ASSY-DISC, CLUTCH (NT500-17) (FROM E/P R-84479)	1	1	ALL	Y
	4	30100-14609	ASSY-DISC, CLUTCH	1	1	ALL	Y
	5	30210-14600	ASSY-COVER, CLUTCH (465 KG)	1	1	1, 6L	
•	6	30210-20100	ASSY-COVER, CLUTCH (600KG) (FROM E/P R-40001)	1	1	ALL	N
	7	30210-20101	ASSY-COVER, CLUTCH (600KG)	1		ALL	Y
•	8	30210-20110	ASSY-COVER, CLUTCH (650KG)	1	1	OP, ALL	
	9	30210-20111	ASSY-COVER, CLUTCH (600KG)	1		OP, ALL	Y
	10	0223-E4100	CAP-SCREW CLUTCH COVER TO FLY WHEEL	4	10	ALL	
	11	00915-23010	WASHER-LOCK	4	50	ALL	
	12	30531-14602	LEVER-CLUTCH WITHDRAWAL	1	1	1, 6L	
•	13	30531-78000	LEVER-CLUTCH WITHDRAWAL	1	1	2L	
•	14	30534-14601	SPRING-RETAINER, WITHDRAWAL LEVER	1		1, 6L	
•	15	30534-14602	SPRING-RETAINER, WITHDRAWAL LEVER	1		ALL	Y
	16	30534-21000	SPRING-RETAINER, WITHDRAWAL LEVER	1	1	ALL	Y

FIG. 29 C3 NISSAN MOTOR CO., LTD.

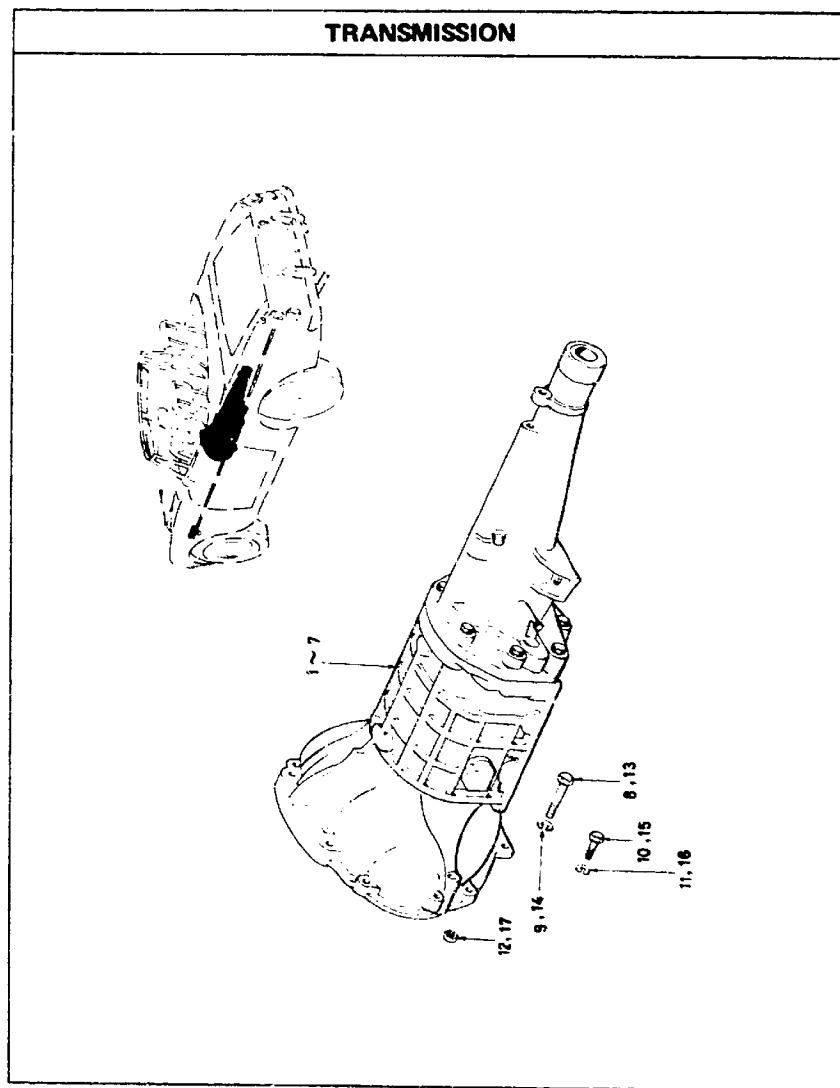
S	KEY NO.	PART NO.	PART NAME	QTY	SALES UNIT	MODEL	ICA
	17	30537-14600	PIN-BALL, WITHDRAWAL LEVER (TO SEP-67)	1	10 1.6L		
	18	30537-21000	PIN-BALL, WITHDRAWAL LEVER (FROM OCT-67)	1	9 1.6L	N	
	19	30537-21001	PIN-BALL WITHDRAWAL LEVER	1	1.6L	N	
	20	30537-21010	PIN-BALL WITHDRAWAL LEVER	1	10 1.6L	Y	
	21	30537-70100	PIN-BALL, WITHDRAWAL LEVER	1	9 2L		
	22	30537-70001	PIN-BALL, WITHDRAWAL LEVER	1	10 2L	Y	
	23	30537-E3200	PIN-BALL, WITHDRAWAL LEVER	1	9 2L	Y	
	24	00915-11610	WASHER-LOCK	1	90 1.6L		
	25	00915-14010	WASHER-LOCK	1	90 2L		
	26	30501-14601	SLEEVE-BEARING, CLUTCH RELEASE (TO SEP-67)	1	1 ALL		
	27	30501-20000	SLEEVE-BEARING, CLUTCH RELEASE (FROM OCT-67)	1	1 1.6L	N	
	28	30501-23001	SLEEVE-BEARING, CLUTCH RELEASE (FROM OCT-67)	1	1 2L	Y	
	29	30501-N1601	SLEEVE-BEARING, CLUTCH RELEASE (FROM OCT-67)	1	2L	Y	
	30	30502-14600	BEARING-CLUTCH RELEASE	1	1.6L		
	31	30502-14601	BEARING-CLUTCH RELEASE	1	1 ALL	Y	
	32	30514-14600	SPRING-HOLDER, BEARING SLEEVE	1	10 ALL		
	33	30542-14601	COVER-DUST, CLUTCH WITH DRAWAL LEVER (TO SEP-67)	1	9 1.6L		
	34	30542-14602	COVER-DUST, CLUTCH WITH DRAWAL LEVER (FROM OCT-67)	1	9 1.6L	N	

NISSAN MOTOR CO., LTD.

FIG. 29

S	KEY NO.	PART NO.	PART NAME	QTY	SALES UNIT	MODEL	ICA
	35	30542-70001	COVER-DUST, CLUTCH WITH DRAWAL	1	9 2L		
	36	30533-14600	SPRING-RETURN	1	10 ALL		
	37	30533-70001	SPRING-RETURN	1	10 ALL		Y
	38	30547-14600	NUT-PUSH, WITHDRAWAL LEVER	1	9 1.6L		
	39	30547-70000	NUT-PUSH, WITHDRAWAL LEVER (FROM E/S R-40001)	1	9 1.6L		Y
	40	30547-70001	NUT-PUSH, WITHDRAWAL LEVER	1	10 2L		
	41	17112-92700	NUT-PAL	1	90 ALL		
	42	00911-34510	NUT-PAL	1	90 1.6L		Y
	43	00124-92210	BOLT (TO E/S R-40000)	0	90 1.6L		
	44	00120-02010	BOLT (FROM E/S R-40001) TO FIX CLUTCH COVER	0	90 ALL		N
	45	00915-21510	WASHER-LOCK (TO E/S R-40000)	0	90 1.6L		
	46	00915-23010	WASHER-LOCK (FROM E/S R-40001)	0	90 ALL		N

FIG. 30-1 C4 NISSAN MOTOR CO., LTD.



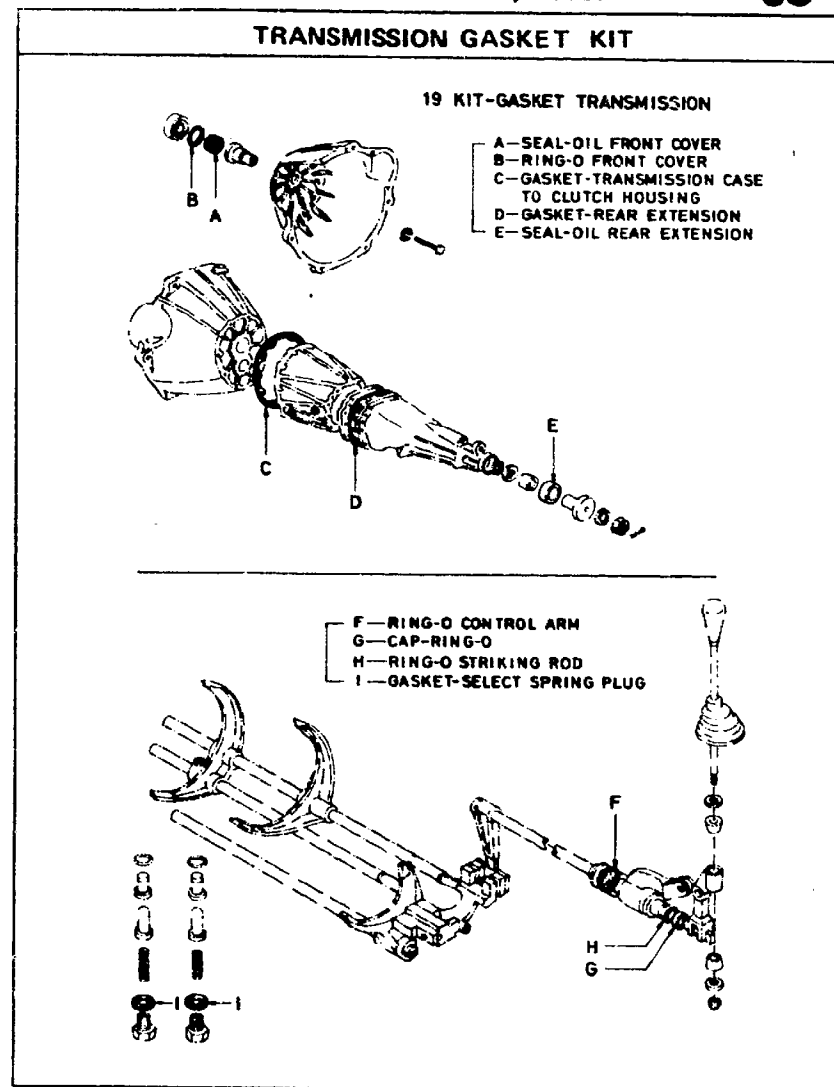
MARCH, 1970

F30-1

Printed in Japan

NISSAN MOTOR CO., LTD.

FIG. 30-2



MARCH, 1970

F30-2

Printed in Japan

FIG. 30 C5 NISSAN MOTOR CO., LTD.

S	KEY NO.	PART NO.	PART NAME	QTY	SALES UNIT	MODEL	ICA
<b>TRANSMISSION &amp; GASKET KIT</b>							
EMISSION CONTROL signifies USA & ONTARIO In CANADA.							
1		J2010-14653	TRANSMISSION 16/5 FOR F/R 3,000 (TO SEP-67)	1	1	1.6L	
2		J2010-14655	TRANSMISSION 16/5 FOR F/R 3,000 (FROM OCT-67)	1	1	1.6L SERVO EXC EMISSION CONTROL	N
3		J2010-A3350	TRANSMISSION 16/5 FOR F/R 3,000	1	1	1.6L WARNER EXC EMISSION CONTROL	
4		J2010-A7752	ASSY-TRANSMISSION 16/5	1	1	1.6L SERVO EMISSION CONTROL	
5		J2010-A7750	ASSY-TRANSMISSION 16/5	1	1	1.6L WARNER EMISSION CONTROL	
6		J2010-29951	ASSY-TRANSMISSION, 5-SPEED (10/6) FOR FINAL RATIO 3,700 (R12, 922, 112, 957, 211, 898, 311, 311.41, 1,00, 910, 892)	1	1	2L SERVO	
7		J2010-A2950	ASSY-TRANSMISSION 5-SPEED 10/6 FOR 3,700	1	1	2L WARNER	
8		00131-66010	BOLT TRANSMISSION TO ENGINE	4	25	1.6L	
9		00915-21610	WASHER-SPRING TRANSMISSION TO ENGINE	4	90	1.6L	
10		00111-92510	BOLT TRANSMISSION CASE TO ENGINE PLATE	2	90	1.6L	
11		00915-11510	WASHER-SPRING TRANSMISSION CASE TO ENGINE PLATE	2	90	1.6L	
12		00911-11910	NUT TRANSMISSION CASE TO ENGINE PLATE	2	90	1.6L	

30 - 1

Printed in Japan

REVISED: DECEMBER, 1970

NISSAN MOTOR CO., LTD.

FIG. 30

S	KEY NO.	PART NO.	PART NAME	QTY	SALES UNIT	MODEL	ICA
	13	00131-06510	BOLT TRANSMISSION TO ENGINE	4	10	2L	
	14	00915-24010	WASHER-SPRING TRANSMISSION TO ENGINE	4	90	2L	
	15	00110-92010	BOLT-M8 X 1.25 TRANSMISSION CASE TO ENGINE PLATE	2	90	2L	
	16	00915-13010	WASHER-SPRING TRANSMISSION CASE TO ENGINE PLATE	2	90	2L	
	17	00911-10010	NUT-M8 X 1.25 TRANSMISSION CASE TO ENGINE PLATE	2	90	2L	
	18	J2010-22026	KIT-BASKET TRANSMISSION	1	1	1.6L	
	19	J2010-29925	KIT-BASKET TRANSMISSION	1	1	2L	
	20	J2010-29926	KIT-BASKET TRANSMISSION	1	1	2L	Y

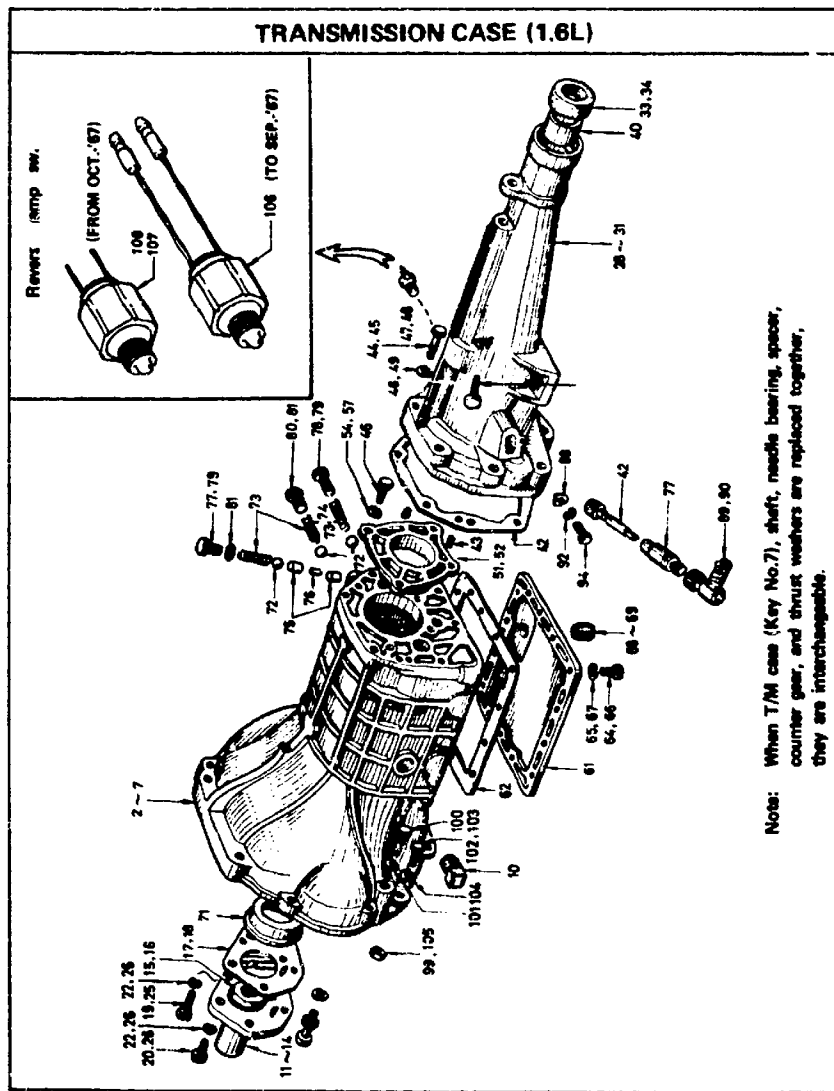
30 - 2

Printed in Japan

REVISED: DECEMBER, 1970

FIG. 31 C6

NISSAN MOTOR CO., LTD.



JUNE, 1972

F31 - 1

Printed in Japan

NISSAN MOTOR CO., LTD.

FIG. 31

S	KEY NO.	PART NO.	PART NAME	QTY	SALES UNIT	MODEL	ICA
<b>TRANSMISSION CASE (1.6L)</b>							
EMISSION CONTROL signifies USA & ONTARIO in CANADA.							
•	1	32101-14601	COMP.-CASE, TRANSMISSIO N	1		1.6L	
•	2	32101-14602	COMP.-CASE, TRANSMISSIO N	1		1.6L	Y
•	3	32101-15000	COMP.-CASE, TRANSMISSIO N (FROM C/P SP311-009*7 , SPL311-004510)	1		1.6L	Y
•	4	32101-18000	CASE-TRANSMISSION (FROM E/P R-40001 TO SEP-57)	1		1.6L	Y
•	5	32101-14602	CASE-TRANSMISSION (FROM E/P R-40001 TO SEP-67)	1		1.6L	Y
•	6	32101-14610	CASE-TRANSMISSION (FROM OCT-67)	1		1.6L	N
•	7	32101-A3210	CASE-TRANSMISSION	1		1.6L	C
•	8	00931-11200	PLUG-TAPER THREAD	1	10	1.6L	
•	9	32108-20700	PLUG-TAPER THREAD	1	5	1.6L	Y
•	10	00931-11210	PLUG-TAPER THREAD	1	10	1.6L	Y
•	11	32111-14600	COVER-FRONT (TO SEP-67 )	1		1.6L	
•	12	32110-14601	COVER-FRONT (TO SEP-67 )	1		1.6L	Y
•	13	32111-22000	COVER-FRONT (FROM OCT- 67)	1		1.6L	N
•	14	32110-A1100	COVER-FRONT	1		1.6L	N
•	15	32113-14601	SEAL-OIL, FRONT COVER	1	10	1.6L	
•	16	32113-N2100	SEAL-OIL, FRONT COVER	1	10	1.6L	Y
•	17	32112-14610	GASKET-FRONT COVER	1	10	1.6L	
•	18	32112-A0900	GASKET-FRONT COVER	1	10	1.6L	N

31 - 1

Printed in Japan

REVISED: JUNE, 1972

S	KEY NO.	PART NO.	PART NAME	QTY	SALES UNIT	MODEL	ICA
	10	00114-53510	BOLT TO FIX FRONT COVER	2	50	1.6L	
	20	00114-52210	BOLT TO FIX FRONT COVER	3	50	1.6L	
	21	00915-11500	WASHER-SPRING TO FIX FRONT COVER	5		1.6L	
	22	00915-11510	WASHER-SPRING TO FIX FRONT COVER	5	50	1.6L	Y
	23	00110-83510	BOLT HEX TO FIX FRONT COVER (METRIC)	3	25	1.6L	N
	24	00110-62510	BOLT HEX TO FIX FRONT COVER (METRIC)	2	50	1.6L	N
	25	32055-47600	BOLT	2	5	1.6L	Y
	26	00915-13810	WASHER SPRING TO FIX FRONT COVER (METRIC)	5	50	1.6L	N
	27	32130-14600	ASSY-EXTENSION, REAR	1	1	1.6L	
	28	32130-14601	EXTENSION-REAR (FROM E/P R-40001 TO SEP-67)	1	1	1.6L	Y
	29	32130-14610	EXTENSION-REAR (FROM OCT-67 TO DEC-70)	1	1	1.6L EXC EMISSION CONTROL	N
	30	32130-14700	EXTENSION-REAR (FROM JAN-71)	1	1	1.6L EXC EMISSION CONTROL	Y
	31	32130-A7700	EXTENSION-REAR (TO DEC-70)	1	1	1.6L EMISSION CONTROL	
	32	32130-A7701	EXTENSION-REAR (FROM JAN-71)	1	1	1.6L EMISSION CONTROL	Y
	33	32136-07200	SEAL-OIL, REAR EXTENSION	1	10	1.6L	
	34	32136-E0100	SEAL-OIL, REAR EXTENSION	1	5	1.6L	Y
	35	30322-14600	ASSY-BREATHER	1		1.6L	

S	KEY NO.	PART NO.	PART NAME	QTY	SALES UNIT	MODEL	ICA
	36	30322-20500	ASSY-BREATHER (FROM E/P R-40001)	1	2	1.6L	N
	37	30322-21100	ASSY-BREATHER (METRIC)	1	10	1.6L	N
	38	30322-A0900	ASSY-BREATHER	1	10	1.6L	Y
	39	30322-W0100	ASSY-BREATHER	1	5	1.6L	Y
	40	32132-14601	RUSH-REAR EXTENSION	1	1	1.6L	
	41	32134-14600	GASKET-REAR EXTENSION	1		1.6L	
	42	32134-14610	GASKET-REAR EXTENSION	1	10	1.6L	Y
	43	32133-14600	PIN-DOWEL REAR EXTENSION	2	10	1.6L	
	44	00114-53810	BOLT TO FIX REAR EXTENSION	4	50	1.6L	
	45	00114-54510	BOLT TO FIX REAR EXTENSION (INCH)	4	50	1.6L	
	46	00915-11510	WASHER-SPRING TO FIX REAR EXTENSION (INCH)	5	50	1.6L	
	47	00120-83210	BOLT HEX TO FIX REAR EXTENSION (METRIC)	4	50	1.6L	N
	48	00120-84510	BOLT HEX TO FIX REAR EXTENSION (METRIC)	4	50	1.6L	N
	49	00915-13810	WASHER SPRING TO FIX FRONT COVER (METRIC)	5	50	1.6L	N
	50	32130-14600	RETAINER-BEARING, MAIN SHAFT	1		1.6L	
	51	32130-73200	RETAINER-BEARING, MAIN SHAFT	1	1	1.6L	Y
	52	32130-A0900	RETAINER-BEARING, MAIN SHAFT	1	1	1.6L	N
	53	00114-52510	BOLT TO FIX BEARING RETAINER (INCH)	4	50	1.6L	
	54	00915-11510	WASHER-SPRING TO FIX BEARING RETAINER (INCH)	4	50	1.6L	

FIG. 31 C8 NISSAN MOTOR CO., LTD.

S	KEY NO.	PART NO.	PART NAME	QTY	SALES UNIT	MODEL	ICA
	55	00110-82510	BOLT TO FIX BEARING RETAINER (METRIC)	4	50	1.6L	N
	56	32059-47600	BOLT	4	5	1.6L	Y
	57	00915-13810	WASHER SPRING TO FIX BEARING RETAINER	4	50	1.6L	N
	58	32161-14600	COVER-BOTTOM, TRANSMISSION CASE	1		1.6L	
	59	32161-73200	COVER-BOTTOM, TRANSMISSION CASE	1		1.6L	Y
	60	32161-14810	COVER-BOTTOM, TRANSMISSION CASE	1	1	1.6L	Y
	61	32161-40925	COVER-BOTTOM, TRANSMISSION CASE WITH DRAIN PLUG	1	1	1.6L	Y
	62	32162-14600	GASKET-BOTTOM COVER	1		1.6L	
	63	32162-14810	GASKET-BOTTOM COVER	1	10	1.6L	Y
	64	00114-52510	BOLT TO FIX BOTTOM COVER (INCH)	14	50	1.6L	
	65	00915-11510	WASHER-SPRING TO FIX BOTTOM COVER (INCH)	14	50		
	66	00110-81610	BOLT TO FIX BOTTOM COVER (METRIC)	14	50	1.6L	N
	67	00915-13810	WASHER SPRING TO FIX BOTTOM COVER (METRIC)	14	50	1.6L	N
	68	32103-14600	ASSY-PLUG, DRAIN	1	5	1.6L	
	69	11128-69200	ASSY-PLUG, DRAIN	1	10	1.6L	N
	70	11026-61800	WASHER DRAIN	1	50	1.6L	
	71	32208-14600	RETAINER-BEARING, MAIN DRIVE	1	1	1.6L	
	72	32829-24760	BALL-CHECKING	3	50	1.6L	
	73	32831-80100	SPRING-CHECKING BALL	3	50	1.6L	
	74	32831-48210	SPRING-CHECKING BALL	3	10	1.6L	Y

NISSAN MOTOK CO., LTD.

FIG. 31

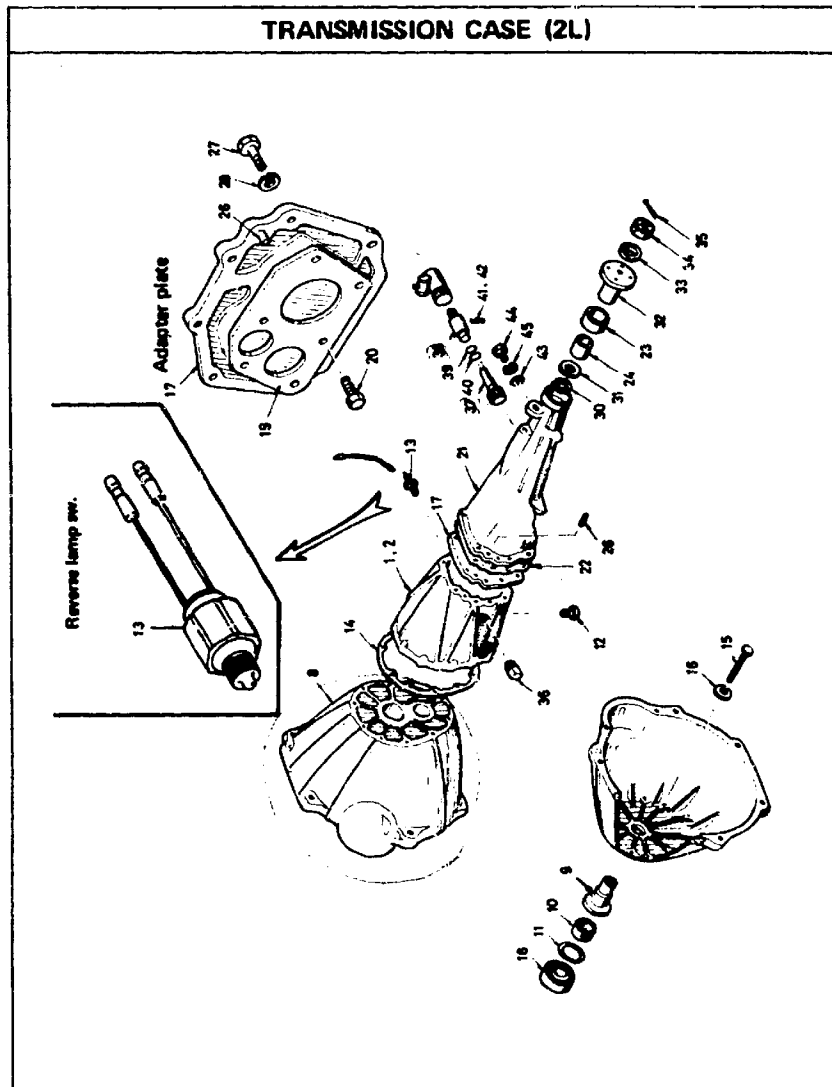
S	KEY NO.	PART NO.	PART NAME	QTY	SALES UNIT	MODEL	ICA
	75	32832-14600	PLUNGER-INTER LOCK	2		1.6L	
	76	32815-36900	PLUNGER-INTER LOCK	2	10	1.6L	Y
	77	32833-14600	PIN-INTER LOCK	1	10	1.6L	
	78	32834-14600	PLUG-CHECKING BALL	2	10	1.6L	
	79	32834-21100	PLUG-CHECKING BALL (METRIC)	2	10	1.6L	N
	80	32835-14600	PLUG-CHECKING BALL	1	10	1.6L	
	81	32835-78000	PLUG-CHECKING BALL (METRIC)	1	10	1.6L	N
	82	32836-14600	WASHER-PLAIN	3	10	1.6L	
	83	32793-14616	ASSY-PINION, SPEEDOMETER (16T)	1	1	1.6L	
	84	32793-22800	PINION-SPEEDOMETER 16T NYLON	1	1	1.6L	Y
	85	32797-14600	ASSY-SLEEVE, SPEEDOMETER PINION	1	1	1.6L	
	86	32712-61800	PIN-RETAINING	1	10	1.6L	
	87	32873-14600	PIN-RETAINING	1	10	1.6L	Y
	88	32718-14600	PLATE-LOCK, SPEEDOMETER SLEEVE	1	10	1.6L	
	89	32738-14600	ADAPTER-SPEEDOMETER PINION	1	1	1.6L	
	90	32738-28500	ADAPTER-SPEEDOMETER PINION (W/CURVED GREASE NIPPLE)	1	1	1.6L	
	91	00915-11400	WASHER-SPRING	1		1.6L	
	92	00915-11410	WASHER-SPRING	1	50	1.6L	Y
	93	00114-41610	BOLT	1	50	1.6L	
	94	00110-61210	BOLT	1	50	1.6L	Y
	95	00131-66810	BOLT TO FIX TRANSMISSION (INCH)	4	25	1.6L	



FIG. 31 C9 NISSAN MOTOR CO., LTD.

S	KEY NO.	PART NO.	PART NAME	QTY	SALES UNT	MODEL	ICA
	96	00915-21610	WASHER-SPRING TO FIX TRANSMISSION (INCH)	4	50	1.6L	
	97	00111-52510	BOLT TO FIX TRANSMISSI ON (INCH)	2	50	1.6L	
	98	00915-11510	WASHER-SPRING TO FIX TRANSMISSION (INCH)	2	50	1.6L	
	99	00911-11510	NUT TO FIX TRANSMISSIO N (INCH)	2	50	1.6L	
	100	00131-06910	BOLT TO FIX TRANSMISSI ON (METRIC)	4	25	1.6L	N
	101	00915-24810	WASHER SPRING TO FIX TRANSMISSION (METRIC)	4	50	1.6L	N
	102	00110-02510	BOLT M8X1.25 TO FIX TRANSMISSION (METRIC)	2	50	1.6L	N
	103	32059-47600	BOLT	2	5	1.6L	Y
	104	00915-13010	WASHER SPRING TO FIX TRANSMISSION (METRIC)	2	50	1.6L	N
	105	00911-10810	NUT M8X1.25 TO FIX TRANSMISSION (METRIC)	2	50	1.6L	N
	106	25310-14600	COMP-SWITCH REV LAMP (TO SEP-67)	1	1	1.6L	
	107	32009-21100	COMP-SWITCH, REV LAMP. (FROM OCT-67)	1	1	1.6L	N
	108	32005-21101	COMP-SWITCH REV LAMP.	1	1	1.6L	Y

FIG. 31A C10 NISSAN MOTOR CO., LTD.



NISSAN MOTOR CO., LTD.

FIG. 31A

KEY NO.	PART NO.	PART NAME	QTY	SALES UNIT	MODEL	ICA
<b>TRANSMISSION CASE (2L)</b>						
• 1	32101-78010	CASE-TRANSMISSION	1	1 2L		
• 2	32101-78012	CASE-TRANSMISSION	1	1 2L		Y
3	32101-P0700	CASE-TRANSMISSION	1	2L		Y
• 4	32101-78011	CASE-TRANSMISSION	1	1 2L		
• 5	32101-78311	CASE-TRANSMISSION (G, D, C)	1	1 2L		Y
• 6	32101-78312	CASE-TRANSMISSION	1	1 2L		Y
7	32101-P0701	CASE-TRANSMISSION	1	2L		Y
8	30401-78201	HOUSING-CLUTCH	1	1 2L		
9	32110-78000	COVER-FRONT	1	1 2L		
10	32114-20100	SEAL-OIL, FRONT COVER	1	10 2L		
11	32115-20100	O-RING, FRONT COVER	1	10 2L		
12	32103-14600	PLUG-DRAIN	1	10 2L		
13	32005-21000	ASBY-SWITCH, REVERSE LA MP	1	1 2L		
14	32118-78000	GASKET-TRANSMISSION CASE TO CLUTCH HOUSING	1	10 2L		
15	00120-83210	BOLT-M6 X 1,25 TRANSMISSION CASE TO CLUTCH HOUSING	10	50 2L		
16	00915-23010	WASHER-SPRING TRANSMISSION CASE TO CLUTCH HOUSING	10	50 2L		
17	32138-78000	PLATE-ADAPTER	1	1 2L		
18	32273-04100	BEARING-MAIN SHAFT	1	1 2L		
19	32139-20100	RETAINER-BEARING	1	1 2L		

FIG. 31A C11 NISSAN MOTOR CO., LTD.

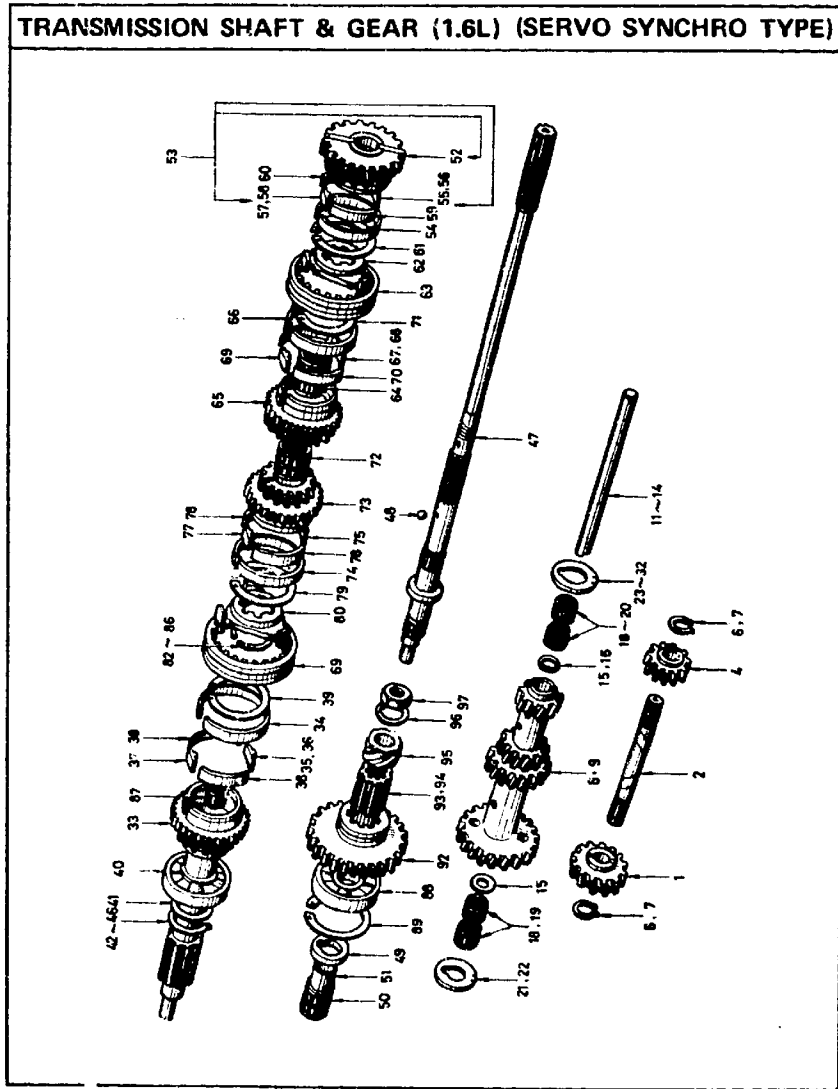
S	KEY NO.	PART NO.	PART NAME	QTY	SALES UNIT	MODEL	ICA
*	20	0A320-82000	SCREW-MACHINE X 1,25	6	50 2L		
	21	32130-25500	ASSY-EXTENSION, REAR	1	1 2L		
	22	32134-78800	GASKET REAR EXTENTION	1	10 2L		
	23	32136-20100	SEAL-OIL, REAR EXTENSION	1	10 2L		
	24	32203-14360	BEARING, REAR EXTENSION	1	1 2L		
	25	3A322-78000	ASSY-BREATHER, REAR EXTENSION	1	5 2L		
	26	32106-20100	DOWEL-TRANSMISSION ADAPTER AND REAR EXTENSION	2	5 2L		
	27	0A120-85010	BOLT REAR EXTENSION TO TRANSMISSION CASE	6	25 2L		
	28	0A915-23810	WASHER-SPRING REAR EXTENSION TO TRANSMISSION CASE	6	50 2L		
	29	32228-20103	RING-SNAP	1	10 2L		
	30	32228-20104	RING-SNAP	1	10 2L		Y
	31	32144-25500	SPACER	1	10 2L		
	32	32140-20100	FLANGE-COMPANION	1	1 2L		
	33	3224A-25500	WASHER-PLAIN	1	5 2L		
	34	0A911-05010	NUT	1	50 2L		
	35	0A921-43510	PIN-COTTER	1	50 2L		
	36	0A931-11210	PLUG-LEVER & FILLER	1	10 2L		
	37	32703-78102	ASSY-PINION, SPEEDOMETER (1ST)	1	1 2L		
	38	32707-78000	ASSY-SLEEVE, SPEEDOMETER	1	1 2L		
	39	32709-14600	SEAL-OIL 10 X 16 X 4	1	10 2L		
	40	32710-14600	OWRING-PINION SLEEVE	1	10 2L		

NISSAN MOTOR CO., LTD.

FIG. 31A

S	KEY NO.	PART NO.	PART NAME	QTY	SALES UNIT	MODEL	ICA
	41	32712-61000	PIN-RETAINING, SPEEDOMETER	1	10 2L		
	42	32873-14600	PIN-RETAINING, SPEEDOMETER	1	10 2L		Y
	43	32718-14600	PLATE-LOCK, SPEEDOMETER	1	10 2L		
	44	0A110-61210	BOLT-PLATE LOCK M6	1	50 2L		
	45	0A915-13610	WASHER-SPRING	1	50 2L		
	46	32701-66805	GEAR-DRIVE, MAIN SHAFT (6T)	1	1 2L		
	47	32720-36900	BALL-STEEL 1/4	1	20 2L		
	48	32228-20101	RING-SNAP	2	10 2L		

FIG. 32 C12 NISSAN MOTOR CO., LTD.



MARCH, 1972

F32 - 1

Printed in Japan

NISSAN MOTOR CO., LTD.

FIG. 32

KEY NO.	PART NO.	PART NAME	QTY	SALES UNIT	MODEL	ICA
<b>TRANSMISSION SHAFT &amp; GEAR (1.6L) (SERVO SYNCHRO TYPE)</b>						
1	37282-14600	GEAR-REVERSE IDLER COUNTER	1	10	1.6L	
2	37281-14601	SHAFT-REVERSE IDLER	1	2	1.6L	
3	37287-14601	WASHER-THRUST, REVERSE IDLER	1	1	1.6L	
4	37284-14600	GEAR-REVERSE IDLER, MAIN	1	1	1.6L	
5	32283-14601	BEARING-NEEDLE, REVERSE IDLER	2	1	1.6L	
6	37285-14603	RING-SNAP, REVERSE IDLER (162,00)	1	10	1.6L	
7	32285-14604	RING-SNAP, REVERSE IDLER (167,25)	1	10	1.6L	
8	37213-14600	GEAR-COUNTER	1	1	1.6L	
9	37213-A3210	GEAR-COUNTER (NOT ADOPTED)	1	1	1.6L	N
10	37213-A3211	GEAR-COUNTER	1	1	1.6L	Y
11	37211-14600	SHAFT-COUNTER	1	1	1.6L	
12	37211-A0900	SHAFT-COUNTER	1	1	1.6L	N
13	37211-A0901	SHAFT-COUNTER	1	1	1.6L	Y
14	37211-A0951	SHAFT-COUNTER	1	1	1.6L	Y
15	37218-14600	RING-COUNTER SHAFT	4	10	1.6L	
16	37218-A0600	RING-COUNTER SHAFT (NOT ADOPTED)	4	1	1.6L	N
17	37218-A0601	RING-COUNTER SHAFT	4	10	1.6L	Y
18	37219-10600	ASSY-BEARING, NEEDLE	2	2	1.6L	
19	32219-73200	ASSY-BEARING, NEEDLE	2	2	1.6L	Y

REVISED: MARCH, 1972

32 - 1

Printed in Japan

FIG. 32 C13 NISSAN MOTOR CO., LTD.

S	KEY NO.	PART NO.	PART NAME	QTY	SALES UNIT	MODEL	ICA
	20	32219-A0600	ASSY-BEARING, NEEDLE	1	50 1.6L		N
	21	32224-14600	WASHER-THRUST, COUNTER, FRONT	1	10 1.6L		
	22	32224-A0900	WASHER-THRUST, COUNTER, FRONT	1	10 1.6L		N
	23	32225-14600	WASHER-THRUST, COUNTER, REAR(T#2, 40)	1	10 1.6L		
	24	32225-A0900	WASHER-THRUST, COUNTER, REAR(T#2, 40)	1	10 1.6L		N
	25	32225-14601	WASHER-THRUST, COUNTER, REAR(T#2, 45)	1	10 1.6L		
	26	32225-A0901	WASHER-THRUST, COUNTER, REAR(T#2, 45)	1	10 1.6L		N
	27	32225-14602	WASHER-THRUST, COUNTER, REAR(T#2, 50)	1	10 1.6L		
	28	32225-A0902	WASHER-THRUST, COUNTER, REAR(T#2, 50)	1	10 1.6L		N
	29	32225-14603	WASHER-THRUST, COUNTER, REAR(T#2, 55)	1	10 1.6L		
	30	32225-A0903	WASHER-THRUST, COUNTER, REAR(T#2, 55)	1	10 1.6L		N
	31	32225-14604	WASHER-THRUST, COUNTER, REAR(T#2, 60)	1	10 1.6L		
	32	32225-A0904	WASHER-THRUST, COUNTER, REAR(T#2, 60)	1	10 1.6L		N
	33	32202-14600	COMP. GEAR, MAIN DRIVE	1	10 1.6L		
	34	32611-14600	RING-SYNCHRONIZER	1	5 1.6L		
	35	32612-14601	BLOCK-THRUST, 2ND, 3RD & 4TH	1	1 1.6L		
	36	32612-14603	BLOCK-THRUST, 2ND, 3RD & 4TH	1	10 1.6L		Y
	37	32613-14601	BLOCK-ANCHOR, 2ND, 3RD & 4TH	1	10 1.6L		

32- = 2

Printed in Japan

REVISED: MARCH, 1972

NISSAN MOTOR TD.

FIG. 32

S	KEY NO.	PART NO.	PART NAME	QTY	SALES UNIT	MODEL	ICA
	38	32614-14600	BAND-BRAKE, 2.5	2	10 1.6L		
	39	32616-14600	CIRCLIP	1	5 1.6L		
	40	32510-06100	BEARING-MAIN DRIVE GEAR	1	1 1.6L		
	41	32205-14601	WASHER-MAIN DRIVE GEAR	1	10 1.6L		
	42	32204-08000	RING-SNAP, MAIN DRIVE GEAR(T#1, 52)	1	5 1.6L		
	43	32204-08001	RING-SNAP, MAIN DRIVE GEAR(T#1, 61)	1	5 1.6L		
	44	32204-08002	RING-SNAP, MAIN DRIVE GEAR(T#1, 64)	1	5 1.6L		
	45	32204-08003	RING-SNAP, DRIVE GEAR(T#1, 74)	1	5 1.6L		
	46	32204-08004	RING-SNAP, MAIN DRIVE GEAR(T#1, 77)	1	5 1.6L		
	47	32241-14600	SHAFT-MAIN	1	1 1.6L		
	48	32720-14600	BALL-STEEL(S/32)	1	10 1.6L		
	49	32246-14600	WASHER-THRUST, MAIN SHAFT	1	5 1.6L		
	50	32264-14600	BEARING-NEEDLE, MAIN SHAFT	1	1 1.6L		
	51	32253-14600	BUSH-MAIN SHAFT, 1ST GEAR	1	2 1.6L		
	52	32232-14600	COMP. GEAR, 1ST SPEED, MAIN SHAFT	1	1 1.6L		
	53	32232-14625	SET-GEAR, 1ST SPEED MAIN SHAFT	1	1 1.6L		Y
	54	32611-14600	RING-SYNCHRONIZER	1	5 1.6L		
	55	32617-14601	BLOCK-THRUST, 1ST	1	1 1.6L		
	56	32617-14610	BLOCK-THRUST, 1ST	1	10 1.6L		N
	57	32618-14601	BLOCK-ANCHOR, 1ST	1	10 1.6L		

32- = 3

Printed in Japan

REVISED: MARCH, 1972

FIG. 32 C14 NISSAN MOTOR CO., LTD.

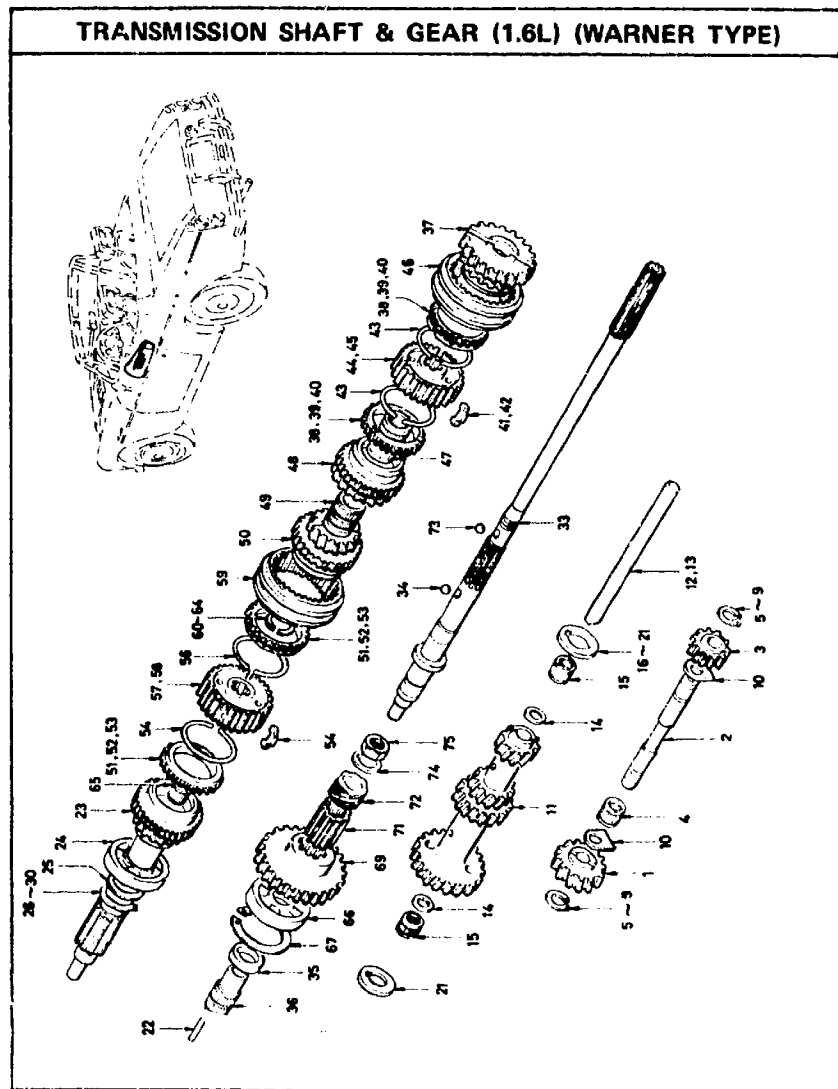
S	KEY NO.	PART NO.	PART NAME	QTY	SALES UNIT	MODEL	ICA
	58	32613-14601	BLOCK-ANCHOR,1ST	1	10	1.6L	N
	59	32614-14600	BAND-BRAKE,2,5	1	10	1.6L	
	60	32615-14600	BAND-BRAKE,2,2	1	9	1.6L	
	61	32616-14600	CIRCLIP	1	9	1.6L	
	62	32601-14600	HUB-SYNCHRONIZER,1ST & 2ND SPEED	1	1	1.6L	
	63	32606-14600	SLEEVE-COUPLING	1	1	1.6L	
	64	32264-14600	BEARING-NEEDLE,MAIN SHAFT	1	1	1.6L	
	65	32252-14600	COMP.-GEAR,2ND SPEED,MAIN SHAFT	1	1	1.6L	
	66	32611-14600	RING-SYNCHRONIZER	1	9	1.6L	
	67	32612-14601	BLOCK-THRUST,2ND,3RD & 4TH	1	1	1.6L	
	68	32612-14603	BLOCK-THRUST,2ND,3RD & 4TH	1	10	1.6L	Y
	69	32613-14601	BLOCK-ANCHOR,2ND,3RD & 4TH	1	10	1.6L	
	70	32614-14600	BAND-BRAKE,2,5	2	10	1.6L	
	71	32616-14600	CIRCLIP	1	9	1.6L	
	72	32264-14600	BEARING-NEEDLE,MAIN SHAFT	1	1	1.6L	
	73	32262-14600	COMP.-GEAR,3RD SPEED,MAIN SHAFT	1	1	1.6L	
	74	32611-14600	RING-SYNCHRONIZER	1	9	1.6L	
	75	32612-14601	BLOCK-THRUST,2ND,3RD & 4TH	1	1	1.6L	
	76	32612-14603	BLOCK-THRUST,2ND,3RD & 4TH	1	10	1.6L	Y
	77	32613-14601	BLOCK-ANCHOR,2ND,3RD & 4TH	1	10	1.6L	

NISSAN MOTOR CO., LTD.

FIG. 32

S	KEY NO.	PART NO.	PART NAME	QTY	SALES UNIT	MODEL	ICA
	78	32614-14600	BAND-BRAKE,2,5	2	10	1.6L	
	79	32616-14600	CIRCLIP	1	9	1.6L	
	80	32605-14600	HUB-SYNCHRONIZER,3RD & 4TH SPEED	1	1	1.6L	
	81	32606-14600	SLEEVE-COUPLING	1	1	1.6L	
	82	32263-14600	RING-SNAP,SYNCHRONIZER,HUB(T=1.45)	1	10	1.6L	
	83	32263-14601	RING-SNAP,SYNCHRONIZER,HUB(T=1.50)	1	9	1.6L	
	84	32263-14602	RING-SNAP,SYNCHRONIZER,HUB(T=1.50)	1	10	1.6L	
	85	32263-14603	RING-SNAP,SYNCHRONIZER,HUB(T=1.55)	1	10	1.6L	
	86	32263-14604	RING-SNAP,SYNCHRONIZER,HUB(T=1.60)	1	10	1.6L	
	87	32272-14600	BEARING-PILOT,MAIN SHAFT	1	9	1.6L	
	88	32273-36900	BEARING-MAIN SHAFT	1	1	1.6L	
	89	32274-36900	RING-SNAP,MAIN SHAFT & BEARING	1	10	1.6L	
	90	32245-14600	GEAR-REVERSE,MAIN SHAFT	1	1	1.6L	
	91	32245-A0950	GEAR-REVERSE,MAIN SHAFT	1	1	1.6L	Y
	92	32258-14600	HUB-REVERSE,MAIN SHAFT	1	1	1.6L	
	93	32258-A0900	HUB-REVERSE,MAIN SHAFT	1	1	1.6L	Y
	94	32258-14610	HUB-REVERSE,MAIN SHAFT	1	1	1.6L	Y
	95	32701-15800	GEAR-DRIVE,SPEEDOMETER	1	1	1.6L	
	96	32141-14600	WASHER-LOCK,MAIN SHAFT	1	10	1.6L	
	97	32142-26760	NUT-MAIN SHAFT	1	9	1.6L	

FIG. 32A C15 NISSAN MOTOR CO., LTD.



MARCH, 1972

F32A - 1

Printed in Japan

NISSAN MOTOR CO., LTD.

FIG. 32A

KEY NO.	PART NO.	PART NAME	QTY	SALES UNIT	MODEL	ICA
<b>TRANSMISSION SHAFT &amp; GEAR (1.6L) (WARNER TYPE)</b>						
1	32202-14600	GEAR REVERSE	1	20	1.6L WARNER	
2	32201-14601	SHAFT REVERSE	1	2	1.6L WARNER	
3	32204-14600	GEAR REVERSE	1	1	1.6L WARNER	
4	32203-14601	BEARING NEEDLE REVERSE IDLER	1	1	1.6L WARNER	
5	32205-14600	RING SNAP T1,2	1	10	1.6L WARNER	
6	32205-14601	RING SNAP T1,4	1	10	1.6L WARNER	
7	32205-14602	RING SNAP T1,3	1	10	1.6L WARNER	
8	32205-14603	RING SNAP T1,5	1	10	1.6L WARNER	
9	32205-14604	RING SNAP T1,1	1	10	1.6L WARNER	
10	32207-14600	WASHER THRUST REVERSE IDLER	2	9	1.6L WARNER	
11	32213-A3211	GEAR COUNTER	1	1	1.6L WARNER	
12	32211-A0901	SHAFT COUNTER	1	1	1.6L WARNER	
13	32211-A0951	SHAFT COUNTER	1	1	1.6L WARNER	Y
14	32210-A0601	SPACER COUNTER	2	10	1.6L WARNER	
15	32219-A0600	ASSY BEARING NEEDLE	2	90	1.6L WARNER	

REVISED: MARCH, 1972

32-A- 1

Printed in Japan

FIG. 32A C16 NISSAN MOTOR CO., LTD.

S	KEY NO.	PART NO.	PART NAME	QTY	SALES UNIT	MODEL	ICA
	16	32224-A0900	WASHER THRUST T2,35	1	10	1.6L WARNER	
	17	32225-A0900	WASHER THRUST T2,40	1	10	1.6L WARNER	
	18	32225-A0901	WASHER THRUST T2,45	1	10	1.6L WARNER	
	19	32225-A0902	WASHER THRUST T2,50	1	10	1.6L WARNER	
	20	32225-A0903	WASHER THRUST T2,60	1	10	1.6L WARNER	
	21	32225-A0904	WASHER THRUST T2,60	1	10	1.6L WARNER	
	22	32292-14600	PIN RETAINING	1	10	1.6L WARNER	
	23	32208-A3310	MAIN DRIVE GEAR	1	1	1.6L WARNER	
	24	37510-06160	BEARING-MAIN DRIVE	1	1	1.6L WARNER	
	25	32205-08002	SPACER M/DRIVE	1	10	1.6L WARNER	
	26	32204-08000	RING SNAP M/D T1,02	1	5	1.6L WARNER	
	27	32204-08001	RING SNAP M/D T1,01	1	5	1.6L WARNER	
	28	32204-08002	RING SNAP M/D T1,04	1	5	1.6L WARNER	
	29	32204-08003	RING SNAP M/D T1,75	1	5	1.6L WARNER	
	30	32204-08004	RING SNAP M/D T1,77	1	5	1.6L WARNER	
	31	32204-14500	RING SNAP M/D	1	10	1.6L WARNER	
	32	32204-14501	RING SNAP M/D	1	10	1.6L WARNER	

32-A- 2

Printed in Japan

REVISED: MARCH, 1972

NISSAN MOTOR CO., LTD.

FIG. 32A

S	KEY NO.	PART NO.	PART NAME	QTY	SALES UNIT	MODEL	ICA
	33	32241-14600	SHAFT MAIN	1	1	1.6L WARNER	
	34	32220-14600	BALL STEEL 5/32	1	10	1.6L WARNER	
	35	32246-14600	WASHER THRUST	1	5	1.6L WARNER	
	36	32264-14600	BEARING NEEDLE M/S	1	1	1.6L WARNER	
	37	32230-73201	GEAR 1ST M/S	1	1	1.6L WARNER	
	38	32604-14610	RING GAULK	2	1	1.6L WARNER	
	39	32604-14610	RING GAULK	2	1	1.6L WARNER	Y
	40	32604-P0100	RING-GAULK	2	1	1.6L WARNER	Y
	41	32600-73200	INSERT SHIFTING	2	10	1.6L WARNER	
	42	32600-73201	INSERT-SHIFTING	2	10	1.6L WARNER	Y
	43	32603-73200	SPRING SPREAD	2	10	1.6L WARNER	
	44	32601-14610	HUB-SYNCHRONIZER 1ST & 2ND	1	1	1.6L WARNER	
	45	32601-73200	HUB-SYNCHRONIZER 1ST & 2ND	1	1	1.6L WARNER	Y
	46	32606-73200	SLEEVE COUPLING	1	1	1.6L WARNER	
	47	32264-14600	BRG NEEDLE M/S	1	1	1.6L WARNER	
	48	32230-14510	ASSY GEAR 2ND	1	1	1.6L WARNER	
	49	32264-14600	BEARING NEEDLE M,	1	1	1.6L WARNER	

32-A- 3

Printed in Japan

REVISED: MARCH, 1972



FIG. 32A D1 NISSAN MOTOR CO., LTD.

S	KEY NO.	PART NO.	PART NAME	QTY	SALES UNIT	MODEL	ICA	
	50	32260-16510	GEAR 3RD SPEED	1	1.0L	WARNER		
•	51	32604-14010	RING BULK	2	1.0L	WARNER		
•	52	32604-14610	RING BULK	2	1.0L	WARNER	Y	
	53	32600-P0100	RING-BULK	2	1.0L	WARNER	Y	
•	54	32609-73200	INSERT SHIFTING	3	10	1.0L	WARNER	
	55	32609-73201	INSERT-SHIFTING	2	10	1.0L	WARNER	Y
	56	32603-73200	SPRING SPREADED	2	10	1.0L	WARNER	
•	57	32605-73201	HUB-SYNCHRONIZER 3RD & 4TH	1	1.0L	WARNER		
	58	32605-10610	HUB-SYNCHRONIZER 3RD & 4TH	1	1.0L	WARNER	Y	
	59	32606-73200	SLEEVE COUPLING	1	1.0L	WARNER		
	60	32263-14600	RING SNAP T1.00	1	10	1.0L	WARNER	
	61	32263-14601	RING SNAP T1.05	1	5	1.0L	WARNER	
	62	32263-14602	RING SNAP T1.50	1	10	1.0L	WARNER	
	63	32263-14603	RING SNAP T1.55	1	10	1.0L	WARNER	
	64	32263-14604	RING SNAP T1.60	1	10	1.0L	WARNER	
	65	32272-14600	BEARING PILOT N/S	1	5	1.0L	WARNER	
	66	32273-36900	BEARING MAIN SHAFT	1	1	1.0L	WARNER	

REVISED: MARCH, 1972

32-A- 4

Printed in Japan

NISSAN MOTOR CO., LTD.

FIG. 32A

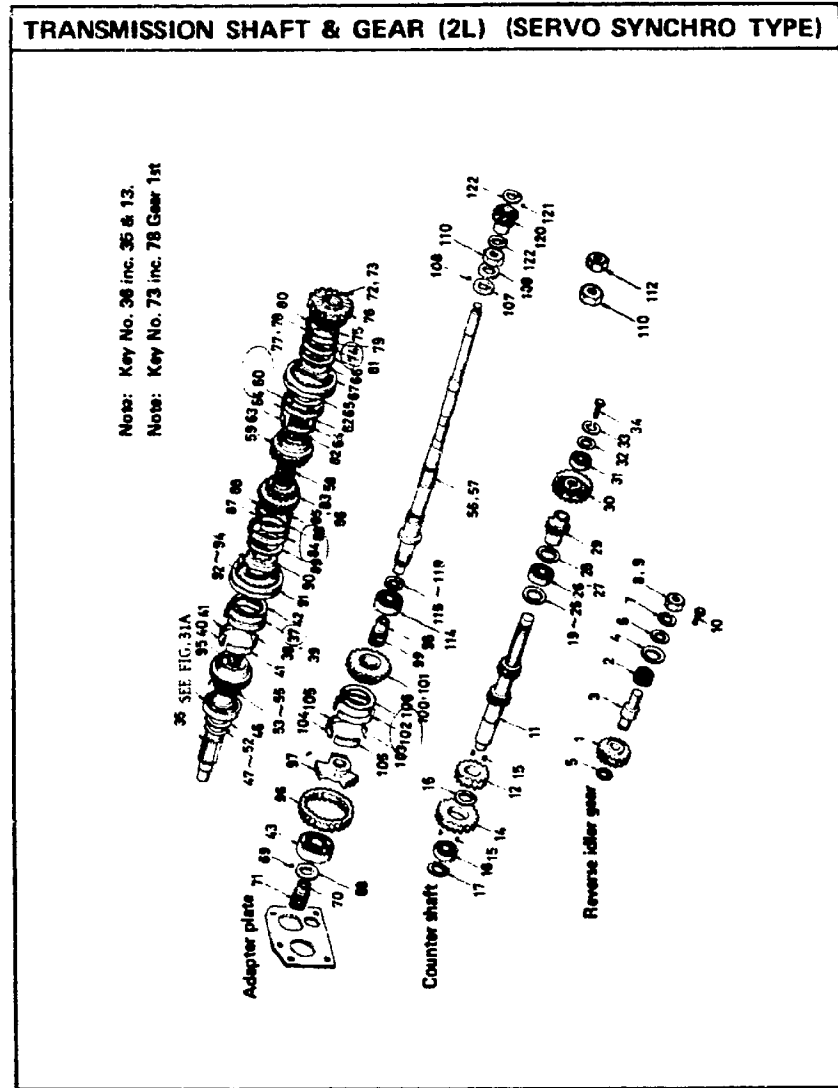
S	KEY NO.	PART NO.	PART NAME	QTY	SALES UNIT	MODEL	ICA	
	67	32274-36900	RING SNAP N/S	1	10	1.0L	WARNER	
•	68	32249-14600	GEAR REV N/S	1	1	1.0L	WARNER	
	69	32245-A0950	GEAR REV N/S	1	1	1.0L	WARNER	Y
•	70	32250-14600	HUB REV N/S	1	1	1.0L	WARNER	
	71	32253-A0900	HUB REV N/S	1	1	1.0L	WARNER	Y
	72	32701-19000	GEAR 2/METER (ST)	1	1	1.0L	WARNER	
	73	32720-36900	BALL STEEL	1	20	1.0L	WARNER	
	74	34014-26760	WASHER LOCK N/S	1	50	1.0L	WARNER	
	75	32102-26760	NUT N/SHAFT	1	5	1.0L	WARNER	

REVISED: MARCH, 1972

32-A- 5

Printed in Japan

FIG. 32B D2 NISSAN MOTOR CO., LTD.



NISSAN MOTOR CO., LTD.

FIG. 32C

S	KEY NO.	PART NO.	PART NAME	QTY	SALES UNIT	MODEL	ICA
<b>TRANSMISSION SHAFT &amp; GEAR (2L) (SERVO SYNCHRO TYPE)</b>							
	1	32282-78010	GEAR-REVERSE IDLER	1	2L		
	2	32272-36900	BEARING-NEEDLE 20 X 26 X 20	1	2L		
	3	32281-78010	SHAFT-REVERSE IDLER GEAR	1	2L		
	4	32284-78000	WASHER-THRUST REVERSE IDLER	2	2L		
	5	32285-20100	RING-SNAP, REVERSE IDLER	1	2L		
	6	32294-78010	WASHER-PLAIN	3	2L		
	7	00915-14410	WASHER-SPRING	1	2L		
	8	00911-34410	NUT-REVERSE IDLER SHAFT M14 X 1.5	1	2L		
	9	01211-00011	NUT-REVERSE IDLER SHAFT	1	2L		Y
	10	32290-78000	SET-SCREW, REVERSE IDLER	1	2L		
	11	32212-25501	SHAFT-COUNTER, (1114T, 2119T)	1	2L		
	12	32216-78010	GEAR-COUNTER, 3RD, 24T	1	2L		
	13	32217-78000	GEAR-COUNTER, 4TH, 28T	1	2L		
	14	32200-25550	GEAR-COUNTER, 4TH, 28T	1	2L		Y
	15	00926-51600	KEY-WOODRUFF	1	2L		
	16	00922-13200	RING-SNAP	1	2L		
	17	00922-12800	RING-SNAP	1	2L		
	18	32273-14360	BEARING-COUNTER SHAFT	1	2L		

FIG. 32<sup>B</sup> D3 NISSAN MOTOR CO., LTD.

S	KEY NO.	PART NO.	PART NAME	QTY	SALES UNIT	MODEL	ICA
	19	32218-20108	SHIM-BEARING,COUNTER SHAFT T 1,8	1	18 ZL		
	20	32218-20101	SHIM-BEARING,COUNTER SHAFT T 8,9	1	18 ZL		
	21	32218-20102	SHIM-BEARING,COUNTER SHAFT T 8,8	1	18 ZL		
	22	32218-20103	SHIM-BEARING,COUNTER SHAFT T 8,7	1	18 ZL		
	23	32218-20104	SHIM-BEARING,COUNTER SHAFT T 9,6	1	18 ZL		
	24	32218-20105	SHIM-BEARING,COUNTER SHAFT T 8,5	1	18 ZL		
	25	32218-20106	SHIM-BEARING,COUNTER SHAFT T 8,4	1	18 ZL		
	26	32203-14368	BEARING-COUNTER SHAFT	1	1 ZL		
	27	32203-E0100	BEARING-COUNTER SHAFT	1	1 ZL		Y
	28	32224-20108	RING-BEARING,COUNTER SHAFT	1	18 ZL		
	29	32228-29500	BEAR-COUNTER SHAFT, REVERSE	1	1 ZL		
	30	32318-29500	BEAR-COUNTER SHAFT, OVER DRIVE(3TH)	1	1 ZL		
	31	21038-15768	BEARING-COUNTER SHAFT, OVER DRIVE	1	1 ZL		
	32	88915-54818	WASHER-COUNTER SHAFT	1	98 ZL		
	33	8J915-14818	WASHER-SPRING	1	98 ZL		
	34	32236-29500	BOLT-HEXAGON HEAD M10 X 1,5	1	18 ZL		
	35	32208-29500	ASSY-BEAR, MAIN DRIVE	1	1 ZL		
	36	32208-29558	KEY-BEAR DRIVE M/D	1	1 ZL		Y
	37	32611-14600	RING-SYNCHRONIZER	1	9 ZL		
	38	32612-14601	BLOCK-THRUST	1	1 ZL		

32-B- 2

Printed in Japan

REVISED: MARCH, 1972

NISSAN MOTOR CO., LTD.

FIG. 32<sup>B</sup>

S	KEY NO.	PART NO.	PART NAME	QTY	SALES UNIT	MODEL	ICA
	39	32612-14602	BLOCK-THRUST, 2ND, 3RD & 4TH	1	18 ZL		Y
	40	32613-14601	BLOCK-ANCHOR	1	18 ZL		
	41	32614-14608	BAND-BRAKE, 2, 3	2	18 ZL		
	42	32616-14608	CIRCLIP	1	9 ZL		
	43	32273-84100	BEARING-MAIN DRIVE	1	1 ZL		
	44	32205-20100	SPACER-MAIN DRIVE BRG T2 (TO SEP-67)	1	18 ZL		
	45	32205-20101	SPACER-MAIN DRIVE BRG T2:1 (TO SEP-67)	1	18 ZL		
	46	32205-20102	SPACER-MAIN DRIVE BRG T2:2 (TO SEP-67)	1	18 ZL		
	47	32204-78800	RING-SNAP, MAIN DRIVE GEAR T1,88 (FROM OCT-67)	1	9 ZL		
	48	32204-78801	RING-SNAP, MAIN DRIVE GEAR T1,87 (FROM OCT-67)	1	9 ZL		N
	49	32204-78802	RING-SNAP, MAIN DRIVE GEAR T1,86 (FROM OCT-67)	1	9 ZL		N
	50	32204-78803	RING-SNAP, MAIN DRIVE GEAR T2,81 (FROM OCT-67)	1	9 ZL		N
	51	32204-78804	RING-SNAP, MAIN DRIVE GEAR T2,80 (FROM OCT-67)	1	9 ZL		N
	52	32204-20108	RING-SNAP, MAIN DRIVE (TO SEP-67)	1	9 ZL		
	53	32207-20100	RING-SNAP, MAIN DRIVE BEARING T 1,8	1	18 ZL		
	54	32207-20101	RING-SNAP, MAIN DRIVE BEARING T 1,4	1	18 ZL		
	55	32207-20102	RING-SNAP, MAIN DRIVE BEARING T 1,6	1	18 ZL		

32-B- 3

Printed in Japan

REVISED: MARCH, 1972

FIG. 32B D4 NISSAN MOTOR CO., LTD.

S	KEY NO.	PART NO.	PART NAME	QTY	SALES UNIT	MODEL	ICA
	56	32241-25525	KIT-MAIN SHAFT	1	2L		
	57	32241-25500	SHAFT-MAIN	1	1 2L		Y
	58	32264-14600	BEARING-NEEDLE ROLLER	1	1 2L		
	59	32258-25501	ASSY-GEAR, 2ND	1	1 2L		
	60	32611-14600	RING-SYNCHRONIZER	1	9 2L		
	61	32612-14601	BLOCK-THRUST	1	1 2L		
	62	32612-14603	BLOCK-THRUST, 2ND, 3RD, & 4TH	1	10 2L		Y
	63	32613-14601	BLOCK-ANCHOR	1	10 2L		
	64	32614-14600	BAND-BRAKE, 2, 5	2	10 2L		
	65	32616-14600	CIRCLIP	1	9 2L		
	66	32601-14600	HUB-SYNCHRONIZER	1	1 2L		
	67	32606-14600	SLEEVE-COUPPING, SYNCHRONIZER	1	1 2L		
	68	32246-78000	WASHER-THRUST, MAIN SHAFT	1	9 2L		
	69	32247-20100	BALL-THRUST WASHER, MAIN SHAFT	1	50 2L		
	70	32253-14600	BUSH-1ST SPEED, MAIN SHAFT	1	2 2L		
	71	32264-14600	BEARING-NEEDLE, ROLLER	1	1 2L		
	72	32242-25501	ASSY-GEAR, 1ST	1	1 2L		
	73	32242-25525	SET-GEAR, 1ST & BLOCKS WITHOUT BAND	1	1 2L		Y
	74	32611-14600	RING-SYNCHRONIZER	1	9 2L		
	75	32617-14601	BLOCK-THRUST	1	1 2L		
	76	32617-14610	BLOCK-THRUST	1	10 2L		N
	77	32618-14601	BLOCK-ANCHOR	1	10 2L		
	78	32613-14601	BLOCK-ANCHOR	1	10 2L		N

32-B- 4

Printed in Japan

REVISED: MARCH, 1972

NISSAN MOTOR CO., LTD.

FIG. 32B

S	KEY NO.	PART NO.	PART NAME	QTY	SALES UNIT	MODEL	ICA
	79	32614-14600	BAND-BRAKE, 2, 5 (FOR 32242-25501)	1	10 2L		
	80	32615-14600	BAND-BRAKE, 2, 2 (FOR 32242-25501)	1	9 2L		
	81	32616-14600	CIRCLIP	1	9 2L		
	82	32264-14600	BEARING-NEEDLE, ROLLER	1	1 2L		
	83	32260-25501	ASSY-GEAR, 3RD	1	1 2L		
	84	32611-14600	RING-SYNCHRONIZER	1	9 2L		
	85	32612-14601	BLOCK-THRUST	1	1 2L		
	86	32612-14603	BLOCK-THRUST, 2ND, 3RD, & 4TH	1	10 2L		Y
	87	32613-14601	BLOCK-ANCHOR	1	10 2L		
	88	32614-14600	BAND-BRAKE, 2, 5	2	10 2L		
	89	32616-14600	CIRCLIP	1	9 2L		
	90	32601-14600	HUB-SYNCHRONIZER	1	1 2L		
	91	32606-14600	SLEEVE-COUPPING, SYNCHRONIZER	1	1 2L		
	92	32263-14601	RING-SNAP, SYNCHRONIZER T 1, 50	1	9 2L		
	93	32263-14602	RING-SNAP, SYNCHRONIZER T 1, 55	1	10 2L		
	94	32263-14603	RING-SNAP, SYNCHRONIZER T 1, 60	1	10 2L		
	95	32272-36900	BEARING-MAIN SHAFT PILE OT	1	1 2L		
	96	32245-25500	ASSY-GEAR, REVERSE, MAIN SHAFT	1	1 2L		
	97	32258-25500	HUB-SYNCHRONIZER, OVER DRIVE	1	1 2L		
	98	32349-25500	BUSH-OVER DRIVE, MAIN SHAFT	1	2 2L		

32-B- 5

Printed in Japan

REVISED: MARCH, 1972

FIG. 32 D5 NISSAN MOTOR CO., LTD.

S	KEY NO.	PART NO.	PART NAME	QTY	SALES UNIT	MODEL	ICA
	99	32350-25500	BEARING-NEEDLE, OVER DRIVE, MAIN SHAFT	2	1 ZL		
	100	32340-25500	ASSY-GEAR, OVER DRIVE, MAIN SHAFT	1	1 ZL		
	101	32349-25501	ASSY-GEAR, OVER DRIVE, MAIN SHAFT	1	1 ZL		Y
	102	32361-20100	RING-SYNCHRONIZER	1	1 ZL		
	103	32362-20100	BLOCK-THRUST	1	10 ZL		
	104	32363-20100	BLOCK-ANCHOR	1	10 ZL		
	105	32364-20100	BAND-BRAKE, 2, 5	2	5 ZL		
	106	32366-20100	CIRCLIP	1	10 ZL		
	107	32352-25501	WASHER-THRUST, OVER DRIVE, MAIN SHAFT	1	5 ZL		
	108	32247-20100	BALL-THRUST WASHER, MAIN SHAFT	1	50 ZL		
	109	32353-70001	PLATE-LOCK T 0, 0 (TO C/P SEE FIG)	1	10 ZL		
	110	32354-25501	NUT-HEXA GON (FROM C/P SEE FIG)	1	10 ZL		N
	111	32354-25500	NUT-HEXA GON M27X1.0	1	10 ZL		
	112	32354-25501	NUT-HEX, M27X1.0 FOR 32241-25500	1	10 ZL		Y
	113	32354-A7400	NUT-HEX, M27X1.0 (FOR 32241-25525)	1	1 ZL		N
	114	32203-14360	BEARING-OVER DRIVE, MAIN SHAFT	1	1 ZL		
	115	32220-20100	RING-SNAP, T 1, 1	AM	10 ZL		
	116	32220-20101	RING-SNAP, T 1, 2	AM	10 ZL		
	117	32220-20102	RING-SNAP, T 1, 3	AM	10 ZL		
	118	32220-20103	RING-SNAP, T 1, 4	AM	10 ZL		
	119	32220-20104	RING-SNAP, T 1, 4	AM	10 ZL		Y

REVISED: MARCH, 1972

32-R- 6

Printed in Japan

NISSAN MOTOR CO., LTD.

FIG. 32

S	KEY NO.	PART NO.	PART NAME	QTY	SALES UNIT	MODEL	ICA
	120	32701-66005	GEAR-DRIVE, MAIN SHAFT (GT)	1	1 ZL		
	121	32720-36900	BALL-STEEL 1/4	1	20 ZL		
	122	32220-20101	RING-SNAP	2	10 ZL		

REVISED: MARCH, 1972

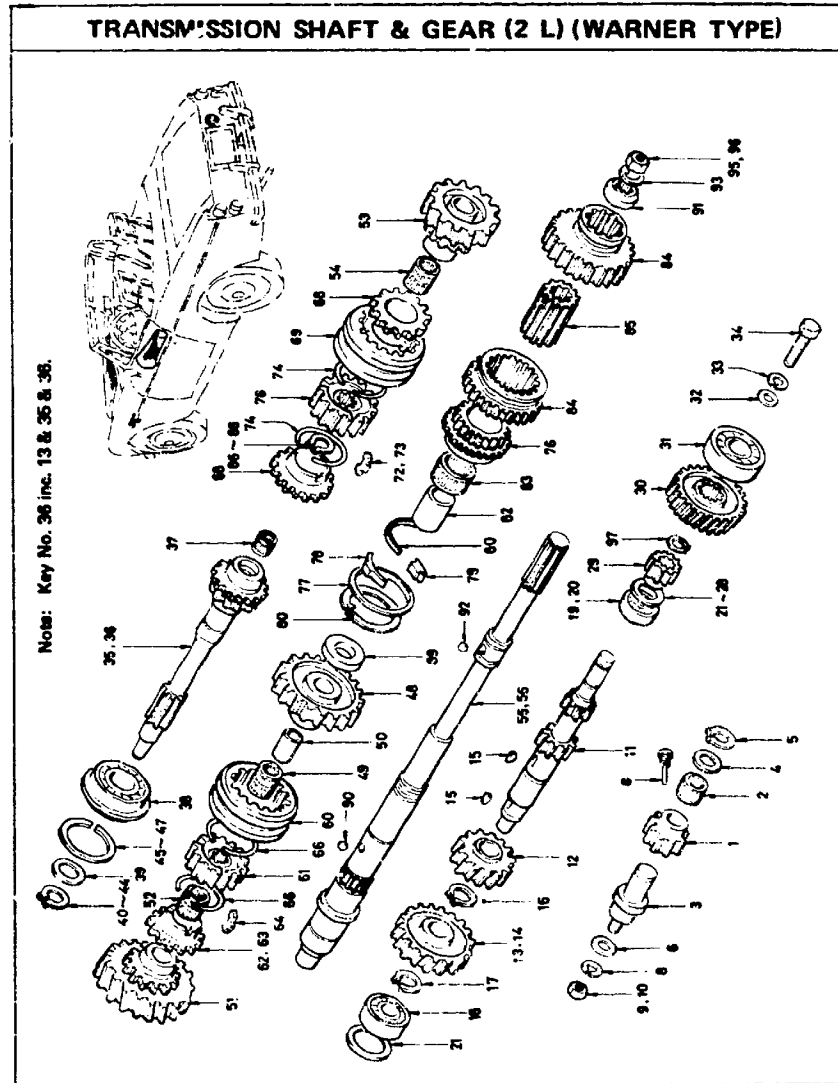
32-R- 7

Printed in Japan

FIG. 32c D6 NISSAN MOTOR CO., LTD.

NISSAN MOTOR CO., LTD.

FIG. 32c



S	KEY NO.	PART NO.	PART NAME	QTY	SALES UNIT	MODEL	ICA
<b>TRANSMISSION SHAFT &amp; GEAR (2L) (WARNER TYPE)</b>							
	1	32282-78010	GEAR-REVERSE IDLER	1	1	2L WARNER	
	2	32272-36900	BEARING-NEEDLE 20X26Y20	1	1	2L WARNER	
	3	32281-78010	SHAFT-REVERSE IDLER	1	1	2L WARNER	
	4	32261-78000	WASHER-THRUST REVERSE	2	9	2L WARNER	
	5	32285-20100	RING-SNAP REVERSE IDLER	1	9	2L WARNER	
	6	32294-78010	WASHER-PLAIN	1	10	2L WARNER	
	7	32298-78000	SCREW-SET REVERSE IDLER	1	10	2L WARNER	
	8	00919-14410	WASHER-SPRING	1	50	2L WARNER	
	9	00911-34410	NUT-REVERSE IDLER SHAFT	1	50	2L WARNER	
	10	01211-00011	NUT-REVERSE IDLER SHAFT	1		2L WARNER	Y
	11	32212-25501	SHAFT-COUNTER	1	1	2L WARNER	
	12	32216-78010	GEAR-3RD SPEED COUNTER	1	1	2L WARNER	
	13	32217-78000	GEAR-DRIVE COUNTER SHAFT (SEE NOTE)	1	1	2L WARNER	
	14	32208-25550	GEAR-DRIVE COUNTER	1	1	2L WARNER	Y
	15	00926-51600	KEY-WOODRUFF	4	10	2L WARNER	
	16	00922-13200	RING-SNAP	1	50	2L WARNER	
	17	00922-12800	RING-SNAP	1	50	2L WARNER	
	18	32273-14360	BEARING-COUNTER SHAFT FRONT	1	1	2L WARNER	
	19	32203-14360	BEARING-COUNTER SHAFT REAR	1	1	2L WARNER	

FIG. 32c D7 NISSAN MOTOR CO., LTD.

S	KEY NO.	PART NO.	PART NAME	QTY	SALES UNIT	MODEL	ICA
	20	32203-E0100	BEARINGS-COUNTER SHAFT FRONT	1	1	2L WARNER	Y
	21	32224-20100	RING-BEARING COUNTER SHAFT	1	10	2L WARNER	
	22	32218-20100	SHIM-BEARING COUNTER	1	10	2L WARNER	
	23	32218-20101	SHIM-BEARING COUNTER	1	10	2L WARNER	
	24	32218-20102	SHIM-BEARING COUNTER	1	10	2L WARNER	
	25	32218-20103	SHIM-BEARING COUNTER	1	10	2L WARNER	
	26	32218-20104	SHIM-BEARING COUNTER	1	10	2L WARNER	
	27	32218-20105	SHIM-BEARING COUNTER	1	10	2L WARNER	
	28	32218-20106	SHIM-BEARING COUNTER	1	10	2L WARNER	
	29	32220-25500	GEAR-REVERSE COUNTER	1	1	2L WARNER	
	30	32310-25500	GEAR-OVER DRIVE COUNTER	1	1	2L WARNER	
	31	21030-15760	BEARING-OVER DRIVE COUNTER SHAFT	1	1	2L WARNER	
	32	00015-54010	WASHER-PLAIN	1	50	2L WARNER	
	33	00015-14010	WASHER-SPRING	1	50	2L WARNER	
	34	32236-25500	BOLT-HEX, M10X1.5	1	10	2L WARNER	
	35	32200-70000	ASSY-BEAR MAIN DRIVE	1	1	2L WARNER	
	36	32200-70050	SET-BEAR DRIVE M/D	1	1	2L WARNER	Y
	37	32272-36000	BEARING-PILOT M/S	1	1	2L WARNER	
	38	32273-04100	BEARING-MAIN DRIVE	1	1	2L WARNER	
	39	32205-70000	SPACER-BEARING MAIN DRIVE	1	10	2L WARNER	
	40	32204-70000	RING-SNAP MAIN DRIVE GEAR	1	5	2L WARNER	
	41	32204-70001	RING-SNAP MAIN DRIVE GEAR	1	5	2L WARNER	

32-C- 2

Printed in Japan

REVISED: MARCH, 1972

NISSAN MOTOR CO., LTD.

FIG. 32c

S	KEY NO.	PART NO.	PART NAME	QTY	SALES UNIT	MODEL	ICA
	42	32204-70002	RING-SNAP MAIN DRIVE GEAR	1	5	2L WARNER	
	43	32204-70003	RING-SNAP MAIN DRIVE GEAR	1	5	2L WARNER	
	44	32204-70004	RING-SNAP MAIN DRIVE GEAR	1	5	2L WARNER	
	45	32207-20100	RING-BEARING MAIN DRIVE	1	10	2L WARNER	
	46	32207-20101	RING-BEARING MAIN DRIVE	1	10	2L WARNER	
	47	32207-20102	RING-BEARING MAIN DRIVE	1	10	2L WARNER	
	48	32242-A3300	ASSY-BEAR 1ST SPEED M/S	1	1	2L WARNER	
	49	32244-14600	BEARING-NEEDLE 1ST	1	1	2L WARNER	
	50	32293-14600	BUSH-1ST BEAR M/S	1	2	2L WARNER	
	51	32250-A3300	ASSY-BEAR 2ND SPEED M/S	1	1	2L WARNER	
	52	32266-14600	BEARING-NEEDLE 2ND	1	1	2L WARNER	
	53	32260-70010	ASSY-BEAR 3RD SPEED M/S	1	1	2L WARNER	
	54	32264-14600	BEARING-NEEDLE 3RD	1	1	2L WARNER	
	55	32241-25525	KIT-MAIN SHAFT	1		2L WARNER	
	56	32241-25500	SHAFT-MAIN	1	1	2L WARNER	Y
	57	32601-73200	HUB-SYNCHRO 1ST & 2ND	1	1	2L WARNER	
	58	32601-AB610	HUB-SYNCHRO 1ST & 2ND	1	1	2L WARNER	Y
	59	32606-73200	SLEEVE-COUPLING	1	1	2L WARNER	
	60	32606-73200	SLEEVE-COUPLING	1	1	2L WARNER	
	61	32604-14810	RING-BAULK	2	1	2L WARNER	
	62	32604-A4610	RING-BAULK	2	2L		Y

32-C- 3

Printed in Japan

REVISED: MARCH, 1972

FIG. 32c D8 NISSAN MOTOR CO., LTD.

S	KEY NO.	PART NO.	PART NAME	QTY	SALES UNIT	MODEL	ICA
	63	32604-P0100	RING-BAULK	2	1 ZL		Y
•	64	32609-73200	INSERT-SHIFTING	3	10 ZL	WARNER	
	65	32609-73201	INSERT-SHIFTING	3	10 ZL	WARNER	Y
	66	32603-73200	SPRING-SPREAD	2	10 ZL	WARNER	
	67	32605-78801	HUB-SYNCHRO 3RD & 4TH	1	1 ZL	WARNER	
	68	32606-73200	SLEEVE-COUPLING	1	1 ZL	WARNER	
•	69	32604-14610	RING-BAULK	2	2 ZL	WARNER	
•	70	32604-A4610	RING-BAULK	2		ZL WARNER	Y
	71	32604-P0100	RING-BAULK	2	1 ZL	WARNER	Y
•	72	32609-73200	INSERT-SHIFTING	3	10 ZL	WARNER	
	73	32609-73201	INSERT-SHIFTING	3	10 ZL	WARNER	Y
	74	32603-73200	SPRING-SPREAD	2	10 ZL	WARNER	
•	75	32348-25500	ASSY-GEAR OVER DRIVE N/S	1	1 ZL	WARNER	
	76	32348-25501	ASSY-GEAR OVER DRIVE N/S	1		ZL WARNER	Y
	77	32361-20100	RING-SYNCHRO	1	1 ZL	WARNER	
	78	32362-20100	BLOCK-THRUST	1	10 ZL	WARNER	
	79	32363-20100	BLOCK-ANCHOR	1	10 ZL	WARNER	
	80	32364-20100	BAND-BRAKE	1	5 ZL	WARNER	
	81	32366-20100	CIRCLIP	1	10 ZL	WARNER	
	82	32349-25500	BUSH-OVER DRIVE MAIN SHAFT	1	5 ZL	WARNER	
	83	32350-25500	BEARING-NEEDLE OVER DRIVE	1	1 ZL	WARNER	
	84	32245-25500	GEAR-REVERSE MAIN SHAFT	1	1 ZL	WARNER	
	85	32258-25500	HUB-SYNCHRO REVERSE OVER DRIVE	1	1 ZL	WARNER	

REVISED: MARCH, 1972

32-C- 4

Printed in Japan

NISSAN MOTOR CO., LTD.

FIG. 32c

S	KEY NO.	PART NO.	PART NAME	QTY	SALES UNIT	MODEL	ICA
	86	32263-14601	RING-SNAP SYNCHRO HUB	1	5 ZL	WARNER	
	87	32263-14602	RING-SNAP SYNCHRO HUB	1	10 ZL	WARNER	
	88	32263-14603	RING-SNAP SYNCHRO HUB	1	10 ZL	WARNER	
	89	32246-78800	WASHER-THRUST N/S	1	5 ZL	WARNER	
	90	32347-20100	BALL-THRUST WASHER N/S	1	50 ZL	WARNER	
	91	32352-25501	WASHER-THRUST OVER DRIVE N/S	1	5 ZL	WARNER	
	92	32247-20100	BALL-THRUST WASHER N/S	1	50 ZL	WARNER	
	93	32353-78801	PLATE-LOCK	1	10 ZL	WARNER	
	94	32354-25500	NUT-HEX. M27X1.0	1	10 ZL	WARNER	
	95	32354-25501	NUT-HEX. M27X1.0 (FOR 32241-25520)	1	10 ZL	WARNER	
	96	32354-A7400	NUT-HEX. M27X1.0 (FOR 32241-25523)	1	1 ZL	WARNER	N
	97	32293-14360	BEARING-OVER DRIVE MAIN SHAFT	1	1 ZL	WARNER	
	98	32228-20100	RING-SNAP OVER DRIVE BEARING	1	10 ZL	WARNER	

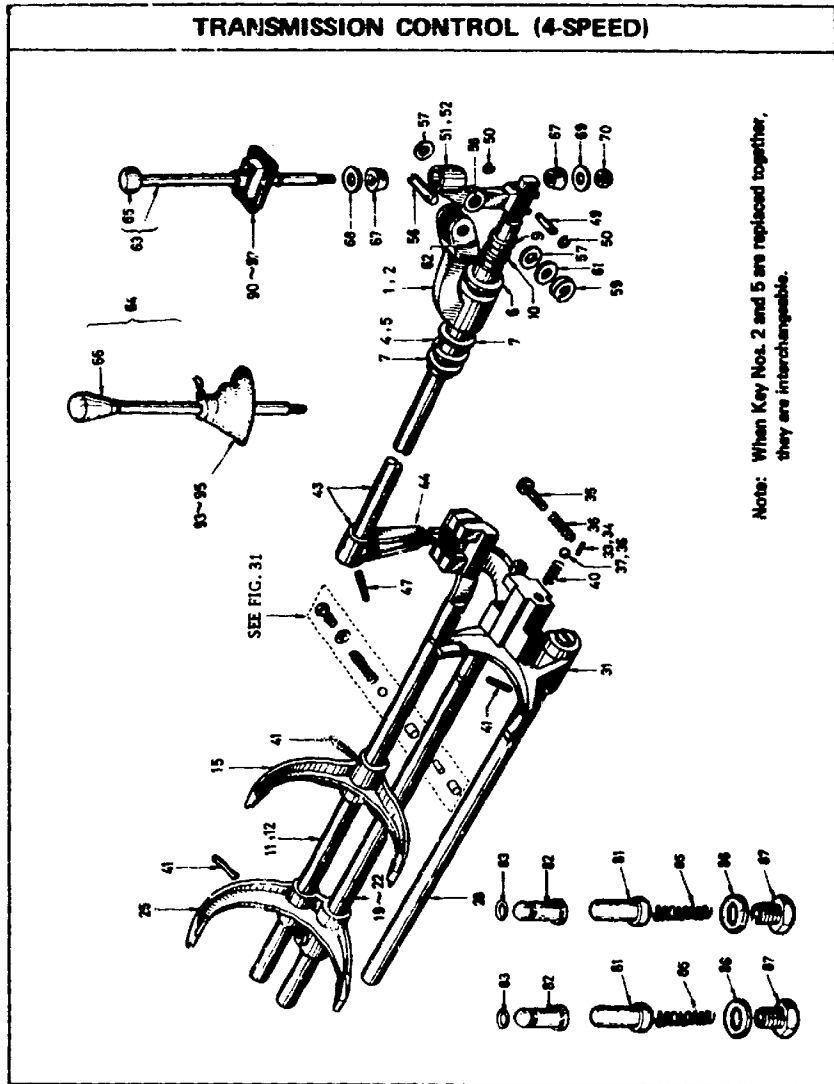
REVISED: MARCH, 1972

32-C- 5

Printed in Japan



FIG. 33-1 D9 NISSAN MOTOR CO., LTD.



NISSAN MOTOR CO., LTD.

FIG. 33-2

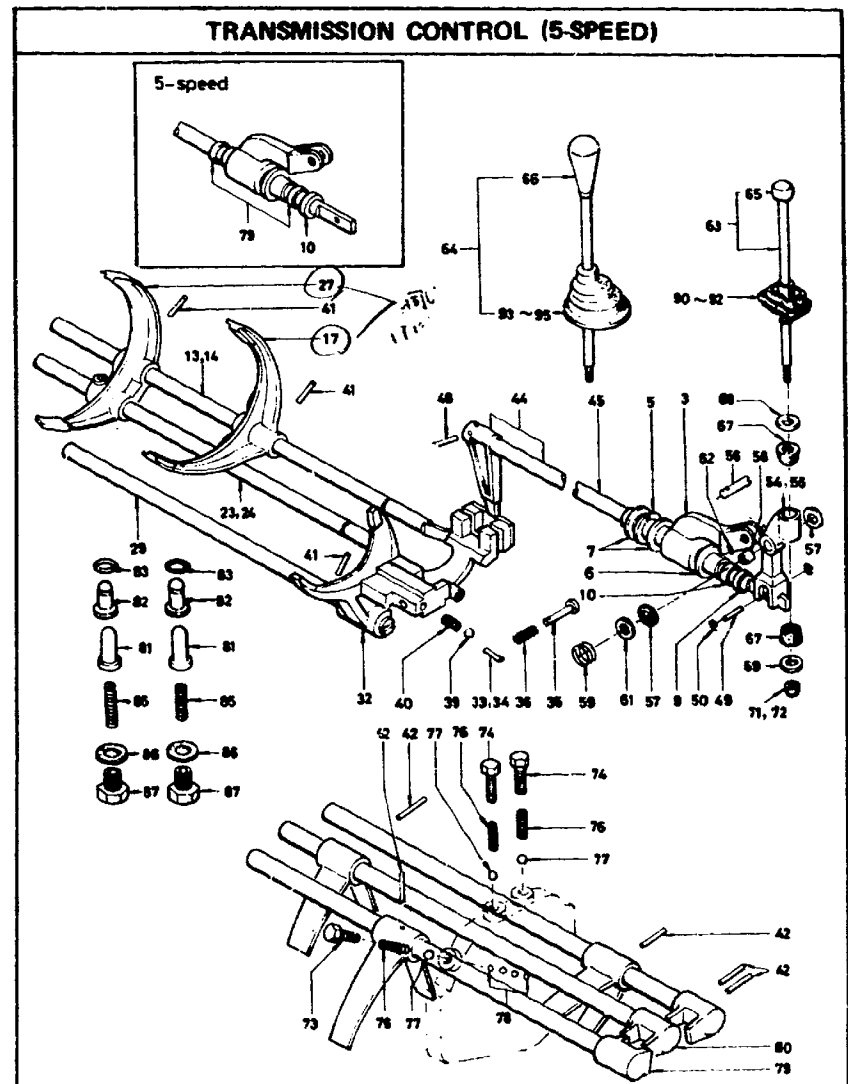


FIG. 33 D10 NISSAN MOTOR CO., LTD.

S	KEY NO.	PART NO.	PART NAME	QTY	SALES UNIT	MODEL	ICA
<b>TRANSMISSION CONTROL</b>							
EMISSION CONTROL signifies USA & ONTARIO in CANADA.							
•	1	32844-14600	ARM-CONTROL	1	1.6L		
	2	32844-18800	ARM-CONTROL (FROM C/8 2 P311 801185 SPL311 809 431)	1	1.6L		C
	3	32844-25500	ARM-CONTROL	1	2L		
	4	32852-14600	SPRING-STRIKING	1	1.6L		
	5	32845-18800	RING 0 CONTROL ARM	1	ALL		N
	6	32875-14600	WASHER-THRUST, CONTROL ARM	1	1.6L		
	7	32876-14600	WASHER-THRUST, CONTROL ARM	2	1.6L		
	8	32887-18800	BUSH STRIKING ROD	1	2 ALL		
	9	32857-14600	CAP-RING, ROD	1	ALL		
	10	32898-14600	RING-ROD, STRIKING ROD	1	ALL		
	11	32801-14600	COMP., ROD, FORK, 1ST & 2ND	1	1.6L SERVO		
	12	32801-16511	COMP., ROD, FORK, 1ST & 2ND	1	1.6L WARNER		
	13	32801-25500	COMP., ROD, FORK, 1ST & 2ND	1	2L SERVO		
	14	32801-A0100	COMP., ROD, FORK, 1ST & 2ND	1	2L WARNER		
	15	32805-14600	FORK-SHIFT, 1ST & 2ND	1	1.6L		
•	16	32811-20101	FORK-SHIFT, 1ST & 2ND	1	2L		
	17	32811-78000	FORK-SHIFT, 1ST & 2ND	1	2L		Y
•	18	32809-14600	ROD-FORK, 3RD & 4TH	1	1.6L		

NISSAN MOTOR CO., LTD.

FIG. 33

S	KEY NO.	PART NO.	PART NAME	QTY	SALES UNIT	MODEL	ICA
	19	32809-22000	ROD-FORK, 3RD & 4TH	1	1.6L SERVO		Y
	20	32809-21100	ROD-FORK, 3RD & 4TH	1	1.6L WARNER		
	21	32809-A7702	FORK ROD 3RD & 4TH	1	1.6L SERVO		
	22	32809-A7700	FORK ROD 3RD & 4TH	1	1.6L WARNER		
	23	32809-25500	ROD-FORK, 3RD & 4TH	1	2L SERVO		
	24	32809-A0100	ROD-FORK, 3RD & 4TH	1	2L WARNER		
	25	32811-14600	FORK-SHIFT, 3RD & 4TH	1	1.6L		
•	26	32811-20101	FORK-SHIFT, 3RD & 4TH	1	2L		
	27	32811-78000	FORK-SHIFT, 3RD & 4TH	1	2L		Y
	28	32816-14600	ROD-FORK, REVERSE	1	1.6L		
	29	32816-25500	ROD-FORK, REVERSE & OVER DRIVE	1	2L		
•	30	32819-14600	FORK-SHIFT, REVERSE	1	1.6L		
	31	32819-14650	FORK-SHIFT, REVERSE	1	1.6L		Y
	32	32819-20100	FORK-SHIFT, REVERSE & OVER DRIVE	1	2L		
	33	32712-61000	PIN-ROLLER, RETAINING SPEEDOMETER SLEEVE	1	ALL		
	34	32873-14600	PIN-ROLLER, RETAINING SPEEDOMETER SLEEVE	1	ALL		Y
	35	32823-14600	PIN-REVERSE FORK	1	ALL		
	36	32824-09600	SPRING-RETURN, REVERSE PIN	1	ALL		

S	KEY NO.	PART NO.	PART NAME	QTY	SALES UNIT	MODEL	ICA
	37	32827-26760	BALL-CHECK, REVERSE FOR K	1	90	1.6L	
	38	32728-36900	BALL-CHECK, REVERSE FOR K	1	20	1.6L	Y
	39	32829-26760	BALL-CHECK, REVERSE FOR K	1	90	2L	
	40	32825-14600	SPRING-CHECK, REVERSE FOR DMK	1	10	ALL	
	41	32292-14600	PIN-RETAINING	3	10	1.6L	
	42	32292-36900	PIN-RETAINING	3	10	2L	
	43	32898-14600	ASSY-ROD, STRIKING	1	1	1.6L	
	44	32898-25500	ASSY-ROD STRIKING W/LEVER	1	1	2L	Y
	45	32892-25500	ROD-STRIKING	1	1	2L	
	46	32896-25500	LEVER-STRIKING ROD	1	1	2L	
	47	32292-14600	PIN-RETAINING	1	10	1.6L	
	48	32292-36900	PIN-RETAINING	1	10	2L	
	49	32877-14600	PIN-STRIKING ROD	1	10	ALL	
	50	32878-14600	RING-C-STRIKING PIN	2	10	ALL	
	51	32843-14650	BRACKET-LEVER, CONTROL	1	1	1.6L	
	52	32843-A7150	BRACKET-LEVER, CONTROL	1	1	1.6L	Y
	53	32843-15800	BRACKET-LEVER, CONTROL	1		2L	
	54	32843-15850	BRACKET-LEVER, CONTROL	1	1	2L	Y
	55	32843-E4150	BRACKET-LEVER, CONTROL	1	1	2L	Y
	56	32849-14600	PIN-CONTROL ARM	1	5	ALL	
	57	32888-14600	WASHER-CONTROL PIN	2	10	ALL	
	58	32889-14600	BUSH-CONTROL PIN	1	10	ALL	
	59	32851-14600	SPRING-CONTROL	1	10	ALL	

S	KEY NO.	PART NO.	PART NAME	QTY	SALES UNIT	MODEL	ICA
	60	32879-14600	WASHER-THRUST, CONTROL PIN	1	10	ALL	
	61	88915-44010	WASHER-THRUST, CONTROL PIN	1	50	ALL	Y
	62	32873-14600	PIN-RETAINING	1	10	ALL	
	63	32841-14652	ASSY-LEVER, CONTROL (TO E/S R-40000)	1	1	1.6L	
	64	32841-25500	ASSY-LEVER, CONTROL (FRONT E/S R-40001)	1	1	ALL	
	65	32845-14600	KNOB-CONTROL LEVER (TO E/S R-40000)	1	2	1.6L	
	66	32845-25500	KNOB-CONTROL LEVER (FRONT E/S R-40001)	1	1	ALL	Y
	67	32893-14600	RUBBER-CONTROL LEVER	2	10	ALL	
	68	32885-14600	WASHER-CONTROL LEVER, UPPER	1	10	ALL	
	69	32886-14600	WASHER-CONTROL LEVER, LOWER	1	10	ALL	
	70	88912-84610	NUT-SELF LOCKING	1	50	1.6L	
	71	88915-84000	NUT-SELF LOCKING	1	25	2L	
	72	88915-84010	NUT SELF LOCKING	1	50	2L	Y
	73	32835-78000	PLUG-CHECK BALL 13M/M	1	10	2L	
	74	32834-78000	PLUG-CHECK BALL 17.5M/M	2	10	2L	
	75	32803-78001	RING-SNAP E TYPE	2	50	2L	
	76	32838-20100	SPRING-CHECK BALL	3	10	2L	
	77	32829-26760	BALL-CHECK	3	90	2L	
	78	32728-36900	BALL-INTER LOCK	4	20	2L	
	79	32882-20100	BRACKET-REVERSE & OVERDRIVE ROD	1	1	2L	
	80	32813-20100	BRACKET-3RD & 4TH ROD	1	1	2L	

FIG. 33 D12 NISSAN MOTOR CO., LTD.

S	KEY NO.	PART NO.	PART NAME	QTY	SALES UNIT	MODEL	ICA
•	81	32861-20100	PIN-SELECT	2	P 2L		
	82	32861-A0100	PIN-SELECT	7	L 2L		C
	83	32864-A0100	O-RING, SELECT PIN	2	EO 2L		C
•	84	32845-25500	SPRING-SELECT, 1ST & 2ND	1	S 2L		
	85	32845-A0100	SPRING-SELECT, 1ST & 2ND	1	10 2L		Y
	86	32862-20100	GASKET-SELECT SPRING P LUG	2	10 2L		
	87	32862-25500	PLUG-SELECT SPRING	2	10 2L		
•	88	32846-25500	SPRING-SELECT, OVER DRIVE & REVERSE	1	10 2L		
	89	32846-A0100	SPRING-SELECT, OVER DRIVE & REVERSE	1	10 2L		Y
	90	32869-14602	SHIELD-BUST, CHANGE LEVER	1	L 1.6L		
	91	32869-25500	SHIELD-BUST CHANGE LEVER (FROM E/P R-40001 TO SEP-67)	1	S ALL		Y
	92	32869-25902	SHIELD-BUST CHANGE LEVER (FROM OCT-67)	1	S ALL		N
	93	75150-25500	BOOT-RUBBER (FROM C/P5 PLS11-12747, SRL311-34 TO SEP-67)	1	L ALL		N
	94	75131-25900	BOOT-RUBBER (FROM OCT-67)	1	L 1.6L		N
	95	75151-25901	BOOT-RUBBER (FROM OCT-67)	1	L 2L		N
	96	64645-25900	RETAINER-BOOT (FROM OCT-67)	1	S 1.6L		
	97	64645-25901	RETAINER-BOOT (FROM OCT-67)	1	S 2L		

*Install the best!*  
**GENUINE DATSUN PARTS**



Engineering Department Parts Division



**NISSAN MOTOR CO., LTD.**



Tokyo, Japan