

A

ACC

SECTION ACC

ACCELERATOR CONTROL SYSTEM

C

CONTENTS

D

E

PRECAUTION 2	ON-VEHICLE REPAIR 3	F
PRECAUTIONS 2	ACCELERATOR CONTROL SYSTEM 3	
Precaution for Supplemental Restraint System (SRS) "AIR BAG" and "SEAT BELT PRE-TENSIONER"2	Exploded View 3	G
	Removal and Installation 3	
	Inspection 4	H

I

J

K

L

M

N

O

P

PRECAUTIONS

< PRECAUTION >

PRECAUTION

PRECAUTIONS

Precaution for Supplemental Restraint System (SRS) "AIR BAG" and "SEAT BELT PRE-TENSIONER"

INFOID:000000001205438

The Supplemental Restraint System such as "AIR BAG" and "SEAT BELT PRE-TENSIONER", used along with a front seat belt, helps to reduce the risk or severity of injury to the driver and front passenger for certain types of collision. Information necessary to service the system safely is included in the "SRS AIRBAG" and "SEAT BELT" of this Service Manual.

WARNING:

- To avoid rendering the SRS inoperative, which could increase the risk of personal injury or death in the event of a collision which would result in air bag inflation, all maintenance must be performed by an authorized NISSAN/INFINITI dealer.
- Improper maintenance, including incorrect removal and installation of the SRS, can lead to personal injury caused by unintentional activation of the system. For removal of Spiral Cable and Air Bag Module, see the "SRS AIRBAG".
- Do not use electrical test equipment on any circuit related to the SRS unless instructed to in this Service Manual. SRS wiring harnesses can be identified by yellow and/or orange harnesses or harness connectors.

ACCELERATOR CONTROL SYSTEM

< ON-VEHICLE REPAIR >

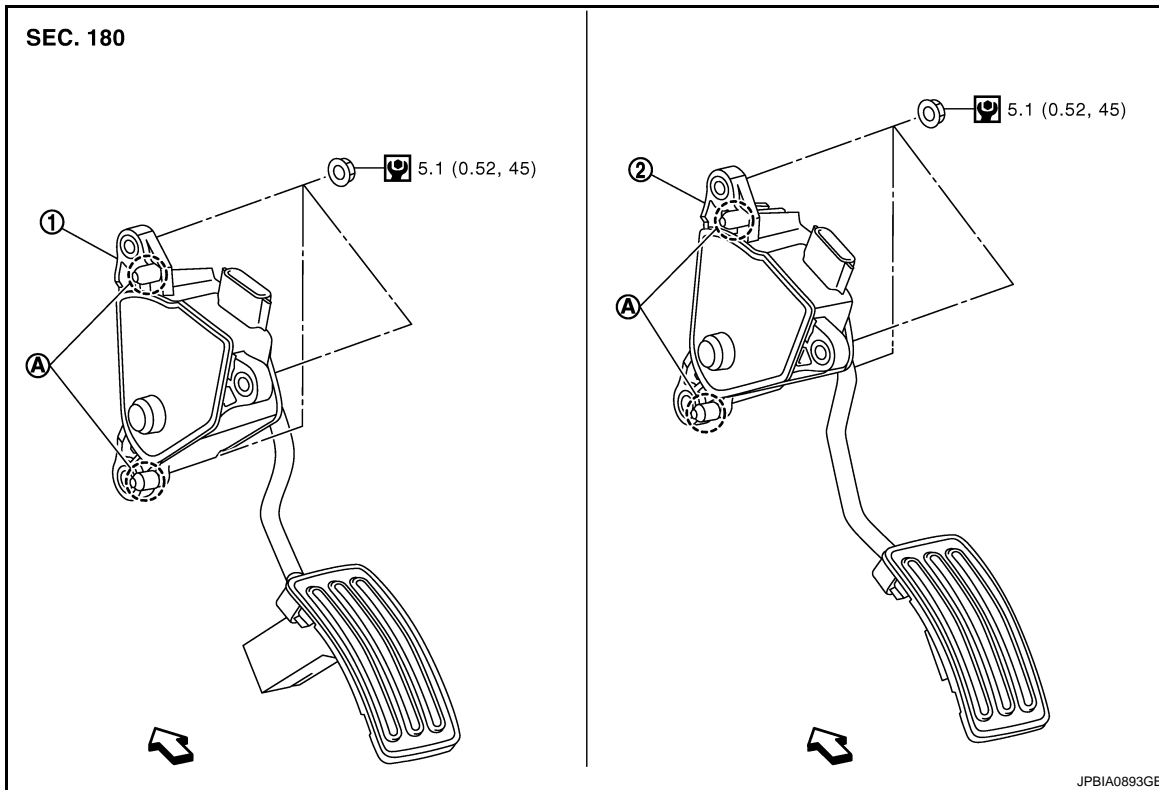
ON-VEHICLE REPAIR

ACCELERATOR CONTROL SYSTEM

Exploded View

INFOID:000000001160876

A
ACC



C
D
E
F
G
H
I
J

1. Accelerator pedal assembly (LHD models) 2. Accelerator pedal assembly (RHD models)

A. Locating pin

↔ : Vehicle front

Refer to [GI-4. "Components"](#) for symbols in the figure.

Removal and Installation

INFOID:000000001160877

REMOVAL

LHD models

- Loosen accelerator pedal assembly mounting nuts, and remove accelerator pedal assembly.
CAUTION:
 - Never disassemble accelerator lever. Never remove accelerator pedal position sensor from accelerator lever.
 - Avoid impact from dropping etc. during handling.
 - Be careful to keep accelerator lever away from water.
- Disconnect accelerator pedal position sensor harness connector.

RHD models

- Disconnect accelerator pedal position sensor harness connector.
- Remove accelerator pedal assembly mounting nuts.
- Loosen brake pedal assembly mounting nuts. Refer to [BR-67. "Exploded View"](#).
NOTE:
Brake pedal assembly does not have to be removed from the vehicle.
- Remove accelerator pedal assembly.

K
L
M
N
O
P

ACCELERATOR CONTROL SYSTEM

< ON-VEHICLE REPAIR >

CAUTION:

- **Never disassemble accelerator lever. Never remove accelerator pedal position sensor from accelerator lever.**
- **Avoid impact from dropping etc. during handling.**
- **Be careful to keep accelerator lever away from water.**

INSTALLATION

Note the following, and install in the reverse order of removal.

- Insert locating pin into vehicle side to position accelerator pedal assembly. Tighten mounting nuts to accelerator pedal assembly.

Inspection

INFOID:000000001160878

INSPECTION AFTER INSTALLATION

- Check that accelerator pedal moves smoothly within the whole operation range when it is depressed fully and released.
- Check that accelerator pedal returns securely to the fully released position.
- For the electrical inspection of accelerator pedal position sensor. Refer to [ECM-268, "Description"](#) (MR20DE), [ECQ-275, "Description"](#) (QR25DE) or [ECR-242, "Description"](#) (M9R).