

SECTION **EXT**
EXTERIOR

A
B
C
D
E
F
G
H
I
J
EXT
L
M
N
O
P

CONTENTS

SYMPTOM DIAGNOSIS	3	Exploded View	21
SQUEAK AND RATTLE TROUBLE DIAG- NOSES	3	Removal and Installation	21
Work Flow	3	FLOOR SIDE FAIRING	23
Inspection Procedure	5	Exploded View	23
Diagnostic Worksheet	7	Removal and Installation	23
PRECAUTION	9	FILLET MOLDING	24
PRECAUTIONS	9	Exploded View	24
Precaution for Supplemental Restraint System (SRS) "AIR BAG" and "SEAT BELT PRE-TEN- SIONER"	9	Removal and Installation	24
Precaution Necessary for Steering Wheel Rota- tion After Battery Disconnect	9	ROOF RAIL	26
Precaution for Procedure without Cowl Top Cover... 10	10	ROOF RAIL	26
Precaution for Work	10	ROOF RAIL : Exploded View	26
PREPARATION	11	ROOF RAIL : Removal and Installation	26
PREPARATION	11	HYPER ROOF RAIL	27
Commercial Service Tools	11	HYPER ROOF RAIL : Exploded View	27
ON-VEHICLE REPAIR	12	HYPER ROOF RAIL : Removal and Installation ... 27	27
FRONT BUMPER	12	ROOF SPOILER	29
Exploded View	12	Exploded View	29
Removal and Installation	13	Removal and Installation	29
REAR BUMPER	15	DOOR OUTSIDE MOLDING	31
Exploded View	15	Exploded View	31
Removal and Installation	16	Removal and Installation	31
FRONT GRILLE	18	DOOR OUTSIDE LOWER MOLDING	32
Exploded View	18	Exploded View	32
Removal and Installation	18	Removal and Installation	32
COWL TOP	19	DOOR PARTING SEAL	33
Exploded View	19	Exploded View	33
Removal and Installation	19	Removal and Installation	33
FENDER PROTECTOR	21	BACK DOOR FINISHER	34
		Exploded View	34
		Removal and Installation	34
		BACK DOOR LOWER FINISHER	36
		Exploded View	36

SQUEAK AND RATTLE TROUBLE DIAGNOSES

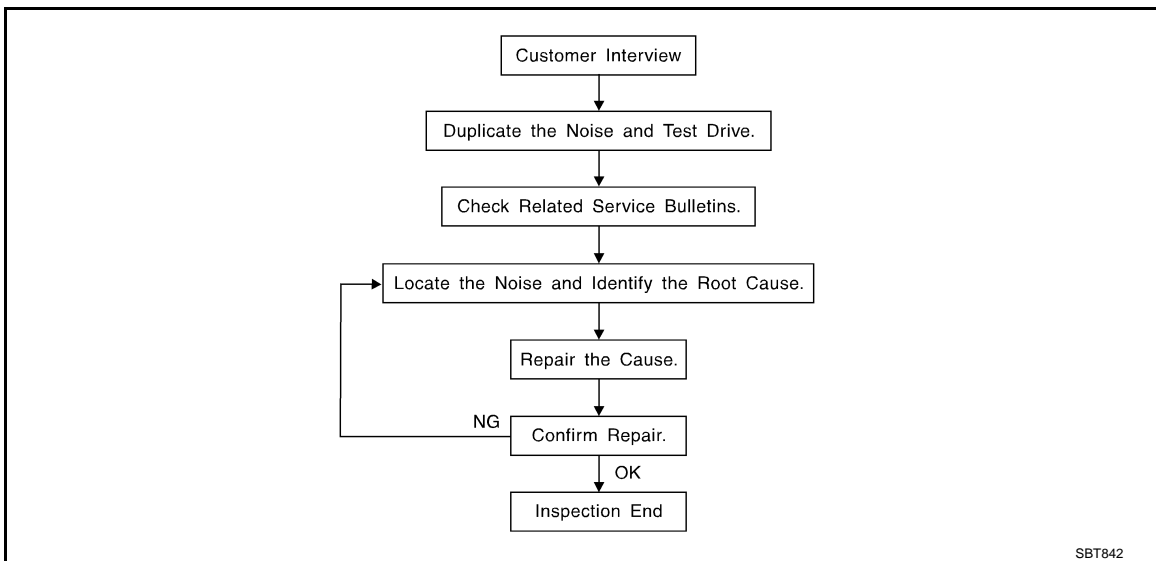
< SYMPTOM DIAGNOSIS >

SYMPTOM DIAGNOSIS

SQUEAK AND RATTLE TROUBLE DIAGNOSES

Work Flow

INFOID:000000001160409



CUSTOMER INTERVIEW

Interview the customer if possible, to determine the conditions that exist when the noise occurs. Use the Diagnostic Worksheet during the interview to document the facts and conditions when the noise occurs and any of the customer's comments; refer to [EXT-7, "Diagnostic Worksheet"](#). This information is necessary to duplicate the conditions that exist when the noise occurs.

- The customer may not be able to provide a detailed description or the location of the noise. Attempt to obtain all the facts and conditions that exist when the noise occurs (or does not occur).
- If there is more than one noise in the vehicle, be sure to diagnose and repair the noise that the customer is concerned about. This can be accomplished by a test drive with the customer.
- After identifying the type of noise, isolate the noise in terms of its characteristics. The noise characteristics are provided so the customer, service adviser and technician are all speaking the same language when defining the noise.
- Squeak – (Like tennis shoes on a clean floor)
Squeak characteristics include the light contact/fast movement/brought on by road conditions/hard surfaces = higher pitch noise/softer surfaces = lower pitch noises/edge to surface = chirping
- Creak – (Like walking on an old wooden floor)
Creak characteristics include firm contact/slow movement/twisting with a rotational movement/pitch dependent on materials/often brought on by activity.
- Rattle – (Like shaking a baby rattle)
Rattle characteristics include the fast repeated contact/vibration or similar movement/loose parts/missing clip or fastener/incorrect clearance.
- Knock – (Like a knock on a door)
Knock characteristics include hollow sounding/sometimes repeating/often brought on by driver action.
- Tick – (Like a clock second hand)
Tick characteristics include gentle contacting of light materials/loose components/can be caused by driver action or road conditions.
- Thump – (Heavy, muffled knock noise)
Thump characteristics include softer knock/dead sound often brought on by activity.
- Buzz – (Like a bumble bee)
Buzz characteristics include high frequency rattle/firm contact.
- Often the degree of acceptable noise level will vary depending upon the person. A noise that you may judge as acceptable may be very irritating to the customer.
- Weather conditions, especially humidity and temperature, may have a great effect on noise level.

DUPLICATE THE NOISE AND TEST DRIVE

SQUEAK AND RATTLE TROUBLE DIAGNOSES

< SYMPTOM DIAGNOSIS >

If possible, drive the vehicle with the customer until the noise is duplicated. Note any additional information on the Diagnostic Worksheet regarding the conditions or location of the noise. This information can be used to duplicate the same conditions when you confirm the repair.

If the noise can be duplicated easily during the test drive, to help identify the source of the noise, try to duplicate the noise with the vehicle stopped by doing one or all of the following:

- 1) Close a door.
 - 2) Tap or push/pull around the area where the noise appears to be coming from.
 - 3) Rev the engine.
 - 4) Use a floor jack to recreate vehicle "twist".
 - 5) At idle, apply engine load (electrical load, half-clutch on M/T model, drive position on A/T model).
 - 6) Raise the vehicle on a hoist and hit a tire with a rubber hammer.
- Drive the vehicle and attempt to duplicate the conditions the customer states exist when the noise occurs.
 - If it is difficult to duplicate the noise, drive the vehicle slowly on an undulating or rough road to stress the vehicle body.

LOCATE THE NOISE AND IDENTIFY THE ROOT CAUSE

1. Narrow down the noise to a general area. To help pinpoint the source of the noise, use a listening tool (Engine Ear or mechanics stethoscope).
2. Narrow down the noise to a more specific area and identify the cause of the noise by:
 - removing the components in the area that you suspect the noise is coming from.
Do not use too much force when removing clips and fasteners, otherwise clips and fastener can be broken or lost during the repair, resulting in the creation of new noise.
 - tapping or pushing/pulling the component that you suspect is causing the noise.
Do not tap or push/pull the component with excessive force, otherwise the noise will be eliminated only temporarily.
 - feeling for a vibration with your hand by touching the component(s) that you suspect is (are) causing the noise.
 - placing a piece of paper between components that you suspect are causing the noise.
 - looking for loose components and contact marks.
Refer to [EXT-5. "Inspection Procedure"](#).

REPAIR THE CAUSE

- If the cause is a loose component, tighten the component securely.
- If the cause is insufficient clearance between components:
 - separate components by repositioning or loosening and retightening the component, if possible.
 - insulate components with a suitable insulator such as urethane pads, foam blocks, felt cloth tape or urethane tape are available through your authorized Nissan Parts Department.

CAUTION:

Do not use excessive force as many components are constructed of plastic and may be damaged.

NOTE:

- URETHANE PADS
Insulates connectors, harness, etc.
- INSULATOR (Foam blocks)
Insulates components from contact. Can be used to fill space behind a panel.
- INSULATOR (Light foam block)
- FELT CLOTHTAPE
Used to insulate where movement does not occur. Ideal for instrument panel applications.
The following materials, not available through NISSAN Parts Department, can also be used to repair squeaks and rattles.
- UHMW(TEFLON) TAPE
Insulates where slight movement is present. Ideal for instrument panel applications.
- SILICONE GREASE
Used in place of UHMW tape that will be visible or not fit.
Note: Will only last a few months.
- SILICONE SPRAY
Use when grease cannot be applied.
- DUCT TAPE
Use to eliminate movement.

CONFIRM THE REPAIR

SQUEAK AND RATTLE TROUBLE DIAGNOSES

< SYMPTOM DIAGNOSIS >

Confirm that the cause of a noise is repaired by test driving the vehicle. Operate the vehicle under the same conditions as when the noise originally occurred. Refer to the notes on the Diagnostic Worksheet.

Inspection Procedure

INFOID:000000001160410

Refer to Table of Contents for specific component removal and installation information.

INSTRUMENT PANEL

Most incidents are caused by contact and movement between:

1. Cluster lid A and instrument panel
2. Acrylic lens and combination meter housing
3. Instrument panel to front pillar garnish
4. Instrument panel to windshield
5. Instrument panel mounting pins
6. Wiring harnesses behind the combination meter
7. A/C defroster duct and duct joint

These incidents can usually be located by tapping or moving the components to duplicate the noise or by pressing on the components while driving to stop the noise. Most of these incidents can be repaired by applying felt cloth tape or silicon spray (in hard to reach areas). Urethane pads can be used to insulate wiring harness.

CAUTION:

Do not use silicone spray to isolate a squeak or rattle. If you saturate the area with silicone, you will not be able to recheck the repair.

CENTER CONSOLE

Components to pay attention to include:

1. Shifter assembly cover to finisher
2. A/C control unit and cluster lid C
3. Wiring harnesses behind audio and A/C control unit

The instrument panel repair and isolation procedures also apply to the center console.

DOORS

Pay attention to the:

1. Finisher and inner panel making a slapping noise
2. Inside handle escutcheon to door finisher
3. Wiring harnesses tapping
4. Door striker out of alignment causing a popping noise on starts and stops

Tapping or moving the components or pressing on them while driving to duplicate the conditions can isolate many of these incidents. You can usually insulate the areas with felt cloth tape or insulator foam blocks to repair the noise.

TRUNK

Trunk noises are often caused by a loose jack or loose items put into the trunk by the owner.

In addition look for:

1. Trunk lid dumpers out of adjustment
2. Trunk lid striker out of adjustment
3. Trunk lid torsion bars knocking together
4. A loose license plate or bracket

Most of these incidents can be repaired by adjusting, securing or insulating the item(s) or component(s) causing the noise.

SUNROOF/HEADLINING

Noises in the sunroof/headlining area can often be traced to one of the following:

1. Sunroof lid, rail, linkage or seals making a rattle or light knocking noise
2. Sunvisor shaft shaking in the holder
3. Front or rear windshield touching headlining and squeaking

A

B

C

D

E

F

G

H

I

J

EXT

L

M

N

O

P

SQUEAK AND RATTLE TROUBLE DIAGNOSES

< SYMPTOM DIAGNOSIS >

Again, pressing on the components to stop the noise while duplicating the conditions can isolate most of these incidents. Repairs usually consist of insulating with felt cloth tape.

SEATS

When isolating seat noise it is important to note the position the seat is in and the load placed on the seat when the noise is present. These conditions should be duplicated when verifying and isolating the cause of the noise.

Cause of seat noise include:

1. Headrest rods and holder
2. A squeak between the seat pad cushion and frame
3. Rear seatback lock and bracket

These noises can be isolated by moving or pressing on the suspected components while duplicating the conditions under which the noise occurs. Most of these incidents can be repaired by repositioning the component or applying urethane tape to the contact area.

UNDERHOOD

Some interior noise may be caused by components under the hood or on the engine wall. The noise is then transmitted into the passenger compartment.

Causes of transmitted underhood noise include:

1. Any component mounted to the engine wall
2. Components that pass through the engine wall
3. Engine wall mounts and connectors
4. Loose radiator mounting pins
5. Hood bumpers out of adjustment
6. Hood striker out of adjustment

These noises can be difficult to isolate since they cannot be reached from the interior of the vehicle. The best method is to secure, move or insulate one component at a time and test drive the vehicle. Also, engine RPM or load can be changed to isolate the noise. Repairs can usually be made by moving, adjusting, securing, or insulating the component causing the noise.

SQUEAK AND RATTLE TROUBLE DIAGNOSES

< SYMPTOM DIAGNOSIS >

Diagnostic Worksheet

INFOID:000000001160411



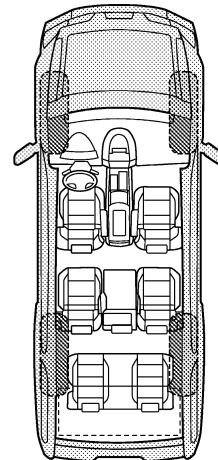
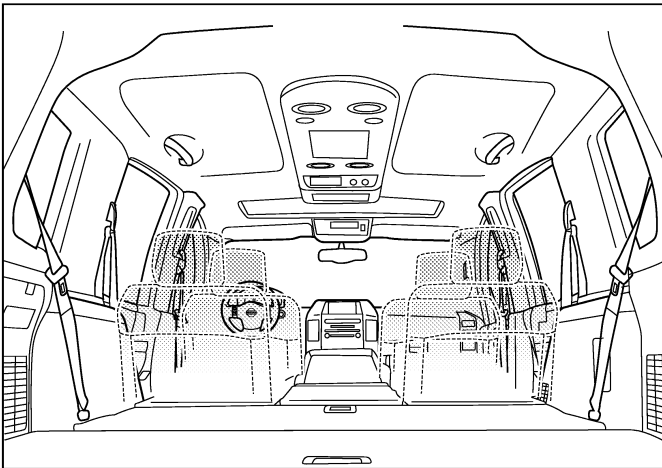
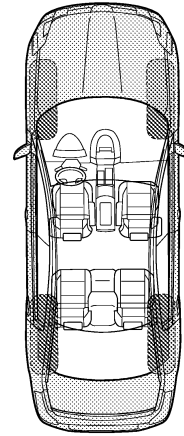
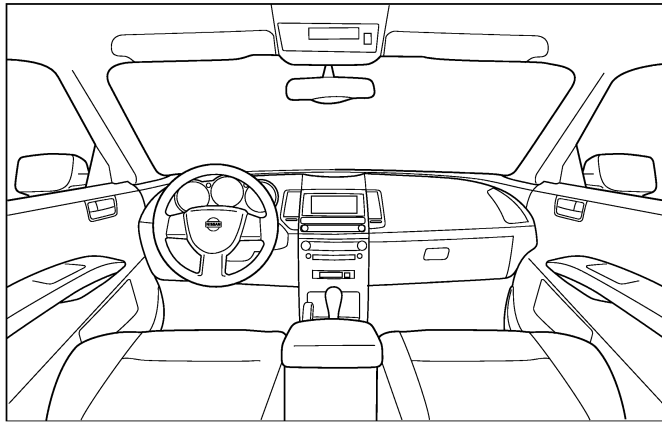
SQUEAK & RATTLE DIAGNOSTIC WORKSHEET

Dear Nissan Customer:

We are concerned about your satisfaction with your Nissan vehicle. Repairing a squeak or rattle sometimes can be very difficult. To help us fix your Nissan right the first time, please take a moment to note the area of the vehicle where the squeak or rattle occurs and under what conditions. You may be asked to take a test drive with a service advisor or technician to ensure we confirm the noise you are hearing.

I. WHERE DOES THE NOISE COME FROM? (circle the area of the vehicle)

The illustrations are for reference only, and may not reflect the actual configuration of your vehicle.



Continue to page 2 of the worksheet and briefly describe the location of the noise or rattle. In addition, please indicate the conditions which are present when the noise occurs.

PIIB8740E

A
B
C
D
E
F
G
H
I
J
EXT
L
M
N
O
P

SQUEAK AND RATTLE TROUBLE DIAGNOSES

< SYMPTOM DIAGNOSIS >

SQUEAK & RATTLE DIAGNOSTIC WORKSHEET - page 2

Briefly describe the location where the noise occurs:

II. WHEN DOES IT OCCUR? (please check the boxes that apply)

- | | |
|---|--|
| <input type="checkbox"/> anytime | <input type="checkbox"/> after sitting out in the rain |
| <input type="checkbox"/> 1st time in the morning | <input type="checkbox"/> when it is raining or wet |
| <input type="checkbox"/> only when it is cold outside | <input type="checkbox"/> dry or dusty conditions |
| <input type="checkbox"/> only when it is hot outside | <input type="checkbox"/> other: |

III. WHEN DRIVING:

- through driveways
- over rough roads
- over speed bumps
- only about ____ mph
- on acceleration
- coming to a stop
- on turns: left, right or either (circle)
- with passengers or cargo
- other: _____
- after driving ____ miles or ____ minutes

IV. WHAT TYPE OF NOISE

- squeak (like tennis shoes on a clean floor)
- creak (like walking on an old wooden floor)
- rattle (like shaking a baby rattle)
- knock (like a knock at the door)
- tick (like a clock second hand)
- thump (heavy, muffled knock noise)
- buzz (like a bumble bee)

TO BE COMPLETED BY DEALERSHIP PERSONNEL

Test Drive Notes:

	YES	NO	Initials of person performing
Vehicle test driven with customer	<input type="checkbox"/>	<input type="checkbox"/>	_____
- Noise verified on test drive	<input type="checkbox"/>	<input type="checkbox"/>	_____
- Noise source located and repaired	<input type="checkbox"/>	<input type="checkbox"/>	_____
- Follow up test drive performed to confirm repair	<input type="checkbox"/>	<input type="checkbox"/>	_____

VIN: _____ Customer Name: _____

W.O.# _____ Date: _____

This form must be attached to Work Order

PIIB8742E

PRECAUTIONS

< PRECAUTION >

PRECAUTION

PRECAUTIONS

Precaution for Supplemental Restraint System (SRS) "AIR BAG" and "SEAT BELT PRE-TENSIONER"

INFOID:000000001298035

The Supplemental Restraint System such as "AIR BAG" and "SEAT BELT PRE-TENSIONER", used along with a front seat belt, helps to reduce the risk or severity of injury to the driver and front passenger for certain types of collision. Information necessary to service the system safely is included in the "SRS AIRBAG" and "SEAT BELT" of this Service Manual.

WARNING:

- To avoid rendering the SRS inoperative, which could increase the risk of personal injury or death in the event of a collision which would result in air bag inflation, all maintenance must be performed by an authorized NISSAN/INFINITI dealer.
- Improper maintenance, including incorrect removal and installation of the SRS, can lead to personal injury caused by unintentional activation of the system. For removal of Spiral Cable and Air Bag Module, see the "SRS AIRBAG".
- Do not use electrical test equipment on any circuit related to the SRS unless instructed to in this Service Manual. SRS wiring harnesses can be identified by yellow and/or orange harnesses or harness connectors.

Precaution Necessary for Steering Wheel Rotation After Battery Disconnect

INFOID:000000001298036

NOTE:

- This Procedure is applied only to models with Intelligent Key system and NATS (NISSAN ANTI-THEFT SYSTEM).
- Remove and install all control units after disconnecting both battery cables with the ignition knob in the "LOCK" position.
- Always use CONSULT-III to perform self-diagnosis as a part of each function inspection after finishing work. If DTC is detected, perform trouble diagnosis according to self-diagnostic results.

For models equipped with the Intelligent Key system and NATS, an electrically controlled steering lock mechanism is adopted on the key cylinder.

For this reason, if the battery is disconnected or if the battery is discharged, the steering wheel will lock and steering wheel rotation will become impossible.

If steering wheel rotation is required when battery power is interrupted, follow the procedure below before starting the repair operation.

OPERATION PROCEDURE

1. Connect both battery cables.

NOTE:

Supply power using jumper cables if battery is discharged.

2. Use the Intelligent Key or mechanical key to turn the ignition switch to the "ACC" position. At this time, the steering lock will be released.
3. Disconnect both battery cables. The steering lock will remain released and the steering wheel can be rotated.
4. Perform the necessary repair operation.
5. When the repair work is completed, return the ignition switch to the "LOCK" position before connecting the battery cables. (At this time, the steering lock mechanism will engage.)
6. Perform a self-diagnosis check of all control units using CONSULT-III.

A
B
C
D
E
F
G
H
I
J
L
M
N
O
P

EXT

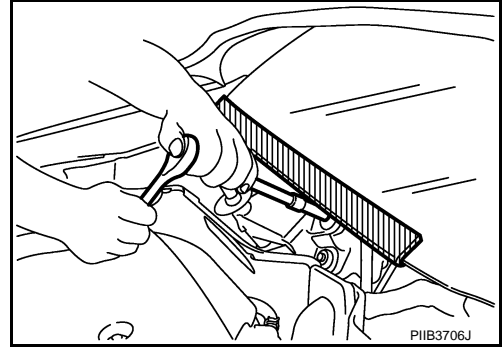
PRECAUTIONS

< PRECAUTION >

Precaution for Procedure without Cowl Top Cover

INFOID:000000001160414

When performing the procedure after removing cowl top cover, cover the lower end of windshield with urethane, etc.



Precaution for Work

INFOID:000000001160415

- After removing and installing the opening/closing parts, be sure to carry out fitting adjustments to check their operation.
- Check the lubrication level, damage, and wear of each part. If necessary, grease or replace it.

PREPARATION

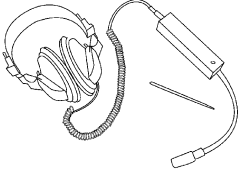
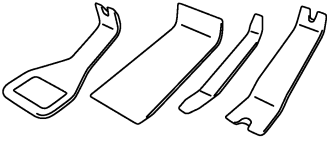
< PREPARATION >

PREPARATION

PREPARATION

Commercial Service Tools

INFOID:000000001160416

Tool name	Description
<p data-bbox="159 516 269 541">Engine ear</p>  <p data-bbox="797 632 862 646">SIA0995E</p>	<p data-bbox="1008 516 1198 541">Locating the noise.</p>
<p data-bbox="159 768 293 793">Remover tool</p>  <p data-bbox="797 884 862 898">PIIB7923J</p>	<p data-bbox="1008 768 1338 793">Remove clips, pawls, metal clips.</p>

A

B

C

D

E

F

G

H

I

J

EXT

L

M

N

O

P

FRONT BUMPER

< ON-VEHICLE REPAIR >

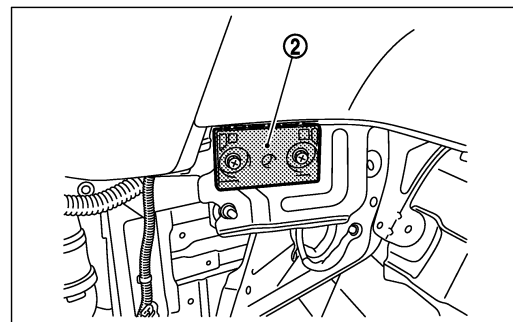
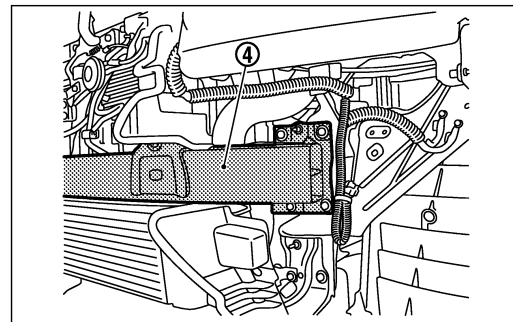
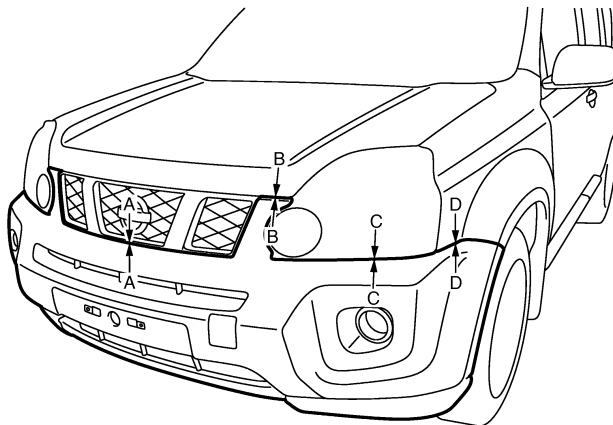
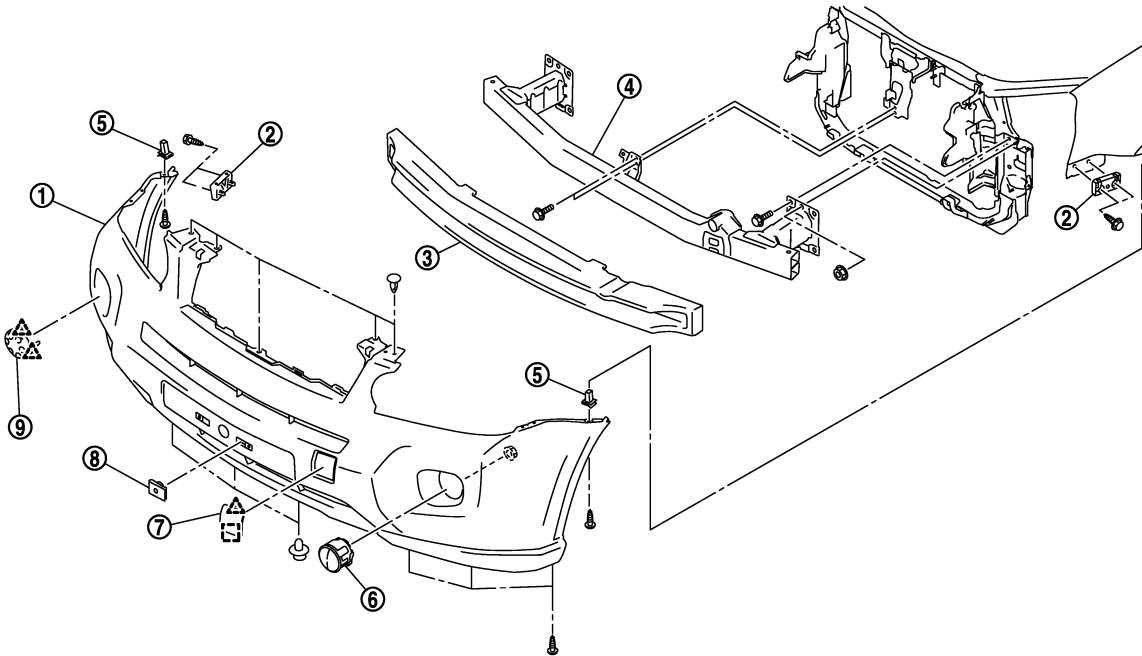
ON-VEHICLE REPAIR

FRONT BUMPER

Exploded View

INFOID:000000001160417

SEC. 620




JMKIA0575ZZ

- | | | |
|---------------------------|------------------------|--|
| 1. Bumper fascia assembly | 2. Bumper side bracket | 3. Energy absorber |
| 4. Bumper reinforcement | 5. Grommet | 6. Fog lamp assembly |
| 7. Tow hook cover | 8. J nut | 9. Front bumper finisher
(without fog lamp) |

FRONT BUMPER

< ON-VEHICLE REPAIR >

 : Pawl

 : Metal clip

Removal and Installation

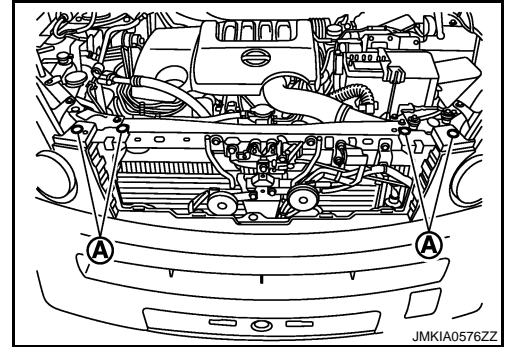
INFOID:000000001160418

REMOVAL

CAUTION:

Bumper fascia is made of resin. Do not apply strong force to it, and be careful to prevent contact with oil.

1. Fully open hood assembly.
2. Remove front grille. Refer to [EXT-18, "Removal and Installation"](#).
3. Remove clips (A) of front bumper fascia upper side.

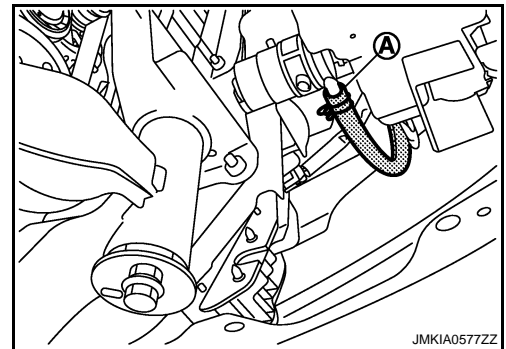


4. Remove front fillet molding (LH/RH). Refer to [EXT-24, "Removal and Installation"](#).

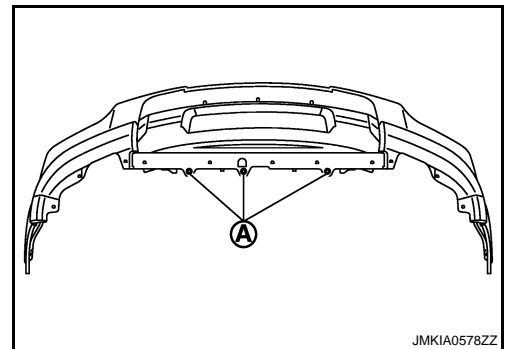
NOTE:

Only the place connected with a bumper fascia is removed.

5. Remove splash guard and fender protector. Refer to [EXT-21, "Removal and Installation"](#).
6. Disconnect headlamp washer tube joint (A).
(with Headlamp washer)



7. Disconnect front fog lamp harness connector (with Fog lamp). Refer to [EXL-216, "Exploded View"](#).
8. Remove engine undercover. Refer to [EXT-23, "Exploded View"](#).
9. Remove fixing clips (A) of front bumper fascia lower side.

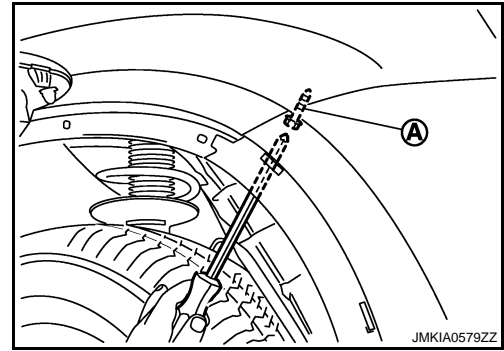


A
B
C
D
E
F
G
H
I
J
EXT
L
M
N
O
P

FRONT BUMPER

< ON-VEHICLE REPAIR >

10. Remove fixing screw (A) of bumper fascia (LH/RH).



11. Remove front bumper fascia.

CAUTION:

When removing bumper fascia, 2 workers are required so as to prevent it from dropping.

12. Remove the following parts after removing bumper fascia.

- J nut
- Bumper side bracket (LH/RH)
- Bumper finisher
- Front fog lamp assembly Refer to [EXL-216, "Removal and Installation"](#).

13. Remove energy absorber.

14. Remove bumper reinforcement mounting bolts and nuts, and then remove bumper reinforcement.

INSTALLATION

Install in the reverse order of removal.

NOTE:

After installing, perform fitting adjustment.

Portion		Clearance
Front bumper – Front grille	A – A	0.2 – 2.8 mm (0.008 – 0.110 in)
Front bumper – Hood assembly	B – B	4.0 – 8.0 mm (0.157 – 0.315 in)
Front bumper – Headlamp	C – C	0.5 – 2.5 mm (0.020 – 0.098 in)
Front bumper – Front fender	D – D	0.0 – 0.7 mm (0.000 – 0.028 in)

REAR BUMPER

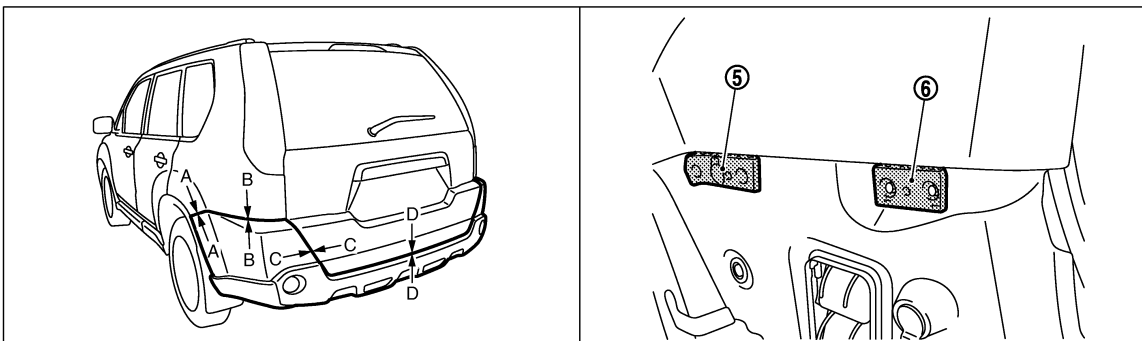
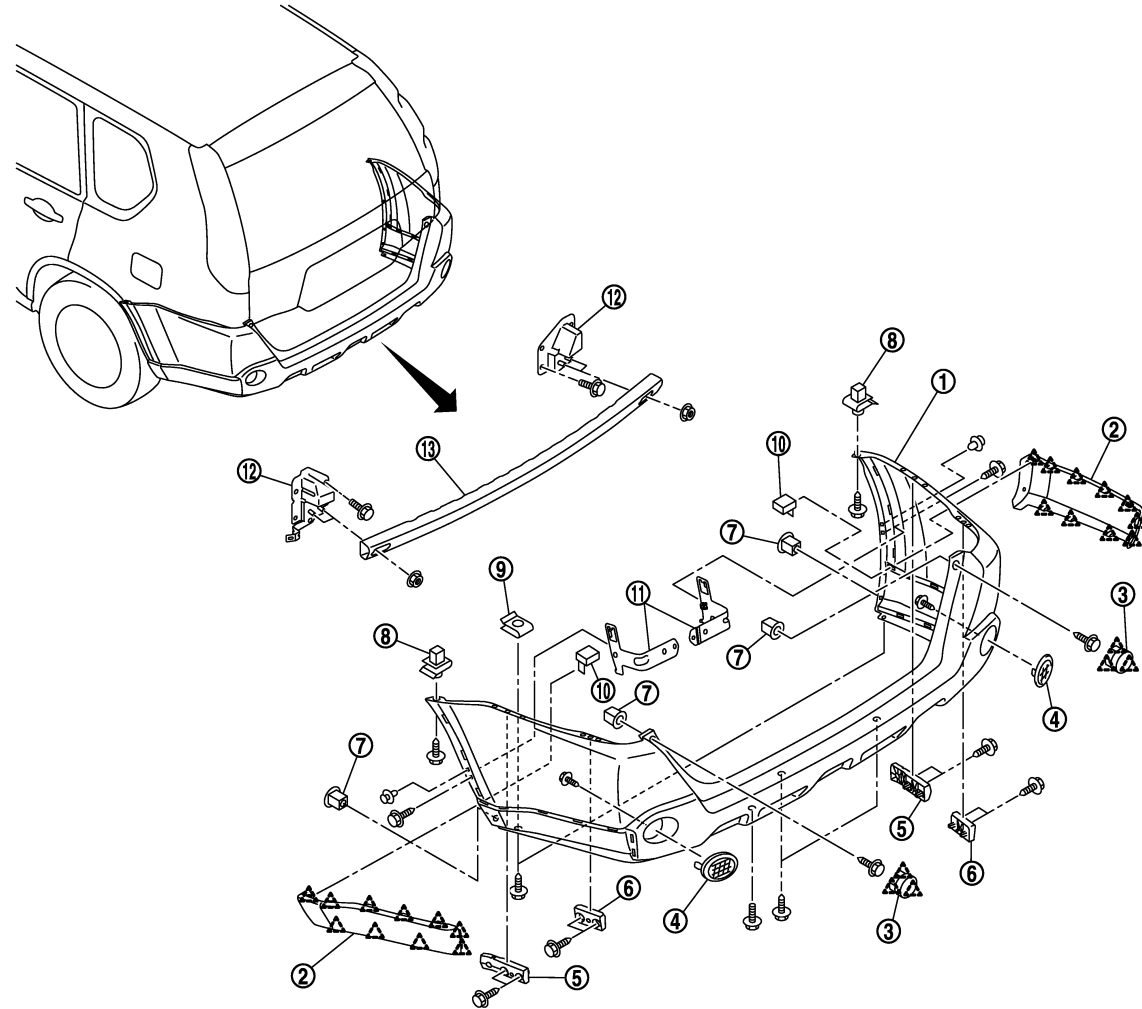
< ON-VEHICLE REPAIR >

REAR BUMPER

Exploded View

INFOID:000000001160419

SEC. 850



JMKIA0584ZZ

- | | | |
|---------------------------|------------------------------|--------------------------|
| 1. Bumper fascia assembly | 2. Bumper lower side molding | 3. Cap |
| 4. Reflex reflector | 5. Bumper side bracket B | 6. Bumper side bracket C |
| 7. Grommet | 8. Bumper side bracket A | 9. J nut |
| 10. Molding clip | 11. Bumper side retainer | 12. Bumper stay |
| 13. Bumper reinforcement | | |

: Pawl

A
B
C
D
E
F
G
H
I
J
EXT
L
M
N
O
P

REAR BUMPER

< ON-VEHICLE REPAIR >

Removal and Installation

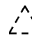
INFOID:000000001160420

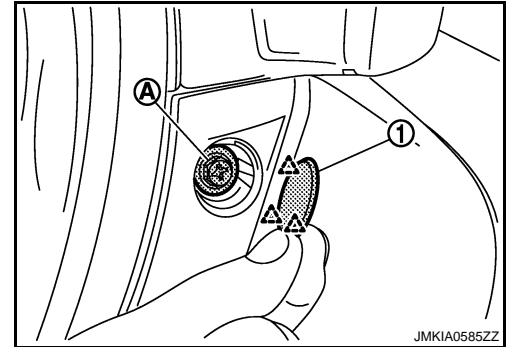
REMOVAL

CAUTION:

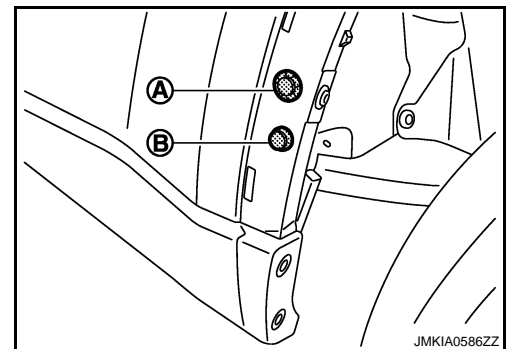
Bumper fascia is made of resin. Do not apply strong force to it, and be careful to prevent contact with oil.

1. Fully open back door assembly.
2. Remove rear mud guard (LH/RH) and rear fillet molding (LH/RH). Refer to [EXT-24, "Removal and Installation"](#).
3. Remove cap (1), and then remove rear bumper fixing screw (A) (LH/RH).

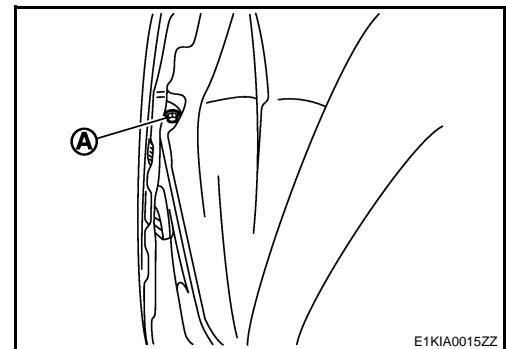
 : Pawl



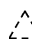
4. Remove rear bumper side fixing clips (A) and bolts (B) (LH/RH).

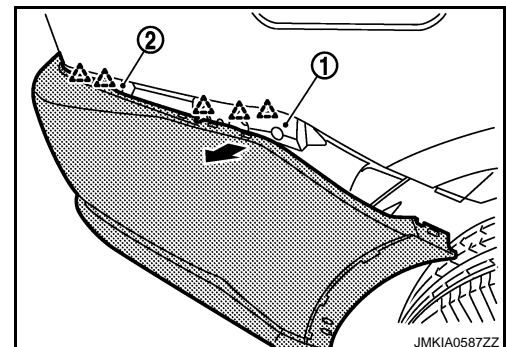


5. Remove rear bumper upper fixing screws (A) (LH/RH).



6. Pull to release rear bumper from side brackets B(1) and C(2).

 : Pawl

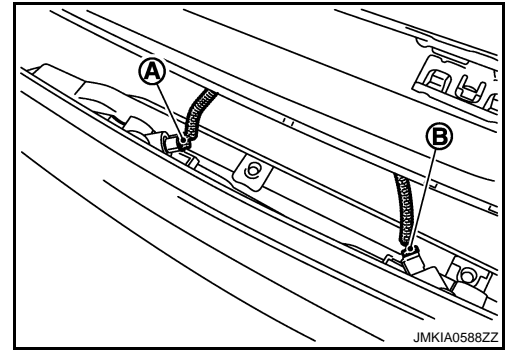


7. Remove clips of bumper fascia underside, and then pull out bumper fascia toward rear of vehicle.

REAR BUMPER

< ON-VEHICLE REPAIR >

8. Disconnect rear fog lamp connector (A) and back up lamp connector (B).



9. Remove rear bumper fascia assembly.

CAUTION:

When removing bumper fascia, 2 workers are required so as to prevent it from dropping.

10. Remove bumper reinforcement mounting nuts, and then remove bumper reinforcement.
11. Remove bumper stay mounting bolts, and then remove bumper stay.
12. Remove the following parts after removing rear bumper fascia.
- Rear bumper side retainer (LH/RH)
 - Rear bumper side bracket A (LH/RH)
 - Rear bumper side bracket B (LH/RH)
 - Rear bumper side bracket C (LH/RH)
 - Rear bumper lower side molding
 - Reflex reflector (LH/RH)
 - Rear fog lamp assembly Refer to [EXL-232, "Removal and Installation"](#).
 - Back up lamp assembly Refer to [EXL-229, "Removal and Installation"](#).

INSTALLATION

Install in the reverse order of removal.

NOTE:

After installing, perform fitting adjustment.

Portion		Clearance
Rear bumper – Rear fender	A – A	0.0 – 0.7 mm (0.000 – 0.028 in)
Rear bumper – Rear fender	B – B	0.0 – 1.0 mm (0.000 – 0.039 in)
Rear bumper – Back door lower finisher	C – C	3.8 – 8.2 mm (0.150 – 0.323 in)
Rear bumper – Back door lower finisher	D – D	5.7 – 10.3 mm (0.224 – 0.406 in)

A
B
C
D
E
F
G
H
I
J
L
M
N
O
P

EXT

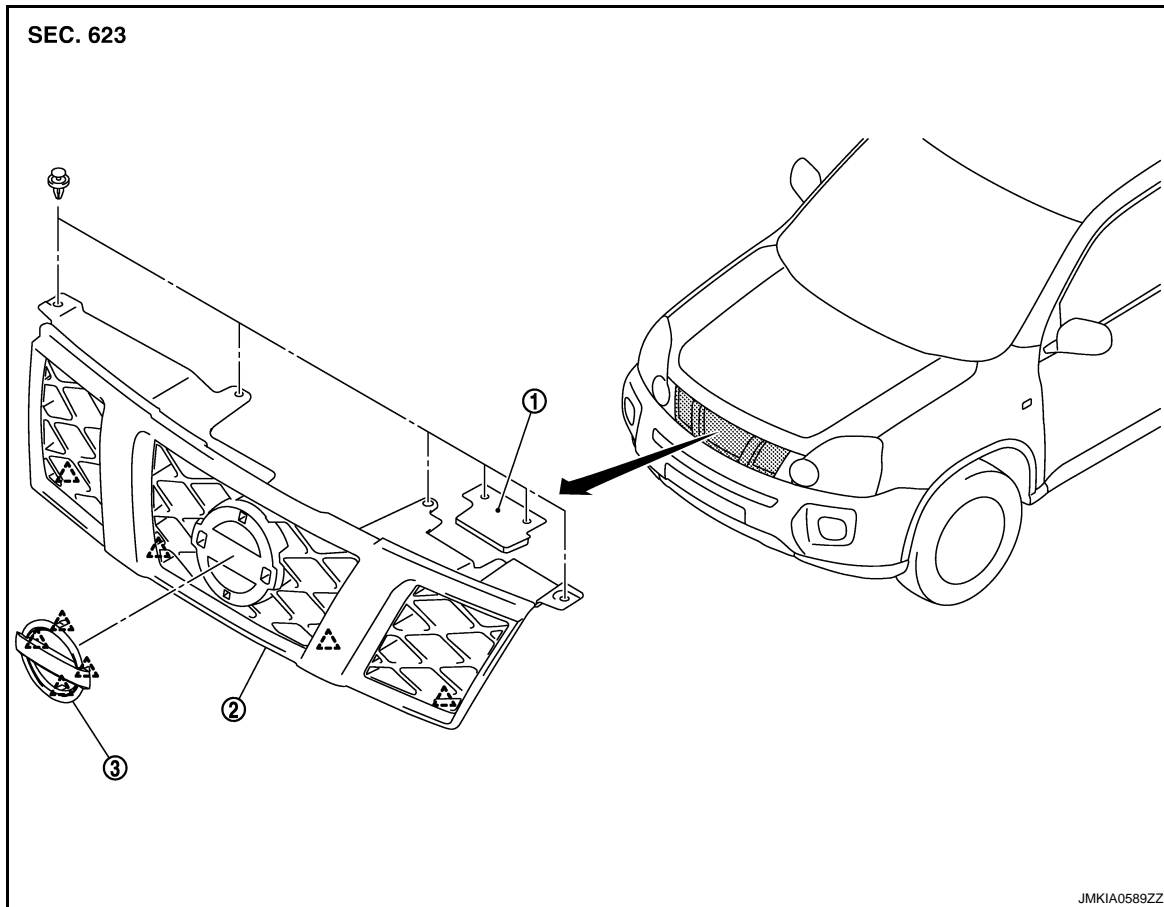
FRONT GRILLE

< ON-VEHICLE REPAIR >

FRONT GRILLE

Exploded View

INFOID:000000001160421



1. Front grille spacer

2. Front grille

3. Front emblem

△ : Pawl

Removal and Installation

INFOID:000000001160422

REMOVAL

1. Fully open hood assembly.
2. Remove front grille spacer fixing clips, and then remove front grille spacer.
3. Remove front grille upper fixing clips.
4. Release front grille lower pawls from front bumper.
5. Remove front grille assembly.
6. Remove the following parts after removing front grille.
Front emblem

INSTALLATION

Install in the reverse order of removal.

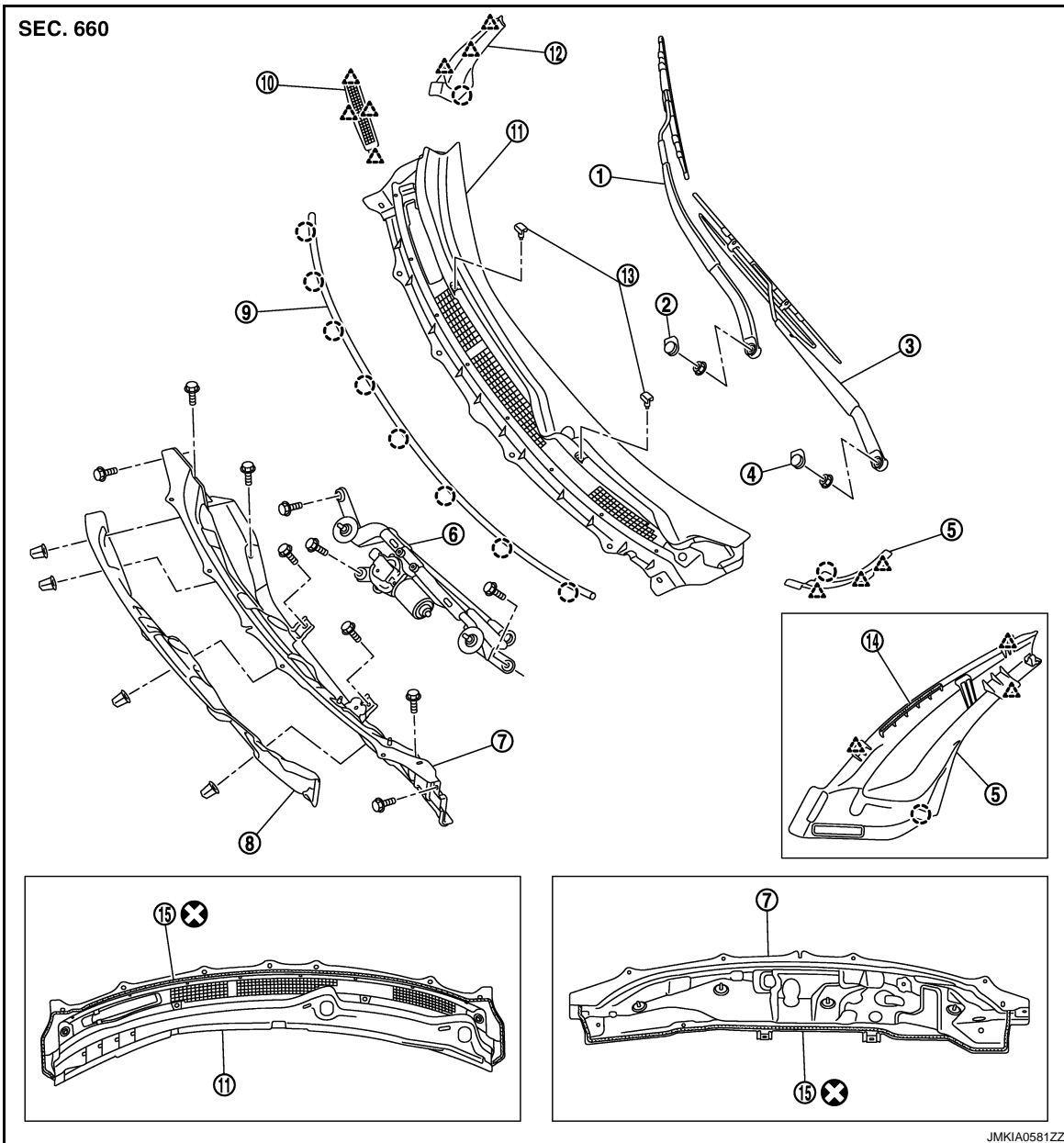
COWL TOP

< ON-VEHICLE REPAIR >

COWL TOP

Exploded View

INFOID:000000001160423



- | | | |
|---------------------------------|--------------------------------|---------------------------------|
| 1. Front wiper arm and blade RH | 2. Front wiper arm cover RH | 3. Front wiper arm and blade LH |
| 4. Front wiper arm cover LH | 5. Front fender cover LH | 6. Front wiper drive assembly |
| 7. Extension cowl top | 8. Dash lower insulator upper | 9. Cowl top seal |
| 10. Cowl top cover cap | 11. Cowl top cover | 12. Front fender cover RH |
| 13. Washer nozzle | 14. Double-faced adhesive tape | 15. EPT sealer |

- : Clip
 △ : Pawl

Removal and Installation

INFOID:000000001160424

REMOVAL

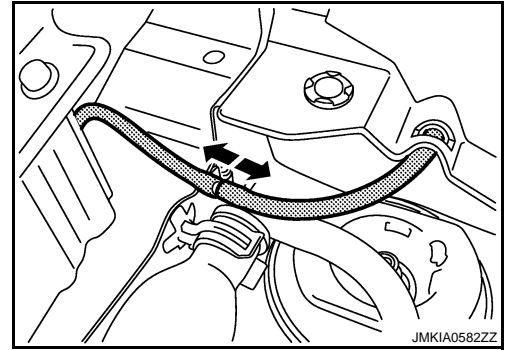
1. Fully open hood assembly.

A
B
C
D
E
F
G
H
I
J
EXT
L
M
N
P

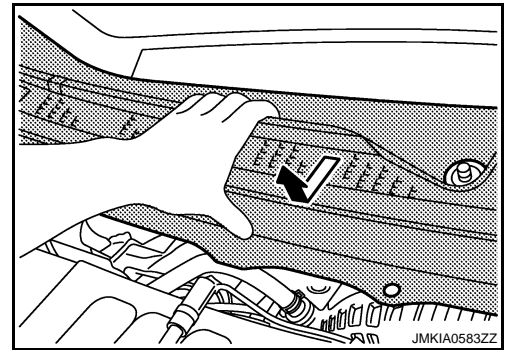
COWL TOP

< ON-VEHICLE REPAIR >

2. Remove front wiper arm (LH/RH) from vehicle. Refer to [WW-110, "Removal and Installation"](#).
3. Remove front fender cover (LH/RH).
4. Disconnect front washer tube connector.



5. Remove cowl top cover fixing clips, and then pull forward to release cowl top cover from windshield.



6. Remove the following parts after removing cowl top cover.
 - Cowl top seal
 - Cowl top cover cap
 - Washer nozzle
 - Washer tube
 - EPT sealer
7. Remove front wiper drive assembly.
 - LHD Models: Refer to [WW-112, "LHD MODELS : Removal and Installation"](#).
 - RHD Models: Refer to [WW-114, "RHD MODELS : Removal and Installation"](#).
8. Remove extension cowl top mounting bolts, and then remove extension cowl top.
9. Remove dash lower insulator upper mounting nuts, and then remove dash lower insulator upper.

INSTALLATION

Install in the reverse order of removal.

CAUTION:

- When installing cowl top cover, check that blind clips are securely fitted in panel holes on body, and then press them in.
- Always replace cowl top cover EPT sealer on rear of vehicle with a new one when installing old cowl top cover.
- After installing, perform adjustment of wiper arms. Refer to [WW-110, "Adjustment"](#).

FENDER PROTECTOR

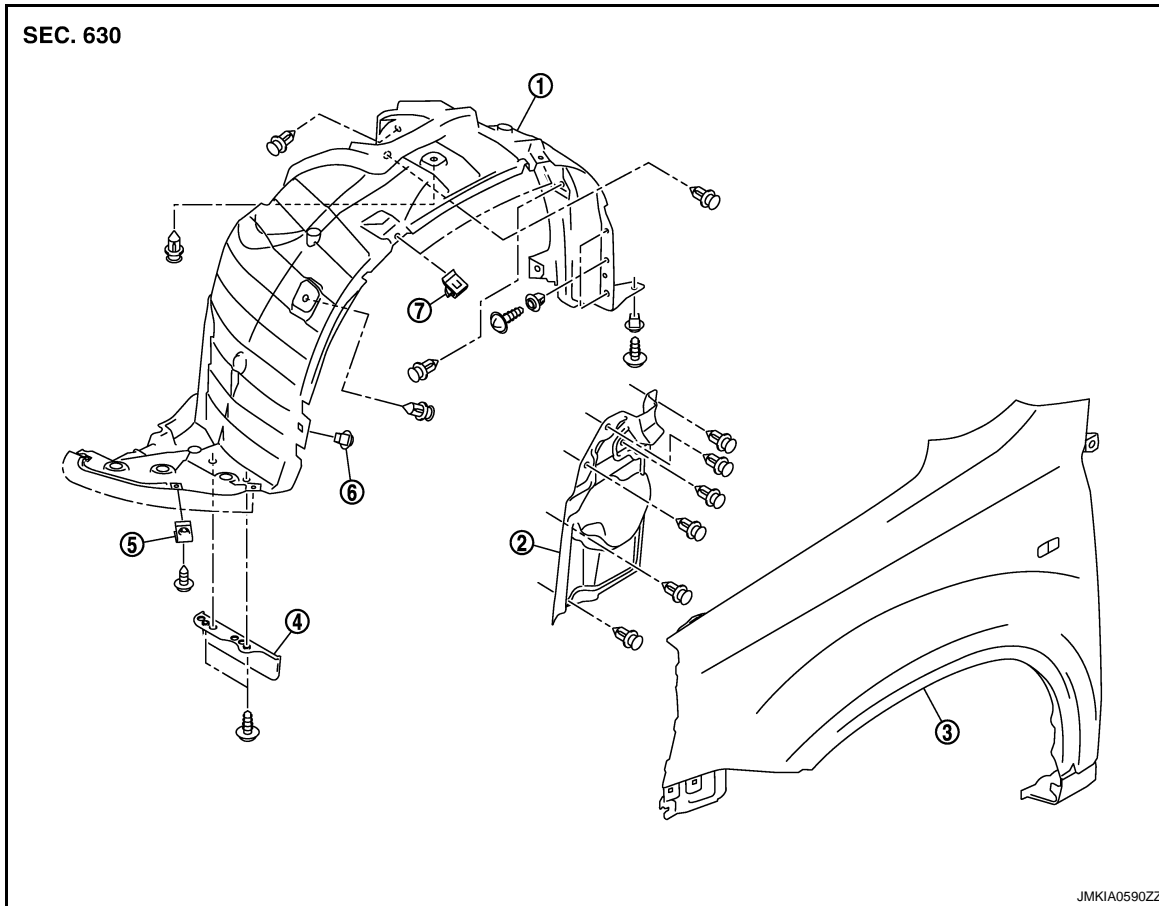
< ON-VEHICLE REPAIR >

FENDER PROTECTOR

Exploded View

INFOID:000000001160425

FENDER PROTECTOR



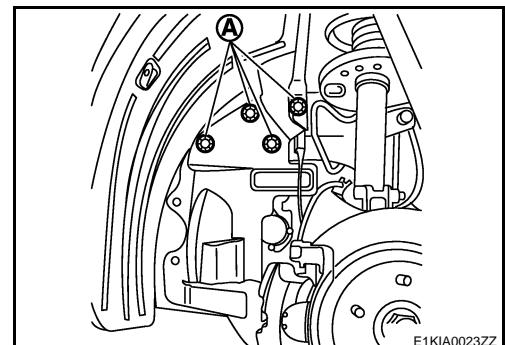
- | | | |
|---------------------------------|-----------------|-----------------|
| 1. Front fender protector | 2. Splash guard | 3. Front fender |
| 4. Front fender lower protector | 5. J nut | 6. Grommet |
| 7. Fender clip | | |

Removal and Installation

INFOID:000000001160426

REMOVAL

1. Remove front fillet molding and front mud guard. Refer to [EXT-24. "Removal and Installation"](#).
2. Remove splash guard fixing clips (A).



3. Remove front fender protector fixing clips.
4. Remove front fender protector fixing screws.

A
B
C
D
E
F
G
H
I
J

EXT

L
M
N
O
P

FENDER PROTECTOR

< ON-VEHICLE REPAIR >

5. Release front fender protector upper fixing clip downward, and then remove front fender protector.
6. Remove the following parts after removing fender protector.
 - Front fender lower protector
 - Splash guard

INSTALLATION

Install in the reverse order of removal.

CAUTION:

When installing fender protector, check that clips are securely fitted in panel holes on body, and then press them in.

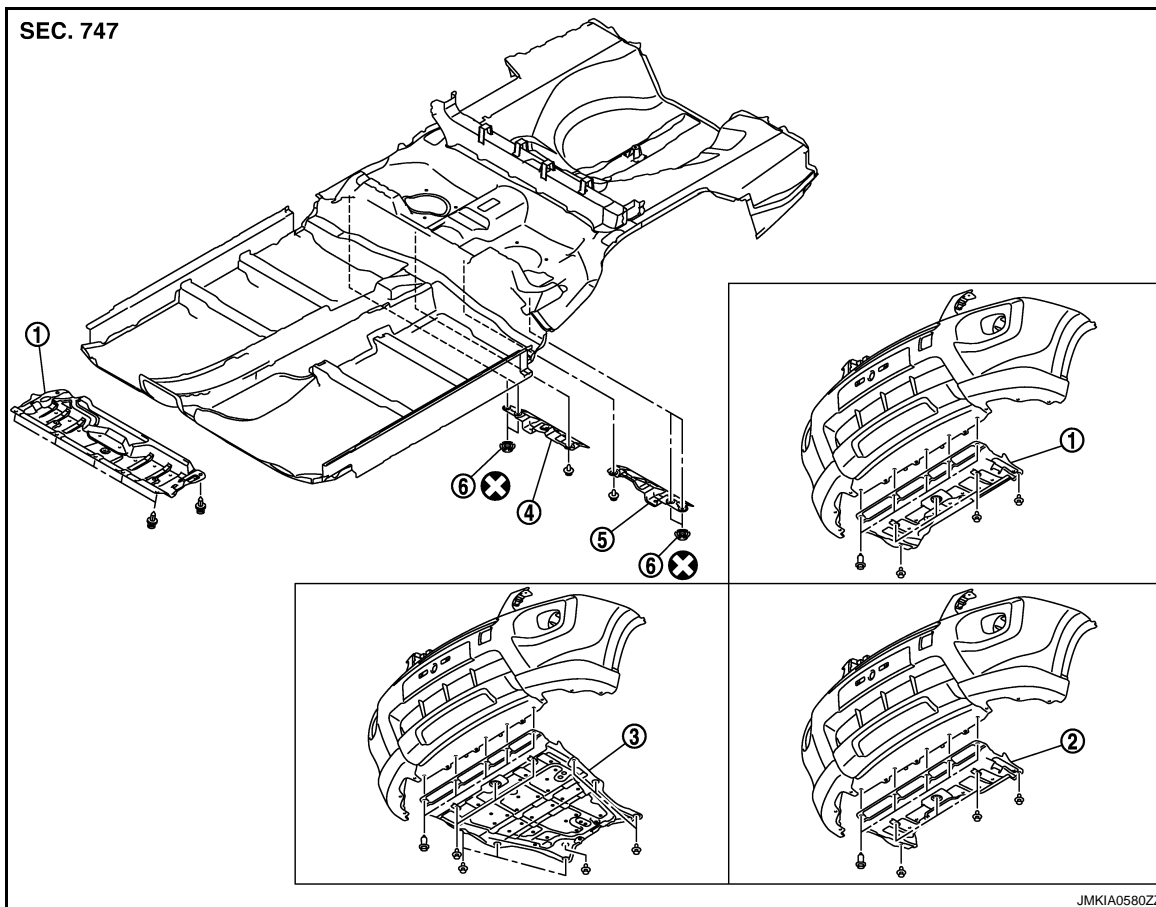
FLOOR SIDE FAIRING

< ON-VEHICLE REPAIR >

FLOOR SIDE FAIRING

Exploded View

INFOID:000000001316783



- 1. Front under cover (MR20 engine models)
- 2. Front under cover (QR25 engine models)
- 3. Floor under cover (M9R engine models)
- 4. Floor under cover (RH)
- 5. Floor under cover (LH)
- 6. Push nut

Removal and Installation

INFOID:000000001316784

REMOVAL

FRONT UNDER COVER

1. Remove front under cover mounting clips.
2. Remove front under cover.

FLOOR UNDER COVER

1. Remove floor under cover mounting clips and push nut.
2. Remove floor under cover.

INSTALLATION

Install in the reverse order of removal.

CAUTION:

When installing under cover, check that clips are securely fitted in panel holes on body, and then press them in.

A
B
C
D
E
F
G
H
I
J

EXT

L
M
N
O
P

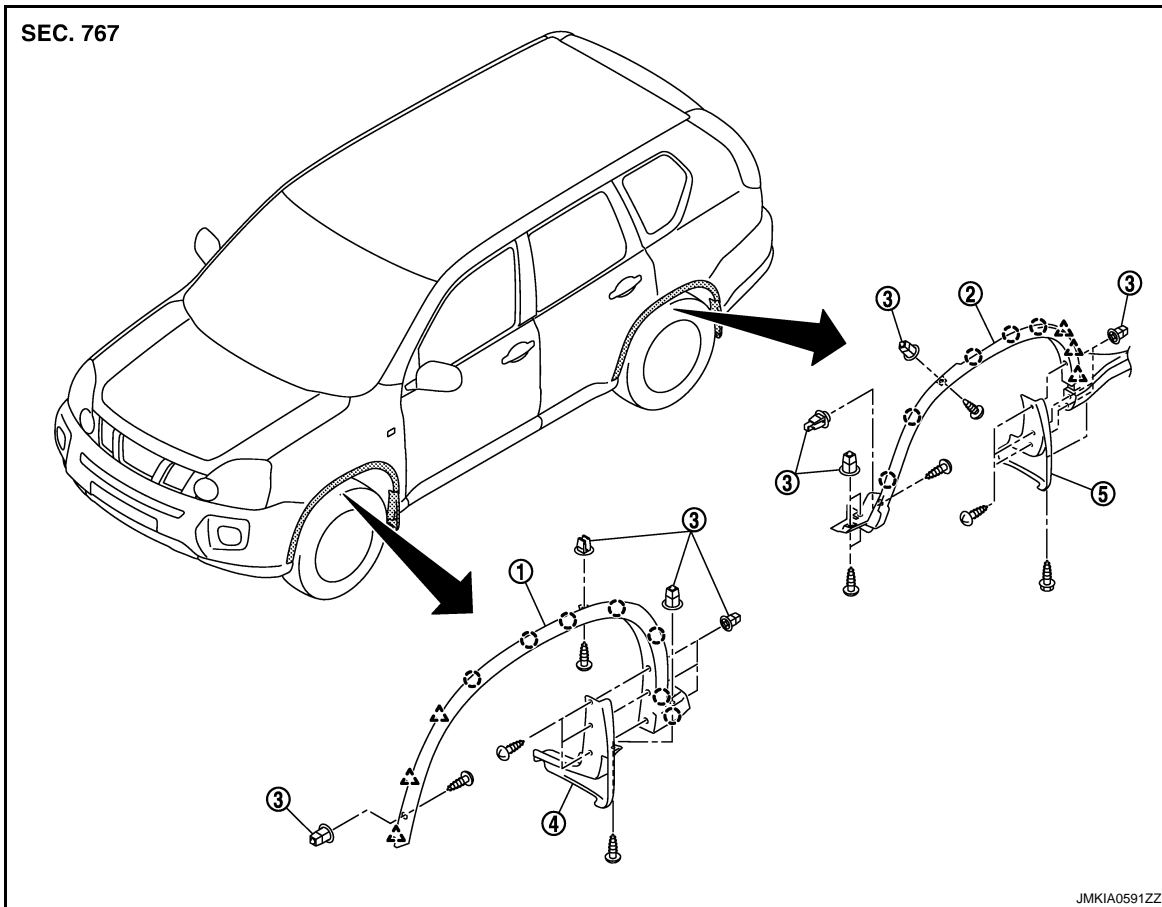
FILLET MOLDING

< ON-VEHICLE REPAIR >

FILLET MOLDING

Exploded View

INFOID:000000001160427



1. Front fillet molding

2. Rear fillet molding

3. Grommet

4. Front mud guard

5. Rear mud guard

○ : Clip

△ : Pawl

Removal and Installation

INFOID:000000001160428

REMOVAL

FRONT FILLET MOLDING

1. Remove front mud guard fixing screws, and then remove front mud guard.
2. Remove front fillet molding fixing screws.
3. Release front fillet molding clips and pawls.
4. Remove front fillet molding.

REAR FILLET MOLDING

1. Remove rear mud guard fixing screws, and then remove rear mud guard.
2. Remove rear fillet molding fixing screws.
3. Release rear fillet molding clips and pawls.
4. Remove rear fillet molding.

INSTALLATION

Install in the reverse order of removal.

FILLET MOLDING

< ON-VEHICLE REPAIR >

CAUTION:

When installing fillet molding, check that blind clips are securely fitted in panel holes on body, and then press them in.

A

B

C

D

E

F

G

H

I

J

EXT

L

M

N

O

P

ROOF RAIL

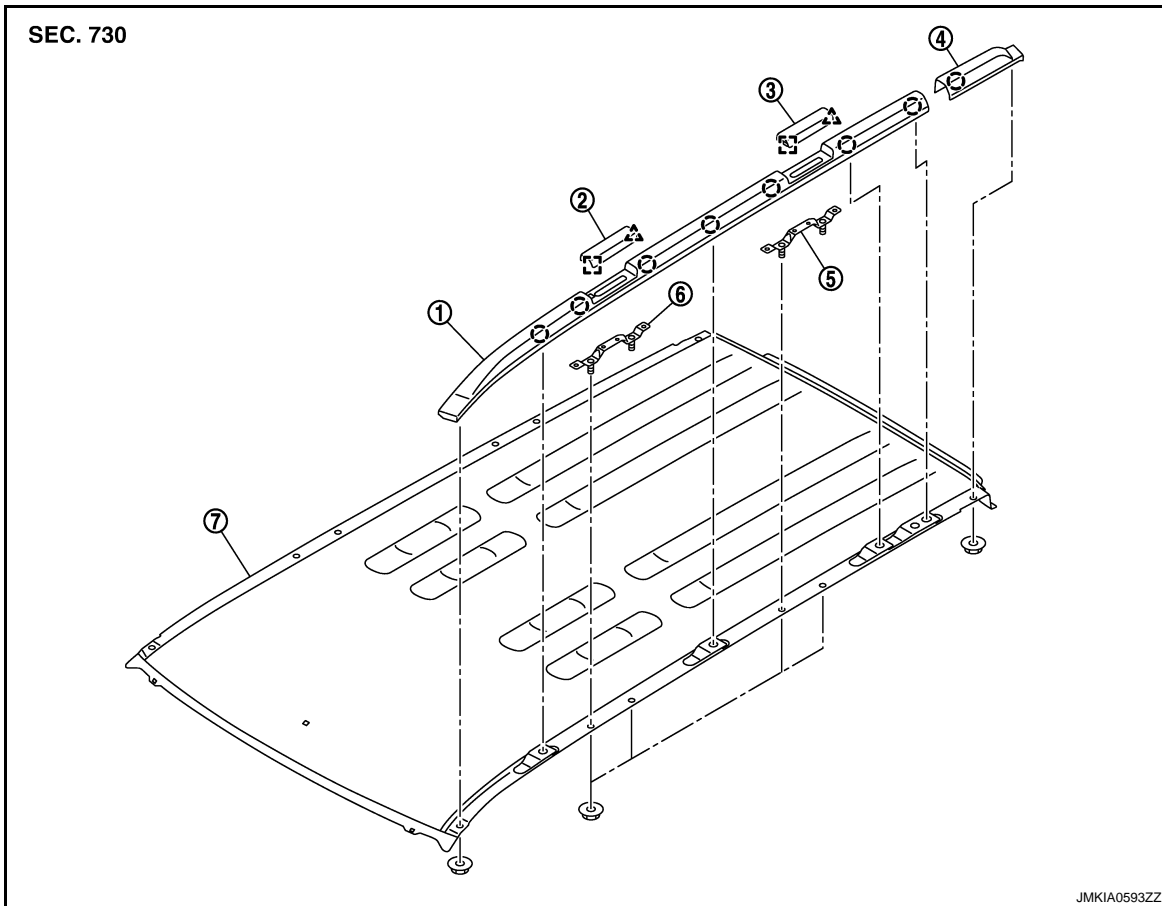
< ON-VEHICLE REPAIR >

ROOF RAIL

ROOF RAIL

ROOF RAIL : Exploded View

INFOID:000000001282626



- | | | |
|--------------------|-----------------------------|------------------------------|
| 1. Roof rail | 2. Front cap | 3. Rear cap |
| 4. Roof rail cover | 5. Roof rail bracket (rear) | 6. Roof rail bracket (front) |
| 7. Roof panel | | |

○ : Clip

△ : Pawl

□ : Metal clip

ROOF RAIL : Removal and Installation

INFOID:000000001282628

CAUTION:

Be careful not to damage the body.

REMOVAL

1. Remove headlining.
NORMAL ROOF: Refer to [INT-22, "NORMAL ROOF : Removal and Installation"](#).
SUNROOF: Refer to [INT-25, "SUNROOF : Removal and Installation"](#).
2. Remove roof rail cover mounting nut and clip, and then remove roof rail cover.
3. Remove roof rail mounting nuts.
4. Remove roof rail bracket (front and rear) mounting nuts.
5. Remove roof rail mounting clips, and remove roof rails.

INSTALLATION

ROOF RAIL

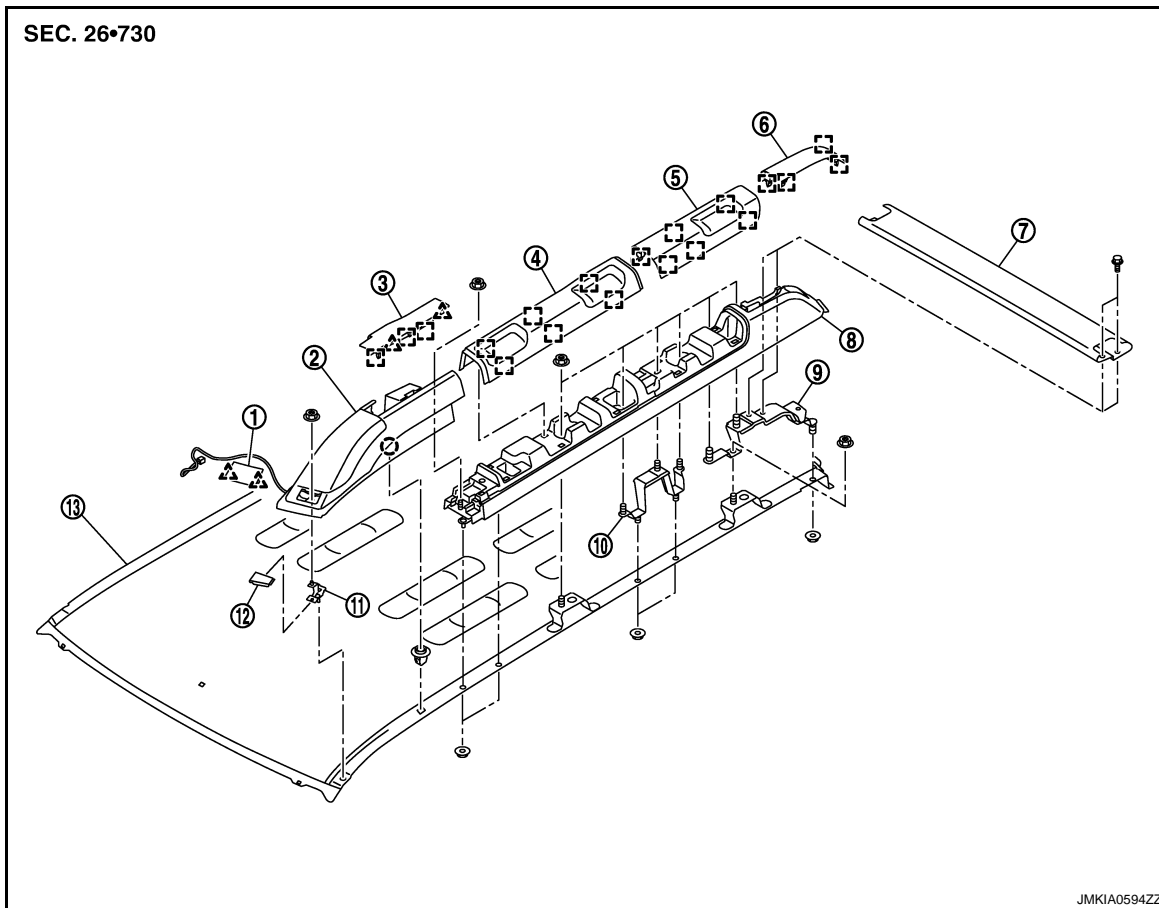
< ON-VEHICLE REPAIR >

Installation is in the reverse order of removal.

HYPER ROOF RAIL

HYPER ROOF RAIL : Exploded View

INFOID:000000001282627



- | | | |
|-------------------------------|-----------------------------|------------------------------|
| 1. Driving lamp cover (front) | 2. Driving lamp assembly | 3. Driving lamp cover (rear) |
| 4. Roof rail cover (front) | 5. Roof rail cover (center) | 6. Roof rail cover (rear) |
| 7. Roof spoiler assembly | 8. Roof rail assembly | 9. Roof spoiler bracket |
| 10. Roof rail bracket | 11. Roof finisher bracket | 12. Roof finisher molding |
| 13. Roof panel | | |

○ : Clip

△ : Pawl

□ : Metal clip

HYPER ROOF RAIL : Removal and Installation

INFOID:000000001282629

CAUTION:

Be careful not to damage the body.

REMOVAL

1. Remove headlining.
 - NORMAL ROOF: Refer to [INT-22, "NORMAL ROOF : Removal and Installation"](#).
 - SUNROOF: Refer to [INT-25, "SUNROOF : Removal and Installation"](#).
2. Remove driving lamp assembly. Refer to [EXL-217, "Removal and Installation"](#).

A
B
C
D
E
F
G
H
I
J

EXT

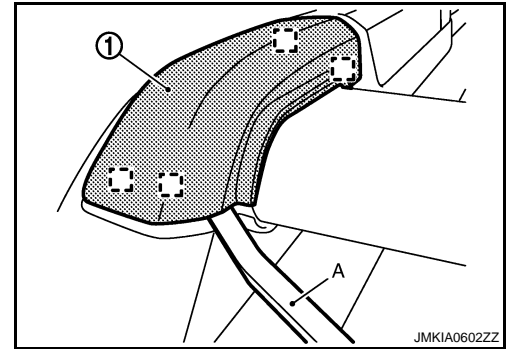
L
M
N
O
P

ROOF RAIL

< ON-VEHICLE REPAIR >

3. Remove roof rail cover (rear) (1) with remover tool (A).

 : Metal clip



4. Remove roof spoiler mounting bolts, and then remove roof spoiler assembly.
Refer to [EXT-29, "Removal and Installation"](#).
5. Remove roof rail cover (front and center).
6. Remove roof rail mounting nuts, and then remove roof rail assembly.
7. Remove roof finisher bracket mounting nut, and then remove roof finisher bracket.
8. Remove roof rail bracket mounting nuts, and then remove roof rail bracket.
9. Remove roof spoiler bracket mounting nuts, and then remove roof spoiler bracket.

INSTALLATION

Installation is in the reverse order of removal.

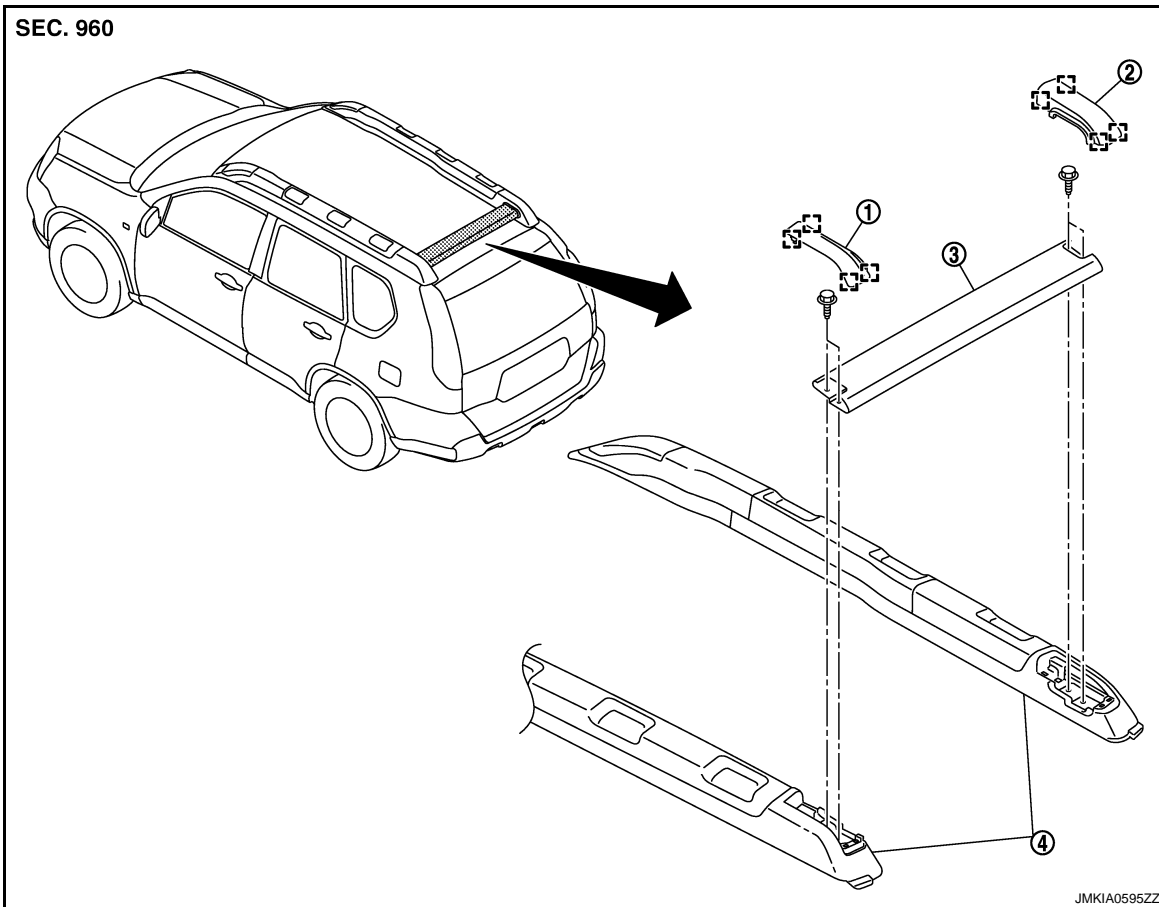
ROOF SPOILER

< ON-VEHICLE REPAIR >

ROOF SPOILER

Exploded View

INFOID:000000001282630



1. Roof rail cover (rear) LH

2. Roof rail cover (rear) RH

3. Roof spoiler assembly

4. Roof rail assembly

 : Metal clip

Removal and Installation

INFOID:000000001282631

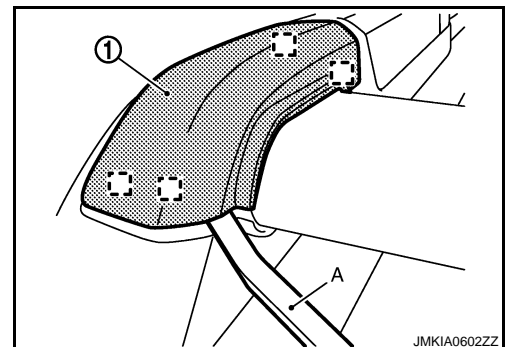
CAUTION:

Be careful not to damage the body.

REMOVAL

1. Remove roof rail covers (rear) LH/RH. Refer to [EXT-27](#), "[HYPER ROOF RAIL : Removal and Installation](#)".

 : Metal clip



2. Remove roof spoiler mounting bolts.
3. Remove roof spoiler assembly.

A
B
C
D
E
F
G
H
I
J

EXT

L
M
N
O
P

ROOF SPOILER

< ON-VEHICLE REPAIR >

INSTALLATION

Installation is in the reverse order of removal.

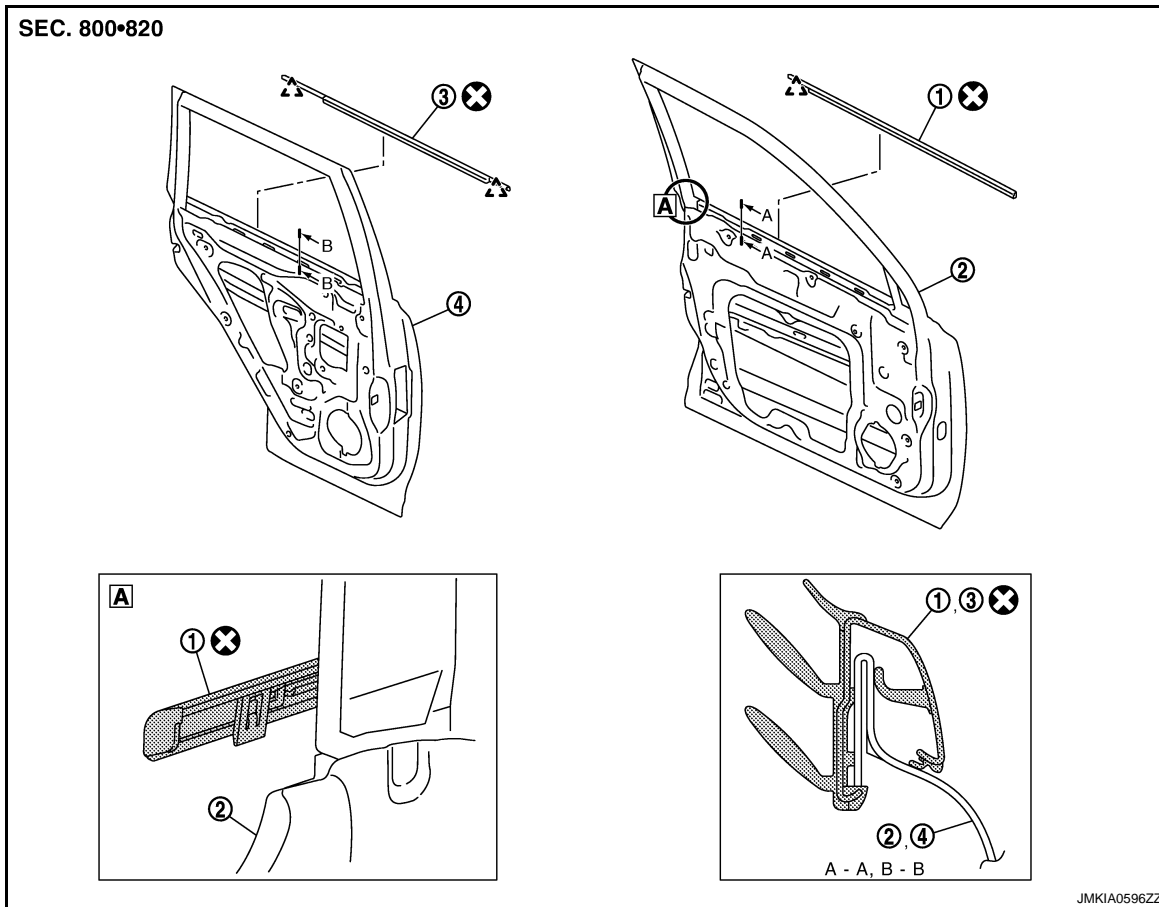
DOOR OUTSIDE MOLDING

< ON-VEHICLE REPAIR >

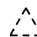
DOOR OUTSIDE MOLDING

Exploded View

INFOID:000000001160433



- 1. Front door outside molding
- 2. Front door panel
- 3. Rear door outside molding
- 4. Rear door panel

 : Pawl

Removal and Installation

INFOID:000000001160434

REMOVAL

FRONT DOOR OUTSIDE MOLDING

1. Remove front door finisher. Refer to [INT-10, "FRONT DOOR FINISHER : Removal and Installation"](#).
2. Remove door mirror assembly. Refer to [MIR-25, "DOOR MIRROR ASSEMBLY : Removal and Installation"](#).
3. Fit front door glass to lower position.
4. Twist and pull up to upper side, and then remove front door outside molding.

REAR DOOR OUTSIDE MOLDING

1. Fit rear door glass to lower position.
2. Twist and pull up to upper side, and then remove rear door outside molding.

INSTALLATION

Install in the reverse order of removal.

A
B
C
D
E
F
G
H
I
J

EXT

L
M
N
O
P

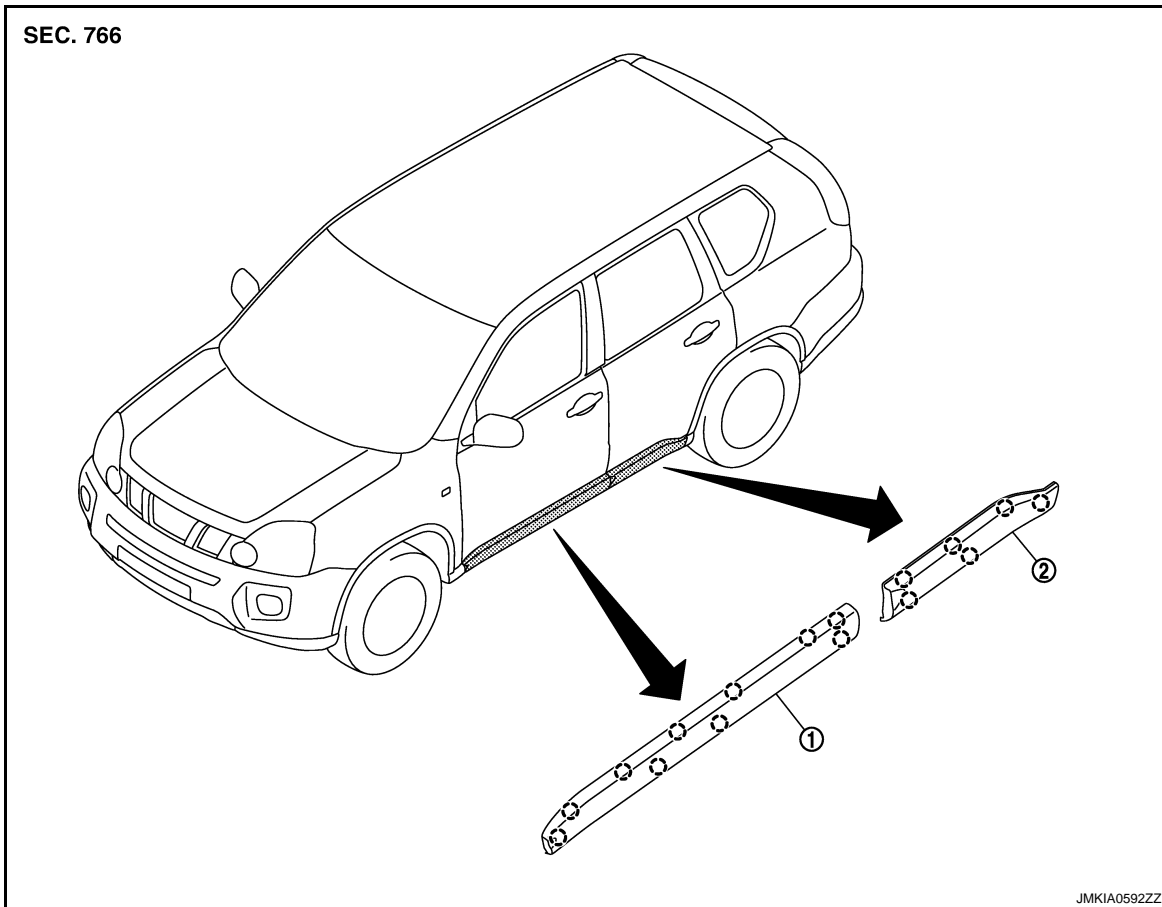
DOOR OUTSIDE LOWER MOLDING

< ON-VEHICLE REPAIR >

DOOR OUTSIDE LOWER MOLDING

Exploded View

INFOID:000000001160435



1. Front door outside lower molding 2. Rear door outside lower molding

○ : Clip

Removal and Installation

INFOID:000000001160436

CAUTION:

Be careful not to damage the body.

REMOVAL

FRONT DOOR OUTSIDE LOWER MOLDING

1. Pull front door outside lower molding upper side outwards to release upper fixing clips.
2. Pull front door outside lower molding outwards to release lower fixing clips.
3. Remove front door outside lower molding.

REAR DOOR OUTSIDE LOWER MOLDING

1. Pull rear door outside lower molding upper side outwards to release upper fixing clips.
2. Pull rear door outside lower molding outwards to release lower fixing clips.
3. Remove rear door outside lower molding.

INSTALLATION

Install in the reverse order of removal.

CAUTION:

Always clean body and parts before installation.

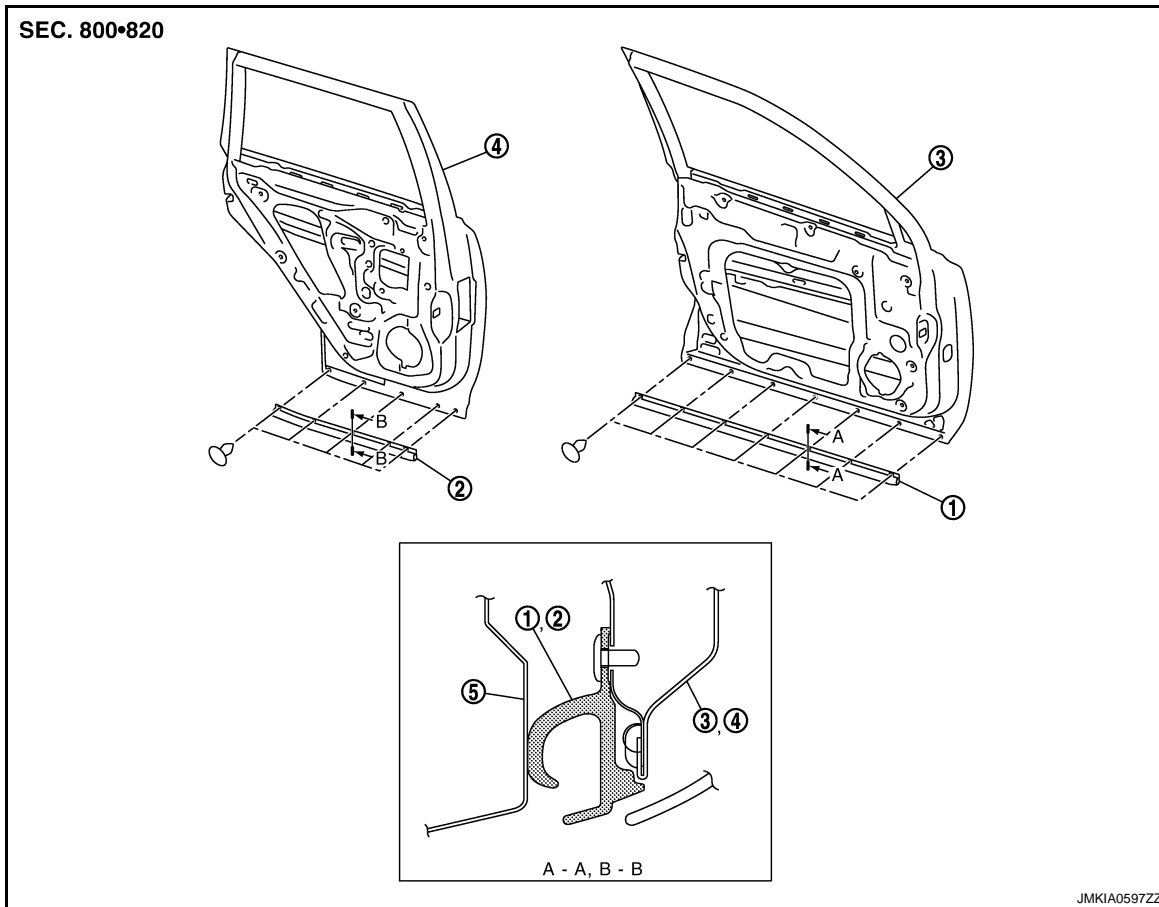
DOOR PARTING SEAL

< ON-VEHICLE REPAIR >

DOOR PARTING SEAL

Exploded View

INFOID:000000001160437



1. Front door parting seal
2. Rear door parting seal
3. Front door panel
4. Rear door panel
5. Sill outer

Removal and Installation

INFOID:000000001160438

REMOVAL

FRONT DOOR PARTING SEAL

1. Fully open front door.
2. Remove front door parting seal mounting clips.
3. Remove front door parting seal.

REAR DOOR PARTING SEAL

1. Fully open rear door.
2. Remove rear door parting seal mounting clips.
3. Remove rear door parting seal.

INSTALLATION

Install in the reverse order of removal.

CAUTION:

When installing door parting seal, check that blind clips are securely fitted in panel holes on body, and then press them in.

A
B
C
D
E
F
G
H
I
J

EXT

L
M
N
O
P

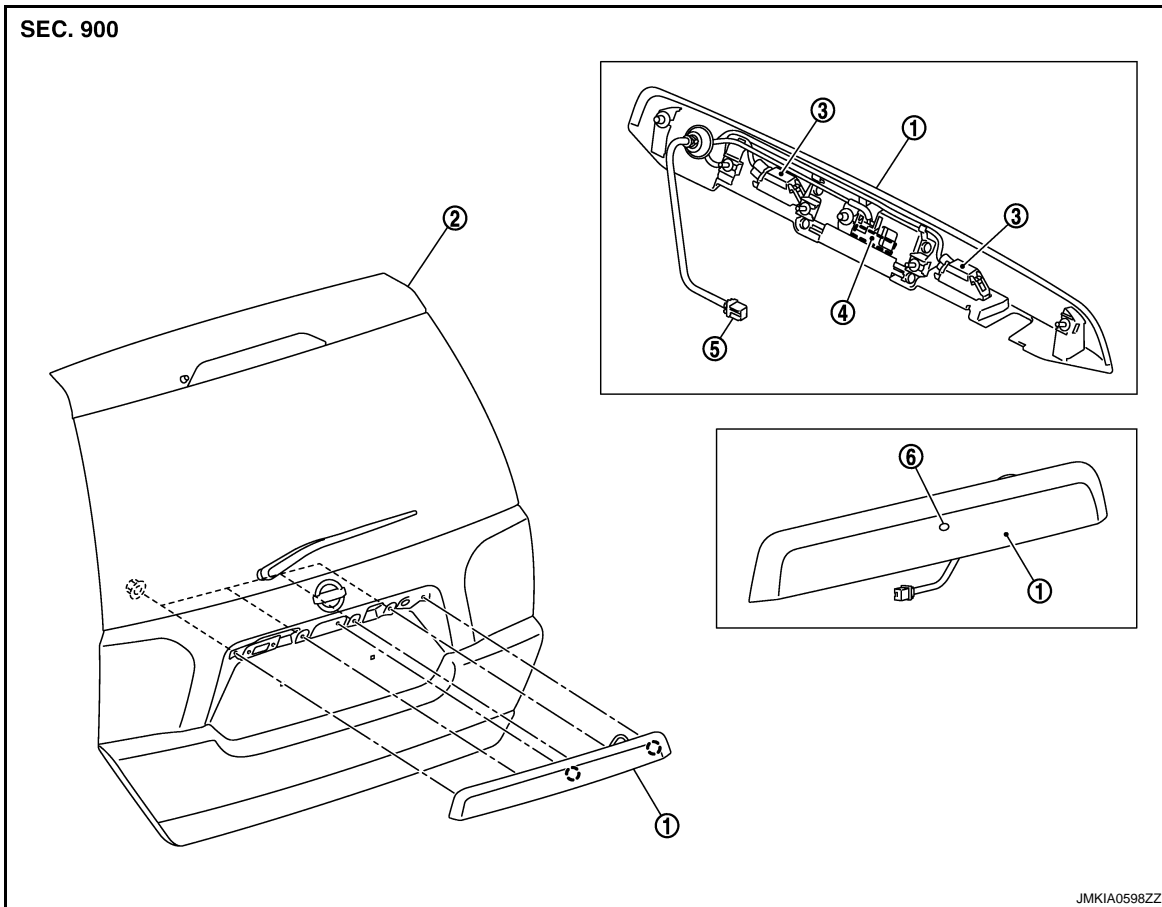
BACK DOOR FINISHER

< ON-VEHICLE REPAIR >

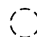
BACK DOOR FINISHER

Exploded View

INFOID:000000001160439



- | | | |
|----------------------------|--------------------------|-----------------------------|
| 1. Back door finisher | 2. Back door assembly | 3. License plate lamp |
| 4. Back door opener switch | 5. Back door sub harness | 6. Back door request switch |

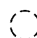
 : Clip

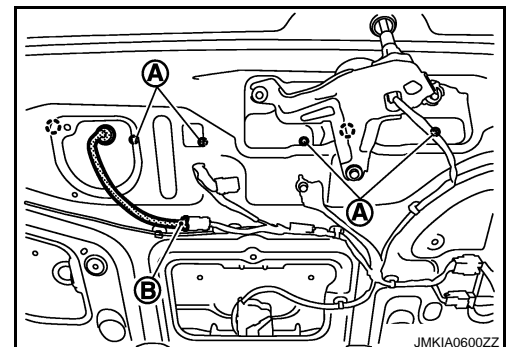
Removal and Installation

INFOID:000000001160440

REMOVAL

1. Fully open back door.
2. Remove back door finisher inner. Refer to [INT-31, "Removal and Installation"](#).
3. Disconnect back door sub harness connector (B).
4. Remove back door finisher fixing nuts (A) and release back door finisher fixing clips.

 : Clip



5. Pull harness grommet outwards from back door to release it.
6. Pull back door finisher to remove it.

BACK DOOR FINISHER

< ON-VEHICLE REPAIR >

7. Remove the following parts after removing back door finisher.
 - License plate lamp. Refer to [EXL-231, "Removal and Installation"](#).
 - Back door request switch. Refer to [DLK-299, "Removal and Installation"](#).
 - Back door opener switch. Refer to [DLK-300, "Removal and Installation"](#).
 - Back door sub harness.

INSTALLATION

Install in the reverse order of removal.

A

B

C

D

E

F

G

H

I

J

EXT

L

M

N

O

P

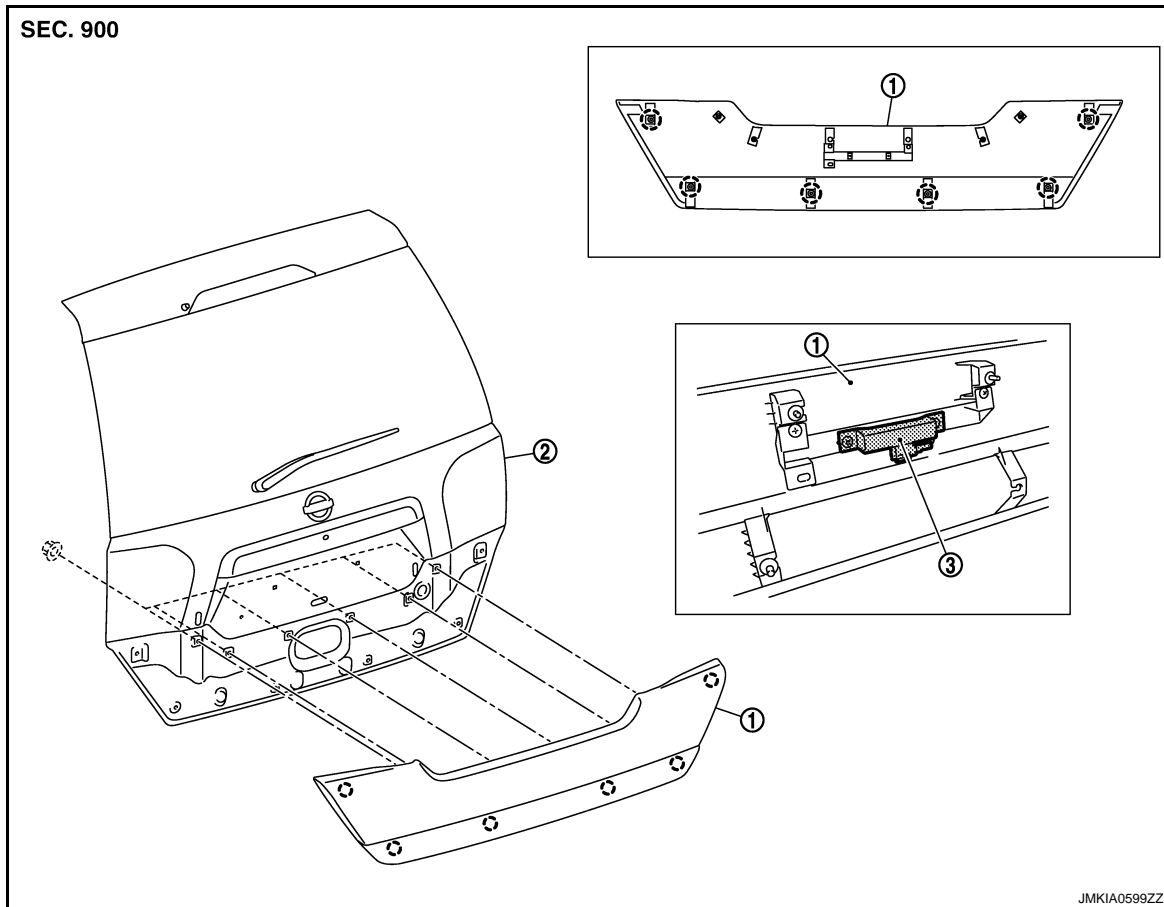
BACK DOOR LOWER FINISHER

< ON-VEHICLE REPAIR >

BACK DOOR LOWER FINISHER

Exploded View

INFOID:000000001282624



1. Back door lower finisher

2. Back door assembly

3. Outside key antenna

⊙ : Clip

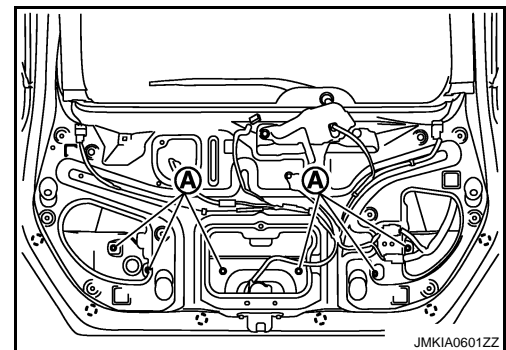
Removal and Installation

INFOID:000000001282625

REMOVAL

1. Fully open back door.
2. Remove back door finisher inner. Refer to [INT-31. "Removal and Installation"](#).
3. Remove back door lower finisher fixing nuts (A) and release back door lower finisher fixing clips.

⊙ : Clip



4. Pull back door lower finisher to remove it.
5. Remove the following parts after removing back door lower finisher.
Outside key antenna. Refer to [DLK-296. "BACK DOOR : Removal and Installation"](#).

BACK DOOR LOWER FINISHER

< ON-VEHICLE REPAIR >

INSTALLATION

Install in the reverse order of removal.

CAUTION:

When installing back door lower finisher, check that blind clips are securely fitted in panel holes on body, and then press them in.

A

B

C

D

E

F

G

H

I

J

EXT

L

M

N

O

P