

# SECTION **ATC**

## AUTOMATIC AIR CONDITIONER

A  
B  
C  
D  
E  
F  
G  
H  
I  
ATC  
K  
L  
M

### CONTENTS

|   |           |   |           |
|---|-----------|---|-----------|
| <b>PRECAUTIONS</b> .....  | <b>5</b>  | <b>LUBRICANT</b> .....  | <b>22</b> |
| Precautions for Supplemental Restraint System (SRS) "AIR BAG" and "SEAT BELT PRE-TENSIONER" ..... | 5         | Maintenance of Lubricant Quantity in Compressor..                     | 22        |
| Precautions for Working with HFC-134a (R-134a)....  | 5         | LUBRICANT .....   | 22        |
| Contaminated Refrigerant .....  | 5         | CHECKING AND ADJUSTING .....  | 22        |
| General Refrigerant Precautions .....   | 6         | <b>AIR CONDITIONER CONTROL</b> .....                                  | <b>24</b> |
| Precautions for Leak Detection Dye .....  | 6         | Description .....   | 24        |
| A/C Identification Label .....  | 7         | Operation .....   | 24        |
| Precautions for Refrigerant Connection .....  | 7         | AIR MIX DOORS CONTROL .....   | 24        |
| FEATURES OF NEW TYPE REFRIGERANT CONNECTION .....   | 7         | BLOWER SPEED CONTROL .....  | 24        |
| O-RING AND REFRIGERANT CONNECTION.....  | 8         | INTAKE DOOR CONTROL .....   | 24        |
| Precautions for Servicing Compressor .....  | 11        | MODE DOOR CONTROL .....   | 24        |
| Precautions for Service Equipment .....   | 11        | DEFROSTER DOOR CONTROL .....  | 24        |
| RECOVERY/RECYCLING EQUIPMENT .....  | 11        | MAGNET CLUTCH CONTROL .....   | 25        |
| ELECTRONIC LEAK DETECTOR .....  | 11        | SELF-DIAGNOSTIC SYSTEM .....  | 25        |
| VACUUM PUMP .....   | 12        | Description of Control System .....                                   | 26        |
| MANIFOLD GAUGE SET .....  | 12        | Control Operation .....   | 26        |
| SERVICE HOSES .....   | 12        | DISPLAY SCREEN .....  | 27        |
| SERVICE COUPLERS .....  | 13        | AUTO SWITCH .....   | 27        |
| REFRIGERANT WEIGHT SCALE .....  | 13        | TEMPERATURE CONTROL DIAL (TEMPERATURE CONTROL) (DRIVER SIDE) .....    | 27        |
| CHARGING CYLINDER .....   | 13        | TEMPERATURE CONTROL DIAL (TEMPERATURE CONTROL) (PASSENGER SIDE) ..... | 27        |
| Wiring Diagrams and Trouble Diagnosis .....   | 13        | TEMPERATURE CONTROL DIAL (TEMPERATURE AND MODE CONTROL) (REAR) .....  | 27        |
| <b>PREPARATION</b> .....  | <b>14</b> | RECIRCULATION ( ) SWITCH .....  | 27        |
| Special Service Tools .....   | 14        | DEFROSTER (DEF) SWITCH .....  | 27        |
| HFC-134a (R-134a) Service Tools and Equipment..   | 14        | REAR WINDOW DEFOGGER SWITCH .....                                     | 27        |
| Commercial Service Tools .....  | 17        | OFF SWITCH .....  | 27        |
| <b>REFRIGERATION SYSTEM</b> .....   | <b>18</b> | A/C SWITCH .....  | 27        |
| Refrigerant Cycle .....   | 18        | MODE SWITCH (FRONT) .....   | 27        |
| REFRIGERANT FLOW .....  | 18        | FRONT BLOWER CONTROL DIAL .....                                       | 27        |
| Refrigerant System Protection .....   | 18        | TEMPERATURE CONTROL DIAL (TEMPERATURE AND MODE CONTROL) .....         | 28        |
| REFRIGERANT PRESSURE SENSOR .....   | 18        | REAR BLOWER CONTROL DIAL .....  | 28        |
| PRESSURE RELIEF VALVE .....   | 19        | Discharge Air Flow .....  | 29        |
| Component Layout .....  | 20        | FRONT .....   | 29        |
| FRONT REFRIGERATION SYSTEM .....  | 20        | REAR .....  | 29        |
| REAR REFRIGERATION SYSTEM .....   | 21        | System Description (Front) .....                                      | 30        |
|   |           | SWITCHES AND THEIR CONTROL FUNCTION..                                 | 30        |
|   |           | System Description (Rear) .....                                       | 31        |

|  |           |                                     |     |
|--|-----------|-------------------------------------|-----|
| SWITCHES AND THEIR CONTROL FUNCTION..              | 31        | DOOR MOTOR (REAR) .....             | 79  |
| CAN Communication System Description .....         | 32        | Intake Door Motor Circuit .....     | 83  |
| <b>TROUBLE DIAGNOSIS .....</b>                     | <b>33</b> | INSPECTION FLOW .....               | 83  |
| CONSULT-II Function (HVAC) .....                   | 33        | SYSTEM DESCRIPTION .....            | 84  |
| CONSULT-II BASIC OPERATION .....                   | 33        | COMPONENT DESCRIPTION .....         | 85  |
| SELF-DIAGNOSIS .....                               | 34        | DIAGNOSTIC PROCEDURE FOR INTAKE     |     |
| DATA MONITOR .....                                 | 34        | DOOR MOTOR .....                    | 85  |
| CONSULT-II Function (BCM) .....                    | 36        | Defroster Door Motor Circuit .....  | 87  |
| CONSULT-II BASIC OPERATION .....                   | 36        | SYMPTOM: .....                      | 87  |
| DATA MONITOR .....                                 | 37        | INSPECTION FLOW .....               | 87  |
| How to Perform Trouble Diagnosis for Quick and     |           | SYSTEM DESCRIPTION .....            | 88  |
| Accurate Repair .....                              | 38        | COMPONENT DESCRIPTION .....         | 88  |
| WORK FLOW .....                                    | 38        | DIAGNOSTIC PROCEDURE FOR            |     |
| SYMPTOM TABLE .....                                | 38        | DEFROSTER DOOR MOTOR .....          | 89  |
| Component Parts and Harness Connector Location..   | 39        | Front Blower Motor Circuit .....    | 93  |
| ENGINE COMPARTMENT .....                           | 39        | INSPECTION FLOW .....               | 93  |
| FRONT PASSENGER COMPARTMENT .....                  | 40        | SYSTEM DESCRIPTION .....            | 94  |
| REAR PASSENGER COMPARTMENT .....                   | 41        | COMPONENT DESCRIPTION .....         | 95  |
| Schematic .....                                    | 42        | DIAGNOSTIC PROCEDURE FOR BLOWER     |     |
| Wiring Diagram — A/C,A — .....                     | 43        | MOTOR .....                         | 95  |
| Front Air Control Terminals and Reference Value..  | 53        | COMPONENT INSPECTION .....          | 99  |
| PIN CONNECTOR TERMINAL LAYOUT .....                | 53        | Rear Blower Motor Circuit .....     | 101 |
| TERMINALS AND REFERENCE VALUE FOR                  |           | INSPECTION FLOW .....               | 101 |
| FRONT AIR CONTROL .....                            | 53        | SYSTEM DESCRIPTION .....            | 102 |
| A/C System Self-diagnosis Function .....           | 55        | DIAGNOSTIC PROCEDURE FOR REAR       |     |
| DESCRIPTION .....                                  | 55        | BLOWER MOTOR .....                  | 102 |
| Operational Check (Front) .....                    | 57        | COMPONENT INSPECTION .....          | 110 |
| CHECKING MEMORY FUNCTION .....                     | 57        | Rear Air Control Circuit .....      | 112 |
| CHECKING BLOWER .....                              | 57        | INSPECTION FLOW .....               | 112 |
| CHECKING DISCHARGE AIR .....                       | 58        | SYSTEM DESCRIPTION .....            | 113 |
| CHECKING RECIRCULATION .....                       | 58        | DIAGNOSTIC PROCEDURE FOR REAR AIR   |     |
| CHECKING TEMPERATURE DECREASE .....                | 58        | CONTROL .....                       | 113 |
| CHECKING TEMPERATURE INCREASE .....                | 59        | Magnet Clutch Circuit .....         | 115 |
| CHECK A/C SWITCH .....                             | 59        | INSPECTION FLOW .....               | 115 |
| CHECKING AUTO MODE .....                           | 59        | SYSTEM DESCRIPTION .....            | 116 |
| Operational Check (Rear) .....                     | 60        | DIAGNOSTIC PROCEDURE FOR MAGNET     |     |
| CHECKING BLOWER .....                              | 60        | CLUTCH .....                        | 116 |
| CHECKING TEMPERATURE DECREASE .....                | 60        | Insufficient Cooling .....          | 121 |
| CHECKING TEMPERATURE INCREASE .....                | 60        | INSPECTION FLOW .....               | 121 |
| Power Supply and Ground Circuit for Front Air Con- |           | PERFORMANCE TEST DIAGNOSES .....    | 122 |
| trol .....   | 61        | PERFORMANCE CHART .....             | 124 |
| INSPECTION FLOW .....                              | 61        | TROUBLE DIAGNOSES FOR UNUSUAL PRES- |     |
| COMPONENT DESCRIPTION .....                        | 62        | SURE .....                          | 125 |
| DIAGNOSTIC PROCEDURE FOR A/C SYSTEM..              | 62        | Insufficient Heating .....          | 128 |
| Mode Door Motor Circuit .....                      | 64        | INSPECTION FLOW .....               | 128 |
| INSPECTION FLOW .....                              | 64        | Noise .....                         | 129 |
| SYSTEM DESCRIPTION .....                           | 65        | INSPECTION FLOW .....               | 129 |
| COMPONENT DESCRIPTION .....                        | 66        | Self-diagnosis .....                | 131 |
| DIAGNOSTIC PROCEDURE FOR MODE                      |           | INSPECTION FLOW .....               | 131 |
| DOOR MOTOR .....                                   | 66        | Memory Function .....               | 132 |
| Air Mix Door Motor Circuit .....                   | 70        | INSPECTION FLOW .....               | 132 |
| INSPECTION FLOW .....                              | 70        | Water Valve Circuit .....           | 132 |
| SYSTEM DESCRIPTION .....                           | 71        | COMPONENT DESCRIPTION .....         | 132 |
| COMPONENT DESCRIPTION .....                        | 72        | DIAGNOSTIC PROCEDURE FOR WATER      |     |
| DIAGNOSTIC PROCEDURE FOR AIR MIX                   |           | VALVE .....                         | 133 |
| DOOR MOTOR (DRIVER) .....                          | 72        | COMPONENT INSPECTION .....          | 135 |
| DIAGNOSTIC PROCEDURE FOR AIR MIX                   |           | Ambient Sensor Circuit .....        | 136 |
| DOOR MOTOR (PASSENGER) .....                       | 76        | COMPONENT DESCRIPTION .....         | 136 |
| DIAGNOSTIC PROCEDURE FOR AIR MIX                   |           | AMBIENT TEMPERATURE INPUT PROCESS.. | 136 |

|  |            |  |            |     |
|--|------------|--|------------|-----|
| DIAGNOSTIC PROCEDURE FOR AMBIENT SENSOR .....    | 136        | Components .....                                   | 159        |     |
| COMPONENT INSPECTION .....                       | 138        | Removal and Installation .....                     | 160        | A   |
| In-vehicle Sensor Circuit .....                  | 139        | FRONT HEATER CORE .....                            | 160        |     |
| COMPONENT DESCRIPTION .....                      | 139        | REAR HEATER CORE .....                             | 161        |     |
| DIAGNOSTIC PROCEDURE FOR IN-VEHICLE SENSOR ..... | 140        | <b>DEFROSTER DOOR MOTOR</b> .....                  | <b>162</b> | B   |
| COMPONENT INSPECTION .....                       | 142        | Removal and Installation .....                     | 162        |     |
| Optical Sensor Circuit .....                     | 142        | REMOVAL .....                                      | 162        |     |
| COMPONENT DESCRIPTION .....                      | 142        | INSTALLATION .....                                 | 162        | C   |
| OPTICAL INPUT PROCESS .....                      | 142        | <b>INTAKE DOOR MOTOR</b> .....                     | <b>163</b> |     |
| DIAGNOSTIC PROCEDURE FOR OPTICAL SENSOR .....    | 143        | Removal and Installation .....                     | 163        |     |
| Intake Sensor Circuit .....                      | 144        | REMOVAL .....                                      | 163        |     |
| COMPONENT DESCRIPTION .....                      | 144        | INSTALLATION .....                                 | 163        | D   |
| DIAGNOSTIC PROCEDURE FOR INTAKE SENSOR .....     | 144        | <b>MODE DOOR MOTOR</b> .....                       | <b>164</b> |     |
| COMPONENT INSPECTION .....                       | 145        | Removal and Installation .....                     | 164        |     |
| <b>CONTROL UNIT</b> .....                        | <b>146</b> | REMOVAL .....                                      | 164        | E   |
| Removal and Installation .....                   | 146        | INSTALLATION .....                                 | 164        |     |
| FRONT AIR CONTROL .....                          | 146        | <b>AIR MIX DOOR MOTOR</b> .....                    | <b>165</b> |     |
| REAR AIR CONTROL .....                           | 146        | Components .....                                   | 165        | F   |
| <b>AMBIENT SENSOR</b> .....                      | <b>147</b> | Removal and Installation .....                     | 165        |     |
| Removal and Installation .....                   | 147        | FRONT AIR MIX DOOR MOTOR (DRIVER) ....             | 165        |     |
| REMOVAL .....                                    | 147        | FRONT AIR MIX DOOR MOTOR (PASSENGER)               | 166        |     |
| INSTALLATION .....                               | 147        | REAR AIR MIX DOOR MOTOR .....                      | 166        | G   |
| <b>IN-VEHICLE SENSOR</b> .....                   | <b>148</b> | <b>VARIABLE BLOWER CONTROL</b> .....               | <b>167</b> |     |
| Removal and Installation .....                   | 148        | Removal and Installation .....                     | 167        |     |
| REMOVAL .....                                    | 148        | REMOVAL .....                                      | 167        | H   |
| INSTALLATION .....                               | 148        | INSTALLATION .....                                 | 167        |     |
| <b>OPTICAL SENSOR</b> .....                      | <b>149</b> | <b>REAR BLOWER MOTOR RESISTOR</b> .....            | <b>168</b> |     |
| Removal and Installation .....                   | 149        | Removal and Installation .....                     | 168        |     |
| <b>INTAKE SENSOR</b> .....                       | <b>150</b> | REMOVAL .....                                      | 168        | I   |
| Removal and Installation .....                   | 150        | INSTALLATION .....                                 | 168        |     |
| REMOVAL .....                                    | 150        | <b>DUCTS AND GRILLES</b> .....                     | <b>169</b> |     |
| INSTALLATION .....                               | 150        | Components .....                                   | 169        | ATC |
| <b>BLOWER MOTOR</b> .....                        | <b>151</b> | Removal and Installation .....                     | 172        |     |
| Components .....                                 | 151        | CENTER CONSOLE HEAT DUCT AND REAR                  |            |     |
| Removal and Installation .....                   | 151        | FINISHER ASSEMBLY GRILLE .....                     | 172        | K   |
| FRONT BLOWER MOTOR .....                         | 151        | DEFROSTER NOZZLE .....                             | 172        |     |
| REAR BLOWER MOTOR .....                          | 152        | RH AND LH SIDE DEMISTER DUCT .....                 | 172        |     |
| <b>IN-CABIN MICROFILTER</b> .....                | <b>153</b> | RH AND LH VENTILATOR DUCT .....                    | 172        | L   |
| Removal and Installation .....                   | 153        | CENTER VENTILATOR DUCT .....                       | 172        |     |
| FUNCTION .....                                   | 153        | FLOOR DUCT .....                                   | 172        |     |
| REPLACEMENT TIMING .....                         | 153        | REAR OVERHEAD DUCTS .....                          | 172        |     |
| REPLACEMENT PROCEDURE .....                      | 153        | REAR FLOOR DUCT .....                              | 173        | M   |
| <b>HEATER &amp; COOLING UNIT ASSEMBLY</b> .....  | <b>155</b> | GRILLES .....                                      | 173        |     |
| Components .....                                 | 155        | <b>REFRIGERANT LINES</b> .....                     | <b>174</b> |     |
| Removal and Installation .....                   | 156        | HFC-134a (R-134a) Service Procedure .....          | 174        |     |
| FRONT HEATER AND COOLING UNIT ASSEMBLY .....     | 156        | SETTING OF SERVICE TOOLS AND EQUIPMENT .....       | 174        |     |
| REAR HEATER AND COOLING UNIT ASSEMBLY .....      | 157        | Components .....                                   | 176        |     |
| Removal and Installation for Rear Heater Core    |            | Removal and Installation for Compressor .....      | 178        |     |
| Pipes .....                                      | 158        | REMOVAL .....                                      | 178        |     |
| REMOVAL .....                                    | 158        | INSTALLATION .....                                 | 179        |     |
| INSTALLATION .....                               | 158        | Removal and Installation for Compressor Clutch ..  | 179        |     |
| <b>HEATER CORE</b> .....                         | <b>159</b> | REMOVAL .....                                      | 179        |     |
|  |            | INSPECTION .....                                   | 180        |     |
|  |            | INSTALLATION .....                                 | 180        |     |
|  |            | BREAK-IN OPERATION .....                           | 182        |     |
|  |            | Removal and Installation for Low-pressure Flexible |            |     |
|  |            | Hose .....   | 182        |     |
|  |            | REMOVAL .....                                      | 182        |     |

|   |     |   |            |
|---|-----|---|------------|
| INSTALLATION .....  | 182 | REMOVAL .....   | 187        |
| Removal and Installation for High-pressure Flexible Hose .....                                      | 182 | INSTALLATION .....  | 188        |
| REMOVAL .....   | 182 | Removal and Installation for Rear Evaporator .....                      | 188        |
| INSTALLATION .....  | 182 | REMOVAL .....   | 189        |
| Removal and Installation for High-pressure Pipe .....   | 182 | INSTALLATION .....  | 189        |
| REMOVAL .....   | 182 | Removal and Installation for Front Expansion Valve .....                | 189        |
| INSTALLATION .....  | 182 | REMOVAL .....   | 189        |
| Removal and Installation for Low-pressure Pipe .....  | 183 | INSTALLATION .....  | 189        |
| REMOVAL .....   | 183 | Removal and Installation for Rear Expansion Valve .....                 | 189        |
| INSTALLATION .....  | 183 | REMOVAL .....   | 189        |
| Removal and Installation for Rear High- and Low-pressure A/C and Heater Core Pipes .....            | 183 | INSTALLATION .....  | 190        |
| REMOVAL .....   | 183 | Checking for Refrigerant Leaks .....                                    | 190        |
| INSTALLATION .....  | 184 | Checking System for Leaks Using the Fluorescent Dye Leak Detector ..... | 190        |
| Removal and Installation for Underfloor Rear High- and Low-pressure A/C and Heater Core Pipes ..... | 184 | Dye Injection .....   | 190        |
| REMOVAL .....   | 184 | Electronic Refrigerant Leak Detector .....                              | 191        |
| INSTALLATION .....  | 185 | PRECAUTIONS FOR HANDLING LEAK DETECTOR .....                            | 191        |
| Removal and Installation for Refrigerant Pressure Sensor .....                                      | 185 | CHECKING PROCEDURE .....  | 192        |
| REMOVAL .....   | 185 | <b>SERVICE DATA AND SPECIFICATIONS (SDS) ...</b>                        | <b>194</b> |
| INSTALLATION .....  | 185 | Service Data and Specifications (SDS) .....                             | 194        |
| Removal and Installation for Condenser .....  | 185 | COMPRESSOR .....  | 194        |
| REMOVAL .....   | 185 | LUBRICANT .....   | 194        |
| INSTALLATION .....  | 186 | REFRIGERANT .....   | 194        |
| Removal and Installation for Front Evaporator .....   | 187 | ENGINE IDLING SPEED .....   | 194        |
|   |     | BELT TENSION .....  | 194        |

# PRECAUTIONS

## PRECAUTIONS

PFP:00001

### Precautions for Supplemental Restraint System (SRS) “AIR BAG” and “SEAT BELT PRE-TENSIONER”

EJS005YA

The Supplemental Restraint System such as “AIR BAG” and “SEAT BELT PRE-TENSIONER”, used along with a front seat belt, helps to reduce the risk or severity of injury to the driver and front passenger for certain types of collision. This system includes seat belt switch inputs and dual stage front air bag modules. The SRS system uses the seat belt switches to determine the front air bag deployment, and may only deploy one front air bag, depending on the severity of a collision and whether the front occupants are belted or unbelted. Information necessary to service the system safely is included in the SRS and SB section of this Service Manual.

#### **WARNING:**

- To avoid rendering the SRS inoperative, which could increase the risk of personal injury or death in the event of a collision which would result in air bag inflation, all maintenance must be performed by an authorized NISSAN/INFINITI dealer.
- Improper maintenance, including incorrect removal and installation of the SRS, can lead to personal injury caused by unintentional activation of the system. For removal of Spiral Cable and Air Bag Module, see the SRS section.
- Do not use electrical test equipment on any circuit related to the SRS unless instructed to in this Service Manual. SRS wiring harnesses can be identified by yellow and/or orange harnesses or harness connectors.

### Precautions for Working with HFC-134a (R-134a)

EJS005YB

#### **WARNING:**

- CFC-12 (R-12) refrigerant and HFC-134a (R-134a) refrigerant are not compatible. If the refrigerants are mixed compressor failure is likely to occur. Refer [ATC-5, "Contaminated Refrigerant"](#) . To determine the purity of HFC-134a (R-134a) in the vehicle and recovery tank, use Refrigerant Recovery/Recycling Recharging equipment and Refrigerant Identifier.
- Use only specified lubricant for the HFC-134a (R-134a) A/C system and HFC-134a (R-134a) components. If lubricant other than that specified is used, compressor failure is likely to occur.
- The specified HFC-134a (R-134a) lubricant rapidly absorbs moisture from the atmosphere. The following handling precautions must be observed:
  - When removing refrigerant components from a vehicle, immediately cap (seal) the component to minimize the entry of moisture from the atmosphere.
  - When installing refrigerant components to a vehicle, do not remove the caps (unseal) until just before connecting the components. Connect all refrigerant loop components as quickly as possible to minimize the entry of moisture into system.
  - Only use the specified lubricant from a sealed container. Immediately reseal containers of lubricant. Without proper sealing, lubricant will become moisture saturated and should not be used.
  - Avoid breathing A/C refrigerant and lubricant vapor or mist. Exposure may irritate eyes, nose and throat. Remove HFC-134a (R-134a) from the A/C system using certified service equipment meeting requirements of SAE J2210 [HFC-134a (R-134a) recycling equipment], or J2209 [HFC-134a (R-134a) recovery equipment]. If accidental system discharge occurs, ventilate work area before resuming service. Additional health and safety information may be obtained from refrigerant and lubricant manufacturers.
  - Do not allow lubricant, NISSAN A/C System Lubricant Type S or equivalent, to come in contact with styrofoam parts. Damage may result.

### Contaminated Refrigerant

EJS005YC

If a refrigerant other than pure HFC-134a (R-134a) is identified in a vehicle, your options are:

- Explain to the customer that environmental regulations prohibit the release of contaminated refrigerant into the atmosphere.
- Explain that recovery of the contaminated refrigerant could damage your service equipment and refrigerant supply.
- Suggest the customer return the vehicle to the location of previous service where the contamination may have occurred.

# PRECAUTIONS

- If you choose to perform the repair, recover the refrigerant using only **dedicated equipment and containers. Do not recover contaminated refrigerant into your existing service equipment.** If your facility does not have dedicated recovery equipment, you may contact a local refrigerant product retailer for available service. This refrigerant must be disposed of in accordance with all federal and local regulations. In addition, replacement of all refrigerant system components on the vehicle is recommended.
- If the vehicle is within the warranty period, the air conditioner warranty is void. Please contact NISSAN Customer Affairs for further assistance.

## General Refrigerant Precautions

EJS005YD

### WARNING:

- **Do not release refrigerant into the air. Use approved recovery/recycling equipment to capture the refrigerant every time an air conditioning system is discharged.**
- **Always wear eye and hand protection (goggles and gloves) when working with any refrigerant or air conditioning system.**
- **Do not store or heat refrigerant containers above 52°C (125°F).**
- **Do not heat a refrigerant container with an open flame; if container warming is required, place the bottom of the container in a warm pail of water.**
- **Do not intentionally drop, puncture, or incinerate refrigerant containers.**
- **Keep refrigerant away from open flames: poisonous gas will be produced if refrigerant burns.**
- **Refrigerant will displace oxygen, therefore be certain to work in well ventilated areas to prevent suffocation.**
- **Do not pressure test or leak test HFC-134a (R-134a) service equipment and/or vehicle air conditioning systems with compressed air during repair. Some mixtures of air and HFC-134a (R-134a) have been shown to be combustible at elevated pressures. These mixtures, if ignited, may cause injury or property damage. Additional health and safety information may be obtained from refrigerant manufacturers.**

## Precautions for Leak Detection Dye

EJS005YE

- The A/C system contains a fluorescent leak detection dye used for locating refrigerant leaks. An ultraviolet (UV) lamp is required to illuminate the dye when inspecting for leaks.
- Always wear fluorescence enhancing UV safety goggles to protect your eyes and enhance the visibility of the fluorescent dye.
- The fluorescent dye leak detector is not a replacement for an electronic refrigerant leak detector. The fluorescent dye leak detector should be used in conjunction with an electronic refrigerant leak detector (J-41995).
- For your safety and the customer's satisfaction, read and follow all manufacturer's operating instructions and precautions prior to performing work.
- A compressor shaft seal should not be repaired because of dye seepage. The compressor shaft seal should only be repaired after confirming the leak with an electronic refrigerant leak detector (J-41995).
- Always remove any dye from the leak area after repairs are complete to avoid a misdiagnosis during a future service.
- Do not allow dye to come into contact with painted body panels or interior components. If dye is spilled, clean immediately with the approved dye cleaner. Fluorescent dye left on a surface for an extended period of time **cannot be removed**.
- Do not spray the fluorescent dye cleaning agent on hot surfaces (engine exhaust manifold, etc.).
- Do not use more than one refrigerant dye bottle (1/4 ounce / 7.4 cc) per A/C system.
- Leak detection dyes for HFC-134a (R-134a) and CFC-12 (R-12) A/C systems are different. Do not use HFC-134a (R-134a) leak detection dye in CFC-12 (R-12) A/C systems or CFC-12 (R-12) leak detection dye in HFC-134a (R-134a) A/C systems or A/C system damage may result.
- The fluorescent properties of the dye will remain for over three (3) years unless a compressor failure occurs.

# PRECAUTIONS

EJS005YF

## A/C Identification Label

Vehicles with factory installed fluorescent dye have this identification label on the underside of hood.

| AIR CONDITIONER NISSAN  |                  |  |
|---|------------------|--|
|   | REFRIGERANT      | COMPRESSOR LUBRICANT                     |
| TYPE (PART NO.)   | HFC 134a (R134a) | NISSAN LUMINOUS OIL TYPE S (KLH00-PAGS0) |
| AMOUNT  | W/OUT RR         | 0.70 ± 0.05 kg (1.54 ± 0.11 lbs)         |
|   | W/RR             | 1.08 ± 0.05 kg (2.38 ± 0.11 lbs)         |
| <b>CAUTION</b><br>PRECAUTION<br>• REFRIGERANT UNDER HIGH PRESSURE.<br>• SYSTEM TO BE SERVICED BY QUALIFIED PERSONNEL.<br>• IMPROPER SERVICE METHODS MAY CAUSE PERSONAL INJURY.<br>• CONSULT SERVICE MANUAL.<br>• THIS AIR CONDITIONER SYSTEM COMPLIES WITH SAE J-639.<br><small>Nissan Motor Corporation in USA, Carson, CA<br/>27090 75000</small> |                  |  |

WJIA0672E

## Precautions for Refrigerant Connection

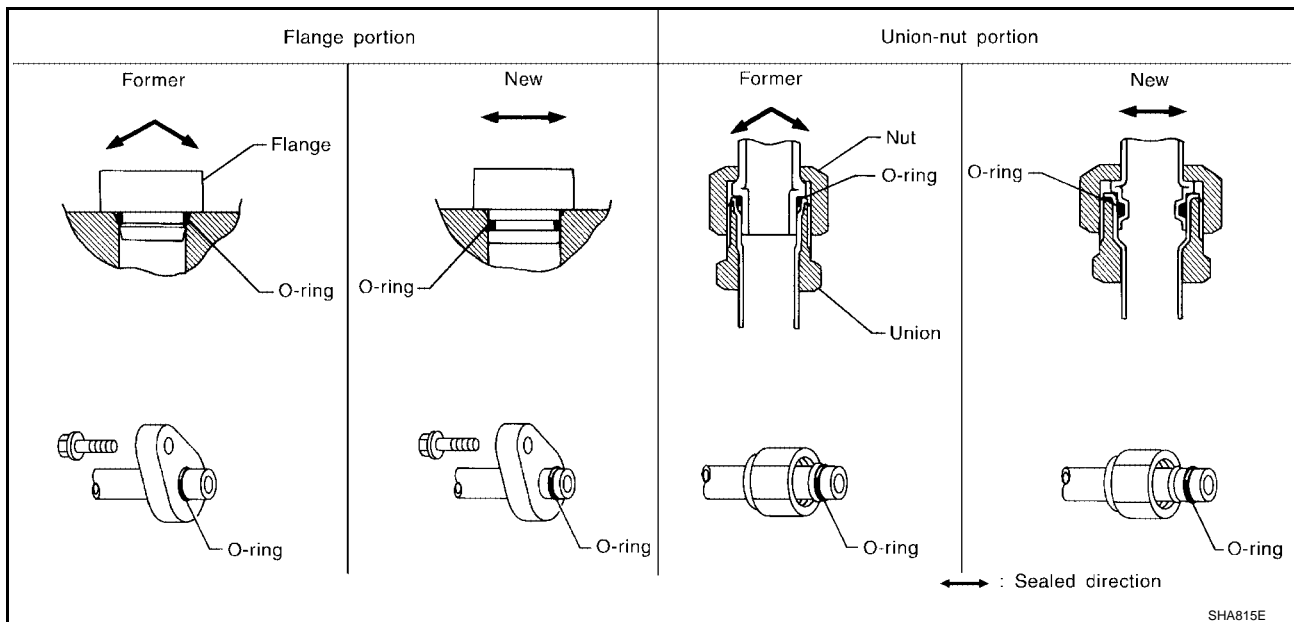
EJS005YG

A new type refrigerant connection has been introduced to all refrigerant lines except the following locations.

- Expansion valve to cooling unit
- Evaporator pipes to evaporator (inside cooling unit)
- Refrigerant pressure sensor

## FEATURES OF NEW TYPE REFRIGERANT CONNECTION

- The O-ring has been relocated. It has also been provided with a groove for proper installation. This reduces the possibility of the O-ring being caught in, or damaged by, the mating part. The sealing direction of the O-ring is now set vertically in relation to the contacting surface of the mating part to improve sealing characteristics.
- The reaction force of the O-ring will not occur in the direction that causes the joint to pull out, thereby facilitating piping connections.

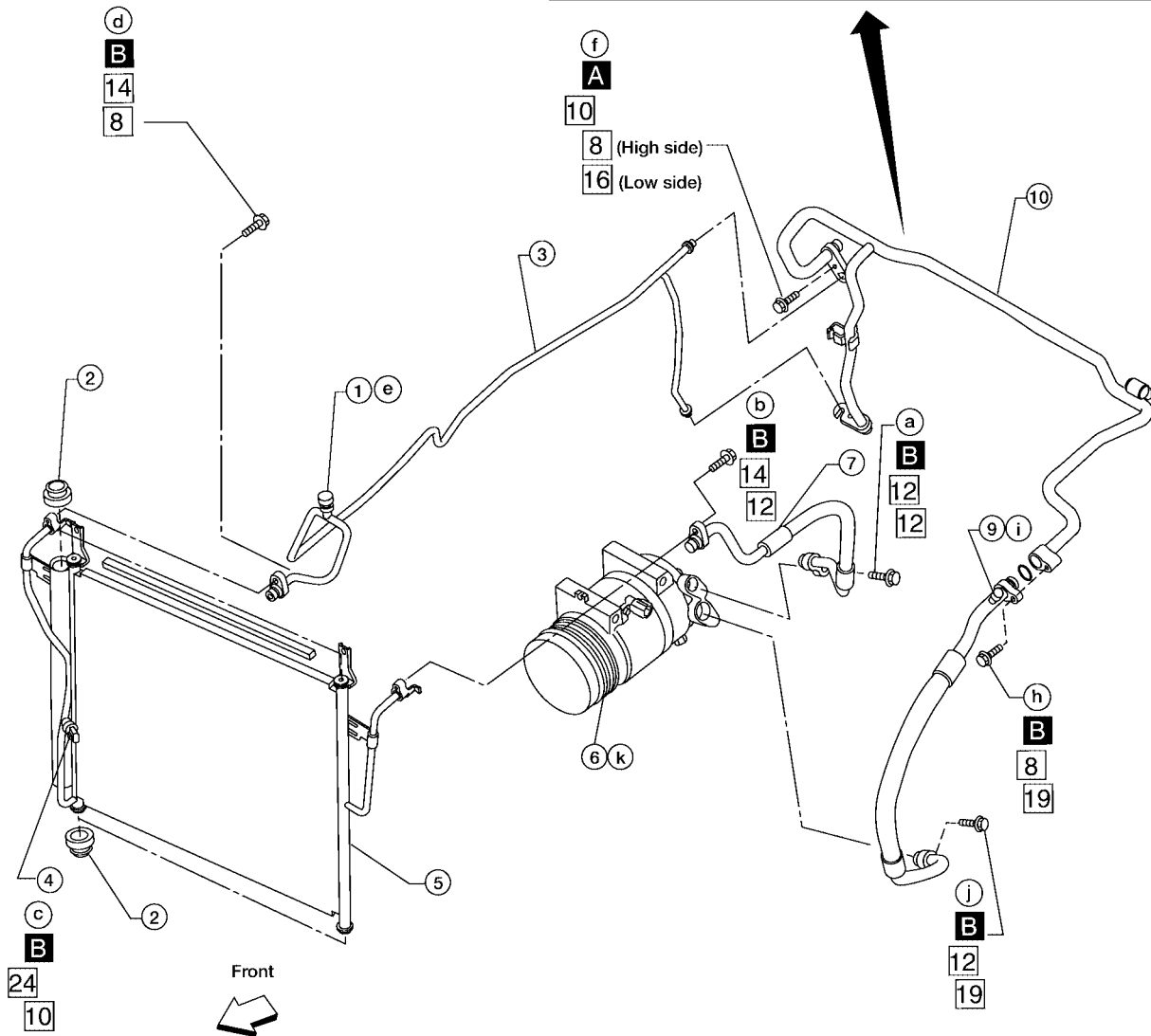
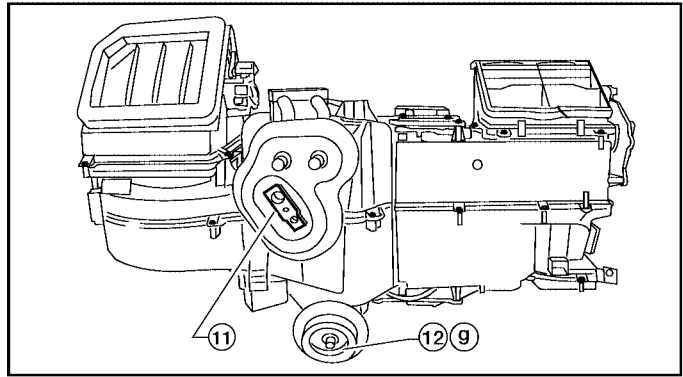


# PRECAUTIONS

## O-RING AND REFRIGERANT CONNECTION

### Front A/C Compressor and Condenser

SEC. 214 • 271 • 274 • 276



- : Refrigerant leak checking order (a-k)
- : Tightening torque
- □ : Wrench size
- : O-ring size
- ⊗ : N-m (kg-m, in-lb)
- A** ⊗ : 3.4 (0.35 , 30)
- B** ⊗ : 9.3 (0.95 , 82)

WJIA0954E

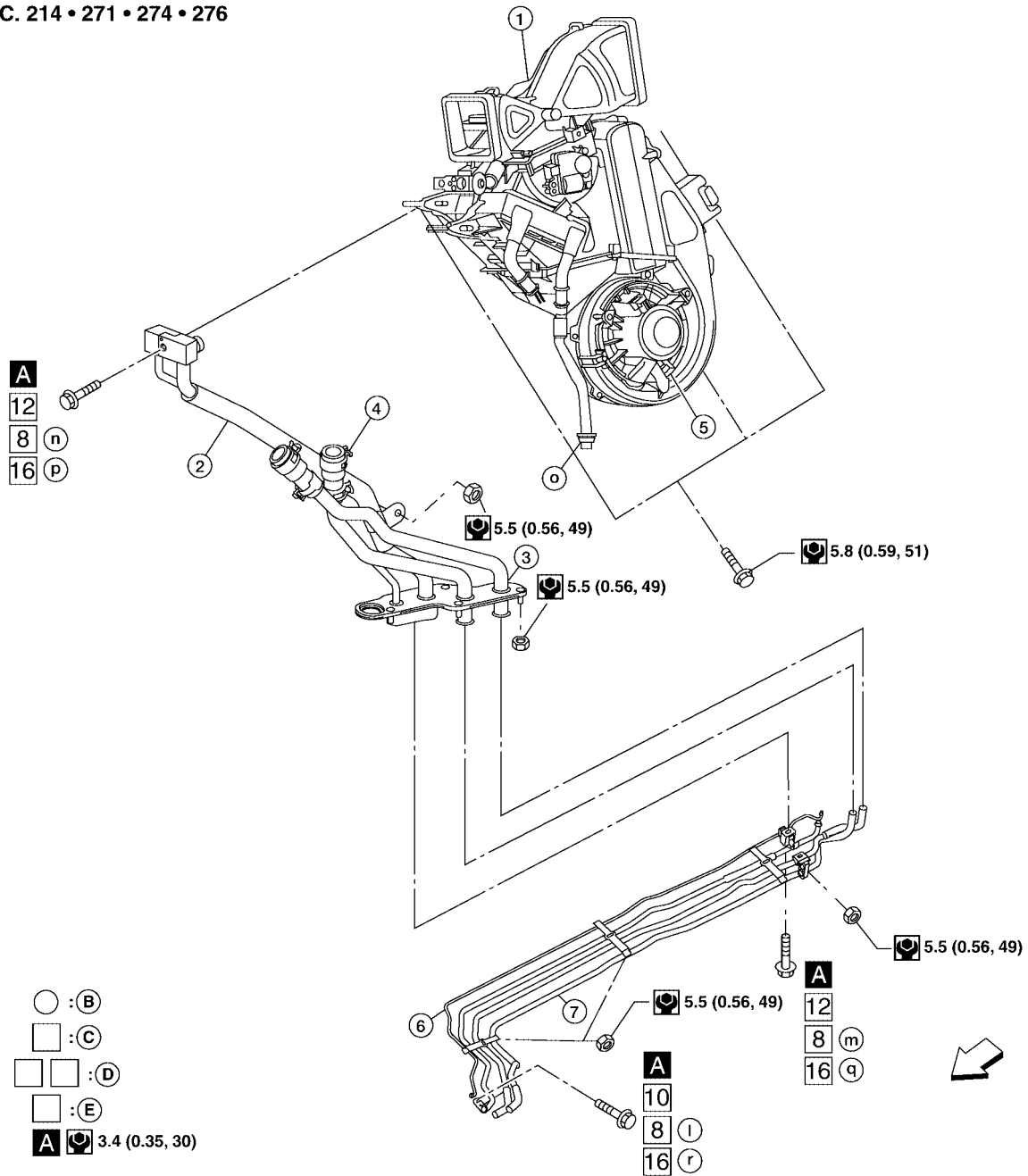


# PRECAUTIONS

- |                                |                               |                               |
|--------------------------------|-------------------------------|-------------------------------|
| 1. High-pressure service valve | 2. Grommet                    | 3. High-pressure pipe         |
| 4. Refrigerant pressure sensor | 5. Condenser                  | 6. Compressor shaft seal      |
| 7. High-pressure flexible hose | 8. Low-pressure flexible hose | 9. Low-pressure service valve |
| 10. Low-pressure pipe          | 11. Expansion valve (front)   | 12. Drain hose                |

## Rear A/C

SEC. 214 • 271 • 274 • 276



- |  |                               |                                |
|--|-------------------------------|--------------------------------|
| 1. Rear heater and cooling unit assembly | 2. Rear A/C pipes             | 3. Rear A/C heater core pipes  |
| 4. Rear heater core hose                 | 5. Rear blower motor          | 6. Underfloor rear A/C pipes   |
| 7. Underfloor rear heater core pipes     | A. Bolt torque specifications | B. Leak checking order (l - r) |
| C. Tightening torque                     | D. Wrench size                | E. O-ring size                 |
- ← Front

NOTE: The O-ring size 8 is the high-side and the O-ring size 16 is the low-side.

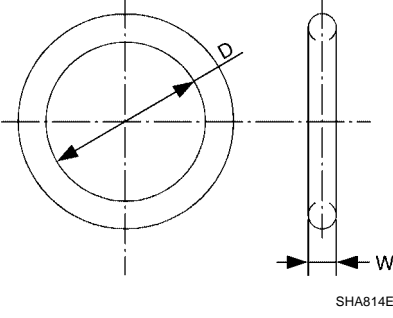
WJIA2315E

# PRECAUTIONS

## CAUTION:

The new and former refrigerant connections use different O-ring configurations. Do not confuse O-rings since they are not interchangeable. If a wrong O-ring is installed, refrigerant will leak at or around the connection.

## O-Ring Part Numbers and Specifications

|  | Conne-<br>tion type | O-ring<br>size | Part number*   | D mm (in)     | W mm (in)     |
|---|---------------------|----------------|----------------|---------------|---------------|
|   | New                 | 8              | 92471 N8210    | 6.8 (0.268)   | 1.85 (0.0728) |
| Former  | 10                  | J2476 89956    | 9.25 (0.3642)  | 1.78 (0.0701) |               |
| New   | 12                  | 92472 N8210    | 10.9 (0.429)   | 2.43 (0.0957) |               |
| Former  |                     | 92475 71L00    | 11.0 (0.433)   | 2.4 (0.094)   |               |
| New   | 16                  | 92473 N8210    | 13.6 (0.535)   | 2.43 (0.0957) |               |
| Former  |                     | 92475 72L00    | 14.3 (0.563)   | 2.3 (0.091)   |               |
| New   | 19                  | 92474 N8210    | 16.5 (0.650)   | 2.43 (0.0957) |               |
| Former  |                     | 92477 N8200    | 17.12 (0.6740) | 1.78 (0.0701) |               |
| New   | 24                  | 92195 AH300    | 21.8 (0.858)   | 2.4 (0.094)   |               |

\*: Always check with the Parts Department for the latest parts information.

## WARNING:

Make sure all refrigerant is discharged into the recycling equipment and the pressure in the system is less than atmospheric pressure. Then gradually loosen the discharge side hose fitting and remove it.

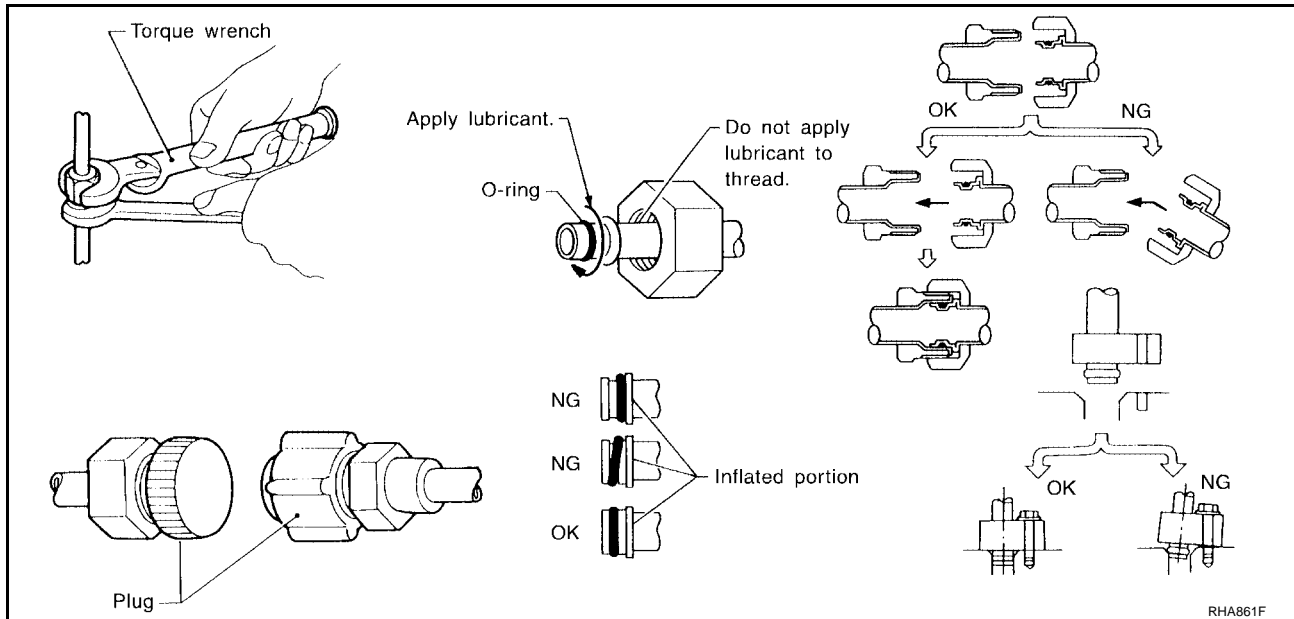
## CAUTION:

When replacing or cleaning refrigerant cycle components, observe the following.

- When the compressor is removed, store it in the same position as it is when mounted on the car. Failure to do so will cause lubricant to enter the low pressure chamber.
- When connecting tubes, always use a torque wrench and a back-up wrench.
- After disconnecting tubes, immediately plug all openings to prevent entry of dirt and moisture.
- When installing an air conditioner in the vehicle, connect the pipes as the final stage of the operation. Do not remove the seal caps of pipes and other components until just before required for connection.
- Allow components stored in cool areas to warm to working area temperature before removing seal caps. This prevents condensation from forming inside A/C components.
- Thoroughly remove moisture from the refrigeration system before charging the refrigerant.
- Always replace used O-rings.
- When connecting tube, apply lubricant to circle of the O-rings shown in illustration. Be careful not to apply lubricant to threaded portion.  
Lubricant name: NISSAN A/C System Lubricant Type S or equivalent
- O-ring must be closely attached to dented portion of tube.
- When replacing the O-ring, be careful not to damage O-ring and tube.
- Connect tube until you hear it click, then tighten the nut or bolt by hand until snug. Make sure that the O-ring is installed to tube correctly.

# PRECAUTIONS

- After connecting line, conduct leak test and make sure that there is no leakage from connections. When the gas leaking point is found, disconnect that line and replace the O-ring. Then tighten connections of seal seat to the specified torque.



## Precautions for Servicing Compressor

EJS005YH

- Plug all openings to prevent moisture and foreign matter from entering.
- When the compressor is removed, store it in the same position as it is when mounted on the car.
- When replacing or repairing compressor, follow "Maintenance of Lubricant Quantity in Compressor" exactly. Refer to [ATC-22, "Maintenance of Lubricant Quantity in Compressor"](#).
- Keep friction surfaces between clutch and pulley clean. If the surface is contaminated with lubricant, wipe it off by using a clean waste cloth moistened with thinner.
- After compressor service operation, turn the compressor shaft by hand more than 5 turns in both directions. This will equally distribute lubricant inside the compressor. After the compressor is installed, let the engine idle and operate the compressor for 1 hour.
- After replacing the compressor magnet clutch, apply voltage to the new one and check for normal operation. Refer to [ATC-179, "Removal and Installation for Compressor Clutch"](#)

## Precautions for Service Equipment RECOVERY/RECYCLING EQUIPMENT

EJS005YI

Follow the manufacturer's instructions for machine operation and machine maintenance. Never introduce any refrigerant other than that specified into the machine.

## ELECTRONIC LEAK DETECTOR

Follow the manufacturer's instructions for tester operation and tester maintenance.

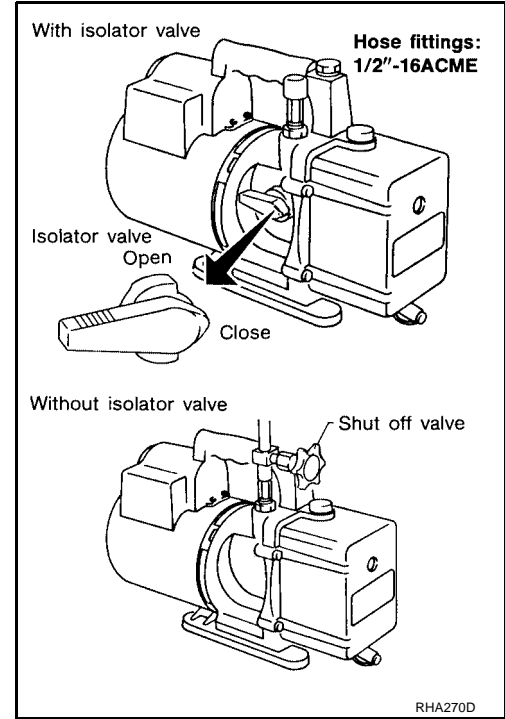
# PRECAUTIONS

## VACUUM PUMP

The lubricant contained inside the vacuum pump is not compatible with the specified lubricant for HFC-134a (R-134a) A/C systems. The vent side of the vacuum pump is exposed to atmospheric pressure so the vacuum pump lubricant may migrate out of the pump into the service hose. This is possible when the pump is switched off after evacuation (vacuuming) and hose is connected to it. To prevent this migration, use a manual valve situated near the hose-to-pump connection, as follows.

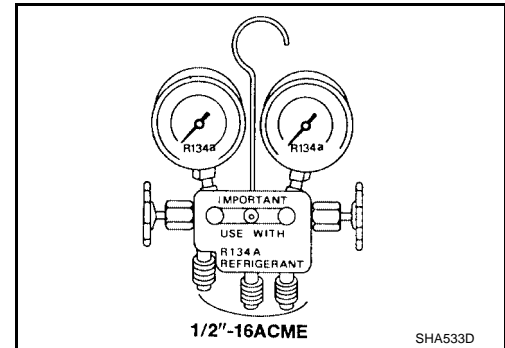
- Usually vacuum pumps have a manual isolator valve as part of the pump. Close this valve to isolate the service hose from the pump.
- For pumps without an isolator, use a hose equipped with a manual shut-off valve near the pump end. Close the valve to isolate the hose from the pump.
- If the hose has an automatic shut off valve, disconnect the hose from the pump: as long as the hose is connected, the valve is open and lubricating oil may migrate.

Some one-way valves open when vacuum is applied and close under a no vacuum condition. Such valves may restrict the pump's ability to pull a deep vacuum and are not recommended.



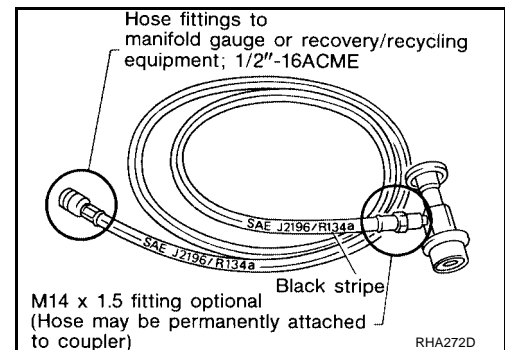
## MANIFOLD GAUGE SET

Be certain that the gauge face indicates HFC-134a (R-134a or 134a). Make sure the gauge set has 1/2"-16 ACME threaded connections for service hoses. Confirm the set has been used only with refrigerant HFC-134a (R-134a) along with specified lubricant.



## SERVICE HOSES

Be certain that the service hoses display the markings described (colored hose with black stripe). All hoses must include positive shut-off devices (either manual or automatic) near the end of the hoses opposite the manifold gauge.

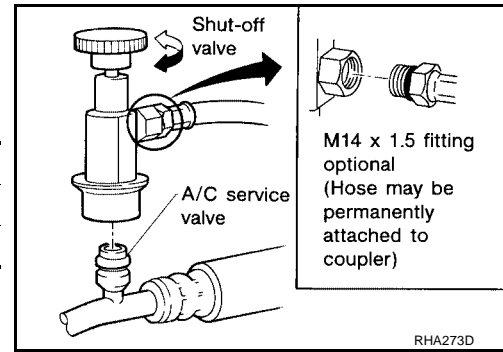


# PRECAUTIONS

## SERVICE COUPLERS

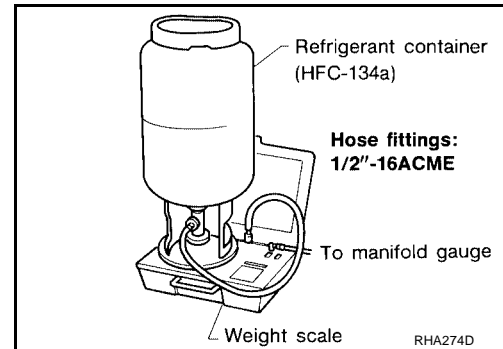
Never attempt to connect HFC-134a (R-134a) service couplers to a CFC-12 (R-12) A/C system. The HFC-134a (R-134a) couplers will not properly connect to the CFC-12 (R-12) system. If an improper connection is attempted, discharging and contamination may occur.

| Shut-off valve rotation | A/C service valve |
|-------------------------|-------------------|
| Clockwise               | Open              |
| Counterclockwise        | Close             |



## REFRIGERANT WEIGHT SCALE

Verify that no refrigerant other than HFC134a (R-134a) and specified lubricants have been used with the scale. If the scale controls refrigerant flow electronically, the hose fitting must be 1/2"-16 ACME.



## CHARGING CYLINDER

Using a charging cylinder is not recommended. Refrigerant may be vented into air from cylinder's top valve when filling the cylinder with refrigerant. Also, the accuracy of the cylinder is generally less than that of an electronic scale or of quality recycle/recharge equipment.

## Wiring Diagrams and Trouble Diagnosis

EJS005YJ

ATC

When you read wiring diagrams, refer to the following:

- [GI-15, "How to Read Wiring Diagrams"](#)
- [PG-4, "POWER SUPPLY ROUTING CIRCUIT"](#)

When you perform trouble diagnosis, refer to the following:

- [GI-11, "How to Follow Trouble Diagnoses"](#)
- [GI-27, "How to Perform Efficient Diagnosis for an Electrical Incident"](#)

K

L

M

# PREPARATION

## PREPARATION

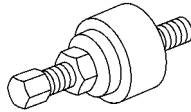
PF0:00002

### Special Service Tools

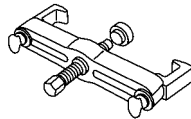
EJS005YK

The actual shapes of Kent-Moore tools may differ from those of special service tools illustrated here.

| Tool number<br>(Kent-Moore No.)<br>Tool name | Description       |
|--|-------------------|
| —<br>(J-38873-A)<br>Pulley installer         | Installing pulley |
| KV99233130<br>(J-29884)<br>Pulley puller     | Removing pulley   |



LHA171



LHA172

### HFC-134a (R-134a) Service Tools and Equipment

EJS005YL

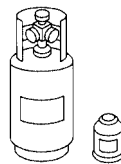
Never mix HFC-134a (R-134a) refrigerant and/or the specified lubricant with CFC-12 (R-12) refrigerant and/or the lubricant.

Separate and non-interchangeable service equipment must be used for handling each type of refrigerant/lubricant.

Refrigerant container fittings, service hose fittings and service equipment fittings (equipment which handles refrigerant and/or lubricant) are different between CFC-12 (R-12) and HFC-134a (R-134a). This is to avoid mixed use of the refrigerants/lubricant.

Adapters that convert one size fitting to another must never be used refrigerant/lubricant contamination will occur and compressor failure will result.

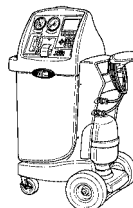
| Tool number<br>(Kent-Moore No.)<br>Tool name        | Description   |
|---|---|
| HFC-134a (R-134a)<br>( — )<br>Refrigerant           | Container color: Light blue<br>Container marking: HFC-134a (R-134a)<br>Fitting size: Thread size<br>● large container 1/2"-16 ACME                                      |
| —<br>( — )<br>NISSAN A/C System Lubricant<br>Type S | Type: Poly alkylene glycol oil (PAG), type S<br>Application: HFC-134a (R-134a) swash plate compressors (NISSAN only)<br>Lubricity: 40 m ℓ (1.4 US fl oz, 1.4 Imp fl oz) |
| —<br>(ACR2005-NI)<br>ACR5 A/C Service Center        | Refrigerant Recovery and Recycling and Recharging   |



S-NT196

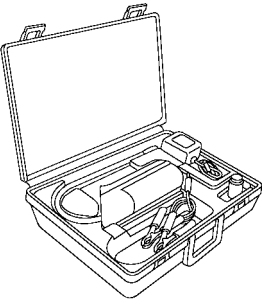
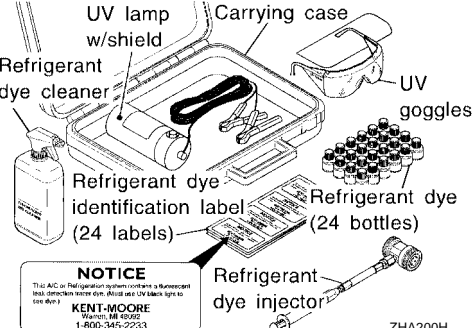
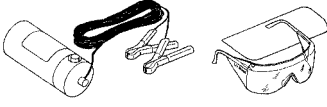

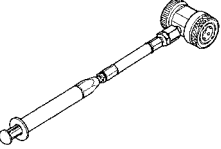



S-NT197

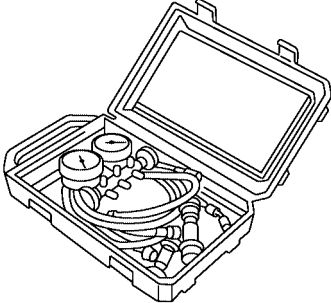
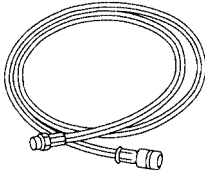
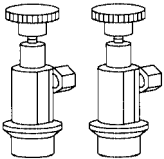

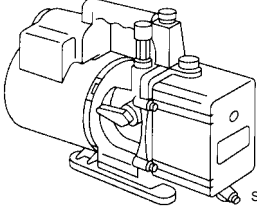


WJIA0293E

# PREPARATION

| Tool number<br>(Kent-Moore No.)<br>Tool name   | Description  |                  |
|--|--|------------------|
| <p>—<br/>(J-41995)<br/>Electronic refrigerant leak detector</p>  | <p>Power supply:<br/>● DC 12V (battery terminal)</p>  <p style="text-align: right;">AHA281A</p>   | A<br>B<br>C<br>D |
| <p>—<br/>(J-43926)<br/>Refrigerant dye leak detection kit<br/>Kit includes:<br/>(J-42220) UV lamp and UV safety goggles<br/>(J-41459) Refrigerant dye injector<br/>(J-41447) qty. 24<br/>HFC-134a (R-134a) refrigerant dye<br/>(J-43872) Refrigerant dye cleaner</p> | <p>Power supply:<br/>● DC 12V (battery terminal)</p>  <p style="text-align: right;">ZHA200H</p>  | E<br>F<br>G<br>H |
| <p>—<br/>(J-42220)<br/>Fluorescent dye leak detector</p>   | <p>Power supply:<br/>● DC 12V (battery terminal)</p> <p>For checking refrigerant leak when fluorescent dye is installed in A/C system. Includes: UV lamp and UV safety goggles</p>  <p style="text-align: right;">SHA438F</p>                       | I<br><b>ATC</b>  |
| <p>—<br/>(J-41447)<br/>HFC-134a (R-134a) Fluorescent leak detection dye<br/>(Box of 24, 1/4 ounce bottles)</p>   | <p>Application: For HFC-134a (R-134a) PAG oil<br/>Container: 1/4 ounce (7.4cc) bottle<br/>(Includes self-adhesive dye identification labels for affixing to vehicle after charging system with dye.)</p>  <p style="text-align: right;">SHA439F</p> | K<br>L           |
| <p>—<br/>(J-41459)<br/>HFC-134a (R-134a) Dye injector<br/>Use with J-41447, 1/4 ounce bottle</p>   | <p>For injecting 1/4 ounce of fluorescent leak detection dye into A/C system.</p>  <p style="text-align: right;">SHA440F</p>  | M                |
| <p>—<br/>(J-43872)<br/>Refrigerant dye cleaner</p>   | <p>For cleaning dye spills.</p>  <p style="text-align: right;">SHA441F</p>  |                  |

# PREPARATION

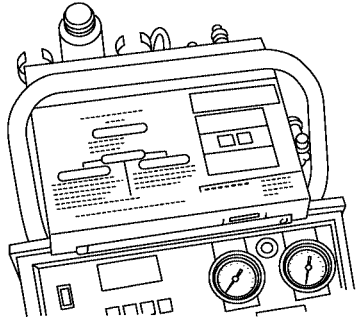
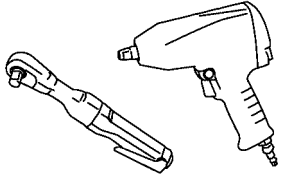
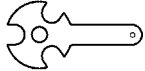
| Tool number<br>(Kent-Moore No.)<br>Tool name  | Description   |
|---|---|
| <p>—<br/>(J-39183-C)<br/>Manifold gauge set (with hoses and couplers)</p> <div style="text-align: center;">  <p style="font-size: small;">RJIA0196E</p> </div>   | <p>Identification:</p> <ul style="list-style-type: none"> <li>● The gauge face indicates R-134a.</li> <li>    Fitting size-Thread size</li> <li>● 1/2"-16 ACME</li> </ul>   |
| <p>Service hoses:</p> <ul style="list-style-type: none"> <li>● High side hose (J-39500-72B)</li> <li>● Low side hose (J-39500-72R)</li> <li>● Utility hose (J-39500-72Y)</li> </ul> <div style="text-align: center;">  <p style="font-size: small;">S-NT201</p> </div> | <p>Hose color:</p> <ul style="list-style-type: none"> <li>● Low side hose: Blue with black stripe</li> <li>● High side hose: Red with black stripe</li> <li>● Utility hose: Yellow with black stripe or green with black stripe</li> </ul> <p>Hose fitting to gauge:</p> <ul style="list-style-type: none"> <li>● 1/2"-16 ACME</li> </ul> |
| <p>Service couplers</p> <ul style="list-style-type: none"> <li>● High side coupler (J-39500-20A)</li> <li>● Low side coupler (J-39500-24A)</li> </ul> <div style="text-align: center;">  <p style="font-size: small;">S-NT202</p> </div>                              | <p>Hose fitting to service hose:</p> <ul style="list-style-type: none"> <li>● M14 x 1.5 fitting is optional or permanently attached.</li> </ul>   |
| <p>—<br/>(J-39699)<br/>Refrigerant weight scale</p> <div style="text-align: center;">  <p style="font-size: small;">S-NT200</p> </div>   | <p>For measuring of refrigerant</p> <p>Fitting size-Thread size</p> <ul style="list-style-type: none"> <li>● 1/2"-16 ACME</li> </ul>  |
| <p>—<br/>(J-39649)<br/>Vacuum pump<br/>(Including the isolator valve)</p> <div style="text-align: center;">  <p style="font-size: small;">S-NT203</p> </div>   | <p>Capacity:</p> <ul style="list-style-type: none"> <li>● Air displacement: 4 CFM</li> <li>● Micron rating: 20 microns</li> <li>● Oil capacity: 482 g (17 oz)</li> </ul> <p>Fitting size-Thread size</p> <ul style="list-style-type: none"> <li>● 1/2"-16 ACME</li> </ul>   |



# PREPARATION

## Commercial Service Tools

EJS005YM

| Tool name   | Description   |
|---|---|
| <p>(J-41810-NI)<br/>Refrigerant identifier equipment (R-134a)</p>  <p style="text-align: right; font-size: small;">RJIA0197E</p> | <p>For checking refrigerant purity and system contamination</p> |
| <p>Power tool</p>  <p style="text-align: right; font-size: small;">PBIC0190E</p>   | <p>Loosening bolts and nuts</p>                                 |
| <p>(J-44614)<br/>Clutch disc holding tool</p>  <p style="text-align: right; font-size: small;">WHA230</p>                        | <p>Clutch disc holding tool</p>                                 |

A  
B  
C  
D  
E  
F  
G  
H  
I

**ATC**

K  
L  
M

# REFRIGERATION SYSTEM

---

## REFRIGERATION SYSTEM

PFP:KA990

### Refrigerant Cycle REFRIGERANT FLOW

EJS005YN

The refrigerant flows in the standard pattern, that is, through the compressor, the condenser with liquid tank, through the front and rear evaporators, and back to the compressor. The refrigerant evaporation through the evaporator coils are controlled by front and rear externally equalized expansion valves, located inside the front and rear evaporator cases.

### Refrigerant System Protection REFRIGERANT PRESSURE SENSOR

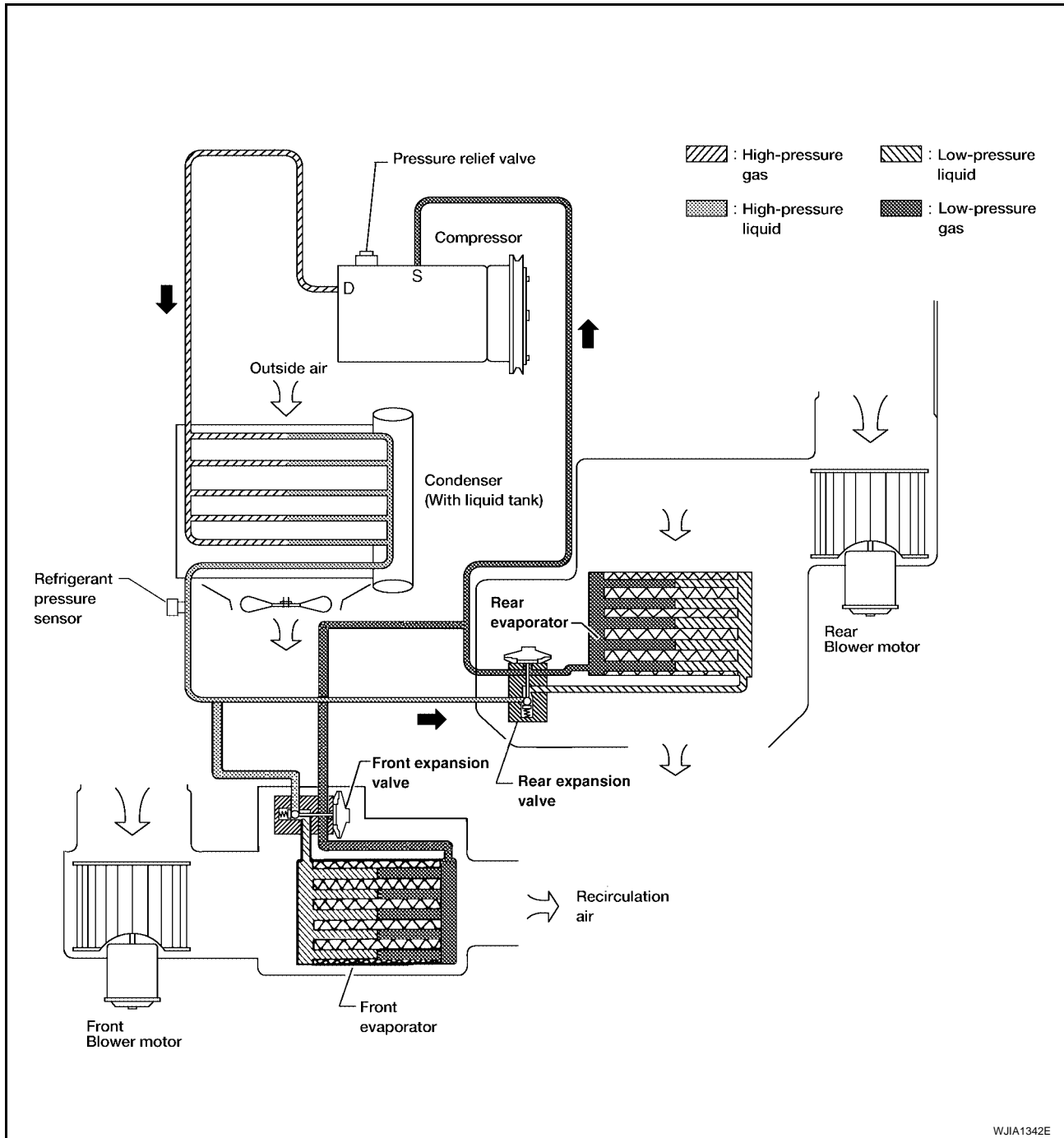
EJS005YO

The refrigerant system is protected against excessively high or low pressures by the refrigerant pressure sensor, located on the condenser. If the system pressure rises above or falls below the specifications, the refrigerant pressure sensor detects the pressure inside the refrigerant line and sends a voltage signal to the ECM. The ECM de-energizes the A/C relay to disengage the magnetic compressor clutch when pressure on the high pressure side detected by refrigerant pressure sensor is over about 2,746 kPa (28 kg/cm<sup>2</sup> , 398 psi), or below about 120 kPa (1.22 kg/cm<sup>2</sup> , 17.4 psi).

# REFRIGERATION SYSTEM

## PRESSURE RELIEF VALVE

The refrigerant system is also protected by a pressure relief valve, located in the rear head of the compressor. When the pressure of refrigerant in the system increases to an abnormal level [more than 2,990 kPa (30.5 kg/cm<sup>2</sup> , 433.6 psi)], the release port on the pressure relief valve automatically opens and releases refrigerant into the atmosphere.



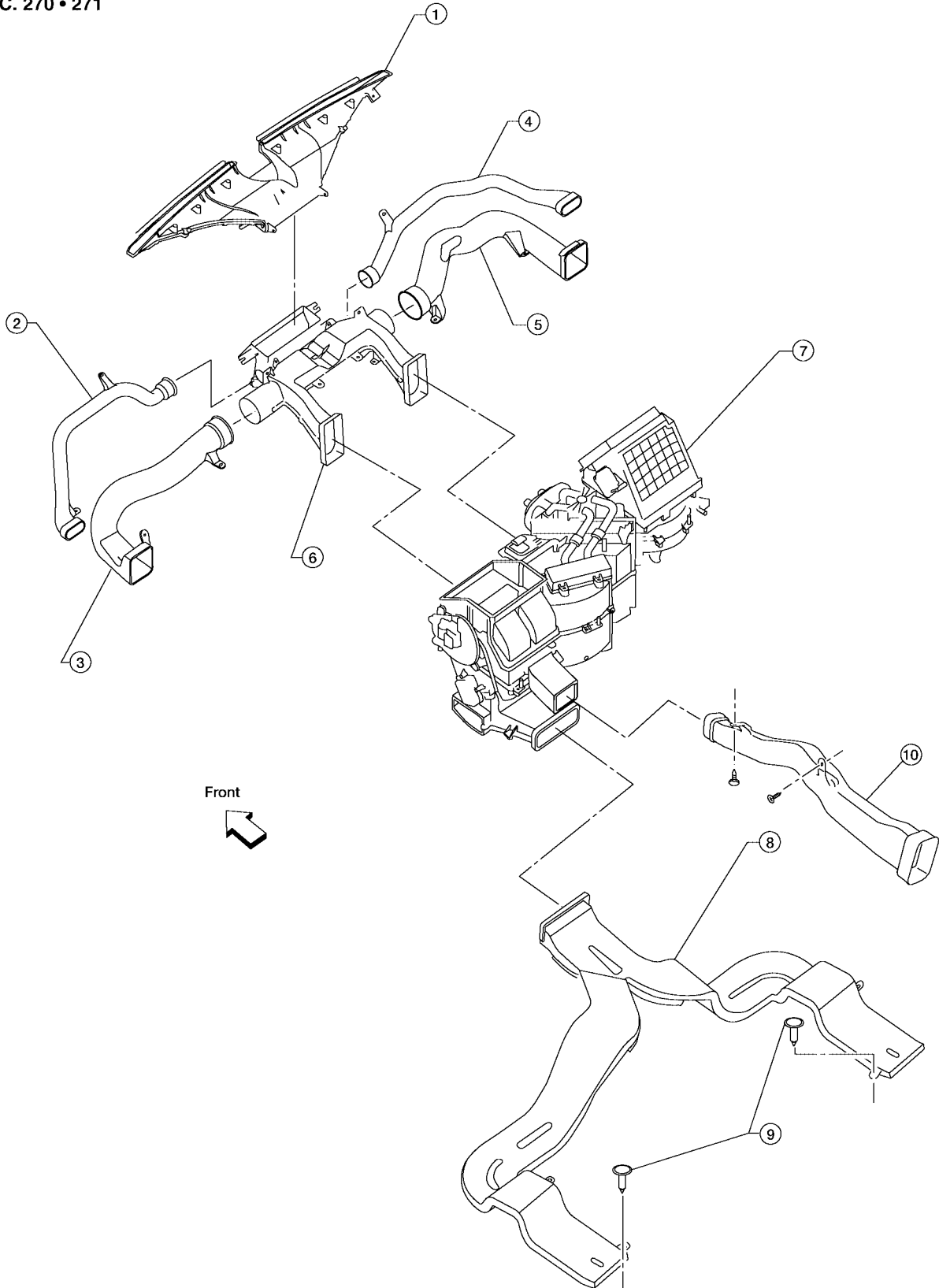
A  
B  
C  
D  
E  
F  
G  
H  
I  
ATC  
K  
L  
M

# REFRIGERATION SYSTEM

## Component Layout FRONT REFRIGERATION SYSTEM

EJS005YP

SEC. 270 • 271

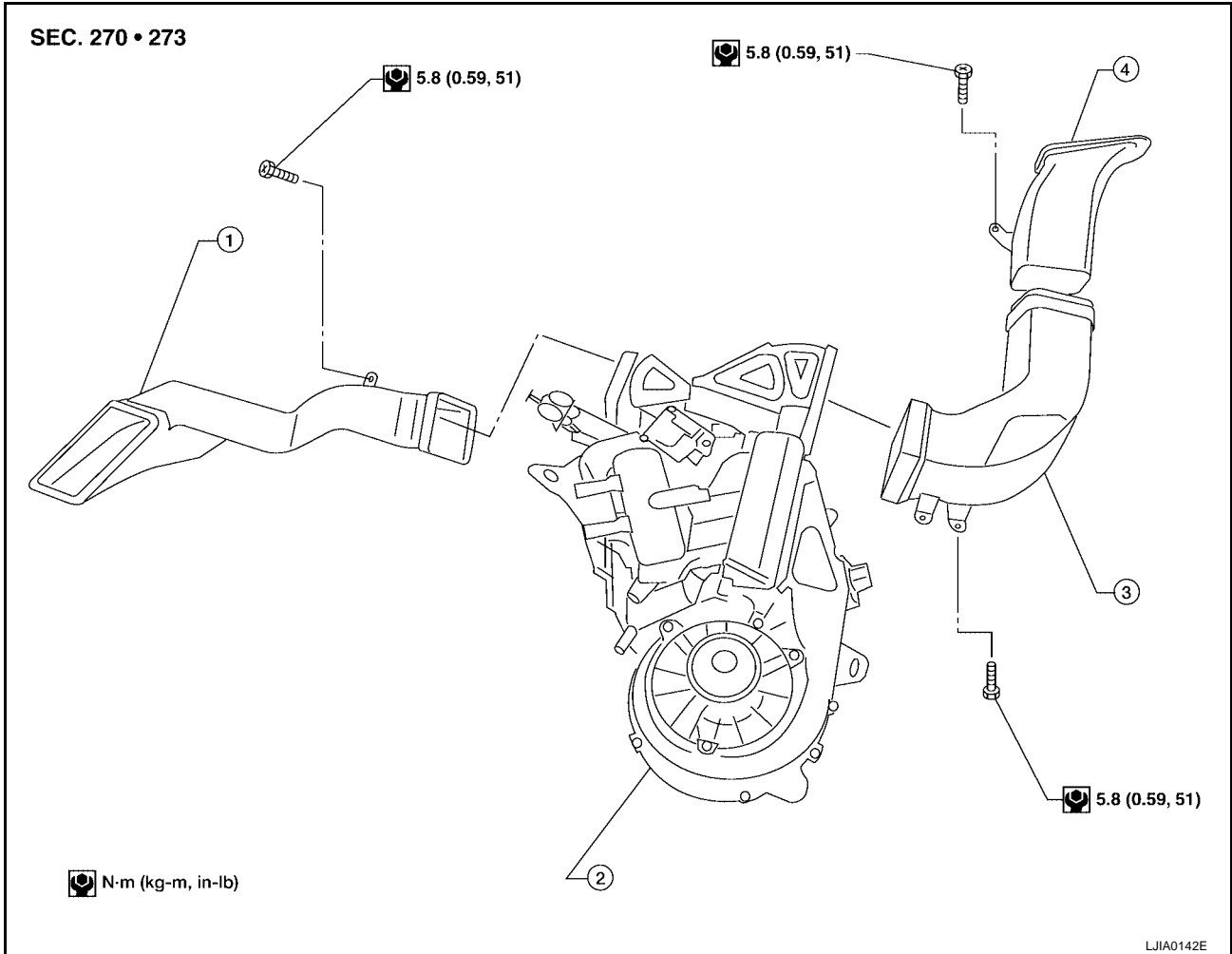


WJIA0956E

# REFRIGERATION SYSTEM

- |   |                          |                           |
|---|--------------------------|---------------------------|
| 1. Defroster nozzle                       | 2. LH side demister duct | 3. LH ventilator duct     |
| 4. RH side demister duct                  | 5. RH ventilator duct    | 6. Center ventilator duct |
| 7. Front heater and cooling unit assembly | 8. Floor duct            | 9. Clips                  |
| 10. Heat duct                             |                          |                           |

## REAR REFRIGERATION SYSTEM



- |                             |  |                             |
|-----------------------------|--|-----------------------------|
| 1. Rear floor duct          | 2. Rear heater and cooling unit assembly | 3. Rear lower overhead duct |
| 4. Rear upper overhead duct |  |                             |

A  
B  
C  
D  
E  
F  
G  
H  
I  
ATC  
K  
L  
M

# LUBRICANT

## LUBRICANT

PPF:KLG00

### Maintenance of Lubricant Quantity in Compressor

EJS005YQ

The lubricant in the compressor circulates through the system with the refrigerant. Add lubricant to compressor when replacing any component or after a large refrigerant leakage has occurred. It is important to maintain the specified amount.

If lubricant quantity is not maintained properly, the following malfunctions may result:

- Lack of lubricant: May lead to a seized compressor
- Excessive lubricant: Inadequate cooling (thermal exchange interference)

## LUBRICANT

**Name: NISSAN A/C System Lubricant Type S or equivalent**


### CHECKING AND ADJUSTING

#### CAUTION:

**If excessive lubricant leakage is noted, do not perform the lubricant return operation.**

Start the engine and set the following conditions:

#### Test Condition

- **Engine speed: Idling to 1,200 rpm**
- **A/C switch: On**
- **Blower speed: Max. position**
- **Temp. control: Optional [Set so that intake air temperature is 25° to 30° C (77° to 86°F)]**
- **Intake position: Recirculation (  )**
- **Perform lubricant return operation for about ten minutes**

Adjust the lubricant quantity according to the following table.

### Lubricant Adjusting Procedure for Components Replacement Except Compressor

After replacing any of the following major components, add the correct amount of lubricant to the system.

#### Amount of lubricant to be added:

| Part replaced               | Lubricant to be added to system                  |  | Remarks                            |
|-----------------------------|--|--|------------------------------------|
|                             | Amount of lubricant<br>m ℓ (US fl oz, Imp fl oz) |  |                                    |
| Front evaporator            | 75 (2.5, 2.6)                                    |  | —                                  |
| Rear evaporator             | 75 (2.5, 2.6)                                    |  | —                                  |
| Condenser                   | 75 (2.5, 2.6)                                    |  | —                                  |
| Liquid tank                 | 5 (0.2, 0.2)                                     |  | Add if compressor is not replaced. |
| In case of refrigerant leak | 30 (1.0, 1.1)                                    |  | Large leak                         |
|                             | —  |  | Small leak *1                      |

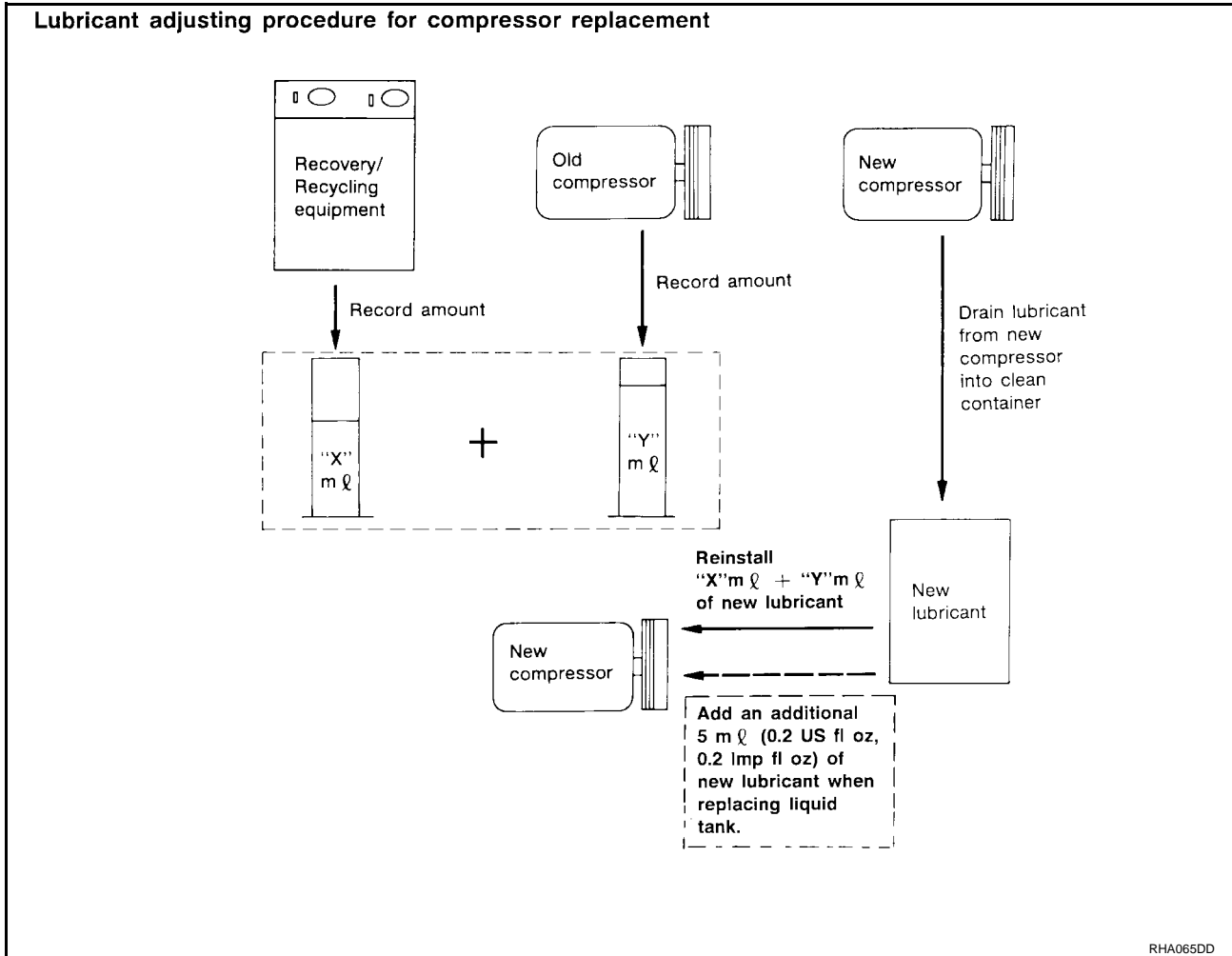
- \*1: If refrigerant leak is small, no addition of lubricant is needed.

### Lubricant Adjustment Procedure for Compressor Replacement

1. Before connecting recovery/recycling equipment to vehicle, check recovery/recycling equipment gauges. No refrigerant pressure should be displayed. If NG, recover refrigerant from equipment lines.
2. Connect recovery/recycling equipment to vehicle. Confirm refrigerant purity in supply tank using recovery/recycling equipment and refrigerant identifier. If NG, refer to [ATC-5, "Contaminated Refrigerant"](#) .
3. Confirm refrigerant purity in vehicle A/C system using recovery/recycling equipment and refrigerant identifier. If NG, refer to [ATC-5, "Contaminated Refrigerant"](#) .
4. Discharge refrigerant into the refrigerant recovery/recycling equipment. Measure lubricant discharged into the recovery/recycling equipment.
5. Drain the lubricant from the "old" (removed) compressor into a graduated container and recover the amount of lubricant drained.
6. Drain the lubricant from the "new" compressor into a separate, clean container.
7. Measure an amount of new lubricant installed equal to amount drained from "old" compressor. Add this lubricant to "new" compressor through the suction port opening.

# LUBRICANT

8. Measure an amount of new lubricant equal to the amount recovered during discharging. Add this lubricant to "new" compressor through the suction port opening.
9. If the liquid tank also needs to be replaced, add an additional 5 mℓ (0.2 US fl oz, 0.2 Imp fl oz) of lubricant at this time.  
**Do not add this 5 mℓ (0.2 US fl oz, 0.2 Imp fl oz) of lubricant if only replacing the compressor.**



A  
B  
C  
D  
E  
F  
G  
H  
I  
ATC  
K  
L  
M

# AIR CONDITIONER CONTROL

---

## AIR CONDITIONER CONTROL

PF2:27500

### Description

EJS005YR

The front air control provides automatic regulation of the vehicle's interior temperature. The system is based on the driver's and passenger's selected "set temperature", regardless of the outside temperature changes. This is done by utilizing a microcomputer, also referred to as the front air control, which receives input signals from the following six sensors:

- Ambient sensor
- In-vehicle sensor
- Intake sensor
- Optical sensor (providing one input for driver and one input for passenger side)
- PBR (Position Balanced Resistor)
- Vehicle speed sensor

The front air control uses these signals (including the set temperature) to automatically control:

- Outlet air volume
- Air temperature
- Air distribution

The front air control also provides separate regulation of the vehicle's interior temperature for the rear passenger area. The system is based on the temperature and rear blower settings selected from rear control switches located on the front air control, or from the temperature and rear blower settings selected from rear control switches on the rear air control, when the front air control switches are set to the rear position.

The front air control is used to select:

- Outlet air volume
- Air temperature/distribution

### Operation

EJS005YS

#### AIR MIX DOORS CONTROL

The air mix doors are automatically controlled so that in-vehicle temperature is maintained at a predetermined value by the temperature setting, ambient temperature, in-vehicle temperature and amount of sunload.

#### BLOWER SPEED CONTROL

Blower speed is automatically controlled by the temperature setting, ambient temperature, in-vehicle temperature, intake temperature, amount of sunload and air mix door position.

When AUTO switch is pressed, the blower motor starts to gradually increase air flow volume (if required).

When engine coolant temperature is low, the blower motor operation is delayed to prevent cool air from flowing.

#### INTAKE DOOR CONTROL

The intake door is automatically controlled by the temperature setting, ambient temperature, in-vehicle temperature, intake temperature, amount of sunload and by the ON-OFF operation of the compressor.

#### MODE DOOR CONTROL

The mode door is automatically controlled by the temperature setting, ambient temperature, in-vehicle temperature, intake temperature and amount of sunload.

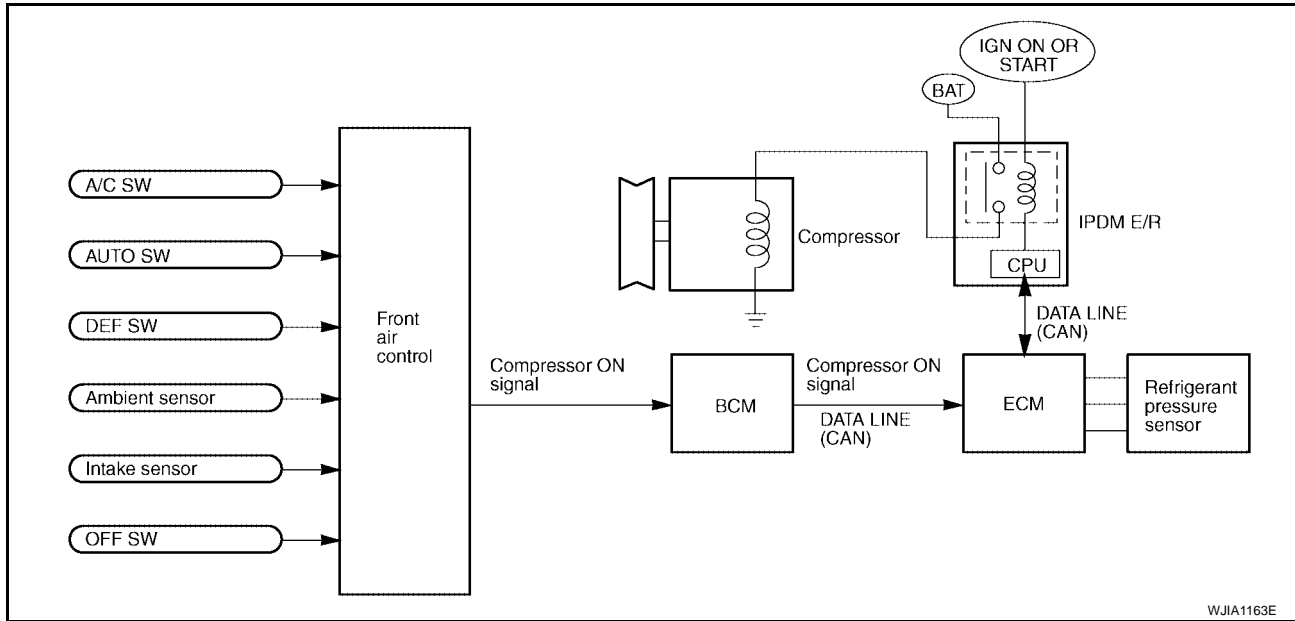
#### DEFROSTER DOOR CONTROL

The defroster door is controlled by: Turning the defroster dial to front defroster.



# AIR CONDITIONER CONTROL

## MAGNET CLUTCH CONTROL



When A/C switch or DEF switch is pressed, front air control inputs compressor ON signal to BCM.

BCM sends compressor ON signal to ECM, via CAN communication line.

ECM judges whether compressor can be turned ON, based on each sensor status (refrigerant pressure sensor signal, throttle angle sensor, etc.). If it judges compressor can be turned ON, it sends compressor ON signal to IPDM E/R, via CAN communication line.

Upon receipt of compressor ON signal from ECM, IPDM E/R turns air conditioner relay ON to operate compressor.

### SELF-DIAGNOSTIC SYSTEM

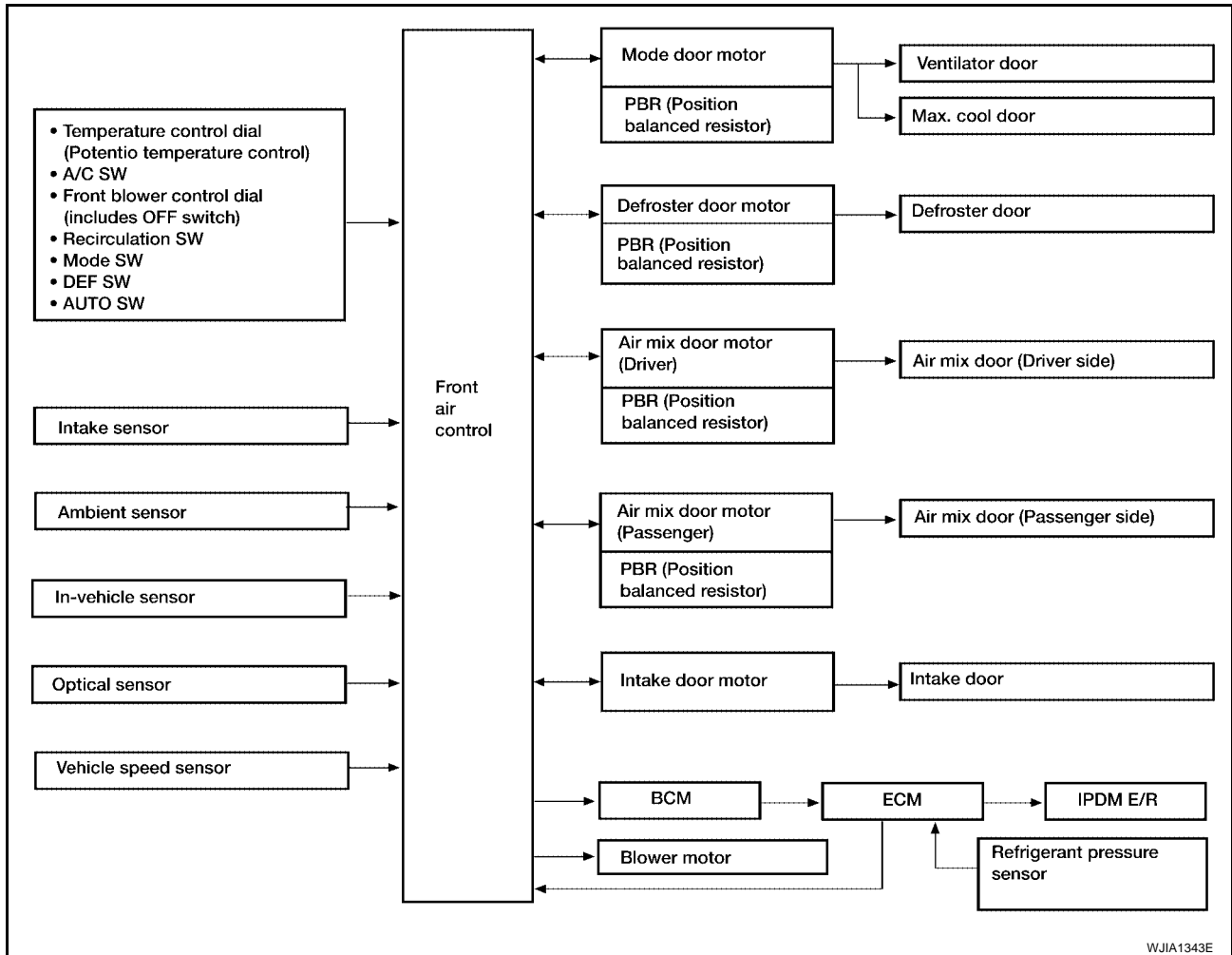
The self-diagnostic system is built into the front air control to quickly locate the cause of symptoms. Refer to [ATC-55, "A/C System Self-diagnosis Function"](#)

# AIR CONDITIONER CONTROL

EJS005YT

## Description of Control System

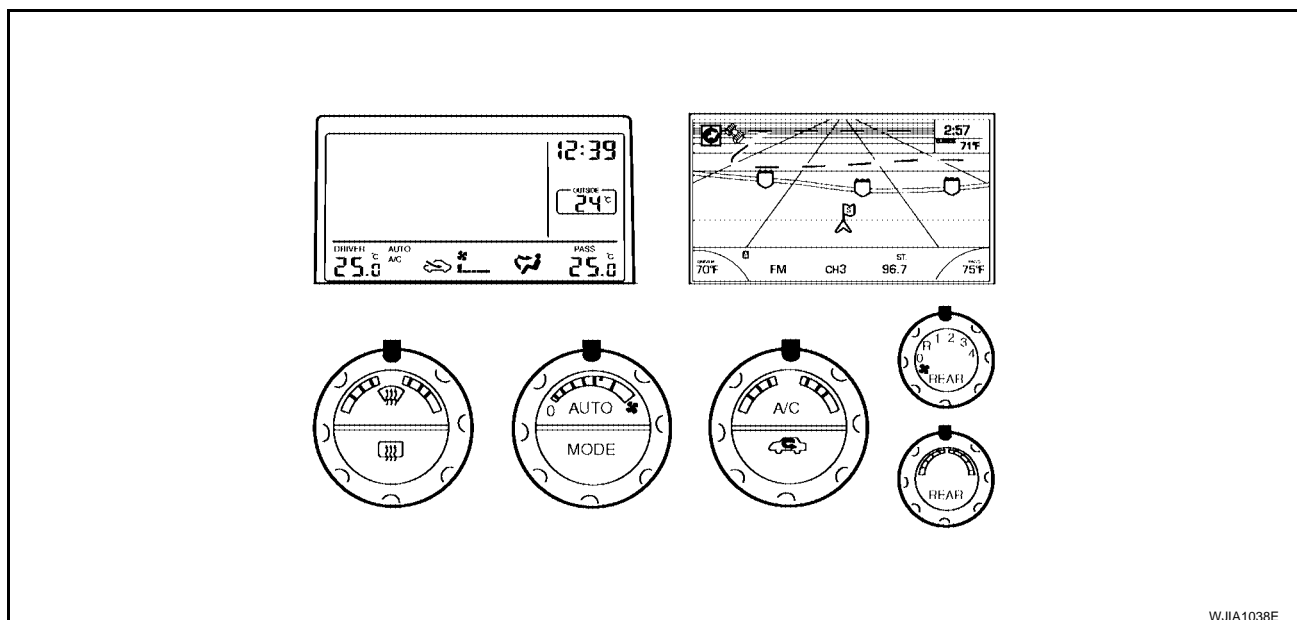
The control system consists of input sensors, switches, the front air control (microcomputer) and outputs. The relationship of these components is shown in the figure below:



## Control Operation

EJS005YU

### Front air control



# AIR CONDITIONER CONTROL

---

## DISPLAY SCREEN

Displays the operational status of the system.

A

## AUTO SWITCH

- The compressor, intake door, air mix doors, outlet doors and blower speed are automatically controlled so that the in-vehicle temperature will reach, and be maintained at the set temperature selected by the operator.
- When pressing AUTO switch, air inlet, air outlet, blower speed, and discharge air temperature are automatically controlled.

B

C

## TEMPERATURE CONTROL DIAL (TEMPERATURE CONTROL) (DRIVER SIDE)

Increases or decreases the set temperature.

D

## TEMPERATURE CONTROL DIAL (TEMPERATURE CONTROL) (PASSENGER SIDE)

Increases or decreases the set temperature.

E

## TEMPERATURE CONTROL DIAL (TEMPERATURE AND MODE CONTROL) (REAR)

Increases or decreases the set temperature. The mode also changes from foot at full hot setting, to foot/vent mid-range (warm) setting, and then to panel on full cold setting.

F

## RECIRCULATION ( ) SWITCH

- When REC switch is ON, REC switch indicator turns ON, and air inlet is set to REC.
- When REC switch is turned OFF, or when compressor is turned from ON to OFF, REC switch is automatically turned OFF. REC mode can be re-entered by pressing REC switch again.
- REC switch is not operated when DEF switch is turned ON, or at the D/F position.

G

H

## DEFROSTER (DEF) SWITCH

Positions the air outlet doors to the defrost position. Also positions the intake doors to the outside air position.

## REAR WINDOW DEFOGGER SWITCH

When switch is ON, rear window is defogged.

I

## OFF SWITCH

The compressor and blower are OFF, the intake doors are set to the outside air position, and the air outlet doors are set to the foot (75% foot and 25% defrost) position.

ATC

## A/C SWITCH

The compressor is ON or OFF.

(Pressing the A/C switch when the AUTO switch is ON will turn off the A/C switch and compressor.)

K

## MODE SWITCH (FRONT)

Controls the air discharge outlets.

L

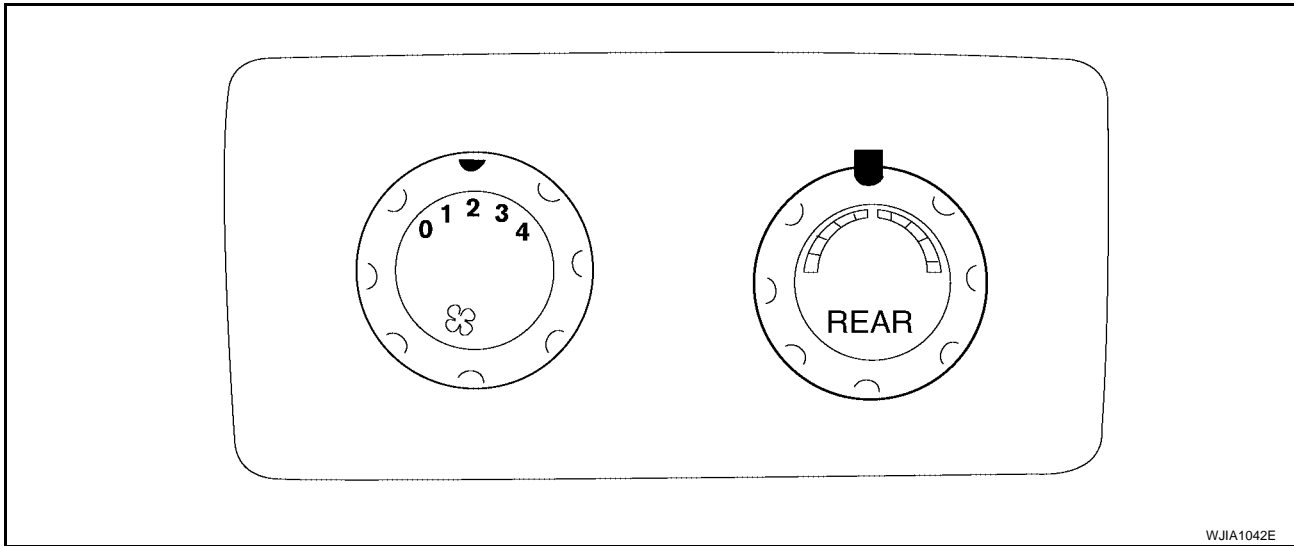
## FRONT BLOWER CONTROL DIAL

Manually control the blower speed. Seven speeds are available for manual control (as shown on the display screen).

M

# AIR CONDITIONER CONTROL

## Rear Air Control



### TEMPERATURE CONTROL DIAL (TEMPERATURE AND MODE CONTROL)

The temperature increases or decreases the set temperature. The mode also changes from foot at full hot setting, to foot/vent at mid-range (warm) setting, and then to vent at full cold setting.

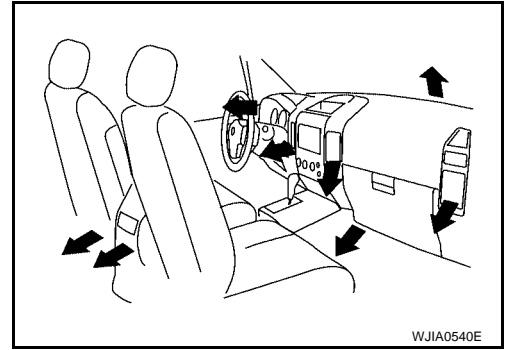
### REAR BLOWER CONTROL DIAL

When the rear blower switch (front) is in the OFF position, the rear blower motor cannot operate. When the rear blower switch (front) is in the REAR position, it allows the rear blower switch (rear) to control the rear blower motor speed. In any other position (1-4), the rear blower switch (front) controls the rear blower motor speed regardless of the rear blower switch (rear) position.

# AIR CONDITIONER CONTROL

## Discharge Air Flow FRONT

EJS005YV



A  
B  
C  
D

### Discharge air flow

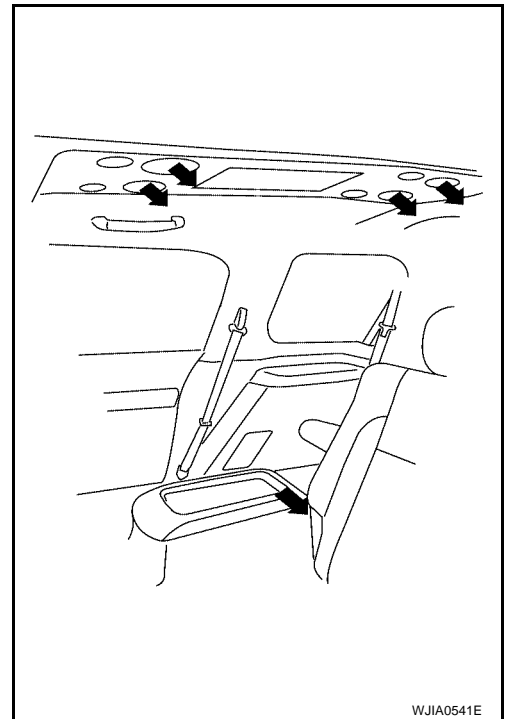
| Mode door position | Air outlet/distribution |           |           |
|--------------------|-------------------------|-----------|-----------|
|                    | Vent                    | Foot      | Defroster |
|                    | 100%                    | –         | –         |
|                    | 50%                     | 50%       | –         |
|                    | –                       | 75%(100%) | 25% (–)   |
|                    | –                       | 60%       | 40%       |
|                    | –                       | –         | 100%      |

E  
F  
G

( ) : Manually control

WJIA0528E

## REAR



H  
I

ATC

K  
L  
M

### Discharge air flow

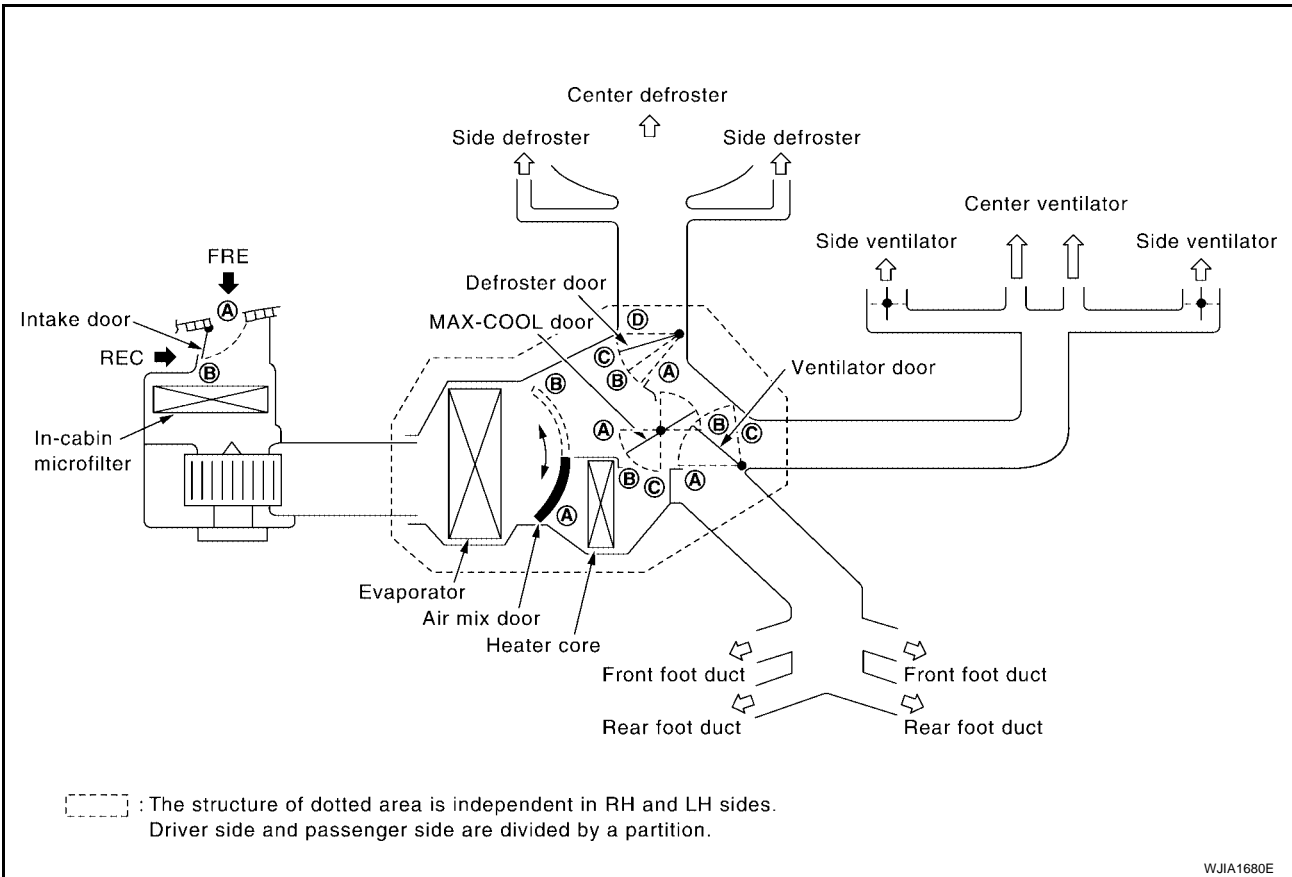
| Mode door position | Air outlet/distribution |      |
|--------------------|-------------------------|------|
|                    | Vent                    | Foot |
|                    | 100%                    | –    |
|                    | 50%                     | 50%  |
|                    | –                       | 100% |

WJIA1236E

# AIR CONDITIONER CONTROL

## System Description (Front) SWITCHES AND THEIR CONTROL FUNCTION

EJS005YW



WJIA1680E

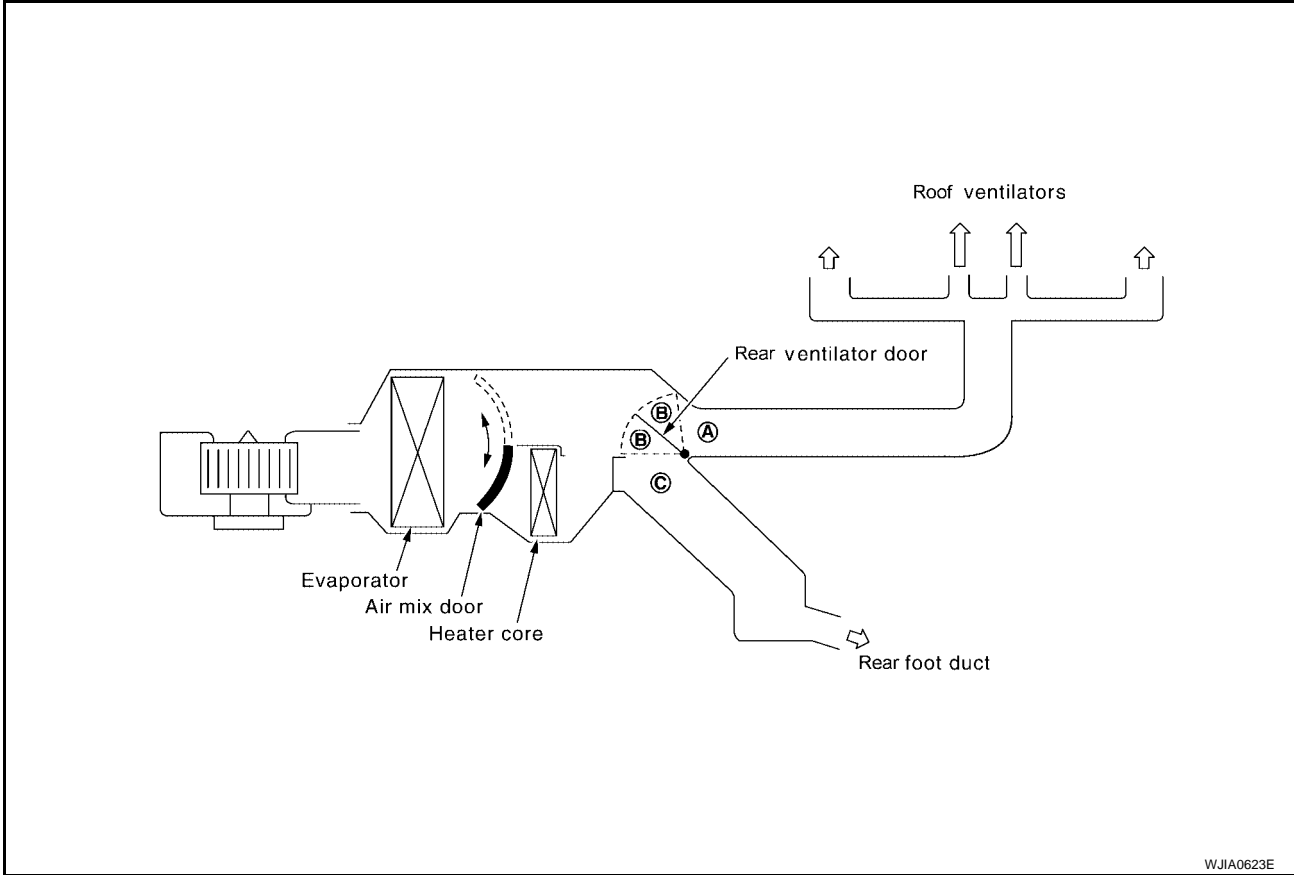
| Position or switch | MODE SW |     |                     |     | DEF SW    |     | REC SW |     | Temperature control dial |      |     | OFF SW |
|--------------------|---------|-----|---------------------|-----|-----------|-----|--------|-----|--------------------------|------|-----|--------|
|                    | VENT    | B/L | FOOT                | D/F | ON        | OFF | ON     | OFF |                          |      |     |        |
|                    |         |     |                     |     | FRONT<br> |     |        |     |                          |      |     |        |
| Ventilator door    | (A)     | (B) | (C)                 | (C) | (C)       | --- | ---    | --- | ---                      | ---  | --- | (C)    |
| MAX-COOL door      | (A)     | (B) | (B)                 | (B) | (C)       | --- | ---    | --- | ---                      | ---  | --- | (B)    |
| Defroster door     | (D)     | (D) | (D <sub>or</sub> C) | (B) | (A)       | --- | ---    | --- | ---                      | ---  | --- | (C)    |
| Intake door        | ---     |     |                     |     | (B)       | --- | (A)    | (B) | ---                      | ---  | --- | (B)    |
| Air mix door       | ---     |     |                     |     | ---       | --- | ---    | --- | (A)                      | AUTO | (B) | ---    |

WJIA1237E

# AIR CONDITIONER CONTROL

## System Description (Rear) SWITCHES AND THEIR CONTROL FUNCTION

EJS005YX



WJIA0623E

| Position or switch | MODE SW |     |      | Temp Control Dial |      |     | OFF SW |
|--------------------|---------|-----|------|-------------------|------|-----|--------|
|                    | VENT    | B/L | FOOT |                   |      |     |        |
| Door               |         |     |      |                   |      |     |        |
| Mode door          | (A)     | (B) | (C)  | —                 |      |     | (C)    |
| Air mix door       | —       |     |      | (A)               | AUTO | (B) | —      |

WJIA1067E

A  
B  
C  
D  
E  
F  
G  
H  
I

ATC

K  
L  
M

---

## CAN Communication System Description

EJS005YY

Refer to [LAN-5, "CAN COMMUNICATION"](#) .



# TROUBLE DIAGNOSIS

## TROUBLE DIAGNOSIS

PF0:00004

### CONSULT-II Function (HVAC)

EJS005YZ

CONSULT-II can display each diagnostic item using the diagnostic test modes shown following.

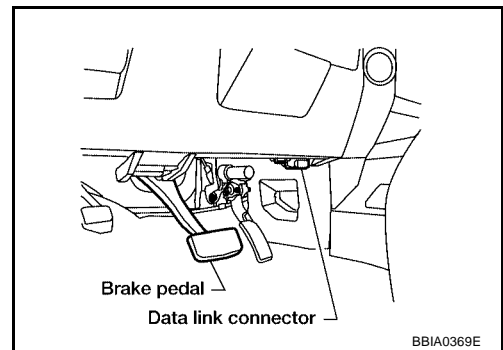
| Diagnostic mode       | Description  |
|-----------------------|--|
| SELF-DIAG RESULTS     | Displays front air control self-diagnosis results.                         |
| DATA MONITOR          | Displays front air control input/output data in real time.                 |
| CAN DIAG SUPPORT MNTR | The result of transmit/receive diagnosis of CAN communication can be read. |
| ECU PART NUMBER       | Front air control part number can be read.                                 |

### CONSULT-II BASIC OPERATION

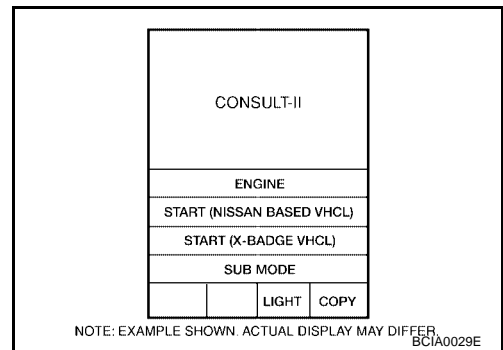
**CAUTION:**

If CONSULT-II is used with no connection of CONSULT-II CONVERTER, malfunctions might be detected in self-diagnosis depending on control unit which carries out CAN communication.

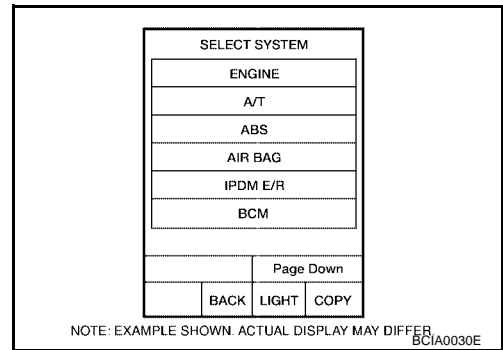
1. With the ignition switch OFF, connect CONSULT-II and "CONSULT-II CONVERTER" to the data link connector, and turn the ignition switch ON.



2. Touch "START (NISSAN BASED VHCL)".



3. Touch "HVAC" on "SELECT SYSTEM" screen. If "HVAC" is not indicated, go to [GI-39, "CONSULT-II Data Link Connector \(DLC\) Circuit"](#).



A  
B  
C  
D  
E  
F  
G  
H  
I  
K  
L  
M

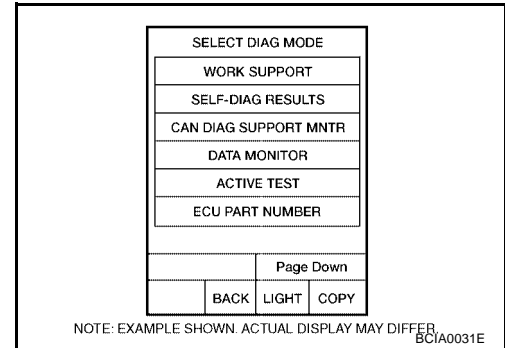
ATC

# TROUBLE DIAGNOSIS

## SELF-DIAGNOSIS

### Operation Procedure

1. Touch "SELF-DIAG RESULTS" on "SELECT DIAG MODE" screen to view all set DTC's.



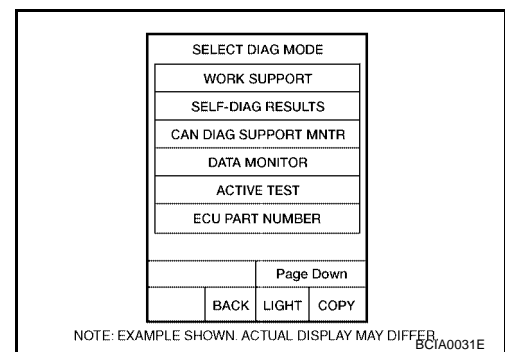
### Display Item List

| DTC   | Description                                      | Reference page                                       |
|-------|--|--|
| B2573 | Battery voltage out of range                     | <a href="#">SC-4, "BATTERY"</a>                      |
| B2578 | In-vehicle sensor circuit out of range (low)     | <a href="#">ATC-139, "In-vehicle Sensor Circuit"</a> |
| B2579 | In-vehicle sensor circuit out of range (high)    |  |
| B257B | Ambient sensor circuit short                     | <a href="#">ATC-136, "Ambient Sensor Circuit"</a>    |
| B257C | Ambient sensor circuit open                      |  |
| B257F | Optical sensor (Driver) circuit open or short    | <a href="#">ATC-142, "Optical Sensor Circuit"</a>    |
| B2580 | Optical sensor (Passenger) circuit open or short |  |
| B2581 | Intake sensor circuit short                      | <a href="#">ATC-144, "Intake Sensor Circuit"</a>     |
| B2582 | Intake sensor circuit open                       |  |
| U1000 | CAN bus fault                                    | <a href="#">LAN-5, "CAN COMMUNICATION"</a>           |
| B2587 | Stuck button                                     | <a href="#">ATC-146, "FRONT AIR CONTROL"</a>         |

## DATA MONITOR

### Operation Procedure

1. Touch "DATA MONITOR" on "SELECT DIAG MODE" screen.



2. Touch either "MAIN SIGNALS" or "SELECTION FROM MENU" on "DATA MONITOR" screen.

|                     |  |
|---------------------|--|
| MAIN SIGNALS        | Monitors all the items.                            |
| SELECTION FROM MENU | Selects and monitors the individual item selected. |

3. When "SELECTION FROM MENU" is selected, touch items to be monitored. When "MAIN SIGNALS" is selected, all the items will be monitored.
4. Touch "START".
5. Touch "RECORD" while monitoring, then the status of the monitored item can be recorded. To stop recording, touch "STOP".

# TROUBLE DIAGNOSIS

## Display Item List

| Monitor item  | Value  | Contents   |        |
|---------------|--|--|--------|
| BATT VIA CAN  | "V"  | Displays battery voltage signal.                                       | A      |
| IGN VIA CAN   | "ON/OFF"   | Displays ignition switch signal.                                       | B      |
| DVR SUNLD SEN | "w/m2"   | Displays optical sensor (driver) signal.                               |        |
| PAS SUNLD SEN | "w/m2"   | Displays optical sensor (passenger) signal.                            |        |
| AMB TEMP SEN  | "°C/°F"  | Displays ambient sensor signal.  | C      |
| EVAP TEMP SEN | "°C/°F"  | Displays intake sensor signal.   |        |
| INCAR TMP SEN | "°C/°F"  | Displays in-vehicle sensor signal.                                     | D      |
| RR TEMPSET FR | "V"  | Displays air mix door (front) set point signal.                        |        |
| RR TEMPSET RR | "V"  | Displays air mix door (rear) set point signal.                         |        |
| MODE FDBCK    | "V"  | Displays mode door motor feedback signal.                              | E      |
| DVR MIX FDBCK | "V"  | Displays air mix door motor (driver) feedback signal.                  |        |
| PAS MIX FDBCK | "V"  | Displays air mix door motor (passenger) feedback signal.               | F      |
| RR FDBCK      | "V"  | Displays air mix door motor (rear) feedback signal.                    |        |
| DEF FDBCK     | "V"  | Displays defroster door motor feedback signal.                         |        |
| RECIRC        | "ON/OFF"   | Displays recirculation switch signal.                                  | G      |
| DEFROST       | "ON/OFF"   | Displays defroster switch signal.                                      |        |
| AUTO          | "ON/OFF"   | Displays AUTO switch signal.   |        |
| A/C           | "ON/OFF"   | Displays A/C switch signal.  | H      |
| MODE          | "ON/OFF"   | Displays MODE switch signal.   |        |
| L TEMP UP     | "ON/OFF"   | Displays driver side temperature control dial (temp increase) signal.  | I      |
| L TEMP DOWN   | "ON/OFF"   | Displays driver side temperature control dial (temp decrease) signal.  |        |
| R TEMP UP     | "ON/OFF"   | Displays rear temperature control dial [front (temp increase)] signal. |        |
| R TEMP DOWN   | "ON/OFF"   | Displays Rear temperature control dial [front (temp decrease)] signal. | ATC    |
| RR DEFOG      | "ON/OFF"   | Displays rear defroster request signal.                                |        |
| FANUP         | "ON/OFF"   | Displays front blower motor (blower speed increase) signal.            | K      |
| FANDOWN       | "ON/OFF"   | Displays front blower motor (blower speed decrease) signal.            |        |
| MODE SELECT   | " [ PNL ]"<br>" [ MIX ]"<br>" [ FLR ]"<br>" [ DEFR ]"<br>" [ MAX ]"<br>" [ DENT ]" | Displays mode door motor position.                                     | L<br>M |

\*: DENT is displayed when MODE switch is between selections.

# TROUBLE DIAGNOSIS

EJS005Z0

## CONSULT-II Function (BCM)

CONSULT-II can display each diagnostic item using the diagnostic test modes shown following.

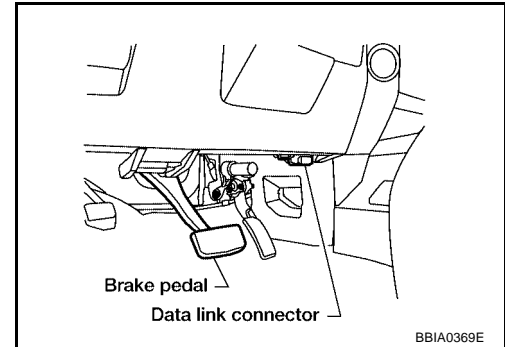
| BCM diagnostic test item | Diagnostic mode       | Description  |
|--------------------------|-----------------------|--|
| Inspection by part       | WORK SUPPORT          | Supports inspections and adjustments. Commands are transmitted to the BCM for setting the status suitable for required operation, input/output signals are received from the BCM and received data is displayed. |
|                          | DATA MONITOR          | Displays BCM input/output data in real time.   |
|                          | ACTIVE TEST           | Operation of electrical loads can be checked by sending drive signal to them.  |
|                          | SELF-DIAG RESULTS     | Displays BCM self-diagnosis results.   |
|                          | CAN DIAG SUPPORT MNTR | The result of transmit/receive diagnosis of CAN communication can be read.   |
|                          | ECU PART NUMBER       | BCM part number can be read.   |
|                          | CONFIGURATION         | Performs BCM configuration read/write functions.   |

## CONSULT-II BASIC OPERATION

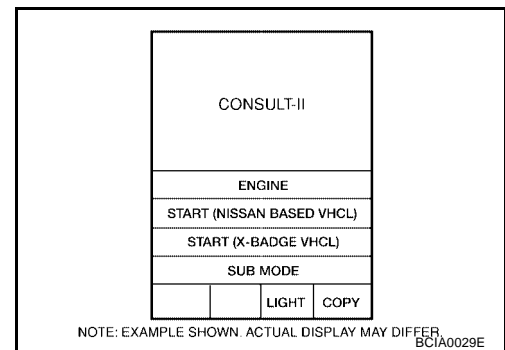
### CAUTION:

If CONSULT-II is used with no connection of CONSULT-II CONVERTER, malfunctions might be detected in self-diagnosis depending on control unit which carries out CAN communication.

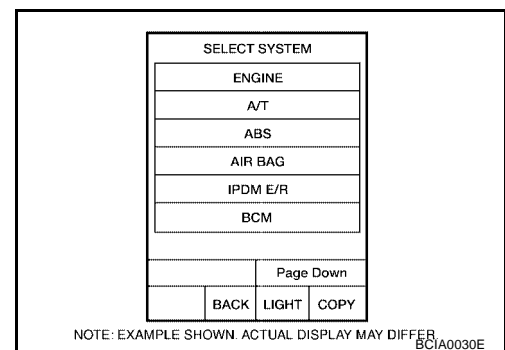
1. With the ignition switch OFF, connect CONSULT-II and "CONSULT-II CONVERTER" to the data link connector, and turn the ignition switch ON.



2. Touch "START (NISSAN BASED VHCL)".



3. Touch "BCM" on "SELECT SYSTEM" screen. If "BCM" is not indicated, go to [GI-39, "CONSULT-II Data Link Connector \(DLC\) Circuit"](#).

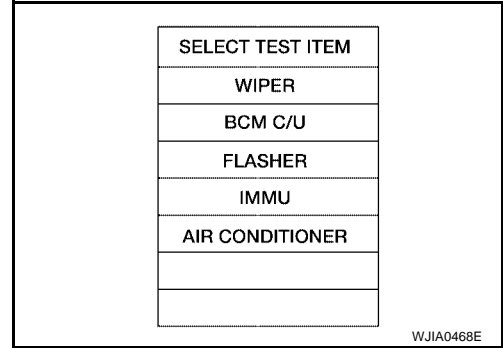


# TROUBLE DIAGNOSIS

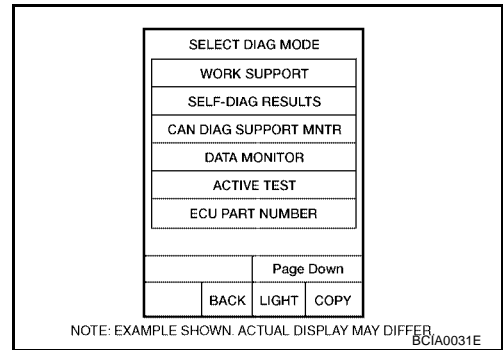
## DATA MONITOR

### Operation Procedure

1. Touch "AIR CONDITIONER" on "SELECT TEST ITEM" screen.



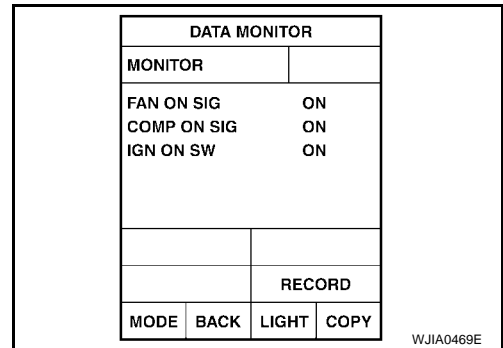
2. Touch "DATA MONITOR" on "SELECT DIAG MODE" screen.



3. Touch either "ALL SIGNALS" or "SELECTION FROM MENU" on "DATA MONITOR" screen.

|                     |  |
|---------------------|--|
| All signals         | Monitors all the items.                            |
| Selection from menu | Selects and monitors the individual item selected. |

4. When "SELECTION FROM MENU" is selected, touch items to be monitored. When "ALL SIGNALS" is selected, all the items will be monitored.
5. Touch "START".
6. Touch "RECORD" while monitoring, then the status of the monitored item can be recorded. To stop recording, touch "STOP".



### Display Item List

| Monitor item name "operation or unit" | Contents   |
|---------------------------------------|--|
| IGN ON SW "ON/OFF"                    | Displays "IGN Position (ON)/OFF, ACC Position (OFF)" status as judged from ignition switch signal. |
| COMP ON SIG "ON/OFF"                  | Displays "COMP (ON)/COMP (OFF)" status as judged from air conditioner switch signal.               |
| FAN ON SIG "ON/OFF"                   | Displays "FAN (ON)/FAN (OFF)" status as judged from blower motor switch signal.                    |

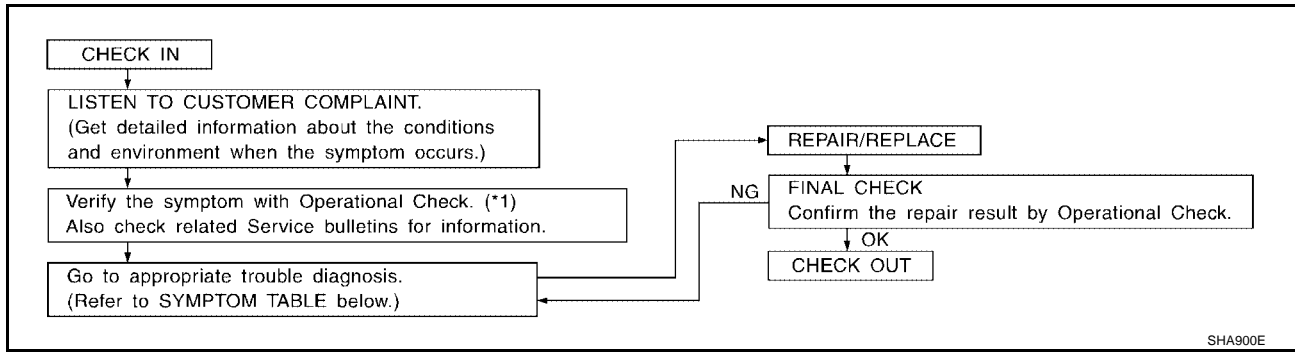
A  
B  
C  
D  
E  
F  
G  
H  
I  
K  
L  
M

ATC

# TROUBLE DIAGNOSIS

EJS005Z1

## How to Perform Trouble Diagnosis for Quick and Accurate Repair WORK FLOW



SHA900E

\*1 [ATC-57. "Operational Check \(Front\)"](#)  
or [ATC-60. "Operational Check  
\(Rear\)"](#) .

## SYMPTOM TABLE

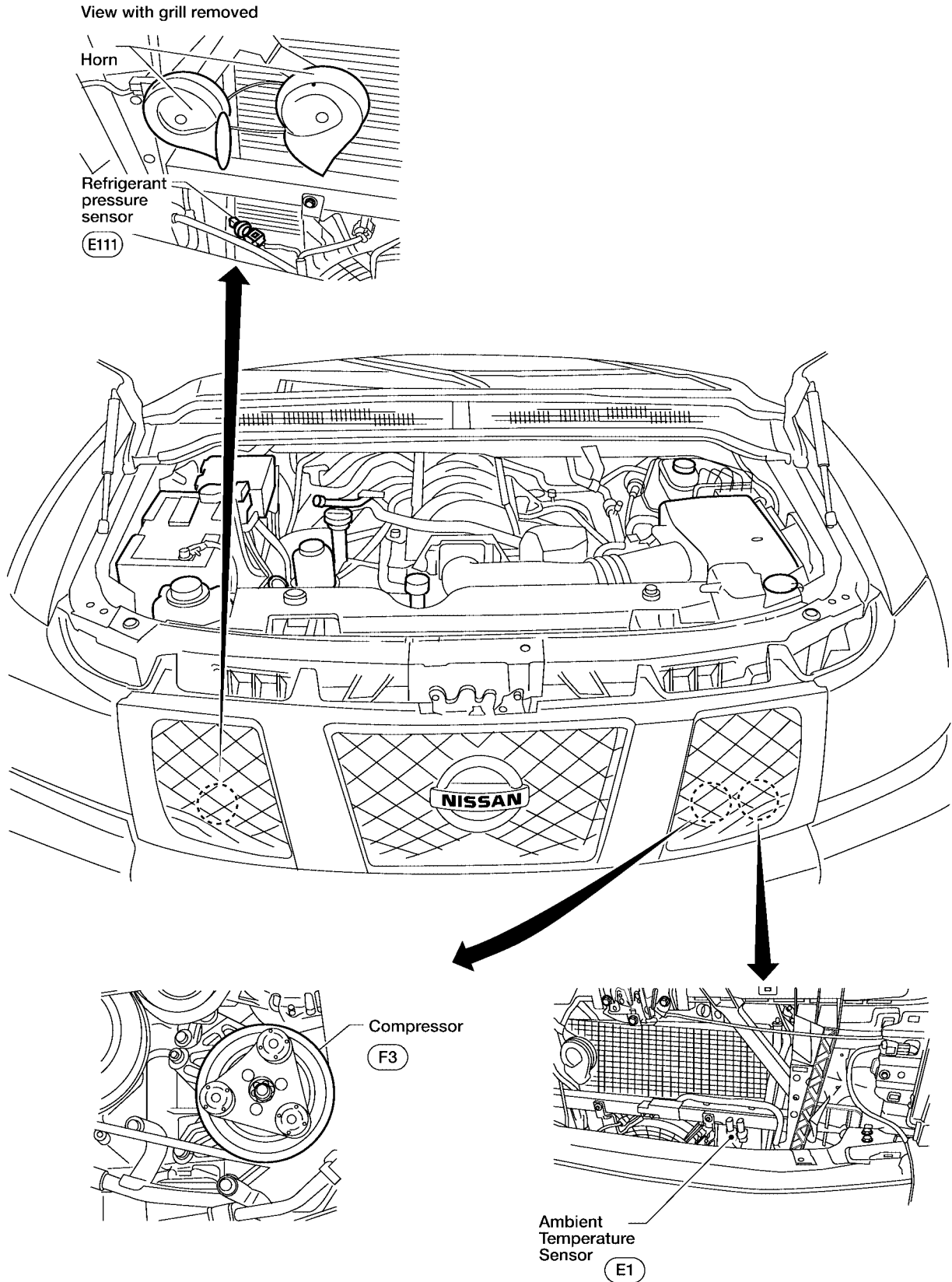
| Symptom   | Reference Page  |                         |
|---|---|-------------------------|
| A/C system does not come on.                                      | Go to Trouble Diagnosis Procedure for A/C System.               | <a href="#">ATC-61</a>  |
| A/C system display is malfunctioning.                             | Go to Navigation System.  | <a href="#">AV-77</a>   |
| A/C system cannot be controlled.                                  | Go to Self-diagnosis Function.                                  | <a href="#">ATC-55</a>  |
| Air outlet does not change.                                       | Go to Trouble Diagnosis Procedure for Mode Door Motor.          | <a href="#">ATC-64</a>  |
| Mode door motor is malfunctioning.                                |   |                         |
| Discharge air temperature does not change.                        | Go to Trouble Diagnosis Procedure for Air Mix Door Motor.       | <a href="#">ATC-70</a>  |
| Air mix door motor is malfunctioning.                             |   |                         |
| Intake door does not change.                                      | Go to Trouble Diagnosis Procedure for Intake Door Motor.        | <a href="#">ATC-83</a>  |
| Intake door motor is malfunctioning.                              |   |                         |
| Defroster door motor is malfunctioning.                           | Go to Trouble Diagnosis Procedure for Defroster Door Motor.     | <a href="#">ATC-87</a>  |
| Front blower motor operation is malfunctioning.                   | Go to Trouble Diagnosis Procedure for Front Blower Motor.       | <a href="#">ATC-93</a>  |
| Rear blower motor operation is malfunctioning.                    | Go to Trouble Diagnosis Procedure for Rear Blower Motor.        | <a href="#">ATC-101</a> |
| Rear discharge air temperature and/or air outlet does not change. | Go to Trouble Diagnosis Procedure for Rear Air Control circuit. | <a href="#">ATC-112</a> |
| Magnet clutch does not engage.                                    | Go to Trouble Diagnosis Procedure for Magnet Clutch.            | <a href="#">ATC-115</a> |
| Insufficient cooling  | Go to Trouble Diagnosis Procedure for Insufficient Cooling.     | <a href="#">ATC-121</a> |
| Insufficient heating  | Go to Trouble Diagnosis Procedure for Insufficient Heating.     | <a href="#">ATC-128</a> |
| Noise   | Go to Trouble Diagnosis Procedure for Noise.                    | <a href="#">ATC-129</a> |
| Self-diagnosis cannot be performed.                               | Go to Trouble Diagnosis Procedure for Self-diagnosis.           | <a href="#">ATC-131</a> |
| Memory function does not operate.                                 | Go to Trouble Diagnosis Procedure for Memory Function.          | <a href="#">ATC-132</a> |

# TROUBLE DIAGNOSIS

## Component Parts and Harness Connector Location ENGINE COMPARTMENT

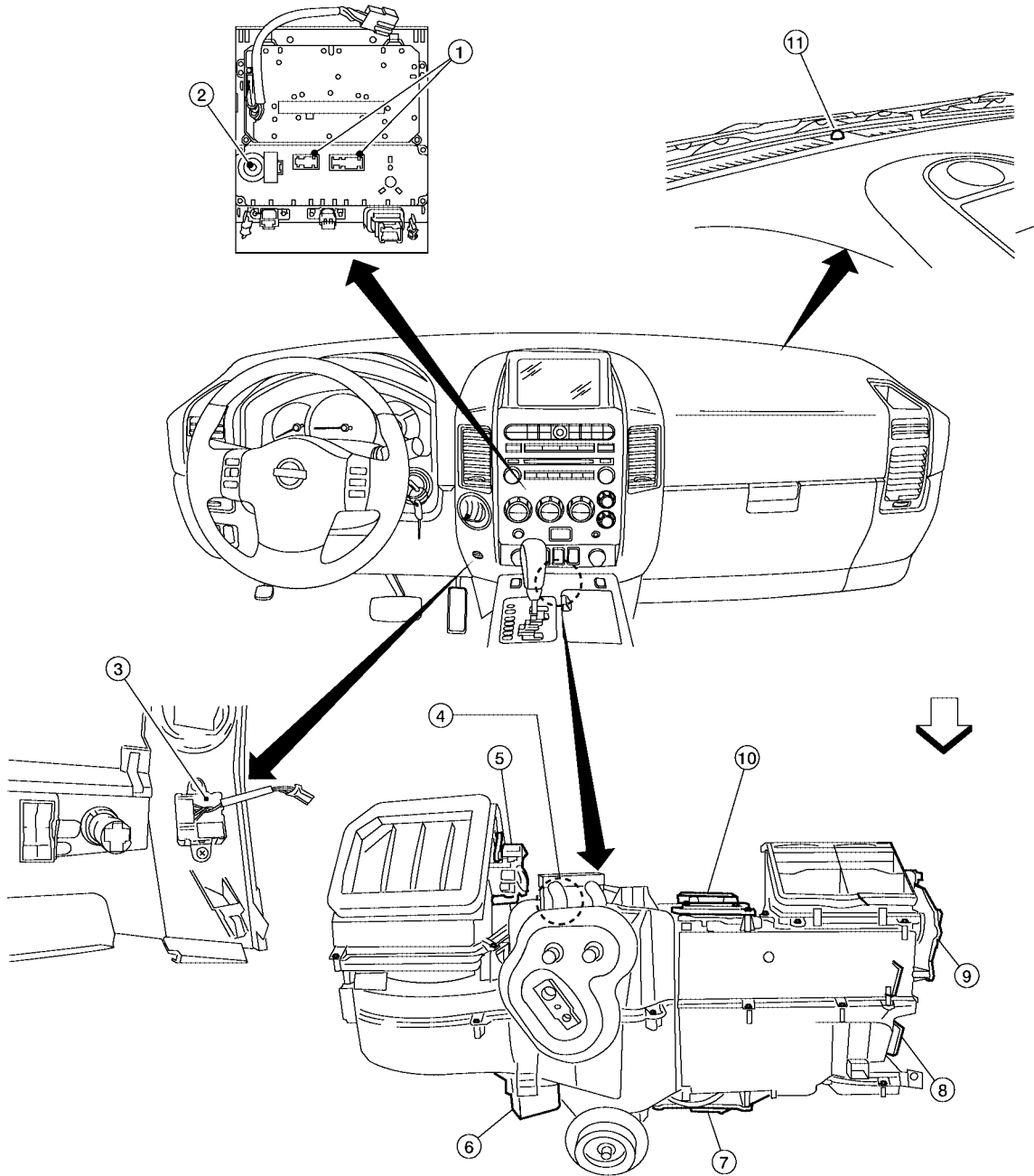
EJS005Z2

A  
B  
C  
D  
E  
F  
G  
H  
I  
ATC  
K  
L  
M



# TROUBLE DIAGNOSIS

## FRONT PASSENGER COMPARTMENT



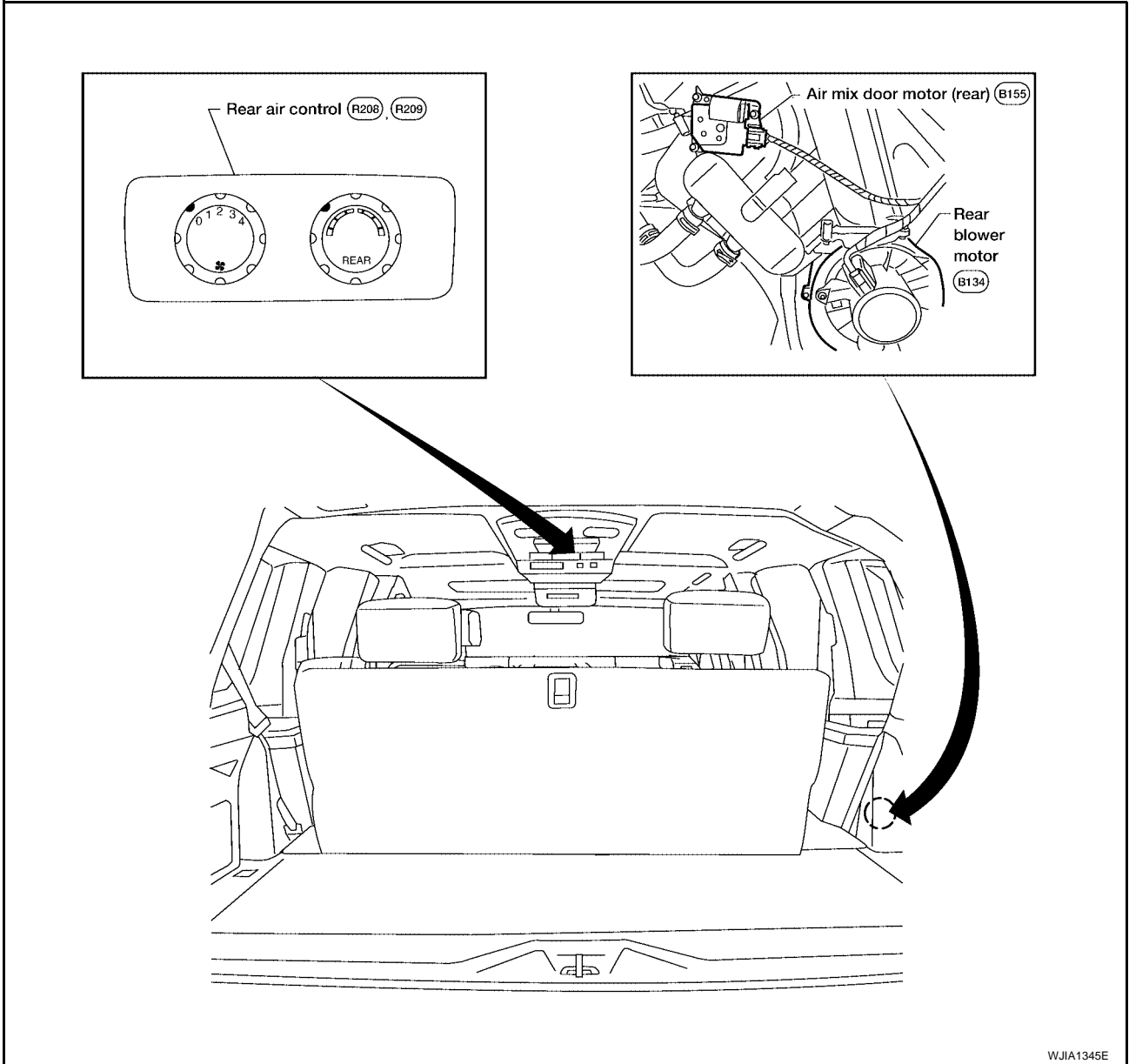
- |  |                                   |                                 |
|--|-----------------------------------|---------------------------------|
| 1. Front air control M49, M50          | 2. Rear blower switch (front) M52 | 3. In-vehicle sensor M32        |
| 4. Intake sensor M146                  | 5. Intake door motor M58          | 6. Variable blower control M122 |
| 7. Air mix door motor (passenger) M143 | 8. Mode door motor M142           | 9. Defroster door motor M144    |
| 10. Air mix door motor (driver) M147   | 11. Optical sensor M402           | ← : Front                       |

WJIA1884E



# TROUBLE DIAGNOSIS

## REAR PASSENGER COMPARTMENT



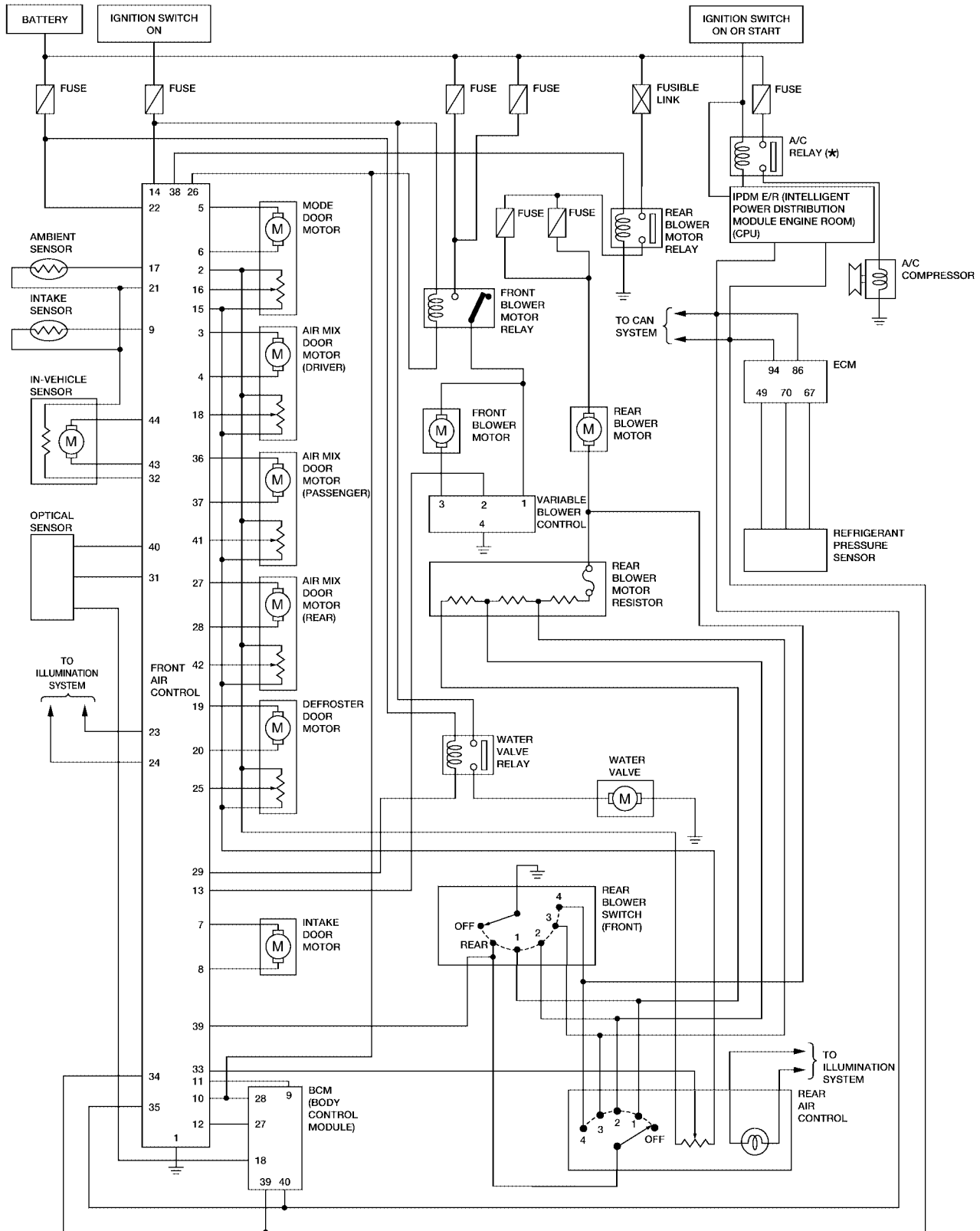
A  
B  
C  
D  
E  
F  
G  
H  
I  
ATC  
K  
L  
M

WJIA1345E

# TROUBLE DIAGNOSIS

## Schematic

EJS005Z3



\* : THIS RELAY IS BUILT INTO THE IPDM E/R (INTELLIGENT POWER DISTRIBUTION MODULE ENGINE ROOM).

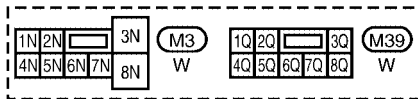
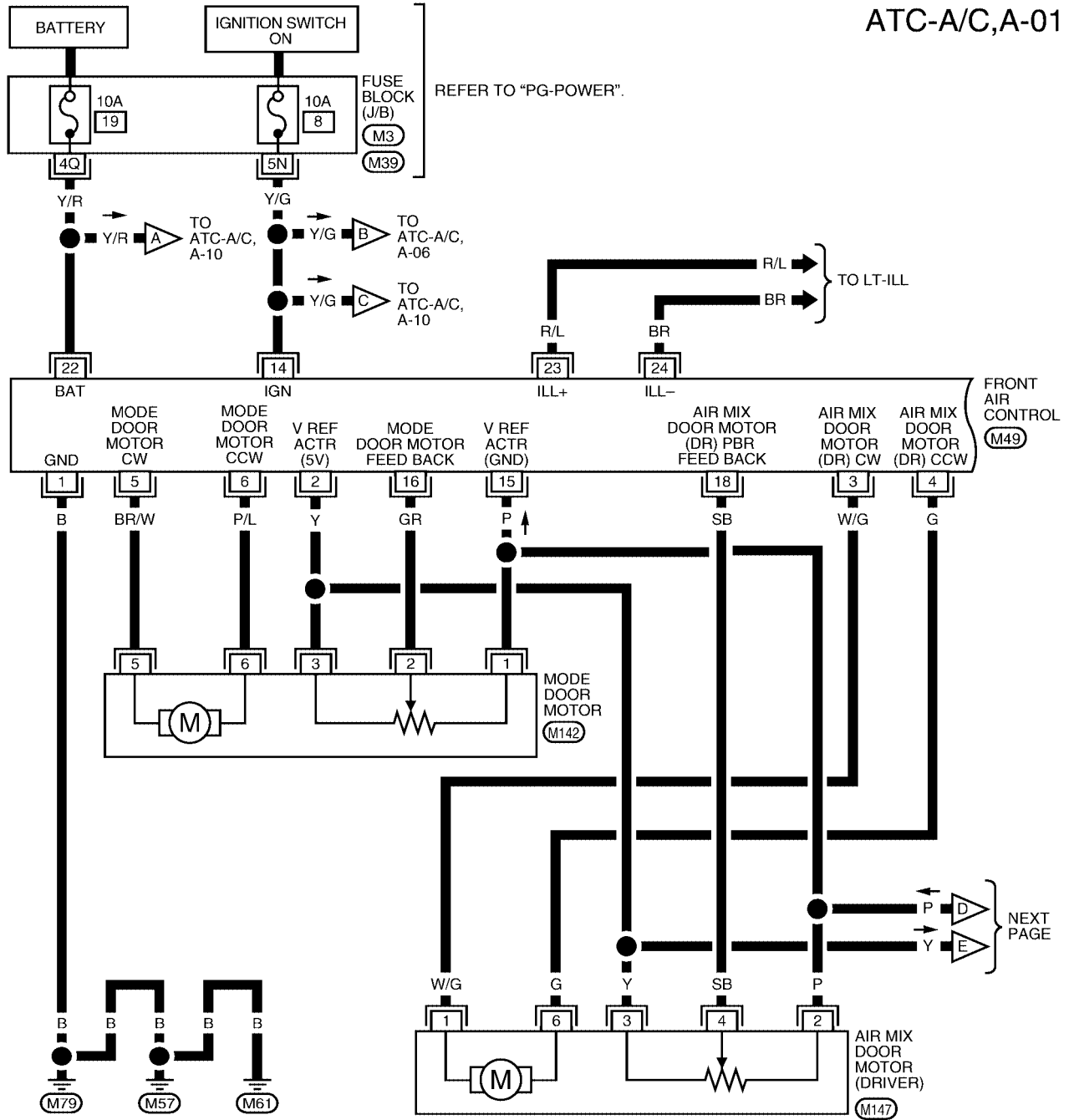
WJWA0224E

# TROUBLE DIAGNOSIS

EJS005Z4

## Wiring Diagram — A/C,A —

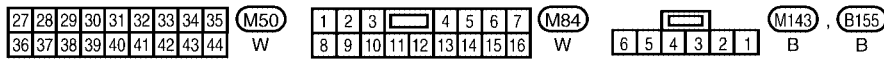
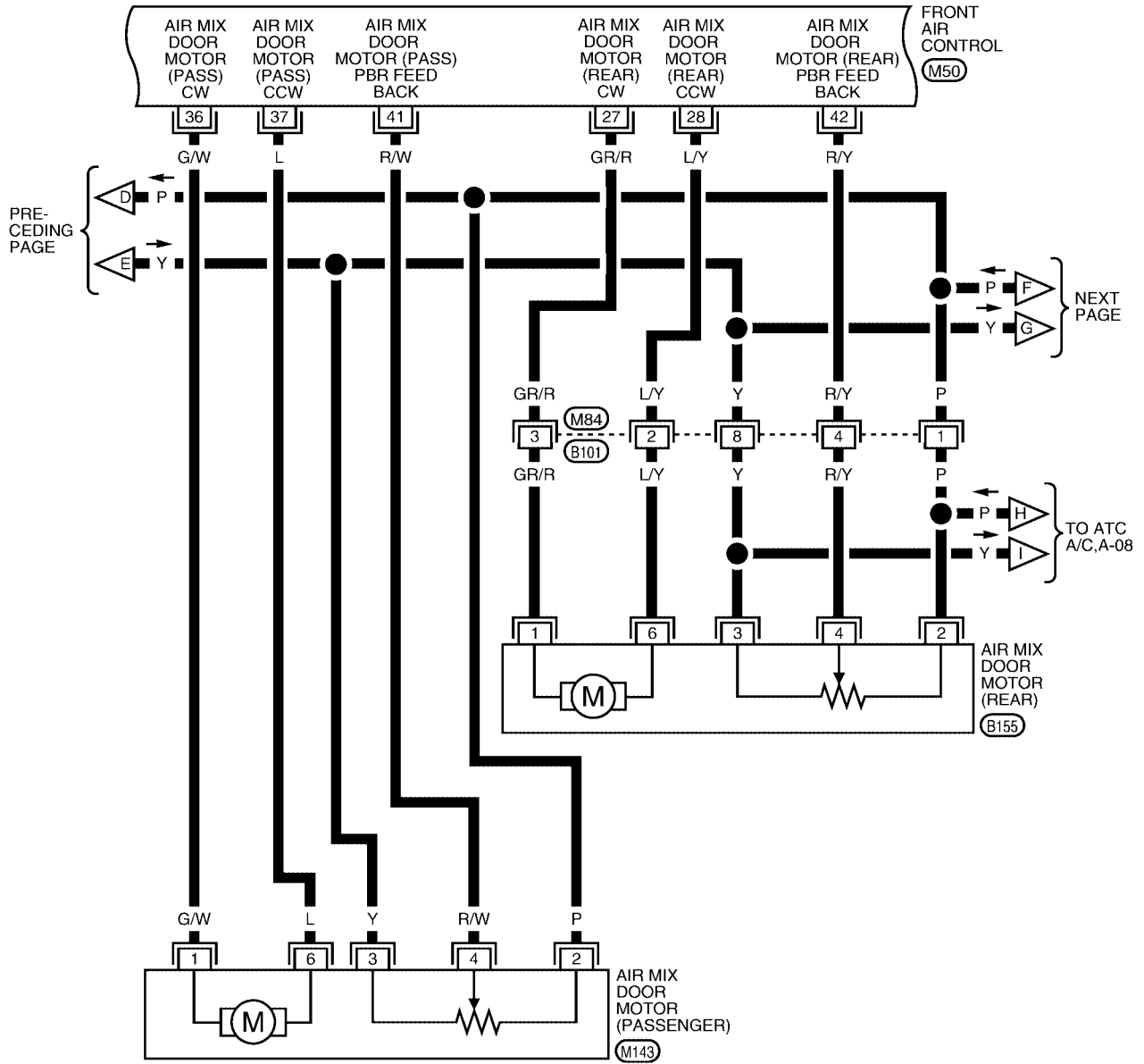
ATC-A/C,A-01



WJWA0225E

# TROUBLE DIAGNOSIS

ATC-A/C,A-02

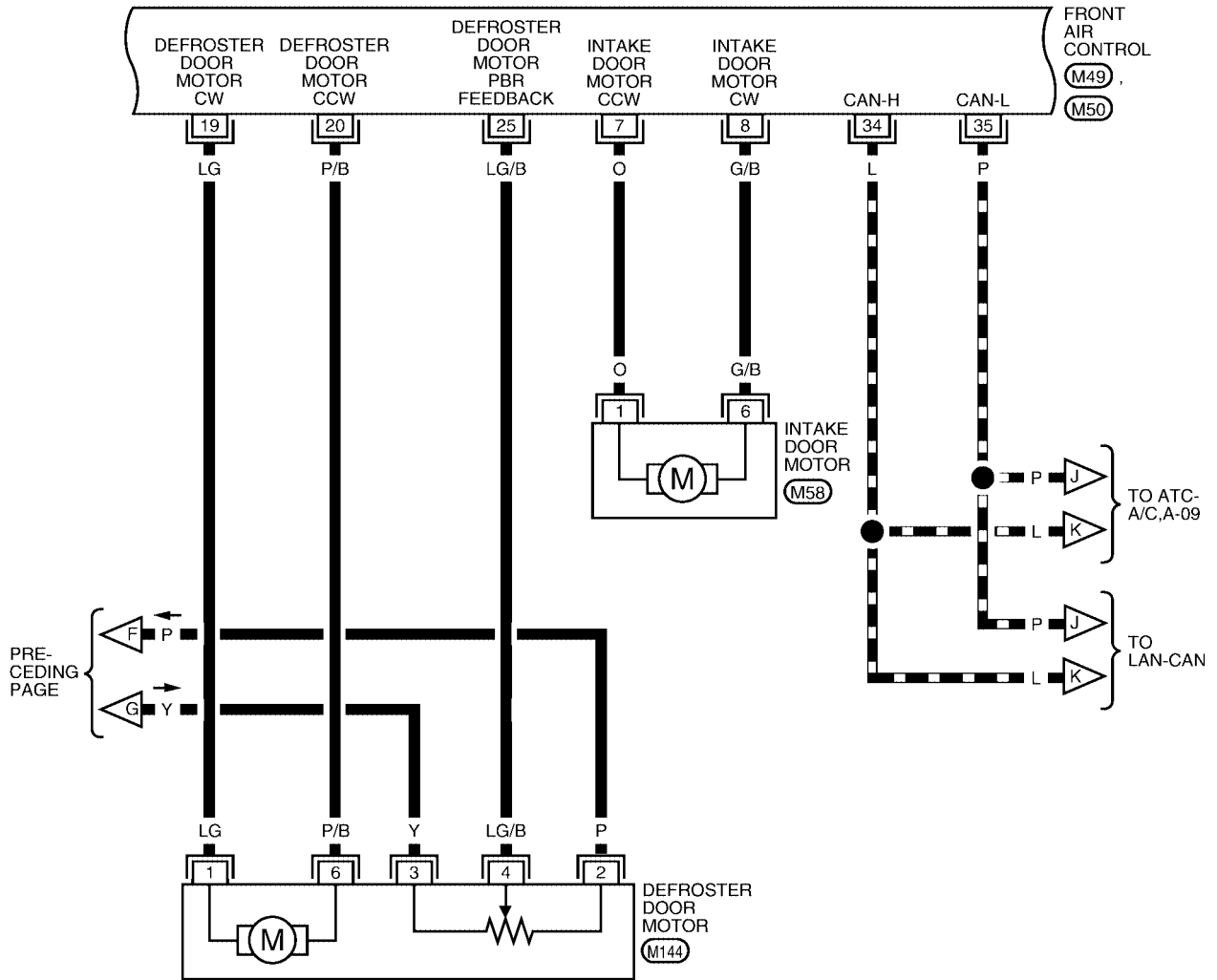


WJWA0226E

# TROUBLE DIAGNOSIS

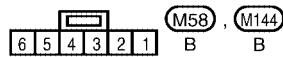
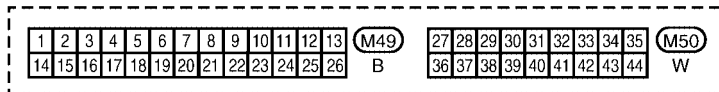
ATC-A/C,A-03

▬ : DATA LINE



PRE-  
CEDING  
PAGE

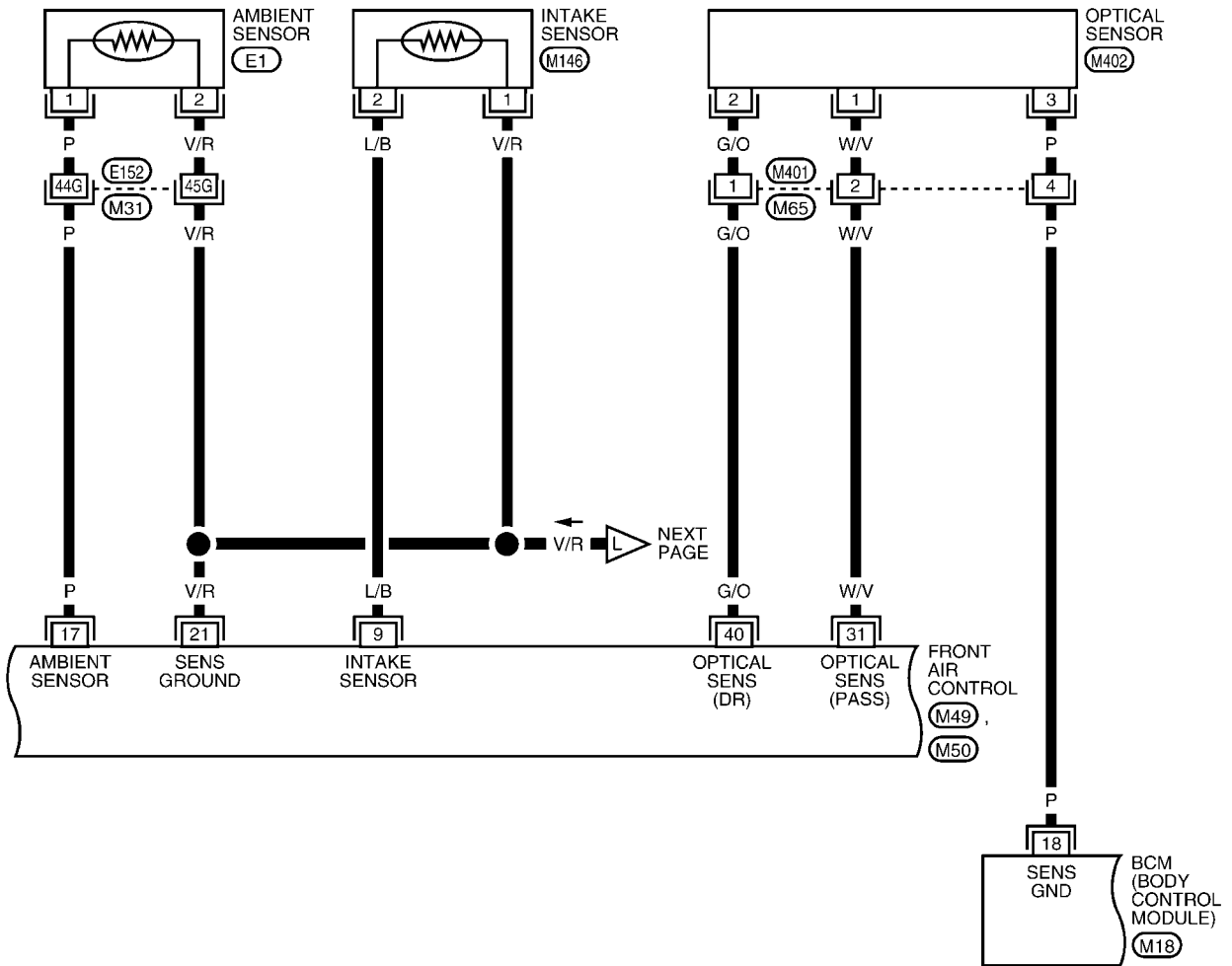
A  
B  
C  
D  
E  
F  
G  
H  
I  
ATC  
K  
L  
M



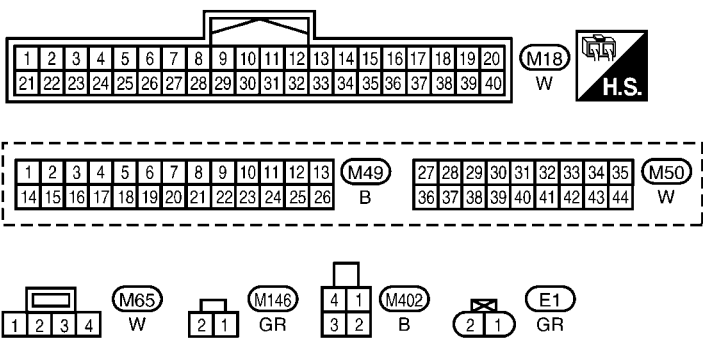
WJWA0227E

# TROUBLE DIAGNOSIS

ATC-A/C,A-04



NEXT PAGE



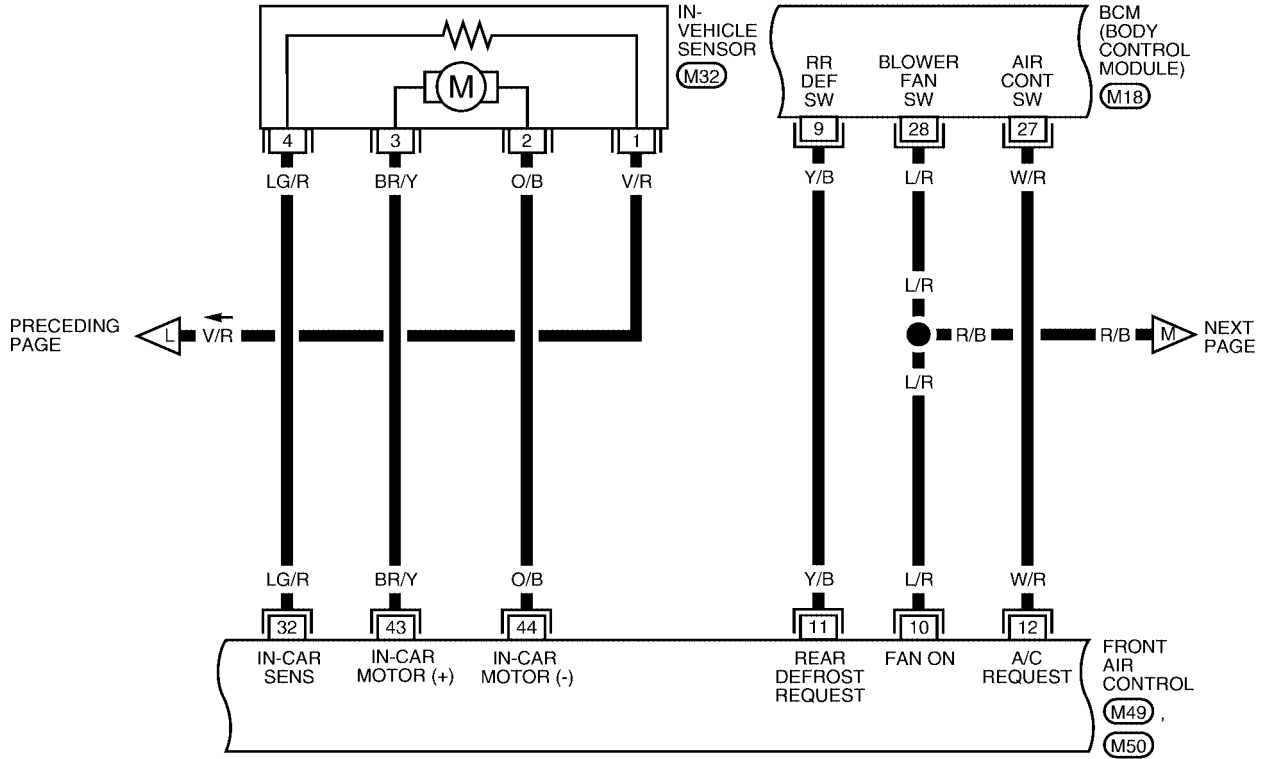
REFER TO THE FOLLOWING.  
 (M31) - SUPER MULTIPLE JUNCTION (SMJ)

WJWA0411E

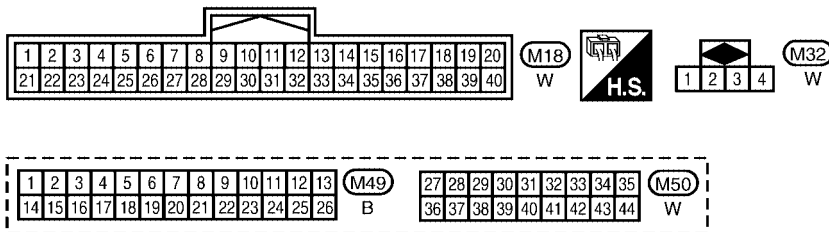
# TROUBLE DIAGNOSIS

ATC-A/C,A-05

A  
B  
C  
D  
E  
F  
G  
H  
I  
K  
L  
M



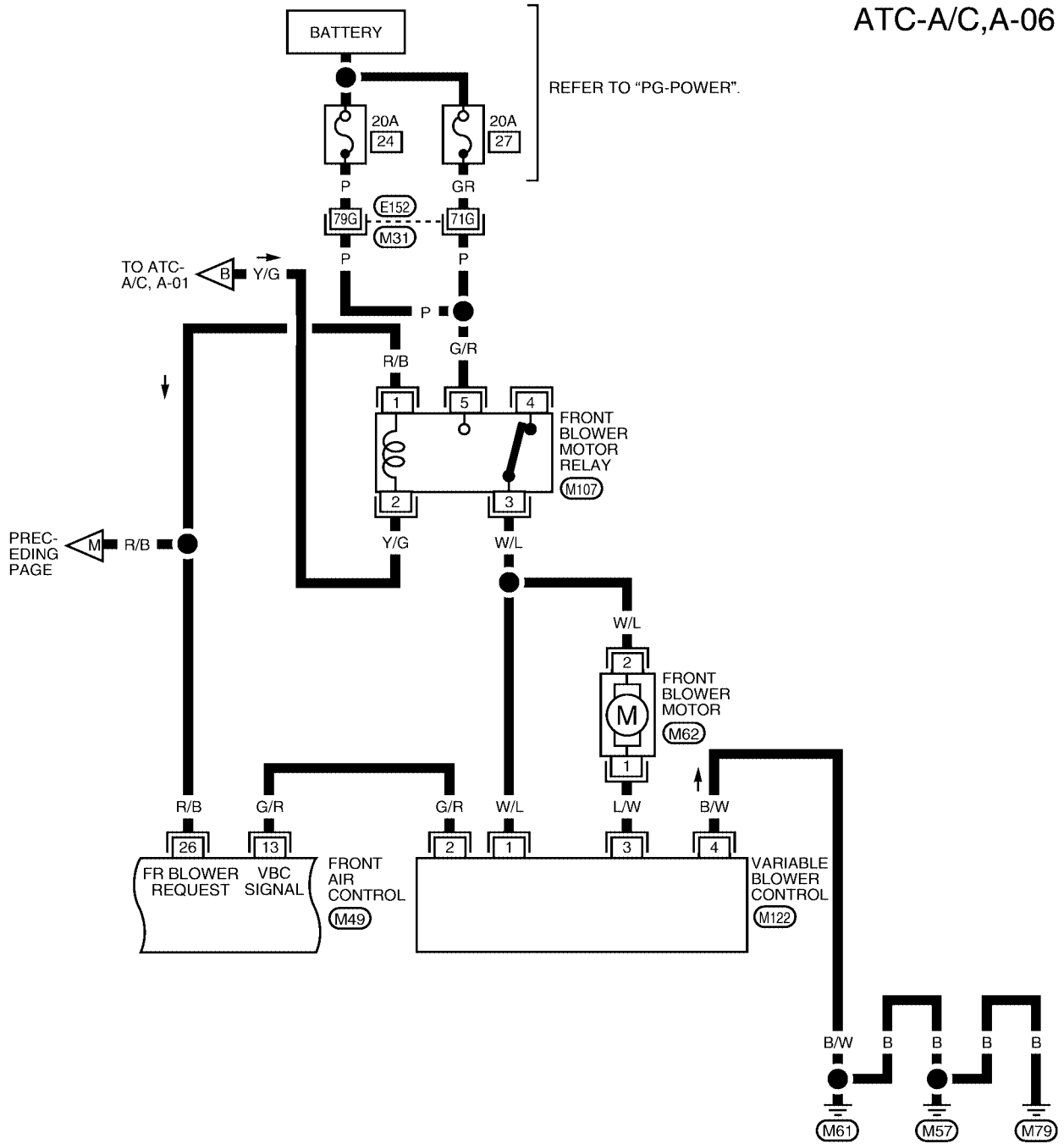
ATC



WJWA0229E

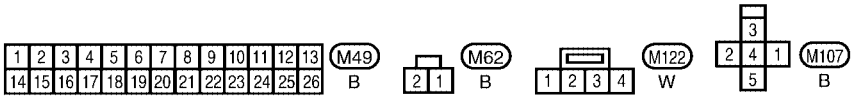
# TROUBLE DIAGNOSIS

ATC-A/C,A-06



REFER TO "PG-POWER".

PREC-  
EDING  
PAGE



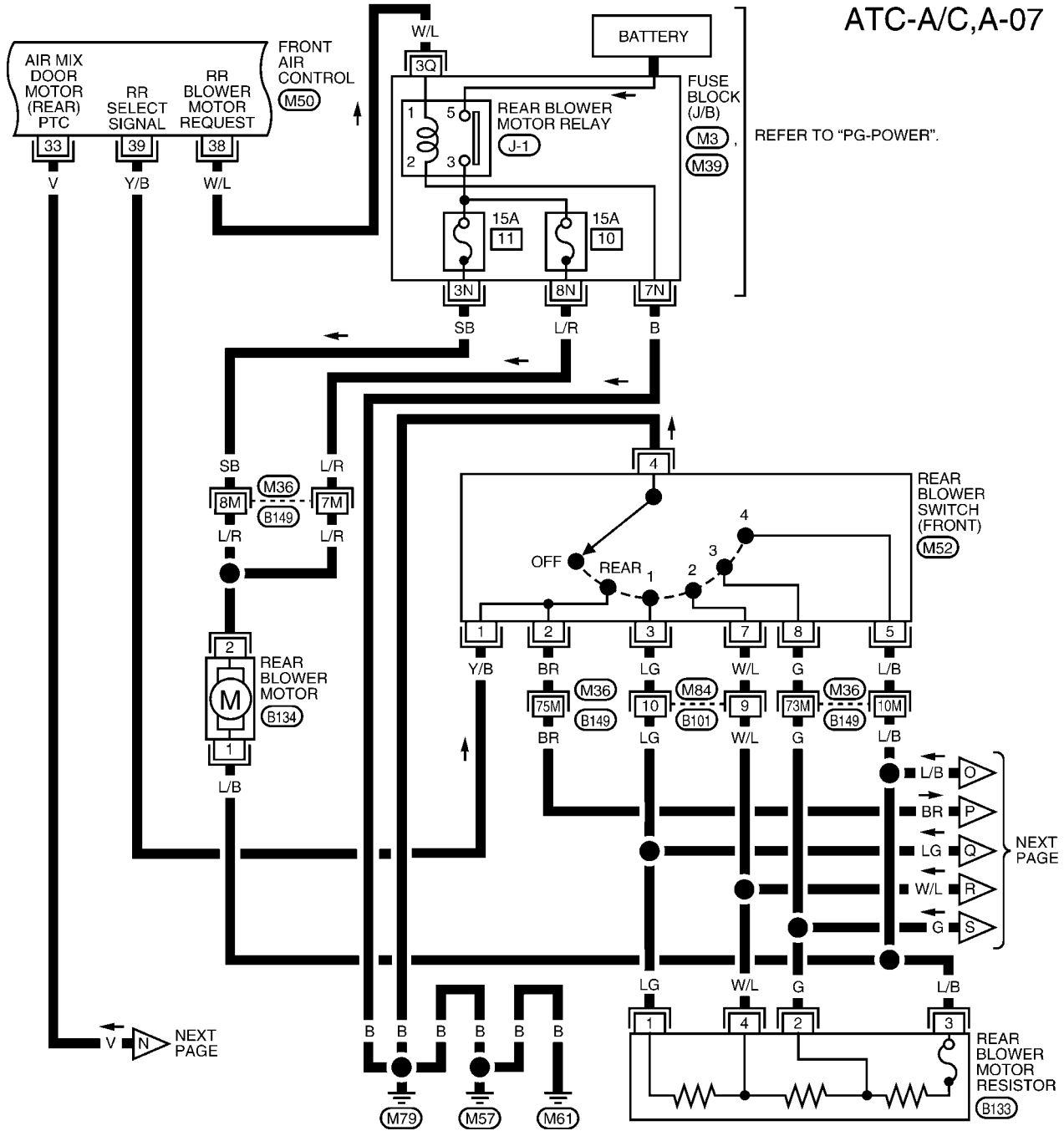
REFER TO THE FOLLOWING.  
**(M31)** - SUPER MULTIPLE  
 JUNCTION (SMJ)

WJWA0230E



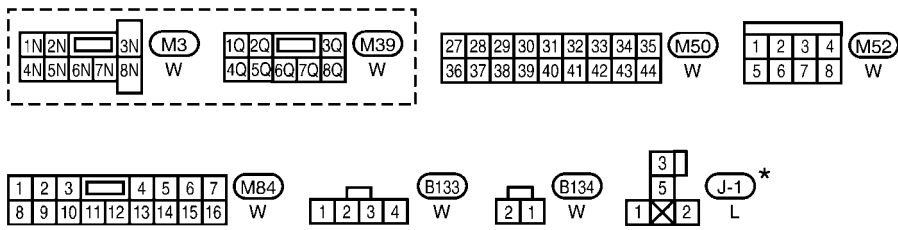
# TROUBLE DIAGNOSIS

ATC-A/C,A-07



A  
B  
C  
D  
E  
F  
G  
H  
I  
K  
L  
M

ATC



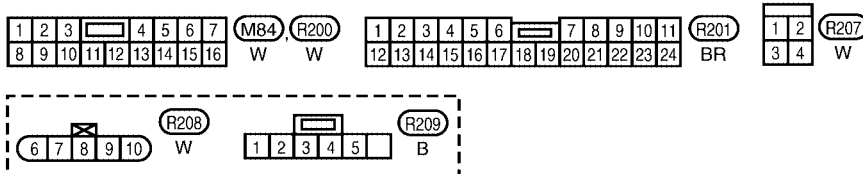
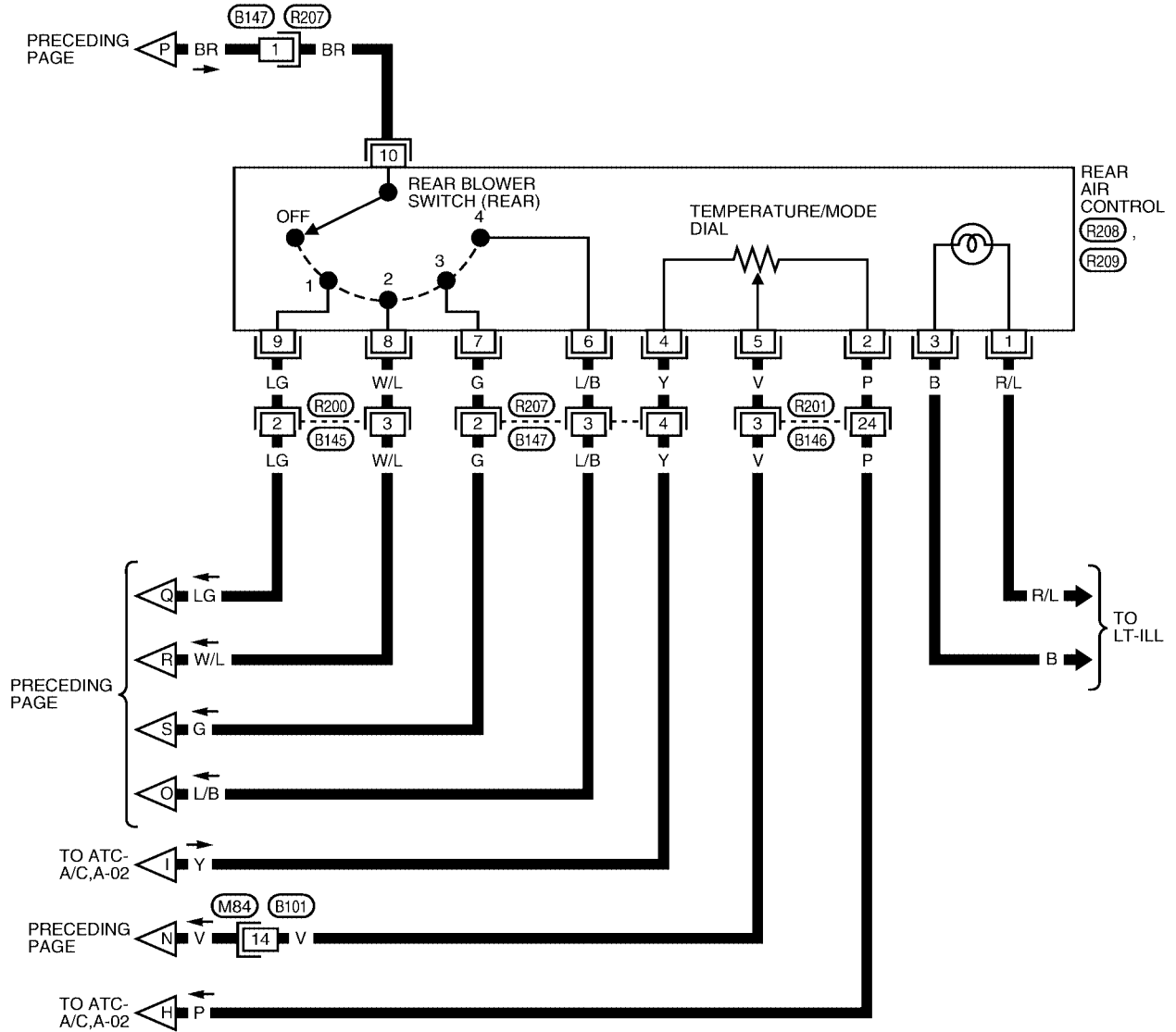
REFER TO THE FOLLOWING.  
**M36** - SUPER MULTIPLE JUNCTION (SMJ)

\*: THIS CONNECTOR IS NOT SHOWN IN "HARNESS LAYOUT" OF PG SECTION.

WJWA0412E

# TROUBLE DIAGNOSIS

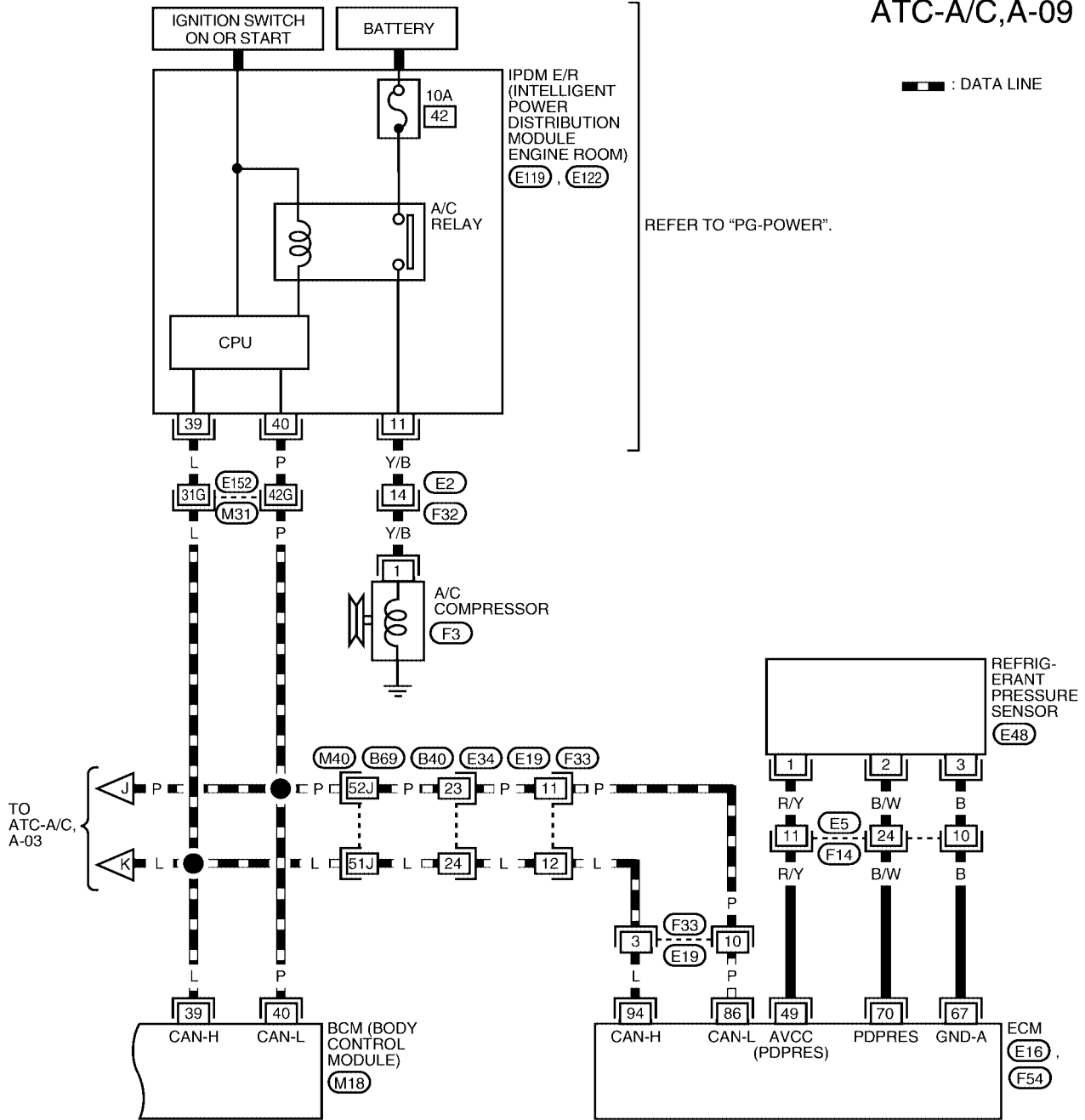
ATC-A/C,A-08



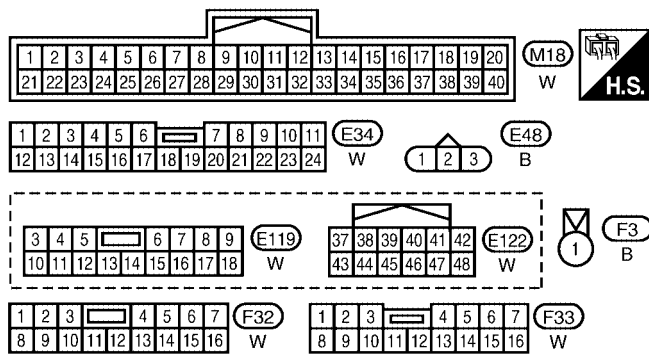
WJWA0232E

# TROUBLE DIAGNOSIS

## ATC-A/C,A-09



A  
B  
C  
D  
E  
F  
G  
H  
I  
ATC  
K  
L  
M

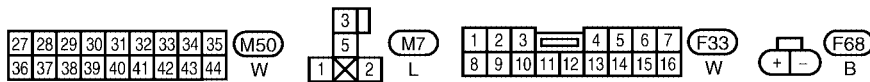
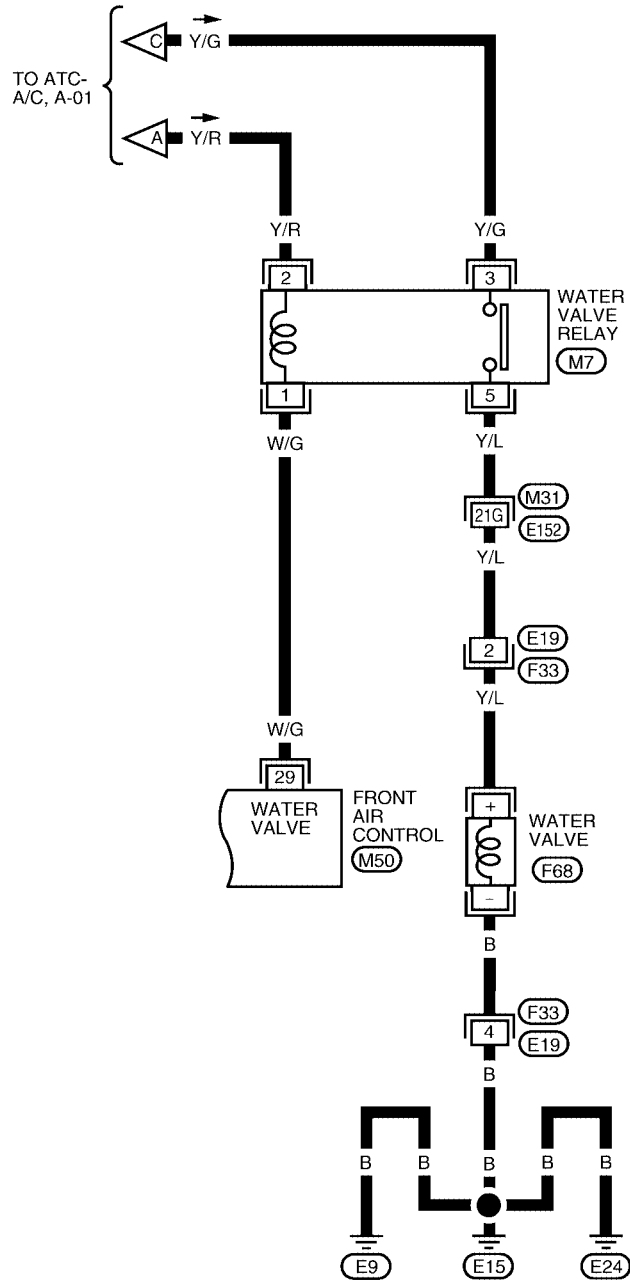


REFER TO THE FOLLOWING.  
**E16** , **F54** - ELECTRICAL UNITS  
**M31** , **M40** - SUPER MULTIPLE JUNCTION (SMJ)

WJWA0233E

# TROUBLE DIAGNOSIS

ATC-A/C,A-10



REFER TO THE FOLLOWING.  
 (M31) - SUPER MULTIPLE JUNCTION (SMJ)

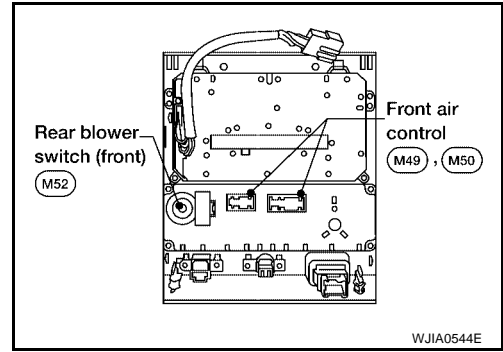
WJWA0234E

# TROUBLE DIAGNOSIS

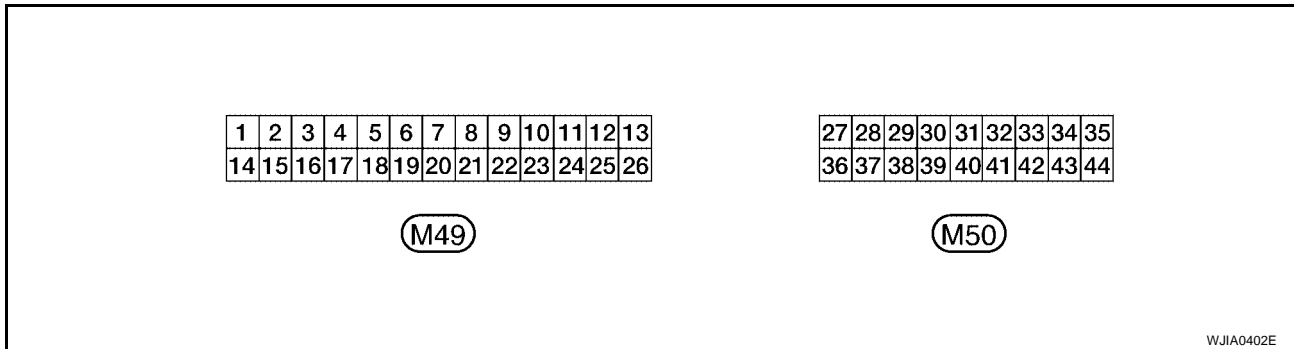
EJS005Z5

## Front Air Control Terminals and Reference Value

Measure voltage between each terminal and ground by following Terminals and Reference Value for front air control.



### PIN CONNECTOR TERMINAL LAYOUT



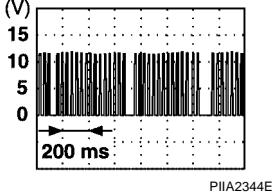
### TERMINALS AND REFERENCE VALUE FOR FRONT AIR CONTROL

| Terminal No. | Wire color | Item                                 | Ignition switch | Condition                 | Voltage (V) (Approx.) |
|--------------|------------|--------------------------------------|-----------------|---------------------------|-----------------------|
| 1            | B          | Ground                               | -               | -                         | 0V                    |
| 2            | Y          | Sensor power                         | ON              | -                         | 5V                    |
| 3            | W/G        | Air mix door motor (Driver) CW       | ON              | Clockwise rotation        | Battery voltage       |
| 4            | G          | Air mix door motor (Driver) CCW      | ON              | Counterclockwise rotation | Battery voltage       |
| 5            | BR/W       | Mode door motor CW                   | ON              | Clockwise rotation        | Battery voltage       |
| 6            | P/L        | Mode door motor CCW                  | ON              | Counterclockwise rotation | Battery voltage       |
| 7            | O          | Intake door motor CCW                | ON              | Counterclockwise rotation | Battery voltage       |
| 8            | G/B        | Intake door motor CW                 | ON              | Clockwise rotation        | Battery voltage       |
| 9            | L/B        | Intake sensor                        | ON              | -                         | 0 - 5V                |
| 10           | L/R        | Fan ON signal                        | ON              | Blower switch OFF         | 5V                    |
|              |            |                                      | ON              | Blower switch ON          | 0V                    |
| 11           | Y/B        | Rear defroster request               | ON              | -                         | Battery voltage       |
| 12           | W/R        | Compressor ON signal                 | ON              | A/C switch OFF            | 5V                    |
|              |            |                                      | ON              | A/C switch ON             | 0V                    |
| 13           | G/R        | Variable blower control              | ON              | -                         | 0 - 5V                |
| 14           | Y/G        | Power supply for IGN                 | ON              | -                         | Battery voltage       |
| 15           | P          | Sensor ground                        | ON              | -                         | 0V                    |
| 16           | GR         | Mode door motor feedback             | ON              | -                         | 0 - 5V                |
| 17           | P          | Ambient sensor                       | ON              | -                         | 0 - 5V                |
| 18           | SB         | Air mix door motor (Driver) feedback | ON              | -                         | 0 - 5V                |
| 19           | LG         | Defroster door motor CW              | ON              | Clockwise rotation        | Battery voltage       |
| 20           | P/B        | Defroster door motor CCW             | ON              | Counterclockwise rotation | Battery voltage       |
| 21           | V/R        | Sensor return                        | ON              | -                         | 0 - 5V                |

A  
B  
C  
D  
E  
F  
G  
H  
I  
K  
L  
M

ATC

# TROUBLE DIAGNOSIS

| Terminal No. | Wire color | Item                                    | Ignition switch | Condition                  | Voltage (V) (Approx.)   |
|--------------|------------|---|-----------------|----------------------------|---|
| 22           | Y/R        | Power supply for BAT                    | -               | -                          | Battery voltage   |
| 23           | R/L        | Illumination +                          | ON              | Park lamps ON              | Battery voltage   |
| 24           | BR         | Illumination -                          | -               | Park lamps ON              |  |
| 25           | LG/B       | Defroster door motor feedback           | ON              | -                          | 0 - 5V  |
| 26           | R/B        | Front blower request                    | ON              | Front blower motor OFF     | Battery voltage   |
|              |            |   |                 | Front blower motor ON      | 0V  |
| 27           | GR/R       | Air mix door motor (Rear) CW            | ON              | Clockwise rotation         | Battery voltage   |
| 28           | L/Y        | Air mix door motor (Rear) CCW           | ON              | Counterclockwise rotation  | Battery voltage   |
| 29           | W/G        | Water valve                             | ON              | Water valve open           | 0V  |
|              |            |   |                 | Water valve closed         | 5V  |
| 31           | W/V        | Optical sensor (Passenger)              | ON              | -                          | 0 - 5V  |
| 32           | LG/R       | In-vehicle sensor signal                | ON              | -                          | 0 - 5V  |
| 33           | V          | Air mix door (Rear) set point           | ON              | -                          | 0 - 5V  |
| 34           | L          | CAN-H                                   | ON              | -                          | 0 - 5V  |
| 35           | P          | CAN-L                                   | ON              | -                          | 0 - 5V  |
| 36           | G/W        | Air mix door motor (Passenger) CW       | ON              | Clockwise rotation         | Battery voltage   |
| 37           | L          | Air mix door motor (Passenger) CCW      | ON              | Counter clockwise rotation | Battery voltage   |
| 38           | W/L        | Rear blower request                     | ON              | Front blower motor OFF     | Battery voltage   |
|              |            |   |                 | Front blower motor ON      | 0V  |
| 39           | Y/B        | Rear select signal                      | ON              | -                          | 0V - Battery voltage  |
| 40           | G/O        | Optical sensor (Driver)                 | ON              | -                          | 0 - 5V  |
| 41           | R/W        | Air mix door motor (Passenger) feedback | ON              | -                          | 0 - 5V  |
| 42           | R/Y        | Air mix door motor (Rear) feedback      | ON              | -                          | 0 - 5V  |
| 43           | BR/Y       | In-vehicle sensor motor (+)             | ON              | -                          | Battery voltage   |
| 44           | O/B        | In-vehicle sensor motor (-)             | ON              | -                          | 0V  |

# TROUBLE DIAGNOSIS

EJS005Z6

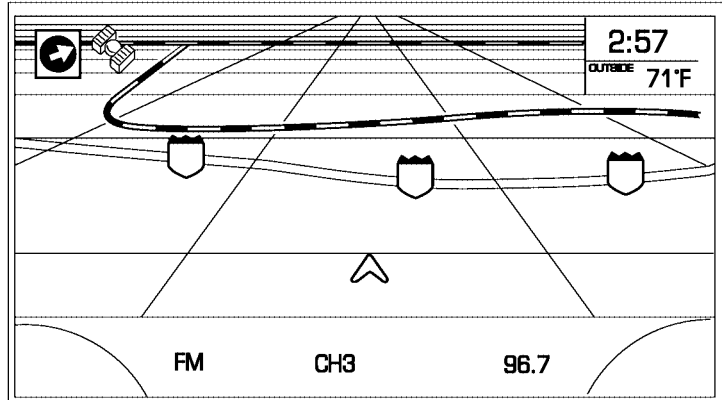
## A/C System Self-diagnosis Function DESCRIPTION

The self-diagnostic system diagnoses sensors, door motors, blower motor, etc. Refer to applicable sections (items) for details. Fault codes (if any are present) will be displayed in the ambient temperature display area. Refer to [ATC-56. "SELF-DIAGNOSIS CODE CHART"](#) .

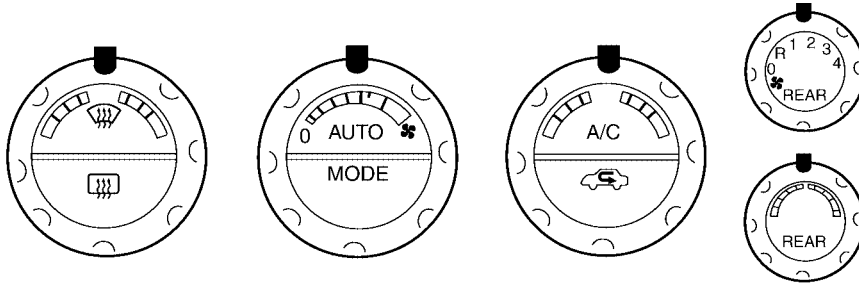
Ignition must be on run self test.  
Self test must be run at an ambient of at least 10 degrees C.

### Self Test Via Center Switch w/navi Unit (color display)

1. On the audio/navi switches, hold the "Pause/Mute" button and twist the audio "Power/Volume" knob until the Self Diagnostic screen shows on the display.
2. Scroll down and select "Confirmation/Adjustment" with the joystick.
3. Scroll over and select the "Auto Climate Control" with the joystick to start the self-test.
4. The fan bars will flash on the display during the self-test, and then the fault codes will display in the ambient temperature area. They will continue scrolling until diagnostic mode is exited.
5. Exit by pressing the "Previous" button on audio/navi switches until display returns to its normal operation screen. HVAC system will be off.



Display screen



WJIA1348E

A  
B  
C  
D  
E  
F  
G  
H  
I  
K  
L  
M

ATC

# TROUBLE DIAGNOSIS

## SELF-DIAGNOSIS CODE CHART

| Code No. | Reference page  |
|----------|---|
| 02       | EE changed by calibration<br><a href="#">ATC-146. "FRONT AIR CONTROL"</a>   |
| 03       | Battery voltage out of range<br><a href="#">SC-4. "BATTERY"</a>   |
| 12       | Air mix door motor (Passenger) circuit failure<br><a href="#">ATC-76. "DIAGNOSTIC PROCEDURE FOR AIR MIX DOOR MOTOR (PASSENGER)"</a> |
| 20       | BCM not responding to A/C request<br><a href="#">ATC-116. "DIAGNOSTIC PROCEDURE FOR MAGNET CLUTCH"</a>                              |
| 21       | BCM not responding to rear defroster request<br><a href="#">GW-72. "REAR WINDOW DEFOGGER"</a>                                       |
| 22       | Air mix door motor (Driver) circuit failure<br><a href="#">ATC-72. "DIAGNOSTIC PROCEDURE FOR AIR MIX DOOR MOTOR (DRIVER)"</a>       |
| 30       | In-vehicle sensor circuit out of range (low)  |
| 31       | In-vehicle sensor circuit out of range (high)<br><a href="#">ATC-144. "Intake Sensor Circuit"</a>                                   |
| 38       | Air mix door motor (rear) circuit failure<br><a href="#">ATC-79. "DIAGNOSTIC PROCEDURE FOR AIR MIX DOOR MOTOR (REAR)"</a>           |
| 40       | Ambient sensor circuit short  |
| 41       | Ambient sensor circuit open<br><a href="#">ATC-136. "Ambient Sensor Circuit"</a>  |
| 44       | In-vehicle sensor motor circuit open  |
| 46       | In-vehicle sensor motor circuit short<br><a href="#">ATC-144. "Intake Sensor Circuit"</a>   |
| 50       | Optical sensor (Driver) circuit open or short   |
| 52       | Optical sensor (Passenger) circuit open or short<br><a href="#">ATC-142. "Optical Sensor Circuit"</a>                               |
| 56       | Intake sensor circuit short   |
| 57       | Intake sensor circuit open<br><a href="#">ATC-144. "Intake Sensor Circuit"</a>  |
| 62       | Defroster door motor circuit failure<br><a href="#">ATC-87. "Defroster Door Motor Circuit"</a>                                      |
| 80       | CAN bus fault<br><a href="#">LAN-5. "CAN COMMUNICATION"</a>   |
| 82       | Intake door motor (driver) circuit malfunction<br><a href="#">ATC-85. "DIAGNOSTIC PROCEDURE FOR INTAKE DOOR MOTOR"</a>              |
| 90       | Stuck button<br><a href="#">ATC-146. "FRONT AIR CONTROL"</a>  |
| 92       | Mode door motor circuit failure<br><a href="#">ATC-64. "Mode Door Motor Circuit"</a>  |



# TROUBLE DIAGNOSIS

EJS005Z7

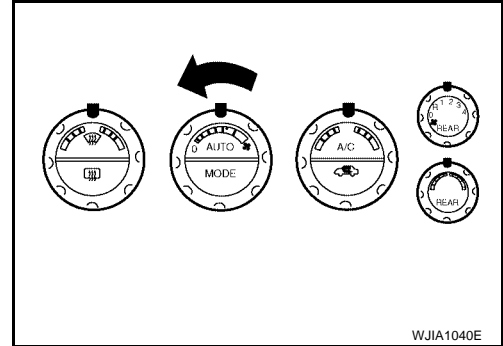
## Operational Check (Front)

The purpose of the operational check is to confirm that the system operates properly.

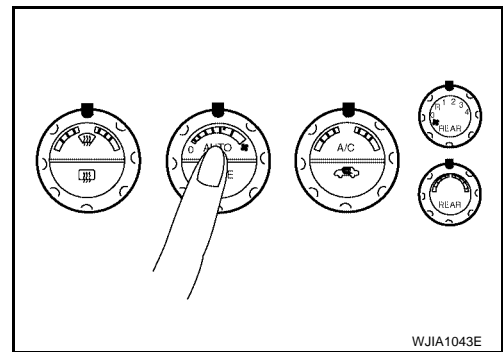
**Conditions** : Engine running and at normal operating temperature

### CHECKING MEMORY FUNCTION

1. Set the temperature to 90°F or 32°C.
2. Turn front blower control dial counterclockwise until system shuts OFF.
3. Turn ignition switch OFF.
4. Turn ignition switch ON.



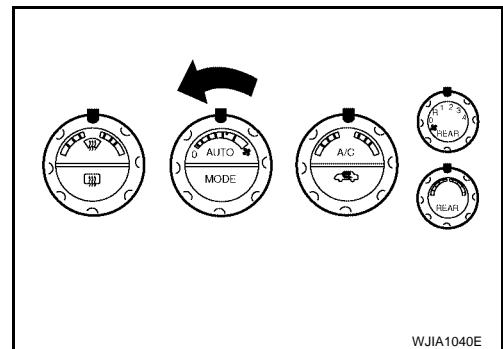
5. Press the AUTO switch.
6. Confirm that the set temperature remains at previous temperature.



7. Turn front blower control counterclockwise until system shuts OFF.

If NG, go to trouble diagnosis procedure for [ATC-132, "Memory Function"](#).

If OK, continue with next check.

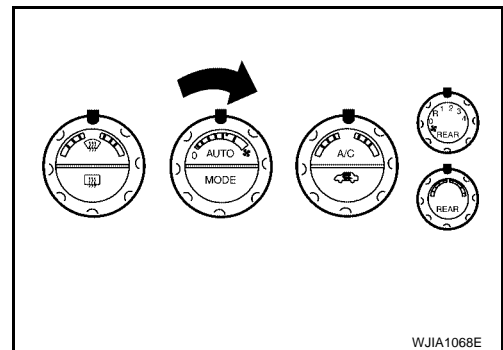


### CHECKING BLOWER

1. Press the AUTO switch. Blower should operate on low speed. The blower symbol should have one blade lit (on display).
2. Turn the front blower control dial again, and continue checking blower speed and blower symbol until all speeds are checked.
3. Leave blower on MAX speed.

If NG, go to trouble diagnosis procedure for [ATC-95, "DIAGNOSTIC PROCEDURE FOR BLOWER MOTOR"](#).

If OK, continue with next check.

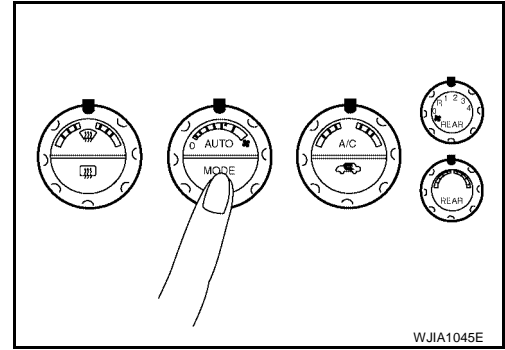


A  
B  
C  
D  
E  
F  
G  
H  
I  
ATC  
K  
L  
M

# TROUBLE DIAGNOSIS

## CHECKING DISCHARGE AIR

1. Press MODE switch four times and the DEF switch.
2. Each position indicator should change shape (on display).



3. Confirm that discharge air comes out according to the air distribution table. Refer to [ATC-29, "Discharge Air Flow"](#).

Mode door position is checked in the next step.

If NG, go to trouble diagnosis procedure for [ATC-64, "Mode Door Motor Circuit"](#).

If OK, continue the check.

### NOTE:

Confirm that the compressor clutch is engaged (sound or visual inspection) and intake door position is at fresh when the DEF or D/F is selected.

| Mode door position | Air outlet/distribution |           |           |
|--------------------|-------------------------|-----------|-----------|
|                    | Vent                    | Foot      | Defroster |
|                    | 100%                    | —         | —         |
|                    | 50%                     | 50%       | —         |
|                    | —                       | 75%(100%) | 25% (—)   |
|                    | —                       | 60%       | 40%       |
|                    | —                       | —         | 100%      |

( ): Manually control

## CHECKING RECIRCULATION

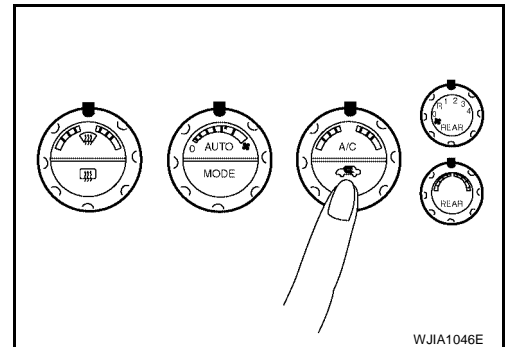
1. Press recirculation () switch one time. Recirculation indicator should illuminate.
2. Press recirculation () switch one more time. Recirculation indicator should go off.
3. Listen for intake door position change (blower sound should change slightly).

If NG, go to trouble diagnosis procedure for [ATC-83, "Intake Door Motor Circuit"](#).

If OK, continue the check.

### NOTE:

Confirm that the compressor clutch is engaged (sound or visual inspection) and intake door position is at fresh when the DEF or D/F is selected.

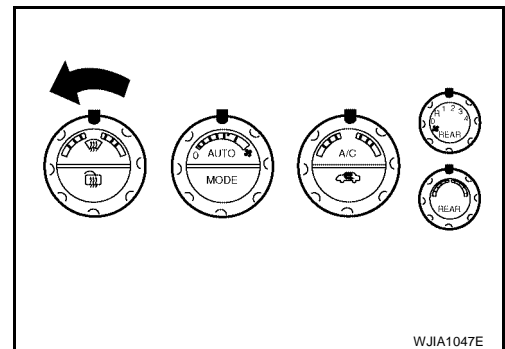


## CHECKING TEMPERATURE DECREASE

1. Rotate temperature control dial (driver side or passenger side) counterclockwise until 16°C (60°F) is displayed.
2. Check for cold air at appropriate discharge air outlets.

If NG, listen for sound of air mix door motor operation. If OK, go to trouble diagnosis procedure for [ATC-121, "Insufficient Cooling"](#). If air mix door motor appears to be malfunctioning, go to [ATC-72, "DIAGNOSTIC PROCEDURE FOR AIR MIX DOOR MOTOR \(DRIVER\)"](#) or [ATC-76, "DIAGNOSTIC PROCEDURE FOR AIR MIX DOOR MOTOR \(PASSENGER\)"](#).

If OK, continue the check.



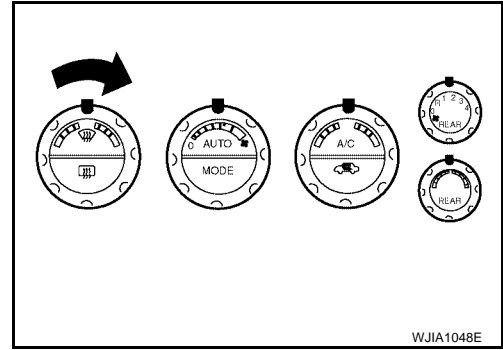
# TROUBLE DIAGNOSIS

## CHECKING TEMPERATURE INCREASE

1. Rotate temperature control dial clockwise (driver side or passenger side) until 32°C (90°F) is displayed.
2. Check for hot air at appropriate discharge air outlets.

If NG, listen for sound of air mix door motor operation. If OK, go to trouble diagnosis procedure for [ATC-128, "Insufficient Heating"](#) . If air mix door motor appears to be malfunctioning, go to [ATC-72, "DIAGNOSTIC PROCEDURE FOR AIR MIX DOOR MOTOR \(DRIVER\)"](#) or [ATC-76, "DIAGNOSTIC PROCEDURE FOR AIR MIX DOOR MOTOR \(PASSENGER\)"](#) .

If OK, continue with next check.

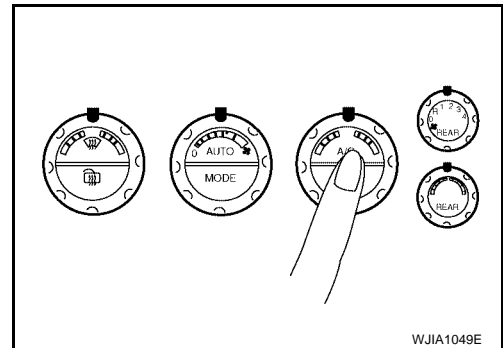


## CHECK A/C SWITCH

1. Press A/C switch when AUTO switch is ON, or in manual mode.
2. A/C switch indicator will turn ON.
  - Confirm that the compressor clutch engages (sound or visual inspection).

If NG, go to trouble diagnosis procedure for [ATC-115](#) .

If OK, continue with next check.

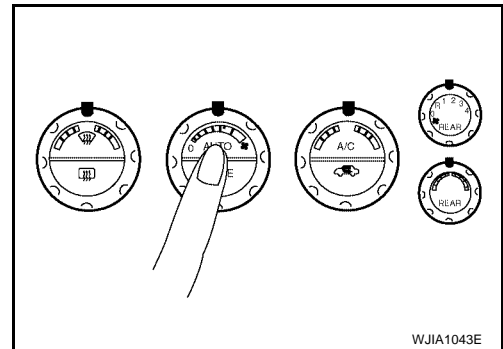


## CHECKING AUTO MODE

1. Press AUTO switch.
2. Display should indicate AUTO.
  - If ambient temperature is warm, and selected temperature is cool, confirm that the compressor clutch engages (sound or visual inspection). (Discharge air and blower speed will depend on ambient, in-vehicle, and set temperatures.)

If NG, go to trouble diagnosis procedure for [ATC-61, "Power Supply and Ground Circuit for Front Air Control"](#) , then if necessary, trouble diagnosis procedure for [ATC-115, "Magnet Clutch Circuit"](#) .

If all operational checks are OK (symptom cannot be duplicated), go to malfunction Simulation Tests in [ATC-38, "How to Perform Trouble Diagnosis for Quick and Accurate Repair"](#) and perform tests as outlined to simulate driving conditions environment. If symptom appears. Refer to [ATC-38, "How to Perform Trouble Diagnosis for Quick and Accurate Repair"](#) , [ATC-38, "SYMPTOM TABLE"](#) and perform applicable trouble diagnosis procedures.



A  
B  
C  
D  
E  
F  
G  
H  
I  
ATC  
K  
L  
M

# TROUBLE DIAGNOSIS

EJS005Z8

## Operational Check (Rear)

The purpose of the operational check is to confirm that the system operates properly.

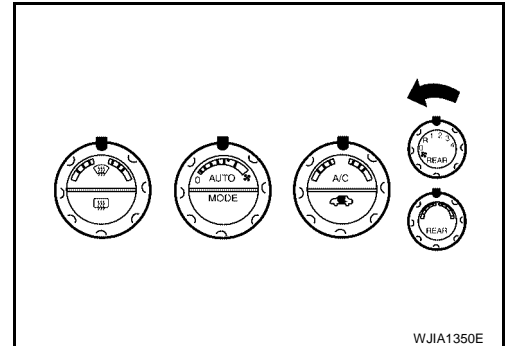
**Conditions** : Engine running and at normal operating temperature

### CHECKING BLOWER

1. Turn the rear blower control dial to switch position "1". Blower should operate on low speed.
2. Turn the rear blower control dial counterclockwise to switch position "2", "3", and "4" until all speeds are checked.
3. Leave blower on MAX speed.

If NG, go to trouble diagnosis procedure for [ATC-101, "Rear Blower Motor Circuit"](#) .

If OK, continue the check.

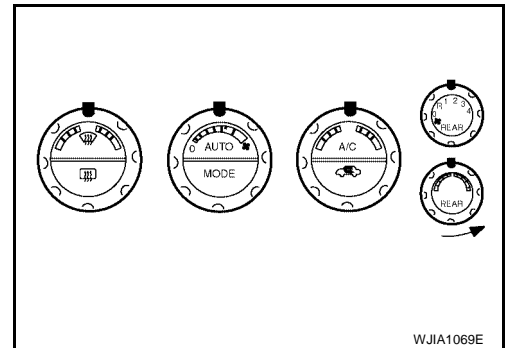


### CHECKING TEMPERATURE DECREASE

1. Rotate temperature and mode dial fully counterclockwise.
2. Check for cold air at appropriate discharge air outlets.

If NG, listen for sound of air mix door motor operation if OK, go to trouble diagnosis procedure for [ATC-121, "Insufficient Cooling"](#) . If air mix door motor appears to be malfunctioning, go to [ATC-79, "DIAGNOSTIC PROCEDURE FOR AIR MIX DOOR MOTOR \(REAR\)"](#) .

If OK, continue the check.

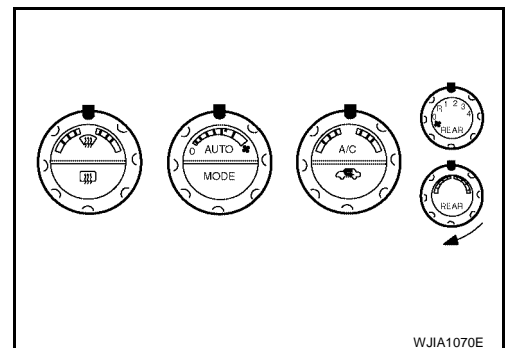


### CHECKING TEMPERATURE INCREASE

1. Rotate temperature and mode dial clockwise.
2. Check for hot air at appropriate discharge air outlets.

If NG, listen for sound of air mix door motor operation. If OK, go to trouble diagnosis procedure for [ATC-128, "Insufficient Heating"](#) . If air mix door motor appears to be malfunctioning, go to [ATC-79, "DIAGNOSTIC PROCEDURE FOR AIR MIX DOOR MOTOR \(REAR\)"](#) .

If OK, continue the check.



# TROUBLE DIAGNOSIS

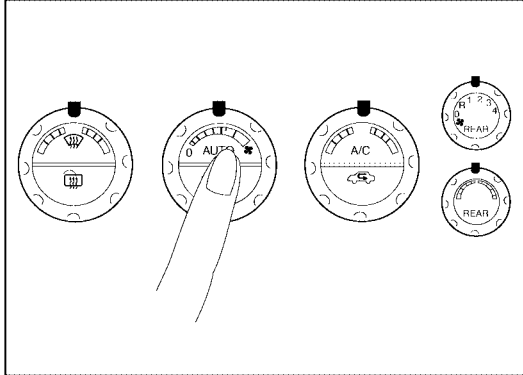
EJS005Z9

## Power Supply and Ground Circuit for Front Air Control

SYMPTOM: A/C system does not come on.

### INSPECTION FLOW

1. Confirm symptom by performing the following operational check.



#### OPERATIONAL CHECK – AUTO mode

- Press AUTO switch.
- Display should indicate AUTO.  
Confirm that the compressor clutch engages (Sound or visual inspection).  
(Discharge air and blower speed will depend on ambient, in-vehicle and set temperatures.)

If OK (symptom cannot be duplicated), perform complete operational check (\*2).  
If NG (symptom is confirmed), continue with STEP-2 following.

2. Check for any service bulletins.

3. Check Main Power Supply and Ground Circuit. (\*1)

4. Replace front air control.

\*1 [ATC-61. "Power Supply and Ground Circuit for Front Air Control"](#)

\*2 [ATC-57. "Operational Check \(Front\)"](#) or [ATC-60. "Operational Check \(Rear\)"](#)

WJIA1439E

ATC

# TROUBLE DIAGNOSIS

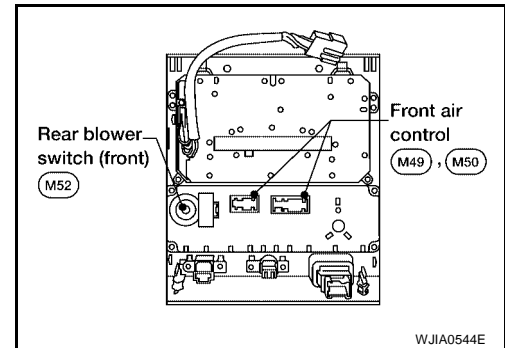
## COMPONENT DESCRIPTION

### Front Air Control

The front air control has a built-in microcomputer which processes information sent from various sensors needed for air conditioner operation. The air mix door motors, mode door motor, intake door motor, defroster door motor, blower motor and compressor are then controlled.

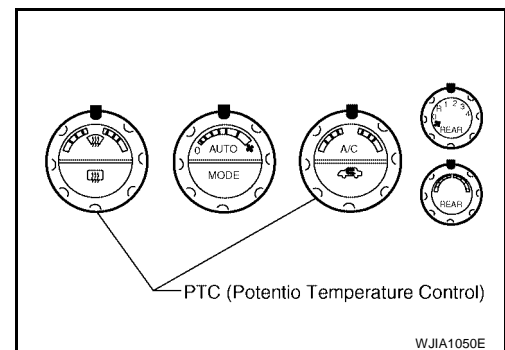
The front air control is unitized with control mechanisms. When the various switches and temperature dials are operated, data is input to the front air control.

Self-diagnostic functions are also built into the front air control to provide quick check of malfunctions in the auto air conditioner system.



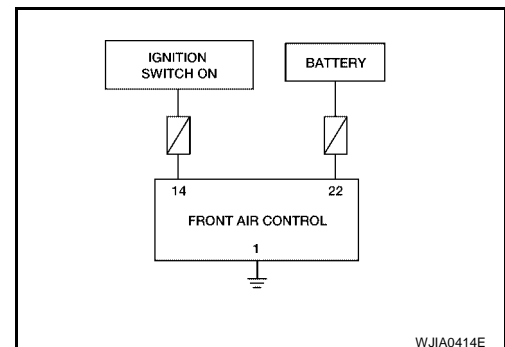
### Potential Temperature Control (PTC)

There are two PTCs (passenger and driver) built into the front air control. They can be set at an interval of 0.5°C (1.0°F) in the 16°C (60°F) to 32°C (90°F) temperature range by rotating the temperature dial. The set temperature is displayed.



## DIAGNOSTIC PROCEDURE FOR A/C SYSTEM

SYMPTOM: A/C system does not come on.

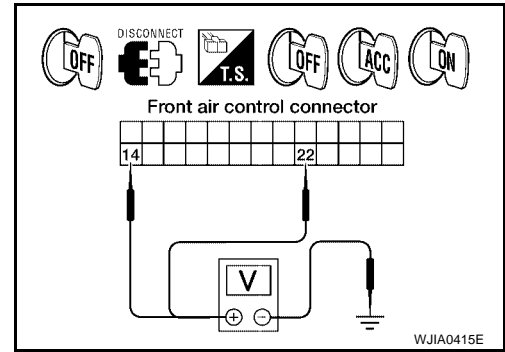


# TROUBLE DIAGNOSIS

## 1. CHECK POWER SUPPLY CIRCUITS FOR FRONT AIR CONTROL

1. Disconnect front air control connector.
2. Check voltage between front air control harness connector M49 terminals 14 (Y/G) and 22 (Y/R), and ground.

| Terminals                   |                           | Ignition switch position |                 |                 |                 |
|-----------------------------|---------------------------|--------------------------|-----------------|-----------------|-----------------|
| (+)                         |                           | (-)                      | OFF             | ACC             | ON              |
| Front air control connector | Terminal No. (Wire color) |                          |                 |                 |                 |
| M49                         | 14 (Y/G)                  | Ground                   | Approx. 0V      | Approx. 0V      | Battery voltage |
| M49                         | 22 (Y/R)                  |                          | Battery voltage | Battery voltage | Battery voltage |



### OK or NG

OK >> GO TO 2.

NG >> Check 10A fuses [Nos. 8 and 19, located in the fuse block (J/B)]. Refer to [PG-75, "FUSE BLOCK-JUNCTION BOX\(J/B\)"](#) .

- If fuses are OK, check harness for open circuit. Repair or replace as necessary.
- If fuses are NG, replace fuse and check harness for short circuit. Repair or replace as necessary.

## 2. CHECK GROUND CIRCUIT FOR FRONT AIR CONTROL

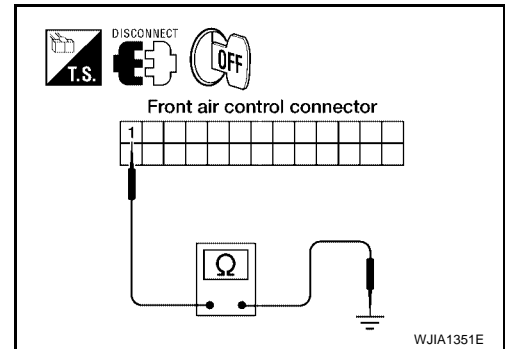
1. Turn ignition switch OFF.
2. Check continuity between front air control harness connector M49 terminal 1 (B) and ground.

**1 - Ground : Continuity should exist.**

### OK or NG

OK >> Replace front air control. Refer to [ATC-146, "FRONT AIR CONTROL"](#) .

NG >> Repair harness or connector.



# TROUBLE DIAGNOSIS

EJS005ZA

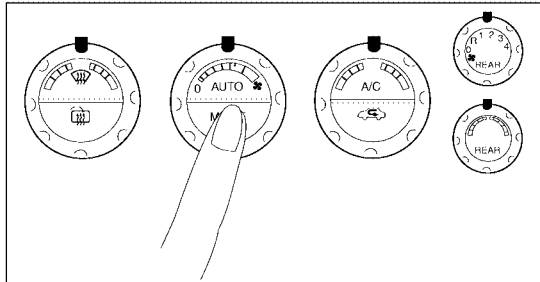
## Mode Door Motor Circuit

### SYMPTOM:

- Air outlet does not change.
- Mode door motor does not operate normally.

### INSPECTION FLOW

1. Confirm symptom by performing the following operational check.



#### OPERATIONAL CHECK – Discharge air

- Press mode switch four times and DEF switch.
- Each position indicator should change shape. (on display)

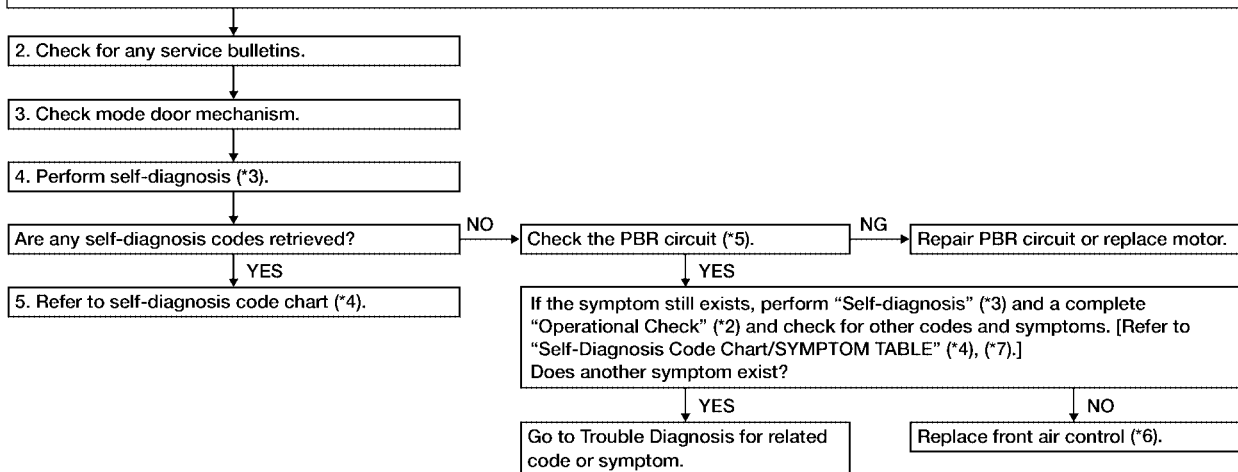
#### Discharge air flow

| Mode door position | Air outlet/distribution |           |           |
|--------------------|-------------------------|-----------|-----------|
|                    | Vent                    | Foot      | Defroster |
|                    | 100%                    | –         | –         |
|                    | 50%                     | 50%       | –         |
|                    | –                       | 75%(100%) | 25% (–)   |
|                    | –                       | 60%       | 40%       |
|                    | –                       | –         | 100%      |

c. Confirm that discharge air comes out according to the air distribution table at left.  
Refer to "Discharge Air Flow" (\*1).

#### NOTE:

- If OK (symptom cannot be duplicated), perform complete operational check (\*2).
- If NG (symptom is confirmed), continue with STEP-2 following.
- Confirm that the compressor clutch is engaged (visual inspection) and intake door position is at FRESH when DEF or D/F is selected.



WJIA1970E

\*1 [ATC-29. "Discharge Air Flow"](#)

\*2 [ATC-57. "Operational Check \(Front\)"](#)

\*3 [ATC-55. "A/C System Self-diagnosis Function"](#)

\*4 [ATC-56. "SELF-DIAGNOSIS CODE CHART"](#)

\*5 [ATC-66. "DIAGNOSTIC PROCEDURE FOR MODE DOOR MOTOR"](#)

\*6 [ATC-146. "FRONT AIR CONTROL"](#)

\*7 [ATC-38. "SYMPTOM TABLE"](#)



# TROUBLE DIAGNOSIS

## SYSTEM DESCRIPTION

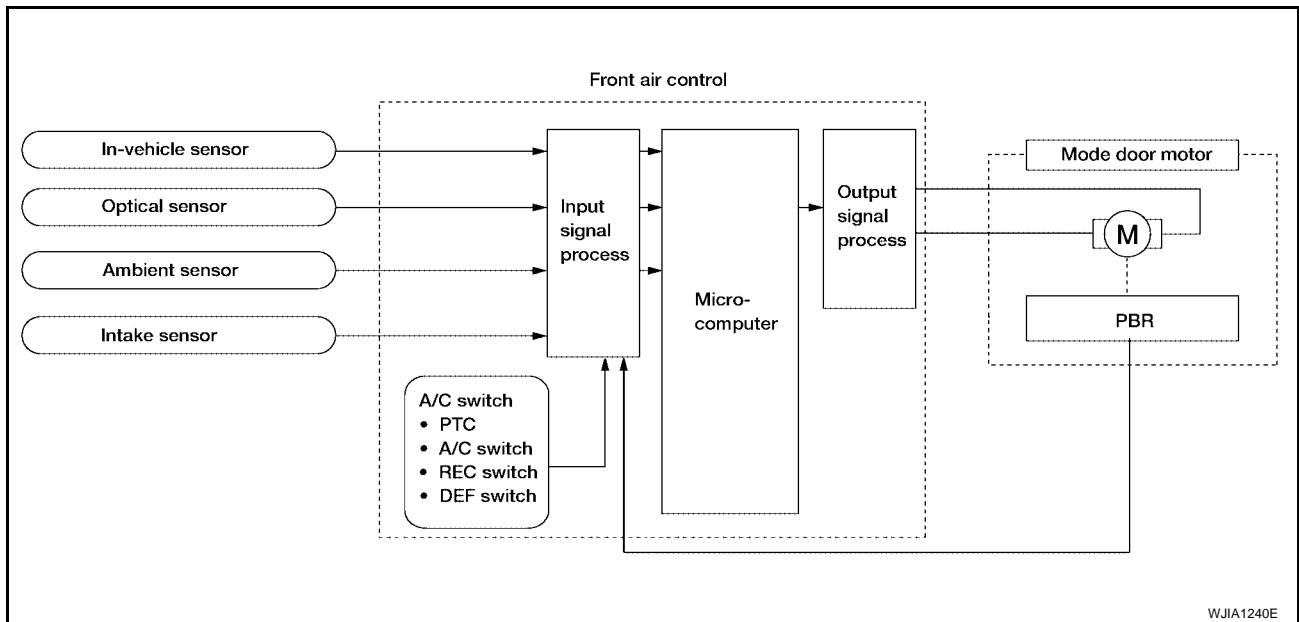
### Component Parts

Mode door control system components are:

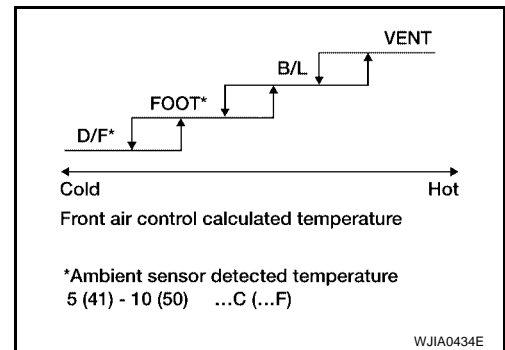
- Front air control
- Mode door motor
- PBR (built into mode door motor)
- In-vehicle sensor
- Ambient sensor
- Optical sensor
- Intake sensor

### System Operation

The mode door position (vent, B/L, foot, and defrost) is set by the front air control by means of the mode door motor. When a mode door position is selected on the front air control, voltage is applied to one circuit of the mode door motor while ground is applied to the other circuit, causing the mode door motor to rotate. The direction of rotation is determined by which circuit has voltage applied to it, and which one has ground applied to it. The front air control monitors the mode door position by measuring the voltage signal on the PBR circuit. In AUTO mode the mode door position is set by the front air control which determines the proper position based on inputs from the in-vehicle sensor, ambient sensor, optical sensor, intake sensor, and the temperature selected by the driver or passenger.



### Mode Door Control Specification

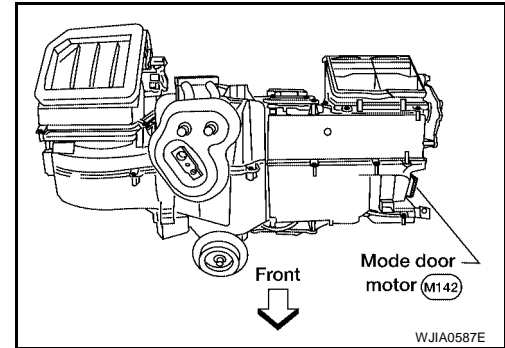


# TROUBLE DIAGNOSIS

## COMPONENT DESCRIPTION

### Mode Door Motor

The mode door motor is attached to the heater & cooling unit. It rotates so that air is discharged from the outlet as indicated by the front air control. Motor rotation is conveyed to a link which activates the mode door.

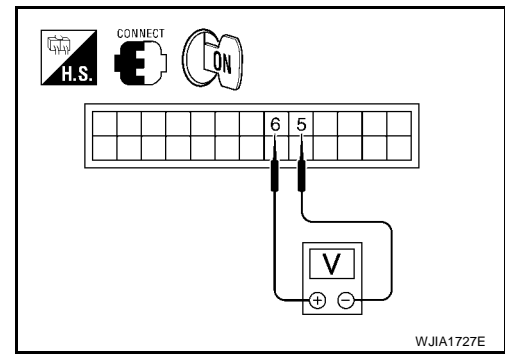


## DIAGNOSTIC PROCEDURE FOR MODE DOOR MOTOR

### 1. CHECK FRONT AIR CONTROL FOR POWER AND GROUND

1. Turn ignition switch ON.
2. Press the mode switch to the B/L (↺) mode.
3. Check voltage between front air control harness connector M49 terminal 5 and terminal 6 while pressing the mode switch to the floor (↕) mode.

| Connector              | Terminals |     | Condition         | Voltage (Approx.) |
|------------------------|-----------|-----|-------------------|-------------------|
|                        | (+)       | (-) |                   |                   |
| Front air control: M49 | 6         | 5   | Press mode switch | Battery voltage   |



#### OK or NG

- OK >> GO TO 3.  
 NG >> GO TO 2.

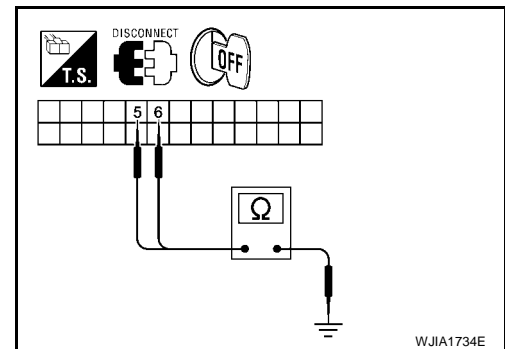
### 2. CHECK MODE DOOR MOTOR CIRCUITS FOR SHORT TO GROUND

1. Turn ignition switch OFF.
2. Disconnect the front air control harness connector.
3. Check continuity between front air control harness connector M49 terminal 5, 6 and ground.

- 5 - Ground : Continuity should not exist.**  
**6 - Ground : Continuity should not exist.**

#### OK or NG

- OK >> Replace front air control. Refer to [ATC-146, "FRONT AIR CONTROL"](#) .  
 NG >> Repair or replace harness as necessary.

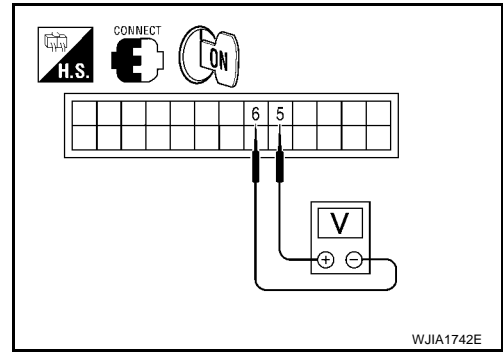


# TROUBLE DIAGNOSIS

## 3. CHECK FRONT AIR CONTROL FOR GROUND AND POWER

1. Press the mode switch to the D/F ( ) mode.
2. Check voltage between front air control harness connector M49 terminal 5 and terminal 6 while pressing the mode switch to the vent ( ) mode.

| Connector              | Terminals |     | Condition         | Voltage (Approx.) |
|------------------------|-----------|-----|-------------------|-------------------|
|                        | (+)       | (-) |                   |                   |
| Front air control: M49 | 5         | 6   | Press mode switch | Battery voltage   |



OK or NG

OK >> GO TO 4.

NG >> Replace front air control. Refer to [ATC-146, "FRONT AIR CONTROL"](#) .

## 4. CHECK MODE DOOR MOTOR AND CIRCUITS FOR OPEN

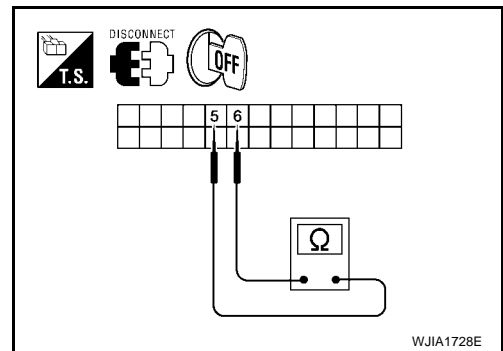
1. Turn ignition switch OFF.
2. Disconnect the front air control harness connector.
3. Check continuity between front air control harness connector M49 terminal 5 and terminal 6.

**Continuity should exist.**

OK or NG

OK >> GO TO 6.

NG >> GO TO 5.



## 5. CHECK MODE DOOR MOTOR CIRCUITS FOR OPEN

1. Disconnect the mode door motor harness connector.
2. Check continuity between front air control harness connector M49 terminal 5, 6 and the mode door motor harness connector M142 terminal 5, 6.

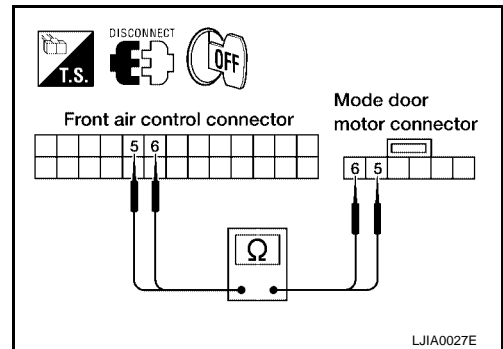
**5 - 5 : Continuity should exist.**

**6 - 6 : Continuity should exist.**

OK or NG

OK >> Replace mode door motor. Refer to [ATC-164, "MODE DOOR MOTOR"](#) .

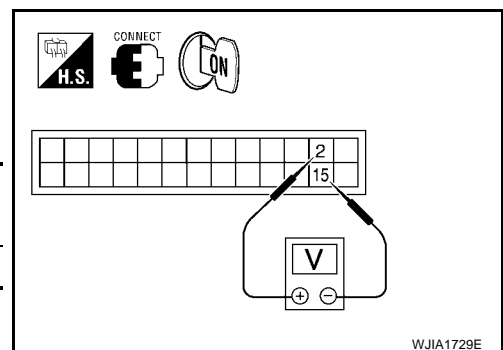
NG >> Repair or replace harness as necessary.



## 6. CHECK FRONT AIR CONTROL FOR PBR POWER AND GROUND

1. Reconnect front air control harness connector.
2. Turn ignition switch ON.
3. Check voltage between front air control harness connector M49 terminal 2 and terminal 15.

| Connector              | Terminals |     | Voltage (Approx.) |
|------------------------|-----------|-----|-------------------|
|                        | (+)       | (-) |                   |
| Front air control: M49 | 2         | 15  | 5V                |



OK or NG

OK >> GO TO 8.

NG >> GO TO 7.

# TROUBLE DIAGNOSIS

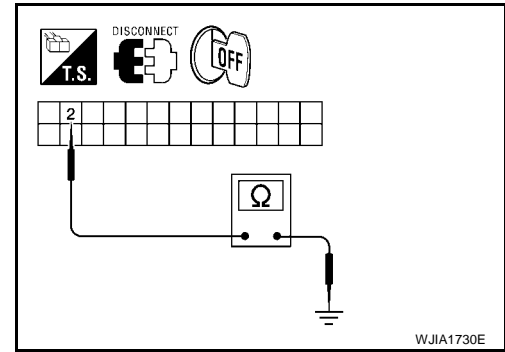
## 7. CHECK PBR REFERENCE VOLTAGE CIRCUIT FOR SHORT TO GROUND

1. Turn ignition switch OFF.
2. Disconnect the front air control harness connector.
3. Check continuity between front air control harness connector M49 terminal 2 and ground.

**Continuity should not exist.**

OK or NG

- OK >> Replace front air control. Refer to [ATC-146, "FRONT AIR CONTROL"](#).
- NG >> Repair or replace harness as necessary.



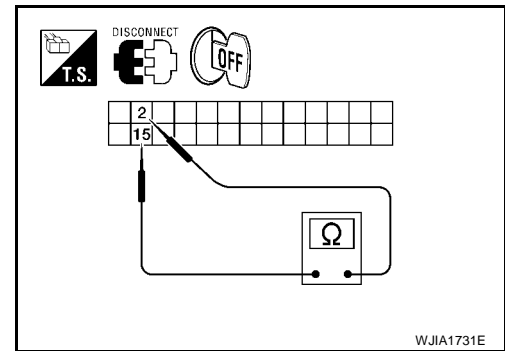
## 8. CHECK PBR REFERENCE VOLTAGE AND GROUND CIRCUITS

1. Turn ignition switch OFF.
2. Disconnect the front air control harness connector.
3. Check continuity between front air control harness connector M49 terminal 2 and terminal 15.

**Continuity should exist.**

OK or NG

- OK >> GO TO 10.
- NG >> GO TO 9



## 9. CHECK PBR REFERENCE VOLTAGE CIRCUIT FOR OPEN

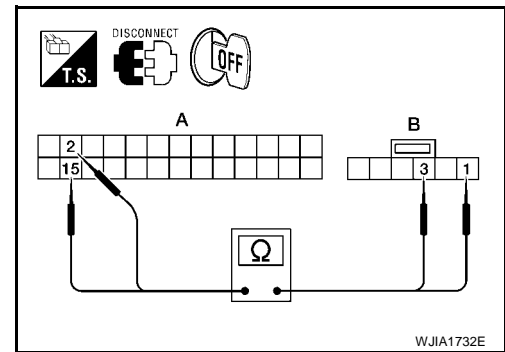
1. Disconnect the mode door motor harness connector.
2. Check continuity between mode door motor harness connector (B) M142 terminal 3, 1 and front air control harness connector (A) M49 terminal 2, 15.

**2 - 3 : Continuity should exist.**

**15 - 1 : Continuity should exist.**

OK or NG

- OK >> Replace mode door motor. Refer to [ATC-164, "MODE DOOR MOTOR"](#).
- NG >> Repair or replace harness as necessary.



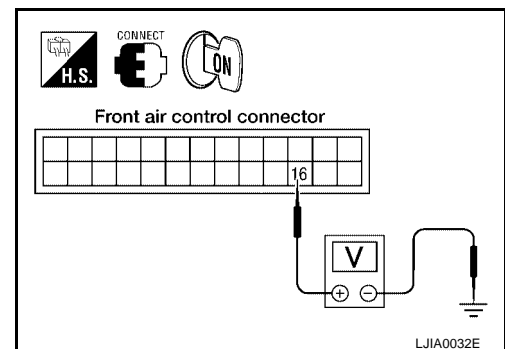
## 10. CHECK PBR FEEDBACK VOLTAGE

1. Reconnect the front air control harness connector.
2. Turn ignition switch ON.
3. Check voltage between front air control harness connector M49 terminal 16 and ground while cycling mode switch through all modes.

**Voltage : Approx. 1V - 4.5V**

OK or NG

- OK >> GO TO 12.
- NG >> GO TO 11.



# TROUBLE DIAGNOSIS

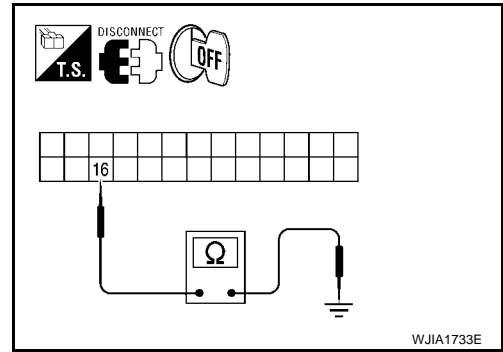
## 11. CHECK PBR FEEDBACK SIGNAL CIRCUIT FOR SHORT TO GROUND

1. Turn ignition switch OFF.
2. Disconnect front air control harness connector.
3. Check continuity between front air control harness connector M49 terminal 16 and ground.

**Continuity should not exist.**

OK or NG

- OK >> Replace front air control. Refer to [ATC-146, "FRONT AIR CONTROL"](#).
- NG >> Repair or replace harness as necessary.



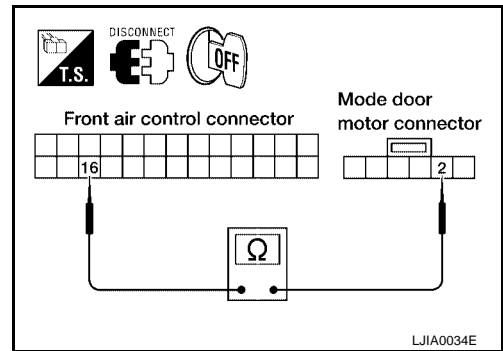
## 12. CHECK PBR FEEDBACK CIRCUIT FOR OPEN

1. Turn ignition switch OFF.
2. Disconnect the mode door motor harness connector and front air control harness connector.
3. Check continuity between mode door motor harness connector M142 terminal 2 and front air control harness connector M49 terminal 16.

**Continuity should exist.**

OK or NG

- OK >> Replace mode door motor. Refer to [ATC-164, "MODE DOOR MOTOR"](#).
- NG >> Repair or replace harness as necessary.



A  
B  
C  
D  
E  
F  
G  
H  
I  
K  
L  
M

ATC

# TROUBLE DIAGNOSIS

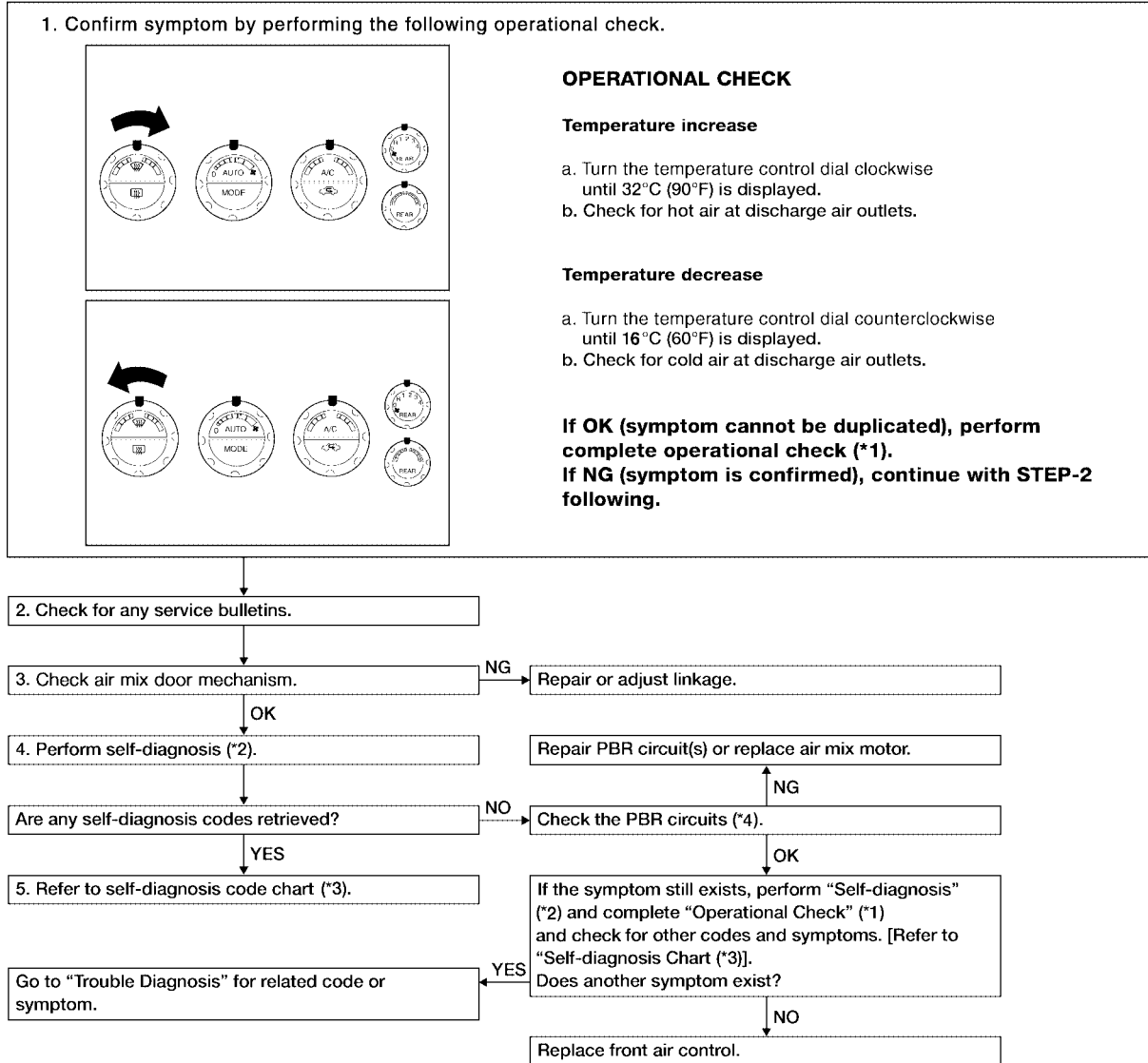
EJS005ZB

## Air Mix Door Motor Circuit

### SYMPTOM:

- Discharge air temperature does not change.
- Air mix door motor does not operate.

### INSPECTION FLOW



\*1 [ATC-57. "Operational Check \(Front\)"](#) or [ATC-60. "Operational Check \(Rear\)"](#)

\*2 [ATC-55. "A/C System Self-diagnosis Function"](#)

\*3 [ATC-55. "A/C System Self-diagnosis Function"](#)

\*4 [ATC-72. "DIAGNOSTIC PROCEDURE FOR AIR MIX DOOR MOTOR \(DRIVER\)"](#)

\*5 [ATC-76. "DIAGNOSTIC PROCEDURE FOR AIR MIX DOOR MOTOR \(PASSENGER\)"](#)

\*6 [ATC-79. "DIAGNOSTIC PROCEDURE FOR AIR MIX DOOR MOTOR \(REAR\)"](#)

WJIA1243E

# TROUBLE DIAGNOSIS

## SYSTEM DESCRIPTION

### Component Parts

Air mix door control system components are:

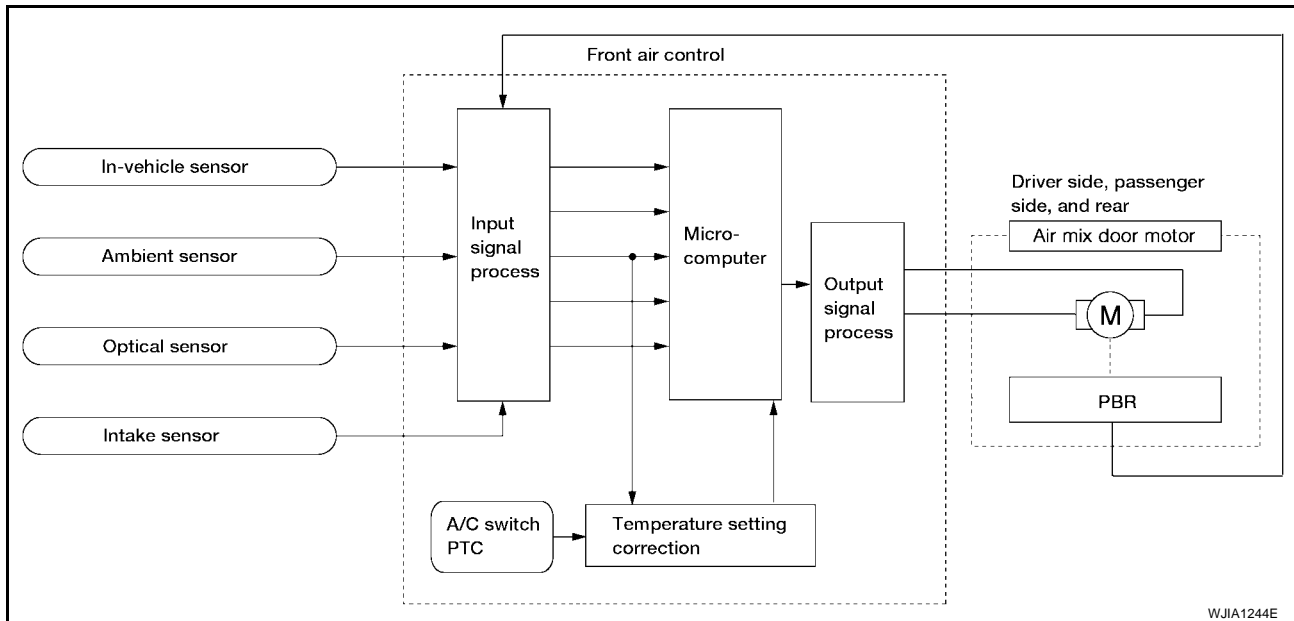
- Front air control.
- Air mix door motors (Driver, Passenger, and rear)
- PBR (built-into air mix door motors)
- In-vehicle sensor
- Ambient sensor
- Optical sensor
- Intake sensor

### System Operation

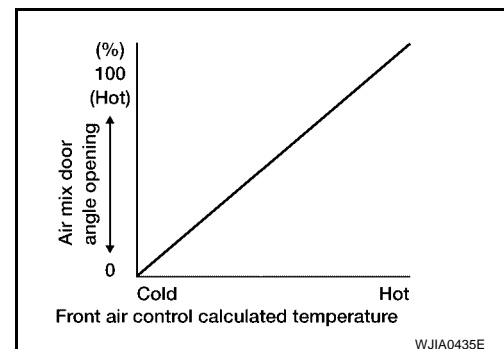
The front air control receives data from the temperature selected by the driver side, passenger side, and rear. The front air control then applies a voltage to one circuit of the appropriate air mix door motor, while ground is applied to the other circuit, causing the appropriate air mix door motor to rotate. The direction of rotation is determined by which circuit has voltage applied to it, and which one has ground applied to it. The front air control monitors the air mix door positions by measuring the voltage signal on the PBR circuits of each door.

In AUTO mode the air mix, intake, mode door, and defrost door positions are set by the front air control which determines the proper position based on inputs from the in-vehicle sensor, ambient sensor, optical sensor, intake sensor, and the temperature selected by the driver and front and rear passengers.

Subsequently, HOT/COLD or DEFROST/VENT or FRESH/RECIRCULATION operation is selected. The new door position data is returned to the front air control.



### Air Mix Door Control Specification

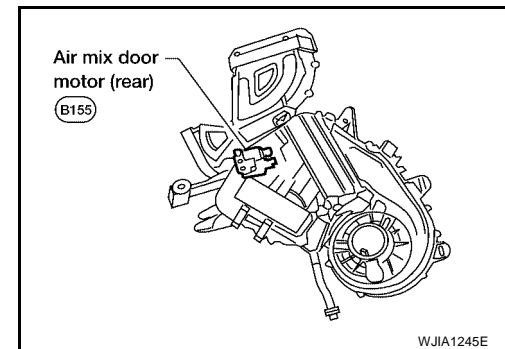
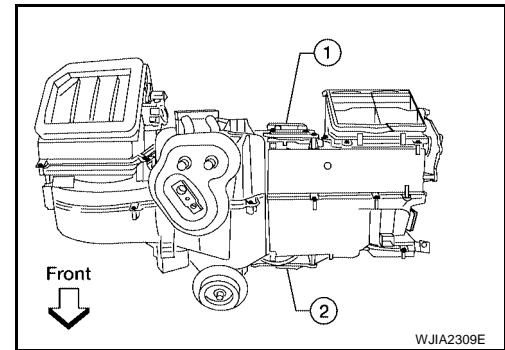


# TROUBLE DIAGNOSIS

## COMPONENT DESCRIPTION

### Air Mix Door Motors

The driver (1) and front passenger (2) air mix door motors are attached to the front heater & cooling unit. The rear air mix door motor is attached to the rear heater & cooling unit. These motors rotate so that the air mix door is opened or closed to a position set by the front (or rear) air control. Motor rotation is then conveyed through a shaft and the air mix door position is then fed back to the front air control by the PBR built into the air mix door motors.

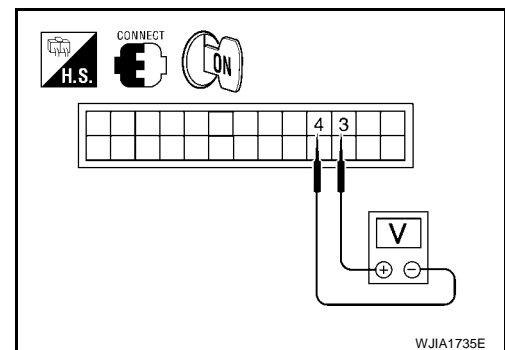


## DIAGNOSTIC PROCEDURE FOR AIR MIX DOOR MOTOR (DRIVER)

### 1. CHECK FRONT AIR CONTROL FOR POWER AND GROUND

1. Turn ignition switch ON.
2. Rotate temperature control dial (driver) to 32°C (90°F).
3. Check voltage between front air control harness connector M49 terminal 3 and terminal 4 while rotating temperature control dial (driver) to 16°C (60°F).

| Connector                 | Terminals |     | Condition                | Voltage (Approx.) |
|---------------------------|-----------|-----|--------------------------|-------------------|
|                           | (+)       | (-) |                          |                   |
| Front air control:<br>M49 | 3         | 4   | Rotate temp control dial | Battery voltage   |



OK or NG

- OK >> GO TO 3.  
NG >> GO TO 2.

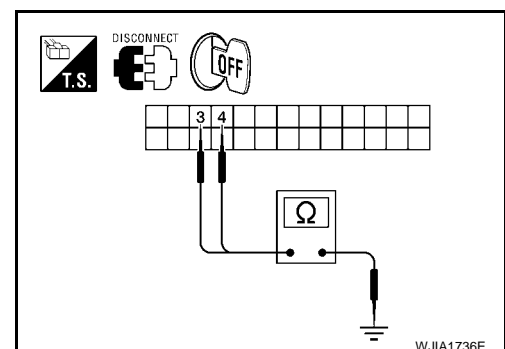
### 2. CHECK AIR MIX DOOR MOTOR (DRIVER) CIRCUITS FOR SHORT TO GROUND

1. Turn ignition switch OFF.
2. Disconnect the front air control harness connector.
3. Check continuity between front air control harness connector M49 terminal 3, 4 and ground.

- 3 - Ground : Continuity should not exist.**  
**4 - Ground : Continuity should not exist.**

OK or NG

- OK >> Replace front air control. Refer to [ATC-146, "FRONT AIR CONTROL"](#).  
NG >> Repair or replace harness as necessary.



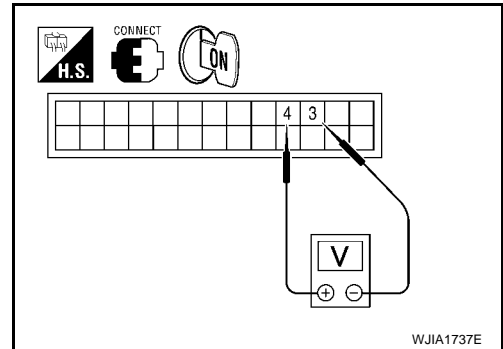


# TROUBLE DIAGNOSIS

## 3. CHECK FRONT AIR CONTROL FOR POWER AND GROUND

1. Turn ignition switch ON.
2. Rotate temperature control dial (driver) to 32°C (90°F).
3. Check voltage between front air control harness connector M49 terminal 3 and terminal 4 while rotating temperature control dial (driver) to 16°C (60°F).

| Connector              | Terminals |     | Condition                | Voltage (Approx.) |
|------------------------|-----------|-----|--------------------------|-------------------|
|                        | (+)       | (-) |                          |                   |
| Front air control: M49 | 4         | 3   | Rotate temp control dial | Battery voltage   |



### OK or NG

OK >> GO TO 4.

NG >> Replace front air control. Refer to [ATC-146, "FRONT AIR CONTROL"](#) .

## 4. CHECK AIR MIX DOOR MOTOR (DRIVER) CIRCUITS FOR OPEN

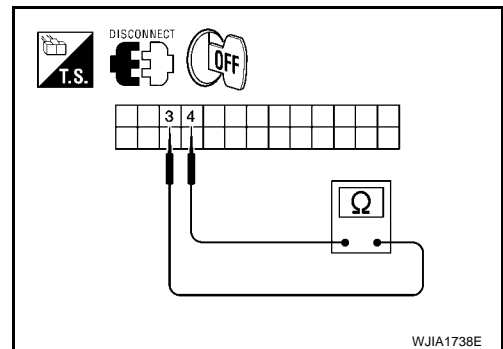
1. Turn ignition switch OFF.
2. Disconnect the front air control harness connector.
3. Check continuity between front air control harness connector M49 terminal 3 and terminal 4.

**Continuity should exist.**

### OK or NG

OK >> GO TO 6.

NG >> GO TO 5.



## 5. CHECK AIR MIX DOOR MOTOR (DRIVER) CIRCUITS FOR OPEN

1. Disconnect the air mix door motor (driver) harness connector.
2. Check continuity between front air control harness connector M49 terminal 3, 4 and the air mix door motor (driver) harness connector M147 terminal 1, 6.

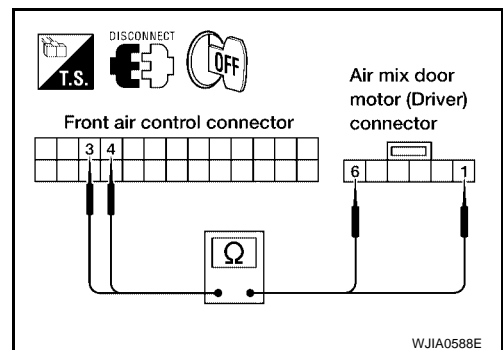
**3 - 1 : Continuity should exist.**

**4 - 6 : Continuity should exist.**

### OK or NG

OK >> Replace air mix door motor (driver). Refer to [ATC-166, "FRONT AIR MIX DOOR MOTOR \(PASSENGER\)"](#) .

NG >> Repair or replace harness as necessary.



# TROUBLE DIAGNOSIS

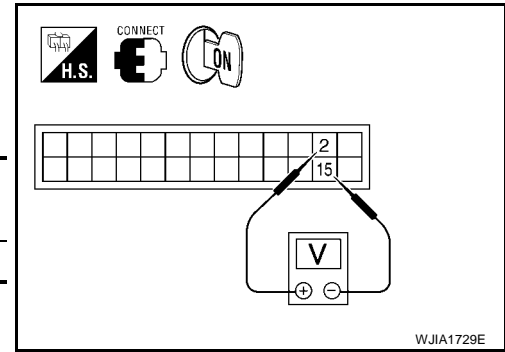
## 6. CHECK FRONT AIR CONTROL FOR PBR POWER AND GROUND

1. Reconnect front air control harness connector.
2. Turn ignition switch ON.
3. Check voltage between front air control harness connector M49 terminal 2 and terminal 15.

| Connector              | Terminals |     | Voltage (Approx.) |
|------------------------|-----------|-----|-------------------|
|                        | (+)       | (-) |                   |
| Front air control: M49 | 2         | 15  | 5V                |

### OK or NG

- OK >> GO TO 8.  
 NG >> GO TO 7.



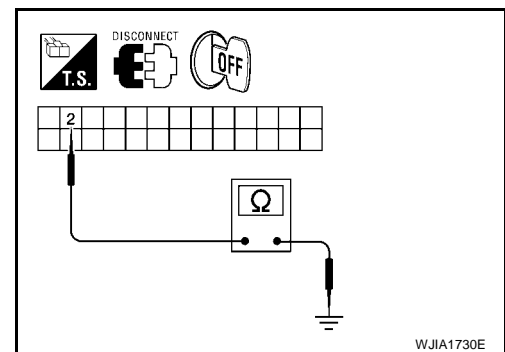
## 7. CHECK PBR REFERENCE VOLTAGE CIRCUIT FOR SHORT TO GROUND

1. Turn ignition switch OFF.
2. Disconnect the front air control harness connector.
3. Check continuity between front air control harness connector M49 terminal 2 and ground.

**Continuity should not exist.**

### OK or NG

- OK >> Replace front air control. Refer to [ATC-146, "FRONT AIR CONTROL"](#) .  
 NG >> Repair or replace harness as necessary.



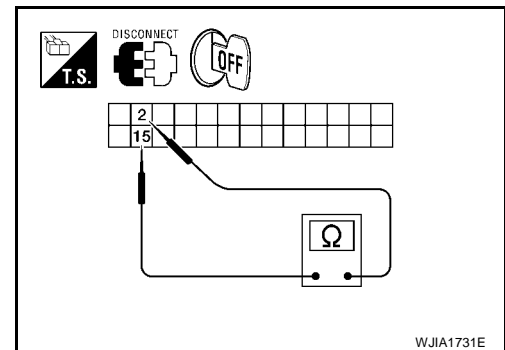
## 8. CHECK PBR REFERENCE VOLTAGE AND GROUND CIRCUITS

1. Turn ignition switch OFF.
2. Disconnect the front air control harness connector.
3. Check continuity between front air control harness connector M49 terminal 2 and terminal 15.

**Continuity should exist.**

### OK or NG

- OK >> GO TO 10.  
 NG >> GO TO 9.



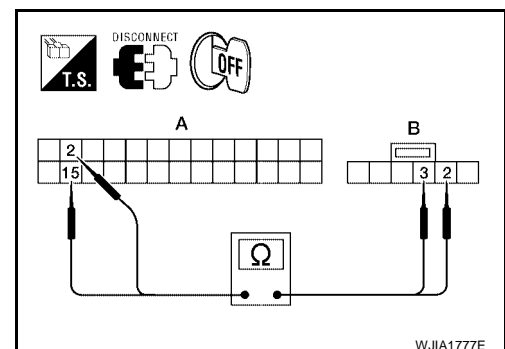
## 9. CHECK PBR REFERENCE VOLTAGE CIRCUIT FOR OPEN

1. Disconnect the air mix door motor (driver) harness connector.
2. Check continuity between air mix door motor (driver) harness connector M147 (B) terminal 3, 2 and front air control harness connector M49 (A) terminal 2, 15.

**2 - 3 : Continuity should exist.**  
**15 - 2 : Continuity should exist.**

### OK or NG

- OK >> Replace air mix door motor (driver). Refer to [ATC-166, "FRONT AIR MIX DOOR MOTOR \(PASSENGER\)"](#) .  
 NG >> Repair or replace harness as necessary.



# TROUBLE DIAGNOSIS

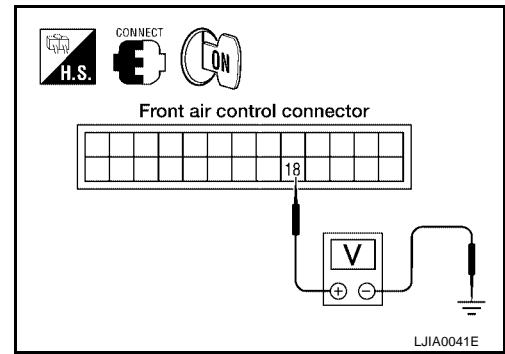
## 10. CHECK PBR FEEDBACK VOLTAGE

1. Reconnect the front air control harness connector.
2. Turn ignition switch ON.
3. Check voltage between front air control harness connector M49 terminal 18 and ground while rotating temperature control dial from 32°C (90°F) to 16°C (60°F).

**Voltage** : Approx. .5V - 4.5V

OK or NG

- OK >> GO TO 12.  
NG >> GO TO 11.



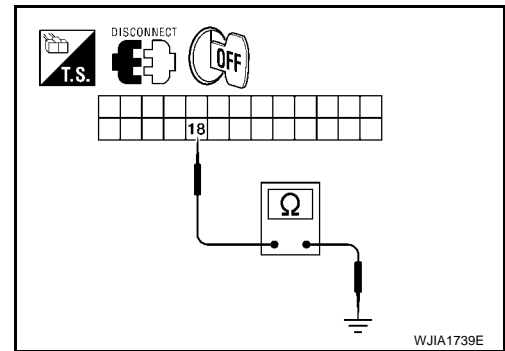
## 11. CHECK PBR FEEDBACK SIGNAL CIRCUIT FOR SHORT TO GROUND

1. Turn ignition switch OFF.
2. Disconnect front air control harness connector.
3. Check continuity between front air control harness connector M49 terminal 18 and ground.

**Continuity should not exist.**

OK or NG

- OK >> Replace front air control. Refer to [ATC-146, "FRONT AIR CONTROL"](#) .  
NG >> Repair or replace harness as necessary.



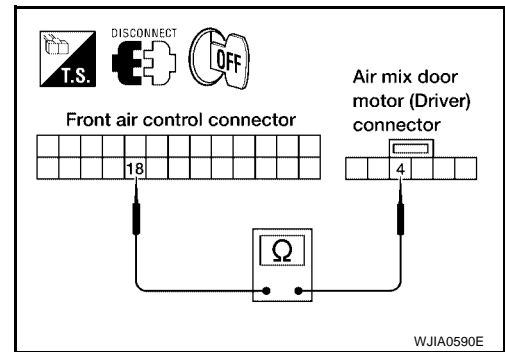
## 12. CHECK PBR FEEDBACK CIRCUIT FOR OPEN

1. Turn ignition switch OFF.
2. Disconnect the air mix door motor (driver) harness connector and front air control harness connector.
3. Check continuity between air mix door motor (driver) harness connector M147 terminal 4 and front air control harness connector M49 terminal 18.

**Continuity should exist.**

OK or NG

- OK >> Replace air mix door motor (driver). Refer to [ATC-166, "FRONT AIR MIX DOOR MOTOR \(PASSENGER\)"](#) .  
NG >> Repair or replace harness as necessary.



A  
B  
C  
D  
E  
F  
G  
H  
I  
K  
L  
M

ATC

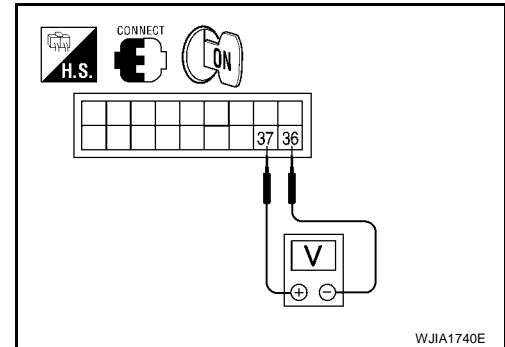
# TROUBLE DIAGNOSIS

## DIAGNOSTIC PROCEDURE FOR AIR MIX DOOR MOTOR (PASSENGER)

### 1. CHECK FRONT AIR CONTROL FOR POWER AND GROUND

1. Turn ignition switch ON.
2. Rotate temperature control dial (passenger) to 32°C (90°F).
3. Check voltage between front air control harness connector M50 terminal 36 and terminal 37 while rotating temperature control dial (passenger) to 16°C (60°F).

| Connector              | Terminals |     | Condition                | Voltage (Approx.) |
|------------------------|-----------|-----|--------------------------|-------------------|
|                        | (+)       | (-) |                          |                   |
| Front air control: M50 | 37        | 36  | Rotate temp control dial | Battery voltage   |



OK or NG

- OK >> GO TO 3.  
 NG >> GO TO 2.

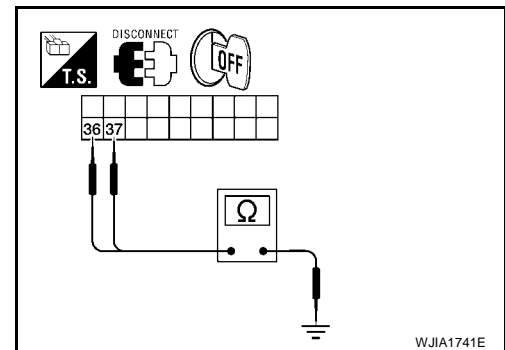
### 2. CHECK AIR MIX DOOR MOTOR (PASSENGER) CIRCUITS FOR SHORT TO GROUND

1. Turn ignition switch OFF.
2. Disconnect the front air control harness connector.
3. Check continuity between front air control harness connector M50 terminal 36, 37 and ground.

- 36 - Ground : Continuity should not exist.**  
**37 - Ground : Continuity should not exist.**

OK or NG

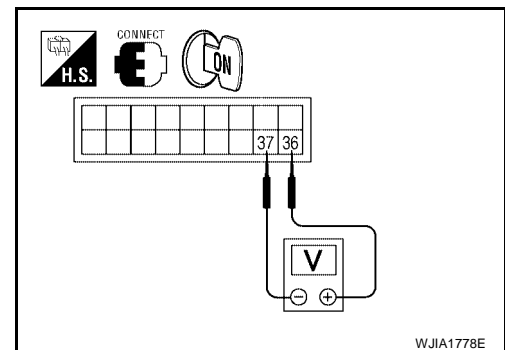
- OK >> Replace front air control. Refer to [ATC-146, "FRONT AIR CONTROL"](#) .  
 NG >> Repair or replace harness as necessary.



### 3. CHECK FRONT AIR CONTROL FOR POWER AND GROUND

1. Turn ignition switch ON.
2. Rotate temperature control dial (passenger) to 16°C (60°F).
3. Check voltage between front air control harness connector M50 terminal 36 and terminal 37 while rotating temperature control dial (passenger) to 32°C (90°F).

| Connector              | Terminals |     | Condition                | Voltage (Approx.) |
|------------------------|-----------|-----|--------------------------|-------------------|
|                        | (+)       | (-) |                          |                   |
| Front air control: M50 | 36        | 37  | Rotate temp control dial | Battery voltage   |



OK or NG

- OK >> GO TO 4.  
 NG >> Replace front air control. Refer to [ATC-146, "FRONT AIR CONTROL"](#) .

# TROUBLE DIAGNOSIS

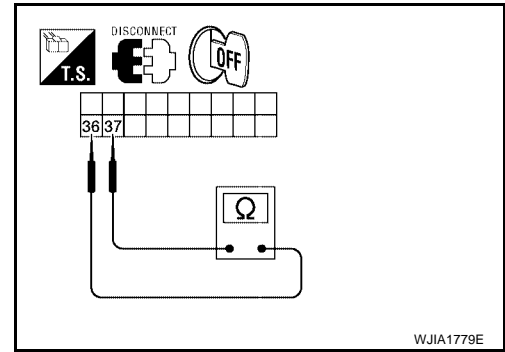
## 4. CHECK AIR MIX DOOR MOTOR (PASSENGER) CIRCUITS FOR OPEN

1. Turn ignition switch OFF.
2. Disconnect the front air control harness connector.
3. Check continuity between front air control harness connector M50 terminal 36 and terminal 37.

**Continuity should exist.**

OK or NG

- OK >> GO TO 6.  
 NG >> GO TO 5.



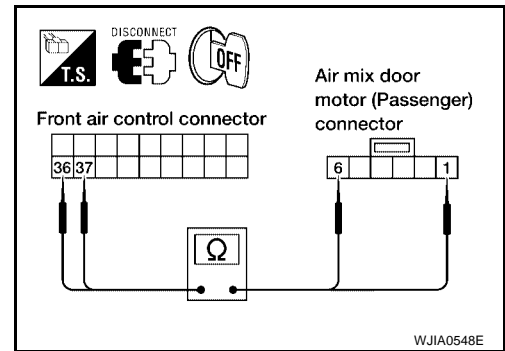
## 5. CHECK AIR MIX DOOR MOTOR (PASSENGER) CIRCUITS FOR OPEN

1. Disconnect the air mix door motor (passenger) harness connector.
2. Check continuity between front air control harness connector M50 terminal 36, 37 and the air mix door motor (passenger) harness connector M143 terminal 1, 6.

- 36 - 1 : Continuity should exist.**  
**37 - 6 : Continuity should exist.**

OK or NG

- OK >> Replace air mix door motor (passenger). Refer to [ATC-165, "FRONT AIR MIX DOOR MOTOR \(DRIVER\)"](#) .  
 NG >> Repair or replace harness as necessary.



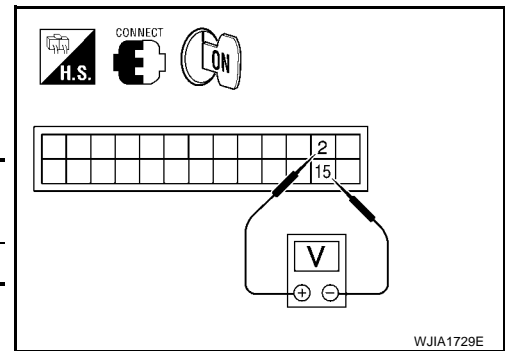
## 6. CHECK FRONT AIR CONTROL FOR PBR POWER AND GROUND

1. Reconnect front air control harness connector.
2. Turn ignition switch ON.
3. Check voltage between front air control harness connector M49 terminal 2 and terminal 15.

| Connector              | Terminals |     | Voltage (Approx.) |
|------------------------|-----------|-----|-------------------|
|                        | (+)       | (-) |                   |
| Front air control: M49 | 2         | 15  | 5V                |

OK or NG

- OK >> GO TO 8.  
 NG >> GO TO 7.



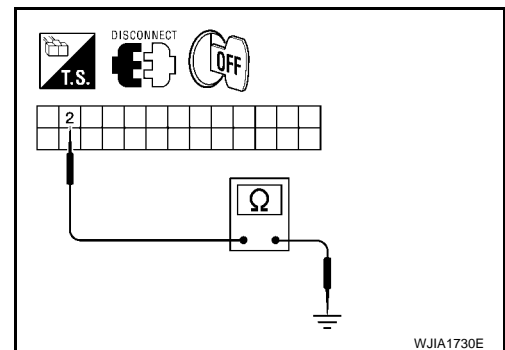
## 7. CHECK PBR REFERENCE VOLTAGE CIRCUIT FOR SHORT TO GROUND

1. Turn ignition switch OFF.
2. Disconnect the front air control harness connector.
3. Check continuity between front air control harness connector M49 terminal 2 and ground.

**Continuity should not exist.**

OK or NG

- OK >> Replace front air control. Refer to [ATC-146, "FRONT AIR CONTROL"](#) .  
 NG >> Repair or replace harness as necessary.



# TROUBLE DIAGNOSIS

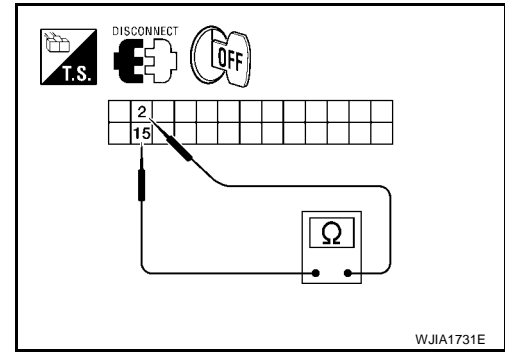
## 8. CHECK PBR REFERENCE VOLTAGE AND GROUND CIRCUITS

1. Turn ignition switch OFF.
2. Disconnect the front air control harness connector.
3. Check continuity between front air control harness connector M49 terminal 2 and terminal 15.

**Continuity should exist.**

OK or NG

- OK >> GO TO 10.  
NG >> GO TO 9.



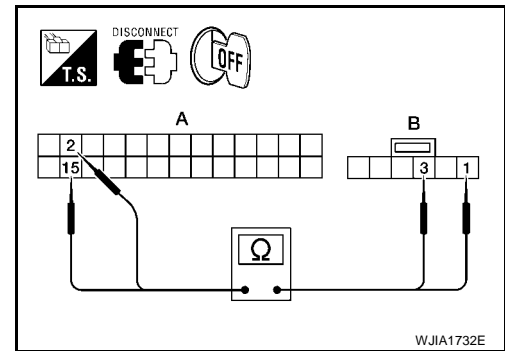
## 9. CHECK PBR REFERENCE VOLTAGE CIRCUIT FOR OPEN

1. Disconnect the air mix door motor (passenger) harness connector.
2. Check continuity between air mix door motor (passenger) harness connector M143 (B) terminal 3, 2 and front air control harness connector M49 (A) terminal 2, 15.

**2 - 3 : Continuity should exist.**  
**15 - 2 : Continuity should exist.**

OK or NG

- OK >> Replace air mix door motor (passenger). Refer to [ATC-165, "FRONT AIR MIX DOOR MOTOR \(DRIVER\)"](#) .  
NG >> Repair or replace harness as necessary.



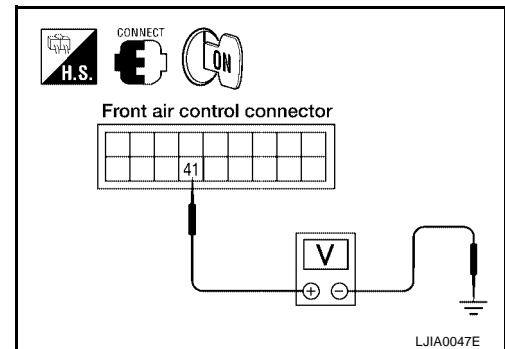
## 10. CHECK PBR FEEDBACK VOLTAGE

1. Reconnect the front air control harness connector.
2. Turn ignition switch ON.
3. Check voltage between front air control harness connector M50 terminal 41 and ground while rotating temperature control dial (passenger) from 32°C (90°F) to 16°C (60°F).

**Voltage : Approx. .5V - 4.5V**

OK or NG

- OK >> GO TO 12.  
NG >> GO TO 11.



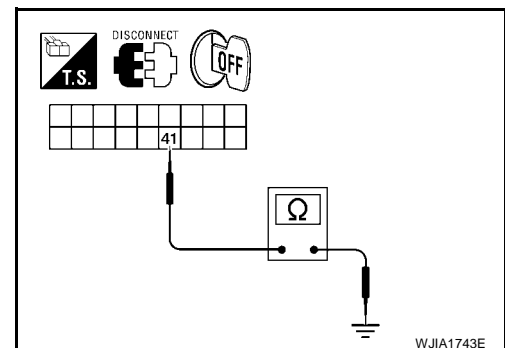
## 11. CHECK PBR FEEDBACK SIGNAL CIRCUIT FOR SHORT TO GROUND

1. Turn ignition switch OFF.
2. Disconnect front air control harness connector.
3. Check continuity between front air control harness connector M50 terminal 41 and ground.

**Continuity should not exist.**

OK or NG

- OK >> Replace front air control. Refer to [ATC-146, "FRONT AIR CONTROL"](#) .  
NG >> Repair or replace harness as necessary.



# TROUBLE DIAGNOSIS

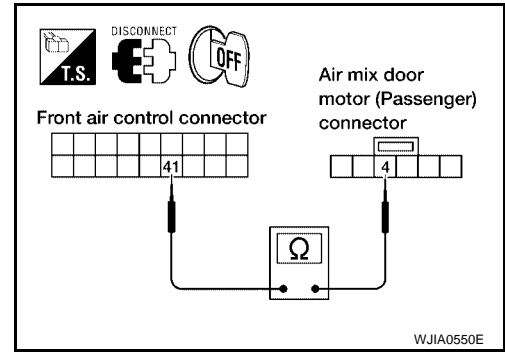
## 12. CHECK PBR FEEDBACK CIRCUIT FOR OPEN

1. Turn ignition switch OFF.
2. Disconnect the air mix door motor (passenger) harness connector and front air control harness connector.
3. Check continuity between air mix door motor (passenger) harness connector M143 terminal 4 and front air control harness connector M50 terminal 41.

**Continuity should exist.**

OK or NG

- OK >> Replace air mix door motor (passenger). Refer to [ATC-165, "FRONT AIR MIX DOOR MOTOR \(DRIVER\)"](#) .
- NG >> Repair or replace harness as necessary.

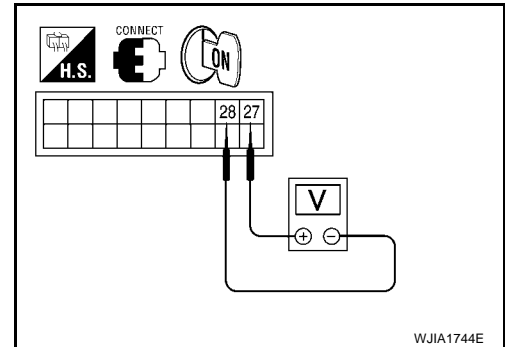


## DIAGNOSTIC PROCEDURE FOR AIR MIX DOOR MOTOR (REAR)

### 1. CHECK FRONT AIR CONTROL FOR POWER AND GROUND

1. Turn ignition switch ON.
2. Rotate temperature control dial (rear) to maximum heat.
3. Check voltage between front air control harness connector M50 terminal 27 and terminal 28 while rotating temperature control dial (rear) to maximum cold.

| Connector              | Terminals |     | Condition                | Voltage (Approx.) |
|------------------------|-----------|-----|--------------------------|-------------------|
|                        | (+)       | (-) |                          |                   |
| Front air control: M50 | 27        | 28  | Rotate temp control dial | Battery voltage   |



OK or NG

- OK >> GO TO 3.
- NG >> GO TO 2.

### 2. CHECK AIR MIX DOOR MOTOR (REAR) CIRCUITS FOR SHORT TO GROUND

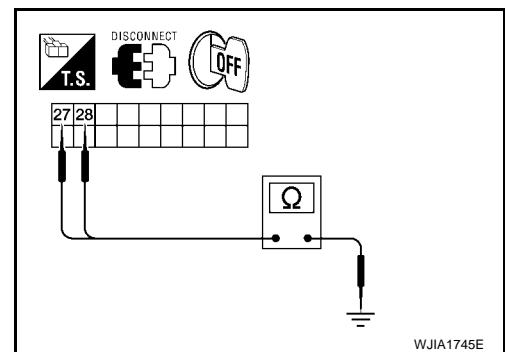
1. Turn ignition switch OFF.
2. Disconnect the front air control harness connector.
3. Check continuity between front air control harness connector M50 terminal 27, 28 and ground.

**27 - Ground : Continuity should not exist.**

**28 - Ground : Continuity should not exist.**

OK or NG

- OK >> Replace front air control. Refer to [ATC-146, "FRONT AIR CONTROL"](#) .
- NG >> Repair or replace harness as necessary.

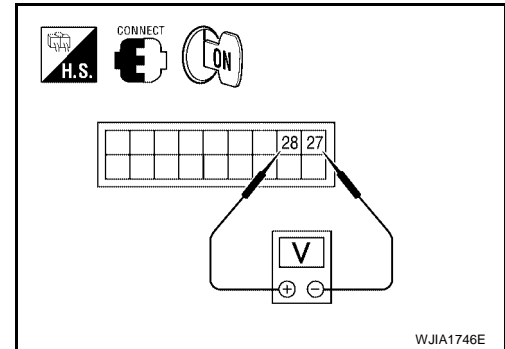


# TROUBLE DIAGNOSIS

## 3. CHECK FRONT AIR CONTROL FOR POWER AND GROUND

1. Turn ignition switch ON.
2. Rotate temperature control dial (rear) to maximum cold.
3. Check voltage between front air control harness connector M50 terminal 27 and terminal 28 while rotating temperature control dial (rear) to maximum heat.

| Connector              | Terminals |     | Condition                | Voltage (Approx.) |
|------------------------|-----------|-----|--------------------------|-------------------|
|                        | (+)       | (-) |                          |                   |
| Front air control: M50 | 28        | 27  | Rotate temp control dial | Battery voltage   |



OK or NG

OK >> GO TO 4.

NG >> Replace front air control. Refer to [ATC-146. "FRONT AIR CONTROL"](#) .

## 4. CHECK AIR MIX DOOR MOTOR (REAR) CIRCUITS FOR OPEN

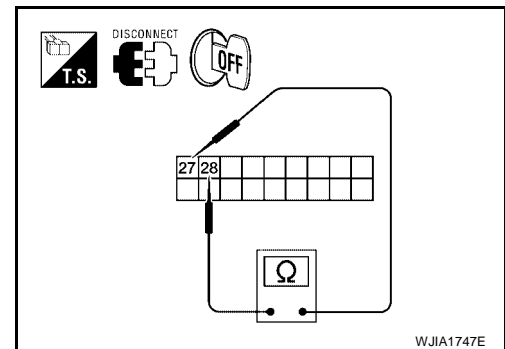
1. Turn ignition switch OFF.
2. Disconnect the front air control harness connector.
3. Check continuity between front air control harness connector M50 terminal 27 and terminal 28.

**Continuity should exist.**

OK or NG

OK >> GO TO 6.

NG >> GO TO 5.



## 5. CHECK AIR MIX DOOR MOTOR (REAR) CIRCUITS FOR OPEN

1. Disconnect the air mix door motor (rear) harness connector.
2. Check continuity between front air control harness connector M50 terminal 27, 28 and the air mix door motor (rear) harness connector B155 terminal 1, 6.

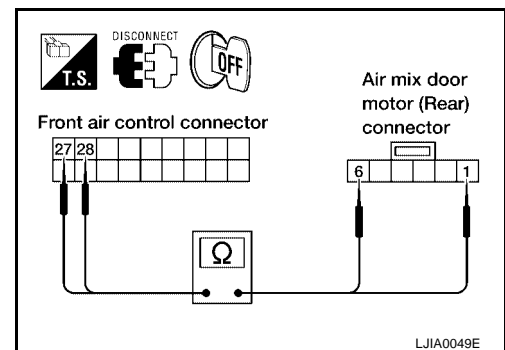
**27 - 1 : Continuity should exist.**

**28 - 6 : Continuity should exist.**

OK or NG

OK >> Replace air mix door motor (rear). Refer to [ATC-166. "REAR AIR MIX DOOR MOTOR"](#) .

NG >> Repair or replace harness as necessary.





# TROUBLE DIAGNOSIS

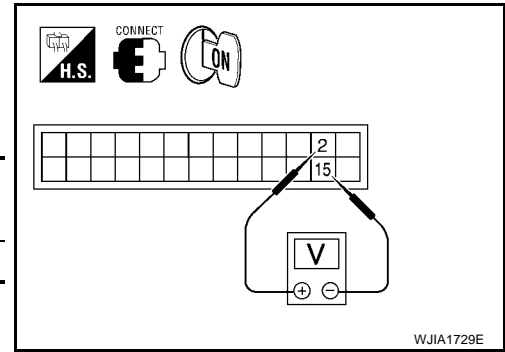
## 6. CHECK FRONT AIR CONTROL FOR PBR POWER AND GROUND

1. Reconnect front air control harness connector.
2. Turn ignition switch ON.
3. Check voltage between front air control harness connector M49 terminal 2 and terminal 15.

| Connector              | Terminals |     | Voltage (Approx.) |
|------------------------|-----------|-----|-------------------|
|                        | (+)       | (-) |                   |
| Front air control: M49 | 2         | 15  | 5V                |

### OK or NG

- OK >> GO TO 8.  
NG >> GO TO 7.



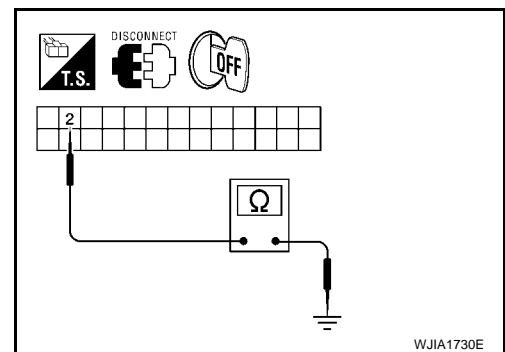
## 7. CHECK PBR REFERENCE VOLTAGE CIRCUIT FOR SHORT TO GROUND

1. Turn ignition switch OFF.
2. Disconnect the front air control harness connector.
3. Check continuity between front air control harness connector M49 terminal 2 and ground.

**Continuity should not exist.**

### OK or NG

- OK >> Replace front air control. Refer to [ATC-146, "FRONT AIR CONTROL"](#).  
NG >> Repair or replace harness as necessary.



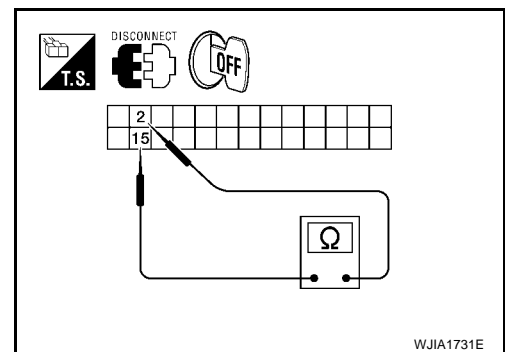
## 8. CHECK PBR REFERENCE VOLTAGE AND GROUND CIRCUITS

1. Turn ignition switch OFF.
2. Disconnect the front air control harness connector.
3. Check continuity between front air control harness connector M49 terminal 2 and terminal 15.

**Continuity should exist.**

### OK or NG

- OK >> GO TO 10.  
NG >> GO TO 9.



## 9. CHECK PBR REFERENCE VOLTAGE CIRCUIT FOR OPEN

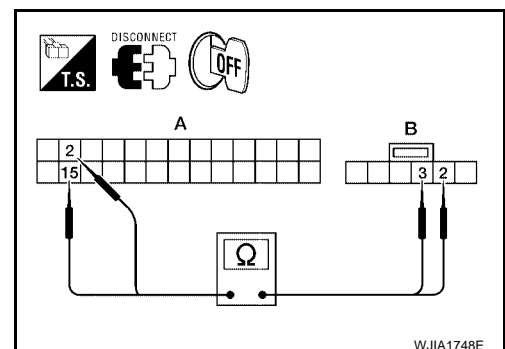
1. Disconnect the air mix door motor (rear) harness connector.
2. Check continuity between air mix door motor (rear) harness connector (B) B155 terminal 3, 2 and front air control harness connector (A) M49 terminal 2, 15.

**2 - 3 : Continuity should exist.**

**15 - 2 : Continuity should exist.**

### OK or NG

- OK >> Replace air mix door motor (rear). Refer to [ATC-166, "REAR AIR MIX DOOR MOTOR"](#).  
NG >> Repair or replace harness as necessary.



# TROUBLE DIAGNOSIS

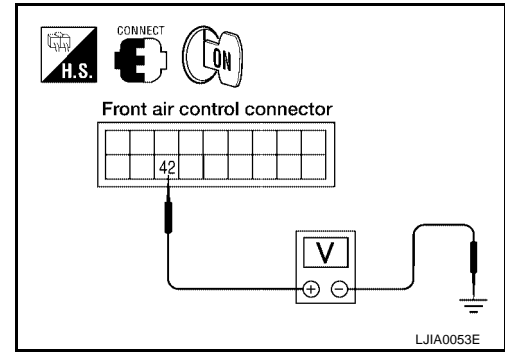
## 10. CHECK PBR FEEDBACK VOLTAGE

1. Reconnect the front air control harness connector.
2. Turn ignition switch ON.
3. Check voltage between front air control harness connector M50 terminal 42 and ground while rotating temperature control dial (rear) from maximum cold to maximum heat.

**Voltage** : Approx. 1V - 4.5V

OK or NG

- OK >> GO TO 12.  
NG >> GO TO 11.



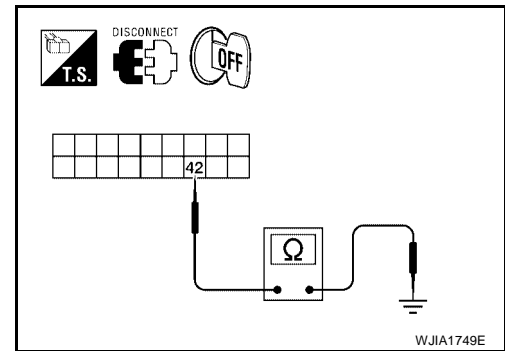
## 11. CHECK PBR FEEDBACK SIGNAL CIRCUIT FOR SHORT TO GROUND

1. Turn ignition switch OFF.
2. Disconnect front air control harness connector.
3. Check continuity between front air control harness connector M50 terminal 42 and ground.

**Continuity should not exist.**

OK or NG

- OK >> Replace front air control. Refer to [ATC-146. "FRONT AIR CONTROL"](#) .  
NG >> Repair or replace harness as necessary.



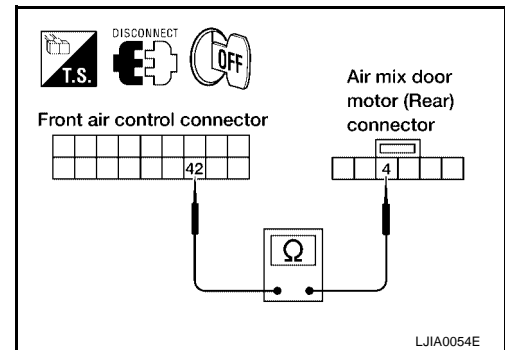
## 12. CHECK PBR FEEDBACK CIRCUIT FOR OPEN

1. Turn ignition switch OFF.
2. Disconnect the air mix door motor (rear) harness connector and front air control harness connector.
3. Check continuity between air mix door motor (rear) harness connector B155 terminal 4 and front air control harness connector M50 terminal 42.

**Continuity should exist.**

OK or NG

- OK >> Replace air mix door motor (rear). Refer to [ATC-166. "REAR AIR MIX DOOR MOTOR"](#) .  
NG >> Repair or replace harness as necessary.



# TROUBLE DIAGNOSIS

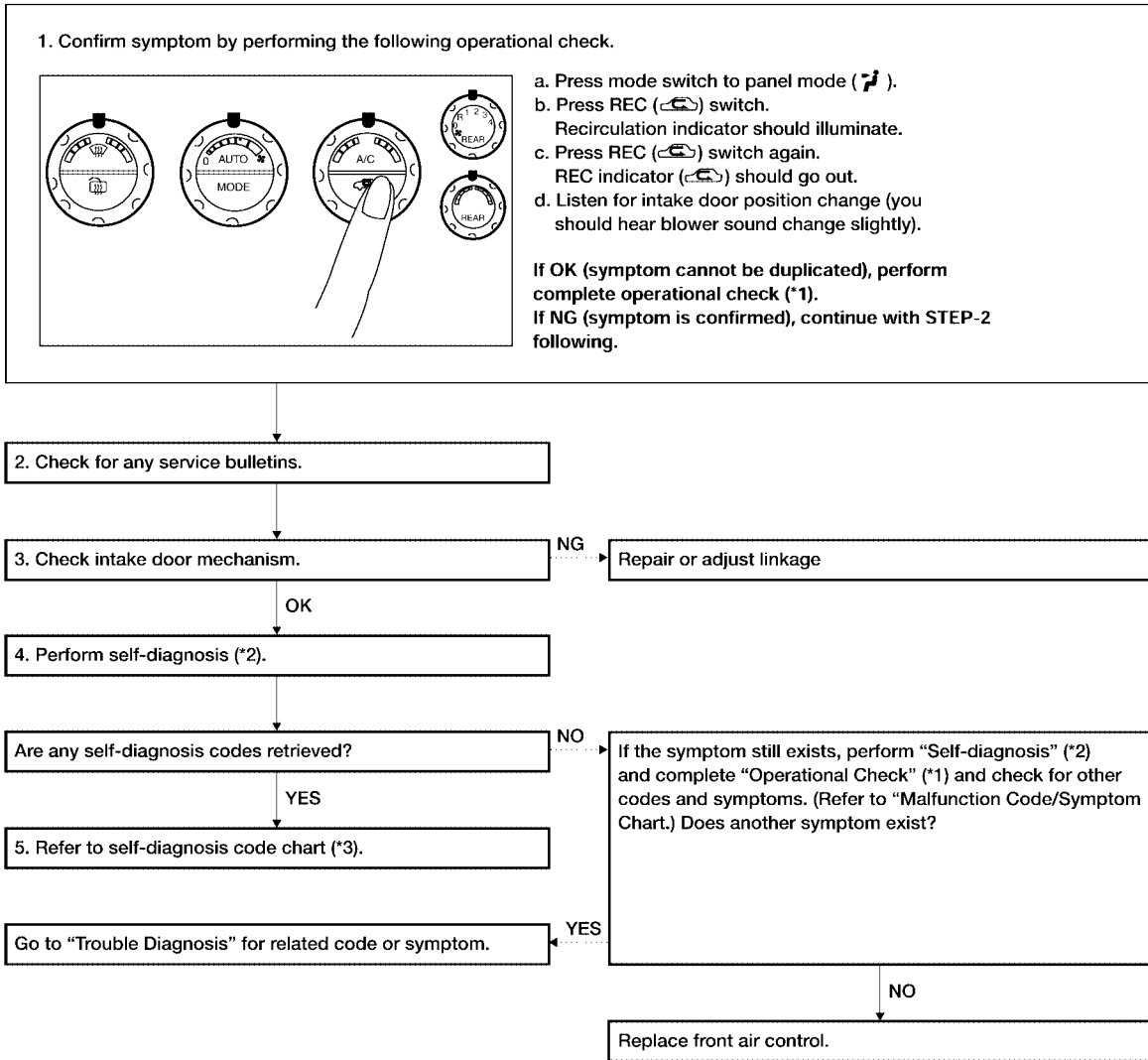
EJS005ZC

## Intake Door Motor Circuit

### SYMPTOM:

- Intake door does not change.
- Intake door motor does not operate normally.

### INSPECTION FLOW



\*1 [ATC-57. "Operational Check \(Front\)"](#)

\*2 [ATC-55. "A/C System Self-diagnosis Function"](#)

\*3 [ATC-56. "SELF-DIAGNOSIS CODE CHART"](#)

WJIA1440E

# TROUBLE DIAGNOSIS

## SYSTEM DESCRIPTION

### Component Parts

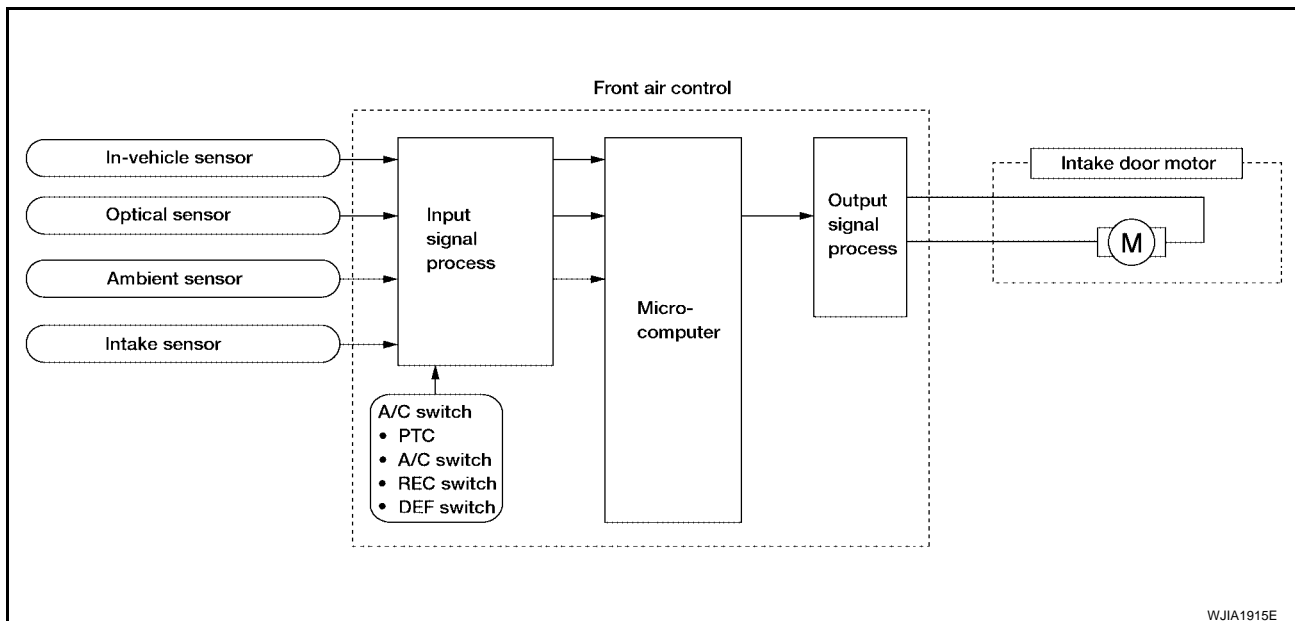
Intake door control system components are:

- Front air control
- Intake door motor
- In-vehicle sensor
- Ambient sensor
- Optical sensor
- Intake sensor

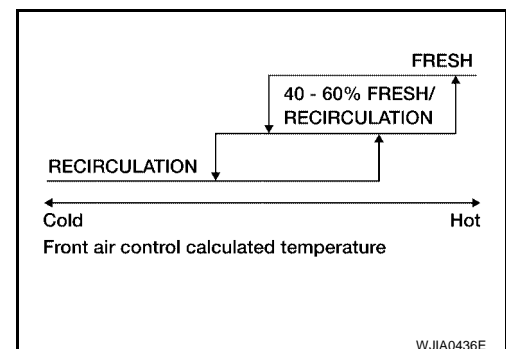
### System Operation

The intake door control determines the intake door position based on the position of the recirculation switch. When the recirculation switch is depressed the intake door motor rotates closing off the fresh air inlet and recirculating the cabin air. If the recirculation switch is depressed again, the intake door motor rotates in the opposite direction, again allowing fresh air into the cabin.

In the AUTO mode, the front air control determines the intake door position based on the ambient temperature, the intake air temperature and the in-vehicle temperature. When the DEFROST, or OFF switches are pushed or A/C switch is OFF, the front air control sets the intake door at the fresh position.



### Intake Door Control Specification

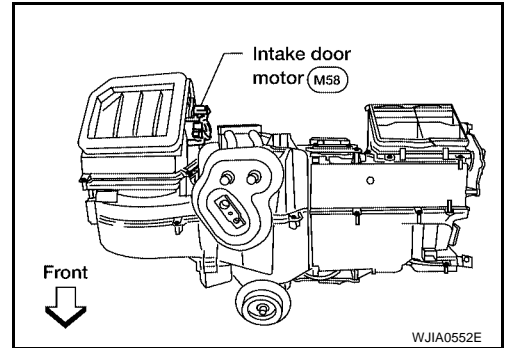


# TROUBLE DIAGNOSIS

## COMPONENT DESCRIPTION

### Intake door motor

The intake door motor is attached to the intake unit. It rotates so that air is drawn from inlets set by the front air control. Motor rotation is conveyed to a lever which activates the intake door.



## DIAGNOSTIC PROCEDURE FOR INTAKE DOOR MOTOR

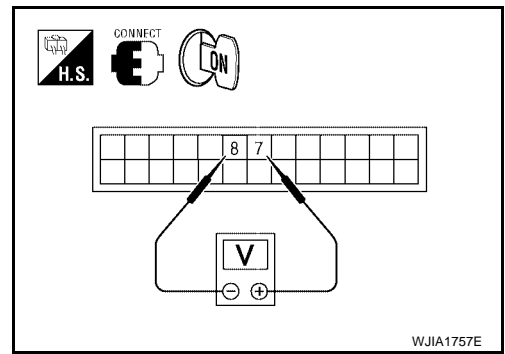
### 1. CHECK FRONT AIR CONTROL FOR POWER AND GROUND

1. Turn ignition switch ON.
2. Check voltage between front air control harness connector M49 terminal 7 and terminal 8 while placing the HVAC system into self-diagnostic mode.

| Connector              | Terminals |     | Condition            | Voltage (Approx.) |
|------------------------|-----------|-----|----------------------|-------------------|
|                        | (+)       | (-) |                      |                   |
| Front air control: M49 | 7         | 8   | Self-diagnostic mode | Battery voltage   |

#### OK or NG

- OK >> GO TO 3.  
 NG >> GO TO 2.



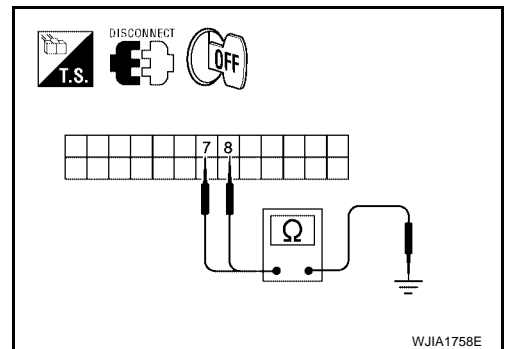
### 2. CHECK INTAKE DOOR MOTOR CIRCUITS FOR SHORT TO GROUND

1. Turn ignition switch OFF.
2. Disconnect the front air control harness connector.
3. Check continuity between front air control harness connector M49 terminal 7, 8 and ground.

- 7 - Ground : Continuity should not exist.**  
**8 - Ground : Continuity should not exist.**

#### OK or NG

- OK >> Replace front air control. Refer to [ATC-146, "FRONT AIR CONTROL"](#) .  
 NG >> Repair or replace harness as necessary.



A  
B  
C  
D  
E  
F  
G  
H  
I  
K  
L  
M

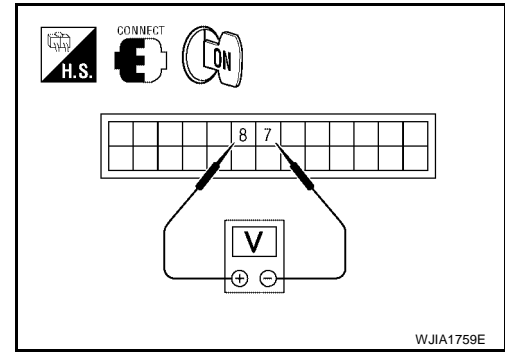
ATC

# TROUBLE DIAGNOSIS

## 3. CHECK FRONT AIR CONTROL FOR GROUND AND POWER

1. Press the BACK button to back out of self-diagnostic mode.
2. Check voltage between front air control harness connector M49 terminal 7 and terminal 8 while placing the HVAC system into self-diagnostic mode.

| Connector              | Terminals |     | Condition            | Voltage (Approx.) |
|------------------------|-----------|-----|----------------------|-------------------|
|                        | (+)       | (-) |                      |                   |
| Front air control: M49 | 8         | 7   | Self-diagnostic mode | Battery voltage   |



### OK or NG

OK >> GO TO 4.

NG >> Replace front air control. Refer to [ATC-146, "FRONT AIR CONTROL"](#) .

## 4. CHECK INTAKE DOOR MOTOR AND CIRCUITS FOR OPEN

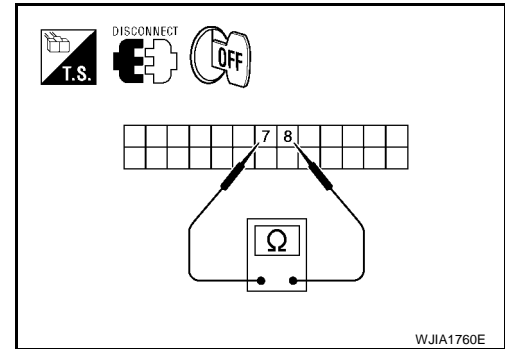
1. Turn ignition switch OFF.
2. Disconnect the front air control harness connector.
3. Check continuity between front air control harness connector M49 terminal 7 and terminal 8.

**Continuity should exist.**

### OK or NG

OK >> Replace intake door motor. Refer to [ATC-163, "Removal and Installation"](#) .

NG >> GO TO 5.



## 5. CHECK INTAKE DOOR MOTOR CIRCUITS FOR OPEN

1. Disconnect the intake door motor harness connector.
2. Check continuity between front air control harness connector M49 terminal 7, 8 and the intake door motor harness connector M58 terminal 1, 6.

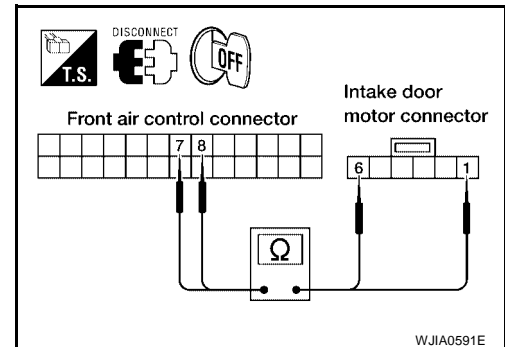
**1 - 7 : Continuity should exist.**

**6 - 8 : Continuity should exist.**

### OK or NG

OK >> Replace intake door motor. Refer to [ATC-163, "Removal and Installation"](#) .

NG >> Repair or replace harness as necessary.



# TROUBLE DIAGNOSIS

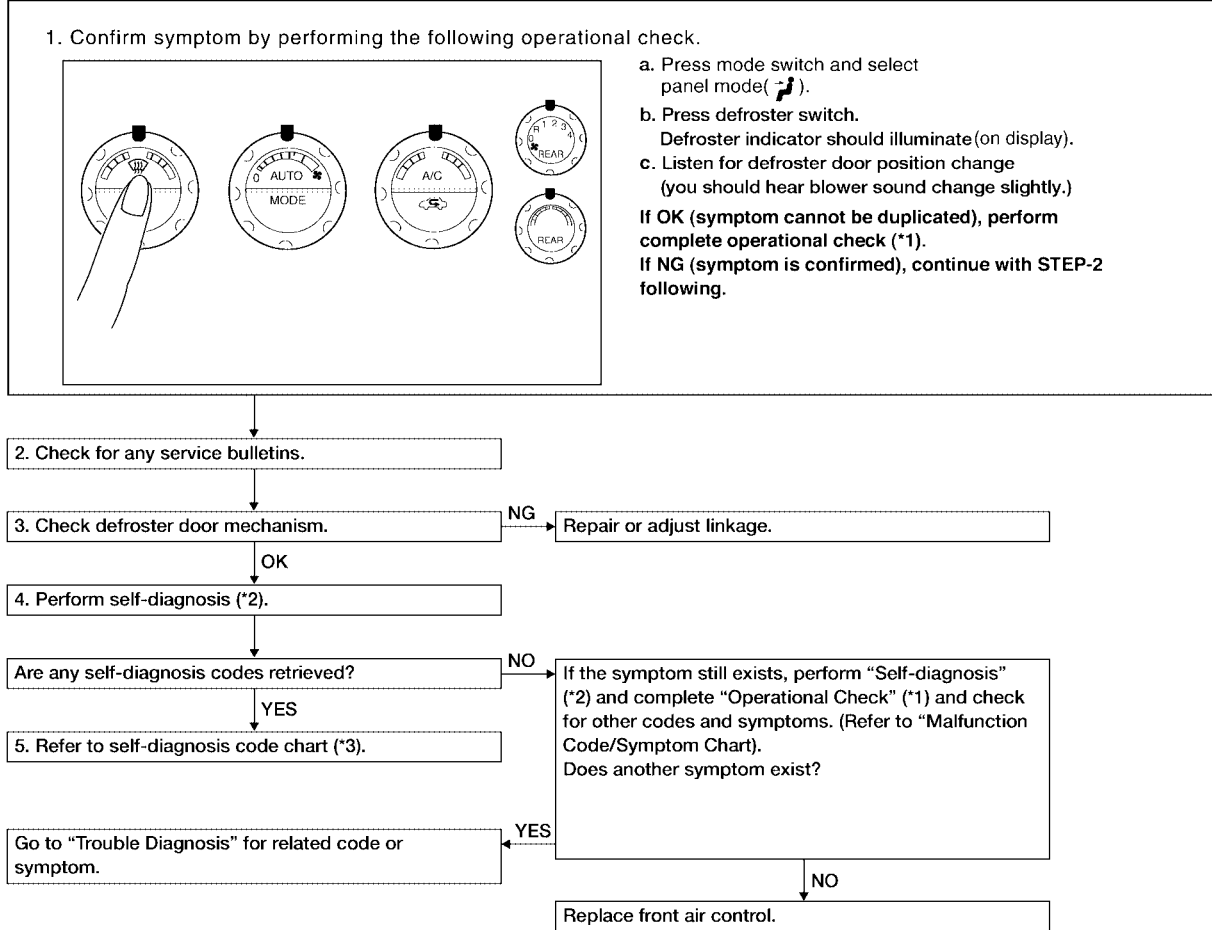
EJS005ZD

## Defroster Door Motor Circuit

### SYMPTOM:

- Defroster door does not change.
- Defroster door motor does not operate normally.

### INSPECTION FLOW



\*1 [ATC-57, "Operational Check \(Front\)"](#)

\*2 [ATC-55, "A/C System Self-diagnosis Function"](#)

\*3 [ATC-56, "SELF-DIAGNOSIS CODE CHART"](#)

WJIA1353E

# TROUBLE DIAGNOSIS

## SYSTEM DESCRIPTION

### Component Parts

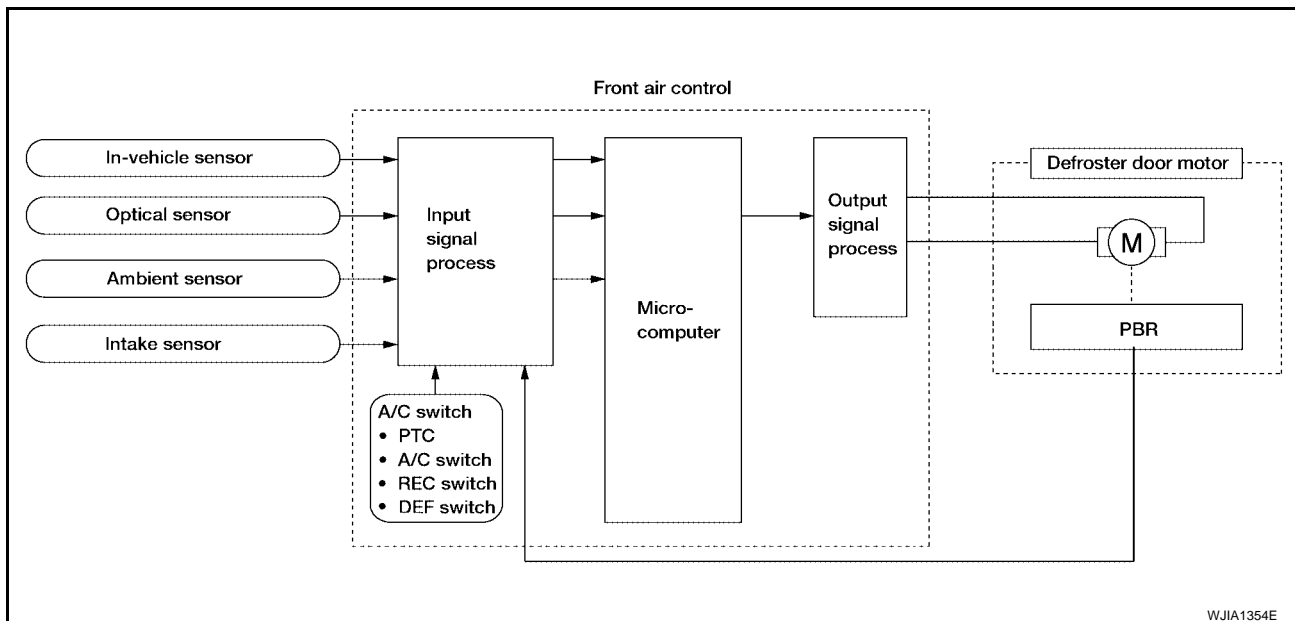
Defroster door control system components are:

- Front air control
- Defroster door motor
- PBR (Built into defroster door motor)
- In-vehicle sensor
- Ambient sensor
- Optical sensor
- Intake sensor

### System Operation

The front air control determines defroster door position based on the position of the defroster switch. When the defroster switch is depressed, the defroster door motor rotates directing air to the defroster ducts. When any mode other than defroster is selected, the defroster motor rotates in the opposite direction closing off air flow to the defroster ducts.

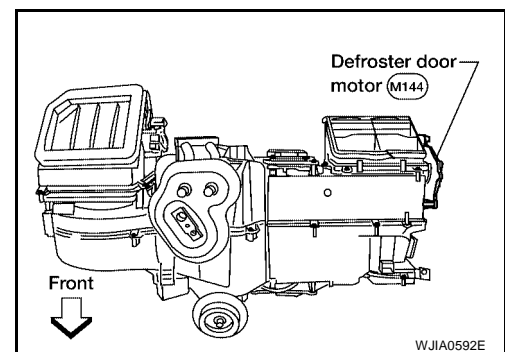
In the AUTO mode, the front air control determines defroster door position based on the ambient temperature, the intake air temperature and the in-vehicle temperature.



## COMPONENT DESCRIPTION

### Defroster door motor

The defroster door motor is attached to the front heater & cooling unit. The front air control sends a voltage to rotate to the defroster door directing the air flow either to the defroster ducts, or to the floor ducts, depending on which way the voltage and ground are applied to the motor leads. Motor rotation is conveyed to a lever which activates the defroster door.


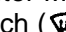




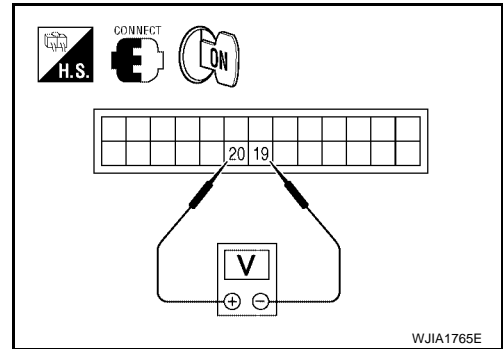
# TROUBLE DIAGNOSIS

## DIAGNOSTIC PROCEDURE FOR DEFROSTER DOOR MOTOR

### 1. CHECK FRONT AIR CONTROL FOR POWER AND GROUND

1. Turn ignition switch ON.
2. Press the defroster switch (  ).
3. Check voltage between front air control harness connector M49 terminal 20 and terminal 19 and press the defroster switch (  ) again.

| Connector              | Terminals |     | Condition              | Voltage (Approx.) |
|------------------------|-----------|-----|------------------------|-------------------|
|                        | (+)       | (-) |                        |                   |
| Front air control: M49 | 20        | 19  | Press defroster switch | Battery voltage   |



#### OK or NG

- OK >> GO TO 3.  
 NG >> GO TO 2.

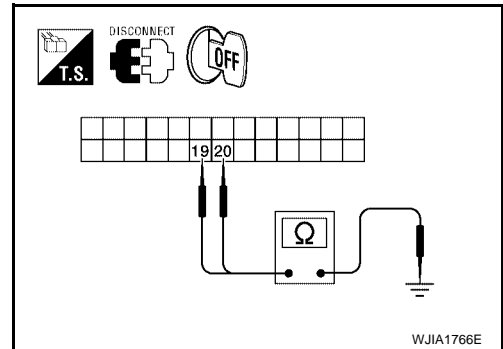
### 2. CHECK DEFROSTER DOOR MOTOR CIRCUITS FOR SHORT TO GROUND

1. Turn ignition switch OFF.
2. Disconnect the front air control harness connector.
3. Check continuity between front air control harness connector M49 terminal 19, 20 and ground.


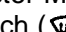
- 19 - Ground : Continuity should not exist.**  
**20 - Ground : Continuity should not exist.**

#### OK or NG

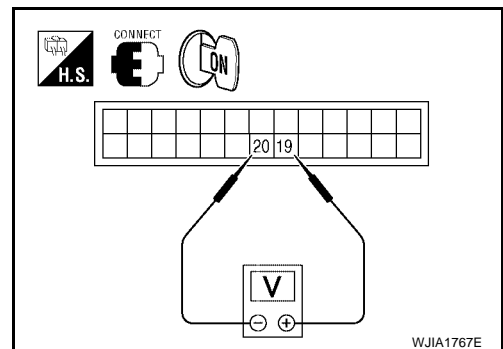
- OK >> Replace front air control. Refer to [ATC-146, "FRONT AIR CONTROL"](#) .  
 NG >> Repair or replace harness as necessary.



### 3. CHECK FRONT AIR CONTROL FOR GROUND AND POWER

1. Press the defroster switch (  ).
2. Check voltage between front air control harness connector M49 terminal 19 and terminal 20 and press the defroster switch (  ) again.

| Connector              | Terminals |     | Condition              | Voltage (Approx.) |
|------------------------|-----------|-----|------------------------|-------------------|
|                        | (+)       | (-) |                        |                   |
| Front air control: M49 | 19        | 20  | Press defroster switch | Battery voltage   |



#### OK or NG

- OK >> GO TO 4.  
 NG >> Replace front air control. Refer to [ATC-146, "FRONT AIR CONTROL"](#) .



# TROUBLE DIAGNOSIS

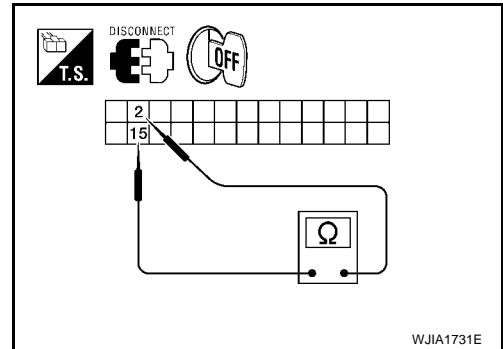
## 8. CHECK PBR REFERENCE VOLTAGE AND GROUND CIRCUITS

1. Turn ignition switch OFF.
2. Disconnect the front air control harness connector.
3. Check continuity between front air control harness connector M49 terminal 2 and terminal 15.

**Continuity should exist.**

OK or NG

- OK >> GO TO 10.  
NG >> GO TO 9.



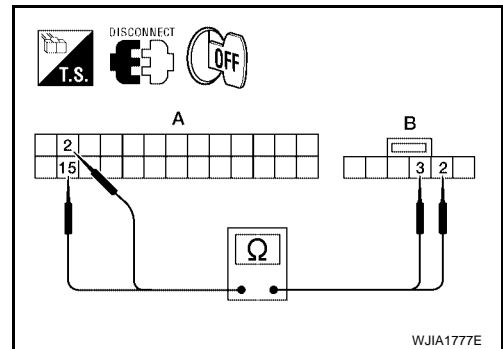
## 9. CHECK PBR REFERENCE VOLTAGE CIRCUIT FOR OPEN

1. Disconnect the defroster door motor harness connector.
2. Check continuity between defroster door motor harness connector (B) M144 terminal 3, 2 and front air control harness connector (A) M49 terminal 2, 15.

**2 - 3 : Continuity should exist.**  
**15 - 2 : Continuity should exist.**

OK or NG

- OK >> Replace defroster door motor. Refer to [ATC-162, "Removal and Installation"](#) .  
NG >> Repair or replace harness as necessary.



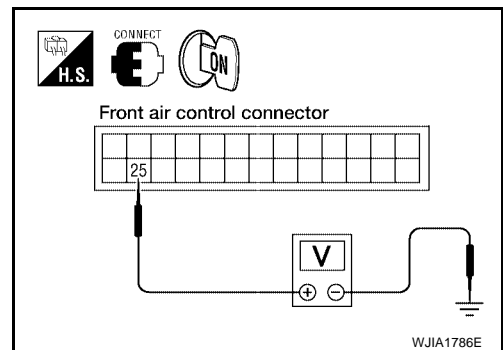
## 10. CHECK PBR FEEDBACK VOLTAGE

1. Reconnect the front air control harness connector.
2. Turn ignition switch ON.
3. Check voltage between front air control harness connector M49 terminal 25 and ground while cycling defroster switch on and off.

**Voltage : Approx. 1V - 4.5V**

OK or NG

- OK >> GO TO 12.  
NG >> GO TO 11.



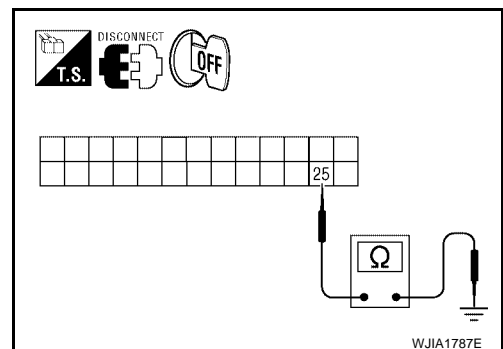
## 11. CHECK PBR FEEDBACK SIGNAL CIRCUIT FOR SHORT TO GROUND

1. Turn ignition switch OFF.
2. Disconnect front air control harness connector.
3. Check continuity between front air control harness connector M49 terminal 25 and ground.

**Continuity should not exist.**

OK or NG

- OK >> Replace front air control. Refer to [ATC-146, "FRONT AIR CONTROL"](#) .  
NG >> Repair or replace harness as necessary.



# TROUBLE DIAGNOSIS

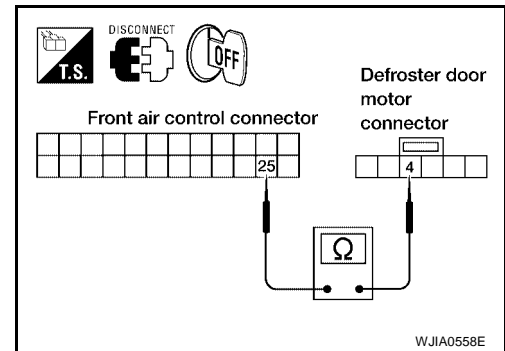
## 12. CHECK PBR FEEDBACK CIRCUIT FOR OPEN

1. Turn ignition switch OFF.
2. Disconnect the defroster door motor harness connector and front air control harness connector.
3. Check continuity between defroster door motor harness connector M144 terminal 4 and front air control harness connector M49 terminal 25

**Continuity should exist.**

OK or NG

- OK >> Replace defroster door motor. Refer to [ATC-162, "Removal and Installation"](#) .
- NG >> Repair or replace harness as necessary.



# TROUBLE DIAGNOSIS

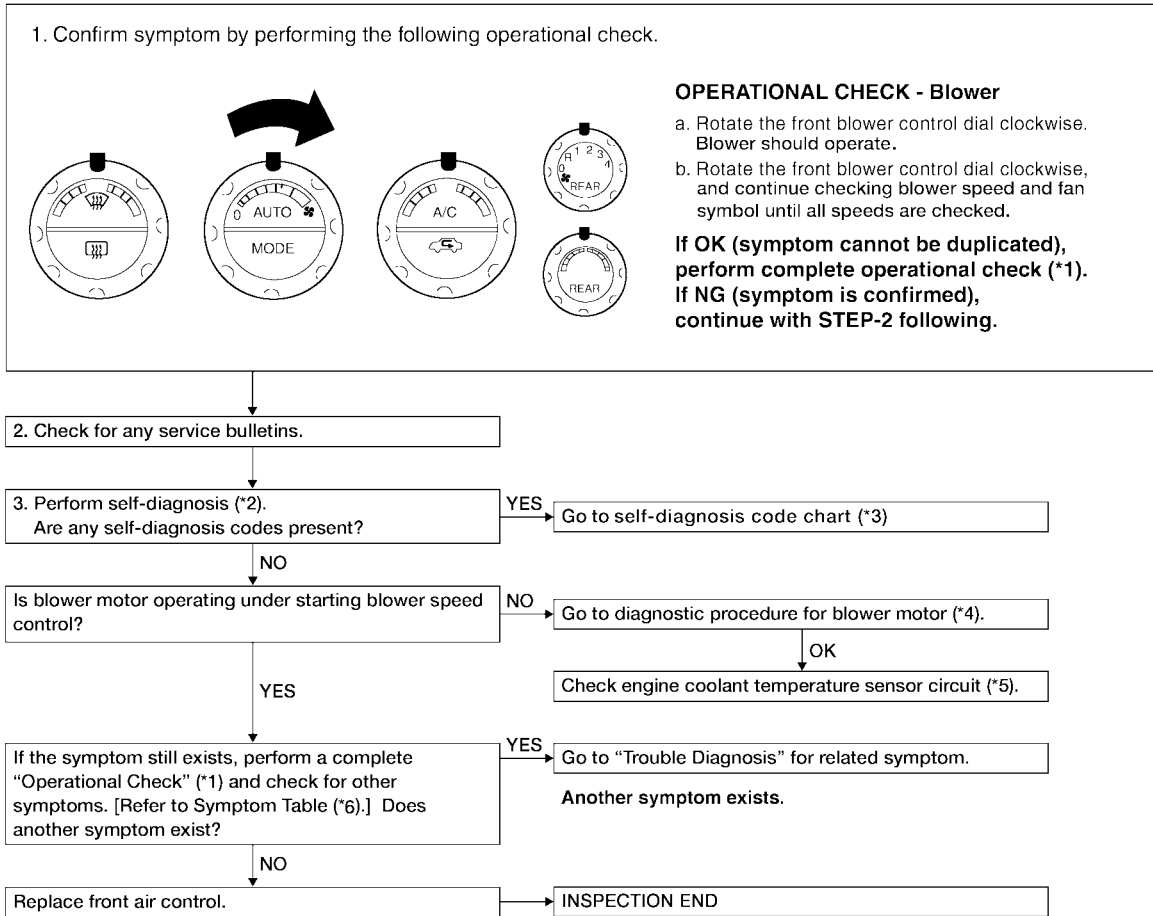
EJS005ZE

## Front Blower Motor Circuit

SYMPTOM:

- Blower motor operation is malfunctioning.

### INSPECTION FLOW



\*1 [ATC-57. "Operational Check \(Front\)"](#)

\*2 [ATC-55. "A/C System Self-diagnosis Function"](#)

\*3 [ATC-56. "SELF-DIAGNOSIS CODE CHART"](#)

\*4 [ATC-95. "DIAGNOSTIC PROCEDURE FOR BLOWER MOTOR"](#)

\*5 [EC-192. "DTC P0117, P0118 ECT SENSOR"](#)

\*6 [ATC-38. "SYMPTOM TABLE"](#)

WJIA1251E

# TROUBLE DIAGNOSIS

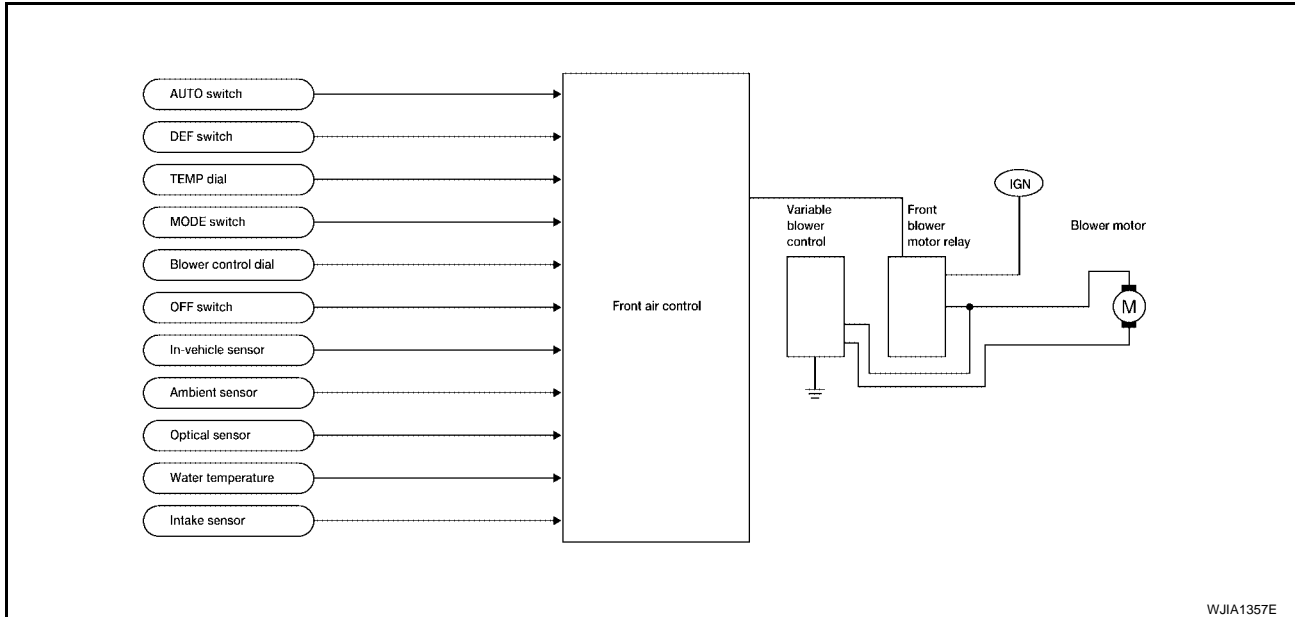
## SYSTEM DESCRIPTION

### Component Parts

Blower speed control system components are:

- Front air control
- Front blower motor
- In-vehicle sensor
- Ambient sensor
- Optical sensor
- Intake sensor

### System Operation



### Automatic Mode

In the automatic mode, the blower motor speed is calculated by the front air control and variable blower control based on input from the in-vehicle sensor, optical sensor, intake sensor and ambient sensor, and potentiometer temperature control (PTC).

When the air flow is increased, the blower motor speed is adjusted gradually to prevent a sudden increase in air flow.

In addition to manual air flow control and the usual automatic air flow control, starting air flow control, low water temperature starting control and high passenger compartment temperature starting control are available.

### Starting Blower Speed Control

Start up from cold soak condition (Automatic mode).

In a cold start up condition where the engine coolant temperature is below 50°C (122°F), the blower will not operate at blower speed 1 for a short period of time (up to 210 seconds). The exact start delay time varies depending on the ambient and engine coolant temperatures.

In the most extreme case (very low ambient temperature) the blower starting delay will be 210 seconds as described above. After the coolant temperature reaches 50°C (122°F), or the 210 seconds has elapsed, the blower speed will increase to the objective blower speed.

Start up from usual operating or hot soak condition (Automatic mode).

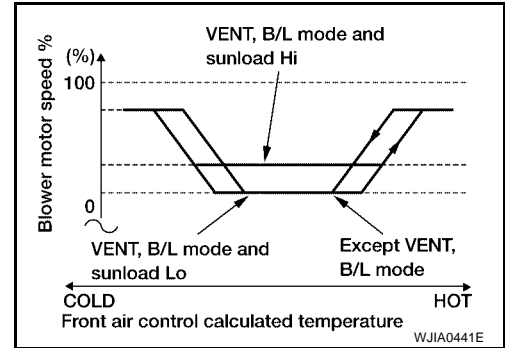
The blower will begin operation momentarily after the AUTO switch is pushed. The blower speed will gradually rise to the objective speed over a time period of 3 seconds or less (actual time depends on the objective blower speed).

# TROUBLE DIAGNOSIS

## Blower Speed Compensation - Sunload

When the in-vehicle temperature and the set temperature are very close, the blower will be operating at low speed. The speed will vary depending on the sunload. During conditions of low or no sunload, the blower operates at low speed. During high sunload conditions, the front air control causes the blower speed to increase.

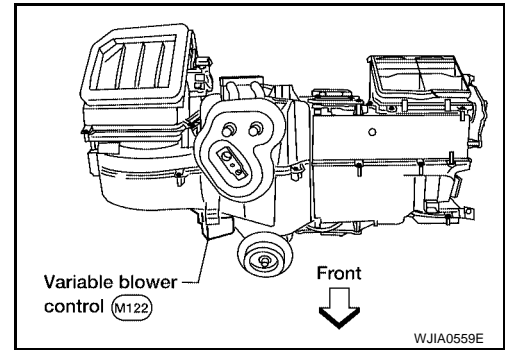
### Blower Speed Control Specification



## COMPONENT DESCRIPTION

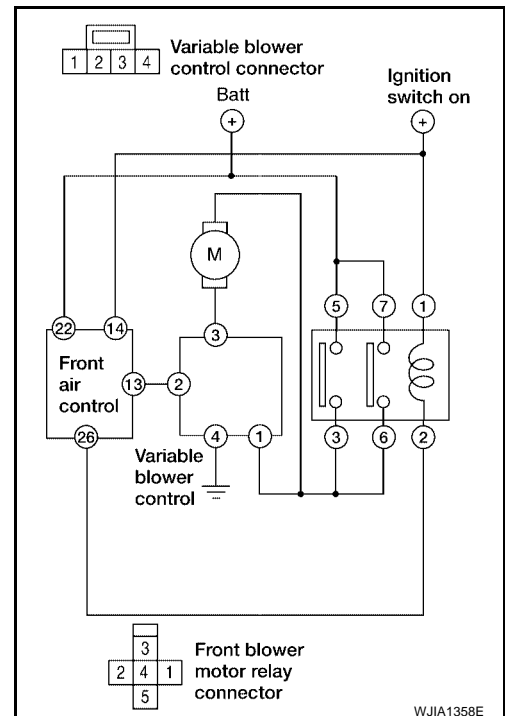
### Variable Blower Control

The variable blower control is located on the cooling unit. The variable blower control receives a gate voltage from the front air control to steplessly maintain the blower motor voltage in the 0 to 5 volt range (approx.).



## DIAGNOSTIC PROCEDURE FOR BLOWER MOTOR

**SYMPTOM:** Blower motor operation is malfunctioning under starting blower speed control.



# TROUBLE DIAGNOSIS

## 1. CHECK FUSES

Check 20A fuses [No. 24 and 27 (Located in the fuse and fusible link box)]. For fuse layout. Refer to [PG-76, "FUSE AND FUSIBLE LINK BOX"](#) .

**Fuses are good.**

OK or NG

- OK >> GO TO 2.
- NG >> GO TO 10.

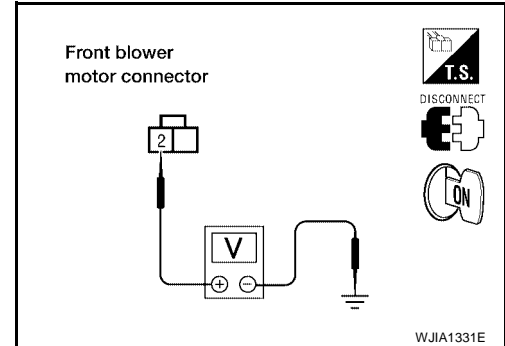
## 2. CHECK FRONT BLOWER MOTOR POWER SUPPLY CIRCUIT

1. Turn ignition switch OFF.
2. Disconnect front blower motor connector.
3. Turn ignition switch ON.
4. Press the mode switch to select any mode except off.
5. Turn the front blower control dial to high.
6. Check voltage between front blower motor harness connector M62 terminal 2 (W/L) and ground.

**2 - Ground : Battery voltage.**

OK or NG

- OK >> GO TO 12.
- NG >> GO TO 3.



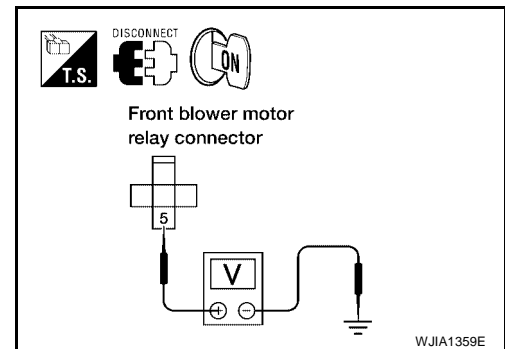
## 3. CHECK FRONT BLOWER MOTOR RELAY (SWITCH SIDE) POWER SUPPLY CIRCUIT

1. Turn ignition switch OFF.
2. Disconnect front blower motor relay.
3. Turn ignition switch ON.
4. Check voltage between front blower motor relay harness connector M107 terminals 5 (G/R) and ground.

**5 - Ground : Battery voltage.**

OK or NG

- OK >> GO TO 4.
- NG >> Repair harness or connector.



## 4. CHECK FRONT BLOWER MOTOR RELAY

Turn ignition switch OFF.  
Refer to [ATC-99, "Front Blower Motor Relay"](#) .

OK or NG

- OK >> GO TO 5.
- NG >> Replace front blower motor relay.



# TROUBLE DIAGNOSIS

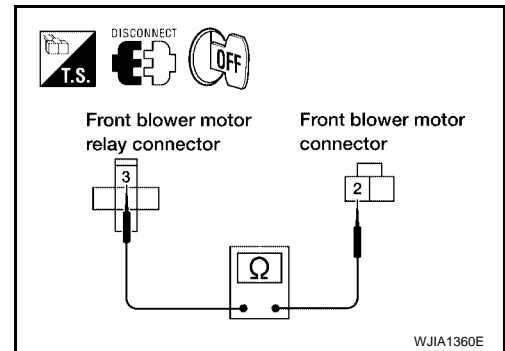
## 5. CHECK FRONT BLOWER MOTOR RELAY (SWITCH SIDE) CIRCUIT FOR OPEN

Check continuity between front blower motor relay harness connector M107 terminal 3 (W/L) and front blower motor harness connector M62 terminal 2 (W/L).

**3 - 2 : Continuity should exist.**

OK or NG

- OK >> GO TO 6.
- NG >> Repair harness or connector.



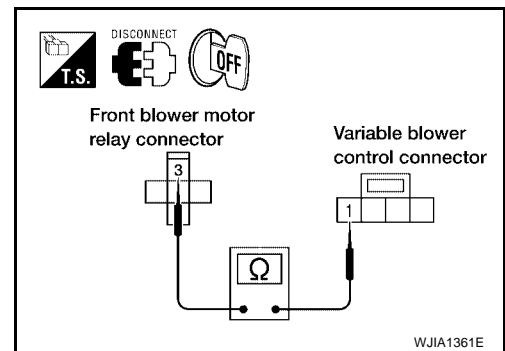
## 6. CHECK VARIABLE BLOWER CONTROL POWER SUPPLY CIRCUIT FOR OPEN

1. Disconnect variable blower control harness connector.
2. Check continuity between front blower motor relay harness connector M107 terminals 3 (W/L) and variable blower control harness connector M122 terminal 1 (W/L).

**3 - 1 : Continuity should exist.**

OK or NG

- OK >> GO TO 7.
- NG >> Repair harness or connector.



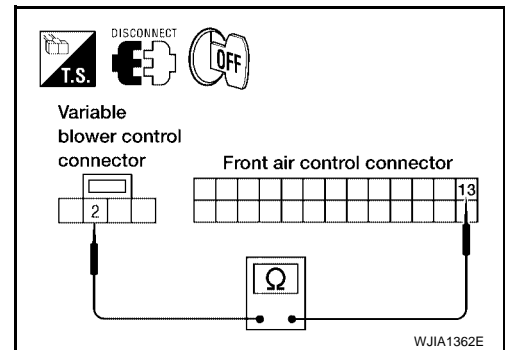
## 7. CHECK VARIABLE BLOWER CONTROL SIGNAL CIRCUIT

1. Disconnect front air control connector.
2. Check continuity between front air control harness connector M49 terminal 13 (G/R) and variable blower control harness connector M122 terminal 2 (G/R).

**13 - 2 : Continuity should exist.**

OK or NG

- OK >> GO TO 8.
- NG >> Repair harness or connector.



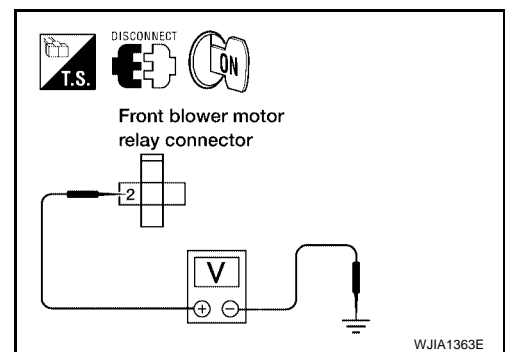
## 8. CHECK FRONT BLOWER MOTOR RELAY (COIL SIDE) POWER SUPPLY

1. Turn ignition switch ON.
2. Check voltage between front blower motor relay harness connector M107 terminal 2 (Y/G) and ground.

**2 - Ground : Battery voltage.**

OK or NG

- OK >> GO TO 9.
- NG >> Repair harness or connector.



# TROUBLE DIAGNOSIS

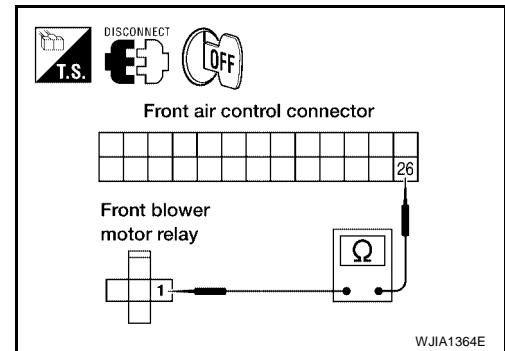
## 9. CHECK FRONT BLOWER MOTOR RELAY (COIL SIDE) GROUND CIRCUIT

1. Turn ignition switch OFF.
2. Check continuity between front blower motor relay connector M107 terminal 1 (R/B) and front air control harness connector M49 terminal 26 (R/B).

**1 - 26** : Continuity should exist.

### OK or NG

- OK >> Replace front air control. Refer to [ATC-146, "FRONT AIR CONTROL"](#) .
- NG >> Repair harness or connector.



## 10. REPLACE FUSES

1. Replace fuses.
2. Activate the front blower motor.
3. Do fuses blow?

### YES or NO

- YES >> GO TO 11.
- NO >> Inspection End.

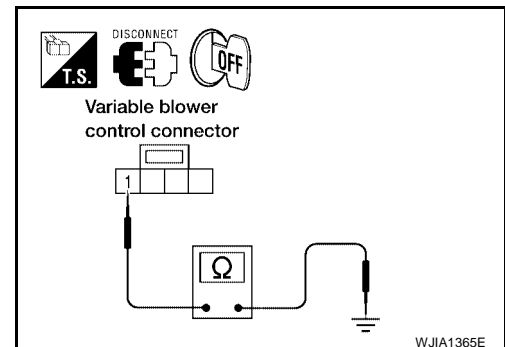
## 11. CHECK FRONT BLOWER MOTOR POWER SUPPLY CIRCUIT FOR SHORT

1. Turn ignition switch OFF.
2. Disconnect front blower motor connector and variable blower control connector.
3. Check continuity between variable blower control harness connector M122 terminal 1 (W/L) and ground.

**1 - Ground.** : Continuity should not exist.

### OK or NG

- OK >> GO TO 12.
- NG >> Repair harness or connector.



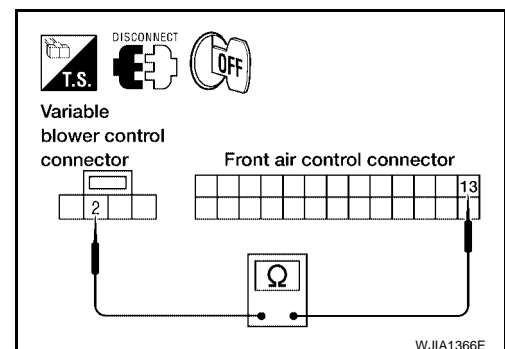
## 12. CHECK VARIABLE BLOWER CONTROL SIGNAL CIRCUIT

1. Disconnect front air control connector.
2. Check continuity between front air control harness connector M49 terminal 13 (G/R) and variable blower control harness connector M122 terminal 2 (G/R).

**13 - 2** : Continuity should exist.

### OK or NG

- OK >> GO TO 13.
- NG >> Repair harness or connector.



## 13. CHECK FRONT BLOWER MOTOR

Refer to [ATC-99, "Front Blower Motor"](#) .

### OK or NG

- OK >> GO TO 14.
- NG >> Replace front blower motor.

# TROUBLE DIAGNOSIS

## 14. CHECK BLOWER MOTOR GROUND CIRCUIT

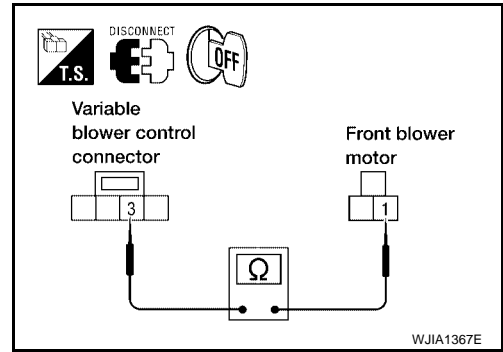
Check continuity between front blower motor harness connector M62 terminal 1 (L/W) and variable blower control harness connector M122 terminal 3 (L/W).

**1 - 3 : Continuity should exist.**

OK or NG

OK >> GO TO 15.

NG >> Repair harness or connector.



## 15. CHECK VARIABLE BLOWER CONTROL GROUND CIRCUIT

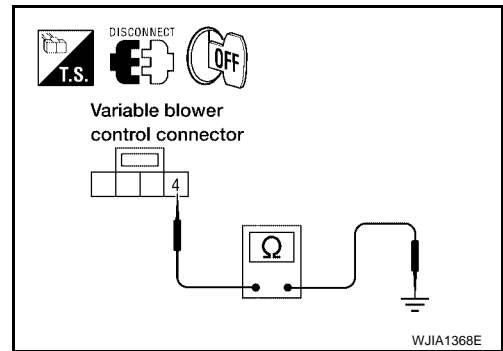
Check continuity between variable blower control harness connector M122 terminal 4 (B/W) and ground.

**4 - ground : Continuity should exist.**

OK or NG

OK >> Replace variable blower control. Refer to [ATC-167](#), "[VARIABLE BLOWER CONTROL](#)".

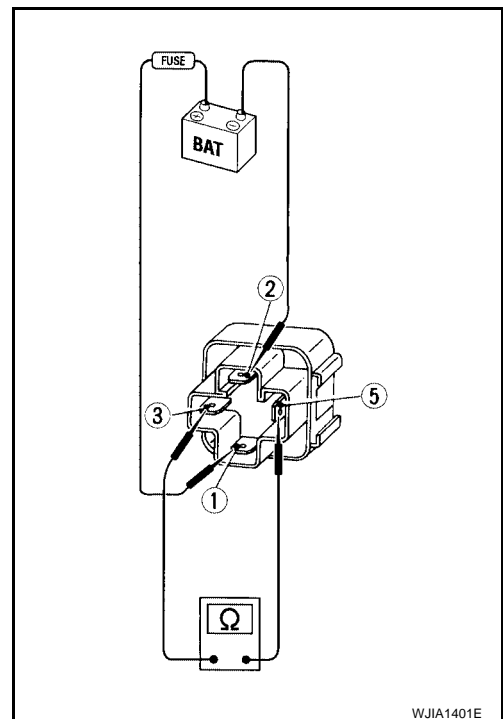
NG >> Repair harness or connector.



## COMPONENT INSPECTION

### Front Blower Motor Relay

Check continuity between terminals by supplying 12 volts and ground to coil side terminals of relay.



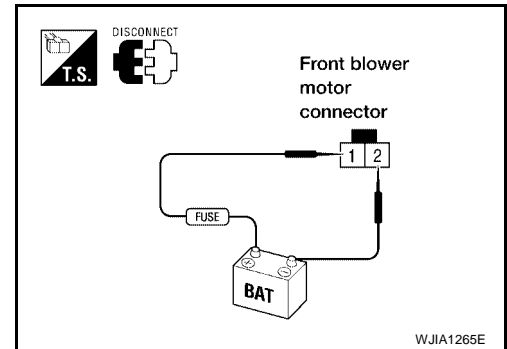
### Front Blower Motor

Confirm smooth rotation of the blower motor.

- Ensure that there are no foreign particles inside the blower unit.

## TROUBLE DIAGNOSIS

- Apply 12 volts to terminal + and ground to terminal - and verify that the motor operates freely and quietly.



# TROUBLE DIAGNOSIS

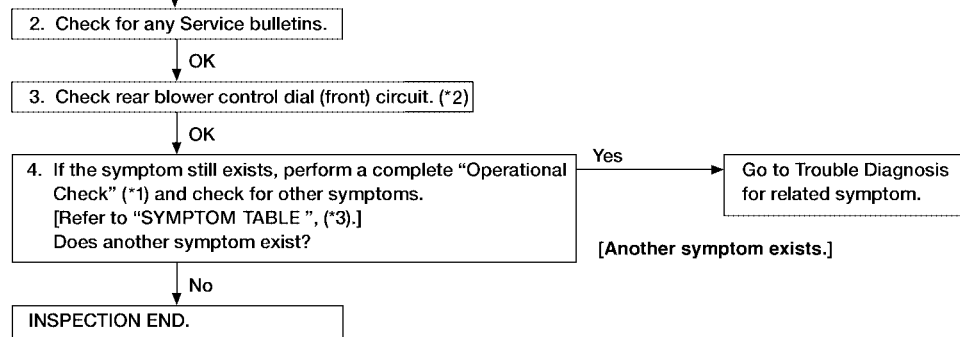
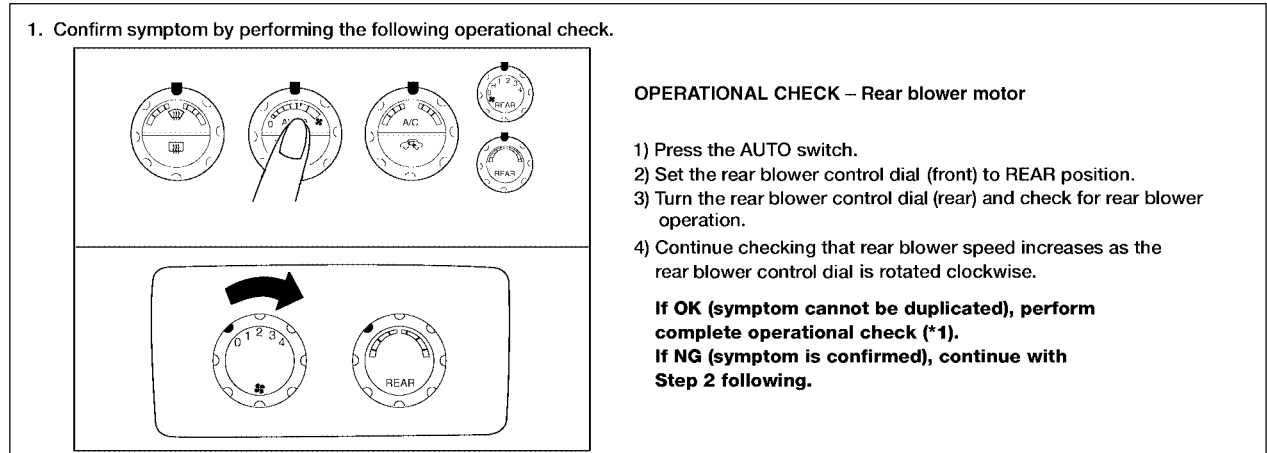
EJS005ZF

## Rear Blower Motor Circuit

SYMPTOM:

- Blower motor operation is malfunctioning.

### INSPECTION FLOW



\*1 [ATC-60, "Operational Check \(Rear\)"](#)

\*2 [ATC-102, "Rear Blower Switch \(Rear\) Circuit"](#)

\*3 [ATC-38, "SYMPTOM TABLE"](#)

WJIA1266E

# TROUBLE DIAGNOSIS

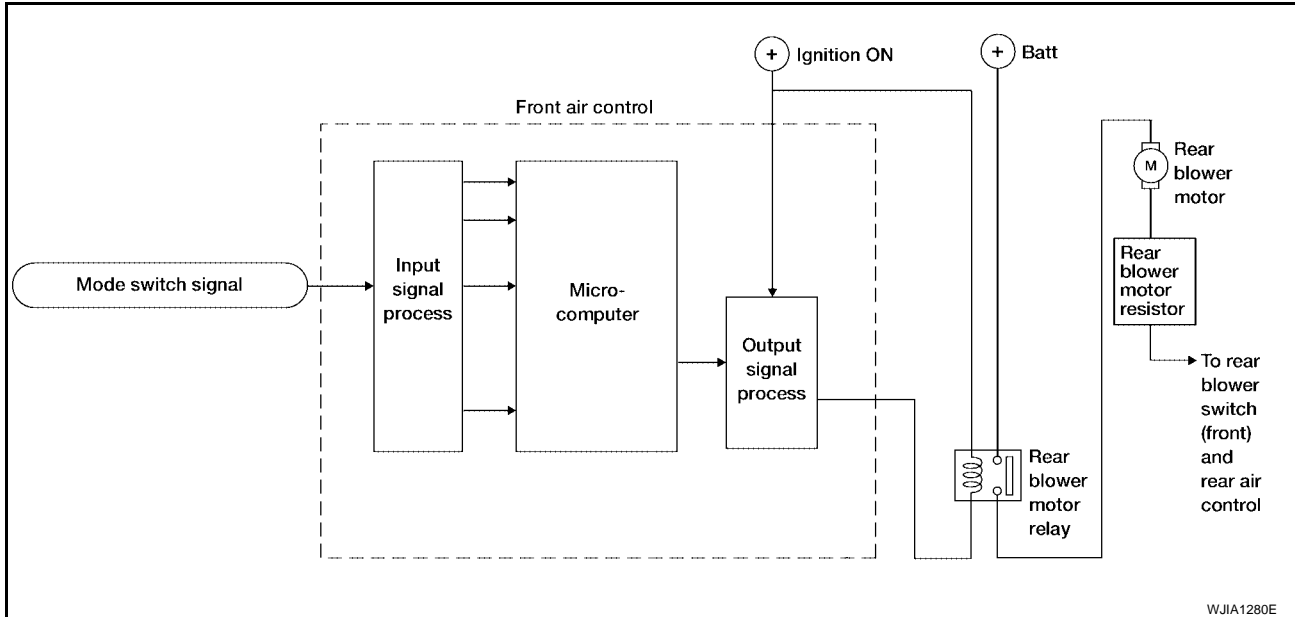
## SYSTEM DESCRIPTION

### Component Parts

Rear blower speed control system components are:

- Front air control
- Rear blower switch (front)
- Rear air control
- Rear blower motor resistor
- Rear blower motor
- Rear blower motor relay

### System Operation



### Rear Blower Control

When the rear blower control dial (front) is in the OFF position, the rear blower motor cannot operate. When the rear blower control dial (front) is in the REAR position, it allows the rear blower switch (rear) to control the rear blower motor speed. In any other position (1-4), the rear blower switch (front) controls the rear blower motor speed regardless of the rear blower switch (rear) position.

## DIAGNOSTIC PROCEDURE FOR REAR BLOWER MOTOR

### Rear Blower Switch (Rear) Circuit

SYMPTOM:

- Rear blower motor does not rotate when rear blower switch (front) is set to REAR position and the rear blower switch (rear) is set at 1-4 speed.

### 1. CHECK REAR BLOWER MOTOR OPERATION

Blower motor rotates normally when rear blower control dial (front) is set at 1 - 4 speed.

OK or NG

OK >> GO TO 2.

NG >> Refer to [ATC-104, "Trouble Diagnosis Procedure For Rear Blower Motor \(1 - 4 Speed\)"](#) .

### 2. CHECK REAR BLOWER SWITCH (FRONT)

Refer to [ATC-110, "Rear Blower Switch \(Front\)"](#) .

OK or NG

OK >> GO TO 3.

NG >> Replace rear blower switch (front). Refer to [ATC-146, "FRONT AIR CONTROL"](#) .

# TROUBLE DIAGNOSIS

## 3. CHECK REAR AIR CONTROL

Refer to [ATC-102, "Rear Blower Switch \(Rear\) Circuit"](#) .

OK or NG

OK >> GO TO 4.

NG >> Replace rear blower switch (rear). Refer to [ATC-146, "REAR AIR CONTROL"](#) .

## 4. CHECK CIRCUIT CONTINUITY

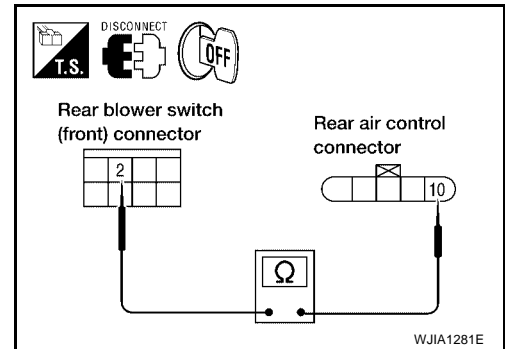
1. Turn ignition switch OFF.
2. Disconnect rear blower switch (front) connector and rear air control connector.
3. Check continuity between rear blower switch (front) harness connector M52 terminal 2 (BR) and rear blower switch (rear) harness connector R208 terminal 10 (BR).

**2 - 10 : Continuity should exist.**

OK or NG

OK >> Inspection End.

NG >> Repair harness or connector.



A  
B  
C  
D  
E  
F  
G  
H  
I  
K  
L  
M

ATC

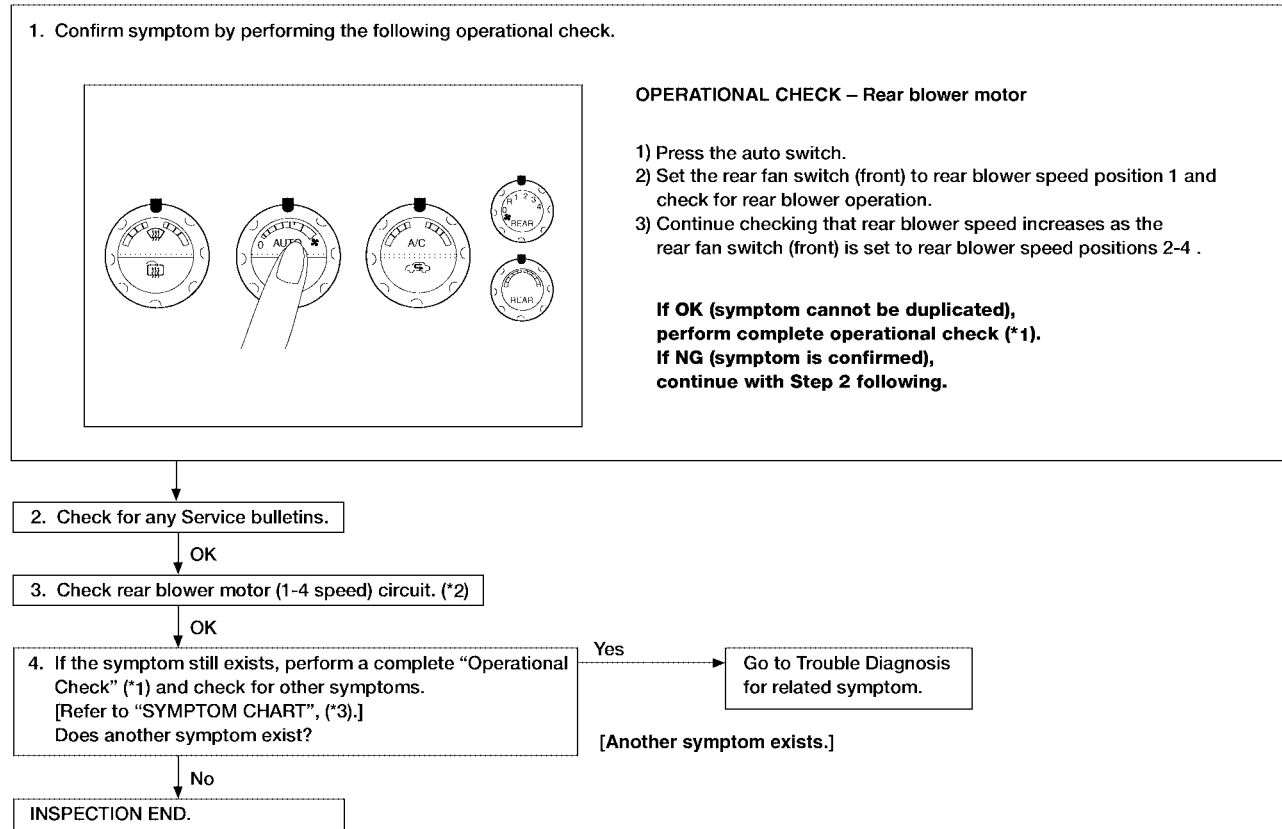
# TROUBLE DIAGNOSIS

## Trouble Diagnosis Procedure For Rear Blower Motor (1 - 4 Speed)

SYMPTOM:

- Rear blower motor does not rotate when rear blower control dial (front) is set at 1 - 4 speed.

### Inspection Flow



\*1 [ATC-60. "Operational Check \(Rear\)"](#) \*2 [ATC-104. "Trouble Diagnosis Procedure For Rear Blower Motor \(1 - 4 Speed\)"](#) \*3 [ATC-38. "SYMPTOM TABLE"](#)

WJIA1058E



# TROUBLE DIAGNOSIS

## 1. DIAGNOSTIC PROCEDURE

Blower motor rotates normally at each speed.

OK or NG

- OK >> Inspection End.
- NG >> 1. Does not rotate at any speed, GO TO 2.
- 2. Does not rotate at 1 - 3 speed, GO TO 13.
- 3. Does not rotate at 4 speed, GO TO 18.

## 2. CHECK FUSES

Check 15A fuses [Nos. 10 and 11, located in the fuse block (J/B)]. Refer to [PG-75, "FUSE BLOCK-JUNCTION BOX\(J/B\)"](#) .

OK or NG

- OK >> GO TO 3.
- NG >> GO TO 8.

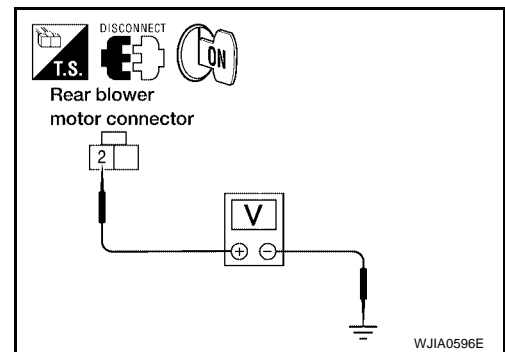
## 3. CHECK REAR BLOWER MOTOR POWER SUPPLY

1. Turn ignition switch OFF.
2. Disconnect rear blower motor connector.
3. Select any rear blower speed except OFF.
4. Turn ignition switch ON.
5. Check voltage between rear blower motor harness connector B134 terminal 2 (L/R) and ground.

**2 - Ground : Battery voltage.**

OK or NG

- OK >> GO TO 11.
- NG >> GO TO 4.



## 4. CHECK REAR BLOWER MOTOR RELAY

Turn ignition switch OFF.  
Refer to [ATC-110, "Rear Blower Motor Relay"](#) .

OK or NG

- OK >> GO TO 5.
- NG >> Replace rear blower motor relay.

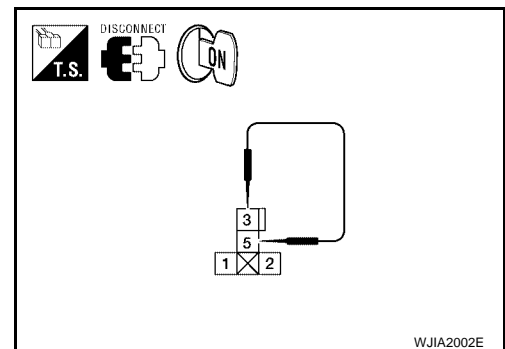
## 5. CHECK REAR BLOWER MOTOR POWER FROM RELAY TO REAR BLOWER MOTOR

1. Reconnect rear blower motor connector.
2. Disconnect rear blower motor relay J-1.
3. Turn ignition switch ON.
4. Set rear blower switch (front) to any position except OFF, REAR, or 4 - speed.
5. Momentarily (no more than 4 seconds), connect a jumper wire between rear blower motor relay connector J-1 (harness side) terminals 3 and 5.

**Rear blower motor should rotate.**

OK or NG

- OK >> GO TO 6.
- NG >> GO TO 10.



# TROUBLE DIAGNOSIS

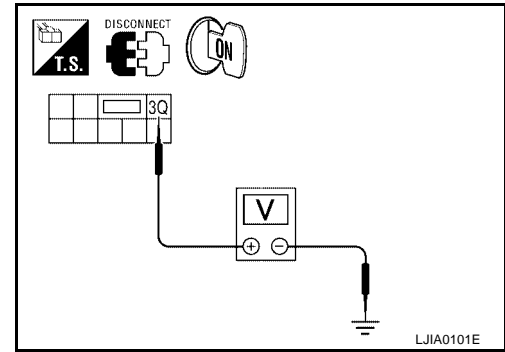
## 6. CHECK REAR BLOWER MOTOR RELAY (COIL SIDE) POWER SUPPLY CIRCUIT

1. Turn ignition switch OFF.
2. Disconnect fuse block (J/B) connector.
3. Turn ignition switch ON.
4. Set rear blower switch (front) to any position except OFF, REAR, or 4 - speed.
5. Check voltage between fuse block (J/B) harness connector M39 terminal 3Q (W/L) and ground.

**3Q - Ground** : **Battery voltage.**

OK or NG

- OK >> GO TO 7.  
NG >> GO TO 20.



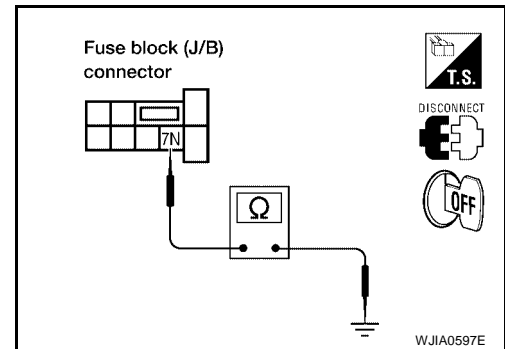
## 7. CHECK REAR BLOWER MOTOR RELAY (COIL SIDE) GROUND CIRCUIT

1. Turn ignition switch OFF.
2. Check continuity between fuse block (J/B) harness connector M3 terminal 7N (B) and ground.

**7N - Ground** : **Continuity should exist.**

OK or NG

- OK >> Replace fuse block (J/B).  
NG >> Repair harness or connector.



## 8. REPLACE FUSE

Refer to [PG-75, "FUSE BLOCK-JUNCTION BOX\(J/B\)"](#)

Fuse should not open when rear blower motor is activated.

OK or NG

- OK >> Inspection End.  
NG >> GO TO 9.

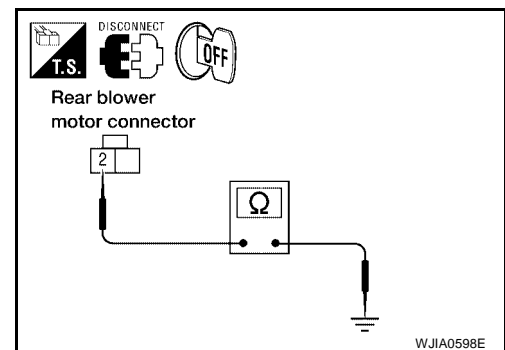
## 9. CHECK REAR BLOWER MOTOR POWER SUPPLY CIRCUIT FOR SHORT

1. Turn ignition switch OFF.
2. Disconnect battery cables and rear blower motor connector.
3. Check continuity between rear blower motor harness connector B134 terminal 2 (L/R) and ground.

**2 - Ground** : **Continuity should not exist.**

OK or NG

- OK >> Check rear blower motor. Refer to [ATC-99, "Front Blower Motor"](#) .  
NG >> Repair harness or connector.



# TROUBLE DIAGNOSIS

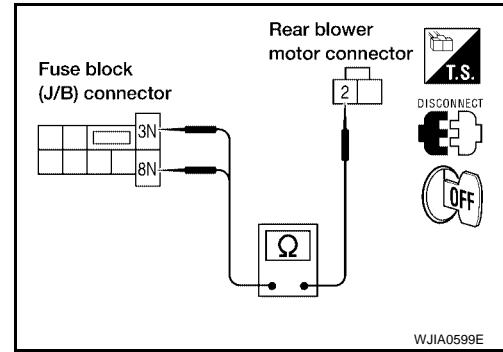
## 10. CHECK REAR BLOWER MOTOR RELAY (SWITCH SIDE) POWER SUPPLY CIRCUIT

1. Turn ignition switch OFF.
2. Disconnect fuse block (J/B) and rear blower motor connectors.
3. Check continuity between fuse block (J/B) harness connector M3 terminal 3N (SB) and 8N (L/R) and rear blower motor harness connector B134 terminal 2 (L/R).

**3N, 8N - 2 : Continuity should exist.**

OK or NG

- OK >> GO TO 20.  
 NG >> Repair harness or connector.



## 11. CHECK REAR BLOWER MOTOR

Refer to [ATC-99, "Front Blower Motor"](#) .

OK or NG

- OK >> GO TO 12.  
 NG >> Replace rear blower motor. refer to [ATC-152, "REAR BLOWER MOTOR"](#)

## 12. CHECK REAR BLOWER SWITCH (FRONT)

Refer to [ATC-110, "Rear Blower Switch \(Front\)"](#) .

OK or NG

- OK >> GO TO 15.  
 NG >> Replace rear blower switch (front). Refer to [ATC-146, "FRONT AIR CONTROL"](#)

## 13. CHECK REAR BLOWER MOTOR RESISTOR

Refer to [ATC-111, "Rear Blower Motor Resistor"](#) .

OK or NG

- OK >> GO TO 14.  
 NG >> Replace rear blower motor resistor. Refer to [ATC-168, "REAR BLOWER MOTOR RESISTOR"](#)

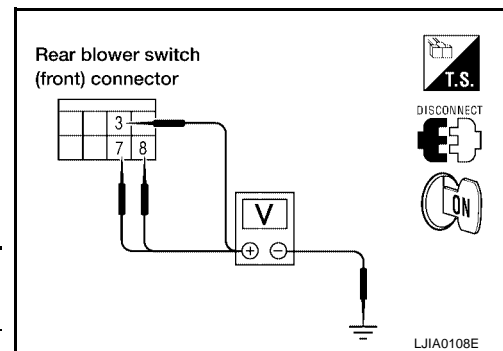
## 14. CHECK REAR BLOWER SWITCH (FRONT) CIRCUIT

1. Turn ignition switch OFF.
2. Disconnect rear blower switch (front) M52.
3. Turn ignition switch ON.
4. Reconnect rear blower motor resistor harness connector B133.
5. Check voltage between each rear blower switch (front) connector M52 terminals 3 (LG), 7 (W/L), and 8 (G), and ground.

| Terminal No. |        | Voltage     |
|--------------|--------|-------------|
| (+)          | (-)    |             |
| 3            | Ground | Approx. 12V |
| 7            |        |             |
| 8            |        |             |

OK or NG

- OK >> GO TO 17.  
 NG >> GO TO 16.



# TROUBLE DIAGNOSIS

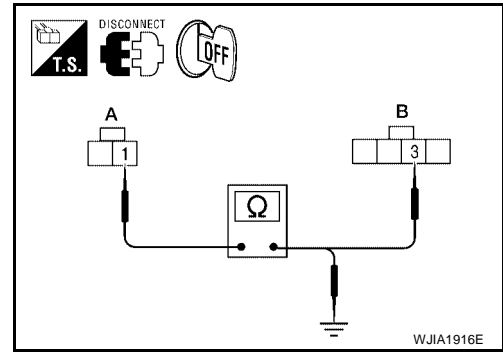
## 15. CHECK REAR BLOWER MOTOR GROUND CIRCUIT TO REAR BLOWER MOTOR RESISTOR

1. Turn ignition switch OFF.
2. Disconnect rear blower motor (A) and rear blower motor resistor (B) connectors.
3. Check continuity between rear blower motor connector B134 (A) terminal 1 (L/B) and rear blower motor resistor harness connector B133 (B) terminal 3 (L/B).

**1 - 3 : Continuity should exist.**

4. Check continuity between rear blower motor connector B134 (A) terminal 1 (L/B) and ground.

**1 - Ground : Continuity should not exist.**



**OK or NG**

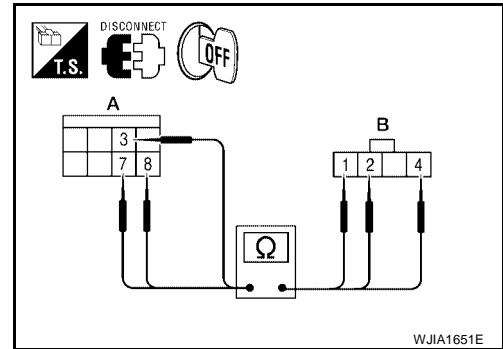
OK >> GO TO 16.

NG >> Repair harness or connector.

## 16. CHECK REAR BLOWER SWITCH (FRONT) CIRCUIT

1. Turn ignition switch OFF.
2. Disconnect rear blower motor resistor (B) connector.
3. Check continuity between rear blower switch (front) connector M52 (A) terminals 3 (LG), 7 (W/L), and 8 (G), and rear blower motor resistor connector B133 (B) terminals 1 (LG), 4 (W/L), and 2 (G).

| Terminal No.               |                            | Continuity   |
|----------------------------|----------------------------|--------------|
| Rear blower switch (front) | Rear blower motor resistor |              |
| 3                          | 1                          | Should exist |
| 7                          | 4                          |              |
| 8                          | 2                          |              |



**OK or NG**

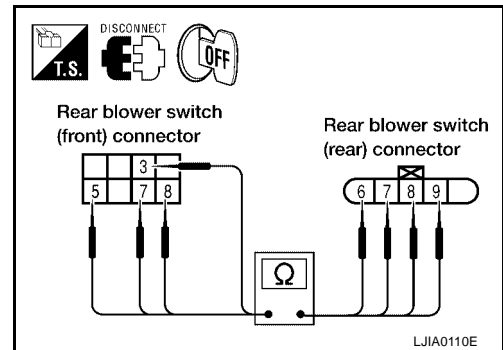
OK >> Inspection End.

NG >> Repair harness or connector.

## 17. CHECK REAR BLOWER SWITCH (FRONT) CIRCUIT

1. Turn ignition switch OFF.
2. Disconnect rear blower switch (rear) connectors.
3. Check continuity between rear blower switch (front) connector M52 terminals 3 (LG), 5 (L/B), 7 (W/L), and 8 (G), and rear blower switch (rear) connector R208 terminals 9 (LG), 6 (L/B), 8 (W/L), and 7 (G).

| Terminal No.               |                           | Continuity   |
|----------------------------|---------------------------|--------------|
| Rear blower switch (front) | Rear blower switch (rear) |              |
| 3                          | 9                         | Should exist |
| 5                          | 6                         |              |
| 7                          | 8                         |              |
| 8                          | 7                         |              |



**OK or NG**

OK >> GO TO 18.

NG >> Repair harness or connector.

# TROUBLE DIAGNOSIS

## 18. CHECK REAR BLOWER SWITCH (FRONT)

Refer to [ATC-110, "Rear Blower Switch \(Front\)"](#) .

OK or NG

OK >> GO TO 19.

NG >> Replace rear blower switch (front). Refer to [ATC-146, "FRONT AIR CONTROL"](#)

## 19. CHECK REAR BLOWER SWITCH (REAR)

Refer to [ATC-110, "Rear Blower Switch \(Rear\)"](#) .

OK or NG

OK >> Inspection End.

NG >> Replace rear blower switch (rear). Refer to [ATC-146, "REAR AIR CONTROL"](#)

## 20. CHECK CIRCUIT BETWEEN FRONT AIR CONTROL AND FUSE BLOCK (J/B) [REAR BLOWER MOTOR RELAY (COIL SIDE) POWER]

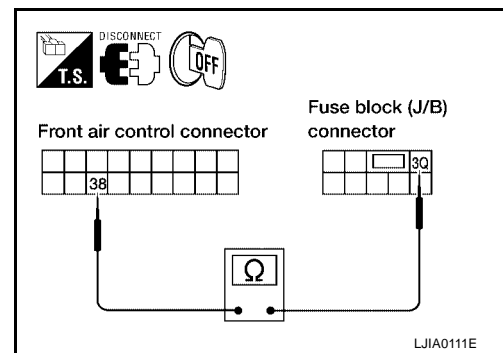
1. Disconnect front air control and fuse block (J/B) connectors M39.
2. Check continuity between front air control harness connector M50 terminal 38 (W/L) and fuse block (J/B) connector M39 terminal 3Q (W/L).

**Continuity should exist.**

OK or NG

OK >> Replace front air control. Refer to [ATC-146, "FRONT AIR CONTROL"](#) .

NG >> Repair harness or connector.



A  
B  
C  
D  
E  
F  
G  
H  
I  
K  
L  
M

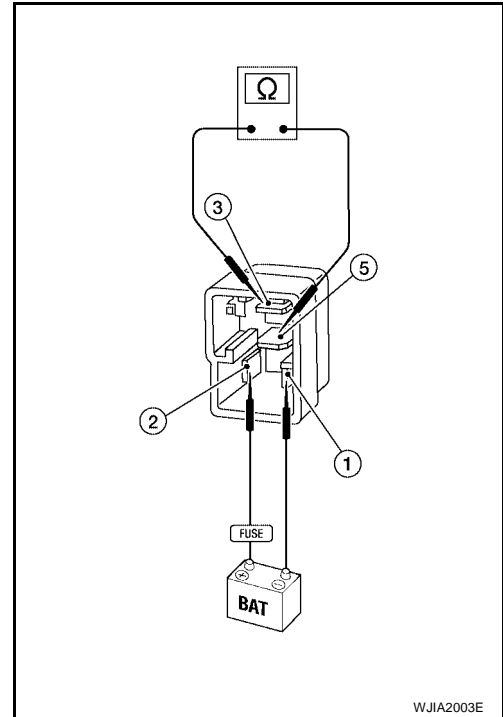
ATC

# TROUBLE DIAGNOSIS

## COMPONENT INSPECTION

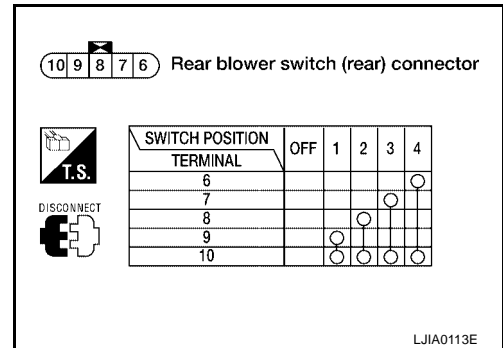
### Rear Blower Motor Relay

Check circuit continuity between terminals 3 and 5 by supplying 12 volts and ground to coil side terminals 1 and 2 of relays.



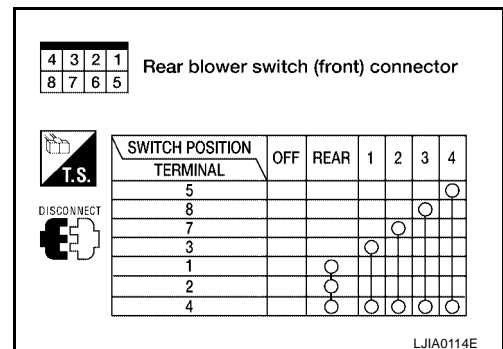
### Rear Blower Switch (Rear)

Check continuity between terminals at each switch position.



### Rear Blower Switch (Front)

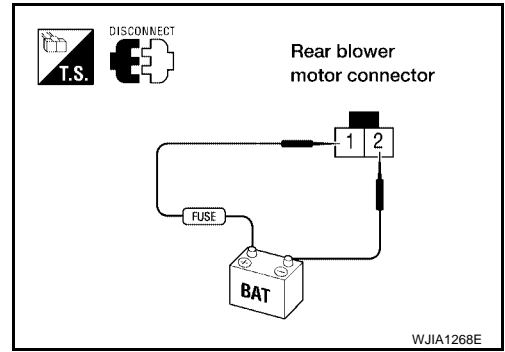
Check continuity between terminals at each switch position.



# TROUBLE DIAGNOSIS

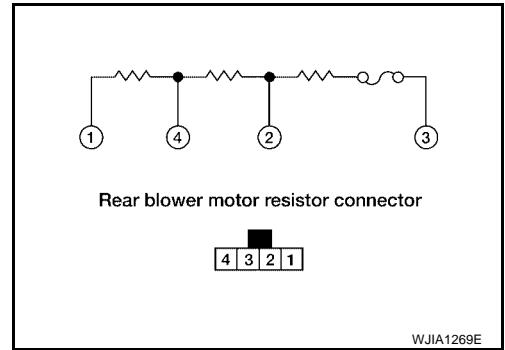
## Rear Blower Motor

Check that there are no foreign particles inside the intake unit.  
Apply 12 volts to terminal 2 and ground to terminal 1 and ensure that the blower motor rotates freely and quietly.



## Rear Blower Motor Resistor

Check continuity between terminals. There will be resistance, but there should not be an open or short between any two terminals.



A  
B  
C  
D  
E  
F  
G  
H  
I  
K  
L  
M

ATC

# TROUBLE DIAGNOSIS

EJS005ZG

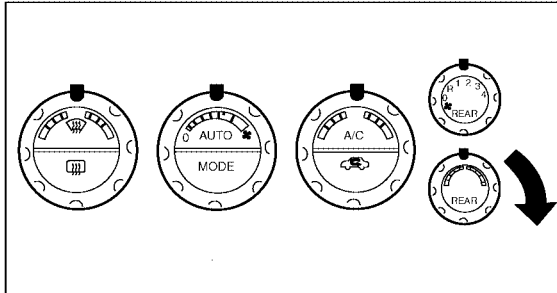
## Rear Air Control Circuit

### SYMPTOM:

- Temperature cannot be adjusted from the rear air control.

### INSPECTION FLOW

1. Confirm symptom by performing the following operational check.



#### OPERATIONAL CHECK

##### Temperature increase

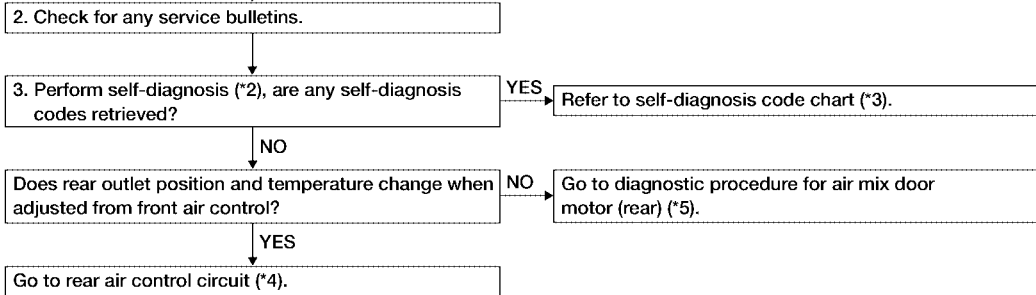
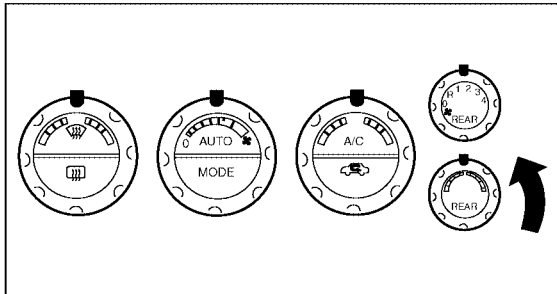
- Press AUTO button (Rear blower only operates when front blower is on).
- Turn the temperature control dial clockwise.
- Check for hot air at rear foot discharge air outlets.

##### Temperature decrease

- Turn the temperature control dial counterclockwise.
- Check for cold air at rear vent discharge air outlets.

If OK (symptom cannot be duplicated), perform complete operational check (\*1).

If NG (symptom is confirmed), continue with STEP-2 following.



\*1 [ATC-60. "Operational Check \(Rear\)"](#) ATC-60. "Operational Check (Rear)".

\*4 [ATC-113. "DIAGNOSTIC PROCEDURE FOR REAR AIR CONTROL"](#).

\*2 [ATC-55. "A/C System Self-diagnosis Function"](#).

\*5 [ATC-79. "DIAGNOSTIC PROCEDURE FOR AIR MIX DOOR MOTOR \(REAR\)"](#).

\*3 [ATC-56. "SELF-DIAGNOSIS CODE CHART"](#).

WJIA1270E



# TROUBLE DIAGNOSIS

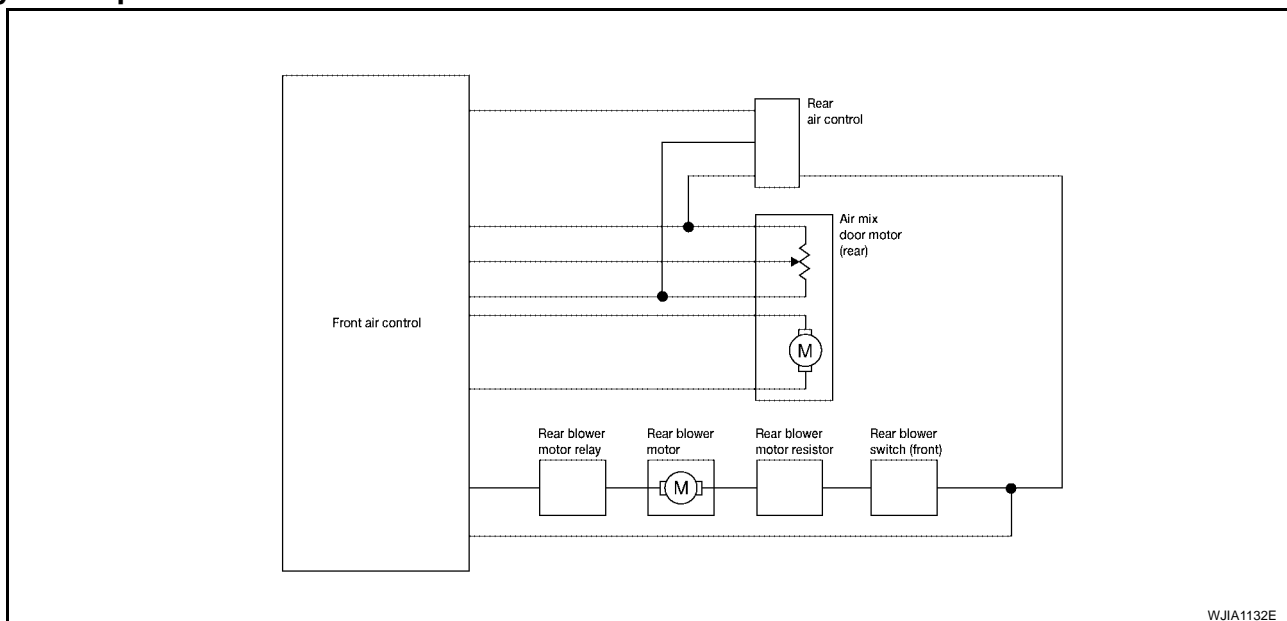
## SYSTEM DESCRIPTION

### Component Parts

Rear air control system components are:

- Front air control
- Rear air control
- Air mix door motor (rear)
- Rear blower motor relay
- Rear blower motor resistor
- Rear blower motor

### System Operation



### Rear Air Control

When the rear blower switch (front) (integral to the front air control) is in the REAR position the rear blower motor speeds and the rear temperature and mode are controlled by the rear blower switch (rear) and the rear temperature switch (rear) (both integral to the rear air control).

### DIAGNOSTIC PROCEDURE FOR REAR AIR CONTROL

SYMPTOM:

- Blower motor operation is malfunctioning. Refer to [ATC-101, "Rear Blower Motor Circuit"](#) .
- Temperature and mode operation is malfunctioning.

#### 1. CHECK OPERATION FROM FRONT AIR CONTROL

Does rear temperature and mode operate normally from front air control?

YES or NO

YES >> GO TO 2.

NO >> Refer to [ATC-79, "DIAGNOSTIC PROCEDURE FOR AIR MIX DOOR MOTOR \(REAR\)"](#) .

## TROUBLE DIAGNOSIS

### 2. CHECK CIRCUIT BETWEEN REAR AIR CONTROL AND FRONT AIR CONTROL FOR OPEN AND SHORT

1. Turn ignition switch OFF.
2. Disconnect front air control and rear air control connectors.
3. Check continuity between front air control harness connector M50 terminal 33 (V) and rear air control harness connector R209 terminal 5 (V).

**33 - 5**

**Continuity should exist.**

4. Check continuity between rear air control harness connector R209 terminal 5 (V) and ground.

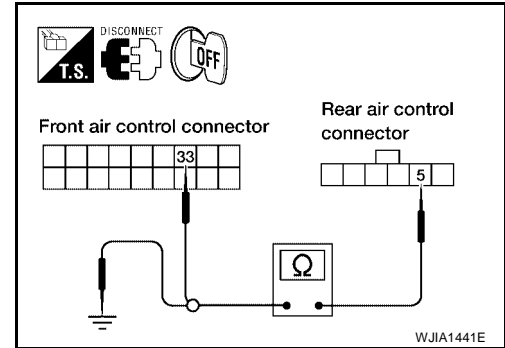
**5 - Ground**

**Continuity should not exist.**

OK or NG

OK >> GO TO 3.

NG >> Repair harness or connector.



### 3. CHECK CIRCUIT BETWEEN REAR AIR CONTROL AND AIR MIX DOOR MOTOR (REAR) FOR OPEN OR SHORT

1. Disconnect air mix door motor (rear) connector.
2. Check continuity between rear air control harness connector R209 terminal 2 (P) and 4 (Y) and air mix door motor (rear) harness connector B155 terminal 2 (P) and 3 (Y).

**2 - 2**

**Continuity should exist.**

**4 - 3**

**Continuity should exist.**

3. Check continuity between rear air control harness connector R209 terminals 2 (P) and 4 (Y) and ground.

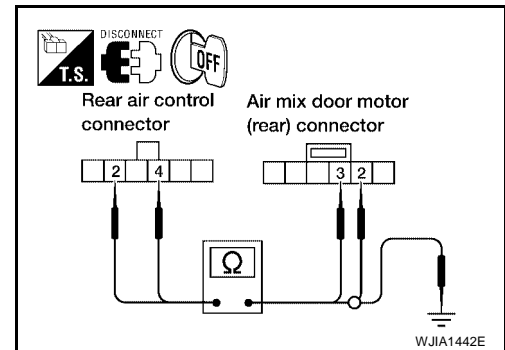
**2, 4 - Ground**

**Continuity should not exist.**

OK or NG

OK >> Replace rear air control.

NG >> Repair harness or connector.



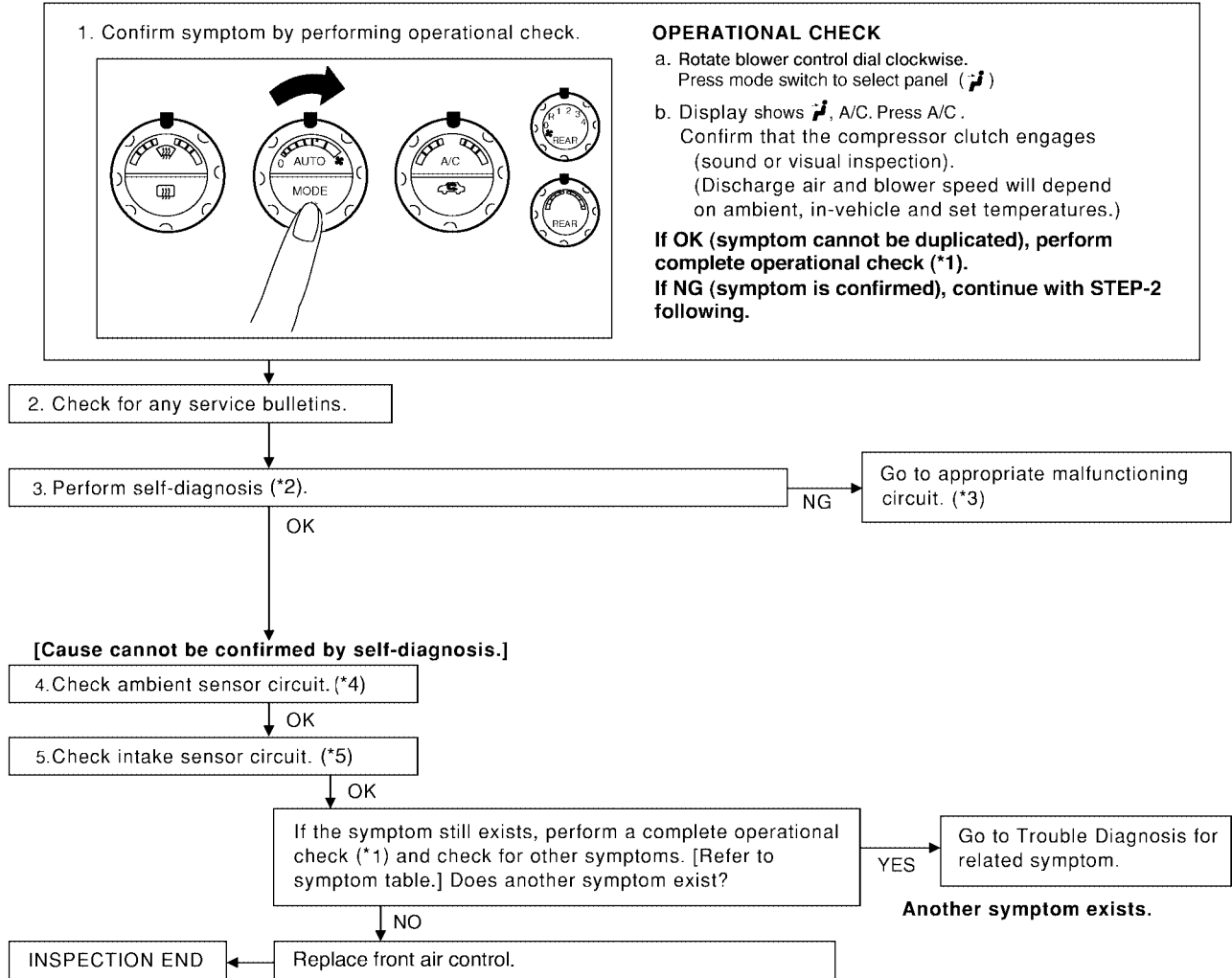
# TROUBLE DIAGNOSIS

EJS005ZH

## Magnet Clutch Circuit

SYMPTOM: Magnet clutch does not engage.

### INSPECTION FLOW



\*1 [ATC-57. "Operational Check \(Front\)"](#)

\*2 [ATC-55. "A/C System Self-diagnosis Function"](#)

\*3 [ATC-56. "SELF-DIAGNOSIS CODE CHART"](#)

\*4 [ATC-136. "Ambient Sensor Circuit"](#)

\*5 [ATC-144. "Intake Sensor Circuit"](#)

WJIA1285E

# TROUBLE DIAGNOSIS

## SYSTEM DESCRIPTION

The front air control controls compressor operation based on ambient and intake temperature and a signal from ECM.

### Low Temperature Protection Control

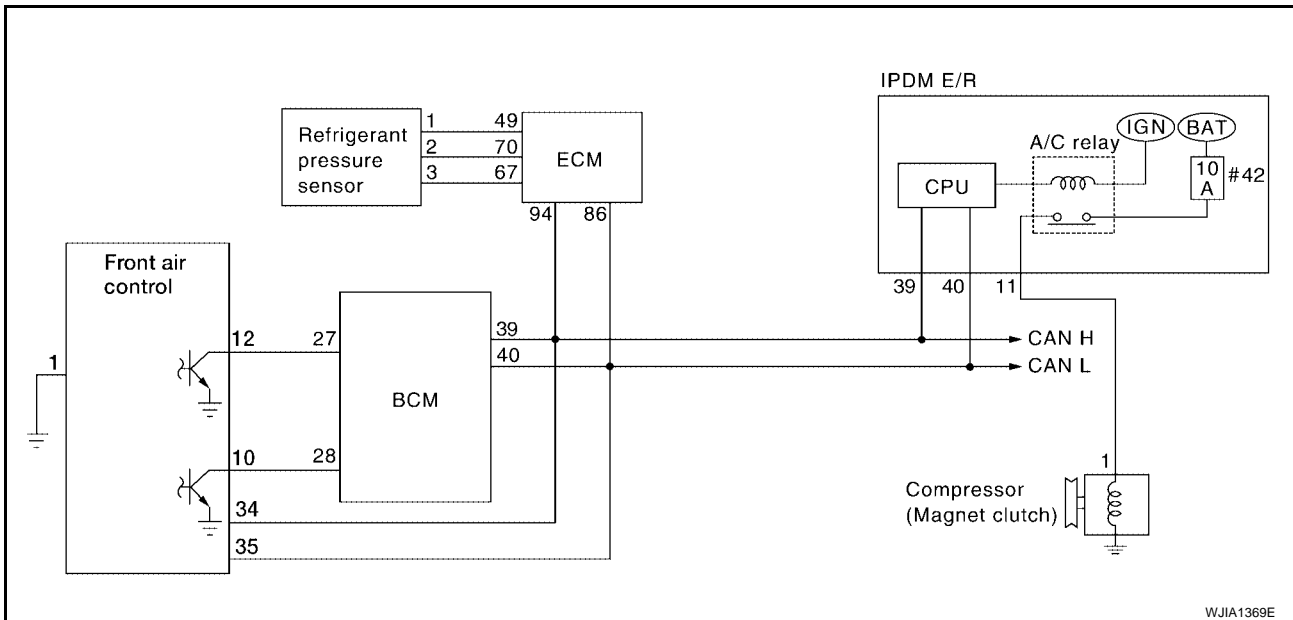
The front air control will turn the compressor ON or OFF as determined by a signal detected by the intake sensor and the ambient sensor.

When intake air temperature is higher than the preset value, the compressor turns ON. The compressor turns OFF when intake air temperature is lower than the preset value. That preset value is dependent on the ambient temperature, refer to the following table.

| Ambient temperature °C (°F) | Compressor ON intake temperature °C (°F) | Compressor OFF intake temperature °C (°F) |
|-----------------------------|--|---|
| 0 (32)                      | 2.5 (37)                                 | 2.0 (36)                                  |
| 10 (50)                     | 2.5 (37)                                 | 2.0 (36)                                  |
| 20 (68)                     | 2.5 (37)                                 | 1.5 (35)                                  |
| 30 (86)                     | 2.0 (36)                                 | 0.5 (33)                                  |
| 40 (104)                    | 2.0 (36)                                 | 0.5 (33)                                  |
| 50 (122)                    | 2.0 (36)                                 | 0.5 (33)                                  |

## DIAGNOSTIC PROCEDURE FOR MAGNET CLUTCH

SYMPTOM: Magnet clutch does not engage when A/C switch is ON.



WJIA1369E

### 1. CHECK INTAKE AND AMBIENT SENSOR CIRCUITS

Check intake and ambient sensors. Refer to [ATC-55, "A/C System Self-diagnosis Function"](#) .

OK or NG

OK >> GO TO 2.

NG >> ● Malfunctioning intake sensor. Refer to [ATC-144, "Intake Sensor Circuit"](#) .

● Malfunctioning ambient sensor. Refer to [ATC-144, "Intake Sensor Circuit"](#) .

# TROUBLE DIAGNOSIS

## 2. PERFORM AUTO ACTIVE TEST

Refer to [PG-22, "Auto Active Test"](#) .  
Does magnet clutch operate?

YES or NO

YES >> ●  WITH CONSULT-II  
GO TO 5.

●  WITHOUT CONSULT-II  
GO TO 6.

NO >> Check 10A fuse (No. 42, located in IPDM E/R), and GO TO 3.

## 3. CHECK CIRCUIT CONTINUITY BETWEEN IPDM E/R AND COMPRESSOR

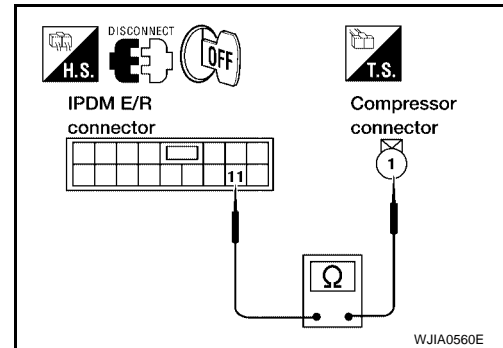
1. Turn ignition switch OFF.
2. Disconnect IPDM E/R connector and compressor (magnet clutch) connector.
3. Check continuity between IPDM E/R harness connector E119 terminal 11 (Y/B) and compressor harness connector F3 terminal 1 (Y/B).

**11 – 1 : Continuity should exist.**

OK or NG

OK >> GO TO 4.

NG >> Repair harness or connector.



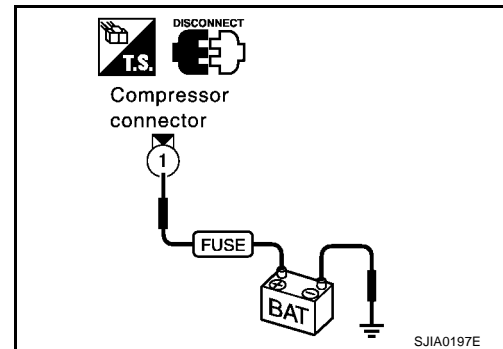
## 4. CHECK MAGNET CLUTCH CIRCUIT

Check for operation sound when applying battery voltage direct current to terminal.

OK or NG

OK >> Replace IPDM E/R. Refer to [PG-28, "Removal and Installation of IPDM E/R"](#) .

NG >> Replace magnet clutch. Refer to [ATC-179, "Removal and Installation for Compressor Clutch"](#) .



## 5. CHECK BCM INPUT (COMPRESSOR ON) SIGNAL

Check compressor ON/OFF signal. Refer to [ATC-33, "CONSULT-II Function \(HVAC\)"](#) .

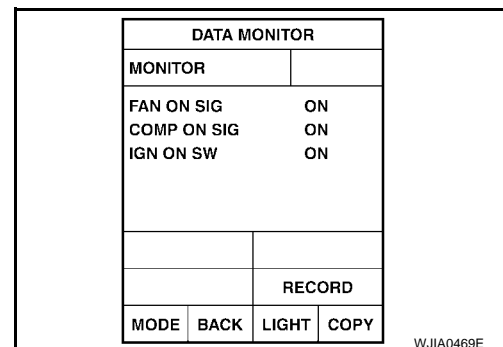
**A/C SW ON : COMP ON SIG ON**

**A/C SW OFF : COMP ON SIG OFF**

OK or NG

OK >> GO TO 8.

NG >> GO TO 6.





# TROUBLE DIAGNOSIS

## 8. CHECK REFRIGERANT PRESSURE SENSOR

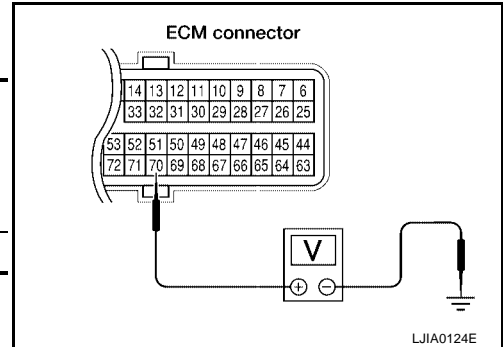
Ⓟ WITH CONSULT-II

1. Start engine.
2. Check voltage of refrigerant pressure sensor. Refer to [ATC-33, "CONSULT-II Function \(HVAC\)"](#) .

ⓧ WITHOUT CONSULT-II

1. Start engine.
2. Check voltage between ECM harness connector F54 terminal 70 (B/W) and ground.

| Terminals     |                           | (-)    | Condition      | Voltage              |
|---------------|---------------------------|--------|----------------|----------------------|
| (+) (+)       |                           |        |                |                      |
| ECM connector | Terminal No. (Wire color) |        |                |                      |
| F54           | 70 (B/W)                  | Ground | A/C switch: ON | Approx. 0.36 - 3.88V |



OK or NG

OK >> ● Ⓟ WITH CONSULT-II  
GO TO 9.

● ⓧ WITHOUT CONSULT-II  
GO TO 10.

NG >> Refer to [EC-622, "REFRIGERANT PRESSURE SENSOR"](#) .

## 9. CHECK BCM INPUT (FAN ON) SIGNAL

Check FAN ON/OFF signal. Refer to [ATC-33, "CONSULT-II Function \(HVAC\)"](#) .

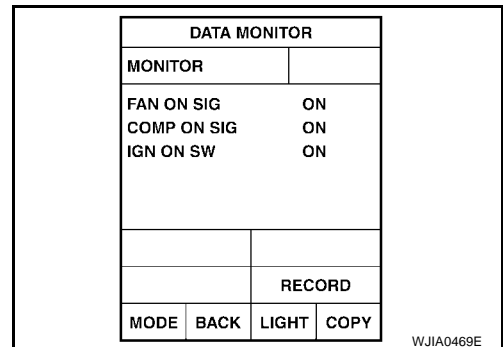
**FRONT BLOWER CONTROL : FAN ON SIG ON  
DIAL ON**

**FRONT BLOWER CONTROL : FAN ON SIG OFF  
DIAL OFF**

OK or NG

OK >> GO TO 12.

NG >> GO TO 10.



## 10. CHECK CIRCUIT CONTINUITY BETWEEN BCM AND FRONT AIR CONTROL

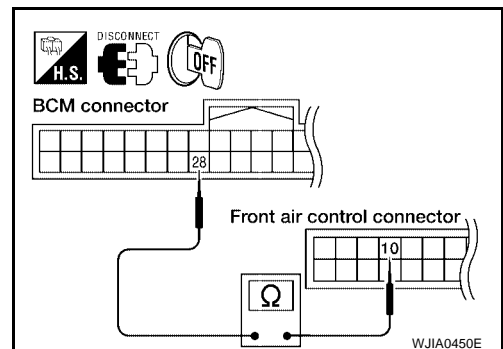
1. Turn ignition switch OFF.
2. Disconnect BCM connector and front air control connector.
3. Check continuity between BCM harness connector M18 terminal 28 (L/R) and front air control harness connector M49 terminal 10 (L/R).

**28 - 10 Continuity should exist.**

OK or NG

OK >> GO TO 11.

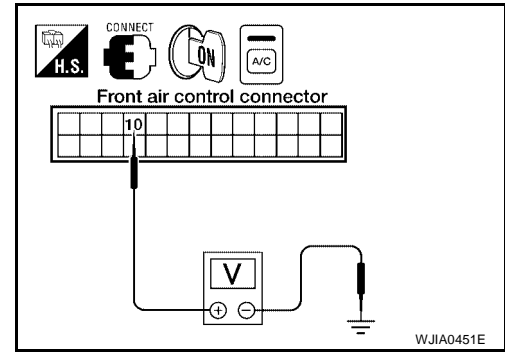
NG >> Repair harness or connector.



# TROUBLE DIAGNOSIS

## 11. CHECK VOLTAGE FOR FRONT AIR CONTROL (FAN ON SIGNAL)

1. Reconnect BCM connector and front air control connector.
2. Turn ignition switch ON.
3. Check voltage between front air control harness connector M49 terminal 10 (L/R) and ground.



| Terminals                       |          | (-)    | Condition                               | Voltage    |
|---------------------------------|----------|--------|---|------------|
| (+) Front air control connector |          |        |   |            |
| Terminal No. (Wire color)       |          |        |   |            |
| M49                             | 10 (L/R) | Ground | A/C switch: ON<br>Blower motor operates | Approx. 0V |
|                                 |          |        | A/C switch: OFF                         | Approx. 5V |

### OK or NG

OK >> GO TO 12.

NG-1 >> If the voltage is approx. 5V when blower motor is ON, replace front air control. Refer to [ATC-146, "FRONT AIR CONTROL"](#).

NG-2 >> If the voltage is approx. 0V when blower motor is OFF, replace BCM. Refer to [BCS-20, "Removal and Installation of BCM"](#).

## 12. CHECK CAN COMMUNICATION

Check CAN communication. Refer to [LAN-5, "CAN COMMUNICATION"](#).

- BCM – ECM
- ECM – IPDM E/R
- ECM – Front air control

### OK or NG

OK >> Inspection End.

NG >> Repair or replace malfunctioning part(s).



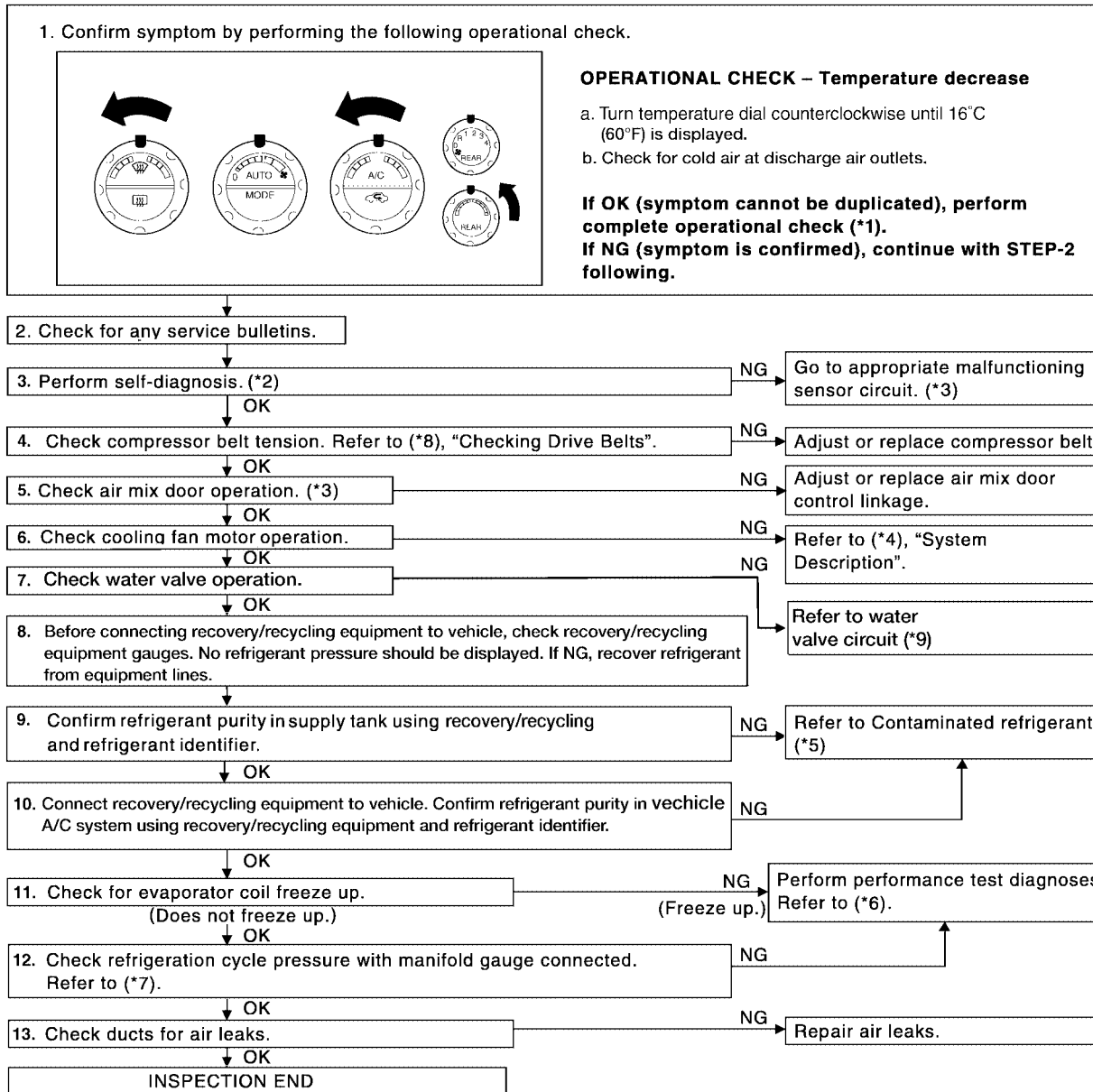
# TROUBLE DIAGNOSIS

EJS005Z1

## Insufficient Cooling

SYMPTOM: Insufficient cooling

### INSPECTION FLOW



\*1 [ATC-57, "Operational Check \(Front\)"](#)

\*2 [ATC-55, "A/C System Self-diagnosis Function"](#)

\*3 [ATC-56, "SELF-DIAGNOSIS CODE CHART"](#)

\*4 [EC-437, "SYSTEM DESCRIPTION"](#)

\*5 [ATC-5, "Contaminated Refrigerant"](#)

\*6 [.ATC-122, "PERFORMANCE TEST DIAGNOSES"](#)

\*7 [ATC-124, "Test Reading"](#)

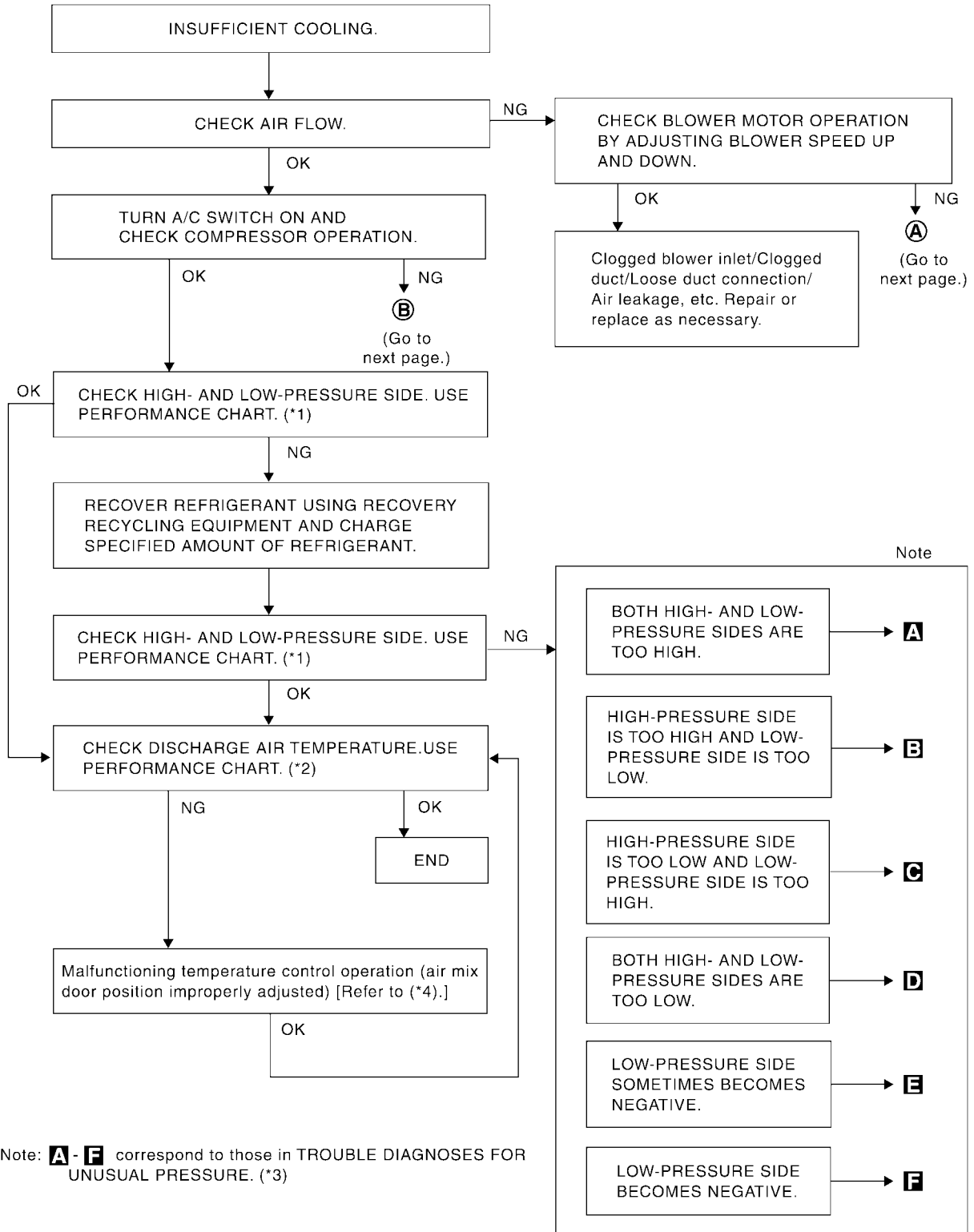
\*8 [EM-12, "Checking Drive Belts"](#)

\*9 [ATC-132, "Water Valve Circuit"](#)

WJIA1790E

# TROUBLE DIAGNOSIS

## PERFORMANCE TEST DIAGNOSES



RJA1601E

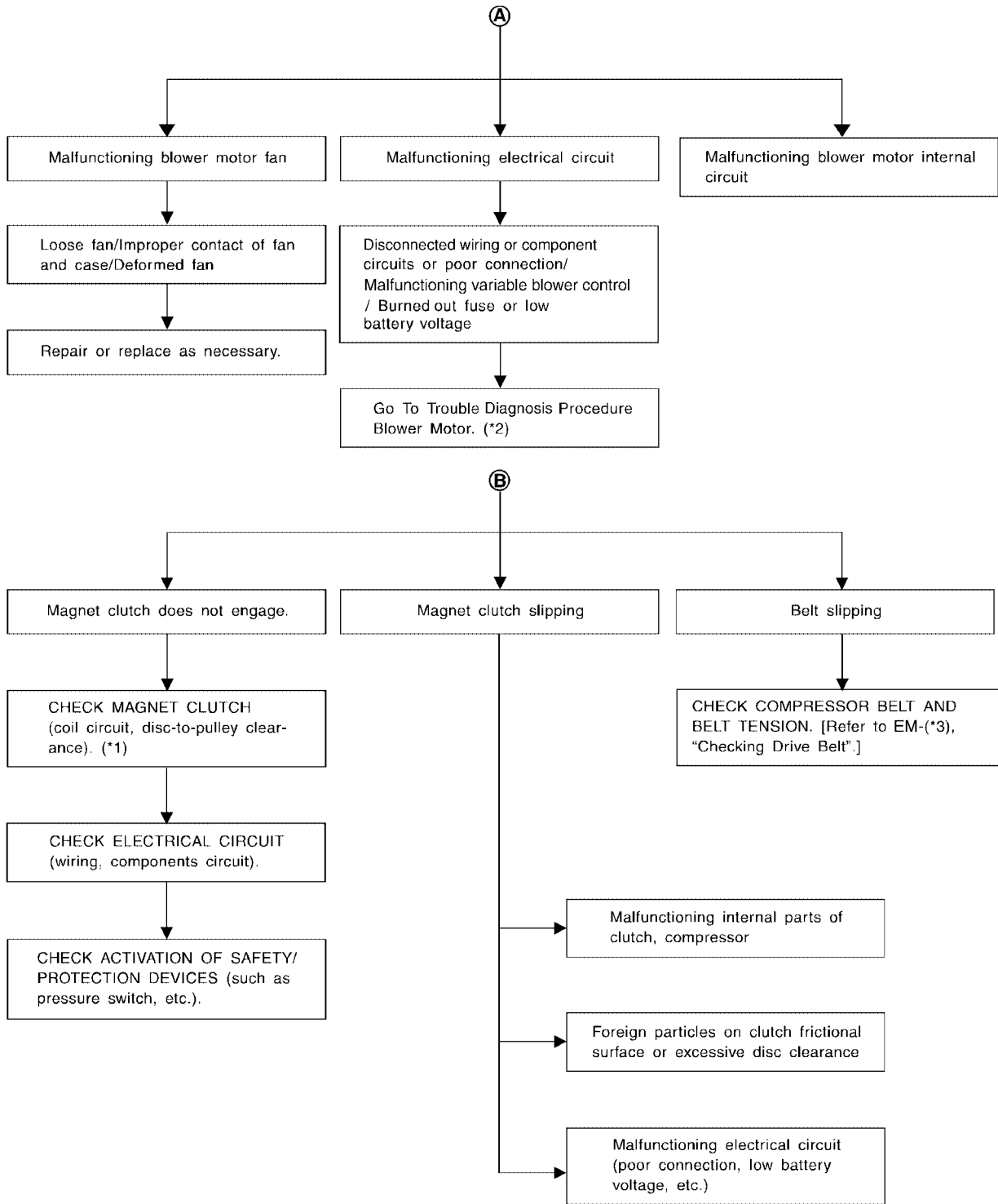
\*1 [ATC-124, "PERFORMANCE CHART"](#)

\*2 [ATC-124, "PERFORMANCE CHART"](#)

\*3 [ATC-125, "Trouble Diagnoses for Unusual Pressure"](#)

\*4 [ATC-70, "Air Mix Door Motor Circuit"](#)

# TROUBLE DIAGNOSIS



A  
B  
C  
D  
E  
F  
G  
H  
I  
K  
L  
M

ATC

\*1 [ATC-179. "Removal and Installation for Compressor Clutch"](#)

\*2 [ATC-93. "Front Blower Motor Circuit"](#)

\*3 [EM-12. "Checking Drive Belts"](#)




WJIA1371E

# TROUBLE DIAGNOSIS

## PERFORMANCE CHART

### Test Condition

Testing must be performed as follows:

| Vehicle location   | Indoors or in the shade (in a well-ventilated place)  |
|--|---|
| Doors  | Closed  |
| Door window  | Open  |
| Hood   | Open  |
| TEMP.  | Max. COLD   |
| Mode switch  |  (Ventilation) set   |
| Recirculation (REC) switch   |  (Recirculation) set |
|  Blower speed | Max. speed set  |
| Engine speed   | Idle speed  |

Operate the air conditioning system for 10 minutes before taking measurements.

### Test Reading

#### Recirculating-to-discharge Air Temperature Table

| Inside air (Recirculating air) at blower assembly inlet |                            | Discharge air temperature at center ventilator<br>°C (°F) |
|---|----------------------------|---|
| Relative humidity<br>%                                  | Air temperature<br>°C (°F) |   |
| 50 - 60   | 20 (68)                    | 5.3 - 6.5 (42 - 44)                                       |
|   | 25 (77)                    | 9.7 - 11.5 (49 - 53)                                      |
|   | 30 (86)                    | 13.8 - 16.3 (57 - 61)                                     |
|   | 35 (95)                    | 18.0 - 21.2 (64 - 70)                                     |
|   | 40 (104)                   | 22.2 - 25.7 (72 - 78)                                     |
| 60 - 70   | 20 (68)                    | 6.5 - 7.7 (44 - 46)                                       |
|   | 25 (77)                    | 11.5 - 13.3 (53 - 56)                                     |
|   | 30 (86)                    | 16.3 - 18.8 (61 - 66)                                     |
|   | 35 (95)                    | 21.2 - 24.0 (70 - 75)                                     |
|   | 40 (104)                   | 25.7 - 29.2 (78 - 85)                                     |

#### Ambient Air Temperature-to-operating Pressure Table

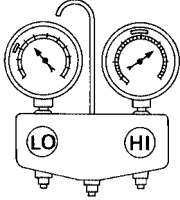
| Ambient air            |                            | High-pressure (Discharge side)<br>kPa (kg/cm <sup>2</sup> , psi) | Low-pressure (Suction side)<br>kPa (kg/cm <sup>2</sup> , psi) |
|------------------------|----------------------------|--|---|
| Relative humidity<br>% | Air temperature<br>°C (°F) |  |   |
| 50 - 70                | 20 (68)                    | 680 - 840<br>(6.94 - 8.57, 98.6 - 121.8)                         | 160 - 198<br>(1.63 - 2.02, 23.2 - 28.7)                       |
|                        | 25 (77)                    | 800 - 985<br>(8.16 - 10.05, 116.0 - 142.8)                       | 198 - 245<br>(2.02 - 2.50, 28.7 - 35.5)                       |
|                        | 30 (86)                    | 940 - 1,150<br>(9.59 - 11.73, 136.3 - 166.8)                     | 225 - 278<br>(2.30 - 2.84, 32.6 - 40.3)                       |
|                        | 35 (95)                    | 1,160 - 1,410<br>(11.83 - 14.38, 168.2 - 204.5)                  | 273 - 335<br>(2.78 - 3.42, 39.6 - 48.6)                       |
|                        | 40 (104)                   | 1,325 - 1,620<br>(13.52 - 16.52, 192.1 - 234.9)                  | 325 - 398<br>(3.32 - 4.06, 47.1 - 57.7)                       |

# TROUBLE DIAGNOSIS

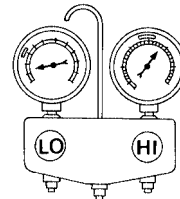
## TROUBLE DIAGNOSES FOR UNUSUAL PRESSURE

Whenever system's high and/or low side pressure is unusual, diagnose using a manifold gauge. The marker above the gauge scale in the following tables indicates the standard (usual) pressure range. Since the standard (usual) pressure, however, differs from vehicle to vehicle, refer to above table (Ambient air temperature-to-operating pressure table).

### Both High- and Low-pressure Sides are Too High

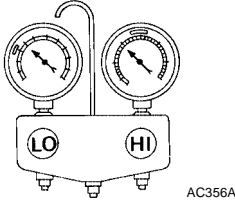
| Gauge indication   | Refrigerant cycle  | Probable cause  | Corrective action  |
|--|--|---|--|
| <p>Both high- and low-pressure sides are too high.</p>  <p>AC359A</p> | Pressure is reduced soon after water is splashed on condenser.   | Excessive refrigerant charge in refrigeration cycle   | Reduce refrigerant until specified pressure is obtained.   |
|  | Air suction by cooling fan is insufficient.  | Insufficient condenser cooling performance<br>↓<br>1. Condenser fins are clogged.<br>2. Improper fan rotation of cooling fan  | <ul style="list-style-type: none"> <li>Clean condenser.</li> <li>Check and repair cooling fan if necessary.</li> </ul> |
|  | <ul style="list-style-type: none"> <li>Low-pressure pipe is not cold.</li> <li>When compressor is stopped high-pressure value quickly drops by approximately 196 kPa (2 kg/cm<sup>2</sup>, 28 psi). It then decreases gradually thereafter.</li> </ul> | Poor heat exchange in condenser (After compressor operation stops, high-pressure decreases too slowly.)<br>↓<br>Air in refrigeration cycle  | Evacuate and recharge system.  |
|  | Engine tends to overheat.  | Engine cooling systems malfunction.   | Check and repair engine cooling system.  |
|  | <ul style="list-style-type: none"> <li>An area of the low-pressure pipe is colder than areas near the evaporator outlet.</li> <li>Plates are sometimes covered with frost.</li> </ul>  | <ul style="list-style-type: none"> <li>Excessive liquid refrigerant on low-pressure side</li> <li>Excessive refrigerant discharge flow</li> <li>Expansion valve is open a little compared with the specification.</li> </ul> ↓<br>Improper expansion valve adjustment | Replace expansion valve.   |

### High-pressure Side is Too High and Low-pressure Side is Too Low

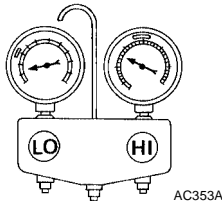
| Gauge indication  | Refrigerant cycle   | Probable cause   | Corrective action   |
|---|---|--|---|
| <p>High-pressure side is too high and low-pressure side is too low.</p>  <p>AC360A</p> | Upper side of condenser and high-pressure side are hot, however, liquid tank is not so hot. | High-pressure tube or parts located between compressor and condenser are clogged or crushed. | <ul style="list-style-type: none"> <li>Check and repair or replace malfunctioning parts.</li> <li>Check lubricant for contamination.</li> </ul> |

# TROUBLE DIAGNOSIS

## High-pressure Side is Too Low and Low-pressure Side is Too High

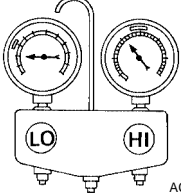
| Gauge indication   | Refrigerant cycle  | Probable cause   | Corrective action   |
|--|--|--|---------------------|
| High-pressure side is too low and low-pressure side is too high.<br> AC356A | High- and low-pressure sides become equal soon after compressor operation stops. | Compressor pressure operation is improper.<br>↓<br>Damaged inside compressor packings. | Replace compressor. |
|  | No temperature difference between high- and low-pressure sides.                  | Compressor pressure operation is improper.<br>↓<br>Damaged inside compressor packings. | Replace compressor. |

## Both High- and Low-pressure Sides are Too Low

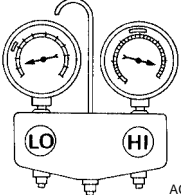
| Gauge indication   | Refrigerant cycle   | Probable cause  | Corrective action   |
|--|---|---|---|
| Both high- and low-pressure sides are too low.<br> AC353A | <ul style="list-style-type: none"> <li>There is a big temperature difference between liquid tank outlet and inlet. Outlet temperature is extremely low.</li> <li>Liquid tank inlet and expansion valve are frosted.</li> </ul>  | Liquid tank inside is slightly clogged.   | <ul style="list-style-type: none"> <li>Replace liquid tank.</li> <li>Check lubricant for contamination.</li> </ul>  |
|  | <ul style="list-style-type: none"> <li>Temperature of expansion valve inlet is extremely low as compared with areas near liquid tank.</li> <li>Expansion valve inlet may be frosted.</li> <li>Temperature difference occurs somewhere in high-pressure side.</li> </ul> | High-pressure pipe located between liquid tank and expansion valve is clogged.  | <ul style="list-style-type: none"> <li>Check and repair malfunctioning parts.</li> <li>Check lubricant for contamination.</li> </ul>  |
|  | Expansion valve and liquid tank are warm or only cool when touched.   | Low refrigerant charge.<br>↓<br>Leaking fittings or components.   | Check refrigerant system for leaks. Refer to <a href="#">ATC-190, "Checking for Refrigerant Leaks"</a> .  |
|  | There is a big temperature difference between expansion valve inlet and outlet while the valve itself is frosted.   | Expansion valve closes a little compared with the specification.<br>↓<br>1. Improper expansion valve adjustment.<br>2. Malfunctioning expansion valve.<br>3. Outlet and inlet may be clogged. | <ul style="list-style-type: none"> <li>Remove foreign particles by using compressed air.</li> <li>Check lubricant for contamination.</li> </ul>   |
|  | An area of the low-pressure pipe is colder than areas near the evaporator outlet.   | Low-pressure pipe is clogged or crushed.  | <ul style="list-style-type: none"> <li>Check and repair malfunctioning parts.</li> <li>Check lubricant for contamination.</li> </ul>  |
|  | Air flow volume is too low.   | Evaporator is frozen.   | <ul style="list-style-type: none"> <li>Check intake sensor circuit. Refer to <a href="#">ATC-144, "Intake Sensor Circuit"</a>.</li> <li>Repair evaporator fins.</li> <li>Replace evaporator.</li> <li>Refer to <a href="#">ATC-93, "Front Blower Motor Circuit"</a>.</li> </ul> |

# TROUBLE DIAGNOSIS

## Low-pressure Side Sometimes Becomes Negative

| Gauge indication  | Refrigerant cycle  | Probable cause   | Corrective action  |
|---|--|--|--|
| <p>Low-pressure side sometimes becomes negative.</p>  <p style="text-align: right; font-size: small;">AC354A</p> | <ul style="list-style-type: none"> <li>● Air conditioning system does not function and does not cyclically cool the compartment air.</li> <li>● The system constantly functions for a certain period of time after compressor is stopped and restarted.</li> </ul> | <p>Refrigerant does not discharge cyclically.</p> <p>↓</p> <p>Moisture is frozen at expansion valve outlet and inlet.</p> <p>↓</p> <p>Water is mixed with refrigerant.</p> | <ul style="list-style-type: none"> <li>● Drain water from refrigerant or replace refrigerant.</li> <li>● Replace liquid tank.</li> </ul> |

## Low-pressure Side Becomes Negative

| Gauge indication   | Refrigerant cycle  | Probable cause  | Corrective action   |
|--|--|---|---|
| <p>Low-pressure side becomes negative.</p>  <p style="text-align: right; font-size: small;">AC362A</p> | <p>Liquid tank or front/rear side of expansion valve's pipe is frosted or dewed.</p> | <p>High-pressure side is closed and refrigerant does not flow.</p> <p>↓</p> <p>Expansion valve or liquid tank is frosted.</p> | <p>Leave the system at rest until no frost is present. Start it again to check whether or not the malfunction is caused by water or foreign particles.</p> <ul style="list-style-type: none"> <li>● If water is the cause, initially cooling is okay. Then the water freezes causing a blockage. Drain water from refrigerant or replace refrigerant.</li> <li>● If due to foreign particles, remove expansion valve and remove the particles with dry and compressed air (not shop air).</li> <li>● If either of the above methods cannot correct the malfunction, replace expansion valve.</li> <li>● Replace liquid tank.</li> <li>● Check lubricant for contamination.</li> </ul> |

A  
B  
C  
D  
E  
F  
G  
H  
I  
K  
L  
M

ATC

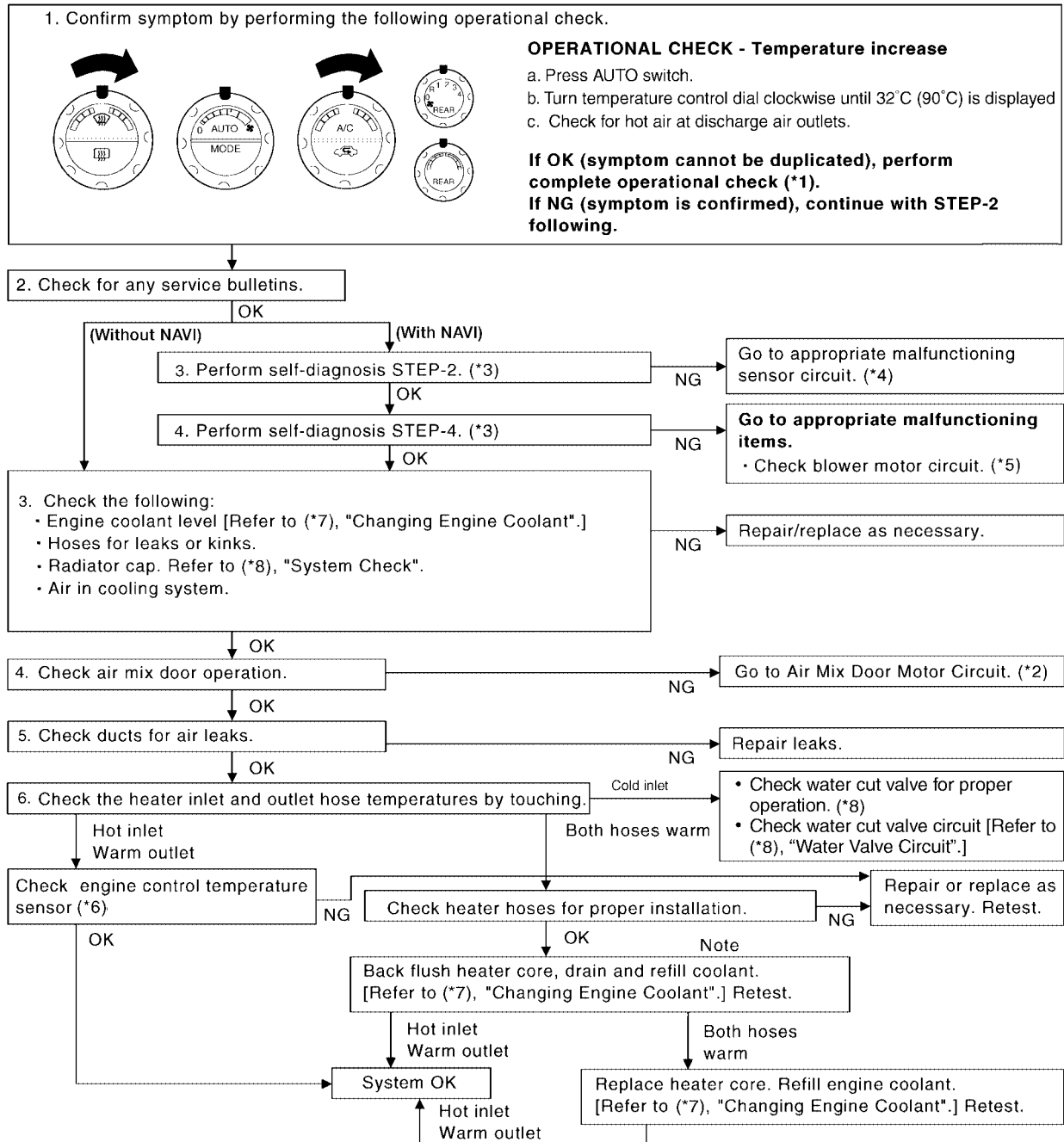
# TROUBLE DIAGNOSIS

EJS005ZJ

## Insufficient Heating

SYMPTOM: Insufficient heating

### INSPECTION FLOW



WJIA1372E

- \*1 [ATC-57. "Operational Check \(Front\)".](#) or [ATC-60. "Operational Check \(Rear\)"](#)
- \*2 [ATC-70. "Air Mix Door Motor Circuit"](#)
- \*3 [ATC-55. "A/C System Self-diagnosis Function"](#)
- \*4 [ATC-56. "SELF-DIAGNOSIS CODE CHART"](#)
- \*5 [ATC-93. "Front Blower Motor Circuit"](#)
- \*6 [EC-192. "DTC P0117, P0118 ECT SENSOR"](#)
- \*7 [CO-10. "Changing Engine Coolant"](#)
- \*8 [ATC-132. "Water Valve Circuit"](#)



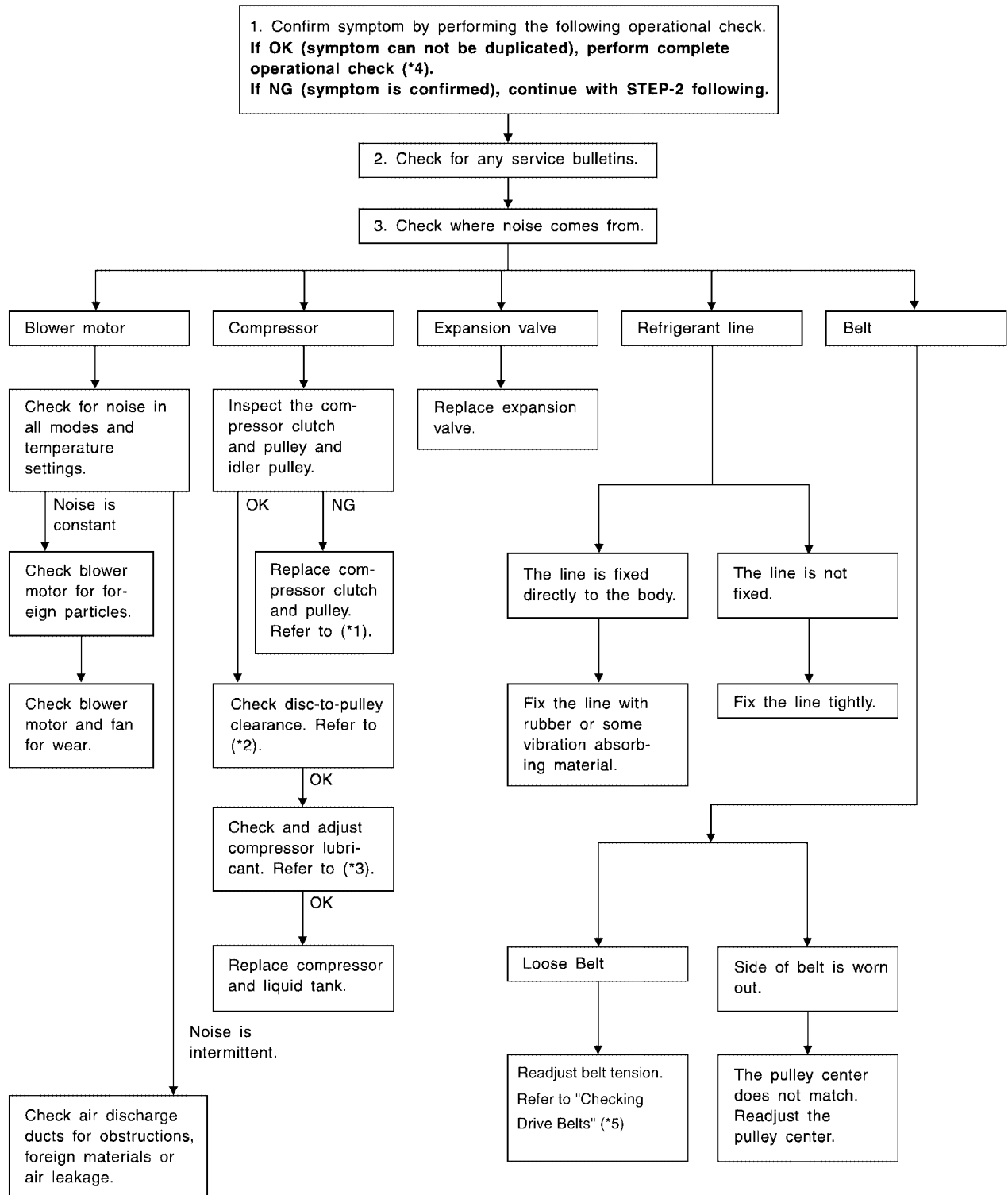
# TROUBLE DIAGNOSIS

EJS005ZK

## Noise

SYMPTOM: Noise

### INSPECTION FLOW



A  
B  
C  
D  
E  
F  
G  
H  
I  
ATC  
K  
L  
M

## TROUBLE DIAGNOSIS

---

\*1 [ATC-178, "REMOVAL"](#)

\*2 [ATC-179, "INSTALLATION"](#)

\*3 [ATC-22, "Maintenance of Lubricant  
Quantity in Compressor"](#)

\*4 [ATC-57, "Operational Check \(Front\)"](#)  
or [ATC-60, "Operational Check  
\(Rear\)"](#)

\*5 [EM-12, "Checking Drive Belts"](#)

# TROUBLE DIAGNOSIS

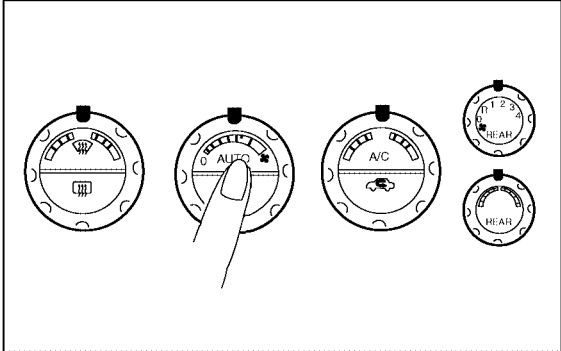
EJS005ZL

## Self-diagnosis

SYMPTOM: Self-diagnosis cannot be performed.

### INSPECTION FLOW

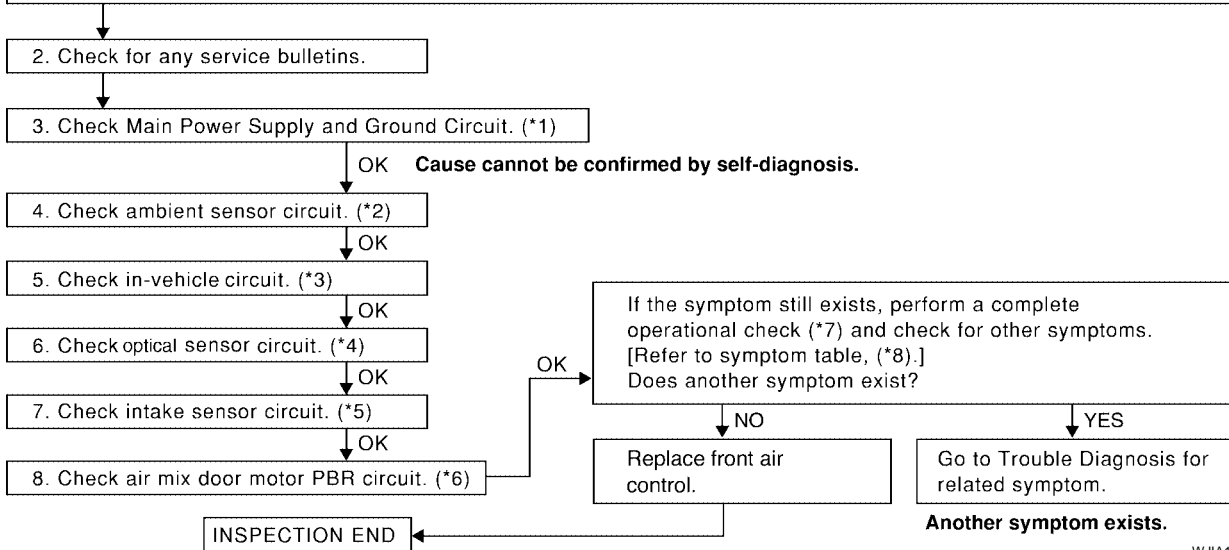
1. Confirm symptom by performing operational check.



**OPERATIONAL CHECK – AUTO mode**

- Press AUTO switch.
- Display should indicate AUTO.  
(Discharge air and blower speed will depend on ambient, in-vehicle and set temperatures.)

**If OK (symptom cannot be duplicated), perform complete operational check (\*7).**  
**If NG (symptom is confirmed), continue with STEP-2 following.**



- \*1 [ATC-61, "Power Supply and Ground Circuit for Front Air Control"](#)
- \*2 [ATC-136, "Ambient Sensor Circuit"](#)
- \*3 [ATC-144, "Intake Sensor Circuit"](#)
- \*4 [ATC-142, "Optical Sensor Circuit"](#)
- \*5 [ATC-144, "Intake Sensor Circuit"](#)
- \*6 [ATC-70, "Air Mix Door Motor Circuit"](#)
- \*7 [ATC-57, "Operational Check \(Front\)"](#)
- \*8 [ATC-38, "SYMPTOM TABLE"](#)

WJIA1063E

A  
B  
C  
D  
E  
F  
G  
H  
I  
K  
L  
M

ATC

# TROUBLE DIAGNOSIS

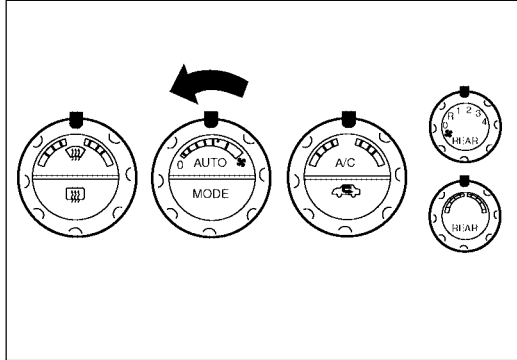
EJS005ZM

## Memory Function

SYMPTOM: Memory function does not operate.

### INSPECTION FLOW

1. Confirm symptom by performing the following operational check.

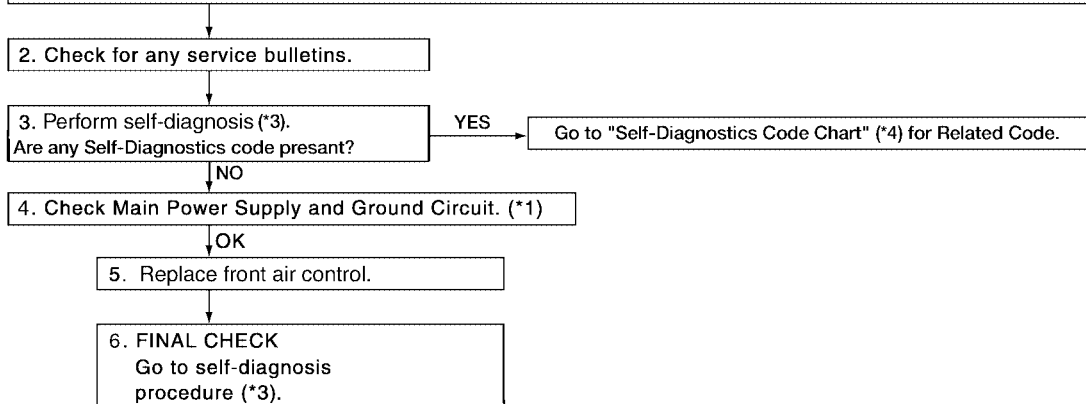


#### OPERATIONAL CHECK – Memory function

- Set the temperature to 32°C (90°F)
- Rotate the front blower control dial (driver side) to turn system off.
- Turn the ignition off.
- Turn the ignition on.
- Press the AUTO switch.
- Confirm that the set temperature remains at previous temperature.
- Press OFF switch.

If OK (symptom cannot be duplicated), perform complete operational check (\*2).

If NG (symptom is confirmed), continue with STEP-2 following.



WJIA1287E

\*1 [ATC-61, "Power Supply and Ground Circuit for Front Air Control"](#) \*2 [ATC-57, "Operational Check \(Front\)"](#) \*3 [ATC-55, "A/C System Self-diagnosis Function"](#)

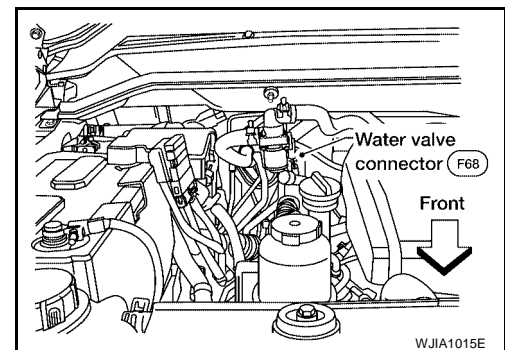
\*4 [ATC-56, "SELF-DIAGNOSIS CODE CHART"](#)

## Water Valve Circuit COMPONENT DESCRIPTION

EJS005ZN

### Water Valve

The water valve cuts the flow of engine coolant to the front and rear heater cores to allow for maximum cooling during A/C operation. It is controlled by the front air control through the water valve relay.



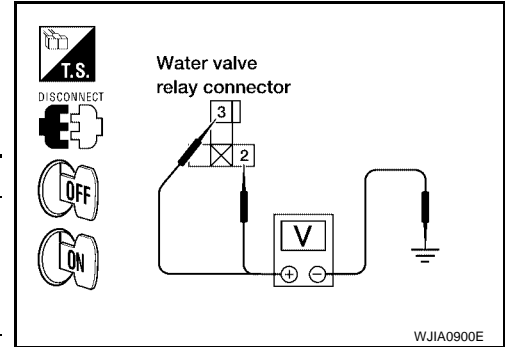
# TROUBLE DIAGNOSIS

## DIAGNOSTIC PROCEDURE FOR WATER VALVE

### 1. CHECK WATER VALVE RELAY POWER INPUT CIRCUITS

1. Turn ignition switch OFF.
2. Disconnect water valve relay connector M7.
3. Check voltage between water valve relay harness connector terminals and ground.

| Terminals                   |                           | (-)    | Ignition switch position |                 |
|-----------------------------|---------------------------|--------|--------------------------|-----------------|
| (+)                         |                           |        | OFF                      | ON              |
| Water valve relay connector | Terminal No. (Wire color) |        |                          |                 |
| M7                          | 2 (Y/R)                   | Ground | Battery voltage          | Battery voltage |
|                             | 3 (Y/G)                   |        | 0V                       | Battery voltage |



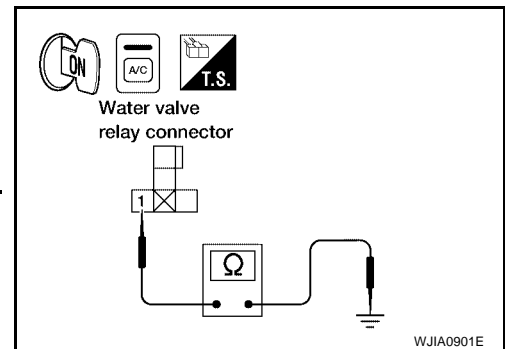
**OK or NG**

- OK >> GO TO 2.  
 NG >> Repair harness or connector.

### 2. CHECK WATER VALVE CONTROL

1. Turn ignition switch ON.
2. Select MAX A/C with mode switch.
3. Check continuity between water valve relay harness connector M7 terminal 1 (W/G) and ground, as MAX A/C is switched OFF and ON.

| Terminals                   |                           | (-)    | Condition    | Continuity |
|-----------------------------|---------------------------|--------|--------------|------------|
| (+)                         |                           |        |              |            |
| Water valve relay connector | Terminal No. (Wire color) |        |              |            |
| M7                          | 1 (W/G)                   | Ground | MAX A/C: ON  | Yes        |
|                             |                           |        | MAX A/C: OFF | No         |



**OK or NG**

- OK >> GO TO 4.  
 NG >> GO TO 3.

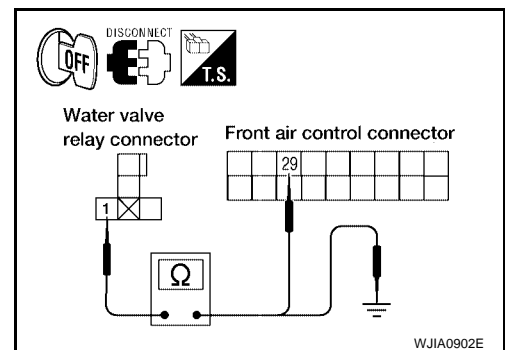
### 3. CHECK WATER VALVE CONTROL OUTPUT CIRCUIT

1. Turn ignition switch OFF.
2. Disconnect front air control connector M50.
3. Check continuity between water valve relay harness connector M7 terminal 1 (W/G) and front air control harness connector M50 terminal 29 (W/G).

**1 - 29 : Continuity should exist.**

4. Check continuity between water valve relay harness connector M7 terminal 1 (W/G) and ground.

**1 - Ground : Continuity should not exist.**



**OK or NG**

- OK >> Replace front air control. Refer to [ATC-146, "FRONT AIR CONTROL"](#) .  
 NG >> Repair harness or connector.

# TROUBLE DIAGNOSIS

## 4. CHECK WATER VALVE RELAY

Check water valve relay. Refer to [ATC-135, "Water Valve Relay"](#) .

OK or NG

- OK >> GO TO 5
- NG >> Replace water valve relay.

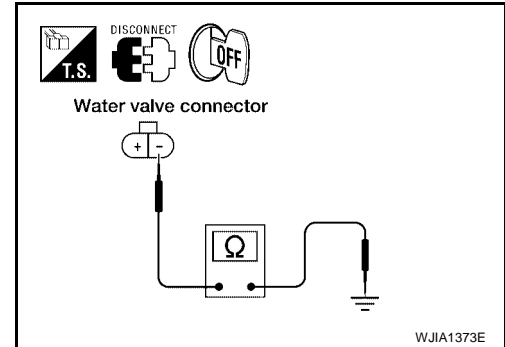
## 5. CHECK WATER VALVE GROUND CIRCUIT

1. Turn ignition switch OFF.
2. Disconnect water valve connector F68.
3. Check continuity between water valve harness connector F68 terminal - (B) and ground.

**(-) - Ground : Continuity should exist.**

OK or NG

- OK >> GO TO 6.
- NG >> Repair harness or connector.



## 6. CHECK WATER VALVE POWER CIRCUIT

1. Check continuity between water valve relay connector terminal 5 (Y/L) and water valve connector F68 terminal + (Y/L)

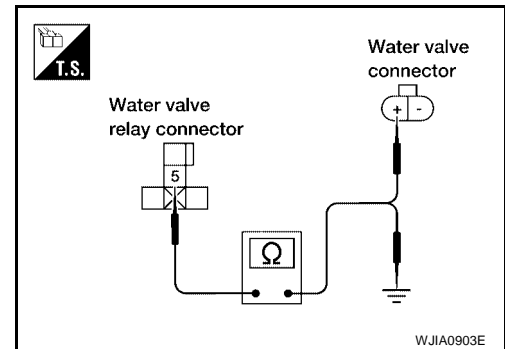
**5 - + : Continuity should exist.**

2. Check continuity between water valve relay harness connector M7 terminal 5 (Y/L) and ground.

**5 - Ground : Continuity should not exist.**

OK or NG

- OK >> Replace water valve.
- NG >> Repair harness or connector.

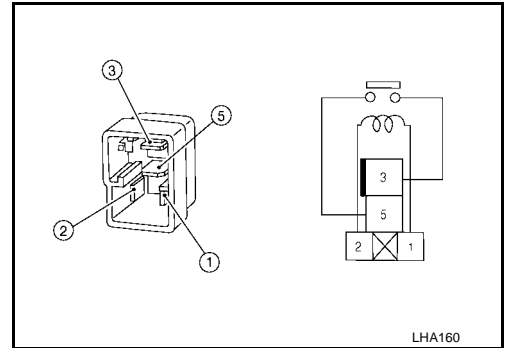


# TROUBLE DIAGNOSIS

## COMPONENT INSPECTION

### Water Valve Relay

Check continuity between terminals by supplying 12 volts and ground to coil side terminals of relay.



A

B

C

D

E

F

G

H

I

ATC

K

L

M

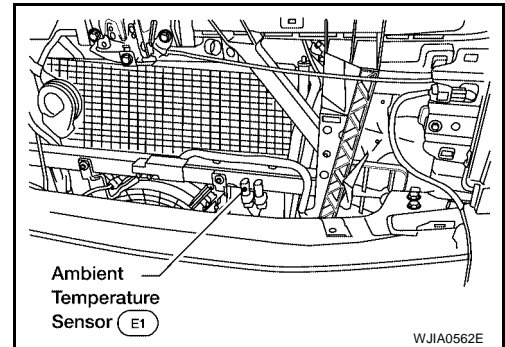
# TROUBLE DIAGNOSIS

EJS005Z0

## Ambient Sensor Circuit COMPONENT DESCRIPTION

### Ambient Sensor

The ambient sensor is attached on the radiator core support (left side). It detects ambient temperature and converts it into a value which is then input into the front air control.



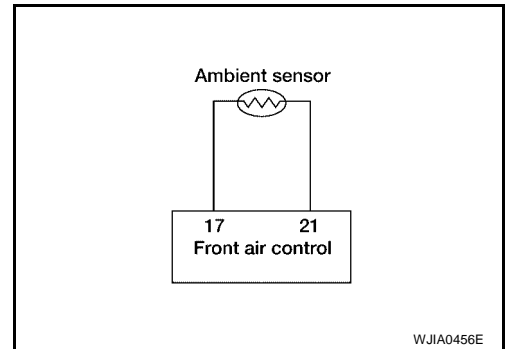
### AMBIENT TEMPERATURE INPUT PROCESS

The front air control includes a processing circuit for the ambient sensor input. However, when the temperature detected by the ambient sensor increases quickly, the processing circuit retards the front air control function. It only allows the front air control to recognize an ambient temperature increase of 0.33°C (0.6°F) per 100 seconds.

This prevents constant adjustments due to momentary conditions, such as stopping after high speed driving. Although the actual ambient temperature has not changed, the temperature detected by the ambient sensor will increase. This is because the heat from the engine compartment can radiate to the front grille area, location of the ambient sensor.

### DIAGNOSTIC PROCEDURE FOR AMBIENT SENSOR

**SYMPTOM:** Ambient sensor circuit is open or shorted. Using the CONSULT-II, DTC B257B or B257C is displayed. Without a CONSULT-II, code 40 or 41 is indicated on front air control as a result of conducting the front air control self-diagnosis.



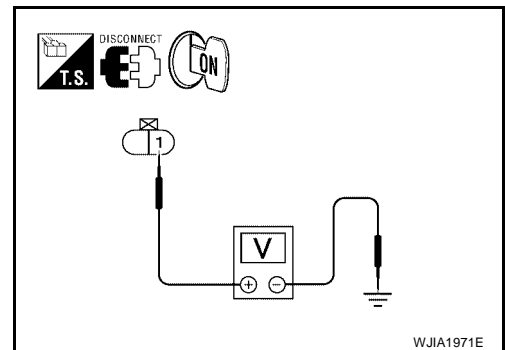
## 1. CHECK VOLTAGE BETWEEN AMBIENT SENSOR AND GROUND

1. Disconnect ambient sensor connector.
2. Turn ignition switch ON.
3. Check voltage between ambient sensor harness connector E1 terminal 1 (P) and ground.

**1 - Ground : Approx. 5V**

OK or NG

- OK >> GO TO 2.
- NG >> GO TO 4.





# TROUBLE DIAGNOSIS

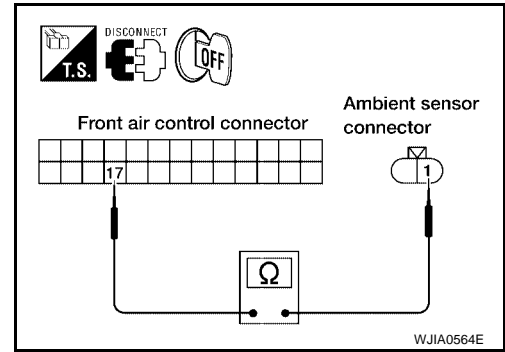
## 2. CHECK CIRCUIT CONTINUITY BETWEEN AMBIENT SENSOR AND FRONT AIR CONTROL

1. Turn ignition switch OFF.
2. Disconnect front air control connector.
3. Check continuity between ambient sensor harness connector E1 terminal 1 (P) and front air control harness connector M49 terminal 17 (P).

**1 - 17 : Continuity should exist.**

OK or NG

- OK >> GO TO 3.  
NG >> Repair harness or connector.



## 3. CHECK AMBIENT SENSOR

Refer to [ATC-136, "Ambient Sensor Circuit"](#) .

OK or NG

- OK >> 1. Replace front air control. Refer to [ATC-146, "FRONT AIR CONTROL"](#)  
2. Go to self-diagnosis [ATC-55, "A/C System Self-diagnosis Function"](#) and perform self-diagnosis.
- NG >> 1. Replace ambient sensor.  
2. Go to self-diagnosis [ATC-55, "A/C System Self-diagnosis Function"](#) and perform self-diagnosis.

## 4. CHECK CIRCUIT CONTINUITY BETWEEN AMBIENT SENSOR AND FRONT AIR CONTROL

1. Turn ignition switch OFF.
2. Disconnect front air control connector.
3. Check continuity between ambient sensor harness connector E1 terminal 2 (V/R) and front air control harness connector M49 terminal 21 (V/R).

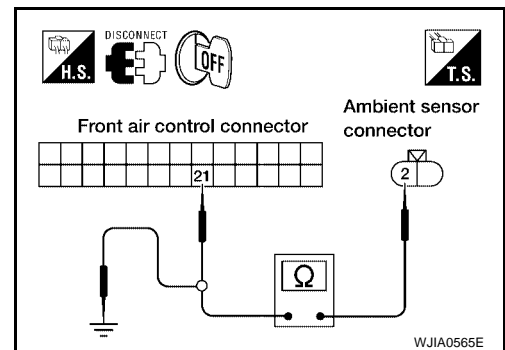
**2 - 21 : Continuity should exist.**

4. Check continuity between ambient sensor harness connector E1 terminal 2 (V/R) and ground.

**2 - Ground : Continuity should not exist.**

OK or NG

- OK >> 1. Replace front air control. Refer to [ATC-146, "FRONT AIR CONTROL"](#)  
2. Go to self-diagnosis [ATC-55, "A/C System Self-diagnosis Function"](#) and perform self-diagnosis.
- NG >> Repair harness or connector.



# TROUBLE DIAGNOSIS

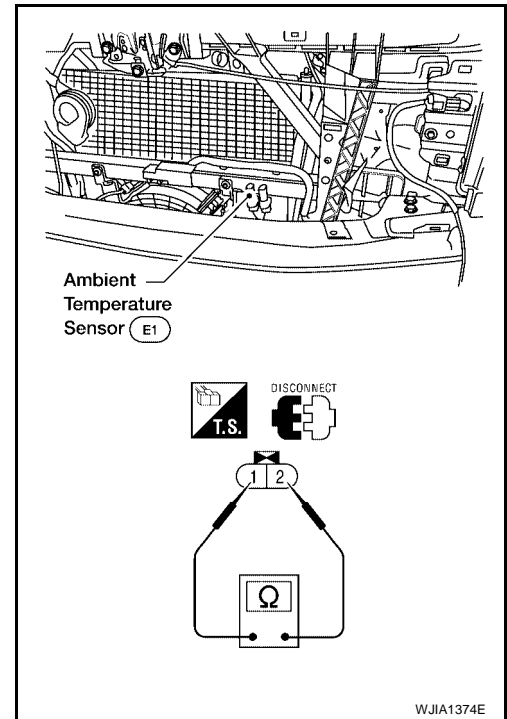
## COMPONENT INSPECTION

### Ambient Sensor

After disconnecting ambient sensor connector E1, measure resistance between terminals 1 and 2 at sensor component side, using the table below.

| Temperature °C (°F) | Resistance kΩ |
|---------------------|---------------|
| -15 (5)             | 12.73         |
| -10 (14)            | 9.92          |
| -5 (23)             | 7.80          |
| 0 (32)              | 6.19          |
| 5 (41)              | 4.95          |
| 10 (50)             | 3.99          |
| 15 (59)             | 3.24          |
| 20 (68)             | 2.65          |
| 25 (77)             | 2.19          |
| 30 (86)             | 1.81          |
| 35 (95)             | 1.51          |
| 40 (104)            | 1.27          |
| 45 (113)            | 1.07          |

If NG, replace ambient sensor.



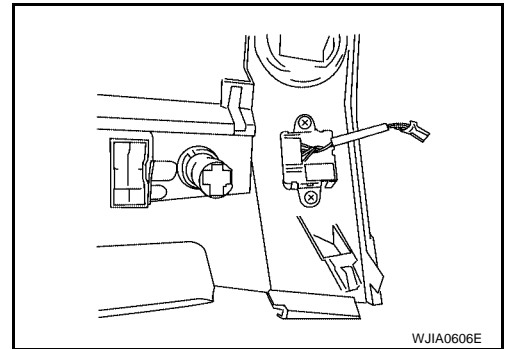
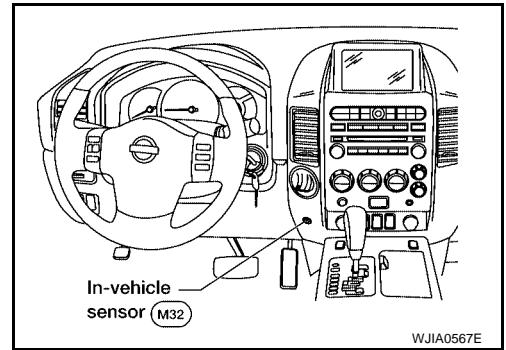
# TROUBLE DIAGNOSIS

## In-vehicle Sensor Circuit COMPONENT DESCRIPTION

EJS005ZP

### In-vehicle Sensor

The in-vehicle sensor is located on instrument lower driver panel. It converts variations in temperature of passenger compartment air (drawn in through the integrated fan) into a resistance value. It is then input into the front air control.



A

B

C

D

E

F

G

H

I

ATC

K

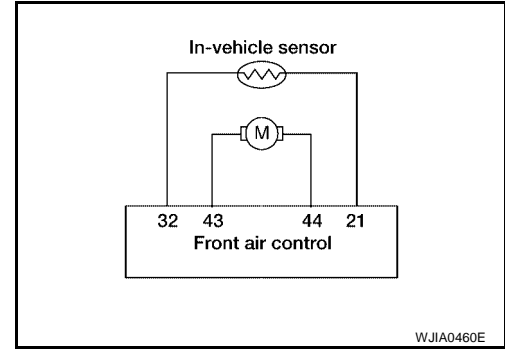
L

M

# TROUBLE DIAGNOSIS

## DIAGNOSTIC PROCEDURE FOR IN-VEHICLE SENSOR

SYMPTOM: In-vehicle sensor circuit is open or shorted. Using the CONSULT-II, DTC B2578 or B2579 is displayed. Without a CONSULT-II, code 30 or 31 is indicated on front air control as a result of conducting the front air control self-diagnosis.



### 1. CHECK IN-VEHICLE SENSOR CIRCUIT

Are diagnostic codes 30, 31 or DTC B2578, B2579 present?

YES or NO

- YES >> GO TO 6.
- NO >> GO TO 2.

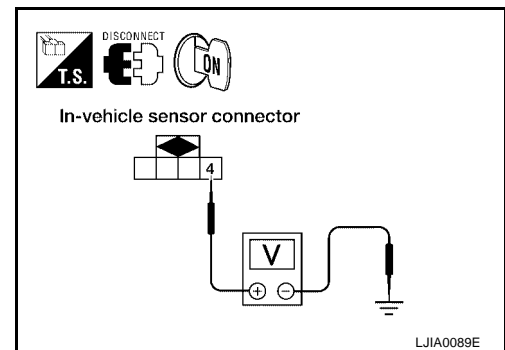
### 2. CHECK VOLTAGE BETWEEN IN-VEHICLE SENSOR AND GROUND

1. Disconnect in-vehicle sensor connector.
2. Turn ignition switch ON.
3. Check voltage between in-vehicle sensor harness connector M32 terminal 4 (LG/R) and ground.

**4 - Ground : Approx. 5V.**

OK or NG

- OK >> GO TO 3.
- NG >> GO TO 5.



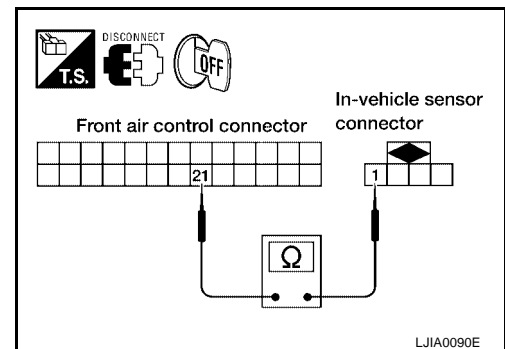
### 3. CHECK CIRCUIT CONTINUITY BETWEEN IN-VEHICLE SENSOR AND FRONT AIR CONTROL

1. Turn ignition switch OFF.
2. Disconnect front air control connector M49.
3. Check continuity between in-vehicle sensor harness connector M32 terminal 1 (V/R) and front air control harness connector M49 terminal 21 (V/R).

**1 - 21 : Continuity should exist.**

OK or NG

- OK >> GO TO 4.
- NG >> Repair harness or connector.



### 4. CHECK IN-VEHICLE SENSOR

Refer to [ATC-144, "Intake Sensor Circuit"](#) .

OK or NG

- OK >> 1. Replace front air control. Refer to [ATC-146, "FRONT AIR CONTROL"](#) .  
2. Go to [ATC-55, "A/C System Self-diagnosis Function"](#) and perform self-diagnosis.
- NG >> 1. Replace in-vehicle sensor. Refer to [ATC-148, "IN-VEHICLE SENSOR"](#) .  
2. Go to [ATC-55, "A/C System Self-diagnosis Function"](#) and perform self-diagnosis.

# TROUBLE DIAGNOSIS

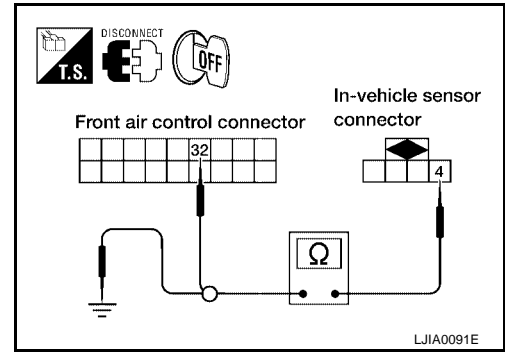
## 5. CHECK CIRCUIT CONTINUITY BETWEEN IN-VEHICLE SENSOR AND FRONT AIR CONTROL

1. Turn ignition switch OFF.
2. Disconnect front air control connector.
3. Check continuity between in-vehicle sensor harness connector M32 terminal 4 (LG/R) and front air control harness connector M50 terminal 32 (LG/R).

**4 - 32 : Continuity should exist.**

4. Check continuity between in-vehicle sensor harness connector M32 terminal 4 (LG/R) and ground.

**4 - Ground Continuity should not exist.**



### OK or NG

- OK >> 1. Replace front air control. Refer to [ATC-146, "FRONT AIR CONTROL"](#) .  
2. Go to self-diagnosis [ATC-55, "A/C System Self-diagnosis Function"](#) and perform self-diagnosis.

NG >> Repair harness or connector.

## 6. CHECK CIRCUIT CONTINUITY BETWEEN IN-VEHICLE SENSOR MOTOR AND FRONT AIR CONTROL (SELF-DIAGNOSIS CODES 44, 46 OR DTC B2578, 2579)

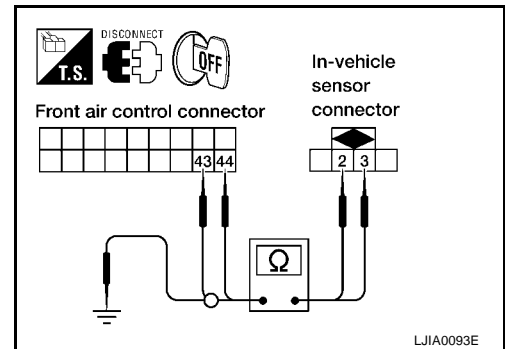
1. Turn ignition switch OFF.
2. Disconnect front air control connector and in-vehicle sensor connector.
3. Check continuity between in-vehicle sensor harness connector M32 terminal 2 (O/B) and 3 (BR/Y) and front air control harness connector M50 terminal 44 (O/B) and 43 (BR/Y).

**2 - 44 : Continuity should exist.**

**3 - 43 : Continuity should exist.**

4. Check continuity between in-vehicle sensor harness connector M32 terminal 2 (O/B) and 3 (BR/Y) and ground.

**2, 3 - Ground :Continuity should not exist.**



### OK or NG

- OK >> 1. Replace front air control. Refer to [ATC-146, "FRONT AIR CONTROL"](#) .  
2. Go to [ATC-55, "A/C System Self-diagnosis Function"](#) and perform self-diagnosis.

NG >> Repair harness or connector.

# TROUBLE DIAGNOSIS

## COMPONENT INSPECTION

### In-vehicle Sensor

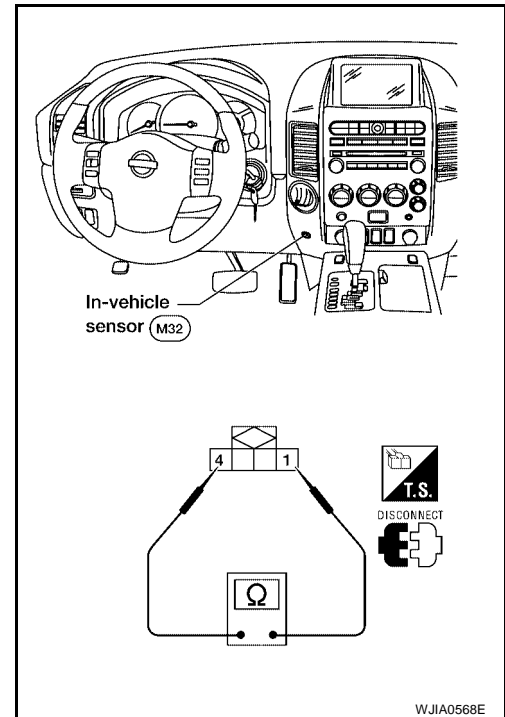
After disconnecting in-vehicle sensor connector M32, measure resistance between terminals 1 and 4 at sensor component side, using the table below.

| Temperature °C (°F) | Resistance kΩ |
|---------------------|---------------|
| -15 (5)             | 21.40         |
| -10 (14)            | 16.15         |
| -5 (23)             | 12.29         |
| 0 (32)              | 9.41          |
| 5 (41)              | 7.27          |
| 10 (50)             | 5.66          |
| 15 (59)             | 4.45          |
| 20 (68)             | 3.51          |
| 25 (77)             | 2.79          |
| 30 (86)             | 2.24          |
| 35 (95)             | 1.80          |
| 40 (104)            | 1.45          |
| 45 (113)            | 1.18          |

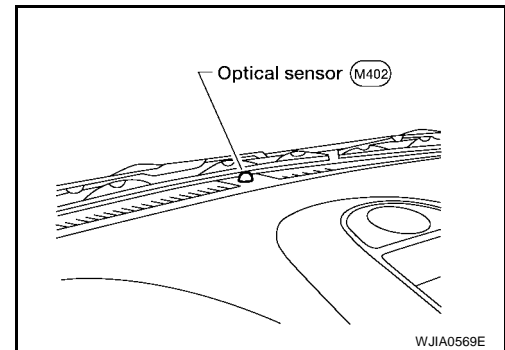
If NG, replace in-vehicle sensor.

### Optical Sensor Circuit COMPONENT DESCRIPTION

The optical sensor is located in the center of the defroster grille. It detects sunload entering through windshield by means of a photo diode. The sensor converts the sunload into a current value which is then input into the front air control.



EJS005ZQ



### OPTICAL INPUT PROCESS

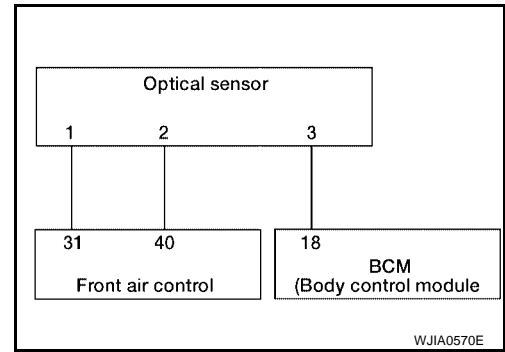
The front air control includes a processing circuit which averages the variations in detected sunload over a period of time. This prevents adjustments in the ATC system operation due to small or quick variations in detected sunload.

For example, consider driving along a road bordered by an occasional group of large trees. The sunload detected by the optical sensor will vary whenever the trees obstruct the sunlight. The processing circuit averages the detected sunload over a period of time, so that the (insignificant) effect of the trees momentarily obstructing the sunlight does not cause any change in the ATC system operation. On the other hand, shortly after entering a long tunnel, the system will recognize the change in sunload, and the system will react accordingly.

# TROUBLE DIAGNOSIS

## DIAGNOSTIC PROCEDURE FOR OPTICAL SENSOR

SYMPTOM: Optical sensor circuit is open or shorted. Using the CONSULT-II, DTC B257F or B2580 is displayed. Without a CONSULT-II, code 50 or 52 is indicated on front air control as a result of conducting the front air control self-diagnosis.



### 1. CHECK CIRCUIT CONTINUITY BETWEEN OPTICAL SENSOR AND FRONT AIR CONTROL

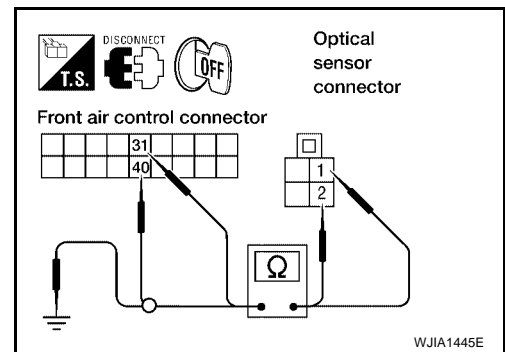
1. Turn ignition switch OFF.
2. Disconnect front air control connector and optical sensor connector.
3. Check continuity between optical sensor harness connector M402 terminal 1 (W/V) and 2 (G/O) and front air control harness connector M50 terminal 31 (W/V) and 40 (G/O).

**1 - 31 : Continuity should exist.**

**2 - 40 : Continuity should exist.**

4. Check continuity between optical sensor harness connector M402 terminal 1 (W/V) and 2 (G/O) and ground.

**1, 2 - Ground. : Continuity should not exist.**



OK or NG

OK >> GO TO 2.

NG >> Repair harness or connector.

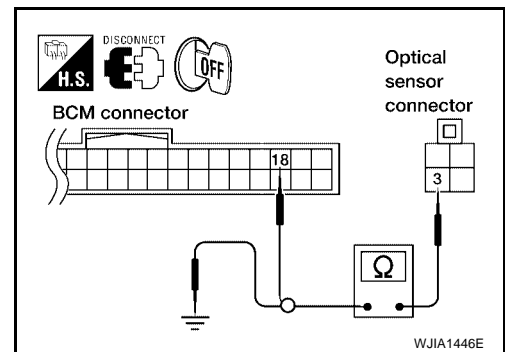
### 2. CHECK CIRCUIT CONTINUITY BETWEEN OPTICAL SENSOR AND BCM

1. Turn ignition switch OFF.
2. Disconnect BCM connector and optical sensor connector.
3. Check continuity between optical sensor harness connector M402 terminal 3 (P) and BCM harness connector M18 terminal 18 (P).

**3 - 18 : Continuity should exist.**

4. Check continuity between optical sensor harness connector M402 terminal 3 (P) and ground.

**3 - Ground : Continuity should not exist.**



OK or NG

OK >> Replace optical sensor. Refer to [ATC-149, "OPTICAL SENSOR"](#) .

NG >> Repair harness or connector.

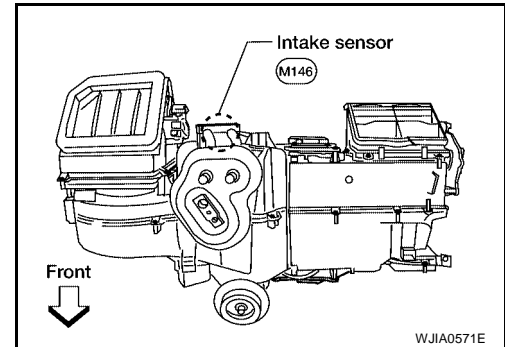
# TROUBLE DIAGNOSIS

EJS005ZR

## Intake Sensor Circuit COMPONENT DESCRIPTION

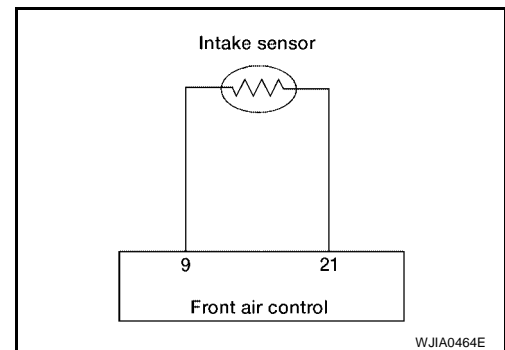
### Intake Sensor

The intake sensor is located on the heater & cooling unit. It converts temperature of air after it passes through the evaporator into a value which is then input to the front air control.



### DIAGNOSTIC PROCEDURE FOR INTAKE SENSOR

SYMPTOM: Intake sensor circuit is open or shorted. Using the CONSULT-II, DTC B2581 or B2582 is displayed. Without a CONSULT-II, code 56 or 57 is indicated on front air control as a result of conducting the front air control self-diagnosis.



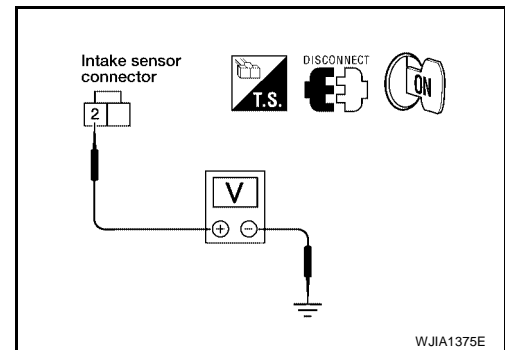
### 1. CHECK VOLTAGE BETWEEN INTAKE SENSOR AND GROUND

1. Disconnect intake sensor connector.
2. Turn ignition switch ON.
3. Check voltage between intake sensor harness connector M146 terminal 2 (L/B) and ground.

**2 - Ground : Approx. 5V**

OK or NG

- OK >> GO TO 2.
- NG >> GO TO 4.



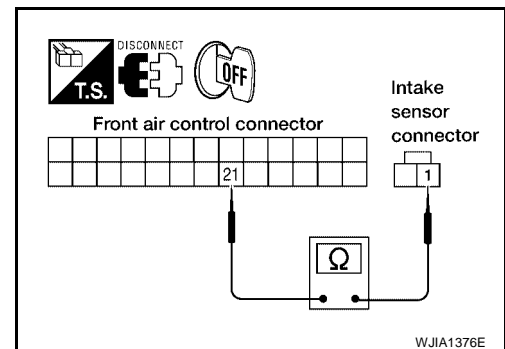
### 2. CHECK CIRCUIT CONTINUITY BETWEEN INTAKE SENSOR AND FRONT AIR CONTROL

1. Turn ignition switch OFF.
2. Disconnect front air control connector.
3. Check continuity between intake sensor harness connector M146 terminal 1 (V/R) and front air control harness connector M49 terminal 21 (V/R).

**1 - 21 : Continuity should exist.**

OK or NG

- OK >> GO TO 3.
- NG >> Repair harness or connector.





# TROUBLE DIAGNOSIS

## 3. CHECK INTAKE SENSOR

Refer to [ATC-145, "Intake Sensor"](#) .

OK or NG

- OK >> 1. Replace front air control. Refer to [ATC-146, "FRONT AIR CONTROL"](#) .  
 2. Go to self-diagnosis [ATC-55, "A/C System Self-diagnosis Function"](#) and perform self-diagnosis.
- NG >> 1. Replace intake sensor. Refer to [ATC-150, "INTAKE SENSOR"](#) .  
 2. Go to self-diagnosis [ATC-55, "A/C System Self-diagnosis Function"](#) and perform self-diagnosis.

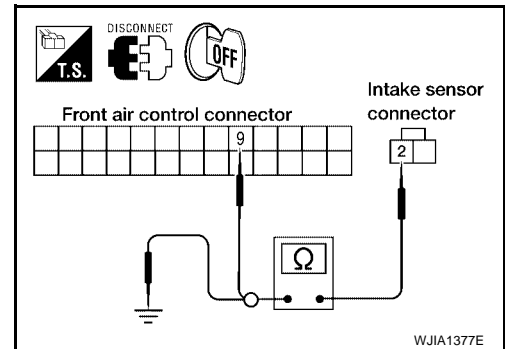
## 4. CHECK CIRCUIT CONTINUITY BETWEEN INTAKE SENSOR AND FRONT AIR CONTROL

- Turn ignition switch OFF.
- Disconnect front air control connector.
- Check continuity between intake sensor harness connector M146 terminal 2 (L/B) and front air control harness connector M49 terminal 9 (L/B).

**2 - 9** : Continuity should exist.

- Check continuity between intake sensor harness connector M146 terminal 2 (L/B) and ground.

**2 - Ground** : Continuity should not exist.



OK or NG

- OK >> 1. Replace front air control. Refer to [ATC-146, "FRONT AIR CONTROL"](#) .  
 2. Go to self-diagnosis [ATC-55, "A/C System Self-diagnosis Function"](#) and perform self-diagnosis.
- NG >> Repair harness or connector.

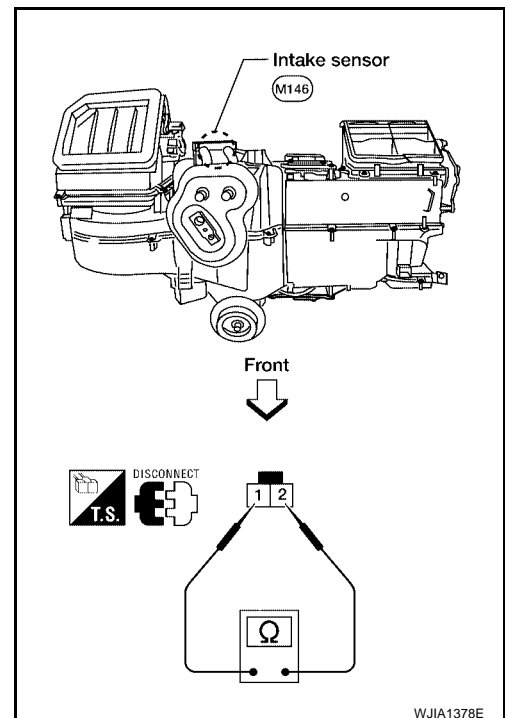
## COMPONENT INSPECTION

### Intake Sensor

After disconnecting intake sensor connector, measure resistance between terminals 1 and 2 at sensor harness side, using the table below.

| Temperature °C (°F) | Resistance kΩ |
|---------------------|---------------|
| -15 (5)             | 209.0         |
| -10 (14)            | 160.0         |
| -5 (23)             | 123.0         |
| 0 (32)              | 95.8          |
| 5 (41)              | 74.9          |
| 10 (50)             | 58.9          |
| 15 (59)             | 46.7          |
| 20 (68)             | 37.3          |
| 25 (77)             | 30.0          |
| 30 (86)             | 24.2          |
| 35 (95)             | 19.7          |
| 40 (104)            | 16.1          |
| 45 (113)            | 13.2          |

If NG, replace intake sensor.



# CONTROL UNIT

## CONTROL UNIT

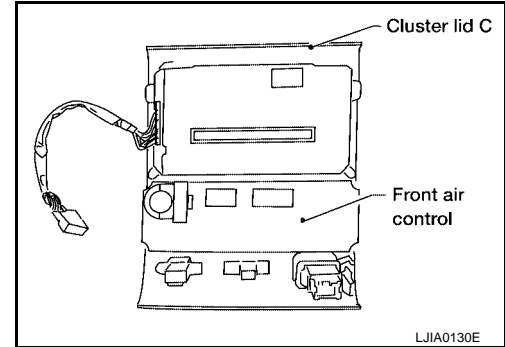
PFP:27500

### Removal and Installation FRONT AIR CONTROL

EJS005ZS

#### Removal

1. Remove the five control knobs from the front air control unit.
2. Remove the cluster lid C. Refer to [IP-11, "CLUSTER LID C"](#) .
3. Remove the four screws securing the front air control unit to cluster lid C.
4. Remove the front air control unit.



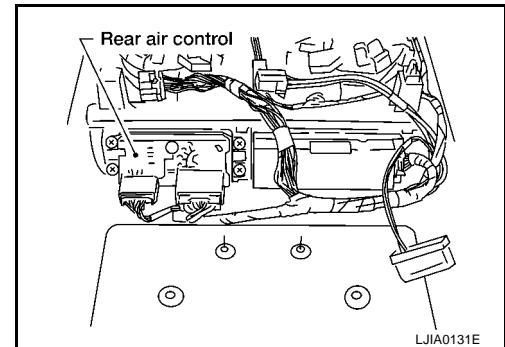
#### Installation

Installation is in the reverse order of removal.

### REAR AIR CONTROL

#### Removal

1. Remove the overhead console from the headliner. Refer to [EI-35, "HEADLINING"](#) .
2. Remove the four screws and remove the rear air control.



#### Installation

Installation is in the reverse order of removal.

# AMBIENT SENSOR

PFP:27722

## AMBIENT SENSOR

### Removal and Installation

EJS005ZT

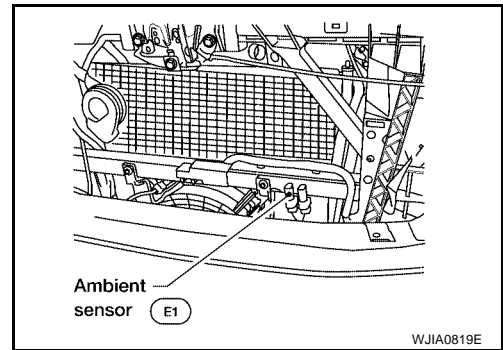
#### REMOVAL

1. Disconnect the ambient sensor electrical connector.

**NOTE:**

The ambient sensor is located behind the front bumper, in front of the condenser.

2. Release the ambient sensor clip and then remove the ambient sensor.



#### INSTALLATION

Installation is in the reverse order of removal.

A  
B  
C  
D  
E  
F  
G  
H  
I  
K  
L  
M

ATC

# IN-VEHICLE SENSOR

## IN-VEHICLE SENSOR

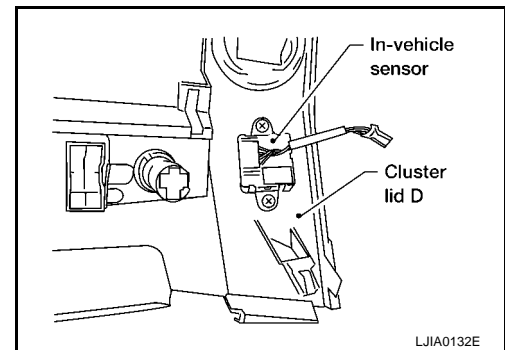
PFP:27720

### Removal and Installation

EJS005ZU

#### REMOVAL

1. Remove the cluster lid D. Refer to [IP-12, "CLUSTER LID D"](#) .
2. Remove the two screws and remove the in-vehicle sensor.



#### INSTALLATION

Installation is in the reverse order of removal.

# OPTICAL SENSOR

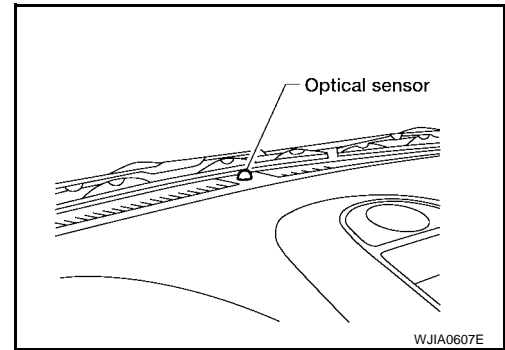
## OPTICAL SENSOR

PFP:28576

### Removal and Installation

EJS005ZV

The optical sensor is located in the top center of the instrument panel. Refer to [LT-61, "Removal and Installation of Optical Sensor"](#) .



A  
B  
C  
D  
E  
F  
G  
H  
I  
K  
L  
M

ATC

# INTAKE SENSOR

## INTAKE SENSOR

PF2:27723

### Removal and Installation

EJS005ZW

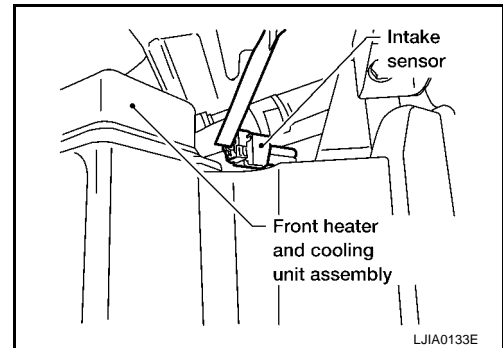
#### REMOVAL

1. Remove the instrument panel. Refer to [IP-10, "Removal and Installation"](#) .
2. Disconnect the intake sensor electrical connector.

#### NOTE:

The intake sensor is located on the top of the front heater and cooling unit assembly next to the A/C evaporator cover.

3. Twist the intake sensor to remove the intake sensor from the front heater and cooling unit assembly.



#### INSTALLATION

Installation is in the reverse order of removal.

# BLOWER MOTOR

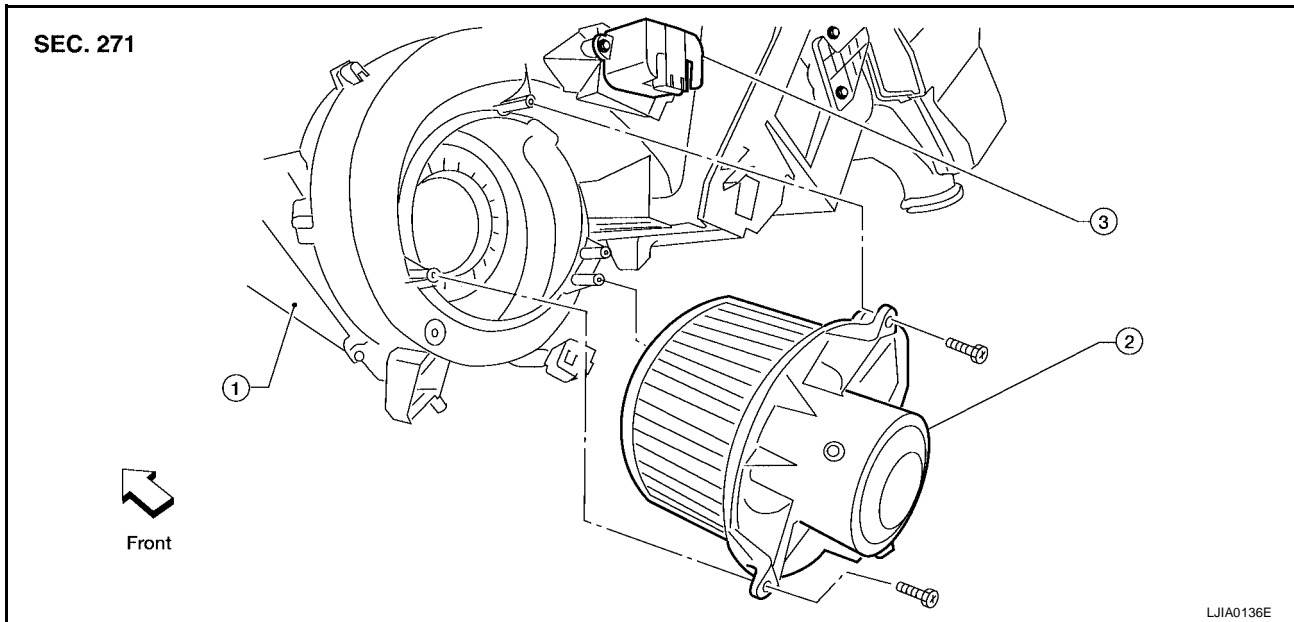
PFP:27226

EJS005ZX

## BLOWER MOTOR

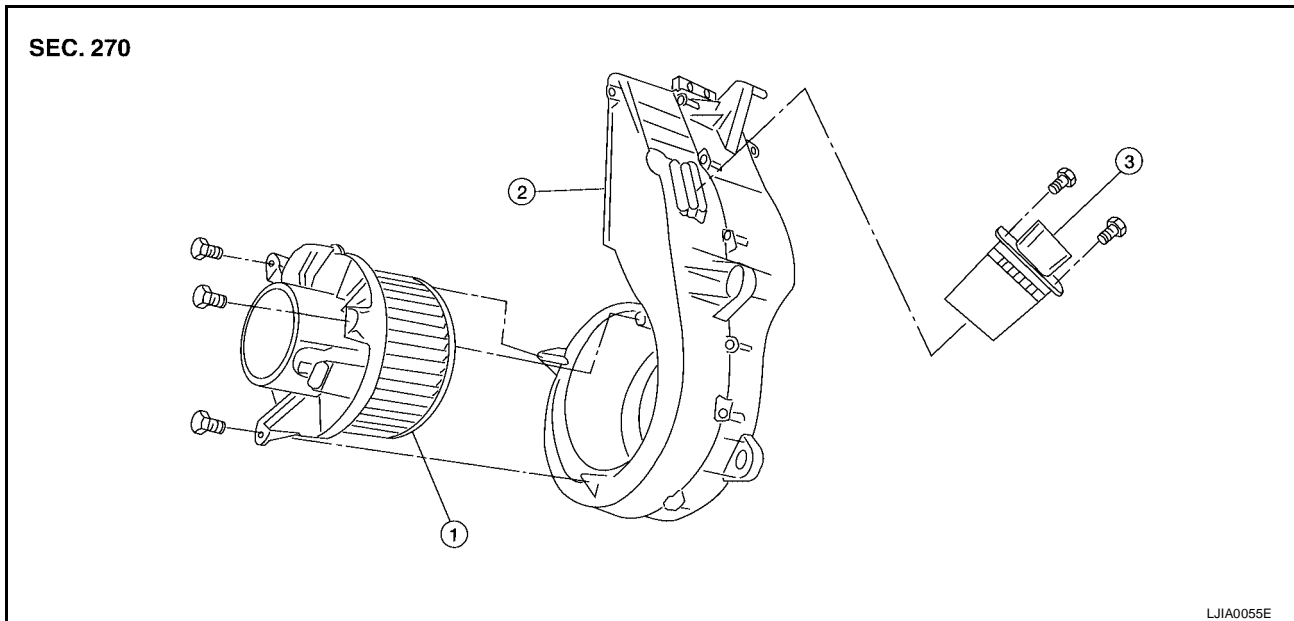
### Components

#### Front Blower Motor



1. Front heater and cooling unit assembly      2. Front blower motor      3. Variable blower control

#### Rear Blower Motor



1. Rear blower motor      2. Rear blower motor case      3. Rear blower motor resistor

## Removal and Installation

### FRONT BLOWER MOTOR

#### Removal

1. Remove the glove box assembly. Refer to [IP-13, "LOWER INSTRUMENT PANEL RH AND GLOVE BOX"](#).
2. Disconnect the front blower motor electrical connector.
3. Remove the three screws and remove the front blower motor.

#### Installation

Installation is in the reverse order of removal.

EJS005ZY

A  
B  
C  
D  
E  
F  
G  
H  
I  
K  
L  
M

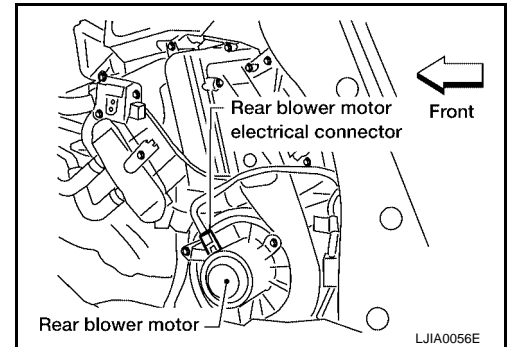
ATC

# BLOWER MOTOR

## REAR BLOWER MOTOR

### Removal

1. Remove the rear RH interior trim panel. Refer to [EI-33, "CENTER PILLAR LOWER FINISHER"](#) .
2. Disconnect the rear blower motor electrical connector.
3. Remove the three screws and remove the rear blower motor.



### Installation

Installation is in the reverse order of removal.



# IN-CABIN MICROFILTER

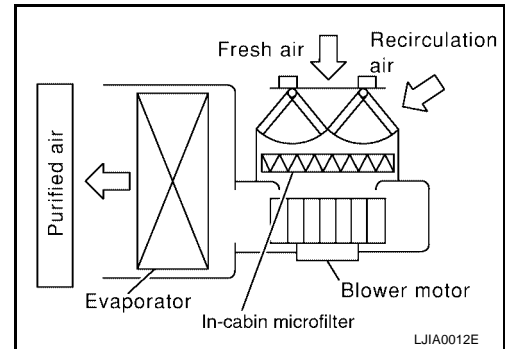
PF2:27277

EJS005ZZ

## IN-CABIN MICROFILTER

### Removal and Installation FUNCTION

The air inside the passenger compartment is filtered by the in-cabin microfilters when the heater or A/C controls are set on either the recirculation or fresh mode. The two in-cabin microfilters are located in the front heater and cooling unit assembly. The rear heater and cooling unit assembly only draws in air from the passenger compartment to recirculate into the passenger compartment, so the rear heater and cooling unit assembly is not equipped with in-cabin microfilters.

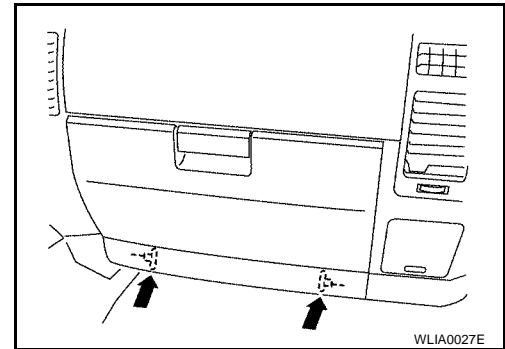


### REPLACEMENT TIMING

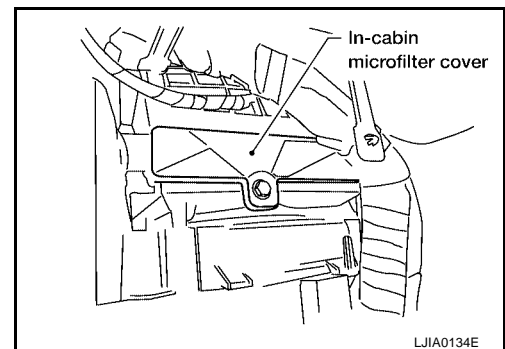
Replacement of the two in-cabin microfilters is recommended on a regular interval depending on the driving conditions. Refer to [MA-7, "PERIODIC MAINTENANCE"](#) . It may also be necessary to replace the two in-cabin microfilters as part of a component replacement if the in-cabin microfilters are damaged.

### REPLACEMENT PROCEDURE

1. Remove the two lower glove box hinge pins to remove the glove box from the instrument panel and let it hang from the cord.



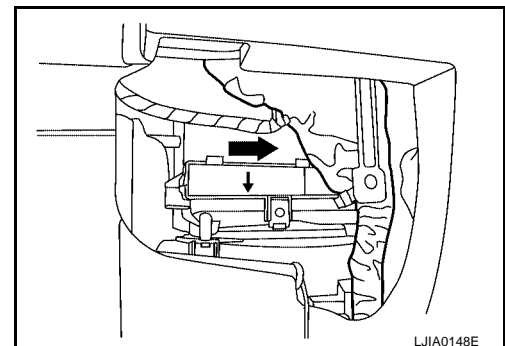
2. Remove the screw and remove the in-cabin microfilter cover.
3. Remove the in-cabin microfilters from the front heater and cooling unit assembly housing.



4. Insert the first new in-cabin microfilter into the front heater and cooling unit assembly housing and slide it over to the right. Insert the second new in-cabin microfilter into the front heater and cooling unit assembly housing.

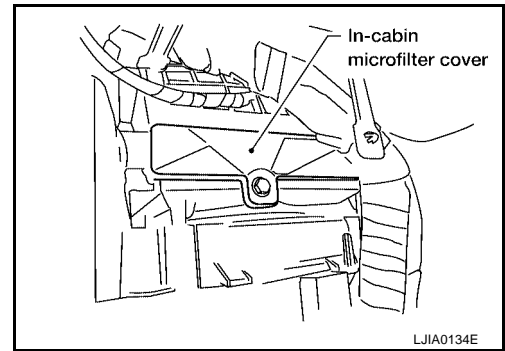
#### NOTE:

The in-cabin microfilters are marked with air flow arrows. The end of the microfilter with the arrow should face the rear of the vehicle. The arrows should point downward.

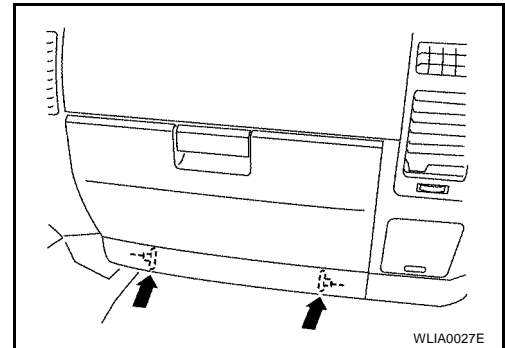


## IN-CABIN MICROFILTER

5. Install the in-cabin microfilter cover.



6. Install the lower glove box in the instrument panel and secure it with the two hinge pins.



# HEATER & COOLING UNIT ASSEMBLY

## HEATER & COOLING UNIT ASSEMBLY

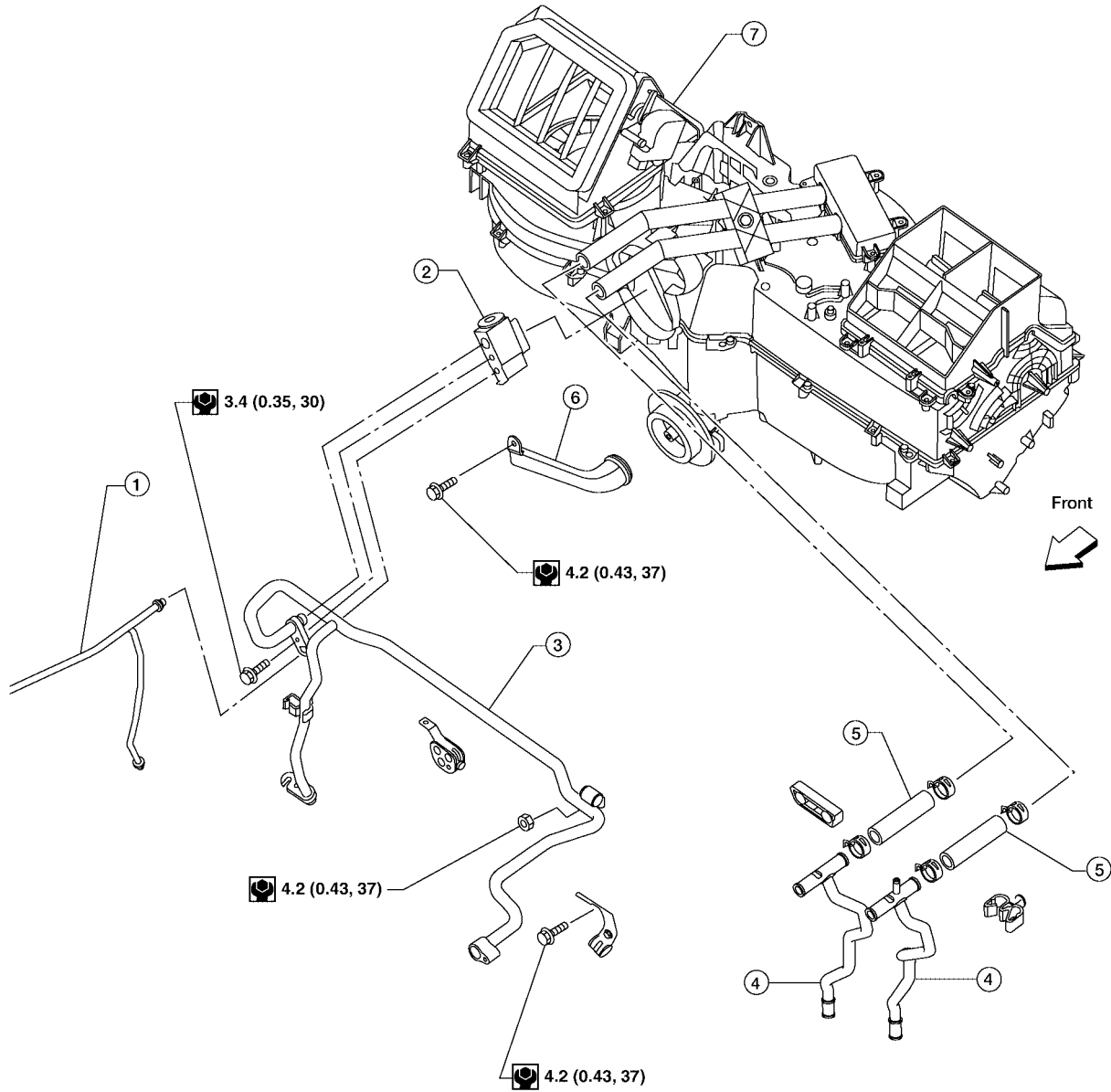
PF27110

EJS00600

### Components

### Front Heater and Cooling Unit Assembly

SEC. 271 • 276 • 278



N·m (kg·m, in·lb)

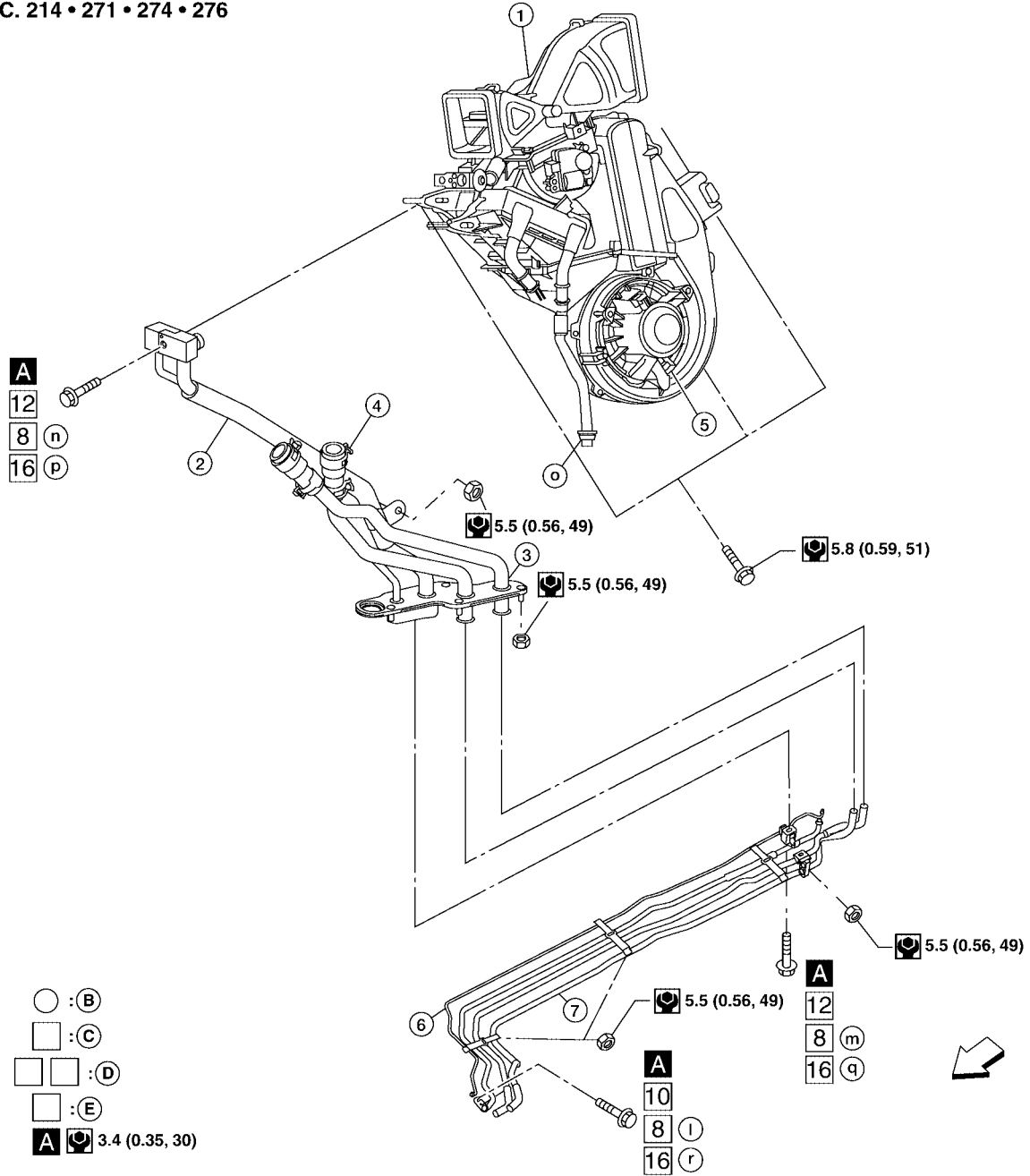
- |   |                           |                          |
|---|---------------------------|--------------------------|
| 1. High-pressure A/C pipe                 | 2. Front expansion valve  | 3. Low-pressure A/C pipe |
| 4. Front heater core pipe                 | 5. Front heater core hose | 6. A/C drain hose        |
| 7. Front heater and cooling unit assembly |                           |                          |

WJIA0957E

# HEATER & COOLING UNIT ASSEMBLY

## Rear Heater and Cooling Unit Assembly

SEC. 214 • 271 • 274 • 276



- |  |                               |                                |
|--|-------------------------------|--------------------------------|
| 1. Rear heater and cooling unit assembly | 2. Rear A/C pipes             | 3. Rear A/C heater core pipes  |
| 4. Rear heater core hose                 | 5. Rear blower motor          | 6. Underfloor rear A/C pipes   |
| 7. Underfloor rear heater core pipes     | A. Bolt torque specifications | B. Leak checking order (l - r) |
| C. Tightening torque                     | D. Wrench size                | E. O-ring size                 |
- ← Front

NOTE: The O-ring size 8 is the high-side and the O-ring size 16 is the low-side.

WJIA2315E

## Removal and Installation FRONT HEATER AND COOLING UNIT ASSEMBLY

EJS00601

### Removal

1. Discharge the refrigerant from the A/C system. Refer to [ATC-174, "Discharging Refrigerant"](#) .
2. Drain the coolant from the engine cooling system. Refer to [MA-13, "DRAINING ENGINE COOLANT"](#) .
3. Remove the cowl top extension. Refer to [EI-19, "Removal and Installation"](#) .

# HEATER & COOLING UNIT ASSEMBLY

4. Remove the exhaust system. Refer to [EX-3, "Removal and Installation"](#) .
5. Disconnect the front heater hoses from the front heater core.
6. Disconnect the high/low pressure pipes from the front expansion valve.
7. Move the two front seats to the rearmost position on the seat track.
8. Remove the instrument panel and console panel. Refer to [IP-10, "INSTRUMENT PANEL"](#) .
9. Remove the steering column. Refer to [PS-9, "STEERING COLUMN"](#) .
10. Disconnect the instrument panel wire harness at the RH and LH in-line connector brackets, and the fuse block (J/B) electrical connectors. Refer to [PG-4, "POWER SUPPLY ROUTING CIRCUIT"](#) .
11. Disconnect the steering member from each side of the vehicle body.
12. Remove the front heater and cooling unit assembly with it attached to the steering member, from the vehicle.

## CAUTION:

Use care not to damage the seats and interior trim panels when removing the front heater and cooling unit assembly with it attached to the steering member.

13. Remove the front heater and cooling unit assembly from the steering member.

## Installation

Installation is in the reverse order of removal.

## CAUTION:

- Replace the O-ring of the low-pressure pipe and high-pressure pipe with a new one, and apply compressor oil to it when installing it.
- After charging the refrigerant, check for leaks.

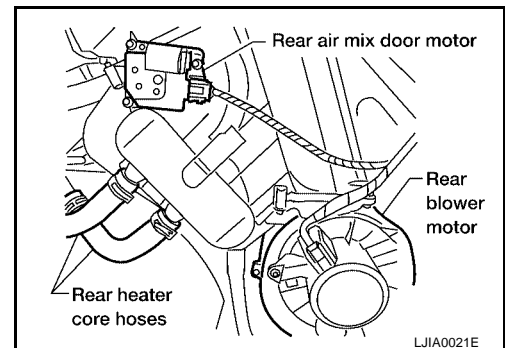
## NOTE:

- Fill the engine cooling system with the specified coolant mixture. Refer to [MA-14, "REFILLING ENGINE COOLANT"](#) .
- Recharge the A/C system. Refer to [ATC-174, "Evacuating System and Charging Refrigerant"](#) .

## REAR HEATER AND COOLING UNIT ASSEMBLY

### Removal

1. Discharge the refrigerant from the A/C system. Refer to [ATC-174, "Discharging Refrigerant"](#) .
2. Drain the coolant from the engine cooling system. Refer to [MA-13, "DRAINING ENGINE COOLANT"](#) .
3. Disconnect the rear heater core hoses from the rear heater core.
4. Disconnect the rear A/C pipes from the rear expansion valve.
5. Remove the rear RH interior trim panel. Refer to [EI-32, "BODY SIDE TRIM"](#) .
6. Disconnect the following electrical connectors:
  - Rear blower motor
  - Rear blower motor resistor
  - Rear air mix door motor
7. Disconnect the ducts from the rear heater and cooling unit assembly.
8. Remove the rear heater and cooling unit assembly.



### Installation

Installation is in the reverse order of removal.

## CAUTION:

- Replace the O-ring of the low-pressure pipe and high-pressure pipe with a new one, and apply compressor oil to it when installing it.
- After charging the refrigerant, check for leaks.

## NOTE:

- Fill the engine cooling system with the specified coolant mixture. Refer to [MA-14, "REFILLING ENGINE COOLANT"](#) .
- Recharge the A/C system. Refer to [ATC-174, "Evacuating System and Charging Refrigerant"](#) .

# HEATER & COOLING UNIT ASSEMBLY

EJS00602

---

## Removal and Installation for Rear Heater Core Pipes

### REMOVAL

1. Drain the coolant from the engine cooling system. Refer to [CO-10, "DRAINING ENGINE COOLANT"](#) .
2. Remove the upper and lower luggage RH side finisher lower. Refer to [EI-32, "BODY SIDE TRIM"](#)
3. Disconnect the rear heater core pipes.

### INSTALLATION

Installation is in the reverse order of removal.

Refer to [ATC-155, "Components"](#) .

### NOTE:

- Fill the engine cooling system with the specified coolant mixture. Refer to [CO-11, "REFILLING ENGINE COOLANT"](#)

# HEATER CORE

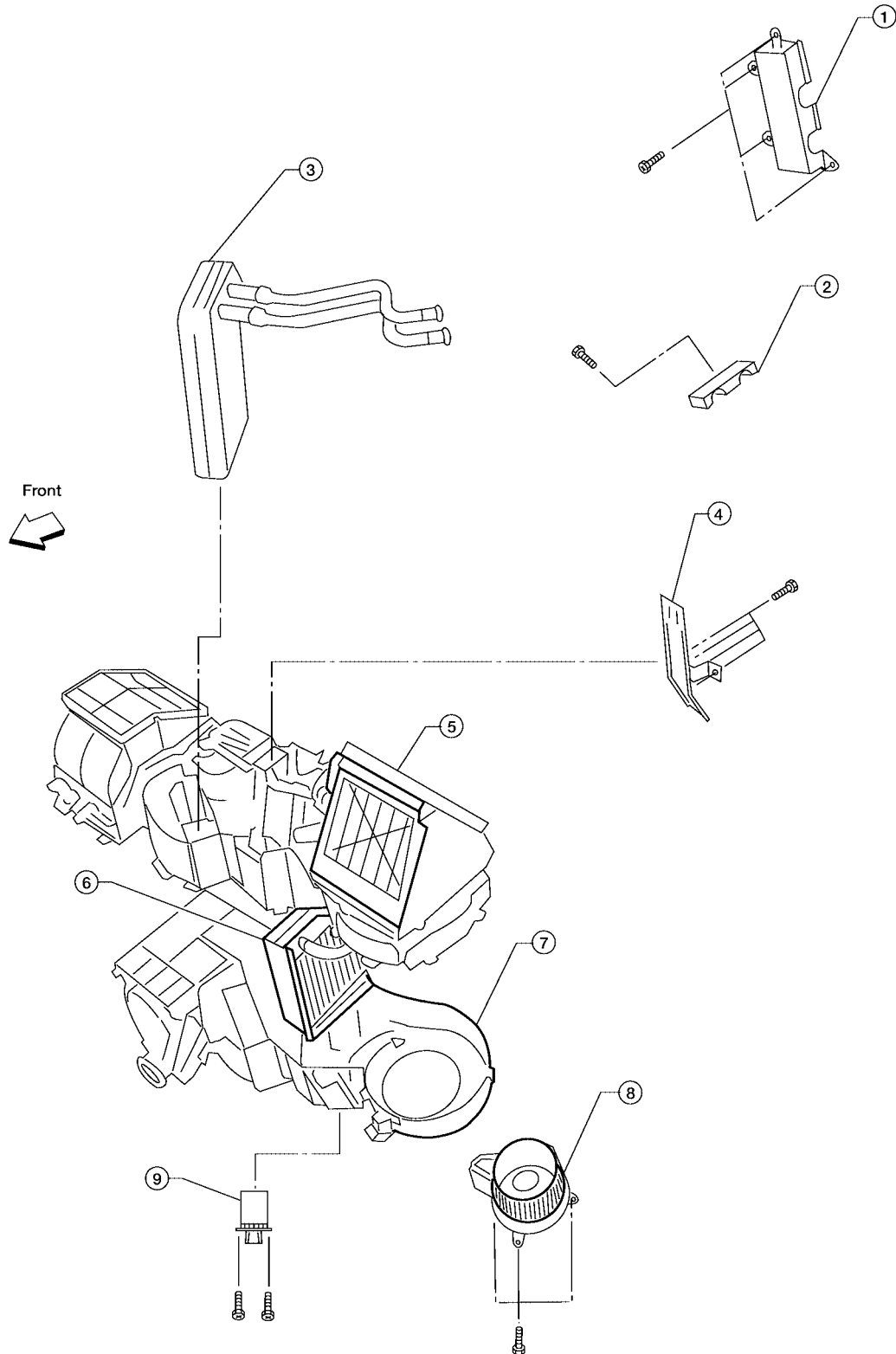
## HEATER CORE Components

PFP:27140

EJS00603

### Front Heater and Cooling Unit Assembly

SEC. 271



- |                                       |                                       |                            |
|---------------------------------------|---------------------------------------|----------------------------|
| 1. Heater core cover                  | 2. Heater core pipe bracket           | 3. Heater core             |
| 4. Upper bracket                      | 5. Upper heater and cooling unit case | 6. A/C evaporator          |
| 7. Lower heater and cooling unit case | 8. Blower motor                       | 9. Variable blower control |

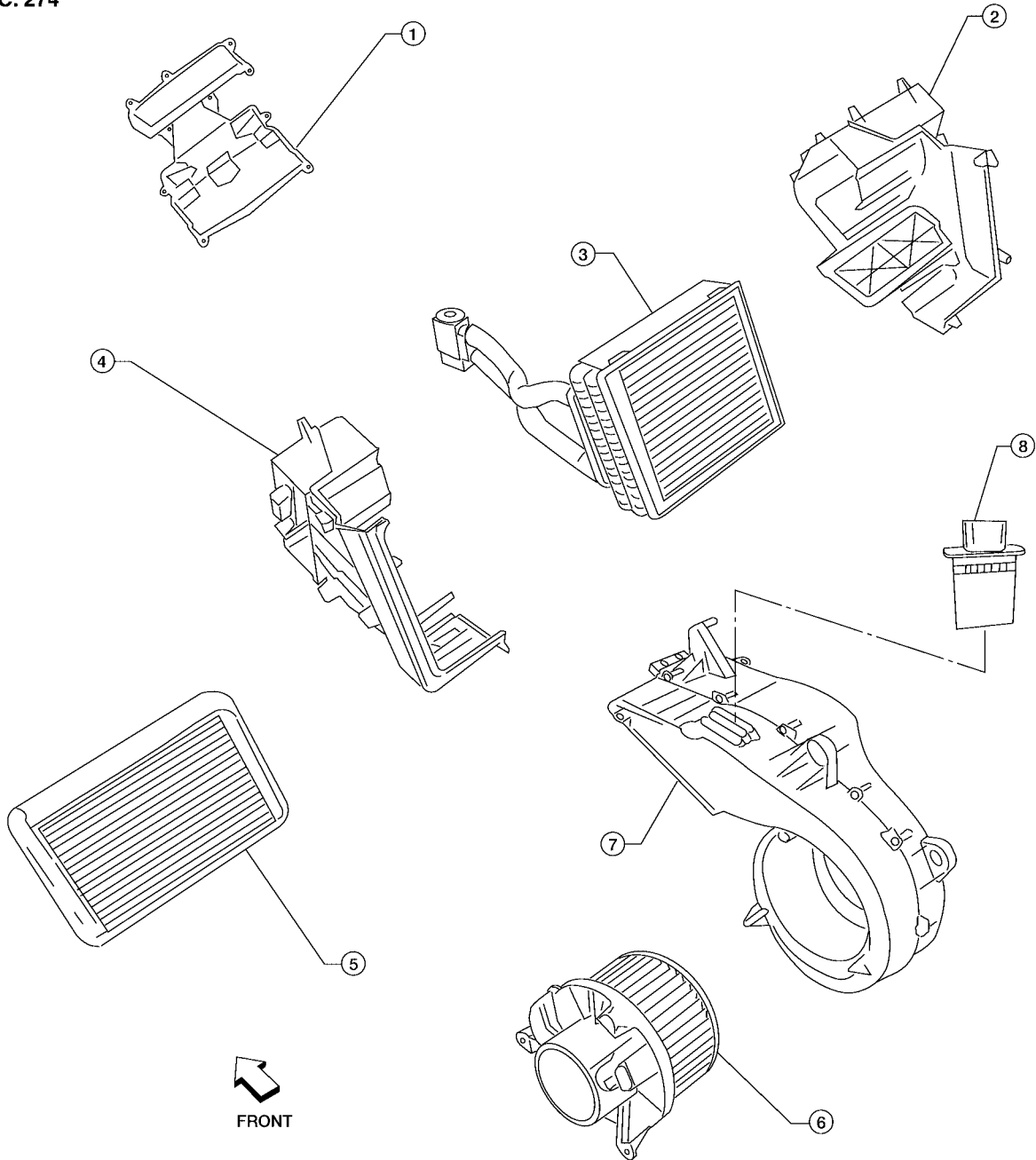
LJIA0138E

A  
B  
C  
D  
E  
F  
G  
H  
I  
ATC  
K  
L  
M

# HEATER CORE

## Rear Heater and Cooling Unit Assembly

SEC. 274



- |                      |                                    |                 |
|----------------------|------------------------------------|-----------------|
| 1. Front cover       | 2. Evaporator and heater core case | 3. Evaporator   |
| 4. Side cover        | 5. Heater core                     | 6. Blower motor |
| 7. Blower motor case | 8. Blower motor resistor           |                 |

LJIA0135E

## Removal and Installation FRONT HEATER CORE

EJS00604

### Removal

1. Remove the front heater and cooling unit assembly. Refer to [ATC-156, "FRONT HEATER AND COOLING UNIT ASSEMBLY"](#).
2. Remove the four screws and remove the upper bracket.
3. Remove the four screws and remove the heater core cover.
4. Remove the heater core pipe bracket.

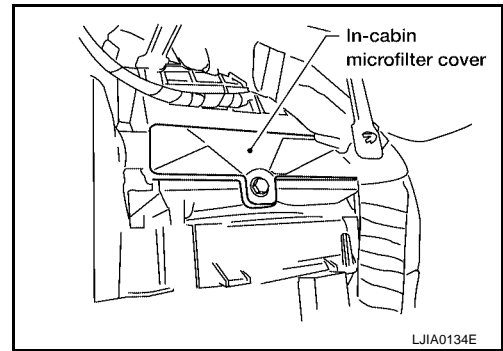


# HEATER CORE

5. Remove the heater core.

**NOTE:**

If the in-cabin microfilters are contaminated from coolant leaking from the heater core, replace the in-cabin microfilters with new ones before installing the new heater core.



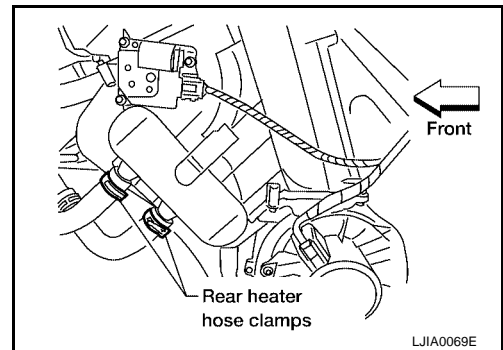
## Installation

Installation is in the reverse order of removal.

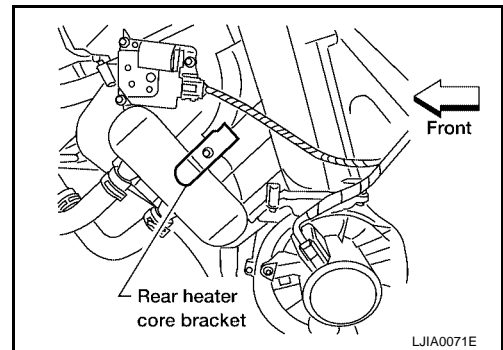
## REAR HEATER CORE

### Removal

1. Partially drain the engine cooling system. Refer to [MA-13, "DRAINING ENGINE COOLANT"](#) .
2. Remove the rear RH interior trim panel. Refer to [EI-32, "BODY SIDE TRIM"](#) .
3. Disconnect the rear heater hoses from the heater core.



4. Remove the rear heater core bracket.
5. Remove the heater core.



## Installation

Installation is in the reverse order of removal.

A  
B  
C  
D  
E  
F  
G  
H  
I  
ATC  
K  
L  
M

# DEFROSTER DOOR MOTOR

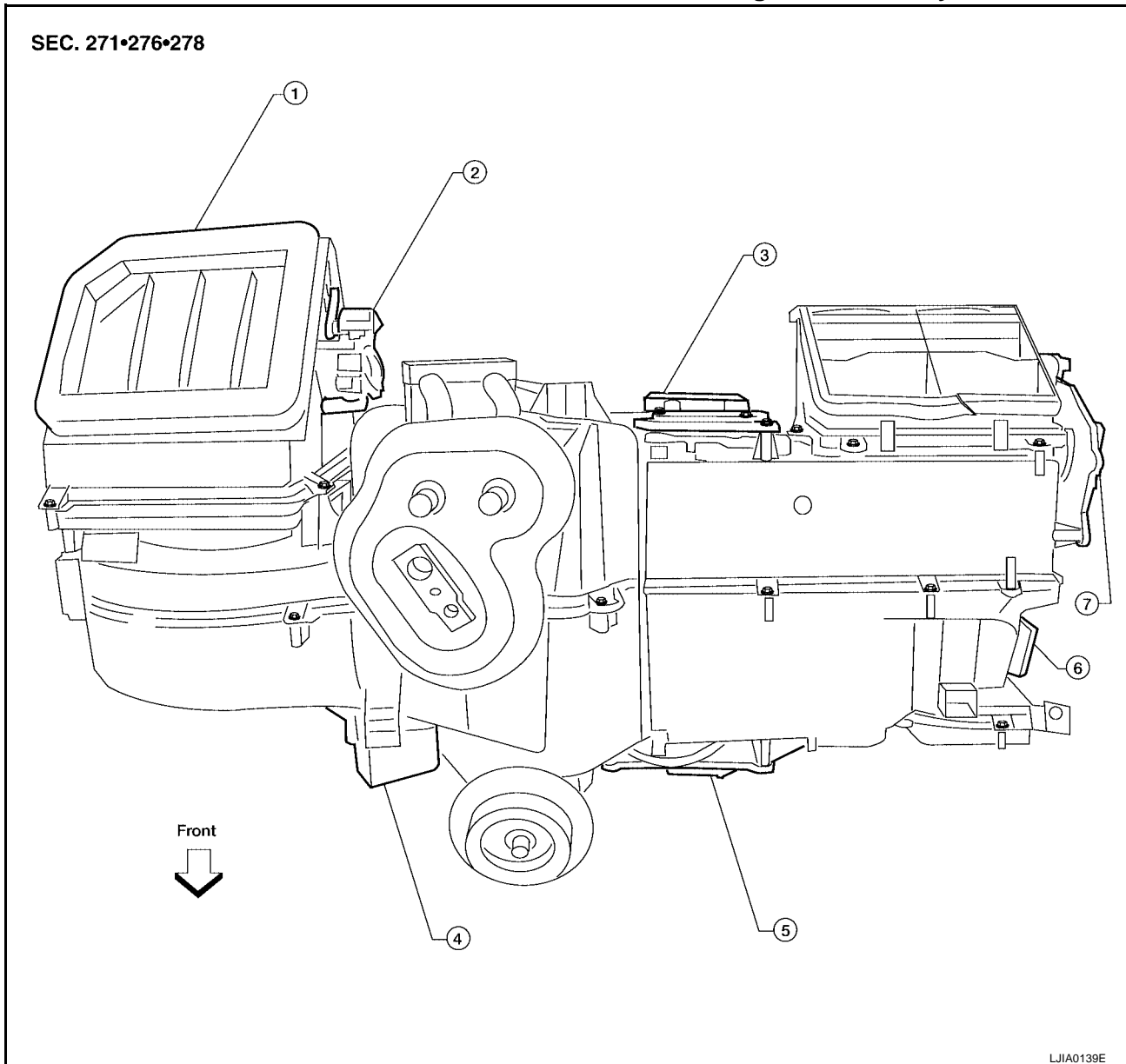
## DEFROSTER DOOR MOTOR

PF2:27733

### Removal and Installation

EJS00605

#### Defroster Door Motor - Front Heater and Cooling Unit Assembly



- |   |                                   |                                |
|---|-----------------------------------|--------------------------------|
| 1. Front heater and cooling unit assembly | 2. Intake door motor              | 3. Air mix door motor (driver) |
| 4. Variable blower control                | 5. Air mix door motor (passenger) | 6. Mode door motor             |
| 7. Defroster door motor                   |                                   |                                |

### REMOVAL

1. Remove the BCM. Refer to [BCS-20, "Removal and Installation of BCM"](#)
2. Remove the Bose speaker amplifier if equipped. Refer to [AV-62, "Removal and Installation of BOSE Speaker Amp."](#)
3. Disconnect the defroster door motor electrical connector.
4. Remove the three screws and remove the defroster door motor.

### INSTALLATION

Installation is in the reverse order of removal.

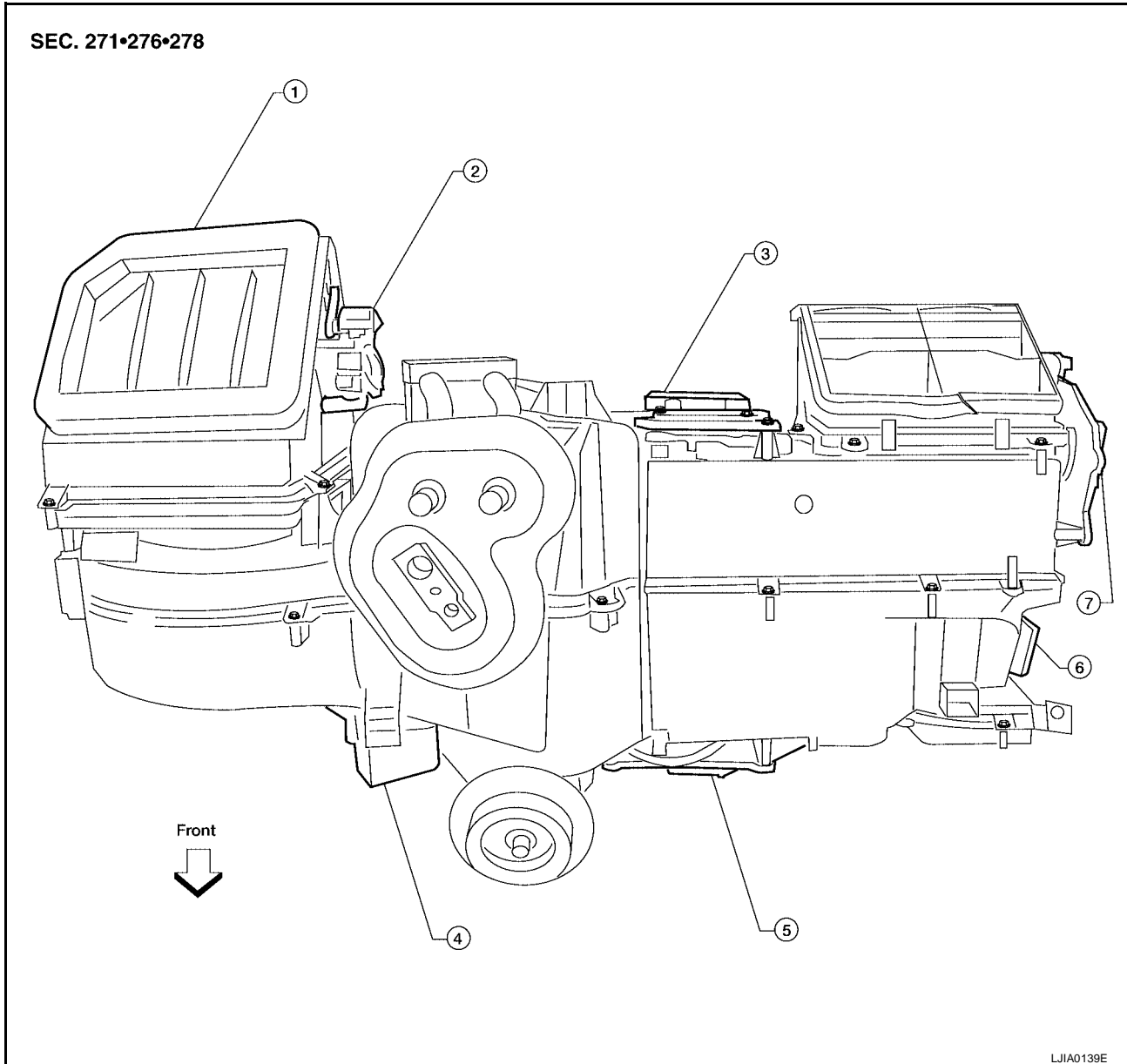
# INTAKE DOOR MOTOR

PFP:27730

EJS00606

## INTAKE DOOR MOTOR Removal and Installation

### Intake Door Motor - Front Heater and Cooling Unit Assembly



- |   |                                   |                                |
|---|-----------------------------------|--------------------------------|
| 1. Front heater and cooling unit assembly | 2. Intake door motor              | 3. Air mix door motor (driver) |
| 4. Variable blower control                | 5. Air mix door motor (passenger) | 6. Mode door motor             |
| 7. Defroster door motor                   |                                   |                                |

### REMOVAL

1. Remove the front heater and cooling unit assembly. Refer to [ATC-156, "FRONT HEATER AND COOLING UNIT ASSEMBLY"](#).
2. Remove the steering member from the front heater and cooling unit assembly.
3. Disconnect the intake door motor electrical connector.
4. Remove the three screws and remove the intake door motor.

### INSTALLATION

Installation is in the reverse order of removal.

# MODE DOOR MOTOR

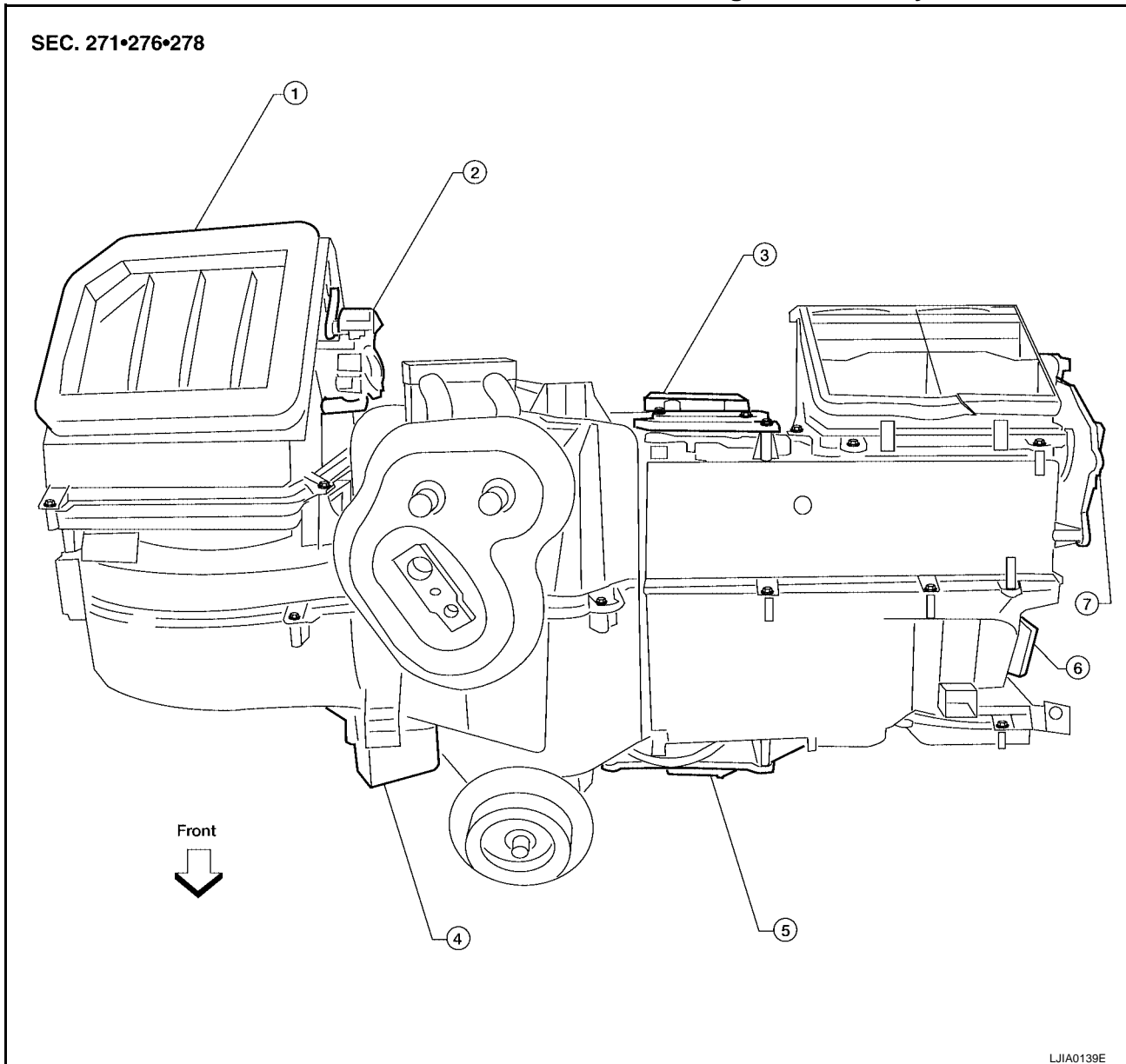
## MODE DOOR MOTOR

PF2:27731

## Removal and Installation

EJS00607

### Mode Door Motor - Front Heater and Cooling Unit Assembly



- |   |                                   |                                |
|---|-----------------------------------|--------------------------------|
| 1. Front heater and cooling unit assembly | 2. Intake door motor              | 3. Air mix door motor (driver) |
| 4. Variable blower control                | 5. Air mix door motor (passenger) | 6. Mode door motor             |
| 7. Defroster door motor                   |                                   |                                |

### REMOVAL

1. Remove the center console lower cover LH. Refer to [IP-10, "INSTRUMENT PANEL ASSEMBLY"](#)
2. Disconnect the mode door motor electrical connector.
3. Remove the two screws and remove the mode door motor.

### INSTALLATION

Installation is in the reverse order of removal.

# AIR MIX DOOR MOTOR

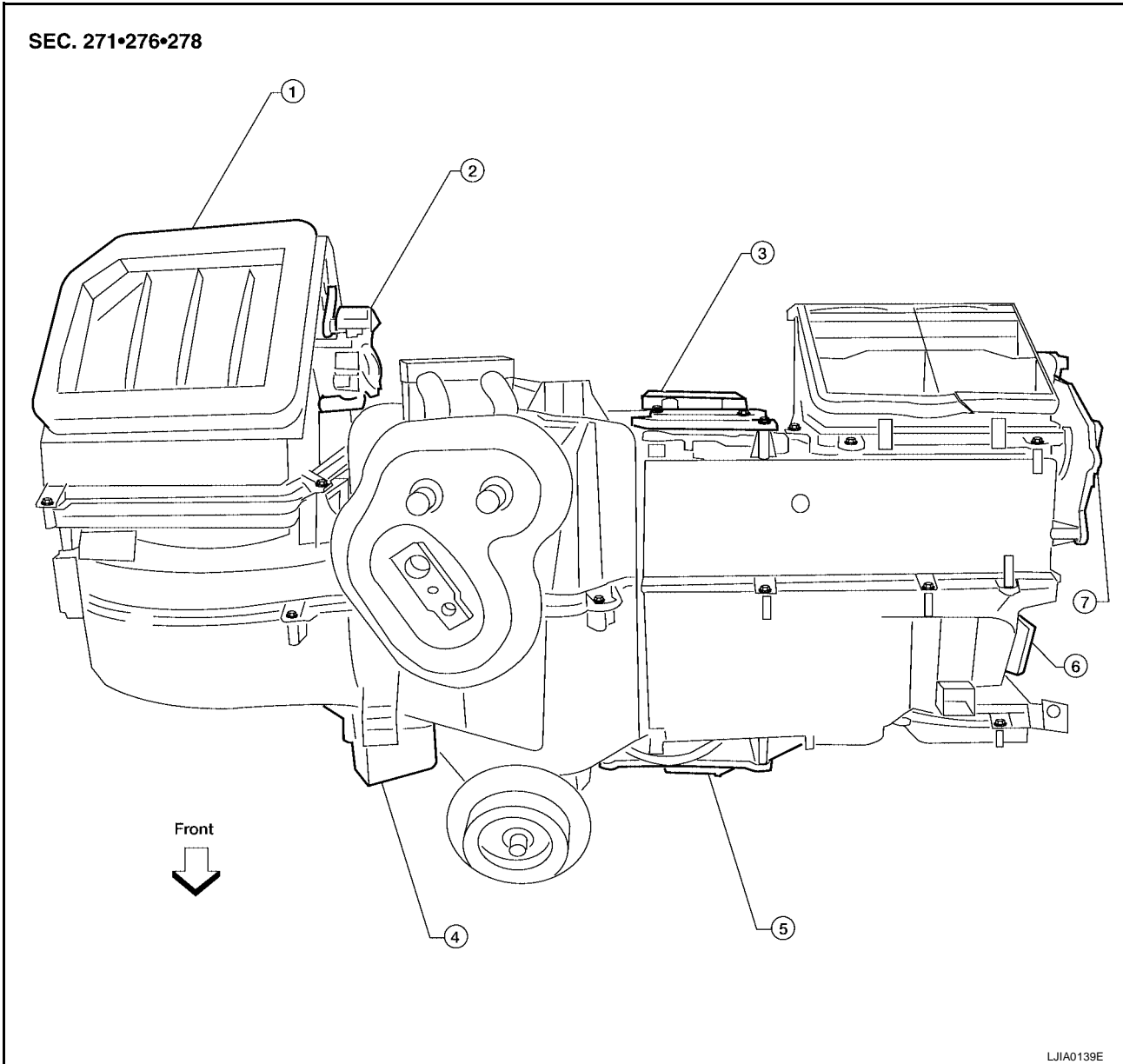
PFP:27732

EJS00608

## AIR MIX DOOR MOTOR

### Components

#### Air Mix Door Motors - Front Heater and Cooling Unit Assembly



- |   |                                   |                                |
|---|-----------------------------------|--------------------------------|
| 1. Front heater and cooling unit assembly | 2. Intake door motor              | 3. Air mix door motor (driver) |
| 4. Variable blower control                | 5. Air mix door motor (passenger) | 6. Mode door motor             |
| 7. Defroster door motor                   |                                   |                                |

### Removal and Installation

#### FRONT AIR MIX DOOR MOTOR (DRIVER)

EJS00609

#### Removal

1. Remove the front heater and cooling unit assembly. Refer to [ATC-156, "FRONT HEATER AND COOLING UNIT ASSEMBLY"](#) .
2. Remove the steering member from the front heater and cooling unit assembly.
3. Disconnect the air mix door motor electrical connector.
4. Remove the three screws and remove the air mix door motor.

#### Installation

Installation is in the reverse order of removal.

# AIR MIX DOOR MOTOR

## FRONT AIR MIX DOOR MOTOR (PASSENGER)

### Removal

1. Remove the center console lower cover LH. Refer to [IP-14, "CENTER CONSOLE"](#)
2. Disconnect the air mix door motor electrical connector.
3. Remove the three screws and remove the air mix door motor.

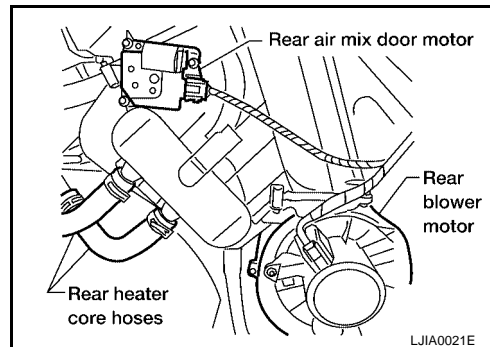
### Installation

Installation is in the reverse order of removal.

## REAR AIR MIX DOOR MOTOR

### Removal

1. Remove the RH rear interior trim panel. Refer to [EI-32, "BODY SIDE TRIM"](#) .
2. Disconnect the rear air mix door motor electrical connector.
3. Remove the three screws and remove the rear air mix door motor.



### Installation

Installation is in the reverse order of removal.

# VARIABLE BLOWER CONTROL

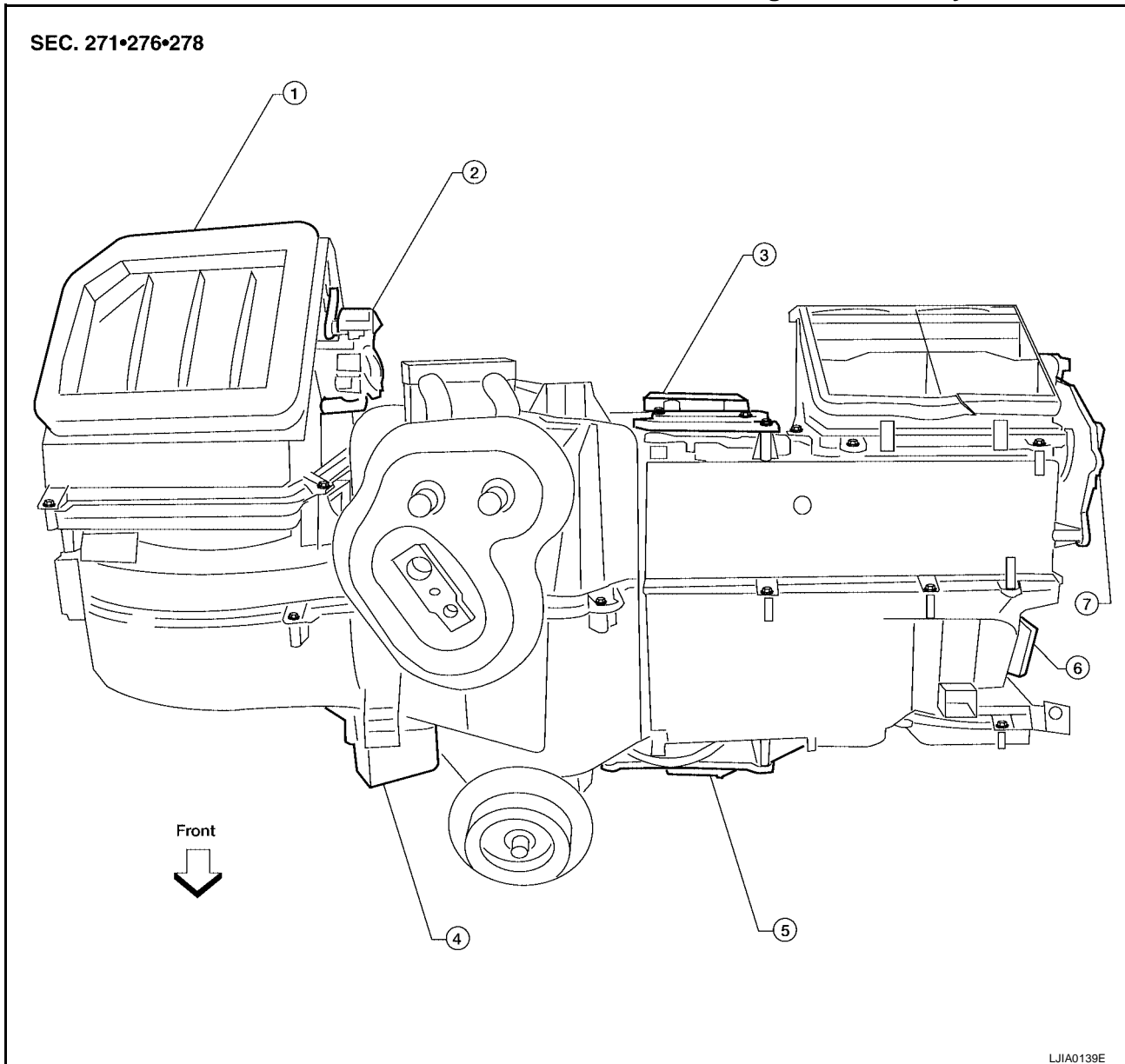
## VARIABLE BLOWER CONTROL

PF2:27200

### Removal and Installation

EJS0060A

#### Variable Blower Control - Front Heater and Cooling Unit Assembly



- |   |                                   |                                |
|---|-----------------------------------|--------------------------------|
| 1. Front heater and cooling unit assembly | 2. Intake door motor              | 3. Air mix door motor (driver) |
| 4. Variable blower control                | 5. Air mix door motor (passenger) | 6. Mode door motor             |
| 7. Defroster door motor                   |                                   |                                |

#### REMOVAL

1. Remove the glove box assembly. Refer to [IP-13, "LOWER INSTRUMENT PANEL RH AND GLOVE BOX"](#).
2. Disconnect the variable blower control electrical connector.
3. Remove the two screws and remove the variable blower control.

#### INSTALLATION

Installation is in the reverse order of removal.

A  
B  
C  
D  
E  
F  
G  
H  
I  
K  
L  
M

ATC

# REAR BLOWER MOTOR RESISTOR

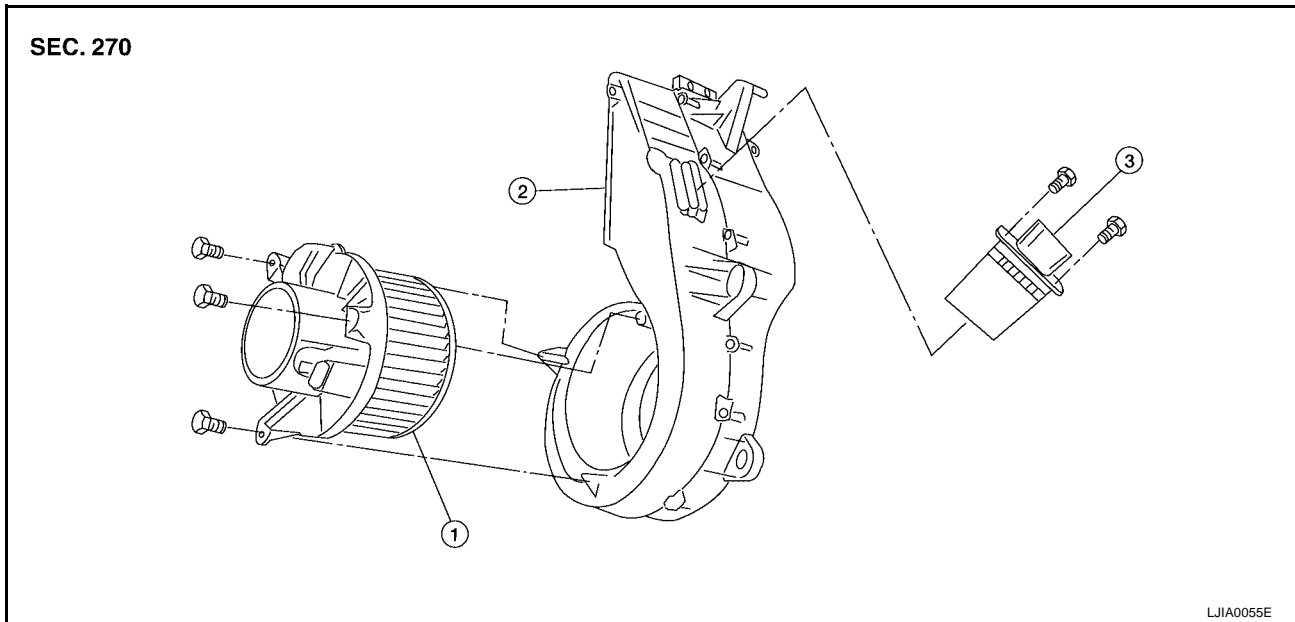
## REAR BLOWER MOTOR RESISTOR

PF2:27150

### Removal and Installation

EJS0060B

#### Rear Blower Motor Resistor



1. Rear blower motor

2. Rear blower motor case

3. Rear blower motor resistor

#### REMOVAL

1. Remove the rear RH interior trim panel. Refer to [EI-32, "BODY SIDE TRIM"](#) .
2. Disconnect the rear blower motor resistor electrical connector.
3. Remove the two screws and remove the rear blower motor resistor.

#### INSTALLATION

Installation is in the reverse order of removal.



# DUCTS AND GRILLES

## DUCTS AND GRILLES

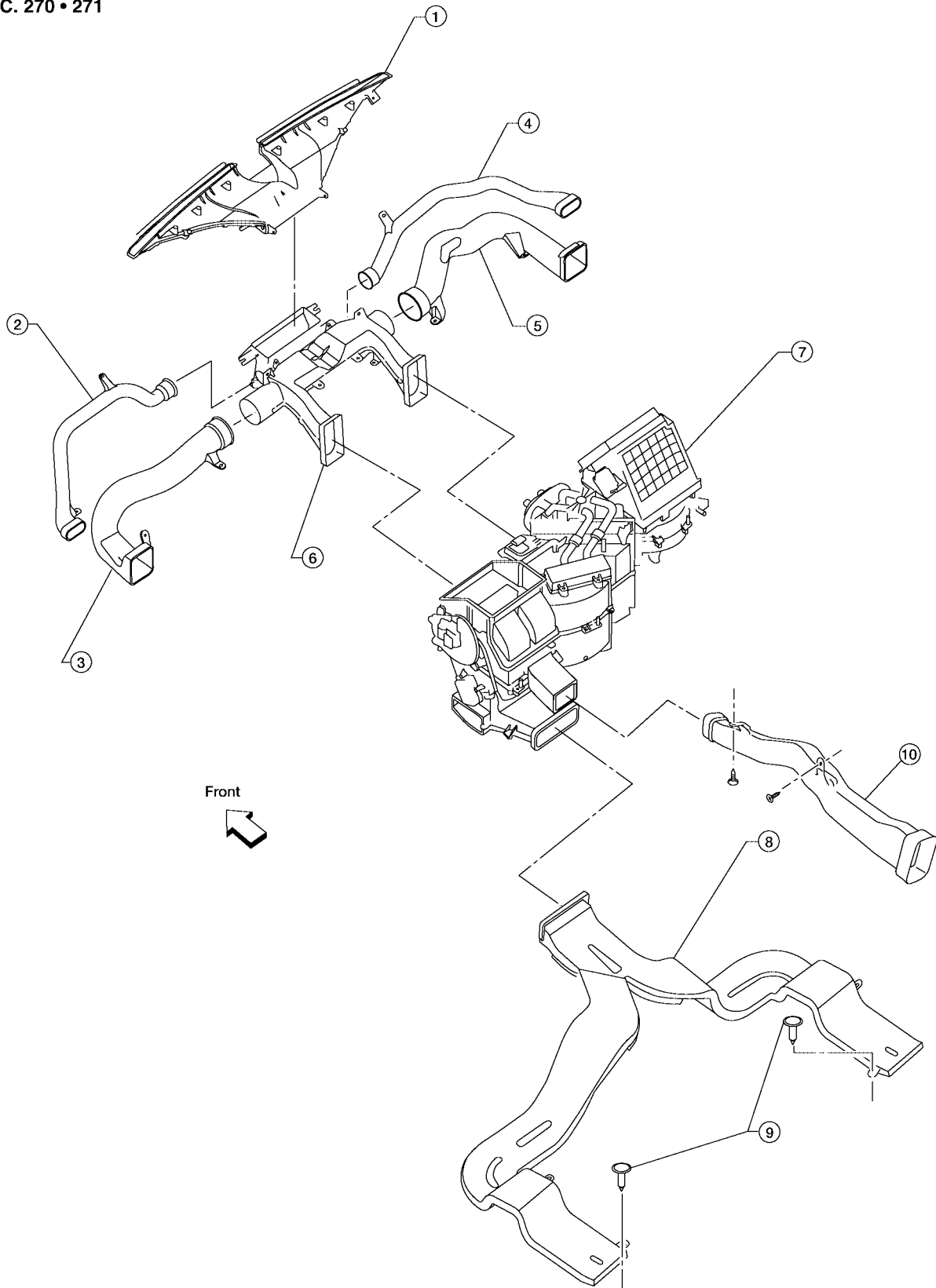
PF:27860

### Components

EJS0060C

#### Ducts - Front Heater and Cooling Unit Assembly

SEC. 270 • 271



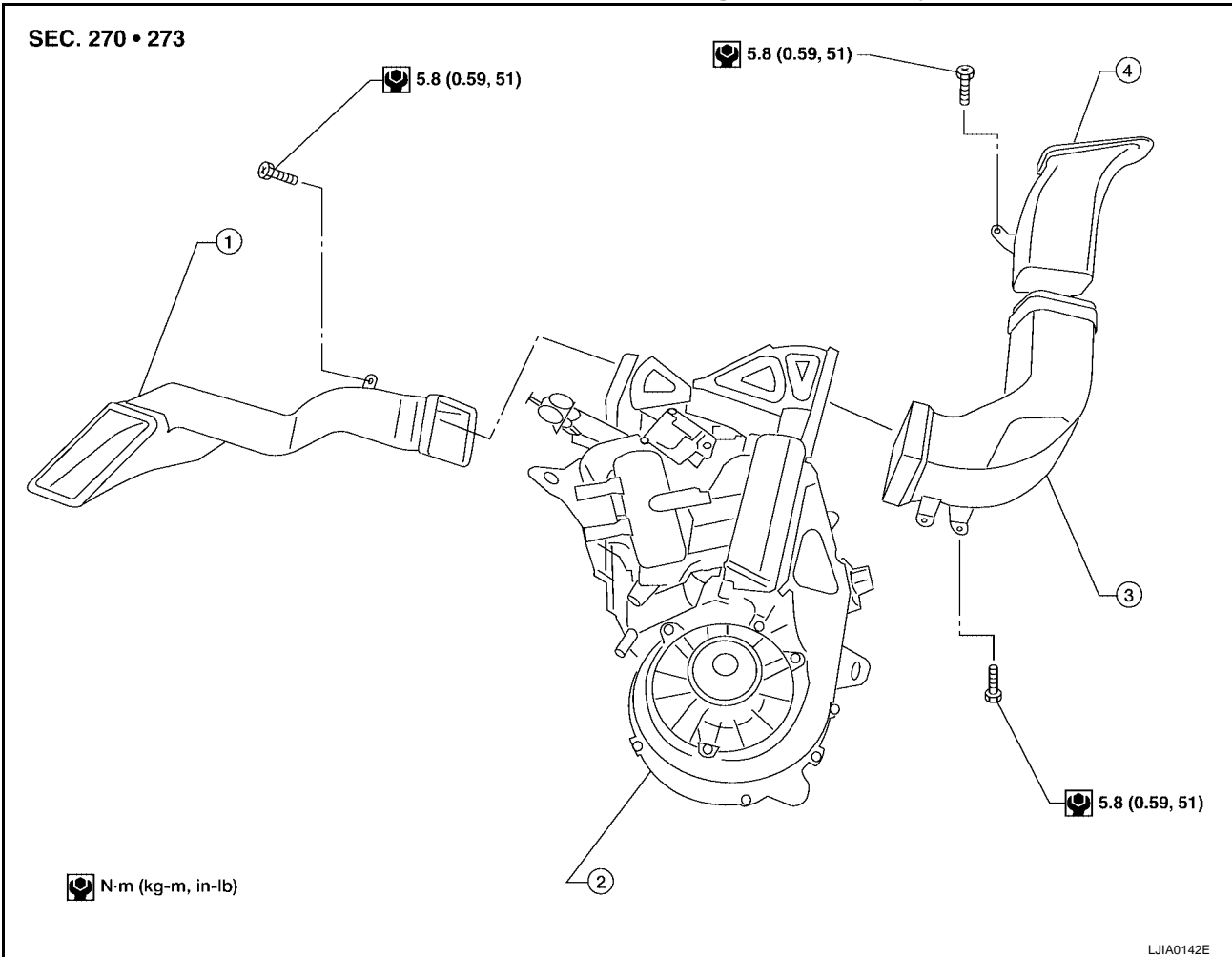
A  
B  
C  
D  
E  
F  
G  
H  
I  
K  
L  
M

ATC

# DUCTS AND GRILLES

- |   |                          |                           |
|---|--------------------------|---------------------------|
| 1. Defroster nozzle                       | 2. LH side demister duct | 3. LH ventilator duct     |
| 4. RH side demister duct                  | 5. RH ventilator duct    | 6. Center ventilator duct |
| 7. Front heater and cooling unit assembly | 8. Floor duct            | 9. Clips                  |
| 10. Heat duct                             |                          |                           |

## Ducts - Rear Heater and Cooling Unit Assembly

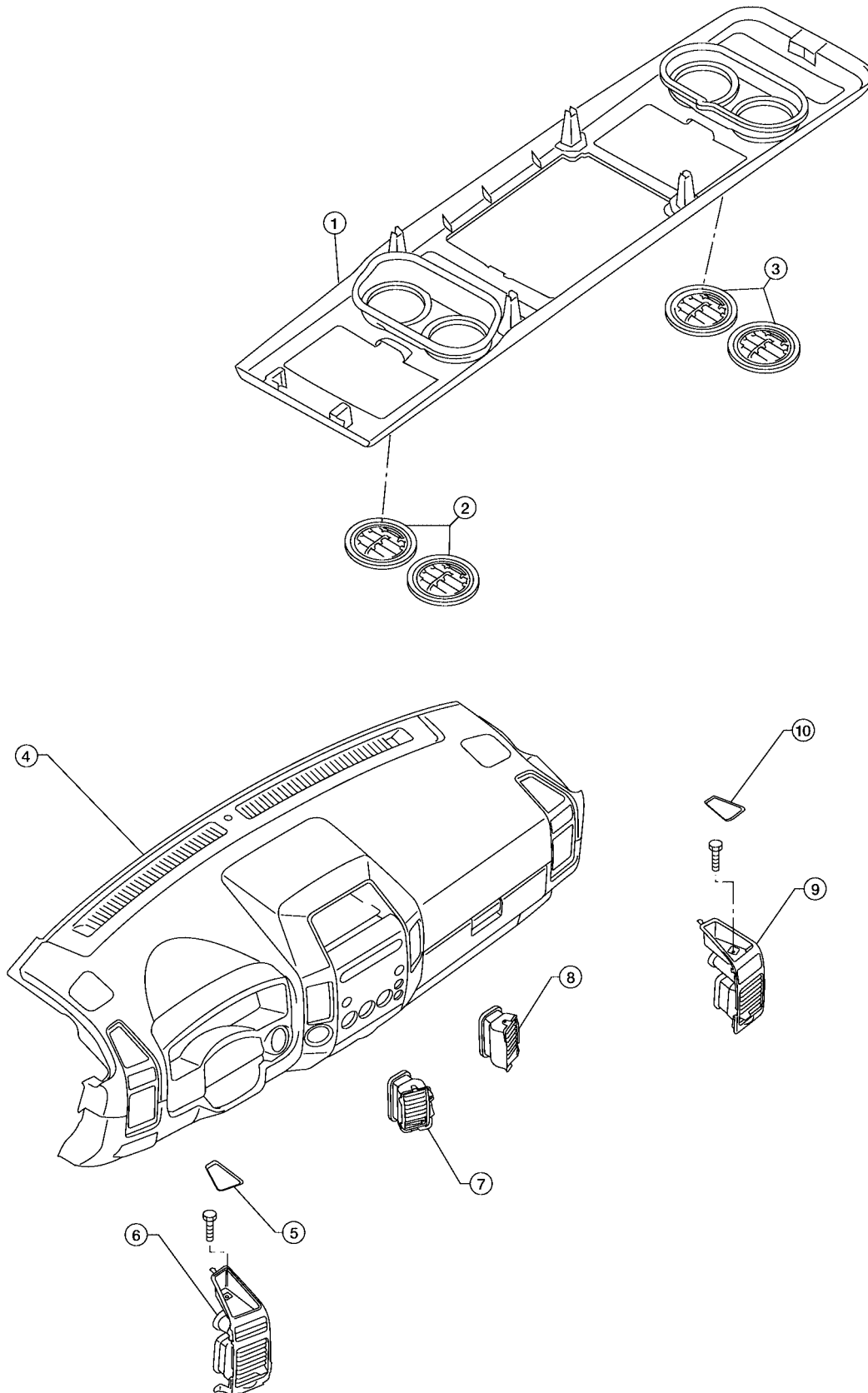


- |                             |  |                             |
|-----------------------------|--|-----------------------------|
| 1. Rear floor duct          | 2. Rear heater and cooling unit assembly | 3. Rear lower overhead duct |
| 4. Rear upper overhead duct |  |                             |

# DUCTS AND GRILLES

## Grilles

SEC. 685 • 970



A  
B  
C  
D  
E  
F  
G  
H  
I  
ATC  
K  
L  
M

- 1. Overhead console trim panel
- 2. Overhead console front grilles (front)
- 3. Overhead console rear grilles (rear)
- 4. Instrument panel
- 5. Storage tray bottom cover (LH)
- 6. LH side ventilator and demister grille

LJIA0140E

# DUCTS AND GRILLES

7. LH ventilator grille

8. RH ventilator grille

9. RH side ventilator and demister grille

10. Storage tray bottom cover (RH)

## Removal and Installation

### CENTER CONSOLE HEAT DUCT AND REAR FINISHER ASSEMBLY GRILLE

EJS0060D

#### Removal

The center console must be removed and disassembled to remove the heat duct and rear finisher assembly grille. Refer to [IP-14, "CENTER CONSOLE"](#) .

#### Installation

Installation is in the reverse order of removal.

### DEFROSTER NOZZLE

#### Removal

1. Remove the instrument panel trim. Refer to [IP-10, "INSTRUMENT PANEL"](#) .
2. Remove the defroster nozzle.

#### Installation

Installation is in the reverse order of removal.

### RH AND LH SIDE DEMISTER DUCT

#### Removal

1. Remove the instrument panel trim. Refer to [IP-10, "INSTRUMENT PANEL"](#) .
2. Remove the RH or LH side demister duct.

#### Installation

Installation is in the reverse order of removal.

### RH AND LH VENTILATOR DUCT

#### Removal

1. Remove the instrument panel trim. Refer to [IP-10, "INSTRUMENT PANEL"](#) .
2. Remove the RH or LH ventilator duct.

#### Installation

Installation is in the reverse order of removal.

### CENTER VENTILATOR DUCT

#### Removal

1. Remove the instrument panel trim. Refer to [IP-10, "INSTRUMENT PANEL"](#) .
2. Remove the defroster nozzle.
3. Remove the RH and LH side demister ducts.
4. Remove the RH and LH ventilator ducts.
5. Remove the center ventilator duct.

#### Installation

Installation is in the reverse order of removal.

### FLOOR DUCT

#### Removal

1. Remove the floor carpet. Refer to [EI-34, "FLOOR TRIM"](#) .
2. Remove the two clips and remove the floor duct.

#### Installation

Installation is in the reverse order of removal.

### REAR OVERHEAD DUCTS

#### Removal

1. Remove the rear RH interior trim panel. Refer to [EI-32, "BODY SIDE TRIM"](#) .
2. Remove the headliner. Refer to [EI-35, "HEADLINING"](#) .

# DUCTS AND GRILLES

---

**NOTE:**

The rear headliner duct connected to the rear overhead duct is part of the headlining trim panel and is replaced as an assembly.

3. Remove the two bolts and remove the rear upper and lower overhead ducts.

**Installation**

Installation is in the reverse order of removal.

**REAR FLOOR DUCT****Removal**

1. Remove the rear RH interior trim panel. Refer to [EI-32, "BODY SIDE TRIM"](#) .
2. Reposition the floor carpet out of the way.
3. Remove the two bolts and remove the rear floor duct.

**Installation**

Installation is in the reverse order of removal.

**GRILLES****Removal**

1. Remove the interior trim panels as necessary. Refer to [IP-10, "INSTRUMENT PANEL"](#) or [EI-35, "HEAD-LINING"](#) .
2. Remove the grille from the interior trim panel.

**NOTE:**

To remove the overhead console front and rear grilles, turn the grille counter-clockwise to release the grille from the overhead console trim panel.

**Installation**

Installation is in the reverse order of removal.

A

B

C

D

E

F

G

H

I

ATC

K

L

M

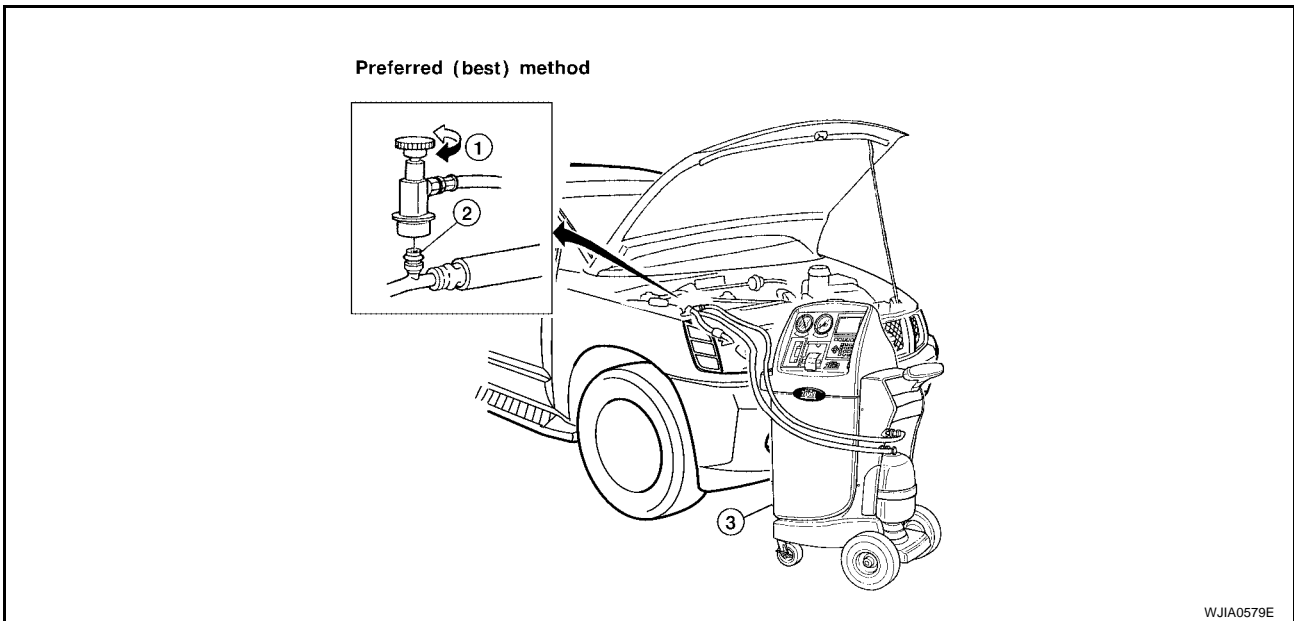
# REFRIGERANT LINES

PFP:92600

EJS0060E

## REFRIGERANT LINES

### HFC-134a (R-134a) Service Procedure SETTING OF SERVICE TOOLS AND EQUIPMENT Discharging Refrigerant



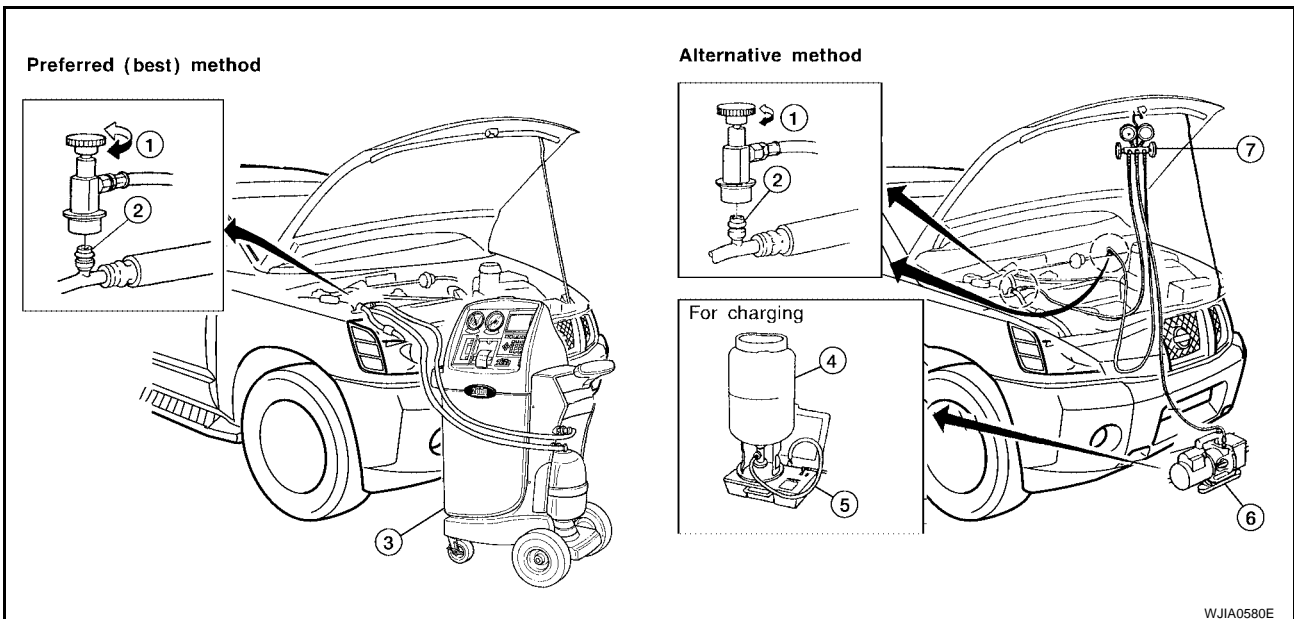
WJJA0579E

1. Shut-off valve
2. A/C service valve
3. Recovery/recycling equipment

#### **WARNING:**

Avoid breathing A/C refrigerant and lubricant vapor or mist. Exposure may irritate eyes, nose and throat. Remove HFC-134a (R-134a) refrigerant from the A/C system using certified service equipment meeting requirements of SAE J2210 HFC-134a (R-134a) recycling equipment or SAE J2201 HFC-134a (R-134a) recovery equipment. If an accidental system discharge occurs, ventilate the work area before resuming service. Additional health and safety information may be obtained from the refrigerant and lubricant manufacturers.

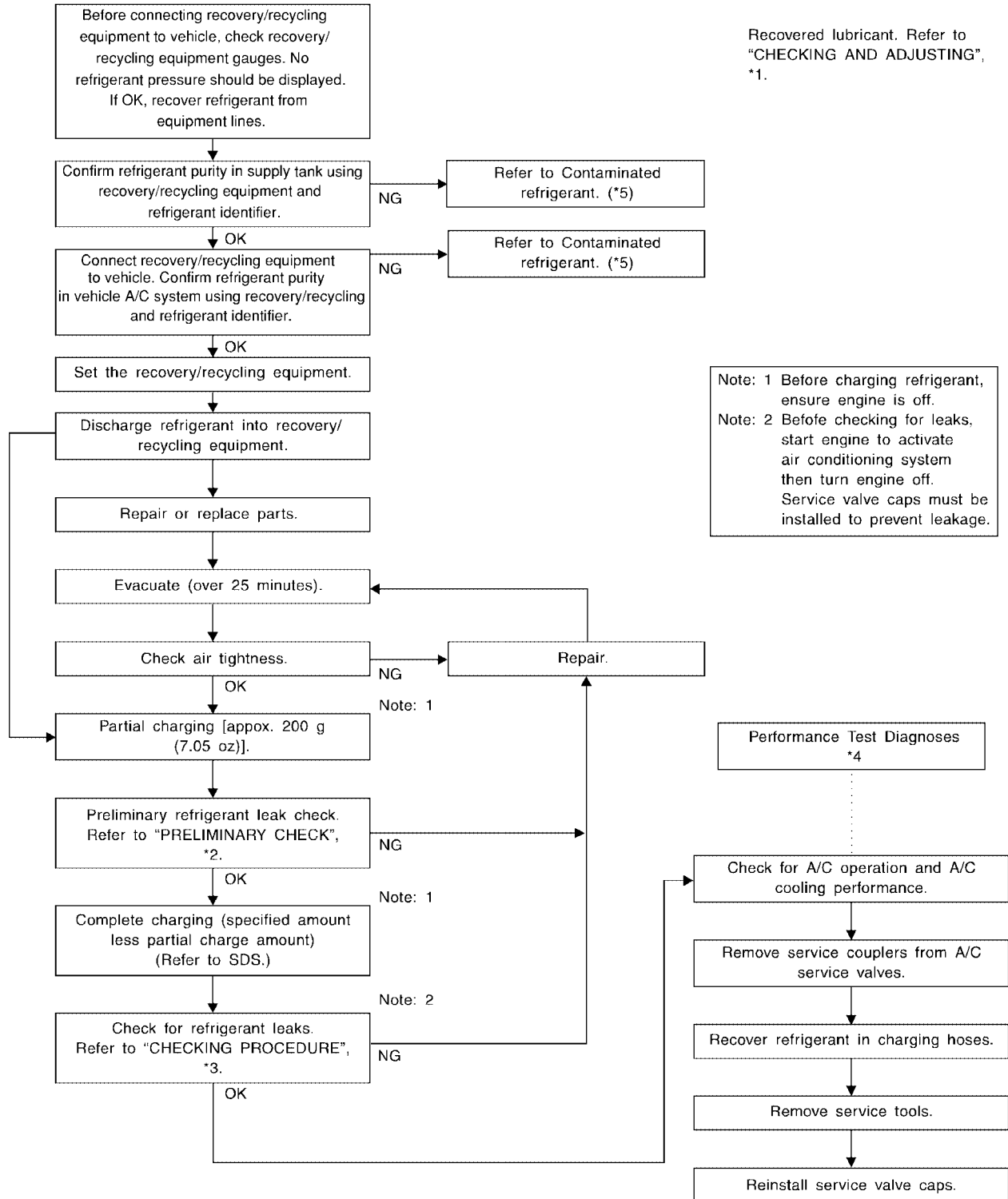
### Evacuating System and Charging Refrigerant



WJJA0580E

1. Shut-off valve
2. A/C service valve
3. Recovery/recycling equipment
4. Refrigerant container (HFC-134a)
5. Weight scale (J-39650)
6. Evacuating vacuum pump (J-39699)
7. Manifold gauge set (J-39183)

# REFRIGERANT LINES



\*1 [ATC-22, "CHECKING AND ADJUSTING"](#)

\*2 [ATC-190, "Checking for Refrigerant Leaks"](#)

\*3 [ATC-190, "Checking for Refrigerant Leaks"](#)

\*4 [ATC-122, "PERFORMANCE TEST DIAGNOSES"](#)

\*5 [ATC-5, "Contaminated Refrigerant"](#)

WJIA0530E

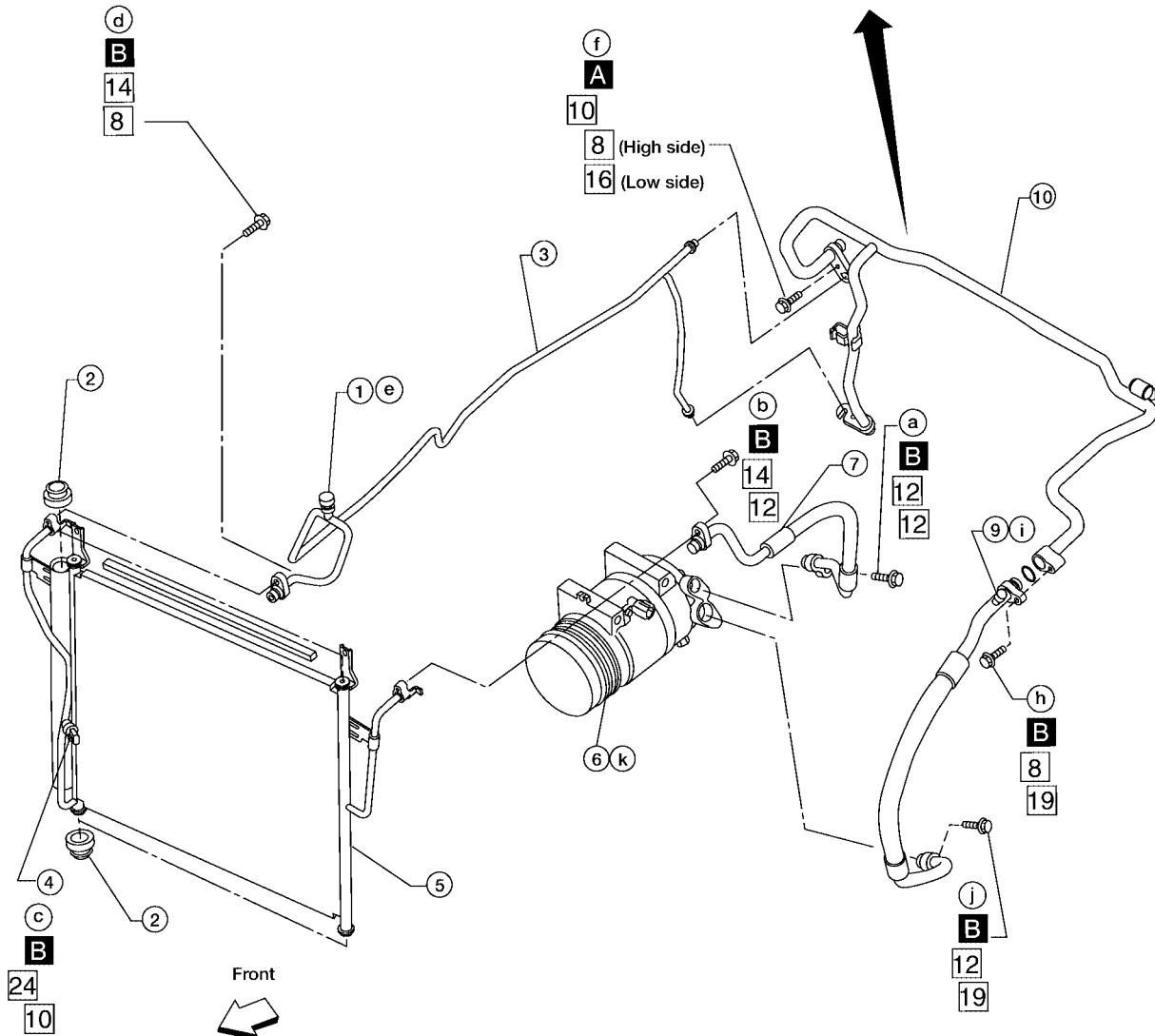
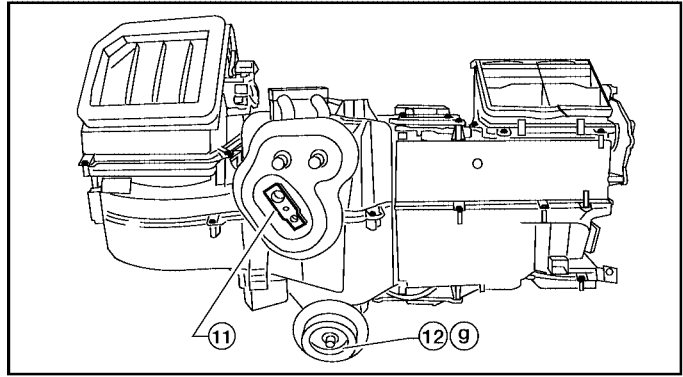
# REFRIGERANT LINES

## Components

EJS0060F

### Front A/C Compressor and Condenser

SEC. 214 • 271 • 274 • 276



- : Refrigerant leak checking order (a-k)
- : Tightening torque
- □ : Wrench size
- : O-ring size
- ⊗ : N·m (kg·m, in·lb)
- A ⊗ : 3.4 (0.35, 30)
- B ⊗ : 9.3 (0.95, 82)

WJIA0954E

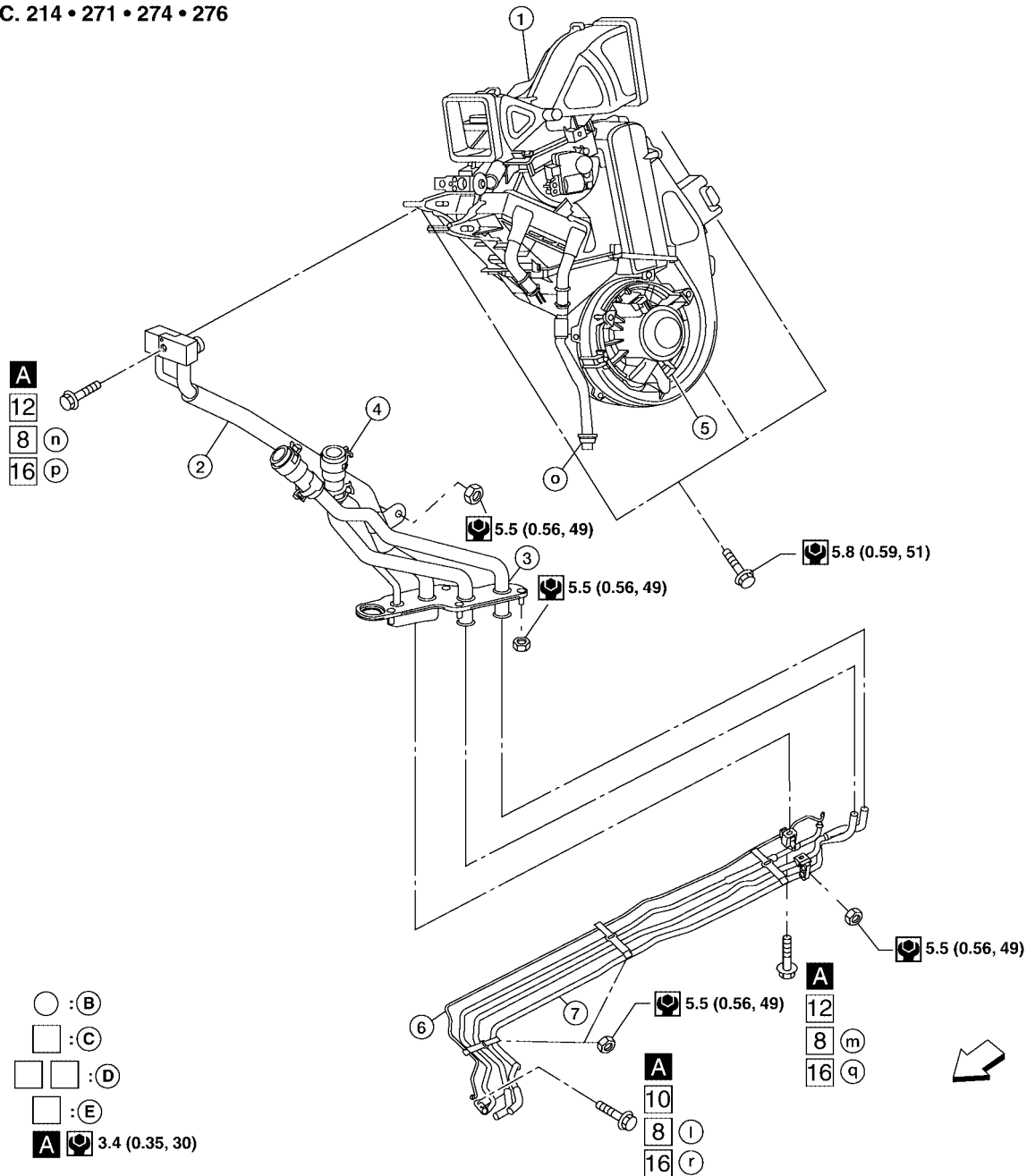


# REFRIGERANT LINES

- |                                |                               |                               |
|--------------------------------|-------------------------------|-------------------------------|
| 1. High-pressure service valve | 2. Grommet                    | 3. High-pressure pipe         |
| 4. Refrigerant pressure sensor | 5. Condenser                  | 6. Compressor shaft seal      |
| 7. High-pressure flexible hose | 8. Low-pressure flexible hose | 9. Low-pressure service valve |
| 10. Low-pressure pipe          | 11. Expansion valve (front)   | 12. Drain hose                |

## Rear A/C

SEC. 214 • 271 • 274 • 276



- |  |                               |                                |
|--|-------------------------------|--------------------------------|
| 1. Rear heater and cooling unit assembly | 2. Rear A/C pipes             | 3. Rear A/C heater core pipes  |
| 4. Rear heater core hose                 | 5. Rear blower motor          | 6. Underfloor rear A/C pipes   |
| 7. Underfloor rear heater core pipes     | A. Bolt torque specifications | B. Leak checking order (l - r) |
| C. Tightening torque                     | D. Wrench size                | E. O-ring size                 |
- ⇐ Front

NOTE: The O-ring size 8 is the high-side and the O-ring size 16 is the low-side.

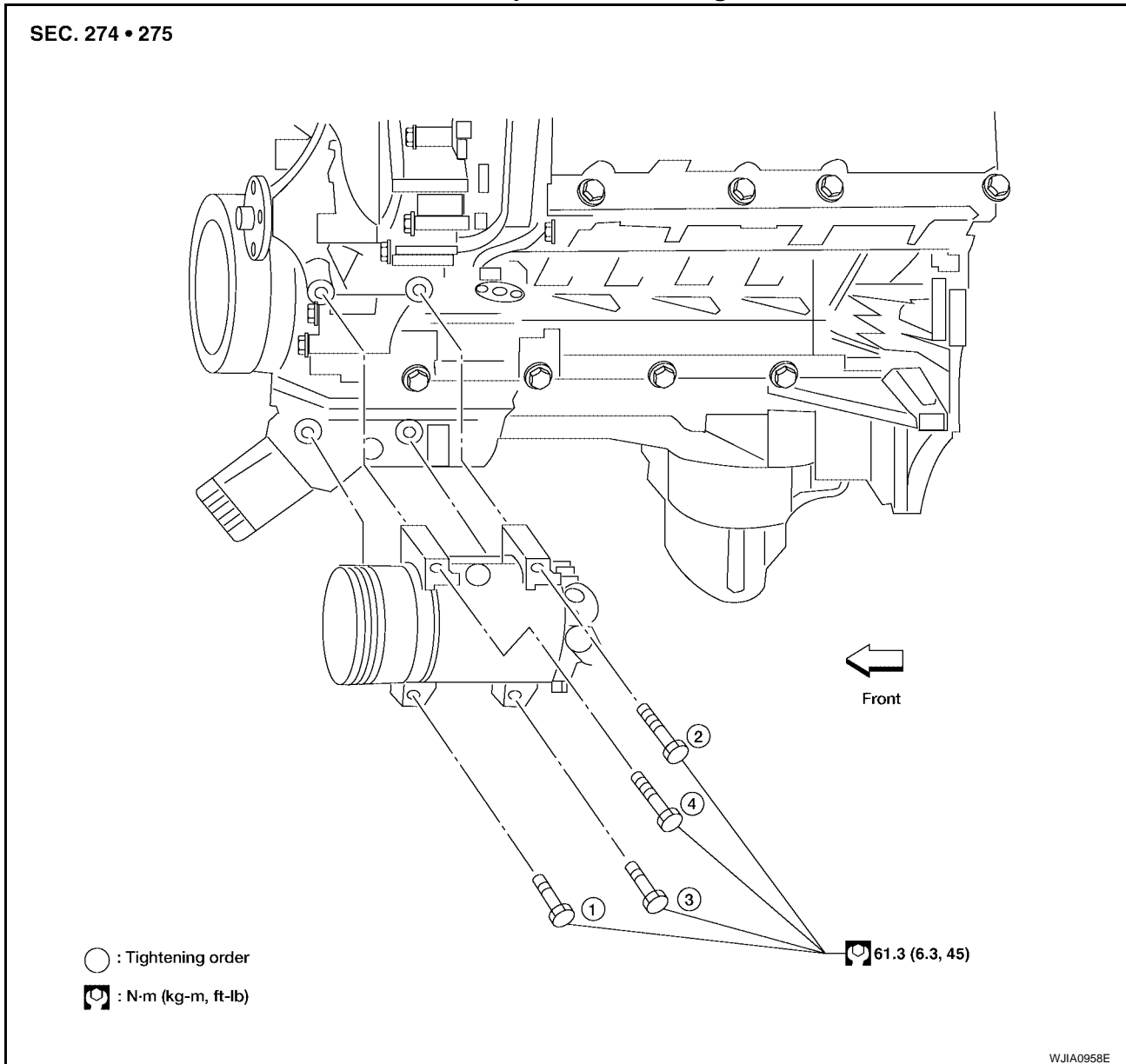
**NOTE:**  
 Refer to [ATC-7, "Precautions for Refrigerant Connection"](#) .

# REFRIGERANT LINES

## Removal and Installation for Compressor

EJS0060G

### A/C Compressor Mounting



#### REMOVAL

1. Discharge the refrigerant. Refer to [ATC-174, "HFC-134a \(R-134a\) Service Procedure"](#) .
2. Remove the front right wheel and tire assembly. Refer to [WT-7, "Rotation"](#) .
3. Remove the engine under cover and the splash shield using power tool.
4. Remove the engine air cleaner and air ducts. Refer to [EM-14, "AIR CLEANER AND AIR DUCT"](#) .
5. Remove the drive belt. Refer to [EM-12, "DRIVE BELTS"](#) .
6. Disconnect the compressor electrical connector.
7. Disconnect the high-pressure flexible hose and low-pressure flexible hose from the compressor.

#### CAUTION:

**Cap or wrap the joint of the pipe with suitable material such as vinyl tape to avoid the entry of air.**

8. Remove the compressor bolts and nut using power tools.

# REFRIGERANT LINES

## INSTALLATION

Installation is in the reverse order of removal.

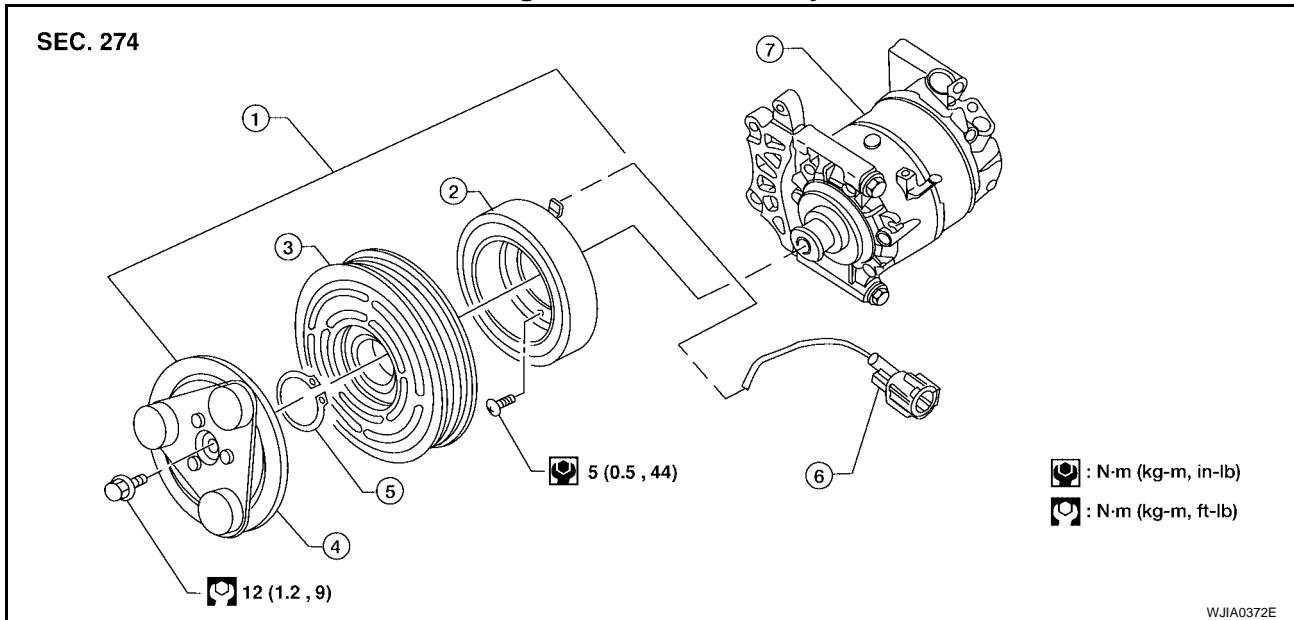
### CAUTION:

- Replace the O-ring of the low-pressure flexible hose and high-pressure flexible hose with a new one, apply compressor oil to the O-rings before installation.
- After recharging the A/C system with refrigerant, check for leaks.

## Removal and Installation for Compressor Clutch

EJS0060H

### Magnet Clutch Assembly



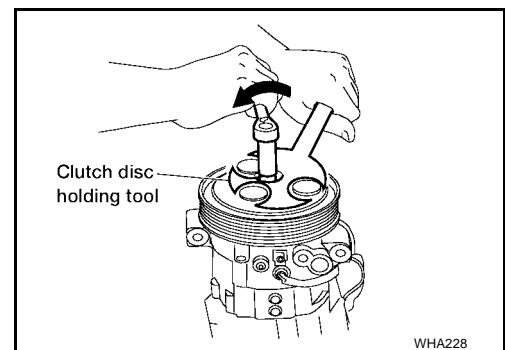
- |                           |                |                                 |
|---------------------------|----------------|---------------------------------|
| 1. Magnet clutch assembly | 2. Magnet coil | 3. Pulley                       |
| 4. Clutch disc            | 5. Snap ring   | 6. Thermal protector (built in) |
| 7. Compressor             |                |                                 |

## REMOVAL

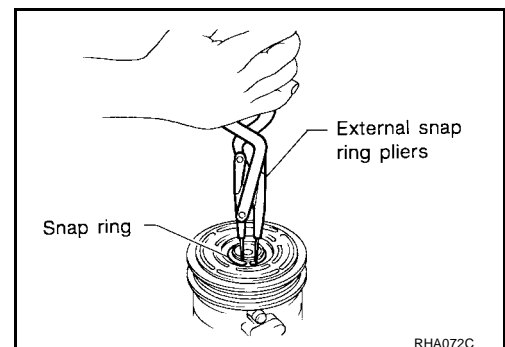
1. Remove the compressor. Refer to [ATC-178. "Removal and Installation for Compressor"](#).
2. Remove the center bolt while holding the clutch disc stationary using Tool as shown.

**Tool number : J-44614**

3. Remove the clutch disc.



4. Remove the snap ring using external snap ring pliers or suitable tool.



A  
B  
C  
D  
E  
F  
G  
H  
I

ATC

K  
L  
M

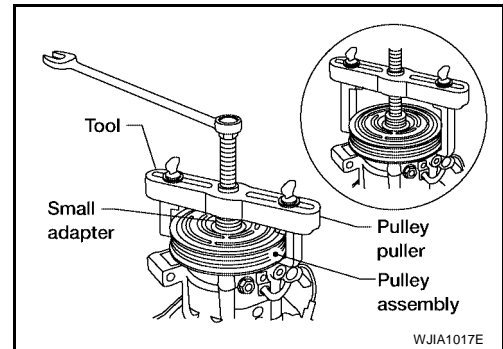
# REFRIGERANT LINES

5. Remove the pulley using Tool with a small adapter. Position the small adapter on the end of the drive shaft and the center of the puller on the small adapter.

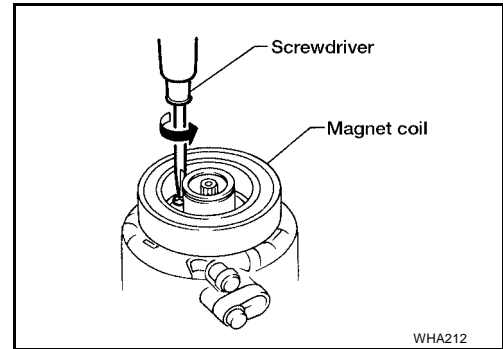
**Tool number : KV99233130 (J-29884)**

**CAUTION:**

To prevent deformation of the pulley groove, the puller claws should be hooked under the pulley groove and not into the pulley groove.



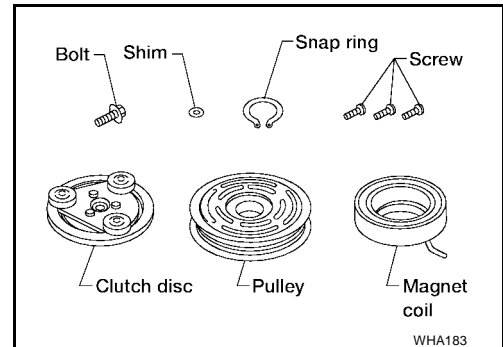
6. Remove the magnet coil harness clip using a screwdriver, remove the three magnet coil fixing screws and remove the magnet coil.



## INSPECTION

### Clutch Disc

If the contact surface shows signs of damage due to excessive heat, replace clutch disc and pulley.



### Pulley

Check the appearance of the pulley assembly. If contact surface of pulley shows signs of excessive grooving, replace clutch disc and pulley. The contact surfaces of the pulley assembly should be cleaned with a suitable solvent before reinstallation.

### Coil

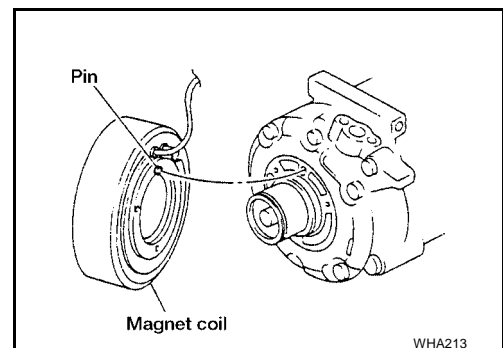
Check magnet coil for loose connections or any cracked insulation.

## INSTALLATION

1. Install the magnet coil.

**CAUTION:**

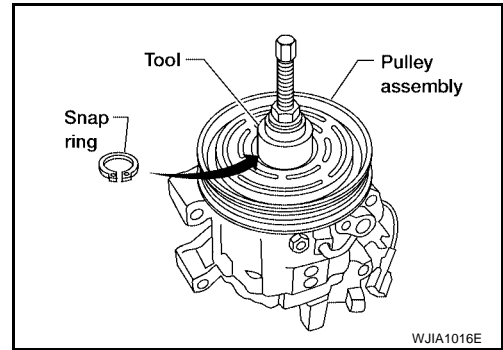
Be sure to align the magnet coil pin with the hole in the compressor front head.



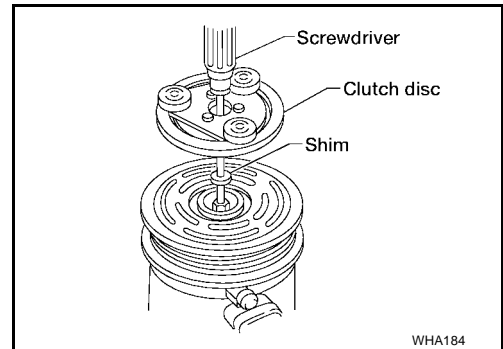
# REFRIGERANT LINES

2. Install the magnet coil harness clip using a screwdriver.
3. Install the pulley assembly using Tool and a wrench, then install the snap ring using snap ring pliers.

**Tool number : — (J-38873-A)**



4. Install the clutch disc on the compressor shaft, together with the original shim(s). Press the clutch disc down by hand.

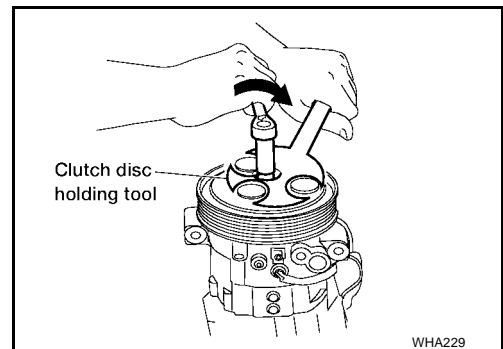


5. Install the clutch pulley bolt using Tool, to prevent the clutch disc from turning and tighten the bolt to specification.

**Tool number : J-44614**

**CAUTION:**

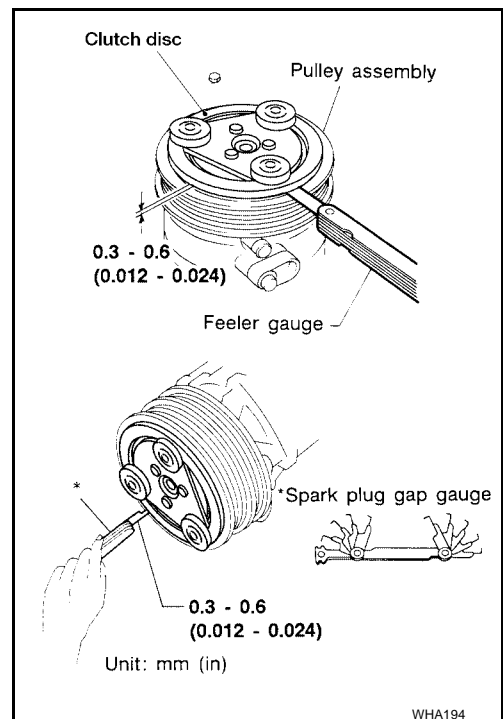
**After tightening the clutch pulley bolt, check that the clutch pulley rotates smoothly.**



6. Check the pulley clearance all the way around the clutch disc as shown.

**Clutch disc-to-pulley clearance : 0.3 - 0.6 mm (0.012 - 0.024 in)**

7. If the specified clearance is not obtained, replace the adjusting spacer to readjust.
8. Connect the compressor electrical connector.
9. Install the drive belt. Refer to [EM-12, "DRIVE BELTS"](#).
10. Install the engine under cover and the splash shield.



A  
B  
C  
D  
E  
F  
G  
H  
I  
K  
L  
M

ATC

# REFRIGERANT LINES

## BREAK-IN OPERATION

When replacing compressor clutch assembly, always conduct the break-in operation. This is done by engaging and disengaging the clutch about 30 times. Break-in operation raises the level of transmitted torque.

## Removal and Installation for Low-pressure Flexible Hose

EJS0060I

### REMOVAL

1. Remove the engine room cover using power tools.
2. Remove the engine air cleaner and air ducts. Refer to [EM-14, "AIR CLEANER AND AIR DUCT"](#)
3. Remove the cowl top extension. Refer to [EI-19, "COWL TOP"](#) .
4. Discharge the refrigerant. Refer to [ATC-174, "HFC-134a \(R-134a\) Service Procedure"](#) .

#### CAUTION:

**Cap or wrap the joint of the pipe with suitable material such as vinyl tape to avoid the entry of air.**

5. Remove the low-pressure flexible hose.

### INSTALLATION

Installation is in the reverse order of removal.  
Refer to [ATC-176, "Components"](#) .

#### CAUTION:

- Replace the O-ring of the low-pressure flexible hose with a new one, then apply compressor oil to it when installing it.
- After charging refrigerant, check for leaks.

## Removal and Installation for High-pressure Flexible Hose

EJS0060J

### REMOVAL

1. Remove the engine under cover.
2. Remove the engine air cleaner and air ducts. Refer to [EM-14, "AIR CLEANER AND AIR DUCT"](#) .
3. Discharge the refrigerant. Refer to [ATC-174, "HFC-134a \(R-134a\) Service Procedure"](#) .
4. Remove the high-pressure flexible hose.

#### CAUTION:

**Cap or wrap the joint of the pipe with suitable material such as vinyl tape to avoid the entry of air.**

### INSTALLATION

Installation is in the reverse order of removal.  
Refer to [ATC-176, "Components"](#) .

#### CAUTION:

- Replace the O-ring of the high-pressure flexible hose with a new one, then apply compressor oil to it when installing it.
- After charging refrigerant, check for leaks.

## Removal and Installation for High-pressure Pipe

EJS0060K

### REMOVAL

1. Remove the cowl top extension. Refer to [EI-19, "COWL TOP"](#) .
2. Disconnect the battery negative cable.
3. Reposition the IPDM E/R aside.
4. Remove the front right wheel and tire assembly. Refer to [WT-7, "Rotation"](#) .
5. Position aside the front floor insulator.
6. Discharge the refrigerant. Refer to [ATC-174, "HFC-134a \(R-134a\) Service Procedure"](#) .
7. Remove the low pressure pipe. Refer to [ATC-183, "Removal and Installation for Low-pressure Pipe"](#) .
8. Remove the high-pressure pipe.

#### CAUTION:

**Cap or wrap the joint of the pipe with suitable material such as vinyl tape to avoid the entry of air.**

### INSTALLATION

Installation is in the reverse order of removal.  
Refer to [ATC-176, "Components"](#) .

# REFRIGERANT LINES

## CAUTION:

- Replace the O-ring of the high-pressure pipe with a new one, then apply compressor oil to it when installing it.
- After charging refrigerant, check for leaks.

## Removal and Installation for Low-pressure Pipe

EJS0060L

### REMOVAL

1. Discharge the refrigerant. Refer to [ATC-174, "HFC-134a \(R-134a\) Service Procedure"](#) .
2. Remove the cowl top and the cowl top extension. Refer to [EI-19, "COWL TOP"](#) .
3. Remove the low-pressure pipe.

## CAUTION:

Cap or wrap the joint of the pipes with suitable material such as vinyl tape to avoid the entry of air.

### INSTALLATION

Installation is in the reverse order of removal.

Refer to [ATC-176, "Components"](#) .

## CAUTION:

- Replace the O-ring of the high/low-pressure pipe with a new one, then apply compressor oil to it when installing it.
- After charging refrigerant, check for leaks.

## Removal and Installation for Rear High- and Low-pressure A/C and Heater Core Pipes

EJS0060M

### REMOVAL

1. Discharge the refrigerant. Refer to [ATC-174, "HFC-134a \(R-134a\) Service Procedure"](#) .
2. Drain the coolant from the engine cooling system. Refer to [CO-10, "Changing Engine Coolant"](#) .
3. Disconnect the underfloor rear heater hoses (1 and 2) from the rear heater pipes underneath the vehicle.

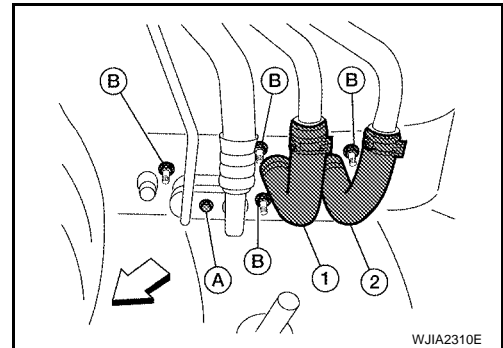
- ←: Front

4. Remove the rear high- and low-pressure pipes bolt (A) to disconnect the rear high- and low-pressure pipes from the underfloor rear high- and low-pressure pipes underneath the vehicle.

## CAUTION:

Cap or wrap the joint of the pipes with suitable material such as vinyl tape to avoid the entry of air.

5. Remove the rear high- and low-pressure pipes nuts (B) underneath the vehicle.



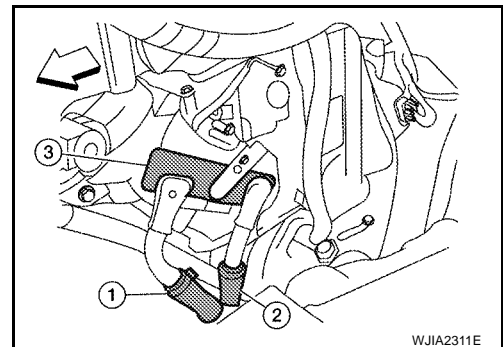
WJIA2310E

## NOTE:

The remaining steps are performed inside the rear luggage area of the vehicle.

6. Remove the luggage side finisher lower RH. Refer to [EI-37, "LUGGAGE FLOOR TRIM"](#) .
7. Disconnect the rear heater core hoses (1 and 2) from the rear heater core (3).

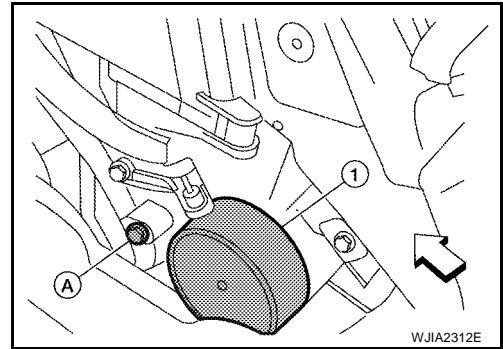
- ←: Front



WJIA2311E

## REFRIGERANT LINES

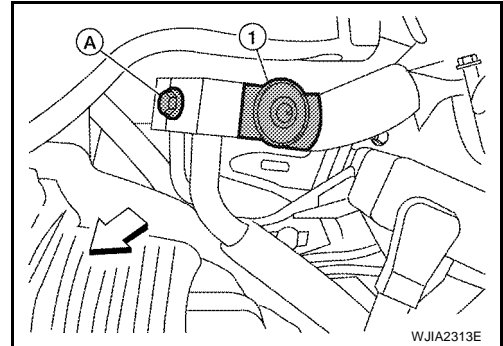
8. Remove the rear high- and low-pressure pipes bracket bolt (A) to release the bracket.
- Rear blower motor (1)
  - ⇐: Front



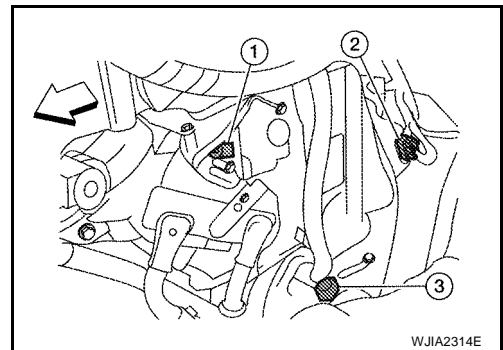
9. Remove the rear high- and low-pressure pipes bolt (A) to disconnect the rear high- and low-pressure pipes from the rear expansion valve (1).
- ⇐: Front

**CAUTION:**

Cap or wrap the joint of the pipes with suitable material such as vinyl tape to avoid the entry of air.



10. Disconnect the following electrical connectors:
- Rear air mix door motor (1)
  - Rear blower motor resistor (2)
  - Rear blower motor (3)
  - ⇐: Front



11. Disconnect the ducts from the rear heater and cooling unit assembly. Refer to [ATC-169, "Components"](#) .
12. Remove the rear heater and cooling unit assembly.
- CAUTION:**  
Cap or wrap the joint of the pipes with suitable material such as vinyl tape to avoid the entry of air.
13. Remove the rear high- and low-pressure A/C pipes.

### INSTALLATION

Installation is in the reverse order of removal.  
Refer to [ATC-176, "Components"](#) .

**CAUTION:**

- Replace the O-ring of the high/low-pressure pipe with a new one, then apply compressor oil to it when installing it.
- After charging refrigerant, check for leaks.

### Removal and Installation for Underfloor Rear High- and Low-pressure A/C and Heater Core Pipes

EJS0060N

#### REMOVAL

1. Drain the coolant from the engine cooling system. Refer to [CO-10, "Changing Engine Coolant"](#) .
2. Disconnect the battery negative terminal.
3. Disconnect the generator harness.
4. Discharge the refrigerant. Refer to [ATC-174, "HFC-134a \(R-134a\) Service Procedure"](#) .



# REFRIGERANT LINES

5. Remove the front and rear bumper fascia. Refer to [EI-14, "FRONT BUMPER"](#) (front), [EI-16, "REAR BUMPER"](#) (rear).
6. Reposition the front fender protector out of the way. Refer to [EI-22, "FENDER PROTECTOR"](#) .
7. Disconnect the chassis harness connector.
8. Remove the spare wheel and tire.
9. Remove the tailpipe and tailpipe hanger bracket. Refer to [EX-3, "Removal and Installation"](#) .
10. Remove the seatbelt latch anchor. Refer to [RSU-25, "Components"](#) .
11. Remove the front floor heat shield.
12. Disconnect each end of the underfloor rear high- and low-pressure A/C and heater core pipes. Refer to [ATC-176, "Components"](#) .  
**CAUTION:**  
**Cap or wrap the joint of the pipes with suitable material such as vinyl tape to avoid the entry of air.**
13. Set two suitable jacks at the RH body mount points to support the vehicle body when it is separated from the RH side of the frame.
14. Remove the RH body mount bolts. Refer to [BL-154, "Body Mounting"](#) .
15. Use the vehicle hoist to lower the RH side of the frame from the RH side of the body [approximately 305 mm (12 in)] until there is sufficient clearance to remove the underfloor rear high- and low-pressure A/C and heater core pipes from between the body and the frame.
16. Remove the underfloor rear high- and low-pressure A/C and heater core pipes from the back of the vehicle.

## INSTALLATION

Installation is in the reverse order of removal.  
Refer to [ATC-176, "Components"](#) .

### CAUTION:

- Replace the O-ring of the high/low-pressure pipe with a new one, then apply compressor oil to it when installing it.
- After charging refrigerant, check for leaks.

## Removal and Installation for Refrigerant Pressure Sensor

EJS00600

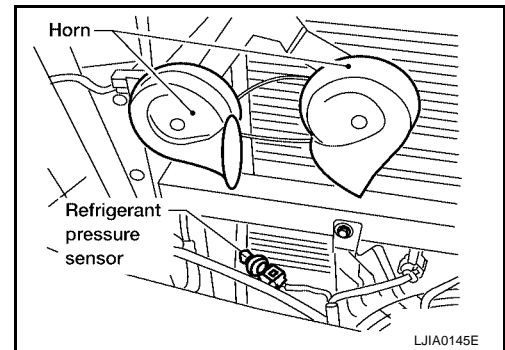
ATC

### REMOVAL

1. Discharge the refrigerant. Refer to [ATC-174, "HFC-134a \(R-134a\) Service Procedure"](#) .
2. Disconnect the refrigerant pressure sensor electrical connector and remove the refrigerant pressure sensor from the condenser.

### CAUTION:

Be careful not to damage the condenser fins.



### INSTALLATION

Installation is in the reverse order of removal.  
Refer to [ATC-176, "Components"](#) .

### CAUTION:

- Be careful not to damage the condenser fins.
- Apply compressor oil to the O-ring of the refrigerant pressure sensor when installing it.
- After charging refrigerant, check for leaks.

## Removal and Installation for Condenser

EJS0060P

### REMOVAL

1. Discharge the refrigerant. Refer to [ATC-174, "HFC-134a \(R-134a\) Service Procedure"](#) .
2. Remove the radiator. Refer to [CO-12, "RADIATOR"](#) .

# REFRIGERANT LINES

**CAUTION:**

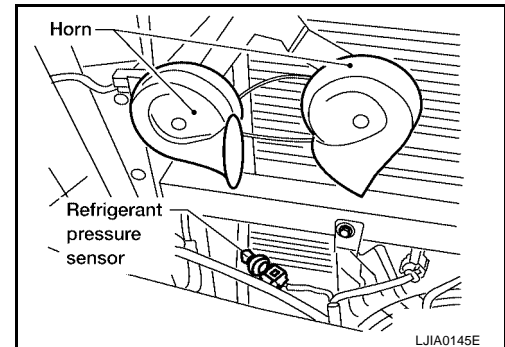
**Be careful not to damage the core surface of the condenser and the radiator.**

3. Disconnect the high-pressure flexible hose and the high-pressure pipe from the condenser.

**CAUTION:**

**Cap or wrap the joint of the pipe with suitable material such as vinyl tape to avoid the entry of air.**

4. Disconnect the refrigerant pressure sensor connector.
  - Remove the refrigerant pressure sensor from the condenser as necessary.
5. Lift the condenser out of the mounting grommets to remove the condenser.



## INSTALLATION

Installation is in the reverse order of removal.

Refer to [ATC-176, "Components"](#) .

**CAUTION:**

- Replace the O-rings of the high-pressure pipe and the high-pressure flexible hose with new ones, then apply compressor oil to them after installing them.
- After charging refrigerant, check for leaks.
- Replace the grommets as necessary.

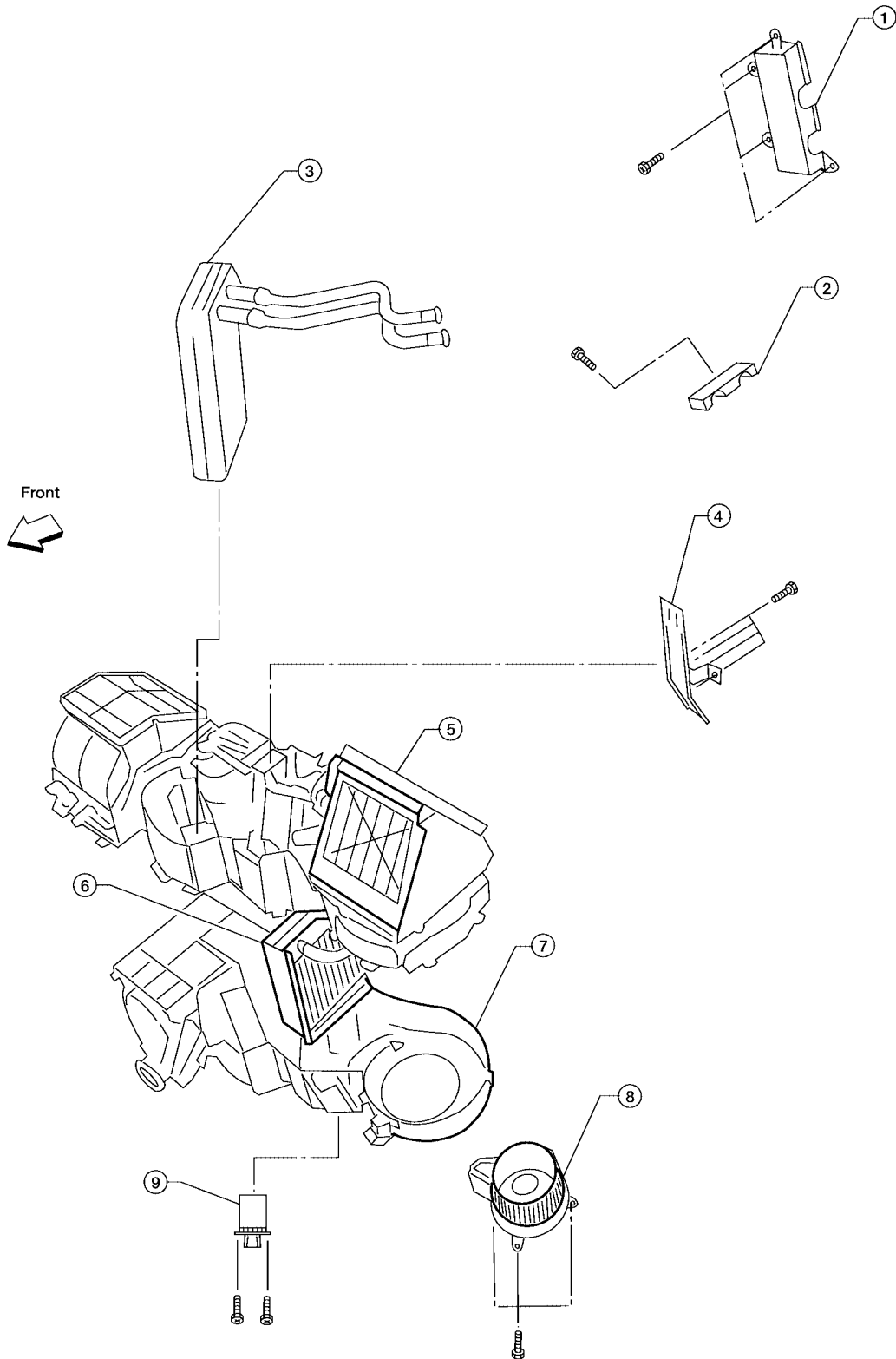
# REFRIGERANT LINES

## Removal and Installation for Front Evaporator

EJS0060Q

### Front Heater and Cooling Unit Assembly

SEC. 271



- |                                       |                                       |                            |
|---------------------------------------|---------------------------------------|----------------------------|
| 1. Heater core cover                  | 2. Heater core pipe bracket           | 3. Heater core             |
| 4. Upper bracket                      | 5. Upper heater and cooling unit case | 6. A/C evaporator          |
| 7. Lower heater and cooling unit case | 8. Blower motor                       | 9. Variable blower control |

LJIA0138E

### REMOVAL

1. Remove the front heater core. Refer to [ATC-160, "FRONT HEATER CORE"](#) .

# REFRIGERANT LINES

2. Remove the defroster mode door arm.
3. Separate the heater core and cooling unit case.
4. Remove the evaporator.

## INSTALLATION

Installation is in the reverse order of removal.

### CAUTION:

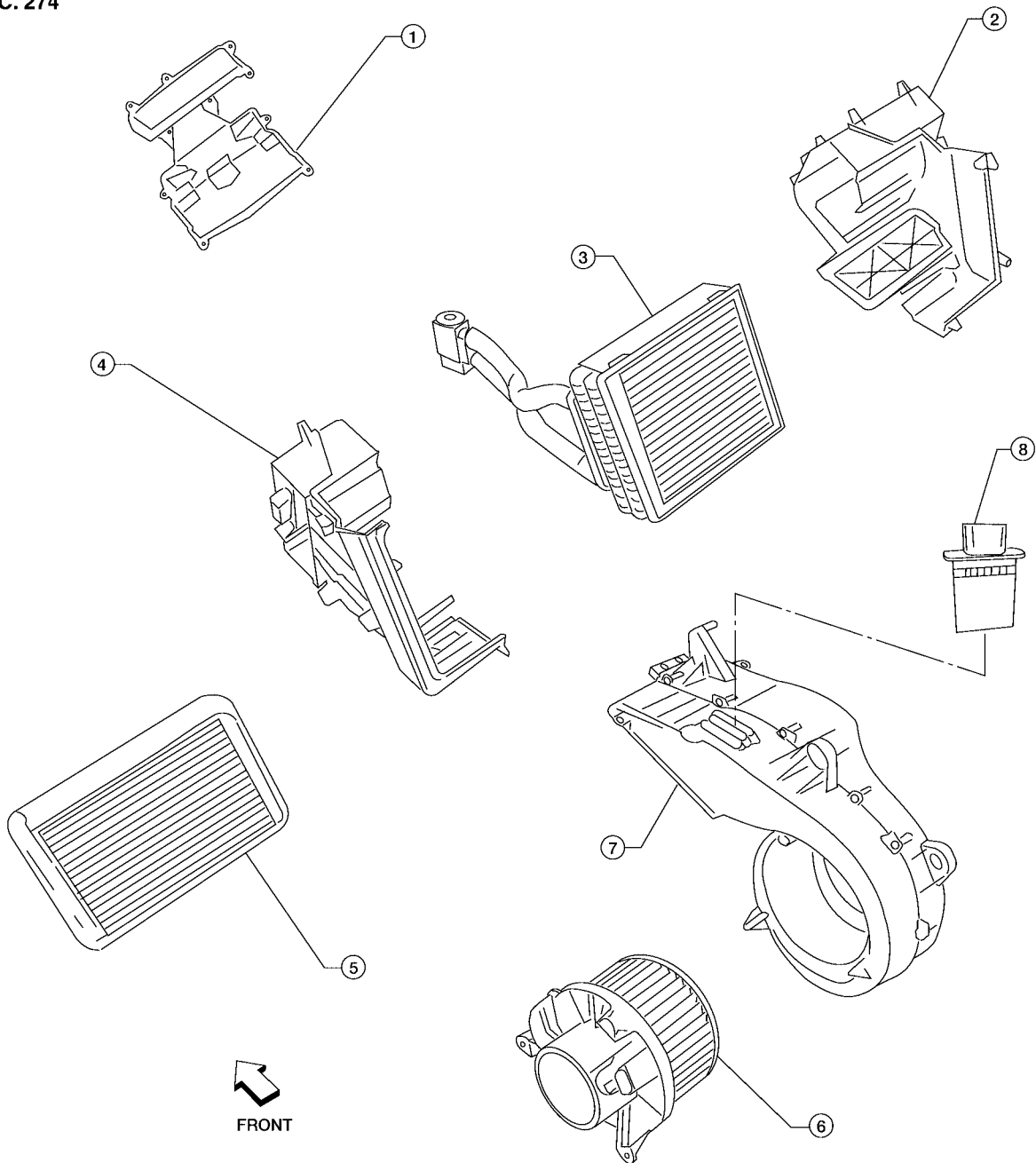
Replace the O-rings on the low-pressure flexible hose and the high-pressure pipe with new ones. Apply compressor oil to the O-rings before installing them.

## Removal and Installation for Rear Evaporator

EJS0060R

### Rear Heater and Cooling Unit Assembly

SEC. 274



1. Front cover
4. Side cover
7. Blower motor case

2. Evaporator and heater core case
5. Heater core
8. Rear blower motor resistor

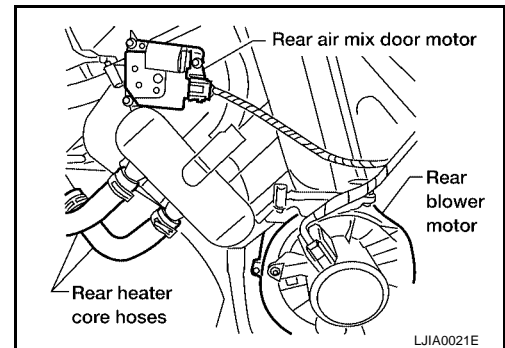
3. Evaporator
6. Rear blower motor

LJJA0135E

# REFRIGERANT LINES

## REMOVAL

1. Remove the rear heater and cooling unit assembly from the vehicle. Refer to [ATC-157, "REAR HEATER AND COOLING UNIT ASSEMBLY"](#) .
2. Remove the rear blower motor.
3. Remove the rear blower speed resistor.
4. Remove the rear air mix door motor.
5. Remove the rear duct and blend door assembly. Refer to [ATC-172, "REAR OVERHEAD DUCTS"](#) .
6. Disassemble the rear heater and cooling unit assembly to remove the evaporator.



## INSTALLATION

Installation is in the reverse order of removal.

### CAUTION:

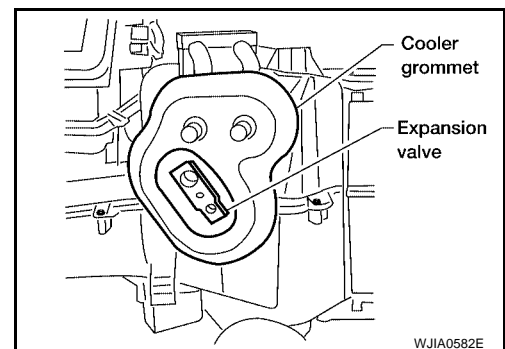
- Replace the O-rings on the rear A/C pipes with new ones. Apply compressor oil to the O-rings before installing them.
- After charging refrigerant, check for leaks.

## Removal and Installation for Front Expansion Valve

EJS0060S

### REMOVAL

1. Discharge the refrigerant. Refer to [ATC-174, "HFC-134a \(R-134a\) Service Procedure"](#) .
2. Remove the front heater and cooling unit assembly. Refer to [ATC-156, "FRONT HEATER AND COOLING UNIT ASSEMBLY"](#) .
3. Remove the cooler grommet.
4. Remove the expansion valve.



## INSTALLATION

Installation is in the reverse order of removal.

- |  |  |
|--|--|
| Expansion valve bolts                        | : 4 N·m (0.41 kg-m, 35 in-lb)                      |
| A/C refrigerant pipe to expansion valve bolt | : Refer to <a href="#">ATC-176, "Components"</a> . |

### CAUTION:

- Replace the O-rings on the A/C refrigerant pipes with new ones, then apply compressor oil to them when installing them.
- After charging refrigerant, check for leaks.

## Removal and Installation for Rear Expansion Valve

EJS0060T

### REMOVAL

1. Discharge the refrigerant. Refer to [ATC-174, "HFC-134a \(R-134a\) Service Procedure"](#) .
2. Remove the rear RH interior side trim panel. Refer to [EI-32, "BODY SIDE TRIM"](#) .
3. Disconnect the A/C refrigerant pipes from the expansion valve.

# REFRIGERANT LINES

## CAUTION:

Cap or wrap the A/C refrigerant pipe ends with a suitable material such as vinyl tape to avoid the entry of air and contaminants.

4. Remove the expansion valve.

## INSTALLATION

Installation is in the reverse order of removal.

|  |  |
|--|--|
| Expansion valve bolts                        | : 4 N·m (0.41 kg·m, 35 in·lb)                      |
| A/C refrigerant pipe to expansion valve bolt | : Refer to <a href="#">ATC-176, "Components"</a> . |

## CAUTION:

- Replace the O-rings on the A/C refrigerant pipes with new ones, then apply compressor oil to them when installing them.
- After charging refrigerant, check for leaks.

## Checking for Refrigerant Leaks

EJS0060U

Perform a visual inspection of all refrigeration parts, fittings, hoses and components for signs of A/C lubricant leakage, damage, and corrosion. Any A/C lubricant leakage may indicate an area of refrigerant leakage. Allow extra inspection time in these areas when using either an electronic refrigerant leak detector (J-41995) or fluorescent dye leak detector (J-42220).

If any dye is observed using a fluorescent dye leak detector (J-42220), confirm the leak using a electronic refrigerant leak detector (J-41995). It is possible that the dye is from a prior leak that was repaired and not properly cleaned.

When searching for leaks, do not stop when one leak is found but continue to check for additional leaks at all system components and connections.

When searching for refrigerant leaks using an electronic refrigerant leak detector (J-41995), move the probe along the suspected leak area at 25 - 50 mm (1 - 2 in) per second and no further than 6 mm (1/4 in) from the component.

## CAUTION:

Moving the electronic refrigerant leak detector probe slower and closer to the suspected leak area will improve the chances of finding a leak.

## Checking System for Leaks Using the Fluorescent Dye Leak Detector

EJS0060V

1. Check the A/C system for leaks using the fluorescent dye leak detector and safety goggles (J-42220) in a low sunlight area (area without windows preferable). Illuminate all components, fittings and lines. The dye will appear as a bright green/yellow area at the point of leakage. Fluorescent dye observed at the evaporator drain opening indicates an evaporator core assembly leak (tubes, core or expansion valve).
2. If the suspected area is difficult to see, use an adjustable mirror or wipe the area with a clean shop rag or cloth, then inspect the shop rag or cloth with the fluorescent dye leak detector (J-42220) for dye residue.
3. After the leak is repaired, remove any residual dye using refrigerant dye cleaner (J-43872) to prevent future misdiagnosis.
4. Perform a system performance check and then verify the leak repair using a electronic refrigerant leak detector (J-41995).

## NOTE:

- Other gases in the work area or substances on the A/C components, for example, anti-freeze, windshield washer fluid, solvents and lubricants, may falsely trigger the leak detector. Make sure the surfaces to be checked are clean.
- Clean with a dry cloth or blow off with shop air.
- Do not allow the sensor tip of the electronic refrigerant leak detector (J-41995) to contact with any substance. This can also cause false readings and may damage the detector.

## Dye Injection

EJS0060W

## NOTE:

This procedure is only necessary when recharging the system or when the compressor has seized and must be replaced.

1. Check the A/C system static (at rest) pressure. Pressure must be at least 345 kPa (3.52 kg/cm<sup>2</sup> , 50 psi).

# REFRIGERANT LINES

2. Pour one bottle 7.4 cc (1/4 ounce) of the HFC-134a (R-134a) fluorescent leak detection dye (J-41447) into the HFC-134a (R-134a) dye injector (J-41459).

**CAUTION:**

**If repairing the A/C system or replacing a component, pour the HFC-134a (R-134a) fluorescent leak detection dye (J-41447) directly into the open system connection and proceed with the service procedures.**

3. Connect the refrigerant dye injector (J-41459) to the low-pressure service valve.
4. Start the engine and switch the A/C system ON.
5. When the A/C system is operating (compressor running), inject one bottle 7.4 cc (1/4 ounce) of HFC-134a (R-134a) fluorescent leak detection dye (J-41447) through the low-pressure service valve using HFC-134a (R-134a) dye injector (J-41459). Refer to the manufacturer's operating instructions.
6. With the engine still running, disconnect the HFC-134a (R-134a) dye injector (J-41459) from the low-pressure service valve.
7. Operate the A/C system for a minimum of 20 minutes to mix the HFC-134a (R-134a) fluorescent leak detection dye (J-41447) with the A/C system oil. Depending on the leak size, operating conditions and location of the leak, it may take from minutes to days for the HFC-134a (R-134a) fluorescent leak detection dye to penetrate an A/C system leak and become visible.

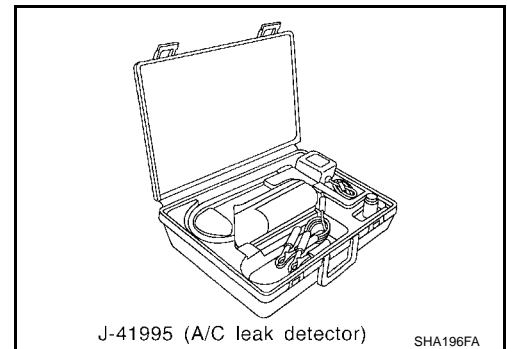
## Electronic Refrigerant Leak Detector PRECAUTIONS FOR HANDLING LEAK DETECTOR

EJS0060X

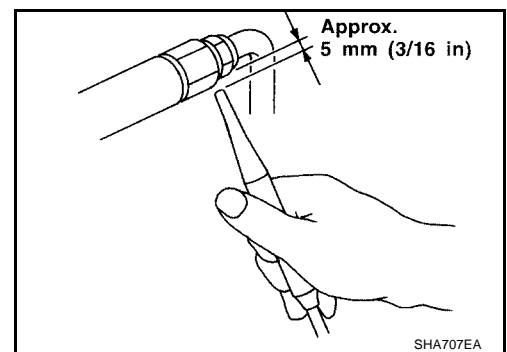
**NOTE:**

When performing a refrigerant leak check, use a electronic refrigerant leak detector (J-41995) or equivalent. Ensure that the electronic refrigerant leak detector (J-41995) is calibrated and set properly according to the manufacturer's operating instructions.

The electronic refrigerant leak detector (J-41995) is a delicate device. To use the leak detector properly, read the manufacturer's operating instructions and perform any specified maintenance.



1. Position the probe approximately 5 mm (3/16 in) away from the point to be checked as shown.

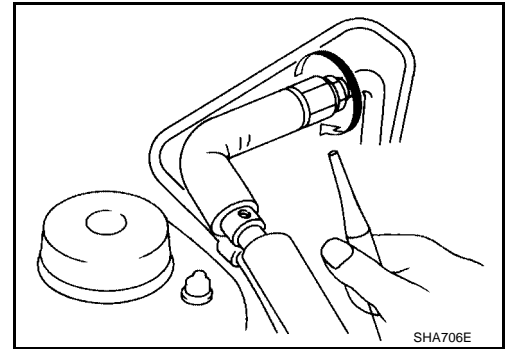


A  
B  
C  
D  
E  
F  
G  
H  
I  
K  
L  
M

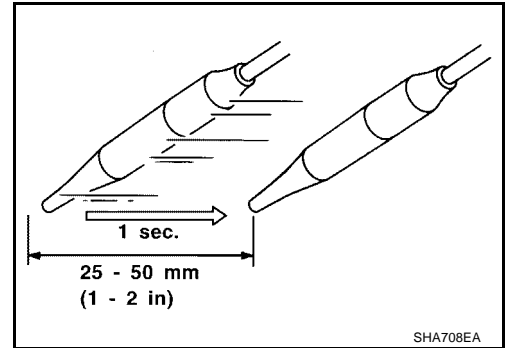
ATC

## REFRIGERANT LINES

- When checking for leaks, circle each fitting completely with the probe as shown.



- Move the probe along each component at a speed of approximately 25 - 50 mm (1 - 2 in)/second as shown.



### CHECKING PROCEDURE

#### NOTE:

To prevent inaccurate or false readings, make sure there is no refrigerant vapor, shop chemicals, or cigarette smoke in the vicinity of the vehicle. Perform the leak test in a calm area (low air/wind movement) so that the leaking refrigerant is not dispersed.

- Turn the engine OFF.
- Connect the manifold gauge set (J-39183-C) to the A/C service ports. Refer to [ATC-174, "SETTING OF SERVICE TOOLS AND EQUIPMENT"](#) .
- Check if the A/C refrigerant pressure is at least 345 kPa (3.52 kg/cm<sup>2</sup> , 50 psi) above a temperature of 16°C (61°F). If less than specification, recover/evacuate and recharge the system with the specified amount of refrigerant. Refer to [ATC-174, "HFC-134a \(R-134a\) Service Procedure"](#) .

#### NOTE:

At temperatures below 16°C (61°F), leaks may not be detected since the system may not reach 345 kPa (3.52 kg/cm<sup>2</sup> , 50 psi) pressure.

- Perform the leak test from the high-pressure side (front A/C compressor discharge "a" to evaporator inlet "f" or rear piping connection "l") to the low-pressure side (front A/C evaporator drain hose "g" to shaft seal "k" and rear A/C evaporator drain hose "o" to piping connection "r"). Refer to [ATC-176, "Components"](#) . Clean the component to be checked and carefully move the electronic refrigerant leak detector probe completely around the following connections and components.
  - Check the compressor shaft seal
  - Check the high and low-pressure pipe and hose fittings, relief valve, and compressor shaft seal
  - Check the liquid tank
  - Check the refrigerant pressure sensor
  - Check all around the service valves. Check that the service valve caps are screwed tightly on the service valves (to prevent leaks).

#### NOTE:

After removing manifold gauge set (J-39183-C) from the service valves, wipe any residue from the service valves to prevent any false readings by the electronic refrigerant leak detector (J-41995).

- Evaporator

With engine OFF, turn blower fan on "High" for at least 15 seconds to dissipate any refrigerant trace in the heater and cooling unit assembly. Wait a minimum of 10 minutes accumulation time (refer to the manufacturer's recommended procedure for actual wait time) before inserting the electronic refrigerant leak detector probe into the heater and cooling unit assembly drain hose.



# REFRIGERANT LINES

**NOTE:**

Keep the probe inserted for at least 10 seconds. Use caution not to contaminate the probe tip with water or dirt that may be in the drain hose.

5. If a leak is detected, verify at least once by blowing compressed air into the area of the suspected leak, then repeat the leak check.
6. Do not stop when one leak is found. Continue to check for additional leaks at all system components and connections.
7. If no leaks are found, perform steps 8 - 11.
8. Start the engine.
9. Set the heater A/C controls as follows:

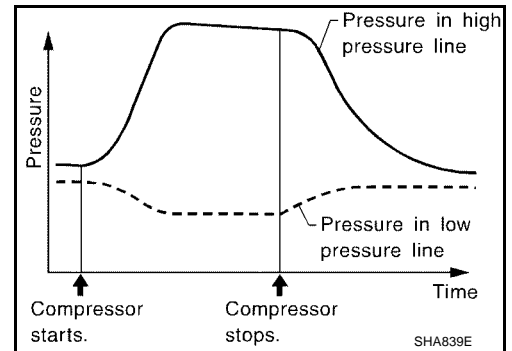
**NOTE:**

For the automatic system, turn OFF the automatic controls and set the heater A/C controls manually.

- a. A/C switch to ON
  - b. Air flow to VENT mode
  - c. Intake position to RECIRCULATION mode
  - d. Temperature to MAX cold
  - e. Blower speed to HIGH
10. Run the engine at 1,500 rpm for at least 2 minutes.

11. Turn the engine OFF and perform the leak check again following steps 4 through 6 above.

Refrigerant leaks should be checked immediately after turning the engine OFF. Begin with the leak detector at the compressor. The pressure on the high pressure side will gradually drop after the refrigerant circulation stops and pressure on the low pressure side will gradually rise, as shown in the graph. Some leaks are more easily detected when the pressure is high.



12. Before connecting the recovery/recycling recharging equipment to the vehicle, check the recovery/recycling recharging equipment gauges. No refrigerant pressure should be displayed. If pressure is displayed, recover the refrigerant from the equipment lines and then check the refrigerant purity.
13. Confirm refrigerant purity in supply tank using recovery/recycling recharging equipment and refrigerant identifier equipment (J-41810-NI).
14. Confirm the refrigerant purity in the vehicle's A/C system using recovery/recycling recharging equipment and refrigerant identifier equipment (J-41810-NI).
15. Discharge the A/C system using recovery/recycling recharging equipment. Repair the leaking fitting or component as necessary.
16. Evacuate and recharge the A/C system and perform the leak test to confirm that there are no refrigerant leaks.
17. Conduct the Operational Check to ensure system works properly. Refer to [ATC-57, "Operational Check \(Front\)"](#) and [ATC-60, "Operational Check \(Rear\)"](#) .

# SERVICE DATA AND SPECIFICATIONS (SDS)

## SERVICE DATA AND SPECIFICATIONS (SDS)

PFP:00030

### Service Data and Specifications (SDS) COMPRESSOR

EJS0060Y

|                        |  |
|------------------------|--|
| Make                   | ZEXEL VALEO CLIMATE CONTROL                                |
| Model                  | DKS-17D  |
| Type                   | Swash plate  |
| Displacement           | 175.5 cm <sup>3</sup> (10.7 in <sup>3</sup> ) / revolution |
| Cylinder bore × stroke | 30.5 mm (1.20 in) x 24.0 mm (0.94 in)                      |
| Direction of rotation  | Clockwise (viewed from drive end)                          |
| Drive belt             | Poly V   |

### LUBRICANT

|          |                                       |
|----------|---------------------------------------|
| Make     | ZEXEL VALEO CLIMATE CONTROL           |
| Model    | DKS-17D                               |
| Name     | NISSAN A/C System Lubricant Type S    |
| Capacity | 290 mℓ (9.8 US fl oz, 10.2 Imp fl oz) |

### REFRIGERANT

|          |                                 |
|----------|---------------------------------|
| Type     | HFC 134a (R-134a)               |
| Capacity | 1.08 ± 0.05 kg (2.38 ± 0.11 oz) |

### ENGINE IDLING SPEED

Refer to [EC-76, "Idle Speed and Ignition Timing Check"](#) .

### BELT TENSION

Refer to [EM-12, "Checking Drive Belts"](#) .