

Edition: August 2006  
 Revision: July 2007  
 Publication No. SM7E-1T60U0

# NISSAN ARMADA

MODEL TA60 SERIES

## QUICK REFERENCE INDEX

<b>A GENERAL INFORMATION</b>	<b>GI General Information</b>
<b>B ENGINE</b>	<b>EM Engine Mechanical</b>
	<b>LU Engine Lubrication System</b>
	<b>CO Engine Cooling System</b>
	<b>EC Engine Control System</b>
	<b>FL Fuel System</b>
	<b>EX Exhaust System</b>
	<b>ACC Accelerator Control System</b>
	<b>AT Automatic Transmission</b>
<b>C TRANSMISSION/ TRANSAXLE</b>	
<b>D DRIVELINE/AXLE</b>	<b>TF Transfer</b>
	<b>PR Propeller Shaft</b>
	<b>FFD Front Final Drive</b>
	<b>RFD Rear Final Drive</b>
	<b>FAX Front Axle</b>
	<b>RAX Rear Axle</b>
	<b>FSU Front Suspension</b>
<b>E SUSPENSION</b>	<b>RSU Rear Suspension</b>
	<b>WT Road Wheels &amp; Tires</b>
	<b>BR Brake System</b>
<b>F BRAKES</b>	<b>PB Parking Brake System</b>
	<b>BRC Brake Control System</b>
	<b>PS Power Steering System</b>
<b>G STEERING</b>	
<b>H RESTRAINTS</b>	<b>SB Seat Belts</b>
	<b>SRS Supplemental Restraint System (SRS)</b>
	<b>BL Body, Lock &amp; Security System</b>
<b>I BODY</b>	<b>GW Glasses, Window System &amp; Mirrors</b>
	<b>RF Roof</b>
	<b>EI Exterior &amp; Interior</b>
	<b>IP Instrument Panel</b>
	<b>SE Seat</b>
	<b>AP Adjustable Pedal</b>
	<b>ATC Automatic Air Conditioner</b>
	<b>SC Starting &amp; Charging System</b>
<b>J AIR CONDITIONER</b>	<b>LT Lighting System</b>
	<b>DI Driver Information System</b>
	<b>WW Wiper, Washer &amp; Horn</b>
	<b>BCS Body Control System</b>
	<b>LAN LAN System</b>
	<b>AV Audio Visual, Navigation &amp; Telephone System</b>
	<b>ACS Auto Cruise Control System</b>
	<b>PG Power Supply, Ground &amp; Circuit Elements</b>
	<b>MA Maintenance</b>
	<b>MAINTENANCE</b>
<b>M INDEX</b>	<b>IDX Alphabetical Index</b>

**A**  
**B**  
**C**  
**D**  
**E**  
**F**  
**G**  
**H**  
**I**  
**J**  
**K**  
**L**  
**M**

# FOREWORD

---

This manual contains maintenance and repair procedures for the 2007 NISSAN ARMADA.

In order to assure your safety and the efficient functioning of the vehicle, this manual should be read thoroughly. It is especially important that the PRECAUTIONS in the GI section be completely understood before starting any repair task.

All information in this manual is based on the latest product information at the time of publication. The right is reserved to make changes in specifications and methods at any time without notice.

---

## IMPORTANT SAFETY NOTICE

The proper performance of service is essential for both the safety of the technician and the efficient functioning of the vehicle.

The service methods in this Service Manual are described in such a manner that the service may be performed safely and accurately. Service varies with the procedures used, the skills of the technician and the tools and parts available. Accordingly, anyone using service procedures, tools or parts which are not specifically recommended by NISSAN must first be completely satisfied that neither personal safety nor the vehicle's safety will be jeopardized by the service method selected.



NISSAN NORTH AMERICA, INC.  
Technical Publications Department



## PLEASE HELP MAKE THIS SERVICE MANUAL BETTER!

Your comments are important to NISSAN and will help us to improve our Service Manuals.  
Use this form to report any issues or comments you may have regarding our Service Manuals.

Please print this form and type or write your comments below. Mail or fax to:

Nissan North America, Inc.  
Technical Service Information  
39001 Sunrise Drive, P.O. Box 9200  
Farmington Hills, MI USA 48331  
FAX: (248) 488-3910

**SERVICE MANUAL: Model:** \_\_\_\_\_ **Year:** \_\_\_\_\_

**PUBLICATION NO. (Refer to Quick Reference Index):** \_\_\_\_\_

Please describe any Service Manual issues or problems in detail:

Page number(s) \_\_\_\_\_ *Note: Please include a copy of each page, marked with your comments.*

---

---

---

---

---

---

---

---

**Are the trouble diagnosis procedures logical and easy to use? (circle your answer) YES NO**

If no, what page number(s)? \_\_\_\_\_ *Note: Please include a copy of each page, marked with your comments.*

Please describe the issue or problem in detail: \_\_\_\_\_

---

---

---

**Is the organization of the manual clear and easy to follow? (circle your answer) YES NO**

Please comment: \_\_\_\_\_

---

---

---

---

**What information should be included in NISSAN Service Manuals to better support you in servicing or repairing customer vehicles?**

---

---

---

---

DATE: \_\_\_\_\_ YOUR NAME: \_\_\_\_\_ POSITION: \_\_\_\_\_

DEALER: \_\_\_\_\_ DEALER NO.: \_\_\_\_\_ ADDRESS: \_\_\_\_\_

CITY: \_\_\_\_\_ STATE/PROV./COUNTRY: \_\_\_\_\_ ZIP/POSTAL CODE: \_\_\_\_\_

# QUICK REFERENCE CHART: ARMADA

2007

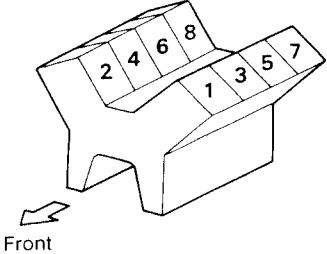
## QUICK REFERENCE CHART: ARMADA

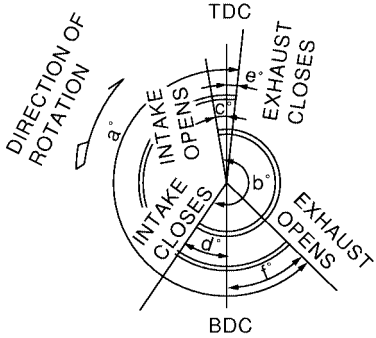
PFP:00000

### Engine Tune-Up Data

EL50028S

Cylinder arrangement		V-8
Displacement cm <sup>3</sup> (in <sup>3</sup> )		5,552 (338.80)
Bore and stroke mm (in)		98 x 92 (3.86 x 3.62)
Valve arrangement		DOHC
Firing order		1-8-7-3-6-5-4-2
Number of piston rings	Compression	2
	Oil	1
Number of main bearings		5
Compression ratio		9.8:1
Compression pressure kPa (kg/cm <sup>2</sup> , psi)/rpm	Standard	1,520 (15.5, 220)/200
	Minimum	1,324 (13.5, 192)/200
	Differential limit between cylinders	98 (1.0, 14)/200

Cylinder number	 <p style="text-align: right; margin-top: 10px;">SEM957C</p>
-----------------	---

Valve timing	 <p style="text-align: right; margin-top: 10px;">PBIC0187E</p>
--------------	--

Unit: degree

a	b	c	d	e	f
244°	232°	8°	60°	10°	54°

**Drive Belt Deflection and Tension**

Tension of drive belts	Auto adjustment by auto tensioner
------------------------	-----------------------------------

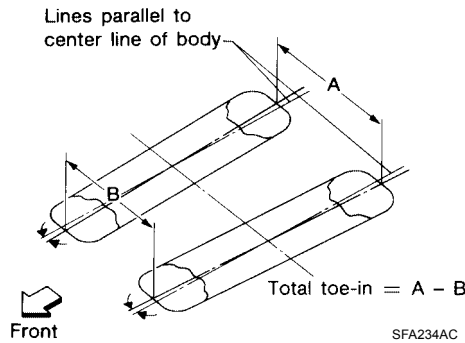
**Spark Plugs (Platinum Tipped)**

Make	NGK	
Model	Standard	FFV
Standard type	DIFR5A-11	DIFR5A-11D
Gap (Nominal)	1.1 mm (0.043 in)	

**Front Wheel Alignment (Unladen\*1 )**

ELS0028T

Drive type	2WD		4WD	
	Standard	Air leveling	Standard	Air leveling
Suspension	Minimum	-0° 51' (-0.85°)	-0° 33' (-0.55°)	
	Nominal	-0° 6' (-0.10°)	0° 12' (0.20°)	
	Maximum	0° 39' (0.65°)	0° 57' (0.95°)	
	Cross camber	0° 45' (0.75°) or less		0° 45' (0.75°) or less
Camber Degree minute (decimal degree)	Minimum	2° 21' (2.35°)	3° 15' (3.25°)	2° 15' (2.25°)    2° 45' (2.75°)
	Nominal	3° 24' (3.40°)	4° 0' (4.00°)	3° 0' (3.00°)    3° 30' (3.50°)
	Maximum	4° 09' (4.15°)	4° 45' (4.75°)	3° 45' (3.75°)    4° 15' (4.25°)
	Cross caster	0° 45' (0.75°) or less		0° 45' (0.75°) or less
Caster Degree minute (decimal degree)	Minimum	13° 32' (13.53°)		13°13' (13.22°)
	Nominal			
	Maximum			
	Cross caster	0° 45' (0.75°) or less		0° 45' (0.75°) or less
Kingpin inclination Degree minute (decimal degree)	13° 32' (13.53°)		13°13' (13.22°)	



Total toe-in	Distance (A - B)	Minimum	1.8 mm (0.07 in)	1.8 mm (0.07 in)
		Nominal	2.8 mm (0.11 in)	2.8 mm (0.11 in)
		Maximum	3.8 mm (0.15 in)	3.8 mm (0.15 in)
	Angle (left side and right side) Degree minute (decimal degree)	Minimum	0° 3' (0.05°)	0° 3' (0.05°)
		Nominal	0° 5' (0.08°)	0° 5' (0.08°)
		Maximum	0° 7' (0.12°)	0° 7' (0.12°)
Wheel turning angle (full turn)	Inside Degree minute (decimal degree)	34° 31' - 38° 31' *2 (34.52° - 38.52°)	34° 44' - 38° 44' *4 (34.73° - 38.73°)	
	Outside Degree minute (decimal degree)	30° 59' - 34° 59' *3 (30.98° - 34.98°)	30° 29' - 34° 29' *5 (30.48° - 34.48°)	

\*1: Fuel, radiator coolant and engine oil full. Spare tire, jack, hand tools and mats in designated positions.

\*2: Target value 37° 31' (37.52°)

\*3: Target value 33° 59' (33.98°)

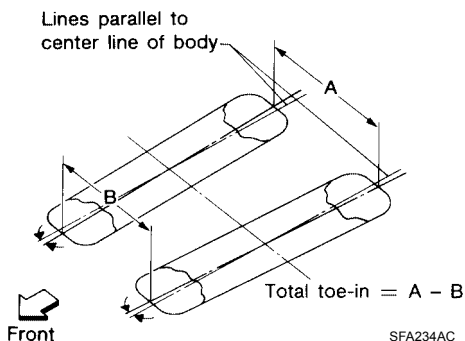
\*4: Target value 37° 44' (37.73°)

\*5: Target value 33° 29' (33.48°)

Rear Wheel Alignment (Unladen\*1)

ELS0028U

Applied model		Without air leveling	With air leveling
Camber Degree minute (decimal degree)	Minimum	- 0° 25' (- 0.4°)	- 1° 0' (- 1°)
	Nominal	0° 5' (0.1°)	- 0° 30' (- 0.5°)
	Maximum	0° 35' (0.6°)	0° 0' (0°)
	Cross camber	0° 45' (0.75°) or less	



Total toe-in	Distance (A - B)	Minimum	- 2.4 mm (- 0.094 in)	0 mm (0 in)
		Nominal	0.9 mm (0.035 in)	3.3 mm (0.130 in)
		Maximum	4.2 mm (0.165 in)	6.6 mm (0.260 in)
		Cross toe	2 mm (0.079 in) or less	
	Angle (left side and right side) Degree minute (decimal degree)	Minimum	- 0° 5' (- 0.8°)	0° 0' (0°)
		Nominal	0° 2' (0.03°)	0° 7' (0.11°)
		Maximum	0° 9' (0.14°)	0° 14' (0.22°)
		Cross toe	0° 8' (0.14°) or less	

\*1: Fuel tank, engine coolant and engine oil full. Spare tire, jack, hand tools and mats in designated positions.

Brake

ELS0028V

Unit: mm (in)

Front brake	Brake model	AD41VA
	Rotor outer diameter × thickness	350 x 30 (13.78 x 1.18)
	Pad Length × width × thickness	151.6 x 56.5 x 12.0 (5.97 x 2.22 x 0.476)
	Cylinder bore diameter	51 (2.01)
Rear brake	Brake model	AD14VE
	Rotor outer diameter × thickness	320 x 14 (12.60 x 0.55)
	Pad Length × width × thickness	83.0 x 33.0 x 8.5 (3.268 x 1.299 x 0.335)
	Cylinder bore diameter	48 (1.89)
Control valve	Valve model	Electric brake force distribution
Brake booster	Booster model	C215T
	Diaphragm diameter	215 (8.46)
Recommended brake fluid		Genuine NISSAN Super Heavy Duty Brake Fluid or equivalent

# QUICK REFERENCE CHART: ARMADA

2007

## Disc Brake - Repair Limits

ELS0028W

Unit: mm (in)

Front brake model		AD41VA
Brake pad	Standard thickness (new)	12.0 (0.476)
	Repair limit thickness	1.0 (0.039)
Disc rotor	Standard thickness (new)	30 (1.18)
	Repair limit thickness	28.5 (1.122)
	Maximum uneven wear (measured at 8 positions)	0.015 (0.0006)
	Runout limit (with it attached to the vehicle)	0.03 (0.001)

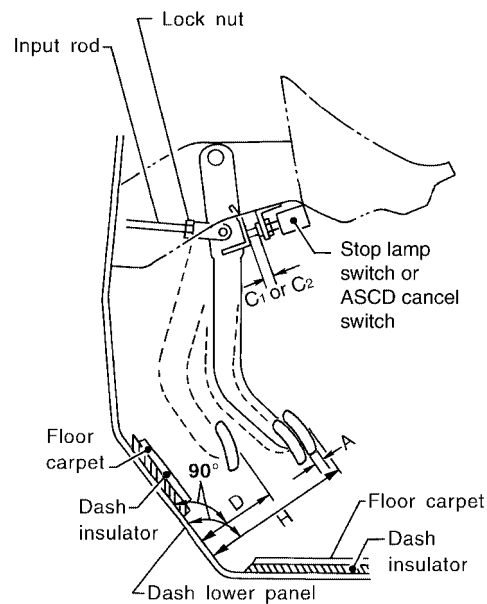
Unit: mm (in)

Rear brake model		AD14VE
Brake pad	Standard thickness (new)	12.13 (0.478)
	Repair limit thickness	1.0 (0.039)
Disc rotor	Standard thickness (new)	14.0 (0.551)
	Repair limit thickness	12.0 (0.472)
	Maximum uneven wear (measured at 8 positions)	0.015 (0.0006)
	Runout limit (with it attached to the vehicle)	0.05 (0.002)

## Brake Pedal Brake Pedal Specifications

ELS0028X

Unit: mm (in)



WFIA0160E

Free height "H"	182.3 - 192.3 mm (7.18 - 7.57 in)
Depressed pedal height "D" [under a force of 490 N (50 kg-f, 110 lb-f) with engine running]	More than 90.3 mm (3.55 in)
Clearance between pedal stopper and threaded end of stop lamp switch and ASCD switch "C1 " or "C2 "	0.74 - 1.96 mm (0.029 - 0.077 in)
Pedal play "A"	3 - 11 mm (0.12 - 0.43 in)

# QUICK REFERENCE CHART: ARMADA

2007

## Refill Capacities

ELS0028Y

Description		Capacity (Approximate)		
		Metric	US measure	Imp measure
Fuel		105.8 ℓ	28 gal	23 1/4 gal
Engine oil (drain and refill)	With oil filter change	6.2 ℓ	6 1/2 qt	5 1/2 qt
	Without oil filter change	5.9 ℓ	6 1/4 qt	5 1/4 qt
Dry engine (engine overhaul)		7.6 ℓ	8 qt	6 3/4 qt
Cooling system	With reservoir at MAX level	14.4 ℓ	3 3/4 gal	3 1/8 gal
Automatic transmission fluid (ATF)		10.6 ℓ	11 1/4 qt	9 3/8 qt
Rear final drive oil		1.75 ℓ	3 3/4 pt	3 1/8 pt
Transfer fluid		3.0 ℓ	3 1/8 qt	2 5/8 qt
Front final drive oil		1.6 ℓ	3 3/8 pt	2 7/8 pt
Power steering fluid (PSF)		1.0 ℓ	2 1/8 pt	1 3/4 pt
Windshield washer fluid		4.5 ℓ	1 1/4 gal	1 gal
Air conditioning system refrigerant		1.08 ± 0.05 kg	2.38 ± 0.11 lb	2.38 ± 0.11 lb
Air conditioning system lubricant		290 m ℓ	9.8 fl oz	10.2 fl oz