

# SECTION **BCS**

## BODY CONTROL SYSTEM

A  
B  
C  
D  
E  
F  
G  
H  
I  
J  
K  
L  
N  
O  
P

### CONTENTS

<b>BCM</b>	COMMON ITEM : CONSULT-III Function (BCM - COMMON ITEM) .....	16
<b>BASIC INSPECTION</b> .....	<b>BCM</b> .....	16
<b>INSPECTION AND ADJUSTMENT</b> .....	BCM : CONSULT-III Function (BCM - BCM) .....	17
<b>ADDITIONAL SERVICE WHEN REPLACING CONTROL UNIT</b> .....	<b>DOOR LOCK</b> .....	17
ADDITIONAL SERVICE WHEN REPLACING CONTROL UNIT : Description .....	DOOR LOCK : CONSULT-III Function (BCM - DOOR LOCK) .....	17
ADDITIONAL SERVICE WHEN REPLACING CONTROL UNIT : Special Repair Requirement .....	<b>REAR WINDOW DEFOGGER</b> .....	18
<b>CONFIGURATION</b> .....	REAR WINDOW DEFOGGER : CONSULT-III Function (BCM - REAR DEFOGGER) .....	18
CONFIGURATION : Description .....	<b>BUZZER</b> .....	18
CONFIGURATION : Special Repair Requirement.....	BUZZER : CONSULT-III Function (BCM - BUZZER) .....	18
<b>FUNCTION DIAGNOSIS</b> .....	<b>INT LAMP</b> .....	18
<b>BODY CONTROL SYSTEM</b> .....	INT LAMP : CONSULT-III Function (BCM - INT LAMP) .....	19
System Description .....	<b>MULTIREMOTE ENT</b> .....	20
Component Parts Location .....	MULTIREMOTE ENT : CONSULT-III Function (BCM - MULTIREMOTE ENT) .....	20
<b>COMBINATION SWITCH READING SYSTEM</b> .....	<b>HEADLAMP</b> .....	21
System Diagram .....	HEADLAMP : CONSULT-III Function (BCM - HEAD LAMP) .....	22
System Description .....	<b>WIPER</b> .....	23
Component Parts Location .....	WIPER : CONSULT-III Function (BCM - WIPER).....	23
<b>SIGNAL BUFFER SYSTEM</b> .....	<b>FLASHER</b> .....	23
System Diagram .....	FLASHER : CONSULT-III Function (BCM - FLASHER) .....	24
System Description .....	<b>AIR CONDITIONER</b> .....	24
<b>POWER CONSUMPTION CONTROL SYSTEM</b> .....	AIR CONDITIONER : CONSULT-III Function (BCM - AUTO AIR CONDITIONER) .....	24
System Diagram .....	<b>INTELLIGENT KEY</b> .....	24
System Description .....	INTELLIGENT KEY : CONSULT-III Function (BCM - INTELLIGENT KEY) .....	24
Component Parts Location .....		
<b>DIAGNOSIS SYSTEM (BCM)</b> .....		
<b>COMMON ITEM</b> .....		

BCS

<b>COMB SW</b> .....	24	Diagnosis Procedure .....	32
COMB SW : CONSULT-III Function (BCM - COMB SW) .....	24	Special Repair Requirement .....	32
<b>IMMU</b> .....	25	<b>POWER SUPPLY AND GROUND CIRCUIT</b> ....	33
IMMU : CONSULT-III Function (BCM - IMMU) .....	25	Diagnosis Procedure .....	33
<b>BATTERY SAVER</b> .....	25	<b>COMBINATION SWITCH INPUT CIRCUIT</b> .....	34
BATTERY SAVER : CONSULT-III Function (BCM - BATTERY SAVER) .....	26	Diagnosis Procedure .....	34
<b>TRUNK</b> .....	26	Special Repair Requirement .....	35
TRUNK : CONSULT-III Function (BCM - TRUNK) ..	26	<b>COMBINATION SWITCH OUTPUT CIRCUIT</b> ...	36
<b>RETAINED PWR</b> .....	27	Diagnosis Procedure .....	36
RETAINED PWR : CONSULT-III Function (BCM - RETAINED PWR) .....	27	Special Repair Requirement .....	36
<b>SIGNAL BUFFER</b> .....	27	<b>COMBINATION SWITCH</b> .....	37
SIGNAL BUFFER : CONSULT-III Function (BCM - SIGNAL BUFFER) .....	27	Description .....	37
<b>AIR PRESSURE MONITOR</b> .....	27	Diagnosis Procedure .....	37
AIR PRESSURE MONITOR : Diagnosis Description .....	27	<b>ECU DIAGNOSIS</b> .....	39
AIR PRESSURE MONITOR : CONSULT-III Function .....	29	<b>BCM (BODY CONTROL MODULE)</b> .....	39
<b>THEFT ALM</b> .....	30	Reference Value .....	39
THEFT ALM : CONSULT-III Function (BCM - THEFT ALM) .....	30	Terminal Layout .....	42
<b>COMPONENT DIAGNOSIS</b> .....	31	Physical Values .....	42
<b>U1000 CAN COMM CIRCUIT</b> .....	31	Wiring Diagram .....	48
Description .....	31	Fail Safe .....	52
DTC Logic .....	31	DTC Inspection Priority Chart .....	53
Diagnosis Procedure .....	31	DTC Index .....	53
<b>U1010 CONTROL UNIT (CAN)</b> .....	32	<b>SYMPTOM DIAGNOSIS</b> .....	55
DTC Logic .....	32	<b>COMBINATION SWITCH SYSTEM SYMPTOMS</b> .....	55
		Symptom Table .....	55
		<b>ON-VEHICLE REPAIR</b> .....	56
		<b>BCM (BODY CONTROL MODULE)</b> .....	56
		Removal and Installation .....	56

## BASIC INSPECTION

### INSPECTION AND ADJUSTMENT

#### ADDITIONAL SERVICE WHEN REPLACING CONTROL UNIT

#### ADDITIONAL SERVICE WHEN REPLACING CONTROL UNIT : Description

INFOID:000000003708214

When replacing BCM, save or print current vehicle specification with CONSULT-III configuration before replacement.

Configuration has three functions as follows

- READ CONFIGURATION is the function to read (extract) vehicle configuration of current BCM.
- WRITE CONFIGURATION - Manual selection is the function to select and write vehicle configuration on BCM manually.
- WRITE CONFIGURATION - Config file is the function to write vehicle configuration with the data extracted from current BCM.

**CAUTION:**

- When replacing BCM, you must perform WRITE CONFIGURATION with CONSULT-III.
- Complete the procedure of WRITE CONFIGURATION in order.
- If you set incorrect WRITE CONFIGURATION, incidents will occur.
- Configuration is different for each vehicle model. Confirm configuration of each vehicle model.

#### ADDITIONAL SERVICE WHEN REPLACING CONTROL UNIT : Special Repair Requirement

INFOID:000000003708215

#### 1. SAVING VEHICLE SPECIFICATION

Perform "READ CONFIGURATION" with CONSULT-III to save or print current vehicle specification.

>> GO TO 2

#### 2. REPLACE BCM

Replace BCM. Refer to [BCS-56. "Removal and Installation"](#).

>> GO TO 3

#### 3. WRITING VEHICLE SPECIFICATION

Perform "WRITE CONFIGURATION - Config file" or "WRITE CONFIGURATION - Manual selection" with CONSULT-III to write vehicle specification. Refer to [BCS-3. "ADDITIONAL SERVICE WHEN REPLACING CONTROL UNIT : Special Repair Requirement"](#).

>> GO TO 4

#### 4. INITIALIZE BCM (NATS)

Perform BCM initialization. (NATS)

>> WORK END

### CONFIGURATION

#### CONFIGURATION : Description

INFOID:000000003708216

Vehicle specification needs to be written with CONSULT-III because it is not written after replacing BCM.

Configuration has three functions as follows

- READ CONFIGURATION is the function to read (extract) vehicle configuration of current BCM.
- WRITE CONFIGURATION - Manual selection is the function to select and write vehicle configuration on BCM manually.
- WRITE CONFIGURATION - Config file is the function to write vehicle configuration with the data extracted from current BCM.

**CAUTION:**

# INSPECTION AND ADJUSTMENT

[BCM]

< BASIC INSPECTION >

- When replacing BCM, you must perform WRITE CONFIGURATION with CONSULT-III.
- Complete the procedure of WRITE CONFIGURATION in order.
- If you set incorrect WRITE CONFIGURATION, incidents will occur.
- Configuration is different for each vehicle model. Confirm configuration of each vehicle model.

## CONFIGURATION : Special Repair Requirement

INFOID:000000003708217

### 1. WRITING VEHICLE SPECIFICATION

Perform "WRITE CONFIGURATION" with CONSULT-III.

When writing saved data>>GO TO 2

When writing manually>>GO TO 3

### 2. PERFORM "WRITE CONFIGURATION - CONFIG FILE"

Perform "WRITE CONFIGURATION - Config file" with CONSULT-III.

>> WORK END

### 3. PERFORM "WRITE CONFIGURATION - MANUAL SELECTION"

For "WRITE CONFIGURATION - Manual selection", using the following flow chart, identify the correct model and configuration list.

Confirm and/or change setting value for each item according to the configuration list.

Depending on CONSULT-III software version being used, some or all of the write configuration items shown in the following configuration lists may be displayed. If an item does not display on the CONSULT-III "WRITE CONFIGURATION - Manual selection" screen, then it is an auto setting item and it cannot be manually set or changed.

MANUAL SETTING ITEM	
Items	Setting value
KEYLESS ENTRY	WITH↔WITHOUT
FR FOG LAMP	WITH↔WITHOUT
DTRL	WITH↔WITHOUT
SPEED SNS WIP	WITH↔WITHOUT
DISPLAY STYLE	MODE2*
THEFT ALARM	WITH↔WITHOUT

\*: Do not apply MODE1, MODE3 or MODE4

**NOTE:**

Confirm vehicle model. Refer to [GI-20. "Model Variation"](#).

>> WORK END

## FUNCTION DIAGNOSIS

### BODY CONTROL SYSTEM

#### System Description

INFOID:000000003708218

#### OUTLINE

- BCM (Body Control Module) controls the various electrical components. It inputs the information required to the control from CAN communication and the signal received from each switch and sensor.
- BCM has combination switch reading function for reading the operation status of combination switches (light, turn signal, wiper and washer) in addition to a function for controlling the operation of various electrical components. It also has the signal transmission function as the passed point of signal and the power consumption control function that reduces the power consumption with the ignition switch OFF.
- BCM is equipped with the diagnosis function that performs the diagnosis with CONSULT-III and various settings.

#### BCM control function list

System	Refer to
Combination switch reading system	<a href="#">BCS-7, "System Diagram"</a>
Signal buffer system	<a href="#">BCS-12, "System Diagram"</a>
Power consumption control system	<a href="#">BCS-13, "System Diagram"</a>
Auto light system	<a href="#">EXL-11, "System Diagram"</a>
Turn signal and hazard warning lamp system	<a href="#">EXL-14, "System Diagram"</a>
Headlamp system	<a href="#">EXL-7, "System Diagram"</a>
Front fog lamp system (if equipped)	<a href="#">EXL-13, "System Diagram"</a>
Daytime running light system	<a href="#">EXL-9, "System Diagram"</a>
Interior room lamp control system	<a href="#">INL-6, "System Diagram"</a>
Step lamp system	<a href="#">INL-6, "System Diagram"</a>
Interior room lamp battery saver system	<a href="#">INL-6, "System Diagram"</a>
Front wiper and washer system	<a href="#">WW-4, "System Diagram"</a>
Rear wiper and washer system	<a href="#">WW-8, "System Diagram"</a>
Warning chime system	<a href="#">WCS-4, "WARNING CHIME SYSTEM : System Diagram"</a>
Door lock system	<ul style="list-style-type: none"> <li>• WITH INTELLIGENT KEY SYSTEM: <a href="#">DLK-16, "DOOR LOCK AND UNLOCK SWITCH : System Diagram"</a></li> <li>• WITHOUT INTELLIGENT KEY SYSTEM: <a href="#">DLK-246, "DOOR LOCK AND UNLOCK SWITCH : System Diagram"</a></li> </ul>
(NATS) Nissan anti-theft system	<ul style="list-style-type: none"> <li>• WITH INTELLIGENT KEY SYSTEM: <a href="#">SEC-13, "System Diagram"</a></li> <li>• WITHOUT INTELLIGENT KEY SYSTEM: <a href="#">SEC-115, "System Diagram"</a></li> </ul>
Vehicle security system	<ul style="list-style-type: none"> <li>• WITH INTELLIGENT KEY SYSTEM: <a href="#">SEC-17, "System Diagram"</a></li> <li>• WITHOUT INTELLIGENT KEY SYSTEM: <a href="#">SEC-118, "System Diagram"</a></li> </ul>
Rear window defogger system	<a href="#">DEF-4, "System Diagram"</a>
Remote keyless entry system	<a href="#">DLK-248, "REMOTE KEYLESS ENTRY : System Diagram"</a>
Intelligent Key system (if equipped)	<a href="#">DLK-23, "INTELLIGENT KEY : System Diagram"</a>
Power window system	<a href="#">PWC-5, "System Diagram"</a>
RAP (retained accessory power) system	<a href="#">BCS-27, "RETAINED PWR : CONSULT-III Function (BCM - RETAINED PWR)"</a>
TPMS (tire pressure monitoring system)	<a href="#">BCS-27, "AIR PRESSURE MONITOR : Diagnosis Description"</a>

# BODY CONTROL SYSTEM

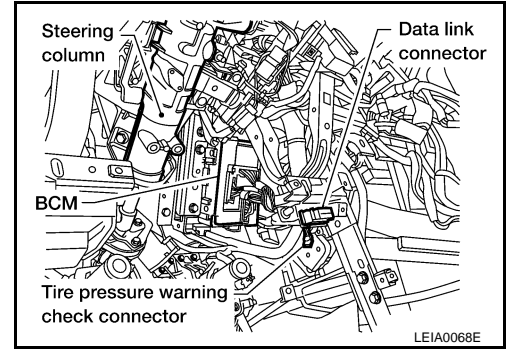
[BCM]

< FUNCTION DIAGNOSIS >

## Component Parts Location

INFOID:000000003708219

- BCM M18, M19, M20 (view with instrument panel removed)



# COMBINATION SWITCH READING SYSTEM

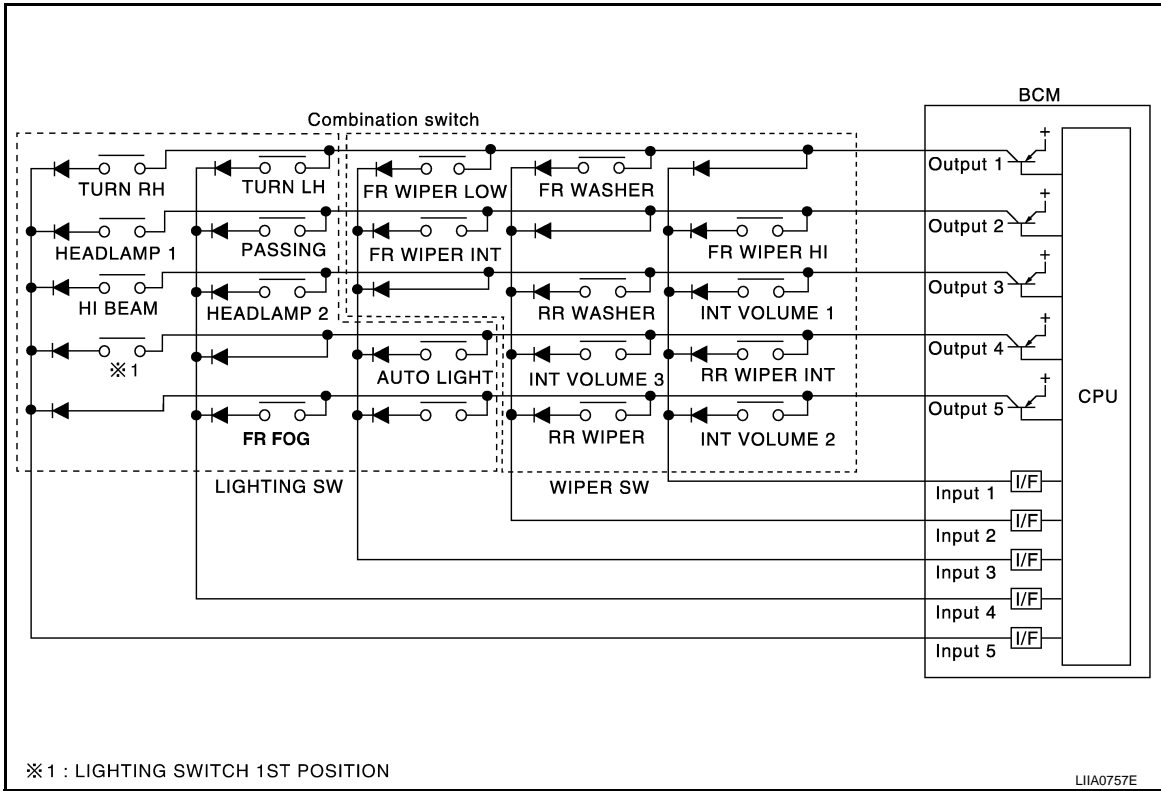
[BCM]

< FUNCTION DIAGNOSIS >

## COMBINATION SWITCH READING SYSTEM

### System Diagram

INFOID:000000003708220



### System Description

INFOID:000000003708221

#### OUTLINE

- BCM reads the status of the combination switch (light, turn signal, wiper and washer) and recognizes the status of each switch.
- BCM is a combination of 5 output terminals (OUTPUT 1 - 5) and 5 input terminals (INPUT 1 - 5). It reads a maximum of 20 switch status.

#### COMBINATION SWITCH MATRIX

A  
B  
C  
D  
E  
F  
G  
H  
I  
J  
K  
L  
N  
O  
P

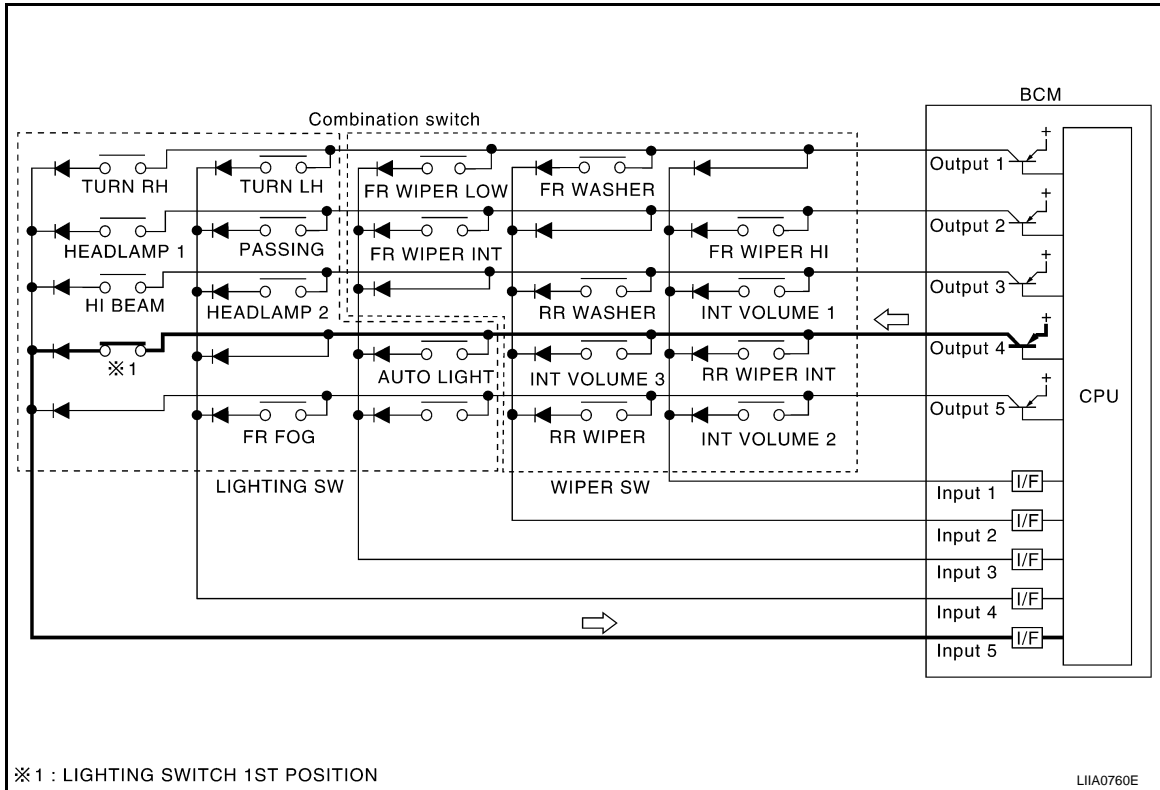
BCS

# COMBINATION SWITCH READING SYSTEM

< FUNCTION DIAGNOSIS >

[BCM]

Combination switch circuit



Combination switch INPUT-OUTPUT system list

System	OUTPUT 1	OUTPUT 2	OUTPUT 3	OUTPUT 4	OUTPUT 5
INPUT 1	—	FR WASHER	FR WIPER LOW	TURN LH	TURN RH
INPUT 2	FR WIPER HI	—	FR WIPER INT	PASSING	HEADLAMP 1
INPUT 3	INT VOLUME 1	RR WASHER	—	HEADLAMP 2	HI BEAM
INPUT 4	RR WIPER INT	INT VOLUME 3	AUTO LIGHT	—	TAIL LAMP
INPUT 5	INT VOLUME 2	RR WIPER	—	FR FOG	—

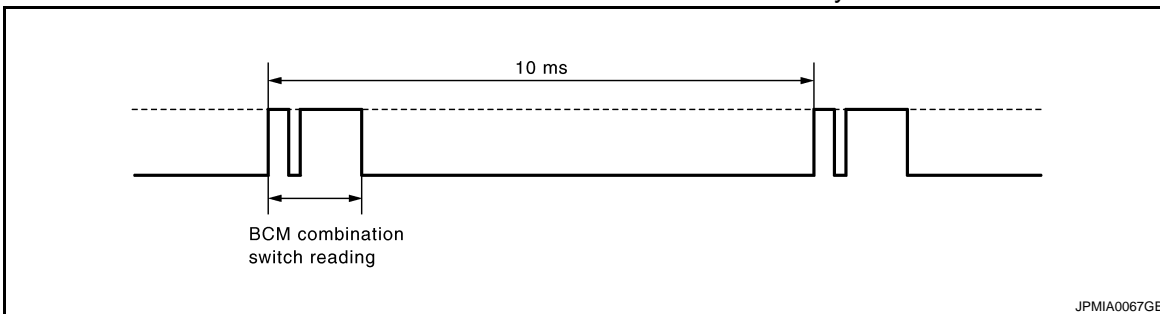
**NOTE:**

Headlamp has a dual system switch.

## COMBINATION SWITCH READING FUNCTION

Description

- BCM reads the status of the combination switch at 10 ms interval normally.



**NOTE:**

BCM reads the status of the combination switch at 20 ms interval when BCM is controlled at low power consumption control mode.

- BCM operates as follows and judges the status of the combination switch.
  - INPUT 1 - 5 outputs the voltage waveforms of 5 systems simultaneously.
  - It operates the transistor on OUTPUT side in the following order: OUTPUT 5 → 4 → 3 → 2 → 1.

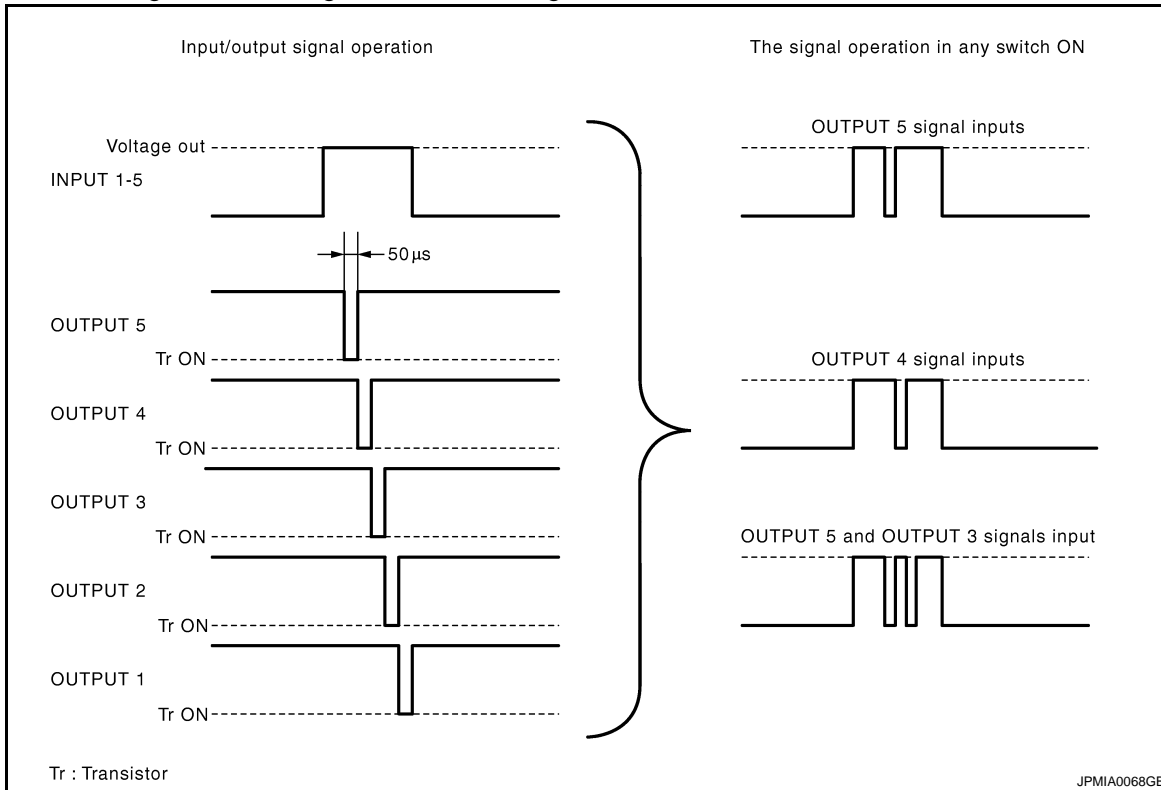


# COMBINATION SWITCH READING SYSTEM

[BCM]

## < FUNCTION DIAGNOSIS >

- The voltage waveform of INPUT corresponding to the formed circuit changes according to the operation of the transistor on OUTPUT side if any (1 or more) switches are ON.
- It reads this change of the voltage as the status signal of the combination switch.

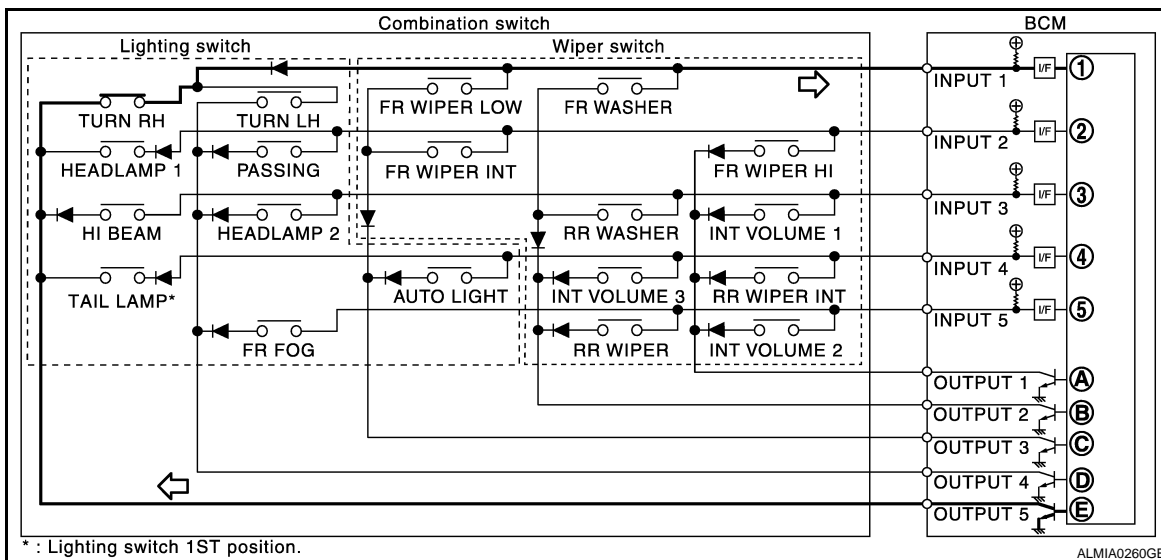


### Operation Example

In the following operation example, the combination of the status signals of the combination switch is replaced as follows: INPUT 1 - 5 to "1 - 5" and OUTPUT 1 - 5 to "A - E".

Example 1: When a switch (TURN RH switch) is turned ON

- The circuit between INPUT 1 and OUTPUT 5 is formed when the TURN RH switch is turned ON.



- BCM detects the combination switch status signal "1E" when the signal of OUTPUT 5 is input to INPUT 1.
- BCM judges that the TURN RH switch is ON when the signal "1E" is detected.

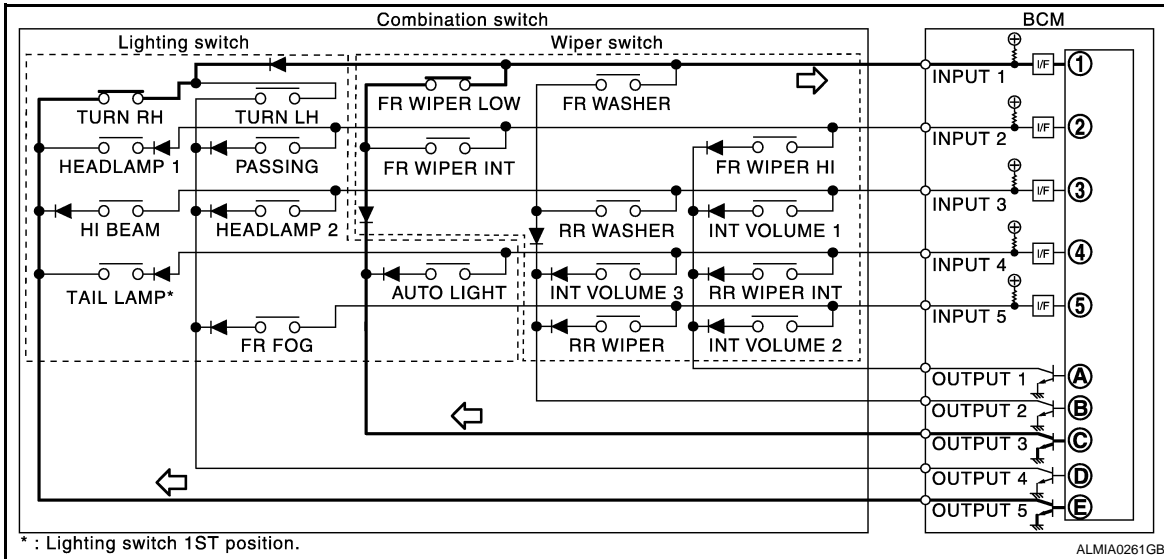
Example 2: When some switches (turn RH switch, front wiper LO switch) are turned ON

# COMBINATION SWITCH READING SYSTEM

[BCM]

## < FUNCTION DIAGNOSIS >

- The circuits between INPUT 1 and OUTPUT 5 and between INPUT 1 and OUTPUT 3 are formed when the TURN RH switch and FR WIPER LOW switch are turned ON.



- BCM detects the combination switch status signal "1CE" when the signals of OUTPUT 3 and OUTPUT 5 are input to INPUT 1.
- BCM judges that the TURN RH switch and FR WIPER LOW switch are ON when the signal "1CE" is detected.

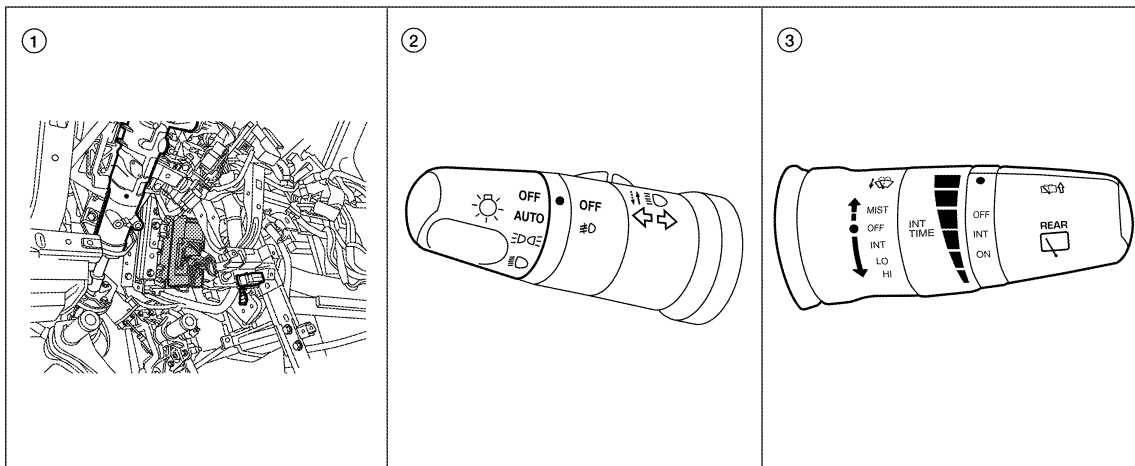
## WIPER INTERMITTENT DIAL POSITION SETTING (FRONT WIPER INTERMITTENT OPERATION)

BCM judges the wiper intermittent dial 1 - 7 by the status of INT VOLUME 1, 2 and 3 switches.

Wiper intermittent dial position	Intermittent operation delay interval	INT VOLUME switch ON/OFF status		
		INT VOLUME 1 switch	INT VOLUME 2 switch	INT VOLUME 3 switch
1	Short ↑	ON	ON	ON
2		ON	ON	OFF
3		ON	OFF	OFF
4		OFF	OFF	OFF
5	Long ↓	OFF	OFF	ON
6		OFF	ON	ON
7		OFF	ON	OFF

## Component Parts Location

INFOID:000000003708222



# COMBINATION SWITCH READING SYSTEM

< FUNCTION DIAGNOSIS >

[BCM]

1. BCM M18, M19, M20 (view with instrument panel removed)
2. Combination switch (lighting and turn signal switch) M28
3. Combination switch (wiper and washer switch) M28

A

B

C

D

E

F

G

H

I

J

K

L

**BCS**

N

O

P

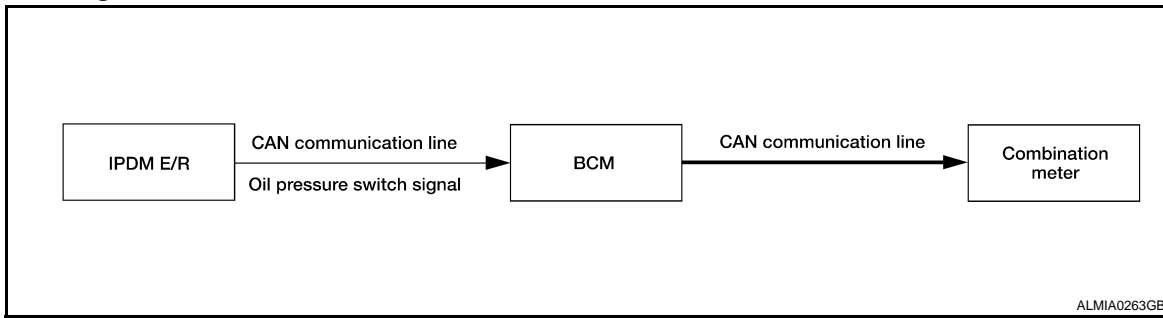
# SIGNAL BUFFER SYSTEM

< FUNCTION DIAGNOSIS >

[BCM]

## SIGNAL BUFFER SYSTEM

### System Diagram



### System Description

INFOID:000000003708224

#### OUTLINE

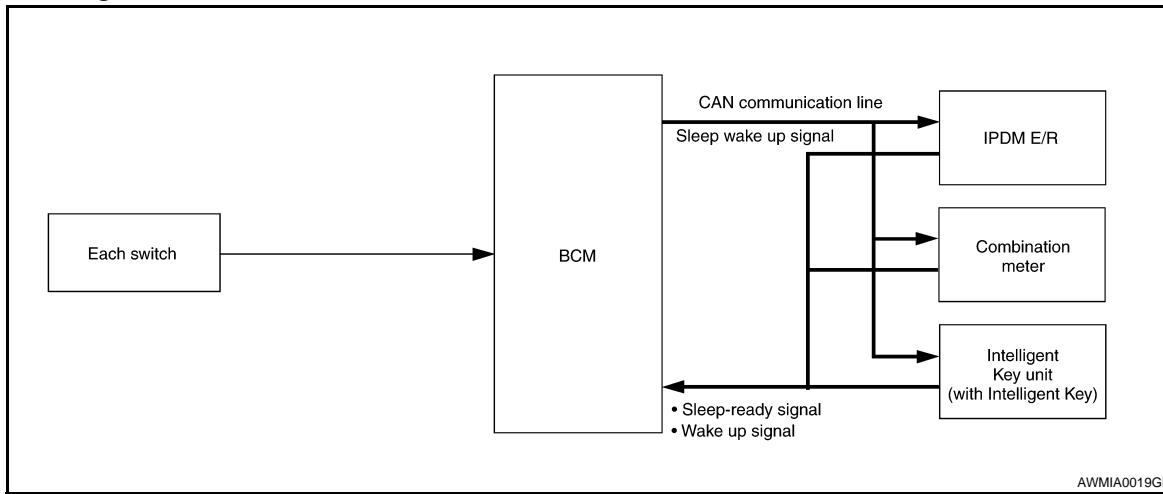
BCM has the signal transmission function that outputs/transmits each input/received signal to each unit.

#### Signal transmission function list

Signal name	Input	Output	Description
Oil pressure switch signal	IPDM E/R (CAN)	Combination meter (CAN)	Transmits the received oil pressure switch signal via CAN communication.

## POWER CONSUMPTION CONTROL SYSTEM

### System Diagram



### System Description

INFOID:000000003708226

#### OUTLINE

- BCM incorporates a power consumption control function that reduces the power consumption according to the vehicle status.
- BCM switches the status (control mode) by itself with the power saving control function. It performs the sleep request to each unit [IPDM E/R, combination meter and Intelligent Key unit (with Intelligent Key)] that operates with the ignition switch OFF.

#### Normal mode (wake-up)

- CAN communication is normally performed with other units
- Each control with BCM is operating properly

#### CAN communication sleep mode (CAN sleep)

- CAN transmission is stopped
- Control with BCM only is operating

#### Low power consumption mode (BCM sleep)

- Low power consumption control is active
- CAN transmission is stopped

#### LOW POWER CONSUMPTION CONTROL WITH BCM

BCM reduces the power consumption with the following operation in the low power consumption mode.

- The reading interval of the each switches changes from 10 ms interval to 20 ms interval.

#### Sleep mode activation

- BCM receives the sleep-ready signal (ready) from IPDM E/R, combination meter and Intelligent Key unit (with Intelligent Key) via CAN communication.
- BCM transmits the sleep wake up signal (sleep) to each unit when all of the CAN sleep conditions are fulfilled.
- Each unit stops the transmission of CAN communication with the sleep wake up signal. BCM is in CAN communication sleep mode.
- BCM is in the low power consumption mode and perform the low power consumption control when all of the BCM sleep conditions are fulfilled with CAN sleep condition.

A  
B  
C  
D  
E  
F  
G  
H  
I  
J  
K  
L  
N  
O  
P

BCS

# POWER CONSUMPTION CONTROL SYSTEM

[BCM]

## < FUNCTION DIAGNOSIS >

### Sleep condition

CAN sleep condition	BCM sleep condition
<ul style="list-style-type: none"><li>• Receiving the sleep-ready signal (ready) from all units</li><li>• Ignition switch: OFF</li><li>• Vehicle security system alarm: No operation</li><li>• Warning lamp: No operation</li><li>• Warning chime: No operation</li><li>• Stop lamp switch: OFF</li><li>• Key switch status: No change for 2 seconds</li><li>• Hazard warning lamp: No operation</li><li>• Exterior lamp: OFF</li><li>• Door lock status: No change for 2 seconds</li><li>• CONSULT-III communication status: No communication</li><li>• Door switch status: No change for 2 seconds</li></ul>	<p>The controls only BCM are completed. (Interior room lamp battery saver: Time out etc.)</p>

### Wake-up operation

- BCM transmits sleep wake up signal (wake up) to each unit when any condition listed below is established, and then goes into normal mode from low power consumption mode.
- Each unit starts transmissions with CAN communication by receiving sleep wake up signals. Each unit transmits wake up signals to BCM with CAN communication to convey the start of CAN communication.

### Wake-up condition

BCM wake-up condition
<ul style="list-style-type: none"><li>• Ignition switch: OFF → ACC or ON</li><li>• Stop lamp switch: ON (Depress brake pedal)</li><li>• Any door switch: OFF → ON</li><li>• Lighting switch: OFF → 1ST or PASS</li><li>• Hazard switch: OFF → ON</li><li>• Back door opener switch OFF → ON</li><li>• Remote keyless entry receiver: Receiving</li><li>• Intelligent Key unit: Receiving (with Intelligent Key)</li></ul>

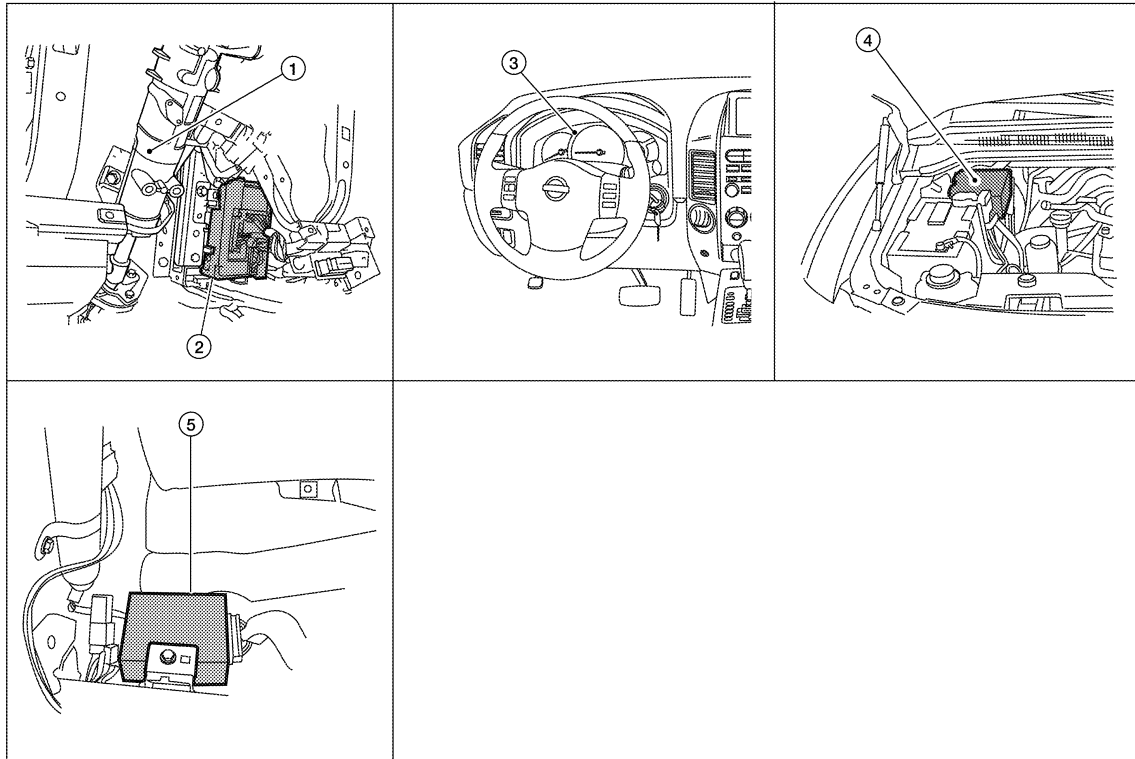
# POWER CONSUMPTION CONTROL SYSTEM

< FUNCTION DIAGNOSIS >

[BCM]

## Component Parts Location

INFOID:000000003708227



1. Steering column (view with instrument panel removed)
2. BCM M18, M19, M20
3. Combination meter M24
4. IPDM E/R
5. Intelligent Key unit M70 (with Intelligent Key) (view with instrument panel removed)

ALMIA0274ZZ

A  
B  
C  
D  
E  
F  
G  
H  
I  
J  
K  
L

BCS

N  
O  
P

# DIAGNOSIS SYSTEM (BCM)

[BCM]

< FUNCTION DIAGNOSIS >

## DIAGNOSIS SYSTEM (BCM)

### COMMON ITEM

### COMMON ITEM : CONSULT-III Function (BCM - COMMON ITEM)

INFOID:000000003708228

### APPLICATION ITEM

CONSULT-III performs the following functions via CAN communication with BCM.

Diagnosis mode	Function Description
WORK SUPPORT	Changes the setting for each system function.
SELF-DIAG RESULTS	Displays the diagnosis results judged by BCM. Refer to <a href="#">BCS-53, "DTC Index"</a> .
CAN DIAG SUPPORT MNTR	Monitors the reception status of CAN communication viewed from BCM.
DATA MONITOR	The BCM input/output signals are displayed.
ACTIVE TEST	The signals used to activate each device are forcibly supplied from BCM.
ECU IDENTIFICATION	The BCM part number is displayed.
CONFIGURATION	<ul style="list-style-type: none"> <li>Enables to read and save the vehicle specification.</li> <li>Enables to write the vehicle specification when replacing BCM.</li> </ul>

### SYSTEM APPLICATION

BCM can perform the following functions for each system.

#### NOTE:

It can perform the diagnosis modes except the following for all sub system selection items.

System	Sub system selection item	Diagnosis mode		
		WORK SUPPORT	DATA MONITOR	ACTIVE TEST
BCM	BCM	×		
Door lock	DOOR LOCK	×	×	×
Rear window defogger	REAR DEFOGGER		×	
Warning chime	BUZZER		×	×
Interior room lamp timer	INT LAMP	×	×	×
Remote keyless entry system	MULTI REMOTE ENT	×	×	×
Exterior lamp	HEAD LAMP	×	×	×
Wiper and washer	WIPER	×	×	×
Turn signal and hazard warning lamps	FLASHER		×	×
Air conditioner	AIR CONDITONER		×	
Intelligent Key system*	INTELLIGENT KEY		×	
Combination switch	COMB SW		×	
Immobilizer	IMMU		×	×
Interior room lamp battery saver	BATTERY SAVER	×	×	×
Back door open	TRUNK		×	×
RAP (retained accessory power)	RETAINED PWR	×	×	×
Signal buffer system	SIGNAL BUFFER		×	×
TPMS (tire pressure monitoring system)	AIR PRESSURE MONITOR	×	×	×
Vehicle security system	PANIC ALARM			×

\*: With Intelligent Key

### BCM



# DIAGNOSIS SYSTEM (BCM)

[BCM]

< FUNCTION DIAGNOSIS >

## BCM : CONSULT-III Function (BCM - BCM)

INFOID:000000003708229

### WORK SUPPORT

Item	Description
RESET SETTING VALUE	Return a value set with WORK SUPPORT of each system to a default value in factory shipment.

## DOOR LOCK

### DOOR LOCK : CONSULT-III Function (BCM - DOOR LOCK)

INFOID:000000003708230

### WORK SUPPORT

Work Item	Description
DOOR LOCK-UNLOCK SET	<ul style="list-style-type: none"><li>• ON</li><li>• OFF</li></ul>
ANTI-LOCK OUT SET	<ul style="list-style-type: none"><li>• ON</li><li>• OFF</li></ul>
AUTOMATIC DOOR LOCK SELECT	<ul style="list-style-type: none"><li>• SHIFT OUT OF P</li><li>• VH SPD</li></ul>
AUTOMATIC DOOR UNLOCK SELECT	<ul style="list-style-type: none"><li>• MODE1</li><li>• MODE2</li><li>• MODE3</li><li>• MODE4</li><li>• MODE5</li><li>• MODE6</li></ul>
AUTOMATIC LOCK/UNLOCK SELECT	<ul style="list-style-type: none"><li>• ON</li><li>• OFF</li></ul>

### DATA MONITOR

Monitor Item [Unit]	Description
IGN ON SW [ON/OFF]	Indicates condition of ignition switch in ON position
KEY ON SW [ON/OFF]	Indicates condition of key switch
CDL LOCK SW [ON/OFF]	Indicates condition of door lock and unlock switch
CDL UNLOCK SW [ON/OFF]	Indicates condition of door lock and unlock switch
DOOR SW-DR [ON/OFF]	Indicates condition of front door switch LH
DOOR SW-AS [ON/OFF]	Indicates condition of front door switch RH
DOOR SW-RR [ON/OFF]	Indicates condition of rear door switch RH
DOOR SW-RL [ON/OFF]	Indicates condition of rear door switch LH
BACK DOOR SW [ON/OFF]	Indicates condition of back door switch
KEY CYL LK-SW [ON/OFF]	Indicates condition of lock signal from door key cylinder switch
KEY CYL UN-SW [ON/OFF]	Indicates condition of unlock signal from door key cylinder switch
KEYLESS LOCK [ON/OFF]	Indicates condition of lock signal from keyfob
KEYLESS UNLOCK [ON/OFF]	Indicates condition of unlock signal from keyfob
I-KEY LOCK* [ON/OFF]	Indicates condition of lock signal from Intelligent Key
I-KEY UNLOCK* [ON/OFF]	Indicates condition of unlock signal from Intelligent Key

\*: With Intelligent Key

### ACTIVE TEST

A  
B  
C  
D  
E  
F  
G  
H  
I  
J  
K  
L  
N  
O  
P

BCS

# DIAGNOSIS SYSTEM (BCM)

< FUNCTION DIAGNOSIS >

[BCM]

Test Item	Description
DOOR LOCK	This test is able to check door lock operation [ALL LOCK/ALL UNLOCK/DR UNLOCK/OTHER UNLOCK].
TRUNK/BACK DOOR	This test is able to check trunk/back door lock operation [LOCK (SET)/UNLOCK (RELEASE)].

## REAR WINDOW DEFOGGER

### REAR WINDOW DEFOGGER : CONSULT-III Function (BCM - REAR DEFOGGER)

INFOID:000000003708231

#### DATA MONITOR

Monitor Item [Unit]	Description
IGN ON SW [ON/OFF]	Indicates condition of ignition switch in ON position
IGN ACC SW [ON/OFF]	Indicates condition of ignition switch in ACC position
REAR DEF SW [ON/OFF]	Displays "Press (ON)/other (OFF)" status determined with the rear window defogger switch

## BUZZER

### BUZZER : CONSULT-III Function (BCM - BUZZER)

INFOID:000000003708232

#### DATA MONITOR

Monitor Item [Unit]	Description
IGN ON SW [ON/OFF]	Ignition switch (ON) status judged by ignition power supply input
KEY ON SW [ON/OFF]	Key switch status
DOOR SW -DR [ON/OFF]	Front door switch (driver side) status judged by BCM
LIGHT SW 1ST [ON/OFF]	Lighting switch status judged by the lighting switch signal read with combination switch reading function
BUCKLE SW [ON/OFF]	Seat belt buckle switch status

#### ACTIVE TEST

Test Item	Description
LIGHT WARN ALM	The light reminder warning operation can be checked by operating the relevant function (On/Off).
IGN KEY WARN ALM	The key reminder warning operation can be checked by operating the relevant function (On/Off).
SEAT BELT WARN TEST	The seat belt warning operation can be checked by operating the relevant function (On/Off).
DOOR WARNING IND	The door open warning operation can be checked by operating the relevant function (On/Off).

## INT LAMP

# DIAGNOSIS SYSTEM (BCM)

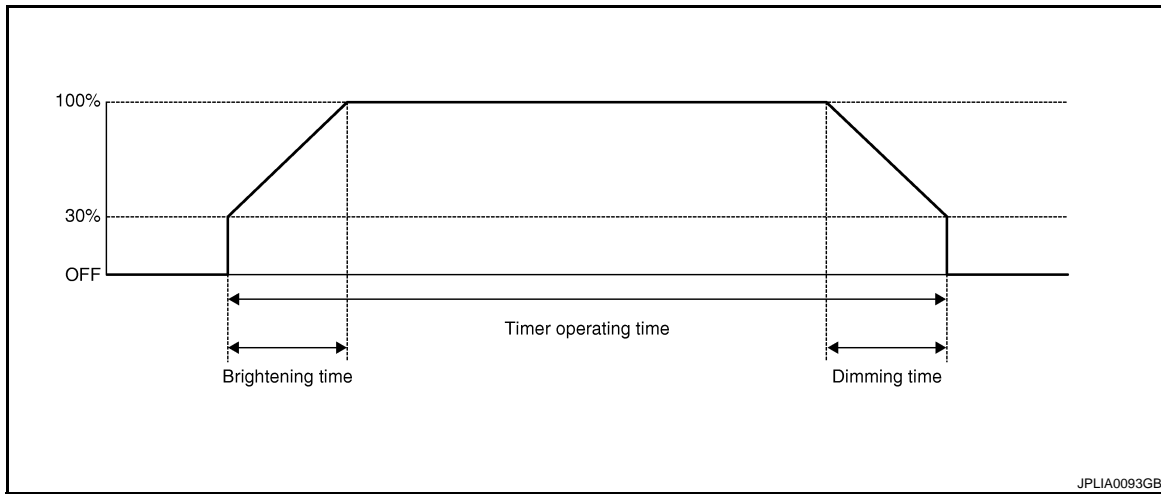
< FUNCTION DIAGNOSIS >

[BCM]

## INT LAMP : CONSULT-III Function (BCM - INT LAMP)

INFOID:000000003708233

### WORK SUPPORT



Work Item	Setting item	Setting
SET I/L D-UNLCK INTCON	ON*	With the interior room lamp timer function
	OFF	Without the interior room lamp timer function
ROOM LAMP ON TIME SET	MODE 1	0.5 sec.
	MODE 2*	1 sec.
	MODE 3	2 sec.
	MODE 4	3 sec.
	MODE 5	0 sec.
ROOM LAMP OFF TIME SET	MODE 1	0.5 sec.
	MODE 2	1 sec.
	MODE 3	2 sec.
	MODE 4*	3 sec.
	MODE 5	0 sec.

\* : Initial setting

### DATA MONITOR

Monitor Item [Unit]	Description
IGN ON SW [ON/OFF]	Ignition switch (ON) status judges from IGN signal (ignition power supply)
KEY ON SW [ON/OFF]	The switch status input from key switch
DOOR SW-DR [ON/OFF]	The switch status input from front door switch LH
DOOR SW-AS [ON/OFF]	The switch status input from front door switch RH
DOOR SW-RR [ON/OFF]	The switch status input from rear door switch RH
DOOR SW- RL [ON/OFF]	The switch status input from rear door switch LH
BACK DOOR SW [ON/OFF]	The switch status input from back door switch
KEY CYL LK-SW [ON/OFF]	Lock switch status input from door lock and unlock switch
KEY CYL UN-SW [ON/OFF]	Lock switch status input from door lock and unlock switch
CDL LOCK SW [ON/OFF]	Lock switch status input from door lock and unlock switch
CDL UNLOCK SW [ON/OFF]	Unlock switch status input from door lock and unlock switch
KEYLESS LOCK [ON/OFF]	Lock signal status received from remote keyless entry receiver (integrated in the BCM)

A  
B  
C  
D  
E  
F  
G  
H  
I  
J  
K  
L

BCS

N  
O  
P

# DIAGNOSIS SYSTEM (BCM)

< FUNCTION DIAGNOSIS >

[BCM]

Monitor Item [Unit]	Description
KEYLESS UNLOCK [ON/OFF]	Unlock signal status received from remote keyless entry receiver (integrated in the BCM)
I-KEY LOCK* [ON/OFF]	Lock signal status received from Intelligent Key unit by CAN communication
I-KEY UNLOCK* [ON/OFF]	Unlock signal status received from Intelligent Key unit by CAN communication

\*: With Intelligent Key

## ACTIVE TEST

Test Item	Operation	Description
INT LAMP	ON	Outputs the interior room lamp control signal to turn the interior room lamps ON.
	OFF	Stops the interior room lamp control signal to turn the interior room lamps OFF.
IGN ILLUM	ON	Outputs the ignition keyhole illumination control signal to turn the ignition keyhole illumination lamp ON.
	OFF	Stops the ignition keyhole illumination control signal to turn the ignition keyhole illumination lamp OFF.
STEP LAMP TEST	ON	Outputs the step lamp control signal to turn the step lamps ON.
	OFF	Stops the step lamp control signal to turn the step lamps OFF.
LUGGAGE LAMP TEST	ON	Outputs the luggage lamp control signal to turn the luggage lamp ON.
	OFF	Stops the luggage lamp control signal to turn the luggage lamp OFF.

## MULTIREMOTE ENT

### MULTIREMOTE ENT : CONSULT-III Function (BCM - MULTIREMOTE ENT)

INFOID:000000004304450

## WORK SUPPORT

Test Item	Description
REMO CONT ID REGIST	Keyfob ID code can be registered.
REMO CONT ID ERASUR	Keyfob ID code can be erased.
REMO CONT ID CONFIR	It can be checked whether keyfob ID code is registered or not in this mode.
HORN CHIRP SET	Horn chirp function mode can be changed in this mode. The function mode will be changed when "CHANG SETT" on CONSULT-III screen is touched.
HAZARD LAMP SET	Hazard lamp function mode can be changed in this mode. The function mode will be changed when "CHANG SETT" on CONSULT-III screen is touched.
MULTI ANSWER BACK SET	Hazard and horn reminder mode can be changed in this mode. The reminder mode will be changed when "CHANG SETT" on CONSULT-III screen is touched.
AUTO LOCK SET	Auto locking function mode can be changed in this mode. The function mode will be changed when "CHANG SETT" on CONSULT-III screen is touched.
PANIC ALRM SET	Panic alarm operation mode can be changed in this mode. The operation mode will be changed when "CHANG SETT" on CONSULT-III screen is touched.
PW DOWN SET	Keyless power window down (open) operation mode can be changed in this mode. The operation mode will be changed when "CHANG SETT" on CONSULT-III screen is touched.

Hazard and horn reminder mode

	MODE 1 (C mode)		MODE 2 (S mode)		MODE 3		MODE 4		MODE 5		MODE 6	
	Lock	Unlock	Lock	Unlock	Lock	Unlock	Lock	Unlock	Lock	Unlock	Lock	Unlock
Keyfob operation	Lock	Unlock	Lock	Unlock	Lock	Unlock	Lock	Unlock	Lock	Unlock	Lock	Unlock
Hazard warning lamp flash	Twice	Once	Twice	—	—	—	Twice	Once	Twice	—	—	Once
Horn sound	Once	—	—	—	—	—	—	—	Once	—	Once	—

# DIAGNOSIS SYSTEM (BCM)

[BCM]

## < FUNCTION DIAGNOSIS >

### Auto locking function mode

	MODE 1	MODE 2	MODE 3
Auto locking function	5 minutes	Nothing	1 minute

### Panic alarm operation mode

	MODE 1	MODE 2	MODE 3
Keyfob operation	0.5 seconds	Nothing	1.5 seconds

### Back door open operation mode

	MODE 1	MODE 2	MODE 3
Keyfob operation	0.5 seconds	Nothing	0.5 seconds

### Keyless power window down operation mode

	MODE 1	MODE 2	MODE 3
Keyfob operation	3 seconds	Nothing	5 seconds

## DATA MONITOR

Monitored Item	Description
DOOR SW-AS	Indicates [ON/OFF] condition of front door switch RH.
DOOR SW-RR	Indicates [ON/OFF] condition of rear door switch RH.
DOOR SW-RL	Indicates [ON/OFF] condition of rear door switch LH.
DOOR SW-DR	Indicates [ON/OFF] condition of front door switch LH.
KEY ON SW	Indicates [ON/OFF] condition of key switch.
ACC ON SW	Indicates [ON/OFF] condition of ignition switch in ACC position.
IGN ON SW	Indicates [ON/OFF] condition of ignition switch in ON position.
KEYLESS PANIC	Indicates [ON/OFF] condition of panic signal from keyfob.
KEYLESS UNLOCK	Indicates [ON/OFF] condition of unlock signal from keyfob.
KEYLESS LOCK	Indicates [ON/OFF] condition of lock signal from keyfob.
KEY CYL LK-SW	Indicates [ON/OFF] condition of lock signal from door key cylinder switch.
KEY CYL UN-SW	Indicates [ON/OFF] condition of unlock signal from door key cylinder switch.
CDL UNLOCK SW	Indicates [ON/OFF] condition of unlock signal from lock/unlock switch.
CDL LOCK SW	Indicates [ON/OFF] condition of lock signal from lock/unlock switch.
DOOR SW-RL	Indicates [ON/OFF] condition of rear door switch LH.
DOOR SW-RR	Indicates [ON/OFF] condition of rear door switch RH.
RKE LCK-UNLCK	Indicates [ON/OFF] condition of lock/unlock signal at the same time from keyfob.
RKE KEEP UNLK	Indicates [ON/OFF] condition of unlock signal from keyfob.

## ACTIVE TEST

Test Item	Description
FLASHER	This test is able to check right and left hazard reminder operation. The right hazard lamp turns on when "RH" on CONSULT-III screen is touched and the left hazard lamp turns on when "LH" on CONSULT-III screen is touched.
POWER WINDOW DOWN	This test is able to check power window down operation. The windows are lowered when "ON" on CONSULT-III screen is touched.
HORN	This test is able to check panic alarm and horn reminder operations. The alarm activate for 0.5 seconds after "ON" on CONSULT-III screen is touched.
DOOR LOCK	This test is able to check door lock operation. The doors lock and unlock based on the item on CONSULT-III screen touched.

## HEADLAMP

# DIAGNOSIS SYSTEM (BCM)

[BCM]

< FUNCTION DIAGNOSIS >

## HEADLAMP : CONSULT-III Function (BCM - HEAD LAMP)

INFOID:000000003708235

### WORK SUPPORT

Work Item	Setting item	Setting	
BATTERY SAVER SET	ON*	With the exterior lamp battery saver function	
	OFF	Without the exterior lamp battery saver function	
CUSTOM A/LIGHT SETTING	MODE1*	Normal	
	MODE2	More sensitive setting than normal setting (Turns ON earlier than normal operation.)	
	MODE3	More sensitive setting than MODE 2 (Turns ON earlier than MODE 2.)	
	MODE4	Less sensitive setting than normal setting (Turns ON later than normal operation.)	
ILL DELAY SET	MODE1*	45 sec.	Sets delay timer function timer operation time (All doors closed)
	MODE2	Without the function	
	MODE3	30 sec.	
	MODE4	60 sec.	
	MODE5	90 sec.	
	MODE6	120 sec.	
	MODE7	150 sec.	
	MODE8	180 sec.	

\*: Initial setting

### DATA MONITOR

Monitor Item [Unit]	Description
IGN ON SW [ON/OFF]	Ignition switch (ON) status judged from IGN signal (ignition power supply)
HI BEAM SW [ON/OFF]	Each switch status that BCM judges from the combination switch reading function
H/L SW POS [ON/OFF]	
LIGHT SW 1ST [ON/OFF]	
PASSING SW [ON/OFF]	
AUTO LIGHT SW [ON/OFF]	
FR FOG SW [ON/OFF]	
DOOR SW-DR [ON/OFF]	The switch status input from front door switch LH
AUT LIGHT SYS [ON/OFF]	Auto light system status that BCM judges from the vehicle condition

### ACTIVE TEST

Test Item	Operation	Description
TAIL LAMP	ON	Transmits the position light request signal to IPDM E/R with CAN communication to turn the tail lamp ON.
	OFF	Stops the tail lamp request signal transmission.
HEAD LAMP	HI	Transmits the high beam request signal with CAN communication to turn the headlamp (HI).
	LO	Transmits the low beam request signal with CAN communication to turn the headlamp (LO).
	OFF	Stops the high & low beam request signal transmission.
FR FOG LAMP	ON	Transmits the front fog lights request signal to IPDM E/R with CAN communication to turn the front fog lamp ON.
	OFF	Stops the front fog lights request signal transmission.

# DIAGNOSIS SYSTEM (BCM)

< FUNCTION DIAGNOSIS >

[BCM]

A  
B  
C  
D  
E  
F  
G  
H  
I  
J  
K  
L

BCS

N  
O  
P

Test Item	Operation	Description
DAYTIME RUNNING LIGHT	ON	Transmits the day time running light request signal to IPDM E/R with CAN communication to turn the each lamps ON.
	OFF	Stops the day time running light request signal transmission.

## WIPER

### WIPER : CONSULT-III Function (BCM - WIPER)

INFOID:000000003708236

### WORK SUPPORT

Work Item	Setting Item	Description
WIPER SPEED SETTING	ON*	With vehicle speed (Front wiper intermittent time linked with the vehicle speed and wiper intermittent dial position)
	OFF	Without vehicle speed (Front wiper intermittent time linked with the wiper intermittent dial position)

\*: Factory setting

### DATA MONITOR

Monitor Item [Unit]	Description
IGN ON SW [ON/OFF]	Ignition switch ON status judged from ignition power supply
FR WIPER HI [ON/OFF]	Each switch status that BCM judges from the combination switch reading function
FR WIPER LOW [ON/OFF]	
FR WIPER INT [ON/OFF]	
FR WASHER SW [ON/OFF]	
INT VOLUME [1 - 7]	Each switch status that BCM judges from the combination switch reading function
FR WIPER STOP [ON/OFF]	Front wiper motor (stop position) status received from IPDM E/R with CAN communication
VEHICLE SPEED [km/h]	The value of the vehicle speed signal received from combination meter with CAN communication
RR WIPER ON [ON/OFF]	Each switch status that BCM judges from the combination switch reading function
RR WIPER INT [ON/OFF]	
RR WASHER SW [ON/OFF]	
RR WIPER STOP [ON/OFF]	Rear wiper motor (stop position) status input from the rear wiper motor

### ACTIVE TEST

Test Item	Operation	Description
FR WIPER	HI	Transmits the front wiper request signal (HI) to IPDM E/R with CAN communication to operate the front wiper HI operation.
	LO	Transmits the front wiper request signal (LO) to IPDM E/R with CAN communication to operate the front wiper LO operation.
	INT	Transmits the front wiper request signal (INT) to IPDM E/R with CAN communication to operate the front wiper INT operation.
	OFF	Stops transmitting the front wiper request signal to stop the front wiper operation.
RISE UP WIPER TEST	ON	Outputs the voltage to operate the rear wiper motor.
	OFF	Stops the voltage to stop.

## FLASHER

# DIAGNOSIS SYSTEM (BCM)

< FUNCTION DIAGNOSIS >

[BCM]

## FLASHER : CONSULT-III Function (BCM - FLASHER)

INFOID:000000003708237

### DATA MONITOR

Monitor Item [Unit]	Description
IGN ON SW [ON/OFF]	Ignition switch (ON) status judged from IGN signal (ignition power supply)
HAZARD SW [ON/OFF]	The switch status input from the hazard switch
TURN SIGNAL R [ON/OFF]	Each switch condition that BCM judges from the combination switch reading function
TURN SIGNAL L [ON/OFF]	
BRAKE SW [ON/OFF]	The switch status input from the brake switch

### ACTIVE TEST

Test Item	Operation	Description
FLASHER	RH	Outputs the voltage to turn the right side turn signal lamps ON.
	LH	Outputs the voltage to turn the left side turn signal lamps ON.
	OFF	Stops the voltage to turn the turn signal lamps OFF.

## AIR CONDITIONER

### AIR CONDITIONER : CONSULT-III Function (BCM - AUTO AIR CONDITIONER)

INFOID:000000003708238

### DATA MONITOR

Monitor Item [Unit]	Contents
IGN ON SW [ON/OFF]	Display [ignition switch position (On)/(Off), ACC position (Off)] status as judged from ignition switch signal
FAN ON SIG [ON/OFF]	Display [FAN (On)/FAN (Off)] status as judged from blower fan motor switch signal
AIR COND SW [ON/OFF]	Display [COMP (On)/COMP (Off)] status as judged from air conditioner switch signal

## INTELLIGENT KEY

### INTELLIGENT KEY : CONSULT-III Function (BCM - INTELLIGENT KEY)

INFOID:000000003708239

### DATA MONITOR

Monitor Item [Unit]	Condition
PUSH SW [ON/OFF]	Indicates condition of ignition knob switch
I-KEY LOCK [ON/OFF]	Indicates condition of lock signal from Intelligent Key
I-KEY UNLOCK [ON/OFF]	Indicates [condition of unlock signal from Intelligent Key
I-KEY PW DWN [ON/OFF]	Indicates condition of all power window signal from Intelligent Key
I-KEY TRUNK [ON/OFF]	Indicates condition of trunk open signal from Intelligent Key
I-KEY PANIC [ON/OFF]	Indicates condition of panic signal from Intelligent Key

## COMB SW

### COMB SW : CONSULT-III Function (BCM - COMB SW)

INFOID:000000003708240

### DATA MONITOR



# DIAGNOSIS SYSTEM (BCM)

< FUNCTION DIAGNOSIS >

[BCM]

Monitor Item [Unit]	Description
TURN SIGNAL R [OFF/ON]	Displays the status of the TURN RH switch in combination switch judged by BCM with the combination switch reading function
TURN SIGNAL L [OFF/ON]	Displays the status of the TURN LH switch in combination switch judged by BCM with the combination switch reading function
HI BEAM SW [OFF/ON]	Displays the status of the HI BEAM switch in combination switch judged by BCM with the combination switch reading function
HEADLAMP SW1 [OFF/ON]	Displays the status of the HEADLAMP switch in combination switch judged by BCM with the combination switch reading function
HEADLAMP SW2 [OFF/ON]	Displays the status of the HEADLAMP switch in combination switch judged by BCM with the combination switch reading function
LIGHT SW 1ST [OFF/ON]	Displays the status of the HEADLAMP switch in combination switch judged by BCM with the combination switch reading function
PASSING SW [OFF/ON]	Displays the status of the PASSING switch in combination switch judged by BCM with the combination switch reading function
AUTO LIGHT SW [OFF/ON]	Displays the status of the AUTO LIGHT switch in combination switch judged by BCM with the combination switch reading function
FR FOG SW [OFF/ON]	Displays the status of the FR FOG switch in combination switch judged by BCM with the combination switch reading function
FR WIPER HI [OFF/ON]	Displays the status of the FR WIPER HI switch in combination switch judged by BCM with the combination switch reading function
FR WIPER LOW [OFF/ON]	Displays the status of the FR WIPER LOW switch in combination switch judged by BCM with the combination switch reading function
FR WIPER INT [OFF/ON]	Displays the status of the FR WIPER INT switch in combination switch judged by BCM with the combination switch reading function
FR WASHER SW [OFF/ON]	Displays the status of the FR WASHER switch in combination switch judged by BCM with the combination switch reading function
INT VOLUME [1 - 7]	Displays the status of wiper intermittent dial position judged by BCM with the combination switch reading function
RR WIPER ON [OFF/ON]	Displays the status of the RR WIPER switch in combination switch judged by BCM with the combination switch reading function
RR WIPER INT [OFF/ON]	Displays the status of the RR WIPER INT switch in combination switch judged by BCM with the combination switch reading function
RR WASHER SW [OFF/ON]	Displays the status of the RR WASHER switch in combination switch judged by BCM with the combination switch reading function

A  
B  
C  
D  
E  
F  
G  
H  
I  
J  
K  
L

## IMMU

IMMU : CONSULT-III Function (BCM - IMMU)

INFOID:000000003708241

BCS

### DATA MONITOR

Monitor Item [Unit]	Description
IGN ON SW [ON/OFF]	Indicates condition of ignition switch in ON position.

N  
O

### ACTIVE TEST

Test Item	Description
THEFT IND	This test is able to check security indicator operation [ON/OFF].

P

## BATTERY SAVER

# DIAGNOSIS SYSTEM (BCM)

< FUNCTION DIAGNOSIS >

[BCM]

## BATTERY SAVER : CONSULT-III Function (BCM - BATTERY SAVER)

INFOID:000000003708242

### WORK SUPPORT

Work Item	Setting Item	Setting	
ROOM LAMP TIMER SET	MODE 1*	15 min.	Sets the interior room lamp battery saver timer operating time.
	MODE 2	30 min.	

\*: Initial setting

### DATA MONITOR

Monitor Item [Unit]	Description
IGN ON SW [ON/OFF]	Ignition switch (ON) status judges from IGN signal (ignition power supply)
KEY ON SW [ON/OFF]	The switch status input from key switch
DOOR SW-DR [ON/OFF]	The switch status input from front door switch (driver side)
DOOR SW-AS [ON/OFF]	The switch status input from front door switch (passenger side)
DOOR SW-RR [ON/OFF]	The switch status input from rear door switch RH
DOOR SW- RL [ON/OFF]	The switch status input from rear door switch LH
BACK DOOR SW [ON/OFF]	The switch status input from back door switch
KEY CYL LK-SW [ON/OFF]	Lock switch status input from door key cylinder switch
KEY CYL UN-SW [ON/OFF]	Unlock switch status input from door key cylinder switch
CDL LOCK SW [ON/OFF]	Lock switch status input from door lock and unlock switch
CDL UNLOCK SW [ON/OFF]	Unlock switch status input from door lock and unlock switch
I-KEY LOCK* [ON/OFF]	Lock signal status received from Intelligent Key unit by CAN communication
I-KEY UNLOCK* [ON/OFF]	Unlock signal status received from Intelligent Key unit by CAN communication
KEYLESS LOCK [ON/OFF]	Lock signal status received from remote keyless entry receiver (integrated in the BCM)
KEYLESS UNLOCK [ON/OFF]	Unlock signal status received from remote keyless entry receiver (integrated in the BCM)

\*: With Intelligent Key

### ACTIVE TEST

Test Item	Operation	Description
BATTERY SAVER	OFF	Cuts the interior room lamp power supply to turn interior room lamps OFF.
	ON	Outputs the interior room lamp power supply to turn interior room lamps ON.*

\*: Each lamp switch is in ON position.

## TRUNK

### TRUNK : CONSULT-III Function (BCM - TRUNK)

INFOID:000000003708243

### DATA MONITOR

Monitor Item [Unit]	Contents
IGN ON SW [ON/OFF]	Indicates condition of ignition switch in ON position
I-KEY TRUNK [ON/OFF]	Indicates condition of Intelligent Key back door opening operation
TRUNK OPNR SW [ON/OFF]	Indicates condition of back door opener switch.
VEHICLE SPEED [ON/OFF]	Indicates condition of vehicle speed signal from combination meter

# DIAGNOSIS SYSTEM (BCM)

< FUNCTION DIAGNOSIS >

[BCM]

## ACTIVE TEST

Test Item	Description
TRUNK/BACK DOOR	This test is able to check back door open operation. Back door open when "OPEN" on CONSULT-III screen is touched.

## RETAINED PWR

### RETAINED PWR : CONSULT-III Function (BCM - RETAINED PWR)

INFOID:000000003708244

#### Data monitor

Monitor Item [Unit]	Description
DOOR SW-DR [ON/OFF]	Indicates condition of front door switch LH.
DOOR SW-AS [ON/OFF]	Indicates condition of front door switch RH.

## SIGNAL BUFFER

### SIGNAL BUFFER : CONSULT-III Function (BCM - SIGNAL BUFFER)

INFOID:000000003708245

#### DATA MONITOR

Monitor Item [Unit]	Description
OIL PRESS SW [ON/OFF]	Displays the status of oil pressure switch received from IPDM E/R via CAN communication.

## ACTIVE TEST

Test Item	Operation	Description
OIL PRESSURE SW	OFF	OFF
	ON	BCM transmits the oil pressure switch signal to the combination meter via CAN communication, which operates the oil pressure gauge in the combination meter.

## AIR PRESSURE MONITOR

### AIR PRESSURE MONITOR : Diagnosis Description

INFOID:000000003708246

#### DESCRIPTION

During driving, the TPMS receives the signal transmitted from the transmitter installed in each wheel, when the tire pressure becomes low. The control unit (BCM) of this system has pressure judgment and trouble diagnosis functions.

When the TPMS detects low inflation pressure or another unusual symptom, the warning lamps in the combination meter comes on.

#### SELF DIAGNOSTIC PROCEDURE (WITH CONSULT-III)

④ With CONSULT-III

- Touch "SELF-DIAG RESULTS" display to show malfunction experienced since the last erasing operation. Refer to [BCS-53, "DTC Index"](#).

#### SELF DIAGNOSTIC PROCEDURE (WITHOUT CONSULT-III)

④ Without CONSULT-III

To start the self-diagnostic results mode, ground terminal of the tire pressure warning check connector. The malfunction location is indicated by the warning lamp flashing.

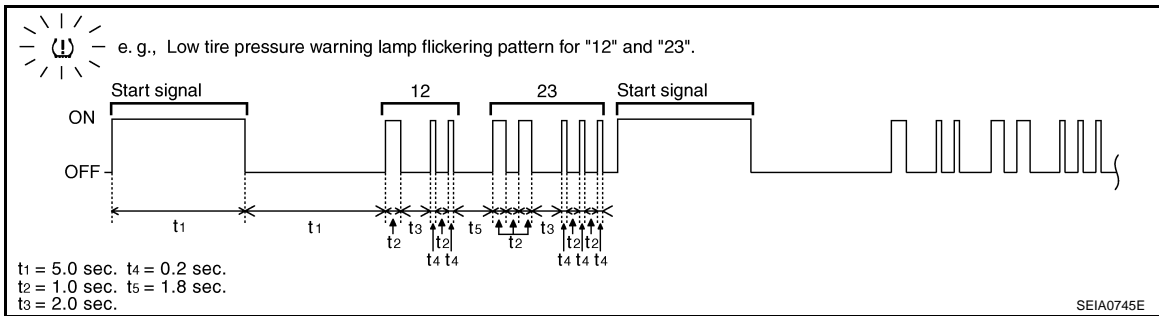
A  
B  
C  
D  
E  
F  
G  
H  
I  
J  
K  
L  
N  
O  
P

BCS

# DIAGNOSIS SYSTEM (BCM)

< FUNCTION DIAGNOSIS >

[BCM]



**NOTE:**

When the low tire warning lamp flashes 5 Hz and continues repeating it, the system is normal.

Flickering pattern	Items	Diagnostic items detected when...	Check item
15	Tire pressure value (Front LH)	Front LH tire pressure drops to 181 kPa (1.8 kg/cm, 25.25 psi) or less.	-
16	Tire pressure value (Front RH)	Front RH tire pressure drops to 181 kPa (1.8 kg/cm, 25.25 psi) or less.	
17	Tire pressure value (Rear RH)	Rear RH tire pressure drops to 181 kPa (1.8 kg/cm, 25.25 psi) or less.	
18	Tire pressure value (Rear LH)	Rear LH tire pressure drops to 181 kPa (1.8 kg/cm, 25.25 psi) or less.	
21	Transmitter no data (Front LH)	Data from front LH transmitter can not be received.	<a href="#">WT-34</a>
22	Transmitter no data (Front RH)	Data from front RH transmitter can not be received.	
23	Transmitter no data (Rear RH)	Data from Rear RH transmitter can not be received.	
24	Transmitter no data (Rear LH)	Data from Rear LH transmitter can not be received.	
31	Transmitter checksum error (Front LH)	Checksum data from front LH transmitter is malfunctioning.	<a href="#">WT-34</a>
32	Transmitter checksum error (Front RH)	Checksum data from front RH transmitter is malfunctioning.	
33	Transmitter checksum error (Rear RH)	Checksum data from rear RH transmitter is malfunctioning.	
34	Transmitter checksum error (Rear LH)	Checksum data from rear RH transmitter is malfunctioning.	
35	Transmitter pressure data error (Front LH)	Air pressure data from front LH transmitter is malfunction.	<a href="#">WT-34</a>
36	Transmitter pressure data error (Front RH)	Air pressure data from front RH transmitter is malfunction.	
37	Transmitter pressure data error (Rear RH)	Air pressure data from rear RH transmitter is malfunction.	
38	Transmitter pressure data error (Rear LH)	Air pressure data from rear LH transmitter is malfunction.	
41	Transmitter function code error (Front LH)	Function code data from front LH transmitter is malfunction.	<a href="#">WT-34</a>
42	Transmitter function code error (Front RH)	Function code data from front RH transmitter is malfunction.	
43	Transmitter function code error (Rear RH)	Function code data from rear RH transmitter is malfunction.	
44	Transmitter function code error (Rear LH)	Function code data from rear LH transmitter is malfunction.	

# DIAGNOSIS SYSTEM (BCM)

[BCM]

## < FUNCTION DIAGNOSIS >

Flickering pattern	Items	Diagnostic items detected when...	Check item
45	Transmitter battery voltage low (Front LH)	Battery voltage of front LH transmitter drops.	<a href="#">WT-34</a>
46	Transmitter battery voltage low (Front RH)	Battery voltage of front RH transmitter drops.	
47	Transmitter battery voltage low (Rear RH)	Battery voltage of rear RH transmitter drops.	
48	Transmitter battery voltage low (Rear LH)	Battery voltage of rear LH transmitter drops.	
52	Vehicle speed signal error	Speed signal is not detected.	<a href="#">WT-34</a>
No flickering	Tire pressure warning check switch	Tire pressure warning switch circuit is open.	-

## ERASE SELF-DIAGNOSIS

### With CONSULT-III

1. Perform applicable inspection of malfunctioning item and then repair or replace.
2. Turn ignition switch "ON" and select "SELF-DIAG RESULTS" mode for "AIR PRESSURE MONITOR" with CONSULT-III.
3. Touch "ERASE" on CONSULT-III screen to erase memory.

### Without CONSULT-III

- In order to make it easier to find the cause of hard-to-duplicate malfunctions, malfunction information is stored into the control unit as necessary during use by the user. This memory is not erased no matter how many times the ignition switch is turned "ON" and "OFF".
- However, this information is erased by turning ignition switch "OFF" after performing self-diagnostic or by erasing the memory using the CONSULT-III.

## AIR PRESSURE MONITOR : CONSULT-III Function

INFOID:000000003708247

## WORK SUPPORT MODE

### ID Read

The registered ID number is displayed.

### ID Regist

Refer to [WT-6, "ID Registration Procedure"](#).

## SELF-DIAG RESULTS MODE

### Operation Procedure

Refer to [BCS-53, "DTC Index"](#).

## DATA MONITOR MODE

Screen of data monitor mode is displayed. Refer to [WT-11, "CONSULT-III Function \(BCM\)"](#).

### NOTE:

When malfunction is detected, CONSULT-III perform REAL-TIME DIAGNOSIS. Also, any malfunction detected while in this mode will be displayed at real time.

## ACTIVE TEST MODE

### NOTE:

Before performing the self-diagnosis, be sure to register the ID, or else the actual malfunction may be different from that displayed on CONSULT-III.

## TEST ITEM LIST

Test item	Content
WARNING LAMP	This test is able to check to make sure that the warning lamp turns on.
ID REGIST WARNING	This test is able to check to make sure that the buzzer sounds or the warning lamp turns on.

# DIAGNOSIS SYSTEM (BCM)

< FUNCTION DIAGNOSIS >

[BCM]

Test item	Content
FLASHER	This test is able to check to make sure that each turn signal lamp turns on.
HORN	This test is able to check to make sure that the horn sounds.

## THEFT ALM

THEFT ALM : CONSULT-III Function (BCM - THEFT ALM)

INFOID:000000003708248

## WORK SUPPORT

Work Item	Description
SECURITY ALARM SET	Vehicle security function mode can be changed in this mode. <ul style="list-style-type: none"><li>• ON: Vehicle security function is ON.</li><li>• OFF: Vehicle security function is OFF.</li></ul>

# COMPONENT DIAGNOSIS

## U1000 CAN COMM CIRCUIT

### Description

INFOID:000000003708249

CAN (Controller Area Network) is a serial communication line for real time applications. It is an on-vehicle multiplex communication line with high data communication speed and excellent error detection ability. Modern vehicle is equipped with many electronic control unit, and each control unit shares information and links with other control units during operation (not independent). In CAN communication, control units are connected with 2 communication lines (CAN-H line, CAN-L line) allowing a high rate of information transmission with less wiring. Each control unit transmits/receives data but selectively reads required data only.  
 CAN Communication Signal Chart. Refer to [LAN-46, "CAN Communication Signal Chart"](#).

### DTC Logic

INFOID:000000003708250

### DTC DETECTION LOGIC

DTC	CONSULT-III display description	DTC Detection Condition	Possible cause
U1000	CAN COMM CIRCUIT	When BCM cannot communicate CAN communication signal continuously for 2 seconds or more.	Any item (or items) of the following listed below is malfunctioning in CAN communication system. <ul style="list-style-type: none"> <li>• Transmission</li> <li>• Receiving (ECM)</li> <li>• Receiving (METER/M&amp;A)</li> <li>• Receiving (TCM)</li> <li>• Receiving (MULTI AV)</li> <li>• Receiving (IPDM E/R)</li> <li>• Receiving (I-KEY)</li> </ul>

### Diagnosis Procedure

INFOID:000000003708251

#### 1. PERFORM SELF DIAGNOSTIC

1. Turn ignition switch ON and wait for 2 seconds or more.
2. Check "Self Diagnostic Result" of BCM.

Is "CAN COMM CIRCUIT" displayed?

- YES >> Refer to [LAN-14, "Trouble Diagnosis Flow Chart"](#).  
 NO >> Refer to [GI-37, "Intermittent Incident"](#).

A  
B  
C  
D  
E  
F  
G  
H  
I  
J  
K  
L  
N  
O  
P

**BCS**

# U1010 CONTROL UNIT (CAN)

< COMPONENT DIAGNOSIS >

[BCM]

## U1010 CONTROL UNIT (CAN)

### DTC Logic

INFOID:000000003708252

### DTC DETECTION LOGIC

DTC	CONSULT-III display description	DTC Detection Condition	Possible cause
U1010	CONTROL UNIT (CAN)	When detecting error during the initial diagnosis of CAN controller of BCM.	BCM

### Diagnosis Procedure

INFOID:000000003708253

#### 1. REPLACE BCM

When "DTC:U1010" is detected, replace BCM.

>> Replace BCM. Refer to [BCS-56, "Removal and Installation"](#).

### Special Repair Requirement

INFOID:000000003708254

#### 1. ADDITIONAL SERVICE WHEN REPLACING BCM

>> Refer to [BCS-3, "ADDITIONAL SERVICE WHEN REPLACING CONTROL UNIT : Special Repair Requirement"](#).



# POWER SUPPLY AND GROUND CIRCUIT

< COMPONENT DIAGNOSIS >

[BCM]

## POWER SUPPLY AND GROUND CIRCUIT

### Diagnosis Procedure

INFOID:000000003708255

#### 1. CHECK FUSES AND FUSIBLE LINK

Check that the following fuses and fusible link are not blown.

Terminal No.	Signal name	Fuses and fusible link No.
57	Battery power supply	22 (15A)
70		F (50A)
11	Ignition ACC or ON	4 (10A)
38	Ignition ON or START	59 (10A)

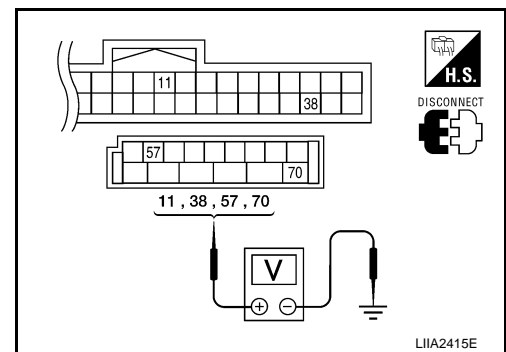
Is the fuse blown?

- YES >> Replace the blown fuse or fusible link after repairing the affected circuit.  
 NO >> GO TO 2

#### 2. CHECK POWER SUPPLY CIRCUIT

- Turn ignition switch OFF.
- Disconnect BCM.
- Check voltage between BCM harness connector and ground.

Connector	Terminals		Power source	Condition	Voltage (V) (Approx.)
	(+)	(-)			
M18	11	Ground	ACC power supply	Ignition switch ACC or ON	Battery voltage
	38	Ground	Ignition power supply	Ignition switch ON or START	Battery voltage
M20	57	Ground	Battery power supply	Ignition switch OFF	Battery voltage
	70	Ground	Battery power supply	Ignition switch OFF	Battery voltage



Is the measurement value normal?

- YES >> GO TO 3  
 NO >> Repair or replace harness.

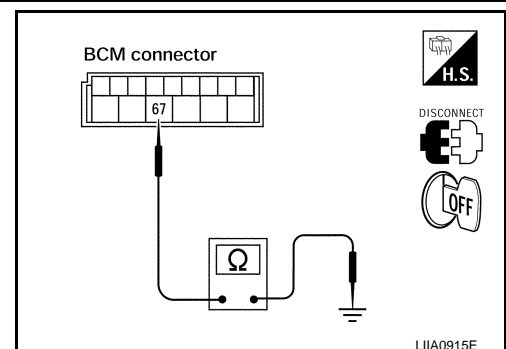
#### 3. CHECK GROUND CIRCUIT

Check continuity between BCM harness connector and ground.

BCM		Ground	Continuity
Connector	Terminal		
M20	67		Yes

Does continuity exist?

- YES >> Inspection End.  
 NO >> Repair or replace harness.



A  
B  
C  
D  
E  
F  
G  
H  
I  
J  
K  
L  
N  
O  
P

BCS

# COMBINATION SWITCH INPUT CIRCUIT

[BCM]

< COMPONENT DIAGNOSIS >

## COMBINATION SWITCH INPUT CIRCUIT

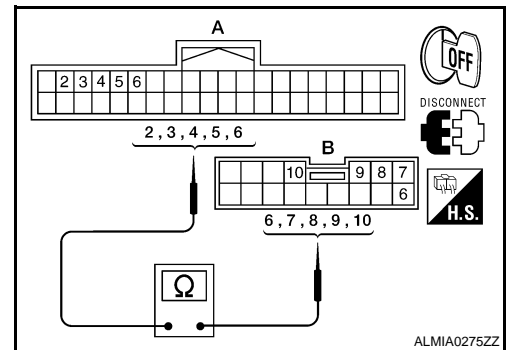
### Diagnosis Procedure

INFOID:000000003708256

#### 1. CHECK INPUT 1 - 5 SYSTEM CIRCUIT FOR OPEN

1. Turn ignition switch OFF.
2. Disconnect BCM and combination switch.
3. Check continuity between BCM harness connector and combination switch harness connector.

System	BCM		Combination switch		Continuity
	Connector	Terminal	Connector	Terminal	
INPUT 1	M18 (A)	6	M28 (B)	6	Yes
INPUT 2		5		7	
INPUT 3		4		10	
INPUT 4		3		9	
INPUT 5		2		8	



Does continuity exist?

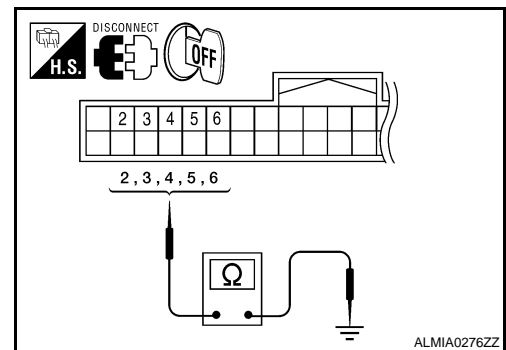
YES >> GO TO 2

NO >> Repair or replace harness.

#### 2. CHECK INPUT 1 - 5 SYSTEM CIRCUIT FOR SHORT

Check for continuity between BCM harness connector and ground.

System	BCM		Continuity
	Connector	Terminal	
INPUT 1	M18	6	No
INPUT 2		5	
INPUT 3		4	
INPUT 4		3	
INPUT 5		2	



Does continuity exist?

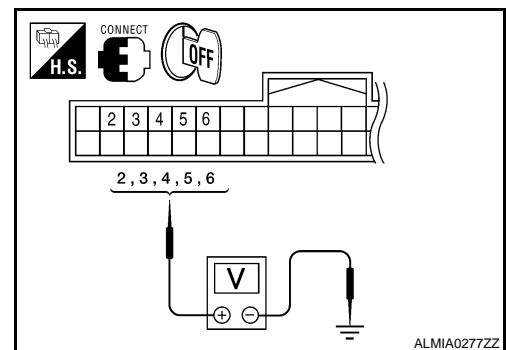
YES >> Repair or replace harness.

NO >> GO TO 3

#### 3. CHECK BCM OUTPUT VOLTAGE

1. Connect BCM.
2. Turn ignition switch ON.
3. Check voltage between BCM harness connector and ground.

System	Terminals		Voltage (Approx.)
	(+)	(-)	
	BCM		
	Connector	Terminal	
INPUT 1	M18	6	Refer to <a href="#">BCS-39</a> . "Reference Value".
INPUT 2		5	
INPUT 3		4	
INPUT 4		3	
INPUT 5		2	



Is the measurement value normal?

# COMBINATION SWITCH INPUT CIRCUIT

[BCM]

< COMPONENT DIAGNOSIS >

YES >> GO TO 4

NO >> Replace BCM. Refer to [BCS-56, "Removal and Installation"](#).

## 4. CHECK COMBINATION SWITCH

Check combination switch. Refer to [BCS-37, "Description"](#).

Is the check result normal?

YES >> Replace BCM. Refer to [BCS-56, "Removal and Installation"](#).

NO >> Replace the combination switch (applicable parts). Refer to [EXL-141, "Removal and Installation"](#).

## Special Repair Requirement

INFOID:000000003708257

## 1. ADDITIONAL SERVICE WHEN REPLACING BCM

>> Refer to [BCS-3, "ADDITIONAL SERVICE WHEN REPLACING CONTROL UNIT : Special Repair Requirement"](#).

A  
B  
C  
D  
E  
F  
G  
H  
I  
J  
K  
L

BCS

N  
O  
P

# COMBINATION SWITCH OUTPUT CIRCUIT

< COMPONENT DIAGNOSIS >

[BCM]

## COMBINATION SWITCH OUTPUT CIRCUIT

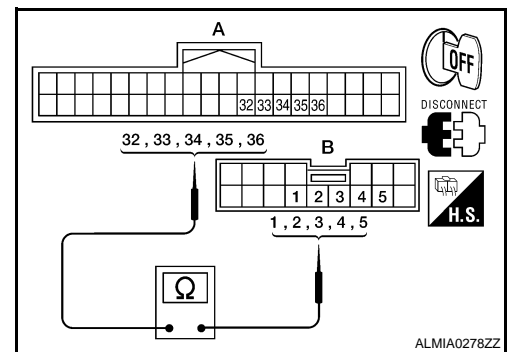
### Diagnosis Procedure

INFOID:000000003708258

#### 1. CHECK OUTPUT 1 - 5 SYSTEM CIRCUIT FOR OPEN

1. Turn ignition switch OFF.
2. Disconnect BCM and combination switch.
3. Check continuity between BCM harness connector and combination switch harness connector.

System	BCM		Combination switch		Continuity
	Connector	Terminal	Connector	Terminal	
OUTPUT 1	M18 (A)	36	M28 (B)	1	Yes
OUTPUT 2		35		2	
OUTPUT 3		34		3	
OUTPUT 4		33		4	
OUTPUT 5		32		5	



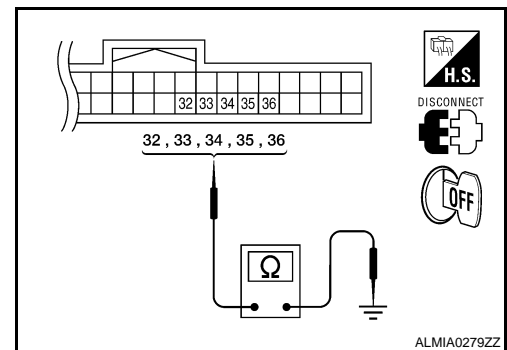
Does continuity exist?

- YES >> GO TO 2  
 NO >> Repair or replace harness.

#### 2. CHECK OUTPUT 1 - 5 SYSTEM CIRCUIT FOR SHORT

Check for continuity between BCM harness connector and ground.

System	BCM		Continuity
	Connector	Terminal	
OUTPUT 1	M18	36	No
OUTPUT 2		35	
OUTPUT 3		34	
OUTPUT 4		33	
OUTPUT 5		32	



Does continuity exist?

- YES >> Repair or replace harness.  
 NO >> GO TO 3

#### 3. CHECK COMBINATION SWITCH

Check combination switch. Refer to [BCS-37, "Description"](#).

Is the check result normal?

- YES >> Replace BCM. Refer to [BCS-56, "Removal and Installation"](#).  
 NO >> Replace combination switch (applicable parts). Refer to [EXL-141, "Removal and Installation"](#).

### Special Repair Requirement

INFOID:000000003708259

#### 1. ADDITIONAL SERVICE WHEN REPLACING BCM

- >> Refer to [BCS-3, "ADDITIONAL SERVICE WHEN REPLACING CONTROL UNIT : Special Repair Requirement"](#).

# COMBINATION SWITCH

[BCM]

< COMPONENT DIAGNOSIS >

## COMBINATION SWITCH

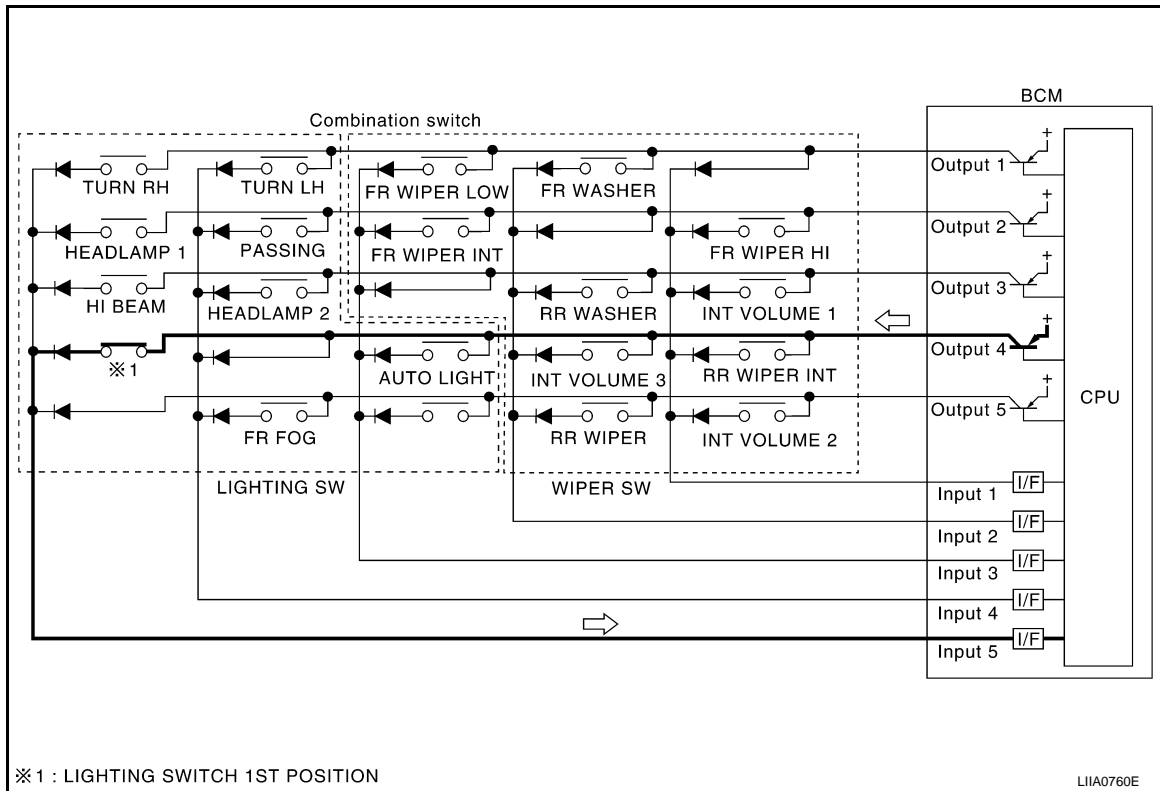
### Description

INFOID:000000003708260

### COMBINATION SWITCH MATRIX

Combination switch consists of INPUT circuit and OUTPUT circuit.

Combination switch circuit



※ 1 : LIGHTING SWITCH 1ST POSITION

L1IA0760E

Combination switch INPUT-OUTPUT system list

System	OUTPUT 1	OUTPUT 2	OUTPUT 3	OUTPUT 4	OUTPUT 5
INPUT 1	—	FR WASHER	FR WIPER LOW	TURN LH	TURN RH
INPUT 2	FR WIPER HI	—	FR WIPER INT	PASSING	HEADLAMP 1
INPUT 3	INT VOLUME 1	RR WASHER	—	HEADLAMP 2	HI BEAM
INPUT 4	RR WIPER INT	INT VOLUME 3	AUTO LIGHT	—	TAIL LAMP
INPUT 5	INT VOLUME 2	RR WIPER	—	FR FOG	—

#### NOTE:

Headlamp has a dual system switch.

### Diagnosis Procedure

INFOID:000000003708261

#### 1. CHECK LIGHT & TURN SIGNAL SWITCH

Check operation with normal light & turn signal switch installed.

Does it operate normally?

- YES >> Replace light & turn signal switch. Refer to [EXL-141, "Removal and Installation"](#).
- NO >> GO TO 2

#### 2. CHECK WIPER & WASHER SWITCH

Check operation with normal wiper & washer switch installed.

Does it operate normally?

- YES >> Replace wiper & washer switch. Refer to [WW-79, "Wiper and Washer Switch"](#).

## COMBINATION SWITCH

< COMPONENT DIAGNOSIS >

[BCM]

---

NO >> GO TO 3

### 3. CHECK SWITCH BASE (SPIRAL CABLE)

---

Check operation with normal switch base (spiral cable) installed.

Does it operate normally?

YES >> Replace switch base (spiral cable). Refer to [SR-6, "Removal and Installation"](#).

NO >> Combination switch is normal.

# BCM (BODY CONTROL MODULE)

< ECU DIAGNOSIS >

[BCM]

## ECU DIAGNOSIS

### BCM (BODY CONTROL MODULE)

Reference Value

INFOID:000000003708262

#### VALUES ON THE DIAGNOSIS TOOL

Monitor Item	Condition	Value/Status
AIR COND SW	A/C switch OFF	OFF
	A/C switch ON	ON
AUT LIGHT SYS	Outside of the room is dark	OFF
	Outside of the room is bright	ON
AUTO LIGHT SW	Lighting switch OFF	OFF
	Lighting switch AUTO	ON
BACK DOOR SW	Back door closed	OFF
	Back door opened	ON
CDL LOCK SW	Door lock/unlock switch does not operate	OFF
	Press door lock/unlock switch to the LOCK side	ON
CDL UNLOCK SW	Door lock/unlock switch does not operate	OFF
	Press door lock/unlock switch to the UNLOCK side	ON
DOOR SW-AS	Front door RH closed	OFF
	Front door RH opened	ON
DOOR SW-DR	Front door LH closed	OFF
	Front door LH opened	ON
DOOR SW-RL	Rear door LH closed	OFF
	Rear door LH opened	ON
DOOR SW-RR	Rear door RH closed	OFF
	Rear door RH opened	ON
ENGINE RUN	Engine stopped	OFF
	Engine running	ON
FR FOG SW	Front fog lamp switch OFF	OFF
	Front fog lamp switch ON	ON
FR WASHER SW	Front washer switch OFF	OFF
	Front washer switch ON	ON
FR WIPER LOW	Front wiper switch OFF	OFF
	Front wiper switch LO	ON
FR WIPER HI	Front wiper switch OFF	OFF
	Front wiper switch HI	ON
FR WIPER INT	Front wiper switch OFF	OFF
	Front wiper switch INT	ON
FR WIPER STOP	Any position other than front wiper stop position	OFF
	Front wiper stop position	ON
HAZARD SW	When hazard switch is not pressed	OFF
	When hazard switch is pressed	ON
LIGHT SW 1ST	Lighting switch OFF	OFF
	Lighting switch 1st	ON

# BCM (BODY CONTROL MODULE)

< ECU DIAGNOSIS >

[BCM]

Monitor Item	Condition	Value/Status
HEADLAMP SW1	Headlamp switch OFF	OFF
	Headlamp switch 1st	ON
HEADLAMP SW2	Headlamp switch OFF	OFF
	Headlamp switch 1st	ON
HI BEAM SW	High beam switch OFF	OFF
	High beam switch HI	ON
H/L WASH SW	<b>NOTE:</b> The item is indicated, but not monitored	OFF
IGN ON SW	Ignition switch OFF or ACC	OFF
	Ignition switch ON	ON
IGN SW CAN	Ignition switch OFF or ACC	OFF
	Ignition switch ON	ON
INT VOLUME	Wiper intermittent dial is in a dial position 1 - 7	1 - 7
I-KEY LOCK <sup>1</sup>	LOCK button of Intelligent Key is not pressed	OFF
	LOCK button of Intelligent Key is pressed	ON
I-KEY UNLOCK <sup>1</sup>	UNLOCK button of Intelligent Key is not pressed	OFF
	UNLOCK button of Intelligent Key is pressed	ON
KEY ON SW	Mechanical key is removed from key cylinder	OFF
	Mechanical key is inserted to key cylinder	ON
KEYLESS LOCK <sup>2</sup>	LOCK button of key fob is not pressed	OFF
	LOCK button of key fob is pressed	ON
KEYLESS UNLOCK <sup>2</sup>	UNLOCK button of key fob is not pressed	OFF
	UNLOCK button of key fob is pressed	ON
OIL PRESS SW	<ul style="list-style-type: none"> <li>• Ignition switch OFF or ACC</li> <li>• Engine running</li> </ul>	OFF
	Ignition switch ON	ON
PASSING SW	Other than lighting switch PASS	OFF
	Lighting switch PASS	ON
PUSH SW <sup>1</sup>	Return to ignition switch to LOCK position	OFF
	Press ignition switch	ON
REAR DEF SW	Rear window defogger switch OFF	OFF
	Rear window defogger switch ON	ON
RKE LOCK AND UNLOCK <sup>2</sup>	<b>NOTE:</b> The item is indicated, but not monitored	OFF
		ON
RR WASHER SW	Rear washer switch OFF	OFF
	Rear washer switch ON	ON
RR WIPER INT	Rear wiper switch OFF	OFF
	Rear wiper switch INT	ON
RR WIPER ON	Rear wiper switch OFF	OFF
	Rear wiper switch ON	ON
RR WIPER STOP	Rear wiper stop position	OFF
	Other than rear wiper stop position	ON
TAIL LAMP SW	Lighting switch OFF	OFF
	Lighting switch 1ST	ON



# BCM (BODY CONTROL MODULE)

< ECU DIAGNOSIS >

[BCM]

Monitor Item	Condition	Value/Status
TRNK OPNR SW	When back door opener switch is not pressed	OFF
	When back door opener switch is pressed	ON
TURN SIGNAL L	Turn signal switch OFF	OFF
	Turn signal switch LH	ON
TURN SIGNAL R	Turn signal switch OFF	OFF
	Turn signal switch RH	ON
VEHICLE SPEED	While driving	Equivalent to speedometer reading

1: With Intelligent Key

2: With remote keyless entry system

A  
B  
C  
D  
E  
F  
G  
H  
I  
J  
K  
L

**BCS**

N  
O  
P

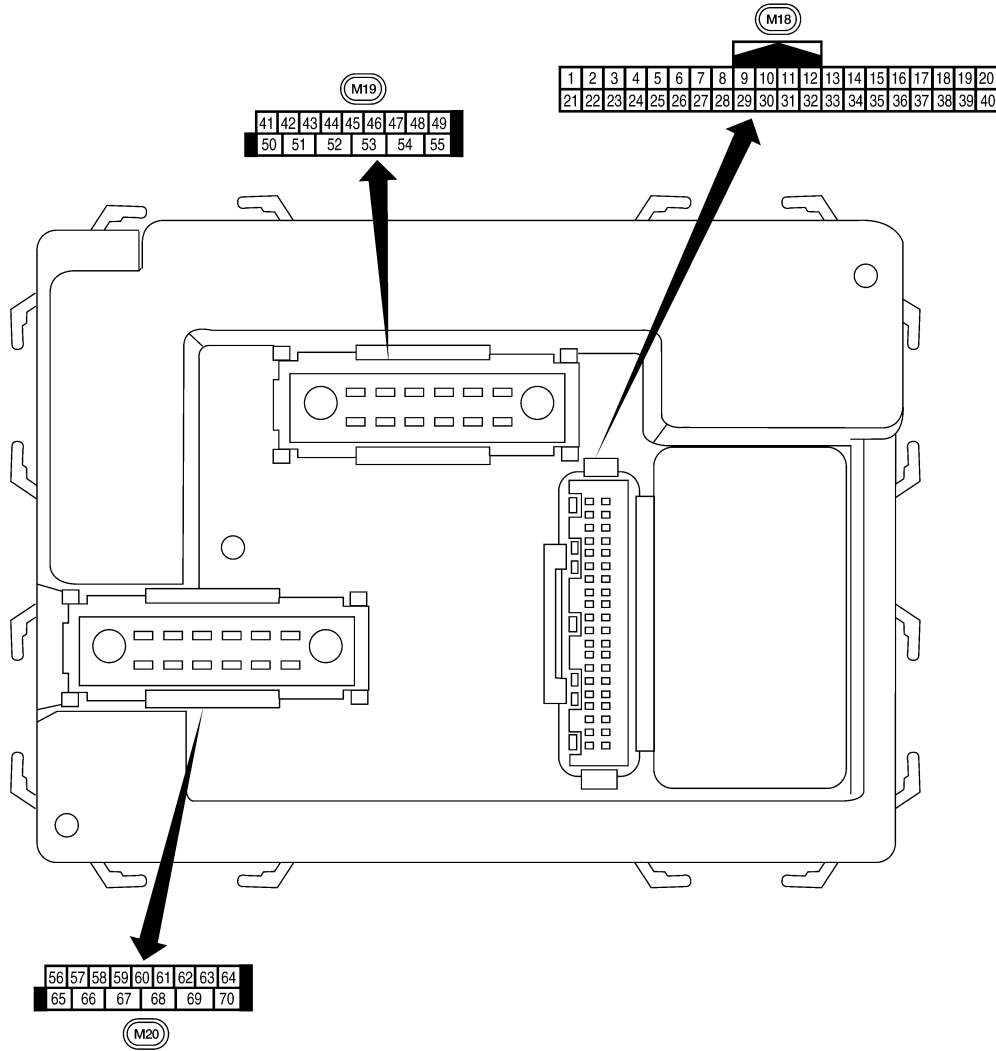
# BCM (BODY CONTROL MODULE)

< ECU DIAGNOSIS >

[BCM]

## Terminal Layout

INFOID:000000003708263



Physical Values

LIA2443E

INFOID:000000003708264

# BCM (BODY CONTROL MODULE)

< ECU DIAGNOSIS >

[BCM]

Terminal	Wire color	Signal name	Signal input/output	Measuring condition		Reference value or waveform (Approx.)
				Ignition switch	Operation or condition	
1	BR/W	Ignition keyhole illumination	Output	OFF	Door is locked (SW OFF)	Battery voltage
					Door is unlocked (SW ON)	0V
2	SB	Combination switch input 5	Input	ON	Lighting, turn, wiper OFF Wiper dial position 4	<p style="text-align: right; font-size: small;">SKIA5291E</p>
3	G/Y	Combination switch input 4	Input	ON	Lighting, turn, wiper OFF Wiper dial position 4	<p style="text-align: right; font-size: small;">SKIA5292E</p>
4	Y	Combination switch input 3	Input	ON	Lighting, turn, wiper OFF Wiper dial position 4	<p style="text-align: right; font-size: small;">SKIA5291E</p>
5	G/B	Combination switch input 2	Input	ON	Lighting, turn, wiper OFF Wiper dial position 4	<p style="text-align: right; font-size: small;">SKIA5292E</p>
6	V	Combination switch input 1				
9	GR/R	Rear window defogger switch	Input	ON	Rear window defogger switch ON	0V
					Rear window defogger switch OFF	5V
10	G	Hazard lamp flash	Input	OFF	ON (opening or closing)	0V
					OFF (other than above)	Battery voltage
11	O	Ignition switch (ACC or ON)	Input	ACC or ON	Ignition switch ACC or ON	Battery voltage
12	R/L	Front door switch RH	Input	OFF	ON (open)	0V
					OFF (closed)	Battery voltage
13	GR	Rear door switch RH	Input	OFF	ON (open)	0V
					OFF (closed)	Battery voltage
15	L/W	Tire pressure warning check connector	Input	OFF	—	5V
18	P	Remote keyless entry receiver and optical sensor (ground)	Output	OFF	—	0V

A  
B  
C  
D  
E  
F  
G  
H  
I  
J  
K  
L

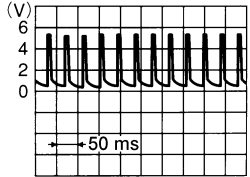
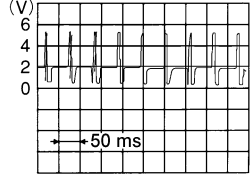
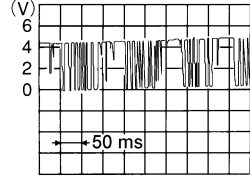
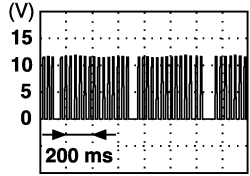
BCS

N  
O  
P

# BCM (BODY CONTROL MODULE)

< ECU DIAGNOSIS >

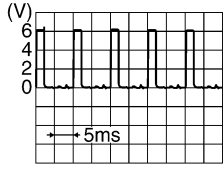
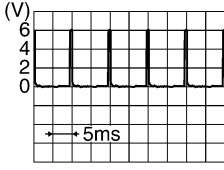
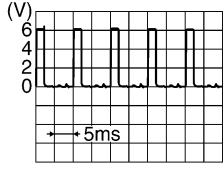

[BCM]

Terminal	Wire color	Signal name	Signal input/output	Measuring condition		Reference value or waveform (Approx.)
				Ignition switch	Operation or condition	
19	V/W	Remote keyless entry receiver (power supply)	Output	OFF	Ignition switch OFF	 <p style="text-align: right; font-size: small;">LIIA1893E</p>
20	G/W	Remote keyless entry receiver (signal)	Input	OFF	Stand-by (keyfob buttons released)	 <p style="text-align: right; font-size: small;">LIIA1894E</p>
					When remote keyless entry receiver receives signal from keyfob (keyfob buttons pressed)	 <p style="text-align: right; font-size: small;">LIIA1895E</p>
21	G	NATS antenna amp.	Input	OFF → ON	Ignition switch (OFF → ON)	Just after turning ignition switch ON: Pointer of tester should move for approx. 1 second, then return to battery voltage.
22	W/V	BUS	—	—	Ignition switch ON or power window timer operates	 <p style="text-align: right; font-size: small;">PIIA2344E</p>
23	G/O	Security indicator lamp	Output	OFF	Goes OFF → illuminates (Every 2.4 seconds)	Battery voltage → 0V
25	BR	NATS antenna amp.	Input	OFF → ON	Ignition switch (OFF → ON)	Just after turning ignition switch ON: Pointer of tester should move for approx. 1 second, then return to battery voltage.
26	Y/L	Rear wiper auto stop switch 2	Input	ON	Rise up position (rear wiper arm on stopper)	0V
					A Position (full clockwise stop position)	0V
					Forward sweep (counterclockwise direction)	Fluctuating
					B Position (full counterclockwise stop position)	Battery voltage
					Reverse sweep (clockwise direction)	Fluctuating
27	W/R	Compressor ON signal	Input	ON	A/C switch OFF	5V
					A/C switch ON	0V

# BCM (BODY CONTROL MODULE)

< ECU DIAGNOSIS >

[BCM]

Terminal	Wire color	Signal name	Signal input/output	Measuring condition		Reference value or waveform (Approx.)
				Ignition switch	Operation or condition	
28	L/R	Front blower monitor	Input	ON	Front blower motor OFF	Battery voltage
					Front blower motor ON	0V
29	W/B	Hazard switch	Input	OFF	ON	0V
					OFF	5V
32	R/G	Combination switch output 5	Output	ON	Lighting, turn, wiper OFF Wiper dial position 4	 <p style="text-align: right; font-size: small;">SKIA5291E</p>
33	R/Y	Combination switch output 4	Output	ON	Lighting, turn, wiper OFF Wiper dial position 4	 <p style="text-align: right; font-size: small;">SKIA5292E</p>
34	L	Combination switch output 3	Output	ON	Lighting, turn, wiper OFF Wiper dial position 4	 <p style="text-align: right; font-size: small;">SKIA5291E</p>
35	O/B	Combination switch output 2	Output	ON	Lighting, turn, wiper OFF Wiper dial position 4	 <p style="text-align: right; font-size: small;">SKIA5292E</p>
36	R/W	Combination switch output 1				
37 <sup>1</sup>	B/R	Key switch and ignition knob switch	Input	OFF	Intelligent Key inserted	Battery voltage
					Intelligent Key inserted	0V
37 <sup>2</sup>	B/R	Key switch and key lock solenoid	Input	OFF	Key inserted	Battery voltage
					Key inserted	0V
38	W/L	Ignition switch (ON)	Input	ON	—	Battery voltage
39	L	CAN-H	—	—	—	—
40	P	CAN-L	—	—	—	—
42	GR	Glass hatch ajar switch	Input	ON	Glass hatch open	0
					Glass hatch closed	Battery
43	R/B	Back door switch (without power back door) or back door latch (door ajar switch) (with power back door)	Input	OFF	ON (open)	0V
					OFF (closed)	Battery voltage

A  
B  
C  
D  
E  
F  
G  
H  
I  
J  
K  
L

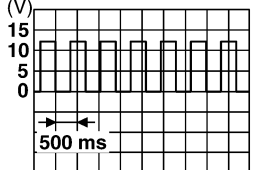
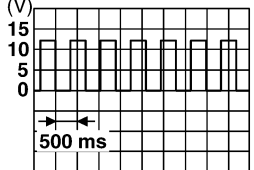
BCS

N  
O  
P

# BCM (BODY CONTROL MODULE)

< ECU DIAGNOSIS >

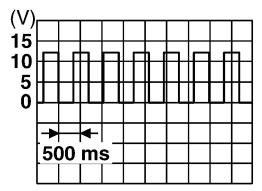
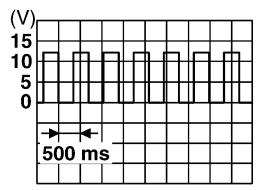
[BCM]

Terminal	Wire color	Signal name	Signal input/output	Measuring condition		Reference value or waveform (Approx.)
				Ignition switch	Operation or condition	
44	O	Rear wiper auto stop switch 1	Input	ON	Rise up position (rear wiper arm on stopper)	0V
					A Position (full clockwise stop position)	Battery voltage
					Forward sweep (counterclockwise direction)	Fluctuating
					B Position (full counterclockwise stop position)	0V
					Reverse sweep (clockwise direction)	Fluctuating
47	SB	Front door switch LH	Input	OFF	ON (open)	0V
					OFF (closed)	Battery voltage
48	R/Y	Rear door switch LH	Input	OFF	ON (open)	0V
					OFF (closed)	Battery voltage
49	R	Cargo lamp	Output	OFF	Any door open (ON)	0V
					All doors closed (OFF)	Battery voltage
51	G/Y	Trailer turn signal (right)	Output	ON	Turn right ON	 <p style="text-align: right; font-size: small;">SKIA3009J</p>
52	G/B	Trailer turn signal (left)	Output	ON	Turn left ON	 <p style="text-align: right; font-size: small;">SKIA3009J</p>
54	Y	Rear wiper output circuit 2	Input	ON	Rise up position (rear wiper arm on stopper)	0V
					A Position (full clockwise stop position)	0V
					Forward sweep (counterclockwise direction)	0V
					B Position (full counterclockwise stop position)	Battery voltage
					Reverse sweep (clockwise direction)	Battery voltage
55	SB	Rear wiper output circuit 1	Output	ON	OFF	0
					ON	Battery voltage
56	R/G	Battery saver output	Output	OFF	30 minutes after ignition switch is turned OFF	0V
				ON	—	Battery voltage
57	Y/R	Battery power supply	Input	OFF	—	Battery voltage

# BCM (BODY CONTROL MODULE)

< ECU DIAGNOSIS >

[BCM]

Terminal	Wire color	Signal name	Signal input/output	Measuring condition		Reference value or waveform (Approx.)
				Ignition switch	Operation or condition	
58	W/R	Optical sensor	Input	ON	When optical sensor is illuminated	3.1V or more
					When optical sensor is not illuminated	0.6V or less
59	G	Front door lock assembly LH actuator (unlock)	Output	OFF	OFF (neutral)	0V
					ON (unlock)	Battery voltage
60	G/B	Turn signal (left)	Output	ON	Turn left ON	 <p style="text-align: right; font-size: small;">SKIA3009J</p>
61	G/Y	Turn signal (right)	Output	ON	Turn right ON	 <p style="text-align: right; font-size: small;">SKIA3009J</p>
62	R/W	Step lamp LH and RH	Output	OFF	ON (any door open)	0V
					OFF (all doors closed)	Battery voltage
63	L	Interior room/map lamp	Output	OFF	Any door switch ON (open)	0V
					OFF (closed)	Battery voltage
65	V	All door lock actuators (lock)	Output	OFF	OFF (neutral)	0V
					ON (lock)	Battery voltage
66	G/Y	Front door lock actuator RH, rear door lock actuators LH/RH and back door lock actuator (unlock)	Output	OFF	OFF (neutral)	0V
					ON (unlock)	Battery voltage
67	B	Ground	Input	ON	—	0V
68	W/L	Power window power supply (RAP)	Output	—	Ignition switch ON	Battery voltage
					Within 45 seconds after ignition switch OFF	Battery voltage
					More than 45 seconds after ignition switch OFF	0V
					When front door LH or RH is open or power window timer operates	0V
69	W/R	Power window power supply	Output	—	—	Battery voltage
70	W/B	Battery power supply	Input	OFF	—	Battery voltage

1: With Intelligent Key system

2: With remote keyless entry system

A  
B  
C  
D  
E  
F  
G  
H  
I  
J  
K  
L  
N  
O  
P

BCS

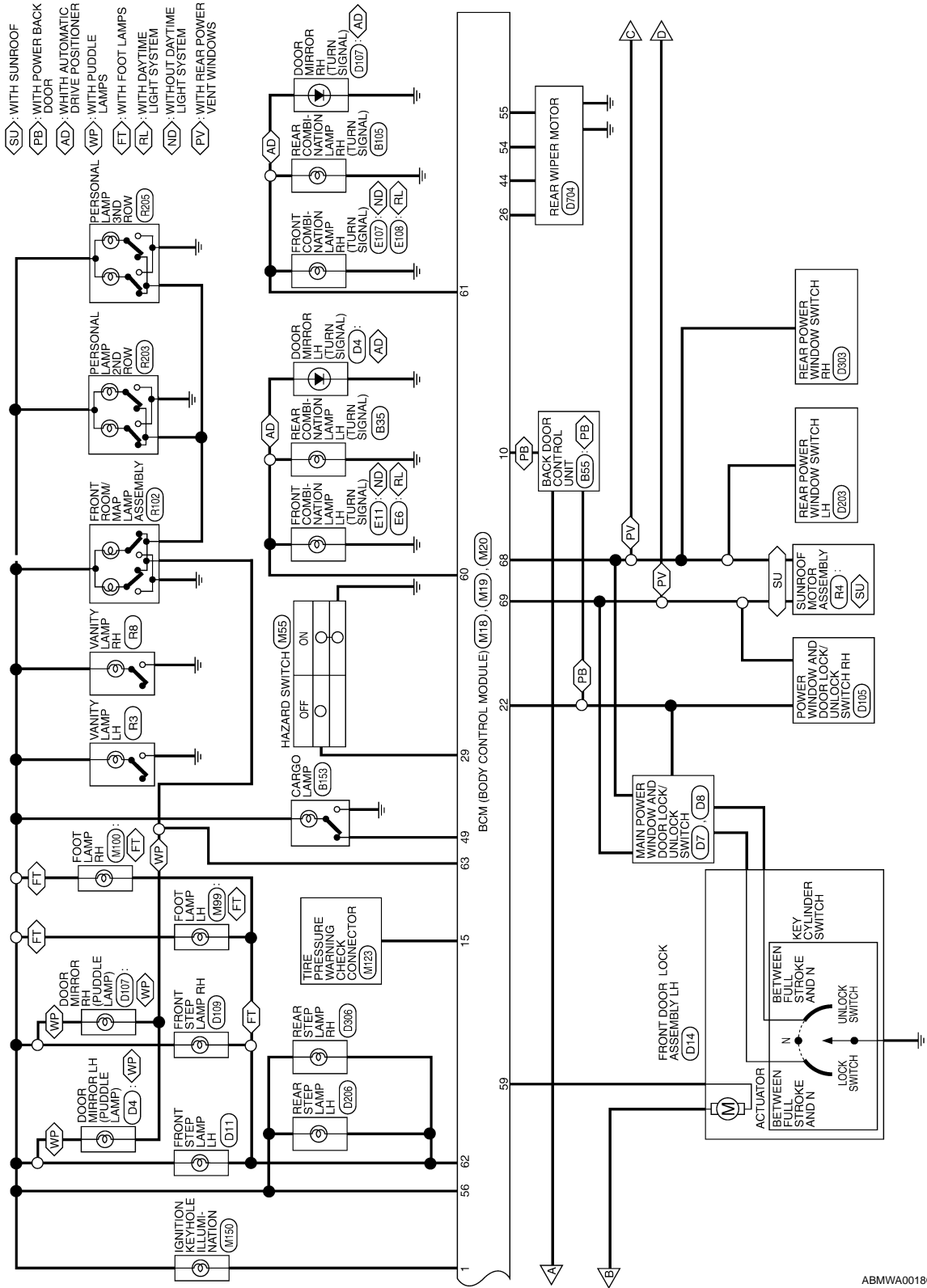




# BCM (BODY CONTROL MODULE)

< ECU DIAGNOSIS >

[BCM]



ABMWA0018G1

A  
B  
C  
D  
E  
F  
G  
H  
I  
J  
K  
L  
N  
O  
P

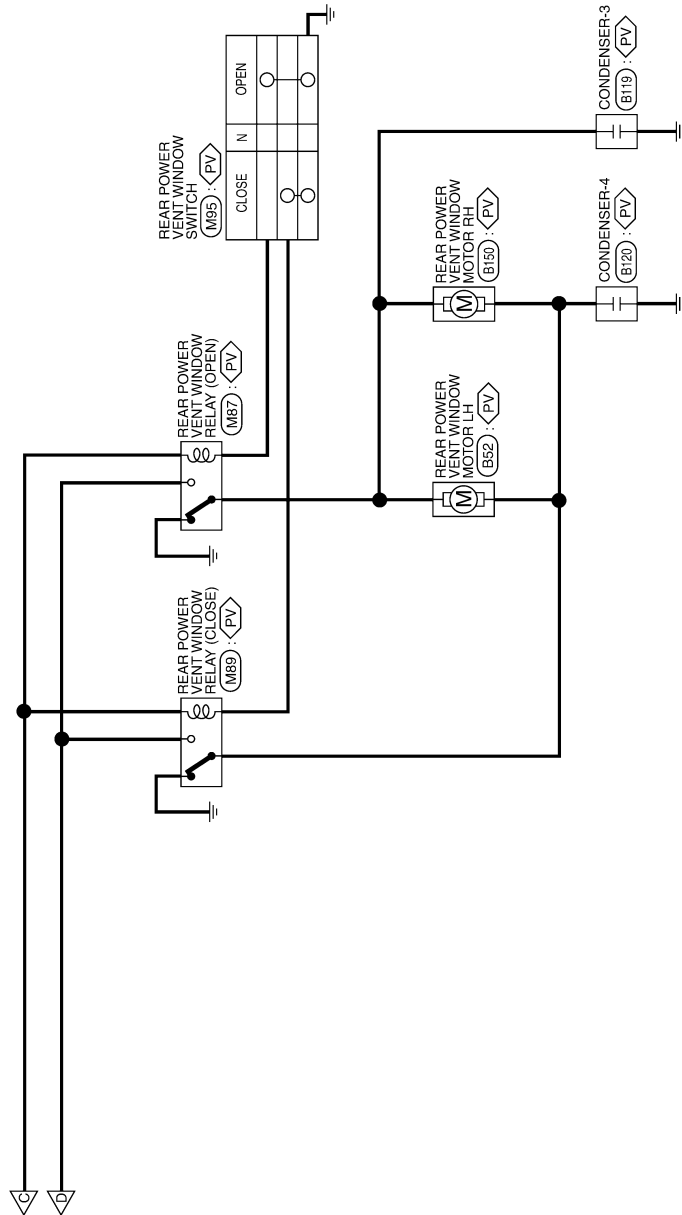
BCS

# BCM (BODY CONTROL MODULE)

< ECU DIAGNOSIS >

[BCM]

(PV) WITH REAR POWER VENT WINDOWS



ABMWA0019GI

# BCM (BODY CONTROL MODULE)

< ECU DIAGNOSIS >

[BCM]

## BCM (BODY CONTROL MODULE) CONNECTORS

Connector No.	M18
Connector Name	BCM (BODY CONTROL MODULE)
Connector Color	WHITE



1	2	3	4	5	6	7	8	9	10	11	12	13	14	15	16	17	18	19	20
21	22	23	24	25	26	27	28	29	30	31	32	33	34	35	36	37	38	39	40

Terminal No.	Color of Wire	Signal Name
1	BR/W	KEY RING OUTPUT
2	SB	INPUT 5
3	G/Y	INPUT 4
4	Y	INPUT 3
5	G/B	INPUT 2
6	V	INPUT 1
7	-	-
8	-	-
9	GR/R	REAR DEFOGGER SW
10	G	IVCS INPUT
11	O	ACC SW
12	R/L	DOOR SW (AS)
13	GR	DOOR SW (RR)
14	-	-
15	L/W	TPMS MODE TRIGGER SW

Terminal No.	Color of Wire	Signal Name
16	-	-
17	-	-
18	P	KEYLESS AND AUTO LIGHT SENSOR GND
19	V/W	KEYLESS TUNER POWER SUPPLY OUTPUT
20	G/W	KEYLESS TUNER SIGNAL
21	G	IMMOBILIZER ANTENNA SIGNAL (CLOCK)
22	W/V	ANTI-PINCH SERIAL LINK (RX, TX)
23	G/O	SECURITY INDICATOR OUTPUT
24	-	-
25	BR	IMMOBILIZER ANTENNA SIGNAL (RX, TX)
26	Y/L	REAR WIPER AUTO STOP SW2
27	W/R	AIR CON SW
28	L/R	BLOWER FAN SW
29	W/B	HAZARD SW
30	-	-
31	-	-
32	R/G	OUTPUT 5
33	R/Y	OUTPUT 4
34	L	OUTPUT 3
35	O/B	OUTPUT 2
36	R/W	OUTPUT 1
37	B/R	KEY SW
38	W/L	IGN SW
39	L	CAN-H
40	P	CAN-L

Connector No.	M19
Connector Name	BCM (BODY CONTROL MODULE)
Connector Color	WHITE



41	42	43	44	45	46	47	48	49	50	51	52	53	54	55
----	----	----	----	----	----	----	----	----	----	----	----	----	----	----

Terminal No.	Color of Wire	Signal Name
41	-	-
42	GR	GLASS HATCH SW
43	R/B	BACK DOOR SW
44	O	REAR WIPER AUTO STOP SW1
45	-	-
46	-	-
47	SB	DOOR SW (DR)
48	R/Y	DOOR SW (RL)
49	R	LUGGAGE LAMP OUTPUT
50	-	-
51	G/Y	TRAILER FLASHER OUTPUT (RIGHT)
52	G/B	TRAILER FLASHER OUTPUT (LEFT)
53	-	-
54	Y	REAR WIPER MOTOR OUTPUT 2
55	SB	REARR WIPER MOTOR OUTPUT 1

A  
B  
C  
D  
E  
F  
G  
H  
I  
J  
K  
L  
N  
O  
P

BCS

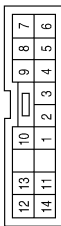
ABMIA0025GB

# BCM (BODY CONTROL MODULE)

< ECU DIAGNOSIS >

[BCM]

Connector No.	M28
Connector Name	COMBINATION SWITCH
Connector Color	WHITE



Terminal No.	Color of Wire	Signal Name
1	R/W	INPUT 1
2	O/B	INPUT 2
3	L	INPUT 3
4	R/Y	INPUT 4
5	R/G	INPUT 5
6	V	OUTPUT 1
7	G/B	OUTPUT 2
8	SB	OUTPUT 5
9	G/Y	OUTPUT 4
10	Y	OUTPUT 3
11	V/W	WASHER MOTOR
12	B	GND
13	W/R	WASHER MOTOR
14	R/L	IGN

Connector No.	M20
Connector Name	BCM (BODY CONTROL MODULE)
Connector Color	BLACK



Terminal No.	Color of Wire	Signal Name
56	R/G	BATTERY SAVER OUTPUT
57	Y/R	BAT (FUSE)
58	W/R	AUTO LIGHT SENSOR INPUT 2
59	G	DOOR UNLOCK OUTPUT (DR)
60	G/B	FLASHER OUTPUT (LEFT)
61	G/Y	FLASHER OUTPUT (RIGHT)
62	R/W	STEP LAMP OUTPUT
63	L	ROOM LAMP
64	-	-
65	V	DOOR LOCK OUTPUT (ALL)
66	G/Y	DOOR UNLOCK OUTPUT (OTHER)
67	B	GND (POWER)
68	W/L	POWER WINDOW POWER SUPPLY (RAP)
69	W/R	POWER WINDOW POWER SUPPLY (BAT)
70	W/B	BATT (F/L)

## Fail Safe

### Fail-safe index

BCM performs fail-safe control when any DTC listed below is detected.

ABMIA0026GB

INFOID:000000004053011

# BCM (BODY CONTROL MODULE)

< ECU DIAGNOSIS >

[BCM]

Display contents of CONSULT	Fail-safe	Cancellation
U1000: CAN COMM CIRCUIT	Inhibit engine cranking	When the BCM re-establishes communication with the other modules.
U1010: CONTROL UNIT (CAN)	Inhibit engine cranking	When the BCM re-start communicating with the other modules.

## DTC Inspection Priority Chart

INFOID:000000003708266

If some DTCs are displayed at the same time, perform inspections one by one based on the following priority chart.

Priority	DTC
1	<ul style="list-style-type: none"> <li>• U1000: CAN COMM CIRCUIT</li> <li>• U1010: CONTROL UNIT (CAN)</li> </ul>
2	<ul style="list-style-type: none"> <li>• B2190: NATS ANTENNA AMP</li> <li>• B2191: DIFFERENCE OF KEY</li> <li>• B2192: ID DISCORD BCM-ECM</li> <li>• B2193: CHAIN OF BCM-ECM</li> <li>• B2013: STRG COMM 1</li> <li>• B2552: INTELLIGENT KEY</li> <li>• B2590: NATS MALFUNCTION</li> </ul>
3	<ul style="list-style-type: none"> <li>• C1729: VHCL SPEED SIG ERR</li> </ul>
4	<ul style="list-style-type: none"> <li>• C1704: LOW PRESSURE FL</li> <li>• C1705: LOW PRESSURE FR</li> <li>• C1706: LOW PRESSURE RR</li> <li>• C1707: LOW PRESSURE RL</li> <li>• C1708: [NO DATA] FL</li> <li>• C1709: [NO DATA] FR</li> <li>• C1710: [NO DATA] RR</li> <li>• C1711: [NO DATA] RL</li> <li>• C1712: [CHECKSUM ERR] FL</li> <li>• C1713: [CHECKSUM ERR] FR</li> <li>• C1714: [CHECKSUM ERR] RR</li> <li>• C1715: [CHECKSUM ERR] RL</li> <li>• C1716: [PRESSDATA ERR] FL</li> <li>• C1717: [PRESSDATA ERR] FR</li> <li>• C1718: [PRESSDATA ERR] RR</li> <li>• C1719: [PRESSDATA ERR] RL</li> <li>• C1720: [CODE ERR] FL</li> <li>• C1721: [CODE ERR] FR</li> <li>• C1722: [CODE ERR] RR</li> <li>• C1723: [CODE ERR] RL</li> <li>• C1724: [BATT VOLT LOW] FL</li> <li>• C1725: [BATT VOLT LOW] FR</li> <li>• C1726: [BATT VOLT LOW] RR</li> <li>• C1727: [BATT VOLT LOW] RL</li> <li>• C1735: IGNITION SIGNAL</li> </ul>

## DTC Index

INFOID:000000003708267

### NOTE:

- Details of time display
- CRNT: Displays when there is a malfunction now or after returning to the normal condition until turning ignition switch OFF → ON again.
- 1 - 39: Displayed if any previous malfunction is present when current condition is normal. It increases like 1 → 2 → 3...38 → 39 after returning to the normal condition whenever ignition switch OFF → ON. The counter remains at 39 even if the number of cycles exceeds it. It is counted from 1 again when turning ignition switch OFF → ON after returning to the normal condition if the malfunction is detected again.

# BCM (BODY CONTROL MODULE)

< ECU DIAGNOSIS >

[BCM]

CONSULT display	Fail-safe	Intelligent Key warning lamp ON	Tire pressure monitor warning lamp ON	Reference page
No DTC is detected. further testing may be required.	—	—	—	—
U1000: CAN COMM CIRCUIT	—	—	—	<a href="#">BCS-31</a>
U1010: CONTROL UNIT (CAN)	—	—	—	<a href="#">BCS-32</a>
B2013: STRG COMM 1	—	—	—	<a href="#">SEC-26</a>
B2190: NATS ANTENA AMP	—	—	—	<a href="#">SEC-29</a> (with I- Key), <a href="#">SEC-125</a> (without I-Key)
B2191: DIFFERENCE OF KEY	—	—	—	<a href="#">SEC-32</a> (with I- Key), <a href="#">SEC-128</a> (without I-Key)
B2192: ID DISCORD BCM-ECM	—	—	—	<a href="#">SEC-33</a> (with I- Key), <a href="#">SEC-129</a> (without I-Key)
B2193: CHAIN OF BCM-ECM	—	—	—	<a href="#">SEC-35</a> (with I- Key), <a href="#">SEC-131</a> (without I-Key)
B2552: INTELLIGENT KEY	—	—	—	<a href="#">SEC-37</a>
B2590: NATS MALFUNCTION	—	—	—	<a href="#">SEC-38</a>
C1704: LOW PRESSURE FL	—	—	—	<a href="#">WT-33</a>
C1705: LOW PRESSURE FR	—	—	—	<a href="#">WT-33</a>
C1706: LOW PRESSURE RR	—	—	—	<a href="#">WT-33</a>
C1707: LOW PRESSURE RL	—	—	—	<a href="#">WT-33</a>
C1708: [NO DATA] FL	—	—	—	<a href="#">WT-14</a>
C1709: [NO DATA] FR	—	—	—	<a href="#">WT-16</a>
C1710: [NO DATA] RR	—	—	—	<a href="#">WT-16</a>
C1711: [NO DATA] RL	—	—	—	<a href="#">WT-16</a>
C1712: [CHECKSUM ERR] FL	—	—	—	<a href="#">WT-16</a>
C1713: [CHECKSUM ERR] FR	—	—	—	<a href="#">WT-16</a>
C1714: [CHECKSUM ERR] RR	—	—	—	<a href="#">WT-16</a>
C1715: [CHECKSUM ERR] RL	—	—	—	<a href="#">WT-16</a>
C1716: [PRESSDATA ERR] FL	—	—	—	<a href="#">WT-18</a>
C1717: [PRESSDATA ERR] FR	—	—	—	<a href="#">WT-16</a>
C1718: [PRESSDATA ERR] RR	—	—	—	<a href="#">WT-16</a>
C1719: [PRESSDATA ERR] RL	—	—	—	<a href="#">WT-16</a>
C1720: [CODE ERR] FL	—	—	—	<a href="#">WT-16</a>
C1721: [CODE ERR] FR	—	—	—	<a href="#">WT-16</a>
C1722: [CODE ERR] RR	—	—	—	<a href="#">WT-16</a>
C1723: [CODE ERR] RL	—	—	—	<a href="#">WT-16</a>
C1724: [BATT VOLT LOW] FL	—	—	—	<a href="#">WT-16</a>
C1725: [BATT VOLT LOW] FR	—	—	—	<a href="#">WT-16</a>
C1726: [BATT VOLT LOW] RR	—	—	—	<a href="#">WT-16</a>
C1727: [BATT VOLT LOW] RL	—	—	—	<a href="#">WT-16</a>
C1729: VHCL SPEED SIG ERR	—	—	—	<a href="#">WT-19</a>
C1735: IGN_CIRCUIT_OPEN	—	—	—	—

# COMBINATION SWITCH SYSTEM SYMPTOMS

< SYMPTOM DIAGNOSIS >

[BCM]

## SYMPTOM DIAGNOSIS

### COMBINATION SWITCH SYSTEM SYMPTOMS

#### Symptom Table

INFOID:000000003708268

1. Perform the data monitor of CONSULT-III to check for any malfunctioning item.
2. Check the malfunction combinations.

Malfunction item: x

Data monitor item																Malfunction combination	
TURN SIGNAL R	TURN SIGNAL L	HI BEAM SW	HEADLAMP SW 1	HEADLAMP SW 2	TAIL LAMP SW	PASSING SW	AUTO LIGHT SW	FR FOG SW	FR WIPER HI	FR WIPER LOW	FR WIPER INT	FR WASHER SW	INT VOLUME	RR WIPER ON	RR WIPER INT		RR WASHER SW
x	x									x		x					A
			x			x			x		x						B
		x		x									x			x	C
					x		x						x		x		D
								x					x	x			E
									x				x		x		F
												x	x	x		x	G
							x			x	x						H
	x			x		x		x									I
x		x	x		x												J
Combinations other than those above																	K
All Items																	L
If only one item is detected or the item is not applicable to the combinations A to L																	M

3. Identify the malfunctioning part from the agreed combination and repair or replace the part.

Malfunction combination	Malfunctioning part	Repair or replace
A	Combination switch INPUT 1 circuit	Inspect the combination switch input circuit applicable to the malfunctioning part. Refer to <a href="#">BCS-34, "Diagnosis Procedure"</a> .
B	Combination switch INPUT 2 circuit	
C	Combination switch INPUT 3 circuit	
D	Combination switch INPUT 4 circuit	
E	Combination switch INPUT 5 circuit	
F	Combination switch OUTPUT 1 circuit	Inspect the combination switch output circuit applicable to the malfunctioning part. Refer to <a href="#">BCS-36, "Diagnosis Procedure"</a> .
G	Combination switch OUTPUT 2 circuit	
H	Combination switch OUTPUT 3 circuit	
I	Combination switch OUTPUT 4 circuit	
J	Combination switch OUTPUT 5 circuit	
K	Light and turn signal switch or front wiper and washer switch	Refer to <a href="#">BCS-37, "Description"</a> .
L	BCM	Replace BCM. Refer to <a href="#">BCS-56, "Removal and Installation"</a> .
M	Light and turn signal switch or front wiper and washer switch	Replace the switch that cannot be operated.

## ON-VEHICLE REPAIR

### BCM (BODY CONTROL MODULE)

#### Removal and Installation

INFOID:000000003708269

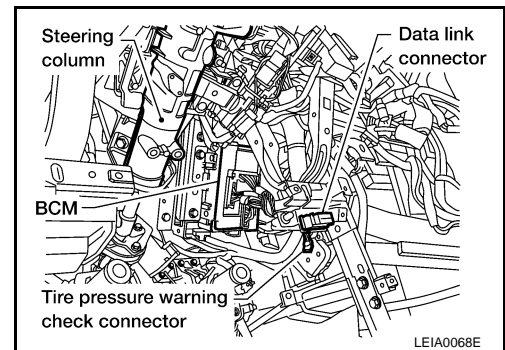
#### BCM

##### Removal

**NOTE:**

If possible, before removing BCM, retrieve current BCM configuration to use for reference when configuring brand-new BCM after installation. Refer to [BCS-3, "CONFIGURATION : Description"](#).

1. Disconnect the battery negative terminal.
2. Remove the lower knee protector. Refer to [IP-11, "Removal and Installation"](#).
3. Remove the screw and release the BCM.
4. Disconnect the connectors and then remove the BCM.



##### Installation

Installation is in the reverse order of removal.

**NOTE:**

- When replacing BCM, it must be configured. Refer to [BCS-4, "CONFIGURATION : Special Repair Requirement"](#).
- When replacing BCM, perform initialization of NATS system and registration of all NATS ignition key IDs. Refer to [SEC-8, "ECM RE-COMMUNICATING FUNCTION : Special Repair Requirement"](#).
- When replacing BCM, perform ID registration procedure of low tire pressure warning system. Refer to [WT-6, "ID Registration Procedure"](#).