

A

# CO

CO

## SECTION

# ENGINE COOLING SYSTEM

C

## CONTENTS

D

E

<p><b>PRECAUTION</b> ..... 2</p> <p><b>PRECAUTIONS</b> ..... 2</p> <p style="padding-left: 20px;">Precaution for Supplemental Restraint System (SRS) "AIR BAG" and "SEAT BELT PRE-TENSIONER" .....2</p> <p style="padding-left: 20px;">Precaution for Liquid Gasket .....2</p> <p><b>PREPARATION</b> ..... 4</p> <p><b>PREPARATION</b> ..... 4</p> <p style="padding-left: 20px;">Special Service Tool .....4</p> <p style="padding-left: 20px;">Commercial Service Tool .....4</p> <p><b>FUNCTION DIAGNOSIS</b> ..... 6</p> <p><b>COOLING SYSTEM</b> ..... 6</p> <p style="padding-left: 20px;">Cooling Circuit .....6</p> <p style="padding-left: 20px;">Schematic .....7</p> <p><b>OVERHEATING CAUSE ANALYSIS</b> ..... 8</p> <p style="padding-left: 20px;">Troubleshooting Chart .....8</p> <p><b>ON-VEHICLE MAINTENANCE</b> .....10</p> <p><b>ENGINE COOLANT</b> .....10</p> <p style="padding-left: 20px;">Inspection .....10</p> <p style="padding-left: 20px;">Changing Engine Coolant .....11</p>	<p><b>RADIATOR</b> .....14</p> <p style="padding-left: 20px;">Checking Radiator .....14</p> <p><b>ON-VEHICLE REPAIR</b> .....15</p> <p><b>RADIATOR</b> .....15</p> <p style="padding-left: 20px;">Exploded View .....15</p> <p style="padding-left: 20px;">Removal and Installation .....15</p> <p><b>ENGINE COOLING FAN</b> .....18</p> <p style="padding-left: 20px;">Exploded View .....18</p> <p style="padding-left: 20px;">Removal and Installation (Crankshaft Driven Type) .....18</p> <p style="padding-left: 20px;">Removal and Installation (Motor Driven Type) .....19</p> <p><b>WATER PUMP</b> .....20</p> <p style="padding-left: 20px;">Exploded View .....20</p> <p style="padding-left: 20px;">Removal and Installation .....20</p> <p><b>THERMOSTAT AND WATER PIPING</b> .....22</p> <p style="padding-left: 20px;">Exploded View .....22</p> <p style="padding-left: 20px;">Removal and Installation .....22</p> <p><b>SERVICE DATA AND SPECIFICATIONS (SDS)</b> .....24</p> <p><b>SERVICE DATA AND SPECIFICATIONS (SDS)</b> .....24</p> <p style="padding-left: 20px;">Standard and Limit .....24</p>
---	---

F

G

H

I

J

K

L

M

N

O

P

# PRECAUTIONS

< PRECAUTION >

## PRECAUTION

### PRECAUTIONS

#### Precaution for Supplemental Restraint System (SRS) "AIR BAG" and "SEAT BELT PRE-TENSIONER"

INFOID:000000003711258

The Supplemental Restraint System such as "AIR BAG" and "SEAT BELT PRE-TENSIONER", used along with a front seat belt, helps to reduce the risk or severity of injury to the driver and front passenger for certain types of collision. This system includes seat belt switch inputs and dual stage front air bag modules. The SRS system uses the seat belt switches to determine the front air bag deployment, and may only deploy one front air bag, depending on the severity of a collision and whether the front occupants are belted or unbelted. Information necessary to service the system safely is included in the SR and SB section of this Service Manual.

#### **WARNING:**

- To avoid rendering the SRS inoperative, which could increase the risk of personal injury or death in the event of a collision which would result in air bag inflation, all maintenance must be performed by an authorized NISSAN/INFINITI dealer.
- Improper maintenance, including incorrect removal and installation of the SRS, can lead to personal injury caused by unintentional activation of the system. For removal of Spiral Cable and Air Bag Module, see the SR section.
- Do not use electrical test equipment on any circuit related to the SRS unless instructed to in this Service Manual. SRS wiring harnesses can be identified by yellow and/or orange harnesses or harness connectors.

#### Precaution for Liquid Gasket

INFOID:000000003711259

#### REMOVAL OF LIQUID GASKET SEALING

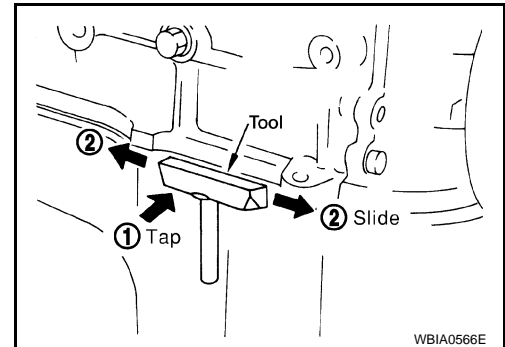
- After removing the bolts and nuts, separate the mating surface and remove the old liquid gasket sealing using Tool.

**Tool number** : KV1011100 (J-37228)

#### **CAUTION:**

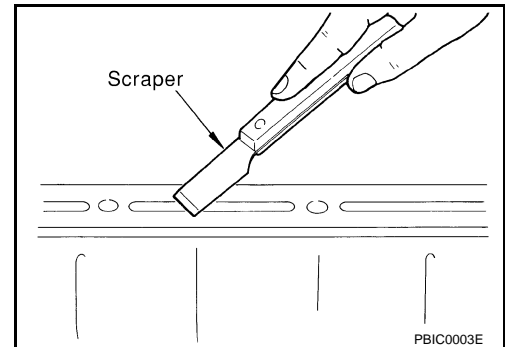
**Do not damage the mating surfaces.**

- Tap the seal cutter to insert it (1).
- In areas where the Tool is difficult to use, lightly tap to slide it (2).



#### LIQUID GASKET APPLICATION PROCEDURE

1. Remove the old liquid gasket adhering to the gasket application surface and the mating surface using suitable tool.
  - Remove the liquid gasket completely from the groove of the liquid gasket application surface, bolts, and bolt holes.
2. Thoroughly clean the mating surfaces and remove adhering moisture, grease and foreign material.



# PRECAUTIONS

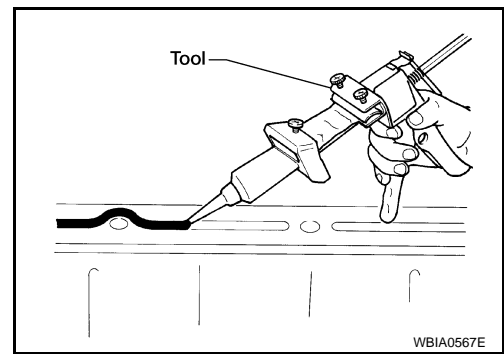
## < PRECAUTION >

3. Attach the liquid gasket tube to the Tool.

**Tool number : WS39930000 ( — )**

**Use Genuine RTV Silicone Sealant or equivalent. Refer to [GI-15, "Recommended Chemical Products and Sealants"](#).**

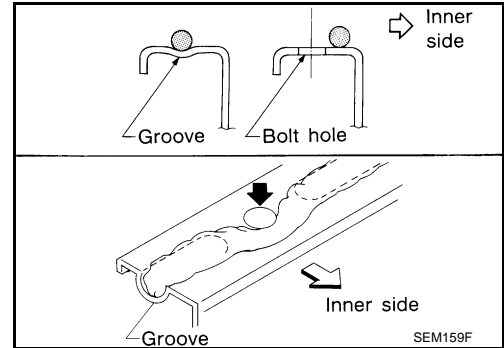
4. Apply the liquid gasket without breaks to the specified location with the specified dimensions.



- If there is a groove for the liquid gasket application, apply the liquid gasket to the groove.
- As for the bolt holes, normally apply the liquid gasket inside the holes. If specified in the procedure, it should also be applied outside the holes.
- Within five minutes of liquid gasket application, install the mating component.
- If the liquid gasket protrudes, wipe it off immediately.
- Do not retighten after the installation.
- Wait 30 minutes or more after installation before refilling the engine with engine oil and engine coolant.

### **CAUTION:**

**If there are specific instructions in this manual, observe them.**



A  
CO  
C  
D  
E  
F  
G  
H  
I  
J  
K  
L  
M  
N  
O  
P

# PREPARATION

< PREPARATION >

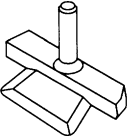
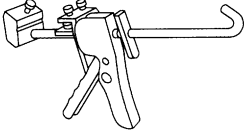
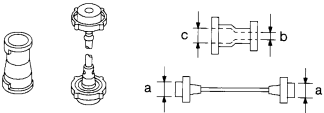
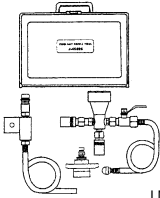
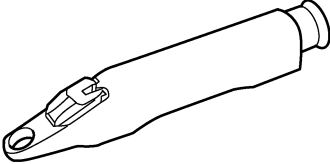
## PREPARATION

### PREPARATION

#### Special Service Tool

INFOID:000000003711260

The actual shapes of Kent-Moore tools may differ from those of special service tools illustrated here.

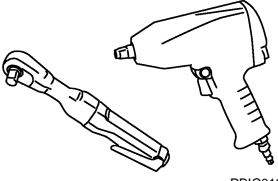
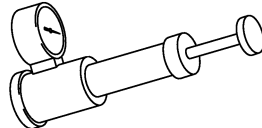
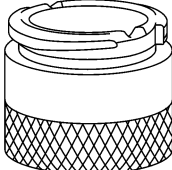
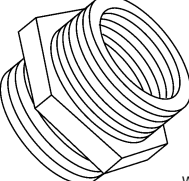
Tool number (Kent-Moore No.) Tool name	Description
KV10111100 (J-37228) Seal cutter	Removing steel oil pan and rear timing chain case   <p style="text-align: center;">NT046</p>
WS39930000 ( — ) Tube pressure	Pressing the tube of liquid gasket   <p style="text-align: center;">S-NT052</p>
EG17650301 (J-33984-A) Radiator cap tester adapter	Adapting radiator cap tester to radiator cap and radiator filler neck <b>a: 28 (1.10) dia.</b> <b>b: 31.4 (1.236) dia.</b> <b>c: 41.3 (1.626) dia.</b> Unit: mm (in)   <p style="text-align: center;">S-NT564</p>
KV991J0070 (J-45695) Coolant refill tool	For refilling engine cooling system   <p style="text-align: center;">LMA053</p>
KV991J0010 (J-23688) Engine coolant refractometer	Checking concentration of ethylene glycol in engine coolant   <p style="text-align: center;">WBIA0539E</p>

#### Commercial Service Tool

INFOID:000000003711261

# PREPARATION

## < PREPARATION >

Tool name	Description
<p>Power tool</p>  <p>PBIC0190E</p>	<p>Loosening bolts and nuts</p>
<p>Radiator cap tester</p>  <p>PBIC1982E</p>	<p>Checking radiator and radiator cap</p>
<p>Coolant system tester adapter</p>  <p>WBIA0408E</p>	<p>Adapting radiator cap tester to reservoir filler neck</p>
<p>Coolant system tester adapter</p>  <p>WBIA0409E</p>	<p>Adapting radiator cap tester to reservoir cap</p>

A

CO

C

D

E

F

G

H

I

J

K

L

M

N

O

P

# COOLING SYSTEM

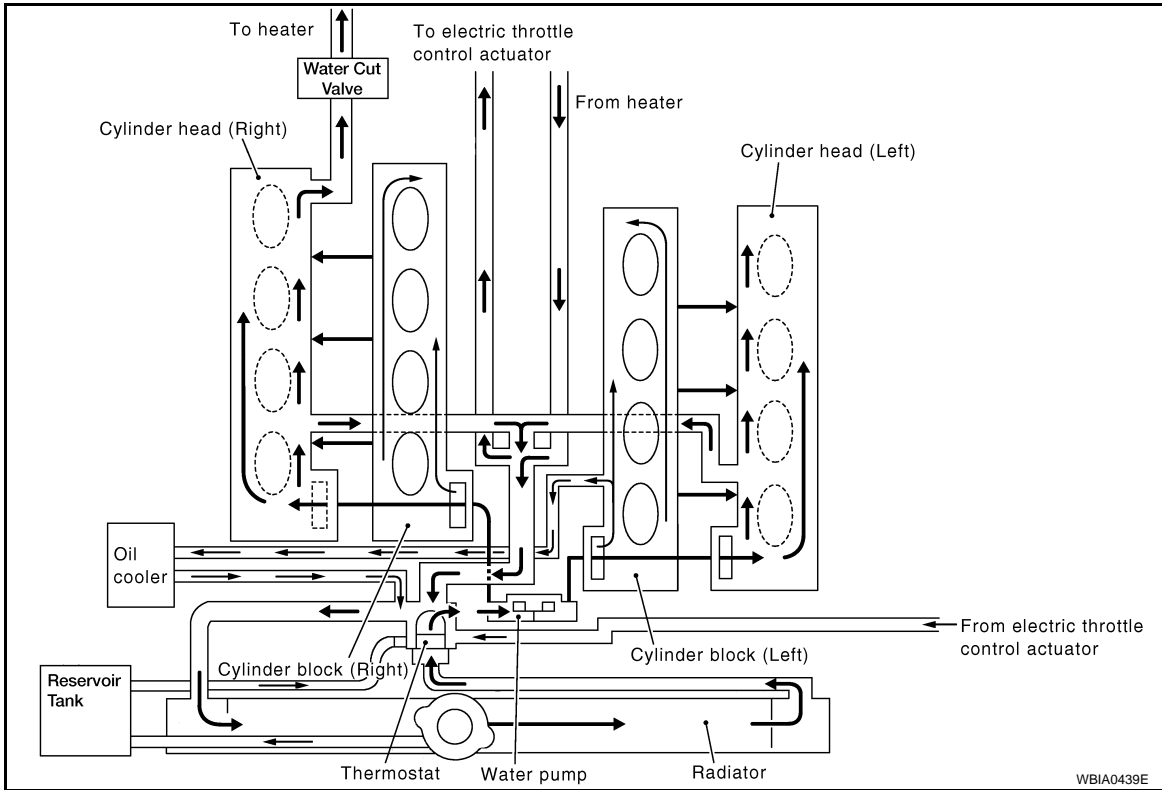
< FUNCTION DIAGNOSIS >

## FUNCTION DIAGNOSIS

### COOLING SYSTEM

#### Cooling Circuit

INFOID:000000003711262



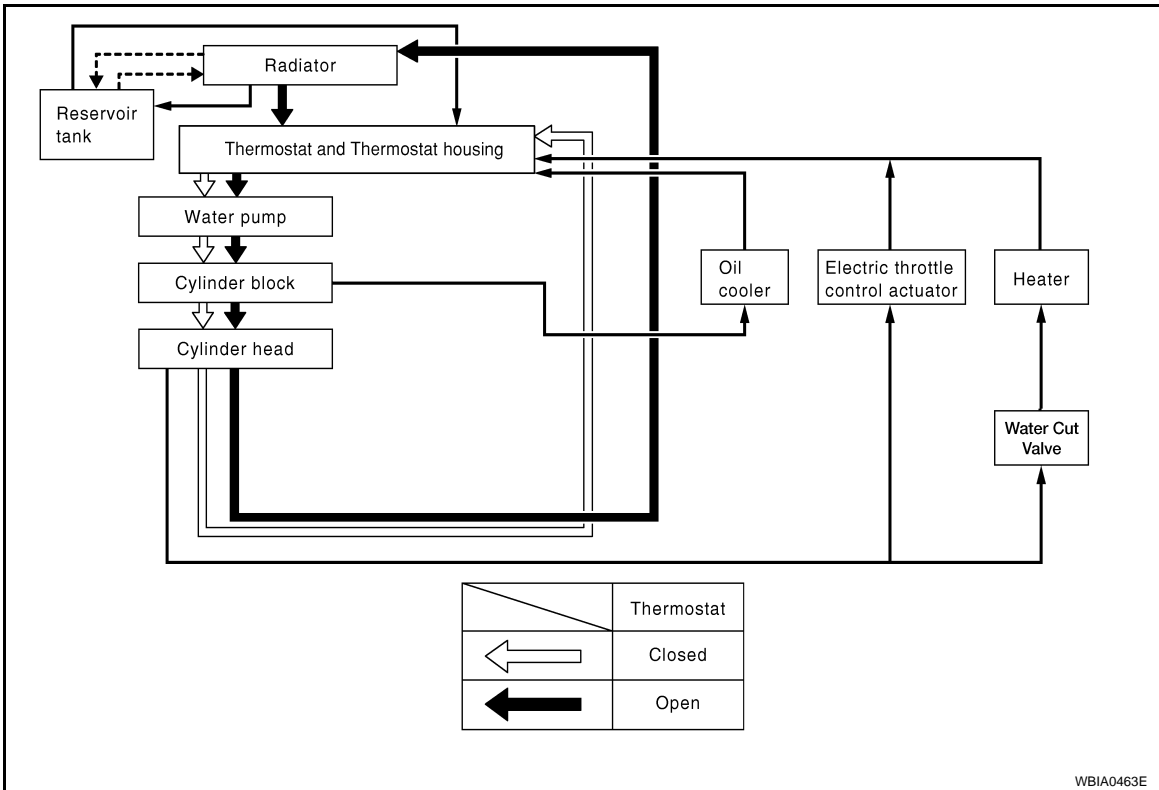
WBIA0439E

# COOLING SYSTEM

< FUNCTION DIAGNOSIS >

## Schematic

INFOID:000000003711263



A

CO

C

D

E

F

G

H

I

J

K

L

M

N

O

P

# OVERHEATING CAUSE ANALYSIS

< FUNCTION DIAGNOSIS >

## OVERHEATING CAUSE ANALYSIS

### Troubleshooting Chart

INFOID:000000003711264

	Symptom		Check items	
Cooling system parts malfunction	Poor heat transfer	Water pump malfunction	Worn or loose drive belt	—
		Thermostat stuck closed	Coolant circulation	
		Damaged fins	Dust contamination or paper clogging	
			Physical damage	
		Clogged radiator cooling tube	Excess foreign material (rust, dirt, sand, etc.)	
	Water cut valve malfunction	Excess foreign material (rust, dirt, sand, etc.), physical damage		
	Reduced air flow	Cooling fan does not operate	Fan assembly	—
		High resistance to fan rotation		
		Damaged fan blades		
	Damaged radiator shroud	—	Radiator shroud	—
	Improper engine coolant mixture ratio	—	Coolant viscosity	—
	Poor engine coolant quality	—	Engine coolant density	—
	Insufficient engine coolant	Engine coolant leaks	Cooling hose	Loose clamp
				Cracked hose
			Water pump	Poor sealing
Radiator cap			Loose	
			Poor sealing	
Radiator			O-ring for damage, deterioration or improper fitting	
		Cracked radiator tank		
Reservoir tank		Cracked radiator core		
Overflowing reservoir tank	Exhaust gas leaks into cooling system	Cracked reservoir tank		
		Cylinder head deterioration		
			Cylinder head gasket deterioration	



# OVERHEATING CAUSE ANALYSIS

## < FUNCTION DIAGNOSIS >

	Symptom		Check items		
Except cooling system parts malfunction	—	Overload on engine	Abusive driving	High engine rpm under no load	A
				Driving in low gear for extended time	<b>CO</b>
				Driving at extremely high speed	
				Powertrain system malfunction	C
			—	Installed improper size wheels and tires	D
				Dragging brakes	
		Improper ignition timing	E		
	Blocked or restricted air flow	Blocked radiator grille	Installed car brassiere		
		Blocked bumper	Mud contamination or paper clogging	—	
		Blocked radiator		F	
Blocked condenser		Blocked air flow			
Installed large fog lamp	G				

A  
CO  
C  
D  
E  
F  
G  
H  
I  
J  
K  
L  
M  
N  
O  
P

# ENGINE COOLANT

< ON-VEHICLE MAINTENANCE >

## ON-VEHICLE MAINTENANCE

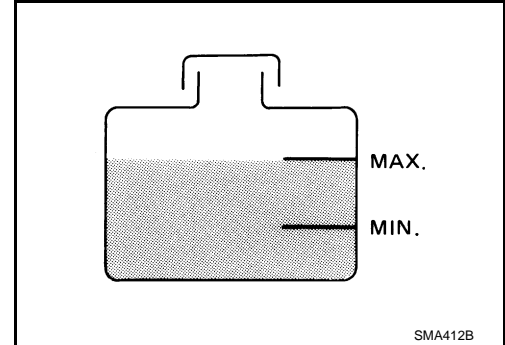
### ENGINE COOLANT

#### Inspection

INFOID:000000003711265

#### LEVEL CHECK

- Check if the engine coolant reservoir tank level is within MIN to MAX level when engine is cool.
- Adjust engine coolant level as necessary.



#### CHECKING COOLING SYSTEM FOR LEAKS

##### **WARNING:**

**Never remove the radiator or reservoir cap when the engine is hot. Serious burns could occur from high-pressure engine coolant escaping from the radiator or reservoir.**

- To check for leakage, apply pressure to the cooling system at the reservoir filler neck using suitable tool and Tool.

**Tool number** : EG17650301 (J-33984-A)

**Leakage test pressure** : 137 kPa (1.4 kg/cm<sup>2</sup>, 20 psi)

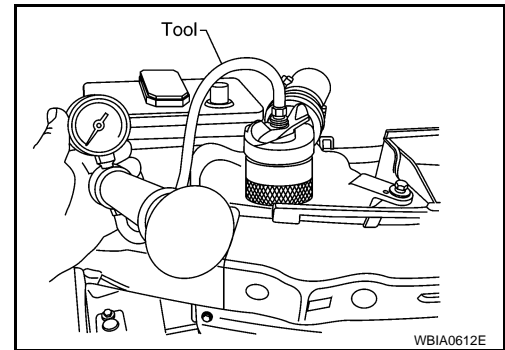
##### **CAUTION:**

**Higher pressure than specified may cause radiator damage.**

##### **NOTE:**

In case that engine coolant decreases, replenish cooling system with engine coolant.

- If any concerns are found, repair or replace damaged parts.



#### CHECKING RESERVOIR CAP

- Check reservoir cap relief pressure using suitable tool and Tool.

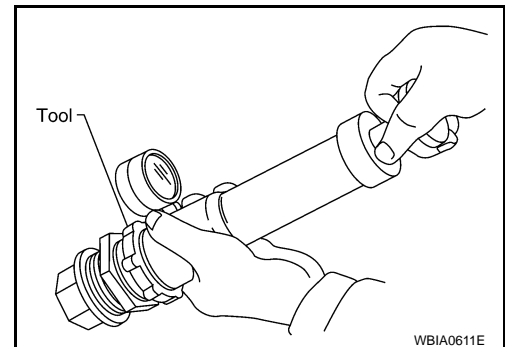
**Tool number** : EG17650301 (J-33984-A)

**Standard** : 95 - 125 kPa (0.97 - 1.28 kg/cm<sup>2</sup>, 14 - 18 psi)

##### **NOTE:**

Apply engine coolant to the cap seal.

- Replace the reservoir cap if there is any damage in the negative-pressure valve, or if the open-valve pressure is outside of the limit.



#### CHECKING RADIATOR CAP

# ENGINE COOLANT

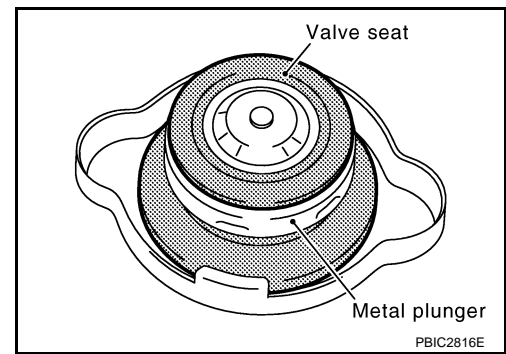
## < ON-VEHICLE MAINTENANCE >

Inspect the radiator cap.

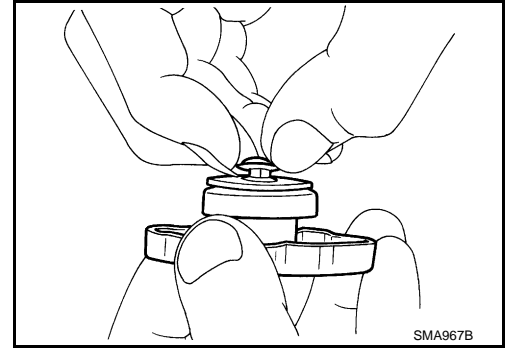
### NOTE:

Thoroughly wipe out the radiator filler neck to remove any waxy residue or foreign material.

- Replace the cap if the metal plunger cannot be seen around the edge of the black rubber gasket.
- Replace the cap if deposits of waxy residue or other foreign material are on the black rubber gasket or the metal retainer.



- Pull negative-pressure valve to open it and make sure that it closes completely when released.
- Make sure that there is no dirt or damage on the valve seat of radiator cap negative-pressure valve.
- Make sure that there are no unusualness in the opening and closing conditions of negative-pressure valve.



## Changing Engine Coolant

INFOID:000000003711266

### WARNING:

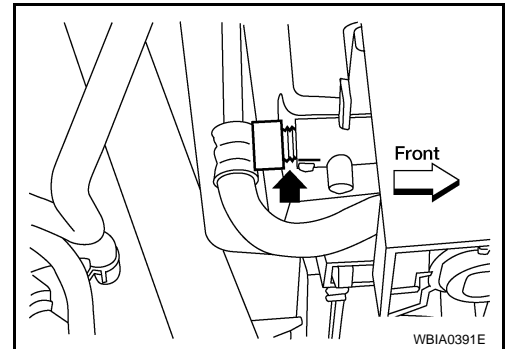
- To avoid being scalded, never change the coolant when the engine is hot.
- Wrap a thick cloth around the cap to carefully remove the cap. First, turn the cap a quarter of a turn to release any built-up pressure, then push down and turn the cap all the way to remove it.

## DRAINING ENGINE COOLANT

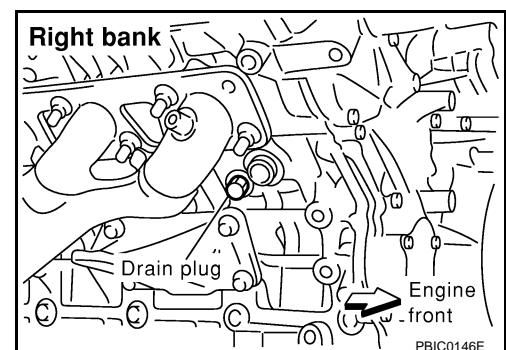
1. Turn ignition switch ON and set temperature control lever all the way to HOT position or the highest temperature position. Wait 10 seconds and turn ignition switch OFF.
2. Remove the engine front undercover using power tool.
3. Open the radiator drain plug at the bottom of the radiator, and remove the radiator filler cap. This is the only step required when partially draining the cooling system (radiator only).

### CAUTION:

Do not to allow the coolant to contact the drive belts.



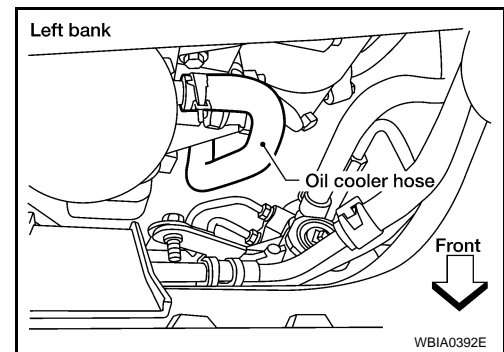
4. When draining all of the coolant in the system for engine removal or repair, it is necessary to drain the cylinder block. Remove the RH cylinder block drain plug to drain the right bank and the oil cooler hose to drain the left bank as shown.



A  
CO  
C  
D  
E  
F  
G  
H  
I  
J  
K  
L  
M  
N  
O  
P

# ENGINE COOLANT

< ON-VEHICLE MAINTENANCE >



5. Remove the reservoir tank to drain the engine coolant, then clean the reservoir tank before installing it.
6. Check the drained coolant for contaminants such as rust, corrosion or discoloration. If the coolant is contaminated, flush the engine cooling system. Refer to [CO-11. "Changing Engine Coolant"](#).

## REFILLING ENGINE COOLANT

1. Close the radiator drain plug. Install the reservoir tank, cylinder block drain plug, and the oil cooler hose, if removed for a total system drain or for engine removal or repair.
  - The radiator must be completely empty of coolant and water.
  - Apply sealant to the threads of the cylinder block drain plug. Use Genuine High Performance Thread Sealant or equivalent. Refer to [GI-15. "Recommended Chemical Products and Sealants"](#).

**Radiator drain plug** : Refer to [CO-15](#).

**RH cylinder block drain plug** : Refer to [EM-83](#).

2. Set the vehicle heater controls to the full HOT and heater ON position. Turn the vehicle ignition ON with the engine OFF as necessary to activate the heater mode.
3. Remove the vented reservoir cap and replace it with a non-vented reservoir cap before filling the cooling system.
4. Install the Tool by installing the radiator cap adapter onto the radiator neck opening. Then attach the gauge body assembly with the refill tube and the venturi assembly to the radiator cap adapter.

**Tool number** : KV991J0070 (J-45695)

5. Insert the refill hose into the coolant mixture container that is placed at floor level. Make sure the ball valve is in the closed position.
  - Use Genuine NISSAN Long Life Anti-freeze coolant or equivalent, mixed 50/50 with distilled water or demineralized water. Refer to [MA-10. "Fluids and Lubricants"](#).

**Cooling system capacity (with reservoir)** : Refer to [MA-10. "Fluids and Lubricants"](#).

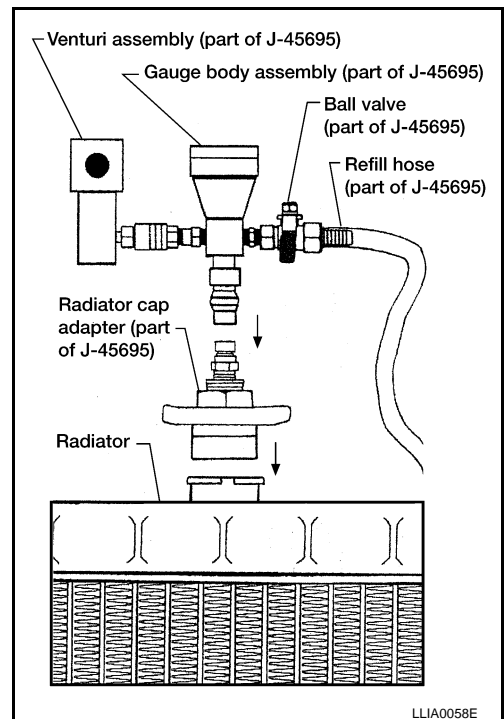
6. Install an air hose to the venturi assembly, the air pressure must be within specification.

**Compressed air supply pressure** : 5.7 - 8.5 kPa (5.6 - 8.4 kg/cm<sup>2</sup>, 80 - 120 psi)

### CAUTION:

The compressed air supply must be equipped with an air dryer.

7. The vacuum gauge will begin to rise and there will be an audible hissing noise. During this process open the ball valve on the refill hose slightly. Coolant will be visible rising in the refill hose. Once the refill hose is full of coolant, close the ball valve. This will purge any air trapped in the refill hose.

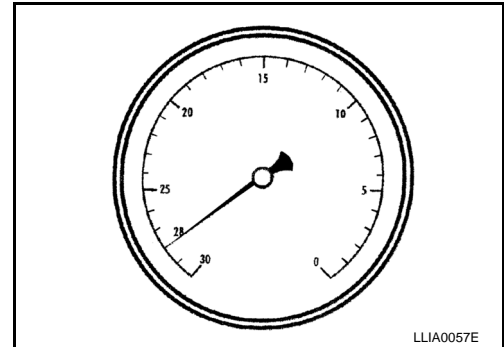


# ENGINE COOLANT

## < ON-VEHICLE MAINTENANCE >

8. Continue to draw the vacuum until the gauge reaches 28 inches of vacuum. The gauge may not reach 28 inches in high altitude locations, refer to the vacuum specifications based on the altitude above sea level.

Altitude above sea level	Vacuum gauge reading
0 - 100 m (328 ft)	: 28 inches of vacuum
300 m (984 ft)	: 27 inches of vacuum
500 m (1,641 ft)	: 26 inches of vacuum
1,000 m (3,281 ft)	: 24 - 25 inches of vacuum



9. When the vacuum gauge has reached the specified amount, disconnect the air hose and wait 20 seconds to see if the system loses any vacuum. If the vacuum level drops, perform any necessary repairs to the system and repeat steps 6 - 8 to bring the vacuum to the specified amount. Recheck for any leaks.
10. Place the coolant container (with the refill hose inserted) at the same level as the top of the radiator. Then open the ball valve on the refill hose so the coolant will be drawn up to fill the cooling system. The cooling system is full when the vacuum gauge reads zero.

**CAUTION:**

**Do not allow the coolant container to get too low when filling, to avoid air from being drawn into the cooling system.**

11. Remove the Tool from the radiator neck opening and install the radiator cap.
12. Remove the non-vented reservoir cap.
13. Fill the cooling system reservoir tank to the specified level. Run the engine to warm up the cooling system and top up the system as necessary before installing the vented reservoir cap.

### FLUSHING COOLING SYSTEM

1. Drain the water from the engine cooling system. Refer to [CO-11, "Changing Engine Coolant"](#).
2. Fill the radiator and the reservoir tank (to the "MAX" line), with water. Reinstall the radiator cap and leave the vented reservoir cap off.
3. Run the engine until it reaches normal operating temperature.
4. Press the engine accelerator two or three times under no-load.
5. Stop the engine and wait until it cools down.
6. Drain the water from the engine cooling system. Refer to [CO-11, "Changing Engine Coolant"](#).
7. Repeat steps 2 through 6 until clear water begins to drain from the radiator.

# RADIATOR

< ON-VEHICLE MAINTENANCE >

---

## RADIATOR

### Checking Radiator

INFOID:000000003711267

Check radiator for mud or clogging. If necessary, clean radiator as follows.

**CAUTION:**

- **Be careful not to bend or damage the radiator fins.**
  - **When radiator is cleaned without removal, remove all surrounding parts such as cooling fan, radiator shroud and horns. Then tape the harness and electrical connectors to prevent water from entering.**
1. Apply water by hose to the back side of the radiator core vertically downward.
  2. Apply water again to all radiator core surfaces.
  3. Stop washing when dirt and debris no longer flow out from the radiator.
  4. Blow air into the back side of radiator core vertically downward.
    - Use compressed air lower than 490 kPa (5 kg/cm<sup>2</sup>, 71 psi) and keep distance more than 30 cm (11.8 in).
  5. Blow air again into all the radiator core surfaces until no water sprays out.

# RADIATOR

< ON-VEHICLE REPAIR >

## ON-VEHICLE REPAIR

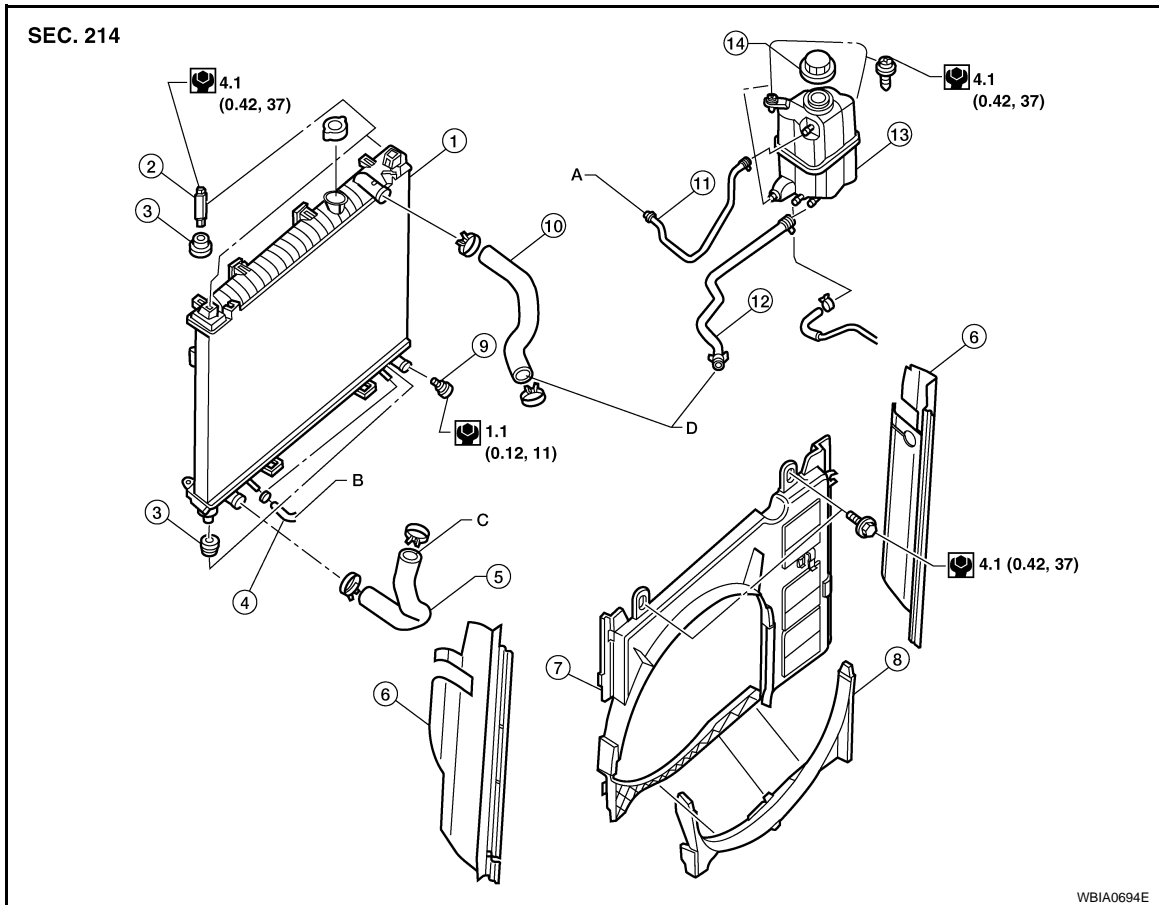
### RADIATOR

#### Exploded View

INFOID:000000004115446

A

CO



C

D

E

F

G

H

I

J

K

- |                            |                            |                          |
|----------------------------|----------------------------|--------------------------|
| 1. Radiator                | 2. Bolt                    | 3. Mounting rubber       |
| 4. A/T fluid cooler hose   | 5. Radiator hose (lower)   | 6. Flaps                 |
| 7. Radiator shroud (upper) | 8. Radiator shroud (lower) | 9. Drain plug            |
| 10. Radiator hose (upper)  | 11. Reservoir tank hose    | 12. By-pass hose         |
| 13. Reservoir tank         | 14. Reservoir tank cap     | A. To radiator fill neck |
| B. To A/T cooler tube      | C. To water suction pipe   | D. To thermostat housing |

L

M

#### Removal and Installation

INFOID:0000000003711268

N

#### **WARNING:**

Never remove the radiator cap when the engine is hot. Serious burns could occur from high-pressure engine coolant escaping from the radiator.

O

#### REMOVAL

#### **CAUTION:**

Perform when the engine is cold.

P

1. Remove engine room cover. Refer to [EM-24, "Removal and Installation"](#).
2. Drain engine coolant from the radiator. Refer to [CO-11, "Changing Engine Coolant"](#).
3. Remove air cleaner and air duct assembly. Refer to [EM-25, "Removal and Installation"](#).
4. Disconnect A/T fluid cooler hoses.
  - Install blind plug to avoid leakage of A/T fluid.

# RADIATOR

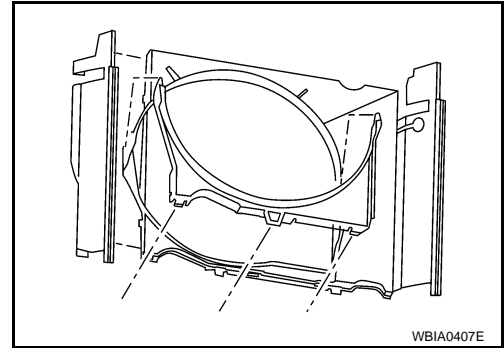
## < ON-VEHICLE REPAIR >

5. Disconnect radiator upper and lower hoses from radiator.

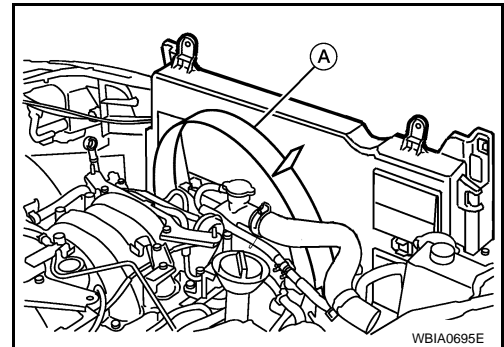
**CAUTION:**

**Do not allow coolant to contact drive belts.**

6. Remove the lower radiator shroud.
  - Release the tabs, pull lower radiator shroud rearwards and down to remove.



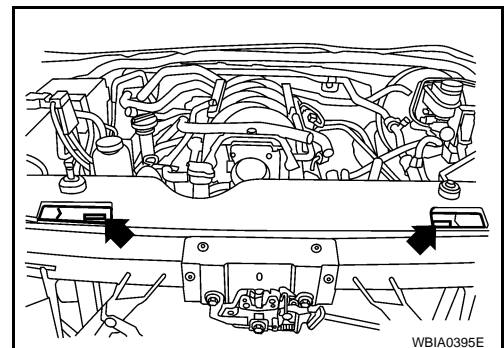
7. Remove the radiator shroud upper bolts and remove the radiator shroud upper (A).



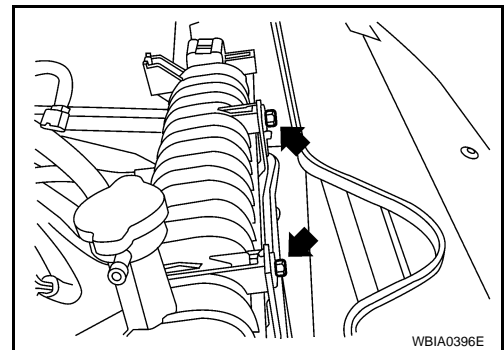
8. Remove the A/C condenser bolts and brackets.

**NOTE:**

Lift A/C condenser up and forward to remove from radiator.



9. Remove A/T oil cooler bolts and oil cooler from radiator and position aside.





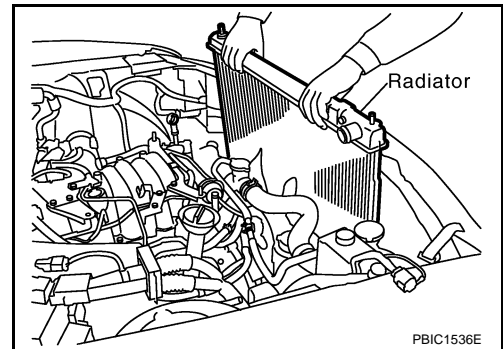
# RADIATOR

## < ON-VEHICLE REPAIR >

10. Lift up and remove the radiator.

**CAUTION:**

**Do not damage or scratch air conditioner condenser and radiator core when removing.**



## INSTALLATION

Installation is in the reverse order of removal.

## INSPECTION AFTER INSTALLATION

- Check for leaks of engine coolant. Refer to [CO-10. "Inspection"](#).
- Start and warm up the engine. Visually check for leaks of the engine coolant and A/T fluid.

A

CO

C

D

E

F

G

H

I

J

K

L

M

N

O

P

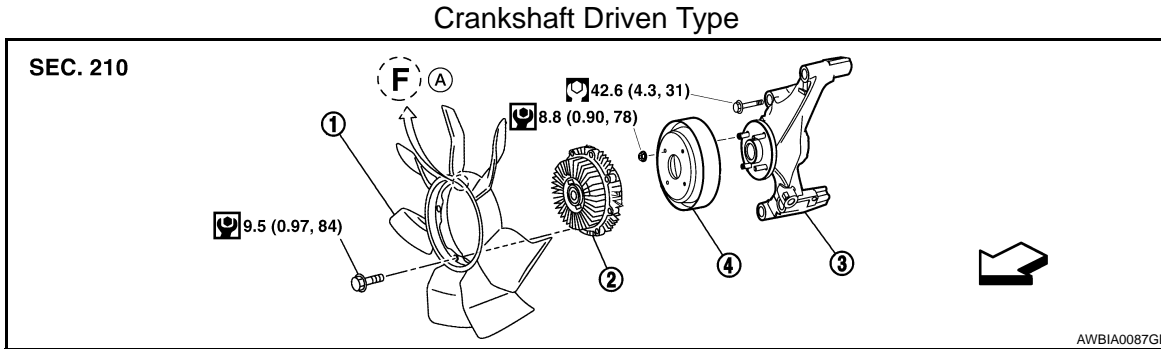
# ENGINE COOLING FAN

< ON-VEHICLE REPAIR >

## ENGINE COOLING FAN

### Exploded View

INFOID:000000004115447



- |                       |                 |                |
|-----------------------|-----------------|----------------|
| 1. Cooling fan        | 2. Fan coupling | 3. Fan bracket |
| 4. Cooling fan pulley | A. Front mark   | ← Engine front |

### Removal and Installation (Crankshaft Driven Type)

INFOID:000000003711269

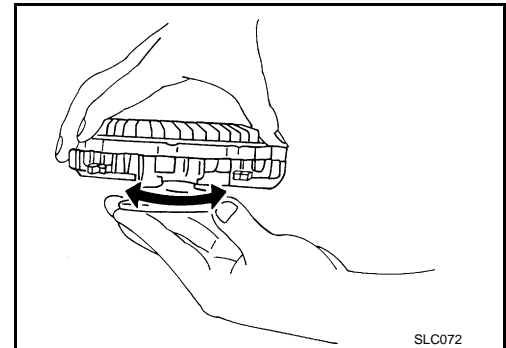
#### REMOVAL

1. Remove the air duct and resonator assembly. Refer to [EM-25, "Removal and Installation"](#).
2. Remove the engine front undercover using power tool.
3. Remove the lower radiator shroud. Refer to [CO-15, "Removal and Installation"](#).
4. Remove the drive belt. Refer to [EM-13, "Removal and Installation"](#).
5. Remove the cooling fan.

#### INSPECTION AFTER REMOVAL

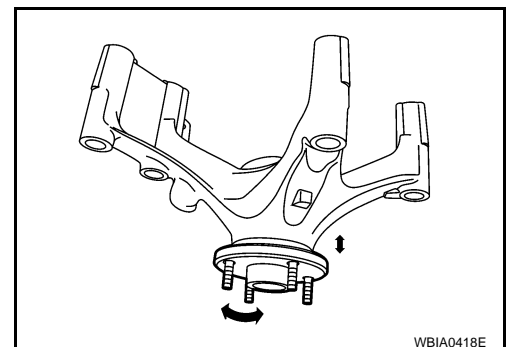
##### Fan Coupling

Inspect fan coupling for oil leakage and bimetal conditions.



##### Fan Bracket

- Visually check that there is no significant looseness in the fan bracket shaft, and that it turns smoothly by hand.
- If there are any unusual concerns, replace the cooling fan pulley.



#### INSTALLATION

Installation is in the reverse order of removal.

# ENGINE COOLING FAN

## < ON-VEHICLE REPAIR >

- Install cooling fan with its front mark "F" facing front of engine. Refer to [CO-18. "Removal and Installation \(Crankshaft Driven Type\)"](#).

### INSPECTION AFTER INSTALLATION

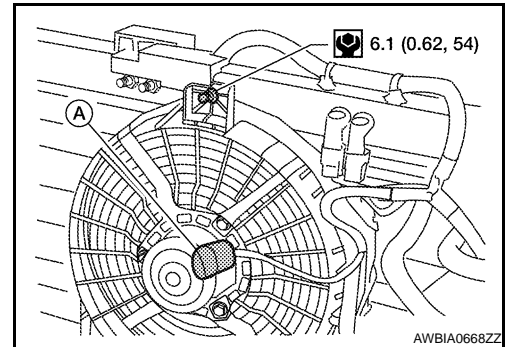
- Check for leaks of the engine coolant. Refer to [CO-10. "Inspection"](#).
- Start and warm up the engine. Visually make sure that there are no leaks of the engine coolant.

### Removal and Installation (Motor Driven Type)

INFOID:000000003711270

### REMOVAL

1. Remove the front bumper. Refer to [EXT-12. "Removal and Installation"](#).
2. Disconnect harness connector (A) from fan motor.
3. Remove the bolt and remove the fan grille and motor assembly.



### INSTALLATION

Installation is in the reverse order of removal.

- Cooling fan is controlled by ECM. For details, refer to [EC-309. "Diagnosis Procedure"](#).

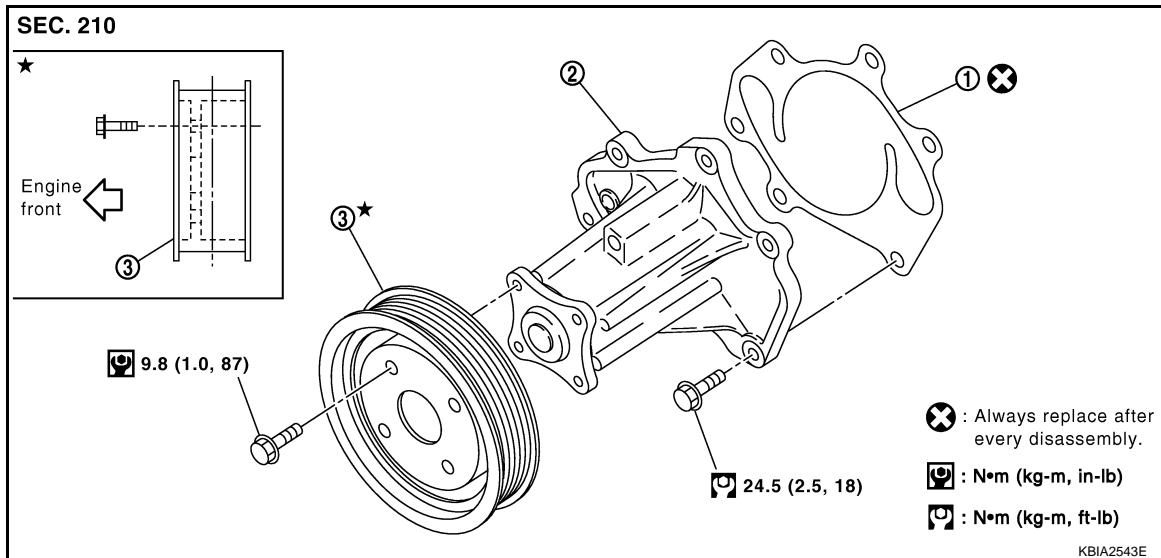
# WATER PUMP

< ON-VEHICLE REPAIR >

## WATER PUMP

### Exploded View

INFOID:000000004115448



1. Gasket

2. Water pump

3. Water pump pulley

### Removal and Installation

INFOID:000000003711271

#### CAUTION:

- When removing water pump, be careful not to get engine coolant on drive belt.
- Water pump cannot be disassembled and should be replaced as a unit.

#### REMOVAL

1. Drain engine coolant so that no engine coolant comes out from water pump fitting hole. Refer to [CO-11, "Changing Engine Coolant"](#).

#### CAUTION:

**Perform when the engine is cold.**

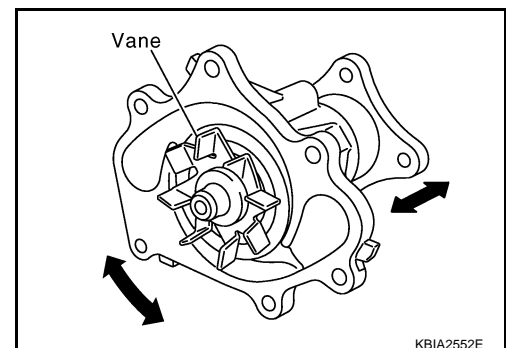
2. Remove the engine front undercover using power tool.
3. Remove the air duct and resonator assembly. Refer to [EM-25, "Removal and Installation"](#).
4. Remove the drive belt. Refer to [EM-13, "Removal and Installation"](#).
5. Remove the water pump pulley.
6. Remove the water pump.
  - Engine coolant will leak from the cylinder block, so have a receptacle ready below.

#### CAUTION:

**Handle water pump vane so that it does not contact any other parts.**

#### INSPECTION AFTER REMOVAL

- Visually check that there is no significant dirt or rust on the water pump body and vane.
- Make sure there is no looseness in the vane shaft, and that it turns smoothly when rotated by hand.
- Replace the water pump assembly, if necessary.



#### INSTALLATION

# WATER PUMP

## < ON-VEHICLE REPAIR >

---

Installation is in the reverse order of removal.

- After installation bleed the air from the cooling system. Refer to [CO-11, "Changing Engine Coolant"](#).

## INSPECTION AFTER INSTALLATION

- Check for leaks of engine coolant. Refer to [CO-10, "Inspection"](#).
- Start and warm up engine. Visually check for leaks of the engine coolant.

A

CO

C

D

E

F

G

H

I

J

K

L

M

N

O

P

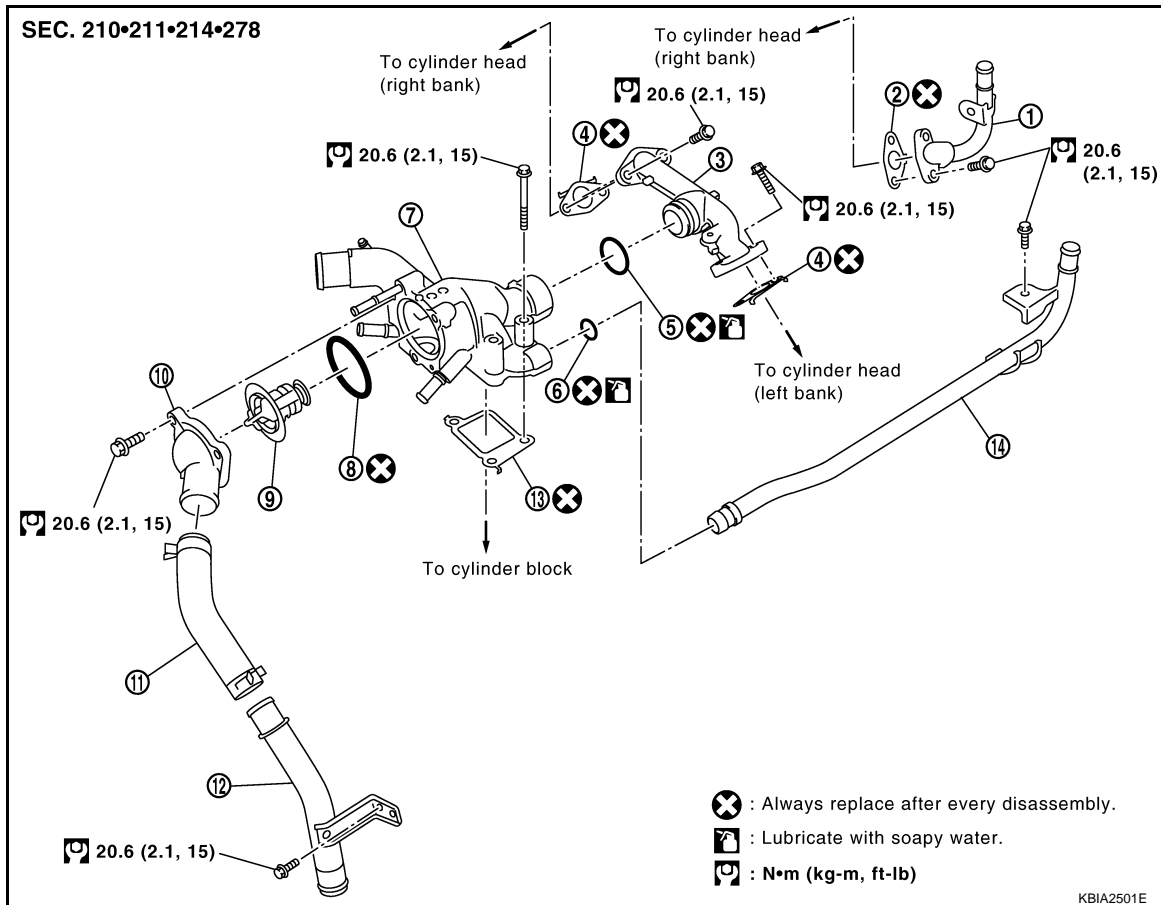
# THERMOSTAT AND WATER PIPING

< ON-VEHICLE REPAIR >

## THERMOSTAT AND WATER PIPING

Exploded View

INFOID:000000004115450



- |                       |                        |                        |
|-----------------------|------------------------|------------------------|
| 1. Heater pipe        | 2. Gasket              | 3. Water outlet        |
| 4. Gasket             | 5. O-ring              | 6. O-ring              |
| 7. Thermostat housing | 8. Rubber ring         | 9. Thermostat          |
| 10. Water inlet       | 11. Water suction hose | 12. Water suction pipe |
| 13. Gasket            | 14. Heater pipe        |                        |

## Removal and Installation

INFOID:0000000003711272

### REMOVAL

#### Removal of Thermostat

1. Drain engine coolant from the radiator. Refer to [CO-11, "Changing Engine Coolant"](#).  
**CAUTION:**  
**Perform when engine is cold.**
2. Remove the air duct and resonator assembly. Refer to [EM-25, "Removal and Installation"](#).
3. Remove the engine room cover using power tools.
4. Disconnect the water suction hose from the water inlet.
5. Remove the water inlet and thermostat.

#### Removal of Thermostat Housing, Water Outlet and Heater Pipe

1. Remove the intake manifold. Refer to [EM-26, "Removal and Installation"](#).
2. Remove the thermostat housing, water outlet and heater pipe.

#### Removal of Water Cut Valve

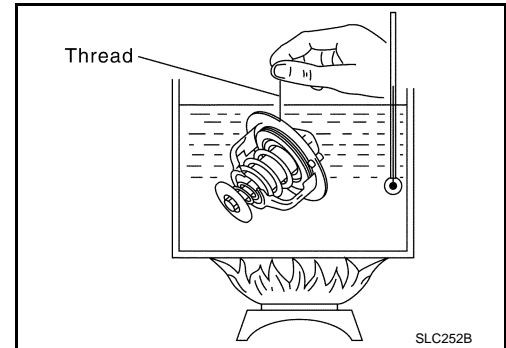
# THERMOSTAT AND WATER PIPING

## < ON-VEHICLE REPAIR >

1. Drain the engine coolant from the radiator. Refer to [CO-11. "Changing Engine Coolant"](#).  
**CAUTION:**  
**Perform when the engine is cold.**
2. Remove the air duct and resonator assembly. Refer to [EM-25. "Removal and Installation"](#).
3. Remove the engine room cover using power tool.
4. Disconnect the heater hose (heater core side).
5. Remove the heater hose bracket.
6. Disconnect the water cut valve connector.
7. Remove the water cut valve.

### INSPECTION AFTER REMOVAL

- Place a thread so that it is caught in the valve of the thermostat. Immerse fully in a container filled with water. Heat while stirring.
- The valve opening temperature is the temperature at which the valve opens and falls from the thread.
- Continue heating. Check the full-open lift amount.
- After checking the full-open lift amount, lower the water temperature and check the valve closing temperature.



Standard values:

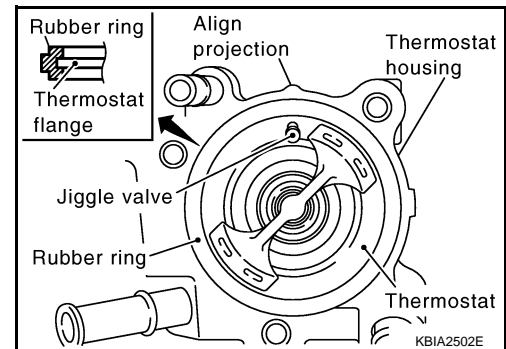
	Thermostat
Valve opening temperature	80 - 84°C (176 - 183° F)
Full-open lift amount	More than 10 mm/ 95°C (0.39 in/ 203°F)
Valve closing temperature	77°C (171°F) or higher

### INSTALLATION

Installation is in the reverse order of removal.

#### Installation of Thermostat

- Install the thermostat with the whole circumference of each flange part fit securely inside the rubber ring as shown.
- Install the thermostat with the jiggle valve facing upwards.



#### Installation of Water Outlet Pipe and Heater Pipe

First apply a neutral detergent to the O-rings, then quickly insert the insertion parts of the water outlet pipe and heater pipe into the installation holes.

### INSPECTION AFTER INSTALLATION

- Check for leaks of the engine coolant. Refer to [CO-10. "Inspection"](#).
- Start and warm up the engine. Visually check for leaks of the engine coolant.

## SERVICE DATA AND SPECIFICATIONS (SDS)

< SERVICE DATA AND SPECIFICATIONS (SDS)

## SERVICE DATA AND SPECIFICATIONS (SDS)

### SERVICE DATA AND SPECIFICATIONS (SDS)

Standard and Limit

INFOID:000000003711273

#### ENGINE COOLANT CAPACITY (APPROXIMATE)

Unit: ℓ (US qt, Imp qt)

Engine coolant capacity with reservoir ("MAX" level)	14.4 (15 1/4, 12 5/8)
--	-----------------------

#### THERMOSTAT

Valve opening temperature	80 - 84°C (176 - 183°F)
Maximum valve lift	More than 10 mm/95°C (0.39 in/203°F)
Valve closing temperature	77°C (171°F) or higher

#### RADIATOR

Unit: kPa (kg/cm<sup>2</sup>, psi)

Reservoir cap relief pressure	Standard	95 - 125 (0.97- 1.28, 14 - 18)
Leakage test pressure		137 (1.4, 20)