

SECTION **AV**

AUDIO VISUAL, NAVIGATION & TELEPHONE SYSTEM

CONTENTS

PRECAUTIONS	4	FOR CASSETTE PLAYER ONLY	30
Precautions for Supplemental Restraint System (SRS) "AIR BAG" and "SEAT BELT PRE-TENSIONER"	4	FOR CD ONLY	31
Precautions for Battery Service	4	Noise Inspection	31
Wiring Diagrams and Trouble Diagnosis	4	TYPE OF NOISE AND POSSIBLE CAUSE	31
PREPARATION	5	Power Supply Circuit Inspection	32
Commercial Service Tools	5	Audio System Does Not Turn On.	33
AUDIO	6	Steering Wheel Audio Control Switch Does Not operate.	33
System Description	6	Speed Sensitive Volume System Does Not Work... ..	34
BASE SYSTEM	6	Locking CD Auto-changer Mechanism (Audio Unit of BOSE System)	35
BOSE SYSTEM	6	DAMPER LOCK PROCEDURE	35
SPEED SENSITIVE VOLUME SYSTEM	7	Removal and Installation for Audio Unit	35
Component Parts Location	8	Removal and Installation for A/C and Audio Controller	36
Schematic	9	REMOVAL	36
BASE SYSTEM	9	INSTALLATION	36
BOSE SYSTEM	10	Disassembly and Assembly of A/C and Audio Controller	37
Wiring Diagram -AUDIO-	11	Removal and Installation of Door Speaker	38
BASE SYSTEM	11	REMOVAL	38
BOSE SYSTEM	15	INSTALLATION	38
Terminals and Reference Value for Audio Unit for Base System	20	Removal and Installation of Tweeter Behind Door Mirror	38
Terminals and Reference Value for Audio Unit for BOSE System	21	REMOVAL	38
Terminals and Reference Value for BOSE Speaker Amp.	23	INSTALLATION	38
Steering Wheel Audio Control Switch Resistance Check	24	Removal and Installation of Rear Side Speaker	38
Self-Diagnosis Function for A/C and Audio Controller	24	REMOVAL	38
DIAGNOSIS ITEM	25	INSTALLATION	39
OPERATION PROCEDURE	25	Removal and Installation of Woofer	39
MODE 1	26	REMOVAL	39
MODE 2	26	INSTALLATION	39
MODE 3	27	Removal and Installation of BOSE Speaker Amp... ..	39
MODE 4	28	REMOVAL	39
Trouble Diagnosis	29	INSTALLATION	40
PROBLEM WITH RADIO, TAPE AND CD	29	AUDIO ANTENNA	41
FOR RADIO ONLY	29	System Description	41
		Wiring Diagram -W/ANT-	42

Location of Antenna	43	Vehicle Speed Signal Check	86
Window Antenna Repair	43	Illumination Signal Check	87
ELEMENT CHECK	43	Ignition Signal Check	87
ELEMENT REPAIR	44	Reverse Signal Check(With A/T)	88
NAVIGATION SYSTEM	45	Reverse Signal Check(With M/T)	88
System Description	45	Navigation System Does Not Activate	89
TRAVEL DISTANCE	45	METHOD OF DIAGNOSIS FOR MALFUNCTIONING SYSTEM	89
TRAVEL DIRECTION	45	Communication Line Check (Between Display Unit and NAVI Switch)	89
MAP-MATCHING	45	Communication Line Check (Between NAVI Switch and NAVI Control Unit)	90
GPS (GLOBAL POSITIONING SYSTEM)	46	Communication Line Check (Between NAVI Control Unit and Display Unit)	91
COMPONENT DESCRIPTION	47	RGB Screen Is Not Shown	92
BIRD VIEW™	48	Color of RGB Image Is Not Proper (Bluish)	93
MAP DISPLAY	49	Color of RGB Image Is Not Proper (Reddish)	94
FUNCTION OF NAVI SWITCH	49	Color of RGB Image Is Not Proper (Yellowish)	95
“VIEW” MODE	54	RGB Screen Is Rolling	96
“HEADING” MODE	54	Guide Sound Is Not Heard	97
“NEARBY DISPLAY ICONS” MODE	55	No Fuel Information Is Displayed	98
“SAVE CURRENT LOCATION” MODE	55	Vehicle Condition Setting Is Not Possible.	99
“ADJUST CURRENT LOCATION” MODE	55	No Warning Message Is Displayed (Combination Meter Of Warning Lamp Illuminate)	99
“AUTO RE-ROUTE” MODE	56	The Position of The Current-Location Mark Is Not Correct.	100
“AVOID AREA SETTING” MODE	56	Radio Wave From The GPS Satellite Is Not Received.	100
“BUTTON TONE/BEEP RESPONSE” MODE	56	Driving Test	100
“CLEAR MEMORY” MODE	56	Example of Symptoms Judged Not Malfunction ..	101
“EDIT ADDRESS BOOK” MODE	57	BASIC OPERATION	101
“GPS INFORMATION” MODE	57	VEHICLE MARK	102
“QUICK STOP CUSTOMER SETTING” MODE	57	DESTINATION, PASSING POINTS, AND MENU ITEMS CANNOT BE SELECTED/SET.	102
“SET AVERAGE SPEED” MODE	57	VOICE GUIDE	103
“TRACKING” MODE	58	ROUTE SEARCHING	103
GUIDE VOLUME SETTING	58	EXAMPLES OF CURRENT-LOCATION MARK DISPLACEMENT	104
TRIP COMPUTER INFORMATION	58	THE CURRENT POSITION MARK SHOWS A POSITION WHICH IS COMPLETELY WRONG.	107
FUEL ECONOMY INFORMATION	58	THE CURRENT POSITION MARK JUMPS	107
MAINTENANCE INFORMATION	59	THE CURRENT LOCATION MARK IS IN A RIVER OR THE SEA	108
WARNING INDICATIONS	59	WHEN DRIVING ON THE SAME ROAD, SOMETIMES THE CURRENT-LOCATION MARK IS IN THE RIGHT PLACE AND SOMETIMES IT IS THE WRONG PLACE	108
Precautions for NAVI Control Unit Replacement ...	61	LOCATION CORRECTION BY MAP MATCHING IS SLOW	108
Component Parts Location	62	ALTHOUGH THE GPS RECEIVING DISPLAY IS GREEN, THE VEHICLE MARK DOES NOT RETURN TO THE CORRECT LOCATION	108
Schematic	63	THE NAME OF THE CURRENT PLACE IS NOT DISPLAYED	108
Wiring Diagram —NAVI—	64	CONTENTS OF THE DISPLAY DIFFER FOR THE BIRD VIEW™ AND THE (FLAT) MAP SCREEN	108
Wiring Diagram —COMM—	68	Program Loading	109
Terminals and Reference Value for NAVI Control Unit	70	Removal and Installation of NAVI Control Unit	110
Terminals and Reference Value for Display Unit ...	72		
Terminals and Reference Value for NAVI Switch ...	74		
Self-Diagnosis Function	75		
DESCRIPTION	75		
DIAGNOSIS ITEM	75		
Self-Diagnosis Mode	76		
OPERATION PROCEDURE	76		
SELF-DIAGNOSIS RESULT	77		
CONFIRMATION/ADJUSTMENT Mode	78		
OPERATION PROCEDURE	78		
DISPLAY DIAGNOSIS	79		
VEHICLE SIGNALS	80		
NAVIGATION	80		
HISTORY OF ERRORS	81		
DIAGNOSIS BY HISTORY OF ERRORS	81		
Power Supply and Ground Circuit Check for NAVI Control Unit	84		
Power Supply and Ground Circuit Check for Display Unit and NAVI Switch	85		

Removal and Installation of GPS Antenna	110	Removal and Installation of Display Unit	111
Removal and Installation of NAVI Switch	111	Disassembly and Assembly of Display Unit	111

A

B

C

D

E

F

G

H

I

J

AV

L

M

PRECAUTIONS

PRECAUTIONS

PFP:00001

Precautions for Supplemental Restraint System (SRS) “AIR BAG” and “SEAT BELT PRE-TENSIONER”

AKS004D5

The Supplemental Restraint System such as “AIR BAG” and “SEAT BELT PRE-TENSIONER”, used along with a front seat belt, helps to reduce the risk or severity of injury to the driver and front passenger for certain types of collision. This system includes seat belt switch inputs and dual stage front air bag modules. The SRS system uses the seat belt switches to determine the front air bag deployment, and may only deploy one front air bag, depending on the severity of a collision and whether the front occupants are belted or unbelted. Information necessary to service the system safely is included in the SRS and SB section of this Service Manual.

WARNING:

- To avoid rendering the SRS inoperative, which could increase the risk of personal injury or death in the event of a collision which would result in air bag inflation, all maintenance must be performed by an authorized NISSAN/INFINITI dealer.
- Improper maintenance, including incorrect removal and installation of the SRS, can lead to personal injury caused by unintentional activation of the system. For removal of Spiral Cable and Air Bag Module, see the SRS section.
- Do not use electrical test equipment on any circuit related to the SRS unless instructed to in this Service Manual. SRS wiring harnesses can be identified by yellow and/or orange harnesses or harness connectors.

Precautions for Battery Service

AKS00B68

Before disconnecting the battery, lower both the driver and passenger windows. This will prevent any interference between the window edge and the vehicle when the door is opened/closed. During normal operation, the window slightly raises and lowers automatically to prevent any window to vehicle interference. The automatic window function will not work with the battery disconnected.

Wiring Diagrams and Trouble Diagnosis

AKS003G0

When you read wiring diagrams, refer to the following:

- Refer to [GI-15, "How to Read Wiring Diagrams"](#) .
Refer to [PG-4, "POWER SUPPLY ROUTING CIRCUIT"](#) .

When you perform trouble diagnosis, refer to the following:

- Refer to [GI-11, "HOW TO FOLLOW TEST GROUPS IN TROUBLE DIAGNOSES"](#) .
Refer to [GI-27, "How to Perform Efficient Diagnosis for an Electrical Incident"](#) .

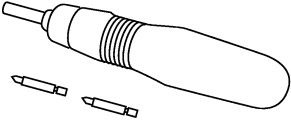
PREPARATION

PREPARATION

PFP:00002

Commercial Service Tools

AKS003G1

Tool name	Description
<p>Power tool</p>  <p>PBIC0191E</p>	<p>Loosening bolts and nuts</p>

A

B

C

D

E

F

G

H

I

J

AV

L

M

AUDIO

System Description BASE SYSTEM

Refer to Owner's Manual for audio system operating instructions.
Power is supplied at all times

- through 15A fuse [No. 37, located in the fuse and fusible link box]
- to audio unit terminal 6.

With the ignition switch in the ACC or ON position, power is supplied

- through 10A fuse [No. 6, located in the fuse block (J/B)]
- to audio unit terminal 10.

Ground is supplied through the case of the audio unit.

Audio unit and A/C and audio controller are connected by FPC (Flexible Print Circuit).

A/C and audio controller integrates A/C switches and audio switches.

When A/C and audio controller is pushed to audio switch, it sends audio signal to audio unit. Then audio signals are supplied

- through audio unit terminals 1, 2, 3, 4, 13, 14, 15, and 16
- to terminals 1 and 2 of driver door speaker and passenger door speaker
- to terminals 1 and 2 of rear speaker LH and RH
- to terminals 1 and 2 of tweeter driver side and passenger side.

When one of steering wheel audio control switches is pushed to volume up, seek up, or mode ON, resistance in steering switch circuit changes depending on which button is pushed. This will change voltage. Power is supplied

- from audio unit terminal 22
- through combination switch (spiral cable) terminal 24 and 20
- to steering wheel audio control switch.

Ground is supplied

- from steering wheel audio control switch
- through combination switch (spiral cable) terminal 17 and 31
- to audio unit terminal 25.

When one of steering wheel audio control switches is pushed to volume down, seek down, or power ON, resistance in steering switch circuit changes depending on which button is pushed. This will change voltage. Power is supplied

- from audio unit terminal 23
- through combination switch (spiral cable) terminal 32 and 16
- to steering wheel audio control switch.

Ground is supplied

- from steering wheel audio control switch
- through combination switch (spiral cable) terminal 17 and 31
- to audio unit terminal 25.

BOSE SYSTEM

Refer to Owner's Manual for audio system operating instructions.
Power is supplied at all times

- through 15A fuse [No. 37, located in the fuse and fusible link box]
- to audio unit terminal 6, and
- to BOSE speaker amp. terminal 1.

With the ignition switch in the ACC or ON position, power is supplied

- through 10A fuse [No. 6, located in the fuse block (J/B)]
- to audio unit terminal 10.

Ground is supplied through the case of the audio unit.

Ground is also supplied

AUDIO

- to BOSE speaker amp. terminal 17
- through body ground B29.

Audio unit and A/C and audio controller are connected by FPC (Flexible Print Circuit).
A/C and audio controller integrates A/C switches and audio switches.

When A/C and audio controller is pushed to audio switch, it send audio signal to audio unit.
Then audio signals are supplied

- through audio unit terminals 1, 2, 3, 4, 13, 14, 15, and 16
- to BOSE speaker amp. terminals 23, 24, 25, 26, 27, 28, 29, and 30.

Audio signals are amplified by the BOSE speaker amp.
The amplified audio signals are supplied

- through BOSE speaker amp. terminals 2, 3, 9, 10, 11, 12, 13, 14, 15,16, 18 and 19
- to terminals 1 and 2 of driver door speaker and passenger door speaker
- to terminals 1 and 2 of rear speaker LH and RH
- to terminals 1 and 2 of tweeter driver side and passenger side
- to terminals 1 and 2 of woofer LH and RH.

When one of steering wheel audio control switches is pushed to volume up, seek up, or mode ON, resistance in steering switch circuit changes depending on which button is pushed. This will change voltage. Power is supplied

- from audio unit terminal 22
- through combination switch (spiral cable) terminal 24 and 20
- to steering wheel audio control switch.

Ground is supplied

- from steering wheel audio control switch
- through combination switch (spiral cable) terminal 17 and 31
- to audio unit terminal 25.

When one of steering wheel audio control switches is pushed to volume down, seek down, or power ON, resistance in steering switch circuit changes depending on which button is pushed. This will change voltage. Power is supplied

- from audio unit terminal 23
- through combination switch (spiral cable) terminal 32 and 16
- to steering wheel audio control switch.

Ground is supplied

- from steering wheel audio control switch
- through combination switch (spiral cable) terminal 17 and 31
- to audio unit terminal 25.

SPEED SENSITIVE VOLUME SYSTEM

Volume level of this system gone up and down automatically in proportion to the vehicle speed. And the control level can be selected by the customer. This system is equipped for BOSE system.

A

B

C

D

E

F

G

H

I

J

AV

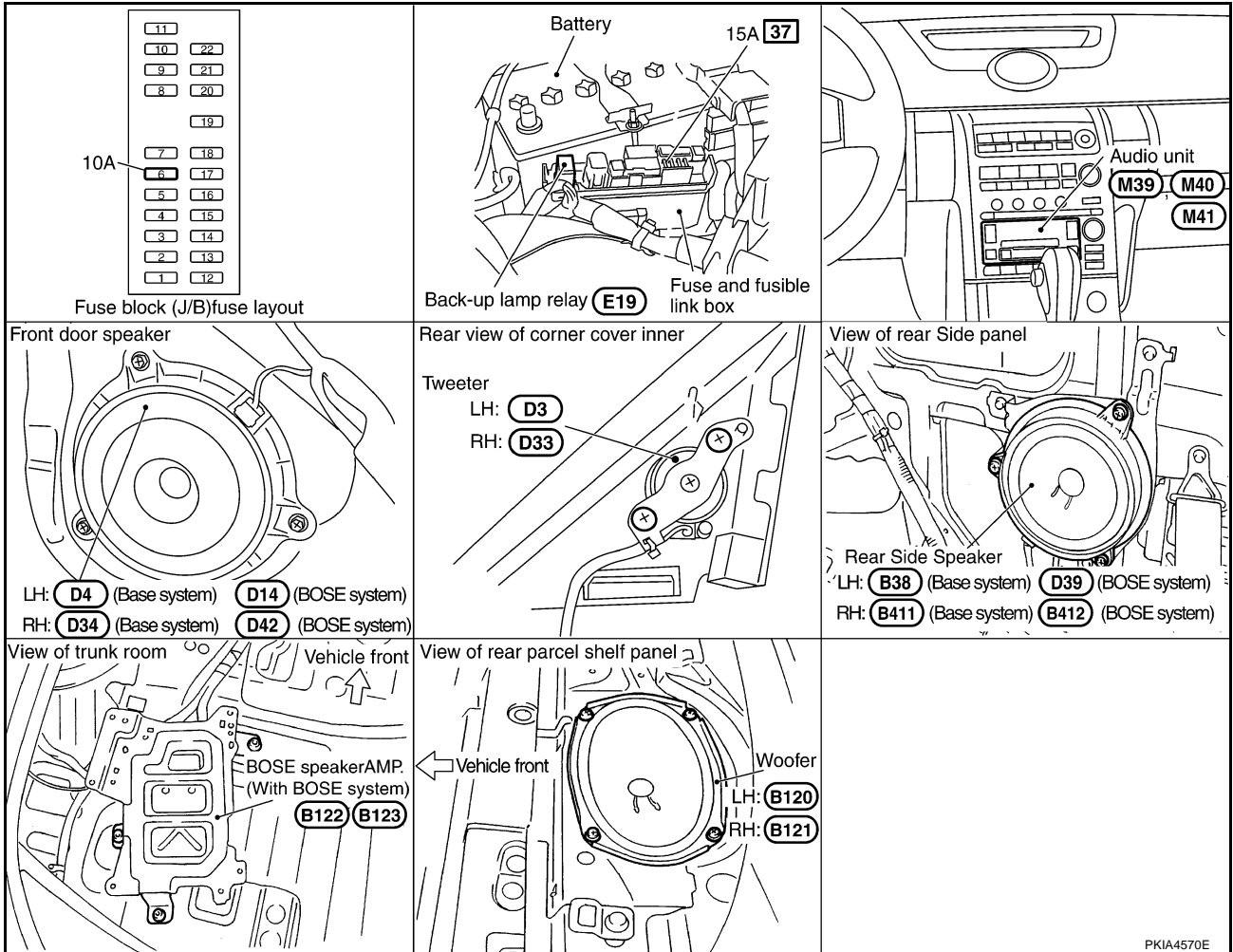
L

M

AUDIO

Component Parts Location

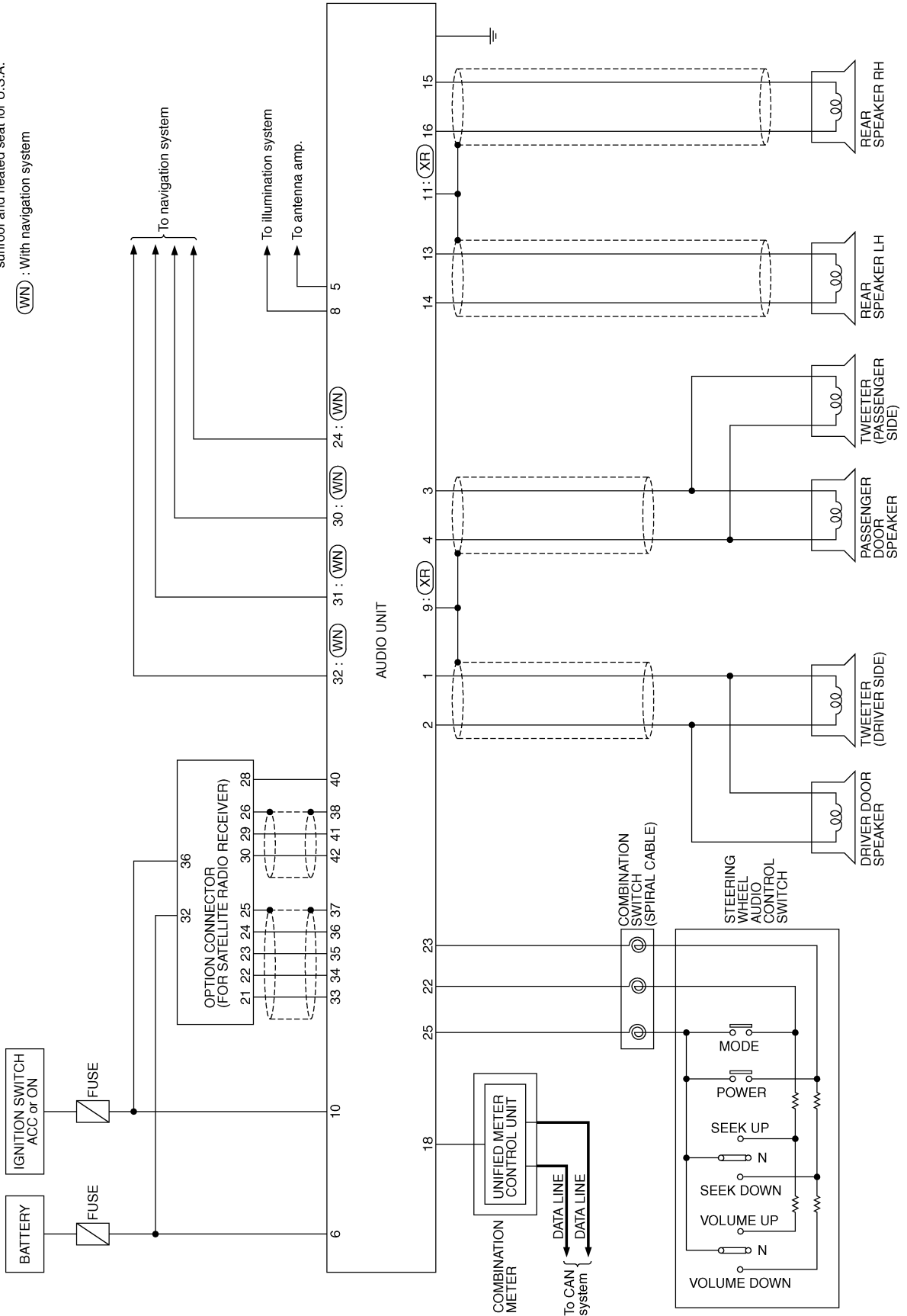
AKS009BG



Schematic BASE SYSTEM

(XR) : Except with A/T without navigation system, sunroof and heated seat for U.S.A.

(WN) : With navigation system

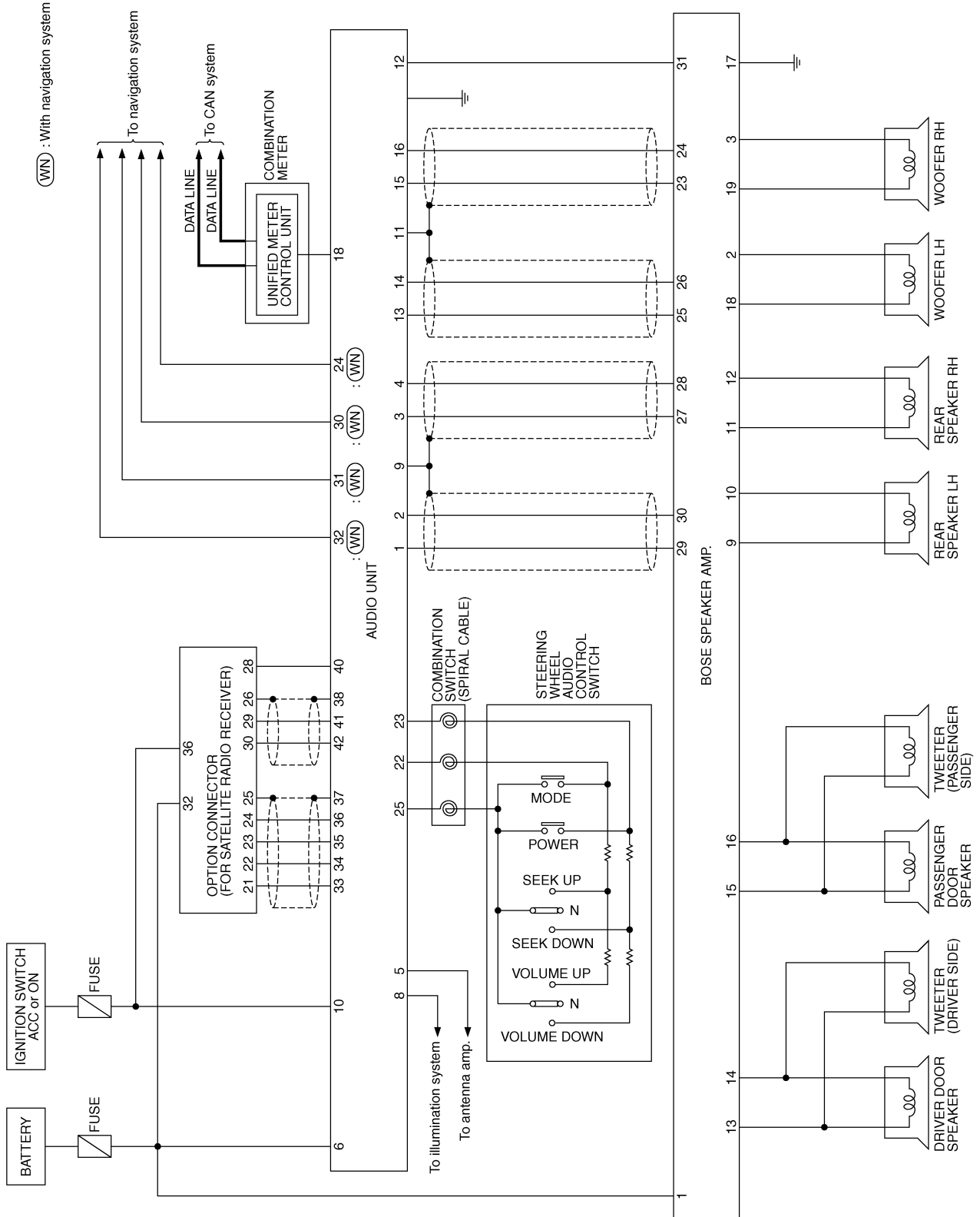


A
B
C
D
E
F
G
H
I
J
K
L
M

AV

AUDIO

BOSE SYSTEM



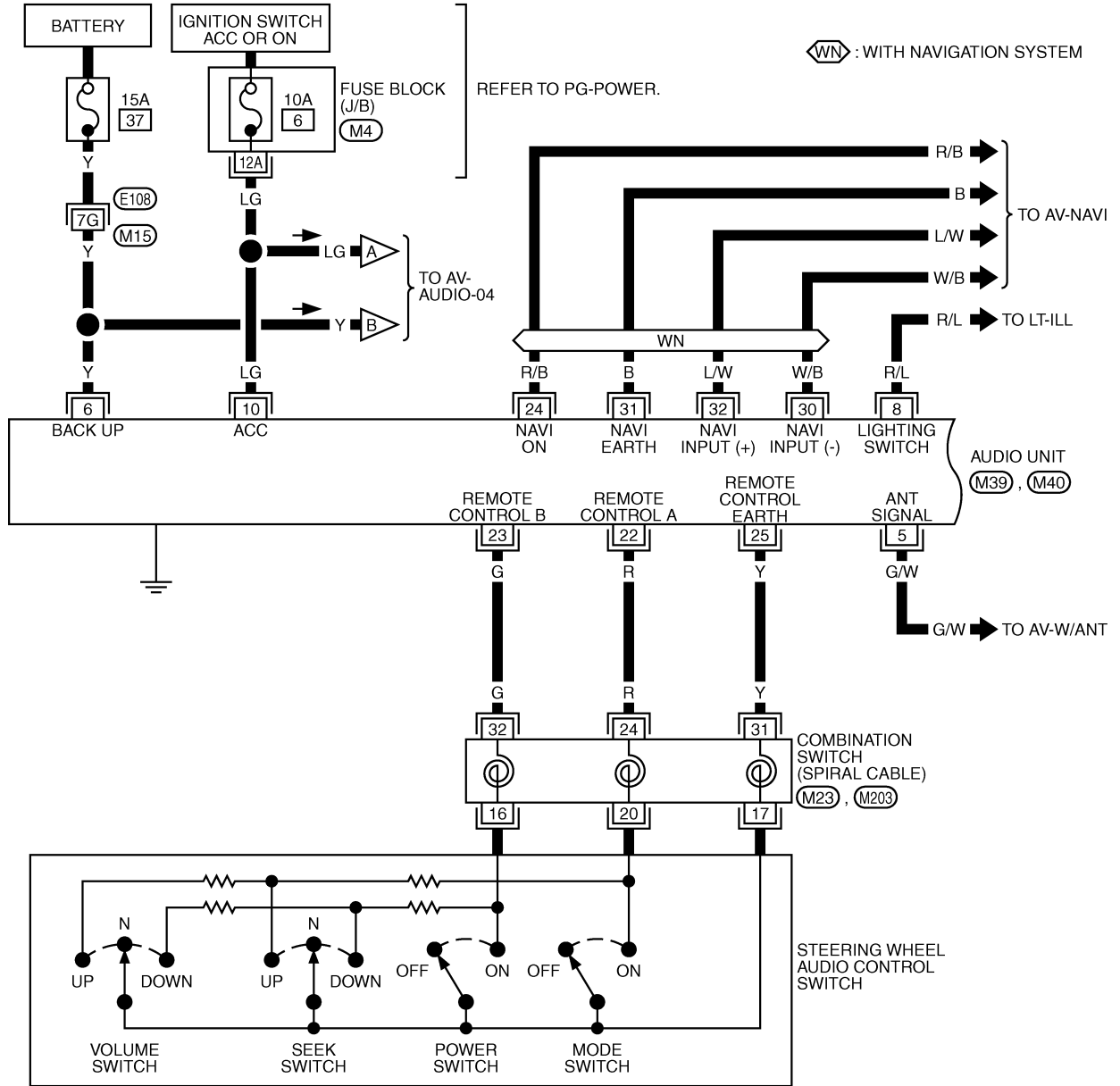
TKWM0834E

AUDIO

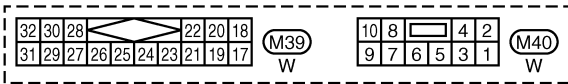
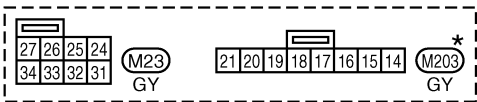
Wiring Diagram -AUDIO- BASE SYSTEM

AKS003G4

AV-AUDIO-01



A
B
C
D
E
F
G
H
I
J
AV
L
M



REFER TO THE FOLLOWING.

- (E108) -SUPER MULTIPLE JUNCTION (SMJ)
- (M4) -FUSE BLOCK-JUNCTION BOX (J/B)

*: THIS CONNECTOR IS NOT SHOWN IN "HARNESS LAYOUT", PG SECTION.

TKWM0920E

AUDIO

AV-AUDIO-02

ⓂWR : WITH A/T WITHOUT NAVIGATION SYSTEM, SUNROOF AND HEATED SEAT FOR U.S.A.

ⓂXR : EXCEPT ⓂWR

*1

L : ⓂWR

W : ⓂXR

*2

B/W : ⓂWR

B : ⓂXR

*3

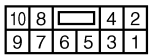
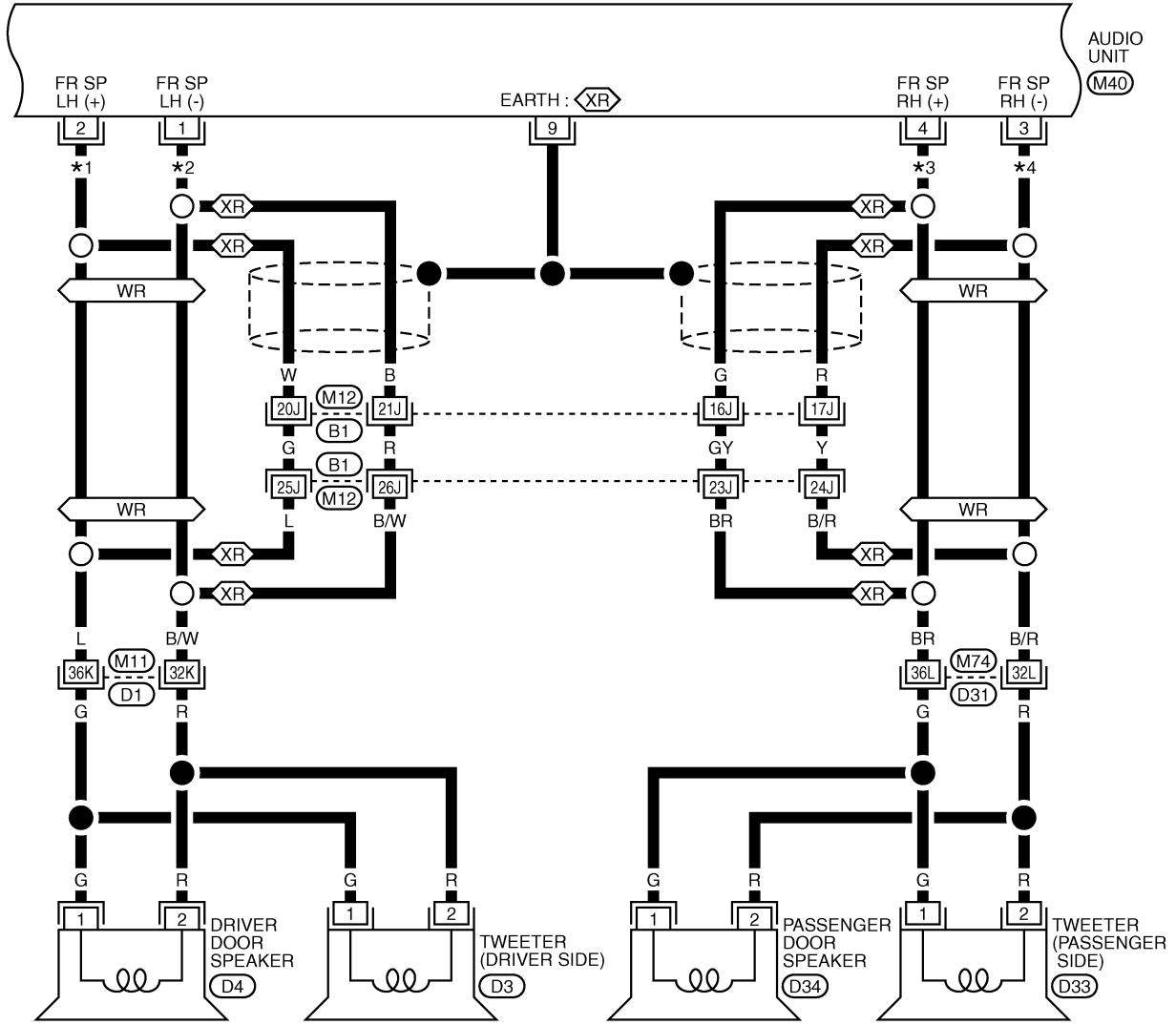
BR : ⓂWR

G : ⓂXR

*4

B/R : ⓂWR

R : ⓂXR



ⓂM40
W



ⓂD3, ⓂD33
BR BR

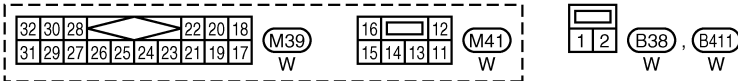
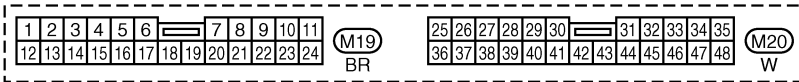
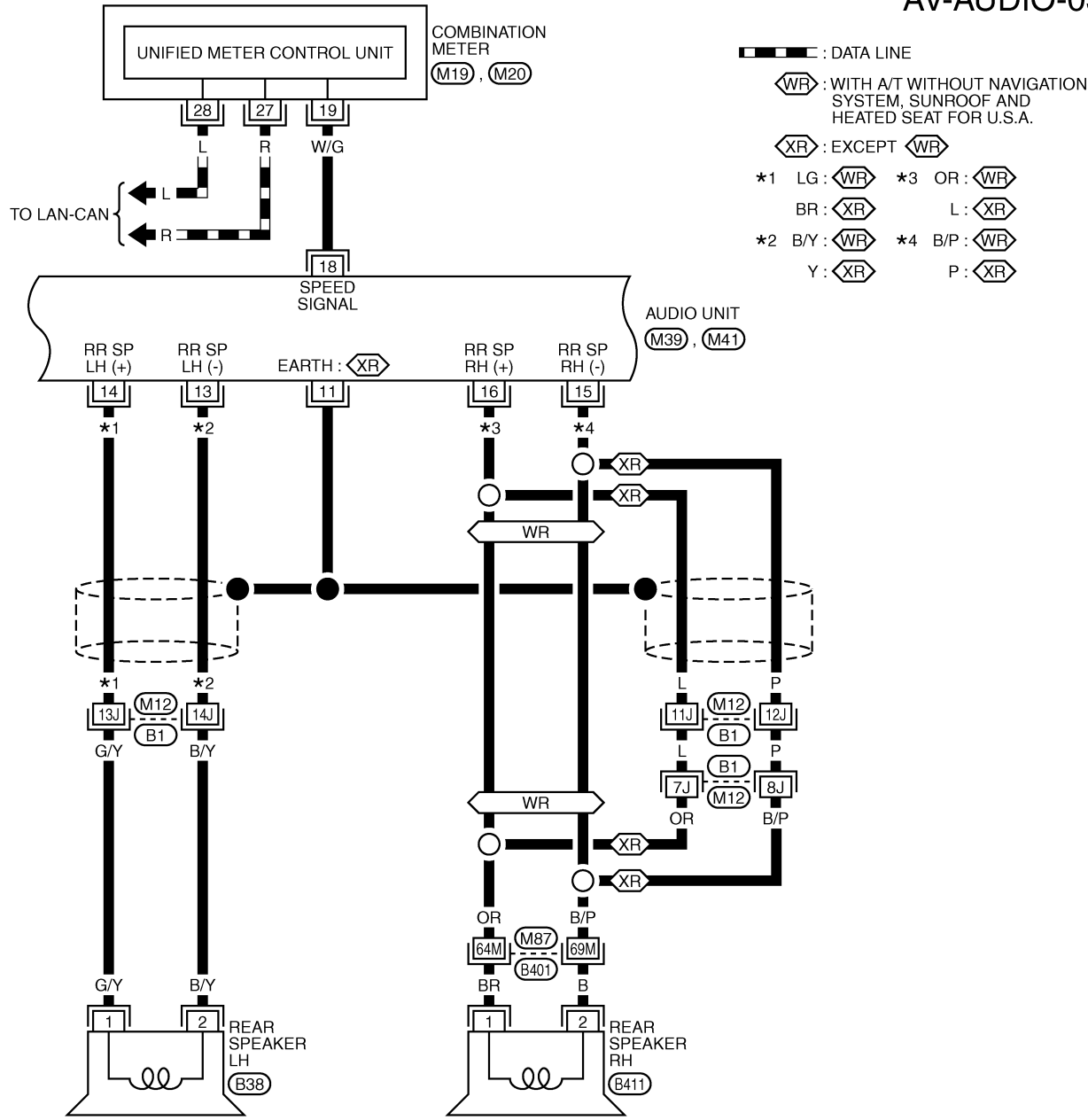


ⓂD4, ⓂD34
W W

REFER TO THE FOLLOWING.
 ⓂB1, ⓂD1, ⓂD31
 -SUPER MULTIPLE JUNCTION (SMJ)

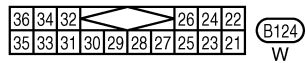
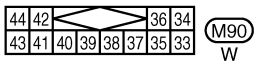
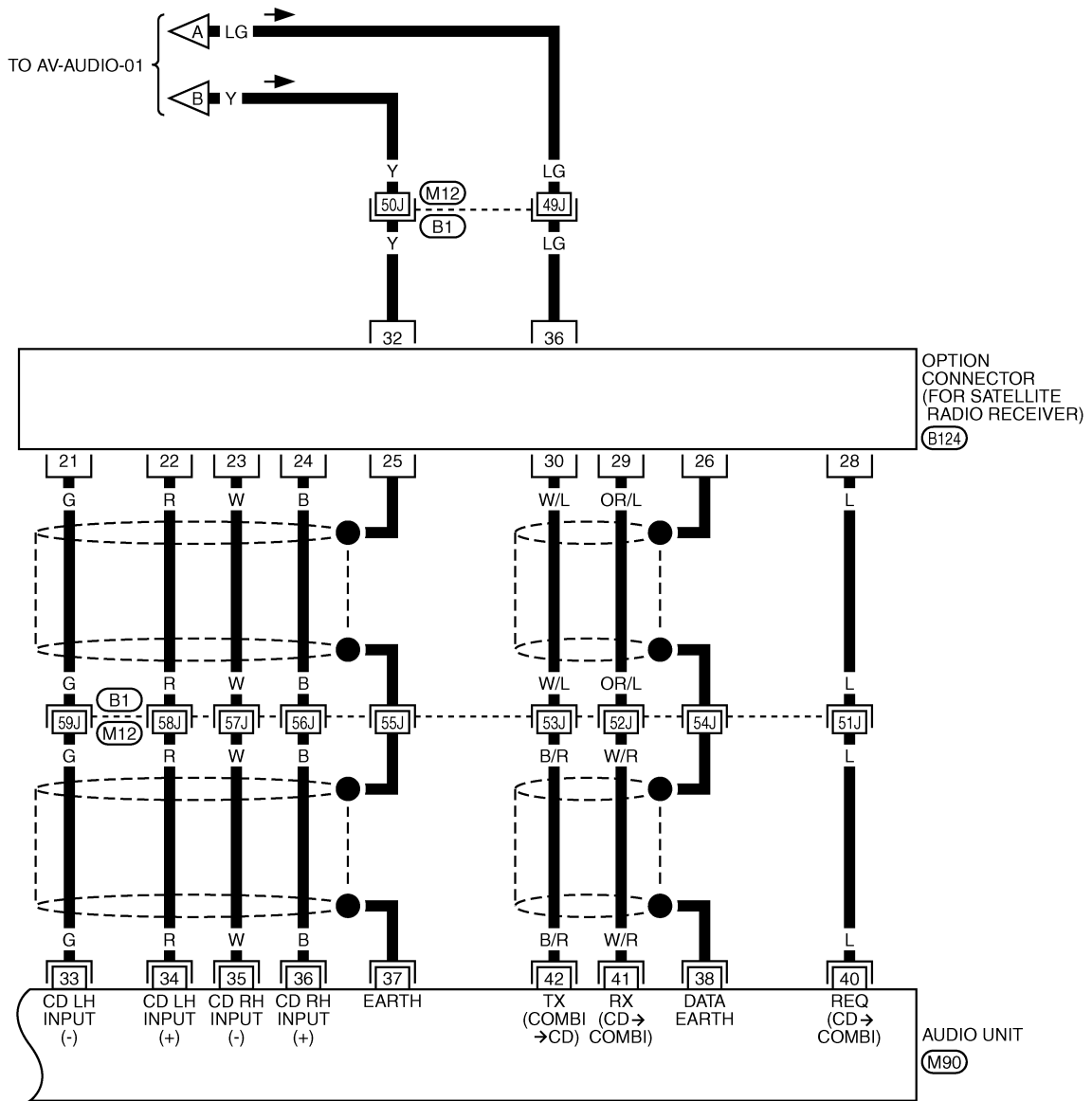
AUDIO

AV-AUDIO-03



REFER TO THE FOLLOWING.
(B1), (B401) -SUPER MULTIPLE JUNCTION (SMJ)

A
B
C
D
E
F
G
H
I
J
AV
L
M

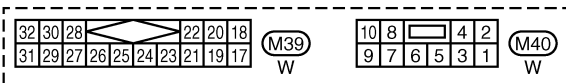
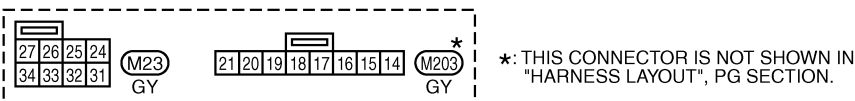
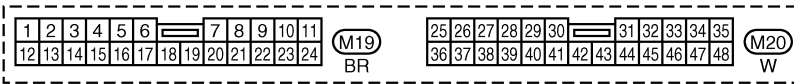
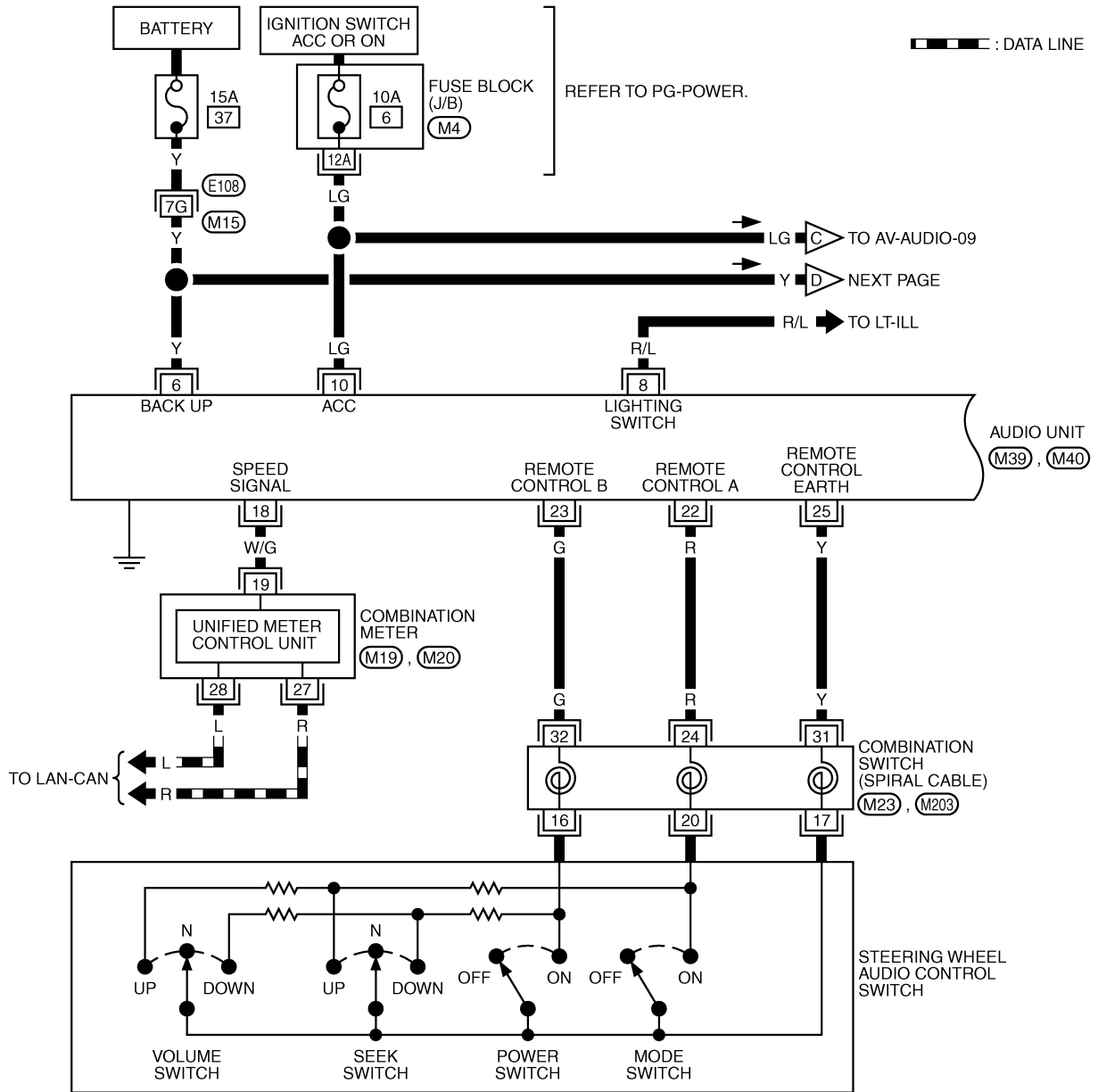


REFER TO THE FOLLOWING.
 (B1) -SUPER MULTIPLE JUNCTION (SMJ)

AUDIO

BOSE SYSTEM

AV-AUDIO-05



REFER TO THE FOLLOWING.

(E108) -SUPER MULTIPLE JUNCTION (SMJ)

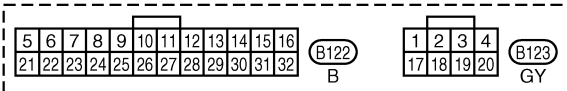
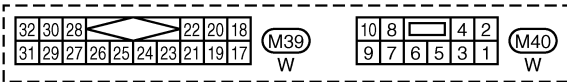
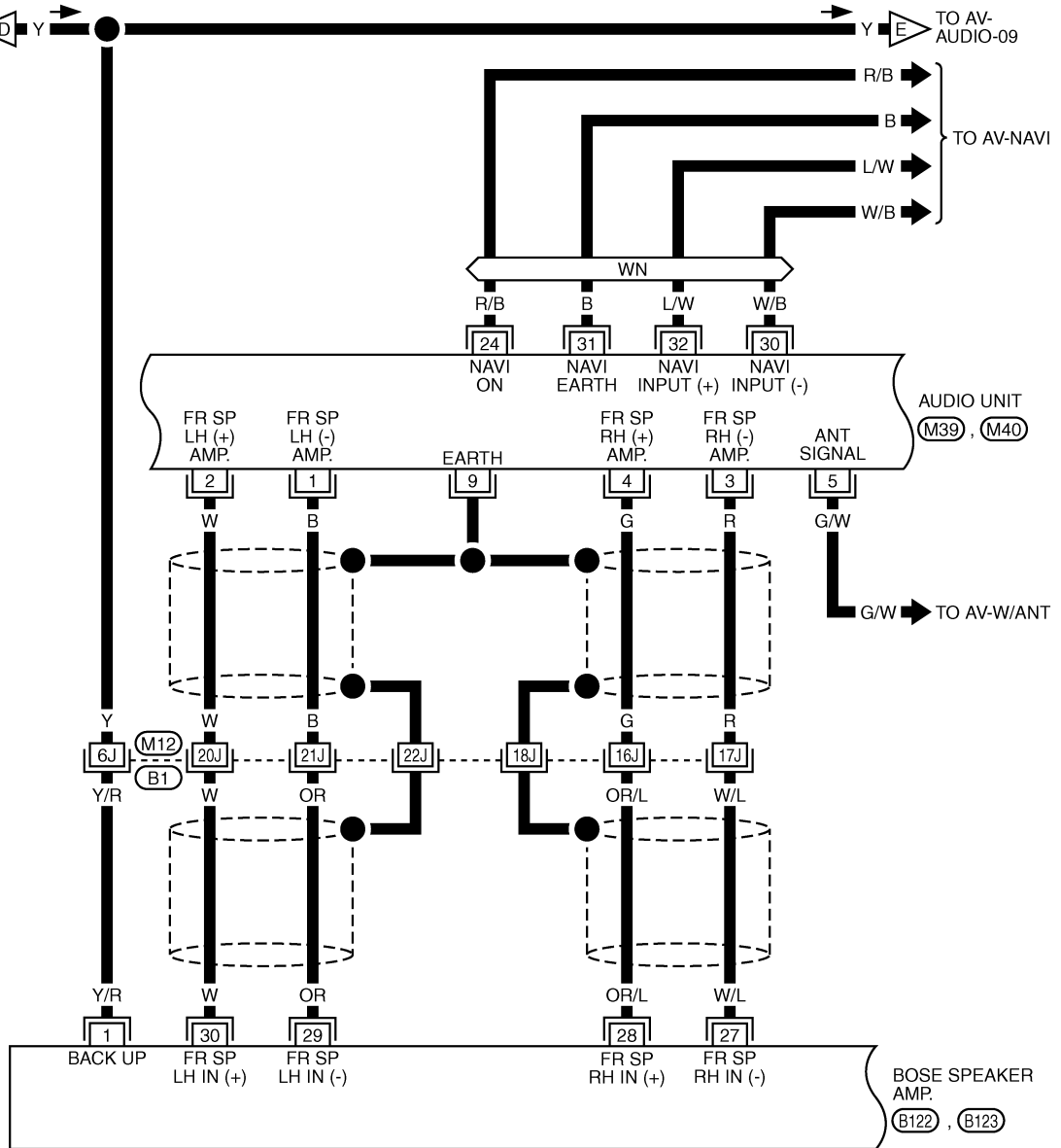
(M4) -FUSE BLOCK-JUNCTION BOX (J/B)

AUDIO

AV-AUDIO-06

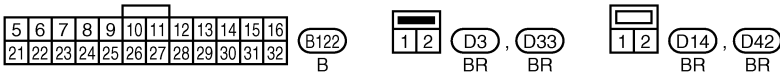
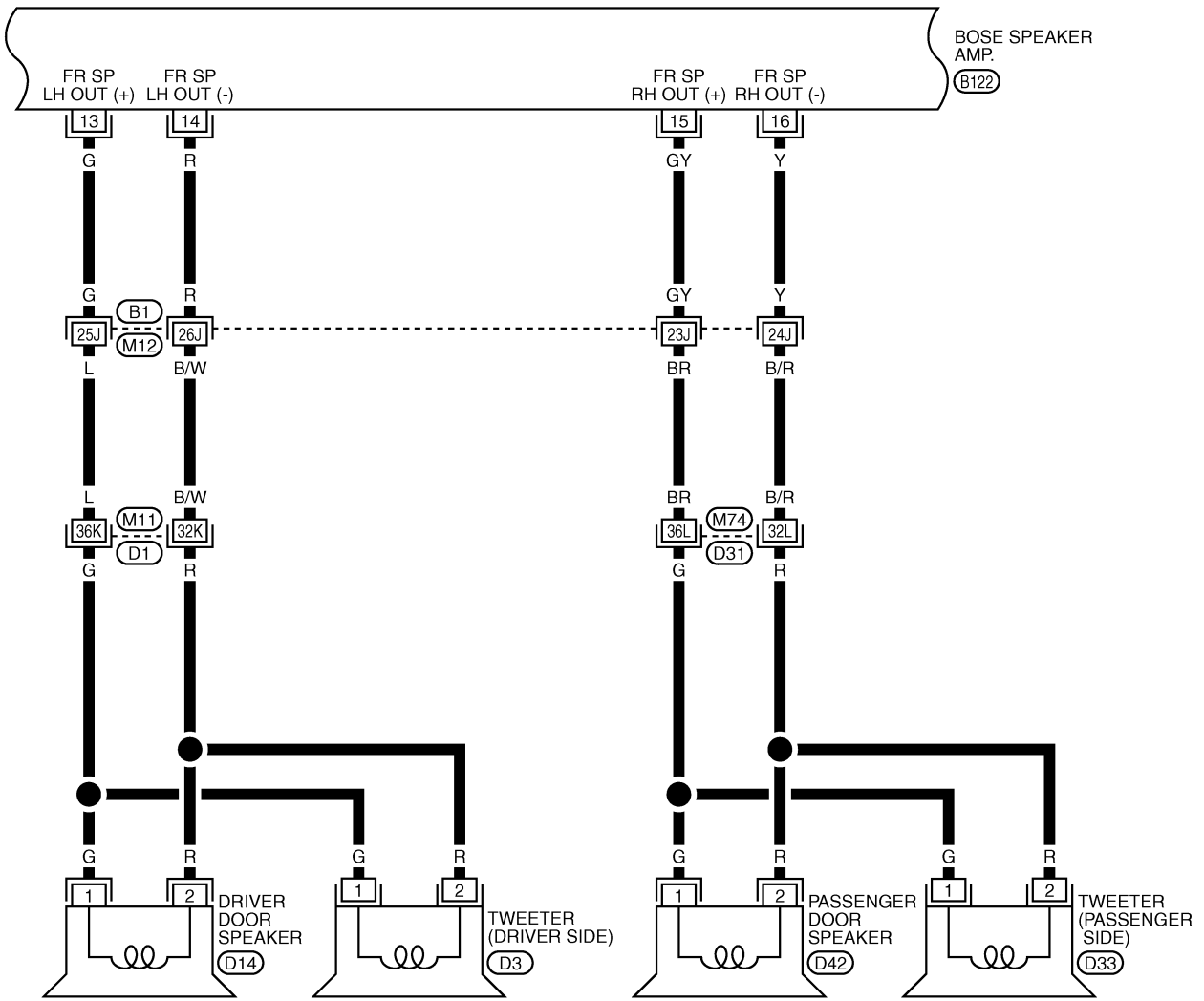
WN : WITH NAVIGATION SYSTEM

PRECEDING PAGE



REFER TO THE FOLLOWING.

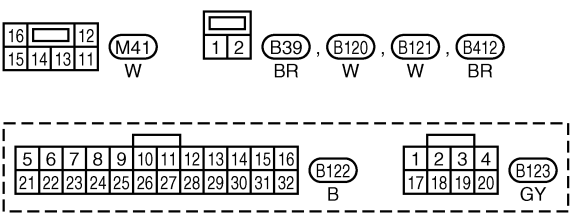
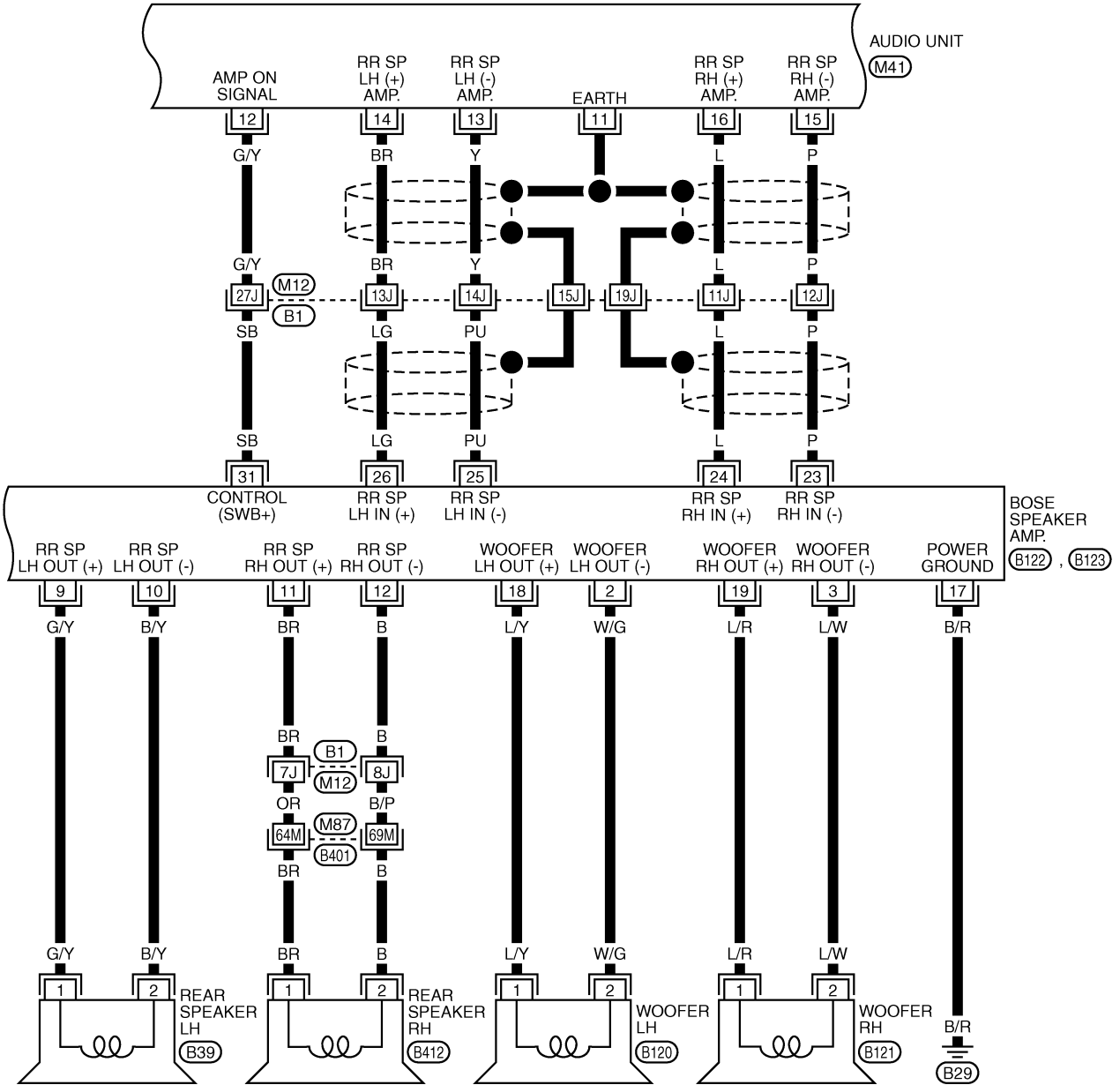
(B1) -SUPER MULTIPLE JUNCTION (SMJ)



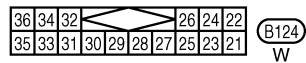
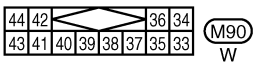
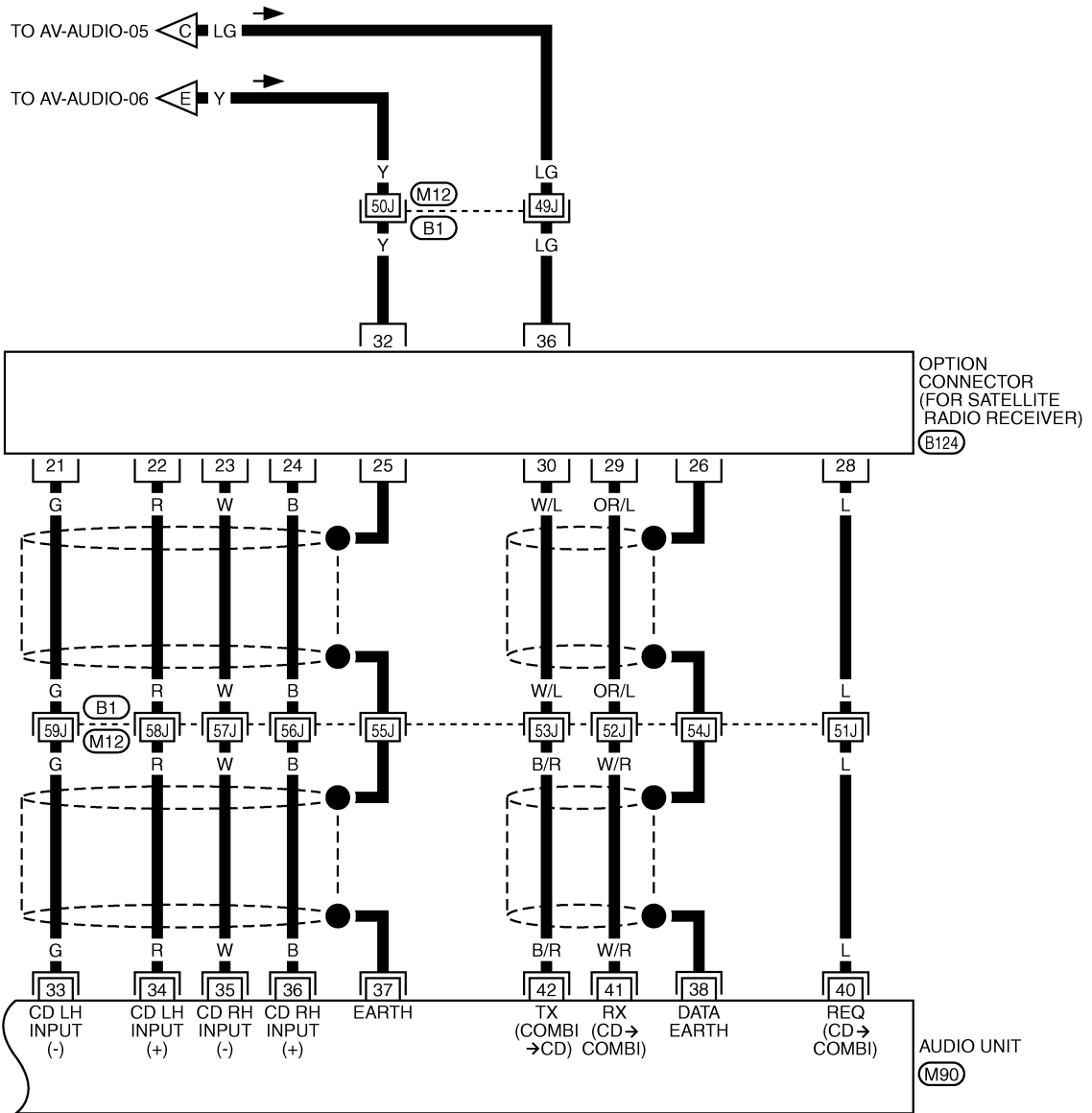
REFER TO THE FOLLOWING.
 (B1), (D1), (D31) -SUPER
 MULTIPLE JUNCTION (SMJ)

AUDIO

AV-AUDIO-08



REFER TO THE FOLLOWING.
 (B1), (B401) -SUPER MULTIPLE JUNCTION (SMJ)

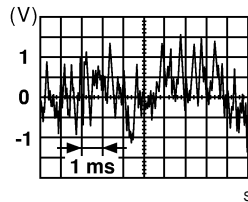
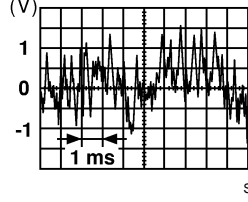
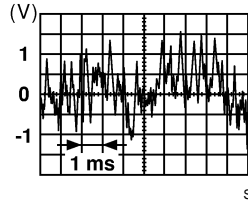
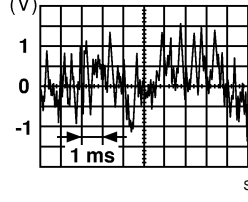
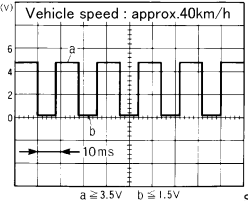


REFER TO THE FOLLOWING.
 (B1) -SUPER MULTIPLE JUNCTION (SMJ)

AUDIO

Terminals and Reference Value for Audio Unit for Base System

AKS003G5

Terminal (Wire color)		Item	Signal input/ output	Condition		Reference value	Example of symp- tom
+	-			Ignition switch	Operation		
1 (B/W) ^{*1} (B) ^{*2}	Ground	Audio sound signal front LH (-)	Output	ON	Receive audio signal		No sound from driver door speaker or tweeter driver side.
2 (L) ^{*1} (W) ^{*2}	Ground	Audio sound signal front LH (+)					
3 (B/R) ^{*1} (R) ^{*2}	Ground	Audio sound signal front RH (-)	Output	ON	Receive audio signal		No sound from passenger door speaker or tweeter passenger side.
4 (BR) ^{*1} (G) ^{*2}	Ground	Audio sound signal front RH (+)					
5 (G/W)	Ground	Antenna signal	output	ON	-	More than approx.10V	Receiving status of radio broadcast becomes bad.
6 (Y)	Ground	Battery	Input	-	-	Battery voltage	System will not work properly.
8 (R/L)	Ground	Lighting switch	Input	ON	Lighting switch ON (1st posi- tion)	Battery voltage	Audio unit illumi- nation does not function when lighting switch is ON (position 1).
				OFF	Lighting switch OFF	Approx.0V	
9	Shield	-	-	-	-	-	-
10 (LG)	Ground	ACC signal	Input	ON	Ignition switch ACC or ON	Battery voltage	System does not work properly.
11	Shield	-	-	-	-	-	-
13 (B/Y) ^{*1} (Y) ^{*2}	Ground	Audio sound signal rear LH (-)	Output	ON	Receive audio signal		No sound from rear speaker LH.
14 (LG) ^{*1} (BR) ^{*2}	Ground	Audio sound signal rear LH (+)					
15 (B/P) ^{*1} (P) ^{*2}	Ground	Audio sound signal rear RH (-)	Output	ON	Receive audio signal		No sound from rear speaker RH.
16 (OR) ^{*1} (L) ^{*2}	Ground	Audio sound signal rear RH (+)					
18(W/G)	Ground	Vehicle speed sigal (2-pulse)	Input	ON	When vehicle speed is approx. 40km/ h(25MPH)		Speed sensitive volume suster does not work properly.

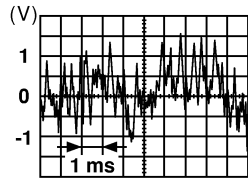
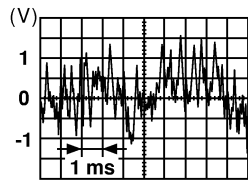
AUDIO

Terminal (Wire color)		Item	Signal input/ output	Condition		Reference value	Example of symp- tom
+	-			Ignition switch	Operation		
22 (R)	Ground	Remote con- trol A	Input	ON	Press MODE switch	Approx. 0V	Steering wheel audio controls do not function.
					Press SEEK UP switch	Approx. 1.7V	
					Press VOL UP switch	Approx. 3.3V	
					Except for above	Approx. 5V	
23 (G)	Ground	Remote con- trol B	Input	ON	Press POWER switch	Approx. 0V	Steering wheel audio controls do not function.
					Press SEEK DOWN switch	Approx. 1.7V	
					Press VOL DOWN switch	Approx. 3.3V	
					Except for above	Approx. 5V	
25 (Y)	-	Remote con- trol ground	-	ON	-	-	Steering wheel audio controls do not function.

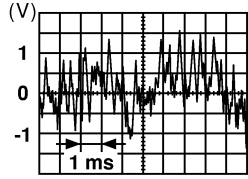
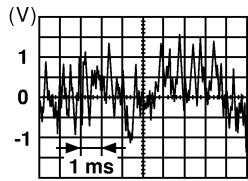
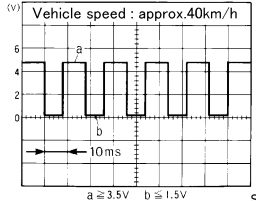
- *1: With A/T without navigation system, sunroof and heated seat for U.S. A.
- *2: Except *1.

Terminals and Reference Value for Audio Unit for BOSE System

AKS003G6

Terminal (Wire color)		Item	Signal input/ output	Condition		Reference value	Example of symp- tom
+	-			Ignition switch	Operation		
1 (B)	Ground	Audio sound signal front LH (-)	Output	ON	Receive audio signal	 <p style="text-align: right; font-size: small;">SKIA0177E</p>	No sound from driver door speaker or tweeter driver side.
2 (W)	Ground	Audio sound signal front LH (+)					
3 (R)	Ground	Audio sound signal front RH (-)	Output	ON	Receive audio signal	 <p style="text-align: right; font-size: small;">SKIA0177E</p>	No sound from passenger door speaker or tweeter passenger side.
4 (G)	Ground	Audio sound signal front RH (+)					
5 (G/W)	Ground	Antenna signal	Output	ON	-	More than approx. 10V	receiving status of radio broadcast becomes bad.
6 (Y)	Ground	Battery power	-	-	-	Battery voltage	System will not work properly.
8 (R/L)	Ground	Light switch	Input	ON	Light switch ON (1st position)	Battery voltage	Audio unit illumi- nation does not function when lighting switch is ON (position 1).
				ON	Lighting switch OFF	Approx. 0V	

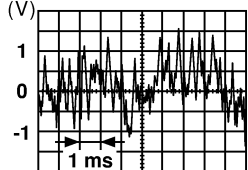
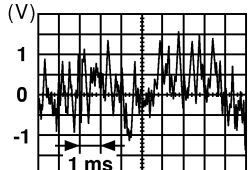
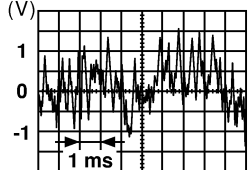
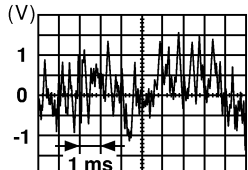
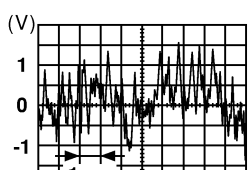
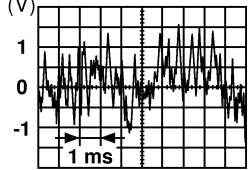
AUDIO

Terminal (Wire color)		Item	Signal input/ output	Condition		Reference value	Example of symp- tom
+	-			Ignition switch	Operation		
9	-	Shield	-	-	-	Approx.0V	Interference and distortion heard from speakers.
10 (LG)	Ground	ACC signal	Input	ON	-	Battery voltage	System does not work properly.
11	-	Shield	-	-	-	Approx.0V	Interference and distortion heard from speakers.
12 (G/Y)	Ground	Amp. ON signal	Output	ON	-	More than approx.6.5V	Amp. does not work properly.
13 (Y)	Ground	Audio sound signal rear LH (-)	Output	ON	Receive audio signal	 SKIA0177E	No sound from rear speaker LH.
14 (BR)	Ground	Audio sound signal rear LH (+)					
15 (P)	Ground	Audio sound signal rear RH (-)	Output	ON	Receive audio signal	 SKIA0177E	No sound from rear speaker RH.
16 (L)	Ground	Audio sound signal rear RH (+)					
18 (W/G)	Ground	Vehicle speed signal (2-pulse)	Input	ON	When vehicle speed is approx. 40 km/h (25 MPH)	 Vehicle speed : approx.40km/h a ≧ 3.5V b ≧ 1.5V SKIA0168E	Speed sensitive volume system does not work properly.
22 (R)	Ground	Remote control A	Input	ON	Press MODE switch	Approx.0V	Steering wheel audio controls do not function.
					Press SEEK UP switch	Approx.1.7V	
					Press VOL UP switch	Approx.3.3V	
					Except for above	Approx.5V	
23 (G)	Ground	Remote control B	Input	ON	Press POWER switch	Approx.0V	Steering wheel audio controls do not function.
					Press SEEK DOWN switch	Approx.1.7V	
					Press VOL DOWN switch	Approx.3.3V	
					Except for above	Approx.5V	
25 (Y)	-	Remote control ground	-	ON	-	-	Steering wheel audio controls do not function.

AUDIO

Terminals and Reference Value for BOSE Speaker Amp.

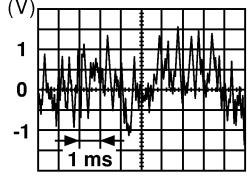
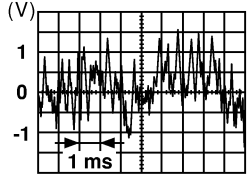
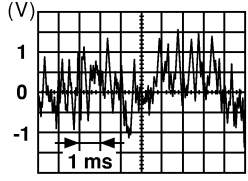
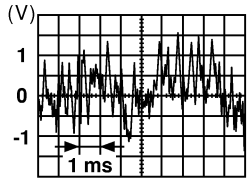
AKS003G7

Terminal (wire color)		Item	Signal input/ output	Condition		Reference value	Example of symptom
+	-			Ignition switch	Operation		
1 (Y/R)	Ground	Battery	Input	ON	-	Battery voltage	System does not work properly.
2 (W/G)	Ground	Woofer LH (-)	Output	ON	Receive audio signal	 <small>SKIA0177E</small>	No sound from woofer LH.
18 (L/Y)	Ground	Woofer LH (+)					
3 (L/W)	Ground	Woofer RH (-)	Output	ON	Receive audio signal	 <small>SKIA0177E</small>	No sound from woofer RH.
19 (L/R)	Ground	Woofer RH (+)					
9 (G/Y)	Ground	Rear speaker LH (+)	Output	ON	Receive audio signal	 <small>SKIA0177E</small>	No sound from rear speaker LH.
10 (B/Y)	Ground	Rear speaker LH (-)					
11 (BR)	Ground	Rear speaker RH (+)	Output	ON	Receive audio signal	 <small>SKIA0177E</small>	No sound from rear speaker RH.
12 (B)	Ground	Rear speaker RH (-)					
13 (G)	Ground	Driver door speaker and tweeter driver side (+)	Output	ON	Receive audio signal	 <small>SKIA0177E</small>	No sound from driver door speaker or tweeter driver side.
14 (R)	Ground	Driver door speaker and tweeter driver side (-)					
15 (GY)	Ground	Passenger door speaker and tweeter passenger side (+)	Output	ON	Receive audio signal	 <small>SKIA0177E</small>	No sound from passenger door speaker or tweeter passenger side.
16 (Y)	Ground	Passenger door speaker and tweeter passenger side (-)					
17 (B/R)	Ground	Ground	-	ON	-	-	-

A
B
C
D
E
F
G
H
I
J
L
M

AV

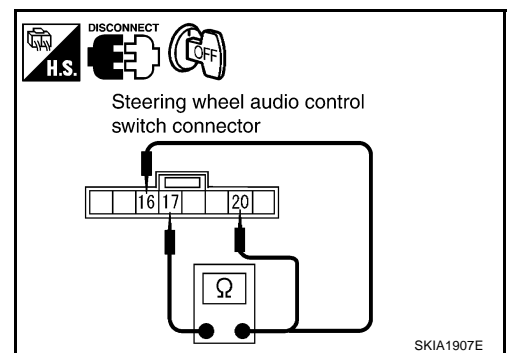
AUDIO

Terminal (wire color)		Item	Signal input/ output	Condition		Reference value	Example of symptom
+	-			Ignition switch	Operation		
23 (P)	Ground	Audio sound signal rear RH (-)	Input	ON	Receive audio signal	 <small>SKIA0177E</small>	No sound from rear speaker RH.
24 (L)	Ground	Audio sound signal rear RH (+)					
25 (PU)	Ground	Audio sound signal rear LH (-)	Input	ON	Receive audio signal	 <small>SKIA0177E</small>	No sound from rear speaker LH.
26 (LG)	Ground	Audio sound signal rear LH (+)					
27 (W/L)	Ground	Audio sound signal passen- ger door (-)	Input	ON	Receive audio signal	 <small>SKIA0177E</small>	No sound from passenger door speaker or tweeter passenger side.
28 (OR/ L)	Ground	Audio sound signal passen- ger door (+)					
29 (OR)	Ground	Audio sound signal driver door (-)	Input	ON	Receive audio signal	 <small>SKIA0177E</small>	No sound from driver door speaker or tweeter driver side.
30 (W)	Ground	Audio sound signal driver door (+)					
31 (SB)	Ground	Control	Input	ON	-	More than approx. 6.5V	System does not work properly.

Steering Wheel Audio Control Switch Resistance Check

AKS003G8

Terminal		Signal name	Condition	Resistance (Ω)
(+)	(-)			
16	17	Power	Depress power switch.	Approx.0
		Seek down (previous)	Depress (station) down switch.	Approx.165
		Volume (down)	Depress volume down switch.	Approx.652
20	17	Mode	Depress mode switch.	Approx.0
		Seek up (next)	Depress (station) up switch.	Approx.165
		Volume (up)	Depress volume up switch.	Approx.652



Self-Diagnosis Function for A/C and Audio Controller

AKS003G9

- Perform self-diagnosis for A/C and audio controller, as well as audio unit, and display results on A/C and controller display.
- As for mode 2-4, items are displayed with a 10-digit display.

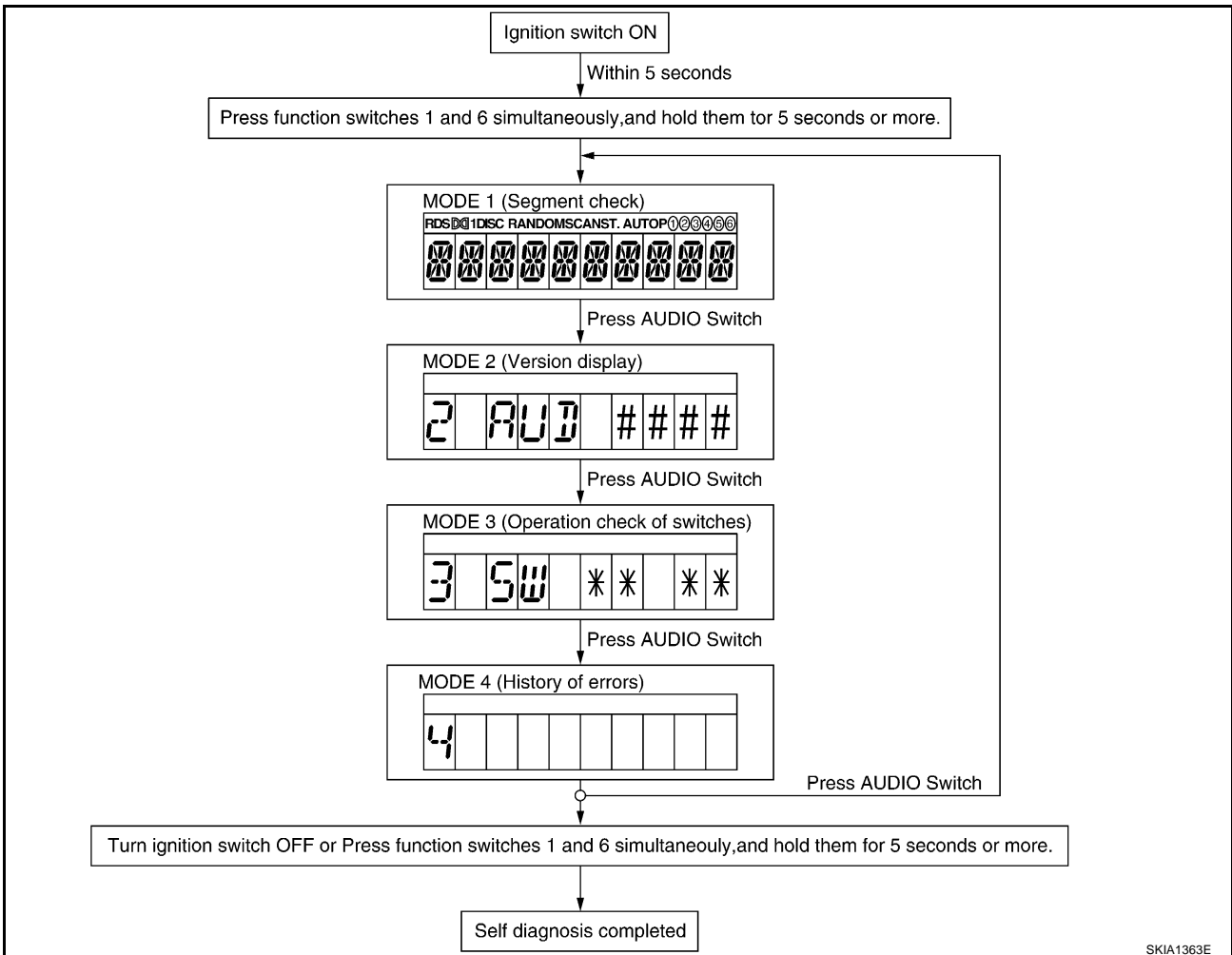
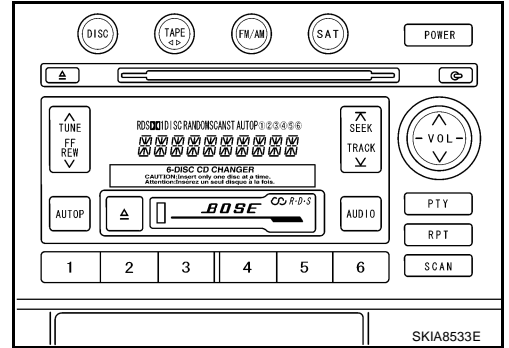
AUDIO

DIAGNOSIS ITEM

MODE	Diagnosis contents
MODE 1	● Segment check of display
MODE 2	● Version display of A/C and audio controller, as well as audio unit
MODE 3	● Operation check of switches
MODE 4	● Error record display of A/C and audio controller, as well as audio unit

OPERATION PROCEDURE

1. Within 5 seconds after turning ignition switch from OFF to ON, press function switches 1 and 6 simultaneously, and hold them for 5 seconds or more.
2. When self-diagnosis is actuated, all segments on display are displayed and mode 1 is active.
3. Each time AUDIO switch is pressed, diagnosis mode switches. (MODE 2 to MODE 3 to MODE 4 to MODE 1)
4. Turn ignition switch from ON to OFF, or press function switches 1 and 6 simultaneously and hold them for 5 seconds or more to complete the self-diagnosis.

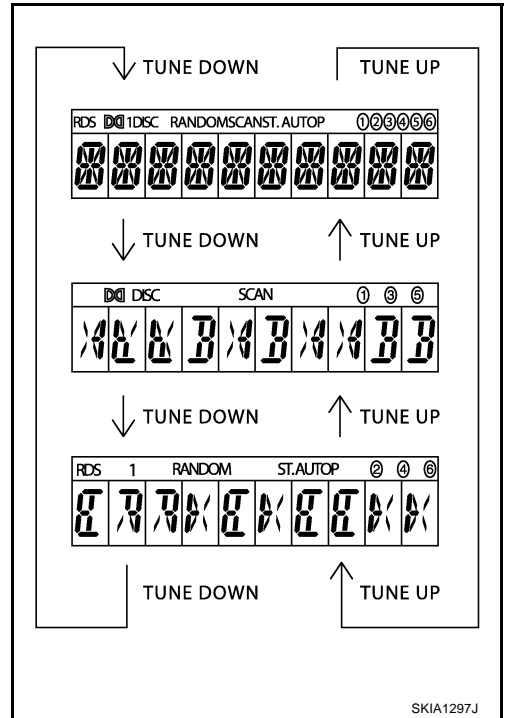


SKIA1363E

AUDIO

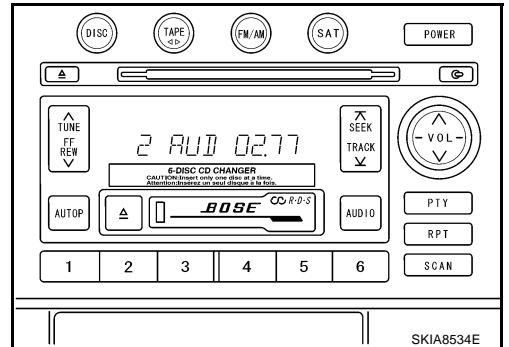
MODE 1

Each time TUNE switch is pressed, segment display status is switched and missing segment is checked.



MODE 2

Each time TUNE switch is pressed, versions of A/C and audio controller, as well as audio unit are displayed.



Version	Display								
	Mode	Unit			Version				
Audio unit	2	A	U	D	#	#	#	#	#
A/C and audio controller	2	E	S		#	#	#	#	#
CD auto changer	2	6	C	D	#	#	#	#	#

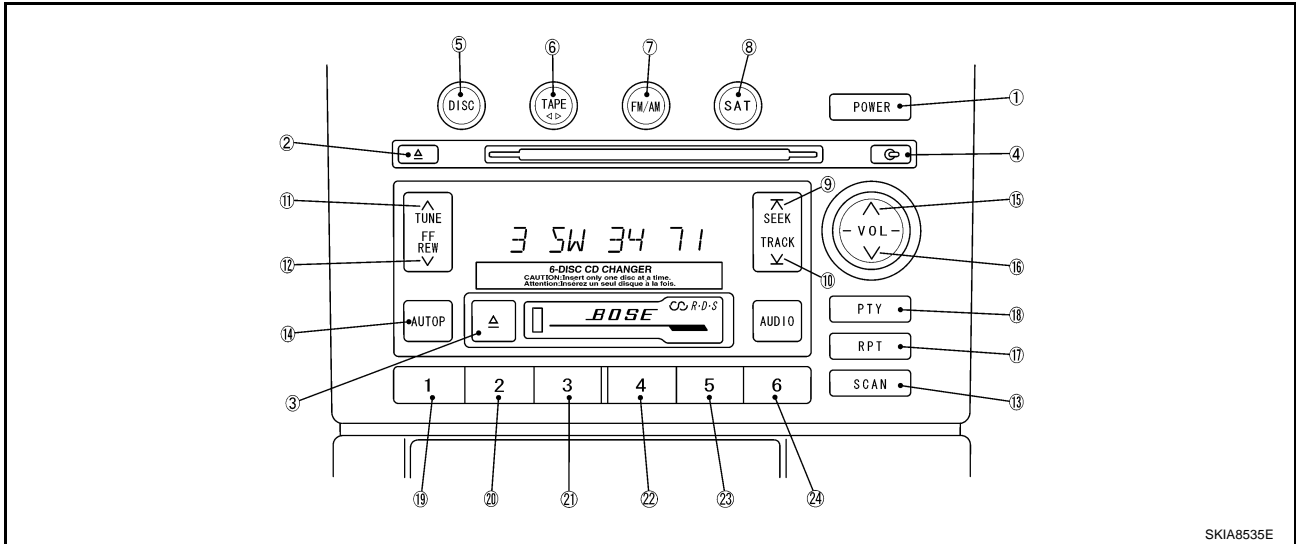
AUDIO

MODE 3

Each time each switch is pressed, key codes of each switch are displayed and input status of each switch is checked.

CAUTION:

When AUDIO switch can switch modes, it is judged normal.

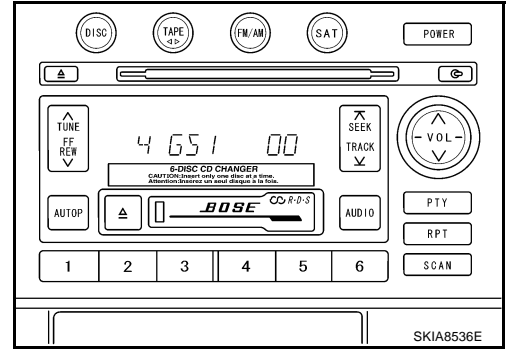


NO.	SWITCH	DISPLAY							
		MODE	SWITCH		KEY CODE DISPLAY				
1	POWER	3	S	W	3	2			
2	CD EJECT	3	S	W	3	4		1	1
3	TAPE EJECT	3	S	W	3	4		1	3
4	CD LOAD	3	S	W	3	4		1	4
5	DISC	3	S	W	3	4		2	0
6	TAPE <>	3	S	W	3	4		2	4
7	FM/AM	3	S	W	3	4		2	7
8	SAT	3	S	W	3	4		2	E
9	SEEK/TRACK UP	3	S	W	3	4		3	0
10	SEEK/TRACK DOWN	3	S	W	3	4		3	1
11	TUNE UP/FF	3	S	W	3	4		3	2
12	TUNE DOWN/REW	3	S	W	3	4		3	3
13	SCAN	3	S	W	3	4		3	6
14	AUTO PRESET	3	S	W	3	4		3	8
15	VOLUME UP	3	S	W	3	4		4	2
16	VOLUME DOWN	3	S	W	3	4		4	3
17	REPEAT	3	S	W	3	4		5	0
18	PTY (BOSE system)	3	S	W	3	4		5	1
	DOLBY (Base system)	3	S	W	3	4		5	8
19	FUNCTION1	3	S	W	3	4		7	1
20	FUNCTION2	3	S	W	3	4		7	2
21	FUNCTION3	3	S	W	3	4		7	3
22	FUNCTION4	3	S	W	3	4		7	4
23	FUNCTION5	3	S	W	3	4		7	5
24	FUNCTION6	3	S	W	3	4		7	6

AUDIO

MODE 4

Each time TUNE switch is pressed, error records of A/C and audio controller, as well as audio unit are displayed.



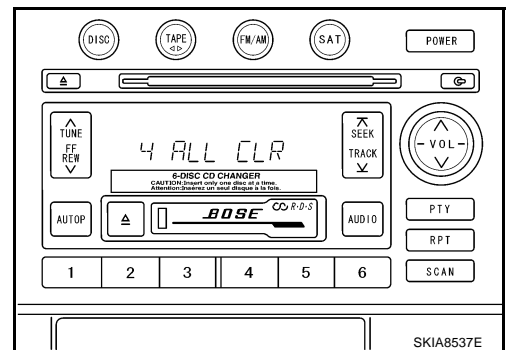
ERROR ITEM	DIAGNOSIS CONTENTS and DETECTION CONDITION	DISPLAY								
		MODE	DIAGNOSIS ITEM					FREQUENCY		
S METER ERROR	Not used for diagnosis	4	S	—	M	T	R		#	#
TUNER FASE	Not used for diagnosis	4	T	F	A	S	E		#	#
FOCUS ERROR	Not used for diagnosis	4	F	O	C	U	S		#	#
BUILT-IN DISC ERROR	Displays CD focus error number.	4	D	I	S	C			#	#
MECHANICAL ERROR	Displays internal mechanical error number.	4	M	E	C	H			#	#
BUILT-IN CD DIFFERENCE DISC ERROR	Displays disc difference ^{NOTE} judgement number.	4	D	D	I	S	C		#	#
COMMUNICATION ERROR	Not used for diagnosis	4	A	—	C	O	M		#	#
ES INFORMATION LINE CUT ERROR	Displays number for communication breakdown between electronic tuner and A/C and audio controller (disconnection of flexible printed circuit).	4	E	—	C	O	M		#	#
GS1 MECHANICAL CONNECT CUT ERROR	Not used for diagnosis	4	G	S	1				#	#

NOTE:

Disc difference indicates special-shaped disc or damaged disc.

Erase History of Errors

- Erase history of errors, press function switches 4 and 6 simultaneously in mode 4, and hold them for 5 seconds or more.
- Erase results of error records are displayed on display.



HISTORY OF ERRORS CONTENTS	DISPLAY							
	MODE	INDICATION						
All error information cleared.	4	A	L	L	C	L	R	
Not all error information cleared.	4	F	A	L	S	E		

AUDIO

AKS003GA

Trouble Diagnosis

The majority of the audio troubles are the result of outside causes (bad CD/cassette, electromagnetic interference, etc.). Check the inspection items below to diagnose the malfunction.

PROBLEM WITH RADIO, TAPE AND CD

Symptom	Check items	Possible cause
Inoperative	<ul style="list-style-type: none"> ● Check that the ignition switch is in the ACC position. 	<ul style="list-style-type: none"> ● Audio unit ● Audio unit power circuit. Refer to AV-32. "Power Supply Circuit Inspection".
No sound	<ul style="list-style-type: none"> ● Check that the volume is not turned down. ● Check that the balance and fader control knobs are centered. 	<ul style="list-style-type: none"> ● Audio unit ● Audio unit power circuit. Refer to AV-32. "Power Supply Circuit Inspection". ● Speaker ● BOSE speaker amp.(BOSE system) ● Sound signal circuit between speaker and Audio unit (Base system) ● Sound signal circuit between speaker and BOSE speaker amp.(BOSE system)
Poor sound	<ul style="list-style-type: none"> ● Check that the bass and treble adjustment knobs are centered. 	<ul style="list-style-type: none"> ● Audio unit ● BOSE speaker amp. (BOSE system) ● Speaker
Noisy	—	<ul style="list-style-type: none"> ● Audio unit ● BOSE speaker amp. (BOSE system) ● Each electrical equipment

FOR RADIO ONLY

Symptom	Check items	Possible cause
No sound	<ul style="list-style-type: none"> ● Check that the radio is tuned to a station's frequency. 	<ul style="list-style-type: none"> ● Audio unit ● Antenna feeder ● Antenna amplifier ● Window antenna
Noisy	<ul style="list-style-type: none"> ● Check that the radio is tuned to a station's frequency. ● Check that the signal of the received station is not weak. ● Check that no mirror-type window film nor any metal object (after-market antenna, etc.) is attached on the rear window glass (Note 1). ● Check whether or not the malfunction occurs only in a particular area. (Note 2) 	<ul style="list-style-type: none"> ● Audio unit ● Antenna feeder ● Antenna amplifier ● window antenna ● Noise prevention parts ● Each electrical equipment ● Wire harness of each piece of electrical equipment
Selected radio stations stored in memory are deleted	—	<ul style="list-style-type: none"> ● Audio unit ● Audio unit power circuit. Refer to AV-32. "Power Supply Circuit Inspection".

NOTE:

1. The cause is a reduction in the receiving sensitivity of the window antenna.
2. This is noise resulting from variations in field strength, such as fading noise and multi-path noise, or external noise from trains and other sources. It is not a malfunction.
 - Fading noise: This noise occurs because of variations in the field strength in a narrow range due to mountains or buildings blocking the signal.
 - Multi-path noise: This noise results from the waves sent directly from the broadcast station arriving at the antenna at a different time from the waves which reflect off of mountains or buildings.

AUDIO

FOR CASSETTE PLAYER ONLY

Symptom	Check items	Possible cause
Cassette tape cannot be inserted.	<ul style="list-style-type: none"> ● Check that a cassette tape is not already inserted. ● Check that the cassette has no deformation or other malfunction. 	<ul style="list-style-type: none"> ● Audio unit ● Audio unit power circuit. Refer to AV-32, "Power Supply Circuit Inspection" .
Cassette tape cannot be ejected.	<ul style="list-style-type: none"> ● Check that the cassette has no deformation or other malfunction. ● Check that the cassette tape does not sag. 	
Auto reverse does not work, or the tape direction changes in the middle of play.	<ul style="list-style-type: none"> ● There is a problem with tape winding. Check that there is no slack or other malfunction. ● Check that an old cassette tape is not being used. 	Audio unit
There is much noise.	<ul style="list-style-type: none"> ● Check that the cassette tape itself does not have a lot of noise, or that the tape does not have a low recording level. 	
The sound is not clear.	<ul style="list-style-type: none"> ● Check that the tune is recorded on tape with Dolby B NR OFF and played with Dolby B NR ON. ● Check that the sound quality of the cassette tape itself is not poor. 	
Sound fluctuates/tape speed not correct	<ul style="list-style-type: none"> ● Check that there is no tape winding problem, sagging, stretching, or other malfunction. ● Check that there is no problem with the recording speed of the cassette tape. 	
No sound.	<ul style="list-style-type: none"> ● Check that the cassette tape has been recorded on. 	

AUDIO

FOR CD ONLY

Symptom	Check items	Possible cause
CD cannot be inserted.	Check that a CD is not already inserted.	<ul style="list-style-type: none"> ● Audio unit ● Audio unit power circuit. Refer to AV-32, "Power Supply Circuit Inspection".
CD cannot be ejected.	-	
The CD cannot be played.	<ul style="list-style-type: none"> ● Check that the CD is not upside down. ● Check that there is no dirt, damage, or water on the disc. 	Audio unit
The sound skips, stops suddenly, or is distorted.	<ul style="list-style-type: none"> ● Check that there is no dirt, damage, or water on the disc. ● Check that the trouble is not due to strong vibration. 	

Noise Inspection

AKS003GB

The vehicle itself can be a source of noise if noise prevention parts or electrical equipment is malfunction. Check if noise is caused and/or changed by engine rotation, ignition switch turned to each position, and operation of each piece of electrical equipment, and determine the cause.

NOTE:

The source of the noise can be found easily by listening to the noise while removing the fuses of electrical components, one by one.

TYPE OF NOISE AND POSSIBLE CAUSE

Occurrence condition		Possible cause
Occurs only when engine is ON.	A continuous growling noise occurs. The speed of the noise varies with changes in the engine speed.	<ul style="list-style-type: none"> ● Problem with the ignition condenser.
	A whistling noise occurs while the engine speed is high. A booming noise occurs while the engine is running and the light switch is ON.	<ul style="list-style-type: none"> ● Problem with the alternator
The occurrence of the noise is linked with the operation of the fuel pump.		<ul style="list-style-type: none"> ● Problem with the fuel pump condenser
Noise only occurs when various electrical components are operating.	A cracking or snapping sound occurs with the operation of various switches.	<ul style="list-style-type: none"> ● Relay malfunction, radio malfunction
	The noise occurs when various motors are operating.	<ul style="list-style-type: none"> ● Problem with the motor case ground ● Problem with the motor
The noise occurs constantly, not just under certain conditions.		<ul style="list-style-type: none"> ● Rear defogger coil malfunction ● Open circuit in printed heater ● Poor ground of antenna amplifier or antenna feeder line ● Mirror type film is attached on the rear window glass ● After-market TV antenna and/or electrical accessories such as radio are attached on the rear window glass.
A cracking or snapping sound occurs while the vehicle is being driven, especially when it is vibrating excessively.		<ul style="list-style-type: none"> ● Problem with the ground wire of body parts. ● Problem with ground due to part installation problem ● Problem with wiring connections or a short circuit

AUDIO

AKS003GC

Power Supply Circuit Inspection

1. CHECK FUSE

- Check that the following fuses of the BOSE speaker amp. and Audio unit are not blown.

Unit	Terminals		Signal name	Fuse No.
	(+)			
	Connector	Terminal		
Audio unit	M40	6	Battery power	37
		10	Ignition switch ACC or ON	6
BOSE speaker amp.	B123	1	Battery power	37

OK or NG

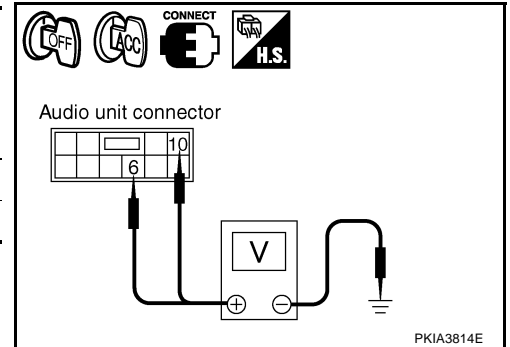
OK >> GO TO 2.

NG >> If fuse is blown, be sure to eliminate cause of problem before installing new fuse. Refer to [PG-4](#), "[POWER SUPPLY ROUTING CIRCUIT](#)".

2. POWER SUPPLY CIRCUIT CHECK

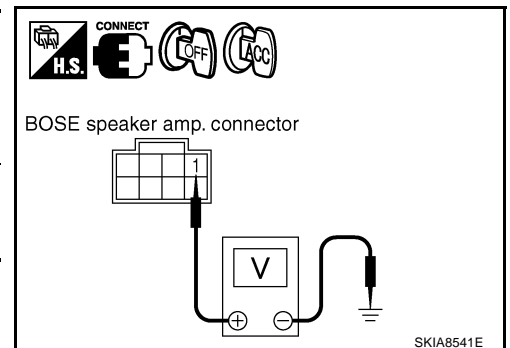
1. Check voltage between the audio unit and ground.

Unit	Terminal No.			OFF	ACC
	(+)				
	Connector	Terminal (wire color)	(-)		
Audio unit	M40	6 (Y)	Ground	Battery voltage	Battery voltage
		10 (LG)	Ground	0 V	Battery voltage



2. Check voltage between BOSE speaker amp. and ground.

Unit	Terminal No.			OFF	ACC
	(+)				
	Connector	Terminal (wire color)	(-)		
BOSE speaker amp.	B123	1(Y/R)	Ground	Battery voltage	Battery voltage



OK or NG

OK >> ● Inspection end. (Base system)

- GO TO 3 (BOSE system)

NG >> Repair or replace harness.

AUDIO

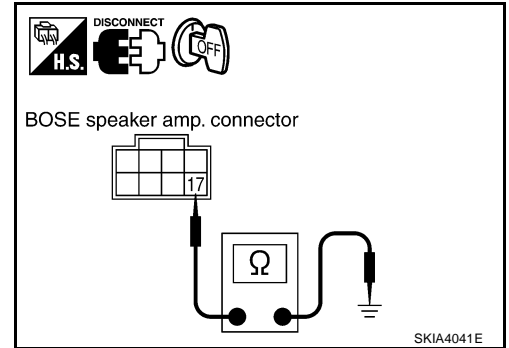
3. GROUND CIRCUIT CHECK

1. Disconnect BOSE speaker amp. connector.
2. Check continuity between BOSE speaker amp. harness connector B123 terminal 17 (B/R) and ground.

Continuity should exist.

OK or NG

- OK >> Inspection end.
 NG >> Repair or replace harness.



AKS003GD

Audio System Does Not Turn On.

1. SELF-DIAGNOSIS

1. Perform self-diagnosis. Refer to [AV-76, "Self-Diagnosis Mode"](#) with navigation system.

OK or NG

- OK >> Replace audio unit.
 NG >> Check the malfunctioned area according to the self-diagnosis result.

Steering Wheel Audio Control Switch Does Not operate.

AKS003GE

1. STEERING WHEEL AUDIO CONTROL SWITCH RESISTANCE CHECK

1. Disconnect steering wheel audio control switch connector.
2. Check resistance steering wheel audio control switch. Refer to [AV-24, "Steering Wheel Audio Control Switch Resistance Check"](#).

Resistance value is OK?

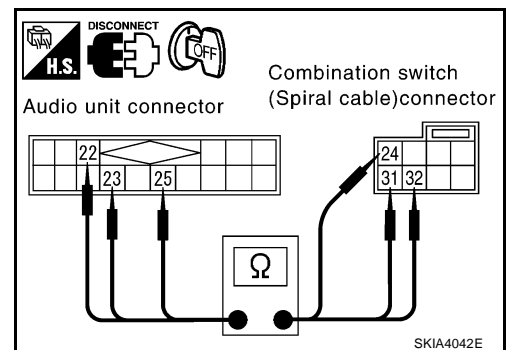
OK or NG

- OK >> GO TO 2.
 NG >> Replace steering wheel audio control switch.

2. STEERING WHEEL AUDIO CONTROL SWITCH CIRCUIT CHECK

1. Disconnect audio unit connector.
2. Check continuity between audio unit harness connector M39 and combination switch (spiral cable) harness connector M23.

Terminals				Continuity
Connector	Terminal (wire color)	Connector	Terminal (wire color)	
M39	22 (R)	M23	24 (R)	Yes
	23 (G)		32 (G)	
	25 (Y)		31 (Y)	



OK or NG

- OK >> Check combination switch (spiral cable).
 NG >> Replace audio unit.

AUDIO

AKS004CZ

Speed Sensitive Volume System Does Not Work

1. VEHICLE SPEED OPERATION CHECK

Does speedometer is operated normally?

Yes or No

Yes >> GO TO 2.

No >> Check combination meter trouble diagnosis. Refer to [DI-15, "Inspection/Vehicle Speed Signal"](#) in "COMBINATION METERS".

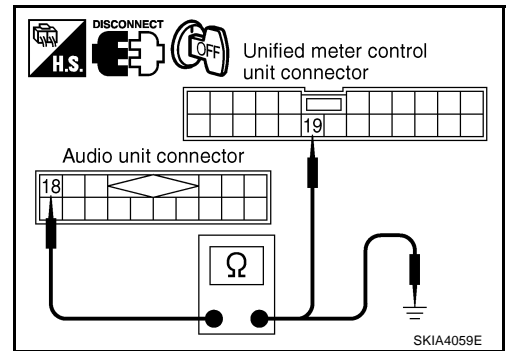
2. HARNESS CHECK

1. Turn the ignition switch OFF.
2. Disconnect audio unit connector and combination meter connector.
3. Check continuity between audio unit harness connector M39 terminal 18 (W/G) and Unified meter and A/C amp. harness connector M19 terminal 19 (W/G).

Continuity should exist.

4. Check continuity between audio unit harness connector M39 terminal 18 (W/G) and ground.

Continuity should not exist.



OK or NG

OK >> GO TO 3.

NG >> ● Check connector housings for disconnected or loose terminals.
● Repair harness or connector.

3. VEHICLE SPEED SIGNAL CHECK

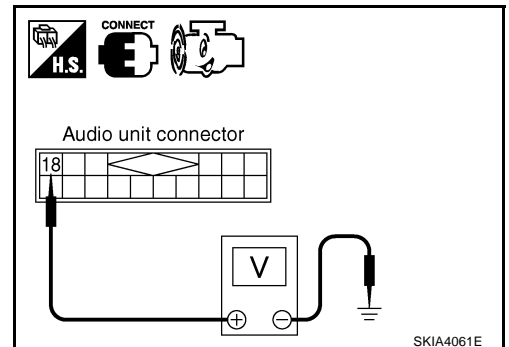
1. Connect combination meter connector.
2. Start engine and drive vehicle at more than 40 km/h (25MPH).
3. Check the signal between audio unit harness connector M39 terminal 18 (W/G) and ground with CONSULT-II or oscilloscope.

18 (W/G) – Ground : Refer to [AV-21, "Terminals and Reference Value for Audio Unit for BOSE System"](#) .

OK or NG

OK >> Replace audio unit.

NG >> Check combination meter system. Refer to [DI-11, "Diagnosis Flow"](#) in "COMBINATION METERS".



AUDIO

Locking CD Auto-changer Mechanism (Audio Unit of BOSE System)

AKS003ZF

CAUTION:

- Prior to removing a malfunctioning CD auto-changer unit (Audio unit of BOSE system) that will be shipped for repair, the changer mechanism **MUST BE LOCKED** to prevent the mechanism from being damaged during shipping.
- If a CD is jammed or unable to be removed from the unit, do **NOT** lock the changer mechanism. If the unit is to be shipped for repair, carefully package the unit to prevent vibration and shock.

DAMPER LOCK PROCEDURE

1. Eject and remove any CDs from the Audio unit (BOSE system).
2. Turn ignition switch OFF. Wait until Audio unit (BOSE system) display is off and mechanism stops moving (mechanism sound stops).
3. Press any one of the disc selection buttons once. When a display shows on the Audio unit (BOSE system), press the same disc selection button again within 5 seconds.
 - The changer mechanism will lock itself within 10 seconds.
4. After mechanism stops moving (mechanism sound stops), open the driver and passenger window, and then disconnect negative battery cable.

CAUTION:

After the battery cables are disconnected, do not open/close the driver and/or front passenger door with the window in the full up position. The automatic window adjusting function will not work and the side roof panel may be damaged.

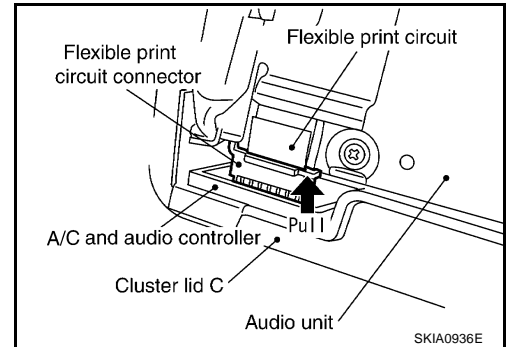
NOTE:

After installing a new or remanufactured Audio unit (BOSE system), switching the Audio unit (BOSE system) ON will automatically unlock the mechanism. A special unlocking procedure is not required.

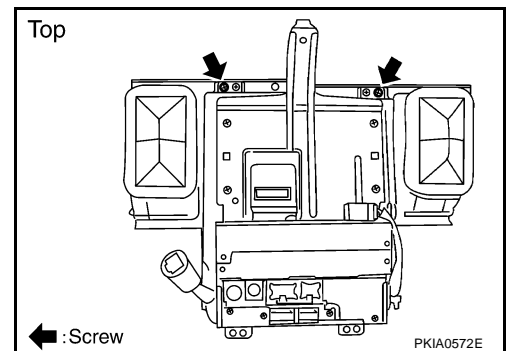
Removal and Installation for Audio Unit

AKS003GG

1. Perform damper lock operation. Refer to [AV-35, "Locking CD Auto-changer Mechanism \(Audio Unit of BOSE System\)"](#) .
2. Remove cluster lid C. Refer to [IP-10, "INSTRUMENT PANEL ASSEMBLY"](#) .
3. Unlock FPC (Flexible Print Circuit) connector lock on A/C and audio controller side.
4. Pull off flexible printed circuit from connector.

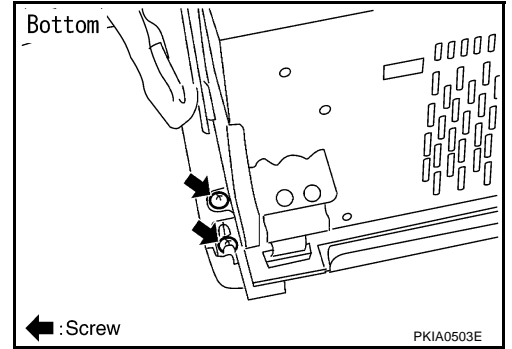


5. Remove screws (top: 2).

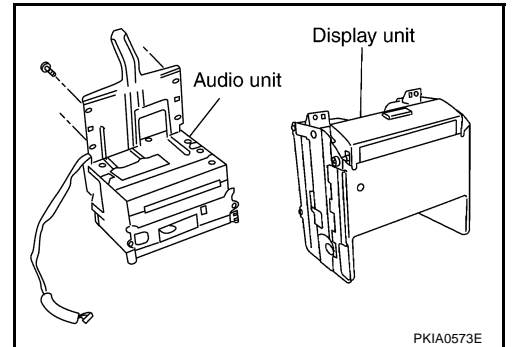


AUDIO

6. Remove screws (bottom: 4). Remove audio unit and display unit assembly (with navigation system) from cluster lid C.



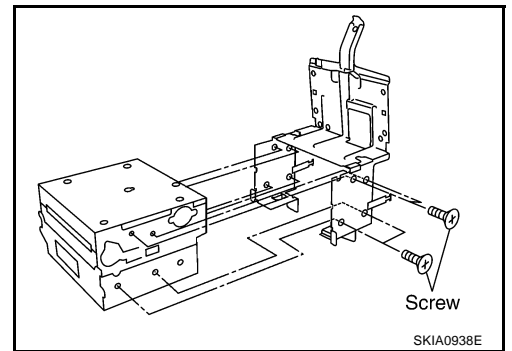
7. Separate audio unit from display unit assembly (with navigation system).



8. Remove 8 screws, and then bracket.

CAUTION:

- When carrying audio unit body, do not touch internal mechanism access from cassette tape slot.
- Be careful not to allow foreign material to enter from cassette tape slot.
- Removal and Installation of A/C and Audio Controller.

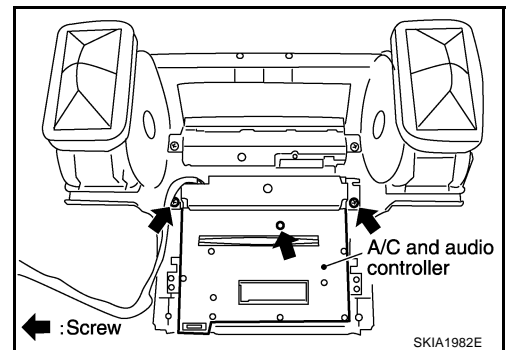


Removal and Installation for A/C and Audio Controller

AKS003GH

REMOVAL

1. Remove audio unit and display unit assembly (with navigation system) from cluster lid C.
2. Remove screws (3) and remove A/C and audio controller.



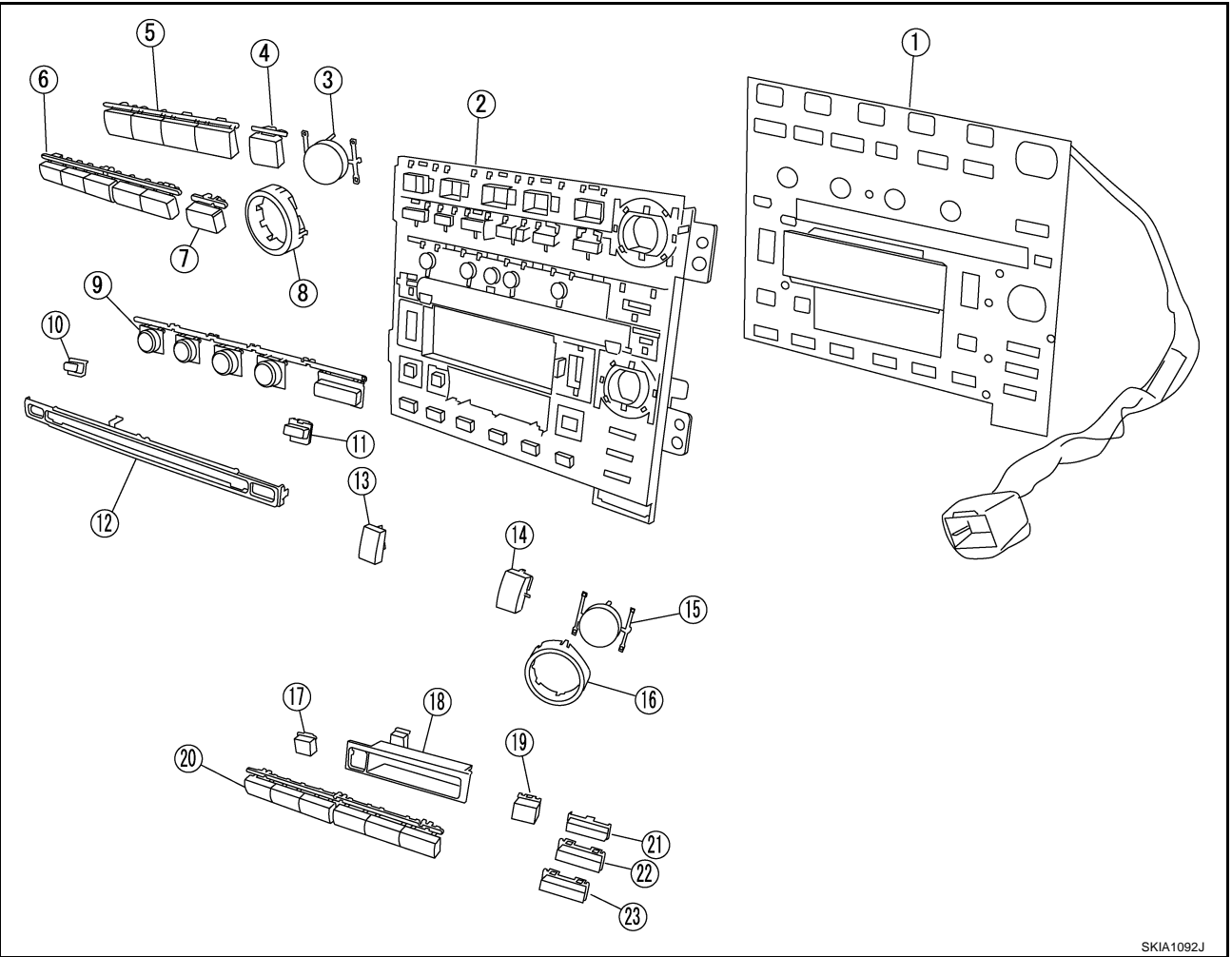
INSTALLATION

Install in the reverse order of removal.

AUDIO

Disassembly and Assembly of A/C and Audio Controller

AKS003GI



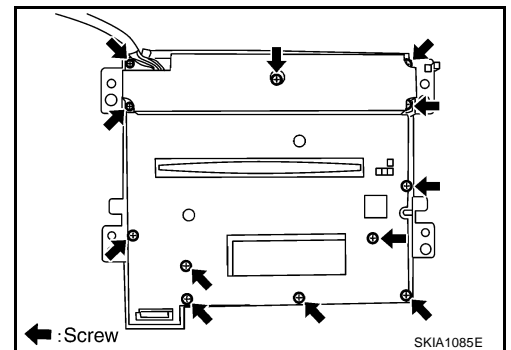
SKIA1092J

- | | | |
|--------------------------|-------------------------------|--|
| 1. Printed circuit board | 2. Switch panel | 3. Temperature adjusting knob |
| 4. Automatic knob | 5. Knob assembly A | 6. Knob assembly B |
| 7. Blind knob | 8. Temperature adjusting ring | 9. Knob assembly C |
| 10. CD EJECT | 11. LOAD | 12. CD slot |
| 13. TUNE /FF-REW | 14. SEEK /TRACK | 15. VOL |
| 16. Volume control ring | 17. AUTO·P | 18. TAPE slot |
| 19. AUDIO | 20. Knob assembly D | 21. DOLBY (Base system)
PTY (BOSE system) |
| 22. RPT | 23. SCAN | |

1. Remove screws (12), and remove printed circuit board.

CAUTION:

- Be sure not to damage printed circuit board by exposure.

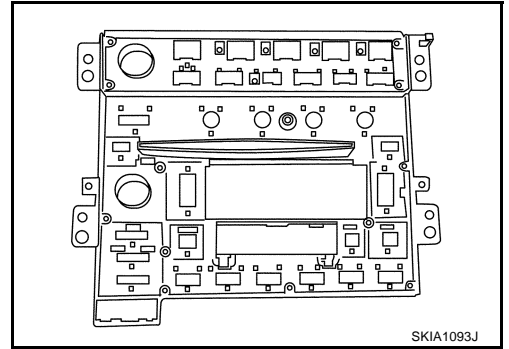


A
B
C
D
E
F
G
H
I
J
L
M

AV

AUDIO

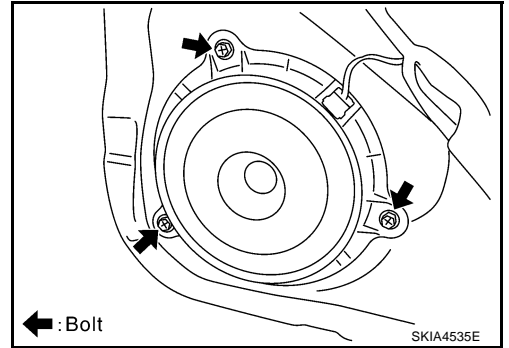
2. Remove switches from back surface of switch panel using.



AKS003GJ

Removal and Installation of Door Speaker REMOVAL

1. Remove door finisher. Refer to [EI-30, "DOOR FINISHER"](#)
2. Remove bolts (3), and remove speaker.



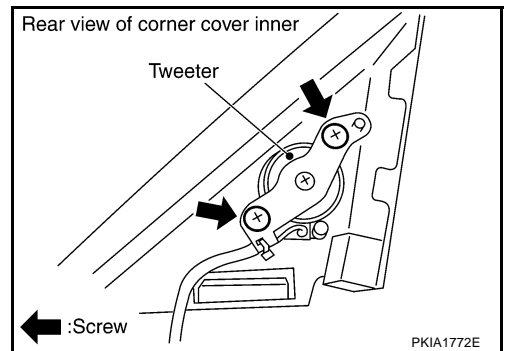
INSTALLATION

Install in the reverse order of removal.

Removal and Installation of Tweeter Behind Door Mirror REMOVAL

1. Remove corner cover inner. Refer to [EI-32, "BODY SIDE TRIM"](#) .
2. Remove screws (2), and remove tweeter behind door mirror.

AKS003GL



INSTALLATION

Install in the reverse order of removal.

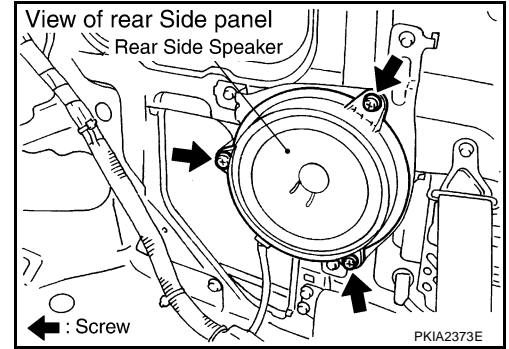
Removal and Installation of Rear Side Speaker REMOVAL

1. Remove rear side finisher. Refer to [EI-32, "BODY SIDE TRIM"](#) .

AKS003ZG

AUDIO

2. Remove screws (3) and remove speaker.



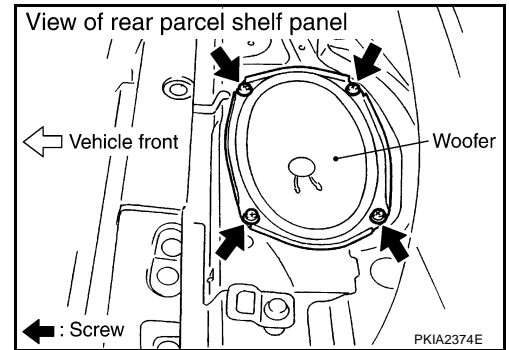
INSTALLATION

Install in the reverse order of removal.

Removal and Installation of Woofer

1. Remove rear parcel shelf finisher. Refer to [EI-35, "REAR PARCEL SHELF FINISHER"](#).
2. Remove screws (4), and remove woofer.

AKS003GM



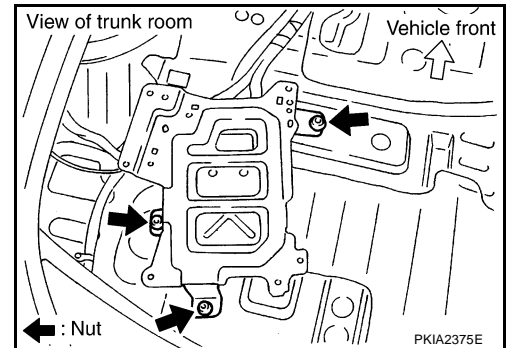
INSTALLATION

Install in the reverse order of removal.

Removal and Installation of BOSE Speaker Amp.

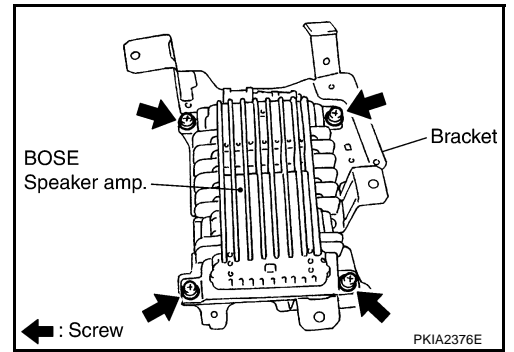
1. Remove luggage floor carpet and spare tire cover. Refer to [EI-40, "Removal and Installation for Trunk Room Trim"](#).
2. Remove trunk side box. Refer to [EI-40, "Removal and Installation for Trunk Room Trim"](#).
3. Remove nuts (3), and remove BOSE speaker amp. from trunk room floor.

AKS003GN



AUDIO

4. Remove bolts (4), and remove bracket.



INSTALLATION

Install in the reverse order of removal.

AUDIO ANTENNA

AUDIO ANTENNA

PFP:28200

System Description

AKS003GO

With the ignition switch in ACC or ON, power is supplied

- through 10A fuse [No. 6, located in the fuse block (J/B)]
- to audio unit terminal 10.

Ground is supplied through the case of the antenna amp.

When the radio switch is turned ON, antenna signal is supplied

- through audio unit terminal 5
- to the antenna amp. terminal 2.

Then the antenna amp. is activated.

The amplified radio signals are supplied to the audio unit through the antenna amp.

A

B

C

D

E

F

G

H

I

J

AV

L

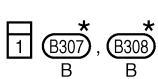
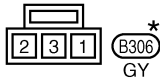
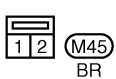
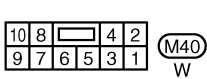
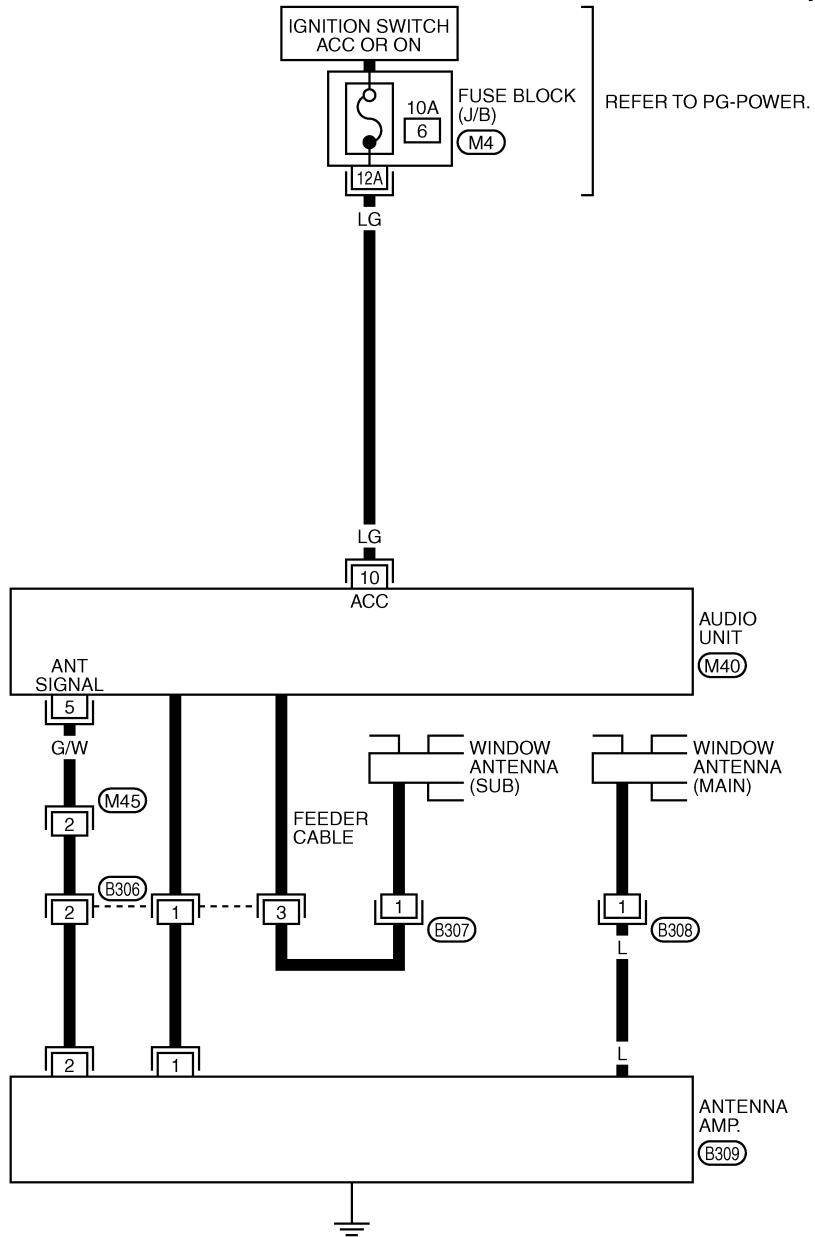
M

AUDIO ANTENNA

Wiring Diagram -W/ANT-

AKS003GP

AV-W/ANT-01



REFER TO THE FOLLOWING.

(M4) - FUSE BLOCK-JUNCTION BOX (J/B)

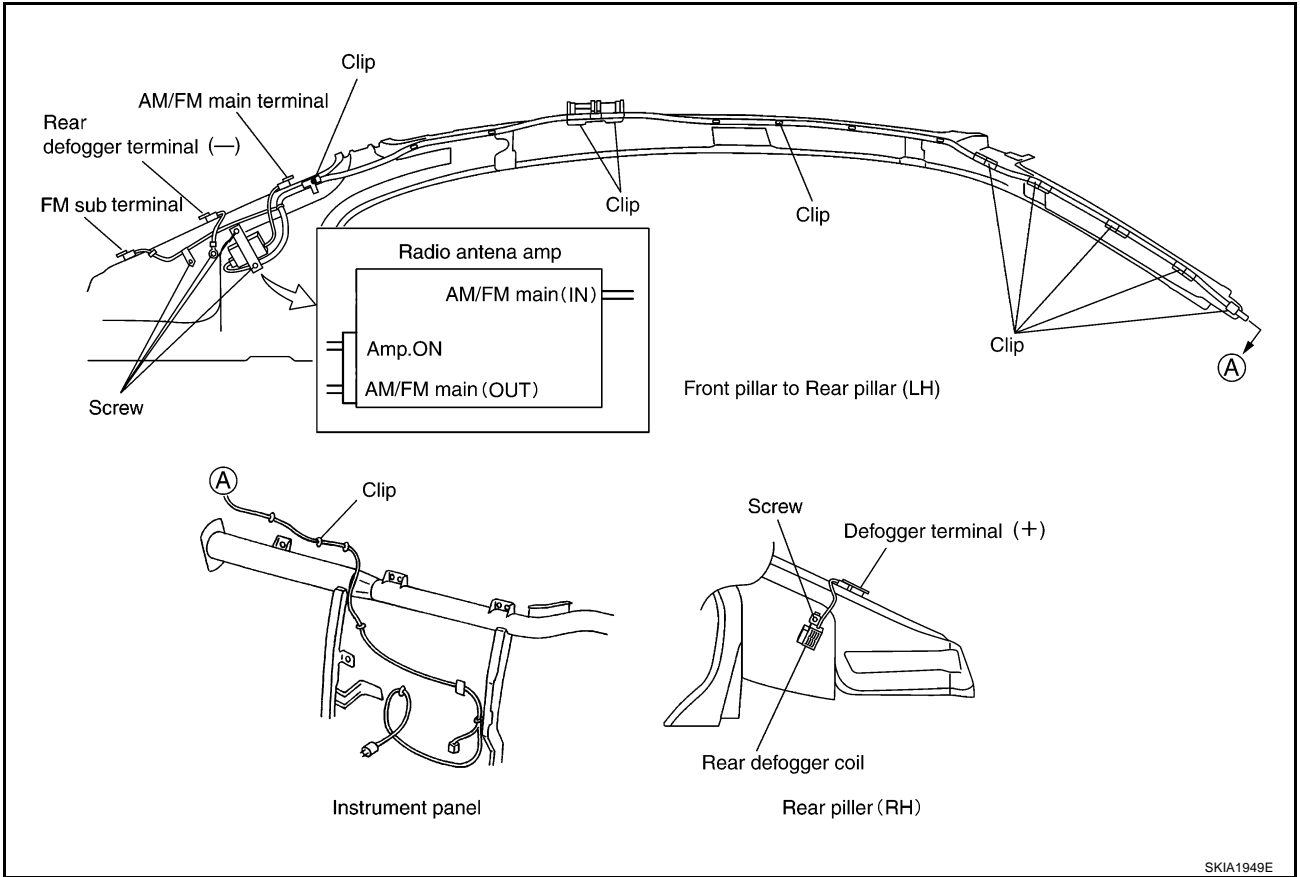
*: THIS CONNECTOR IS NOT SHOWN IN "HARNESS LAYOUT", PG SECTION.

TKWT0648E

AUDIO ANTENNA

Location of Antenna

AKS003GQ

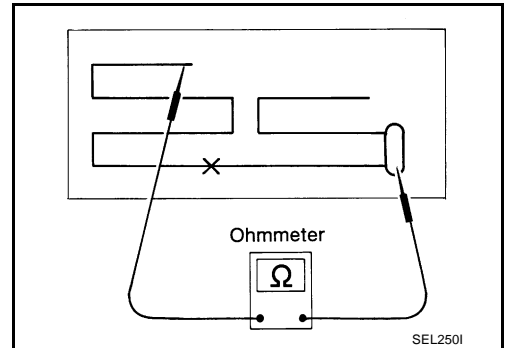


SKIA1949E

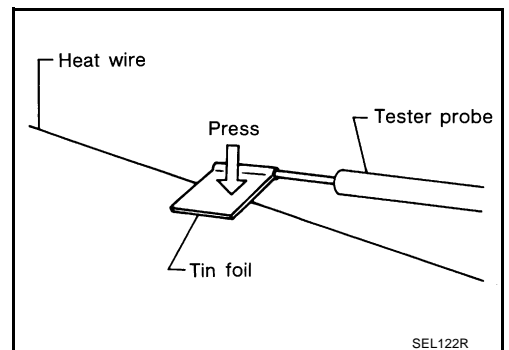
Window Antenna Repair ELEMENT CHECK

AKS003GR

1. Attach probe circuit tester (ohm setting) to antenna terminal on each side.

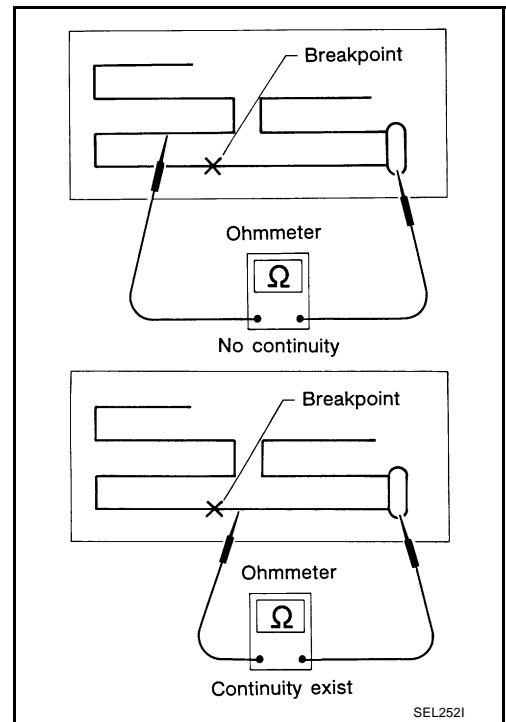


- When measuring continuity, wrap tin foil around the top of probe. Then, press the foil against the wire with your finger.

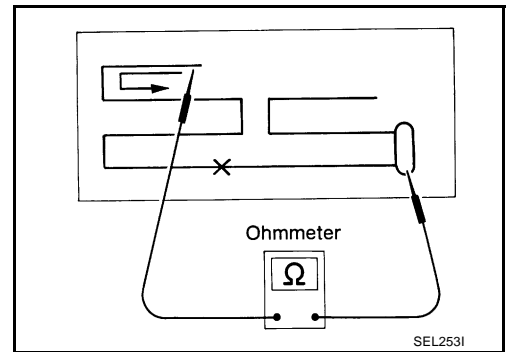


AUDIO ANTENNA

2. If an element is broken, no continuity will exist.



3. To locate a break, move probe along element. Tester needle will swing abruptly when probe passes the broken point.



ELEMENT REPAIR

Refer to [GW-82, "Filament Repair"](#) .

NAVIGATION SYSTEM

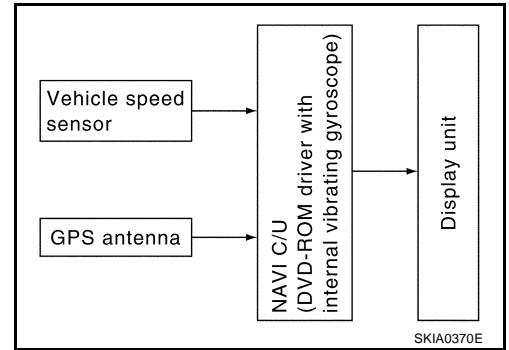
PFP:25915

System Description

AKS003GS

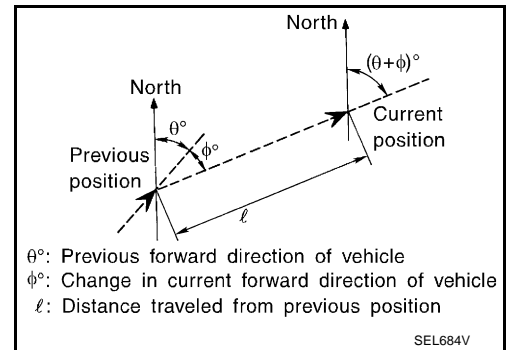
The navigation system periodically calculates the vehicle's current position according to the following three signals: Travel distance of the vehicle as determined by the vehicle speed sensor, turning angle of the vehicle as determined by the gyroscope (angular velocity sensor), and the direction of vehicle travel as determined by the GPS antenna (GPS information).

The current position of the vehicle is then identified by comparing the calculated vehicle position with map data read from the map DVD-ROM, which is stored in the DVD-ROM drive (map-matching), and indicated on the screen with a current-location mark.



By comparing the vehicle position detection results found by the GPS and by map-matching, more accurate vehicle position data can be used.

The current vehicle position will be calculated by detecting the distance the vehicle moved from the previous calculation point and its direction.



TRAVEL DISTANCE

Travel distance calculations are based on the vehicle speed sensor input signal. Therefore, the calculation may become incorrect as the tires wear down. To prevent this, an automatic distance fine adjustment function has been adopted.

TRAVEL DIRECTION

Change in the travel direction of the vehicle is calculated by a gyroscope (angular velocity sensor) and a GPS antenna (GPS information). As the gyroscope and GPS antenna have both merit and demerit, input signals from them are prioritized in each situation. However, this order of priority may change in accordance with more detailed travel conditions so that the travel direction is detected more accurately.

Type	Advantage	Disadvantage
Gyroscope (angular velocity sensor)	<ul style="list-style-type: none"> Can detect the vehicle's turning angle quite accurately. 	<ul style="list-style-type: none"> Direction errors may accumulate when the vehicle is driven for long distances without stopping.
GPS antenna (GPS information)	<ul style="list-style-type: none"> Can detect the vehicle's travel direction (North/South/East/West). 	<ul style="list-style-type: none"> Correct direction cannot be detected when the vehicle speed is low.

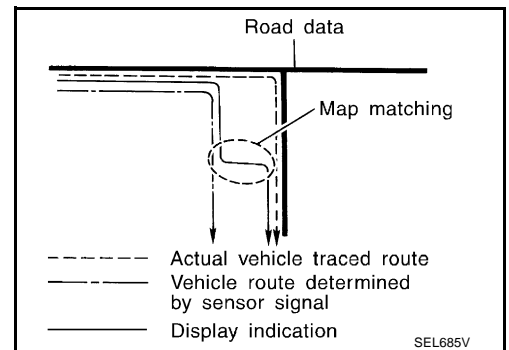
MAP-MATCHING

Map-matching is a function that repositions the vehicle on the road map when a new location is judged to be the most accurate. This is done by comparing the current vehicle position, calculated by the method described in the position detection principle, with the road map data around the vehicle, read from the map DVD-ROM stored in the DVD-ROM drive.

Therefore, the vehicle position may not be corrected after the vehicle is driven over a certain distance or time in which GPS information is hard to receive. In this case, the current-location mark on the display must be corrected manually.

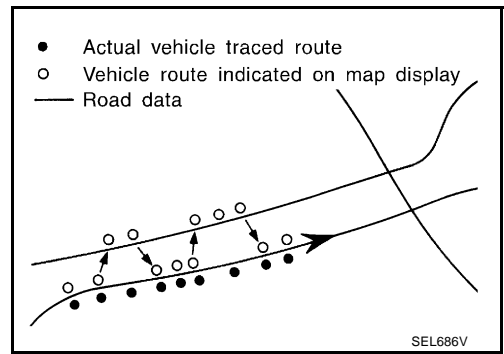
CAUTION:

The road map data is based on data stored in the map DVD-ROM.

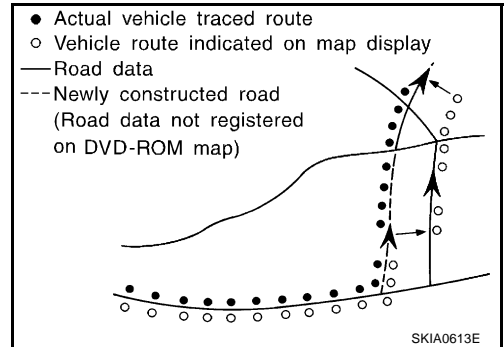


NAVIGATION SYSTEM

- In map-matching, alternative routes to reach the destination will be shown and prioritized, after the road on which the vehicle is currently driven has been judged and the current-location mark has been repositioned.
If there is an error in distance and/or direction, the alternative routes will be shown in different order of priority, and the wrong road can be avoided.
If two roads are running in parallel, they are of the same priority. Therefore, the current-location mark may appear on either of them alternately, depending on maneuvering of the steering wheel and configuration of the road.

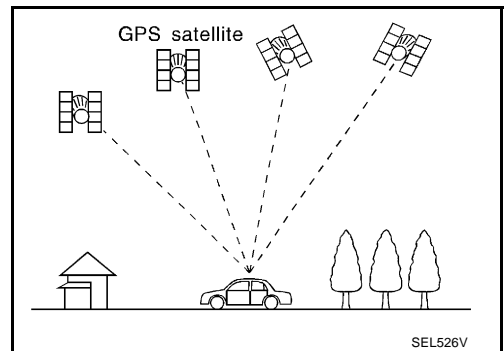


- Map-matching does not function correctly when the road on which the vehicle is driving is new and not recorded in the map DVD-ROM, or when the road pattern stored in the map data and the actual road pattern are different due to repair.
When driving on a road not present in the map, the map-matching function may find another road and position the current-location mark on it. Then, when the correct road is detected, the current-location mark may leap to it.
- Effective range for comparing the vehicle position and travel direction calculated by the distance and direction with the road data read from the map DVD-ROM is limited. Therefore, when there is an excessive gap between the current vehicle position and the position on the map, correction by map-matching is not possible.



GPS (GLOBAL POSITIONING SYSTEM)

GPS (Global Positioning System) has been developed and controlled by the US Department of Defense. The system utilizes GPS satellite (NAVSTAR), sending out radio waves while flying on an orbit around the earth at the height of approx. 21,000 km (13,000 miles). The GPS receiver calculates the vehicle's position in three dimensions (latitude/longitude/altitude) according to the time lag of the radio waves received from four or more GPS satellites (three-dimensional positioning). If radio waves were received only from three GPS satellites, the GPS receiver calculates the vehicle's position in two dimensions (latitude/longitude), utilizing the altitude data calculated previously by using radio waves from four or more GPS satellites (two-dimensional positioning).



Accuracy of the GPS will deteriorate under the following conditions.

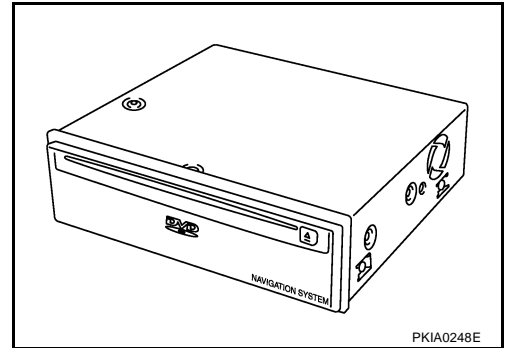
- In two-dimensional positioning, the GPS accuracy will deteriorate when the altitude of the vehicle position changes.
- There may be an error of approximately 10m (30ft) in position detected by three-dimensional positioning, which is more accurate than two-dimensional positioning. The accuracy can be even lower depending on the arrangement of the GPS satellites utilized for the positioning.
- Position detection is not possible when the vehicle is in an area where radio waves from the GPS satellite do not reach, such as in a tunnel, parking lot in a building, and under an elevated highway. Radio waves from the GPS satellites may not be received when some object is located over the GPS antenna.
- Position correction by GPS is not available while the vehicle is stopped.

NAVIGATION SYSTEM

COMPONENT DESCRIPTION

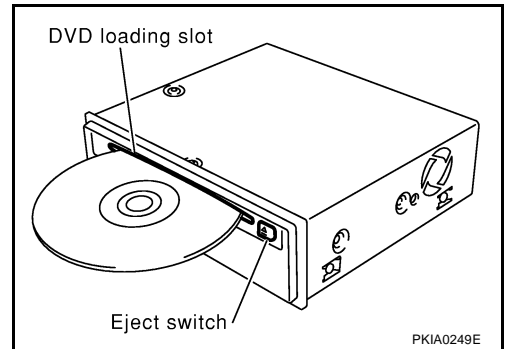
NAVI Control Unit

- The gyro (angular speed sensor) and the DVD-ROM drive are built-in units that control the navigation functions.
- Signals are received from the gyro, the vehicle speed sensor, and the GPS antenna. Vehicle location is determined by combining this data with the data contained in the DVD-ROM map. Locational information is shown on LCD(liquid crystal display) screen.



DVD-ROM Drive

Maps, traffic control regulations, and other pertinent information can be easily read from the DVD-ROM disc.



Map DVD-ROM

- The map DVD-ROM has maps, traffic control regulations, and other pertinent information.
- To improve DVD-ROM map matching and route determination functions, the DVD-ROM uses an exclusive Nissan format. Therefore, the use of a DVD-ROM provided by other manufacturers cannot be used.

Gyro (Angular Speed Sensor)

- The oscillator gyro sensor is used to detect changes in vehicle steering angle.
- The gyro is built into the NAVI control unit.

A
B
C
D
E
F
G
H
I
J
L
M

AV

NAVIGATION SYSTEM

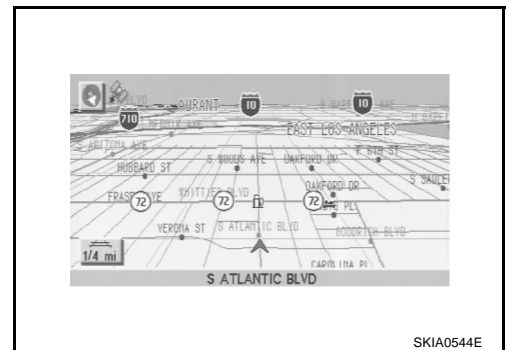
BIRD VIEW™

The BIRD VIEW™ provides a detailed and easily seen display of road conditions covering the vehicle's immediate to distant area.

- MAP DISPLAY

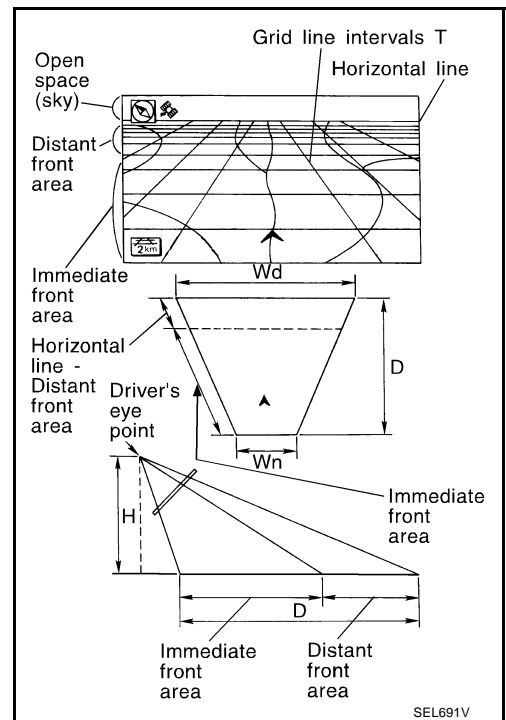


- BIRD VIEW™



Description

- Display area: Trapezoidal representation showing approximate distances (W_n , D , and W_d).
- Ten horizontal grid lines indicate display width while six vertical grid lines indicate display depth and direction.
- Drawing line area shows open space, depth, and immediate front area. Each area is to a scale of approximately 5:6:25.
- Pushing the "ZOOM IN" button during operation displays the scale change and the view point height on the left side of the screen.
The height of the view point increases or decreases when "ZOOM" or "WIDE" is selected with the joystick.



NAVIGATION SYSTEM

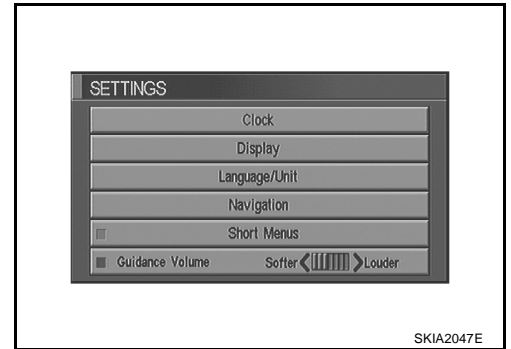
The function of each icon is as follows:

Icon	MODE		Description
	Easy	Expert	
Quick Stop	×	×	The selected facility is set as the destination or waypoint. (Route guidance has been turned OFF or the destination has been reached)
Where am I?	×	×	Next, current and previous street names can be displayed.
Route Info.*		×	The following items can be set. <ul style="list-style-type: none"> ● Complete Route ● Turn List ● Route Simulation (Displayed only when the destination area has been set.)
Edit Route*		×	Change the destination or add the transit points of the route set in the route guide. (Displayed only when the automatic reroute function has been turned OFF and the recommended route is not followed.)
Help	×		Explanation of Navigational functions appear on the Display.

*: When destinations have been entered, route guidance has been turned OFF or destination has been reached, "Route Info." and "Edit Route" are not displayed.

Display with Pushed "SETTING" Switch

The function of each icon is as follows:



Icon	Description
Clock	Settings of clock can be performed
Display	Settings of display can be performed.
Language/Unit	Settings of Language or unit can be performed.
Navigation	Settings and adjusting of navigation can be performed.
Short Menus	Easy Mode and Expert Easy Mode can be switched.
Guidance Volume	The volume and/or on/off of voice prompt can be controlled by the joystick.
Help (only easy mode)	Explanation of Navigational Functions Appear on the Display.

NAVIGATION SYSTEM

Display with Pushed “INFO” Switch

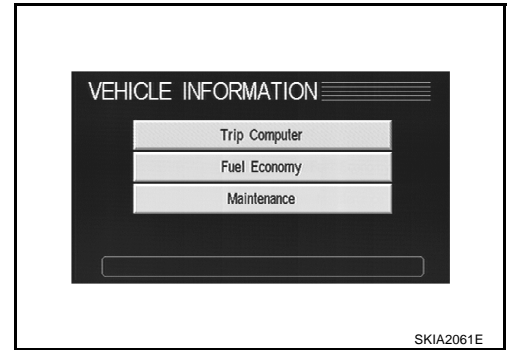
NAVI control unit is communicating combination meter.

1. Push “INFO” switch to display vehicle information display.

NOTE:

If a warning signal is received by NAVI at this time, NAVI control unit displays warning message on screen.

2. Select “Trip Computer”, “Fuel Economy” or “Maintenance”.



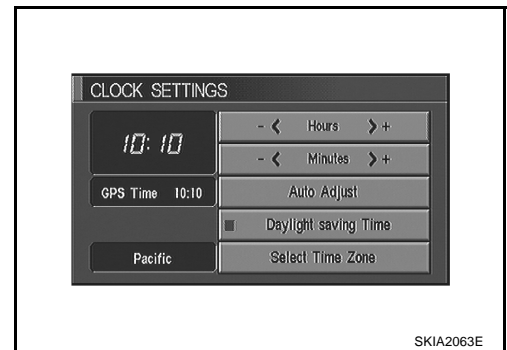
Display items	Display/Setting contents		Reference page
Trip Computer	Elapsed Time	Displays driving time with a range of 0000:00:00 to 9999:59:59.	AV-58. "TRIP COMPUTER INFORMATION"
	Driving Distance	Displays driving distance with a range of 00000.0 to 99999.9.	
	Average speed	Displays average speed with a range of 000.0 to 999.9.	
Fuel Economy	Average Fuel Economy (MPG)	Displays fuel economy with ignition switch ON, average fuel economy each 30 minutes.	AV-58. "FUEL ECONOMY INFORMATION"
	Distance to Empty (Miles)	Displays possible driving distance with remaining fuel.	
	Fuel Economy (MPG)	Displays fuel economy each approx. 100 ms.	
	Fuel Economy Record	Displays Average Fuel Consumption History.	
Maintenance (with Maintenance information*)	Engine oil	Maintenance intervals of engine oil and setting of oil change cycle.	AV-59. "MAINTENANCE INFORMATION"
	Oil Filter	Maintenance intervals of oil filter and setting of filter replacement cycle.	

*:Maintenance information displays the change cycle of engine oil and oil filter on LCD monitor depending on the driving distance specified by a driver or a technician.

Clock Setting

How To Perform Navigation Setting

1. Start the engine.
2. Push “SETTING” switch.
3. Select “CLOCK”.
 - GPS time can be changed to offset time.
 - Daylight Savings Time can be set.
 - Time zone can be set.

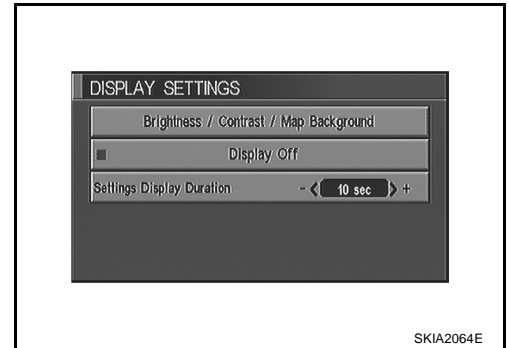


NAVIGATION SYSTEM

Display Setting

How To Perform Navigation Setting

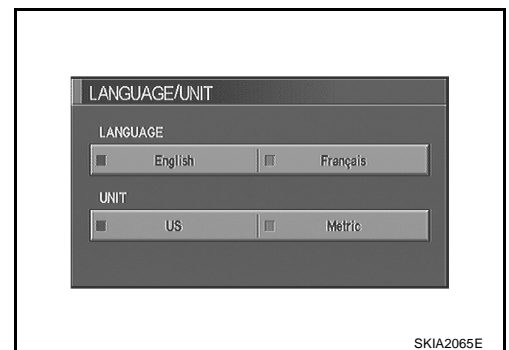
1. Start the engine.
 2. Push "SETTING" switch.
 3. Select "Display".
- Brightness, contrast, or map background setting can be changed.
 - Display sleep mode ON/OFF can be switched.
 - Display sleep mode timer can be set.



Language Setting

How To Perform Navigation Setting

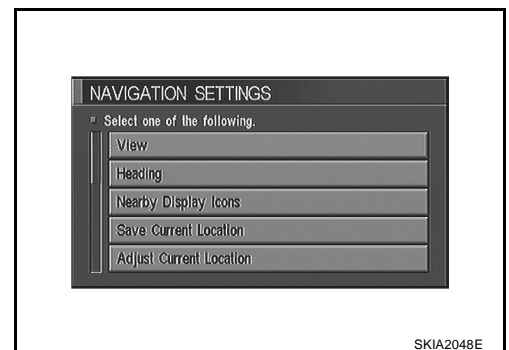
1. Start the engine.
 2. Push "SETTING" switch.
 3. Select "Language".
- Language setting can be switched.
 - Unit setting can be changed.



Navigation Setting

How To Perform Navigation Setting

1. Start the engine.
2. Push "SETTING" switch.
3. Select "Navigation".



A
B
C
D
E
F
G
H
I
J
AV
L
M

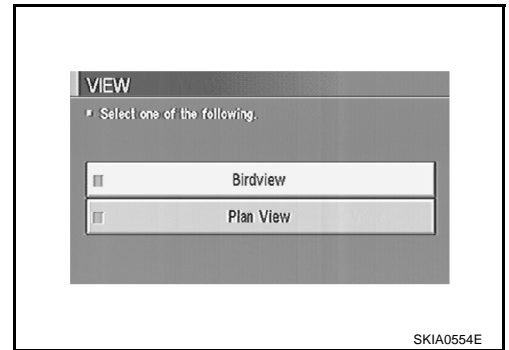
NAVIGATION SYSTEM

Application Items

Icon	Description	Reference page
View	Map display mode can be switched.	AV-54
Heading	Heading of the map display can be customized for either north heading or the actual driving direction of the vehicle.	AV-54
Nearby Display Icons	Icons of facilities can be displayed. Facilities to be displayed can be selected from the variety selections.	AV-55
Save Current Location	Current vehicle location can be registered in Address Book.	AV-55
Adjust Current Location	Current location of position marker can be adjusted. Direction of position marker also can be calibrated when heading direction of the vehicle on the display is not matched with the actual direction.	AV-55
Auto Re-route ON/OFF	ON/OFF of Auto Re-route can be switched.	AV-56
Avoid Area Setting	A particular area can be avoided when routing.	AV-56
Button Tone/Beep Response	Button tone can be selected ON/OFF	AV-56
Clear Memory	Address Book, Previous destination or Avoid area can be deleted.	AV-56
Edit Address Book	Address Book can be edited.	AV-57
GPS Information	The GPS data includes longitude, latitude and altitude (distance above sea level) of the present vehicle position, and current date and time for the area in which the vehicle is being driven. Also indicated are the GPS reception conditions and the GPS satellite position.	AV-57
Quick Stop Customer Setting	One facility of your selection can be added to your Quick Stop.	AV-57
Set Average speed	Average vehicle speed can be set to calibrate estimated journey time for the destination.	AV-57
Tracking	Tracking to the present vehicle position can be displayed.	AV-58

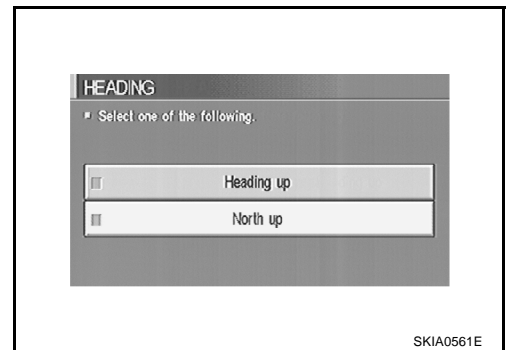
“VIEW” MODE

1. Select “Bird view™” or “Plan view” icon.
 - To open the map screen display with Bird View™, select “Bird View™”.
 - To open the map screen display with Plan View, select “Plan View”.



“HEADING” MODE

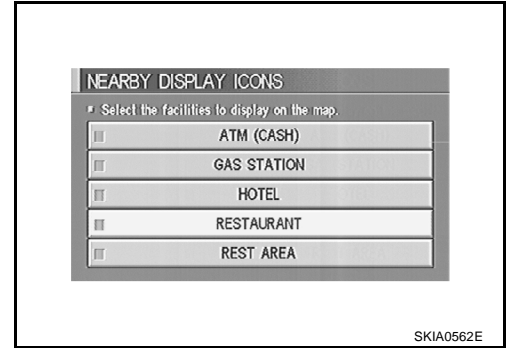
- To display North up, select “North up”.
- To display the car heading up, select “Heading up”.



NAVIGATION SYSTEM

“NEARBY DISPLAY ICONS” MODE

- Select an icon to display on the map screen.



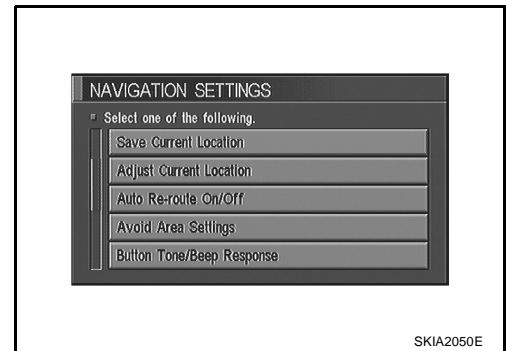
A
B
C
D

“SAVE CURRENT LOCATION” MODE

- The current vehicle location can be registered in “Address Book”.

NOTE:

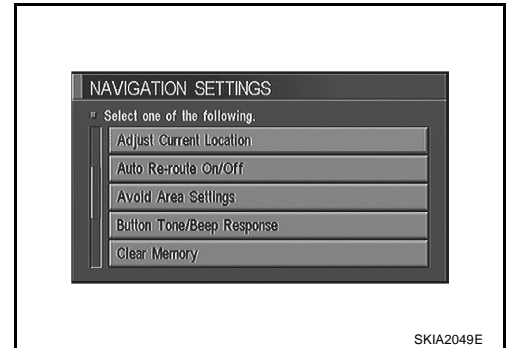
“Address Book” can store 50 items max.



E
F
G
H

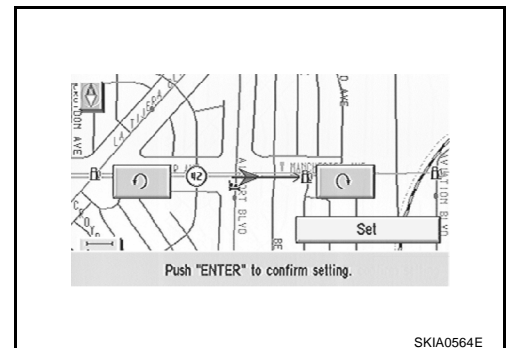
“ADJUST CURRENT LOCATION” MODE

1. Select an icon “right” or “left” to calibrate the heading direction. (Arrow marks will rotate corresponding to the calibration key.)



I
J
AV
L

2. Select “Set”. Then the vehicle mark will be matched to the arrow mark.

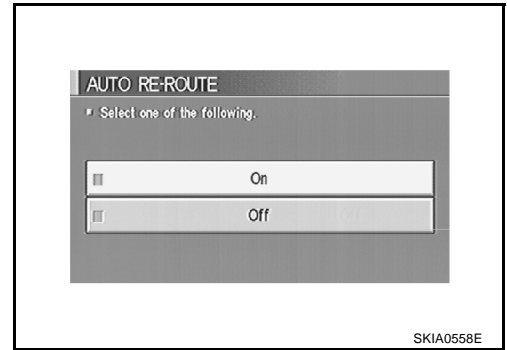


M

NAVIGATION SYSTEM

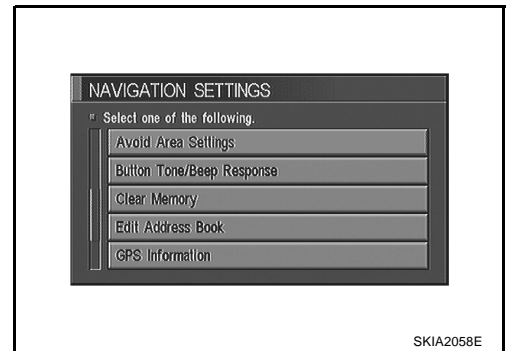
“AUTO RE-ROUTE” MODE

- To Perform the auto re-route of route, select “On”.
- Not to perform the auto re-route of route, select “Off”.



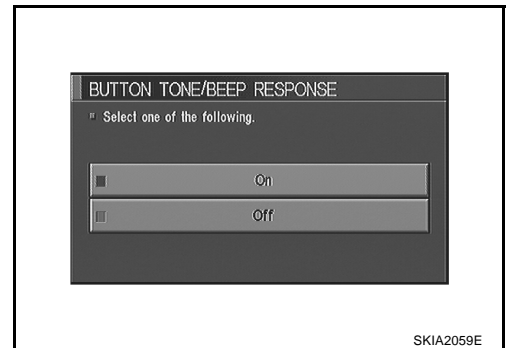
“AVOID AREA SETTING” MODE

- Areas to avoid can be registered.



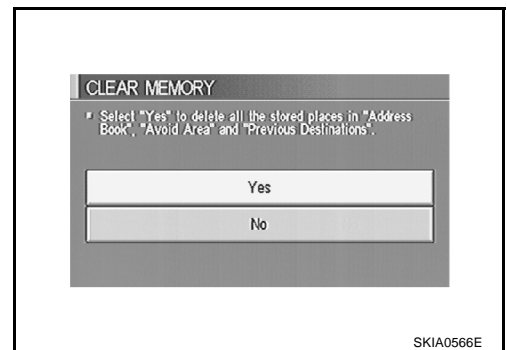
“BUTTON TONE/BEEP RESPONSE” MODE

- If beep is required, select “On”.
- If no beep is required, select “Off”.



“CLEAR MEMORY” MODE

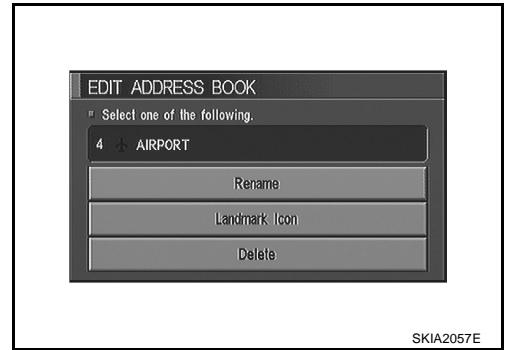
- To delete all the stored places in “Address Book”, “Avoid Area” and “Previous Dest”, select “Yes”.



NAVIGATION SYSTEM

“EDIT ADDRESS BOOK” MODE

- Edit the items registered in Address Book.



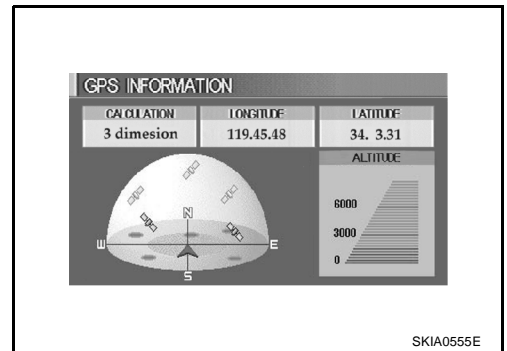
A
B
C
D

“GPS INFORMATION” MODE

- Latitude, longitude, altitude, astrometric state, and satellite location are displayed as GPS information.

NOTE:

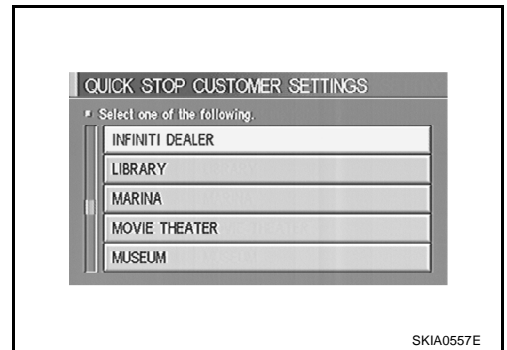
Altitude is displayed only in three-dimensional status.



E
F
G
H

“QUICK STOP CUSTOMER SETTING” MODE

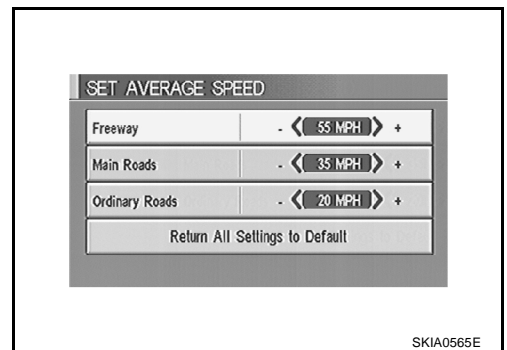
- Select a category for the “Quick Stop” menu.



I
J
AV
L

“SET AVERAGE SPEED” MODE

- Set the average vehicle speed to calibrate the estimated journey time for the destination.
- Set three items; “Freeway”, “Main Roads”, and “Ordinary Roads”.



M

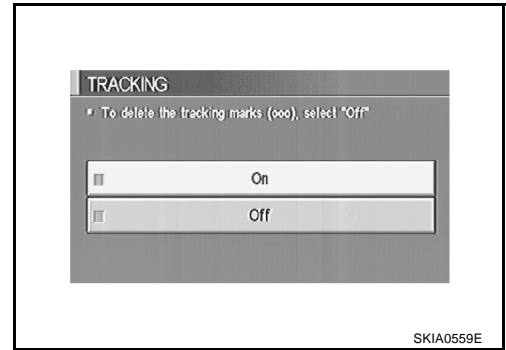
NAVIGATION SYSTEM

“TRACKING” MODE

- To leave no trail on the map, select “Off”.
- To leave a trail in the map, select “On”.

NOTE:

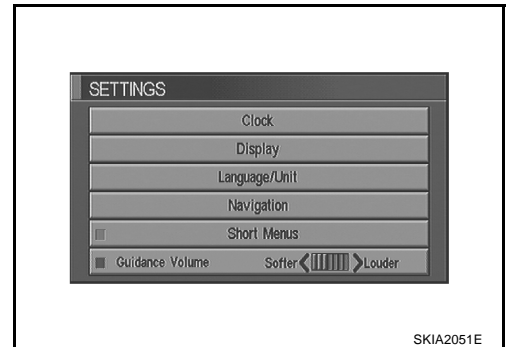
When a trail display is turned OFF, trail data is erased from the memory.



GUIDE VOLUME SETTING

Description

Following voice guidance setting can be changed.



Activation/Deactivation Setting

- The voice prompt can be turned on/off by Pushing the “Guidance Volume” button.

Voice Volume Setting

- Volume of the voice can be controlled by bending the joystick to left/right.

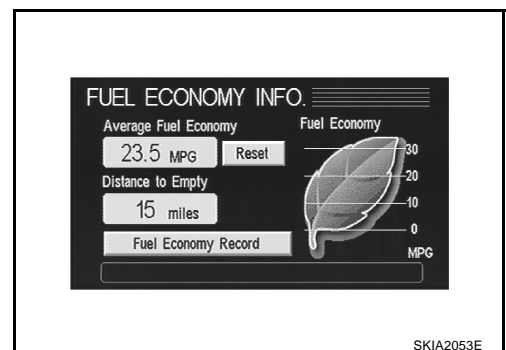
TRIP COMPUTER INFORMATION

- Elapsed time, Driving distance and Average speed are displayed as Trip Computer information.



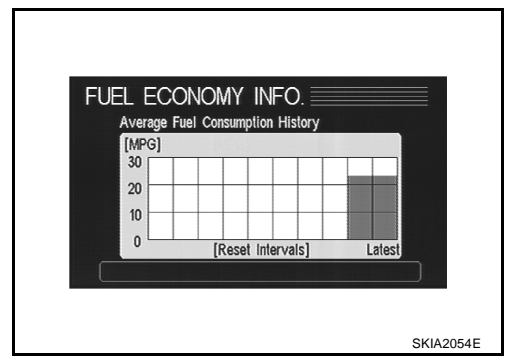
FUEL ECONOMY INFORMATION

- Average Fuel Economy, Distance to Empty, Fuel Economy are displayed as Fuel Economy information.



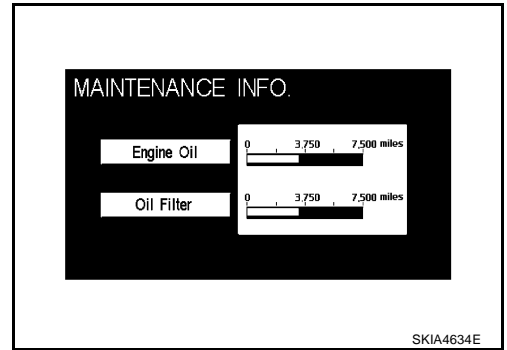
NAVIGATION SYSTEM

- Select “Fuel Economy Record”. The average fuel consumption history will be displayed in graph along with the average for the previous Reset – to – Reset period.



MAINTENANCE INFORMATION

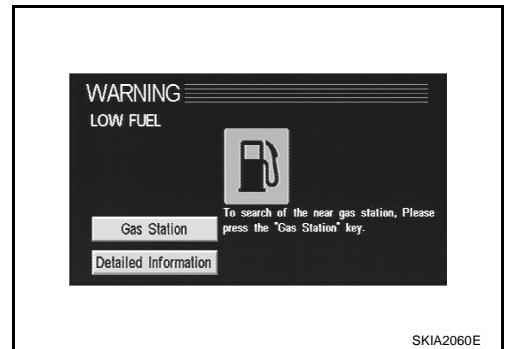
- Engine Oil and Oil Filter are displayed as Maintenance information.



WARNING INDICATIONS

When combination meter receives warning signal from some control units or sensors, then combination meter warning lamp is illuminated.

Then combination meter sends warning signal to NAVI control unit to display warning indications on the screen.



Warning indicators	Warning lamps in instrument panel	Warning detection and cancel conditions		Cases of malfunction
MALFUNCTION	SERVICE ENGINE SOON	Detection condition	Warning lamp ON signal is detected while engine is running.	ECM malfunction
		Cancel condition	Warning lamp OFF signal is detected.	
ENGINE OIL PRESSURE	Engine oil pressure	Detection condition	Warning lamp ON signal is detected for at least approx. 5 seconds while engine is running. [Engine oil pressure: MAX. approx. 29 kPa (0.3 kg/cm ² , 4 psi)]	Engine oil pressure decreases.
		Cancel condition	Warning lamp OFF signal is detected. [Engine oil pressure: MIN. approx. 29 kPa (0.3 kg/cm ² , 4 psi)]	

A
B
C
D
E
F
G
H
I
J
AV

NAVIGATION SYSTEM

Warning indicators	Warning lamps in instrument panel	Warning detection and cancel conditions		Cases of malfunction
SUPPLEMENTAL AIR BAG	Air bag	Detection condition	Warning lamp ON signal is detected for at least approx. 10 seconds after ignition switch is turned ON.	SRS air bag system malfunction
		Cancel condition	Warning lamp OFF signal is detected.	
LOW BRAKE FLUID	Brake	Detection condition	Warning lamp ON signal (fluid level) is detected.	Low brake fluid level
		Cancel condition	Warning lamp OFF signal is detected.	
OVERHEATING	-	Detection condition	Engine coolant temperature as being approx. 119°C (246°F) min.	Engine cooling system malfunction
		Cancel condition	engine coolant temperature as being approx. 105°C (221°F) max.	
CHARGE	Charge	Detection condition	Warning lamp ON signal is detected while engine is running. Charging system malfunction	Charging system malfunction
		Cancel condition	Warning lamp OFF signal is detected.	
LOW WASHER FLUID	-	Detection condition	Washer liquid level falls below approx. 0.4 ℓ (7/8 USqt, 3/4 Imp pt).	Low washer liquid level
		Cancel condition	Except above condition.	
LOW FUEL	Fuel level	Detection condition	After warning lamp ON signal is detected, vehicle is driven for over specified distance. [Fuel level: Approx. 11.8 ℓ (12-1/2 USqt, 10-3/8 Imp qt)]	Low fuel level
		Cancel condition	Warning lamp OFF signal is detected.	
PARKING BRAKE	Brake	Detection condition	Parking brake ON signal is detected while vehicle is running [approx. 5 km/h (3 MPH) or faster].	Parking brake remains engaged.
		Cancel condition	Vehicle is stopped, or parking brake OFF signal is detected.	
DOOR OPEN	Door	Detection condition	Vehicle is running [approx. 5 km/h (3 MPH) or faster] and door ajar of any of the doors is detected.	Door is open
		Cancel condition	Vehicle is stopped and all the doors lock.	
ANTI-LOCK BRAKE	ABS	Detection condition	Warning lamp ON signal is detected when engine is running.	ABS control system malfunction
		Cancel condition	Warning lamp OFF signal is detected.	
VEHICLE DYNAMIC CONTROL	VDC	Detection condition	Warning lamp ON signal is detected when engine is running.	VDC system malfunction
		Cancel condition	Warning lamp OFF signal is detected.	
TRACTION CONTROL SYSTEM	TCS	Detection condition	Warning lamp ON signal is detected when engine is running.	TCS system malfunction
		Cancel condition	Warning lamp OFF signal is detected.	

NAVIGATION SYSTEM

Warning indicators	Warning lamps in instrument panel	Warning detection and cancel conditions		Cases of malfunction
AUTOMATIC TRANSMISSION OIL TEMPERATURE	AT CHECK	Detection condition	Warning lamp ON signal is detected after ignition switch is turned ON.	TCM system malfunction
		Cancel condition	Warning lamp OFF signal is detected.	
CRUISE CONTROL	SET	Detection condition	Warning lamp ON signal is detected after ignition switch is turned ON.	ASCD system malfunction
		Cancel condition	Warning lamp OFF signal is detected.	

Precautions for NAVI Control Unit Replacement

AKS003GT

- When replacing the NAVI control unit, eject the map DVD-ROM before disconnecting the battery.
- The NAVI control unit has the following information stored in its memory. Record the memory contents before replacing the control unit, and input them in the new unit as necessary.

<Image quality>

- **Brightness of light when ON/OFF**
- **Dimming switching**
- **Display color switching**

<Navigation mode>

- **Latest status (map screen/bird view™, reduced scale, rotation angle of map screen, route guide ON/OFF, track ON/OFF, etc.)**
- **Current position**
- **Destination, passing point 1 - 5**
- **Registered places, their names, etc.**

NOTE:

Only removing the battery does not erase the memory.

A
B
C
D
E
F
G
H
I
J
L
M

AV

NAVIGATION SYSTEM

AKS003GU

Component Parts Location

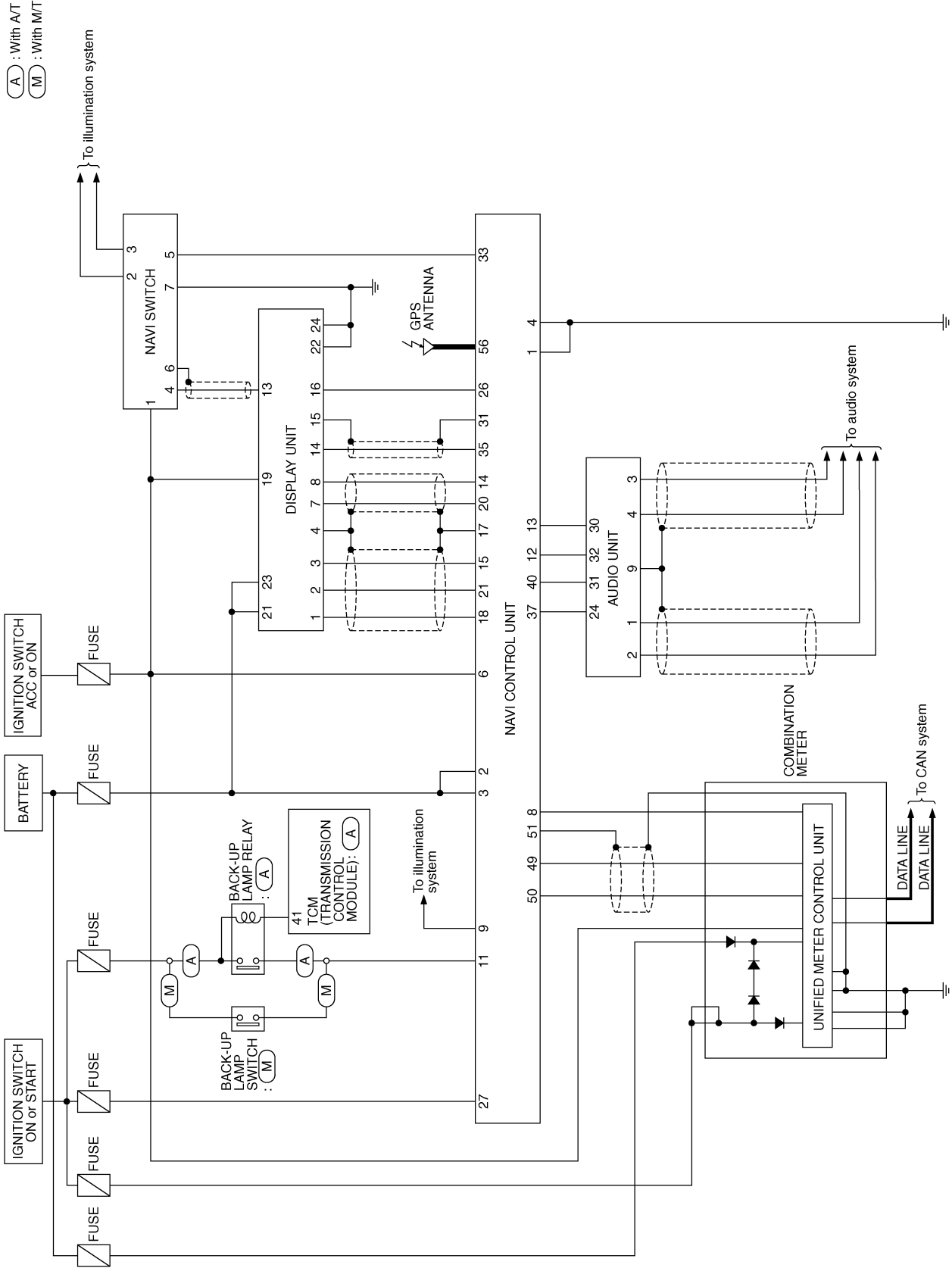
<p>Fuse block (J/B) fuse layout</p>	<p>IPDM E/R fuse layout</p>	<p>Battery</p> <p>Back-up lamp relay (E19)</p> <p>Fuse and fusible link box</p>
<p>Upper glove box</p> <p>NAVI control unit</p> <p>(M57), (M58), (M59), (M204)</p>	<p>View with display and A/C auto amp. removed</p> <p>GPS antenna</p>	<p>Display unit (M35)</p> <p>NAVI switch (M37)</p>
<p>Audio unit</p> <p>(M39), (M40)</p>		

SKIA8677E

NAVIGATION SYSTEM

Schematic

AKS003GV



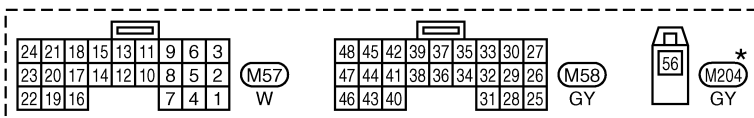
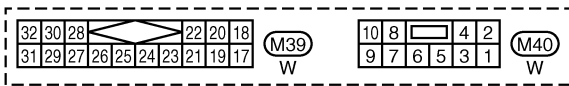
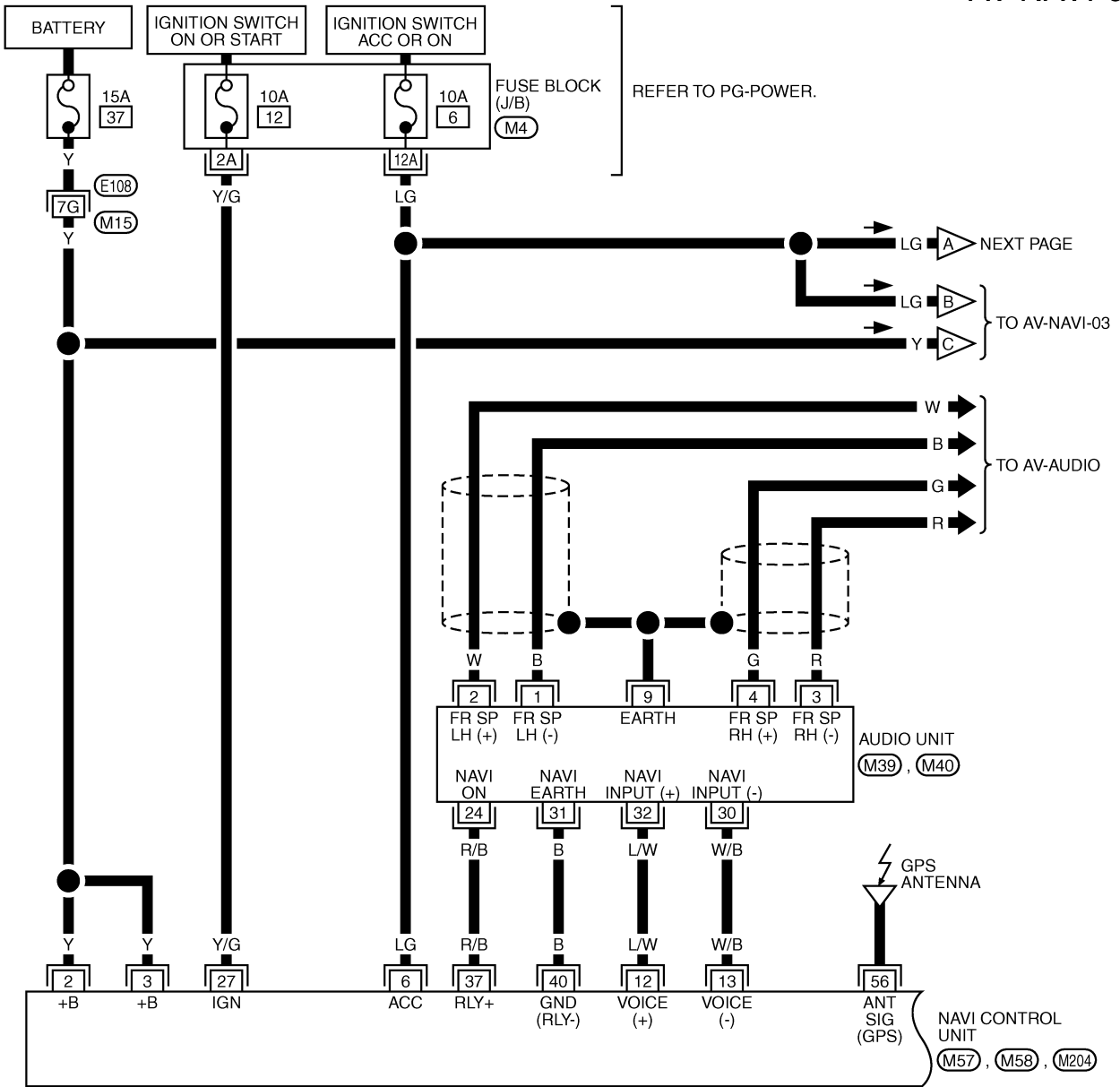
A
B
C
D
E
F
G
H
I
J
AV
L
M

NAVIGATION SYSTEM

AKS003GW

AV-NAVI-01

Wiring Diagram —NAVI—



REFER TO THE FOLLOWING.

(E108) -SUPER MULTIPLE JUNCTION (SMJ)

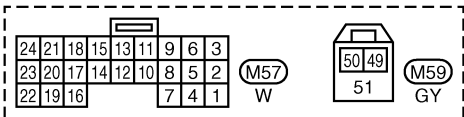
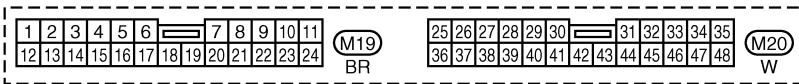
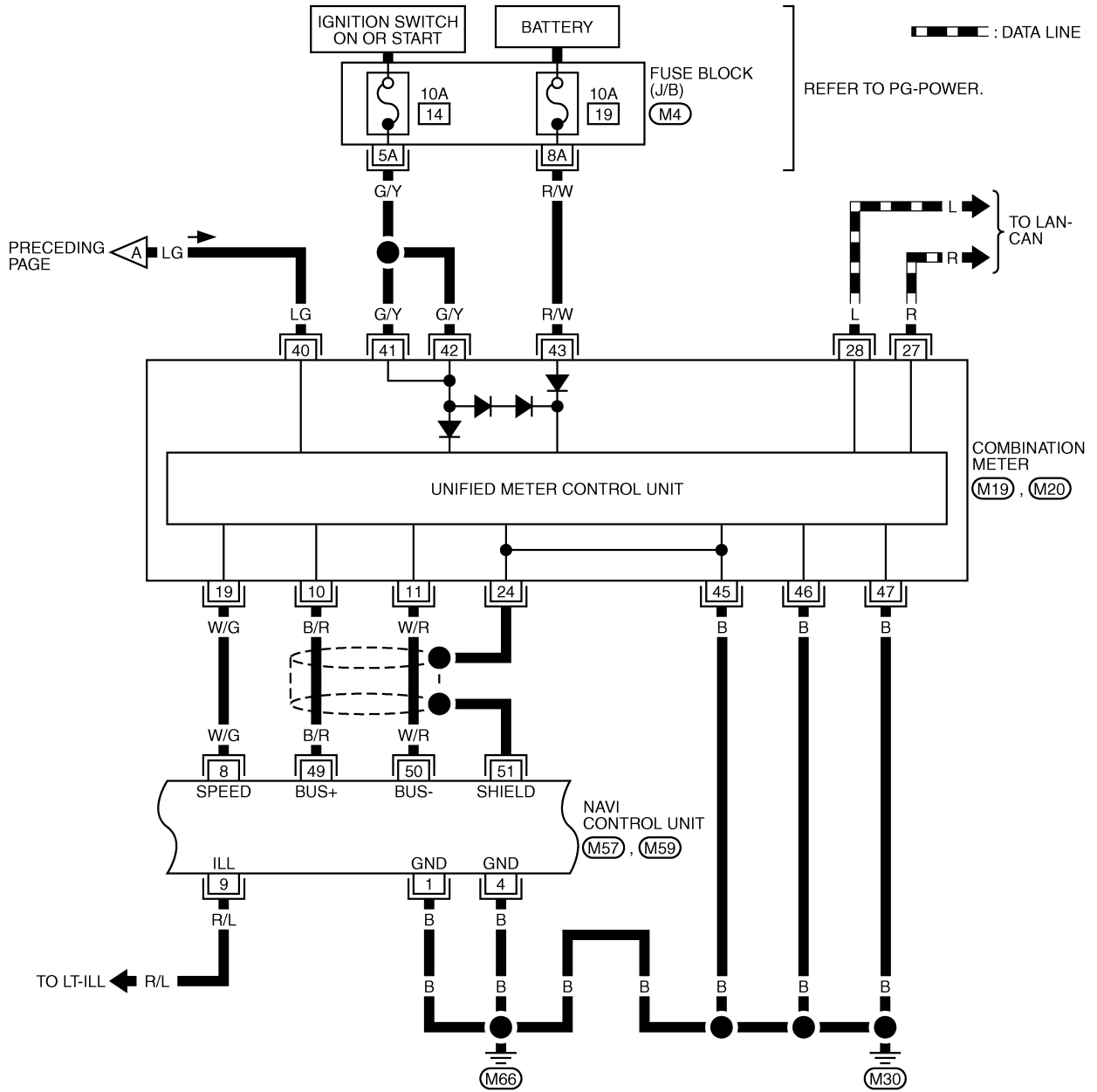
(M4) -FUSE BLOCK-JUNCTION BOX (J/B)

*: THIS CONNECTOR IS NOT SHOWN IN "HARNESS LAYOUT", PG SECTION.

TKWM0929E

NAVIGATION SYSTEM

AV-NAVI-02

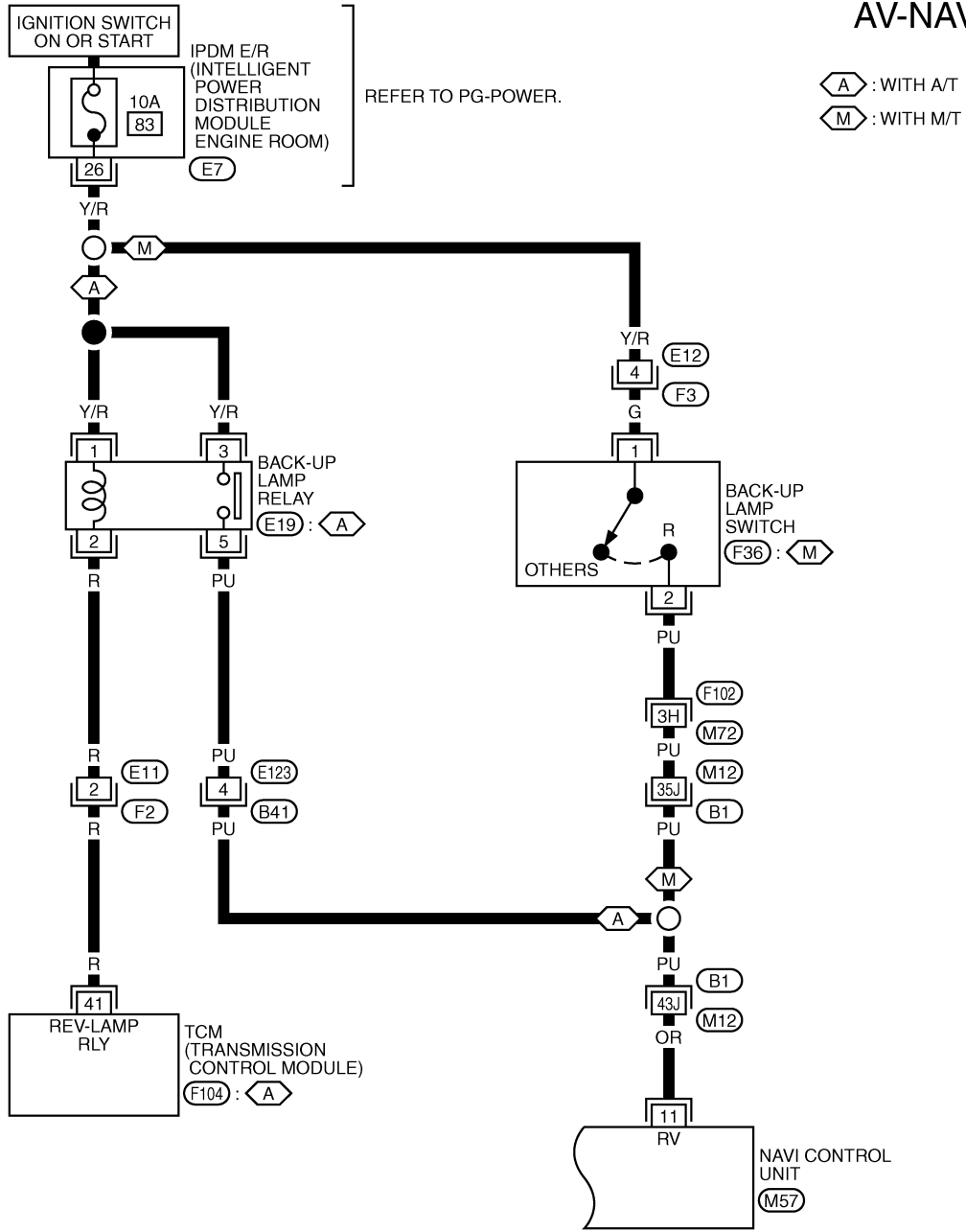


REFER TO THE FOLLOWING.

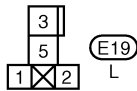
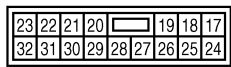
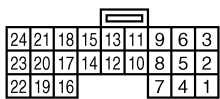
(M4) - FUSE BLOCK-JUNCTION BOX (J/B)

NAVIGATION SYSTEM

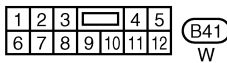
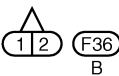
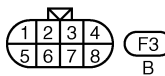
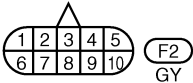
AV-NAVI-04



A
B
C
D
E
F
G
H
I
J
AV
L
M



REFER TO THE FOLLOWING.
 (F102), (B1) -SUPER MULTIPLE JUNCTION (SMJ)
 (F104) -ELECTRICAL UNITS

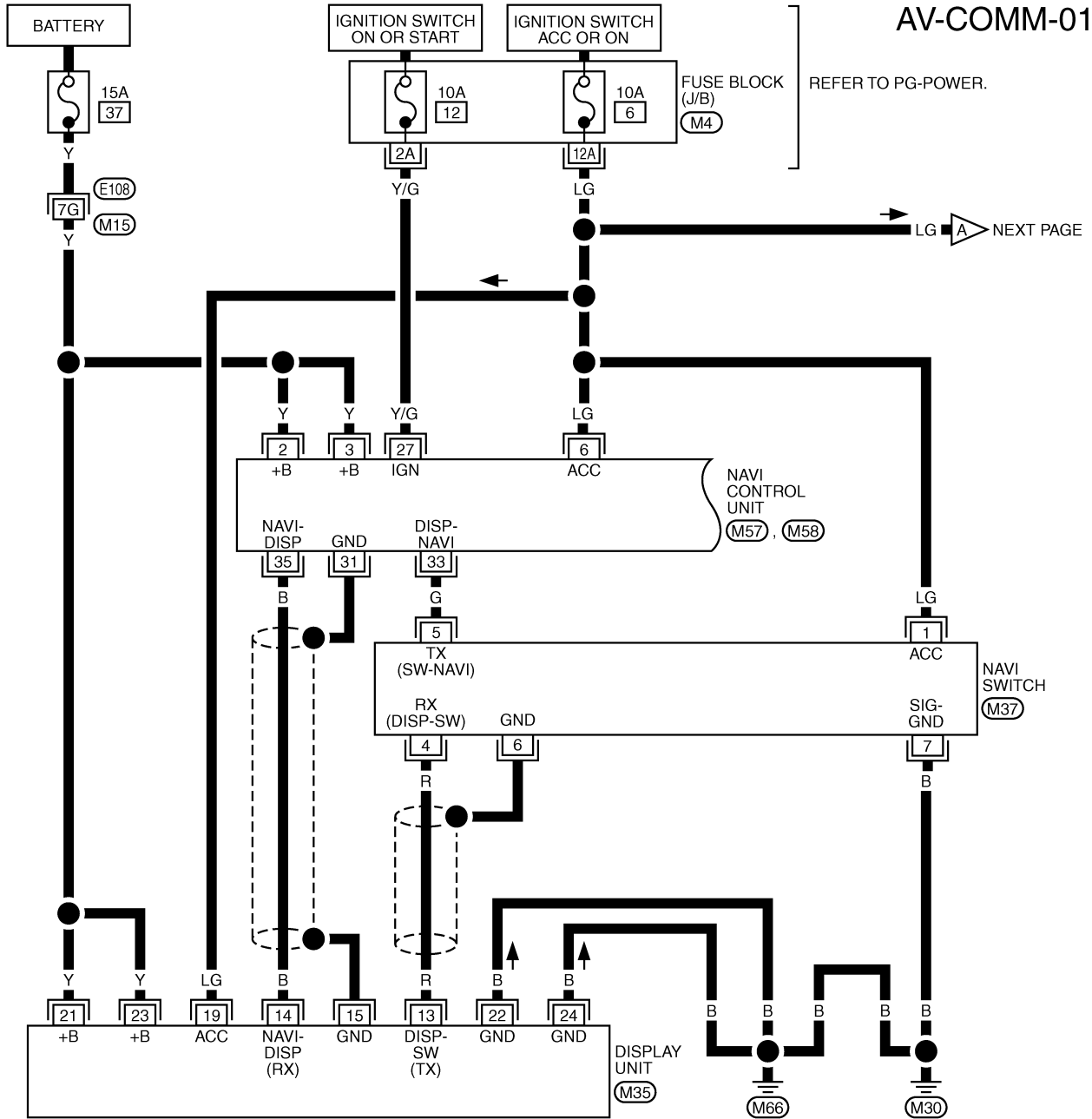


NAVIGATION SYSTEM

AKS003GX

Wiring Diagram —COMM—

AV-COMM-01



24	22	20	18	16	14	10	8	6	4	2		
23	21	19	17	15	13	12	11	9	7	5	3	1

(M35)
W

3	2	1		
8	7	6	5	4

(M37)
W

24	21	18	15	13	11	9	6	3
23	20	17	14	12	10	8	5	2
22	19	16	7	4	1			

(M57)
W

48	45	42	39	37	35	33	30	27
47	44	41	38	36	34	32	29	26
46	43	40	31	28	25			

(M58)
GY

REFER TO THE FOLLOWING.

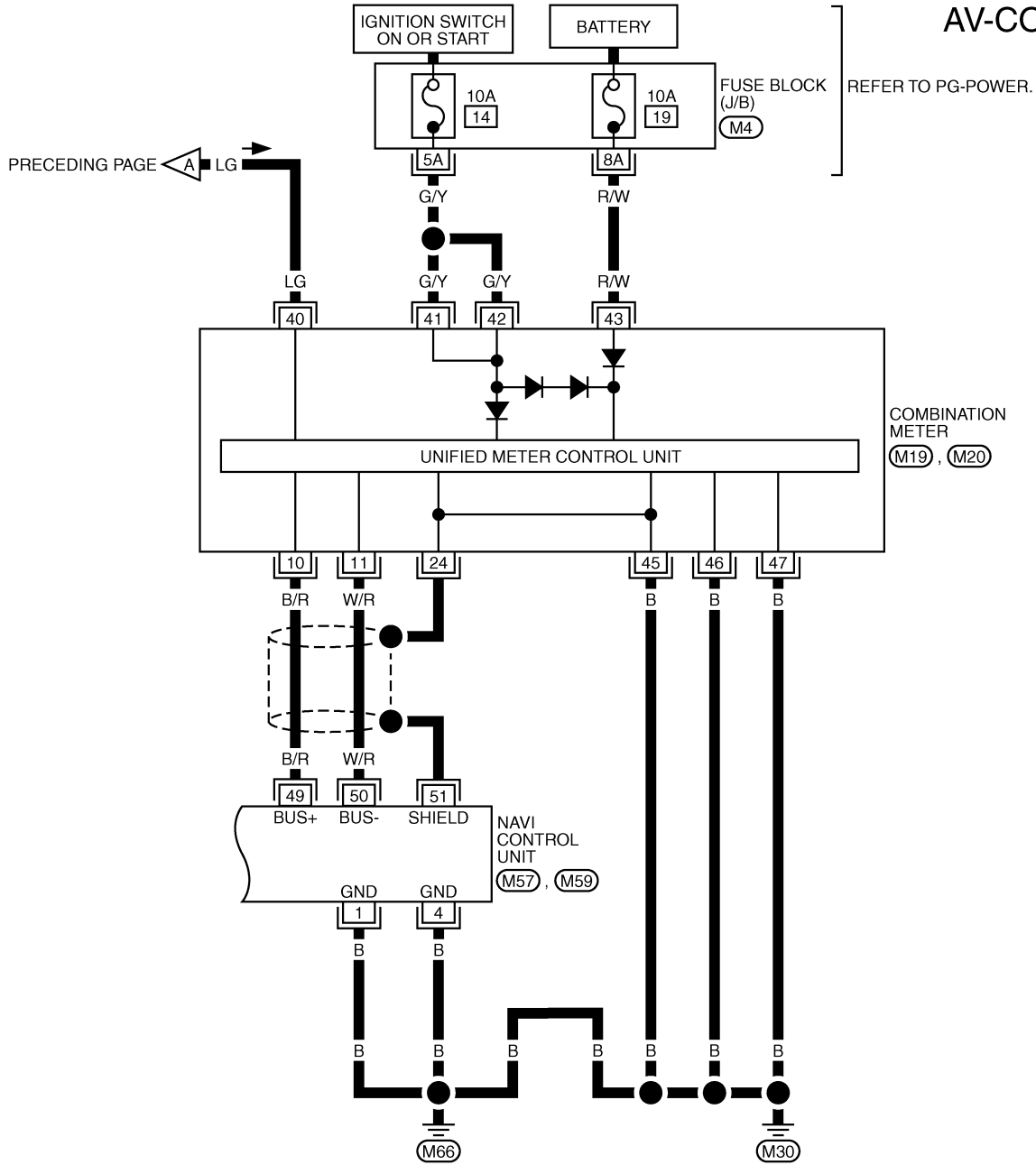
(E108) -SUPER MULTIPLE JUNCTION (SMJ)

(M4) -FUSE BLOCK-JUNCTION BOX (J/B)

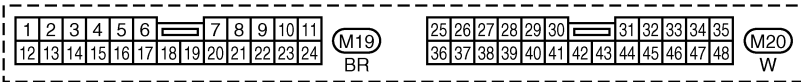
TKWM0932E

NAVIGATION SYSTEM

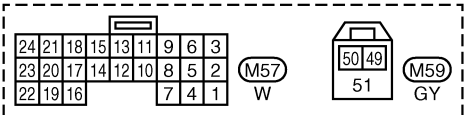
AV-COMM-02



A
B
C
D
E
F
G
H
I
J
AV
L
M



REFER TO THE FOLLOWING.
 (M4) - FUSE BLOCK-JUNCTION BOX (J/B)

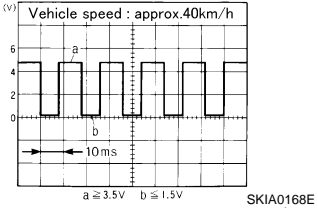
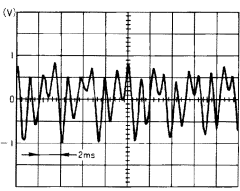
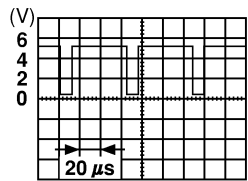


NAVIGATION SYSTEM

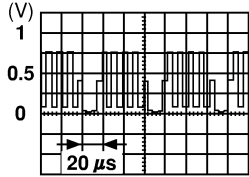
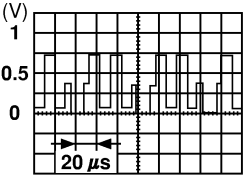
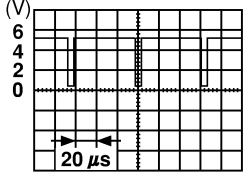
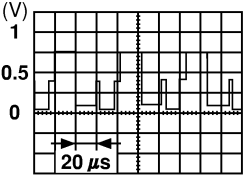
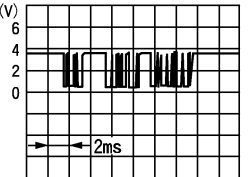
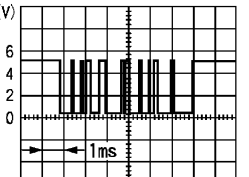
AKS003GY

Terminals and Reference Value for NAVI Control Unit

- Measure using circuit tester and oscilloscope.
- Measure with connector connected unless otherwise specified.
- **CAUTION:**
Confirm voltage between negative terminal on each unit and body ground is approximately 0V.
- If ignition ON is required in measurement condition, measure with engine running to prevent battery discharge.

Terminal No. (wire color)		Item	Signal input/output	Condition		Reference value	Example of symptom
(+)	(-)			Ignition switch	Operation		
1 (B)	Ground	Ground	-	ON	-	Approx. 0 V	-
2 (Y)	Ground	Battery power	Input	OFF	-	Battery voltage	System does not work properly.
3 (Y)							
4 (B)	Ground	Ground	-	ON	-	Approx. 0 V	-
6 (LG)	Ground	ACC signal	Input	ACC	-	Battery voltage	System does not work properly.
8 (W/G)	Ground	Vehicle speed signal (2-pulse)	Input	ON	When vehicle speed is approx. 40 km/h (25 MPH)		Navigation current-location mark does not indicate the correct position.
9 (R/L)	Ground	Illumination signal	Input	OFF	Lighting switch position 1st or 2nd	Battery voltage	Night illumination for switches does not illuminate.
					Lighting switch position OFF	Approx. 0V	
11 (OR)	Ground	Reverse signal	Input	ON	Select R- position	Battery voltage	The navigation current-location mark moves strangely when the vehicle is moving backwards.
					Other position	Approx. 0V	
12 (L/W)	Ground	Voice guide signal (+)	Output	ON	Push the "VOICE" switch.		Only route guide and operation guide are not heard.
13 (W/B)	Ground	Voice guide signal (-)					
14 (L)	17	RGB area signal	Output	ON	Push the "INFO" switch.		RGB screen is not shown.

NAVIGATION SYSTEM

Terminal No. (wire color)		Item	Signal input/output	Condition		Reference value	Example of symptom
(+)	(-)			Ignition switch	Operation		
15 (R)	17	RGB signal (B: blue)	Output	ON	Select "Color ber" of CONFIRMATION/ADJUSTMENT function.	 SKIA0167E	RGB screen looks yellowish.
17	Ground	Ground	-	ON	-	Approx. 0V	-
18 (B)	17	RGB signal (R: red)	Output	ON	Select "Color ber" of CONFIRMATION/ADJUSTMENT function.	 SKIA0165E	RGB screen looks bluish.
20 (P)	17	RGB synchronizing signal	Output	ON	Push the "MAP" switch.	 SKIA0164E	RGB screen is rolling.
21 (W)	17	RGB signal (G: green)	Output	ON	Select "Color ber" of CONFIRMATION/ADJUSTMENT function.	 SKIA0166E	RGB screen looks reddish.
26 (SB)	Ground	Ignition ON signal	Output	ON	-	Battery voltage	-
27 (Y/G)	Ground	Ignition signal	Input	ON	-	Battery voltage	Vehicle information setting is not possible.
31	Ground	Ground	-	ON	-	Approx. 0V	-
33 (G)	31	Communication signal (DISP - NAVI)	Input	ON	Push the "INFO" switch.	 SKIA0831E	Clock cannot be adjusted. Vehicle information screen is not shown.
35 (B)	31	Communication signal (NAVI - DISP)	Output	ON	Push the "INFO" switch.	 SKIA0832E	Clock cannot be adjusted. Vehicle information screen is not shown.

A
B
C
D
E
F
G
H
I
J
L
M

AV

NAVIGATION SYSTEM

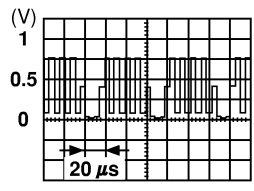
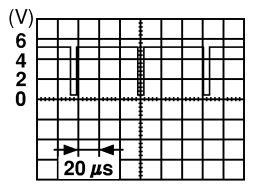
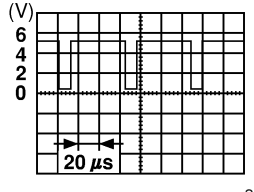
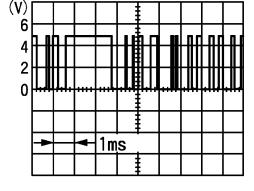
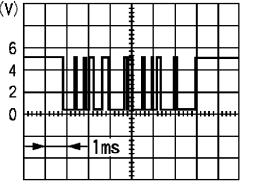
Terminal No. (wire color)		Item	Signal input/output	Condition		Reference value	Example of symptom
(+)	(-)			Ignition switch	Operation		
37 (R/B)	Ground	Voice guide ON signal	Output	ON	Push the "VOICE" switch	 SKIB0232E	Only route guide and operation guide are not heard.
40 (B)	Ground	Ground	-	ON	-	Approx. 0V	-
49 (B/R)	Ground	Communication signal (+)	Input/output	ON	-	 SKIA0175E	System does not work properly.
50 (W/R)	Ground	Communication signal (-)	Input/output	ON	-	 SKIA0176E	System does not work properly.
51	Ground	Ground	-	ON	-	Approx. 0V	-
56	Ground	GPS antenna signal	Input	ON	Connector is not connected.	Approx. 5V	Navigation system GPS correction is not possible.

Terminals and Reference Value for Display Unit

AKS003GZ

Terminal No. (wire color)		Item	Signal input/output	Condition		Reference value	Example of symptom
(+)	(-)			Ignition switch	Operation		
1 (B)	Ground	RGB signal (R: red)	Input	ON	Select "Color ber" of CONFIRMATION/ADJUSTMENT function.	 SKIA0165E	RGB screen looks bluish.
2 (W)	Ground	RGB signal (G: green)	Input	ON	Select "Color ber" of CONFIRMATION/ADJUSTMENT function.	 SKIA0166E	RGB screen looks reddish.

NAVIGATION SYSTEM

Terminal No. (wire color)		Item	Signal input/output	Condition		Reference value	Example of symptom
(+)	(-)			Ignition switch	Operation		
3 (R)	Ground	RGB signal (B: blue)	Input	ON	Select "Color ber" of CONFIRMATION/ADJUSTMENT function.	 SKIA0167E	RGB screen looks yellowish.
4	Ground	RGB Ground	-	ON	-	Approx. 0V	-
7 (P)	Ground	RGB synchronizing signal	Input	ON	Push the "MAP" switch.	 SKIA0164E	RGB screen is rolling.
8 (L)	Ground	RGB area signal	Input	ON	Push the "D/N" switch.	 SKIA0162E	RGB screen is not shown.
13 (R)	Ground	Communication signal DISP-SW (TX)	Output	ON	Push the "INFO" switch.	 SKIA0835E	Clock cannot be adjusted. Vehicle information screen is not shown.
14 (B)	Ground	Communication signal NAVI- DISP (RX)	Input	ON	Push the "INFO" switch.	 SKIA0832E	Clock cannot be adjusted. Vehicle information screen is not shown.
15	Ground	Ground	-	ON	-	Approx. 0V	-
16 (SB)	Ground	Ignition ON signal	Input	ON	-	Battery voltage	System does not work properly.
19 (LG)	Ground	ACC signal	Input	ACC	-	Battery voltage	System does not work properly.
21 (Y)	Ground	Battery power	Input	OFF	-	Battery voltage	System does not work properly.
22 (B)	Ground	Ground	-	ON	-	Approx. 0V	-
23 (Y)	Ground	Battery power	Input	OFF	-	Battery voltage	System does not work properly.
24 (B)	Ground	Ground	-	ON	-	Approx. 0V	-

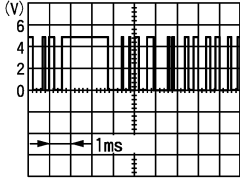
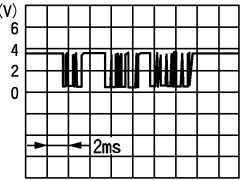
A
B
C
D
E
F
G
H
I
J
L
M

AV

NAVIGATION SYSTEM

Terminals and Reference Value for NAVI Switch

AKS003H0

Terminal No. (wire color)		Item	Signal input/output	Condition		Reference value	Example of symptom
(+)	(-)			Ignition switch	Operation		
1 (LG)	Ground	ACC signal	Input	ACC	–	Battery voltage	All operations do not work.
2 (R/L)	Ground	Illumination signal	Input	OFF	Lighting switch position 1st or 2nd	Battery voltage	Night illumination for switches does not illuminate.
					Lighting switch position OFF	Approx. 0V	
3(R/Y)	Ground	Illumination Ground	–	ON	–	Approx. 0V	
4 (R)	Ground	Communication signal DISP-SW (RX)	Input	ON	–	 SKIA0835E	All operations do not work.
5 (G)	Ground	Communication signal SW-NAVI (TX)	Output	ON	–	 SKIA0831E	All operations do not work.
6	Ground	Ground	–	ON	–	Approx. 0V	–
7(B)	Ground	Ground	–	ON	–	Approx. 0V	All operations do not work.

NAVIGATION SYSTEM

Self-Diagnosis Function DESCRIPTION

AKS003H1

- Diagnosis function consists of the self-diagnosis mode performed automatically and the CONFIRMATION/ADJUSTMENT mode operated manually.
- Self-diagnosis mode checks for connections between the units constituting this system, analyzes each individual unit at the same time, and displays the results on the LCD screen.
- CONFIRMATION/ADJUSTMENT mode is used to perform trouble diagnosis that require operation and judgment by an operator (trouble that cannot be automatically judged by the system), to check/change the set value, and to display the History of Errors of the navigation system.

DIAGNOSIS ITEM

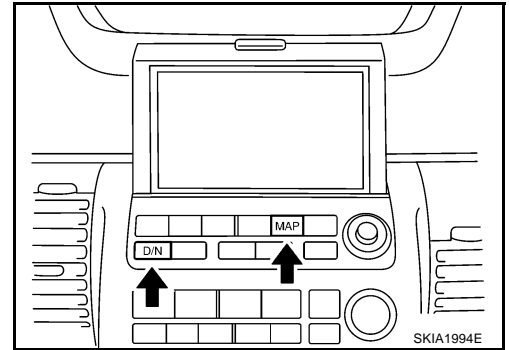
Mode		Description	
Self-diagnosis		<ul style="list-style-type: none"> ● NAVI Control unit diagnosis (DVD-ROM drive will not be diagnosed when no map DVD-ROM is in it.). ● Performs diagnosis of each unit and connections between control unit and GPS antenna, as well as between control unit and each unit. 	
CONFIRMATION/ ADJUSTMENT	Display diagnosis	Color tone and shading of the screen can be checked by the display of a color bar and a gray scale.	
	Vehicle signals	Analyzes the following vehicle signals: Vehicle speed signal, light signal, ignition switch signal, and reverse signal.	
	Navigation	Display Longitude & Latitude	Display the map. Use the joystick to adjust position. Longitude and latitude will be displayed.
		Speed Calibration	Under ordinary conditions, the navigation system distance measuring function will automatically compensate for minute decreases in wheel and tire diameter caused by tire wear or low pressure. Speed calibration immediately restores system accuracy in cases such as when distance calibration is needed because of the use of tire chains in inclement weather.
		Angle Adjustment	Corrects difference between actual turning angle of a vehicle and turning angle of the car mark on the display.
		Initialize Location	This mode is for initializing the current location. Use when the vehicle is transported a long distance on a trailer, etc.
History of Errors		Diagnosis results previously stored in the memory (before turning ignition switch ON) are displayed in this mode. Time and location when/where the errors occurred are also displayed.	

NAVIGATION SYSTEM

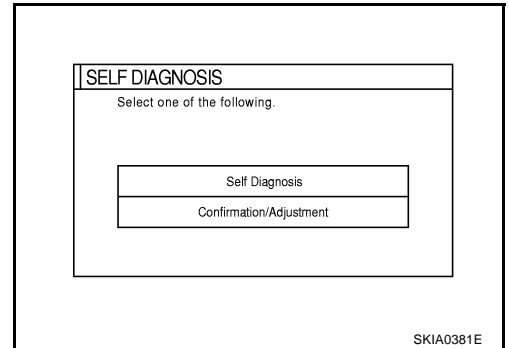
AKS003H2

Self-Diagnosis Mode OPERATION PROCEDURE

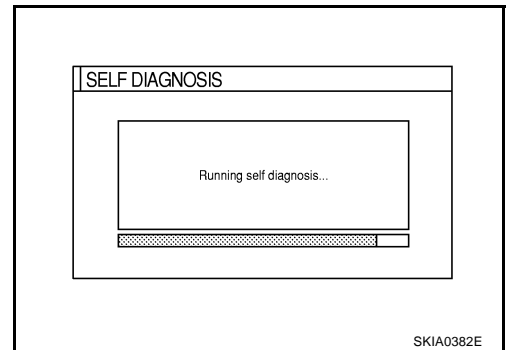
1. Start the engine.
2. Push and hold "MAP" and "D/N" switches simultaneously for 5 seconds or more.
 - Push the "PREV" switch and the initial system screen will be shown.



3. The initial trouble diagnosis screen will be shown, and items "SELF-DIAGNOSIS" and "CONFIRMATION/ADJUSTMENT" will become selective.



4. Perform self-diagnosis by selecting the "SELF-DIAGNOSIS".
 - Self-diagnosis subdivision screen will be shown and the operation enters the self-diagnosis mode.
 - A bar graph shown below the self-diagnosis subdivision screen indicates progress of the diagnosis.



5. On the "Self diagnosis" screen, each unit name will be colored according to the diagnosis result, as follows.

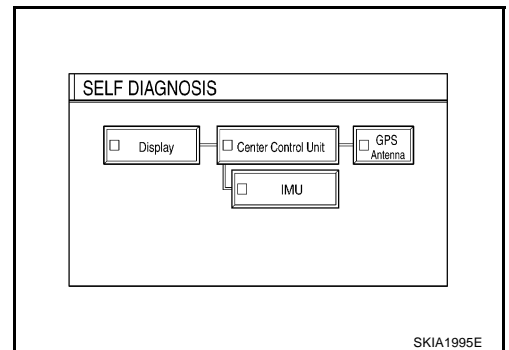
Green : No malfunctioning.

Yellow : Cannot be judged by self-diagnosis results.

Red : Unit is malfunctioning.

Gray : Diagnosis has not been done.

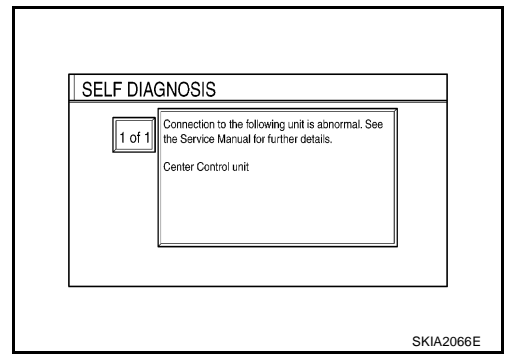
- If several malfunctions are present in a unit, color of its switch on the screen will be either red, yellow, or gray, determined by the malfunction of the highest priority.
- Lines between control unit and display or GPS antenna are green or yellow based on diagnosis results.
- Lines between control unit and units other than those above are gray regardless of diagnosis results.



NAVIGATION SYSTEM

6. Select a switch on the “Self diagnosis” screen and comments for the diagnosis results will be shown.

- When the switch is green, the following comment will be shown. “Self-diagnosis was successful. Further diagnosis and adjustments are recommended. Follow the “confirmation and adjustments” menu or refer to the service manual.”.
- When the switch is yellow, the following comment will be shown. “Connection to the following unit is malfunction. See the service manual for further details”.
- When the switch is red, the following comment will be shown. “Center Control Unit is malfunction”.
- When the switch is gray, the following comment will be shown. “Self-diagnosis for DVD-ROM DRIVER of NAVI was not conducted because no DVD-ROM was available.”.



SELF-DIAGNOSIS RESULT

Quick Reference Table

1. Select an applicable diagnosis No. in the diagnosis result quick reference table.
2. Find estimated malfunctioning system in the diagnosis No. table and perform check by referring to the AV communication line wiring diagram. Refer to [AV-68, "Wiring Diagram —COMM—"](#).
3. Turn the ignition switch to OFF and perform self-diagnosis again.

Switch color	Screen switch				Diagnosis No.
	Center Control unit*1	Display	IMU*2	GPS antenna	
Red	×				1
Grey	×				2
Yellow	×				3
	×				4
	×		×		5
	×			×	6
	×	×	×	×	7

*1: Center Control unit =NAVI control unit

*2: IMU =Combination meter

CAUTION:

- If display has any error, self-diagnosis cannot start.
- If AV communication between display and NAVI control unit has any error, self-diagnosis cannot start.

NAVIGATION SYSTEM

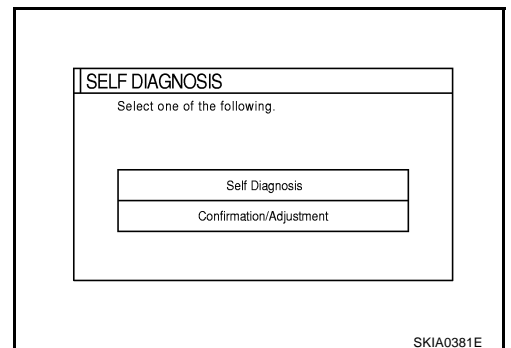
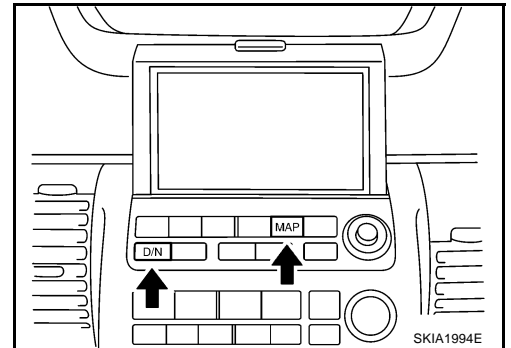
Self-diagnosis Codes

Diagnosis No.	Possible cause
1	NAVI control unit malfunction
2	NAVI control unit judged no map DVD-ROM is inserted.
3	When "DVD-ROM error. Please check disc." is shown. 1. Eject map DVD-ROM and check if it is compatible with the system. 2. Check ejected DVD-ROM for dirt, damage, and warp age. 3. If no error is found, insert a known good map DVD-ROM of the same type and perform self-diagnosis again. If same result is shown, the NAVI control unit is malfunctioning. If result is normal, the map DVD-ROM is malfunctioning.
4	If "Error found in DVD-ROM or DVD-ROM driver in control unit. Please perform diagnosis in accordance with service manual" is shown, carry out same inspection as diagnosis No. 3.
5	Combination meter power supply and ground circuit
6	GPS antenna system 1. Visually check for a broken wire in the GPS antenna coaxial cable. 2. Disconnect the GPS antenna connector and check that approximately 5V is supplied from NAVI control unit. If not, the NAVI control unit is inoperative. If the voltage is supplied, replace the GPS antenna and perform self-diagnosis again. If the same result is shown, the NAVI control unit is inoperative.
7	AV communication line circuit malfunction. ● Check for short circuit in AV communication line between NAVI control unit and combination meter. ● If no error is found during the above checks, communication circuit in NAVI control unit has a malfunction.

CONFIRMATION/ADJUSTMENT Mode OPERATION PROCEDURE

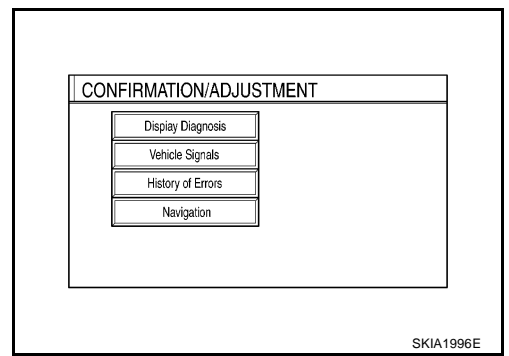
AKS003H3

- Start the engine.
- Push and hold "MAP" and "D/N" switches simultaneously for 5 seconds or more.
 - Push the "PREV" switch and the initial system screen will be shown.
- The initial trouble diagnosis screen will be shown, and items "SELF-DIAGNOSIS" and "CONFIRMATION/ADJUSTMENT" will become selective.

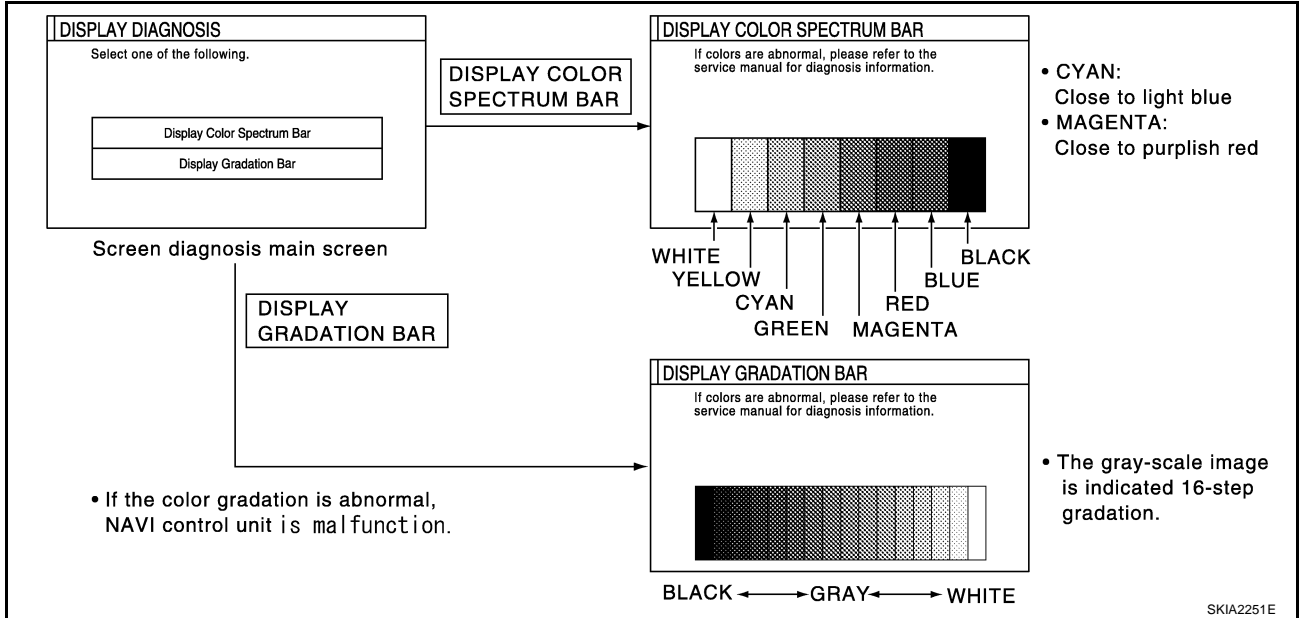


NAVIGATION SYSTEM

4. When "CONFIRMATION/ADJUSTMENT" is selected on the initial trouble diagnosis screen, the operation will enter the CONFIRMATION/ADJUSTMENT mode. In this mode, check and adjustment of each item will become possible.
5. Select each switch on "CONFIRMATION/ADJUSTMENT" screen to display the relevant diagnosis screen.



DISPLAY DIAGNOSIS



CAUTION:

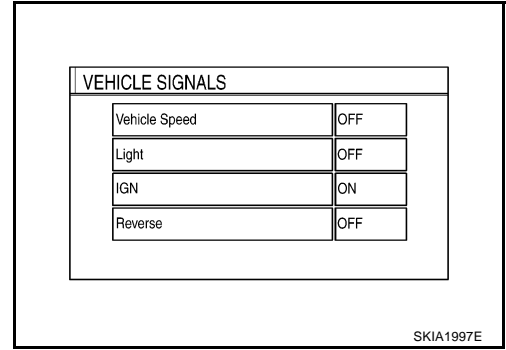
When Display Color Spectrum Bar screen is completed after "PREV" switch is Pushed, the screen color changes once. This is normal.

- When RGB signal error occurred in the RGB system, tone of the color bar will change as follows.
 - R (red) signal error** : Screen looks bluish.
 - G (green) signal error** : Screen looks reddish.
 - B (blue) signal error** : Screen looks yellowish.
- When the color of the screen looks unusual, refer to [AV-93, "Color of RGB Image Is Not Proper \(Bluish\)"](#) .[AV-94, "Color of RGB Image Is Not Proper \(Reddish\)"](#) .[AV-95, "Color of RGB Image Is Not Proper \(Yellowish\)"](#) .

NAVIGATION SYSTEM

VEHICLE SIGNALS

- A comparison check can be made of each actual vehicle signal and the signals recognized by the system.



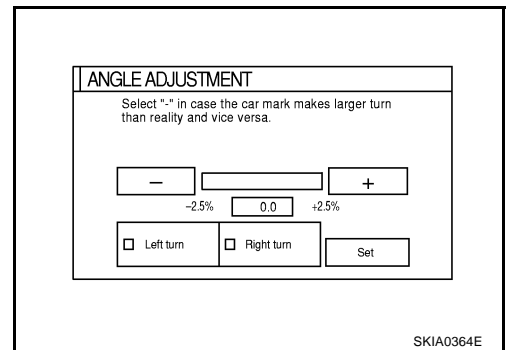
Diagnosis item	Display	Condition	Remarks
Vehicle speed	ON	Vehicle speed > 0 km/h (0 MPH)	Changes in indication may be delayed by approx. 1.5 seconds. This is normal.
	OFF	Vehicle speed = 0 km/h (0 MPH)	
	-	Ignition switch in ACC position	
Lights	ON	Lighting switch ON	-
	OFF	Lighting switch OFF	
IGN	ON	Ignition switch ON	-
	OFF	Ignition switch ACC or OFF	
Reverse	ON	Selector lever in R-position	Changes in indication may be delayed by approx. 1.5 seconds. This is normal.
	OFF	Selector lever in other than R-position	
	-	Ignition switch in ACC position	

- If vehicle speed is NG, refer to [AV-86, "Vehicle Speed Signal Check"](#) .
- If lights is NG, refer to [AV-87, "Illumination Signal Check"](#) .
- If IGN is NG, refer to [AV-87, "Ignition Signal Check"](#) .
- If reverse is NG, refer to [AV-88, "Reverse Signal Check\(With A/T\)"](#) .[AV-88, "Reverse Signal Check\(With M/T\)"](#) .

NAVIGATION

Angle Adjustment

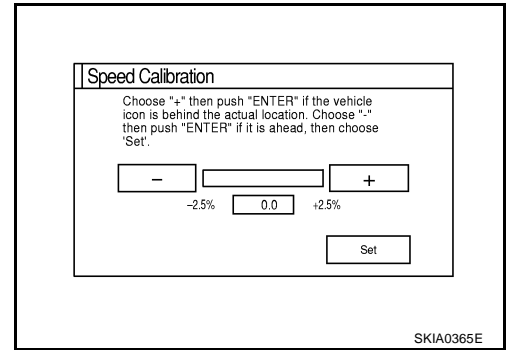
- Adjusts turning angle output detected by the gyroscope.



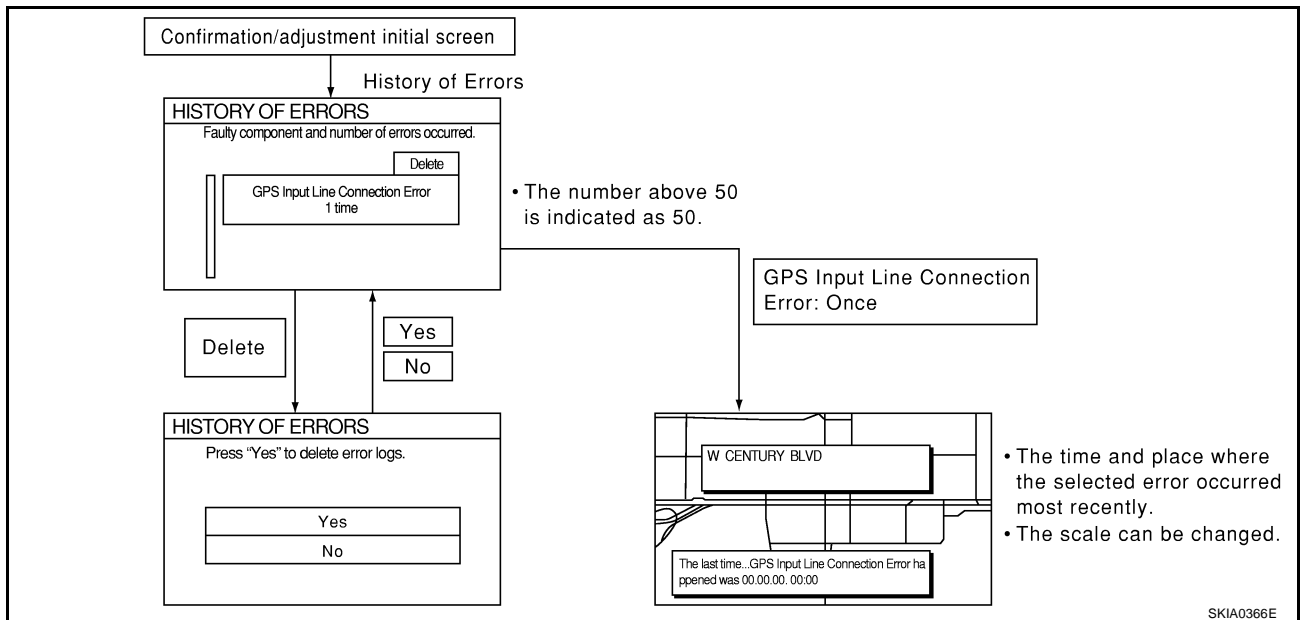
NAVIGATION SYSTEM

Speed Calibration

- During normal driving, distance error caused by tire wear and tire pressure change is automatically adjusted for by the automatic distance correction function. This function, on the other hand, is for immediate adjustment, in cases such as driving with tire chain fitted on tires.



HISTORY OF ERRORS



DIAGNOSIS BY HISTORY OF ERRORS

The "Self-diagnosis" results indicate whether an error occurred during the period from when the ignition switch is turned to ON until "Self-diagnosis" is completed.

If an error occurred before the ignition switch was turned to ON and does not occur again until the "Self-diagnosis" is completed, the diagnosis result will be judged normal. Therefore, those errors in the past, which cannot be found by the "Self-diagnosis", must be found by diagnosing the "History of Errors".

The History of Errors displays the time and place of the most recent occurrence of that error. However, take note of the following points.

- Correct time of the error occurrence may not be displayed when the GPS antenna substrate within the NAVI control unit has malfunctioned.
- Place of the error occurrence is represented by the position of the current-location mark at the time when the error occurred. If the current-location mark has deviated from the correct position, then the place of the error occurrence may be located correctly.
- The maximum number of occurrences which can be stored is 50. For the 51st and later occurrences, the displayed number remains 50.

When a reproducible malfunction occurred but its cause cannot be identified because several errors are present, record the item, number and place (longitude/latitude) of error occurrence (or delete the History of Errors), then turn the ignition switch from OFF to ON to reproduce the malfunction. Check the History of Errors to find the items which show an increased number of occurrences, and diagnose the item.

A
B
C
D
E
F
G
H
I
J
AV
L
M

NAVIGATION SYSTEM

Error item	Possible causes	Example of symptom
	Action/symptom	
Gyro sensor disconnected	Communications malfunction between NAVI control unit and internal gyro	<ul style="list-style-type: none"> ● Navigation location detection performance has deteriorated. (Angular velocity cannot be detected.)
	<ul style="list-style-type: none"> ● Perform self-diagnosis. ● When the NAVI control unit is judged normal by self-diagnosis, the symptom may be intermittent, caused by strong radio interference. 	
GPS disconnected	Communication error between NAVI control unit and internal GPS substrate	<ul style="list-style-type: none"> ● Navigation location detection performance has deteriorated. (Location correction using GPS is not performed.) ● GPS receiving status remains gray.
	<ul style="list-style-type: none"> ● Perform self-diagnosis. ● When the NAVI control unit is judged normal by self-diagnosis, the symptom may be intermittent, caused by strong radio interference. 	
GPS transmission cable malfunction	Malfunctioning transmission wires to NAVI control unit and internal GPS substrate	<ul style="list-style-type: none"> ● During self-diagnosis, GPS diagnosis is not performed.
	<ul style="list-style-type: none"> ● Perform self-diagnosis. ● When the NAVI control unit is judged normal by self-diagnosis, the symptom may be intermittent, caused by strong radio interference. 	
GPS input line connection error	Malfunctioning receiving wires to NAVI control unit and internal GPS substrate	<ul style="list-style-type: none"> ● Navigation location detection performance has deteriorated. (Location correction using GPS is not performed.) ● GPS receiving status remains gray.
	<ul style="list-style-type: none"> ● Perform self-diagnosis. ● When the NAVI control unit is judged normal by self-diagnosis, the symptom may be intermittent, caused by strong radio interference. 	
GPS TCX0 over GPS TCX0 under	Oscillating frequency of the GPS substrate frequency synchronizing oscillation circuit exceeded (or below) the specification	<ul style="list-style-type: none"> ● Navigation location detection performance has deteriorated. (Location correction using GPS is not performed.) ● GPS receiving status remains gray.
	<ul style="list-style-type: none"> ● Perform self-diagnosis. ● When the NAVI control unit is judged normal by self-diagnosis, the symptom may be intermittent, caused by strong radio interference, or the control unit may have been subjected to excessively high or low temperatures. 	
GPS ROM malfunction GPS RAM malfunction	Contents of ROM (or RAM) in GPS substrate are malfunctioning.	<ul style="list-style-type: none"> ● Location detection accuracy of the navigation system will deteriorate, depending on the failed area in the memory, because GPS cannot make correct positioning. (Location correction using GPS is not performed.)
	<ul style="list-style-type: none"> ● Perform self-diagnosis. ● When the NAVI control unit is judged normal by self-diagnosis, the symptom may be intermittent, caused by strong radio interference. 	
GPS RTC malfunction	Clock IC in GPS substrate is malfunctioning.	<ul style="list-style-type: none"> ● Correct time may not be displayed. ● After the power is turned on, the system always takes some time until GPS positioning becomes possible. (The GPS receiver starts positioning without re-collecting the whole satellite information when it judged the data stored in the receiver is correct.) ● Correct time of error occurrence may not be stored in the "History of Errors".
	<ul style="list-style-type: none"> ● Perform self-diagnosis. ● When the NAVI control unit is judged normal by self-diagnosis, the symptom may be intermittent, caused by strong radio interference. 	
GPS antenna disconnected	Malfunctioning connection between GPS substrate in NAVI control unit and GPS antenna.	<ul style="list-style-type: none"> ● Navigation location detection performance has deteriorated. (Location correction using GPS is not performed.) ● GPS receiving status remains gray.
	<ul style="list-style-type: none"> ● Perform self-diagnosis. ● When connection between NAVI control unit and GPS antenna is judged normal by self-diagnosis, the symptom may be intermittent, caused by impact or vibration. 	

NAVIGATION SYSTEM

Error item	Possible causes	Example of symptom	A
	Action/symptom		
Low voltage of GPS	The power voltage supplied to the GPS circuit board has decreased.	<ul style="list-style-type: none"> ● Navigation location detection performance has deteriorated. (Location correction using GPS is not performed.) ● GPS receiving status remains gray. 	B
	<ul style="list-style-type: none"> ● Perform self-diagnosis. ● When connection between NAVI control unit and GPS antenna is judged normal by self-diagnosis, the symptom may be intermittent, caused by impact or vibration. 		C
DVD-ROM Malfunction DVD-ROM Read error DVD-ROM Response Error	Malfunctioning NAVI control unit	-	D
	Dedicated map DVD-ROM is in the system, but the data cannot be read.	<ul style="list-style-type: none"> ● The map of a particular location cannot be displayed. ● Specific guidance information cannot be displayed. ● Map display is slow. ● Guidance information display is slow. ● System has been affected by vibration. 	E
	<ul style="list-style-type: none"> ● Is map DVD-ROM damaged, warped, or dirty? <ul style="list-style-type: none"> – If damaged or warped, the map DVD-ROM is malfunctioning. – If dirty, wipe the DVD-ROM clean with a soft cloth. ● Perform self-diagnosis. ● When NAVI control unit is judged normal by self-diagnosis, the symptom is judged intermittent, caused by vibration. 		F

A
B
C
D
E
F
G
H
I
J
L
M

AV

NAVIGATION SYSTEM

Power Supply and Ground Circuit Check for NAVI Control Unit

AKS003H4

1. CHECK FUSE

- Check that the following fuses of the NAVI control unit are not blown.

Terminals		Power source	Fuse No.
Connector	Terminal (wire color)		
M57	2 (Y)	Battery power	37
	3 (Y)		
	6 (LG)		
M58	27 (Y/G)	Ignition switch ACC or ON	6
		Ignition switch ON or START	12

OK or NG

OK >> GO TO 2.

NG >> If fuse is blown, be sure to eliminate cause of malfunction before installing new fuse. Refer to [PG-4](#), "[POWER SUPPLY ROUTING CIRCUIT](#)".

2. POWER SUPPLY CIRCUIT CHECK

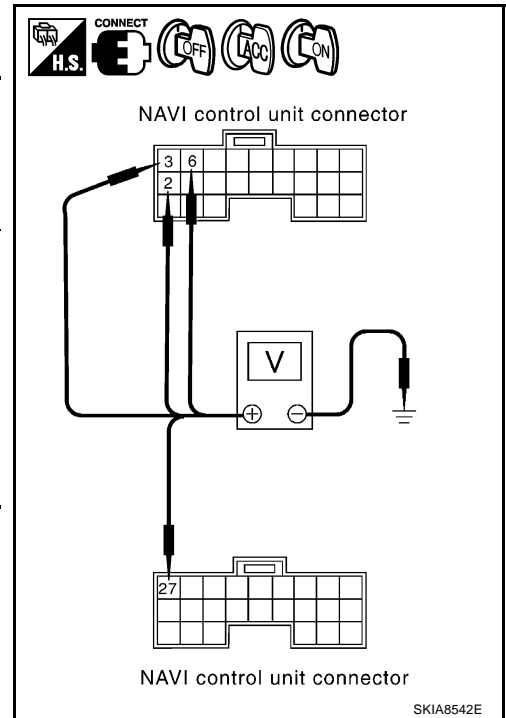
- Check voltage between the following harness connector terminals and ground.

Terminals			OFF	ACC	ON
(+)		(-)			
Connector	Terminal (wire color)				
M57	2 (Y)	Ground	Battery voltage	Battery voltage	Battery voltage
	3 (Y)		Battery voltage	Battery voltage	Battery voltage
	6 (LG)		0V	Battery voltage	Battery voltage
M58	27 (Y/G)		0V	0V	Battery voltage

OK or NG

OK >> GO TO 3.

NG >> Check harness for open or short between NAVI control unit and fuse.



3. GROUND CIRCUIT CHECK

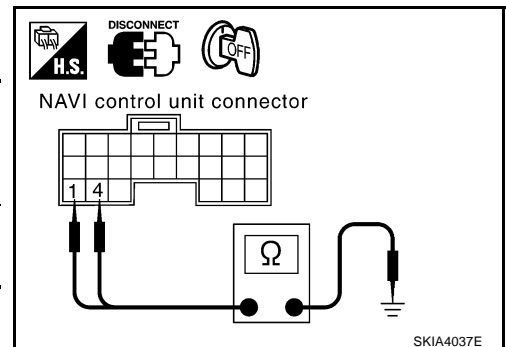
- Disconnect the NAVI control unit.
- Check continuity between the following NAVI control unit and ground.

Terminals			Continuity
(+)		(-)	
Connector	Terminal (wire color)		
M57	1 (B)	Ground	Yes
	4 (B)		

OK or NG

OK >> Inspection end.

NG >> Repair or replace harness.



NAVIGATION SYSTEM

Power Supply and Ground Circuit Check for Display Unit and NAVI Switch

AKS003H5

1. CHECK FUSE

Check that the following fuses of the display unit and NAVI switch are not blown.

Unit	Terminals		Power source	Fuse No.
	Connector	Terminal (wire color)		
Display unit	M35	21 (Y)	Battery power	37
		23 (Y)		
		19 (LG)		
NAVI switch	M37	1 (LG)	Ignition switch ACC or ON	6

OK or NG

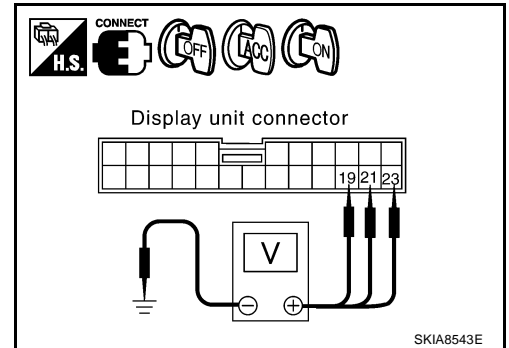
OK >> GO TO 2.

NG >> If fuse is blown, be sure to eliminate case of malfunction before installing new fuse. Refer to [PG-4](#), "[POWER SUPPLY ROUTING CIRCUIT](#)".

2. POWER SUPPLY CIRCUIT CHECK

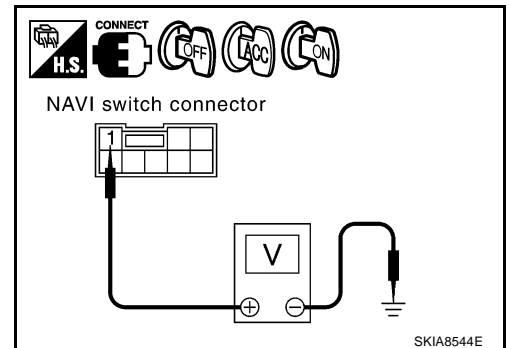
1. Check voltage between display unit and ground.

Unit	Terminals			OFF	ACC	ON
	(+)		(-)			
	Connector	Terminal (wire color)				
Display unit	M35	21 (Y)	Ground	Battery voltage	Battery voltage	Battery voltage
		23 (Y)		Battery voltage	Battery voltage	Battery voltage
		19 (LG)		0V	Battery voltage	Battery voltage



2. Check voltage between NAVI switch and ground.

Unit	Terminals			OFF	ACC	ON
	(+)		(-)			
	Connector	Terminal (wire color)				
NAVI switch	M37	1 (LG)	Ground	0V	Battery voltage	Battery voltage



OK or NG

OK >> GO TO 3.

NG >> Check the following.

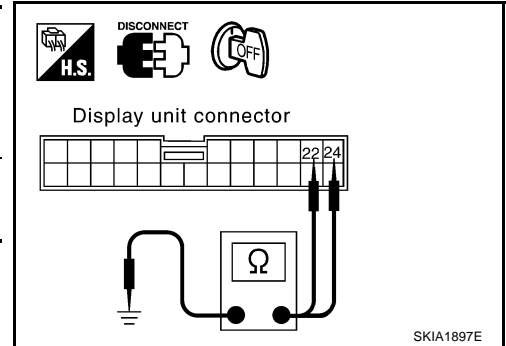
- Harness for open or short between display unit and fuse
- Harness for open or short between NAVI switch and fuse

NAVIGATION SYSTEM

3. GROUND CIRCUIT CHECK

1. Disconnect display unit and NAVI switch connector.
2. Check continuity between display unit and ground.

Unit	Terminals			Continuity
	(+)		(-)	
	Connector	Terminal (wire color)		
Display unit	M35	22 (B)	Ground	Yes
		24 (B)		

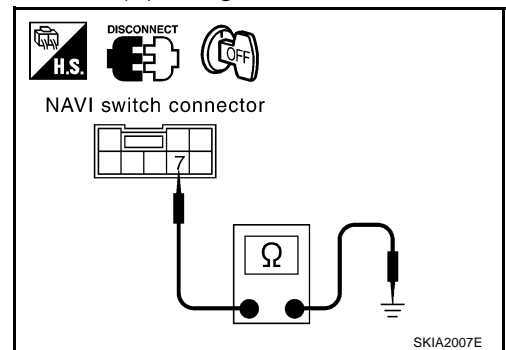


3. Check continuity between NAVI switch harness connector M37 terminal 7 (B) and ground.

Continuity should exist.

OK or NG

- OK >> Inspection end.
 NG >> Repair or replace harness.



Vehicle Speed Signal Check

1. VEHICLE SPEED OPERATION CHECK

Does speed meter is operated nomaly?

YES or NO

- YES >> GO TO 2.
 NO >> Check combination meter trouble diagnosis. Refer to [DI-10, "Meter/Gauges Operation and Odo/Trip Meter"](#).

2. HARNESS CHECK

1. Turn the ignition switch OFF.
2. Disconnect NAVI control unit connector and combination meter connector.
3. Check continuity between NAVI control unit harness connector M57 terminal 8 (W/G) and combination meter harness connector M19 terminal 19 (W/G).

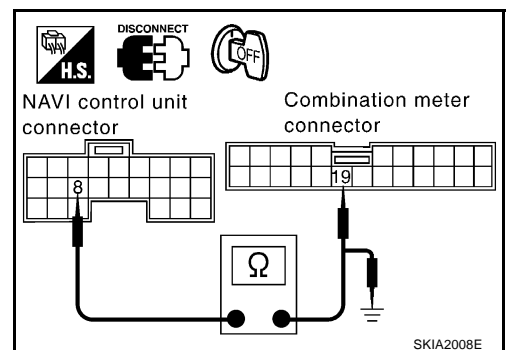
Continuity should exist.

4. Check continuity NAVI control unit harness connector M57 terminal 8(W/G) and ground.

Continuity should not exist.

OK or NG

- OK >> GO TO 3.
 NG >> ● Check harness for open or short between NAVI control unit and combination meter.
 ● Check connector housings for disconnected or loose terminals.



NAVIGATION SYSTEM

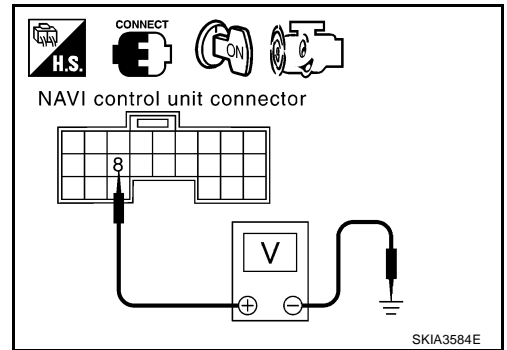
3. VEHICLE SPEED SIGNAL CHECK

1. Connect combination meter connector.
2. Drive vehicle at a constant speed.
3. Check the signal between NAVI control unit harness connector M57 terminal 8 (W/G) and ground with CONSULT-II or oscilloscope.

8 (W/G) – Ground : Refer to [AV-70, "Terminals and Reference Value for NAVI Control Unit"](#) .

OK or NG

- OK >> Replace NAVI control unit.
 NG >> Check combination meter system. Refer to [DI-10, "Meter/Gauges Operation and Odo/Trip Meter"](#)



Illumination Signal Check

AKS003H7

1. TAIL LAMP OPERATION CHECK

When lighting switch turned 1st or 2nd position, does tail lamp illuminate?

YES or NO

- Yes >> GO TO 2.
 No >> Go to tail lamp trouble diagnosis. Refer to [LT-148, "Parking, License Plate and Tail Lamps Do Not Illuminate"](#) .

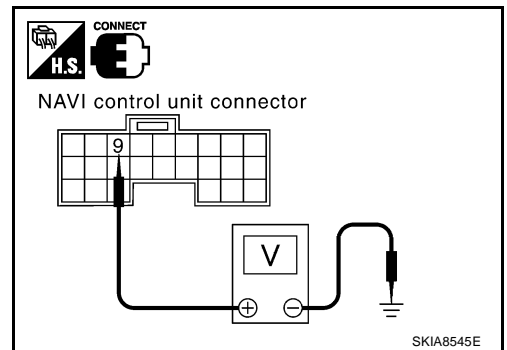
2. ILLUMINATION SIGNAL CHECK

1. Check voltage between NAVI control unit and ground.

Terminals		Lighting switch position	Voltage (V)
(+)	(-)		
Connector	Terminal (wire color)		
M57	9 (R/L)	1st or 2nd position	Battery voltage
		OFF	approx. 0V

OK or NG

- OK >> Replace NAVI control unit.
 NG >> Check harness for open or short between NAVI control unit and IPDM E/R. Refer to [LT-185, "Wiring Diagram — ILL —"](#) .



Ignition Signal Check

AKS003H8

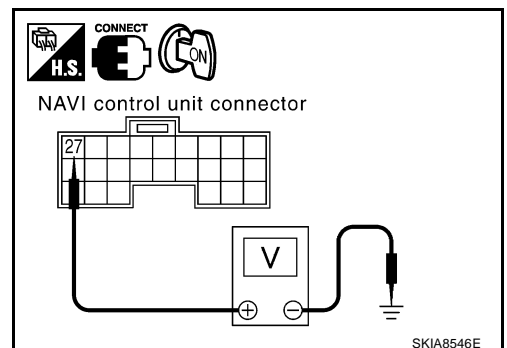
1. IGNITION SIGNAL CHECK

1. Turn the ignition switch ON.
2. Check voltage between NAVI control unit and ground.

Terminals		Ignition switch position	
(+)	(-)	ON	OFF
Connector	Terminal (wire color)		
M58	27(Y/G)	Battery voltage	Approx. 0V

OK or NG

- OK >> Replace NAVI control unit.
 NG >> Check harness for open or short between NAVI control unit and fuse.



NAVIGATION SYSTEM

AKS003H9

Reverse Signal Check(With A/T)

1. REVERSE LAMP CHECK

1. Turn the ignition switch ON.
2. With the A/T selector lever in R-position. Is the indicator turned on?

YES or NO

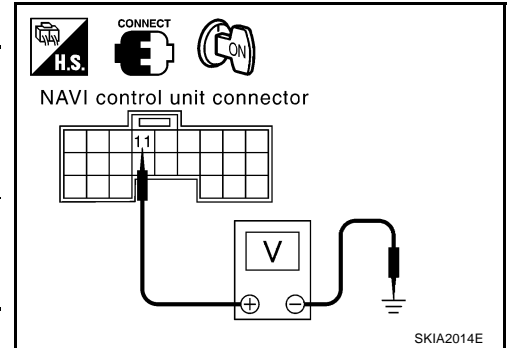
YES >> GO TO 2.

NO >> Check back up lamp system. Refer to [LT-134, "Wiring Diagram — BACK/L —"](#) .

2. REVERSE SIGNAL CHECK

1. With the A/T selector lever in R-position.
2. Check voltage between NAVI control unit and ground.

Terminals		(-)	A/T selector lever position	Voltage (V)
(+)				
Connector	Terminal (wire color)			
M57	11(OR)	Ground	R-position	Battery voltage
			Other than R-position	approx. 0V



OK or NG

OK >> Replace NAVI control unit.

NG >> Harness for open or short between NAVI control unit and back-up lamp relay.

Reverse Signal Check(With M/T)

AKS004C8

1. REVERSE LAMP CHECK

1. Turn the ignition switch ON.
2. With the shift lever in R-position. Are reverse ramps turned on?

YES or NO

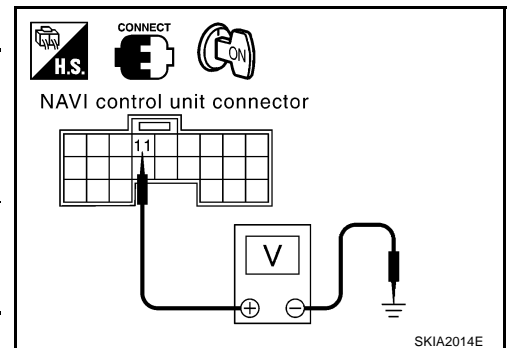
YES >> GO TO 2.

NO >> Check back up lamp system. Refer to [LT-134, "Wiring Diagram — BACK/L —"](#) .

2. REVERSE SIGNAL CHECK

1. With the shift lever in R-position.
2. Check voltage between NAVI control unit and ground.

Terminals		(-)	Shift lever position	Voltage (V)
(+)				
Connector	Terminal (wire color)			
M57	11(OR)	Ground	R-position	Battery voltage
			Other than R-position	approx. 0V



OK or NG

OK >> Replace NAVI control unit.

NG >> Harness for open or short between NAVI control unit and back-up lamp switch.

NAVIGATION SYSTEM

Navigation System Does Not Activate METHOD OF DIAGNOSIS FOR MALFUNCTIONING SYSTEM

AKS00B61

When system does not start, identify improper connection between units by outbreak sound from NAVI control unit.

Basic Service Procedure

- Make sure whether DISC can be demounted from NAVI control unit, and whether startup sound can be heard from NAVI control unit when the key is set to ACC.
- When the above items have a malfunction, check NAVI control unit power supply and ground circuit.

Diagnosis Procedure

1. Turn ignition switch ON. Make sure whether NAVI control unit produces beep sound (twice) ten seconds after navigation system starts.
2. Push and hold "MAP" and "D/N" switches simultaneously for 5 seconds or more. Make sure whether NAVI control unit produces beep sound twice.
3. Combining the result of step 1 and 2, select an appropriate diagnosis number from the Diagnosis result quick reference table.
4. Confirm and check the estimated malfunctioning system from the diagnosis number table.

Diagnosis result quick reference table

Procedure 1	Procedure 2	Diagnosis number.
10 seconds after turning ignition switch ON	Push and hold "MAP" and "D/N" switches simultaneously for 5 seconds or more.	
Two times of beep sounds from NAVI control unit	Two times of beep sounds from NAVI control unit	1
	No sound	2
No sound	Two times of beep sounds from NAVI control unit	3
	No sound	4

Diagnosis number table

Diagnosis number.	Possible cause	Reference page
1	Power supply and ground circuit check for display unit. Communication line check (Between display unit and NAVI switch).	AV-89
2	Power supply and ground circuit check for NAVI switch. Communication line check (Between NAVI switch and NAVI control unit).	AV-90
3	Communication line check (Between NAVI control unit and display unit).	AV-91
4	Power supply and ground circuit check for NAVI control unit.	AV-84

Communication Line Check (Between Display Unit and NAVI Switch)

AKS00B62

1. CHECK POWER SUPPLY AND GROUND CIRCUIT (DISPLAY UNIT)

1. Check power supply and ground circuit. Refer to [AV-85, "Power Supply and Ground Circuit Check for Display Unit and NAVI Switch"](#).

OK or NG

- OK >> GO TO 2.
NG >> Power supply and ground circuit check.

NAVIGATION SYSTEM

2. CHECK HARNESS

1. Turn ignition OFF.
2. Disconnect display unit connector and NAVI switch connector.
3. Check continuity between display unit harness connector M35 terminal 13 (R) and NAVI switch harness connector M37 terminal 4 (R).

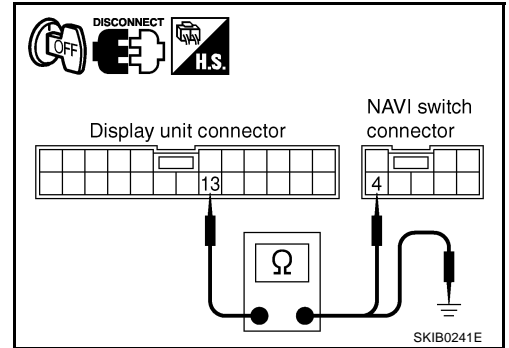
Continuity should exist.

4. Check continuity between display unit harness connector M35 terminal 13 (R) and ground.

Continuity should not exist.

OK or NG

- OK >> GO TO 3.
NG >> Repair harness or connector.



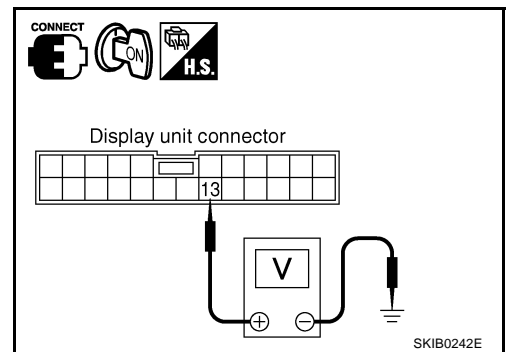
3. COMMUNICATION SIGNAL CHECK

1. Connect display unit connector.
2. Turn ignition switch ON.
3. Check voltage between display unit harness connector M35 terminal 13 (R) and ground.

13 (R) - Ground : Approx 5V

OK or NG

- OK >> Replace NAVI switch.
NG >> Replace display unit.



Communication Line Check (Between NAVI Switch and NAVI Control Unit)

AKS00B63

1. CHECK POWER SUPPLY AND GROUND CIRCUIT (NAVI SWITCH)

1. Check power supply and ground circuit. Refer to [AV-85, "Power Supply and Ground Circuit Check for Display Unit and NAVI Switch"](#).

OK or NG

- OK >> GO TO 2.
NG >> Power supply and ground circuit check.

NAVIGATION SYSTEM

2. CHECK HARNESS

1. Turn ignition switch OFF.
2. Disconnect NAVI switch connector and NAVI control unit connector.
3. Check continuity between NAVI switch harness connector M37 terminal 5 (G) and NAVI control unit connector M58 terminal 33(G).

Continuity should exist.

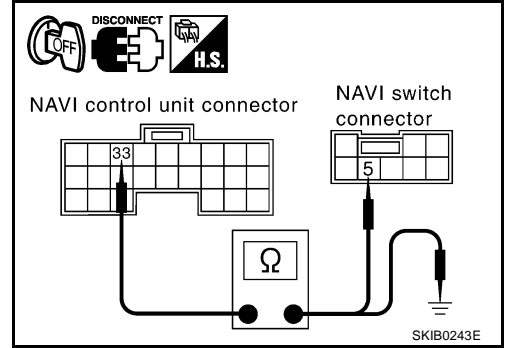
4. Check continuity between NAVI switch harness connector M37 terminal 5 (G) and ground.

Continuity should not exist.

OK or NG

OK >> GO TO 3.

NG >> Repair harness or connector.



3. COMMUNICATION SIGNAL CHECK

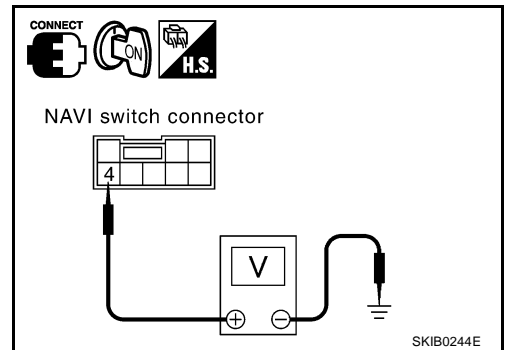
1. Connect NAVI switch connector.
2. Turn ignition switch ON.
3. Check voltage between NAVI switch harness connector M37 terminal 5 (G) and ground.

5 (G) - Ground : Approx 5V

OK or NG

OK >> Replace NAVI control unit.

NG >> Replace NAVI switch.



Communication Line Check (Between NAVI Control Unit and Display Unit)

1. CHECK HARNESS

1. Turn ignition switch OFF.
2. Disconnect NAVI control unit connector and display unit connector.
3. Check continuity between NAVI control unit harness connector M58 terminal 35 (B) , 31 and display unit harness connector M35 terminal 14 (B), 15.

Continuity should exist.

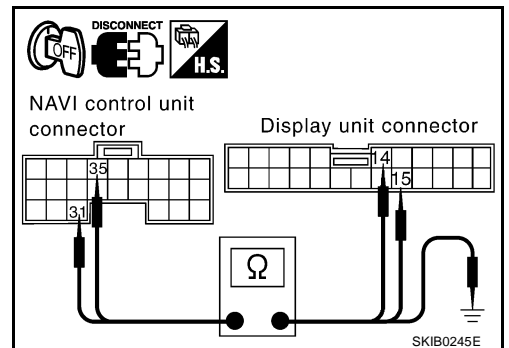
4. Check continuity between NAVI control unit harness connector M58 terminal 35 (B), 31 and ground.

Continuity should not exist.

OK or NG

OK >> GO TO 2.

NG >> Repair harness or connector.



NAVIGATION SYSTEM

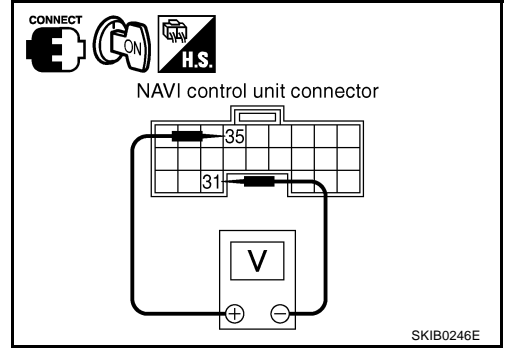
2. COMMUNICATION SIGNAL CHECK

1. Connect NAVI control unit connector.
2. Turn ignition switch ON
3. Check voltage between NAVI control unit harness connector M58 terminal 35 (B) and 31.

35 (B) - 31 : Approx 5V

OK or NG

- OK >> Replace display unit.
 NG >> Replace NAVI control unit.



RGB Screen Is Not Shown

1. HARNESS CHECK

1. Turn the ignition switch OFF.
2. Disconnect NAVI control unit connector and display unit connector.
3. Check continuity between NAVI control unit harness connector M57 terminal 14 (L) and Display UNIT harness connector M35 terminal 8 (L).

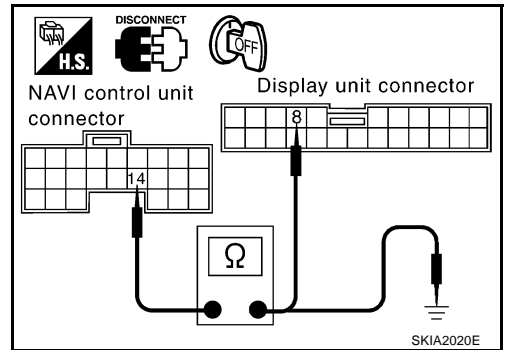
Continuity should exist.

4. Check continuity between NAVI control unit harness connector M57 terminal 14 (L) and ground.

Continuity should not exist.

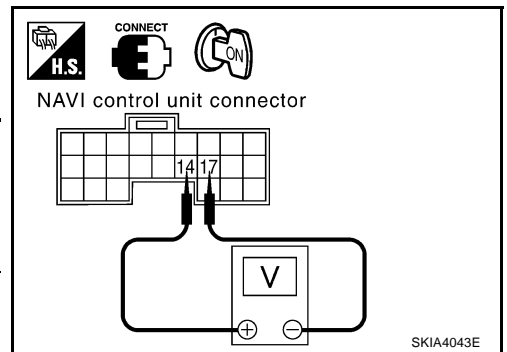
OK or NG

- OK >> GO TO 2.
 NG >> Repair harness or connector.



2. RGB AREA SIGNAL CHECK

1. Connect NAVI control unit connector and display unit connector.
2. Turn ignition switch ON.
3. Push "INFO" switch.
4. Check the signal between NAVI control unit connector M57 terminals 14(L) and 17 with CONSULT-II or oscilloscope.



Terminals				voltage (v)
(+)		(-)		
Connector	Terminal (wire color)	Connector	Terminal (Wire color)	
M57	14 (L)	M57	17	Refer to AV-70. "Terminals and Reference Value for NAVI Control Unit" .

OK or NG

- OK >> Replace display unit.
 NG >> Replace NAVI control unit.

NAVIGATION SYSTEM

AKS003HB

Color of RGB Image Is Not Proper (Bluish)

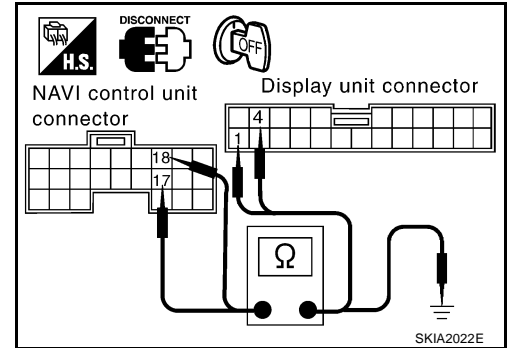
1. RGB HARNESS CHECK

1. Turn the ignition switch OFF.
2. Disconnect NAVI control unit connector and display unit connector.
3. Check continuity between NAVI control unit and display unit.
4. Check continuity between NAVI control unit and ground.

● **When the screen looks bluish**

Terminals				Continuity
NAVI control unit		Display unit		
Connector	Terminal (wire color)	Connector	Terminal (wire color)	
M57	18 (B)	M35	1 (B)	Yes
	17		4	

Terminals			Continuity
NAVI control unit (+)		(-)	
Connector	Terminal (wire color)		
M57	18 (B)	Ground	No
	17		

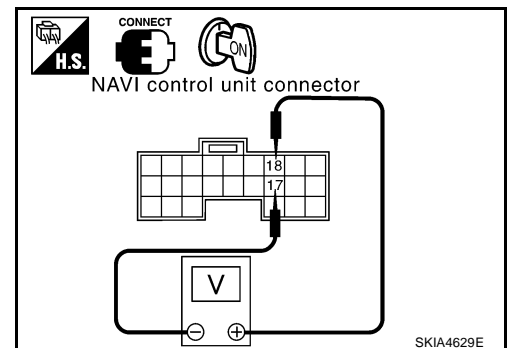


OK or NG

- OK >> GO TO 2.
 NG >> Repair harness or connector.

2. RGB SIGNAL CHECK

1. Connect NAVI control unit connector and display unit connector.
2. Turn the ignition switch ON.
3. Display "Color bar" by "CONFIRMATION/ADJUSTMENT" mode.
4. Check the signal between NAVI control unit terminal 18(B) and 17 with CONSULT-II or oscilloscope.



● **When the screen looks bluish.**

Terminals				Voltage (v)
NAVI control unit (+)		NAVI control unit (-)		
Connector	Terminal (wire color)	Connector	Terminal	
M57	18 (B)	M57	17	Refer to AV-70. "Terminals and Reference Value for NAVI Control Unit" .

OK or NG

- OK >> Replace display unit.
 NG >> Replace NAVI control unit.

NAVIGATION SYSTEM

AKS005S6

Color of RGB Image Is Not Proper (Reddish)

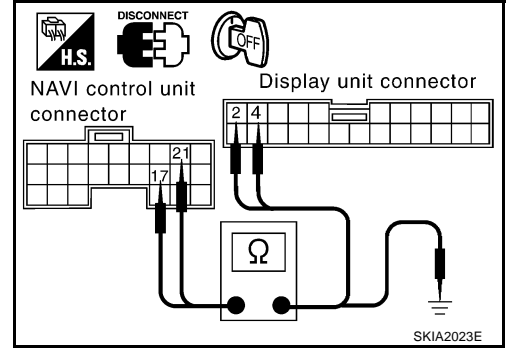
1. RGB HARNESS CHECK

1. Turn the ignition switch OFF.
2. Disconnect NAVI control unit connector and display unit connector.
3. Check continuity between NAVI control unit and display unit.
4. Check continuity between NAVI control unit and ground.

● **When the screen looks reddish.**

Terminals				Continuity
NAVI control unit		Display unit		
Connector	Terminal (wire color)	Connector	Terminal (wire color)	
M57	21 (W)	M35	2 (W)	Yes
	17		4	

Terminals			Continuity
NAVI control unit(+)		(-)	
Connector	Terminal (wire color)		
M57	21 (W)	Ground	No
	17		

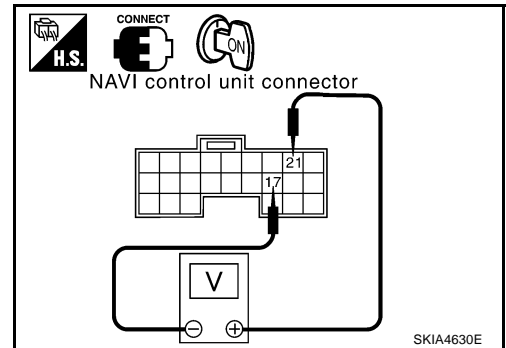


OK or NG

- OK >> GO TO 2.
 NG >> Repair harness or connector.

2. RGB SIGNAL CHECK

1. Connect NAVI control unit connector and display unit connector.
2. Turn the ignition switch ON.
3. Display "Color bar" by "CONFIRMATION/ADJUSTMENT" mode.
4. Check the signal between NAVI control unit terminal 21(W) and 17 with CONSULT-II or oscilloscope.



● **When the screen looks reddish.**

Terminals				Voltage (v)
NAVI control unit (+)		NAVI control unit (-)		
Connector	Terminal (wire color)	Connector	Terminal	
M57	21 (W)	M57	17	Refer to AV-70, "Terminals and Reference Value for NAVI Control Unit" .

OK or NG

- OK >> Replace display unit.
 NG >> Replace NAVI control unit.

NAVIGATION SYSTEM

AKS005S7

Color of RGB Image Is Not Proper (Yellowish)

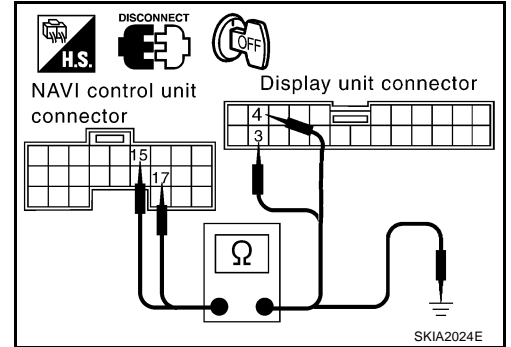
1. RGB HARNESS CHECK

1. Turn the ignition switch OFF.
2. Disconnect NAVI control unit connector and display unit connector.
3. Check continuity between NAVI control unit and display unit.
4. Check continuity between NAVI control unit and ground.

● **When the screen looks yellowish.**

Terminals				Continuity
NAVI control unit		Display unit		
Connector	Terminal (wire color)	Connector	Terminal (wire color)	
M57	15 (R)	M35	3 (R)	Yes
	17		4	

Terminals			Continuity
NAVI control unit(+)		(-)	
Connector	Terminal (wire color)		
M57	15 (R)	Ground	No
	17		

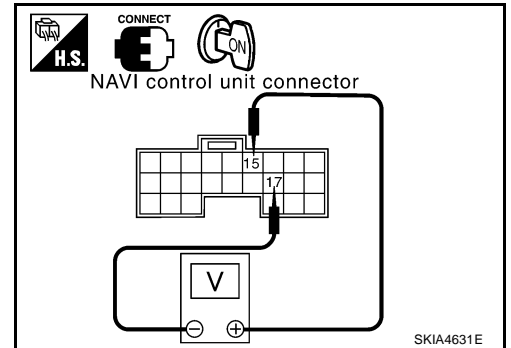


OK or NG

- OK >> GO TO 2.
 NG >> Repair harness or connector.

2. RGB SIGNAL CHECK

1. Connect NAVI control unit connector and display unit connector.
2. Turn the ignition switch ON.
3. Display "Color bar" by "CONFIRMATION/ADJUSTMENT" mode.
4. Check the signal between NAVI control unit terminal 15(R) and 17 with CONSULT-II or oscilloscope.



● **When the screen looks yellowish.**

Terminals				Voltage (v)
NAVI control unit (+)		NAVI control unit (-)		
Connector	Terminal (wire color)	Connector	Terminal	
M57	15 (R)	M57	17	Refer to AV-70, "Terminals and Reference Value for NAVI Control Unit" .

OK or NG

- OK >> Replace display unit.
 NG >> Replace NAVI control unit.

RGB Screen Is Rolling

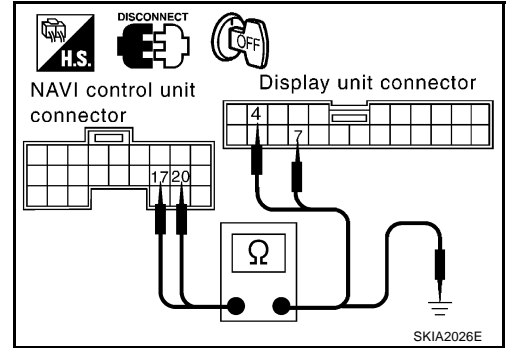
1. RGB SYNCHRONIZING CIRCUIT CHECK

1. Turn the ignition switch OFF.
2. Disconnect NAVI control unit connector and display unit connector.
3. Check continuity between NAVI control unit and display unit.

Terminals				Continuity
NAVI control unit		Display unit		
Connector	Terminal (wire color)	Connector	Terminal (wire color)	
M57	20 (P)	M35	7 (P)	Yes
	17		4	

4. Check continuity between NAVI control unit and ground.

Terminals			Continuity
NAVI control unit (+)		(-)	
Connector	Terminal (wire color)		
M57	20 (P)	Ground	No
	17		



OK or NG

- OK >> GO TO 2.
 NG >> Repair harness or connector.

2. RGB SYNCHRONIZING SIGNAL CHECK

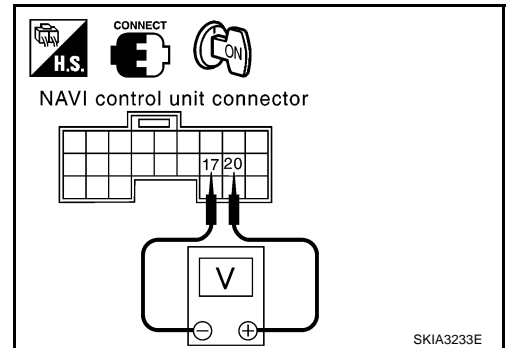
1. Connect NAVI control unit connector and display unit connector.
2. Turn the ignition switch ON.
3. Push the "MAP" switch.
4. Check the signal between NAVI control unit harness connector M57 terminals 20(P) and 17 with CONSULT-II or oscilloscope.

20 (P) - 17

Refer to AV-70, "Terminals and Reference Value for NAVI Control Unit" .

OK or NG

- OK >> Replace display unit.
 NG >> Replace NAVI control unit.



NAVIGATION SYSTEM

AKS003HD

Guide Sound Is Not Heard

1. CHECK VOICE GUIDE SETTING.

- While driving in the dark pink route, voice guide does not operate. (note)
- Is volume setting not switched ON?

NOTE:

Voice guide is only available at intersections that satisfy certain conditions (indicated by ● on the map). Therefore, guidance may not be given even when the route on the map changes direction.

YES or NO

- YES >> GO TO 2.
 NO >> Switch the setting ON and turn the volume up.

2. VOICE GUIDE HARNESS CHECK

1. Turn the ignition switch OFF.
2. Disconnect NAVI control unit connector and audio unit connector.
3. Check continuity between NAVI control unit and audio unit

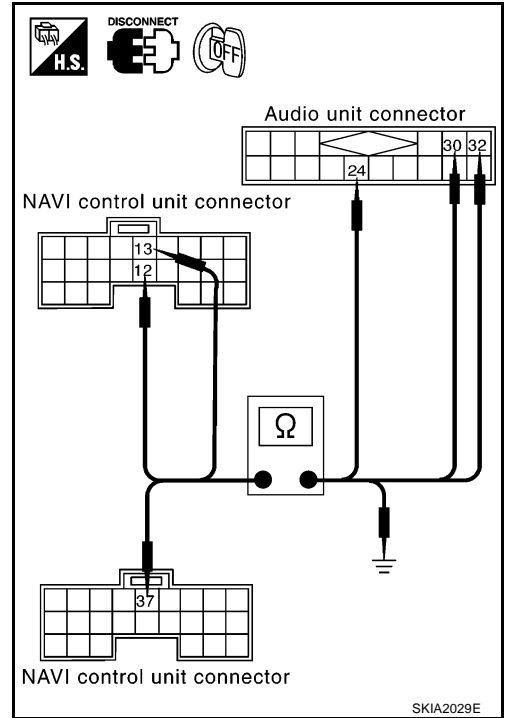
Terminals				Continuity
NAVI control unit (+)		Audio unit (-)		
Connector	Terminal (wire color)	Connector	Terminal (wire color)	
M57	12 (L/W)	M39	32 (L/W)	Yes
	13 (W/B)		30 (W/B)	
M58	37 (R/B)		24 (R/B)	

4. Check continuity between NAVI control unit and ground.

Terminals			Continuity
NAVI control unit(+)		(-)	
Connector	Terminal (wire color)		
M57	12 (L/W)	Ground	No
	13 (W/B)		
M58	37 (R/B)		

OK or NG

- OK >> GO TO 3.
 NG >> ● Check harness for open or short between NAVI control unit and audio unit
 ● Check connector housings for disconnected or loose terminals.



SKIA2029E

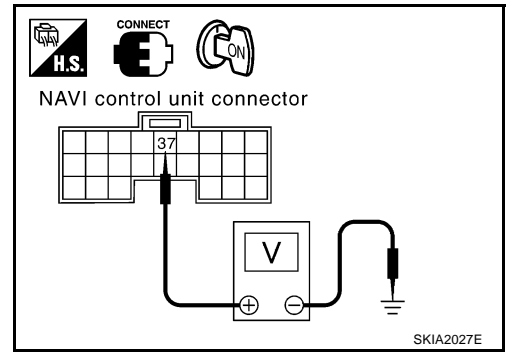
NAVIGATION SYSTEM

3. VOICE GUIDE ON SIGNAL CHECK

1. Connect NAVI control unit connector and audio unit connector.
2. Turn ignition switch ON.
3. Push "VOICE" switch.
4. Check the signal between NAVI control unit harness connector M58 terminal 37 (R/B) and ground with CONSULT-II or oscilloscope.

37(R/B)–Ground

: Refer to [AV-70, "Terminals and Reference Value for NAVI Control Unit"](#) .



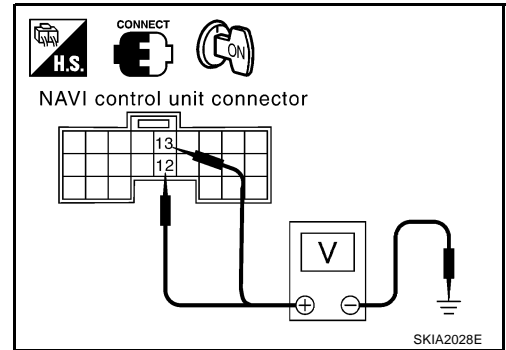
OK or NG

- OK >> GO TO 4.
 NG >> Replace NAVI control unit.

4. VOICE GUIDE SIGNAL CHECK

1. Push the "VOICE" switch.
2. Check the signal between NAVI control unit and ground with CONSULT-II or oscilloscope.

Terminals		Reference Signal
(+)	(-)	
Connector	Terminal (wire color)	
M57	12 (L/W)	Ground
	13 (W/B)	
		Refer to AV-70, "Terminals and Reference Value for NAVI Control Unit" .



Ok or NG

- OK >> Replace audio unit.
 NG >> Replace NAVI control unit

No Fuel Information Is Displayed

1. SELF-DIAGNOSIS CHECK

Perform self-diagnosis. Refer to [AV-76, "Self-Diagnosis Mode"](#) .

Is self-diagnosis result OK?

- YES >> GO TO 2.
 NO >> Check applicable parts.

2. COMBINATION METER CHECK

Using CONSULT-II select "ECM SELF-DIAGNOSIS" to check CAN communication between ECM and combination meter. Refer to [EC-71, "TROUBLE DIAGNOSIS"](#) .

OK or NG

- OK >> Replace combination meter.
 NG >> Check applicable parts.

Vehicle Condition Setting Is Not Possible.

AKS003HH

1. VEHICLE SPEED SIGNAL CHECK

Check vehicle speed signal check. Refer to [AV-80, "VEHICLE SIGNALS"](#) .

OK or NG

OK >> Replace NAVI control unit.

NG >> Check combination meter system. Refer to [DI-10, "Meter/Gauges Operation and Odo/Trip Meter"](#)

No Warning Message Is Displayed (Combination Meter Of Warning Lamp Illuminate)

AKS003HI

1. DISPLAY CONDITION CHECK

Check display conditions of each warning screen.

Warning screen	Display condition
Parking brake drag, door ajar	When parking brake or door switch is ON and vehicle speed is more than 5 km/h (3 MPH)
Fuel level is low	Vehicle drives approximately 20 km (12 MPH) after meter warning lamp turns on.
Other than above.	Meter warning lamp lights up.

>> GO TO 2

2. SELF-DIAGNOSIS CHECK

- Perform self-diagnosis. Refer to [AV-76, "Self-Diagnosis Mode"](#) .

Is self-diagnosis result OK?

YES >> Replace combination meter.

NO >> Check applicable parts.

A

B

C

D

E

F

G

H

I

J

AV

L

M

The Position of The Current-Location Mark Is Not Correct.

AKS003HL

1. SELF-DIAGNOSIS

- "Self-diagnosis mode" of the self-diagnosis function. Refer to [AV-76, "Self-Diagnosis Mode"](#) .

OK or NG

- OK >> GO TO 2.
NG >> Check the applicable parts.

2. HISTORY OF ERRORS DIAGNOSIS

- Was any error stored in [AV-81, "HISTORY OF ERRORS"](#) of the CONFIRMATION/ADJUSTMENT mode?

YES or NO

- YES >> [AV-81, "HISTORY OF ERRORS"](#).
NO >> [AV-100, "Driving Test"](#).

Radio Wave From The GPS Satellite Is Not Received.

AKS003HM

1. ENVIRONMENT CHECK

- Check if any metal object that intercepts radio waves or an object that emits radio waves (such as a portable phone) is located near the GPS antenna. Check if the vehicle is shielded by a building.

OK or NG

- OK >> ● System is normal.
The GPS antenna may not be able to receive radio waves from the GPS satellite if it is shielded by metal object or an object emitting radio waves is placed near it.
- NG >> GO TO 2.

2. SELF-DIAGNOSIS

- Perform self-diagnosis function. Refer to [AV-76, "Self-Diagnosis Mode"](#) .

OK or NG

- OK >> Replace GPS antenna.
NG >> Check the applicable parts.

Driving Test

AKS003HN

1. DRIVING TEST 1

1. Scroll the map screen to display the area to make correction. Push "ENTER" and select "CURRENT LOCATION CORRECTION".
2. Correct direction of the vehicle mark.
3. Perform the distance correction of the CONFIRMATION/ADJUSTMENT mode.

NOTE:

Normally, adjustment is not necessary because this system has automatic distance correction function. However, when a tire chain is fitted, adjustment in accordance with the tire diameter ratio must be made.

4. Are symptoms applicable to the [AV-101, "Example of Symptoms Judged Not Malfunction"](#) present after driving the vehicle?

YES or NO

- YES >> Limit of the location detection capacity of the navigation system
NO >> GO TO 2.

NAVIGATION SYSTEM

2. DRIVING TEST 2

- Did any malfunction occur when the proper test in the following test patterns is performed?
- Test pattern
 - Driving test finds the difference between the symptoms monitored with and without each sensor.
 - Test pattern 1: Test method with no GPS location correction
Disconnect the GPS antenna connector connected to the NAVI control unit. Accurately adjust the current position and the direction, then drive the vehicle.
 - Test pattern 2: Test method with no map-matching
Accurately adjust the current position and the direction. Eject the map DVD-ROM from the NAVI control unit with the ignition switch turned to OFF, then drive the vehicle. After driving, insert the map DVD-ROM back in the unit, display the track of the vehicle on the map screen and compare it with the actual road configuration.
- Sample tests
 - <To determine if the current-location mark skips at the same position, if so, whether it is caused by map-matching or by GPS>
Perform test pattern 1.
 - <To determine if the pattern of streets displayed is correct or not>
Perform test pattern 1 and 2.
Compare the track of the vehicle on the map screen and the actual road configuration. For fairly accurate tracking, plotting shall be made every several hundred meters.
 - <When the distance is adjusted accurately>
Perform test pattern 1 and 2.
Drive on a road of which distance is accurately known (by utilizing distance posts on a highway). Calculate the rate of change (increased/decreased) of the distance by comparing with the actual distance.
Correction = A/B
A: Distance shown on the screen
B: Actual distance

YES or NO

- YES >> ● If adjustment is insufficient, perform adjustment again.
 ● If any error is found in the map, please let us know.
 ● Replace NAVI control unit
- NO >> Limit of the location detection capacity of the navigation system

Example of Symptoms Judged Not Malfunction BASIC OPERATION

AKS003HO

Symptom	Cause	Remedy
No image is shown.	Display brightness adjustment is set fully to DARK side.	Adjust the display brightness.
No guide sound is heard. Audio guide volume is too low or too high.	Volume control is set to OFF, MIN or MAX.	Adjust the audio guide volume.
	Audio guidance is not available while the vehicle is driving on a dark pink route.	System is not malfunction.
Screen is too dark. Motion of the image is too slow.	Temperature inside the vehicle is low.	Wait until the temperature inside the vehicle reaches the proper temperature.
Small black or bright spots appear on the screen.	Symptom peculiar to a liquid crystal display.	System is not malfunction.

NAVIGATION SYSTEM

VEHICLE MARK

Symptom	Cause	Remedy
Map screen and bird view TM Name of the place vary with the screen.	Some thinning of the character data is done to prevent the display becoming to complex. In some cases and in some locations, the display contents may differ. The same place name, street name, etc. may not be displayed every time on account of the data processing.	System is not malfunction.
Vehicle mark is not positioned correctly.	Vehicle is transferred by ferry or by towing after its ignition switch is turned to OFF.	Drive the vehicle for a while in the GPS satellite signal receiving condition.
Screen will not switch to nighttime mode after the lighting switch is turned ON.	The daytime screen is selected by the "SWITCH SCREENS" when the last time the screen dimming setting is done. Switching between daytime/nighttime screen may be inhibited by the automatic illumination adjustment function.	Perform screen dimming and select the nighttime screen by "SWITCH SCREENS".
Map screen will not scroll in accordance with the vehicle travel.	Current location is not displayed.	Push "MAP" switch to display the current location.
Vehicle mark will not be shown.	Current location is not displayed.	Push "MAP" switch to display the current location.
Accuracy indicator (GPS satellite mark) on the map screen stays gray.	GPS satellite signal is intercepted because the vehicle is in or behind a building.	Move the vehicle out to an open space.
	GPS satellite signal cannot be received because an obstacle is placed on top of the display.	Do not place anything in the center on top of the display.
	GPS satellites are located badly.	Wait until the location becomes better.
Vehicle location accuracy is low.	Accuracy indicator (GPS satellite mark) on the map screen stays gray.	Current location is not determined.
	Vehicle speed setting by the vehicle speed pulse has been deviated (advanced or retarded) from the actual vehicle speed because tire chain is fitted or the system has been used on another vehicle.	Drive the vehicle for a while {for approx. 30 minutes at approx. 30 km/h(19MPH)} and the deviation will be automatically adjusted. If advancement or retard still occur, perform the distance adjustment by CONFIRMATION/ADJUSTMENT mode of diagnosis function.
	Map data has error or omission. (Vehicle mark is always deviated to the same position.)	As a rule, an updated map DVD-ROM will be released once a year.

DESTINATION, PASSING POINTS, AND MENU ITEMS CANNOT BE SELECTED/SET.

Symptom	Cause	Remedy
Destination cannot be set.	Destination to be set is on an exPushway.	Set the destination on an ordinary road.
Passing point is not searched when re-searching the route.	The vehicle has already passed the passing point, or the system judged so.	To include the passing points that have been passed into the route again, set the route again.
Route information will not be displayed.	Route searching has not been done.	Set the destination and perform route searching.
	Vehicle mark is not on the recommended route.	Drive on the recommended route.
	Route guide is turned OFF.	Turn the route guide ON.
	Route information is not available on the dark pink route.	System is not malfunction.
After the route searching, no guide sign will appear as the vehicle goes near the entrance/exit to the toll road.	Vehicle mark is not on the recommended route. (On the display, only guide signs related to the recommended route will be shown.)	Drive on the recommended route.
Automatic route searching is not possible.	Vehicle is driving on a highway (gray route), or no recommended route is available.	Drive on a road to be searched. Or re-search the route manually. In this case, however, the whole route will be searched.

NAVIGATION SYSTEM

Symptom	Cause	Remedy
Performed automatic detour search (or detour search). However, the result is the same as that of the previous search.	Performed search with every conditions considered. However, the result is the same as that of the previous search.	System is not malfunction.
Passing points cannot be set.	More than five passing points were set.	Passing points can be set up to five. To stop at more than five points, perform sharing in several steps.
When setting the route, the starting point cannot be selected.	The current vehicle location is always set as the starting point of a route.	System is not malfunction.
Some menu items cannot be selected.	The vehicle is being driven.	Stop the vehicle at a safe place and then operate the system.

VOICE GUIDE

Symptom	Cause	Remedy
Voice guide will not operate.	Note: Voice guide is only available at intersections that satisfy certain conditions (indicated by ● on the map). Therefore, guidance may not be given even when the route on the map changes direction.	System is not malfunction.
	The vehicle is not on the recommended route.	Return to the recommended route or re-search the route.
	Voice guide is turned OFF.	Turn the voice guide ON.
	Route guide is turned OFF.	Turn the route guide ON.
Voice guide does not match the actual road pattern.	Voice guide may vary with the direction to which the vehicle is turn and the connection of the road to other roads.	Drive in conformity to the actual traffic rules.

ROUTE SEARCHING

Symptom	Cause	Remedy
No route is shown.	No road to be searched is found around the destination.	Find wider road (orange road or wider) nearby and reset the destination and passing points onto it. Take care of the traveling direction when there are separate up and down roads.
	Starting point and the destination are too close.	Set the destination at more distant point.
	Conditional traffic regulation (day of the week/ time of the day) is set at the area around the current position or the destination.	Turn the time-regulating search conditions OFF. Turn "Avoid regulation time" in the search conditions OFF.
Indicated route is intermittent.	In some areas, highways (gray routes) are not used for the search ^(Note) Therefore, the route to the current position or the passing points may be intermittent.	System is not malfunction.
When the vehicle has passed the recommended route, it is deleted from the screen.	A recommended route is controlled by each section. When the vehicle has passed the passing point 1, then the map data from the starting point up to the passing point 1 will be deleted. (The data may remain undeleted in some area.)	System is not malfunction.

NAVIGATION SYSTEM

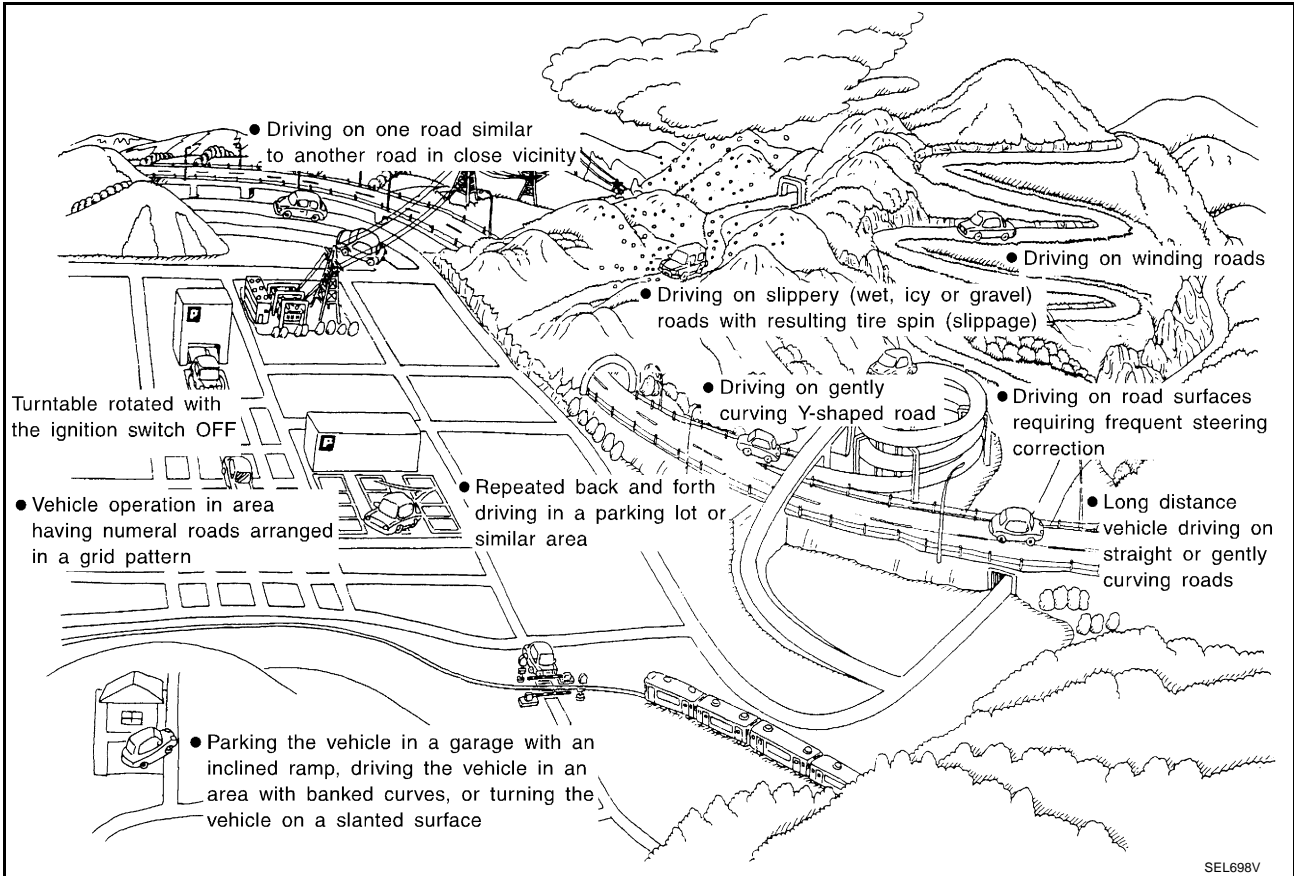
Symptom	Cause	Remedy
Detouring route is recommended.	In some areas, highways (gray routes) are not used for the search. (Note). Therefore, detour route may be recommended.	Set the route closer to the basic route (gray route).
	A detour route may be shown when some traffic regulation (one-way traffic, etc.) is set at the area around the starting point or the destination.	Slightly move the starting point or the destination, or set the passing point on the route of your choice.
	In the area where highways (gray routes) are used for the search, left turn has priority around the current position and the destination (passing points). For this reason, the recommended route may be detouring.	System is not malfunction.
Landmarks on the map do not match the actual ones.	This can be happen due to omission or error in the map data.	As a rule, an updated map DVD-ROM will be released once a year. Wait until the latest map has become available.
Recommended route is far from the starting point, passing points, and destination.	Starting point, passing points, and destination of the route guide were set far from the desired points because route searching data around these area were not stored.	Reset the destination onto the road nearby. If this road is one of the highways (gray routes), an ordinary road nearby may be displayed as the recommended route.

NOTE:

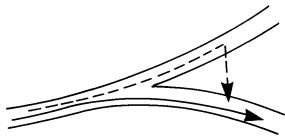
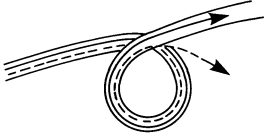
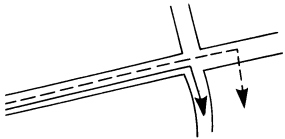
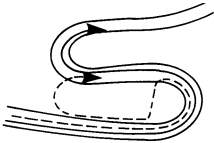
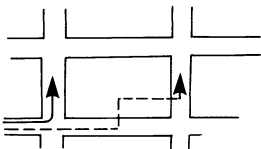
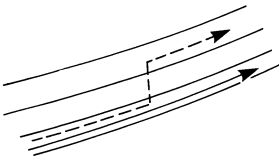
Except for the ordinance-designated cities and the prefectural capitals (Applicable areas may be changed in the updated map disc.)

EXAMPLES OF CURRENT-LOCATION MARK DISPLACEMENT

Vehicle's travel amount is calculated by reading its travel distance and turning angle. Therefore, if the vehicle is driven in the following manner, an error will occur in the vehicle's current location display. If correct location has not been restored after driving the vehicle for a while, perform location correction.

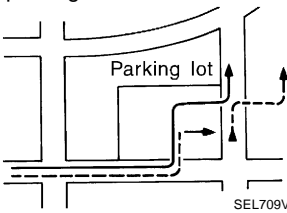
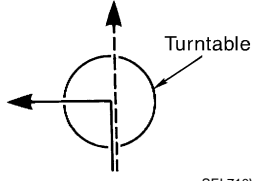
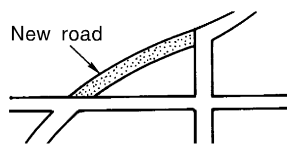
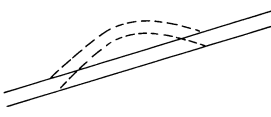


NAVIGATION SYSTEM

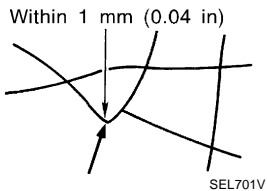
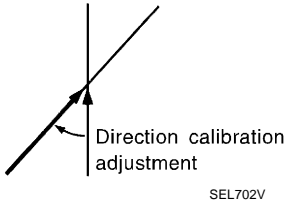
	Cause (condition) -:While driving ooo: Display	Driving condition	Remarks (correction, etc.)
Road configuration	<p>Y-intersections</p>  <p style="text-align: center; font-size: small;">ELK0192D</p>	<p>At a Y intersection or similar gradual division of roads, error the direction of travel deduced by the sensor may result in the current-location mark appearing on the wrong road.</p>	
	<p>Spiral roads</p>  <p style="text-align: center; font-size: small;">ELK0193D</p>	<p>When driving on a large, continuous spiral road (such as loop bridge), turning angle error is accumulated and the vehicle mark may deviate from the correct location.</p>	
	<p>Straight roads</p>  <p style="text-align: center; font-size: small;">ELK0194D</p>	<p>When driving on a long, straight road and slow curve without stopping, map-matching does not work effectively enough and distance errors may accumulate. As a result, the vehicle mark may deviate from the correct location when the vehicle turned at a corner.</p>	<p>If after travelling about 10 km(6miles) the correct location has not been restored, perform location correction and, if necessary, direction correction.</p>
	<p>Zigzag roads</p>  <p style="text-align: center; font-size: small;">ELK0195D</p>	<p>When driving on a zigzag road, the map may be matched to other roads in the similar direction nearby at every turn, and the vehicle mark may deviate from the correct location.</p>	
	<p>Roads laid out in a grid pattern</p>  <p style="text-align: center; font-size: small;">ELK0196D</p>	<p>When driving at where roads are laid out in a grid pattern, where many roads are running in the similar direction nearby, the map may be matched to them by mistake and the vehicle mark may deviate from the correct location.</p>	
	<p>Parallel roads</p>  <p style="text-align: center; font-size: small;">ELK0197D</p>	<p>When two roads are running in parallel (such as highway and side-way), the map may be matched to the other road by mistake and the vehicle mark may deviate from the correct location.</p>	

A
B
C
D
E
F
G
H
I
J
AV
L
M

NAVIGATION SYSTEM

	Cause (condition) -:While driving ooo: Display	Driving condition	Remarks (correction, etc.)
Place	In a parking lot  SEL709V	When driving in a parking lot, or other location where there are no roads on the map, matching may place the vehicle mark on a nearby road. When the vehicle returns to the road, the vehicle mark may have deviated from the correct location. When driving in circle or turning the steering wheel repeatedly, direction errors accumulate, and the vehicle mark may deviate from the correct location.	If after travelling about 10km (6miles) the correct location has not been restored, perform location correction and, if necessary, direction correction.
	Turn table  SEL710V	When the ignition switch is OFF, the navigation system cannot get the signal from the gyroscope (angular speed sensor). Therefore, the displayed direction may be wrong and the correct road may not be easily returned to after rotating the vehicle on a turn table with the ignition OFF.	
	Slippery roads	On snow, wet roads, gravel, or other roads where tires may slip easily, accumulated mileage errors may cause the vehicle mark to deviate from the correct road.	
	Slopes	When parking in sloped garages, when travelling on banked roads, or in other cases where the vehicle turns when tilted, an error in the turning angle will occur, and the vehicle mark may deviate from the road.	
Map data	Road not displayed on the map screen  SEL699V	When driving on new roads or other roads not displayed on the map screen, map matching does not function correctly and matches the location to a nearby road. When the vehicle returns to a road which is on the map, the vehicle mark may deviate from the correct road.	
	Different road pattern (Changed due to repair)  ELK0201D	If the road pattern stored in the map data and the actual road pattern are different, map matching does not function correctly and matches the location to a nearby road. The vehicle mark may deviate from the correct road.	
Vehicle	Use of tire chains	When tire chains are used, the mileage is not correctly detected, and the vehicle mark may deviate from the correct road.	Drive the vehicle for a while. If the distance is still deviated, adjust it by using the distance adjustment function. (If the tire chain is removed, recover the original value.)

NAVIGATION SYSTEM

Cause (condition) -:While driving ooo: Display	Driving condition	Remarks (correction, etc.)
Precautions for driving	Just after the engine is started	If the vehicle is driven off just after the engine is started when the gyroscope (angular speed sensor) correction is not completed, the vehicle can lose its direction and may have deviated from the correct location. Wait for a short while before driving after starting the engine.
	Continuous driving without stopping	When driving long distances without stopping, direction errors may accumulate, and the current-location mark may deviate from the correct road. Stop and adjust the orientation.
	Abusive driving	Spinning the wheels or engaging in other kinds of abusive driving may result in the system being unable perform correct detection, and may cause the vehicle mark to deviate from the correct road. If after travelling about 10 km (6miles) the correct location has not been restored, perform location correction and, if necessary, direction correction.
How to correct location	Position correction accuracy 	If the accuracy of location settings is poor, accuracy may be reduced when the correct road cannot be found, particularly in places where there are many roads. Enter in the road displayed on the screen with an accuracy of approx. 1mm. Caution: Whenever possible, use detailed map for the correction.
	Direction when location is corrected 	If the accuracy of location settings during correction is poor, accuracy may be reduced afterwards. Perform direction correction.

THE CURRENT POSITION MARK SHOWS A POSITION WHICH IS COMPLETELY WRONG

In the following cases, the current-location mark may appear on completely different position in the map depending on the GPS satellite signal receiving conditions. In this case, perform location correction and direction correction.

- When location correction has not been done
 - If the receiving conditions of the GPS satellite signal is poor, if the current-location mark becomes out of place, it may move to a completely different location and not come back if location correction is not done. The position will be corrected if the GPS signal can be received.
- When the vehicle has traveled by ferry, or when the vehicle has been being towed
 - Because calculation of the current location cannot be done when travelling with the ignition OFF, for example when traveling by ferry or when being towed, the location before travel is displayed. If the precise location can be detected with GPS, the location will be corrected.

THE CURRENT POSITION MARK JUMPS

In the following cases, the current-location mark may appear to jump as a result of automatic correction of the current location.

- When map matching has been done
 - If the current location and the current-location mark are different when map matching is done, the current-location mark may seem to jump. At this time, the location may be “corrected” to the wrong road or to a location which is not on a road.
- When GPS location correction has been done
 - If the current location and the current-location mark are different when the location is corrected using GPS measurements, the current-location mark may seem to jump. At this time, the location may be “corrected” to a location which is not on a road.

NAVIGATION SYSTEM

THE CURRENT LOCATION MARK IS IN A RIVER OR THE SEA

The navigation system moves the current location mark with no distinction between land and rivers or sea. If the location mark is somehow out of place, it may appear that the vehicle is driving in a river or the sea.

WHEN DRIVING ON THE SAME ROAD, SOMETIMES THE CURRENT-LOCATION MARK IS IN THE RIGHT PLACE AND SOMETIMES IT IS THE WRONG PLACE

The conditions of the GPS antenna (GPS data) and gyroscope (angular speed sensor) change gradually. Depending on the road traveled and the operation of the steering wheel, the location detection results will be different. Therefore, even on a road on which the location has never been wrong, conditions may cause the vehicle mark to deviate.

LOCATION CORRECTION BY MAP MATCHING IS SLOW

- The map matching function needs to refer to the data of the surrounding area. It is necessary to drive some distance for the function to work.
- Because map matching operates on this principle, when there are many roads running in similar directions in the surrounding area, no matching determination may be made. The location may not be corrected until some special feature is found.

ALTHOUGH THE GPS RECEIVING DISPLAY IS GREEN, THE VEHICLE MARK DOES NOT RETURN TO THE CORRECT LOCATION

- The GPS accuracy has an error of about 10 m (30ft). In some cases the current-location mark may not be on the correct street, even when GPS location-correction is done.
- The navigation system compares the results of GPS location detection with the results from map-matching location detection. The one which is determined to have higher accuracy is used.
- GPS location correction may not be performed when the vehicle is stopped.

THE NAME OF THE CURRENT PLACE IS NOT DISPLAYED

The current place name may not be displayed if there are no place names displayed on the map screen.

CONTENTS OF THE DISPLAY DIFFER FOR THE BIRD VIEW™ AND THE (FLAT) MAP SCREEN

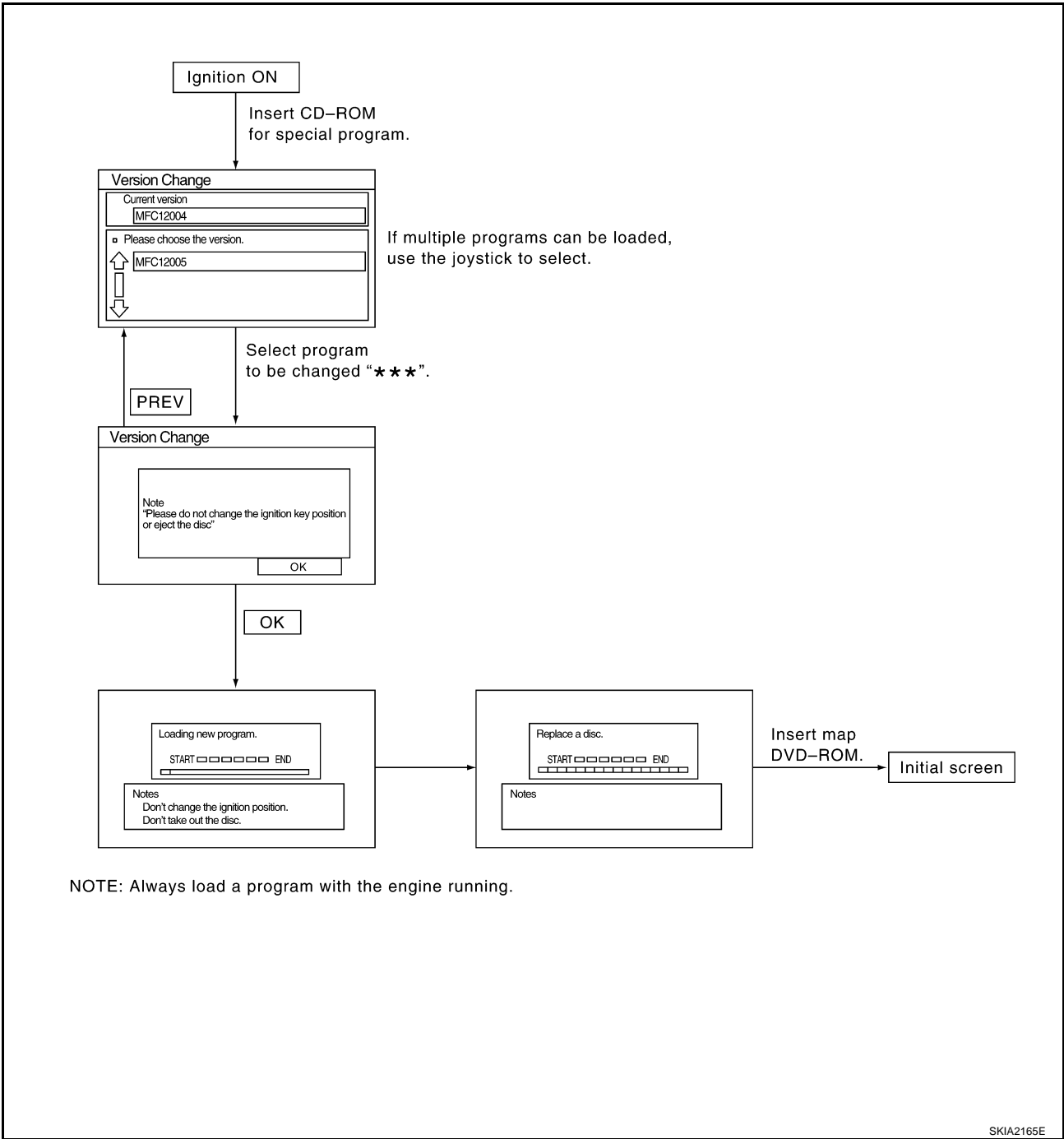
Difference of the bird view™ screen from the flat map screen are as follows.

- The current place name displays names which are primarily in the direction of vehicle travel.
- The amount of time before the vehicle travel or turn angle is updated on the screen is longer than for the (flat) map display.
- The conditions for display of place names, roads, and other data are different for nearby areas and for more distant areas.
- Some thinning of the character data is done to prevent the display becoming too complex. In some cases and in some locations, the display contents may differ.
- The same place name, street name, etc. may be displayed multiple times.

Program Loading

AKS003HP

A
B
C
D
E
F
G
H
I
J
AV
L
M

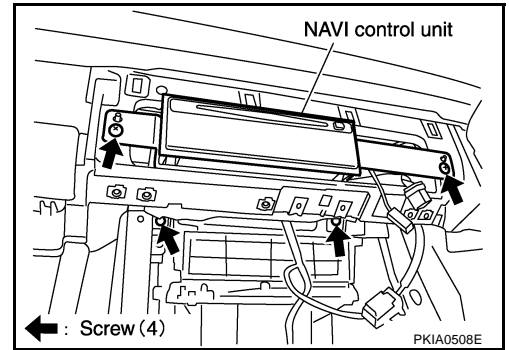


NAVIGATION SYSTEM

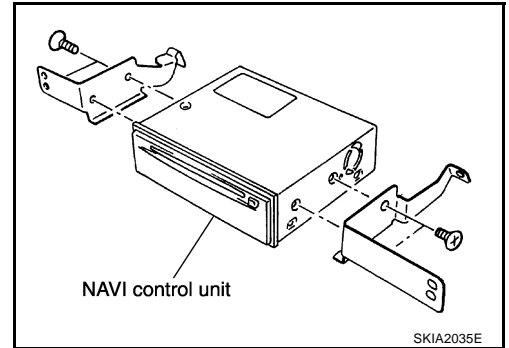
Removal and Installation of NAVI Control Unit

AKS003HQ

1. Remove center box assy. Refer to [IP-10, "INSTRUMENT PANEL ASSEMBLY"](#).
2. Remove screws (4), and remove NAVI control unit.



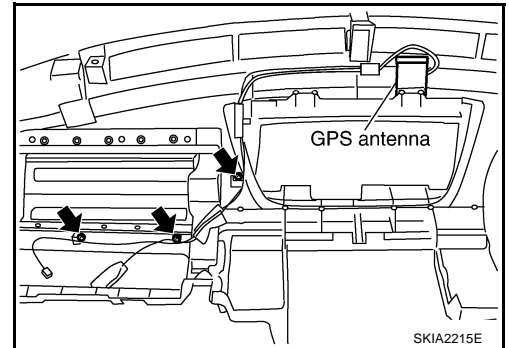
3. Remove screws(4), and remove bracket.



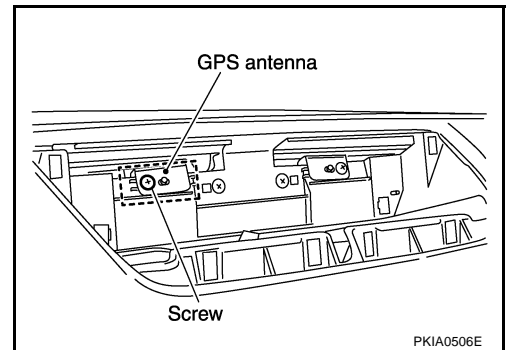
Removal and Installation of GPS Antenna

AKS003HR

1. Remove instrument panel and antenna feeder installation screws on back side. Refer to [IP-10, "INSTRUMENT PANEL ASSEMBLY"](#).



2. Remove screw and remove GPS antenna.

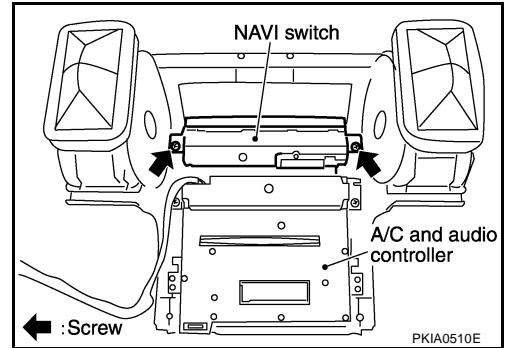


NAVIGATION SYSTEM

Removal and Installation of NAVI Switch

AKS003HS

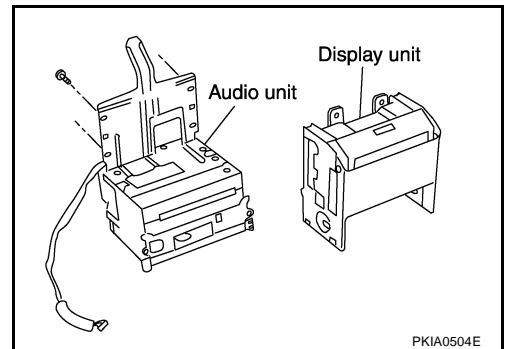
1. Remove cluster lid C. Refer to [IP-10, "INSTRUMENT PANEL ASSEMBLY"](#).
2. Remove audio unit and display unit assembly. Refer to [IP-10, "INSTRUMENT PANEL ASSEMBLY"](#).
3. Remove screws (2) and remove NAVI switch from cluster lid C.



Removal and Installation of Display Unit

AKS003HT

1. Remove cluster lid C. Refer to [IP-10, "INSTRUMENT PANEL ASSEMBLY"](#).
2. Remove audio unit and display unit assembly from cluster lid C. Refer to [IP-10, "INSTRUMENT PANEL ASSEMBLY"](#).
3. Remove screws (4) and remove display unit assembly from audio unit bracket.



Disassembly and Assembly of Display Unit

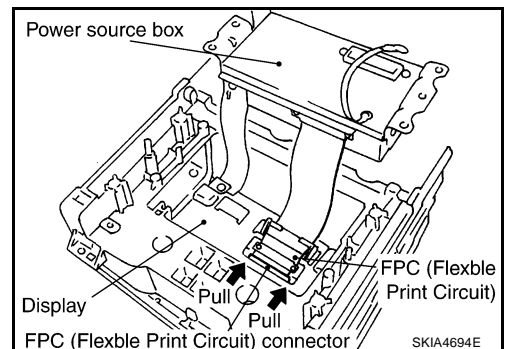
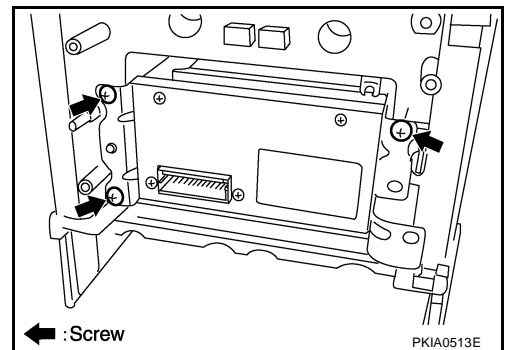
AKS003HU

1. Remove display unit. Refer to [AV-111, "Removal and Installation of Display Unit"](#).
2. Remove screws (3) and remove power source box.

NOTE:

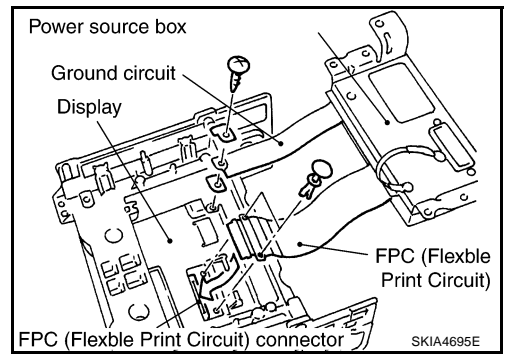
Be careful to handle display and power source box, because they are connected each other via FPC (Flexible Print Circuit).

3. Unlock FPC (Flexible Print Circuit) connector from display.



NAVIGATION SYSTEM

- Remove clips (2) fixing FPC (Flexible Print Circuit) at back side.
- Remove screw and remove ground circuit.



- Using a precision screwdriver, remove screws (RH/LH, back, and bottom) and lifting guide pin on display. Separate monitor cover and display.

