

SECTION **FAX**
FRONT AXLE

A
B
C

FAX

CONTENTS

E

PREPARATION	2	WHEEL BEARING INSPECTION	4	F
Special Service Tools	2	Removal and Installation	4	
Commercial Service Tools	2	REMOVAL	4	
NOISE, VIBRATION AND HARSHNESS (NVH)		INSPECTION AFTER REMOVAL	5	G
TROUBLESHOOTING	3	INSTALLATION	6	
NVH Troubleshooting Chart	3	SERVICE DATA AND SPECIFICATIONS (SDS)	7	
FRONT WHEEL HUB AND KNUCKLE	4	Wheel Bearing	7	H
On-Vehicle Inspection and Service	4	BALL JOINT	7	

H

I

J

K

L

M

PREPARATION

PREPARATION

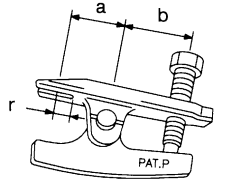
PFP:00002

Special Service Tools

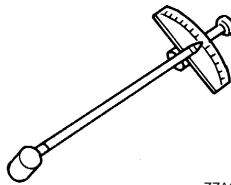
NDS000G5

The actual shapes of Kent-Moore tools may differ from those of special service tools illustrated here.

Tool number (Kent-Moore No.) Tool name	Description
HT72520000 (J-25730-A) Ball joint remover a: 33 mm (1.30 in) b: 50 mm (1.97 in) r: 11.5 mm (0.453 in)	Removing steering outer socket
ST3127S000 (J-25765-A) Preload gauge	Measuring rotating torque of ball joint



NT546

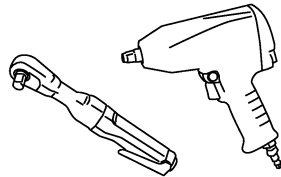


ZZA0806D

Commercial Service Tools

NDS000G6

Tool name	Description
Power tool	Loosening bolts and nuts



PBIC0190E

NOISE, VIBRATION AND HARSHNESS (NVH) TROUBLESHOOTING

NOISE, VIBRATION AND HARSHNESS (NVH) TROUBLESHOOTING

PFP:00003

NVH Troubleshooting Chart

NDS0001V

Use chart below to help you find the cause of the symptom. If necessary, repair or replace these parts.

			FAX-4	-	FAX-4	NVH in WT section.	NVH in WT section.	NVH in PS section.
Reference page								
Possible cause and SUSPECTED PARTS			Improper installation, looseness	Parts interference	Wheel bearing damage	TIRES	ROAD WHEEL	STEERING
Symptom	FRONT AXLE	Noise	x	x		x	x	x
		Shake	x	x		x	x	x
		Vibration	x	x		x		x
		Shimmy	x	x		x	x	x
		Judder	x			x	x	x
		Poor quality ride or handling	x	x	x	x	x	

x: Applicable

A
B
C
FAX
E
F
G
H
I
J
K
L
M

FRONT WHEEL HUB AND KNUCKLE

FRONT WHEEL HUB AND KNUCKLE

PFP:40202

On-Vehicle Inspection and Service

NDS0001W

Make sure the mounting conditions (looseness, back lash) of each component and component status (wear, damage) are normal.

WHEEL BEARING INSPECTION

- Move wheel hub in the axial direction by hand. Make sure there is no looseness of wheel bearing.

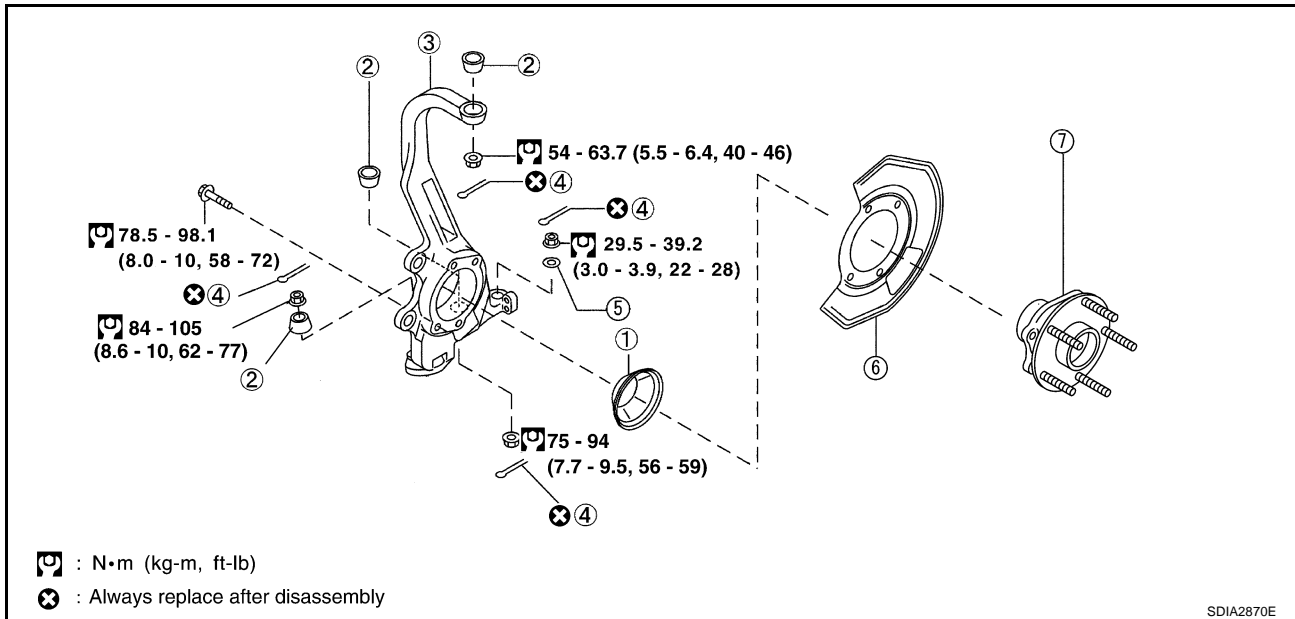
Standard value

Axial end play limit : 0.05 mm (0.002 in) or less

- Rotate wheel hub and make sure there is no unusual noise or other irregular conditions. If there are any irregular conditions, replace wheel hub and bearing assembly.

Removal and Installation

NDS0001X



- | | | |
|-----------------------------------|--------------|---------------------|
| 1. Hub cap | 2. Ball seat | 3. Steering knuckle |
| 4. Cotter pin | 5. Washer | 6. Splash guard |
| 7. Wheel hub and bearing assembly | | |

REMOVAL

1. Remove tire from vehicle with power tool.
2. Remove undercover with power tool.
3. Remove brake caliper with power tool. Hang it in a place where it will not interfere with work. Refer to [BR-21, "FRONT DISC BRAKE"](#).

NOTE:

Avoid depressing brake pedal while brake caliper is removed.

4. Remove disc rotor.
5. Remove wheel sensor from steering knuckle. Refer to [BRC-58, "WHEEL SENSOR"](#).

CAUTION:

Do not pull on wheel sensor harness.

6. Remove brake hose bracket from steering knuckle. Refer to [BR-11, "BRAKE PIPING AND HOSE"](#).
7. Remove cotter pin at steering outer socket, then loosen mounting nut.

FRONT WHEEL HUB AND KNUCKLE

8. Use a ball joint remover (SST) to remove steering outer socket from steering knuckle. Be careful not to damage ball joint boot.

CAUTION:

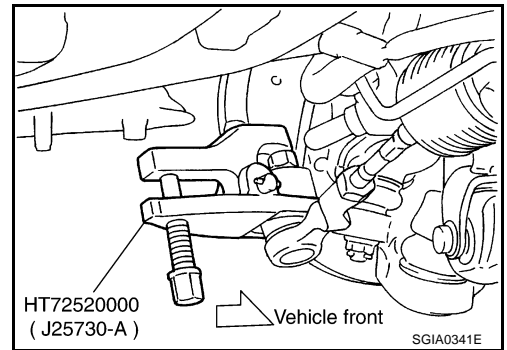
Tighten temporarily mounting nut to prevent damage to threads and to prevent ball joint remover (SST) from coming off.

9. After removing upper link, transverse link, compression rod and cotter pin at steering knuckle, loosen mounting nut.
10. Use a ball joint remover (suitable tool) to remove upper link, transverse link and compression rod from steering knuckle. Be careful not to damage ball joint boot.

CAUTION:

Tighten temporarily mounting nut to prevent damage to threads and to prevent ball joint remover (suitable tool) from coming off.

11. Remove steering knuckle and wheel hub and bearing assembly fixing bolt.
12. Remove wheel hub and bearing assembly from steering knuckle.



INSPECTION AFTER REMOVAL

About the inspection for upper link, compression rod, steering outer socket, refer to [FSU-14, "UPPER LINK"](#) , [FSU-16, "COMPRESSION ROD"](#) , [PS-19, "POWER STEERING GEAR AND LINKAGE"](#) .

Visual Inspection

- Check steering knuckle and ball seat for deformation, cracks, and other damage. Replace steering knuckle and ball seat if cracks, deformation or other damage is found.
- Check ball joint boot for deformation, damage, and also for grease leakage. Replace steering knuckle assembly if cracks, deformation or also for grease leakage is found.

Steering Knuckle Ball Joint Inspection

Manually move ball stud to confirm it moves smoothly with no binding.

Swing Torque Inspection

CAUTION:

Before measurement, move ball joint at least 10 times by hand to check for smooth movement.

- Hook spring balance at cotter pin mounting hole. Confirm spring balance measurement value is within specifications when ball stud begins moving.

Standard value

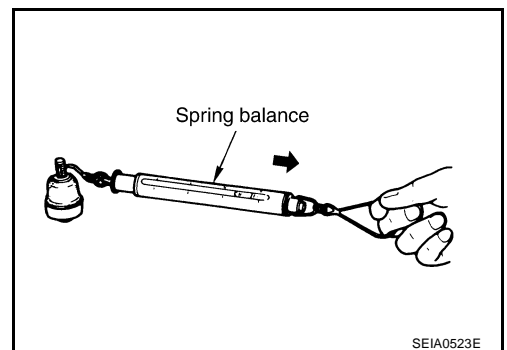
Swing force:

0.147 - 1.4 N·m (0.02 - 0.14 kg·m, 2 - 12 in·lb)

Measurement force:

2.23 - 21.2 N (0.22 - 2.16 kg, 0.50 - 4.77 lb)

- If the value is outside the standard, replace steering knuckle.



Rotating Torque Inspection

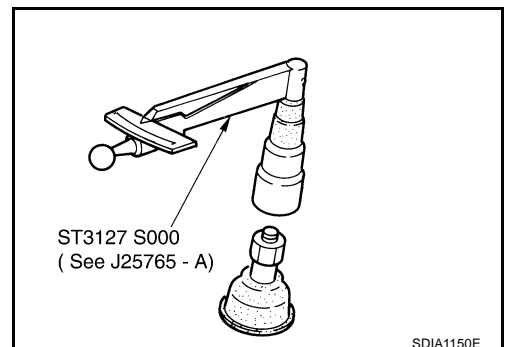
- Attach mounting nut to ball stud. Check that rotating torque is within specifications with a preload gauge (SST).

Standard value

Rotating torque:

0.147 - 1.4 N·m (0.02 - 0.14 kg·m, 2 - 12 in·lb)

- If the value is outside the standard, replace steering knuckle.



FRONT WHEEL HUB AND KNUCKLE

Axial End Play Inspection

- Move tip of ball joint in axial direction to check for looseness.

Standard value

Axial end play : 0 mm (0 in)

- If the value is outside the standard, replace steering knuckle.

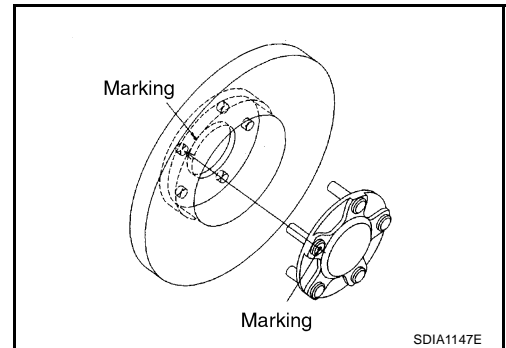
INSTALLATION

- Refer to [FAX-4, "Removal and Installation"](#) for tightening torque. Install in the reverse order of removal.

NOTE:

Refer to component parts location and do not reuse non-reusable parts.

- Wheel hub and bearing assembly and disc must be installed to fit the marked position each other.



SERVICE DATA AND SPECIFICATIONS (SDS)

SERVICE DATA AND SPECIFICATIONS (SDS)

PFP:00030

Wheel Bearing

NDS000G7

Axial end play	0.05 mm (0.002 in) or less
----------------	----------------------------

BALL JOINT

Swing force	0.147 - 1.4 N·m (0.02 - 0.14 kg-m, 2 - 12 in-lb)
Measurement on spring balance	2.23 - 21.2 N (0.22 - 2.16 kg, 0.50 - 4.77 lb)
Rotating torque	0.147 - 1.4 N·m (0.02 - 0.14 kg-m, 2 - 12 in-lb)
Axial end play	0 mm (0 in)

A

B

C

FAX

E

F

G

H

I

J

K

L

M

SERVICE DATA AND SPECIFICATIONS (SDS)
