

A
B
C

SECTION **STC**

STEERING CONTROL SYSTEM

CONTENTS

WITHOUT 4WAS	SYMPTOM DIAGNOSIS	22
BASIC INSPECTION	UNBALANCE STEERING WHEEL TURNING	
DIAGNOSIS AND REPAIR WORKFLOW	FORCE (TORQUE VARIATION)	22
Work Flow	Description	22
	Diagnosis Procedure	22
FUNCTION DIAGNOSIS	PRECAUTION	23
EPS SYSTEM	PRECAUTIONS	23
System Diagram	Precaution for Supplemental Restraint System	
System Description	(SRS) "AIR BAG" and "SEAT BELT PRE-TEN-	
Component Parts Location	SIONER"	23
Component Description	Precaution Necessary for Steering Wheel Rota-	
	tion after Battery Disconnect	23
COMPONENT DIAGNOSIS	ON-VEHICLE REPAIR	24
POWER SUPPLY AND GROUND CIRCUIT	POWER STEERING CONTROL UNIT	24
Description	Exploded View	24
Diagnosis Procedure	Removal and Installation	24
POWER STEERING SOLENOID VALVE	WITH 4WAS	
Description	BASIC INSPECTION	25
Diagnosis Procedure	DIAGNOSIS AND REPAIR WORKFLOW	25
Component Inspection	Work Flow	25
ENGINE SPEED SIGNAL CIRCUIT	INSPECTION AND ADJUSTMENT	27
Description	ADDITIONAL SERVICE WHEN REPLACING	
Diagnosis Procedure	CONTROL UNIT	27
VEHICLE SPEED SIGNAL CIRCUIT	ADDITIONAL SERVICE WHEN REPLACING	
Description	CONTROL UNIT : Description	27
Diagnosis Procedure	4WAS FRONT ACTUATOR NEUTRAL POSITION	
ECU DIAGNOSIS	ADJUSTMENT	27
POWER STEERING CONTROL UNIT	4WAS FRONT ACTUATOR NEUTRAL POSI-	
Reference Value	TION ADJUSTMENT : Description	27
Wiring Diagram — ELECTRONICALLY CON-	4WAS FRONT ACTUATOR NEUTRAL POSI-	
TROLLED POWER STEERING SYSTEM —	TION ADJUSTMENT : Special Repair Require-	
Fail Safe	ment (Pattern 1)	27

A
B
C
D
E
F
H
I
J
K
L
M
N
O
P

STC

4WAS FRONT ACTUATOR NEUTRAL POSITION ADJUSTMENT : Special Repair Requirement (Pattern 2)	28	Diagnosis Procedure	55
4WAS FRONT ACTUATOR NEUTRAL POSITION ADJUSTMENT : Special Repair Requirement (Pattern 3)	28	Special Repair Requirement	56
4WAS FRONT ACTUATOR NEUTRAL POSITION ADJUSTMENT : Special Repair Requirement (Pattern 4)	30	C1633 4WAS FRONT CONTROL UNIT	58
FUNCTION DIAGNOSIS	32	Description	58
4WAS SYSTEM	32	DTC Logic	58
System Diagram	32	Diagnosis Procedure	58
System Description	33	Special Repair Requirement	59
Component Parts Location	35	C1651 IGNITION POWER SUPPLY	60
Component Description	36	Description	60
EPS SYSTEM	37	DTC Logic	60
System Diagram	37	Diagnosis Procedure	60
System Description	37	Special Repair Requirement	61
Component Parts Location	38	C1652 4WAS FRONT MOTOR POWER SUPPLY	62
Component Description	38	Description	62
DIAGNOSIS SYSTEM (4WAS FRONT CONTROL UNIT)	39	DTC Logic	62
CONSULT-III Function [4WAS(FRONT)]	39	Diagnosis Procedure	62
DIAGNOSIS SYSTEM (4WAS MAIN CONTROL UNIT)	43	Special Repair Requirement	63
CONSULT-III Function [4WAS(MAIN)/RAS/HICAS]	43	C1654 4WAS FRONT ACTUATOR RELAY	64
COMPONENT DIAGNOSIS	47	Description	64
C1621, C1622 4WAS FRONT ACTUATOR	47	DTC Logic	64
Description	47	Diagnosis Procedure	64
DTC Logic	47	Special Repair Requirement	65
Diagnosis Procedure	47	C1655 4WAS FRONT DRIVER	66
Component Inspection (4WAS Front Motor)	48	Description	66
Special Repair Requirement	49	DTC Logic	66
C1627 4WAS FRONT ACTUATOR	50	Diagnosis Procedure	66
Description	50	Special Repair Requirement	66
DTC Logic	50	C1661 4WAS FRONT LOCK SOLENOID VALVE	68
Diagnosis Procedure	50	Description	68
Special Repair Requirement	51	DTC Logic	68
C1628 4WAS FRONT ACTUATOR	52	Diagnosis Procedure	68
Description	52	Component Inspection (4WAS Front Lock Solenoid Valve)	69
DTC Logic	52	Special Repair Requirement	69
Diagnosis Procedure	52	C1667 LOCK INSERTION	70
Component Inspection (Front Wheel Steering Angle Sensor)	53	Description	70
Special Repair Requirement	54	DTC Logic	70
C1631, C1632 4WAS FRONT CONTROL UNIT	55	Diagnosis Procedure	70
Description	55	Special Repair Requirement	71
DTC Logic	55	C1668 LOCK HOLDER GAP DETECT	72
Diagnosis Procedure	55	Description	72
Special Repair Requirement	55	DTC Logic	72
		Diagnosis Procedure	72
		Special Repair Requirement	72
		C1669 INCOMPLETE LOCK RELEASE	73
		Description	73
		DTC Logic	73
		Diagnosis Procedure	73
		Special Repair Requirement	73

C1671 ACTUATOR ADJUSTMENT NOT PERFORMED	74	Special Repair Requirement	91	
Description	74	C1905, C1908, C1922, C1925, C1928 4WAS MAIN CONTROL UNIT	92	A
DTC Logic	74	Description	92	B
Diagnosis Procedure	74	DTC Logic	92	
Special Repair Requirement	74	Diagnosis Procedure	92	C
C1672 INCOMPLETE ACTUATOR ADJUSTMENT	76	Special Repair Requirement	93	
Description	76	C1909 4WAS MAIN CONTROL UNIT	94	D
DTC Logic	76	Description	94	
Diagnosis Procedure	76	DTC Logic	94	E
Special Repair Requirement	76	Diagnosis Procedure	94	
C1684, C1685 4WAS MAIN CONTROL UNIT COMMUNICATION	77	Special Repair Requirement	95	F
Description	77	C1911, C1912 4WAS REAR MOTOR POWER SUPPLY	96	
DTC Logic	77	Description	96	
Diagnosis Procedure	77	DTC Logic	96	
Component Inspection [ABS Actuator and Electric Unit (Control Unit)]	79	Diagnosis Procedure	96	
Component Inspection (Yaw Rate/Side G Sensor)	79	Component Inspection (4WAS Rear Motor Relay).....	99	
Special Repair Requirement	80	Component Inspection (Noise Suppressor)	100	
C1686 4WAS MAIN CONTROL UNIT	81	Special Repair Requirement	100	STC
Description	81	C1914 REAR WHEEL STEERING ANGLE SENSOR	101	H
DTC Logic	81	Description	101	
Diagnosis Procedure	81	DTC Logic	101	
U1000, U1002 4WAS COMMUNICATION CIRCUIT	82	Diagnosis Procedure	101	I
Description	82	Component Inspection	102	
DTC Logic	82	Special Repair Requirement	103	
Diagnosis Procedure	82	C1915, C1916 REAR WHEEL STEERING ANGLE SENSOR	104	J
Component Inspection [ABS Actuator and Electric Unit (Control Unit)]	84	Description	104	
Component Inspection (Yaw Rate/Side G Sensor)	84	DTC Logic	104	K
Special Repair Requirement	85	Diagnosis Procedure	104	
U1010 4WAS COMMUNICATION CIRCUIT	86	Component Inspection	106	
Description	86	Special Repair Requirement	106	L
DTC Logic	86	C1917, C1918 REAR WHEEL STEERING ANGLE SENSOR	107	M
Diagnosis Procedure	86	Description	107	
Special Repair Requirement	86	DTC Logic	107	
C1900, C1901, C1906, C1907, C1927, C1933 4WAS MAIN CONTROL UNIT	87	Diagnosis Procedure	107	
Description	87	Component Inspection	109	N
DTC Logic	87	Special Repair Requirement	109	
Diagnosis Procedure	87	C1919 VEHICLE SPEED SIGNAL	110	O
Special Repair Requirement	88	Description	110	
C1902, C1903, C1904, C1910, C1913 4WAS REAR MOTOR OUTPUT	89	DTC Logic	110	
Description	89	Diagnosis Procedure	110	
DTC Logic	89	Special Repair Requirement	111	P
Diagnosis Procedure	89	C1920 STEERING ANGLE SEN	112	
Component Inspection (4WAS Rear Motor)	90	Description	112	
Special Repair Requirement	90	DTC Logic	112	
Special Repair Requirement	91	Diagnosis Procedure	112	
		Special Repair Requirement	113	
		C1921 ENGINE SPEED SIGNAL	115	

Description	115	Component Inspection	139
DTC Logic	115	4WAS WARNING LAMP	140
Diagnosis Procedure	115	Description	140
Special Repair Requirement	116	Diagnosis Procedure	140
C1923 STEERING ANGLE SEN	117	Special Repair Requirement	141
Description	117	ECU DIAGNOSIS	142
DTC Logic	117	4WAS FRONT CONTROL UNIT	142
Diagnosis Procedure	117	Reference Value	142
Special Repair Requirement	118	Wiring Diagram — 4WAS SYSTEM —	145
C1924 STEERING ANGLE SEN	120	Fail Safe	151
Description	120	DTC Inspection Priority Chart	152
DTC Logic	120	DTC Index	153
Diagnosis Procedure	120	4WAS MAIN CONTROL UNIT	155
Special Repair Requirement	121	Reference Value	155
C1926, C1932 STEERING ANGLE SENSOR .	123	Wiring Diagram — 4WAS SYSTEM —	157
Description	123	Fail Safe	163
DTC Logic	123	DTC Inspection Priority Chart	165
Diagnosis Procedure	123	DTC Index	166
Special Repair Requirement	124	SYMPTOM DIAGNOSIS	168
C1930 4WAS FRONT CONTROL UNIT	126	4WAS SYMPTOMS	168
Description	126	Symptom Table	168
DTC Logic	126	4WAS WARNING LAMP DOES NOT TURN	
Diagnosis Procedure	126	ON	169
C1931 4WAS FRONT CONTROL UNIT COM-		Description	169
MUNICATION	127	Diagnosis Procedure	169
Description	127	4WAS WARNING LAMP DOES NOT TURN	
DTC Logic	127	OFF	170
Diagnosis Procedure	127	Description	170
Component Inspection [ABS Actuator and Electric		Diagnosis Procedure	170
Unit (Control Unit)]	129	STEERING WHEEL MISS ALIGNMENT	171
Component Inspection (Yaw Rate/Side G Sensor)	..129	Description	171
Special Repair Requirement	130	Diagnosis Procedure	171
U1000 CAN COMM CIRCUIT	131	STEERING SYSTEM VIBRATION AND	
Description	131	NOISE	173
DTC Logic	131	Description	173
Diagnosis Procedure	131	Diagnosis Procedure	173
Special Repair Requirement	131	UNBALANCE STEERING WHEEL TURNING	
U1010 CONTROL UNIT (CAN)	132	FORCE (TORQUE VARIATION)	174
Description	132	Description	174
DTC Logic	132	Diagnosis Procedure	174
Diagnosis Procedure	132	PRECAUTION	175
Special Repair Requirement	132	PRECAUTIONS	175
POWER SUPPLY AND GROUND CIRCUIT ..	133	Precaution for Supplemental Restraint System	
Description	133	(SRS) "AIR BAG" and "SEAT BELT PRE-TEN-	
Diagnosis Procedure (4WAS Front Control Unit) ..	133	SIONER"	175
Diagnosis Procedure (4WAS Main Control Unit) ..	134	Precaution Necessary for Steering Wheel Rota-	
Component Inspection (4WAS Rear Motor Relay) ..	136	tion after Battery Disconnect	175
Component Inspection (Noise Suppressor)	137		
POWER STEERING SOLENOID VALVE	138		
Description	138		
Diagnosis Procedure	138		

Precautions for Removal and Installation of 4WAS	4WAS MAIN CONTROL UNIT	178	
Components	Exploded View	175	A
Precautions for Harness Repair	Removal and Installation	176	
ON-VEHICLE REPAIR	4WAS FRONT ACTUATOR ASSEMBLY	177	B
	Removal and Installation	179	
4WAS FRONT CONTROL UNIT	4WAS REAR ACTUATOR ASSEMBLY	177	C
Exploded View	Exploded View	177	
Removal and Installation	Removal and Installation	180	

STC

H
I
J
K
L
M
N
O
P

BASIC INSPECTION

DIAGNOSIS AND REPAIR WORKFLOW

Work Flow

INFOID:000000000958704

DETAILED FLOW

1. COLLECT THE INFORMATION FROM THE CUSTOMER

It is also important to clarify customer complaints before inspection. First of all, reproduce symptoms, and understand them fully. Ask customer about his/her complaints carefully. In some cases, it will be necessary to check symptoms by driving vehicle with customer.

CAUTION:

Customers are not professional. It is dangerous to make an easy guess like “maybe the customer means that...,” or “maybe the customer mentions this symptom”.

>> GO TO 2.

2. CHECK THE STATUS

1. Power steering fluid leakage and check the power steering fluid level. Refer to [ST-10. "Inspection"](#).
2. Check the drive belt tension. Refer to [EM-12. "Checking"](#).
3. Check the power steering gear for damages, cracks and fluid leakage. Refer to [ST-32. "2WD : Inspection"](#) (2WD models), [ST-42. "AWD : Inspection"](#) (AWD models).
4. Check the relief oil pressure. Refer to [ST-42. "AWD : Inspection"](#).

>> GO TO 3.

3. DIAGNOSIS CHART BY SYMPTOM

Perform the diagnosis by symptom. Refer to [STC-22. "Diagnosis Procedure"](#).

>> GO TO 4.

4. FINAL CHECK

Check the input/output standard values for the power steering control unit.

Are the power steering control unit input/output values within standard ranges respectively?

- YES >> INSPECTION END
NO >> GO TO 2.

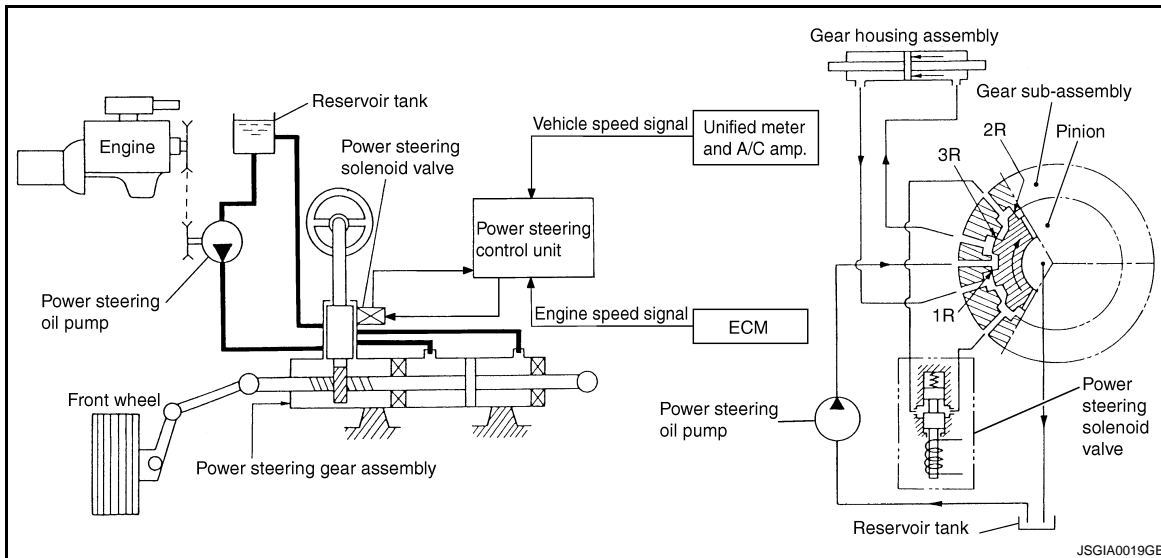
FUNCTION DIAGNOSIS

EPS SYSTEM

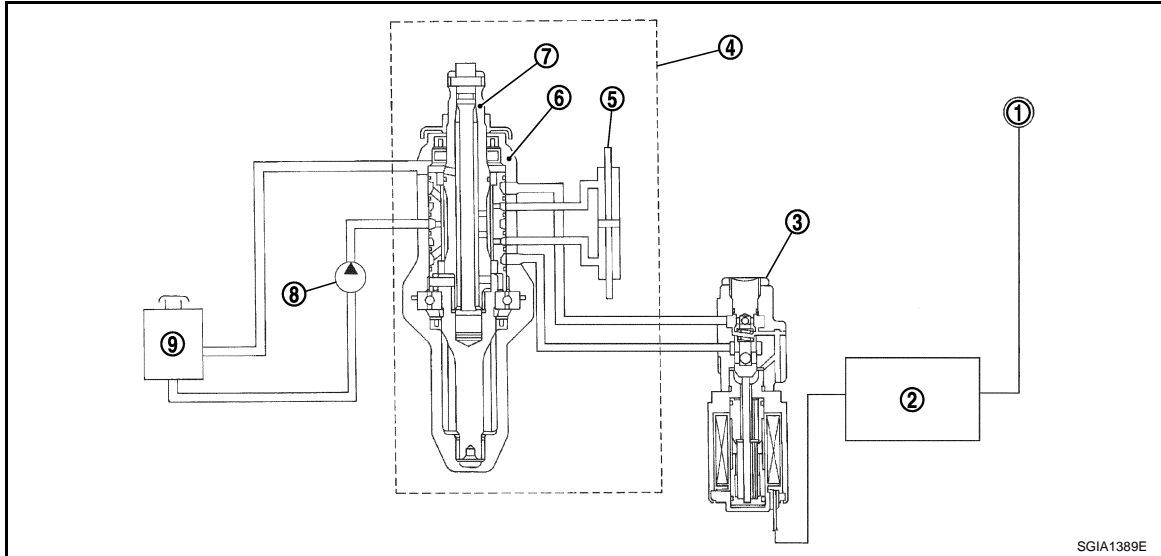
System Diagram

INFOID:000000000958705

CONTROL DIAGRAM



CROSS-SECTIONAL VIEW



- | | | |
|-------------------------------|--------------------------------|----------------------------------|
| 1. Unified meter and A/C amp. | 2. Power steering control unit | 3. Power steering solenoid valve |
| 4. Steering gear assembly | 5. Gear housing assembly | 6. Gear sub-assembly |
| 7. Pinion | 8. Power steering oil pump | 9. Reservoir tank |

System Description

INFOID:000000000958706

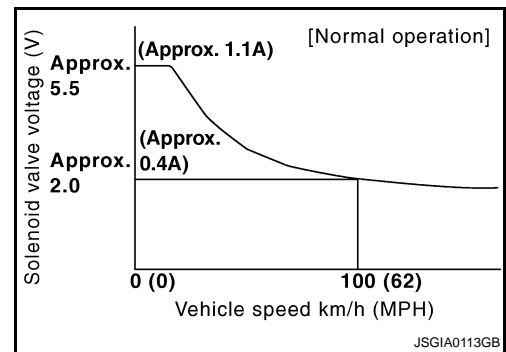
- The EPS system controls the power steering solenoid valve through the power steering control unit.

EPS SYSTEM

< FUNCTION DIAGNOSIS >

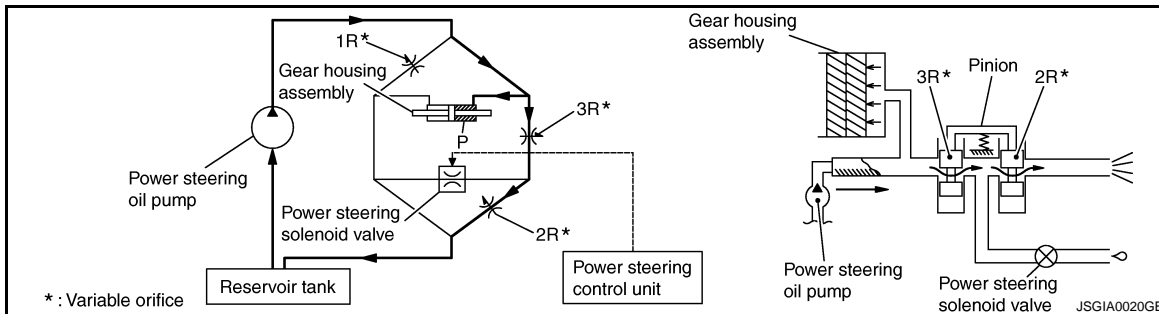
[WITHOUT 4WAS]

- The valve driving voltage to control the power steering solenoid valve varies according to the vehicle speed.



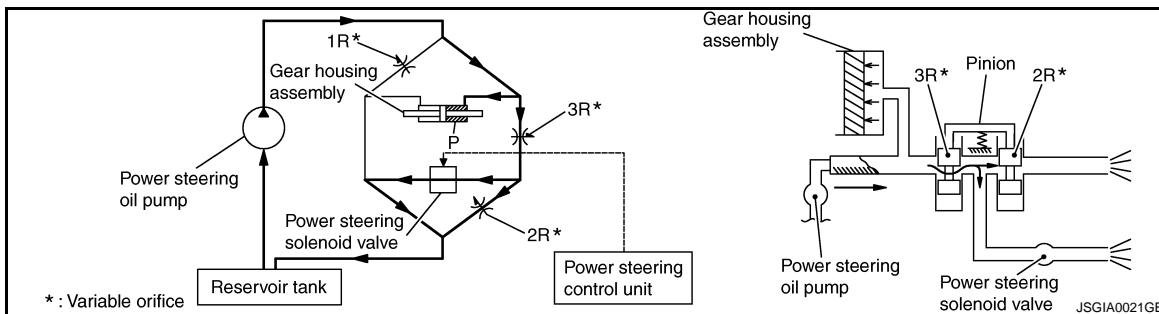
OPERATION PRINCIPLE

During Parking (When Turning The Steering Wheel To The Right.)



- Power steering solenoid valve is closed while a vehicle is stopped.
- Pinion "1R", "2R" and "3R" are closed depending on steering torque of steering wheel.
- Oil pressure "P" in the gear housing assembly is the sum of oil pressures occurred in "2R" and "3R". This results in a light steering force because of high pressure.

During High-speed Operation



- Power steering solenoid valve is opened during high-speed operation.
- Pinion "1R", "2R" and "3R" are closed depending on steering torque of steering wheel.
- Oil pressure "2R" does not occur because the power steering solenoid valve is on full throttle.
- Oil pressure "P" in the gear housing assembly includes only oil pressure occurred in "3R" and results in a heavy steering force.

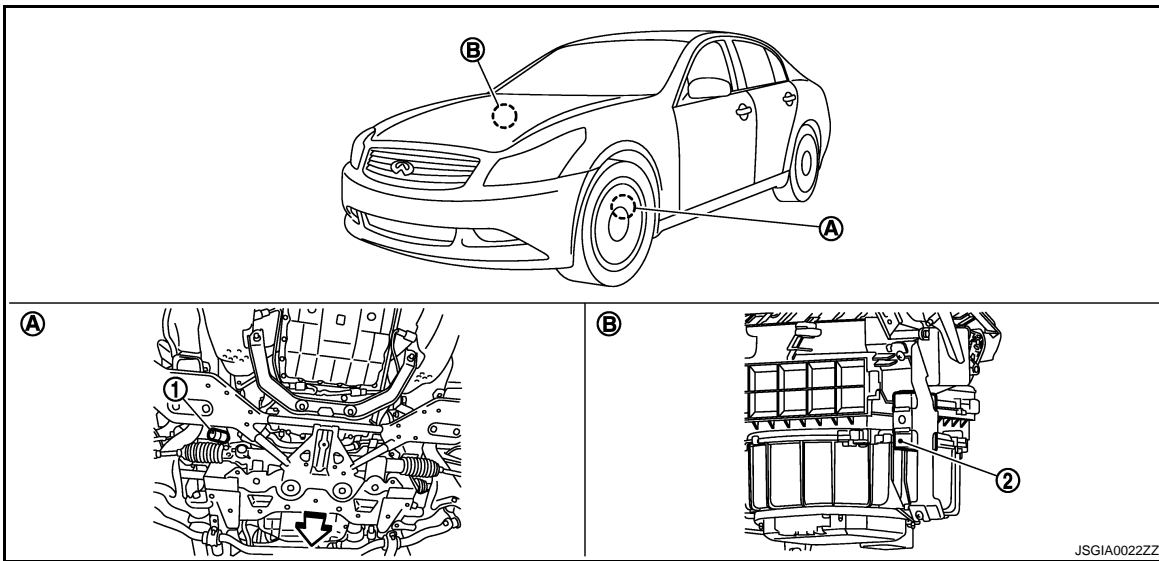
Component Parts Location

INFOID:000000000958707

EPS SYSTEM

< FUNCTION DIAGNOSIS >

[WITHOUT 4WAS]



- 1. Power steering solenoid valve
- 2. Power steering control unit
- A. Front suspension
- B. Glove box assembly removed

←: Vehicle front

Component Description

INFOID:000000000958708

Component parts	Reference/Function
Power steering control unit	<ul style="list-style-type: none"> • Signals from various sensors control the driving voltage to the power steering solenoid valve. • The power steering control unit controls the driving voltage to the power steering solenoid valve for maintaining the power steering assist force when the fail-safe function is activated. (The engine speed signals control EPS system if any vehicle speed signal error is detected.)
Unified meter and A/C amp.	STC-15. "Description"
ECM	STC-13. "Description"
Power steering solenoid valve	STC-11. "Description"

A
B
C
D
E
F

STC

H
I
J
K
L
M
N
O
P

POWER SUPPLY AND GROUND CIRCUIT

< COMPONENT DIAGNOSIS >

[WITHOUT 4WAS]

COMPONENT DIAGNOSIS

POWER SUPPLY AND GROUND CIRCUIT

Description

INFOID:000000000958709

- Power supply to EPS system

Diagnosis Procedure

INFOID:000000000958710

1.CHECK POWER SUPPLY

1. Turn the ignition switch OFF.
2. Disconnect power steering control unit harness connector.
3. Check voltage between power steering control unit harness connector and ground.

Power steering control unit		Voltage (Approx.)
Connector	Terminal	
M108	3 – Ground	0 V

4. Turn the ignition switch ON.
CAUTION:
Never start the engine.
5. Check voltage between power steering control unit harness connector and ground.

Power steering control unit		Voltage (Approx.)
Connector	Terminal	
M108	3 – Ground	Battery voltage

Is the inspection result normal?

YES >> GO TO 2.

NO >> Check the following. If any items are damaged, repair or replace damaged parts.

- 10A fuses (#45) open
- Harness for short or open between ignition switch and power steering control unit harness connector No. 3 terminal.
- Ignition switch. Refer to [SEC-50. "Component Inspection"](#).

2.CHECK GROUND CIRCUIT

1. Turn the ignition switch OFF.
2. Check continuity between power steering control unit harness connector and ground.

Power steering control unit		Continuity
Connector	Terminal	
M108	6 – Ground	Existed

Also check harness for short to ground and short to power.

Is the inspection result normal?

YES >> GO TO 3.

NO >> Repair open circuit or short to power in harness or connectors.

3.CHECK TERMINALS AND HARNESS CONNECTORS

Check power steering control unit pin terminals for damage or loose connection with harness connector.

Is the inspection result normal?

YES >> INSPECTION END

NO >> Repair or replace damaged parts.

POWER STEERING SOLENOID VALVE

< COMPONENT DIAGNOSIS >

[WITHOUT 4WAS]

POWER STEERING SOLENOID VALVE

Description

INFOID:000000000958711

- Power steering solenoid valve controls the power steering oil pressure in the gear housing assembly.

Diagnosis Procedure

INFOID:000000000958712

1. CHECK POWER STEERING SOLENOID VALVE SIGNAL

1. Turn the ignition switch OFF.
2. Check signal between power steering control unit harness connector and ground.

Power steering control unit			Value (Approx.)
Connector	Terminal	Condition	
M108	1 – Ground	Vehicle speed: 0 km/h (0 MPH) (Engine is running)	4.4 – 6.6 V
		Vehicle speed: 100 km/h (62 MPH)	2.4 – 3.6 V

Is the inspection result normal?

YES >> GO TO 2.

NO >> GO TO 4.

2. CHECK HARNESS BETWEEN POWER STEERING SOLENOID VALVE AND POWER STEERING CONTROL UNIT

1. Turn the ignition switch OFF.
2. Disconnect power steering solenoid valve harness connector.
3. Disconnect power steering control unit harness connector.
4. Check the continuity between power steering solenoid valve harness connector and the power steering control unit harness connector.

Power steering solenoid valve		Power steering control unit		Continuity
Connector	Terminal	Connector	Terminal	
F45	1	M108	1	Existed
F45	2	M108	5	Existed

Also check harness for short to ground and short to power.

Is the inspection result normal?

YES >> GO TO 3.

NO >> Repair or replace damaged parts.

3. CHECK POWER STEERING SOLENOID VALVE

1. Check resistance between power steering solenoid valve connector terminals.

Power steering solenoid valve		Resistance (Approx.)
Connector	Terminal	
F45	1 – 2	4 – 6 Ω

2. Check power steering solenoid valve connector by listening for its operation sound while applying battery voltage to power steering solenoid valve connector F45 terminals 1 (positive) and 2 (negative).

Is the inspection result normal?

YES >> GO TO 4.

NO >> Replace gear-sub assembly. Refer to [ST-26, "2WD : Exploded View"](#) (2WD models), [ST-33, "AWD : Exploded View"](#) (AWD models).

4. CHECK TERMINALS AND HARNESS CONNECTORS

- Check power steering control unit pin terminals for damage or loose connection with harness connector.

A

B

C

D

E

F

STC

H

I

J

K

L

M

N

O

P

POWER STEERING SOLENOID VALVE

[WITHOUT 4WAS]

< COMPONENT DIAGNOSIS >

- Check power steering solenoid valve pin terminals for damage or loose connection with harness connector.

Is the inspection result normal?

- YES >> INSPECTION END
NO >> Repair or replace damaged parts.

Component Inspection

INFOID:000000000958713

1. CHECK POWER STEERING SOLENOID VALVE

1. Turn the ignition switch OFF.
2. Disconnect power steering solenoid valve harness connector.
3. Check resistance between power steering solenoid valve connector terminals.

Power steering solenoid valve		Resistance (Approx.)
Connector	Terminal	
F45	1 – 2	4 – 6 Ω

4. Check power steering solenoid valve connector by listening for its operation sound while applying battery voltage to power steering solenoid valve connector F45 terminals 1 (positive) and 2 (negative).

Is the inspection result normal?

- YES >> INSPECTION END
NO >> Replace gear-sub assembly. Refer to [ST-26. "2WD : Exploded View"](#) (2WD models), [ST-33. "AWD : Exploded View"](#) (AWD models).

ENGINE SPEED SIGNAL CIRCUIT

< COMPONENT DIAGNOSIS >

[WITHOUT 4WAS]

ENGINE SPEED SIGNAL CIRCUIT

Description

INFOID:000000000958714

- ECM sends engine speed signal to power steering control unit.

Diagnosis Procedure

INFOID:000000000958715

1. PERFORM ECM SELF-DIAGNOSIS

With CONSULT-III

Perform ECM self-diagnosis.

Is any error system detected?

YES >> Check the error system.

NO >> GO TO 2.

2. CHECK HARNESS BETWEEN ECM AND POWER STEERING CONTROL UNIT

1. Turn the ignition switch OFF.
2. Disconnect ECM harness connectors.
3. Disconnect power steering control unit harness connector.
4. Check continuity between ECM harness connector and power steering control unit harness connector.

ECM		Power steering control unit		Continuity
Connector	Terminal	Connector	Terminal	
M107	110	M108	10	Existed

Also check harness for short to ground and short to power.

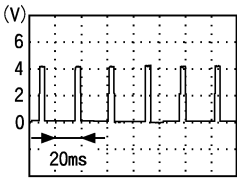
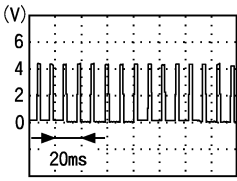
Is the inspection result normal?

YES >> GO TO 3.

NO >> Repair or replace damaged parts.

3. CHECK ENGINE SPEED SIGNAL (1)

1. Turn the ignition switch OFF.
2. Connect ECM harness connectors.
3. Check signal between ECM harness connector and ground with oscilloscope.

ECM			Value (Approx.)
Connector	Terminal	Condition	
M107	110 – Ground	Engine speed: At idle (Warm-up condition)	 <p>PBIA3654J</p>
		Engine speed: Approx. 2,000 rpm (Warm-up condition)	 <p>PBIA3655J</p>

Also check harness for short to ground and short to power.

Is the inspection result normal?

YES >> GO TO 4.

A
B
C
D
E
F
H
I
J
K
L
M
N
O
P

STC

ENGINE SPEED SIGNAL CIRCUIT

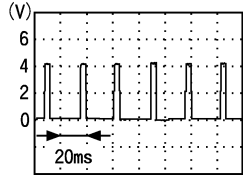
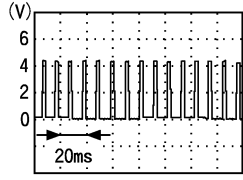
[WITHOUT 4WAS]

< COMPONENT DIAGNOSIS >

NO >> Replace ECM. Refer to [EC-15. "ADDITIONAL SERVICE WHEN REPLACING CONTROL UNIT: Description"](#).

4. CHECK ENGINE SPEED SIGNAL (2)

1. Turn the ignition switch OFF.
2. Connect power steering control unit harness connector.
3. Check signal between power steering control unit harness connector and ground with oscilloscope.

Power steering control unit			Value (Approx.)
Connector	Terminal	Condition	
M108	10 – Ground	Engine speed: At idle (Warm-up condition)	 <p style="text-align: right; font-size: small;">PBIA3654J</p>
		Engine speed: Approx. 2,000 rpm (Warm-up condition)	 <p style="text-align: right; font-size: small;">PBIA3655J</p>

Also check harness for short to ground and short to power.

Is the inspection result normal?

YES >> GO TO 5.

NO >> Replace power steering control unit. Refer to [STC-24. "Exploded View"](#).

5. CHECK TERMINALS AND HARNESS CONNECTORS

- Check power steering control unit pin terminals for damage or loose connection with harness connector.
- Check ECM pin terminals for damage or loose connection with harness connector.

Is the inspection result normal?

YES >> INSPECTION END

NO >> Repair or replace damaged parts.

VEHICLE SPEED SIGNAL CIRCUIT

< COMPONENT DIAGNOSIS >

[WITHOUT 4WAS]

VEHICLE SPEED SIGNAL CIRCUIT

Description

INFOID:000000000958716

- Unified meter and A/C amp. sends vehicle speed signal to power steering control unit.

Diagnosis Procedure

INFOID:000000000958717

1. PERFORM UNIFIED METER AND A/C AMP. SELF-DIAGNOSIS

With CONSULT-III

Perform unified meter and A/C amp. self-diagnosis.

Is any error system detected?

- YES >> Check the error system.
- NO >> GO TO 2.

2. CHECK HARNESS BETWEEN UNIFIED METER AND A/C AMP. AND POWER STEERING CONTROL UNIT

1. Turn the ignition switch OFF.
2. Disconnect unified meter and A/C amp. harness connector.
3. Disconnect power steering control unit harness connector.
4. Check continuity between unified meter and A/C amp. harness connector and power steering control unit harness connector.

Unified meter and A/C amp.		Power steering control unit		Continuity
Connector	Terminal	Connector	Terminal	
M66	8	M108	8	Existed

Also check harness for short to ground and short to power.

Is the inspection result normal?

- YES >> GO TO 3.
- NO >> Repair or replace damaged parts.

3. CHECK VEHICLE SPEED SIGNAL (1)

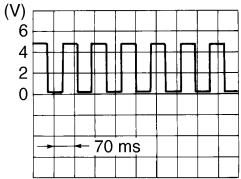
1. Turn the ignition switch OFF.
2. Connect unified meter and A/C amp. harness connector.
3. Check unified meter and A/C amp. input/output standard values. Refer to [MWI-66, "Reference Value"](#).

Is the inspection result normal?

- YES >> GO TO 4.
- NO >> Replace unified meter and A/C amp. Refer to [MWI-158, "Exploded View"](#).

4. CHECK VEHICLE SPEED SIGNAL (2)

1. Turn the ignition switch OFF.
2. Connect power steering control unit harness connector.
3. Check signal between power steering control unit harness connector and ground with oscilloscope.

Power steering control unit			Value (Approx.)
Connector	Terminal	Condition	
M108	8 – Ground	Vehicle speed: 40 km/h (25 MPH) CAUTION: Check air pressure of tire under standard condition.	 <p style="text-align: right;">SEIA0775E</p>

Also check harness for short to ground and short to power.

VEHICLE SPEED SIGNAL CIRCUIT

[WITHOUT 4WAS]

< COMPONENT DIAGNOSIS >

Is the inspection result normal?

YES >> GO TO 5.

NO >> Replace power steering control unit. Refer to [STC-24. "Exploded View"](#).

5. CHECK TERMINALS AND HARNESS CONNECTORS

- Check power steering control unit pin terminals for damage or loose connection with harness connector.
- Check unified meter and A/C amp. pin terminals for damage or loose connection with harness connector.

Is the inspection result normal?

YES >> INSPECTION END

NO >> Repair or replace damaged parts.

POWER STEERING CONTROL UNIT

< ECU DIAGNOSIS >

[WITHOUT 4WAS]

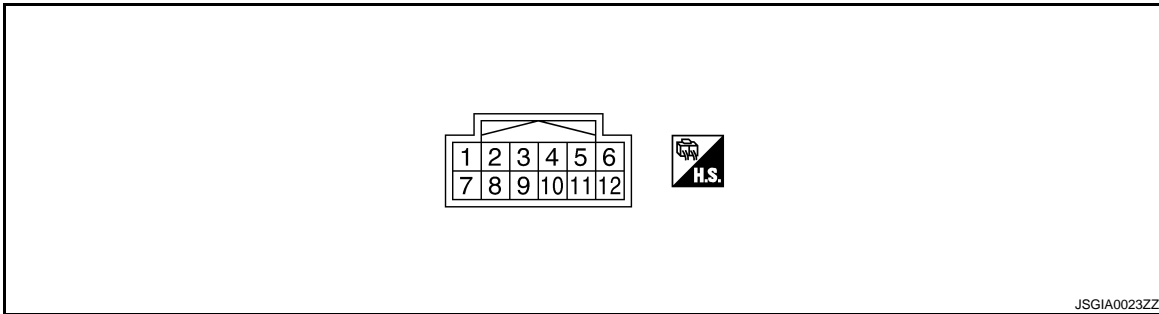
ECU DIAGNOSIS

POWER STEERING CONTROL UNIT

Reference Value

INFOID:000000000958718

TERMINAL LAYOUT



PHYSICAL VALUES

Terminal No.		Wire color	Description		Condition	Value (Approx.)
+	-		Signal name	Input/Output		
1	Ground	LG	Power steering solenoid valve voltage	Output	Vehicle speed: 0 km/h (0 MPH) (Engine is running)	4.4 – 6.6 V
					Vehicle speed: 100 km/h (62 MPH)	2.4 – 3.6 V
3	Ground	G	Ignition switch power supply	Input	Ignition switch: ON	Battery voltage
					Ignition switch: OFF	0 V
5	Ground	B	Power steering solenoid valve ground	—	Always	0 V
6	Ground	B	Ground	—	Always	0 V
8	Ground	L	Vehicle speed signal	Input	Vehicle speed: 40 km/h (25 MPH) CAUTION: Check air pressure of tire under standard condition.	<p>SEIA0775E</p>
10	Ground	R	Engine speed signal	Input	Engine speed: At idle (Warm-up condition)	<p>PBIA3654J</p>
					Engine speed: Approx. 2,000 rpm (Warm-up condition)	<p>PBIA3655J</p>

CAUTION:

POWER STEERING CONTROL UNIT

[WITHOUT 4WAS]

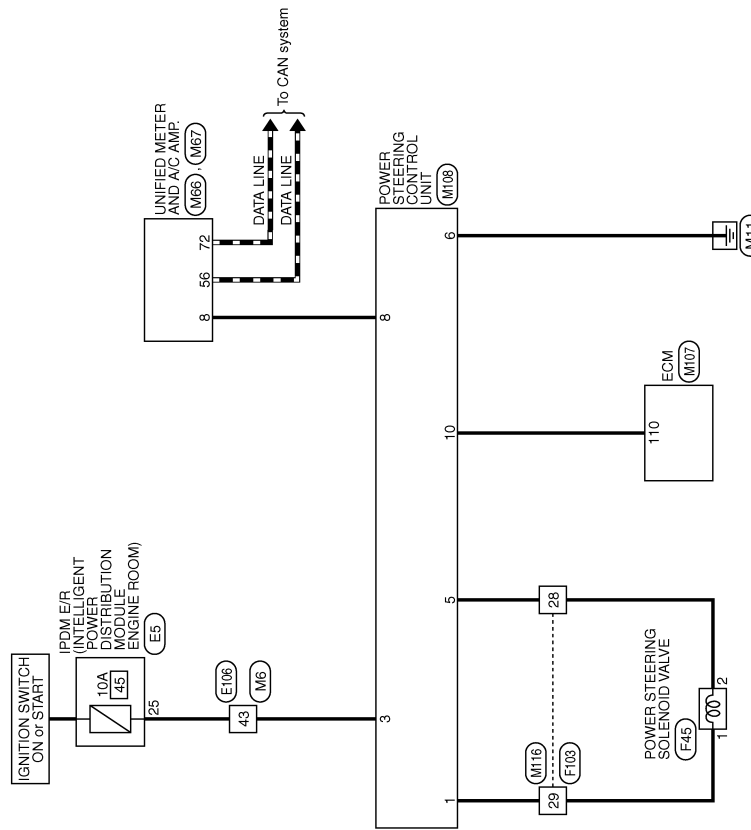
< ECU DIAGNOSIS >

When using circuit tester or oscilloscope to measure voltage for inspection, be sure not to extend forcibly any connector terminals.

Wiring Diagram — ELECTRONICALLY CONTROLLED POWER STEERING SYSTEM —

INFOID:000000000958719

ELECTRONICALLY CONTROLLED POWER STEERING SYSTEM



2006/09/15

JCGWA0001Gf

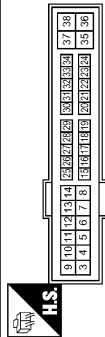
POWER STEERING CONTROL UNIT

< ECU DIAGNOSIS >

[WITHOUT 4WAS]

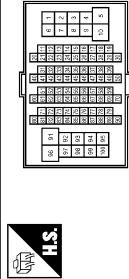
ELECTRONICALLY CONTROLLED POWER STEERING SYSTEM

Connector No.	E5
Connector Name	IPDM E/R (INTELLIGENT POWER DISTRIBUTION MODULE ENGINE ROOM)
Connector Type	TH20FW-CS12-M4-1V



Terminal No.	25	Color of Wire	G	Signal Name	-
--------------	----	---------------	---	-------------	---

Connector No.	E106
Connector Name	WIRE TO WIRE
Connector Type	TH80FW-CS16-TM4



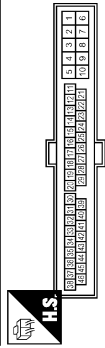
Terminal No.	43	Color of Wire	G	Signal Name	-
--------------	----	---------------	---	-------------	---

Connector No.	F45
Connector Name	POWER STEERING SOLENOID VALVE
Connector Type	RS02FBR-DGY



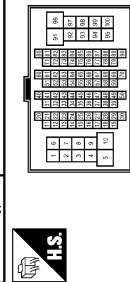
Terminal No.	1	Color of Wire	LG	Signal Name	-
	2		B		-

Connector No.	F103
Connector Name	WIRE TO WIRE
Connector Type	TK36FW-NS10



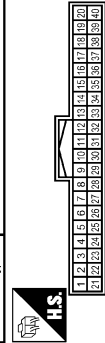
Terminal No.	28	Color of Wire	B	Signal Name	-
	29		LG		-

Connector No.	M6
Connector Name	WIRE TO WIRE
Connector Type	TH80MW-CS16-TM4



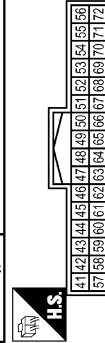
Terminal No.	43	Color of Wire	G	Signal Name	-
--------------	----	---------------	---	-------------	---

Connector No.	M66
Connector Name	UNIFIED METER AND A/C AMP.
Connector Type	TH40FW-NH



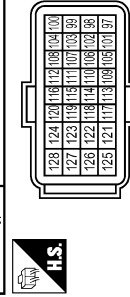
Terminal No.	8	Color of Wire	L	Signal Name	VEHICLE SPEED (2-PULSE)
--------------	---	---------------	---	-------------	-------------------------

Connector No.	M67
Connector Name	UNIFIED METER AND A/C AMP.
Connector Type	TH32FW-NH



Terminal No.	56	Color of Wire	L	Signal Name	CAN-H
	72		P		CAN-L

Connector No.	M107
Connector Name	ECM
Connector Type	MAA24GY-MAE8-LH-Z



Terminal No.	110	Color of Wire	R	Signal Name	TACHO
--------------	-----	---------------	---	-------------	-------

A
B
C
D
E
F
STC
H
I
J
K
L
M
N
O
P

POWER STEERING CONTROL UNIT

< ECU DIAGNOSIS >

[WITHOUT 4WAS]

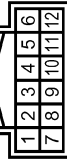
ELECTRONICALLY CONTROLLED POWER STEERING SYSTEM

Connector No.	M116
Connector Name	WIRE TO WIRE
Connector Type	TK38MW-MS10



Terminal No.	Color of Wire	Signal Name
28	B	-
29	LG	-

Connector No.	M108
Connector Name	POWER STEERING CONTROL UNIT
Connector Type	TH12FW-NH



Terminal No.	Color of Wire	Signal Name
1	LG	SOL
3	G	VIGN
5	B	SOL GND
6	B	GND
8	L	VSP
10	R	TACHO

Fail Safe

EPS system

JCGWA0003GE

INFOID:000000000958720

POWER STEERING CONTROL UNIT

[WITHOUT 4WAS]

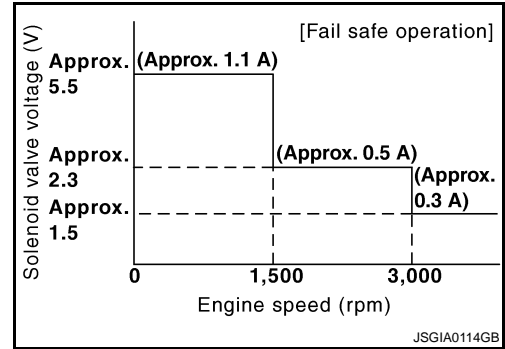
< ECU DIAGNOSIS >

- EPS system enters the fail-safe mode (that allows the steering force to be controlled without impairing the drive ability) if any of the input/output values to/from EPS system (power steering control unit) deviate from the standard range.

NOTE:

The system enters the fail-safe mode if the engine speed remains at 1,500 rpm or more for over 10 seconds while the vehicle is stopped. This is normal.

- The fail-safe function is canceled when a vehicle speed signal of 2 km/h (1.2 MPH) or more is inputted or the key switch is turned OFF→ON. EPS system restores the normal operation at that time.



Function	Warning lamp	DTC No.	Detection point (malfunction part)	Malfunction part and cause
Fail-safe function	—	—	Vehicle speed signal input	<ul style="list-style-type: none"> • Engine speed is 1,500 rpm or more and there is no vehicle speed signal input for over 10 seconds during vehicle travel. • Vehicle speed signal has abruptly dropped from 30 km/h (19 MPH) or more to 2 km/h (1.2 MPH) or less within 1.4 seconds.

A
B
C
D
E
F
H
I
J
K
L
M
N
O
P

STC

UNBALANCE STEERING WHEEL TURNING FORCE (TORQUE VARIATION)

< SYMPTOM DIAGNOSIS >

[WITHOUT 4WAS]

SYMPTOM DIAGNOSIS

UNBALANCE STEERING WHEEL TURNING FORCE (TORQUE VARIATION)

Description

INFOID:000000000958721

- Hard steering when fully turning the steering wheel.
- Light steering when driving at a high speed.

Diagnosis Procedure

INFOID:000000000958722

1. CHECK SYSTEM FOR POWER SUPPLY AND GROUND

Perform trouble diagnosis for power supply and ground. Refer to [STC-10, "Diagnosis Procedure"](#).

Is the inspection result normal?

- YES >> GO TO 2.
- NO >> Repair or replace damaged parts.

2. CHECK SYSTEM FOR VEHICLE SPEED SIGNAL

Perform trouble diagnosis for vehicle speed signal. Refer to [STC-15, "Diagnosis Procedure"](#).

Is the inspection result normal?

- YES >> GO TO 3.
- NO >> Repair or replace damaged parts.

3. CHECK SYSTEM FOR ENGINE SPEED SIGNAL

Perform trouble diagnosis for engine speed signal. Refer to [STC-13, "Diagnosis Procedure"](#).

Is the inspection result normal?

- YES >> GO TO 4.
- NO >> Repair or replace damaged parts.

4. CHECK SYSTEM FOR POWER STEERING SOLENOID VALVE

Perform trouble diagnosis for power steering solenoid valve. Refer to [STC-11, "Diagnosis Procedure"](#).

Is the inspection result normal?

- YES >> Perform the symptom diagnosis for the steering system. Refer to [ST-3, "NVH Troubleshooting Chart"](#).
- NO >> Repair or replace damaged parts.

PRECAUTION

PRECAUTIONS

Precaution for Supplemental Restraint System (SRS) "AIR BAG" and "SEAT BELT PRE-TENSIONER"

INFOID:000000000958723

The Supplemental Restraint System such as "AIR BAG" and "SEAT BELT PRE-TENSIONER", used along with a front seat belt, helps to reduce the risk or severity of injury to the driver and front passenger for certain types of collision. This system includes seat belt switch inputs and dual stage front air bag modules. The SRS system uses the seat belt switches to determine the front air bag deployment, and may only deploy one front air bag, depending on the severity of a collision and whether the front occupants are belted or unbelted. Information necessary to service the system safely is included in the SRS and SB section of this Service Manual.

WARNING:

- To avoid rendering the SRS inoperative, which could increase the risk of personal injury or death in the event of a collision which would result in air bag inflation, all maintenance must be performed by an authorized NISSAN/INFINITI dealer.
- Improper maintenance, including incorrect removal and installation of the SRS, can lead to personal injury caused by unintentional activation of the system. For removal of Spiral Cable and Air Bag Module, see the SRS section.
- Do not use electrical test equipment on any circuit related to the SRS unless instructed to in this Service Manual. SRS wiring harnesses can be identified by yellow and/or orange harnesses or harness connectors.

Precaution Necessary for Steering Wheel Rotation after Battery Disconnect

INFOID:000000000958724

NOTE:

- Before removing and installing any control units, first turn the push-button ignition switch to the LOCK position, then disconnect both battery cables.
- After finishing work, confirm that all control unit connectors are connected properly, then re-connect both battery cables.
- Always use CONSULT-III to perform self-diagnosis as a part of each function inspection after finishing work. If a DTC is detected, perform trouble diagnosis according to self-diagnosis results.

This vehicle is equipped with a push-button ignition switch and a steering lock unit.

If the battery is disconnected or discharged, the steering wheel will lock and cannot be turned.

If turning the steering wheel is required with the battery disconnected or discharged, follow the procedure below before starting the repair operation.

OPERATION PROCEDURE

1. Connect both battery cables.
 - NOTE:**
Supply power using jumper cables if battery is discharged.
2. Carry the Intelligent Key or insert it to the key slot and turn the push-button ignition switch to ACC position. (At this time, the steering lock will be released.)
3. Disconnect both battery cables. The steering lock will remain released with both battery cables disconnected and the steering wheel can be turned.
4. Perform the necessary repair operation.
5. When the repair work is completed, re-connect both battery cables. With the brake pedal released, turn the push-button ignition switch from ACC position to ON position, then to LOCK position. (The steering wheel will lock when the push-button ignition switch is turned to LOCK position.)
6. Perform self-diagnosis check of all control units using CONSULT-III.

POWER STEERING CONTROL UNIT

< ON-VEHICLE REPAIR >

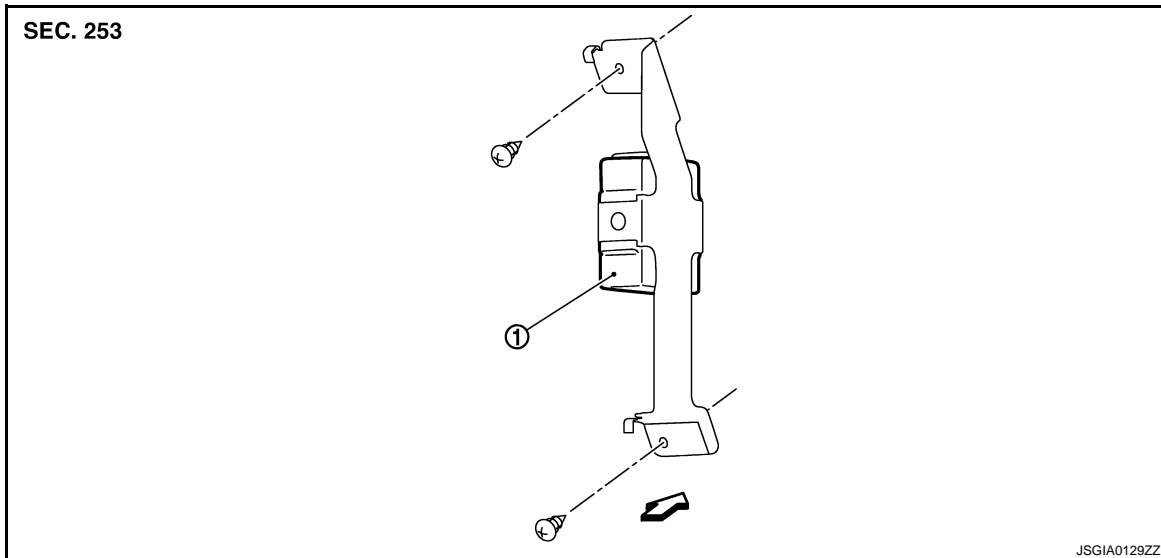
[WITHOUT 4WAS]

ON-VEHICLE REPAIR

POWER STEERING CONTROL UNIT

Exploded View

INFOID:000000000958725



1. Power steering control unit

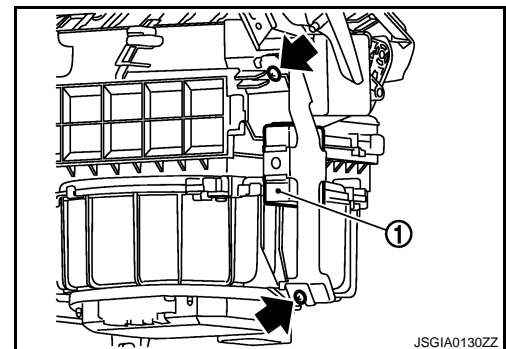
↩: Vehicle front

Removal and Installation

INFOID:000000000958726

REMOVAL

1. Remove the glove box assembly. Refer to [IP-11, "Exploded View"](#).
2. Remove the power steering control unit screws.
3. Remove the power steering control unit (1).
4. Disconnect power steering control unit connector.



INSTALLATION

Install in the reverse order of removal.

BASIC INSPECTION

DIAGNOSIS AND REPAIR WORKFLOW

Work Flow

INFOID:000000000958727

DETAILED FLOW

1. INTERVIEW FROM THE CUSTOMER

It is also important to clarify customer complaints before inspection. First of all, reproduce symptoms, and understand them fully. Ask customer about his/her complaints carefully. In some cases, it will be necessary to check symptoms by driving vehicle with customer.

CAUTION:

Customers are not professional. It is dangerous to make an easy guess like “maybe the customer means that...,” or “maybe the customer mentions this symptom”.

>> GO TO 2.

2. CHECK SYMPTOM

Start the engine.

CAUTION:

Stop the vehicle.

Does 4WAS warning lamp turn ON?

YES >> GO TO 3.

NO >> GO TO 6.

3. PERFORM SELF-DIAGNOSIS (4WAS MAIN CONTROL UNIT)

With CONSULT-III

Perform 4WAS main control unit self-diagnosis.

Is any DTC detected other than “C1930” or “C1931”?

YES >> GO TO 4.

NO >> GO TO 5.

4. PERFORM TROUBLE DIAGNOSIS (4WAS MAIN CONTROL UNIT)

With CONSULT-III

1. Check the error system detected from the self-diagnosis.

CAUTION:

Check the “DATA MONITOR” value of each DTC detected with the self-diagnosis function.

2. Erase 4WAS main control unit self-diagnosis memory.

CAUTION:

- Never erase the self-diagnosis result (record) history when replacing 4WAS main control unit.
- Erase the memory of the self-diagnosis results (record) after printing out or recording all the values of “DATA MONITOR” when erasing the memory of the self-diagnosis results (record).

>> GO TO 5.

5. PERFORM SELF-DIAGNOSIS (4WAS FRONT CONTROL UNIT AND 4WAS MAIN CONTROL UNIT)

With CONSULT-III

1. Perform 4WAS front control unit self-diagnosis.

2. Check the error system detected from the self-diagnosis.

CAUTION:

Check the “DATA MONITOR” value of each DTC detected with the self-diagnosis function.

3. Erase 4WAS front control unit self-diagnosis memory.

CAUTION:

- Never erase the self-diagnosis result (record) history when replacing 4WAS front control unit.
- Erase the memory of the self-diagnosis results (record) after printing out or recording all the values of “DATA MONITOR” when erasing the memory of the self-diagnosis results (record).

4. Perform 4WAS main control unit self-diagnosis.

DIAGNOSIS AND REPAIR WORKFLOW

< BASIC INSPECTION >

[WITH 4WAS]

5. Check the error system detected from the self-diagnosis.

CAUTION:

Check the “DATA MONITOR” value of each DTC detected with the self-diagnosis function.

6. Erase 4WAS main control unit self-diagnosis memory.

CAUTION:

- Never erase the self-diagnosis result (record) history when replacing 4WAS main control unit.
- Erase the memory of the self-diagnosis results (record) after printing out or recording all the values of “DATA MONITOR” when erasing the memory of the self-diagnosis results (record).

>> GO TO 6.

6. CHECK TERMINAL

Check each harness connector pin terminal for disconnection.

>> GO TO 7.

7. CHECK SYMPTOM REPRODUCTION

④ **With CONSULT-III**

Perform DTC reproduction procedure for the error system.

Is any error system detected?

YES >> GO TO 2.

NO >> GO TO 8.

8. PERFORM SYMPTOM DIAGNOSIS

④ **With CONSULT-III**

Perform the symptom diagnosis for each system.

Is any error detected?

YES >> GO TO 2.

NO >> GO TO 9.

9. FINAL CHECK

④ **With CONSULT-III**

Check input/output signal standard of 4WAS front control unit and 4WAS main control unit.

Is the input/output the standard value?

YES >> INSPECTION END

NO >> GO TO 2.

INSPECTION AND ADJUSTMENT

< BASIC INSPECTION >

[WITH 4WAS]

INSPECTION AND ADJUSTMENT

ADDITIONAL SERVICE WHEN REPLACING CONTROL UNIT

ADDITIONAL SERVICE WHEN REPLACING CONTROL UNIT : Description

INFOID:000000000958728

- Perform 4WAS front actuator adjustment after replacing 4WAS front control unit.
 - Perform 4WAS front actuator adjustment when performing any service below.
 - 4WAS front actuator and the steering components (included adjusting wheel alignment) removal. Refer to [STC-27, "4WAS FRONT ACTUATOR NEUTRAL POSITION ADJUSTMENT : Special Repair Requirement \(Pattern 1\)"](#).
- CAUTION:**
- **Check the following items before the removal.**
 - Turn 4WAS warning lamp OFF after the engine starts.
 - Perform the self-diagnosis of each control unit of 4WAS system (4WAS front control unit and 4WAS main control unit). Check that 4WAS system controls properly.
 - 4WAS front actuator and the steering components (included adjusting wheel alignment) installation. Refer to [STC-28, "4WAS FRONT ACTUATOR NEUTRAL POSITION ADJUSTMENT : Special Repair Requirement \(Pattern 2\)"](#).
 - 4WAS front control unit and the steering angle sensor replacement. Refer to [STC-28, "4WAS FRONT ACTUATOR NEUTRAL POSITION ADJUSTMENT : Special Repair Requirement \(Pattern 3\)"](#).
 - When driving while misaligning the steering wheel position (center) after installing 4WAS front actuator. Refer to [STC-30, "4WAS FRONT ACTUATOR NEUTRAL POSITION ADJUSTMENT : Special Repair Requirement \(Pattern 4\)"](#).

4WAS FRONT ACTUATOR NEUTRAL POSITION ADJUSTMENT

4WAS FRONT ACTUATOR NEUTRAL POSITION ADJUSTMENT : Description

INFOID:000000000958729

- Perform 4WAS front actuator adjustment when performing any service below.
 - 4WAS front actuator and the steering components (included adjusting wheel alignment) removal. Refer to [STC-27, "4WAS FRONT ACTUATOR NEUTRAL POSITION ADJUSTMENT : Special Repair Requirement \(Pattern 1\)"](#).
- CAUTION:**
- **Check the following items before the removal.**
 - Turn 4WAS warning lamp OFF after the engine starts.
 - Perform the self-diagnosis of each control unit of 4WAS system (4WAS front control unit and 4WAS main control unit). Check that 4WAS system controls properly.
 - 4WAS front actuator and the steering components (included adjusting wheel alignment) installation. Refer to [STC-28, "4WAS FRONT ACTUATOR NEUTRAL POSITION ADJUSTMENT : Special Repair Requirement \(Pattern 2\)"](#).
 - 4WAS front control unit and the steering angle sensor replacement. Refer to [STC-28, "4WAS FRONT ACTUATOR NEUTRAL POSITION ADJUSTMENT : Special Repair Requirement \(Pattern 3\)"](#).
 - When driving while misaligning the steering wheel position (center) after installing 4WAS front actuator. Refer to [STC-30, "4WAS FRONT ACTUATOR NEUTRAL POSITION ADJUSTMENT : Special Repair Requirement \(Pattern 4\)"](#).

4WAS FRONT ACTUATOR NEUTRAL POSITION ADJUSTMENT : Special Repair Requirement (Pattern 1)

INFOID:000000000958730

1. 4WAS FRONT ACTUATOR ADJUSTMENT

With CONSULT-III

1. Start the engine.

CAUTION:
Stop the vehicle.
2. Turn the steering wheel to adjust "ACTR ROTA ANG" of the 4WAS front control unit "DATA MONITOR" so that it falls within the range shown below:

ACTR ROTA ANG : -3.5 – 3.5 deg

3. Turn the ignition switch OFF.

CAUTION:

Never touch the steering wheel after turning ignition switch OFF.

>> END

4WAS FRONT ACTUATOR NEUTRAL POSITION ADJUSTMENT : Special Repair Requirement (Pattern 2)

INFOID:000000000958731

1. 4WAS FRONT ACTUATOR ADJUSTMENT

With CONSULT-III

1. Turn the ignition switch ON.

CAUTION:

Never start the engine.

2. Steer to 30° leftward slowly. Steer to 30° rightward and return the steering wheel to the straight-ahead position.
3. Perform the steering angle sensor neutral position adjustment. Refer to [BRC-8. "ADJUSTMENT OF STEERING ANGLE SENSOR NEUTRAL POSITION : Special Repair Requirement"](#).
4. Turn the ignition switch OFF.

>> GO TO 2.

2. PERFORM ACTIVE TEST (SLOW MODE)

With CONSULT-III

1. Start the engine.

CAUTION:

Stop the vehicle.

2. Select "SLOW MODE" item on "ACTIVE TEST" of 4WAS front control unit.
3. Perform "MODE START" of "ACTIVE TEST".
4. Steer the steering wheel leftward slowly until the turning stops.
5. Steer the steering wheel rightward slowly until the turning stops.

Is "OK" indicated on both right and left on "SLOW MODE"?

YES >> GO TO 3.

NO >> Refer to [STC-30. "4WAS FRONT ACTUATOR NEUTRAL POSITION ADJUSTMENT : Special Repair Requirement \(Pattern 4\)"](#).

3. PERFORM SELF-DIAGNOSIS (4WAS FRONT CONTROL UNIT)

With CONSULT-III

Perform 4WAS front control unit self-diagnosis.

NOTE:

Detect DTC "C1671" when replacing 4WAS front control unit or performing 4WAS front actuator adjustment. DTC "C1671" becomes past record if 4WAS front actuator adjustment is completed normally.

Is any error system detected?

YES >> Check the error system.

NO >> GO TO 4.

4. ERROR HISTORY ERASE

With CONSULT-III

Erase the memory of 4WAS main control unit and 4WAS main control unit self-diagnosis result.

>> END

4WAS FRONT ACTUATOR NEUTRAL POSITION ADJUSTMENT : Special Repair Requirement (Pattern 3)

INFOID:000000000958732

1. PERFORM ACTIVE TEST (LOCK OPERATION)

With CONSULT-III

INSPECTION AND ADJUSTMENT

[WITH 4WAS]

< BASIC INSPECTION >

1. Stop the vehicle to the straight-ahead position.
2. Turn the ignition switch ON.
CAUTION:
Never start the engine.
3. Select "LOCK OPERATION" item on "ACTIVE TEST" of 4WAS front control unit.
4. Perform "RELEASE" of "ACTIVE TEST".
CAUTION:
 - Turn the steering wheel 90°. Check that the front wheels do not move.
 - Never turn the steering wheel during "RELEASE".
5. Turn the steering wheel to adjust "4WAS STR ANG" of the 4WAS front control unit "DATA MONITOR" so that it falls within the range shown below:

4WAS STR ANG : -3.5 – 3.5 deg

6. Perform "LOCK" item on "ACTIVE TEST" of 4WAS front control unit.
7. Steer to 30° leftward slowly. Steer to 30° rightward and return the steering wheel to the straight-ahead position.
8. Finish 4WAS front control unit active test.

>> GO TO 2.

2. STEERING ANGLE SENSOR NEUTRAL POSITION ADJUSTMENT

1. Perform the steering angle sensor neutral position adjustment. Refer to [BRC-8, "ADJUSTMENT OF STEERING ANGLE SENSOR NEUTRAL POSITION : Special Repair Requirement"](#).
2. Turn the ignition switch OFF.

>> GO TO 3.

3. RETURN TO 4WAS FRONT ACTUATOR INITIAL POSITON

1. Start the engine.
CAUTION:
Stop the vehicle.
2. Steer 90° leftward slowly. Then steer 90° rightward.
3. Steer 90° leftward slowly again. Then steer 90° rightward. Return the steering wheel to the straight-ahead position.
4. Stop the vehicle in the straight-ahead position after driving for a period of time. (When engine is running)

>> GO TO 4.

4. CHECK 4WAS FRONT ACTUATOR INSPECTION

④ With CONSULT-III

1. Check "4WAS STR ANG" item on "DATA MONITOR" of 4WAS front control unit.
CAUTION:
Never touch the steering wheel during the service.

4WAS STR ANG : -3.5 – 3.5 deg

2. Turn the ignition switch OFF.

Is the inspection result normal?

YES >> GO TO 5.

NO >> GO TO 1.

5. PERFORM ACTIVE TEST (SLOW MODE)

④ With CONSULT-III

1. Start the engine.
CAUTION:
Stop the vehicle.
2. Select "SLOW MODE" item on "ACTIVE TEST" of 4WAS front control unit.
3. Perform "MODE START" of "ACTIVE TEST".
4. Steer the steering wheel leftward slowly until the turning stops.

INSPECTION AND ADJUSTMENT

[WITH 4WAS]

< BASIC INSPECTION >

5. Steer the steering wheel rightward slowly until the turning stops.

Is "OK" indicated on both right and left on "SLOW MODE"?

YES >> GO TO 6.

NO >> Refer to [STC-30. "4WAS FRONT ACTUATOR NEUTRAL POSITION ADJUSTMENT : Special Repair Requirement \(Pattern 4\)".](#)

6.PERFORM SELF-DIAGNOSIS (4WAS FRONT CONTROL UNIT)

Ⓟ With CONSULT-III

Perform 4WAS front control unit self-diagnosis.

Is any error system detected?

YES >> Check the error system.

NO >> GO TO 7.

7.ERROR HISTORY ERASE

Ⓟ With CONSULT-III

Erase the memory of 4WAS main control unit and 4WAS main control unit self-diagnosis result.

>> END

4WAS FRONT ACTUATOR NEUTRAL POSITION ADJUSTMENT : Special Repair Requirement (Pattern 4)

INFOID:000000000958733

1.CHECK 4WAS FRONT ACTUATOR

1. Stop the vehicle to the straight-ahead position.
2. Remove and install 4WAS front actuator again. Check the installation condition.
3. Check that the steering wheel is neutral.

Is the inspection result normal?

YES >> GO TO 2.

NO >> GO TO 1.

2.PERFORM ACTIVE TEST (LOCK OPERATION)

Ⓟ With CONSULT-III

1. Stop the vehicle to the straight-ahead position.
2. Turn the ignition switch ON.
CAUTION:
Never start the engine.
3. Select "LOCK OPERATION" item on "ACTIVE TEST" of 4WAS front control unit.
4. Perform "RELEASE" of "ACTIVE TEST".
CAUTION:
 - Turn the steering wheel 90°. Check that the front wheels do not move.
 - Never turn the steering wheel during "RELEASE".
5. Turn the steering wheel to adjust "4WAS STR ANG" of the 4WAS front control unit "DATA MONITOR" so that it falls within the range shown below:

4WAS STR ANG : -3.5 – 3.5 deg

6. Perform "LOCK" item on "ACTIVE TEST" of 4WAS front control unit.
7. Finish 4WAS front control unit active test.

>> GO TO 3.

3.STEERING ANGLE SENSOR NEUTRAL POSITION ADJUSTMENT

1. Perform the steering angle sensor neutral position adjustment. Refer to [BRC-8. "ADJUSTMENT OF STEERING ANGLE SENSOR NEUTRAL POSITION : Special Repair Requirement".](#)
2. Turn the ignition switch OFF.

>> GO TO 4.

INSPECTION AND ADJUSTMENT

< BASIC INSPECTION >

[WITH 4WAS]

4. RETURN TO 4WAS FRONT ACTUATOR INITIAL POSITION

1. Start the engine.
CAUTION:
Stop the vehicle.
2. Steer 90° leftward slowly. Then steer 90° rightward.
3. Steer 90° leftward slowly again. Then steer 90° rightward. Return the steering wheel to the straight-ahead position.
4. Stop the vehicle in the straight-ahead position after driving for a period of time. (Engine running)

>> GO TO 5.

5. CHECK 4WAS FRONT ACTUATOR

④ With CONSULT-III

1. Check "4WAS STR ANG" item on "DATA MONITOR" of 4WAS front control unit.

CAUTION:

Never touch the steering wheel during the service.

4WAS STR ANG : -3.5 – 3.5 deg

2. Turn the ignition switch OFF.

Is the inspection result normal?

YES >> GO TO 6.

NO >> GO TO 1.

6. PERFORM ACTIVE TEST (SLOW MODE)

④ With CONSULT-III

1. Start the engine.
CAUTION:
Stop the vehicle.
2. Select "SLOW MODE" item on "ACTIVE TEST" of 4WAS front control unit.
3. Perform "MODE START" of "ACTIVE TEST".
4. Steer the steering wheel leftward slowly until the turning stops.
5. Steer the steering wheel rightward slowly until the turning stops.

Is "OK" indicated on both right and left on "SLOW MODE"?

YES >> GO TO 7.

NO >> GO TO 1.

7. PERFORM SELF-DIAGNOSIS (4WAS FRONT CONTROL UNIT)

④ With CONSULT-III

Perform 4WAS front control unit self-diagnosis.

Is any error system detected?

YES >> Check the error system.

NO >> GO TO 8.

8. ERROR HISTORY ERASE

④ With CONSULT-III

Erase the memory of 4WAS front control unit and 4WAS main control unit self-diagnosis result.

>> END

A
B
C
D
E
F
H
I
J
K
L
M
N
O
P

STC

4WAS SYSTEM

< FUNCTION DIAGNOSIS >

[WITH 4WAS]

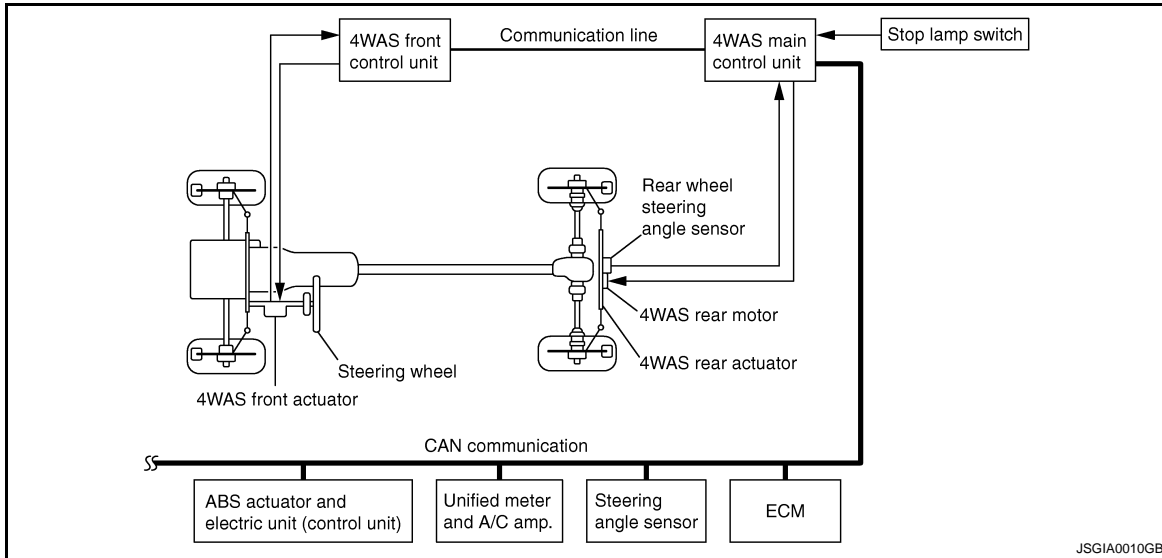
FUNCTION DIAGNOSIS

4WAS SYSTEM

System Diagram

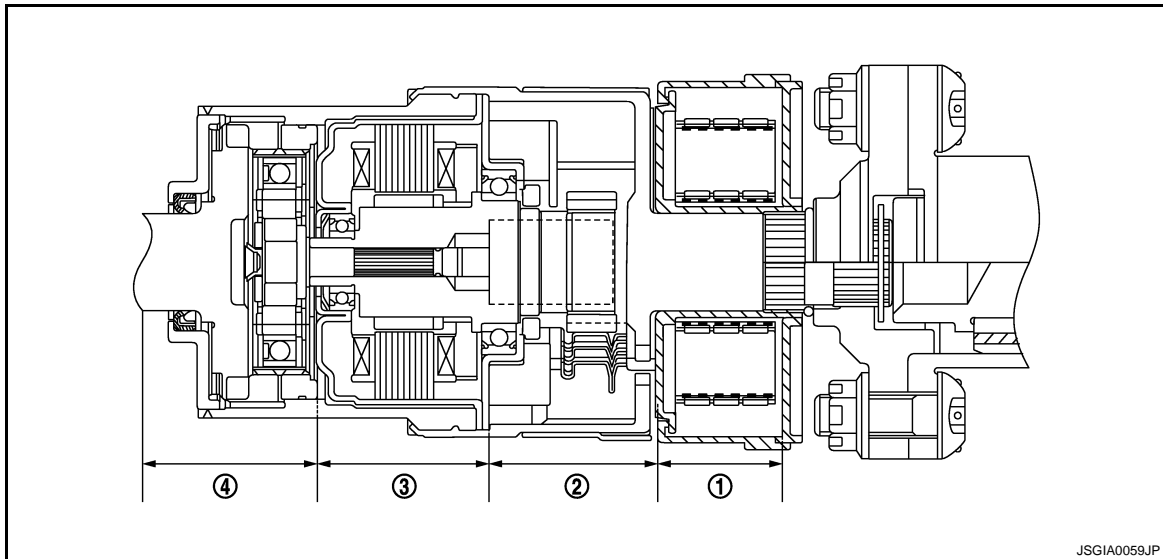
INFOID:000000000958734

CONTROL DIAGRAM



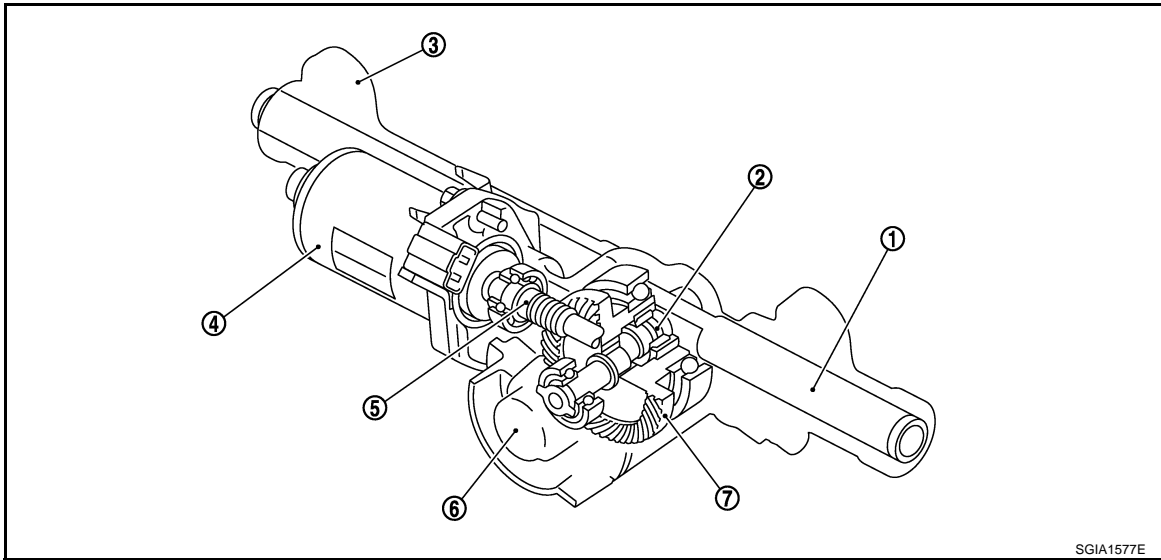
CROSS-SECTIONAL VIEW

4WAS Front Actuator



1. Front wheel steering angle sensor
2. 4WAS front lock solenoid valve (lock structure)
3. 4WAS front motor structure
4. Gear shaft

4WAS Rear Actuator



- | | | |
|--------------------|-----------------|-------------------------------------|
| 1. Rod | 2. Offset shaft | 3. Gear housing assembly |
| 4. 4WAS rear motor | 5. Motor shaft | 6. Rear wheel steering angle sensor |
| 7. HRH gear | | |

System Description

INFOID:000000000958735

DESCRIPTION

- 4WAS system consists of two control units (4WAS front control unit and 4WAS main control unit) and 4WAS rear actuator components.
- 4WAS main control unit calculates front wheel and rear wheel angles via CAN communication based on the information of the steering angle sensor signal and vehicle speed signal.
- 4WAS main control unit controls 4WAS rear actuator according to the value calculated in 4WAS main control unit.
- It transmits the value that is calculated by 4WAS main control unit to 4WAS front control unit via 4WAS communication line (exclusive line of 4WAS system). 4WAS front control unit controls 4WAS front actuator based on the received demand.
- Self-diagnosis can be performed with CONSULT-III at each control unit to another (4WAS front control unit and 4WAS main control unit).
- It transmits/receives each signal from the following control unit via CAN communication line.

Component parts	Function
Steering angle sensor	It mainly transmits the following signals to 4WAS main control unit with CAN communication. <ul style="list-style-type: none"> • Steering angle sensor signal
ABS actuator and electronic unit (control unit)	It mainly transmits the following signals to 4WAS main control unit with CAN communication. <ul style="list-style-type: none"> • Vehicle speed signal
ECM	It mainly transmits the following signals to 4WAS main control unit with CAN communication. <ul style="list-style-type: none"> • Engine speed signal
Combination meter	It mainly transmits the following signals from 4WAS main control unit with CAN communication. <ul style="list-style-type: none"> • 4WAS warning lamp signal

*: Communication line between 4WAS front control unit and 4WAS main control unit

Operation Description

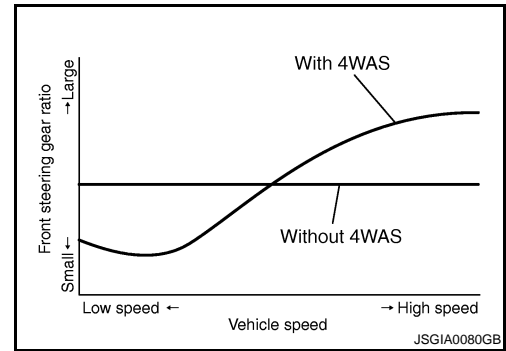
- The following performance is gained by controlling the best front wheel steering angle and the rear wheel steering angle.
- The desirable vehicle movement is gained toward the driver's steering angle operation (steering angle).

4WAS SYSTEM

< FUNCTION DIAGNOSIS >

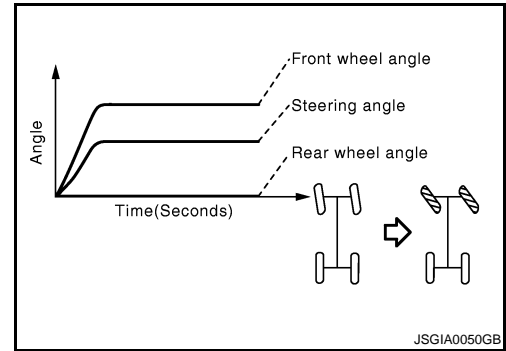
[WITH 4WAS]

- The steering gear ratio changes according to the vehicle speed. The steering wheel operation (steering angle) load decreases.



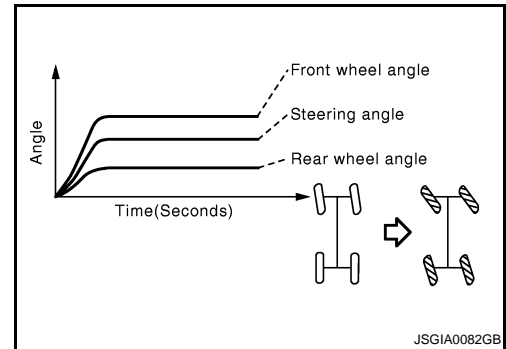
When Driving at Low Speed

- Increased front wheel angle gains the best front wheel angle by minimum steering wheel operation (steering angle).



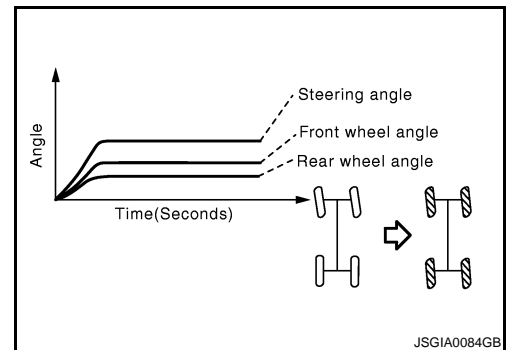
When Driving at Middle Speed

- Increased steering angle and controlling the rear wheel steering angle (steering angle) same as the steering wheel operation elevate the reaction of the vehicle yaw rate and lateral acceleration. It decreases the vehicle sideslip angle.



When Driving at High Speed

- Controlling the rear wheel steering angle (steering angle) same as the steering wheel operation and decreasing the front steering wheel angle elevate the reaction of the vehicle and the vehicle stableness.



Operation Feature

4WAS FRONT ACTUATOR

- It is driven by 4WAS front motor.
- The front steering gear ratio (4WAS front actuator) changes with 4WAS front motor and the gear shaft when releasing the lock structure (4WAS front lock solenoid valve).

NOTE:

The lock structure is released when turning 4WAS lock solenoid valve ON.

4WAS SYSTEM

< FUNCTION DIAGNOSIS >

[WITH 4WAS]

- The lock structure (holder) absorbs force and applies the lock when applying strong force to 4WAS front actuator.

CAUTION:

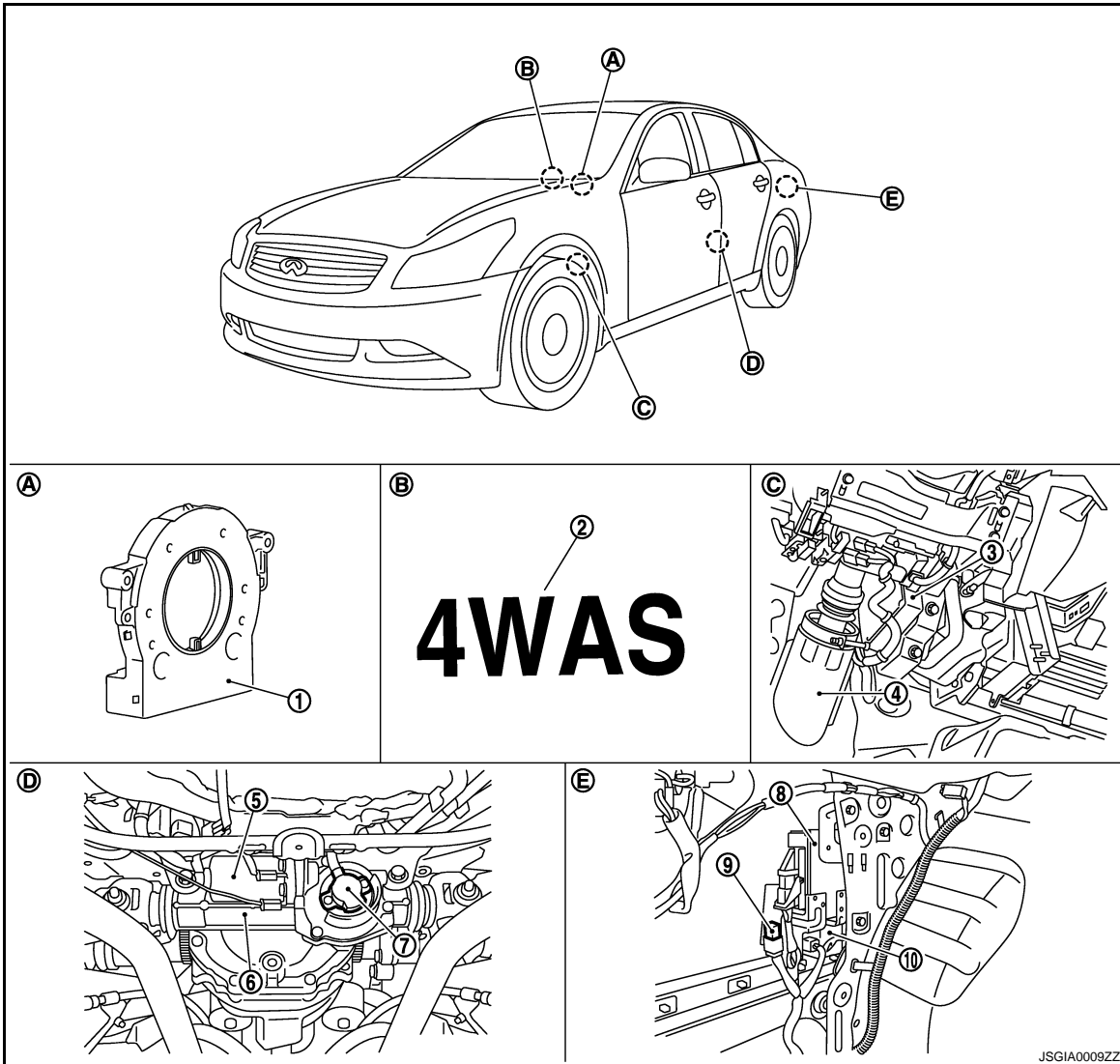
Replace 4WAS front actuator when the system returns an error because excessive force (rotating direction) outside is applied to 4WAS front actuator.

4WAS REAR ACTUATOR

- It is driven by 4WAS rear motor.
- The toe-stiffness of rear wheels is maintained against the road external force because the irreversible efficiency performance hypoid gear is used.
- The power from the pinion gear (motor side) is transmitted, but the pinion gear does not rotate as caused by the gear mechanical characteristics (teeth angle) even though the ring gear (tire side) starts to rotate.

Component Parts Location

INFOID:000000000958736



- | | | |
|-------------------------------------|---------------------------|----------------------------|
| 1. Steering angle sensor | 2. 4WAS warning lamp | 3. 4WAS front control unit |
| 4. 4WAS front actuator | 5. 4WAS rear motor | 6. 4WAS rear actuator |
| 7. Rear wheel steering angle sensor | 8. 4WAS main control unit | 9. 4WAS rear motor relay |
| 10. Noise suppressor | | |

- | | | |
|-----------------------|--|---|
| A. combination switch | B. Inside combination meter | C. Inside the instrument driver lower panel |
| D. Rear suspension | E. Inside the trunk side finisher (left) | |

A
B
C
D
E
F
H
I
J
K
L
M
N
O
P

STC

4WAS SYSTEM

< FUNCTION DIAGNOSIS >

[WITH 4WAS]

Component Description

INFOID:000000000958737

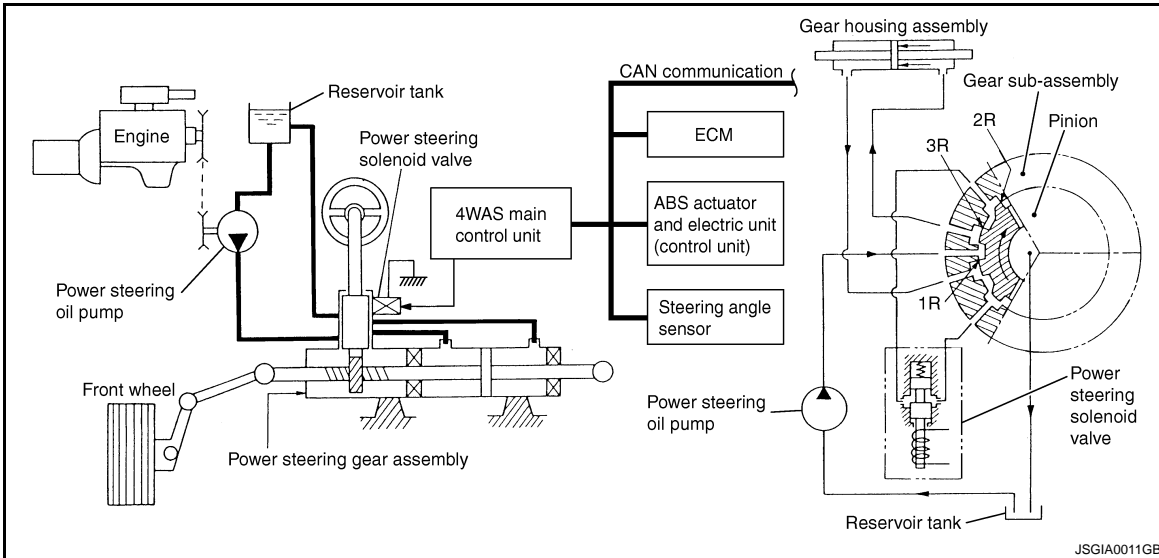
Component parts	Reference/Function
4WAS front control unit	STC-55, "Description"
4WAS front actuator	The front wheel steering angle is activated.
Front wheel steering angle sensor	The front wheel steering angle increased/decreased degree is detected. It is output to 4WAS front control unit.
4WAS front motor	The front wheel steering angle increased/decreased degree is activated.
4WAS front lock solenoid valve	Secure the inside of 4WAS front actuator temporarily. (It operates when performing active test with fail-safe function and CONSULT-III.)
Steering angle sensor	STC-112, "Description"
4WAS main control unit	STC-87, "Description"
4WAS rear actuator	The rear wheel steering angle is activated.
Rear wheel steering angle sensor	The rear wheel steering angle increased/decreased degree is detected. It is output to 4WAS main control unit.
4WAS rear motor	4WAS rear actuator is activated.
ABS actuator and electronic unit (control unit)	STC-110, "Description"
ECM	STC-115, "Description"
Combination meter	It mainly transmits the following signals from 4WAS main control unit with CAN communication. <ul style="list-style-type: none">• 4WAS warning lamp signal
Power steering solenoid valve	The power steering oil pressure in the gear housing assembly is controlled.
Stop lamp switch	The stop lamp switch condition is detected.

*: Communication line between 4WAS front control unit and 4WAS main control unit

EPS SYSTEM

System Diagram

INFOID:000000000958738

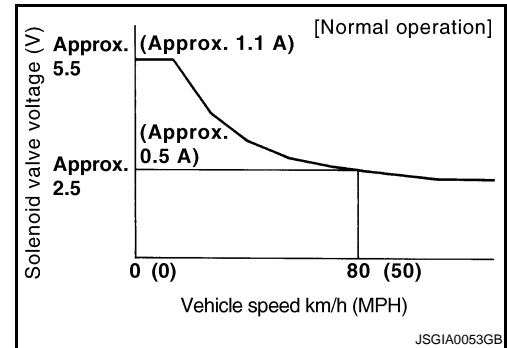


System Description

INFOID:000000000958739

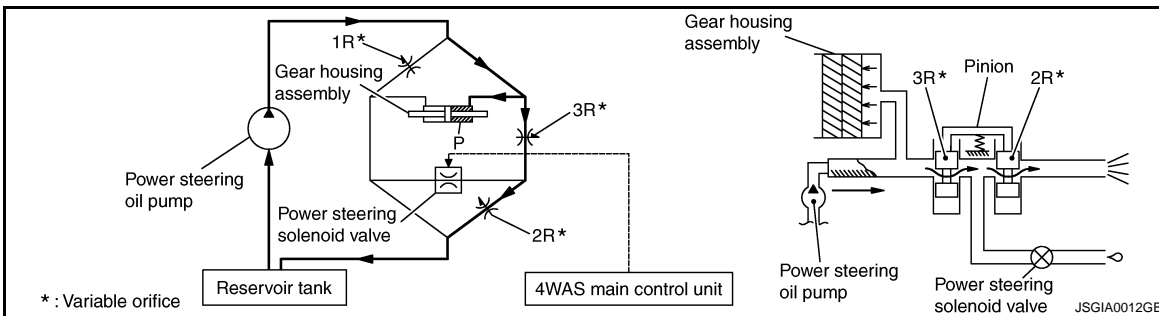
DESCRIPTION

- The electronic control power steering system controls the power steering solenoid valve with 4WAS main control unit.
- The power steering solenoid valve control changes the power steering solenoid valve activation voltage according to the vehicle speed.



OPERATION PRINCIPLE

During Parking (When Turning The Steering Wheel To The Right.)



1. Power steering solenoid valve is closed while a vehicle is stopped.
2. Pinion "1R", "2R" and "3R" are closed depending on steering torque of steering wheel.
3. Oil pressure "P" in the gear housing assembly is the sum of oil pressures occurring in "2R" and "3R". This results in a light steering force because of high pressure.

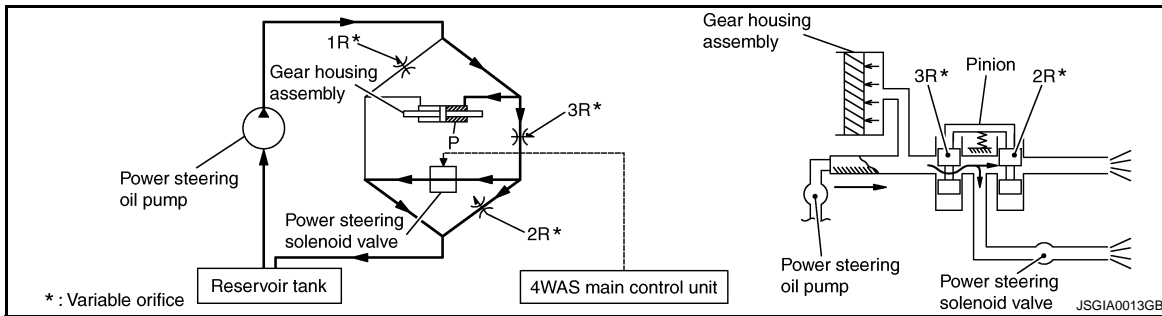
During High-speed Operation

A
B
C
D
E
F
STC
H
I
J
K
L
M
N
O
P

EPS SYSTEM

< FUNCTION DIAGNOSIS >

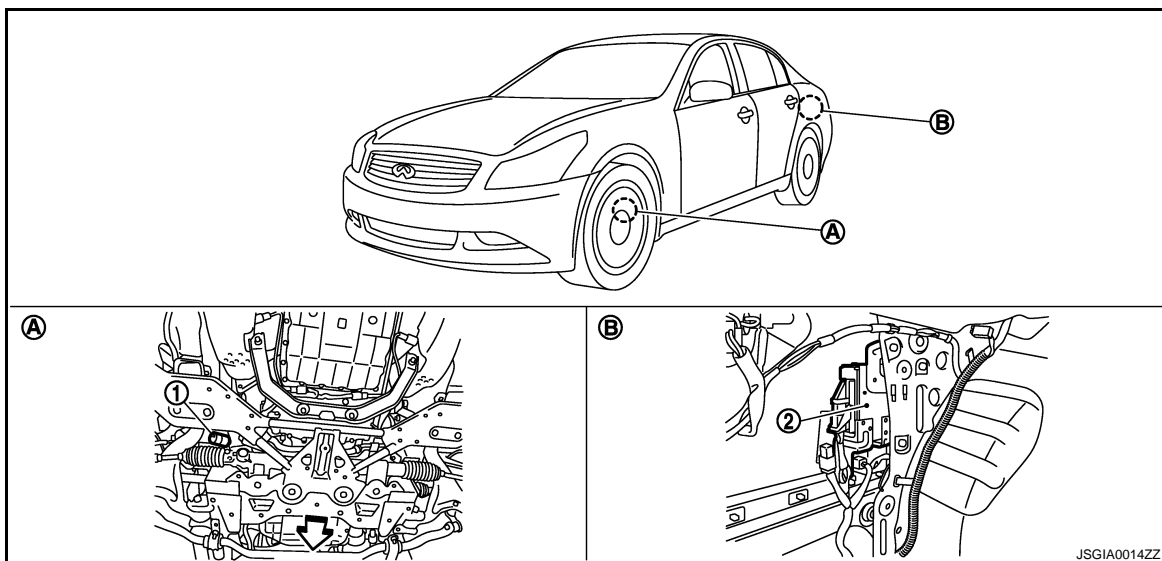
[WITH 4WAS]



1. Power steering solenoid valve is opened during high-speed operation.
2. Pinion “1R”, “2R” and “3R” are closed depending on steering torque of steering wheel.
3. Oil pressure “2R” does not occur because the power steering solenoid valve is on full throttle.
4. Oil pressure “P” in the gear housing assembly includes only oil pressure occurring in “3R” and results in a heavy steering force.

Component Parts Location

INFOID:000000000958740



- | | |
|----------------------------------|--|
| 1. Power steering solenoid valve | 2. 4WAS main control unit |
| A. Front suspension | B. Inside the trunk side finisher (left) |

↶:Vehicle front

Component Description

INFOID:000000000958741

Component parts	Function
4WAS main control unit	<ul style="list-style-type: none"> • The power steering solenoid valve activation voltage is controlled by each sensor signal. • The power steering solenoid valve activation voltage is controlled by 4WAS main control unit for maintaining the power steering force in the fail-safe mode.(EPS system is controlled by the engine speed signal if the vehicle speed signal error is detected.)
ABS actuator and electric unit (control unit)	It mainly transmits the following signals to 4WAS main control unit with CAN communication. <ul style="list-style-type: none"> • Vehicle speed signal
ECM	It mainly transmits the following signals to 4WAS main control unit with CAN communication. <ul style="list-style-type: none"> • Engine speed signal
Power steering solenoid valve	The power steering oil pressure in the gear housing assembly is controlled.

DIAGNOSIS SYSTEM (4WAS FRONT CONTROL UNIT)

< FUNCTION DIAGNOSIS >

[WITH 4WAS]

DIAGNOSIS SYSTEM (4WAS FRONT CONTROL UNIT)

CONSULT-III Function [4WAS(FRONT)]

INFOID:000000000958742

FUNCTION

CONSULT-III can display each diagnostic item using the diagnostic test modes shown as follows:

Diagnostic test mode	Function
Self-diagnostic results	<ul style="list-style-type: none"> Self-diagnostic results can be read and erased quickly.
Data monitor	<ul style="list-style-type: none"> Input/Output data in the 4WAS front control unit can be read.
CAN diagnostic support monitor	<ul style="list-style-type: none"> The results of transmit/receive diagnosis of CAN communication can be read.
Active test	<ul style="list-style-type: none"> Diagnostic Test Mode in which CONSULT-III drives some actuators apart from the 4WAS front control unit and also shifts some parameters in a specified range.
ECU part number	<ul style="list-style-type: none"> 4WAS front control unit part number can be read.

SELF-DIAG RESULT MODE

Display Item List

Items (CONSULT-III screen terms)	Diagnostic item is detected when...	Possible cause
ACTUATOR [C1621]	4WAS front motor current error is detected. (4WAS front motor current is excessively large.)	4WAS front control unit or 4WAS front motor error is detected.
ACTUATOR [C1622]	4WAS front motor voltage or current error is detected. (4WAS front motor voltage error is detected.) (Voltage or current error is detected when starting the system.)	4WAS front control unit or 4WAS front motor error is detected.
ACTUATOR [C1627]	The indication value from 4WAS front actuator (front wheel angle) differs from the value from 4WAS front control unit.	4WAS front actuator error
ACTUATOR [C1628]	The front wheel steering angle sensor error is detected.	Front wheel steering angle sensor error
CONTROL UNIT [C1631]	An error is detected inside 4WAS front control unit.	4WAS front control unit or 4WAS front control unit power supply error is detected.
CONTROL UNIT [C1632]	An error is detected inside 4WAS front control unit.	4WAS front control unit or 4WAS front control unit power supply error is detected.
CONTROL UNIT [C1633]	An error is detected inside 4WAS front control unit.	4WAS front control unit error
IGN POWER SUPPLY [C1651]	The ignition voltage signal error is detected.	4WAS front control unit or the ignition power supply error is detected.
MOTOR POWER SUPPLY [C1652]	4WAS front motor main power supply error is detected.	4WAS front control unit or 4WAS front motor power supply error is detected.
ACTUATOR RELAY [C1654]	An error is detected on the main relay power supply inside 4WAS front control unit.	The main relay power supply inside 4WAS front control unit error is detected.
PRE-DRIVER [C1655]	4WAS rear motor 3-phase current error is detected. (Current is not applied to 4WAS front motor.)	4WAS front control unit or 4WAS front motor power supply error is detected.
LOCK SOLENOID [C1661]	4WAS front lock solenoid valve error is detected. (An electric activation error is detected.)	4WAS front control unit or 4WAS front lock solenoid valve error is detected.
LOCK INSERTION [C1667]	4WAS front lock solenoid valve (lock) error is detected. (An error is detected in lock condition.)	The inside 4WAS front actuator error is detected.

DIAGNOSIS SYSTEM (4WAS FRONT CONTROL UNIT)

[WITH 4WAS]

< FUNCTION DIAGNOSIS >

Items (CONSULT-III screen terms)	Diagnostic item is detected when...	Possible cause
LOCK HLD GAP DETCT [C1668]	4WAS front lock solenoid valve (lock) error is detected. (Excessive force is applied to the lock.)	The inside 4WAS front actuator error is detected.
INCOMP LOCK RELEAS [C1669]	4WAS front actuator error is detected. (An error is detected in unlock condition.)	The power steering oil pressure or the inside 4WAS front actuator error is detected.
ACT ADJ NOT PRFRM [C1671]	4WAS front actuator adjustment is not performed.	4WAS front actuator adjustment is not performed.
INCOMP ACTUATR ADJ [C1672]	4WAS front actuator adjustment is incomplete.	4WAS front actuator adjustment is incomplete.
4WAS MAIN ECU COMM [C1684]	4WAS communication line* data communication error is detected. (An error signal is detected from 4WAS main control unit.)	4WAS communication line*/ 4WAS main control unit/ 4WAS front control unit error
4WAS MAIN ECU COMM [C1685]	4WAS communication line* data communication error is detected. (An error signal is detected from 4WAS main control unit.)	4WAS communication line*/ 4WAS main control unit/ 4WAS front control unit error
4WAS MAIN ECU [C1686]	An error is detected on 4WAS main control unit side. (4WAS main control unit fail-safe mode.)	4WAS main control unit fail-safe mode
CAN COMM CIRCUIT [U1000]	When 4WAS front control unit is not transmitting or receiving 4WAS communication signal for 2 seconds or more.	4WAS communication line*/ 4WAS main control unit/ 4WAS front control unit error
SYSTEM COMM(CAN) [U1002]	When 4WAS front control unit is not transmitting or receiving 4WAS communication signal for 2 seconds or less.	4WAS communication line*/ 4WAS main control unit/ 4WAS front control unit error
CONTROL UNIT (CAN) [U1010]	When detecting error during the initial diagnosis of 4WAS controller of 4WAS front control unit.	4WAS communication line*/ 4WAS main control unit/ 4WAS front control unit error

*: Communication line between 4WAS front control unit and 4WAS main control unit.

DATA MONITOR MODE

Display Item List

Monitor item (Unit)	Remarks
4WAS STR ANG [deg]	The steering angle sensor signal received from 4WAS main control unit by 4WAS communication line * is indicated.
VEHICLE SPEED [km/h] or [mph]	The vehicle speed signal received from 4WAS main control unit by 4WAS communication line * is indicated.
MOTOR CURRENT [A]	4WAS front motor power supply current is indicated. (4WAS front control unit main power supply)
MTR CRNT ESTM [A]	The value, which 4WAS front control unit presumes 4WAS front motor power supply current, is indicated. (4WAS front control unit main power supply)
ACTR ROTA ANG [deg]	4WAS front actuator increased/decreased angle is indicated.
LG VOLT [V]	4WAS front lock solenoid valve voltage is indicated.
THERM TEMP [°C]	4WAS front control unit internal temperature is indicated.
MOTOR VOLT [V]	4WAS front motor power supply voltage is indicated. (4WAS front control unit main power supply)
IGN VOLT [V]	4WAS front control unit power supply voltage is indicated. (Ignition switch power supply voltage)
ACTR ANG COMM [deg]	The command value of 4WAS front actuator increased/decreased angle received from 4WAS main control unit with 4WAS communication line* is indicated.
ACTR ROTA SPD [deg/s]	4WAS front actuator increased/decreased rotation speed is indicated.
DUTY COMMAND [%]	4WAS front actuator command voltage ratio is indicated.

DIAGNOSIS SYSTEM (4WAS FRONT CONTROL UNIT)

< FUNCTION DIAGNOSIS >

[WITH 4WAS]

Monitor item (Unit)	Remarks	
LOCK DTY COMM [%]	4WAS front lock solenoid valve command voltage ratio is indicated.	A
MTR U VOLT [V]	4WAS front motor U terminal voltage is indicated.	
MTR V VOLT [V]	4WAS front motor V terminal voltage is indicated.	B
MTR W VOLT [V]	4WAS front motor W terminal voltage is indicated.	
ACT TEMP ESTM [°C]	The value, which 4WAS front control unit presumes 4WAS front actuator temperature, is indicated.	C
MTR PHZ CRNT [A]	4WAS front motor U, V, and W terminal current is indicated.	
ACTR DEVI ANG [deg]	4WAS front actuator command value and the activation angle difference are indicated.	D
ACTR ANGL SUB [deg]	The final command value, which 4WAS front control unit calculates 4WAS front actuator command value transmitted from 4WAS front control unit with 4WAS communication line*, is indicated.	
STR ANGL SPD [deg/s]	It displays an engine speed value obtained from an angle calculated with the 4WAS front control unit, based on steering angle sensor speed signals transmitted from the 4WAS main control unit through the 4WAS communication line*.	E
OVRLD JDG TMG	It displays record of 4WAS system (entire 4WAS system) high load. (It displays time of occurrence before turning ignition switch ON.)	F
ACT PRTCT TMG	It displays record of 4WAS system (4WAS front actuator) overheating. (It displays time of occurrence before turning ignition switch ON.)	STC
ECU PRTCT TMG	It displays record of 4WAS system (4WAS front control unit) overheating. (It displays time of occurrence before turning ignition switch ON.)	
DRV TMPO TMG	It displays record of 4WAS system (terminal power supply converter of 4WAS front motor) intermittent abnormal. (It displays time of occurrence before turning ignition switch ON.)	H
MTR PW TMP TM	It displays record of 4WAS system (terminal voltage of 4WAS front motor) intermittent abnormal. (It displays time of occurrence before turning ignition switch ON.)	I
LOW VOLT TMG	It displays record of 4WAS system (terminal voltage of 4WAS front control unit and 4WAS front actuator) low voltage. (It displays time of occurrence before turning ignition switch ON.)	J
HIGH VOLT TMG	It displays record of 4WAS system (terminal voltage of 4WAS front control unit and 4WAS front actuator) extreme voltage. (It displays time of occurrence before turning ignition switch ON.)	K
OVRLD JDG FLG [On/Off]	<ul style="list-style-type: none"> • 4WAS system (the entire system) heavy load condition is indicated. • 4WAS system protection function mode 	L
ACT PRTCT FLG [On/Off]	<ul style="list-style-type: none"> • 4WAS system (4WAS front actuator) over-heated condition is indicated. • 4WAS system protection function mode 	
ECU PRTCT FLG [On/Off]	<ul style="list-style-type: none"> • 4WAS system (4WAS front control unit) over-heated condition is indicated. • 4WAS system protection function mode 	M
DRV TMPO FLG [On/Off]	<ul style="list-style-type: none"> • 4WAS system (4WAS front motor terminal power supply converter) intermittent error is indicated. • 4WAS system protection function mode 	N
MTR PW TMP FL [On/Off]	<ul style="list-style-type: none"> • 4WAS system (4WAS front motor terminal power supply front driver) intermittent error is indicated. • 4WAS system protection function mode 	O
LOW VOLT FLG [On/Off]	<ul style="list-style-type: none"> • 4WAS system (4WAS front control unit and 4WAS front actuator terminal voltage) voltage-dropped condition • 4WAS system protection function mode 	P
HIGH VOLT FLG [On/Off]	<ul style="list-style-type: none"> • 4WAS system (4WAS front control unit and 4WAS front actuator terminal voltage) voltage-jumped condition • 4WAS system protection function mode 	
MTR SEN U OUT [Hi/Low]	4WAS front motor U terminal output voltage is indicated.	
MTR SEN V OUT [Hi/Low]	4WAS front motor V terminal output voltage is indicated.	
MTR SEN W OUT [Hi/Low]	4WAS front motor W terminal output voltage is indicated.	

DIAGNOSIS SYSTEM (4WAS FRONT CONTROL UNIT)

[WITH 4WAS]

< FUNCTION DIAGNOSIS >

Monitor item (Unit)	Remarks
MAIN ECU FAIL [On/Off]	4WAS main control unit fail-safe function condition transmitted from 4WAS main control unit by 4WAS communication line * is indicated.
M-ECU TMPO FL [On/Off]	The protection function mode status of 4WAS main control unit transmitted from 4WAS main control unit with 4WAS communication line* is indicated.
LOCK MODE [0/1/2/3/4/5]	4WAS front lock solenoid valve (lock structure) condition is indicated. <ul style="list-style-type: none"> • 0: Lock released condition • 1 – 5: Lock condition
NEUTRAL OUT [On/Off]	4WAS front actuator misaligned angle adjustment control condition is indicated.
EX OPERAT [On/Off]	4WAS system enters in the protection function due to the heavy load condition and temporarily abnormal voltage is indicated.
SLOW MODE [Ok/-]	ACTIVE TEST "SLOW MODE" judgment condition is indicated.

*: Communication line between 4WAS front control unit and 4WAS main control unit

CAN DIAGNOSTIC SUPPORT MONITOR

Description

- The communication condition from 4WAS front control unit to 4WAS main control unit and malfunction counter are displayed.
- Error counter displays OK if any malfunction is not detected in the past. If the malfunction is detected, it displays 0. When turning the ignition switch ON, if it is normal, it displays 1. The upper limit of the countries 39.

Item	PRSNT	PAST
TRANSMIT DIAG	OK / UNKWN	OK / 0 – 39
4WAS(MAIN)	OK / UNKWN	OK / 0 – 39

ACTIVE TEST MODE

Description

- 4WAS front actuator assembly activation is checked according to the control signal from CONSULT-III.
- 4WAS front lock solenoid valve (lock structure) activates forcibly (ON/OFF) with each control signal of "LOCK OPERATION". Perform this mode when performing 4WAS front actuator adjustment.

CAUTION:

Never steer the steering wheel during "RELEASE".

- The steering angle sensor neutral point judgment (OK/NG) is performed with each control signal of "SLOW MODE".

Select test item	Control signal	Remarks
LOCK OPERATION	RELEASE	4WAS front lock solenoid valve lock is released.
	LOCK	4WAS front lock solenoid valve lock is applied.
SLOW MODE	MODE START	Steering angle sensor neutral point check starts. (Turn the steering wheel rightward and leftward slowly. Steer until the turning stops.)
	MODE END	Steering angle sensor neutral point check ends.

DIAGNOSIS SYSTEM (4WAS MAIN CONTROL UNIT)

< FUNCTION DIAGNOSIS >

[WITH 4WAS]

DIAGNOSIS SYSTEM (4WAS MAIN CONTROL UNIT)

CONSULT-III Function [4WAS(MAIN)/RAS/HICAS]

INFOID:000000000958743

FUNCTION

CONSULT-III can display each diagnostic item using the diagnostic test modes shown following.

Diagnostic test mode	Function
Self-diagnostic results	<ul style="list-style-type: none"> Self-diagnostic results can be read and erased quickly.
Data monitor	<ul style="list-style-type: none"> Input/Output data in the 4WAS main control unit can be read.
CAN diagnostic support monitor	<ul style="list-style-type: none"> The results of transmit/receive diagnosis of CAN communication can be read.
Active test	<ul style="list-style-type: none"> Diagnostic Test Mode in which CONSULT-III drives some actuators apart from the 4WAS main control unit and also shifts some parameters in a specified range.
ECU part number	<ul style="list-style-type: none"> 4WAS main control unit part number can be read.

SELF-DIAG RESULT MODE

Display Item List

Items (CONSULT-III screen terms)	Diagnostic item is detected when...	Possible cause
CONTROL UNIT [ABNORMAL1] [C1900]	An error is detected inside 4WAS main control unit.	4WAS main control unit error
CONTROL UNIT [ABNORMAL2] [C1901]	An error is detected inside 4WAS main control unit.	4WAS main control unit error
MOTOR OUTPUT [REV CURRENT] [C1902]	4WAS rear motor current error is detected. (4WAS rear motor current output direction differs.)	4WAS rear motor error
MOTOR OUTPUT [NO CURRENT] [C1903]	4WAS rear motor current error is detected. (Current is input to 4WAS main control unit if 4WAS main control unit output is "OFF".)	4WAS rear motor error
MOTOR OUTPUT [OVERCURRENT] [C1904]	4WAS rear motor current error is detected. (4WAS rear motor output current is large.)	4WAS rear motor error
CONTROL UNIT [ABNORMAL3] [C1905]	An error is detected inside 4WAS main control unit.	4WAS main control unit error
CONTROL UNIT [ABNORMAL5] [C1906]	An error is detected inside 4WAS main control unit.	4WAS main control unit error
CONTROL UNIT [ABNORMAL4] [C1907]	An error is detected inside 4WAS main control unit.	4WAS main control unit error
CONTROL UNIT [ABNORMAL7] [C1908]	An error is detected inside 4WAS main control unit.	4WAS main control unit error
CONTROL UNIT [ABNORMAL6] [C1909]	An error is detected inside 4WAS main control unit.	4WAS main control unit
MOTOR OUTPUT [MOTOR LOCK] [C1910]	Inside 4WAS rear motor error is detected. (4WAS main motor does not move or the rear wheel angle sensor value does not change if 4WAS main control unit output is 14A or more.)	4WAS rear motor error
MOTOR VOLTAGE [LOW VOLTAGE] [C1911]	4WAS rear motor voltage error is detected. (4WAS rear motor voltage is low.)	4WAS rear motor power supply error

DIAGNOSIS SYSTEM (4WAS MAIN CONTROL UNIT)

< FUNCTION DIAGNOSIS >

[WITH 4WAS]

Items (CONSULT-III screen terms)	Diagnostic item is detected when...	Possible cause
MOTOR VOLTAGE [BAD OBSTRCT] [C1912]	4WAS rear motor voltage error is detected. (Voltage is applied to 4WAS main motor if 4WAS main control unit output is "OFF".)	4WAS rear motor power supply error
MOTOR OUTPUT [ABNORML SIG] [C1913]	4WAS rear motor current error is detected. (4WAS main motor does not move or the rear wheel angle sensor output does not change when 4WAS main control unit output is 18A or more and 4WAS main motor output is low.)	4WAS rear motor error
RR ST ANGLE SENSOR [ABNORML VOL] [C1914]	The rear wheel angle sensor power supply error is detected.	Rear wheel steering sensor power supply error
RR ST ANGLE SENSOR [MAIN SIGNAL] [C1915]	The rear wheel angle sensor signal (main) output voltage value error is detected.	Rear wheel steering sensor output voltage error
RR ST ANGLE SENSOR [SUB SIGNAL] [C1916]	The rear wheel angle sensor signal (sub) output voltage value error is detected.	Rear wheel steering sensor output voltage error
RR ST ANGLE SENSOR [OFFSET SIG1] [C1917]	The rear wheel angle sensor signal (main and sub) error is detected. (The output signal value differs temporarily between main and sub.)	Rear wheel steering sensor (main and sub) output signal value error signal
RR ST ANGLE SENSOR [OFFSET SIG2] [C1918]	The rear wheel angle sensor signal (main and sub) error is detected. (The output signal value differs between main and sub.)	Rear wheel steering sensor (main and sub) output signal error
VEHICLE SPEED SEN [NO SIGNAL] [C1919]	Malfunction is detected in vehicle speed signal that is output from ABS actuator and electric unit (control unit) with CAN communication. (Improper signal is input while driving.)	Vehicle speed signal error
STEERING ANGLE SEN [NO SIGNAL] [C1920]	Malfunction is detected in steering angle sensor signal that is output from steering angle sensor with CAN communication. (No transmission from the steering angle sensor)	Steering angle sensor input signal error
ENG REV SIGNAL [C1921]	Malfunction is detected in engine speed signal that is output from ECM with CAN communication. (Improper signal is input to the engine speed.)	Engine speed signal error
CONTROL UNIT [ABNORMAL8] [C1922]	An error is detected inside 4WAS main control unit.	4WAS main control unit error
STEERING ANGLE SEN [NO CHANGE] [C1923]	Malfunction is detected in steering angle sensor signal that is output from steering angle sensor with CAN communication. [Steering angle sensor input signal error is detected when driving at 60 km/h (37MPH) or more.]	Steering angle sensor input signal error
STEERING ANGLE SEN [NO NEUT STATE] [C1924]	Driving continuously at 10 km (6 mile) while the steering angle sensor value is other than L10° – R10°. (Not detected in 4WAS front control unit fail-safe mode)	Steering angle sensor input signal error
AD CONVERTER [C1925]	An error is detected inside 4WAS main control unit.	4WAS main control unit error
STEERING ANGLE SEN [C1926]	Malfunction is detected in steering angle sensor signal that is output from steering angle sensor with CAN communication. (When improper signal inputs to steering angle sensor and steering angle sensor itself detects the malfunction)	Steering angle sensor error
CONTROL UNIT [ABNORMAL5] [C1927]	An error is detected inside 4WAS main control unit.	4WAS main control unit error
CONTROL UNIT [ABNORMAL9] [C1928]	An error is detected inside 4WAS main control unit.	4WAS main control unit error
4WAS FRONT ECU [C1930]	An error is detected on 4WAS front control unit side. (4WAS front control unit fail safe mode)	4WAS front control unit fail-safe mode

DIAGNOSIS SYSTEM (4WAS MAIN CONTROL UNIT)

< FUNCTION DIAGNOSIS >

[WITH 4WAS]

Items (CONSULT-III screen terms)	Diagnostic item is detected when...	Possible cause
4WAS FRONT ECU COMM [C1931]	4WAS communication line* data communication error is detected. (An error signal is detected from 4WAS front control unit.)	4WAS communication line*4WAS front control unit/ 4WAS main control unit error
STEERING ANGLE SEN [C1932]	If the steering angle sensor error is detected. (Steering angle sensor output value is abnormal.)	Steering angle sensor input signal error
CONTROL UNIT [C1933]	An error is detected inside 4WAS main control unit.	4WAS main control unit error
CAN COMM [U1000]	When 4WAS main control unit is not transmitting or receiving CAN communication signal for 2 seconds or more.	CAN communication error
CONTROL UNIT (CAN) [U1010]	When detecting error during the initial diagnosis of CAN controller of 4WAS main control unit.	CAN communication line and 4WAS main control unit/ECM/ ABS actuator and electric unit (control unit) error

*: Communication line between 4WAS front control unit and 4WAS main control unit

DATA MONITOR MODE

Display Item List

Monitor item (Unit)	Remarks
VHCL SPEED SE [km/h] or [mph]	The vehicle speed signal from ABS actuator and electric unit (control unit) is indicated with CAN communication line.
STEERING ANG [deg]	The steering angle sensor signal from the steering angle sensor is indicated with CAN communication line.
ENGINE SPEED [rpm]	The engine speed signal from ECM is indicated with CAN communication line.
STR ANGL SPD [deg/s]	The steering angle speed signal from the steering angle sensor is indicated with CAN communication line.
POWER STR SOL [A]	The current value of the power steering solenoid valve is indicated.
RR ST ANG-MAI [V]	The voltage of the rear wheel steering angle sensor (main) is indicated.
RR ST ANG-SUB [V]	The voltage of the rear wheel steering angle sensor (sub) is indicated.
RR ST ANG-VOL [V]	The power supply voltage of the rear wheel steering angle sensor is indicated.
C/U VOLTAGE [V]	The power supply voltage value of 4WAS main control unit is indicated.
MOTOR VOLTAGE [V]	The voltage value of 4WAS rear motor is indicated.
MOTOR CURRENT [A]	The current value of 4WAS rear motor is indicated.
MTR CRNT OPE [A]	The current value input to 4WAS rear motor is indicated.
RR ANG OPE [deg]	The angle command value is indicated for activate 4WAS rear motor.
FR ANGLE OPE [deg]	The front wheel angle value transmitted from 4WAS main control unit to 4WAS front control unit is indicated.
STOP LAMP SW [On/Off]	The stop lamp switch status is indicated.
HICAS RELAY [On/Off]	4WAS rear motor relay condition is indicated.
FAIL SAFE [On/Off]	The fail-safe mode status of 4WAS main control unit is indicated.
WARNING LAMP [On/Off]	4WAS warning lamp ON/OFF condition is indicated.
FRONT ECU FAIL [On/Off]	The fail-safe mode status of 4WAS main control unit transmitted from 4WAS front control unit with 4WAS communication line* is indicated.
FRONT ECU EX [On/Off]	The protection function mode status of 4WAS front control unit transmitted from 4WAS front control unit with 4WAS communication line* is indicated.

*: Communication line between 4WAS front control unit and 4WAS main control unit

CAN DIAGNOSTIC SUPPORT MONITOR

Description

DIAGNOSIS SYSTEM (4WAS MAIN CONTROL UNIT)

< FUNCTION DIAGNOSIS >

[WITH 4WAS]

- The communication status and the number of errors of 4WAS main control unit, ECM, ABS actuator and electric unit (control unit), 4WAS front control unit and the steering angle sensor are indicated.
- Error counter displays OK if any malfunction is not detected in the past. If the malfunction is detected, it displays 0. When turning the ignition switch ON, if it is normal, it displays 1. The upper limit of the counter is 39.

Item	PRSNT	PAST
TRANSMIT DIAG	OK / UNKWN	OK / 0 – 39
ECM	OK / UNKWN	OK / 0 – 39
VDC/TCS/ABS	OK / UNKWN	OK / 0 – 39
STRG	OK / UNKWN	OK / 0 – 39
4WAS	OK / UNKWN	OK / 0 – 39

ACTIVE TEST MODE

Description

- 4WAS rear actuator assembly activation is checked according to the control signal from CONSULT-III.
- The control signal forcibly activates (ON/OFF) 4WAS rear assembly, performs the self-diagnosis and checks each sensor in “SELF DIAGNOSTIC MODE”.

CAUTION:

Perform the active test while the vehicle is stopped.

Select test item	Control signal	Remarks
SELF DIAGNOSTIC MODE	ON CAUTION: Perform the active test while the vehicle is stopped.	4WAS rear actuator assembly activates. It activates in the same direction as the steering angle by inputting the steering angle.
	OFF	4WAS rear actuator assembly stops the activation.

Standard value

Monitor item	Active test “ON”		
	0° (Neutral)	R 90°	L 90°
STEERING ANG	0° (Neutral)	R 90°	L 90°
RR ST ANG-MAI	2.4 V	Approx. 4.4 V	Approx. 0.4 V
RR ST ANG-SUB	2.4 V	Approx. 4.4 V	Approx. 0.4 V
MOTOR CURRENT	No output (Approx. 0 A)	Output (change)	

C1621, C1622 4WAS FRONT ACTUATOR

< COMPONENT DIAGNOSIS >

[WITH 4WAS]

COMPONENT DIAGNOSIS

C1621, C1622 4WAS FRONT ACTUATOR

Description

INFOID:000000000958744

- Wiring connected to 4WAS front actuator is integrated with 4WAS front actuator.
- 4WAS front actuator rotates together with steering wheel.
- 4WAS front actuator mainly consists of five components.[4WAS front lock solenoid valve (lock structure), front wheel steering angle sensor, 4WAS front motor, gear shaft, and spiral cable]
- 4WAS front lock solenoid valve (lock structure) is controlled by the 4WAS front control unit, and locks/unlocks 4WAS front actuator.
- If a strong force (rotation direction) is applied to 4WAS front actuator, the locking mechanism (holder) absorbs the force and locks 4WAS front actuator.
- Front wheel steering angle sensor detects a turning angle of 4WAS front motor.
- 4WAS front motor controls number of revolutions by a command value from the 4WAS front control unit.
- Gear shaft is an output axis of 4WAS front motor.(Gear shaft = 4WAS front motor revolution + steering angle)
- Spiral cables mean the power line and signal lines of 4WAS front motor.

DTC Logic

INFOID:000000000958745

DTC DETECTION LOGIC

STC

DTC	Items (CONSULT-III screen terms)	Diagnostic item is detected when...	Possible cause
C1621	ACTUATOR	4WAS front motor current valve error is detected. (4WAS front motor current valve is excessively large.)	4WAS front control unit or 4WAS front motor error is detected.
C1622	ACTUATOR	4WAS front motor voltage valve or current error valve is detected. (4WAS front motor voltage valve error is detected.) (Voltage valve or current valve error is detected when starting the system.)	4WAS front control unit or 4WAS front motor error is detected.

DTC CONFIRMATION PROCEDURE

1. RECHECK DTC

With CONSULT-III

1. Start the engine.
CAUTION:
Stop the vehicle.
2. Steer to 360° leftward slowly. Then steer to 360° rightward to return the steering wheel to the straight-ahead position. Repeat the same service for 1 minute or more.
NOTE:
The protection function mode (overheat protection) activates and the system stops if steering repeats for a long time.
3. Perform 4WAS front control unit self-diagnosis.

Is DTC "C1621" or "C1622" detected?

- YES >> Proceed to diagnosis procedure. Refer to [STC-47, "Diagnosis Procedure"](#).
NO >> INSPECTION END

Diagnosis Procedure

INFOID:000000000958746

1. CHECK 4WAS FRONT MOTOR CIRCUIT

1. Turn the ignition switch OFF.
2. Disconnect 4WAS front actuator harness connector.
3. Check the resistance between 4WAS front actuator harness connectors.

C1621, C1622 4WAS FRONT ACTUATOR

< COMPONENT DIAGNOSIS >

[WITH 4WAS]

4WAS front actuator				Resistance (Approx.)
Connector	Terminal	Connector	Terminal	
M351	1	M351	5	0.1 – 1 Ω
	1		6	
	5		6	

4. Check the continuity between 4WAS front actuator harness connector and the ground.

4WAS front actuator		Continuity
Connector	Terminal	
M351	1 – Ground	Not existed
	5 – Ground	
	6 – Ground	

Is the inspection result normal?

YES >> GO TO 2.

NO >> Replace 4WAS front actuator. Refer to [ST-21, "WITH 4WAS : Exploded View"](#).

2.PERFORM SELF-DIAGNOSIS (4WAS FRONT CONTROL UNIT)

With CONSULT-III

1. Connect 4WAS front control unit harness connector.
2. Perform 4WAS front control unit self-diagnosis.

Is DTC "C1621" or "C1622" detected?

YES >> Replace 4WAS front control unit. Refer to [STC-177, "Exploded View"](#).

NO >> GO TO 3.

3.CHECK INFORMATION

With CONSULT-III

Check the "DATA MONITOR" value of each DTC detected with the self-diagnosis function. Refer to [STC-142, "Reference Value"](#).

Is each data the standard value?

YES >> Check each harness connector pin terminal for disconnection.

NO >> Replace 4WAS front control unit. Refer to [STC-177, "Exploded View"](#).

Component Inspection (4WAS Front Motor)

INFOID:000000000958747

1.CHECK 4WAS FRONT MOTOR

1. Turn the ignition switch OFF.
2. Disconnect 4WAS front actuator harness connector.
3. Check the resistance between 4WAS front actuator harness connectors.

4WAS front actuator				Resistance (Approx.)
Connector	Terminal	Connector	Terminal	
M351	1	M351	5	0.1 – 1 Ω
	1		6	
	5		6	

4. Check the continuity between 4WAS front actuator harness connector and the ground.

C1621, C1622 4WAS FRONT ACTUATOR

< COMPONENT DIAGNOSIS >

[WITH 4WAS]

4WAS front actuator		Continuity
Connector	Terminal	
M351	1 – Ground	Not existed
	5 – Ground	
	6 – Ground	

Is the inspection result normal?

YES >> INSPECTION END

NO >> Replace 4WAS front actuator. Refer to [ST-21, "WITH 4WAS : Exploded View"](#).

Special Repair Requirement

INFOID:000000000958748

AFTER REPLACING 4WAS FRONT ACTUATOR

- Perform 4WAS front actuator adjustment after replacing 4WAS front actuator. Refer to [STC-28, "4WAS FRONT ACTUATOR NEUTRAL POSITION ADJUSTMENT : Special Repair Requirement \(Pattern 2\)"](#).

BEFORE REPLACING 4WAS FRONT CONTROL UNIT

- Record the self-diagnosis results (history).

CAUTION:

- **Replace it without erasing the memory (history) of self-diagnosis results when replacing 4WAS front control unit after diagnosis.**
- **Erase the memory of the self-diagnosis results (record) after printing out or recording all the values of "DATA MONITOR" when erasing the memory of the self-diagnosis results (record).**

AFTER REPLACING 4WAS FRONT CONTROL UNIT

- Perform 4WAS front actuator adjustment after replacing 4WAS front control unit. Refer to [STC-28, "4WAS FRONT ACTUATOR NEUTRAL POSITION ADJUSTMENT : Special Repair Requirement \(Pattern 3\)"](#).

A
B
C
D
E
F
STC
H
I
J
K
L
M
N
O
P

C1627 4WAS FRONT ACTUATOR

< COMPONENT DIAGNOSIS >

[WITH 4WAS]

C1627 4WAS FRONT ACTUATOR

Description

INFOID:000000000958749

- Wiring connected to 4WAS front actuator is integrated with 4WAS front actuator.
- 4WAS front actuator rotates together with steering wheel.
- 4WAS front actuator mainly consists of five components.[4WAS front lock solenoid valve (lock structure), front wheel steering angle sensor, 4WAS front motor, gear shaft, and spiral cable]
- 4WAS front lock solenoid valve (lock structure) is controlled by the 4WAS front control unit, and locks/unlocks 4WAS front actuator.
- If a strong force (rotation direction) is applied to 4WAS front actuator, the locking mechanism (holder) absorbs the force and locks 4WAS front actuator.
- Front wheel steering angle sensor detects a turning angle of 4WAS front motor.
- 4WAS front motor controls number of revolutions by a command value from the 4WAS front control unit.
- Gear shaft is an output axis of 4WAS front motor.(Gear shaft = 4WAS front motor revolution + steering angle)
- Spiral cables mean the power line and signal lines of 4WAS front motor.

DTC Logic

INFOID:000000000958750

DTC DETECTION LOGIC

DTC	Items (CONSULT-III screen terms)	Diagnostic item is detected when...	Possible cause
C1627	ACTUATOR	The indication value from 4WAS front actuator (front wheel angle) differs from the value from 4WAS front control unit.	4WAS front actuator error

DTC CONFIRMATION PROCEDURE

1. RECHECK DTC

With CONSULT-III

1. Start the engine.

CAUTION:

Stop the vehicle.

2. Steer to 360° leftward slowly. Then steer to 360° rightward to return the steering wheel to the straight-ahead position. Repeat the same service for 1 minute or more.

NOTE:

The protection function mode (overheat protection) activates and the system stops if steering repeats for a long time.

3. Perform 4WAS front control unit self-diagnosis.

Is DTC "C1627" detected?

YES >> Proceed to diagnosis procedure. Refer to [STC-50, "Diagnosis Procedure"](#).

NO >> INSPECTION END

Diagnosis Procedure

INFOID:000000000958751

1. PERFORM SELF-DIAGNOSIS (4WAS FRONT CONTROL UNIT)

With CONSULT-III

Perform 4WAS front control unit self-diagnosis

Is any DTC detected other than "C1627"?

YES >> Check the error system.

NO >> GO TO 2.

2. PERFORM SELF-DIAGNOSIS (4WAS FRONT CONTROL UNIT)

With CONSULT-III

Perform 4WAS front control unit self-diagnosis.

Is DTC "C1627" detected?

C1627 4WAS FRONT ACTUATOR

< COMPONENT DIAGNOSIS >

[WITH 4WAS]

- YES >> Replace 4WAS front actuator. Refer to [ST-21, "WITH 4WAS : Exploded View"](#).
NO >> GO TO 3.

A

3.CHECK INFORMATION

With CONSULT-III

Check the "DATA MONITOR" value of each DTC detected with the self-diagnosis function. Refer to [STC-142, "Reference Value"](#).

B

Is each data the standard value?

C

- YES >> Check each harness connector pin terminal for disconnection.
NO >> Replace 4WAS front actuator. Refer to [ST-21, "WITH 4WAS : Exploded View"](#).

Special Repair Requirement

INFOID:000000000958752

D

AFTER REPLACING 4WAS FRONT ACTUATOR

- Perform 4WAS front actuator adjustment after replacing 4WAS front actuator. Refer to [STC-28, "4WAS FRONT ACTUATOR NEUTRAL POSITION ADJUSTMENT : Special Repair Requirement \(Pattern 2\)"](#).

E

AFTER REPLACING 4WAS FRONT CONTROL UNIT

- Perform 4WAS front actuator adjustment after replacing 4WAS front control unit. Refer to [STC-28, "4WAS FRONT ACTUATOR NEUTRAL POSITION ADJUSTMENT : Special Repair Requirement \(Pattern 3\)"](#).

F

STC

H

I

J

K

L

M

N

O

P

C1628 4WAS FRONT ACTUATOR

< COMPONENT DIAGNOSIS >

[WITH 4WAS]

C1628 4WAS FRONT ACTUATOR

Description

INFOID:000000000958753

- Wiring connected to 4WAS front actuator is integrated with 4WAS front actuator.
- 4WAS front actuator rotates together with steering wheel.
- 4WAS front actuator mainly consists of five components.[4WAS front lock solenoid valve (lock structure), front wheel steering angle sensor, 4WAS front motor, gear shaft, and spiral cable]
- 4WAS front lock solenoid valve (lock structure) is controlled by the 4WAS front control unit, and locks/unlocks 4WAS front actuator.
- If a strong force (rotation direction) is applied to 4WAS front actuator, the locking mechanism (holder) absorbs the force and locks 4WAS front actuator.
- Front wheel steering angle sensor detects a turning angle of 4WAS front motor.
- 4WAS front motor controls number of revolutions by a command value from the 4WAS front control unit.
- Gear shaft is an output axis of 4WAS front motor.(Gear shaft = 4WAS front motor revolution + steering angle)
- Spiral cables mean the power line and signal lines of 4WAS front motor.

DTC Logic

INFOID:000000000958754

DTC DETECTION LOGIC

DTC	Items (CONSULT-III screen terms)	Diagnostic item is detected when...	Possible cause
C1628	ACTUATOR	The front wheel steering angle sensor error is detected.	Front wheel steering angle sensor error

DTC CONFIRMATION PROCEDURE

1.RECHECK DTC

With CONSULT-III

1. Start the engine.

CAUTION:

Stop the vehicle.

2. Steer to 360° leftward slowly. Then steer to 360° rightward to return the steering wheel to the straight-ahead position. Repeat the same service for 1 minute or more.

NOTE:

The protection function mode (overheat protection) activates and the system stops if steering repeats for a long time.

3. Perform 4WAS front control unit self-diagnosis.

Is DTC "C1628" detected?

YES >> Proceed to diagnosis procedure. Refer to [STC-52, "Diagnosis Procedure"](#).

NO >> INSPECTION END

Diagnosis Procedure

INFOID:000000000958755

1.CHECK FRONT WHEEL STEERING ANGLE SENSOR CIRCUIT (1)

1. Turn the ignition switch OFF.
2. Disconnect 4WAS front control unit harness connector.
3. Check the continuity between 4WAS front control unit harness connector and the ground.

4WAS front control unit		Continuity
Connector	Terminal	
M351	18 – Ground	Existed

Is the inspection result normal?

YES >> GO TO 2.

NO >> Repair or replace the harnesses and connectors.

C1628 4WAS FRONT ACTUATOR

< COMPONENT DIAGNOSIS >

[WITH 4WAS]

2. CHECK FRONT WHEEL STEERING ANGLE SENSOR CIRCUIT (2)

1. Connect 4WAS front control unit harness connector.
2. Turn the ignition switch ON.
CAUTION:
Never start the engine.
3. Check the continuity between 4WAS front actuator harness connector and 4WAS front control unit harness connector.

4WAS front actuator		4WAS front control unit		Continuity
Connector	Terminal	Connector	Terminal	
M351	7	M204	18	Existed

Is the inspection result normal?

YES >> GO TO 3.

NO >> Replace 4WAS front control unit. Refer to [STC-177. "Exploded View"](#).

3. CHECK FRONT WHEEL STEERING ANGLE SENSOR CIRCUIT (3)

1. Start the engine.
CAUTION:
Stop the vehicle.
2. Steer to the straight-ahead position. Then turn the ignition switch OFF.
3. Disconnect 4WAS front actuator harness connector.
4. Apply 12 V current between 4WAS front actuator harness connector No. 10 terminal (positive) and NO. 3 terminal (negative). (Release the lock structure.)
CAUTION:
 - Never make the terminals short.
 - Connect the fuse between the terminals when applying the voltage.
5. Slowly steer rightward and leftward alternately. Check the resistance between 4WAS front actuator harness connectors.
CAUTION:
The steering angle must be within 10° rightward and leftward.

4WAS front actuator				Resistance (Approx.)
Connector	Terminal	Connector	Terminal	
M351	2	M351	7	1 k – 100 kΩ
	4		7	
	8		7	

Is the inspection result normal?

YES >> GO TO 4.

NO >> Replace 4WAS front actuator. Refer to [ST-21. "WITH 4WAS : Exploded View"](#).

4. CHECK FRONT WHEEL STEERING ANGLE SENSOR SIGNAL

Ⓜ **With CONSULT-III**

1. Connect 4WAS front actuator harness connector.
2. Start the engine.
CAUTION:
Stop the vehicle.
3. Rotate the steering wheel slowly. Check "MTR SEN U OUT", "MTR SEN V OUT" and "MTR SEN W OUT" item on "DATA MONITOR" of 4WAS front control unit.

Do all data monitor values indicate "Hi" or "Low" simultaneously?

YES >> Replace 4WAS front control unit. Refer to [STC-177. "Exploded View"](#).

NO >> Check 4WAS front actuator harness connector pin terminal for disconnection.

Component Inspection (Front Wheel Steering Angle Sensor)

INFOID:000000000958756

1. CHECK FRONT WHEEL STEERING ANGLE SENSOR

C1628 4WAS FRONT ACTUATOR

[WITH 4WAS]

< COMPONENT DIAGNOSIS >

1. Start the engine.
CAUTION:
Stop the vehicle.
2. Steer to the straight-ahead position. Then turn the ignition switch OFF.
3. Disconnect 4WAS front actuator harness connector.
4. Apply 12 V current between 4WAS front actuator harness connector No. 10 terminal (positive) and NO. 3 terminal (negative).(Release the lock structure.)
CAUTION:
 - **Never make the terminals short.**
 - **Connect the fuse between the terminals when applying the voltage.**
5. Slowly steer rightward and leftward alternately. Check the resistance between 4WAS front actuator harness connectors.
CAUTION:
The steering angle must be within 10° rightward and leftward.

4WAS front actuator				Resistance (Approx.)
Connector	Terminal	Connector	Terminal	
M351	2	M351	7	1 k – 100 kΩ
	4		7	
	8		7	

6. Connect 4WAS front actuator harness connector.

Is the inspection result normal?

YES >> INSPECTION END

NO >> Replace 4WAS front actuator. Refer to [ST-21, "WITH 4WAS : Exploded View"](#).

Special Repair Requirement

INFOID:000000000958757

AFTER REPLACING 4WAS FRONT ACTUATOR

- Perform 4WAS front actuator adjustment after replacing 4WAS front actuator. Refer to [STC-28, "4WAS FRONT ACTUATOR NEUTRAL POSITION ADJUSTMENT : Special Repair Requirement \(Pattern 2\)"](#).

BEFORE REPLACING 4WAS FRONT CONTROL UNIT

- Record the self-diagnosis results (history).

CAUTION:

- **Replace it without erasing the memory (history) of self-diagnosis results when replacing 4WAS front control unit after diagnosis.**
- **Erase the memory of the self-diagnosis results (record) after printing out or recording all the values of "DATA MONITOR" when erasing the memory of the self-diagnosis results (record).**

AFTER REPLACING 4WAS FRONT CONTROL UNIT

- Perform 4WAS front actuator adjustment after replacing 4WAS front control unit. Refer to [STC-28, "4WAS FRONT ACTUATOR NEUTRAL POSITION ADJUSTMENT : Special Repair Requirement \(Pattern 3\)"](#).

C1631, C1632 4WAS FRONT CONTROL UNIT

< COMPONENT DIAGNOSIS >

[WITH 4WAS]

C1631, C1632 4WAS FRONT CONTROL UNIT

Description

INFOID:000000000958758

- Each sensor signal controls 4WAS front actuator.
- The fail-safe functions stops the rear wheel angle (the front wheel is the steering wheel cutting angle) when the electric components and the mechanical components are malfunctioning.
- The protection function mode stops 4WAS system intermittently when 4WAS system continues high loaded condition and overheat condition or the input signal does not transmit to 4WAS front control unit.
- 4WAS front control unit and 4WAS main control unit control the best control of 4WAS system by 4WAS communication line.

DTC Logic

INFOID:000000000958759

DTC DETECTION LOGIC

DTC	Items (CONSULT-III screen terms)	Diagnostic item is detected when...	Possible cause
C1631	CONTROL UNIT	An error is detected inside 4WAS front control unit.	4WAS front control unit or 4WAS front control unit power supply error is detected.
C1632	CONTROL UNIT	An error is detected inside 4WAS front control unit.	4WAS front control unit or 4WAS front control unit power supply error is detected.

A

B

C

D

E

F

STC

H

DTC CONFIRMATION PROCEDURE

1. RECHECK DTC

With CONSULT-III

1. Turn the ignition switch OFF to ON.
2. Perform 4WAS front control unit self-diagnosis.

Is DTC "C1631" or "C1632" detected?

- YES >> Proceed to diagnosis procedure. Refer to [STC-55. "Diagnosis Procedure"](#).
NO >> INSPECTION END

I

J

K

Diagnosis Procedure

INFOID:000000000958760

1. CHECK 4WAS FRONT CONTROL UNIT POWER SUPPLY

1. Turn the ignition switch OFF.
2. Disconnect 4WAS front control unit harness connector.
3. Check the voltage between 4WAS front control unit harness connector terminal and ground.

L

M

4WAS front control unit		Voltage (Approx.)
Connector	Terminal	
M203	11 – Ground	Battery voltage
M204	15 – Ground	0 V

N

O

4. Turn the ignition switch ON.
CAUTION:
Never start the engine.
5. Check the voltage between 4WAS front control unit harness connector terminal and ground.

P

C1631, C1632 4WAS FRONT CONTROL UNIT

< COMPONENT DIAGNOSIS >

[WITH 4WAS]

4WAS front control unit		Voltage (Approx.)
Connector	Terminal	
M203	11 – Ground	Battery voltage
M204	15 – Ground	

Is the inspection result normal?

YES >> GO TO 2.

NO >> Check the following items. Repair or replace the malfunctioning parts.

- 40A fusible link (#1) open
- Short among 40A fusible link (#1) connector, 4WAS front control unit harness connector No. 11 terminal and the ground
- Open between the battery and 4WAS front control unit harness connector No. 11 terminal
- 10A fuse (#3) open
- Short among 10A fuse (#3) connector, 4WAS front control unit harness connector No. 15 terminal and the ground
- Short among 10A fuse (#3) connector, unified meter and A/C amp harness connector No. 53 terminal and the ground
- Open between the ignition switch and 4WAS front control unit harness connector No. 15 terminal
- Battery or ignition switch

2.CHECK 4WAS FRONT CONTROL UNIT GROUND

Check the continuity between 4WAS front control unit harness connector terminal and the ground.

4WAS front control unit		Continuity
Connector	Terminal	
M204	12 – Ground	Existed
	18 – Ground	
	34 – Ground	

Is the inspection result normal?

YES >> GO TO 3.

NO >> Repair or replace the harnesses and connectors.

3.CHECK TERMINAL

Check 4WAS front control unit harness connector pin terminal and connection for disconnection.

Is the inspection result normal?

YES >> GO TO 4.

NO >> Repair or replace the specific malfunctioning part.

4.CHECK INFORMATION

- Check that any item below is applicable when the malfunctions occur.
- The engine stall occurs while driving or stopping the vehicle.
- When detecting the charging system error

Is the item applicable?

YES >> Check the error system.

- Perform ECM symptom diagnosis. Refer to [EC-531, "Symptom Table"](#).
- Perform the symptom diagnosis for the charging system. Refer to [CHG-18, "Symptom Table"](#).

NO >> Replace 4WAS front control unit. Refer to [STC-177, "Exploded View"](#).

Special Repair Requirement

INFOID:000000000958761

BEFORE REPLACING 4WAS FRONT CONTROL UNIT

- Record the self-diagnosis results (history).

CAUTION:

- Replace it without erasing the memory (history) of self-diagnosis results when replacing 4WAS front control unit after diagnosis.

C1631, C1632 4WAS FRONT CONTROL UNIT

< COMPONENT DIAGNOSIS >

[WITH 4WAS]

- Erase the memory of the self-diagnosis results (record) after printing out or recording all the values of "DATA MONITOR" when erasing the memory of the self-diagnosis results (record).

A

AFTER REPLACING 4WAS FRONT CONTROL UNIT

- Perform 4WAS front actuator adjustment after replacing 4WAS front control unit. Refer to [STC-28. "4WAS FRONT ACTUATOR NEUTRAL POSITION ADJUSTMENT : Special Repair Requirement \(Pattern 3\)".](#)

B

C

D

E

F

STC

H

I

J

K

L

M

N

O

P

C1633 4WAS FRONT CONTROL UNIT

< COMPONENT DIAGNOSIS >

[WITH 4WAS]

C1633 4WAS FRONT CONTROL UNIT

Description

INFOID:000000000958762

- Each sensor signal controls 4WAS front actuator.
- The fail-safe functions stops the rear wheel angle (the front wheel is the steering wheel cutting angle) when the electric components and the mechanical components are malfunctioning.
- The protection function mode stops 4WAS system intermittently when 4WAS system continues high loaded condition and overheat condition or the input signal does not transmit to 4WAS front control unit.
- 4WAS front control unit and 4WAS main control unit control the best control of 4WAS system by 4WAS communication line.

DTC Logic

INFOID:000000000958763

DTC DETECTION LOGIC

DTC	Items (CONSULT-III screen terms)	Diagnostic item is detected when...	Possible cause
C1633	CONTROL UNIT	An error is detected inside 4WAS front control unit.	4WAS front control unit error

DTC CONFIRMATION PROCEDURE

1. RECHECK DTC

④ With CONSULT-III

1. Turn the ignition switch OFF to ON.
2. Perform 4WAS front control unit self-diagnosis.

Is DTC "C1633" detected?

- YES >> Proceed to diagnosis procedure. Refer to [STC-58, "Diagnosis Procedure"](#).
NO >> INSPECTION END

Diagnosis Procedure

INFOID:000000000958764

1. CHECK 4WAS FRONT CONTROL UNIT (1)

④ With CONSULT-III

1. Start the engine.
CAUTION:
Stop the vehicle.
2. Check "THERM TEMP" on DATA MONITOR of 4WAS front control unit.
3. Steer the steering wheel 360° leftward slowly and then steer 360° rightward. Return the steering wheel to the straight-ahead position. Repeat the same service for 3 minutes.
4. Check "THERM TEMP" on DATA MONITOR of 4WAS front control unit.

Is DATA MONITOR value difference between before and after the service 3° or less?

- YES >> Replace 4WAS front control unit. Refer to [STC-177, "Exploded View"](#).
NO >> GO TO 2.

2. CHECK 4WAS FRONT CONTROL UNIT (2)

④ With CONSULT-III

1. Start the engine.
CAUTION:
Stop the vehicle.
2. Check "THERM TEMP" item on "DATA MONITOR" of 4WAS front control unit.
3. Steer the steering wheel 360° leftward slowly and then steer 360° rightward. Return the steering wheel to the straight-ahead position. Repeat the same service for 3 minutes.
4. Check "THERM TEMP" item on "DATA MONITOR" of 4WAS front control unit.

C1633 4WAS FRONT CONTROL UNIT

< COMPONENT DIAGNOSIS >

[WITH 4WAS]

Monitor item	Condition	Display value
THERM TEMP	Engine running (idling)	-40 – 100°C

Is the inspection result normal?

YES >> GO TO 3.

NO >> Replace 4WAS front control unit. Refer to [STC-177, "Exploded View"](#).

3. CHECK INFORMATION

- Check that any item below is applicable when malfunction occurs.
- Entering and exiting the garage (Frequent steering)
- When steering the steering wheel for a long time

Is the item applicable?

YES >> 4WAS system protection function mode (overheat protection)(4WAS system temporary stop)

NO >> Replace 4WAS front control unit. Refer to [STC-177, "Exploded View"](#).

Special Repair Requirement

INFOID:000000000958765

BEFORE REPLACING 4WAS FRONT CONTROL UNIT

- Record the self-diagnosis results (history).

CAUTION:

- **Replace it without erasing the memory (history) of self-diagnosis results when replacing 4WAS front control unit after diagnosis.**
- **Erase the memory of the self-diagnosis results (record) after printing out or recording all the values of "DATA MONITOR" when erasing the memory of the self-diagnosis results (record).**

AFTER REPLACING 4WAS FRONT CONTROL UNIT

- Perform 4WAS front actuator adjustment after replacing 4WAS front control unit. Refer to [STC-28, "4WAS FRONT ACTUATOR NEUTRAL POSITION ADJUSTMENT : Special Repair Requirement \(Pattern 3\)"](#).

C1651 IGNITION POWER SUPPLY

< COMPONENT DIAGNOSIS >

[WITH 4WAS]

C1651 IGNITION POWER SUPPLY

Description

INFOID:000000000958766

- 4WAS system function is controlled by transmitting the ignition switch signal to 4WAS front control unit.

DTC Logic

INFOID:000000000958767

DTC DETECTION LOGIC

DTC	Items (CONSULT-III screen terms)	Diagnostic item is detected when...	Possible cause
C1651	IGN POWER SUPPLY	The ignition voltage signal error is detected.	4WAS front control unit or the ignition power supply error is detected.

DTC CONFIRMATION PROCEDURE

1. RECHECK DTC

With CONSULT-III

1. Turn the ignition switch OFF to ON.
2. Perform 4WAS front control unit self-diagnosis.

Is DTC "C1651" detected?

- YES >> Proceed to diagnosis procedure. Refer to [STC-60, "Diagnosis Procedure"](#).
NO >> INSPECTION END

Diagnosis Procedure

INFOID:000000000958768

1. CHECK 4WAS FRONT CONTROL UNIT GROUND

1. Turn the ignition switch OFF.
2. Check the continuity between 4WAS front control unit harness connector and the ground.

4WAS front control unit		Continuity
Connector	Terminal	
M204	18 – Ground	Existed

Is the inspection result normal?

- YES >> GO TO 2.
NO >> Repair or replace the harnesses and connectors.

2. CHECK 4WAS FRONT CONTROL UNIT POWER SUPPLY

1. Start the engine.
CAUTION:
Stop the vehicle.
2. Check the voltage between 4WAS front control unit harness connectors.

4WAS front control unit		Voltage (Approx.)
Connector	Terminal	
M204	15 – 18	Battery voltage

Is the measurement value "9 V" or less?

- YES >> Check the following items. Repair or replace the malfunctioning parts.
- 4WAS front control unit harness connector pin terminal and connection
 - 10A fuse (#3) open
 - Short among 10A fuse (#3) connector, 4WAS front control unit harness connector No. 15 terminal and the ground
 - Short among 10A fuse (#3) connector, unified meter and A/C amp No. 53 terminal and the ground

C1651 IGNITION POWER SUPPLY

< COMPONENT DIAGNOSIS >

[WITH 4WAS]

- Open between the ignition switch and 4WAS front control unit harness connector No. 15 terminal
- Ignition switch

NO >> GO TO 3.

3. CHECK 4WAS FRONT CONTROL UNIT SIGNAL

With CONSULT-III

1. Start the engine.

CAUTION:

Stop the vehicle.

2. Check "IGN VOLT" item on "DATA MONITOR" of 4WAS front control unit.

Does the item on "DATA MONITOR" indicate "16 V" or more?

YES >> Perform the symptom diagnosis for the charging system. Refer to [CHG-18, "Symptom Table"](#).

NO >> Replace 4WAS front control unit. Refer to [STC-177, "Exploded View"](#).

Special Repair Requirement

INFOID:000000000958769

BEFORE REPLACING 4WAS FRONT CONTROL UNIT

• Record the self-diagnosis results (history).

CAUTION:

• **Replace it without erasing the memory (history) of self-diagnosis results when replacing 4WAS front control unit after diagnosis.**

• **Erase the memory of the self-diagnosis results (record) after printing out or recording all the values of "DATA MONITOR" when erasing the memory of the self-diagnosis results (record).**

AFTER REPLACING 4WAS FRONT CONTROL UNIT

• Perform 4WAS front actuator adjustment after replacing 4WAS front control unit. Refer to [STC-28, "4WAS FRONT ACTUATOR NEUTRAL POSITION ADJUSTMENT : Special Repair Requirement \(Pattern 3\)"](#).

A
B
C
D
E
F
STC
H
I
J
K
L
M
N
O
P

C1652 4WAS FRONT MOTOR POWER SUPPLY

< COMPONENT DIAGNOSIS >

[WITH 4WAS]

C1652 4WAS FRONT MOTOR POWER SUPPLY

Description

INFOID:000000000958770

- The power supply for 4WAS front motor and 4WAS front control unit.

DTC Logic

INFOID:000000000958771

DTC DETECTION LOGIC

DTC	Items (CONSULT-III screen terms)	Diagnostic item is detected when...	Possible cause
C1652	MOTOR POWER SUPPLY	4WAS front motor main power supply error is detected	4WAS front control unit or 4WAS front motor power supply error is detected.

DTC CONFIRMATION PROCEDURE

1. RECHECK DTC

With CONSULT-III

1. Turn the ignition switch OFF to ON.
2. Perform 4WAS front control unit self-diagnosis.

Is DTC "C1652" detected?

- YES >> Proceed to diagnosis procedure. Refer to [STC-62, "Diagnosis Procedure"](#).
NO >> INSPECTION END

Diagnosis Procedure

INFOID:000000000958772

1. 4WAS REAR MOTOR GROUND INSPECTION

1. Turn the ignition switch OFF.
2. Check the continuity between 4WAS front control unit harness connector and the ground.

4WAS front control unit		Continuity
Connector	Terminal	
M203	12 – Ground	Existed

Is the inspection result normal?

- YES >> GO TO 2.
NO >> Repair or replace the harnesses and connectors.

2. 4WAS FRONT MOTOR POWER SUPPLY INSPECTION

1. Start the engine.
CAUTION:
Stop the vehicle.
2. Check the voltage between 4WAS front control unit harness connectors.

4WAS front control unit		Voltage (Approx.)
Connector	Terminal	
M203	11 – 12	Battery voltage

Is the measurement value "9 V" or less?

- YES >> Check the following items. Repair or replace the malfunctioning parts.
- 4WAS front control unit harness connector pin terminal and connection
 - 40A fusible link (#1) open
 - Short among 40A fusible link (#1) connector, 4WAS front control unit harness connector No. 11 terminal and the ground
 - Open between the battery and 4WAS front control unit harness connector No. 11 terminal
 - Battery

C1652 4WAS FRONT MOTOR POWER SUPPLY

< COMPONENT DIAGNOSIS >

[WITH 4WAS]

NO >> GO TO 3.

3. 4WAS FRONT CONTROL UNIT SIGNAL INSPECTION

With CONSULT-III

1. Start the engine.

CAUTION:

Stop the vehicle.

2. Check "MOTOR VOLT" item on "DATA MONITOR" of 4WAS front control unit.

Does the item on "DATA MONITOR" indicate "16 V" or more?

YES >> Perform the symptom diagnosis for the charging system. Refer to [CHG-18, "Symptom Table"](#).

NO >> Replace 4WAS front control unit. Refer to [STC-177, "Exploded View"](#).

Special Repair Requirement

INFOID:000000000958773

BEFORE REPLACING 4WAS FRONT CONTROL UNIT

• Record the self-diagnosis results (history).

CAUTION:

• **Replace it without erasing the memory (history) of self-diagnosis results when replacing 4WAS front control unit after diagnosis.**

• **Erase the memory of the self-diagnosis results (record) after printing out or recording all the values of "DATA MONITOR" when erasing the memory of the self-diagnosis results (record).**

AFTER REPLACING 4WAS FRONT CONTROL UNIT

• Perform 4WAS front actuator adjustment after replacing 4WAS front control unit. Refer to [STC-28, "4WAS FRONT ACTUATOR NEUTRAL POSITION ADJUSTMENT : Special Repair Requirement \(Pattern 3\)"](#).

A
B
C
D
E
F
STC
H
I
J
K
L
M
N
O
P

C1654 4WAS FRONT ACTUATOR RELAY

< COMPONENT DIAGNOSIS >

[WITH 4WAS]

C1654 4WAS FRONT ACTUATOR RELAY

Description

INFOID:000000000958774

- It performs control inside 4WAS front control unit.
- The actuator relay turns ON when turning the ignition switch ON.
- The actuator relay continues turning ON by control of the 4WAS front control unit if the ignition switch turns OFF from ON. The actuator relay turns OFF after a few minutes.

DTC Logic

INFOID:000000000958775

DTC DETECTION LOGIC

DTC	Items (CONSULT-III screen terms)	Diagnostic item is detected when...	Possible cause
C1654	ACTUATOR RELAY	An error is detected on the main relay power supply inside 4WAS front control unit.	The main relay power supply inside 4WAS front control unit error is detected.

DTC CONFIRMATION PROCEDURE

1. RECHECK DTC

With CONSULT-III

1. Turn the ignition switch OFF to ON.
2. Perform 4WAS front control unit self-diagnosis.

Is DTC "C1654" detected?

- YES >> Proceed to diagnosis procedure. Refer to [STC-64, "Diagnosis Procedure"](#).
NO >> INSPECTION END

Diagnosis Procedure

INFOID:000000000958776

1. 4WAS REAR MOTOR GROUND INSPECTION

1. Turn the ignition switch OFF.
2. Check the continuity between 4WAS front control unit harness connector and the ground.

4WAS front control unit		Continuity
Connector	Terminal	
M203	12 – Ground	Existed

Is the inspection result normal?

- YES >> GO TO 2.
NO >> Repair or replace the harnesses and connectors.

2. 4WAS FRONT MOTOR POWER SUPPLY INSPECTION

1. Start the engine.
CAUTION:
Stop the vehicle.
2. Check the voltage between 4WAS front control unit harness connectors.

4WAS front control unit		Voltage (Approx.)
Connector	Terminal	
M203	11 – 12	Battery voltage

Is the measurement value "9 V" or less?

- YES >> Check the following items. Repair or replace the malfunctioning parts.
- 4WAS front control unit harness connector pin terminal and connection
 - 40A fusible link (#1) open

C1654 4WAS FRONT ACTUATOR RELAY

< COMPONENT DIAGNOSIS >

[WITH 4WAS]

- Short among 40A fusible link (#1) connector, 4WAS front control unit harness connector No. 11 terminal and the ground
- Open between the battery and 4WAS front control unit harness connector No. 11 terminal
- Battery

NO >> GO TO 3.

3. 4WAS FRONT CONTROL UNIT SIGNAL INSPECTION

With CONSULT-III

1. Start the engine.

CAUTION:

Stop the vehicle.

2. Check "MOTOR VOLT" item on "DATA MONITOR" of 4WAS front control unit.

Does the item on "DATA MONITOR" indicate "16 V" or more?

YES >> Perform the symptom diagnosis for the charging system. Refer to [CHG-18, "Symptom Table"](#).

NO >> Replace 4WAS front control unit. Refer to [STC-177, "Exploded View"](#).

Special Repair Requirement

INFOID:000000000958777

BEFORE REPLACING 4WAS FRONT CONTROL UNIT

• Record the self-diagnosis results (history).

CAUTION:

- **Replace it without erasing the memory (history) of self-diagnosis results when replacing 4WAS front control unit after diagnosis.**
- **Erase the memory of the self-diagnosis results (record) after printing out or recording all the values of "DATA MONITOR" when erasing the memory of the self-diagnosis results (record).**

AFTER REPLACING 4WAS FRONT CONTROL UNIT

• Perform 4WAS front actuator adjustment after replacing 4WAS front control unit. Refer to [STC-28, "4WAS FRONT ACTUATOR NEUTRAL POSITION ADJUSTMENT : Special Repair Requirement \(Pattern 3\)"](#).

A
B
C
D
E
F
H
I
J
K
L
M
N
O
P

STC

C1655 4WAS FRONT DRIVER

< COMPONENT DIAGNOSIS >

[WITH 4WAS]

C1655 4WAS FRONT DRIVER

Description

INFOID:000000000958778

- It perform control inside 4WAS front control unit.
- The power supply for 4WAS front motor (3-phase motor).

DTC Logic

INFOID:000000000958779

DTC DETECTION LOGIC

DTC	Items (CONSULT-III screen terms)	Diagnostic item is detected when...	Possible cause
C1655	PRE-DRIVER	4WAS rear motor 3-phase current error is detected. (Current is not applied to 4WAS front motor)	4WAS front control unit or 4WAS front motor power supply error is detected.

DTC CONFIRMATION PROCEDURE

1. RECHECK DTC

Ⓟ With CONSULT-III

1. Turn the ignition switch OFF to ON.
2. Perform 4WAS front control unit self-diagnosis.

Is DTC "C1655" detected?

- YES >> Proceed to diagnosis procedure. Refer to [STC-66, "Diagnosis Procedure"](#).
NO >> INSPECTION END

Diagnosis Procedure

INFOID:000000000958780

1. CHECK 4WAS REAR MOTOR GROUND

1. Turn the ignition switch OFF.
2. Disconnect 4WAS front control unit harness connector.
3. Check the continuity between 4WAS front control unit harness connector and the ground.

4WAS front control unit		Continuity
Connector	Terminal	
M203	12 – Ground	Existed

Is the inspection result normal?

- YES >> GO TO 2.
NO >> Repair or replace the harnesses and connectors.

2. PERFORM SELF-DIAGNOSIS (4WAS FRONT CONTROL UNIT)

Ⓟ With CONSULT-III

1. Connect 4WAS front control unit harness connector.
2. Perform 4WAS front control unit self-diagnosis.

Is DTC "C1622" detected?

- YES >> Check the error system.
NO >> Replace 4WAS front control unit. Refer to [STC-177, "Exploded View"](#).

Special Repair Requirement

INFOID:000000000958781

BEFORE REPLACING 4WAS FRONT CONTROL UNIT

- Record the self-diagnosis results (history).

CAUTION:

- Replace it without erasing the memory (history) of self-diagnosis results when replacing 4WAS front control unit after diagnosis.

C1655 4WAS FRONT DRIVER

< COMPONENT DIAGNOSIS >

[WITH 4WAS]

- Erase the memory of the self-diagnosis results (record) after printing out or recording all the values of "DATA MONITOR" when erasing the memory of the self-diagnosis results (record).

A

AFTER REPLACING 4WAS FRONT CONTROL UNIT

- Perform 4WAS front actuator adjustment after replacing 4WAS front control unit. Refer to [STC-28. "4WAS FRONT ACTUATOR NEUTRAL POSITION ADJUSTMENT : Special Repair Requirement \(Pattern 3\)".](#)

B

C

D

E

F

STC

H

I

J

K

L

M

N

O

P

C1661 4WAS FRONT LOCK SOLENOID VALVE

< COMPONENT DIAGNOSIS >

[WITH 4WAS]

C1661 4WAS FRONT LOCK SOLENOID VALVE

Description

INFOID:000000000958782

- Secure the inside of 4WAS front actuator temporarily. (It operates when performing active test with fail-safe function and CONSULT-III.)
- 4WAS front lock solenoid valve is activated in the active test (lock release). The secured 4WAS front actuator is released.
- 4WAS front control unit controls 4WAS front actuator. 4WAS front actuator releases the lock when the engine speed signal is "ON". 4WAS front actuator applies the lock when the engine speed signal is "OFF".

DTC Logic

INFOID:000000000958783

DTC DETECTION LOGIC

DTC	Items (CONSULT-III screen terms)	Diagnostic item is detected when...	Possible cause
C1661	LOCK SOLENOID	If 4WAS front lock solenoid valve error is detected (An electric activation error is detected.)	4WAS front control unit or 4WAS front lock solenoid valve error is detected.

DTC CONFIRMATION PROCEDURE

1. RECHECK DTC

Ⓜ With CONSULT-III

1. Turn the ignition switch OFF to ON.
2. Perform 4WAS front control unit self-diagnosis.

Is DTC "C1661" detected?

- YES >> Proceed to diagnosis procedure. Refer to [STC-68. "Diagnosis Procedure"](#).
NO >> INSPECTION END

Diagnosis Procedure

INFOID:000000000958784

1. CHECK 4WAS FRONT SOLENOID VALVE CIRCUIT

1. Turn the ignition switch OFF.
2. Disconnect 4WAS front actuator harness connector.
3. Check the resistance between 4WAS front actuator harness connectors.

4WAS front actuator				Resistance (Approx.)
Connector	Terminal	Connector	Terminal	
M351	10	M351	3	1 – 100 Ω

4. Check the continuity between 4WAS front actuator harness connector and the ground.

4WAS front actuator		Continuity
Connector	Terminal	
M351	3 – Ground	Not existed
	10 – Ground	

Is the inspection result normal?

- YES >> GO TO 2.
NO >> Replace 4WAS front actuator. Refer to [ST-21. "WITH 4WAS : Exploded View"](#).

2. CHECK INFORMATION

Ⓜ With CONSULT-III

1. Connect 4WAS front actuator harness connector.
2. Check the "DATA MONITOR" value of each DTC detected with the self-diagnosis function. Refer to [STC-142. "Reference Value"](#).

C1661 4WAS FRONT LOCK SOLENOID VALVE

< COMPONENT DIAGNOSIS >

[WITH 4WAS]

Is each data the standard value?

- YES >> Check each harness connector pin terminal for disconnection.
NO >> Replace 4WAS front control unit. Refer to [STC-177, "Exploded View"](#).

Component Inspection (4WAS Front Lock Solenoid Valve)

INFOID:000000000958785

1. CHECK 4WAS FRONT SOLENOID VALVE CIRCUIT

1. Turn the ignition switch OFF.
2. Disconnect 4WAS front actuator harness connector.
3. Check the resistance between 4WAS front actuator harness connectors.

4WAS front actuator				Resistance (Approx.)
Connector	Terminal	Connector	Terminal	
M351	10	M351	3	1 – 100 Ω

4. Check the continuity between 4WAS front actuator harness connector and the ground.

4WAS front actuator		Continuity
Connector	Terminal	
M351	3 – Ground	Not existed
	10 – Ground	

Is the inspection result normal?

- YES >> INSPECTION END.
NO >> Replace 4WAS front actuator. Refer to [ST-21, "WITH 4WAS : Exploded View"](#).

Special Repair Requirement

INFOID:000000000958786

AFTER REPLACING 4WAS FRONT ACTUATOR

- Perform 4WAS front actuator adjustment after replacing 4WAS front actuator. Refer to [STC-28, "4WAS FRONT ACTUATOR NEUTRAL POSITION ADJUSTMENT : Special Repair Requirement \(Pattern 2\)"](#).

BEFORE REPLACING 4WAS FRONT CONTROL UNIT

- Record the self-diagnosis results (history).

CAUTION:

- Replace it without erasing the memory (history) of self-diagnosis results when replacing 4WAS front control unit after diagnosis.
- Erase the memory of the self-diagnosis results (record) after printing out or recording all the values of "DATA MONITOR" when erasing the memory of the self-diagnosis results (record).

AFTER REPLACING 4WAS FRONT CONTROL UNIT

- Perform 4WAS front actuator adjustment after replacing 4WAS front control unit. Refer to [STC-28, "4WAS FRONT ACTUATOR NEUTRAL POSITION ADJUSTMENT : Special Repair Requirement \(Pattern 3\)"](#).

C1667 LOCK INSERTION

< COMPONENT DIAGNOSIS >

[WITH 4WAS]

C1667 LOCK INSERTION

Description

INFOID:000000000958787

- Wiring connected to 4WAS front actuator is integrated with 4WAS front actuator.
- 4WAS front actuator rotates together with steering wheel.
- 4WAS front actuator mainly consists of five components.[4WAS front lock solenoid valve (lock structure), front wheel steering angle sensor, 4WAS front motor, gear shaft, and spiral cable]
- 4WAS front lock solenoid valve (lock structure) is controlled by the 4WAS front control unit, and locks/unlocks 4WAS front actuator.
- If a strong force (rotation direction) is applied to 4WAS front actuator, the locking mechanism (holder) absorbs the force and locks 4WAS front actuator.
- Front wheel steering angle sensor detects a turning angle of 4WAS front motor.
- 4WAS front motor controls number of revolutions by a command value from the 4WAS front control unit.
- Gear shaft is an output axis of 4WAS front motor.(Gear shaft = 4WAS front motor revolution + steering angle)
- Spiral cables mean the power line and signal lines of 4WAS front motor.

DTC Logic

INFOID:000000000958788

DTC DETECTION LOGIC

DTC	Items (CONSULT-III screen terms)	Diagnostic item is detected when...	Possible cause
C1667	LOCK INSERTION	4WAS front lock solenoid valve (lock) error is detected. (An error is detected in lock condition.)	The inside 4WAS front actuator error is detected.

DTC CONFIRMATION PROCEDURE

1.RECHECK DTC

With CONSULT-III

1. Start the engine.

CAUTION:

Stop the vehicle.

2. Steer 30° leftward slowly. Steer 30° rightward. Return the steering wheel to the straight-ahead position.
3. Turn the ignition switch OFF.
4. Turn the ignition switch ON.
5. Perform 4WAS front control unit self-diagnosis.

Is DTC "C1667" detected?

- YES >> Proceed to diagnosis procedure. Refer to [STC-70, "Diagnosis Procedure"](#).
NO >> INSPECTION END

Diagnosis Procedure

INFOID:000000000958789

1.CHECK 4WAS FRONT LOCK SOLENOID VALVE (LOCK STRUCTURE)

With CONSULT-III

1. Start the engine.

CAUTION:

Stop the vehicle.

2. Steer 30° leftward slowly. Steer 30° rightward. Return the steering wheel to the straight-ahead position.
3. Turn the ignition switch OFF.
4. Turn the ignition switch ON.
5. Perform 4WAS front control unit self-diagnosis.

Is DTC "C1667" detected?

- YES >> Replace 4WAS front actuator. Refer to [ST-21, "WITH 4WAS : Exploded View"](#).
NO >> GO TO 2.

2.CHECK INFORMATION

With CONSULT-III

C1667 LOCK INSERTION

[WITH 4WAS]

< COMPONENT DIAGNOSIS >

1. Check the "DATA MONITOR" value of each DTC detected with the self-diagnosis function. Refer to [STC-142, "Reference Value"](#).
2. Perform 4WAS front control unit self-diagnosis.

Is each data the standard value?

YES >> GO TO 1.

NO >> Replace 4WAS front control unit. Refer to [STC-177, "Exploded View"](#).

Special Repair Requirement

INFOID:000000000958790

AFTER REPLACING 4WAS FRONT ACTUATOR

- Perform 4WAS front actuator adjustment after replacing 4WAS front actuator. Refer to [STC-28, "4WAS FRONT ACTUATOR NEUTRAL POSITION ADJUSTMENT : Special Repair Requirement \(Pattern 2\)"](#).

A
B
C
D
E
F
H
I
J
K
L
M
N
O
P

STC

C1668 LOCK HOLDER GAP DETECT

< COMPONENT DIAGNOSIS >

[WITH 4WAS]

C1668 LOCK HOLDER GAP DETECT

Description

INFOID:000000000958791

- Wiring connected to 4WAS front actuator is integrated with 4WAS front actuator.
- 4WAS front actuator rotates together with steering wheel.
- 4WAS front actuator mainly consists of five components.[4WAS front lock solenoid valve (lock structure), front wheel steering angle sensor, 4WAS front motor, gear shaft, and spiral cable]
- 4WAS front lock solenoid valve (lock structure) is controlled by the 4WAS front control unit, and locks/unlocks 4WAS front actuator.
- If a strong force (rotation direction) is applied to 4WAS front actuator, the locking mechanism (holder) absorbs the force and locks 4WAS front actuator.
- Front wheel steering angle sensor detects a turning angle of 4WAS front motor.
- 4WAS front motor controls number of revolutions by a command value from the 4WAS front control unit.
- Gear shaft is an output axis of 4WAS front motor.(Gear shaft = 4WAS front motor revolution + steering angle)
- Spiral cables mean the power line and signal lines of 4WAS front motor.

DTC Logic

INFOID:000000000958792

DTC DETECTION LOGIC

DTC	Items (CONSULT-III screen terms)	Diagnostic item is detected when...	Possible cause
C1668	LOCK HLD GAP DETCT	4WAS front lock solenoid valve (lock) error is detected. (Excessive force is applied to the lock.)	The inside 4WAS front actuator error is detected.

DTC CONFIRMATION PROCEDURE

1.RECHECK DTC

With CONSULT-III

1. Turn the ignition switch OFF to ON.
2. Perform 4WAS front control unit self-diagnosis.

Is DTC "C1668" detected?

- YES >> Proceed to diagnosis procedure. Refer to [STC-72. "Diagnosis Procedure"](#).
NO >> INSPECTION END

Diagnosis Procedure

INFOID:000000000958793

1.PERFORM SELF-DIAGNOSIS (4WAS FRONT CONTROL UNIT)

With CONSULT-III

1. Start the engine.
CAUTION:
Stop the vehicle.
2. Perform 4WAS front control unit self-diagnosis. Check that DTC "C1668" is detected.
CAUTION:
 - Replace 4WAS front actuator when the diagnosis history remains.
 - Never repair the malfunctioning part in 4WAS front actuator adjustment without replacing 4WAS front actuator.

>> Replace 4WAS front actuator. Refer to [ST-21. "WITH 4WAS : Exploded View"](#).

Special Repair Requirement

INFOID:000000000958794

AFTER REPLACING 4WAS FRONT ACTUATOR

- Perform 4WAS front actuator adjustment after replacing 4WAS front actuator. Refer to [STC-28. "4WAS FRONT ACTUATOR NEUTRAL POSITION ADJUSTMENT : Special Repair Requirement \(Pattern 2\)"](#).

C1669 INCOMPLETE LOCK RELEASE

< COMPONENT DIAGNOSIS >

[WITH 4WAS]

C1669 INCOMPLETE LOCK RELEASE

Description

INFOID:000000000958795

- Wiring connected to 4WAS front actuator is integrated with 4WAS front actuator.
- 4WAS front actuator rotates together with steering wheel.
- 4WAS front actuator mainly consists of five components.[4WAS front lock solenoid valve (lock structure), front wheel steering angle sensor, 4WAS front motor, gear shaft, and spiral cable]
- 4WAS front lock solenoid valve (lock structure) is controlled by the 4WAS front control unit, and locks/unlocks 4WAS front actuator.
- If a strong force (rotation direction) is applied to 4WAS front actuator, the locking mechanism (holder) absorbs the force and locks 4WAS front actuator.
- Front wheel steering angle sensor detects a turning angle of 4WAS front motor.
- 4WAS front motor controls number of revolutions by a command value from the 4WAS front control unit.
- Gear shaft is an output axis of 4WAS front motor.(Gear shaft = 4WAS front motor revolution + steering angle)
- Spiral cables mean the power line and signal lines of 4WAS front motor.

DTC Logic

INFOID:000000000958796

DTC DETECTION LOGIC

DTC	Items (CONSULT-III screen terms)	Diagnostic item is detected when...	Possible cause
C1669	INCOMP LOCK RELEAS	4WAS front actuator error is detected. (An error is detected in unlock condition.)	The power steering oil pressure or the inside 4WAS front actuator error is detected.

DTC CONFIRMATION PROCEDURE

1.RECHECK DTC

With CONSULT-III

1. Turn the ignition switch OFF to ON.
2. Perform 4WAS front control unit self-diagnosis.

Is DTC "C1669" detected?

- YES >> Proceed to diagnosis procedure. Refer to [STC-73, "Diagnosis Procedure"](#).
NO >> INSPECTION END

Diagnosis Procedure

INFOID:000000000958797

1.CHECK INFORMATION

- Check that any item below is applicable.
- The steering force is heavy when turning 4WAS warning lamp ON.
- The power steering system error is detected (oil leakage, belt tension, steering force etc.).

Is the item applicable?

- YES >> Perform the symptom diagnosis for the steering system. Refer to [ST-3, "NVH Troubleshooting Chart"](#).
NO >> Replace 4WAS front actuator. Refer to [ST-21, "WITH 4WAS : Exploded View"](#).

Special Repair Requirement

INFOID:000000000958798

AFTER REPLACING 4WAS FRONT ACTUATOR

- Perform 4WAS front actuator adjustment after replacing 4WAS front actuator. Refer to [STC-28, "4WAS FRONT ACTUATOR NEUTRAL POSITION ADJUSTMENT : Special Repair Requirement \(Pattern 2\)"](#).

C1671 ACTUATOR ADJUSTMENT NOT PERFORMED

< COMPONENT DIAGNOSIS >

[WITH 4WAS]

C1671 ACTUATOR ADJUSTMENT NOT PERFORMED

Description

INFOID:000000000958799

- Memorize the neutral position of 4WAS front actuator in 4WAS front control unit.

DTC Logic

INFOID:000000000958800

DTC DETECTION LOGIC

DTC	Items (CONSULT-III screen terms)	Diagnostic item is detected when...	Possible cause
C1671	ACT ADJ NOT PRFRM	4WAS front actuator adjustment is not performed.	4WAS front actuator adjustment is not performed.

DTC CONFIRMATION PROCEDURE

1. RECHECK DTC

With CONSULT-III

1. Turn the ignition switch OFF to ON.
2. Perform 4WAS front control unit self-diagnosis.

Is DTC "C1671" detected?

- YES >> Proceed to diagnosis procedure. Refer to [STC-74, "Diagnosis Procedure"](#).
NO >> INSPECTION END

Diagnosis Procedure

INFOID:000000000958801

1. PERFORM SELF-DIAGNOSIS (4WAS FRONT CONTROL UNIT)

With CONSULT-III

Perform 4WAS front control unit self-diagnosis.

Is any DTC other than "C1671" detected?

- YES >> Check the error system.
NO >> GO TO 2.

2. 4WAS FRONT ACTUATOR ADJUSTMENT

With CONSULT-III

1. Perform 4WAS front actuator adjustment. Refer to [STC-28, "4WAS FRONT ACTUATOR NEUTRAL POSITION ADJUSTMENT : Special Repair Requirement \(Pattern 2\)"](#).
2. Perform 4WAS front control unit self-diagnosis.

Is any DTC other than "C1671" detected?

- YES >> Check the error system.
NO >> GO TO 3.

3. PERFORM SELF-DIAGNOSIS (4WAS FRONT CONTROL UNIT)

With CONSULT-III

Perform 4WAS front control unit self-diagnosis.

Is DTC "C1671" detected?

- YES >> Replace 4WAS front control unit. Refer to [STC-177, "Exploded View"](#).
NO >> INSPECTION END

Special Repair Requirement

INFOID:000000000958802

BEFORE REPLACING 4WAS FRONT CONTROL UNIT

- Record the self-diagnosis results (history).

CAUTION:

- Replace it without erasing the memory (history) of self-diagnosis results when replacing 4WAS front control unit after diagnosis.

C1671 ACTUATOR ADJUSTMENT NOT PERFORMED

< COMPONENT DIAGNOSIS >

[WITH 4WAS]

- Erase the memory of the self-diagnosis results (record) after printing out or recording all the values of "DATA MONITOR" when erasing the memory of the self-diagnosis results (record).

A

AFTER REPLACING 4WAS FRONT CONTROL UNIT

- Perform 4WAS front actuator adjustment after replacing 4WAS front control unit. Refer to [STC-28. "4WAS FRONT ACTUATOR NEUTRAL POSITION ADJUSTMENT : Special Repair Requirement \(Pattern 3\)".](#)

B

C

D

E

F

STC

H

I

J

K

L

M

N

O

P

C1672 INCOMPLETE ACTUATOR ADJUSTMENT

< COMPONENT DIAGNOSIS >

[WITH 4WAS]

C1672 INCOMPLETE ACTUATOR ADJUSTMENT

Description

INFOID:000000000958803

- Memorize the neutral position of 4WAS front actuator in 4WAS front control unit.

DTC Logic

INFOID:000000000958804

DTC DETECTION LOGIC

DTC	Items (CONSULT-III screen terms)	Diagnostic item is detected when...	Possible cause
C1672	INCOMP ACTUATR ADJ	4WAS front actuator adjustment is incomplete.	4WAS front actuator adjustment is incomplete.

DTC CONFIRMATION PROCEDURE

1. RECHECK DTC

With CONSULT-III

1. Turn the ignition switch OFF to ON.
2. Perform 4WAS front control unit self-diagnosis.

Is DTC "C1672" detected?

- YES >> Proceed to diagnosis procedure. Refer to [STC-76. "Diagnosis Procedure"](#).
NO >> INSPECTION END

Diagnosis Procedure

INFOID:000000000958805

1. PERFORM SELF-DIAGNOSIS (4WAS FRONT CONTROL UNIT)

With CONSULT-III

Perform 4WAS front control unit self-diagnosis.

Is any DTC other than "C1672" detected?

- YES >> Check the error system.
NO >> GO TO 2.

2. ADJUST 4WAS FRONT ACTUATOR

With CONSULT-III

1. Perform 4WAS front actuator adjustment. Refer to [STC-28. "4WAS FRONT ACTUATOR NEUTRAL POSITION ADJUSTMENT : Special Repair Requirement \(Pattern 2\)"](#).
2. Perform 4WAS front control unit self-diagnosis.

Is any error system detected?

- YES >> Replace 4WAS front control unit. Refer to [STC-177. "Exploded View"](#).
• Perform 4WAS actuator adjustment after replacing 4WAS front control unit. Perform the 4WAS front control unit self-diagnosis again. Replace 4WAS front actuator if DTC "C1672" is detected. Refer to [ST-21. "WITH 4WAS : Exploded View"](#).
NO >> INSPECTION END

Special Repair Requirement

INFOID:000000000958806

BEFORE REPLACING 4WAS FRONT CONTROL UNIT

- Record the self-diagnosis results (history).

CAUTION:

- Replace it without erasing the memory (history) of self-diagnosis results when replacing 4WAS front control unit after diagnosis.
- Erase the memory of the self-diagnosis results (record) after printing out or recording all the values of "DATA MONITOR" when erasing the memory of the self-diagnosis results (record).

AFTER REPLACING 4WAS FRONT CONTROL UNIT

- Perform 4WAS front actuator adjustment after replacing 4WAS front control unit. Refer to [STC-28. "4WAS FRONT ACTUATOR NEUTRAL POSITION ADJUSTMENT : Special Repair Requirement \(Pattern 3\)"](#).

C1684, C1685 4WAS MAIN CONTROL UNIT COMMUNICATION

< COMPONENT DIAGNOSIS >

[WITH 4WAS]

C1684, C1685 4WAS MAIN CONTROL UNIT COMMUNICATION

Description

INFOID:000000000958807

- 4WAS front control unit and 4WAS main control unit transmit/receive information to/from each other for optimum control of the 4WAS system with the specified 4WAS system line (4WAS communication line) between 4WAS front control unit and 4WAS main control unit.
- Be careful to repair wirings because 4WAS system specified line adopt a twisted wire. Refer to [STC-176. "Precautions for Harness Repair"](#).

DTC Logic

INFOID:000000000958808

DTC DETECTION LOGIC

DTC	Items (CONSULT-III screen terms)	Diagnostic item is detected when...	Possible cause
C1684	4WAS MAIN ECU COMM	4WAS communication line* data communication error is detected. (An error signal is detected from 4WAS main control unit.)	4WAS communication line*/4WAS main control unit/4WAS front control unit error
C1685	4WAS MAIN ECU COMM	4WAS communication line* data communication error is detected. (An error signal is detected from 4WAS main control unit.)	4WAS communication line*/4WAS main control unit/4WAS front control unit error

*: Communication line between 4WAS front control unit and 4WAS main control unit

DTC CONFIRMATION PROCEDURE

1. RECHECK DTC

With CONSULT-III

1. Turn the ignition switch OFF to ON.
2. Perform 4WAS front control unit self-diagnosis.

Is DTC "C1684" or "C1685" detected?

- YES >> Proceed to diagnosis procedure. Refer to [STC-77. "Diagnosis Procedure"](#).
NO >> INSPECTION END

Diagnosis Procedure

INFOID:000000000958809

1. CHECK COMMUNICATION LINE (1)

1. Turn the ignition switch OFF.
2. Disconnect ABS actuator and electric unit (control unit) harness connector.
3. Disconnect yaw rate/side G sensor harness connector.
4. Disconnect 4WAS front control unit harness connector.
5. Disconnect 4WAS main control unit harness connector.
6. Check the continuity between ABS actuator and electric unit (control unit) harness connector and yaw rate/side G sensor harness connector.

ABS actuator and electric unit (control unit)		Yaw rate/side G sensor.		Continuity
Connector	Terminal	Connector	Terminal	
E41	25	M143	2	Existed
	45		3	

Is the inspection result normal?

- YES >> GO TO 2.
NO >> Repair or replace the harnesses and connectors. Refer to [STC-176. "Precautions for Harness Repair"](#).

2. CHECK COMMUNICATION LINE (2)

C1684, C1685 4WAS MAIN CONTROL UNIT COMMUNICATION

< COMPONENT DIAGNOSIS >

[WITH 4WAS]

Check the continuity between ABS actuator and electric unit (control unit) harness connector and the ground.

ABS actuator and electric unit (control unit)		Continuity
Connector	Terminal	
E41	25 – Ground	Not existed
	45 – Ground	

Is the inspection result normal?

YES >> GO TO 3.

NO >> Repair or replace the harnesses and connectors. Refer to [STC-176, "Precautions for Harness Repair"](#).

3.CHECK COMMUNICATION LINE (3)

Check the continuity between ABS actuator and electric unit (control unit) harness connector.

ABS actuator and electric unit (control unit)		Continuity
Connector	Terminal	
E41	25 – 45	Not existed

Is the inspection result normal?

YES >> GO TO 4.

NO >> Repair or replace the harnesses and connectors. Refer to [STC-176, "Precautions for Harness Repair"](#).

4.CHECK ABS ACTUATOR AND ELECTRIC UNIT (CONTROL UNIT)

Check the continuity between ABS actuator and electric unit (control unit) connector. Refer to [STC-84, "Component Inspection \[ABS Actuator and Electric Unit \(Control Unit\)\]"](#).

Is the inspection result normal?

YES >> GO TO 5.

NO >> Replace ABS actuator and electric unit (control unit). Refer to [BRC-102, "Exploded View"](#).

5.CHECK YAW RATE/SIDE G SENSOR

Check the continuity between yaw rate/side G sensor connector. Refer to [STC-84, "Component Inspection \(Yaw Rate/Side G Sensor\)"](#).

Is the inspection result normal?

YES >> GO TO 6.

NO >> Replace yaw rate/side G sensor. Refer to [BRC-104, "Exploded View"](#).

6.CHECK CAN DIAGNOSIS SUPPORT MONITOR (4WAS FRONT CONTROL UNIT)

 **With CONSULT-III**

1. Connect ABS actuator and electric unit (control unit) harness connector.
2. Connect yaw rate/side G sensor harness connector.
3. Connect 4WAS front control unit harness connector.
4. Connect 4WAS main control unit harness connector.
5. Start the engine.

CAUTION:

Stop the vehicle.

6. Perform CAN diagnosis support monitor of 4WAS front control unit.
7. Replace 4WAS main control unit error history. Refer to [STC-39, "CONSULT-III Function \[4WAS\(FRONT\)\]"](#).

What is the indicated item?

All items are "OK">>GO TO 7.

"TRANSMIT DIAG" is other than "OK">>GO TO 7.

"4WAS(MAIN)" is other than "OK">>GO TO 8.

7.CHECK 4WAS FRONT CONTROL UNIT CIRCUIT

1. Turn the ignition switch OFF.
2. Disconnect 4WAS front control unit harness connector.

C1684, C1685 4WAS MAIN CONTROL UNIT COMMUNICATION

< COMPONENT DIAGNOSIS >

[WITH 4WAS]

3. Disconnect ABS actuator and electric unit (control unit) harness connector.
4. Check the continuity between 4WAS front control unit harness connector and ABS actuator and electric unit (control unit) harness connector.

4WAS front control unit		ABS actuator and electric unit (control unit)		Continuity
Connector	Terminal	Connector	Terminal	
M204	14	E41	25	Existed
	25		45	

5. Check that 4WAS front control unit connector No. 14 terminal and No. 25 are connected properly and not deformed.

Is the inspection result normal?

YES >> Replace 4WAS front control unit. Refer to [STC-177, "Exploded View"](#).

NO >> Repair or replace the harnesses and connectors. Refer to [STC-176, "Precautions for Harness Repair"](#).

8. CHECK 4WAS MAIN CONTROL UNIT CIRCUIT

1. Turn the ignition switch OFF.
2. Disconnect 4WAS main control unit harness connector.
3. Disconnect ABS actuator and electric unit (control unit) harness connector.
4. Check the continuity between 4WAS main control unit harness connector and ABS actuator and electric unit (control unit) harness connector.

4WAS main control unit		ABS actuator and electric unit (control unit)		Continuity
Connector	Terminal	Connector	Terminal	
B54	31	E41	45	Existed
	32		25	

5. Check that 4WAS main control unit connector No. 31 terminal and No. 32 are connected properly and not deformed.

Is the inspection result normal?

YES >> Replace 4WAS main control unit. Refer to [STC-178, "Exploded View"](#).

NO >> Repair or replace the harnesses and connectors. Refer to [STC-176, "Precautions for Harness Repair"](#).

Component Inspection [ABS Actuator and Electric Unit (Control Unit)]

INFOID:000000000958810

1. CHECK ABS ACTUATOR AND ELECTRIC UNIT (CONTROL UNIT)

1. Turn the ignition switch OFF.
2. Remove ABS actuator and electric unit (control unit). Refer to [BRC-102, "Exploded View"](#).
3. Check the resistance between ABS actuator and electric unit (control unit) connector terminals.

ABS actuator and electric unit (control unit)		Resistance (Approx.)
Connector	Terminal	
E41	25 – 45	60 Ω

Is the inspection result normal?

YES >> INSPECTION END

NO >> Replace ABS actuator and electric unit (control unit).

Component Inspection (Yaw Rate/Side G Sensor)

INFOID:000000000958811

1. CHECK YAW RATE/SIDE G SENSOR

1. Turn the ignition switch OFF.
2. Remove yaw rate/side G sensor. Refer to [BRC-104, "Exploded View"](#).

C1684, C1685 4WAS MAIN CONTROL UNIT COMMUNICATION

< COMPONENT DIAGNOSIS >

[WITH 4WAS]

3. Check the resistance between yaw rate/side G sensor connector terminals.

Yaw rate/side G sensor		Resistance (Approx.)
Connector	Terminal	
M143	2 – 3	60 Ω

Is the inspection result normal?

- YES >> INSPECTION END
- NO >> Replace yaw rate/side G sensor.

Special Repair Requirement

INFOID:000000000958812

BEFORE REPLACING 4WAS FRONT CONTROL UNIT

- Record the self-diagnosis results (history).

CAUTION:

- Replace it without erasing the memory (history) of self-diagnosis results when replacing 4WAS front control unit after diagnosis.
- Erase the memory of the self-diagnosis results (record) after printing out or recording all the values of “DATA MONITOR” when erasing the memory of the self-diagnosis results (record).

BEFORE REPLACING 4WAS MAIN ACTUATOR

- Record the self-diagnosis results (history).

CAUTION:

- Replace it without erasing the memory (history) of self-diagnosis results when replacing 4WAS main control unit after diagnosis.
- Erase the memory of the self-diagnosis results (record) after printing out or recording all the values of “DATA MONITOR” when erasing the memory of the self-diagnosis results (record).

AFTER REPLACING 4WAS FRONT CONTROL UNIT

- Perform 4WAS front actuator adjustment after replacing 4WAS front control unit. Refer to [STC-28. "4WAS FRONT ACTUATOR NEUTRAL POSITION ADJUSTMENT : Special Repair Requirement \(Pattern 3\)"](#).

C1686 4WAS MAIN CONTROL UNIT

< COMPONENT DIAGNOSIS >

[WITH 4WAS]

C1686 4WAS MAIN CONTROL UNIT

Description

INFOID:000000000958813

- It transmits the value calculated by 4WAS main control unit to 4WAS front control unit with 4WAS communication line (line for 4WAS system). 4WAS front control unit controls 4WAS front actuator according to the received command value.

DTC Logic

INFOID:000000000958814

DTC DETECTION LOGIC

DTC	Items (CONSULT-III screen terms)	Diagnostic item is detected when...	Possible cause
C1686	4WAS MAIN ECU	An error is detected on 4WAS main control unit side. (4WAS main control unit fail-safe mode)	4WAS main control unit fail-safe mode

DTC CONFIRMATION PROCEDURE

1. RECHECK DTC

With CONSULT-III

- Turn the ignition switch OFF to ON.
- Perform 4WAS front control unit self-diagnosis.

Is DTC "C1686" detected?

- YES >> Proceed to diagnosis procedure. Refer to [STC-81. "Diagnosis Procedure"](#).
NO >> INSPECTION END

Diagnosis Procedure

INFOID:000000000958815

1. PERFORM SELF-DIAGNOSIS (4WAS FRONT CONTROL UNIT)

With CONSULT-III

Perform 4WAS front control unit self-diagnosis.

Is any DTC other than "C1686" detected?

- YES >> Check the error system.
NO >> Perform 4WAS main control unit self-diagnosis.

A
B
C
D
E
F
G
H
I
J
K
L
M
N
O
P

STC

U1000, U1002 4WAS COMMUNICATION CIRCUIT

< COMPONENT DIAGNOSIS >

[WITH 4WAS]

U1000, U1002 4WAS COMMUNICATION CIRCUIT

Description

INFOID:000000000958816

- 4WAS front control unit and 4WAS main control unit transmit/receive information to/from each other for optimum control of the 4WAS system with the specified 4WAS system line (4WAS communication line) between 4WAS front control unit and 4WAS main control unit.
- Be careful to repair wirings because 4WAS system specified line adopt a twisted wire. Refer to [STC-176, "Precautions for Harness Repair"](#).

DTC Logic

INFOID:000000000958817

DTC DETECTION LOGIC

DTC	Items (CONSULT-III screen terms)	Diagnostic item is detected when...	Possible cause
U1000	CAN COMM CIRCUIT	When 4WAS front control unit is not transmitting or receiving 4WAS communication signal for 2 seconds or more	4WAS communication line*/4WAS main control unit/4WAS front control unit error
U1002	SYSTEM COMM(CAN)	When 4WAS front control unit is not transmitting or receiving 4WAS communication signal for 2 seconds or less	4WAS communication line*/4WAS main control unit/4WAS front control unit error

*: Communication line between 4WAS front control unit and 4WAS main control unit

DTC CONFIRMATION PROCEDURE

1. RECHECK DTC

With CONSULT-III

1. Turn the ignition switch OFF to ON.
2. Perform 4WAS front control unit self-diagnosis.

Is DTC "U1000" or "U1010" detected?

- YES >> Proceed to diagnosis procedure. Refer to [STC-82, "Diagnosis Procedure"](#).
NO >> INSPECTION END

Diagnosis Procedure

INFOID:000000000958818

1. CHECK COMMUNICATION LINE (1)

1. Turn the ignition switch OFF.
2. Disconnect ABS actuator and electric unit (control unit) harness connector.
3. Disconnect yaw rate/side G sensor harness connector.
4. Disconnect 4WAS front control unit harness connector.
5. Disconnect 4WAS main control unit harness connector.
6. Check the continuity between ABS actuator and electric unit (control unit) harness connector and yaw rate/side G sensor harness connector.

ABS actuator and electric unit (control unit)		Yaw rate/side G sensor.		Continuity
Connector	Terminal	Connector	Terminal	
E41	25	M143	2	Existed
	45		3	

Is the inspection result normal?

- YES >> GO TO 2.
NO >> Repair or replace the harnesses and connectors. Refer to [STC-176, "Precautions for Harness Repair"](#).

2. CHECK COMMUNICATION LINE (2)

U1000, U1002 4WAS COMMUNICATION CIRCUIT

< COMPONENT DIAGNOSIS >

[WITH 4WAS]

Check the continuity between ABS actuator and electric unit (control unit) harness connector and the ground.

ABS actuator and electric unit (control unit)		Continuity
Connector	Terminal	
E41	25 – Ground	Not existed
	45 – Ground	

Is the inspection result normal?

YES >> GO TO 3.

NO >> Repair or replace the harnesses and connectors. Refer to [STC-176, "Precautions for Harness Repair"](#).

3.CHECK COMMUNICATION LINE (3)

Check the continuity between ABS actuator and electric unit (control unit) harness connector.

ABS actuator and electric unit (control unit)		Continuity
Connector	Terminal	
E41	25 – 45	Not existed

Is the inspection result normal?

YES >> GO TO 4.

NO >> Repair or replace the harnesses and connectors. Refer to [STC-176, "Precautions for Harness Repair"](#).

4.CHECK ABS ACTUATOR AND ELECTRIC UNIT (CONTROL UNIT)

Check the continuity between ABS actuator and electric unit (control unit). Refer to [STC-84, "Component Inspection \[ABS Actuator and Electric Unit \(Control Unit\)\]"](#).

Is the inspection result normal?

YES >> GO TO 5.

NO >> Replace ABS actuator and electric unit (control unit). Refer to [BRC-102, "Exploded View"](#).

5.CHECK YAW RATE/SIDE G SENSOR

Check the continuity between yaw rate/side G sensor. Refer to [STC-84, "Component Inspection \(Yaw Rate/Side G Sensor\)"](#).

Is the inspection result normal?

YES >> GO TO 6.

NO >> Replace yaw rate/side G sensor. Refer to [BRC-104, "Exploded View"](#).

6.CHECK CAN DIAGNOSIS SUPPORT MONITOR (4WAS FRONT CONTROL UNIT)

 **With CONSULT-III**

1. Connect ABS actuator and electric unit (control unit) harness connector.
2. Connect yaw rate/side G sensor harness connector.
3. Connect 4WAS front control unit harness connector.
4. Connect 4WAS main control unit harness connector.
5. Start the engine.

CAUTION:

Stop the vehicle.

6. Perform CAN diagnosis support monitor of 4WAS front control unit.
7. Replace 4WAS main control unit error history. Refer to [STC-39, "CONSULT-III Function \[4WAS\(FRONT\)\]"](#).

What is the indicated item?

All items are "OK">>GO TO 7.

"TRANSMIT DIAG" is other than "OK">>GO TO 7.

"4WAS(MAIN)" is other than "OK">>GO TO 8.

7.CHECK 4WAS FRONT CONTROL UNIT CIRCUIT

1. Turn the ignition switch OFF.
2. Disconnect 4WAS front control unit harness connector.

A
B
C
D
E
F
H
I
J
K
L
M
N
O
P

STC

U1000, U1002 4WAS COMMUNICATION CIRCUIT

[WITH 4WAS]

< COMPONENT DIAGNOSIS >

3. Disconnect ABS actuator and electric unit (control unit) harness connector.
4. Check the continuity between 4WAS front control unit harness connector and ABS actuator and electric unit (control unit) harness connector.

4WAS front control unit		ABS actuator and electric unit (control unit)		Continuity
Connector	Terminal	Connector	Terminal	
M204	14	E41	25	Existed
	25		45	

5. Check that 4WAS front control unit connector No. 14 terminal and No. 25 are connected properly and not deformed.

Is the inspection result normal?

YES >> Replace 4WAS front control unit. Refer to [STC-177. "Exploded View"](#).

NO >> Repair or replace the harnesses and connectors. Refer to [STC-176. "Precautions for Harness Repair"](#).

8. CHECK 4WAS MAIN CONTROL UNIT CIRCUIT

1. Turn the ignition switch OFF.
2. Disconnect 4WAS main control unit harness connector.
3. Disconnect ABS actuator and electric unit (control unit) harness connector.
4. Check the continuity between 4WAS main control unit harness connector and ABS actuator and electric unit (control unit) harness connector.

4WAS main control unit		ABS actuator and electric unit (control unit)		Continuity
Connector	Terminal	Connector	Terminal	
B54	31	E41	45	Existed
	32		25	

5. Check that 4WAS main control unit connector No. 31 terminal and No. 32 are connected properly and not deformed.

Is the inspection result normal?

YES >> Replace 4WAS main control unit. Refer to [STC-178. "Exploded View"](#).

NO >> Repair or replace the harnesses and connectors. Refer to [STC-176. "Precautions for Harness Repair"](#).

Component Inspection [ABS Actuator and Electric Unit (Control Unit)]

INFOID:000000000958819

1. CHECK ABS ACTUATOR AND ELECTRIC UNIT (CONTROL UNIT)

1. Turn the ignition switch OFF.
2. Remove ABS actuator and electric unit (control unit). Refer to [BRC-102. "Exploded View"](#).
3. Check the resistance between ABS actuator and electric unit (control unit) connector terminals.

ABS actuator and electric unit (control unit)		Resistance (Approx.)
Connector	Terminal	
E41	25 – 45	60 Ω

Is the inspection result normal?

YES >> INSPECTION END

NO >> Replace ABS actuator and electric unit (control unit).

Component Inspection (Yaw Rate/Side G Sensor)

INFOID:000000000958820

1. CHECK YAW RATE/SIDE G SENSOR

1. Turn the ignition switch OFF.
2. Remove yaw rate/side G sensor. Refer to [BRC-104. "Exploded View"](#).

U1000, U1002 4WAS COMMUNICATION CIRCUIT

< COMPONENT DIAGNOSIS >

[WITH 4WAS]

3. Check the resistance between yaw rate/side G sensor connector terminals.

Yaw rate/side G sensor		Resistance (Approx.)
Connector	Terminal	
M143	2 – 3	60 Ω

Is the inspection result normal?

- YES >> INSPECTION END
- NO >> Replace yaw rate/side G sensor.

Special Repair Requirement

INFOID:000000000958821

BEFORE REPLACING 4WAS FRONT CONTROL UNIT

- Record the self-diagnosis results (history).
- CAUTION:**
 - Replace it without erasing the memory (history) of self-diagnosis results when replacing 4WAS front control unit after diagnosis.
 - Erase the memory of the self-diagnosis results (record) after printing out or recording all the values of "DATA MONITOR" when erasing the memory of the self-diagnosis results (record).

AFTER REPLACING 4WAS FRONT CONTROL UNIT

- Perform 4WAS front actuator adjustment after replacing 4WAS front control unit. Refer to [STC-28. "4WAS FRONT ACTUATOR NEUTRAL POSITION ADJUSTMENT : Special Repair Requirement \(Pattern 3\)"](#).

A
B
C
D
E
F
STC
H
I
J
K
L
M
N
O
P

U1010 4WAS COMMUNICATION CIRCUIT

< COMPONENT DIAGNOSIS >

[WITH 4WAS]

U1010 4WAS COMMUNICATION CIRCUIT

Description

INFOID:000000000958822

- 4WAS front control unit and 4WAS main control unit transmit/receive information to/from each other for optimum control of the 4WAS system with the specified 4WAS system line (4WAS communication line) between 4WAS front control unit and 4WAS main control unit.
- Be careful to repair wirings because 4WAS system specified line adopt a twisted wire. Refer to [STC-176, "Precautions for Harness Repair"](#).

DTC Logic

INFOID:000000000958823

DTC DETECTION LOGIC

DTC	Items (CONSULT-III screen terms)	Diagnostic item is detected when...	Possible cause
U1010	CONTROL UNIT(CAN)	Detecting error during the initial diagnosis of 4WAS controller of 4WAS front control unit	4WAS communication line*/4WAS main control unit/4WAS front control unit error

*: Communication line between 4WAS front control unit and 4WAS main control unit

DTC CONFIRMATION PROCEDURE

1. RECHECK DTC

With CONSULT-III

1. Turn the ignition switch OFF to ON.
2. Perform 4WAS front control unit self-diagnosis.

Is DTC "U1010" detected?

- YES >> Proceed to diagnosis procedure. Refer to [STC-86, "Diagnosis Procedure"](#).
NO >> INSPECTION END

Diagnosis Procedure

INFOID:000000000958824

1. 4WAS FRONT CONTROL UNIT

Check that there is no malfunction in 4WAS front control unit harness connector or disconnection.

Is the inspection result normal?

- YES >> Replace 4WAS front control unit. Refer to [STC-177, "Exploded View"](#).
NO >> Repair or replace the harnesses and connectors. Refer to [STC-176, "Precautions for Harness Repair"](#).

Special Repair Requirement

INFOID:000000000958825

BEFORE REPLACING 4WAS FRONT CONTROL UNIT

- Record the self-diagnosis results (history).

CAUTION:

- Replace it without erasing the memory (history) of self-diagnosis results when replacing 4WAS front control unit after diagnosis.
- Erase the memory of the self-diagnosis results (record) after printing out or recording all the values of "DATA MONITOR" when erasing the memory of the self-diagnosis results (record).

AFTER REPLACING 4WAS FRONT CONTROL UNIT

- Perform 4WAS front actuator adjustment after replacing 4WAS front control unit. Refer to [STC-28, "4WAS FRONT ACTUATOR NEUTRAL POSITION ADJUSTMENT : Special Repair Requirement \(Pattern 3\)"](#).

C1900, C1901, C1906, C1907, C1927, C1933 4WAS MAIN CONTROL UNIT

< COMPONENT DIAGNOSIS >

[WITH 4WAS]

C1900, C1901, C1906, C1907, C1927, C1933 4WAS MAIN CONTROL UNIT

Description

INFOID:000000000958826

- 4WAS rear actuator and the power steering solenoid valve is controlled by each sensor signal.
- The fail-safe functions stops the rear wheel angle (the front wheel is the steering wheel cutting angle) when the electric components and the mechanical components are malfunctioning.
- The protection function mode stops 4WAS system intermittently when the input signal does not input to 4WAS main control unit.
- 4WAS front control unit and 4WAS main control unit control the best control of 4WAS system by 4WAS communication line.

DTC Logic

INFOID:000000000958827

DTC DETECTION LOGIC

DTC	Items (CONSULT-III screen terms)	Diagnostic item is detected when...	Possible cause
C1900	CONTROL UNIT [ABNORMAL1]	An error is detected inside 4WAS main control unit.	4WAS main control unit error
C1901	CONTROL UNIT [ABNORMAL2]	An error is detected inside 4WAS main control unit.	4WAS main control unit error
C1906	CONTROL UNIT [ABNORMAL5]	An error is detected inside 4WAS main control unit.	4WAS main control unit error
C1907	CONTROL UNIT [ABNORMAL4]	An error is detected inside 4WAS main control unit.	4WAS main control unit error
C1927	CONTROL UNIT [ABNORMAL5]	An error is detected inside 4WAS main control unit.	4WAS main control unit error
C1933	CONTROL UNIT	An error is detected inside 4WAS main control unit.	4WAS main control unit error

DTC CONFIRMATION PROCEDURE

1. RECHECK DTC

With CONSULT-III

1. Turn the ignition switch OFF to ON.
2. Perform 4WAS main control unit self-diagnosis.

Is DTC "C1900", "C1901", "C1906", "C1907", "C1927" or "C1933" detected?

- YES >> Proceed to diagnosis procedure. Refer to [STC-87, "Diagnosis Procedure"](#).
NO >> INSPECTION END

Diagnosis Procedure

INFOID:000000000958828

1. PERFORM SELF-DIAGNOSIS (4WAS MAIN CONTROL UNIT)

With CONSULT-III

Perform 4WAS main control unit self-diagnosis.

Is any DTC "C1900", "C1901", "C1906", "C1907", "C1927" or "C1933" detected?

- YES >> Replace 4WAS main control unit. Refer to [STC-178, "Exploded View"](#).
NO >> GO TO 2.

2. CHECK INFORMATION

With CONSULT-III

Check the "DATA MONITOR" value of each DTC detected with the self-diagnosis function. Refer to [STC-155, "Reference Value"](#).

Is each data the standard value?

- YES >> Check each harness connector pin terminal for disconnection.

C1900, C1901, C1906, C1907, C1927, C1933 4WAS MAIN CONTROL UNIT

[WITH 4WAS]

< COMPONENT DIAGNOSIS >

NO >> Replace 4WAS main control unit. Refer to [STC-178. "Exploded View"](#).

Special Repair Requirement

INFOID:000000000958829

BEFORE REPLACING 4WAS MAIN CONTROL UNIT

- Record the self-diagnosis results (history).

CAUTION:

- Replace it without erasing the memory (history) of self-diagnosis results when replacing 4WAS main control unit after diagnosis.
- Erase the memory of the self-diagnosis results (record) after printing out or recording all the values of "DATA MONITOR" when erasing the memory of the self-diagnosis results (record).

C1902, C1903, C1904, C1910, C1913 4WAS REAR MOTOR OUTPUT

< COMPONENT DIAGNOSIS >

[WITH 4WAS]

C1902, C1903, C1904, C1910, C1913 4WAS REAR MOTOR OUTPUT

Description

INFOID:000000000958830

- 4WAS rear motor activates 4WAS rear actuator.
- Maintain the toe-stiffness of rear wheels against the road external force because the irreversible sufficiency performance hypoid gear is used.

DTC Logic

INFOID:000000000958831

DTC DETECTION LOGIC

DTC	Items (CONSULT-III screen terms)	Diagnostic item is detected when...	Possible cause
C1902	MOTOR OUTPUT [REV CURRENT]	4WAS rear motor current error is detected. (4WAS rear motor current output direction differs.)	4WAS rear motor error
C1903	MOTOR OUTPUT [NO CURRENT]	4WAS rear motor current error is detected. (Current is input to 4WAS main control unit if 4WAS main control unit output is "OFF".)	4WAS rear motor error
C1904	MOTOR OUTPUT [OVERCURRENT]	4WAS rear motor current error is detected. (4WAS rear motor output is overcurrent.)	4WAS rear motor error
C1910	MOTOR OUTPUT [MOTOR LOCK]	4WAS rear motor inside error is detected. (4WAS main motor does not move or the rear wheel angle sensor does not change if 4WAS main control unit output is 14A or more.)	4WAS rear motor error
C1913	MOTOR OUTPUT [ABNORML SIG]	4WAS rear motor current error is detected. (4WAS main motor does not move or the rear wheel angle sensor output does not change when 4WAS main control unit output is 18A or more, and 4WAS main motor output is low.)	4WAS rear motor error

DTC CONFIRMATION PROCEDURE

1. RECHECK DTC

Ⓜ With CONSULT-III

1. Perform "SELF DIAGNOSTIC MODE" item on "ACTIVE TEST" of 4WAS main control unit.

CAUTION:

Perform the active test while stopping the vehicle.

2. Perform 4WAS main control unit self-diagnosis.

Is DTC "C1902", "C1903", "C1904", "C1910" or "C1913" detected?

- YES >> Proceed to diagnosis procedure. Refer to [STC-89, "Diagnosis Procedure"](#).
 NO >> INSPECTION END

Diagnosis Procedure

INFOID:000000000958832

1. CHECK 4WAS REAR MOTOR CIRCUIT

1. Turn the ignition switch OFF.
2. Disconnect 4WAS main control unit harness connector.
3. Disconnect 4WAS rear motor harness connector.
4. Check the continuity between 4WAS main control unit harness connector and 4WAS rear motor harness connector.

4WAS main control unit		4WAS rear motor		Continuity
Connector	Terminal	Connector	Terminal	
B54	38	B36	1	Existed
	39		2	

C1902, C1903, C1904, C1910, C1913 4WAS REAR MOTOR OUTPUT

< COMPONENT DIAGNOSIS >

[WITH 4WAS]

Is the inspection result normal?

- YES >> GO TO 2.
- NO >> Repair or replace the harnesses and connectors.

2.CHECK 4WAS REAR MOTOR

Check the continuity between 4WAS rear motor connector.

4WAS rear motor		Continuity
Connector	Terminal	
B36	1 - 2	Existed

Is the inspection result normal?

- YES >> GO TO 3.
- NO >> Replace 4WAS rear actuator. Refer to [STC-180, "Exploded View"](#).

3.PERFORM ACTIVE TEST (4WAS MAIN CONTROL UNIT)

 **With CONSULT-III**

1. Connect 4WAS main control unit harness connector.
2. Connect 4WAS rear motor harness connector.
3. Perform "SELF DIAGNOSTIC MODE" item on "ACTIVE TEST" of 4WAS main control unit.

CAUTION:

Perform the active test while vehicle is stopped.

4. Check "MOTOR VOLTAGE", "MOTOR CURRENT" and "MTR CRNT OPE" while performing the active test.

Monitor item	Condition	Display value
MOTOR VOLTAGE	Ignition switch: ON	Battery voltage
MOTOR CURRENT	4WAS rear motor running	0 - 20 A
MTR CRNT OPE	4WAS rear actuator neutral condition and vehicle straight-ahead position	Approx. -2 - 2 A
	4WAS rear motor running	Approx. -20 - 20 A

Is "MONITOR" the standard value?

- YES >> GO TO 4.
- NO >> Replace 4WAS rear actuator. Refer to [STC-180, "Exploded View"](#).

4.PERFORM SELF-DIAGNOSIS (4WAS MAIN CONTROL UNIT)

 **With CONSULT-III**

Perform 4WAS main control unit self-diagnosis.

Is any DTC "C1902", "C1903", "C1904", "C1910" or "C1913" detected?

- YES >> Replace 4WAS main control unit. Refer to [STC-178, "Exploded View"](#).
- NO >> GO TO 5.

5.CHECK INFORMATION

 **With CONSULT-III**

Check the "DATA MONITOR" value of each DTC detected with the self-diagnosis function. Refer to [STC-155, "Reference Value"](#).

Is each data the standard value?

- YES >> Check each harness connector pin terminal for disconnection.
- NO >> Replace 4WAS main control unit. Refer to [STC-178, "Exploded View"](#).

Component Inspection (4WAS Rear Motor)

INFOID:000000000958833

1.CHECK 4WAS REAR MOTOR

1. Turn the ignition switch OFF.
2. Disconnect 4WAS main control unit harness connector and 4WAS rear motor harness connector.
3. Check the continuity between 4WAS rear motor connector.

C1902, C1903, C1904, C1910, C1913 4WAS REAR MOTOR OUTPUT

< COMPONENT DIAGNOSIS >

[WITH 4WAS]

4WAS rear motor		Continuity
Connector	Terminal	
B36	1 – 2	Existed

Is the inspection result normal?

YES >> INSPECTION END

NO >> Replace 4WAS rear actuator. Refer to [STC-180. "Exploded View"](#).

Special Repair Requirement

INFOID:000000000958834

BEFORE REPLACING 4WAS MAIN CONTROL UNIT

- Record the self-diagnosis results (history).

CAUTION:

- Replace it without erasing the memory (history) of self-diagnosis results when replacing 4WAS main control unit after diagnosis.
- Erase the memory of the self-diagnosis results (record) after printing out or recording all the values of "DATA MONITOR" when erasing the memory of the self-diagnosis results (record).

STC

C1905, C1908, C1922, C1925, C1928 4WAS MAIN CONTROL UNIT

< COMPONENT DIAGNOSIS >

[WITH 4WAS]

C1905, C1908, C1922, C1925, C1928 4WAS MAIN CONTROL UNIT

Description

INFOID:000000000958835

- 4WAS rear actuator and the power steering solenoid valve is controlled by each sensor signal.
- The fail-safe functions stops the rear wheel angle (the front wheel is the steering wheel cutting angle) when the electric components and the mechanical components are malfunctioning.
- The protection function mode stops 4WAS system intermittently when the input signal does not input to 4WAS main control unit.
- 4WAS front control unit and 4WAS main control unit control the best control of 4WAS system by 4WAS communication line.

DTC Logic

INFOID:000000000958836

DTC DETECTION LOGIC

DTC	Items (CONSULT-III screen terms)	Diagnostic item is detected when...	Possible cause
C1905	CONTROL UNIT [ABNORMAL3]	An error is detected inside 4WAS main control unit.	4WAS main control unit error
C1908	CONTROL UNIT [ABNORMAL7]	An error is detected inside 4WAS main control unit.	4WAS main control unit error
C1922	CONTROL UNIT [ABNORMAL8]	An error is detected inside 4WAS main control unit.	4WAS main control unit error
C1925	AD CONVERTER	An error is detected inside 4WAS main control unit.	4WAS main control unit error
C1928	CONTROL UNIT [ABNORMAL9]	An error is detected inside 4WAS main control unit.	4WAS main control unit error

DTC CONFIRMATION PROCEDURE

1. RECHECK DTC

With CONSULT-III

1. Turn the ignition switch OFF to ON.
2. Perform 4WAS main control unit self-diagnosis.

Is any DTC "C1905", "C1908", "C1922", "C1925" or "C1928" detected?

- YES >> Proceed to diagnosis procedure. Refer to [STC-92, "Diagnosis Procedure"](#).
NO >> INSPECTION END

Diagnosis Procedure

INFOID:000000000958837

1. PERFORM SELF-DIAGNOSIS (4WAS MAIN CONTROL UNIT)

With CONSULT-III

Perform 4WAS main control unit self-diagnosis.

Is any DTC "C1905", "C1908", "C1922", "C1925" or "C1928" detected?

- YES >> Replace 4WAS main control unit. Refer to [STC-178, "Exploded View"](#).
NO >> GO TO 2.

2. CHECK INFORMATION

With CONSULT-III

Check the "DATA MONITOR" value of each DTC detected with the self-diagnosis function. Refer to [STC-155, "Reference Value"](#).

Is each data the standard value?

- YES >> Check each harness connector pin terminal for disconnection.
NO >> Replace 4WAS main control unit. Refer to [STC-178, "Exploded View"](#).

C1905, C1908, C1922, C1925, C1928 4WAS MAIN CONTROL UNIT

< COMPONENT DIAGNOSIS >

[WITH 4WAS]

Special Repair Requirement

INFOID:000000000958838

BEFORE REPLACING 4WAS MAIN CONTROL UNIT

- Record the self-diagnosis results (history).

CAUTION:

- Replace it without erasing the memory (history) of self-diagnosis results when replacing 4WAS main control unit after diagnosis.
- Erase the memory of the self-diagnosis results (record) after printing out or recording all the values of "DATA MONITOR" when erasing the memory of the self-diagnosis results (record).

A

B

C

D

E

F

STC

H

I

J

K

L

M

N

O

P

C1909 4WAS MAIN CONTROL UNIT

< COMPONENT DIAGNOSIS >

[WITH 4WAS]

C1909 4WAS MAIN CONTROL UNIT

Description

INFOID:000000000958839

- 4WAS rear actuator and the power steering solenoid valve is controlled by each sensor signal.
- The fail-safe functions stops the rear wheel angle (the front wheel is the steering wheel cutting angle) when the electric components and the mechanical components are malfunctioning.
- The protection function mode stops 4WAS system intermittently when the input signal does not input to 4WAS main control unit.
- 4WAS front control unit and 4WAS main control unit control the best control of 4WAS system by 4WAS communication line.

DTC Logic

INFOID:000000000958840

DTC DETECTION LOGIC

DTC	Items (CONSULT-III screen terms)	Diagnostic item is detected when...	Possible cause
C1909	CONTROL UNIT [ABNORMAL6]	An error is detected inside 4WAS main control unit.	4WAS main control unit

DTC CONFIRMATION PROCEDURE

1. RECHECK DTC

Ⓟ With CONSULT-III

1. Turn the ignition switch OFF to ON.
2. Perform 4WAS main control unit self-diagnosis.

Is DTC "C1909" detected?

- YES >> Proceed to diagnosis procedure. Refer to [STC-94, "Diagnosis Procedure"](#).
NO >> INSPECTION END

Diagnosis Procedure

INFOID:000000000958841

1. CHECK 4WAS MAIN CONTROL UNIT POWER SUPPLY

1. Turn the ignition switch OFF.
2. Disconnect 4WAS main control unit harness connector.
3. Check the voltage between 4WAS main control unit harness connector terminal and the ground.

4WAS main control unit		Voltage (Approx.)
Connector	Terminal	
B54	27 – Ground	0 V

4. Turn the ignition switch ON.
CAUTION:
Never start the engine.
5. Check the voltage between 4WAS main control unit harness connector terminal and the ground.

4WAS main control unit		Voltage (Approx.)
Connector	Terminal	
B54	27 – Ground	Battery voltage

Is the inspection result normal?

- YES >> GO TO 2.
NG >> Check the following items. Repair or replace the malfunctioning parts.
- 10A fuse (#45) open
 - Short among 10A fuse (#45) connector, 4WAS main control unit harness connector No. 27 terminal and the ground

C1909 4WAS MAIN CONTROL UNIT

[WITH 4WAS]

< COMPONENT DIAGNOSIS >

- Open between the ignition switch and 4WAS main control unit harness connector No. 27 terminal
- Ignition switch

2. CHECK 4WAS MAIN CONTROL UNIT GROUND

Check the continuity between 4WAS main control unit harness connector and the ground.

4WAS main control unit		Continuity
Connector	Terminal	
M204	34 – Ground	Existed

Is the inspection result normal?

YES >> GO TO 3.

NG >> Repair or replace the harnesses and connectors.

3. PERFORM SELF-DIAGNOSIS (4WAS MAIN CONTROL UNIT)

Ⓜ With CONSULT-III

1. Connect 4WAS main control unit harness connector.
2. Perform 4WAS main control unit self-diagnosis.

Is DTC "C1909" detected?

YES >> Replace 4WAS main control unit. Refer to [STC-178. "Exploded View"](#).

NO >> GO TO 4.

4. CHECK INFORMATION

Ⓜ With CONSULT-III

Check the "DATA MONITOR" value of each DTC detected with the self-diagnosis function. Refer to [STC-155. "Reference Value"](#).

Is each data the standard value?

YES >> Check each harness connector pin terminal for disconnection.

NO >> Replace 4WAS main control unit. Refer to [STC-178. "Exploded View"](#).

Special Repair Requirement

INFOID:000000000958842

BEFORE REPLACING 4WAS MAIN CONTROL UNIT

- Record the self-diagnosis results (history).

CAUTION:

- **Replace it without erasing the memory (history) of self-diagnosis results when replacing 4WAS main control unit after diagnosis.**
- **Erase the memory of the self-diagnosis results (record) after printing out or recording all the values of "DATA MONITOR" when erasing the memory of the self-diagnosis results (record).**

A
B
C
D
E
F
H
I
J
K
L
M
N
O
P

STC

C1911, C1912 4WAS REAR MOTOR POWER SUPPLY

< COMPONENT DIAGNOSIS >

[WITH 4WAS]

C1911, C1912 4WAS REAR MOTOR POWER SUPPLY

Description

INFOID:000000000958843

- The power supply for 4WAS rear motor.

DTC Logic

INFOID:000000000958844

DTC DETECTION LOGIC

DTC	Items (CONSULT-III screen terms)	Diagnostic item is detected when...	Possible cause
C1911	MOTOR VOLTAGE [LOW VOLTAGE]	4WAS rear motor voltage error is detected. (4WAS rear motor voltage is low.)	4WAS rear motor power supply error
C1912	MOTOR VOLTAGE [BAD OBSTRCT]	4WAS rear motor voltage error is detected. (Voltage is applied to 4WAS main motor when 4WAS main control unit output is "OFF".)	4WAS rear motor power supply error

DTC CONFIRMATION PROCEDURE

1. RECHECK DTC

1. Turn the ignition switch OFF to ON.
CAUTION:
Stop the vehicle. Wait 15 minutes or more.
2. Perform 4WAS main control unit self-diagnosis.

Is DTC "C1911" or "C1912" detected?

- YES >> Proceed to diagnosis procedure. Refer to [STC-96. "Diagnosis Procedure"](#).
NO >> INSPECTION END

Diagnosis Procedure

INFOID:000000000958845

1. CHECK 4WAS MAIN CONTROL UNIT POWER SUPPLY

1. Turn the ignition switch OFF.
2. Disconnect 4WAS main control unit harness connector.
3. Check the voltage between 4WAS main control unit harness connectors and the ground.

4WAS main control unit		Voltage (Approx.)
Connector	Terminal	
B54	27 – Ground	0 V

4. Turn the ignition switch ON.
CAUTION:
Never start the engine.
5. Check the voltage between 4WAS main control unit harness connectors and the ground.

4WAS main control unit		Voltage (Approx.)
Connector	Terminal	
B54	27 – Ground	Battery voltage

Is the inspection result normal?

- YES >> GO TO 2.
NO >> Check the following items. Repair or replace the malfunctioning parts.
- 10A fuse (#45) open
 - Short among 10A fuse (#45) connector, 4WAS main control unit harness connector No. 27 terminal and the ground
 - Open between the ignition switch and 4WAS main control unit harness connector No. 27 terminal

C1911, C1912 4WAS REAR MOTOR POWER SUPPLY

< COMPONENT DIAGNOSIS >

[WITH 4WAS]

- Ignition switch

2. CHECK 4WAS REAR MOTOR POWER SUPPLY CIRCUIT (1)

1. Turn the ignition switch OFF.
2. Remove 4WAS rear motor relay.
3. Check the continuity between 4WAS rear motor relay harness connector terminal and the ground.

4WAS rear motor relay		Continuity
Connector	Terminal	
B53	1 – Ground	Existed
	2 – Ground	Not existed

4. Check the continuity between 4WAS rear motor relay harness connector terminal and 4WAS main control unit harness connector terminal.

4WAS rear motor relay		4WAS main control unit		Continuity
Connector	Terminal	Connector	Terminal	
B53	2	B54	25	Existed

Is the inspection result normal?

YES >> GO TO 3.

NO >> Repair or replace the harnesses and connectors.

3. CHECK 4WAS REAR MOTOR POWER SUPPLY CIRCUIT (2)

Check the voltage between 4WAS rear motor relay harness connector terminal and the ground.

4WAS rear motor relay		Voltage (Approx.)
Connector	Terminal	
B53	3 – Ground	Battery voltage

Is the inspection result normal?

YES >> GO TO 4.

NO >> Check the following items. Repair or replace the malfunctioning parts.

- 20A fuse (#37) open
- Short among 20A fuse (#37) connector, 4WAS rear motor relay harness connector No. 3 terminal and the ground
- Open between the battery and 4WAS rear motor relay harness connector No. 3 terminal

4. CHECK 4WAS REAR MOTOR POWER SUPPLY CIRCUIT (3)

1. Remove the noise suppressor.
2. Check continuity between the noise suppressor harness connector terminal and the ground.

Noise suppressor		Continuity
Connector	Terminal	
B51	3 – Ground	Not existed
	5 – Ground	
B52	1 – Ground	Not existed
	2 – Ground	Existed

3. Check the continuity between the noise suppressor harness connector terminal and 4WAS rear motor relay harness connector terminal.

Noise suppressor		4WAS rear motor relay		Continuity
Connector	Terminal	Connector	Terminal	
B52	1	B53	5	Existed

A
B
C
D
E
F
H
I
J
K
L
M
N
O
P

STC

C1911, C1912 4WAS REAR MOTOR POWER SUPPLY

[WITH 4WAS]

< COMPONENT DIAGNOSIS >

4. Check the continuity between the noise suppressor harness connector terminal and 4WAS main control unit harness connector terminal.

Noise suppressor		4WAS main control unit		Continuity
Connector	Terminal	Connector	Terminal	
B51	3	B54	37	Existed
	5		40	Existed

Is the inspection result normal?

YES >> GO TO 5.

NO >> Repair or replace the harnesses and connectors.

5. CHECK 4WAS REAR MOTOR POWER SUPPLY CIRCUIT (4)

1. Connect 4WAS main control unit harness connector.
2. Turn the ignition switch ON.

CAUTION:

Never start the engine.

3. Check the voltage between 4WAS main control unit harness connectors and the ground.

4WAS main control unit		Voltage (Approx.)
Connector	Terminal	
B54	25 – Ground	Battery voltage

4. Turn the ignition switch OFF.

Is the inspection result normal?

YES >> GO TO 6.

NO >> Replace 4WAS main control unit. Refer to [STC-178, "Exploded View"](#).

6. CHECK 4WAS REAR MOTOR RELAY

1. Apply 12 V to 4WAS rear motor relay connector No. 1 terminal and No. 2 terminal.

CAUTION:

• **Never make the terminals short.**

• **Connect the fuse between the terminals when applying the voltage.**

2. Check the continuity between 4WAS rear motor relay connector terminals.

4WAS rear motor relay			Continuity
Connector	Terminal	Condition	
B53	3 – 5	Apply the voltage between No. 1 terminal and No. 2 terminal.	Existed
		Do not apply the voltage between No. 1 terminal and No. 2 terminal.	Not existed

3. Check the resistance between 4WAS rear motor relay connector terminals.

4WAS rear motor relay		Resistance (Approx.)
Connector	Terminal	
B53	1 – 2	50 Ω

Is the inspection result normal?

YES >> GO TO 7.

NO >> Replace 4WAS rear motor relay.

7. CHECK NOISE SUPPRESSOR

Check continuity between the noise suppressor connector terminals.

C1911, C1912 4WAS REAR MOTOR POWER SUPPLY

< COMPONENT DIAGNOSIS >

[WITH 4WAS]

Noise suppressor				Continuity
Connector	Terminal	Connector	Terminal	
B51	3	B52	1	Existed
B51	3	B51	5	Not existed
B51	3	B52	2	Not existed
B51	5	B52	2	Existed
B51	5	B52	1	Not existed

Is the inspection result normal?

- YES >> GO TO 8.
 NO >> Replace the noise suppressor.

8. CHECK 4WAS REAR MOTOR POWER SUPPLY

1. Install 4WAS rear motor relay.
2. Install the noise suppressor.
3. Turn the ignition switch ON.
CAUTION:
Never start the engine.
4. Check the voltage between 4WAS main control unit harness connectors and the ground.

4WAS main control unit		Voltage (Approx.)
Connector	Terminal	
B54	37 – Ground	Battery voltage

Is the inspection result normal?

- YES >> GO TO 9.
 NO >> Replace 4WAS main control unit. Refer to [STC-178. "Exploded View"](#).

9. PERFORM SELF-DIAGNOSIS (4WAS MAIN CONTROL UNIT)

With CONSULT-III

Perform 4WAS main control unit self-diagnosis.

Is DTC "C1911" or "C1912" detected?

- YES >> Replace 4WAS main control unit. Refer to [STC-178. "Exploded View"](#).
 NO >> GO TO 10.

10. CHECK INFORMATION

With CONSULT-III

Check the "DATA MONITOR" value of each DTC detected with the self-diagnosis function. Refer to [STC-155. "Reference Value"](#).

Is each data the standard value?

- YES >> Check each harness connector pin terminal for disconnection.
 NO >> Replace 4WAS main control unit. Refer to [STC-178. "Exploded View"](#).

Component Inspection (4WAS Rear Motor Relay)

INFOID:000000000958846

1. CHECK 4WAS REAR MOTOR RELAY

1. Turn the ignition switch OFF.
2. Remove 4WAS rear motor relay connector.
3. Apply 12 V to 4WAS rear motor relay connector No. 1 terminal and No. 2 terminal.
CAUTION:
 - Never make the terminals short.
 - Connect the fuse between the terminals when applying the voltage.
4. Check the continuity between 4WAS rear motor relay connector terminals.

C1911, C1912 4WAS REAR MOTOR POWER SUPPLY

< COMPONENT DIAGNOSIS >

[WITH 4WAS]

4WAS rear motor relay			Continuity
Connector	Terminal	Condition	
B53	3 – 5	Apply the voltage between No. 1 terminal and No. 2 terminal.	Existed
		Do not apply the voltage between No. 1 terminal and No. 2 terminal.	Not existed

5. Check the resistance between 4WAS rear motor relay connector terminals.

4WAS rear motor relay		Resistance (Approx.)
Connector	Terminal	
B53	1 – 2	50 Ω

Is the inspection result normal?

- YES >> INSPECTION END
 NO >> Replace 4WAS rear motor relay.

Component Inspection (Noise Suppressor)

INFOID:000000000958847

1. NOISE SUPPRESSOR INSPECTION

- Turn the ignition switch OFF.
- Remove the noise suppressor.
- Check continuity between the noise suppressor connector terminals.

Noise suppressor				Continuity
Connector	Terminal	Connector	Terminal	
B51	3	B52	1	Existed
B51	3	B51	5	Not existed
B51	3	B52	2	Not existed
B51	5	B52	2	Existed
B51	5	B52	1	Not existed

Is the inspection result normal?

- YES >> INSPECTION END
 NO >> Replace the noise suppressor.

Special Repair Requirement

INFOID:000000000958848

BEFORE REPLACING 4WAS MAIN CONTROL UNIT

- Record the self-diagnosis results (history).

CAUTION:

- Replace it without erasing the memory (history) of self-diagnosis results when replacing 4WAS main control unit after diagnosis.
- Erase the memory of the self-diagnosis results (record) after printing out or recording all the values of “DATA MONITOR” when erasing the memory of the self-diagnosis results (record).

C1914 REAR WHEEL STEERING ANGLE SENSOR

< COMPONENT DIAGNOSIS >

[WITH 4WAS]

C1914 REAR WHEEL STEERING ANGLE SENSOR

Description

INFOID:000000000958849

- It detects the steering angle condition of rear wheel.
- 2 systems (main and sub sensor) equip.

DTC Logic

INFOID:000000000958850

DTC DETECTION LOGIC

DTC	Items (CONSULT-III screen terms)	Diagnostic item is detected when...	Possible cause
C1914	RR ST ANGLE SENSOR [ABNORML VOL]	The rear wheel angle sensor power supply error is detected.	Rear wheel steering sensor power supply error

DTC CONFIRMATION PROCEDURE

1. RECHECK DTC

Ⓜ With CONSULT-III

1. Turn the ignition switch OFF to ON.
2. Perform 4WAS main control unit self-diagnosis.

Is DTC "C1914" detected?

- YES >> Proceed to diagnosis procedure. Refer to [STC-101. "Diagnosis Procedure"](#).
 NO >> INSPECTION END

Diagnosis Procedure

INFOID:000000000958851

1. CHECK REAR WHEEL STEERING ANGLE SENSOR POWER SUPPLY

1. Turn the ignition switch OFF.
2. Check the voltage between 4WAS main control unit harness connector terminal and the ground.

4WAS main control unit		Voltage (Approx.)
Connector	Terminal	
B54	5 – Ground	0 V

3. Turn the ignition switch ON.
CAUTION:
Never start the engine.
4. Check the voltage between 4WAS main control unit harness connector terminal and the ground.

4WAS main control unit		Value (Approx.)
Connector	Terminal	
B54	5 – Ground	5 V

Is the inspection result normal?

- YES >> GO TO 2.
 NO >> Replace 4WAS main control unit. Refer to [STC-178. "Exploded View"](#).

2. CHECK REAR WHEEL STEERING ANGLE SENSOR

1. Turn the ignition switch OFF.
2. Disconnect the rear wheel steering angle sensor harness connector.
3. Check the resistance between the rear wheel steering angle sensor connector terminals.

C1914 REAR WHEEL STEERING ANGLE SENSOR

[WITH 4WAS]

< COMPONENT DIAGNOSIS >

Rear wheel steering angle sensor		Resistance (Approx.)
Connector	Terminal	
B35	1 – 3	1 kΩ
	1 – 2	1.2 – 1.5 kΩ
	1 – 4	1.2 – 1.5 kΩ

Is the inspection result normal?

YES >> GO TO 3.

NO >> Replace 4WAS rear actuator. Refer to [STC-180, "Exploded View"](#).

3.CHECK REAR WHEEL STEERING ANGLE SENSOR POWER SUPPLY CIRCUIT

1. Disconnect 4WAS main control unit harness connector.
2. Check the continuity between 4WAS main control unit harness connector terminal and the rear wheel steering angle sensor harness connector terminal.

4WAS main control unit		Rear wheel steering angle sensor		Continuity
Connector	Terminal	Connector	Terminal	
B54	5	B35	1	Existed
B54	5	B35	3	Not existed
B54	15	B35	3	Existed
B54	15	B35	1	Not existed

Is the inspection result normal?

YES >> GO TO 4.

NO >> Repair or replace the harnesses and connectors.

4.PERFORM SELF-DIAGNOSIS (4WAS MAIN CONTROL UNIT)

With CONSULT-III

1. Connect 4WAS main control unit harness connector.
2. Connect the rear wheel steering angle sensor harness connector.
3. Perform 4WAS main control unit self-diagnosis.

Is DTC "C1914" detected?

YES >> Replace 4WAS main control unit. Refer to [STC-178, "Exploded View"](#).

NO >> GO TO 5.

5.CHECK INFORMATION

With CONSULT-III

Check the "DATA MONITOR" value of each DTC detected with the self-diagnosis function. Refer to [STC-155, "Reference Value"](#).

Is each data the standard value?

YES >> Check each harness connector pin terminal for disconnection.

NO >> Replace 4WAS main control unit. Refer to [STC-178, "Exploded View"](#).

Component Inspection

INFOID:000000000958852

1.CHECK REAR WHEEL STEERING ANGLE SENSOR

1. Turn the ignition switch OFF.
2. Disconnect rear wheel steering angle sensor harness connector.
3. Check the resistance between rear wheel steering angle sensor connector terminals.

C1914 REAR WHEEL STEERING ANGLE SENSOR

< COMPONENT DIAGNOSIS >

[WITH 4WAS]

Rear wheel steering angle sensor		Resistance (Approx.)
Connector	Terminal	
B35	1 – 3	1 kΩ
	1 – 2	1.2 – 1.5 kΩ
	1 – 4	1.2 – 1.5 kΩ

Is the inspection result normal?

YES >> INSPECTION END

NO >> Replace 4WAS rear actuator. Refer to [STC-180, "Exploded View"](#).

Special Repair Requirement

INFOID:000000000958853

BEFORE REPLACING 4WAS MAIN CONTROL UNIT

- Record the self-diagnosis results (history).

CAUTION:

- Replace it without erasing the memory (history) of self-diagnosis results when replacing 4WAS main control unit after diagnosis.
- Erase the memory of the self-diagnosis results (record) after printing out or recording all the values of "DATA MONITOR" when erasing the memory of the self-diagnosis results (record).

STC

A

B

C

D

E

F

H

I

J

K

L

M

N

O

P

C1915, C1916 REAR WHEEL STEERING ANGLE SENSOR

< COMPONENT DIAGNOSIS >

[WITH 4WAS]

C1915, C1916 REAR WHEEL STEERING ANGLE SENSOR

Description

INFOID:000000000958854

- It detects the steering angle condition of rear wheel.
- 2 systems (main and sub sensor) equip.

DTC Logic

INFOID:000000000958855

DTC DETECTION LOGIC

DTC	Items (CONSULT-III screen terms)	Diagnostic item is detected when...	Possible cause
C1915	RR ST ANGLE SENSOR [MAIN SIGNAL]	The rear wheel angle sensor signal (main) error is detected.	Rear wheel steering sensor output voltage error
C1916	RR ST ANGLE SENSOR [SUB SIGNAL]	If the rear wheel angle sensor signal (sub) error is detected.	Rear wheel steering sensor output voltage error

DTC CONFIRMATION PROCEDURE

1. RECHECK DTC

With CONSULT-III

1. Turn the ignition switch OFF to ON.
2. Perform 4WAS main control unit self-diagnosis.

Is DTC "C1915" or "C1916" detected?

- YES >> Proceed to diagnosis procedure. Refer to [STC-104, "Diagnosis Procedure"](#).
 NO >> INSPECTION END

Diagnosis Procedure

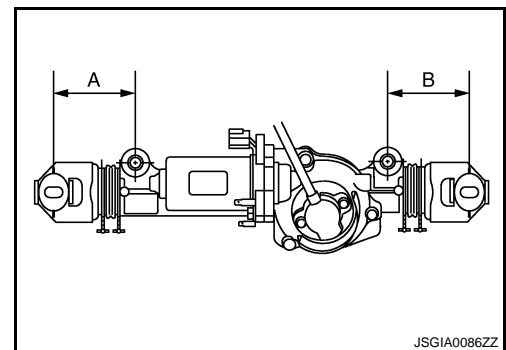
INFOID:000000000958856

1. CHECK 4WAS REAR ACTUATOR

1. Turn the ignition switch OFF.
2. Measure "A" and "B" of 4WAS rear actuator as shown in the figure.

Is the differential of "A" and "B" 5.8 mm (0.228 in) or less?

- YES >> GO TO 2.
 NO >> Replace 4WAS rear actuator. Refer to [STC-180, "Exploded View"](#).



2. CHECK REAR WHEEL STEERING ANGLE SENSOR (1)

With CONSULT-III

1. Start engine.
CAUTION:
Check that condition with the vehicle stopped.
2. Check DATA MONITOR "RR ST ANG-MAI" and "RR ST ANG-SUB" value of 4WAS main control unit.

Monitored item	Condition	Display value
RR ST ANG-MAI	Straight-ahead	Approx. 2.4 V
RR ST ANG-SUB	Straight-ahead	Approx. 2.4 V

Is the inspection result normal?

- YES >> GO TO 3.

C1915, C1916 REAR WHEEL STEERING ANGLE SENSOR

< COMPONENT DIAGNOSIS >

[WITH 4WAS]

NO >> Replace 4WAS rear actuator. Refer to [STC-180. "Exploded View"](#).

3. CHECK REAR WHEEL STEERING ANGLE SENSOR (2)

Check the voltage between 4WAS main control unit harness connector terminal and ground.

4WAS main control unit		Voltage (Approx.)
Connector	Terminal	
B54	4 – Ground	2.4 V
	7 – Ground	2.4 V

Is the differential between terminal voltage No. 4 and No.7 approximately 1 V or more?

YES >> Replace 4WAS main control unit. Refer to [STC-178. "Exploded View"](#).

NO >> GO TO 4.

4. CHECK REAR WHEEL STEERING ANGLE SENSOR (3)

1. Turn the ignition switch OFF.
2. Disconnect rear wheel steering angle sensor harness connector.
3. Check resistance between rear wheel steering angle sensor connector terminals.

Rear wheel steering angle sensor		Resistance (Approx.)
Connector	Terminal	
B35	1 – 3	1 kΩ
	1 – 2	1.2 – 1.5 kΩ
	1 – 4	1.2 – 1.5 kΩ

Is the inspection result normal?

YES >> GO TO 5.

NO >> Replace 4WAS rear actuator. Refer to [STC-180. "Exploded View"](#).

5. CHECK REAR WHEEL STEERING ANGLE SENSOR GROUND CIRCUIT

1. Disconnect 4WAS main control unit harness connector.
2. Check for continuity between 4WAS main control unit harness connector terminal and rear wheel steering angle sensor harness connector terminal.

4WAS main control unit		Rear wheel steering angle sensor		Continuity
Connector	Terminal	Connector	Terminal	
B54	4	B35	1, 2, 3	No existed
B54	4	B35	4	Existed
B54	7	B35	1, 3, 4	No existed
B54	7	B35	2	Existed
B54	5	B35	1	Existed
B54	5	B35	2, 3, 4	No existed
B54	15	B35	1, 2, 4	No existed
B54	15	B35	3	Existed

Is the inspection result normal?

YES >> GO TO 6.

NO >> Repair or replace each harness and connector.

6. PERFORM SELF-DIAGNOSIS (4WAS MAIN CONTROL UNIT)

 **With CONSULT-III**

1. Connect 4WAS main control unit harness connector.
2. Connect rear wheel steering angle sensor harness connector.
3. Perform 4WAS main control unit self-diagnosis.

C1915, C1916 REAR WHEEL STEERING ANGLE SENSOR

< COMPONENT DIAGNOSIS >

[WITH 4WAS]

Is DTC "C1915" or "C1916" detected?

- YES >> Replace 4WAS main control unit. Refer to [STC-178, "Exploded View"](#).
- NO >> GO TO 7.

7. CHECK INFORMATION

Ⓟ With CONSULT-III

Check the "DATA MONITOR" value of each DTC detected with the self-diagnosis function. Refer to [STC-155, "Reference Value"](#).

Is each data standard?

- YES >> Check pin terminal and connection of each harness connector for non-standard conditions.
- NO >> Replace 4WAS main control unit. Refer to [STC-178, "Exploded View"](#).

Component Inspection

INFOID:000000000958857

1. CHECK REAR WHEEL STEERING ANGLE SENSOR

1. Turn the ignition switch OFF.
2. Disconnect rear wheel steering angle sensor harness connector.
3. Check the resistance between rear wheel steering angle sensor connector terminals.

Rear wheel steering angle sensor		Resistance (Approx.)
Connector	Terminal	
B35	1 - 3	1 kΩ
	1 - 2	1.2 - 1.5 kΩ
	1 - 4	1.2 - 1.5 kΩ

Is the inspection result normal?

- YES >> INSPECTION END
- NO >> Replace 4WAS rear actuator. Refer to [STC-180, "Exploded View"](#).

Special Repair Requirement

INFOID:000000000958858

BEFORE REPLACING 4WAS MAIN CONTROL UNIT

- Record the self-diagnosis results (history).

CAUTION:

- Replace it without erasing the memory (history) of self-diagnosis results when replacing 4WAS main control unit after diagnosis.
- Erase the memory of the self-diagnosis results (record) after printing out or recording all the values of "DATA MONITOR" when erasing the memory of the self-diagnosis results (record).

C1917, C1918 REAR WHEEL STEERING ANGLE SENSOR

< COMPONENT DIAGNOSIS >

[WITH 4WAS]

C1917, C1918 REAR WHEEL STEERING ANGLE SENSOR

Description

INFOID:000000000958859

- It detects the steering angle condition of rear wheel.
- 2 systems (main and sub sensor) equip.

DTC Logic

INFOID:000000000958860

DTC DETECTION LOGIC

DTC	Items (CONSULT-III screen terms)	Diagnostic item is detected when...	Possible cause
C1917	RR ST ANGLE SENSOR [OFFSET SIG1]	The rear wheel angle sensor signal (main and sub) error is detected. (The output signal value differs temporarily between main and sub.)	Rear wheel steering sensor (main and sub) output signal value error signal
C1918	RR ST ANGLE SENSOR [OFFSET SIG2]	The rear wheel angle sensor signal (main and sub) error is detected. (The output signal value differs between main and sub.)	Rear wheel steering sensor (main and sub) output signal error

DTC CONFIRMATION PROCEDURE

STC

1. RECHECK DTC

④ With CONSULT-III

1. Start the engine.
CAUTION:
Stop the vehicle.
2. Perform the active test.
3. Perform 4WAS main control unit self-diagnosis.

Is DTC "C1917" or "C1918" detected?

- YES >> Proceed to diagnosis procedure. Refer to [STC-107. "Diagnosis Procedure"](#).
NO >> INSPECTION END

Diagnosis Procedure

INFOID:000000000958861

1. CHECK REAR WHEEL STEERING ANGLE SENSOR (1)

④ With CONSULT-III

1. Start engine.
CAUTION:
Check that condition with the vehicle stopped.
2. Check "RR ST ANG-MAI" and "RR ST ANG-SUB" item on "DATA MONITOR" of 4WAS main control unit.

Monitored item	Condition	Display value
RR ST ANG-MAI	Straight-ahead	Approx. 2.4 V
RR ST ANG-SUB	Straight-ahead	Approx. 2.4 V

Is the inspection result normal?

- YES >> GO TO 2.
NO >> Replace 4WAS rear actuator. Refer to [STC-180. "Exploded View"](#).

2. CHECK REAR WHEEL STEERING ANGLE SENSOR (2)

Check the voltage between 4WAS main control unit harness connector terminal and ground.

C1917, C1918 REAR WHEEL STEERING ANGLE SENSOR

< COMPONENT DIAGNOSIS >

[WITH 4WAS]

4WAS main control unit		Voltage (Approx.)
Connector	Terminal	
B54	4 – Ground	2.4 V
	7 – Ground	2.4 V

Is the differential between terminal voltage No. 4 and No.7 approximately 1 V or more?

- YES >> Replace 4WAS main control unit. Refer to [STC-178, "Exploded View"](#).
 NO >> GO TO 3.

3. CHECK REAR WHEEL STEERING ANGLE SENSOR (3)

1. Turn the ignition switch OFF.
2. Disconnect rear wheel steering angle sensor harness connector.
3. Check resistance between rear wheel steering angle sensor connector terminals.

Rear wheel steering angle sensor		Resistance (Approx.)
Connector	Terminal	
B35	1 – 3	1 kΩ
	1 – 2	1.2 – 1.5 kΩ
	1 – 4	1.2 – 1.5 kΩ

Is the inspection result normal?

- YES >> GO TO 4.
 NO >> Replace 4WAS rear actuator. Refer to [STC-180, "Exploded View"](#).

4. CHECK REAR WHEEL STEERING ANGLE SENSOR GROUND CIRCUIT

1. Disconnect 4WAS main control unit harness connector.
2. Check for continuity between 4WAS main control unit harness connector terminal and rear wheel steering angle sensor harness connector terminal.

4WAS main control unit		Rear wheel steering angle sensor		Continuity
Connector	Terminal	Connector	Terminal	
B54	4	B35	1, 2, 3	No existed
B54	4	B35	4	Existed
B54	7	B35	1, 3, 4	No existed
B54	7	B35	2	Existed
B54	5	B35	1	Existed
B54	5	B35	2, 3, 4	No existed
B54	15	B35	1, 2, 4	No existed
B54	15	B35	3	Existed

Is the inspection result normal?

- YES >> GO TO 5.
 NO >> Repair or replace each harness and connector.

5. RERFORM SELF-DIAGNOSIS (4WAS MAIN CONTROL UNIT)

Ⓟ With CONSULT-III

1. Connect 4WAS main control unit harness connector.
2. Connect rear wheel steering angle sensor harness connector.
3. Perform 4WAS main control unit self-diagnosis.

Is DTC "C1917" or "C1918" detected?

- YES >> Replace 4WAS main control unit. Refer to [STC-178, "Exploded View"](#).
 NO >> GO TO 6.

C1917, C1918 REAR WHEEL STEERING ANGLE SENSOR

< COMPONENT DIAGNOSIS >

[WITH 4WAS]

6. CHECK INFORMATION

With CONSULT-III

Check the "DATA MONITOR" value of each DTC detected with the self-diagnosis function. Refer to [STC-155](#), "Reference Value".

Is each data standard?

- YES >> Check pin terminal and connection of each harness connector for non-standard conditions.
NO >> Replace 4WAS main control unit. Refer to [STC-178](#), "Exploded View".

Component Inspection

INFOID:000000000958862

1. CHECK REAR WHEEL STEERING ANGLE SENSOR

1. Turn the ignition switch OFF.
2. Disconnect rear wheel steering angle sensor harness connector.
3. Check the resistance between rear wheel steering angle sensor connector terminals.

Rear wheel steering angle sensor		Resistance (Approx.)
Connector	Terminal	
B35	1 - 3	1 kΩ
	1 - 2	1.2 - 1.5 kΩ
	1 - 4	1.2 - 1.5 kΩ

Is the inspection result normal?

- YES >> INSPECTION END
NO >> Replace 4WAS rear actuator. Refer to [STC-180](#), "Exploded View".

Special Repair Requirement

INFOID:000000000958863

BEFORE REPLACING 4WAS MAIN CONTROL UNIT

- Record the self-diagnosis results (history).
CAUTION:
 - Replace it without erasing the memory (history) of self-diagnosis results when replacing 4WAS main control unit after diagnosis.
 - Erase the memory of the self-diagnosis results (record) after printing out or recording all the values of "DATA MONITOR" when erasing the memory of the self-diagnosis results (record).

C1919 VEHICLE SPEED SIGNAL

< COMPONENT DIAGNOSIS >

[WITH 4WAS]

C1919 VEHICLE SPEED SIGNAL

Description

INFOID:000000000958864

- The vehicle speed signal is transmitted from ABS actuator and electric unit (control unit) to 4WAS main control unit via CAN communication.

DTC Logic

INFOID:000000000958865

DTC DETECTION LOGIC

DTC	Items (CONSULT-III screen terms)	Diagnostic item is detected when...	Possible cause
C1919	VEHICLE SPEED SEN [NO SIGNAL]	Malfunction is detected in vehicle speed signal that is output from ABS actuator and electric unit (control unit) through CAN communication. (Improper signal inputs while driving.)	Vehicle speed signal error

DTC CONFIRMATION PROCEDURE

1. RECHECK DTC

Ⓟ With CONSULT-III

1. Turn the ignition switch OFF to ON.
2. Perform 4WAS main control unit self-diagnosis.

Is DTC "C1919" detected?

- YES >> Proceed to diagnosis procedure. Refer to [STC-110, "Diagnosis Procedure"](#).
NO >> INSPECTION END

Diagnosis Procedure

INFOID:000000000958866

1. PERFORM ABS ACTUATOR AND ELECTRIC UNIT (CONTROL UNIT) SELF-DIAGNOSIS

Ⓟ With CONSULT-III

Perform ABS actuator and electrical unit (control unit) self-diagnosis.

Is any error system detected?

- YES >> Check the error system.
NO >> GO TO 2.

2. PERFORM SELF-DIAGNOSIS (4WAS MAIN CONTROL UNIT)

Ⓟ With CONSULT-III

Perform 4WAS main control unit self-diagnosis.

Is DTC "U1000" or "U1010" detected?

- YES >> Check the error system.
NO >> GO TO 3.

3. PERFORM SELF-DIAGNOSIS (4WAS MAIN CONTROL UNIT)

Ⓟ With CONSULT-III

Perform 4WAS main control unit self-diagnosis.

Is DTC "C1919" detected?

- YES >> Replace 4WAS main control unit. Refer to [STC-178, "Exploded View"](#).
NO >> GO TO 4.

4. INFORMATION CHECK

Ⓟ With CONSULT-III

Check the "DATA MONITOR" value of each DTC detected with the self-diagnosis function. Refer to [STC-155, "Reference Value"](#).

Is each data the standard value?

C1919 VEHICLE SPEED SIGNAL

[WITH 4WAS]

< COMPONENT DIAGNOSIS >

- YES >> Check that there is no malfunction in each harness connector pin terminal or disconnection.
NO >> Replace 4WAS main control unit. Refer to [STC-178, "Exploded View"](#).

A

Special Repair Requirement

INFOID:000000000958867

BEFORE REPLACING 4WAS MAIN CONTROL UNIT

B

- Record the self-diagnosis results (history).

CAUTION:

- Replace it without erasing the memory (history) of self-diagnosis results when replacing 4WAS main control unit after diagnosis.
- Erase the memory of the self-diagnosis results (record) after printing out or recording all the values of "DATA MONITOR" when erasing the memory of the self-diagnosis results (record).

C

D

E

F

STC

H

I

J

K

L

M

N

O

P

C1920 STEERING ANGLE SEN

< COMPONENT DIAGNOSIS >

[WITH 4WAS]

C1920 STEERING ANGLE SEN

Description

INFOID:000000000958868

- Steering angle sensor signal is transmitted to 4WAS main control unit from 4WAS main control unit via CAN communication.

DTC Logic

INFOID:000000000958869

DTC DETECTION LOGIC

DTC	Items (CONSULT-III screen terms)	Diagnostic item is detected when...	Possible cause
C1920	STEERING ANGLE SEN [NO SIGNAL]	Malfunction is detected in steering angle sensor signal that is output from steering angle sensor with CAN communication. (No transmission from the steering angle sensor)	Steering angle sensor input signal error

DTC CONFIRMATION PROCEDURE

1. RECHECK DTC

Ⓟ With CONSULT-III

- Turn the ignition switch OFF to ON.
- Perform 4WAS main control unit self-diagnosis.

Is DTC "C1920" detected?

- YES >> Proceed to diagnosis procedure. Refer to [STC-112. "Diagnosis Procedure"](#).
NO >> INSPECTION END

Diagnosis Procedure

INFOID:000000000958870

1. PERFORM ABS ACTUATOR AND ELECTRIC UNIT (CONTROL UNIT) SELF-DIAGNOSIS

Ⓟ With CONSULT-III

Perform ABS actuator and electric unit (control unit) self-diagnosis.

Is any error system detected?

- YES >> Check the error system.
NO >> GO TO 2.

2. PERFORM SELF-DIAGNOSIS (4WAS MAIN CONTROL UNIT)

Ⓟ With CONSULT-III

Perform 4WAS main control unit self-diagnosis.

Is DTC "U1000" or "U1010" detected?

- YES >> Check the error system.
NO >> GO TO 3.

3. PERFORM SELF-DIAGNOSIS (4WAS MAIN CONTROL UNIT)

Ⓟ With CONSULT-III

Perform 4WAS main control unit self-diagnosis.

Is DTC "C1920" detected?

- YES >> Replace 4WAS main control unit. Refer to [STC-178. "Exploded View"](#).
NO >> GO TO 4.

4. INFORMATION CHECK

Ⓟ With CONSULT-III

Check the "DATA MONITOR" value of each DTC detected with the self-diagnosis function. Refer to [STC-155. "Reference Value"](#).

Is each data the standard value?

C1920 STEERING ANGLE SEN

[WITH 4WAS]

< COMPONENT DIAGNOSIS >

- YES >> Check that there is no malfunction in each harness connector pin terminal or disconnection.
NO >> Replace 4WAS main control unit. Refer to [STC-178, "Exploded View"](#).

Special Repair Requirement

INFOID:000000000958871

BEFORE REPLACING 4WAS MAIN CONTROL UNIT

- Record the self-diagnosis results (history).

CAUTION:

- Replace it without erasing the memory (history) of self-diagnosis results when replacing 4WAS main control unit after diagnosis.
- Erase the memory of the self-diagnosis results (record) after printing out or recording all the values of "DATA MONITOR" when erasing the memory of the self-diagnosis results (record).

AFTER REPLACING STEERING ANGLE SENSOR

1. PERFORM ACTIVE TEST (LOCK OPERATION)

With CONSULT-III

- Stop vehicle with front wheels in the straight-ahead position.
- Turn the ignition switch ON.

CAUTION:

Never start engine.

- Select "LOCK OPERATION" item on "ACTIVE" of 4WAS front control unit.
- Perform "RELEASE" of "ACTIVE TEST".

CAUTION:

- Turn steering wheel 90°, and then check that front tire does not move.
- Never turn steering wheel 1 turn or more while performing "RELEASE".

- Place steering wheel in neutral position.
- Perform "LOCK" item on "ACTIVE TEST" of 4WAS front control unit.
- Steer to 30° leftward slowly. Steer to 30° rightward and return the steering wheel to the straight-ahead position.
- Complete active test of 4WAS front control unit.

>> GO TO 2.

2. STEERING ANGLE SENSOR NEUTRA POSITION ADJUSTMENT

With CONSULT-III

- Adjust steering angle sensor neutral position. Refer to [BRC-8, "ADJUSTMENT OF STEERING ANGLE SENSOR NEUTRAL POSITION : Special Repair Requirement"](#).
- Turn the ignition switch OFF.

>> GO TO 3.

3. RETURN TO 4WAS FRONT ACTUATOR INITIAL POSITION

- Start engine.
CAUTION:
Check that condition with the vehicle stopped.
- Turn steering wheel to the left by 90° slowly, and then turn to the right by 90°.
- Again, turn steering wheel to the left by 90° slowly, and then turn to the right by 90° so that it faces straight ahead.
- Stop vehicle with front wheels in the straight-ahead position after driving vehicle for a short time. (Engine starting)

>> GO TO 4.

4. CHECK 4WAS FRONT ACTUATOR

With CONSULT-III

- Check "4WAS STR ANG" item on "DATA MONITOR" of 4WAS front control unit.

CAUTION:

Never touch steering wheel while performing.

4WAS STR ANG : -3.5 – 3.5deg

2. Turn the ignition switch OFF.

Is the inspection result normal?

YES >> GO TO 5.

NO >> GO TO 1.

5.PERFORM ACTIVE TEST (SLOW MODE)

Ⓟ **With CONSULT-III**

1. Start engine.

CAUTION:

Check that condition with the vehicle stopped.

2. Select "SLOW MODE" item on "ACTIVE TEST" of 4WAS front control unit.

3. Perform "MODE START" of "ACTIVE TEST".

4. Turn steering wheel to the left slowly until it stops.

5. Turn steering wheel to the right slowly until it stops.

Does "OK" display on both the left and right sides on "SLOW MODE" items of the monitor?

YES >> GO TO 6.

NO >> Refer to [STC-30, "4WAS FRONT ACTUATOR NEUTRAL POSITION ADJUSTMENT : Special Repair Requirement \(Pattern 4\)"](#).

6.PERFORM SELF-DIAGNOSIS (4WAS FRONT CONTROL UNIT)

Ⓟ **With CONSULT-III**

Perform 4WAS front control unit self-diagnosis.

Is malfunction detected?

YES >> Check malfunctioning circuit.

NO >> GO TO 7.

7.ERASE ERROR RECORD

Ⓟ **With CONSULT-III**

Erase memories of self-diagnosis results for 4WAS front control unit and 4WAS main control unit.

>> END

C1921 ENGINE SPEED SIGNAL

< COMPONENT DIAGNOSIS >

[WITH 4WAS]

C1921 ENGINE SPEED SIGNAL

Description

INFOID:000000000958872

- The engine speed signal is transmitted to 4WAS main control unit via CAN communication.

DTC Logic

INFOID:000000000958873

DTC DETECTION LOGIC

DTC	Items (CONSULT-III screen terms)	Diagnostic item is detected when...	Possible cause
C1921	ENG REV SIGNAL	Malfunction is detected in engine speed signal that is output from ECM with CAN communication. (Improper signal is input engine speed.)	Engine speed signal error

DTC CONFIRMATION PROCEDURE

1. RECHECK DTC

With CONSULT-III

1. Turn the ignition switch OFF to ON.
2. Perform 4WAS main control unit self-diagnosis.

Is DTC "C1921" detected?

- YES >> Proceed to diagnosis procedure. Refer to [STC-115, "Diagnosis Procedure"](#).
- NO >> INSPECTION END

Diagnosis Procedure

INFOID:000000000958874

1. PERFORM ECM SELF-DIAGNOSIS

With CONSULT-III

Perform ECM self-diagnosis.

Is any error system detected?

- YES >> Check the error system.
- NO >> GO TO 2.

2. PERFORM SELF-DIAGNOSIS (4WAS MAIN CONTROL UNIT)

With CONSULT-III

Perform 4WAS main control unit self-diagnosis.

Is DTC "U1000" or "U1010" detected?

- YES >> Check the error system.
- NO >> GO TO 3.

3. PERFORM SELF-DIAGNOSIS (4WAS MAIN CONTROL UNIT)

With CONSULT-III

Perform 4WAS main control unit self-diagnosis.

Is DTC "C1921" detected?

- YES >> Replace 4WAS main control unit. Refer to [STC-178, "Exploded View"](#).
- NO >> GO TO 4.

4. INFORMATION CHECK

With CONSULT-III

Check the "DATA MONITOR" value of each DTC detected with the self-diagnosis function. Refer to [STC-155, "Reference Value"](#).

Is each data the standard value?

- YES >> Check that there is no malfunction in each harness connector pin terminal or disconnection.
- NO >> Replace 4WAS main control unit. Refer to [STC-178, "Exploded View"](#).

Special Repair Requirement

INFOID:000000000958875

BEFORE REPLACING 4WAS MAIN CONTROL UNIT

- Record the self-diagnosis results (history).

CAUTION:

- **Replace it without erasing the memory (history) of self-diagnosis results when replacing 4WAS main control unit after diagnosis.**
- **Erase the memory of the self-diagnosis results (record) after printing out or recording all the values of "DATA MONITOR" when erasing the memory of the self-diagnosis results (record).**

C1923 STEERING ANGLE SEN

< COMPONENT DIAGNOSIS >

[WITH 4WAS]

C1923 STEERING ANGLE SEN

Description

INFOID:000000000958876

- Steering angle sensor signal is transmitted to 4WAS main control unit from 4WAS main control unit via CAN communication.

DTC Logic

INFOID:000000000958877

DTC DETECTION LOGIC

DTC	Items (CONSULT-III screen terms)	Diagnostic item is detected when...	Possible cause
C1923	STEERING ANGLE SEN [NO CHANGE]	Malfunction is detected in steering angle sensor signal that is output from steering angle sensor with CAN communication. [Steering angle sensor input signal error is detected when driving at 60 km/h (37MPH) or more.]	Steering angle sensor input signal error

DTC CONFIRMATION PROCEDURE

1. RECHECK DTC

With CONSULT-III

- Drive at 60 km/h (38MPH) or more for 3 minutes or more.
- Perform 4WAS main control unit self-diagnosis.

Is DTC "C1923" detected?

- YES >> Proceed to diagnosis procedure. Refer to [STC-117. "Diagnosis Procedure"](#).
NO >> INSPECTION END

Diagnosis Procedure

INFOID:000000000958878

1. PERFORM ABS ACTUATOR AND ELECTRIC UNIT (CONTROL UNIT) SELF-DIAGNOSIS

With CONSULT-III

Perform ABS actuator and electric unit (control unit) self-diagnosis.

Is any error system detected?

- YES >> Check the error system.
NO >> GO TO 2.

2. PERFORM SELF-DIAGNOSIS (4WAS MAIN CONTROL UNIT)

With CONSULT-III

Perform 4WAS main control unit self-diagnosis.

Is DTC "U1000" or "U1010" detected?

- YES >> Check the error system.
NO >> GO TO 3.

3. PERFORM SELF-DIAGNOSIS (4WAS MAIN CONTROL UNIT)

With CONSULT-III

Perform 4WAS main control unit self-diagnosis.

Is DTC "C1923" detected?

- YES >> Replace 4WAS main control unit. Refer to [STC-178. "Exploded View"](#).
NO >> GO TO 4.

4. INFORMATION CHECK

With CONSULT-III

Check the "DATA MONITOR" value of each DTC detected with the self-diagnosis function. Refer to [STC-155. "Reference Value"](#).

Is each data the standard value?

A
B
C
D
E
F

STC

H
I
J
K
L
M
N
O
P

C1923 STEERING ANGLE SEN

< COMPONENT DIAGNOSIS >

[WITH 4WAS]

- YES >> Check that there is no malfunction in each harness connector pin terminal or disconnection.
NO >> Replace 4WAS main control unit. Refer to [STC-178, "Exploded View"](#).

Special Repair Requirement

INFOID:000000000958879

BEFORE REPLACING 4WAS MAIN CONTROL UNIT

- Record the self-diagnosis results (history).

CAUTION:

- Replace it without erasing the memory (history) of self-diagnosis results when replacing 4WAS main control unit after diagnosis.
- Erase the memory of the self-diagnosis results (record) after printing out or recording all the values of "DATA MONITOR" when erasing the memory of the self-diagnosis results (record).

AFTER REPLACING STEERING ANGLE SENSOR

1. PERFORM ACTIVE TEST (LOCK OPERATION)

 With CONSULT-III

- Stop vehicle with front wheels in the straight-ahead position.
- Turn the ignition switch ON.
CAUTION:
Never start engine.
- Select "LOCK OPERATION" item on "ACTIVE" of 4WAS front control unit.
- Perform "RELEASE" of "ACTIVE TEST".
CAUTION:
 - Turn steering wheel 90°, and then check that front tire does not move.
 - Never turn steering wheel 1 turn or more while performing "RELEASE".
- Place steering wheel in neutral position.
- Perform "LOCK" item on "ACTIVE TEST" of 4WAS front control unit.
- Steer to 30° leftward slowly. Steer to 30° rightward and return the steering wheel to the straight-ahead position.
- Complete active test of 4WAS front control unit.

>> GO TO 2.

2. STEERING ANGLE SENSOR NEUTRA POSITION ADJUSTMENT

 With CONSULT-III

- Adjust steering angle sensor neutral position. Refer to [BRC-8, "ADJUSTMENT OF STEERING ANGLE SENSOR NEUTRAL POSITION : Special Repair Requirement"](#).
- Turn the ignition switch OFF.

>> GO TO 3.

3. RETURN TO 4WAS FRONT ACTUATOR INITIAL POSITION

- Start engine.
CAUTION:
Check that condition with the vehicle stopped.
- Turn steering wheel to the left by 90° slowly, and then turn to the right by 90°.
- Again, turn steering wheel to the left by 90° slowly, and then turn to the right by 90° so that it faces straight ahead.
- Stop vehicle with front wheels in the straight-ahead position after driving vehicle for a short time. (Engine starting)

>> GO TO 4.

4. CHECK 4WAS FRONT ACTUATOR

 With CONSULT-III

- Check "4WAS STR ANG" item on "DATA MONITOR" of 4WAS front control unit.
CAUTION:
Never touch steering wheel while performing.

C1923 STEERING ANGLE SEN

< COMPONENT DIAGNOSIS >

[WITH 4WAS]

4WAS STR ANG : -3.5 – 3.5deg

2. Turn the ignition switch OFF.

Is the inspection result normal?

YES >> GO TO 5.

NO >> GO TO 1.

5.PERFORM ACTIVE TEST (SLOW MODE)

Ⓜ **With CONSULT-III**

1. Start engine.

CAUTION:

Check that condition with the vehicle stopped.

2. Select "SLOW MODE" item on "ACTIVE TEST" of 4WAS front control unit.

3. Perform "MODE START" of "ACTIVE TEST".

4. Turn steering wheel to the left slowly until it stops.

5. Turn steering wheel to the right slowly until it stops.

Does "OK" display on both the left and right sides on "SLOW MODE" items of the monitor?

YES >> GO TO 6.

NO >> Refer to [STC-30, "4WAS FRONT ACTUATOR NEUTRAL POSITION ADJUSTMENT : Special Repair Requirement \(Pattern 4\)".](#)

6.PERFORM SELF-DIAGNOSIS (4WAS FRONT CONTROL UNIT)

Ⓜ **With CONSULT-III**

Perform 4WAS front control unit self-diagnosis.

Is malfunction detected?

YES >> Check malfunctioning circuit.

NO >> GO TO 7.

7.ERASE ERROR RECORD

Ⓜ **With CONSULT-III**

Erase memories of self-diagnosis results for 4WAS front control unit and 4WAS main control unit.

>> END

A

B

C

D

E

F

STC

H

I

J

K

L

M

N

O

P

C1924 STEERING ANGLE SEN

< COMPONENT DIAGNOSIS >

[WITH 4WAS]

C1924 STEERING ANGLE SEN

Description

INFOID:000000000958880

- Steering angle sensor signal is transmitted to 4WAS main control unit from 4WAS main control unit via CAN communication.

DTC Logic

INFOID:000000000958881

DTC DETECTION LOGIC

DTC	Items (CONSULT-III screen terms)	Diagnostic item is detected when...	Possible cause
C1924	STEERING ANGLE SEN [NO NEUT STATE]	Driving continuously at 10 km (6 mile) or more while the steering angle sensor value is not L10° - R10°. (Not detected in 4WAS front control unit fail-safe mode)	Steering angle sensor input signal error

DTC CONFIRMATION PROCEDURE

1. RECHECK DTC

④ With CONSULT-III

- Drive continuously for 10 km (6 mile) or more.
- Perform 4WAS main control unit self-diagnosis.

Is DTC "C1924" detected?

- YES >> Proceed to diagnosis procedure. Refer to [STC-120, "Diagnosis Procedure"](#).
NO >> INSPECTION END

Diagnosis Procedure

INFOID:000000000958882

1. CHECK DRIVING

Drive for a short time.

Does the vehicle drive with front wheels in the straight-ahead position?

- YES >> GO TO 2.
NO >> Adjust the wheel alignment. Refer to [RSU-6, "Wheel Alignment Inspection"](#).

2. PERFORM SELF-DIAGNOSIS OF ABS ACTUATOR AND ELECTRIC UNIT (CONTROL UNIT)

④ With CONSULT-III

Perform ABS actuator and electric unit (control unit) self-diagnosis.

Is malfunction detected?

- YES >> Check malfunctioning circuit.
NO >> GO TO 3.

3. PERFORM SELF-DIAGNOSIS (4WAS MAIN CONTROL UNIT)

④ With CONSULT-III

Perform 4WAS main control unit self-diagnosis.

Is DTC "U1000" or "U1010" detected?

- YES >> Check malfunctioning circuit.
NO >> GO TO 4.

4. PERFORM SELF-DIAGNOSIS (4WAS MAIN CONTROL UNIT)

④ With CONSULT-III

Perform 4WAS main control unit self-diagnosis.

Is DTC "C1924" detected?

- YES >> Replace 4WAS main control unit. Refer to [STC-178, "Exploded View"](#).
NO >> GO TO 5.

5. CHECK INFORMATION**④ With CONSULT-III**

Check the "DATA MONITOR" value of each DTC detected with the self-diagnosis function. Refer to [STC-155](#), "Reference Value".

Is each data standard?

- YES >> Check pin terminal and connection of each harness connector for non-standard conditions.
 NO >> Replace 4WAS main control unit. Refer to [STC-178](#), "Exploded View".

Special Repair Requirement

INFOID:000000000958883

BEFORE REPLACING 4WAS MAIN CONTROL UNIT

- Record the self-diagnosis results (history).

CAUTION:

- Replace it without erasing the memory (history) of self-diagnosis results when replacing 4WAS main control unit after diagnosis.
- Erase the memory of the self-diagnosis results (record) after printing out or recording all the values of "DATA MONITOR" when erasing the memory of the self-diagnosis results (record).

AFTER REPLACING STEERING ANGLE SENSOR**1. PERFORM ACTIVE TEST (LOCK OPERATION)****④ With CONSULT-III**

- Stop vehicle with front wheels in the straight-ahead position.
- Turn the ignition switch ON.

CAUTION:

Never start engine.

- Select "LOCK OPERATION" item on "ACTIVE" of 4WAS front control unit.
- Perform "RELEASE" of "ACTIVE TEST".

CAUTION:

- Turn steering wheel 90°, and then check that front tire does not move.
- Never turn steering wheel 1 turn or more while performing "RELEASE".

- Place steering wheel in neutral position.
- Perform "LOCK" item on "ACTIVE TEST" of 4WAS front control unit.
- Steer to 30° leftward slowly. Steer to 30° rightward and return the steering wheel to the straight-ahead position.
- Complete active test of 4WAS front control unit.

>> GO TO 2.

2. STEERING ANGLE SENSOR NEUTRA POSITION ADJUSTMENT**④ With CONSULT-III**

- Adjust steering angle sensor neutral position. Refer to [BRC-8](#), "ADJUSTMENT OF STEERING ANGLE SENSOR NEUTRAL POSITION : Special Repair Requirement".
- Turn the ignition switch OFF.

>> GO TO 3.

3. RETURN TO 4WAS FRONT ACTUATOR INITIAL POSITION

- Start engine.

CAUTION:

Check that condition with the vehicle stopped.

- Turn steering wheel to the left by 90° slowly, and then turn to the right by 90°.
- Again, turn steering wheel to the left by 90° slowly, and then turn to the right by 90° so that it faces straight ahead.
- Stop vehicle with front wheels in the straight-ahead position after driving vehicle for a short time. (Engine starting)

>> GO TO 4.

C1924 STEERING ANGLE SEN

< COMPONENT DIAGNOSIS >

[WITH 4WAS]

4. CHECK 4WAS FRONT ACTUATOR

④ With CONSULT-III

1. Check "4WAS STR ANG" item on "DATA MONITOR" of 4WAS front control unit.

CAUTION:

Never touch steering wheel while performing.

4WAS STR ANG : -3.5 – 3.5deg

2. Turn the ignition switch OFF.

Is the inspection result normal?

YES >> GO TO 5.

NO >> GO TO 1.

5. PERFORM ACTIVE TEST (SLOW MODE)

④ With CONSULT-III

1. Start engine.

CAUTION:

Check that condition with the vehicle stopped.

2. Select "SLOW MODE" item on "ACTIVE TEST" of 4WAS front control unit.
3. Perform "MODE START" of "ACTIVE TEST".
4. Turn steering wheel to the left slowly until it stops.
5. Turn steering wheel to the right slowly until it stops.

Does "OK" display on both the left and right sides on "SLOW MODE" items of the monitor?

YES >> GO TO 6.

NO >> Refer to [STC-30, "4WAS FRONT ACTUATOR NEUTRAL POSITION ADJUSTMENT : Special Repair Requirement \(Pattern 4\)".](#)

6. PERFORM SELF-DIAGNOSIS (4WAS FRONT CONTROL UNIT)

④ With CONSULT-III

Perform 4WAS front control unit self-diagnosis.

Is malfunction detected?

YES >> Check malfunctioning circuit.

NO >> GO TO 7.

7. ERASE ERROR RECORD

④ With CONSULT-III

Erase memories of self-diagnosis results for 4WAS front control unit and 4WAS main control unit.

>> END

C1926, C1932 STEERING ANGLE SENSOR

< COMPONENT DIAGNOSIS >

[WITH 4WAS]

C1926, C1932 STEERING ANGLE SENSOR

Description

INFOID:000000000958884

- Steering angle sensor signal is transmitted to 4WAS main control unit from 4WAS main control unit via CAN communication.

DTC Logic

INFOID:000000000958885

DTC DETECTION LOGIC

DTC	Items (CONSULT-III screen terms)	Diagnostic item is detected when...	Possible cause
C1926	STEERING ANGLE SEN	Malfunction is detected in steering angle sensor signal that is output from steering angle sensor with CAN communication. (When improper signal inputs to steering angle sensor and steering angle sensor itself detects the malfunction)	Steering angle sensor error
C1932	STEERING ANGLE SEN	The steering angle sensor error is detected. (steering angle sensor output value is abnormal.)	Steering angle sensor input signal error

DTC CONFIRMATION PROCEDURE

1. RECHECK DTC

With CONSULT-III

- Start the engine.

CAUTION:

Stop the vehicle.

- Turn the steering wheel leftward slowly. Steer until the turning stops.
- Turn the steering wheel rightward slowly. Steer to the straight-forward position.
- Perform 4WAS main control unit self-diagnosis.

Is DTC "C1926" or "C1932" detected?

YES >> Proceed to diagnosis procedure. Refer to [STC-123. "Diagnosis Procedure"](#).

NO >> INSPECTION END

Diagnosis Procedure

INFOID:000000000958886

1. PERFORM ABS ACTUATOR AND ELECTRIC UNIT (CONTROL UNIT) SELF-DIAGNOSIS

With CONSULT-III

Perform ABS actuator and electrical unit (control unit) self-diagnosis.

Is any error system detected?

YES >> Check the error system.

NO >> GO TO 2.

2. PERFORM SELF-DIAGNOSIS (4WAS MAIN CONTROL UNIT)

With CONSULT-III

Perform 4WAS main control unit self-diagnosis

Is DTC "U1000" or "U1010" detected?

YES >> Check the error system.

NO >> GO TO 3.

3. PERFORM SELF-DIAGNOSIS (4WAS MAIN CONTROL UNIT)

With CONSULT-III

Perform 4WAS main control unit self-diagnosis

Is DTC "C1926" or "C1932" detected?

C1926 >> Replace 4WAS main control unit. Refer to [STC-178. "Exploded View"](#).

C1926, C1932 STEERING ANGLE SENSOR

[WITH 4WAS]

< COMPONENT DIAGNOSIS >

C1932 >> Replace steering angle sensor. Refer to [BRC-105. "Exploded View"](#).

NO >> GO TO 4.

4. INFORMATION CHECK

With CONSULT-III

Check the "DATA MONITOR" value of each DTC detected with the self-diagnosis function. Refer to [STC-155. "Reference Value"](#).

Is each data the standard value?

YES >> Check that there is no malfunction in each harness connector pin terminal or disconnection.

NO >> Replace 4WAS main control unit. Refer to [STC-178. "Exploded View"](#).

Special Repair Requirement

INFOID:000000000958887

BEFORE REPLACING 4WAS MAIN CONTROL UNIT

- Record the self-diagnosis results (history).

CAUTION:

- Replace it without erasing the memory (history) of self-diagnosis results when replacing 4WAS main control unit after diagnosis.
- Erase the memory of the self-diagnosis results (record) after printing out or recording all the values of "DATA MONITOR" when erasing the memory of the self-diagnosis results (record).

AFTER REPLACING STEERING ANGLE SENSOR

1. PERFORM ACTIVE TEST (LOCK OPERATION)

With CONSULT-III

- Stop vehicle with front wheels in the straight-ahead position.
- Turn the ignition switch ON.

CAUTION:

Never start engine.

- Select "LOCK OPERATION" item on "ACTIVE" of 4WAS front control unit.
 - Perform "RELEASE" of "ACTIVE TEST".
- #### CAUTION:
- Turn steering wheel 90°, and then check that front tire does not move.
 - Never turn steering wheel 1 turn or more while performing "RELEASE".
- Place steering wheel in neutral position.
 - Perform "LOCK" item on "ACTIVE TEST" of 4WAS front control unit.
 - Steer to 30° leftward slowly. Steer to 30° rightward and return the steering wheel to the straight-ahead position.
 - Complete active test of 4WAS front control unit.

>> GO TO 2.

2. STEERING ANGLE SENSOR NEUTRA POSITION ADJUSTMENT

With CONSULT-III

- Adjust steering angle sensor neutral position. Refer to [BRC-8. "ADJUSTMENT OF STEERING ANGLE SENSOR NEUTRAL POSITION : Special Repair Requirement"](#).
- Turn the ignition switch OFF.

>> GO TO 3.

3. RETURN TO 4WAS FRONT ACTUATOR INITIAL POSITION

- Start engine.

CAUTION:

Check that condition with the vehicle stopped.

- Turn steering wheel to the left by 90° slowly, and then turn to the right by 90°.
- Again, turn steering wheel to the left by 90° slowly, and then turn to the right by 90° so that it faces straight ahead.
- Stop vehicle with front wheels in the straight-ahead position after driving vehicle for a short time. (Engine starting)

C1926, C1932 STEERING ANGLE SENSOR

< COMPONENT DIAGNOSIS >

[WITH 4WAS]

>> GO TO 4.

4. CHECK 4WAS FRONT ACTUATOR

④ With CONSULT-III

1. Check "4WAS STR ANG" item on "DATA MONITOR" of 4WAS front control unit.

CAUTION:

Never touch steering wheel while performing.

4WAS STR ANG : -3.5 – 3.5deg

2. Turn the ignition switch OFF.

Is the inspection result normal?

YES >> GO TO 5.

NO >> GO TO 1.

5. PERFORM ACTIVE TEST (SLOW MODE)

④ With CONSULT-III

1. Start engine.

CAUTION:

Check that condition with the vehicle stopped.

2. Select "SLOW MODE" item on "ACTIVE TEST" of 4WAS front control unit.
3. Perform "MODE START" of "ACTIVE TEST".
4. Turn steering wheel to the left slowly until it stops.
5. Turn steering wheel to the right slowly until it stops.

Does "OK" display on both the left and right sides on "SLOW MODE" items of the monitor?

YES >> GO TO 6.

NO >> Refer to [STC-30. "4WAS FRONT ACTUATOR NEUTRAL POSITION ADJUSTMENT : Special Repair Requirement \(Pattern 4\)".](#)

6. PERFORM SELF-DIAGNOSIS (4WAS FRONT CONTROL UNIT)

④ With CONSULT-III

Perform 4WAS front control unit self-diagnosis.

Is malfunction detected?

YES >> Check malfunctioning circuit.

NO >> GO TO 7.

7. ERASE ERROR RECORD

④ With CONSULT-III

Erase memories of self-diagnosis results for 4WAS front control unit and 4WAS main control unit.

>> END

A
B
C
D
E
F
H
I
J
K
L
M
N
O
P

STC

C1930 4WAS FRONT CONTROL UNIT

< COMPONENT DIAGNOSIS >

[WITH 4WAS]

C1930 4WAS FRONT CONTROL UNIT

Description

INFOID:000000000958888

- It transmits the value calculated by 4WAS main control unit to 4WAS front control unit with 4WAS communication line (line for 4WAS system only). 4WAS front control unit controls 4WAS front actuator according to the received command value.

DTC Logic

INFOID:000000000958889

DTC DETECTION LOGIC

DTC	Items (CONSULT-III screen terms)	Diagnostic item is detected when...	Possible cause
C1930	4WAS FRONT ECU	An error is detected on 4WAS front control unit side. (4WAS front control unit fail-safe mode)	4WAS front control unit fail-safe mode

DTC CONFIRMATION PROCEDURE

1. RECHECK DTC

With CONSULT-III

1. Turn the ignition switch OFF to ON.
2. Perform 4WAS main control unit self-diagnosis.

Is DTC "C1930" detected?

- YES >> Proceed to diagnosis procedure. Refer to [STC-126. "Diagnosis Procedure"](#).
NO >> INSPECTION END

Diagnosis Procedure

INFOID:000000000958890

1. PERFORM SELF-DIAGNOSIS (4WAS MAIN CONTROL UNIT)

With CONSULT-III

Perform 4WAS main control unit self-diagnosis.

Is any DTC other than "C1930" detected?

- YES >> Check the error system.
NO >> Perform 4WAS front control unit self-diagnosis.

C1931 4WAS FRONT CONTROL UNIT COMMUNICATION

< COMPONENT DIAGNOSIS >

[WITH 4WAS]

C1931 4WAS FRONT CONTROL UNIT COMMUNICATION

Description

INFOID:000000000958891

- 4WAS front control unit and 4WAS main control unit transmit/receive information to/from each other for optimum control of the 4WAS system with the specified 4WAS system line (4WAS communication line) between 4WAS front control unit and 4WAS main control unit.
- Be careful to repair wirings because 4WAS system specified line adopt a twisted wire. Refer to [STC-176, "Precautions for Harness Repair"](#).

DTC Logic

INFOID:000000000958892

DTC DETECTION LOGIC

DTC	Items (CONSULT-III screen terms)	Diagnostic item is detected when...	Possible cause
C1931	4WAS FRONT ECU COMM	4WAS communication line* data communication error is detected. (An error signal is detected from 4WAS front control unit.)	4WAS communication line*/4WAS front control unit/4WAS main control unit error

*: Communication line between 4WAS front control unit and 4WAS main control unit.

DTC CONFIRMATION PROCEDURE

1. RECHECK DTC

With CONSULT-III

1. Turn the ignition switch OFF to ON.
2. Perform 4WAS main control unit self-diagnosis.

Is DTC "C1931" detected?

- YES >> Proceed to diagnosis procedure. Refer to [STC-127, "Diagnosis Procedure"](#).
NO >> INSPECTION END

Diagnosis Procedure

INFOID:000000000958893

1. CHECK COMMUNICATION LINE (1)

1. Turn the ignition switch OFF.
2. Disconnect ABS actuator and electric unit (control unit) harness connector.
3. Disconnect yaw rate/side G sensor harness connector.
4. Disconnect 4WAS front control unit harness connector.
5. Disconnect 4WAS main control unit harness connector.
6. Check the continuity between ABS actuator and electric unit (control unit) harness connector and yaw rate/side G sensor harness connector.

ABS actuator and electric unit (control unit)		Yaw rate/side G sensor.		Continuity
Connector	Terminal	Connector	Terminal	
E41	25	M143	2	Existed
	45		3	

Is the inspection result normal?

- YES >> GO TO 2.
NO >> Repair or replace the harnesses and connectors. Refer to [STC-176, "Precautions for Harness Repair"](#).

2. CHECK COMMUNICATION LINE (2)

Check the continuity between ABS actuator and electric unit (control unit) harness connector and the ground.

A
B
C
D
E
F
H
I
J
K
L
M
N
O
P

STC

C1931 4WAS FRONT CONTROL UNIT COMMUNICATION

< COMPONENT DIAGNOSIS >

[WITH 4WAS]

ABS actuator and electric unit (control unit)		Continuity
Connector	Terminal	
E41	25 – Ground	Not existed
	45 – Ground	

Is the inspection result normal?

YES >> GO TO 3.

NO >> Repair or replace the harnesses and connectors. Refer to [STC-176. "Precautions for Harness Repair"](#).

3. CHECK COMMUNICATION LINE (3)

Check the continuity between ABS actuator and electric unit (control unit) harness connector.

ABS actuator and electric unit (control unit)		Continuity
Connector	Terminal	
E41	25 – 45	Not existed

Is the inspection result normal?

YES >> GO TO 4.

NO >> Repair or replace the harnesses and connectors. Refer to [STC-176. "Precautions for Harness Repair"](#).

4. CHECK ABS ACTUATOR AND ELECTRIC UNIT (CONTROL UNIT)

Check the continuity between ABS actuator and electric unit (control unit) connector. Refer to [STC-84. "Component Inspection \[ABS Actuator and Electric Unit \(Control Unit\)\]"](#).

Is the inspection result normal?

YES >> GO TO 5.

NO >> Replace ABS actuator and electric unit (control unit). Refer to [BRC-102. "Exploded View"](#).

5. CHECK YAW RATE/SIDE G SENSOR

Check the continuity between yaw rate/side G sensor connector. Refer to [STC-84. "Component Inspection \(Yaw Rate/Side G Sensor\)"](#).

Is the inspection result normal?

YES >> GO TO 6.

NO >> Replace yaw rate/side G sensor. Refer to [BRC-104. "Exploded View"](#).

6. CHECK CAN DIAGNOSIS SUPPORT MONITOR (4WAS FRONT CONTROL UNIT)

 **With CONSULT-III**

1. Connect ABS actuator and electric unit (control unit) harness connector.
2. Connect yaw rate/side G sensor harness connector.
3. Connect 4WAS front control unit harness connector.
4. Connect 4WAS main control unit harness connector.
5. Start the engine.

CAUTION:

Stop the vehicle.

6. Perform CAN diagnosis support monitor of 4WAS front control unit.
7. Replace 4WAS main control unit error history. Refer to [STC-39. "CONSULT-III Function \[4WAS\(FRONT\)\]"](#).

What is the indicated item?

All items are "OK">>GO TO 7.

"TRANSMIT DIAG" is other than "OK">>GO TO 7.

"4WAS(MAIN)" is other than "OK">>GO TO 8.

7. CHECK 4WAS FRONT CONTROL UNIT CIRCUIT

1. Turn the ignition switch OFF.
2. Disconnect 4WAS front control unit harness connector.
3. Disconnect ABS actuator and electric unit (control unit) harness connector.

C1931 4WAS FRONT CONTROL UNIT COMMUNICATION

< COMPONENT DIAGNOSIS >

[WITH 4WAS]

4. Check the continuity between 4WAS front control unit harness connector and ABS actuator and electric unit (control unit) harness connector.

4WAS front control unit		ABS actuator and electric unit (control unit)		Continuity
Connector	Terminal	Connector	Terminal	
M204	14	E41	25	Existed
	25		45	

5. Check that 4WAS front control unit connector No. 14 terminal and No. 25 are connected properly and not deformed.

Is the inspection result normal?

YES >> Replace 4WAS front control unit. Refer to [STC-177, "Exploded View"](#).

NO >> Repair or replace the harnesses and connectors. Refer to [STC-176, "Precautions for Harness Repair"](#).

8.CHECK 4WAS MAIN CONTROL UNIT CIRCUIT

1. Turn the ignition switch OFF.
2. Disconnect 4WAS main control unit harness connector.
3. Disconnect ABS actuator and electric unit (control unit) harness connector.
4. Check the continuity between 4WAS main control unit harness connector and ABS actuator and electric unit (control unit) harness connector.

4WAS main control unit		ABS actuator and electric unit (control unit)		Continuity
Connector	Terminal	Connector	Terminal	
B54	31	E41	45	Existed
	32		25	

5. Check that 4WAS main control unit connector No. 31 terminal and No. 32 are connected properly and not deformed.

Is the inspection result normal?

YES >> Replace 4WAS main control unit. Refer to [STC-178, "Exploded View"](#).

NO >> Repair or replace the harnesses and connectors. Refer to [STC-176, "Precautions for Harness Repair"](#).

Component Inspection [ABS Actuator and Electric Unit (Control Unit)]

INFOID:000000000958894

1.CHECK ABS ACTUATOR AND ELECTRIC UNIT (CONTROL UNIT)

1. Turn the ignition switch OFF.
2. Remove ABS actuator and electric unit (control unit). Refer to [BRC-102, "Exploded View"](#).
3. Check the resistance between ABS actuator and electric unit (control unit) connector terminals.

ABS actuator and electric unit (control unit)		Resistance (Approx.)
Connector	Terminal	
E41	25 – 45	60 Ω

Is the inspection result normal?

YES >> INSPECTION END

NO >> Replace ABS actuator and electric unit (control unit).

Component Inspection (Yaw Rate/Side G Sensor)

INFOID:000000000958895

1.CHECK YAW RATE/SIDE G SENSOR

1. Turn the ignition switch OFF.
2. Remove yaw rate/side G sensor. Refer to [BRC-104, "Exploded View"](#).
3. Check the resistance between yaw rate/side G sensor connector terminals.

C1931 4WAS FRONT CONTROL UNIT COMMUNICATION

< COMPONENT DIAGNOSIS >

[WITH 4WAS]

Yaw rate/side G sensor		Resistance (Approx.)
Connector	Terminal	
M143	2 – 3	60 Ω

Is the inspection result normal?

YES >> INSPECTION END

NO >> Replace yaw rate/side G sensor.

Special Repair Requirement

INFOID:000000000958896

BEFORE REPLACING 4WAS FRONT CONTROL UNIT

- Record the self-diagnosis results (history).

CAUTION:

- Replace it without erasing the memory (history) of self-diagnosis results when replacing 4WAS front control unit after diagnosis.
- Erase the memory of the self-diagnosis results (record) after printing out or recording all the values of "DATA MONITOR" when erasing the memory of the self-diagnosis results (record).

BEFORE REPLACING 4WAS MAIN CONTROL UNIT

- Record the self-diagnosis results (history).

CAUTION:

- Replace it without erasing the memory (history) of self-diagnosis results when replacing 4WAS main control unit after diagnosis.
- Erase the memory of the self-diagnosis results (record) after printing out or recording all the values of "DATA MONITOR" when erasing the memory of the self-diagnosis results (record).

AFTER REPLACING 4WAS FRONT CONTROL UNIT

- Perform 4WAS front actuator adjustment after replacing 4WAS front control unit. Refer to [STC-28, "4WAS FRONT ACTUATOR NEUTRAL POSITION ADJUSTMENT : Special Repair Requirement \(Pattern 3\)"](#).

U1000 CAN COMM CIRCUIT

< COMPONENT DIAGNOSIS >

[WITH 4WAS]

U1000 CAN COMM CIRCUIT

Description

INFOID:000000000958897

- CAN (Controller Area Network) is a serial communication line for real time application. It is an on-vehicle multiplex communication line with high data communication speed and excellent error detection ability. Many electronic control units are equipped onto a vehicle, and each control unit shares information and links with other control units during operation (not independent). In CAN communication, control units are connected with 2 communication lines (CAN-H line, CAN-L line) allowing a high rate of information transmission with less wiring. Each control unit transmits/receives data but selectively reads required data only.

DTC Logic

INFOID:000000000958898

DTC DETECTION LOGIC

DTC	Items (CONSULT-III screen terms)	Diagnostic item is detected when...	Possible cause
U1000	CAN COMM	4WAS main control unit is not transmitting or receiving CAN communication signal for 2 seconds or more.	CAN communication error

DTC CONFIRMATION PROCEDURE

1. RECHECK DTC

STC

④ With CONSULT-III

1. Turn the ignition switch OFF to ON.
2. Perform 4WAS main control unit self-diagnosis.

Is DTC "U1000" detected?

- YES >> Proceed to diagnosis procedure. Refer to [STC-131, "Diagnosis Procedure"](#).
- NO >> INSPECTION END

Diagnosis Procedure

INFOID:000000000958899

1. PERFORM SELF-DIAGNOSIS (4WAS MAIN CONTROL UNIT)

Perform 4WAS main control unit self-diagnosis.

Is DTC "U1000" detected?

- YES >> Perform CAN diagnosis.
- NO >> INSPECTION END.

Special Repair Requirement

INFOID:000000000958900

BEFORE REPLACING 4WAS MAIN CONTROL UNIT

- Record the self-diagnosis results (history).

CAUTION:

- Replace it without erasing the memory (history) of self-diagnosis results when replacing 4WAS main control unit after diagnosis.
- Erase the memory of the self-diagnosis results (record) after printing out or recording all the values of "DATA MONITOR" when erasing the memory of the self-diagnosis results (record).

U1010 CONTROL UNIT (CAN)

< COMPONENT DIAGNOSIS >

[WITH 4WAS]

U1010 CONTROL UNIT (CAN)

Description

INFOID:000000000958901

- CAN (Controller Area Network) is a serial communication line for real time application. It is an on-vehicle multiplex communication line with high data communication speed and excellent error detection ability. Many electronic control units are equipped onto a vehicle, and each control unit shares information and links with other control units during operation (not independent). In CAN communication, control units are connected with 2 communication lines (CAN-H line, CAN-L line) allowing a high rate of information transmission with less wiring. Each control unit transmits/receives data but selectively reads required data only.

DTC Logic

INFOID:000000000958902

DTC DETECTION LOGIC

DTC	Items (CONSULT-III screen terms)	Diagnostic item is detected when...	Possible cause
U1010	CONTROL UNIT (CAN)	When detecting error during the initial diagnosis of CAN controller of 4WAS main control unit.	CAN communication line/ 4WAS main control unit/ ECM/ABS actuator and electric unit (control unit) error

DTC CONFIRMATION PROCEDURE

1. RECHECK DTC

With CONSULT-III

1. Turn the ignition switch OFF to ON.
2. Perform 4WAS main control unit self-diagnosis.

Is DTC "U1010" detected?

- YES >> Proceed to diagnosis procedure. Refer to [STC-132. "Diagnosis Procedure"](#).
NO >> INSPECTION END

Diagnosis Procedure

INFOID:000000000958903

1. 4WAS MAIN CONTROL UNIT

Check that there is no malfunction in 4WAS main control unit harness connector or disconnection.

Is the inspection result normal?

- YES >> Replace 4WAS main control unit. Refer to [STC-178. "Exploded View"](#).
NO >> Repair or replace the harnesses and connectors. Refer to [STC-176. "Precautions for Harness Repair"](#).

Special Repair Requirement

INFOID:000000000958904

BEFORE REPLACING 4WAS MAIN CONTROL UNIT

- Record the self-diagnosis results (history).

CAUTION:

- Replace it without erasing the memory (history) of self-diagnosis results when replacing 4WAS main control unit after diagnosis.
- Erase the memory of the self-diagnosis results (record) after printing out or recording all the values of "DATA MONITOR" when erasing the memory of the self-diagnosis results (record).

POWER SUPPLY AND GROUND CIRCUIT

< COMPONENT DIAGNOSIS >

[WITH 4WAS]

POWER SUPPLY AND GROUND CIRCUIT

Description

INFOID:000000000958905

- 4WAS system power supply

Diagnosis Procedure (4WAS Front Control Unit)

INFOID:000000000958906

1. CHECK 4WAS FRONT CONTROL UNIT POWER SUPPLY

1. Turn the ignition switch OFF.
2. Disconnect 4WAS front control unit harness connector.
3. Check the voltage between 4WAS front control unit harness connectors and the ground.

4WAS front control unit		Voltage (Approx.)
Connector	Terminal	
M203	11 – Ground	Battery voltage
M204	15 – Ground	0 V

4. Turn the ignition switch ON.
CAUTION:
Never start the engine.
5. Check the voltage between 4WAS front control unit harness connectors and the ground.

4WAS front control unit		Voltage (Approx.)
Connector	Terminal	
M203	11 – Ground	Battery voltage
M204	15 – Ground	

Is the inspection result normal?

YES >> GO TO 2.

NO >> Check the following items. Repair or replace the malfunctioning parts.

- 40A fusible link (#1) open
 - Short among 40A fusible link (#1) connector, 4WAS front control unit harness connector No. 11 terminal and the ground
 - Open between the battery and 4WAS front control unit harness connector No. 11 terminal
- 10A fuse (#3) open
 - Short among 10A fuse (#3) connector, 4WAS front control unit harness connector No. 15 terminal and the ground
 - Short among 10A fuse (#3) connector, unified meter and A/C amp No. 53 terminal and the ground
- Open between the ignition switch and 4WAS front control unit harness connector No. 15 terminal
- Battery or ignition switch

2. CHECK 4WAS FRONT CONTROL UNIT GROUND

Check the continuity between 4WAS front control unit harness connector and the ground.

4WAS front control unit		Continuity
Connector	Terminal	
M204	12 – Ground	Existed
	18 – Ground	
	34 – Ground	

Is the inspection result normal?

YES >> INSPECTION END

NO >> Repair or replace the harnesses and connectors.

POWER SUPPLY AND GROUND CIRCUIT

< COMPONENT DIAGNOSIS >

[WITH 4WAS]

Diagnosis Procedure (4WAS Main Control Unit)

INFOID:00000000958907

1. CHECK 4WAS MAIN CONTROL UNIT POWER SUPPLY

1. Turn the ignition switch OFF.
2. Disconnect 4WAS main control unit harness connector.
3. Check the voltage between 4WAS main control unit harness connectors and the ground.

4WAS main control unit		Voltage (Approx.)
Connector	Terminal	
B54	27 – Ground	0 V

4. Turn the ignition switch ON.
CAUTION:
Never start the engine.
5. Check the voltage between 4WAS main control unit harness connectors and the ground.

4WAS main control unit		Voltage (Approx.)
Connector	Terminal	
B54	27 – Ground	Battery voltage

Is the inspection result normal?

YES >> GO TO 2.

NO >> Check the following items. Repair or replace the malfunctioning parts.

- 10A fuse (#45) open
- Short among 10A fuse (#45) connector, 4WAS main control unit harness connector No. 27 terminal and the ground
- Open between the ignition switch and 4WAS main control unit harness connector No. 27 terminal
- Ignition switch

2. CHECK 4WAS REAR MOTOR POWER SUPPLY CIRCUIT (1)

1. Turn the ignition switch OFF.
2. Remove 4WAS rear motor relay.
3. Check the continuity between 4WAS rear motor relay harness connector and the ground.

4WAS rear motor relay		Continuity
Connector	Terminal	
B53	1 – Ground	Existed
	2 – Ground	Not existed

Is the inspection result normal?

YES >> GO TO 3.

NO >> Repair or replace the harnesses and connectors.

3. CHECK 4WAS REAR MOTOR POWER SUPPLY CIRCUIT (2)

Check the voltage between 4WAS rear motor relay harness connector and the ground.

4WAS rear motor relay		Voltage (Approx.)
Connector	Terminal	
B53	3 – Ground	Battery voltage

Is the inspection result normal?

YES >> GO TO 4.

NO >> Check the following items. Repair or replace the malfunctioning parts.

- 20A fuse (#37) open
- Short among 20A fuse (#37) connector, 4WAS rear motor relay harness connector No. 3 terminal and the ground

POWER SUPPLY AND GROUND CIRCUIT

[WITH 4WAS]

< COMPONENT DIAGNOSIS >

- Open between the battery and 4WAS rear motor relay harness connector No. 3 terminal

4. CHECK 4WAS REAR MOTOR POWER SUPPLY CIRCUIT (3)

1. Remove the noise suppressor.
2. Check continuity between the noise suppressor harness connector and the ground.

Noise suppressor		Continuity
Connector	Terminal	
B51	3 – Ground	Not existed
	5 – Ground	
B52	1 – Ground	Not existed
	2 – Ground	Existed

Is the inspection result normal?

YES >> GO TO 5.

NO >> Repair or replace the harnesses and connectors.

5. CHECK 4WAS REAR MOTOR POWER SUPPLY CIRCUIT (4)

1. Connect 4WAS main control unit harness connector.
2. Turn the ignition switch ON.
CAUTION:
Never start the engine.
3. Check the voltage between 4WAS main control unit harness connectors.

4WAS main control unit		Voltage (Approx.)
Connector	Terminal	
B54	25 – Ground	Battery voltage

4. Turn the ignition switch OFF.

Is the inspection result normal?

YES >> GO TO 6.

NO >> Replace 4WAS main control unit. Refer to [STC-178, "Exploded View"](#).

6. CHECK 4WAS REAR MOTOR RELAY

1. Apply 12 V to 4WAS rear motor relay connector No. 1 terminal and No. 2 terminal.
CAUTION:
 - **Never make the terminals short.**
 - **Connect the fuse between the terminals when applying the voltage.**
2. Check the continuity between 4WAS rear motor relay connector terminals.

4WAS rear motor relay			Continuity
Connector	Terminal	Condition	
B53	3 – 5	Apply the voltage between No. 1 terminal and No. 2 terminal.	Existed
		Do not apply the voltage between No. 1 terminal and No. 2 terminal.	Not existed

3. Check the resistance between 4WAS rear motor relay connector terminals.

4WAS rear motor relay		Resistance (Approx.)
Connector	Terminal	
B53	1 – 2	50 Ω

Is the inspection result normal?

YES >> GO TO 7.

A
B
C
D
E
F
H
I
J
K
L
M
N
O
P

STC

POWER SUPPLY AND GROUND CIRCUIT

[WITH 4WAS]

< COMPONENT DIAGNOSIS >

NO >> Replace 4WAS rear motor relay.

7. CHECK NOISE SUPPRESSOR

Check continuity between the noise suppressor connector terminals.

Noise suppressor				Continuity
Connector	Terminal	Connector	Terminal	
B51	3	B52	1	Existed
B51	3	B51	5	Not existed
B51	3	B52	2	Not existed
B51	5	B52	2	Existed
B51	5	B52	1	Not existed

Is the inspection result normal?

YES >> GO TO 8.

NO >> Replace the noise suppressor.

8. CHECK 4WAS REAR MOTOR POWER SUPPLY

1. Connect 4WAS main control unit harness connector.
2. Install 4WAS rear motor relay.
3. Install the noise suppressor.
4. Turn the ignition switch ON.

CAUTION:

Never start the engine.

5. Check the voltage between 4WAS main control unit harness connectors and the ground.

4WAS main control unit		Voltage (Approx.)
Connector	Terminal	
B54	37 – Ground	Battery voltage

Is the inspection result normal?

YES >> INSPECTION END.

NO >> Replace 4WAS main control unit. Refer to [STC-178. "Exploded View"](#).

Component Inspection (4WAS Rear Motor Relay)

INFOID:000000000958908

1. CHECK 4WAS REAR MOTOR RELAY

1. Turn the ignition switch OFF.
2. Remove 4WAS rear motor relay connector.
3. Apply 12 V to 4WAS rear motor relay connector No. 1 terminal and No. 2 terminal.

CAUTION:

• **Never make the terminals short.**

• **Connect the fuse between the terminals when applying the voltage.**

4. Check the continuity between 4WAS rear motor relay connector terminals.

4WAS rear motor relay			Continuity
Connector	Terminal	Condition	
B53	3 – 5	Apply the voltage between No. 1 terminal and No. 2 terminal.	Existed
		Do not apply the voltage between No. 1 terminal and No. 2 terminal.	Not existed

5. Check the resistance between 4WAS rear motor relay connector terminals.

POWER SUPPLY AND GROUND CIRCUIT

< COMPONENT DIAGNOSIS >

[WITH 4WAS]

4WAS rear motor relay		Resistance (Approx.)
Connector	Terminal	
B53	1 - 2	50 Ω

Is the inspection result normal?

YES >> INSPECTION END

NO >> Replace 4WAS rear motor relay.

Component Inspection (Noise Suppressor)

INFOID:000000000958909

1. NOISE SUPPRESSOR INSPECTION

1. Turn the ignition switch OFF.
2. Remove the noise suppressor.
3. Check continuity between the noise suppressor connector terminals.

Noise suppressor				Continuity
Connector	Terminal	Connector	Terminal	
B51	3	B52	1	Existed
B51	3	B51	5	Not existed
B51	3	B52	2	Not existed
B51	5	B52	2	Existed
B51	5	B52	1	Not existed

Is the inspection result normal?

YES >> INSPECTION END

NO >> Replace the noise suppressor.

A
B
C
D
E
F
H
I
J
K
L
M
N
O
P

STC

POWER STEERING SOLENOID VALVE

< COMPONENT DIAGNOSIS >

[WITH 4WAS]

POWER STEERING SOLENOID VALVE

Description

INFOID:000000000958910

- The power steering oil pressure in the gear housing assembly is controlled.

Diagnosis Procedure

INFOID:000000000958911

1. CHECK POWER STEERING SOLENOID VALVE SIGNAL

With CONSULT-III

1. Start the engine.
2. Check "POWER STR SOL" item on "DATA MONITOR" of 4WAS main control unit.

Monitor item	Condition	Display value
POWER STR SOL	Vehicle speed: 0 km/h (0 MPH) (Engine is running)	Approx. 1.10 A
	Vehicle speed: 100 km/h (62 MPH)	Approx. 0.42 A

Without CONSULT-III

1. Start the engine.
2. Check the voltage between 4WAS main control unit harness connector and the ground.

4WAS main control unit			Data (Approx.)
Connector	Terminal	Condition	
B54	36 – Ground	Vehicle speed: 0 km/h (0 MPH) (Engine is running)	4.4 – 6.6 V
		Vehicle speed: 100 km/h (62 MPH)	2.4 – 3.6 V

3. Check that there is no malfunction in 4WAS main control unit harness connector or disconnection.

Is the inspection result normal?

YES >> GO TO 2.

NO >> Replace 4WAS main control unit. Refer to [STC-178, "Exploded View"](#).

2. CHECK POWER STEERING SOLENOID VALVE CIRCUIT

1. Turn the ignition switch OFF.
2. Disconnect 4WAS main control unit harness connector.
3. Disconnect the power steering solenoid valve harness connector.
4. Check the continuity between 4WAS main control unit harness connector and power steering solenoid valve harness connector.

4WAS main control unit		Power steering solenoid valve		Continuity
Connector	Terminal	Connector	Terminal	
M54	36	F45	1	Existed

5. Check the continuity between power steering solenoid valve harness connector and the ground.

Power steering solenoid valve		Continuity
Connector	Terminal	
F45	2 – Ground	Existed

Is the inspection result normal?

YES >> GO TO 3.

NO >> Repair or replace the harnesses and connectors.

POWER STEERING SOLENOID VALVE

< COMPONENT DIAGNOSIS >

[WITH 4WAS]

3. CHECK POWER STEERING SOLENOID VALVE

1. Check the resistance between power steering solenoid valve connector.

Power steering solenoid valve		Resistance (Approx.)
Connector	Terminal	
F45	1 – 2	4 – 6 Ω

2. Check for click (power steering solenoid valve activation sound) when applying approximately 12 V between the power steering solenoid valve connector.

CAUTION:

- Never make the terminals short.
- Assign the positive terminal to No. 1 terminal, and the negative terminal to No. 2 terminal. Connect the fuse between the terminals when applying the voltage.

Is the inspection result normal?

YES >> INSPECTION END

NO >> Repair the steering gear. Refer to [ST-26. "2WD : Exploded View"](#).

Component Inspection

INFOID:000000000958912

1. POWER STEERING SOLENOID VALVE INSPECTION

1. Turn the ignition switch OFF.
2. Disconnect the power steering solenoid valve harness connector.
3. Check the resistance between power steering solenoid valve connector.

Power steering solenoid valve		Resistance (Approx.)
Connector	Terminal	
F45	1 – 2	4 – 6 Ω

4. Check for click (power steering solenoid valve activation sound) when applying approximately 12 V between the power steering solenoid valve connector.

CAUTION:

- Never make the terminals short.
- Assign the positive terminal to No. 1 terminal, and the negative terminal to No. 2 terminal. Connect the fuse between the terminals when applying the voltage.

Is the inspection result normal?

YES >> INSPECTION END

NO >> Repair the steering gear. [ST-26. "2WD : Exploded View"](#).

A
B
C
D
E
F
STC
H
I
J
K
L
M
N
O
P

4WAS WARNING LAMP

Description

INFOID:000000000958913

- Turn 4WAS warning lamp ON when ignition switch turns ON from OFF. Then, turn 4WAS warning lamp OFF after the engine is started.
- The check of 4WAS system is performed.
- 4WAS system stops (error) when turning 4WAS warning lamp ON.

Diagnosis Procedure

INFOID:000000000958914

1. PERFORM UNIFIED METER AND A/C AMP. SELF-DIAGNOSIS

Ⓜ With CONSULT-III

Perform the self-diagnosis of the unified meter and A/C amp.

Is any error system detected?

- YES >> Check the error system.
- NO >> GO TO 2.

2. PERFORM SELF-DIAGNOSIS (4WAS MAIN CONTROL UNIT)

Ⓜ With CONSULT-III

Perform 4WAS main control unit self-diagnosis.

Is DTC "U1000" or "U1010" detected?

- YES >> Check the error system.
- NO >> GO TO 3.

3. PERFORM COMBINATION METER CIRCUIT

1. Turn the ignition switch OFF.
2. Disconnect the unified meter and A/C amp. harness connector.
3. Disconnect the combination meter harness connector.
4. Check the continuity between the unified meter and A/C amp. harness connector and the combination meter harness connector terminal.

Unified meter and A/C amp.		Combination meter		Continuity
Connector	Terminal	Connector	Terminal	
M66	7	M53	3	Existed
M66	27	M53	2	

Is the inspection result normal?

- YES >> GO TO 4.
- NO >> Repair or replace the harnesses and connectors.

4. CHECK 4WAS WARNING LAMP SIGNAL

Ⓜ With CONSULT-III

1. Connect the unified meter and A/C amp. harness connector.
2. Connect the combination meter harness connector.
3. Disconnect 4WAS front control unit harness connector.
4. Turn the ignition switch ON.
CAUTION:
Never start the engine.
5. Check "WARNING LAMP" item on DATA MONITOR of 4WAS main control unit.

Does the item on "DATA MONITOR" indicate "On"?

- YES >> GO TO 5.
- NO >> Replace 4WAS main control unit. Refer to [STC-178. "Exploded View"](#).

5. CHECK COMBINATION METER

Ⓜ With CONSULT-III

4WAS WARNING LAMP

< COMPONENT DIAGNOSIS >

[WITH 4WAS]

Perform the trouble diagnosis of the combination meter. Refer to [MWI-49, "COMBINATION METER : Diagnosis Procedure"](#).

Is the inspection result normal?

YES >> INSPECTION END

NO >> Replace the combination meter. Refer to [MWI-156, "Exploded View"](#).

Special Repair Requirement

INFOID:000000000958915

BEFORE REPLACING 4WAS MAIN CONTROL UNIT

- Record the self-diagnosis results (history).

CAUTION:

- Replace it without erasing the memory (history) of self-diagnosis results when replacing 4WAS main control unit after diagnosis.
- Erase the memory of the self-diagnosis results (record) after printing out or recording all the values of "DATA MONITOR" when erasing the memory of the self-diagnosis results (record).

A
B
C
D
E
F
H
I
J
K
L
M
N
O
P

STC

4WAS FRONT CONTROL UNIT

< ECU DIAGNOSIS >

[WITH 4WAS]

ECU DIAGNOSIS

4WAS FRONT CONTROL UNIT

Reference Value

INFOID:000000000958916

VALUES ON THE DIAGNOSIS TOOL

Monitor item	Condition		Value/Status
4WAS STR ANG	Steering wheel right turned		0 – 756 deg
	Straight-ahead		Approx. 0 deg
	Steering wheel left turned		0 – -756 deg
VEHICLE SPEED	Vehicle stopped		0 km/h (0 MPH)
	Vehicle running CAUTION: Check air pressure of tire under standard conditions.		Approximately equal to the indication on speedometer (Inside of ±10%)
MOTOR CURRENT	The steering wheel not steered.		Approx. 0 – 1 A
	The steering wheel is steering.		Approx. 0 – 60 A
MTR CRNT ESTM	The steering wheel not steered.		Approx. 0 – 1 A
	The steering wheel is steering.		Approx. 0 – 60 A
ACTR ROTA ANG	Steering wheel turned to the right (with vehicle stopped).		0 – 180 deg
	Straight-ahead		Approx. 0 deg
	Steering wheel turned to the left (with vehicle stopped).		0 – -180 deg
LG VOLT	Ignition switch: ON	Engine running (idling)	Approx. 0 – 16 V
THERM TEMP	Engine running (idling)		-40 – 100°C
MOTOR VOLT	Ignition switch: ON	Engine running (idling)	Battery voltage
		Engine stopped.	Battery voltage
IGN VOLT	Ignition switch: ON	Engine running (idling)	Battery voltage
		Engine stopped.	Battery voltage
ACTR ANG COMM	Steering wheel turned to the right (with vehicle stopped).		0 – 180 deg
	Straight-ahead		Approx. 0 deg
	Steering wheel turned to the left (with vehicle stopped).		0 – -180 deg
ACTR ROTA SPD	The steering wheel not steered.		0 deg/s
	The steering wheel is steering.		Other than 0 deg/s
DUTY COMMAND	Ignition switch: ON	Engine running (idling)	0 – 100%
LOCK DTY COMM	Ignition switch: ON	Engine running (idling)	0 – 100%
MTR U VOLT	Ignition switch: ON	Engine running (idling)	Approx. 0 – 20 V
		Engine stopped.	0 V
MTR V VOLT	Ignition switch: ON	Engine running (idling)	Approx. 0 – 20 V
		Engine stopped.	0 V
MTR W VOLT	Ignition switch: ON	Engine running (idling)	Approx. 0 – 20 V
		Engine stopped.	0 V
ACT TEMP ESTM	Engine running (idling)		-40 – 100°C
MTR PHZ CRNT	The steering wheel is steering.		Approx. 0 – 60 A
ACTR DEVI ANG	The steering wheel is steering.		-30 – 30 deg

4WAS FRONT CONTROL UNIT

< ECU DIAGNOSIS >

[WITH 4WAS]

Monitor item	Condition	Value/Status	
ACTR ANGL SUB	Steer the steering wheel leftward slowly. Steer until the steering stops.	0 – -180 deg	A
	Steer the steering wheel rightward slowly. Steer until the steering stops.	0 – 180 deg	B
STR ANGL SPD	The steering wheel not steered.	0 deg/s	
	The steering wheel is steering.	Other than 0 deg/s	C
OVRLD JDG TMG	It displays record of 4WAS system (entire 4WAS system) high load. (It displays time of occurrence before turning ignition switch ON.)	0 – 39	D
ACT PRTCT TMG	It displays record of 4WAS system (4WAS front actuator) over-heating. (It displays time of occurrence before turning ignition switch ON.)	0 – 39	E
ECU PRTCT TMG	It displays record of 4WAS system (4WAS front control unit) over-heating. (It displays time of occurrence before turning ignition switch ON.)	0 – 39	F
DRV TMPO TMG	It displays record of 4WAS system (terminal power supply converter of 4WAS front motor) intermittent abnormal. (It displays time of occurrence before turning ignition switch ON.)	0 – 39	F
MTR PW TMP TM	It displays record of 4WAS system (terminal voltage of 4WAS front motor) intermittent abnormal. (It displays time of occurrence before turning ignition switch ON.)	0 – 39	STC
LOW VOLT TMG	It displays record of 4WAS system (terminal voltage of 4WAS front control unit and 4WAS front actuator) low voltage. (It displays time of occurrence before turning ignition switch ON.)	0 – 39	H
HIGH VOLT TMG	It displays record of 4WAS system (terminal voltage of 4WAS front control unit and 4WAS front actuator) extreme voltage. (It displays time of occurrence before turning ignition switch ON.)	0 – 39	I
OVRLD JDG FLG	4WAS system (the entire 4WAS system) heavy load condition judgment (Condition detected in past and present.)	On	J
	4WAS system (the entire 4WAS system) heavy load condition judgment (Condition not detected in past and present.)*	Off	K
ACT PRTCT FLG	4WAS front actuator overheat condition judgment (Condition detected in past and present.)	On	L
	4WAS front actuator overheat condition judgment (Condition not detected in past and present.)*	Off	
ECU PRTCT FLG	4WAS front control unit overheat condition judgment (Condition detected in past and present.)	On	M
	4WAS front control unit overheat condition judgment (Condition not detected in past and present.)*	Off	
DRV TMPO FLG	4WAS system (4WAS front motor terminal power supply converter) intermittent error. (Condition detected in past and present.)	On	N
	4WAS system (4WAS front motor terminal power supply converter) intermittent error. (Condition not detected in past and present.)*	Off	O
MTR PW TMP FL	4WAS system (4WAS front motor terminal voltage) intermittent error. (Condition detected in past and present.)	On	P
	4WAS system (4WAS front motor terminal voltage) intermittent error. (Condition not detected in past and present.)*	Off	

4WAS FRONT CONTROL UNIT

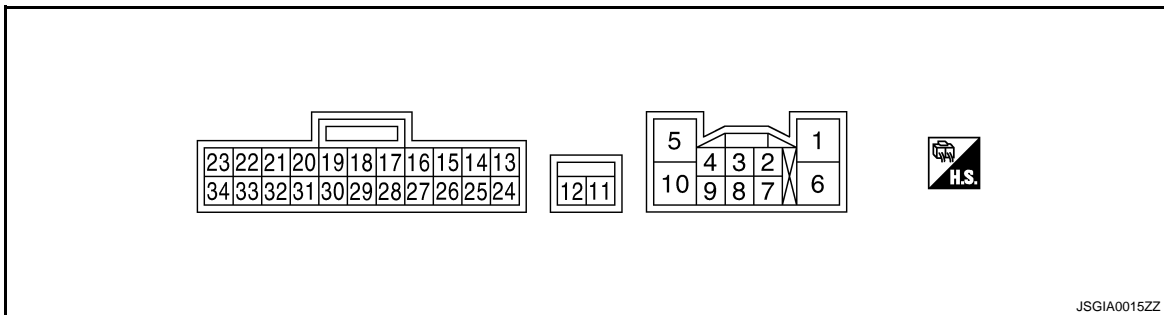
< ECU DIAGNOSIS >

[WITH 4WAS]

Monitor item	Condition	Value/Status	
LOW VOLT FLG	4WAS system (4WAS front control unit and 4WAS front actuator terminal voltage) voltage-dropped condition (Condition detected in past and present.)	On	
	4WAS system (4WAS front control unit and 4WAS front actuator terminal voltage) voltage-dropped condition (Condition not detected in past and present.)*	Off	
HIGH VOLT FLG	4WAS system (4WAS front control unit and 4WAS front actuator terminal voltage) over-voltage condition (Condition detected in past and present.)	On	
	4WAS system (4WAS front control unit and 4WAS front actuator terminal voltage) over-voltage condition (Condition not detected in past and present.)*	Off	
MTR SEN U OUT	The steering wheel is steering.	HI ↔ LOW	
MTR SEN V OUT	The steering wheel is steering.	HI ↔ LOW	
MTR SEN W OUT	The steering wheel is steering.	HI ↔ LOW	
MAIN ECU FAIL	4WAS main control unit fail-safe mode	On	
	4WAS system is in the normal condition. (When 4WAS main control unit is the normal condition.)	Off	
M-ECU TMPO FL	4WAS main control unit protection function mode	On	
	4WAS system is in the normal condition. (When 4WAS main control unit is the normal condition.)	Off	
LOCK MODE	4WAS front lock solenoid valve (lock structure) condition	Lock released condition	0
		Lock condition	1, 2, 3, 4, 5
NEUTRAL OUT	4WAS front actuator misaligned angle adjustment control is controlled.	On	
	4WAS front actuator misaligned angle adjustment is not controlled.	Off	
EX OPERAT	4WAS system enters in the protection function due to the heavy load condition and temporarily abnormal voltage.	On	
	4WAS system is in the normal condition.	Off	
SLOW MODE	ACTIVE TEST "SLOW MODE" judgment condition (Steer the steering wheel rightward and leftward slowly. Steer until the turning stops.)	Ok	
		—	

*: "Off" is indicated if the self-diagnosis result memory is erased.

TERMINAL LAYOUT



PHYSICAL VALUES

4WAS FRONT CONTROL UNIT

< ECU DIAGNOSIS >

[WITH 4WAS]

Terminal No.		Wire color	Description		Condition	Value (Approx.)
+	-		Signal name	Input/Output		
1	—	G	4WAS front motor V terminal	—	—	—
2	Ground	W	Front wheel angle sensor W terminal voltage	Output	Ignition switch: ON	0 – 5 V
3	—	B	4WAS front lock solenoid valve ground	—	—	—
4	Ground	Y	Front wheel angle sensor U terminal voltage	Output	Ignition switch: ON	0 – 5 V
5	—	BR	4WAS front motor U terminal	—	—	—
6	—	L	4WAS front motor W terminal	—	—	—
7	—	GR	Front wheel angle sensor ground	—	—	—
8	Ground	G/R	Front wheel angle sensor V terminal voltage	Output	Ignition switch: ON	0 – 5 V
10	Ground	R	4WAS front lock solenoid valve power supply	Output	Ignition switch: ON	Battery voltage
					Ignition switch: OFF (Wait 10 min. or more.)	0 V
11	Ground	R	Power supply	Input	Ignition switch: ON	Battery voltage
					Ignition switch: OFF	Battery voltage
12	Ground	B	4WAS front motor ground	—	Always	0 V
14	—	Y	4WAS communication-L	—	—	—
15	Ground	G	Ignition switch power supply	Input	Ignition switch: ON	Battery voltage
					Ignition switch: OFF	0 V
18	Ground	B	Ground	—	Always	0 V
25	—	SB	4WAS communication-H	—	—	—
34	Ground	B	Ground	—	Always	0 V

CAUTION:

When using circuit tester to measure voltage for inspection, never extend forcibly any connector terminals.

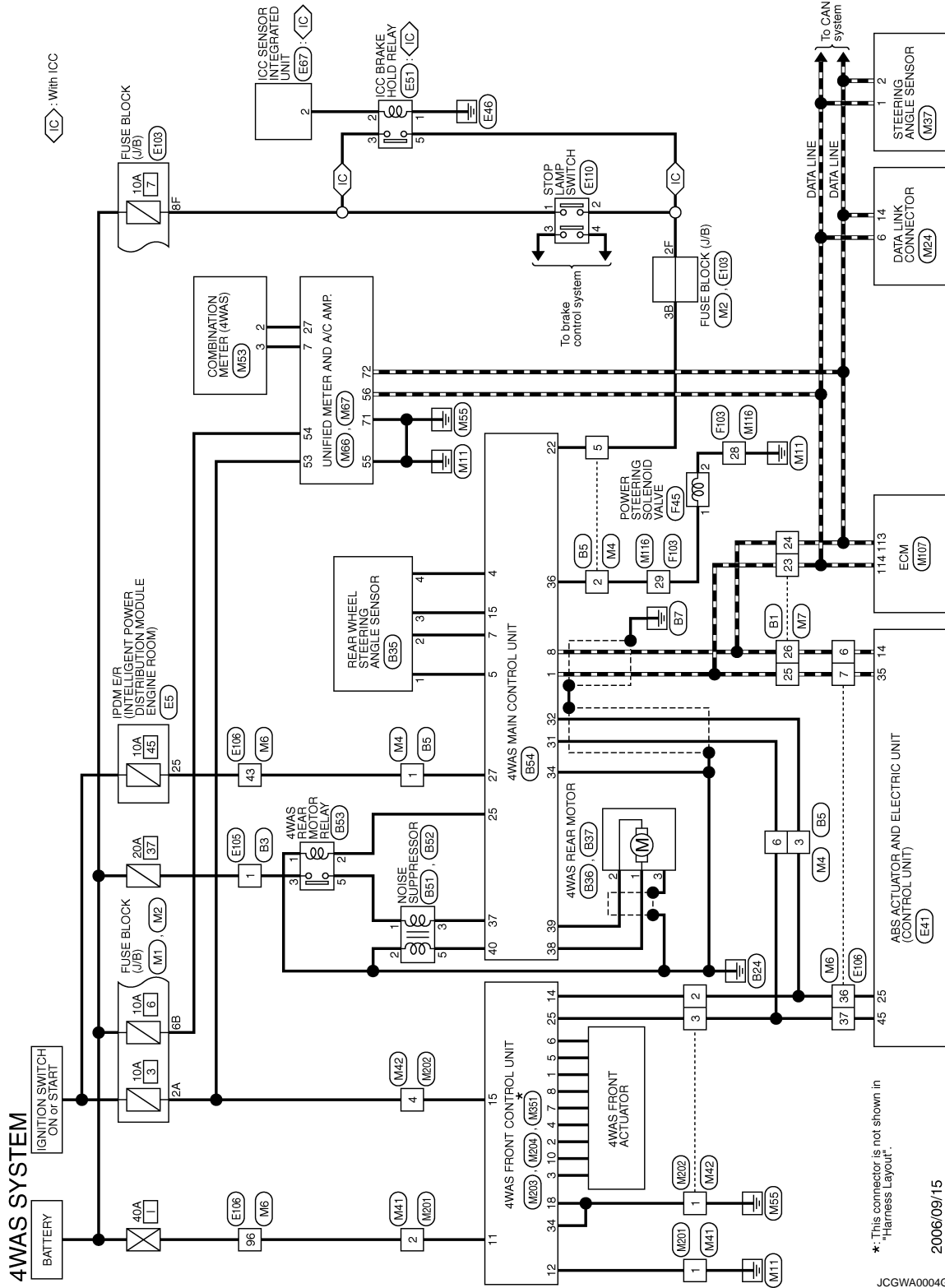
Wiring Diagram — 4WAS SYSTEM —

INFOID:000000000958917

4WAS FRONT CONTROL UNIT

< ECU DIAGNOSIS >

[WITH 4WAS]



*: This connector is not shown in "Harness Layout".

2006/09/15

JCGWA0004Gf

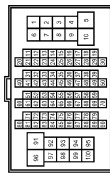
4WAS FRONT CONTROL UNIT

< ECU DIAGNOSIS >

[WITH 4WAS]

4WAS SYSTEM

Connector No.	B1
Connector Name	WIRE TO WIRE
Connector Type	TH80FW-CS16-TM4



Terminal No.	Color of Wire	Signal Name
23	L	-
24	P	-
25	L	-
26	P	-

Connector No.	B3
Connector Name	WIRE TO WIRE
Connector Type	M02FW-LC



Terminal No.	Color of Wire	Signal Name
1	R	-

Connector No.	B5
Connector Name	WIRE TO WIRE
Connector Type	TH08MW-NH



Terminal No.	Color of Wire	Signal Name
1	G	-
2	LG	-
3	Y	-
5	GR	-
6	BR	-

Connector No.	B35
Connector Name	REAR WHEEL STEERING ANGLE SENSOR
Connector Type	RS08FGY-FR



Terminal No.	Color of Wire	Signal Name
1	W	-
2	R	-
3	G	-
4	Y	-

Connector No.	B38
Connector Name	4WAS REAR MOTOR
Connector Type	X02FB



Terminal No.	Color of Wire	Signal Name
1	G/R	-
2	G/Y	-

Connector No.	B37
Connector Name	4WAS REAR MOTOR
Connector Type	F01FB-A



Terminal No.	Color of Wire	Signal Name
3	SHIELD	-

Connector No.	B51
Connector Name	NOISE SUPPRESSOR
Connector Type	NS03FW-CS



Terminal No.	Color of Wire	Signal Name
3	P	-
5	B	-

Connector No.	B52
Connector Name	NOISE SUPPRESSOR
Connector Type	NS02FW-CS



Terminal No.	Color of Wire	Signal Name
1	L	-
2	B	-

A
B
C
D
E
F
STC
H
I
J
K
L
M
N
O
P

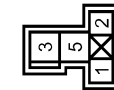
4WAS FRONT CONTROL UNIT

< ECU DIAGNOSIS >

[WITH 4WAS]

4WAS SYSTEM

Connector No.	B53
Connector Name	4WAS REAR MOTOR RELAY
Connector Type	MS02FL-M2



Terminal No.	Color of Wire	Signal Name
1	B	-
2	SB	-
3	R	-
5	L	-

Connector No.	E41
Connector Name	ABS ACTUATOR AND ELECTRIC UNIT
Connector Type	BAA42FB-AH24-LH



Terminal No.	Color of Wire	Signal Name
14	P	CAN-L
25	Y	BUS(L)
35	L	CAN-H
45	B	BUS(H)

Connector No.	B54
Connector Name	4WAS MAIN CONTROL UNIT
Connector Type	A36FW-M4



Terminal No.	Color of Wire	Signal Name
1	L	CAN-H
4	Y	R-ANG MAIN SIG
5	W	R-ANG VCC
7	R	R-ANG SUB SIG
8	P	CAN-L
15	G	R-ANG GND
22	GR	STOP L SW
25	SB	R-MTR RLY
27	G	IGN
31	BR	4WAS COMM (H)
32	Y	4WAS COMM (L)

Connector No.	E51
Connector Name	ICC BRAKE HOLD RELAY
Connector Type	MS02FL-M2



Terminal No.	Color of Wire	Signal Name
1	B	-
2	V	-
3	R	-
5	P	-

34	B	GND
36	LG	P/S SOL
37	P	R-MTR PWR SUPPLY
38	G/R	R-MTR (RH)
39	G/Y	R-MTR (LH)
40	B	R-MTR GND

Connector No.	E5
Connector Name	IPDM E/R (INTELLIGENT POWER DISTRIBUTION MODULE ENGINE ROOM)
Connector Type	TH20FW-CS12-M4-TV



Terminal No.	Color of Wire	Signal Name
25	G	-

Connector No.	E 03
Connector Name	FUSE BLOCK (J/B)
Connector Type	NS16FW-CS



Terminal No.	Color of Wire	Signal Name
2F	W	-
8F	L	-

Connector No.	E57
Connector Name	ICC SENSOR INTEGRATED UNIT
Connector Type	RS06FB-FPR



Terminal No.	Color of Wire	Signal Name
2	V	BRK LMP RLY

4WAS FRONT CONTROL UNIT

< ECU DIAGNOSIS >

[WITH 4WAS]

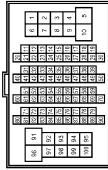
4WAS SYSTEM

Connector No.	E103
Connector Name	WIRE TO WIRE
Connector Type	M02MW-LC



Terminal No.	Color of Wire	Signal Name
1	L	-

Connector No.	E106
Connector Name	WIRE TO WIRE
Connector Type	TH80FW-GS16-TM4



Terminal No.	Color of Wire	Signal Name
6	P	-
7	L	-
36	Y	-
37	B	-
43	G	-
96	R	-

Connector No.	E110
Connector Name	STOP LAMP SWITCH
Connector Type	M04FW-LC



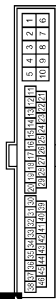
Terminal No.	Color of Wire	Signal Name
1	L	-
2	W	-
3	L	-
4	SB	-

Connector No.	F45
Connector Name	POWER STEERING SOLENOID VALVE
Connector Type	RS02FBR-DG5



Terminal No.	Color of Wire	Signal Name
1	LG	-
2	B	-

Connector No.	F103
Connector Name	WIRE TO WIRE
Connector Type	TK38FW-NS10



Terminal No.	Color of Wire	Signal Name
28	B	-
29	LG	-

Connector No.	M1
Connector Name	FUSE BLOCK (J/B)
Connector Type	NS08FW-M2



Terminal No.	Color of Wire	Signal Name
2A	G	-

Connector No.	M2
Connector Name	FUSE BLOCK (J/B)
Connector Type	NS10FW-CS



Terminal No.	Color of Wire	Signal Name
3B	P	-
6B	Y	-

Connector No.	M4
Connector Name	WIRE TO WIRE
Connector Type	TH08FW-NH



Terminal No.	Color of Wire	Signal Name
1	G	-
2	LG	-
3	W	-
5	P	-
6	SB	-

A
B
C
D
E
F
STC
H
I
J
K
L
M
N
O
P

4WAS FRONT CONTROL UNIT

< ECU DIAGNOSIS >

[WITH 4WAS]

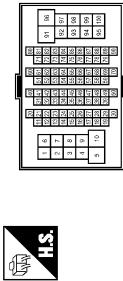
4WAS SYSTEM

Connector No.	M6
Connector Name	WIRE TO WIRE
Connector Type	TH80MW-CS16-TM4



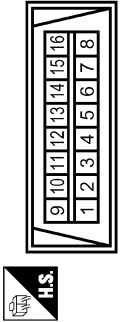
Terminal No.	Color of Wire	Signal Name
6	P	-
7	L	-
36	Y	-
37	SB	-
43	G	-
36	R	-

Connector No.	M7
Connector Name	WIRE TO WIRE
Connector Type	TH80MW-CS16-TM4



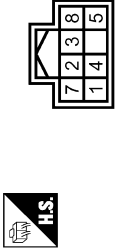
Terminal No.	Color of Wire	Signal Name
23	L	-
24	P	-
25	L	-
26	P	-

Connector No.	M24
Connector Name	DATA LINK CONNECTOR
Connector Type	BD16FW



Terminal No.	Color of Wire	Signal Name
6	L	-
14	P	-

Connector No.	M37
Connector Name	STEERING ANGLE SENSOR
Connector Type	TH40FW-NH



Terminal No.	Color of Wire	Signal Name
1	L	CAN-H
2	P	CAN-L

Connector No.	M41
Connector Name	WIRE TO WIRE
Connector Type	M02FB-LG



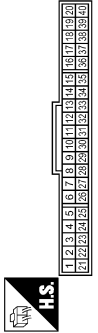
Terminal No.	Color of Wire	Signal Name
1	B	-
2	R	-

Connector No.	M42
Connector Name	WIRE TO WIRE
Connector Type	TH04FW-NH



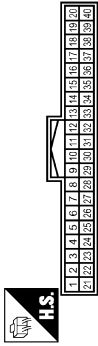
Terminal No.	Color of Wire	Signal Name
1	B	-
2	Y	-
3	SB	-
4	G	-

Connector No.	M53
Connector Name	COMBINATION METER
Connector Type	SAB40FW



Terminal No.	Color of Wire	Signal Name
2	LG	COMM (METER->AMP.)
3	GR	COMM (AMP->METER)

Connector No.	M55
Connector Name	UNIFIED METER AND A/C AMP.
Connector Type	TH40FW-NH



Terminal No.	Color of Wire	Signal Name
7	GR	COMM (AMP->METER)
27	LG	COMM (METER->AMP.)

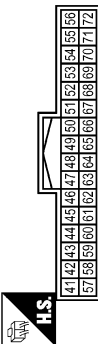
4WAS FRONT CONTROL UNIT

< ECU DIAGNOSIS >

[WITH 4WAS]

4WAS SYSTEM

Connector No.	M87
Connector Name	UNIFIED METER AND A/C AMP.
Connector Type	TH32EW-NH



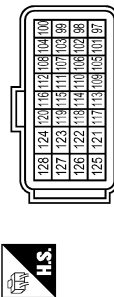
Terminal No.	Color of Wire	Signal Name
53	G	IGN
54	Y	BAT
55	B	GND
56	L	CAN-H
71	B	GND
72	P	CAN-L

Connector No.	M202
Connector Name	WIRE TO WIRE
Connector Type	TH30MW-NH



Terminal No.	Color of Wire	Signal Name
1	B	-
2	Y	-
3	SB	-
4	G	-

Connector No.	M107
Connector Name	ECM
Connector Type	MAA24FGY-MEA8-LH-Z



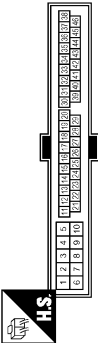
Terminal No.	Color of Wire	Signal Name
113	P	VHECAN L1
114	L	VHECAN H1

Connector No.	M203
Connector Name	4WAS FRONT CONTROL UNIT
Connector Type	SNM2FGY



Terminal No.	Color of Wire	Signal Name
11	R	F-MTR PWR SUPPLY
12	B	F-MTR GND

Connector No.	M116
Connector Name	WIRE TO WIRE
Connector Type	TK38MW-NS10



Terminal No.	Color of Wire	Signal Name
28	B	-
29	LG	-

Connector No.	M204
Connector Name	4WAS FRONT CONTROL UNIT
Connector Type	TK22FW



Terminal No.	Color of Wire	Signal Name
14	Y	4WAS COMM (L)
15	G	IGN
16	B	GND
17	B	4WAS COMM (H)
18	SB	GND
19	B	GND
20	B	GND
21	B	GND
22	B	GND
23	B	GND
24	B	GND
25	B	GND
26	B	GND
27	B	GND
28	B	GND
29	B	GND
30	B	GND
31	B	GND
32	B	GND
33	B	GND
34	B	GND

Connector No.	M201
Connector Name	WIRE TO WIRE
Connector Type	M12MB-P-LC



Terminal No.	Color of Wire	Signal Name
1	B	-
2	R	-

Connector No.	M351
Connector Name	4WAS FRONT ACTUATOR
Connector Type	TE308FW-TIM



Terminal No.	Color of Wire	Signal Name
1	G	F-MTR V
2	W	F-ANG W SIG
3	B	LOCK SOL GND
4	Y	F-ANG U SIG
5	BR	F-MTR U
6	L	F-MTR W
7	GR	F-ANG GND
8	G/R	F-ANG V SIG
10	R	LOCK SOL VCC

Fail Safe

4WAS system (front)

- 4WAS system enters in the fail-safe mode (4WAS system stopped), and 4WAS warning lamp turns ON if an error is detected in 4WAS system (4WAS front control unit and 4WAS main control unit) component part.
- 4WAS system enters in the protection function mode (4WAS system temporarily stopped) if 4WAS system continues the heavy load condition and the overheat condition. 4WAS system reactivates automatically if the

JCGWA0009GE

INFOID:0000000000958918

4WAS FRONT CONTROL UNIT

[WITH 4WAS]

< ECU DIAGNOSIS >

heavy load condition and the overheat condition are resolved.4WAS warning lamp continues turning OFF in the protection function mode.

Function	Warning lamp	DTC No.	Detected area (Error area)	Error area and root cause
Protection function	Turn-OFF	—	4WAS front control unit	4WAS front control unit overheat condition
Protection function	Turn-OFF	—	4WAS front actuator	4WAS front actuator overheat condition
Protection function	Turn-OFF	—	4WAS front control unit	4WAS front control unit heavy load condition
Fail-safe mode	Turn-ON	C1621 C1622	4WAS front actuator	4WAS front control unit or 4WAS front motor error is detected.
Fail-safe mode	Turn-ON	C1627	4WAS front actuator	4WAS front actuator error
Fail-safe mode	Turn-ON	C1628	Front wheel steering angle sensor	Front wheel steering angle sensor error
Fail-safe mode	Turn-ON	C1631 C1632	4WAS front control unit	4WAS front control unit or 4WAS front control unit power supply error is detected.
Fail-safe mode	Turn-OFF	C1633	4WAS front control unit	4WAS front control unit error
Fail-safe mode	Turn-ON	C1651	4WAS front control unit	4WAS front control unit or the ignition power supply error is detected.
Fail-safe mode	Turn-ON	C1652	4WAS front control unit	4WAS front control unit or 4WAS front motor power supply error is detected.
Fail-safe mode	Turn-ON	C1654	4WAS front control unit	The main relay power supply inside 4WAS front control unit error is detected.
Fail-safe mode	Turn-ON	C1655	4WAS front control unit	4WAS front control unit or 4WAS front motor power supply error is detected.
Fail-safe mode	Turn-ON	C1661	4WAS front lock solenoid valve (lock structure)	4WAS front control unit or 4WAS front lock solenoid valve error is detected.
Fail-safe mode	Turn-ON	C1667	4WAS front actuator	The inside 4WAS front actuator error is detected.
Fail-safe mode	Turn-ON	C1668	4WAS front actuator	The inside 4WAS front actuator error is detected.
Fail-safe mode	Turn-ON	C1669	4WAS front actuator	The power steering oil pressure or the inside 4WAS front actuator error is detected.
Fail-safe mode	Turn-ON	C1671	4WAS front actuator	4WAS front actuator adjustment is not performed.
Fail-safe mode	Turn-ON	C1672	4WAS main actuator	4WAS front actuator adjustment is incomplete.
Fail-safe mode	Turn-ON	C1684 C1685 U1000 U1002 U1010	4WAS communication line*/ 4WAS main control unit/4WAS front control unit	4WAS communication line*/4WAS main control unit/4WAS front control unit error
Fail-safe mode	Turn-ON	C1686	4WAS main control unit	4WAS main control unit fail-safe mode

*: Communication line between 4WAS front control unit and 4WAS main control unit.

DTC Inspection Priority Chart

INFOID:000000000958919

4WAS FRONT CONTROL UNIT

< ECU DIAGNOSIS >

[WITH 4WAS]

If some DTCs are displayed at the same time, perform inspections one by one based on the following priority chart.

Priority	Detected items (DTC)
1	<ul style="list-style-type: none"> • U1000 CANCOMM CIRCUIT* • U1002 SYSTEM COMM(CAN)* • U1010 CONTROL UNIT(CAN)*
2	<ul style="list-style-type: none"> • C1671 ACT ADJ NOT PRFRM • C1672 INCOMP ACTUATR ADJ
3	<ul style="list-style-type: none"> • C1631 CONTROL UNIT • C1632 CONTROL UNIT
4	<ul style="list-style-type: none"> • C1651 IGN POWER SUPPLY • C1652 MOTOR POWER SUPPLY • C1654 ACTUATOR RELAY • C1655 PRE-DRIVER
5	<ul style="list-style-type: none"> • C1621 ACTUATOR • C1622 ACTUATOR • C1627 ACTUATOR • C1628 ACTUATOR • C1661 LOCK SOLENOID • C1667 LOCK INSERTION • C1668 LOCK HLD GAP DETCT • C1669 INCOMP LOCK RELEAS
6	<ul style="list-style-type: none"> • C1684 4WAS MAIN ECU COMM • C1685 4WAS MAIN ECU COMM • C1686 4WAS MAIN ECU
7	<ul style="list-style-type: none"> • C1633 CONTROL UNIT

*: 4WAS communication line

DTC Index

INFOID:000000000958920

DTC	Items (CONSULT-III screen terms)	Reference
C1621	ACTUATOR	STC-47. "Description"
C1622	ACTUATOR	STC-47. "Description"
C1627	ACTUATOR	STC-50. "Description"
C1628	ACTUATOR	STC-52. "Description"
C1631	CONTROL UNIT	STC-55. "Description"
C1632	CONTROL UNIT	STC-55. "Description"
C1633	CONTROL UNIT	STC-58. "Description"
C1651	IGN POWER SUPPLY	STC-60. "Description"
C1652	MOTOR POWER SUPPLY	STC-62. "Description"
C1654	ACTUATOR RELAY	STC-64. "Description"
C1655	PRE-DRIVER	STC-66. "Description"
C1661	LOCK SOLENOID	STC-68. "Description"
C1667	LOCK INSERTION	STC-70. "Description"
C1668	LOCK HLD GAP DETCT	STC-72. "Description"
C1669	INCOMP LOCK RELEAS	STC-73. "Description"
C1671	ACT ADJ NOT PRFRM	STC-74. "Description"
C1672	INCOMP ACTUATR ADJ	STC-76. "Description"
C1684	4WAS MAIN ECU COMM	STC-77. "Description"
C1685	4WAS MAIN ECU COMM	STC-77. "Description"

4WAS FRONT CONTROL UNIT

< ECU DIAGNOSIS >

[WITH 4WAS]

DTC	Items (CONSULT-III screen terms)	Reference
C1686	4WAS MAIN ECU	STC-81. "Description"
U1000	CAN COMM CIRCUIT	STC-82. "Description"
U1002	SYSTEM COMM(CAN)	STC-82. "Description"
U1010	CONTROL UNIT (CAN)	STC-86. "Description"

4WAS MAIN CONTROL UNIT

< ECU DIAGNOSIS >

[WITH 4WAS]

4WAS MAIN CONTROL UNIT

Reference Value

INFOID:000000000958921

VALUES ON THE DIAGNOSIS TOOL

Monitor item	Condition	Value/Status
VHCL SPEED SE	Vehicle stopped	0 km/h (0 MPH)
	Start the engine. Wait a minute. Drive the vehicle. CAUTION: Check air pressure of tire under standard conditions.	Approximately equal to the indication on speedometer (Inside of ±10%)
STEERING ANG	Steering wheel right turned	0 – 870 deg
	Straight-ahead	Approx. 0 deg
	Steering wheel left turned	0 – –870 deg
ENGINE SPEED	Engine stopped	0 rpm
	Engine running (Engine speed: 400 rpm or more)	Approximately equal to the indication on tachometer
STR ANGL SPD	The steering wheel does not steered.	0 deg/s
	The steering wheel is steering.	1 – 3,000 deg/s
POWER STR SOL	Vehicle speed: 0 km/h (0 MPH) (Engine is running)	Approx. 1.10 A
	Vehicle speed: 100 km/h (62 MPH)	Approx. 0.42 A
RR ST ANG-MAI	4WAS rear actuator turns right completely	Approx. 4.4 V
	4WAS rear actuator neutral	Approx. 2.4 V
	4WAS rear actuator turns left completely	Approx. 0.4 V
RR ST ANG-SUB	4WAS rear actuator turns right completely	Approx. 4.4 V
	4WAS rear actuator neutral	Approx. 2.4 V
	4WAS rear actuator turns left completely	Approx. 0.4 V
RR ST ANG-VOL	Ignition switch: ON	Approx. 5 V
C/U VOLTAGE	Ignition switch: ON	Battery voltage
MOTOR VOLTAGE	Ignition switch: ON	Battery voltage
MOTOR CURRENT	4WAS rear motor running	0 – 20 A
MTR CRNT OPE	4WAS rear actuator neutral condition and vehicle straight-ahead position.	Approx. –2 – 2 A
	4WAS rear motor running	Approx. –20 – 20 A
RR ANGLE OPE	4WAS rear actuator right turned	Approx. 0 – 1 deg
	4WAS rear actuator neutral	Approx. 0 deg
	4WAS rear actuator left turned	Approx. 0 – –1 deg
FR ANGLE OPE	Steering wheel turned to the right (with vehicle stopped).	Approx. 0 – 180 deg
	Straight-ahead	Approx. 0 deg
	Steering wheel turned to the left (with vehicle stopped).	Approx. 0 – –180 deg
STOP LAMP SW	Brake pedal: Depressed	On
	Brake pedal: Released	Off
HICAS RELAY	Ignition switch: ON	On
FAIL SAFE	Fail-safe condition	On
	Normal	Off
WARNING LAMP	4WAS warning lamp: ON	On
	4WAS warning lamp: OFF	Off

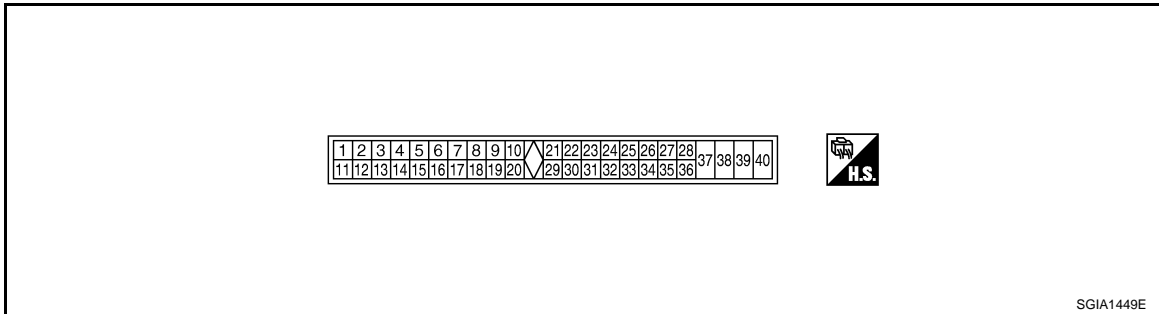
4WAS MAIN CONTROL UNIT

< ECU DIAGNOSIS >

[WITH 4WAS]

Monitor item	Condition	Value/Status
FRONT ECU FAIL	4WAS front control unit fail-safe mode	On
	Normal	Off
FRONT ECU EX	4WAS front control unit enters in the protection function mode	On
	Normal	Off

TERMINAL LAYOUT



PHYSICAL VALUES

Terminal No.		Wire color	Description		Condition	Value (Approx.)
+	-		Signal name	Input/Output		
1	—	L	CAN-H	—	—	—
4	Ground	Y	Rear wheel steering angle sensor (main) output voltage	Output	4WAS rear actuator assembly turns right completely.	4.4 V
					4WAS rear actuator assembly neutral	2.4 V
					4WAS rear actuator assembly turns left completely.	0.4 V
5	Ground	W	Rear wheel steering angle sensor power supply	Output	Ignition switch: ON	5 V
					Ignition switch: OFF	0 V
7	Ground	R	Rear wheel steering angle sensor (sub) output voltage	Output	4WAS rear actuator assembly turns right completely.	4.4 V
					4WAS rear actuator assembly neutral	2.4 V
					4WAS rear actuator assembly turns left completely.	0.4 V
8	—	P	CAN-L	—	—	—
15	Ground	G	Rear wheel steering angle sensor ground	—	Always	0 V
22	Ground	GR	Stop lamp switch	Input	Brake pedal: Depressed	Battery voltage
					Brake pedal: Released	0 V
25	Ground	SB	4WAS rear motor relay	Input	Ignition switch: ON	Battery voltage
					Ignition switch: OFF	0 V
27	Ground	G	Ignition switch	Input	Ignition switch: ON	Battery voltage
					Ignition switch: OFF	0 V
31	—	BR	4WAS communication-H	—	—	—
32	—	Y	4WAS communication-L	—	—	—
34	Ground	B	Ground	—	Always	0 V

4WAS MAIN CONTROL UNIT

< ECU DIAGNOSIS >

[WITH 4WAS]

Terminal No.		Wire color	Description		Condition	Value (Approx.)
+	-		Signal name	Input/Output		
36	Ground	LG	Power steering solenoid valve	Output	Vehicle speed: 0 km/h (0 MPH) (Engine is running)	4.4 – 6.6 V
					Vehicle speed: 100 km/h (62 MPH)	2.4 – 3.6 V
37	Ground	P	4WAS rear motor power supply	Input	Ignition switch: ON	Battery voltage
					Ignition switch: OFF	0 V
38	Ground	G/R	4WAS rear motor output voltage (right)	Output	While 4WAS rear motor activates rightward	Battery voltage
					While 4WAS rear motor activates leftward	0 V
39	Ground	G/Y	4WAS rear motor output voltage (left)	Output	While 4WAS rear motor activates rightward	0 V
					While 4WAS rear motor activates leftward	Battery voltage
40	Ground	B	4WAS rear motor ground	—	Always	0 V

CAUTION:

When using circuit tester to measure voltage for inspection, never extend forcibly any connector terminals.

Wiring Diagram — 4WAS SYSTEM —

INFOID:000000000958922

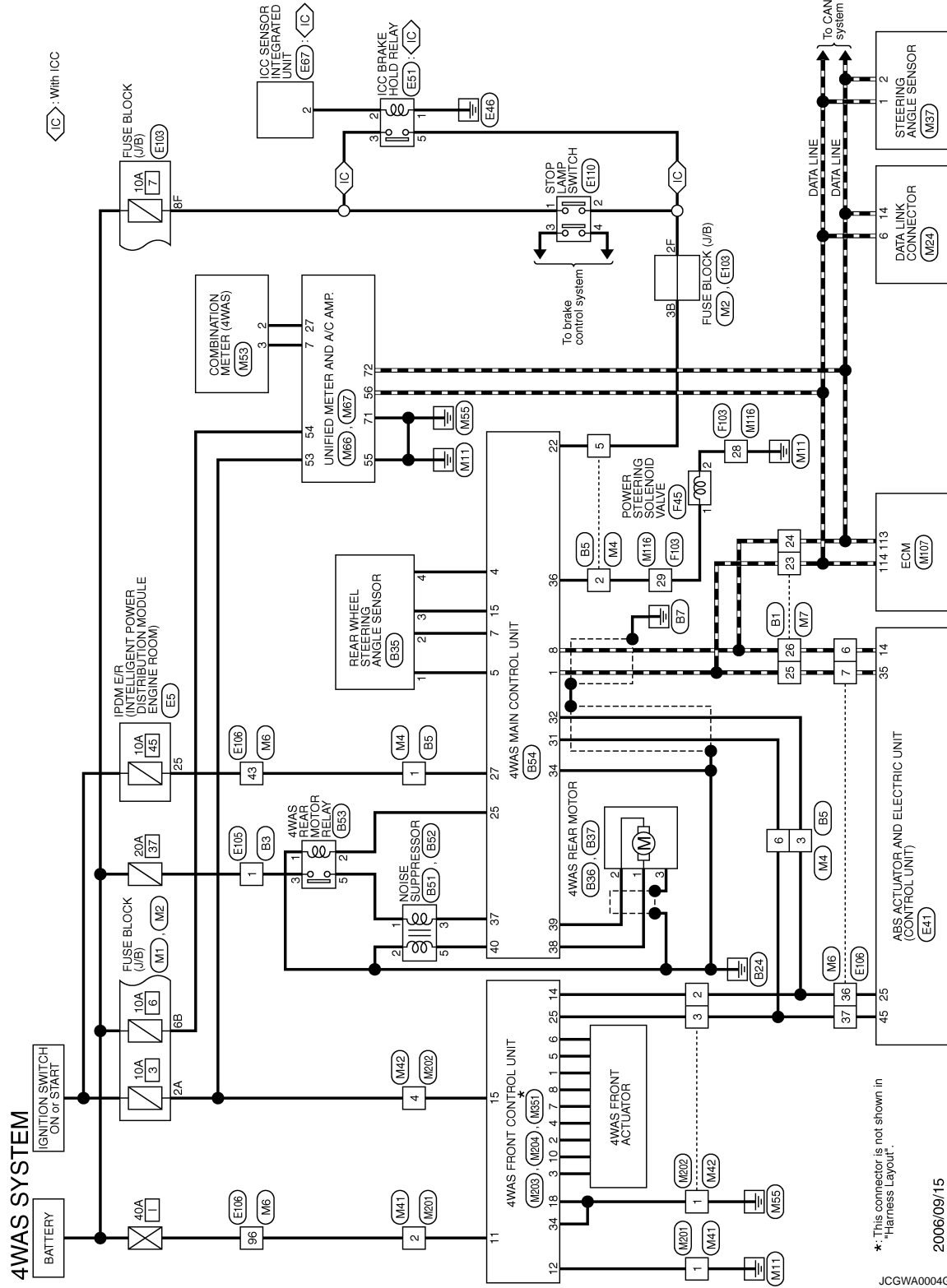
A
B
C
D
E
F
H
I
J
K
L
M
N
O
P

STC

4WAS MAIN CONTROL UNIT

< ECU DIAGNOSIS >

[WITH 4WAS]



*: This connector is not shown in "Harness Layout".

2006/09/15

JCGWA0004GF

4WAS MAIN CONTROL UNIT

< ECU DIAGNOSIS >

[WITH 4WAS]

4WAS SYSTEM

Connector No.	B1
Connector Name	WIRE TO WIRE
Connector Type	TH80FW-CS16-TM4



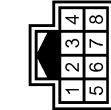
Terminal No.	Color of Wire	Signal Name
23	L	-
24	P	-
25	L	-
26	P	-

Connector No.	B3
Connector Name	WIRE TO WIRE
Connector Type	M02FW-LC



Terminal No.	Color of Wire	Signal Name
1	R	-

Connector No.	B5
Connector Name	WIRE TO WIRE
Connector Type	TH08MW-NH



Terminal No.	Color of Wire	Signal Name
1	G	-
2	LG	-
3	Y	-
5	GR	-
6	BR	-

Connector No.	B35
Connector Name	REAR WHEEL STEERING ANGLE SENSOR
Connector Type	RS08FGY-FR



Terminal No.	Color of Wire	Signal Name
1	W	-
2	R	-
3	G	-
4	Y	-

Connector No.	B38
Connector Name	4WAS REAR MOTOR
Connector Type	X02FB



Terminal No.	Color of Wire	Signal Name
1	G/R	-
2	G/Y	-

Connector No.	B37
Connector Name	4WAS REAR MOTOR
Connector Type	F01FB-A



Terminal No.	Color of Wire	Signal Name
3	SHIELD	-

Connector No.	B51
Connector Name	NOISE SUPPRESSOR
Connector Type	NS03FW-CS



Terminal No.	Color of Wire	Signal Name
3	P	-
5	B	-

Connector No.	B52
Connector Name	NOISE SUPPRESSOR
Connector Type	NS02FW-CS



Terminal No.	Color of Wire	Signal Name
1	L	-
2	B	-

A
B
C
D
E
F
STC
H
I
J
K
L
M
N
O
P

4WAS MAIN CONTROL UNIT

< ECU DIAGNOSIS >

[WITH 4WAS]

4WAS SYSTEM

Connector No.	B53
Connector Name	4WAS REAR MOTOR RELAY
Connector Type	MS02FL-M2



Terminal No.	Color of Wire	Signal Name
1	B	-
2	SB	-
3	R	-
5	L	-

Connector No.	B54
Connector Name	4WAS MAIN CONTROL UNIT
Connector Type	A36FW-M4



Terminal No.	Color of Wire	Signal Name
1	L	CAN-H
4	Y	R-ANG MAIN SIG
5	W	R-ANG VCC
7	R	R-ANG SUB SIG
8	P	CAN-L
15	G	R-ANG GND
22	GR	STOP L SW
25	SB	R-MTR RLY
27	G	IGN
31	BR	4WAS COMM (H)
32	Y	4WAS COMM (L)

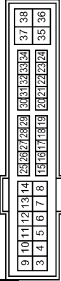
Connector No.	E41
Connector Name	ABS ACTUATOR AND ELECTRIC UNIT
Connector Type	BAA42FB-AH24-LH



Terminal No.	Color of Wire	Signal Name
14	P	CAN-L
25	Y	BUS(L)
35	L	CAN-H
45	B	BUS(H)

34	B	GND
36	LG	P/S SOL
37	P	R-MTR PWR SUPPLY
38	G/R	R-MTR (RH)
39	G/Y	R-MTR (LH)
40	B	R-MTR GND

Connector No.	E5
Connector Name	IPDM E/R (INTELLIGENT POWER DISTRIBUTION MODULE ENGINE ROOM)
Connector Type	TH20FW-CS12-M4-TV



Terminal No.	Color of Wire	Signal Name
25	G	-

Connector No.	E57
Connector Name	ICC SENSOR INTEGRATED UNIT
Connector Type	RS06FB-FPR



Terminal No.	Color of Wire	Signal Name
2	V	BRK LMP RLY

Connector No.	E 03
Connector Name	FUSE BLOCK (J/B)
Connector Type	NS16FW-CS



Terminal No.	Color of Wire	Signal Name
2F	W	-
8F	L	-

4WAS MAIN CONTROL UNIT

< ECU DIAGNOSIS >

[WITH 4WAS]

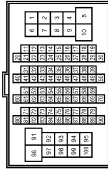
4WAS SYSTEM

Connector No.	E103
Connector Name	WIRE TO WIRE
Connector Type	M02MW-LC



Terminal No.	Color of Wire	Signal Name
1	L	-

Connector No.	E106
Connector Name	WIRE TO WIRE
Connector Type	TH80FW-GS16-TM4



Terminal No.	Color of Wire	Signal Name
6	P	-
7	L	-
36	Y	-
37	B	-
43	G	-
96	R	-

Connector No.	E110
Connector Name	STOP LAMP SWITCH
Connector Type	M04FW-LC



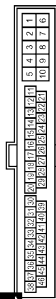
Terminal No.	Color of Wire	Signal Name
1	L	-
2	W	-
3	L	-
4	SB	-

Connector No.	F45
Connector Name	POWER STEERING SOLENOID VALVE
Connector Type	RS02FBR-DG5



Terminal No.	Color of Wire	Signal Name
1	LG	-
2	B	-

Connector No.	F103
Connector Name	WIRE TO WIRE
Connector Type	TK38FW-NS10



Terminal No.	Color of Wire	Signal Name
28	B	-
29	LG	-

Connector No.	M1
Connector Name	FUSE BLOCK (J/B)
Connector Type	NS08FW-M2



Terminal No.	Color of Wire	Signal Name
2A	G	-

Connector No.	M2
Connector Name	FUSE BLOCK (J/B)
Connector Type	NS10FW-CS



Terminal No.	Color of Wire	Signal Name
3B	P	-
6B	Y	-

Connector No.	M4
Connector Name	WIRE TO WIRE
Connector Type	TH08FW-NH



Terminal No.	Color of Wire	Signal Name
1	G	-
2	LG	-
3	W	-
5	P	-
6	SB	-

A
B
C
D
E
F
STC
H
I
J
K
L
M
N
O
P

4WAS MAIN CONTROL UNIT

< ECU DIAGNOSIS >

[WITH 4WAS]

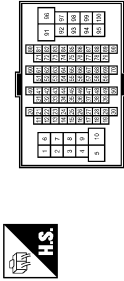
4WAS SYSTEM

Connector No.	M6
Connector Name	WIRE TO WIRE
Connector Type	TH80MW-CS16-TM4



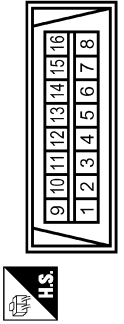
Terminal No.	Color of Wire	Signal Name
6	P	-
7	L	-
36	Y	-
37	SB	-
43	G	-
36	R	-

Connector No.	M7
Connector Name	WIRE TO WIRE
Connector Type	TH80MW-CS16-TM4



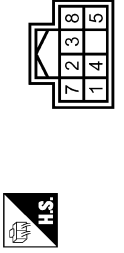
Terminal No.	Color of Wire	Signal Name
23	L	-
24	P	-
25	L	-
26	P	-

Connector No.	M24
Connector Name	DATA LINK CONNECTOR
Connector Type	BD16FW



Terminal No.	Color of Wire	Signal Name
6	L	-
14	P	-

Connector No.	M37
Connector Name	STEERING ANGLE SENSOR
Connector Type	TH40FW-NH



Terminal No.	Color of Wire	Signal Name
1	L	CAN-H
2	P	CAN-L

Connector No.	M41
Connector Name	WIRE TO WIRE
Connector Type	M02FB-LG



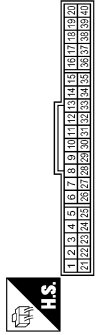
Terminal No.	Color of Wire	Signal Name
1	B	-
2	R	-

Connector No.	M42
Connector Name	WIRE TO WIRE
Connector Type	TH04FW-NH



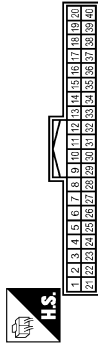
Terminal No.	Color of Wire	Signal Name
1	B	-
2	Y	-
3	SB	-
4	G	-

Connector No.	M53
Connector Name	COMBINATION METER
Connector Type	SAB40FW



Terminal No.	Color of Wire	Signal Name
2	LG	COMM (METER->AMP.)
3	GR	COMM (AMP->METER)

Connector No.	M55
Connector Name	UNIFIED METER AND A/C AMP.
Connector Type	TH40FW-NH



Terminal No.	Color of Wire	Signal Name
7	GR	COMM (AMP->METER)
27	LG	COMM (METER->AMP.)

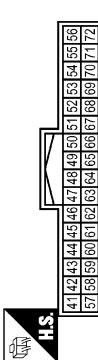
4WAS MAIN CONTROL UNIT

< ECU DIAGNOSIS >

[WITH 4WAS]

4WAS SYSTEM

Connector No.	M87
Connector Name	UNIFIED METER AND A.C. AMP.
Connector Type	TH32FW-NH



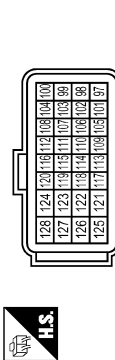
Terminal No.	Color of Wire	Signal Name
53	G	IGN
54	Y	BAT
55	B	GND
56	L	CAN-H
71	B	GND
72	P	CAN-L

Connector No.	M202
Connector Name	WIRE TO WIRE
Connector Type	TH30MW-NH



Terminal No.	Color of Wire	Signal Name
1	B	-
2	Y	-
3	SB	-
4	G	-

Connector No.	M107
Connector Name	ECM
Connector Type	MAA2FGY-MEA8-LH-Z



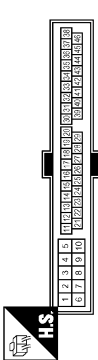
Terminal No.	Color of Wire	Signal Name
113	P	VHECAN L1
114	L	VHECAN H1

Connector No.	M203
Connector Name	4WAS FRONT CONTROL UNIT
Connector Type	SNM2FGY



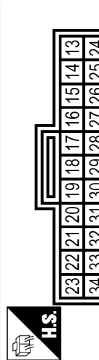
Terminal No.	Color of Wire	Signal Name
11	R	F-MTR PWR SUPPLY
12	B	F-MTR GND

Connector No.	M116
Connector Name	WIRE TO WIRE
Connector Type	TK38MW-NS10



Terminal No.	Color of Wire	Signal Name
28	B	-
29	LG	-

Connector No.	M204
Connector Name	4WAS FRONT CONTROL UNIT
Connector Type	TK22FW



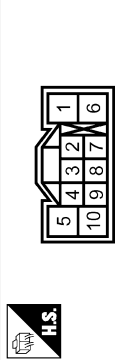
Terminal No.	Color of Wire	Signal Name
14	Y	4WAS COMM (L)
15	G	IGN
16	B	GND
25	SB	4WAS COMM (H)
34	B	GND

Connector No.	M201
Connector Name	WIRE TO WIRE
Connector Type	M12MB-P-LC



Terminal No.	Color of Wire	Signal Name
1	B	-
2	R	-

Connector No.	M351
Connector Name	4WAS FRONT ACTUATOR
Connector Type	TE308FW-TM4



Terminal No.	Color of Wire	Signal Name
1	G	F-MTR V
2	W	F-ANG W SIG
3	B	LOCK SOL GND
4	Y	F-ANG U SIG
5	BR	F-MTR U
6	L	F-MTR W
7	GR	F-ANG GND
8	G/R	F-ANG V SIG
10	R	LOCK SOL VCC

Fail Safe

4WAS system (Main)

- 4WAS system enters in the fail-safe mode (4WAS system stopped) and 4WAS warning lamp turns ON if an error is detected in 4WAS system (4WAS main control unit) component part.
- 4WAS system enters in the protection function mode (4WAS system temporarily stopped) if 4WAS system continues the heavy load condition or the sensor self-check condition. (4WAS system reactivates automati-

A
B
C
D
E
F
STC
H
I
J
K
L
M
N
O
P

4WAS MAIN CONTROL UNIT

< ECU DIAGNOSIS >

[WITH 4WAS]

call) if the heavy load condition and the self-check condition are resolved.) 4WAS warning lamp stays OFF in the protection function mode.

Function	Warning lamp	DTC No.	Detected area (Error area)	Error area and root cause
Fail-safe mode	Turn-ON	C1900 C1901 C1905 C1906 C1907 C1908 C1922 C1925 C1927 C1928 C1933	4WAS main control unit	4WAS main control unit error
Fail-safe mode	Turn-ON	C1902 C1903 C1904 C1910 C1913	4WAS rear motor	4WAS rear motor error
Fail-safe mode	Turn-ON	C1909	4WAS main control unit	4WAS main control unit
Fail-safe mode	Turn-ON	C1911 C1912	4WAS rear motor	4WAS rear motor power supply error
Fail-safe mode	Turn-ON	C1914	Rear wheel steering sensor	Rear wheel steering sensor power supply error
Fail-safe mode	Turn-ON	C1915 C1916	Rear wheel steering sensor	Rear wheel steering sensor output voltage error
Fail-safe mode	Turn-OFF	C1917	Rear wheel steering sensor	Rear wheel steering sensor (main and sub) output signal value error signal
Fail-safe mode	Turn-ON	C1918	Rear wheel steering sensor	Rear wheel steering sensor (main and sub) output signal error
Fail-safe mode	Turn-ON	C1919	ABS actuator and electric unit (control unit)	Vehicle speed signal error
Fail-safe mode	Turn-ON	C1920 C1923 C1924	Steering angle sensor	Steering angle sensor input signal error
Fail-safe mode	Turn-ON	C1921	ECM	Engine speed signal error
Fail-safe mode	Turn-ON	C1926	Steering angle sensor	Steering angle sensor error
Fail-safe mode	Turn-ON	C1930	4WAS front control unit	4WAS front control unit fail-safe mode
Fail-safe mode	Turn-ON	C1931	4WAS communication line*/ 4WAS front control unit/4WAS main control unit	4WAS communication line*/4WAS front control unit/4WAS main control unit error
Fail-safe mode	Turn-ON	C1932	Steering angle sensor	Steering angle sensor input signal error
Fail-safe mode	Turn-ON	U1000	CAN communication line*	CAN communication error
Fail-safe mode	Turn-ON	U1010	CAN communication line*/ 4WAS main control unit/ECM/ ABS actuator and electric unit (control unit)	CAN communication line/4WAS main control unit/ECM/ABS actuator and electric unit (control unit) error

*: Communication line between 4WAS front control unit and 4WAS main control unit.

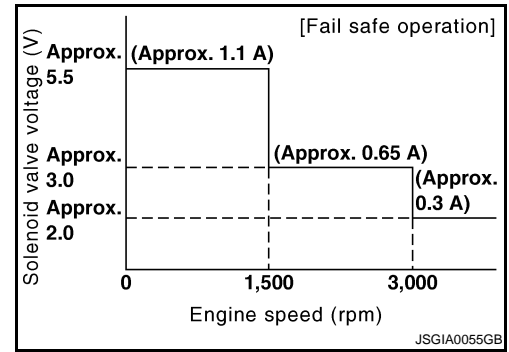
4WAS MAIN CONTROL UNIT

< ECU DIAGNOSIS >

[WITH 4WAS]

EPS system

- EPS system (4WAS main control unit) enters the fail-safe mode (that allows the steering force to be controlled without impairing the drive ability) if the input from each sensor is not within the specified range. Then, 4WAS warning lamp turns ON.



Function	Warning lamp	DTC No.	Detected area (Error area)	Error part and root cause
Fail-safe mode	Turn-ON	C1919	ABS actuator and electronic unit (control unit)	Vehicle speed signal error

DTC Inspection Priority Chart

INFOID:000000000958924

If some DTCs are displayed at the same time, perform inspections one by one based on the following priority chart.

Priority	Detected items (DTC)
1	<ul style="list-style-type: none"> • U1000 CAN COMM • U1010 CONTROL UNIT (CAN)
2	<ul style="list-style-type: none"> • C1900 CONTROL UNIT [ABNORMAL1] • C1901 CONTROL UNIT [ABNORMAL2] • C1905 CONTROL UNIT [ABNORMAL3] • C1906 CONTROL UNIT [ABNORMAL5] • C1907 CONTROL UNIT [ABNORMAL4] • C1908 CONTROL UNIT [ABNORMAL7] • C1909 CONTROL UNIT [ABNORMAL6] • C1922 CONTROL UNIT [ABNORMAL8] • C1925 AD CONVERTER • C1927 CONTROL UNIT [ABNORMAL5] • C1928 CONTROL UNIT [ABNORMAL9] • C1933 CONTROL UNIT
3	<ul style="list-style-type: none"> • C1902 MOTOR OUTPUT [REV CURRENT] • C1903 MOTOR OUTPUT [NO CURRENT] • C1904 MOTOR OUTPUT [OVERCURRENT] • C1910 MOTOR OUTPUT [MOTOR LOCK] • C1911 MOTOR VOLTAGE [LOW VOLTEGE] • C1912 MOTOR VOLTAGE [BAD OBSTRCT] • C1913 MOTOR OUTPUT [ABNORML SIG] • C1914 RR ST ANGLE SENSOR [ABNORML VOL] • C1915 RR ST ANGLE SENSOR [MAIN SIGNAL] • C1916 RR ST ANGLE SENSOR [SUB SIGNAL] • C1917 RR ST ANGLE SENSOR [OFFSET SIG1] • C1918 RR ST ANGLE SENSOR [OFFSET SIG2]
4	<ul style="list-style-type: none"> • C1919 VEHICLE SPEED SEN [NO SIGNAL] • C1920 STEERING ANGLE SEN [NO SIGNAL] • C1921 ENG REV SIGNAL • C1923 STEERING ANGLE SEN [NO CHANGE] • C1924 STEERING ANGLE SEN [NO NEUT STATE] • C1926 STEERING ANGLE SEN • C1932 STEERING ANGLE SEN
5	<ul style="list-style-type: none"> • C1930 4WAS FRONT ECU • C1931 4WAS FRONT ECU COMM

4WAS MAIN CONTROL UNIT

< ECU DIAGNOSIS >

[WITH 4WAS]

DTC Index

INFOID:000000000958925

DTC	Items (CONSULT-III screen terms)	Reference
C1900	CONTROL UNIT [ABNORMAL1]	STC-87, "Description"
C1901	CONTROL UNIT [ABNORMAL2]	STC-87, "Description"
C1902	MOTOR OUTPUT [REV CURRENT]	STC-89, "Description"
C1903	MOTOR OUTPUT [NO CURRENT]	STC-89, "Description"
C1904	MOTOR OUTPUT [OVERCURRENT]	STC-89, "Description"
C1905	CONTROL UNIT [ABNORMAL3]	STC-92, "Description"
C1906	CONTROL UNIT [ABNORMAL5]	STC-87, "Description"
C1907	CONTROL UNIT [ABNORMAL4]	STC-87, "Description"
C1908	CONTROL UNIT [ABNORMAL7]	STC-92, "Description"
C1909	CONTROL UNIT [ABNORMAL6]	STC-94, "Description"
C1910	MOTOR OUTPUT [MOTOR LOCK]	STC-89, "Description"
C1911	MOTOR VOLTAGE [LOW VOLTEGE]	STC-96, "Description"
C1912	MOTOR VOLTAGE [BAD OBSTRCT]	STC-96, "Description"
C1913	MOTOR OUTPUT [ABNORML SIG]	STC-89, "Description"
C1914	RR ST ANGLE SENSOR [ABNORML VOL]	STC-101, "Description"
C1915	RR ST ANGLE SENSOR [MAIN SIGNAL]	STC-104, "Description"
C1916	RR ST ANGLE SENSOR [SUB SIGNAL]	STC-104, "Description"
C1917	RR ST ANGLE SENSOR [OFFSET SIG1]	STC-107, "Description"
C1918	RR ST ANGLE SENSOR [OFFSET SIG2]	STC-107, "Description"
C1919	VEHICLE SPEED SEN [NO SIGNAL]	STC-110, "Description"
C1920	STEERING ANGLE SEN [NO SIGNAL]	STC-112, "Description"
C1921	ENG REV SIGNAL	STC-115, "Description"
C1922	CONTROL UNIT [ABNORMAL8]	STC-92, "Description"
C1923	STEERING ANGLE SEN [NO CHANGE]	STC-117, "Description"
C1924	STEERING ANGLE SEN [NO NEUT STATE]	STC-120, "Description"

4WAS MAIN CONTROL UNIT

< ECU DIAGNOSIS >

[WITH 4WAS]

DTC	Items (CONSULT-III screen terms)	Reference
C1925	AD CONVERTER	STC-92, "Description"
C1926	STEERING ANGLE SEN	STC-123, "Description"
C1927	CONTROL UNIT [ABNORMAL5]	STC-87, "Description"
C1928	CONTROL UNIT [ABNORMAL9]	STC-92, "Description"
C1930	4WAS FRONT ECU	STC-126, "Description"
C1931	4WAS FRONT ECU COMM	STC-127, "Description"
C1932	STEERING ANGLE SEN	STC-123, "Description"
C1933	CONTROL UNIT	STC-87, "Description"
U1000	CAN COMM	STC-131, "Description"
U1010	CONTROL UNIT (CAN)	STC-132, "Description"

A
B
C
D
E
F

H
I
J
K
L
M
N
O
P

STC

4WAS SYMPTOMS

< SYMPTOM DIAGNOSIS >

[WITH 4WAS]

SYMPTOM DIAGNOSIS

4WAS SYMPTOMS

Symptom Table

INFOID:000000000958926

If 4WAS warning lamp turns ON, perform self-diagnosis

Symptom	Condition	Check item	Reference
4WAS warning lamp does not turn on. (4WAS warning lamp does not turn ON when turning ignition switch ON from OFF)	Ignition switch: ON	4WAS system power supply and ground	STC-169, "Description"
		Unified meter and A/C amp.	
		CAN communication line	
		Combination meter	
		4WAS main control unit	
4WAS warning lamp does not turn off.	Engine running	4WAS main control unit self-diagnosis	STC-170, "Description"
		4WAS front control unit self-diagnosis	
Steering wheel miss alignment (The steering wheel position (center) is in the wrong position at driving)	Driving	Return to 4WAS front actuator initial position	STC-171, "Description"
		4WAS system condition	
		steering system	
		wheel alignment	
		4WAS front actuator adjustment	
		4WAS system ignition power supply	
		4WAS system 4WAS front motor power supply	
		4WAS system incomplete lock release	
4WAS system history inspection			
Steering system vibration and noise (Vibration or noise occurs in the steering wheel while driving the vehicle.)	Driving	4WAS system protection function mode	STC-173, "Description"
		4WAS front actuator control stopped	
Unbalance steering wheel turning force (torque variation)	Driving	Vehicle speed signal	STC-174, "Description"
		Steering system	
		Power steering solenoid valve	

4WAS WARNING LAMP DOES NOT TURN ON

< SYMPTOM DIAGNOSIS >

[WITH 4WAS]

4WAS WARNING LAMP DOES NOT TURN ON

Description

INFOID:000000000958927

- 4WAS warning lamp does not turn ON when turning ignition switch ON from OFF.

Diagnosis Procedure

INFOID:000000000958928

1. CHECK 4WAS SYSTEM POWER SUPPLY AND GROUND CIRCUIT

With CONSULT-III

Perform the trouble diagnosis of the power supply and ground circuit.

Is the inspection result normal?

YES >> GO TO 2.

NO >> Repair or replace the specific malfunctioning part.

2. CHECK 4WAS WARNING LAMP

With CONSULT-III

Perform the trouble diagnosis of 4WAS warning lamp. Refer to [STC-140. "Diagnosis Procedure"](#).

Is the inspection result normal?

YES >> Check that there is no malfunction in each harness connector pin terminal or disconnection.

NO >> Repair or replace the specific malfunctioning part.

A
B
C
D
E
F
H
I
J
K
L
M
N
O
P

STC

4WAS WARNING LAMP DOES NOT TURN OFF

< SYMPTOM DIAGNOSIS >

[WITH 4WAS]

4WAS WARNING LAMP DOES NOT TURN OFF

Description

INFOID:000000000958929

- 4WAS system stops (error) when turning 4WAS warning lamp ON.

Diagnosis Procedure

INFOID:000000000958930

1. PERFORM SELF-DIAGNOSIS (4WAS MAIN CONTROL UNIT)

With CONSULT-III

Perform 4WAS main control unit self-diagnosis.

Is any DTC detected other than "C1930" or "C1931"?

YES >> GO TO 2.

NO >> GO TO 3.

2. PERFORM TROUBLE DIAGNOSIS (4WAS MAIN CONTROL UNIT)

With CONSULT-III

1. Check the error system detected from the self-diagnosis.
2. Perform 4WAS main control unit self-diagnosis again after the inspection.

Is any error system detected?

YES >> Check the error system.

NO >> GO TO 3.

3. PERFORM SELF-DIAGNOSIS (4WAS FRONT CONTROL UNIT)

With CONSULT-III

Perform 4WAS front control unit self-diagnosis.

Is any error system detected?

YES >> Check the error system.

NO >> GO TO 4.

4. PERFORM SELF-DIAGNOSIS (4WAS MAIN CONTROL UNIT)

With CONSULT-III

Perform 4WAS main control unit self-diagnosis.

Is any error system detected?

YES >> Check the error system.

NO >> Check that there is no malfunction in each harness connector pin terminal or disconnection.

STEERING WHEEL MISS ALIGNMENT

< SYMPTOM DIAGNOSIS >

[WITH 4WAS]

STEERING WHEEL MISS ALIGNMENT

Description

INFOID:000000000958931

- The steering wheel position (center) is in the wrong position at driving.
- 4WAS system stops temporarily.

NOTE:

- The steering wheel position (center) is in the wrong position under the following condition. (4WAS system is in the protection mode. This is normal status.)
 - When steering frequently
 - When driving on a rough road
 - When the assist of power steering is not sufficient
 - When the battery voltage is weak
 - When driving under the status that there is a difference in the steering wheel

Diagnosis Procedure

INFOID:000000000958932

1.CHECK SYMPTOM

Stop the vehicle in the straight-ahead position after driving for a period of time.

Does the steering wheel position (center) misalign?

- YES >> INSPECTION END (Entered in 4WAS system protection function mode in past. 4WAS system is normal at present.)
- NO >> GO TO 2.

2.4WAS FRONT ACTUATOR INITIALIZATION

1. Start the engine.
CAUTION:
Stop the vehicle.
2. Steer to 90° leftward slowly. Steer to 90° rightward and return the steering wheel to the straight-ahead position. Repeat the above 10 times.
3. Stop the vehicle in the straight-ahead position after driving for a period of time.

Does the steering wheel position (center) misalign?

- YES >> INSPECTION END (Entered in 4WAS system protection function mode in past. 4WAS system is normal at present.)
- NO >> GO TO 3.

3.4WAS SYSTEM CONDITION

 With CONSULT-III

1. Start the engine.
CAUTION:
Stop the vehicle.
2. Check "EX OPERAT" item on "DATA MONITOR" of 4WAS front control unit.

Does the item on "DATA MONITOR" indicate "On"?

- YES >> GO TO 7.
- NO >> GO TO 4.

4.CHECK STEERING SYSTEM

Check the steering system. Refer to [ST-12. "Inspection"](#).

Is the inspection result normal?

- YES >> GO TO 5.
- NO >> Repair or replace the specific malfunctioning part.

5.CHECK WHEEL ALIGNMENT

Check the wheel alignment. Refer to [FSU-8. "Wheel Alignment Inspection"](#) (front side), [FSU-28. "Wheel Alignment Inspection"](#) (rear side).

Is the inspection result normal?

- YES >> GO TO 6.
- NO >> Repair or replace the specific malfunctioning part.

A

B

C

D

E

F

STC

H

I

J

K

L

M

N

O

P

STEERING WHEEL MISS ALIGNMENT

[WITH 4WAS]

< SYMPTOM DIAGNOSIS >

6. PERFORM 4WAS FRONT ACTUATOR ADJUSTMENT

1. Perform 4WAS front actuator adjustment. Refer to [STC-28, "4WAS FRONT ACTUATOR NEUTRAL POSITION ADJUSTMENT : Special Repair Requirement \(Pattern 3\)"](#).
2. Stop the vehicle in the straight-ahead position after driving for a period of time.

Does the steering wheel position (center) misalign?

- YES >> INSPECTION END.
NO >> GO TO 7.

7. CHECK 4WAS SYSTEM IGNITION POWER SUPPLY

Perform the trouble diagnosis of the ignition power supply. Refer to [STC-60, "Diagnosis Procedure"](#).

Is the inspection result normal?

- YES >> GO TO 8.
NO >> Repair or replace the specific malfunctioning part.

8. CHECK 4WAS SYSTEM 4WAS FRONT MOTOR POWER SUPPLY

Perform the trouble diagnosis of 4WAS front motor power supply. Refer to [STC-62, "Diagnosis Procedure"](#).

Is the inspection result normal?

- YES >> GO TO 9.
NO >> Repair or replace the specific malfunctioning part.

9. CHECK 4WAS SYSTEM HISTORY

Ⓟ With CONSULT-III

1. Turn the ignition switch OFF.
CAUTION:
Wait 30 minutes or more after turning the ignition switch OFF.
2. Start the engine.
CAUTION:
Stop the vehicle.
3. Check "EX OPERAT" on 4WAS front control unit "DATA MONITOR".

Monitor item	Condition	Display value
EX OPERAT	Ignition switch: ON	On

Is the value of DATA MONITOR "On"?

- YES >> Replace 4WAS front control unit. Refer to [STC-177, "Exploded View"](#).
- Perform 4WAS front actuator adjustment after replacing 4WAS front control unit. Refer to [STC-28, "4WAS FRONT ACTUATOR NEUTRAL POSITION ADJUSTMENT : Special Repair Requirement \(Pattern 3\)"](#).
- NO >> INSPECTION END

STEERING SYSTEM VIBRATION AND NOISE

< SYMPTOM DIAGNOSIS >

[WITH 4WAS]

STEERING SYSTEM VIBRATION AND NOISE

Description

INFOID:000000000958933

- Vibration or noise occurs in the steering wheel while driving the vehicle.

NOTE:

- Vibration or noise occurs in the steering wheel in the following conditions.(4WAS system is not malfunction.)
 - 4WAS system starts and ends (when the engine speed is ON↔OFF).
 - System protection mode
- When steering frequently
- When driving on a rough road
- When the assist of power steering is not sufficient
- When the battery voltage is weak

Diagnosis Procedure

INFOID:000000000958934

1.CHECK 4WAS SYSTEM

 **With CONSULT-III**

1. Start the engine.

CAUTION:

Stop the vehicle.

2. Check "OVRLE JDG FLG", "ACT PRTCT FLG", "ECU PRTCT FLG","LOW VOLT FLG", "HIGH VOLT FLG", "EX OPERAT" items on "DATA MONITOR" of 4WAS front control unit.

Does all items on "DATA MONITOR" indicate "Off"?

YES >> INSPECTION END (Vibration and sound occurs in 4WAS system protection function mode. This is normal.)

NO >> GO TO 2.

2.STOP 4WAS FRONT ACTUATOR CONTROL

1. Turn the ignition switch OFF.
2. Disconnect 4WAS front actuator harness connector.

CAUTION:

Disconnect 4WAS front actuator harness connector 10 minutes after turning the ignition switch OFF.

3. Drive the vehicle for a period of time. Check the symptom.

CAUTION:

Erase the self-diagnosis memory after the inspection is completed to detect 4WAS front control unit DTC "C1661". [Erase the self diagnosis memory of 4WAS main control unit, ABS actuator and electric unit (control unit) and ICC sensor integrated simultaneously.]

Does symptom not occur?

YES >> Replace 4WAS front actuator. Refer to [ST-21, "WITH 4WAS : Exploded View"](#).

NO >> Perform the symptom diagnosis for the steering system. Refer to [ST-3, "NVH Troubleshooting Chart"](#).

A
B
C
D
E
F
STC
H
I
J
K
L
M
N
O
P

UNBALANCE STEERING WHEEL TURNING FORCE (TORQUE VARIATION)

< SYMPTOM DIAGNOSIS >

[WITH 4WAS]

UNBALANCE STEERING WHEEL TURNING FORCE (TORQUE VARIATION)

Description

INFOID:000000000958935

- The steering force does not change smoothly according to the vehicle speed.
- The steering force is heavy when steering.
- The steering force is light when driving at high speed.

Diagnosis Procedure

INFOID:000000000958936

1.CHECK 4WAS SYSTEM VEHICLE SPEED SIGNAL

Perform the trouble diagnosis of the vehicle speed signal. Refer to [STC-110. "Diagnosis Procedure"](#).

Is the inspection result normal?

- YES >> GO TO 2.
- NO >> Repair or replace the specific malfunctioning part.

2.CHECK STEERING SYSTEM

Check the steering system. Refer to [ST-12. "Inspection"](#).

Is the inspection result normal?

- YES >> GO TO 3.
- NO >> Repair or replace the specific malfunctioning part.

3.CHECK 4WAS SYSTEM POWER STEERING SOLENOID VALVE

Perform the trouble diagnosis of the power steering solenoid valve. Refer to [STC-138. "Diagnosis Procedure"](#).

Is the inspection result normal?

- YES >> Check that there is no malfunction in each harness connector pin terminal or disconnection.
- NO >> Repair or replace the specific malfunctioning part.

PRECAUTION

PRECAUTIONS

Precaution for Supplemental Restraint System (SRS) "AIR BAG" and "SEAT BELT PRE-TENSIONER"

INFOID:000000000958937

The Supplemental Restraint System such as "AIR BAG" and "SEAT BELT PRE-TENSIONER", used along with a front seat belt, helps to reduce the risk or severity of injury to the driver and front passenger for certain types of collision. This system includes seat belt switch inputs and dual stage front air bag modules. The SRS system uses the seat belt switches to determine the front air bag deployment, and may only deploy one front air bag, depending on the severity of a collision and whether the front occupants are belted or unbelted. Information necessary to service the system safely is included in the SRS and SB section of this Service Manual.

WARNING:

- To avoid rendering the SRS inoperative, which could increase the risk of personal injury or death in the event of a collision which would result in air bag inflation, all maintenance must be performed by an authorized NISSAN/INFINITI dealer.
- Improper maintenance, including incorrect removal and installation of the SRS, can lead to personal injury caused by unintentional activation of the system. For removal of Spiral Cable and Air Bag Module, see the SRS section.
- Do not use electrical test equipment on any circuit related to the SRS unless instructed to in this Service Manual. SRS wiring harnesses can be identified by yellow and/or orange harnesses or harness connectors.

Precaution Necessary for Steering Wheel Rotation after Battery Disconnect

INFOID:000000000958938

NOTE:

- Before removing and installing any control units, first turn the push-button ignition switch to the LOCK position, then disconnect both battery cables.
- After finishing work, confirm that all control unit connectors are connected properly, then re-connect both battery cables.
- Always use CONSULT-III to perform self-diagnosis as a part of each function inspection after finishing work. If a DTC is detected, perform trouble diagnosis according to self-diagnosis results.

This vehicle is equipped with a push-button ignition switch and a steering lock unit.

If the battery is disconnected or discharged, the steering wheel will lock and cannot be turned.

If turning the steering wheel is required with the battery disconnected or discharged, follow the procedure below before starting the repair operation.

OPERATION PROCEDURE

1. Connect both battery cables.
 - NOTE:**
Supply power using jumper cables if battery is discharged.
2. Carry the Intelligent Key or insert it to the key slot and turn the push-button ignition switch to ACC position. (At this time, the steering lock will be released.)
3. Disconnect both battery cables. The steering lock will remain released with both battery cables disconnected and the steering wheel can be turned.
4. Perform the necessary repair operation.
5. When the repair work is completed, re-connect both battery cables. With the brake pedal released, turn the push-button ignition switch from ACC position to ON position, then to LOCK position. (The steering wheel will lock when the push-button ignition switch is turned to LOCK position.)
6. Perform self-diagnosis check of all control units using CONSULT-III.

Precautions for Removal and Installation of 4WAS Components

INFOID:000000000958939

- Set the vehicle to the straight-ahead position when checking 4WAS and removing each component.
- Remove the battery terminal 10 minutes after turning the ignition switch OFF from ON and perform the removal of each component when removing the 4WAS front control unit.

A
B
C
D
E
F
STC
H
I
J
K
L
M
N
O
P

PRECAUTIONS

[WITH 4WAS]

< PRECAUTION >

- Perform the neutral position adjustment for the steering angle sensor after the replacement of steering angle sensor. Refer to [BRC-8, "ADJUSTMENT OF STEERING ANGLE SENSOR NEUTRAL POSITION : Special Repair Requirement"](#).
- Refer to [STC-27, "4WAS FRONT ACTUATOR NEUTRAL POSITION ADJUSTMENT : Description"](#) for the replacement of 4WAS front control unit.
- Refer to [STC-27, "4WAS FRONT ACTUATOR NEUTRAL POSITION ADJUSTMENT : Description"](#) for the replacement of 4WAS front actuator.

Precautions for Harness Repair

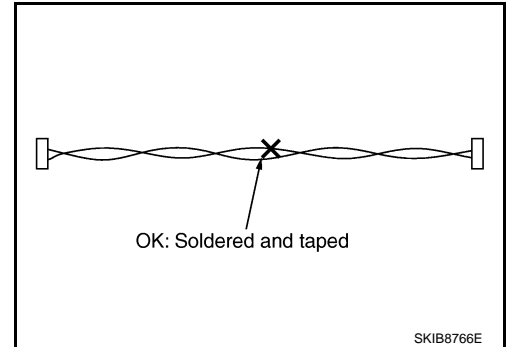
INFOID:000000000958940

4WAS COMMUNICATION LINE

- Solder the repaired area and wrap tape around the soldered area.

NOTE:

A fray of twisted lines must be within 110 mm (4.33 in).

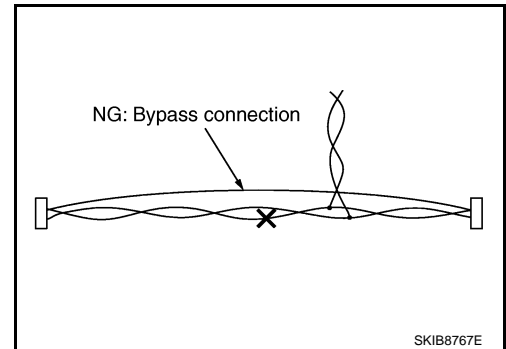


- Bypass connection is never allowed at the repaired area.

NOTE:

Bypass connection may cause 4WAS communication error as spliced wires that are separate from the main line or twisted lines lose noise immunity.

- Replace the applicable harness as an assembly if error is detected on the shield lines of 4WAS communication line.

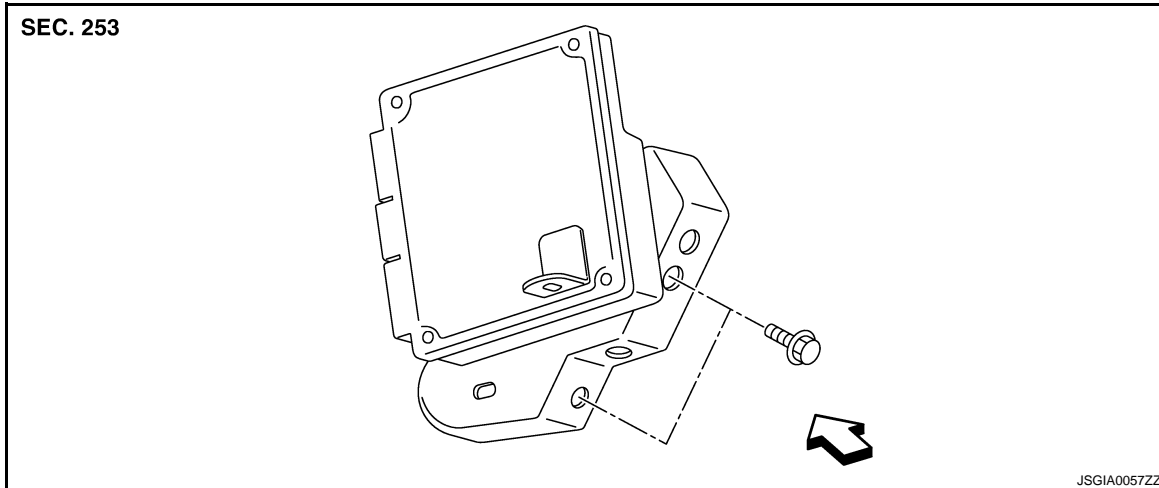


ON-VEHICLE REPAIR

4WAS FRONT CONTROL UNIT

Exploded View

INFOID:000000000958941



1. 4WAS front control unit

←:Vehicle front

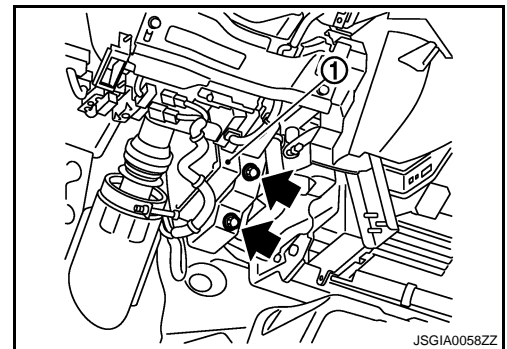
Refer to [GI-4, "Components"](#) for symbols in the figure.

Removal and Installation

INFOID:000000000958942

REMOVAL

1. Turn the ignition switch OFF.
2. Remove the instrument driver lower panel. Refer to [IP-11, "Exploded View"](#).
3. Disconnect 4WAS front control unit connectors.
CAUTION:
Disconnect 4WAS front control unit connectors 10 minutes after turning the ignition switch OFF.
4. Remove the bolts of 4WAS front control unit.
5. Remove the 4WAS front control unit (1).



INSTALLATION

Note following, and install in the reverse order of removal.

- Perform 4WAS front actuator adjustment after replacing 4WAS front control unit. Refer to [STC-28, "4WAS FRONT ACTUATOR NEUTRAL POSITION ADJUSTMENT : Special Repair Requirement \(Pattern 3\)"](#).

4WAS MAIN CONTROL UNIT

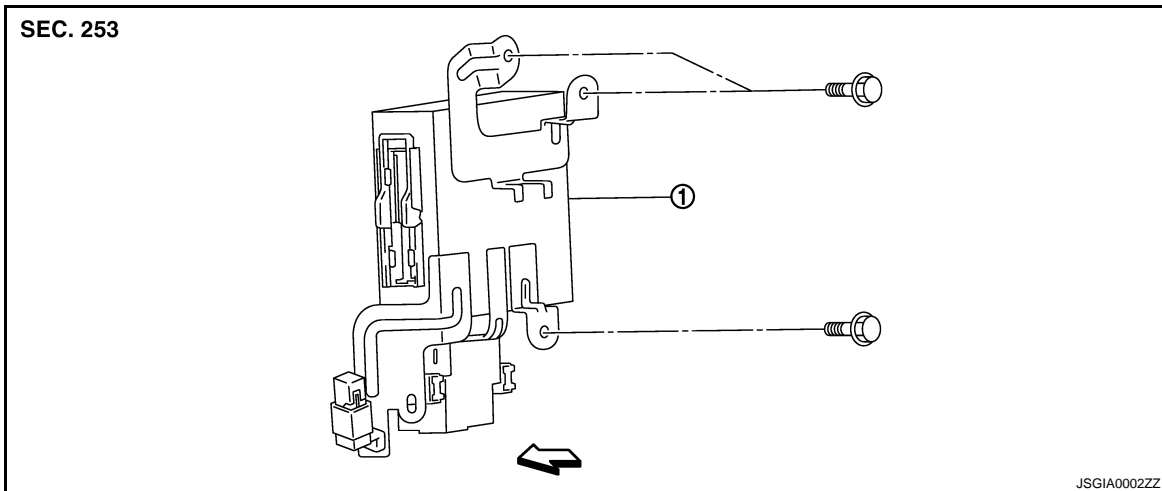
< ON-VEHICLE REPAIR >

[WITH 4WAS]

4WAS MAIN CONTROL UNIT

Exploded View

INFOID:000000000958943



1. 4WAS main control unit

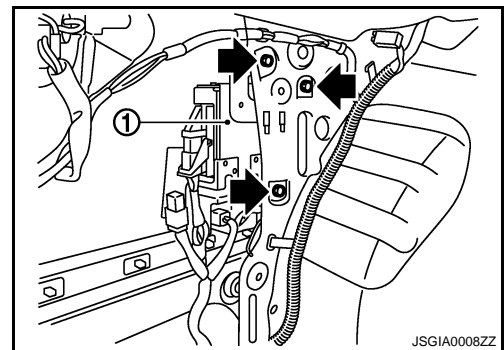
↶: Vehicle rear LH side

Refer to [GI-4, "Components"](#) for symbols in the figure.

Removal and Installation

INFOID:000000000958944

1. Turn the ignition switch OFF.
2. Remove the trunk side finisher. Refer to [INT-26, "Exploded View"](#).
3. Disconnect 4WAS main control unit connectors, 4WAS rear motor relay connector and noise suppressor connectors.
4. Remove the 4WAS main control unit bolts.
5. Remove the 4WAS main control unit (1).



INSTALLATION

Install in the reverse order of removal.

4WAS FRONT ACTUATOR ASSEMBLY

< ON-VEHICLE REPAIR >

[WITH 4WAS]

4WAS FRONT ACTUATOR ASSEMBLY

Removal and Installation

INFOID:000000000958945

Refer to ST section for installation/removal. Refer to [ST-22. "WITH 4WAS : Removal and Installation"](#).

A

B

C

D

E

F

STC

H

I

J

K

L

M

N

O

P

4WAS REAR ACTUATOR ASSEMBLY

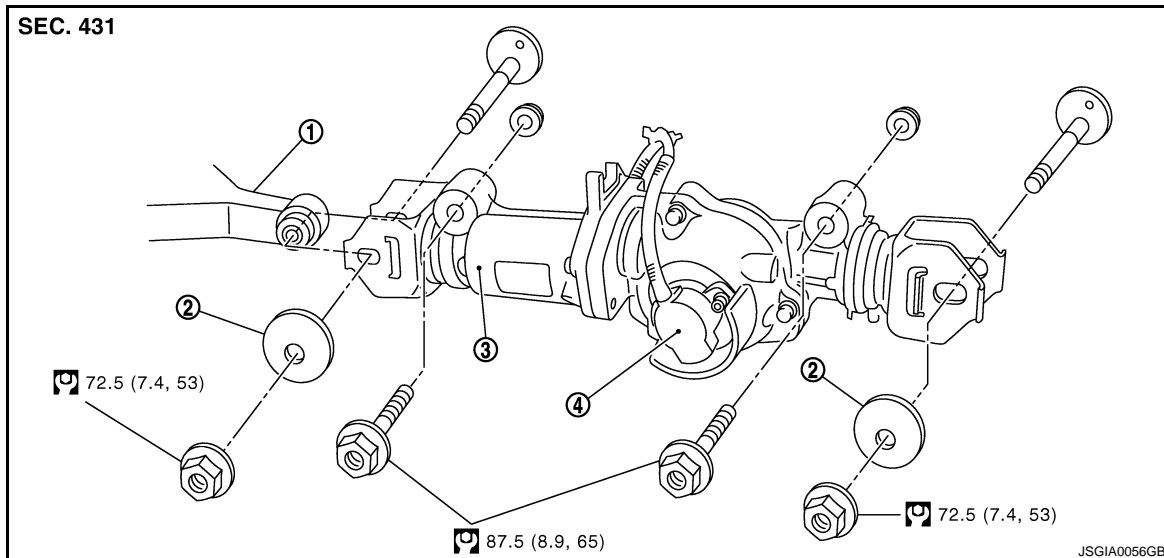
< ON-VEHICLE REPAIR >

[WITH 4WAS]

4WAS REAR ACTUATOR ASSEMBLY

Exploded View

INFOID:000000000958946



1. Rear lower link
2. Decenter cam
3. 4WAS rear motor
4. Rear wheel steering angle sensor

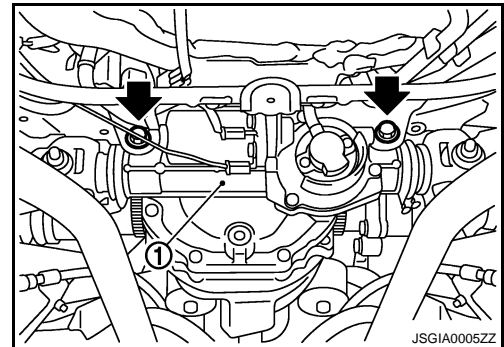
Refer to [GI-4, "Components"](#) for symbols in the figure.

Removal and Installation

INFOID:000000000958947

REMOVAL

1. Remove coil spring and lower link. Refer to [RSU-8, "Exploded View"](#).
2. Disconnect harness connector from 4WAS rear actuator and rear suspension member.
3. Remove fixing bolts and nuts of 4WAS rear actuator (1), and then remove 4WAS rear actuator from rear suspension member.



INSTALLATION

Note the following, and install in the reverse order of removal.

- When installing 4WAS rear actuator to rear suspension member, check the mounting surfaces of 4WAS rear actuator and rear suspension member for oil, dirt, sand, or other foreign materials.
- Check rear wheel alignment. Refer to [RSU-6, "Wheel Alignment Inspection"](#).