

SECTION BT

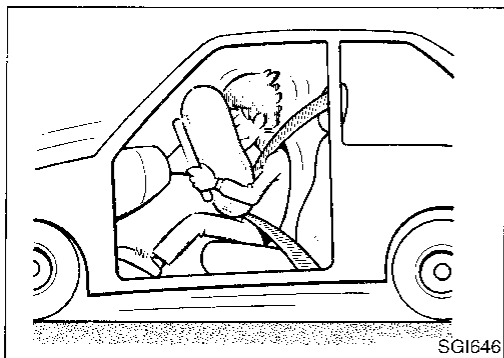
GI
MA
EM
LC
EC
FE
AT
FA
RA
BR
ST
RS
BT
HA
EL
IDX

CONTENTS

PRECAUTIONS	2	⑦ Body side drip molding	30
Supplemental Restraint System (SRS) "AIR BAG"	2	⑧ Waist rail finisher	30
GENERAL SERVICING	3	⑧ Front door weatherstrip	30
Clip and Fastener	3	⑩ Sliding door weatherstrip	30
BODY END	6	⑪ Sliding door lower seal	30
Body Front End	6	⑫ Back door opening weatherstrip	30
Removal — Front bumper assembly	6	⑬ Luggage rack	31
Bumper Shock Absorber Inspection	9	⑭ Outside door molding	32
Body Rear End and Opener	10	⑮ Front door corner covers	33
Removal — Rear bumper assembly	10	⑯ Side guard molding	33
Bumper Shock Absorber Inspection — Rear ...	10	SEAT	34
DOOR	13	Front Seat	34
Front Door	13	Front Power Seat	35
Sliding Door	14	2nd Seat	36
Rear Door	16	3rd Seat	38
INSTRUMENT PANEL	18	SUN ROOF	43
INTERIOR TRIM	22	WINDSHIELD AND WINDOWS	46
Side and Floor Trim	22	Windshield and Rear Window	47
Roof Trim	26	Repairing Water Leaks For Windshield	47
EXTERIOR	28	Side Window (1st)	48
① Hood front sealing rubber	29	Side Window (2nd)	49
② ③ Hood rear sealing rubber and cowl top grille	29	MIRROR	50
④ Sun roof frame weatherstrip and sun roof lid weatherstrip	29	Door Mirror	50
⑤ Windshield upper molding	29	Rearview Mirror	51
⑥ Windshield side molding	29	BODY ALIGNMENT	52
		Engine Compartment	53
		Underbody	55

PRECAUTIONS

- When removing or installing various parts, place a cloth or padding on the vehicle body to prevent scratches.
- Handle trim, molding, instruments, grille, etc., carefully during removing or installation. Be careful not to soil or damage them.
- Apply sealing compound where necessary when installing parts.
- When applying sealing compound, be careful that the sealing compound does not protrude from parts.
- When replacing any metal parts (for example, body outer panel, members, etc.), be sure to take rust prevention measures.



Supplemental Restraint System (SRS) "AIR BAG"

The Supplemental Restraint System "Air Bag", used along with a seat belt, helps to reduce the risk or severity of injury to the driver and front passenger in a frontal collision. The Supplemental Restraint System consists of air bag modules (located in the center of the steering wheel and on the instrument panel on the passenger side), a diagnosis sensor unit, warning lamp, wiring harness and spiral cable. Information necessary to service the system safely is included in the **RS section** of this Service Manual.


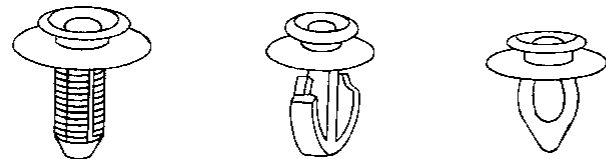
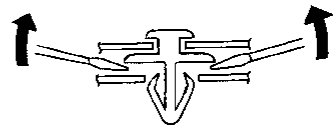
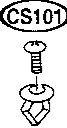
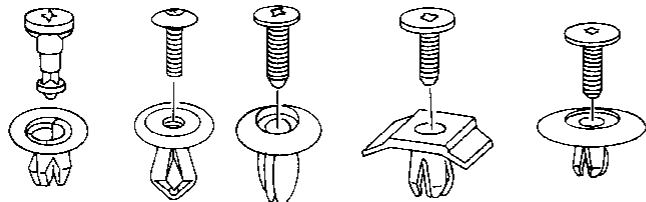
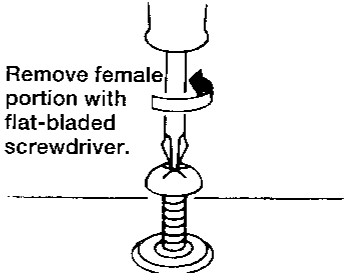
WARNING:

- To avoid rendering the SRS inoperative, which could increase the risk of personal injury or death in the event of a collision which would result in air bag inflation, all maintenance must be performed by an authorized NISSAN dealer.
- Improper maintenance, including incorrect removal and installation of the SRS, can lead to personal injury caused by unintentional activation of the system.
- Do not use electrical test equipment on any circuit related to the SRS unless instructed to in this Service Manual. SRS wiring harnesses are covered with yellow insulation either just before the harness connectors or on the complete harness, for easy identification.

GENERAL SERVICING

Clip and Fastener

- Clips and fasteners in BT section correspond to the following numbers and symbols.
- Replace any clips and/or fasteners which are damaged during removal or installation.

Symbol No.	Shapes	Removal & Installation
	 <p style="text-align: right;">SBF302H</p>	<p>Removal: Remove by bending up with flat-bladed screwdrivers or clip remover.</p>  <p style="text-align: right;">SBF367BA</p>
	 <p style="text-align: right;">SBF078B</p>	<p>Removal: Screw out with a Phillips screwdriver.</p> <p>Remove female portion with flat-bladed screwdriver.</p>  <p style="text-align: right;">ABF172</p>

GI

MA

EM

LC

FC

FE

AT

FA

FA

BR

ST

RS

BT


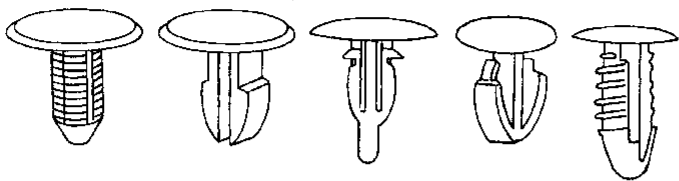
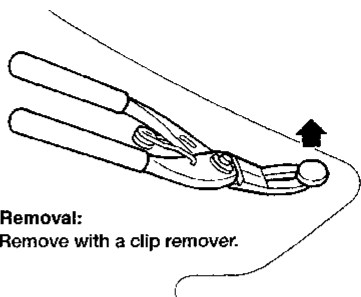

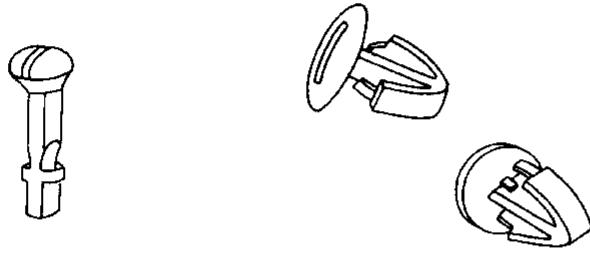
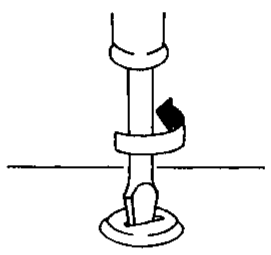

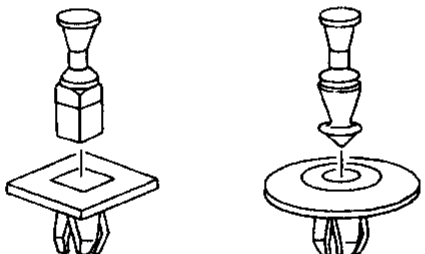
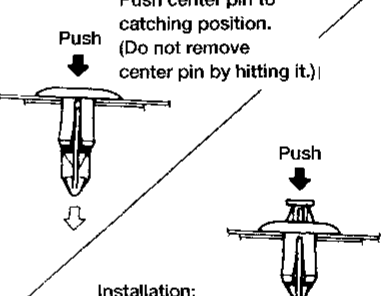

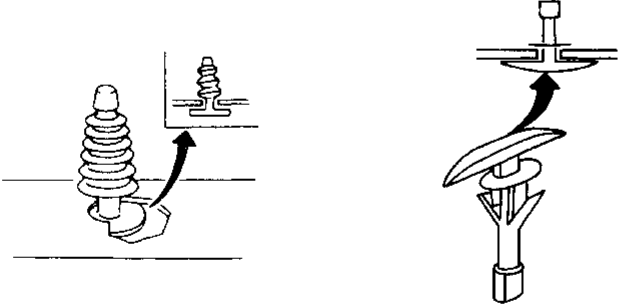
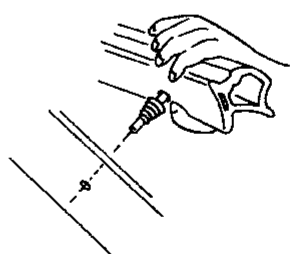

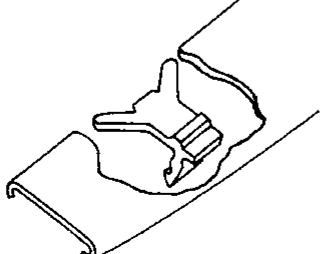
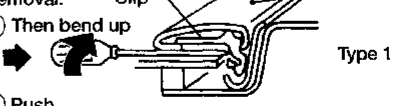
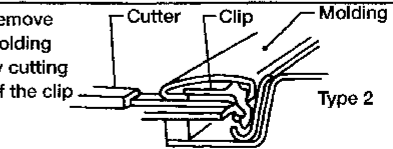
FA

EL

IDX


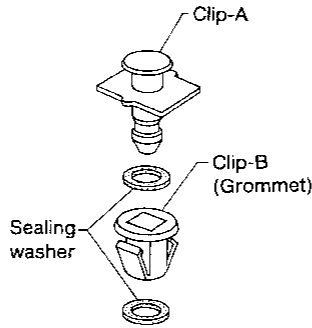
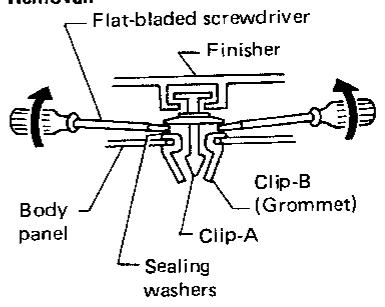

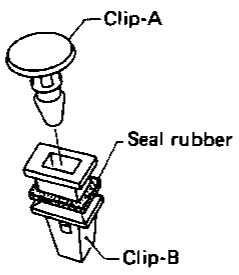
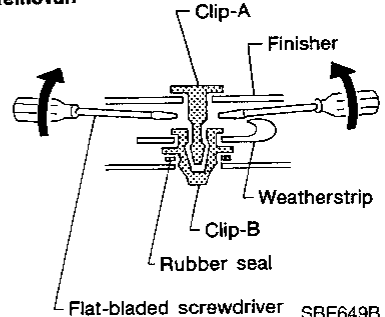

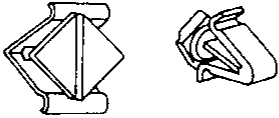

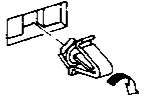

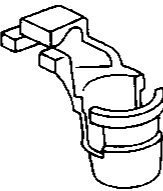
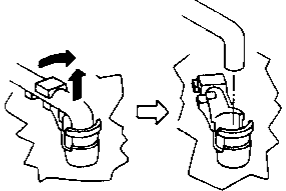
GENERAL SERVICING

Clip and Fastener (Cont'd)

Symbol No.	Shapes	Removal & Installation
<p>C103</p> 		 <p>Removal: Remove with a clip remover.</p>
<p>C111</p> 		
<p>C203</p> 		<p>Push center pin to catching position. (Do not remove center pin by hitting it.)</p> <p>Push</p>  <p>Installation:</p>
<p>CE103</p> 		
<p>CE106</p> 		<p>Removal: Clip Molding</p> <p>② Then bend up</p>  <p>Type 1</p> <p>① Push</p> <p>Remove molding by cutting off the clip</p>  <p>Cutter Clip Molding</p> <p>Type 2</p>

GENERAL SERVICING

Clip and Fastener (Cont'd)

Symbol No.	Shapes	Removal & Installation
<p>CF118</p> 		<p>Removal:</p>  <p>SBF151D</p> <p>SBF259G</p>
<p>CF110</p> 		<p>Removal:</p>  <p>SBF648B</p> <p>SBF649B</p>
<p>CG101</p> 		<p>Removal:</p>  <p>Rotate 45° to remove.</p> <hr/> <p>Installation:</p>  <p>SBF145B</p> <p>SBF085B</p>
<p>CR103</p> 		<p>Removal:</p> <p>Holder portion of clip must be spread out to remove rod.</p>  <p>SBF768B</p> <p>SBF770B</p>

GI
MA
EM
LC
EC
PE
AT
FA
RA
BR
ST
RS
BT
HA
EL
IDX

Body Front End

- Bumper fascia: It is made of plastic. Do not use excessive force. Keep oil away from it.
- Hood: When removing or installing hood, place a cloth or other padding on front fender panels and cowl top. This prevents vehicle body from being scratched.
- Hood adjustment: Adjust at hinge portion.
- Hood lock adjustment: After adjusting, check hood lock control operation. Apply a coat of grease to hood lock engaging mechanism.
- Hood opener: Do not attempt to bend cable forcibly.

REMOVAL — Front bumper assembly

- Headlamps must be removed prior to removal of front bumper assembly.
- ① Remove two clips (CS101) securing top of grille assembly and two screws securing top of turn signals.
- ② Remove three clips (CG101) from lower center grille and below turn signals.
- ③ Remove grille assembly and disconnect turn signal electrical connectors.
- ④ Remove four bolts securing fascia retainer to closing plates.
- ⑤ Remove two clips (CS101) securing bumper fascia to fender bracket.
- ⑥ Remove one clip (CS101) and two retainers (C103) securing center of bumper fascia to bottom of bumper reinforcement.
- ⑦ Remove three clips (CS101) securing bumper fascia to fender protector on each side.
- ⑧ Remove two screws and one nut securing bumper fascia to fender on each side.
- ⑨ Remove clip (CS101) securing center of bumper fascia to hood latch support.
- ⑩ Remove bumper fascia from vehicle.
- ⑪ Remove six bolts securing bumper reinforcement to bumper shock absorber supports.
- ⑫ Remove six bolts securing bumper shock absorber supports to the side members.
- ⑬ If necessary remove ten clips (CS101) securing bumper fascia to fascia retainer.

BODY END

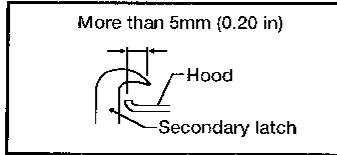
Body Front End (Cont'd)

SEC. 260•262•620•623

Hood lock adjustment

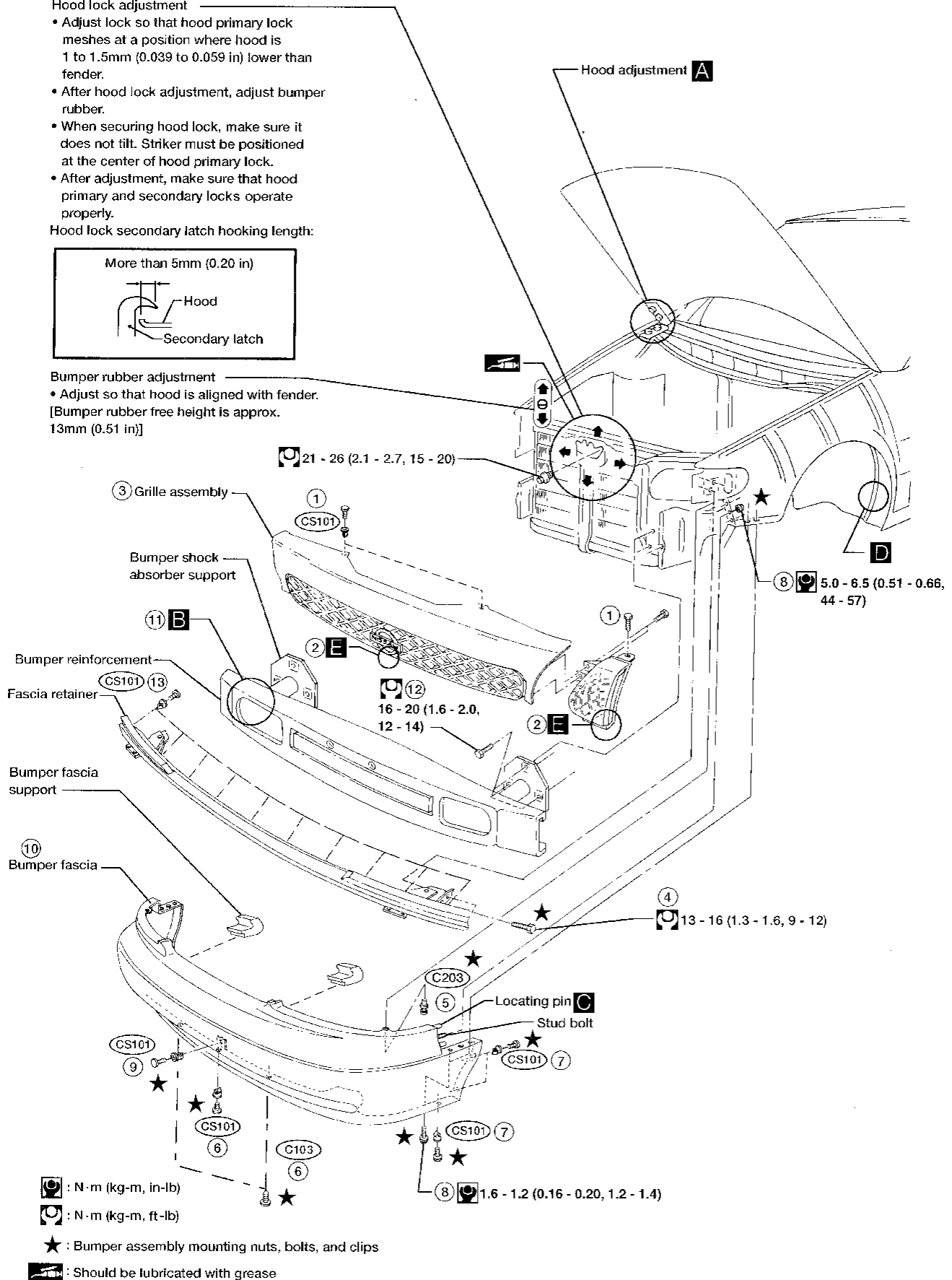
- Adjust lock so that hood primary lock meshes at a position where hood is 1 to 1.5mm (0.039 to 0.059 in) lower than fender.
- After hood lock adjustment, adjust bumper rubber.
- When securing hood lock, make sure it does not tilt. Striker must be positioned at the center of hood primary lock.
- After adjustment, make sure that hood primary and secondary locks operate properly.

Hood lock secondary latch hooking length:



Bumper rubber adjustment

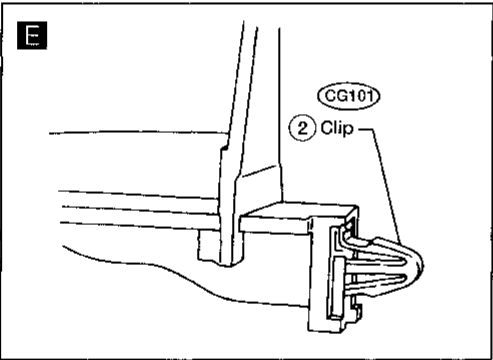
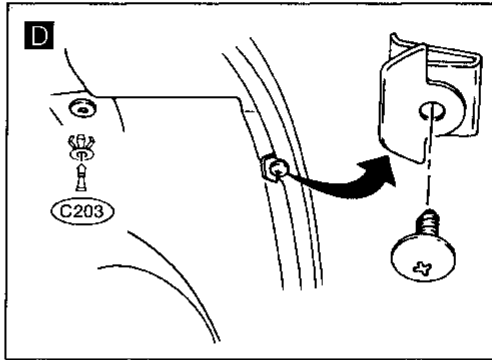
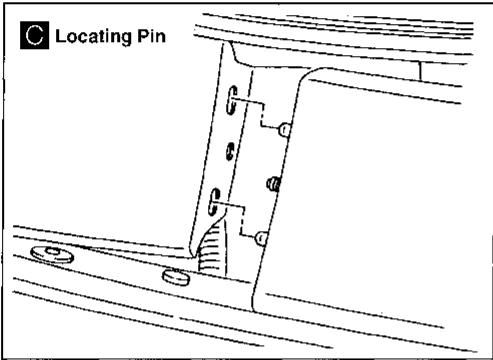
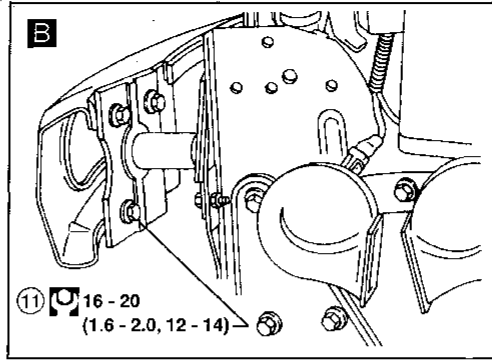
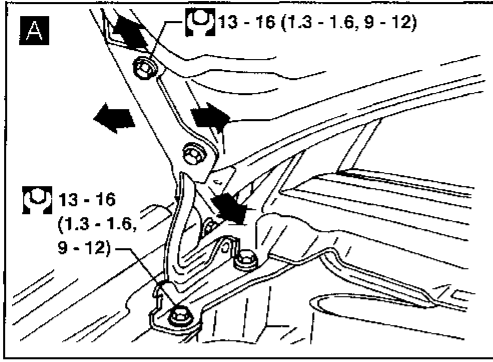
- Adjust so that hood is aligned with fender.
- [Bumper rubber free height is approx. 13mm (0.51 in)]




GI
MA
EM
LC
EC
FE
AT
FA
RA
BR
ST
RS
BT
HA
EL
DX

BODY END

Body Front End (Cont'd)

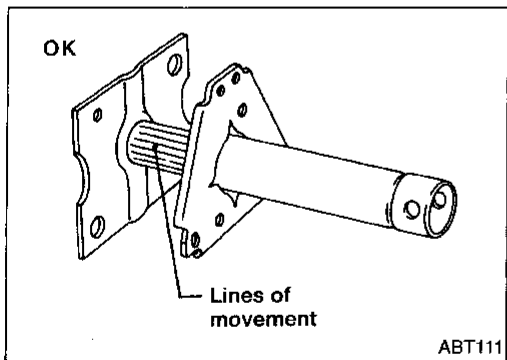
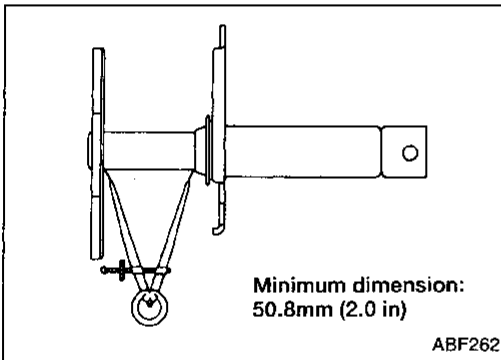
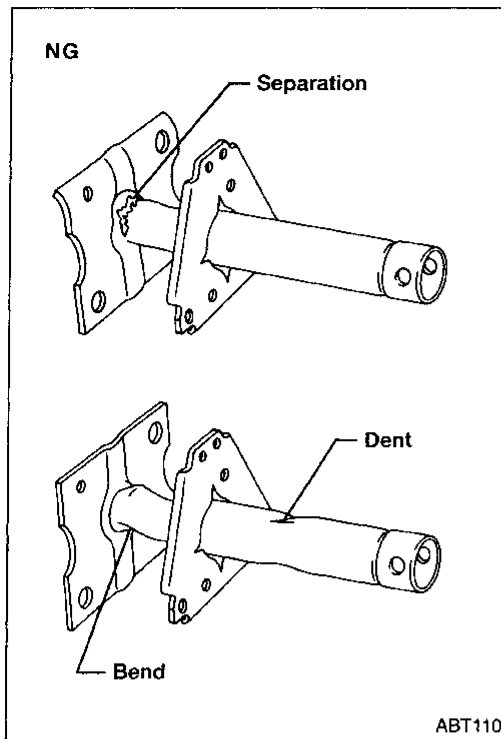


 : N·m (kg-m, ft-lb)

BODY END

Body Front End (Cont'd)

BUMPER SHOCK ABSORBER INSPECTION



1. Inspect the absorber unit for any deformation. It is acceptable to repair a bent mounting bracket using a cold straightening method. If damage is apparent, such as a separation, dent, or bend, replace the absorber unit.

GI

MA

EM

LC

EC

FE

AT

FA

2. Measure the distance of the absorber unit shaft between the mounting brackets.

Minimum acceptable dimension:

50.8 mm (2.0 in)

If the dimension is less than acceptable, replace the absorber unit.

RA

BR

ST


3. Lines of movement on the absorber unit shaft are acceptable only if the dimension of the shaft meets the requirements described above.

RS


BT

4. When installing, tighten the mounting bracket bolts to specification.

Body front end:

: 13 - 16 N·m (1.3 - 1.6 kg·m, 9 - 2 ft·lb)

Body rear end:

: 31 - 42 N·m (3.2 - 4.3 kg·m, 23 - 31 ft·lb)

HA

EL

IDX

Body Rear End and Opener

- Back door adjustment: Adjust at hinge for proper back door fit.
- Back door lock system adjustment: Adjust lock and striker so that they are in the center. After adjustment, check back door lock operation.
- Before removing bumper, remove side marker lamps.
- Opener cable: Do not attempt to bend cable forcibly.

WARNING:

- **Be careful not to scratch back door stay and/or back door hatch stay when installing back door and/or back door hatch. A scratched stay may cause gas leakage.**
- **The contents of the back door stay and back door hatch stay are under pressure. Do not take apart, puncture, apply heat or allow fire near them.**

REMOVAL — Rear bumper assembly

- ① Remove seven clips (CS101) securing bumper fascia to body.
- ② Remove six nuts securing bumper fascia to body.
- ③ Remove four clips (C203) securing front of bumper fascia to fender opening.
- ④ Remove four screws securing bottom of bumper fascia to fascia stay.
- ⑤ Remove seven clips (CS101) securing bottom of bumper fascia to bumper reinforcement.
- ⑥ Remove side marker lamps.
- ⑦ Remove bumper fascia.
- ⑧ Remove six bolts securing bumper reinforcement to shock absorbers.
- ⑨ Remove bumper reinforcement.
- ⑩ Remove six bolts securing shock absorbers to body, then remove shock absorbers.

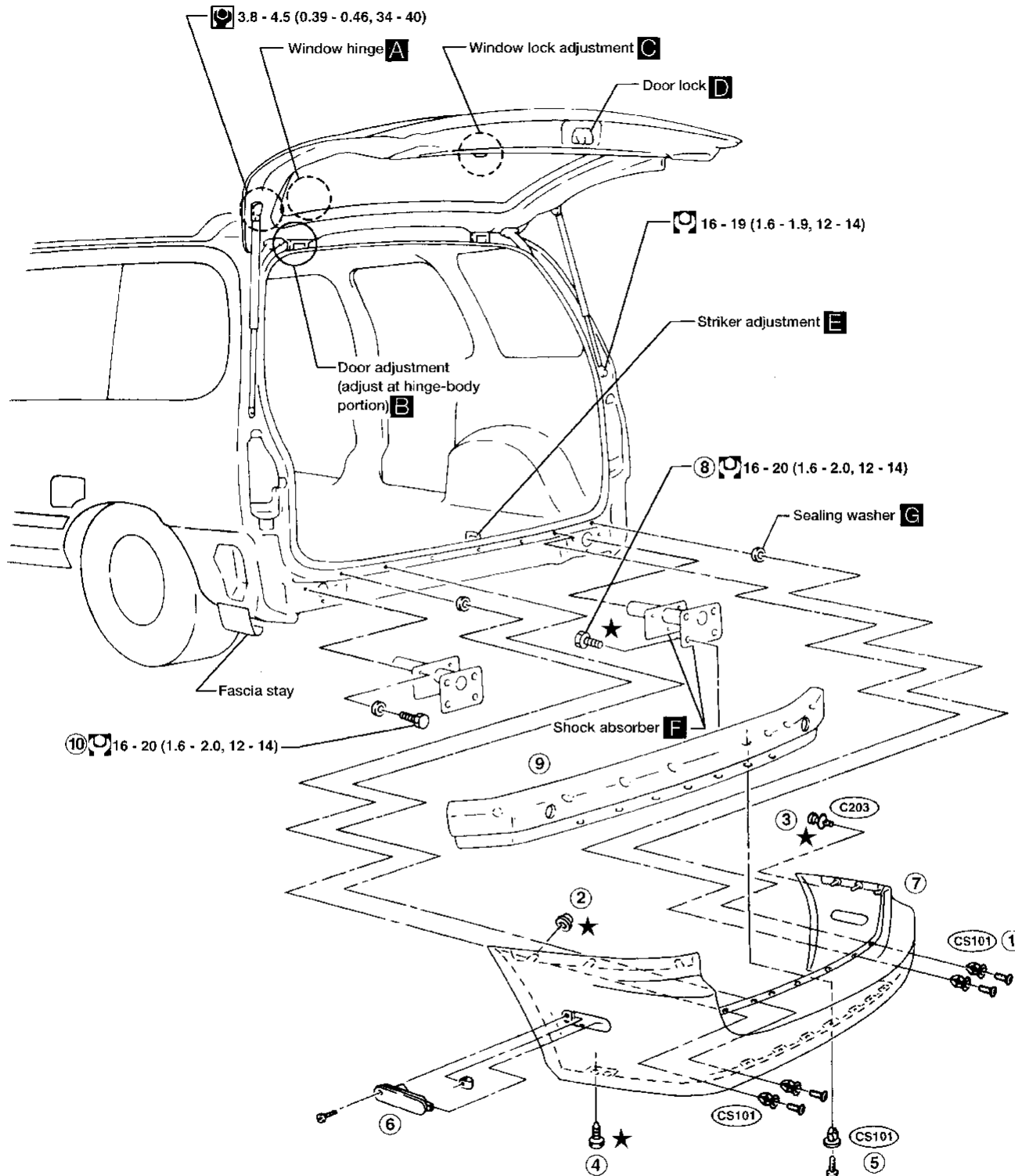
BUMPER SHOCK ABSORBER INSPECTION — Rear

The rear bumper shock absorber inspection is the same as the front bumper shock absorber inspection. Refer to "BUMPER SHOCK ABSORBER INSPECTION", "Body Front End, BT- 9".

BODY END

Body Rear End and Opener (Cont'd)

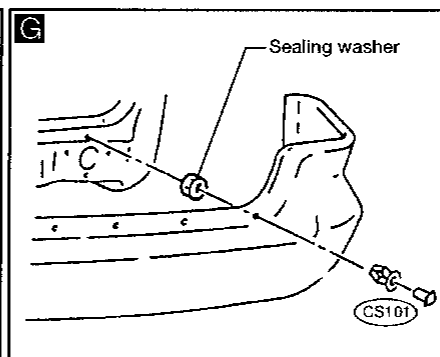
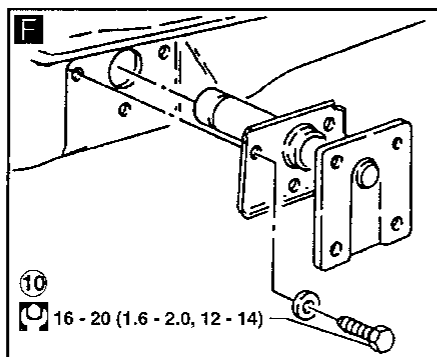
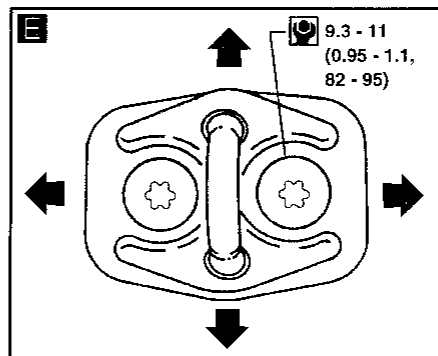
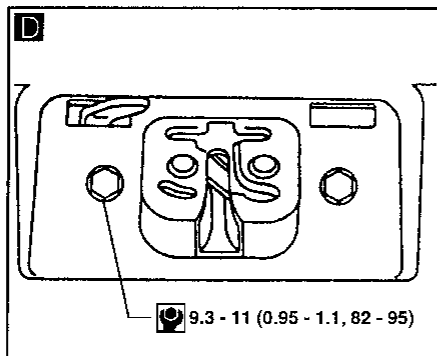
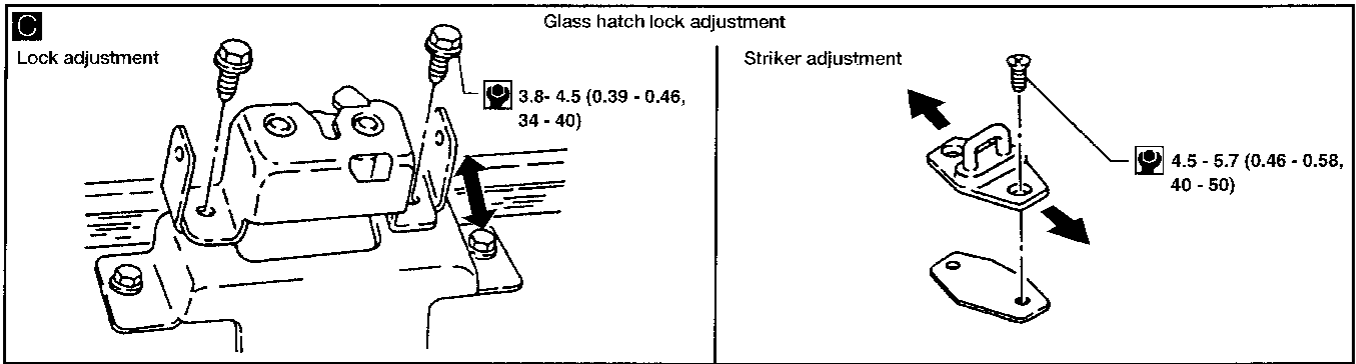
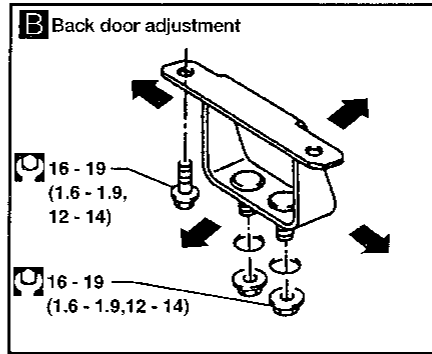
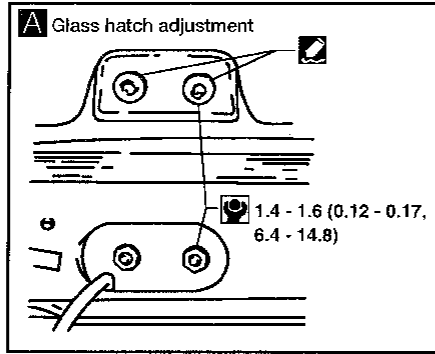
SEC. 262•850•900



GI
MA
EM
LC
EC
FE
AT
FA
RA
BR
ST
RS
BT
HA
EL
DX

BODY END

Body Rear End and Opener (Cont'd)



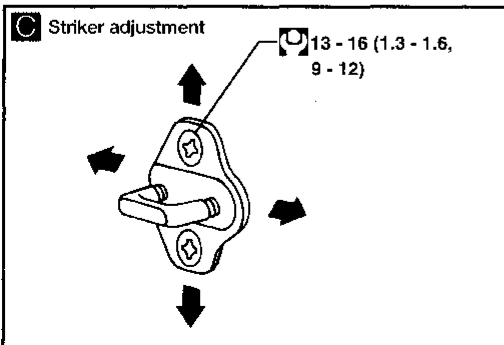
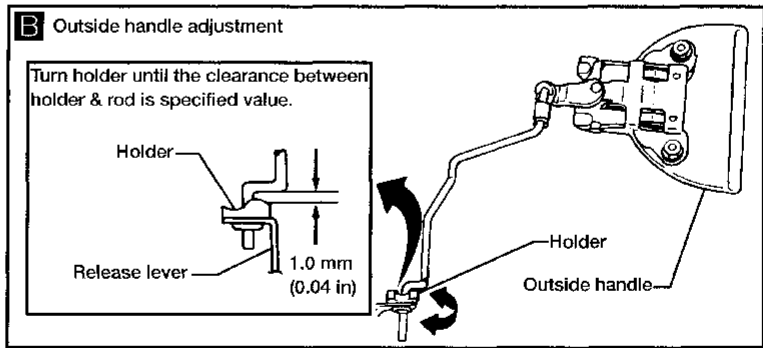
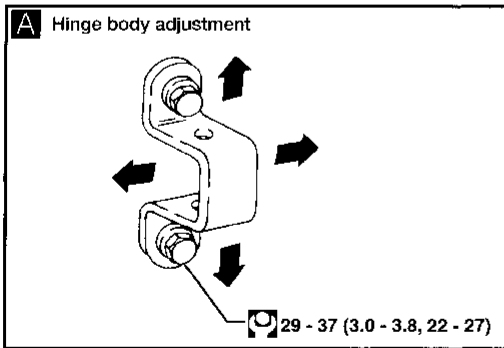
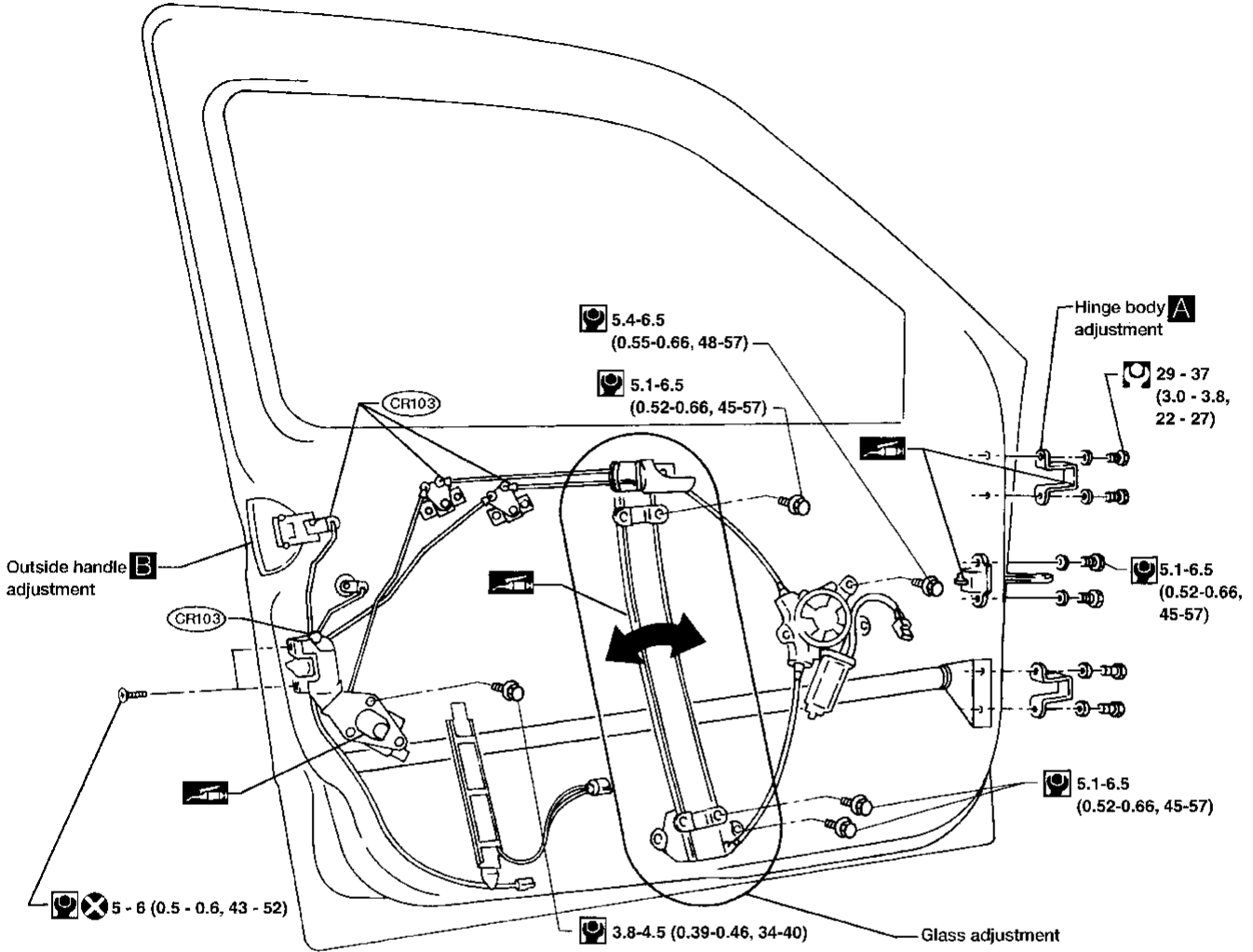
⊙ : N·m (kg-m, in-lb)
 ⊕ : N·m (kg-m, ft-lb)

DOOR

Front Door

- For removal of door trim, refer to BT-24 ("Door Trim", "INTERIOR TRIM").
- After adjusting door or door lock, check door lock operation.

SEC. 800•803•805•998



- ⊙ : N·m (kg·m, in·lb)
- ⊕ : N·m (kg·m, ft·lb)
- ⚡ : Should be lubricated with grease
- ⊗ : Always replace after every disassembly

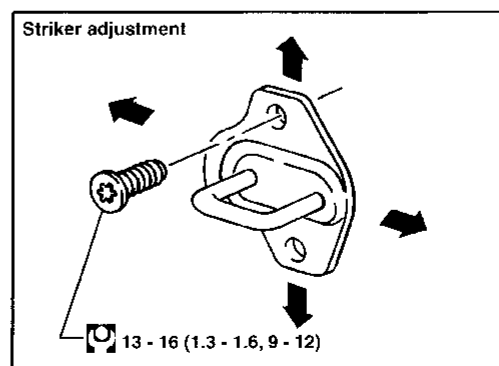
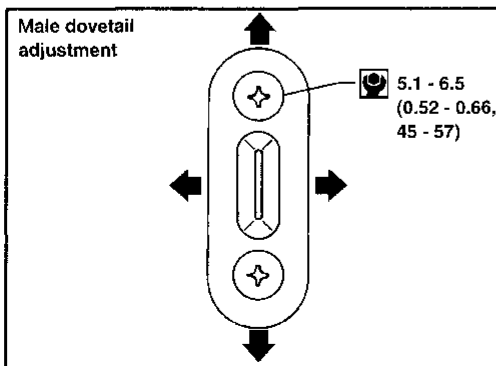
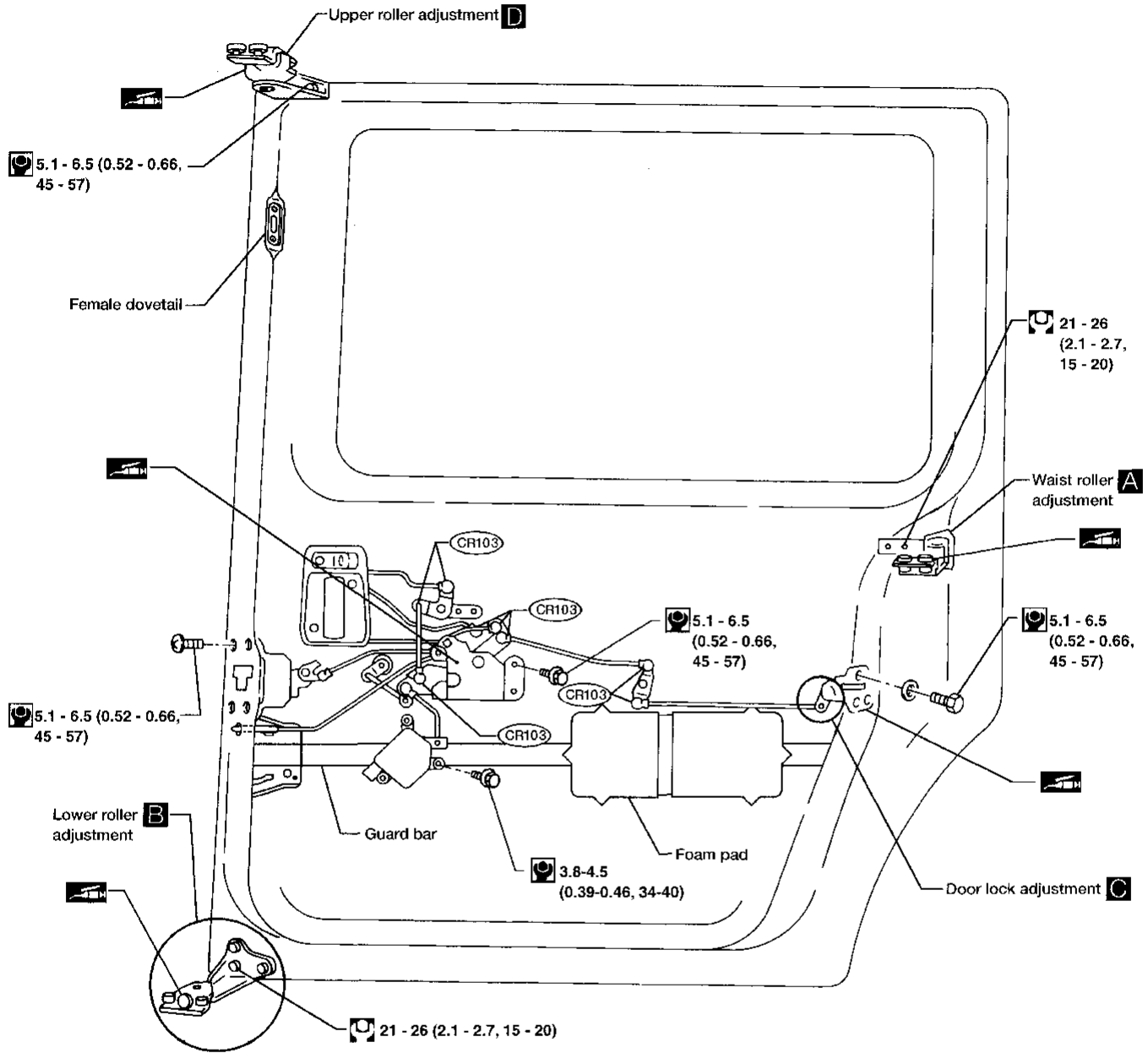
ABT211

GI
MA
EM
LC
EC
FE
AT
FA
RA
BR
ST
RS
BT
HA
EL
IDX

DOOR

Sliding Door

SEC. 821•826•998

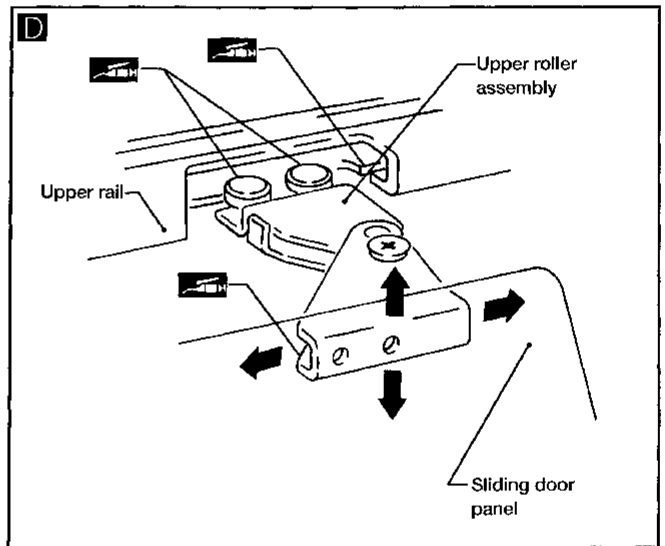
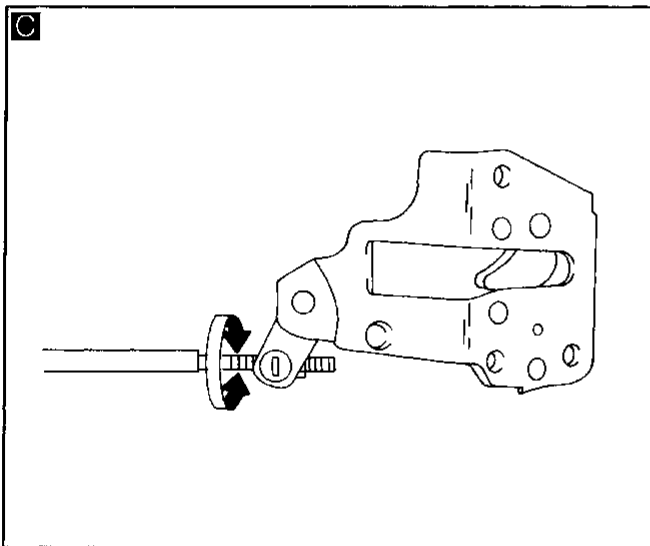
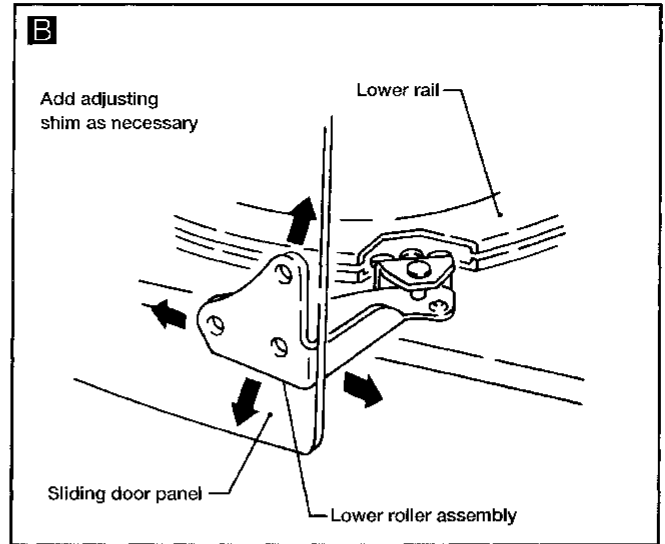
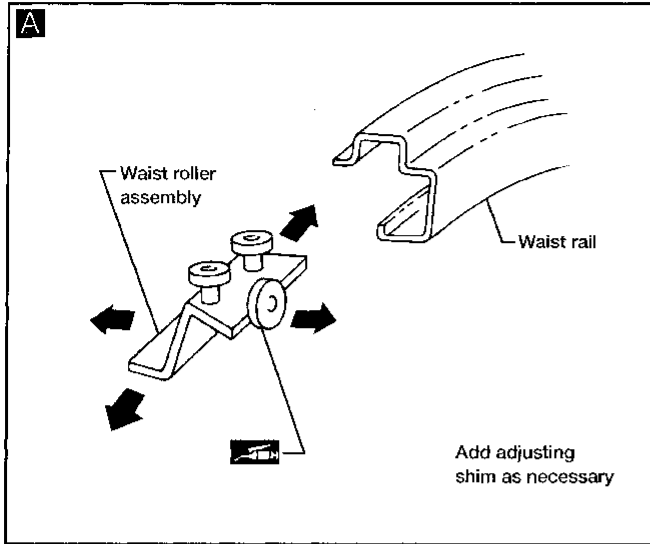


- : N·m (kg-m, in-lb)
- : N·m (kg-m, ft-lb)
- : Should be lubricated with grease

ABT212

DOOR

Sliding Door (Cont'd)



GI
MA
EM
LC
EC
FE
AT
FA
RA
BR
ST
RS

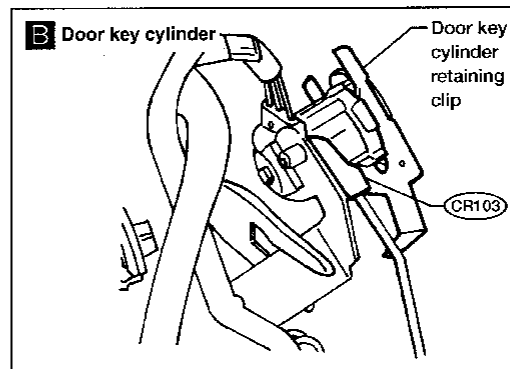
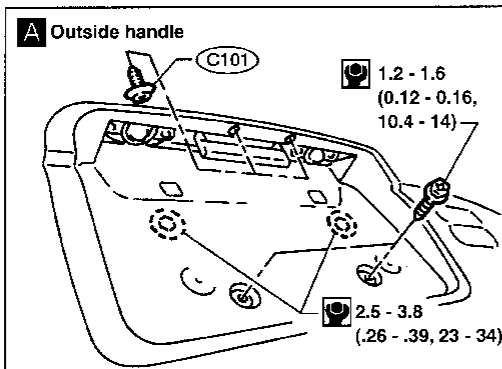
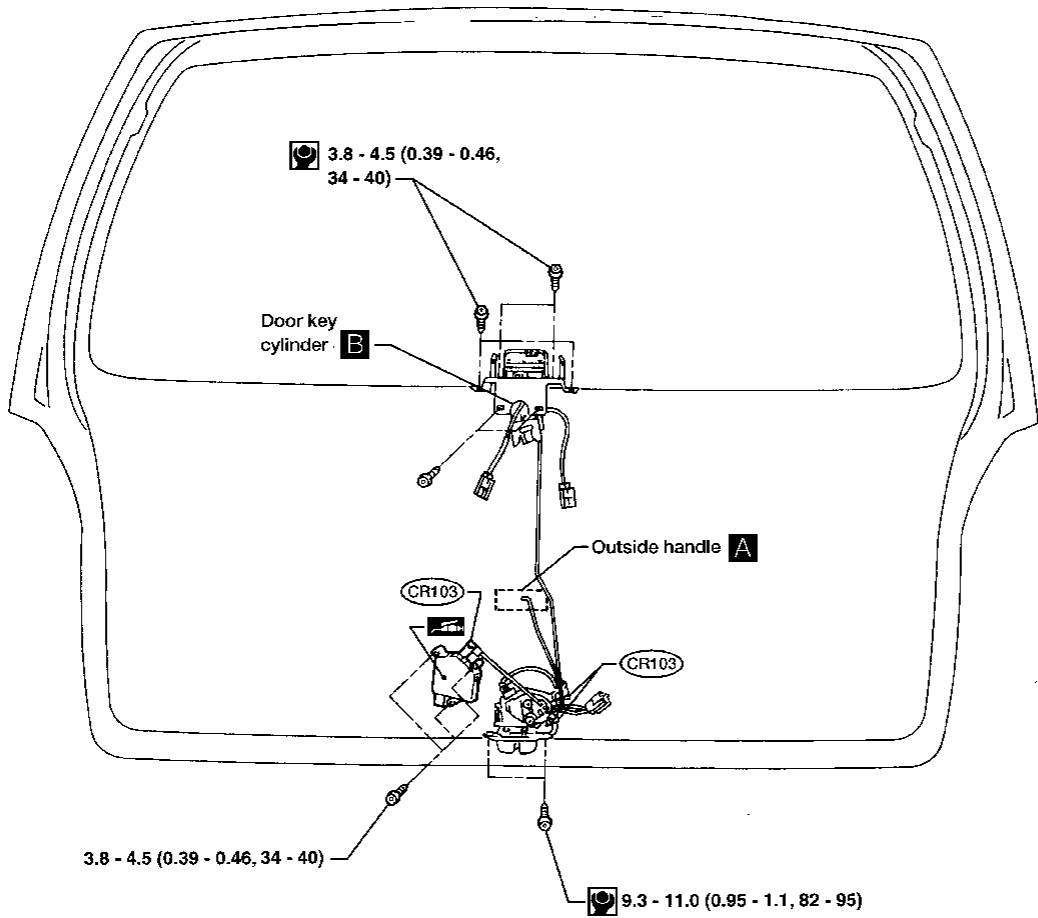
BT

HA
EL
IDX

: Should be lubricated with grease

DOOR

Rear Door



: N·m (kg-m, in-lb)

: Should be lubricated with grease

NOTES

GI

MA

EM

LG

EC

FE

AT

FA

PA

BR

ST

RS

BT

HA

EL

IDX

INSTRUMENT PANEL

CAUTION:

- Disconnect both terminals from battery in advance.
- Disconnect air bag module connectors in advance.
- Be careful not to scratch finishers and other parts.
- Never tamper with or force air bag lid open, as this may adversely affect air bag performance.

REMOVAL — Instrument panel assembly

Instrument panel assembly	Heater & A/C control	Audio control	Combination meter
Remove driver air bag module and spiral cable. Refer to RS section.			
① Center console or compact disc magazine ● Remove four clips (CS101). ● Remove four screws securing compact disc magazine.			
② Center console side finishers ● Remove two screws and disconnect foot lamp electrical connector.			
③ Cluster lid C H ● Remove four screws.			
④ Heater and air conditioner control ● Remove four screws.			
⑤ Audio ● Remove four screws securing heater and audio bracket. ● Remove four screws securing audio control to bracket.			
⑥ Ashtray and slide bracket ● Remove ashtray. ● Remove two screws securing slide bracket to instrument panel.			
⑦ Glove box I ● Remove seven screws and one clip (CS101).			
⑧ Passenger air bag module ● Refer to RS section.			
⑨ Instrument lower cover on driver side. ● Remove one screw and three clips (CS101).			
⑩ Knee protector ● Remove four bolts. ● Release data link connector for GST.			
⑪ Steering column ● Disconnect shift indicator. ● Remove one screw securing air duct. ● Remove four nuts and lower steering column. ● Refer to ST section.			
⑫ Cluster lid A ● Remove four screws.			
⑬ Combination meter ● Remove four screws.			
⑭ Ventilators B C D E ● Remove side and center ventilators. ● If equipped, disconnect in-vehicle sensor electrical connector after removing center ventilator.			
⑮ Defroster grille A ● Remove front door weatherstrip. ● Remove front pillar garnish. Refer to BT-22.			
⑯ Dash lower side finisher ● Refer to BT-22.			
⑰ Mirror switch			
⑱ Instrument panel ● Remove two screws from opening for passenger air bag module. ● Remove one screw each from lower LH and RH side. ● Remove upper two bolts and one nut.			

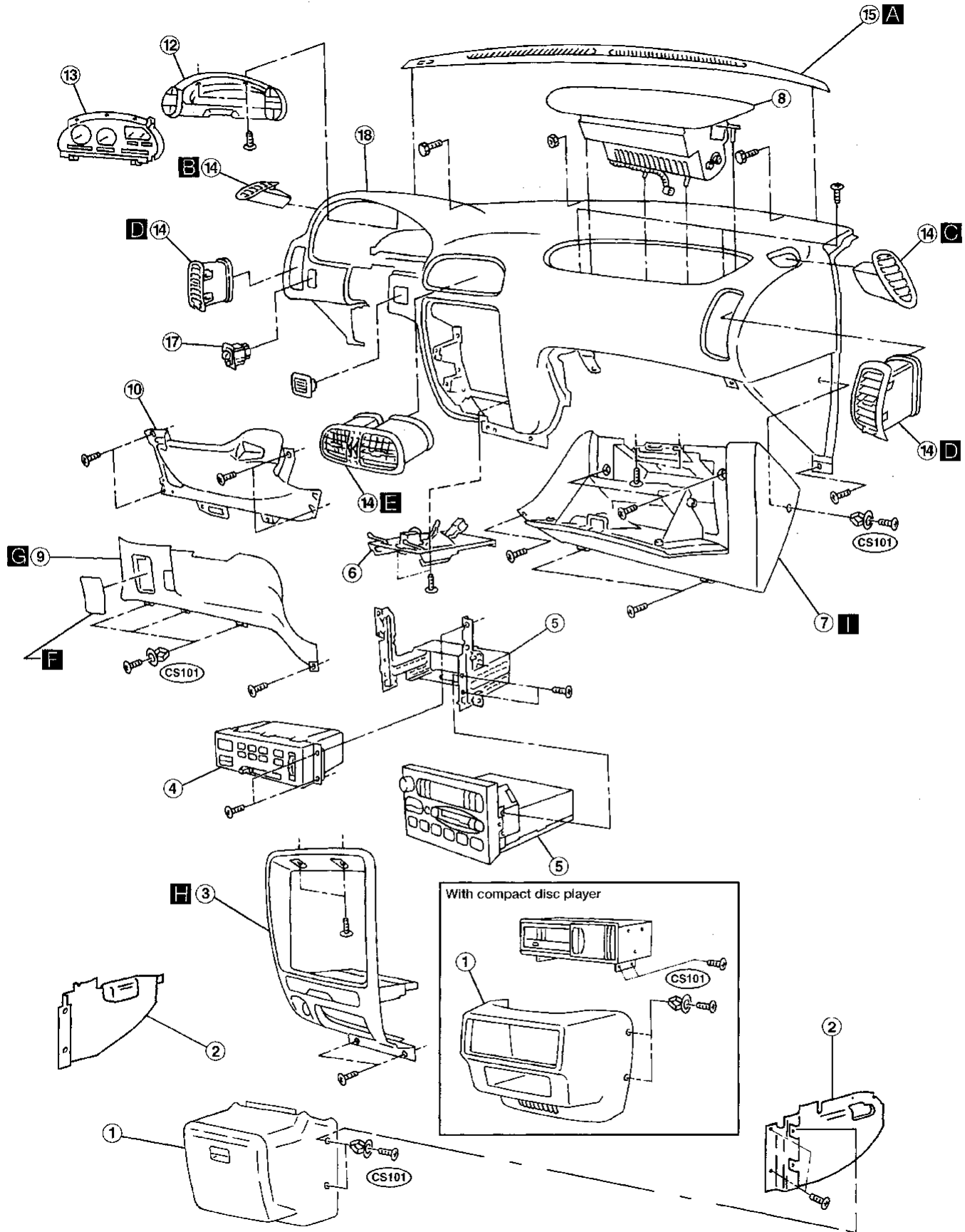
INSTALLATION

Reverse the procedures described above.

Pay attention so as not to scratch the parts (plastic). During installation, fit the ducting parts precisely.

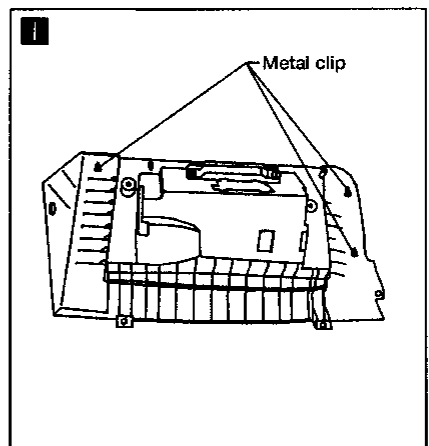
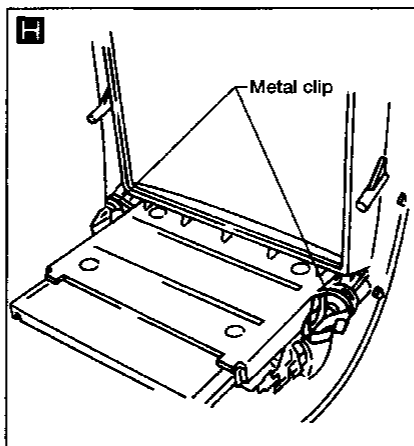
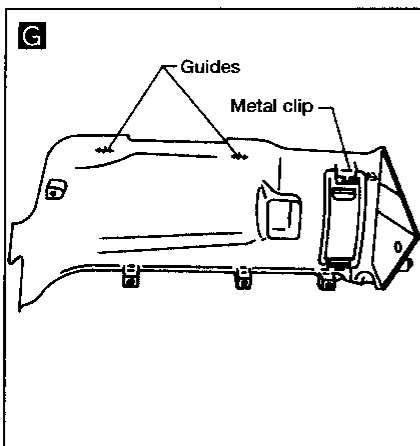
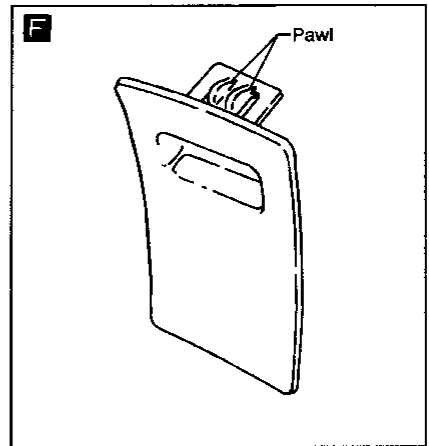
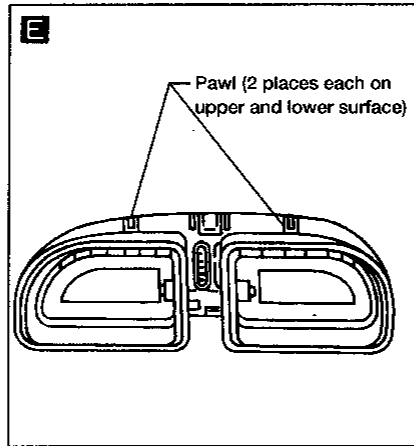
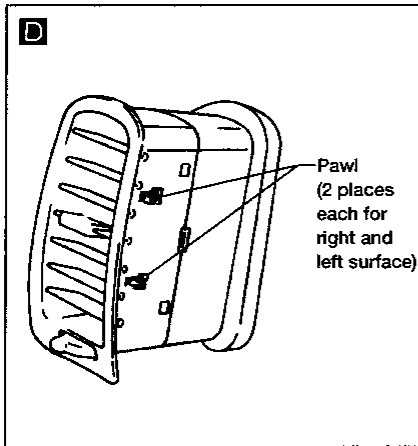
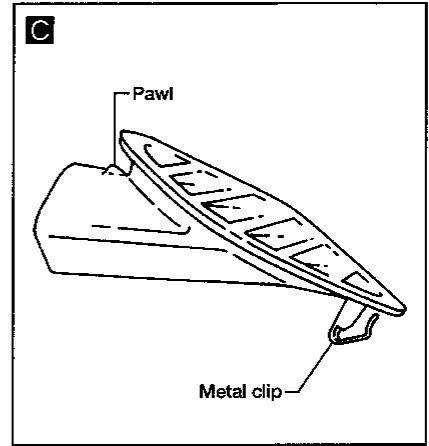
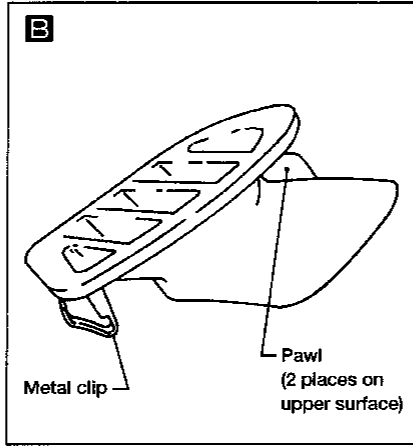
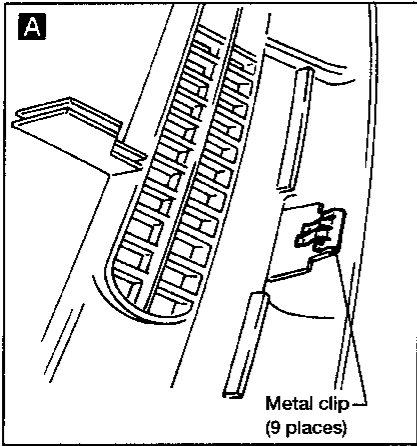
INSTRUMENT PANEL

SEC. 248•280•680•685



GI
MA
EM
LG
EC
FE
AT
FA
PA
BR
ST
RS
BT
HA
EL
IBX

INSTRUMENT PANEL



INSTRUMENT PANEL

NOTES

GI

MA

EW

LC

EC

FE

AT

FA

PA

BR

ST

RS

BT

HA

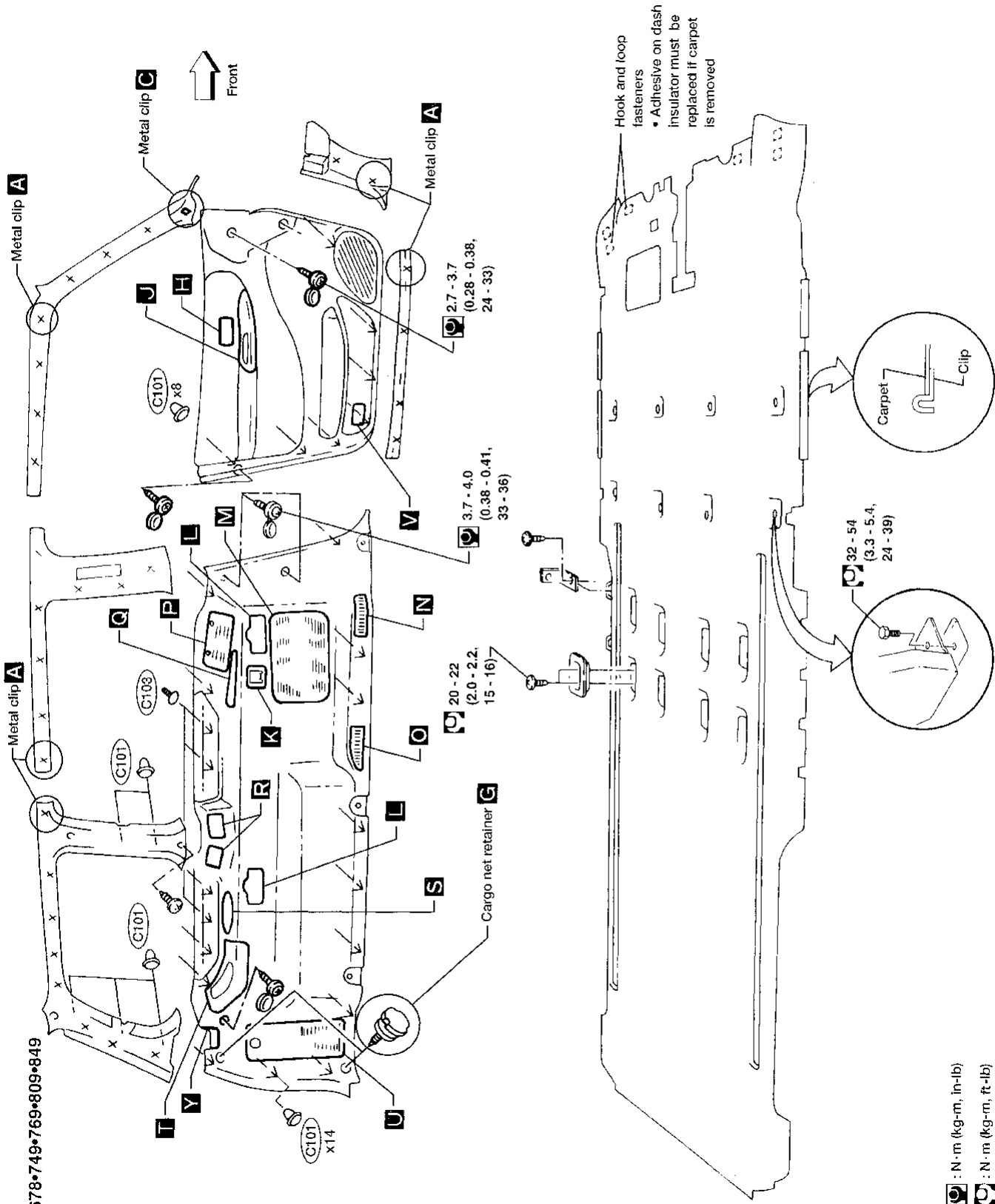
EL

IDX

INTERIOR TRIM

- Wrap the tip of flat-bladed screwdriver with a cloth when removing metal clips from garnish.
- When handling interior or exterior parts, do not use excessive force and take care not to damage them.

Side and Floor Trim



SEC. 678•749•769•809•849

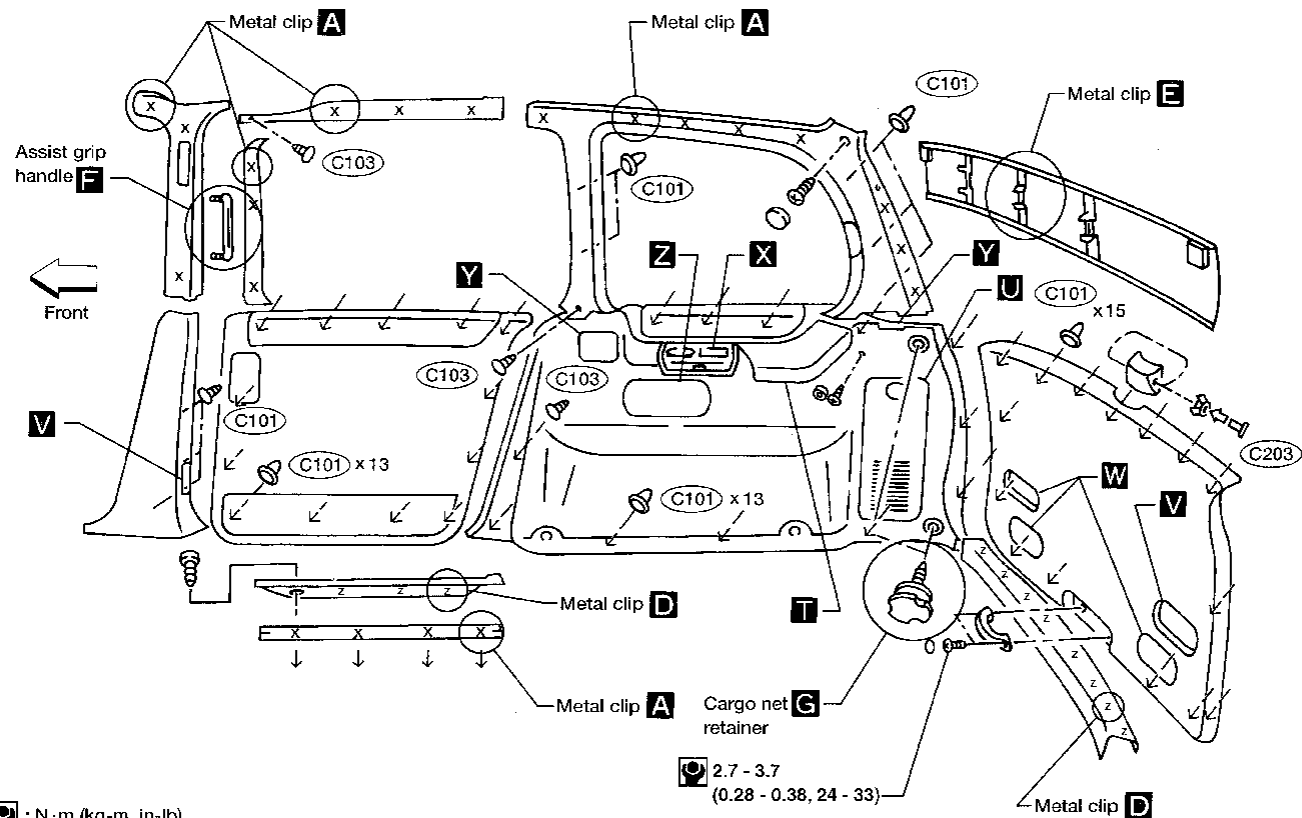
⊗ : N·m (kg-m, in-lb)
 ⊕ : N·m (kg-m, ft-lb)

ABT114

INTERIOR TRIM

Side and Floor Trim (Cont'd)

SEC. 267•769•828•849•909



- : N·m (kg-m, in-lb)
- : N·m (kg-m, ft-lb)

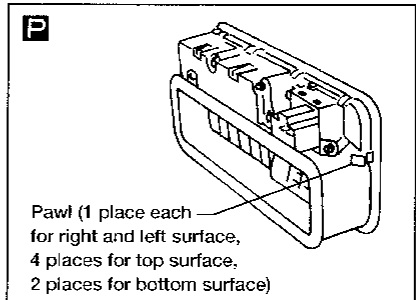
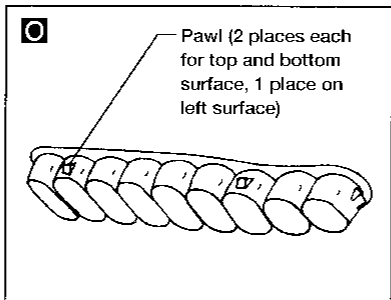
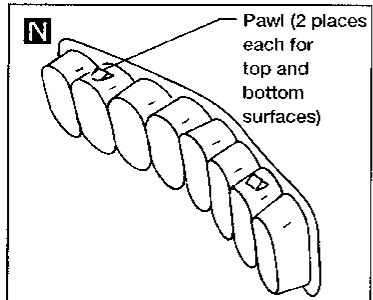
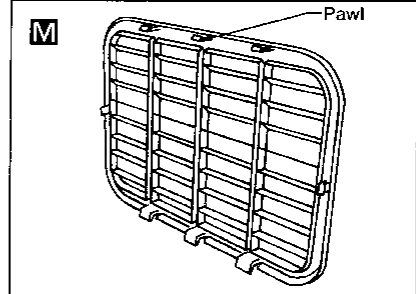
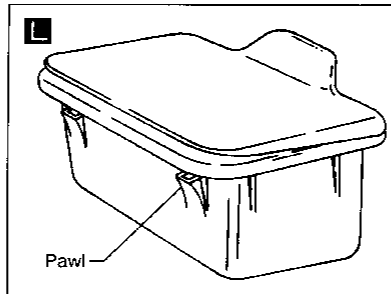
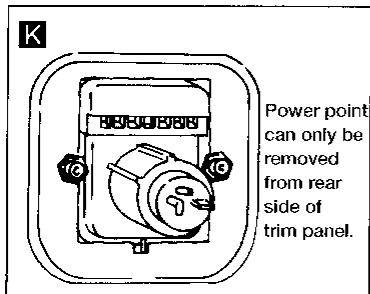
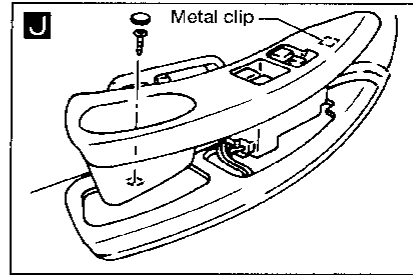
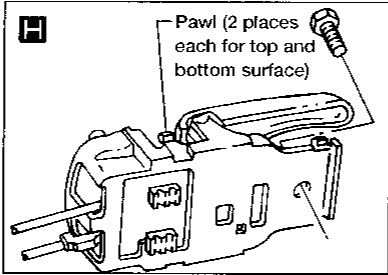
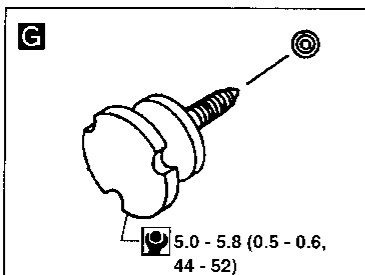
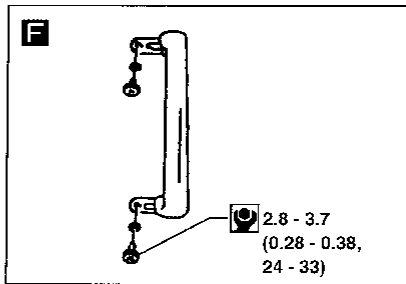
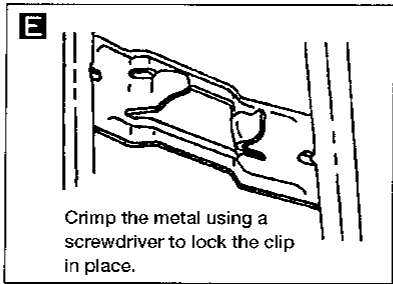
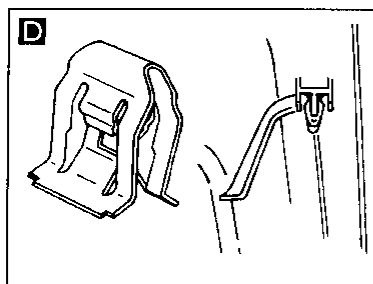
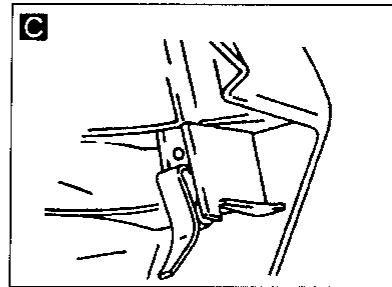
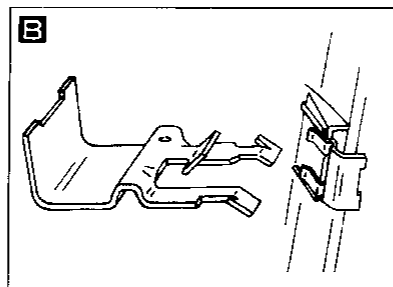
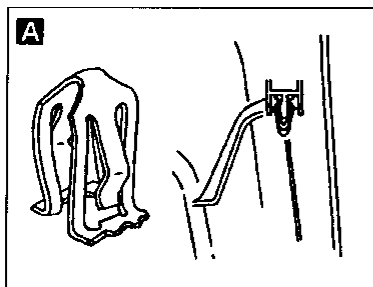
2.7 - 3.7
(0.28 - 0.38, 24 - 33)

ABT113

CI
 NA
 EW
 CG
 FC
 FE
 AT
 FA
 RA
 BR
 ST
 BS
BT
 HA
 EL
 DX

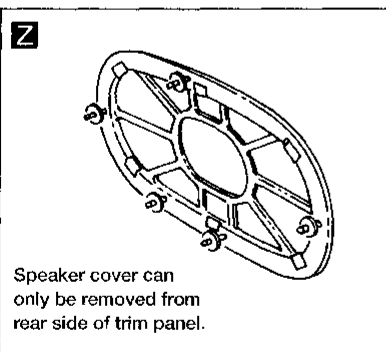
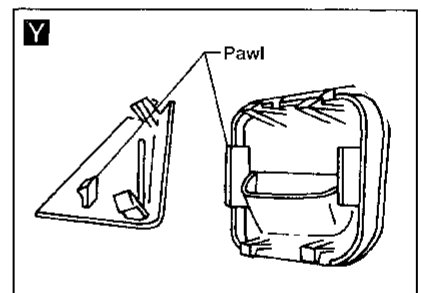
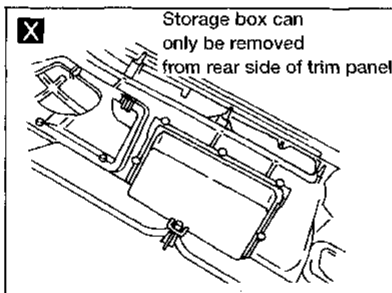
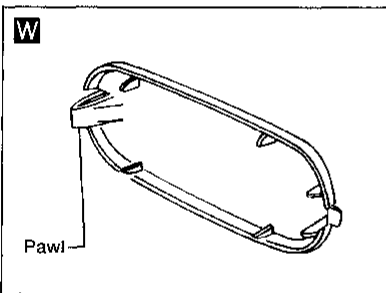
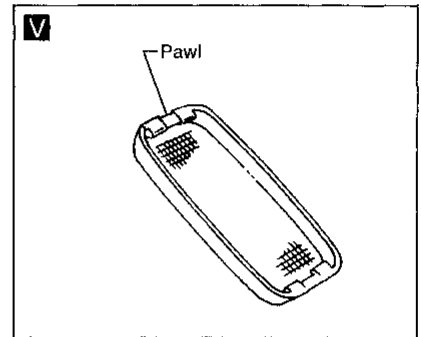
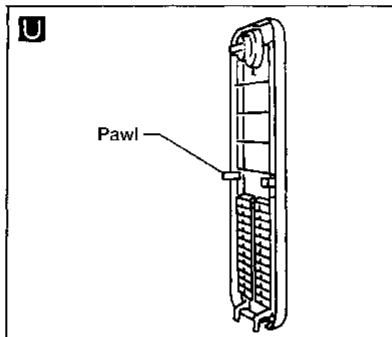
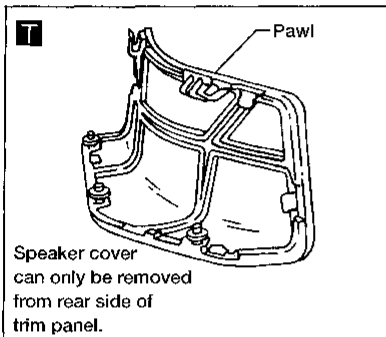
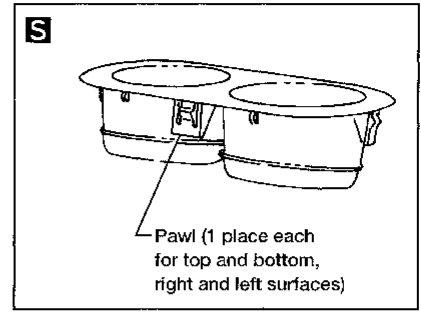
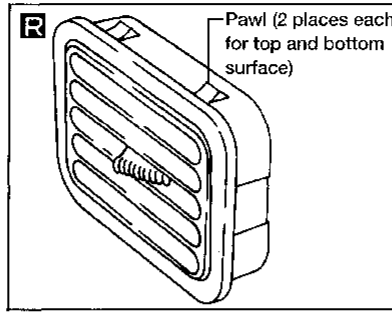
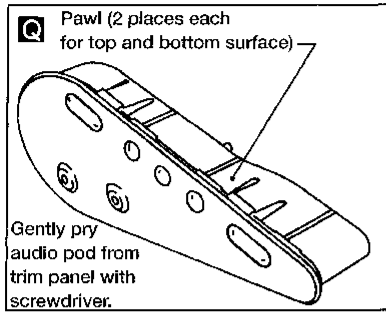
INTERIOR TRIM

Side and Floor Trim (Cont'd)



INTERIOR TRIM

Side and Floor Trim (Cont'd)

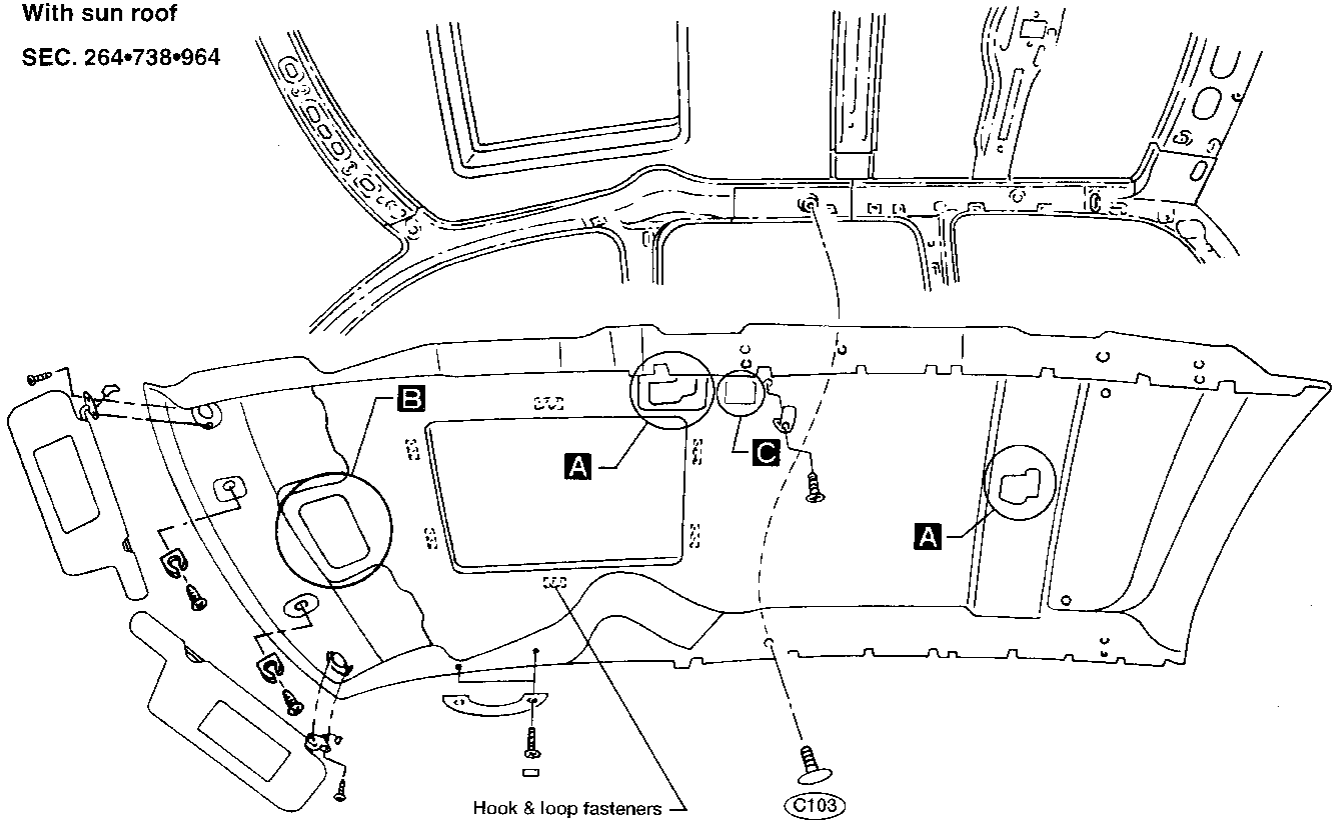


CI
NA
EM
IG
EC
FE
AT
FA
FA
ER
ST
RS
BT
HA
EL
DX

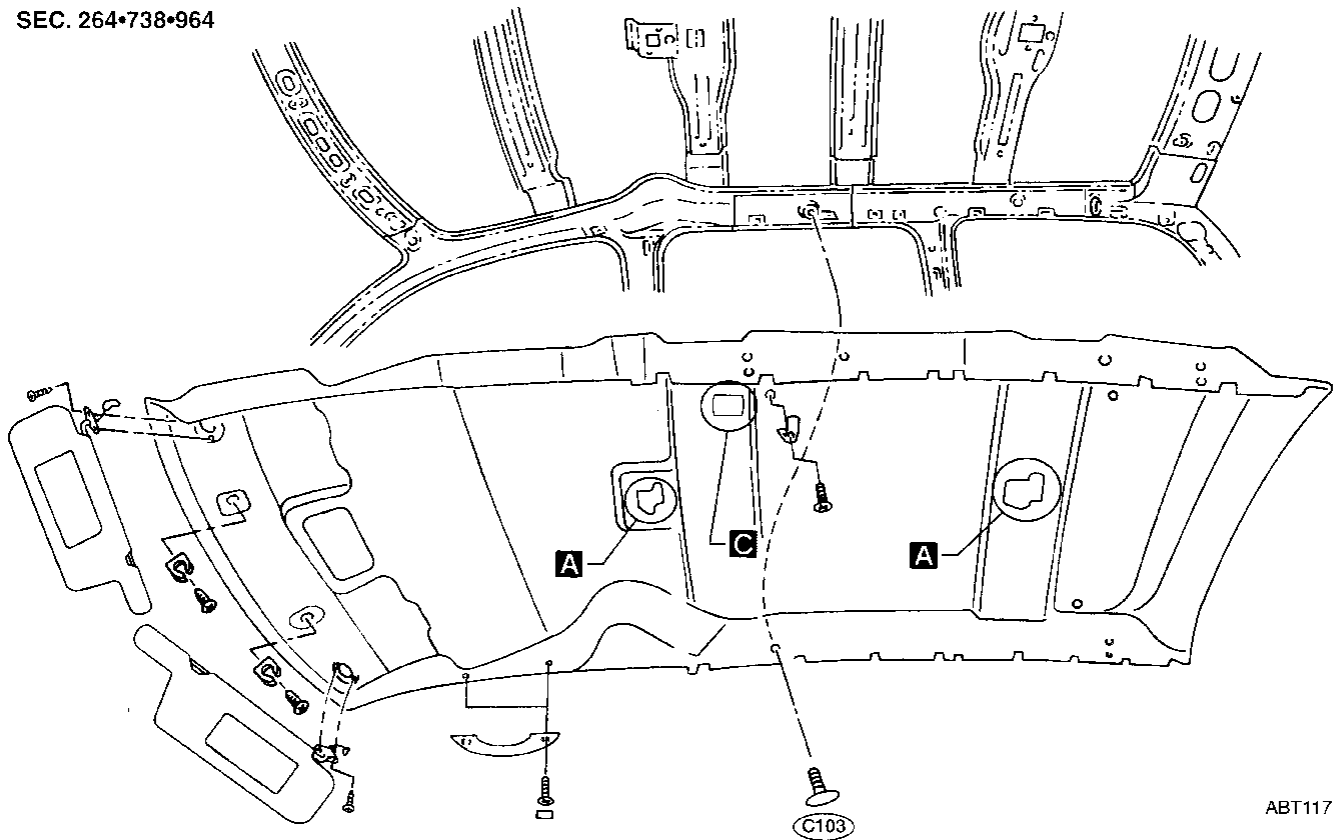
INTERIOR TRIM

Roof Trim

With sun roof
SEC. 264•738•964



Without sun roof
SEC. 264•738•964

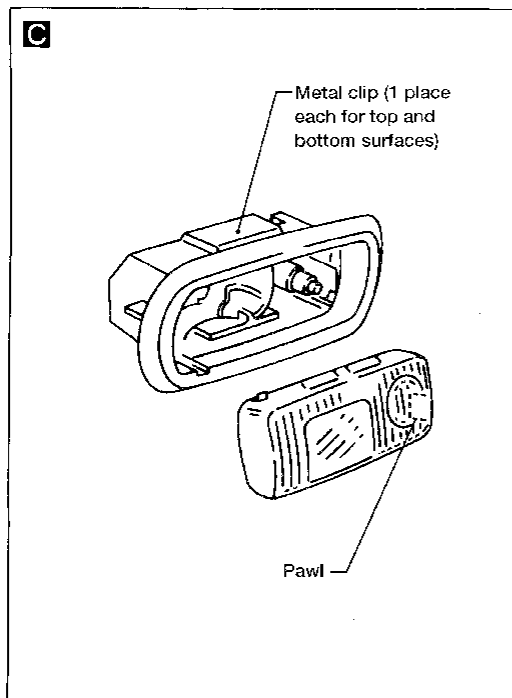
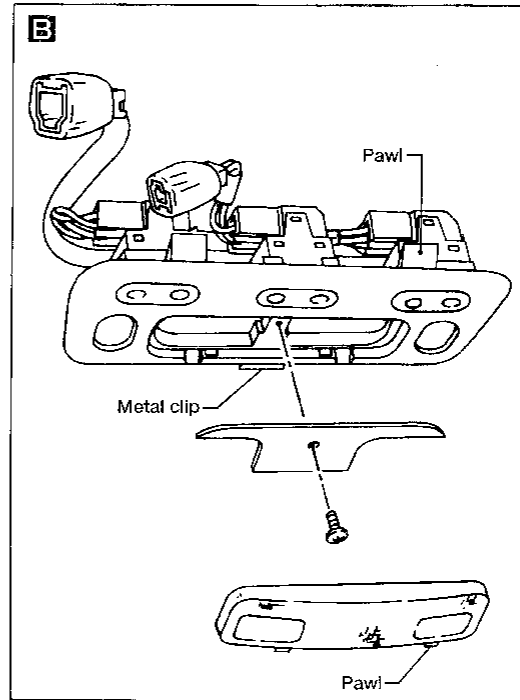
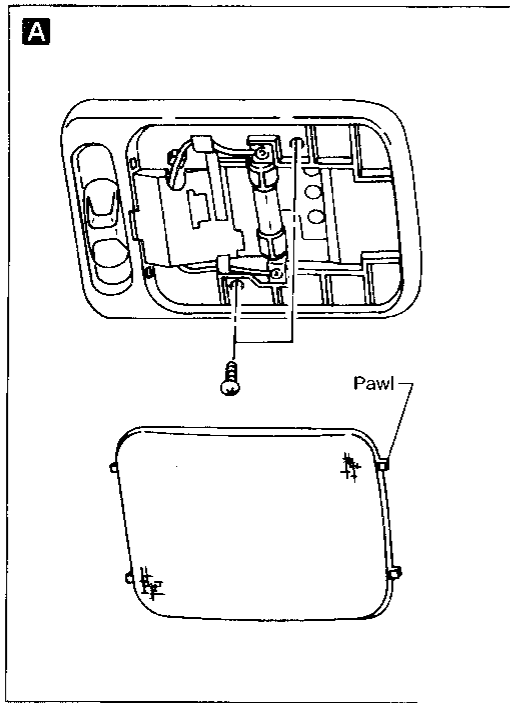


BT-26

ABT117

INTERIOR TRIM

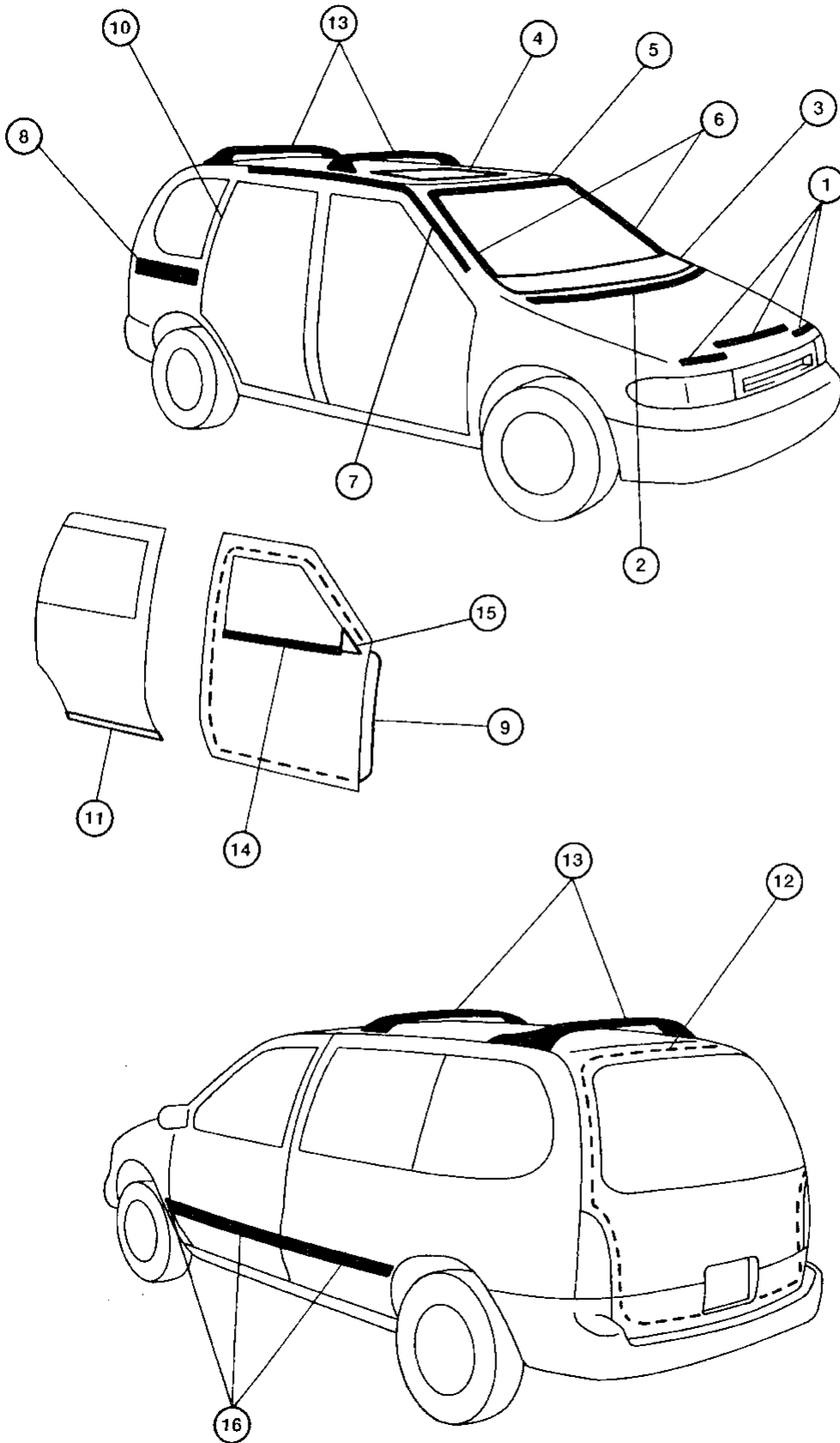
Roof Trim (Cont'd)



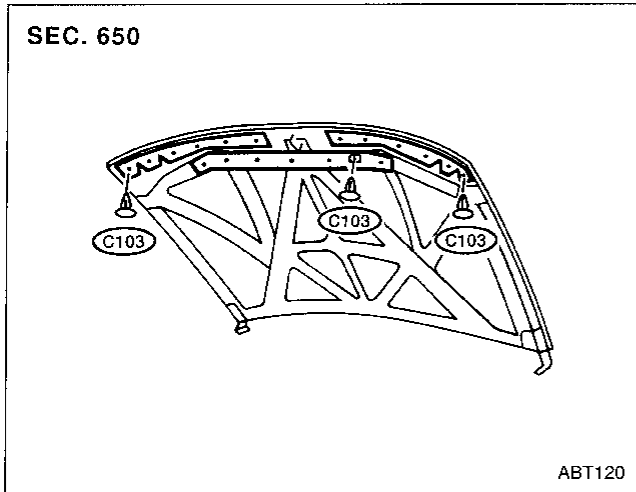
GI
MA
EM
LG
EC
FE
AT
FA
RA
BR
ST
RS
BT
HA
EL
DX

EXTERIOR

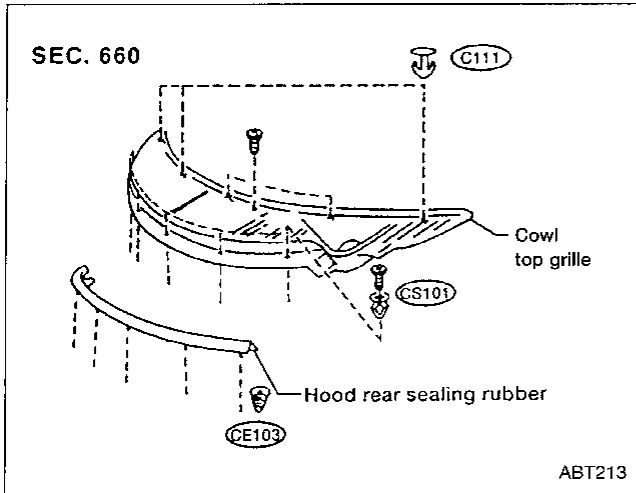
- Apply sealing compound where necessary while installing parts.
- When applying sealing compound, be careful that the sealing compound does not protrude from parts.



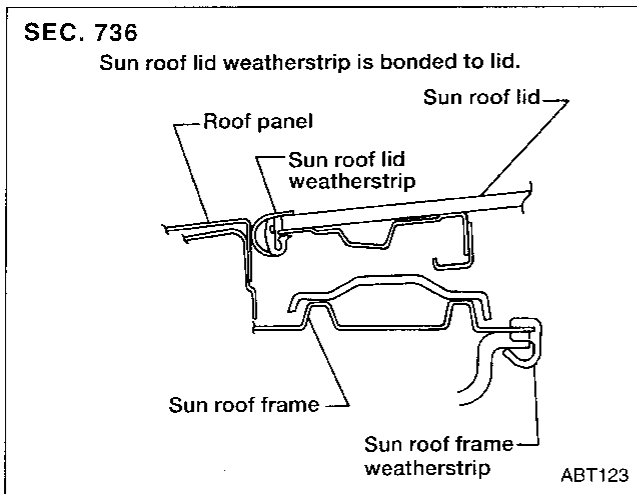
① Hood front sealing rubber



② ③ Hood rear sealing rubber and cowl top grille



④ Sun roof frame weatherstrip and sun roof lid weatherstrip

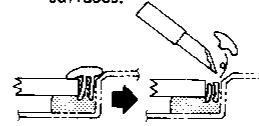


⑤ Windshield upper molding

SEC. 720

Method 1

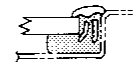
Cut off top portion of molding and clean glass and panel surfaces.



Apply sealant to top portion of molding.



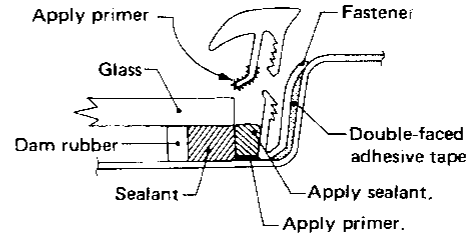
Cut off lower portion of new molding.



Finish well to give it a good appearance.

Method 2

1. Cut off sealant at glass end.
2. Clean the side on which panel was mounted.
3. Set molding fastener and apply sealant to body panel, and apply primer to molding and body.



4. Install molding by aligning the molding mark located on center with vehicle center. Be sure to install tightly so that there is no gap around the corner.

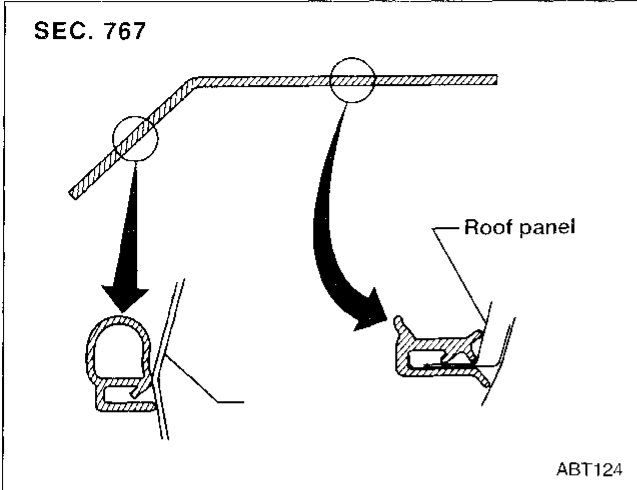
ABT122

⑥ Windshield side molding

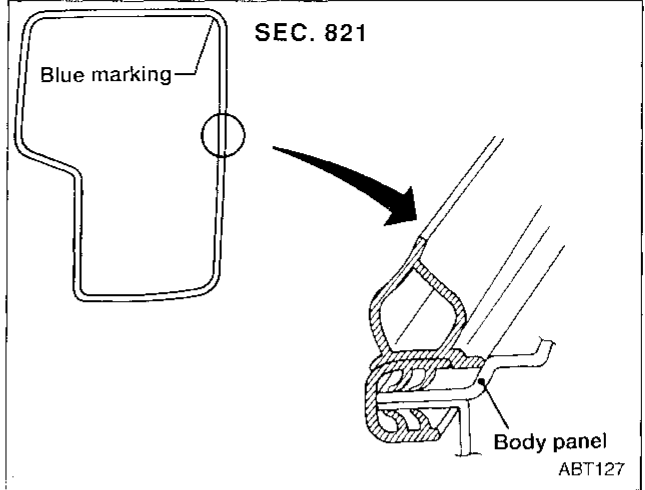
It is mounted with screws.

GI
 MA
 EM
 LC
 EC
 FE
 AT
 FA
 RA
 BR
 ST
 RS
BT
 HA
 EL
 IOX

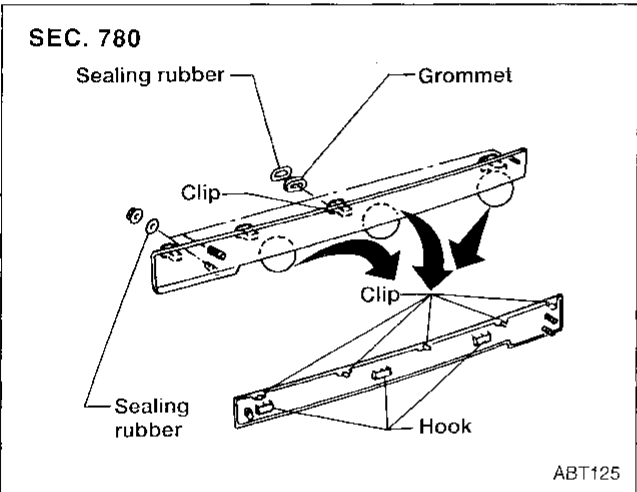
⑦ Body side drip molding



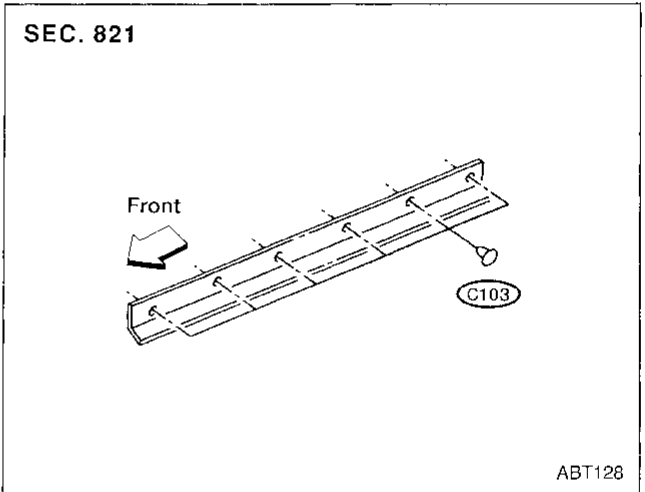
⑩ Sliding door weatherstrip



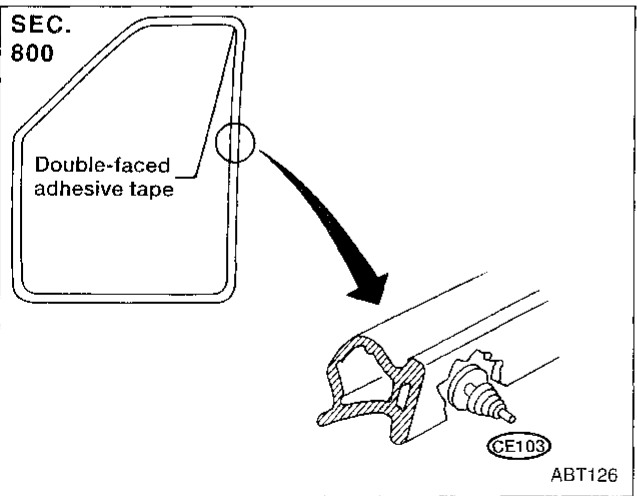
⑧ Waist rail finisher



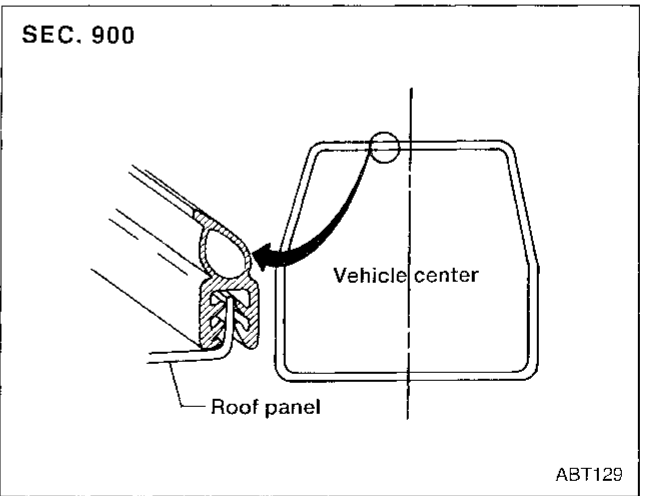
⑪ Sliding door lower seal



⑨ Front door weatherstrip

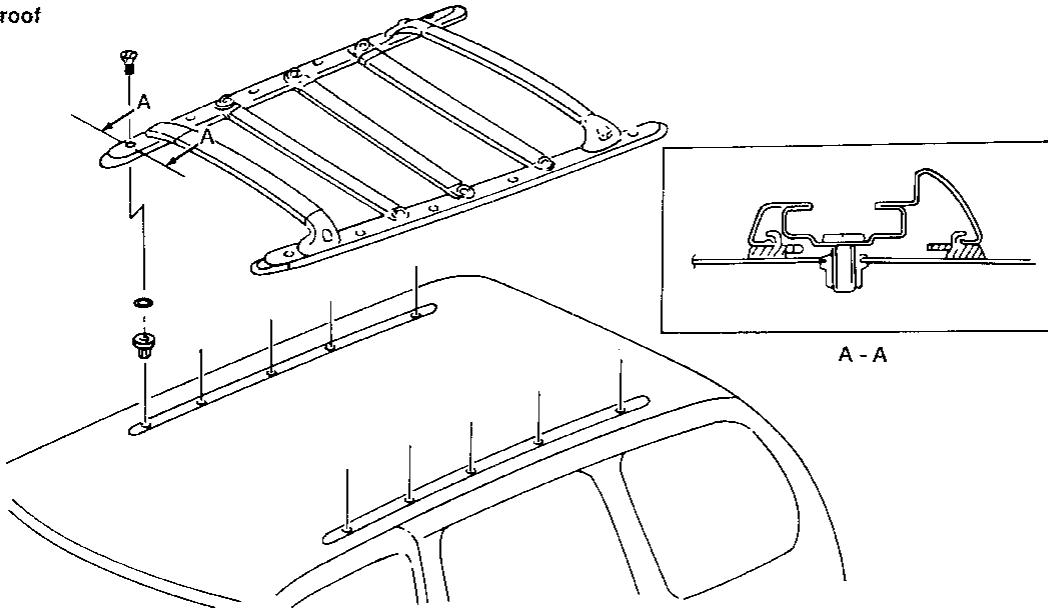


⑫ Back door opening weatherstrip

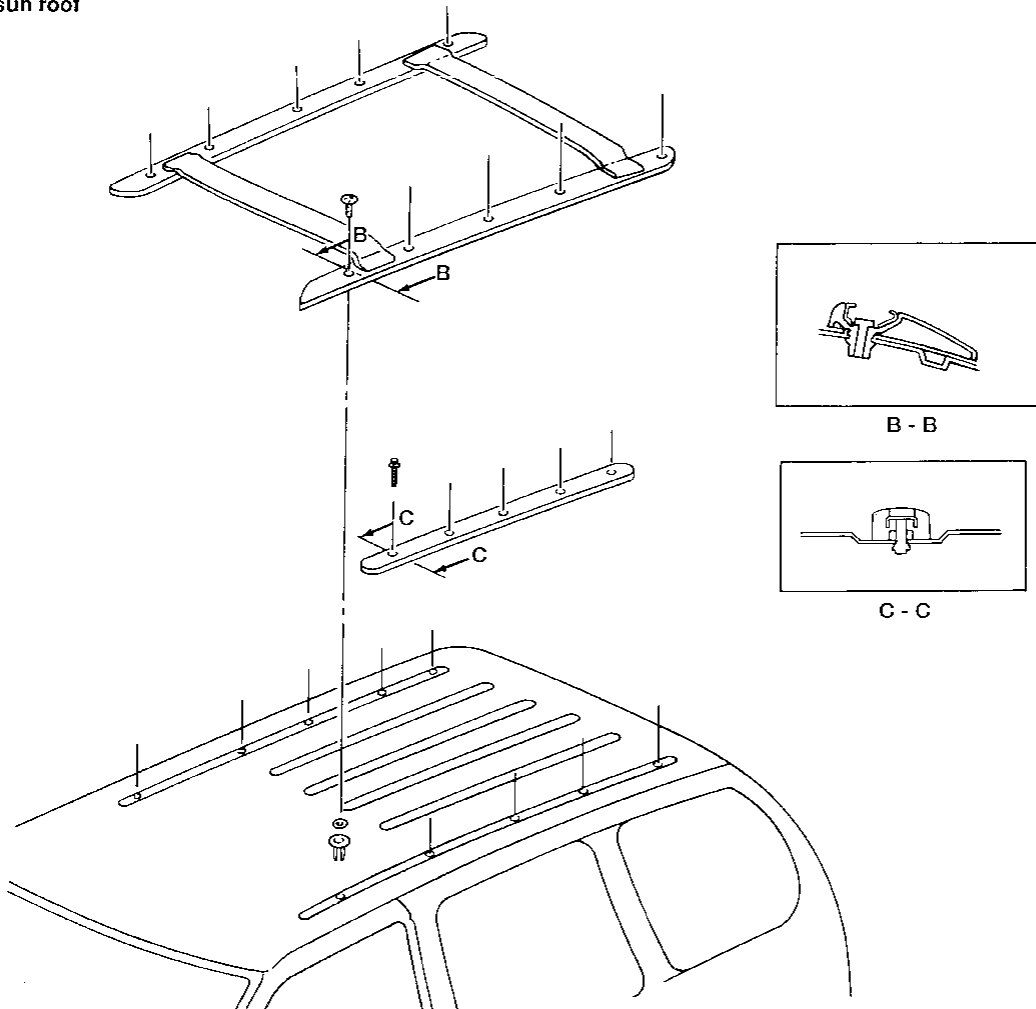


13 Luggage rack

SEC. 730
With sun roof



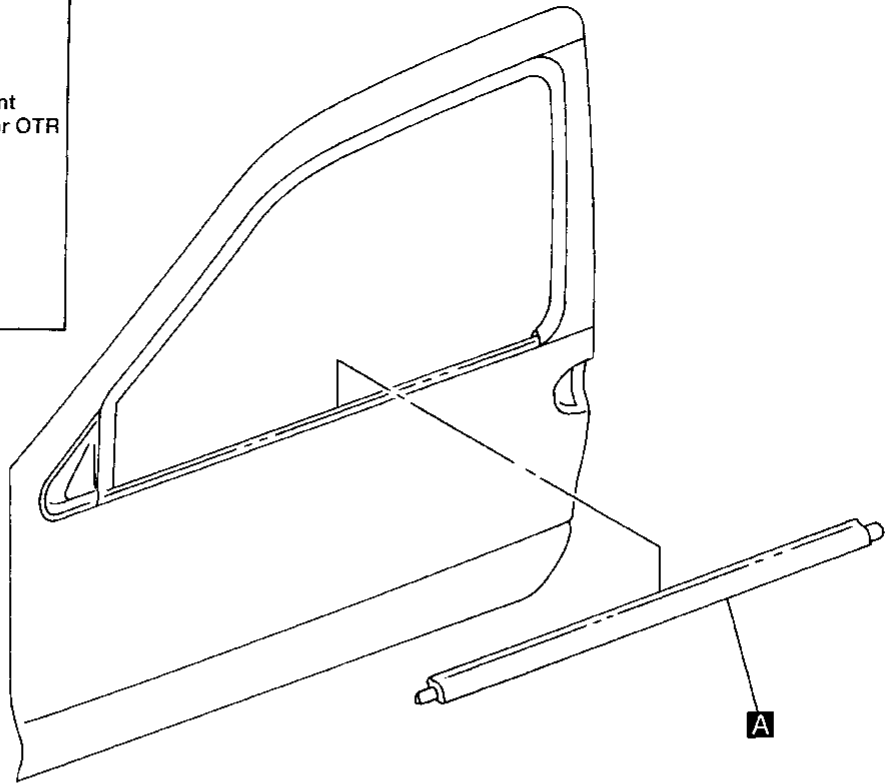
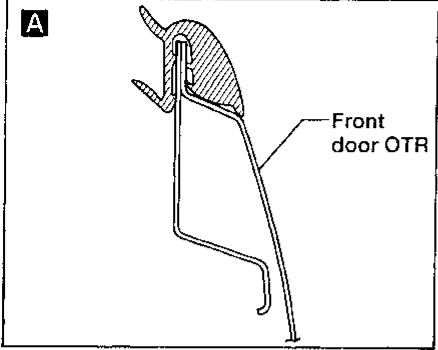
Without sun roof



GJ
HA
EW
LC
EC
PE
AT
FA
RA
BR
ST
RS
BT
HA
HI
DX

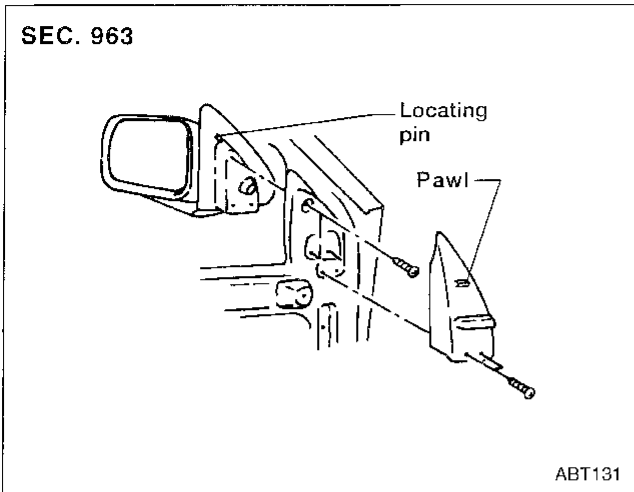
⑭ Outside door molding

SEC. 800



ABT130

⑮ Front door corner covers



GI

MA

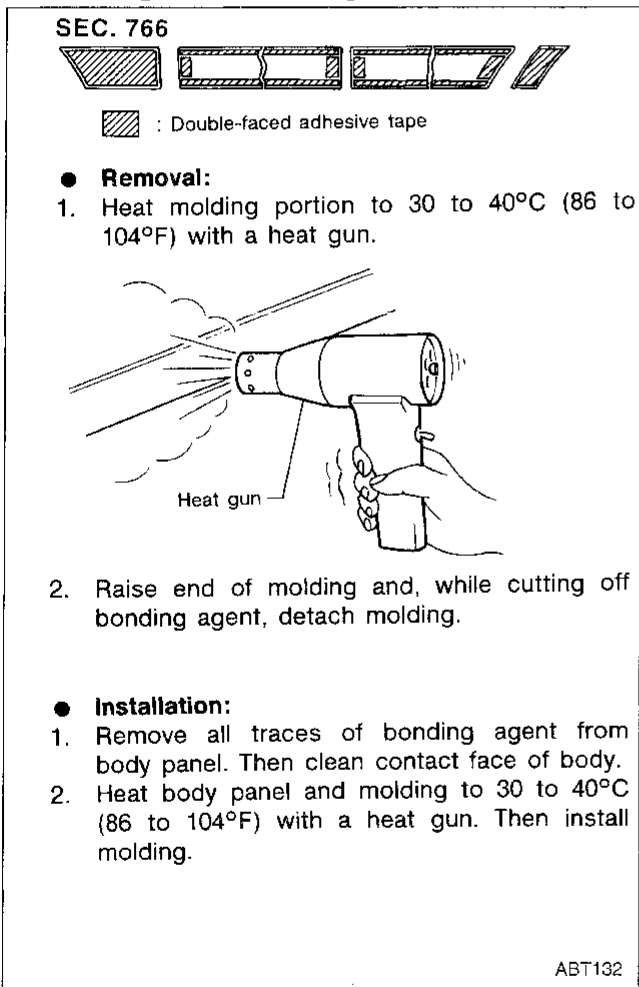
EM

LC

EG

FE

⑯ Side guard molding



AT

FA

PA

ER

ST

RS

BT

HA

HL

IDX

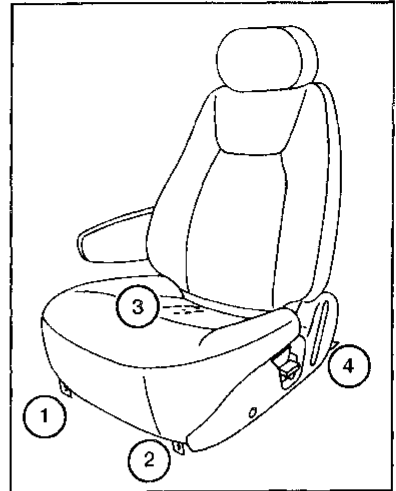
SEAT

When removing or installing the seat trim, handle it carefully to keep it clean and undamaged.

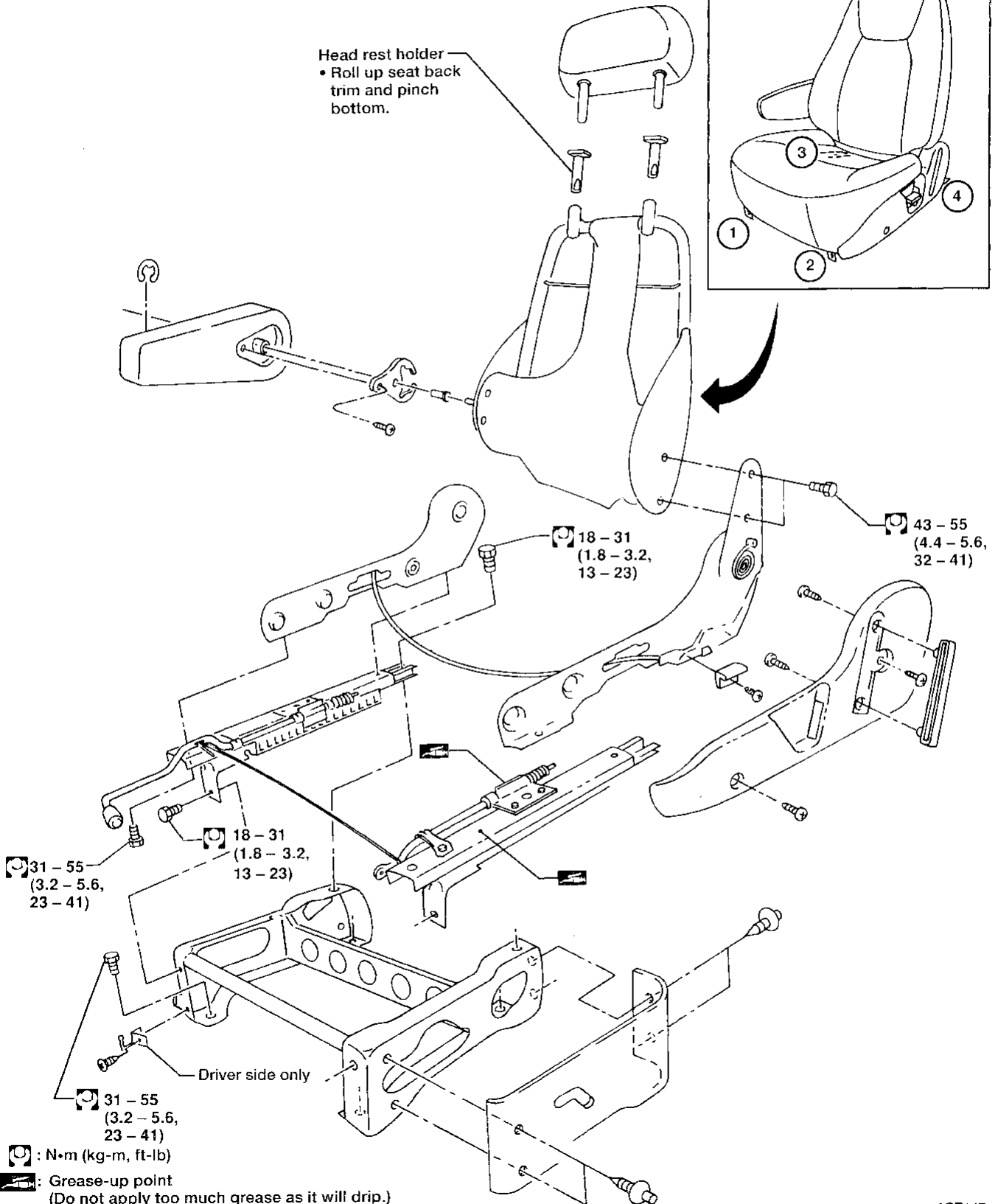
Front Seat

SEC. 870

Installation sequence



Head rest holder
• Roll up seat back trim and pinch bottom.

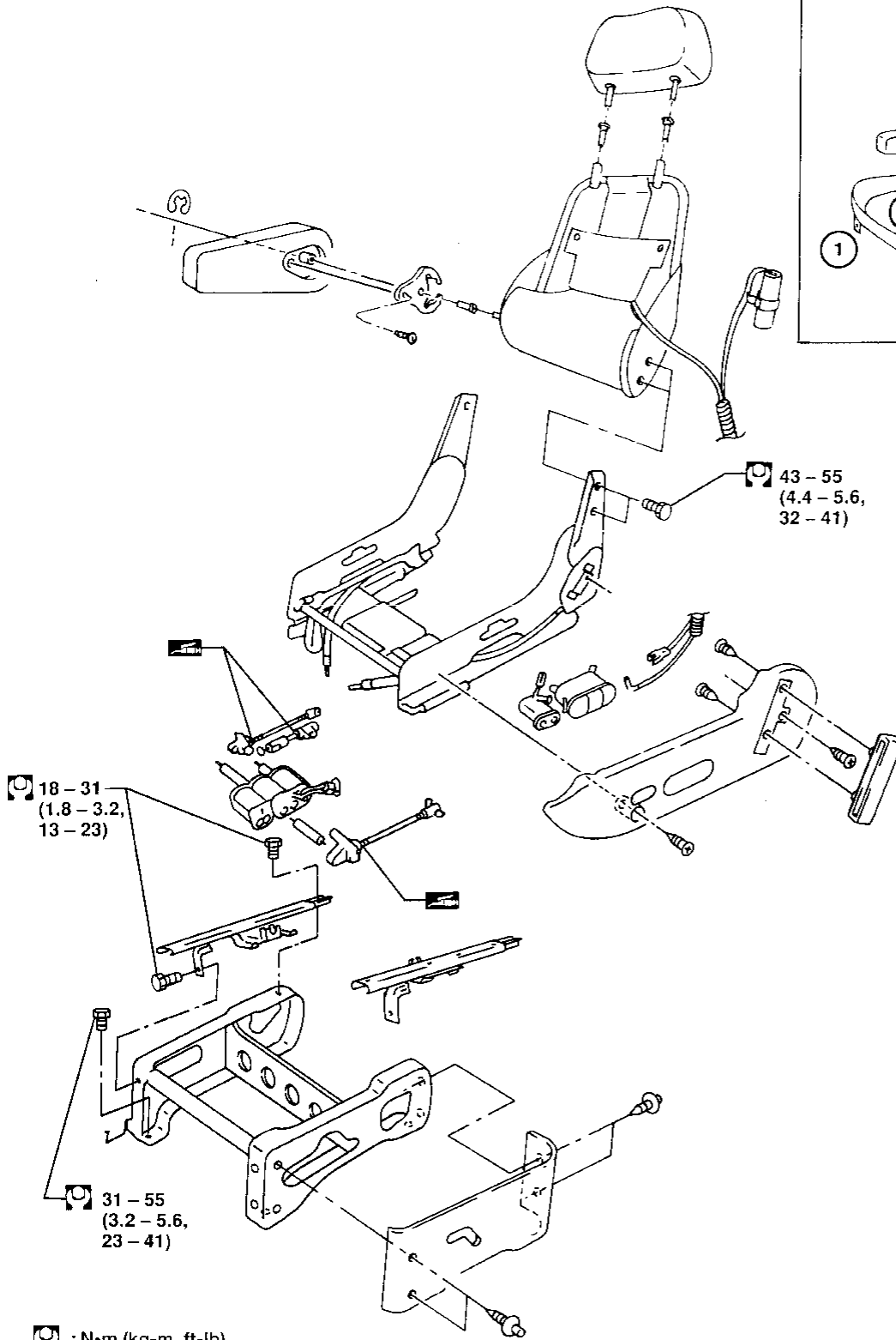
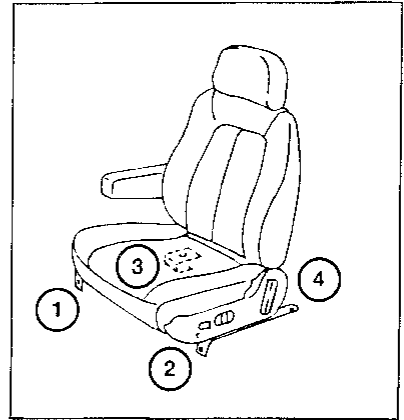


SEAT

Front Power Seat

SEC. 870

Installation sequence



18 - 31
(1.8 - 3.2,
13 - 23)

43 - 55
(4.4 - 5.6,
32 - 41)

31 - 55
(3.2 - 5.6,
23 - 41)

: N•m (kg-m, ft-lb)

: Grease-up point
(Do not apply too much grease as it will drip.)

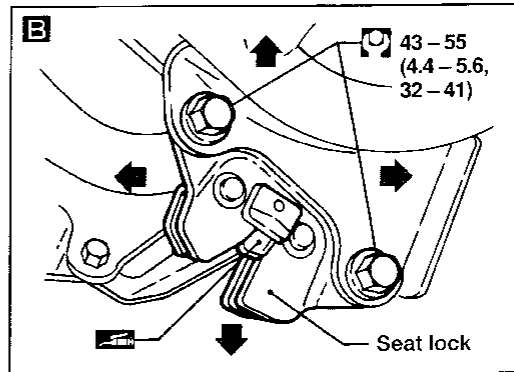
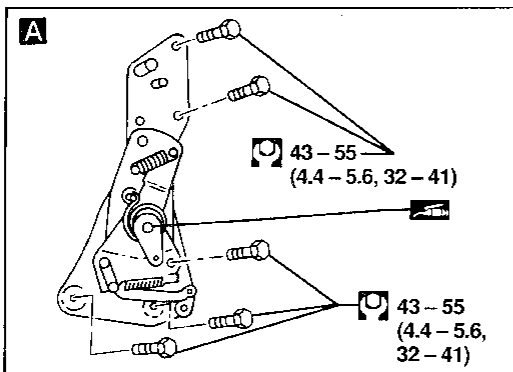
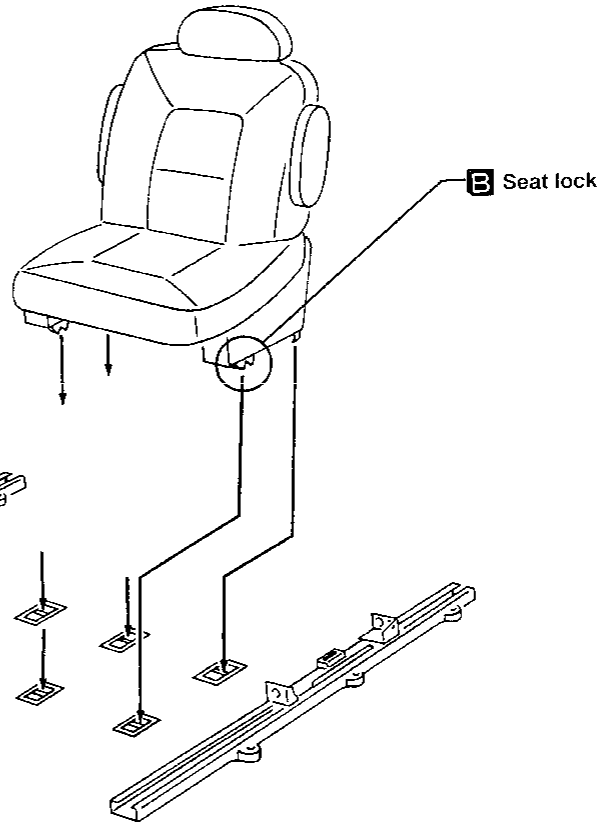
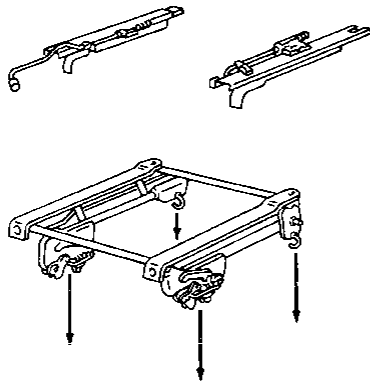
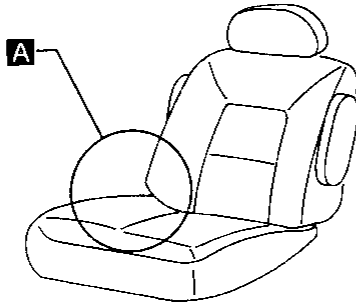
GI
HA
EM
LC
EC
FE
AT
FA
RA
BR
ST
RS
BT
HA
EL
IDX


SEAT


2nd Seat

TYPE I

SEC. 880C



 : N·m (kg-m, ft-lb)

 : Lubricate with grease

BT-36

ABT149

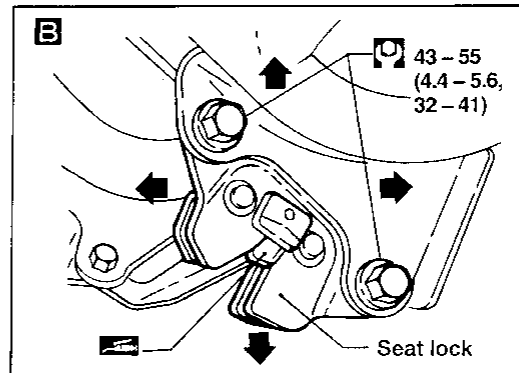
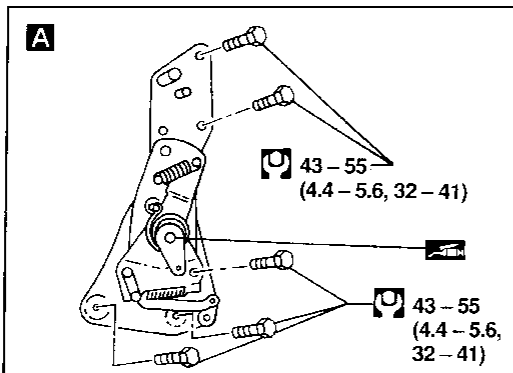
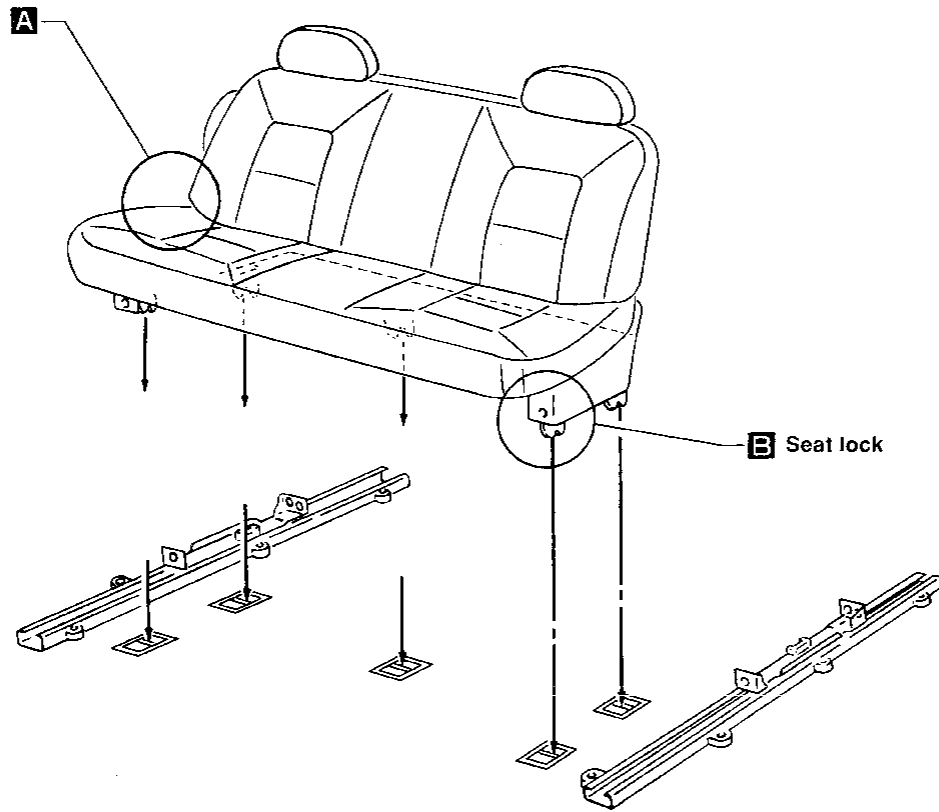
SEAT

2nd Seat (Cont'd)

- For Built-In Child Seat, refer to RS section.

TYPE II

SEC. 880B



: N•m (kg-m, ft-lb)

: Lubricate with grease

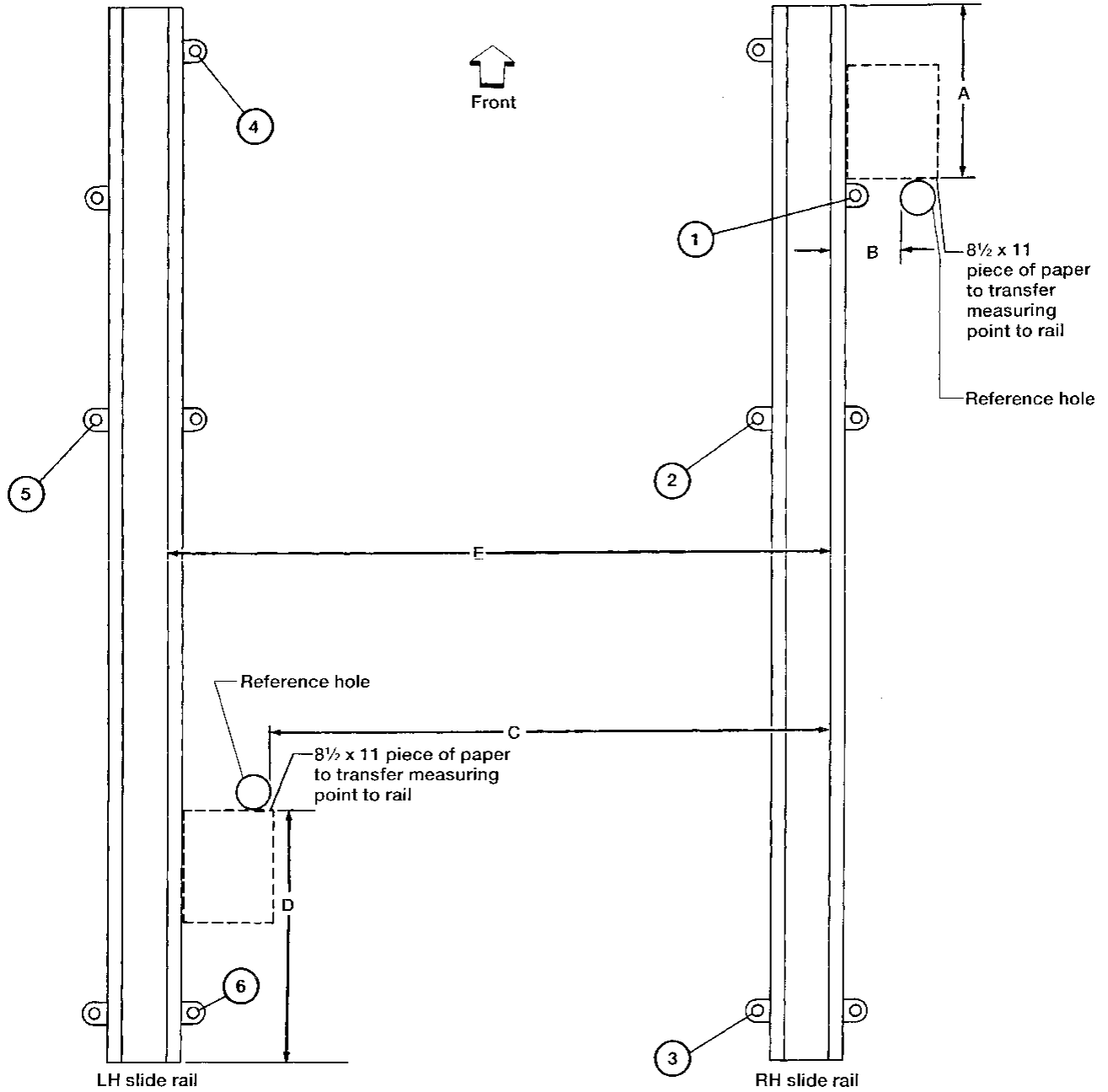
GI
MA
EM
IC
EC
FE
AT
FA
RA
BR
ST
RS

BT

HA
EL
DX

3rd Seat

3RD SLIDING SEAT RAILS — Installation

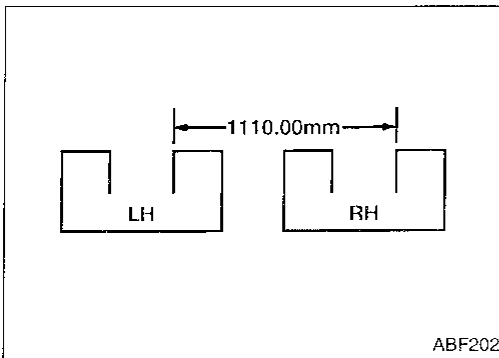


SEAT

3rd Seat (Cont'd) THIRD SLIDING SEAT RAILS

Installation for new rails

- The following dimensions may vary by 0.5 mm (0.020 in) to obtain minimum effort to slide the 3rd seat.
 - Use an 8½x11 inch piece of paper to determine distance from reference hole to edge of slide rail.
1. Position the RH slide assembly in the vehicle with the roller in 2nd seating position and loosely install bolts ①, ② and ③.
 2. Measure distance "A".
Distance "A":
413.5 mm (16.28 in)
 3. Measure distance "B" with caliper.
Distance "B":
107.00 mm (4.21 in)
 4. Finger-tighten slide rail bolt ①.
 5. Measure distance "C".
Distance "C":
885.50 mm (34.86 in)
 6. Torque the RH slide rail bolts ①, ② and ③.
ⓘ: 32 - 54 N·m (3.3 - 5.4 kg-m, 24 - 39 ft-lb)
 7. Check distance "B" and "C" to confirm position, adjust if necessary.
 8. Position the LH slide assembly in the vehicle with roller in 2nd seating position and loosely install bolts ④, ⑤ and ⑥.
 9. Measure distance "D".
Distance "D":
561.50 mm (22.11 in)
 10. Measure distance "E" between the right hand inner edge of each slide rail.
Distance "E":
1,110.00 mm (43.70 in)



- Measure in two locations where no latch opening exists.

11. Hand-tighten bolts ④, ⑤ and ⑥.
12. Check distance "E" at several points along the slide rails, and adjust **only** the LH slide rail if necessary.
13. Torque the LH slide rail bolts ④, ⑤ and ⑥.
ⓘ: 32 - 54 N·m (3.3 - 5.4 kg-m, 24 - 39 ft-lb)
14. Install the 3rd seat through side door.
 - Torque front 2 bolts of 3rd seat while it is in 2nd seat position.
ⓘ: 34 - 46 N·m (3.5 - 4.7 kg-m, 25 - 34 ft-lb)
 - Slide the 3rd seat to full rear position.
 - Hand-start all remaining bolts.

SEAT

3rd Seat (Cont'd)

- Torque rear position bolts, **inner bolts first**.
☞: **34 - 46 N·m (3.5 - 4.7 kg-m, 25 - 34 ft-lb)**
- 15. Check slide release effort.
- 16. Check slide effort.
- 17. Install all remaining slide rail bolts.
- 18. From front to rear, tighten the slide rail bolts.
☞: **32 - 54 N·m (3.3 - 5.4 kg-m, 24 - 39 ft-lb)**
- 19. Place the 3rd bench seat in the 2nd seating position and remove the 3rd bench seat.
- 20. Install the floor carpeting.
- 21. Install the 3rd seat through side door.
 - **Torque front 2 bolts in 2nd seat position.**
☞: **34 - 46 N·m (3.5 - 4.7 kg-m, 25 - 34 ft-lb)**
 - Slide the 3rd seat to full rear position.
 - Hand-start all remaining bolts.
 - Torque rear position bolts, **inner bolts first**.
☞: **34 - 46 N·m (3.5 - 4.7 kg-m, 25 - 34 ft-lb)**
- 22. Check slide release effort. Make adjustments as necessary.
- 23. Check slide effort. Make adjustments as necessary.

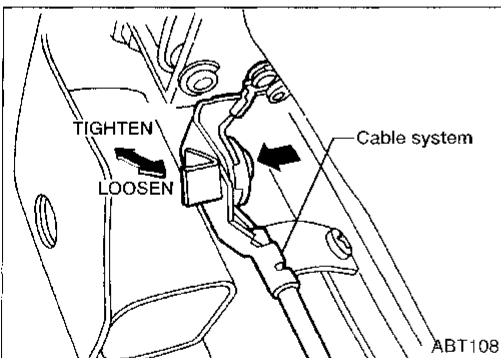
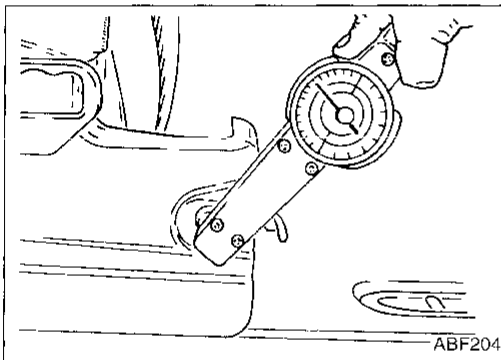
Slide release effort check

1. Remove plastic slide release handle to expose hex shaft.
2. Check slide release effort with torque wrench and hex socket.

Release effort:

2.0 - 9.0 N·m (20 - 92 kg-cm, 17 - 80 in-lb)

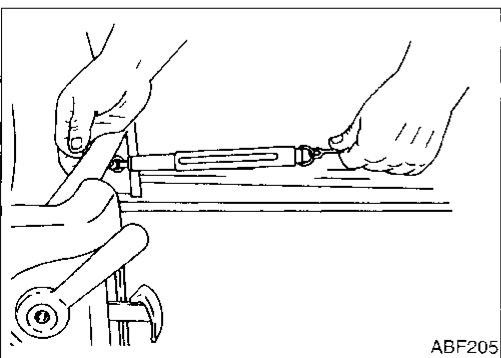
- Torque value is read when the 3rd seat can just begin to move.
- Measure effort at all five latch positions.



3. If release effort is not within the specified value, adjust the tension of cable system.
 - Loosen bolt on adjuster assembly.
 - Slide the bolt in the slotted holder as needed to adjust slide release effort. (Tightening the cable will reduce slide release effort.)
 - Tighten the bolt.

Slide effort check

- Check slide effort.
Maximum starting effort:
118 N (12 kg, 26 lb)
(measured at center of the 3rd seat with slide release handle fully up)
- Measure rearward starting effort at front four latch positions with a force gauge (spring scale).
- After starting efforts have been taken, slide the 3rd seat five times the full length of the slide rails. If at anytime the seat binds, stop and take the starting effort at that location.



SEAT

3rd Seat (Cont'd)

- Adjust LH slide rail side-to-side for excessive slide effort.
- If force is too high, adjust only LH slide rail until force is correct.

GI

MA

EM

LC

EC

FE

AT

FA

RA

BR

ST

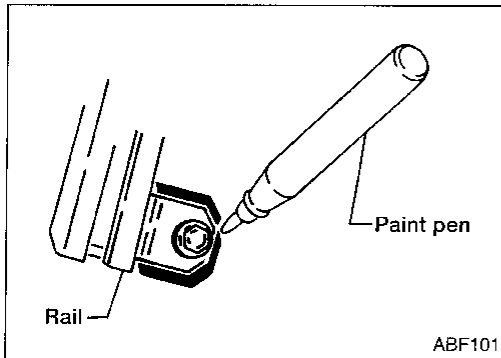
RS

BT

HA

EL

IDX



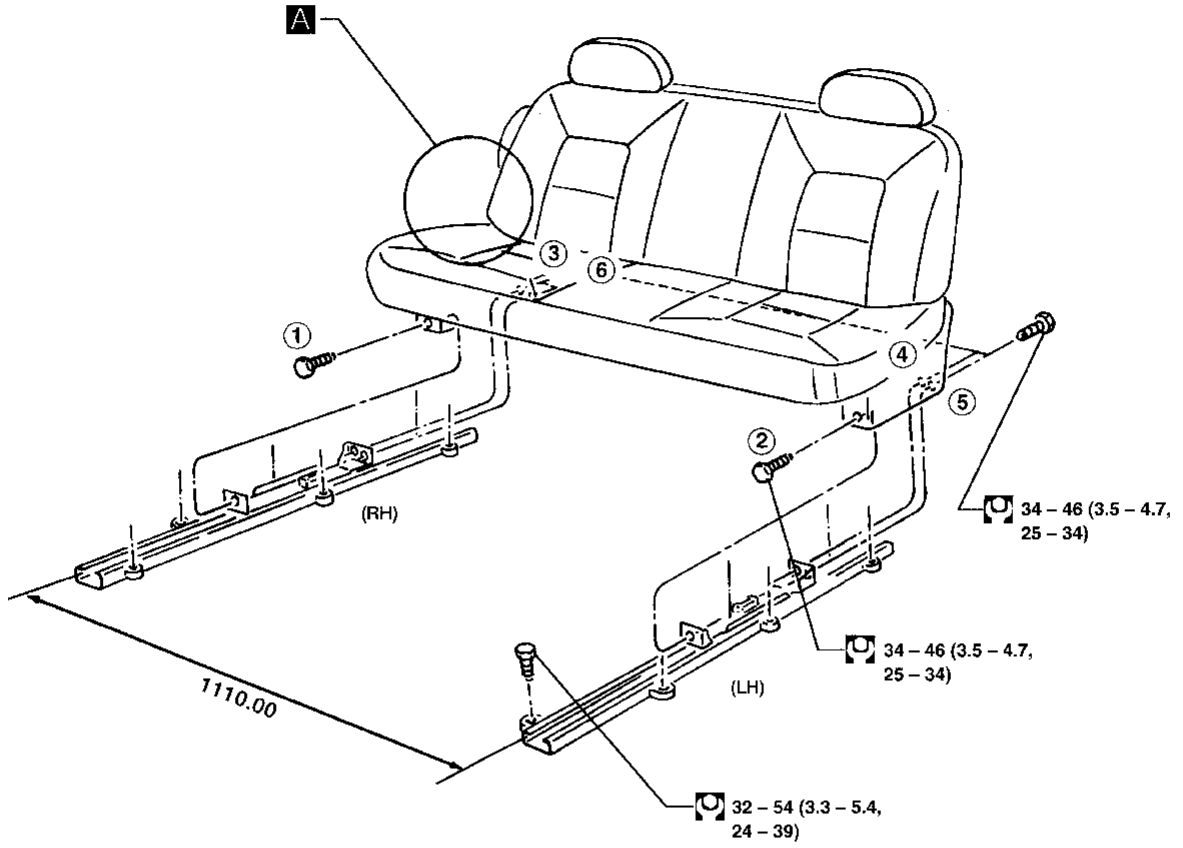
Removal and installation of the same rails

1. Mark the rails' positions on the floor panel at the points of bolts ① to ⑥ before removing rails.
2. Loosen bolts and remove rails.
3. Install rails so that they will align with the marks made during step 1.
Torque bolts ① to ⑥.
Ⓜ: 32 - 54 N·m (3.3 - 5.4 kg-m, 24 - 39 ft-lb)
4. Follow the procedures beginning with step 14 in "Installation for new rails", then perform "Slide release effort check" and "Slide effort check".

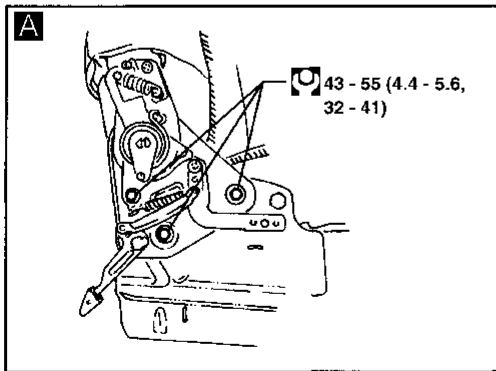
SEAT


3rd Seat (Cont'd)

SEC. 880A



Important: Follow installation sequence and procedure



 : N·m (kg·m, ft·lb)

SUN ROOF

- After any repair, check sun roof operation and lid alignment.
- Handle finisher plate and glass lid with care so as not to cause damage.
- To ease installation, mark each point before removal.
- Always synchronize the sun roof motor in the closed position.

CAUTION:

- Always work with a helper.
- Remove sun roof frame from rear door opening.

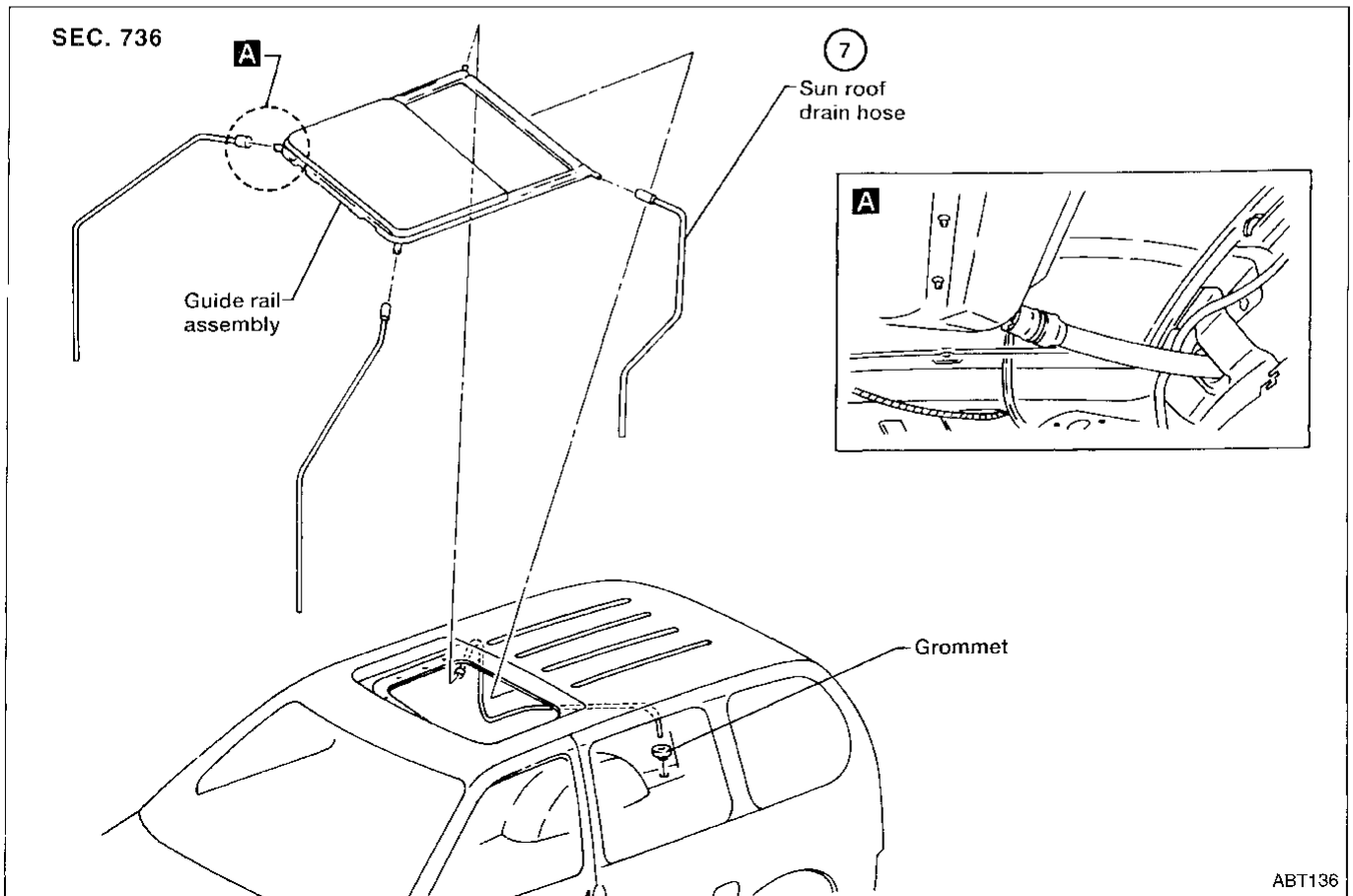
REMOVAL AND INSTALLATION

- ① Remove front side of roof trim up to room lamp.
- Do not use excessive force. Take care not to damage roof trim.
- ② Remove sun roof motor.
- ③ Open sunshade plate.
- ④ Remove sliding rail fixing screws.
- ⑤ Move sliding rail to back position.
- ⑥ Remove sun roof glass.
- ⑦ Disconnect four sun roof drain hoses from guide rail assembly.
- ⑧ Remove guide rail assembly with sliding rail and sun shade plate.
- Installation is basically the reverse order of removal.

DISASSEMBLY AND ASSEMBLY — Guide rail assembly

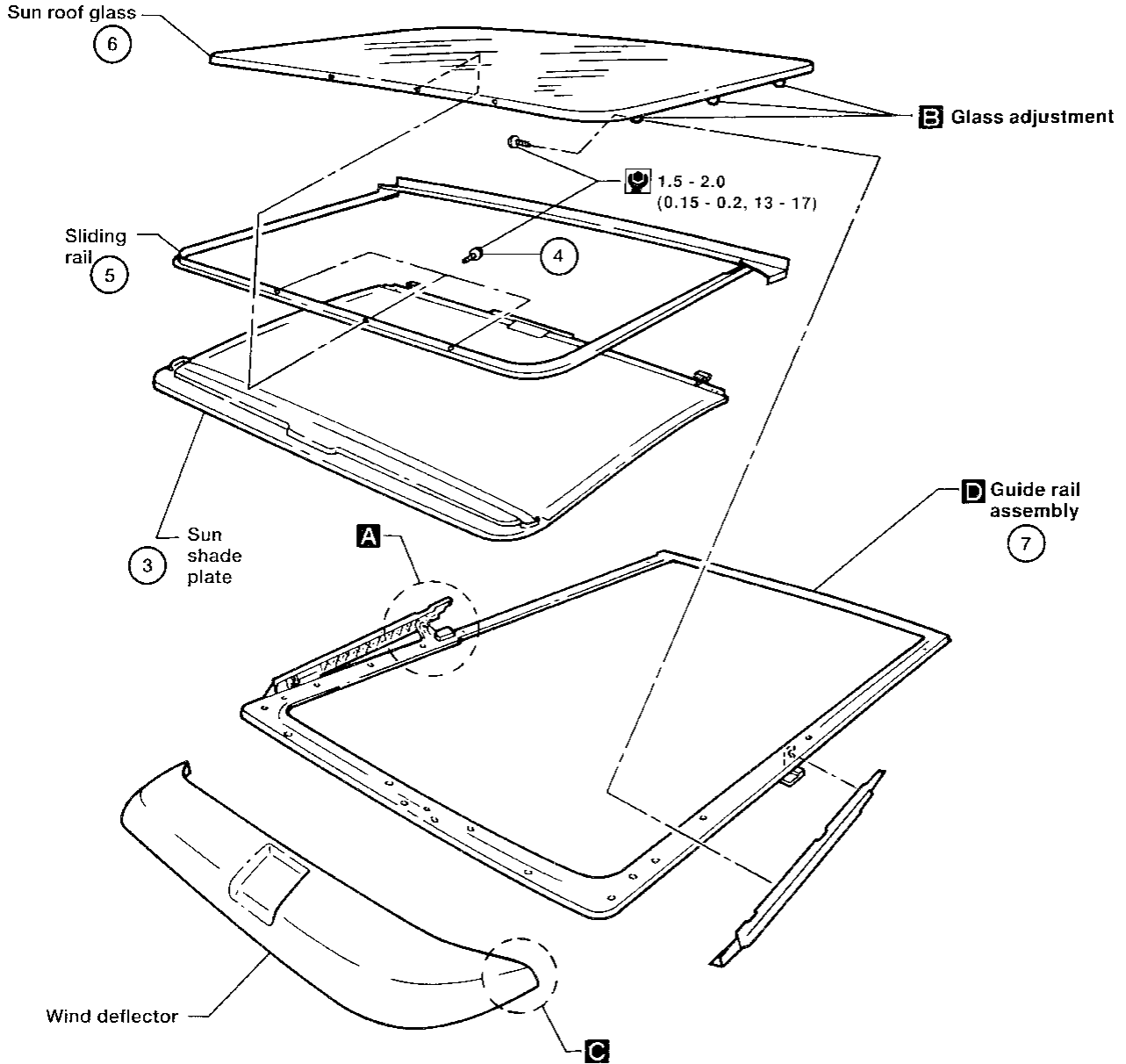
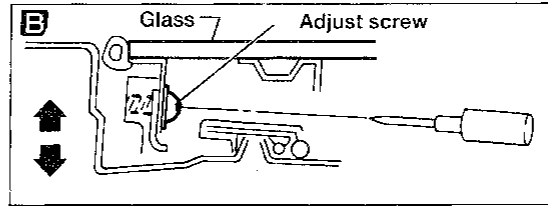
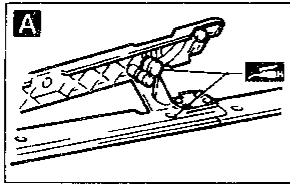
- ⑨ Separate guide rail assembly from sliding rail and sun shade plate.
- ⑩ Remove six rivets and sun roof motor bracket.
- ⑪ Remove ten metal clips securing cables to guide rail.
- ⑫ Remove cables.
- Assembly is basically the reverse order of disassembly.

REMOVAL AND INSTALLATION — Sun roof drain hoses

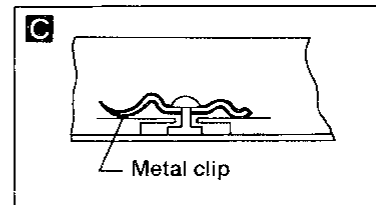


SUN ROOF

SEC. 736



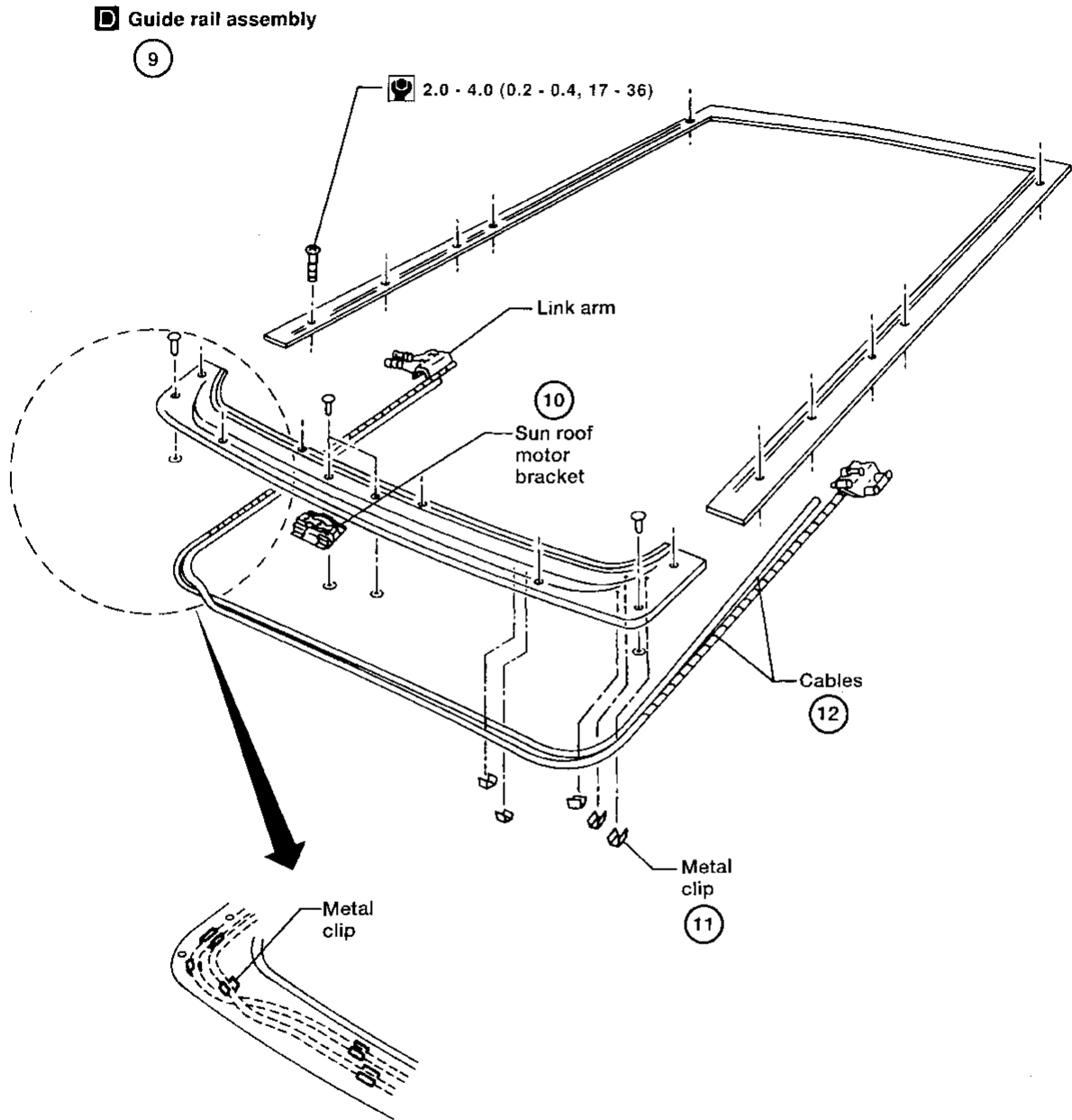
: N·m (kg·m, in·lb)
 : Should be lubricated with grease




ABT134

SUN ROOF

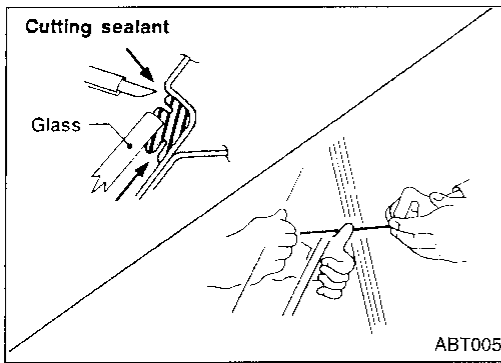
SEC. 736



 : N·m (kg·m, in·lb)

GI
NA
EM
LC
EC
FE
AT
EA
RA
BR
ST
RS
BT
HA
EL
DX

WINDSHIELD AND WINDOWS



REMOVAL

After removing moldings, remove glass using piano wire or power cutting tool and an inflatable pump bag.

CAUTION:

Be careful not to scratch glass when removing.

INSTALLATION

- Use genuine Nissan Sealant kit or equivalent. Follow instructions furnished with it.
- After installation, the vehicle should remain stationary until the sealant hardens.

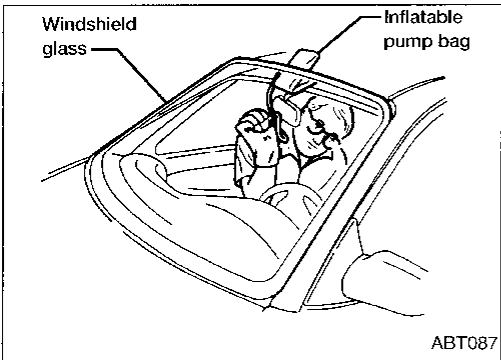
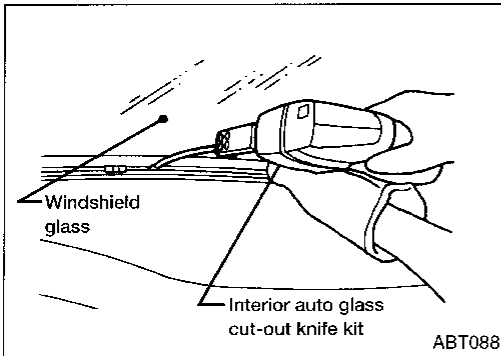
WARNING:

Keep heat and open flames away as primers are flammable.

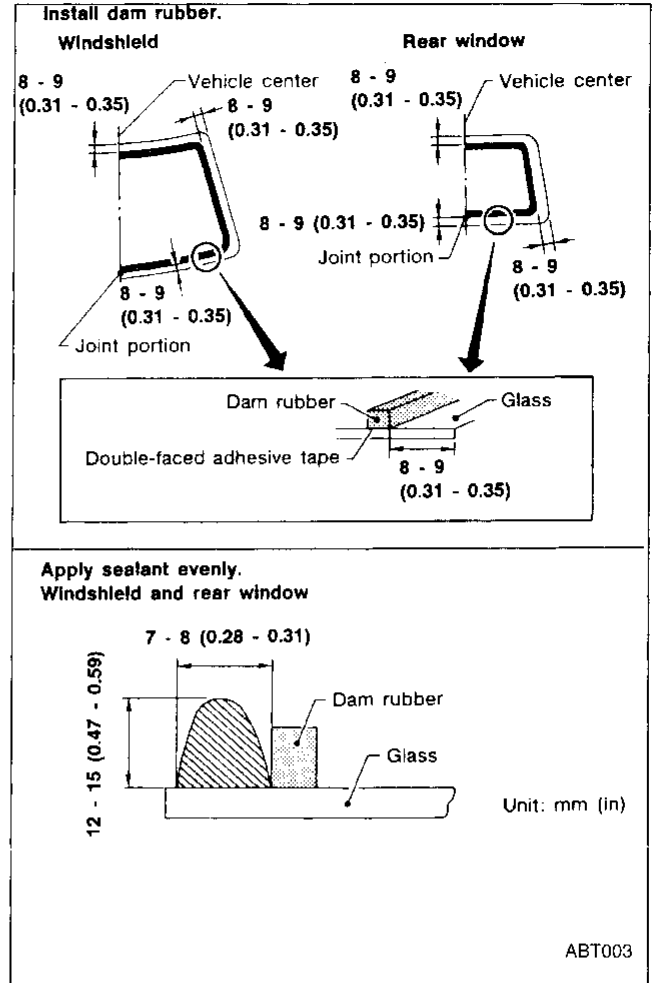
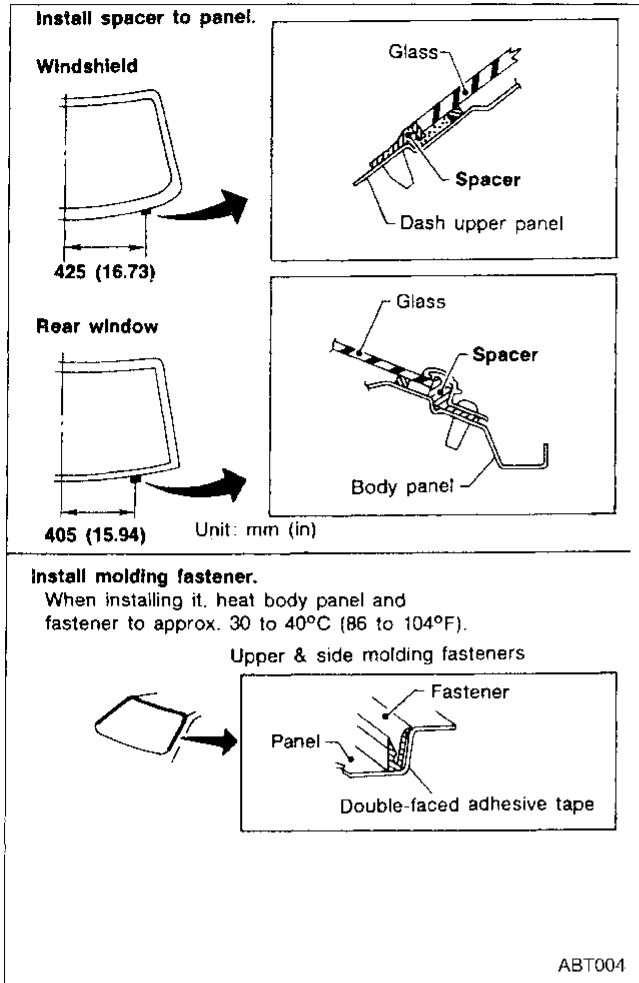
CAUTION:

Advise the user that the vehicle should not be driven on rough roads or surfaces for 24 hours after installation.

- Do not use sealant which is past its usable term.
- Do not leave cartridge unattended with its cap open.
- Keep primers and sealant in a cool, dry place. Ideally, they should be stored in a refrigerator.
- Molding must be installed securely so that it is in position and leaves no gap.



Windshield and Rear Window



REPAIRING WATER LEAKS FOR WINDSHIELD

Leaks can be repaired without removing and reinstalling glass.

If water is leaking between caulking material and body or glass, determine the extent of leakage. This can be done by applying water while pushing glass outward.

To stop the leak, apply primer (if necessary) and then sealant to the leak point.

GI
MA
EM
LG
EC
FE
AT
FA
RA
BR
ST

RS

BT

HA

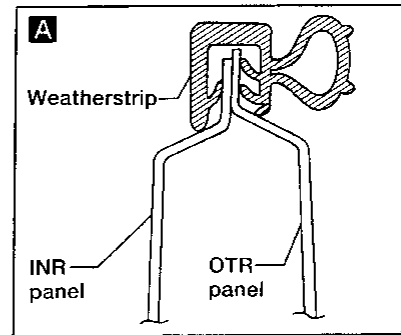
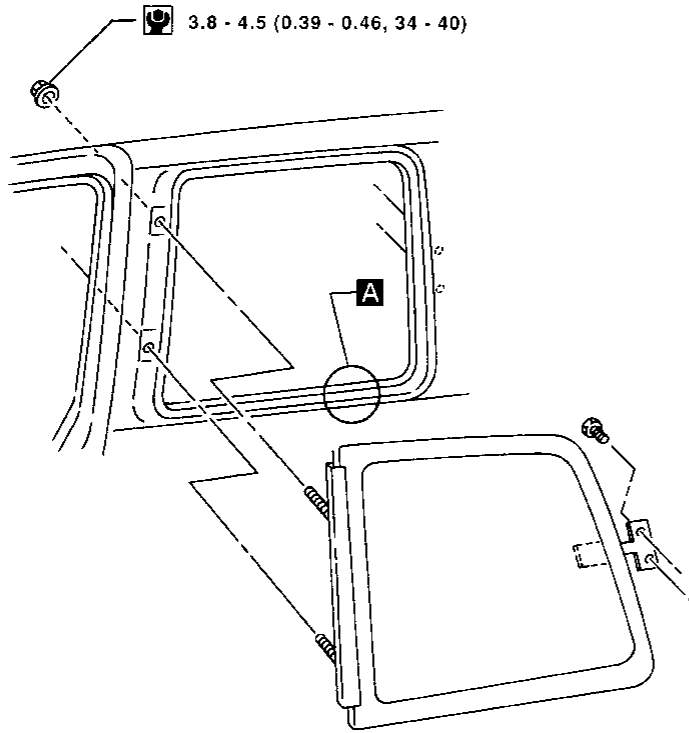
EL

IDX

WINDSHIELD AND WINDOWS

Side Window (1st)

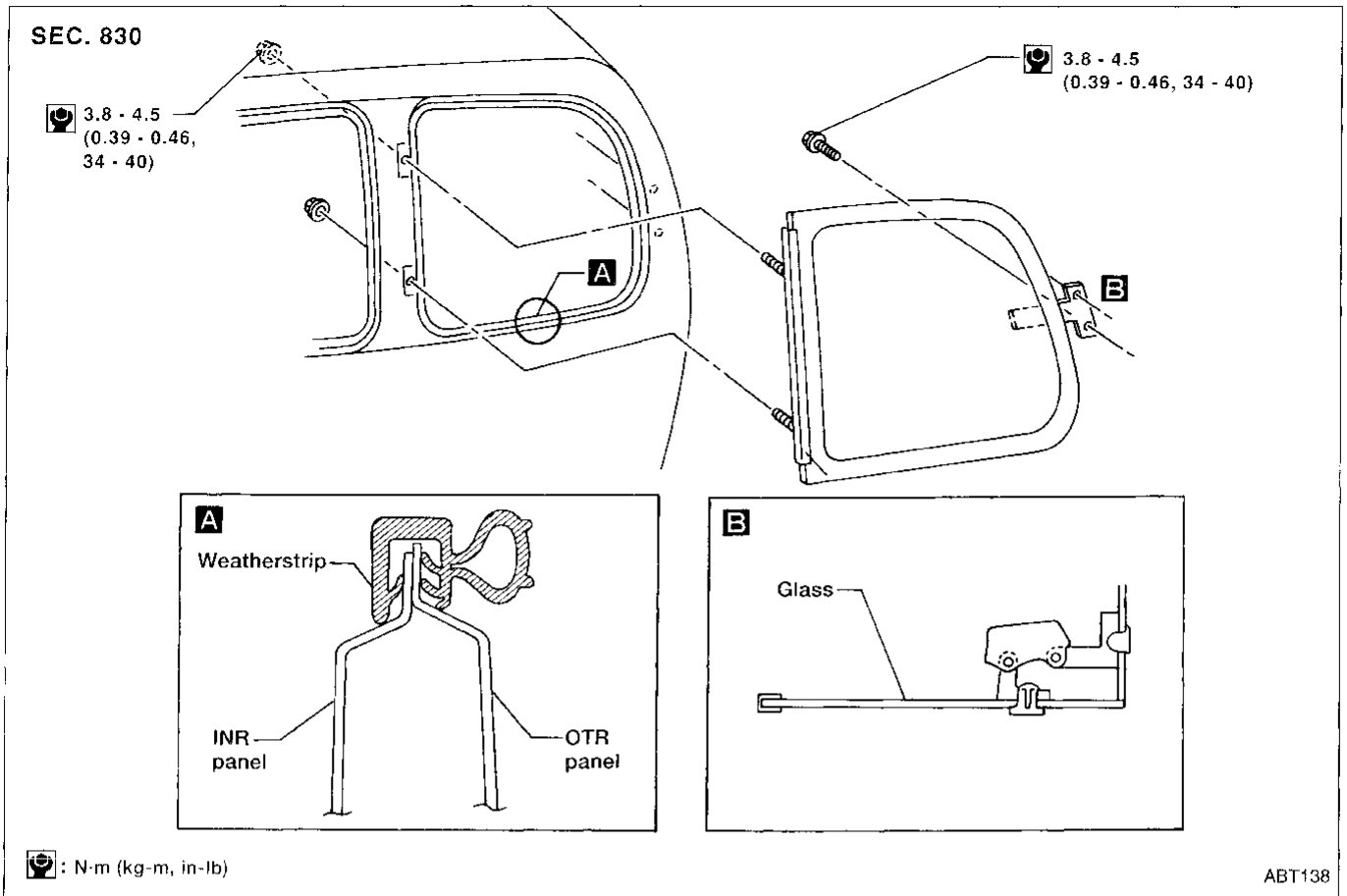
SEC. 830



: N·m (kg·m, in·lb)

ABT137

Side Window (2nd)



INSTALLATION

1. Use the switch to place the cable in the open position.
2. Attach the mechanism to the glass and tighten the attaching screw.
3. Loosely attach mechanism to body with bolts.
- **Do not tighten the bolts.**
4. Use the switch to place window in the closed position.
5. From outside of vehicle, push on the glass at its attaching point.
6. Tighten bolts.
7. Check operation.

CAUTION:

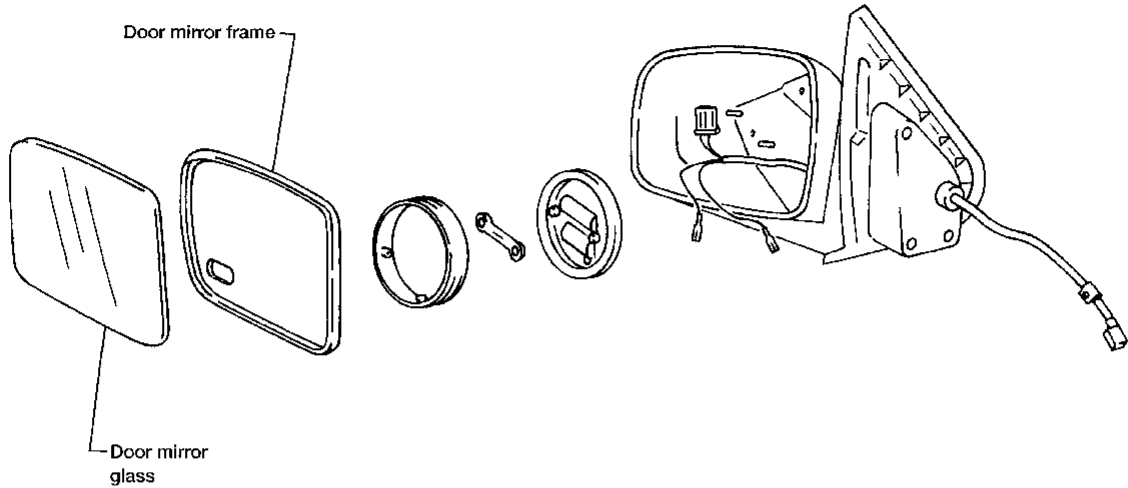
Failure to follow this procedure may cause damage to control and wire assembly.

MIRROR

Door Mirror

- For removal of the door mirror, refer to BT-33.

SEC. 963



Mirror glass replacement

CAUTION:

Do not exceed specified temperature or time limit. Excess heat or duration may cause damage to the mirror housing.

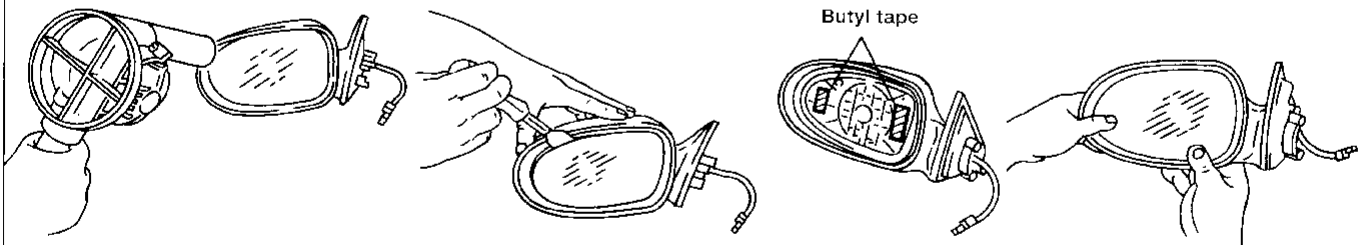
• Removal

1. Use a heat lamp (at least 500 watts) to thoroughly warm the frame edge of the door mirror glass to approximately 70 C (159 F) for three minutes.

2. Insert a stiff blade scraper between the mirror glass and the frame. Pry the glass loose.
3. Remove any remaining adhesive (butyl tape) from the mounting surface on the frame.

• Installation

1. Install butyl/adhesive tape (2 pieces) on the frame.
2. Warm the mirror glass frame edge thoroughly with a heat lamp.
3. Position mirror glass on frame. Carefully press on the mirror glass to seat it in place.



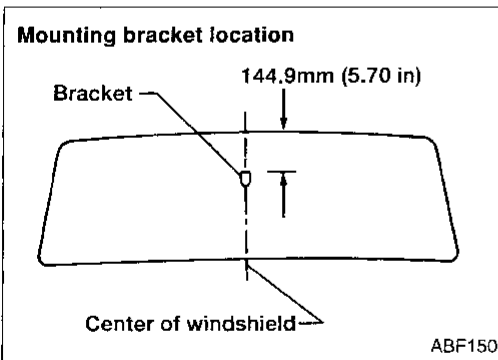
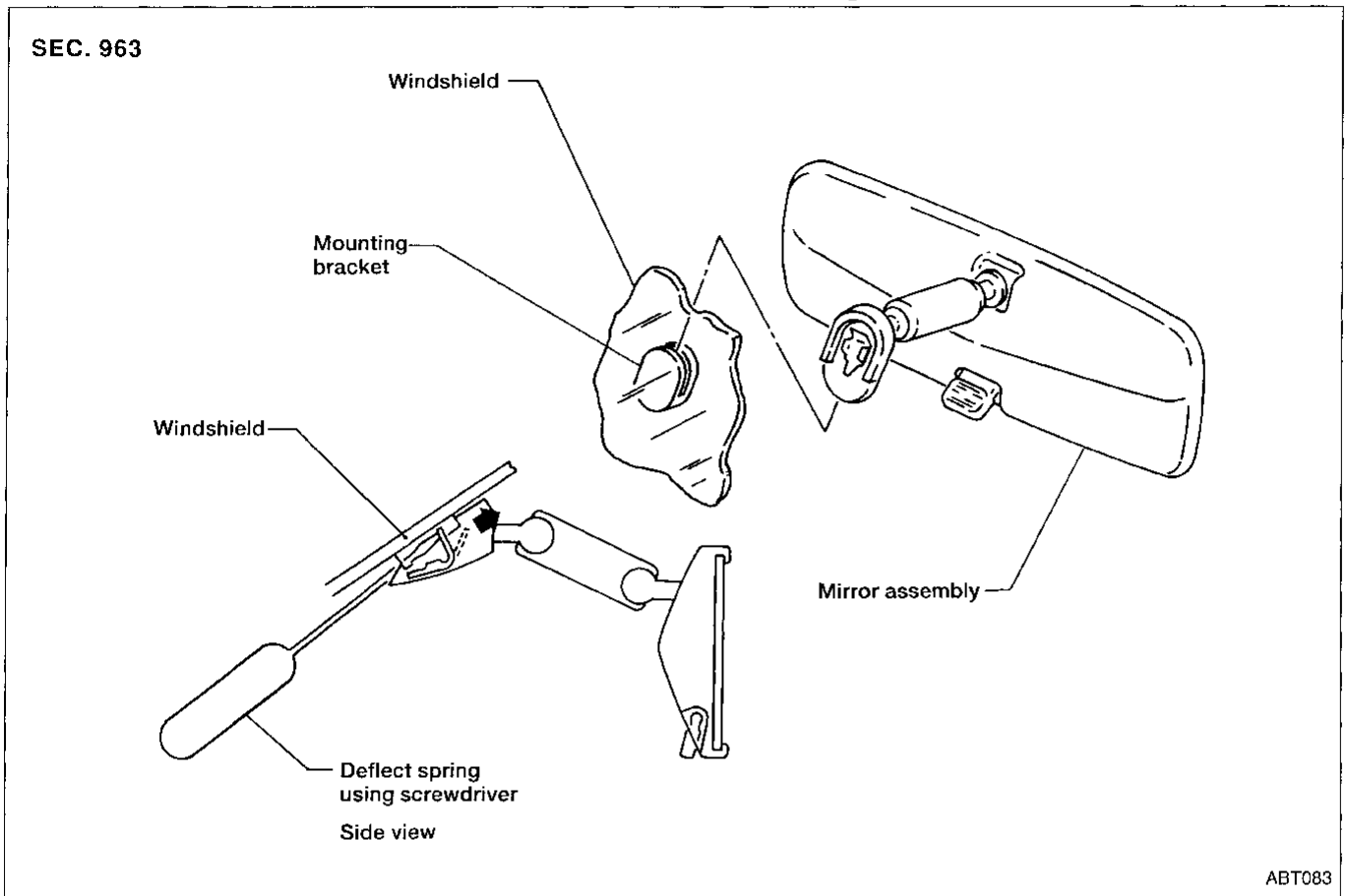
ABT142

MIRROR

Rearview Mirror

REMOVAL

Remove rearview mirror by pushing deflect spring with screwdriver as shown in the figure.

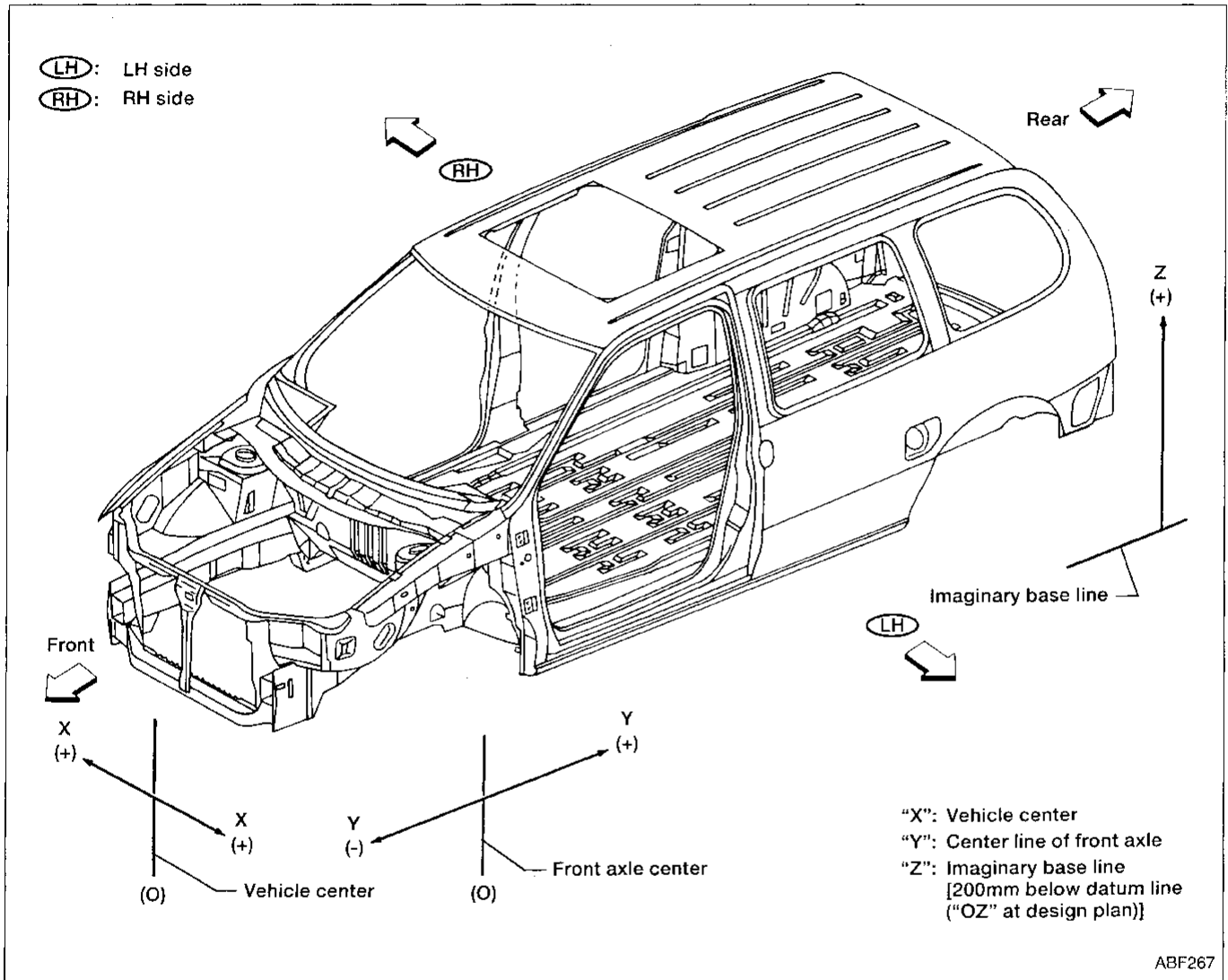


INSTALLATION

1. Install mounting bracket as follows:
 - (1) Determine mounting bracket position on windshield by measuring from top of windshield to top of mounting bracket as shown in the figure.
 - (2) Mark location on outside of windshield with wax pencil or equivalent.
 - (3) Clean attaching point on inside of windshield with an alcohol-saturated paper towel.
 - (4) Sand bonding surface of mounting bracket with sandpaper (No. 320 or No. 360).
 - (5) Clean bonding surface of mounting bracket with an alcohol-saturated paper towel.
 - (6) Apply Loctite Adhesive 11067-2 or equivalent to bonding surface of mounting bracket.
 - (7) Install mounting bracket at premarked position and press mounting bracket against glass for 30 to 60 seconds.
 - (8) After five minutes, wipe off excess adhesive with an alcohol-moistened paper towel.
2. Install rearview mirror.

BODY ALIGNMENT

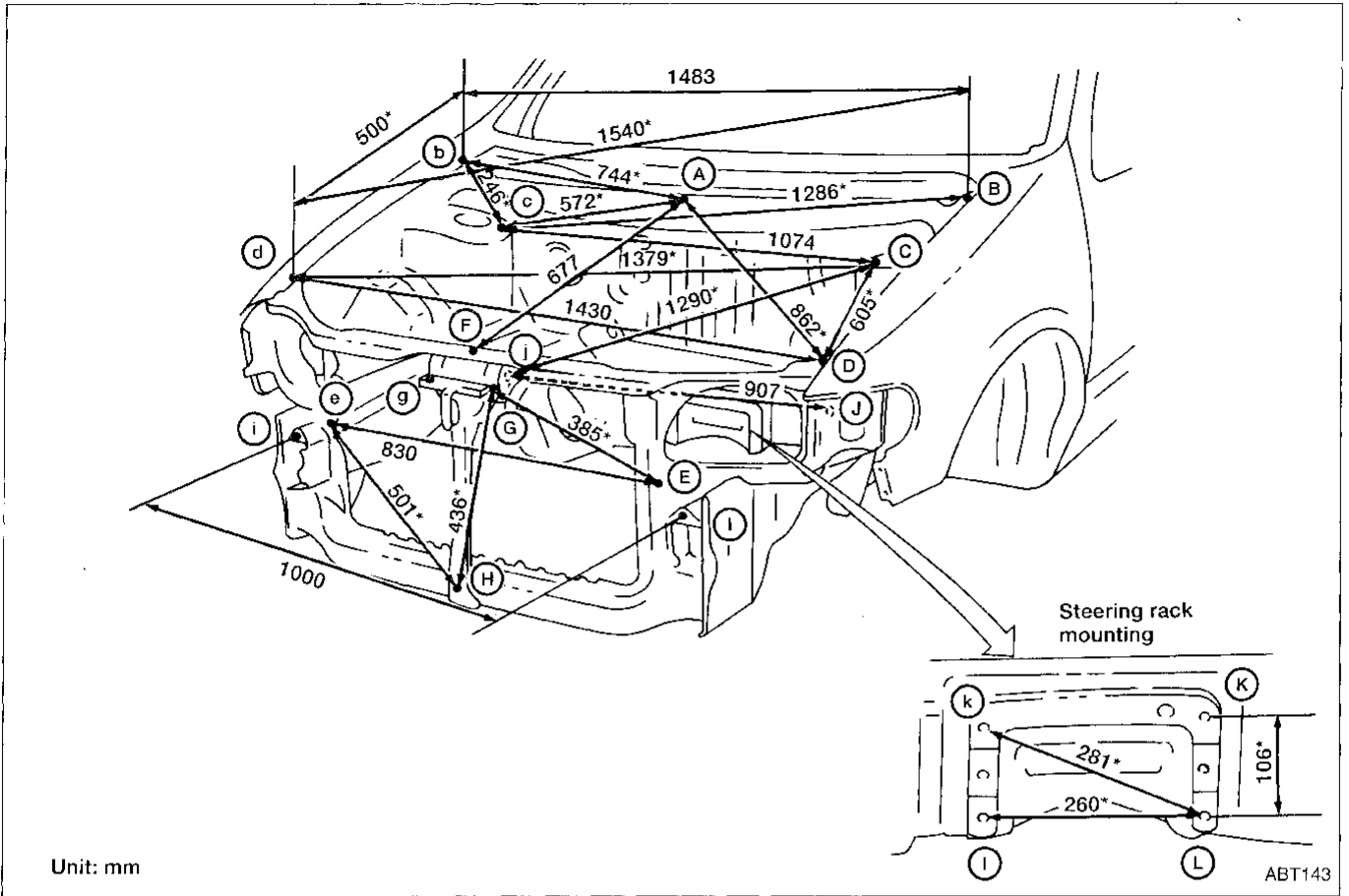
- All dimensions indicated in figures are actual ones.
- When using a tracking gauge, adjust both pointers to equal length. Make sure there is no free play.
- When a measuring tape is used, check to be sure there is no elongation, twisting or bending.
- Measurements should be taken at the center of the mounting holes.
- All measurements and mounting hole diameters are expressed in millimeters(mm).
- An asterisk (*) following the value at the measuring point indicates that the measuring point on the other side is symmetrically the same value.
- The coordinates of the measurement points are the distances measured from the standard line of "X", "Y" and "Z".



BODY ALIGNMENT

Engine Compartment

MEASUREMENT



GI

MA

EM

LC

EC

FE

AT

FA

PA

BR

SI

RS

BT

TA

EL

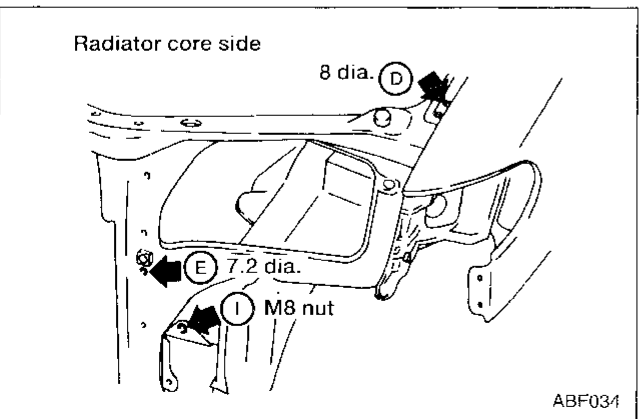
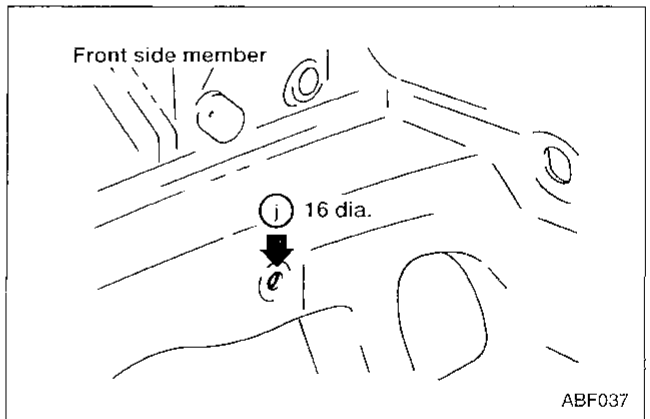
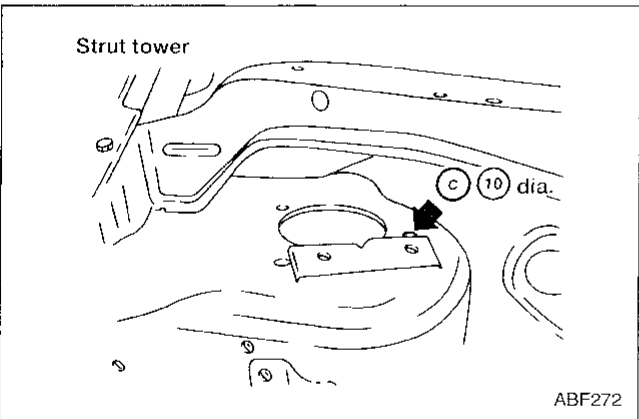
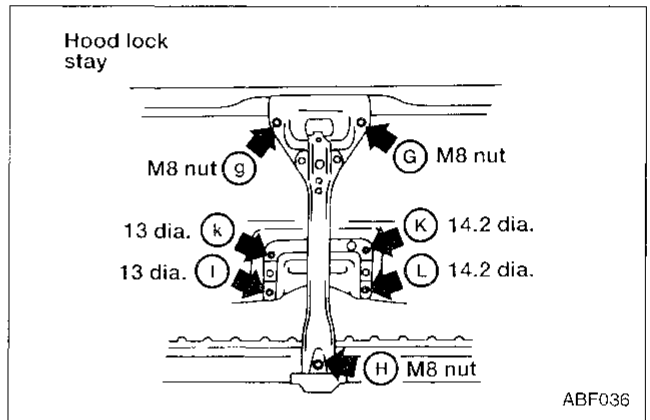
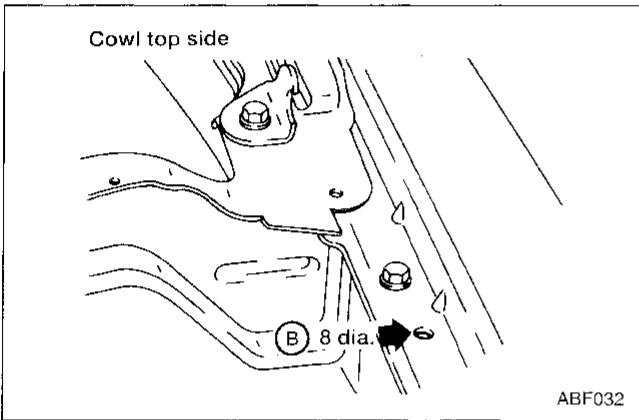
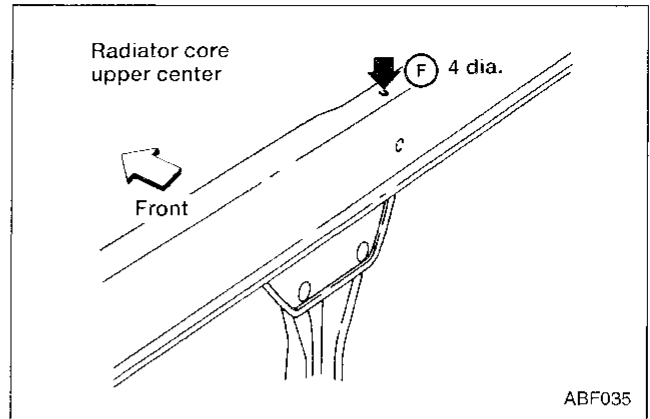
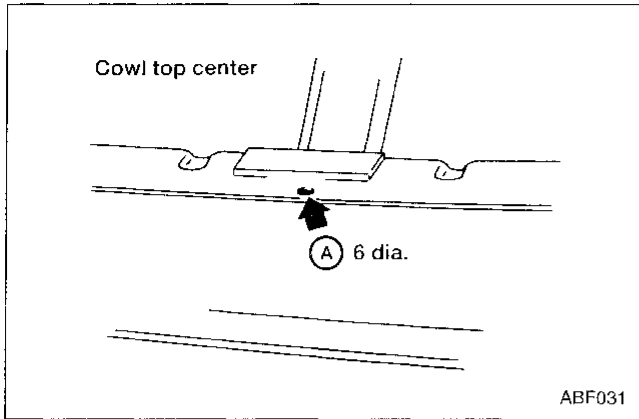
IX

BODY ALIGNMENT

Engine Compartment (Cont'd)

MEASUREMENT POINTS

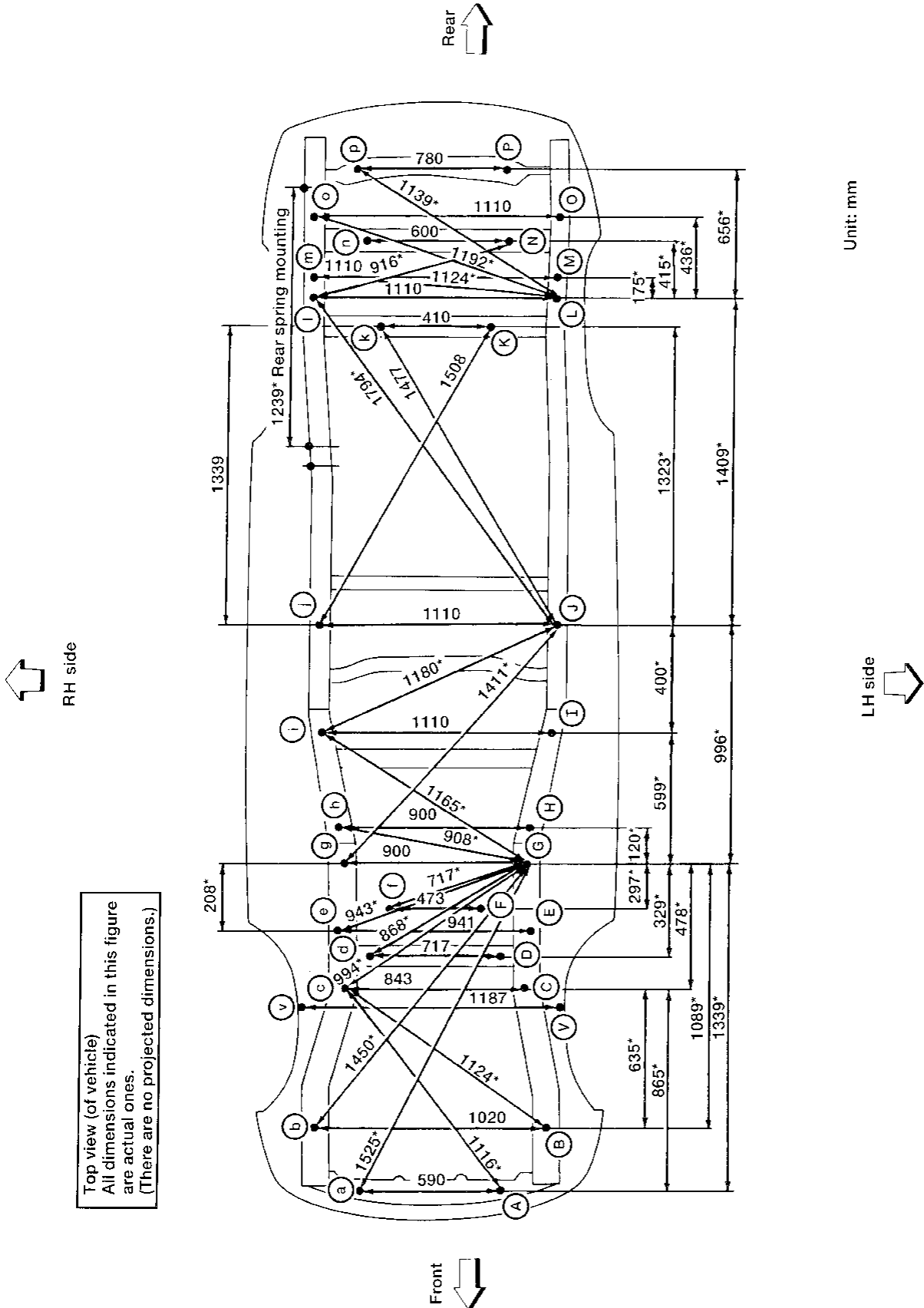
Unit: mm



BODY ALIGNMENT

Underbody

MEASUREMENT



CI
MA
EM
LC
EC
FE
AT
FA
RA
BR
ST
RS
BT
HA
EL
IDX

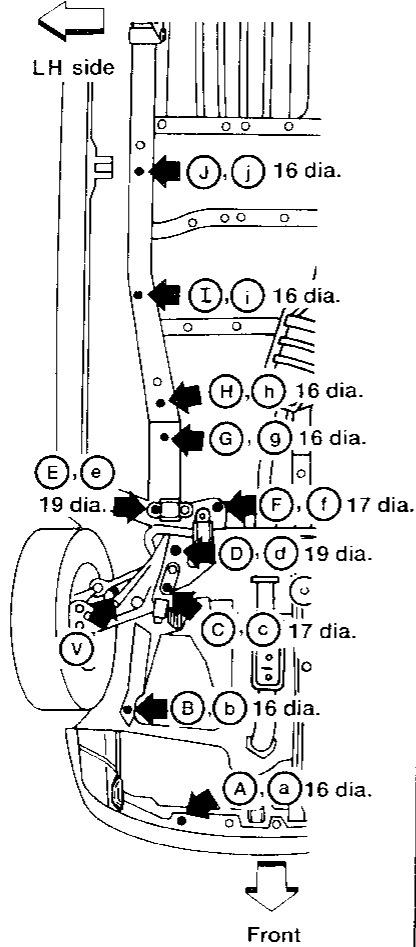
BODY ALIGNMENT

Underbody (Cont'd)

Front side member and front extension

Coordinates:

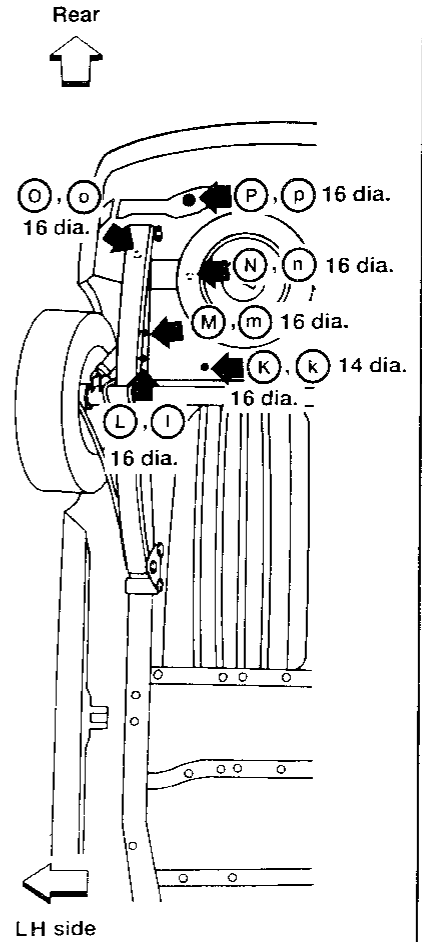
- (A), (a)
X: 295
Y: -750
Z: 168.8
- (B), (b)
X: 510
Y: -500
Z: 310
- (C), (c)
X: 421.5
Y: 105
Z: 137.7
- (D), (d)
X: 358.5
Y: 264.4
Z: 170.5
- (E), (e)
X: 470.5
Y: 373.3
Z: 182.2
- (F), (f)
X: 236.5
Y: 373.3
Z: 182.2
- (G), (g)
X: 450
Y: 580
Z: 186.5
- (H), (h)
X: 450
Y: 700
Z: 186.5
- (I), (i)
X: 555
Y: 1170
Z: 182
- (J), (j)
X: 555
Y: 1570
Z: 199.7



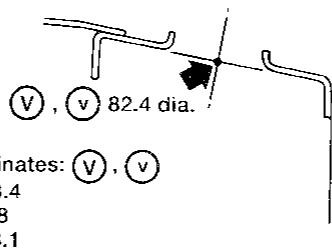
Center side member and rear extension

Coordinates:

- (K)
X: 235
Y: 2850
Z: 303.8
- (k)
X: 175
Y: 2850
Z: 303.8
- (L), (l)
X: 555
Y: 2975
Z: 307
- (M), (m)
X: 555
Y: 3150
Z: 315.1
- (N), (n)
X: 300
Y: 3300
Z: 347.5
- (O), (o)
X: 555
Y: 3410
Z: 328.1
- (P), (p)
X: 390
Y: 3610
Z: 295.6



Front strut tower centers



Unit: mm

G1
 MA
 EM
 LG
 EG
 FE
 AL
 FA
 RA
 BR
 ST
 RS
BT
 HA
 EL
 DX