

HEATER & AIR CONDITIONER

SECTION HA

CONTENTS

<div style="border: 1px solid black; width: 100px; height: 15px; margin: 0 auto;"></div> AUTO <div style="border: 1px solid black; width: 100px; height: 15px; margin: 0 auto;"></div>	
PRECAUTIONS	3
Supplemental Restraint System (SRS) "AIR BAG" and "SEAT BELT PRE-TENSIONER"	3
Precautions for Working with HFC-134a (R-134a)	4
Contaminated Refrigerant.....	4
General Refrigerant Precautions	4
Precautions for Leak Detection Dye.....	5
A/C Identification Label.....	5
Precautions for Refrigerant Connection	5
Precautions for Servicing Compressor.....	9
Precautions for Service Equipment.....	9
Wiring Diagrams and Trouble Diagnosis.....	12
PREPARATION	13
HFC-134a (R-134a) Service Tools and Equipment.....	13
Commercial Service Tools	16
DESCRIPTION	18
Refrigeration System	18
Component Layout	20
Introduction	22
Features.....	22
Overview of Control System.....	23
Control Operation	24
Discharge Air Flow.....	26
TROUBLE DIAGNOSES	27
Component Location.....	27
Circuit Diagram - Auto Air Conditioner	30
Wiring Diagram - A/C, A -	31
How to Perform Trouble Diagnoses for Quick and Accurate Repair	35
Operational Check.....	36
Self-diagnosis	38
Malfunction Code/Symptom Chart.....	40
A/C System.....	42
Air Mix Door.....	46
Intake Door	54
Mode Door Motor.....	63

Front Blower Motor	72
Memory Function	84
Rear Blower Motor.....	85
Magnet Clutch.....	98
Insufficient Cooling	105
Insufficient Heating	110
Noise.....	112
Ambient Temperature Sensor.....	113
In-vehicle Temperature Sensor.....	116
Sunload Sensor	119
SERVICE PROCEDURE	122
HFC-134a (R-134a) Service Procedure	122
Maintenance of Lubricant Quantity in Compressor	124
Compressor	127
Compressor Clutch.....	128
Clutch Air Gap Adjustment	130
Magnet Clutch.....	130
Shaft Seal.....	131
Refrigerant Lines	134
Checking Refrigerant Leaks	135
Electronic Refrigerant Leak Detector	135
Fluorescent Dye Leak Detector.....	138
Cabin Air Filter.....	139
Heater Core	141
Front Evaporator Core.....	143
Rear Evaporator Core	144
Spring Lock Coupling	144
Fast Idle Control Device (FICD).....	146
Belt.....	146
SERVICE DATA AND SPECIFICATIONS (SDS)	147
Auto.....	147

<div style="border: 1px solid black; width: 100px; height: 15px; margin: 0 auto;"></div> MANUAL <div style="border: 1px solid black; width: 100px; height: 15px; margin: 0 auto;"></div>	
PRECAUTIONS	148
Supplemental Restraint System (SRS) "AIR BAG" and "SEAT BELT PRE-TENSIONER"	148
Precautions for Working with HFC-134a (R-134a)	149

GI
MA
EM
LC
EC
FE
AT
AX
SU
BR
ST
RS
BT
HA
SC
EL
IDX

CONTENTS (Cont'd)

Contaminated Refrigerant.....	149	Front Blower Motor.....	196
General Refrigerant Precautions.....	149	Rear Blower Motor.....	205
Precautions for Leak Detection Dye.....	150	Magnet Clutch.....	216
A/C Identification Label.....	150	Insufficient Cooling.....	223
Precautions for Refrigerant Connection.....	150	Insufficient Heating.....	228
Precautions for Servicing Compressor.....	154	Noise.....	230
Precautions for Service Equipment.....	155	SERVICE PROCEDURE.....	231
Wiring Diagrams and Trouble Diagnosis.....	157	HFC-134a (R-134a) Service Procedure.....	231
PREPARATION.....	158	Maintenance of Lubricant Quantity in	
HFC-134a (R-134a) Service Tools and		Compressor.....	233
Equipment.....	158	Compressor.....	236
Commercial Service Tools.....	161	Compressor Clutch.....	237
DESCRIPTION.....	163	Clutch Air Gap Adjustment.....	239
Refrigeration System.....	163	Magnet Clutch.....	239
Component Layout.....	165	Shaft Seal.....	240
Control Operation.....	167	Refrigerant Lines.....	243
Discharge Air Flow.....	168	Checking Refrigerant Leaks.....	245
TROUBLE DIAGNOSES.....	169	Electronic Refrigerant Leak Detector.....	245
Component Location.....	169	Fluorescent Dye Leak Detector.....	248
Circuit Diagram - Manual Air Conditioner.....	172	Cabin Air Filter.....	249
Wiring Diagram - A/C, M -.....	173	Heater Core.....	251
How to Perform Trouble Diagnoses for Quick		Front Evaporator Core.....	253
and Accurate Repair.....	177	Rear Evaporator Core.....	254
Operational Check.....	178	Spring Lock Coupling.....	254
Symptom Chart.....	180	Fast Idle Control Device (FICD).....	256
A/C System.....	182	Belt.....	256
Air Mix Door.....	184	SERVICE DATA AND SPECIFICATIONS (SDS).....	257
Intake Door.....	188	Manual.....	257
Mode Door Motor.....	193		

PRECAUTIONS

AUTO

Supplemental Restraint System (SRS) "AIR BAG" and "SEAT BELT PRE-TENSIONER"

Supplemental Restraint System (SRS) "AIR BAG" and "SEAT BELT PRE-TENSIONER"

NDHA0001

The Supplemental Restraint System such as "AIR BAG" and "SEAT BELT PRE-TENSIONER" used along with a seat belt, helps to reduce the risk or severity of injury to the driver and front passenger for certain types of collision. The Supplemental Restraint System consists of driver air bag module (located in the center of the steering wheel), front passenger air bag module (located on the instrument panel on passenger side), seat belt pre-tensioners, a diagnosis sensor unit, warning lamp, wiring harness and spiral cable.

Information necessary to service the system safely is included in the **RS** section of this Service Manual.

WARNING:

- To avoid rendering the SRS inoperative, which could increase the risk of personal injury or death in the event of a collision which would result in air bag inflation, all maintenance should be performed by an authorized NISSAN dealer.
- Improper maintenance, including incorrect removal and installation of the SRS, can lead to personal injury caused by unintentional activation of the system. For removal of Spiral Cable and Air Bag Module, see the RS section.
- Do not use electrical test equipment on any circuit related to the SRS unless instructed to in this Service Manual. Spiral cable and wiring harnesses (except "SEAT BELT PRE-TENSIONER") covered with yellow insulation either just before the harness connectors or for the complete harness are related to the SRS.

GI

MA

EM

LC

EC

FE

AT

AX

SU

BR

ST

RS

BT

HA

SC

EL

IDX

Precautions for Working with HFC-134a (R-134a)

=NDHA0002

WARNING:

- CFC-12 (R-12) refrigerant and HFC-134a (R-134a) refrigerant are not compatible. If the refrigerants are mixed, compressor failure is likely to occur, refer to “Contaminated Refrigerant”. To determine the purity of HFC-134a (R-134a) in the vehicle and recovery tank, use Refrigerant Recovery/Recycling Recharging equipment (ACR4) (J-39500–NI) and Refrigerant Identifier.
- Use only specified lubricant for the HFC-134a (R-134a) A/C system and HFC-134a (R-134a) components. If lubricant other than that specified is used, compressor failure is likely to occur.
- The specified HFC-134a (R-134a) lubricant rapidly absorbs moisture from the atmosphere. The following handling precautions must be observed:
 - a) When removing refrigerant components from a vehicle, immediately cap (seal) the component to minimize the entry of moisture from the atmosphere.
 - b) When installing refrigerant components to a vehicle, do not remove the caps (unseal) until just before connecting the components. Connect all refrigerant loop components as quickly as possible to minimize the entry of moisture into system.
 - c) Only use the specified lubricant from a sealed container. Immediately reseal containers of lubricant. Without proper sealing, lubricant will become moisture saturated and should not be used.
 - d) Avoid breathing A/C refrigerant and lubricant vapor or mist. Exposure may irritate eyes, nose and throat. Remove R-134a from the A/C system, using certified service equipment meeting requirements of SAE J2210 (R-134a recycling equipment), or J2209 (R-134a recovery equipment). If accidental system discharge occurs, ventilate work area before resuming service. Additional health and safety information may be obtained from refrigerant and lubricant manufacturers.
 - e) Do not allow lubricant (Nissan A/C System Oil Type S) to come in contact with styrofoam parts. Damage may result.

Contaminated Refrigerant

NDHA0266

If a refrigerant other than pure R-134a is identified in a vehicle, your options are:

- Explain to the customer that environmental regulations prohibit the release of contaminated refrigerant into the atmosphere.
- Explain that recovery of the contaminated refrigerant could damage your service equipment and refrigerant supply.
- Suggest the customer return the vehicle to the location of previous service where the contamination may have occurred.
- If you choose to perform the repair, recover the refrigerant using only dedicated equipment and containers. **Do not recover contaminated refrigerant into your existing service equipment.** If your facility does not have dedicated recovery equipment, you may contact a local refrigerant product retailer for available service. This refrigerant must be disposed of in accordance with all federal and local regulations. In addition, replacement of all refrigerant system components on the vehicle is recommended.
- If the vehicle is within the warranty period, the air conditioner warranty is void. Please contact Nissan Customer Affairs for further assistance.

General Refrigerant Precautions

NDHA0003

WARNING:

- Do not release refrigerant into the air. Use approved recovery/recycling equipment to capture the refrigerant every time an air conditioning system is discharged.
- Always wear eye and hand protection (goggles and gloves) when working with any refrigerant or air conditioning system.
- Do not store or heat refrigerant containers above 52°C (125°F).
- Do not heat a refrigerant container with an open flame; if container warming is required, place the bottom of the container in a warm pail of water.
- Do not intentionally drop, puncture, or incinerate refrigerant containers.
- Keep refrigerant away from open flames: poisonous gas will be produced if refrigerant burns.
- Refrigerant will displace oxygen, therefore be certain to work in well ventilated areas to prevent suffocation.
- Do not pressure test or leak test HFC-134a (R-134a) service equipment and/or vehicle air conditioning systems with compressed air during repair. Some mixtures of air and R-134a have been

PRECAUTIONS

AUTO

Precautions for Leak Detection Dye

shown to be combustible at elevated pressures. These mixtures, if ignited, may cause injury or property damage. Additional health and safety information may be obtained from refrigerant manufacturers.

Precautions for Leak Detection Dye

NDHA0275

- The A/C system contains a fluorescent leak detection dye used for locating refrigerant leaks. An ultraviolet (UV) lamp is required to illuminate the dye when inspecting for leaks.
- Always wear fluorescence enhancing UV safety glasses to protect your eyes and enhance the visibility of the fluorescent dye.
- A compressor shaft seal should not be repaired because of dye seepage. The compressor shaft seal should only be repaired after confirming the leak with an electronic refrigerant leak detector (J-41995).
- Always remove any dye from the leak area after repairs are complete to avoid a misdiagnosis during a future service.
- Do not allow dye to come into contact with painted body panels or interior components. If dye is spilled, clean immediately with the approved dye cleaner. Fluorescent dye left on a surface for an extended period of time **cannot be removed**.
- Do not spray the fluorescent dye cleaning agent on hot surfaces (engine exhaust manifold, etc.).
- Do not use more than one refrigerant dye bottle (1/4 ounce / 7.4 cc) per A/C system.
- Leak detection dyes for R-134a and R-12 A/C systems are different. Do not use R-134a leak detection dye in R-12 A/C systems or R-12 leak detection dye in R-134a A/C systems or A/C system damage may result.
- The fluorescent properties of the dye will remain for over three (3) years unless a compressor failure occurs.

CAUTION (IF A/C EQUIPPED)	MISE EN GARDE (VÉHICULES CLIMATISÉS)	
REFRIGERANT UNDER HIGH PRESSURE. AIR CONDITIONING SYSTEM TO BE SERVICED BY QUALIFIED PERSONNEL. IMPROPER SERVICE METHODS MAY CAUSE PERSONAL INJURY. CONSULT SERVICE MANUAL.	LE FRIGOTIGÈNE EST SOUS FORTE PRESSION. NE CONFIEZ L'ENTRETIEN ET LA RÉPARATION DU CLIMATISEUR QU'À UN PERSONNEL QUALIFIÉ. L'EMPLOI DE MAUVAISES MÉTHODES PEUT CAUSER DES BLESSURES. CONSULTEZ LE MANUEL DE RÉPARATION.	
DISTR.: NISSAN— CARSON, CA.		
	REFRIG. FRIGORIG.	LUBRICANT/LUBRIFIANT
TYPE:	R-134a	PAG LUBRICANT W/LUMINESCENT DYE LUB PAG AVEC TEINTURE LUMINESCENTE
AMOUNT: W/ FR A/C; QTE. CLIM. AV. :	2.0 LB	47 CC
W/FR & RR A/C; CLIM. AV. ET AR.	3.5 LB	166 CC
SAE J639		

LHA270

A/C Identification Label

NDHA0155

Vehicles with factory installed fluorescent dye have this identification label on the underside of hood.

NOTE:

Vehicles with factory installed fluorescent dye have a green label.

Precautions for Refrigerant Connection

NDHA0004

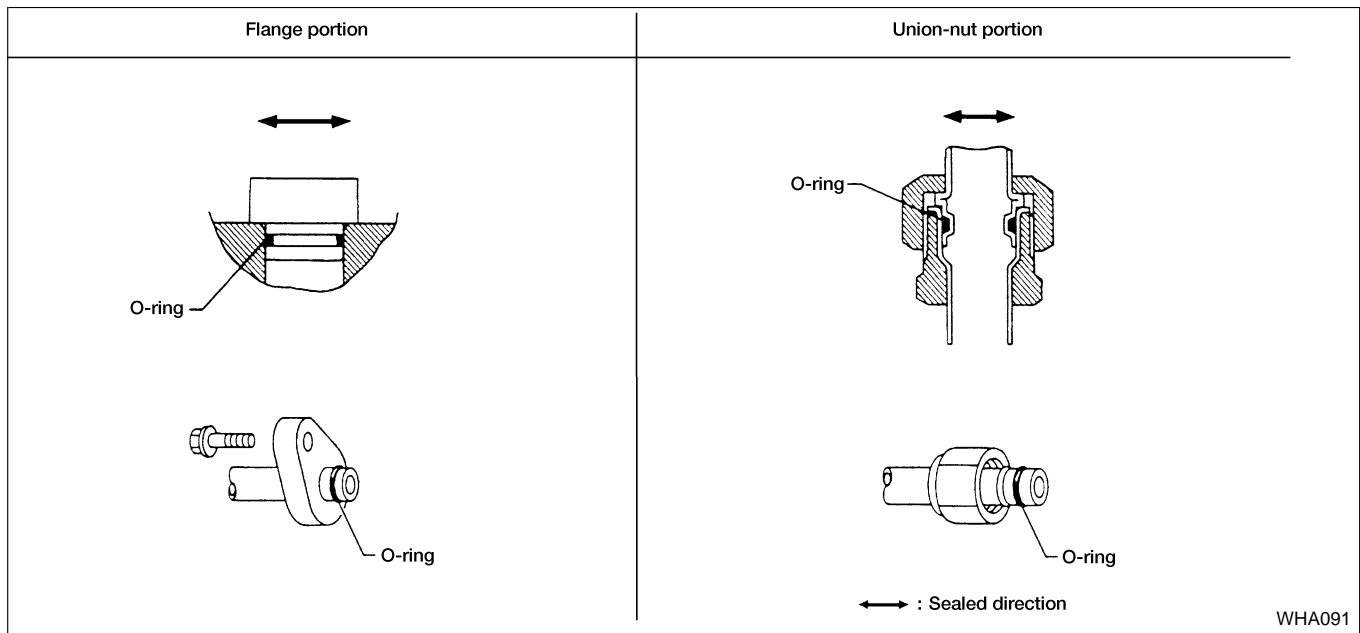
A new type refrigerant connection has been introduced to all refrigerant lines.

FEATURES OF NEW TYPE REFRIGERANT CONNECTION

NDHA0004S01

- The O-ring is relocated in a groove for proper installation. This eliminates the chance of the O-ring being caught in, or damaged by, the mating part. The sealing direction of the O-ring is now set vertically in relation to the contacting surface of the mating part to improve sealing characteristics.
- The reaction force of the O-ring will not occur in the direction that causes the joint to pull out, thereby facilitating piping connections.

Precautions for Refrigerant Connection (Cont'd)

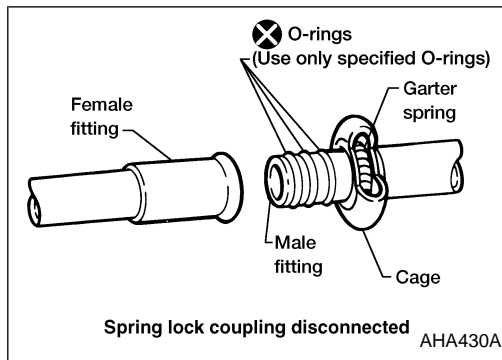


SPRING LOCK COUPLING

NDHA0004S03

The spring lock coupling is a refrigerant line coupling held together by a garter spring inside a circular cage. When the coupling is connected, the flared end of the female fitting slips behind the garter spring inside the cage of the male fitting. The garter spring and cage prevent the flared end of the female fitting from pulling out of the cage.

Three green O-rings are used to seal the two halves of the coupling. **These O-rings are made of special material and must be replaced with an O-ring made of the same material.** The O-rings normally used in refrigerant system connections **are not** the same material and should not be used with the spring lock coupling. **Use only the specified O-ring for the spring lock coupling. Refer to "Removal and Installation", HA-144.**



PRECAUTIONS

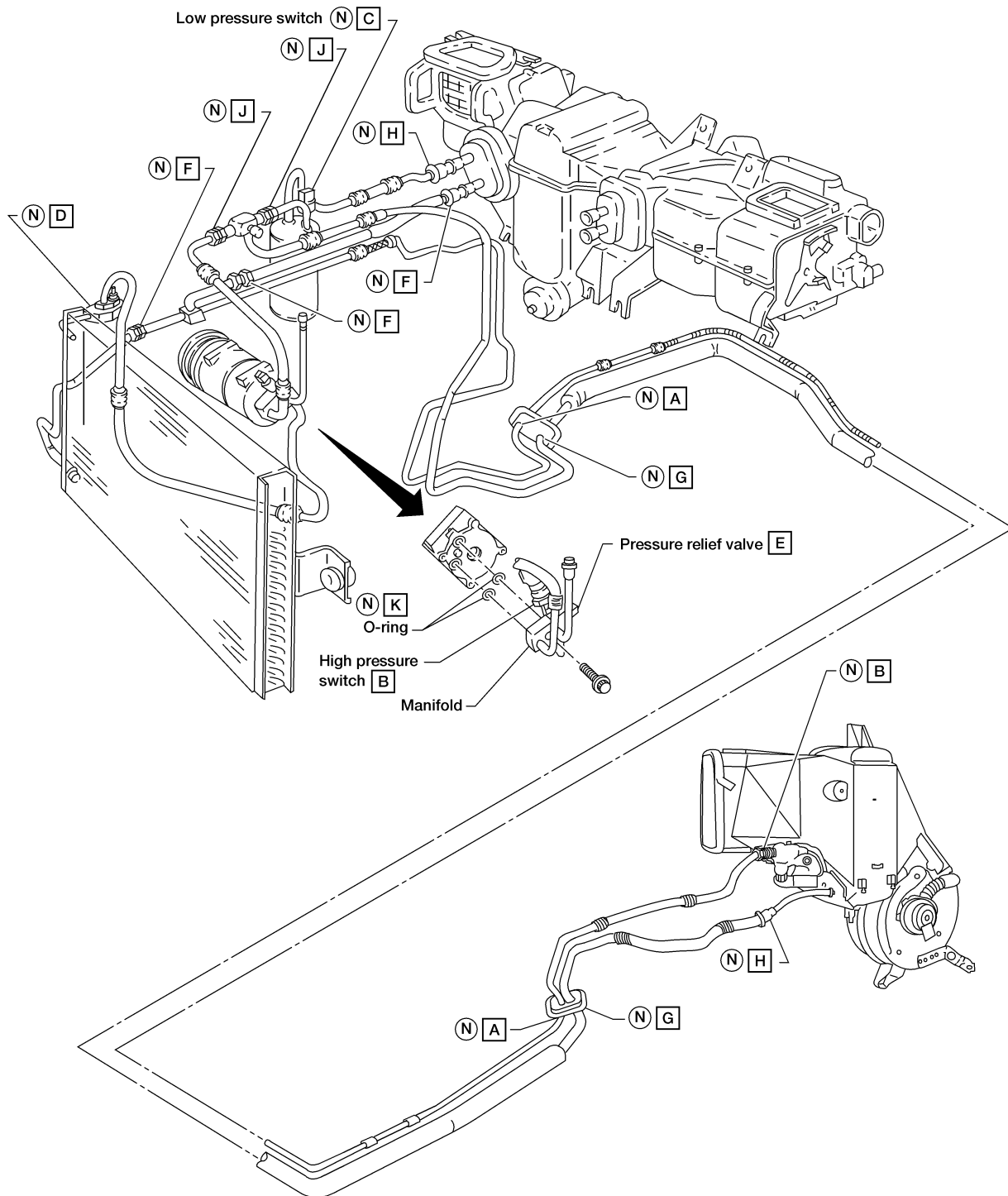
AUTO

Precautions for Refrigerant Connection (Cont'd)

O-RING AND REFRIGERANT CONNECTION

-NDHA0004S02

SEC. 271 • 274 • 276



GI
MA
EM
LC
EC
FE
AT
AX
SU
BR
ST
RS
BT
HA
SC
EL
IDX

(N) : New type refrigerant connection

[] : O-ring size

WHA216

PRECAUTIONS

AUTO

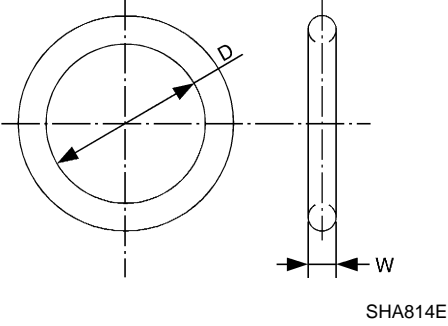
Precautions for Refrigerant Connection (Cont'd)

CAUTION:

Refrigerant connections in some systems use different O-ring configurations. Do not confuse O-rings since they are not interchangeable. If a wrong O-ring is installed, refrigerant will leak at, or around, the connection.

O-Ring Part Numbers and Specifications

NDHA0004S0201

	Connec- tion type	O-ring size	Part number*	D mm (in)	W mm (in)
	New	A	92477 7B003	6.45 (0.2539)	2.62 (0.1031)
	New	B	92477 0B000	7.37 (0.2902)	1.81 (0.0713)
	New	C	92477 0B003	8.03 (0.3161)	1.96 (0.0772)
	New	D	92477 7B001	9.19 (0.3618)	2.62 (0.1031)
	New	E	92477 7B004	9.25 (0.3642)	1.78 (0.0701)
	New	F	92477 0B001	10.16 (0.4000)	1.85 (0.0728)
	New	G	92477 7B005	11.60 (0.4567)	2.62 (0.1031)
	New	H	92477 0B002	12.93 (0.5091)	1.86 (0.0732)
	New	J	92477 7B002	15.67 (0.6169)	1.93 (0.0760)
	New	K	92785 0B700	20.25 (0.7972)	3.53 (0.1390)

*: Always check with the Parts Department for the latest parts information

WARNING:

Make sure all refrigerant is discharged into the recycling equipment and the pressure in the system is less than atmospheric pressure. Then gradually loosen the discharge side hose fitting and remove it.

CAUTION:

When replacing or cleaning refrigerant cycle components, observe the following.

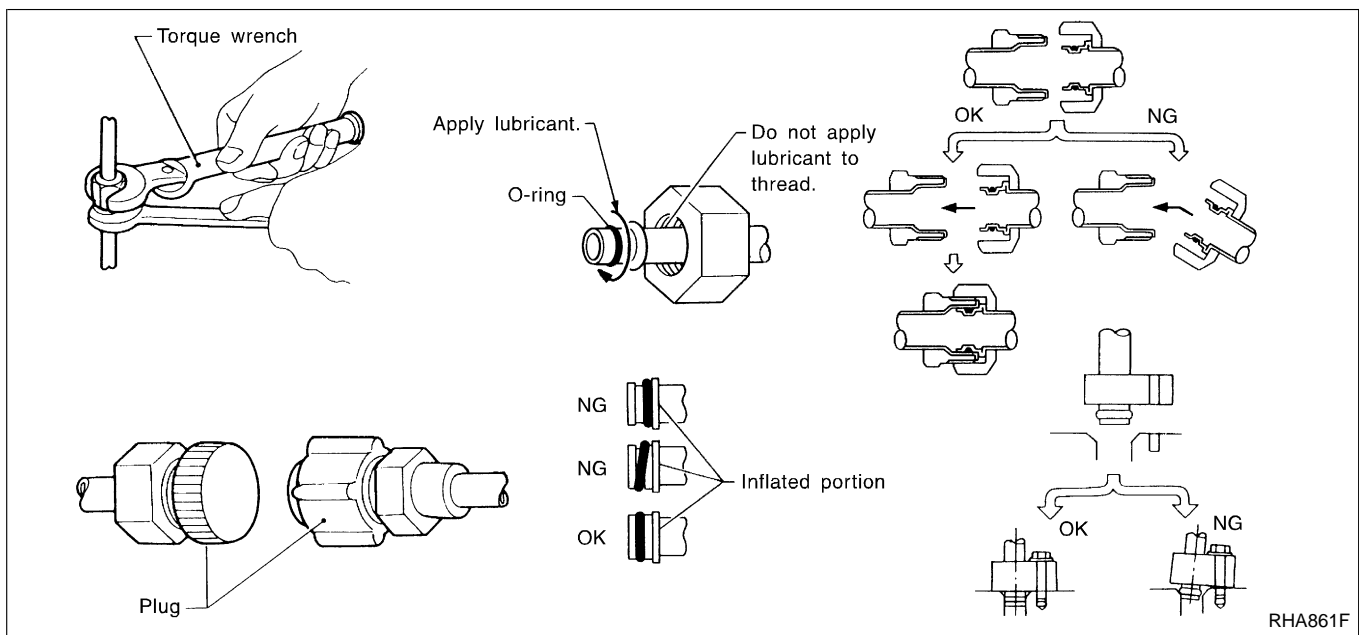
- When the compressor is removed, store it in the same position as it is when mounted on the car. Failure to do so will cause lubricant to enter the low pressure chamber.
- When connecting tubes, always use a torque wrench and a back-up wrench.
- After disconnecting tubes, immediately plug all openings to prevent entry of dirt and moisture.
- When installing an air conditioner in the vehicle, connect the pipes as the final stage of the operation. Do not remove the seal caps of pipes and other components until just before required for connection.
- Allow components stored in cool areas to warm to working area temperature before removing seal caps. This prevents condensation from forming inside A/C components.
- Thoroughly remove moisture from the refrigeration system before charging the refrigerant.
- Always replace used O-rings.
- When connecting tube, apply lubricant to circle of the O-rings shown in illustration. Be careful not to apply lubricant to threaded portion.
Lubricant name: NISSAN A/C System Oil Type F
Part number*: KLH00-PAGQU and KLH00-PAGQF
- O-ring must be closely attached to dented portion of tube.
- When replacing the O-ring, be careful not to damage O-ring and tube.
- Connect tube until you hear it click, then tighten the nut or bolt by hand until snug. Make sure that the O-ring is installed to tube correctly.
- After connecting line, conduct leak test and make sure that there is no leakage from connections. When the gas leaking point is found, disconnect that line and replace the O-ring. Then tighten connections of seal seat to the specified torque.

*: Always check with the Parts Department for the latest parts information

PRECAUTIONS

AUTO

Precautions for Servicing Compressor



Precautions for Servicing Compressor

NDHA0005

- Plug all openings to prevent moisture and foreign matter from entering.
- When the compressor is removed, store it in the same position as it is when mounted on the car.
- When replacing or repairing compressor, follow "Maintenance of Lubricant Quantity in Compressor" exactly. Refer to HA-124.
- Keep friction surfaces between clutch and pulley clean. If the surface is contaminated with lubricant, wipe it off by using a clean waste cloth moistened with thinner.
- After compressor service operation, turn the compressor shaft by hand more than five turns in both directions. This will equally distribute lubricant inside the compressor. After the compressor is installed, let the engine idle and operate the compressor for one hour.
- After replacing the compressor magnet clutch, apply voltage to the new one and check for normal operation.

Precautions for Service Equipment RECOVERY/RECYCLING EQUIPMENT

NDHA0006

NDHA0006S01

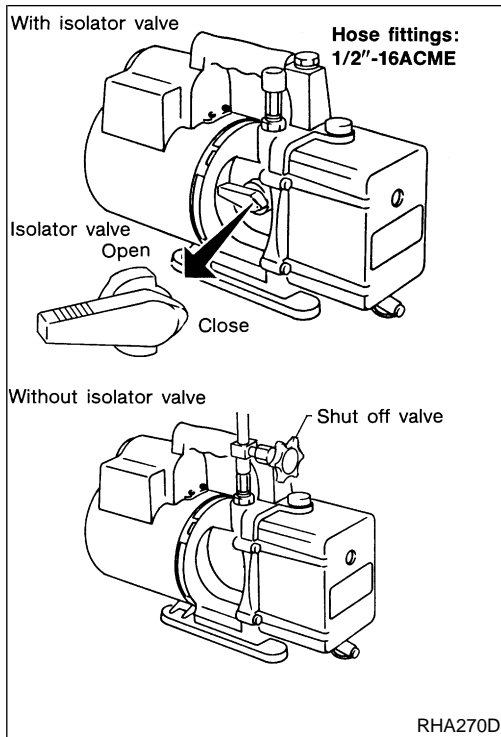
Follow the manufacturer's instructions for machine operation and machine maintenance. Never introduce any refrigerant other than that specified into the machine.

ELECTRONIC LEAK DETECTOR

NDHA0006S02

Follow the manufacturer's instructions for tester operation and tester maintenance.

Precautions for Service Equipment (Cont'd)



VACUUM PUMP

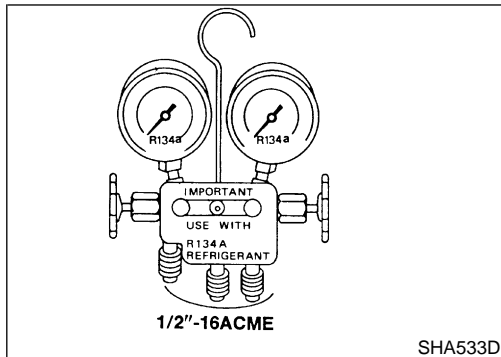
NDHA0006S03

The lubricant contained inside the vacuum pump is not compatible with the specified lubricant for HFC-134a (R-134a) A/C systems. The vent side of the vacuum pump is exposed to atmospheric pressure. So the vacuum pump lubricant may migrate out of the pump into the service hose. This is possible when the pump is switched off after evacuation (vacuuming) and hose is connected to it.

To prevent this migration, use a manual valve situated near the hose-to-pump connection, as follows.

- Usually vacuum pumps have a manual isolator valve as part of the pump. Close this valve to isolate the service hose from the pump.
- For pumps without an isolator, use a hose equipped with a manual shut-off valve near the pump end. Close the valve to isolate the hose from the pump.
- If the hose has an automatic shut off valve, disconnect the hose from the pump: as long as the hose is connected, the valve is open and lubricating oil may migrate.

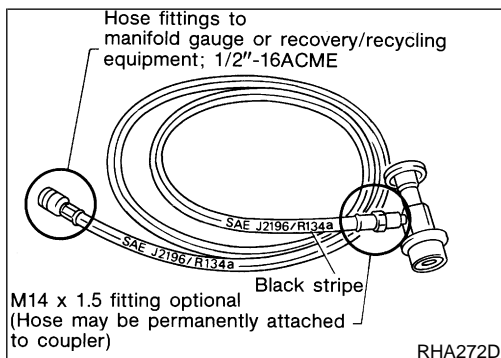
Some one-way valves open when vacuum is applied and close under a no vacuum condition. Such valves may restrict the pump's ability to pull a deep vacuum and are not recommended.



MANIFOLD GAUGE SET

NDHA0006S04

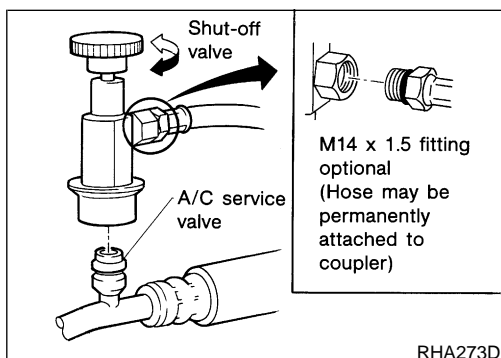
Be certain that the gauge face indicates R-134a or 134a. Make sure the gauge set has 1/2"-16 ACME threaded connections for service hoses. Confirm the set has been used only with refrigerant HFC-134a (R-134a) along with specified lubricant.



SERVICE HOSES

NDHA0006S05

Be certain that the service hoses display the markings described (colored hose with black stripe). All hoses must include positive shut off devices (either manual or automatic) near the end of the hoses opposite the manifold gauge.



SERVICE COUPLERS

NDHA0006S06

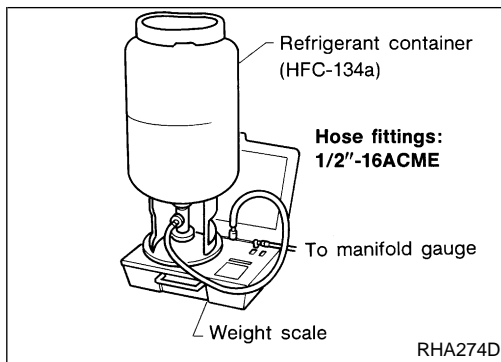
Never attempt to connect HFC-134a (R-134a) service couplers to an CFC-12 (R-12) A/C system. The HFC-134a (R-134a) couplers will not properly connect to the CFC-12 (R-12) system. However, if an improper connection is attempted, discharging and contamination may occur.

Shut-off valve rotation	A/C service valve
Clockwise	Open
Counterclockwise	Close

PRECAUTIONS

AUTO

Precautions for Service Equipment (Cont'd)



REFRIGERANT WEIGHT SCALE

NDHA0006S07

Verify that no refrigerant other than HFC-134a (R-134a) and specified lubricants have been used with the scale. If the scale controls refrigerant flow electronically, the hose fitting must be 1/2"-16 ACME.

GI

MA

EM

LC

CALIBRATING ACR4 WEIGHT SCALE

NDHA0006S10

Calibrate the scale every 3 months.

To calibrate the weight scale on the ACR4 (J-39500-NI):

1. Press **Shift/Reset** and **Enter** at the same time.
2. Press **8787**. "A1" will be displayed.
3. Remove all weight from the scale.
4. Press **0**, then press **Enter**. "0.00" will be displayed and changed to "A2".
5. Place a known weight (dumbbell or similar weight), between 10 and 19 lbs., on the center of the weight scale.
6. Enter the known weight using 4 digits. (Example 10 lbs = 10.00, 10.5 lbs = 10.50)
7. Press **Enter** — the display returns to the vacuum mode.
8. Press **Shift/Reset** and **Enter** at the same time.
9. Press **6** — the known weight on the scale is displayed.
10. Remove the known weight from the scale. "0.00" will be displayed.
11. Press **Shift/Reset** to return the ACR4 to the program mode.

FE

AT

AX

SU

BR

ST

RS

CHARGING CYLINDER

NDHA0006S08

Using a charging cylinder is not recommended. Refrigerant may be vented into air from cylinder's top valve when filling the cylinder with refrigerant. Also, the accuracy of the cylinder is generally less than that of an electronic scale or of quality recycle/recharge equipment.

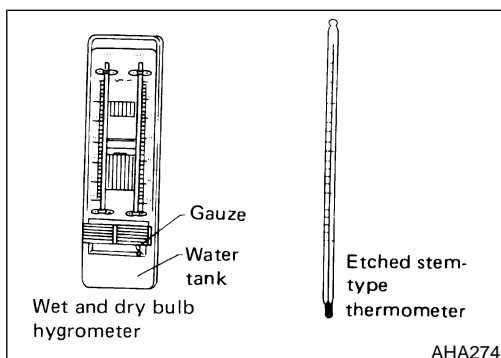
BT

HA

SC

EL

IDX



THERMOMETER AND HYGROMETER

NDHA0006S09

An etched stem-type thermometer and a hygrometer can be used to check the air conditioning system performance. A hygrometer is used because the air conditioning performance depends on the humidity.

Wiring Diagrams and Trouble Diagnosis

NDHA0007

When you read wiring diagrams, refer to the following:

- **GI-10**, "HOW TO READ WIRING DIAGRAMS"
- **EL-10**, "POWER SUPPLY ROUTING"

When you perform trouble diagnosis, refer to the following:

- **GI-33**, "How to Follow Test Group in Trouble Diagnoses"
- **GI-22**, "HOW TO PERFORM EFFICIENT DIAGNOSIS FOR AN ELECTRICAL INCIDENT"

PREPARATION

AUTO

HFC-134a (R-134a) Service Tools and Equipment

HFC-134a (R-134a) Service Tools and Equipment

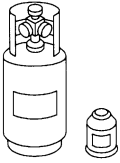

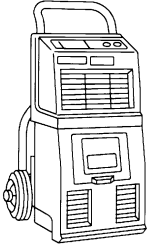
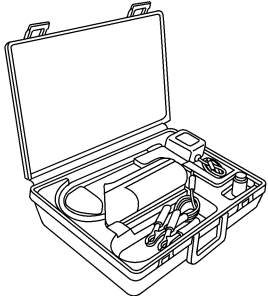
=NDHA0009

Never mix HFC-134a refrigerant and/or its specified lubricant with CFC-12 (R-12) refrigerant and/or its lubricant.

Separate and non-interchangeable service equipment must be used for handling each type of refrigerant/lubricant.

Refrigerant container fittings, service hose fittings and service equipment fittings (equipment which handles refrigerant and/or lubricant) are different between CFC-12 (R-12) and HFC-134a (R-134a). This is to avoid mixed use of the refrigerants/lubricant.

Adapters that convert one size fitting to another must never be used: refrigerant/lubricant contamination will occur and compressor failure will result.

Tool number (Kent-Moore No.) Tool name	Description
HFC-134a (R-134a) refrigerant	<div style="display: flex; align-items: center;">  <div> <p>Container color: Light blue Container marking: HFC-134a (R-134a) Fitting size: Thread size</p> <ul style="list-style-type: none"> ● large container 1/2"-16 ACME </div> </div> <p style="margin-top: 10px;">NT196</p>
KLH00-PAGQU KLH00-PAGQF (—) NISSAN A/C System Oil Type F	<div style="display: flex; align-items: center;">  <div> <p>Type: Poly alkylene glycol oil (PAG), type F Application: HFC-134a (R-134a) swash plate (piston) compressors (NISSAN only) Lubricity: 206 ml (7.0 US fl oz, 7.3 Imp fl oz) 295 ml (10.0 US fl oz, 10.4 Imp fl oz)</p> </div> </div> <p style="margin-top: 10px;">NT197</p>
(J-39500-NI) Recovery/Recycling Recharging equipment (ACR4)	<div style="display: flex; align-items: center;">  <div> <p>Function: Refrigerant Recovery and Recycling and Recharging</p> </div> </div> <p style="margin-top: 10px;">NT195</p>
(J-41995) Electronic refrigerant leak detector	<div style="display: flex; align-items: center;">  <div> <p>Function: Checks for refrigerant leaks.</p> </div> </div> <p style="margin-top: 10px;">AHA281A</p>

GI

MA

EM

LC

EC

FE

AT

AX

SU

BR

ST

RS

BT

HA

SC

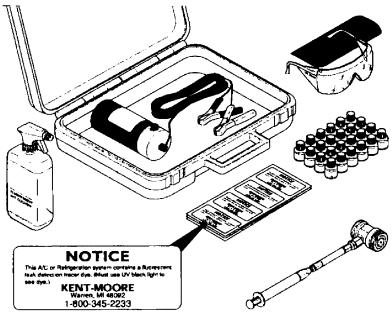

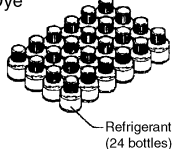
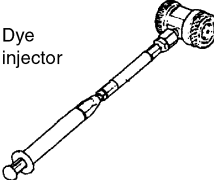

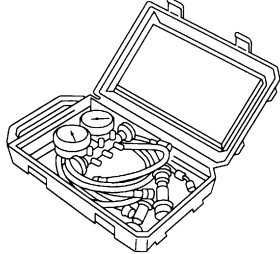
EL

IDX

PREPARATION

AUTO

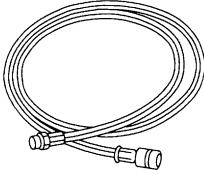
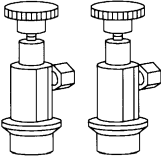
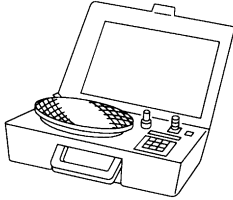
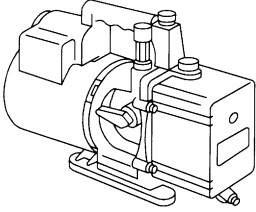
HFC-134a (R-134a) Service Tools and Equipment (Cont'd)

Tool number (Kent-Moore No.) Tool name	Description	
(J-43926) Refrigerant dye leak detection kit Kit includes: (J-42220) UV lamp and UV safety glasses (J-41459) Refrigerant dye injector (J-41447) Qty. 24 R-134a refrigerant dye (J-43872) Refrigerant dye cleaner	 <p style="font-size: small; margin-top: 10px;">NOTICE The A/C or Refrigerant system contains a substance that deteriorates when exposed to UV light. Do not use UV light to check for leaks. KENT-MOORE Warren, MI 48090 1-800-345-2233</p>	Power supply: DC 12V (Battery terminal)
(J-42220) Fluorescent dye leak detector		Power supply: DC12V (Battery terminal) For checking refrigerant leak when fluorescent dye is installed in A/C system Includes: UV lamp and UV safety glasses
(J-41447) R134a fluorescent leak detection dye (Box of 24, 1/4 ounce bottles)	 <p style="text-align: center; font-size: small;">Refrigerant dye (24 bottles)</p>	Application: For R-134a PAG oil Container: 1/4 ounce (7.4 cc) bottle (Includes self-adhesive dye identification labels for affixing to vehicle after charging system with dye)
(J-41459) R134a dye injector Use with J-41447, 1/4 ounce bottle		For injecting 1/4 ounce (7.4 cc) of Fluorescent Leak Detection Dye into A/C system
(J-43872) Dye cleaner		For cleaning dye spills
(J-39183) Manifold gauge set (with hoses and cou- plers)		Identification: ● The gauge face indicates R-134a. Fitting size: Thread size ● 1/2"-16 ACME

PREPARATION

AUTO

HFC-134a (R-134a) Service Tools and Equipment (Cont'd)

Tool number (Kent-Moore No.) Tool name	Description	
Service hoses <ul style="list-style-type: none"> ● High side hose (J-39501-72) ● Low side hose (J-39502-72) ● Utility hose (J-39476-72) 	 <p>Hose color:</p> <ul style="list-style-type: none"> ● Low hose: Blue with black stripe ● High hose: Red with black stripe ● Utility hose: Yellow with black stripe or green with black stripe <p>Hose fitting to gauge:</p> <ul style="list-style-type: none"> ● 1/2"-16 ACME 	GI MA EM LC
Service couplers <ul style="list-style-type: none"> ● High side coupler (J-39500-20) ● Low side coupler (J-39500-24) 	 <p>Hose fitting to service hose:</p> <ul style="list-style-type: none"> ● M14 x 1.5 fitting is optional or permanently attached. 	EC FE
(J-39650) Refrigerant weight scale	 <p>For measuring of refrigerant Fitting size: Thread size</p> <ul style="list-style-type: none"> ● 1/2"-16 ACME 	AT AX SU
(J-39649) Vacuum pump (Including the isolator valve)	 <p>Capacity:</p> <ul style="list-style-type: none"> ● Air displacement: 4 CFM ● Micron rating: 20 microns ● Oil capacity: 482 g (17 oz) <p>Fitting size: Thread size</p> <ul style="list-style-type: none"> ● 1/2"-16 ACME 	BR ST RS

HA

SC

EL

IDX

PREPARATION

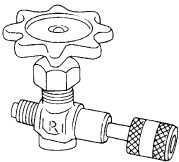
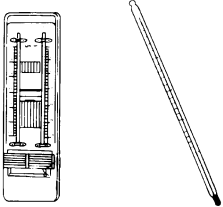
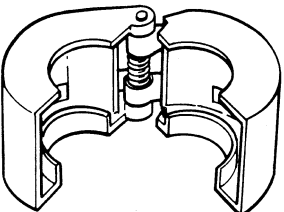
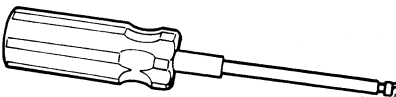
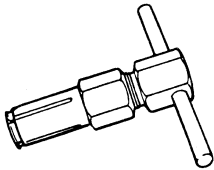
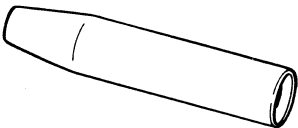
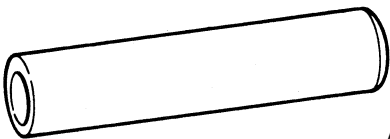
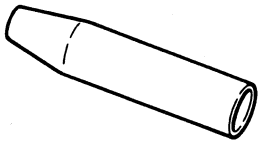
AUTO

Commercial Service Tools

Commercial Service Tools

=NDHA0008

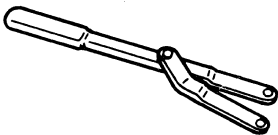
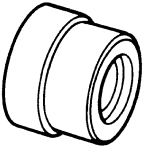
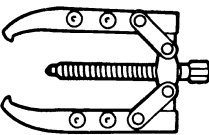
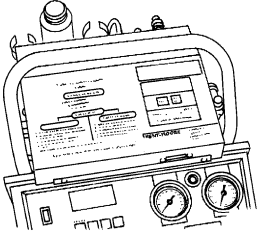
The actual shapes of Kent-Moore tools may differ from those of special service tools illustrated here.

Tool name	Description	Note
Additional Valve	 <p style="text-align: right;">SHA898C</p>	For discharging, evacuating and charging refrigerant
Thermometer and hygrometer	 <p style="text-align: right;">Etched-stem type thermometer SHA900C</p>	For checking temperature and humidity
Spring lock coupling remover	 <p style="text-align: right;">AHA283</p>	For disconnecting spring lock coupling <ul style="list-style-type: none"> • 3/8" • 1/2" • 5/8" • 3/4"
Snap ring remover	 <p style="text-align: right;">AHA284</p>	For removing snap rings from compressor
Shaft seal remover	 <p style="text-align: right;">AHA285</p>	For removing shaft seal from compressor
Shaft seal protector	 <p style="text-align: right;">AHA286</p>	For protecting compressor shaft seal during shaft seal installation
Shaft seal installer	 <p style="text-align: right;">AHA287</p>	For installing compressor shaft seal
Coil remover	 <p style="text-align: right;">AHA288</p>	For removing compressor magnet clutch coil

PREPARATION

AUTO

Commercial Service Tools (Cont'd)

Tool name	Description	Note
Spanner wrench	 <p style="text-align: right;">AHA289</p>	For removing compressor clutch hub retaining bolt
Coil pressing tool	 <p style="text-align: right;">AHA290</p>	For installing compressor magnet clutch coil
Puller	 <p style="text-align: right;">AHA291</p>	For removing and installing compressor magnet clutch coil
Refrigerant Identifier Equipment	 <p style="text-align: right;">NT765</p>	Checks refrigerant purity and for system contamination

For details of handling methods, refer to the Instruction Manual attached to each of the service tools.

GI
MA

EM
LC

EC
FE

AT
AX

SU
BR

ST
RS

BT
HA

SC
EL

IDX

Refrigeration System

REFRIGERATION CYCLE

Refrigerant Flow

NDHA0010

NDHA0010S01

The refrigerant flows in the standard pattern, that is, through the compressor, the condenser, orifice tube and/or thermal expansion valve, through the evaporator, the accumulator (from orifice tube), and back to the compressor. The refrigerant evaporation through the evaporator coil is controlled by an orifice tube or an externally equalized expansion valve, located outside the evaporator case.

Freeze Protection

NDHA0010S02

Under normal operating conditions, when the A/C is switched on, the compressor runs continuously, and the evaporator pressure, and therefore temperature, is controlled by the compressor to prevent freeze up.

Refrigerant System Protection

NDHA0010S03

High-pressure switch

NDHA0010S0301

The refrigerant system is protected against excessively high pressure by a high-pressure switch, located on the end of the compressor. If the system pressure rises above the specifications, the high-pressure switch opens to interrupt the compressor operation and a set of contacts close to switch the cooling fan on high. Refer to "Air Conditioner High Pressure Switch", **EC-508** and "High Pressure Switch", HA-104.

Low-pressure switch

NDHA0010S0304

The refrigerant system is protected against excessively low pressure by the low-pressure switch, located on the accumulator. If the system pressure falls below the specifications, the low-pressure switch opens to interrupt the compressor operation. When the outside temperature is below 4°C (40°F) the low pressure switch opens to interrupt the compressor operation. Refer to "Low Pressure Switch", HA-103.

Pressure relief valve

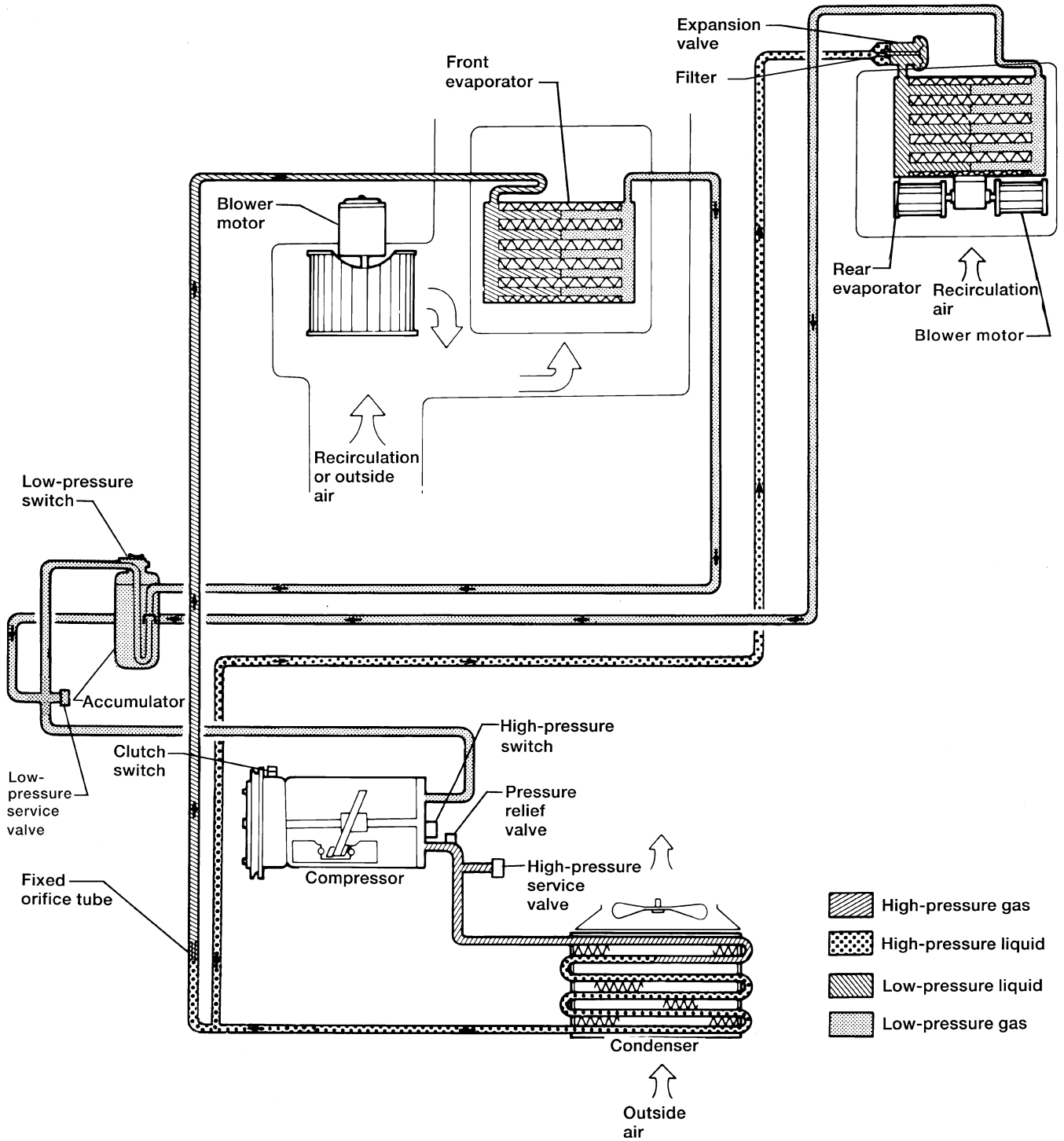
NDHA0010S0302

The refrigerant system is also protected by a pressure relief valve located on the flexible high pressure hose near the compressor. When the pressure of refrigerant in the system increases to an abnormal level [more than 3,727 kPa (38 kg/cm², 540 psi)], the release port on the pressure relief valve automatically opens and releases refrigerant into the atmosphere.

DESCRIPTION

AUTO

Refrigeration System (Cont'd)



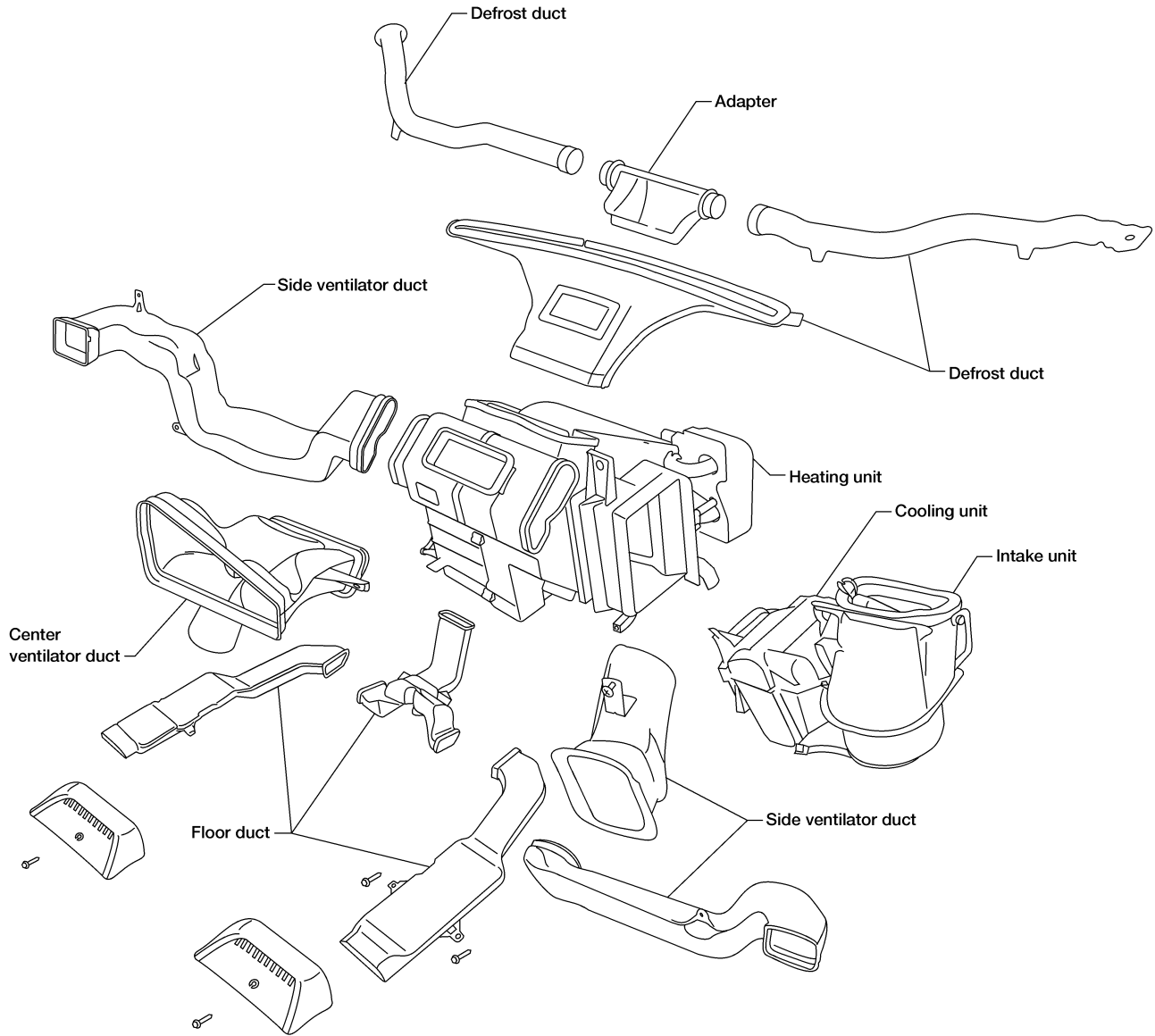
GI
MA
EM
LC
EC
FE
AT
AX
SU
BR
ST
RS
BT
HA
SC
EL
IDX

AHA432A

Component Layout

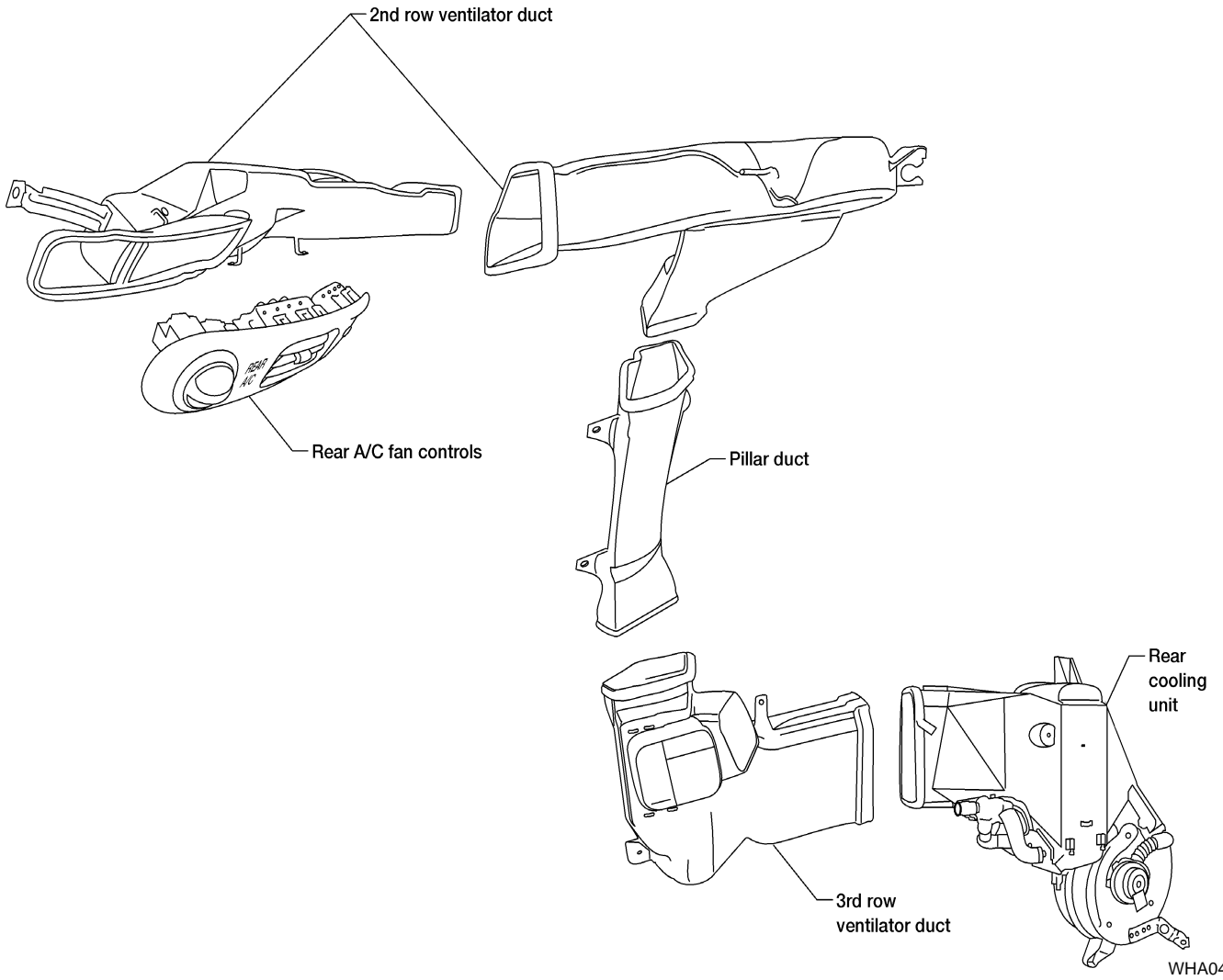
NDHA0012

SEC. 270 • 271 • 272 • 273 • 685
Front heating and A/C unit



AHA405A

SEC. 270 • 271
Rear A/C unit



GI

MA

EM

LC

EC

FE

AT

AX

SU

BR

ST

RS

BT

HA

SC

EL

IDX

Introduction

The Electronic Automatic Temperature Control (EATC) system provides automatic regulation of the vehicle's interior temperature. The system is based on the operator selected "set temperature", regardless of the outside temperature changes. This is done by utilizing a microcomputer, also referred to as the EATC unit, which receives input signals from the following five sensors: =NDHA0013

- Ambient temperature sensor
- In-vehicle temperature sensor
- Engine coolant ambient temperature sensor
- Sunload sensor
- PBR (Potentio Balance Resistor).

The EATC unit uses these input signals (including the set temperature) to automatically control:

- Outlet air volume
- Air temperature
- Air distribution.

Features

AIR MIX DOOR CONTROL (AUTOMATIC TEMPERATURE CONTROL)

The air mix door is automatically controlled so that in-vehicle temperature is maintained at a predetermined value by the temperature setting, ambient temperature, in-vehicle temperature and amount of sunload. NDHA0014
NDHA0014S01

FRONT FAN SPEED CONTROL

The front blower speed is automatically controlled based on temperature setting, ambient temperature, in-vehicle temperature and amount of sunload. NDHA0014S02

When the EATC unit is set to AUTOMATIC, the blower motor starts to gradually increase air flow volume. When engine coolant temperature is low and vehicle interior warming is required under cold ambient conditions the blower motor operation is delayed to prevent cool air from flowing.

REAR FAN SPEED CONTROL

The rear blower speed can be controlled from the EATC unit or from the rear A/C control unit, when the rear fan switch (front) is set to REAR. NDHA0014S09

FRONT INTAKE DOOR CONTROL

When AUTOMATIC mode is selected, the front intake door is automatically controlled by: The temperature setting, ambient temperature, in-vehicle temperature and amount of sunload. The ON-OFF operation of the MAX A/C switch will allow manual control of the front intake door. The front intake door is set to the FRESH position when DEF or F/D mode is selected. NDHA0014S04

OUTLET DOOR CONTROL

The front mode outlet doors are automatically controlled by: The temperature setting, ambient temperature, in-vehicle temperature, and amount of sunload. NDHA0014S05

MAGNET CLUTCH CONTROL

The ECM controls compressor ON-OFF operation using signals from the throttle position sensor, low-pressure switch, high-pressure switch, engine coolant temperature sensor and EATC unit. NDHA0014S06

SELF-DIAGNOSTICS SYSTEM

The self-diagnostic system is built into the EATC unit to quickly locate the cause of problems. NDHA0014S08

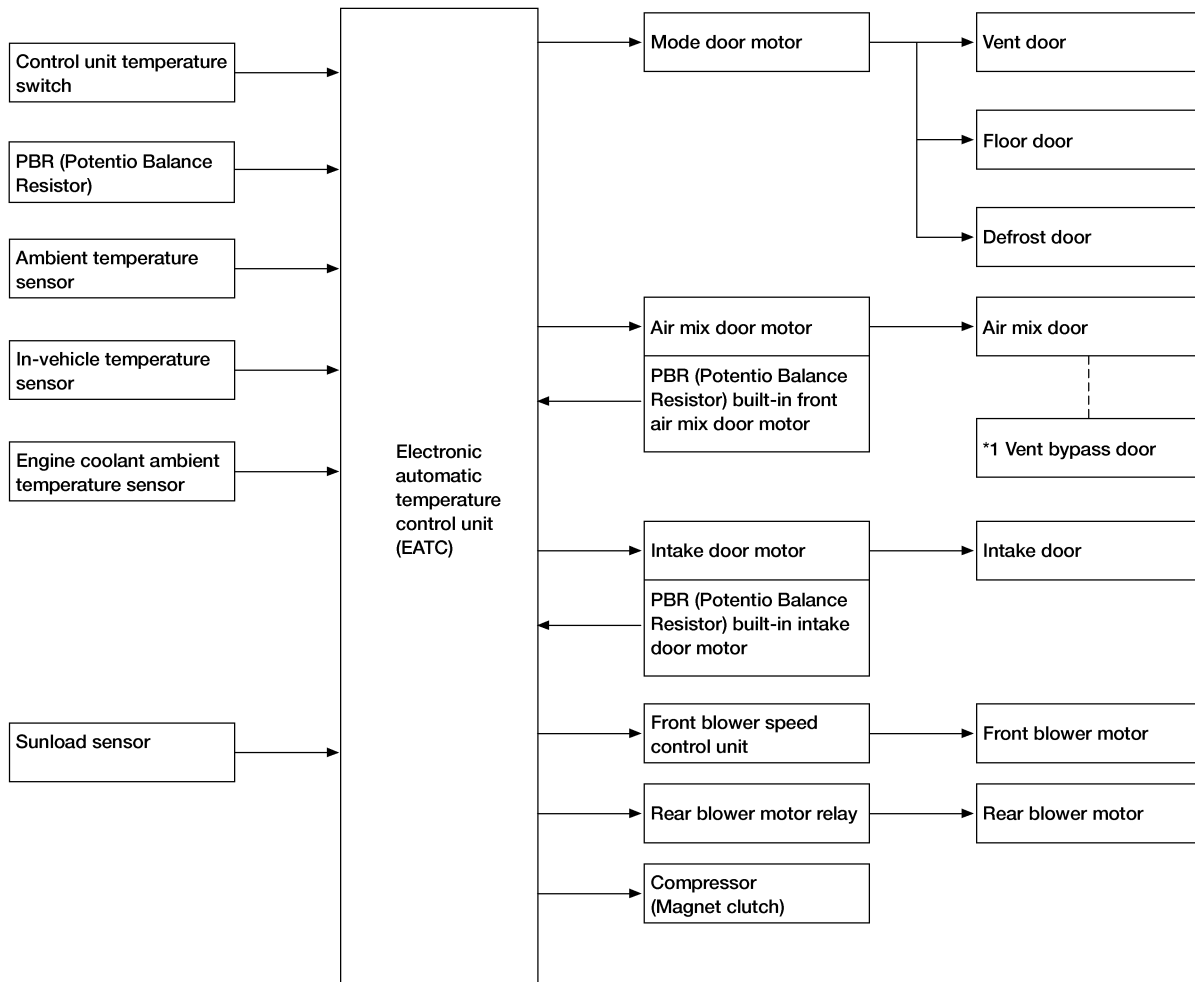
Overview of Control System

=NDHA0015

The control system consists of:

- Input sensors and switches,
- Electronic Automatic Temperature Control unit (microcomputer)
- Actuators

The relationship of these components is shown in the diagram below:



*1: The vent bypass door is only open when face mode is selected and the temperature control switch is in the full cool position.

GI

MA

EM

LC

EC

FE

AT

AX

SU

BR

ST

RS

BT

HA

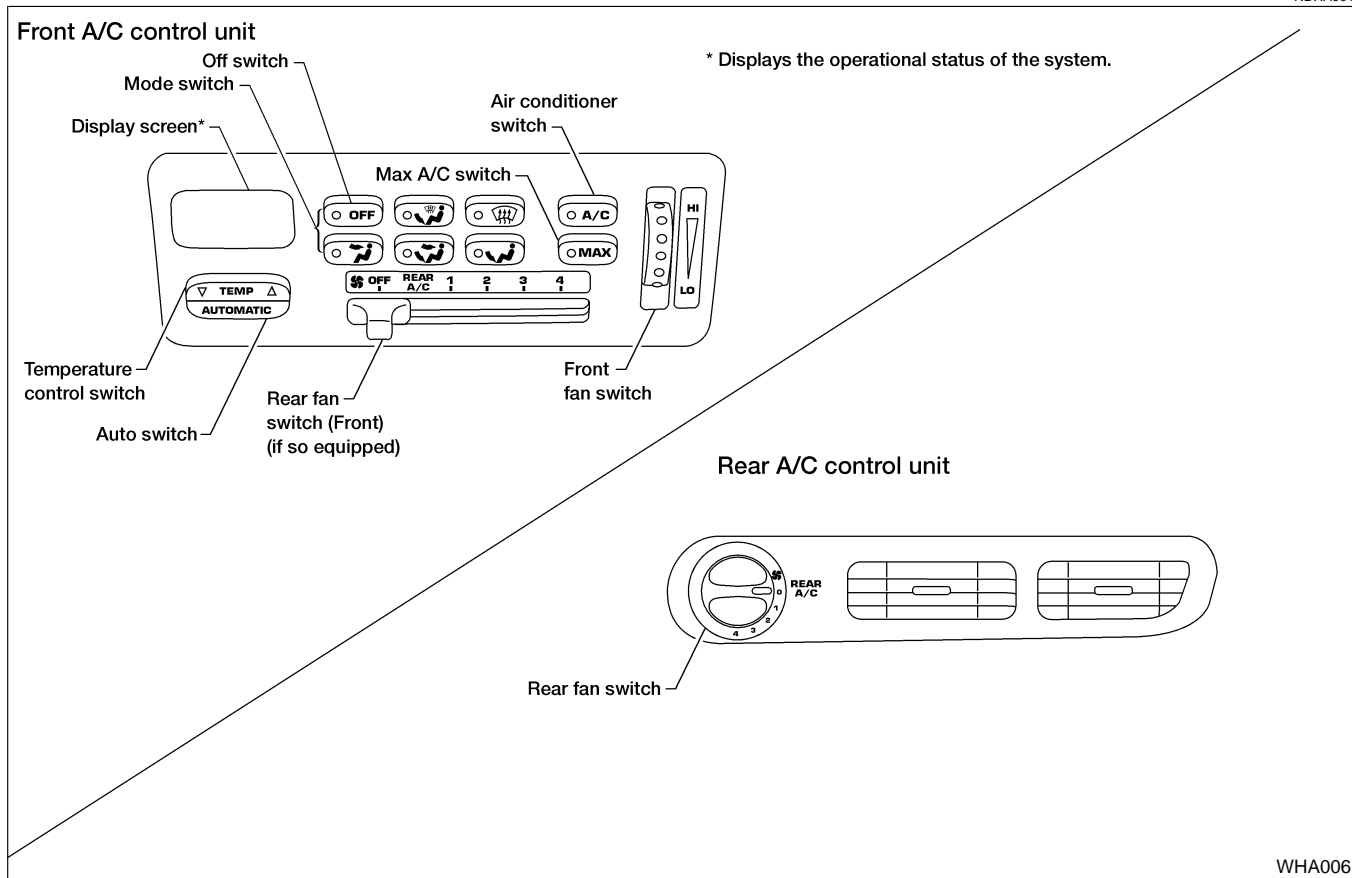
SC

EL

IDX

Control Operation

NDHA0016



WHA006

AUTO SWITCH

NDHA0016S01

The following components are automatically controlled so that in-vehicle temperature will reach and maintain the set temperature.

- Compressor
- Air intake door
- Air mix door
- Mode doors
- Blower speed

The air conditioner cooling function operates only when the engine is running.

TEMPERATURE CONTROL SWITCH

NDHA0016S02

Increases or decreases the set temperature.

OFF SWITCH

NDHA0016S03

The compressor, front and rear blower motors are off, the front intake door is set to the recirculation position, and the mode doors remain in their previous positions.

FRONT FAN SWITCH

NDHA0016S04

Manual control of the front blower speed can be obtained by rotating the front fan switch. The fan symbol (🌀) will be shown in the display screen.

REAR FAN SWITCH

NDHA0016S05

When the rear fan switch (front) is in the OFF position, the rear blower motor cannot operate. When the rear fan switch (front) is in the REAR position, it allows the rear fan switch to control the rear blower speed. In any other position (1–4), the rear fan switch (front) controls the rear blower speed regardless of the rear fan switch position.

MODE SWITCH

NDHA0016S06

Manual control of the air discharge outlets. Five selections are available:

FACE (☞), BI-LEVEL "B/L" (☞), FOOT (☞), FOOT and DEFROST "F/D" (☞), and DEFROST (☞). DEF (☞) or F/D (☞) positions the front intake door to the outside air FRESH position. The compressor operates at ambient temperature approx. 4°C (40°F) or above.

GI

MAX A/C SWITCH

NDHA0016S07

ON position: Interior air is recirculated inside the vehicle.

OFF position: Automatic control resumes.

MAX A/C is canceled when DEF (☞) or F/D (☞) is selected

MA

EM

AIR CONDITIONER SWITCH

NDHA0016S08

This switch controls A/C operation when any mode switch is selected except OFF or AUTOMATIC mode is selected the indicator light will be off and A/C operation is automatically controlled.

The air conditioner cooling function operates only when the engine is running.

LC

EC

FE

AT

AX

SU

BR

ST

RS

BT

HA

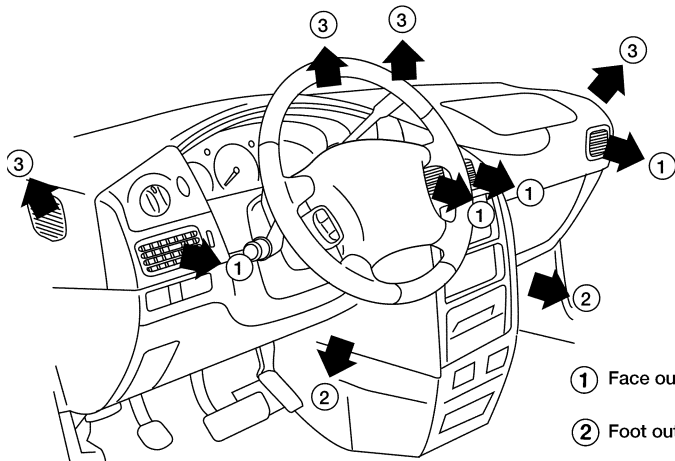
SC

EL

IDX

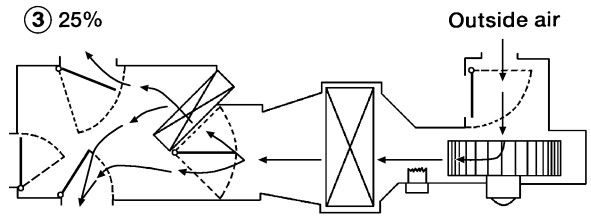
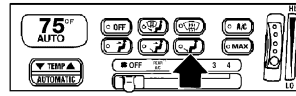
Discharge Air Flow

NDHA0017



- ① Face outlets
- ② Foot outlets
- ③ Defrost outlets

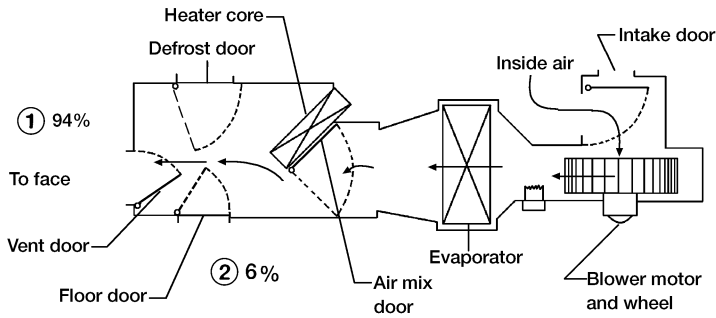
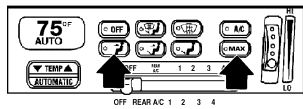
Foot mode



③ 25%

② 75%

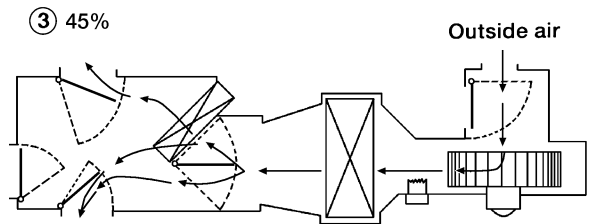
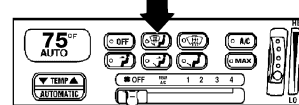
Face mode (recirc switch "ON")



① 94%

② 6%

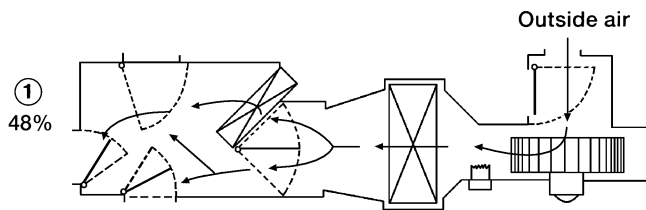
Foot and defrost mode



③ 45%

② 55%

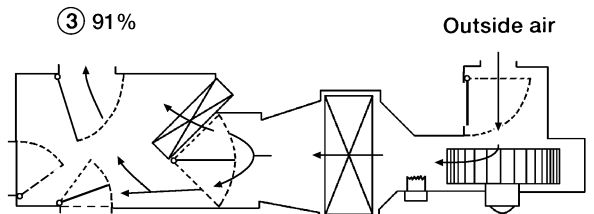
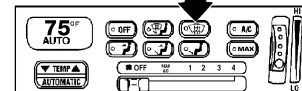
Bi-level mode



① 48%

② 52%

Defrost mode



③ 91%

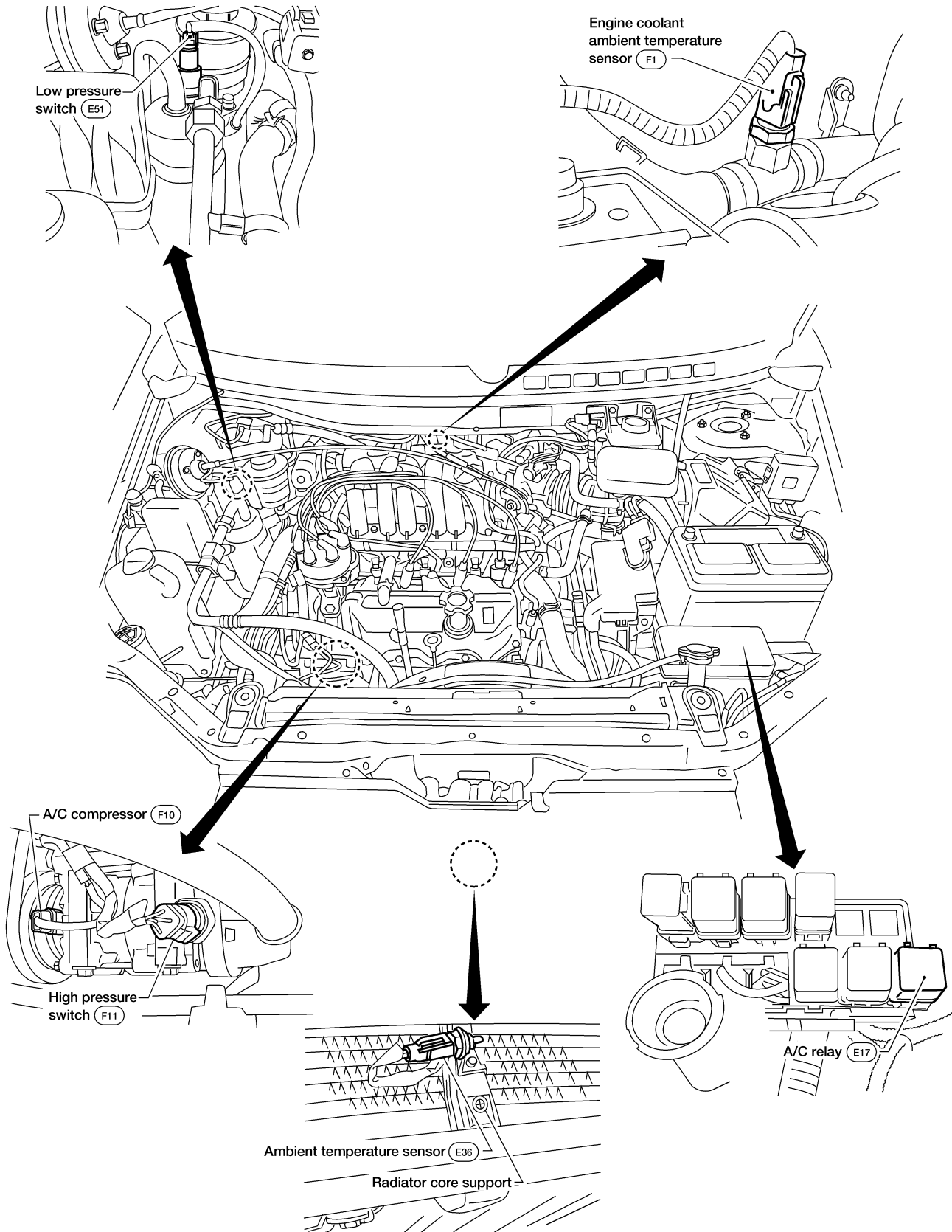
① 9%

Component Location

ENGINE COMPARTMENT

NDHA0029

NDHA0029S01



GI

MA

EM

LC

EC

FE

AT

AX

SU

BR

ST

RS

BT

HA

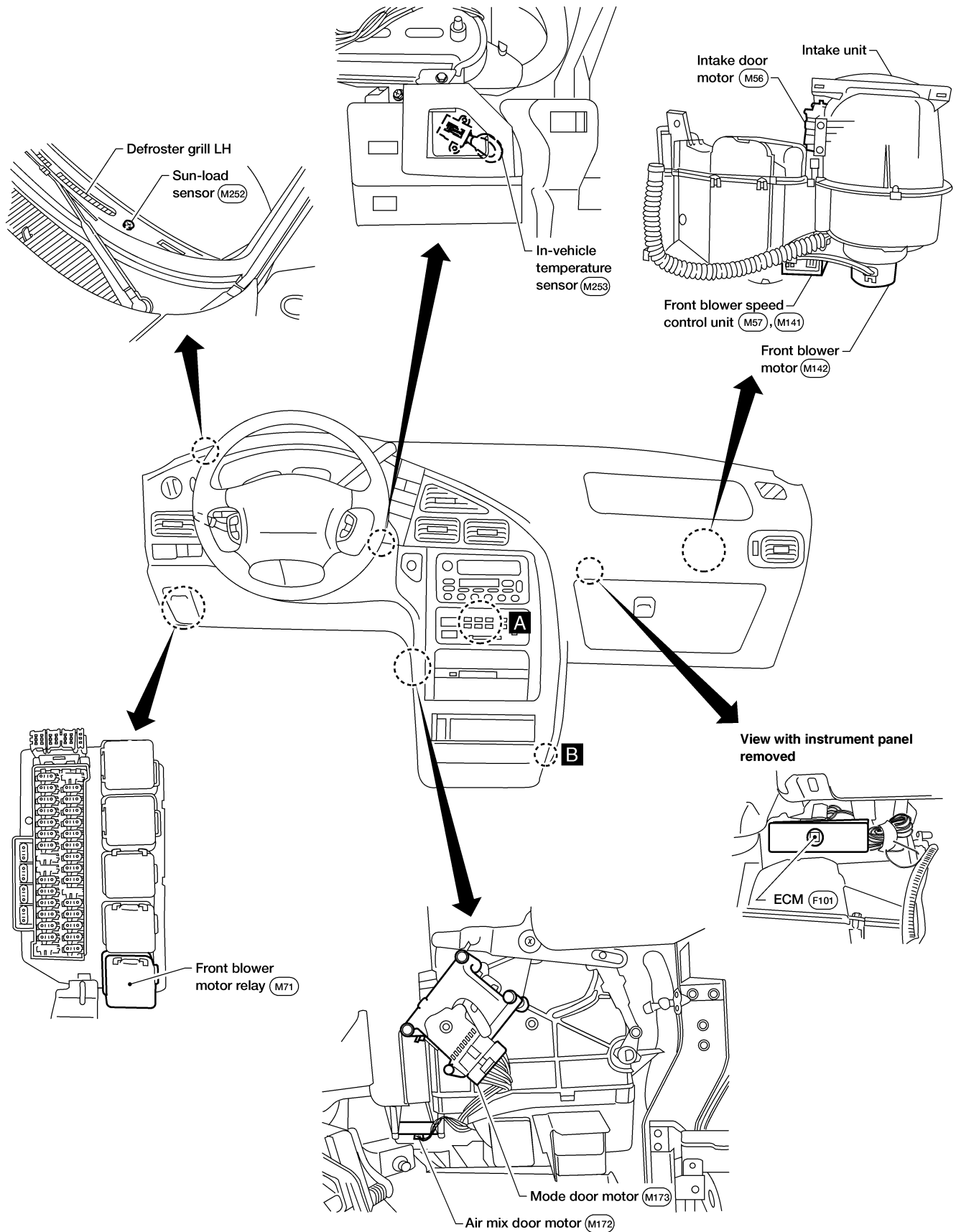
SC

EL

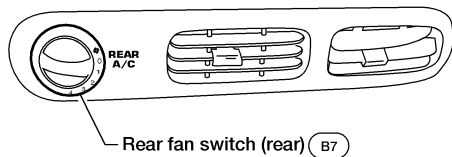
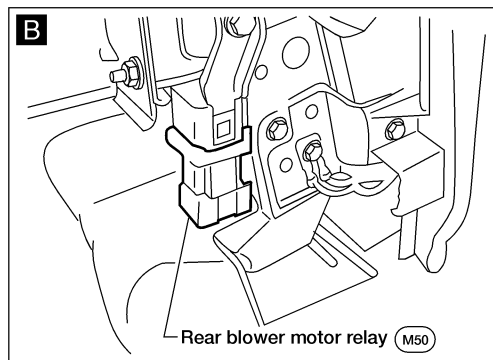
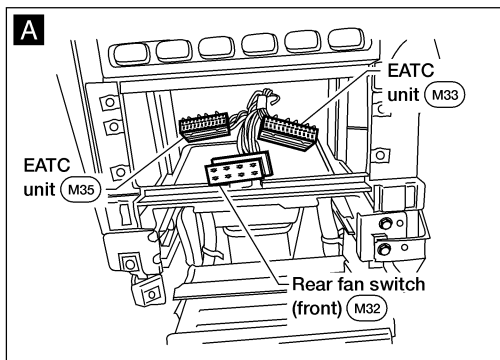
IDX

PASSENGER COMPARTMENT

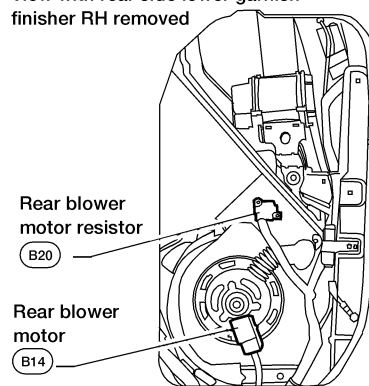
NDHA0029S02



AHA295A



View with rear side lower garnish finisher RH removed



GI

MA

EM

LC

EC

FE

AT

AX

SU

BR

ST

RS

BT

HA

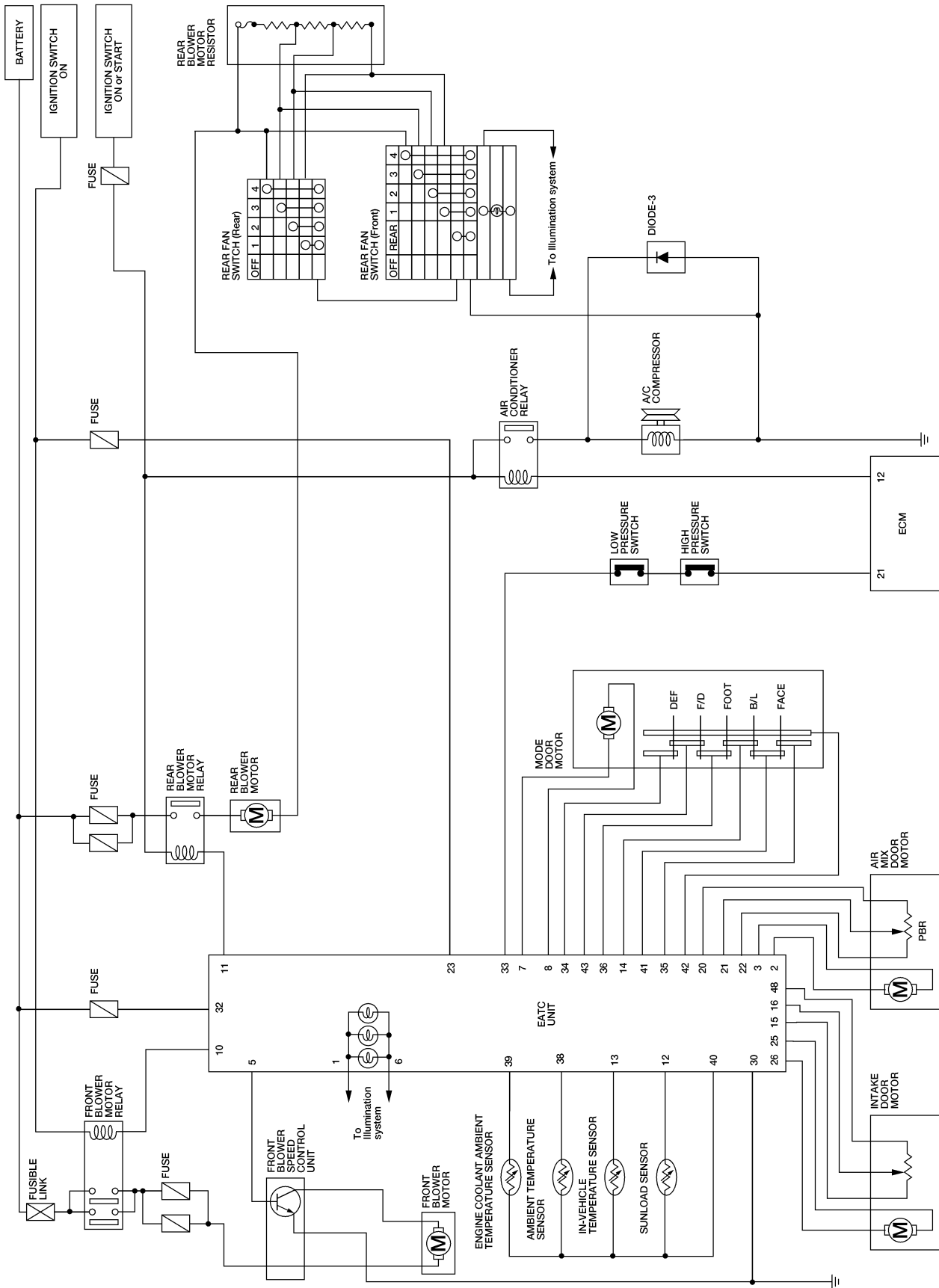
SC

EL

IDX

Circuit Diagram — Auto Air Conditioner

NDHA0030



WHA221

TROUBLE DIAGNOSES

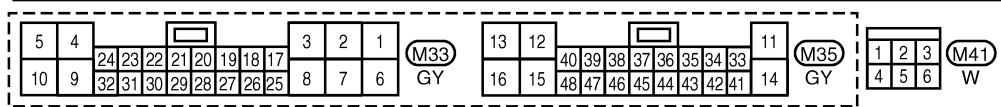
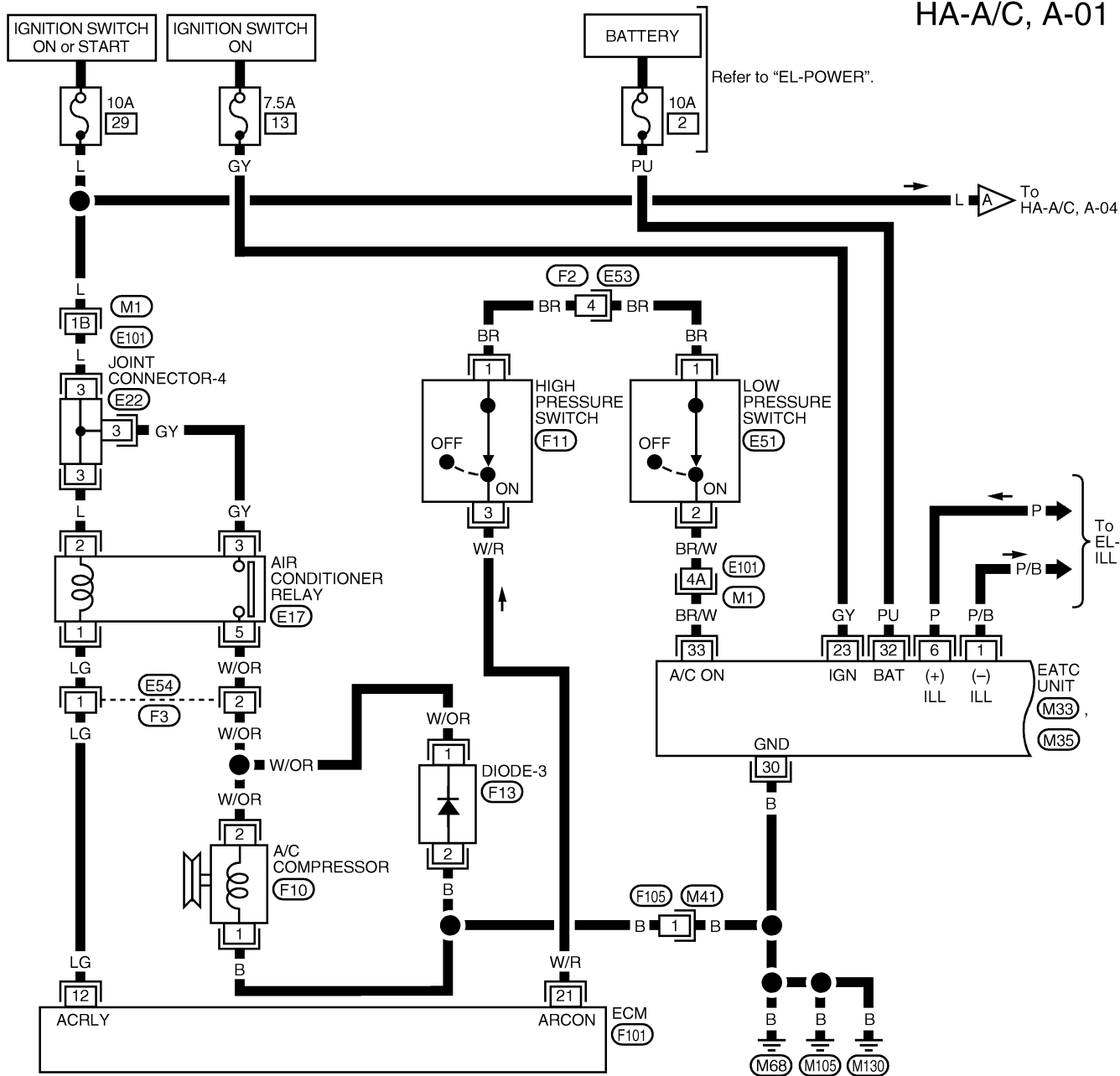
AUTO

Wiring Diagram — A/C, A —

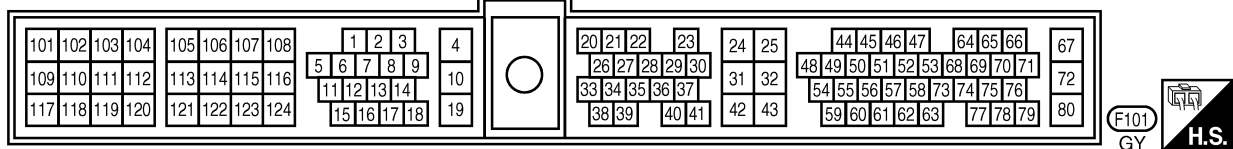
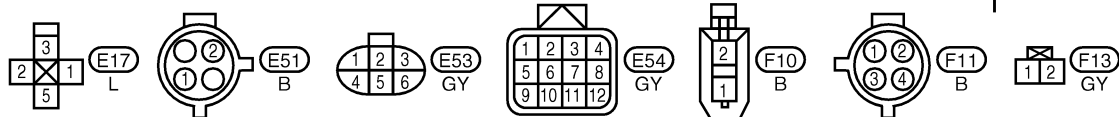
Wiring Diagram — A/C, A —

NDHA0031

HA-A/C, A-01



Refer to the following.
 (M1), (E101) - SUPER MULTIPLE JUNCTION (SMJ)
 (E22) - JOINT CONNECTOR

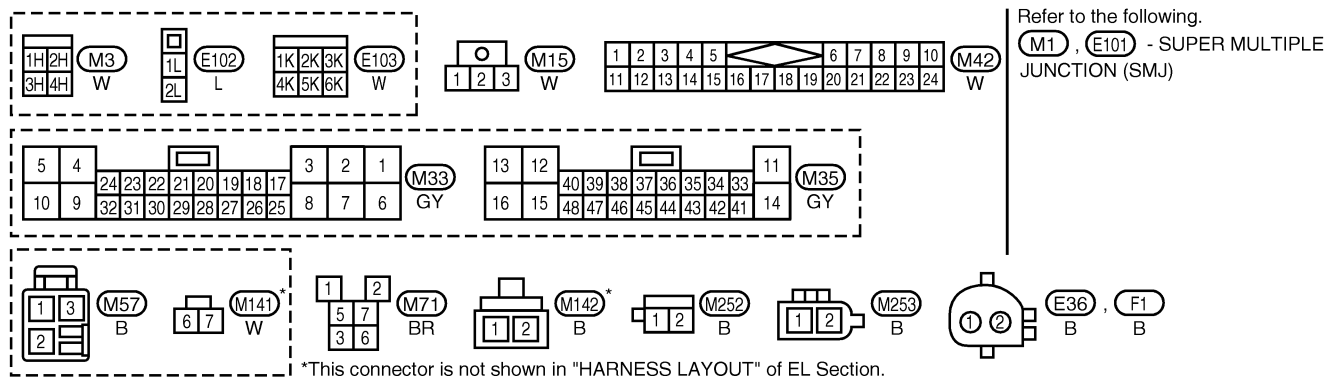
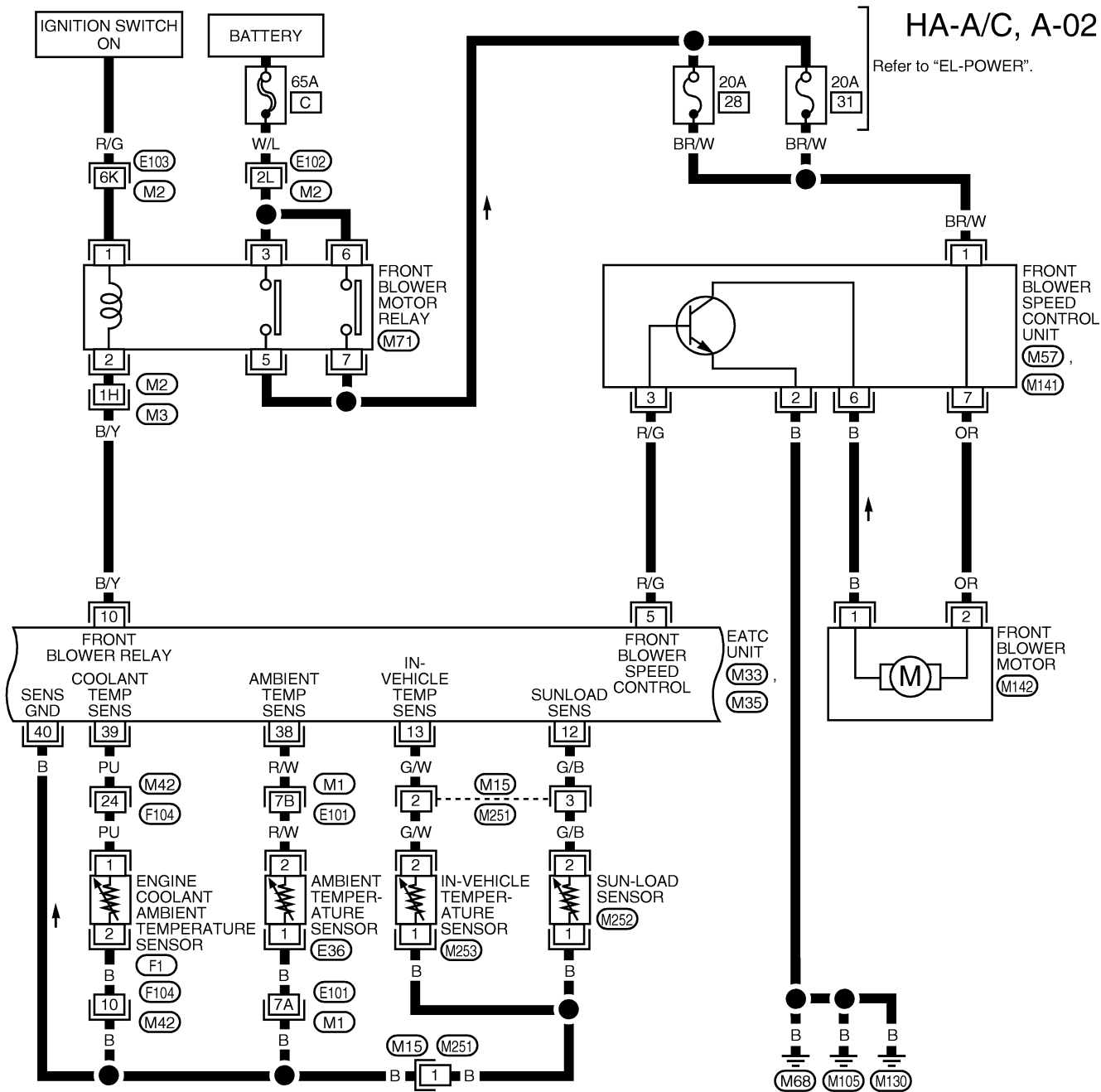


WHA222

TROUBLE DIAGNOSES

AUTO

Wiring Diagram — A/C, A — (Cont'd)



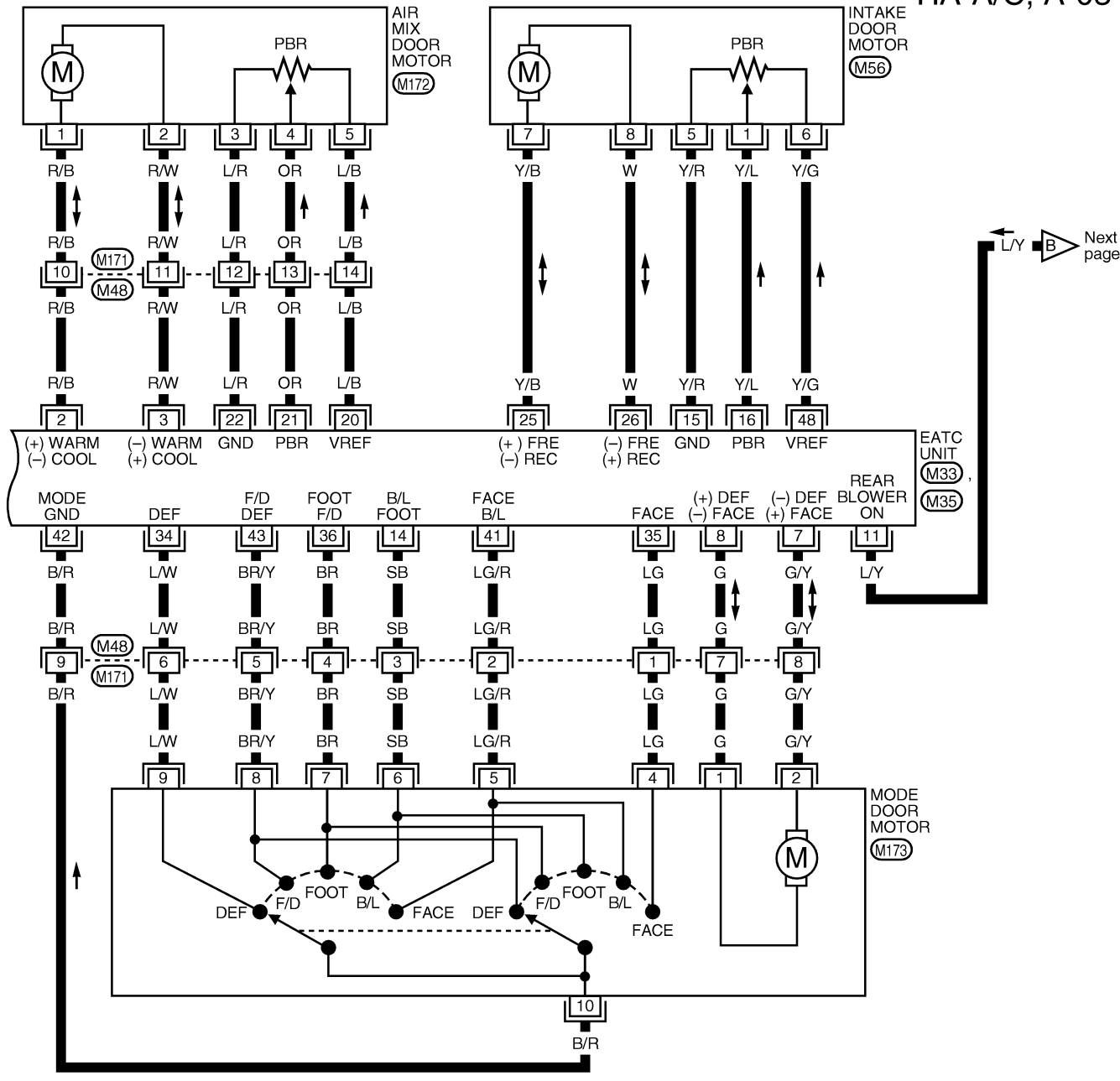
WHA073

TROUBLE DIAGNOSES

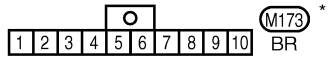
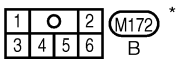
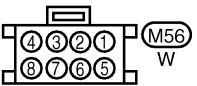
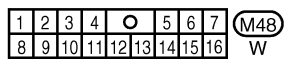
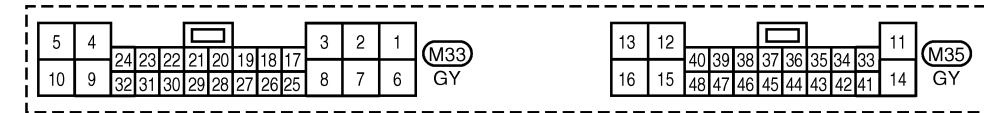
AUTO

Wiring Diagram — A/C, A — (Cont'd)

HA-A/C, A-03

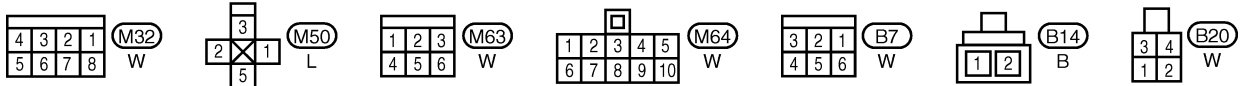
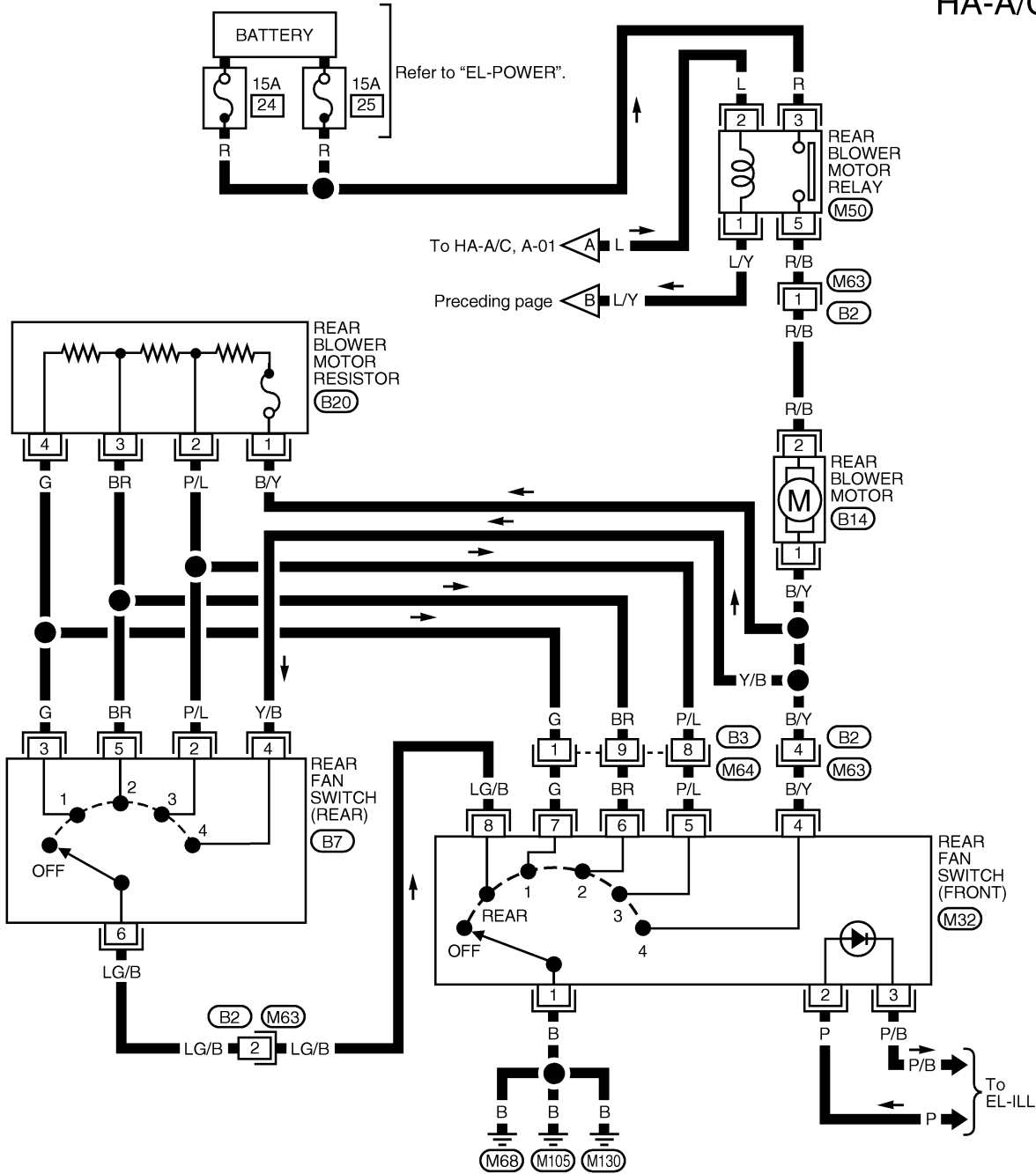


GI
MA
EM
LC
EC
FE
AT
AX
SU
BR
ST
RS
BT
HA
SC
EL
IDX



*This connector is not shown in "HARNESS LAYOUT" of EL Section.

HA-A/C, A-04



How to Perform Trouble Diagnoses for Quick and Accurate Repair WORK FLOW

NDHA0021

GI

NDHA0021S01

MA

EM

LC

EC

FE

AT

AX

SU

BR

ST

RS

AHA198A

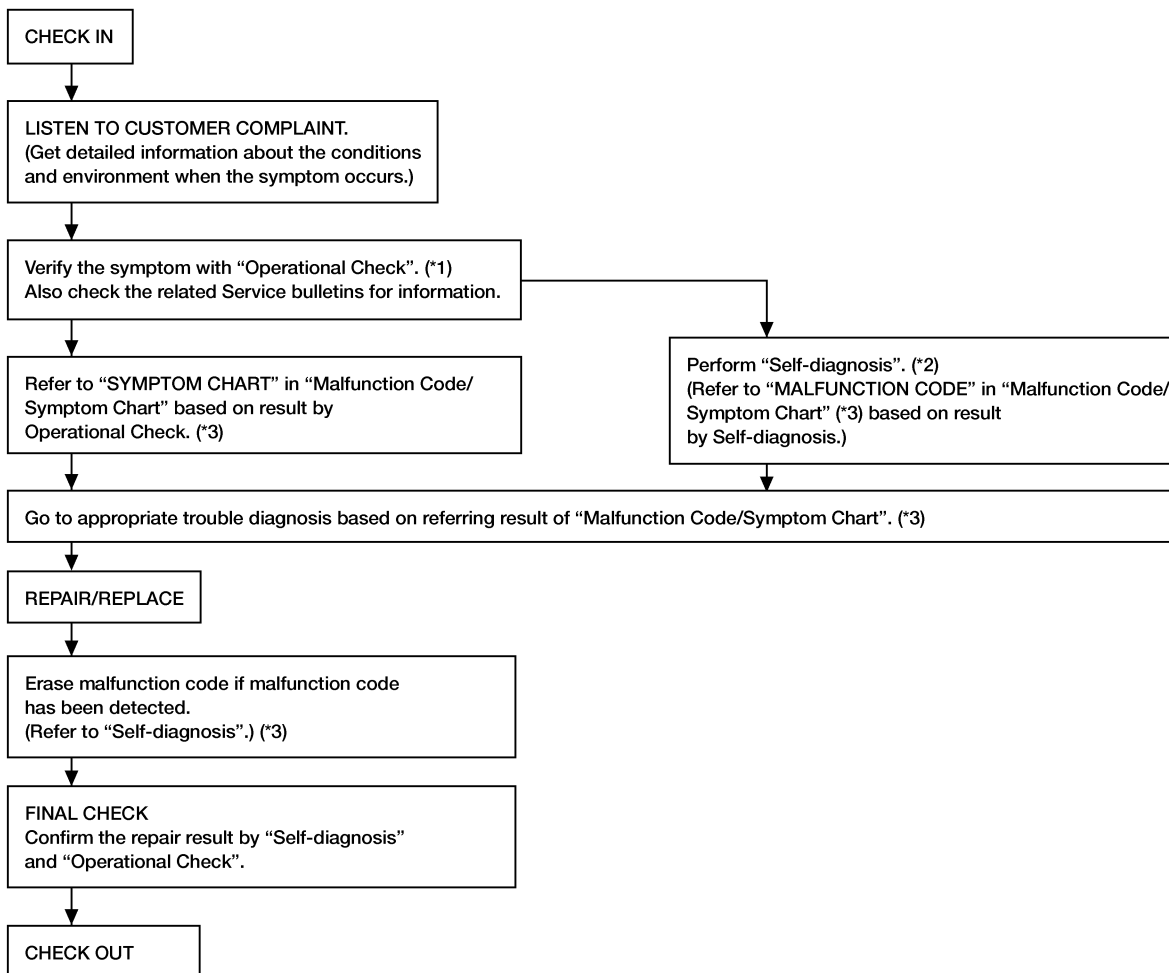
BT

HA

SC

EL

IDX



*1: HA-36

*2: HA-39

*3: HA-40

Operational Check

=NDHA0022

The purpose of the operational check is to confirm that the system operates as it should. The systems which are checked are the front blower, mode (discharge air), intake air, temperature decrease, temperature increase, compressor, AUTOMATIC mode, memory function, and rear blower.

CONDITIONS:

NDHA0022S01

Engine running at normal operating temperature.

PROCEDURE:

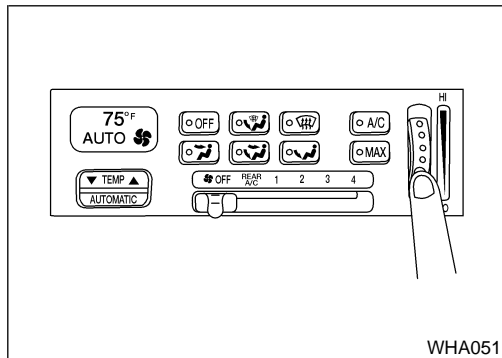
NDHA0022S02

1. Check Front Blower

NDHA0022S0201

- 1) Press any mode switch except OFF.
- 2) Rotate the front fan switch up and check for blower operation (Fan symbol lit in display screen).
- 3) Continue checking that blower speed increases as the front fan switch is rotated up.
- 4) Leave blower on HI speed (☼).

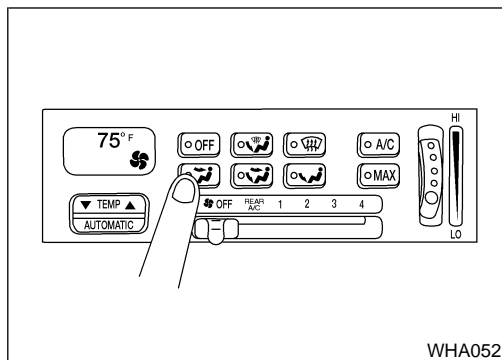
If NG, go to "Memory Function", HA-84.
If OK, continue with the next check.



2. Check Discharge Air

NDHA0022S0202

- 1) Press each mode switch.



- 2) Confirm that discharge air comes out according to the air distribution table at left and that the indicator lamp illuminates. Refer to "Discharge Air Flow" in "DESCRIPTION", HA-26.
If NG, refer to "Mode Door", HA-63.
If OK, continue with the next check.

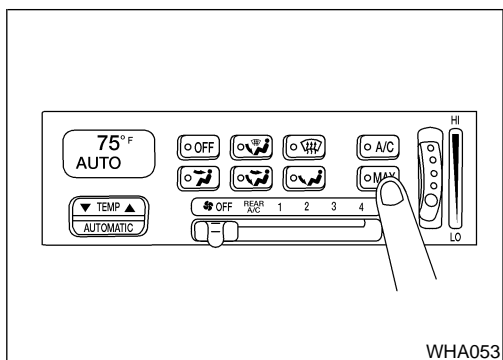
NOTE:

Confirm that the compressor clutch is engaged (visual inspection).

Discharge air flow

Mode control knob	Air outlet/distribution		
	Face	Foot	Defroster
	94%	6%	—
	48%	52%	—
	—	75%	25%
	—	55%	45%
	—	9%	91%

AHA207A



3. Check MAX A/C (Recirculation)

=NDHA0022S0203

- 1) Press MAX A/C switch. MAX A/C indicator should illuminate.
- 2) Listen for intake door position change (you should hear blower sound change slightly).

If NG, refer to "Intake Door", HA-54.
If OK, continue with the next check.

NOTE:

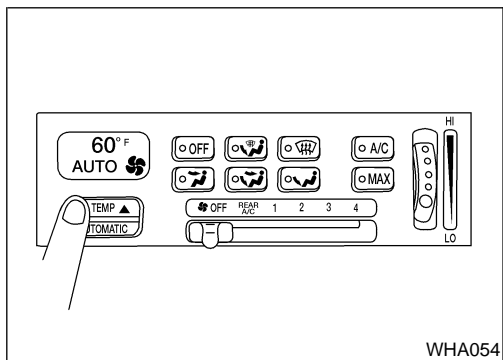
MAX A/C operates in FACE () mode only.

GI

MA


EM

LC



4. Check Temperature Decrease

NDHA0022S0204

- 1) Press the temperature control switch () until [16°C (60°F)] is displayed.
- 2) Check for cold air at discharge air outlets.

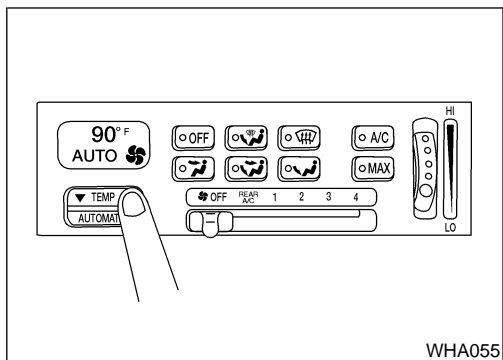
If NG, refer to "Insufficient Cooling", HA-105.
If OK, continue with the next check.

EC

FE


AT

AX



5. Check Temperature Increase

NDHA0022S0205

- 1) Press the temperature control switch () until [32°C (90°F)] is displayed.
- 2) Check for hot air at discharge air outlets.

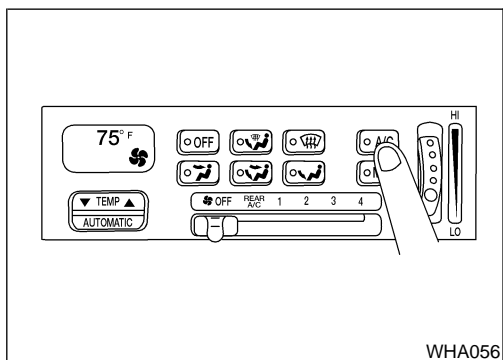
If NG, refer to "Insufficient Heating", HA-110.
If OK, continue with the next check.

SU

BR

ST

RS



6. Check A/C Switch

NDHA0022S0206

- 1) Press any mode switch.
- 2) Press the A/C switch.
A/C indicator should illuminate.
- 3) Confirm that the compressor clutch engages (audio or visual inspection).
- 4) Check for cold air at the appropriate discharge air outlets.

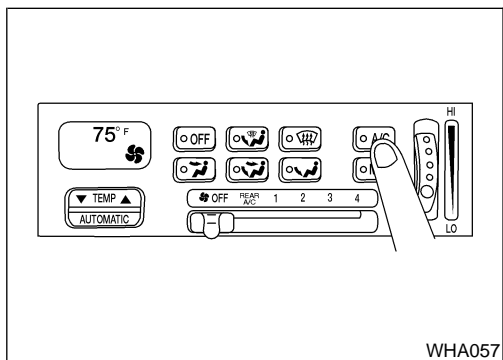
If NG, refer to "A/C System", HA-42.
If OK, continue with the next check.

BT

HA


SC

EL



7. Check AUTOMATIC Mode

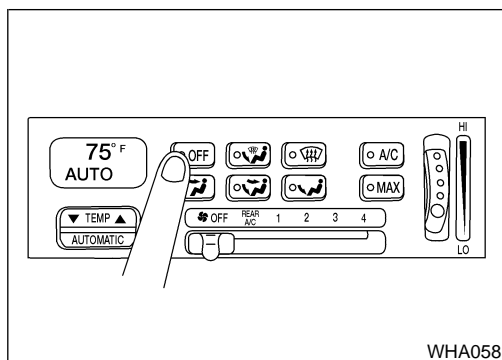
NDHA0022S0207

- 1) Press the AUTOMATIC switch.
- 2) Display should indicate AUTOMATIC [no fan symbol () displayed].
- 3) Confirm that the compressor clutch engages (audio or visual inspection).
(Discharge air will depend on ambient, in-vehicle, and set temperatures.)

If NG, refer to "A/C System", HA-42.
If OK, continue with the next check.

IDX

Operational Check (Cont'd)

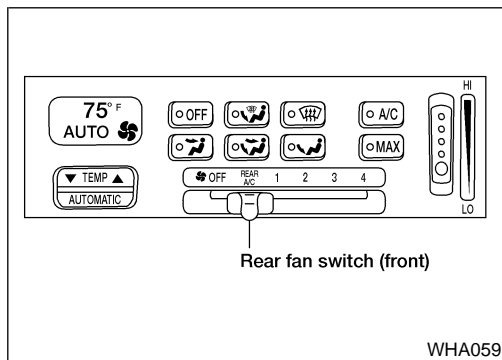
**8. Check Memory Function**

NDHA0022S0208

- 1) Press the OFF switch.
- 2) Turn the ignition OFF.
- 3) Turn the ignition ON.
- 4) Press the AUTOMATIC switch.
- 5) Confirm that the set temperature remains at previous temperature.

If NG, refer to "Memory Function", HA-84.

If OK, continue with the next check.

**9. Check Rear Blower**

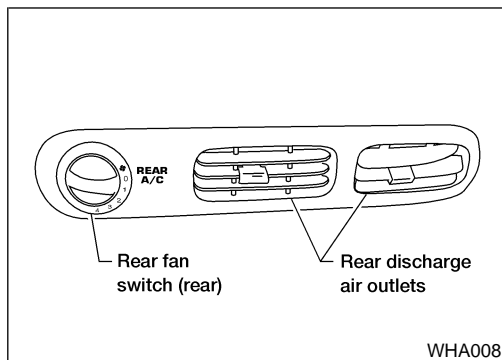
NDHA0022S0209

- 1) Set rear fan switch (front) to REAR position.
- 2) Press any mode switch except OFF.
- 3) Press air conditioner switch ON.
- 4) Turn rear fan switch to 1-speed.
Blower should operate on 1-speed.
- 5) Confirm air flow from the rear discharge air outlets.
- 6) Turn rear fan switch to 2-speed.
- 7) Continue checking blower speed until all four speeds are checked.
- 8) Turn rear fan switch (rear) to 0 (OFF).
- 9) Set rear fan switch (front) to 1-speed.
Blower should operate on 1-speed.
- 10) Turn rear fan switch (front) to 2-speed.
- 11) Continue checking blower speed until all four speeds are checked.

If NG, refer to "Rear Blower", HA-85.

If OK, continue with the next check.

If all operation checks are OK (symptom cannot be duplicated), refer to **GI-23**, "Incident Simulation Tests", and perform tests as outlined to simulate driving conditions environment. If symptom appears, refer to "Symptom Chart", HA-41 and perform the applicable trouble diagnosis procedure.

**Self-diagnosis****FUNCTION**

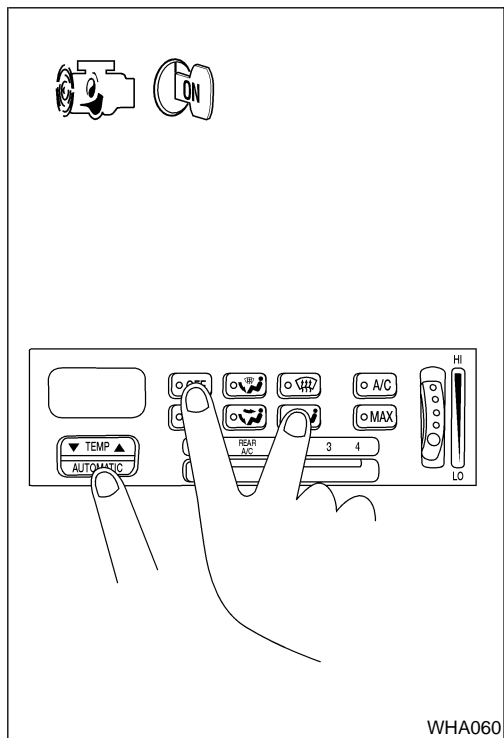
NDHA0254

The Self-diagnosis system monitors sensors and door motors. Shifting from normal mode to Self-diagnosis mode is accomplished by starting the engine (turning the ignition switch from OFF to ON) then simultaneously pressing the OFF and FOOT () mode switches. The AUTOMATIC switch must be pressed within 2 seconds of pressing OFF and FOOT () mode switches simultaneously. The diagnostic trouble codes are displayed on the display screen at a rate of one code per second. The display starts 30 to 60 seconds after the sequence is initiated.

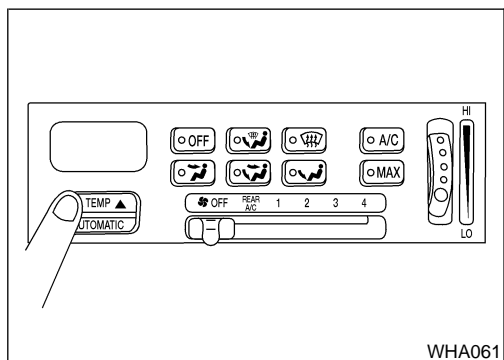
PROCEDURE

NDHA0217

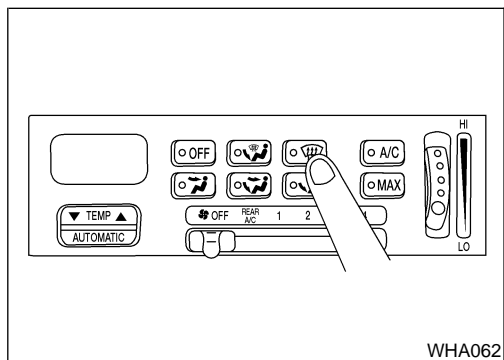
1. Turn the ignition switch ON. (Engine must be running for A/C to operate.)
2. Set the interior temperature between 18°C (65°F) and 29°C (85°F).



WHA060



WHA061



WHA062

3. Simultaneously press OFF and FOOT () switches then press AUTOMATIC switch within 2 seconds.

The display screen will have a pulse tracer going around the center of the display screen, while the EATC unit checks all sensor and mode door circuits. (The system goes to OFF mode and the mode doors are recalibrated.)

If Self-diagnosis cannot be performed, go to “Trouble Diagnosis Procedure for Self-diagnosis”, HA-43.

4. The malfunction codes are displayed at a rate of one code per second. If no malfunction code exists, B B and all symbols will be shown on the display screen. Press the DEFROST () switch to exit Self-diagnosis.
5. Verify the location of the malfunction using the “Malfunction Code/Symptom Chart”. Refer to HA-40.

6. Press the TEMP DOWN () switch to cancel Self-diagnosis without erasing malfunction codes.

7. After the malfunctions are repaired, erase the malfunction codes by pressing the DEFROST () switch.
8. Perform Self-diagnosis again to verify that no malfunction codes exist.

GI

MA

EM

LC

EC

FE

AT

AX

SU

BR

ST

RS

BT

HA

SC

EL

IDX

Malfunction Code/Symptom Chart

NDHA0218

NDHA0218S01

MALFUNCTION CODE

Diagnostic trouble code No. (Shown on display screen)*	Malfunctioning part	Reference page
22	Air mix door short	HA-46
26	Air mix door PBR circuit short	HA-46
27	Air mix door PBR circuit open or voltage too high (>0.8V)	HA-46
28	Air mix door time-out	HA-46
30	In-vehicle temperature sensor short	HA-117
31	In-vehicle temperature sensor open	HA-117
40	Ambient temperature sensor short	HA-114
41	Ambient temperature sensor open	HA-114
50	Sunload sensor short	HA-120
82	Intake door short	HA-54
86	Intake door PBR circuit open or voltage too high (>0.8V)	HA-54
87	Intake door PBR circuit short	HA-54
88	Intake door time-out	HA-54
92	Mode door short	HA-63
98	Mode door time-out	HA-63
Intermittent diagnostic trouble code No. (Shown on display screen)*		
20	Air mix door short	HA-46
42	Ambient temperature sensor short	HA-114
43	Ambient temperature sensor open	HA-114
52	Sunload sensor short	HA-120
60	Mode switch button stuck	HA-63
61	Ignition over voltage	Refer to SC-24 , "Trouble Diagnoses with Battery/Starting/Charging System Tester"
80	Intake door short	HA-54
90	Mode door short	HA-63

*: Diagnostic trouble codes are displayed when a malfunction is detected and exists at the present time. Intermittent diagnostic trouble codes are displayed when a malfunction is detected, but may not exist at the present time.

TROUBLE DIAGNOSES

AUTO

Malfunction Code/Symptom Chart (Cont'd)

SYMPTOM CHART

NDHA0218S02

Symptom	Reference page	
● A/C system does not come on.	● Go to "TROUBLE DIAGNOSIS PROCEDURE FOR A/C SYSTEM".	HA-42
● Self-diagnosis cannot be performed.	● Go to "TROUBLE DIAGNOSIS PROCEDURE FOR SELF-DIAGNOSIS".	HA-43
● Air mix door does not operate normally.	● Go to "TROUBLE DIAGNOSIS PROCEDURE FOR AIR MIX DOOR MOTOR".	HA-46
● Intake door does not operate normally.	● Go to "TROUBLE DIAGNOSIS PROCEDURE FOR INTAKE DOOR MOTOR".	HA-54
● Mode door does not operate normally.	● Go to "TROUBLE DIAGNOSIS PROCEDURE FOR MODE DOOR MOTOR".	HA-63
● Front blower motor does not rotate.	● Go to "TROUBLE DIAGNOSIS PROCEDURE FOR FRONT BLOWER MOTOR".	HA-72
● Memory function does not operate.	● Go to "TROUBLE DIAGNOSIS PROCEDURE FOR MEMORY FUNCTION".	HA-84
● Rear blower motor does not rotate when rear fan switch (front) is set to REAR position.	● Go to "TROUBLE DIAGNOSIS PROCEDURE FOR REAR FAN SWITCH (FRONT)".	HA-85
● Rear blower motor does not rotate when rear fan switch (front) is set at 1-4 speed.	● Go to "TROUBLE DIAGNOSIS PROCEDURE FOR REAR BLOWER MOTOR (1-4 SPEED)".	HA-88
● Magnet clutch does not engage.	● Go to "TROUBLE DIAGNOSIS PROCEDURE FOR MAGNET CLUTCH".	HA-98
● Insufficient cooling	● Go to "TROUBLE DIAGNOSIS PROCEDURE FOR INSUFFICIENT COOLING".	HA-105
● Insufficient heating	● Go to "TROUBLE DIAGNOSIS PROCEDURE FOR INSUFFICIENT HEATING".	HA-110
● Noise	● Go to "TROUBLE DIAGNOSIS PROCEDURE FOR NOISE".	HA-112

GI

MA

EM

LC

EC

FE

AT

AX

SU

BR

ST

RS

BT

HA

SC

EL

IDX

A/C System

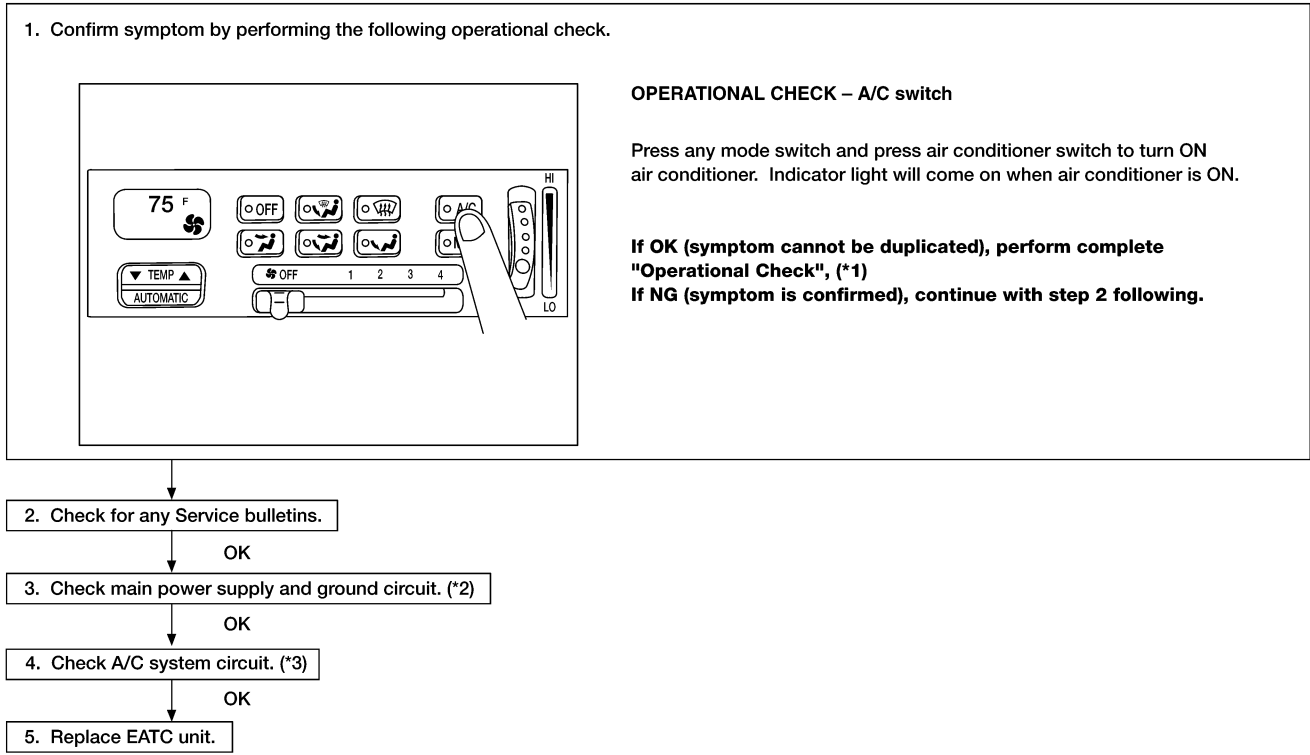
TROUBLE DIAGNOSIS PROCEDURE FOR A/C SYSTEM

=NDHA0112

Symptom:

- A/C system does not come on.

Inspection Flow



WHA280

*1: HA-36

*2: HA-44

*3: HA-30

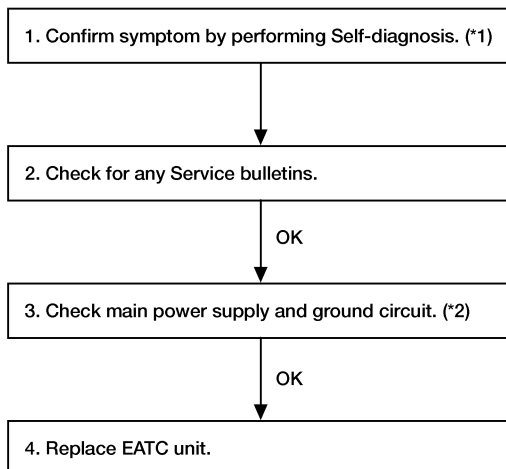
TROUBLE DIAGNOSIS PROCEDURE FOR SELF-DIAGNOSIS

=NDHA0219

Symptom:

- Self-diagnosis cannot be performed.

Inspection Flow



GI

MA

EM

LC

EC

FE

AT

AX

SU

BR

ST

RS

BT

HA

SC

EL

AHA210A

IDX

*1: HA-39

*2: HA-44

MAIN POWER SUPPLY AND GROUND CIRCUIT CHECK

Power Supply Circuit Check for Auto A/C System

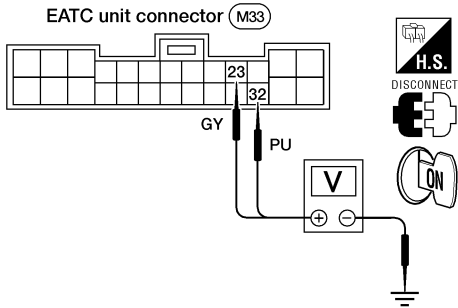
Check power supply circuit for auto air conditioning system.
Refer to "POWER SUPPLY ROUTING" in EL section and Wiring Diagram.

A/C System Circuit

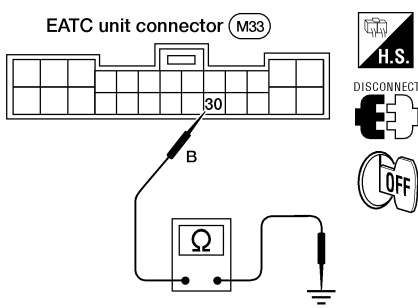
SYMPTOM

- A/C system does not come on.

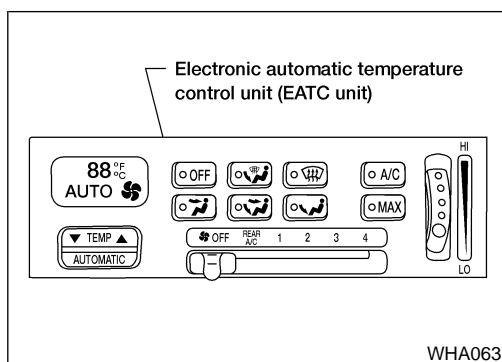
NDHA0032S02

1	CHECK POWER SUPPLY CIRCUIT FOR EATC UNIT										
1. <div style="display: flex; justify-content: space-around; align-items: center; margin-top: 10px;">  <table border="1" style="border-collapse: collapse; text-align: center;"> <thead> <tr> <th colspan="2">Voltmeter terminal</th> <th rowspan="2">Voltage</th> </tr> <tr> <th>(+)</th> <th>(-)</th> </tr> </thead> <tbody> <tr> <td>23</td> <td rowspan="2">Body ground</td> <td rowspan="2">Approx. 12V</td> </tr> <tr> <td>32</td> </tr> </tbody> </table> </div> <p style="margin-top: 10px;">Disconnect EATC unit harness connector.</p> <ol style="list-style-type: none"> 2. Connect Voltmeter to harness side. 3. Measure the voltage across terminal Nos. 23, 32 and body ground. <p style="text-align: center; margin-top: 10px;">OK or NG</p>			Voltmeter terminal		Voltage	(+)	(-)	23	Body ground	Approx. 12V	32
Voltmeter terminal		Voltage									
(+)	(-)										
23	Body ground	Approx. 12V									
32											
OK	▶	GO TO 2.									
NG	▶	<ul style="list-style-type: none"> ● Check 7.5A fuse (No. 13 located in the fuse block) and 10A fuse (No. 2, located in the fuse block) ● If fuses are OK, check for open circuit in wiring harness. Repair or replace as necessary. ● If fuses are NG, replace fuse and check wiring harness for short circuit. Repair or replace as necessary. 									

WHA084

2	CHECK BODY GROUND CIRCUIT FOR EATC									
1. <div style="display: flex; justify-content: space-around; align-items: center; margin-top: 10px;">  <table border="1" style="border-collapse: collapse; text-align: center;"> <thead> <tr> <th colspan="2">Voltmeter terminal</th> <th rowspan="2">Continuity</th> </tr> <tr> <th>(+)</th> <th>(-)</th> </tr> </thead> <tbody> <tr> <td>30</td> <td>Body ground</td> <td>Yes</td> </tr> </tbody> </table> <p style="margin-top: 5px;">Continuity should exist</p> </div> <p style="margin-top: 10px;">Disconnect EATC unit harness connector.</p> <ol style="list-style-type: none"> 2. Connect Ohmmeter to harness side. 3. Does continuity exist between harness terminal No. 30 and body ground? <p style="text-align: center; margin-top: 10px;">Yes or No</p>			Voltmeter terminal		Continuity	(+)	(-)	30	Body ground	Yes
Voltmeter terminal		Continuity								
(+)	(-)									
30	Body ground	Yes								
Yes	▶	Replace EATC unit. INSPECTION END								
No	▶	Repair or replace harness.								

WHA085



CONTROL SYSTEM — ELECTRONIC AUTOMATIC TEMPERATURE CONTROL UNIT (EATC UNIT)

NDHA0019

The EATC unit has a built-in microcomputer which processes information sent from various sensors needed for air conditioner operation. The air mix door motor, mode door motor, intake door motor, front blower motor and compressor are then controlled.

The EATC unit is unitized with control mechanisms. Signals from various switches are directly entered into EATC unit.

Self-diagnostic functions are also built into EATC unit to provide a quick check of malfunctions in the auto air conditioner system.

Ambient Temperature Input Process

NDHA0019S01

The EATC unit includes a "processing circuit" for the ambient temperature sensor input. When a temperature increase less than 12°C (20°F) is detected by the ambient temperature sensor, the "processing circuit" allows the EATC unit to recognize the temperature increase after 80 seconds. When the temperature increase is greater than 12°C (20°F) 5 minutes is required.

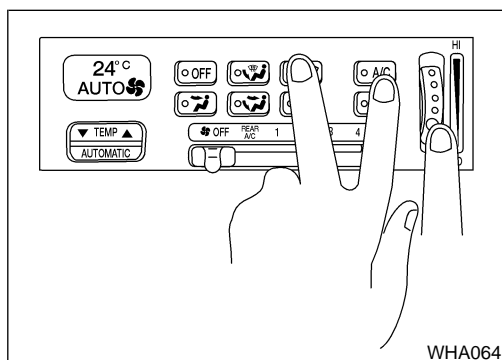
As an example, consider stopping for a cup of coffee after high speed driving. Even though the actual ambient temperature has not changed, the temperature detected by the ambient sensor will increase because heat radiated from the engine compartment can radiate to the grille area (where the ambient temperature sensor is located).

Sunload Input Process

NDHA0019S02

The EATC unit includes a processing circuit to "average" variations in detected sunload over a period of time. This prevents drastic swings in the EATC system operation due to small or quick variations in detected sunload.


For example, consider driving along a road bordered by an occasional group of large trees. The sunload detected by the sunload sensor will vary whenever the trees obstruct the sunlight. The processing circuit averages the detected sunload over a period of time. The (insignificant) effect of the trees momentarily obstructing the sunlight does not cause any change in the EATC system operation. On the other hand, shortly after entering a long tunnel, the system will recognize the change in sunload, and the system will react accordingly.



English/Metric Mode

NDHA0019S03

English or metric can be selected for the display mode.

1. Turn ignition switch ON.
2. Push any mode switch except OFF.
3. Press DEFROST () and A/C switches holding the blower switch in the upward position for 1 second.
4. The display mode will be changed to English or Metric.

GI

MA

EM

LC

EC

FE

AT

AX

SU

BR

ST

RS

BT

HA

SC

EL

IDX

Air Mix Door

TROUBLE DIAGNOSIS PROCEDURE FOR AIR MIX DOOR MOTOR

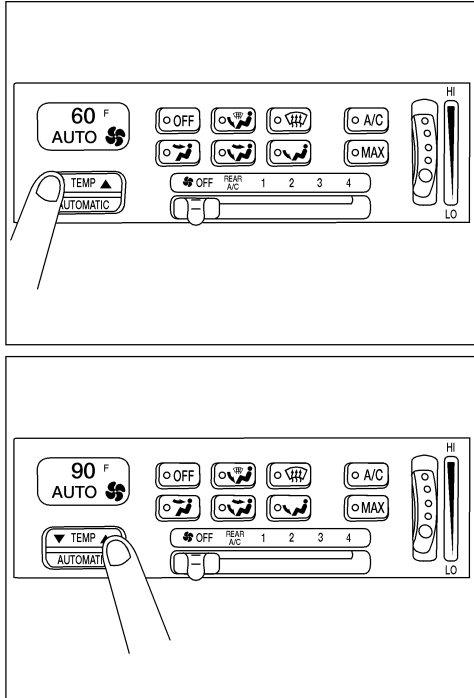
=NDHA0220

Symptom:

- Air mix door does not operate normally.

Inspection Flow

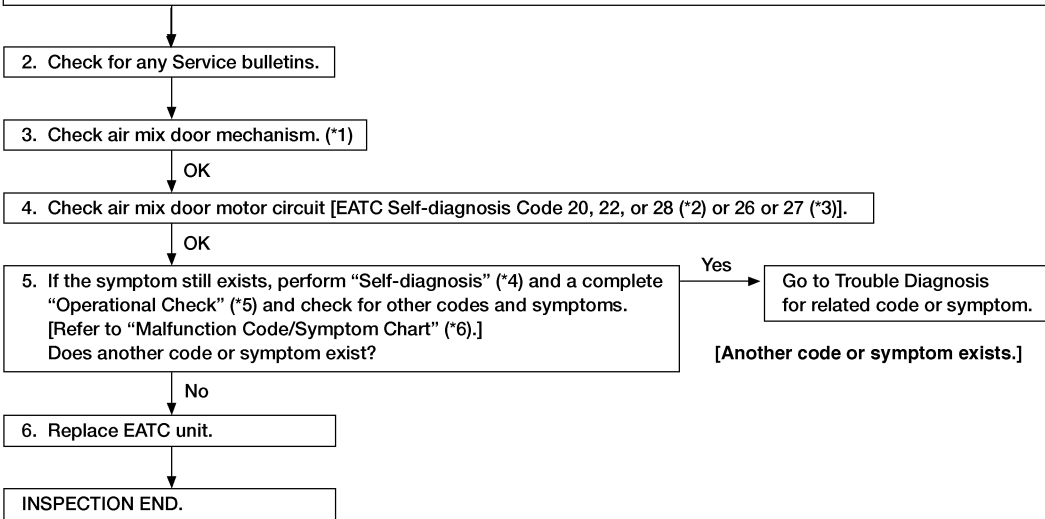
1. Confirm symptom by performing the following operational check.


OPERATIONAL CHECK – Temperature decrease and increase

- 1. Check Temperature Decrease**
- 1) Press temperature control switch until [16 C (60 F)] is displayed.
 - 2) Check for cold air at discharge air outlets.

- 2. Check Temperature Increase**
- 1) Press temperature control switch until [32 C (90 F)] is displayed.
 - 2) Check for hot air at discharge air outlets.

**If OK (symptom cannot be duplicated), perform complete operational check (*5).
If NG (symptom is confirmed), continue with Step 2 following.**



WHA010

*1: HA-53
*2: HA-49

*3: HA-51
*4: HA-39

*5: HA-36
*6: HA-40

CONTROL SYSTEM OUTPUT COMPONENTS

Air Mix Door Control (Automatic Temperature Control)

NDHA0221

NDHA0221S01

NDHA0221S0101

Component Parts

Air mix door control system components are:

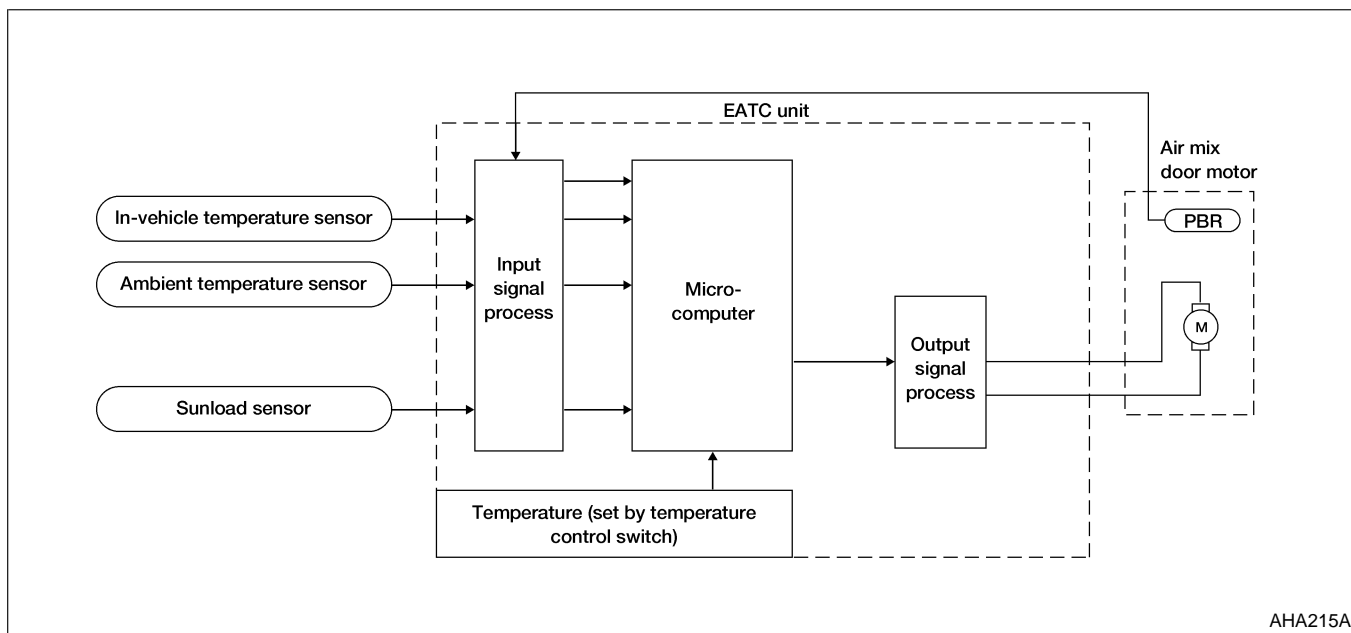
- 1) EATC unit
- 2) Air mix door motor
- 3) PBR
- 4) In-vehicle temperature sensor
- 5) Ambient temperature sensor
- 6) Sunload sensor

System Operation

NDHA0221S0102

Temperature set by temperature control switch is compensated through setting temperature correction circuit to determine target temperature.

EATC unit will operate air mix door motor to set air conditioning system in WARM or COOL position, depending upon relationship between conditions (target temperature, sunload, in-vehicle temperature and ambient temperature) and conditions (air mix door position and compressor operation).



AHA215A

GI

MA

EM

LC

EC

FE

AT

AX

SU

BR

ST

RS

BT

HA

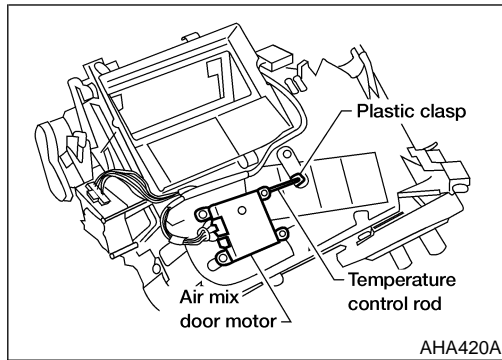
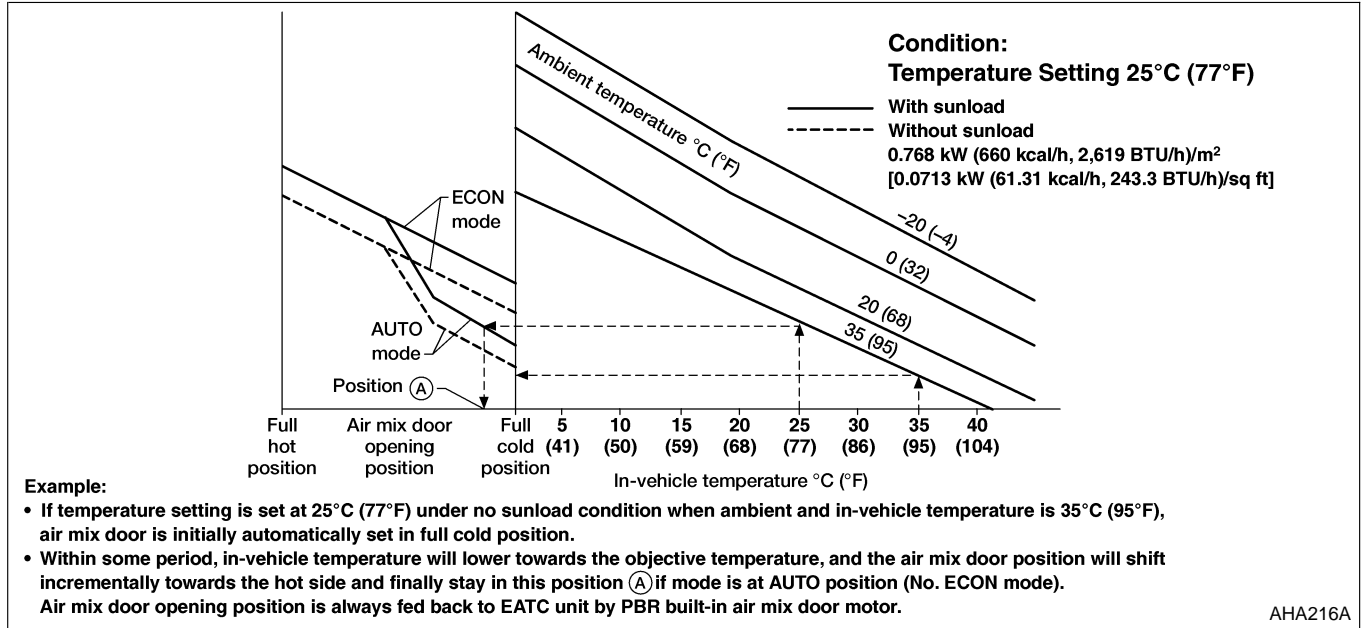
SC

EL

IDX

Air Mix Door Control Specification

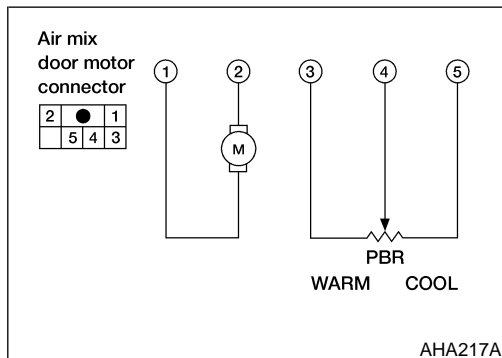
NDHA0221S0103



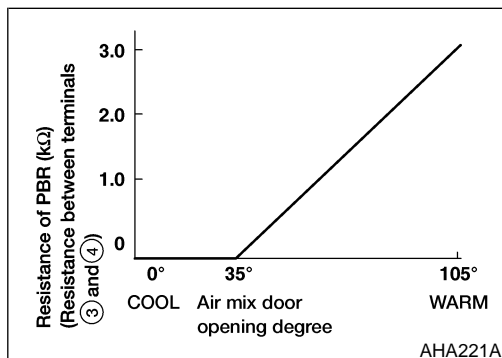
Air Mix Door Motor

NDHA0221S02

The air mix door motor is attached to the bottom of the heater unit. It rotates so that the air mix door is opened to a position set by the EATC unit. Motor rotation is then conveyed through a rod and air mix door position is then fed back to the EATC unit by PBR built-in air mix door motor.



1	2	Air mix door operation	Direction of lever movement
+	-	WARM → COOL	Clockwise
-	-	STOP	STOP
-	+	COOL → WARM	Counterclockwise



PBR Characteristics

NDHA0221S03

Measure resistance between terminals 3 and 4 at vehicle harness side.

TROUBLE DIAGNOSES

AUTO

Air Mix Door (Cont'd)

AIR MIX DOOR MOTOR CIRCUIT (EATC SELF-DIAGNOSIS CODE 20, 22, OR 28)

=NDHA0222

SYMPTOM:

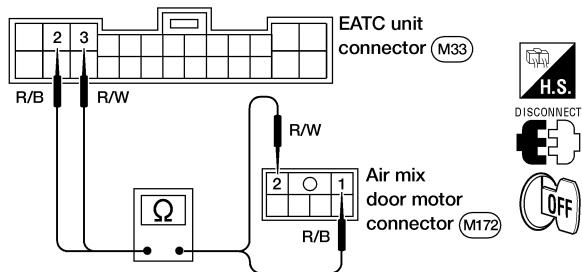
- Air mix door does not operate normally. (20, 22, or 28 is indicated on the EATC unit as a result of conducting Self-diagnosis).

1	CHECK PBR OPERATION	
Perform Self-diagnosis, HA-39.		
Does code 26 or 27 occur?		
Yes	▶	Check PBR circuit. Go to Air Mix Door Motor Circuit (EATC Self-diagnosis Code 26 or 27). Refer to HA-51.
No	▶	GO TO 2.

2	CHECK FOR OUTPUT OF EATC UNIT															
Do approximately 10.5 volts exist between air mix door motor harness terminals 2 and 1 when you press temperature control switch from full cool to full warm or when you press temperature control switch from full warm to full cool?																
AHA222A AHA225A																
<table border="1" style="margin-left: auto; margin-right: auto;"> <thead> <tr> <th rowspan="2">Temp control switch position</th> <th colspan="2">Terminal No.</th> <th rowspan="2">Voltage V</th> </tr> <tr> <th>2</th> <th>1</th> </tr> </thead> <tbody> <tr> <td>Full cool → Full warm</td> <td>⊖</td> <td>⊕</td> <td>Approx.</td> </tr> <tr> <td>Full warm → Full cool</td> <td>⊕</td> <td>⊖</td> <td>10.5</td> </tr> </tbody> </table>			Temp control switch position	Terminal No.		Voltage V	2	1	Full cool → Full warm	⊖	⊕	Approx.	Full warm → Full cool	⊕	⊖	10.5
Temp control switch position	Terminal No.			Voltage V												
	2	1														
Full cool → Full warm	⊖	⊕	Approx.													
Full warm → Full cool	⊕	⊖	10.5													
Yes or No																
Yes	▶	Replace air mix door motor.														
No	▶	GO TO 3.														

3 CHECK CIRCUIT

1. Disconnect EATC unit and air mix door motor harness connectors.
2. Check circuit continuity between EATC unit harness terminal 2 (3) and air mix door harness terminal 1 (2).



Continuity should exist.

3. Also, check harness for short.

AHA223A

OK or NG

OK	▶	Replace EATC unit.
NG	▶	Repair harness or connector.

TROUBLE DIAGNOSES

AUTO

Air Mix Door (Cont'd)

AIR MIX DOOR MOTOR CIRCUIT (EATC SELF-DIAGNOSIS CODE 26 OR 27)

=NDHA0223

SYMPTOM:

- Air mix door motor PBR circuit is open or shorted. (26 or 27 is indicated on the EATC unit as a result of conducting Self-diagnosis).

1	CHECK PBR CIRCUIT BETWEEN AIR MIX DOOR MOTOR AND EATC UNIT	
<p>1. Disconnect air mix door motor harness connector. 2. Do approximately 5 volts exist between air mix door motor harness terminal 5 and ground?</p>		
AHA224A		
Yes or No		
Yes	▶	GO TO 3.
No	▶	GO TO 2.

2	CHECK PBR VOLTAGE REFERENCE CIRCUIT	
<p>1. Disconnect EATC unit harness connector. 2. Check circuit continuity between air mix door motor harness terminal 5 and EATC unit harness terminal 20.</p>		
AHA226A		
Continuity should exist.		
3. Also, check harness for short.		
OK or NG		
OK	▶	Replace EATC unit.
NG	▶	Repair harness or connector.

GI
MA
EM
LC
EC
FE
AT
AX
SU
BR
ST
RS
BT
HA
SC
EL
IDX

3	CHECK PBR GROUND REFERENCE CIRCUIT
<ol style="list-style-type: none"> 1. Disconnect EATC unit harness connector. 2. Check circuit continuity between air mix door motor harness terminal 3 and EATC unit harness terminal 22. 	
<p style="color: blue;">Continuity should exist.</p> <p>3. Also, check harness for short.</p> <p style="text-align: center;">OK or NG</p>	
OK	▶ GO TO 4.
NG	▶ Repair harness or connector.

AHA227A

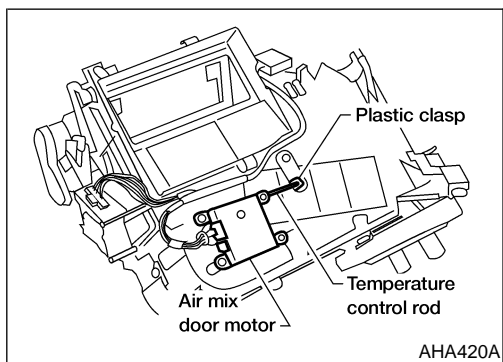
4	CHECK PBR CIRCUIT BETWEEN AIR MIX DOOR MOTOR AND EATC UNIT
<ol style="list-style-type: none"> 1. Reconnect EATC unit harness connector and air mix door motor harness connector. 2. Set temperature control switch to full warm. Do approximately 5 volts exist between air mix door motor harness terminal 4 and ground? 3. Set temperature control switch to full cool. Do approximately 0 volts exist between air mix door motor harness terminal 4 and ground? 	
Yes or No	
Yes	▶ GO TO 6.
No	▶ GO TO 5.

AHA228A

5	CHECK PBR CIRCUIT	
<p>1. Disconnect EATC unit and air mix door motor harness connectors. 2. Check circuit continuity between air mix door motor harness terminal 4 and EATC unit harness terminal 21.</p>		
<p style="color: blue;">Continuity should exist.</p> <p>3. Also, check harness for short.</p>		
OK or NG		
OK	▶	Replace EATC unit.
NG	▶	Repair harness or connector.

AHA229A

6	CHECK PBR	
Refer to HA-48.		
OK or NG		
OK	▶	Replace EATC unit.
NG	▶	Replace air mix door motor (PBR).



AHA420A

CONTROL LINKAGE ADJUSTMENT Air Mix Door

NDHA0224

NDHA0224S01

Before adjusting, push temperature control rod fully forward to front of vehicle. Note position of clasp.

- 1) Install air mix door motor on heater unit and connect it to the air mix door motor harness.
- 2) Turn ignition switch ON.
- 3) Press the temperature control switch until 16°C (60°F) is displayed.
- 4) Move the air mix door by hand to maximum cold position (door completely covers heater core) and hold it.
- 5) While holding the air mix door, adjust the length of temperature control rod and connect it to the air mix door lever.
- 6) Check that air mix door operates properly when temperature control switch is set from 16 to 32°C (60 to 90°F).

Intake Door

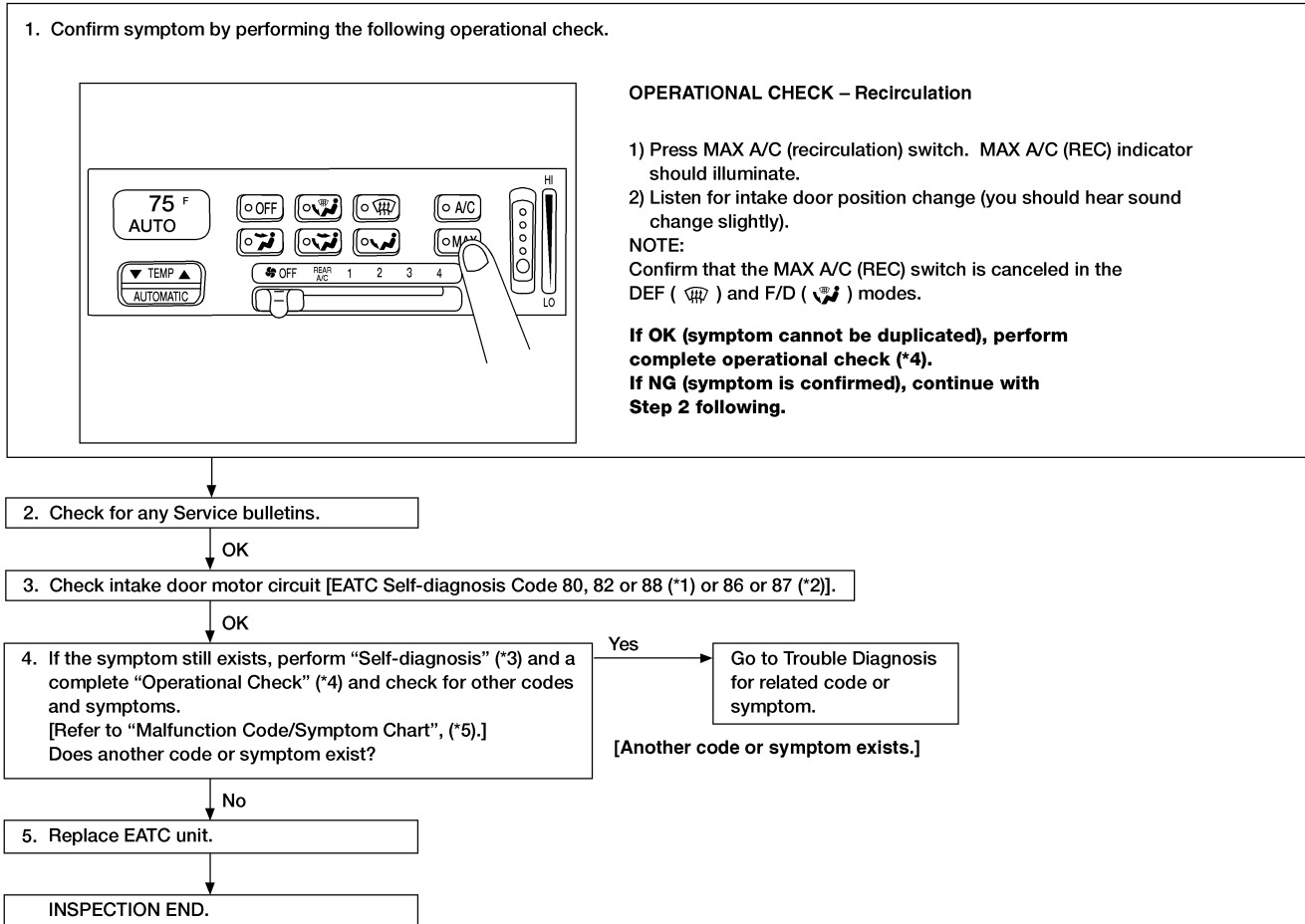
TROUBLE DIAGNOSIS PROCEDURE FOR INTAKE DOOR MOTOR

=NDHA0113

Symptom:

- Intake door does not operate normally.

Inspection Flow



WHA011

*1: HA-58
*2: HA-60

*3: HA-39
*4: HA-36

*5: HA-40

CONTROL SYSTEM OUTPUT COMPONENTS

Intake Door Control (Automatic Temperature Control)

NDHA0115

NDHA0115S03

NDHA0115S0301

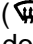

Component Parts

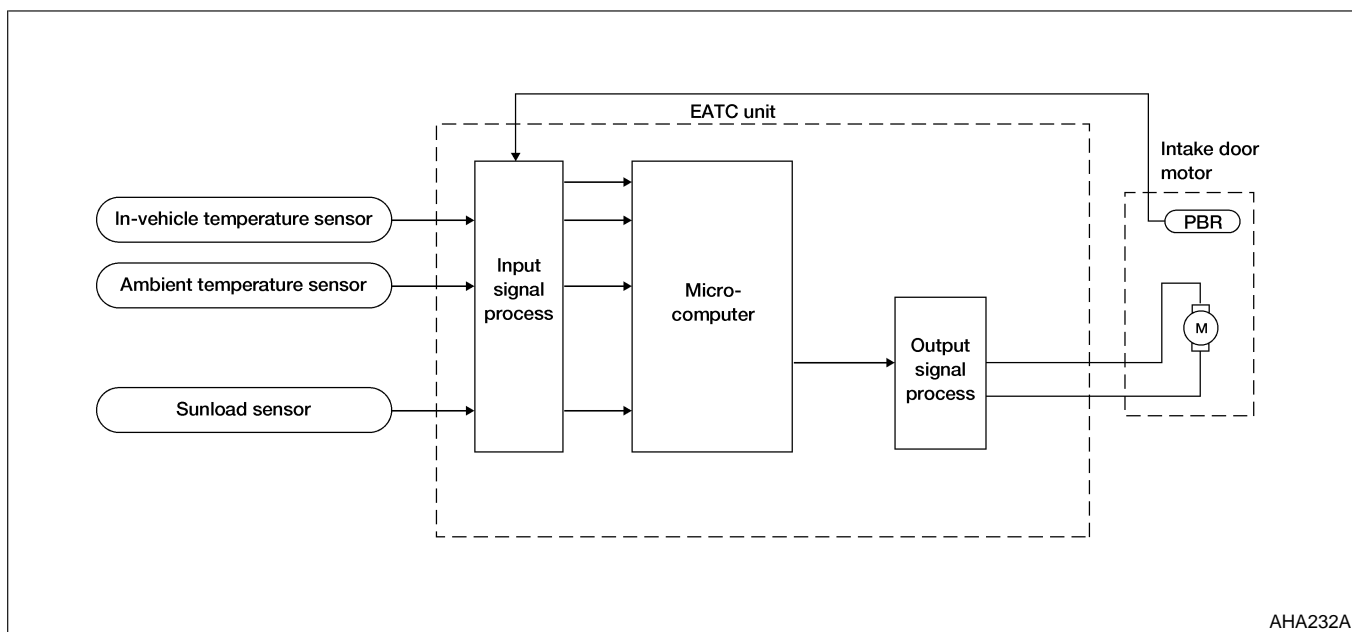
Intake door control system components are:

- 1) EATC unit
- 2) Intake door motor
- 3) PBR
- 4) In-vehicle temperature sensor
- 5) Ambient temperature sensor
- 6) Sunload sensor.

System Operation

NDHA0115S0302

When AUTOMATIC mode is selected, the EATC unit determines intake door position based on the ambient temperature, in-vehicle temperature and sunload. When the DEF () or F/D () switch is pushed, the EATC unit sets the intake door to the FRESH position.



GI

MA

EM

LC

EC

FE

AT

AX

SU

BR

ST

RS

BT

HA

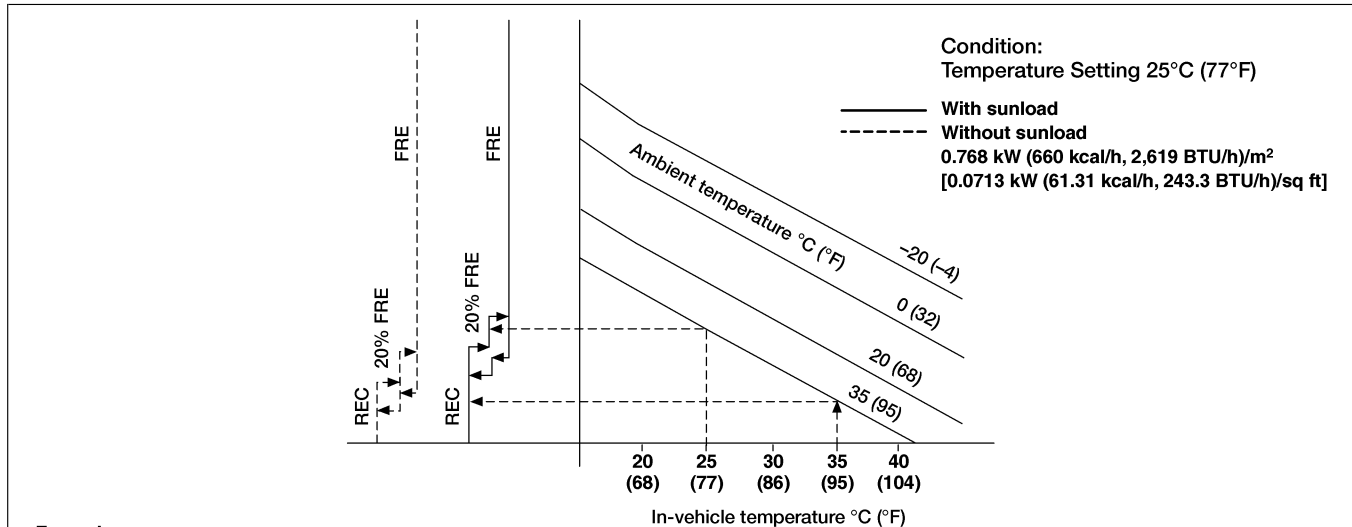
SC

EL

IDX

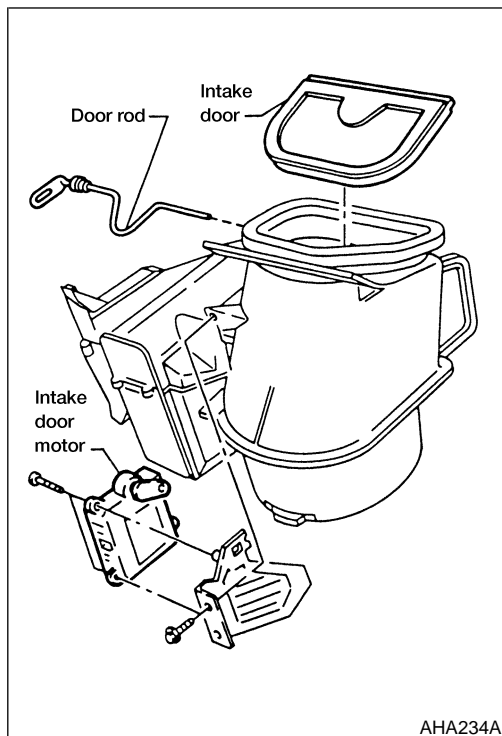
Intake Door Control Specification

NDHA0115S0303


Example:

- If temperature setting is set at 25°C (77°F) under no sunload condition when ambient and in-vehicle temperatures are 35°C (95°F), intake door is set automatically at MAX A/C (REC) position to make in-vehicle temperature cool down efficiently.
- In-vehicle temperature will lower and when 25°C (77°F) is reached, intake door will shift to 20% FRE position.

AHA233A

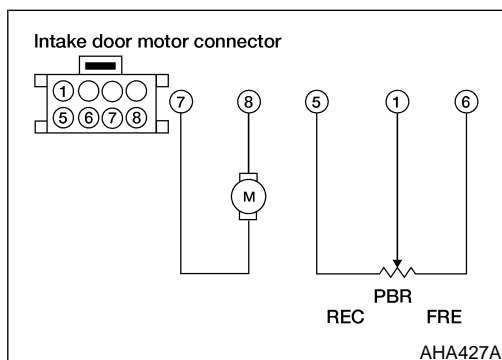


AHA234A

Intake Door Motor

NDHA0115S01

The intake door motor is attached to the intake unit. It rotates so that air is drawn from inlets set by the EATC unit. Motor rotation is conveyed to a rod which activates the intake door.

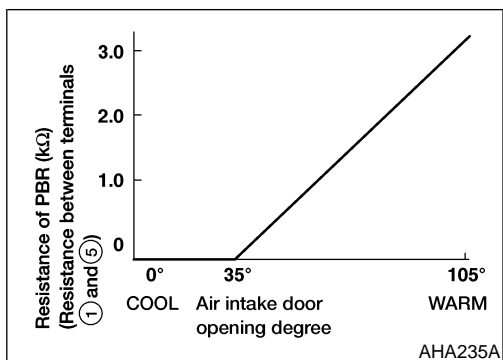


AHA427A

Intake Door Motor Operation

NDHA0115S0101

8	7	Intake door operation	Movement of link rotation
+	-	REC → FRE	Counterclockwise
-	-	STOP	STOP
-	+	FRE → REC	Clockwise



PBR Characteristics

NDHA0115S02

Measure resistance between terminals **1** and **5** at vehicle harness side.

GI

MA

EM

LC

EC

FE

AT

AX

SU

BR

ST

RS

BT

HA

SC

EL

IDX

INTAKE DOOR MOTOR CIRCUIT (EATC SELF-DIAGNOSIS CODE 80, 82, OR 88)

=NDHA0037

SYMPTOM:

- Intake door does not operate normally. (80, 82, or 88 is indicated on the EATC unit as a result of conducting Self-diagnosis).

1	CHECK PBR OPERATION
Perform Self-diagnosis, HA-39.	
Does code 85 or 87 occur?	
Yes	▶ Check PBR circuit. Go to Intake Door Motor Circuit (EATC Self-Diagnosis Code 85 or 87). Refer to HA-60.
No	▶ GO TO 2.

2	CHECK FOR OUTPUT OF EATC UNIT													
Do approximately 10.5 volts exist between intake door motor harness terminals 7 and 8 when you press MAX A/C switch ON or OFF?														
AHA236A														
<table border="1" style="margin: auto; border-collapse: collapse;"> <thead> <tr> <th rowspan="2">MAX A/C switch position</th> <th colspan="2">Terminal No.</th> <th rowspan="2">Voltage V</th> </tr> <tr> <th>7</th> <th>8</th> </tr> </thead> <tbody> <tr> <td style="text-align: center;">ON</td> <td style="text-align: center;">⊕</td> <td style="text-align: center;">⊖</td> <td rowspan="2" style="text-align: center;">Approx. 10.5</td> </tr> <tr> <td style="text-align: center;">OFF</td> <td style="text-align: center;">⊖</td> <td style="text-align: center;">⊕</td> </tr> </tbody> </table>		MAX A/C switch position	Terminal No.		Voltage V	7	8	ON	⊕	⊖	Approx. 10.5	OFF	⊖	⊕
MAX A/C switch position	Terminal No.		Voltage V											
	7	8												
ON	⊕	⊖	Approx. 10.5											
OFF	⊖	⊕												
AHA237A														
Yes or No														
Yes	▶ Replace intake door motor.													
No	▶ GO TO 3.													

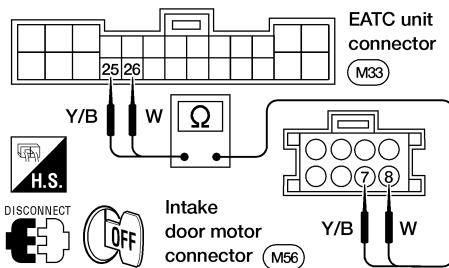
TROUBLE DIAGNOSES

AUTO

Intake Door (Cont'd)

3 CHECK CIRCUIT

1. Disconnect EATC unit and intake door motor harness connectors.
2. Check circuit continuity between EATC unit harness terminal 25 (26) and intake door motor harness terminal 7 (8).



Continuity should exist.

3. Also, check harness for short.

OK or NG

AHA238A

OK	▶	Replace EATC unit.
NG	▶	Repair harness or connector.

GI

MA

EM

LC

EC

FE

AT

AX

SU

BR

ST

RS

BT

HA

SC

EL

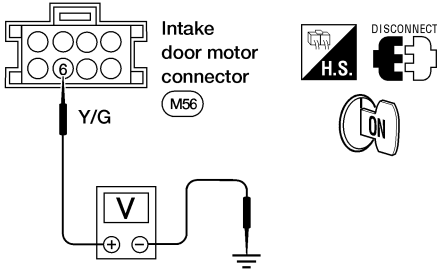
IDX

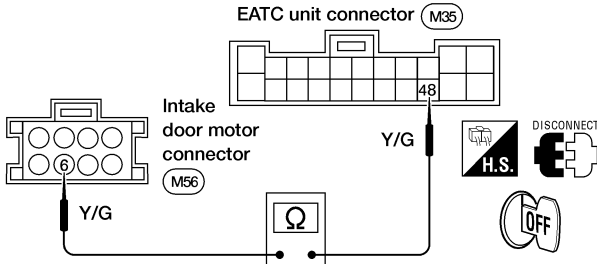
INTAKE DOOR MOTOR CIRCUIT (EATC SELF-DIAGNOSIS CODE B 6 OR B 7)

=NDHA0225

SYMPTOM:

- Intake door motor PBR circuit is open or shorted. (B 6 or B 7 is indicated on the EATC unit as a result of conducting Self-diagnosis).

1	CHECK PBR CIRCUIT BETWEEN INTAKE DOOR MOTOR AND EATC UNIT
1. Disconnect intake door motor harness connector. 2. Do approximately 5 volts exist between intake door motor harness terminal 6 and ground?	
	
AHA239A	
Yes or No	
Yes	▶ GO TO 3.
No	▶ GO TO 2.

2	CHECK PBR VOLTAGE REFERENCE CIRCUIT
1. Disconnect EATC unit harness connector. 2. Check circuit continuity between intake door motor harness terminal 6 and EATC unit harness terminal 48.	
	
AHA240A	
Continuity should exist.	
3. Also, check harness for short.	
OK or NG	
OK	▶ Replace EATC unit.
NG	▶ Repair harness or connector.

TROUBLE DIAGNOSES

AUTO

Intake Door (Cont'd)

GI

MA

EM

LC

EC

FE

AT

AX

SU

BR

ST

RS

BT

HA

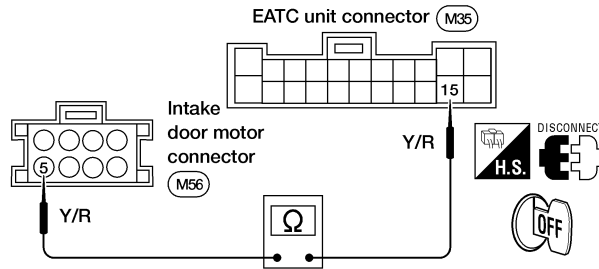
SC

EL

IDX

3 CHECK PBR GROUND REFERENCE CIRCUIT

1. Disconnect EATC unit harness connector.
2. Check circuit continuity between intake door motor harness terminal 5 and EATC unit harness terminal 15.



AHA241A

Continuity should exist.

3. Also, check harness for short.

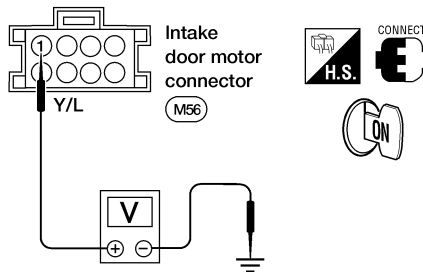
OK or NG

OK ► GO TO 4.

NG ► Repair harness or connector.

4 CHECK PBR CIRCUIT BETWEEN INTAKE DOOR MOTOR AND EATC UNIT

1. Reconnect EATC unit harness connector and intake door motor harness connector.
2. Press MAX A/C switch ON.
Do approximately 5 volts exist between intake door motor harness terminal 1 and ground?
3. Press MAX A/C switch OFF.
Do approximately 0 volts exist between intake door motor harness terminal 1 and ground?

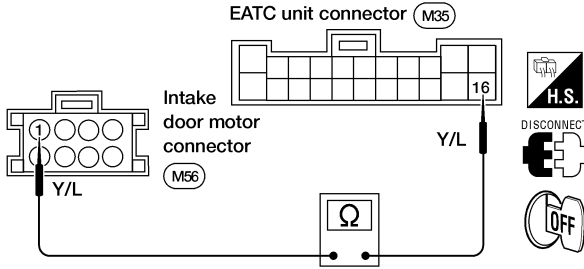


AHA242A

Yes or No

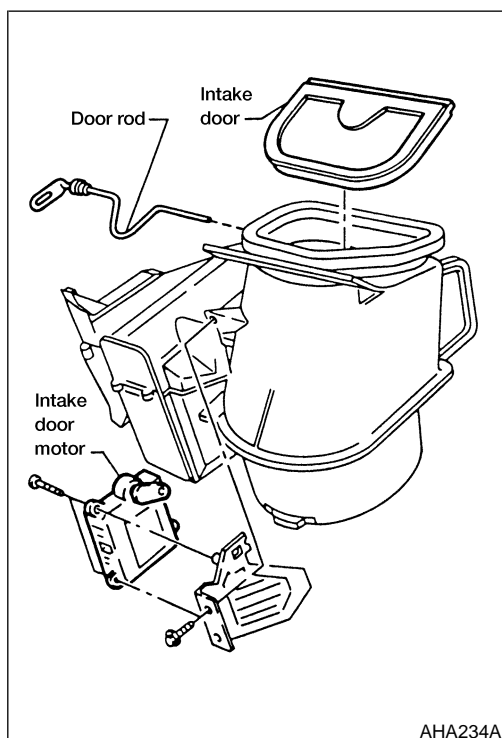
Yes ► GO TO 6.

No ► GO TO 5.

5	CHECK PBR CIRCUIT	<p>1. Disconnect EATC unit harness connector.</p> <p>2. Check circuit continuity between intake door motor harness terminal 1 and EATC unit harness terminal 16.</p>	
			
		<p>Continuity should exist.</p> <p>3. Also, check harness for short.</p>	
		OK or NG	
OK	▶	Replace EATC unit.	
NG	▶	Repair harness or connector.	

AHA243A

6	CHECK PBR	Refer to HA-57.	
		OK or NG	
OK	▶	Replace EATC unit.	
NG	▶	Replace intake door motor (PBR).	



AHA234A

CONTROL LINKAGE ADJUSTMENT Intake Door

NDHA0129

NDHA0129S02

1. Connect the intake door motor harness connector before installing the intake door motor.
2. Turn ignition switch to ON.
3. Select MAX A/C (REC) mode.
4. Install the intake door lever and the intake door motor.
5. Set the intake door rod in MAX A/C (REC) position and fasten door rod to holder.
6. Check that intake door operates properly when MAX A/C (REC) mode is selected.

Mode Door Motor

TROUBLE DIAGNOSIS PROCEDURE FOR MODE DOOR MOTOR

=NDHA0226

Symptom:

- Mode door does not operate normally.

Inspection Flow

GI

MA

EM

LC

EC

FE

AT

AX

SU

BR

ST

RS

BT

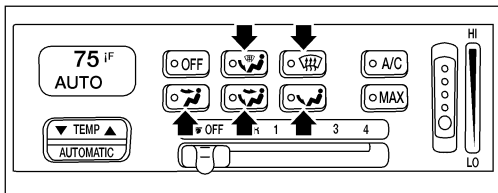
HA

SC

EL

IDX

1. Confirm symptom by performing the following operational check.



OPERATIONAL CHECK – Discharge air

1) Press mode switches.

2) Confirm that discharge air comes out according to the air distribution table at left. Refer to "Discharge Air Flow" in "DESCRIPTION" (*6).

Mode control knob	Air outlet/distribution		
	Face	Foot	Defroster
	94%	6%	-
	48%	52%	-
	-	75%	25%
	-	55%	45%
	-	9%	91%

If OK (symptom cannot be duplicated), perform complete operational check (*4).

If NG (symptom is confirmed), continue with Step 2 following.

2. Check for any Service bulletins.

OK

3. Check mode door motor circuit [EATC Self-diagnosis Code 90, 92 or 98 (*1)] or mode switch button [EATC Self-diagnosis Code 60 (*2)].

OK

4. If the symptom still exists, perform "Self-diagnosis" (*3) and a complete "Operational Check" (*4) and check for other codes and symptoms. [Refer to "Malfunction Code/Symptom Chart", (*5).] Does another code or symptom exist?

Yes

Go to Trouble Diagnosis for related code or symptom.

[Another code or symptom exists.]

No

5. Replace EATC unit.

INSPECTION END.

*1: HA-66
*2: HA-70

*3: HA-39
*4: HA-36

*5: HA-40
*6: HA-26

WHA264

CONTROL SYSTEM OUTPUT COMPONENTS**Mode Door Control (Automatic Temperature Control)**

NDHA0256

NDHA0256S01

Component Parts

NDHA0256S0101

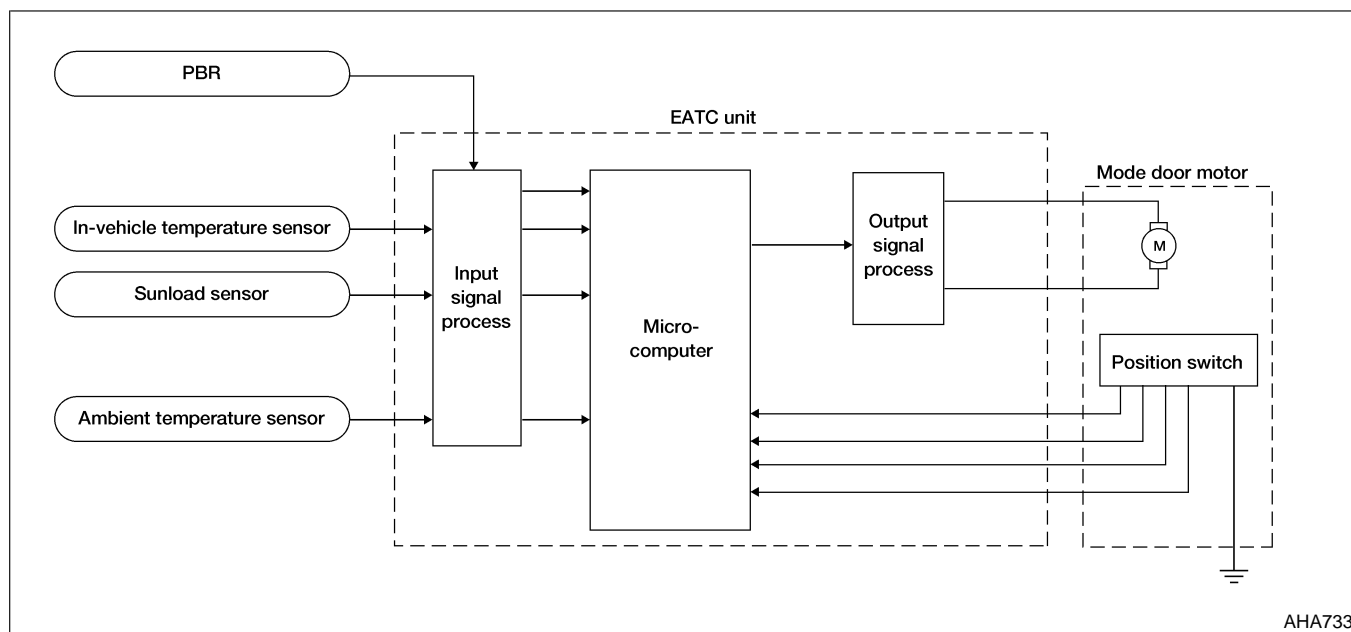
Mode door control system components are:

- 1) EATC unit
- 2) Mode door motor
- 3) PBR
- 4) In-vehicle temperature sensor
- 5) Ambient temperature sensor
- 6) Sunload sensor

System Operation

NDHA0256S0102

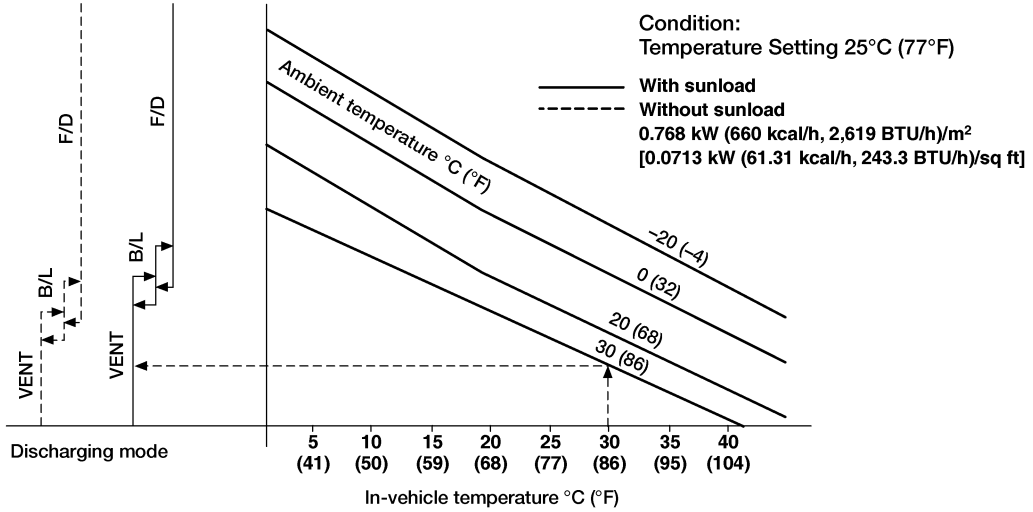
The EATC unit computes the air discharge conditions according to the ambient temperature and the in-vehicle temperature. The computed discharge conditions are then corrected for sunload to determine through which outlets air will flow into the passenger compartment.



AHA733

Mode Door Control Specification

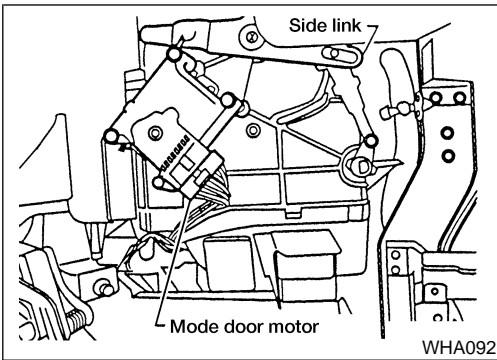
NDHA0256S0103



Example:

- If temperature setting is set at 25°C (77°F) under no sunload condition when ambient and in-vehicle temperatures are 30°C (86°F), mode door is set automatically at VENT position.

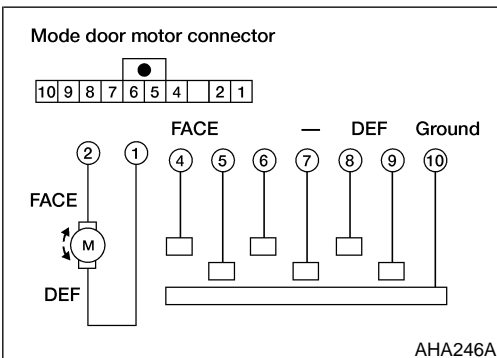
AHA245A



Mode Door Motor

NDHA0256S02

The mode door motor is attached to the heater unit. It rotates so that air is discharged from the outlet set by the EATC unit. Motor rotation is conveyed to a link which activates the mode door.



Mode Door Motor Operation

NDHA0256S0201

1	2	Mode door operation	Movement of link rotation
+	-	FACE → DEF	Clockwise
-	-	STOP	STOP
-	+	DEF → FACE	Counterclockwise

GI

MA

EM

LC

EC

FE

AT

AX

SU

BR

ST

RS

BT

HA

SC

EL

IDX


MODE DOOR MOTOR CIRCUIT (EATC SELF-DIAGNOSIS CODE 90, 92, OR 98)

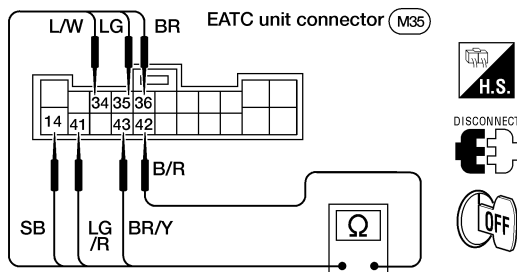
=NDHA0257

SYMPTOM:

- Mode door does not operate normally. (90, 92, or 98 is indicated on the EATC unit as a result of conducting Self-diagnosis).

1 CHECK MODE DOOR MOTOR POSITION SWITCH CIRCUIT-1

- Press FACE () switch ON with ignition switch at ON position.
- Turn ignition switch OFF.
Disconnect EATC unit connector.
- Check if continuity exists between terminal 35 or 41 and 42 of EATC unit harness connector.



AHA247A

- Using above procedures, check for continuity in any other mode, as indicated in chart.

Mode switch	Terminal No.		Continuity
	⊕	⊖	
FACE	35 or 41	42	Yes
B/L	14 or 41		
FOOT	14 or 36		
F/D	36 or 43		
DEF	34 or 43		

AHA248A

OK or NG

OK	▶	GO TO 6.
NG	▶	GO TO 2.


TROUBLE DIAGNOSES

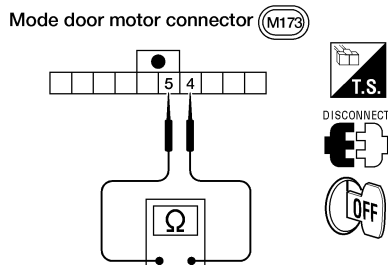
AUTO

Mode Door Motor (Cont'd)

GI
MA
EM
LC
EC
FE
AT
AX
SU
BR
ST
RS
BT
HA
SC
EL
IDX

2 CHECK MODE DOOR MOTOR POSITION SWITCH

1. Press FACE () switch ON with ignition switch at ON position.
2. Turn ignition switch OFF.
Disconnect mode door motor connector.
3. Check if continuity exists between terminals 4 or 5 and 10 of mode door motor connector.



AHA435A

4. Using above procedures, check for continuity in any other mode, as indicated in chart.

Mode switch	Terminal No.		Continuity
	⊕	⊖	
FACE	4 or 5	10	Yes
B/L	5 or 6		
FOOT	6 or 7		
F/D	7 or 8		
DEF	8 or 9		

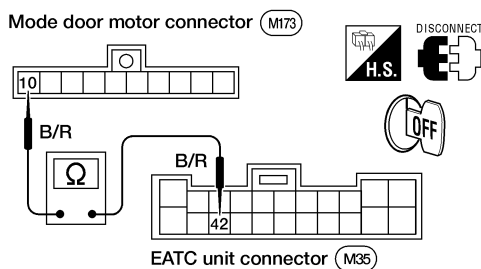
AHA436A

OK or NG

- | | | |
|----|---|----------|
| OK | ▶ | GO TO 3. |
| NG | ▶ | GO TO 5. |

3 CHECK GROUND CIRCUIT FOR MODE DOOR MOTOR

1. Disconnect mode door motor harness connector.
2. Check circuit continuity between mode door motor harness terminal 10 and EATC unit harness terminal 42.



AHA249A

Continuity should exist.

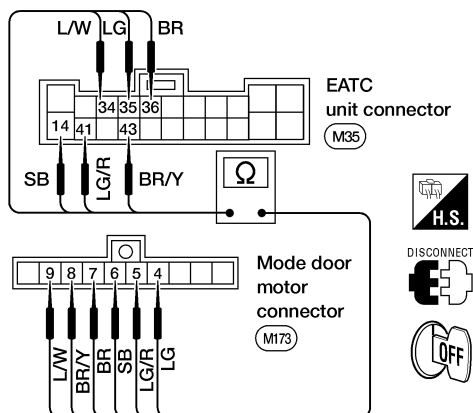
3. Also, check harness for short.

OK or NG

- | | | |
|----|---|------------------------------|
| OK | ▶ | GO TO 4. |
| NG | ▶ | Repair harness or connector. |

4 CHECK MODE DOOR MOTOR POSITION SWITCH CIRCUIT-2

1. Check circuit continuity between each terminal on EATC unit and mode door motor.



AHA250A

Terminal No.		Continuity
⊕	⊖	
EATC unit	Mode door motor	Yes
35	4	
41	5	
14	6	
36	7	
43	8	
34	9	

AHA251A

Continuity should exist.

2. Also, check harness for short.

OK or NG

OK	▶	Check intermittent incident. Refer to GI-23 , "Incident Simulation Test".
NG	▶	Repair harness or connector.

5 CHECK MODE DOOR LINKAGE

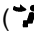



Refer to HA-71.

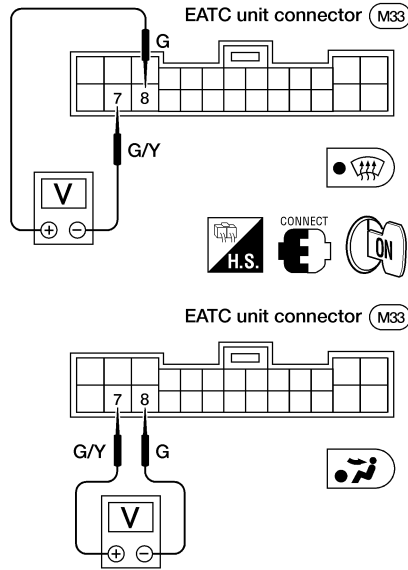
OK or NG

OK	▶	Replace mode door motor.
NG	▶	Repair/adjust as necessary.

GI
MA
EM
LC
EC
FE
AT
AX
SU
BR
ST
RS
BT

6 CHECK FOR OUTPUT OF EATC UNIT

1. Reconnect EATC unit harness connector.
2. Do approximately 12 volts exist between EATC unit harness terminal 7 and 8 when mode is switched from FACE () to DEF () or when mode is switched from DEF () to FACE ()?



AHA252A

Terminal No.		Mode door motor	
7	8	Mode door operation	Voltage V
—	—	Stop	—
⊖	⊕	FACE → DEF	12
⊕	⊖	DEF → FACE	12

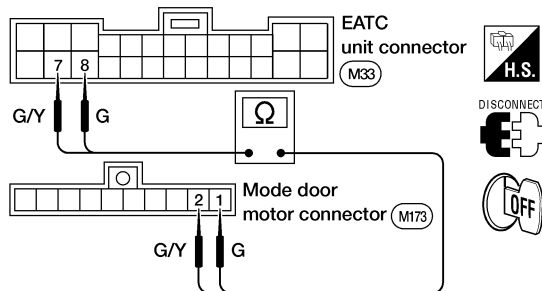
AHA253A

Yes or No

Yes	▶	Replace mode door motor.
No	▶	GO TO 7.

7 CHECK OUTPUT CIRCUIT OF EATC UNIT

Check circuit continuity between EATC unit harness terminal 7 (8) and mode door motor harness terminal 2 (1).



Continuity should exist.

AHA437A

OK or NG

OK	▶	Replace EATC unit.
NG	▶	Repair harness or connectors.

HA
SC
EL
IDX

TROUBLE DIAGNOSES

AUTO

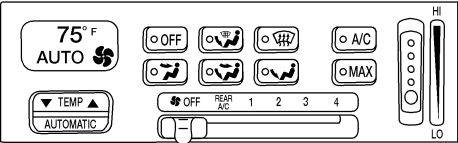
Mode Door Motor (Cont'd)

MODE SWITCH BUTTON (EATC SELF-DIAGNOSIS CODE 60)

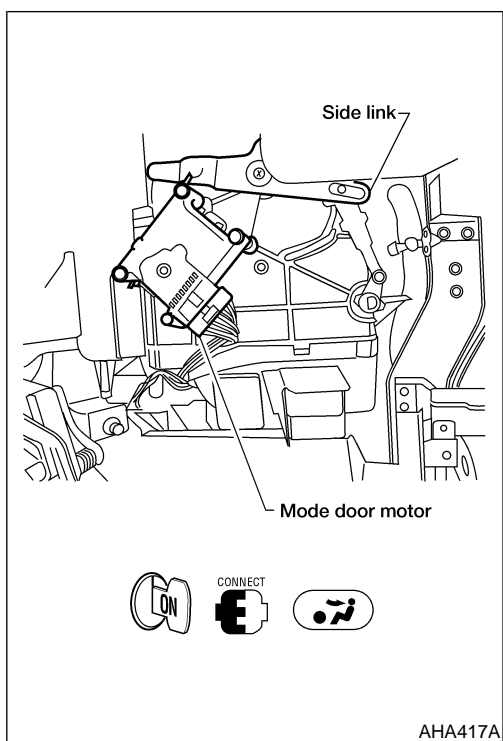
NDHA0258

SYMPTOM:

- Mode switch button is stuck. (60 is indicated on the EATC unit as a result of conducting Self-diagnosis.

1	CHECK MODE SWITCH BUTTON	
<p>Check that each mode switch does not stick when pressed.</p> <div style="text-align: center; margin: 20px 0;">  </div> <p style="text-align: right;">WHA065</p> <p style="text-align: center; margin-top: 20px;">OK or NG</p>		
OK	▶	GO TO 2.
NG	▶	Replace EATC unit.

2	REPEAT SELF-DIAGNOSIS	
<p>1. Erase malfunction code. 2. Perform Self-diagnosis. Refer to HA-39.</p> <p style="text-align: center; margin-top: 10px;">Does code 60 occur?</p>		
Yes	▶	Replace EATC unit.
No	▶	INSPECTION END



AHA417A

CONTROL LINKAGE ADJUSTMENT

=NDHA0259

Mode Control Cable

NDHA0259S01

1. Move side link by hand and hold mode door in DEF (☰) mode.
2. Install mode door motor on heater unit and connect it to body harness.
3. Turn ignition switch ON.
4. Select DEF (☰) mode.
5. Attach mode door motor rod to side link rod holder.
6. Select FACE (☶) mode. Check that side link operates at the fully-open position. Then select DEF (☰) mode and check that side link operates at the fully-open position.

GI

MA

EM

LC

EC

FE

AT

AX

SU

BR

ST

RS

BT

HA

SC

EL

IDX

Front Blower Motor

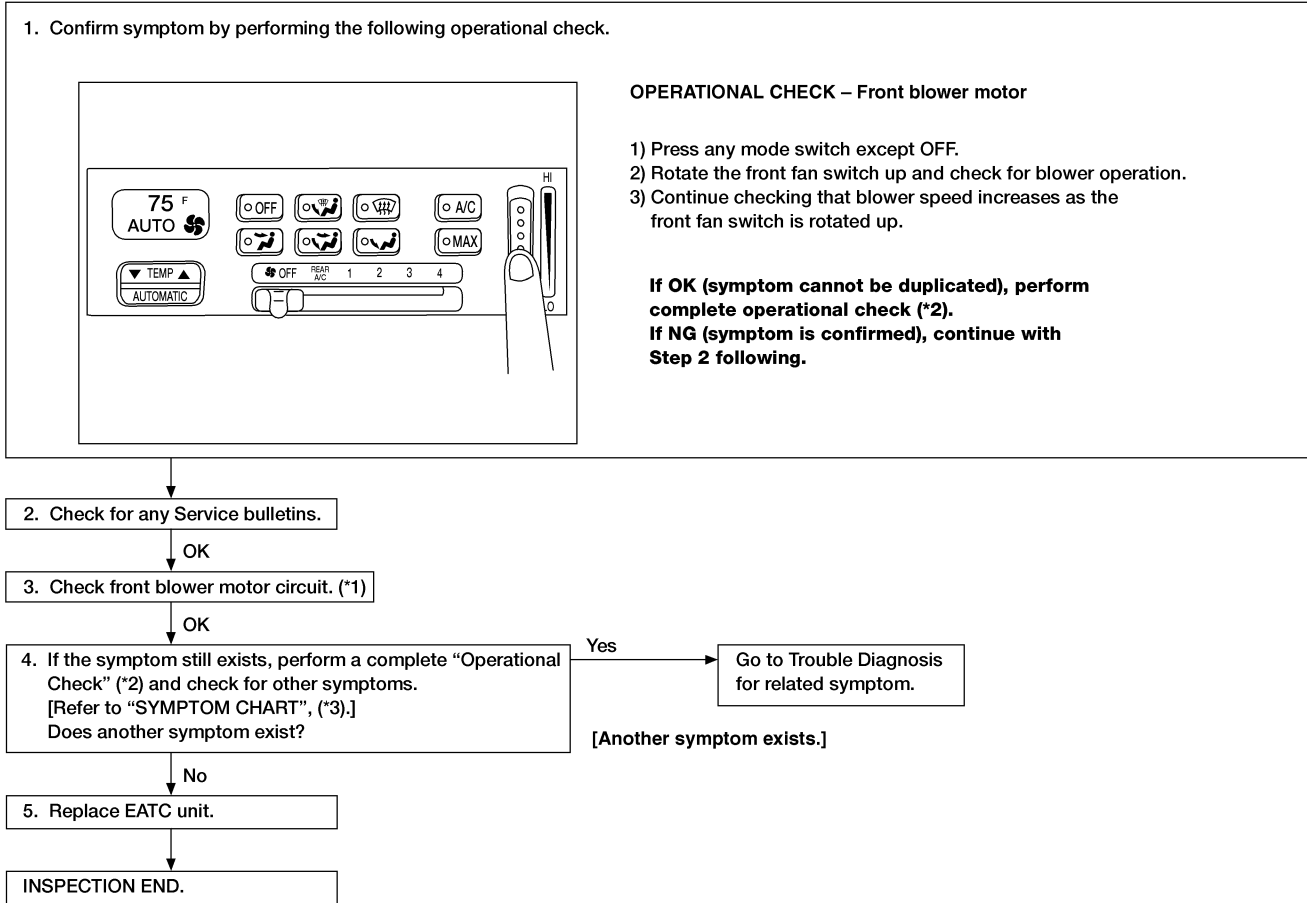
TROUBLE DIAGNOSIS PROCEDURE FOR FRONT BLOWER MOTOR

=NDHA0117

Symptom:

- Front blower motor does not rotate.

Inspection Flow



*1: HA-76

*2: HA-36

*3: HA-41

CONTROL SYSTEM OUTPUT COMPONENTS

-NDHA0118

Front Fan Speed Control

NDHA0118S06

Component Parts

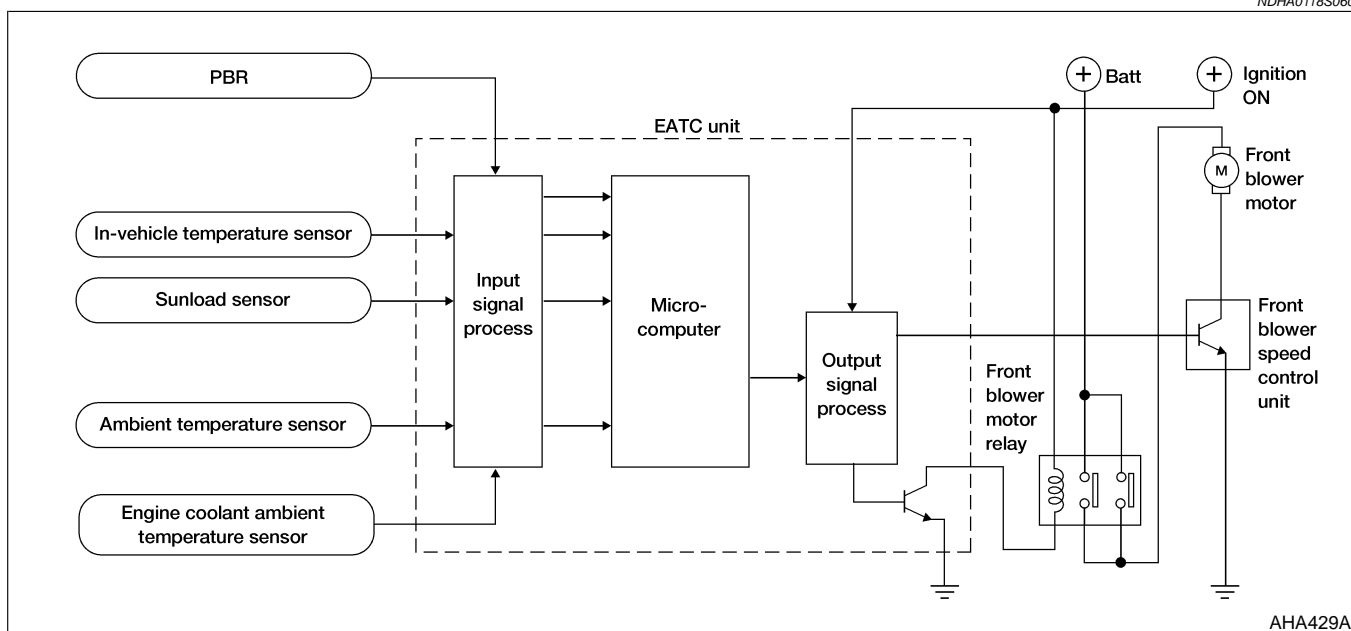
NDHA0118S0601

Front fan speed control system components are:

- 1) EATC unit
- 2) Front blower speed control unit
- 3) PBR
- 4) In-vehicle temperature sensor
- 5) Ambient temperature sensor
- 6) Sunload sensor
- 7) Front blower motor relay
- 8) Engine coolant ambient temperature sensor
- 9) Front blower motor

System Operation

NDHA0118S0602



Automatic Mode

NDHA0118S02

In the automatic mode, the front blower motor speed is calculated by the EATC unit based on inputs from the PBR, in-vehicle temperature sensor, sunload sensor, ambient temperature sensor, and engine coolant ambient temperature sensor. The blower motor applied voltage ranges from approximately 4.5 volts (lowest speed) to 12 volts (highest speed).

To control blower speed, the EATC unit supplies a signal to the front blower speed control unit. Based on this signal, the front blower speed control unit controls the current flow from the blower motor to ground.

Starting Fan Speed Control

NDHA0118S03

Start Up From "COLD SOAK" Condition (Automatic Mode)

NDHA0118S0301

When the engine coolant temperature is below 50°C (122°F), the front blower will operate at a minimum voltage of (6V) and the DEF mode will be selected by the EATC unit. This operating mode will continue approximately 180 seconds under low ambient conditions. When engine coolant temperature reaches 50°C (122°F) the system goes to FOOT mode and the blower speed slowly increases to the required speed based on coolant temperature.

Start Up From Normal or "HOT SOAK" Condition (Automatic Mode)

NDHA0118S0303

The EATC unit should remain at the same setting as it was when the ignition switch is turned OFF. The front blower will begin operation momentarily after the AUTOMATIC button is pushed. The blower speed will gradually rise to the objective speed over a time period of 5 seconds or less (actual time depends on the objective blower speed).

Blower Speed Compensation Sunload

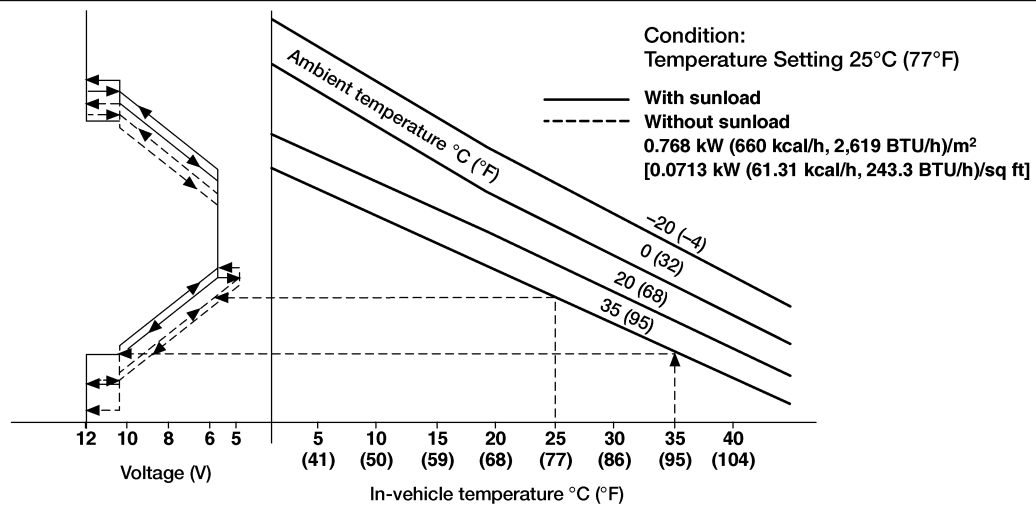
NDHA0118S05

NDHA0118S0501

When the in-vehicle temperature and the set temperature are very close, the front blower will operate at low speed. The low speed varies depending on the sunload. During conditions of high sunload, the front blower low speed is "normal" low speed (approx. 5.5V). During lesser sunload conditions, the low speed will drop to low speed (approx. 4.5V).

Fan Speed Control Specification

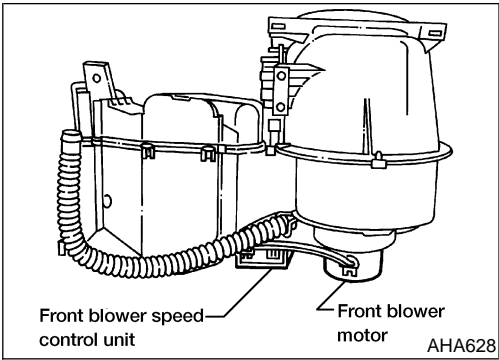
NDHA0118S0502



Example:

- If temperature setting is set at 25°C (77°F) under no sunload condition when ambient and in-vehicle temperatures are 35°C (95°F), blower motor voltage is approx. 10.5 volts.
- When ambient temperature is 35°C (95°F) and in-vehicle temperature is reduced to 25°C (77°F) under the same condition above, blower motor voltage is approx. 6 volts.

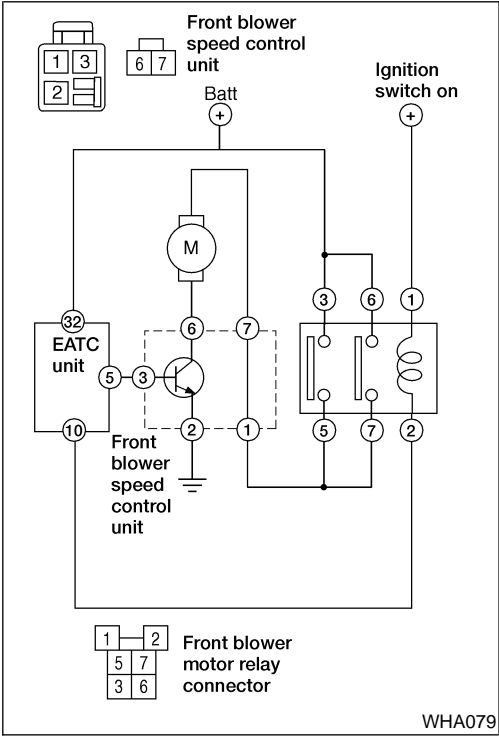
AHA256A



Front Blower Speed Control Unit

NDHA0118S04

The front blower speed control unit is located on the cooling unit. It amplifies a 11-step base current flowing from the EATC unit to change the blower speed within the range of 4.5V to 12V.



GI

MA

EM

LC

EC

FE

AT

AX

SU

BR

ST

RS

BT

HA

SC

EL

IDX

FRONT BLOWER MOTOR CIRCUIT

=NDHA0033

Symptom:

- Front blower motor does not rotate.

1	CHECK FUSES		
Check 20A fuse (No. 28, located in the fuse block) and 20A fuse (No. 31, located in the fuse block). For fuse layout, refer to EL-10 "POWER SUPPLY ROUTING".			
Are fuses OK?			
Yes	▶	GO TO 2.	
No	▶	GO TO 7.	

2	CHECK FRONT BLOWER MOTOR POWER SUPPLY CIRCUIT		
1. Disconnect front blower motor harness connector. 2. Press any mode switch except OFF. 3. Set the fan switch to HI. 4. Check voltage between front blower motor harness terminal 2 and ground.			
Does battery voltage exist?			
Yes	▶	GO TO 13.	
No	▶	GO TO 3.	

AHA262A

3	CHECK FRONT BLOWER MOTOR RELAY		
Refer to HA-83.			
OK or NG			
OK	▶	GO TO 4.	
NG	▶	Replace front blower motor relay.	

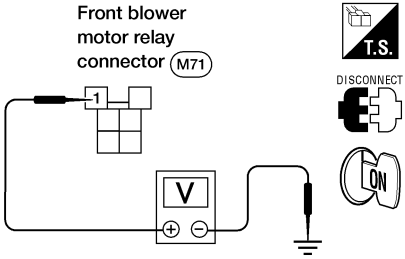
4	CHECK FRONT BLOWER MOTOR SYSTEM		
1. Reconnect front blower motor harness connector. 2. Turn the ignition key ON and press any mode switch except OFF. 3. Set the fan switch to HI. 4. Momentarily (no more than 4 seconds) connect a jumper wire between front blower motor relay connector M71 (body side) terminals 3 and 5.			
Does front blower motor rotate?			
Yes	▶	GO TO 5.	
No	▶	GO TO 9.	

AHA257A

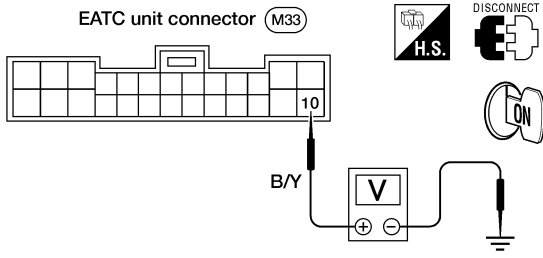
TROUBLE DIAGNOSES

AUTO

Front Blower Motor (Cont'd)

5	CHECK FRONT BLOWER MOTOR RELAY (COIL SIDE) POWER SUPPLY CIRCUIT	
<p>Do approximately 12 volts exist between front blower motor relay connector M71 (body side) terminal 1 and ground when ignition switch is turned ON?</p>		
		
AHA259A		
Yes or No		
Yes	▶	GO TO 6.
No	▶	<p>Check the following. If NG, repair harness or connector.</p> <ul style="list-style-type: none"> ● Harness connector M71 ● Harness for open or short between front blower motor relay and ignition switch

GI
MA
EM
LC
EC
FE
AT

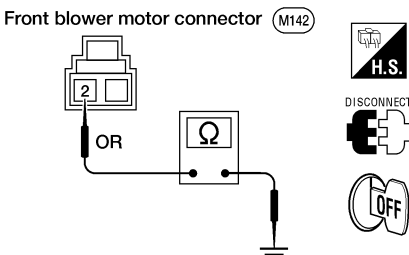
6	CHECK RELAY CONTROL POWER SUPPLY CIRCUIT	
<p>1. Reconnect front blower motor relay. 2. Disconnect EATC unit harness connector. 3. Check voltage between EATC unit harness terminal 10 and ground.</p>		
		
AHA258A		
Does battery voltage exist when ignition switch is turned ON?		
Yes	▶	Replace EATC unit.
No	▶	<p>Check the following. If NG, repair harness or connector.</p> <ul style="list-style-type: none"> ● Harness connector M33 ● Harness for open or short between front blower motor relay and EATC unit

AX
SU
BR
ST
RS
BT

HA
SC

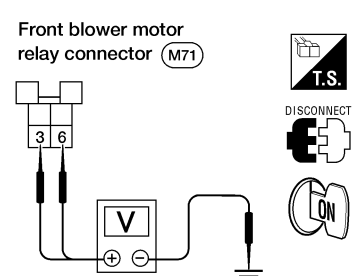
7	REPLACE FUSES	
<p>1. Replace fuses. 2. Activate the front blower motor system.</p>		
Do the fuses blow when the front blower motor is activated?		
Yes	▶	GO TO 8.
No	▶	INSPECTION END

EL
IDX

8	CHECK FRONT BLOWER MOTOR POWER SUPPLY CIRCUIT FOR SHORT	
1. Disconnect battery cable and front blower motor harness connector. 2. Check continuity between front blower motor harness terminal 2 and ground.		
		
Continuity should not exist.		
Does continuity exist?		
Yes	▶	Check the following. If NG, repair harness or connector. <ul style="list-style-type: none"> ● Harness connector M57, M141, and M142 ● Harness for open or short between front blower speed control unit and front blower motor or fuses
No	▶	Check front blower motor. Refer to HA-83. If necessary, clear intake unit. If OK, replace front blower motor.

AHA261A

9	CHECK FUSIBLE LINK	
Check 65A fusible link (letter c , located in the fuse and fusible link box). For fusible link layout, refer to "POWER SUPPLY ROUTING", <i>EL-12</i> .		
Is fusible link OK?		
Yes	▶	GO TO 10.
No	▶	GO TO 18.

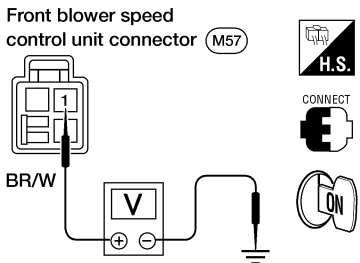
10	CHECK FRONT BLOWER MOTOR RELAY (SWITCH SIDE) POWER SUPPLY CIRCUIT	
Check voltage between front blower motor relay connector M71 (body side) terminals 3, 6 and ground.		
		
Does battery voltage exist?		
Yes	▶	GO TO 11.
No	▶	Check the following. If NG, repair harness or connectors. <ul style="list-style-type: none"> ● Harness connector M71 ● Harness for open or short between front blower motor relay and fusible link

AHA264A

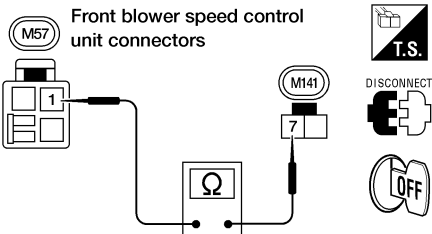
TROUBLE DIAGNOSES

AUTO

Front Blower Motor (Cont'd)

11	CHECK FRONT BLOWER SPEED CONTROL UNIT POWER SUPPLY CIRCUIT	
<p>1. Disconnect front blower speed control unit harness connector. 2. Press any mode switch except OFF.</p> <div style="text-align: center;">  </div> <p style="text-align: right;">AHA263A</p> <p>3. Check voltage between front blower speed control unit harness terminal 1 and ground.</p> <p style="text-align: center;">Does battery voltage exist?</p>		
Yes	▶	GO TO 12.
No	▶	<p>Check the following. If NG, repair harness or connectors.</p> <ul style="list-style-type: none"> ● Harness connectors M57 and M71 ● Harness for open or short between front blower motor relay and front blower speed control unit

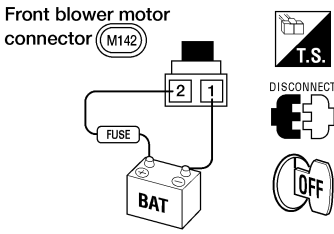
GI
 MA
 EM
 LC
 EC
 FE
 AT
 AX

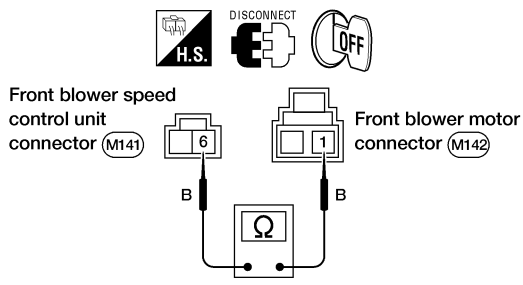
12	CHECK FRONT BLOWER SPEED CONTROL UNIT CIRCUIT (INTERNAL)	
<p>Check circuit continuity between front blower speed control unit terminals 1 and 7.</p> <div style="text-align: center;">  </div> <p style="text-align: right;">AHA260A</p> <p>Continuity should exist.</p> <p style="text-align: center;">OK or NG</p>		
OK	▶	<p>Check the following. If NG, repair harness or connectors.</p> <ul style="list-style-type: none"> ● Harness connectors M141 and M142 ● Harness for open or short between front blower speed control unit and front blower motor
NG	▶	Replace front blower speed control unit.

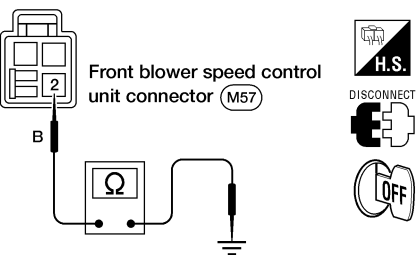
SU
 BR
 ST
 RS
 BT

HA
 SC
 EL

IDX

13	CHECK FRONT BLOWER MOTOR	
Does front blower motor rotate when 12 volts is applied to terminal 2 and ground to terminal 1?		
		
AHA265A		
Yes or No		
Yes	▶	GO TO 14.
No	▶	Replace front blower motor.

14	CHECK FRONT BLOWER MOTOR GROUND CIRCUIT	
1. Disconnect front blower speed control unit harness connector. 2. Check circuit continuity between front blower motor harness terminal 1 and front blower speed control unit harness terminal 6.		
		
AHA296A		
Continuity should exist.		
OK or NG		
OK	▶	GO TO 15.
NG	▶	Repair harness or connectors.

15	CHECK FRONT BLOWER SPEED CONTROL UNIT GROUND	
Check circuit continuity between front blower speed control unit harness terminal 2 and ground.		
		
AHA297A		
Continuity should exist.		
OK or NG		
OK	▶	GO TO 16.
NG	▶	Repair harness or connector.

16	CHECK FOR EATC UNIT OUTPUT										
<ol style="list-style-type: none"> 1. Reconnect front blower motor relay, front blower motor harness connector and front blower speed control unit harness connector. 2. Press any mode switch except OFF. 3. Check voltage between front blower speed control unit harness terminal 3 and ground. 											
AHA298A											
<table border="1" style="width: 100%; border-collapse: collapse;"> <thead> <tr> <th rowspan="2">Fan speed</th> <th colspan="2">Terminal No.</th> <th rowspan="2">Voltage</th> </tr> <tr> <th>⊕</th> <th>⊖</th> </tr> </thead> <tbody> <tr> <td>Low-high</td> <td>3</td> <td>Ground</td> <td>Approx. 1 - 3V</td> </tr> </tbody> </table>		Fan speed	Terminal No.		Voltage	⊕	⊖	Low-high	3	Ground	Approx. 1 - 3V
Fan speed	Terminal No.		Voltage								
	⊕	⊖									
Low-high	3	Ground	Approx. 1 - 3V								
AHA299A											
OK or NG											
OK	▶ Replace front blower speed control unit.										
NG	▶ GO TO 17.										

GI
MA
EM
LC
EC
FE
AT
AX
SU
BR
ST
RS
BT
HA
SC
EL
IDX

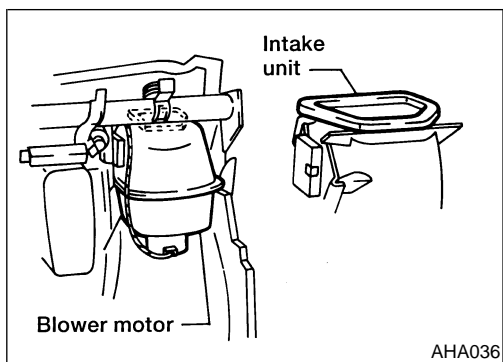
17	CHECK EATC UNIT OUTPUT CIRCUIT
<ol style="list-style-type: none"> 1. Disconnect EATC unit and front blower speed control unit connectors. 2. Check circuit continuity between EATC unit harness terminal 5 and front blower speed control unit harness terminal 3. 	
AHA300A	
OK or NG	
Continuity should exist.	
<ol style="list-style-type: none"> 3. Also, check harness for short. 	
OK	▶ Replace EATC unit.
NG	Check the following. If NG, repair harness or connectors. <ul style="list-style-type: none"> ● Harness connectors M33 and M57 ● Harness for open or short between front blower speed control unit and EATC unit

TROUBLE DIAGNOSES

AUTO

Front Blower Motor (Cont'd)

18	REPLACE FUSIBLE LINK
Replace fusible link. Does fusible link blow when the front blower motor system is activated? Yes or No	
Yes	▶ Check the following. If NG, repair harness or connectors. <ul style="list-style-type: none">● Harness connectors E102 and M2● Harness for open or short between front blower motor relay and fusible link
No	▶ INSPECTION END



ELECTRICAL COMPONENTS INSPECTION

=NDHA0042

Front Blower Motor

NDHA0042S02

Confirm smooth rotation of the front blower motor.

- Check that there are no foreign particles inside the intake unit.
- Check cabin air filter. Refer to "Cabin Air Filter", HA-139.

GI

MA

EM

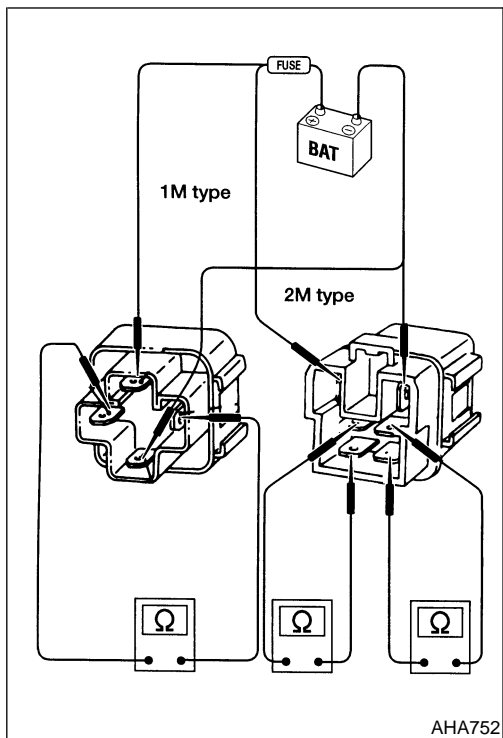
LC

EC

FE

AT

AX



Relays

NDHA0042S03

Check circuit continuity between terminals by supplying 12 volts and ground to coil side terminals of relays.

SU

BR

ST

RS

BT

HA

SC

EL

IDX

Memory Function

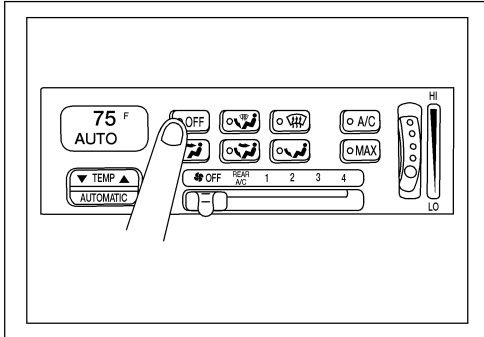
TROUBLE DIAGNOSIS PROCEDURE FOR MEMORY FUNCTION

SYMPTOM

=NDHA0273

- Memory Function does not operate.

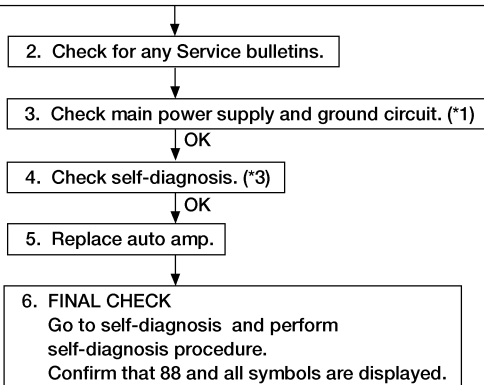
1. Confirm symptom by performing the following operational check.



OPERATIONAL CHECK - Memory function

- 1) Set the temperature 75°F or 25°C.
- 2) Press OFF switch.
- 3) Turn the ignition off.
- 4) Turn the ignition on.
- 5) Press the AUTOMATIC switch.
- 6) Confirm that the set temperature remains at previous temperature.
- 7) Press OFF switch.

If OK (symptom cannot be duplicated), perform complete operational check (*2).
If NG (symptom is confirmed), continue with Step 2 following.



WHA014

*1 HA-44

*2 HA-36

*3 HA-43

Rear Blower Motor

TROUBLE DIAGNOSIS PROCEDURE FOR REAR FAN SWITCH (FRONT)

=NDHA0228

Symptom:

- Rear blower motor does not rotate when rear fan switch (front) is set to REAR position.

Inspection Flow

GI

MA

EM

LC

EC

FE

AT

AX

SU

BR

ST

RS

BT

HA

SC

EL

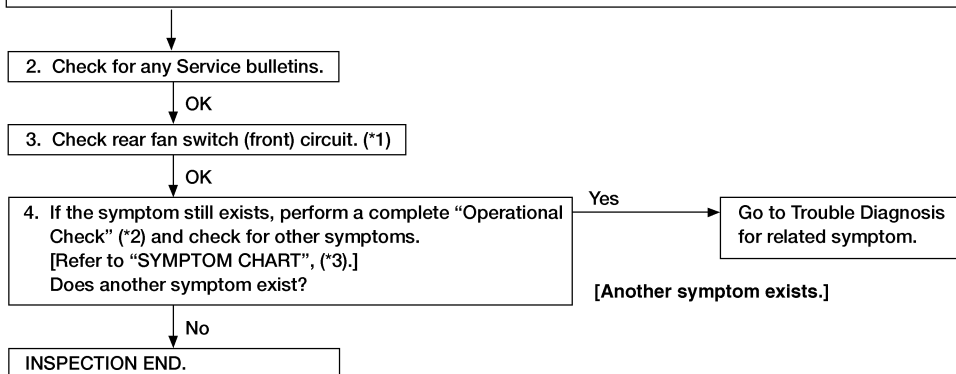
IDX

1. Confirm symptom by performing the following operational check.

OPERATIONAL CHECK – Rear blower motor

- 1) Press any mode switch except OFF.
- 2) Set the rear fan switch (front) to REAR position.
- 3) Turn the rear fan switch (rear) and check for rear blower operation.
- 4) Continue checking that rear blower speed increases as the rear fan switch (rear) is rotated clockwise.

**If OK (symptom cannot be duplicated), perform complete operational check (*2).
If NG (symptom is confirmed), continue with Step 2 following.**



*1 HA-87

*2 HA-36

*3 HA-41

FAN SPEED CONTROL

Component Parts

=NDHA0268

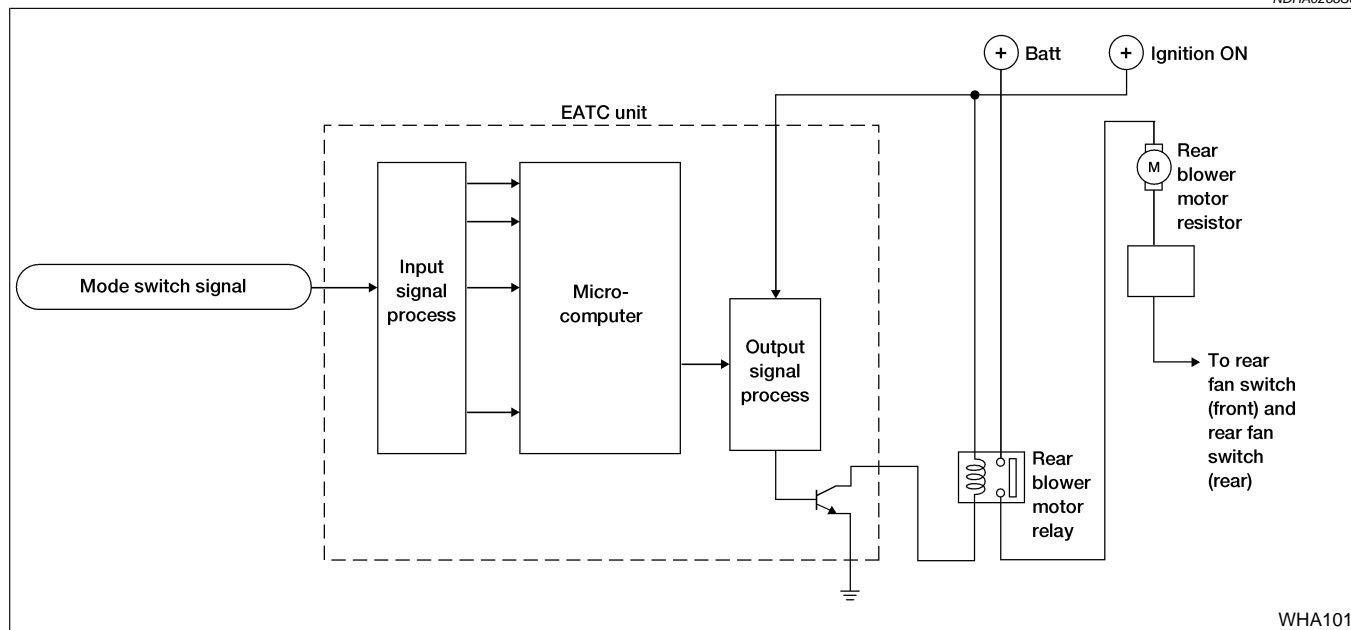
NDHA0268S01

Rear fan speed control system components are:

- 1) EATC unit
- 2) Rear fan switch (front)
- 3) Rear fan switch (rear)
- 4) Rear blower motor resistor
- 5) Rear blower motor
- 6) Rear blower motor relay

System Operation

NDHA0268S02



TROUBLE DIAGNOSES

AUTO

Rear Blower Motor (Cont'd)

REAR FAN SWITCH (FRONT) CIRCUIT

—NDHA0229

Symptom:

- Rear blower motor does not rotate when rear fan switch (front) is set to REAR position.

1	CHECK REAR BLOWER MOTOR OPERATION	
Does rear blower motor rotate normally when rear fan switch (front) is set at 1 - 4 speed?		
Yes or No		
Yes	▶	GO TO 2.
No	▶	Go to "Trouble Diagnosis Procedure for Rear Blower Motor (1 - 4 Speed)", HA-88.

2	CHECK REAR FAN SWITCH (FRONT)	
Refer to HA-96.		
OK or NG		
OK	▶	GO TO 3.
NG	▶	Replace rear fan switch (front).

3	CHECK REAR FAN SWITCH (REAR)	
Refer to HA-96.		
OK or NG		
OK	▶	GO TO 4.
NG	▶	Replace rear fan switch (rear).

4	CHECK CIRCUIT CONTINUITY	
1. Check continuity between rear fan switch (front) harness terminal 8 and rear fan switch (rear) terminal 6.		
<p>The diagram illustrates a continuity test setup. On the left, there are three icons: a hand with a lightning bolt (H.S.), a disconnected plug (DISCONNECT), and a switch in the OFF position. In the center, two terminal blocks are shown. The first is labeled 'Rear fan switch (front)' and has terminal 8 highlighted. The second is labeled 'Rear fan switch (rear)' and has terminal 6 highlighted. A continuity tester (represented by a box with the Greek letter Ω) is connected between terminal 8 and terminal 6. To the right of the diagram, the text 'Continuity should exist.' is written.</p>		
<p>Continuity should exist.</p> <p>2. Also, check harness for short.</p>		
OK or NG		
OK	▶	INSPECTION END
NG	▶	Repair harness or connectors.

WHA281

TROUBLE DIAGNOSIS PROCEDURE FOR REAR BLOWER MOTOR (1-4 SPEED)

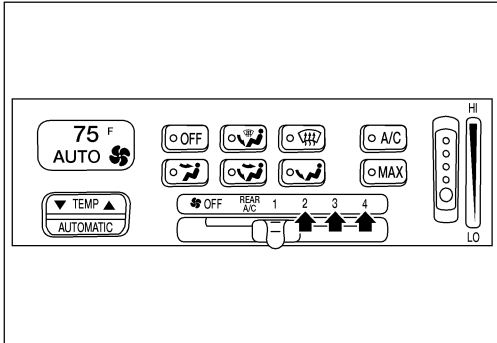
=NDHA0230

Symptom:

- Rear blower motor does not rotate when rear fan switch (front) is set at 1- 4 speed.

Inspection Flow

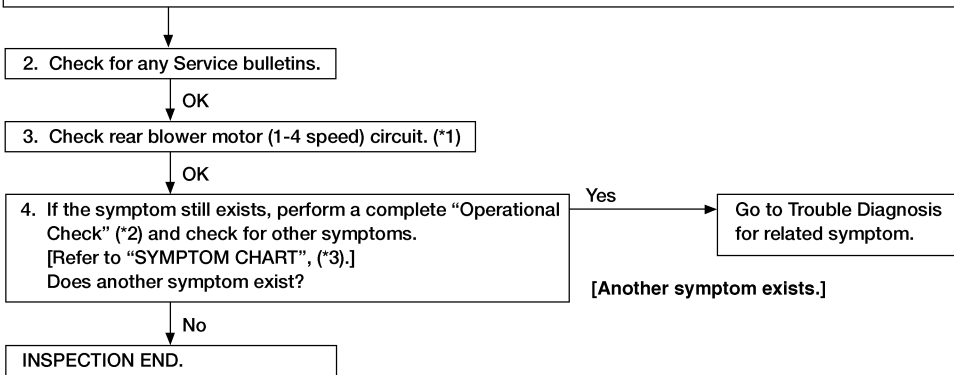
1. Confirm symptom by performing the following operational check.



OPERATIONAL CHECK – Rear blower motor

- 1) Press any mode switch except OFF.
- 2) Set the rear fan switch (front) to rear blower speed position 1 and check for rear blower operation.
- 3) Continue checking that rear blower speed increases as the rear fan switch (front) is set to rear blower speed positions 2-4 .

**If OK (symptom cannot be duplicated), perform complete operational check (*2).
If NG (symptom is confirmed), continue with Step 2 following.**



*1 HA-89

*2 HA-36

*3 HA-41

TROUBLE DIAGNOSES

AUTO

Rear Blower Motor (Cont'd)

REAR BLOWER MOTOR (1 - 4 SPEED) CIRCUIT

=NDHA0231

Symptom:

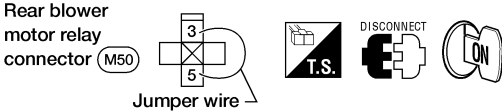
- Rear blower motor does not rotate when rear fan switch (front) is set at 1 - 4 speed.

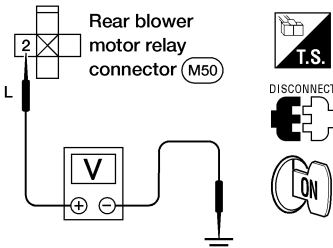
1	DIAGNOSTIC PROCEDURE	
Check if rear blower motor rotates properly at each fan speed.		
Does not rotate at any speed	▶	GO TO 2.
Does not rotate at 1 - 3 speed	▶	GO TO 14.
Does not rotate at 4 speed	▶	GO TO 18.

2	CHECK FUSES	
Check 15A fuse (No. 24, located in the fuse block) and 15A fuse (No. 25, located in the fuse block). For fuse layout, refer to EL-10 , "POWER SUPPLY ROUTING".		
Are fuses OK?		
Yes	▶	GO TO 3.
No	▶	GO TO 8.

3	CHECK REAR BLOWER MOTOR POWER SUPPLY CIRCUIT	
<ol style="list-style-type: none"> 1. Disconnect rear blower motor harness connector. 2. Press any mode switch except OFF. 3. Check voltage between rear blower motor harness terminal 2 and ground. 		
AHA395A		
Does battery voltage exist?		
Yes	▶	GO TO 11.
No	▶	GO TO 4.

4	CHECK REAR BLOWER MOTOR RELAY	
Refer to "ELECTRICAL COMPONENTS INSPECTION", HA-96.		
OK or NG		
OK	▶	GO TO 5.
NG	▶	Replace rear blower motor relay.

5	CHECK REAR BLOWER MOTOR SYSTEM	
<p>1. Reconnect rear blower motor harness connector. 2. Turn the ignition key ON and press any mode switch except OFF. 3. Set rear fan switch (front) to any position except OFF, REAR or 4-speed. 4. Momentarily (no more than 4 seconds), connect a jumper wire between rear blower motor relay connector M50 (body side) terminals 3 and 5.</p>		
		
AHA306A		
Does rear blower motor rotate?		
Yes	▶	GO TO 6.
No	▶	GO TO 10.

6	CHECK REAR BLOWER MOTOR RELAY (COIL SIDE) POWER SUPPLY CIRCUIT	
<p>Do approx. 12 volts exist between rear blower motor relay connector M50 (body side) terminal 2 and ground when ignition switch is turned ON?</p>		
		
AHA307A		
Yes or No		
Yes	▶	GO TO 7.
No	▶	<p>Check the following. If NG, repair harness or connector.</p> <ul style="list-style-type: none"> ● Harness connector M50 ● Harness for open or short between rear blower motor relay and fuses

TROUBLE DIAGNOSES

AUTO

Rear Blower Motor (Cont'd)

7	CHECK RELAY CONTROL POWER SUPPLY CIRCUIT	
<p>1. Reconnect rear blower motor relay. 2. Disconnect EATC unit harness connector. 3. Check voltage between EATC unit harness terminal 11 and ground.</p>		
AHA308A		
Does battery voltage exist when ignition switch is turned ON?		
Yes	▶	Replace EATC unit.
No	▶	<p>Check the following. If NG, repair harness or connectors.</p> <ul style="list-style-type: none"> ● Harness connectors M35 and M50 ● Harness for open or short between rear blower motor relay and EATC unit

GI
MA
EM
LC
EC
FE
AT
AX

8	REPLACE FUSE	
Replace fuse.		
Does fuse blow when the rear blower motor is activated?		
Yes	▶	GO TO 9.
No	▶	INSPECTION END

SU
BR

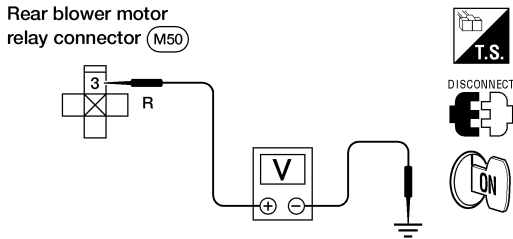
9	CHECK REAR BLOWER MOTOR POWER SUPPLY CIRCUIT FOR SHORT	
<p>1. Disconnect battery cable and rear blower motor harness connector. 2. Check continuity between rear blower motor harness terminal 2 and ground.</p>		
AHA309A		
Continuity should not exist.		
Does continuity exist?		
Yes	▶	<p>Check the following. If NG, repair harness or connector.</p> <ul style="list-style-type: none"> ● Harness connector B14 ● Harness for open or short between rear blower motor and rear blower motor relay
No	▶	<p>Check rear blower motor. Refer to HA-96. If necessary, clear intake unit. If OK, replace rear blower motor.</p>

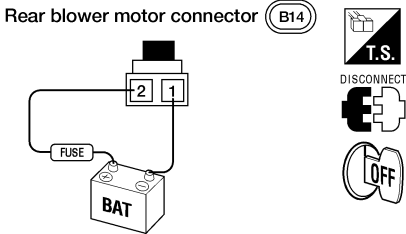
ST
RS
BT
HA
SC
EL
IDX

TROUBLE DIAGNOSES

AUTO

Rear Blower Motor (Cont'd)

10	CHECK REAR BLOWER MOTOR RELAY (SWITCH SIDE) POWER SUPPLY CIRCUIT	
Check voltage between rear blower motor relay connector M50 (body side) terminal 3 and ground.		
		
AHA310A		
Does battery voltage exist?		
Yes	▶	Check the following. If NG, repair harness or connectors <ul style="list-style-type: none"> ● Harness connectors B14 and M50 ● Harness for open or short between rear blower motor relay and rear blower motor
No	▶	Check the following. If NG, repair harness or connectors <ul style="list-style-type: none"> ● Harness connector M50 ● Harness for open or short between rear blower motor relay and fuses

11	CHECK REAR BLOWER MOTOR	
Does rear blower motor rotate when 12 volts is applied to terminal 2 and ground to terminal 1?		
		
AHA396A		
Yes or No		
Yes	▶	GO TO 12.
No	▶	Replace rear blower motor.

12	CHECK REAR FAN SWITCH (FRONT)	
Refer to HA-96.		
OK or NG		
OK	▶	GO TO 13.
NG	▶	Replace rear fan switch (front).

TROUBLE DIAGNOSES

AUTO

Rear Blower Motor (Cont'd)

13	CHECK REAR FAN SWITCH (FRONT) GROUND CIRCUIT
<p>Check circuit continuity between rear fan switch (front) harness terminal 1 and ground.</p> <div style="text-align: center;"> </div> <p style="text-align: center;">Continuity should exist</p> <p style="text-align: right;">AHA311A</p>	
OK or NG	
OK	▶ INSPECTION END
NG	▶ Repair harness or connector.

14	CHECK REAR BLOWER MOTOR RESISTOR
<p>Refer to HA-97.</p> <p style="text-align: center;">OK or NG</p>	
OK	▶ GO TO 15.
NG	▶ Replace rear blower motor resistor.

15	CHECK REAR FAN SWITCH (FRONT) CIRCUIT											
<p>1. Reconnect rear blower motor resistor harness connector. 2. Do approx. 12 volts exist between each rear fan switch (front) harness terminal and ground?</p> <div style="text-align: center;"> </div> <p style="text-align: right;">AHA312A</p>												
<table border="1" style="margin: auto; border-collapse: collapse;"> <thead> <tr> <th colspan="2">Terminal No.</th> <th>Voltage</th> </tr> </thead> <tbody> <tr> <td style="text-align: center;">⊕</td> <td style="text-align: center;">⊖</td> <td></td> </tr> <tr> <td style="text-align: center;">5</td> <td rowspan="3" style="text-align: center;">Ground</td> <td rowspan="3" style="text-align: center;">Approx. 12V</td> </tr> <tr> <td style="text-align: center;">6</td> </tr> <tr> <td style="text-align: center;">7</td> </tr> </tbody> </table>		Terminal No.		Voltage	⊕	⊖		5	Ground	Approx. 12V	6	7
Terminal No.		Voltage										
⊕	⊖											
5	Ground	Approx. 12V										
6												
7												
Yes or No												
Yes	▶ GO TO 19.											
No	▶ GO TO 16.											

AHA313A

16	CHECK REAR BLOWER MOTOR GROUND CIRCUIT TO REAR BLOWER MOTOR RESISTOR
<ol style="list-style-type: none"> 1. Disconnect rear blower motor and rear blower motor resistor harness connectors. 2. Check circuit continuity between rear blower motor harness terminal 1 and rear blower motor resistor harness terminal 4. 	
<p>3. Also, check harness for short.</p> <p style="text-align: center;">OK or NG</p>	
OK	▶ GO TO 17.
NG	▶ Repair harness or connectors.

WHA080

17	CHECK CIRCUITS												
<ol style="list-style-type: none"> 1. Disconnect rear fan switch (front) harness connector. 2. Check circuit continuity between rear fan switch (front) harness terminals and rear blower motor resistor harness terminals. 													
<table border="1" style="margin: auto; border-collapse: collapse;"> <thead> <tr> <th colspan="2">Terminal No.</th> <th rowspan="2">Continuity</th> </tr> <tr> <th>Rear fan switch (front)</th> <th>Rear blower motor resistor</th> </tr> </thead> <tbody> <tr> <td style="text-align: center;">5</td> <td style="text-align: center;">2</td> <td rowspan="3" style="text-align: center;">Yes</td> </tr> <tr> <td style="text-align: center;">6</td> <td style="text-align: center;">3</td> </tr> <tr> <td style="text-align: center;">7</td> <td style="text-align: center;">4</td> </tr> </tbody> </table> <p>Continuity should exist</p>		Terminal No.		Continuity	Rear fan switch (front)	Rear blower motor resistor	5	2	Yes	6	3	7	4
Terminal No.		Continuity											
Rear fan switch (front)	Rear blower motor resistor												
5	2	Yes											
6	3												
7	4												
<p>3. Also, check harness for short.</p> <p style="text-align: center;">OK or NG</p>													
OK	▶ INSPECTION END												
NG	▶ Repair harness or connector.												

WHA081

TROUBLE DIAGNOSES

AUTO

Rear Blower Motor (Cont'd)

18 CHECK CIRCUIT CONTINUITY

1. Disconnect rear fan switch (front) and rear fan switch (rear) harness connectors.
2. Check circuit continuity between rear fan switch (front) connector M32 terminals and rear fan switch (rear) connector B7 terminals.

Rear fan switch (front) connector terminal	Rear fan switch (rear) connector terminal	Continuity
4	4	Yes
5	2	Yes
6	5	Yes
7	3	Yes

LHA102

Yes or No

Yes	▶	GO TO 19.
No	▶	Repair harness or connectors.

19 CHECK REAR FAN SWITCH (FRONT)

Refer to HA-96.

OK or NG

OK	▶	GO TO 20.
NG	▶	Replace rear fan switch (front).

20 CHECK REAR FAN SWITCH (REAR)

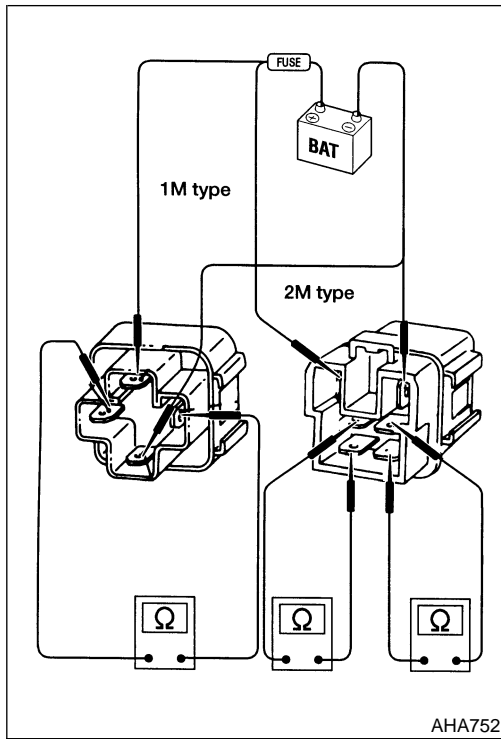
Refer to HA-96.

OK or NG

OK	▶	INSPECTION END
NG	▶	Replace rear fan switch (rear).

GI
MA
EM
LC
EC
FE
AT
AX
SU
BR
ST
RS
BT
HA
SC
EL
IDX

Rear Blower Motor (Cont'd)



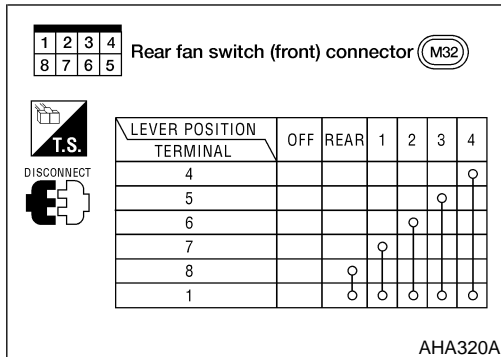
ELECTRICAL COMPONENTS INSPECTION

NDHA0234

Relays

NDHA0234S01

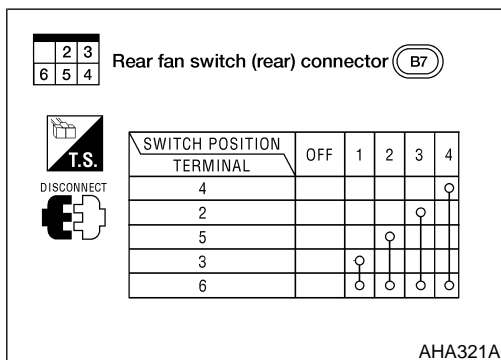
Check circuit continuity between terminals by supplying 12 volts and ground to coil side terminals of relays.



Rear Fan Switch (Front)

NDHA0234S02

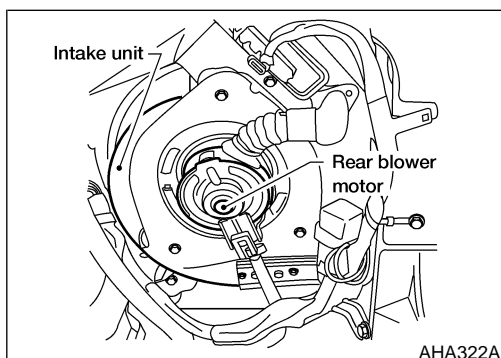
Check continuity between terminals at each position.



Rear Fan Switch (Rear)

NDHA0234S03

Check continuity between terminals at each position.



Rear Blower Motor

NDHA0234S04

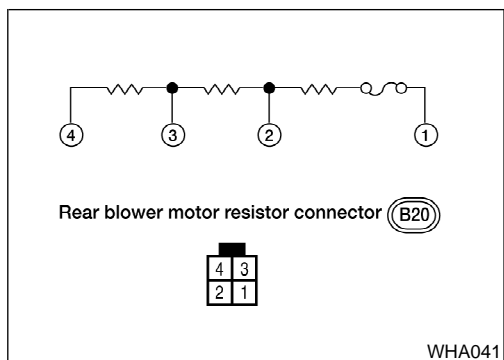
Confirm smooth rotation of the rear blower motor.

- Check that there are no foreign particles inside the intake unit.

NDHA0234S05

Rear Blower Motor Resistor

Check continuity between terminals.



GI

MA

EM

LC

EC

FE

AT

AX

SU

BR

ST

RS

BT

HA

SC

EL

IDX

Magnet Clutch

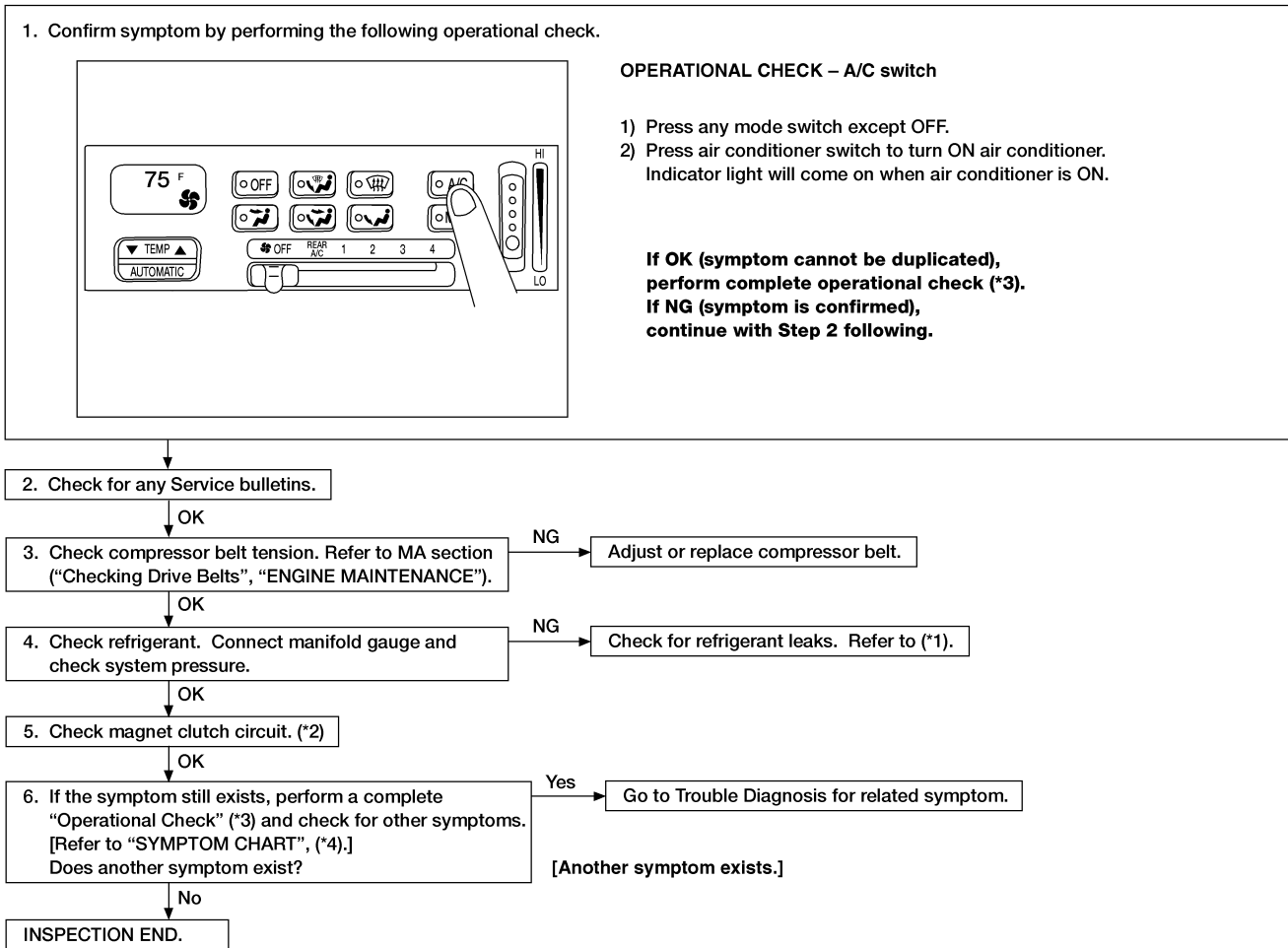
TRouble DIAGNOSIS PROCEDURE FOR MAGNET CLUTCH

=NDHA0121

Symptom:

- Magnet clutch does not engage.

Inspection Flow



WHA017

*1: HA-135

*3: HA-36

*4: HA-41

*2: HA-99

CONTROL SYSTEM OUTPUT COMPONENTS

NDHA0122

Magnet Clutch Control

NDHA0122S01

The ECM controls compressor ON-OFF operation using input signals from the throttle position sensor, low pressure switch, high pressure switch, engine coolant temperature sensor and EATC unit.

Acceleration Cut Control

NDHA0122S0101

The ECM will turn the compressor ON or OFF based on the signal from the throttle position sensor.

MAGNET CLUTCH CIRCUIT

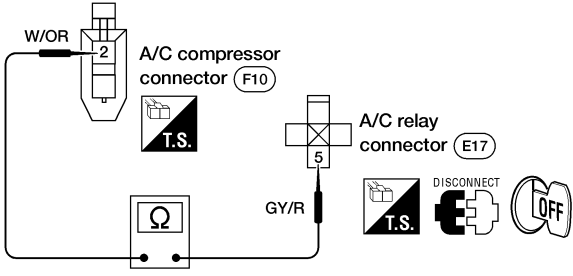
=NDHA0038

SYMPTOM:

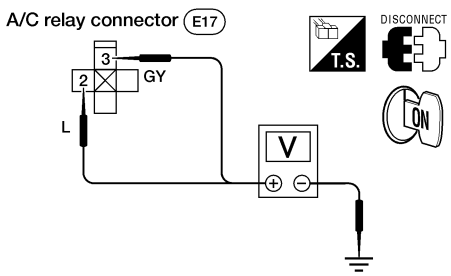
- Magnet clutch does not engage.

1	CHECK A/C COMPRESSOR POWER SUPPLY CIRCUIT	<p>1. Press the A/C mode switch ON. 2. Disconnect A/C compressor harness connector. 3. Do approx. 12 volts exist between A/C compressor connector F10 (body side) terminal 2 and ground?</p> <div style="text-align: center;"> <p style="text-align: center;">Mode switch: any position except OFF</p> </div> <p style="text-align: right;">AHA325A</p>	GI MA EM LC EC FE AT AX
Yes or No			
Yes	▶	GO TO 2.	
No	▶	GO TO 3.	

2	CHECK A/C COMPRESSOR GROUND CIRCUIT	<p>Check circuit continuity between A/C compressor connector F10 (body side) terminal 1 and ground.</p> <div style="text-align: center;"> </div> <p style="text-align: center; color: blue;">Continuity should exist.</p> <p style="text-align: right;">AHA328A</p>	SU BR ST RS BT HA SC EL IDX
OK or NG			
OK	▶	Check magnet clutch coil. If OK, replace magnet clutch. Refer to HA-130.	
NG	▶	Repair harness or connector.	

3	CHECK CIRCUIT CONTINUITY		
1. Disconnect A/C relay. 2. Check circuit continuity between A/C relay connector E17 (body side) terminal 5 and A/C compressor connector F10 (body side) terminal 2.			
			
<p style="color: blue;">Continuity should exist.</p> 3. Also, check harness for short.			
OK or NG			
OK	▶	GO TO 4.	
NG	▶	Repair harness or connector.	

AHA326A

4	CHECK A/C RELAY POWER SUPPLY CIRCUITS		
1. Disconnect A/C relay. 2. Do approx. 12 volts exist between A/C relay connector E17 (body side) terminals 2, 3 and ground?			
			
Yes or No			
Yes	▶	GO TO 5.	
No	▶	Check the following. If NG, repair harness or connector. <ul style="list-style-type: none"> ● Harness connector E17 ● Harness for open or short between A/C relay and fuses 	

AHA327A

5	CHECK A/C RELAY		
Refer to HA-103.			
OK or NG			
OK	▶	GO TO 6.	
NG	▶	Replace A/C relay.	

6	CHECK RELAY CONTROL POWER SUPPLY CIRCUIT
<p>1. Reconnect A/C relay. 2. Do approx. 12 volts exist between ECM harness terminal 12 and ground with A/C switch OFF?</p> <div style="text-align: center;"> </div> <p style="text-align: right;">AHA329A</p> <p style="text-align: center;">Yes or No</p>	
Yes	▶ GO TO 7.
No	▶ Check the following. If NG, repair harness or connectors. <ul style="list-style-type: none"> ● Harness connectors E17 and F101 ● Harness for open or short between A/C relay and ECM

7	CHECK ECM OUTPUT VOLTAGE
<p>Do approx. 12 volts exist between ECM harness terminal 21 and ground?</p> <div style="text-align: center;"> </div> <p style="text-align: right;">AHA330A</p> <p style="text-align: center;">Yes or No</p>	
Yes	▶ GO TO 8.
No	▶ GO TO 13.

GI
 MA
 EM
 LC
 EC
 FE
 AT
 AX
 SU
 BR
 ST
 RS
 BT
 HA
 SC
 EL
 IDX

8	CHECK CIRCUIT CONTINUITY	<p>1. Disconnect ECM harness connector and high pressure switch harness connector.</p> <p>2. Check the circuit continuity between ECM harness terminal 21 and high pressure switch connector F11 (body side) terminal 3.</p>	
AHA331A			
		Continuity should exist.	
		3. Also, check harness for short.	
OK or NG			
OK	▶	GO TO 9.	
NG	▶	Repair harness or connector.	

9	CHECK HIGH PRESSURE SWITCH	Refer to HA-104.	
OK or NG			
OK	▶	GO TO 10.	
NG	▶	Replace high pressure switch.	

10	CHECK CIRCUIT CONTINUITY	<p>1. Disconnect low pressure switch harness connector.</p> <p>2. Check circuit continuity between high pressure switch connector F11 (body side) terminal 1 and low pressure switch connector E51 (body side) terminal 1.</p>	
AHA332A			
		Continuity should exist.	
		3. Also, check harness for short.	
OK or NG			
OK	▶	GO TO 11.	
NG	▶	Repair harness or connector.	

11	CHECK LOW PRESSURE SWITCH	Refer to "Low Pressure Switch", HA-103.	
OK or NG			
OK	▶	GO TO 12.	
NG	▶	Replace low pressure switch.	

12 CHECK CIRCUIT CONTINUITY

1. Disconnect EATC unit harness connector.
2. Check circuit continuity between low pressure switch connector E51 (body side) terminal 2 and EATC unit harness terminal 33.

AHA333A

Continuity should exist.

3. Also, check harness for short.

OK or NG

OK	▶	Replace EATC unit.
NG	▶	Repair harness or connectors.

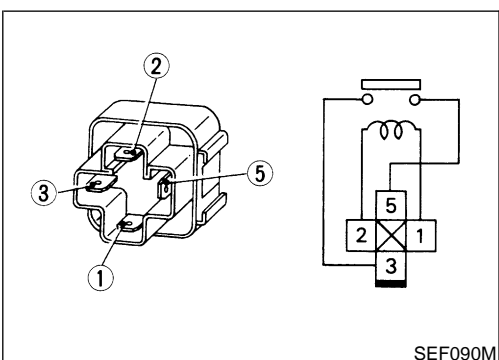
GI
MA
EM
LC
EC
FE
AT
AX
SU

13 CHECK ECM

Refer to EC section.

▶ **INSPECTION END**

BR
ST
RS
BT
HA



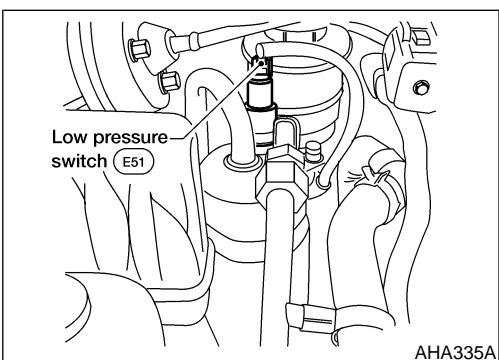
ELECTRICAL COMPONENTS INSPECTION A/C Relay

NDHA0123
NDHA0123S02

Check continuity between terminals 3 and 5.

Conditions	Continuity
12V direct current supply between terminals 1 and 2	Yes
No current supply	No

If NG, replace relay.



Low Pressure Switch

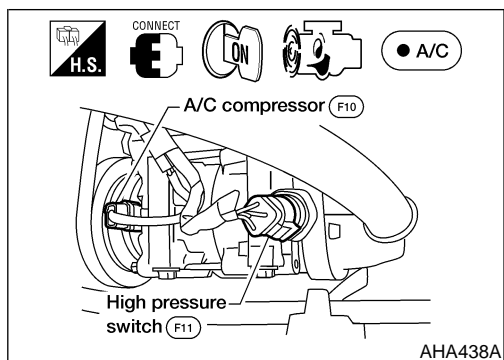
NDHA0123S04

Check continuity between terminals.

Low pressure side line pressure (kg/cm ² , psi)	kPa	Clutch operation	Continuity
Decreasing to 159 (1.6, 23)		Turn OFF	Does not exist
Increasing to 324 (3.3, 47)		Turn ON	Exists
Tightening torque		1.4 - 5.4 N·m (0.13 - 0.55 kg·m, 11.3 - 48 in·lb)	

EL
IDX

Magnet Clutch (Cont'd)



High Pressure Switch

NDHA0123S05

Check continuity between terminals 1 and 3.

High pressure side line pressure (kg/cm ² , psi)	Clutch operation	Continuity
Increasing to 2,785 (28.4, 404)	Turn OFF	Does not exist
Decreasing to 1,569 (16.0, 228)	Turn ON	Exists
Tightening torque	6.8 - 12.2 N·m (0.69 - 1.24 kg-m, 60 - 108 in-lb)	

Insufficient Cooling

TROUBLE DIAGNOSIS PROCEDURE FOR INSUFFICIENT COOLING

=NDHA0145

Symptom:

- Insufficient cooling

Inspection Flow

GI

MA

EM

LC

EC

FE

AT

AX

SU

BR

ST

RS

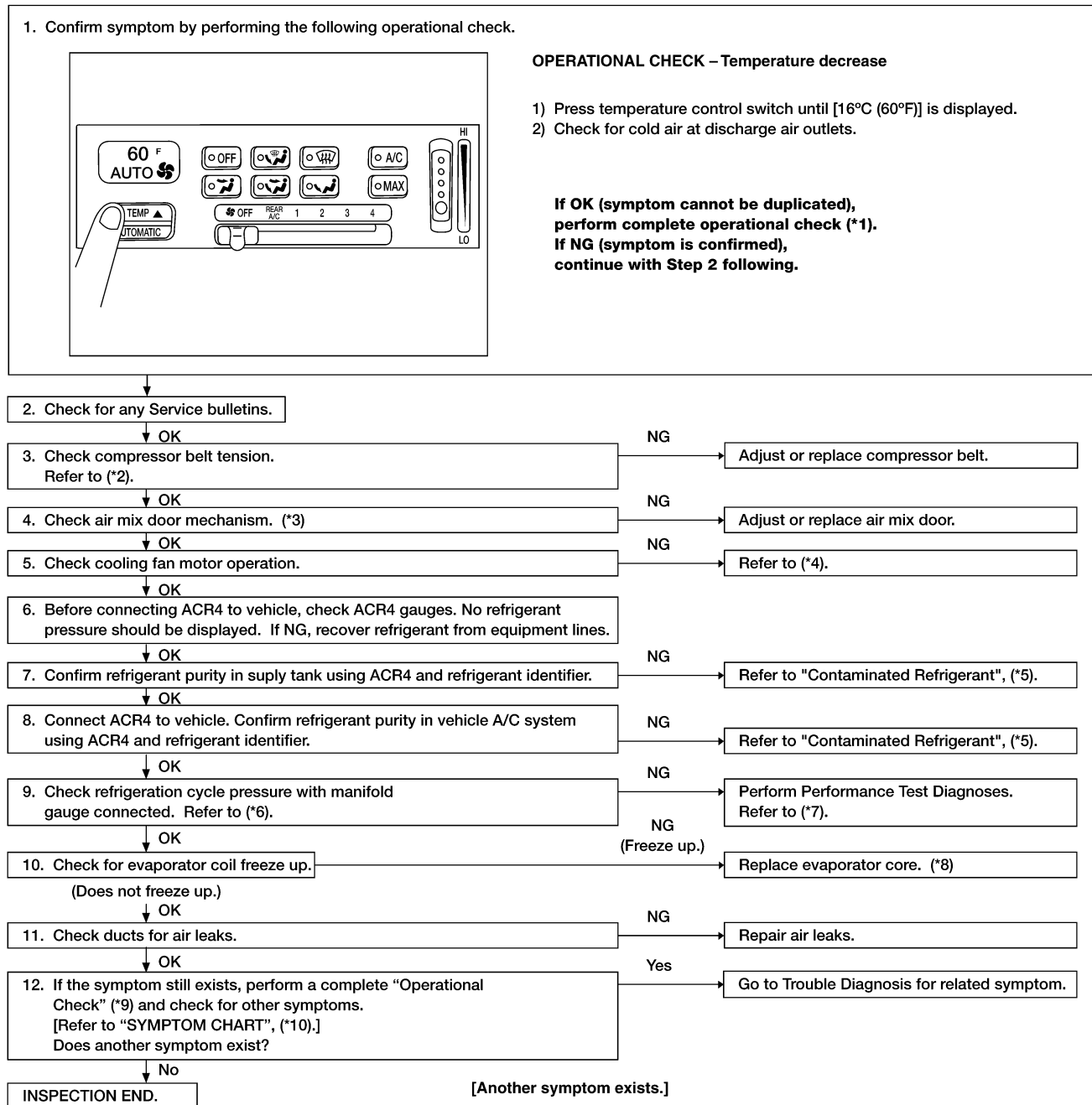
BT

HA

SC

EL

IDX



WHA265

*1: HA-36

*2: **MA-13**

*3: HA-46

*4: **EC-392**

*5: HA-4

*6: HA-106

*7: HA-106

*8: HA-143

*9: HA-36

*10: HA-40

PERFORMANCE TEST DIAGNOSES

-NDHA0146

This A/C system is different from other Nissan A/C systems. The typical Nissan A/C system uses a thermal expansion valve to provide a restriction which causes a pressure change and also controls refrigerant flow through the evaporator.

This system uses a Fixed Orifice Tube (FOT) to cause a pressure change, by restricting the flow of refrigerant to the evaporator. The flow of refrigerant is controlled by engaging and disengaging the compressor clutch based on low side pressure. Therefore, it is critical to consider clutch engagement and disengagement times for proper diagnosis.

The refrigerant flow is regulated by a fixed orifice tube for the front evaporator and a thermal expansion valve for the rear evaporator.

The best way to diagnose a condition in the refrigerant system is to note the system pressures (shown by the manifold gauges) and the clutch cycle rate and times. Then, compare the findings to the charts.

- The system pressures are low (compressor suction) and high (compressor discharge).
- A clutch cycle is the time the clutch is engaged plus the time it is disengaged (time on plus time off).
- Clutch cycle times are the lengths of time (in seconds) that the clutch is ON and OFF.

Important — Test Conditions

NDHA0146S01

The following test conditions must be established to obtain accurate clutch cycle rate and cycle time readings

- run engine at 1,500 rpm for 10 minutes
- operate A/C system on MAX A/C (recirculating air)
- run blower at maximum speed
- stabilize in vehicle temperature at 21°C to 27°C (70°F to 80°F).

The following procedure is recommended for achieving accurate diagnosis results in the least amount of time.

- 1) Connect a manifold gauge set to the system. **The test conditions specified must be met to obtain accurate test results.**
- 2) Start the engine and run at 1,500 rpm.
- 3) Turn A/C system ON (with rear A/C off, if equipped).
- 4) As soon as the system is stabilized, record the high- and low-pressures as shown by the manifold gauges. The low side should cycle between approximately 168.9 kPa (1.723 kg/cm², 24.5 psi) and 276 to 324 kPa (2.81 to 3.30 kg/cm², 40 to 47 psi). (As low pressure drops, high pressure should rise.) When the clutch disengages, the low side should rise and the high side should drop.
- 5) Determine the clutch cycle rate per minute (clutch on time plus off time is a cycle).
- 6) Record clutch OFF time in seconds.
- 7) Record clutch ON time in seconds.
- 8) Record center register discharge temperature.
- 9) Determine and record ambient temperature.
- 10) Compare test readings with applicable chart.

- Plot a vertical line for recorded ambient temperature from scale at bottom of each chart to top of each chart.
- Plot a horizontal line for each of the other test readings from scale at LH side of appropriate chart.

At the bottom of chart, "Refrigerant System Pressure and Clutch Cycle Timing Evaluation Chart for Fixed Orifice Tube Cycling Clutch System", HA-108, additional cause components are listed for poor compressor operation or a damaged compressor condition.

The diagnosis charts provide the most direct and sure way to determine the cause of any concern in a poorly performing refrigerant system. However, poor performance of the front or rear system may not cause abnormal pressures or clutch cycle time. In this case, poor performance may indicate a restriction of refrigerant flow to that system, or an evaporator problem.

After servicing and correcting a refrigerant system concern, take additional pressure readings and observe the clutch cycle rate while meeting the conditional requirements. Refer to "Normal Fixed Orifice Tube Refrigerant System Clutch Cycle Timing Rates", HA-108 to ensure the concern has been corrected.

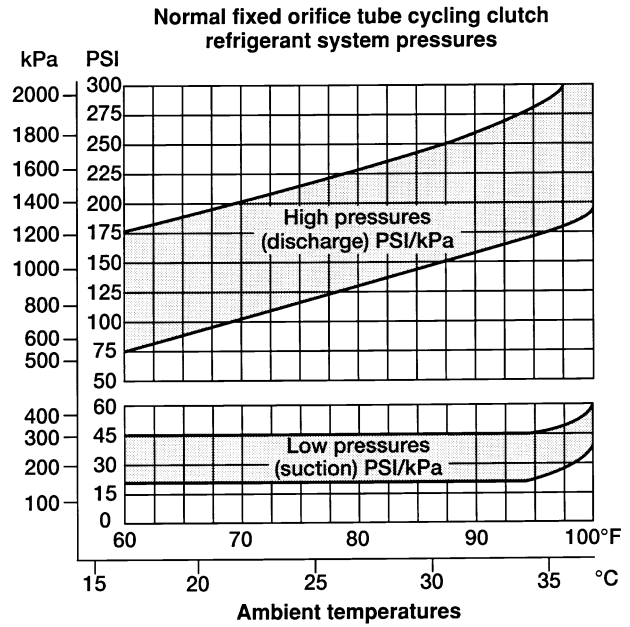
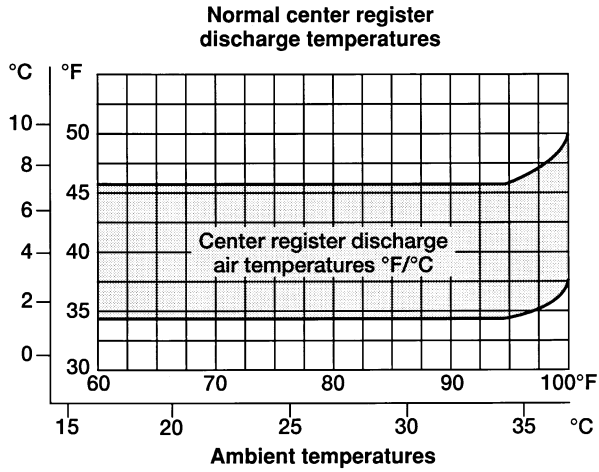
TROUBLE DIAGNOSES

AUTO

Insufficient Cooling (Cont'd)

Normal Fixed Orifice Tube Refrigerant System Pressure/Temperature Relationships

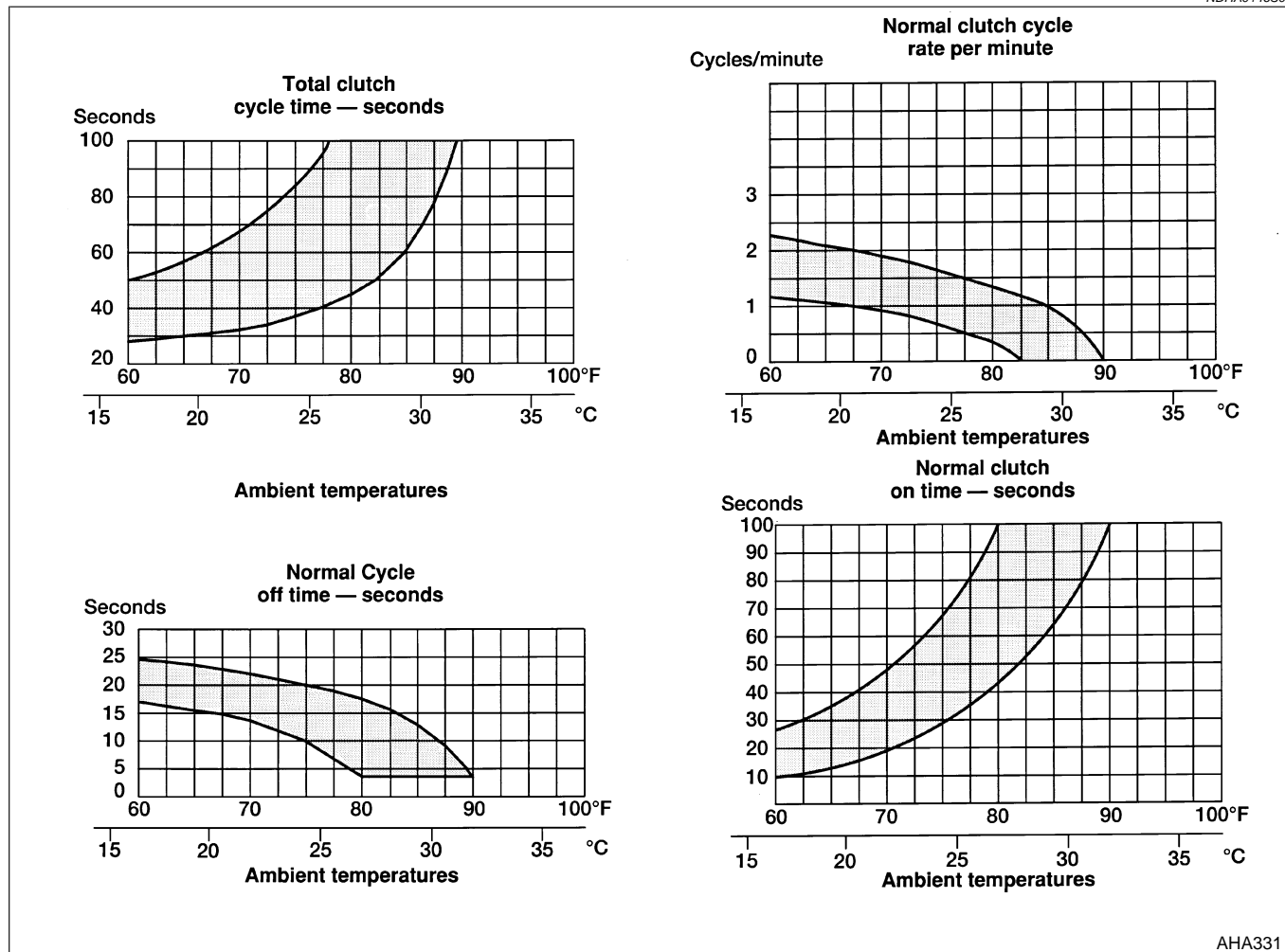
NDHA0146S02



AHA168

GI
MA
EM
LC
EC
FE
AT
AX
SU
BR
ST
RS
BT
HA
SC
EL
IDX

Normal Fixed Orifice Tube Refrigerant System Clutch Cycle Timing Rates

NDHA0146S03

AHA331

Refrigerant System Pressure and Clutch Cycle Timing Evaluation Chart for Fixed Orifice Tube Cycling Clutch Systems

NDHA0146S04

System test conditions must be met to obtain accurate test readings for evaluation. Refer to the normal refrigerant system pressure/temperature and the normal clutch cycle rate and time charts on HA-107, 108.

HIGH (DIS-CHARGE) PRESSURE	LOW (SUCTION) PRESSURE	CLUTCH CYCLE TIME			COMPONENT — CAUSE
		RATE	ON	OFF	
HIGH	HIGH	CONTINUOUS RUN			CONDENSER — Inadequate Airflow
HIGH	NORMAL TO HIGH				ENGINE OVERHEATING
NORMAL TO HIGH	NORMAL				REFRIGERANT OVERCHARGE (1) AIR IN REFRIGERANT HUMIDITY OR AMBIENT TEMP VERY HIGH (2)
NORMAL	HIGH				FIXED ORIFICE TUBE — Missing O-rings Leaking/Missing
NORMAL TO HIGH	NORMAL TO HIGH	SLOW OR NO CYCLE	LONG OR CONTINUOUS	NORMAL OR NO CYCLE	MOISTURE IN REFRIGERANT SYSTEM EXCESSIVE REFRIGERANT LUBRICANT
NORMAL	LOW	SLOW	LONG	LON	LOW PRESSURE SWITCH — Low Cut-Out

TROUBLE DIAGNOSES

AUTO

Insufficient Cooling (Cont'd)

HIGH (DIS-CHARGE) PRESSURE	LOW (SUCTION) PRES-SURE	CLUTCH CYCLE TIME			COMPONENT — CAUSE		
		RATE	ON	OFF			
NORMAL TO LOW	HIGH	CONTINUOUS RUN			COMPRESSOR — Low Performance		GI
NORMAL TO LOW	NORMAL TO HIGH				A/C SUCTION LINE — Partially Restricted or Plugged (3)		MA
NORMAL TO LOW	NORMAL	FAST	SHORT	NORMAL	EVAPORATOR — Low or Restricted Airflow		EM
			SHORT TO VERY SHORT	NORMAL TO LONG	CONDENSER FIXED ORIFICE TUBE OR A/C LIQUID LINE — Partially Restricted or Plugged		LC
			SHORT TO VERY SHORT	SHORT TO VERY SHORT	LOW REFRIGERANT CHARGE		EC
			SHORT TO VERY SHORT	LONG	EVAPORATOR CORE — Partially Restricted or Plugged		FE
NORMAL TO LOW	LOW	CONTINUOUS RUN			A/C SUCTION LINE — Partially Restricted or Plugged (4) LOW PRESSURE SWITCH — Sticking Closed		AT
—	—	ERRATIC OPERATION OR COMPRESSOR NOT RUNNING			LOW PRESSURE SWITCH — Dirty Contacts or Sticking Open POOR CONNECTION AT A/C CLUTCH CONNECTOR OR CLUTCH CYCLING SWITCH CONNECTOR A/C ELECTRICAL CIRCUIT ERRATIC		AX

ADDITIONAL POSSIBLE CAUSE COMPONENTS ASSOCIATED WITH INADEQUATE COMPRESSOR OPERATION

- COMPRESSOR DRIVE BELT — Loose
- COMPRESSOR CLUTCH — Slipping
- CLUTCH COIL Open — Shorted or Loose Mounting
- A/C RELAY — Dirty Contacts or Sticking Open
- CLUTCH WIRING CIRCUIT — High Resistance, Open or Blown Fuse
- COMPRESSOR OPERATION INTERRUPTED BY ECM

ADDITIONAL POSSIBLE CAUSE COMPONENTS ASSOCIATED WITH A DAMAGED COMPRESSOR

- LOW PRESSURE SWITCH — Sticking Closed or Compressor Clutch Seized
- ACCUMULATOR — Lubricant Bleed Hole Plugged
- REFRIGERANT LEAKS

- (1) Compressor may make noise on initial run. This is slugging condition caused by excessive liquid refrigerant.
- (2) Compressor clutch may not cycle in ambient temperatures above 27°C (80°F) depending on humidity conditions.
- (3) Low pressure reading will be normal to high if pressure is taken at accumulator and if restriction is downstream of service valve.
- (4) Low pressure reading will be low if pressure is taken near the compressor and restriction is upstream of service valve.
- Fixed orifice tube operation can be checked by touching the line on each side of the locating crimp. One side should be warm the other should be cold.
 - If the compressor is repaired due to the noise or seizure, we recommend replacing the fixed orifice tube, accumulator and the rear evaporator inlet filter.

Insufficient Heating

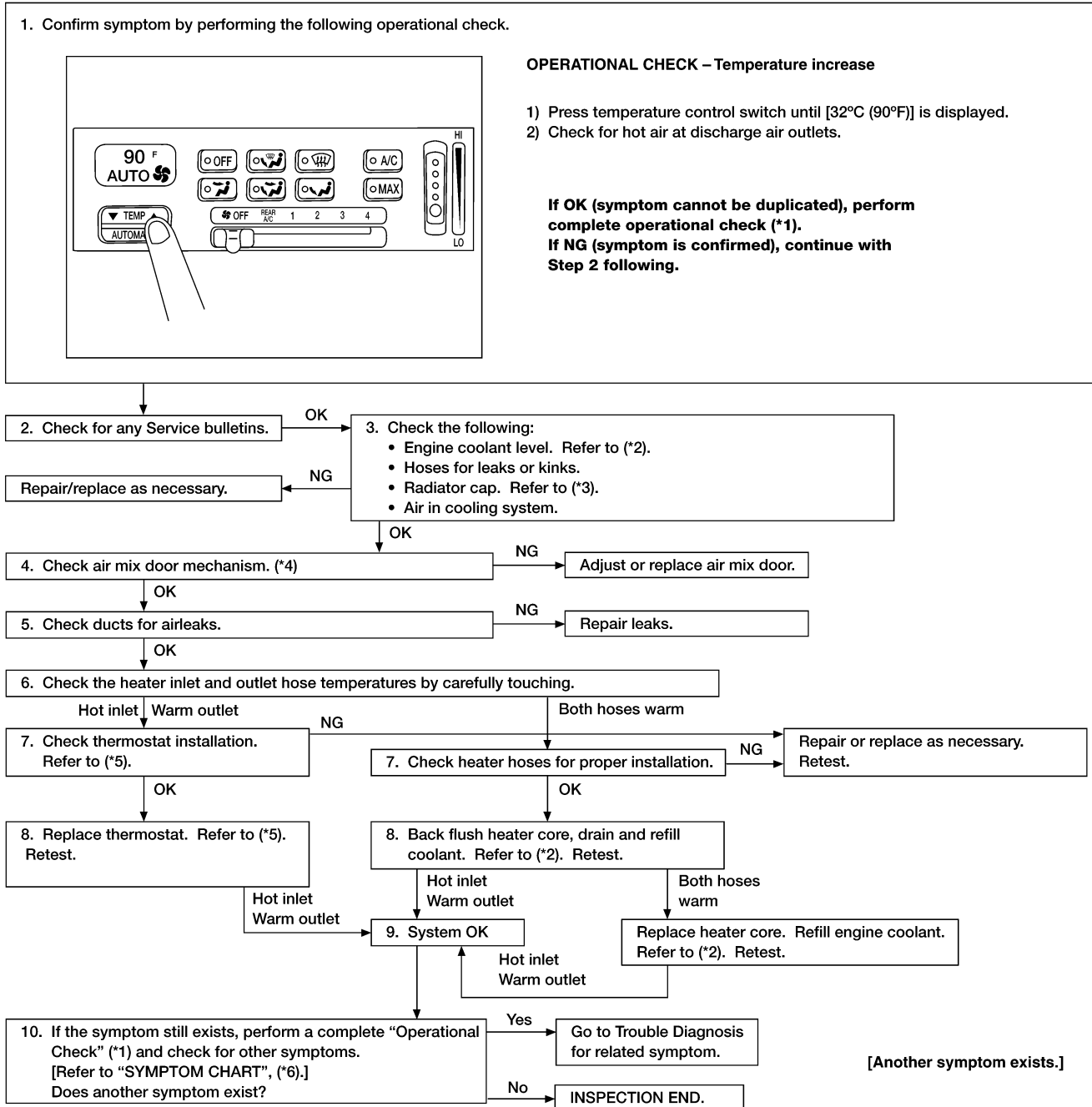
TROUBLE DIAGNOSIS PROCEDURE FOR INSUFFICIENT HEATING

=NDHA0152

Symptom:

- **Insufficient heating**

Inspection Flow

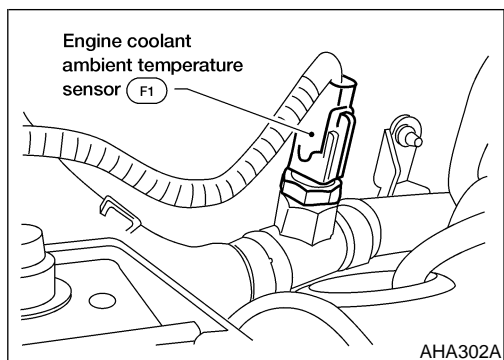


*1: HA-36
*2: MA-14

*3: LC-8
*4: HA-60

*5: LC-11
*6: HA-40

WHA282



CONTROL SYSTEM INPUT COMPONENTS

=NDHA0269

Engine Coolant Ambient Temperature Sensor

NDHA0269S01

The engine coolant ambient temperature sensor is located on the heater inlet line between the engine and the heater core. It detects coolant temperature and converts it into a resistance value which is then input to the EATC unit. After disconnecting engine coolant ambient temperature sensor harness connector, measure resistance between sensor terminals **1** and **2**, using the table below.

Temperature °C (°F)	Resistance kΩ
10 to 20 (50 to 68)	37 to 50
20 to 30 (68 to 88)	24 to 37
30 to 40 (88 to 104)	16 to 24

GI

MA

EM

LC

EC

FE

AT

AX

SU

BR

ST

RS

BT

HA

SC

EL

IDX

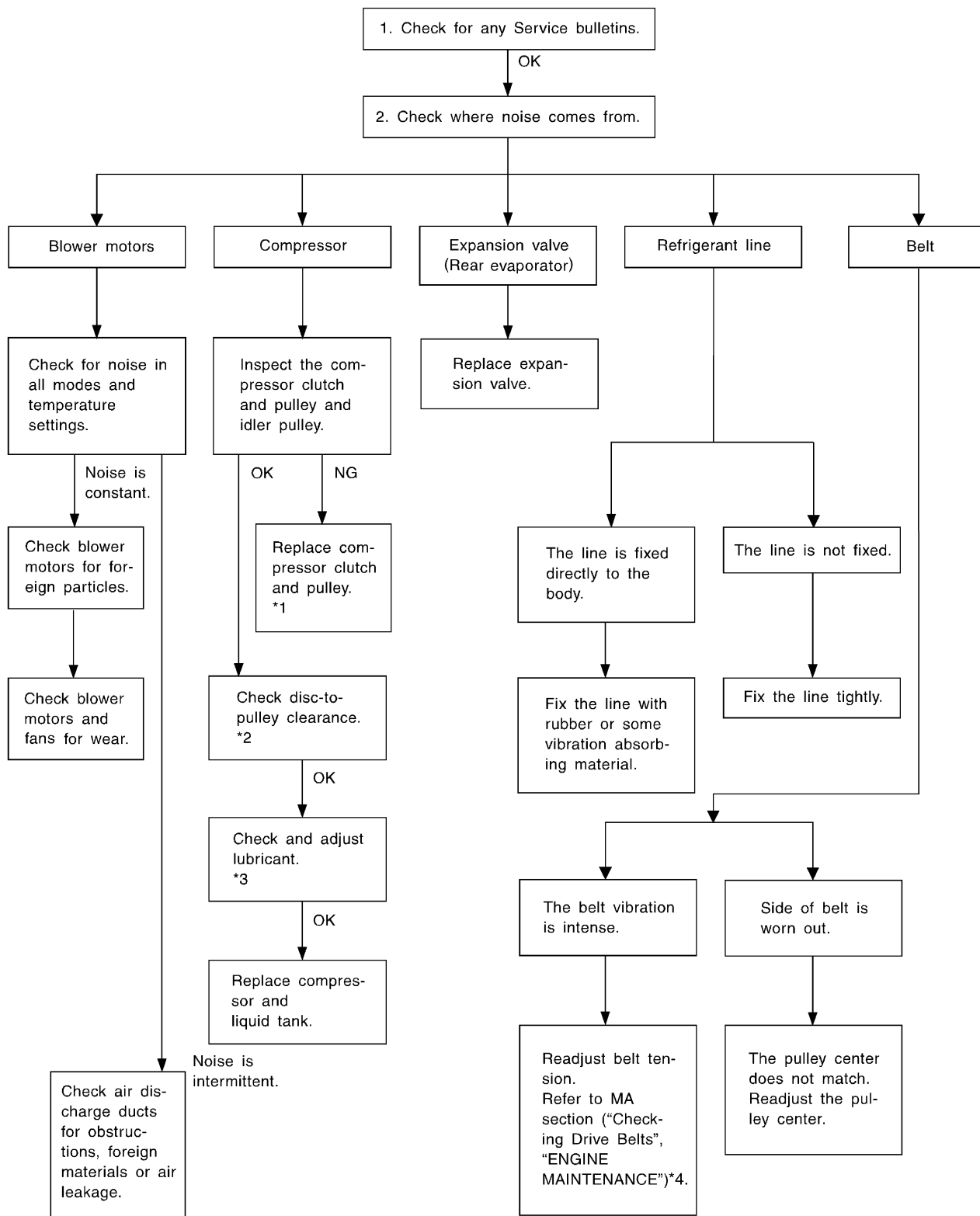
Noise

TROUBLE DIAGNOSIS PROCEDURE FOR NOISE

Symptom: ● Noise

=NDHA0026

Inspection Flow

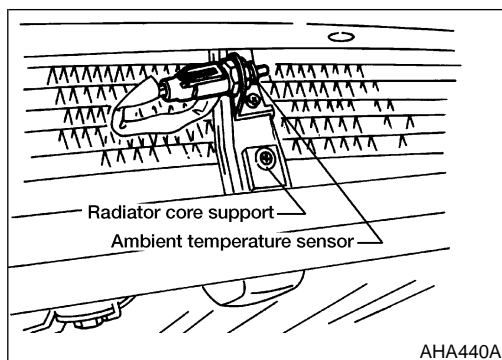


*1: HA-128

*2: HA-129

*3: HA-124

*4: MA-13



Ambient Temperature Sensor CONTROL SYSTEM INPUT COMPONENTS

NDHA0130

Ambient Temperature Sensor

NDHA0130S01

The ambient temperature sensor is located on the radiator core support. It detects ambient temperature and converts it into a resistance value, which is then input to the EATC unit.

GI

MA

EM

LC

Ambient Temperature Input Process

NDHA0130S02

The EATC unit includes a processing circuit for the ambient temperature sensor input. When a temperature increase less than 12°C (20°F) is detected by the ambient temperature sensor, the processing circuit allows the EATC unit to recognize the temperature increase after 80 seconds. When the temperature increase is greater than 12°C (20°F), 5 minutes is required.

As an example, consider stopping for a cup of coffee after high speed driving. Even though the actual ambient temperature has not changed, the temperature detected by the ambient temperature sensor will increase because the heat radiated from the engine compartment can radiate to the front grille area where the ambient temperature sensor is located.

EC

FE

AT

AX

SU

BR

ST

RS

BT

HA

SC

EL

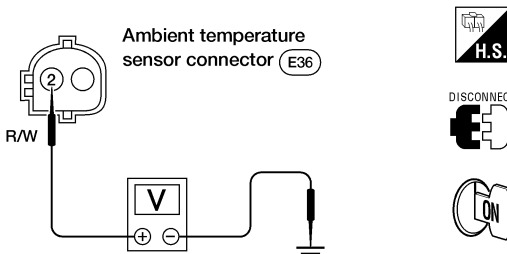
IDX

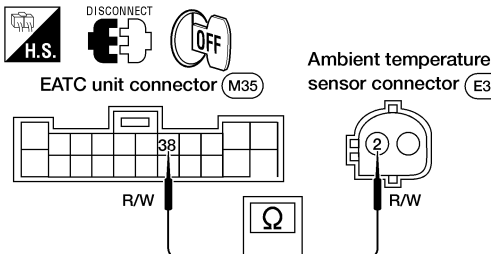
TROUBLE DIAGNOSIS PROCEDURE FOR AMBIENT TEMPERATURE SENSOR CIRCUIT

=NDHA0039

SYMPTOM:

- Ambient temperature sensor circuit is open or shorted (40, 41, 42, or 43 is indicated on the EATC unit as a result of conducting Self-diagnosis).

1	CHECK AMBIENT TEMPERATURE SENSOR CIRCUIT BETWEEN AMBIENT TEMPERATURE SENSOR AND EATC UNIT	<p>1. Disconnect ambient temperature sensor harness connector. 2. Do approx. 5 volts exist between ambient temperature sensor harness terminal 2 and ground?</p> <div style="text-align: center;">  </div> <p style="text-align: right;">AHA338A</p> <p style="text-align: center;">Yes or No</p>
Yes	▶	GO TO 3.
No	▶	GO TO 2.

2	CHECK AMBIENT TEMPERATURE SENSOR SIGNAL CIRCUIT	<p>1. Disconnect EATC unit harness connector. 2. Check circuit continuity between EATC unit harness terminal 38 and ambient temperature sensor harness terminal 2.</p> <div style="text-align: center;">  </div> <p style="text-align: right;">AHA339A</p> <p style="text-align: center;">Continuity should exist.</p> <p>3. Also, check harness for short.</p> <p style="text-align: center;">OK or NG</p>
OK	▶	Replace EATC unit.
NG	▶	Repair harness or connectors.

TROUBLE DIAGNOSES

AUTO

Ambient Temperature Sensor (Cont'd)

3 CHECK AMBIENT TEMPERATURE SENSOR GROUND CIRCUIT

1. Disconnect EATC unit harness connector.
2. Check circuit continuity between EATC unit harness terminal 40 and ambient temperature sensor harness terminal 1.

Continuity should exist.

3. Also, check harness for short.

AHA340A

OK or NG

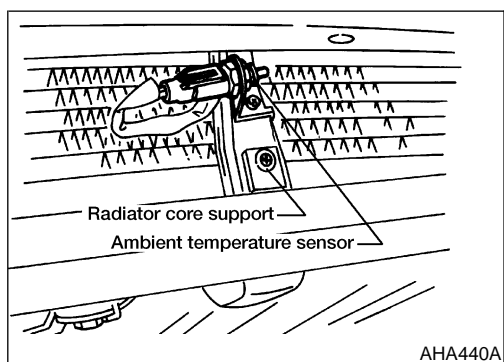
OK	▶	GO TO 4.
NG	▶	Repair harness or connectors.

4 CHECK AMBIENT TEMPERATURE SENSOR

Refer to HA-115.

OK or NG

OK	▶	Replace EATC unit.
NG	▶	Replace ambient temperature sensor.



ELECTRICAL COMPONENT INSPECTION

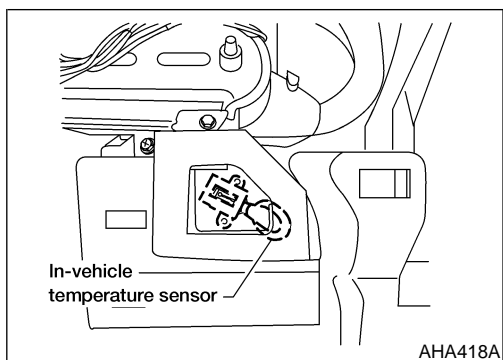
Ambient Temperature Sensor

NDHA0147

NDHA0147S01

After disconnecting ambient temperature sensor harness connector, measure resistance between sensor terminals 1 and 2, using the table below.

Temperature °C (°F)	Resistance kΩ
-40 (-40)	925.02
-20 (4)	276.96
0 (32)	95.85
20 (68)	37.34
40 (104)	16.11
60 (140)	7.55
100 (212)	2.08
120 (248)	1.19

In-vehicle Temperature Sensor**In-vehicle Temperature Sensor
CONTROL SYSTEM INPUT COMPONENTS**

NDHA0131

In-vehicle Temperature Sensor

NDHA0131S01

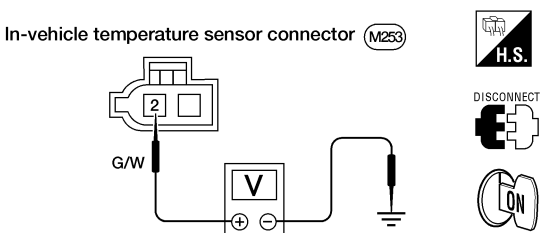
The in-vehicle temperature sensor is attached to the instrument panel. It converts variations in the temperature of the compartment air drawn in by the blower motor into a resistance value, which is then input to the EATC unit.

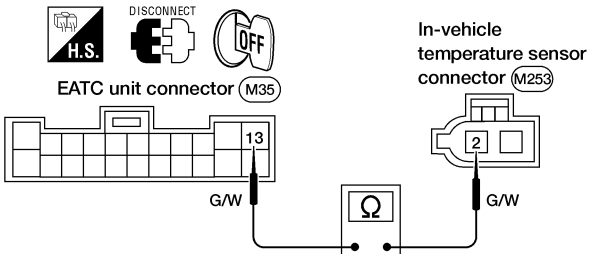
TROUBLE DIAGNOSIS PROCEDURE FOR IN-VEHICLE TEMPERATURE SENSOR CIRCUIT

=NDHA0040

SYMPTOM:

- In-vehicle temperature sensor circuit is open or shorted (30 or 31 is indicated on the EATC unit as a result of conducting Self-diagnosis).

1	CHECK IN-VEHICLE TEMPERATURE SENSOR CIRCUIT BETWEEN IN-VEHICLE TEMPERATURE SENSOR AND EATC UNIT
<p>1. Disconnect in-vehicle temperature sensor harness connector. 2. Do approx. 5 volts exist between in-vehicle temperature sensor harness terminal 2 and ground?</p>	
	
AHA342A	
Yes or No	
Yes	▶ GO TO 3.
No	▶ GO TO 2.

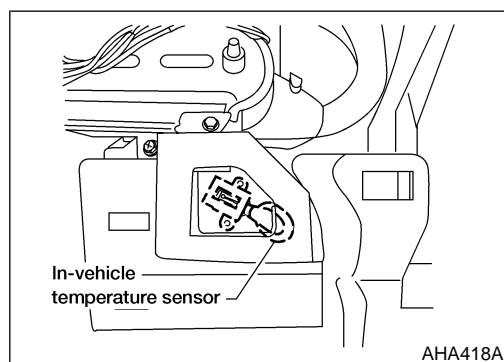
2	CHECK IN-VEHICLE TEMPERATURE SENSOR CIRCUIT
<p>1. Disconnect EATC unit harness connector. 2. Check circuit continuity between EATC unit harness terminal 13 and in-vehicle temperature sensor harness terminal 2.</p>	
	
AHA343A	
Continuity should exist.	
<p>3. Also, check harness for short.</p>	
OK or NG	
OK	▶ GO TO 3.
NG	▶ Repair harness or connectors.

GI
 MA
 EM
 LC
 EC
 FE
 AT
 AX
 SU
 BR
 ST
 RS
 BT
 HA
 SC
 EL
 IDX

3	CHECK IN-VEHICLE TEMPERATURE SENSOR GROUND CIRCUIT	
1. Disconnect EATC unit harness connector. 2. Check circuit continuity between EATC unit terminal 40 and in-vehicle temperature sensor harness terminal 1.		
<p style="color: blue;">Continuity should exist.</p> 3. Also, check harness for short.		
OK or NG		
OK	▶	GO TO 4.
NG	▶	Repair harness or connectors.

AHA341A

4	CHECK IN-VEHICLE TEMPERATURE SENSOR	
Refer to HA-118.		
OK or NG		
OK	▶	Replace EATC unit.
NG	▶	Replace in-vehicle temperature sensor.



ELECTRICAL COMPONENT INSPECTION

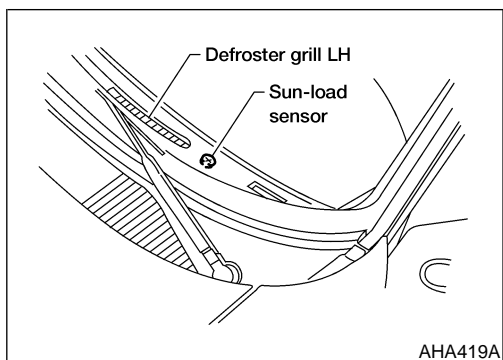
In-vehicle Temperature Sensor

NDHA014B

NDHA014BS01

After disconnecting in-vehicle temperature sensor harness connector, measure resistance between sensor terminals 1 and 2 using the table below.

Temperature °C (°F)	Resistance kΩ
-40 (-40)	925.02
-20 (4)	276.96
0 (32)	95.85
20 (68)	37.34
40 (104)	16.11
60 (140)	7.55
100 (212)	2.08
120 (248)	1.19



Sunload Sensor

CONTROL SYSTEM INPUT COMPONENTS

NDHA0128

GI

Sunload Sensor

NDHA0128S01

MA

The sunload sensor is located on the left defroster grille. It detects sunload entering through the windshield by means of a photo diode and converts it into a current value which is then input to the EATC unit.

EM

Sunload Input Process

NDHA0128S02

LC

The EATC unit includes a processing circuit to “average” variations in detected sunload over a period of time. This prevents drastic swings in the EATC system operation due to small or quick variations in detected sunload.

EC

For example, consider driving along a road bordered by an occasional group of large trees. The sunload detected by the sunload sensor will vary whenever the trees obstruct the sunlight. The processing circuit averages the detected sunload over a period of time. The (insignificant) effect of the trees momentarily obstructing the sunlight does not cause any change in the EATC system operation. On the other hand, shortly after entering a long tunnel, the system will recognize the change in sunload, and the system will react accordingly.

FE

AT

AX

SU

BR

ST

RS

BT

HA

SC

EL

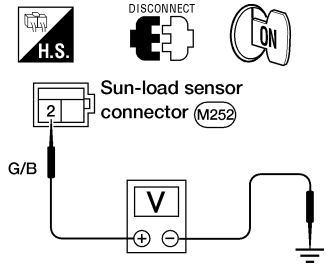
IDX

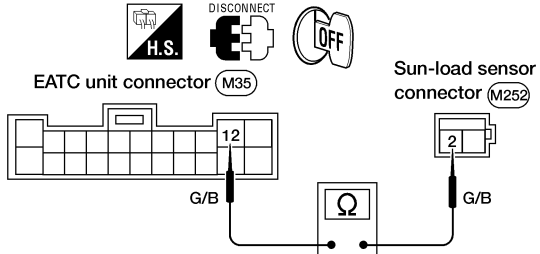
TROUBLE DIAGNOSIS PROCEDURE FOR SUNLOAD SENSOR CIRCUIT

=NDHA0041

SYMPTOM:

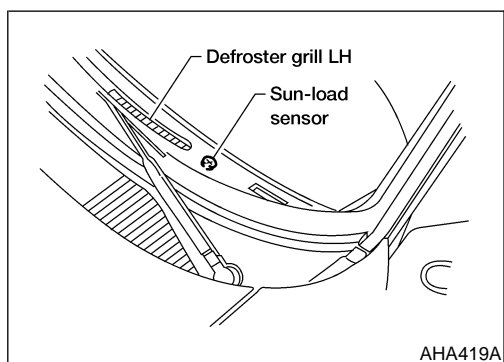
- Sunload sensor circuit is shorted (50 or 52 is indicated on the EATC unit as a result of conducting Self-diagnosis).

1	CHECK SUNLOAD SENSOR CIRCUIT BETWEEN SUNLOAD SENSOR AND EATC UNIT	
<p>1. Disconnect sunload sensor harness connector. 2. Do approx. 5 volts exist between sunload sensor harness terminal 2 and ground?</p>		
		
AHA345A		
Yes or No		
Yes	▶	GO TO 3.
No	▶	GO TO 2.

2	CHECK SUNLOAD SENSOR SIGNAL CIRCUIT	
<p>1. Disconnect EATC unit harness connector. 2. Check circuit continuity between EATC unit harness terminal 12 and sunload sensor harness terminal 2.</p>		
		
AHA346A		
Continuity should exist.		
<p>3. Also, check harness for short.</p>		
OK or NG		
OK	▶	GO TO 3.
NG	▶	Repair harness or connectors.

3	CHECK SUNLOAD SENSOR GROUND CIRCUIT	
<p>1. Disconnect EATC unit harness connector. 2. Check circuit continuity between EATC unit harness terminal 40 and sunload sensor harness terminal 1.</p>		
<p>Continuity should exist.</p> <p>3. Also, check harness for short.</p>		
AHA347A		
OK or NG		
OK	▶	GO TO 4.
NG	▶	Repair harness or connectors.

4	CHECK SUNLOAD SENSOR	
Refer to HA-121.		
OK or NG		
OK	▶	Replace EATC unit.
NG	▶	Replace sunload sensor.



ELECTRICAL COMPONENT INSPECTION Sunload Sensor

NDHA0149

NDHA0149S01

After disconnecting sunload sensor harness connector, measure resistance between sensor terminals 1 and 2. The resistance should be greater than 0 ohms depending on the amount of sunlight.

- When checking sunload sensor, select a place where sun shines directly on it.

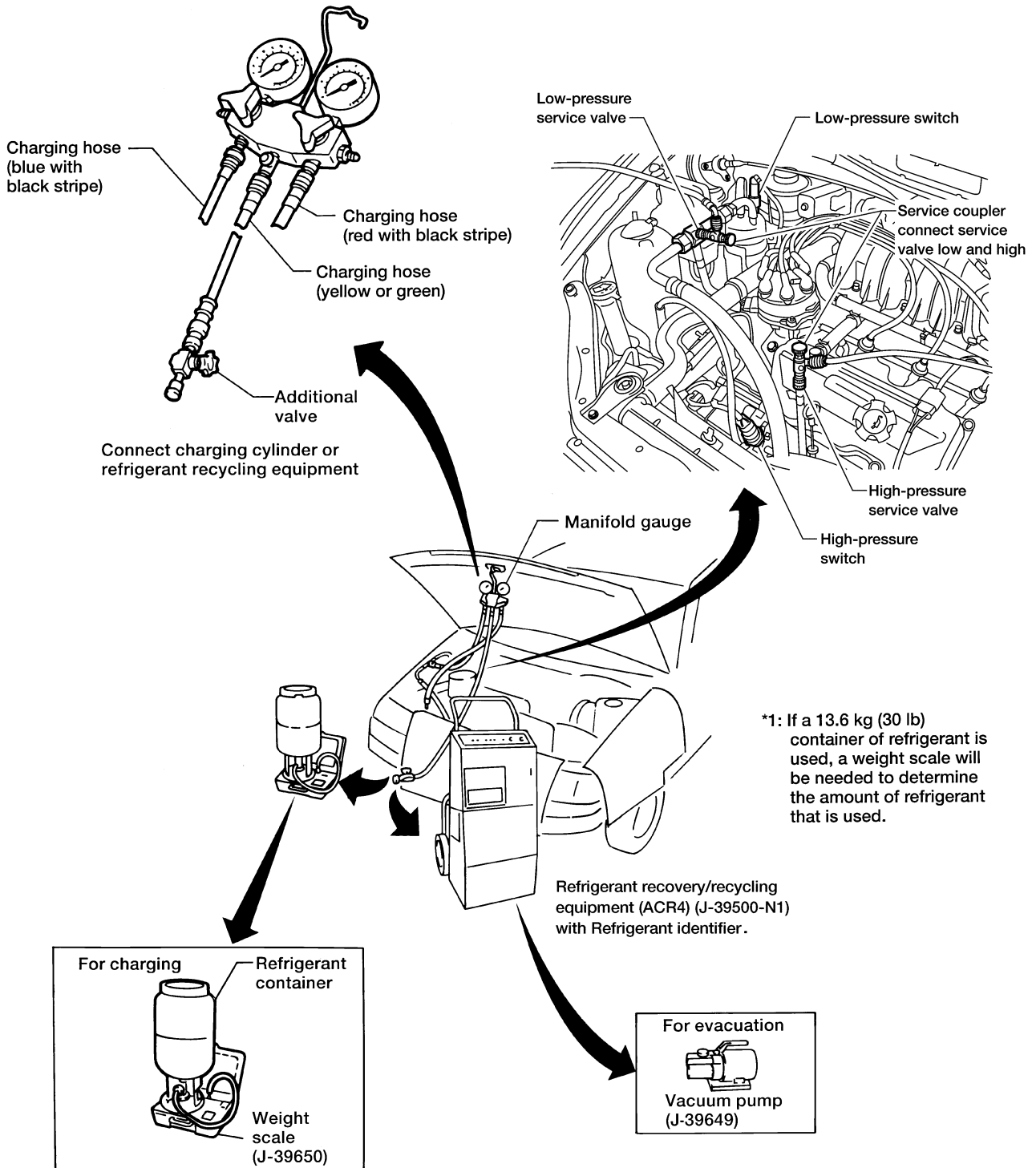
HFC-134a (R-134a) Service Procedure

SETTING OF SERVICE TOOLS AND EQUIPMENT
Discharging, Evacuating and Charging Refrigerant

NDHA0182

NDHA0182S01

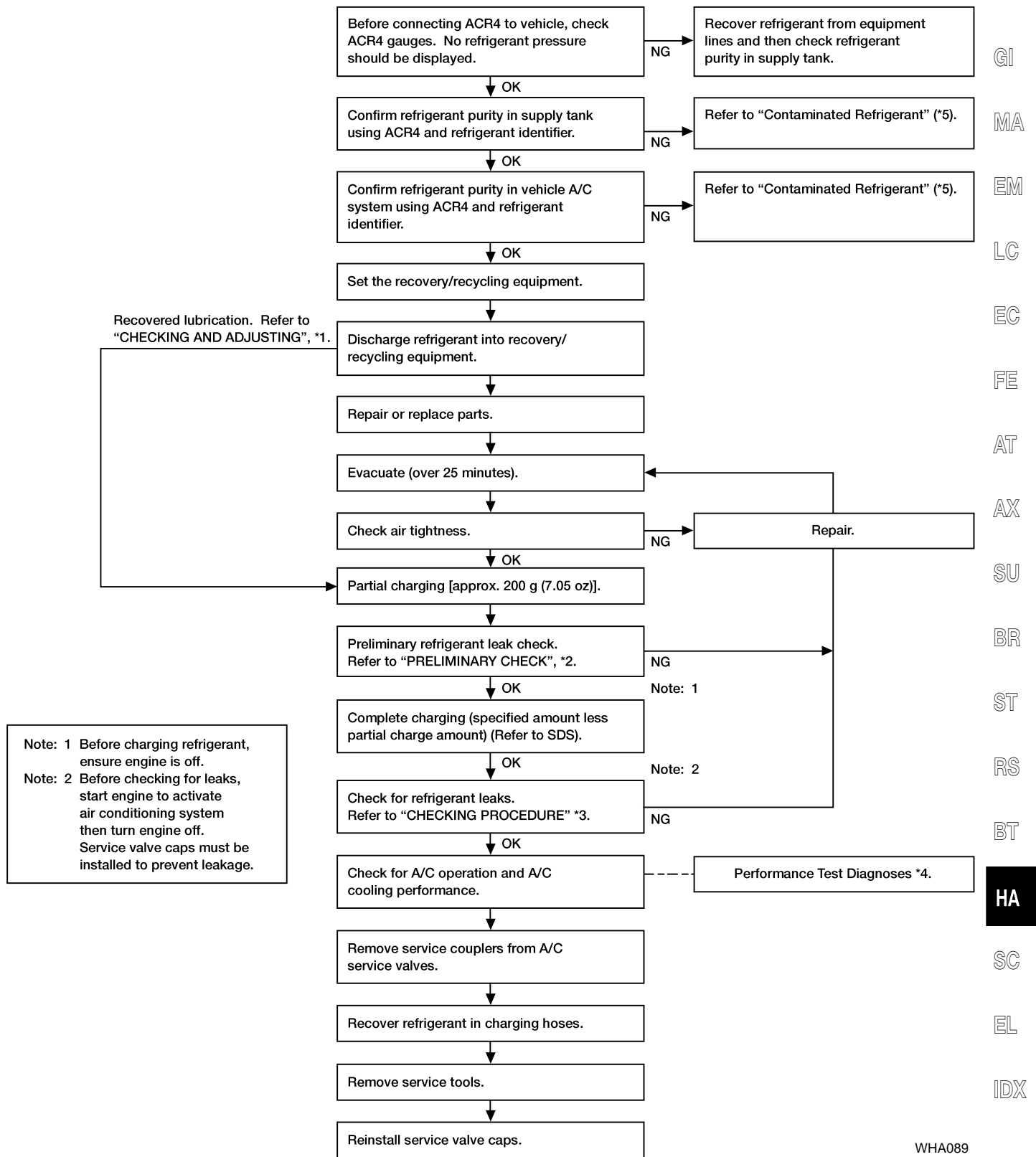
NDHA0182S0101



SERVICE PROCEDURE

AUTO

HFC-134a (R-134a) Service Procedure (Cont'd)



Note: 1 Before charging refrigerant, ensure engine is off.
Note: 2 Before checking for leaks, start engine to activate air conditioning system then turn engine off. Service valve caps must be installed to prevent leakage.

*1: HA-124
 *2: HA-135

*3: HA-136
 *4: HA-106

*5: HA-4

WHA089

Maintenance of Lubricant Quantity in Compressor

NDHA0183

The lubricant in the compressor circulates through the system with the refrigerant. Add lubricant to compressor when replacing any component or after a large refrigerant leak has occurred. It is important to maintain the specified amount.

If lubricant quantity is not maintained properly, the following malfunctions may result:

- Lack of lubricant: May lead to a seized compressor
- Excessive lubricant: Inadequate cooling (thermal exchange interference)

LUBRICANT

NDHA0183S01

Name: NISSAN A/C System Oil Type F

Part numbers*: KLH00-PAGQU and KLH00-PAGQF

*: Always check with the Parts Department for the latest parts information

CHECKING AND ADJUSTING

NDHA0183S02

Adjust the lubricant quantity according to the flowchart shown below.

1	LUBRICANT RETURN OPERATION	
Can lubricant return operation be performed?		
<ul style="list-style-type: none"> ● A/C system works properly. ● There is no evidence of a large amount of lubricant leakage. 		
Yes or No		
Yes	▶	GO TO 2.
No	▶	GO TO 3.

2	PERFORM LUBRICANT RETURN OPERATION, PROCEEDING AS FOLLOWS	
1. Start engine, and set the following conditions:		
<ul style="list-style-type: none"> ● Test condition <li style="margin-left: 20px;">Engine speed: Idling to 1,200 rpm <li style="margin-left: 20px;">A/C or AUTOMATIC switch: ON <li style="margin-left: 20px;">Blower speed: Max. position <li style="margin-left: 20px;">Temp. control: Optional [Set so that intake air temperature is 25 to 30°C (77 to 86°F).] 		
2. Perform lubricant return operation for about 10 minutes.		
3. Stop engine.		
CAUTION:		
If excessive lubricant leakage is noted, do not perform the lubricant return operation.		
▶		GO TO 3.

3	CHECK COMPRESSOR	
Should the compressor be replaced?		
Yes or No		
Yes	▶	Refer to "Lubricant Adjusting Procedure for Compressor Replacement", HA-126.
No	▶	GO TO 4.

SERVICE PROCEDURE

AUTO

Maintenance of Lubricant Quantity in Compressor (Cont'd)

4	CHECK ANY PART	
Is there any part to be replaced? (Evaporator, condenser, liquid tank or in case there is evidence of a large amount of lubricant leakage.)		
Yes or No		
Yes	▶	Refer to "Lubricant Adjusting Procedure for Components Replacement Except Compressor", HA-126.
No	▶	Carry out the A/C performance test.

GI

MA

EM

LC

EC

FE

AT

AX

SU

BR

ST

RS

BT

HA

SC

EL

IDX

Lubricant Adjusting Procedure for Components Replacement Except Compressor

=NDHA0183S0201

After replacing any of the following major components, add the correct amount of lubricant to the system.

Amount of lubricant to be added

Part replaced	Lubricant to be added to system	Remarks
	Amount of lubricant mℓ (US fl oz, Imp fl oz)	
Evaporator	75 (2.5, 2.6)	—
Condenser	75 (2.5, 2.6)	—
Accumulator	5 (0.2, 0.2)	Add if compressor is not replaced. *1
In case of refrigerant leak	30 (1.0, 1.1)	Large leak
	—	Small leak *2

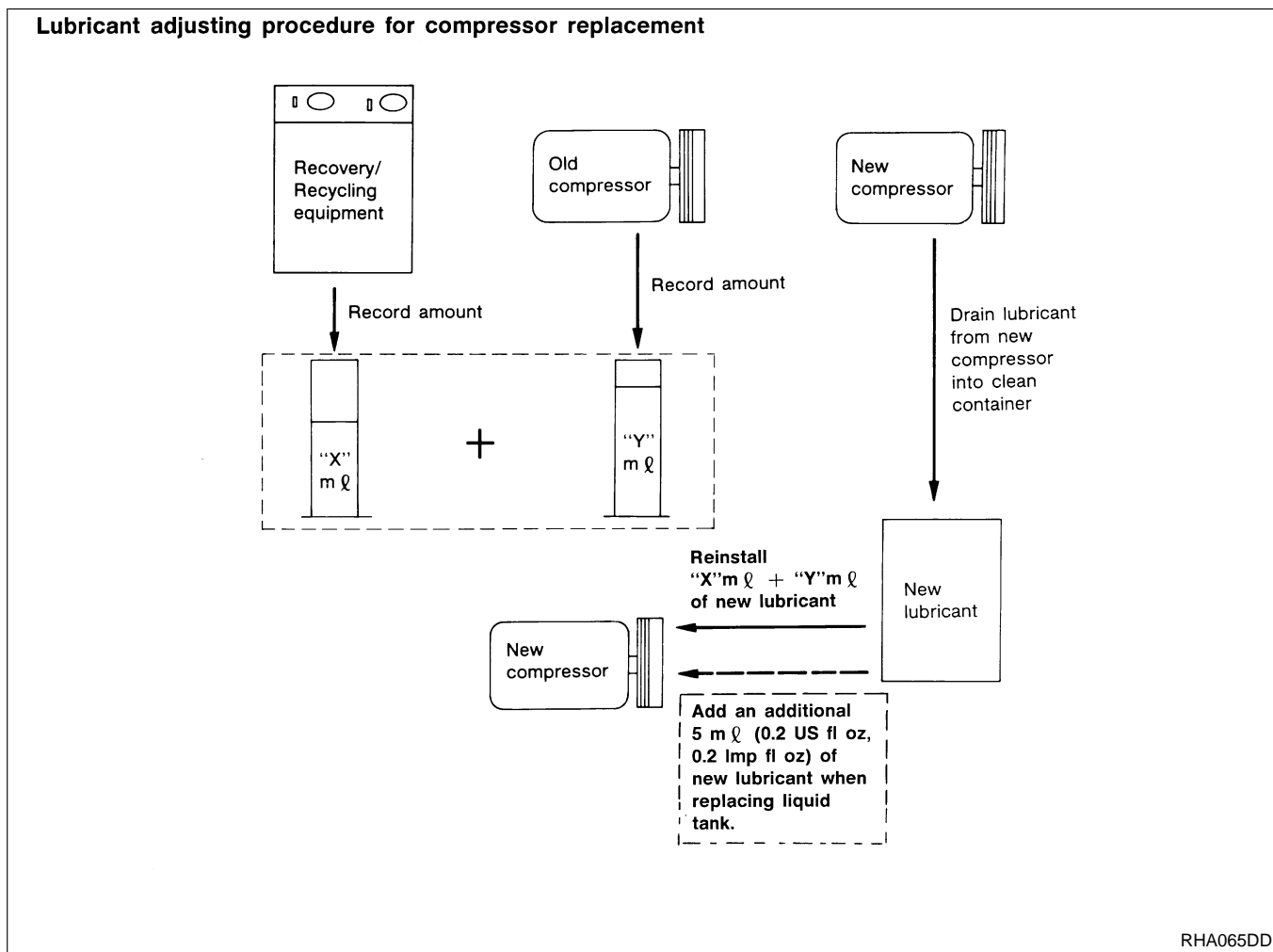
*1: If compressor is replaced, addition of lubricant is included in the flow chart.

*2: If refrigerant leak is small, no addition of lubricant is needed.

Lubricant Adjusting Procedure for Compressor Replacement

NDHA0183S0202

- 1) Before connecting ACR4 to vehicle, check ACR4 gauges. No refrigerant pressure should be displayed, recover refrigerant from equipment lines and then check refrigerant purity.
- 2) Confirm refrigerant purity in supply tank using ACR4 and refrigerant identifier. If NG, Refer to HA-4 "Contaminated Refrigerant"
- 3) Confirm refrigerant purity in vehicle A/C system using ACR4 and refrigerant identifier. If NG, Refer to HA-4 "Contaminated Refrigerant"
- 4) Discharge refrigerant into the refrigerant recovery/recycling equipment. Measure lubricant discharged into the recovery/recycling equipment.
- 5) Remove the drain plug of the "old" (removed) compressor. Drain the lubricant into a graduated container and record the amount of drained lubricant.
- 6) Remove the drain plug and drain the lubricant from the "new" compressor into a separate, clean container.
- 7) Measure an amount of new lubricant installed equal to amount drained from "old" compressor. Add this lubricant to "new" compressor through the suction port opening.
- 8) Measure an amount of new lubricant equal to the amount recovered during discharging. Add this lubricant to "new" compressor through the suction port opening.
- 9) Torque the drain plug.
 - Ford Model FS10 compressor:**
 - 18 - 19 N·m (1.8 - 1.9 kg-m, 13 - 14 ft-lb)**
- 10) If the accumulator also needs to be replaced, add an additional 5 mℓ (0.2 US fl oz, 0.2 Imp fl oz) of lubricant at this time.
Do not add this 5 mℓ (0.2 US fl oz, 0.2 Imp fl oz) of lubricant if only replacing the compressor.



GI
MA
EM
LC
EC
FE
AT
AX
SU
BR
ST

Compressor REMOVAL

NDHA0184

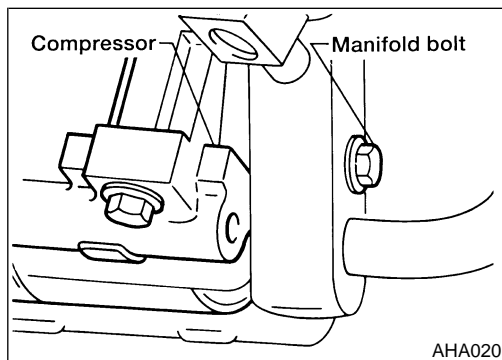
1. Disconnect battery cable.
2. Discharge refrigerant into refrigerant recycling equipment. Refer to "HFC-134a (R-134a) Service Procedure", HA-122.

RS
BT

HA
SC

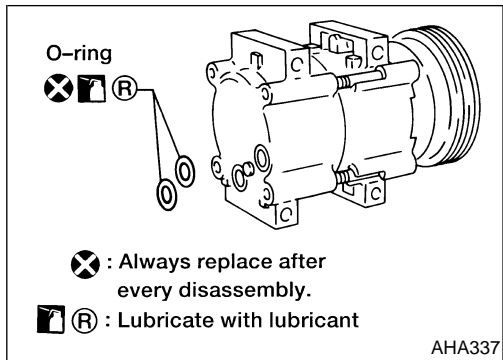
EL

IDX



3. Remove manifold bolt.
4. Remove manifold and inlet/outlet compressor cap.
5. Loosen idler pulley adjusting bolt.
6. Remove compressor drive belt.
7. Disconnect compressor harness connectors.
8. Remove four compressor fixing bolts.
9. Remove compressor.

Compressor (Cont'd)



10. Remove manifold O-rings from compressor housing.

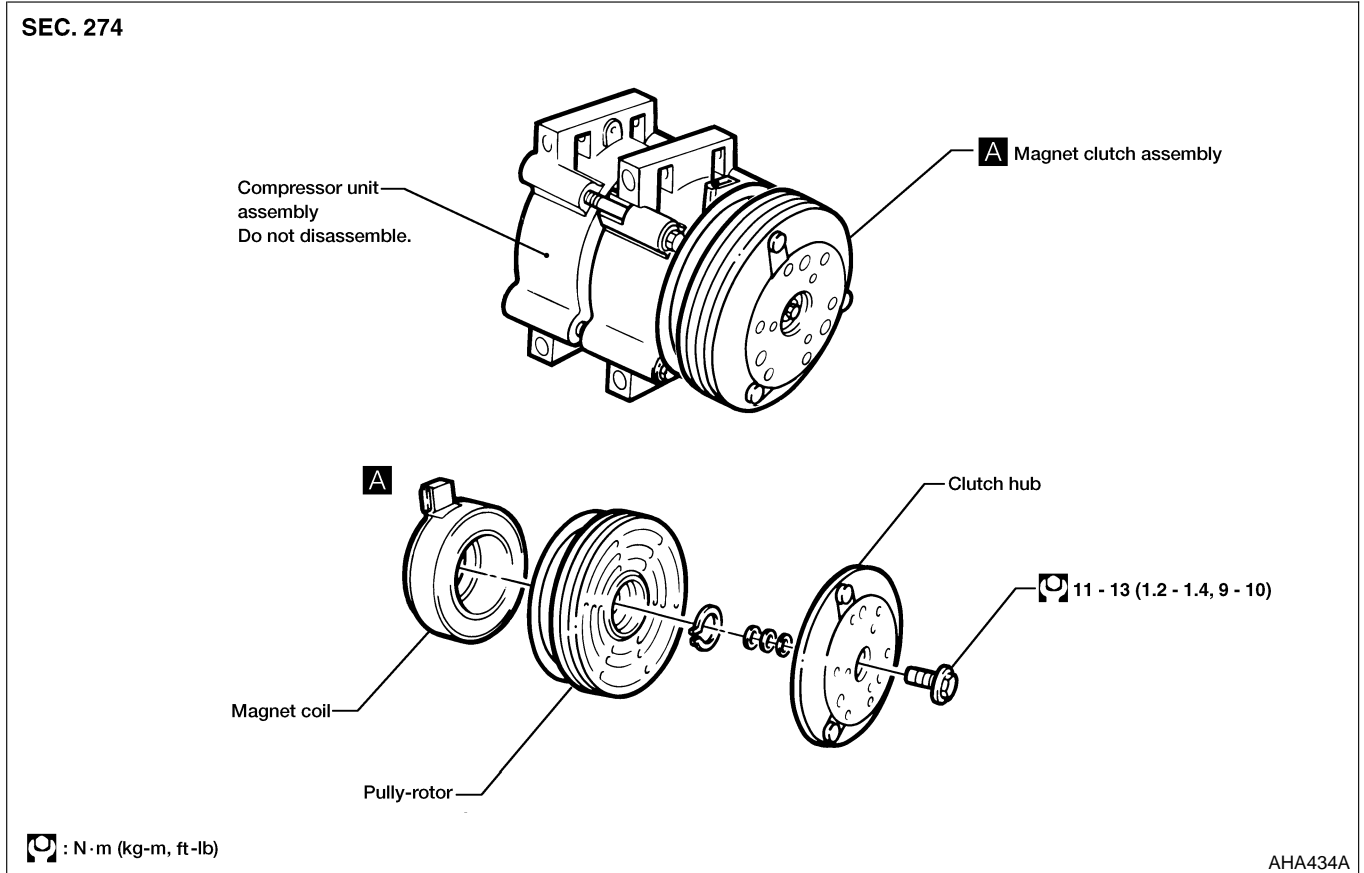
INSTALLATION

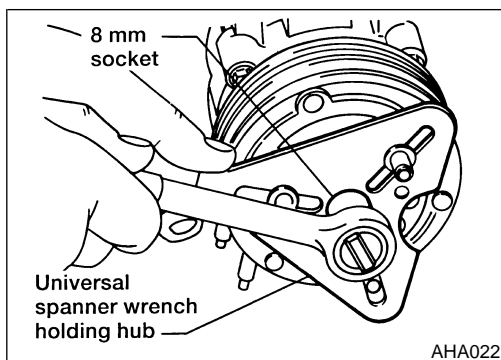
Installation is the reverse order of removal.

NDHA0185

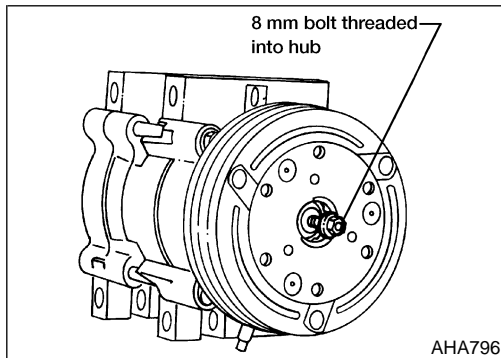
Compressor Clutch
REMOVAL

NDHA0186

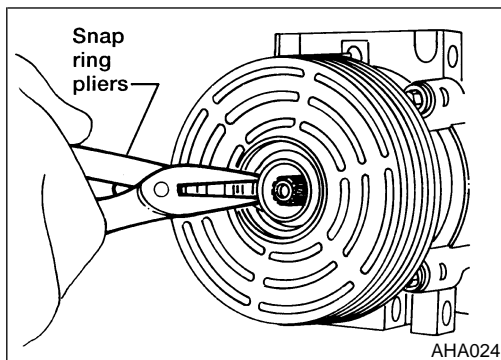




1. Remove the clutch hub retaining bolt. Use Spanner Wrench or equivalent.



2. Remove clutch hub and shims from compressor shaft. If hub cannot be removed from compressor shaft, screw an 8 mm bolt into the shaft hole of the clutch hub to force the hub from the shaft.



3. Remove pulley retaining snap ring.
4. Remove the pulley and bearing assembly from compressor.

INSTALLATION

NDHA0187

CAUTION:

Do not use air tools.

1. Clean pulley bearing surface of compressor head to remove any dirt or corrosion.
2. Install pulley and bearing assembly on compressor. The bearing is a slip fit on the compressor head and, if properly aligned, it should slip on easily.
3. Install pulley retaining snap ring with bevel side of snap ring out.
4. Install clutch hub onto compressor shaft, together with original shim(s).
5. Thread a new hub retaining bolt into end of compressor shaft.

Tighten hub retaining bolt:

11 to 14N-m (1.1 to 1.4 kg-m, 8 to 10 ft-lb).

6. When installing a new clutch, cycle it ten times at idle to burish the clutch and prevent slippage.

GI

MA

EM

LC

EC

FE

AT

AX

SU

BR

ST

RS

BT

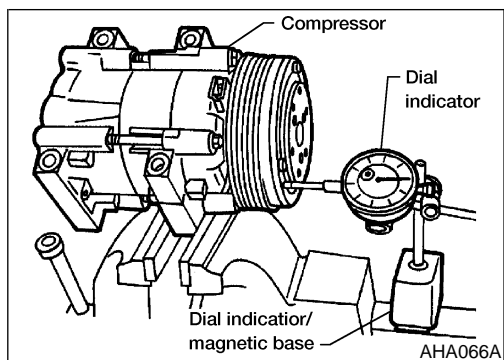
HA

SC

EL

IDX

Clutch Air Gap Adjustment



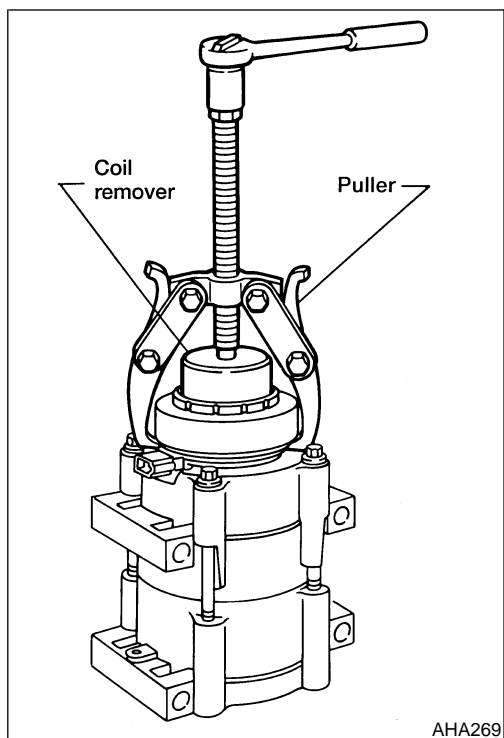
Clutch Air Gap Adjustment

NDHA0188

1. Remove the compressor.
2. Place compressor in a vise.
3. Install dial indicator and set to zero. Make sure the plunger of the dial indicator contacts the A/C compressor clutch disc.
4. Measure A/C compressor clutch disc to pulley clearance using jumper wires to energize the A/C compressor clutch disc.

Disc to pulley clearance:**0.45–0.85 mm (0.020–0.033 in)**

5. If the specified clearance cannot be obtained, add or remove shims as required.

Magnet Clutch
REMOVAL

NDHA0189

The magnet clutch coil is pressed on the front head of the compressor. Special service tools are required to remove and install the coil.

CAUTION:**Do not use air tools.**

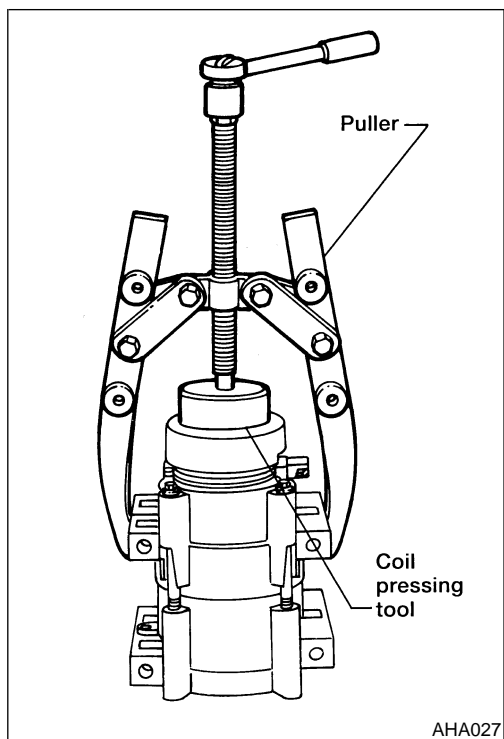
1. Install coil remover Tool on the nose opening of the compressor.
2. Install a puller on the compressor. Place the tip of the puller forcing screw in the center pilot of the coil remover Tool and the jaws of the puller around the back edge of the field coil.

NOTE:

Note the electrical connector location prior to coil removal. There are two possible locations and it is important to align the coil in the correct position during assembly.

3. Tighten the pulley forcing screw to pull the coil from the compressor head.

NDHA0190



INSTALLATION

CAUTION:

Do not use air tools.

1. Clean the coil mounting surface on the front head to remove any dirt or corrosion.
2. With the compressor in a vertical position (nose up), place the magnet coil in position on the compressor front head. Check to ensure that the coil electrical connector is positioned correctly.
3. Place the coil pressing (installer) Tool in position over the compressor nose and to the inner radius of the field coil.
4. Position 2-jaw puller Tool on the compressor and the coil pressing Tool as shown in the figure. The jaws of the puller should be firmly engaged with the rear side of the compressor front mounts. The forcing screw must be piloted on the center mark of the pressing tool.
5. Tighten the forcing screw with a hand wrench until the coil is pressed on the compressor front head. Check to ensure that the magnet coil bottoms against the head at all points around the coil diameter.
6. Install the clutch pulley and hub on the compressor as outlined. Adjust the air gap, as necessary. Refer to HA-130.

GI

MA

EM

LC

EC

FE

AT

AX

Shaft Seal

NDHA0191

REMOVAL

NDHA0191S01

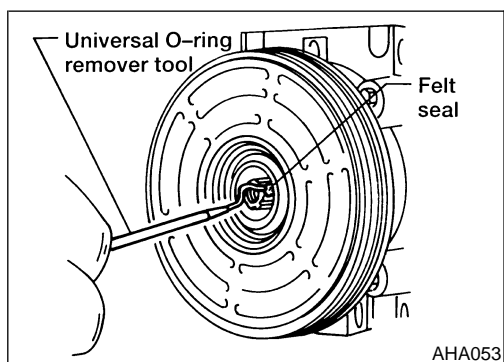
1. Discharge the A/C system. Refer to HA-122.
2. Remove the compressor from the vehicle. Refer to HA-127.
3. Remove the magnet clutch. Refer to HA-130.

SU

BR

ST

RS



4. Remove the shaft seal felt with universal O-ring remover tool.

BT

HA

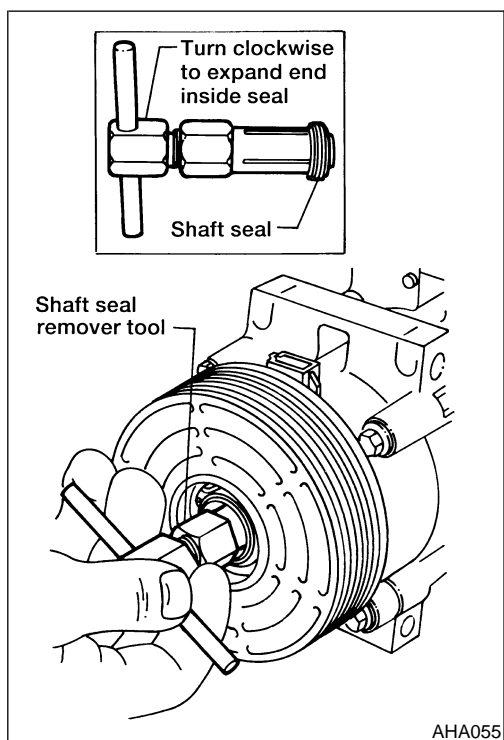
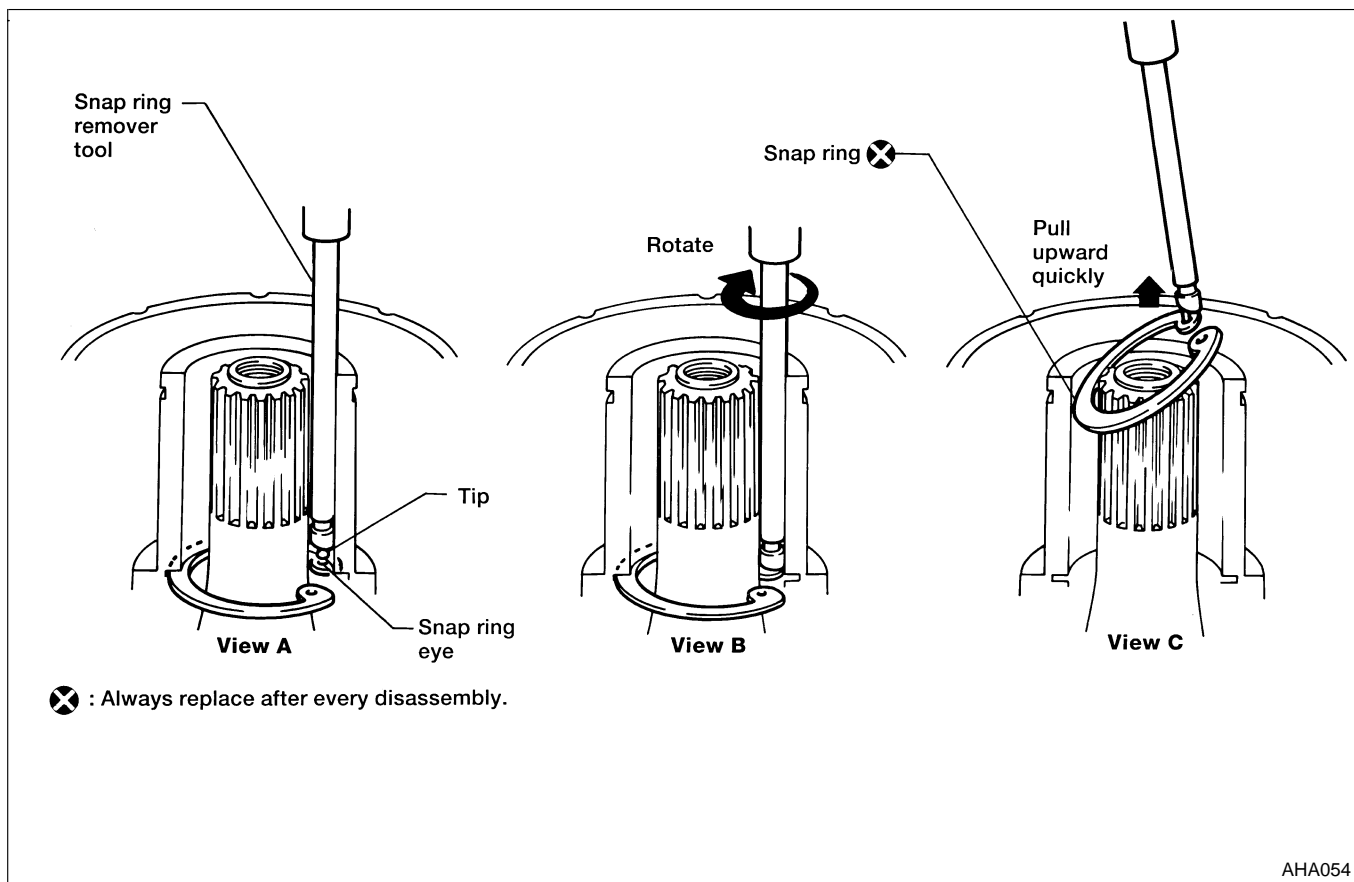
SC

EL

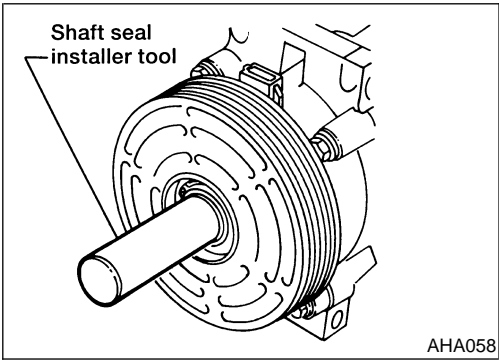
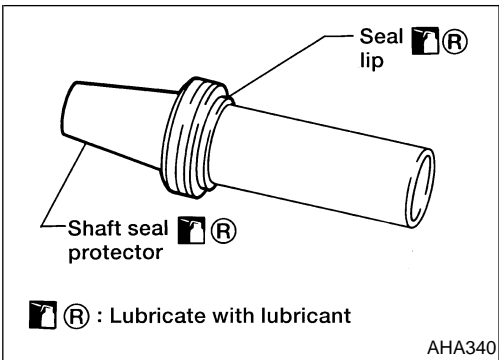
5. Remove shaft seal snap ring with snap ring remover.

IDX

Shaft Seal (Cont'd)



6. Insert end of shaft seal remover tool into nose of compressor. Hold the hex base and turn handle clockwise to expand tool.
7. Remove the shaft seal.



INSTALLATION

NDHA0191S02

1. Dip shaft seal and shaft seal protector in refrigerant lubricant. Install shaft seal on protector with lip of seal facing large end of protector.
2. Install shaft seal protector and shaft seal over end of compressor shaft.
3. Slowly push shaft seal down protector into compressor shaft with shaft seal installer. Be careful that shaft seal is seated properly.
4. Remove shaft seal installer and shaft seal protector from compressor shaft.
5. Install shaft seal snap ring. Be careful that snap ring is correctly seated.
6. Install shaft seal felt in compressor nose.
7. Install clutch hub and pulley.
8. Inspect compressor for refrigerant leaks. Refer to HA-135.

GI

MA

EM

LC

EC

FE

AT

AX

SU

BR

ST

RS

BT

HA

SC

EL

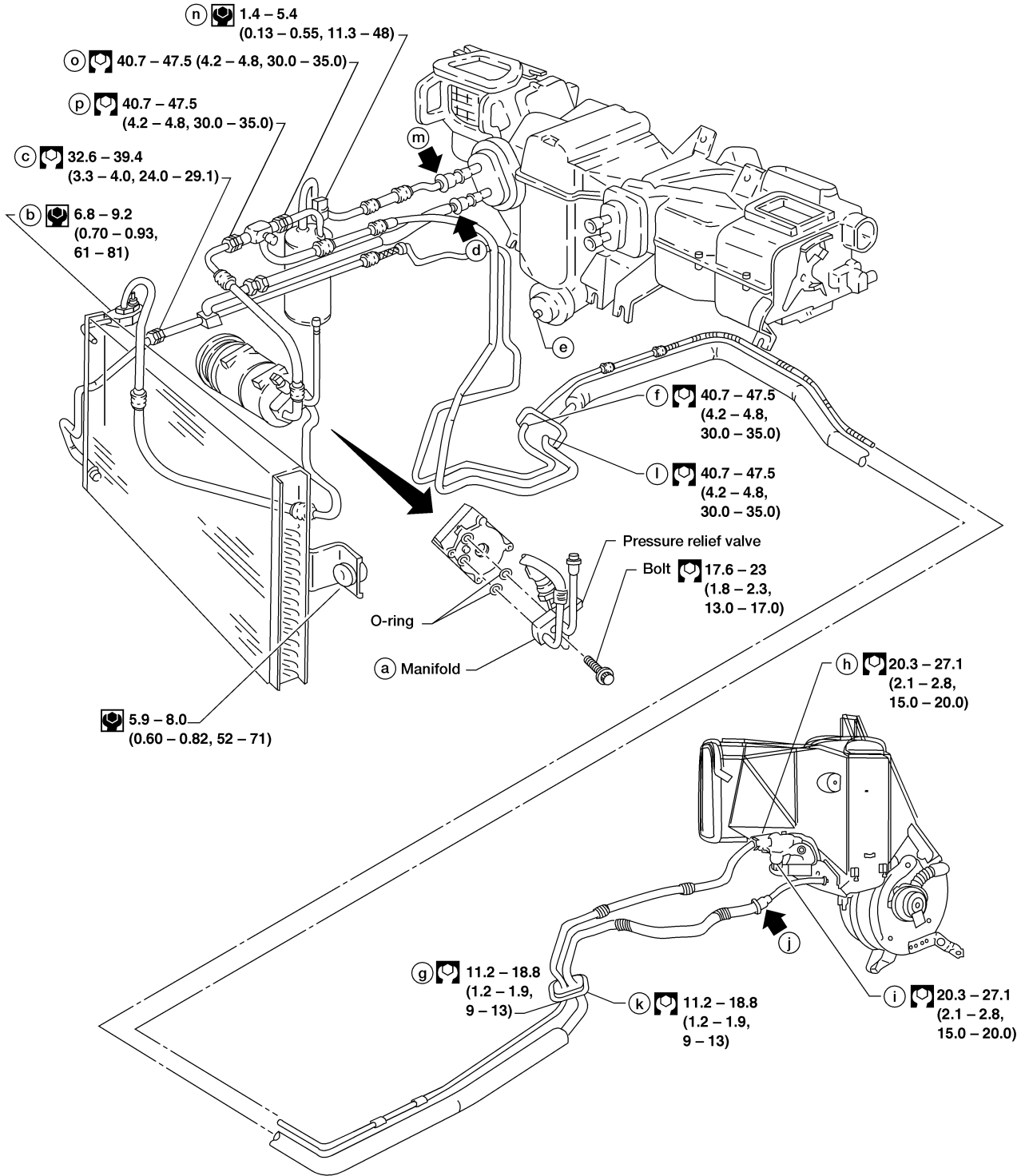
IDX

Refrigerant Lines

REMOVAL AND INSTALLATION

NDHA0192

SEC. 271 • 274 • 276



- : Refrigerant leak checking points
- ◄ : Spring lock coupling
- ⊗ : N·m (kg-m, in-lb)
- ⊕ : N·m (kg-m, ft-lb)

Checking Refrigerant Leaks

NDHA0193

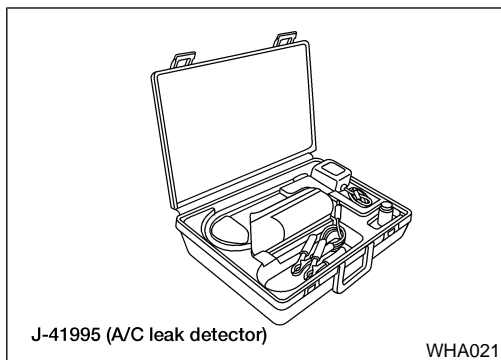
PRELIMINARY CHECK

NDHA0193S01

- Perform a visual inspection of all refrigeration parts, fittings, hoses and components for signs of A/C lubricant leakage, damage and corrosion. A/C lubricant leakage may indicate an area of refrigerant leakage. Allow extra inspection time in these areas when using either an electronic refrigerant leak detector or fluorescent dye leak detector.
- If dye is observed, confirm the leak with an approved electronic refrigerant leak detector. It is possible a prior leak was repaired and not properly cleaned.
- When searching for leaks, do not stop when one leak is found but continue to check for additional leaks at all system components and connections.
- When searching for refrigerant leaks using an electronic leak detector, move the probe along the suspected leak area at 25 - 50 mm (1 - 2 in) per second and no further than 1/4 inch from the component.

NOTE:

Moving the electronic leak detector probe slower and closer to the suspected leak area will improve the chances of finding a leak.



J-41995 (A/C leak detector)

WHA021

Electronic Refrigerant Leak Detector

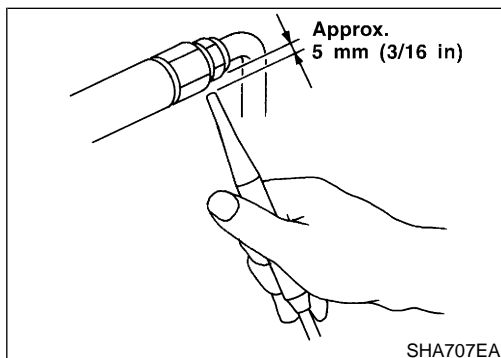
NDHA0278

PRECAUTIONS FOR HANDLING LEAK DETECTOR

NDHA0278S01

When performing a refrigerant leak check, use a J-41995 electronic refrigerant leak detector or equivalent. Ensure that the instrument is calibrated and set properly per the operating instructions. The leak detector is a delicate device. In order to use the leak detector properly, read the operating instructions and perform any specified maintenance.

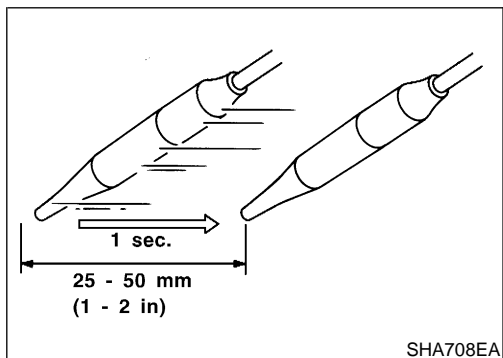
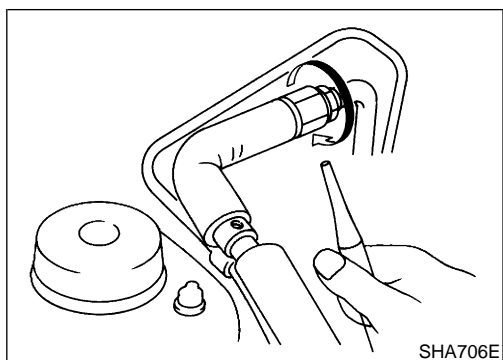
- **Other gases in the work area or substances on the A/C components, for example, anti-freeze, windshield washer fluid, solvents and lubricants, may falsely trigger the leak detector. Make sure the surfaces to be checked are clean. Clean with a dry cloth or blow off with shop air.**
- **Do not allow the sensor tip of the detector to contact any substance. This can also cause false readings and may damage the detector.**



SHA707EA

1. Position probe approximately 5 mm (3/16 in) away from point to be checked.

GI
MA
EM
LC
EC
FE
AT
AX
SU
BR
ST
RS
BT
HA
SC
EL
IDX



2. When testing, circle each fitting completely with probe.
3. Move probe along component approximately 25 - 50 mm (1 - 2 in) per second.

CHECKING PROCEDURE

NDHA0278S02

To prevent inaccurate or false readings, make sure there is no refrigerant vapor, shop chemicals or smoke in the vicinity of the vehicle. Perform the leak test in a calm area (low air/wind movement) so that the leaking refrigerant is not dispersed.

1. Turn engine off.
2. Connect a suitable A/C manifold gauge set to the A/C service ports.
3. Check if the A/C refrigerant pressure is at least 345 kPa (3.52 kg/cm², 50 psi) above 16°C (61°F). If less than specification, recover/evacuate and recharge the system with the specified amount of refrigerant. Refer to "HFC-134a (R-134a) Service Procedure", HA-122.

NOTE:

At temperatures below 16°C (61°F), leaks may not be detected since the system may not reach 345 kPa (3.52 kg/cm², 50 psi).

4. Conduct the leak test from the high side (compressor discharge **a** to evaporator inlet **d**) to the low side (evaporator drain hose **e** to compressor suction **p**). Refer to HA-134. Perform a leak check for the following areas carefully. Clean the component to be checked and move the leak detector probe completely around the connection/component.

- **Compressor**
Check the fitting of high and low pressure hoses, relief valve and shaft seal.
- **Liquid tank**
Check the pressure switch, tube fitting, weld seams and the fusible plug mounts.
- **Service valves**
Check all around the service valves. Ensure service valve caps are secured on the service valves (to prevent leaks).

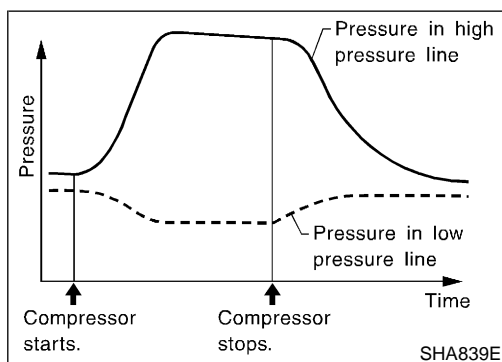
NOTE:

After removing A/C manifold gauge set from service valves, wipe any residue from valves to prevent any false readings by leak detector.

- **Cooling unit (Evaporator)**

With engine OFF, turn blower fan on "High" for at least 15 seconds to dissipate any refrigerant trace in the cooling unit. Wait a minimum of 10 minutes accumulation time (refer to the manufacturer's recommended procedure for actual time) before inserting the leak detector probe into the drain hose. (Keep the probe inserted for at least ten seconds.) Use caution not to contaminate the probe tip with water or dirt that may be in the drain hose.

5. If a leak detector detects a leak, verify at least once by blowing compressed air into area of suspected leak, then repeat check as outlined above.
6. Do not stop when one leak is found. Continue to check for additional leaks at all system components. If no leaks are found, perform steps 7 through 10.
7. Start engine.
8. Set the heater A/C control as follows:
 - a. A/C switch ON
 - b. Face mode
 - c. Recirculation switch ON
 - d. Max cold temperature
 - e. Fan speed high
9. Run engine at 1,500 rpm for at least 2 minutes.
10. Turn engine off and perform leak check again following steps 4 through 6 above.



Refrigerant leaks should be checked immediately after stopping the engine. Begin with the leak detector at the compressor. The pressure on the high pressure side will gradually drop after refrigerant circulation stops and pressure on the low pressure side will gradually rise, as shown in the graph. Some leaks are more easily detected when pressure is high.

11. Before connecting ACR4 to vehicle, check ACR4 gauges. No refrigerant pressure should be displayed. If pressure is displayed, recover refrigerant from equipment lines and then check refrigerant purity.
12. Confirm refrigerant purity in supply tank using ACR4 and refrigerant identifier. Refer to "Contaminated Refrigerant", HA-4.
13. Confirm refrigerant purity in vehicle A/C system using ACR4 and refrigerant identifier. Refer to "Contaminated Refrigerant", HA-4.
14. Discharge A/C system using approved refrigerant recovery equipment. Refer to "Discharging, Evacuating and Charging Refrigerant", HA-122. Repair the leaking fitting or component as necessary.
15. Evacuate and recharge A/C system. Refer to "Discharging, Evacuating and Charging Refrigerant", HA-122. Perform the leak test to confirm no refrigerant leaks.

16. Conduct A/C performance test to ensure system works properly.

Fluorescent Dye Leak Detector

NDHA0274

PRECAUTIONS FOR FLUORESCENT DYE LEAK DETECTION

- The fluorescent dye leak detector is not a replacement for an electronic refrigerant leak detector. The fluorescent dye leak detector should be used in conjunction with an electronic refrigerant leak detector (J-41995) to pinpoint refrigerant leaks.
- For your safety and your customer's satisfaction, read and follow all manufacturer's operating instructions and precautions prior to performing the work.
- Refer to "Precautions for Leak Detection Dye", HA-5.

CHECKING SYSTEM FOR LEAKS USING THE FLUORESCENT LEAK DETECTOR

NDHA0274S02

1. Check A/C system for leaks using the UV lamp and safety glasses (J-42220) in a low sunlight area (area without windows preferable). Illuminate all components, fittings and lines. The dye will appear as a bright green/yellow area at the point of leakage. Fluorescent dye observed at the evaporator drain opening indicates an evaporator core assembly (tubes, core or TXV) leak.
2. If the suspected area is difficult to see, use an adjustable mirror or wipe the area with a clean shop rag or cloth, then check the cloth with the UV lamp for dye residue.
3. Confirm any suspected leaks with an approved electronic refrigerant leak detector.
4. After the leak is repaired, remove any residual dye using dye cleaner (J-43872) to prevent future misdiagnosis.
5. Perform a system performance check and verify the leak repair with an approved electronic refrigerant leak detector.

DYE INJECTION

NDHA0274S03

(This procedure is only necessary when re-charging the system or when the compressor has seized and was replaced.)

Refer to "Precautions for Leak Detection Dye", HA-5.

1. Check A/C system static (at rest) pressure. Pressure must be at least 345 kPa (3.52 kg/cm², 50 psi).
2. Pour one bottle (1/4 ounce / 7.4 cc) of the A/C refrigerant dye into the injector tool (J-41459).
3. Connect the injector tool to the A/C LOW PRESSURE side service fitting.
4. Start engine and switch A/C ON.
5. With the A/C operating (compressor running), inject one bottle (1/4 ounce / 7.4 cc) of fluorescent dye through the low-pressure service valve using dye injector tool J-41459 (refer to the manufacturer's operating instructions).

- With the engine still running, disconnect the injector tool from the service fitting.

CAUTION:

Be careful not to allow dye to spray or drip when disconnecting the injector from the system.

NOTE:

If repairing the A/C system or replacing a component, pour the dye directly into the open system connection and proceed with the service procedures.

- Operate the A/C system for a minimum of 20 minutes to mix the dye with the system oil. Depending on the leak size, operating conditions and location of the leak, it may take from minutes to days for the dye to penetrate a leak and become visible.

GI
MA
EM
LC
EC
FE
AT
AX

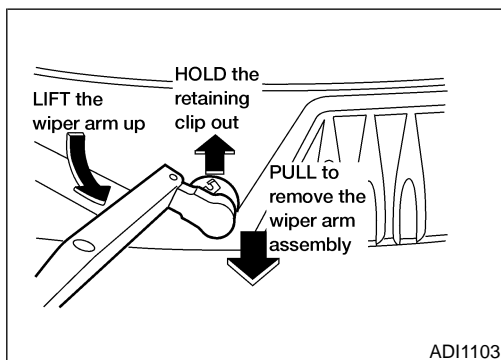
Cabin Air Filter

NDHA0270

The cabin air filter restricts the entry of airborne dust and pollen particles and reduces some objectionable outside odors. The filter is located just in front of the windshield under the cowl cover on the passenger side of the vehicle.

To replace the filter, perform the following procedure.

SU
BR
ST
RS



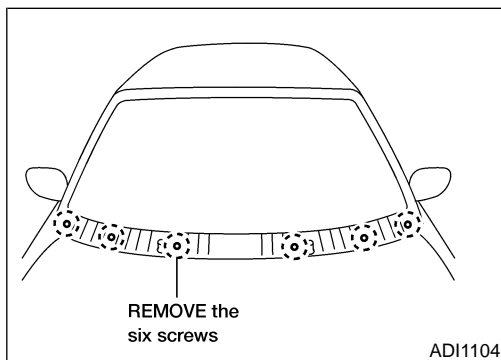
ADI1103

REMOVAL

NDHA0270S01

- Remove the windshield wiper arms.
 - Lift the wiper arm away from the windshield surface until the wiper is perpendicular to the windshield.
 - Lift and remove the wiper arm while holding the small retaining clip at the base of wiper arm outward.

BT
HA
SC

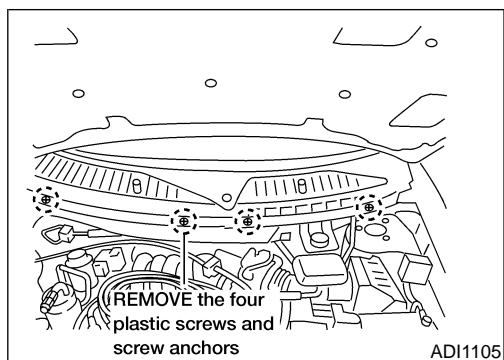


ADI1104

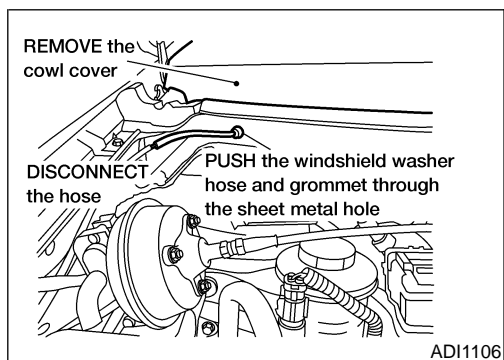
- Remove the cowl cover.
 - Remove the six screws.
 - Open the hood.

EL
IDX

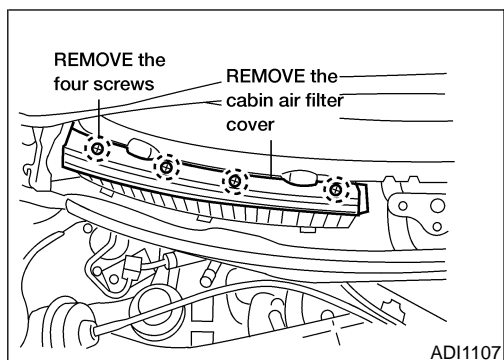
Cabin Air Filter (Cont'd)



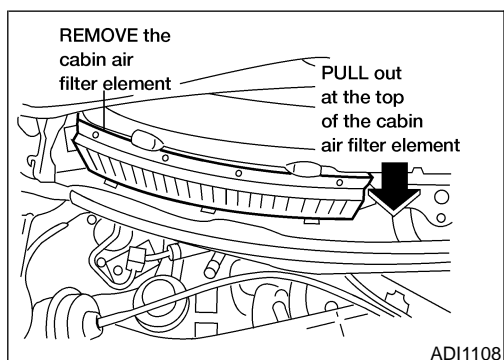
- Remove the four plastic screws from the forward edge of the cowl cover.
- Remove the four plastic screw anchors.



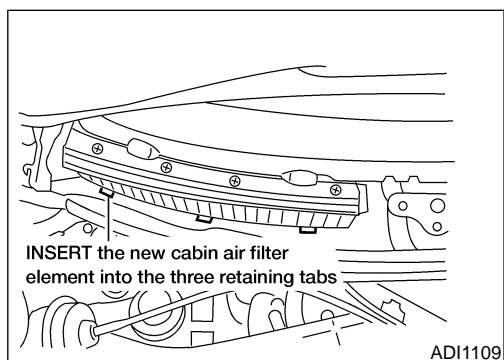
- Disconnect the windshield washer hose at the passenger side rear corner of the engine compartment.
- Push the windshield washer hose and the grommet through the sheet metal hole.
- Lift the cowl cover and remove it from the vehicle.



3. Locate the cabin air filter on the passenger side of the vehicle.
- Remove the four screws from the top surface of the cabin air filter top cover.
 - Remove the cabin air filter cover.



- Remove the cabin air filter element by pulling forward on the top surface of the filter and lifting.



INSTALLATION

NDHA0270S02

1. Install the new cabin air filter element into the filter retaining frame, ensure that you insert the three retaining tabs in the bottom of the filter frame.
 2. Install the filter top cover and the four screws.
 3. Feed the windshield washer hose from the cowl cover through the hole in the sheet metal.
- Ensure that you fully seat the rubber grommet into the sheet metal hole.
4. Reconnect the windshield washer hose.
 5. Position the windshield washer hose.

6. Reinstall the four screw anchors and the four screws.
7. Close the hood.
8. Install the six screws in the cowl cover.
9. Install the windshield wiper arms.
 - Push the wiper arm downward onto the wiper arm pivot until the small retaining clip snaps into the locked position.
 - Lower the wiper arm blade onto the windshield surface.

GI

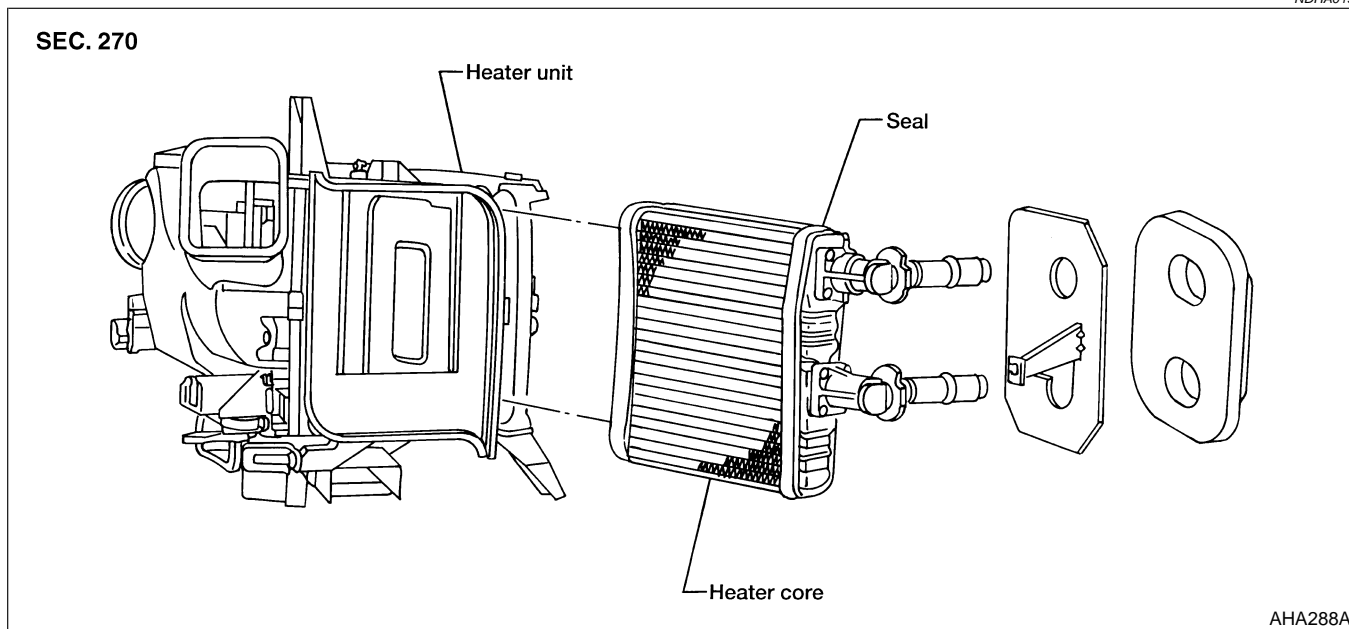
MA

EM

LC

Heater Core

NDHA0196



EC

FE

AT

AX

SU

BR

ST

RS

REMOVAL

NDHA0196S01

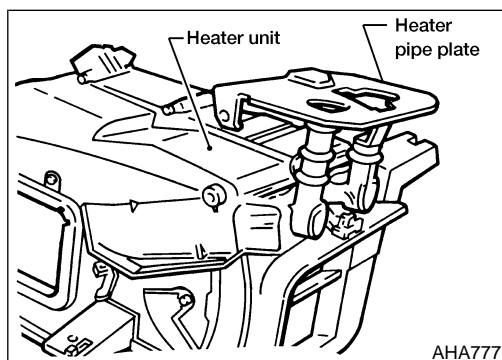
1. Drain cooling system. Refer to **MA-14**, "Changing Engine Coolant".
2. Disconnect two heater hoses in engine compartment.
3. Disconnect heater unit ducts.
4. Disconnect heater unit bolts.
5. Disconnect door motor electrical connectors.
6. Remove heater unit.

BT

HA

SC

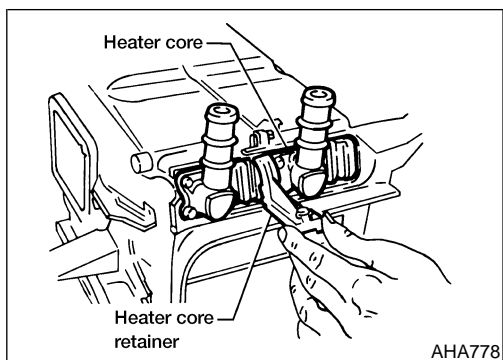
EL



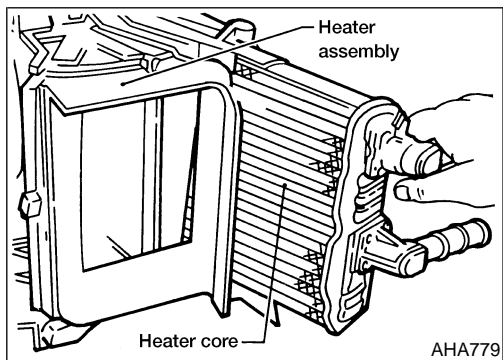
7. Remove heater pipe plate.

IDX

Heater Core (Cont'd)



8. Remove heater core retainer.



9. Remove heater core from heater unit.

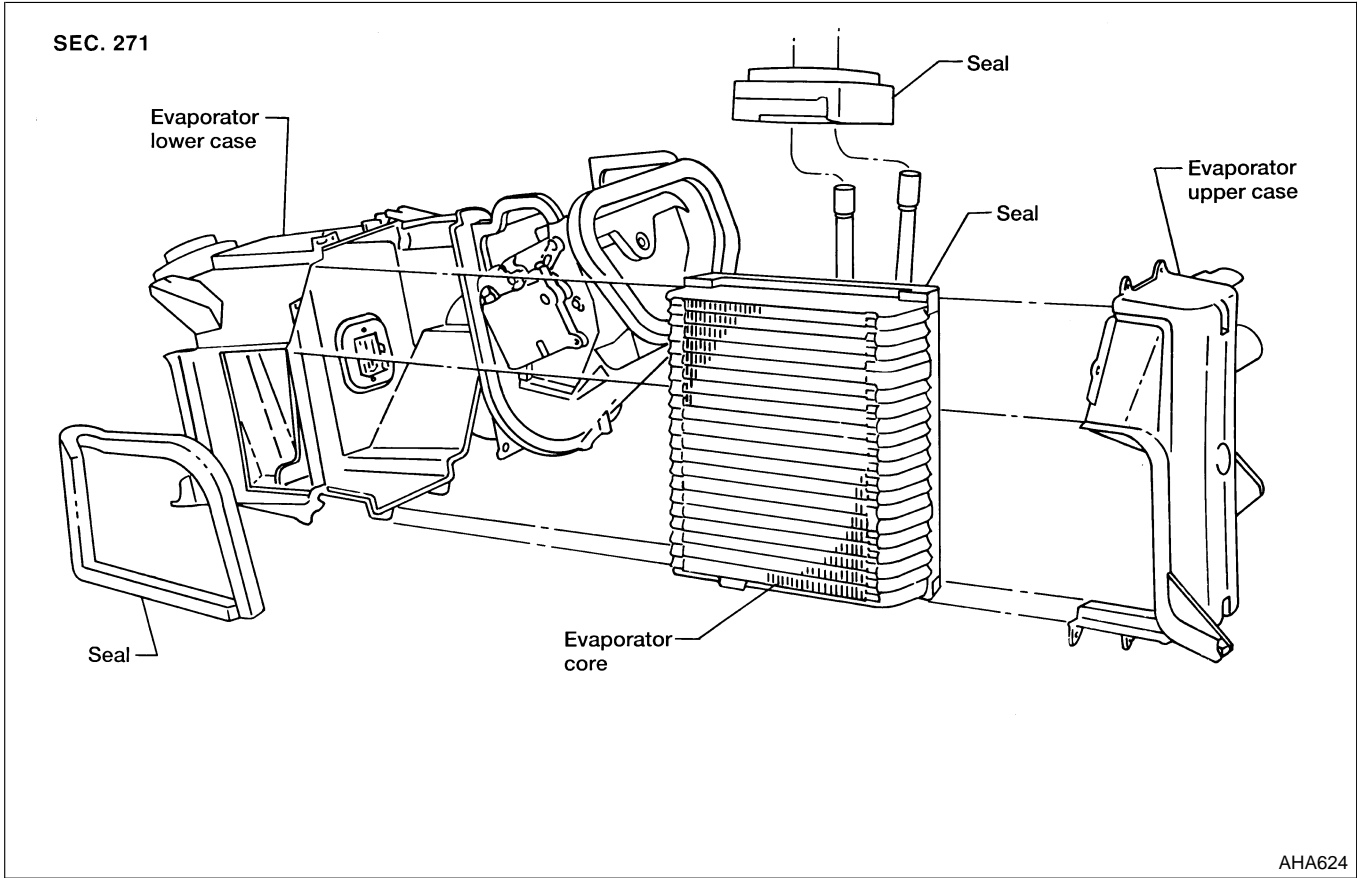
INSTALLATION

Installation is the reverse order of removal. Inspect system for coolant leaks. Refer to **MA-14**, "Changing Engine Coolant".

NDHA0196S02

Front Evaporator Core

NDHA0197



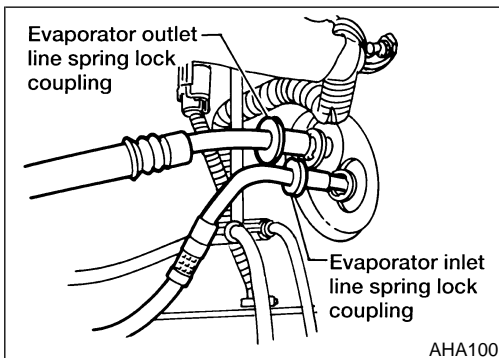
GI
MA
EM
LC
EC
FE
AT
AX
SU
BR

REMOVAL

NDHA0197S01

1. Discharge the A/C system. Refer to HA-122.

ST
RS



2. Use tool to disconnect spring lock couplings in engine compartment.
3. Remove instrument panel.
4. Remove duct from heater unit to register RH.
5. Disconnect blower motor and electrical connector.
6. Remove evaporator.

BT
HA

SC
EL

INSTALLATION

NDHA0197S02

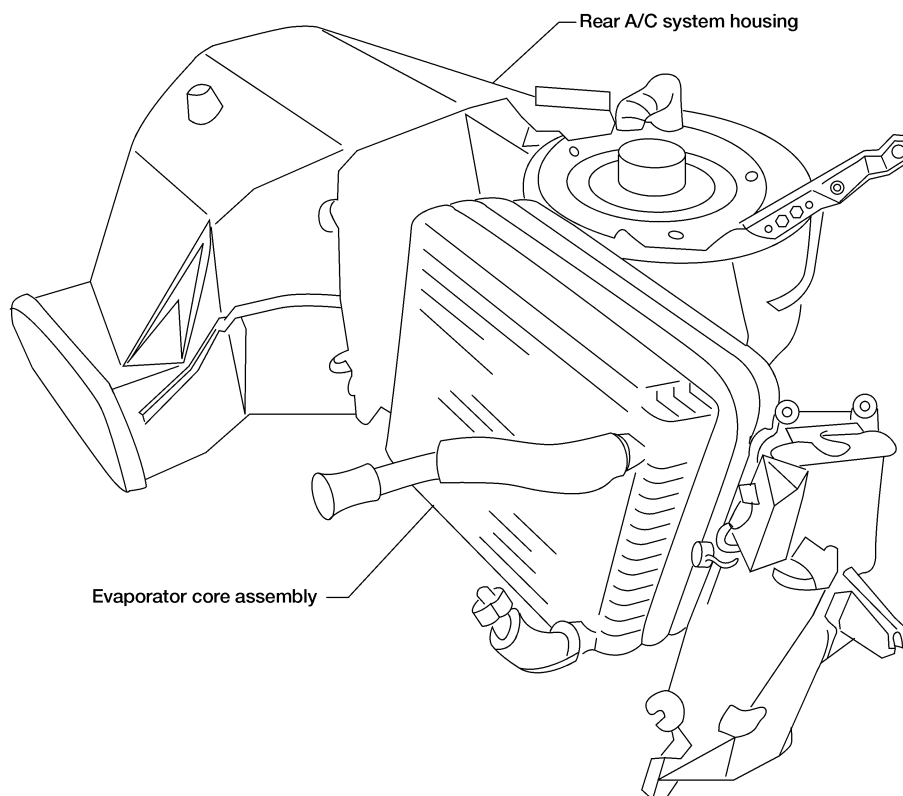
Installation is the reverse order of removal.
Inspect system for refrigerant leaks. Refer to HA-135.

IDX

Rear Evaporator Core

NDHA0198

SEC. 270 • 271



AHA416A

REMOVAL

1. Discharge and recover refrigerant from the A/C system. Refer to HA-122.
2. Remove driver's side trim panel and bolts from housing.
3. Remove A/C system housing.
4. Remove evaporator core.

NDHA0198S01

INSTALLATION

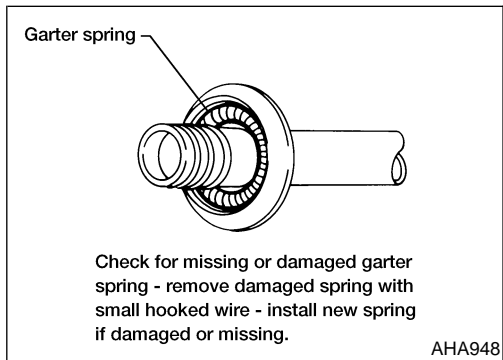
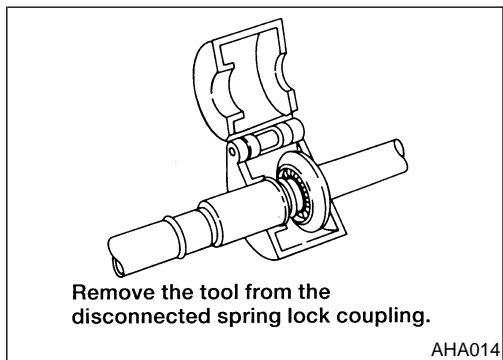
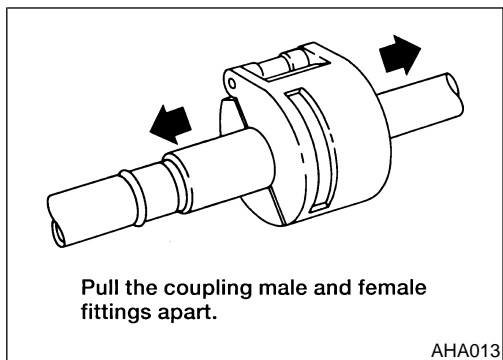
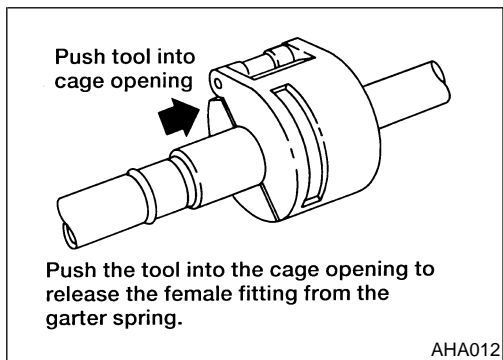
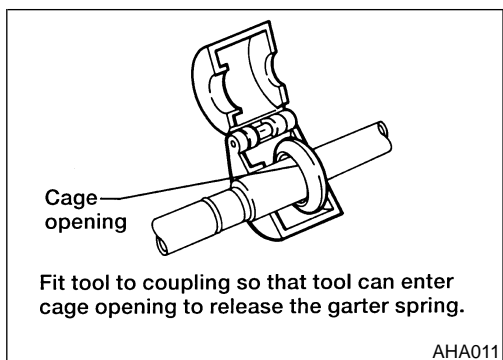
Installation is the reverse order of removal.

NDHA0198S02

Spring Lock Coupling

- Refer to "Precautions for Refrigerant Connection", HA-5. A plastic indicator ring is used on spring lock couplings during vehicle assembly to indicate that the coupling is connected. After the coupling is connected, the indicator ring is not necessary but will stay near the cage opening.

NDHA0264



REMOVAL

NDHA0264S04

1. Discharge refrigerant from system. Fit spring lock coupling tools (9.53 mm [3/8 in], 12.70 mm [1/2 in], 15.88 mm [5/8 in] or 19.05 mm [3/4 in] to the coupling.

GI

MA

EM

LC

2. Close tool and push into open side of cage to expand garter spring and release female fitting.

If the tool is cocked while pushing it into the cage opening the garter spring may not release.

EC

FE

AT

AX

3. After garter spring is expanded, pull fitting apart.

SU

BR

ST

RS

4. Remove tool from disconnected coupling.

BT

HA

SC

EL

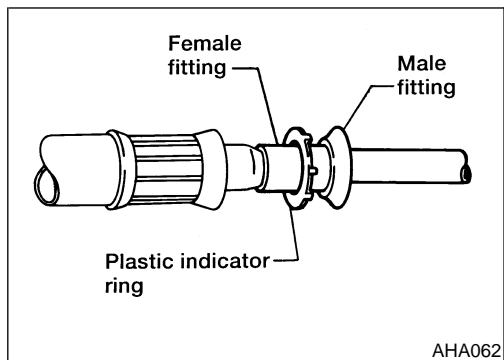
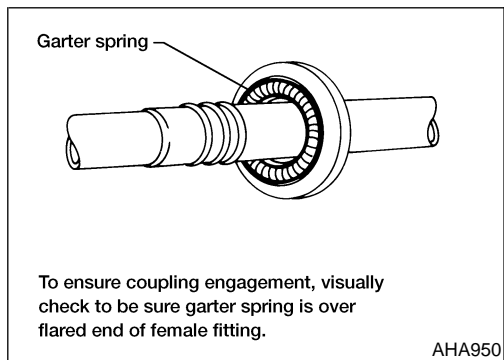
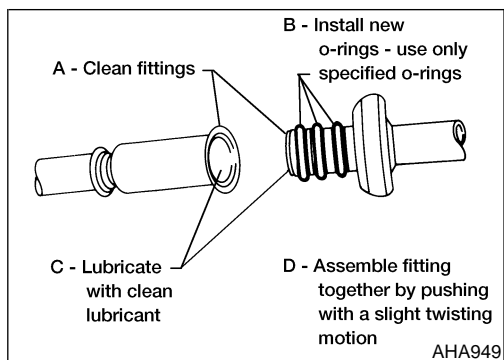
IDX

INSTALLATION

NDHA0264S05

1. Check to ensure that garter spring is in cage of male fitting. If garter spring is missing, install a new spring by pushing it into the cage opening. If garter spring is damaged, remove it from cage with a small wire hook (do not use a screwdriver) and install a new spring. Check for burrs on the end of the male tube to avoid scratching the female tube.

Spring Lock Coupling (Cont'd)



2. Clean all dirt or foreign material from both pieces of coupling.
3. Install new O-rings on male fitting.

NOTE:

O-rings are made of a special material. Use only the specified O-rings.

The use of any O-ring other than the specified O-ring may allow the connection to leak intermittently during vehicle operation.

4. Lubricate male fitting and O-rings and inside of female fitting with clean lubricant. Check for scratches on the inner surface of the female fitting.
5. Install plastic indicator ring into cage opening if indicator ring is to be used.
6. Fit female fitting to male fitting and push until garter spring snaps over flared end of female fitting. If plastic indicator ring is not used, it will snap out of cage opening when coupling is connected to indicate engagement.
7. If indicator ring is not used, ensure coupling engagement by visually checking to verify garter spring is over flared end of female fitting.

Fast Idle Control Device (FICD)

INSPECTION

- Refer to *EC-500*, "IACV-FICD SOLENOID VALVE".

NDHA0195

Belt

TENSION ADJUSTMENT

- Refer to *MA-13*, "Checking Drive Belt".

NDHA0194

Auto

GENERAL SPECIFICATIONS

Compressor

=NDHA0164

GI

NDHA0164S01

Model	FS-10
Type	Swash plate
Displacement cm ³ (cu in)/rev.	170 (10.37)
Cylinder bore x stroke mm (in)	29.0 x 25.7 (1.142 x 1.012)
Direction of rotation	Clockwise (viewed from drive end)
Drive Belt	Poly V

MA

EM

LC

EC

Lubricant

NDHA0164S02

Model	Only front A/C models	Front & rear A/C models
	FS-10 compressor	
Type	Nissan A/C System Lubricant PAG Type F or equivalent*	
Capacity mℓ (US fl oz, imp fl oz) Total in system	207 (7.0, 7.3)	325 (11.0, 11.5)

FE

AT

AX

*: Suniso 5GS is not acceptable for use in this vehicle.

SU

Refrigerant

NDHA0164S03

Type	R134a	
Capacity kg (lb)	Only front A/C models	0.907 (2.0)
	Front A/C & rear A/C models	1.531 (3.376)

BR

ST

INSPECTION AND ADJUSTMENT

Engine Idling Speed (When A/C is ON)

NDHA0165

RS

NDHA0165S01

- Refer to **EC-511**, "Idle Speed and Ignition Timing".

Belt Tension

NDHA0165S02

BT

- Refer to **MA-13**, "Checking Drive Belts".

Compressor

NDHA0165S03

HA

Model	FS-10
Off Vehicle Clutch hub-pulley clearance mm (in)	0.45-0.85 (0.0177-0.335)

SC

EL

IDX

Supplemental Restraint System (SRS) "AIR BAG" and "SEAT BELT PRE-TENSIONER"

NDHA0060

The Supplemental Restraint System such as "AIR BAG" and "SEAT BELT PRE-TENSIONER" used along with a seat belt, helps to reduce the risk or severity of injury to the driver and front passenger for certain types of collision. The Supplemental Restraint System consists of driver air bag module (located in the center of the steering wheel), front passenger air bag module (located on the instrument panel on passenger side), seat belt pre-tensioners, a diagnosis sensor unit, warning lamp, wiring harness and spiral cable.

Information necessary to service the system safely is included in the **RS section** of this Service Manual.

WARNING:

- To avoid rendering the SRS inoperative, which could increase the risk of personal injury or death in the event of a collision which would result in air bag inflation, all maintenance should be performed by an authorized NISSAN dealer.
- Improper maintenance, including incorrect removal and installation of the SRS, can lead to personal injury caused by unintentional activation of the system. For removal of Spiral Cable and Air Bag Module, see the RS section.
- Do not use electrical test equipment on any circuit related to the SRS unless instructed to in this Service Manual. Spiral cable and wiring harnesses (except "SEAT BELT PRE-TENSIONER") covered with yellow insulation either just before the harness connectors or for the complete harness are related to the SRS.

Precautions for Working with HFC-134a (R-134a)

=NDHA0061

WARNING:

- CFC-12 (R-12) refrigerant and HFC-134a (R-134a) refrigerant are not compatible. If the refrigerants are mixed, compressor failure is likely to occur, refer to “Contaminated Refrigerant”. To determine the purity of HFC-134a (R-134a) in the vehicle and recovery tank, use Refrigerant Recovery/Recycling Recharging equipment (ACR4) (J-39500–NI) and Refrigerant Identifier.
- Use only specified lubricant for the HFC-134a (R-134a) A/C system and HFC-134a (R-134a) components. If lubricant other than that specified is used, compressor failure is likely to occur.
- The specified HFC-134a (R-134a) lubricant rapidly absorbs moisture from the atmosphere. The following handling precautions must be observed:
 - a) When removing refrigerant components from a vehicle, immediately cap (seal) the component to minimize the entry of moisture from the atmosphere.
 - b) When installing refrigerant components to a vehicle, do not remove the caps (unseal) until just before connecting the components. Connect all refrigerant loop components as quickly as possible to minimize the entry of moisture into system.
 - c) Only use the specified lubricant from a sealed container. Immediately reseal containers of lubricant. Without proper sealing, lubricant will become moisture saturated and should not be used.
 - d) Avoid breathing A/C refrigerant and lubricant vapor or mist. Exposure may irritate eyes, nose and throat. Remove R-134a from the A/C system, using certified service equipment meeting requirements of SAE J2210 (R-134a recycling equipment), or J2209 (R-134a recovery equipment). If accidental system discharge occurs, ventilate work area before resuming service. Additional health and safety information may be obtained from refrigerant and lubricant manufacturers.
 - e) Do not allow lubricant (Nissan A/C System Oil Type S) to come in contact with styrofoam parts. Damage may result.

GI
MA
EM
LC
EC
FE
AT
AX
SU

Contaminated Refrigerant

NDHA0267

If a refrigerant other than pure R-134a is identified in a vehicle, your options are:

- Explain to the customer that environmental regulations prohibit the release of contaminated refrigerant into the atmosphere.
- Explain that recovery of the contaminated refrigerant could damage your service equipment and refrigerant supply.
- Suggest the customer return the vehicle to the location of previous service where the contamination may have occurred.
- If you choose to perform the repair, recover the refrigerant using only dedicated equipment and containers. **Do not recover contaminated refrigerant into your existing service equipment.** If your facility does not have dedicated recovery equipment, you may contact a local refrigerant product retailer for available service. This refrigerant must be disposed of in accordance with all federal and local regulations. In addition, replacement of all refrigerant system components on the vehicle is recommended.
- If the vehicle is within the warranty period, the air conditioner warranty is void. Please contact Nissan Customer Affairs for further assistance.

BR
ST
RS
BT
HA

General Refrigerant Precautions

NDHA0062

WARNING:

- Do not release refrigerant into the air. Use approved recovery/recycling equipment to capture the refrigerant every time an air conditioning system is discharged.
- Always wear eye and hand protection (goggles and gloves) when working with any refrigerant or air conditioning system.
- Do not store or heat refrigerant containers above 52°C (125°F).
- Do not heat a refrigerant container with an open flame; if container warming is required, place the bottom of the container in a warm pail of water.
- Do not intentionally drop, puncture, or incinerate refrigerant containers.
- Keep refrigerant away from open flames: poisonous gas will be produced if refrigerant burns.
- Refrigerant will displace oxygen, therefore be certain to work in well ventilated areas to prevent suffocation.
- Do not pressure test or leak test HFC-134a (R-134a) service equipment and/or vehicle air conditioning systems with compressed air during repair. Some mixtures of air and R-134a have been

SC
EL
IDX

shown to be combustible at elevated pressures. These mixtures, if ignited, may cause injury or property damage. Additional health and safety information may be obtained from refrigerant manufacturers.

Precautions for Leak Detection Dye

NDHA0276

- The A/C system contains a fluorescent leak detection dye used for locating refrigerant leaks. An ultraviolet (UV) lamp is required to illuminate the dye when inspecting for leaks.
- Always wear fluorescence enhancing UV safety glasses to protect your eyes and enhance the visibility of the fluorescent dye.
- A compressor shaft seal should not be repaired because of dye seepage. The compressor shaft seal should only be repaired after confirming the leak with an electronic refrigerant leak detector (J-41995).
- Always remove any dye from the leak area after repairs are complete to avoid a misdiagnosis during a future service.
- Do not allow dye to come into contact with painted body panels or interior components. If dye is spilled, clean immediately with the approved dye cleaner. Fluorescent dye left on a surface for an extended period of time **cannot be removed**.
- Do not spray the fluorescent dye cleaning agent on hot surfaces (engine exhaust manifold, etc.).
- Do not use more than one refrigerant dye bottle (1/4 ounce / 7.4 cc) per A/C system.
- Leak detection dyes for R-134a and R-12 A/C systems are different. Do not use R-134a leak detection dye in R-12 A/C systems or R-12 leak detection dye in R-134a A/C systems or A/C system damage may result.
- The fluorescent properties of the dye will remain for over three (3) years unless a compressor failure occurs.

CAUTION (IF A/C EQUIPPED)	MISE EN GARDE (VÉHICULES CLIMATISÉS)	
REFRIGERANT UNDER HIGH PRESSURE. AIR CONDITIONING SYSTEM TO BE SERVICED BY QUALIFIED PERSONNEL. IMPROPER SERVICE METHODS MAY CAUSE PERSONAL INJURY. CONSULT SERVICE MANUAL.	LE FRIGOTIGÈNE EST SOUS FORTE PRESSION. NE CONFIEZ L'ENTRETIEN ET LA RÉPARATION DU CLIMATISEUR QU'À UN PERSONNEL QUALIFIÉ. L'EMPLOI DE MAUVAISES MÉTHODES PEUT CAUSER DES BLESSURES. CONSULTEZ LE MANUEL DE RÉPARATION.	
DISTR.: NISSAN— CARSON, CA.	REFRIG. FRIGORIG.	LUBRICANT/LUBRIFIANT
TYPE:	R-134a	PAG LUBRICANT W/LUMINESCENT DYE LUB PAG AVEC TEINTURE LUMINESCENTE
AMOUNT: W/ FR A/C: QTE. CLIM. AV. :	2.0 LB	47 CC
W/FR & RR A/C: CLIM. AV. ET AR.	3.5 LB	166 CC
SAE J639		

LHA270

A/C Identification Label

NDHA0166

Vehicles with factory installed fluorescent dye have this identification label on the underside of hood.

NOTE:

Vehicles with factory installed fluorescent dye have a green label.

Precautions for Refrigerant Connection

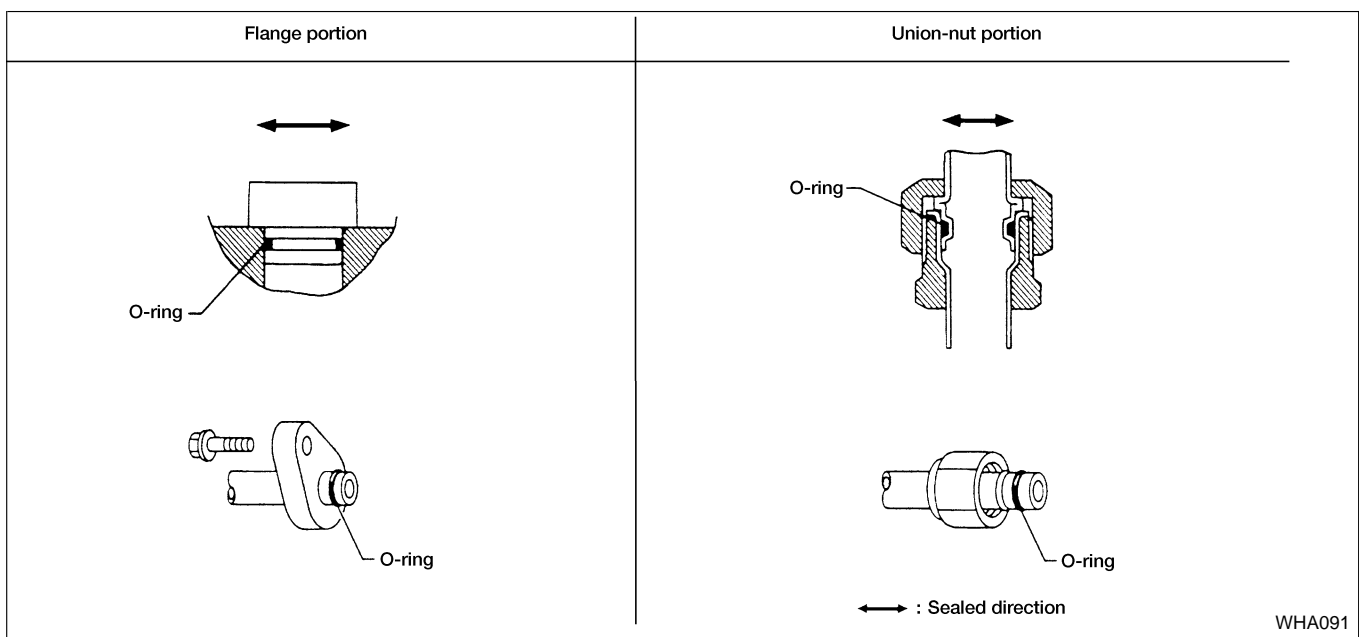
NDHA0063

A new type refrigerant connection has been introduced to all refrigerant lines.

FEATURES OF NEW TYPE REFRIGERANT CONNECTION

NDHA0063S01

- The O-ring is relocated in a groove for proper installation. This eliminates the chance of the O-ring being caught in, or damaged by, the mating part. The sealing direction of the O-ring is now set vertically in relation to the contacting surface of the mating part to improve sealing characteristics.
- The reaction force of the O-ring will not occur in the direction that causes the joint to pull out, thereby facilitating piping connections.

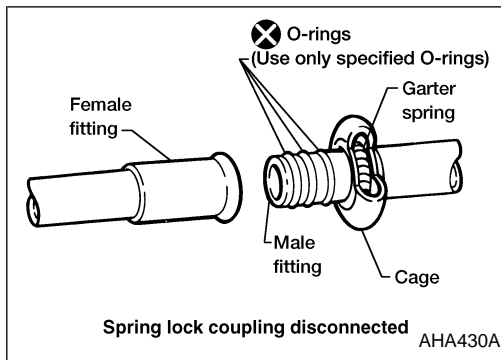


SPRING LOCK COUPLING

NDHA0063S04

The spring lock coupling is a refrigerant line coupling held together by a garter spring inside a circular cage. When the coupling is connected, the flared end of the female fitting slips behind the garter spring inside the cage of the male fitting. The garter spring and cage prevent the flared end of the female fitting from pulling out of the cage.

Three green O-rings are used to seal the two halves of the coupling. **These O-rings are made of special material and must be replaced with an O-ring made of the same material.** The O-rings normally used in refrigerant system connections **are not** the same material and should not be used with the spring lock coupling. **Use only the specified O-ring for the spring lock coupling. Refer to "Removal and Installation", HA-254.**



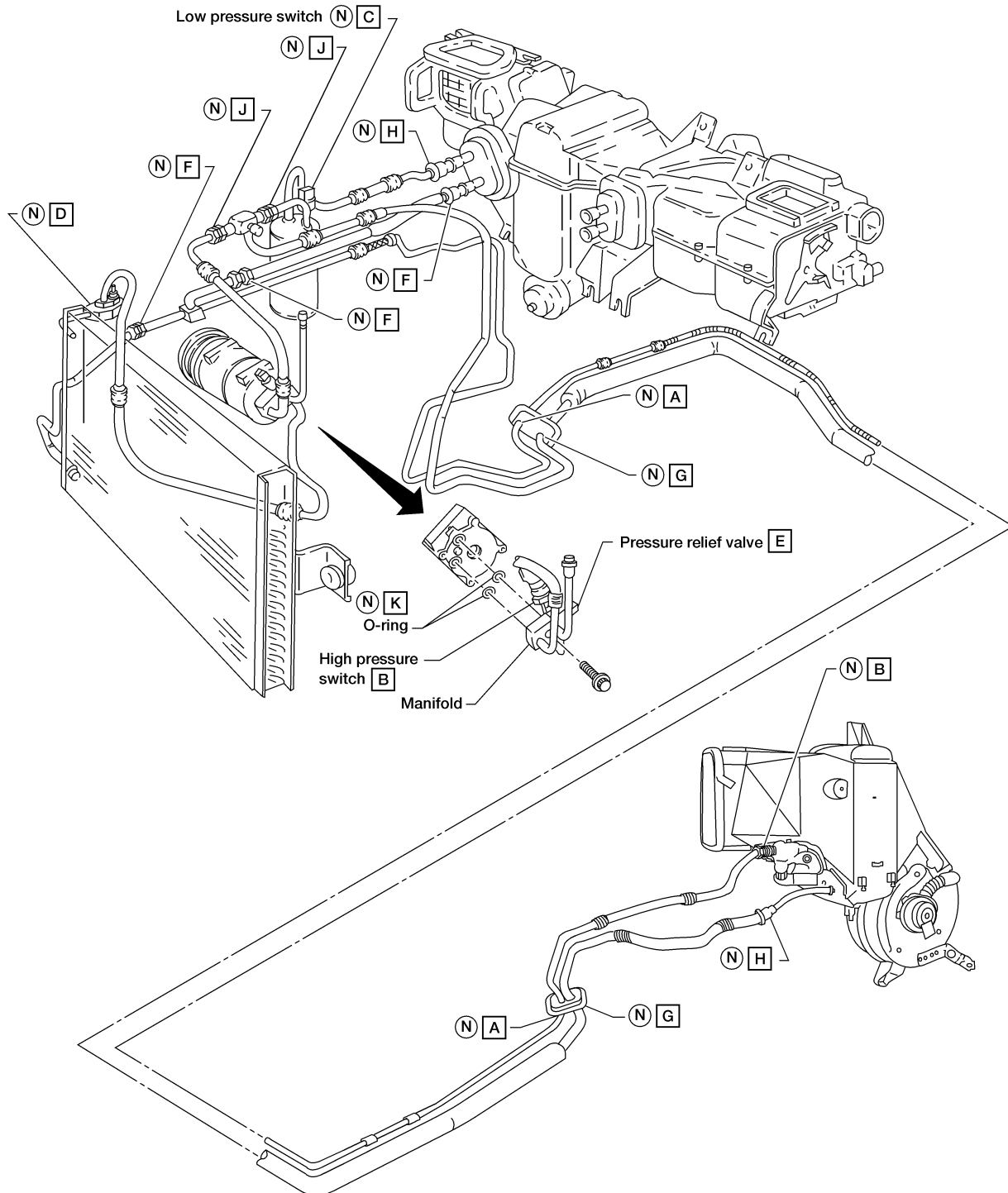
GI
MA
EM
LC
EC
FE
AT
AX
SU
BR
ST
RS
BT
HA
SC
EL
IDX

O-RING AND REFRIGERANT CONNECTION

Models with Rear A/C

=NDHA0063S02

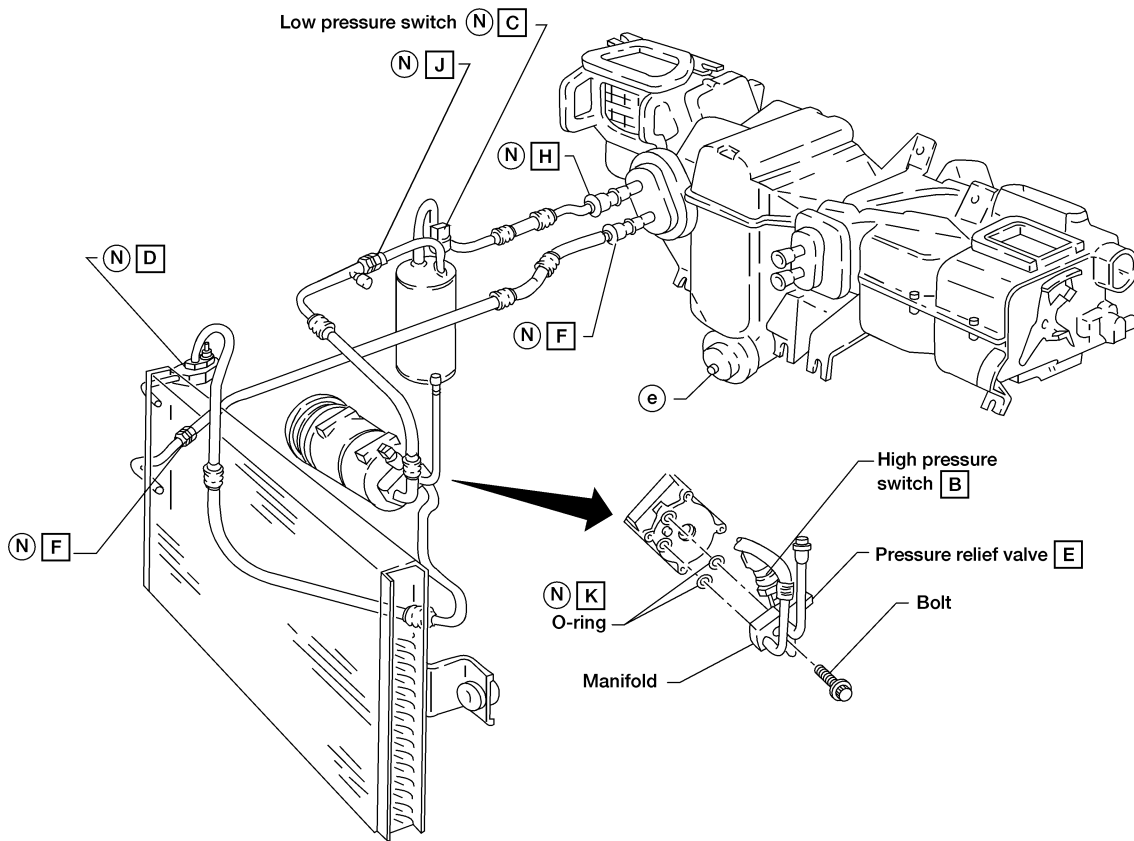
SEC. 271 • 274 • 276



(N) : New type refrigerant connection

[] : O-ring size

Models without Rear A/C



(N) : New type refrigerant connection
 □ : O-ring size

WHA271

CAUTION:

Refrigerant connections in some systems use different O-ring configurations. Do not confuse O-rings since they are not interchangeable. If a wrong O-ring is installed, refrigerant will leak at, or around, the connection.

O-Ring Part Numbers and Specifications

NDHA0063S0201

	Connec- tion type	O-ring size	Part number*	D mm (in)	W mm (in)
<p>SHA814E</p>	New	A	92477 7B003	6.45 (0.2539)	2.62 (0.1031)
	New	B	92477 0B000	7.37 (0.2902)	1.81 (0.0713)
	New	C	92477 0B003	8.03 (0.3161)	1.96 (0.0772)
	New	D	92477 7B001	9.19 (0.3618)	2.62 (0.1031)
	New	E	92477 7B004	9.25 (0.3642)	1.78 (0.0701)
	New	F	92477 0B001	10.16 (0.4000)	1.85 (0.0728)
	New	G	92477 7B005	11.60 (0.4567)	2.62 (0.1031)
	New	H	92477 0B002	12.93 (0.5091)	1.86 (0.0732)
	New	J	92477 7B002	15.67 (0.6169)	1.93 (0.0760)
	New	K	92785 0B700	20.25 (0.7972)	3.53 (0.1390)

*: Always check with the Parts Department for the latest parts information

GI
 MA
 EM
 LC
 EC
 FE
 AT
 AX
 SU
 BR
 ST
 RS
 BT
 HA

SC

EL

IDX

Precautions for Refrigerant Connection (Cont'd)

WARNING:

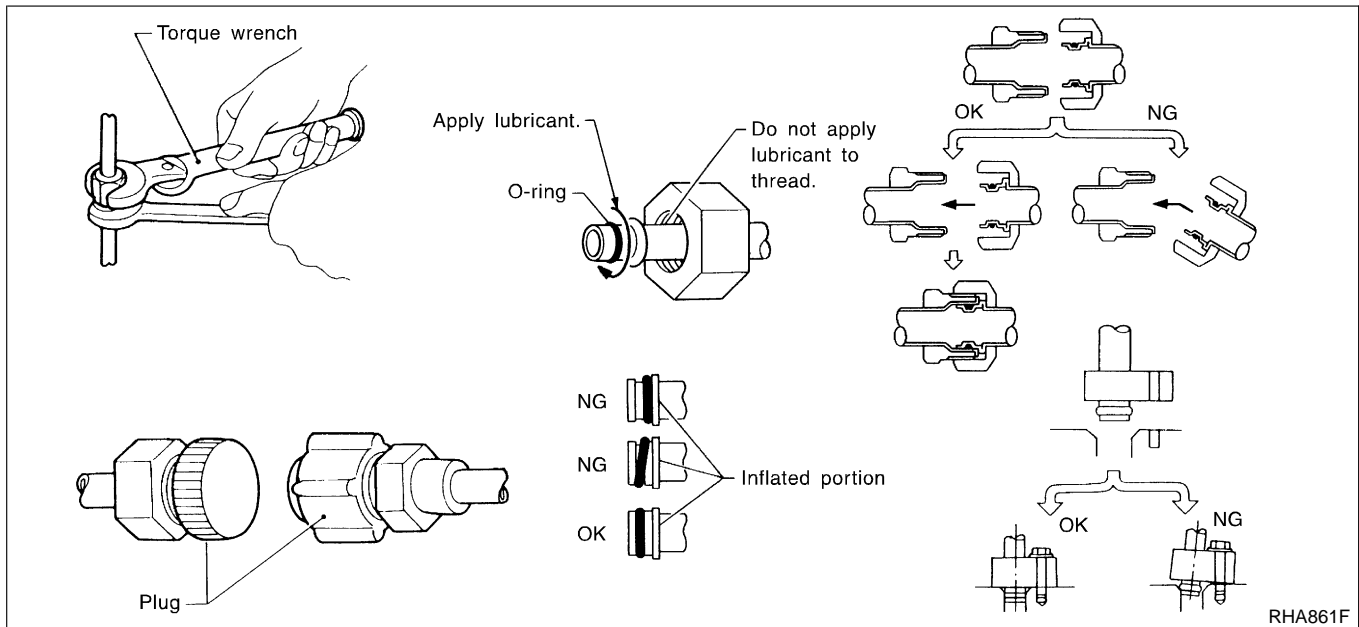
Make sure all refrigerant is discharged into the recycling equipment and the pressure in the system is less than atmospheric pressure. Then gradually loosen the discharge side hose fitting and remove it.

CAUTION:

When replacing or cleaning refrigerant cycle components, observe the following.

- When the compressor is removed, store it in the same position as it is when mounted on the car. Failure to do so will cause lubricant to enter the low pressure chamber.
- When connecting tubes, always use a torque wrench and a back-up wrench.
- After disconnecting tubes, immediately plug all openings to prevent entry of dirt and moisture.
- When installing an air conditioner in the vehicle, connect the pipes as the final stage of the operation. Do not remove the seal caps of pipes and other components until just before required for connection.
- Allow components stored in cool areas to warm to working area temperature before removing seal caps. This prevents condensation from forming inside A/C components.
- Thoroughly remove moisture from the refrigeration system before charging the refrigerant.
- Always replace used O-rings.
- When connecting tube, apply lubricant to circle of the O-rings shown in illustration. Be careful not to apply lubricant to threaded portion.
Lubricant name: NISSAN A/C System Oil Type F
Part numbers*: KLH00-PAGQU and KLH00-PAGQF
- O-ring must be closely attached to dented portion of tube.
- When replacing the O-ring, be careful not to damage O-ring and tube.
- Connect tube until you hear it click, then tighten the nut or bolt by hand until snug. Make sure that the O-ring is installed to tube correctly.
- After connecting line, conduct leak test and make sure that there is no leakage from connections. When the gas leaking point is found, disconnect that line and replace the O-ring. Then tighten connections of seal seat to the specified torque.

*: Always check with the Parts Department for the latest parts information



Precautions for Servicing Compressor

NDHA0064

- Plug all openings to prevent moisture and foreign matter from entering.
- When the compressor is removed, store it in the same position as it is when mounted on the car.
- When replacing or repairing compressor, follow "Maintenance of Lubricant Quantity in Compressor" exactly. Refer to HA-233.
- Keep friction surfaces between clutch and pulley clean. If the surface is contaminated with lubricant, wipe it off by using a clean waste cloth moistened with thinner.

- After compressor service operation, turn the compressor shaft by hand more than five turns in both directions. This will equally distribute lubricant inside the compressor. After the compressor is installed, let the engine idle and operate the compressor for one hour.
- After replacing the compressor magnet clutch, apply voltage to the new one and check for normal operation.

GI
MA
EM
LC
EC
FE
AT
AX

**Precautions for Service Equipment
RECOVERY/RECYCLING EQUIPMENT**

NDHA0065

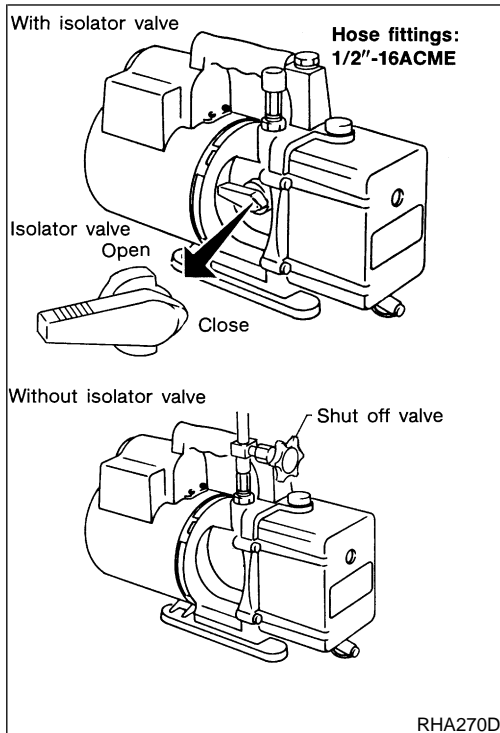
NDHA0065S01

Follow the manufacturer's instructions for machine operation and machine maintenance. Never introduce any refrigerant other than that specified into the machine.

ELECTRONIC LEAK DETECTOR

NDHA0065S02

Follow the manufacturer's instructions for tester operation and tester maintenance.



RHA270D

VACUUM PUMP

NDHA0065S03

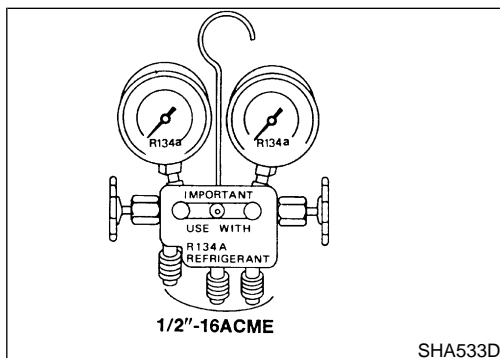
The lubricant contained inside the vacuum pump is not compatible with the specified lubricant for HFC-134a (R-134a) A/C systems. The vent side of the vacuum pump is exposed to atmospheric pressure. So the vacuum pump lubricant may migrate out of the pump into the service hose. This is possible when the pump is switched off after evacuation (vacuuming) and hose is connected to it.

To prevent this migration, use a manual valve situated near the hose-to-pump connection, as follows.

- Usually vacuum pumps have a manual isolator valve as part of the pump. Close this valve to isolate the service hose from the pump.
- For pumps without an isolator, use a hose equipped with a manual shut-off valve near the pump end. Close the valve to isolate the hose from the pump.
- If the hose has an automatic shut off valve, disconnect the hose from the pump: as long as the hose is connected, the valve is open and lubricating oil may migrate.

Some one-way valves open when vacuum is applied and close under a no vacuum condition. Such valves may restrict the pump's ability to pull a deep vacuum and are not recommended.

SU
BR
ST
RS
BT
HA
SC
EL
IDX



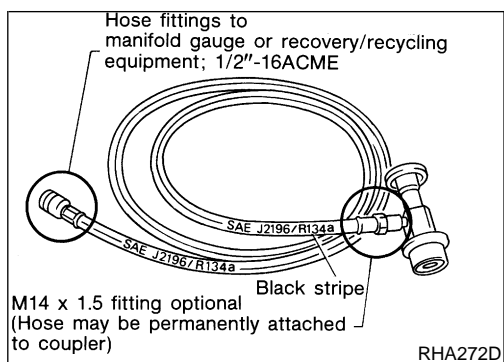
SHA533D

MANIFOLD GAUGE SET

NDHA0065S04

Be certain that the gauge face indicates R-134a or 134a. Make sure the gauge set has 1/2"-16 ACME threaded connections for service hoses. Confirm the set has been used only with refrigerant HFC-134a (R-134a) along with specified lubricant.

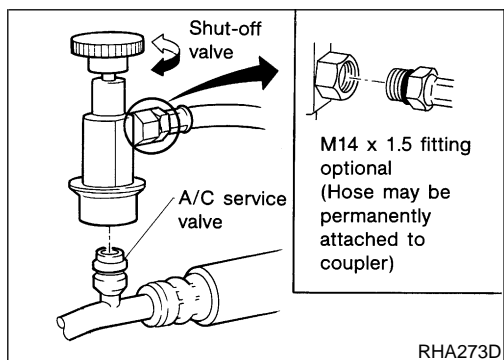
Precautions for Service Equipment (Cont'd)



SERVICE HOSES

NDHA0065S05

Be certain that the service hoses display the markings described (colored hose with black stripe). All hoses must include positive shut off devices (either manual or automatic) near the end of the hoses opposite the manifold gauge.

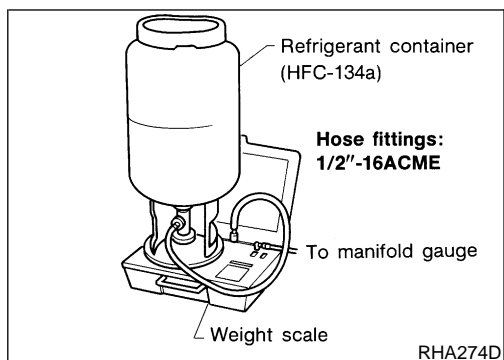


SERVICE COUPLERS

NDHA0065S06

Never attempt to connect HFC-134a (R-134a) service couplers to an CFC-12 (R-12) A/C system. The HFC-134a (R-134a) couplers will not properly connect to the CFC-12 (R-12) system. However, if an improper connection is attempted, discharging and contamination may occur.

Shut-off valve rotation	A/C service valve
Clockwise	Open
Counterclockwise	Close



REFRIGERANT WEIGHT SCALE

NDHA0065S07

Verify that no refrigerant other than HFC-134a (R-134a) and specified lubricants have been used with the scale. If the scale controls refrigerant flow electronically, the hose fitting must be 1/2"-16 ACME.

Calibrate the scale every 3 months.

CALIBRATING ACR4 WEIGHT SCALE

NDHA0065S10

Calibrate the scale every 3 months.

To calibrate the weight scale on the ACR4 (J-39500-NI):

1. Press **Shift/Reset** and **Enter** at the same time.
2. Press **8787**. "A1" will be displayed.
3. Remove all weight from the scale.
4. Press **0**, then press **Enter**. "0.00" will be displayed and changed to "A2".
5. Place a known weight (dumbbell or similar weight), between 10 and 19 lbs., on the center of the weight scale.
6. Enter the known weight using 4 digits. (Example 10 lbs = 10.00, 10.5 lbs = 10.50)
7. Press **Enter** — the display returns to the vacuum mode.
8. Press **Shift/Reset** and **Enter** at the same time.
9. Press **6** — the known weight on the scale is displayed.
10. Remove the known weight from the scale. "0.00" will be displayed.
11. Press **Shift/Reset** to return the ACR4 to the program mode.

CHARGING CYLINDER

NDHA0065S08

Using a charging cylinder is not recommended. Refrigerant may be vented into air from cylinder's top valve when filling the cylinder with refrigerant. Also, the accuracy of the cylinder is generally less than that of an electronic scale or of quality recycle/recharge equipment.

GI
MA

EM

LC

THERMOMETER AND HYGROMETER

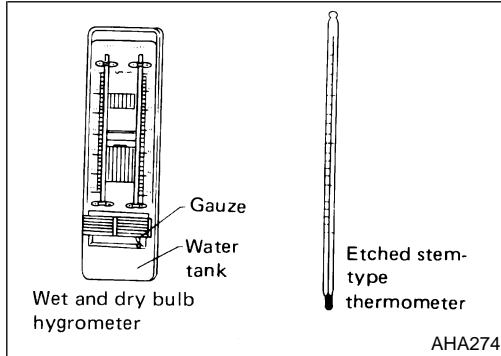
NDHA0065S09

An etched stem-type thermometer and a hygrometer can be used to check the air conditioning system performance. A hygrometer is used because the air conditioning performance depends on the humidity.

EC
FE

AT

AX



Wiring Diagrams and Trouble Diagnosis

NDHA0066

When you read wiring diagrams, refer to the following:

- **GI-10**, "HOW TO READ WIRING DIAGRAMS"
- **EL-10**, "POWER SUPPLY ROUTING"

When you perform trouble diagnosis, refer to the following:

- **GI-33**, "How to Follow Test Group in Trouble Diagnoses"
- **GI-22**, "HOW TO PERFORM EFFICIENT DIAGNOSIS FOR AN ELECTRICAL INCIDENT"

SU

BR

ST

RS

BT

HA

SC

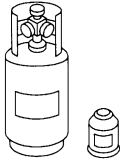

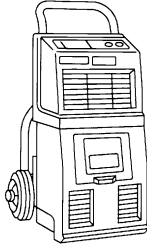
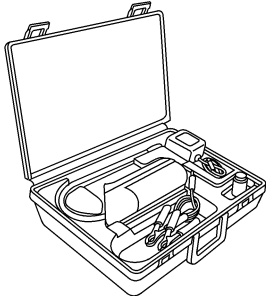
EL

IDX

HFC-134a (R-134a) Service Tools and Equipment

=NDHA0068

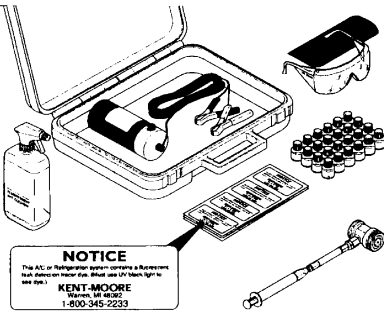
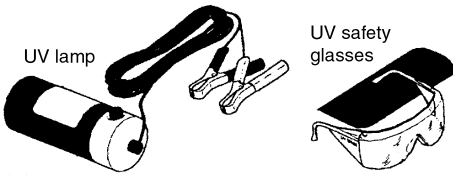
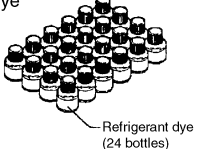
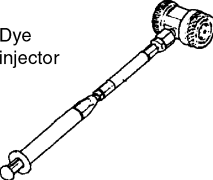

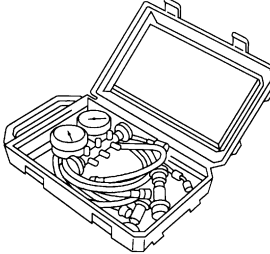
Never mix HFC-134a refrigerant and/or its specified lubricant with CFC-12 (R-12) refrigerant and/or its lubricant. Separate and non-interchangeable service equipment must be used for handling each type of refrigerant/lubricant. Refrigerant container fittings, service hose fittings and service equipment fittings (equipment which handles refrigerant and/or lubricant) are different between CFC-12 (R-12) and HFC-134a (R-134a). This is to avoid mixed use of the refrigerants/lubricant. Adapters that convert one size fitting to another must never be used: refrigerant/lubricant contamination will occur and compressor failure will result.

Tool number (Kent-Moore No.) Tool name	Description
HFC-134a (R-134a) refrigerant	 <p>Container color: Light blue Container marking: HFC-134a (R-134a) Fitting size: Thread size</p> <ul style="list-style-type: none"> ● large container 1/2"-16 ACME <p>NT196</p>
KLH00-PAGQU KLH00-PAGQF (—) Nissan A/C System Oil Type F	 <p>Type: Poly alkylene glycol oil (PAG), type F Application: HFC-134a (R-134a) swash plate (piston) compressors (Nissan only) Lubricity: 206 ml (7.0 US fl oz, 7.3 Imp fl oz) 295 ml (10.0 US fl oz, 10.4 Imp fl oz)</p> <p>NT197</p>
(J-39500-NI) Recovery/Recycling Recharging equipment (ACR4)	 <p>Function: Refrigerant Recovery and Recycling and Recharging</p> <p>NT195</p>
(J-41995) Electronic refrigerant leak detector	 <p>Function: Checks for refrigerant leaks.</p> <p>AHA281A</p>

PREPARATION

MANUAL

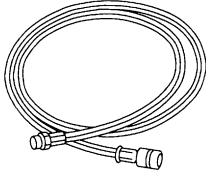
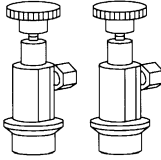
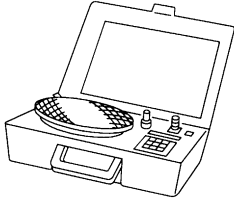
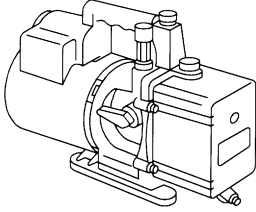
HFC-134a (R-134a) Service Tools and Equipment (Cont'd)

Tool number (Kent-Moore No.) Tool name	Description	
(J-43926) Refrigerant dye leak detection kit Kit includes: (J-42220) UV lamp and UV safety glasses (J-41459) Refrigerant dye injector (J-41447) Qty. 24 R-134a refrigerant dye (J-43872) Refrigerant dye cleaner	 <p>NOTICE This A/C or Refrigeration system contains a Refrigerant that is toxic when inhaled. Always use UV Mask when in use. KENT-MOORE Wixom, MI 48196 1-800-345-2233</p>	Power supply: DC 12V (Battery terminal)
(J-42220) Fluorescent dye leak detector		Power supply: DC12V (Battery terminal) For checking refrigerant leak when fluorescent dye is installed in A/C system Includes: UV lamp and UV safety glasses
(J-41447) R134a fluorescent leak detection dye (Box of 24, 1/4 ounce bottles)	 <p>Dye Refrigerant dye (24 bottles)</p>	Application: For R-134a PAG oil Container: 1/4 ounce (7.4 cc) bottle (Includes self-adhesive dye identification labels for affixing to vehicle after charging system with dye)
(J-41459) R134a dye injector Use with J-41447, 1/4 ounce bottle	 <p>Dye injector</p>	For injecting 1/4 ounce (7.4 cc) of Fluorescent Leak Detection Dye into A/C system
(J-43872) Dye cleaner		For cleaning dye spills
(J-39183) Manifold gauge set (with hoses and cou- plers)		Identification: ● The gauge face indicates R-134a. Fitting size: Thread size ● 1/2"-16 ACME

PREPARATION

MANUAL

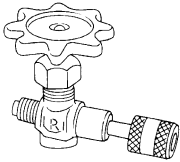
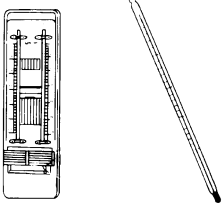
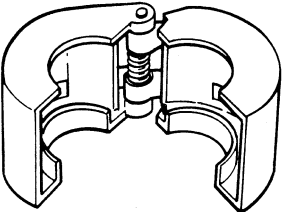
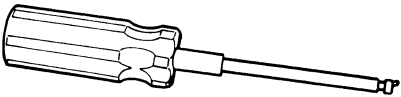
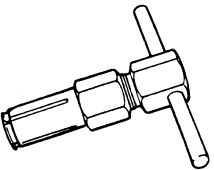
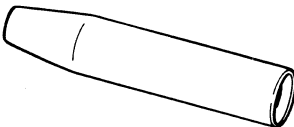
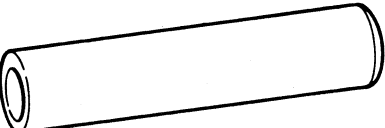
HFC-134a (R-134a) Service Tools and Equipment (Cont'd)

Tool number (Kent-Moore No.) Tool name	Description	
Service hoses <ul style="list-style-type: none"> ● High side hose (J-39501-72) ● Low side hose (J-39502-72) ● Utility hose (J-39476-72) 		Hose color: <ul style="list-style-type: none"> ● Low hose: Blue with black stripe ● High hose: Red with black stripe ● Utility hose: Yellow with black stripe or green with black stripe Hose fitting to gauge: <ul style="list-style-type: none"> ● 1/2"-16 ACME
Service couplers <ul style="list-style-type: none"> ● High side coupler (J-39500-20) ● Low side coupler (J-39500-24) 		Hose fitting to service hose: <ul style="list-style-type: none"> ● M14 x 1.5 fitting is optional or permanently attached.
(J-39650) Refrigerant weight scale		For measuring of refrigerant Fitting size: Thread size <ul style="list-style-type: none"> ● 1/2"-16 ACME
(J-39649) Vacuum pump (Including the isolator valve)		Capacity: <ul style="list-style-type: none"> ● Air displacement: 4 CFM ● Micron rating: 20 microns ● Oil capacity: 482 g (17 oz) Fitting size: Thread size <ul style="list-style-type: none"> ● 1/2"-16 ACME

Commercial Service Tools

=NDHA0067

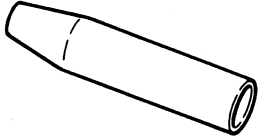
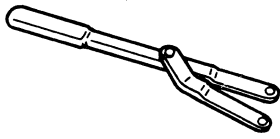
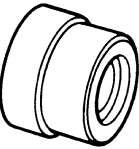
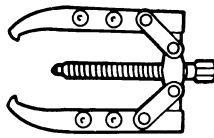
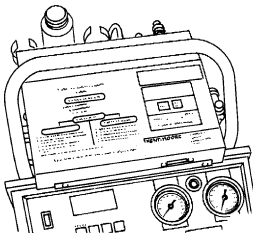
The actual shapes of Kent-Moore tools may differ from those of special service tools illustrated here.

Tool name	Description	Note	
Additional Valve	 SHA898C	For discharging, evacuating and charging refrigerant	GI MA EM LC
Thermometer and hygrometer	 SHA900C	For checking temperature and humidity	EC FE AT
Spring lock coupling remover	 AHA283	For disconnecting spring lock coupling • 3/8" • 1/2" • 5/8" • 3/4"	AX SU BR
Snap ring remover	 AHA284	For removing snap rings from compressor	ST RS
Shaft seal remover	 AHA285	For removing shaft seal from compressor	BT <div style="background-color: black; color: white; padding: 2px;">HA</div> SC
Shaft seal protector	 AHA286	For protecting compressor shaft seal during shaft seal installation	EL IDX
Shaft seal installer	 AHA287	For installing compressor shaft seal	

PREPARATION

MANUAL

Commercial Service Tools (Cont'd)

Tool name	Description	Note
Coil remover	 AHA288	For removing compressor magnet clutch coil
Spanner wrench	 AHA289	For removing compressor clutch hub retaining bolt
Coil pressing tool	 AHA290	For installing compressor magnet clutch coil
Puller	 AHA291	For removing and installing compressor magnet clutch coil
Refrigerant Identifier Equipment	 NT765	Checks refrigerant purity and for system contamination

For details of handling methods, refer to the Instruction Manual attached to each of the service tools.

Refrigeration System

REFRIGERATION CYCLE

Refrigerant Flow

NDHA0069

GI

NDHA0069S01

The refrigerant flows in the standard pattern, that is, through the compressor, the condenser, orifice tube and/or thermal expansion valve, through the evaporator, the accumulator (from orifice tube), and back to the compressor. The refrigerant evaporation through the evaporator coil is controlled by an orifice tube or an externally equalized expansion valve, located outside the evaporator case.

MA

EM

Freeze Protection

NDHA0069S02

Under normal operating conditions, when the A/C is switched on, the compressor runs continuously, and the evaporator pressure, and therefore temperature, is controlled by the compressor to prevent freeze up.

LC

Refrigerant System Protection

High-pressure switch

NDHA0069S03

The refrigerant system is protected against excessively high pressure by a high-pressure switch, located on the end of the compressor. If the system pressure rises above the specifications, the high-pressure switch opens to interrupt the compressor operation and a set of contacts close to switch the cooling fan on high. Refer to **EC-509**, "High Pressure Switch" and HA-222.

EC

FE

Low-pressure switch

NDHA0069S0303

The refrigerant system is protected against excessively low pressure by the low-pressure switch, located on the accumulator. If the system pressure falls below the specifications, the low-pressure switch opens to interrupt the compressor operation. When the outside temperature is below 4°C (40°F) the low pressure switch opens to interrupt the compressor operation. Refer to HA-222.

AT

AX

Pressure relief valve

NDHA0069S0302

The refrigerant system is also protected by a pressure relief valve located on the flexible high pressure hose near the compressor. When the pressure of refrigerant in the system increases to an abnormal level [more than 3,727 kPa (38 kg/cm², 540 psi)], the release port on the pressure relief valve automatically opens and releases refrigerant into the atmosphere.

SU

BR

ST

RS

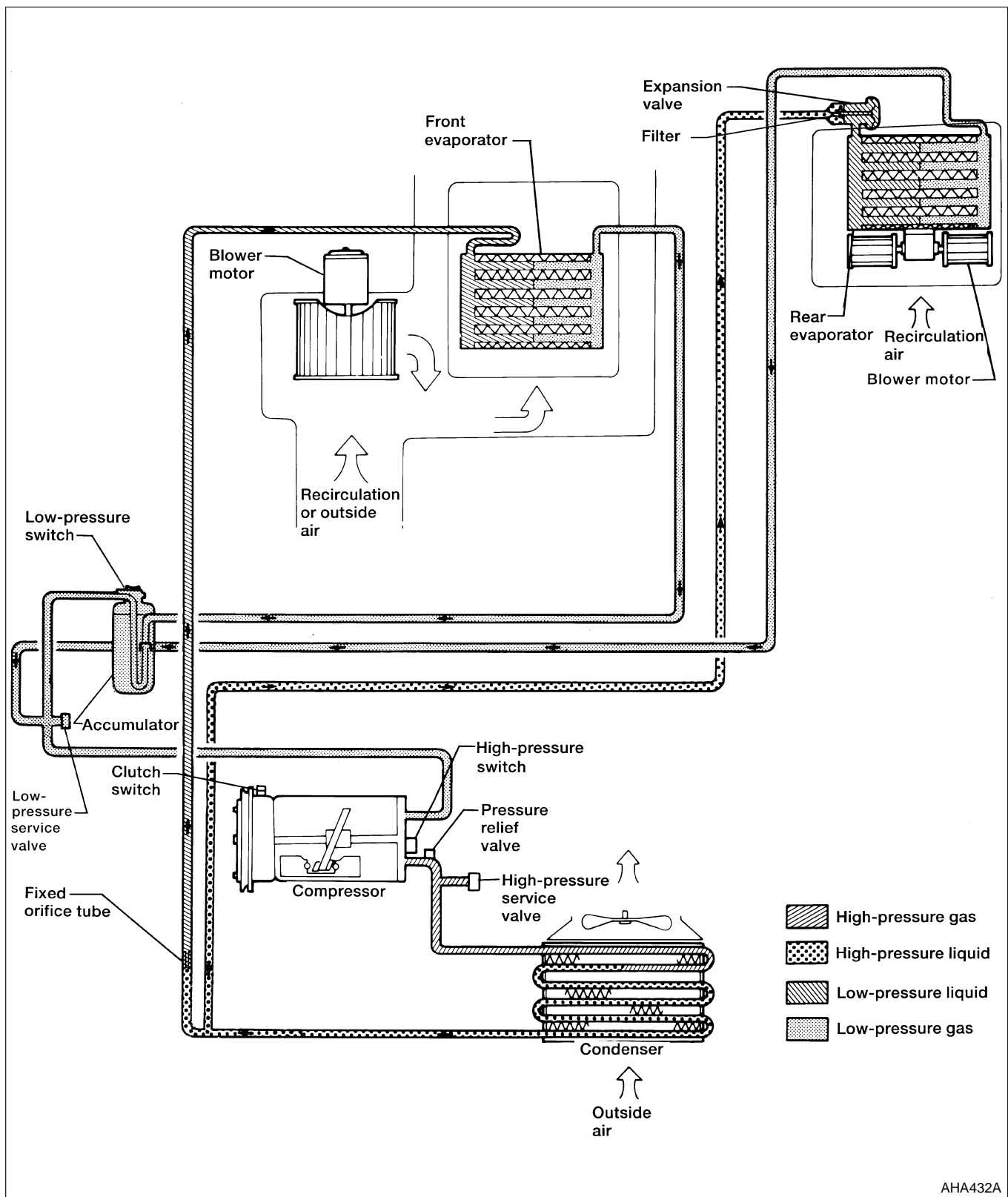
BT

HA

SC

EL

IDX

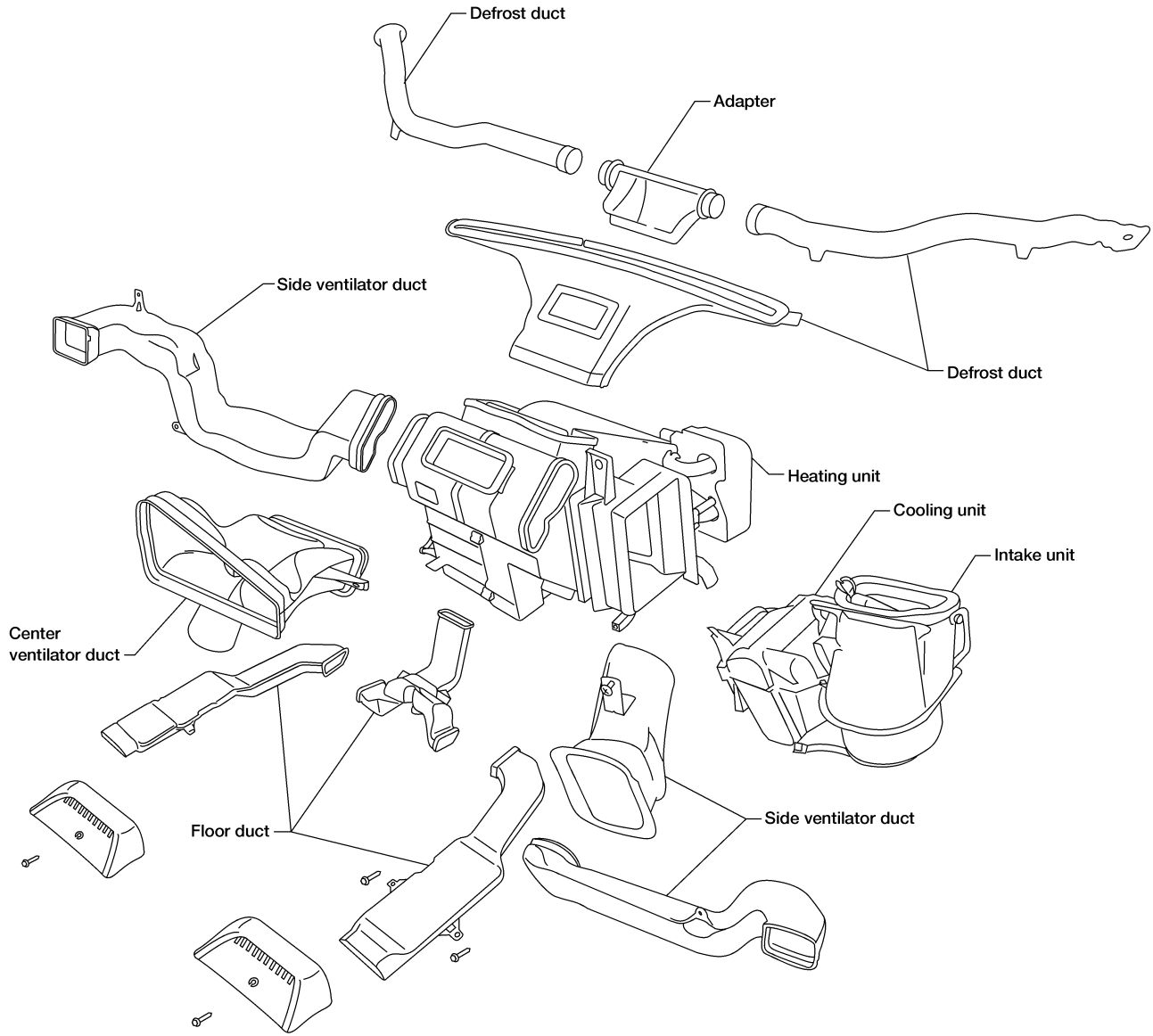


AHA432A

Component Layout

NDHA0071

SEC. 270 • 271 • 272 • 273 • 685
Front heating and A/C unit



GI

MA

EM

LC

EC

FE

AT

AX

SU

BR

ST

RS

BT

HA

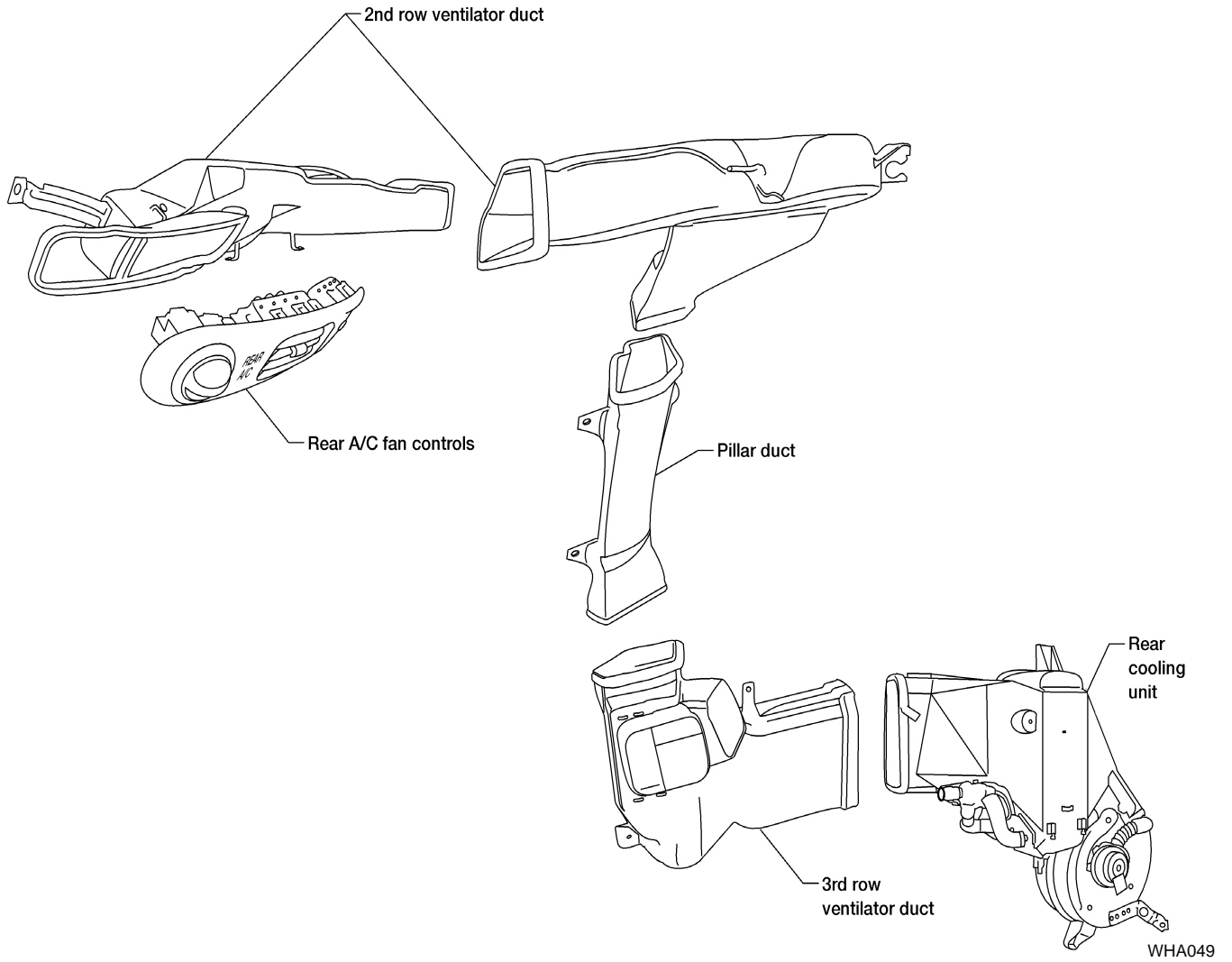
SC

EL

IDX

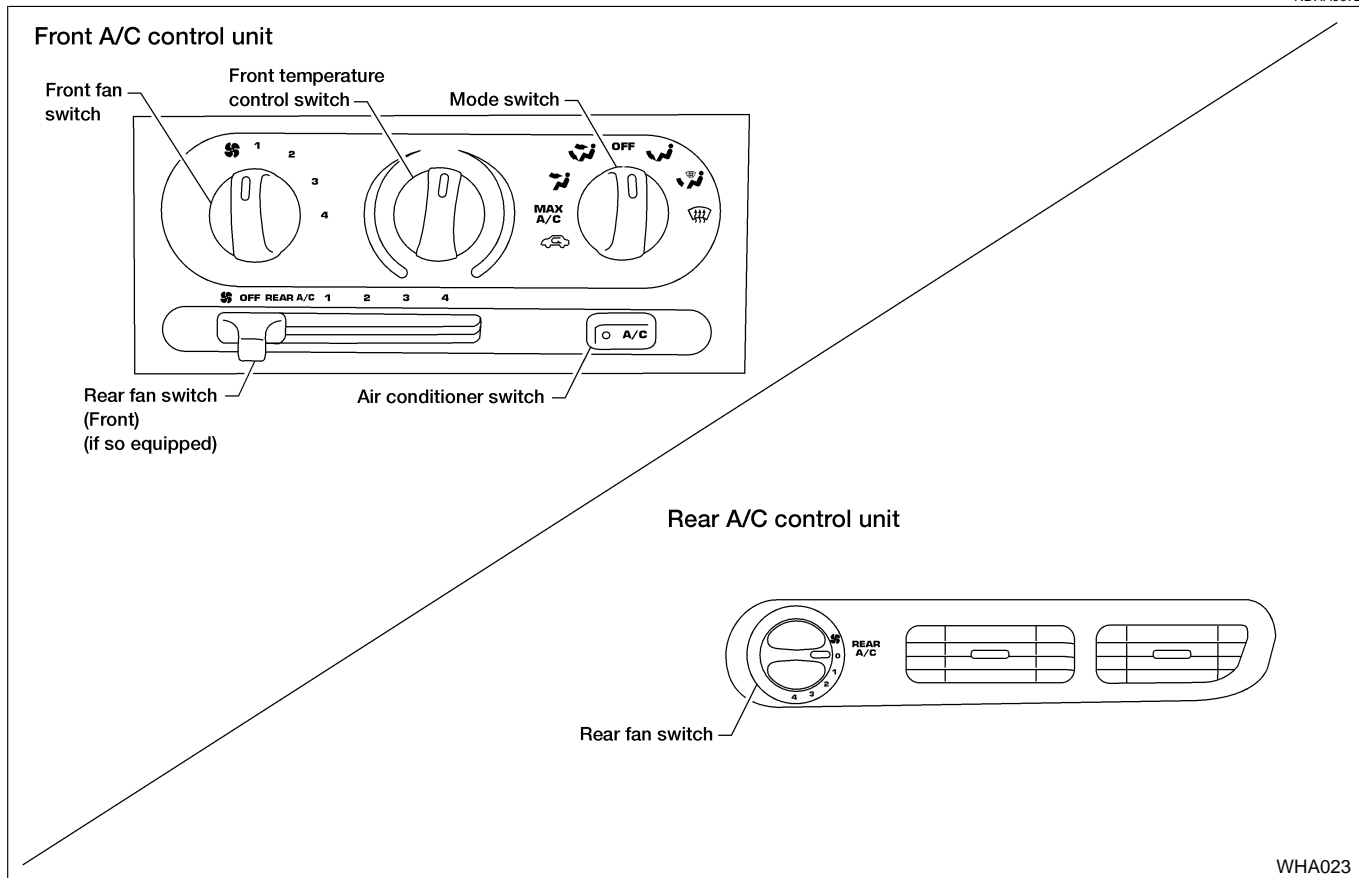
Component Layout (Cont'd)

SEC. 270 • 271
Rear A/C unit



Control Operation

NDHA0072



GI

MA

EM

LC

EC

FE

AT

AX

SU

BR

WHA023

FRONT FAN SWITCH

Manual control of the front blower speed can be obtained by rotating the front fan switch. The fan symbol (☪) will be shown in the display screen. NDHA0072S01

REAR FAN SWITCH

When the rear fan switch (front) is in the OFF position, the rear blower motor cannot operate. When the rear fan switch (front) is in the REAR position, it allows the rear fan switch to control the rear blower speed. In any other position (1–4), the rear fan switch (front) controls the rear blower speed regardless of the rear fan switch position. NDHA0072S02

MODE SWITCH

These switches control the direction of air flow through the front discharge outlets. DEF (☰) or F/D (☪) positions the front intake door to the outside air FRESH position. The compressor operates at ambient temperature approx. 4°C (40°F) or above. NDHA0072S03

FRONT TEMPERATURE CONTROL SWITCH

This switch allows adjustment of the temperature of the air through the front discharge outlets. NDHA0072S04

AIR CONDITIONER SWITCH

This switch controls A/C operation when any mode switch is selected except OFF. The A/C indicator will light and stay ON when A/C is selected, until the air conditioner switch is turned off or OFF mode is selected. NDHA0072S05
The air conditioner cooling function operates only when the engine is running. IDX

ST

RS

BT

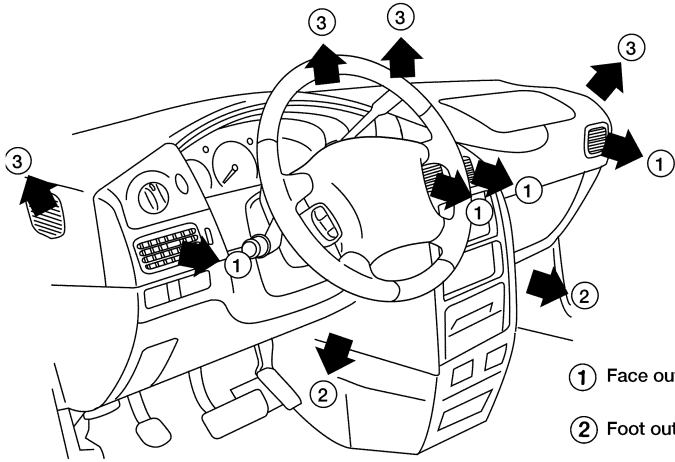
HA

SC

EL

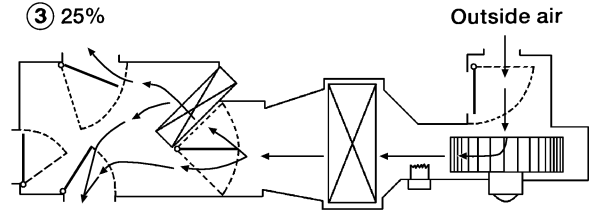
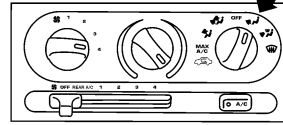
Discharge Air Flow

NDHA0073



- ① Face outlets
- ② Foot outlets
- ③ Defrost outlets

Foot mode

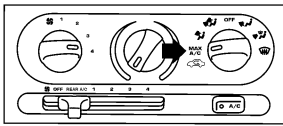


③ 25%

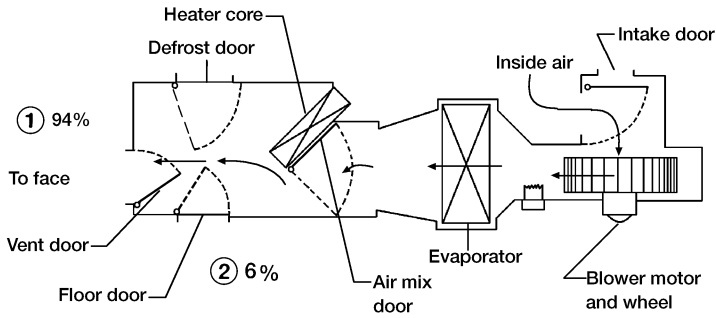
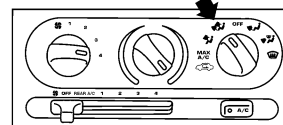
Outside air

② 75%

Face mode



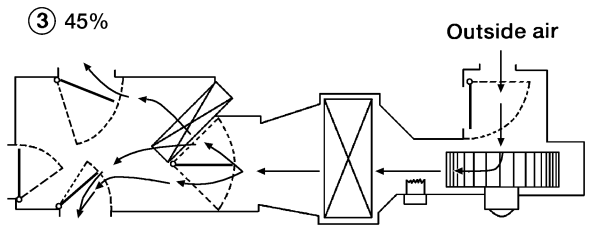
Foot and defrost mode



① 94%

To face

② 6%

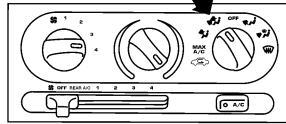


③ 45%

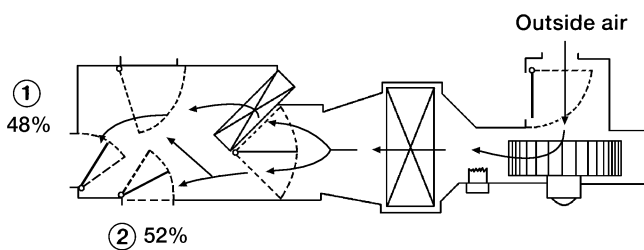
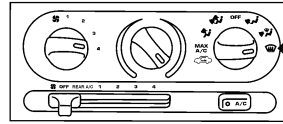
Outside air

② 55%

Bi-level mode

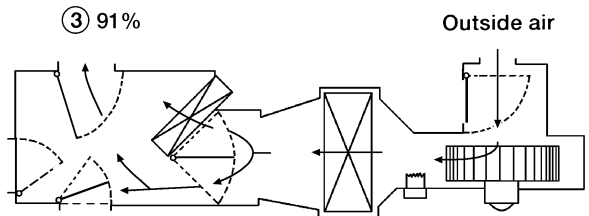


Defrost mode



① 48%

② 52%



③ 91%

Outside air

② 9%

WHA082

Component Location

ENGINE COMPARTMENT

NDHA0085

NDHA0085S01

GI

MA

EM

LC

EC

FE

AT

AX

SU

BR

ST

RS

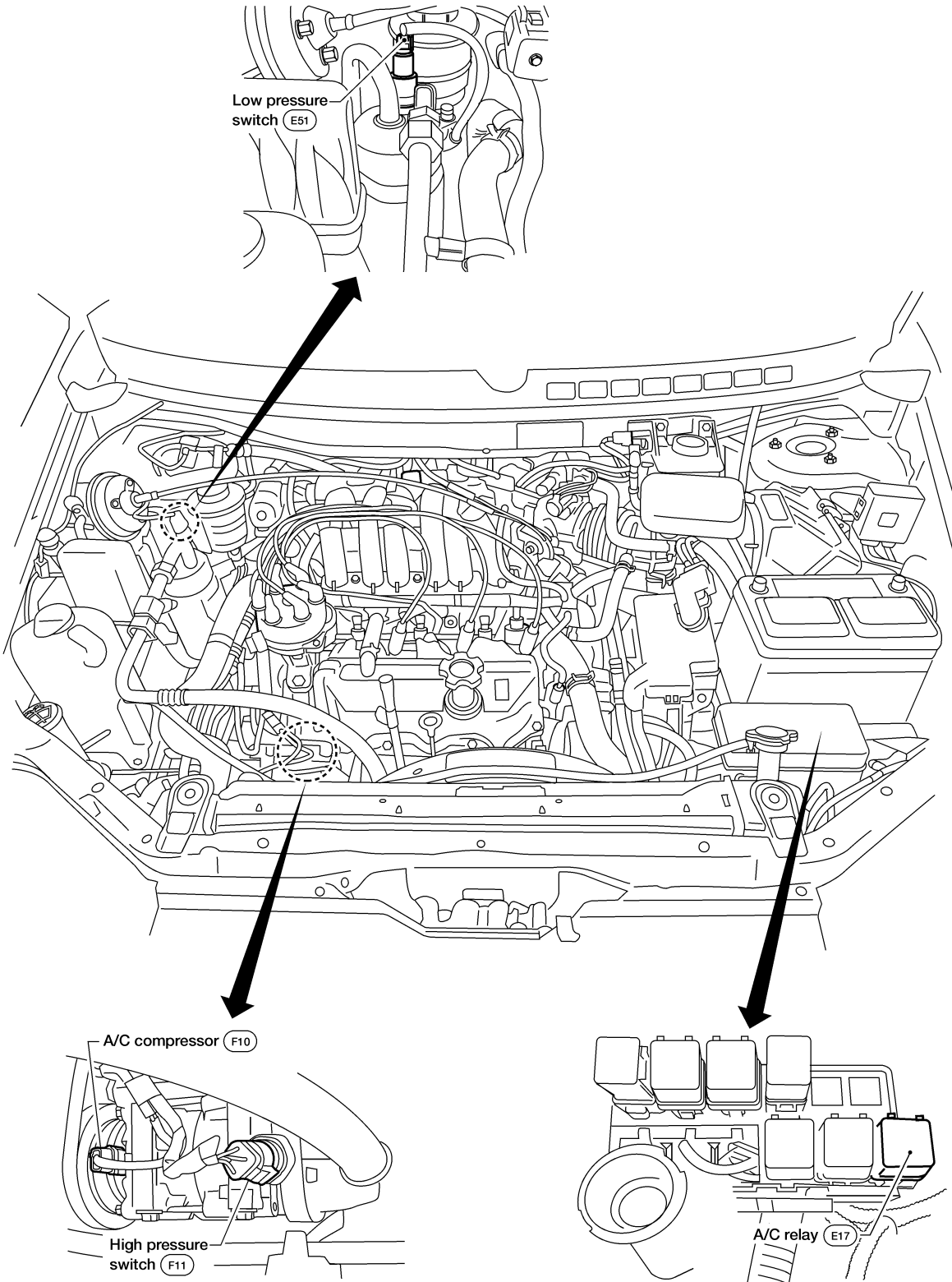
BT

HA

SC

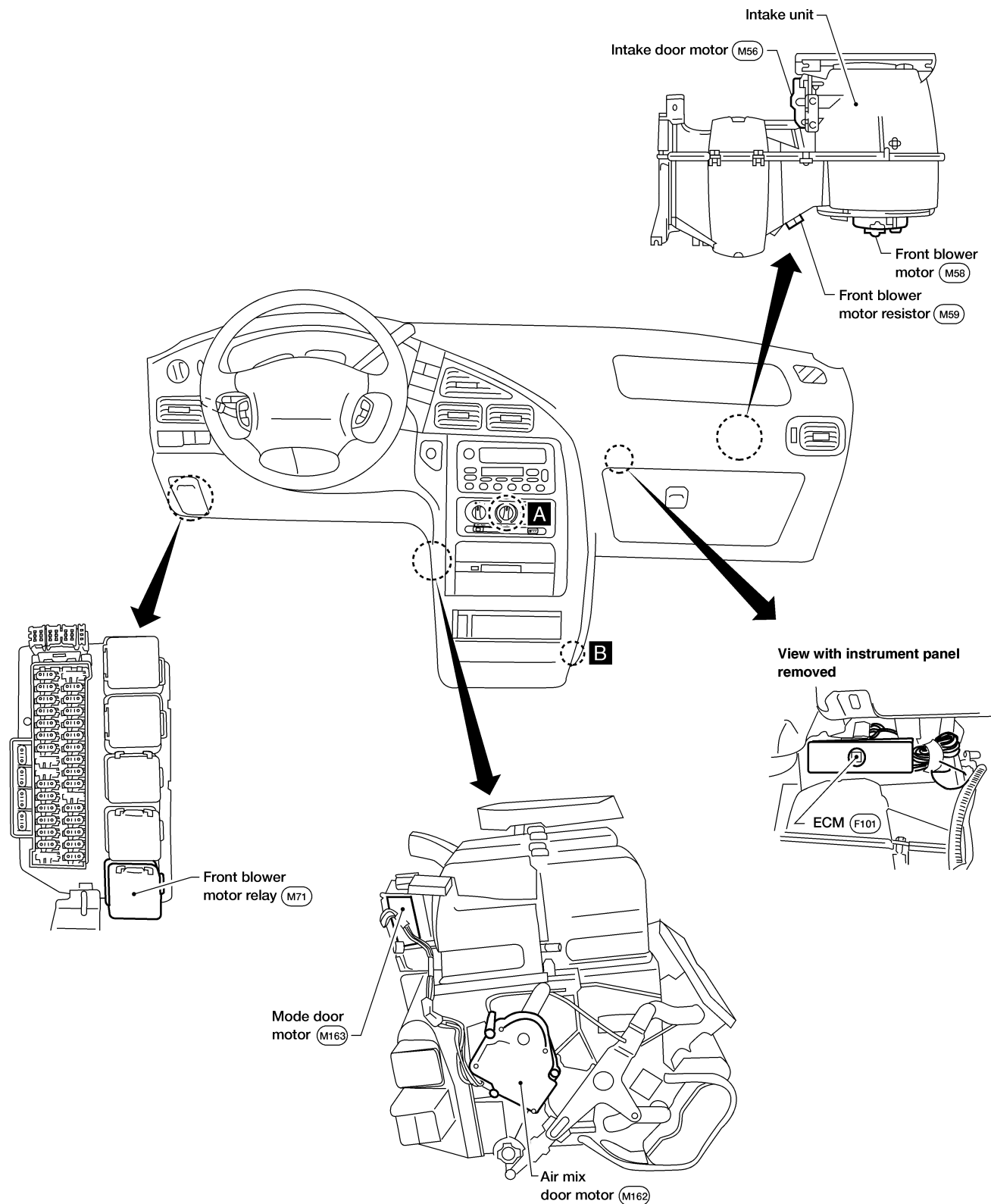
EL

IDX

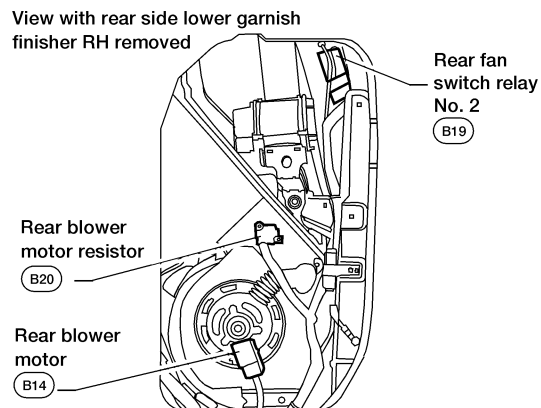
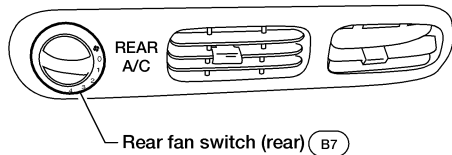
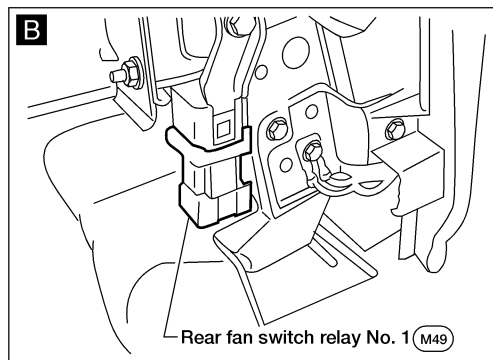
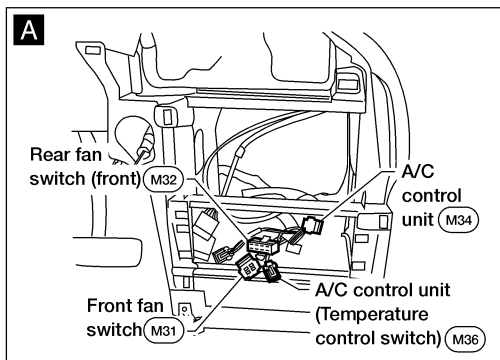


PASSENGER COMPARTMENT

NDHA0085S02



AHA398A



GI

MA

EM

LC

EC

FE

AT

AX

SU

BR

ST

RS

BT

HA

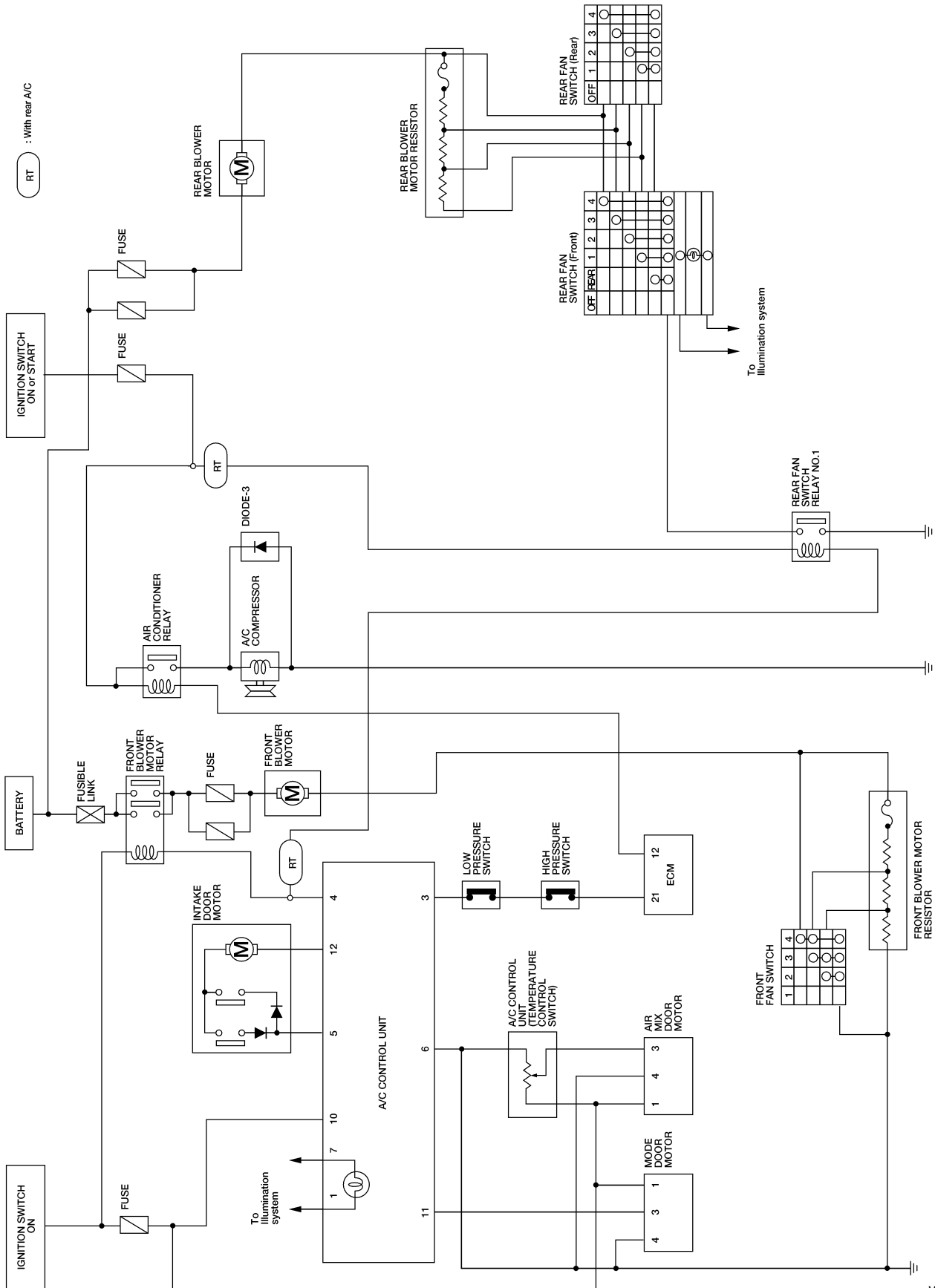
SC

EL

IDX

Circuit Diagram — Manual Air Conditioner

NDHA0087



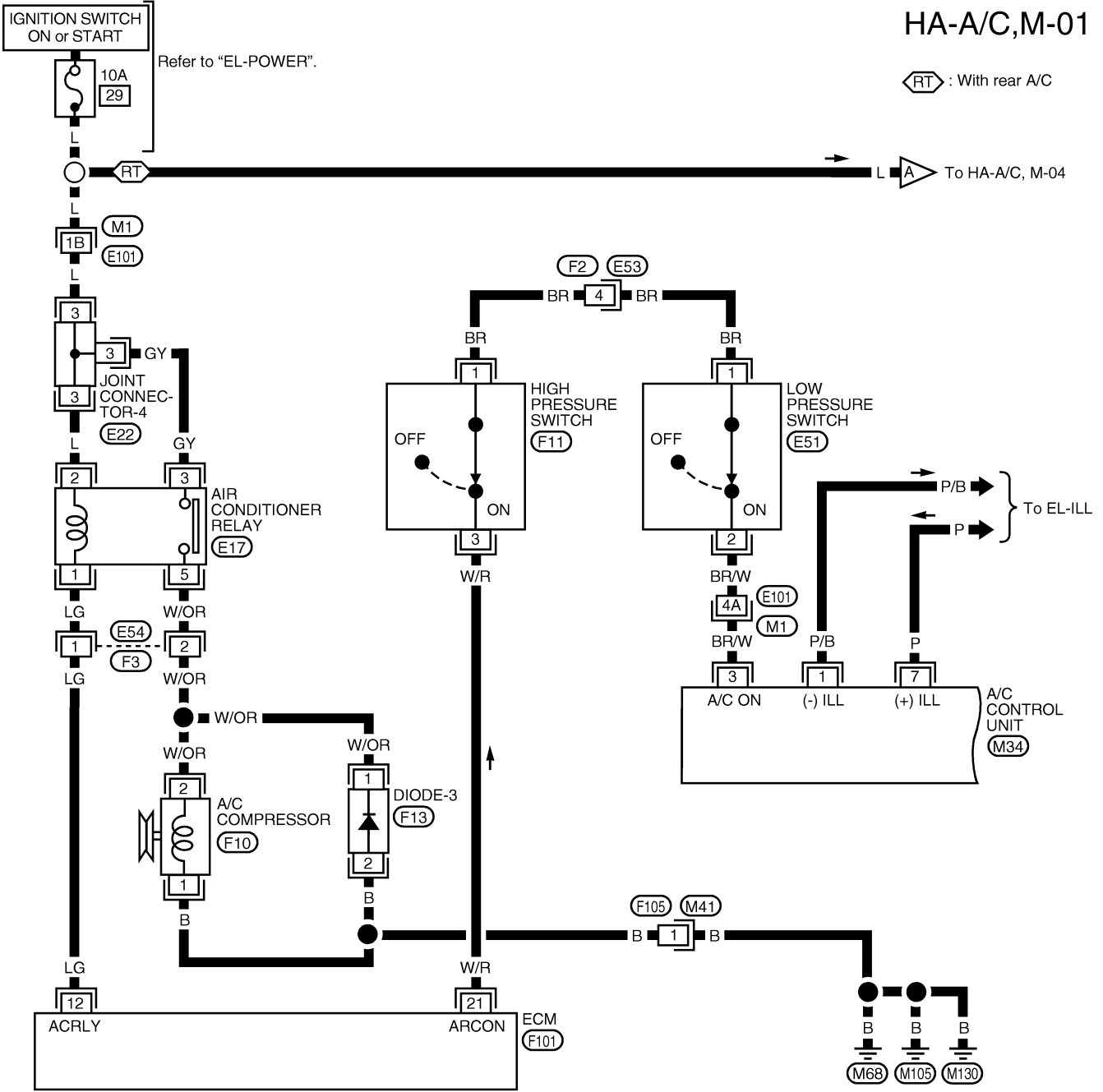
WHA223

Wiring Diagram — A/C, M —

NDHA0088

HA-A/C,M-01

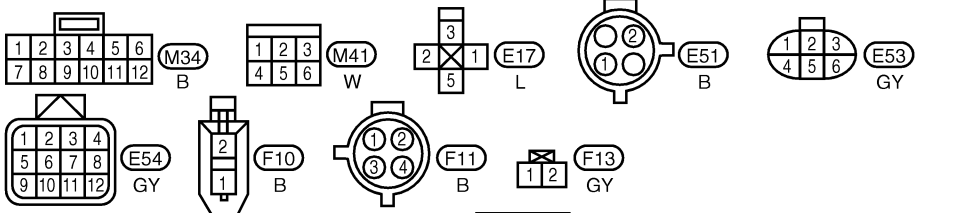
◻RT◻ : With rear A/C



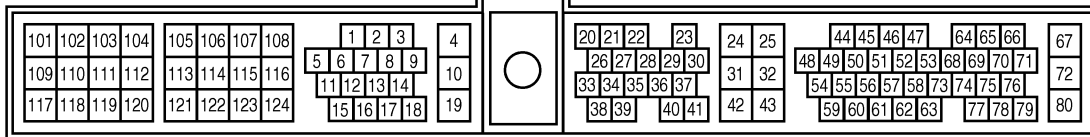
GI
MA
EM
LC
EC
FE
AT
AX
SU
BR
ST
RS
BT
HA

SC
EL

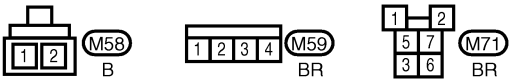
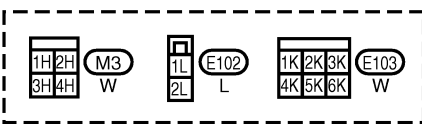
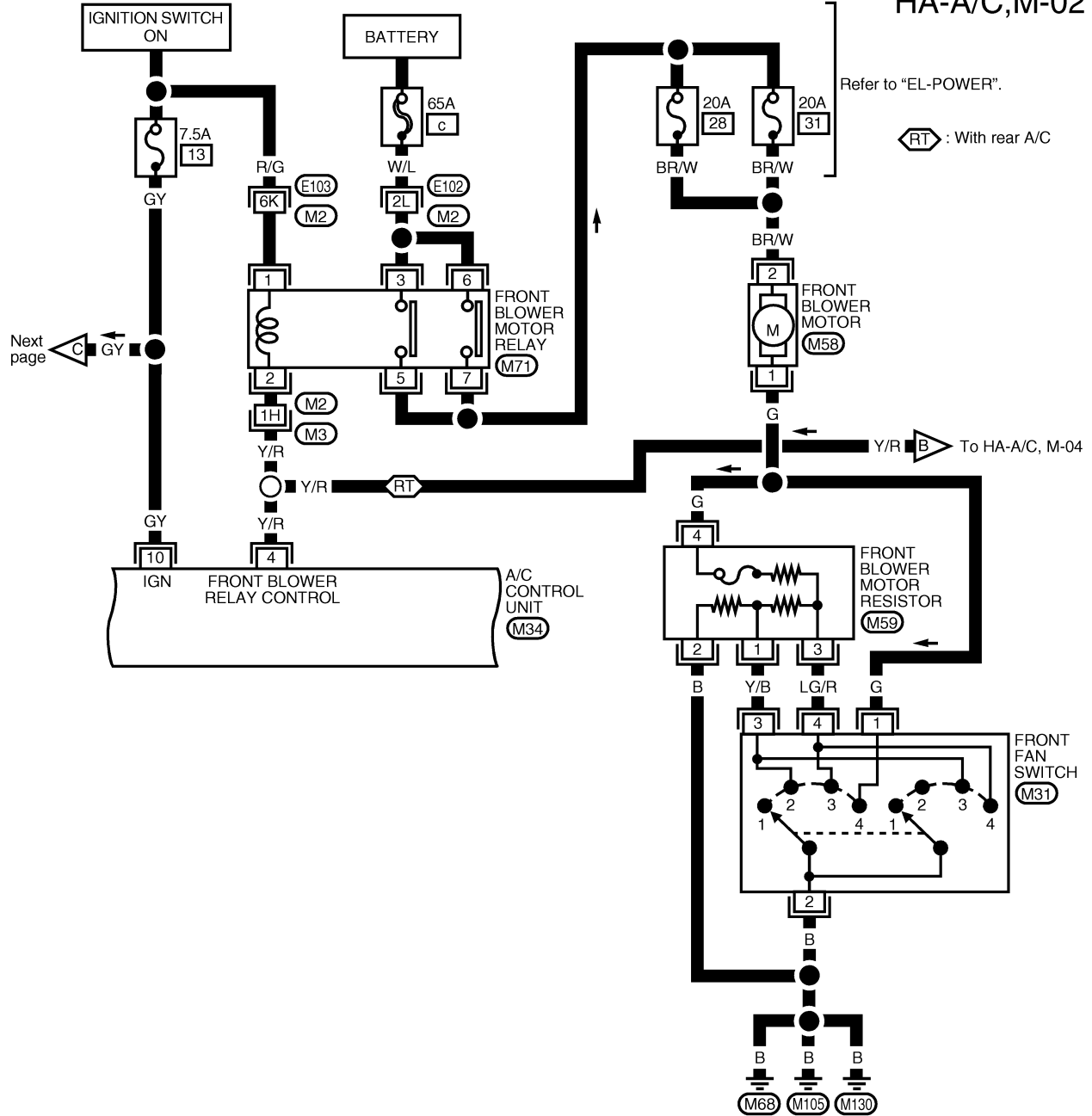
IDX



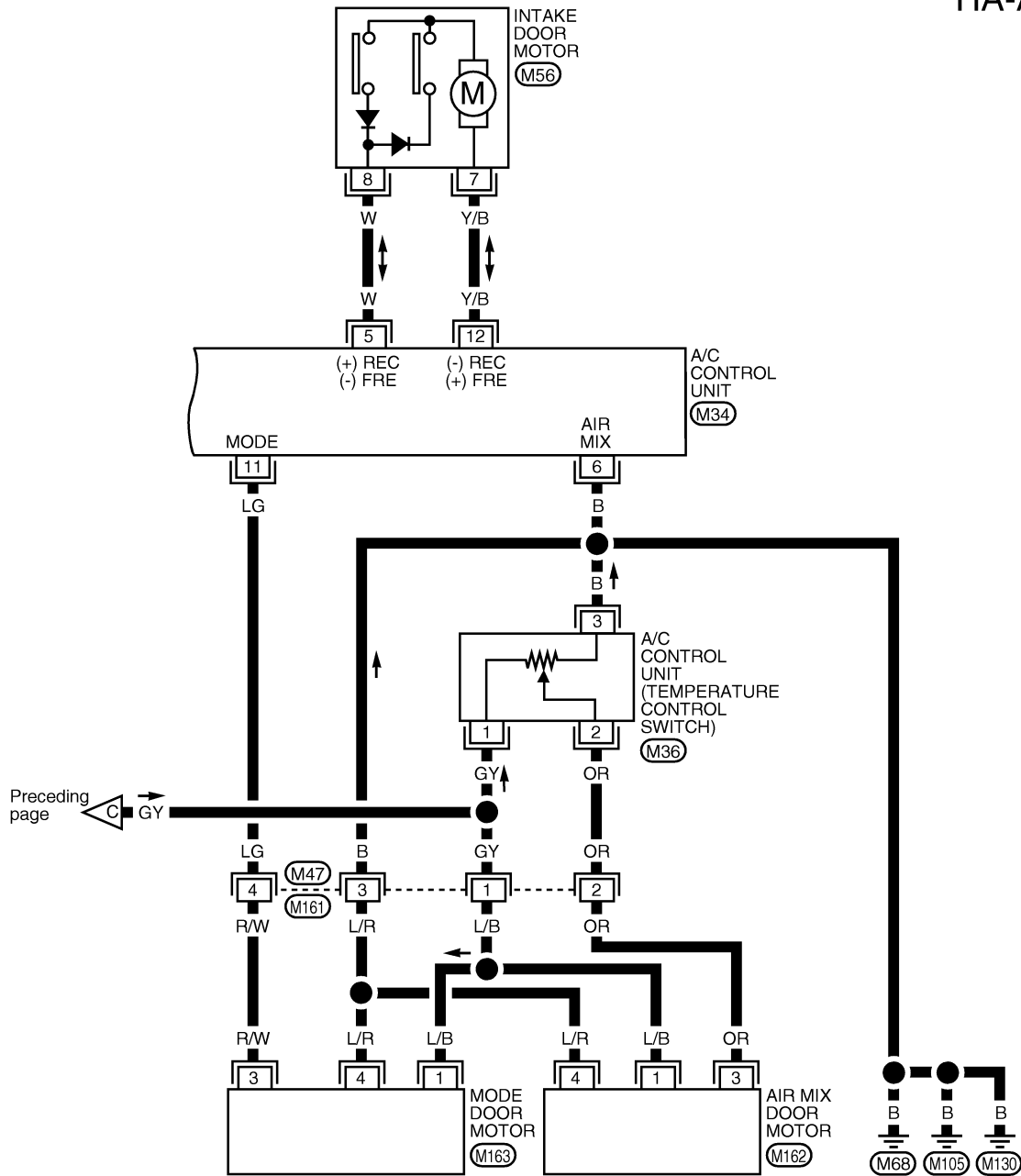
Refer to the following.
 M1, E101 - SUPER MULTIPLE JUNCTION (SMJ)
 E22 - JOINT CONNECTOR



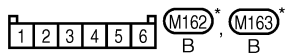
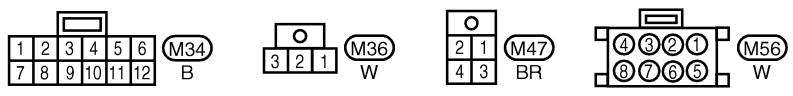
HA-A/C,M-02



HA-A/C,M-03



GI
MA
EM
LC
EC
FE
AT
AX
SU
BR
ST
RS
BT
HA

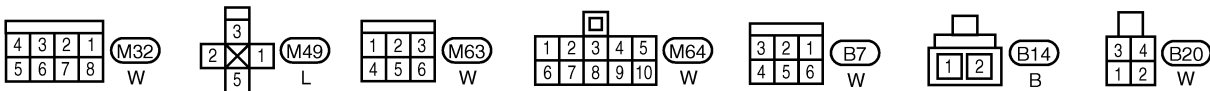
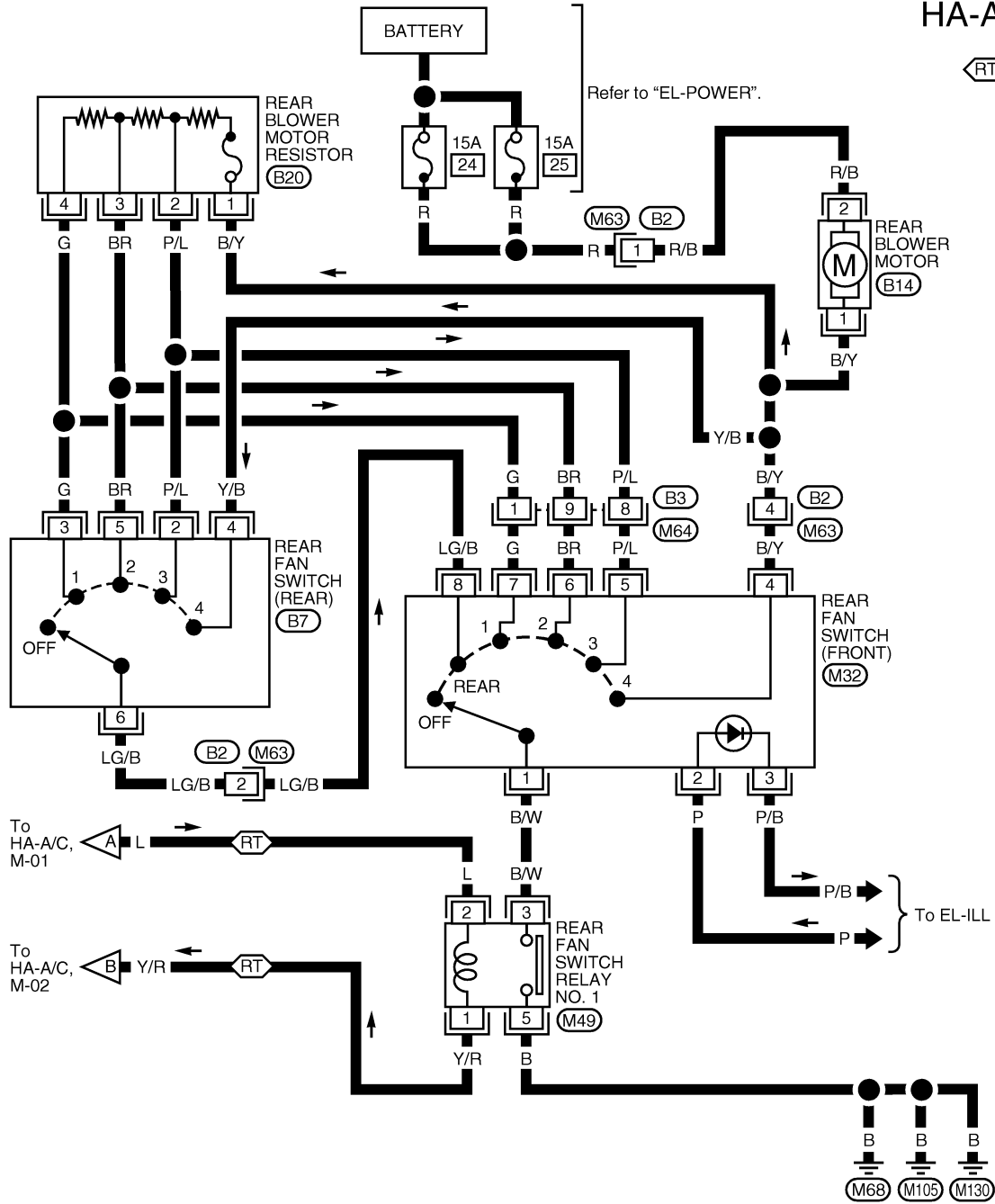


*This connector is not shown in "HARNESS LAYOUT" of EL Section.

SC
EL
IDX

HA-A/C,M-04

⬡ : With rear A/C



How to Perform Trouble Diagnoses for Quick and Accurate Repair WORK FLOW

NDHA0075

GI

NDHA0075S01

MA

EM

LC

EC

FE

AT

AX

SU

BR

AHA383A

ST

RS

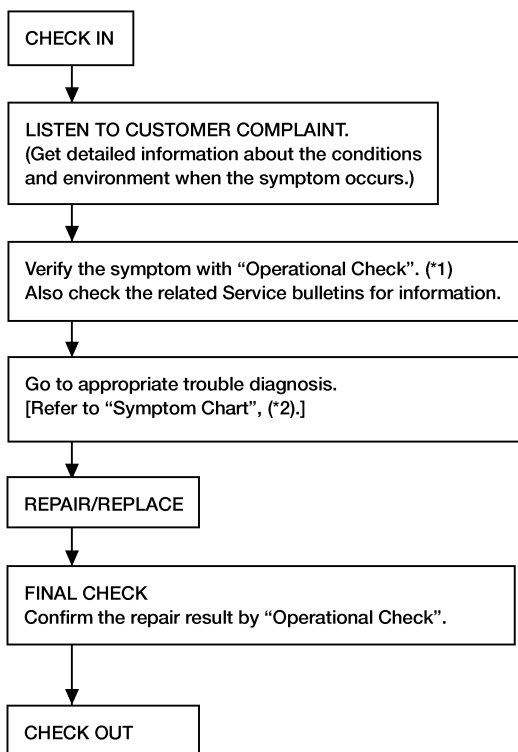
BT

HA

SC

EL

IDX



*1: HA-178

*2: HA-180

Operational Check

The purpose of the operational check is to confirm that the system operates as it should. The systems which are checked are the front blower, mode (discharge air), intake air, temperature decrease, temperature increase, compressor, and rear blower. =NDHA0076

CONDITIONS:

Engine running at normal operating temperature. NDHA0076S01

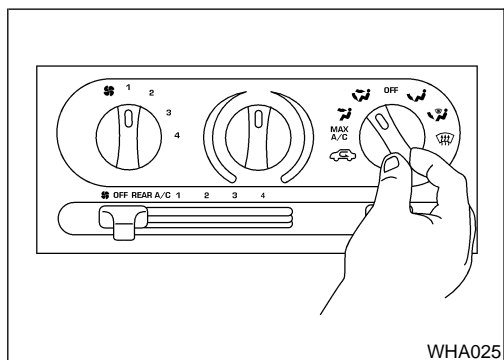
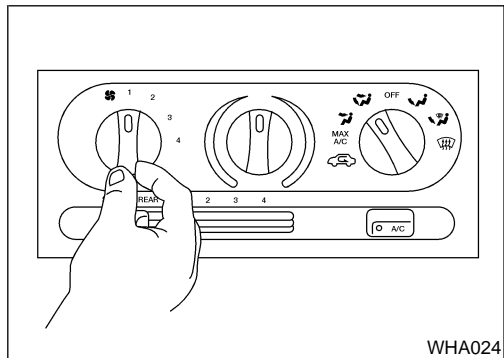
PROCEDURE:

1. Check Front Blower

- 1) Turn mode control knob to any mode position except OFF. NDHA0076S02
- 2) Turn fan control knob to 1-speed. Blower should operate on 1-speed. NDHA0076S0201
- 3) Turn fan control knob to 2-speed.
- 4) Continue checking blower speed until all four speeds are checked.
- 5) Leave blower on 4-speed.

If NG, refer to HA-196 "Front Blower Motor".

If OK, continue with the next check.



2. Check Discharge Air

- 1) Turn mode control knob. NDHA0076S0202

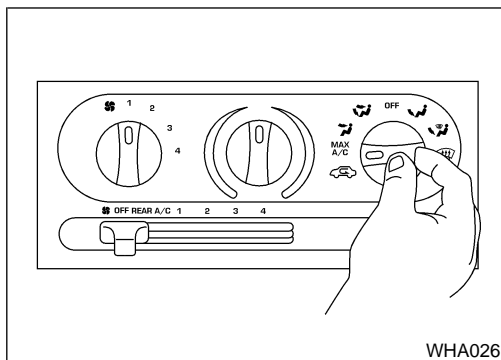
Discharge air flow

Mode control knob	Air outlet/distribution		
	Face	Foot	Defroster
	94%	6%	—
	48%	52%	—
	—	75%	25%
	—	55%	45%
	—	9%	91%

AHA207A

- 2) Confirm that discharge air comes out according to the air distribution table at left.
Refer to “Discharge Air Flow”, HA-168.
If NG, refer to HA-188 “Mode Door Motor”.
If OK, continue with the next check.

GI
MA
EM
LC
EC
FE
AT
AX



3. Check MAX A/C (Recirculation)

NDHA0076S0203

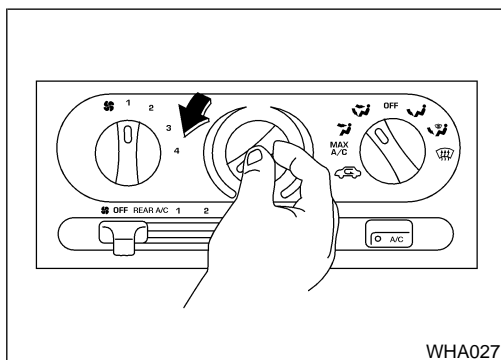
- 1) Turn mode control knob to MAX A/C (recirculation).
- 2) Listen for intake door position change (you should hear blower sound change slightly).

SU
BR
ST
RS

NOTE:

MAX A/C (recirculation) does not operate in DEF () and F/D () modes.

If NG, refer to HA-188 “Intake Door Motor”.
If OK, continue with the next check.



4. Check Temperature Decrease

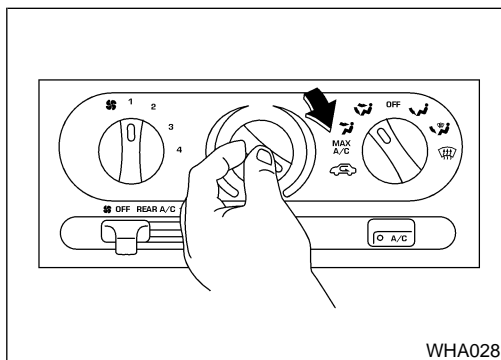
NDHA0076S0204

- 1) Turn temperature control knob to full cold.
- 2) Check for cold air at discharge air outlets.

If NG, refer to HA-223 “Insufficient Cooling”.
If OK, continue with the next check.

BT

HA



5. Check Temperature Increase

NDHA0076S0205

- 1) Turn temperature control knob to full hot.
- 2) Check for hot air at discharge air outlets.

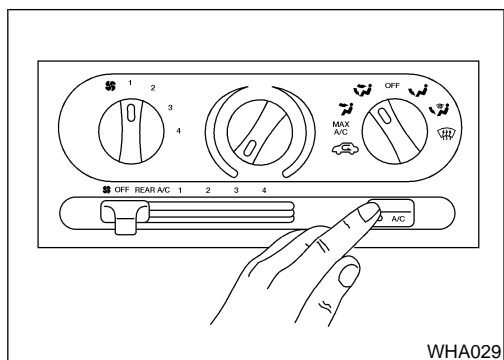
If NG, refer to HA-228 “Insufficient Heating”.
If OK, continue with the next check.

IDX

SC

EL

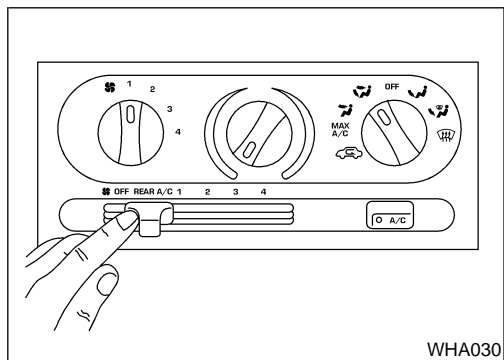
Operational Check (Cont'd)



6. Check A/C Switch

NDHA0076S0206

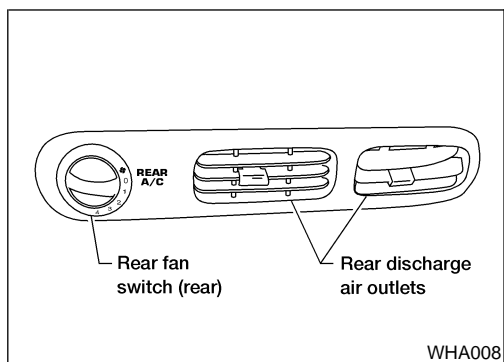
- 1) Turn mode control knob to any mode position except OFF.
 - 2) Turn fan control knob to the desired (1 to 4-speed) position.
 - 3) Push the A/C switch to turn ON the air conditioner.
The indicator light should come on when air conditioner is ON.
 - 4) Confirm that the compressor clutch engages (audio or visual inspection).
 - 5) Check for cold air at the appropriate discharge air outlets.
- If NG, refer to "A/C System", HA-182.
If OK, continue with the next check.



7. Check Rear Blower

NDHA0076S0207

- 1) Set rear fan switch (front) to REAR position.
- 2) Press any mode switch except OFF.
- 3) Press A/C switch ON.
- 4) Turn rear fan switch to 1-speed.
Blower should operate on 1-speed.
- 5) Confirm air flow from the rear discharge outlets.
- 6) Turn rear fan switch to 2-speed.
- 7) Continue checking blower speed until all four speeds are checked.
- 8) Turn rear fan switch (rear) to 0-speed (OFF).
- 9) Set rear fan switch (front) to 1-speed.
Blower should operate on 1-speed.
- 10) Set rear fan switch (front) to 2-speed.
- 11) Continue checking blower speed until all four speeds are checked.



If NG, refer to "Rear Blower Motor", HA-205. If all operational checks are OK (symptom cannot be duplicated), refer to **GI-23**, "Incident Simulation Tests" and perform tests as outlined to simulate driving conditions environment. If symptom appears, refer to "Symptom Chart", HA-180 and perform applicable trouble diagnosis procedure.

Symptom Chart

NDHA0235

Symptom	Reference page
● A/C system does not come on.	● Go to "TROUBLE DIAGNOSIS PROCEDURE FOR A/C SYSTEM". HA-182
● Air mix door does not operate normally.	● Go to "TROUBLE DIAGNOSIS PROCEDURE FOR AIR MIX DOOR MOTOR". HA-184
● Intake door does not operate normally.	● Go to "TROUBLE DIAGNOSIS PROCEDURE FOR INTAKE DOOR MOTOR". HA-188
● Mode door does not operate normally.	● Go to "TROUBLE DIAGNOSIS PROCEDURE FOR MODE DOOR MOTOR". HA-193
● Front blower motor does not rotate.	● Go to "TROUBLE DIAGNOSIS PROCEDURE FOR FRONT BLOWER MOTOR". HA-196
● Rear blower motor does not rotate when rear fan switch (front) is set to REAR position.	● Go to "TROUBLE DIAGNOSIS PROCEDURE FOR REAR FAN SWITCH (FRONT)". HA-205
● Rear blower motor does not rotate when rear fan switch (front) is set at 1 - 4 speed.	● Go to "TROUBLE DIAGNOSIS PROCEDURE FOR REAR BLOWER MOTOR (1 - 4 SPEED)". HA-207
● Magnet clutch does not engage.	● Go to "TROUBLE DIAGNOSIS PROCEDURE FOR MAGNET CLUTCH". HA-216

TROUBLE DIAGNOSES

MANUAL

Symptom Chart (Cont'd)

Symptom	Reference page	
<ul style="list-style-type: none"> ● Insufficient cooling 	<ul style="list-style-type: none"> ● Go to "TROUBLE DIAGNOSIS PROCEDURE FOR INSUFFICIENT COOLING". 	HA-223
<ul style="list-style-type: none"> ● Insufficient heating 	<ul style="list-style-type: none"> ● Go to "TROUBLE DIAGNOSIS PROCEDURE FOR INSUFFICIENT HEATING". 	HA-228
<ul style="list-style-type: none"> ● Noise 	<ul style="list-style-type: none"> ● Go to "TROUBLE DIAGNOSIS PROCEDURE FOR NOISE". 	HA-230

GI

MA

EM

LC

EC

FE

AT

AX

SU

BR

ST

RS

BT

HA

SC

EL

IDX

A/C System

TROUBLE DIAGNOSIS PROCEDURE FOR A/C SYSTEM

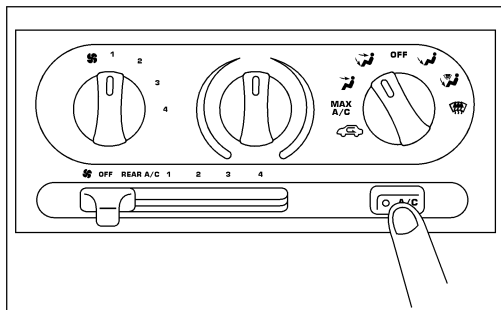
=NDHA0236

Symptom:

- A/C system does not come on.

Inspection Flow

1. Confirm symptom by performing the following operational check.



OPERATIONAL CHECK – A/C switch

- 1) Turn mode control knob to any mode position except OFF.
- 2) Press air conditioner switch to turn ON air conditioner. Indicator light will come on when air conditioner is ON.

If OK (symptom cannot be duplicated), perform complete operational check (*2).
If NG (symptom is confirmed), continue with Step 2 following.

2. Check for any Service bulletins.

OK

3. Check main power supply and ground circuit. (*1)

OK

4. A/C system circuit (*2).

OK

5. Replace A/C control unit.

WHA031

*1: HA-183

*2: HA-183

MAIN POWER SUPPLY AND GROUND CIRCUIT CHECK

Power Supply Circuit Check for Manual A/C System

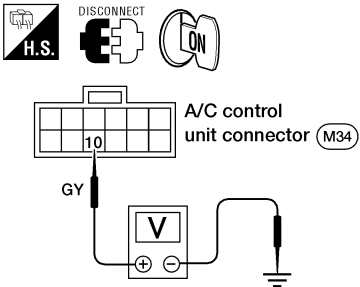
Check power supply circuit for manual air conditioning system.
Refer to *EL-10*, "POWER SUPPLY ROUTING".

A/C System Circuit

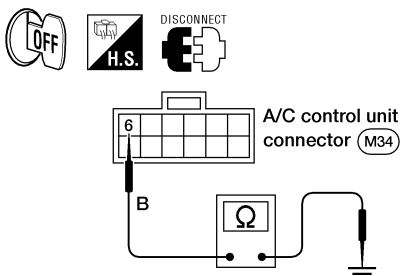
SYMPTOM:

- A/C System does not come on.

NDHA0238S02

1	CHECK POWER SUPPLY CIRCUIT FOR A/C CONTROL UNIT									
1. Disconnect A/C control unit harness connector.										
										
		<table border="1" style="margin-left: auto; margin-right: auto;"> <thead> <tr> <th colspan="2">Voltmeter terminal</th> <th rowspan="2">Voltage</th> </tr> <tr> <th>(+)</th> <th>(-)</th> </tr> </thead> <tbody> <tr> <td style="text-align: center;">10</td> <td style="text-align: center;">Body ground</td> <td style="text-align: center;">Approx. 12V</td> </tr> </tbody> </table>	Voltmeter terminal		Voltage	(+)	(-)	10	Body ground	Approx. 12V
Voltmeter terminal		Voltage								
(+)	(-)									
10	Body ground	Approx. 12V								
2. Connect Voltmeter from harness side.										
3. Measure voltage across terminal No. 10 and body ground.										
OK or NG										
OK	▶	GO TO 2.								
NG	▶	Check 7.5A fuse No. 10 at fuse block.								

WHA086

2	CHECK BODY GROUND CIRCUIT FOR A/C CONTROL UNIT									
1. Disconnect A/C control unit harness connector.										
										
		<table border="1" style="margin-left: auto; margin-right: auto;"> <thead> <tr> <th colspan="2">Ohmmeter terminal</th> <th rowspan="2">Continuity</th> </tr> <tr> <th>(+)</th> <th>(-)</th> </tr> </thead> <tbody> <tr> <td style="text-align: center;">6</td> <td style="text-align: center;">Body ground</td> <td style="text-align: center;">Yes</td> </tr> </tbody> </table> <p style="text-align: center;">Continuity should exist</p>	Ohmmeter terminal		Continuity	(+)	(-)	6	Body ground	Yes
Ohmmeter terminal		Continuity								
(+)	(-)									
6	Body ground	Yes								
2. Connect Ohmmeter to harness side.										
3. Check for continuity between terminal No. 6 and body ground.										
OK or NG										
OK	▶	INSPECTION END								
NG	▶	Repair harness or connector.								

WHA087

CONTROL SYSTEM—A/C CONTROL UNIT

The A/C control unit has a built-in microcomputer which processes information needed for air conditioner operation. The mode door motor, intake door motor, front blower motor and compressor are then controlled.

NDHA0239

Air Mix Door

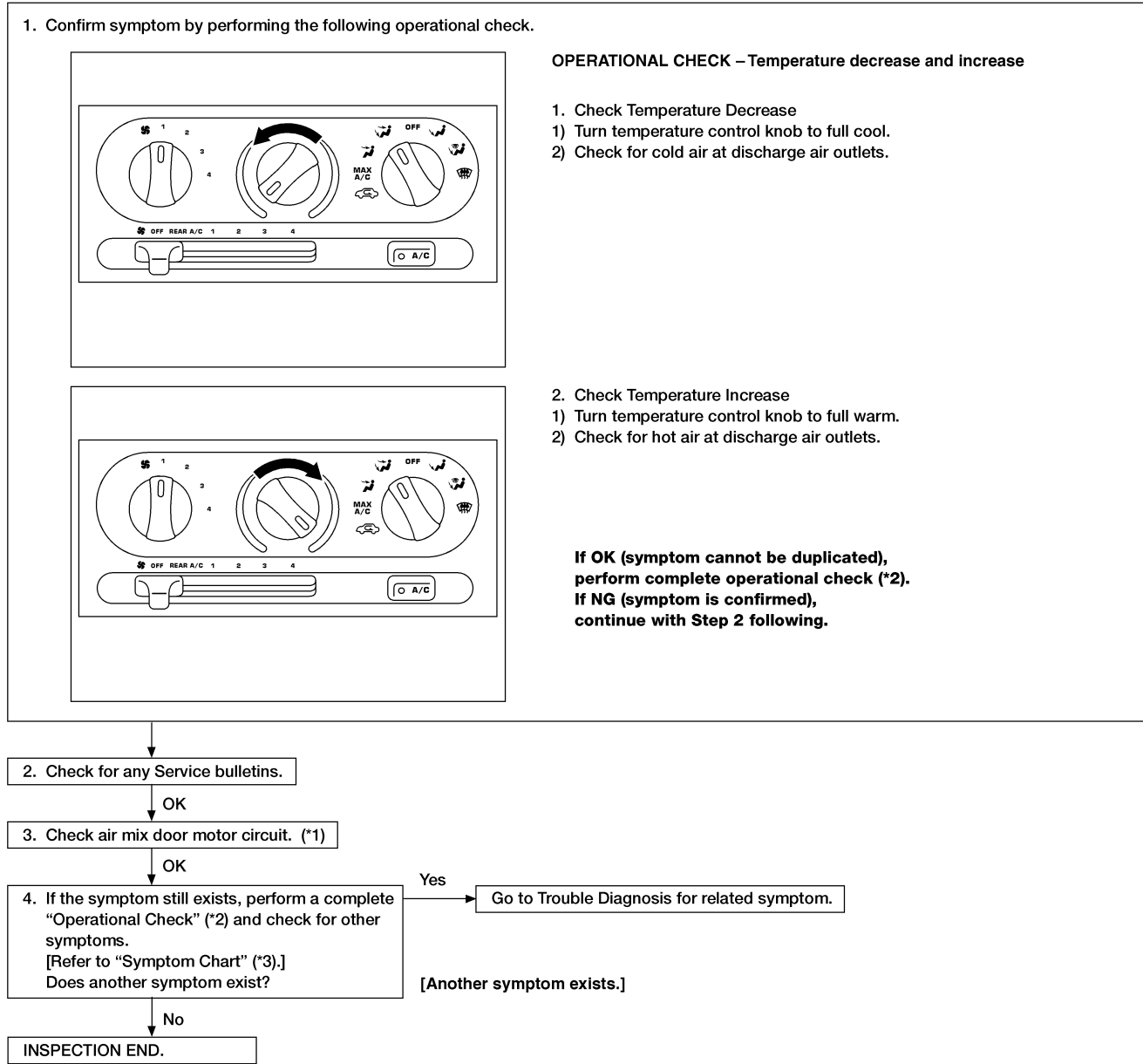
TROUBLE DIAGNOSIS PROCEDURE FOR AIR MIX DOOR MOTOR

=NDHA0240

Symptom:

- Air mix door does not operate normally.

Inspection Flow



*1: HA-185

*2: HA-178

*3: HA-180

AIR MIX DOOR MOTOR CIRCUIT

NDHA0242

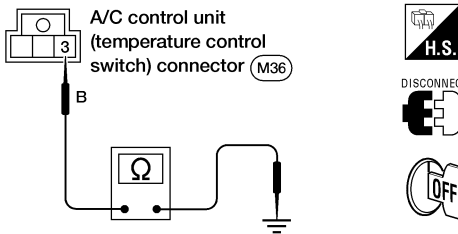
Symptom:

- Air mix door does not operate normally.

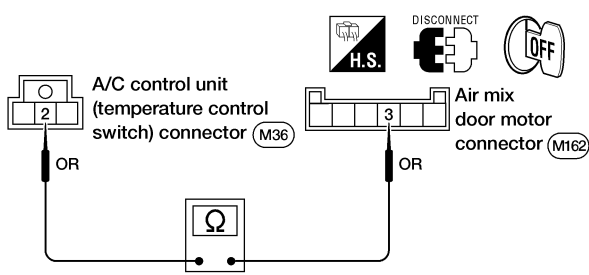
1	CHECK TEMPERATURE CONTROL SWITCH OUTPUT VOLTAGE													
<p>Does approx. 0 - 10.5 volts exist between air mix door motor harness terminals 3 and 4 when the temperature control switch is turned from full cool to full warm or when turned from full warm to full cool?</p>														
WHA217														
<table border="1" style="margin: auto;"> <thead> <tr> <th rowspan="2">Temp control switch position</th> <th colspan="2">Terminal No.</th> <th rowspan="2">Voltage V</th> </tr> <tr> <th>3</th> <th>4</th> </tr> </thead> <tbody> <tr> <td>Full cool → Full warm</td> <td style="text-align: center;">+</td> <td style="text-align: center;">-</td> <td rowspan="2" style="text-align: center;">Approx. 0 - 10.5</td> </tr> <tr> <td>Full warm → Full cool</td> <td style="text-align: center;">+</td> <td style="text-align: center;">-</td> </tr> </tbody> </table>		Temp control switch position	Terminal No.		Voltage V	3	4	Full cool → Full warm	+	-	Approx. 0 - 10.5	Full warm → Full cool	+	-
Temp control switch position	Terminal No.		Voltage V											
	3	4												
Full cool → Full warm	+	-	Approx. 0 - 10.5											
Full warm → Full cool	+	-												
WHA206														
Yes or No														
Yes	▶ GO TO 5.													
No	▶ GO TO 2.													

2	CHECK TEMPERATURE CONTROL SWITCH POWER SUPPLY CIRCUIT
<p>1. Disconnect A/C control unit (temperature control switch) harness connector. 2. Check voltage between A/C control unit (temperature control switch) harness terminal 1 and ground.</p>	
AHA360A	
Does battery voltage exist?	
Yes	▶ GO TO 3.
No	▶ Check the following. If NG, repair harness or connector. <ul style="list-style-type: none"> ● Harness connector M36 ● Harness for open or short between A/C control unit (temperature control switch) and fuse

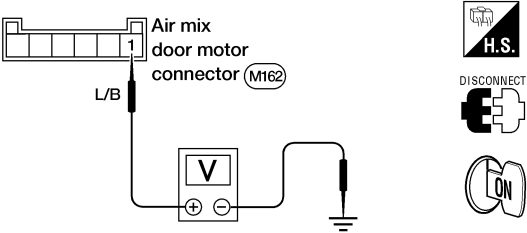
GI
MA
EM
LC
EC
FE
AT
AX
SU
BR
ST
RS
BT
HA
SC
EL
IDX

3	CHECK TEMPERATURE CONTROL SWITCH GROUND CIRCUIT	Check circuit continuity between A/C control unit (temperature control switch) harness terminal 3 and ground.	
			
Continuity should exist.			
OK or NG			
OK	▶	GO TO 4.	
NG	▶	Repair harness or connector.	

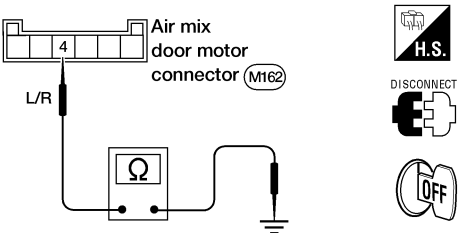
AHA361A

4	CHECK CIRCUIT CONTINUITY	1. Check circuit continuity between A/C control unit (temperature control switch) harness terminal 2 and air mix door harness terminal 3.	
			
Continuity should exist.			
2. Also, check harness for short.			
OK or NG			
OK	▶	Replace A/C control unit (temperature control switch).	
NG	▶	Repair harness or connectors.	

AHA362A

5	CHECK AIR MIX DOOR MOTOR POWER SUPPLY CIRCUIT	
<p>1. Disconnect air mix door motor harness connector. 2. Check voltage between air mix door motor harness terminal 1 and ground.</p>		
		
AHA363A		
Does battery voltage exist?		
Yes	▶	GO TO 6.
No	▶	Check the following. If NG, repair harness or connector. <ul style="list-style-type: none"> ● Harness connector M162 ● Harness for open or short between air mix door motor and fuse

GI
 MA
 EM
 LC
 EC
 FE
 AT
 AX
 SU
 BR
 ST
 RS
 BT
 HA
 SC
 EL
 IDX

6	CHECK AIR MIX DOOR MOTOR GROUND CIRCUIT	
<p>Check circuit continuity between air mix door motor harness terminal 4 and ground.</p>		
		
AHA364A		
Continuity should exist.		
OK or NG		
OK	▶	Replace air mix door motor.
NG	▶	Repair harness or connector.

Intake Door

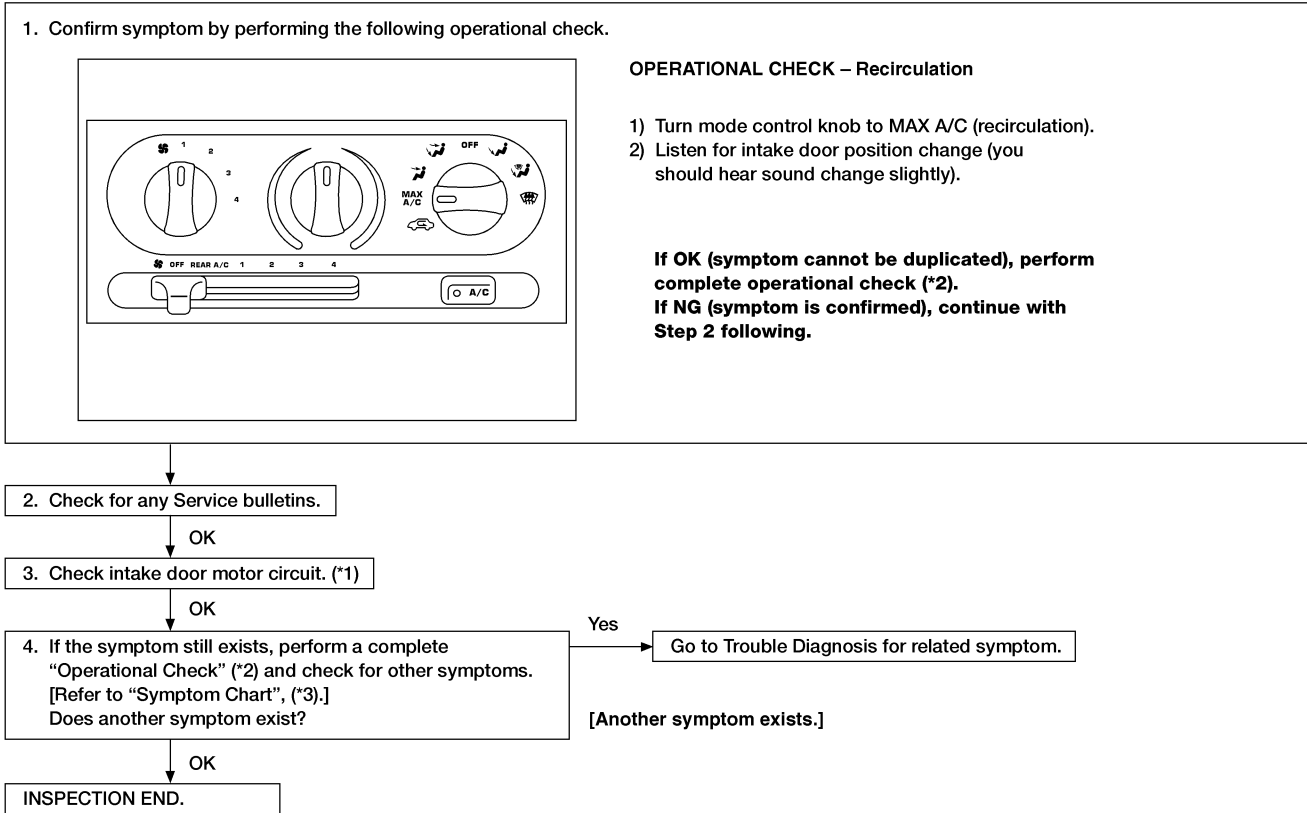
TROUBLE DIAGNOSIS PROCEDURE FOR INTAKE DOOR MOTOR

=NDHA0135

Symptom:

- Intake door does not operate normally.

Inspection Flow

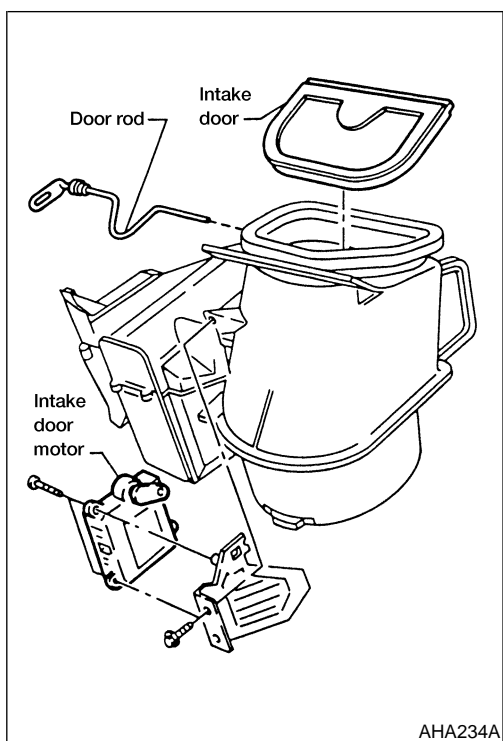


*1: HA-190

*2: HA-178

*3: HA-180

WHA033



CONTROL SYSTEM OUTPUT COMPONENTS

NDHA0136

Intake Door Motor

NDHA0136S01

The intake door motor is attached to the intake unit. It rotates so that air is drawn from inlets set by the A/C control unit when the mode switch is set to the MAX A/C (recirculation) position. Motor rotation is conveyed to a rod which opens and closes the intake door.

Intake Door Motor Operation

NDHA0136S0101

7	8	Intake door operation	Movement of link rotation
+	-	REC → FRE	Clockwise
-	-	STOP	STOP
-	+	FRE → REC	Counterclockwise

GI

MA

EM

LC

EC

FE

AT

AX

SU

BR

ST

RS

BT

HA

SC

EL

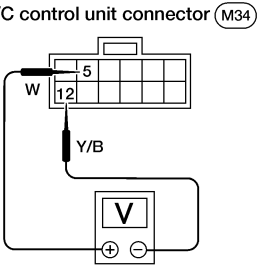


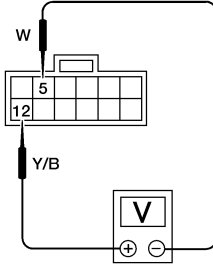
IDX

INTAKE DOOR MOTOR CIRCUIT

=NDHA0090

SYMPTOM:

- Intake door motor does not operate normally.

1	CHECK A/C CONTROL UNIT OUTPUT													
Do approx. 12 volts exist between A/C control unit harness terminals 5 and 12 with mode switch in MAX A/C or OFF?														
<div style="display: flex; justify-content: space-around; align-items: center;"> <div style="text-align: center;"> <p>A/C control unit connector (M34)</p>  </div> <div style="text-align: center;">  <p>CONNECT</p>  </div> </div> <p style="text-align: center;">Mode switch: MAX A/C position</p> <div style="text-align: center;">  <p style="text-align: center;">Mode switch: OFF position</p> </div>														
AHA366A														
<table border="1" style="margin: auto; border-collapse: collapse;"> <thead> <tr> <th rowspan="2" style="padding: 5px;">Mode switch position</th> <th colspan="2" style="padding: 5px;">Terminal No.</th> <th rowspan="2" style="padding: 5px;">Voltage V</th> </tr> <tr> <th style="padding: 5px;">5</th> <th style="padding: 5px;">12</th> </tr> </thead> <tbody> <tr> <td style="padding: 5px;">MAX A/C</td> <td style="padding: 5px; text-align: center;">⊕</td> <td style="padding: 5px; text-align: center;">⊖</td> <td rowspan="2" style="padding: 5px; text-align: center;">Approx. 12</td> </tr> <tr> <td style="padding: 5px;">OFF</td> <td style="padding: 5px; text-align: center;">⊖</td> <td style="padding: 5px; text-align: center;">⊕</td> </tr> </tbody> </table>		Mode switch position	Terminal No.		Voltage V	5	12	MAX A/C	⊕	⊖	Approx. 12	OFF	⊖	⊕
Mode switch position	Terminal No.		Voltage V											
	5	12												
MAX A/C	⊕	⊖	Approx. 12											
OFF	⊖	⊕												
AHA367A														
Yes or No														
Yes	▶ GO TO 2.													
No	▶ GO TO 3.													

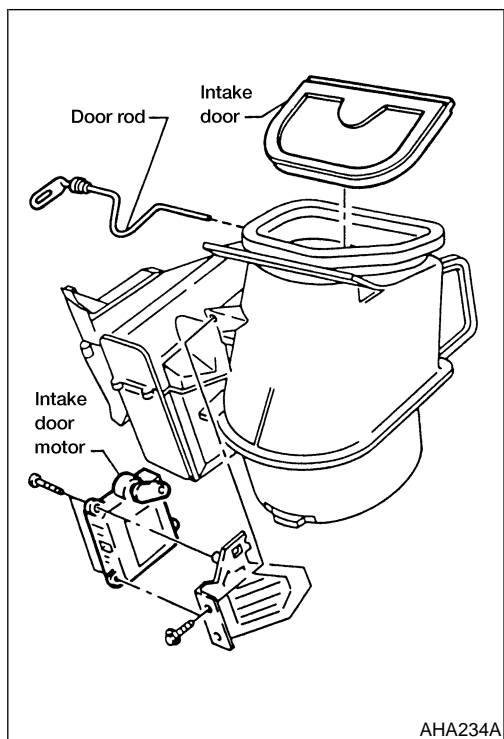
2	CHECK CIRCUIT CONTINUITY		
<p>1. Disconnect intake door motor and front A/C control unit harness connectors.</p> <p>2. Check circuit continuity between intake door motor harness terminal 7 (8) and A/C control unit harness terminal 12 (5).</p>			
AHA368A			
<p>Continuity should exist.</p> <p>3. Also, check harness for short.</p>			
OK or NG			
OK	▶	Replace intake door motor.	
NG	▶	Repair harness or connectors.	

3	CHECK A/C CONTROL UNIT POWER SUPPLY CIRCUIT		
Refer to HA-183.			
OK or NG			
OK	▶	GO TO 4.	
NG	▶	<p>Check the following.</p> <p>If NG, repair harness or connector.</p> <ul style="list-style-type: none"> ● Harness connector M34 ● Harness for open or short between A/C control unit and fuse 	

4	CHECK A/C CONTROL UNIT GROUND		
Refer to HA-183.			
OK or NG			
OK	▶	Replace A/C control unit.	
NG	▶	Repair harness or connector.	

GI
 MA
 EM
 LC
 EC
 FE
 AT
 AX
 SU
 BR
 ST
 RS
 BT
 HA
 SC
 EL
 IDX

Intake Door (Cont'd)

**CONTROL LINKAGE ADJUSTMENT**

NDHA0093

Intake Door Motor

NDHA0093S04

1. Connect the intake door motor harness connector before installing the intake door motor.
2. Turn ignition switch ON.
3. Select MAX A/C (REC) mode.
4. Install the intake door lever and the intake door motor.
5. Set the intake door rod in MAX A/C (REC) position and fasten door rod to holder.
6. Check that the intake door operates properly when MAX A/C (REC) mode is selected.

Mode Door Motor

TROUBLE DIAGNOSIS PROCEDURE FOR MODE DOOR MOTOR

=NDHA0260

Symptom:

- Mode door does not operate normally.

Inspection Flow

GI

MA

EM

LC

EC

FE

AT

AX

SU

BR

ST

RS

BT

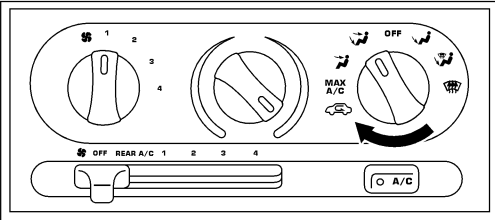
HA

SC

EL

IDX

1. Confirm symptom by performing the following operational check.



OPERATIONAL CHECK – Discharge air

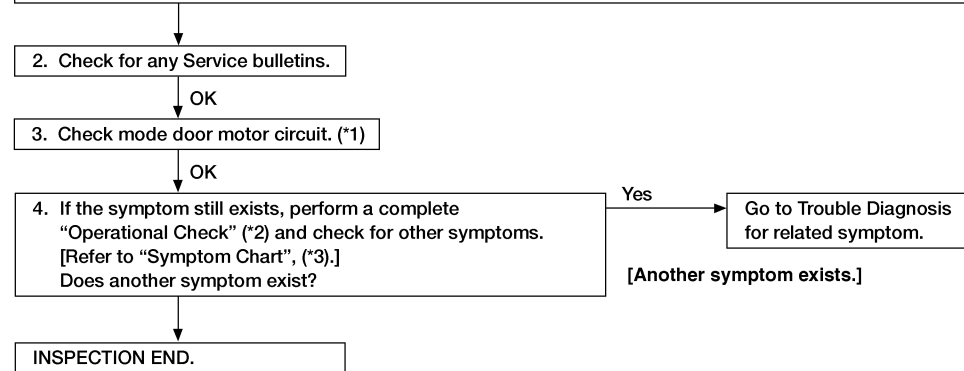
1) Turn mode control knob.

2) Confirm that discharge air comes out according to the air distribution table at left. Refer to "Discharge Air Flow" in "DESCRIPTION" (*4).

Discharge air flow

Mode control knob	Air outlet/distribution		
	Face	Foot	Defroster
	94%	6%	-
	48%	52%	-
	-	75%	25%
	-	55%	45%
	-	9%	91%

**If OK (symptom cannot be duplicated), perform complete operational check (*2).
If NG (symptom is confirmed), continue with Step 2 following.**



*1: HA-194

*2: HA-178

*3: HA-180

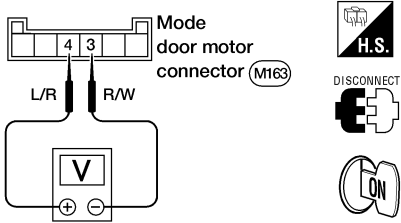
WHA034

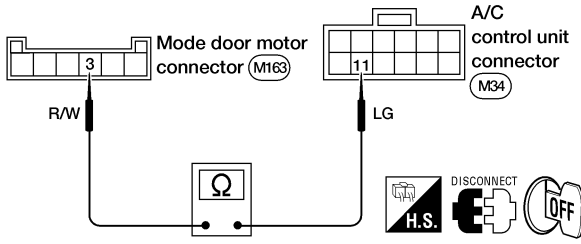
MODE DOOR MOTOR CIRCUIT

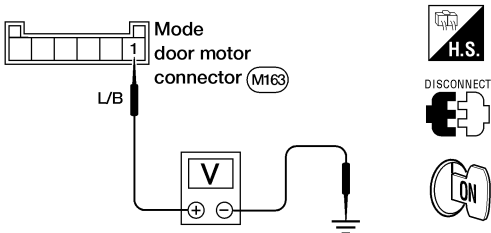
=NDHA0261

Symptom:

- Mode door does not operate normally.

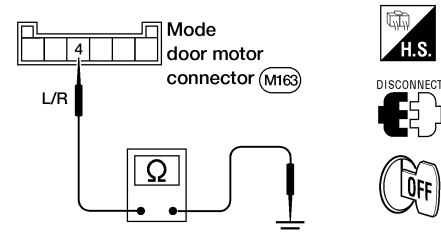
1	CHECK OUTPUT OF A/C CONTROL UNIT	<p>Does voltage change between 0 and approx. 12 volts between mode door motor harness terminals 3 and 4 when the mode switch is turned to each mode position except OFF.</p> <div style="text-align: center;">  </div> <p style="text-align: right;">AHA390A</p>	
Yes or No			
Yes	▶	GO TO 3.	
No	▶	GO TO 2.	

2	CHECK CIRCUIT CONTINUITY	<p>1. Disconnect A/C control unit harness connector and mode door motor harness connector. 2. Check circuit continuity between A/C control unit harness terminal 11 and mode door motor harness terminal 3.</p> <div style="text-align: center;">  </div> <p style="text-align: right;">AHA370A</p>	
Continuity should exist.			
3. Also, check harness for short.			
OK or NG			
OK	▶	Replace A/C control unit.	
NG	▶	Repair harness or connectors.	

3	CHECK MODE DOOR MOTOR POWER SUPPLY CIRCUIT	<p>1. Disconnect mode door motor harness connector. 2. Check voltage between mode door motor harness terminal 1 and ground.</p> <div style="text-align: center;">  </div> <p style="text-align: right;">AHA391A</p>	GI MA EM LC EC
Does battery voltage exist?			

Yes	▶	GO TO 4.	FE
-----	---	----------	----

No	▶	<p>Check the following. If NG, repair harness or connector.</p> <ul style="list-style-type: none"> ● Harness connector M163 ● Harness for open or short between mode door motor and fuse 	AT AX
----	---	---	----------

4	CHECK MODE DOOR MOTOR GROUND CIRCUIT	<p>Check circuit continuity between mode door motor harness terminal 4 and ground.</p> <div style="text-align: center;">  </div> <p style="text-align: right;">AHA392A</p>	SU BR ST RS
Continuity should exist.			
OK or NG			

OK	▶	Replace mode door motor.	BT
----	---	--------------------------	----

NG	▶	Repair harness or connector.	HA
----	---	------------------------------	----

GI
MA
EM
LC
EC
FE
AT
AX
SU
BR
ST
RS
BT
HA
SC
EL
IDX

Front Blower Motor

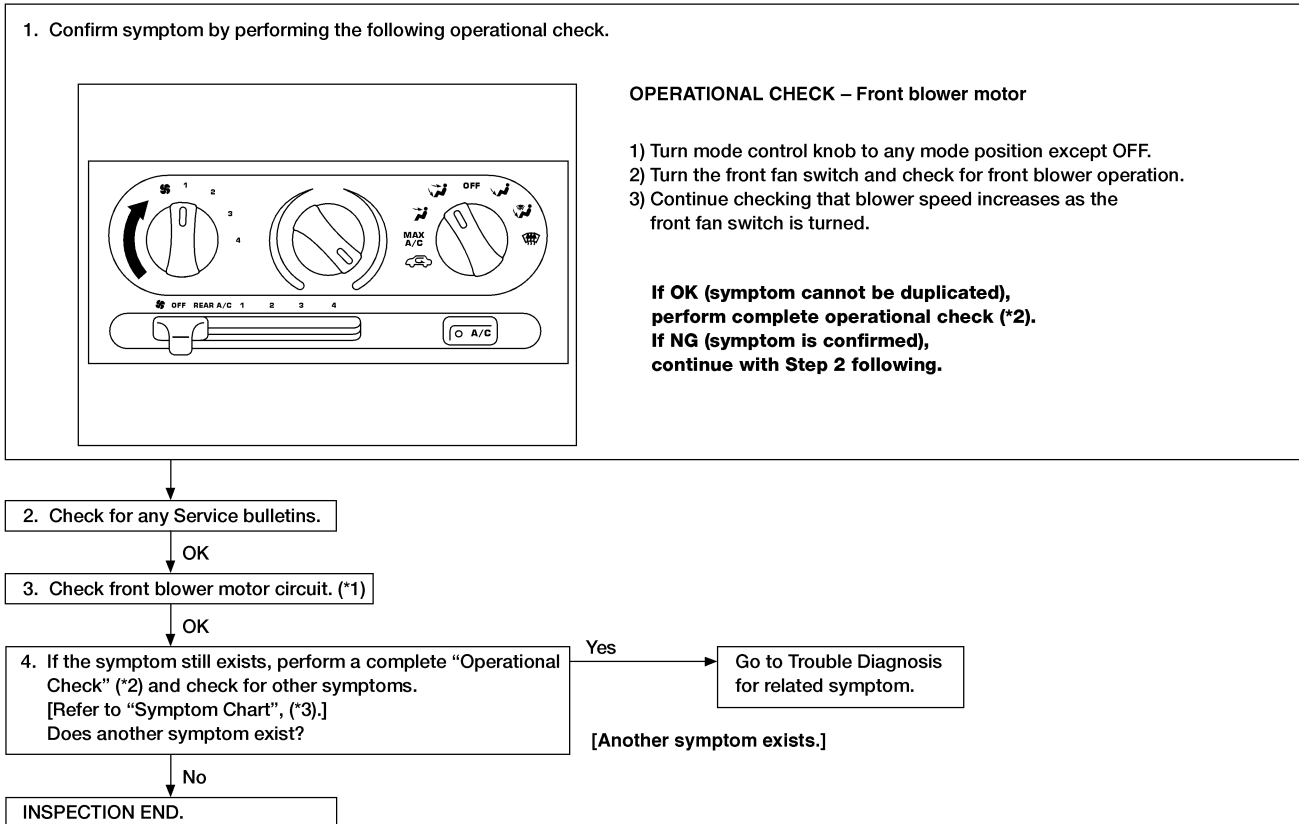
TROUBLE DIAGNOSIS PROCEDURE FOR FRONT BLOWER MOTOR

=NDHA0138

Symptom:

- Front blower motor does not rotate.

Inspection Flow



*1: HA-197

*2: HA-178

*3: HA-180

WHA035

FRONT BLOWER MOTOR CIRCUIT

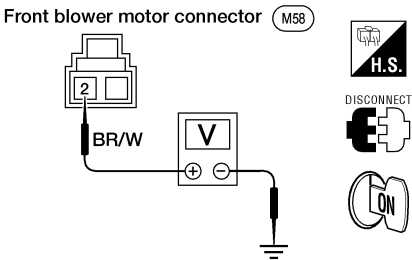
=NDHA0089

SYMPTOM:

- Front blower motor does not rotate.

1	DIAGNOSTIC PROCEDURE	
Check if front blower motor rotates properly at each fan speed.		
Does not rotate at any speed	▶	GO TO 2.
Does not rotate at 1-3 speed	▶	GO TO 16.
Does not rotate at 4 speed	▶	GO TO 19.

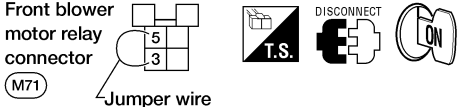
2	CHECK FUSES	
Check 20A fuse (No. 28, located in the fuse block) and 20A fuse (No. 31, located in the fuse block). For fuse layout, refer to EL-10 , "POWER SUPPLY ROUTING".		
Are fuses OK?		
OK	▶	GO TO 3.
NG	▶	GO TO 10.

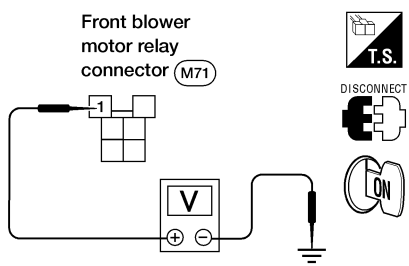
3	CHECK FRONT BLOWER MOTOR POWER SUPPLY CIRCUIT	
<ol style="list-style-type: none"> 1. Disconnect front blower motor harness connector. 2. Press any mode switch except OFF. 3. Check voltage between front blower motor harness terminal 2 and ground. 		
		
Does battery voltage exist?		
Yes	▶	GO TO 14.
No	▶	GO TO 4.

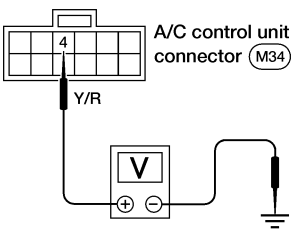



WHA095

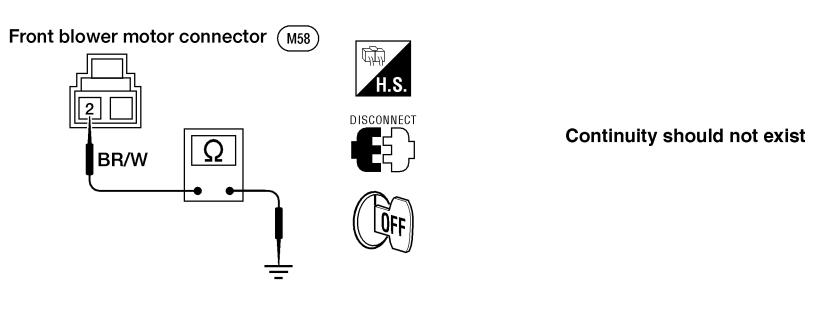
4	CHECK FRONT BLOWER MOTOR RELAY	
Refer to HA-204.		
OK or NG		
OK	▶	GO TO 5.
NG	▶	Replace front blower motor relay.

GI
MA
EM
LC
EC
FE
AT
AX
SU
BR
ST
RS
BT
HA
SC
EL
IDX

5	CHECK FRONT BLOWER MOTOR SYSTEM	
<ol style="list-style-type: none"> 1. Reconnect front blower motor harness connector. 2. Turn the ignition key ON and press any mode switch except OFF. 3. Set the fan switch to 4 speed. 4. Momentarily (no more than 4 seconds) connect a jumper wire between front blower motor relay connector M71 (body side) terminals 3 and 5. 		
		
AHA257A		
Does front blower motor rotate?		
Yes	▶	GO TO 6.
No	▶	GO TO 12.

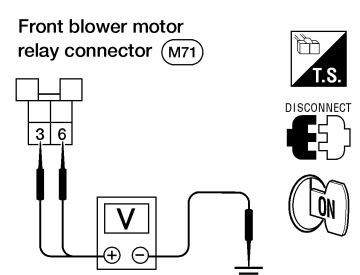
6	CHECK FRONT BLOWER MOTOR RELAY (COIL SIDE) POWER SUPPLY CIRCUIT	
		
AHA259A		
Do approx. 12 volts exist between front blower motor relay connector M71 (body side) terminal 1 and ground when ignition switch is turned ON?		
Yes or No		
Yes	▶	GO TO 7.
No	▶	Check the following. If NG, repair harness or connector. <ul style="list-style-type: none"> ● Harness connector M71 ● Harness for open or short between front blower motor relay and ignition switch

7	CHECK RELAY CONTROL POWER SUPPLY CIRCUIT		
<p>1. Reconnect front blower motor relay. 2. Disconnect A/C control unit harness connector. 3. Check voltage between A/C control unit harness terminal 4 and ground.</p> <div style="display: flex; justify-content: space-around; align-items: center;">  <div style="text-align: center;">    </div> </div> <p style="text-align: right;">AHA372A</p>			
Does battery voltage exist when ignition switch is turned ON?			
Yes	▶	GO TO 8.	FE
No	▶	Check the following. If NG, repair harness or connector. <ul style="list-style-type: none"> ● Harness connector M34 ● Harness for open or short between front blower motor relay and A/C control unit 	AT
<hr/>			
8	CHECK A/C CONTROL UNIT POWER SUPPLY CIRCUIT		AX
Refer to HA-183.			
OK or NG			
OK	▶	GO TO 9.	SU
NG	▶	Check the following. If NG, repair harness or connector. <ul style="list-style-type: none"> ● Harness connector M34 ● Harness for open or short between A/C control unit and fuse 	BR
<hr/>			
9	CHECK A/C CONTROL UNIT GROUND CIRCUIT		ST
Refer to HA-183.			
OK or NG			
OK	▶	Replace A/C control unit.	RS
NG	▶	Repair harness or connector.	BT
<hr/>			
10	REPLACE FUSE		HA
<p>1. Replace fuses. 2. Activate the front blower motor system.</p> <p style="text-align: center;">Do the fuses blow when the front blower motor is activated?</p>			
Yes	▶	GO TO 11.	SC
No	▶	INSPECTION END	EL
<hr/>			

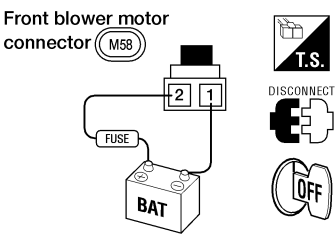
11	CHECK FRONT BLOWER MOTOR POWER SUPPLY CIRCUIT FOR A SHORT	
<p>1. Disconnect battery cable and front blower motor harness connector.</p> <p>2. Check continuity between front blower motor harness terminal 2 and ground.</p>		
		
Does continuity exist?		
Yes	▶	<p>Check the following.</p> <p>If NG, repair harness or connector.</p> <ul style="list-style-type: none"> ● Harness connector M58 ● Harness for open or short between front blower motor and fuses
No	▶	<p>Check front blower motor.</p> <p>Refer to HA-204.</p> <p>If necessary, clear intake unit.</p> <p>If OK, replace front blower motor.</p>

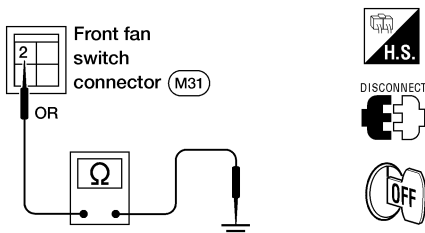
WHA267

12	CHECK FUSIBLE LINK	
<p>Check 65A fusible link (letter c, located in the fuse and fusible link box). For fusible link layout, refer to EL-10, "POWER SUPPLY ROUTING".</p>		
Is fusible link OK?		
Yes	▶	GO TO 13.
No	▶	GO TO 22.

13	CHECK FRONT BLOWER MOTOR RELAY (SWITCH SIDE) POWER SUPPLY CIRCUIT	
		
<p>Check voltage between front blower motor relay connector M71 (body side) terminals 3, 6 and ground.</p>		
Does battery voltage exist?		
Yes	▶	<p>Check the following.</p> <p>If NG, repair harness or connectors.</p> <ul style="list-style-type: none"> ● Harness connectors M58 and M71 ● Harness for open or short between front blower motor relay and fusible link
No	▶	<p>Check the following.</p> <p>If NG, repair harness or connectors.</p> <ul style="list-style-type: none"> ● Harness connector M71 ● Harness for open or short between front blower motor relay and fusible link

AHA264A

14	CHECK FRONT BLOWER MOTOR	
Does front blower motor rotate when 12 volts is applied to terminal 2 and ground to terminal 1?		
		
WHA097		
Yes or No		
Yes	▶	GO TO 15.
No	▶	Replace front blower motor.

15	CHECK FRONT FAN SWITCH GROUND CIRCUIT	
1. Disconnect front fan switch harness connector. 2. Check circuit continuity between front fan switch harness terminal 2 and ground.		
		
AHA373A		
Continuity should exist.		
OK or NG		
OK	▶	Check the following. If NG, repair harness or connectors. <ul style="list-style-type: none"> ● Harness connectors M31 and M58 ● Harness for open or short between front blower motor and front fan switch, front blower motor resistor
NG	▶	Repair harness or connector.

16	CHECK FRONT BLOWER MOTOR RESISTOR	
Refer to HA-204.		
OK or NG		
OK	▶	GO TO 17.
NG	▶	Replace front blower motor resistor.

17	CHECK FRONT BLOWER MOTOR RESISTOR HARNESS CONNECTOR	
Reconnect front blower motor resistor harness connector.		
Does not rotate at 1 speed	▶	GO TO 21.
Does not rotate at 2 - 3 speed	▶	GO TO 18.

GI
 MA
 EM
 LC
 EC
 FE
 AT
 AX
 SU
 BR
 ST
 RS
 BT
 HA
 SC
 EL
 IDX

18	CHECK CIRCUIT CONTINUITY
1. Check circuit continuity between front blower motor resistor harness terminals 1 (3) and front fan switch harness terminals 3 (4).	
AHA374A	
<p style="color: blue;">Continuity should exist.</p> 2. Also, check harness for short.	
OK or NG	
OK	▶ GO TO 20.
NG	▶ Repair harness or connectors.

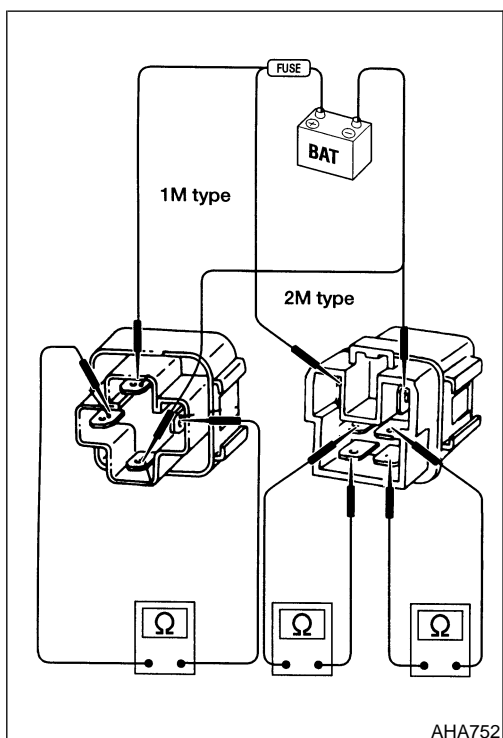
19	CHECK FRONT FAN SWITCH POWER SUPPLY CIRCUIT (4 SPEED)
1. Turn mode switch to any position except OFF. 2. Check voltage between front fan switch harness terminal 1 and ground.	
AHA375A	
Is voltage approximately 8.5 volts?	
Yes	▶ GO TO 20.
No	▶ Check the following. If NG, repair harness or connectors. <ul style="list-style-type: none"> ● Harness connectors M31 and M58 ● Harness for open or short between front blower motor and front fan switch

20	CHECK FRONT FAN SWITCH
Refer to HA-204.	
OK or NG	
OK	▶ INSPECTION END
NG	▶ Replace front fan switch.

21	CHECK FRONT BLOWER MOTOR RESISTOR GROUND CIRCUIT	<p>1. Disconnect front blower motor resistor harness connector.</p> <p>2. Check circuit continuity between front blower motor resistor harness terminal 2 and ground.</p> <div style="text-align: center; margin-top: 20px;"> </div> <p style="color: blue; margin-top: 10px;">Continuity should exist.</p> <p style="text-align: center; margin-top: 10px;">OK or NG</p>	GI MA EM LC EC FE AT AX SU BR ST RS BT HA SC EL IDX
OK	▶	INSPECTION END	
NG	▶	Repair harness or connector.	

AHA393A

22	REPLACE FUSIBLE LINK	<p>1. Replace fusible link.</p> <p>2. Does fusible link blow when the front blower motor system is activated?</p> <p style="text-align: center; margin-top: 10px;">Yes or No</p>	
Yes	▶	<p>Check the following.</p> <p>If NG, repair harness or connectors.</p> <ul style="list-style-type: none"> ● Harness connectors E102 and M2 ● Harness for open or short between front blower motor relay and fusible link 	
No	▶	INSPECTION END	




ELECTRICAL COMPONENTS INSPECTION Relays

NDHA0246

NDHA0246S03

Check circuit continuity between terminals by supplying 12 volts and ground to coil side terminals of relays.

Front Blower Motor (Cont'd)



2	1
4	3

Front fan switch connector (M31)

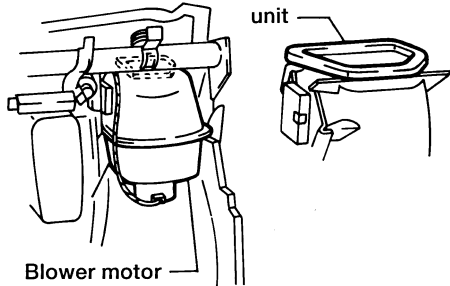
SWITCH POSITION TERMINAL	1	2	3	4
1				○
4			○	○
3		○	○	
2		○	○	

AHA376A

Front Fan Switch

Check continuity between terminals at each switch position.

NDHA0246S01



Intake unit

Blower motor

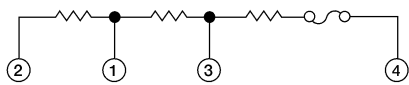
AHA036


Front Blower Motor

Confirm smooth rotation of the front blower motor.

NDHA0246S02

- Check that there are no foreign particles inside the intake unit.
- Check cabin air filter. Refer to "Cabin Air Filter", HA-249.





4	3	2	1
---	---	---	---

Front blower motor resistor connector (M59)

AHA377A

Front Blower Motor Resistor

Check resistance between terminals

NDHA0246S04

Terminal No.		Resistance (Ω) (Approx.)
(+)	(-)	
3	1	1.4 - 1.6
4		2.5 - 2.8
2		0.5 - 0.6

Rear Blower Motor

TROUBLE DIAGNOSIS PROCEDURE FOR REAR FAN SWITCH (FRONT)

=NDHA0247

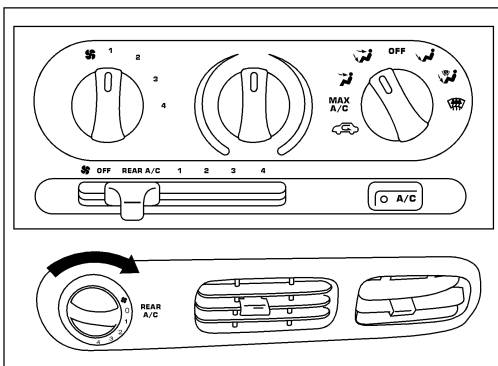
Symptom:

- Rear blower motor does not rotate when rear fan switch (front) is set to REAR position.

Inspection Flow

GI
MA
EM
LC
EC
FE
AT
AX
SU
BR
ST
RS
BT
HA
SC
EL
IDX

1. Confirm symptom by performing the following operational check.



OPERATIONAL CHECK – Rear blower motor

- 1) Turn mode control knob to any mode position except OFF.
- 2) Set rear fan switch (front) to REAR position.
- 3) Turn the rear fan switch (rear) and check for rear blower operation.
- 4) Continue checking that rear blower speed increases as the rear fan switch (rear) is rotated clockwise.

**If OK (symptom cannot be duplicated), perform complete operational check (*2).
If NG (symptom is confirmed), continue with Step 2 following.**

2. Check for any Service bulletins.

OK

3. Check rear fan switch (front) circuit. (*1)

OK

4. If the symptom still exists, perform a complete "Operational Check" (*2) and check for other symptoms. [Refer to "Symptom Chart", (*3).] Does another symptom exist?

Yes

Go to Trouble Diagnosis for related symptom.

[Another symptom exists.]

No

INSPECTION END.

*1: HA-206

*2: HA-178

*3: HA-180

REAR FAN SWITCH (FRONT) CIRCUIT

=NDHA0248

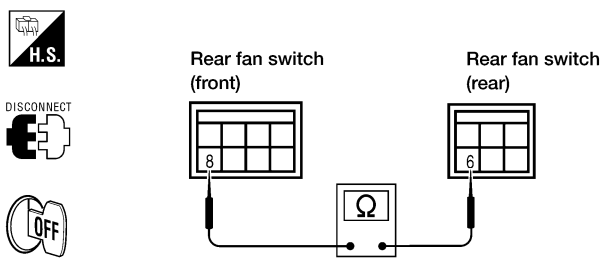
Symptom:

- Rear blower motor does not rotate when rear fan switch (front) is set to REAR position.

1	CHECK REAR BLOWER MOTOR OPERATION	
Does rear blower motor rotate normally when rear fan switch (front) is set at 1 - 4 speed?		
Yes or No		
Yes	▶	GO TO 2.
No	▶	Go to Trouble Diagnosis Procedure for Rear Blower Motor (1 - 4 Speed), HA-207.

2	CHECK REAR FAN SWITCH (FRONT)	
Refer to HA-214.		
OK or NG		
OK	▶	GO TO 3.
NG	▶	Replace rear fan switch (front).

3	CHECK REAR FAN SWITCH (REAR)	
Refer to HA-214.		
OK or NG		
OK	▶	GO TO 4.
NG	▶	Replace rear fan switch (rear).

4	CHECK CIRCUIT CONTINUITY	
1. Check continuity between rear fan switch (front) harness terminal 8 and rear fan switch (rear) harness terminal 6.		
		
Continuity should exist.		
2. Also, check harness for short.		
Continuity should exist.		
OK or NG		
OK	▶	INSPECTION END
NG	▶	Repair harness or connectors.

WHA281

TROUBLE DIAGNOSIS PROCEDURE FOR REAR BLOWER MOTOR (1-4 SPEED)

Symptom:

- Rear blower motor does not rotate when rear fan switch (front) is set at 1 - 4 speed.

Inspection Flow

GI

MA

EM

LC

EC

FE

AT

AX

SU

BR

ST

RS

BT

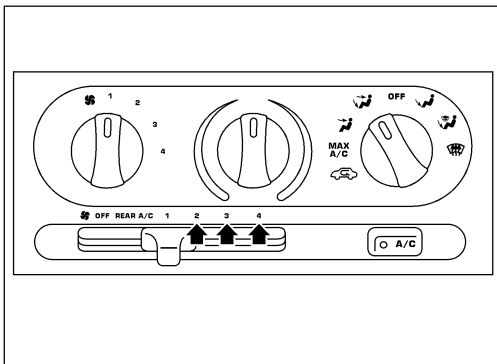
HA

SC

EL

IDX

1. Confirm symptom by performing the following operational check.



OPERATIONAL CHECK – Rear blower motor

- 1) Turn mode control knob to any mode position except OFF.
- 2) Set the rear fan switch (front) to rear blower speed position 1 and check for rear blower operation.
- 3) Continue checking that rear blower speed increases as the rear fan switch (front) is set to rear blower speed positions 2-4.

**If OK (symptom cannot be duplicated), perform complete operational check (*2).
If NG (symptom is confirmed), continue with Step 2 following.**

2. Check for any Service bulletins.

OK

3. Check rear blower motor (1-4 speed) circuit. (*1)

OK

4. If the symptom still exists, perform a complete "Operational Check" (*2) and check for other symptoms. [Refer to "Symptom Chart", (*3).]
Does another symptom exist?

Yes

Go to Trouble Diagnosis for related symptom.

[Another symptom exists.]

No

INSPECTION END.

*1: HA-208

*2: HA-178

*3: HA-180

REAR BLOWER MOTOR (1-4 SPEED) CIRCUIT

=NDHA0250

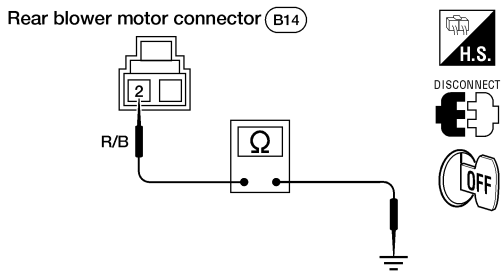
Symptom:

- Rear blower motor does not rotate when rear fan switch (front) is set at 1 - 4 speed.

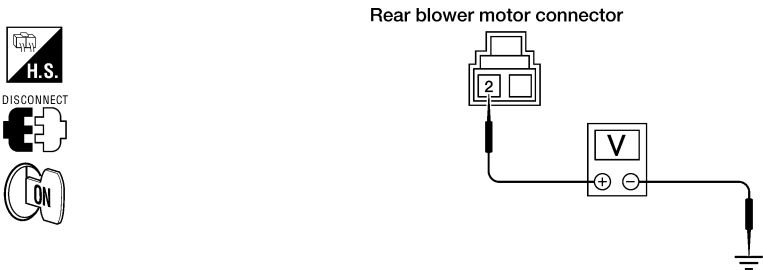
1	DIAGNOSTIC PROCEDURE	
Check if rear blower motor rotates properly at each fan speed.		
Does not rotate at any speed	▶	GO TO 2.
Does not rotate at 1 - 3 speed	▶	GO TO 13.
Does not rotate at 4 speed	▶	GO TO 17.

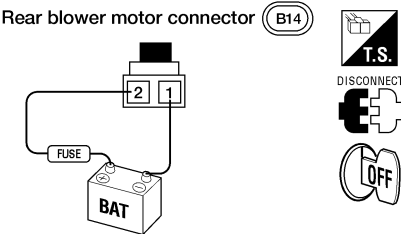
2	CHECK FUSES	
Check 15A fuse (No. 24, located in the fuse block) and 15A fuse (No. 25, located in the fuse block). For fuse layout, refer to <i>EL-10</i> , "POWER SUPPLY ROUTING".		
Are fuses OK?		
Yes	▶	GO TO 5.
No	▶	GO TO 3.

3	REPLACE FUSE	
Replace fuse.		
Does fuse blow when the rear blower motor is activated?		
Yes	▶	GO TO 4.
No	▶	INSPECTION END

4	CHECK REAR BLOWER MOTOR POWER SUPPLY CIRCUIT FOR SHORT	
<ol style="list-style-type: none"> 1. Disconnect battery cable and rear blower motor harness connector. 2. Check continuity between rear blower motor harness terminal 2 and ground. 		
		
Continuity should not exist.		
Does continuity exist?		
Yes	▶	Check the following. If NG, repair harness connector. <ul style="list-style-type: none"> ● Harness connector B14 ● Harness for open or short between rear blower motor and fuses
No	▶	Check rear blower motor. Refer to HA-214. If necessary, clean intake unit. If OK, replace rear blower motor.

AHA309A

5	CHECK REAR BLOWER MOTOR POWER SUPPLY CIRCUIT	
<p>1. Disconnect rear blower motor harness connector. 2. Check voltage between rear blower motor harness terminal 2 and ground.</p>		
 <p style="text-align: center;">Rear blower motor connector</p>		
LHA283		
Does battery voltage exist?		
Yes	▶	GO TO 6.
No	▶	Check the following. If NG, repair harness connector. <ul style="list-style-type: none"> ● Harness connector B14 ● Harness for open or short between rear blower motor relay and fuses

6	CHECK REAR BLOWER MOTOR	
Does rear blower motor rotate when 12 volts is applied to terminal 2 and ground to terminal 1?		
 <p style="text-align: center;">Rear blower motor connector (B14)</p>		
AHA396A		
Yes or No		
Yes	▶	GO TO 7.
No	▶	Replace rear blower motor.

7	CHECK REAR FAN SWITCH (FRONT)	
Refer to HA-214.		
OK or NG		
OK	▶	GO TO 8.
NG	▶	Replace rear fan switch (front).

GI
 MA
 EM
 LC
 EC
 FE
 AT
 AX
 SU
 BR
 ST
 RS
 BT
 HA
 SC
 EL
 IDX

8	CHECK REAR FAN SWITCH (FRONT) GROUND CIRCUIT	
<p>1. Disconnect rear fan switch relay No. 1. 2. Check circuit continuity between rear fan switch (front) harness terminal 1 and rear fan switch relay No. 1 connector M49 (body side) terminal 3.</p>		
<p style="color: blue;">Continuity should exist.</p>		
<p>OK or NG</p>		
OK	▶	GO TO 9.
NG	▶	Repair harness or connector.

AHA378A

9	CHECK REAR FAN SWITCH RELAY NO. 1	
Refer to HA-214.		
<p>OK or NG</p>		
OK	▶	GO TO 10.
NG	▶	Replace rear fan switch relay No. 1.

10	CHECK REAR FAN SWITCH RELAY NO. 1 POWER SUPPLY CIRCUIT	
Do approx. 12 volts exist between rear fan switch relay No. 1 connector M49 (body side) terminal 2 and ground?		
<p>Yes or No</p>		
Yes	▶	GO TO 11.
No	▶	<p>Check the following.</p> <p>If NG, repair harness or connector.</p> <ul style="list-style-type: none"> ● Harness connector M49 ● Harness for open or short between rear fan switch relay No. 1 and fuse

AHA379A

11	CHECK REAR FAN SWITCH RELAY NO. 1 CONTROL CIRCUIT	
<p>1. Disconnect A/C control unit harness connector. 2. Check circuit continuity between A/C control unit harness terminal 4 and rear fan switch relay No. 1 connector M49 (body side) terminal 1.</p>		
<p style="text-align: center;">Continuity should exist.</p> <p>3. Also, check harness for short.</p>		
OK or NG		
OK	▶	GO TO 12.
NG	▶	Repair harness or connectors.

AHA380A

12	CHECK REAR FAN SWITCH RELAY NO. 1 GROUND CIRCUIT	
<p>Check circuit continuity between rear fan switch relay No. 1 connector M49 (body side) terminal 5 and ground.</p>		
<p style="text-align: center;">Continuity should exist.</p>		
OK or NG		
OK	▶	<p>Check the following. If NG, repair harness or connector.</p> <ul style="list-style-type: none"> ● Harness connector B14 ● Harness for open or short between rear blower motor and rear blower motor resistor
NG	▶	Repair harness or connector.

AHA381A

13	CHECK REAR BLOWER MOTOR RESISTOR	
<p>Refer to HA-215.</p>		
OK or NG		
OK	▶	GO TO 14.
NG	▶	Replace rear blower motor resistor.

GI
 MA
 EM
 LC
 EC
 FE
 AT
 AX
 SU
 BR
 ST
 RS
 BT
 HA
 SC
 EL
 IDX

14	CHECK REAR FAN SWITCH (FRONT) CIRCUIT											
<p>1. Reconnect rear blower motor resistor harness connector. 2. Do approx. 12 volts exist between each rear fan switch (front) harness terminal and ground?</p>												
AHA312A												
<table border="1" style="margin: auto;"> <thead> <tr> <th colspan="2">Terminal No.</th> <th rowspan="2">Voltage</th> </tr> <tr> <th>⊕</th> <th>⊖</th> </tr> </thead> <tbody> <tr> <td>5</td> <td rowspan="3" style="text-align: center;">Ground</td> <td rowspan="3" style="text-align: center;">Approx. 12V</td> </tr> <tr> <td>6</td> </tr> <tr> <td>7</td> </tr> </tbody> </table>			Terminal No.		Voltage	⊕	⊖	5	Ground	Approx. 12V	6	7
Terminal No.		Voltage										
⊕	⊖											
5	Ground	Approx. 12V										
6												
7												
AHA313A												
Yes or No												
Yes	▶	GO TO 18.										
No	▶	GO TO 15.										

15	CHECK REAR BLOWER MOTOR GROUND CIRCUIT TO REAR BLOWER MOTOR RESISTOR	
<p>1. Disconnect rear blower motor and rear blower motor resistor harness connectors. 2. Check the circuit continuity between rear blower motor harness terminal 1 and rear blower motor resistor harness terminal 1.</p>		
WHA080		
<p>3. Also, check harness for short.</p>		
OK or NG		
OK	▶	GO TO 16.
NG	▶	Repair harness or connectors.

16	CHECK CIRCUITS												
<p>1. Disconnect rear fan switch (front) harness connector.</p> <p>2. Check circuit continuity between rear fan switch (front) harness terminals and rear blower motor resistor harness terminals.</p>													
<table border="1" style="margin-left: auto;"> <thead> <tr> <th colspan="2">Terminal No.</th> <th rowspan="2">Continuity</th> </tr> <tr> <th>Rear fan switch (front)</th> <th>Rear blower motor resistor</th> </tr> </thead> <tbody> <tr> <td>5</td> <td>2</td> <td rowspan="3" style="text-align: center;">Yes</td> </tr> <tr> <td>6</td> <td>3</td> </tr> <tr> <td>7</td> <td>4</td> </tr> </tbody> </table> <p>Continuity should exist</p>		Terminal No.		Continuity	Rear fan switch (front)	Rear blower motor resistor	5	2	Yes	6	3	7	4
Terminal No.		Continuity											
Rear fan switch (front)	Rear blower motor resistor												
5	2	Yes											
6	3												
7	4												
WHA081													
<p>3. Also, check harness for short.</p> <p style="text-align: center;">OK or NG</p>													
OK	▶ INSPECTION END												
NG	▶ Repair harness or connector.												

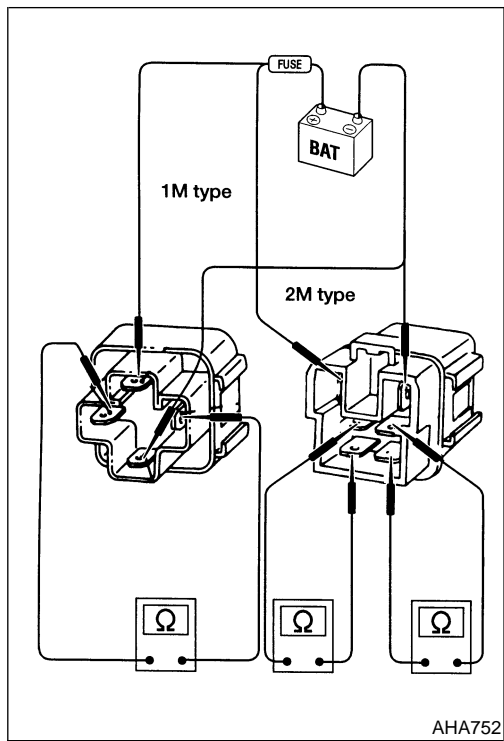
17	CHECK CIRCUIT CONTINUITY															
<p>1. Disconnect rear fan switch (front) and rear fan switch (rear) harness connectors.</p> <p>2. Check circuit continuity between rear fan switch (front) connector M32 terminals and rear fan switch (rear) connector B7 terminals.</p>																
<table border="1" style="margin-left: auto;"> <thead> <tr> <th>Rear fan switch (front) connector terminal</th> <th>Rear fan switch (rear) connector terminal</th> <th>Continuity</th> </tr> </thead> <tbody> <tr> <td>4</td> <td>4</td> <td style="text-align: center;">Yes</td> </tr> <tr> <td>5</td> <td>2</td> <td style="text-align: center;">Yes</td> </tr> <tr> <td>6</td> <td>5</td> <td style="text-align: center;">Yes</td> </tr> <tr> <td>7</td> <td>3</td> <td style="text-align: center;">Yes</td> </tr> </tbody> </table>		Rear fan switch (front) connector terminal	Rear fan switch (rear) connector terminal	Continuity	4	4	Yes	5	2	Yes	6	5	Yes	7	3	Yes
Rear fan switch (front) connector terminal	Rear fan switch (rear) connector terminal	Continuity														
4	4	Yes														
5	2	Yes														
6	5	Yes														
7	3	Yes														
LHA102																
Yes or No																
Yes	▶ GO TO 18.															
No	▶ Repair harness or connectors.															

18	CHECK REAR FAN SWITCH (FRONT)
Refer to HA-214.	
OK or NG	
OK	▶ GO TO 19.
NG	▶ Replace rear fan switch (front).

19	CHECK REAR FAN SWITCH (REAR)
Refer to HA-214.	
OK or NG	
OK	▶ INSPECTION END
NG	▶ Replace rear fan switch (rear).

GI
 MA
 EM
 LC
 EC
 FE
 AT
 AX
 SU
 BR
 ST
 RS
 BT
 HA
 SC
 EL
 IDX

Rear Blower Motor (Cont'd)



AHA752

ELECTRICAL COMPONENT INSPECTION

NDHA0253

Relays

NDHA0253S01

Check circuit continuity between terminals by supplying 12 volts and ground to coil side terminals of relays.

1 2 3 4
8 7 6 5 Rear fan switch (front) connector (M32)

T.S.
DISCONNECT

LEVER POSITION	OFF	REAR	1	2	3	4
4						○
5					○	○
6				○	○	○
7			○	○	○	○
8		○	○	○	○	○
1		○	○	○	○	○

AHA320A

Rear Fan Switch (Front)

NDHA0253S02

Check continuity between terminals at each position.

2 3
6 5 4 Rear fan switch (rear) connector (B7)

T.S.
DISCONNECT

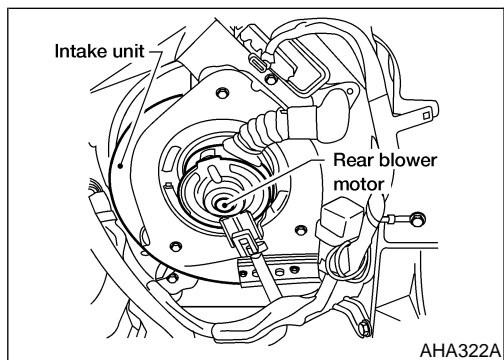
SWITCH POSITION	OFF	1	2	3	4
4					○
2				○	○
5			○	○	○
3		○	○	○	○
6		○	○	○	○

AHA321A

Rear Fan Switch (Rear)

NDHA0253S03

Check continuity between terminals at each position.



AHA322A

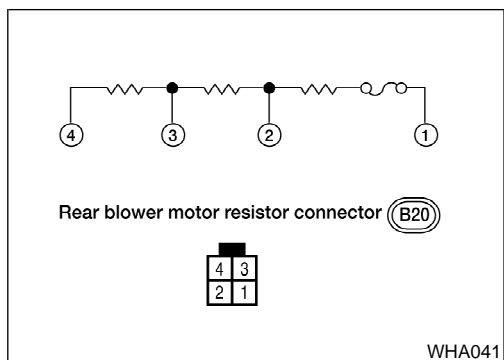
Rear Blower Motor

NDHA0253S04

Confirm smooth rotation of the rear blower motor.

- Check that there are no foreign particles inside the intake unit.

NDHA0253S05



Rear Blower Motor Resistor
Check continuity between terminals.

GI

MA

EM

LC

EC

FE

AT

AX

SU

BR

ST

RS

BT

HA

SC

EL

IDX

Magnet Clutch

TROUBLE DIAGNOSIS PROCEDURE FOR MAGNET CLUTCH

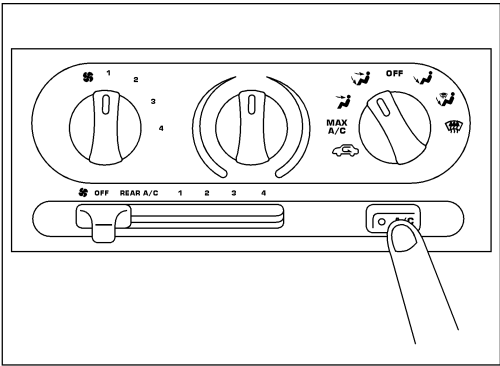
=NDHA0119

Symptom:

- Magnet clutch does not engage.

Inspection Flow

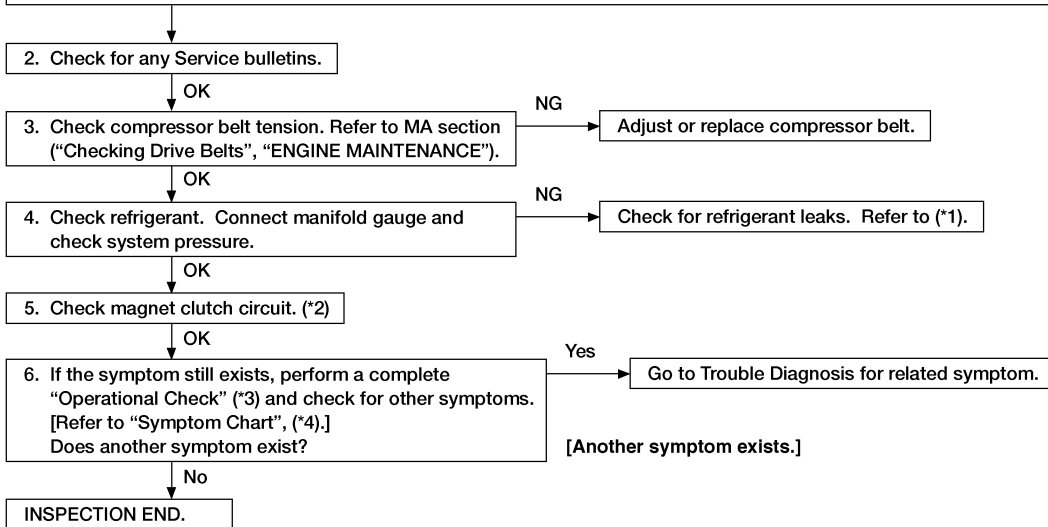
1. Confirm symptom by performing the following operational check.



OPERATIONAL CHECK – A/C switch

- 1) Turn mode control knob to any mode position except OFF or MAX A/C.
- 2) Press air conditioner switch to turn ON air conditioner. Indicator light will come on when air conditioner is ON.

**If OK (symptom cannot be duplicated), perform complete operational check (*3).
If NG (symptom is confirmed), continue with Step 2 following.**



WHA038

*1: HA-245

*3: HA-178

*4: HA-180

*2: HA-217

CONTROL SYSTEM OUTPUT COMPONENTS

Magnet Clutch Control

NDHA0262

NDHA0262S01

The ECM controls compressor ON-OFF operation using input signals from the throttle position sensor, low pressure switch, high pressure switch and engine coolant temperature sensor.

Acceleration Cut Control

NDHA0262S0101

The ECM will turn the compressor ON or OFF based on the signal from the throttle position sensor.

MAGNET CLUTCH CIRCUIT

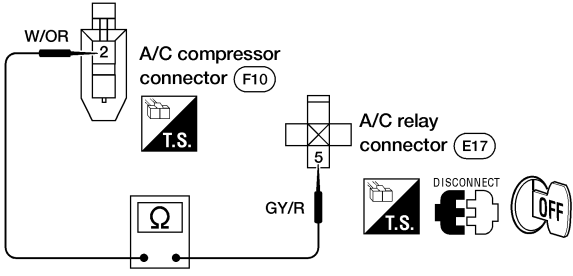
=NDHA0091

SYMPTOM:

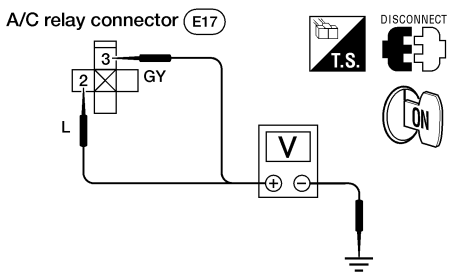
- Magnet clutch does not engage.

1	CHECK A/C COMPRESSOR POWER SUPPLY CIRCUIT	<p>1. Press the A/C mode switch ON.</p> <p>2. Disconnect A/C compressor harness connector.</p> <p>3. Do approx. 12 volts exist between A/C compressor connector F10 (body side) terminal 2 and ground?</p> <div style="text-align: center; margin: 10px 0;"> <p style="font-size: small;">W/OR</p> <p style="font-size: small;">A/C compressor connector (F10)</p> <p style="font-size: small;">T.S.</p> <p style="font-size: small;">DISCONNECT</p> <p style="font-size: small;">ON</p> <p style="font-size: small;">A/C</p> <p style="font-size: small;">Mode switch: any position except OFF</p> </div> <p style="text-align: right; font-size: small;">AHA325A</p>	GI MA EM LC EC FE AT AX
Yes or No			
Yes	▶	GO TO 2.	
No	▶	GO TO 3.	

2	CHECK A/C COMPRESSOR GROUND CIRCUIT	<p>Check circuit continuity between A/C compressor connector F10 (body side) terminal 1 and ground.</p> <div style="text-align: center; margin: 10px 0;"> <p style="font-size: small;">A/C compressor connector (F10)</p> <p style="font-size: small;">T.S.</p> <p style="font-size: small;">DISCONNECT</p> <p style="font-size: small;">OFF</p> </div> <p style="color: blue; font-weight: bold; margin-top: 10px;">Continuity should exist.</p> <p style="text-align: right; font-size: small;">AHA328A</p>	SU BR ST RS BT
OK or NG			
OK	▶	Check magnet clutch coil. If OK, replace magnet clutch. Refer to HA-239.	HA
NG	▶	Repair harness or connector.	SC EL IDX

3	CHECK CIRCUIT CONTINUITY		
1. Disconnect A/C relay. 2. Check circuit continuity between A/C relay connector E17 (body side) terminal 5 and A/C compressor connector F10 (body side) terminal 2.			
			
Continuity should exist.			
3. Also, check harness for short.			
OK or NG			
OK	▶	GO TO 4.	
NG	▶	Repair harness or connector.	

AHA326A

4	CHECK A/C RELAY POWER SUPPLY CIRCUIT		
1. Disconnect A/C relay. 2. Do approx. 12 volts exist between A/C relay connector E17 (body side) terminals 2, 3 and ground?			
			
Yes or No			
Yes	▶	GO TO 5.	
No	▶	Check the following. If NG, repair harness or connector. <ul style="list-style-type: none"> ● Harness connector E17 ● Harness for open or short between A/C relay and fuses 	

AHA327A

5	CHECK A/C RELAY		
Refer to HA-222.			
OK or NG			
OK	▶	GO TO 6.	
NG	▶	Replace A/C relay.	

6	CHECK RELAY CONTROL POWER SUPPLY CIRCUIT	
<p>1. Reconnect A/C relay. 2. Do approx. 12 volts exist between ECM harness terminal 12 and ground?</p> <div style="text-align: center;"> </div> <p style="text-align: right;">AHA329A</p> <p style="text-align: center;">Yes or No</p>		
Yes	▶	GO TO 7.
No	▶	<p>Check the following. If NG, repair harness or connectors.</p> <ul style="list-style-type: none"> ● Harness connectors E17 and F101 ● Harness for open or short between A/C relay and ECM

7	CHECK ECM OUTPUT VOLTAGE	
<p>Do approx. 12 volts exist between ECM harness terminal 21 and ground?</p> <div style="text-align: center;"> </div> <p style="text-align: right;">AHA330A</p> <p style="text-align: center;">Yes or No</p>		
Yes	▶	GO TO 8.
No	▶	GO TO 13.

GI
 MA
 EM
 LC
 EC
 FE
 AT
 AX
 SU
 BR
 ST
 RS
 BT
 HA
 SC
 EL
 IDX

8	CHECK CIRCUIT CONTINUITY		
1. Disconnect ECM harness connector and high pressure switch harness connector. 2. Check circuit continuity between ECM harness terminal 21 and high pressure switch connector F11 (body side) terminal 3.			
AHA331A			
<p style="color: blue; margin-left: 20px;">Continuity should exist.</p> 3. Also, check harness for short.			
OK or NG			
OK	▶	GO TO 9.	
NG	▶	Repair harness or connector.	

9	CHECK HIGH PRESSURE SWITCH		
Refer to HA-222.			
OK or NG			
OK	▶	GO TO 10.	
NG	▶	Replace high pressure switch.	

10	CHECK CIRCUIT CONTINUITY		
1. Disconnect low pressure switch harness connector. 2. Check circuit continuity between high pressure switch connector F11 (body side) terminal 1 and low pressure switch connector E51 (body side) terminal 1.			
AHA332A			
<p style="color: blue; margin-left: 20px;">Continuity should exist.</p> 3. Also, check harness for short.			
OK or NG			
OK	▶	GO TO 11.	
NG	▶	Repair harness or connector.	

11	CHECK LOW PRESSURE SWITCH		
Refer to HA-222.			
OK or NG			
OK	▶	GO TO 12.	
NG	▶	Replace low pressure switch.	

12	CHECK CIRCUIT CONTINUITY
<p>1. Disconnect A/C control unit harness connector.</p> <p>2. Check circuit continuity between low pressure switch connector E51 (body side) terminal 2 and A/C control unit harness terminal 3.</p>	
<p style="color: blue;">Continuity should exist.</p> <p>3. Also, check harness for short.</p>	
OK or NG	
OK	▶ Replace A/C control unit.
NG	▶ Repair harness or connectors.

AHA382A

13	CHECK ECM
Refer to EC section.	
▶	INSPECTION END

GI

MA

EM

LC

EC

FE

AT

AX

SU

BR

ST

RS

BT

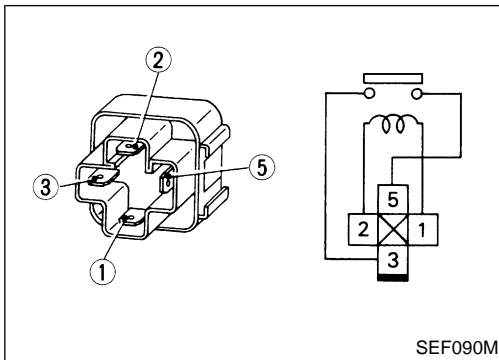
HA

SC

EL

IDX

Magnet Clutch (Cont'd)



ELECTRICAL COMPONENTS INSPECTION

=NDHA0092

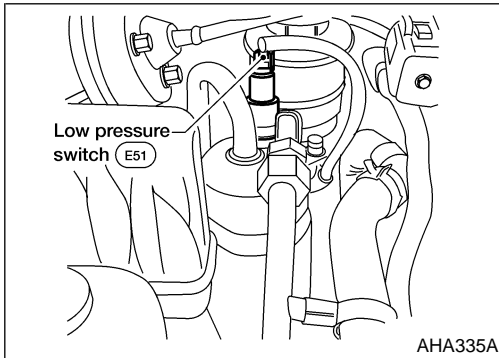
A/C Relay

NDHA0092S07

Check continuity between terminals 3 and 5.

Conditions	Continuity
12V direct current supply between terminals 1 and 2	Yes
No current supply	No

If NG, replace relay.

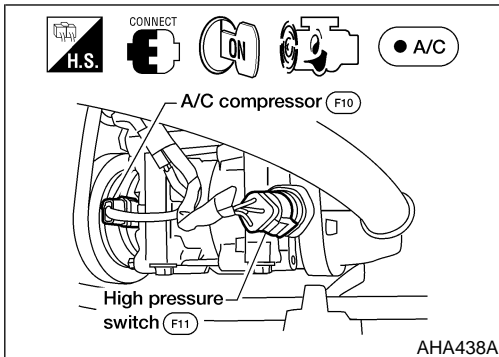


Low Pressure Switch

NDHA0092S09

Check continuity between terminals.

Low pressure side line pressure (kg/cm ² , psi)	Clutch operation	Continuity
Decreasing to 159 (1.6, 23)	Turn OFF	Does not exist
Increasing to 324 (3.3, 47)	Turn ON	Exists
Tightening torque	1.4 - 5.4 N·m (0.13 - 0.55 kg-m, 11.3 - 48 in-lb)	



High Pressure Switch

NDHA0092S10

Check continuity between terminals 1 and 3.

High pressure side line pressure (kg/cm ² , psi)	Clutch operation	Continuity
Increasing to 2,785 (28.4, 404)	Turn OFF	Does not exist
Decreasing to 1,569 (16.0, 228)	Turn ON	Exists
Tightening torque	6.8 - 12.2 N·m (0.69 - 1.24 kg-m, 60 - 108 in-lb)	

Insufficient Cooling

TROUBLE DIAGNOSIS PROCEDURE FOR INSUFFICIENT COOLING

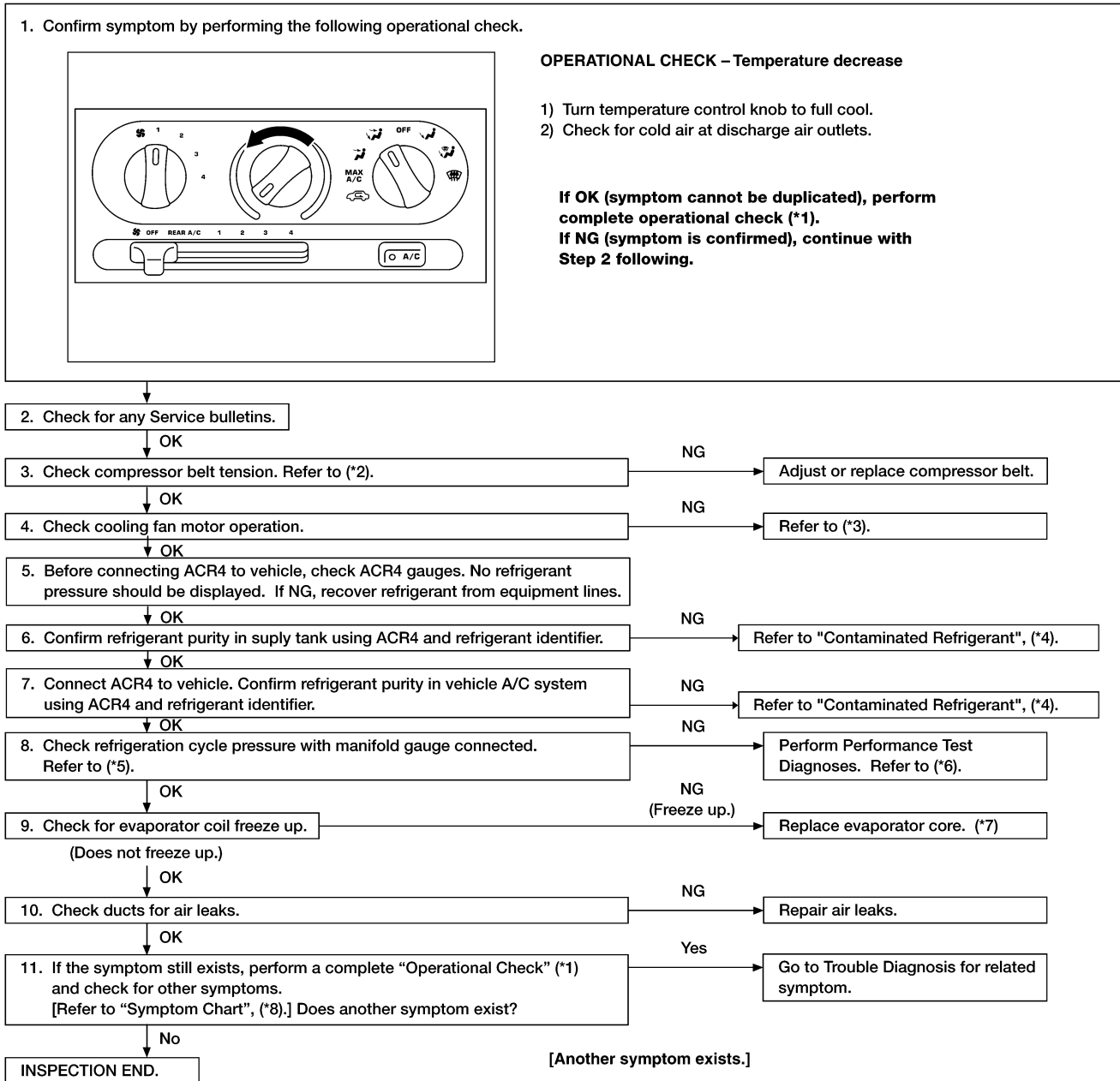
=NDHA0150

Symptom:

- **Insufficient cooling**

Inspection Flow

GI
MA
EM
LC
EC
FE
AT
AX
SU
BR
ST
RS
BT
HA
SC
EL
IDX



*1: HA-178
*2: **MA-13**
*3: **EC-392**

*4: HA-149
*5: HA-224
*6: HA-224

*7: HA-253
*8: HA-180

WHA266

PERFORMANCE TEST DIAGNOSES

-NDHA0082

This A/C system is different from other Nissan A/C systems. The typical Nissan A/C system uses a thermal expansion valve to provide a restriction which causes a pressure change and also controls refrigerant flow through the evaporator.

This system uses a Fixed Orifice Tube (FOT) to cause a pressure change, by restricting the flow of refrigerant to the evaporator. The flow of refrigerant is controlled by engaging and disengaging the compressor clutch based on low side pressure. Therefore, it is critical to consider clutch engagement and disengagement times for proper diagnosis.

The refrigerant flow is regulated by a fixed orifice tube for the front evaporator and a thermal expansion valve for the rear evaporator.

The best way to diagnose a condition in the refrigerant system is to note the system pressures (shown by the manifold gauges) and the clutch cycle rate and times. Then, compare the findings to the charts.

- The system pressures are low (compressor suction) and high (compressor discharge).
- A clutch cycle is the time the clutch is engaged plus the time it is disengaged (time on plus time off).
- Clutch cycle times are the lengths of time (in seconds) that the clutch is ON and OFF.

Important — Test Conditions

NDHA0082S02

The following test conditions must be established to obtain accurate clutch cycle rate and cycle time readings

- run engine at 1,500 rpm for 10 minutes
- operate A/C system on MAX A/C (recirculating air)
- run blower at maximum speed
- stabilize in vehicle temperature at 21°C to 27°C (70°F to 80°F).

The following procedure is recommended for achieving accurate diagnosis results in the least amount of time.

- 1) Connect a manifold gauge set to the system. **The test conditions specified must be met to obtain accurate test results.**
- 2) Start the engine and run at 1,500 rpm.
- 3) Turn A/C system ON (with rear A/C off, if equipped).
- 4) As soon as the system is stabilized, record the high- and low-pressures as shown by the manifold gauges. The low side should cycle between approximately 168.9 kPa (1.723 kg/cm², 24.5 psi) and 276 to 324 kPa (2.81 to 3.30 kg/cm², 40 to 47 psi). (As low pressure drops, high pressure should rise.) When the clutch disengages, the low side should rise and the high side should drop.
- 5) Determine the clutch cycle rate per minute (clutch on time plus off time is a cycle).
- 6) Record clutch OFF time in seconds.
- 7) Record clutch ON time in seconds.
- 8) Record center register discharge temperature.
- 9) Determine and record ambient temperature.
- 10) Compare test readings with applicable chart.
 - Plot a vertical line for recorded ambient temperature from scale at bottom of each chart to top of each chart.
 - Plot a horizontal line for each of the other test readings from scale at LH side of appropriate chart.

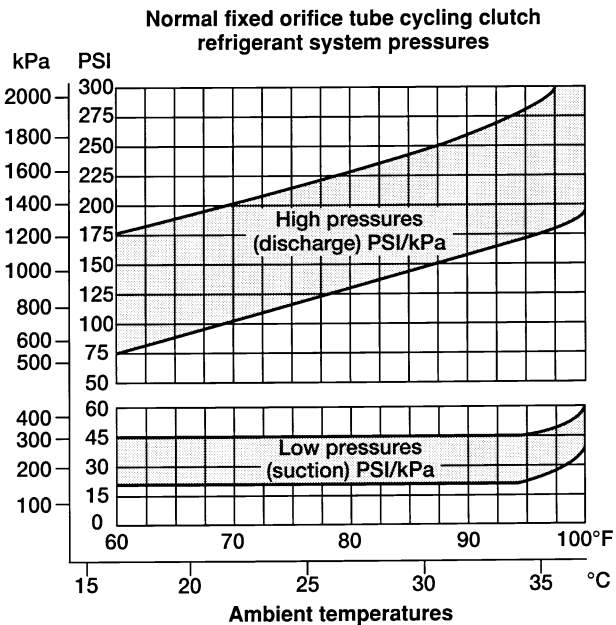
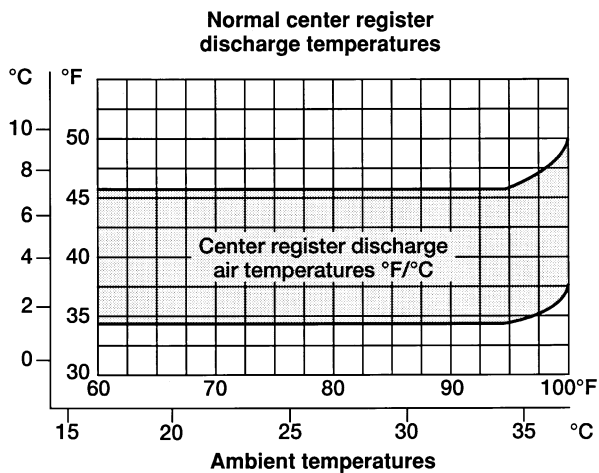
At the bottom of chart, "Refrigerant System Pressure and Clutch Cycle Timing Evaluation Chart for Fixed Orifice Tube Cycling Clutch Systems", HA-226 additional cause components are listed for poor compressor operation or a damaged compressor condition.

The diagnosis charts provide the most direct and sure way to determine the cause of any concern in a poorly performing refrigerant system. However, if the vehicle is equipped with rear A/C, poor performance of the front or rear system may not cause abnormal pressures or clutch cycle time. In this case, poor performance may indicate a restriction of refrigerant flow to that system, or an evaporator problem.

After servicing and correcting a refrigerant system concern, take additional pressure readings and observe the clutch cycle rate while meeting the conditional requirements. Refer to "Normal Fixed Orifice Tube Refrigerant System Clutch Cycle Timing Rates", HA-226 to ensure the concern has been corrected.

Normal Fixed Orifice Tube Refrigerant System Pressure/Temperature Relationships

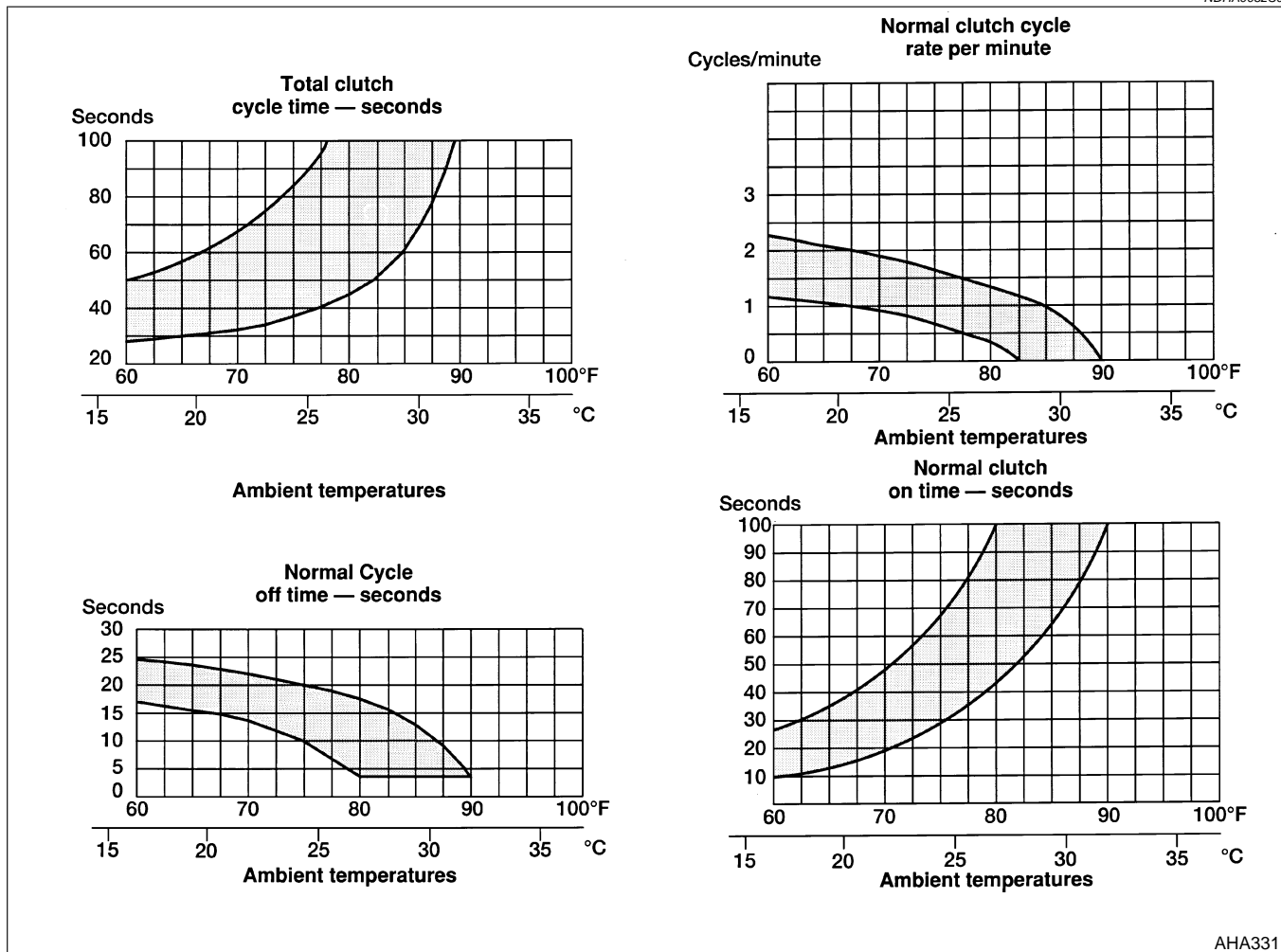
NDHA0082S03



AHA168

GI
 MA
 EM
 LC
 EC
 FE
 AT
 AX
 SU
 BR
 ST
 RS
 BT
 HA
 SC
 EL
 IDX

Normal Fixed Orifice Tube Refrigerant System Clutch Cycle Timing Rates

NDHA0082S04

AHA331

Refrigerant System Pressure and Clutch Cycle Timing Evaluation Chart for Fixed Orifice Tube Cycling Clutch Systems

NDHA0082S05

System test conditions must be met to obtain accurate test readings for evaluation. Refer to the normal refrigerant system pressure/temperature and the normal clutch cycle rate and time charts on HA-225.

HIGH (DIS-CHARGE) PRESSURE	LOW (SUCTION) PRESSURE	CLUTCH CYCLE TIME			COMPONENT — CAUSE
		RATE	ON	OFF	
HIGH	HIGH	CONTINUOUS RUN			CONDENSER — Inadequate Airflow
HIGH	NORMAL TO HIGH				ENGINE OVERHEATING
NORMAL TO HIGH	NORMAL				REFRIGERANT OVERCHARGE (1) AIR IN REFRIGERANT HUMIDITY OR AMBIENT TEMP VERY HIGH (2)
NORMAL	HIGH				FIXED ORIFICE TUBE — Missing O-rings Leaking/Missing
NORMAL TO HIGH	NORMAL TO HIGH	SLOW OR NO CYCLE	LONG OR CONTINUOUS	NORMAL OR NO CYCLE	MOISTURE IN REFRIGERANT SYSTEM EXCESSIVE REFRIGERANT LUBRICANT
NORMAL	LOW	SLOW	LONG	LON	LOW PRESSURE SWITCH — Low Cut-Out

TROUBLE DIAGNOSES

MANUAL

Insufficient Cooling (Cont'd)

HIGH (DIS-CHARGE) PRESSURE	LOW (SUCTION) PRES-SURE	CLUTCH CYCLE TIME			COMPONENT — CAUSE
		RATE	ON	OFF	
NORMAL TO LOW	HIGH	CONTINUOUS RUN			COMPRESSOR — Low Performance
NORMAL TO LOW	NORMAL TO HIGH				A/C SUCTION LINE — Partially Restricted or Plugged (3)
NORMAL TO LOW	NORMAL	FAST	SHORT	NORMAL	EVAPORATOR — Low or Restricted Airflow
			SHORT TO VERY SHORT	NORMAL TO LONG	CONDENSER FIXED ORIFICE TUBE OR A/C LIQUID LINE — Partially Restricted or Plugged
			SHORT TO VERY SHORT	SHORT TO VERY SHORT	LOW REFRIGERANT CHARGE
			SHORT TO VERY SHORT	LONG	EVAPORATOR CORE — Partially Restricted or Plugged
NORMAL TO LOW	LOW	CONTINUOUS RUN			A/C SUCTION LINE — Partially Restricted or Plugged (4) LOW PRESSURE SWITCH — Sticking Closed
—	—	ERRATIC OPERATION OR COMPRESSOR NOT RUNNING			LOW PRESSURE SWITCH — Dirty Contacts or Sticking Open POOR CONNECTION AT A/C CLUTCH CONNECTOR OR CLUTCH CYCLING SWITCH CONNECTOR A/C ELECTRICAL CIRCUIT ERRATIC

GI

MA

EM

LC

EC

FE

AT

AX

SU

BR

ST

RS

BT

HA

SC

EL

IDX

ADDITIONAL POSSIBLE CAUSE COMPONENTS ASSOCIATED WITH INADEQUATE COMPRESSOR OPERATION

- COMPRESSOR DRIVE BELT — Loose
- COMPRESSOR CLUTCH — Slipping
- CLUTCH COIL Open — Shorted or Loose Mounting
- A/C RELAY — Dirty Contacts or Sticking Open
- CLUTCH WIRING CIRCUIT — High Resistance, Open or Blown Fuse
- COMPRESSOR OPERATION INTERRUPTED BY ECM

ADDITIONAL POSSIBLE CAUSE COMPONENTS ASSOCIATED WITH A DAMAGED COMPRESSOR

- LOW PRESSURE SWITCH — Sticking Closed or Compressor Clutch Seized
- ACCUMULATOR — Lubricant Bleed Hole Plugged
- REFRIGERANT LEAKS

- (1) Compressor may make noise on initial run. This is slugging condition caused by excessive liquid refrigerant.
- (2) Compressor clutch may not cycle in ambient temperatures above 27°C (80°F) depending on humidity conditions.
- (3) Low pressure reading will be normal to high if pressure is taken at accumulator and if restriction is downstream of service valve.
- (4) Low pressure reading will be low if pressure is taken near the compressor and restriction is upstream of service valve.
 - Fixed orifice tube operation can be checked by touching the line on each side of the locating crimp. One side should be warm the other should be cold.
 - If the compressor is repaired due to the noise or seizure, we recommend replacing the fixed orifice tube, accumulator and (if equipped with rear A/C) the rear evaporator inlet filter.

Insufficient Heating

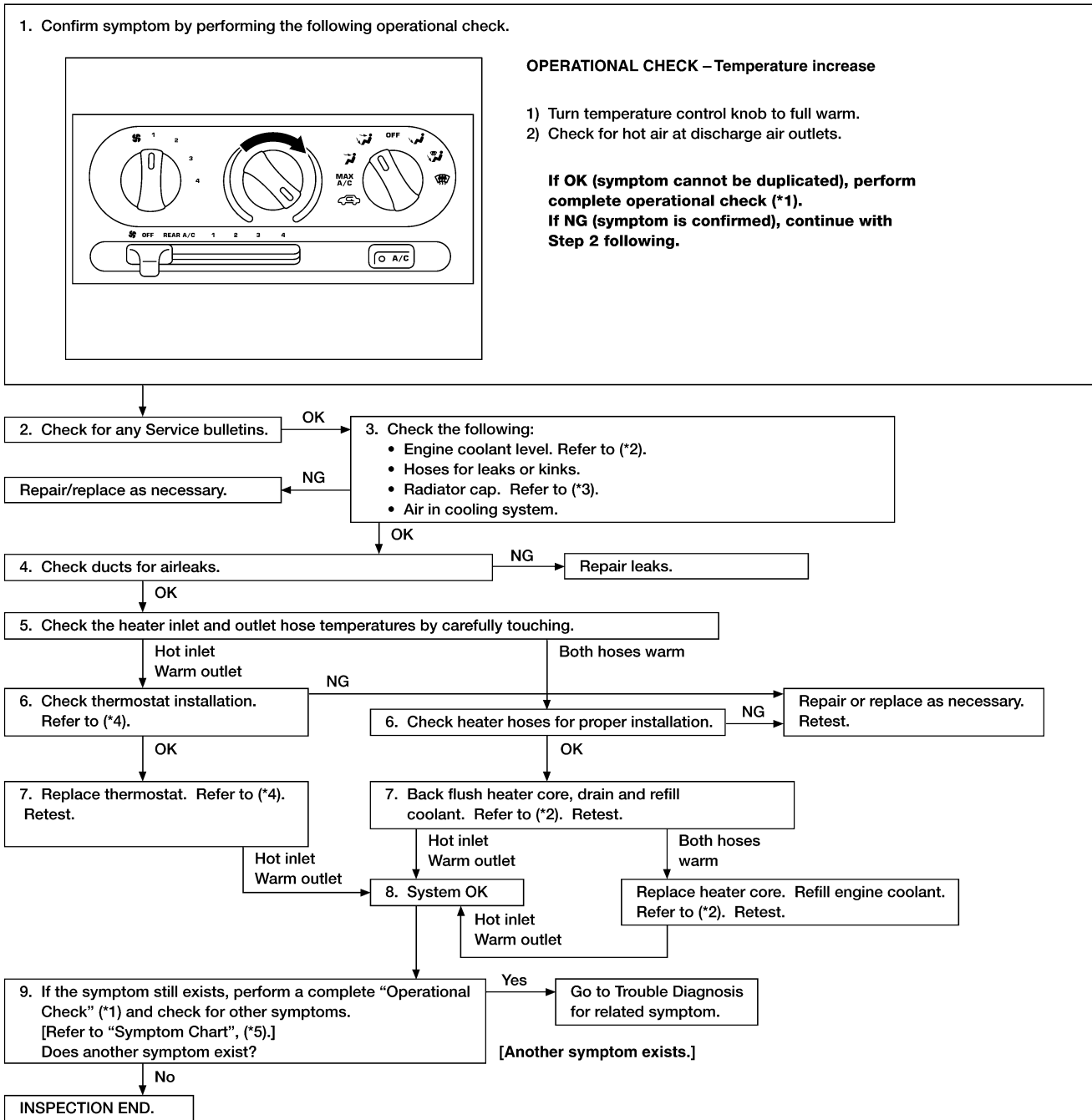
TROUBLE DIAGNOSIS PROCEDURE FOR INSUFFICIENT HEATING

=NDHA0140

Symptom:

- **Insufficient heating**

Inspection Flow



*1: HA-178

*2: MA-14

*3: LC-8

TROUBLE DIAGNOSES

MANUAL

Insufficient Heating (Cont'd)

*4: LC-11

*5: HA-180

GI

MA

EM

LC

EC

FE

AT

AX

SU

BR

ST

RS

BT

HA

SC

EL

IDX

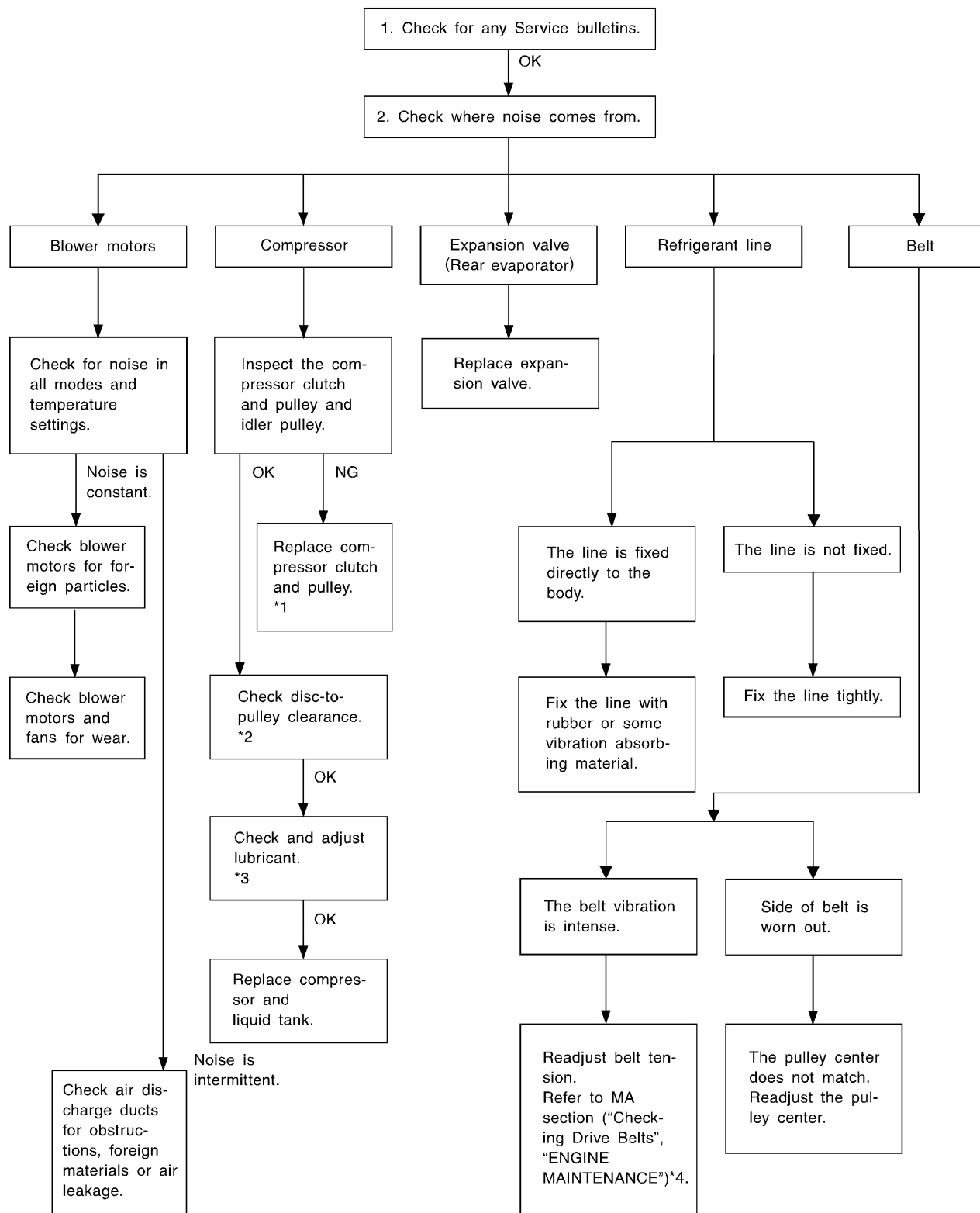
Noise

TROUBLE DIAGNOSIS PROCEDURE FOR NOISE

Symptom: ● Noise

=NDHA0080

Inspection Flow



*1: HA-237

*2: HA-238

*3: HA-233

*4: MA-13

HFC-134a (R-134a) Service Procedure

SETTING OF SERVICE TOOLS AND EQUIPMENT
Discharging, Evacuating and Charging Refrigerant

NDHA0094

NDHA0094S01

NDHA0094S0101

GI

MA

EM

LC

EC

FE

AT

AX

SU

BR

ST

RS

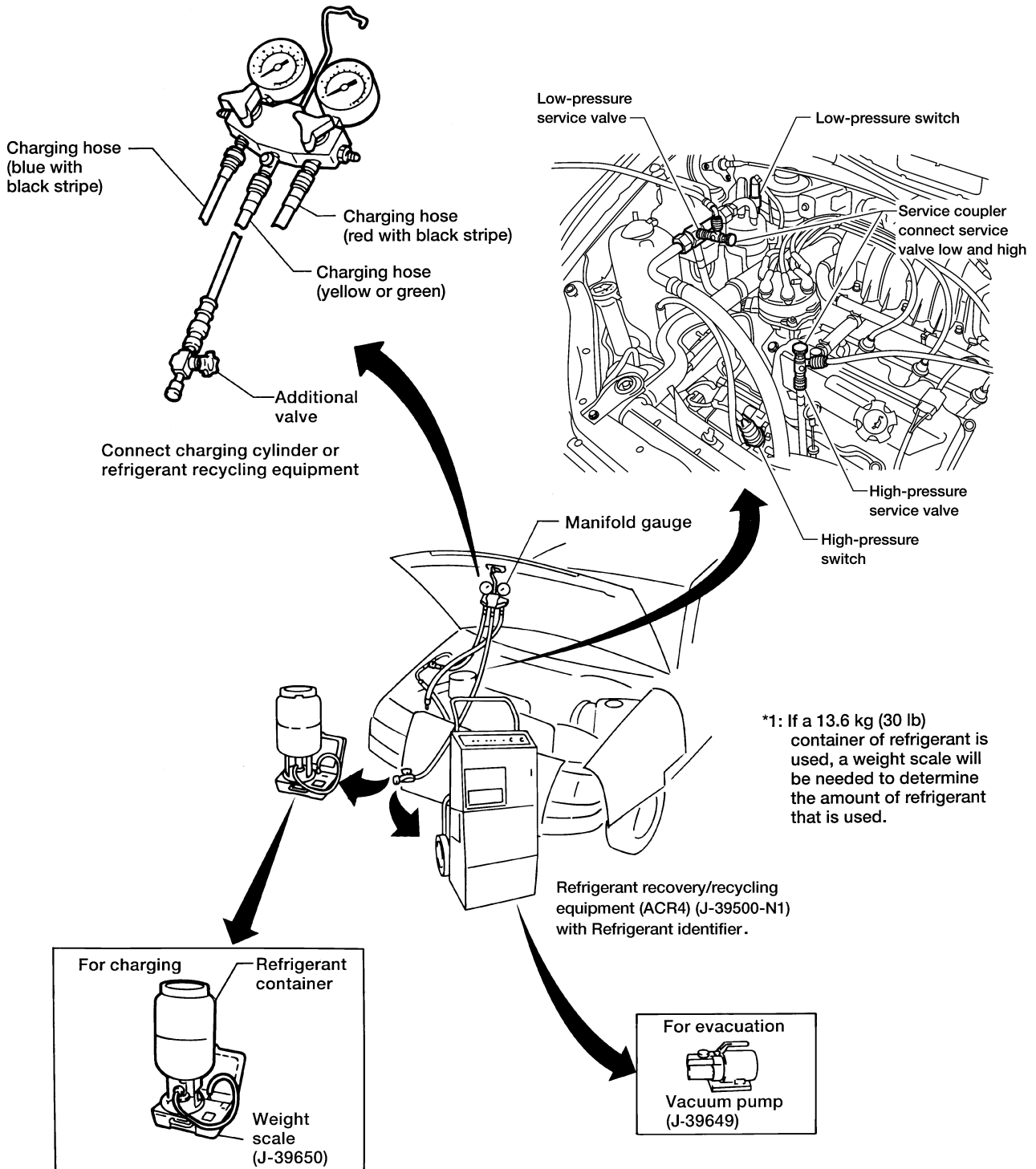
BT

HA

SC

EL

IDX

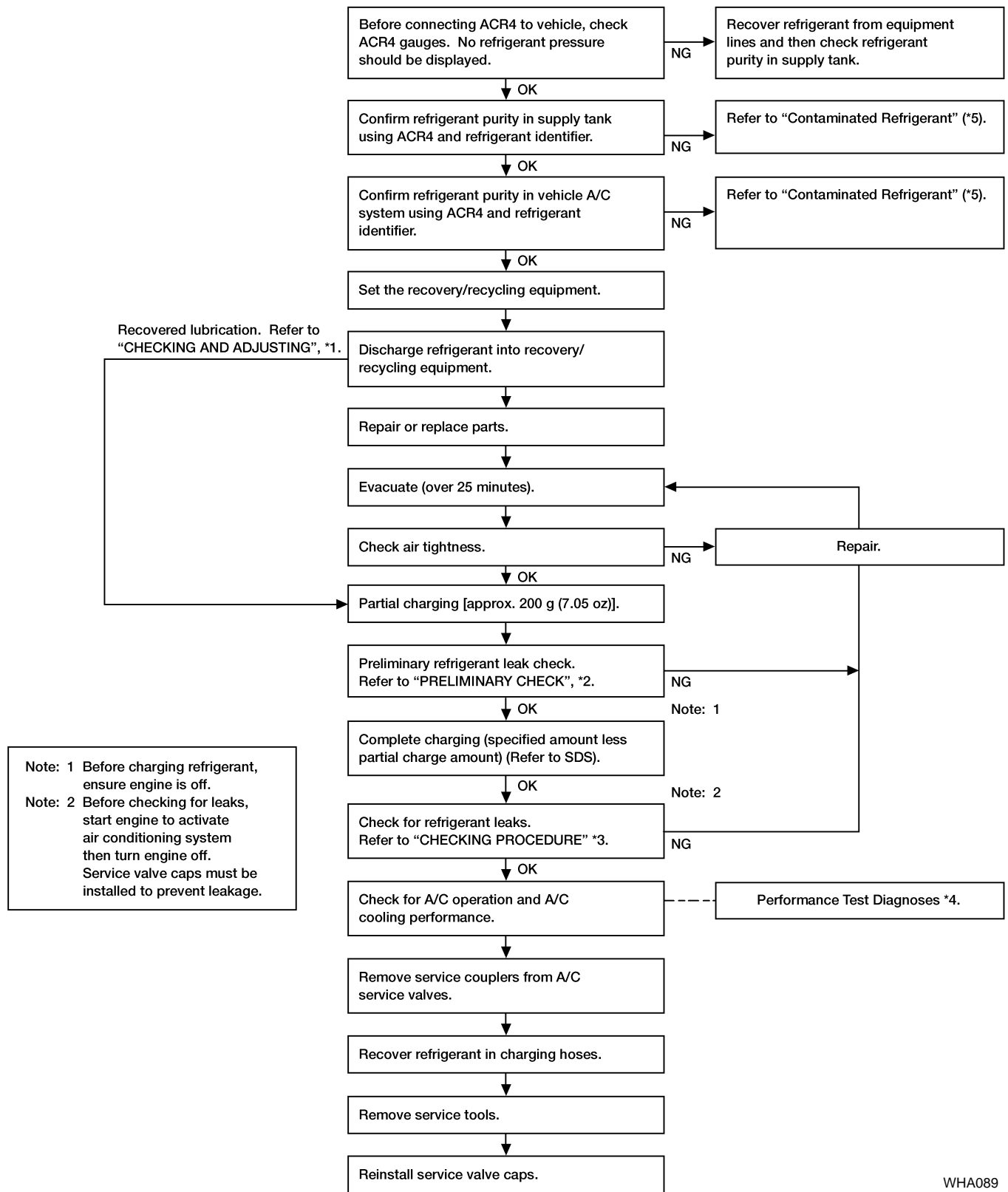


AHA283A

SERVICE PROCEDURE

MANUAL

HFC-134a (R-134a) Service Procedure (Cont'd)



WHA089

*1: HA-233
 *2: HA-245

*3: HA-246
 *4: HA-224

*5: HA-149

Maintenance of Lubricant Quantity in Compressor

NDHA0095

The lubricant in the compressor circulates through the system with the refrigerant. Add lubricant to compressor when replacing any component or after a large refrigerant leak has occurred. It is important to maintain the specified amount.

If lubricant quantity is not maintained properly, the following malfunctions may result:

- Lack of lubricant: May lead to a seized compressor
- Excessive lubricant: Inadequate cooling (thermal exchange interference)

LUBRICANT

NDHA0095S01

Name: Nissan A/C System Oil Type F

Part numbers*: KLH00-PAGQU and KLH00-PAGQF

*: Always check with the Parts Department for the latest parts information

CHECKING AND ADJUSTING

NDHA0095S02

Adjust the lubricant quantity according to the flowchart shown below.

1	LUBRICANT RETURN OPERATION	
Can lubricant return operation be performed?		
<ul style="list-style-type: none"> ● A/C system works properly. ● There is no evidence of a large amount of lubricant leakage. 		
Yes or No		
Yes	▶	GO TO 2.
No	▶	GO TO 3.

2	PERFORM LUBRICANT RETURN OPERATION, PROCEEDING AS FOLLOWS	
1. Start engine, and set the following conditions:		
● Test condition		
Engine speed: Idling to 1,200 rpm		
A/C or AUTOMATIC switch: ON		
Blower speed: Max. position		
Temp. control: Optional [Set so that intake air temperature is 25 to 30°C (77 to 86°F).]		
2. Perform lubricant return operation for about 10 minutes.		
3. Stop engine.		
CAUTION:		
If excessive lubricant leakage is noted, do not perform the lubricant return operation.		
	▶	GO TO 3.

3	CHECK COMPRESSOR	
Should the compressor be replaced?		
Yes or No		
Yes	▶	Refer to "Lubricant Adjusting Procedure for Compressor Replacement", HA-235.
No	▶	GO TO 4.

GI
MA
EM
LC
EC
FE
AT
AX
SU
BR
ST
RS
BT
HA
SC
EL
IDX

4	CHECK ANY PART	
Is there any part to be replaced? (Evaporator, condenser, liquid tank or in case there is evidence of a large amount of lubricant leakage.)		
Yes or No		
Yes	▶	Refer to "Lubricant Adjusting Procedure for Components Replacement Except Compressor", HA-235.
No	▶	Carry out the A/C performance test.

Lubricant Adjusting Procedure for Components Replacement Except Compressor

=NDHA0095S0201

After replacing any of the following major components, add the correct amount of lubricant to the system.

Amount of lubricant to be added

Part replaced	Lubricant to be added to system	Remarks
	Amount of lubricant mℓ (US fl oz, Imp fl oz)	
Evaporator	75 (2.5, 2.6)	—
Condenser	75 (2.5, 2.6)	—
Accumulator	5 (0.2, 0.2)	Add if compressor is not replaced. *1
In case of refrigerant leak	30 (1.0, 1.1)	Large leak
	—	Small leak *2

*1: If compressor is replaced, addition of lubricant is included in the flow chart.

*2: If refrigerant leak is small, no addition of lubricant is needed.

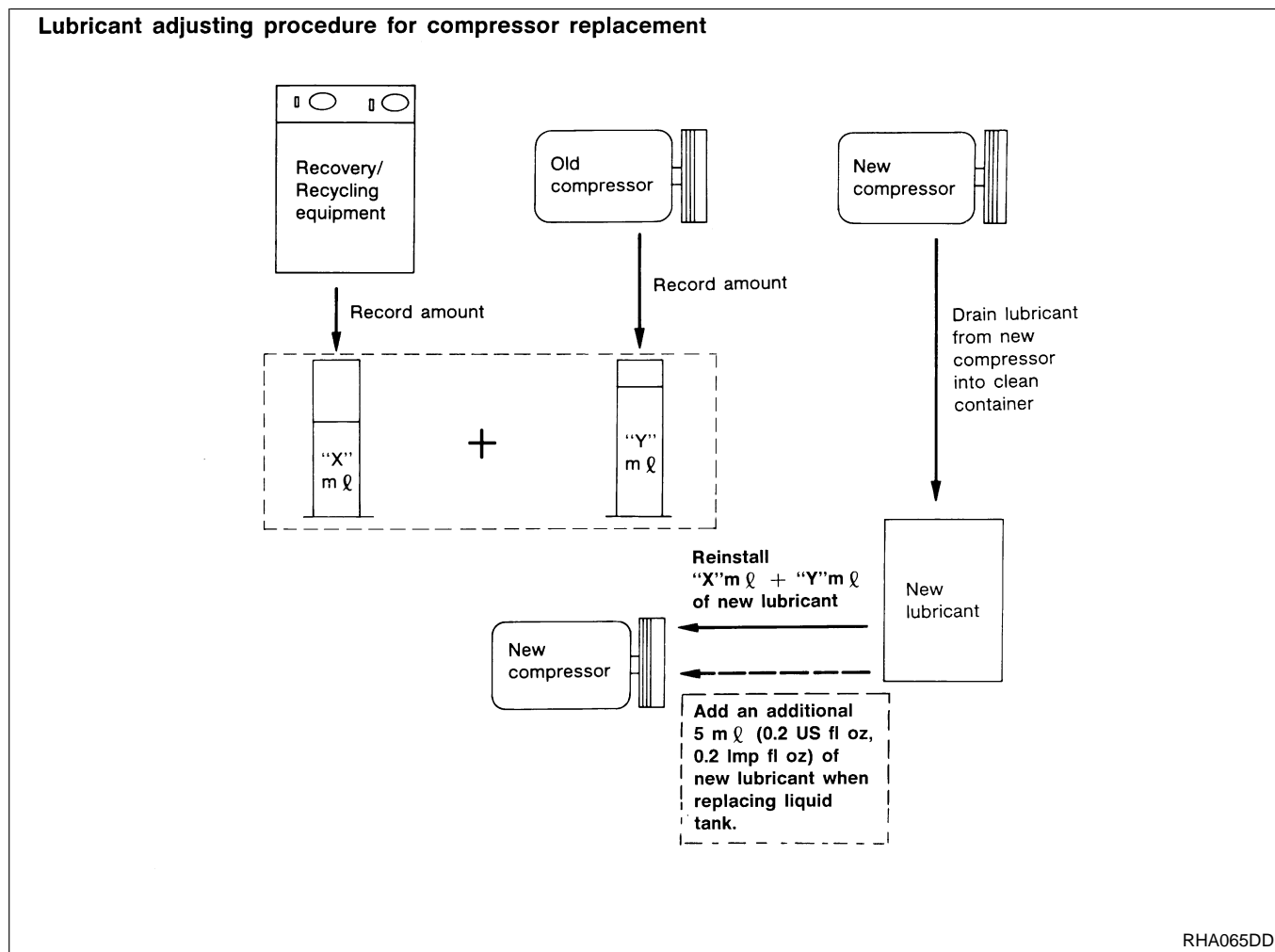
Lubricant Adjusting Procedure for Compressor Replacement

NDHA0095S0202

- 1) Before connecting ACR4 to vehicle, check ACR4 gauges. No refrigerant pressure should be displayed, recover refrigerant from equipment lines and then check refrigerant purity.
- 2) Confirm refrigerant purity in supply tank using ACR4 and refrigerant identifier. If NG, refer to “Contaminated Refrigerant”, HA-149.
- 3) Confirm refrigerant purity in vehicle A/C system using ACR4 and refrigerant identifier. If NG, refer to “Contaminated Refrigerant”, HA-149.
- 4) Discharge refrigerant into the refrigerant recovery/recycling equipment. Measure lubricant discharged into the recovery/recycling equipment.
- 5) Remove the drain plug of the “old” (removed) compressor. Drain the lubricant into a graduated container and record the amount of drained lubricant.
- 6) Remove the drain plug and drain the lubricant from the “new” compressor into a separate, clean container.
- 7) Measure an amount of new lubricant installed equal to amount drained from “old” compressor. Add this lubricant to “new” compressor through the suction port opening.
- 8) Measure an amount of new lubricant equal to the amount recovered during discharging. Add this lubricant to “new” compressor through the suction port opening.
- 9) Torque the drain plug.

Ford Model FS10 compressor:
18 - 19 N·m (1.8 - 1.9 kg·m, 13 - 14 ft·lb)
- 10) If the accumulator also needs to be replaced, add an additional 5 mℓ (0.2 US fl oz, 0.2 Imp fl oz) of lubricant at this time.

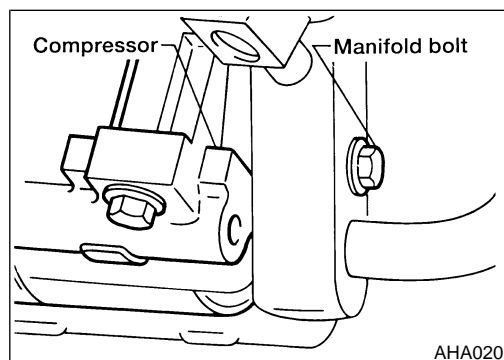
Do not add this 5 mℓ (0.2 US fl oz, 0.2 Imp fl oz) of lubricant if only replacing the compressor.



Compressor REMOVAL

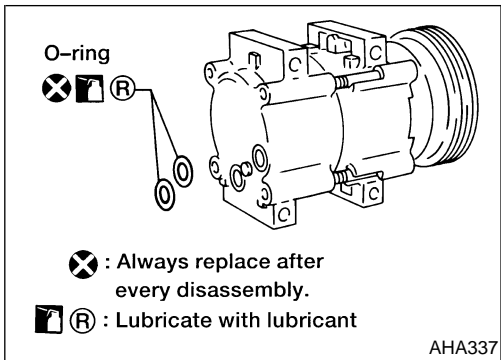
NDHA0096

1. Disconnect battery cable.
2. Discharge refrigerant into refrigerant recycling equipment. Refer to HA-231.



3. Remove manifold bolt.
4. Remove manifold and inlet/outlet compressor cap.
5. Loosen idler pulley adjusting bolt.
6. Remove compressor drive belt.
7. Disconnect compressor harness connectors.
8. Remove four compressor fixing bolts.
9. Remove compressor.

10. Remove manifold O-rings from compressor housing.



INSTALLATION

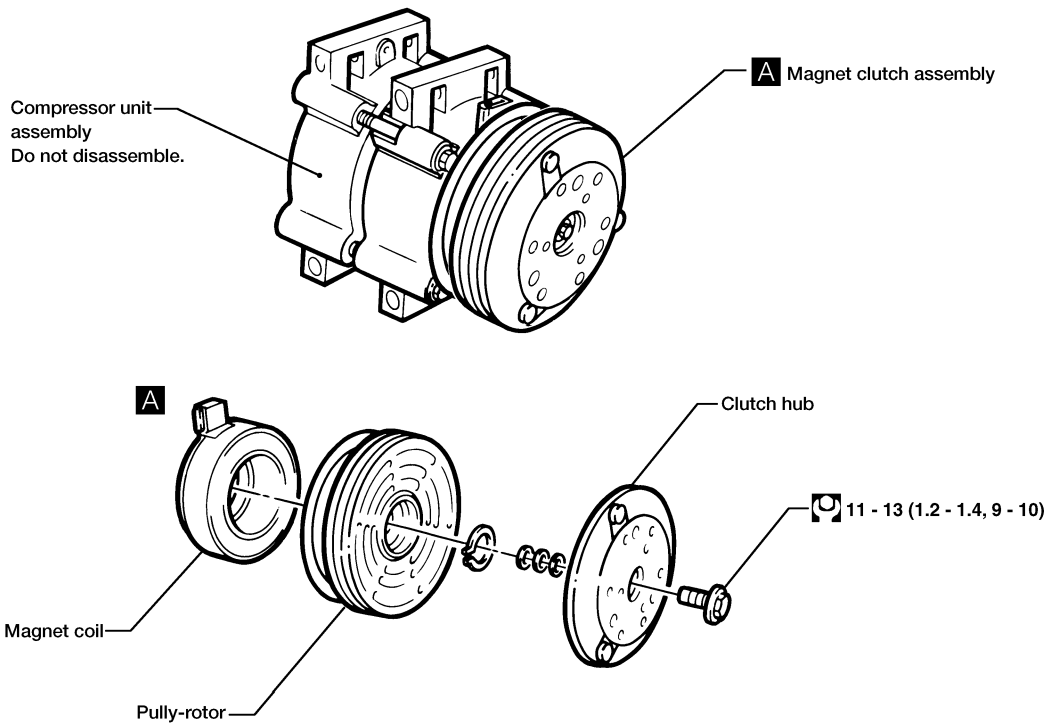
Installation is the reverse order of removal.

NDHA0167

**Compressor Clutch
REMOVAL**

NDHA0098

SEC. 274



Ⓢ : N·m (kg-m, ft-lb)

AHA434A

GI

MA

EM

LC

EC

FE

AT

AX

SU

BR

ST

RS

BT

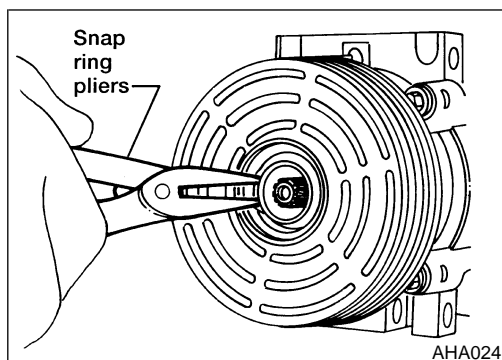
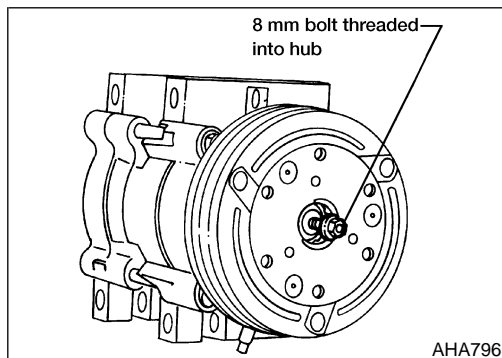
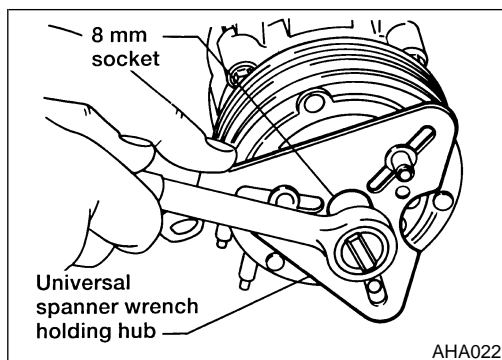
HA

SC

EL

IDX

Compressor Clutch (Cont'd)



1. Remove the clutch hub retaining bolt. Use Spanner Wrench or equivalent.
2. Remove clutch hub and shims from compressor shaft. If hub cannot be removed from compressor shaft. If hub cannot be removed from compressor shaft, screw an 8 mm bolt into the shaft hole of the clutch hub to force the hub from the shaft.
3. Remove pulley retaining snap ring.
4. Remove the pulley and bearing assembly from compressor.

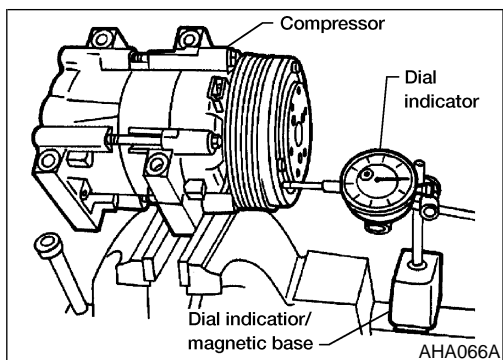
INSTALLATION

NDHA0100

CAUTION:

Do not use air tools.

1. Clean pulley bearing surface of compressor head to remove any dirt or corrosion.
2. Install pulley and bearing assembly on compressor. The bearing is a slip fit on the compressor head and, if properly aligned, it should slip on easily.
3. Install pulley retaining snap ring with bevel side of snap ring out.
4. Install clutch hub onto compressor shaft, together with original shim(s).
5. Thread a new hub retaining bolt into end of compressor shaft.
Tighten hub retaining bolt:
11 to 14N-m (1.1 to 1.4 kg-m, 8 to 10 ft-lb).
6. When installing a new clutch, cycle it ten times at idle to burish the clutch and prevent slippage.



Clutch Air Gap Adjustment

NDHA0177

1. Remove the compressor.
2. Place compressor in a vise.
3. Install dial indicator and set to zero. Make sure the plunger of the dial indicator contacts the A/C compressor clutch disc.
4. Measure A/C compressor clutch disc to pulley clearance using jumper wires to energize the A/C compressor clutch disc.

Disc to pulley clearance:

0.45–0.85 mm (0.020–0.033 in)

5. If the specified clearance cannot be obtained, add or remove shims as required.

GI

MA

EM

LC

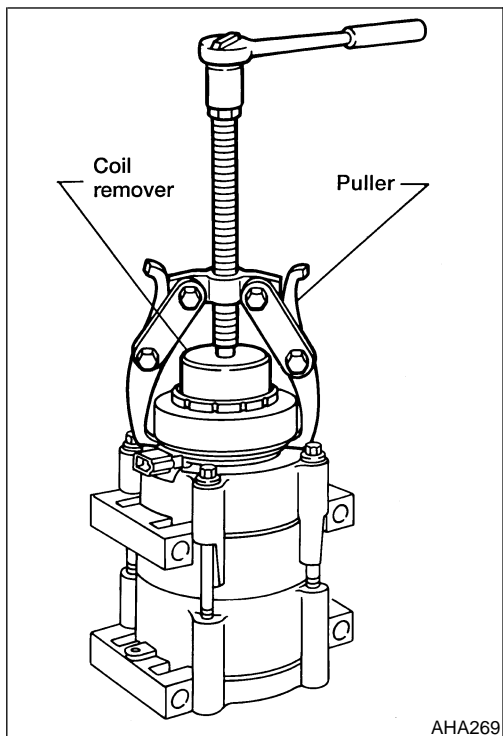
EC

FE

AT

AX

SU



Magnet Clutch REMOVAL

NDHA0178

The magnet clutch coil is pressed on the front head of the compressor. Special service tools are required to remove and install the coil.

CAUTION:

Do not use air tools.

1. Install coil remover Tool on the nose opening of the compressor.
2. Install a puller on the compressor. Place the tip of the puller forcing screw in the center pilot of the coil remover Tool and the jaws of the puller around the back edge of the field coil.

NOTE:

Note the electrical connector location prior to coil removal. There are two possible locations and it is important to align the coil in the correct position during assembly.

3. Tighten the pulley forcing screw to pull the coil from the compressor head.

BR

ST

RS

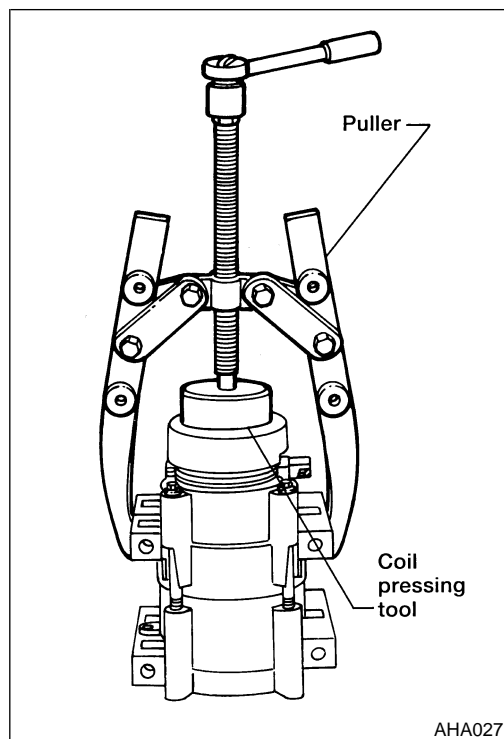
BT

HA

SC

EL

IDX

**INSTALLATION**

NDHA0179

CAUTION:**Do not use air tools.**

1. Clean the coil mounting surface on the front head to remove any dirt or corrosion.
2. With the compressor in a vertical position (nose up), place the magnet coil in position on the compressor front head. Check to ensure that the coil electrical connector is positioned correctly.
3. Place the coil pressing (installer) Tool in position over the compressor nose and to the inner radius of the field coil.
4. Position 2-jaw puller Tool on the compressor and the coil pressing Tool as shown in the figure. The jaws of the puller should be firmly engaged with the rear side of the compressor front mounts. The forcing screw must be piloted on the center mark of the pressing tool.
5. Tighten the forcing screw with a hand wrench until the coil is pressed on the compressor front head. Check to ensure that the magnet coil bottoms against the head at all points around the coil diameter.
6. Install the clutch pulley and hub on the compressor as outlined. Adjust the air gap, as necessary. Refer to HA-239.

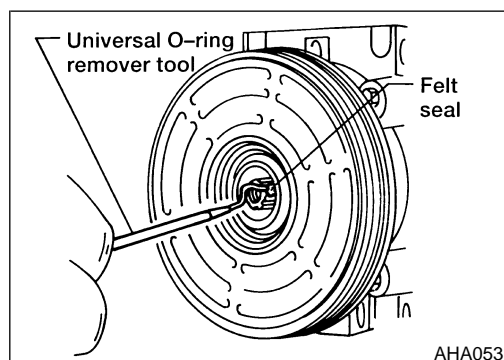
Shaft Seal

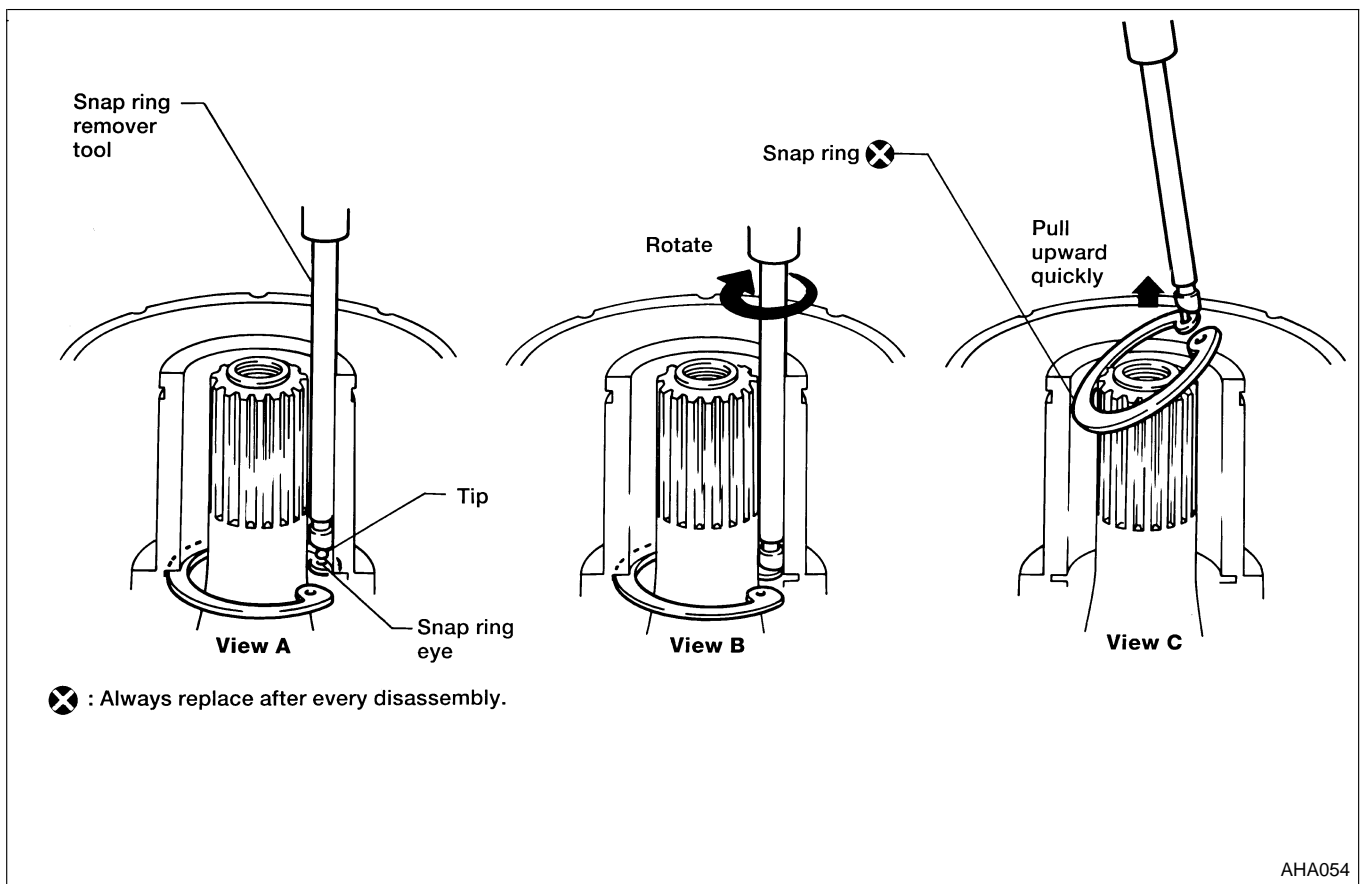
NDHA0180

REMOVAL

NDHA0180S01

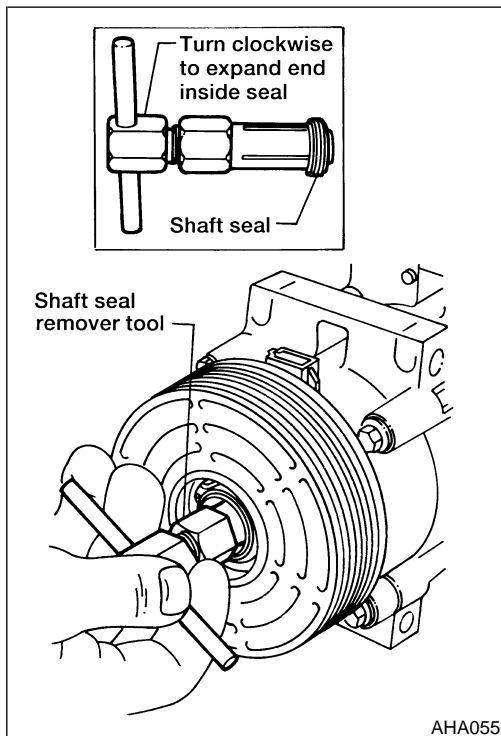
1. Discharge the A/C system. Refer to HA-231.
2. Remove the compressor from the vehicle. Refer to HA-236.
3. Remove the magnet clutch. Refer to HA-239.
4. Remove the shaft seal felt with universal O-ring remover tool.
5. Remove shaft seal snap ring with snap ring remover.





AHA054

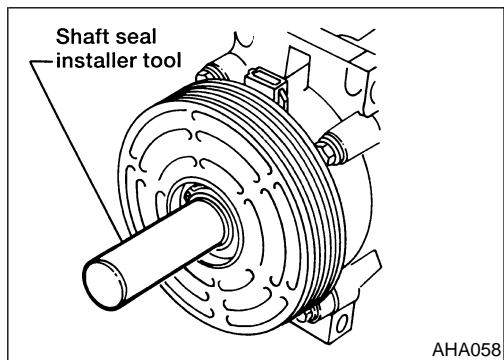
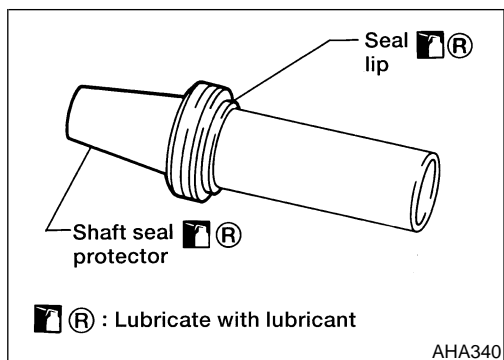
GI
MA
EM
LC
EC
FE
AT
AX
SU
BR
ST
RS
BT
HA
SC
EL
IDX



AHA055

6. Insert end of shaft seal remover tool into nose of compressor. Hold the hex base and turn handle clockwise to expand tool.
7. Remove the shaft seal.

Shaft Seal (Cont'd)



INSTALLATION

NDHA0180S02

1. Dip shaft seal and shaft seal protector in refrigerant lubricant. Install shaft seal on protector with lip of seal facing large end of protector.
2. Install shaft seal protector and shaft seal over end of compressor shaft.
3. Slowly push shaft seal down protector into compressor shaft with shaft seal installer. Be careful that shaft seal is seated properly.
4. Remove shaft seal installer and shaft seal protector from compressor shaft.
5. Install shaft seal snap ring. Be careful that snap ring is correctly seated.
6. Install shaft seal felt in compressor nose.
7. Install clutch hub and pulley.
8. Inspect compressor for refrigerant leaks. Refer to HA-245.

Refrigerant Lines

REMOVAL AND INSTALLATION

Models without Rear A/C

SEC. 271 • 274 • 276

NDHA0101

GI

NDHA0101S02

MA

EM

LC

EC

FE

AT

AX

SU

BR

ST

RS

AHA478A

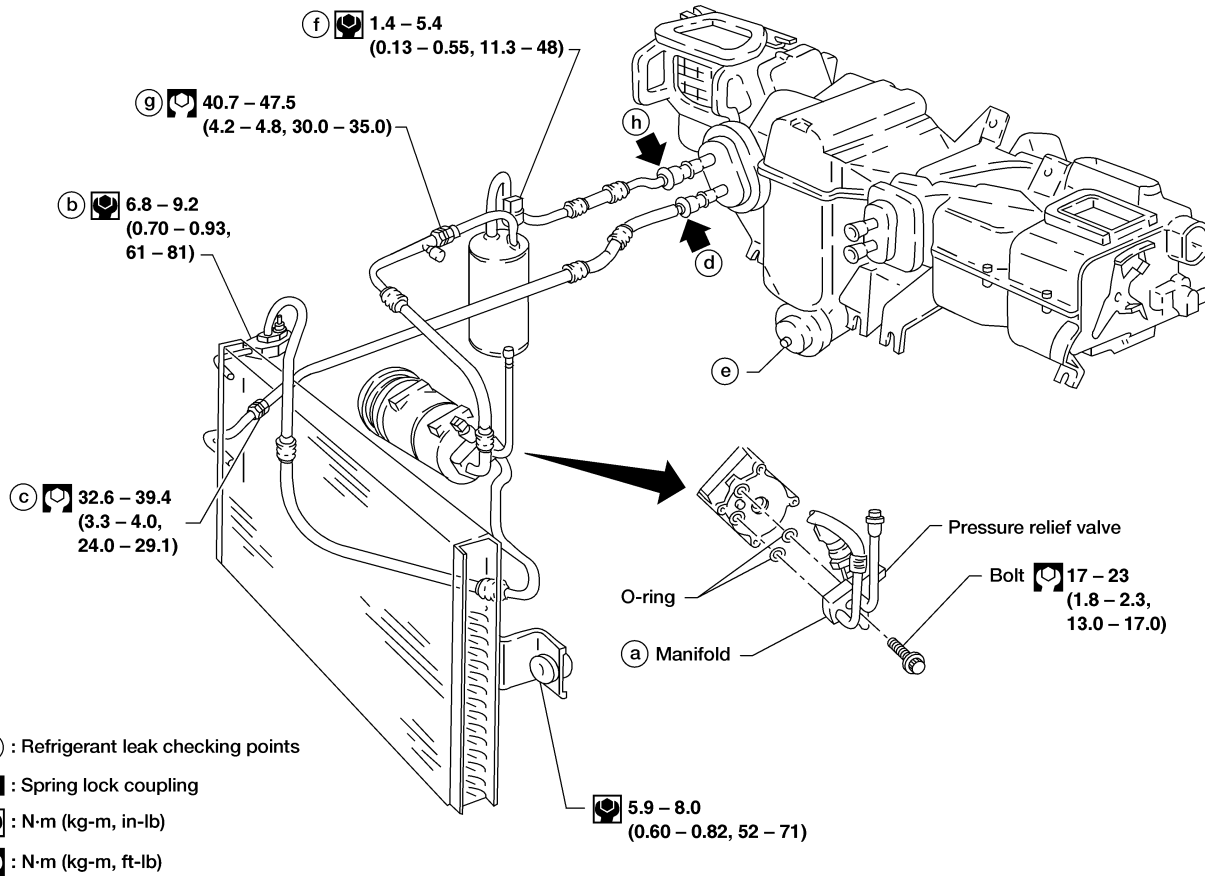
BT

HA

SC

EL

IDX

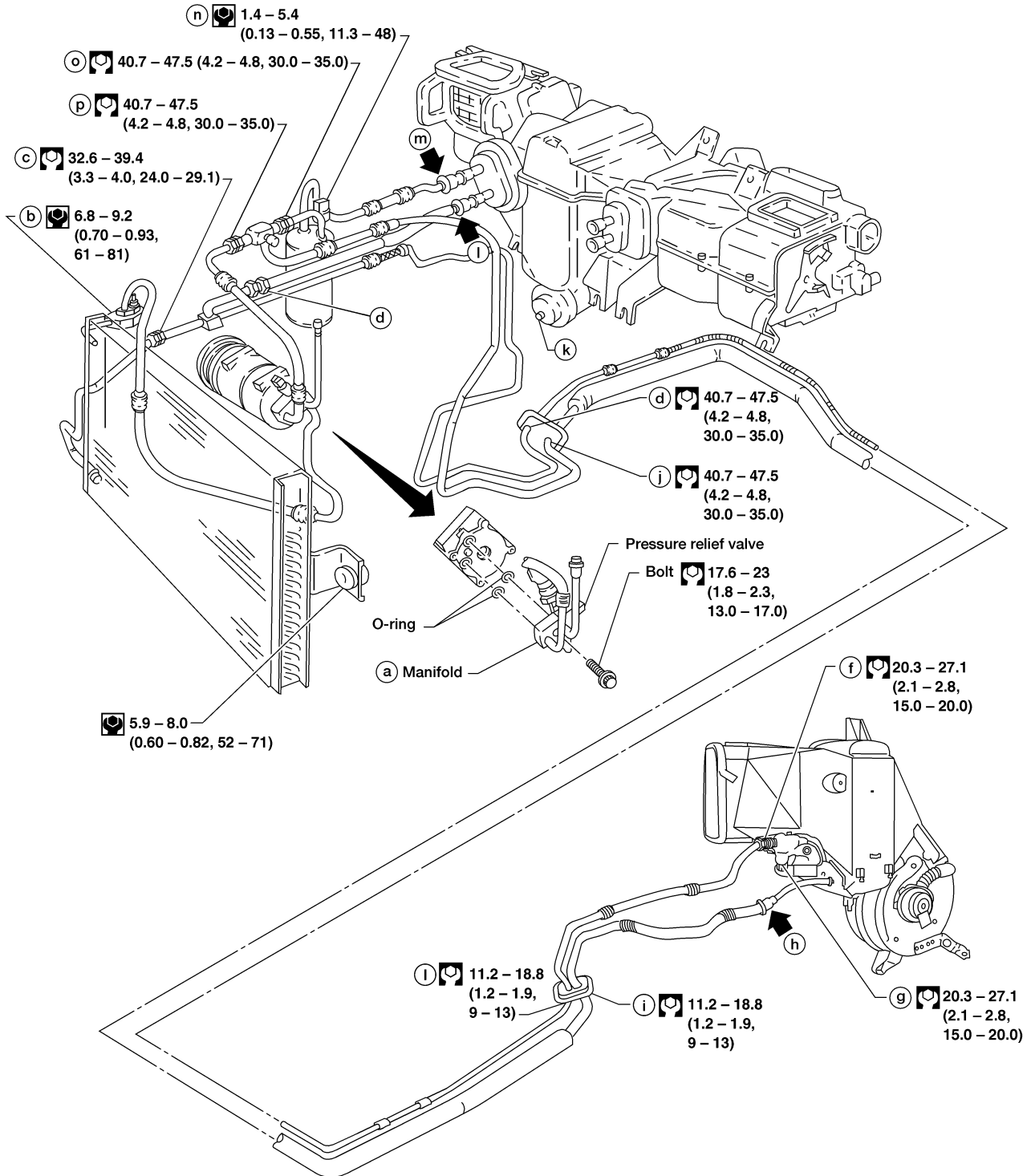


- : Refrigerant leak checking points
- ◄ : Spring lock coupling
- ⊛ : N·m (kg·m, in·lb)
- ⊞ : N·m (kg·m, ft·lb)

Models with Rear A/C

NDHA0101S03

SEC. 271 • 274 • 276



: Refrigerant leak checking points

: Spring lock coupling

: N-m (kg-m, in-lb)

: N-m (kg-m, ft-lb)

Checking Refrigerant Leaks

NDHA0102

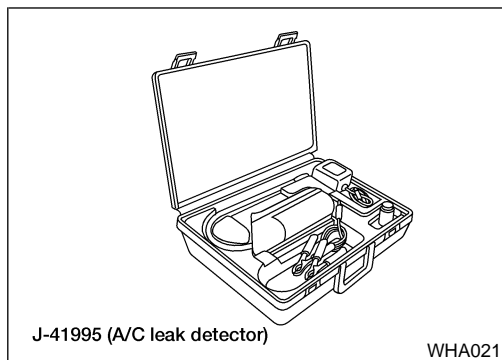
PRELIMINARY CHECK

NDHA0102S01

- Perform a visual inspection of all refrigeration parts, fittings, hoses and components for signs of A/C lubricant leakage, damage and corrosion. A/C lubricant leakage may indicate an area of refrigerant leakage. Allow extra inspection time in these areas when using either an electronic refrigerant leak detector or fluorescent dye leak detector.
- If dye is observed, confirm the leak with an approved electronic refrigerant leak detector. It is possible a prior leak was repaired and not properly cleaned.
- When searching for leaks, do not stop when one leak is found but continue to check for additional leaks at all system components and connections.
- When searching for refrigerant leaks using an electronic leak detector, move the probe along the suspected leak area at 25 - 50 mm (1 - 2 in) per second and no further than 1/4 inch from the component.

NOTE:

Moving the electronic leak detector probe slower and closer to the suspected leak area will improve the chances of finding a leak.



J-41995 (A/C leak detector)

WHA021

Electronic Refrigerant Leak Detector

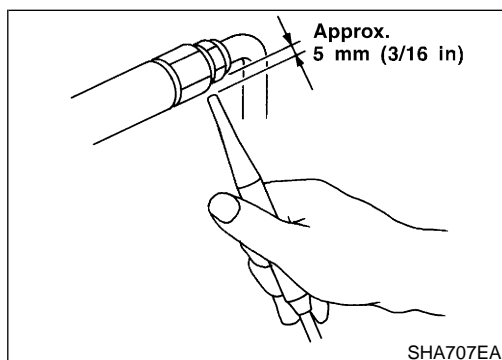
NDHA0296

PRECAUTIONS FOR HANDLING LEAK DETECTOR

NDHA0296S01

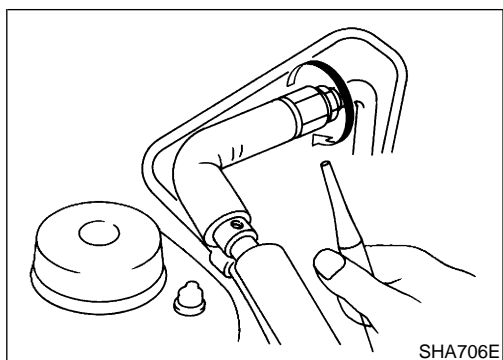
When performing a refrigerant leak check, use a J-41995 electronic refrigerant leak detector or equivalent. Ensure that the instrument is calibrated and set properly per the operating instructions. The leak detector is a delicate device. In order to use the leak detector properly, read the operating instructions and perform any specified maintenance.

- **Other gases in the work area or substances on the A/C components, for example, anti-freeze, windshield washer fluid, solvents and lubricants, may falsely trigger the leak detector. Make sure the surfaces to be checked are clean. Clean with a dry cloth or blow off with shop air.**
- **Do not allow the sensor tip of the detector to contact any substance. This can also cause false readings and may damage the detector.**

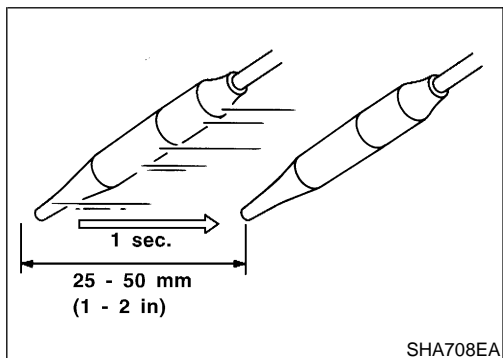


SHA707EA

1. Position probe approximately 5 mm (3/16 in) away from point to be checked.



2. When testing, circle each fitting completely with probe.



3. Move probe along component approximately 25 - 50 mm (1 - 2 in) per second.

CHECKING PROCEDURE

NDHA0296S02

To prevent inaccurate or false readings, make sure there is no refrigerant vapor, shop chemicals or smoke in the vicinity of the vehicle. Perform the leak test in a calm area (low air/wind movement) so that the leaking refrigerant is not dispersed.

1. Turn engine off.
2. Connect a suitable A/C manifold gauge set to the A/C service ports.
3. Check if the A/C refrigerant pressure is at least 345 kPa (3.52 kg/cm², 50 psi) above 16°C (61°F). If less than specification, recover/evacuate and recharge the system with the specified amount of refrigerant. Refer to "HFC-134a (R-134a) Service Procedure", HA-231.

NOTE:

At temperatures below 16°C (61°F), leaks may not be detected since the system may not reach 345 kPa (3.52 kg/cm², 50 psi).

4. Conduct the leak test from the high side (compressor discharge **a** to evaporator inlet **d**) to the low side (evaporator drain hose **e** to compressor suction **p**). Refer to HA-243. Perform a leak check for the following areas carefully. Clean the component to be checked and move the leak detector probe completely around the connection/component.

- **Compressor**
Check the fitting of high and low pressure hoses, relief valve and shaft seal.
- **Liquid tank**
Check the pressure switch, tube fitting, weld seams and the fusible plug mounts.
- **Service valves**
Check all around the service valves. Ensure service valve caps are secured on the service valves (to prevent leaks).

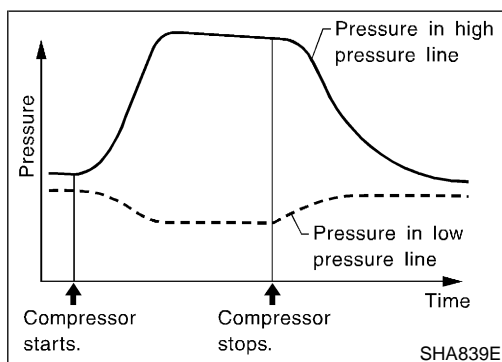
NOTE:

After removing A/C manifold gauge set from service valves, wipe any residue from valves to prevent any false readings by leak detector.

- **Cooling unit (Evaporator)**

With engine OFF, turn blower fan on "High" for at least 15 seconds to dissipate any refrigerant trace in the cooling unit. Wait a minimum of 10 minutes accumulation time (refer to the manufacturer's recommended procedure for actual time) before inserting the leak detector probe into the drain hose. (keep the probe inserted for at least ten seconds.) Use caution not to contaminate the probe tip with water or dirt that may be in the drain hose.

5. If a leak detector detects a leak, verify at least once by blowing compressed air into area of suspected leak, then repeat check as outlined above.
6. Do not stop when one leak is found. Continue to check for additional leaks at all system components. If no leaks are found, perform steps 7 through 10.
7. Start engine.
8. Set the heater A/C control as follows:
 - a. A/C switch ON
 - b. Face mode
 - c. Recirculation switch ON
 - d. Max cold temperature
 - e. Fan speed high
9. Run engine at 1,500 rpm for at least 2 minutes.
10. Turn engine off and perform leak check again following steps 4 through 6 above.



Refrigerant leaks should be checked immediately after stopping the engine. Begin with the leak detector at the compressor. The pressure on the high pressure side will gradually drop after refrigerant circulation stops and pressure on the low pressure side will gradually rise, as shown in the graph. Some leaks are more easily detected when pressure is high.

11. Before connecting ACR4 to vehicle, check ACR4 gauges. No refrigerant pressure should be displayed. If pressure is displayed, recover refrigerant from equipment lines and then check refrigerant purity.
12. Confirm refrigerant purity in supply tank using ACR4 and refrigerant identifier. Refer to "Contaminated Refrigerant", HA-149.
13. Confirm refrigerant purity in vehicle A/C system using ACR4 and refrigerant identifier. Refer to "Contaminated Refrigerant", HA-149.
14. Discharge A/C system using approved refrigerant recovery equipment. Refer to "Discharging, Evacuating and Charging Refrigerant", HA-231. Repair the leaking fitting or component as necessary.
15. Evacuate and recharge A/C system. Refer to "Discharging, Evacuating and Charging Refrigerant", HA-231. Perform the leak test to confirm no refrigerant leaks.

16. Conduct A/C performance test to ensure system works properly.

Fluorescent Dye Leak Detector

NDHA0277

PRECAUTIONS FOR FLUORESCENT DYE LEAK DETECTION

- The fluorescent dye leak detector is not a replacement for an electronic refrigerant leak detector. The fluorescent dye leak detector should be used in conjunction with an electronic refrigerant leak detector (J-41995) to pinpoint refrigerant leaks.
- For your safety and your customer's satisfaction, read and follow all manufacturer's operating instructions and precautions prior to performing the work.
- Refer to "Precautions for Leak Detection Dye", HA-150.

CHECKING SYSTEM FOR LEAKS USING THE FLUORESCENT LEAK DETECTOR

NDHA0277S02

1. Check A/C system for leaks using the UV lamp and safety glasses (J-42220) in a low sunlight area (area without windows preferable). Illuminate all components, fittings and lines. The dye will appear as a bright green/yellow area at the point of leakage. Fluorescent dye observed at the evaporator drain opening indicates an evaporator core assembly (tubes, core or TXV) leak.
2. If the suspected area is difficult to see, use an adjustable mirror or wipe the area with a clean shop rag or cloth, then check the cloth with the UV lamp for dye residue.
3. Confirm any suspected leaks with an approved electronic refrigerant leak detector.
4. After the leak is repaired, remove any residual dye using dye cleaner (J-43872) to prevent future misdiagnosis.
5. Perform a system performance check and verify the leak repair with an approved electronic refrigerant leak detector.

DYE INJECTION

NDHA0277S03

(This procedure is only necessary when re-charging the system or when the compressor has seized and was replaced.)

Refer to "Precautions for Leak Detection Dye", HA-150.

1. Check A/C system static (at rest) pressure. Pressure must be at least 345 kPa (3.52 kg/cm², 50 psi).
2. Pour one bottle (1/4 ounce / 7.4 cc) of the A/C refrigerant dye into the injector tool (J-41459).
3. Connect the injector tool to the A/C LOW PRESSURE side service fitting.
4. Start engine and switch A/C ON.
5. With the A/C operating (compressor running), inject one bottle (1/4 ounce / 7.4 cc) of fluorescent dye through the low-pressure service valve using dye injector tool J-41459 (refer to the manufacturer's operating instructions).

- With the engine still running, disconnect the injector tool from the service fitting.

CAUTION:

Be careful not to allow dye to spray or drip when disconnecting the injector from the system.

NOTE:

If repairing the A/C system or replacing a component, pour the dye directly into the open system connection and proceed with the service procedures.

- Operate the A/C system for a minimum of 20 minutes to mix the dye with the system oil. Depending on the leak size, operating conditions and location of the leak, it may take from minutes to days for the dye to penetrate a leak and become visible.

GI
MA
EM
LC
EC
FE
AT
AX

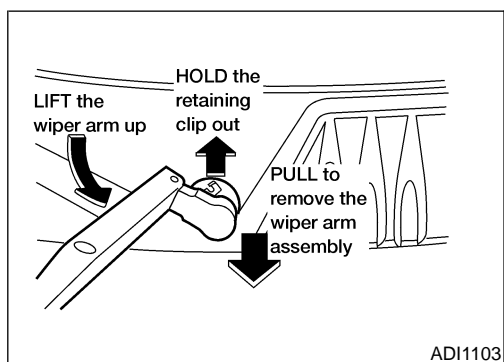
Cabin Air Filter

NDHA0271

The cabin air filter restricts the entry of airborne dust and pollen particles and reduces some objectionable outside odors. The filter is located just in front of the windshield under the cowl cover on the passenger side of the vehicle.

To replace the filter, perform the following procedure.

SU
BR
ST
RS



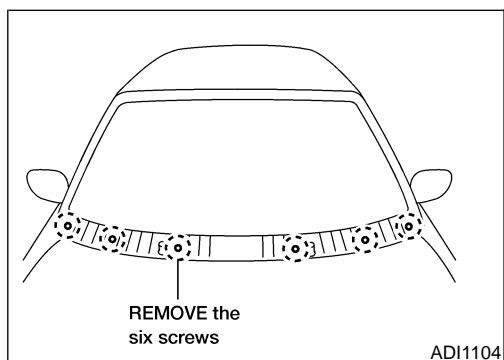
ADI1103

REMOVAL

NDHA0271S01

- Remove the windshield wiper arms.
 - Lift the wiper arm away from the windshield surface until the wiper is perpendicular to the windshield.
 - Lift and remove the wiper arm while holding the small retaining clip at the base of wiper arm outward.

BT
HA
SC

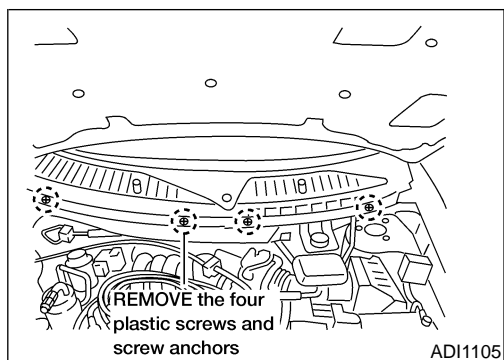


ADI1104

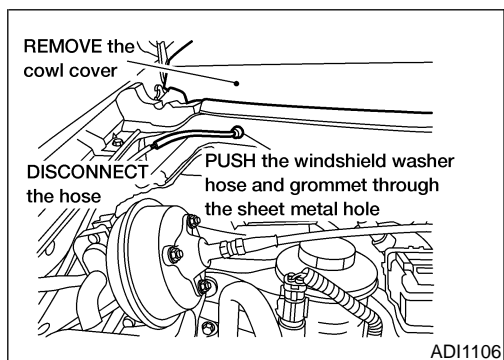
- Remove the cowl cover.
 - Remove the six screws.
 - Open the hood.

EL
IDX

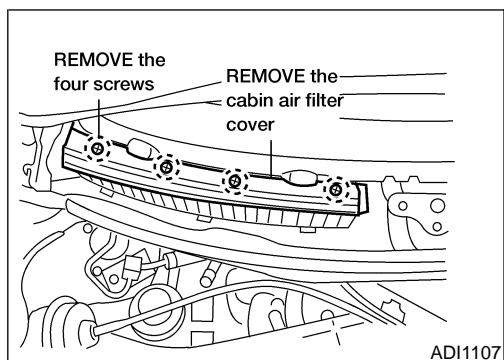
Cabin Air Filter (Cont'd)



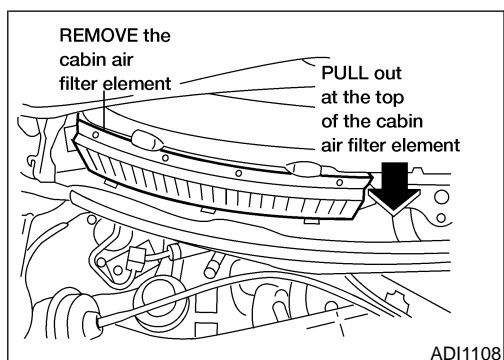
- Remove the four plastic screws from the forward edge of the cowl cover.
- Remove the four plastic screw anchors.



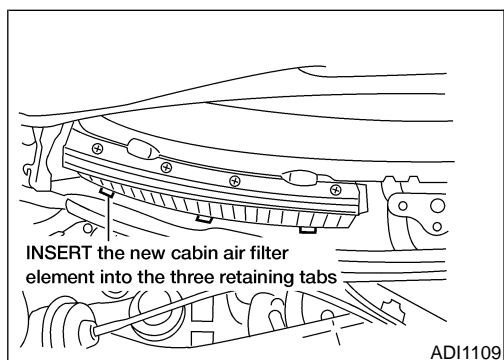
- Disconnect the windshield washer hose at the passenger side rear corner of the engine compartment.
- Push the windshield washer hose and the grommet through the sheet metal hole.
- Lift the cowl cover and remove it from the vehicle.



3. Locate the cabin air filter on the passenger side of the vehicle.
- Remove the four screws from the top surface of the cabin air filter top cover.
 - Remove the cabin air filter cover.



- Remove the cabin air filter element by pulling forward on the top surface of the filter and lifting.



INSTALLATION

NDHA0271S02

1. Install the new cabin air filter element into the filter retaining frame, ensure that you insert the three retaining tabs in the bottom of the filter frame.
 2. Install the filter top cover and the four screws.
 3. Feed the windshield washer hose from the cowl cover through the hole in the sheet metal.
- Ensure that you fully seat the rubber grommet into the sheet metal hole.
4. Reconnect the windshield washer hose.
 5. Position the windshield washer hose.

6. Reinstall the four screw anchors and the four screws.
7. Close the hood.
8. Install the six screws in the cowl cover.
9. Install the windshield wiper arms.
 - Push the wiper arm downward onto the wiper arm pivot until the small retaining clip snaps into the locked position.
 - Lower the wiper arm blade onto the windshield surface.

GI

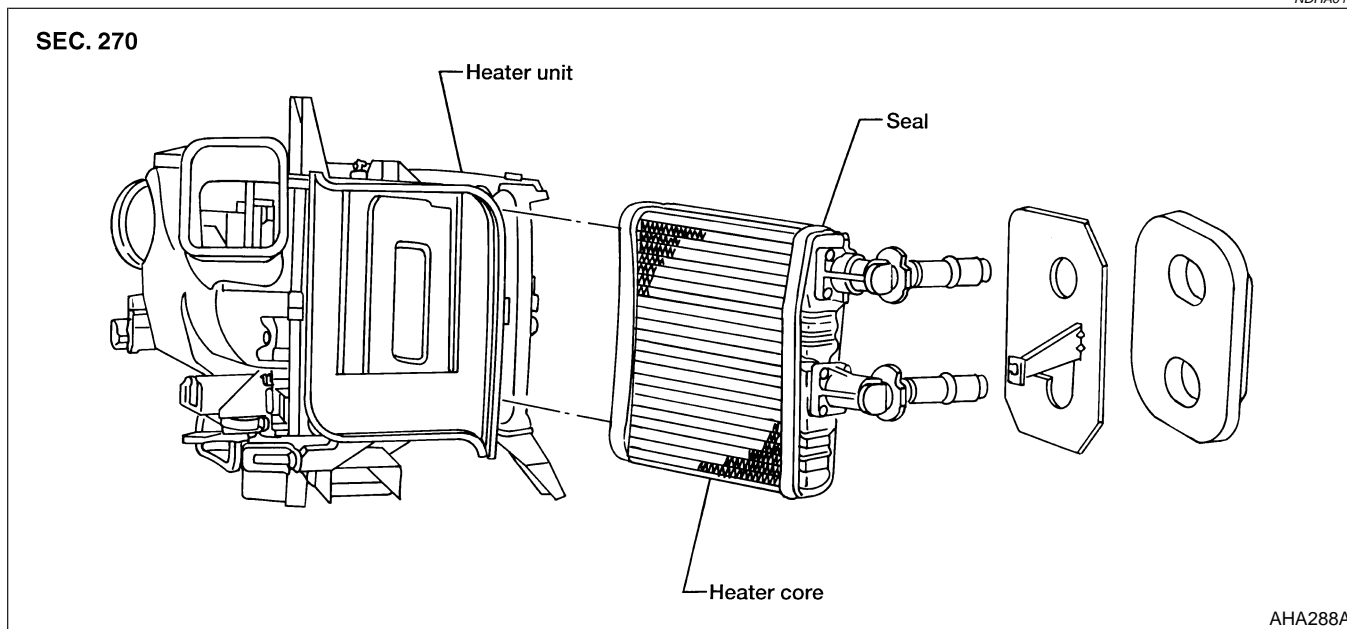
MA

EM

LC

Heater Core

NDHA0171



EC

FE

AT

AX

SU

BR

ST

RS

REMOVAL

NDHA0171S01

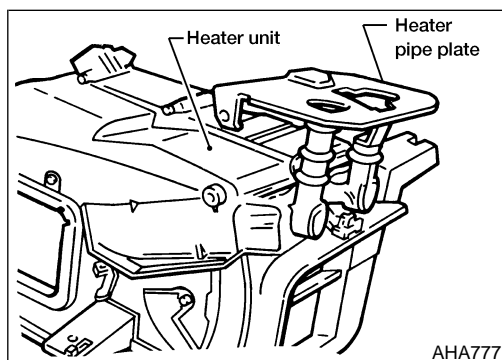
1. Drain cooling system. Refer to **MA-14**, "Changing Engine Coolant".
2. Disconnect two heater hoses in engine compartment.
3. Disconnect heater unit ducts.
4. Disconnect heater unit bolts.
5. Disconnect door motor electrical connectors.
6. Remove heater unit.

BT

HA

SC

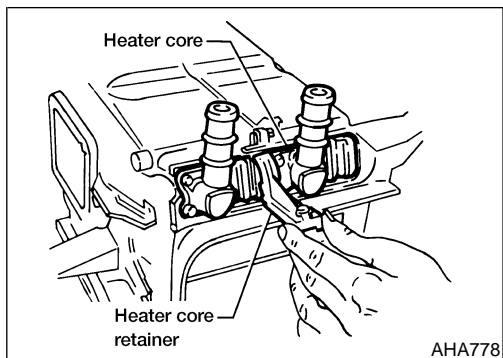
EL



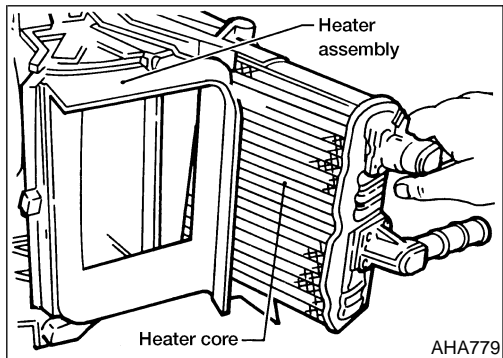
7. Remove heater pipe plate.

IDX

Heater Core (Cont'd)



8. Remove heater core retainer.



9. Remove heater core from heater unit.

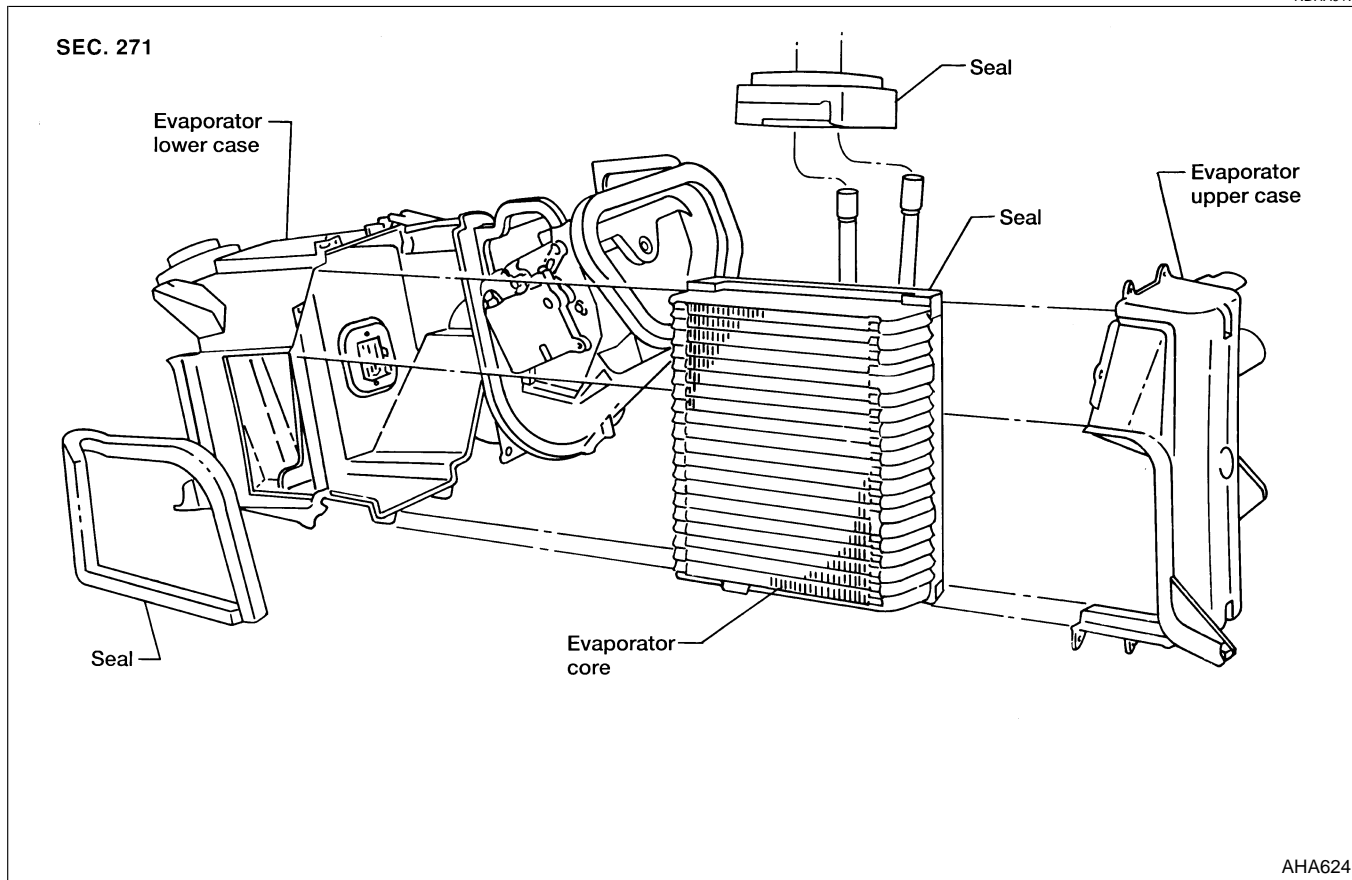
INSTALLATION

Installation is the reverse order of removal. Inspect system for coolant leaks. Refer to **MA-14**, "Changing Engine Coolant".

NDHA0171S02

Front Evaporator Core

NDHA0172



GI
MA
EM
LC
EC
FE
AT
AX
SU
BR

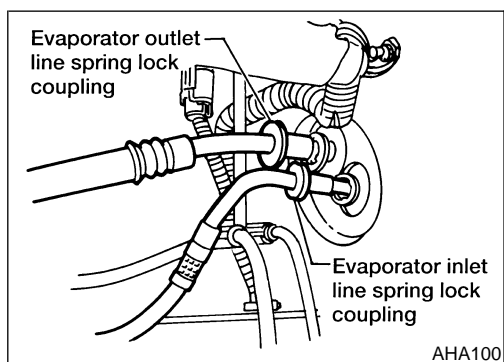
REMOVAL

NDHA0172S01

1. Discharge the A/C system. Refer to HA-231.

ST

RS



2. Use tool to disconnect spring lock couplings in engine compartment.
3. Remove instrument panel RH.
4. Remove duct from heater unit to register RH.
5. Disconnect blower motor and electrical connector.
6. Remove evaporator.

BT

HA

SC

EL

INSTALLATION

NDHA0172S02

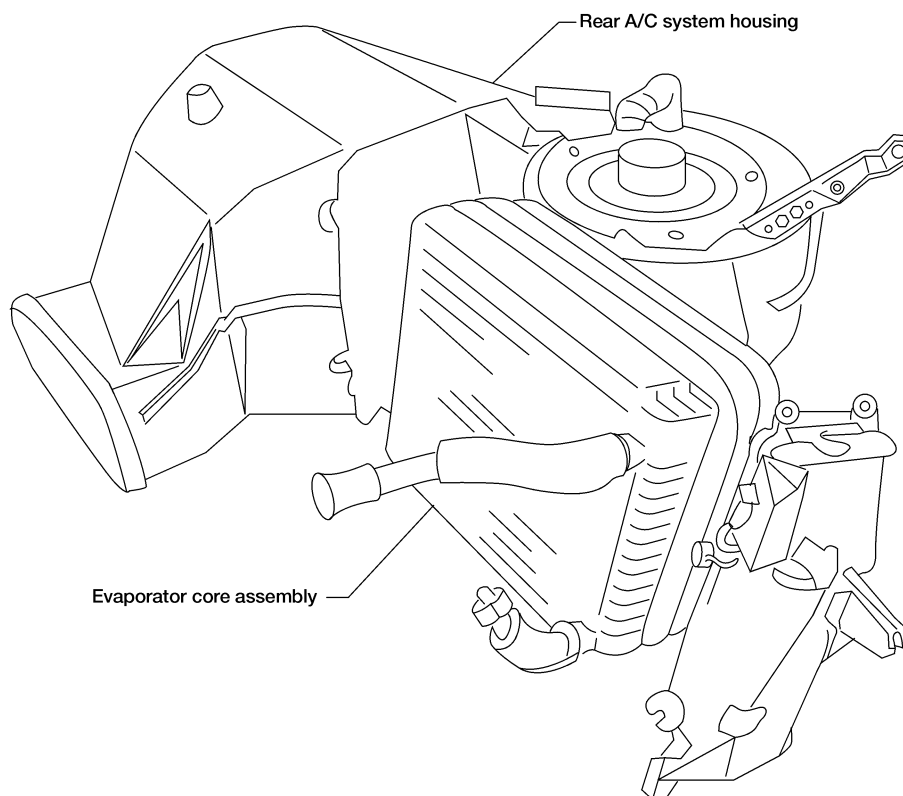
Installation is the reverse order of removal.
Inspect system for refrigerant leaks. Refer to HA-245.

IDX

Rear Evaporator Core

NDHA0173

SEC. 270 • 271



AHA416A

REMOVAL

1. Discharge and recover refrigerant from the A/C system. Refer to HA-231.
2. Remove driver's side trim panel and bolts from housing.
3. Remove A/C system housing.
4. Remove evaporator core.

NDHA0173S01

INSTALLATION

Installation is the reverse order of removal.

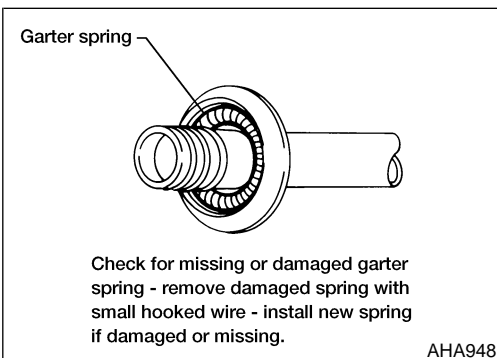
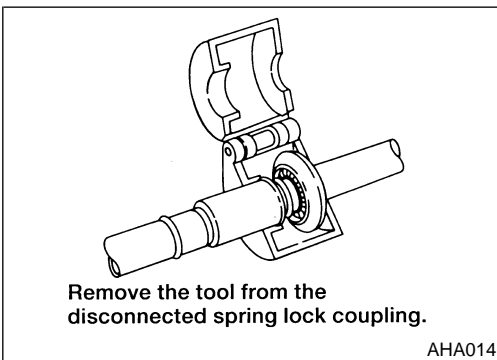
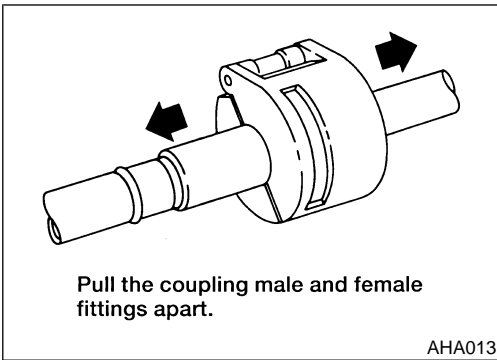
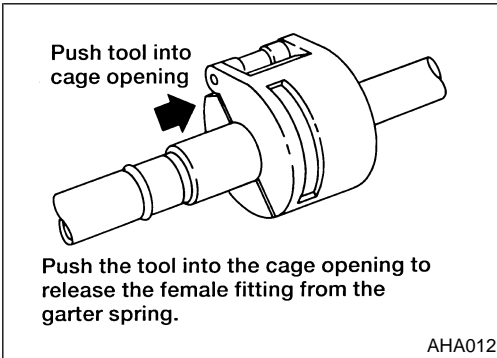
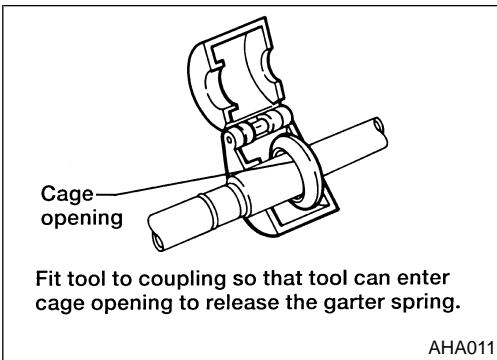
NDHA0173S02

Spring Lock Coupling

- Refer to "Precautions for Refrigerant Connection", HA-150.

NDHA0265

A plastic indicator ring is used on spring lock couplings during vehicle assembly to indicate that the coupling is connected. After the coupling is connected, the indicator ring is not necessary but will stay near the cage opening.



REMOVAL

NDHA0265S01

1. Discharge refrigerant from system. Fit spring lock coupling tools (9.53 mm [3/8 in], 12.70 mm [1/2 in], 15.88 mm [5/8 in] or 19.05 mm [3/4 in] to the coupling.

GI

MA

EM

LC

2. Close tool and push into open side of cage to expand garter spring and release female fitting.

If the tool is cocked while pushing it into the cage opening the garter spring may not release.

EC

FE

AT

AX

3. After garter spring is expanded, pull fitting apart.

SU

BR

ST

RS

4. Remove tool from disconnected coupling.

BT

HA

SC

EL

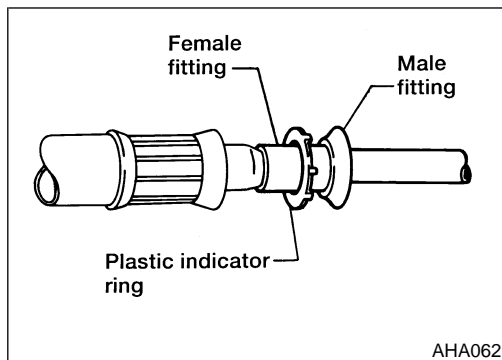
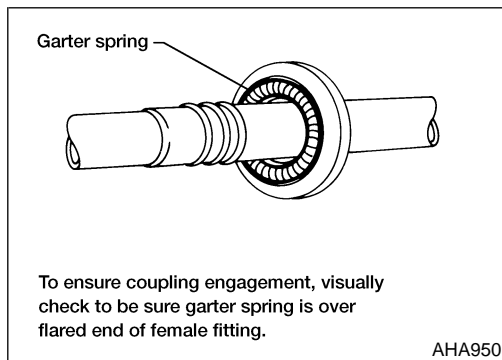
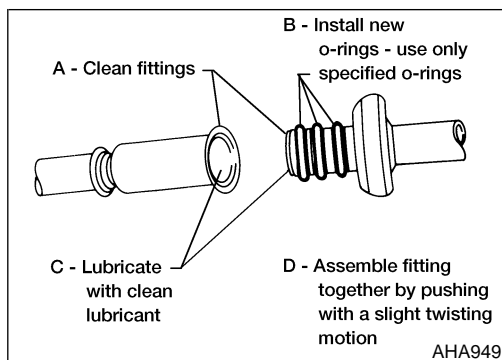
IDX

INSTALLATION

NDHA0265S02

1. Check to ensure that garter spring is in cage of male fitting. If garter spring is missing, install a new spring by pushing it into the cage opening. If garter spring is damaged, remove it from cage with a small wire hook (do not use a screwdriver) and install a new spring. Check for burrs on the end of the male tube to avoid scratching the female tube.

Spring Lock Coupling (Cont'd)



2. Clean all dirt or foreign material from both pieces of coupling.
3. Install new O-rings on male fitting.

NOTE:

O-rings are made of a special material. Use only the specified O-rings.

- The use of any O-ring other than the specified O-ring may allow the connection to leak intermittently during vehicle operation.
4. Lubricate male fitting and O-rings and inside of female fitting with clean lubricant. Check for scratches on the inner surface of the female fitting.
 5. Install plastic indicator ring into cage opening if indicator ring is to be used.
 6. Fit female fitting to male fitting and push until garter spring snaps over flared end of female fitting. If plastic indicator ring is not used, it will snap out of cage opening when coupling is connected to indicate engagement.
 7. If indicator ring is not used, ensure coupling engagement by visually checking to verify garter spring is over flared end of female fitting.

Fast Idle Control Device (FICD)

INSPECTION

- Refer to *EC-500*, "IACV-FICD Solenoid Valve".

NDHA0104

Belt

TENSION ADJUSTMENT

- Refer to *MA-13*, "Checking Drive Belts".

NDHA0103

Manual

GENERAL SPECIFICATIONS

Compressor

=NDHA0169

NDHA0169S01

Model	FS-10
Type	Swash plate
Displacement cm ³ (cu in)/rev.	170 (10.37)
Cylinder bore x stroke mm (in)	29.0 x 25.7 (1.142 x 1.012)
Direction of rotation	Clockwise (viewed from drive end)
Drive Belt	Poly V

Lubricant

NDHA0169S02

Model	Only front A/C models	Front & rear A/C models
	FS-10 compressor	
Type	Nissan A/C System Lubricant PAG Type F or equivalent*	
Capacity mℓ (US fl oz, imp fl oz) Total in system	207 (7.0, 7.3)	325 (11.0, 11.5)

*: Suniso 5GS is not acceptable for use in this vehicle.

Refrigerant

NDHA0169S03

Type	R134a	
Capacity kg (lb)	Only front A/C models	0.907 (2.0)
	Front A/C & rear A/C models	1.531 (3.376)

INSPECTION AND ADJUSTMENT

Engine Idling Speed (When A/C is ON)

NDHA0170

NDHA0170S01

- Refer to **EC-511**, "Idle Speed and Ignition Timing".

Belt Tension

NDHA0170S02

- Refer to **MA-13**, "Checking Drive Belts".

Compressor

NDHA0170S03

Model	FS-10
Off Vehicle Clutch hub-pulley clearance mm (in)	0.45-0.85 (0.0177-0.335)

NOTES