

A
SECTION **EX** EX
EXHAUST SYSTEM C

D
E
CONTENTS

SERVICE INFORMATION	2	PREPARATION	3	F
PRECAUTIONS	2	Special Service Tool	3	
Precaution for Supplemental Restraint System (SRS) "AIR BAG" and "SEAT BELT PRE-TEN- SIONER"	2	Commercial Service Tool	3	G
		EXHAUST SYSTEM	4	
		Checking Exhaust System	4	H
		Removal and Installation	5	

PRECAUTIONS

< SERVICE INFORMATION >

SERVICE INFORMATION

PRECAUTIONS

Precaution for Supplemental Restraint System (SRS) "AIR BAG" and "SEAT BELT PRE-TENSIONER"

INFOID:000000003261021

The Supplemental Restraint System such as "AIR BAG" and "SEAT BELT PRE-TENSIONER", used along with a front seat belt, helps to reduce the risk or severity of injury to the driver and front passenger for certain types of collision. This system includes seat belt switch inputs and dual stage front air bag modules. The SRS system uses the seat belt switches to determine the front air bag deployment, and may only deploy one front air bag, depending on the severity of a collision and whether the front occupants are belted or unbelted. Information necessary to service the system safely is included in the SRS and SB section of this Service Manual.

WARNING:

- To avoid rendering the SRS inoperative, which could increase the risk of personal injury or death in the event of a collision which would result in air bag inflation, all maintenance must be performed by an authorized NISSAN/INFINITI dealer.
- Improper maintenance, including incorrect removal and installation of the SRS, can lead to personal injury caused by unintentional activation of the system. For removal of Spiral Cable and Air Bag Module, see the SRS section.
- Do not use electrical test equipment on any circuit related to the SRS unless instructed to in this Service Manual. SRS wiring harnesses can be identified by yellow and/or orange harnesses or harness connectors.

PREPARATION

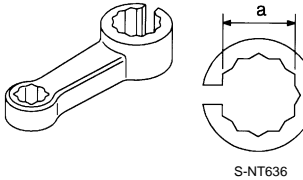
< SERVICE INFORMATION >

PREPARATION

Special Service Tool

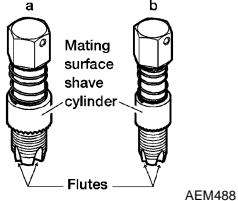

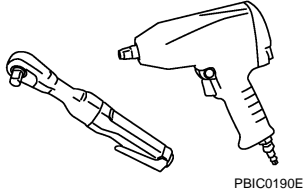
INFOID:000000001717830

The actual shapes of Kent-Moore tools may differ from those of special service tools illustrated here.

Tool number (Kent-Moore No.) Tool name	Description
KV10114400 (J-38365) Heated oxygen sensor wrench 	Loosening or tightening heated oxygen sensors: a: 22 mm (0.87 in)

Commercial Service Tool

INFOID:000000001717831

(Kent-Moore No.) Tool name	Description
(J-43897-18) (J-43897-12) Oxygen sensor thread cleaner 	Reconditioning the exhaust system threads before installing a new heated oxygen sensor (Use with anti-seize lubricant shown below): a: J-43897-18 (18 mm dia , 0.71 in) for zirconia heated oxygen sensor. b: J-43897-12 (12 mm dia., 0.49 in) for titania heated oxygen sensor.
Anti-seize lubricant (Permatex 133AR or equivalent meeting MIL specification MIL-A-907) 	Lubricating oxygen sensor thread cleaning tool when reconditioning exhaust system threads.
Power tool 	Loosening nuts and bolts.

EXHAUST SYSTEM

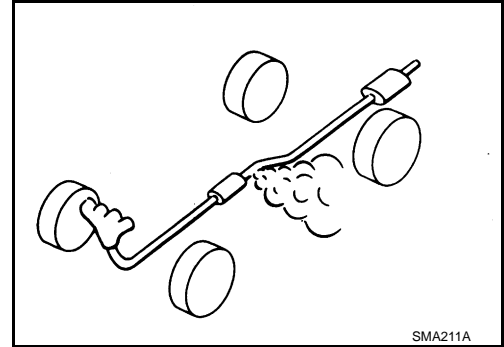
< SERVICE INFORMATION >

EXHAUST SYSTEM

Checking Exhaust System

INFOID:000000001717832

Check the exhaust pipes, muffler, and mounting components for incorrect attachment, leaks, cracks, damage, or deterioration.



SMA211A

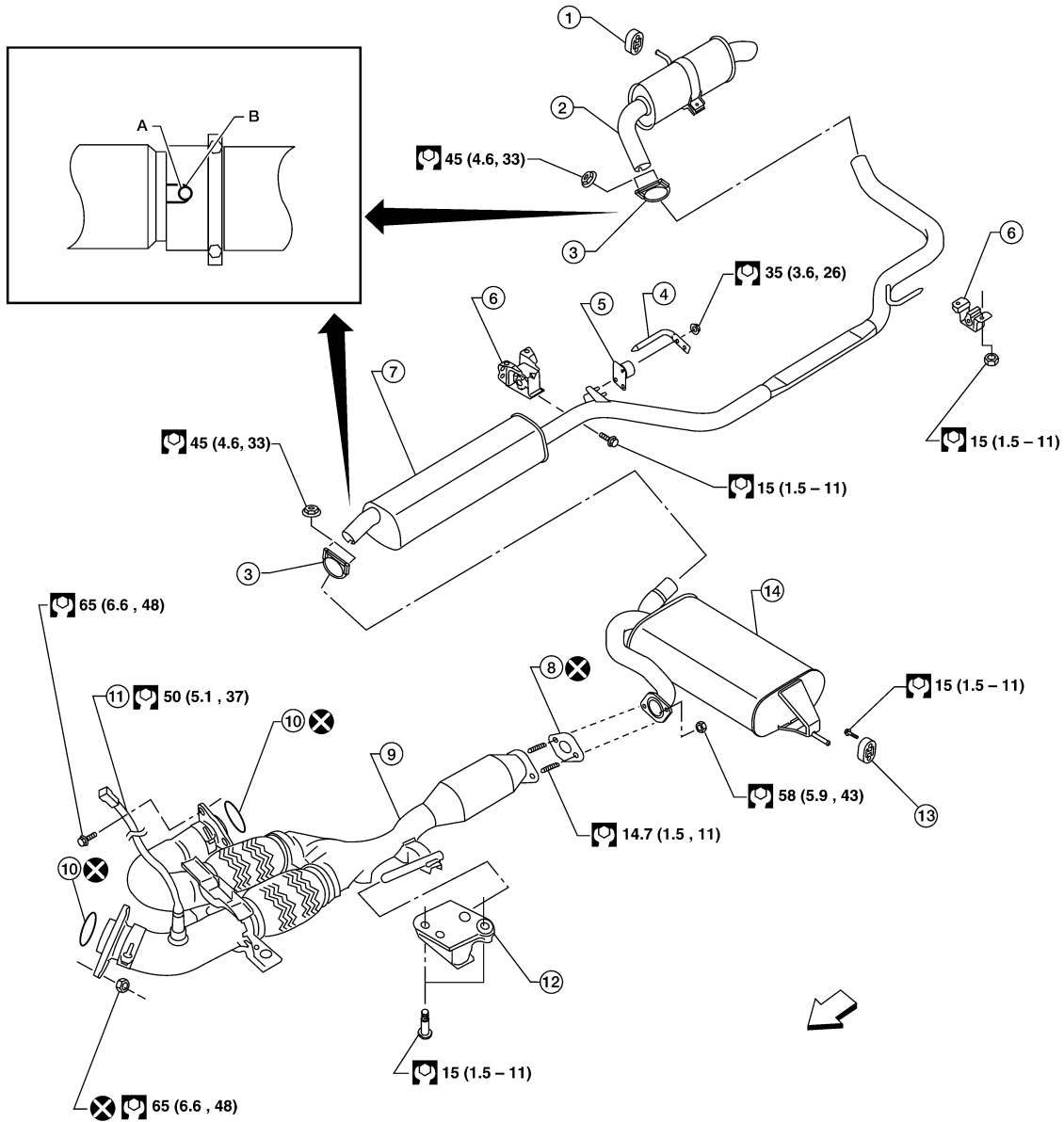
EXHAUST SYSTEM

< SERVICE INFORMATION >

Removal and Installation

INFOID:000000001717833

SEC. 200



- | | | |
|-------------------------------|-------------------------------------|---------------------------------------|
| 1. Rear muffler hanger | 2. Rear muffler | 3. U clamp |
| 4. Center exhaust tube hanger | 5. Dynamic damper | 6. Center exhaust tube hanger bracket |
| 7. Center exhaust tube | 8. Gasket | 9. Front exhaust tube |
| 10. Ring gasket | 11. Heated oxygen sensor 2 (bank 2) | 12. Front exhaust tube hanger bracket |
| 13. Main muffler hanger | 14. Main muffler | A. Button |
| B. Slit | ← Vehicle front | |

WARNING:

A
EX
C
D
E
F
G
H
I
J
K
L
M
N
O
P

WBIA0741E

EXHAUST SYSTEM

< SERVICE INFORMATION >

- **Perform the procedures with the exhaust system fully cooled down to avoid injury from the hot exhaust system.**
- **Be careful not to cut your hand on the insulator edge.**

NOTE:

Use genuine NISSAN exhaust system parts or equivalent, which are specifically designed for heat resistance, corrosion resistance, and shape.

REMOVAL

Remove exhaust system components using power tool.

INSTALLATION

Installation is in the reverse order of removal.

Tool number : — (J-43897-12)

Tool number : — (J-43897-18)

CAUTION:

- **Always replace exhaust gaskets with new ones when reassembling.**
- **Before installing a new heated oxygen sensor, clean the exhaust tube threads using commercial service tool and approved anti-seize lubricant.**
- **Discard any heated oxygen sensor which has been dropped from a height of more than 0.5 m (19.7 in) onto a hard surface such as a concrete floor; install a new one.**
- **Do not over-torque the heated oxygen sensor. Doing so may damage the heated oxygen sensor, resulting in the MIL coming on.**
- **If any mounting insulator is badly deformed, repair or replace it. If deposits such as mud pile up on the mounting insulator, clean and inspect them.**
- **Temporarily tighten the nuts on the exhaust manifold side and the bolts on the vehicle side. Check each part for interference with other components, and then tighten the nuts and bolts to specification.**

INSPECTION AFTER INSTALLATION

- **With the engine running, check the exhaust tube joints for exhaust gas leaks and unusual noises.**
- **Check that the mounting brackets and mounting insulators are installed properly and free from excessive stress. Improper installation could result in excessive noise, leaks, and vibration.**