

AUTOMATIC TRANSMISSION

SECTION **AT**

GI
MA
EM
LC
EC
FE
AT
PD
FA
RA
BR
ST
RS
BT
HA
EL
IDX

CONTENTS

PREPARATION AND PRECAUTIONS	3	Diagnostic Procedure 15.....	100
Special Service Tools	3	Diagnostic Procedure 16.....	101
Service Notice.....	4	Diagnostic Procedure 17.....	102
Supplemental Restraint System (SRS) "AIR BAG" and "SEAT BELT PRE-TENSIONER".....	5	Diagnostic Procedure 18.....	103
Precautions for On-Board Diagnostic (OBD) System of A/T and Engine.....	5	Diagnostic Procedure 19.....	103
Diagnostic Procedure 20.....	104	Diagnostic Procedure 21.....	104
DESCRIPTION	6	Electrical Components Inspection.....	104
Cross-sectional View.....	6	Final Check.....	113
Hydraulic Control Circuits.....	7	Symptom Chart.....	117
Shift Mechanism.....	8	TROUBLE DIAGNOSES — A/T Shift Lock System	120
Control System.....	10	Description.....	120
TROUBLE DIAGNOSES	12	Shift Lock System Electrical Parts Location.....	121
How to Perform Trouble Diagnoses for Quick and Accurate Repair.....	12	Wiring Diagram — SHIFT —.....	122
Remarks.....	16	Diagnostic Procedure 1.....	123
Diagnostic Trouble Code (DTC) Chart.....	18	Key Interlock Cable.....	126
Diagnosis by CONSULT.....	20	Shift Lock Control Unit Inspection.....	128
Preliminary Check.....	23	Shift Lock Control Unit Inspection Table.....	128
A/T Electrical Parts Location.....	34	Component Check.....	129
Circuit Diagram for Quick Pinpoint Check.....	36	ON-VEHICLE SERVICE	130
Wiring Diagram — AT —.....	37	Control Valve Assembly and Accumulators Inspection.....	130
Self-diagnosis.....	44	Turbine Revolution Sensor Replacement.....	130
Diagnostic Procedure 1.....	88	Revolution Sensor Replacement.....	131
Diagnostic Procedure 2.....	89	Rear Oil Seal Replacement.....	131
Diagnostic Procedure 3.....	89	Parking Components Inspection.....	131
Diagnostic Procedure 4.....	90	Inhibitor Switch Adjustment.....	132
Diagnostic Procedure 5.....	91	Manual Control Linkage Adjustment.....	132
Diagnostic Procedure 6.....	92	Kickdown Switch Adjustment.....	133
Diagnostic Procedure 7.....	93	REMOVAL AND INSTALLATION	134
Diagnostic Procedure 8.....	94	Removal.....	134
Diagnostic Procedure 9.....	95	Installation.....	134
Diagnostic Procedure 10.....	96	MAJOR OVERHAUL	136
Diagnostic Procedure 11.....	97	Oil Channel.....	138
Diagnostic Procedure 12.....	98	Locations of Needle Bearings, Thrust Washers and Snap Rings.....	139
Diagnostic Procedure 13.....	99		
Diagnostic Procedure 14.....	99		

CONTENTS (Cont'd)

DISASSEMBLY	140	Forward Clutch Drum Assembly.....	182
Disassembly.....	140	Rear Internal Gear and Forward Clutch Hub.....	185
REPAIR FOR COMPONENT PARTS	151	Band Servo Piston Assembly.....	188
Oil Pump.....	151	Parking Pawl Components.....	192
Control Valve Assembly.....	155	ASSEMBLY	194
Control Valve Upper Body.....	161	Assembly (1).....	194
Control Valve Lower Body.....	166	Adjustment.....	199
Reverse Clutch.....	168	Assembly (2).....	203
High Clutch.....	172	SERVICE DATA AND SPECIFICATIONS (SDS)	213
Forward and Overrun Clutches.....	174	General Specifications.....	213
Low & Reverse Brake.....	178	Specifications and Adjustment.....	213

When you read wiring diagrams:

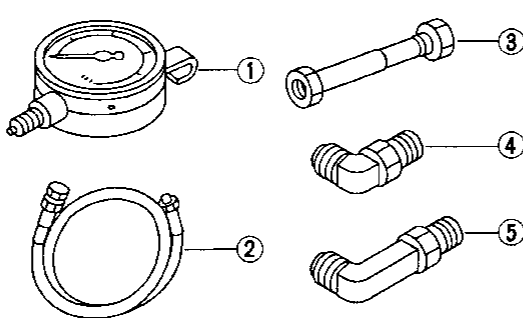
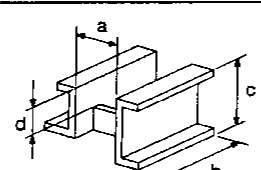
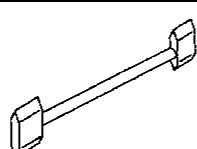
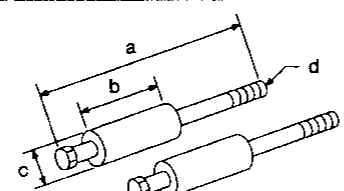
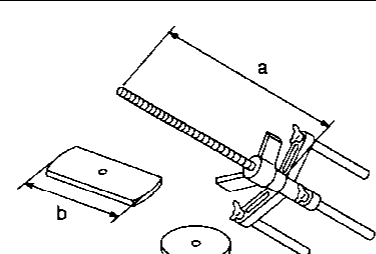
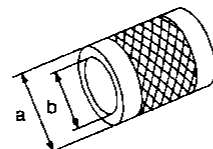
- Read GI section, "HOW TO READ WIRING DIAGRAMS".
- See EL section, "POWER SUPPLY ROUTING" for power distribution circuit.

When you perform trouble diagnoses, read GI section, "HOW TO FOLLOW FLOW CHART IN TROUBLE DIAGNOSES".

PREPARATION AND PRECAUTIONS

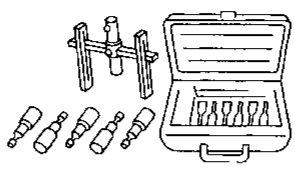
Special Service Tools

The actual shapes of Kent-Moore tools may differ from those of special service tools illustrated here.

Tool number (Kent-Moore No.) Tool name	Description	
ST2505S001 (J34301-C) Oil pressure gauge set ① ST25051001 (—) Oil pressure gauge ② ST25052000 (—) Hose ③ ST25053000 (—) Joint pipe ④ ST25054000 (—) Adapter ⑤ ST25055000 (—) Adapter	 <p style="text-align: center;">NT097</p>	Measuring line pressure GI MA EM LC EC FE AT
ST07870000 (J37068) Transmission case stand	 <p style="text-align: center;">NT421</p>	Disassembling and assembling A/T a: 182 mm (7.17 in) b: 282 mm (11.10 in) c: 230 mm (9.06 in) d: 100 mm (3.94 in) PD FA RA
KV31102100 (J37065) Torque converter one-way clutch check tool	 <p style="text-align: center;">NT098</p>	Checking one-way clutch in torque converter BR ST
ST25850000 (J25721-A) Sliding hammer	 <p style="text-align: center;">NT422</p>	Removing oil pump assembly a: 179 mm (7.05 in) b: 70 mm (2.76 in) c: 40 mm (1.57 in) dia. d: M12 x 1.75P RS BT
KV31102400 (J34285 and J34285-87) Clutch spring compressor	 <p style="text-align: center;">NT423</p>	Removing and installing clutch return springs HA EL IDX
ST33200000 (J26082) Drift	 <p style="text-align: center;">NT091</p>	Installing oil pump housing oil seal Installing rear oil seal a: 60 mm (2.36 in) dia. b: 44.5 mm (1.752 in) dia.

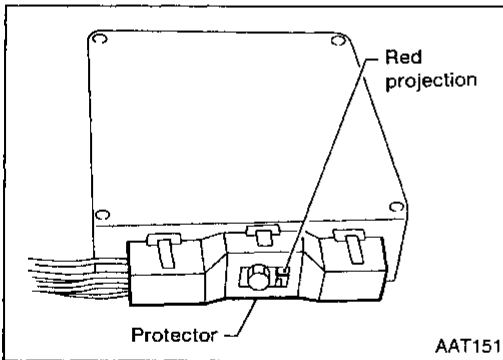
PREPARATION AND PRECAUTIONS

Special Service Tools (Cont'd)

Tool number (Kent-Moore No.) Tool name	Description	
(J34291) Shim setting gauge set		Selecting oil pump cover bearing race and oil pump thrust washer
	NT101	

Service Notice

- Before proceeding with disassembly, thoroughly clean the outside of the transmission. It is important to prevent the internal parts from becoming contaminated by dirt or other foreign matter.
- Disassembly should be done in a clean work area.
- Use lint-free cloth or towels for wiping parts clean. Common shop rags can leave fibers that could interfere with the operation of the transmission.
- Place disassembled parts in order for easier and proper assembly.
- All parts should be carefully cleaned with a general purpose, non-flammable solvent before inspection or reassembly.
- Gaskets, seals and O-rings should be replaced any time the transmission is disassembled.
- It is very important to perform functional tests whenever they are indicated.
- When connecting A/T control unit harness connector, tighten bolt until red projection is in line with connector.
- The valve body contains precision parts and requires extreme care when parts are removed and serviced. Place disassembled valve body parts in order, on a parts rack, for easier and proper assembly. Care will also prevent springs and small parts from becoming scattered or lost.
- Properly installed valves, sleeves, plugs, etc. will slide along their bores in the valve body under their own weight.
- Before assembly, apply a coat of recommended ATF to all parts. Apply petroleum jelly to protect O-ring and seals, or hold bearings and washers in place during assembly. Do not use grease.
- Extreme care should be taken to avoid damage to O-rings, seals and gaskets when assembling.
- Replace ATF cooler if excessive foreign material is found in oil pan or clogging strainer. Refer to TROUBLE DIAGNOSES Remarks. AT-16
- After overhaul, refill the transmission with new ATF.
- When the A/T drain plug is removed, only some of the fluid is drained. Old A/T fluid will remain in torque converter and ATF cooling system. Always follow the procedures under "Changing A/T Fluid" in the MA section when changing A/T fluid.



Supplemental Restraint System (SRS) “AIR BAG” and “SEAT BELT PRE-TENSIONER”

The Supplemental Restraint System “Air Bag” and “Seat Belt Pre-tensioner”, used along with a seat belt, help to reduce the risk or severity of injury to the driver and front passenger in a frontal collision. The Supplemental Restraint System consists of air bag modules (located in the center of the steering wheel and on the instrument panel on the passenger side), seat belt pre-tensioners, a diagnosis sensor unit, warning lamp, wiring harness and spiral cable. Information necessary to service the system safely is included in the **RS section** in this Service Manual.

WARNING:

- To avoid rendering the SRS inoperative, which could increase the risk of personal injury or death in the event of a collision which would result in air bag inflation, all maintenance must be performed by an authorized INFINITI dealer.
- Improper maintenance, including incorrect removal and installation of the SRS, can lead to personal injury caused by unintentional activation of the system.
- Do not use electrical test equipment on any circuit related to the SRS unless instructed to in this Service Manual. SRS wiring harnesses are covered with yellow insulation either just before the harness connectors or for the complete harness, for easy identification.

Precautions for On-Board Diagnostic (OBD) System of A/T and Engine

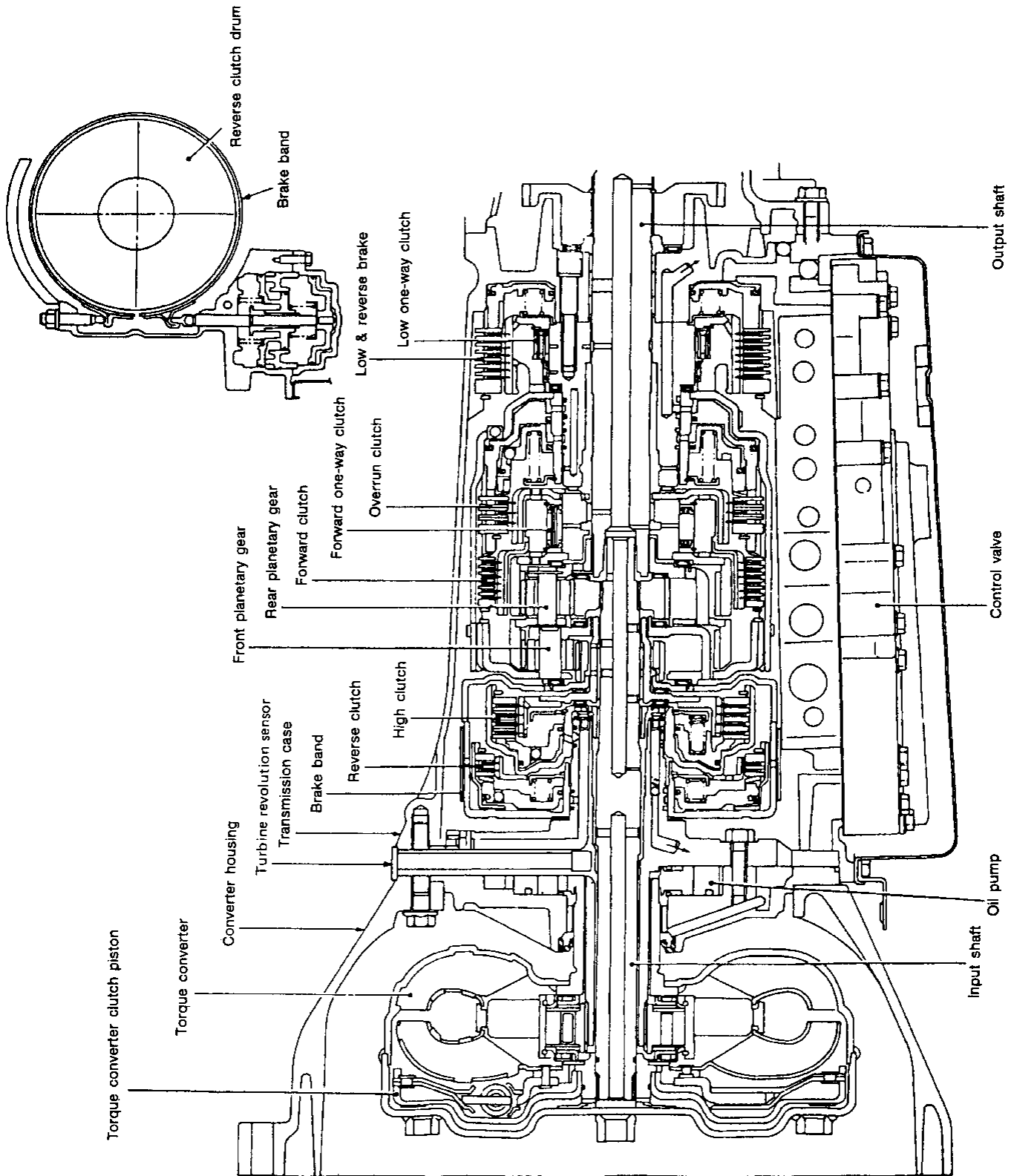
The ECM (ECCS control module) has an on-board diagnostic system. It will light up the malfunction indicator lamp (MIL) to warn the driver of a malfunction causing emission deterioration.

CAUTION:

- Be sure to turn the ignition switch “OFF” and disconnect the negative battery terminal before the repair or inspection work. The open/short circuit of the related switches, sensors, solenoid valves, etc. will cause the MIL to light up.
- Be sure to connect and lock the connectors securely after the work. The loose (unlocked) connector will cause the MIL to light up due to the open circuit. (Be sure to connect the connector without water, grease, dirt, bent terminals, etc. in it.)
- Be sure to route and clamp the harnesses properly after work. The interference of the harness with a bracket, etc. may cause the MIL to light up due to the short circuit.
- Be sure to erase the unnecessary (already fixed) malfunction information in the A/T control unit or ECM before returning the vehicle to the customer.

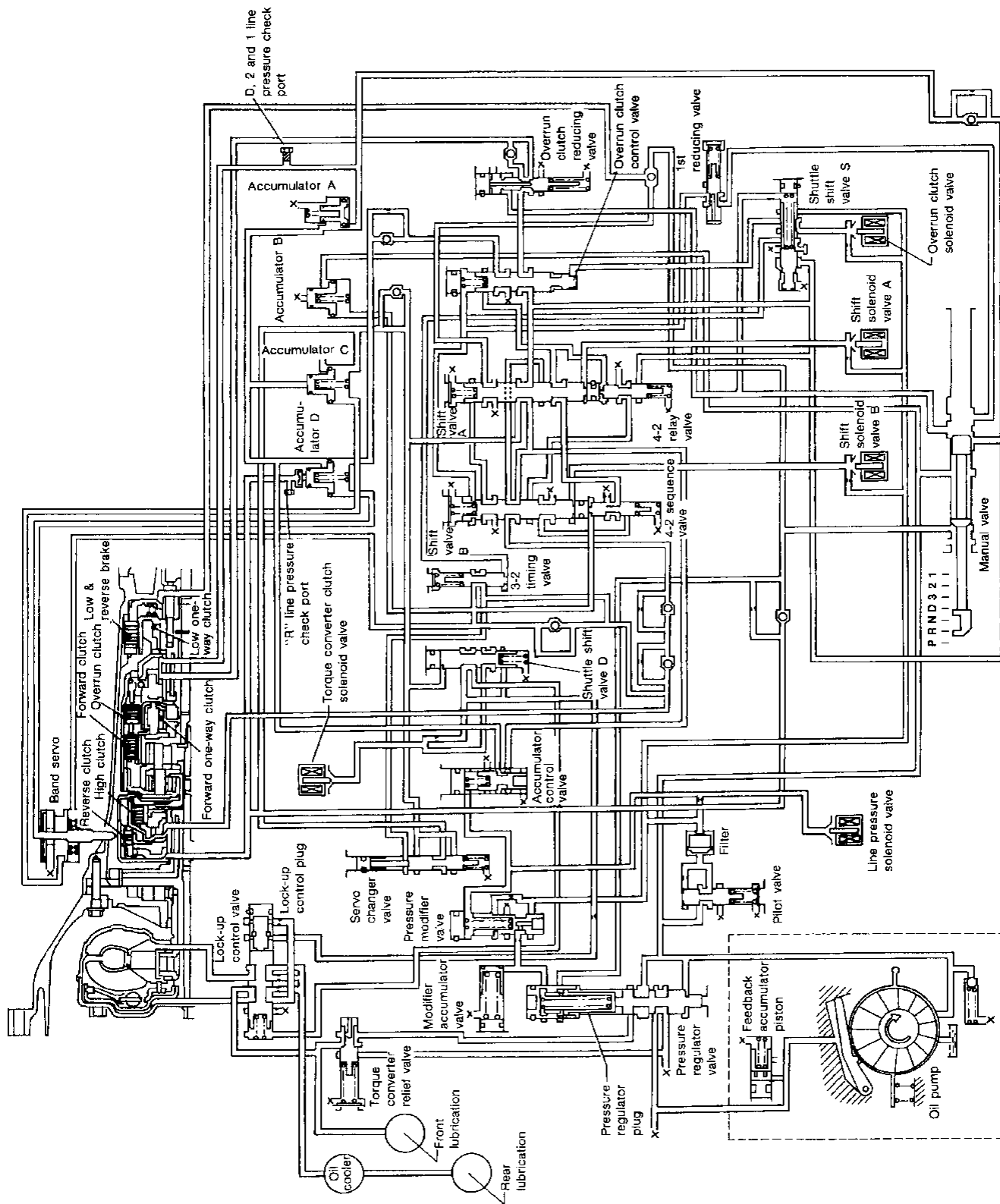
DESCRIPTION

Cross-sectional View



DESCRIPTION

Hydraulic Control Circuits



GI
MA
EM
LC
EC
FE
AT
PD
FA
RA
BR
ST
RS
BT
HA
EL
IDX

DESCRIPTION

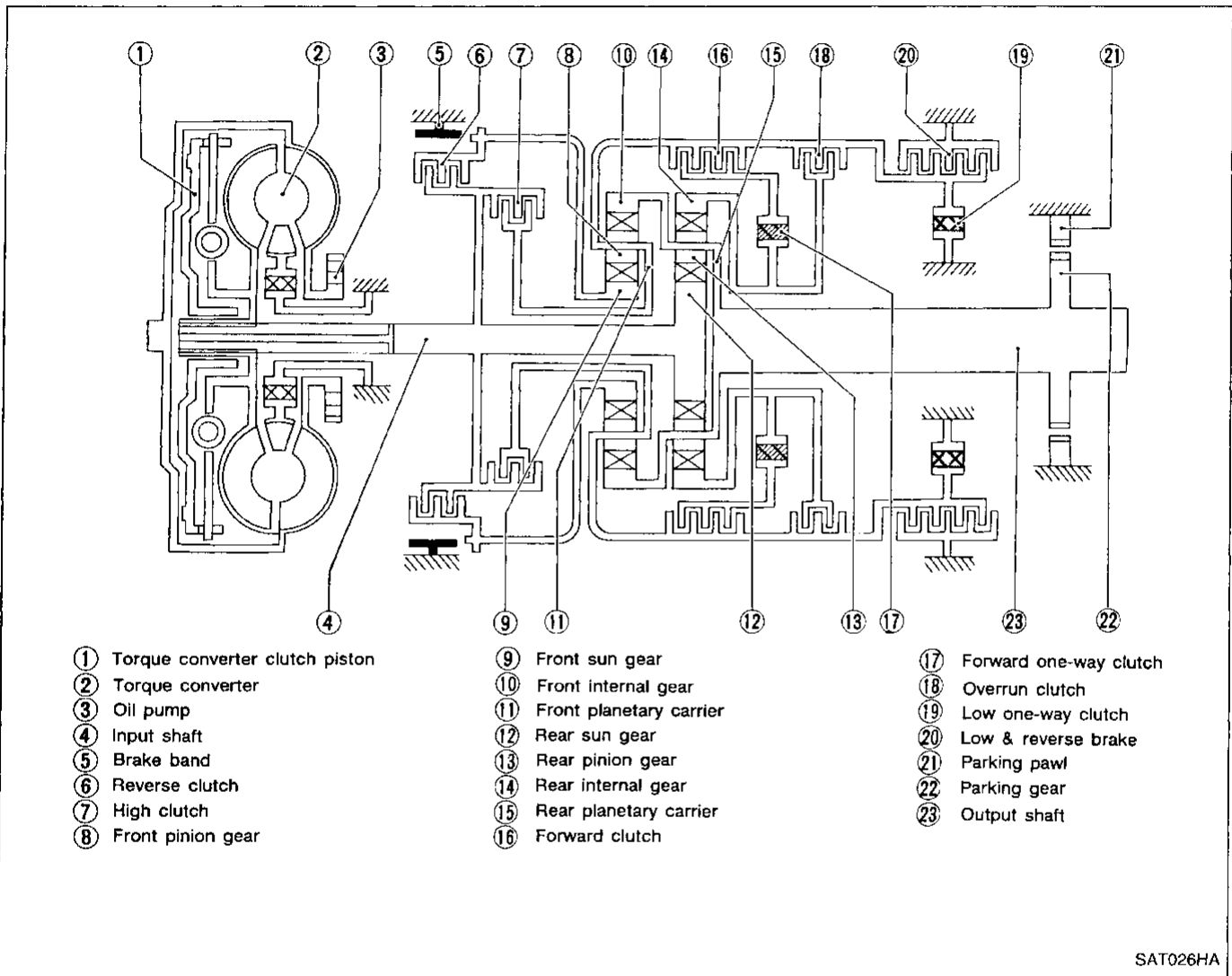
Shift Mechanism

The RE4R01A automatic transmission uses compact, dual planetary gear systems to improve power-transmission efficiency, simplify construction and reduce weight.

Its optimum shift control and superwide gear ratios improve starting performance and acceleration during medium or high speed.

Two one-way clutches are also employed: one is used for the forward clutch and the other for the low clutch. These one-way clutches, combined with four accumulators, reduce shifting shock to a minimum.

CONSTRUCTION



DESCRIPTION

Shift Mechanism (Cont'd)

FUNCTION OF CLUTCH AND BRAKE

Control members	Abbr.	Function
⑥ Reverse clutch	R/C	To transmit input power to front sun gear ⑨ .
⑦ High clutch	H/C	To transmit input power to front planetary carrier ⑩.
⑯ Forward clutch	F/C	To connect front planetary carrier ⑩ with forward one-way clutch ⑰.
⑱ Overrun clutch	O/C	To connect front planetary carrier ⑩ with rear internal gear ⑭.
⑤ Brake band	B/B	To lock front sun gear ⑨ .
⑰ Forward one-way clutch	F/O.C	When forward clutch ⑯ is engaged, to stop rear internal gear ⑭ from rotating in opposite direction.
⑱ Low one-way clutch	L/O.C	At D ₁ position, to prevent rear internal gear ⑭ from rotating in opposite direction.
⑳ Low & reverse brake	L & R/B	To lock rear internal gear ⑭ (2, 1 ₂ and 1 ₁), to lock front planetary carrier ⑩ (R position).

OPERATION OF CLUTCH AND BRAKE

Shift position	R/C	H/C	F/C	O/C	Band servo			F/O.C	L/O.C	L & R/B	Remarks
					Applies in 2nd speed	Releases in 3rd speed	Applies in 4th speed				
P											PARK
R	○									○	REVERSE
N											NEUTRAL
D	1st		○					●	●		Automatic shift 1 ↔ 2 ↔ 3 ↔ 4
	2nd		○		○			●			
	3rd		○	○		*1 (X)	(X)	●			
	4th		○	(X)		*2 (X)	(X)	○			
3	1st		○	(X)				●	●		Automatic shift 1 ↔ 2 ↔ 3 ↔ 4
	2nd		○	⊙	○			●			
	3rd		○	○	⊙	*1 (X)	(X)	●			
2	1st		○	○				●		○	Locks in 2nd speed 1 ↔ 2 ← 3
	2nd		○	○				●			
1	1st		○	○				●		○	Locks in 1st speed 1 ← 2
	2nd		○	○	○			●			

Notes:

*1. Oil pressure is applied to both 2nd "apply" side and 3rd "release" side of band servo piston. However, because oil pressure area on the "release" side is greater than that on the "apply" side, brake band does not contract.

*2. Oil pressure is applied to 4th "apply" side in condition *2 above, and brake band contracts.

○ : Operates

⊙ : Operates when throttle opening is less than 1/16. Engine brake activates.

● : Operates during "progressive" acceleration

(X) : Operates but does not affect power transmission

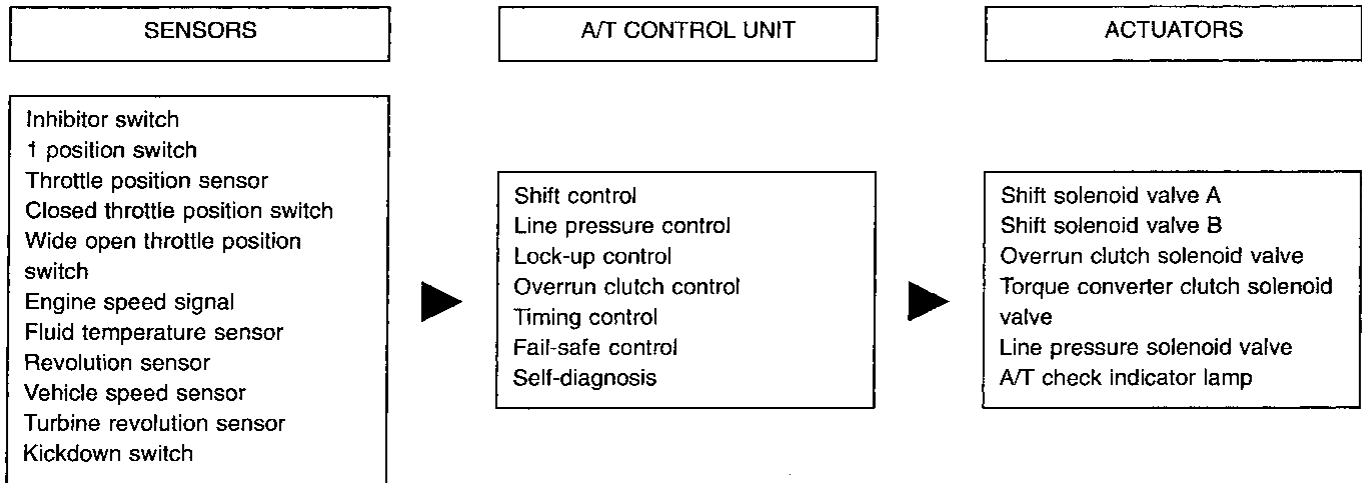
(X) : Operates when throttle opening is less than 1/16 but does not affect engine brake

DESCRIPTION

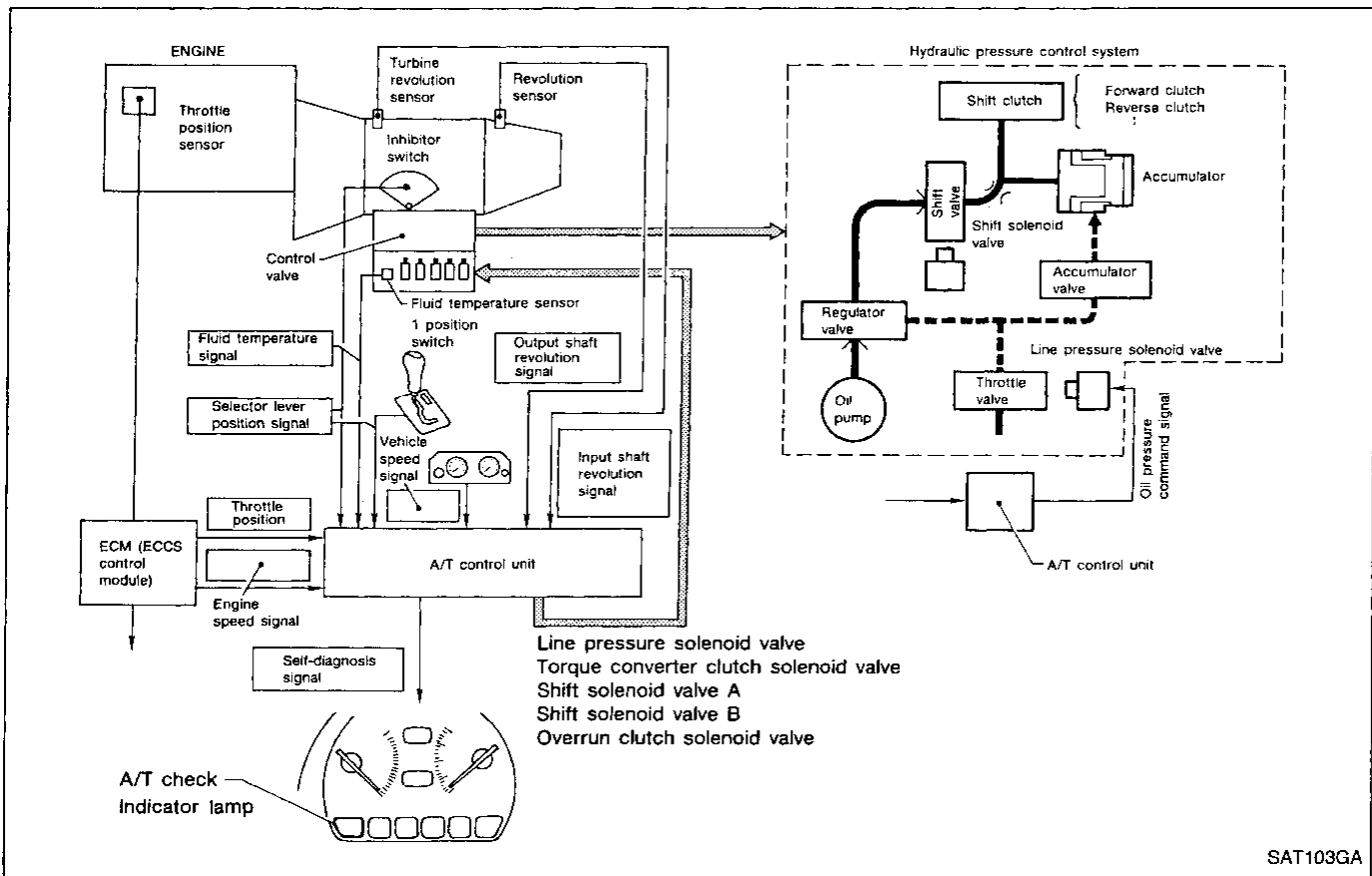
Control System

OUTLINE

The RE4R01A automatic transmission senses vehicle operating conditions through various sensors. It always controls the optimum shift position and reduces shifting and lock-up shocks.



CONTROL SYSTEM



DESCRIPTION

Control System (Cont'd)

A/T CONTROL UNIT FUNCTION

The function of the A/T control unit is to:

- Receive input signals sent from various switches and sensors.
- Determine required line pressure, shifting point, lock-up operation, and engine brake operation.
- Send required output signals to the respective solenoids.

INPUT/OUTPUT SIGNAL OF A/T CONTROL UNIT

	Sensors and solenoid valves	Function	
Input	Inhibitor switch	Detects select lever position and sends a signal to A/T control unit.	GI
	"1" position switch	Sends a signal to A/T control unit when select lever is set to "1".	MA
	Throttle position sensor	Detects throttle valve position and sends a signal to A/T control unit.	EM
	Closed throttle position switch	Detects throttle valve's fully-closed position and sends a signal to A/T control unit.	LC
	Wide open throttle position switch	Detects throttle valve position of greater than 1/2 of full throttle and sends a signal to A/T control unit. A/T control unit uses the signal only when throttle sensor malfunctions.	EC
	Engine speed signal	From ECM (ECCS control module).	FE
	Fluid temperature sensor	Detects transmission fluid temperature and sends a signal to A/T control unit.	AT
	Revolution sensor	Detects output shaft rpm and sends a signal to A/T control unit.	PD
	Vehicle speed sensor	Used as an auxiliary vehicle speed sensor. Sends a signal when revolution sensor (installed on transmission) malfunction.	FA
	Turbine revolution sensor	Sends an input shaft revolution signal.	RA
Output	Kickdown switch	Detects full throttle position (accelerator pedal fully depressed). Sends a signal to A/T control unit when throttle position sensor malfunctions.	BR
	Shift solenoid valve A/B	Selects shifting point suited to driving conditions in relation to a signal sent from A/T control unit.	ST
	Line pressure solenoid valve	Regulates (or decreases) line pressure, responding to A/T control unit signal to meet driving conditions.	RS
	Torque converter clutch solenoid valve	Regulates (or decreases) lock up pressure, responding to A/T control unit signal to meet driving conditions.	BT
	Overrun clutch solenoid valve	Controls engine brake effects responding to A/T control unit signal to meet driving conditions.	HA
	Diagnostic information display	Shows A/T control unit faults, when A/T control components malfunction.	EL IDX

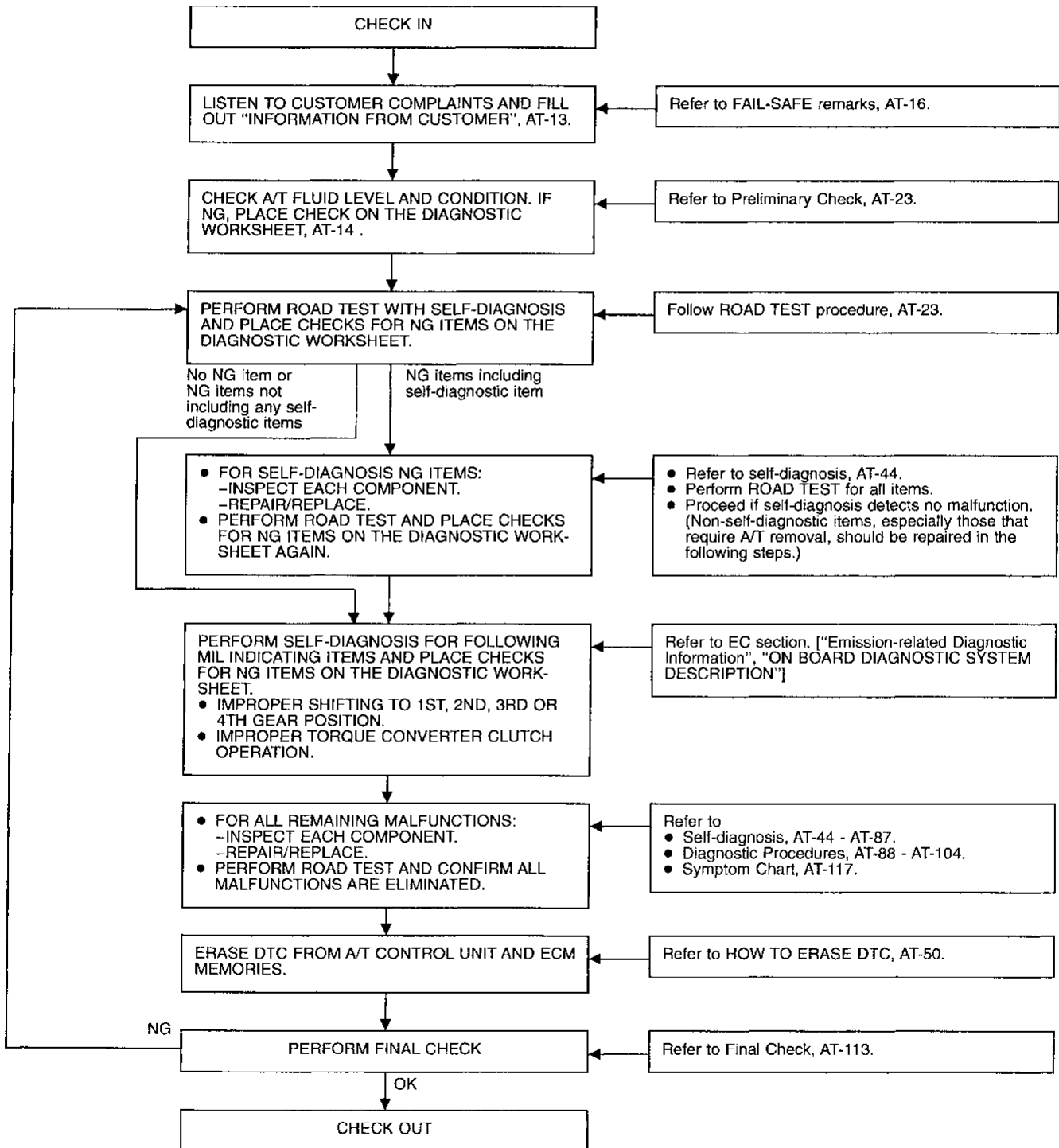
TROUBLE DIAGNOSES

How to Perform Trouble Diagnoses for Quick and Accurate Repair

A good understanding of the malfunction conditions can make troubleshooting faster and more accurate. In general, each customer feels differently about a problem. It is important to fully understand the symptoms a customer complains about, and under what conditions the problem occurs.

Make good use of the two sheets provided, "INFORMATION FROM CUSTOMER" and "DIAGNOSTIC WORKSHEET", to perform the best troubleshooting possible.

WORK FLOW



TROUBLE DIAGNOSES

How to Perform Trouble Diagnoses for Quick and Accurate Repair (Cont'd)

INFORMATION FROM CUSTOMER

KEY POINTS

- WHAT** Vehicle & A/T model
WHEN Date, Frequencies
WHERE ... Road conditions
HOW Operating conditions, Symptoms

Customer name MR/MS	Model & Year	VIN
Trans. model RE4R01A	Engine VG30DE	Mileage
Incident Date	Manuf. Date	In Service Date
Frequency	<input type="checkbox"/> Continuous <input type="checkbox"/> Intermittent (times a day)	
Symptoms	<input type="checkbox"/> Vehicle does not move. (<input type="checkbox"/> Any position <input type="checkbox"/> Particular position)	
	<input type="checkbox"/> No up-shift (<input type="checkbox"/> 1st → 2nd <input type="checkbox"/> 2nd → 3rd <input type="checkbox"/> 3rd → O/D)	
	<input type="checkbox"/> No down-shift (<input type="checkbox"/> O/D → 3rd <input type="checkbox"/> 3rd → 2nd <input type="checkbox"/> 2nd → 1st)	
	<input type="checkbox"/> Lockup malfunction	
	<input type="checkbox"/> Shift point too high or too low.	
	<input type="checkbox"/> Shift shock or slip (<input type="checkbox"/> N → D <input type="checkbox"/> Lockup <input type="checkbox"/> Any drive position)	
	<input type="checkbox"/> Noise or vibration	
	<input type="checkbox"/> No kickdown	
	<input type="checkbox"/> No pattern select	
A/T check indicator lamp	<input type="checkbox"/> Others ()	
	Blinks for about 8 seconds.	
Malfunction indicator lamp (MIL)	<input type="checkbox"/> Continuously lit	<input type="checkbox"/> Not lit
	<input type="checkbox"/> Continuously lit	<input type="checkbox"/> Not lit

GI
MA
EM
LC
EC
FE
AT
PD
FA
RA
BR
ST
RS
BT
HA
EL
IDX

TROUBLE DIAGNOSES

How to Perform Trouble Diagnoses for Quick and Accurate Repair (Cont'd)

DIAGNOSTIC WORKSHEET

1.	<input type="checkbox"/> Read the Fail-safe Remarks and listen to customer complaints.	AT-16
2.	<input type="checkbox"/> CHECK A/T FLUID <input type="checkbox"/> Leakage (Follow specified procedure) <input type="checkbox"/> Fluid condition <input type="checkbox"/> Fluid level	AT-23
3.	<input type="checkbox"/> Perform all ROAD TEST and mark required procedures.	AT-23
	3-1. Check before engine is started. <input type="checkbox"/> SELF-DIAGNOSTIC PROCEDURE — Mark detected items. <ul style="list-style-type: none"> <input type="checkbox"/> Revolution sensor <input type="checkbox"/> Vehicle speed sensor <input type="checkbox"/> Throttle position sensor <input type="checkbox"/> Shift solenoid valve A <input type="checkbox"/> Shift solenoid valve B <input type="checkbox"/> Overrun clutch solenoid valve <input type="checkbox"/> Torque converter clutch solenoid valve <input type="checkbox"/> Fluid temperature sensor and A/T control unit power source <input type="checkbox"/> Engine speed signal <input type="checkbox"/> Turbine revolution sensor <input type="checkbox"/> Line pressure solenoid valve <input type="checkbox"/> Battery <input type="checkbox"/> Others 	AT-24
	3-2. Check at idle <ul style="list-style-type: none"> <input type="checkbox"/> Diagnostic Procedure 1 (A/T check indicator lamp come on for 2 seconds.) <input type="checkbox"/> Diagnostic Procedure 2 (Engine starts only in P and N position) <input type="checkbox"/> Diagnostic Procedure 3 (In P position, vehicle does not move when pushed) <input type="checkbox"/> Diagnostic Procedure 4 (In N position, vehicle moves) <input type="checkbox"/> Diagnostic Procedure 5 (Select shock. N → R position) <input type="checkbox"/> Diagnostic Procedure 6 (Vehicle creeps backward in R position) <input type="checkbox"/> Diagnostic Procedure 7 (Vehicle creeps forward in D, 3, 2 or 1 position) 	AT-24
	3-3. Cruise test Part-1 <ul style="list-style-type: none"> <input type="checkbox"/> Diagnostic Procedure 8 (Vehicle starts from D₁) <input type="checkbox"/> Diagnostic Procedure 9 <input type="checkbox"/> Diagnostic Procedure 10 <input type="checkbox"/> Diagnostic Procedure 11 <div style="margin-left: 40px;"> } (A/T shift schedule: D₁ → D₂/D₂ → D₃/D₃ → D₄/D₄ → D₂) </div> <ul style="list-style-type: none"> <input type="checkbox"/> Diagnostic Procedure 12 (Shift schedule: Lock-up) <input type="checkbox"/> Diagnostic Procedure 13 (Lock-up condition more than 30 seconds) <input type="checkbox"/> Diagnostic Procedure 14 (Lock-up released) <input type="checkbox"/> Diagnostic Procedure 15 (Engine speed return to idle. Light braking D₄ → D₃) 	AT-29

TROUBLE DIAGNOSES

How to Perform Trouble Diagnoses for Quick and Accurate Repair (Cont'd)

3.	<p>Part-2</p> <ul style="list-style-type: none"> <input type="checkbox"/> Diagnostic Procedure 16 (Vehicle starts from D₁) <input type="checkbox"/> Diagnostic Procedure 9 (Kickdown: D₄ → D₂) <input type="checkbox"/> Diagnostic Procedure 10 (Shift schedule: D₂ → D₃) <input type="checkbox"/> Diagnostic Procedure 11 (Shift schedule: D₃ → D₄ and engine brake) <input type="checkbox"/> Diagnostic Procedure 17 (Kickdown: D₂ → D₁) <hr/> <p>Part-3</p> <ul style="list-style-type: none"> <input type="checkbox"/> Diagnostic Procedure 18 (D₄ → D₃ when selector lever D → 3 position) <input type="checkbox"/> Diagnostic Procedure 15 (Engine brake in 3₃) <input type="checkbox"/> Diagnostic Procedure 19 (3₃ → 2₂ when selector lever 3 → 2 position) <input type="checkbox"/> Diagnostic Procedure 15 (Engine brake in 2₂) <input type="checkbox"/> Diagnostic Procedure 20 (2₂ (1₂) → 1₁, when selector lever 2 → 1 position) <input type="checkbox"/> Diagnostic Procedure 21 (Engine brake in 1₁) <input type="checkbox"/> SELF-DIAGNOSTIC PROCEDURE — Mark detected items. <ul style="list-style-type: none"> <input type="checkbox"/> Revolution sensor <input type="checkbox"/> Vehicle speed sensor <input type="checkbox"/> Throttle position sensor <input type="checkbox"/> Shift solenoid valve A <input type="checkbox"/> Shift solenoid valve B <input type="checkbox"/> Overrun clutch solenoid valve <input type="checkbox"/> Torque converter clutch solenoid valve <input type="checkbox"/> Fluid temperature sensor and A/T control unit power source <input type="checkbox"/> Engine speed signal <input type="checkbox"/> Turbine revolution sensor <input type="checkbox"/> Line pressure solenoid valve <input type="checkbox"/> Battery <input type="checkbox"/> Others 	AT-31	GI MA EM LC EC FE AT PD FA		
4.	<input type="checkbox"/> For self-diagnosis NG items, inspect each component. Repair or replace the damaged parts.	AT-44	RA		
5.	<input type="checkbox"/> Perform all ROAD TEST and re-mark required procedures.	AT-23	BR		
6.	<input type="checkbox"/> Perform SELF-DIAGNOSIS for following MIL indicating items and check out NG items. Refer to EC section ["Emission-related Diagnostic Information", "ON BOARD DIAGNOSTIC SYSTEM DESCRIPTION"]. <ul style="list-style-type: none"> <input type="checkbox"/> DTC (P0731, 1103) Improper shifting to 1st gear position <input type="checkbox"/> DTC (P0732, 1104) Improper shifting to 2nd gear position <input type="checkbox"/> DTC (P0733, 1105) Improper shifting to 3rd gear position <input type="checkbox"/> DTC (P0734, 1106) Improper shifting to 4th gear position or TCC 	EC section	ST RS		
7.	<input type="checkbox"/> Perform the Diagnostic Procedures for all remaining items marked NG. Repair or replace the damaged parts. (With relation to No. 6/MIL indicating items) <input type="checkbox"/> Perform INSPECTION OF A/T CONTROL UNIT. Refer to the Symptom Chart when you perform the procedures. (The chart also shows some other possible symptoms and the component inspection orders.)	AT-104 AT-117	BT HA		
8.	<input type="checkbox"/> Erase DTC from A/T control unit and ECM memories.	AT-50	EL		
9.	<p>Perform FINAL CHECK.</p> <ul style="list-style-type: none"> <input type="checkbox"/> Stall test — Mark possible damaged components/others. <table style="width: 100%; border: none;"> <tr> <td style="width: 50%; vertical-align: top;"> <ul style="list-style-type: none"> <input type="checkbox"/> Torque converter one-way clutch <input type="checkbox"/> Reverse clutch <input type="checkbox"/> Forward clutch <input type="checkbox"/> Overrun clutch <input type="checkbox"/> Forward one-way clutch </td> <td style="width: 50%; vertical-align: top;"> <ul style="list-style-type: none"> <input type="checkbox"/> Low & reverse brake <input type="checkbox"/> Low one-way clutch <input type="checkbox"/> Engine <input type="checkbox"/> Line pressure is low <input type="checkbox"/> Clutches and brakes except high clutch and brake band are OK </td> </tr> </table> <input type="checkbox"/> Pressure test — Suspected parts: 	<ul style="list-style-type: none"> <input type="checkbox"/> Torque converter one-way clutch <input type="checkbox"/> Reverse clutch <input type="checkbox"/> Forward clutch <input type="checkbox"/> Overrun clutch <input type="checkbox"/> Forward one-way clutch 	<ul style="list-style-type: none"> <input type="checkbox"/> Low & reverse brake <input type="checkbox"/> Low one-way clutch <input type="checkbox"/> Engine <input type="checkbox"/> Line pressure is low <input type="checkbox"/> Clutches and brakes except high clutch and brake band are OK 	AT-113	IDX
<ul style="list-style-type: none"> <input type="checkbox"/> Torque converter one-way clutch <input type="checkbox"/> Reverse clutch <input type="checkbox"/> Forward clutch <input type="checkbox"/> Overrun clutch <input type="checkbox"/> Forward one-way clutch 	<ul style="list-style-type: none"> <input type="checkbox"/> Low & reverse brake <input type="checkbox"/> Low one-way clutch <input type="checkbox"/> Engine <input type="checkbox"/> Line pressure is low <input type="checkbox"/> Clutches and brakes except high clutch and brake band are OK 				

Remarks

FAIL-SAFE

The A/T control unit has an electronic Fail-Safe (limp home mode). This allows the vehicle to be driven even if a major electrical input/output device circuit is damaged.

In this condition, the vehicle runs in third gear in positions 1, 2 or D and will not upshift. Customer may say "Sluggish, poor acceleration".

When Fail-safe operation occurs the next time the key is turned to the ON position, the A/T check indicator lamp will blink for about 8 seconds. (For diagnosis, refer to AT-24.) Regarding the following Fail-safe items, when the Fail-safe operation occurs, the malfunction indicator lamp (MIL) will also illuminate.

- Revolution sensor
- Engine speed signal
- Shift solenoid valve A
- Shift solenoid valve B
- Throttle position sensor

Fail-safe may occur without electrical circuit damage if the vehicle is driven under extreme conditions (such as excessive wheel spin followed by sudden braking). To recover normal shift pattern, turn ignition key OFF for 5 seconds, then ON.

The blinking of the A/T check indicator lamp for about 8 seconds will appear only once and be cleared. The customer may resume normal driving conditions by chance.

Always follow the "WORK FLOW" (Refer to AT-12).

The SELF-DIAGNOSIS results will be as follows:

The first SELF-DIAGNOSIS will indicate the damage of the vehicle speed sensor or the revolution sensor.

During the next SELF-DIAGNOSIS performed after checking the sensor, no damages will be indicated.

ATF COOLER SERVICE

Replace ATF cooler if excessive foreign material is found in oil pan or clogging strainer.

VG30DE engine (with RE4R01A) ... fin type cooler

Replace radiator assembly with a new one. Flush cooler lines using cleaning solvent and compressed air.

OBD-II SELF-DIAGNOSIS

- A/T self-diagnosis is performed by the A/T control unit in combination with the ECM. The results can be read through the blinking pattern of the A/T check indicator or the malfunction indicator lamp (MIL). Refer to the table on AT-44 for the indicator used to display each self-diagnostic result.
- The self-diagnostic results indicated by the MIL are automatically stored in both the ECM and A/T control unit memories.
Always perform the procedure "HOW TO ERASE DTC" on AT-50 to complete the repair and avoid unnecessary blinking of the MIL.
- The following self-diagnostic items can be detected using ECM self-diagnostic results mode only when the A/T check indicator lamp does not indicate any malfunctions.
 - Improper shifting to 1st, 2nd, 3rd, or 4th gear position
 - Improper torque converter clutch operation.

For details of OBD-II, refer to EC section ("ON BOARD DIAGNOSTIC SYSTEM DESCRIPTION").

TROUBLE DIAGNOSES

NOTE

GI

MA

EM

LC

EC

FE

AT

PD

FA

RA

BR

ST

RS

BT

HA

EL

IDX

TROUBLE DIAGNOSES

Diagnostic Trouble Code (DTC) Chart

A/T RELATED ITEMS

Diagnostic trouble code No.*4		Detected items (Screen terms for CONSULT, "SELF-DIAG RESULTS" mode)	Malfunction is detected when ...
CONSULT GST	ECM*3		
P0705	1101	Inhibitor switch circuit (INHIBITOR SWITCH)	● A/T control unit does not receive the correct voltage signal from the switch based on the gear position.
P0710	1208	Fluid temperature sensor (FLUID TEMP SENSOR)	● A/T control unit receives an excessively low or high voltage from the sensor.
P0720	1102	Revolution sensor (VHCL SPEED SEN-A/T)	● A/T control unit does not receive the proper voltage signal from the sensor.
P0725	1207	Engine speed signal (ENGINE SPEED SIG)	● A/T control unit does not receive the proper voltage signal from the ECM.
P0731	1103	Improper shifting to 1st gear position (A/T 1ST SIGNAL)	● A/T cannot be shifted to the 1st gear position even electrical circuit is good.
P0732	1104	Improper shifting to 2nd gear position (A/T 2ND SIGNAL)	● A/T cannot be shifted to the 2nd gear position even electrical circuit is good.
P0733	1105	Improper shifting to 3rd gear position (A/T 3RD SIGNAL)	● A/T cannot be shifted to the 3rd gear position even electrical circuit is good.
P0734	1106	Improper shifting to 4th gear position or TCC (A/T 4TH SIGNAL OR TCC)	● A/T cannot be shifted to the 4th gear position or perform lock-up even electrical circuit is good.
P0740	1204	T/C clutch solenoid valve (TOR CONV CLUTCH SV)	● A/T control unit detects the improper voltage drop when it tries to operate the solenoid valve.
P0745	1205	Line pressure solenoid valve (LINE PRESSURE S/V)	● A/T control unit detects the improper voltage drop when it tries to operate the solenoid valve.
P0750	1108	Shift solenoid valve A (SHIFT SOLENOID/V A)	● A/T control unit detects the improper voltage drop when it tries to operate the solenoid valve.
P0755	1201	Shift solenoid valve B (SHIFT SOLENOID/V B)	● A/T control unit detects the improper voltage drop when it tries to operate the solenoid valve.
P1705	1206	Throttle position sensor Throttle position switch (THRTL POSI SEN-A/T)	● A/T control unit receives an excessively low or high voltage from the sensor.
P1760	1203	Overrun clutch solenoid valve (OVERRUN CLUTCH S/V)	● A/T control unit detects the improper voltage drop when it tries to operate the solenoid valve.

*1: DRIVING pattern 1-6 means as follows:

Pattern 1 should meet b and c.

Pattern 2 should meet a and c.

Pattern 3 should meet a through e.

Pattern 4 should meet a and b.

Pattern 5 should meet a through c.

Pattern 6 should meet a through d.

a: Selector lever is in "D" position.

b: Vehicle speed is over 10 km/h (6 MPH).

c: Throttle opening is over 1/8.

d: Engine speed is over 450 rpm.

e: A/T fluid temperature is 20 - 120°C (68 - 248°F).

*3: In Diagnostic Test Mode II (Self-diagnostic results)

*4: 1st trip DTC No. is the same as DTC No.

TROUBLE DIAGNOSES

Diagnostic Trouble Code (DTC) Chart (Cont'd)

X: Applicable
—: Not applicable

Check Items (Possible Cause)	*1 "DTC CONFIRMATION PROCEDURE" Quick Ref.	*2 "OVERALL FUNCTION CHECK" Quick Ref.	*8 Fail Safe System	MIL Illumination	Reference Page
<ul style="list-style-type: none"> ● Harness or connectors (The switch circuit is open or shorted.) ● Inhibitor switch 	DRIVING (pattern 1)	—	—	2 trip	AT-74
<ul style="list-style-type: none"> ● Harness or connectors (The sensor circuit is open or shorted.) ● Fluid temperature sensor 	DRIVING (pattern 6)	—	X	2 trip	AT-65
<ul style="list-style-type: none"> ● Harness or connectors (The sensor circuit is open or shorted.) ● Revolution sensor 	DRIVING (pattern 2)	—	X*7	2 trip*3	AT-51
<ul style="list-style-type: none"> ● Harness or connectors (The signal circuit is open or shorted.) 	DRIVING (pattern 5)	—	X*7	2 trip*3	AT-68
<ul style="list-style-type: none"> ● Shift solenoid valve A ● Shift solenoid valve B ● Overrun clutch solenoid valve ● Line pressure solenoid valve ● Each clutch ● Hydraulic control circuit <hr style="border-top: 1px dashed black;"/> <ul style="list-style-type: none"> ● T/C clutch solenoid valve 	DRIVING (pattern 3)	—	—	2 trip	AT-78
					AT-80
					AT-82
					AT-84
<ul style="list-style-type: none"> ● Harness or connectors (The solenoid circuit is open or shorted.) ● T/C clutch solenoid valve 	IGN: ON	—	X	2 trip	AT-63
<ul style="list-style-type: none"> ● Harness or connectors (The solenoid circuit is open or shorted.) ● Line pressure solenoid valve 	IGN: ON	—	X	2 trip	AT-72
<ul style="list-style-type: none"> ● Harness or connectors (The solenoid circuit is open or shorted.) ● Shift solenoid valve A 	IGN: ON	—	X*7	2 trip	AT-57
<ul style="list-style-type: none"> ● Harness or connectors (The solenoid circuit is open or shorted.) ● Shift solenoid valve B 	IGN: ON	—	X*7	2 trip	AT-59
<ul style="list-style-type: none"> ● Harness or connectors (The sensor circuit is open or shorted.) ● Throttle position sensor ● Throttle position switch 	DRIVING (pattern 4)	—	X*7	2 trip	AT-55
<ul style="list-style-type: none"> ● Harness or connectors (The solenoid circuit is open or shorted.) ● Overrun clutch solenoid valve 	IGN: ON	—	X	2 trip	AT-61

*1: ● This is Quick Reference of "DTC CONFIRMATION PROCEDURE".
Details are described in each TROUBLE DIAGNOSIS FOR DTC PXXXX.

*2: ● The "OVERALL FUNCTION CHECK" is a simplified and effective way to inspect a component or circuit.
In some cases, the "OVERALL FUNCTION CHECK" is used rather than a "DIAGNOSTIC TROUBLE CODE CONFIRMATION PROCEDURE".
When no DTC CONFIRMATION PROCEDURE is available, the "NG" result of the OVERALL FUNCTION CHECK can be considered to mean the same as a DTC detection.

- During an "NG" OVERALL FUNCTION CHECK, the DTC or 1st trip DTC might not be confirmed.
- This is Quick Reference of "OVERALL FUNCTION CHECK".
Details are described in each TROUBLE DIAGNOSIS FOR DTC PXXXX.

*7: ● When the fail-safe operation occurs, the MIL illuminates immediately.

*8: ● The MIL illuminates after A/T control unit enters the fail-safe mode in two consecutive trips, if both the "Revolution sensor" and the "Engine speed signal" meet the fail-safe condition at the same time.

TROUBLE DIAGNOSES

Diagnosis by CONSULT

NOTICE

1. The CONSULT electrically displays shift timing and lock-up timing (that is, operation timing of each solenoid).
Check for time difference between actual shift timing and the CONSULT display. If the difference is noticeable, mechanical parts (except solenoids, sensors, etc.) may be malfunctioning. Check mechanical parts using applicable diagnostic procedures.
2. Shift schedule (which implies gear position) displayed on CONSULT and that indicated in Service Manual may differ slightly. This occurs because of the following reasons:
 - Actual shift schedule has more or less tolerance or allowance,
 - Shift schedule indicated in Service Manual refers to the point where shifts start, and gear position displayed on CONSULT indicates the point where shifts are completed.
3. Shift solenoid valve "A" or "B" is displayed on CONSULT at the start of shifting while gear position is displayed upon completion of shifting (which is computed by A/T control unit).
4. Additional CONSULT information can be found in the Operation Manual supplied with the CONSULT unit.

SELF-DIAGNOSIS RESULT TEST MODE

Refer to AT-44.

DATA MONITOR DIAGNOSTIC TEST MODE

Item	Display	Monitor item		Description	Remarks
		ECU input signals	Main signals		
Vehicle speed sensor 1 (A/T) (Revolution sensor)	VHCL/S SE-A/T [km/h] or [mph]	X	—	<ul style="list-style-type: none"> ● Vehicle speed computed from signal of revolution sensor is displayed. 	When racing engine in N or P position with vehicle stationary, CONSULT data may not indicate 0 km/h (0 mph).
Vehicle speed sensor 2 (Meter)	VHCL/S SE-MTR [km/h] or [mph]	X	—	<ul style="list-style-type: none"> ● Vehicle speed computed from signal of vehicle speed sensor is displayed. 	Vehicle speed display may not be accurate under approx. 10 km/h (6 mph). It may not indicate 0 km/h (0 mph) when vehicle is stationary.
Throttle position sensor	THRTL POS SEN [V]	X	—	<ul style="list-style-type: none"> ● Throttle position sensor signal voltage is displayed. 	
Fluid temperature sensor	FLUID TEMP SEN [V]	X	—	<ul style="list-style-type: none"> ● Fluid temperature sensor signal voltage is displayed. ● Signal voltage lowers as fluid temperature rises. 	
Battery voltage	BATTERY VOLT [V]	X	—	<ul style="list-style-type: none"> ● Source voltage of control unit is displayed. 	
Engine speed	ENG SPEED [rpm]	X	X	<ul style="list-style-type: none"> ● Engine speed, computed from engine speed signal, is displayed. 	Error may occur under approx. 800 rpm and meter will not indicate 0 rpm even if engine is not running.
Turbine revolution sensor	TURBINE REV [rpm]	X	—	<ul style="list-style-type: none"> ● Turbine revolution computed from signal of turbine revolution sensor is displayed. 	Error may occur under approx. 800 rpm and meter will not indicate 0 rpm even if engine is not running.
P/N position switch	P/N POSI SW [ON/OFF]	X	—	<ul style="list-style-type: none"> ● ON/OFF state computed from signal of P/N position SW is displayed. 	
R position switch	R POSITION SW [ON/OFF]	X	—	<ul style="list-style-type: none"> ● ON/OFF state computed from signal of R position SW is displayed. 	
D position switch	D POSITION SW [ON/OFF]	X	—	<ul style="list-style-type: none"> ● ON/OFF state computed from signal of D position SW is displayed. 	
4 position switch	4 POSITION SW [ON/OFF]	—	—		
3 position switch	3 POSITION SW [ON/OFF]	X	—	<ul style="list-style-type: none"> ● ON/OFF state computed from signal of 3 position SW is displayed. 	

TROUBLE DIAGNOSES

Diagnosis by CONSULT (Cont'd)

Item	Display	Monitor item		Description	Remarks
		ECU input signals	Main signals		
2 position switch	2 POSITION SW [ON/OFF]	X	—	● ON/OFF status, computed from signal of 2 position SW, is displayed.	
1 position switch	1 POSITION SW [ON/OFF]	X	—	● ON/OFF status, computed from signal of 1 position SW, is displayed.	
ASCD-cruise signal	ASCD-CRUIS [ON/OFF]	X	—	● Status of ASCD cruise signal is displayed. ON ... Cruising state OFF ... Normal running state	● This is displayed even when no ASCD is mounted.
ASCD-OD cut signal	ASCD-OD CUT [ON/OFF]	X	—	● Status of ASCD-OD release signal is displayed. ON ... OD released OFF ... OD not released	● This is displayed even when no ASCD is mounted.
Kickdown switch	KICKDOWN SW [ON/OFF]	X	—	● ON/OFF status, computed from signal of kickdown SW, is displayed.	
Closed throttle position switch	CLOSE THL/SW [ON/OFF]	X	—	● ON/OFF status, computed from signal of closed throttle position SW, is displayed.	
Wide open throttle position switch	W/O THR/P-SW [ON/OFF]	X	—	● ON/OFF status, computed from signal of wide open throttle position SW, is displayed.	
Gear position	GEAR		X	● Gear position data used for computation by control unit, is displayed.	
Selector lever position	RANGE or SLCT LVR POSI		X	● Selector lever position data, used for computation by control unit, is displayed.	● A specific value used for control is displayed if fail-safe is activated due to error.
Vehicle speed	VEHICLE SPEED [km/h] or [mph]		X	● Vehicle speed data, used for computation by control unit, is displayed.	
Throttle position	THROTTLE POSI [8]		X	● Throttle position data, used for computation by control unit, is displayed.	● A specific value used for control is displayed if fail-safe is activated due to error.
Line pressure duty	LINE PRES DUTY [%]		X	● Control value of line pressure solenoid valve, computed by control unit from each input signal, is displayed.	
Lock-up duty	TCC S/V DUTY [%]		X	● Control value of torque converter clutch solenoid valve, computed by control unit from each input signal, is displayed.	
Shift solenoid valve A	SHIFT SOL/V A [ON/OFF]	—	X	● Control value of shift solenoid valve A, computed by control unit from each input signal, is displayed.	Control value of solenoid is displayed even if solenoid circuit is disconnected.
Shift solenoid valve B	SHIFT SOL/V B [ON/OFF]	—	X	● Control value of shift solenoid valve B, computed by control unit from each input signal, is displayed.	The "OFF" signal is displayed if solenoid circuit is shorted.
Overrun clutch solenoid valve	OVERRUN/C SOL/V [ON/OFF]	—	X	● Control value of overrun clutch solenoid valve computed by control unit from each input signal is displayed.	
Power shift lamp	POWER SHIFT LAMP	—	—	● Control status of power shift lamp is displayed.	

GI
 MA
 EM
 LC
 EC
 FE
AT
 PD
 FA
 RA
 BR
 ST
 RS
 BT
 HA
 EL
 IDX

TROUBLE DIAGNOSES

Diagnosis by CONSULT (Cont'd)

Item	Display	Monitor item		Description	Remarks
		ECU input signals	Main signals		
Power shift switch	POWER SHIFT SW	—	—	<ul style="list-style-type: none"> ON/OFF status, computed from signal of power shift SW, is displayed. 	<ul style="list-style-type: none"> This is displayed even when no power SW is equipped. On vehicles with power SW mounted on lever, this item is invalid although displayed.
Hold switch	HOLD SW	—	—	<ul style="list-style-type: none"> ON/OFF status, computed from signal of hold SW, is displayed. 	

X: Applicable

—: Not applicable

Note:

1. When select ECU input signals on CONSULT, electronic control unit input signal are set.

2. When selecting main signals on CONSULT, monitored items for understanding overall system operation are set. This setting is indicated by a reversed display.

DATA ANALYSIS

Item	Display form	Meaning
Torque converter clutch solenoid valve duty	Approximately 4% ↓ Approximately 94%	Lock-up "OFF" ↓ Lock-up "ON"
Line pressure solenoid valve duty	Approximately 0% ↓ Approximately 95%	Low line-pressure (Small throttle opening) ↓ High line-pressure (Large throttle opening)
Throttle position sensor	Approximately 0.5V	Fully-closed throttle
	Approximately 4V	Fully-open throttle
Fluid temperature sensor	Approximately 1.5V ↓ Approximately 0.5V	Cold [20°C (68°F)] ↓ Hot [80°C (176°F)]

Gear position	1	2	3	4
Shift solenoid valve A	ON	OFF	OFF	ON
Shift solenoid valve B	ON	ON	OFF	OFF

Preliminary Check

A/T FLUID CHECK

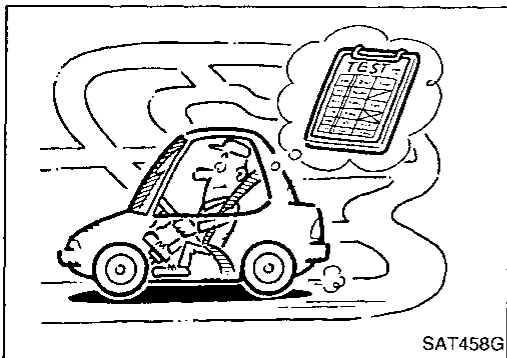
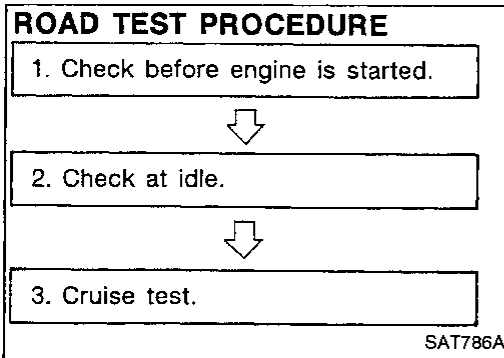
Fluid leakage check

1. Clean area suspected of leaking, — for example, mating surface of converter housing and transmission case. GI
2. Start engine, apply foot brake, place selector lever in "D" position and wait a few minutes. MA
3. Stop engine. EM
4. Check for fresh leakage.

Fluid condition check

Fluid color	Suspected problem
Dark or black with burned odor	Wear of frictional material LC
Milky pink	Water contamination — Road water entering through filler tube or breather EC
Varnished fluid, light to dark brown and tacky	Oxidation — Over or under filling, overheating FE

Fluid level check — Refer to MA section (CHASSIS AND BODY MAINTENANCE). AT



ROAD TEST

Description

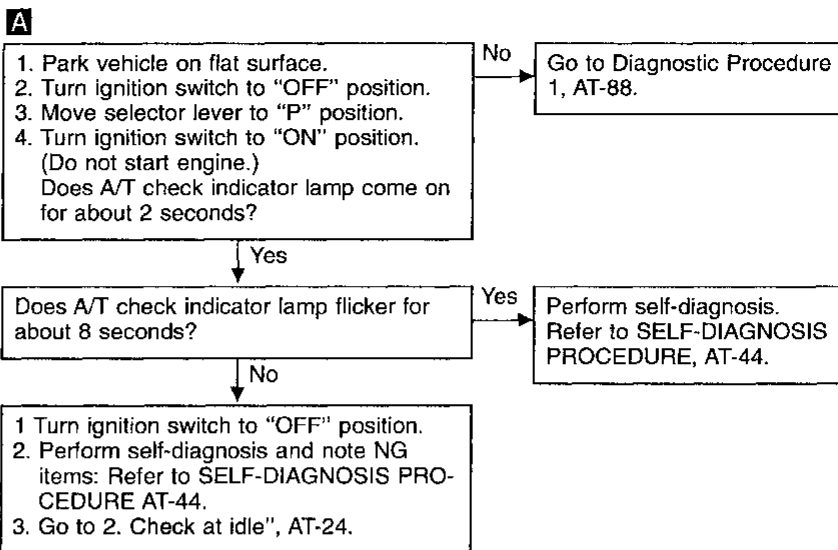
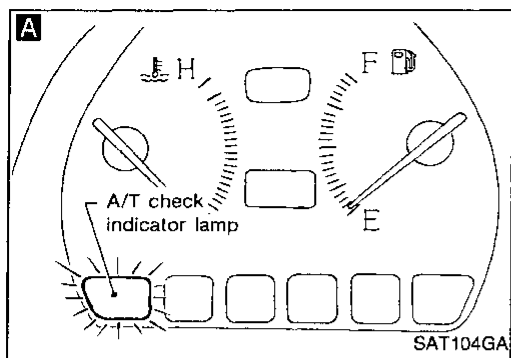
- The purpose of a road test is to analyze overall performance and determine causes of problems. PD
- The road test consists of the following three parts: FA
 1. Check before engine is started RA
 2. Check at idle BR
 3. Cruise test ST
- Before road test, familiarize yourself with all test procedures and items to check. RS
- Conduct tests on all items until specified symptom is found. Troubleshoot items which check out No Good after road test. Refer to "Self-diagnosis" and "Diagnostic Procedure", AT-44, 88. BT

GI
 MA
 EM
 LC
 EC
 FE
 AT
 PD
 FA
 RA
 BR
 ST
 RS
 BT
 HA
 EL
 IDX

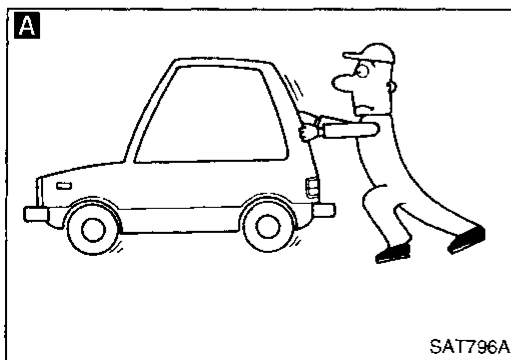
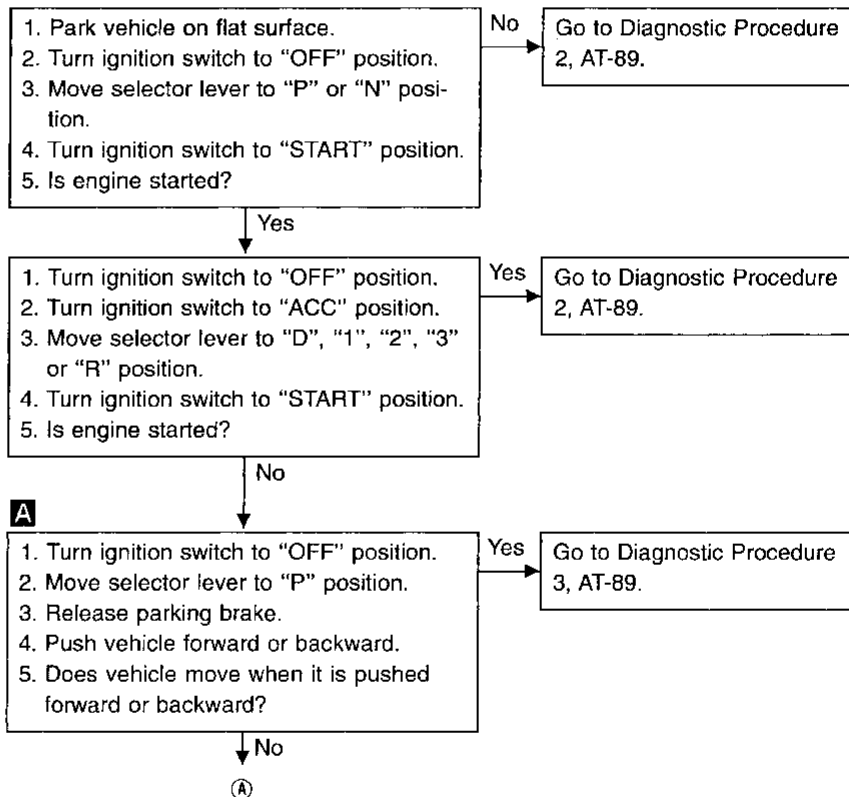
TROUBLE DIAGNOSES

Preliminary Check (Cont'd)

1. Check before engine is started

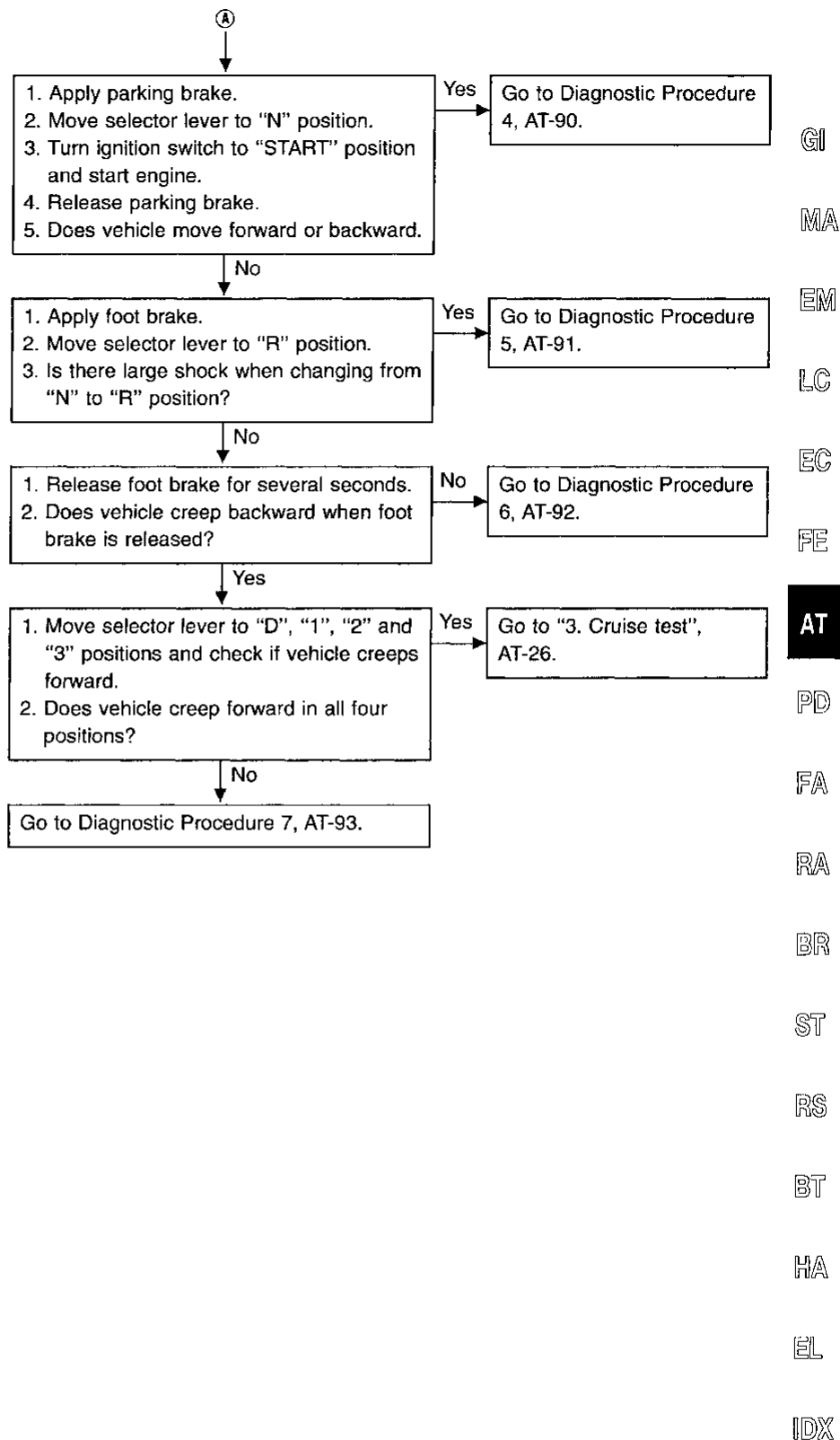


2. Check at idle



TROUBLE DIAGNOSES

Preliminary Check (Cont'd)



TROUBLE DIAGNOSES

Preliminary Check (Cont'd)

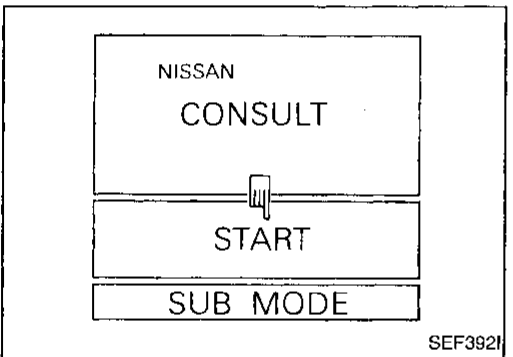
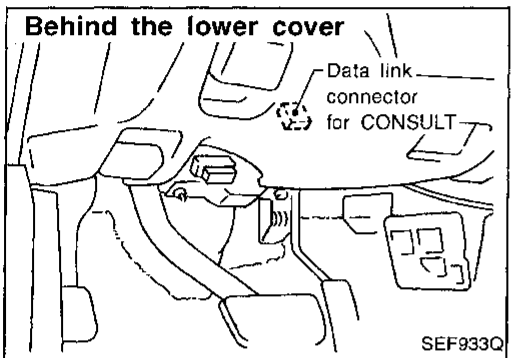
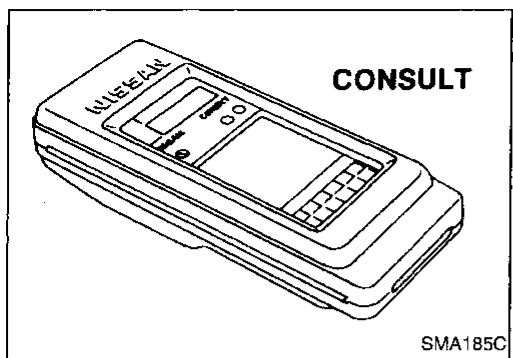
3. Cruise test

With CONSULT

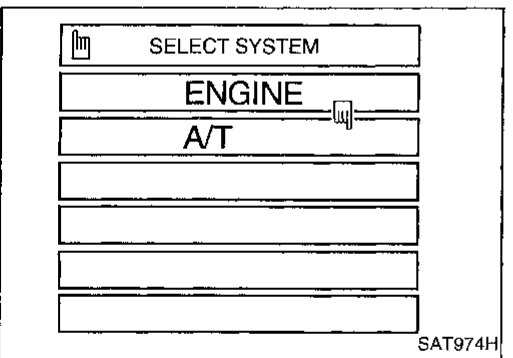
- Using CONSULT, conduct a cruise test and record the result.
- Print the result and ensure that shifts and lock-ups take place as per "Shift Schedule".
- Check all items listed in Parts 1 through 3.

CONSULT setting procedure

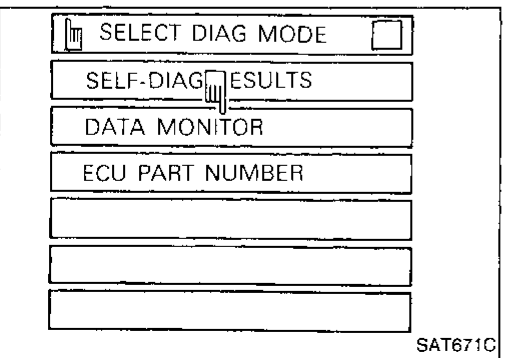
1. Turn off ignition switch.
2. Connect "CONSULT" to Data link connector for CONSULT. (Data link connector for CONSULT is located behind the lower cover.)



3. Turn on ignition switch.
4. Touch "START".



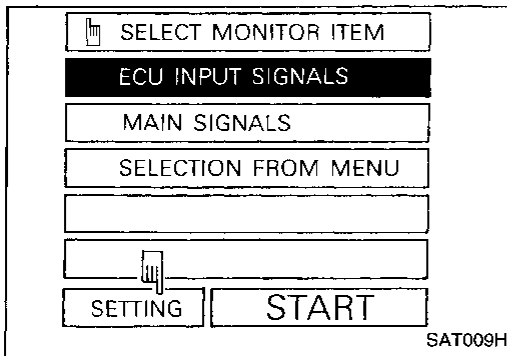
5. Touch "A/T".



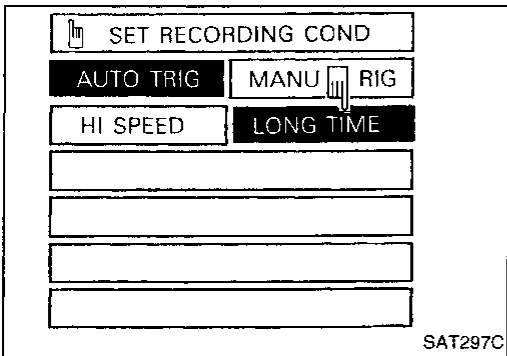
6. Touch "DATA MONITOR".

TROUBLE DIAGNOSES

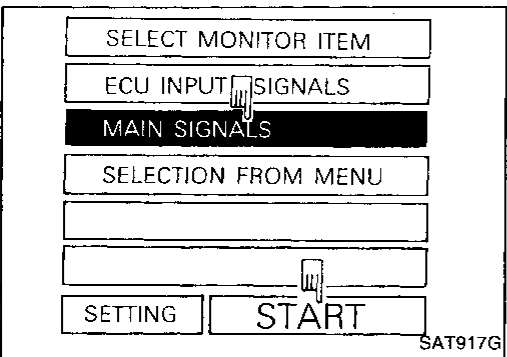
Preliminary Check (Cont'd)



7. Touch "SETTING" to set recording condition.

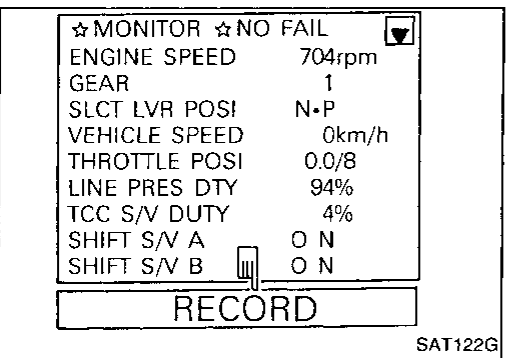


8. Touch "LONG TIME" and "ENTER" key.

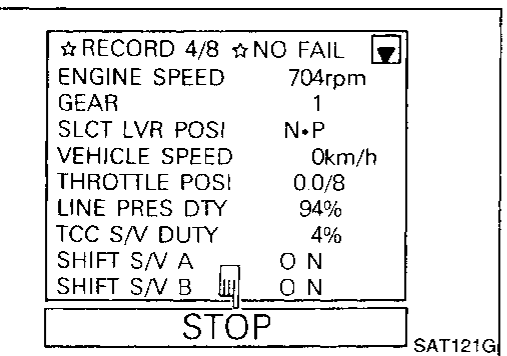


9. Go back to SELECT MONITOR ITEM and touch "MAIN SIGNALS".

10. Touch "START".



11. When performing cruise test, touch "RECORD".



12. After finishing cruise test part 1, touch "STOP".

GI

MA

EM

LC

EC

FE

AT

PD

FA

RA

BR

ST

RS

BT

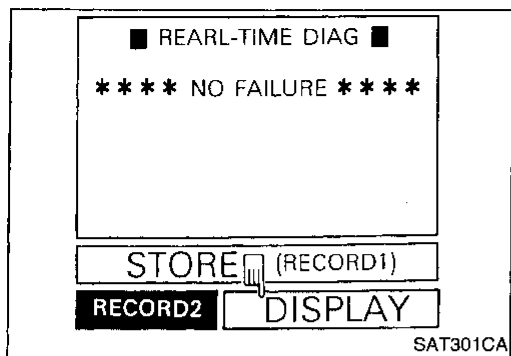
HA

EL

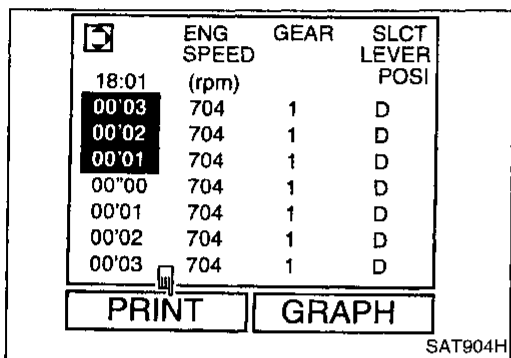
IDX

TROUBLE DIAGNOSES

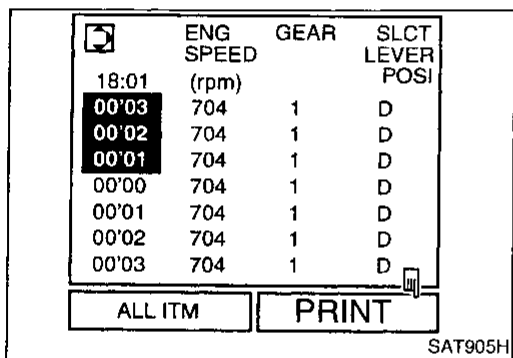
Preliminary Check (Cont'd)



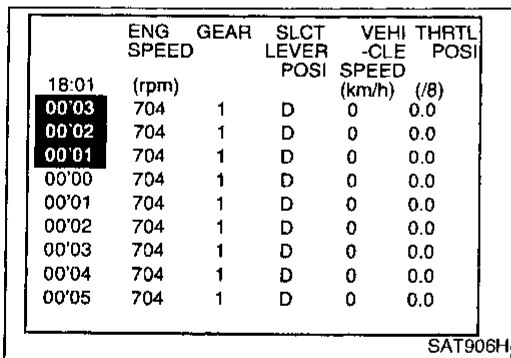
13. Touch "DISPLAY".



14. Touch "PRINT".

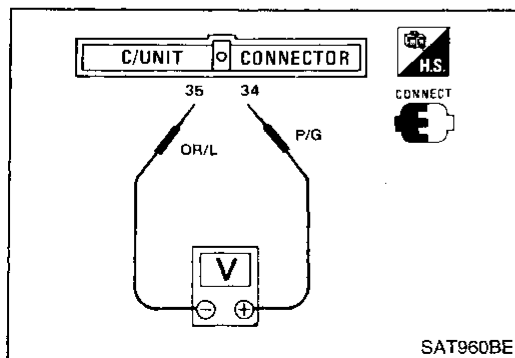


15. Touch "PRINT" again.



16. Check the monitor data printed out.

17. Continue cruise test part 2 and 3.



Without CONSULT

- Throttle position can be controlled by voltage across terminals ③④ and ③⑤ of A/T control unit.

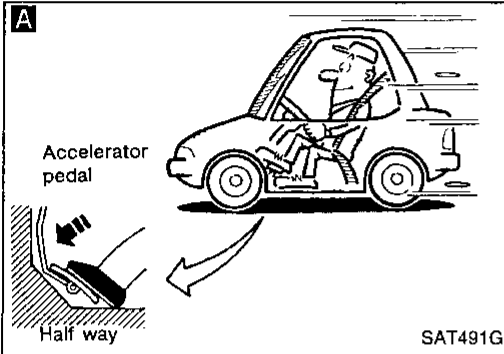
TROUBLE DIAGNOSES

Preliminary Check (Cont'd)

Cruise test — Part 1

Drive vehicle for approx. 10 minutes or until engine oil and ATF reach operating temperature.

ATF operating temperature:
50 - 80°C (122 - 176°F)

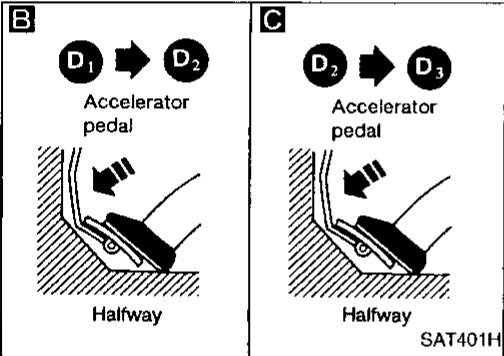


- A**
1. Park vehicle on flat surface.
 2. Move selector lever to "P" position.
 3. Turn ignition switch to "ON" position and start engine.
 4. Move selector lever to "D" position.
 5. Accelerate vehicle to half throttle.
 6. Does vehicle start from D₁?
- Read gear position.**

No → Mark the box on the DIAGNOSTIC WORK SHEET (AT-14) to perform Diagnostic Procedure 8, AT-94. Continue ROAD TEST.

- B**
- Does A/T shift from D₁ to D₂ at the specified speed?
- Read gear position, throttle opening and vehicle speed.**
Specified speed when shifting from D₁ to D₂:
Refer to Shift schedule, AT-33.

No → Mark the box on the DIAGNOSTIC WORK SHEET (AT-14) to perform Diagnostic Procedure 9, AT-95. Continue ROAD TEST.



- C**
- Does A/T shift from D₂ to D₃ at the specified speed?
- Read gear position, throttle opening and vehicle speed.**
Specified speed when shifting from D₂ to D₃:
Refer to Shift schedule, AT-33.

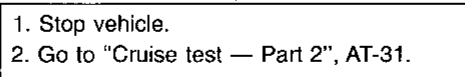
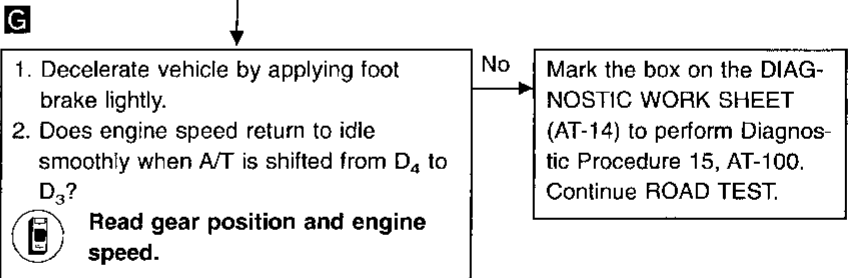
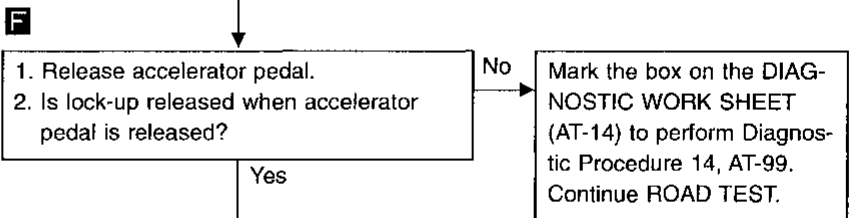
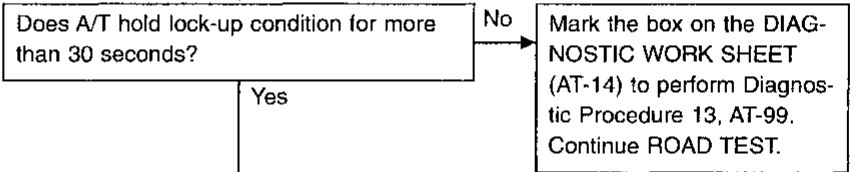
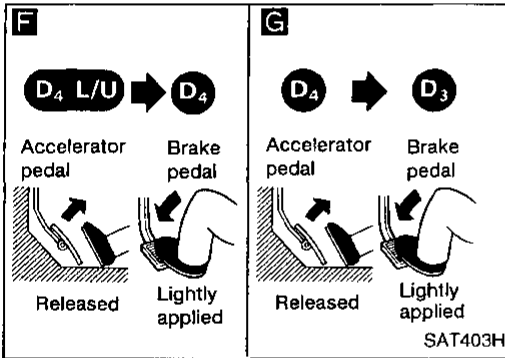
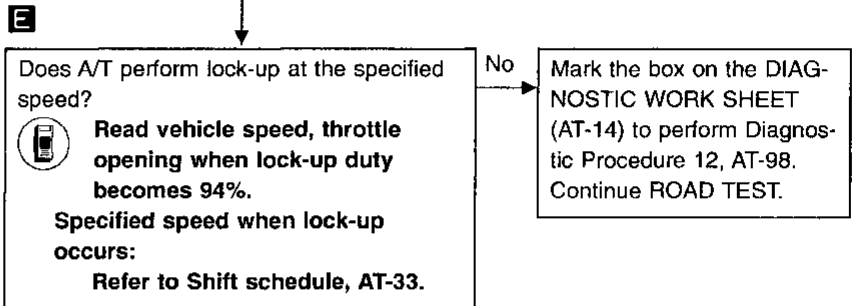
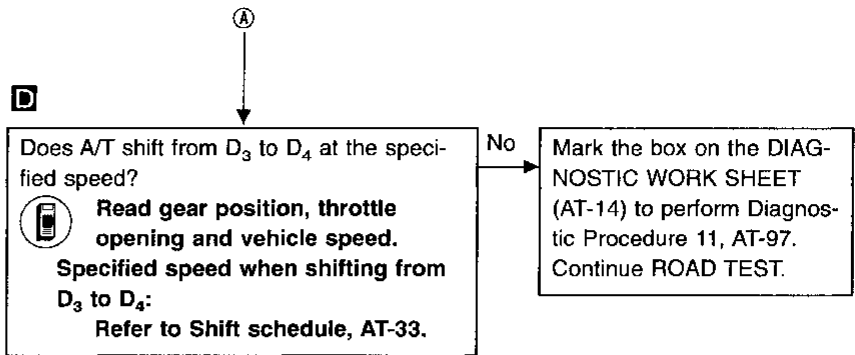
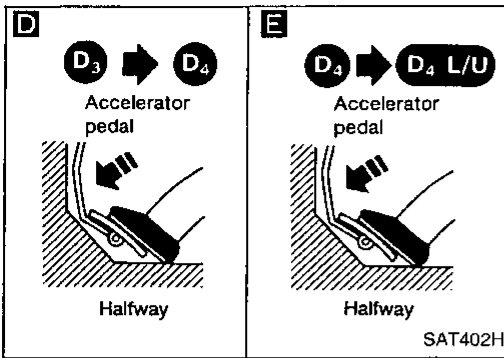
No → Mark the box on the DIAGNOSTIC WORK SHEET (AT-14) to perform Diagnostic Procedure 10, AT-96. Continue ROAD TEST.

Yes
↓
A

GI
MA
EM
LC
EC
FE
AT
PD
FA
RA
BR
ST
RS
BT
HA
EL
IDX

TROUBLE DIAGNOSES

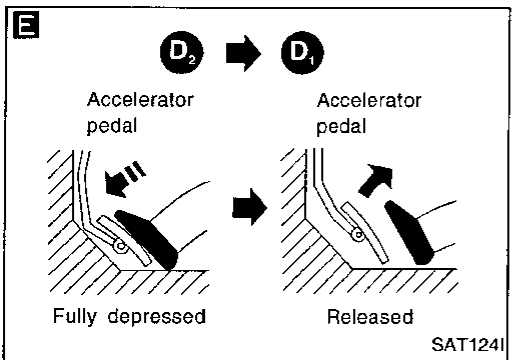
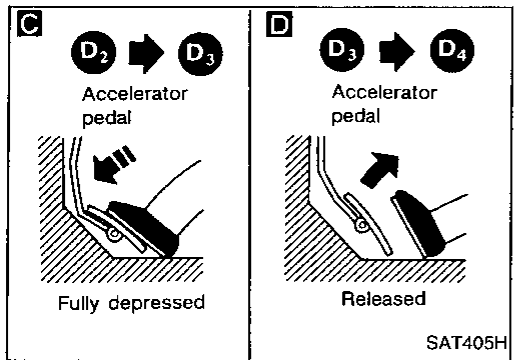
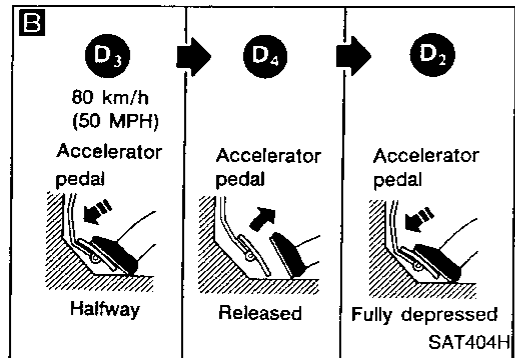
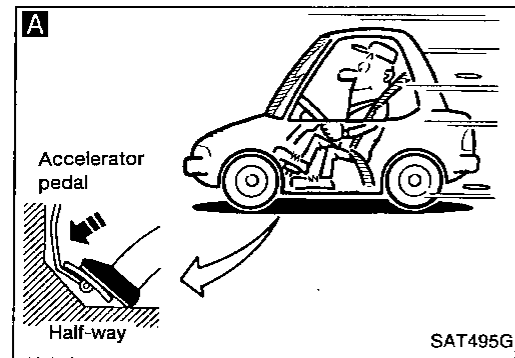
Preliminary Check (Cont'd)



TROUBLE DIAGNOSES

Preliminary Check (Cont'd)

Cruise test — Part 2



A

1. Confirm selector lever is in "D" position.
2. Accelerate vehicle to half throttle again.
3. Does vehicle start from D₁?

Read gear position.

No → Mark the box on the DIAGNOSTIC WORK SHEET (AT-14) to perform Diagnostic Procedure 16, AT-101. Continue ROAD TEST.

B

1. Accelerate vehicle to A km/h as shown in illustration.
2. Release accelerator pedal and then quickly depress it fully.
3. Does A/T shift from D₄ to D₂ as soon as accelerator pedal is depressed fully?

Read gear position and throttle opening.

No → Mark the box on the DIAGNOSTIC WORK SHEET (AT-14) to perform Diagnostic Procedure 9, AT-95. Continue ROAD TEST.

C

Does A/T shift from D₂ to D₃ at the specified speed?

Read gear position, throttle opening and vehicle speed.
Specified speed when shifting from D₂ to D₃:
Refer to Shift schedule, AT-33.

No → Mark the box on the DIAGNOSTIC WORK SHEET (AT-14) to perform Diagnostic Procedure 10, AT-96. Continue ROAD TEST.

D

1. Release accelerator pedal after shifting from D₂ to D₃.
2. Does A/T shift from D₃ to D₄ and does vehicle decelerate by engine brake?

Read gear position, throttle opening and vehicle speed.

No → Mark the box on the DIAGNOSTIC WORK SHEET (AT-14) to perform Diagnostic Procedure 11, AT-97. Continue ROAD TEST.

E

1. Decelerate to 10 km/h (6 MPH) with accelerator pedal released and then quickly depress it fully.
2. Does A/T shift from D₂ to D₁ as soon as accelerator pedal is depressed fully?

No → Mark the box on the DIAGNOSTIC WORK SHEET (AT-14) to perform Diagnostic Procedure 17, AT-102. Continue ROAD TEST.

F

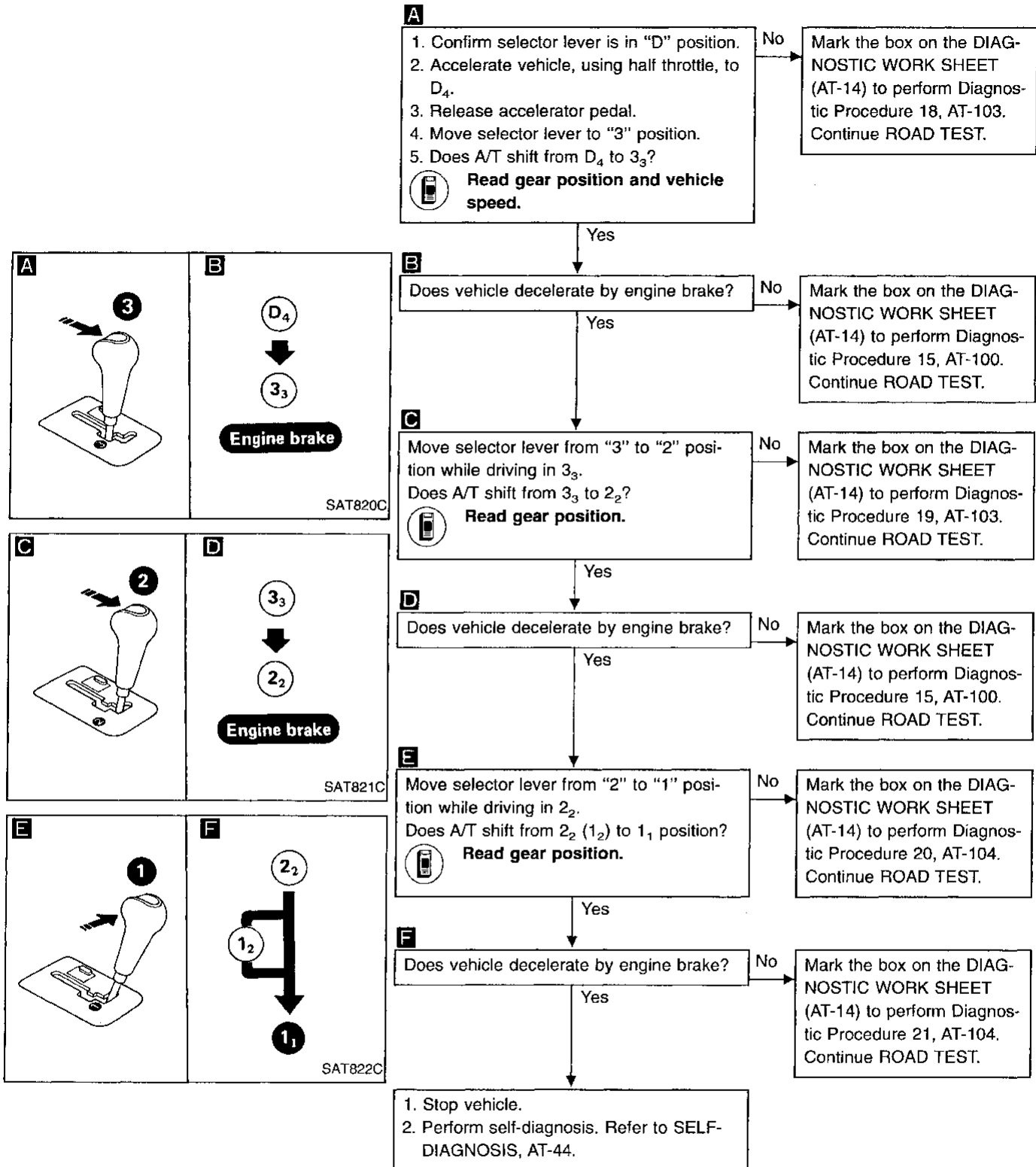
1. Stop vehicle.
2. Go to "Cruise test — Part 3", AT-32.

GI
MA
EM
LC
EC
FE
AT
PD
FA
RA
BR
ST
RS
BT
HA
EL
IDX

TROUBLE DIAGNOSES

Preliminary Check (Cont'd)

Cruise test — Part 3



TROUBLE DIAGNOSES

Preliminary Check (Cont'd)

SHIFT SCHEDULE

Vehicle speed when shifting gears

Throttle position	Vehicle speed km/h (MPH)						
	D ₁ → D ₂	D ₂ → D ₃	D ₃ → D ₄	D ₄ → D ₃	D ₃ → D ₂	D ₂ → D ₁	1 ₂ → 1 ₁
Full throttle	60 - 64 (37 - 40)	114 - 122 (71 - 76)	177 - 187 (110 - 116)	169 - 179 (105 - 111)	102 - 110 (63 - 68)	44 - 48 (27 - 30)	53 - 57 (33 - 35)
Half throttle	47 - 51 (29 - 32)	87 - 93 (54 - 58)	128 - 136 (80 - 85)	68 - 76 (42 - 47)	34 - 40 (21 - 25)	7 - 11 (4 - 7)	53 - 57 (33 - 35)

Vehicle speed when performing and releasing lock-up

Throttle position	Shift position	Vehicle speed km/h (MPH)	
		Lock-up "ON"	Lock-up "OFF"
Full throttle	D ₄	178 - 186 (111 - 116)	170 - 178 (106 - 111)
Half throttle	D ₄	121 - 129 (75 - 80)	100 - 108 (62 - 67)

GI

MA

EM

LC

EC

FE

AT

PD

FA

RA

BR

ST

RS

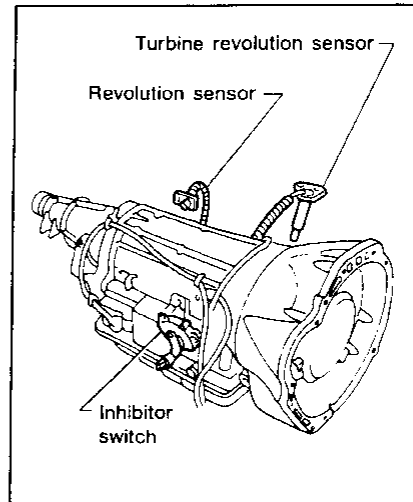
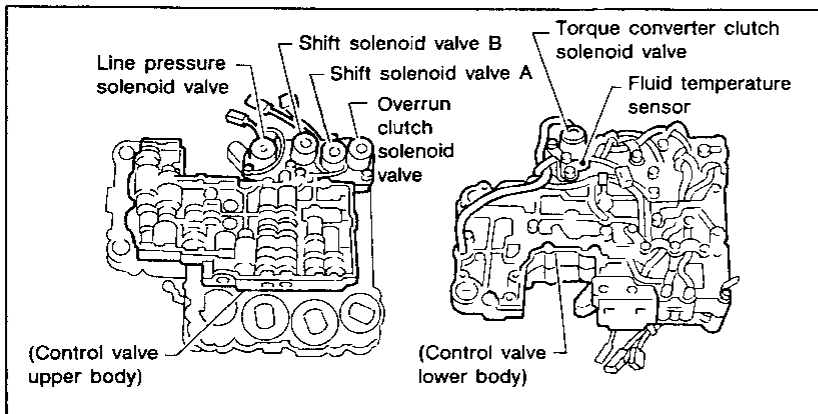
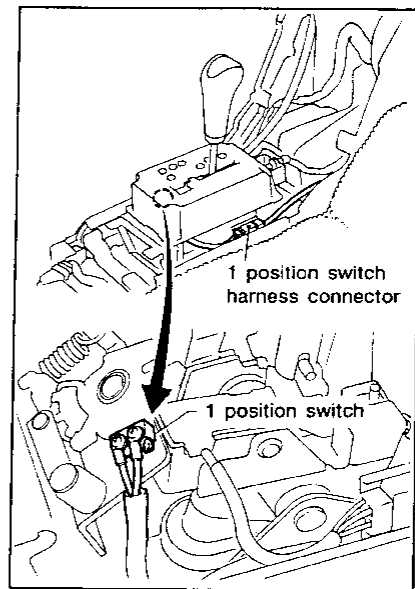
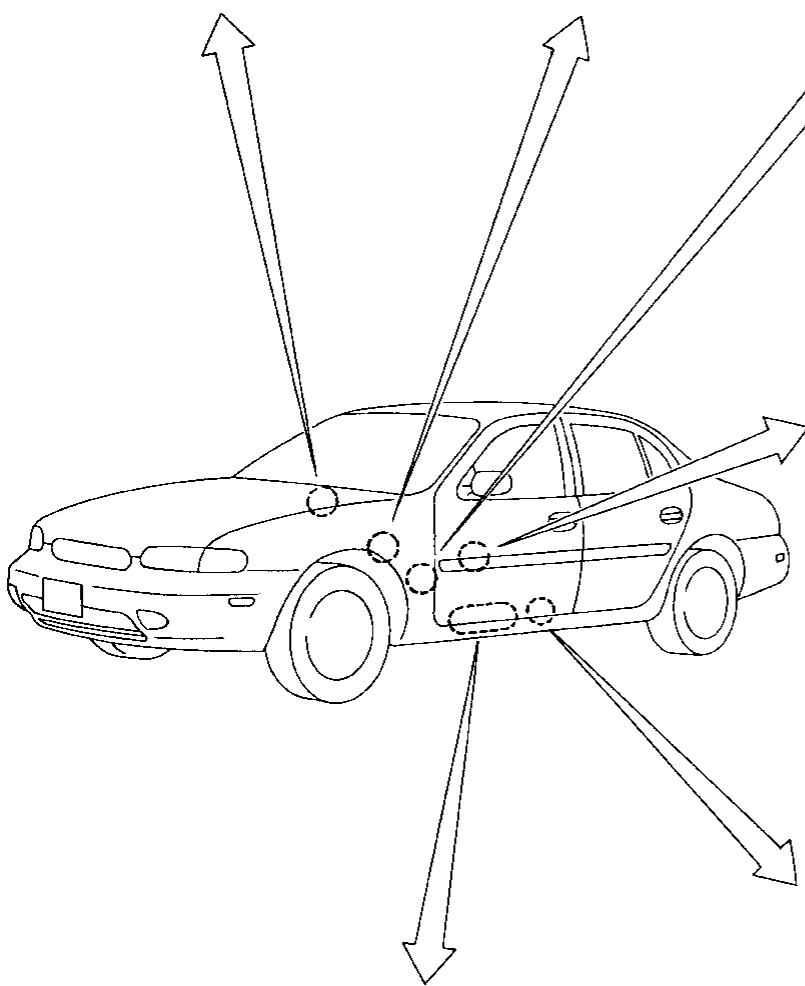
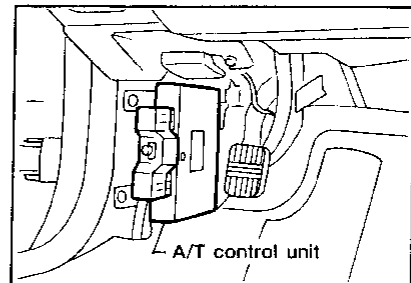
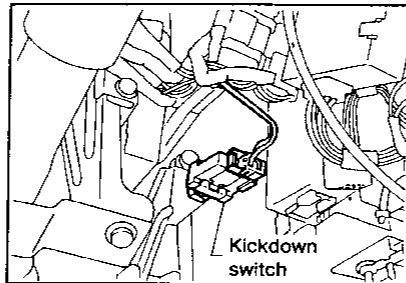
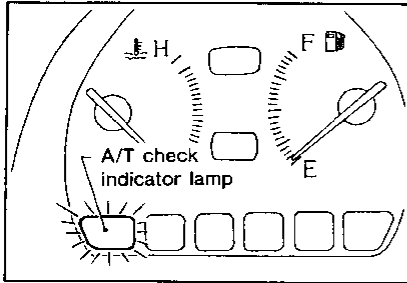
BT

HA

EL

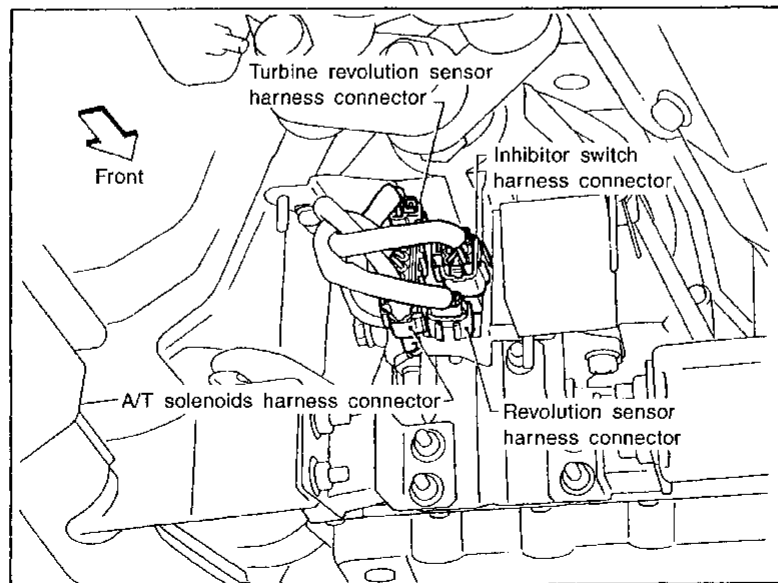
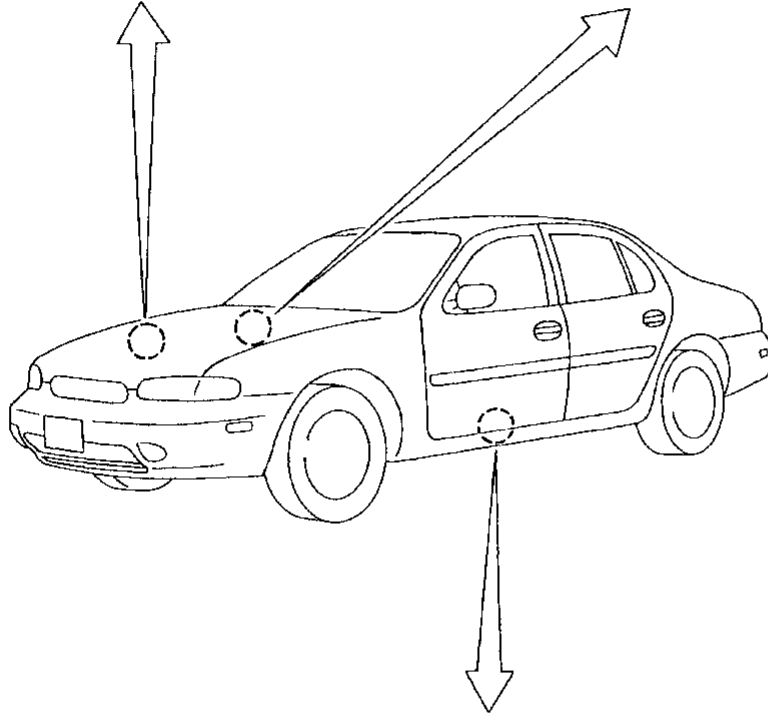
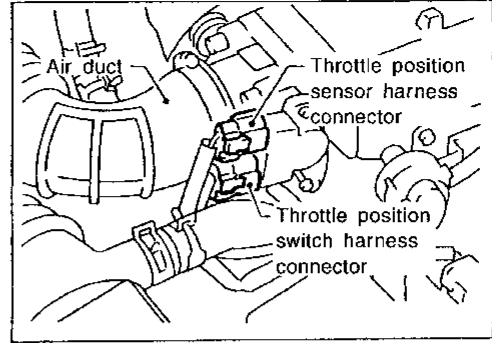
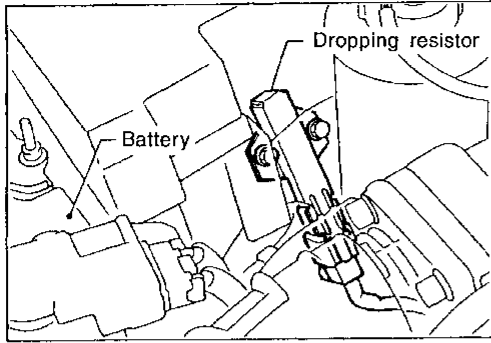
IDX

A/T Electrical Parts Location



TROUBLE DIAGNOSES

A/T Electrical Parts Location (Cont'd)



GI

MA

EM

LC

EC

FE

AT

PD

FA

RA

BR

ST

RS

BT

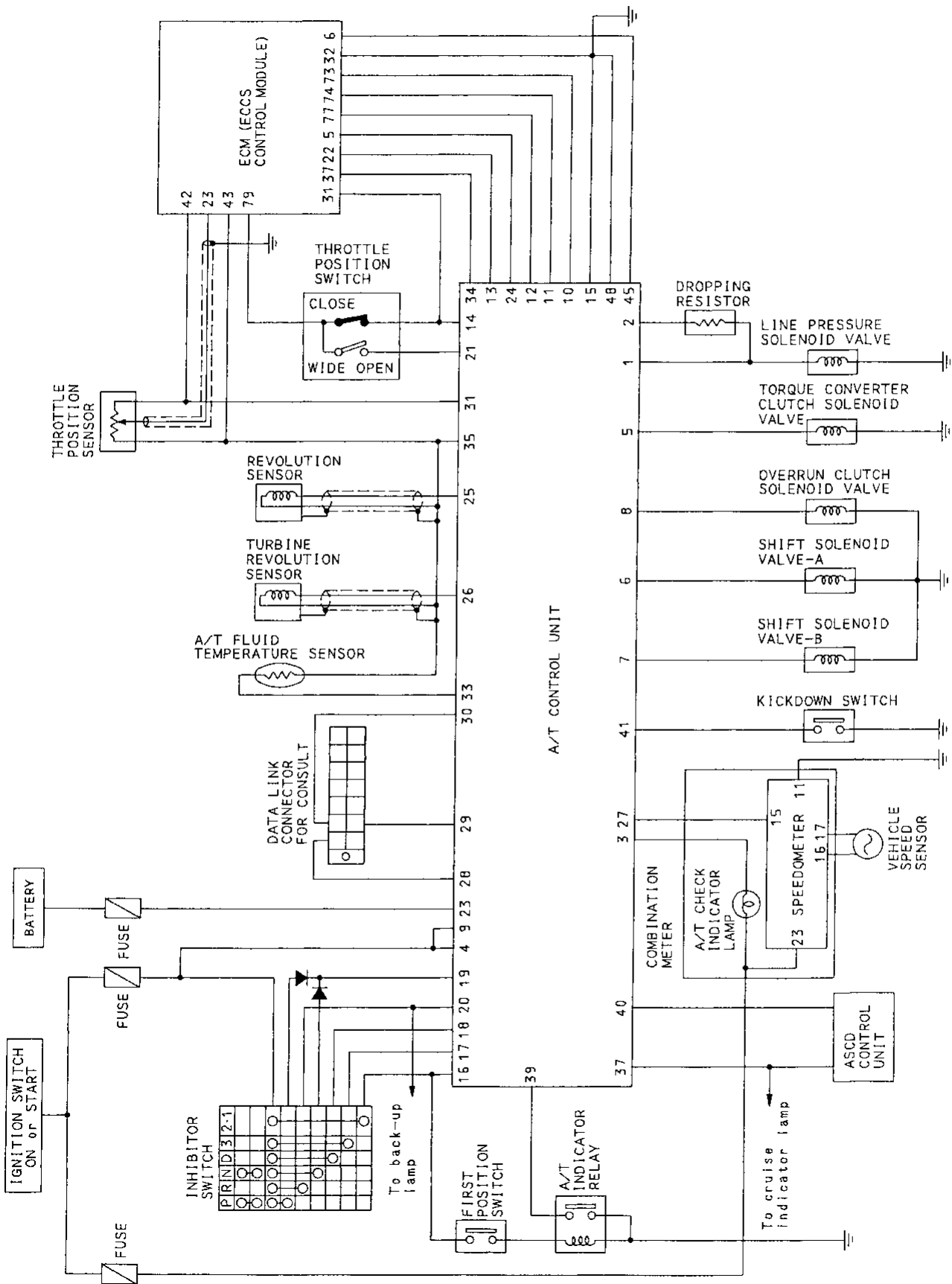
HA

EL

IDX

TROUBLE DIAGNOSES

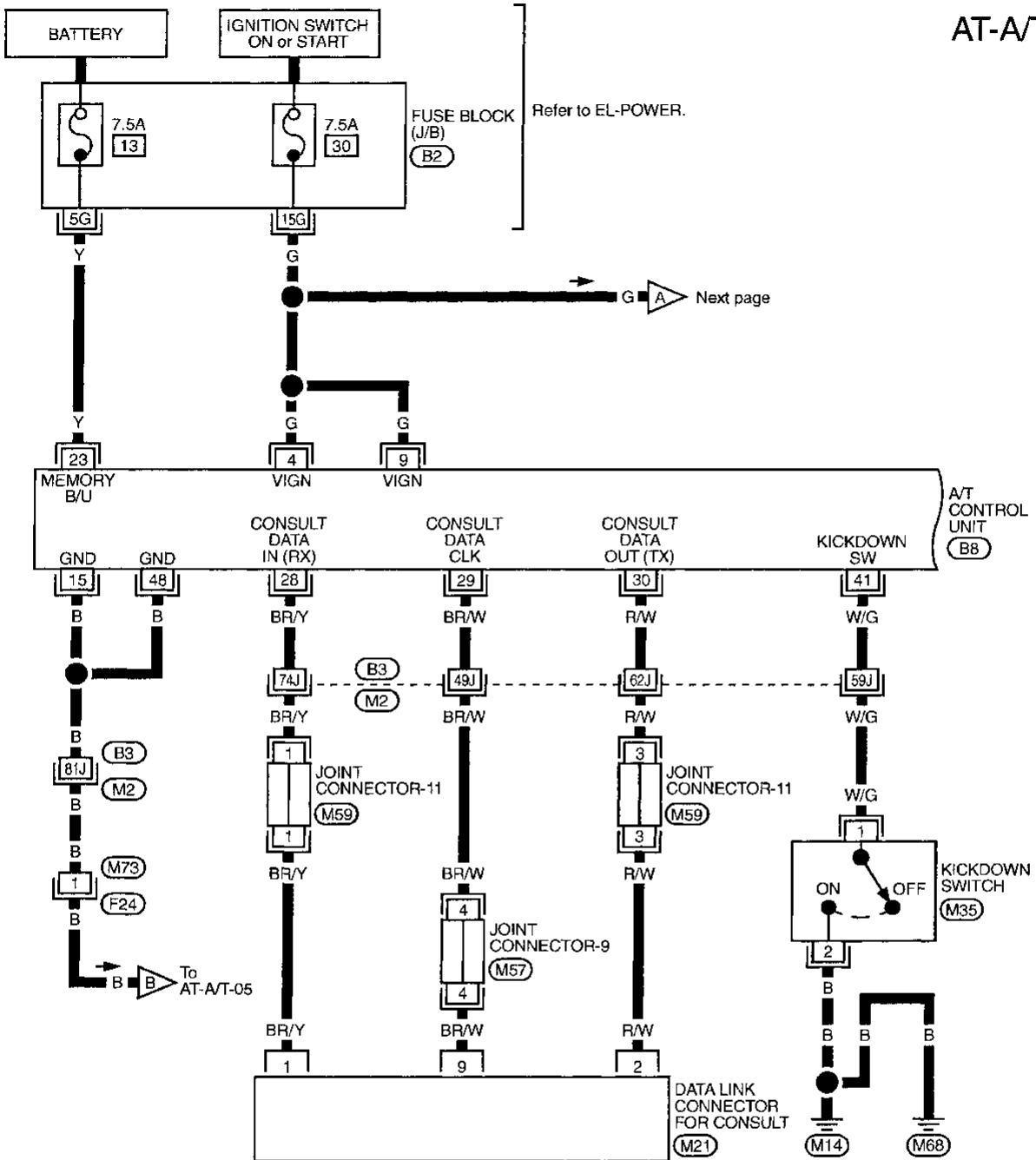
Circuit Diagram for Quick Pinpoint Check



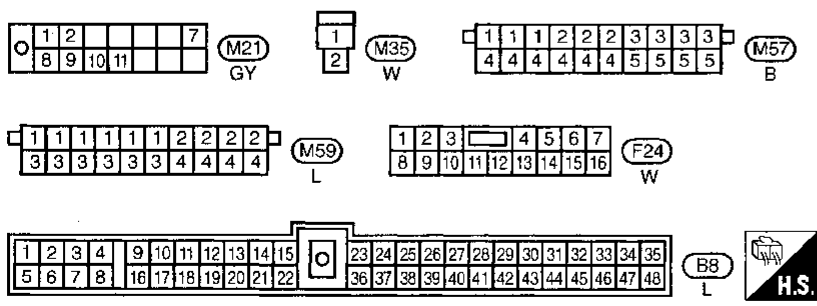
TAT043

Wiring Diagram — AT —

AT-AT-01



GI
MA
EM
LC
EC
FE
AT
PD
FA
RA
BR
ST
RS
BT
HA
EL
IDX



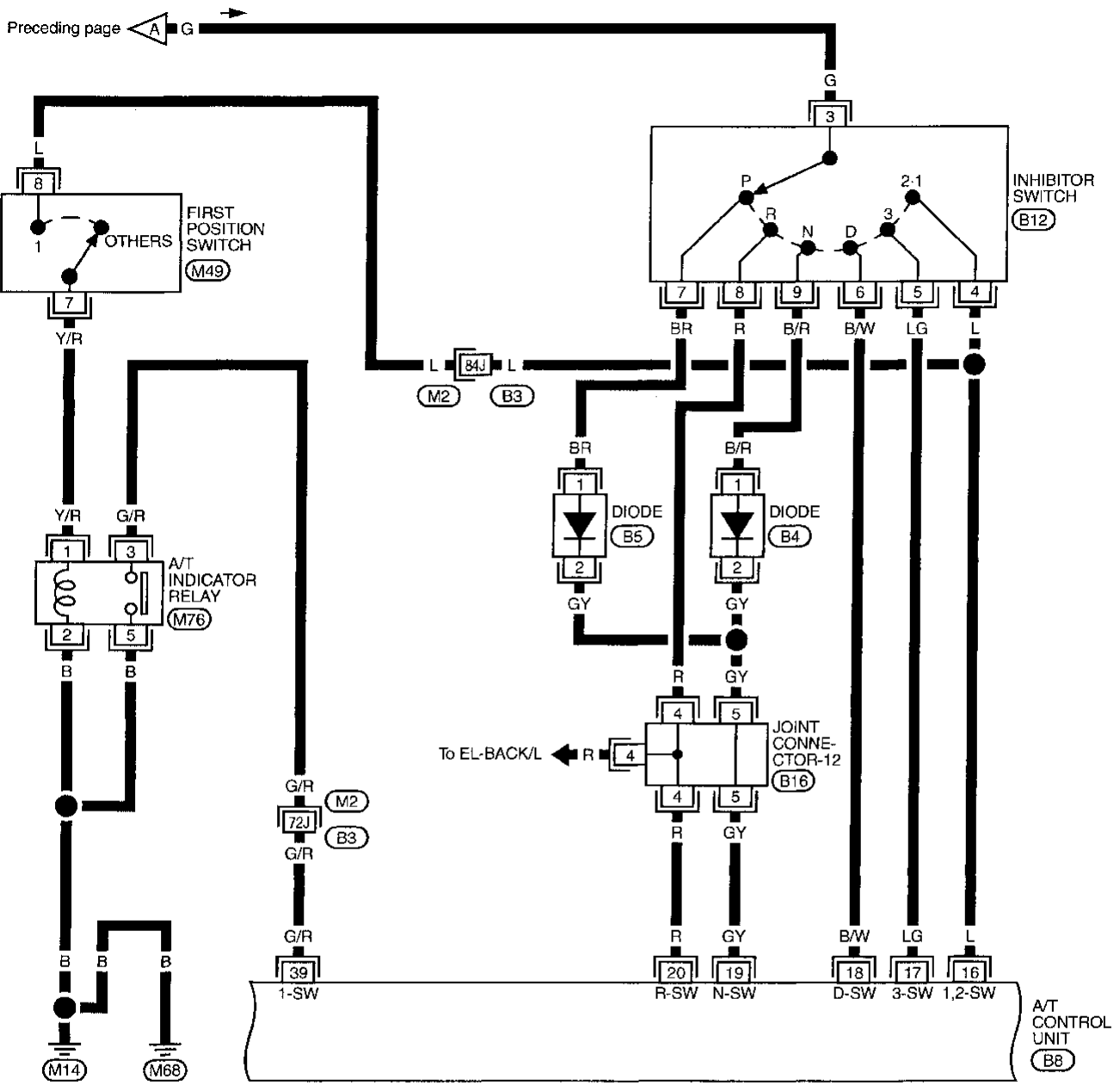
Refer to last page (Foldout page).
B3, M2
B2



TROUBLE DIAGNOSES

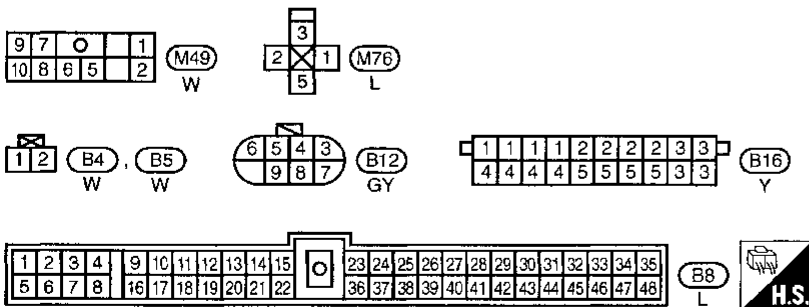
Wiring Diagram — AT — (Cont'd)

AT-A/T-02



Refer to last page (Foldout page).

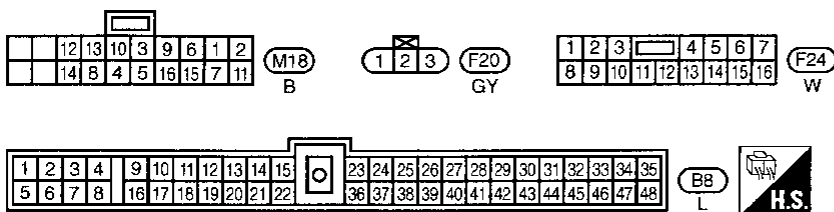
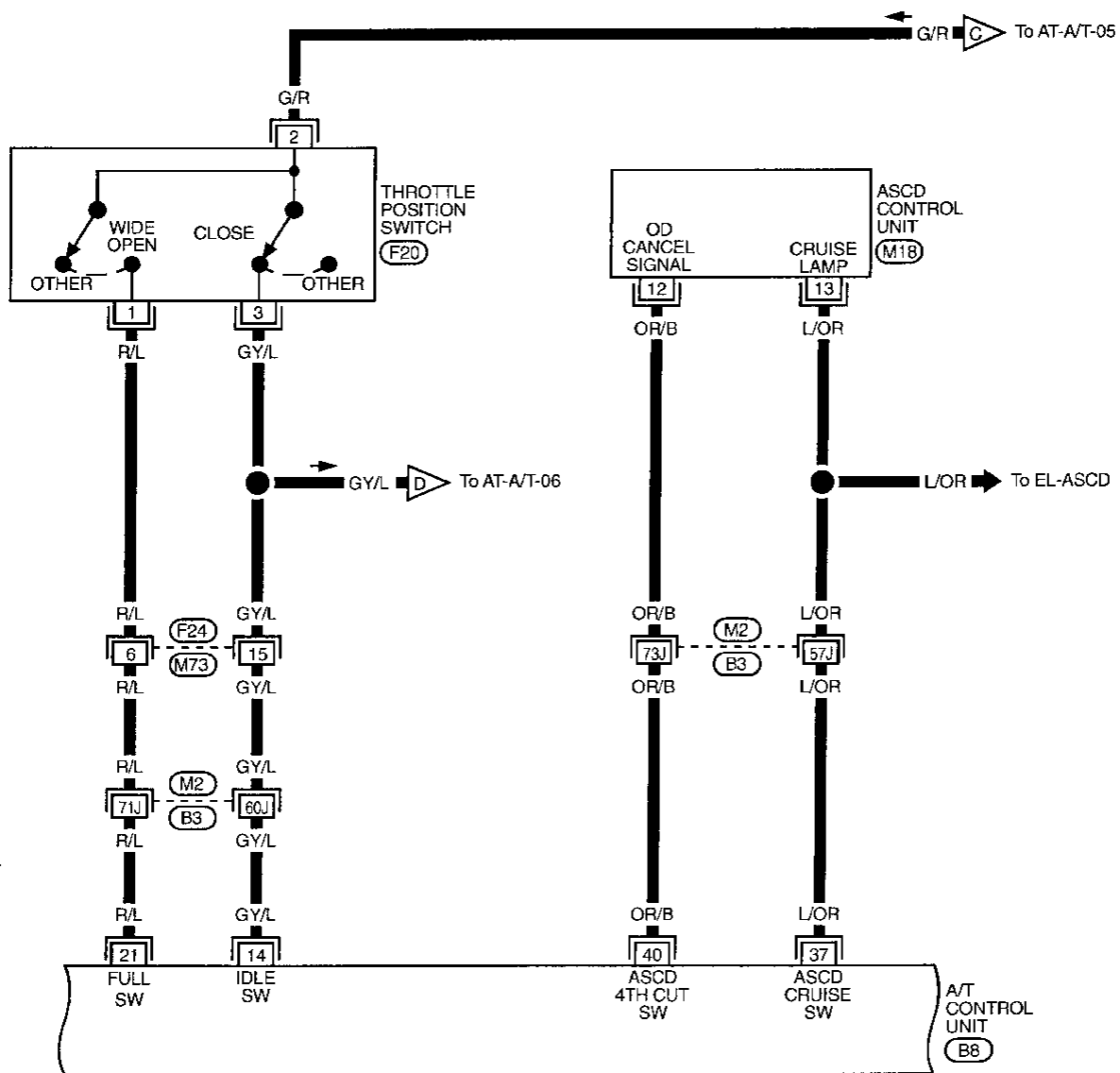
(M2) (B3)



TROUBLE DIAGNOSES

Wiring Diagram — AT — (Cont'd)

AT-A/T-03



Refer to last page (Foldout page).

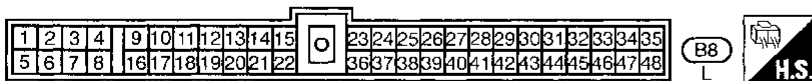
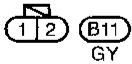
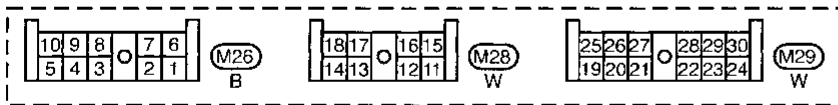
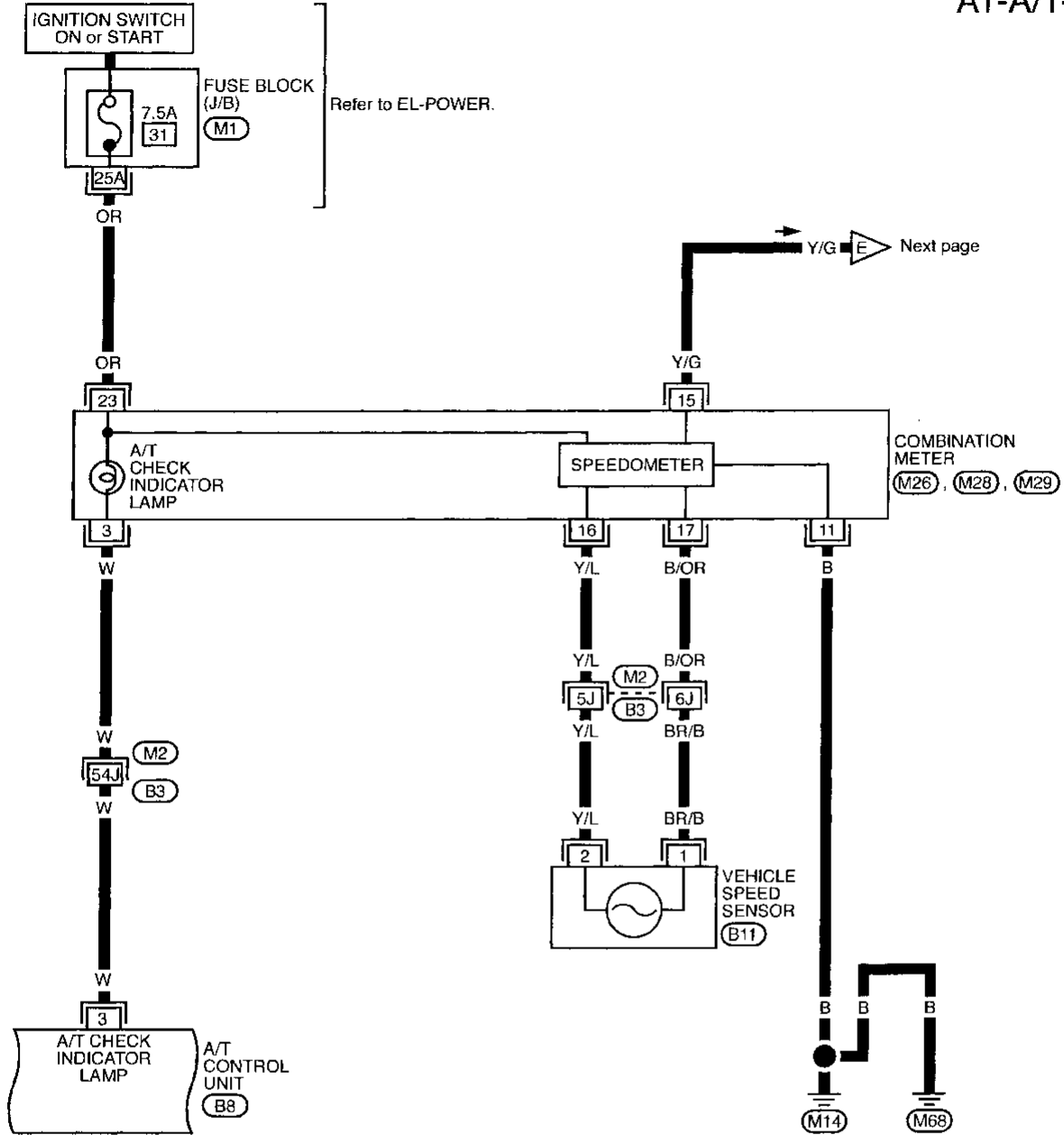
M2, B3

GI
MA
EM
LC
EC
FE
AT
PD
FA
RA
BR
ST
RS
BT
HA
EL
IDX

TROUBLE DIAGNOSES

Wiring Diagram — AT — (Cont'd)

AT-A/T-04



Refer to last page (Foldout page).

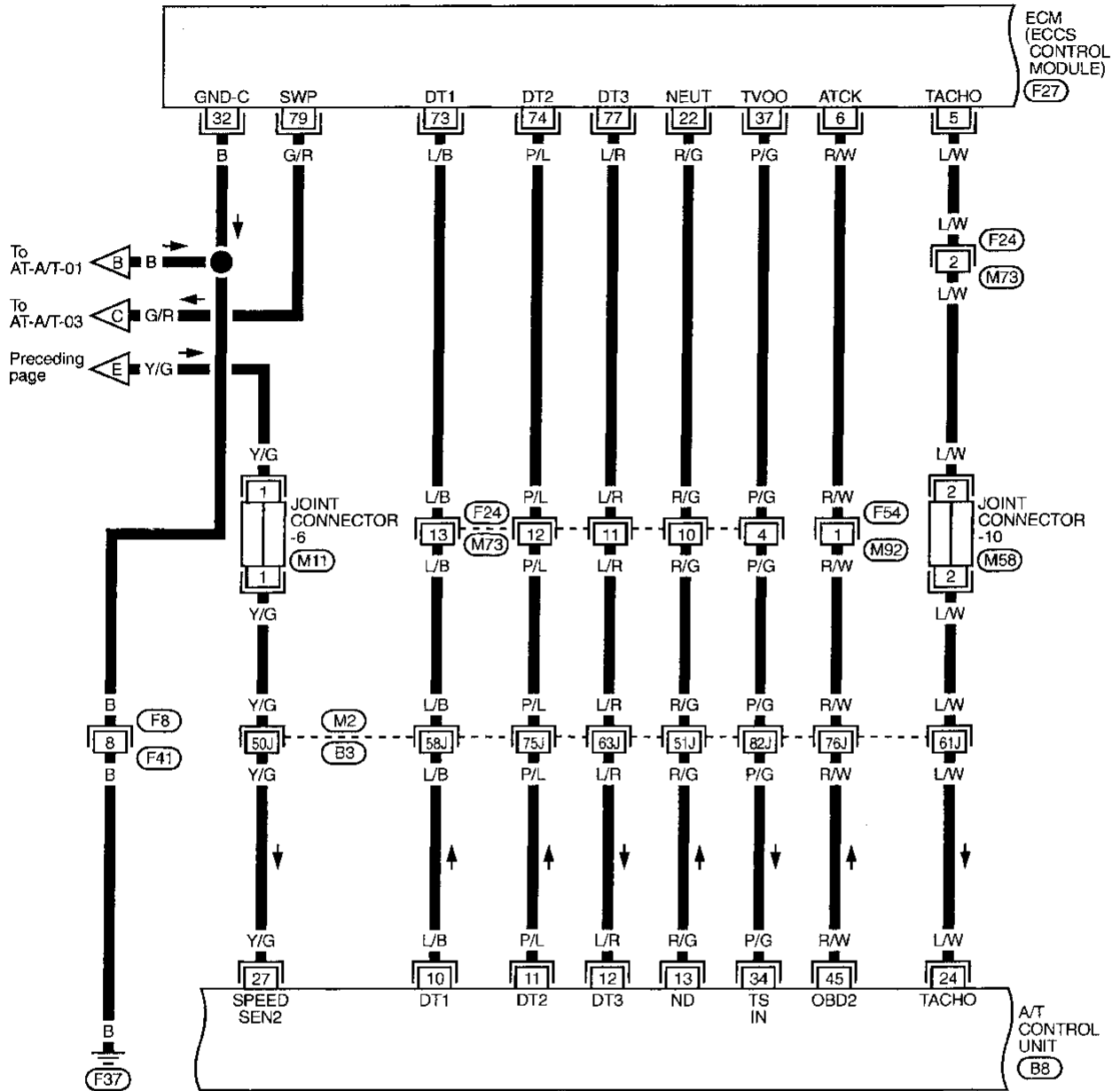
M2, B3

M1

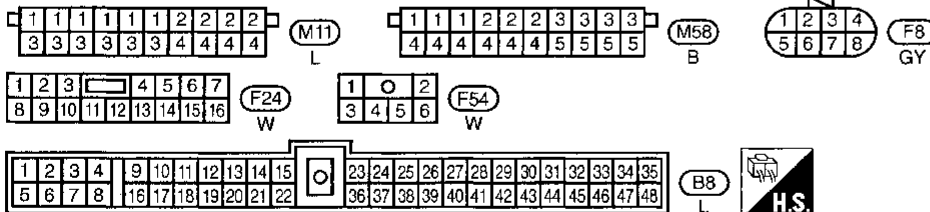
TROUBLE DIAGNOSES

Wiring Diagram — AT — (Cont'd)

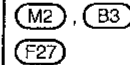
AT-A/T-05



GI
MA
EM
LC
EC
FE
AT
PD
FA
RA
BR
ST
RS
BT
HA
EL
IDX



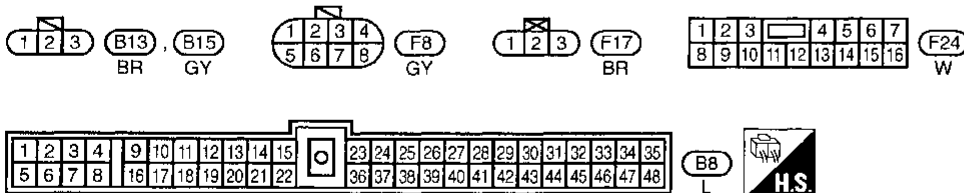
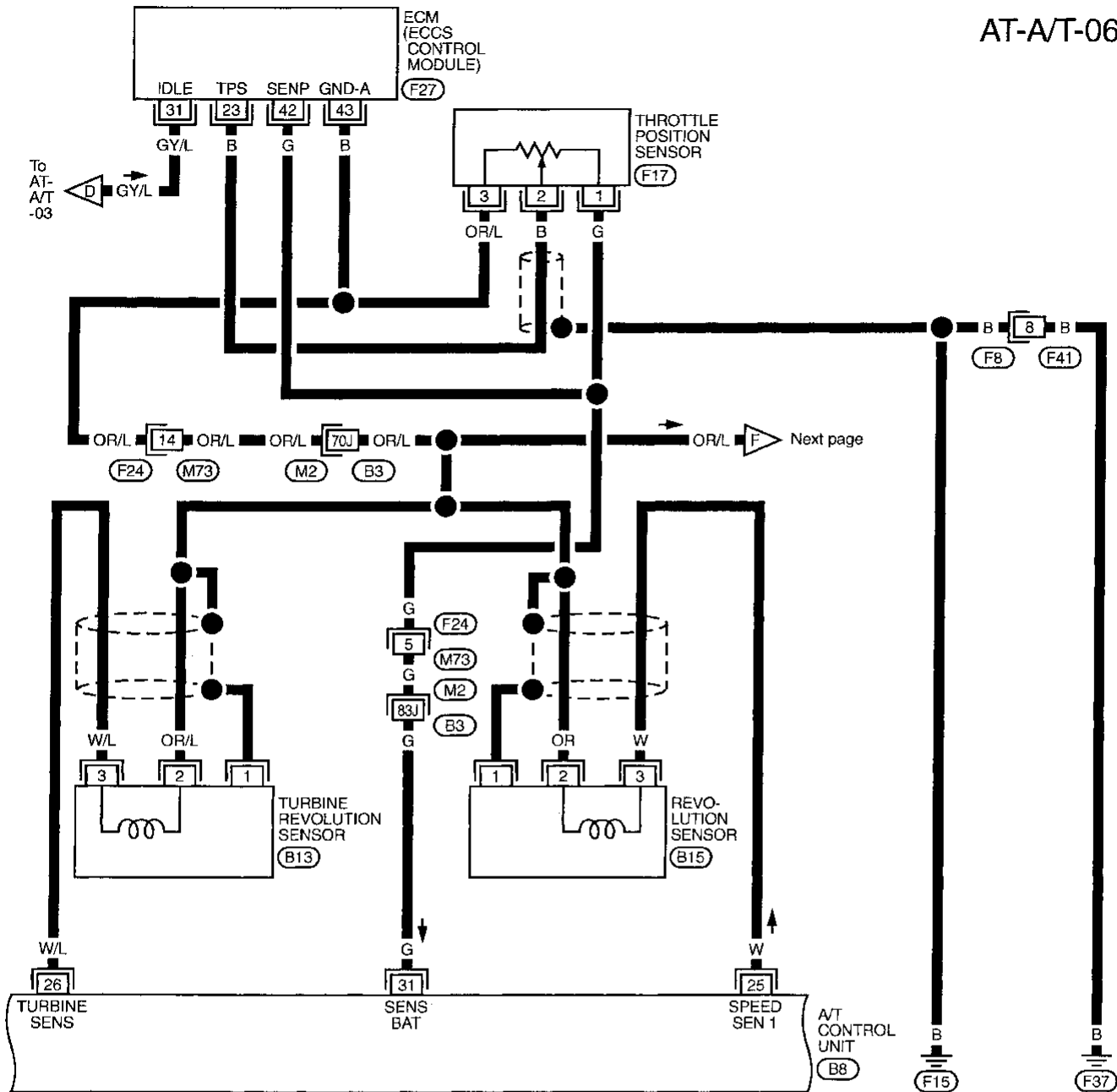
Refer to last page (Foldout page).



TROUBLE DIAGNOSES

Wiring Diagram — AT — (Cont'd)

AT-A/T-06



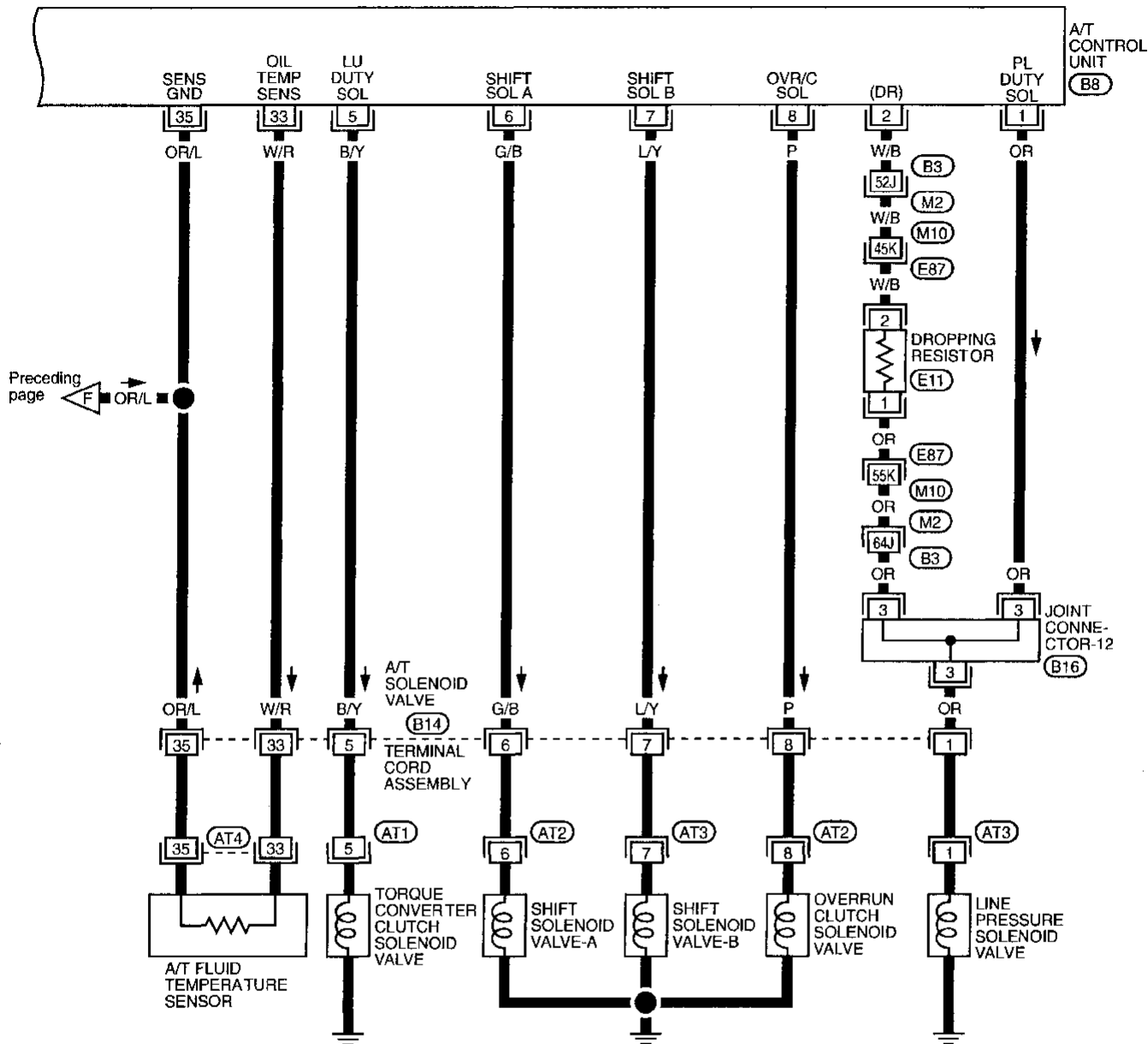
Refer to last page (Foldout page).

M2, B3
F27

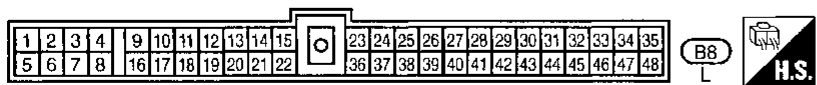
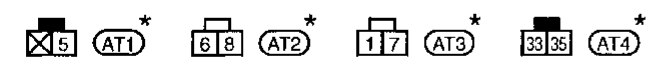
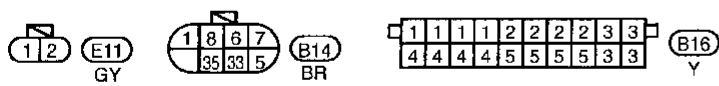
TROUBLE DIAGNOSES

Wiring Diagram — AT — (Cont'd)

AT-A/T-07

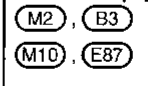


GI
MA
EM
LC
EC
FE
AT
PD
FA
RA
BR
ST
RS
BT
HA
EL
IDX

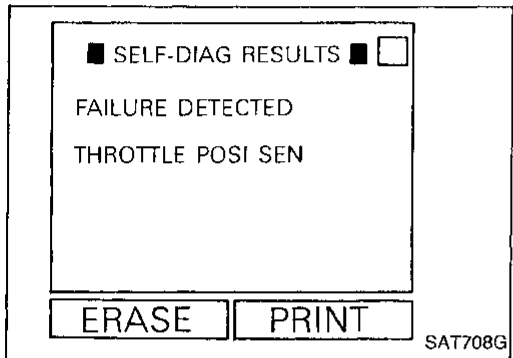
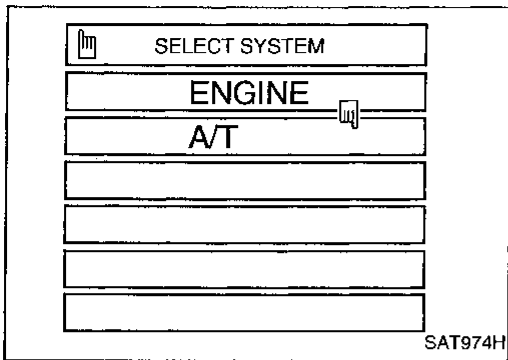


* : This connector is not shown in "HARNESS LAYOUT" EL section.

Refer to last page (Foldout page).



TROUBLE DIAGNOSES



Self-diagnosis

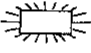

After performing this procedure, place check marks for results on the "DIAGNOSTIC WORKSHEET", AT-14. Reference pages are provided following the items.



SELF-DIAGNOSTIC PROCEDURE (With CONSULT)

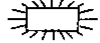

1. Turn on CONSULT.
2. Touch "A/T".

3. Touch "SELF-DIAG RESULTS".
 Display shows malfunction experienced since the last erasing operation.
 CONSULT performs REAL-TIME SELF-DIAGNOSIS.
 Also, any malfunction detected while in this mode will be displayed at real time.

Detected items (Screen terms for CONSULT, "SELF-DIAG RESULTS" mode)	Malfunction is detected when ...	Indicator for Diagnostic Results	
		 A/T check indicator lamp (Available when "A/T" on CONSULT is touched.)	 Malfunction indicator lamp*2 (Available when "ENGINE" on CONSULT is touched.)
Inhibitor switch circuit (INHIBITOR SWITCH)	● A/T control unit does not receive the correct voltage signal (based on the gear position) from the switch.	—	X
Revolution sensor (VHCL SPEED SEN-A/T)	● A/T control unit does not receive the proper voltage signal from the sensor.	X	X
Vehicle speed sensor (Meter) (VHCL SPEED SEN-MTR)	● A/T control unit does not receive the proper voltage signal from the sensor.	X	—
Improper shifting to 1st gear position (A/T 1ST SIGNAL)	● A/T cannot be shifted to the 1st gear position even when electrical circuit is good.	—	X*1
Improper shifting to 2nd gear position (A/T 2ND SIGNAL)	● A/T cannot be shifted to the 2nd gear position even when electrical circuit is good.	—	X*1
Improper shifting to 3rd gear position (A/T 3RD SIGNAL)	● A/T cannot be shifted to the 3rd gear position even when electrical circuit is good.	—	X*1
Improper shifting to 4th gear position or TCC (A/T 4TH SIG OR TCC)	● A/T cannot be shifted to the 4th gear position or can not perform lock-up, even when electrical circuit is good.	—	X*1
Shift solenoid valve A (SHIFT SOLENOID/V A)	● A/T control unit detects the improper voltage drop when it tries to operate the solenoid valve.	X	X
Shift solenoid valve B (SHIFT SOLENOID/V B)	● A/T control unit detects the improper voltage drop when it tries to operate the solenoid valve.	X	X
Overrun clutch solenoid valve (OVERRUN CLUTCH SV)	● A/T control unit detects the improper voltage drop when it tries to operate the solenoid valve.	X	X
T/C clutch solenoid valve (TOR CONV CLUTCH SV)	● A/T control unit detects the improper voltage drop when it tries to operate the solenoid valve.	X	X
Line pressure solenoid valve (LINE PRESSURE SV)	● A/T control unit detects the improper voltage drop when it tries to operate the solenoid valve.	X	X
Throttle position sensor Throttle position switch (THRTL POSI SEN-A/T)	● A/T control unit receives an excessively low or high voltage from the sensor.	X	X


TROUBLE DIAGNOSES

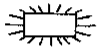
Self-diagnosis (Cont'd)

Detected items (Screen terms for CONSULT, "SELF-DIAG RESULTS" mode)	Malfunction is detected when ...	Indicator for Diagnostic Results	
		 A/T check indicator lamp (Available when "A/T" on CONSULT is touched.)	 Malfunction indicator lamp*2 (Available when "ENGINE" on CONSULT is touched.)
Engine speed signal (ENGINE SPEED SIG)	• A/T control unit does not receive the proper voltage signal from the ECM.	X	X
Fluid temperature sensor (FLUID TEMP SENSOR)	• A/T control unit receives an excessively low or high voltage from the sensor.	X	X
Turbine revolution sensor (TURBINE REV)	• A/T control unit does not receive the proper voltage signal from the sensor.	X	—
Initial start (INITIAL START)	• This is not a malfunction message (Whenever shutting off a power supply to the control unit, this message appears on the screen.)	X	—
No failure (NO SELF DIAGNOSTIC FAILURE INDICATED FURTHER TESTING MAY BE REQUIRED**)	• No failure has been detected.	X	X

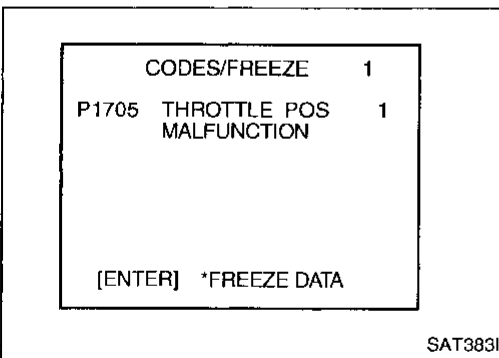
X : Applicable

— : Not applicable

*1 : These malfunctions can not be displayed by MIL  if another malfunction is assigned to the A/T check indicator lamp



*2 : Refer to EC section ["Malfunction Indicator Lamp (MIL)", "ON BOARD DIAGNOSTIC SYSTEM DESCRIPTION"].



SELF-DIAGNOSTIC PROCEDURE (With GST)

Refer to EC section ["Generic Scan Tool (GST)", "ON BOARD DIAGNOSTIC SYSTEM DESCRIPTION"].

GI

MA

EM

LC

EC

FE

AT

PD

FA

RA

BR

ST

RS

BT

HA

EL

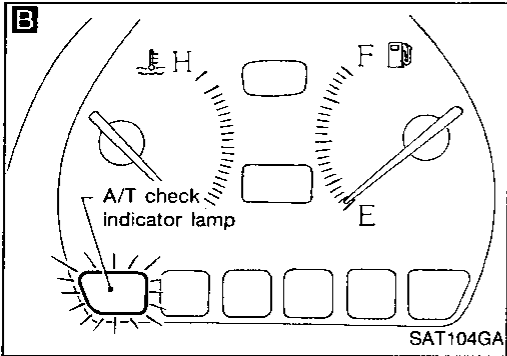
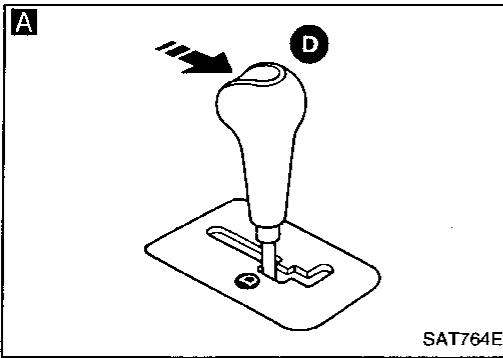
IDX

TROUBLE DIAGNOSES

Self-diagnosis (Cont'd)



SELF-DIAGNOSTIC PROCEDURE (No Tools)



DIAGNOSIS START

A B

1. Start engine and warm it up to normal engine operating temperature.
2. Turn ignition switch to "ACC" position. Wait at least 5 seconds.
3. Move selector lever to "D" position.
4. Turn ignition switch to "ON" position. (Do not start engine.)
5. Does A/T check indicator lamp come on for about 2 seconds?

No → Go to Diagnostic Procedure 1, AT-88.

Yes

1. Move selector lever to "3" position.
2. Depress accelerator pedal fully and release it.
3. Move selector lever to "2" position.
4. Move selector lever to "1" position.
5. Depress accelerator pedal fully and release it.
6. Check A/T check indicator lamp. Refer to JUDGEMENT OF SELF-DIAGNOSIS CODE, AT-48.

DIAGNOSIS END

TROUBLE DIAGNOSES

Self-diagnosis (Cont'd)

NOTE

GI

MA

EM

LC

EC

FE

AT

PD

FA

RA

BR

ST

RS

BT

HA

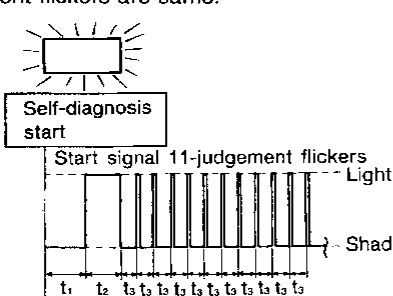
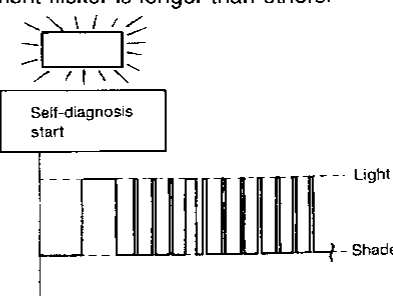
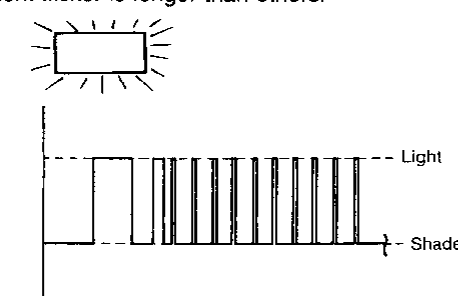
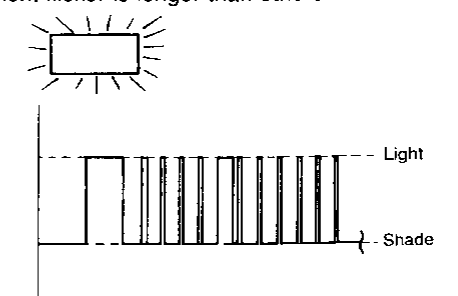
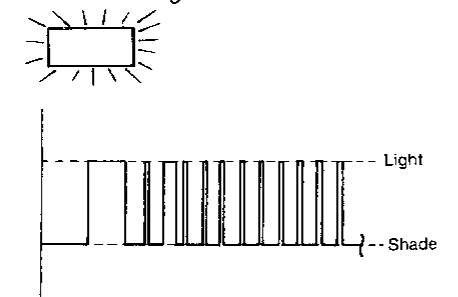
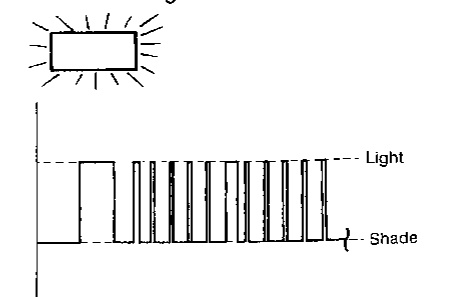
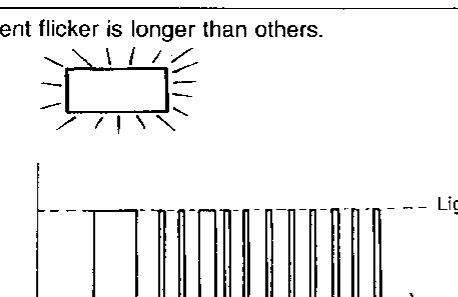
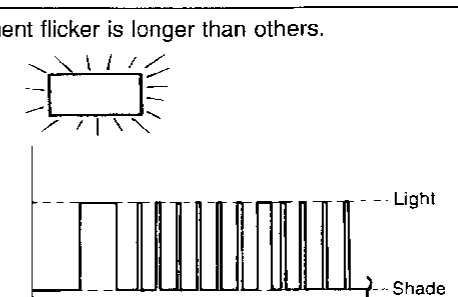
EL

IDX

TROUBLE DIAGNOSES

Self-diagnosis (Cont'd)

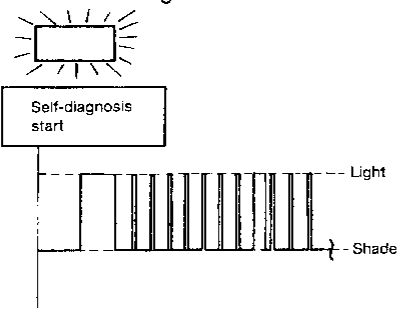
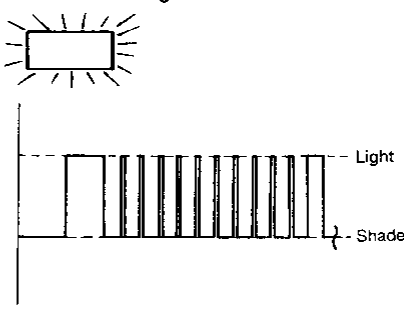
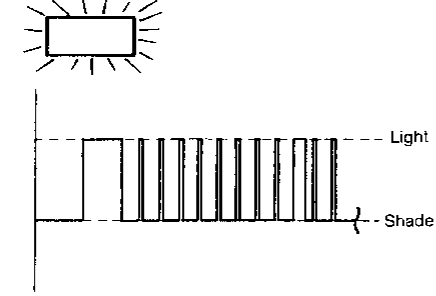
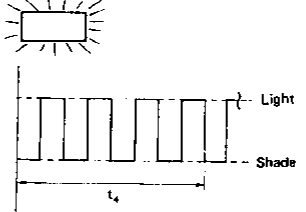
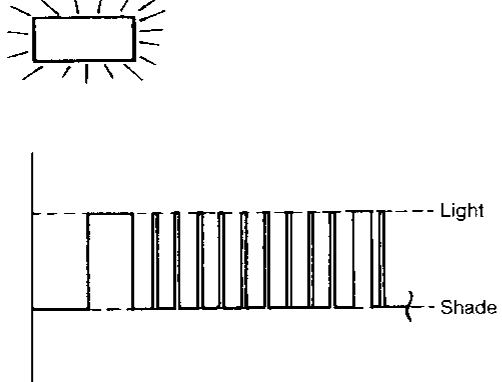
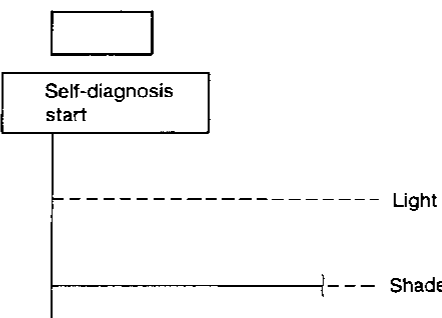
JUDGEMENT OF SELF-DIAGNOSIS CODE

A/T check indicator lamp	
<p>All judgement flickers are same.</p>  <p>Start signal 11-judgement flickers</p> <p>All circuits that can be confirmed by self-diagnosis are OK. SAT782EA</p>	<p>4th judgement flicker is longer than others.</p>  <p>Shift solenoid valve A circuit is short-circuited or disconnected. ➡ Go to shift solenoid valve A circuit check, AT-57. SAT786E</p>
<p>1st judgement flicker is longer than others.</p>  <p>Revolution sensor circuit is short-circuited or disconnected. ➡ Go to revolution sensor circuit check, AT-51. SAT783E</p>	<p>5th judgement flicker is longer than others.</p>  <p>Shift solenoid valve B circuit is short-circuited or disconnected. ➡ Go to shift solenoid valve B circuit check, AT-59. SAT787E</p>
<p>2nd judgement flicker is longer than others.</p>  <p>Vehicle speed sensor circuit is short-circuited or disconnected. ➡ Go to vehicle speed sensor circuit check, AT-53. SAT784E</p>	<p>6th judgement flicker is longer than others.</p>  <p>Overrun clutch solenoid valve circuit is short-circuited or disconnected. ➡ Go to overrun clutch solenoid valve circuit check, AT-61. SAT788E</p>
<p>3rd judgement flicker is longer than others.</p>  <p>Throttle position sensor circuit is short-circuited or disconnected. ➡ Go to throttle position sensor circuit check, AT-55. SAT785E</p>	<p>7th judgement flicker is longer than others.</p>  <p>Torque converter clutch solenoid valve circuit is short-circuited or disconnected. ➡ Go to torque converter clutch solenoid valve circuit check, AT-63. SAT789E</p>

$t_1 = 2.5$ seconds $t_2 = 2.0$ seconds $t_3 = 1.0$ second

TROUBLE DIAGNOSES

Self-diagnosis (Cont'd)

A/T check indicator lamp	
<p>8th judgement flicker is longer than others.</p>  <p>Fluid temperature sensor is disconnected or A/T control unit power source circuit is damaged. ➡ Go to fluid temperature sensor and A/T control unit power source circuit check, AT-65. SAT790E</p>	<p>11th judgement flicker is longer than others.</p>  <p>Line pressure solenoid valve circuit is short-circuited or disconnected. ➡ Go to line pressure solenoid valve circuit check, AT-72. SAT792E</p>
<p>9th judgement flicker is longer than others.</p>  <p>Engine speed signal circuit is short-circuited or disconnected. ➡ Go to engine speed signal circuit check, AT-68. SAT791E</p>	<p>Flickers as shown below.</p>  <p>Battery power is low. Battery has been disconnected for a long time. Battery is connected conversely. (When reconnecting A/T control unit connectors. — This is not a problem.) SAT318C</p>
<p>10th judgement flicker is longer than others.</p>  <p>Turbine revolution sensor circuit is short-circuited or disconnected. ➡ Go to turbine revolution sensor circuit check, AT-70. SAT793E</p>	<p>Does not come on.</p>  <p>Inhibitor switch, 1 position switch, kickdown switch or throttle position switch circuit is disconnected, or A/T control unit is damaged. ➡ Go to inhibitor, 1 position, kickdown and, throttle position switch circuit checks, AT-74. SAT146BA</p>

$t_4 = 1.0$ second

GI
MA
EM
LC
EC
FE
AT
PD
FA
RA
BR
ST
RS
BT
HA
EL
IDX

TROUBLE DIAGNOSES

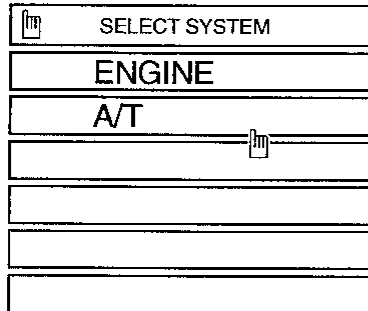
Self-diagnosis (Cont'd)

HOW TO ERASE DTC (With CONSULT)

1. If the ignition switch stays "ON" after repair work, be sure to turn ignition switch "OFF" once. Wait for at least 5 seconds and then turn it "ON" (engine stopped) again.
2. Turn CONSULT "ON", and touch "A/T".
3. Touch "SELF-DIAG RESULTS".
4. Touch "ERASE". (The DTC in the A/T control unit will be erased.) Then touch "BACK" twice.
5. Touch "ENGINE".
6. Touch "SELF-DIAG RESULTS".
7. Touch "ERASE". (The DTC in the ECM will be erased.)

How to erase DTC (With CONSULT)

1. If the ignition switch stays "ON" after repair work, be sure to turn ignition switch "OFF" once. Wait at least 5 seconds and then turn it "ON" (engine stopped) again.

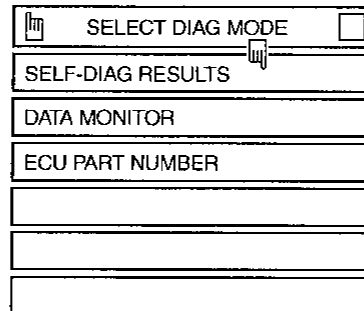


SELECT SYSTEM

ENGINE

A/T

2. Turn CONSULT "ON", and touch "A/T".



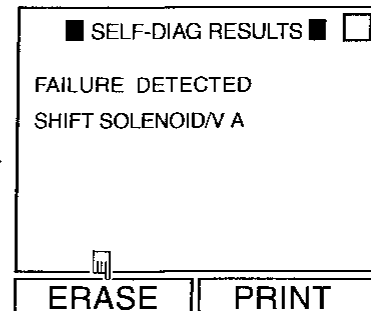
SELECT DIAG MODE

SELF-DIAG RESULTS

DATA MONITOR

ECU PART NUMBER

3. Touch "SELF-DIAG RESULTS".

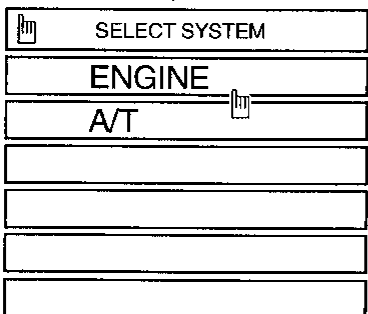
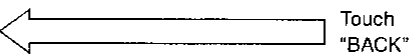
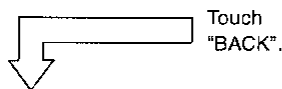


SELF-DIAG RESULTS

FAILURE DETECTED
SHIFT SOLENOID/V A

ERASE PRINT

4. Touch "ERASE". (The DTC in the A/T control unit will be erased.)

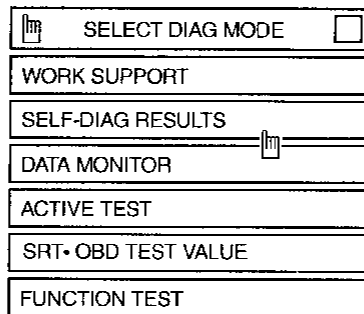


SELECT SYSTEM

ENGINE

A/T

5. Touch "ENGINE".



SELECT DIAG MODE

WORK SUPPORT

SELF-DIAG RESULTS

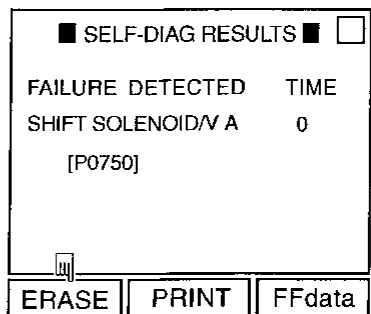
DATA MONITOR

ACTIVE TEST

SRT•OBD TEST VALUE

FUNCTION TEST

6. Touch "SELF-DIAG RESULTS".



SELF-DIAG RESULTS

FAILURE DETECTED TIME
SHIFT SOLENOID/V A 0
[P0750]

ERASE PRINT FFdata

7. Touch "ERASE". (The DTC in the ECM will be erased.)

SEF372S

HOW TO ERASE DTC (With GST)

Select Mode 4 with Generic Scan Tool (GST). For details, refer to EC section, "Generic Scan Tool (GST)", "ON BOARD DIAGNOSTIC SYSTEM DESCRIPTION".

HOW TO ERASE DTC (No Tools)

1. If the ignition switch stays "ON" after repair work, be sure to turn ignition switch "OFF" once. Wait for at least 5 seconds and then turn it "ON" (engine stopped) again.
2. Perform "SELF-DIAGNOSTIC PROCEDURE (No Tools)" on AT-46. (The engine warm-up step can be skipped when performing the diagnosis only to erase the DTC.)
3. Change the diagnostic test mode from Mode II to Mode I by turning the mode selector on the ECM. Refer to EC section, ["HOW TO SWITCH DIAGNOSTIC TEST MODES", "Malfunction Indicator Lamp (MIL)", "ON BOARD DIAGNOSTIC SYSTEM DESCRIPTION"].

The following emission-related diagnostic information is cleared from the ECM memory when erasing DTC related to OBD-II.

- Diagnostic trouble codes (DTC)
- 1st trip diagnostic trouble codes (1st trip DTC)
- Freeze frame data
- 1st trip freeze frame data
- System readiness test (SRT) codes
- Test values

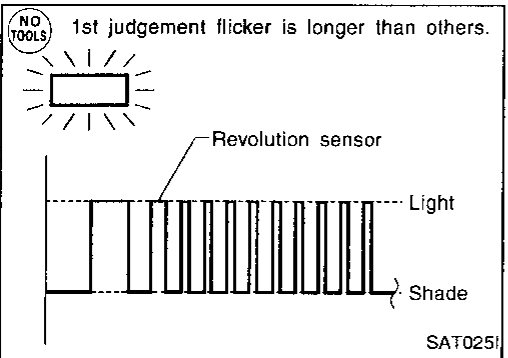
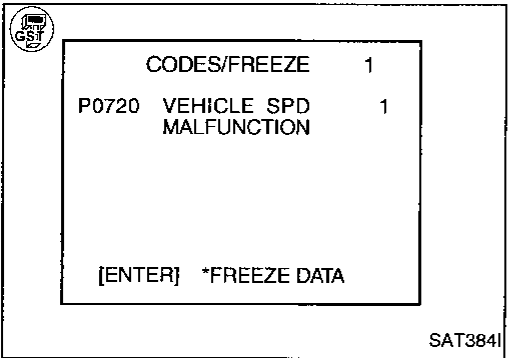
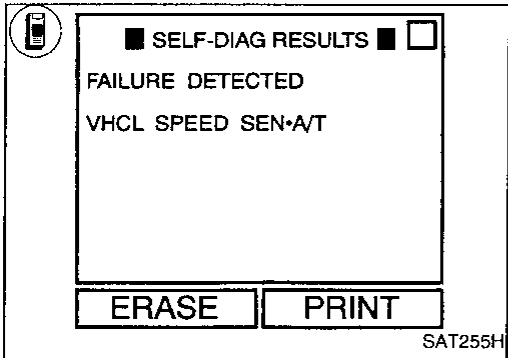
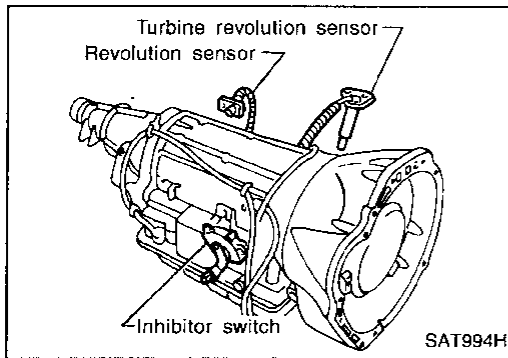
TROUBLE DIAGNOSES

Self-diagnosis (Cont'd)

VEHICLE SPEED SENSOR A/T (REVOLUTION SENSOR) CIRCUIT CHECK

Description

The revolution sensor detects the revolution of the out put shaft parking pawl lock gear and emits a pulse signal. The pulse signal is sent to the A/T control unit which converts it into vehicle speed.



Diagnostic trouble code	Malfunction is detected when ...	Check item (Possible cause)
: VHCL SPEED SEN-A/T : P0720 : 1st judgement flicker	A/T control unit does not receive the proper voltage signal from the sensor.	<ul style="list-style-type: none"> • Harness or connectors (The sensor circuit is open or short.) • Revolution sensor

Diagnostic Trouble Code (DTC) confirmation procedure

After the repair, perform the following procedure to confirm the malfunction is eliminated.

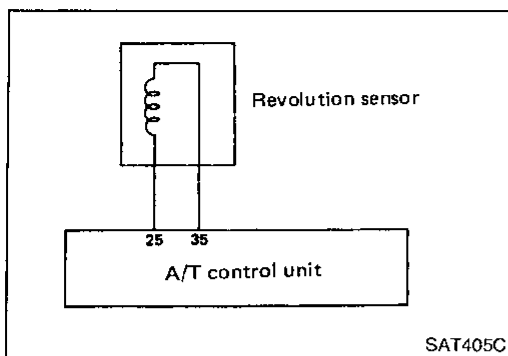
- 1) Start engine.
 2) Select "SELF-DIAG RESULTS" mode with CONSULT.
 3) Drive vehicle under the following conditions:
 Selector lever in D, vehicle speed higher than 30 km/h (19 MPH), throttle opening greater than 1/8 of the full throttle position and driving for more than 5 seconds.

- OR
- 1) Start engine.
 2) Drive vehicle under the following conditions:
 Selector lever in D, vehicle speed higher than 30 km/h (19 MPH), throttle opening greater than 1/8 of the full throttle position and driving for more than 5 seconds.
 3) Select "MODE 7" with GST.

- OR
- 1) Start engine.
 2) Drive vehicle under the following conditions:
 Selector lever in D, vehicle speed higher than 30 km/h (19 MPH), throttle opening greater than 1/8 of the full throttle position and driving for more than 5 seconds.
 3) Perform self-diagnosis.
 Refer to SELF-DIAGNOSTIC PROCEDURE (No Tools), AT-46.

TROUBLE DIAGNOSES

Self-diagnosis (Cont'd)



CHECK REVOLUTION SENSOR.

Refer to "Electrical Components Inspection", AT-110.

NG

Repair or replace revolution sensor.

OK

A

CHECK INPUT SIGNAL.

1. Start engine.
2. Select "ECU INPUT SIGNALS" in Data Monitor.
3. Read out the value of "VHCL/S SE·A/T" while driving. Check the value changes according to driving speed.

NG

Check the following items:

- Harness for short or open between A/T control unit and revolution sensor (Main harness)
- Harness for short or open between revolution sensor and ECM (Main harness)
- Ground circuit for ECM Refer to EC section ("TROUBLE DIAGNOSIS FOR POWER SUPPLY").

OR

1. Start engine.
2. Check voltage between A/T control unit terminal ② and ground while driving. (Measure in AC range.)

Voltage:

At 0 km/h (0 MPH):

0V

At 30 km/h (19 MPH):

1V or more

(Voltage rises gradually in response to vehicle speed.)

OK

Perform Diagnostic Trouble Code (DTC) confirmation procedure, AT-51.

NG

1. Perform A/T control unit input/output signal inspection.
2. If NG, recheck A/T control unit pin terminals for damage or loose connection with harness connector.

OK

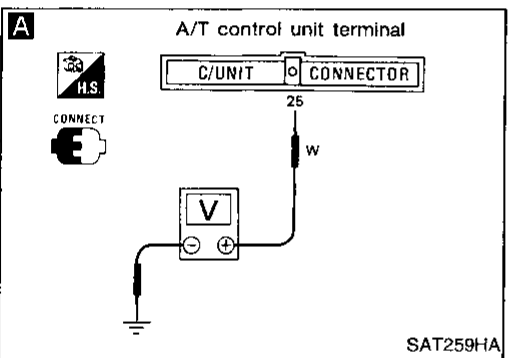
INSPECTION END

A

☆MONITOR	☆NO FAIL	
VHCL/S SE·A/T		0km/h
VHCL/S SE·MTR		5km/h
THRTL POS SEN		0.4V
FLUID TEMP SE		0.9V
BATTERY VOLT		13.3V
ENGINE SPEED		704rpm
TURBINE REV		672rpm
OVERDRIVE SW		OFF
P/N POSI SW		O N

RECORD

SAT109G



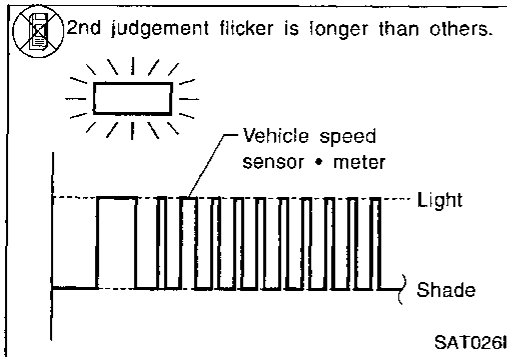
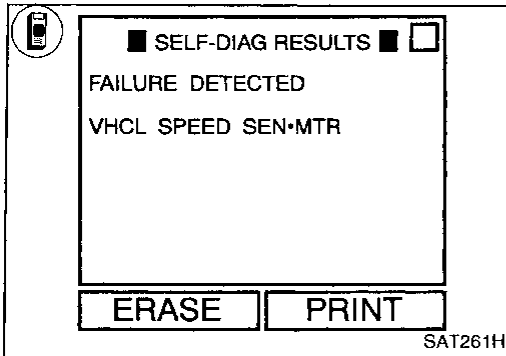
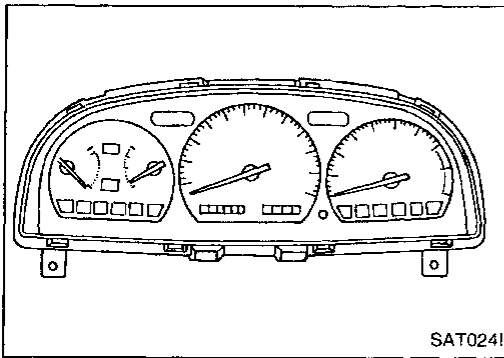
TROUBLE DIAGNOSES

Self-diagnosis (Cont'd)

VEHICLE SPEED SENSOR-MTR CIRCUIT CHECK

Description

The vehicle speed sensor-MTR is built into the speedometer assembly. The sensor functions as an auxiliary device to the revolution sensor when it is malfunctioning. The A/T control unit will then use a signal sent from the vehicle speed sensor-MTR.



Diagnostic trouble code	Malfunction is detected when ...	Check item (Possible cause)
: VHCL SPEED SEN-MTR	A/T control unit does not receive the proper voltage signal from the sensor.	<ul style="list-style-type: none"> • Harness or connectors (The sensor circuit is open or short.) • Vehicle speed sensor
: 2nd judgement flicker		

Diagnostic Trouble Code (DTC) confirmation procedure

After the repair, perform the following procedure to confirm the malfunction is eliminated.

- 1) Start engine.
- 2) Select "SELF-DIAG RESULTS" mode with CONSULT.
- 3) Drive vehicle under the following conditions:
Selector lever in D and vehicle speed higher than 20 km/h (12 MPH).

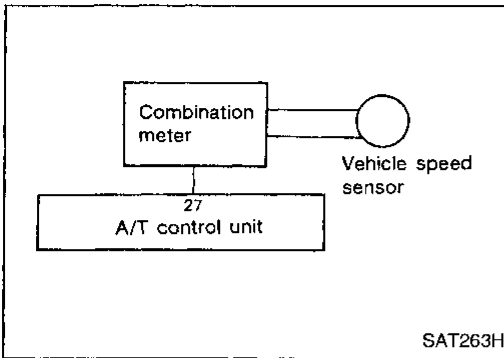
OR

- 1) Start engine.
- 2) Drive vehicle under the following conditions:
Selector lever in D and vehicle speed higher than 20 km/h (12 MPH).
- 3) Perform self-diagnosis.
Refer to SELF-DIAGNOSTIC PROCEDURE (No Tools), AT-46.

GI
MA
EM
LC
EC
FE
AT
PD
FA
RA
BR
ST
RS
BT
HA
EL
IDX

TROUBLE DIAGNOSES

Self-diagnosis (Cont'd)

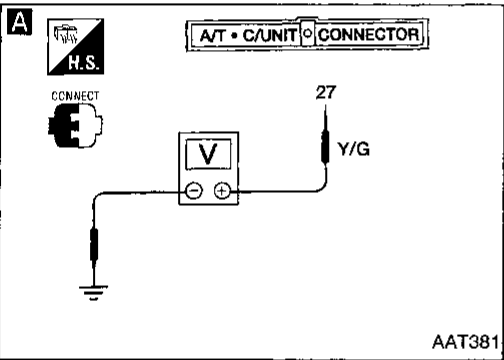


A

☆ MONITOR	☆ NO FAIL	
VHCL/S SE·A/T		0km/h
VHCL/S SE·MTR		5km/h
THRTL POS SEN		0.4V
FLUID TEMP SE		0.9V
BATTERY VOLT		13.3V
ENGINE SPEED		704rpm
TURBINE REV		672rpm
OVERDRIVE SW		OFF
P/N POSI SW		O N

RECORD

SAT109G



A

CHECK INPUT SIGNAL.

1. Start engine.
2. Select "ECU INPUT SIGNALS" in Data Monitor.
3. Read out the value of "VHCL/S SE·MTR" while driving. Check the value changes according to driving speed.

OR

1. Start engine.
2. Check voltage between A/T control unit terminal ② and ground while driving at 2 to 3 km/h (1 to 2 MPH) for 1 m (3 ft) or more.

Voltage:
Varies between less than 1V and more than 4.5V

NG

Check the following items:

- Vehicle speed sensor and ground circuit for vehicle speed sensor Refer to EL section ("METERS AND GAUGES").
- Harness for short or open between A/T control unit and vehicle speed sensor (Main harness)

OK

Perform Diagnostic Trouble Code (DTC) confirmation procedure, AT-53.

NG

1. Perform A/T control unit input/output signal inspection.
2. If NG, recheck A/T control unit pin terminals for damage or loose connection with harness connector.

OK

INSPECTION END

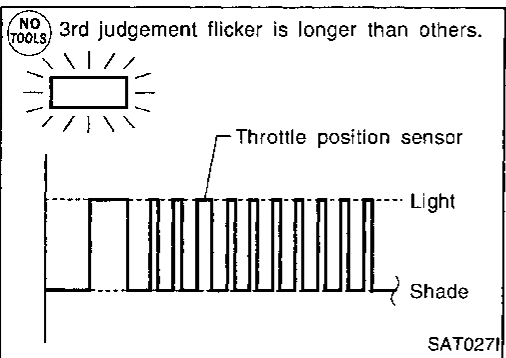
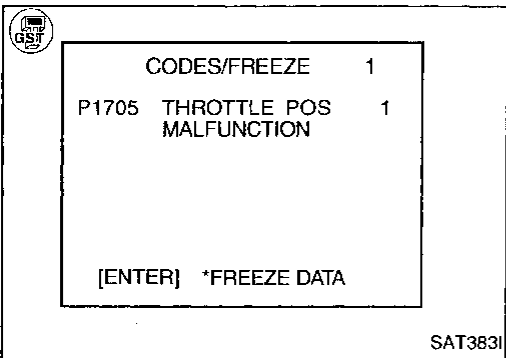
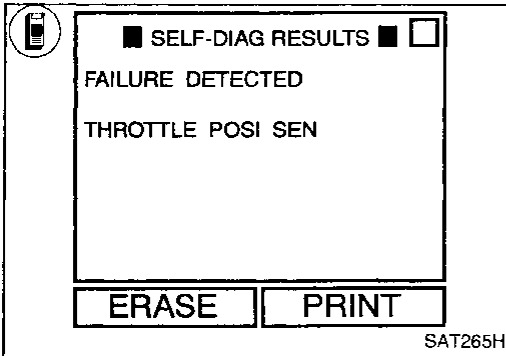
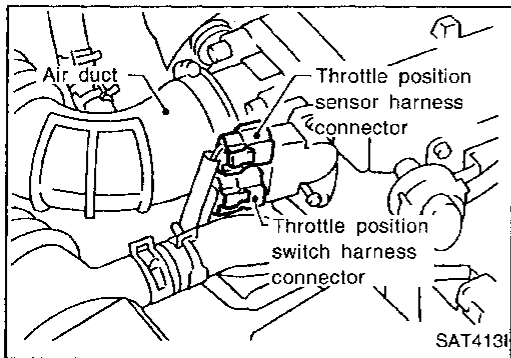
TROUBLE DIAGNOSES

Self-diagnosis (Cont'd)

THROTTLE POSITION SENSOR CIRCUIT CHECK

Description

The throttle position sensor detects the throttle valve position and sends a signal to the A/T control unit.



Diagnostic trouble code	Malfunction is detected when ...	Check item (Possible cause)
: THROTTLE POSI SEN : P1705 : 3rd judgement flicker	A/T control unit receives an excessively low or high voltage from the sensor.	<ul style="list-style-type: none"> Harness or connectors (The sensor circuit is open or short.) Throttle position sensor

Diagnostic Trouble Code (DTC) confirmation procedure

After the repair, perform the following procedure to confirm the malfunction is eliminated.

- 1) Start engine.
- 2) Select "SELF-DIAG RESULTS" mode with CONSULT.
- 3) Drive vehicle under the following conditions:
Selector lever in D, vehicle speed higher than 10 km/h (6 MPH), throttle opening greater than 1/2 of the full throttle position and driving for more than 3 seconds.

OR

- 1) Start engine.
- 2) Drive vehicle under the following conditions:
Selector lever in D, vehicle speed higher than 10 km/h (6 MPH), throttle opening greater than 1/2 of the full throttle position and driving for more than 3 seconds.
- 3) Select "MODE 7" with GST.

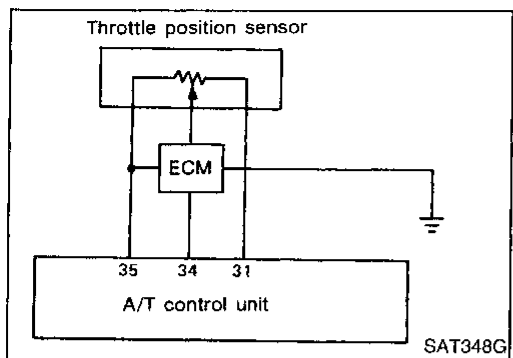
OR

- 1) Start engine.
- 2) Drive vehicle under the following conditions:
Selector lever in D, vehicle speed higher than 10 km/h (6 MPH), throttle opening greater than 1/2 of the full throttle position and driving for more than 3 seconds.
- 3) Perform self-diagnosis.
Refer to SELF-DIAGNOSTIC PROCEDURE (No Tools), AT-46.

GI
MA
EM
LC
EC
FE
AT
PD
FA
RA
BR
ST
RS
BT
HA
EL
IDX

TROUBLE DIAGNOSES

Self-diagnosis (Cont'd)

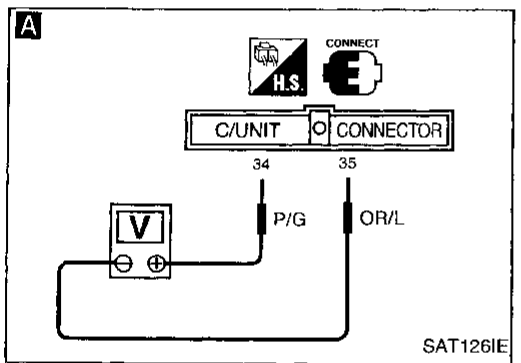


A

☆ MONITOR	☆ NO FAIL	
VHCL/S SE·A/T	0km/h	
VHCL/S SE·MTR	5km/h	
THRTL POS SEN	0.4V	
FLUID TEMP SE	0.8V	
BATTERY VOLT	13.3V	
ENGINE SPEED	704rpm	
TURBINE REV	672rpm	
OVERDRIVE SW	OFF	
P/N POSI SW	O N	

RECORD

SAT143H



Perform diagnostic test mode II (self-diagnostic results) for engine control. Refer to EC section ["Malfunction Indicator Lamp (MIL)", "ON BOARD DIAGNOSTIC SYSTEM DESCRIPTION"].

NG → Check throttle position sensor circuit for engine control. Refer to EC section ["Throttle Position Sensor (DTC : 0403)", "TROUBLE DIAGNOSIS FOR DTC P0120"].

A

CHECK INPUT SIGNAL.

1. Turn ignition switch to "ON" position. (Do not start engine.)
2. Select "ECU INPUT SIGNALS" in Data Monitor.
3. Read out the value of "THRTL POS SEN".

Voltage:

Fully-closed throttle:
Approximately 0.5V

Fully-open throttle:
Approximately 4V

OR

1. Turn ignition switch to "ON" position. (Do not start engine.)
2. Check voltage between A/T control unit terminals ④ and ⑤ while accelerator pedal is depressed slowly.

Voltage:

Fully-closed throttle valve:
Approximately 0.5V

Fully-open throttle valve:
Approximately 4V

(Voltage rises gradually in response to throttle position)

NG → Check harness for short or open between ECM and A/T control unit regarding throttle position sensor circuit. (Main harness)

CHECK KICKDOWN SWITCH. Refer to "CHECK KICKDOWN SWITCH CIRCUIT", "Self-diagnosis" AT-76.

NG → Repair or replace damaged parts.

CHECK THROTTLE POSITION SWITCH. Refer to "CHECK THROTTLE POSITION SWITCH CIRCUIT", "Self-diagnosis" AT-77.

NG → Repair or replace damaged parts.

Perform Diagnostic Trouble Code (DTC) confirmation procedure, AT-55.

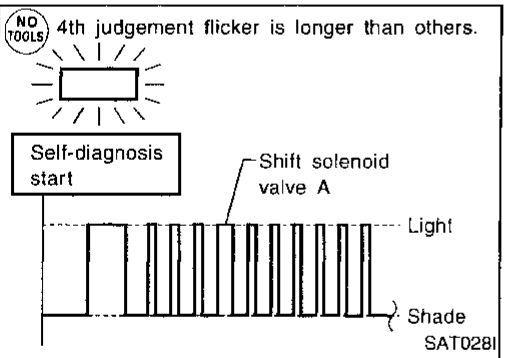
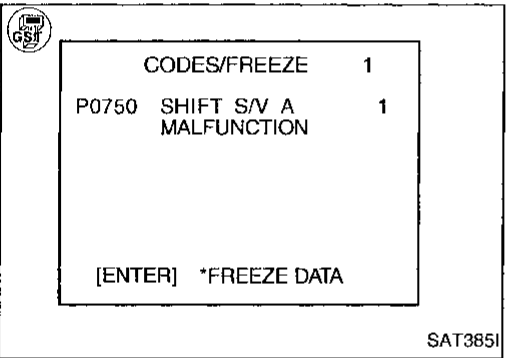
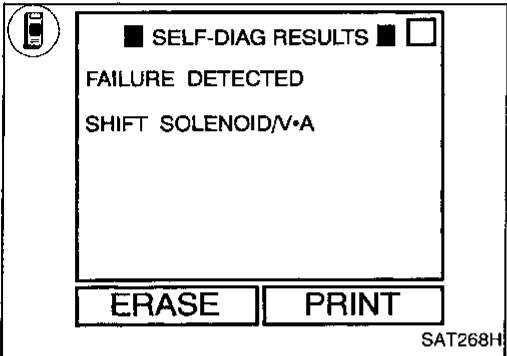
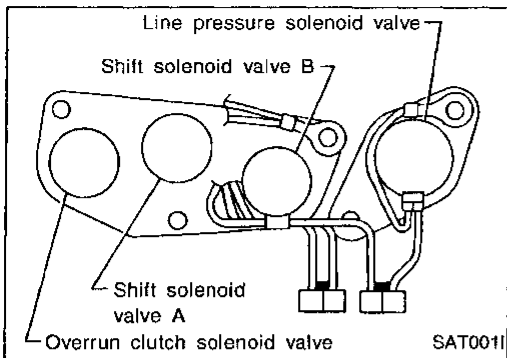
NG → 1. Perform A/T control unit input/output signal inspection.
2. If NG, recheck A/T control unit pin terminals for damage or loose connection with harness connector.

INSPECTION END

TROUBLE DIAGNOSES

Self-diagnosis (Cont'd)

SHIFT SOLENOID VALVE A CIRCUIT CHECK



Description

Shift solenoid valves A and B are turned ON or OFF by the A/T control unit in response to signals sent from the inhibitor switch, vehicle speed and throttle position sensors. Gears will then be shifted to the optimum position.

Gear position	1	2	3	4
Shift solenoid valve A	ON	OFF	OFF	ON
Shift solenoid valve B	ON	ON	OFF	OFF

Diagnostic trouble code	Malfunction is detected when ...	Check item (Possible cause)
: SHIFT SOLENOID/V-A : P0750 : 4th judgement flicker	A/T control unit detects the improper voltage drop when it tries to operate the solenoid valve.	<ul style="list-style-type: none"> Harness or connectors (The solenoid circuit is open or short.) Shift solenoid valve A

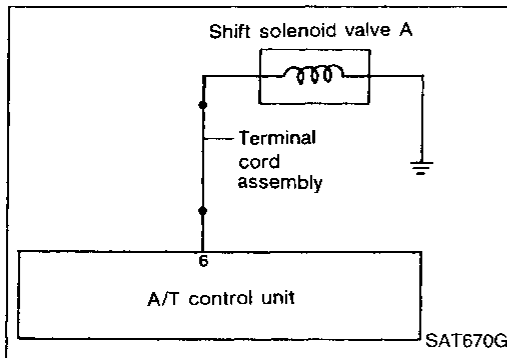
Diagnostic Trouble Code (DTC) confirmation procedure

After the repair, perform the following procedure to confirm the malfunction is eliminated.

- | | | |
|--|----|--|
| <ol style="list-style-type: none"> Start engine. Select "SELF-DIAG RESULTS" mode with CONSULT. Drive vehicle in D₁ → D₂ position. | OR | <ol style="list-style-type: none"> Start engine. Drive vehicle in D₁ → D₂ position. Select "MODE 7" with GST. |
| OR | | <ol style="list-style-type: none"> Start engine. Drive vehicle in D₁ → D₂ position. Perform self-diagnosis. Refer to SELF-DIAGNOSTIC PROCEDURE (No Tools), AT-46. |

TROUBLE DIAGNOSES

Self-diagnosis (Cont'd)



A

CHECK GROUND CIRCUIT.

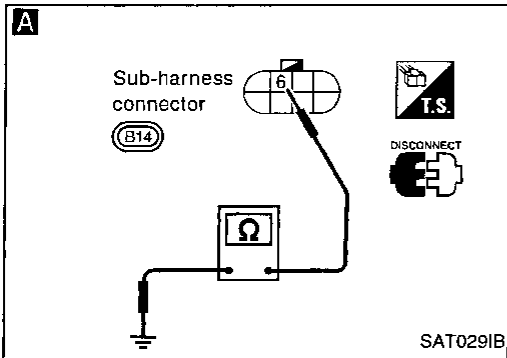
1. Turn ignition switch to "OFF" position.
2. Disconnect terminal cord assembly connector in engine compartment.
3. Check resistance between terminal ⑥ and ground.

Resistance: 20 - 40Ω

NG

1. Remove control valve assembly. Refer to "ON-VEHICLE SERVICE", AT-130.
2. Check the following items:
 - Shift solenoid valve A (Refer to "Electrical Components Inspection", AT-111.)
 - Harness of terminal cord assembly for short or open

OK



B

CHECK POWER SOURCE CIRCUIT.

1. Turn ignition switch to "OFF" position.
2. Disconnect A/T control unit harness connector.
3. Check resistance between terminal ⑥ and A/T control unit harness connector terminal ⑥.

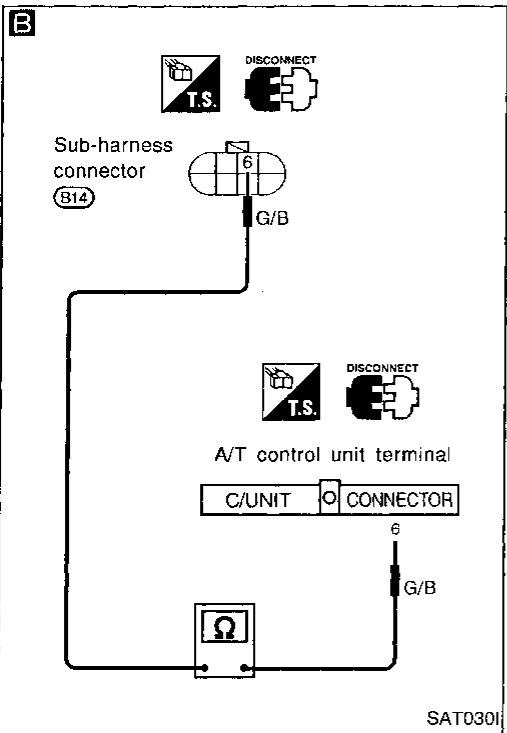
Resistance: Approximately 0Ω

4. Reinstall any part removed.

NG

Repair or replace harness between A/T control unit and terminal cord assembly. (Main harness)

OK



Perform Diagnostic Trouble Code (DTC) confirmation procedure, AT-57.

NG

1. Perform A/T control unit input/output signal inspection.
2. If NG, recheck A/T control unit pin terminals for damage or loose connection with harness connector.

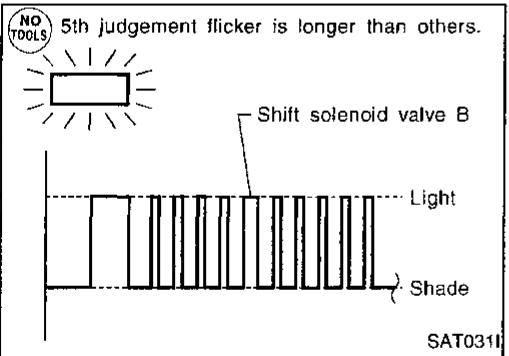
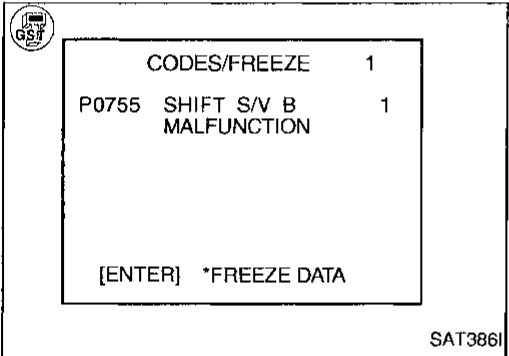
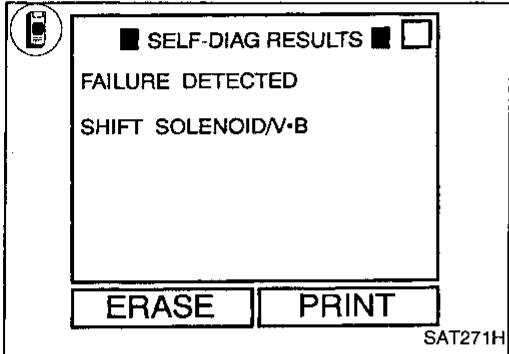
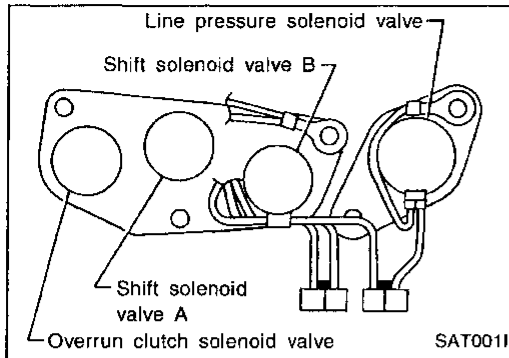
OK

INSPECTION END

TROUBLE DIAGNOSES

Self-diagnosis (Cont'd)

SHIFT SOLENOID VALVE B CIRCUIT CHECK



Description

Shift solenoid valves A and B are turned ON or OFF by the A/T control unit in response to signals sent from the inhibitor switch, vehicle speed and throttle position sensors. Gears will then be shifted to the optimum position.

Gear position	1	2	3	4
Shift solenoid valve A	ON	OFF	OFF	ON
Shift solenoid valve B	ON	ON	OFF	OFF

Diagnostic trouble code	Malfunction is detected when ...	Check item (Possible cause)
SHIFT SOLENOID/V-B	A/T control unit detects the improper voltage drop when it tries to operate the solenoid valve.	<ul style="list-style-type: none"> • Harness or connectors (The solenoid circuit is open or short.) • Shift solenoid valve B
P0755		
5th judgement flicker		

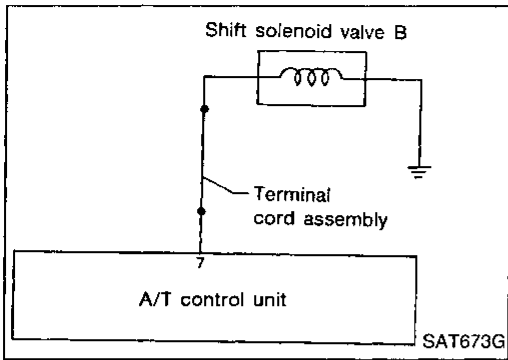
Diagnostic Trouble Code (DTC) confirmation procedure

After the repair, perform the following procedure to confirm the malfunction is eliminated.

- 1) Start engine.
 2) Select "SELF-DIAG RESULTS" mode with CONSULT.
 3) Drive vehicle in D₁ → D₂ → D₃ position.
- OR
- 1) Start engine.
 2) Drive vehicle in D₁ → D₂ → D₃ position.
 3) Select "MODE 7" with GST.
- OR
- 1) Start engine.
 2) Drive vehicle in D₁ → D₂ → D₃ position.
 3) Perform self-diagnosis.
 Refer to SELF-DIAGNOSTIC PROCEDURE (No Tools), AT-46.

TROUBLE DIAGNOSES

Self-diagnosis (Cont'd)



A

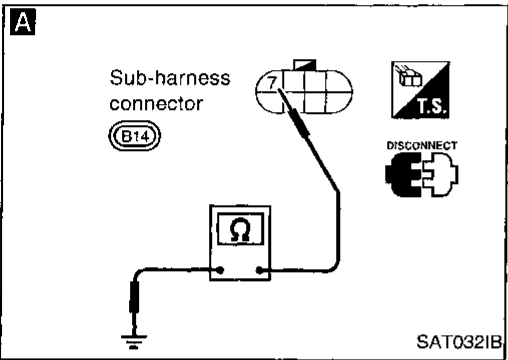
CHECK GROUND CIRCUIT.

1. Turn ignition switch to "OFF" position.
2. Disconnect terminal cord assembly connector in engine compartment.
3. Check resistance between terminal ⑦ and ground.

Resistance: 20 - 40Ω

NG

1. Remove control valve assembly. Refer to "ON-VEHICLE SERVICE", AT-130.
2. Check the following items:
 - Shift solenoid valve B (Refer to "Electrical Components Inspection", AT-111.)
 - Harness of terminal cord assembly for short or open



OK

B

CHECK POWER SOURCE CIRCUIT.

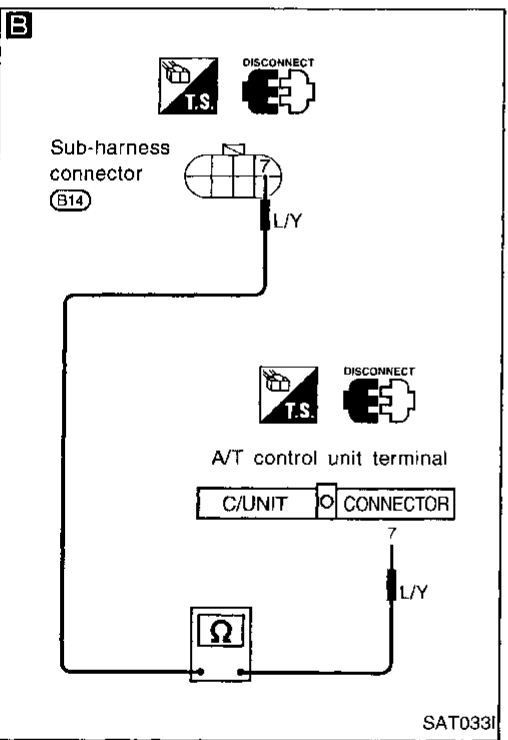
1. Turn ignition switch to "OFF" position.
2. Disconnect A/T control unit harness connector.
3. Check resistance between terminal ⑦ and A/T control unit harness connector terminal ⑦.

Resistance: Approximately 0Ω

4. Reinstall any part removed.

NG

Repair or replace harness between A/T control unit and terminal cord assembly. (Main harness)



OK

Perform Diagnostic Trouble Code (DTC) confirmation procedure, AT-59.

NG

1. Perform A/T control unit input/output signal inspection.
2. If NG, recheck A/T control unit pin terminals for damage or loose connection with harness connector.

OK

INSPECTION END

TROUBLE DIAGNOSES

Self-diagnosis (Cont'd)

OVERRUN CLUTCH SOLENOID VALVE CIRCUIT CHECK

Description

The overrun clutch solenoid valve is activated by the A/T control unit in response to signals sent from the inhibitor switch, vehicle speed and throttle position sensors. The overrun clutch operation will then be controlled.

GI

MA

EM

LC

EC

FE

AT

PD

FA

RA

BR

ST

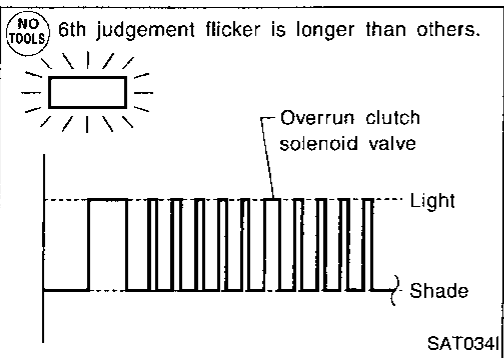
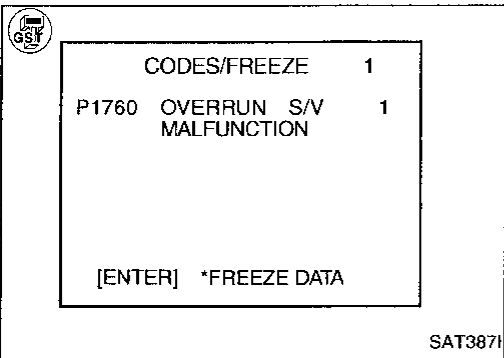
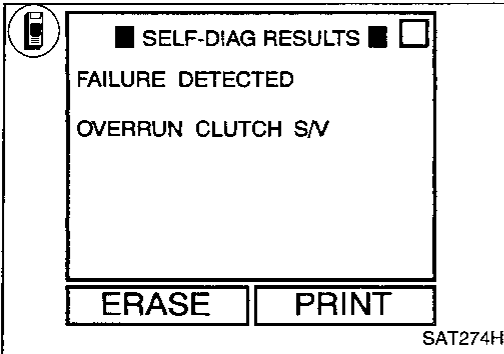
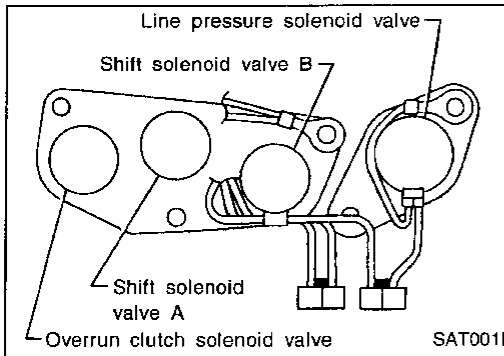
RS

BT

HA

EL

IDX



Diagnostic trouble code	Malfunction is detected when ...	Check item (Possible cause)
: OVERRUN CLUTCH S/V	A/T control unit detects the improper voltage drop when it tries to operate the solenoid valve.	<ul style="list-style-type: none"> • Harness or connectors (The solenoid circuit is open or short.) • Overrun clutch solenoid valve
: P1760		
: 6th judgement flicker		

Diagnostic Trouble Code (DTC) confirmation procedure

After the repair, perform the following procedure to confirm the malfunction is eliminated.

- 1) Start engine.
 2) Select "SELF-DIAG RESULTS" mode with CONSULT.
 3) Drive vehicle under the following conditions:
 Selector lever in D position and vehicle speed higher than 10 km/h (6 MPH).

OR

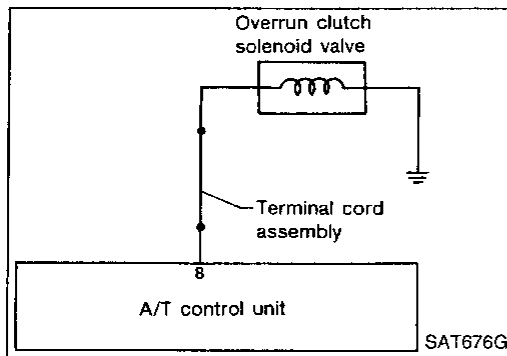
- 1) Start engine.
 2) Drive vehicle under the following conditions:
 Selector lever in D position and vehicle speed higher than 10 km/h (6 MPH).
 3) Select "MODE 7" with GST.

OR

- 1) Start engine.
 2) Drive vehicle under the following conditions:
 Selector lever in D position and vehicle speed higher than 10 km/h (6 MPH).
 3) Perform self-diagnosis.
 Refer to SELF-DIAGNOSTIC PROCEDURE (No Tools), AT-46.

TROUBLE DIAGNOSES

Self-diagnosis (Cont'd)



A

CHECK GROUND CIRCUIT.

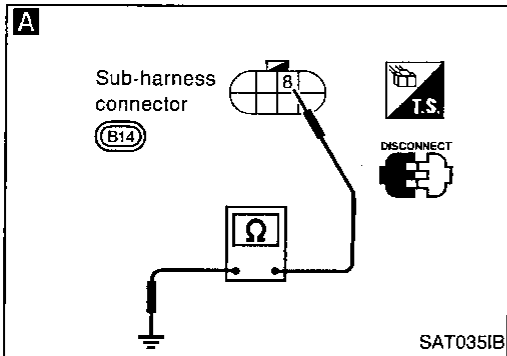
1. Turn ignition switch to "OFF" position.
2. Disconnect terminal cord assembly connector in engine compartment.
3. Check resistance between terminal ⑧ and ground.

Resistance: 20 - 40Ω

NG

1. Remove control valve assembly. Refer to "ON-VEHICLE SERVICE", AT-130.
2. Check the following items:
 - Overrun clutch solenoid valve (Refer to "Electrical Components Inspection", AT-111.)
 - Harness of terminal cord assembly for short or open

OK



B

CHECK POWER SOURCE CIRCUIT.

1. Turn ignition switch to "OFF" position.
2. Disconnect A/T control unit harness connector.
3. Check resistance between terminal ⑧ and A/T control unit harness connector terminal ⑧.

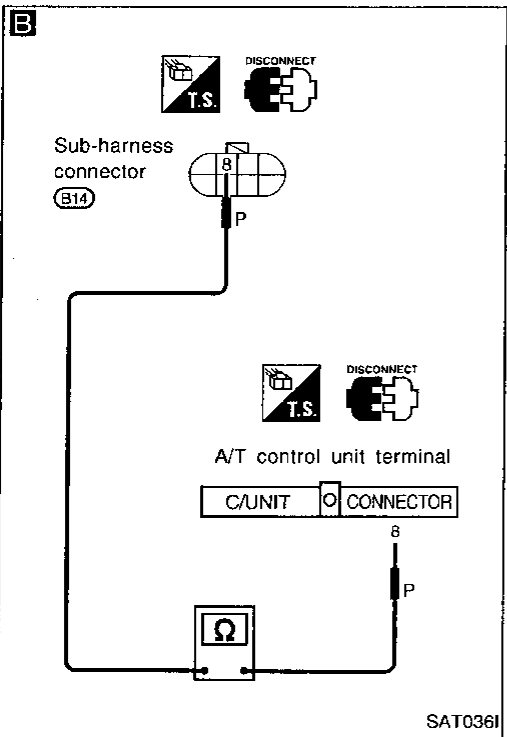
Resistance: Approximately 0Ω

4. Reinstall any part removed.

NG

Repair or replace harness between A/T control unit and terminal cord assembly. (Main harness)

OK



Perform Diagnostic Trouble Code (DTC) confirmation procedure, AT-61.

NG

1. Perform A/T control unit input/output signal inspection.
2. If NG, recheck A/T control unit pin terminals for damage or loose connection with harness connector.

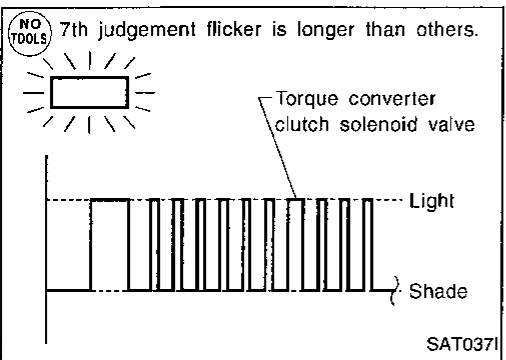
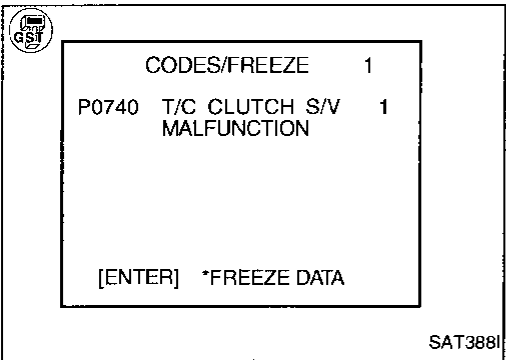
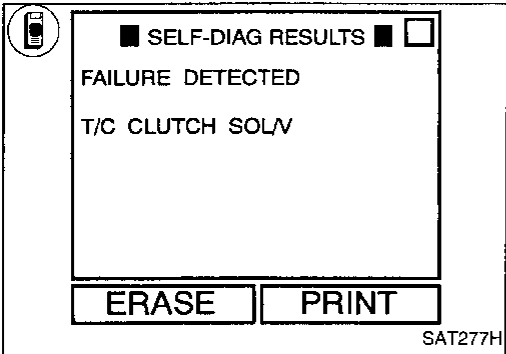
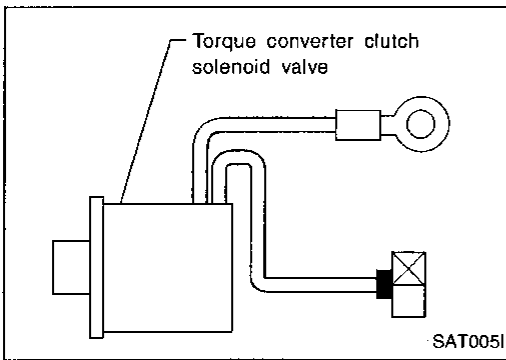
OK

INSPECTION END

TROUBLE DIAGNOSES

Self-diagnosis (Cont'd)

TORQUE CONVERTER CLUTCH SOLENOID VALVE CIRCUIT CHECK



Description

The torque converter clutch solenoid valve is activated, with the gear in D₄, by the A/T control unit in response to signals sent from the vehicle speed and throttle position sensors. Lock-up piston operation will then be controlled.

Lock-up operation, however, is prohibited when ATF temperature is too low.

Diagnostic trouble code	Malfunction is detected when ...	Check item (Possible cause)
: T/C CLUTCH SOLV	A/T control unit detects the improper voltage drop when it tries to operate the solenoid valve.	<ul style="list-style-type: none"> • Harness or connectors (The solenoid circuit is open or short.) • T/C clutch solenoid valve
: P0740		
: 7th judgement flicker		

Diagnostic Trouble Code (DTC) confirmation procedure

After the repair, perform the following procedure to confirm the malfunction is eliminated.

- 1) Start engine.
- 2) Select "SELF-DIAG RESULTS" mode with CONSULT.
- 3) Drive vehicle in D₁ → D₂ → D₃ → D₄ → D₄ lock-up position.

OR

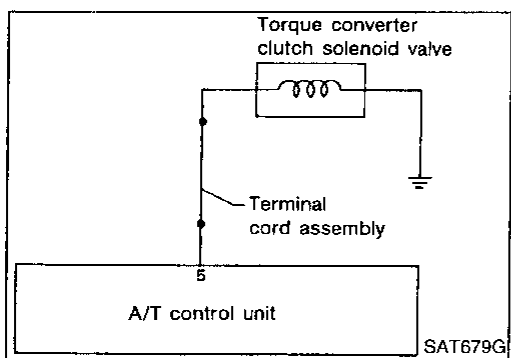
- 1) Start engine.
- 2) Drive vehicle in D₁ → D₂ → D₃ → D₄ → D₄ lock-up position.
- 3) Select "MODE 7" with GST.

OR

- 1) Start engine.
- 2) Drive vehicle in D₁ → D₂ → D₃ → D₄ → D₄ lock-up position.
- 3) Perform self-diagnosis. Refer to SELF-DIAGNOSTIC PROCEDURE (No Tools), AT-46.

TROUBLE DIAGNOSES

Self-diagnosis (Cont'd)



A

CHECK GROUND CIRCUIT.

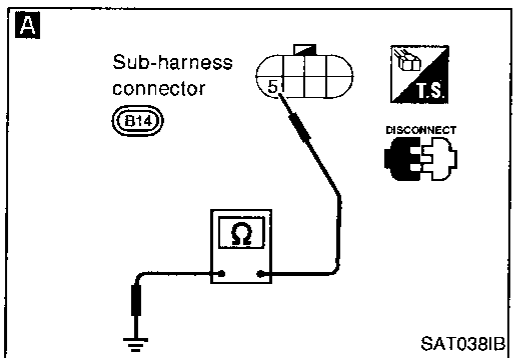
1. Turn ignition switch to "OFF" position.
2. Disconnect terminal cord assembly connector in engine compartment.
3. Check resistance between terminal ⑤ and ground.

Resistance: 10 - 20Ω

NG

1. Remove oil pan. Refer to "ON-VEHICLE SERVICE", AT-130.
2. Check the following items:
 - Torque converter clutch solenoid valve (Refer to "Electrical Components Inspection", AT-111.)
 - Harness of terminal cord assembly for short or open

OK



B

CHECK POWER SOURCE CIRCUIT.

1. Turn ignition switch to "OFF" position.
2. Disconnect A/T control unit harness connector.
3. Check resistance between terminal ⑤ and A/T control unit harness connector terminal ⑤.

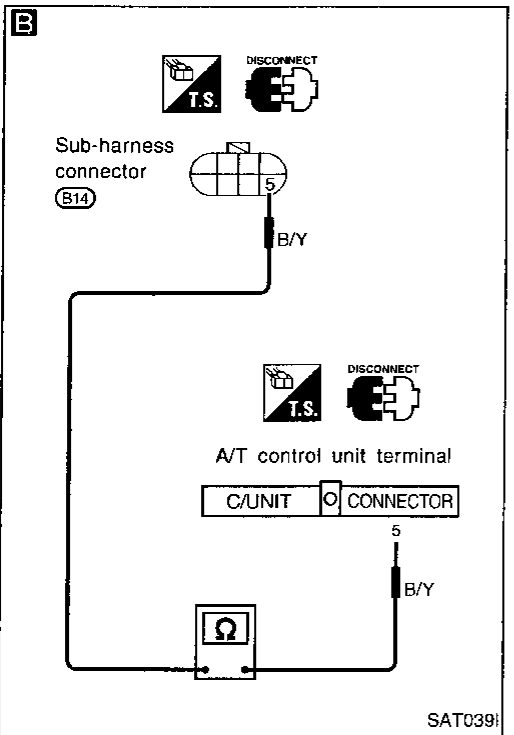
Resistance: Approximately 0Ω

4. Reinstall any part removed.

NG

Repair or replace harness between A/T control unit and terminal cord assembly. (Main harness)

OK



Perform Diagnostic Trouble Code (DTC) confirmation procedure, AT-63.

NG

1. Perform A/T control unit input/output signal inspection.
2. If NG, recheck A/T control unit pin terminals for damage or loose connection with harness connector.

OK

INSPECTION END

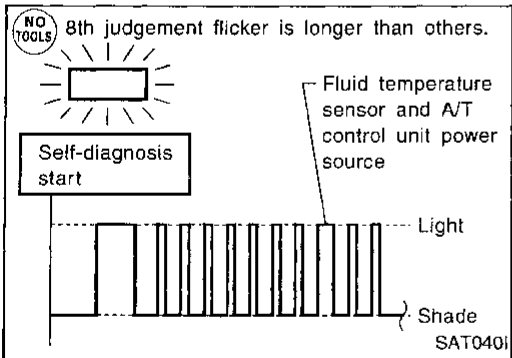
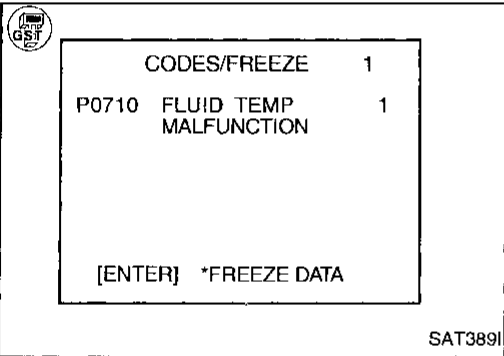
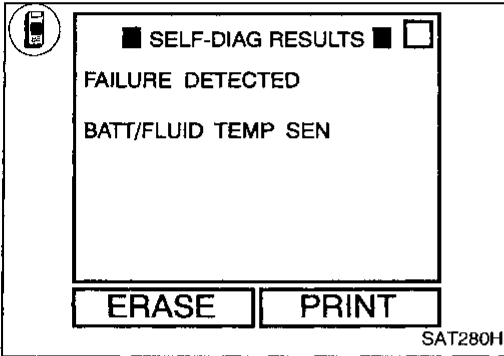
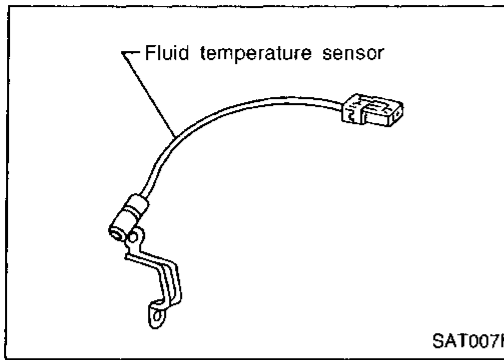
TROUBLE DIAGNOSES

Self-diagnosis (Cont'd)

FLUID TEMPERATURE SENSOR CIRCUIT AND A/T CONTROL UNIT POWER SOURCE CIRCUIT CHECKS

Description

The fluid temperature sensor detects the ATF temperature and sends a signal to the A/T control unit.



Diagnostic trouble code	Malfunction is detected when ...	Check item (Possible cause)
: BATT/FLUID TEMP SEN	A/T control unit receives an excessively low or high voltage from the sensor.	<ul style="list-style-type: none"> • Harness or connectors (The sensor circuit is open or short.) • Fluid temperature sensor
: P0710		
: 8th judgement flicker		

Diagnostic Trouble Code (DTC) confirmation procedure

After the repair, perform the following procedure to confirm the malfunction is eliminated.

- 1) Start engine.
 2) Select "SELF-DIAG RESULTS" mode with CONSULT.
 3) Drive vehicle under the following conditions:
 Selector lever in D, vehicle speed higher than 10 km/h (6 MPH), throttle opening greater than 1/8 of the full open position, engine speed higher than 450 rpm and driving for more than 10 minutes.

OR

- 1) Start engine.
 2) Drive vehicle under the following conditions:
 Selector lever in D, vehicle speed higher than 10 km/h (6 MPH), throttle opening greater than 1/8 of the full open position, engine speed higher than 450 rpm and driving for more than 10 minutes.
 3) Select "MODE 7" with GST.

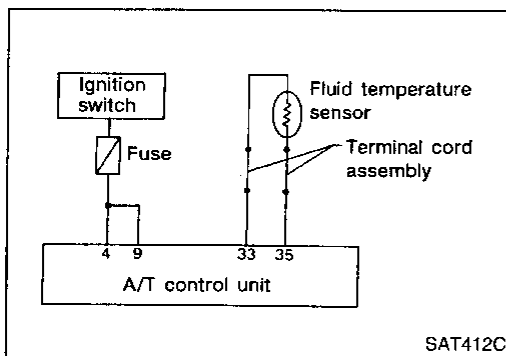
OR

- 1) Start engine.
 2) Drive vehicle under the following conditions:
 Selector lever in D, vehicle speed higher than 10 km/h (6 MPH), throttle opening greater than 1/8 of the full open position, engine speed higher than 450 rpm and driving for more than 10 minutes.
 3) Perform self-diagnosis.
 Refer to SELF-DIAGNOSTIC PROCEDURE (No Tools), AT-46.

GI
MA
EM
LC
EC
FE
AT
PD
FA
RA
BR
ST
RS
BT
HA
EL
IDX

TROUBLE DIAGNOSES

Self-diagnosis (Cont'd)



A

CHECK A/T CONTROL UNIT POWER SOURCE.

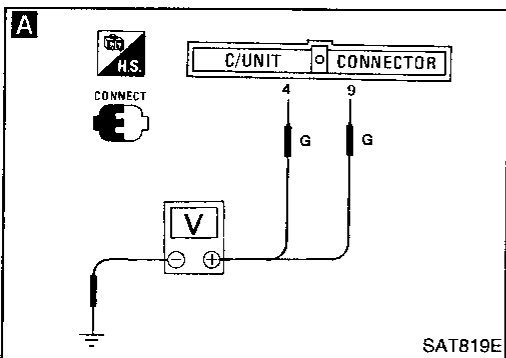
1. Turn ignition switch to "ON" position. (Do not start engine.)
2. Check voltage between A/T control unit terminals ④, ⑨ and ground. **Battery voltage should exist.**

NG

Check the following items:

- Harness for short or open between ignition switch and A/T control unit (Main harness)
- Ignition switch and fuse Refer to EL section ("POWER SUPPLY ROUTING").

OK



B

CHECK FLUID TEMPERATURE SENSOR WITH TERMINAL CORD ASSEMBLY.

1. Turn ignition switch to "OFF" position.
2. Disconnect terminal cord assembly connector in engine compartment.
3. Check resistance between terminals ③ and ⑤ when A/T is cold.

Resistance:

Cold [20°C (68°F)]

Approximately 2.5 kΩ

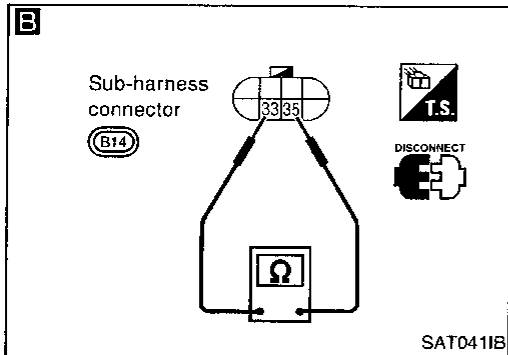
4. Reinstall any part removed.

NG

1. Remove oil pan.
2. Check the following items:
 - Fluid temperature sensor (Refer to "Electrical Components Inspection", AT-111.)
 - Harness of terminal cord assembly for short or open

OK

Ⓐ

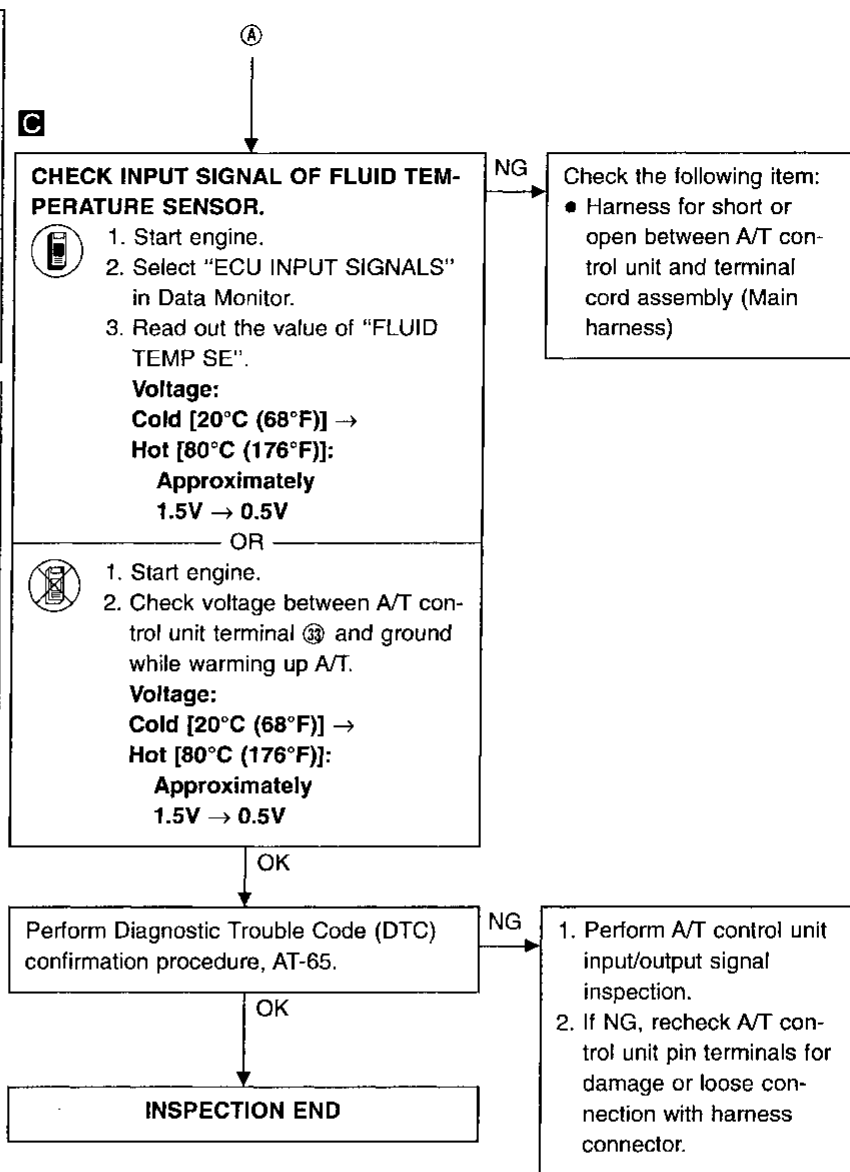
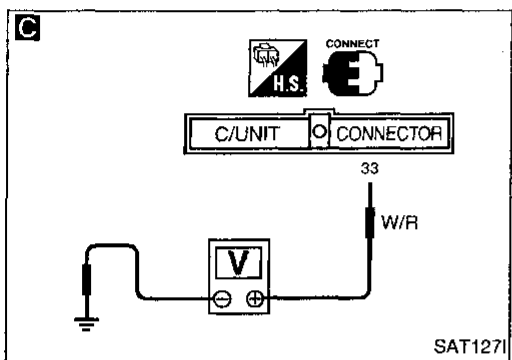


TROUBLE DIAGNOSES

Self-diagnosis (Cont'd)

☆ MONITOR	☆ NO FAIL	
VHCL/S SE•A/T	0km/h	
VHCL/S SE•MTR	5km/h	
THRTL POS SEN	0.4V	
FLUID TEMP SE	0.9V	
BATTERY VOLT	13.3V	
ENGINE SPEED	704rpm	
TURBINE REV	672rpm	
OVERDRIVE SW	OFF	
P/N POSI SW	O N	
RECORD		

SAT110G



GI
MA
EM
LC
EC
FE
AT
PD
FA
RA
BR
ST
RS
BT
HA
EL
IDX




TROUBLE DIAGNOSES

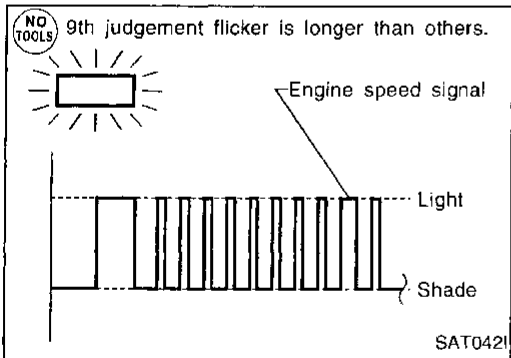
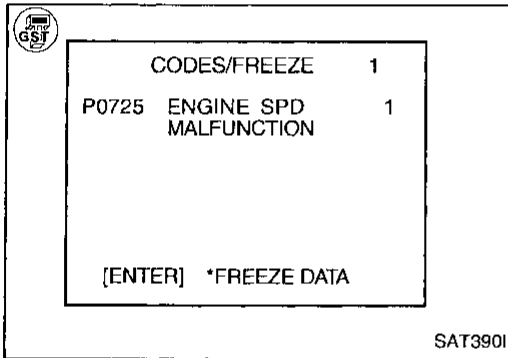
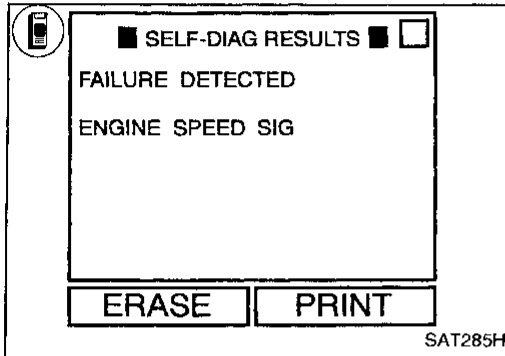
Self-diagnosis (Cont'd)

ENGINE SPEED SIGNAL CIRCUIT CHECK

Description


The engine speed signal is sent from the ECM to the A/T control unit.

Diagnostic trouble code	Malfunction is detected when ...	Check item (Possible cause)
 : ENGINE SPEED SIG  : P0725  : 9th judgement flicker	A/T control unit does not receive the proper voltage signal from ECM.	<ul style="list-style-type: none"> Harness or connectors (The sensor circuit is open or short.)




Diagnostic Trouble Code (DTC) confirmation procedure


After the repair, perform the following procedure to confirm the malfunction is eliminated.

-  1) Start engine.
 2) Select "SELF-DIAG RESULTS" mode with CONSULT.
 3) Drive vehicle under the following conditions:
 Selector lever in D, vehicle speed higher than 10 km/h (6 MPH), throttle opening greater than 1/8 of the full throttle position and driving for more than 10 seconds.

OR

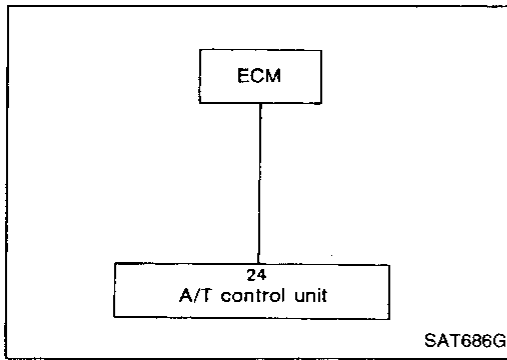
-  1) Start engine.
 2) Drive vehicle under the following conditions:
 Selector lever in D, vehicle speed higher than 10 km/h (6 MPH), throttle opening greater than 1/8 of the full throttle position and driving for more than 10 seconds.
 3) Select "MODE 7" with GST.

OR

-  1) Start engine.
 2) Drive vehicle under the following conditions:
 Selector lever in D, vehicle speed higher than 10 km/h (6 MPH), throttle opening greater than 1/8 of the full throttle position and driving for more than 10 seconds.
 3) Perform self-diagnosis.
 Refer to SELF-DIAGNOSTIC PROCEDURE (No Tools), AT-46.

TROUBLE DIAGNOSES

Self-diagnosis (Cont'd)

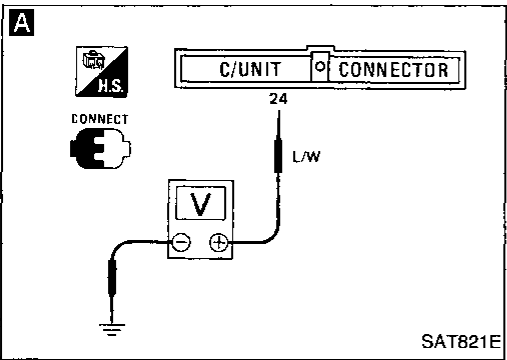


A

☆MONITOR	☆NO FAIL	
VHCL/S SE•A/T	0km/h	
VHCL/S SE•MTR	5km/h	
THRTL POS SEN	0.4V	
FLUID TEMP SE	0.9V	
BATTERY VOLT	13.3V	
ENGINE SPEED	704rpm	
TURBINE REV	672rpm	
OVERDRIVE SW	OFF	
P/N POSI SW	O N	

RECORD

SAT109G



Perform diagnostic test mode II (self-diagnostic results) for engine control. Check ignition signal circuit condition.

OK

NG

Check ignition signal circuit for engine control. Refer to EC section ["Ignition Signal (DTC: 0201)", TROUBLE DIAGNOSIS FOR DTC P1320"].

A

CHECK INPUT SIGNAL.

1. Start engine.
2. Select "ECU INPUT SIGNALS" in Data Monitor.
3. Read out the value of "ENGINE SPEED".
Check engine speed changes according to throttle position.

OR

1. Start engine.
2. Check voltage between A/T control unit terminal ② and ground.
Voltage:
Approximately 0.9 - 1.8V

NG

Check the following items:

- Harness for short or open between A/T control unit and ignition coil.
- Resistor
- Ignition coil

Refer to EC section ["Ignition Signal (DTC: 0201)", "TROUBLE DIAGNOSIS FOR DTC P1320"].

OK

Perform Diagnostic Trouble Code (DTC) confirmation procedure, AT-68.

OK

INSPECTION END

NG

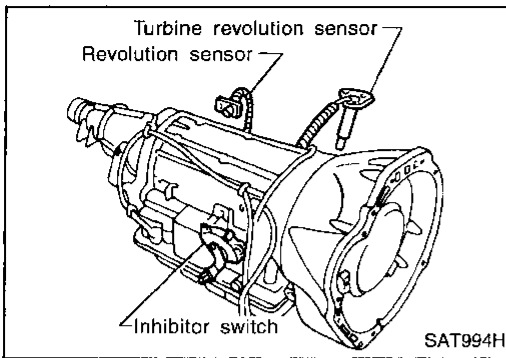
1. Perform A/T control unit input/output signal inspection.
2. If NG, recheck A/T control unit pin terminals for damage or loose connection with harness connector.

GI
MA
EM
LC
EC
FE
AT
PD
FA
RA
BR
ST
RS
BT
HA
EL
IDX

TROUBLE DIAGNOSES

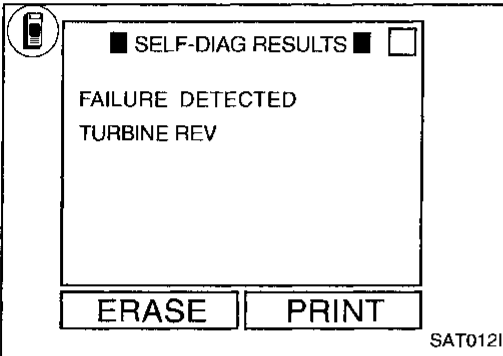
Self-diagnosis (Cont'd)

TURBINE REVOLUTION SENSOR CIRCUIT CHECK



Description

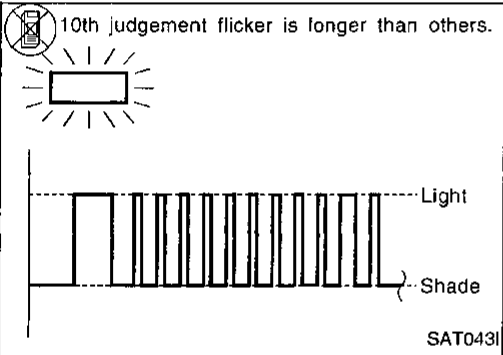
The turbine revolution sensor detects input shaft rpm (revolutions per minute). It is located on the input side of the automatic transmission. The vehicle speed sensor A/T (Revolution sensor) is located on the output side of the automatic transmission. With the two sensors, input and output shaft rpms are accurately detected. The result is optimal shift timing during deceleration and improved shifting.



Diagnostic trouble code	Malfunction is detected when ...	Check item (Possible cause)
: TURBINE REV	A/T control unit does not receive the proper voltage signal from the sensor.	<ul style="list-style-type: none"> • Harness or connectors (The sensor circuit is open or short.) • Turbine revolution sensor
: 10th judgement flicker		

Diagnostic Trouble Code (DTC) confirmation procedure

After the repair, perform the following procedure to confirm the malfunction is eliminated.



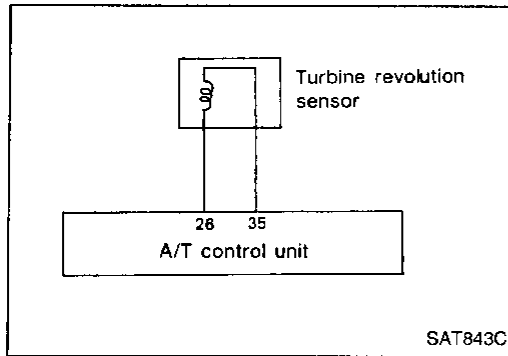
- 1) Start engine.
- 2) Select "SELF-DIAG RESULTS" mode with CONSULT.
- 3) Drive vehicle under the following conditions:
Selector lever in D, vehicle speed higher than 40 km/h (25 MPH), engine speed higher than 1,500 rpm, throttle opening greater than 1/8 of the full throttle position and driving for more than 5 seconds.

OR

- 1) Start engine.
- 2) Drive vehicle under the following conditions:
Selector lever in D, vehicle speed higher than 40 km/h (25 MPH), engine speed higher than 1,500 rpm, throttle opening greater than 1/8 of the full throttle position and driving for more than 5 seconds.
- 3) Perform self-diagnosis.
Refer to SELF-DIAGNOSTIC PROCEDURE (No Tools), AT-46.

TROUBLE DIAGNOSES

Self-diagnosis (Cont'd)



CHECK TURBINE REVOLUTION SENSOR. Refer to "Electrical Components Inspection", AT-110.

NG → Repair or replace turbine revolution sensor.

OK ↓

A

☆ MONITOR ☆ NO FAIL	
VHCL/S SE•A/T	0km/h
VHCL/S SE•MTR	5km/h
THRTL POS SEN	0.4V
FLUID TEMP SE	0.9V
BATTERY VOLT	13.3V
ENGINE SPEED	704rpm
TURBINE REV	672rpm
OVERDRIVE SW	OFF
P/N POSI SW	O N

RECORD

SAT109G

A

CHECK INPUT SIGNAL.

- Turn ignition switch to "START" position and start engine.

NG → Check harness for short or open between A/T control unit and turbine revolution sensor.

- Select "ECU INPUT SIGNALS".
 - Read out the value of "TURBINE REV".
 - Check the value changes according to engine speed.

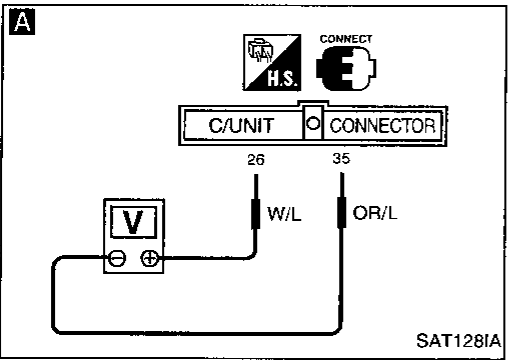
OR

Check voltage between A/T control unit terminals ⑳ and ㉓.

(Measure in DC range.)

Voltage:
Approximately 1.2V

OK ↓



Perform Diagnostic Trouble Code (DTC) confirmation procedure, AT-70.

NG → 1. Perform A/T control unit input/output signal inspection.
2. If NG, recheck A/T control unit pin terminals for damage or loose connection with harness connector.

OK ↓

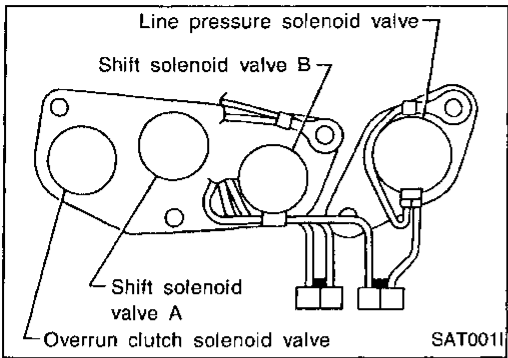
INSPECTION END

GI
MA
EM
LC
EC
FE
AT
PD
FA
RA
BR
ST
RS
BT
HA
EL
IDX

TROUBLE DIAGNOSES

Self-diagnosis (Cont'd)

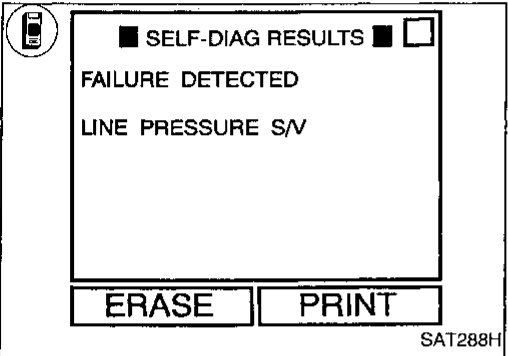
LINE PRESSURE SOLENOID VALVE CIRCUIT CHECK



Description

The line pressure solenoid valve regulates the oil pump discharge pressure to suit the driving condition in response to a signal sent from the A/T control unit.

Diagnostic trouble code	Malfunction is detected when ...	Check item (Possible cause)
: LINE PRESSURE S/V	A/T control unit detects the improper voltage drop when it tries to operate the solenoid valve.	<ul style="list-style-type: none"> • Harness or connectors (The solenoid circuit is open or short.) • Line pressure solenoid valve
: P0745		
: 11th judgement flicker		



Diagnostic Trouble Code (DTC) confirmation procedure

After the repair, perform the following procedure to confirm the malfunction is eliminated.

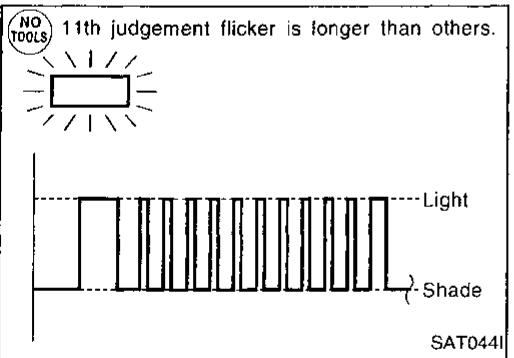
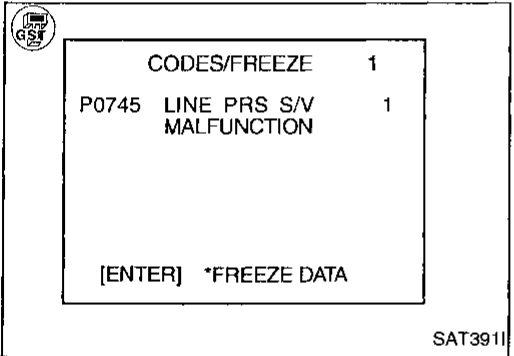
- 1) Start engine.
 2) Select "SELF-DIAG RESULTS" mode with CONSULT.
 3) With brake pedal depressed, shift the lever from P → N → D → N → P.

OR

- 1) Start engine.
 2) With brake pedal depressed, shift the lever from P → N → D → N → P.
 3) Select "MODE 7" with GST.

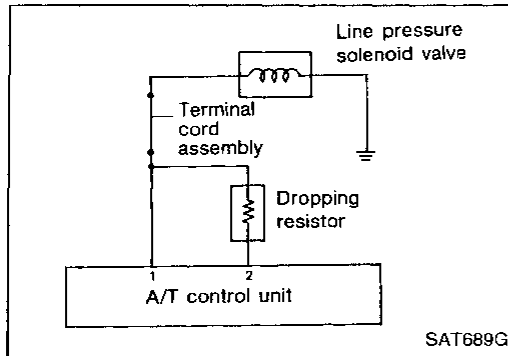
OR

- 1) Start engine.
 2) With brake pedal depressed, shift the lever from P → N → D → N → P.
 3) Perform self-diagnosis.
 Refer to SELF-DIAGNOSTIC PROCEDURE (No Tools), AT-46.



TROUBLE DIAGNOSES

Self-diagnosis (Cont'd)



A

CHECK GROUND CIRCUIT.

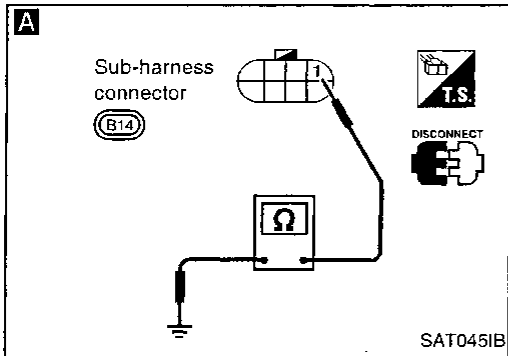
1. Turn ignition switch to "OFF" position.
2. Disconnect terminal cord assembly connector in engine compartment.
3. Check resistance between terminal ① and ground.

Resistance: 2.5 - 5Ω

NG

1. Remove control valve assembly. Refer to "ON-VEHICLE SERVICE", AT-130.
2. Check the following items:
 - Line pressure solenoid valve (Refer to "Electrical Components Inspection", AT-111.)
 - Harness of terminal cord assembly for short or open

OK



B

CHECK POWER SOURCE CIRCUIT.

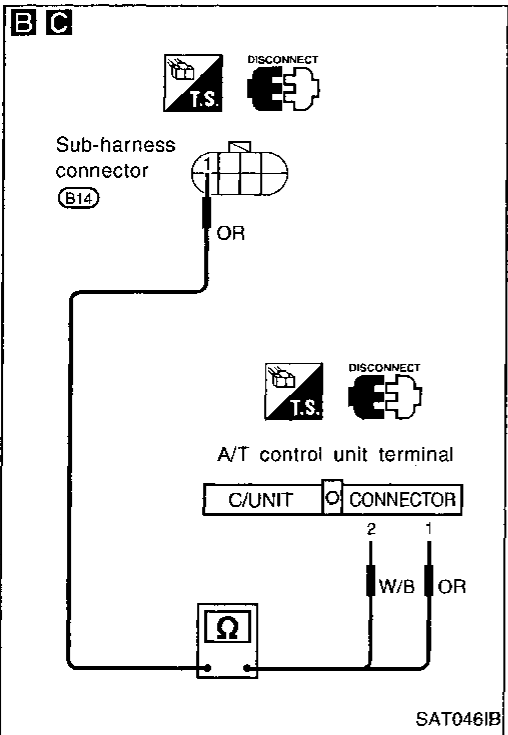
1. Turn ignition switch to "OFF" position.
2. Disconnect A/T control unit harness connector.
3. Check resistance between terminal ① and A/T control unit harness connector terminal ②.

Resistance: 11.2 - 12.8Ω

NG

- Check the following items:
- Dropping resistor (Refer to "Electrical Components Inspection", AT-112.)
 - Harness for short or open between A/T control unit terminal ② and terminal cord assembly (Main harness)

OK



C

CHECK POWER SOURCE CIRCUIT.

1. Turn ignition switch to "OFF" position.
2. Check resistance between terminal ① and A/T control unit harness connector terminal ①.
3. Reinstall any part removed.

Resistance: Approximately 0Ω

NG

- Repair or replace harness between A/T control unit terminal ① and terminal cord assembly.

OK

Perform Diagnostic Trouble Code (DTC) confirmation procedure, AT-72.

NG

1. Perform A/T control unit input/output signal inspection.
2. If NG, recheck A/T control unit pin terminals for damage or loose connection with harness connector.

OK

INSPECTION END

GI

MA

EM

LC

EC

FE

AT

PD

FA

RA

BR

ST

RS

BT

HA

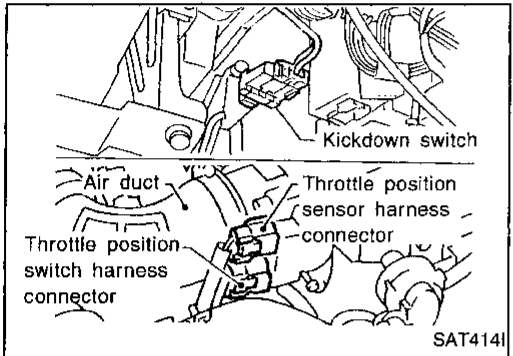
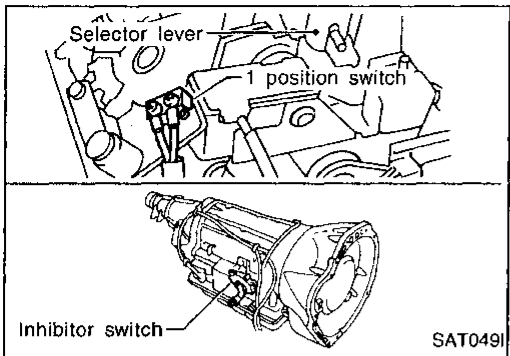
EL

IDX

TROUBLE DIAGNOSES

Self-diagnosis (Cont'd)

INHIBITOR, 1 POSITION, KICKDOWN AND THROTTLE POSITION SWITCH CIRCUIT CHECKS

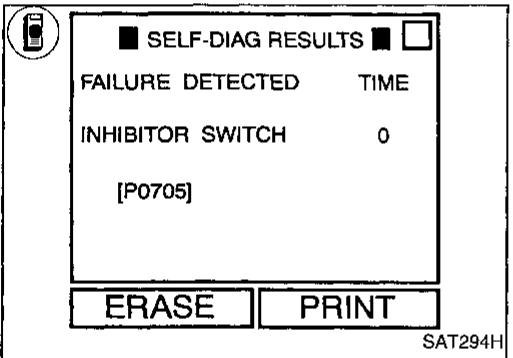


Parts description

- Inhibitor switch
Detects the selector lever position and sends a signal to the A/T control unit.
- "1" position switch
This switch holds the selector lever in the 1st speed position. It is located below the A/T selector lever.
- "Kickdown" switch
This switch detects the full-throttle position of the accelerator pedal when the throttle position sensor is malfunctioning. The switch will then send a signal to the A/T control unit.
- Throttle position switch
Consists of a wide-open throttle position switch and a closed throttle position switch.
The wide-open position switch sends a signal to the A/T control unit when the throttle valve is open at least 1/2 of the full throttle position. The closed throttle position switch sends a signal to the A/T control unit when the throttle valve is fully closed.

Overall function check

After the repair, perform the following procedure to confirm the malfunction is eliminated.



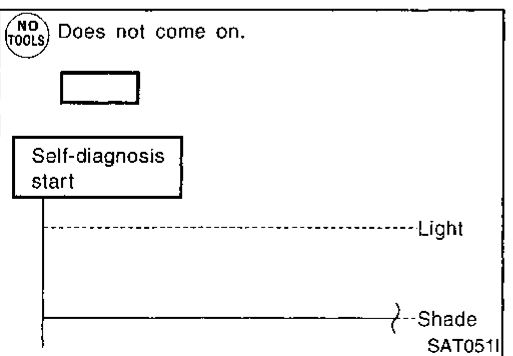
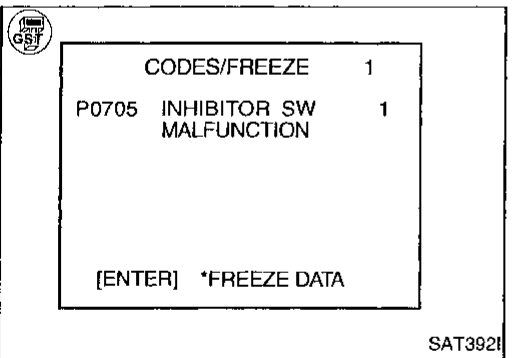
- 1) Start engine.
- 2) Select "SELF-DIAG RESULTS" mode for ECM with CONSULT.
- 3) Drive vehicle under the following conditions:
Selector lever in D position, vehicle speed higher than 10 km/h (6 MPH), throttle opening greater than 1/2 of the full throttle position and driving for more than 5 seconds.

OR

- 1) Start engine.
- 2) Drive vehicle under the following conditions:
Selector lever in D position, vehicle speed higher than 10 km/h (6 MPH), throttle opening greater than 1/2 of the full throttle position and driving for more than 5 seconds.
- 3) Select "MODE 7" with GST.

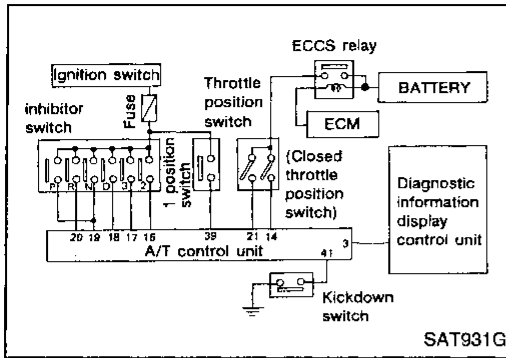
OR

- 1) Start engine.
- 2) Drive vehicle under the following conditions:
Selector lever in D position, vehicle speed higher than 10 km/h (6 MPH), throttle opening greater than 1/2 of the full throttle position and driving for more than 5 seconds.
- 3) Perform self-diagnosis for ECM.
Refer to EC section ["Malfunction Indicator Lamp (MIL)", "ON BOARD DIAGNOSTIC SYSTEM DESCRIPTION"].



TROUBLE DIAGNOSES

Self-diagnosis (Cont'd)

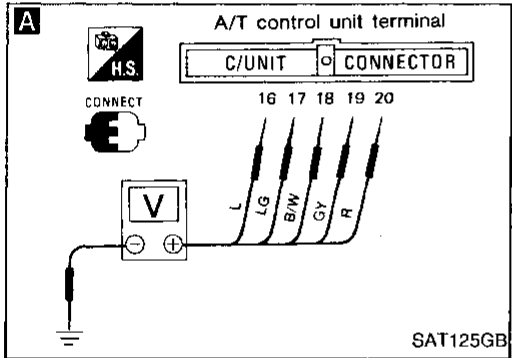


A

☆ MONITOR	☆ NO FAIL	
R POSITION SW	OFF	
D POSITION SW	OFF	
4 POSITION SW	OFF	
3 POSITION SW	OFF	
2 POSITION SW	OFF	
1 POSITION SW	OFF	
ASCD•CRUISE	OFF	
ASCD•OD CUT	OFF	
KICKDOWN SW	OFF	

RECORD

SAT118G



A

CHECK INHIBITOR SWITCH CIRCUIT.

1. Turn ignition switch to "ON" position. (Do not start engine.)

2. Select "ECU INPUT SIGNALS" in Data Monitor.

3. Read out "R, N, D, 1, 2 and 3 position switches" moving selector lever to each position. Check the signal of the selector lever position is indicated properly.

OR

1. Turn ignition switch to "ON" position. (Do not start engine.)

2. Check voltage between A/T control unit terminals 16, 17, 18, 19, 20 and ground while moving selector lever through each position.

Voltage:
B: Battery voltage
0: 0V

Lever position	Terminal No.				
	16	20	18	17	19
P, N	B	0	0	0	0
R	0	B	0	0	0
D	0	0	B	0	0
3	0	0	0	B	0
2, 1	0	0	0	0	B

NG

Check the following items:

- Inhibitor switch (Refer to "Electrical Components Inspection", AT-109.)
- Harness for short or open between ignition switch and inhibitor switch (Main harness)
- Harness for short or open between inhibitor switch and A/T control unit (Main harness)

OK

GI
 MA
 EM
 LC
 EC
 FE
AT
 PD
 FA
 RA
 BR
 ST
 RS
 BT
 HA
 EL
 IDX

TROUBLE DIAGNOSES

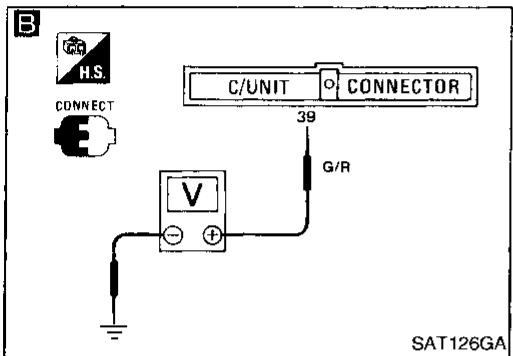
Self-diagnosis (Cont'd)

B

☆ MONITOR	☆ NO FAIL	
R POSITION SW	OFF	
D POSITION SW	OFF	
4 POSITION SW	OFF	
3 POSITION SW	OFF	
2 POSITION SW	OFF	
1 POSITION SW	OFF	
ASCD·CRUISE	OFF	
ASCD·OD CUT	OFF	
KICKDOWN SW	OFF	

RECORD

SAT118G



B

CHECK 1 POSITION SWITCH CIRCUIT.

- Turn ignition switch to "ON" position.
(Do not start engine.)
- Select "ECU INPUT SIGNALS".
 - Read out "1 POSITION SW" moving selector lever to 1 position.
 - Check the selector lever position is indicated properly.

OR

Check voltage between A/T control unit terminal ③ and ground while moving selector lever to 1 position.

Voltage:
1V or less

NG

Check the following items:

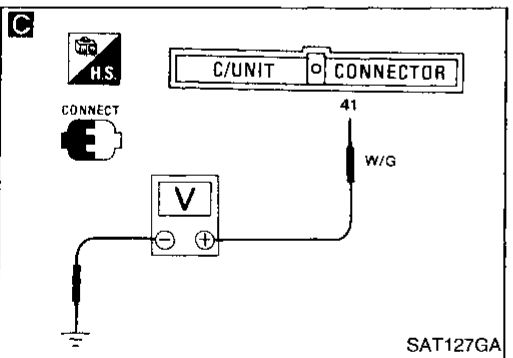
- 1 position switch
Refer to "Electrical Components Inspection", AT-110.
- Harness for short or open between ignition switch and 1 position switch
- Harness for short or open between 1 position switch and A/T control unit

C

☆ MONITOR	☆ NO FAIL	
R POSITION SW	OFF	
D POSITION SW	OFF	
4 POSITION SW	OFF	
3 POSITION SW	OFF	
2 POSITION SW	OFF	
1 POSITION SW	OFF	
ASCD·CRUISE	OFF	
ASCD·OD CUT	OFF	
KICKDOWN SW	OFF	

RECORD

SAT118G



C

CHECK KICKDOWN SWITCH CIRCUIT.

- Turn ignition switch to "ON" position.
(Do not start engine.)
- Select "ECU INPUT SIGNALS".
 - Read out "KICKDOWN SW" depressing accelerator pedal fully.
 - Check kickdown switch position is indicated properly.

OR

Check voltage between A/T control unit terminal ④ and ground while depressing accelerator pedal slowly. (after warming up engine)

Voltage:
When releasing accelerator pedal:
Battery voltage
When depressing accelerator pedal fully:
1 V or less

NG

Check the following items:

- Kickdown switch
Refer to "Electrical Components Inspection", AT-112.
- Harness for short or open between A/T control unit and kickdown switch
- Harness of ground circuit for kickdown switch for short or open

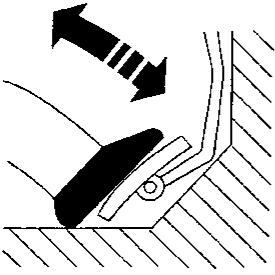
OK

⑧

TROUBLE DIAGNOSES

Self-diagnosis (Cont'd)

D

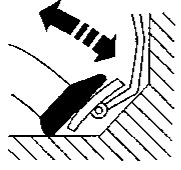
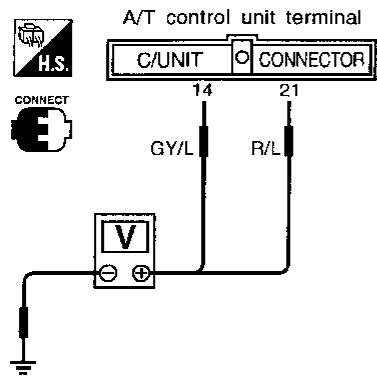


☆ MONITOR	☆ NO FAIL	↕
POWERSHIFT SW	OFF	
CLOSED THL/SW	ON	
W/O THRL/P-SW	OFF	
HOLD SW	OFF	

RECORD

SAT052I

D

A/T control unit terminal

C/UNIT 14

CONNECTOR 21

GY/L

R/L

V

SAT964HB

D

CHECK THROTTLE POSITION SWITCH CIRCUIT.

①

1. Turn ignition switch to "ON" position. (Do not start engine.)
2. Select "ECU INPUT SIGNALS" in Data Monitor.
3. Read out "CLOSED THL/SW" and "W/O THRL/P-SW" depressing and releasing accelerator pedal.

Check the signal of throttle position switch is indicated properly.

Accelerator pedal condition	Data monitor	
	CLOSED THL/SW	W/O THRL/P-SW
Released	ON	OFF
Fully depressed	OFF	ON

OR

ⓧ

1. Turn ignition switch to "ON" position. (Do not start engine.)
2. Check voltage between A/T control unit terminals ⑭, ⑰ and ground while depressing, and releasing accelerator pedal slowly. (after warming up engine)

Accelerator pedal condition	Voltage	
	Terminal No. ⑭	Terminal No. ⑰
Released	Battery voltage	1V or less
Fully depressed	1V or less	Battery voltage

OK

Perform self-diagnosis again after driving for a while.

OK

INSPECTION END

NG

Check the following items:

- Throttle position switch Refer to "Electrical Components Inspection", AT-112.
- Harness for short or open between ignition switch and throttle position switch (Main harness)
- Harness for short or open between throttle position switch and A/T control unit (Main harness)

NG

1. Perform A/T control unit input/output signal inspection.

2. If NG, recheck A/T control unit pin terminals for damage or loose connection with harness connector.

GI
MA
EM
LC
EC
FE
AT
PD
FA
RA
BR
ST
RS
BT
HA
EL
IDX

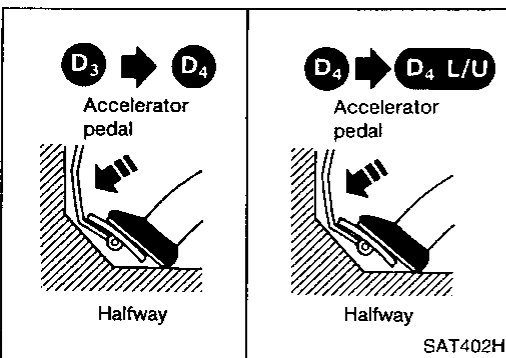
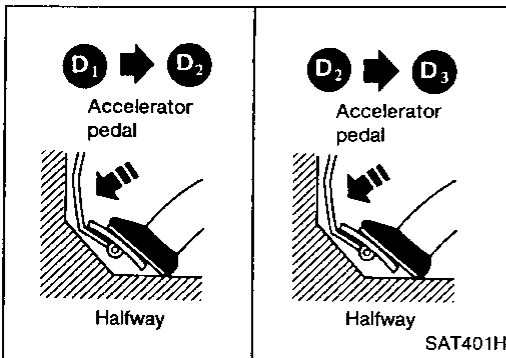
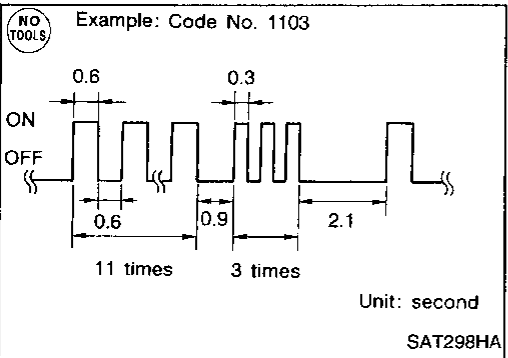
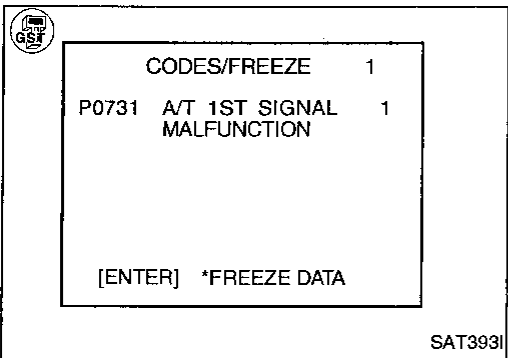
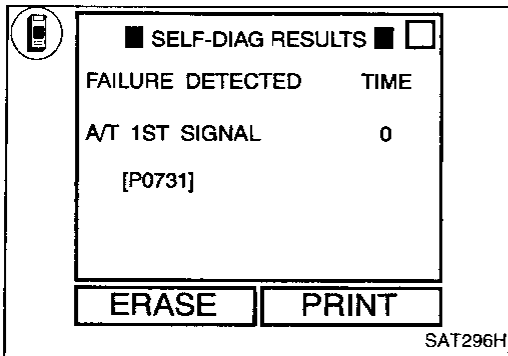
TROUBLE DIAGNOSES

Self-diagnosis (Cont'd)

IMPROPER SHIFTING TO 1ST GEAR POSITION

Description

- This is one of the items indicated by the MIL.
- This malfunction will not be detected while the A/T check indicator lamp is indicating another self-diagnosis malfunction.
- This malfunction is detected when the A/T does not shift into first gear position as instructed by the A/T control unit. This is not caused by electrical malfunction (circuits open or shorted) but by mechanical malfunction such as control valve sticking, improper solenoid valve operation, etc.



Overall function check

After the repair, perform the following procedure to confirm the malfunction is eliminated.

- 1) Start engine and warm up ATF.
- 2) Select "SELF-DIAG RESULTS" mode for ECM with CONSULT.
- 3) Start vehicle with selector lever in D and throttle opening halfway. Check that vehicle runs through gear shift of $D_1 \rightarrow D_2 \rightarrow D_3 \rightarrow D_4$, in accordance with shift schedule. Refer to shift schedule, AT-33.

OR

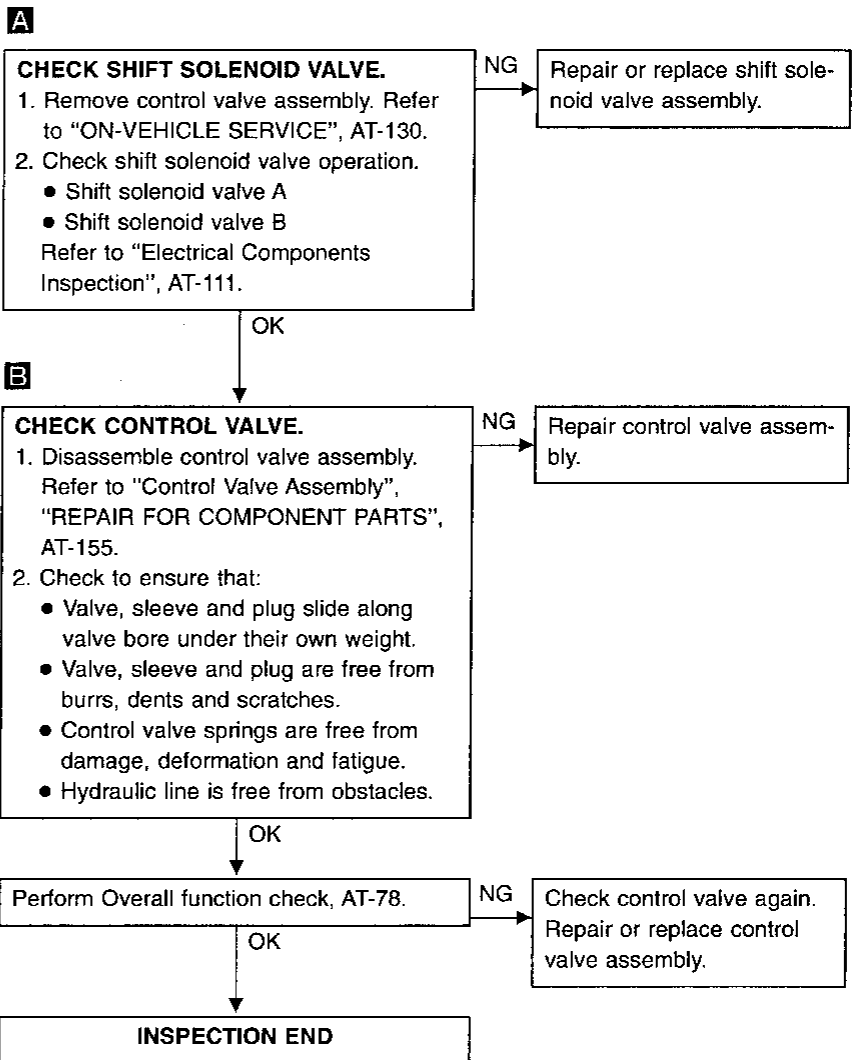
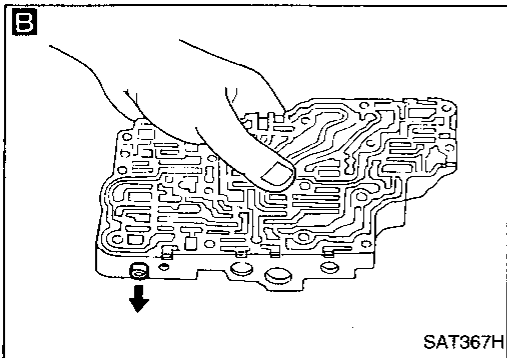
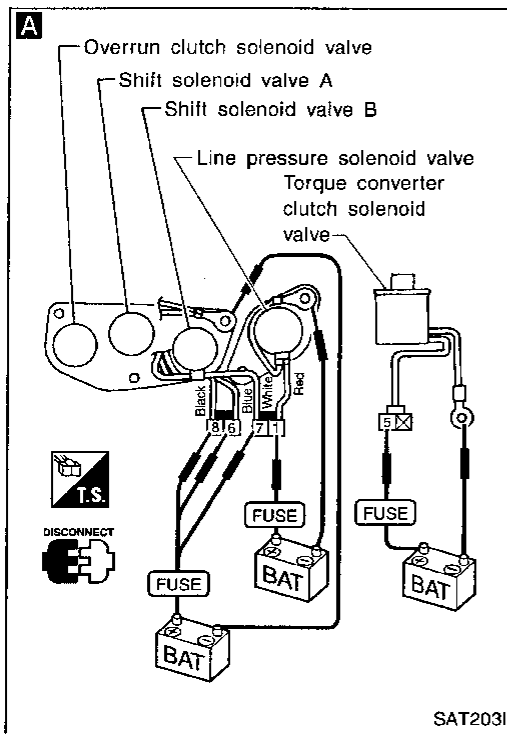
- 1) Start engine and warm up ATF.
- 2) Start vehicle with selector lever in D and throttle opening halfway. Check that vehicle runs through gear shift of $D_1 \rightarrow D_2 \rightarrow D_3 \rightarrow D_4$, in accordance with shift schedule. Refer to shift schedule, AT-33.
- 3) Select "MODE 7" with GST.

OR

- 1) Start engine and warm up ATF.
- 2) Start vehicle with selector lever in D and throttle opening halfway. Check that vehicle runs through gear shift of $D_1 \rightarrow D_2 \rightarrow D_3 \rightarrow D_4$, in accordance with shift schedule. Refer to shift schedule, AT-33.
- 3) Perform self-diagnosis for ECM. Refer to EC section ["Malfunction Indicator Lamp (MIL)", "ON BOARD DIAGNOSTIC SYSTEM DESCRIPTION"].

TROUBLE DIAGNOSES

Self-diagnosis (Cont'd)



GI

MA

EM

LC

EC

FE

AT

PD

FA

RA

BR

ST

RS

BT

HA

EL

IDX

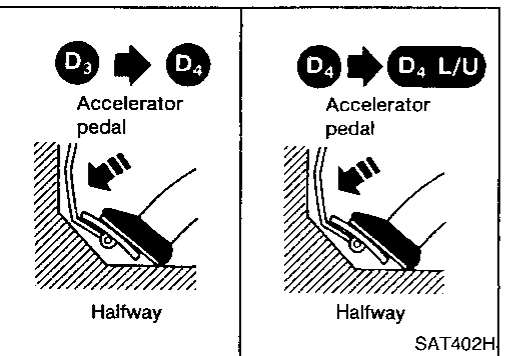
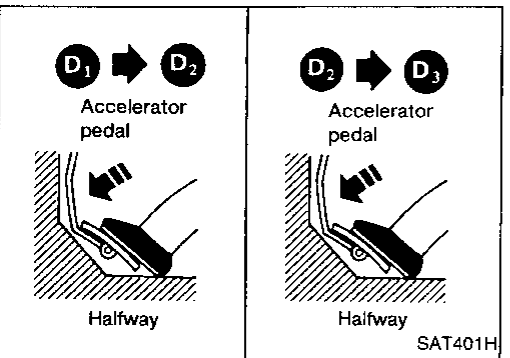
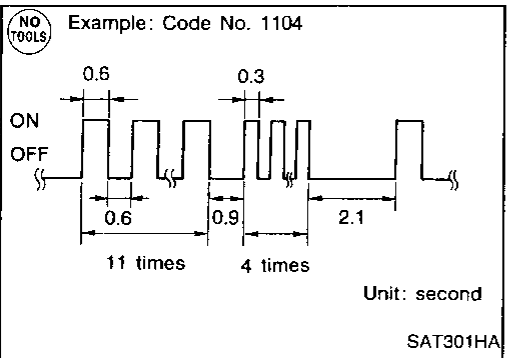
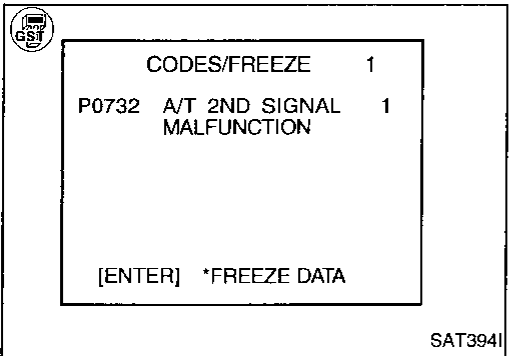
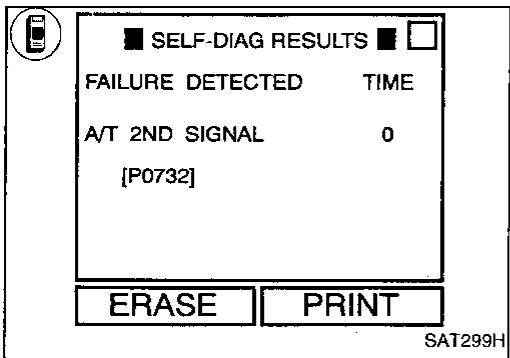
TROUBLE DIAGNOSES

Self-diagnosis (Cont'd)

IMPROPER SHIFTING TO 2ND GEAR POSITION

Description

- This is one of the items indicated by the MIL.
- This malfunction will not be detected while the A/T check indicator lamp is indicating another self-diagnosis malfunction.
- This malfunction is detected when the A/T does not shift into second gear position as instructed by the A/T control unit. This is not caused by electrical malfunction (circuits open or shorted) but by mechanical malfunction such as control valve sticking, improper solenoid valve operation, etc.



Overall function check

After the repair, perform the following procedure to confirm the malfunction is eliminated.

- 1) Start engine and warm up ATF.
- 2) Select "SELF-DIAG RESULTS" mode for ECM with CONSULT.
- 3) Start vehicle with selector lever in D and throttle opening halfway. Check that vehicle runs through gear shift of $D_1 \rightarrow D_2 \rightarrow D_3 \rightarrow D_4$, in accordance with shift schedule. Refer to shift schedule, AT-33.

OR

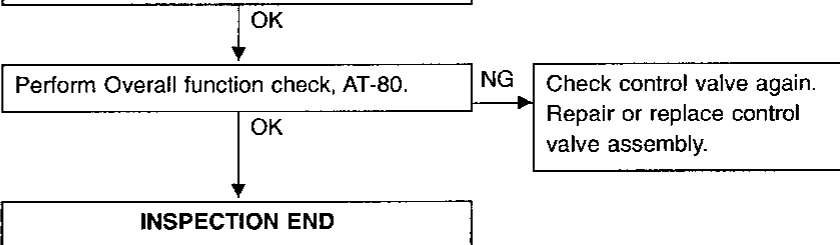
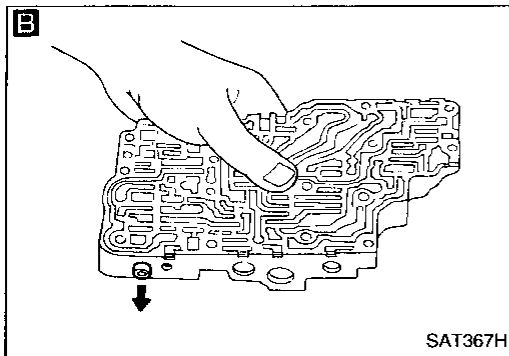
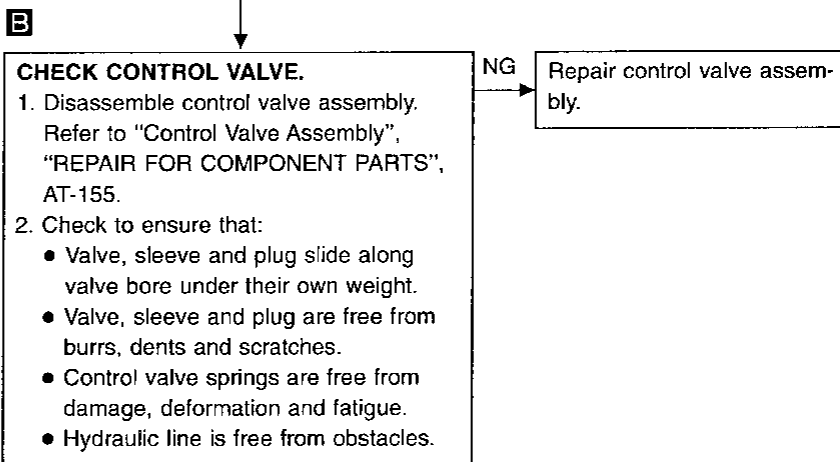
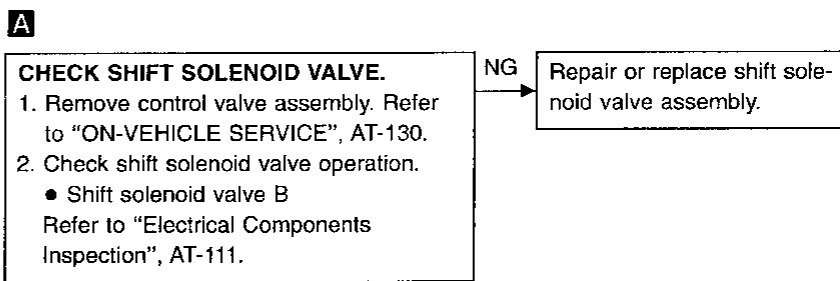
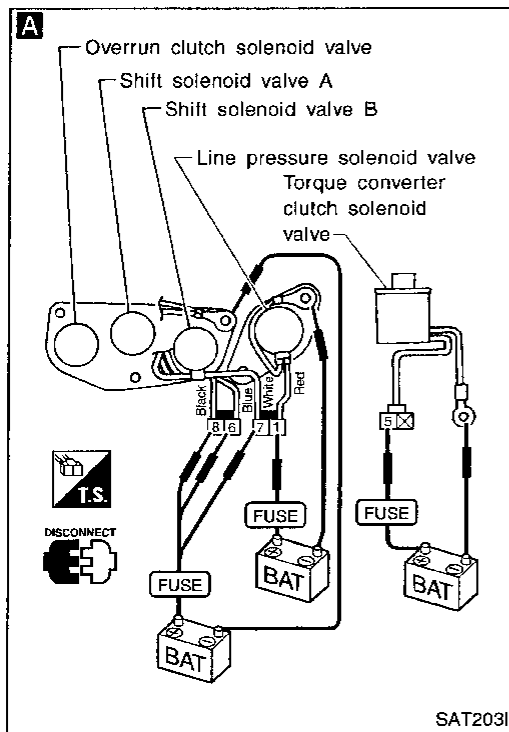
- 1) Start engine and warm up ATF.
- 2) Start vehicle with selector lever in D and throttle opening halfway. Check that vehicle runs through gear shift of $D_1 \rightarrow D_2 \rightarrow D_3 \rightarrow D_4$, in accordance with shift schedule. Refer to shift schedule, AT-33.
- 3) Select "MODE 7" with GST.

OR

- 1) Start engine and warm up ATF.
- 2) Start vehicle with selector lever in D and throttle opening halfway. Check that vehicle runs through gear shift of $D_1 \rightarrow D_2 \rightarrow D_3 \rightarrow D_4$, in accordance with shift schedule. Refer to shift schedule, AT-33.
- 3) Perform self-diagnosis for ECM. Refer to EC section ["Malfunction Indicator Lamp (MIL)", "ON BOARD DIAGNOSTIC SYSTEM DESCRIPTION"].

TROUBLE DIAGNOSES

Self-diagnosis (Cont'd)



GI
MA
EM
LC
EC
FE
AT
PD
FA
RA
BR
ST
RS
BT
HA
EL
IDX

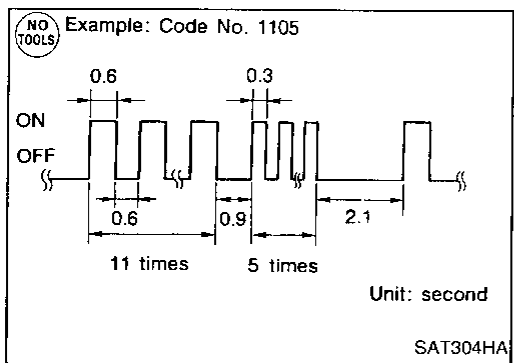
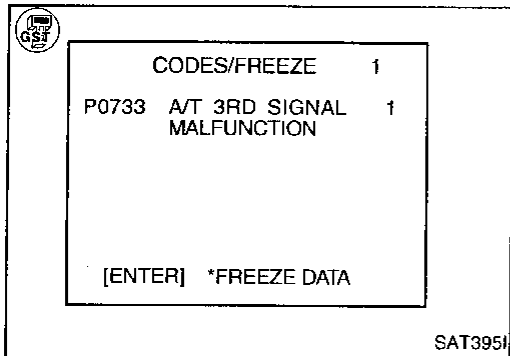
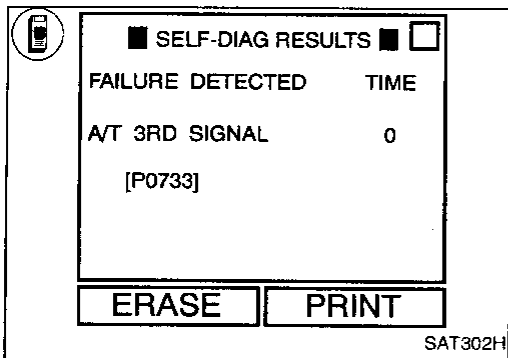
TROUBLE DIAGNOSES

Self-diagnosis (Cont'd)

IMPROPER SHIFTING TO 3RD GEAR POSITION

Description

- This is one of the items indicated by the MIL.
- This malfunction will not be detected while the A/T check indicator lamp is indicating another self-diagnosis malfunction.
- This malfunction is detected when the A/T does not shift into third gear position as instructed by the A/T control unit. This is not caused by electrical malfunction (circuits open or shorted) but by mechanical malfunction such as control valve sticking, improper solenoid valve operation, malfunctioning servo piston or brake band, etc.



Overall function check

After the repair, perform the following procedure to confirm the malfunction is eliminated.

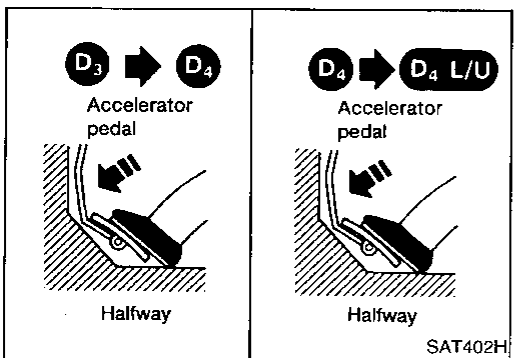
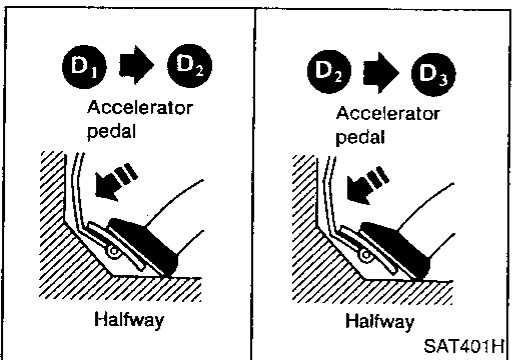
- 1) Start engine and warm up ATF.
- 2) Select "SELF-DIAG RESULTS" mode for ECM with CONSULT.
- 3) Start vehicle with selector lever in D and throttle opening halfway. Check that vehicle runs through gear shift of $D_1 \rightarrow D_2 \rightarrow D_3 \rightarrow D_4$, in accordance with shift schedule. Refer to shift schedule, AT-33.

OR

- 1) Start engine and warm up ATF.
- 2) Start vehicle with selector lever in D and throttle opening halfway. Check that vehicle runs through gear shift of $D_1 \rightarrow D_2 \rightarrow D_3 \rightarrow D_4$, in accordance with shift schedule. Refer to shift schedule, AT-33.
- 3) Select "MODE 7" with GST.

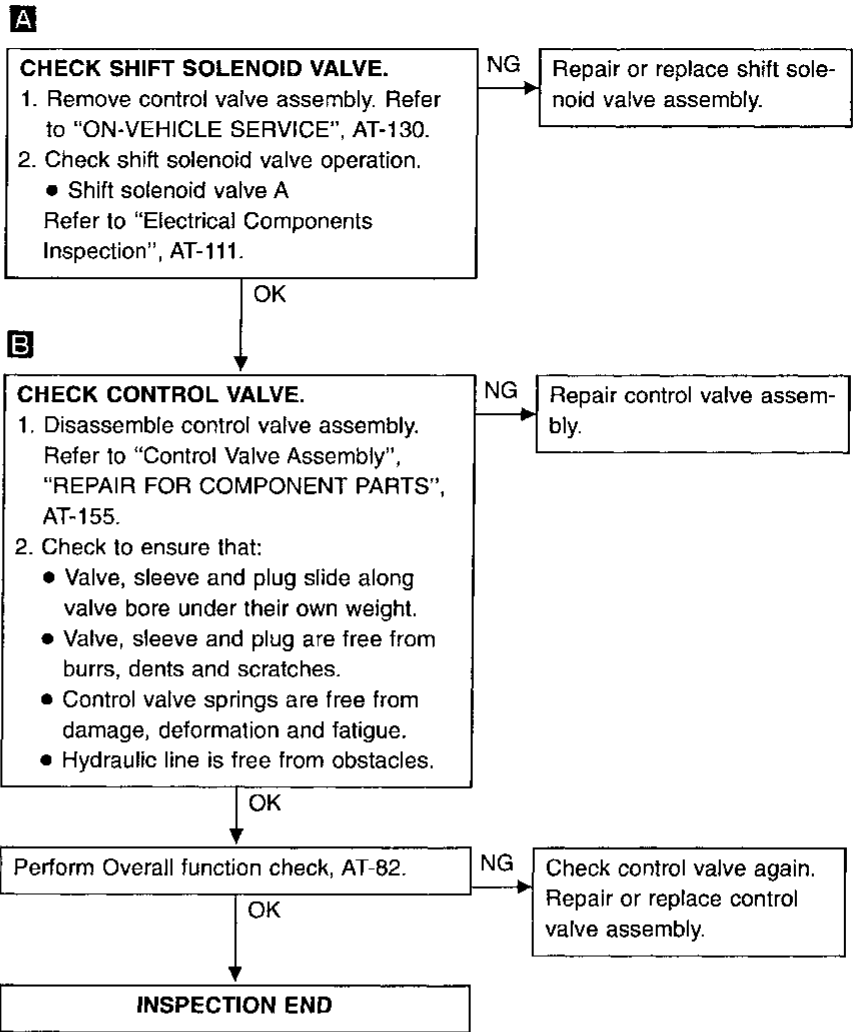
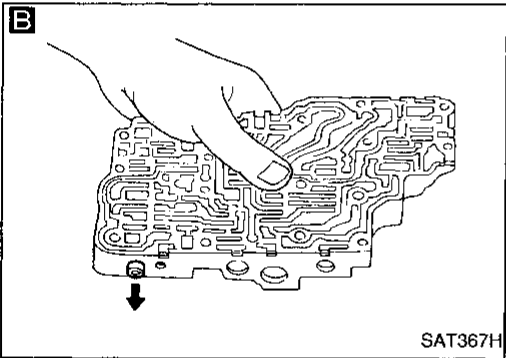
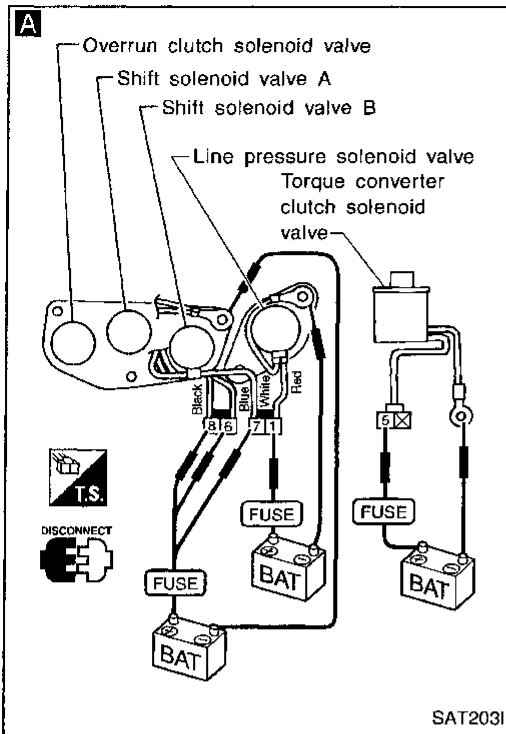
OR

- 1) Start engine and warm up ATF.
- 2) Start vehicle with selector lever in D and throttle opening halfway. Check that vehicle runs through gear shift of $D_1 \rightarrow D_2 \rightarrow D_3 \rightarrow D_4$, in accordance with shift schedule. Refer to shift schedule, AT-33.
- 3) Perform self-diagnosis for ECM. Refer to EC section ["Malfunction Indicator Lamp (MIL)", "ON BOARD DIAGNOSTIC SYSTEM DESCRIPTION"].



TROUBLE DIAGNOSES

Self-diagnosis (Cont'd)



GI

MA

EM

LC

EC

FE

AT

PD

FA

RA

BR

ST

RS

BT

HA

EL

IDX

TROUBLE DIAGNOSES

Self-diagnosis (Cont'd)

IMPROPER SHIFTING TO 4TH GEAR POSITION OR IMPROPER TORQUE CONVERTER CLUTCH OPERATION

Description

- This is one of the items indicated by the MIL.
- This malfunction will not be detected while the A/T check indicator lamp is indicating another self-diagnosis malfunction.
- This malfunction is detected when the A/T does not shift into fourth gear position or the torque converter clutch does not lock up as instructed by the A/T control unit. This is not caused by electrical malfunction (circuits open or shorted) but by mechanical malfunction such as control valve sticking, improper solenoid valve operation, malfunctioning oil pump or torque converter clutch, etc.

Overall function check

After the repair, perform the following procedure to confirm the malfunction is eliminated.

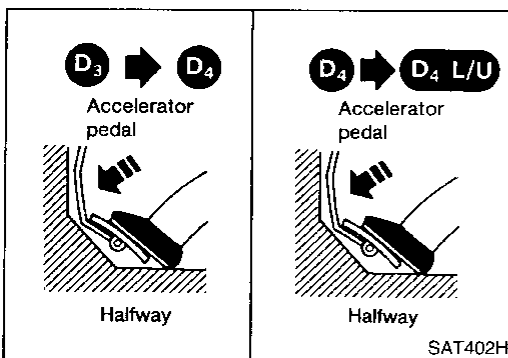
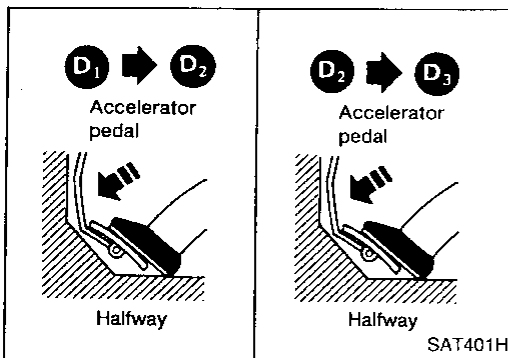
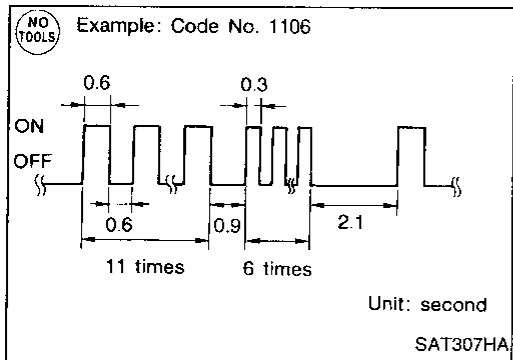
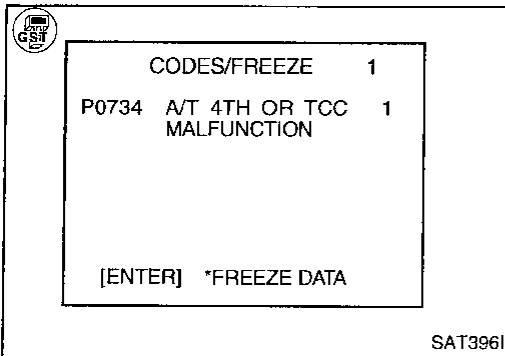
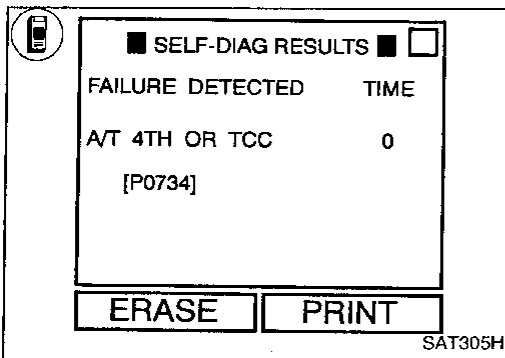
- 1) Start engine and warm up ATF.
- 2) Select "SELF-DIAG RESULTS" mode for ECM with CONSULT.
- 3) Start vehicle with selector lever in D and throttle opening halfway. Check that vehicle runs through gear shift of $D_1 \rightarrow D_2 \rightarrow D_3 \rightarrow D_4 \rightarrow D_4$ lock-up, in accordance with shift schedule. Refer to shift schedule, AT-33.

OR

- 1) Start engine and warm up ATF.
- 2) Start vehicle with selector lever in D and throttle opening halfway. Check that vehicle runs through gear shift of $D_1 \rightarrow D_2 \rightarrow D_3 \rightarrow D_4 \rightarrow D_4$ lock-up, in accordance with shift schedule. Refer to shift schedule, AT-33.
- 3) Select "MODE 7" with GST.

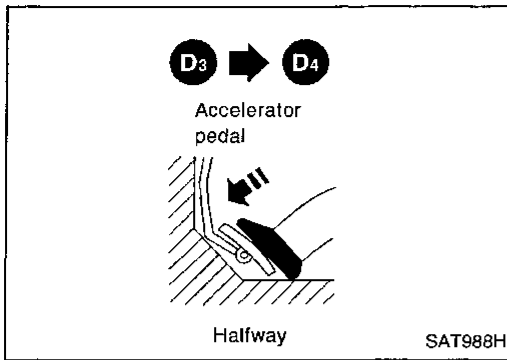
OR

- 1) Start engine and warm up ATF.
- 2) Start vehicle with selector lever in D and throttle opening halfway. Check that vehicle runs through gear shift of $D_1 \rightarrow D_2 \rightarrow D_3 \rightarrow D_4 \rightarrow D_4$ lock-up, in accordance with shift schedule. Refer to shift schedule, AT-33.
- 3) Perform self-diagnosis for ECM.
Refer to EC section ["Malfunction Indicator Lamp (MIL)", "ON BOARD DIAGNOSTIC SYSTEM DESCRIPTION"].



TROUBLE DIAGNOSES

Self-diagnosis (Cont'd)



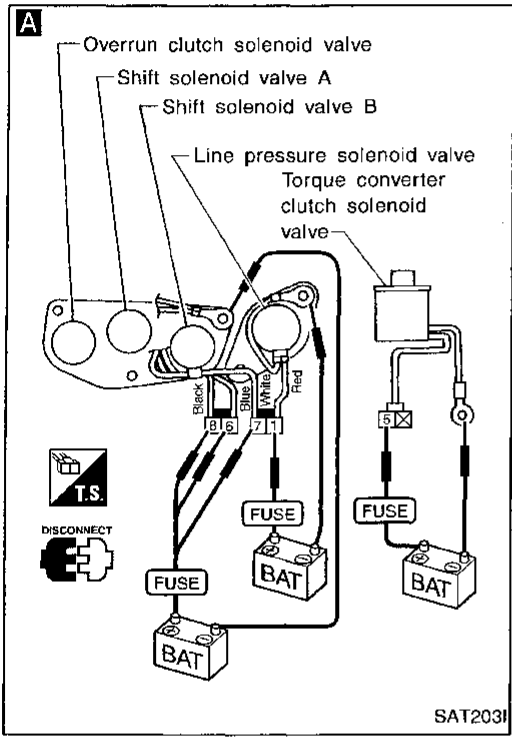
During "Cruise test - Part 1" (AT-29), does A/T shift from D₃ to D₄ at the specified speed?

Yes → Go to ② and check for proper lock-up.

No → Perform pressure test. Refer to AT-115.

NG → Go to ①.

OK →

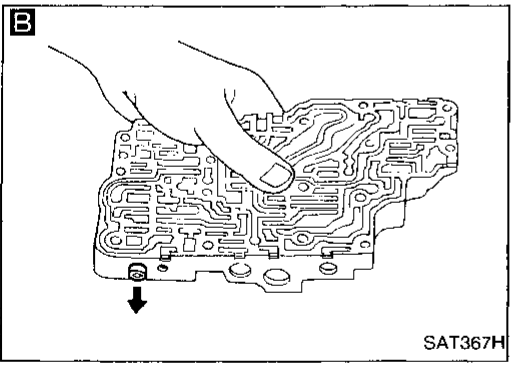


① CHECK SOLENOID VALVES.

1. Remove control valve assembly. Refer to "ON-VEHICLE SERVICE", AT-130.
2. Check solenoid valve assembly operation. Refer to AT-111.

NG → Replace solenoid valve assembly.

OK →



② CHECK CONTROL VALVE.

1. Disassemble control valve assembly. Refer to AT-155.
2. Check to ensure that:
 - Valve, sleeve and plug slide along valve bore under their own weight.
 - Valve, sleeve and plug are free from burrs, dents and scratches.
 - Control valve springs are free from damage, deformation and fatigue.
 - Hydraulic line is free from obstacles.

NG → Repair control valve.

OK →

Does A/T shift from D₃ to D₄ at the specified speed?

NG → Check control valve again. Repair or replace control valve assembly.

OK →

Perform "Overall function check procedure" (AT-84).

NG → Go to ③ and check for proper lock-up.

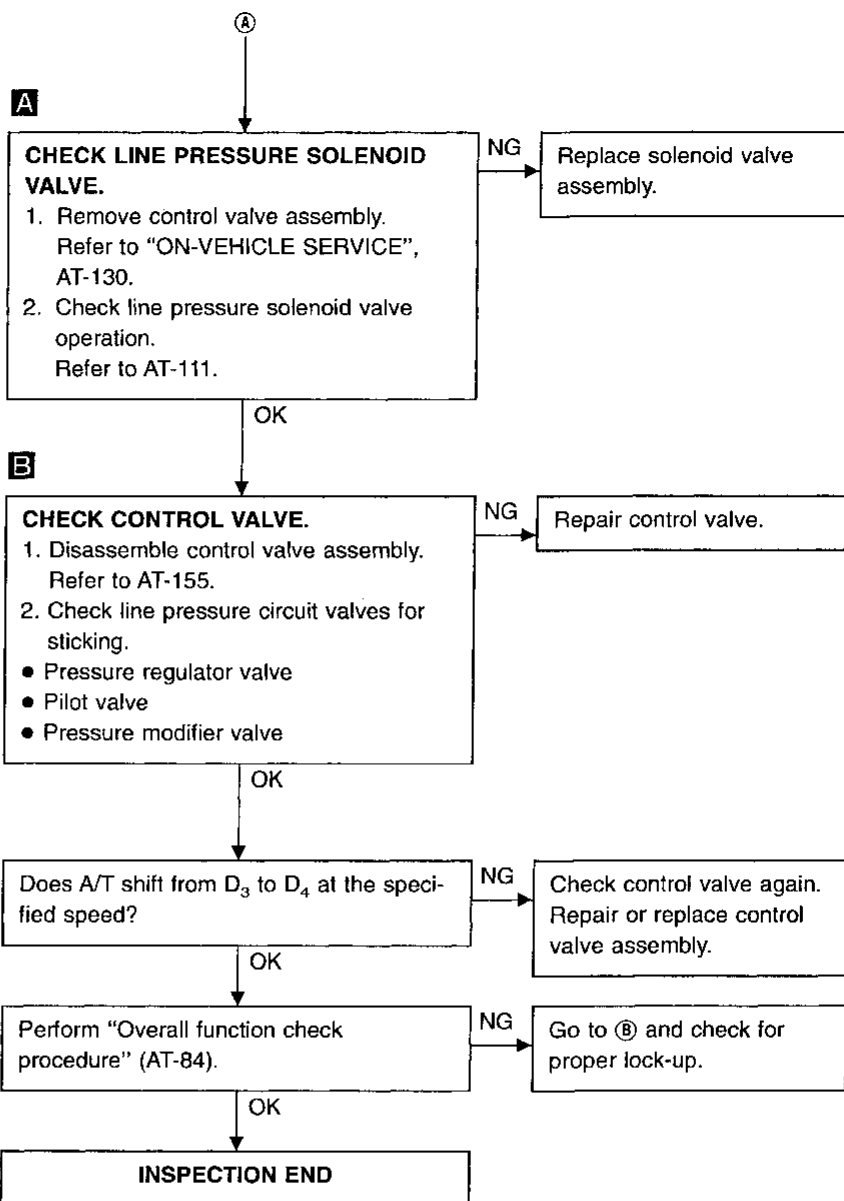
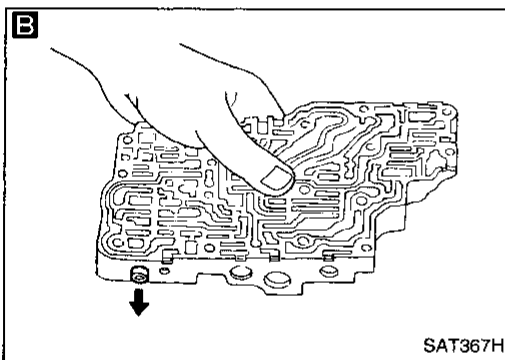
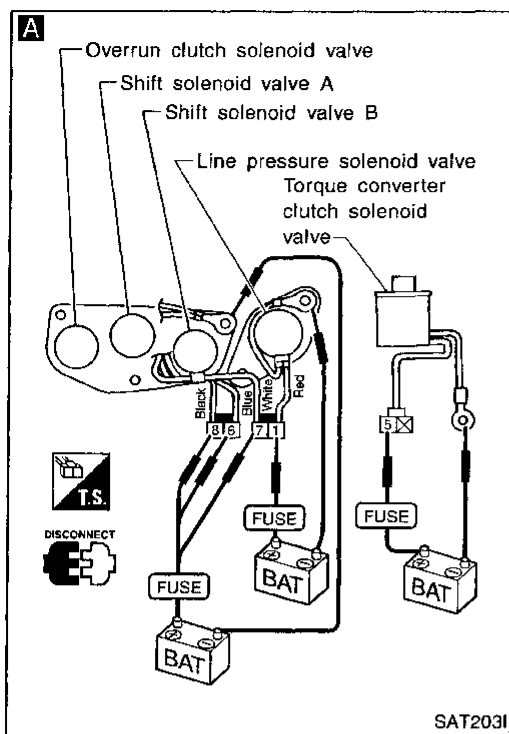
OK →

INSPECTION END

GI
MA
EM
LC
EC
FE
AT
PD
FA
RA
BR
ST
RS
BT
HA
EL
IDX

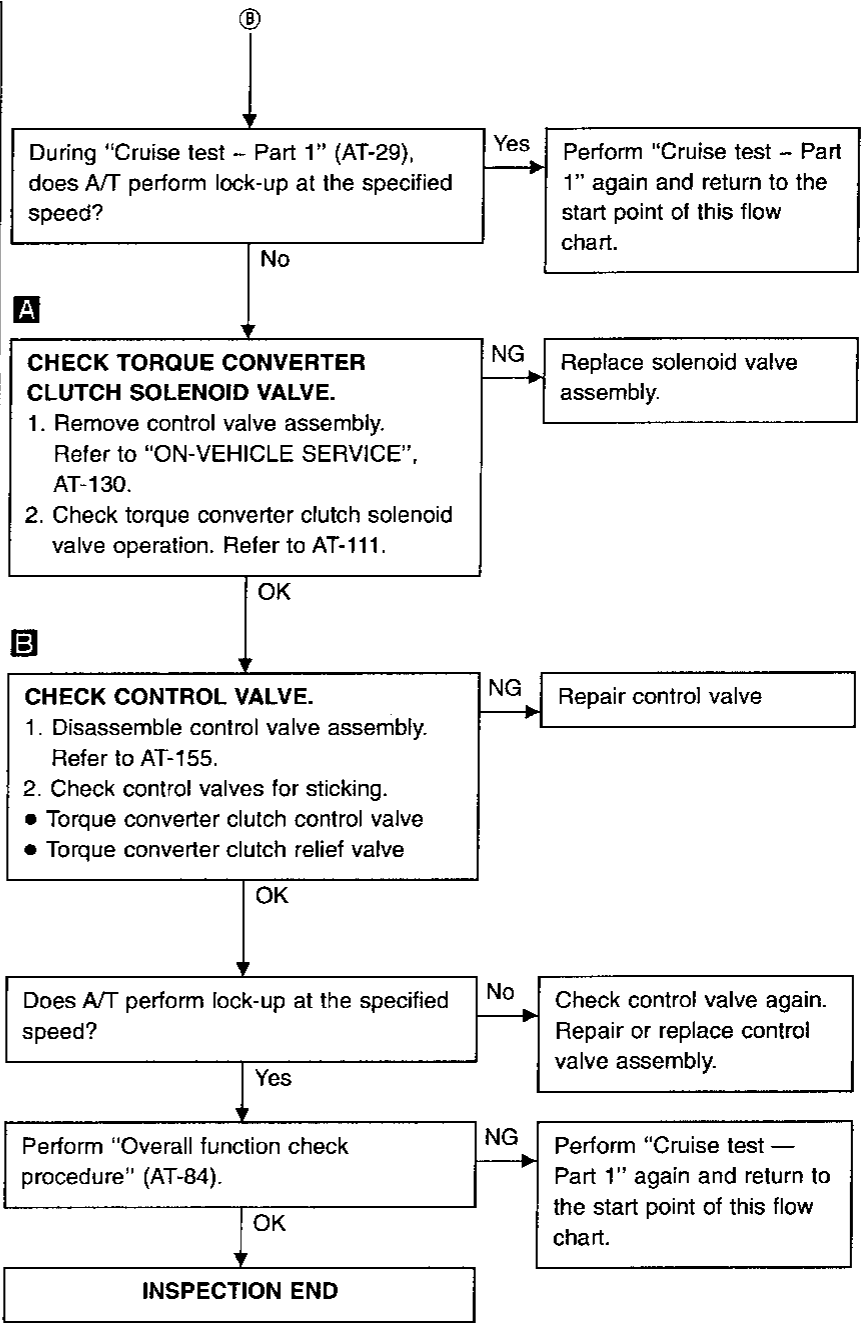
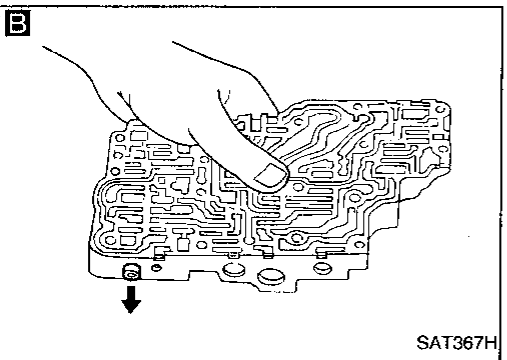
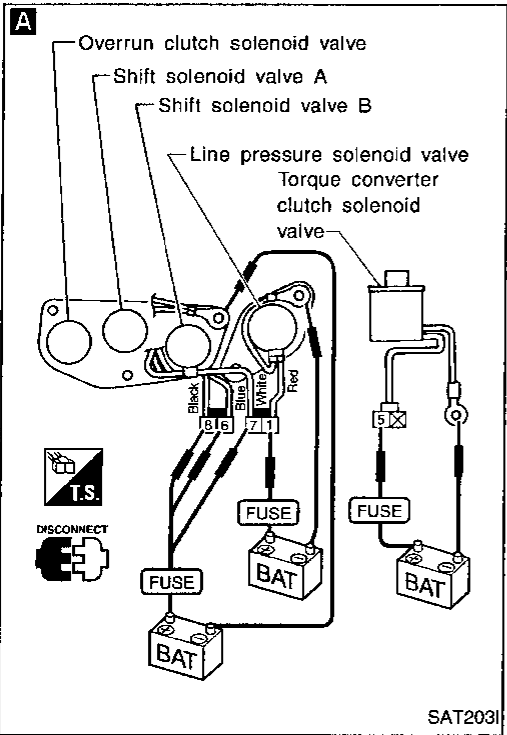
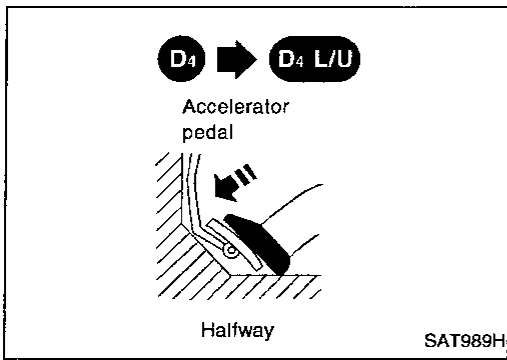
TROUBLE DIAGNOSES

Self-diagnosis (Cont'd)



TROUBLE DIAGNOSES

Self-diagnosis (Cont'd)

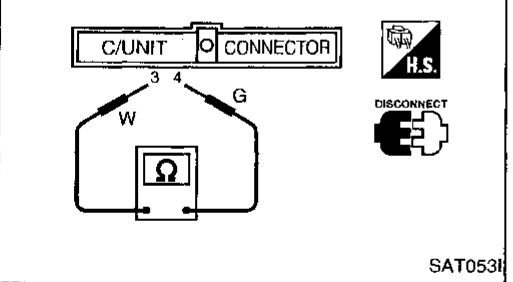
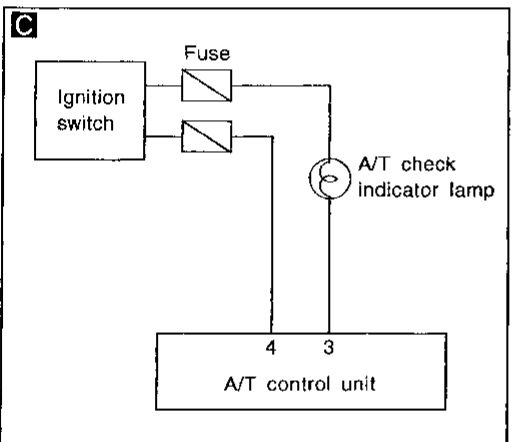
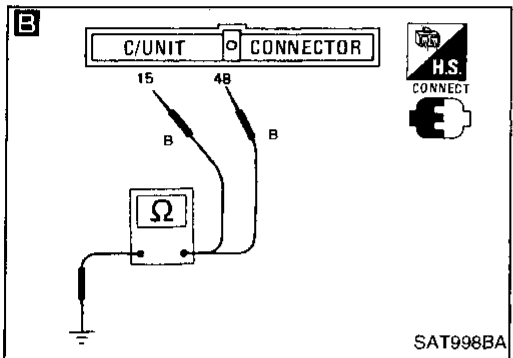
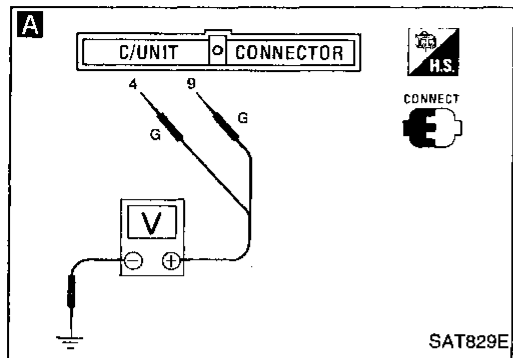


GI
MA
EM
LC
EC
FE
AT
PD
FA
RA
BR
ST
RS
BT
HA
EL
IDX

Diagnostic Procedure 1

SYMPTOM:

A/T CHECK lamp does not come on for about 2 seconds when turning ignition switch to "ON".



A

CHECK A/T CONTROL UNIT POWER SOURCE.

1. Turn ignition switch to "ON" position. (Do not start engine.)
2. Check voltage between A/T control unit terminals ④, ⑨ and ground. **Battery voltage should exist.**

NG → Check the following items:

- Harness between ignition switch and A/T control unit
- Ignition switch and fuse Refer to EL section ("POWER SUPPLY ROUTING").

OK ↓

B

CHECK A/T CONTROL UNIT GROUND CIRCUIT.

1. Turn ignition switch to "OFF" position.
2. Disconnect A/T control unit connector.
3. Check resistance between A/T control unit terminals ⑮, ⑭ and ground. **Resistance: Approximately 0Ω**

NG → Check harness between A/T control unit and ground.

OK ↓

C

CHECK LAMP CIRCUIT.

1. Turn ignition switch to "OFF" position.
2. Disconnect A/T control unit connector.
3. Check resistance between A/T control unit terminals ③ and ④. **Resistance: 50 - 100Ω**
4. Reinstall any part removed.

NG → Check the following items:

- A/T check indicator lamp
- Harness between ignition switch and A/T check indicator lamp
- Harness between A/T check indicator lamp and A/T control unit

OK ↓

Check again.

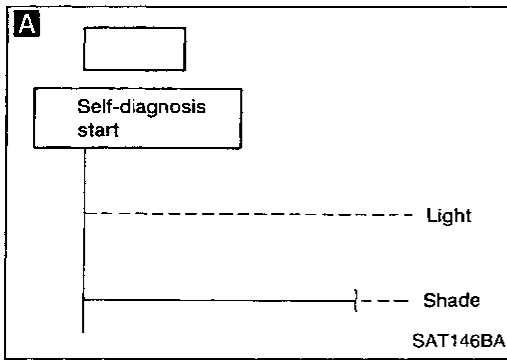
NG →

1. Perform A/T control unit input/output signal inspection.
2. If NG, recheck A/T control unit pin terminals for damage or loose connection with harness connector.

OK ↓

INSPECTION END

TROUBLE DIAGNOSES

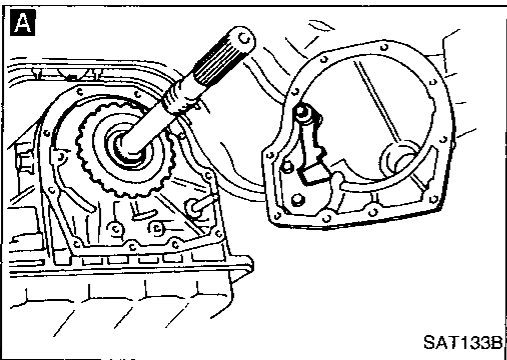
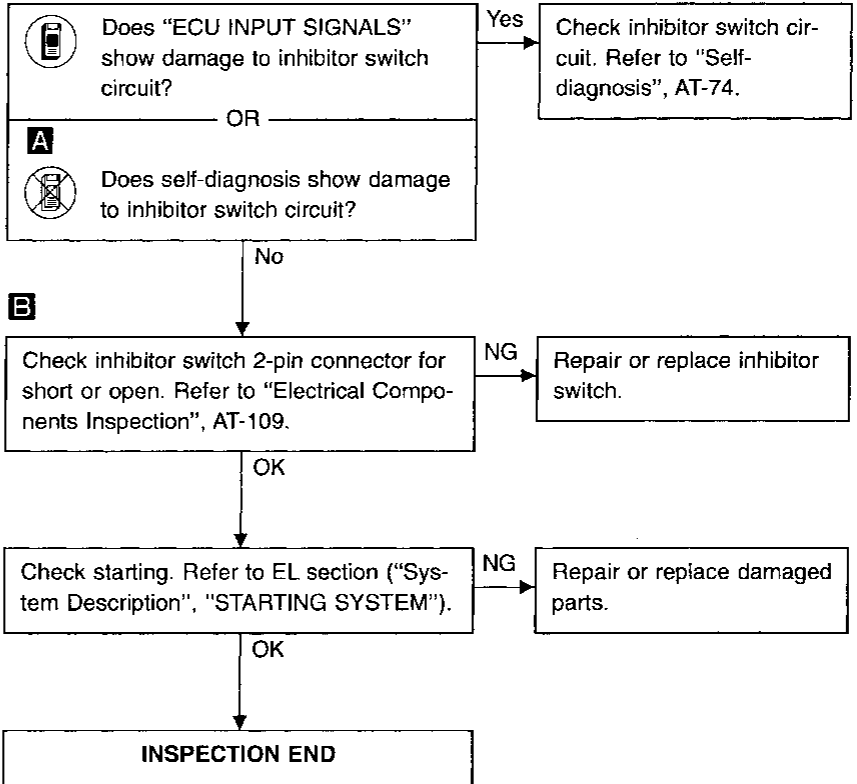


Diagnostic Procedure 2

SYMPTOM:

- Engine cannot be started with selector lever in "P" or "N" position.
- Engine can be started with selector lever in "D", "3", "2", "1" or "R" position.

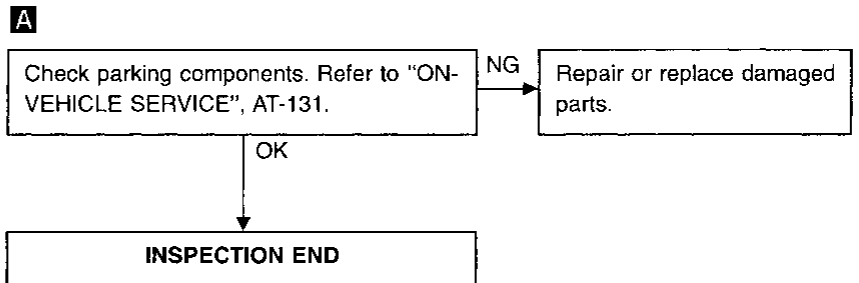
GI
MA
EM
LC
EC
FE
AT
PD
FA
RA
BR
ST
RS
BT
HA
EL
IDX



Diagnostic Procedure 3

SYMPTOM:

Vehicle moves when it is pushed forward or backward with selector lever in "P" position.

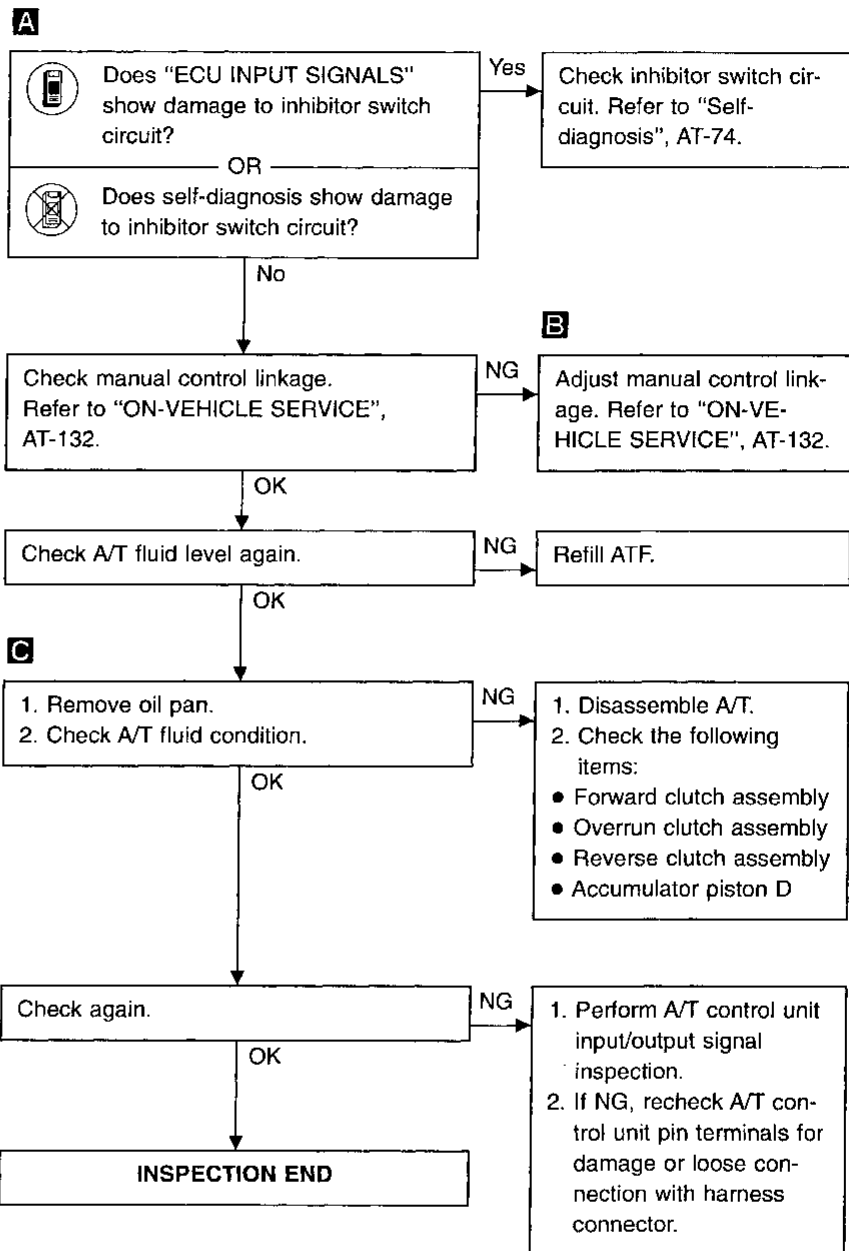
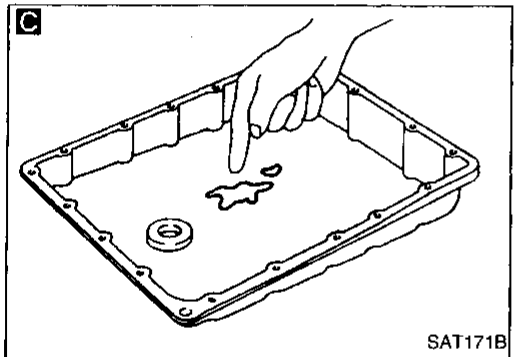
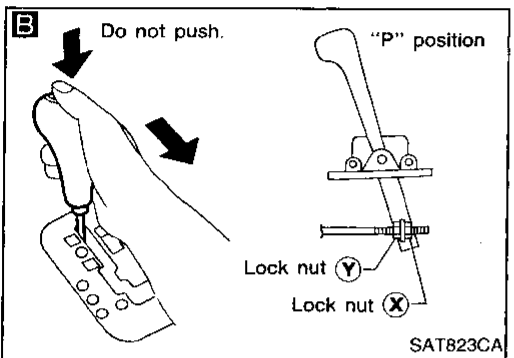
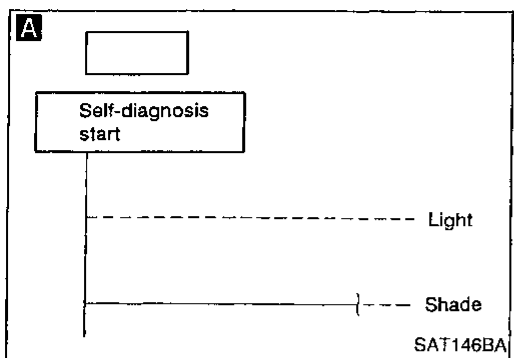


TROUBLE DIAGNOSES

Diagnostic Procedure 4

SYMPTOM:

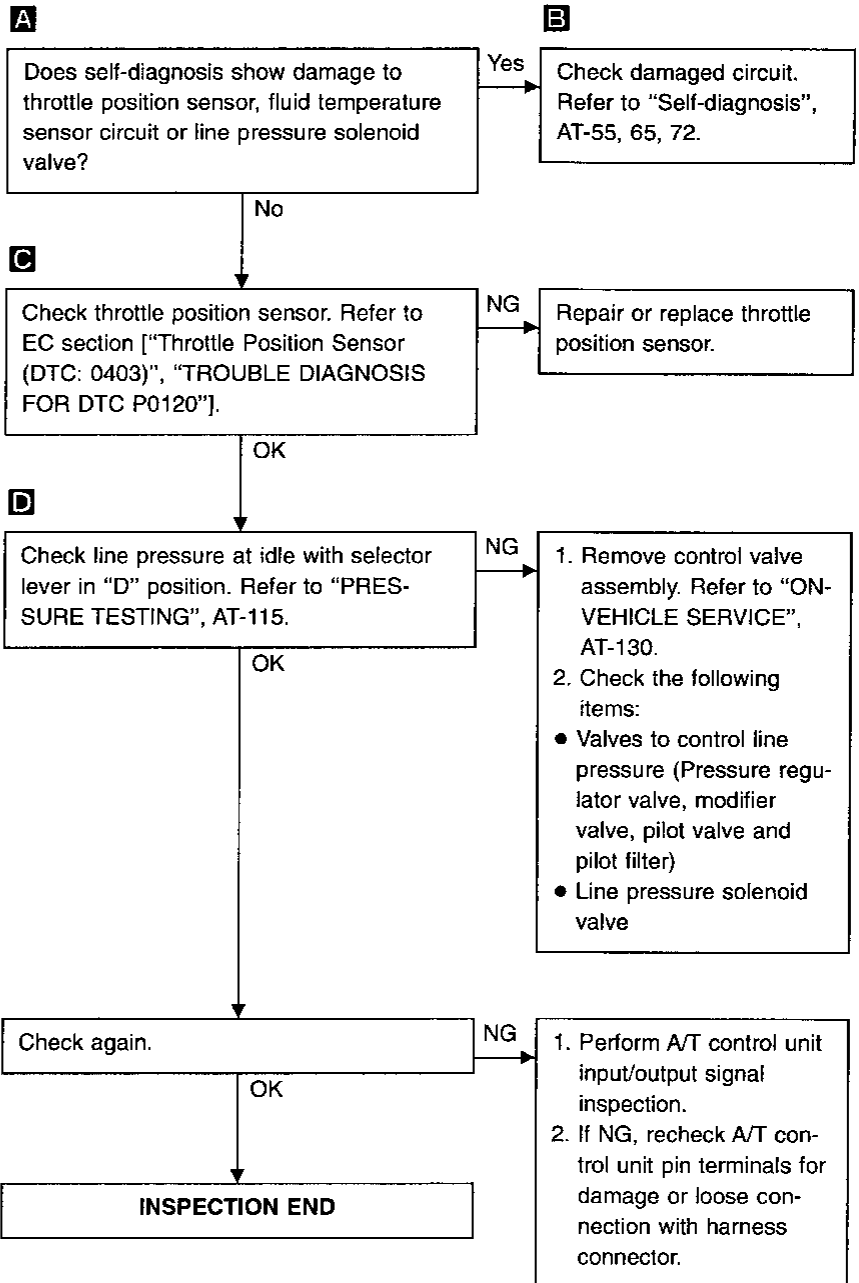
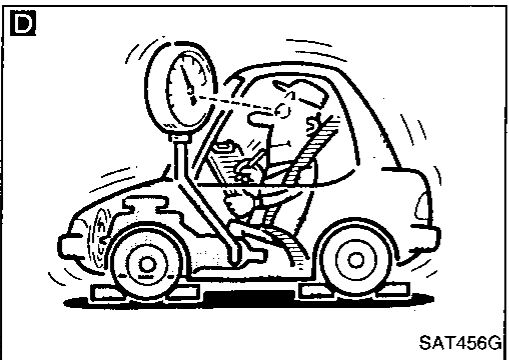
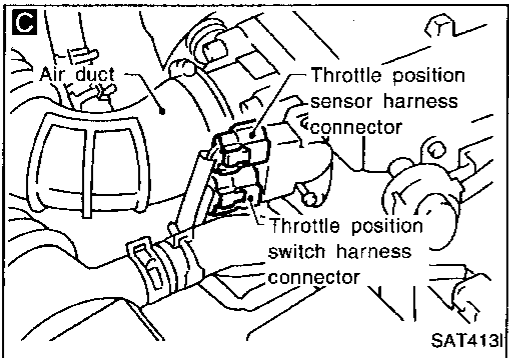
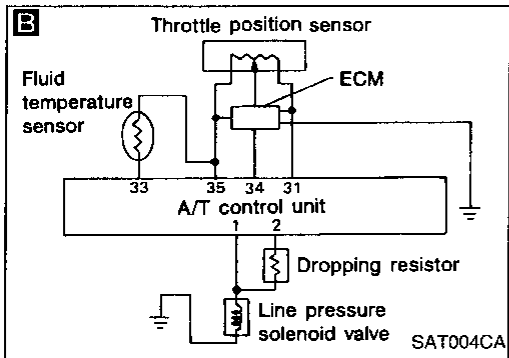
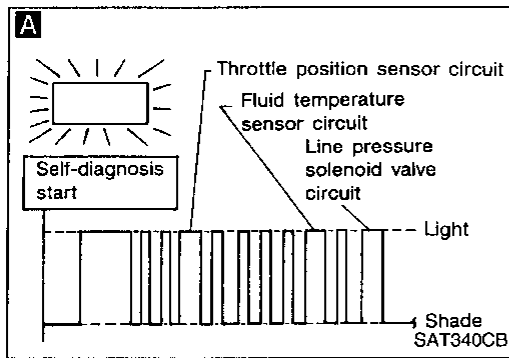
Vehicle moves forward or backward when selecting "N" position.



Diagnostic Procedure 5

SYMPTOM:

There is large shock when changing from "N" to "R" position.

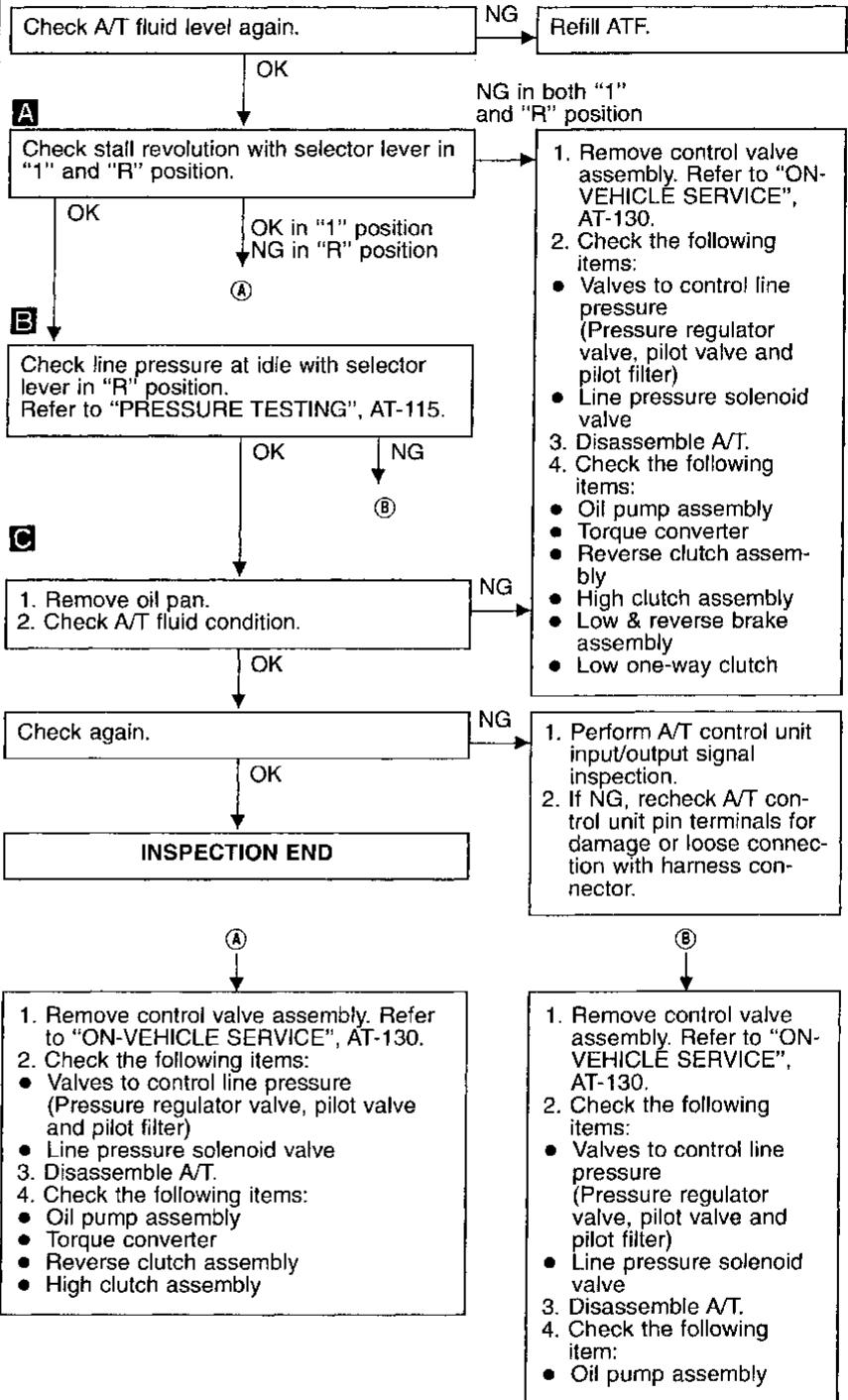
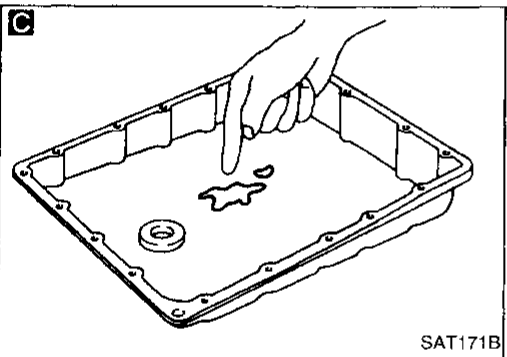
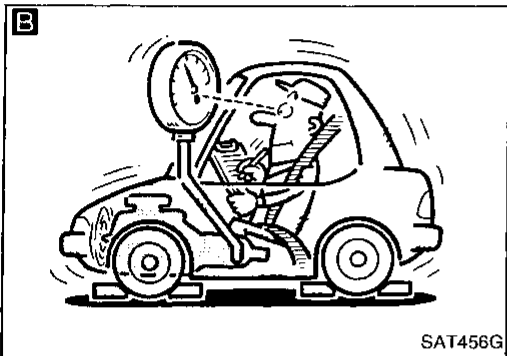
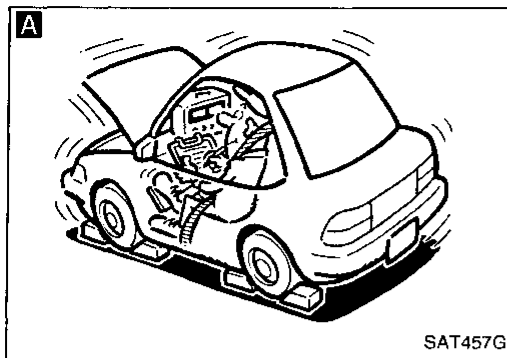


GI
 MA
 EM
 LC
 EC
 FE
AT
 PD
 FA
 RA
 BR
 ST
 RS
 BT
 HA
 EL
 IIOX

Diagnostic Procedure 6

SYMPTOM:

Vehicle does not creep backward when selecting "R" position.

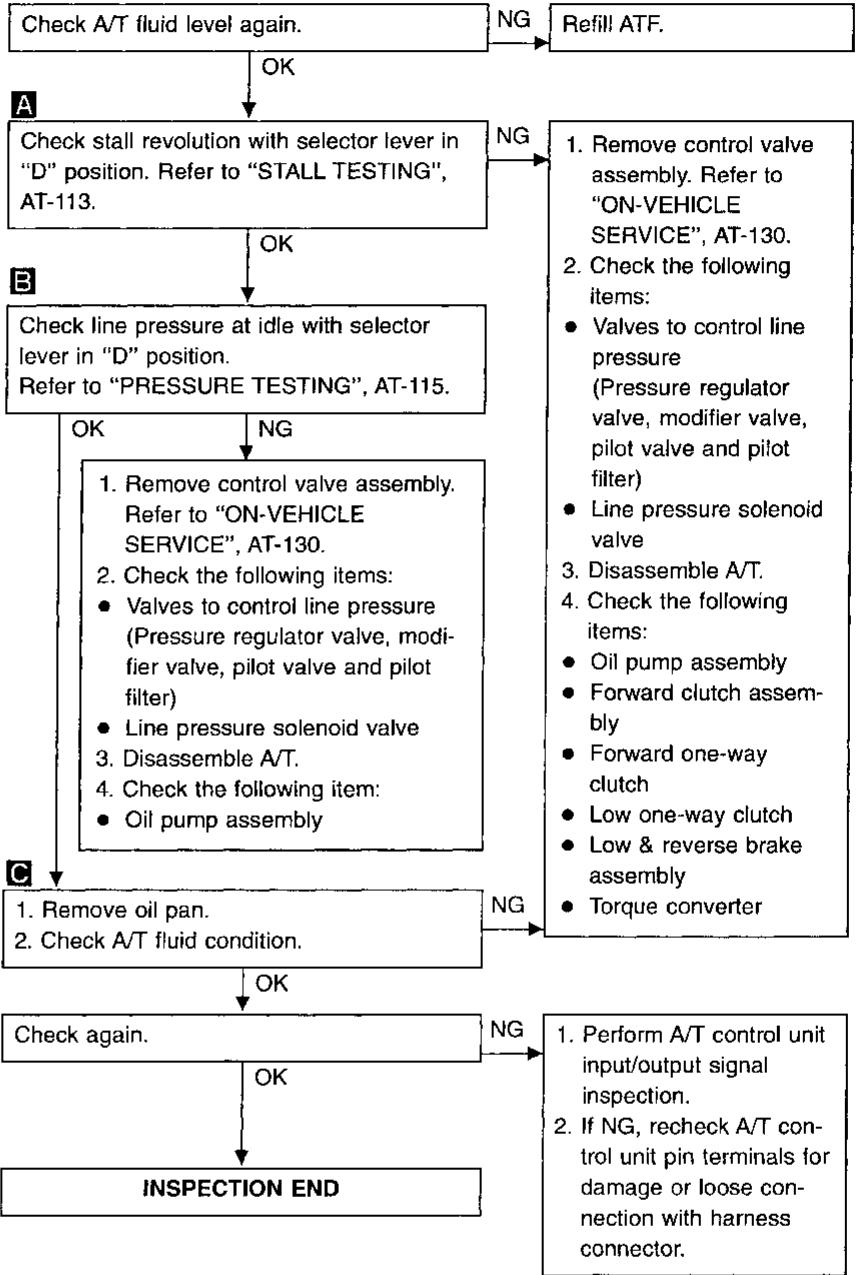
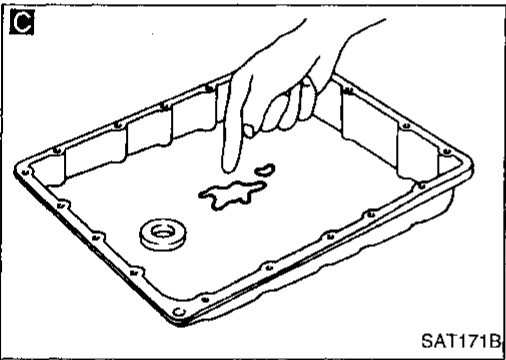
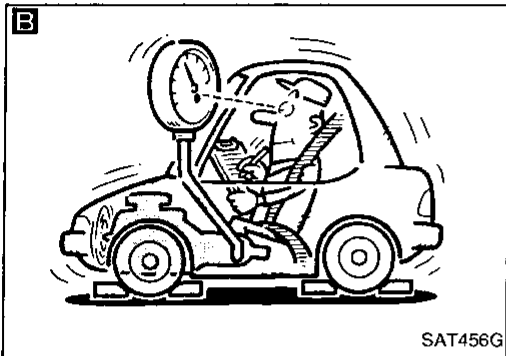
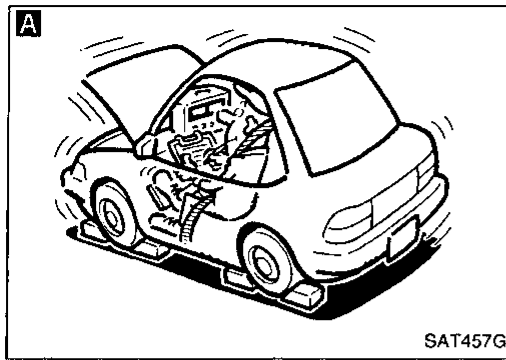


CI
 MA
 EM
 LC
 EC
 FE
AT
 PD
 FA
 RA
 BR
 ST
 RS
 BT
 HA
 EL
 IDX

Diagnostic Procedure 7

SYMPTOM:

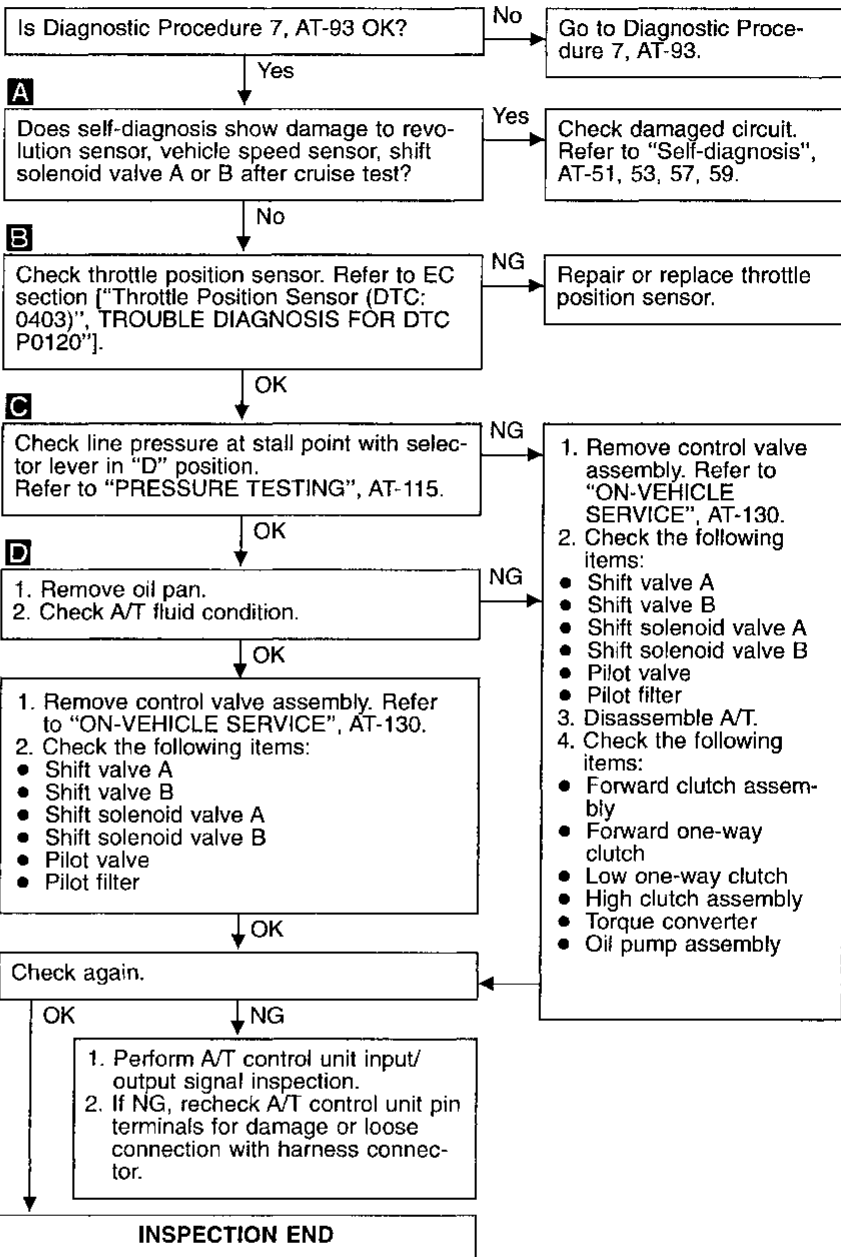
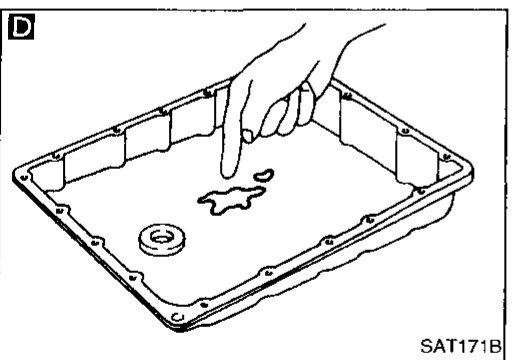
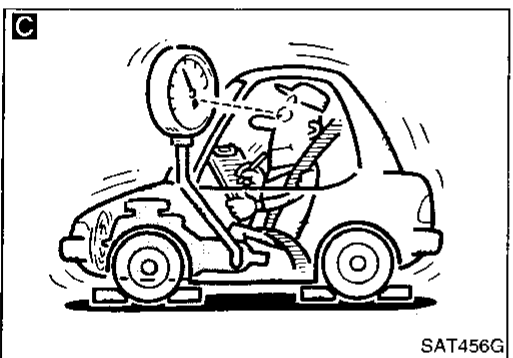
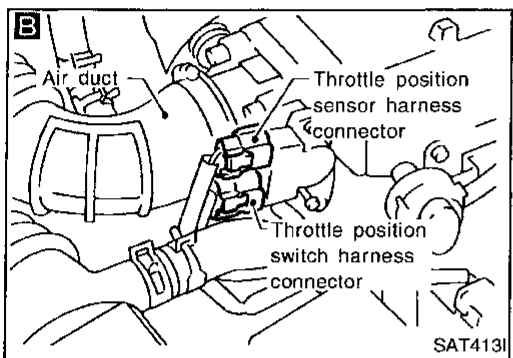
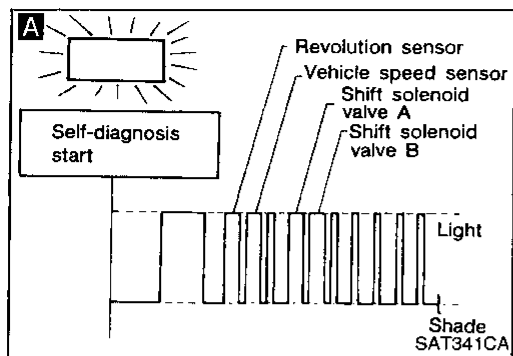
Vehicle does not creep forward when selecting "D", "3", "2" or "1" position.

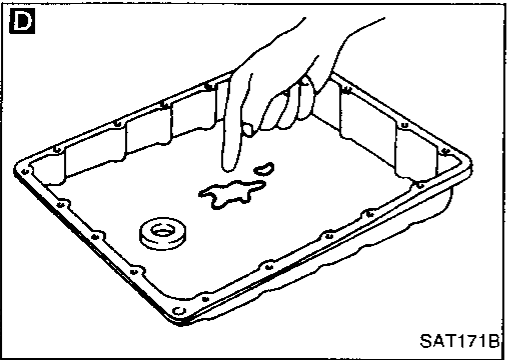
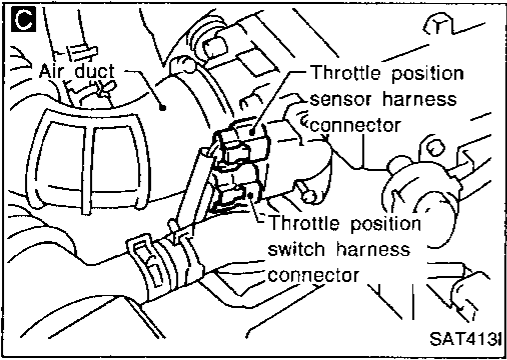
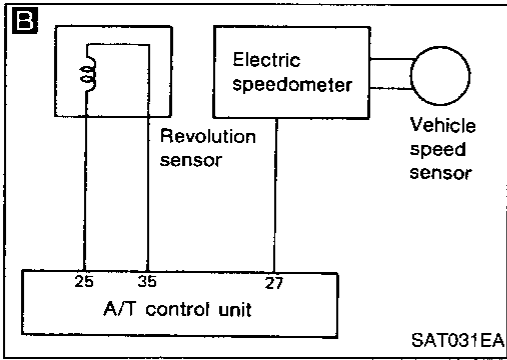
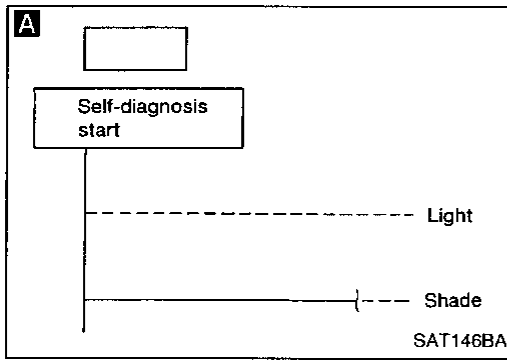


Diagnostic Procedure 8

SYMPTOM:

Vehicle cannot be started from D₁ on Cruise test — Part 1.

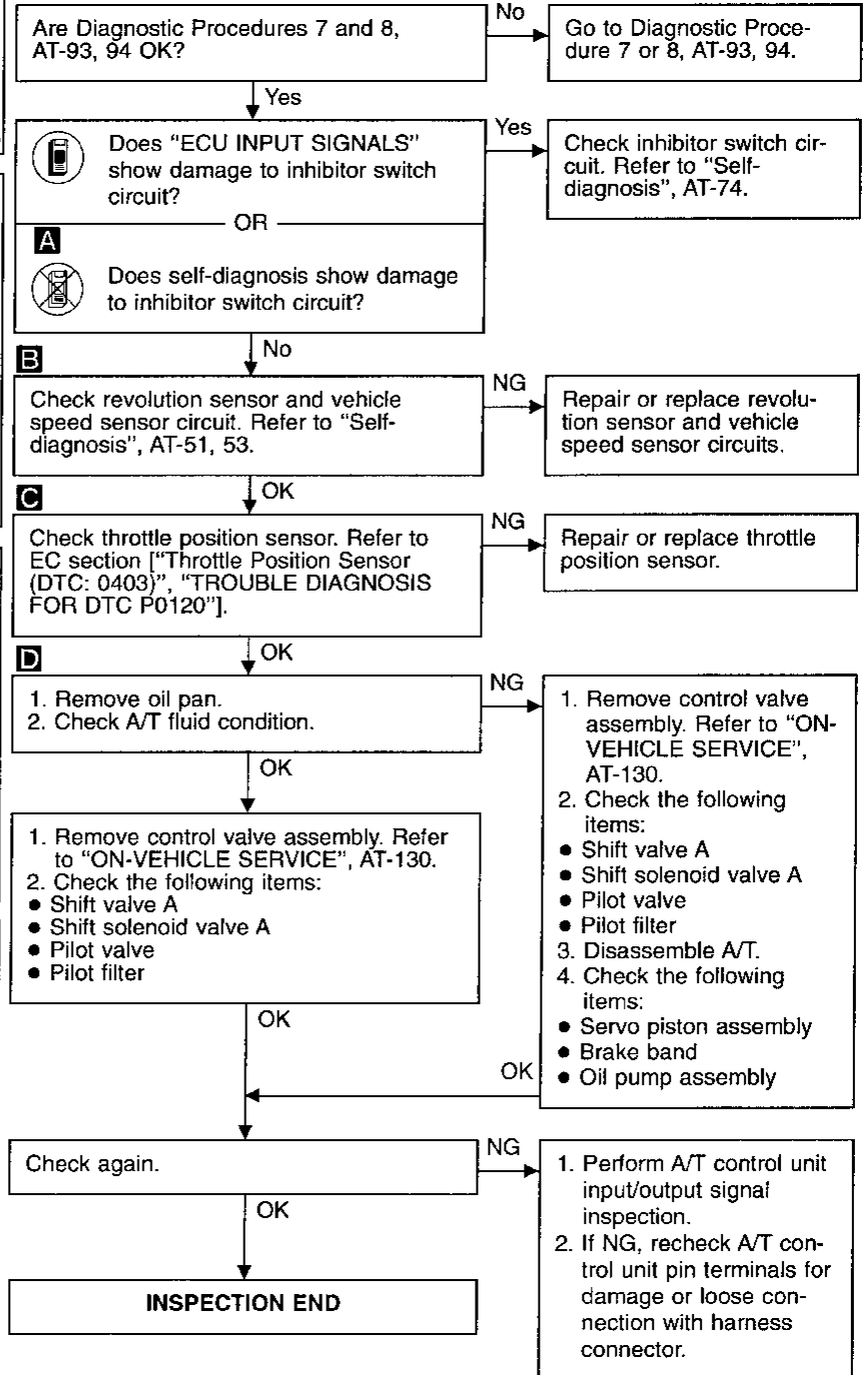




Diagnostic Procedure 9

SYMPTOM:

- A/T does not shift from D₁ to D₂ at the specified speed.
- A/T does not shift from D₄ to D₂ when depressing accelerator pedal fully at the specified speed.



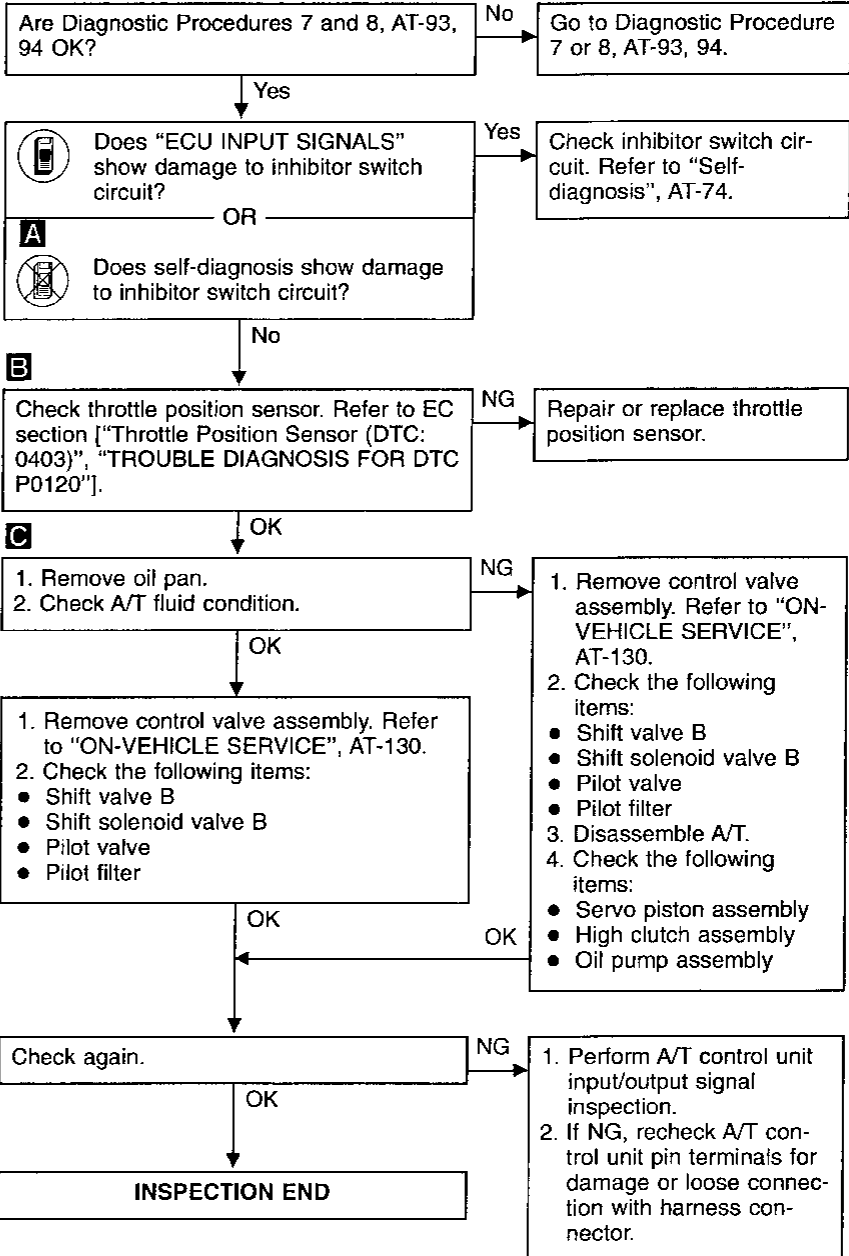
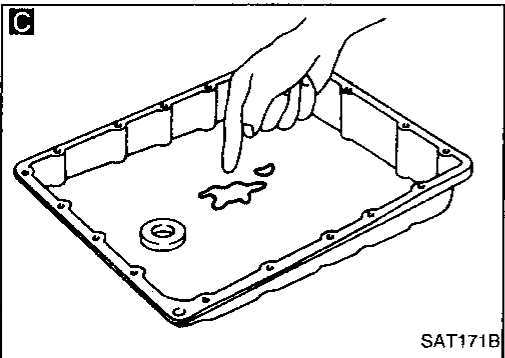
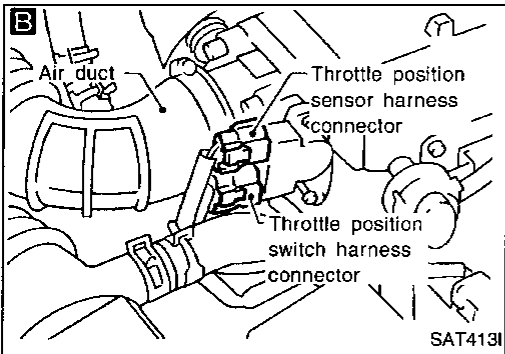
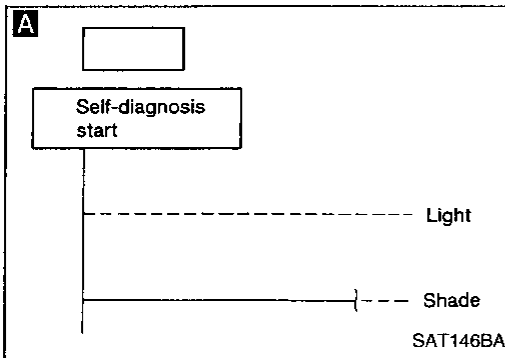
GI
 MA
 EM
 LC
 EC
 FE
AT
 PD
 FA
 RA
 BR
 ST
 RS
 BT
 HA
 EL
 IDX

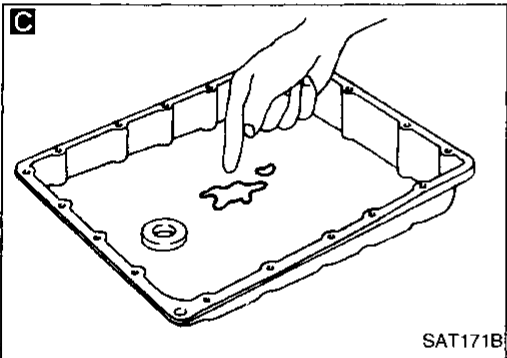
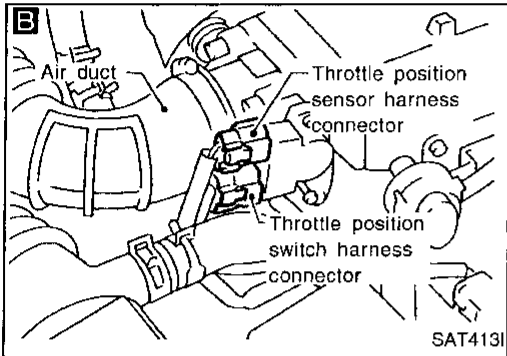
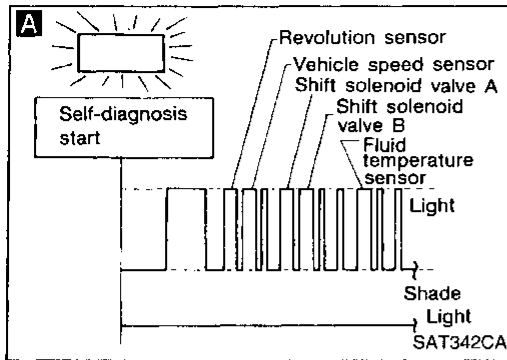
TROUBLE DIAGNOSES

Diagnostic Procedure 10

SYMPTOM:

A/T does not shift from D₂ to D₃ at the specified speed.

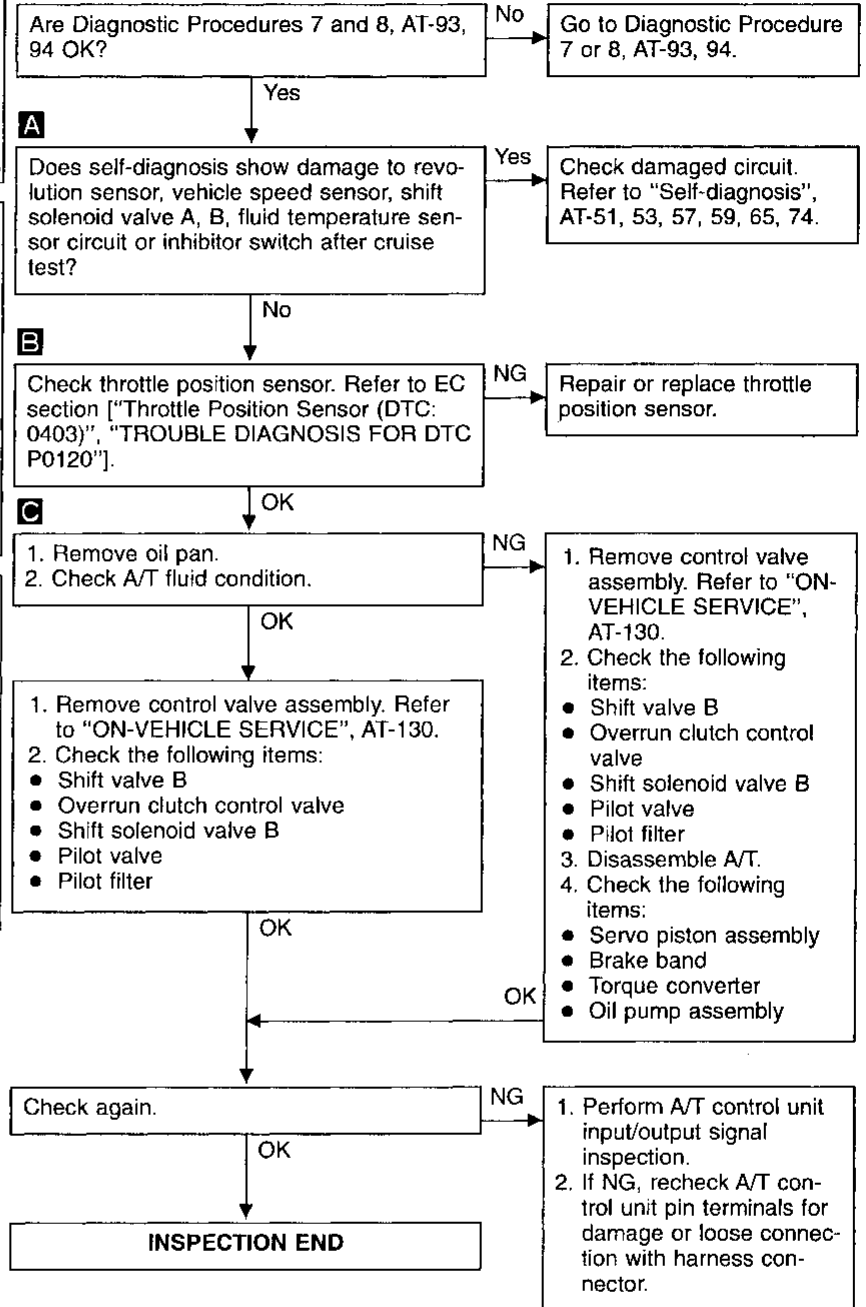




Diagnostic Procedure 11

SYMPTOM:

**A/T does not shift from D₃ to D₄ at the specified speed.
A/T must be warm before D₃ to D₄ shift will occur.**



GI

MA

EM

LC

EC

FE

AT

PD

FA

RA

BR

ST

RS

BT

HA

EL

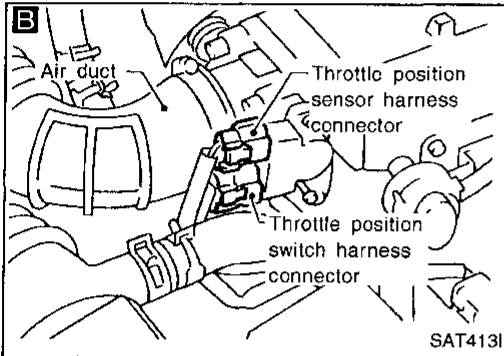
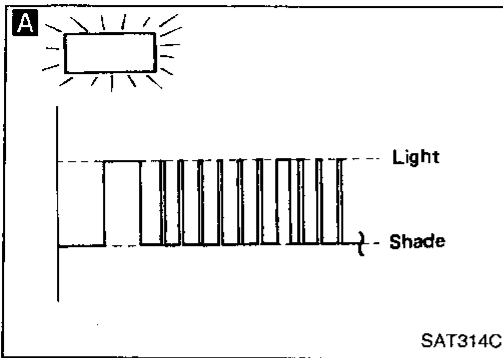
IDX

TROUBLE DIAGNOSES

Diagnostic Procedure 12

SYMPTOM:

A/T does not perform lock-up at the specified speed.



A

Does self-diagnosis show damage to torque converter clutch solenoid valve circuit after cruise test?

Yes

Check torque converter clutch solenoid valve circuit. Refer to "Self-diagnosis", AT-63.

No

B

Check throttle position sensor. Refer to EC section ["Throttle Position Sensor (DTC: 0403)", "TROUBLE DIAGNOSIS FOR DTC P0120"].

NG

Repair or replace throttle position sensor.

OK

1. Remove control valve. Refer to "ON-VEHICLE SERVICE", AT-130.
2. Check following items:

- Torque converter clutch control valve
- Shuttle shift valve D
- Torque converter clutch relief valve
- Torque converter clutch solenoid valve
- Pilot valve
- Pilot filter

NG

Repair or replace damaged parts.

OK

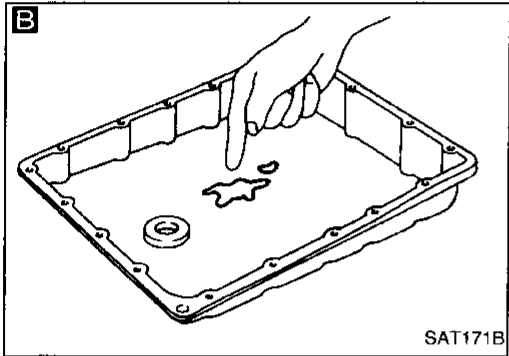
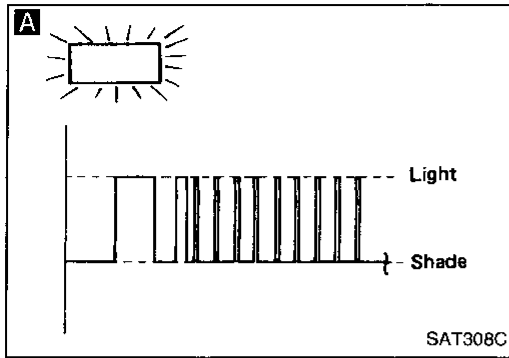
Check again.

NG

1. Perform A/T control unit input/output signal inspection.
2. If NG, recheck A/T control unit pin terminals for damage or loose connection with harness connector.

OK

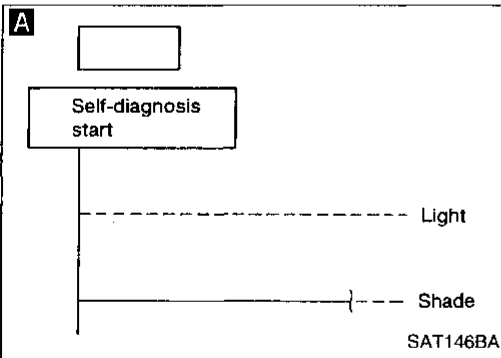
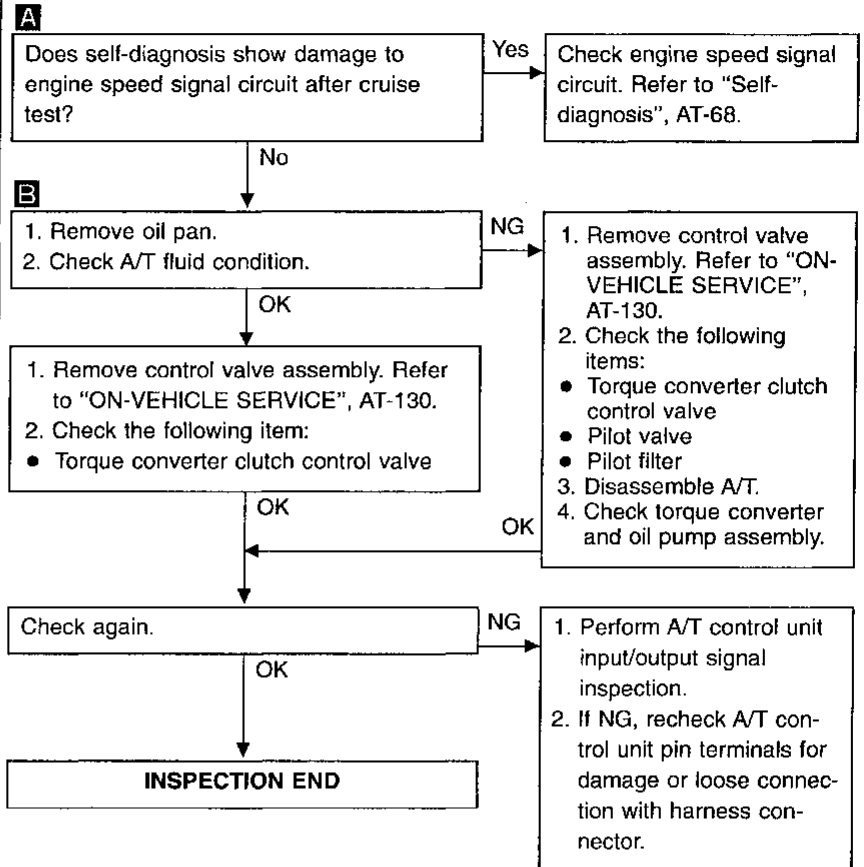
INSPECTION END



Diagnostic Procedure 13

SYMPTOM:

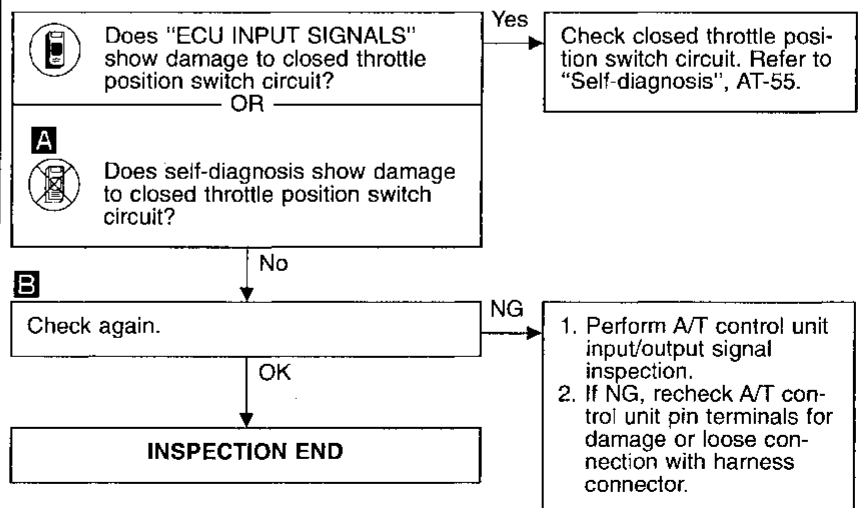
A/T does not hold lock-up condition for more than 30 seconds.



Diagnostic Procedure 14

SYMPTOM:

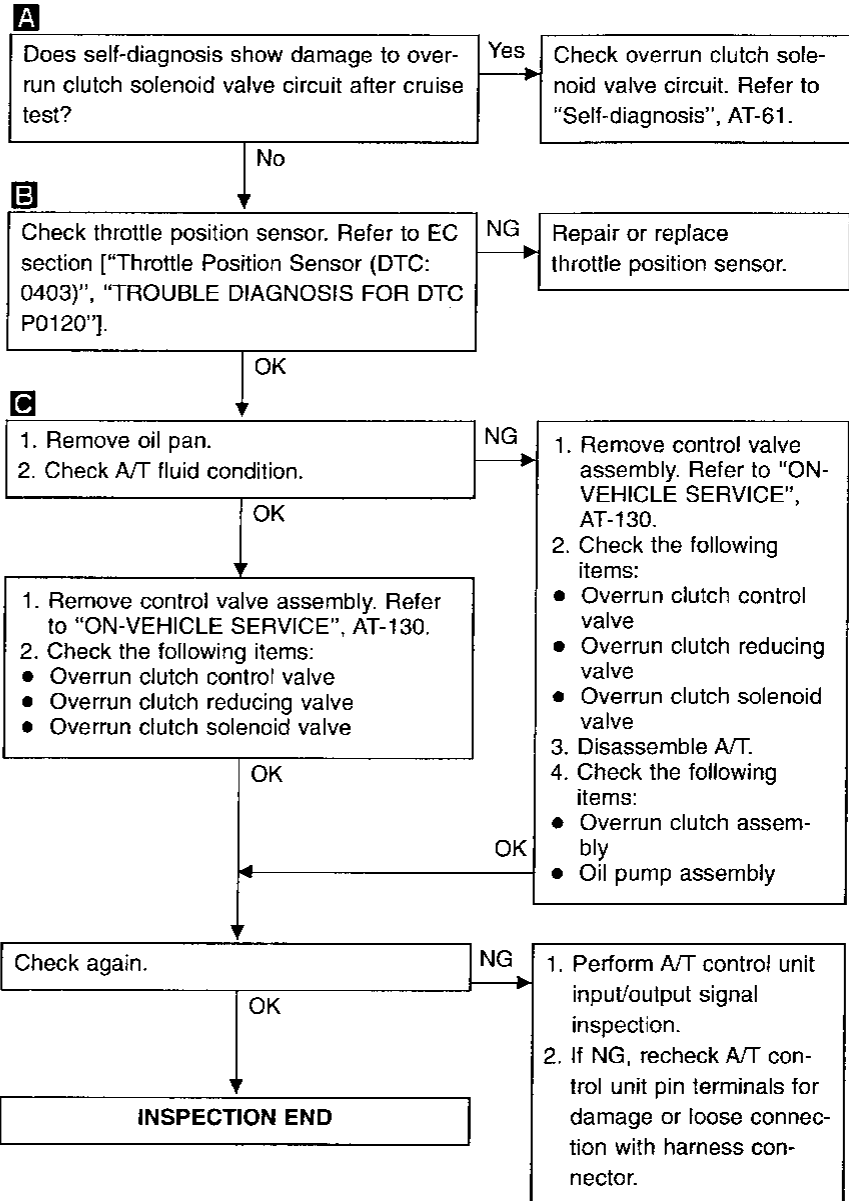
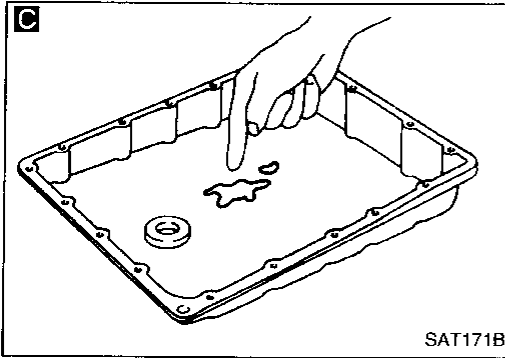
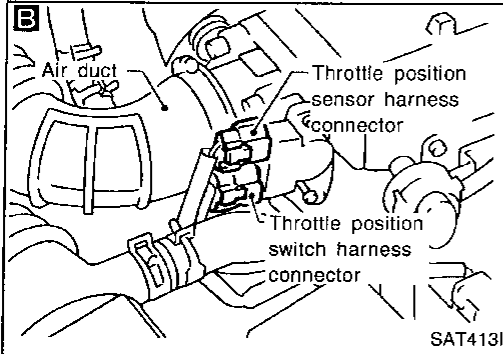
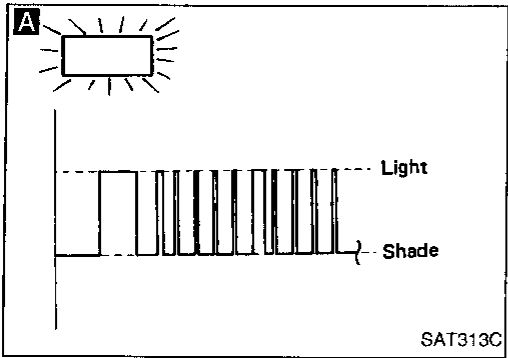
Lock-up is not released when accelerator pedal is released.

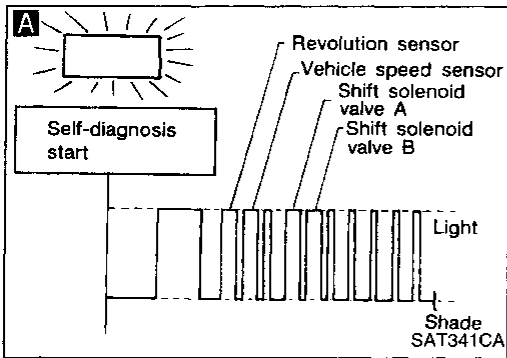


Diagnostic Procedure 15

SYMPTOM: With accelerator pedal released:

- Engine speed does not smoothly return to idle when A/T shifts from D₄ to D₃.
- Vehicle does not decelerate by engine brake when changing selector lever from "D" to "3" position.
- Vehicle does not decelerate by engine brake when changing selector lever from "3" to "2" position.

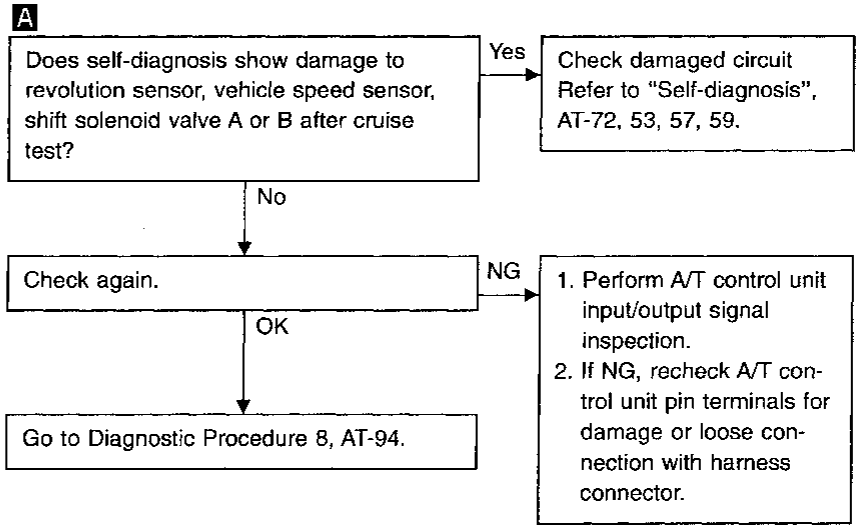




Diagnostic Procedure 16

SYMPTOM:

Vehicle does not start from D₁ on Cruise test — Part 2



GI

MA

EM

LC

EC

FE

AT

PD

FA

RA

BR

ST

RS

BT

HA

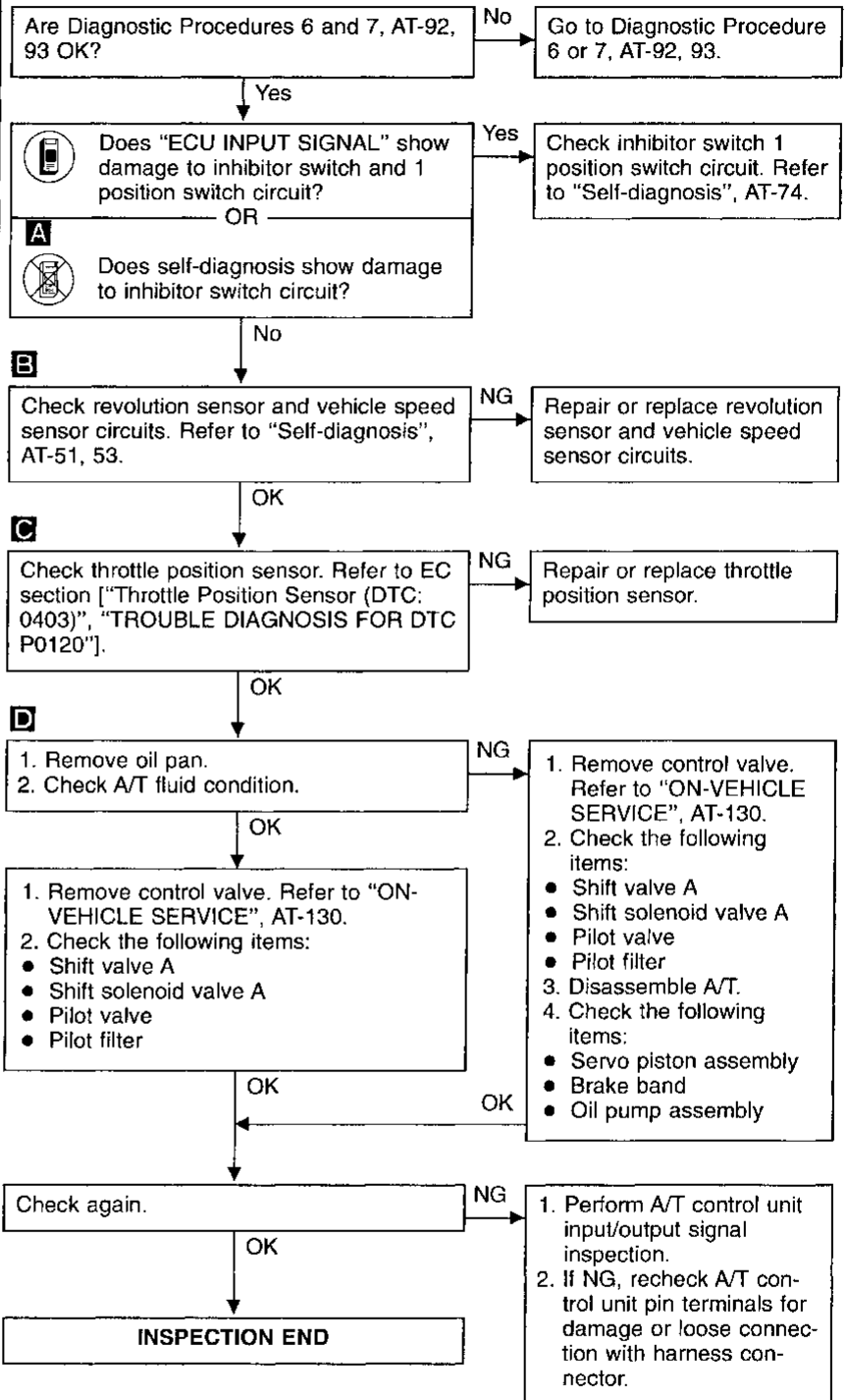
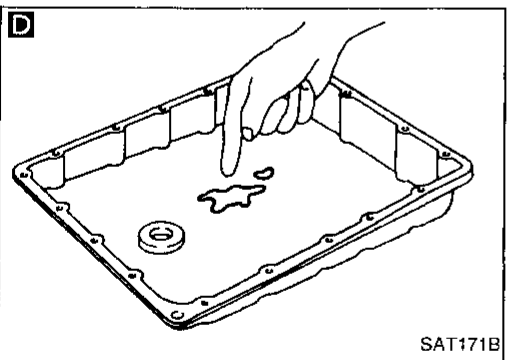
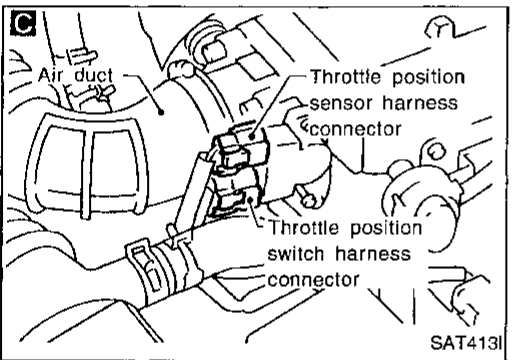
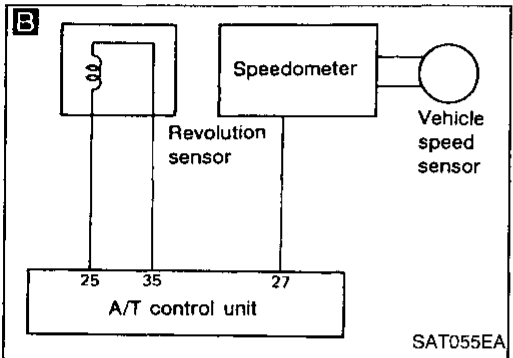
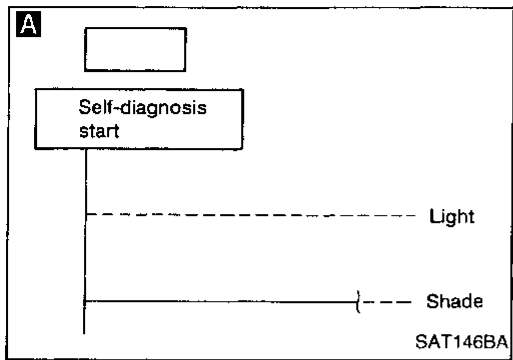
EL

IDX

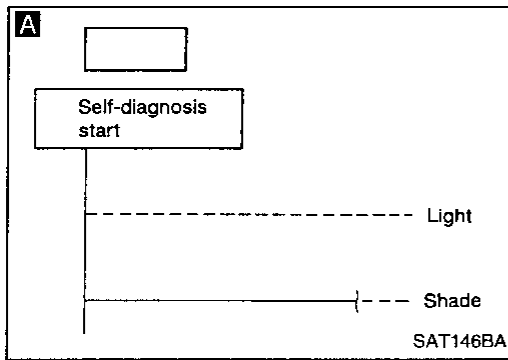
Diagnostic Procedure 17

SYMPTOM:

A/T does not shift from D₂ to D₁ when depressing accelerator pedal fully at the specified speed.



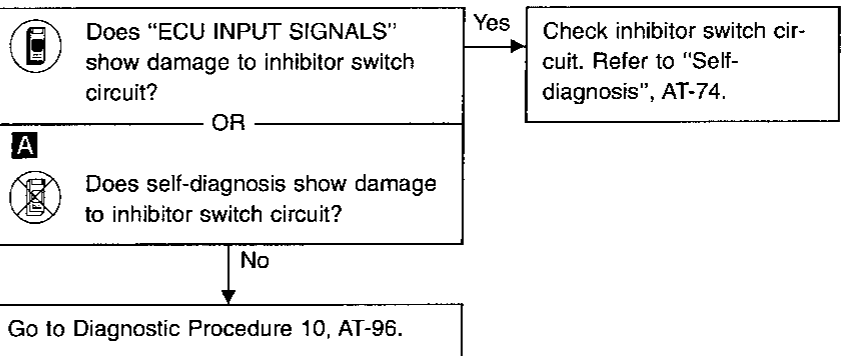
TROUBLE DIAGNOSES



Diagnostic Procedure 18

SYMPTOM:

A/T does not shift from D_4 to 3_3 when changing selector lever from "D" to "3" position.



GI

MA

EM

LC

EC

FE

AT

PD

FA

RA

BR

ST

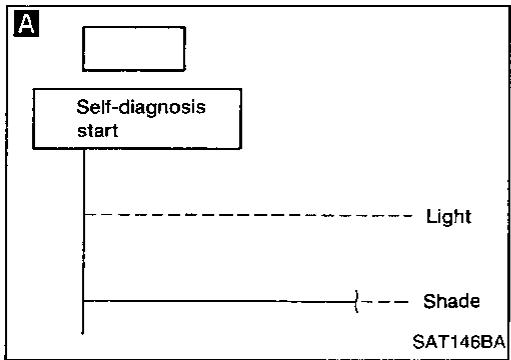
RS

BT

HA

EL

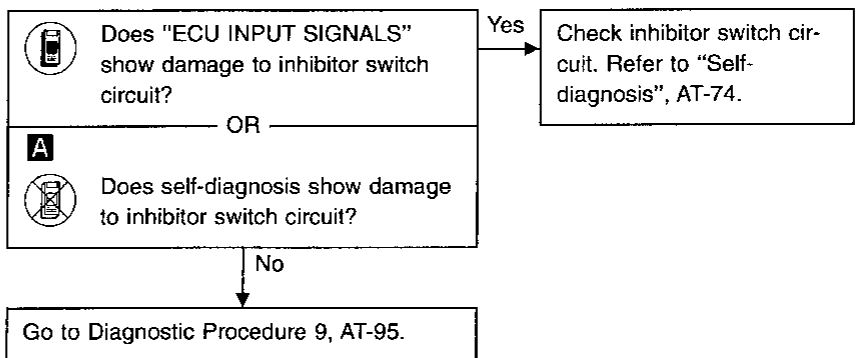
IDX



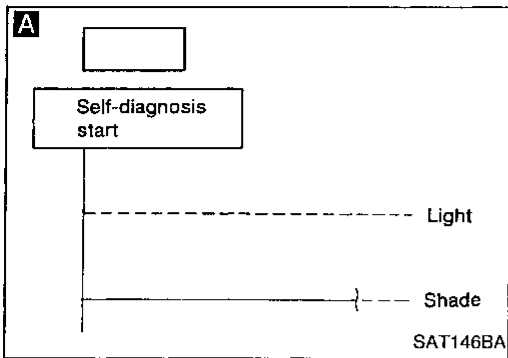
Diagnostic Procedure 19

SYMPTOM:

A/T does not shift from 3_3 to 2_2 when changing selector lever from "3" to "2" position.



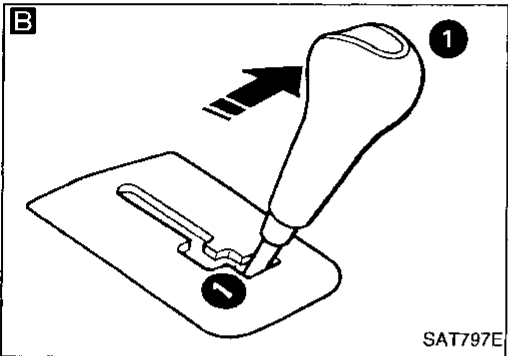
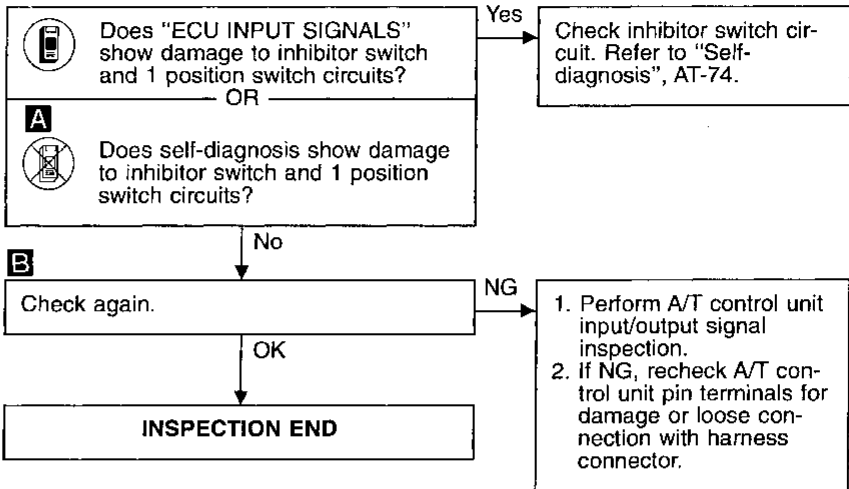
TROUBLE DIAGNOSES



Diagnostic Procedure 20

SYMPTOM:

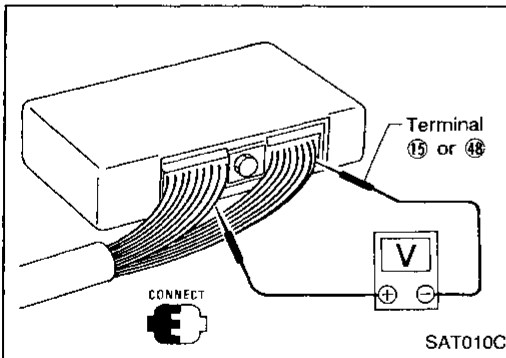
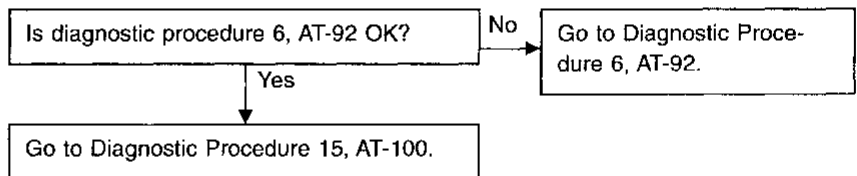
A/T does not shift from 2₂ to 1₁, when changing selector lever from "2" to "1" position.



Diagnostic Procedure 21

SYMPTOM:

Vehicle does not decelerate by engine brake when shifting from 2₂ (1₂) to 1₁.



Electrical Components Inspection

INSPECTION OF A/T CONTROL UNIT

- Measure voltage between each terminal and terminal 15 or 48 by following "A/T CONTROL UNIT INSPECTION TABLE".

- Pin connector terminal layout.

1	2	3	4	9	10	11	12	13	14	15		23	24	25	26	27	28	29	30	31	32	33	34	35
5	6	7	8	16	17	18	19	20	21	22		36	37	38	39	40	41	42	43	44	45	46	47	48



SAT054I

TROUBLE DIAGNOSES

Electrical Components Inspection (Cont'd)

A/T CONTROL UNIT INSPECTION TABLE

(Data are reference values.)

Terminal No.	Item	Condition	Judgement standard	
1	Line pressure solenoid valve	When accelerator pedal is released after warming up engine.	1.5 - 2.5V	GI
		When accelerator pedal is depressed fully after warming up engine.	0.5V or less	MA
2	Line pressure solenoid valve (with dropping resistor)	When accelerator pedal is released after warming up engine.	5 - 14V	EM
		When accelerator pedal is depressed fully after warming up engine.	0.5V or less	LC
3	A/T check indicator lamp	When A/T check indicator lamp is on.	1V or less	EC
		When A/T check lamp is not on.	Batter voltage	
4	Power source	When ignition switch is turned to "ON".	Battery voltage	FE
		When ignition switch is turned to "OFF".	1V or less	AT
5	Torque converter clutch solenoid valve	When A/T is performing lock-up.	8 - 15V	
		When A/T is not performing lock-up.	1V or less	PD
6	Shift solenoid valve A	When shift solenoid valve A is operating. (When driving in "D ₁ " or "D ₄ ".)	Battery voltage	FA
		When shift solenoid valve A is not operating. (When driving in "D ₂ " or "D ₃ ".)	1V or less	RA
7	Shift solenoid valve B	When shift solenoid valve B is operating. (When driving in "D ₁ " or "D ₂ ".)	Battery voltage	BR
		When shift solenoid valve B is not operating. (When driving in "D ₃ " or "D ₄ ".)	1V or less	ST
8	Overrun clutch solenoid valve	When overrun clutch solenoid is operating. (When driving in "D ₁ " or "D ₄ ".)	Battery voltage	RS
		When overrun clutch solenoid is not operating. (When driving in "D ₂ " or "D ₃ ".)	1V or less	BT

HA

EL

IDX

TROUBLE DIAGNOSES

Electrical Components Inspection (Cont'd)

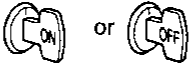
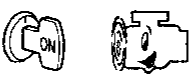

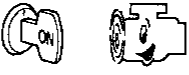
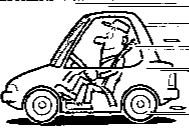



Terminal No.	Item	Condition	Judgement standard
9	Power source	Same as No. 4	
10*	DT1	—	—
11*	DT2	—	—
12*	DT3	—	—
13*	"N" position signal	When selector lever is set to "N" position.	1V or less
		When selector lever is set to other positions.	Approximately 5V
14	Closed throttle position switch (in throttle position switch)	When accelerator pedal is released after warming up engine.	8 - 15V
		When accelerator pedal is depressed after warming up engine.	1V or less
15	Ground	—	—
16	Inhibitor "2" or "1" position switch	When selector lever is set to "2" or "1" position.	Battery voltage
		When selector lever is set to other positions.	1V or less
17	Inhibitor "3" position switch	When selector lever is set to "3" position.	Battery voltage
		When selector lever is set to other positions.	1V or less
18	Inhibitor "D" position switch	When selector lever is set to "D" position.	Battery voltage
		When selector lever is set to other positions.	1V or less
19	Inhibitor "N" or "P" position switch	When selector lever is set to "N" or "P" position.	Battery voltage
		When selector lever is set to other positions.	1V or less
20	Inhibitor "R" position switch	When selector lever is set to "R" position.	Battery voltage
		When selector lever is set to other positions.	1V or less
21	Wide open throttle position switch (in throttle position switch)	When accelerator pedal is depressed more than half-way after warming up engine.	8 - 15V
		When accelerator pedal is released after warming up engine.	1V or less
22	—	—	—



*: These terminals are connected to ECM (ECCS control module).

TROUBLE DIAGNOSES







Electrical Components Inspection (Cont'd)

Terminal No.	Item	Condition	Judgement standard			
23	Power source (Back-up)		When ignition switch is turned to "OFF".	Battery voltage	GI	
			When ignition switch is turned to "ON".	Battery voltage		
24	Engine speed signal		When engine is running at idle speed.	Approximately 0.9V	MA	
			When engine is running at 2,000 rpm.	Approximately 1.8V		
25	Revolution sensor (Measure in AC range)		When vehicle is cruising at 30 km/h (19 MPH).	1V or more Voltage rises gradually in response to vehicle speed.	EM LC	
			When vehicle is parked.	0V		
26	Turbine revolution sensor (Measure in DC range)		When engine is running at 1,000 rpm	Approximately 1.2V Voltage rises gradually in response to engine speed.	FE AT	
27	Vehicle speed sensor		When vehicle is moving at 2 to 3 km/h (1 to 2 MPH) for 1 m (3 ft) or more.	Voltage varies between less than 1V and more than 4.5V.	PD	
28**	—		—	—	FA	
29**	—		—	—		
30**	—		—	—	RA	
31	Throttle position sensor (Power source)		—	—	4.5 - 5.5V	
32	—		—	—	—	BR
33	Fluid temperature sensor			When ATF temperature is 20°C (68°F).	Approximately 1.5V	ST
		When ATF temperature is 80°C (176°F).		Approximately 0.5V	RS	
34	Throttle position sensor		When accelerator pedal is depressed slowly after warming up engine. (Voltage rises gradually in response to throttle opening angle.)	Fully-closed throttle: Approximately 0.5V Fully-open throttle: Approximately 4V	BT HA	
35	Throttle position sensor (Ground)		—	—	EL	
36	—		—	—	—	IDX

** : These terminals are connected to the Data link connector for CONSULT.

TROUBLE DIAGNOSES

Electrical Components Inspection (Cont'd)

Terminal No.	Item	Condition		Judgement standard
37	ASCD cruise signal		When ASCD cruise is being performed. ("CRUISE" light comes on.)	Battery voltage
			When ASCD cruise is not being performed. ("CRUISE" light does not come on.)	1V or less
38	—	—	—	—
39	1 position switch		When selector lever is set to "1" position.	1V or less
			When selector lever is set to other positions.	Battery voltage
40	ASCD OD cut signal		When "ACCEL" set switch on ASCD cruise is released.	5 - 8V
			When "ACCEL" set switch on ASCD cruise is applied.	1V or less
41	Kickdown switch		When accelerator pedal is released after warming up engine.	Battery voltage
			When accelerator pedal is depressed fully after warming up engine.	1V or less
42	—		—	—
43	—		—	—
44	—		—	—
45*	OBD-II (OUTPUT)		—	—
46	—		—	—
47	—		—	—
48	Ground	—	—	—

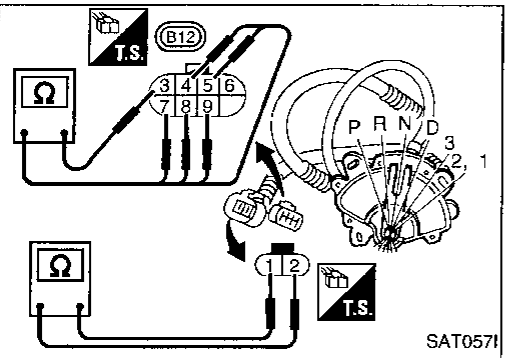
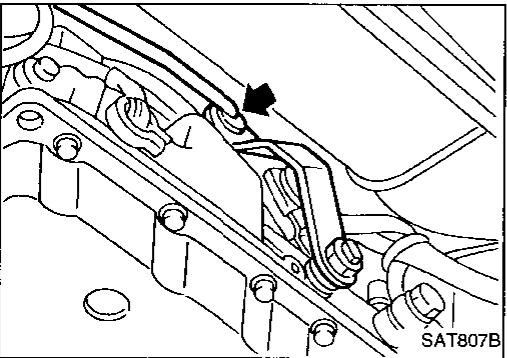
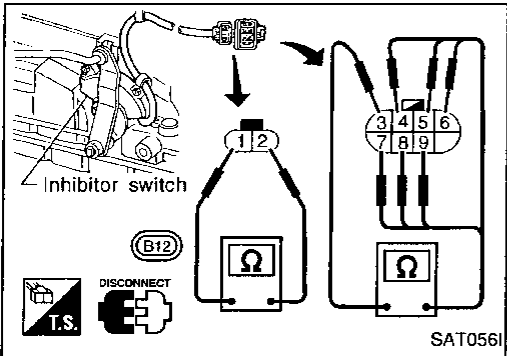
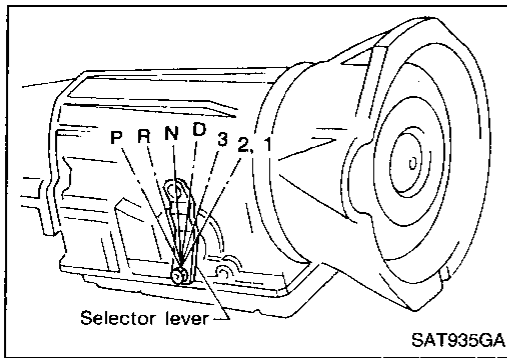
* This terminal is connected to ECM (ECCS control module) (for OBD-II).

TROUBLE DIAGNOSES

Electrical Components Inspection (Cont'd)

INHIBITOR SWITCH

1. Check continuity between terminals ① and ② and between terminals ③ and ④, ⑤, ⑥, ⑦, ⑧, ⑨ while moving selector lever through each position.



Lever position	Continuity between terminal	
P	① — ②	③ — ④
R		③ — ⑤
N	① — ②	③ — ⑥
D		③ — ⑦
3		③ — ⑧
2, 1		③ — ⑨

2. If NG, check again with manual control linkage disconnected from manual shaft of A/T assembly. Refer to step 1.
3. If OK on step 2, adjust manual control linkage. Refer to "ON-VEHICLE SERVICE", AT-130.
4. If NG on step 2, remove inhibitor switch from A/T and check continuity of inhibitor switch terminal. Refer to step 1.
5. If OK on step 4, adjust inhibitor switch. Refer to "ON-VEHICLE SERVICE", AT-130.
6. If NG on step 4, replace inhibitor switch.

GI

MA

EM

LC

EC

FE

AT

PD

FA

RA

BR

ST

RS

BT

HA

EL

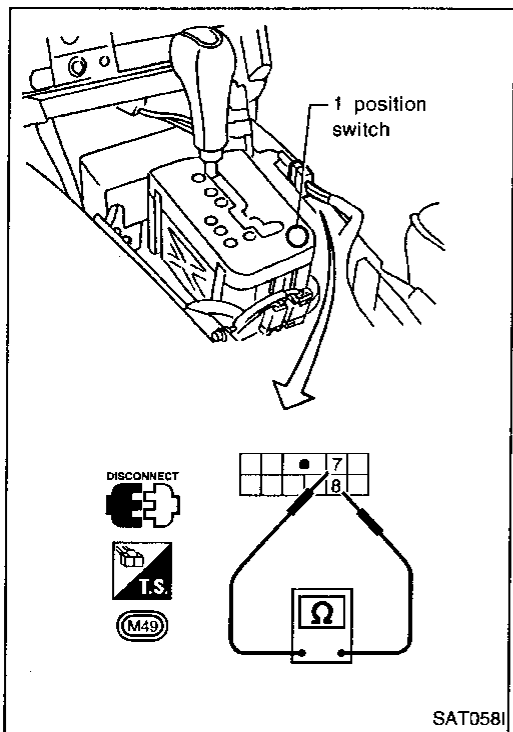
IDX

TROUBLE DIAGNOSES

Electrical Components Inspection (Cont'd)

1 POSITION SWITCH

- Check continuity between terminals ⑦ and ⑧ of 1 position switch harness connector.

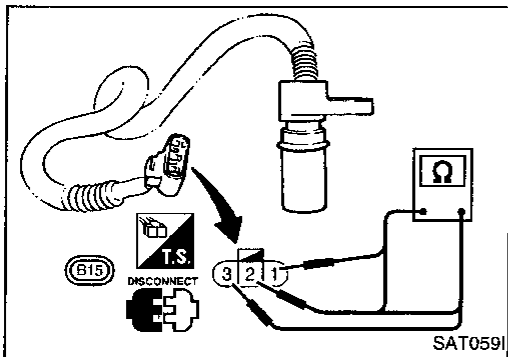


SAT058I

Condition	Continuity
When selector lever is set in "1" position.	Yes
When selector lever is set in any position except "1".	No

REVOLUTION SENSOR

- For removal and installation, refer to "ON-VEHICLE SERVICE", AT-130.
- Check resistance between terminals ①, ② and ③.

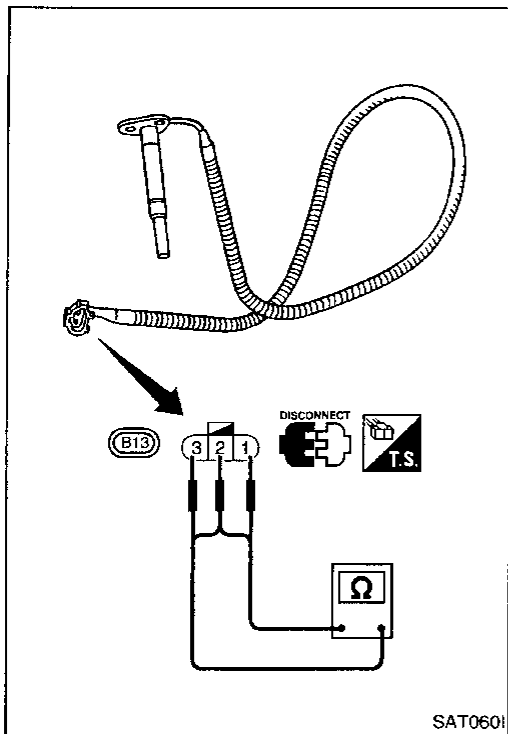


SAT059I

Terminal No.		Resistance
①	②	500 - 650Ω
②	③	No continuity
①	③	No continuity

TURBINE REVOLUTION SENSOR

- Check resistance between terminals ①, ② and ③.



SAT060I

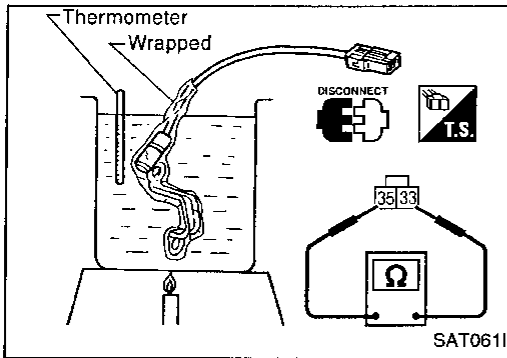
Terminal No.		Resistance
①	②	2,200 - 2,800Ω
②	③	No continuity
①	③	No continuity

TROUBLE DIAGNOSES

Electrical Components Inspection (Cont'd)

FLUID TEMPERATURE SENSOR

- For removal and installation, refer to "ON-VEHICLE SERVICE", AT-130.
- Check resistance between two terminals while changing temperature as shown at left.



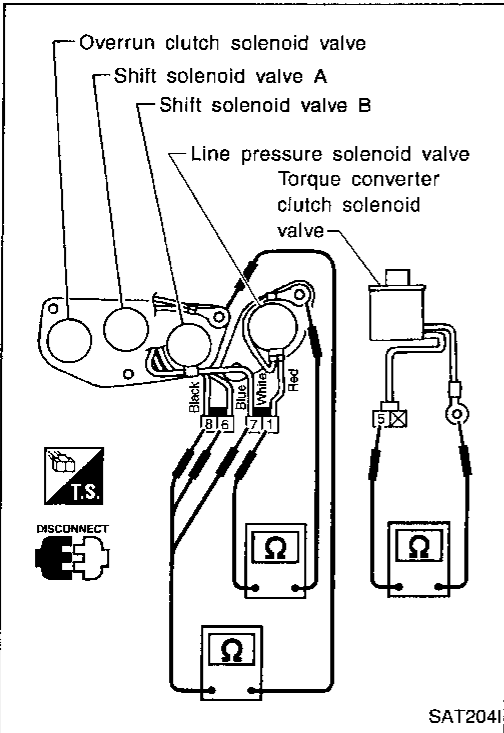
Temperature °C (°F)	Resistance
20 (68)	Approximately 2.5 kΩ
80 (176)	Approximately 0.3 kΩ

SOLENOID VALVES

- For removal and installation, refer to "ON-VEHICLE SERVICE", AT-130.

Resistance check

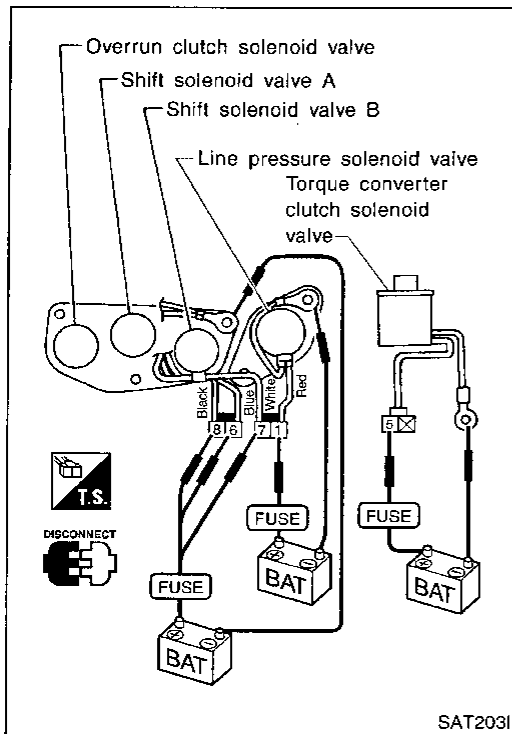
- Check resistance between two terminals.



Solenoid valve	Terminal No.	Resistance (Approx.)
Shift solenoid valve A	⑥	20 - 40Ω
Shift solenoid valve B	⑦	
Overrun clutch solenoid valve	⑧	Ground
Line pressure solenoid valve	①	
Torque converter clutch solenoid valve	⑤	

Operation check

- Check solenoid valve by listening for its operating sound while applying battery voltage to the terminal and ground.

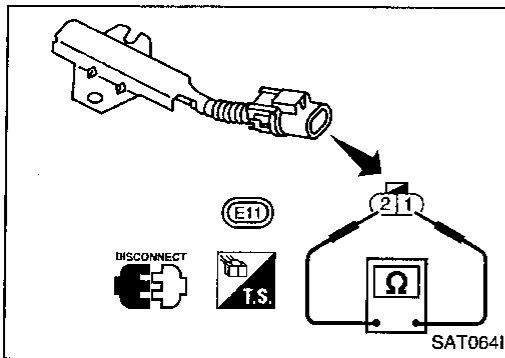


TROUBLE DIAGNOSES

Electrical Components Inspection (Cont'd)

DROPPING RESISTOR

- Check resistance between two terminals.
Resistance: 11.2 - 12.8Ω



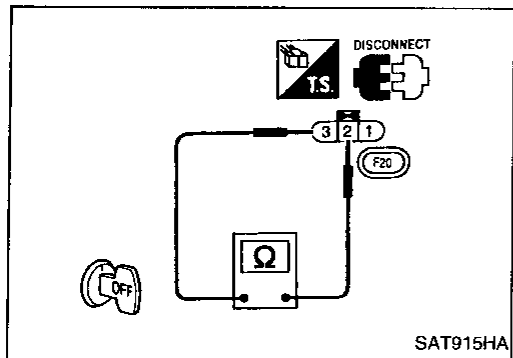
THROTTLE POSITION SWITCH

Closed throttle position switch (idle position)

- Check continuity between terminals ③ and ② .

Accelerator pedal condition	Continuity
Released	Yes
Depressed	No

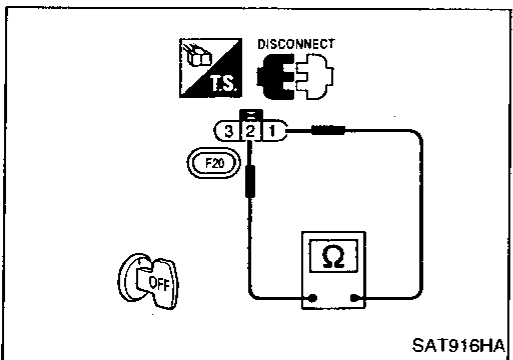
- To adjust closed throttle position switch, perform "Basic Inspection", "TROUBLE DIAGNOSIS — Basic Inspection" in EC section.



Wide open throttle position switch

- Check continuity between terminals ② and ① .

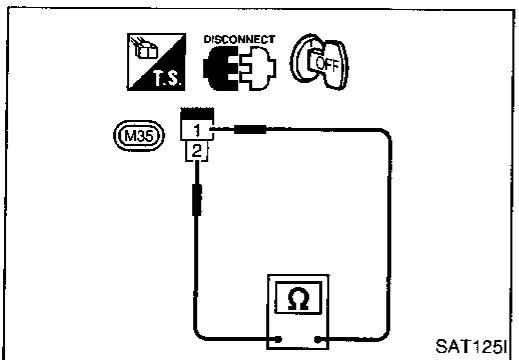
Accelerator pedal condition	Continuity
Released	No
Depressed	Yes

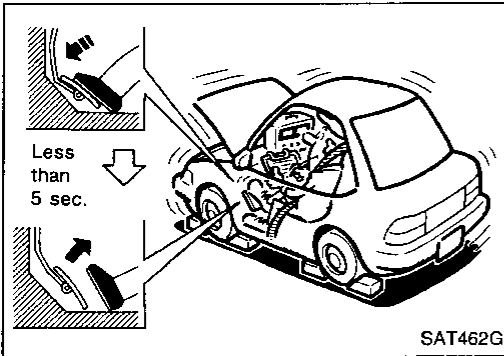
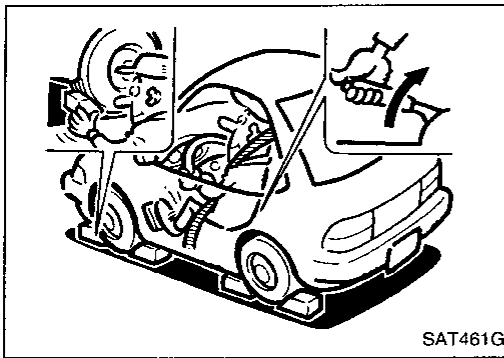


KICKDOWN SWITCH

- Check continuity between terminals ① and ② .

Accelerator pedal condition	Continuity
Released	No
Fully depressed	Yes





Final Check

STALL TESTING

Objects:

To check malfunctioning control elements of transmission, torque converter function and overall engine performance.

Stall test procedure

1. Check A/T and engine fluid levels. If necessary, add.
2. Drive vehicle for approx. 10 minutes or until engine oil and ATF reach operating temperature.

ATF operating temperature: 50 - 80°C (122 - 176°F)

3. Set parking brake and block wheels.
4. Install a tachometer where it can be seen by driver.
- It is good practice to put a mark on point of specified engine speed on indicator.
5. Start engine, apply foot brake, and place selector lever in "D" position.
6. Accelerate to wide-open throttle gradually while applying foot brake.
7. Quickly note the engine stall revolution and immediately release throttle.

- **During test, never hold throttle wide-open for more than 5 seconds.**

Stall revolution:

2,320 - 2,720 rpm

8. Move selector lever to "N".
9. Cool off ATF.
- **Run engine at idle for at least one minute.**
10. Repeat steps 5 through 9 with selector lever in "2", "1" and "R" positions.

JUDGEMENT OF STALL TEST

The test result and possible damaged components relating to each result are shown in the illustration. In order to pinpoint the possible damaged components, follow the WORK FLOW shown in AT-12.

Note

Stall revolution is too high in "D" or "2" position:

- Slippage occurs in 1st gear but not in 2nd and 3rd gears. Low one-way clutch slippage
- Slippage occurs in 1st through 3rd gears in "D" position and engine brake functions with power shift switch set to "POWER", or slippage occurs in 1st and 2nd gears in "2" position and engine brake functions with accelerator pedal completely released (fully closed throttle). Forward clutch or forward one-way clutch slippage

Stall revolution is too high in "R" position:

- Engine brake does not function in "1" position. Low & reverse brake slippage
- Engine brake functions in "1" position. Reverse clutch slippage

Stall revolution within specifications:

- Vehicle does not achieve speed of more than 80 km/h (50 MPH). One-way clutch seizure in torque converter housing

CAUTION:

Be careful since automatic fluid temperature increases abnormally.

- Slippage occurs in 3rd and 4th gears in "D" position. High clutch slippage
- Slippage occurs in 2nd and 4th gear in "D" position. Brake band slippage

Stall revolution less than specifications:

- Poor acceleration during starts. One-way clutch seizure in torque converter

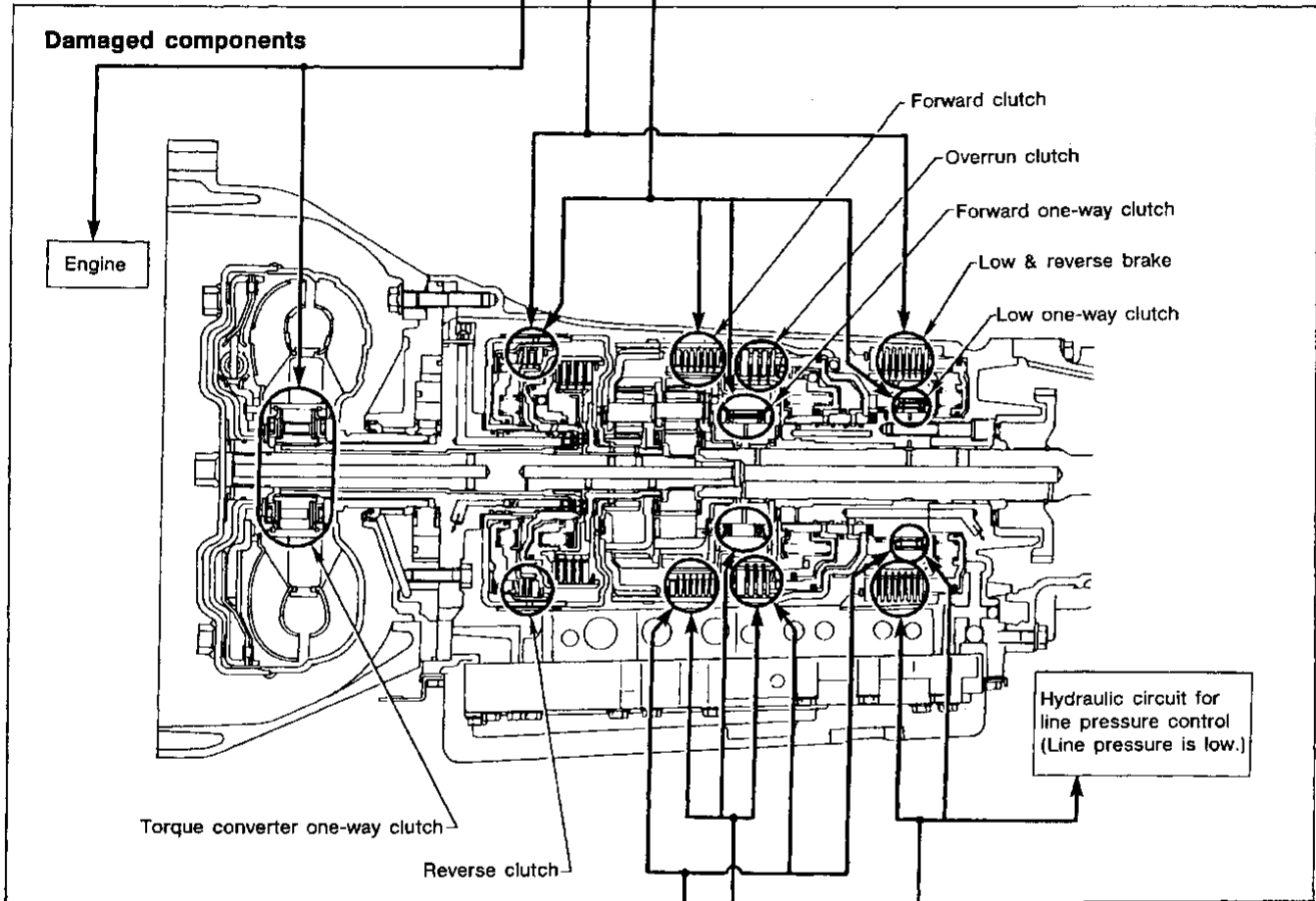
TROUBLE DIAGNOSES

Final Check (Cont'd)

Judgement of stall test

Selector lever position	Judgement		
	L	O	H
D	L	O	H
3	L	O	H
2	L	O	H
1	L	O	O
R	L	H	H

- O : Stall revolution is normal.
- H : Stall revolution is higher than specified.
- L : Stall revolution is lower than specified.



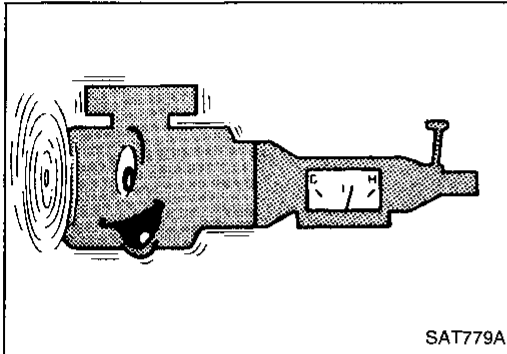
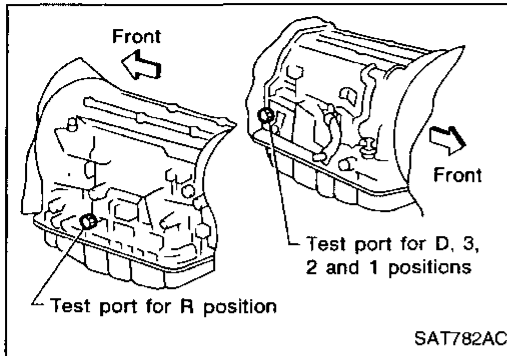
D	H	H	H	O
3	H	H	H	O
2	H	H	H	O
1	O	H	H	O
R	O	O	H	O
Selector lever position	Judgement			

TROUBLE DIAGNOSES

Final Check (Cont'd)

PRESSURE TESTING

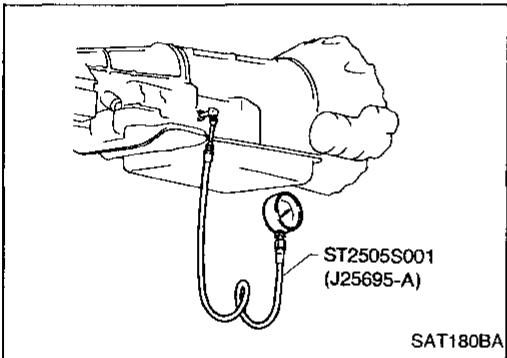
- Location of line pressure test port
- Line pressure plugs are hexagon headed bolts.
- Always replace line pressure plugs as they are self-sealing bolts.



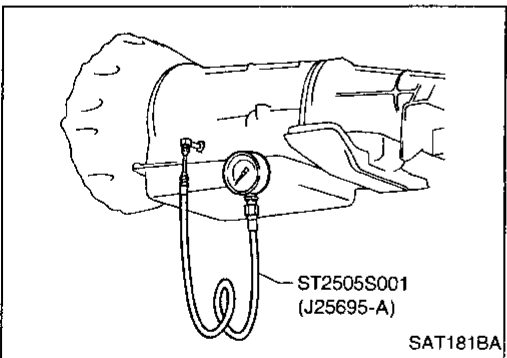
Line pressure test procedure

1. Check A/T and engine fluid levels. If necessary, add.
2. Drive vehicle for approx. 10 minutes or until engine oil and ATF reach operating temperature.

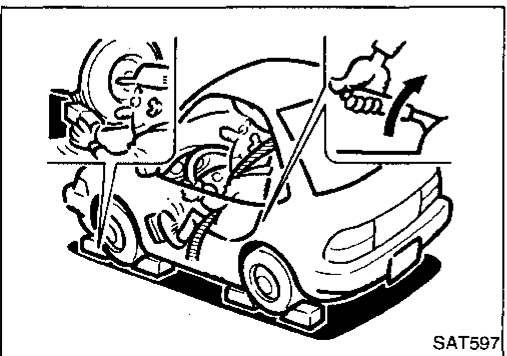
ATF operating temperature:
50 - 80°C (122 - 176°F)



3. Install pressure gauge to line pressure port.
— D, 3, 2 and 1 positions —



— R position —



4. Set parking brake and block wheels.
 - Continue to depress brake pedal fully while line pressure test at stall speed is performed.

GI

MA

EM

LC

EC

FE

AT

PD

FA

RA

BR

ST

RS

BT

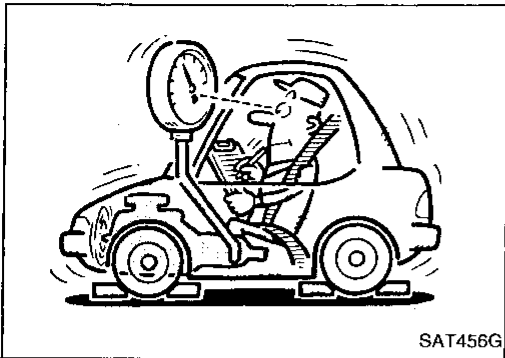
HA

EL

IDX

TROUBLE DIAGNOSES

Final Check (Cont'd)



5. Start engine and measure line pressure at idle and stall speed.
 - **When measuring line pressure at stall speed, follow the stall test procedure.**
 - Line pressure:
Refer to SDS, AT-213.

JUDGEMENT OF LINE PRESSURE TEST

Judgement		Suspected parts
At idle	Line pressure is low in all positions.	<ul style="list-style-type: none"> ● Oil pump wear ● Control piston damage ● Pressure regulator valve or plug sticking ● Spring for pressure regulator valve damaged ● Fluid pressure leakage between oil strainer and pressure regulator valve ● Clogged strainer
	Line pressure is low in particular position.	<ul style="list-style-type: none"> ● Fluid pressure leakage between manual valve and particular clutch. ● For example, line pressure is: <ul style="list-style-type: none"> — Low in "R" and "1" positions, but — Normal in "D", "3" and "2" positions. Therefore, fluid leakage exists at or around low and reverse brake circuit. Refer to "OPERATION OF CLUTCH AND BRAKE", AT-9.
	Line pressure is high.	<ul style="list-style-type: none"> ● Mal-adjustment of throttle position sensor ● Fluid temperature sensor damaged ● Line pressure solenoid valve sticking ● Short circuit of line pressure solenoid valve circuit ● Pressure modifier valve sticking ● Pressure regulator valve or plug sticking ● Open in dropping resistor circuit
At stall speed	Line pressure is low.	<ul style="list-style-type: none"> ● Mal-adjustment of throttle position sensor ● Control piston damaged ● Line pressure solenoid valve sticking ● Short circuit of line pressure solenoid valve circuit ● Pressure regulator valve or plug sticking ● Pressure modifier valve sticking ● Pilot valve sticking

TROUBLE DIAGNOSES

Symptom Chart

Reference page (AT-)		ON vehicle										OFF vehicle																						
		132, 23	109, 110	110	115	111, 155	111	111	111, 130	130	130	140, 151	168, 172	174, 185	174	178	110, 192																	
Reference page (AT-)	Numbers are arranged in order of probability. Perform inspections starting with number one and work up. Circled numbers indicate that the transmission must be removed from the vehicle.	Fluid level	Control linkage	Inhibitor switch and 1 position switch	Throttle position sensor (Adjustment)	Revolution sensor and vehicle speed sensor	Engine speed signal	Engine idling rpm	Line pressure	Control valve assembly	Shift solenoid valve A	Shift solenoid valve B	Line pressure solenoid valve	Torque converter clutch solenoid valve	Overrun clutch solenoid valve	Fluid temperature sensor	Accumulator N-D	Accumulator 1-2	Accumulator 2-3	Accumulator 3-4 (N-R)	Ignition switch and starter	Torque converter	Oil pump	Reverse clutch	High clutch	Forward clutch	Forward one-way clutch	Overrun clutch	Low one-way clutch	Low & reverse brake	Brake band	Turbine revolution sensor	Parking components	
89	Engine does not start in "N", "P" positions.	2	3																	1														
89	Engine starts in position other than "N" and "P".	1	2																															
—	Transmission noise in "P" and "N" positions.	1	3	4	5		2															7	6											
89	Vehicle moves when changing into "P" position or parking gear does not disengage when shifted out of "P" position.	1																														2		
90	Vehicle runs in "N" position.	1																	2					4	3	5								
92	Vehicle will not run in "R" position (but runs in "D", "3", "2" and "1" positions). Clutch slips. Very poor acceleration.	1					2	4			3												5	6	7	8	9							
—	Vehicle braked when shifting into "R" position.	1	2				3	5			4													6	8	9			7					
—	Sharp shock in shifting from "N" to "D" position.		2	5	1	3	7			6			4	8											10						9			
—	Vehicle will not run in "D", "3" and "2" positions (but runs in "1" and "R" position).	1																									2							
93	Vehicle will not run in "D", "1", "2" and "3" positions (but runs in "R" position). Clutch slips. Very poor acceleration.	1					2	4			3													6	7	8	9	10						
—	Clutches or brakes slip somewhat in starting.	1	2	3			4	6			5								8			11	12	10		9				11				
—	Excessive creep.						1																											
92, 93	No creep at all.	1					2	3															6	5		4								
—	Failure to change gear from "D ₁ " to "D ₂ ".	2	1	5			4	3																							6			
—	Failure to change gear from "D ₂ " to "D ₃ ".	2	1	5			4	3																6							7			
—	Failure to change gear from "D ₃ " to "D ₄ ".	2	1	4			3																								6			
95, 96, 97	Too high a gear change point from "D ₁ " to "D ₂ ", from "D ₂ " to "D ₃ ", from "D ₃ " to "D ₄ ".		1	2				3	4																									
—	Gear change directly from "D ₁ " to "D ₃ " occurs.	1																	2													3		
—	Engine stops when shifting lever into "R", "D", "3", "2" and "1".						1	3				2										4												
—	Too sharp a shock in change from "D ₁ " to "D ₂ ".		1				2	4							5			3														6		
—	Too sharp a shock in change from "D ₂ " to "D ₃ ".		1				2	4											3													6		

GI
 MA
 EM
 LC
 EC
 FE
AT
 PD
 FA
 RA
 BR
 ST
 RS
 BT
 HA
 EL
 IDX

TROUBLE DIAGNOSES

Symptom Chart (Cont'd)

Reference page (AT-)		ON vehicle											OFF vehicle																						
		132, 23	109, 110	110	115	111, 155	111	111	111, 130	130	130	140, 151	168, 172	174, 185	174	178	110, 192																		
Reference page (AT-)		Fluid level	Control linkage	Inhibitor switch and 1 position switch	Throttle position sensor (Adjustment)	Revolution sensor and vehicle speed sensor	Engine speed signal	Engine idling rpm	Line pressure	Control valve assembly	Shift solenoid valve A	Shift solenoid valve B	Line pressure solenoid valve	Torque converter clutch solenoid valve	Overrun clutch solenoid valve	Fluid temperature sensor	Accumulator N-D	Accumulator 1-2	Accumulator 2-3	Accumulator 3-4 (N-R)	Ignition switch and starter	Torque converter	Oil pump	Reverse clutch	High clutch	Forward clutch	Forward one-way clutch	Overrun clutch	Low one-way clutch	Low & reverse brake	Brake band	Turbine revolution sensor	Parking components		
—	Numbers are arranged in order of probability. Perform inspections starting with number one and work up. Circled numbers indicate that the transmission must be removed from the vehicle.																																		
—	Too sharp a shock in change from "D ₃ " to "D ₄ ".		1			2	4											3										⑧			⑤				
—	Almost no shock or clutches slipping in change from "D ₁ " to "D ₂ ".	1		2			3	5										4													⑥				
—	Almost no shock or slipping in change from "D ₂ " to "D ₃ ".	1		2			3	5											4							⑥					⑦				
—	Almost no shock or slipping in change from "D ₃ " to "D ₄ ".	1		2			3	5												4						⑥					⑦				
—	Vehicle braked by gear change from "D ₁ " to "D ₂ ".	1																							②	④				⑤	③				
—	Vehicle braked by gear change from "D ₂ " to "D ₃ ".	1																														②			
—	Vehicle braked by gear change from "D ₃ " to "D ₄ ".	1																							④		③	②							
—	Maximum speed not attained. Acceleration poor.	1	2				5	3	4														⑪	⑭	⑥	⑦				⑨	⑧				
—	Failure to change gear from "D ₄ " to "D ₃ ".	1		2			6	4	5	3																		⑧		⑦					
—	Failure to change gear from "D ₃ " to "D ₂ " or from "D ₄ " to "D ₂ ".	1		2			5	3	4																	⑥					⑦				
—	Failure to change gear from "D ₂ " to "D ₁ " or from "D ₃ " to "D ₁ ".	1		2			5	3	4																	⑦			⑥		⑧				
—	Gear change shock felt during deceleration by releasing accelerator pedal.			1			2	4						3																		⑤			
—	Too high a change point from "D ₄ " to "D ₃ ", from "D ₃ " to "D ₂ ", from "D ₂ " to "D ₁ ".			1	2																														
—	Kickdown does not operate when depressing pedal in "D ₄ " within kickdown vehicle speed.			1	2				3	4																									
—	Kickdown operates or engine overruns when depressing pedal in "D ₄ " beyond kickdown vehicle speed limit.			2	1				3	4																									
—	Races extremely fast or slips in changing from "D ₄ " to "D ₃ " when depressing pedal.	1		2			3	5		4																⑥	⑦								
—	Races extremely fast or slips in changing from "D ₄ " to "D ₂ " when depressing pedal.	1		2			3	6	5	4																		⑧				⑦			
—	Races extremely fast or slips in changing from "D ₃ " to "D ₂ " when depressing pedal.	1		2			3	5		4				6		7											⑩	⑨					⑧		
—	Races extremely fast or slips in changing from "D ₄ " or "D ₃ " to "D ₁ " when depressing pedal.	1		2			3	5		4																	⑥	⑦		⑧					
—	Vehicle will not run in any range.	1	2				3			4															⑨	⑤		⑧			⑧	⑦		⑩	
—	Transmission noise in "D", "3", "2", "1" and "R" positions.	1																							②										

TROUBLE DIAGNOSES

Symptom Chart (Cont'd)

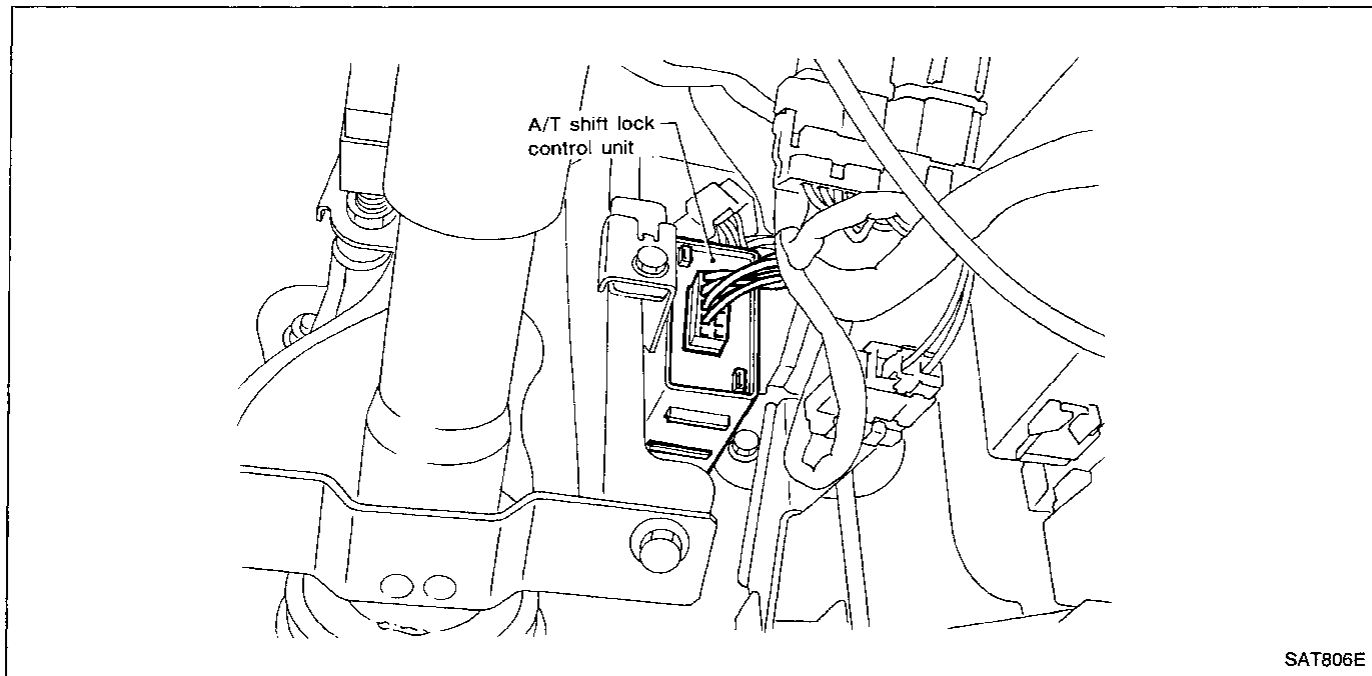
Reference page (AT-)		ON vehicle											OFF vehicle																						
		132, 23	109, 110	110	115	111, 155	111	111	111, 130	130	130	140, 151	168, 172	174, 185	174	178	110, 192																		
Reference page (AT-)		Fluid level	Control linkage	Inhibitor switch and 1 position switch	Throttle position sensor (Adjustment)	Revolution sensor and vehicle speed sensor	Engine speed signal	Engine idling rpm	Line pressure	Control valve assembly	Shift solenoid valve A	Shift solenoid valve B	Line pressure solenoid valve	Torque converter clutch solenoid valve	Overrun clutch solenoid valve	Fluid temperature sensor	Accumulator N-D	Accumulator 1-2	Accumulator 2-3	Accumulator 3-4 (N-R)	Ignition switch and starter	Torque converter	Oil pump	Reverse clutch	High clutch	Forward clutch	Forward one-way clutch	Overrun clutch	Low one-way clutch	Low & reverse brake	Brake band	Turbine revolution sensor	Parking components		
103	Failure to change from "3 _a " to "2 ₂ " when changing lever into "2" position.	7	1	2					6	5	4		3																						
—	Gear change from "2 ₂ " to "2 ₃ " in "2" position.		1																																
104	Engine brake does not operate in "1" position.	2	1	3	4				6	5			7															⑥		⑨					
—	Gear change from "1 ₁ " to "1 ₂ " in "1" position.	2	1																																
—	Does not change from "1 ₂ " to "1 ₁ " in "1" position.		1		2				4	3			5															⑥		⑦					
—	Large shock changing from "1 ₂ " to "1 ₁ " in "1" position.								1																					②					
—	Transmission overheats.	1		3			2	4	6		5												⑭	⑦	⑧	⑨	⑩	⑫		⑬	⑮				
—	ATF shoots out during operation.	1																						②	③	⑤		⑥		⑦	④				
—	White smoke emitted from exhaust pipe during operation.	1																						②	③	⑤		⑥		⑦	④				
—	Offensive smell at fluid charging pipe.	1																					②	③	④	⑤	⑦		⑧		⑨	⑥			
—	Torque converter is not locked up.		3	1	2	4		6	8			7	5										⑨												
—	Lock-up piston slip	1		2			3	6		5	4												⑦												
98	Lock-up point is extremely high or low.			1	2			4			3																								
—	A/T does not shift to "D ₄ " when driving with overdrive switch "ON".		2	1	3		8	6	4			5	7																⑭		⑨				
—	Engine is stopped at "R", "D", "2" and "1" positions.	1						5	4	3	2																								

GI
 MA
 EM
 LC
 EC
 FE
AT
 PD
 FA
 RA
 BR
 ST
 RS
 BT
 HA
 EL
 IDX

Description

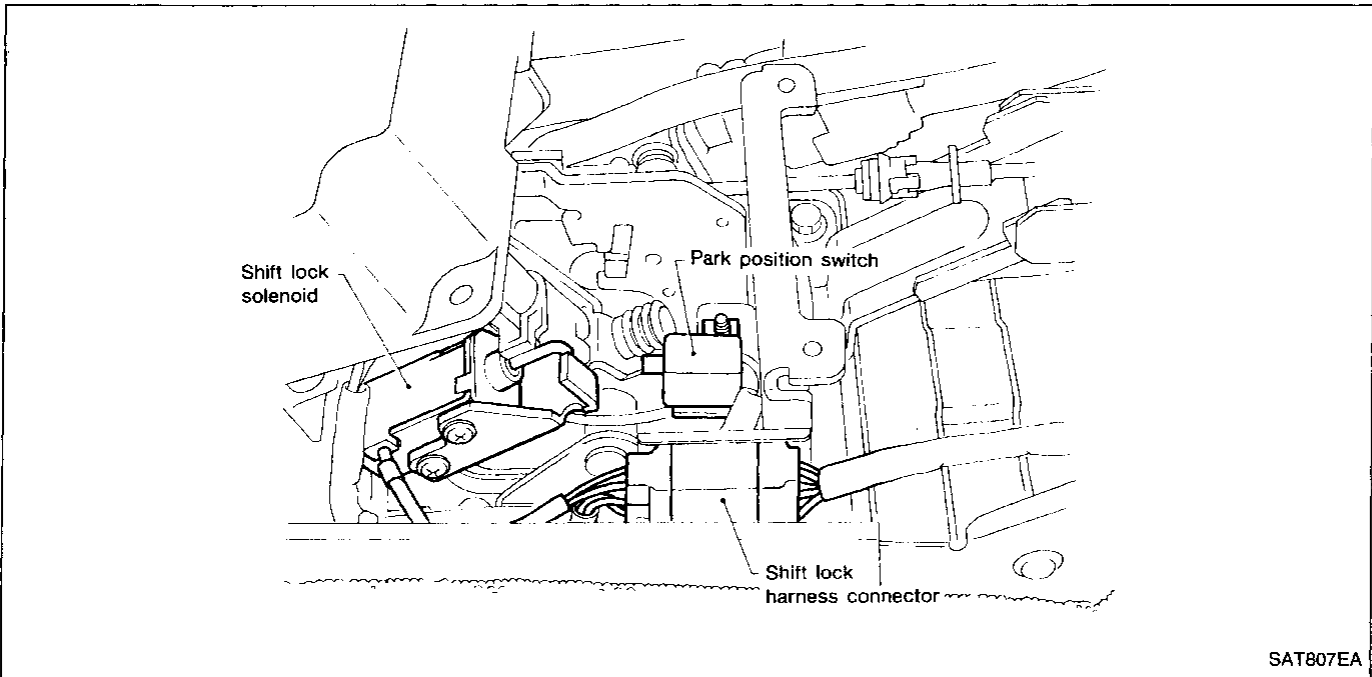
- The electrical key interlock mechanism also operates as a shift lock:
With the key switch turned to "ON", the selector lever cannot be shifted from "P" (parking) to any other position unless the brake pedal is depressed.
With the key removed, the selector lever cannot be shifted from "P" to any other position.
The key cannot be removed unless the selector lever is placed in "P".
- The shift lock and key interlock mechanisms are controlled by the ON-OFF operation of the shift lock solenoid and by the operation of the rotator and slider located inside the key cylinder, respectively.

Shift Lock System Electrical Parts Location



SAT806E

GI
MA
EM
LC
EC
FE
AT



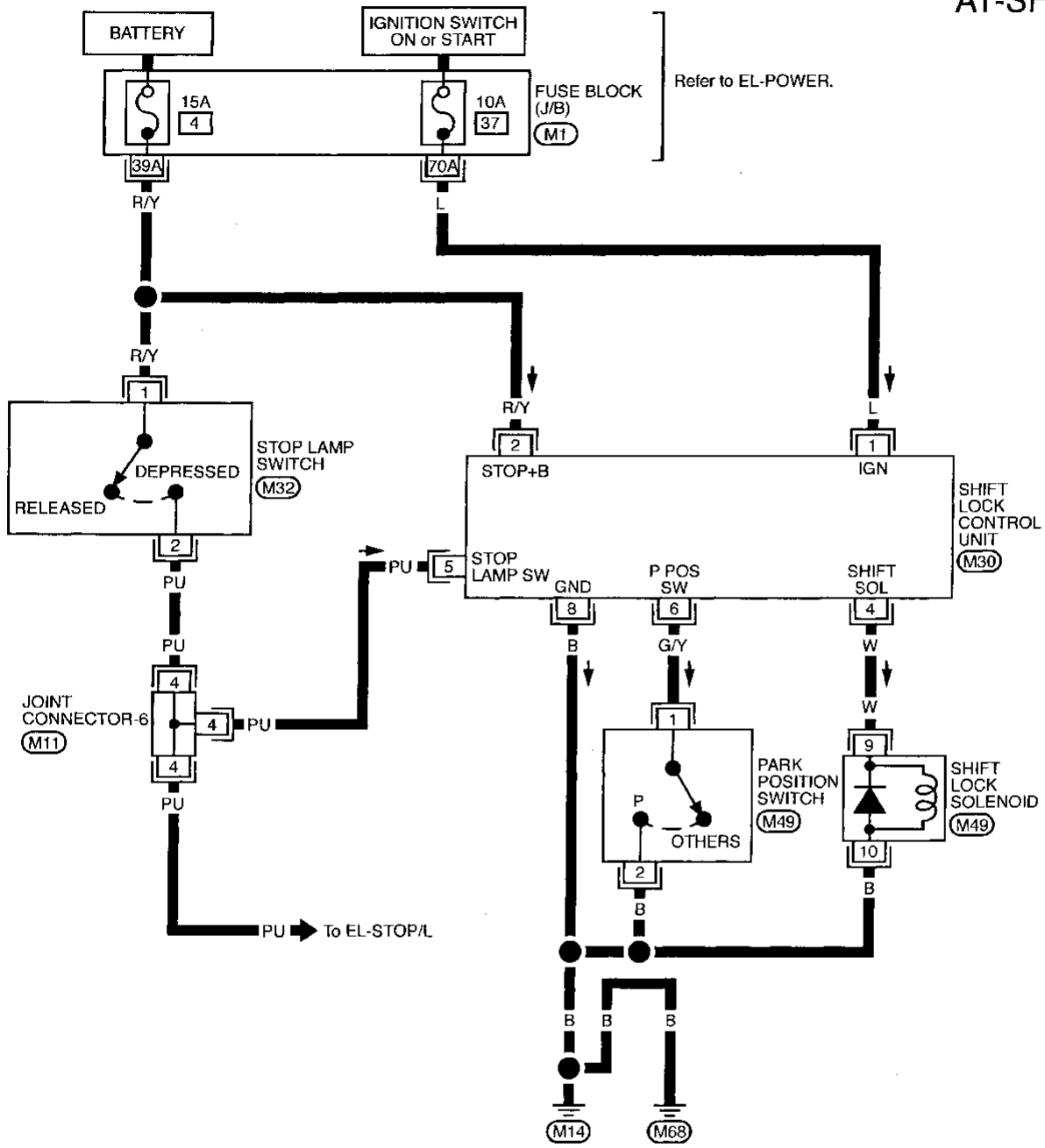
SAT807EA

PD
FA
RA
BR
ST
RS
BT
HA
EL
IDX

TROUBLE DIAGNOSES — A/T Shift Lock System

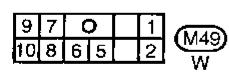
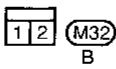
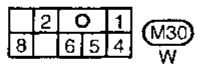
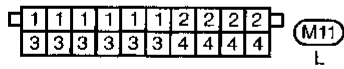
Wiring Diagram — SHIFT —

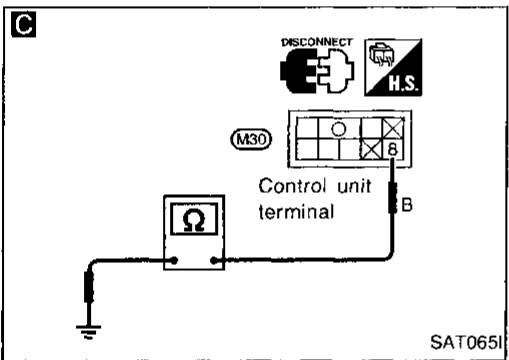
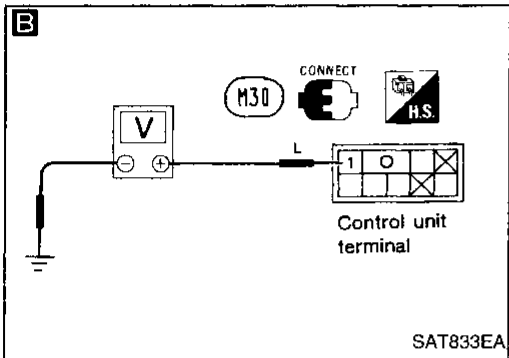
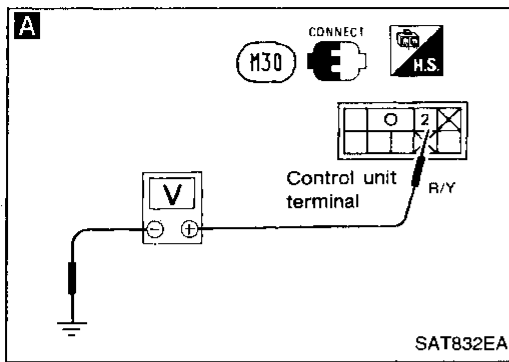
AT-SHIFT-01



Refer to last page (Foldout page).

(M1)



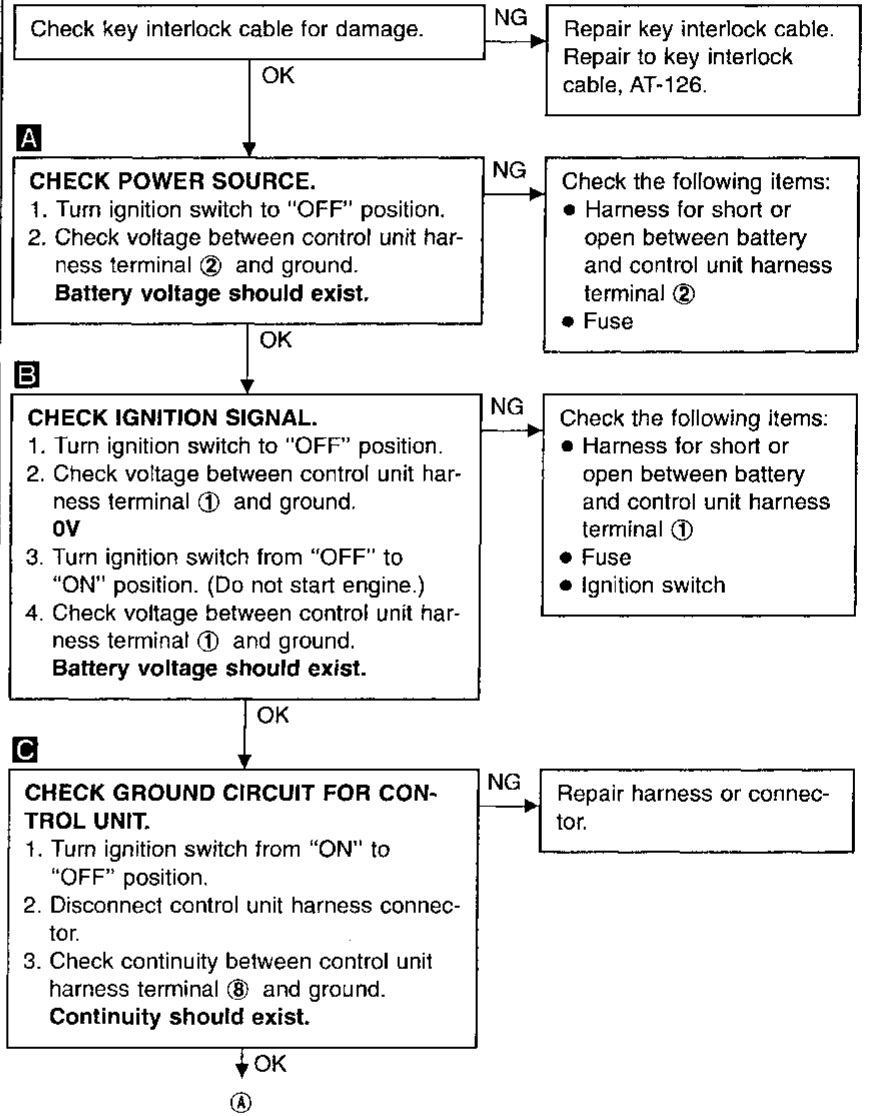


Diagnostic Procedure 1

SYMPTOM 1:

- Selector lever cannot be moved from "P" position with key in "ON" position and brake pedal applied.
- Selector lever can be moved from "P" position with key in "ON" position and brake pedal released.
- Selector lever can be moved from "P" position when key is removed from key cylinder.

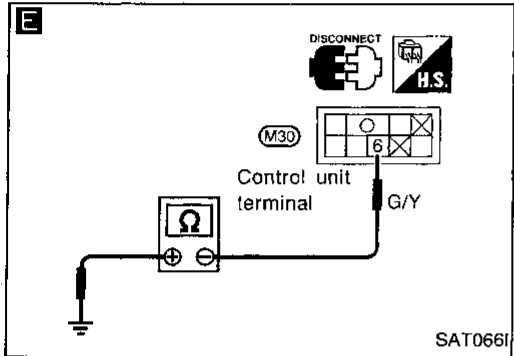
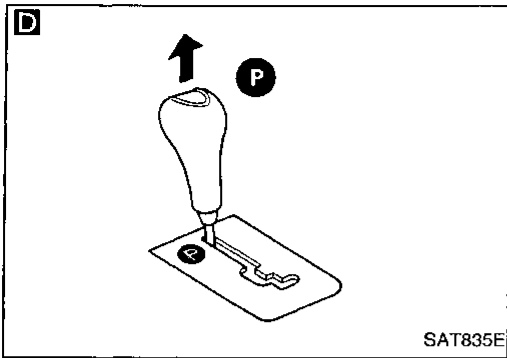
SYMPTOM 2: Ignition key cannot be removed when selector lever is set to "P" position or can be removed when selector lever is set to any position except "P".



CI
 MA
 EM
 LC
 EC
 FE
AT
 PD
 FA
 RA
 BR
 ST
 RS
 BT
 HA
 EL
 IDX

TROUBLE DIAGNOSES — A/T Shift Lock System

Diagnostic Procedure 1 (Cont'd)



CHECK INPUT SIGNAL (PARK POSITION SWITCH).

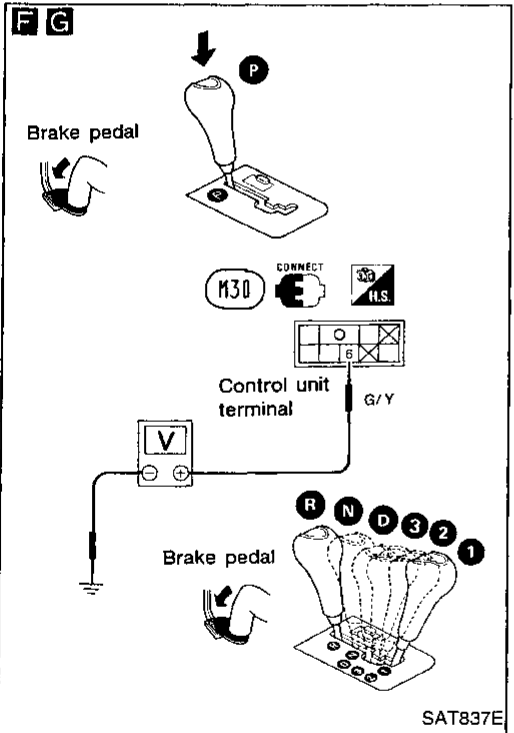
1. Reconnect control unit harness connector.
2. Turn ignition switch from "OFF" to "ON" position. (Do not start engine.)

- D** 3. Set selector lever to "P" position and release selector lever button. **When selector lever cannot be moved from "P" position with brake pedal depressed, set ignition key to "ACC" position and move lever. Then set ignition key to "ON" position.**

- E** 4. Disconnect control unit harness connector.
5. Check continuity between control unit harness terminal ⑥ and ground. **Continuity should not exist.**

NG → Check park position switch. Refer to "COMPONENT CHECK", AT-129.

OK ↓



CHECK INPUT SIGNAL (PARK POSITION SWITCH).

1. Turn ignition switch to "ON" position. (Do not start engine.)

- F** 2. Check voltage between control unit harness terminal ⑥ and ground. Check while depressing brake pedal with selector lever button pushed. **0V**

- G** 3. Check voltage between control unit harness terminal ⑥ and ground. Check while selector lever is set in any position except "P". **Battery voltage should exist.**

NG → Check the following items:

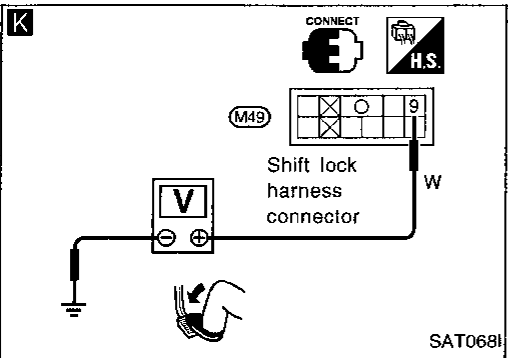
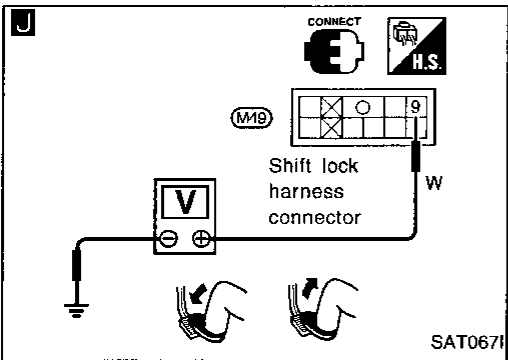
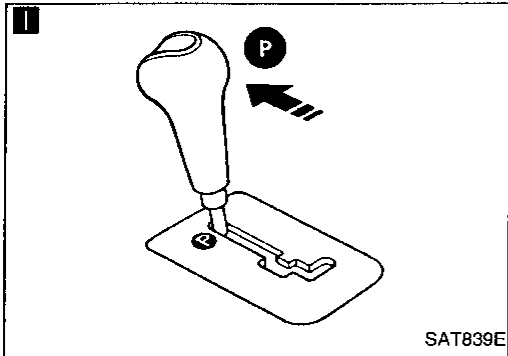
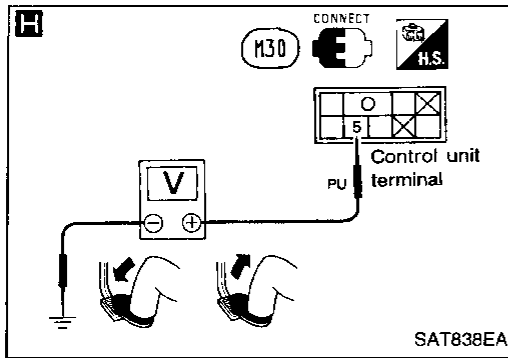
- Harness for short or open between control unit harness terminal ⑥ and park position switch harness terminal ⑤
- Harness for short or open between park position switch harness terminal ⑥ and ground
- Park position switch Refer to "COMPONENT CHECK", AT-129.

OK ↓

⑧

TROUBLE DIAGNOSES — A/T Shift Lock System

Diagnostic Procedure 1 (Cont'd)



H

ⓑ

CHK INPUT SIGNAL (STOP LAMP SWITCH).
Turn ignition switch to "ON" position. (Do not start engine.)

- Check voltage between control unit harness terminal ⑤ and ground.

Brake pedal	Voltage
Depressed	Battery voltage
Released	0V

NG

Check the following items:

- Harness for short or open between control unit harness terminal ⑤ and stop lamp switch harness terminal ②
- Harness for short or open between stop lamp switch harness terminal ① and fuse
- Stop lamp switch
Refer to "COMPONENT CHECK", AT-129.

OK

I

Set selector lever to "P" position.

CHK OUTPUT SIGNAL (SHIFT LOCK SOLENOID).

1. Turn ignition switch to "ON" position. (Do not start engine.)
- J** 2. Check voltage between shift lock harness connector terminal ⑨ and body ground.

Brake pedal	Voltage
Depressed	Battery voltage
Released	0V

NG

Check harness for short or open between control unit harness terminal ④ and shift lock solenoid harness terminal ⑨.

3. Turn ignition switch from "ON" to "OFF" position.
- K** 4. Check voltage between shift lock harness connector terminal ⑨ and ground with brake pedal depressed.

0V

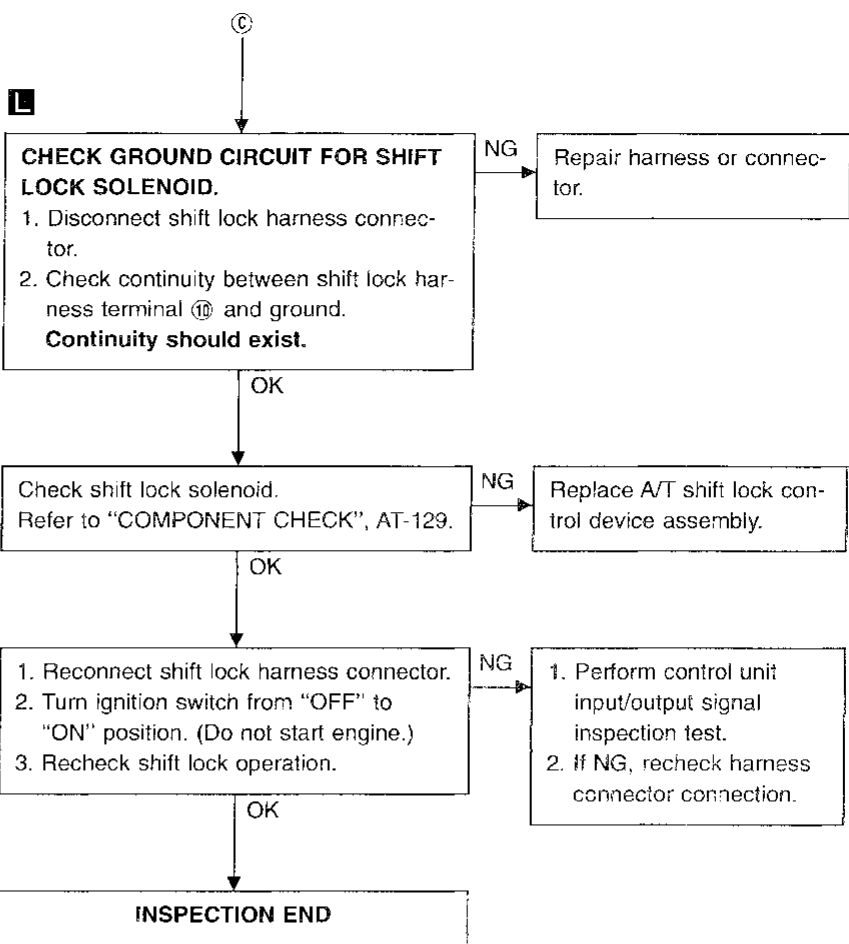
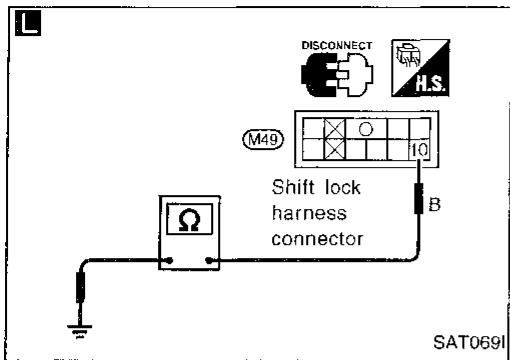
OK

ⓒ

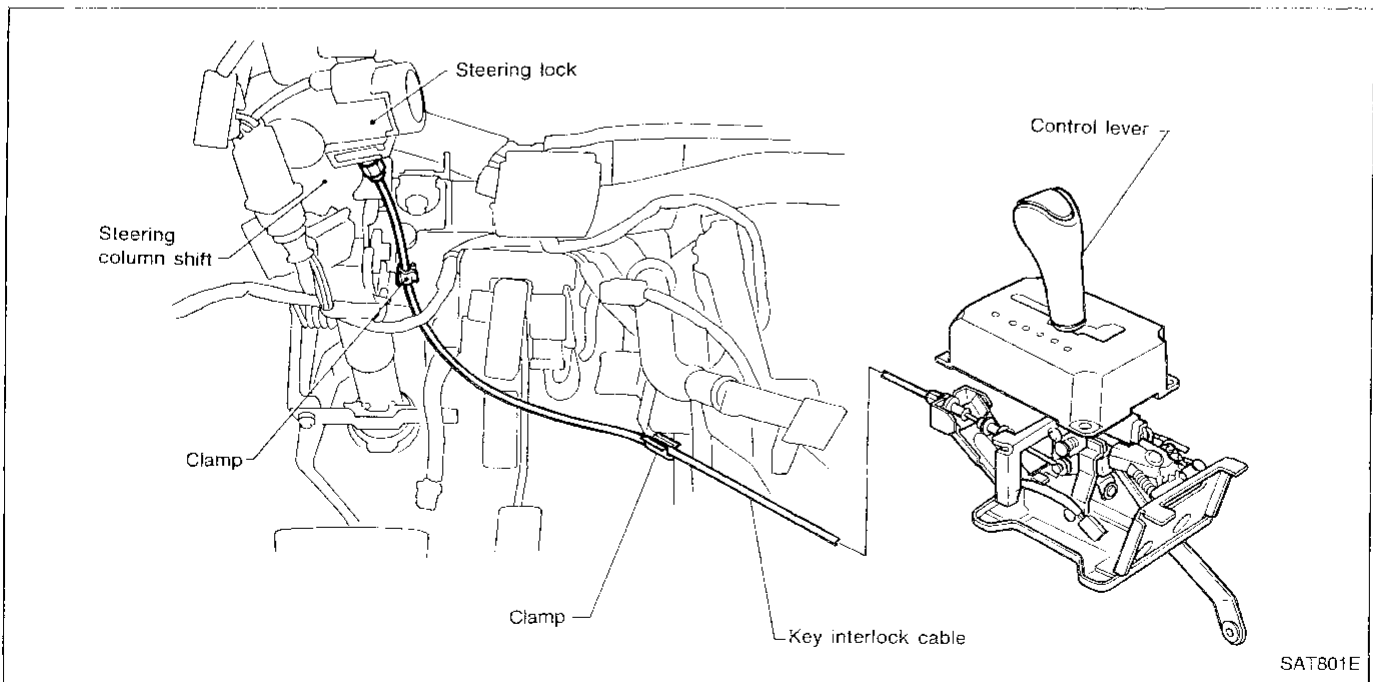
GI
MA
EM
LC
EC
FE
AT
PD
FA
RA
BR
ST
RS
BT
HA
EL
IDX

TROUBLE DIAGNOSES — A/T Shift Lock System

Diagnostic Procedure 1 (Cont'd)



Key Interlock Cable



TROUBLE DIAGNOSES — A/T Shift Lock System

Key Interlock Cable (Cont'd)

CAUTION:

- Install key interlock cable in such a way that it will not be damaged by sharp bends, twists or interference with adjacent parts.
- After installing key interlock cable to control device, make sure that casing cap and bracket are firmly secured in their positions. If casing cap can be removed with an external load of less than 39.2 N (4.0 kg, 8.8 lb), replace key interlock cable with new one.

GI
MA

EM

LC

EC

FE

AT

PD

FA

RA

BR

ST

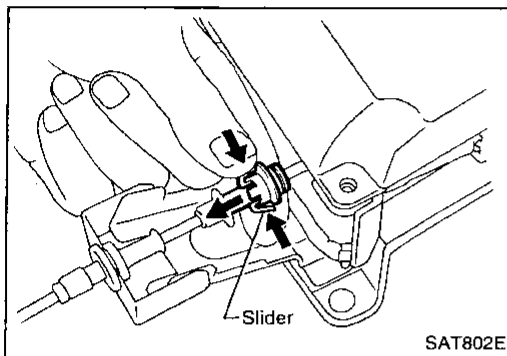
RS

BT

HA

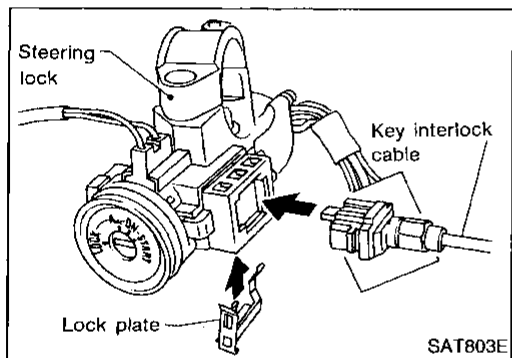
EL

IDX



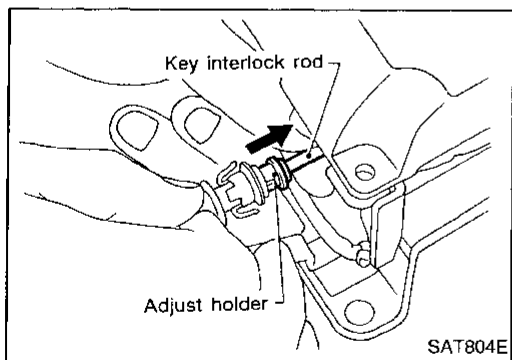
REMOVAL

1. Unlock slider from adjuster holder and remove rod from cable.

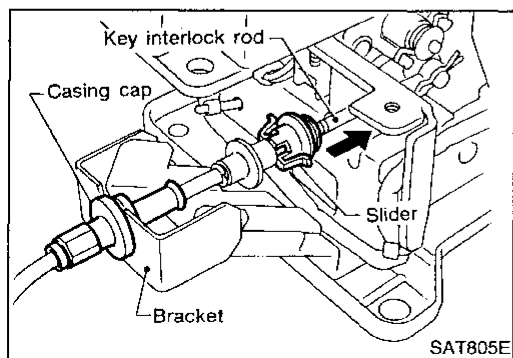


INSTALLATION

1. Set key interlock cable to steering lock assembly and install lock plate.
2. Clamp cable to steering column and fix to control cable with band.
3. Set control lever to P position.

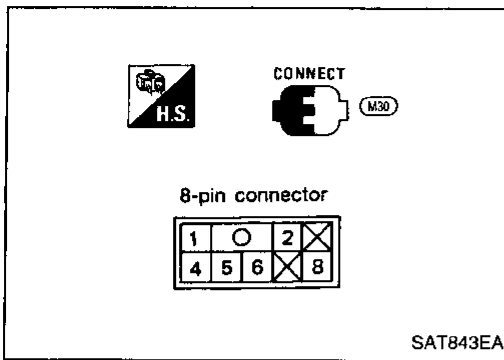


4. Insert interlock rod into adjuster holder.



5. Install casing cap to bracket.
6. Move slider in order to fix adjuster holder to interlock rod.

TROUBLE DIAGNOSES — A/T Shift Lock System



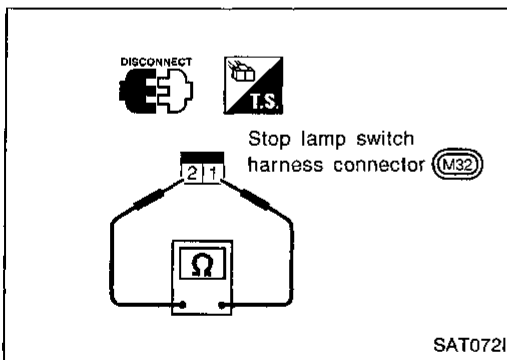
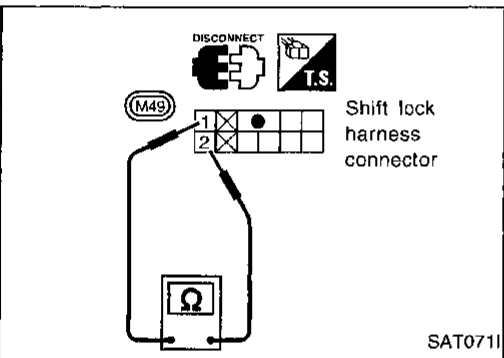
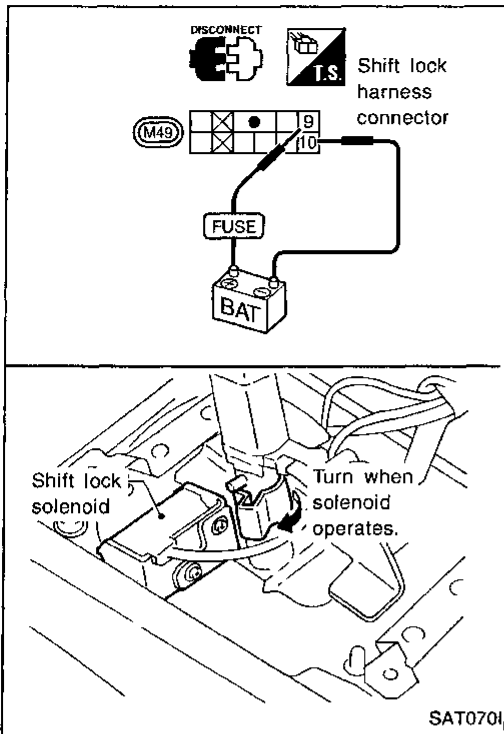
Shift Lock Control Unit Inspection

- Measure voltage between each terminal and terminal ⑧ by following "Shift Lock Control Unit Inspection Table".
- Pin connector terminal layout.

Shift Lock Control Unit Inspection Table

(Data are reference values.)

Terminal No.		Item	Condition	Judgement standard
⊕	⊖			
④		Shift lock signal	<ul style="list-style-type: none"> • When ignition switch is in "ON" position. • When selector lever is set in "P" position and brake pedal is depressed 	Battery voltage
			Except above	0V
②		Power source	Any condition	Battery voltage
⑤		Stop lamp switch	When brake pedal is depressed	Battery voltage
			When brake pedal is released	0V
⑥	⑧	Park position switch	<ul style="list-style-type: none"> • When the key is in key cylinder, selector lever is in "P" position, and selector lever button pushed. • When selector is set in any position except "P". 	Battery voltage
			Except above	0V
①		Ignition signal	When ignition switch is in "ON" or "START" position.	Battery voltage
			Except above	0V



Component Check

SHIFT LOCK SOLENOID

- Check operation by applying battery voltage to shift lock harness connector.

GI

MA

EM

LC

EC

FE

AT

PARK POSITION SWITCH

- Check continuity between terminals ① and ② of shift lock harness connector.

Condition	Continuity
When selector lever is set in "P" position and selector lever button is released	No
Except the above	Yes

PD

FA

RA

BR

STOP LAMP SWITCH

- Check continuity between terminals ① and ② of stop lamp switch harness connector.

Condition	Continuity
When brake pedal is depressed	Yes
When brake pedal is released	No

ST

RS

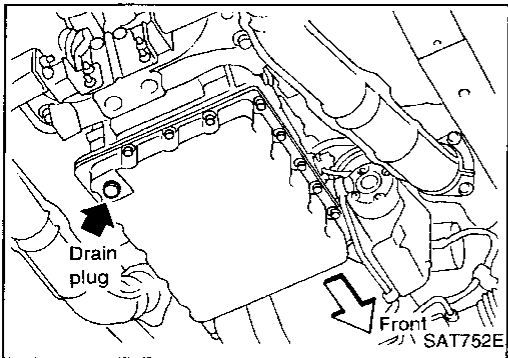
BT

HA

Check stop lamp switch after adjusting brake pedal — refer to BR section.

EL

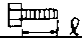
IDX

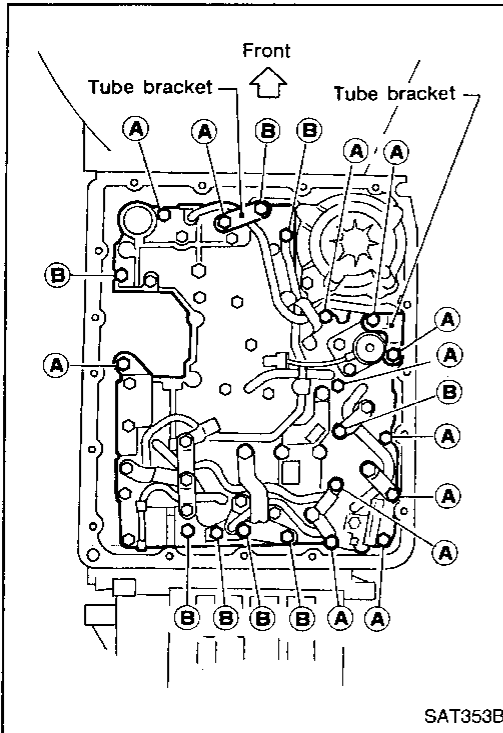


Control Valve Assembly and Accumulators Inspection

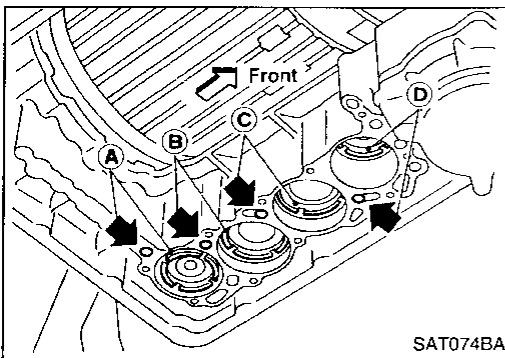
1. Drain fluid by removing drain plug.
2. Remove oil pan and gasket.
3. Remove oil strainer.
4. Remove control valve assembly by removing fixing bolts and disconnecting harness connector.

Bolt length and location

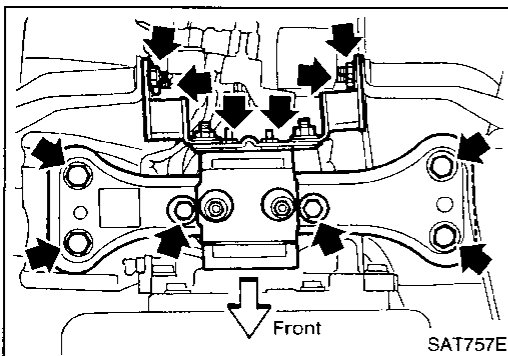
Bolt symbol	ℓ mm (in)	
Ⓐ	33 (1.30)	
Ⓑ	45 (1.77)	



5. Remove solenoids and valves from valve body if necessary.
6. Remove terminal cord assembly if necessary.

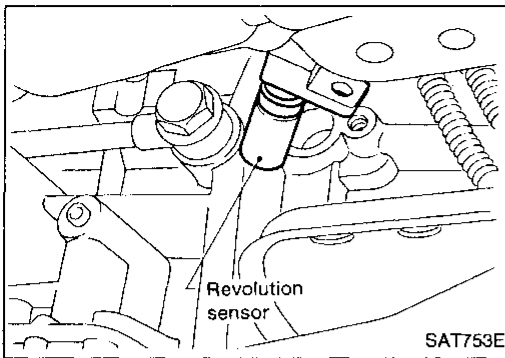


7. Remove accumulators Ⓐ, Ⓑ, Ⓒ and Ⓓ by applying compressed air if necessary.
 - **Hold each piston with rag.**
8. Reinstall any part removed.
 - **Always use new sealing parts.**



Turbine Revolution Sensor Replacement

1. Remove exhaust tube front nuts on left and right sides.
2. Remove front tube after removing exhaust tube bracket.
3. Remove propeller shaft from vehicle. Refer to PD section ("Removal", "PROPELLER SHAFT").
4. Remove rear engine mounting member from A/T assembly while supporting A/T with jack.
5. Remove turbine revolution sensor from A/T assembly upper side.
6. Reinstall any part removed.
 - **Always use new sealing parts.**



Revolution Sensor Replacement

1. Remove revolution sensor from A/T assembly.
 2. Reinstall any part removed.
- **Always use new sealing parts.**

GI

MA

EM

LC

EC

FE

AT

PD

FA

RA

BR

ST

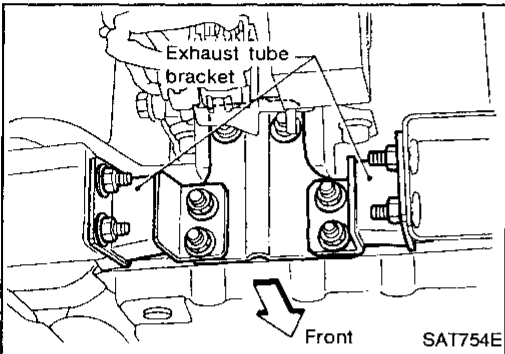
RS

BT

HA

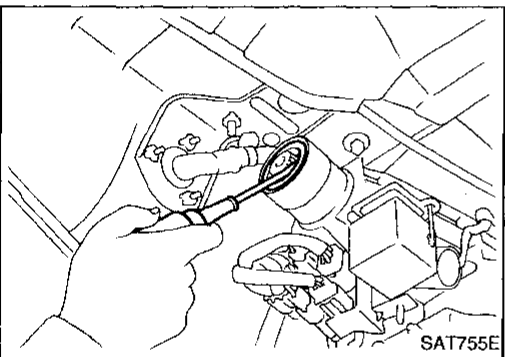
EL

IDX

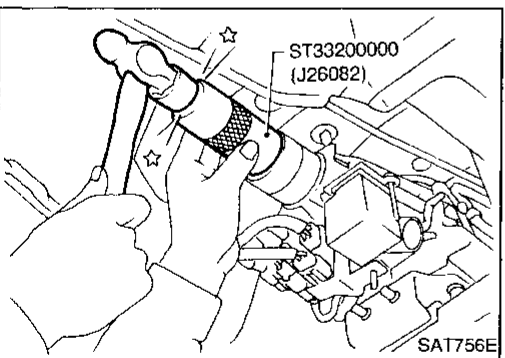


Rear Oil Seal Replacement

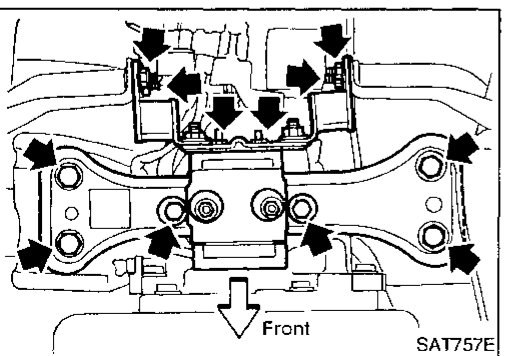
1. Remove exhaust tube front nuts on left and right sides.
2. Remove front tube after removing exhaust tube bracket.



3. Remove propeller shaft from vehicle. Refer to PD section ("Removal", "PROPELLER SHAFT").
4. Remove rear oil seal.



5. Install rear oil seal.
- **Apply ATF before installing.**
6. Reinstall any part removed.

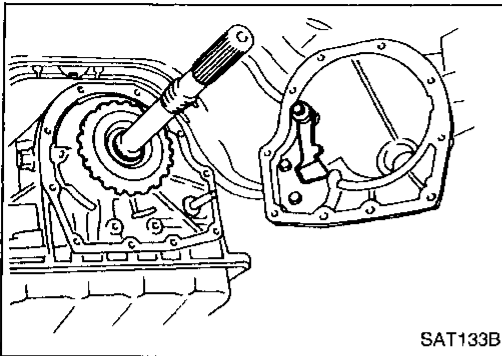


Parking Components Inspection

1. Remove exhaust tube front nuts on left and right sides.
2. Remove front tube after removing exhaust tube bracket.
3. Remove propeller shaft from vehicle. Refer to PD section ("Removal", "PROPELLER SHAFT").
4. Remove rear engine mounting member from A/T assembly while supporting A/T with jack.

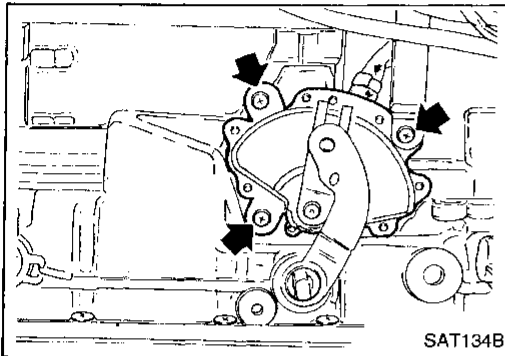
ON-VEHICLE SERVICE

Parking Components Inspection (Cont'd)

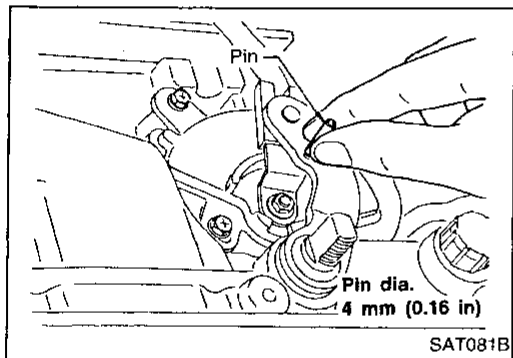


5. Remove rear extension from transmission case.
 6. Replace parking components if necessary.
 7. Reinstall any part removed.
- **Always use new sealing parts.**

Inhibitor Switch Adjustment

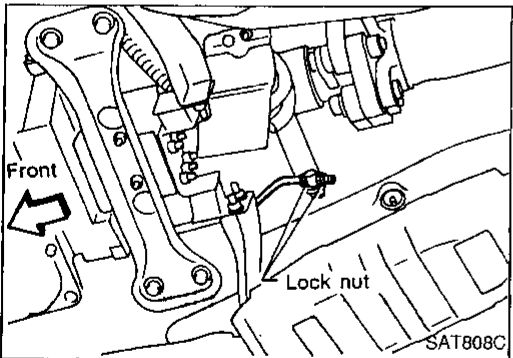


1. Remove manual control linkage from manual shaft of A/T assembly.
2. Set manual shaft of A/T assembly in "N" position.
3. Loosen inhibitor switch fixing bolts.



4. Insert pin into adjustment holes in both inhibitor switch and manual shaft of A/T assembly as near vertical as possible.
5. Reinstall any part removed.
6. Check continuity of inhibitor switch. Refer to "Electrical Components Inspection", AT-109.

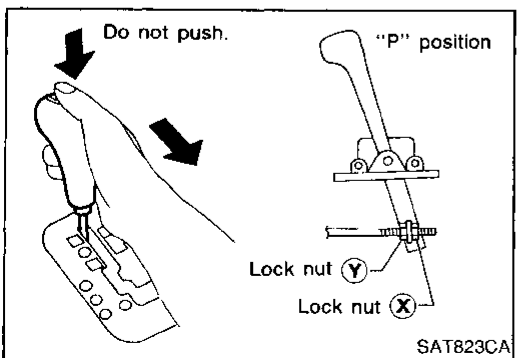
Manual Control Linkage Adjustment



Move selector lever from "P" position to "1" position. You should be able to feel the detents in each position.

If the detents cannot be felt or the pointer indicating the position is improperly aligned, the linkage needs adjustment.

1. Place selector lever in "P" position.
2. Loosen lock nuts.

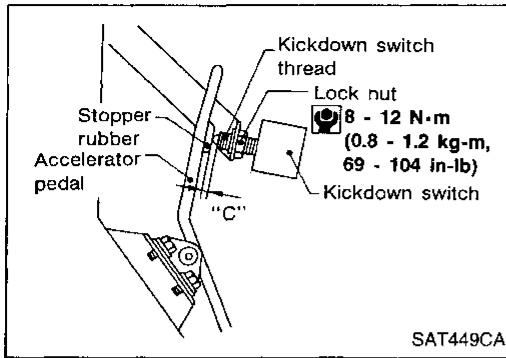


3. Tighten lock nut (X) until it touches trunnion pulling selector lever toward "R" position side without pushing button.
4. Back off lock nut (X) 1 turn and tighten lock nut (Y) to the specified torque.

Lock nut:

⊗: 11 - 15 N·m (1.1 - 1.5 kg·m, 8 - 11 ft·lb)

5. Move selector lever from "P" position to "1" position. Make sure that selector lever can move smoothly.



Kickdown Switch Adjustment

1. Adjust accelerator cable. Refer to FE section (ACCELERATOR CONTROL SYSTEM).
2. Adjust clearance "C" between stopper rubber and end of kickdown switch thread while depressing accelerator pedal fully.

Clearance "C":

0.3 - 1.0 mm (0.012 - 0.039 in)

GI

MA

EM

LC

EC

FE

AT

PD

FA

RA

BR

ST

RS

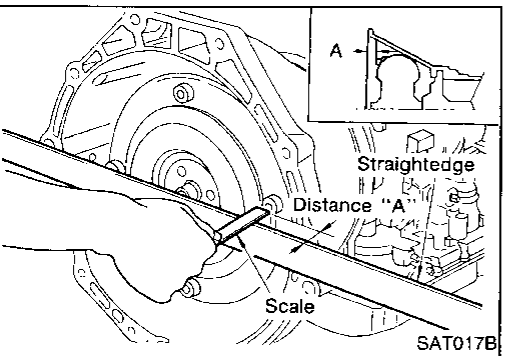
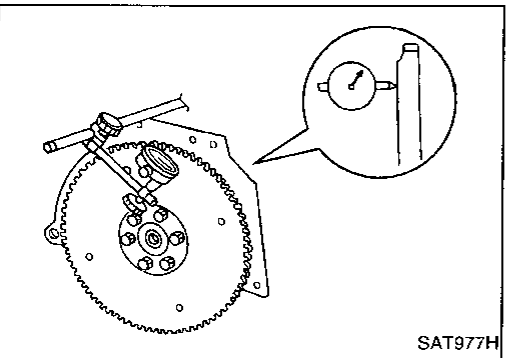
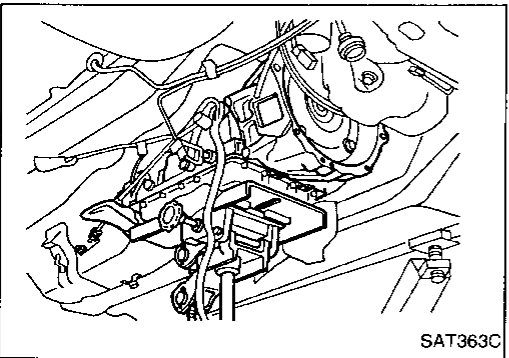
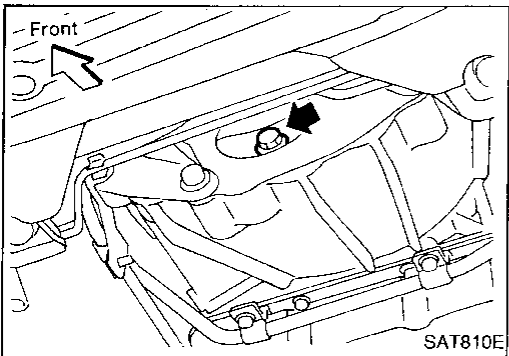
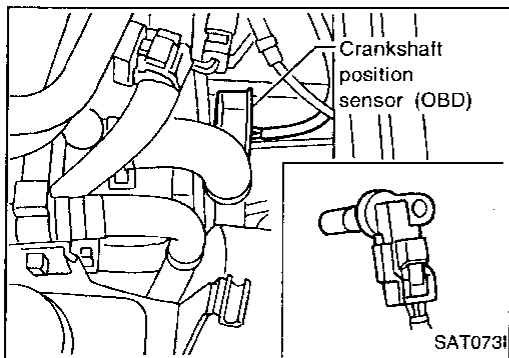
BT

HA

EL

IDX

REMOVAL AND INSTALLATION



Removal

CAUTION:

When removing the A/T assembly from engine, first remove the crankshaft position sensor (OBD) from the assembly. Be careful not to damaged sensor edge.

- Remove crankshaft position sensor (OBD) from A/T assembly.
- Remove exhaust tube front nuts on left and right sides.
- Remove front tube after removing exhaust tube bracket.
- Remove fluid charging pipe from A/T assembly.
- Remove oil cooler pipe from A/T assembly.
- Remove control linkage from selector lever.
- Disconnect inhibitor switch, revolution sensor, turbine revolution sensor, speed sensor and solenoid harness connectors.
- Plug up openings such as the oil charging pipe hole, etc.
- Remove propeller shaft. Refer to PD section ("Removal", "PROPELLER SHAFT").
- **Insert plug into rear oil seal after removing propeller shaft.**
- **Be careful not to damage spline, sleeve yoke and rear oil seal, when removing propeller shaft.**
- Remove starter motor.
- Remove gusset securing engine to A/T assembly.
- Remove bolts securing torque converter to drive plate.
- **Remove the bolts by turning crankshaft.**
- Support engine by placing a jack under oil pan.
- **Do not place jack under oil pan drain plug.**
- Remove transmission from engine.
- **Support automatic transmission, while removing it.**

Installation

- Check drive plate runout.

CAUTION:

Do not allow any magnetic materials to contact the ring gear teeth.

Maximum allowable runout:

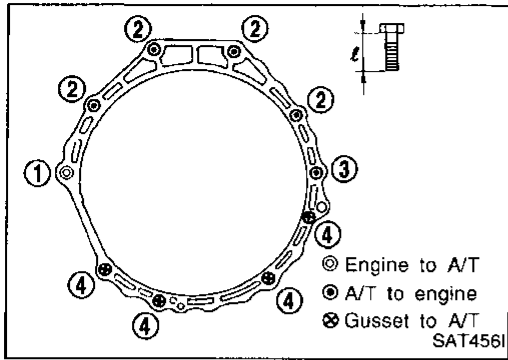
Refer to EM section ("Inspection", "CYLINDER BLOCK").

If this runout is out of allowance, replace drive plate with ring gear.

- When connecting torque converter to transmission, measure distance "A" to be certain that they are correctly assembled.
Distance "A":
26.0 mm (1.024 in) or more
- Install converter to drive plate.
- Reinstall any part removed.
- **With converter installed, rotate crankshaft several turns to check that transmission rotates freely without binding.**

REMOVAL AND INSTALLATION

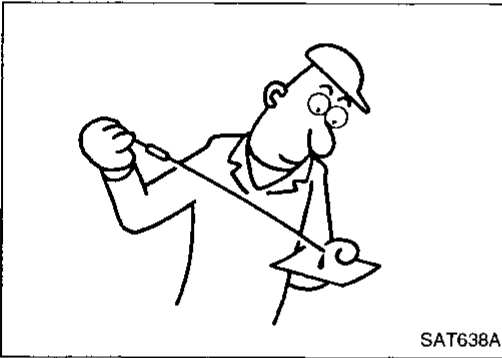
Installation (Cont'd)



- Tighten bolts securing transmission.

Bolt No.	Tightening torque N-m (kg-m, ft-lb)	Bolt length "ℓ" mm (in)
①	39 - 49 (4.0 - 5.0, 29 - 36)	58.0 (2.283)
②	39 - 49 (4.0 - 5.0, 29 - 36)	47.5 (1.870)
③	39 - 49 (4.0 - 5.0, 29 - 36)	47.5 (1.870)
④	29 - 39 (3.0 - 4.0, 22 - 29)	25 (0.98)
Gusset to engine	29 - 39 (3.0 - 4.0, 22 - 29)	20 (0.79) (LH, RH)
		25 (0.98) (LH)

- Reinstall any part removed.



- Check fluid level in transmission.
- Move selector lever through all positions to be sure that transmission operates correctly.
 With parking brake applied, rotate engine at idling. Move selector lever through "N" to "D", to "3", to "2" to "1" and to "R". A slight shock should be felt by hand gripping selector each time transmission is shifted.
- Perform road test. Refer to "ROAD TEST", AT-23.

GI

MA

EM

LC

EC

FE

AT

PD

FA

RA

BR

ST

RS

BT

HA

EL

IDX

MAJOR OVERHAUL

SEC. 311•315•317

: N·m (kg-m, in-lb)

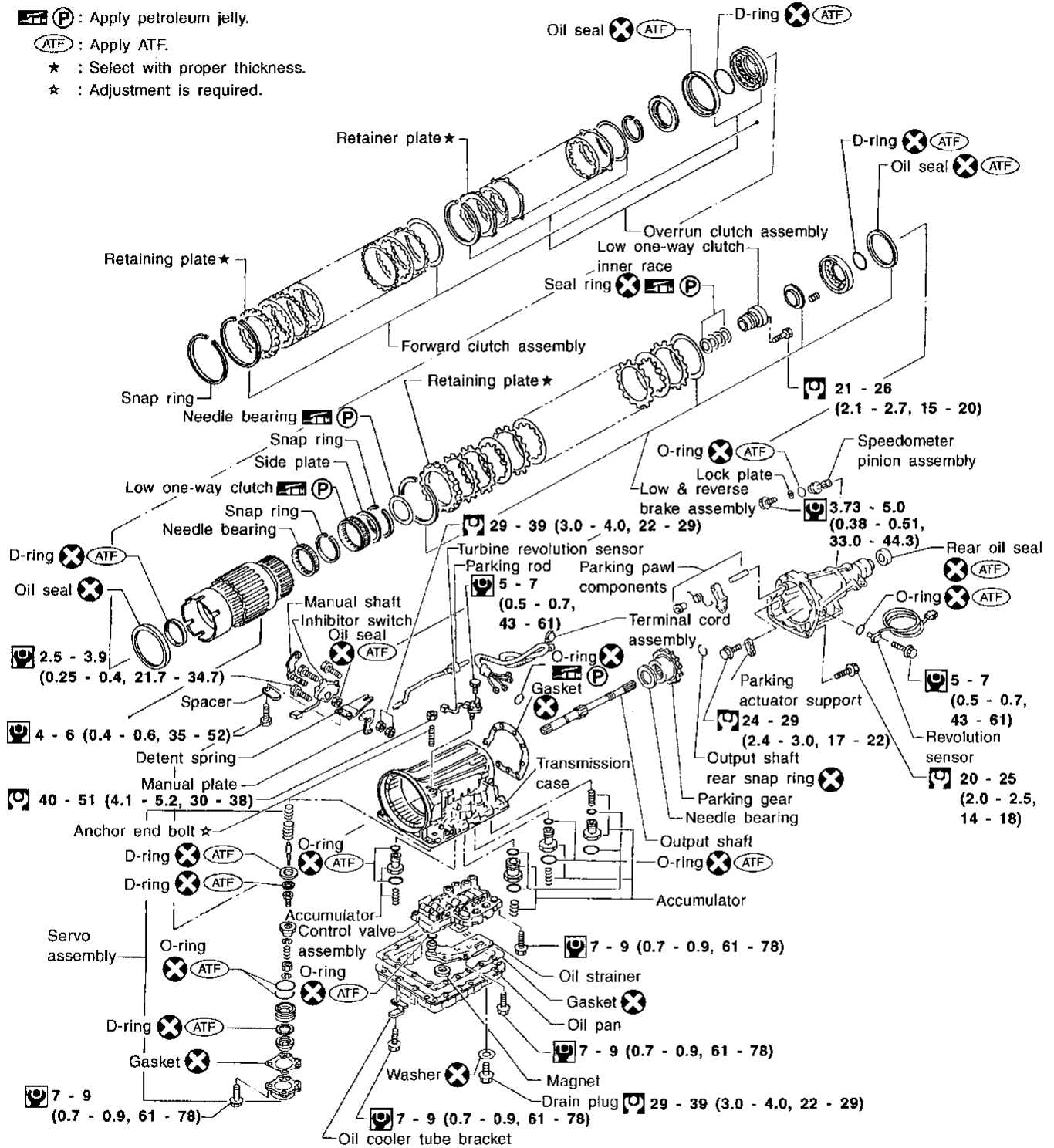
: N·m (kg-m, ft-lb)

: Apply petroleum jelly.

: Apply ATF.

★ : Select with proper thickness.

★ : Adjustment is required.



GI

MA

EM

LC

EC

FE

AT

PD

FA

RA

BR

ST

RS

BT

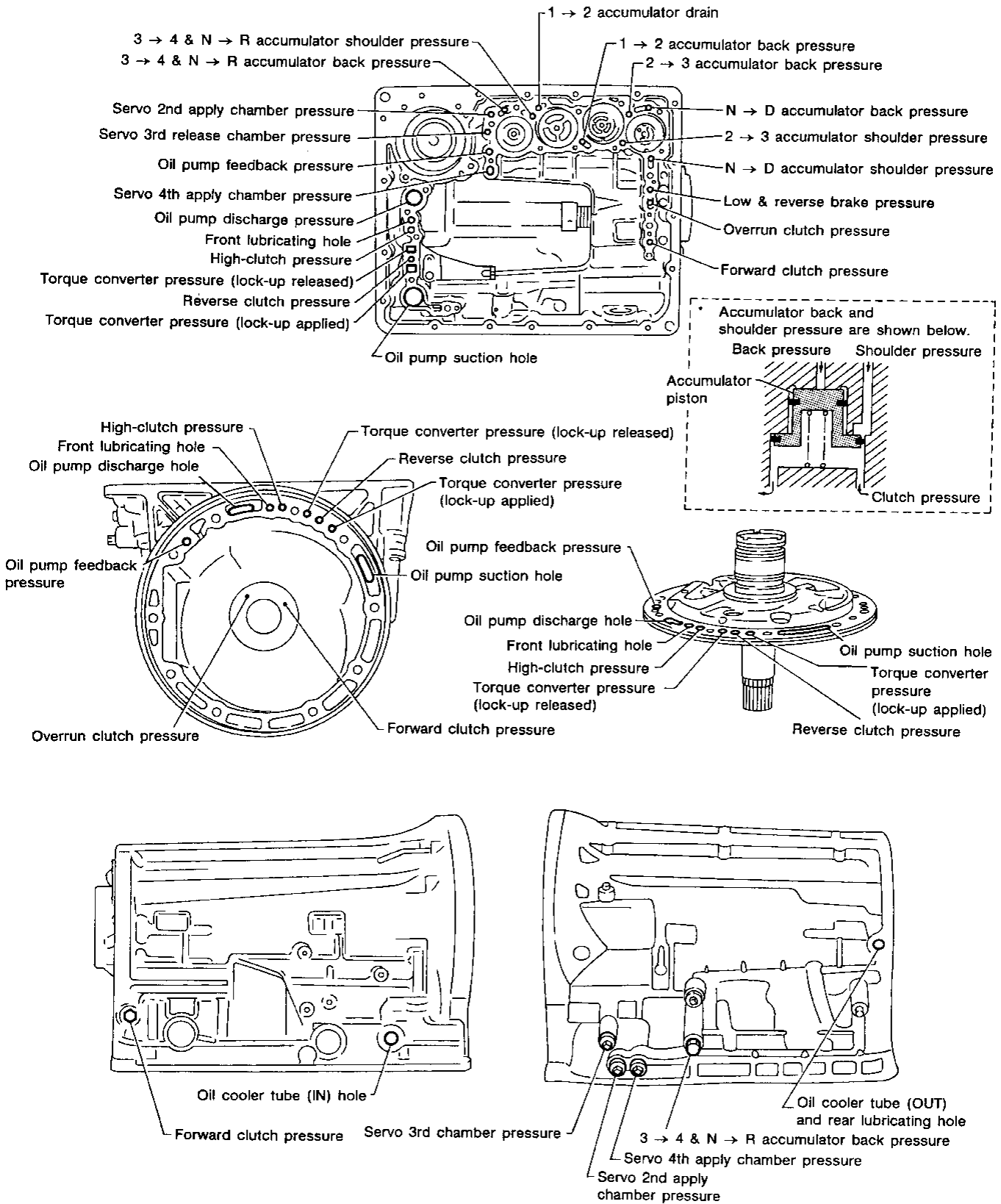
HA

EL

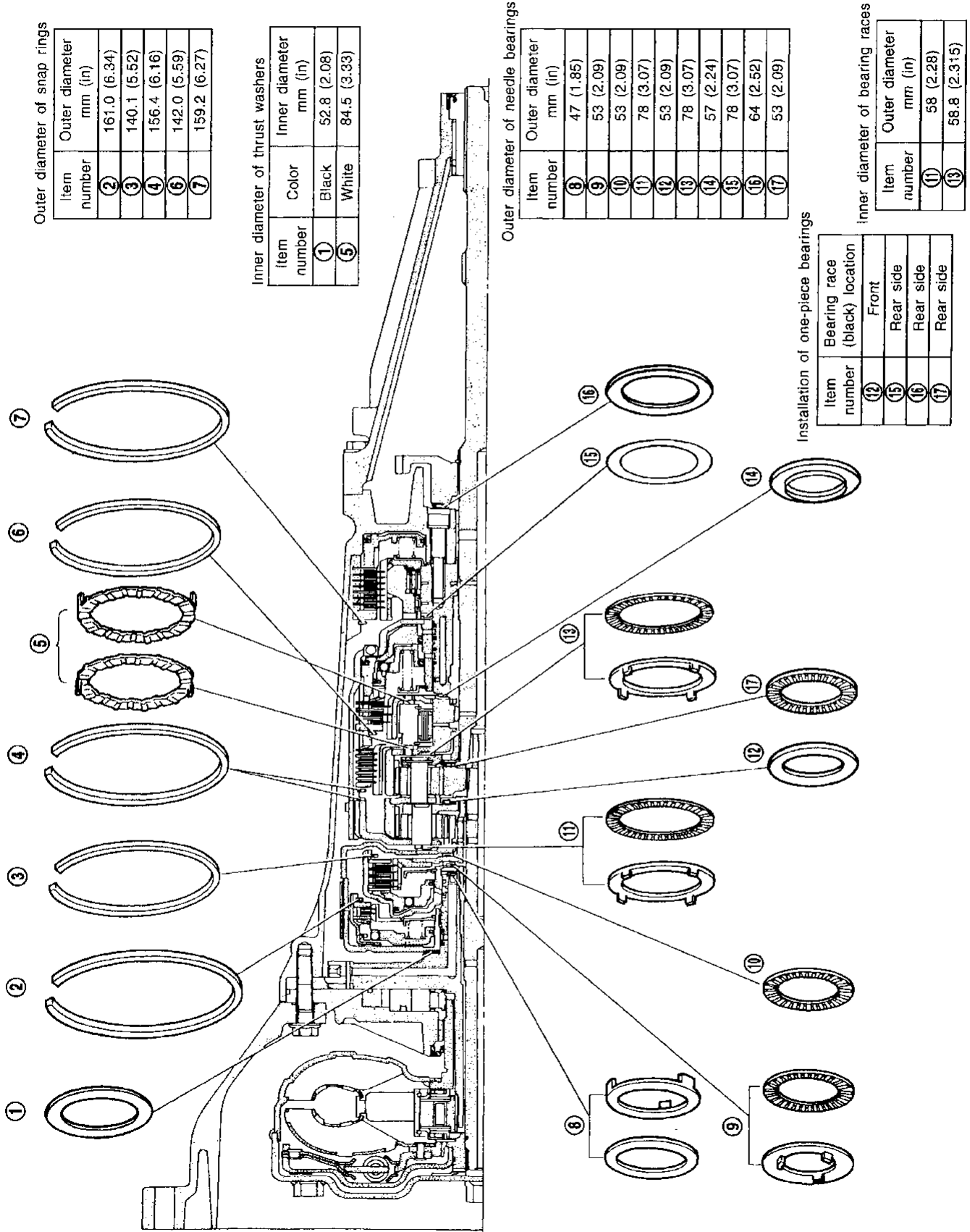
IDX

MAJOR OVERHAUL

Oil Channel



Locations of Needle Bearings, Thrust Washers and Snap Rings



Outer diameter of snap rings

Item number	Outer diameter mm (in)
②	161.0 (6.34)
③	140.1 (5.52)
④	156.4 (6.16)
⑥	142.0 (5.59)
⑦	159.2 (6.27)

Inner diameter of thrust washers

Item number	Color	Inner diameter mm (in)
①	Black	52.8 (2.08)
⑤	White	84.5 (3.33)

Outer diameter of needle bearings

Item number	Outer diameter mm (in)
⑧	47 (1.85)
⑨	53 (2.09)
⑩	53 (2.09)
⑪	78 (3.07)
⑫	53 (2.09)
⑬	78 (3.07)
⑭	57 (2.24)
⑮	78 (3.07)
⑯	64 (2.52)
⑰	53 (2.09)

Installation of one-piece bearings

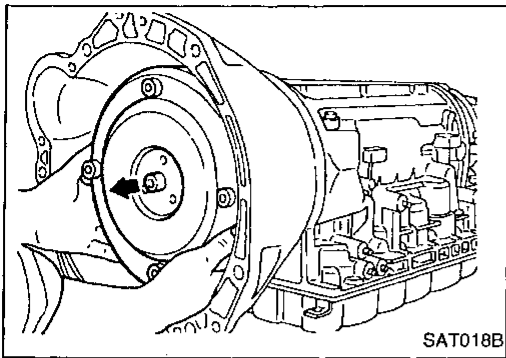
Item number	Bearing race (black) location
⑫	Front
⑮	Rear side
⑯	Rear side
⑰	Rear side

Inner diameter of bearing races

Item number	Outer diameter mm (in)
⑪	58 (2.28)
⑬	58.8 (2.315)

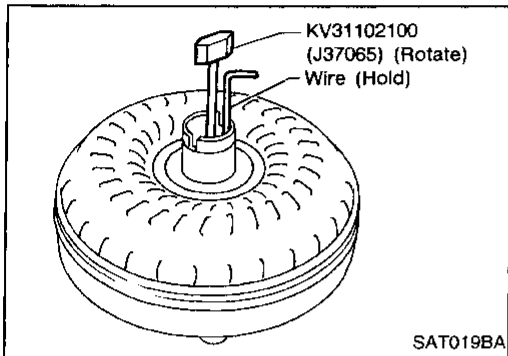
- GI
- MA
- EM
- LC
- EC
- FE
- AT**
- PD
- FA
- RA
- BR
- ST
- RS
- BT
- HA
- EL
- IDX

DISASSEMBLY

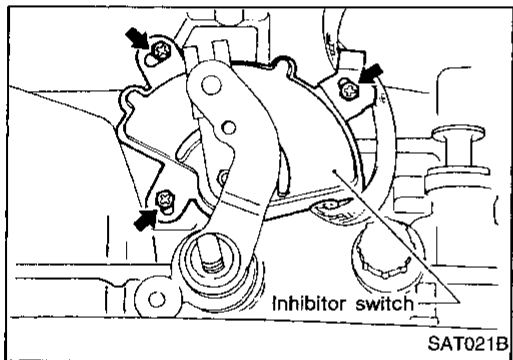


Disassembly

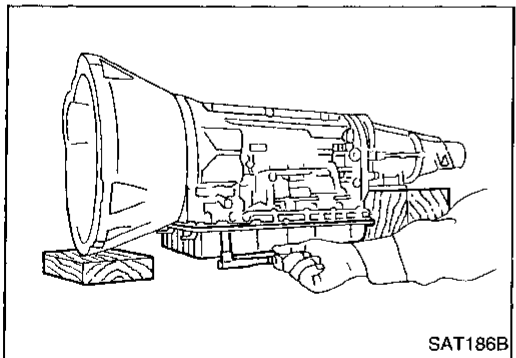
1. Remove torque converter by holding it firmly and turning while pulling straight out.



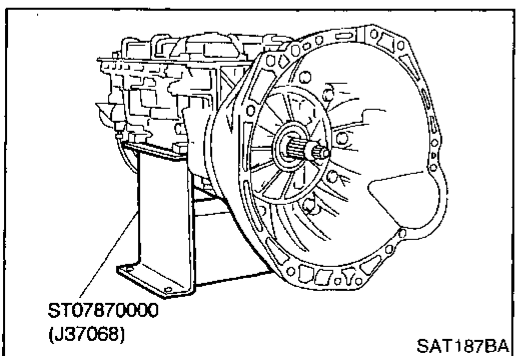
2. Check torque converter one-way clutch.
 - a. Insert Tool into spline of one-way clutch inner race.
 - b. Hook bearing support unitized with one-way clutch outer race with suitable wire.
 - c. Check that one-way clutch inner race rotates only clockwise with Tool while holding bearing support with wire.



3. Remove inhibitor switch from transmission case.



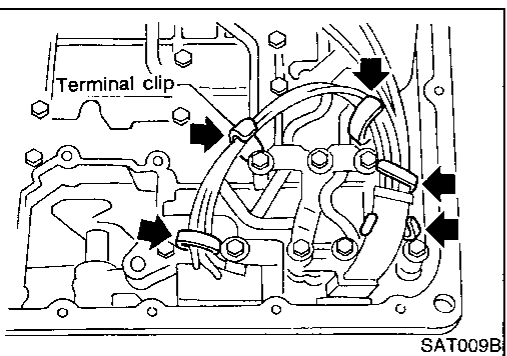
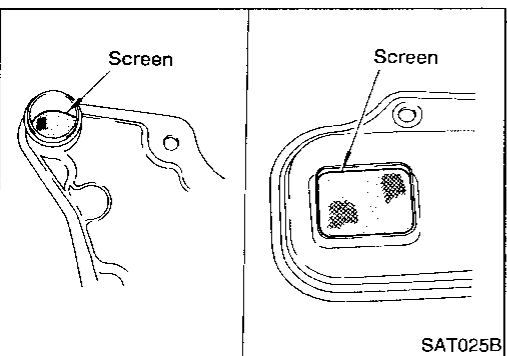
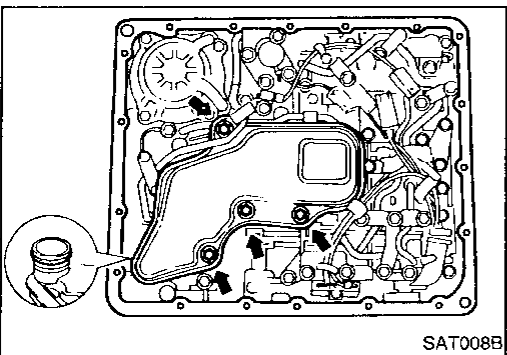
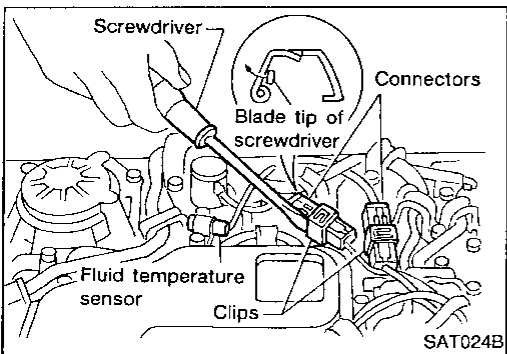
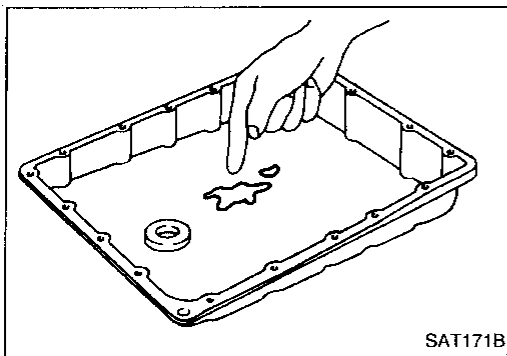
4. Remove oil pan.
 - a. Drain ATF from drain plug.
 - b. Raise oil pan by placing wooden blocks under converter housing and rear extension.
 - c. Separate the oil pan and transmission case.
 - **Always place oil pan straight down so that foreign particles inside will not move.**



5. Place transmission into Tool with the control valve facing up.

DISASSEMBLY

Disassembly (Cont'd)



6. Check foreign materials in oil pan to help determine cause of malfunction. If the fluid is very dark, smells burned, or contains foreign particles, the frictional material (clutches, band) may need replacement. A tacky film that will not wipe clean indicates varnish build up. Varnish can cause valves, servo, and clutches to stick and may inhibit pump pressure.

- If frictional material is detected, replace radiator after repair of A/T. Refer to LC section ("Radiator", "ENGINE COOLING SYSTEM").

7. Remove torque converter clutch solenoid valve and fluid temperature sensor connectors.

- Be careful not to damage connector.

8. Remove oil strainer.

a. Remove oil strainer from control valve assembly. Then remove O-ring from oil strainer.

b. Check oil strainer screen for damage.

9. Remove control valve assembly.

a. Straighten terminal clips to free terminal cords then remove terminal clips.

GI

MA

EM

LC

EC

FE

AT

PD

FA

RA

BR

ST

RS

BT

HA


EL

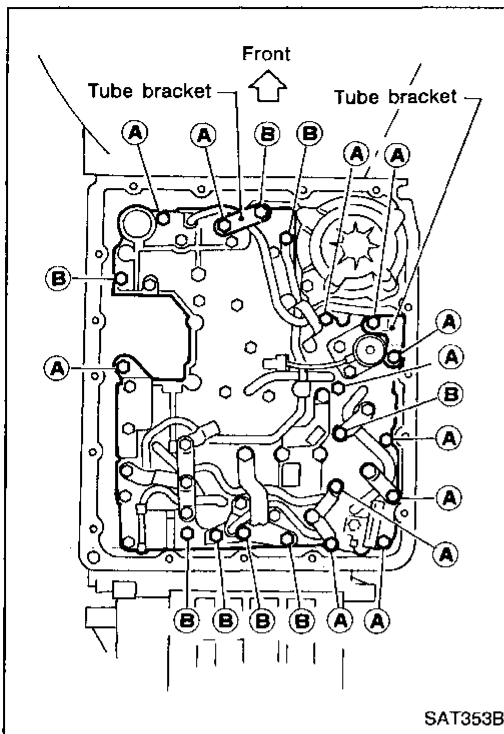
IDX

DISASSEMBLY

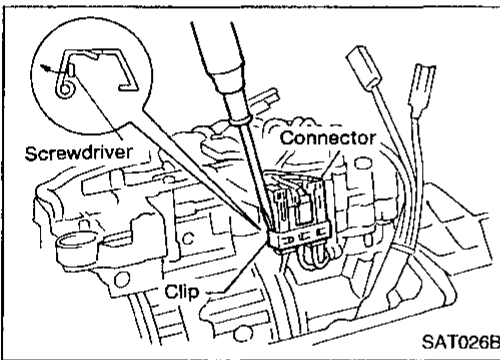
Disassembly (Cont'd)

- b. Remove bolts (A) and (B), and remove control valve assembly from transmission.

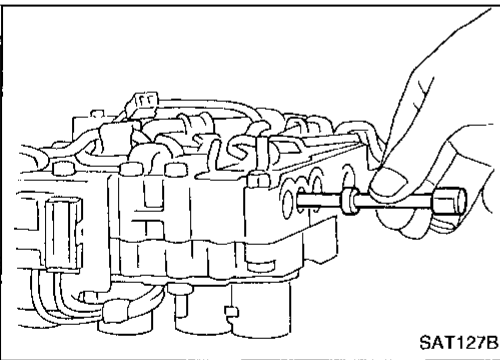
Bolt symbol	ℓ mm (in)	 ℓ
(A)	33 (1.30)	
(B)	45 (1.77)	



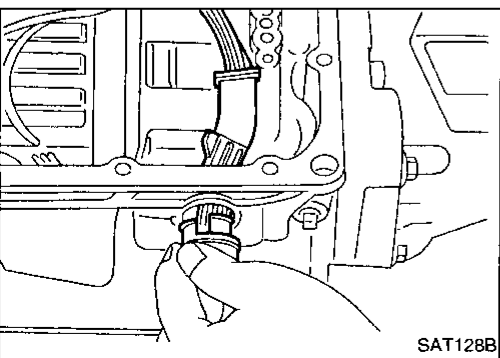
- c. Remove solenoid connector.
- Be careful not to damage connector.



- d. Remove manual valve from control valve assembly.

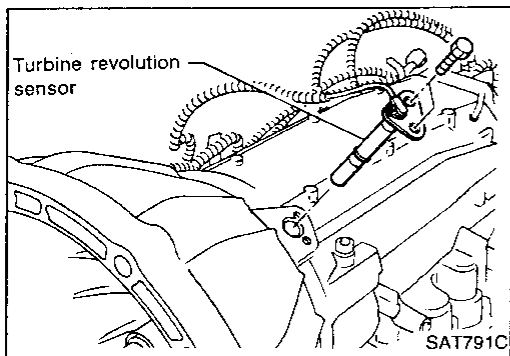


10. Remove terminal cord assembly from transmission case while pushing on stopper.
- Be careful not to damage cord.
 - Do not remove terminal cord assembly unless it is damaged.

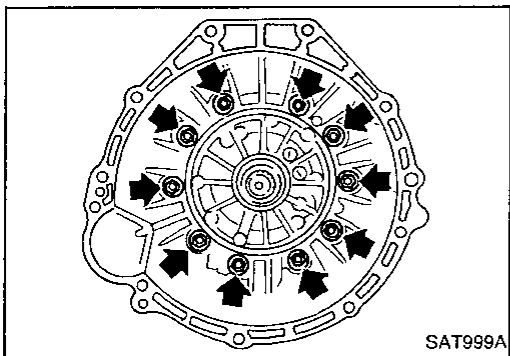


DISASSEMBLY

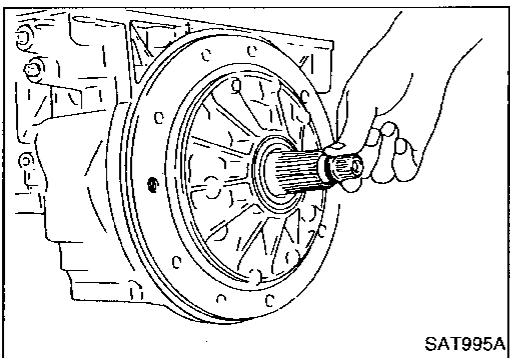
Disassembly (Cont'd)



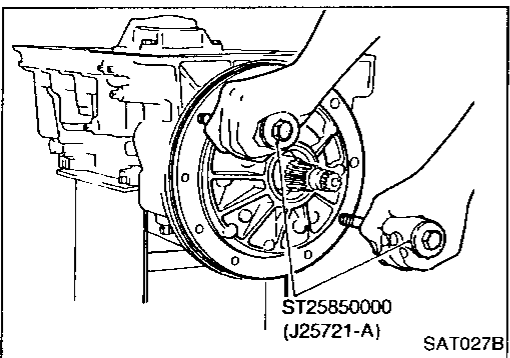
11. Remove turbine revolution sensor.



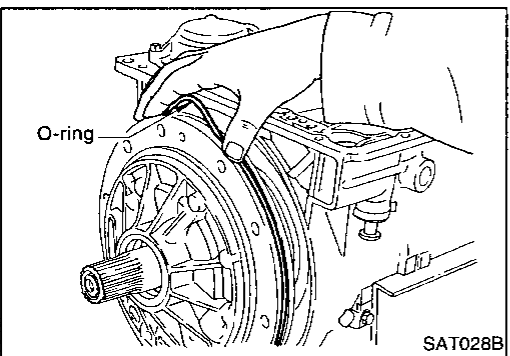
12. Remove converter housing.
a. Remove converter housing from transmission case.
b. Remove traces of sealant.
● **Be careful not to scratch converter housing.**



13. Remove O-ring from input shaft.



14. Remove oil pump assembly.
a. Attach Tool to oil pump assembly and extract it evenly from transmission case.



b. Remove O-ring from oil pump assembly.
c. Remove traces of sealant from oil pump housing.
● **Be careful not to scratch pump housing.**

GI

MA

EM

LC

EC

FE

AT

PD

FA

RA

BR

ST

RS

BT

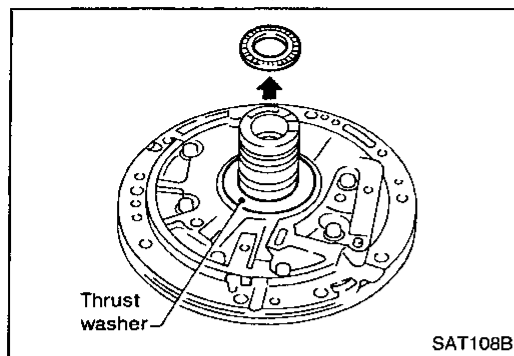
HA

EL

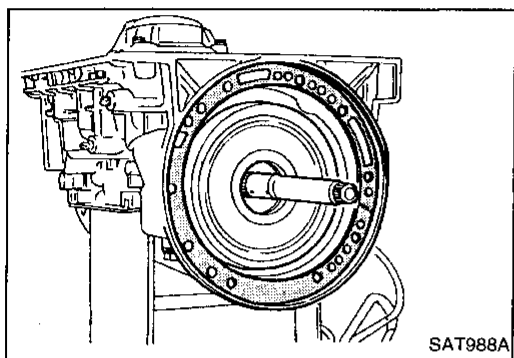
IDX

DISASSEMBLY

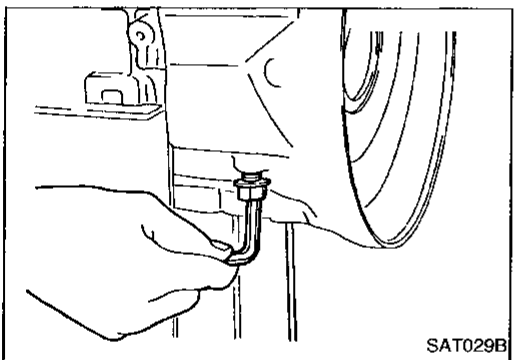
Disassembly (Cont'd)



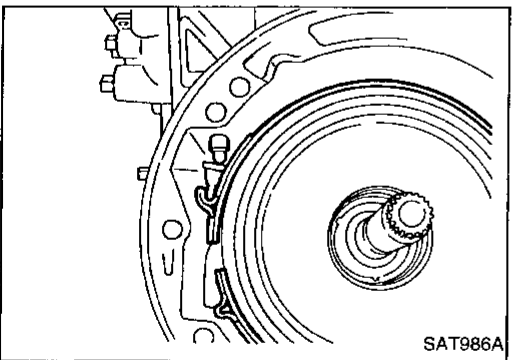
- d. Remove needle bearing and thrust washer from oil pump assembly.



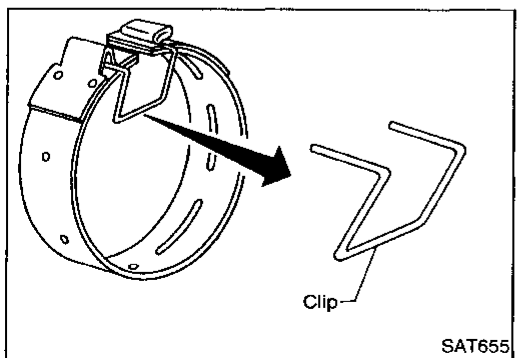
15. Remove input shaft and oil pump gasket.



16. Remove brake band and band strut.
a. Loosen lock nut and remove band servo anchor end pin from transmission case.



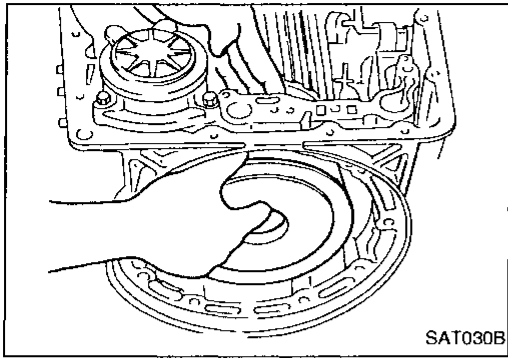
- b. Remove brake band and band strut from transmission case.



- c. Hold brake band in a circular shape with clip.
Check brake band facing for damage, cracks, wear or burns.

DISASSEMBLY

Disassembly (Cont'd)

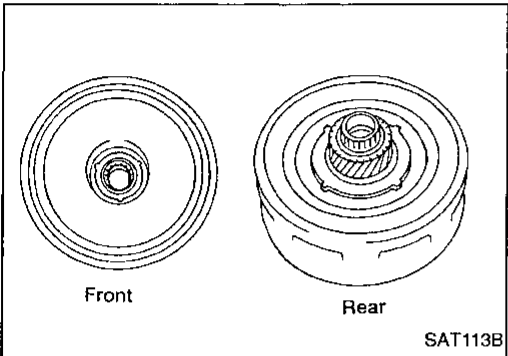


17. Remove front side clutch and gear components.
a. Remove clutch pack (reverse clutch, high clutch and front sun gear) from transmission case.

GI

MA

EM



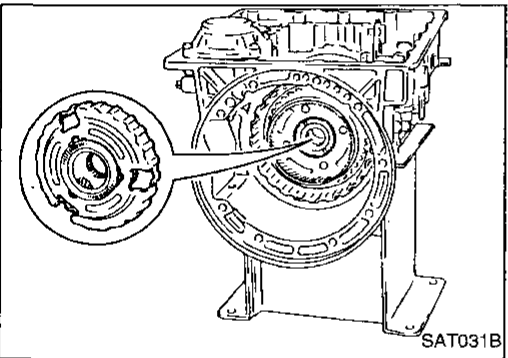
- b. Remove front bearing race from clutch pack.
c. Remove rear bearing race or front needle bearing from clutch pack.

LC

EC

FE

AT



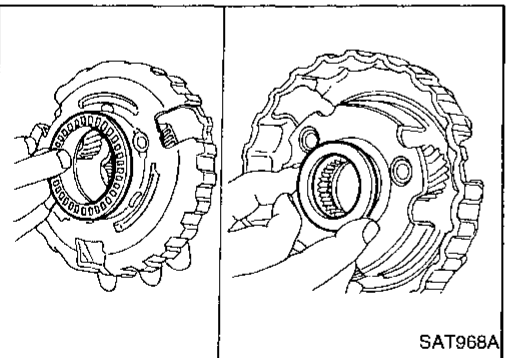
- d. Remove front planetary carrier from transmission case.

PD

FA

RA

BR



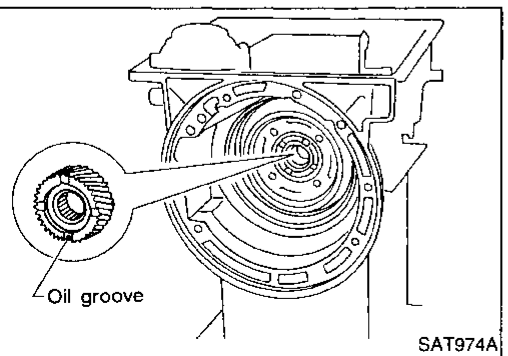
- e. Remove front needle bearing or front bearing race from front planetary carrier.
f. Remove rear needle bearing from front planetary carrier.

ST

RS

BT

HA



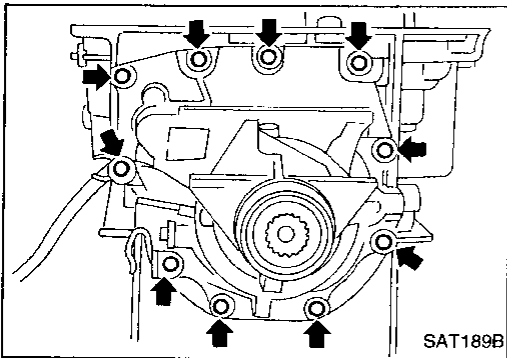
- g. Remove rear sun gear from transmission case.

EL

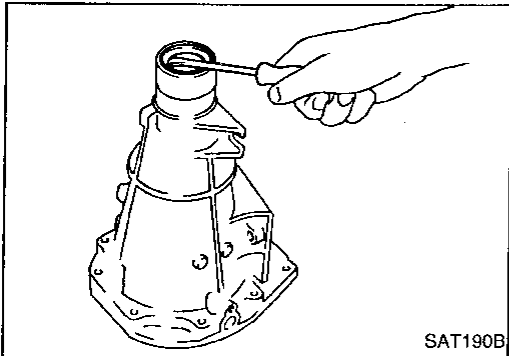
IDX

DISASSEMBLY

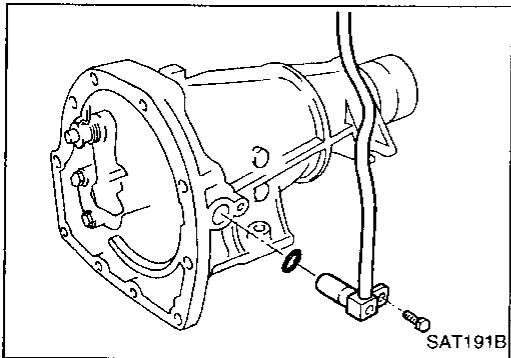
Disassembly (Cont'd)



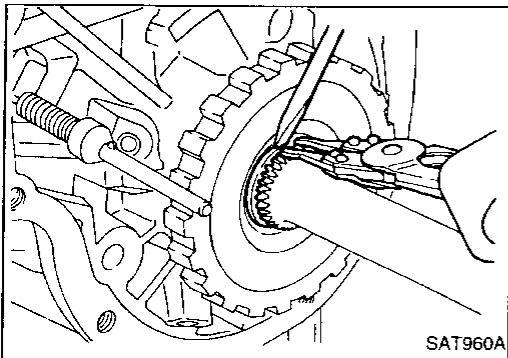
18. Remove rear extension.
 - a. Remove rear extension from transmission case.
 - b. Remove rear extension gasket from transmission case.



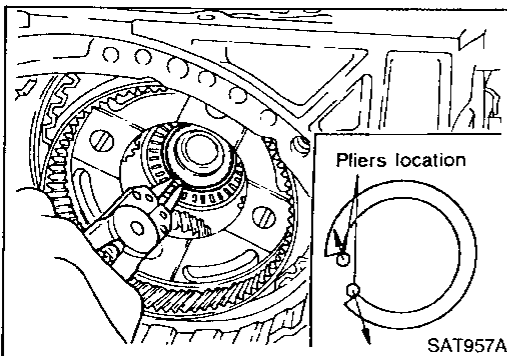
- c. Remove oil seal from rear extension.
 - **Do not remove oil seal unless it is to be replaced.**



- d. Remove revolution sensor from rear extension.
 - e. Remove O-ring from revolution sensor.



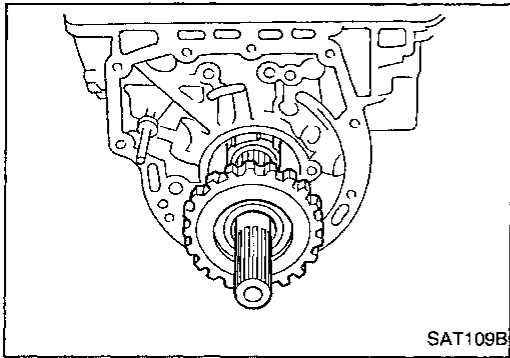
19. Remove output shaft and parking gear.
 - a. Remove rear snap ring from output shaft.



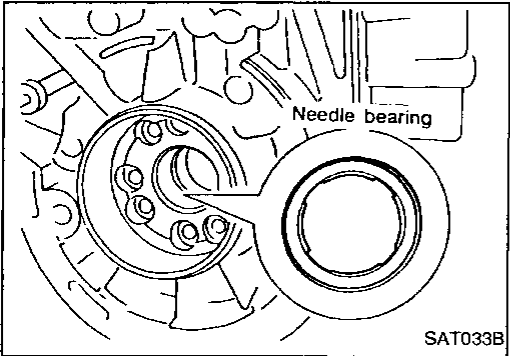
- b. Slowly push output shaft all the way forward.
 - **Do not use excessive force.**
 - c. Remove snap ring from output shaft.

DISASSEMBLY

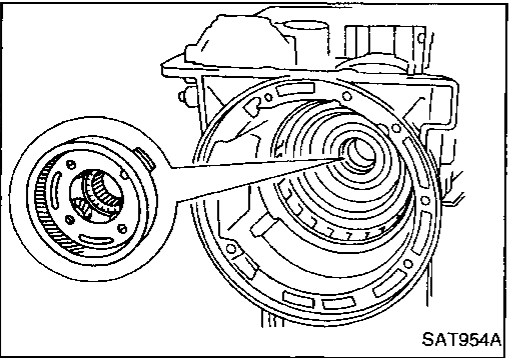
Disassembly (Cont'd)



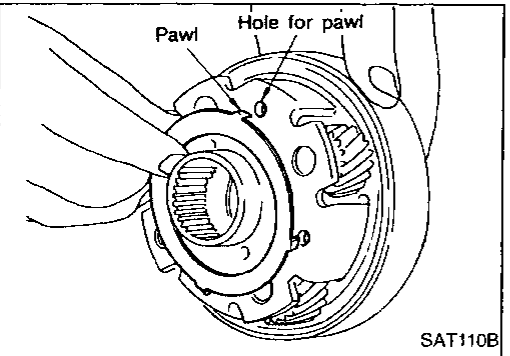
- d. Remove output shaft and parking gear as a unit from transmission case.
- e. Remove parking gear from output shaft.



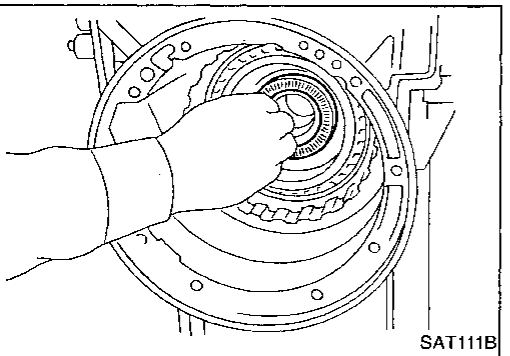
- f. Remove needle bearing from transmission case.



- 20. Remove rear side clutch and gear components.
 - a. Remove front internal gear.



- b. Remove bearing race from front internal gear.



- c. Remove needle bearing from rear internal gear.

GI

MA

EM

LC

EC

FE

AT

PD

FA

RA

BR

ST

RS

BT

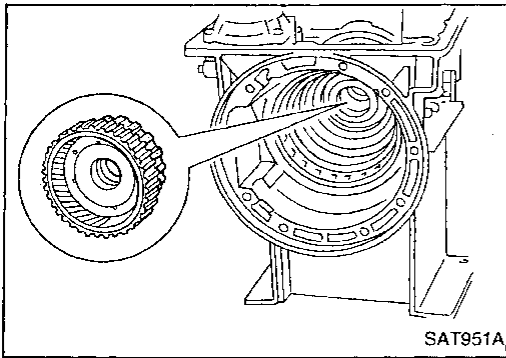
HA

EL

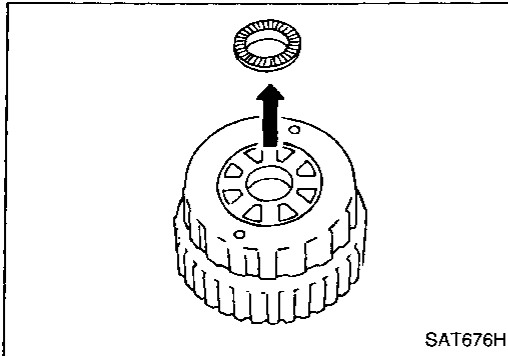
IDX

DISASSEMBLY

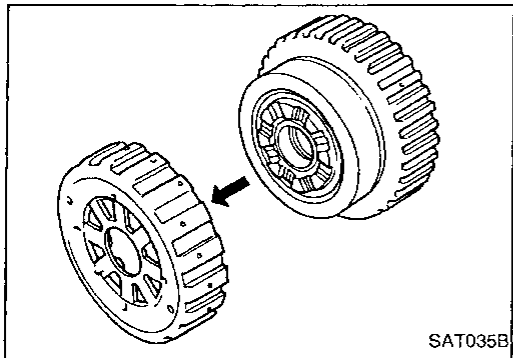
Disassembly (Cont'd)



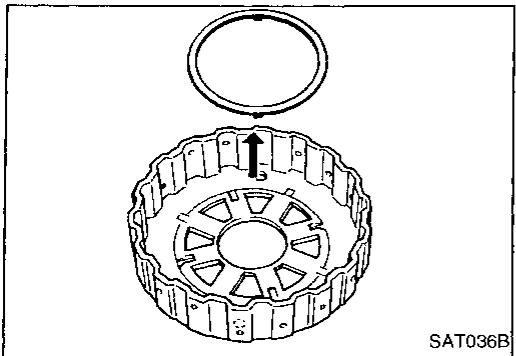
- d. Remove rear internal gear, forward clutch hub and overrun clutch hub as a set from transmission case.



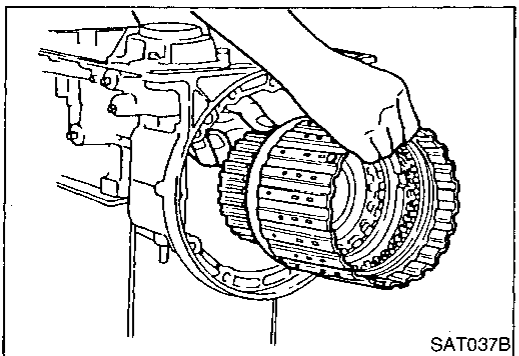
- e. Remove needle bearing from overrun clutch hub.



- f. Remove overrun clutch hub from rear internal gear and forward clutch hub.



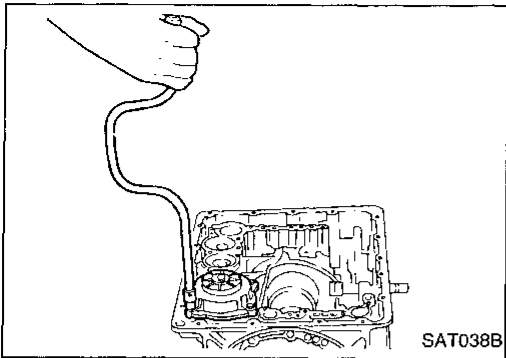
- g. Remove thrust washer from overrun clutch hub.



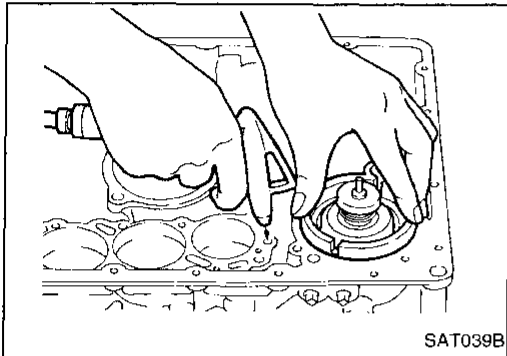
- h. Remove forward clutch assembly from transmission case.

DISASSEMBLY

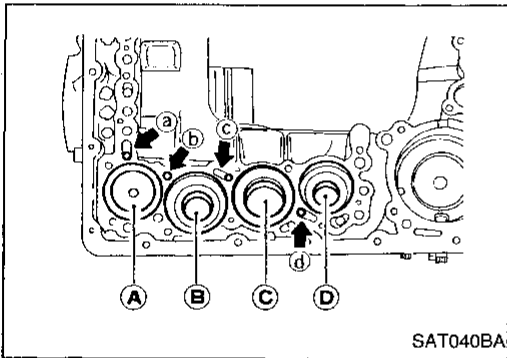
Disassembly (Cont'd)



21. Remove band servo and accumulator components.
 - a. Remove band servo retainer from transmission case.

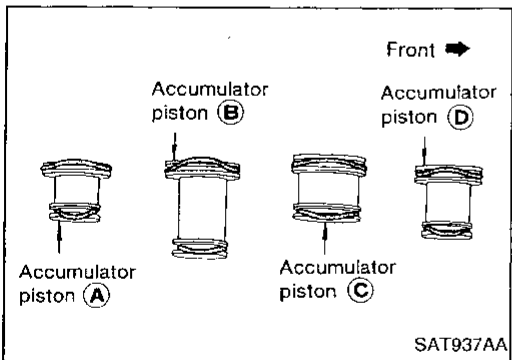


- b. Apply compressed air to oil hole until band servo piston comes out of transmission case.
 - **Hold piston with a rag and gradually direct air to oil hole.**
 - c. Remove return springs.

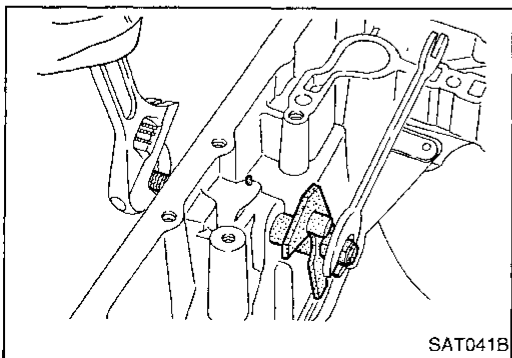


- d. Remove springs from accumulator pistons (B), (C) and (D).
 - e. Apply compressed air to each oil hole until piston comes out.
 - **Hold piston with a rag and gradually direct air to oil hole.**

Identification of accumulator pistons	(A)	(B)	(C)	(D)
Identification of oil holes	a	b	c	d



- f. Remove O-ring from each piston.



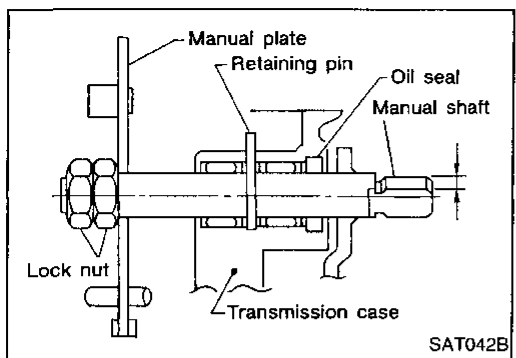
22. Remove manual shaft components, if necessary.
 - a. Hold width across flats of manual shaft (outside the transmission case) and remove lock nut from shaft.

GI
MA
EM
LC
EC
FE
AT
PD
FA
RA
BR
ST
RS
BT
HA
EL
IDX

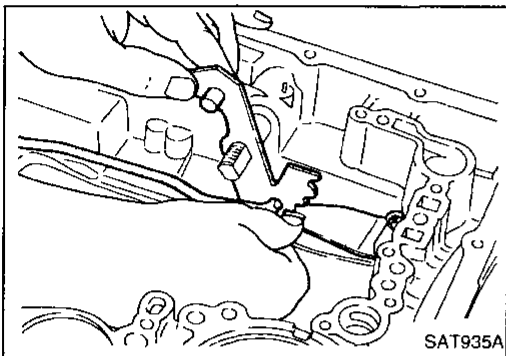
DISASSEMBLY

Disassembly (Cont'd)

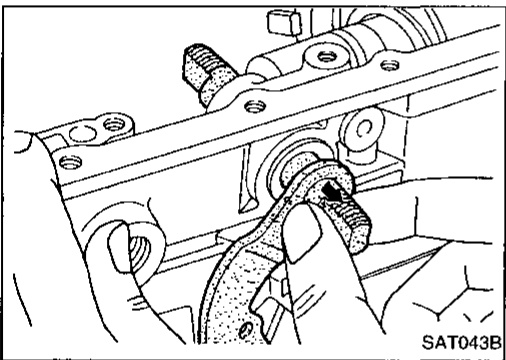
- b. Remove retaining pin from transmission case.



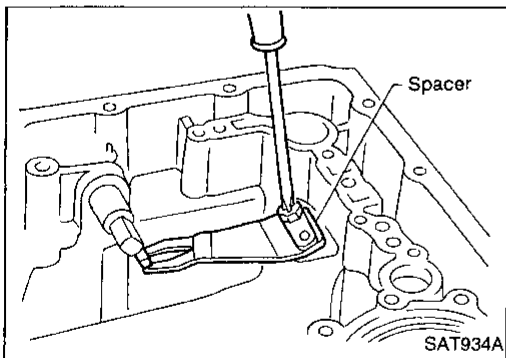
- c. While pushing detent spring down, remove manual plate and parking rod from transmission case.



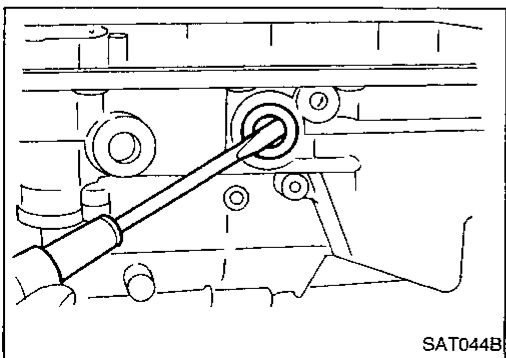
- d. Remove manual shaft from transmission case.



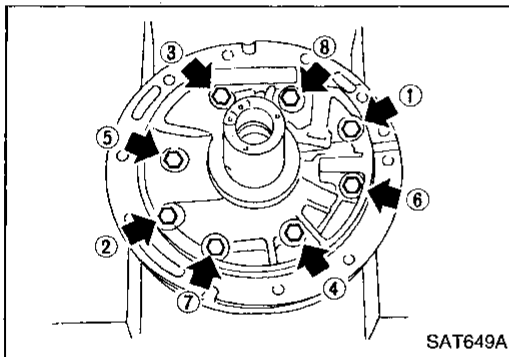
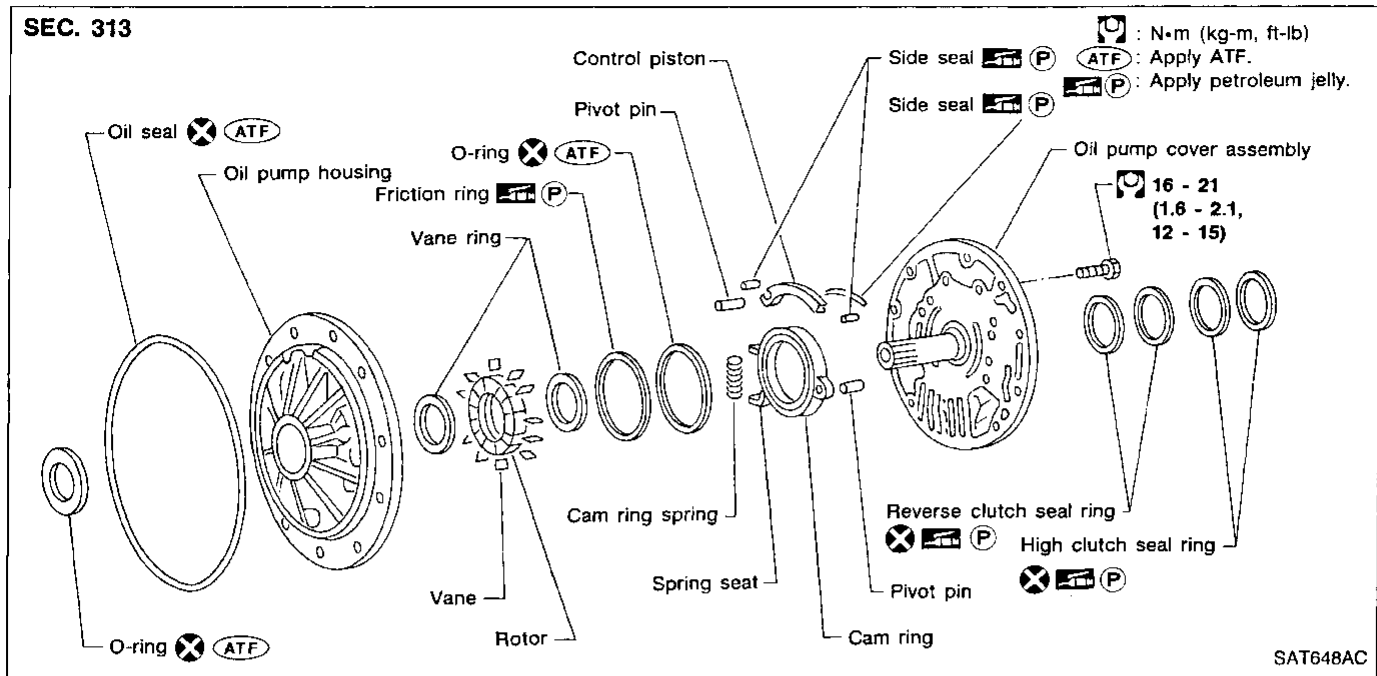
- e. Remove spacer and detent spring from transmission case.



- f. Remove oil seal from transmission case.

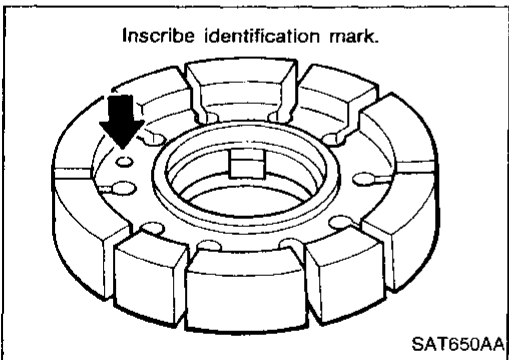


Oil Pump



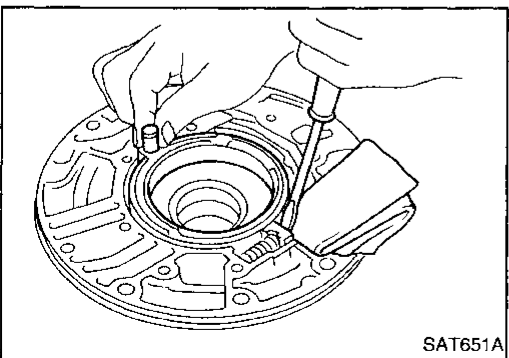
DISASSEMBLY

1. Loosen bolts in numerical order and remove oil pump cover.



2. Remove rotor, vane rings and vanes.

• Inscribe a mark on back of rotor for identification of fore-aft direction when reassembling rotor. Then remove rotor.



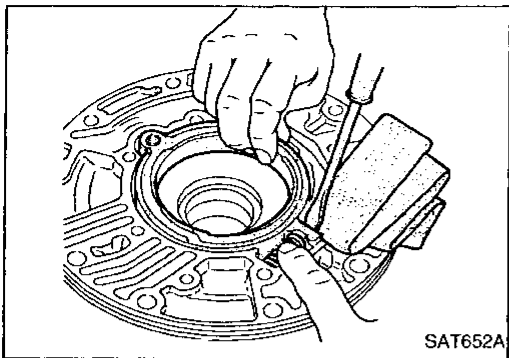
3. While pushing on cam ring remove pivot pin.

• Be careful not to scratch oil pump housing.

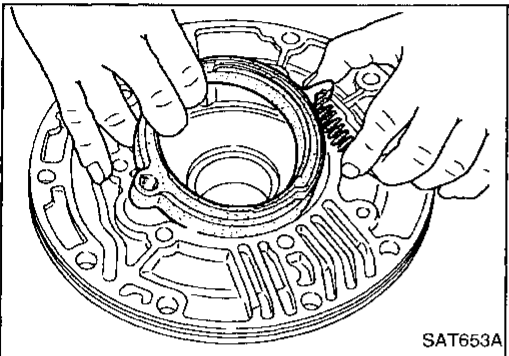
GI
 MA
 EM
 LC
 EC
 FE
 AT
 PD
 FA
 RA
 BR
 ST
 RS
 BT
 HA
 EL
 IDX

REPAIR FOR COMPONENT PARTS

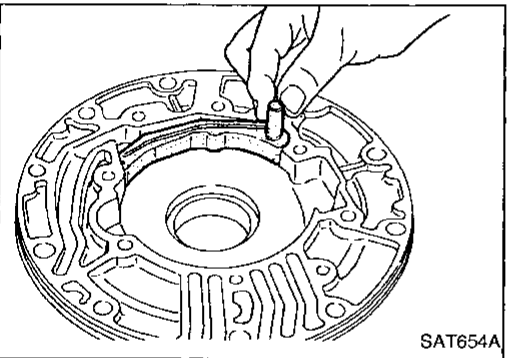
Oil Pump (Cont'd)



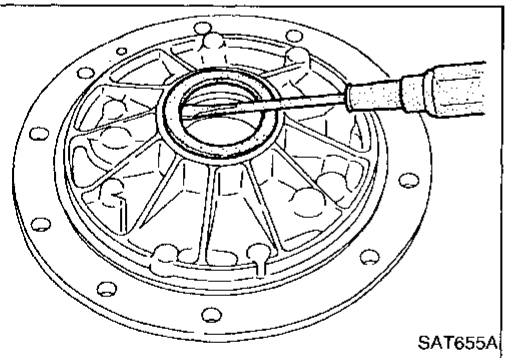
4. While holding cam ring and spring lift out cam ring spring.
 - Be careful not to damage oil pump housing.
 - Hold cam ring spring to prevent it from jumping.



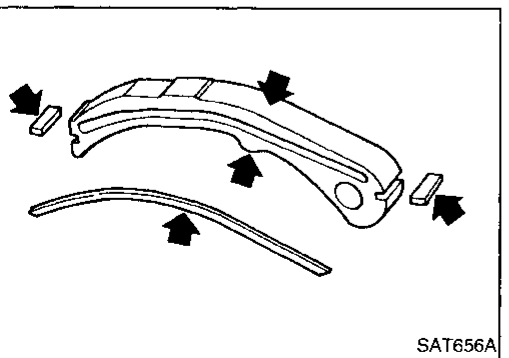
5. Remove cam ring and cam ring spring from oil pump housing.



6. Remove pivot pin from control piston and remove control piston assembly.



7. Remove oil seal from oil pump housing.
 - Be careful not to scratch oil pump housing.



INSPECTION

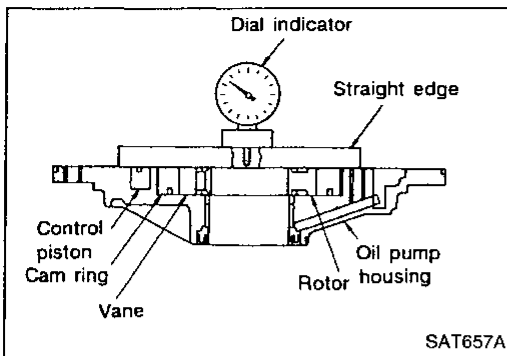
Oil pump cover, rotor, vanes, control piston, side seals, cam ring and friction ring

- Check for wear or damage.

REPAIR FOR COMPONENT PARTS

Oil Pump (Cont'd)

Side clearances



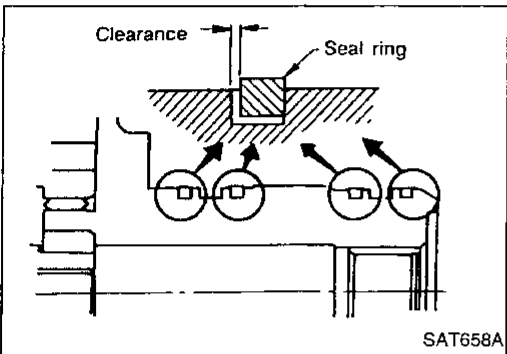
- Measure side clearances between end of oil pump housing and cam ring, rotor, vanes and control piston in at least four places along their circumferences. Maximum measured values should be within specified position.

- **Before measuring side clearance, check that friction rings, O-ring, control piston side seals and cam ring spring are removed.**

Standard clearance (Cam ring, rotor, vanes and control piston):

Refer to SDS, AT-216.

- If not within standard clearance, replace oil pump assembly except oil pump cover assembly.



Seal ring clearance

- Measure clearance between seal ring and ring groove.

Standard clearance:

0.10 - 0.25 mm (0.0039 - 0.0098 in)

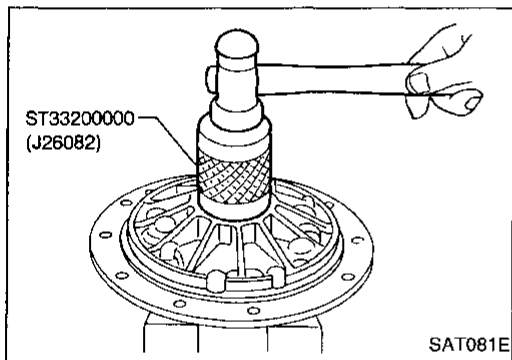
Wear limit:

0.25 mm (0.0098 in)

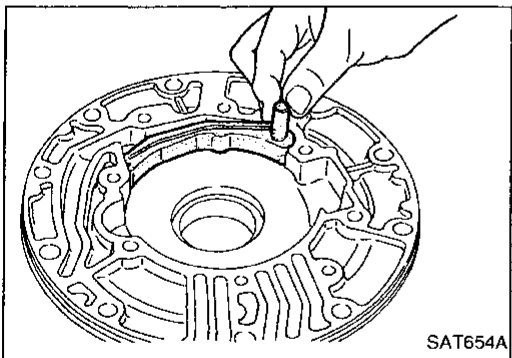
- If not within wear limit, replace oil pump cover assembly.

ASSEMBLY

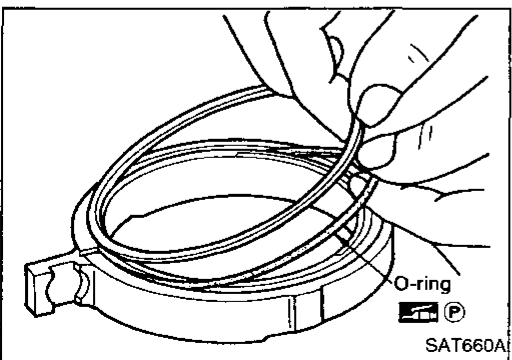
1. Drive oil seal into oil pump housing.
 - **Apply ATF to outer periphery and lip surface.**



2. Install cam ring in oil pump housing by the following steps.
 - a. Install side seal on control piston.
 - **Pay attention to its direction — Black surface goes toward control piston.**
 - **Apply petroleum jelly to side seal.**
 - b. Install control piston on oil pump.



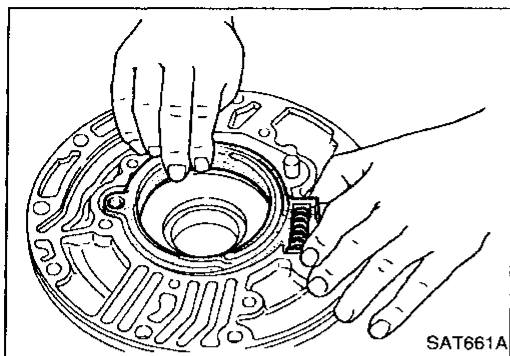
- c. Install O-ring and friction ring on cam ring.
 - **Apply petroleum jelly to O-ring.**



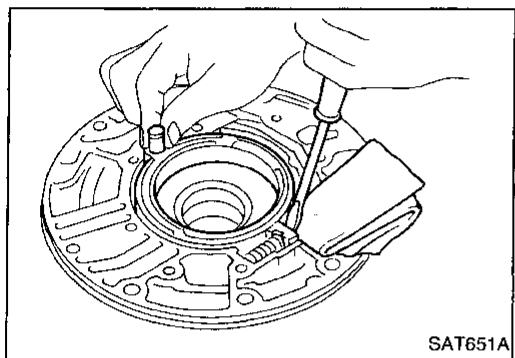
GI
MA
EM
LC
EC
FE
AT
PD
FA
RA
BR
ST
RS
BT
HA
EL
IDX

REPAIR FOR COMPONENT PARTS

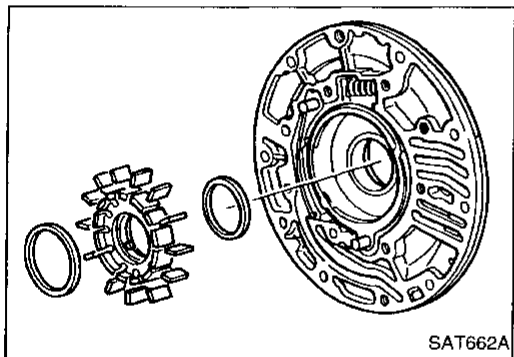
Oil Pump (Cont'd)



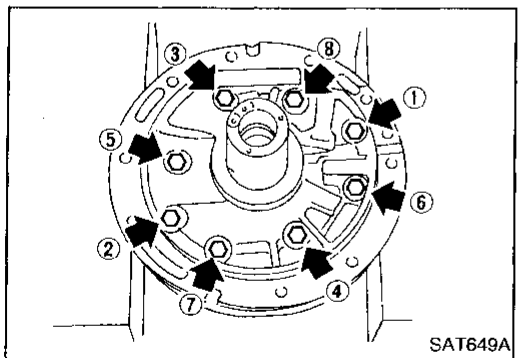
- d. Assemble cam ring, cam ring spring and spring seat. Install spring by pushing it against pump housing.



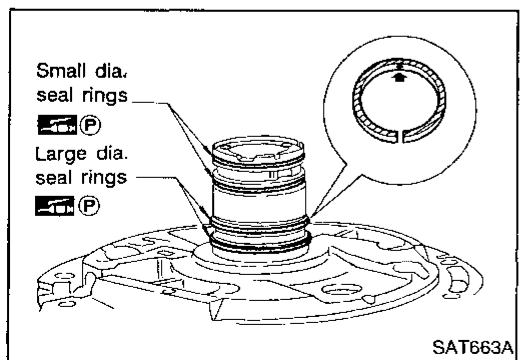
- e. While pushing on cam ring install pivot pin.



3. Install rotor, vanes and vane rings.
 • Pay attention to direction of rotor.



4. Install oil pump housing and oil pump cover.
 a. Wrap masking tape around splines of oil pump cover assembly to protect seal. Position oil pump cover assembly in oil pump housing assembly, then remove masking tape.
 b. Tighten bolts in a criss-cross pattern.

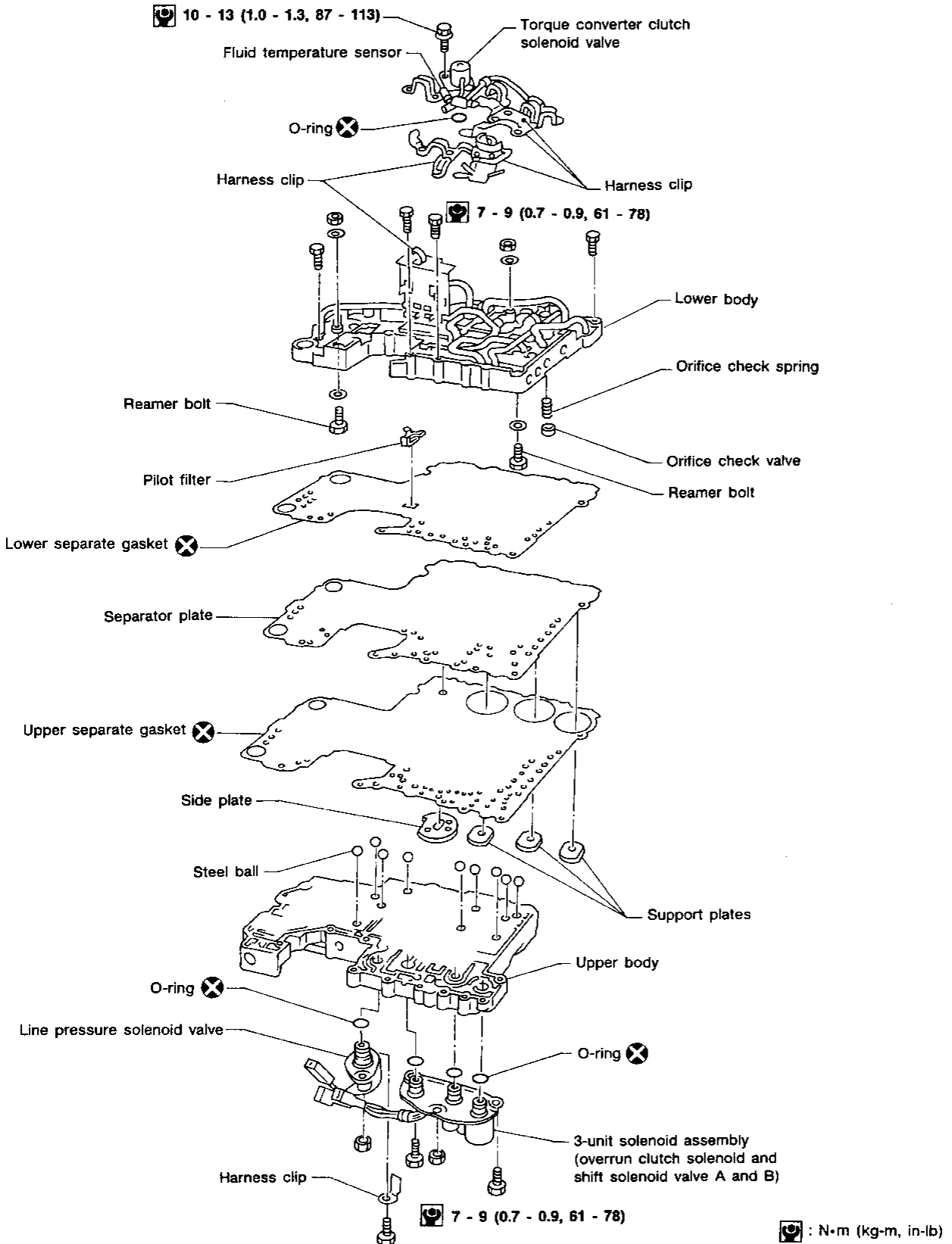


5. Install seal rings carefully after packing ring grooves with petroleum jelly. Press rings down into jelly to a close fit.
 • Seal rings come in two different diameters. Check fit carefully in each groove.
 Small dia. seal ring:
 No mark
 Large dia. seal ring:
 Yellow mark in area shown by arrow
 • Do not spread gap of seal ring excessively while installing. It may deform ring.

REPAIR FOR COMPONENT PARTS

Control Valve Assembly

SEC. 317

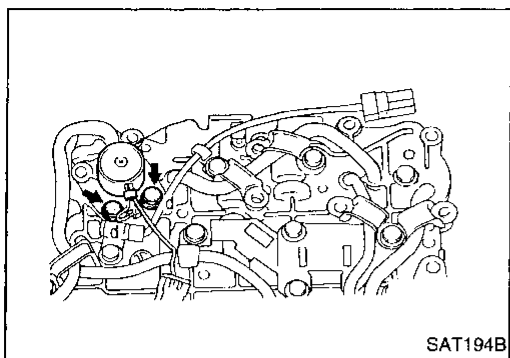


GI
MA
EM
LC
EC
FE
AT
PD
FA
RA
BR
ST
RS
BT
HA
EL
IDX

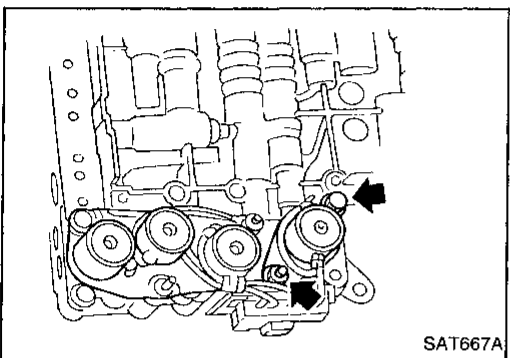
REPAIR FOR COMPONENT PARTS

Control Valve Assembly (Cont'd)

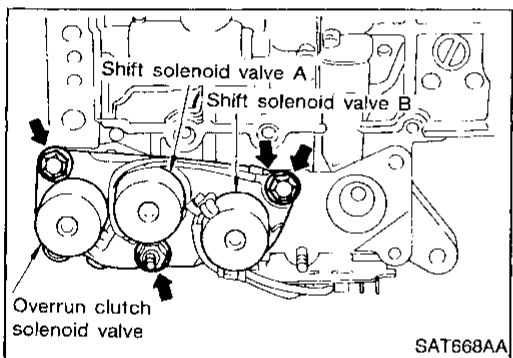
DISASSEMBLY



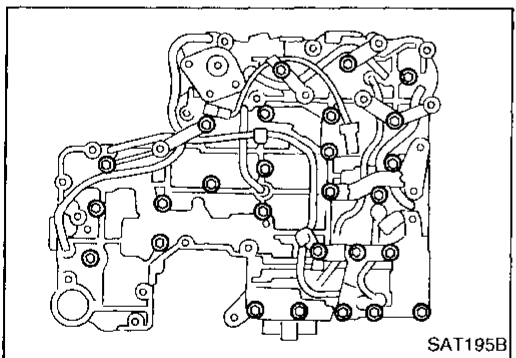
1. Remove solenoids.
 - a. Remove torque converter clutch solenoid valve and side plate from lower body.
 - b. Remove O-ring from solenoid valve.



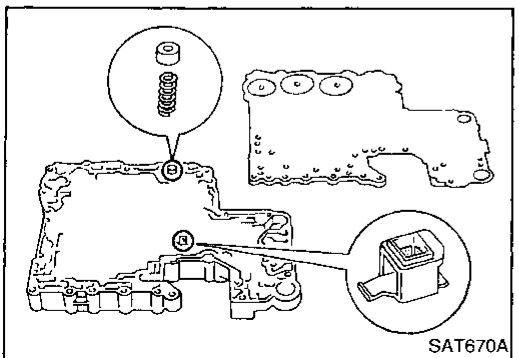
- c. Remove line pressure solenoid valve from upper body.
 - d. Remove O-ring from solenoid.



- e. Remove 3-unit solenoid assembly from upper body.
 - f. Remove O-rings from solenoids.



2. Disassemble upper and lower bodies.
 - a. Place upper body facedown, and remove bolts, reamer bolts and support plates.
 - b. Remove lower body, separator plate and separate gasket as a unit from upper body.
 - **Be careful not to drop pilot filter, orifice check valve, spring and steel balls.**

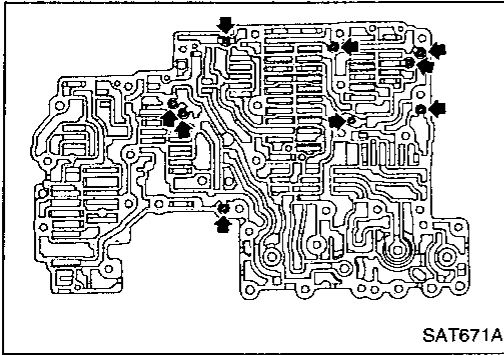


- c. Place lower body facedown, and remove separate gasket and separator plate.
 - d. Remove pilot filter, orifice check valve and orifice check spring.

REPAIR FOR COMPONENT PARTS

Control Valve Assembly (Cont'd)

- e. Check to see that steel balls are properly positioned in upper body and then remove them from upper body.



GI

MA

EM

INSPECTION

Lower and upper bodies

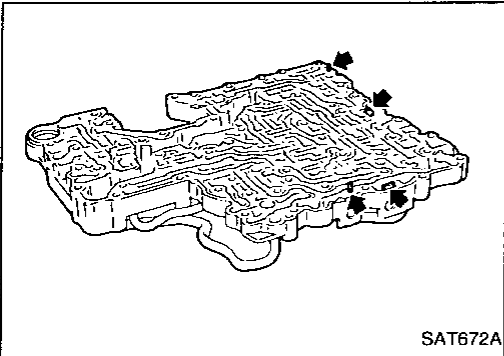
- Check to see that there are pins and retainer plates in lower body.

LC

EC

FE

AT



- Check to see that there are pins and retainer plates in upper body.

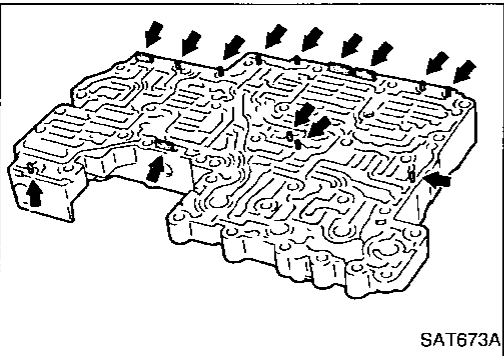
PD

- Be careful not to lose these parts.

FA

RA

BR



- Check to make sure that oil circuits are clean and free from damage.
- Check tube brackets and tube connectors for damage.

ST

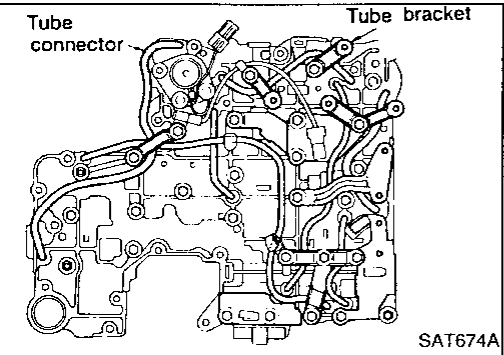
RS

BT

HA

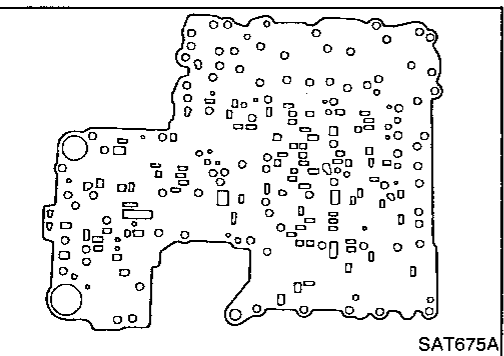
EL

IDX



Separator plates

- Check to make sure that separator plate is free of damage and not deformed and oil holes are clean.

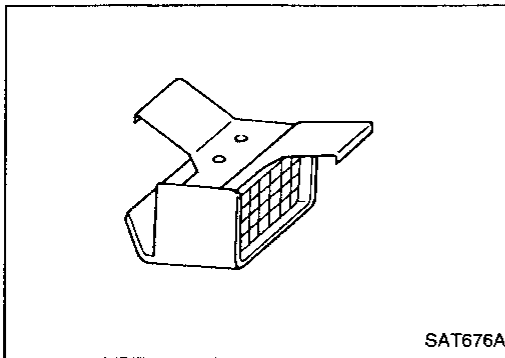


REPAIR FOR COMPONENT PARTS

Control Valve Assembly (Cont'd)

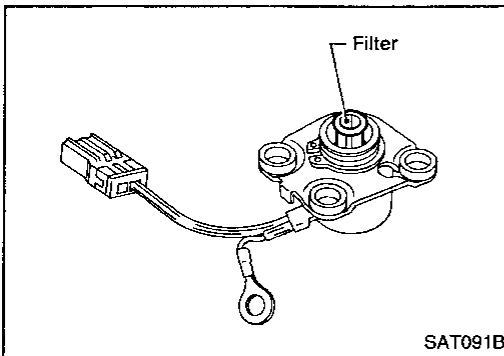
Pilot filter

- Check to make sure that filter is not clogged or damaged.



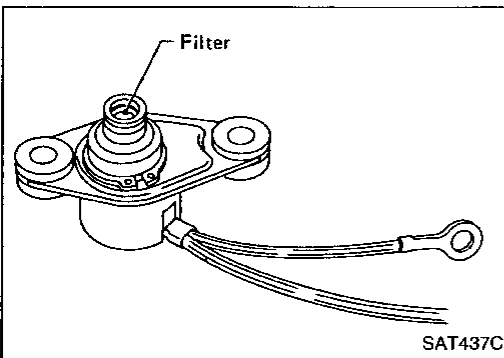
Torque converter clutch solenoid valve

- Check that filter is not clogged or damaged.
- Measure resistance. Refer to "Electrical Components Inspection", AT-111.



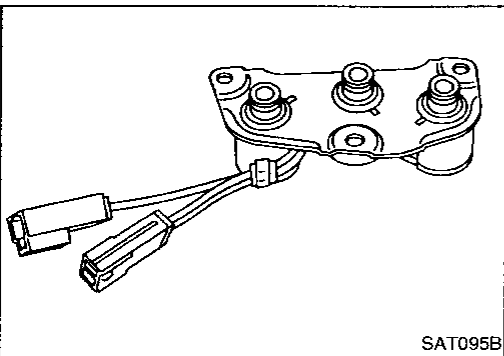
Line pressure solenoid valve

- Check that filter is not clogged or damaged.
- Measure resistance. Refer to "Electrical Components Inspection", AT-111.



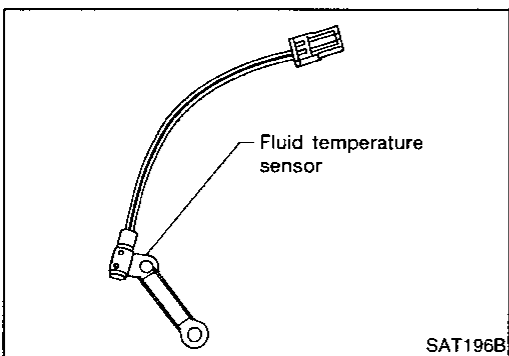
3-unit solenoid assembly (Overrun clutch solenoid valve and shift solenoids valve A and B)

- Measure resistance of each solenoid. Refer to "Electrical Components Inspection", AT-111.



Fluid temperature sensor

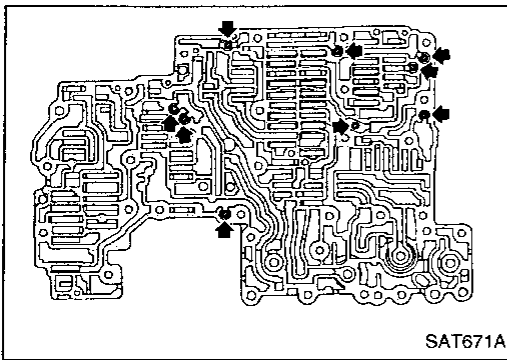
- Measure resistance. Refer to "Electrical Components Inspection", AT-111.



REPAIR FOR COMPONENT PARTS

Control Valve Assembly (Cont'd)

ASSEMBLY

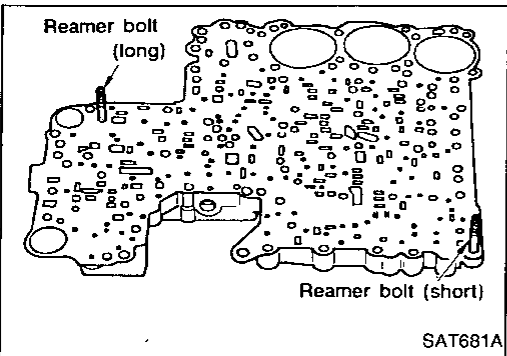


1. Install upper and lower bodies.
 - a. Place oil circuit of upper body face up. Install steel balls in their proper positions.

GI

MA

EM



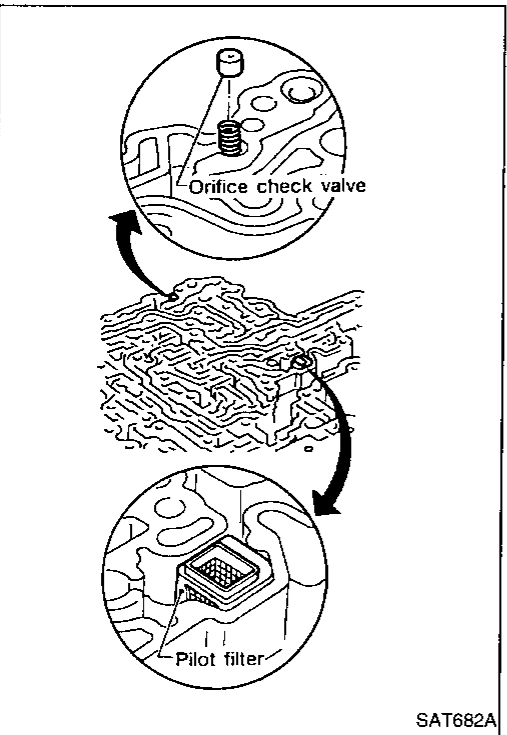
- b. Install reamer bolts from bottom of upper body and install separate gaskets.

LC

EC

FE

AT



- c. Place oil circuit of lower body face up. Install orifice check spring, orifice check valve and pilot filter.

PD

FA

RA

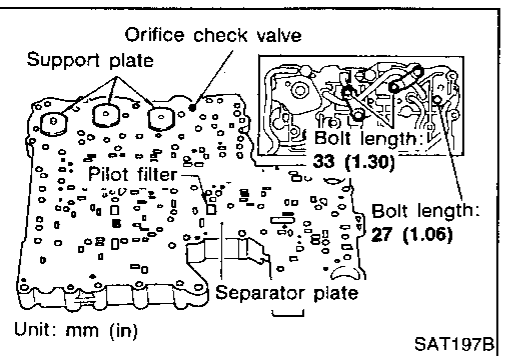
BR

ST

RS

BT

HA



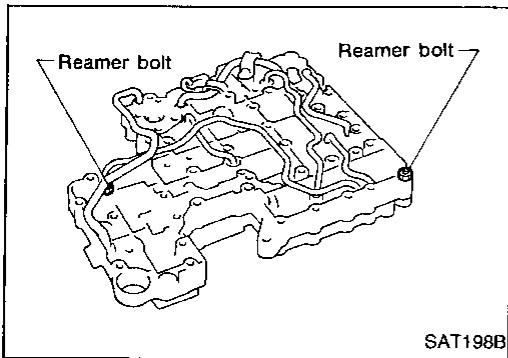
- d. Install lower separate gaskets and separator plates on lower body.
 - e. Install and temporarily tighten support plates, fluid temperature sensor and tube brackets.

EL

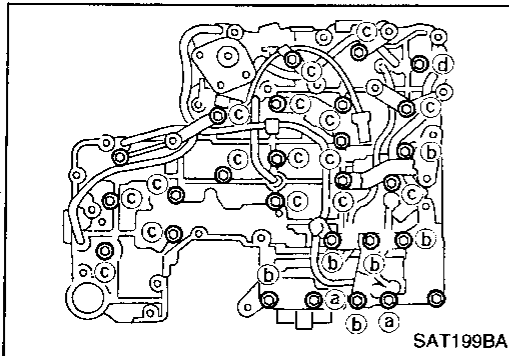
IDX

REPAIR FOR COMPONENT PARTS

Control Valve Assembly (Cont'd)



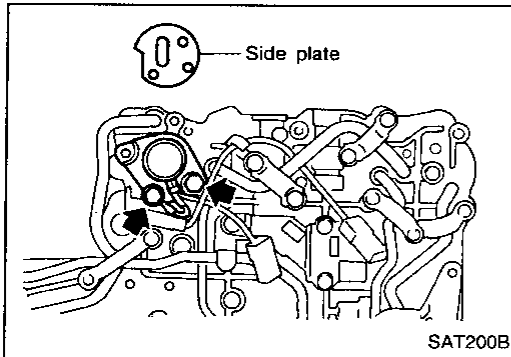
- f. Temporarily assemble lower and upper bodies, using reamer bolt as a guide.
 - Be careful not to dislocate or drop steel balls, orifice check spring, orifice check valve and pilot filter.



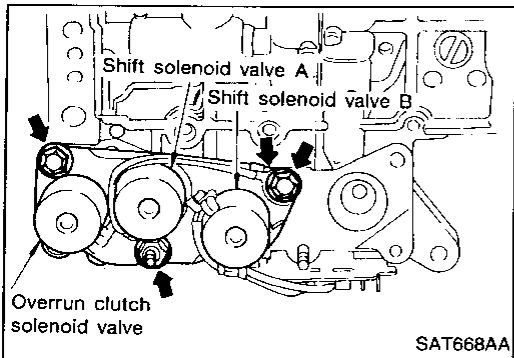
- g. Install and temporarily tighten bolts and tube brackets in their proper locations.

Bolt length and location:

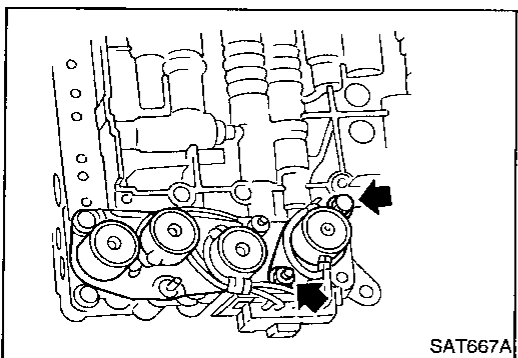
Item	Bolt symbol			
	a	b	c	d
Bolt length	70 (2.76)	50 (1.97)	33 (1.30)	27 (1.06)



2. Install solenoids.
 - a. Attach O-ring and install torque converter clutch solenoid valve and side plates onto lower body.

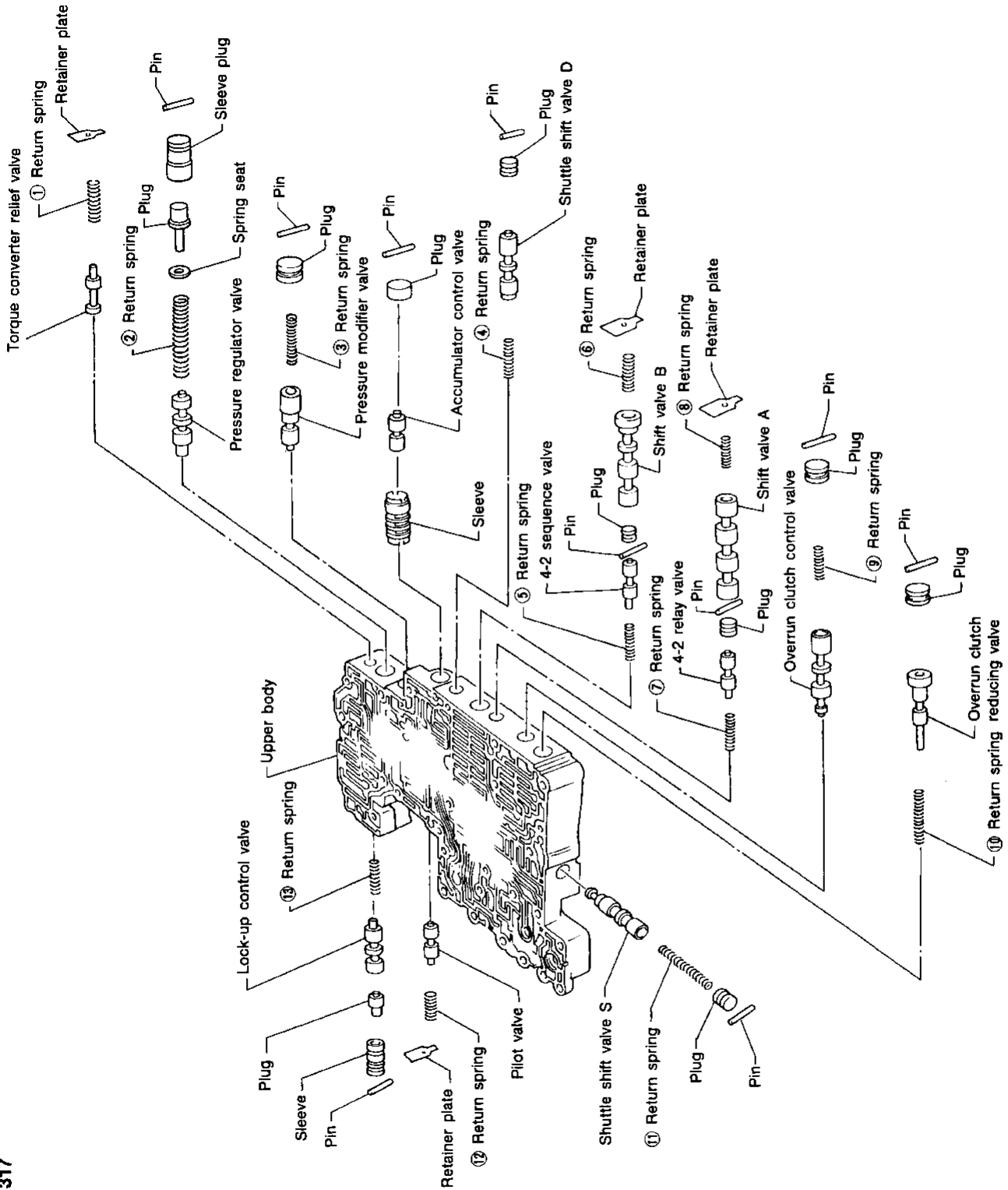


- b. Attach O-rings and install 3-unit solenoids assembly onto upper body.



- c. Attach O-ring and install line pressure solenoid onto upper body.
3. Tighten all bolts.

Control Valve Upper Body



SEC. 317

Apply ATF to all components before their installation.

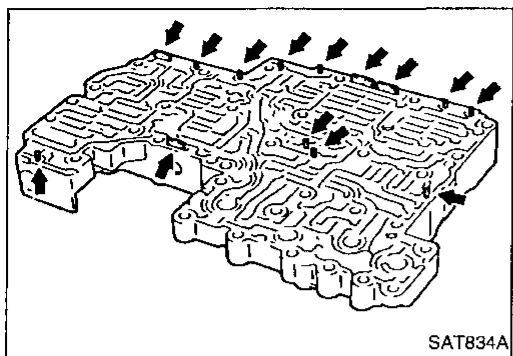
Numbers preceding valve springs correspond with those shown in Spring Chart on page AT-214.

GI
MA
EM
LC
EC
FE
AT
PD
FA
RA
BR
ST
RS
BT
HA
EL
IDX

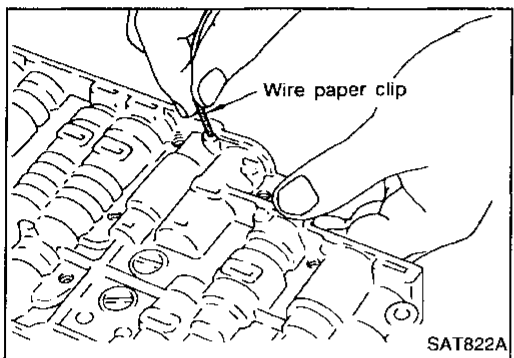
REPAIR FOR COMPONENT PARTS

Control Valve Upper Body (Cont'd)

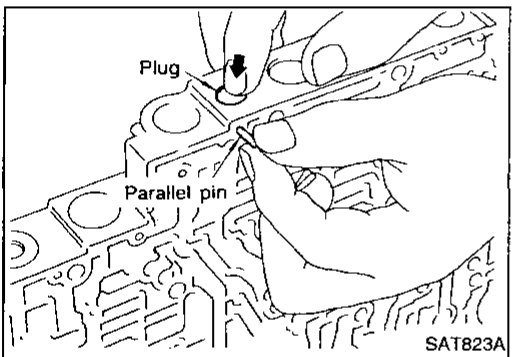
DISASSEMBLY



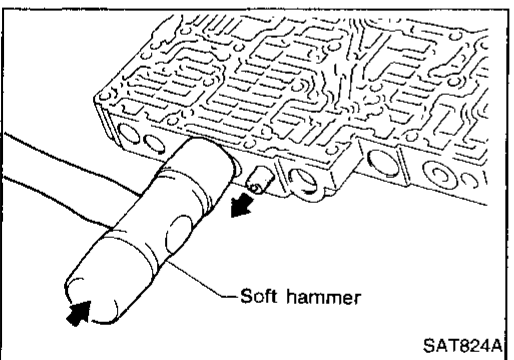
1. Remove valves at parallel pins.
 - Do not use a magnetic hand.



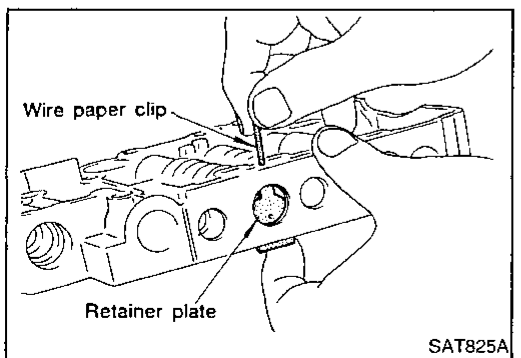
- a. Use a wire paper clip to push out parallel pins.



- b. Remove parallel pins while pressing their corresponding plugs and sleeves.
 - Remove plug slowly to prevent internal parts from jumping out.



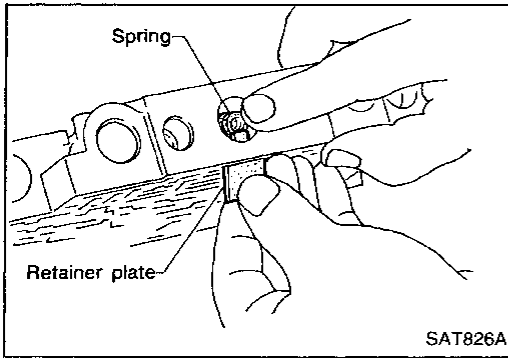
- c. Place mating surface of valve facedown, and remove internal parts.
 - If a valve is hard to remove, place valve body facedown and lightly tap it with a soft hammer.
 - Be careful not to drop or damage valves and sleeves.



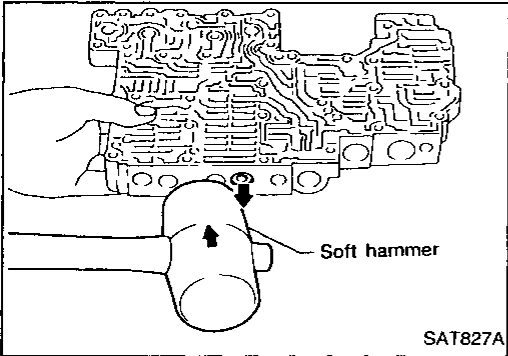
2. Remove valves at retainer plates.
 - a. Pry out retainer plate with wire paper clip.

REPAIR FOR COMPONENT PARTS

Control Valve Upper Body (Cont'd)



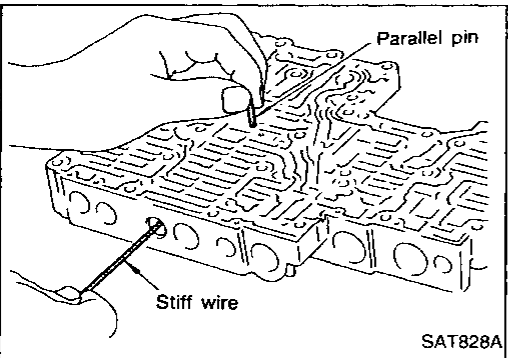
b. Remove retainer plates while holding spring.



c. Place mating surface of valve facedown, and remove internal parts.

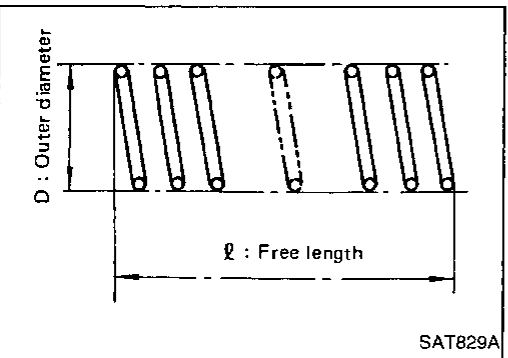
- If a valve is hard to remove, lightly tap valve body with a soft hammer.

- Be careful not to drop or damage valves, sleeves, etc.



- 4-2 sequence valve and relay valve are located far back in upper body. If they are hard to remove, carefully push them out using stiff wire.

- Be careful not to scratch sliding surface of valve with wire.



INSPECTION

Valve springs

- Measure free length and outer diameter of each valve spring. Also check for damage or deformation.

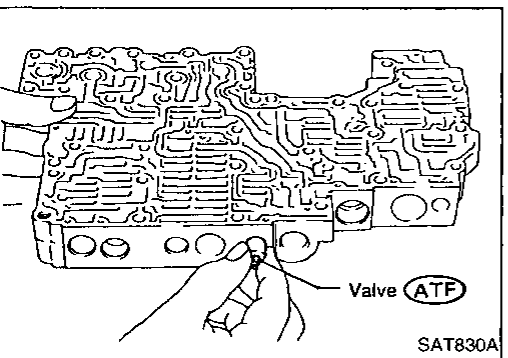
Inspection standard:

Refer to SDS, AT-214.

- Replace valve springs if deformed or fatigued.

Control valves

- Check sliding surfaces of valves, sleeves and plugs for damage.



ASSEMBLY

1. Lubricate the control valve body and all valves with ATF. Install control valves by sliding them carefully into their bores.

- Be careful not to scratch or damage valve body.

GI

MA

EM

LC

EC

FE

AT

PD

FA

RA

BR

ST

RS

BT

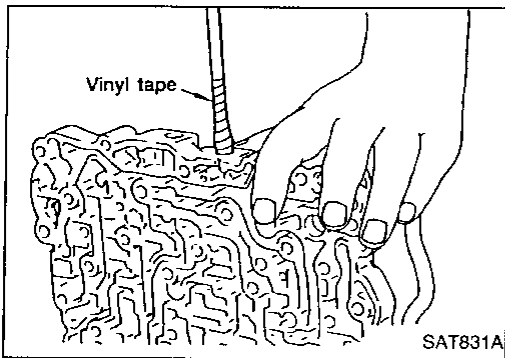
HA

EL

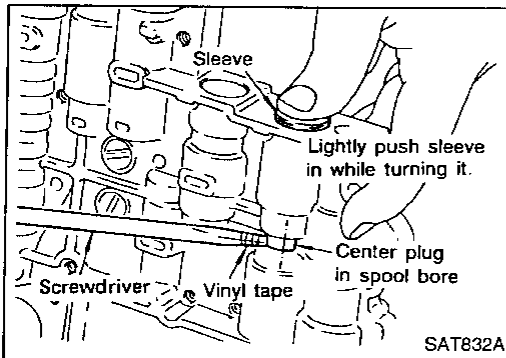
IDX

REPAIR FOR COMPONENT PARTS

Control Valve Upper Body (Cont'd)

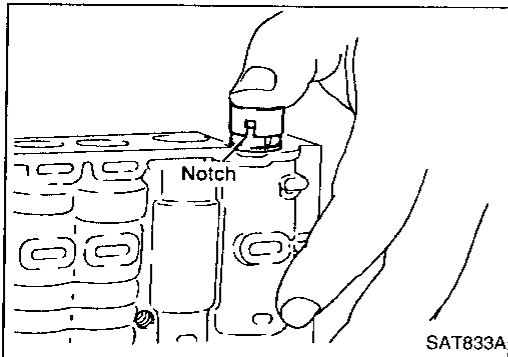


- Wrap a small screwdriver with vinyl tape and use it to insert the valves into proper position.



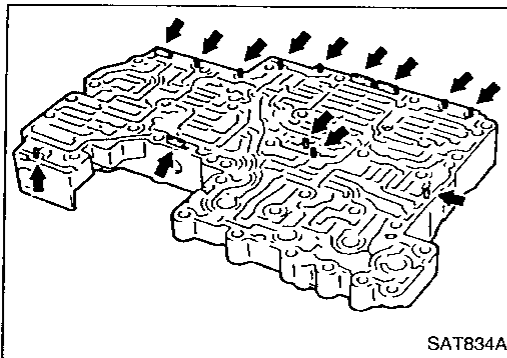
Pressure regulator valve

- If pressure regulator plug is not centered properly, sleeve cannot be inserted into bore in upper body. If this happens, use vinyl tape wrapped screwdriver to center sleeve until it can be inserted.
- Turn sleeve slightly while installing.

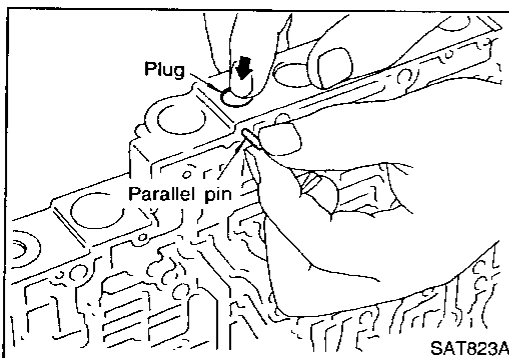


Accumulator control plug

- Align protrusion of accumulator control sleeve with notch in plug.
- Align parallel pin groove in plug with parallel pin, and install accumulator control valve.



2. Install parallel pins and retainer plates.



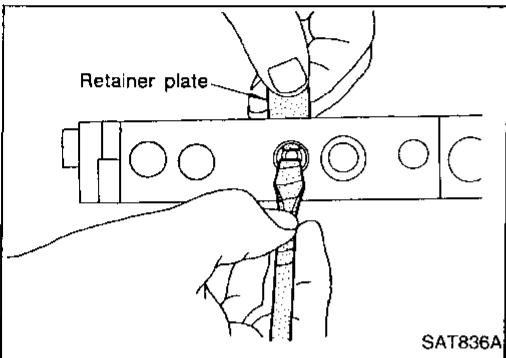
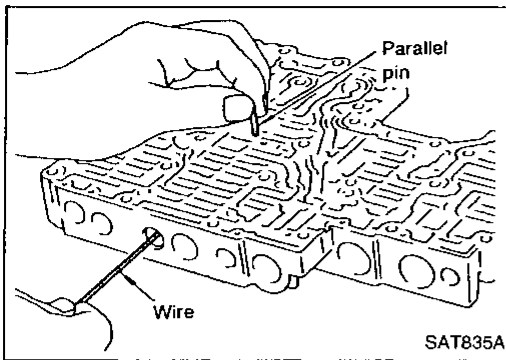
- While pushing plug, install parallel pin.

REPAIR FOR COMPONENT PARTS

Control Valve Upper Body (Cont'd)

4-2 sequence valve and relay valve

- Push 4-2 sequence valve and relay valve with wire wrapped in vinyl tape to prevent scratching valve body. Install parallel pins.



- Insert retainer plate while pushing spring.

GI

MA

EM

LC

EC

FE

AT

PD

FA

RA

BR

ST

RS

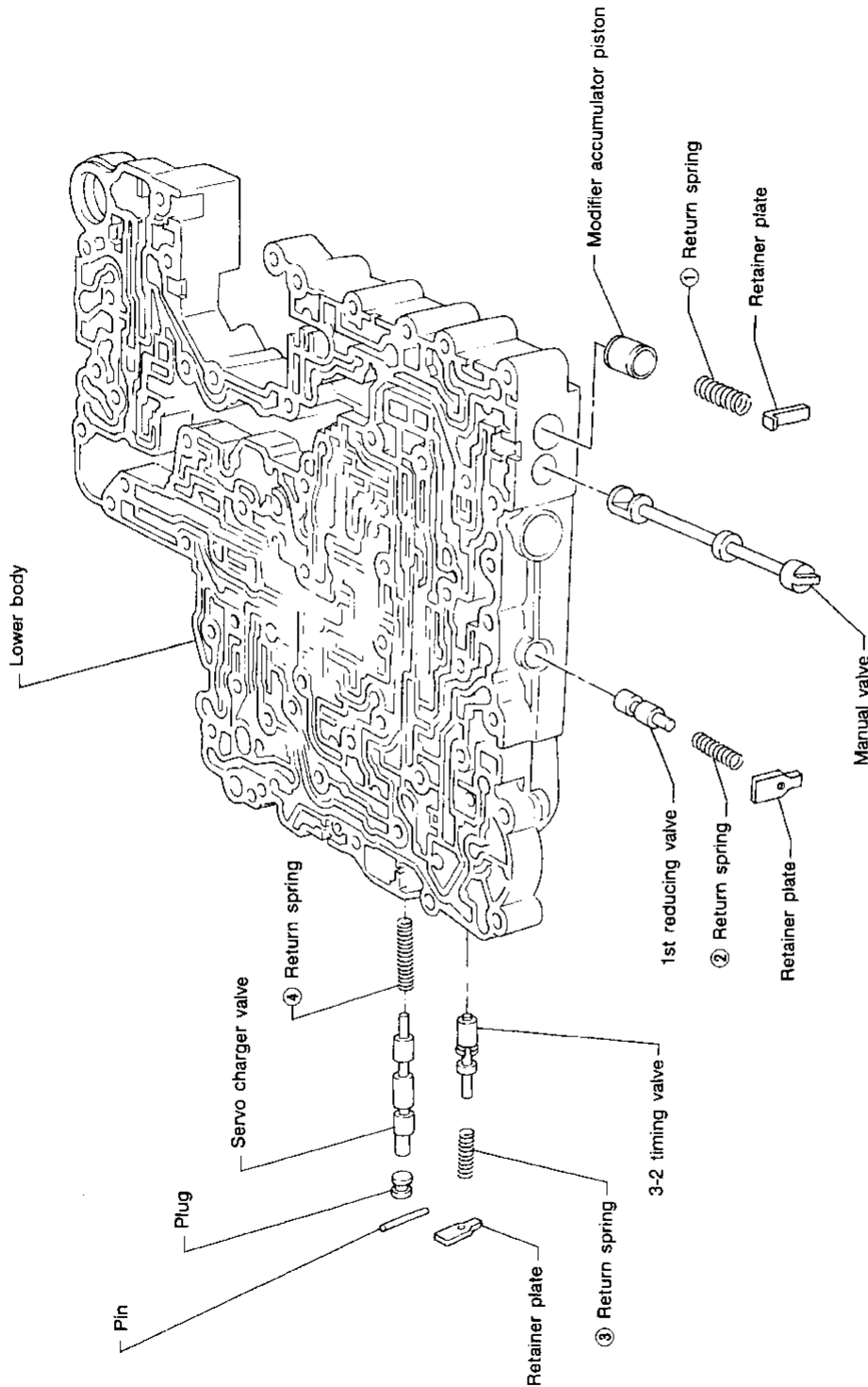
BT

HA

EL

IDX

Control Valve Lower Body



SEC. 317

Apply ATF to all components before their installation.

Numbers preceding valve springs correspond with those shown in Spring Chart on page AT-214.

SAT112GA

REPAIR FOR COMPONENT PARTS

Control Valve Lower Body (Cont'd)

DISASSEMBLY

1. Remove valves at parallel pins.
 2. Remove valves at retainer plates.
- For removal procedures, refer to "DISASSEMBLY" of Control Valve Upper Body, AT-162.

GI

MA

EM

LC

EC

FE

AT

PD

FA

RA

BR

ST

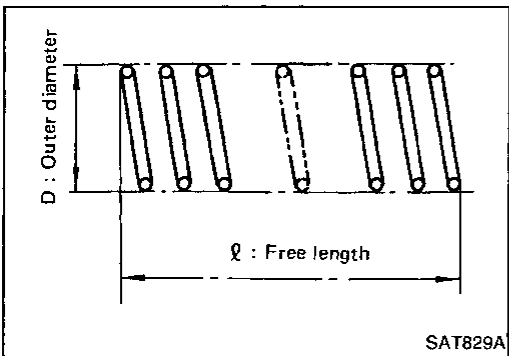
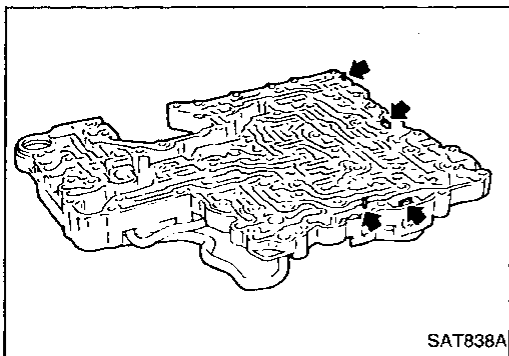
RS

BT

HA

EL

IDX



INSPECTION

Valve springs

- Check each valve spring for damage or deformation. Also measure free length and outer diameter.

Inspection standard:

Refer to SDS, AT-214.

- Replace valve springs if deformed or fatigued.

Control valves

- Check sliding surfaces of control valves, sleeves and plugs for damage.

AT

PD

FA

RA

BR

ST

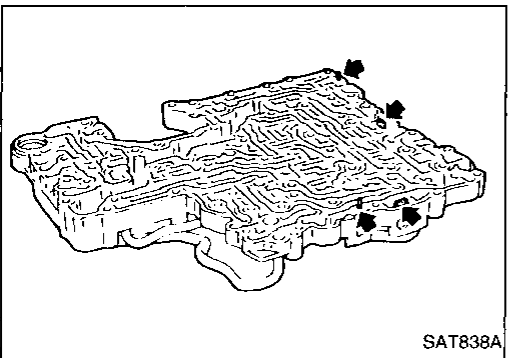
RS

BT

HA

EL

IDX



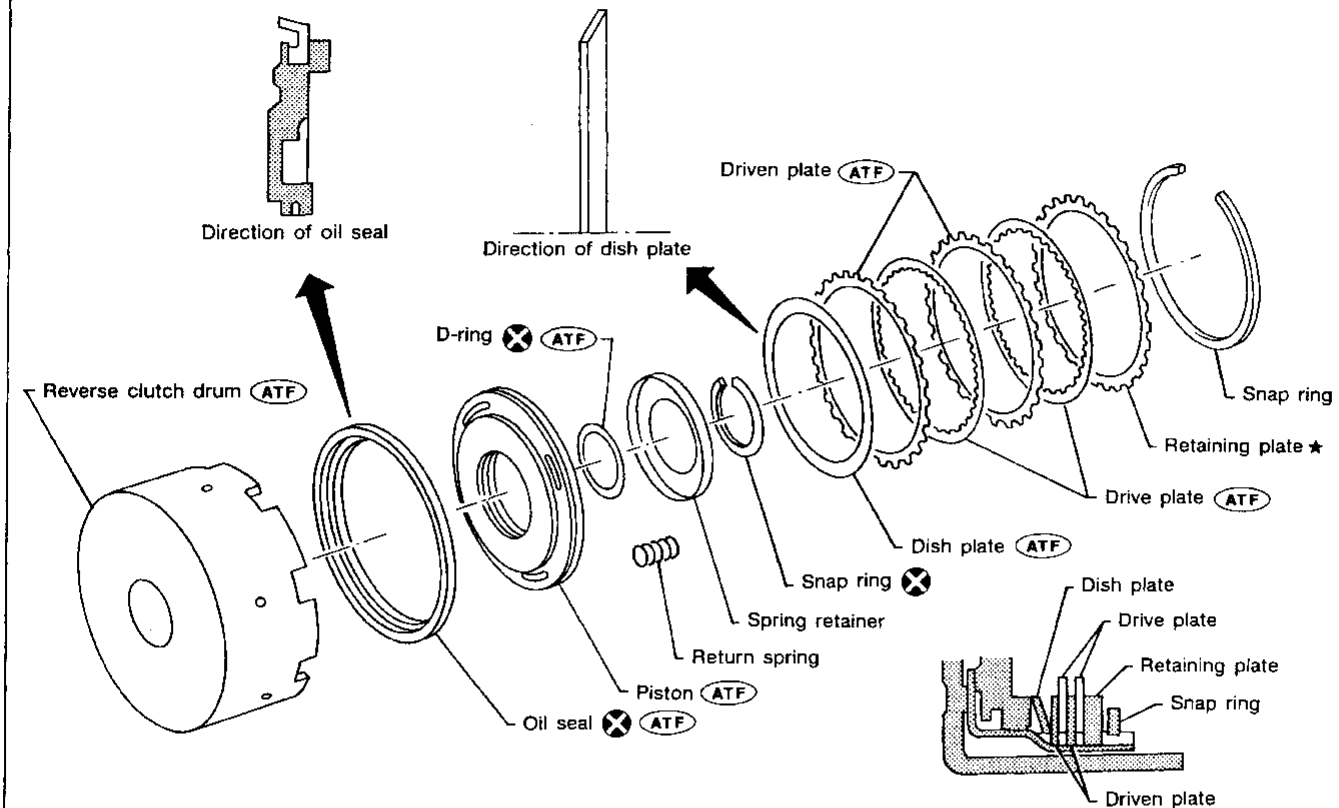
ASSEMBLY

- Install control valves. For installation procedures, refer to "ASSEMBLY" of Control Valve Assembly, AT-159.

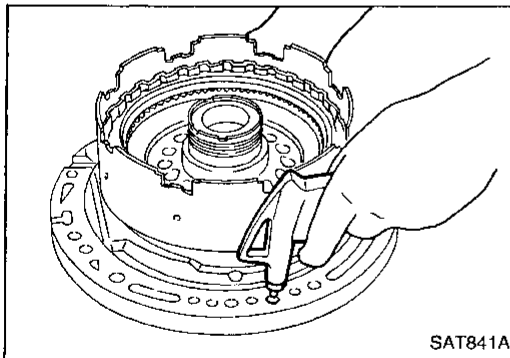
Reverse Clutch

SEC. 315

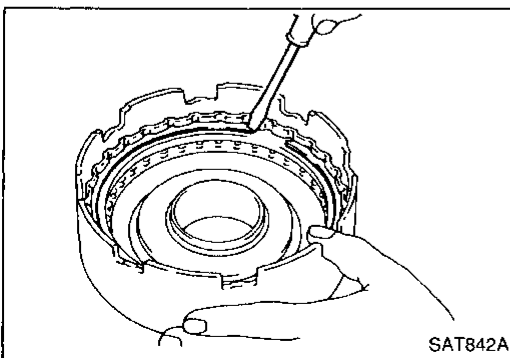
Ⓐ : Apply ATF.
★ : Select with proper thickness.



SAT593HA



SAT841A



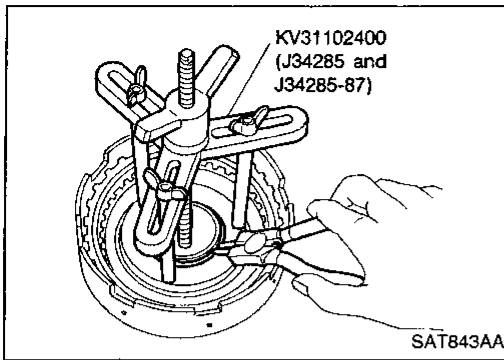
SAT842A

DISASSEMBLY

1. Check operation of reverse clutch.
 - a. Install seal ring onto oil pump cover and install reverse clutch. Apply compressed air to oil hole.
 - b. Check to see that retaining plate moves to snap ring.
 - c. If retaining plate does not contact snap ring,
 - D-ring might be damaged.
 - Oil seal might be damaged.
 - Fluid might be leaking past piston check ball.
2. Remove drive plates, driven plates, retaining plate, dish plate and snap ring.

REPAIR FOR COMPONENT PARTS

Reverse Clutch (Cont'd)



3. Remove snap ring from clutch drum while compressing clutch springs.
- **Do not expand snap ring excessively.**
4. Remove spring retainer and return spring.

GI

MA

EM

LC

EC

FE

AT

PD

FA

RA

BR

ST

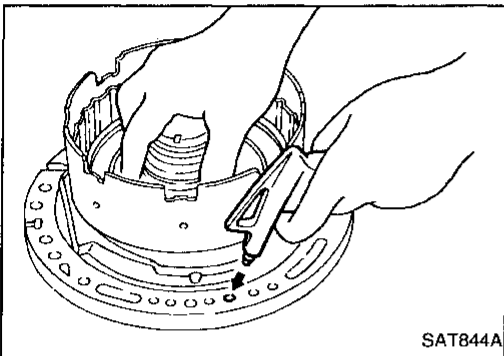
RS

BT

HA

EL

IDX

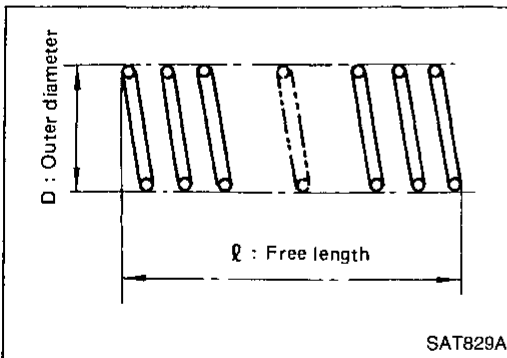


5. Install seal ring onto oil pump cover and install reverse clutch drum. While holding piston, gradually apply compressed air to oil hole until piston is removed.
- **Do not apply compressed air abruptly.**
6. Remove D-ring and oil seal from piston.

INSPECTION

Reverse clutch snap ring and spring retainer

- Check for deformation, fatigue or damage.

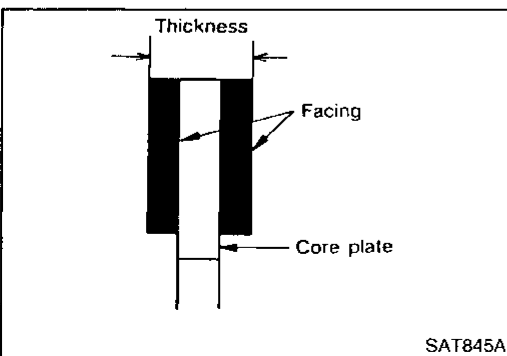


Reverse clutch return springs

- Check for deformation or damage. Also measure free length and outside diameter.

Inspection standard:

Refer to SDS, AT-214.



Reverse clutch drive plates

- Check facing for burns, cracks or damage.
- Measure thickness of facing.

Thickness of drive plate:

Standard value: 2.0 mm (0.079 in)

Wear limit: 1.8 mm (0.071 in)

- If not within wear limit, replace.

Reverse clutch dish plate

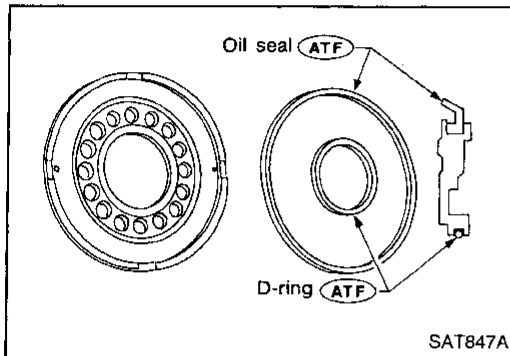
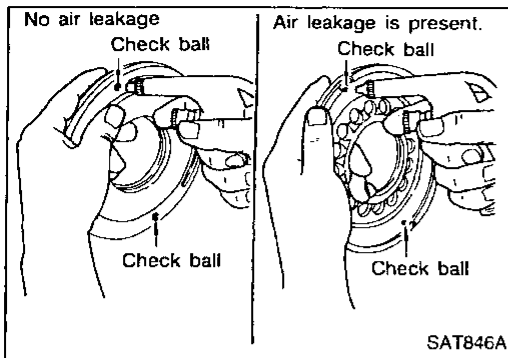
- Check for deformation or damage.

REPAIR FOR COMPONENT PARTS

Reverse Clutch (Cont'd)

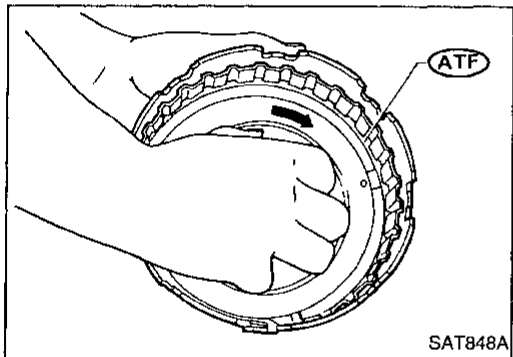
Reverse clutch piston

- Shake piston to assure that balls are not seized.
- Apply compressed air to check ball oil hole opposite the return spring to assure that there is no air leakage.
- Also apply compressed air to oil hole on return spring side to assure that air leaks past ball.

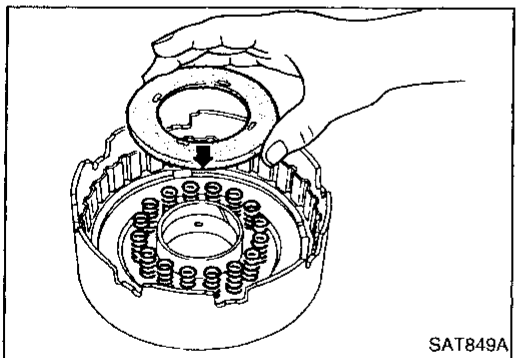


ASSEMBLY

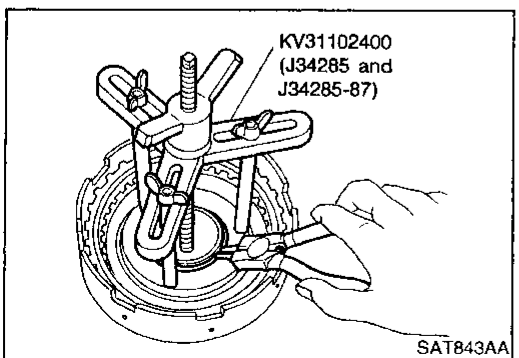
1. Install D-ring and oil seal on piston.
- Apply ATF to both parts.



2. Install piston assembly by turning it slowly and evenly.
- Apply ATF to inner surface of drum.



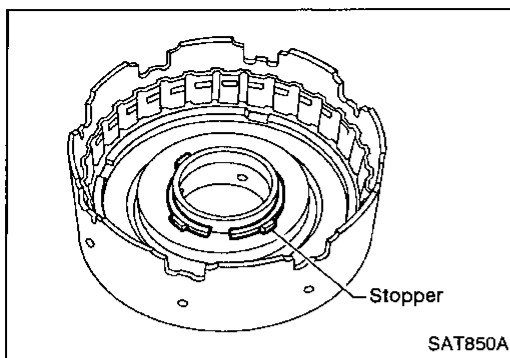
3. Install return springs and spring retainer.



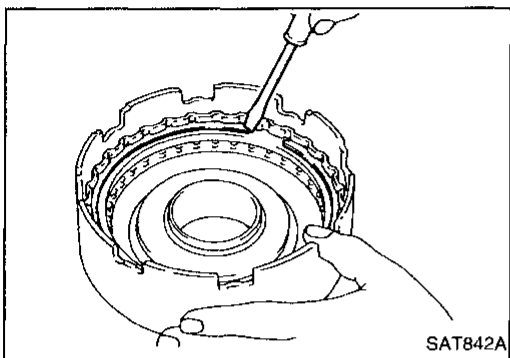
4. Install snap ring while compressing clutch springs.

REPAIR FOR COMPONENT PARTS

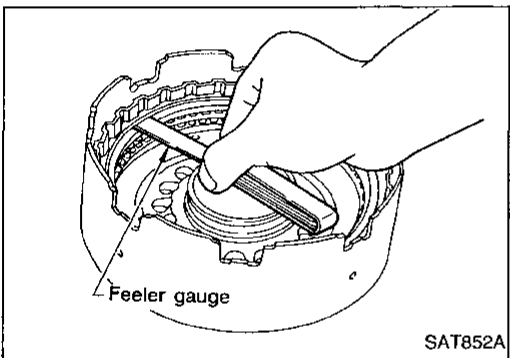
Reverse Clutch (Cont'd)



- Do not align snap ring gap with spring retainer stopper.
5. Install drive plates, driven plates, retaining plate and dish plate.



6. Install snap ring.



7. Measure clearance between retaining plate and snap ring. If not within allowable limit, select proper retaining plate.

Specified clearance:

Standard

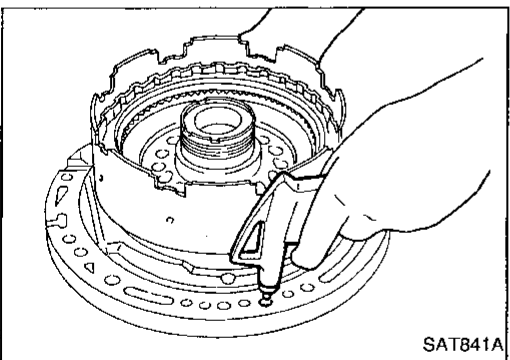
0.5 - 0.8 mm (0.020 - 0.031 in)

Allowable limit

1.2 mm (0.047 in)

Retaining plate:

Refer to SDS, AT-215.



8. Check operation of reverse clutch.
Refer to "DISASSEMBLY" of Reverse Clutch, AT-168.

GI

MA

EM

LC

EC

FE

AT

PD

FA

RA

BR

ST

RS

BT

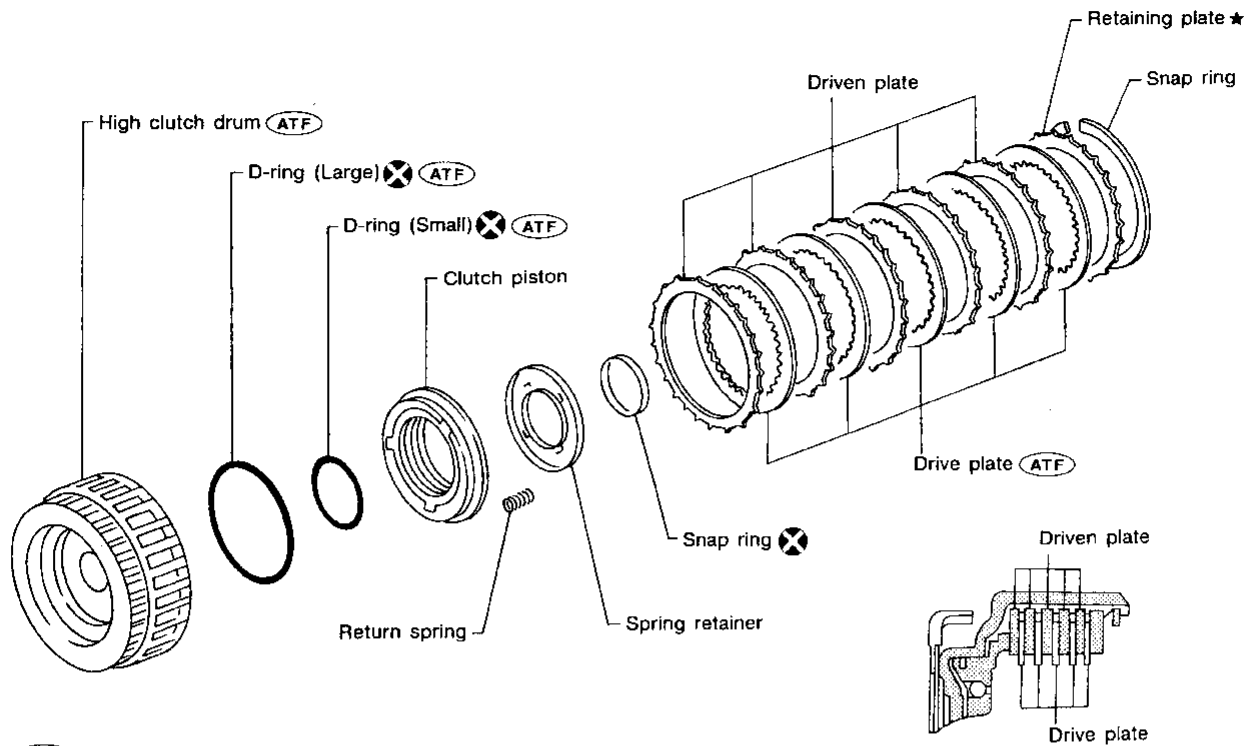
HA

EL

IDX

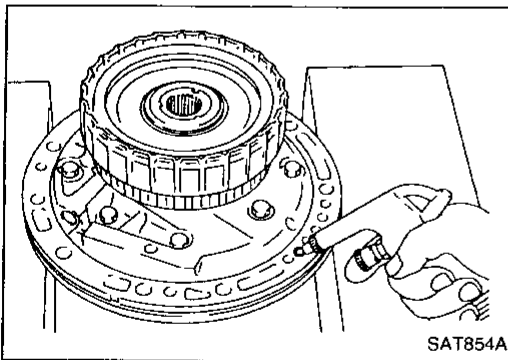
High Clutch

SEC. 315

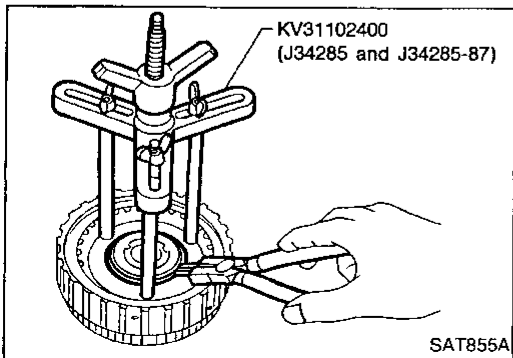


(ATF) : Apply ATF.
 ★ : Select with proper thickness.

SAT365CB



SAT854A



SAT855A

DISASSEMBLY AND ASSEMBLY

Service procedures for high clutch are essentially the same as those for reverse clutch, with the following exception:

- Check of high clutch operation
- Removal and installation of return spring

REPAIR FOR COMPONENT PARTS

High Clutch (Cont'd)

INSPECTION

High clutch snap ring and spring retainer

- Check for deformation, fatigue or damage

GI

MA

EM

LC

EC

FE

AT

PD

FA

RA

BR

ST

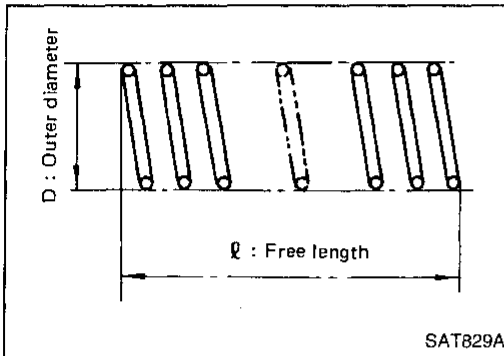
RS

BT

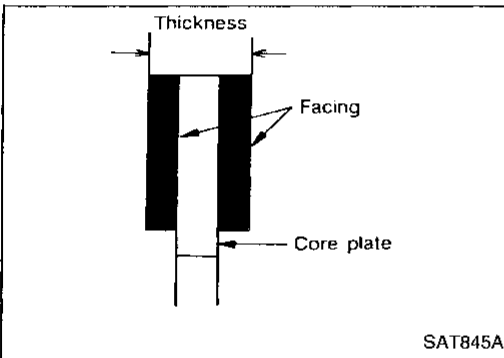
HA

EL

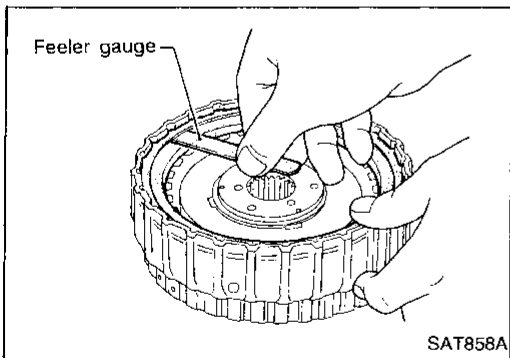
IDX



- Inspection of high clutch return springs
Inspection standard:
Refer to SDS, AT-214.



- Inspection of high clutch drive plate
Thickness of drive plate:
Standard
1.6 mm (0.063 in)
Wear limit
1.4 mm (0.055 in)

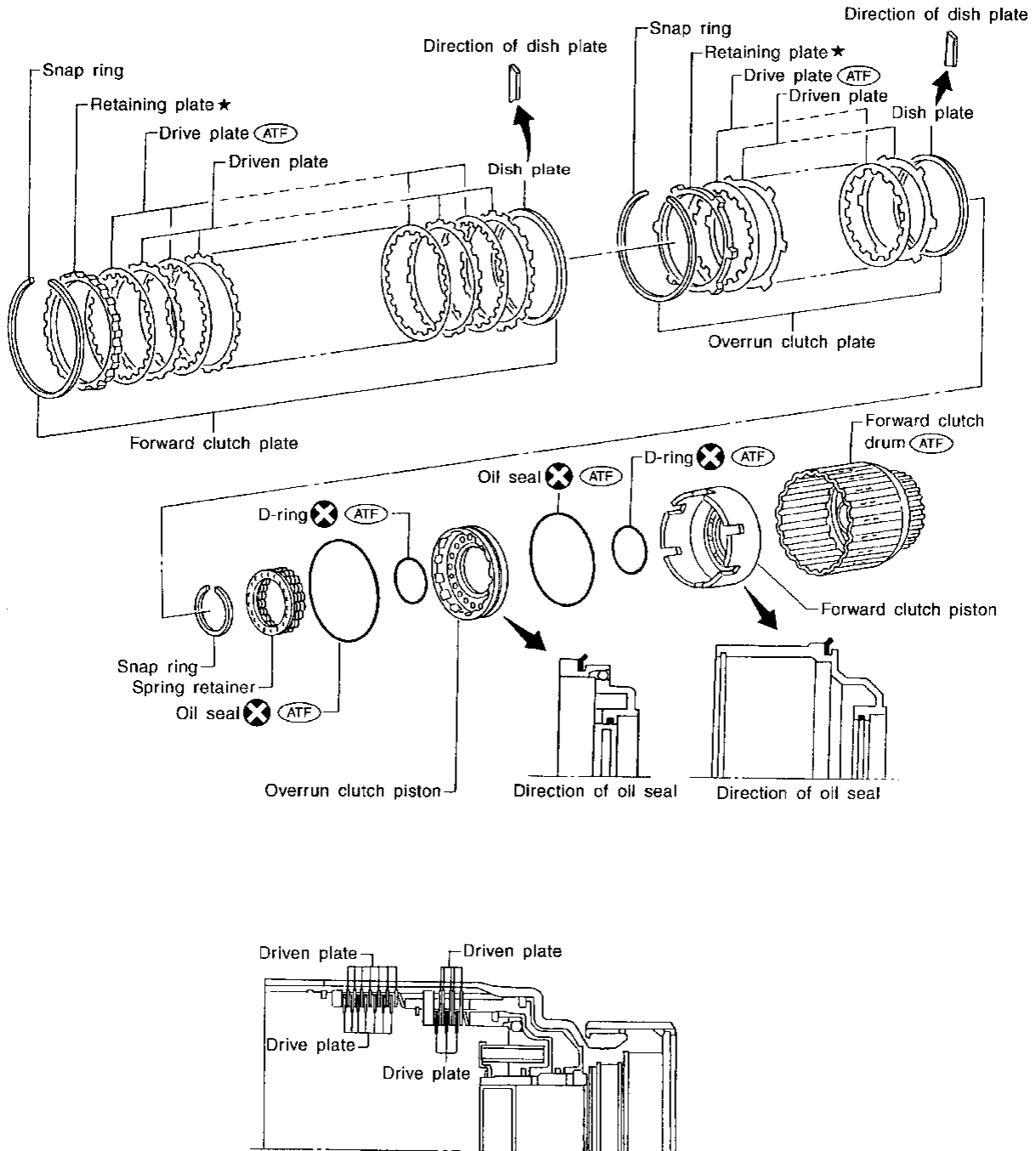


- Measurement of clearance between retaining plate and snap ring
Specified clearance:
Standard
1.8 - 2.2 mm (0.071 - 0.087 in)
Allowable limit
3.2 mm (0.126 in)
Retaining plate:
Refer to SDS, AT-215.

Forward and Overrun Clutches

SEC. 315

For the number of clutch plates (drive and driven plates), refer to the below cross-section.



(ATF) : Apply ATF.
 ★ : Select with proper thickness.

REPAIR FOR COMPONENT PARTS

Forward and Overrun Clutches (Cont'd)

DISASSEMBLY AND ASSEMBLY

Service procedures for forward and overrun clutches are essentially the same as those for reverse clutch, with the following exception:

- Check of forward clutch operation.

GI

MA

EM

- Check of overrun clutch operation.

LC

EC

FE

AT

- Removal of forward clutch drum

Remove forward clutch drum from transmission case by holding snap ring.

PD

FA

RA

BR

- Removal of forward clutch and overrun clutch pistons

1. While holding overrun clutch piston, gradually apply compressed air to oil hole.

ST

RS

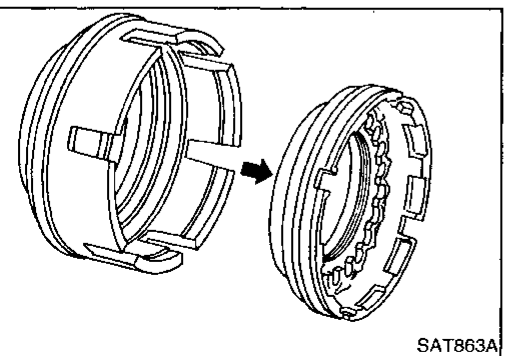
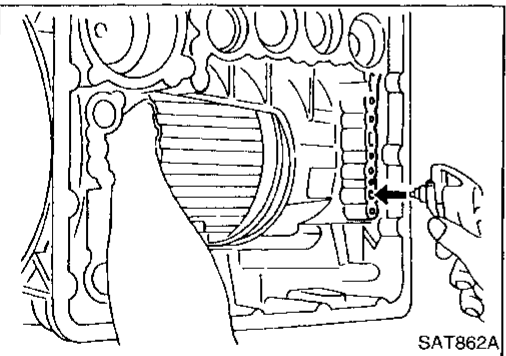
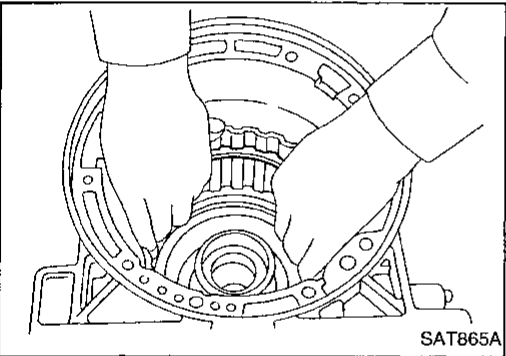
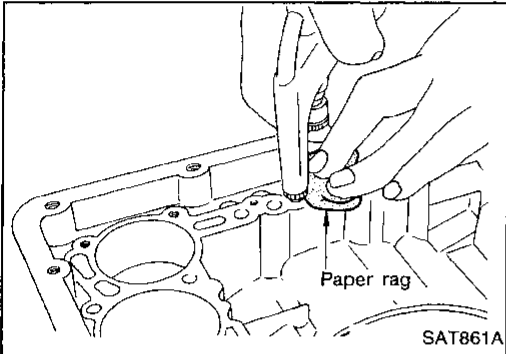
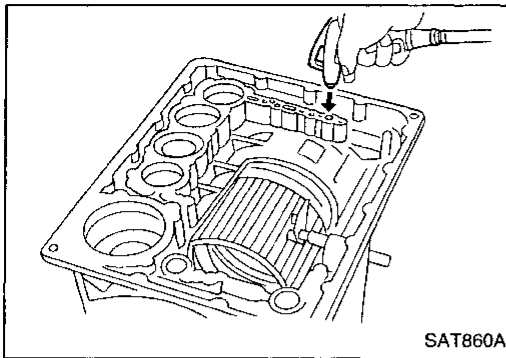
BT

HA

EL

IDX

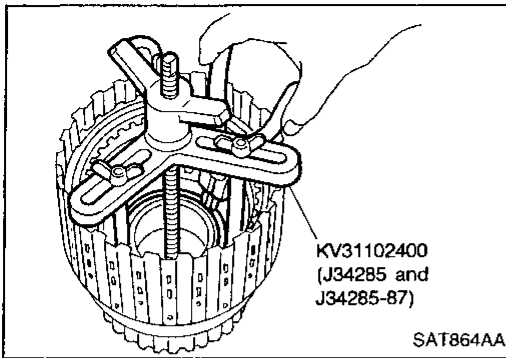
2. Remove overrun clutch from forward clutch.



REPAIR FOR COMPONENT PARTS

Forward and Overrun Clutches (Cont'd)

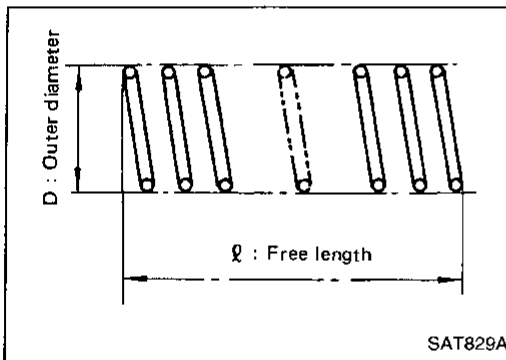
- Removal and installation of return springs



INSPECTION

Forward and overrun clutch snap ring and spring retainer

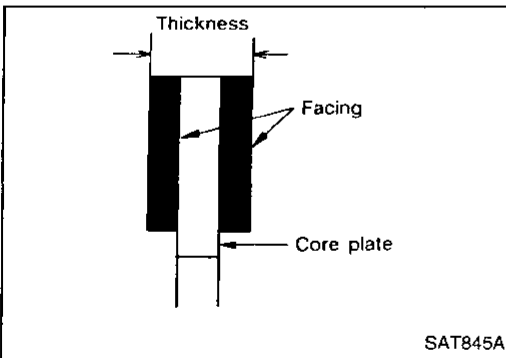
- Check for deformation, fatigue or damage.



- Inspection of forward clutch and overrun clutch return springs

Inspection standard:

Refer to SDS, AT-214.



- Inspection of forward clutch drive plates

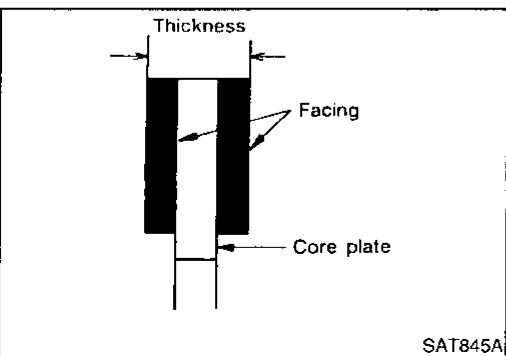
Thickness of drive plate:

Standard

1.6 mm (0.063 in)

Wear limit

1.4 mm (0.055 in)



- Inspection of overrun clutch drive plates

Thickness of drive plate:

Standard

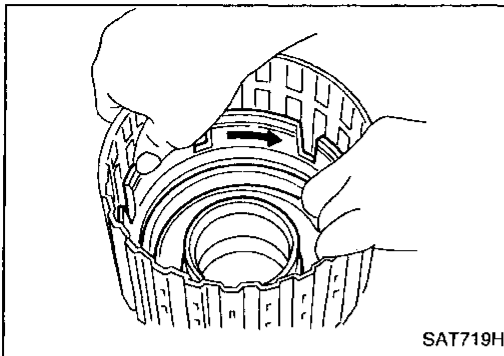
2.0 mm (0.079 in)

Wear limit

1.8 mm (0.071 in)

REPAIR FOR COMPONENT PARTS

Forward and Overrun Clutches (Cont'd)



- Installation of forward clutch piston and overrun clutch piston
- 1. Install forward clutch piston by turning it slowly and evenly.
- Apply ATF to inner surface of clutch drum.

GI

MA

EM

LC

EC

FE

AT

PD

FA

RA

BR

ST

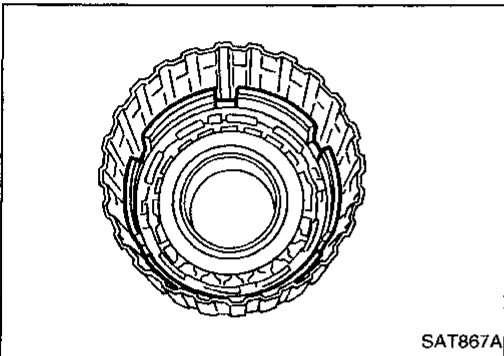
RS

BT

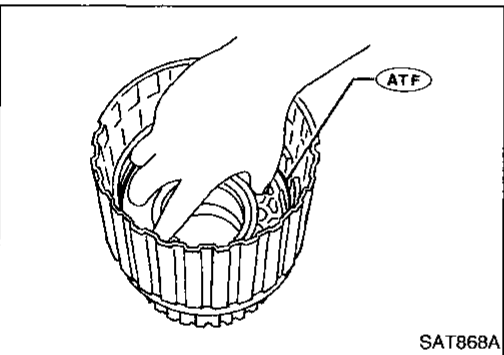
HA

EL

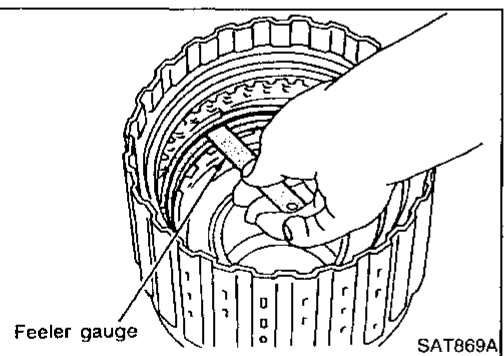
IDX



- Align notch in forward clutch piston with groove in forward clutch drum.



2. Install overrun clutch by turning it slowly and evenly.
- Apply ATF to inner surface of forward clutch piston.



- Measurement of clearance between retaining plate and snap ring of overrun clutch

Specified clearance:

Standard

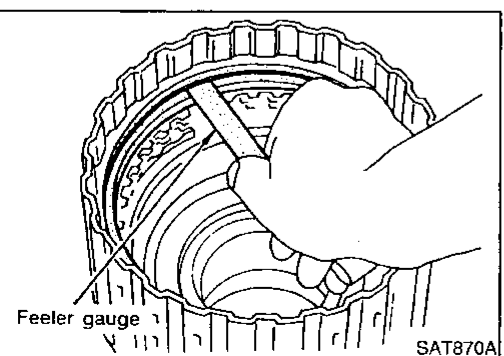
1.0 - 1.4 mm (0.039 - 0.055 in)

Allowable limit

2.0 mm (0.079 in)

Retaining plate:

Refer to SDS, AT-215.



- Measurement of clearance between retaining plate and snap ring of forward clutch

Specified clearance:

Standard

0.35 - 0.75 mm (0.0138 - 0.0295 in)

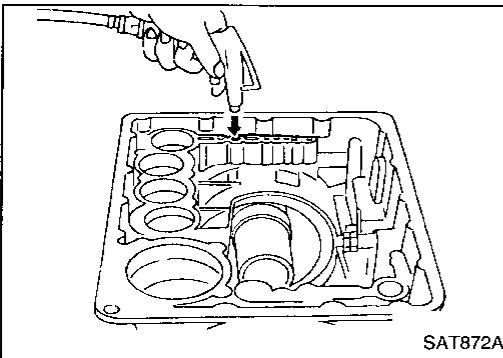
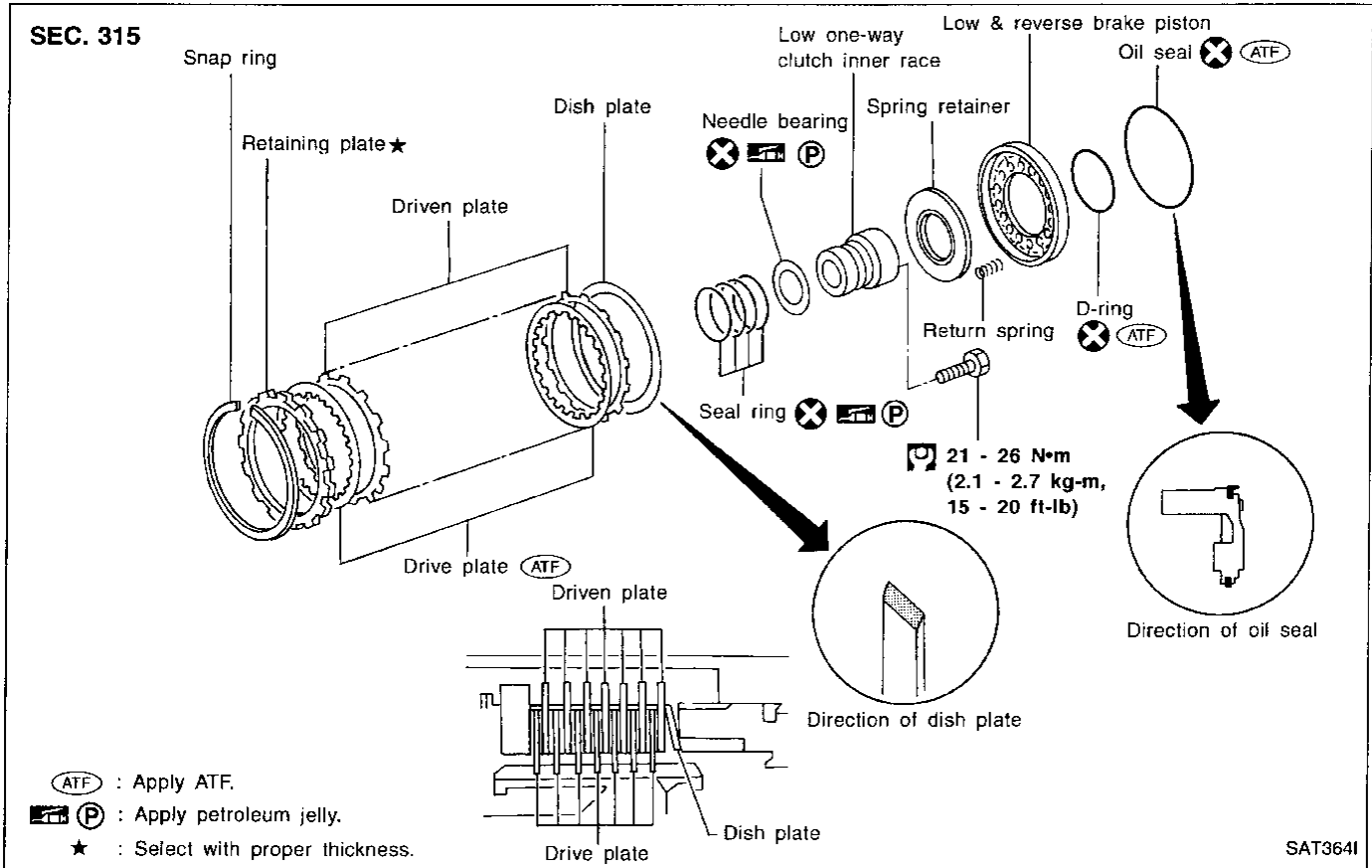
Allowable limit

2.25 mm (0.0886 in)

Retaining plate:

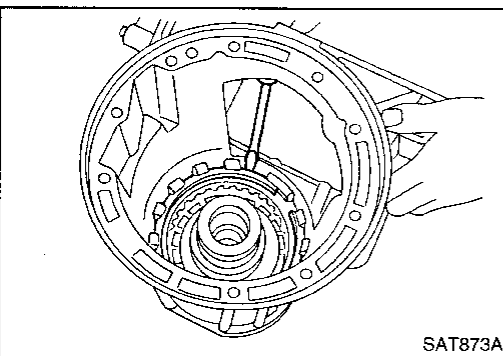
Refer to SDS, AT-215.

Low & Reverse Brake



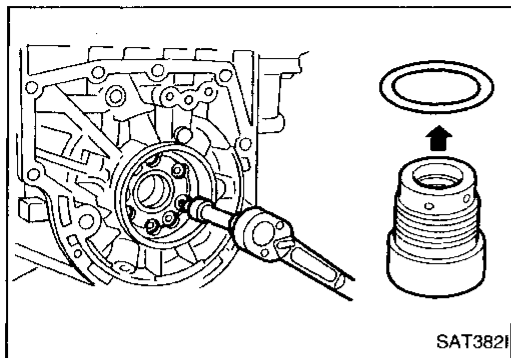
DISASSEMBLY

1. Check operation of low and reverse brake.
 - a. Install seal ring onto oil pump cover and install reverse clutch. Apply compressed air to oil hole.
 - b. Check to see that retaining plate moves to snap ring.
 - c. If retaining plate does not contact snap ring,
 - D-ring might be damaged.
 - Oil seal might be damaged.
 - Fluid might be leaking past piston check ball.
2. Remove snap ring, low and reverse brake drive plates, driven plates and dish plate.



REPAIR FOR COMPONENT PARTS

Low & Reverse Brake (Cont'd)



3. Remove low one-way clutch inner race, spring retainer and return spring from transmission case.
4. Remove seal rings from low one-way clutch inner race.
5. Remove needle bearing from low one-way clutch inner race.

GI

MA

EM

LC

EC

FE

AT

PD

FA

RA

BR

ST

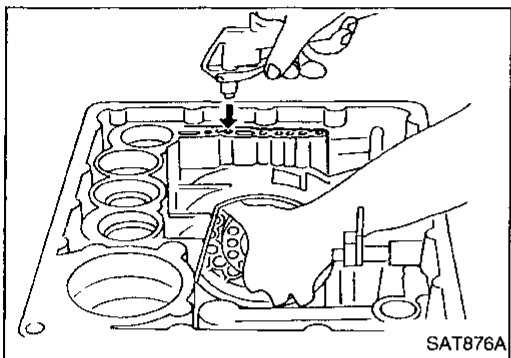
RS

BT

HA

EL

IDX

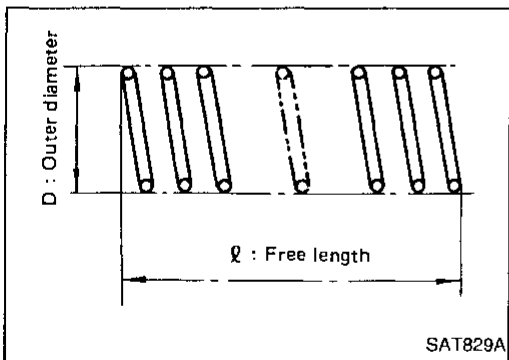


6. Remove low and reverse brake piston using compressed air.
7. Remove oil seal and D-ring from piston.

INSPECTION

Low and reverse brake snap ring and spring retainer

- Check for deformation, fatigue or damage.

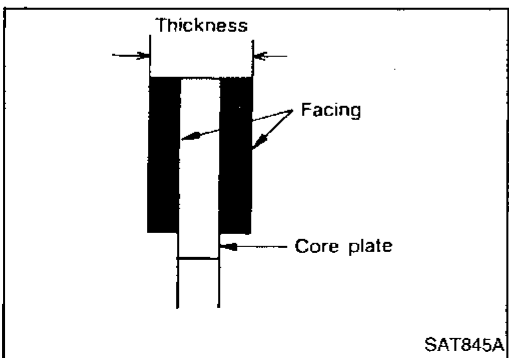


Low and reverse brake return springs

- Check for deformation or damage. Also measure free length and outside diameter.

Inspection standard:

Refer to SDS, AT-214.



Low and reverse brake drive plates

- Check facing for burns, cracks or damage.
- Measure thickness of facing.

Thickness of drive plate:

Standard value

2.0 mm (0.079 in)

Wear limit

1.8 mm (0.071 in)

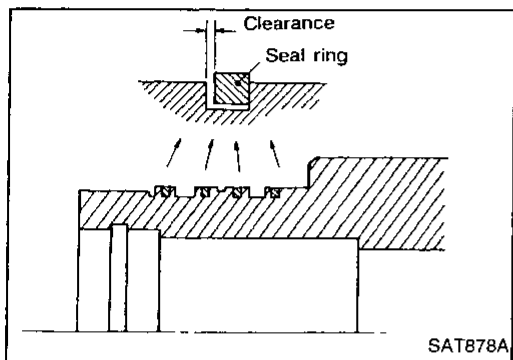
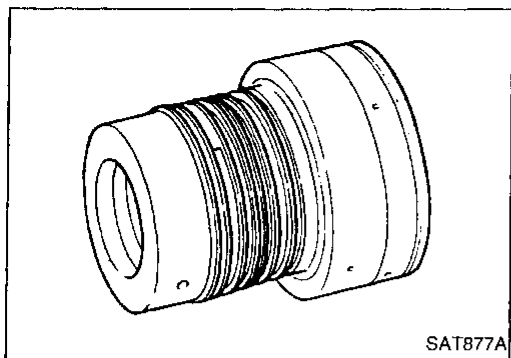
- If not within wear limit, replace.

REPAIR FOR COMPONENT PARTS

Low & Reverse Brake (Cont'd)

Low one-way clutch inner race

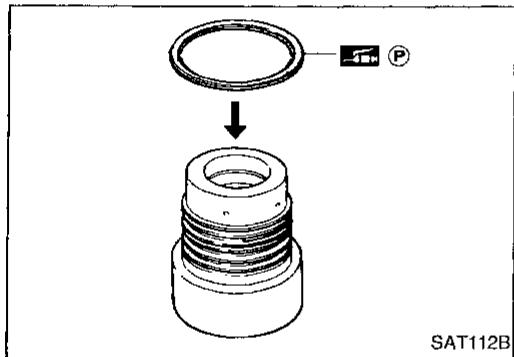
- Check frictional surface of inner race for wear or damage.



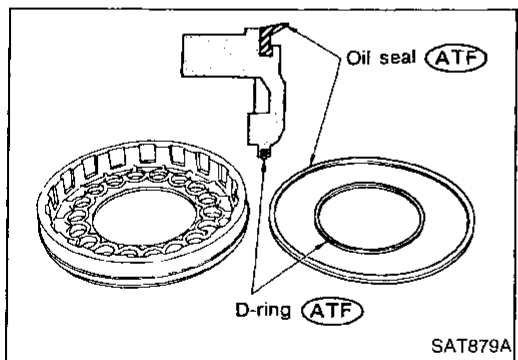
- Install a new seal rings onto low one-way clutch inner race.
- **Be careful not to expand seal ring gap excessively.**
- Measure seal ring-to-groove clearance.
Inspection standard:
Standard value: 0.10 - 0.25 mm (0.0039 - 0.0098 in)
Allowable limit: 0.25 mm (0.0098 in)
- If not within allowable limit, replace low one-way clutch inner race.

ASSEMBLY

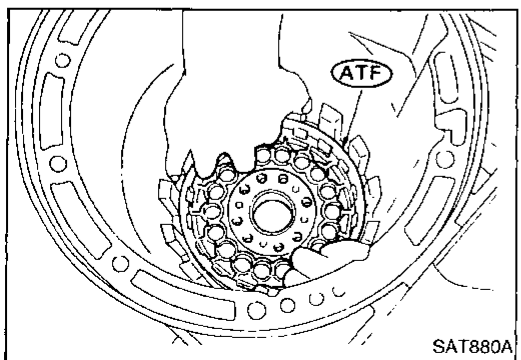
1. Install needle bearing onto one-way clutch inner race.
 - Pay attention to its direction — **Black surface goes to rear side.**
 - **Apply petroleum jelly to needle bearing.**



2. Install oil seal and D-ring onto piston.
 - **Apply ATF to oil seal and D-ring.**

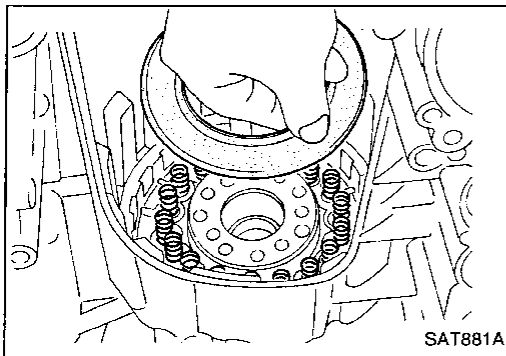


3. Install piston by rotating it slowly and evenly.
 - **Apply ATF to inner surface of transmission case.**



REPAIR FOR COMPONENT PARTS

Low & Reverse Brake (Cont'd)



4. Install return springs, spring retainer and low one-way clutch inner race onto transmission case.
5. Install dish plate, low and reverse brake drive plates, driven plates and retaining plate.
6. Install snap ring on transmission case.

GI

MA

EM

LC

EC

FE

AT

PD

FA

RA

BR

ST

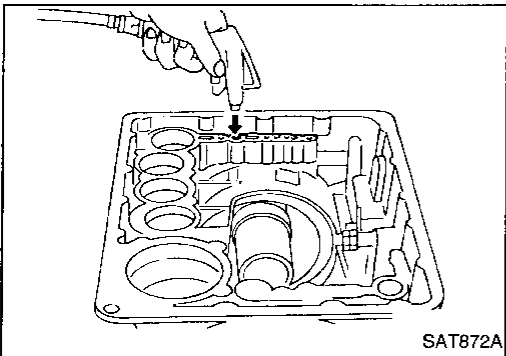
RS

BT

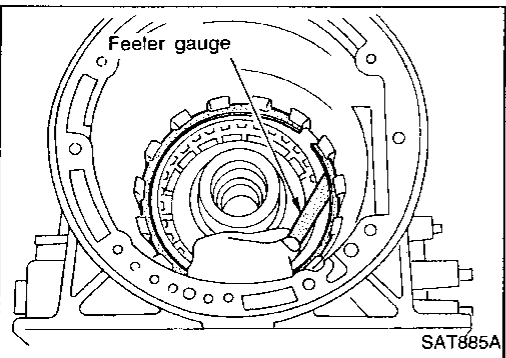
HA

EL

IDX



7. Check operation of low and reverse brake clutch piston. Refer to "DISASSEMBLY", AT-178.



8. Measure clearance between retaining plate and snap ring. If not within allowable limit, select proper retaining plate.

Specified clearance:

Standard

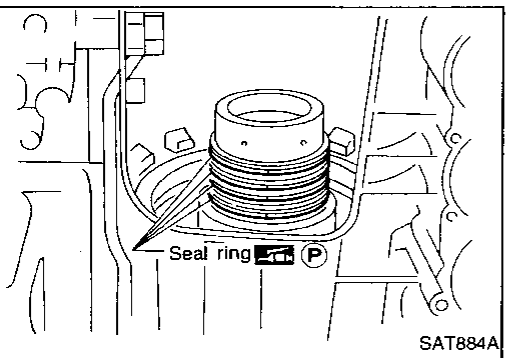
0.8 - 1.1 mm (0.031 - 0.043 in)

Allowable limit

2.9 mm (0.114 in)

Retaining plate:

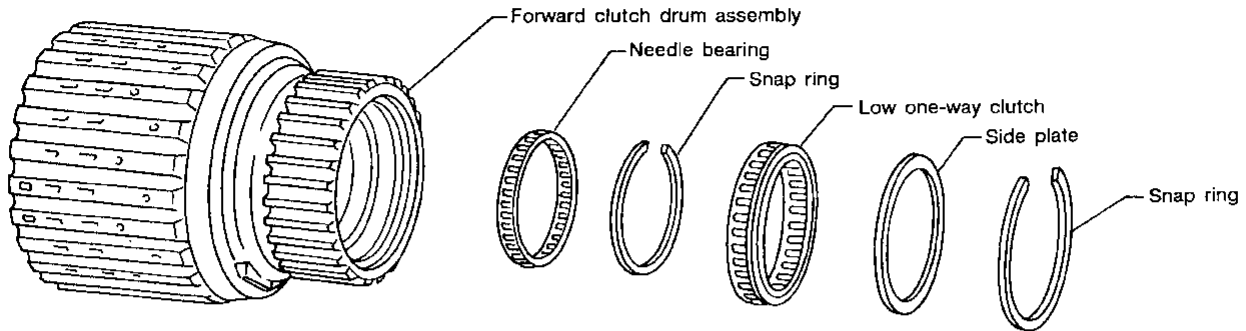
Refer to SDS, AT-216.



9. Install low one-way clutch inner race seal ring.
 - **Apply petroleum jelly to seal ring.**
 - **Make sure seal rings are pressed firmly into place and held by petroleum jelly.**

Forward Clutch Drum Assembly

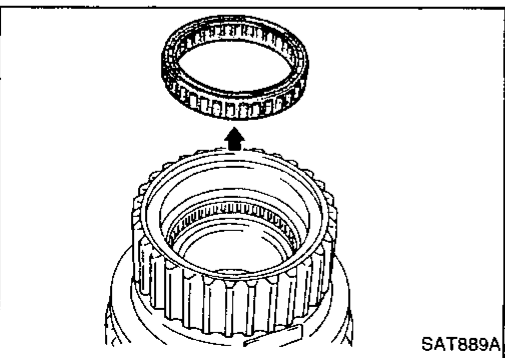
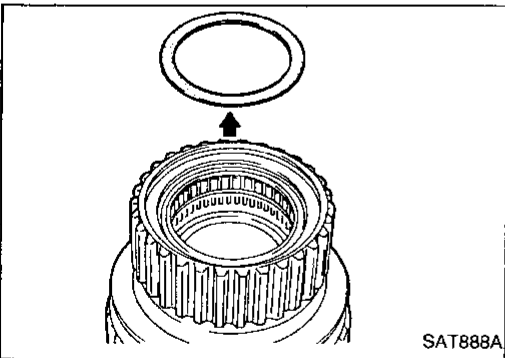
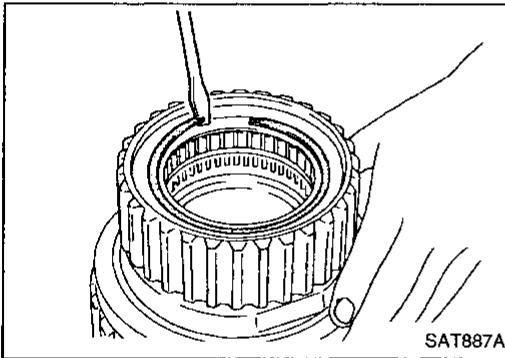
SEC. 315



SAT886AA

DISASSEMBLY

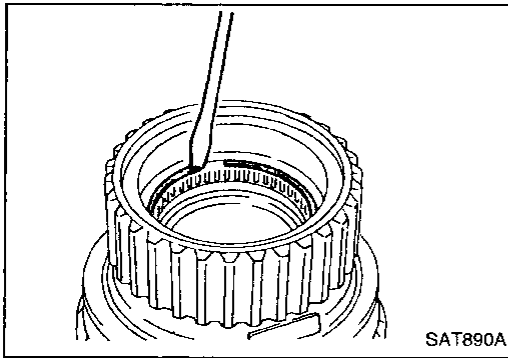
1. Remove snap ring from forward clutch drum.
2. Remove side plate from forward clutch drum.
3. Remove low one-way clutch from forward clutch drum.



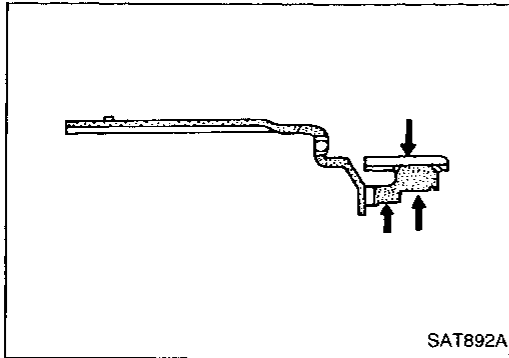
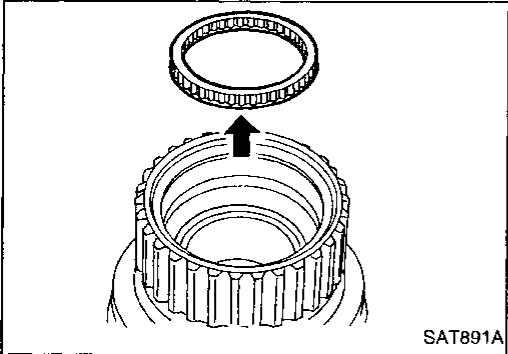
REPAIR FOR COMPONENT PARTS

Forward Clutch Drum Assembly (Cont'd)

4. Remove snap ring from forward clutch drum.



5. Remove needle bearing from forward clutch drum.



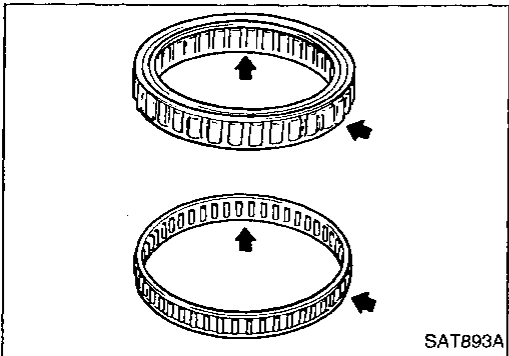
INSPECTION

Forward clutch drum

- Check spline portion for wear or damage.
- Check frictional surfaces of low one-way clutch and needle bearing for wear or damage.

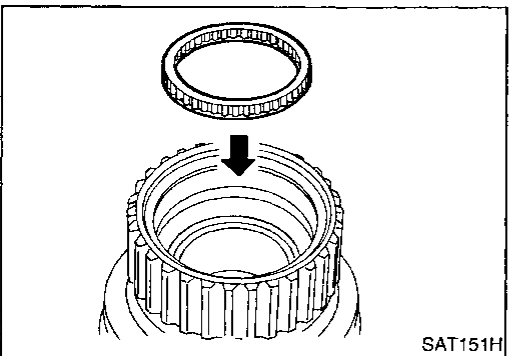
Needle bearing and low one-way clutch

- Check frictional surface for wear or damage.



ASSEMBLY

1. Install needle bearing in forward clutch drum.



GI

MA

EM

LC

EC

FE

AT

PD

FA

RA

BR

ST

RS

BT

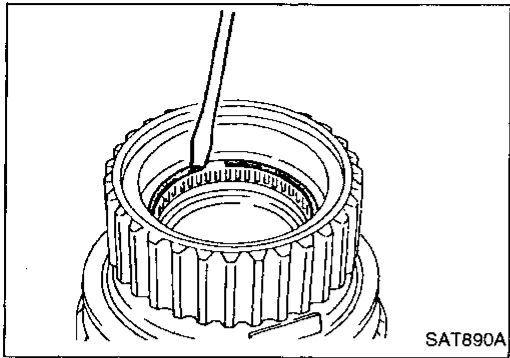
HA

EL

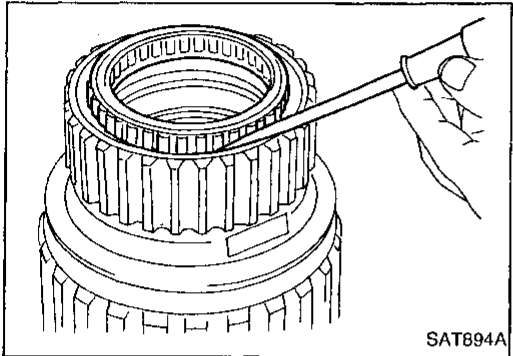
IDX

REPAIR FOR COMPONENT PARTS

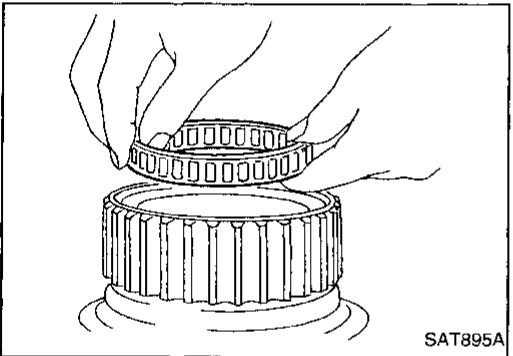
Forward Clutch Drum Assembly (Cont'd)



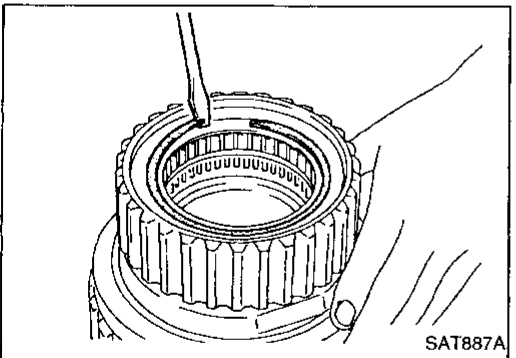
2. Install snap ring onto forward clutch drum.



3. Install low one-way clutch onto forward clutch drum by pushing the roller in evenly.

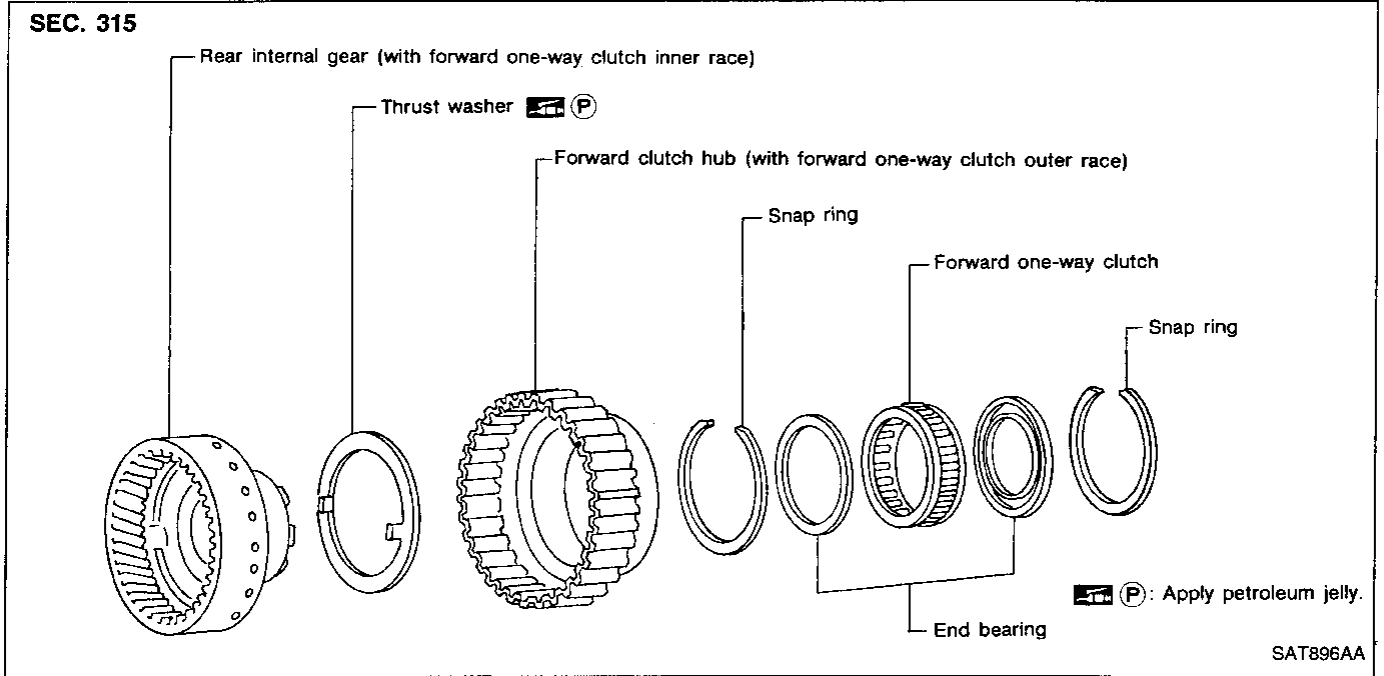


- Install low one-way clutch with flange facing rearward.

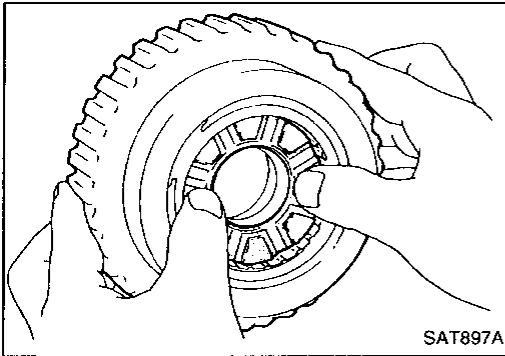


4. Install side plate onto forward clutch drum.
5. Install snap ring onto forward clutch drum.

Rear Internal Gear and Forward Clutch Hub



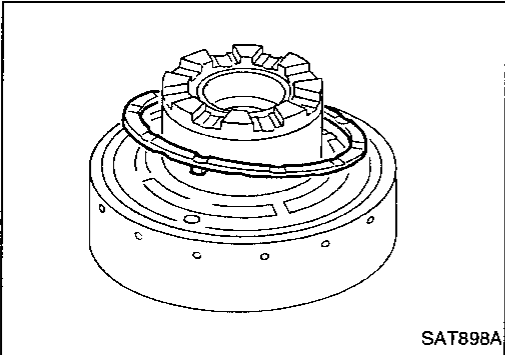
GI
MA
EM
LC
EC
FE
AT



DISASSEMBLY

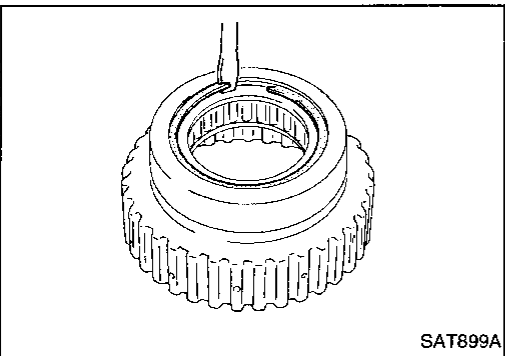
1. Remove rear internal gear by pushing forward clutch hub forward.

PD
FA
RA
BR



2. Remove thrust washer from rear internal gear.

ST
RS
BT
HA

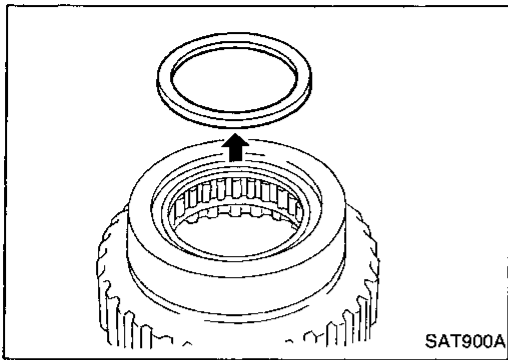


3. Remove snap ring from forward clutch hub.

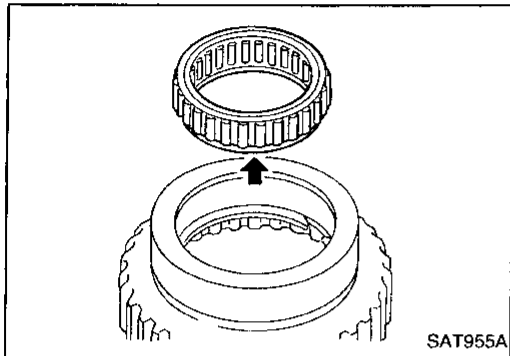
EL
IDX

REPAIR FOR COMPONENT PARTS

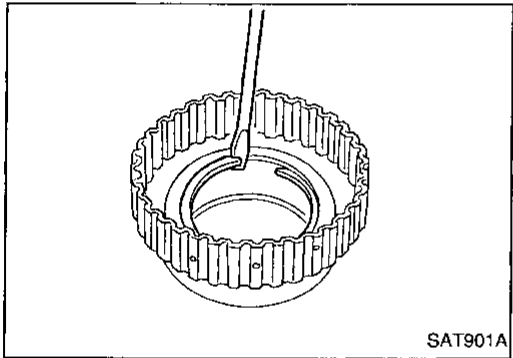
Rear Internal Gear and Forward Clutch Hub (Cont'd)



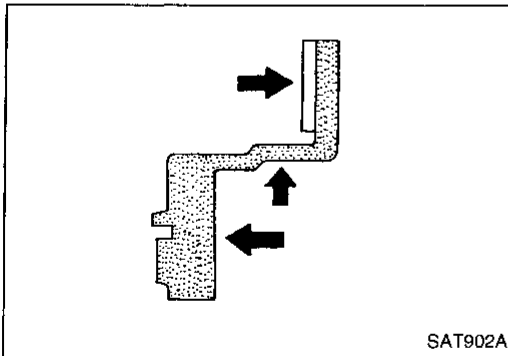
4. Remove end bearing.



5. Remove forward one-way clutch and end bearing as a unit from forward clutch hub.



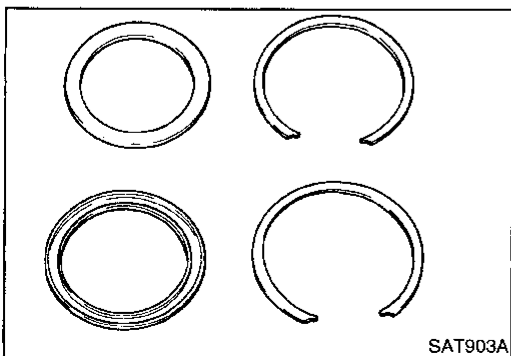
6. Remove snap ring from forward clutch hub.



INSPECTION

Rear internal gear and forward clutch hub

- Check gear for excessive wear, chips or cracks.
- Check frictional surfaces of forward one-way clutch and thrust washer for wear or damage.
- Check spline for wear or damage.



Snap ring and end bearing

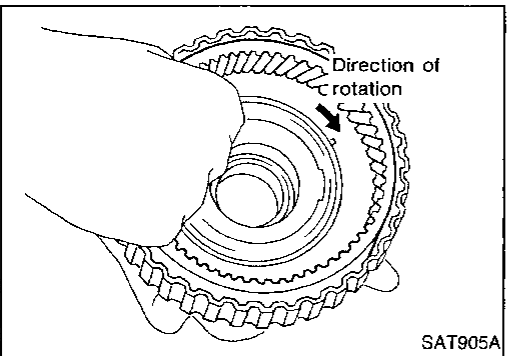
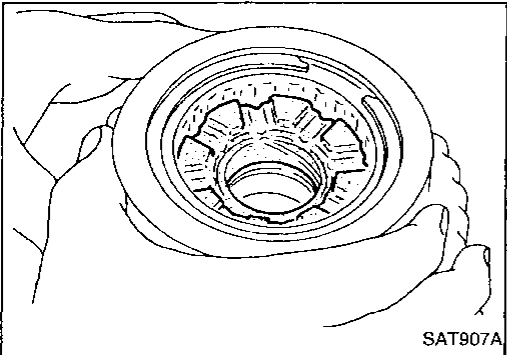
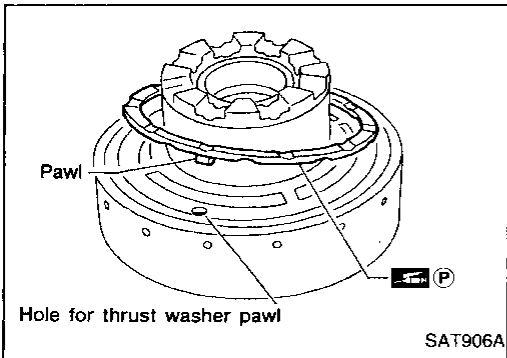
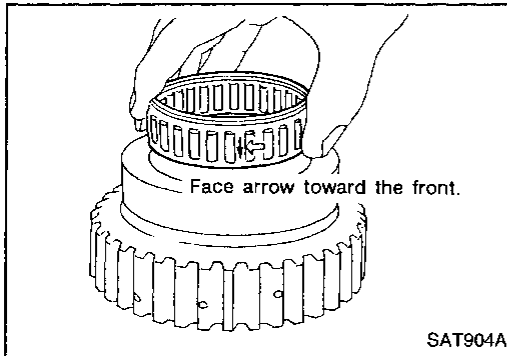
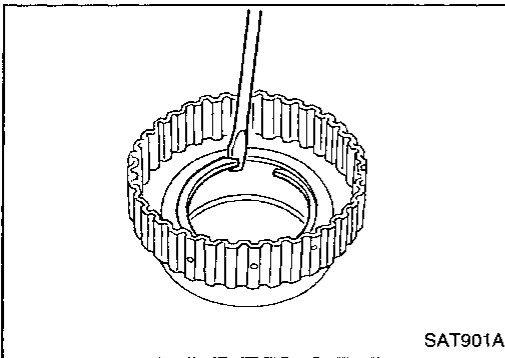
- Check for deformation or damage.

REPAIR FOR COMPONENT PARTS

Rear Internal Gear and Forward Clutch Hub (Cont'd)

ASSEMBLY

1. Install snap ring onto forward clutch hub.
2. Install end bearing.



3. Install forward one-way clutch onto clutch hub.
 - Install forward one-way clutch with flange facing rearward.
4. Install end bearing.
5. Install snap ring onto forward clutch hub.

6. Install thrust washer onto rear internal gear.
 - Apply petroleum jelly to thrust washer.
 - Securely insert pawls of thrust washer into holes in rear internal gear.

7. Position forward clutch hub in rear internal gear.

8. After installing, check to assure that forward clutch hub rotates clockwise.

GI

MA

EM

LC

EC

FE

AT

PD

FA

RA

BR

ST

RS

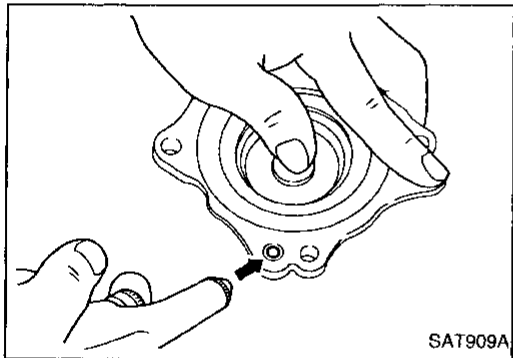
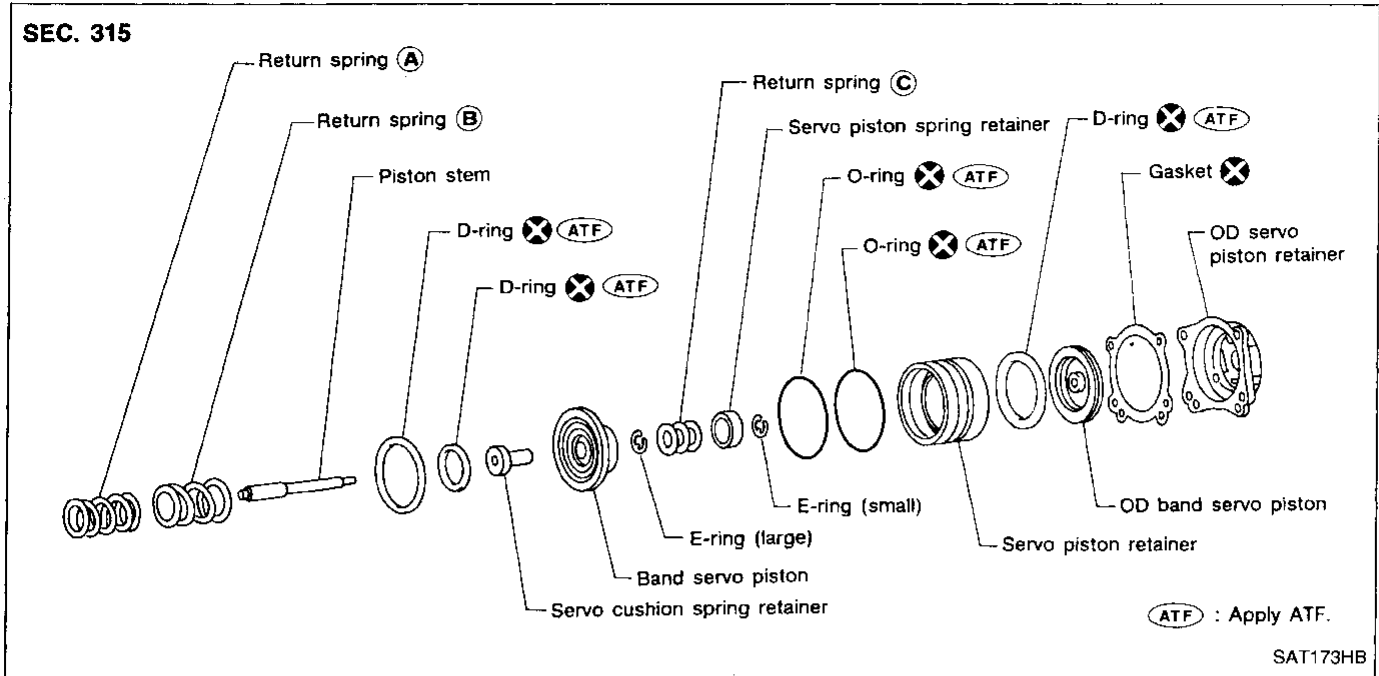
BT

HA

EL

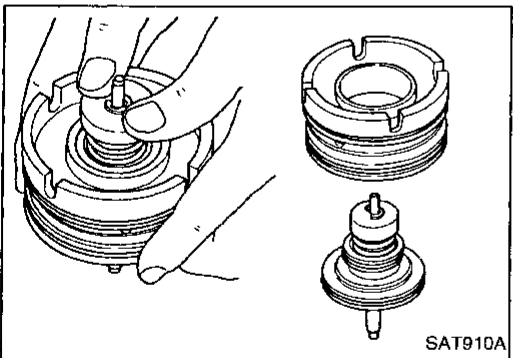
IDX

Band Servo Piston Assembly

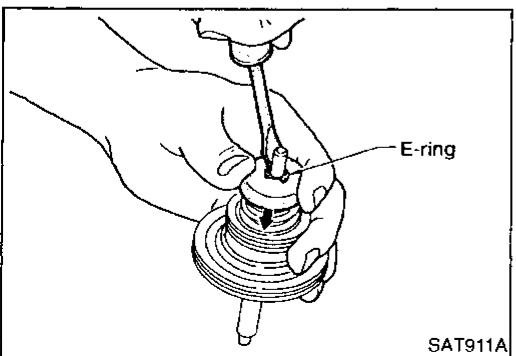


DISASSEMBLY

1. Block one oil hole in OD servo piston retainer and the center hole in OD band servo piston.
2. Apply compressed air to the other oil hole in piston retainer to remove OD band servo piston from retainer.
3. Remove D-ring from OD band servo piston.



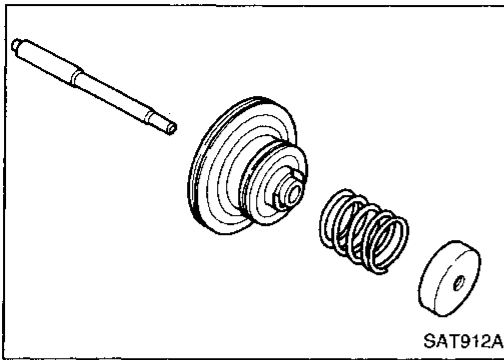
4. Remove band servo piston assembly from servo piston retainer by pushing it forward.



5. Place piston stem end on a wooden block. While pushing servo piston spring retainer down, remove E-ring.

REPAIR FOR COMPONENT PARTS

Band Servo Piston Assembly (Cont'd)



- Remove servo piston spring retainer, return spring © and piston stem from band servo piston.

GI

MA

EM

LC

EC

FE

AT

PD

FA

RA

BR

ST

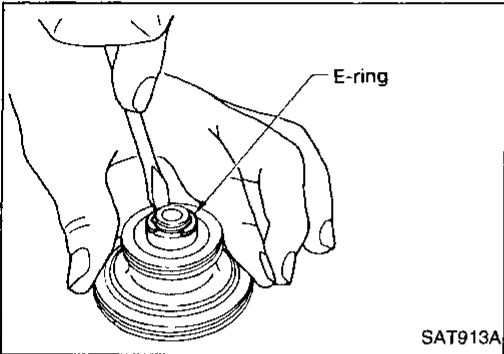
RS

BT

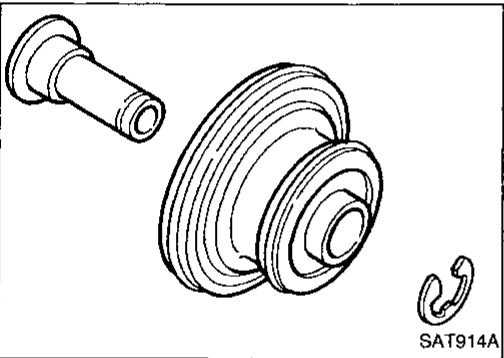
HA

EL

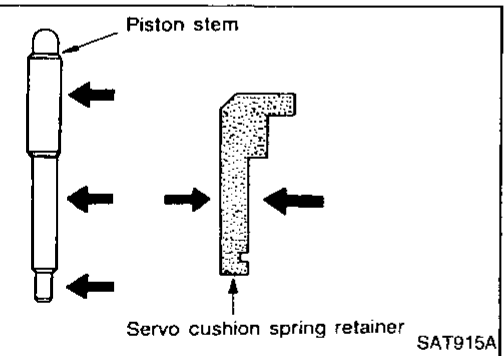
IDX



- Remove E-ring from band servo piston.



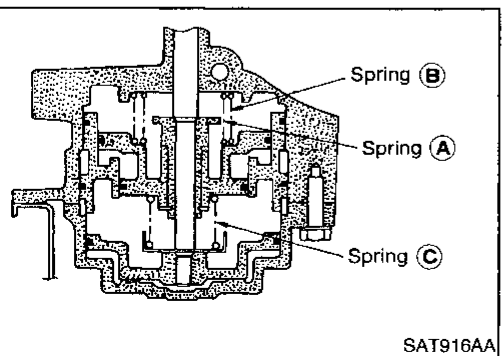
- Remove servo cushion spring retainer from band servo piston.
- Remove D-rings from band servo piston.
- Remove O-rings from servo piston retainer.



INSPECTION

Pistons, retainers and piston stem

- Check frictional surfaces for abnormal wear or damage.



Return springs

- Check for deformation or damage. Measure free length and outer diameter.

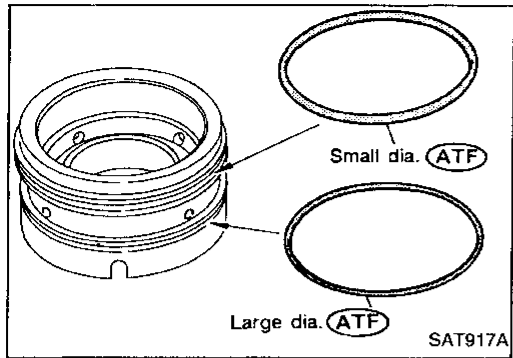
Inspection standard:

Refer to SDS, AT-214.

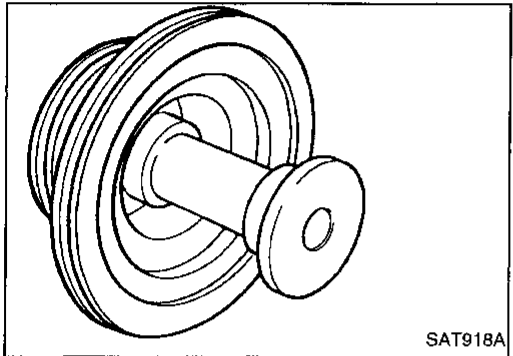
REPAIR FOR COMPONENT PARTS

Band Servo Piston Assembly (Cont'd)

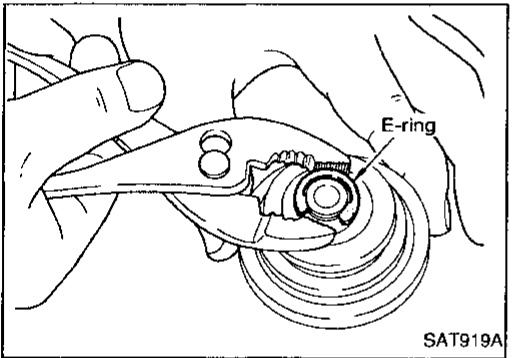
ASSEMBLY



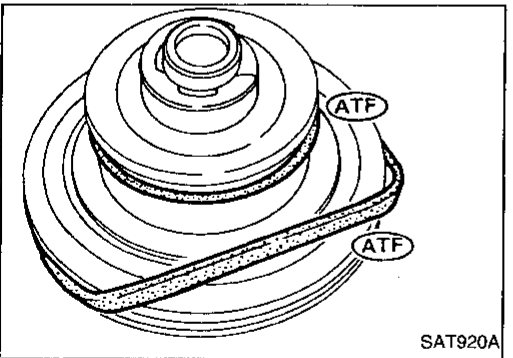
1. Install O-rings onto servo piston retainer.
 - Apply ATF to O-rings.
 - Pay attention to position of each O-ring.



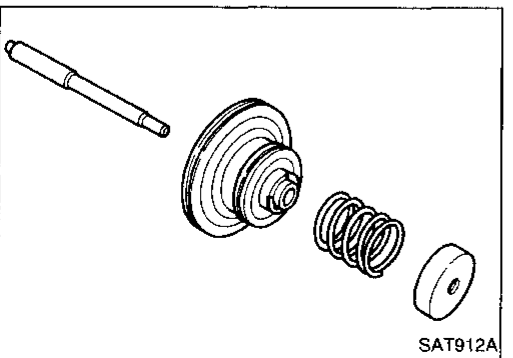
2. Install servo cushion spring retainer onto band servo piston.



3. Install E-ring onto servo cushion spring retainer.



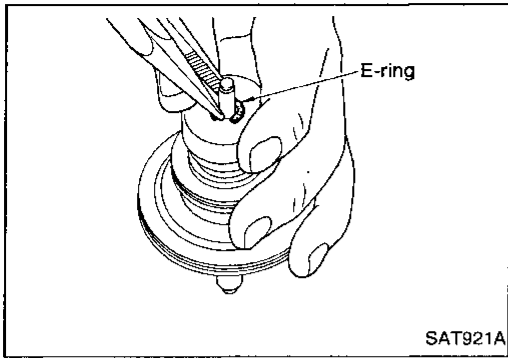
4. Install D-rings onto band servo piston.
 - Apply ATF to D-rings.



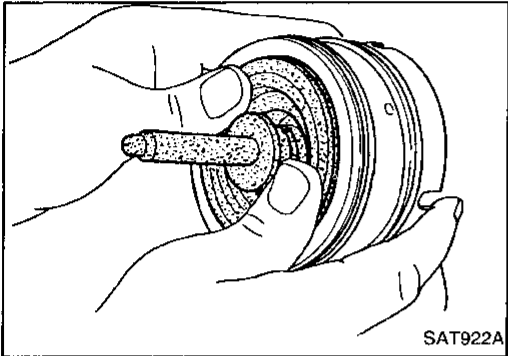
5. Install servo piston spring retainer, return spring © and piston stem onto band servo piston.

REPAIR FOR COMPONENT PARTS

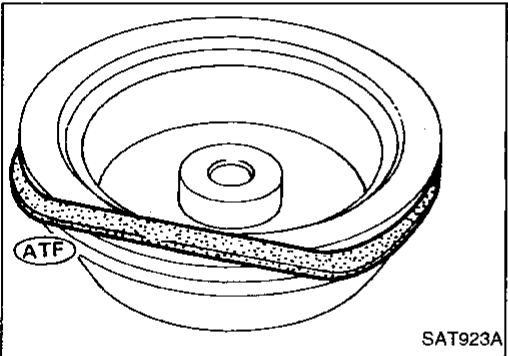
Band Servo Piston Assembly (Cont'd)



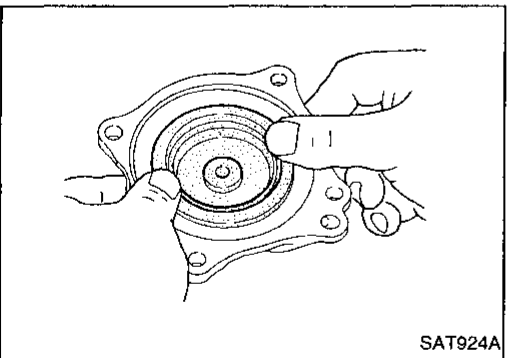
6. Place piston stem end on a wooden block. While pushing servo piston spring retainer down, install E-ring.



7. Install band servo piston assembly onto servo piston retainer by pushing it inward.



8. Install D-ring on OD band servo piston.
● **Apply ATF to D-ring.**



9. Install OD band servo piston onto servo piston retainer by pushing it inward.

GI

MA

EM

LC

EC

FE

AT

PD

FA

RA

BR

ST

RS

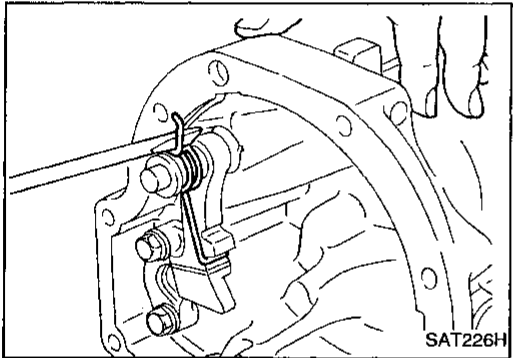
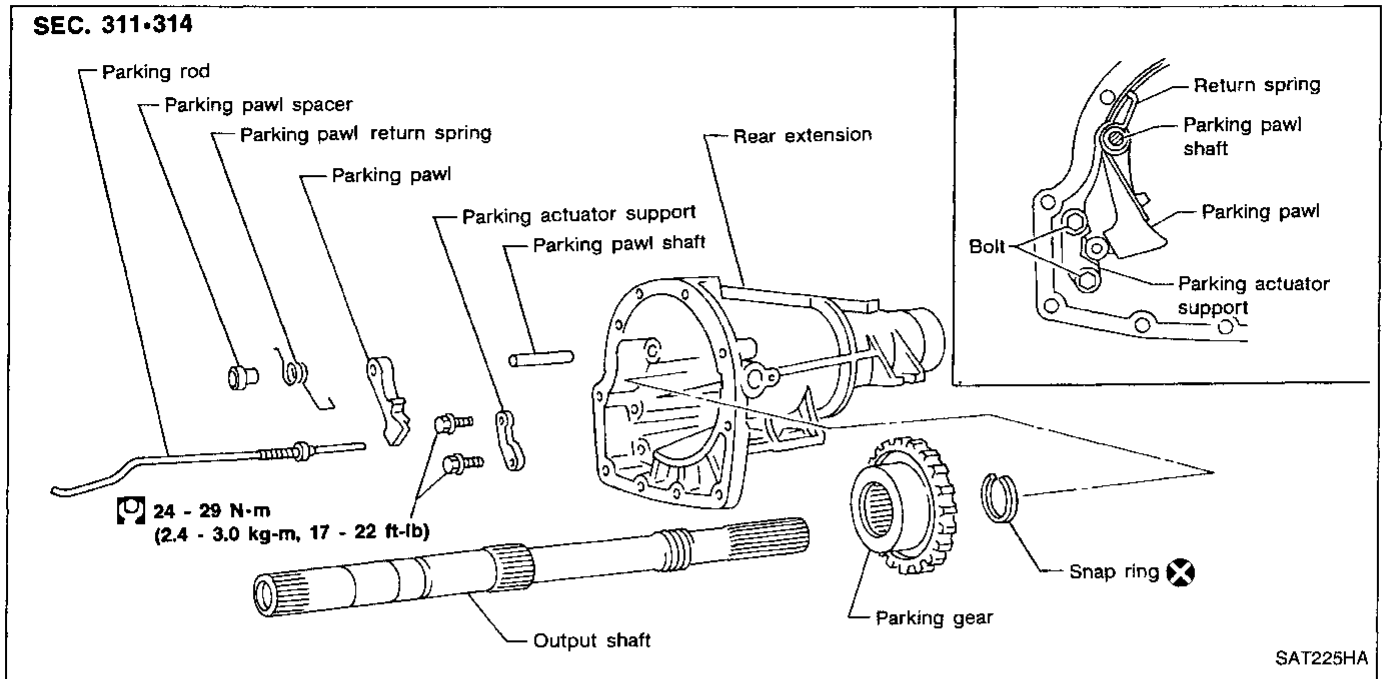
BT

HA

EL

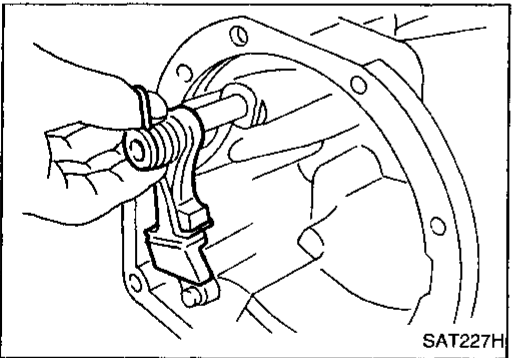
IDX

Parking Pawl Components

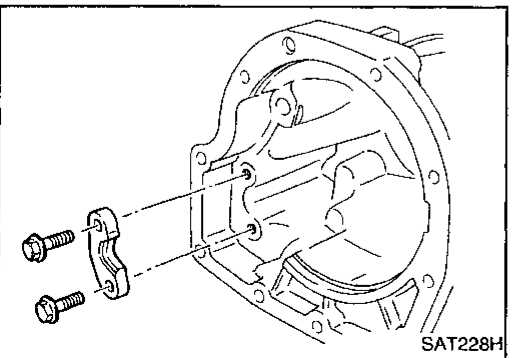


DISASSEMBLY

1. Slide return spring to the front of rear extension flange.



2. Remove return spring, pawl spacer and parking pawl from rear extension.
3. Remove parking pawl shaft from rear extension.



4. Remove parking actuator support from rear extension.

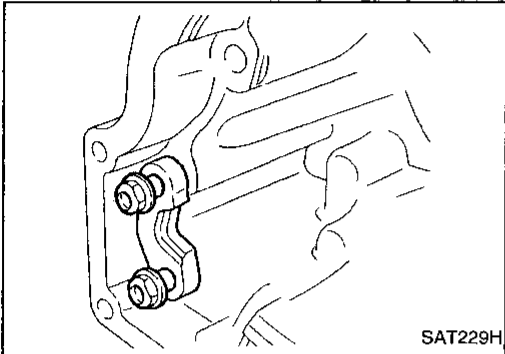
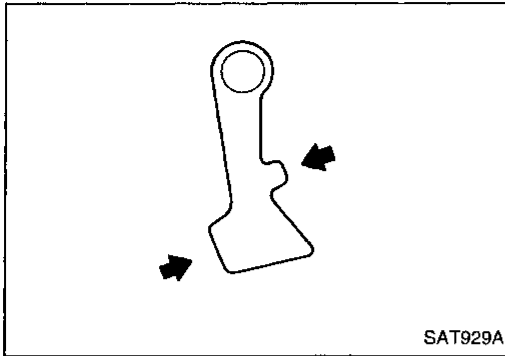
REPAIR FOR COMPONENT PARTS

Parking Pawl Components (Cont'd)

INSPECTION

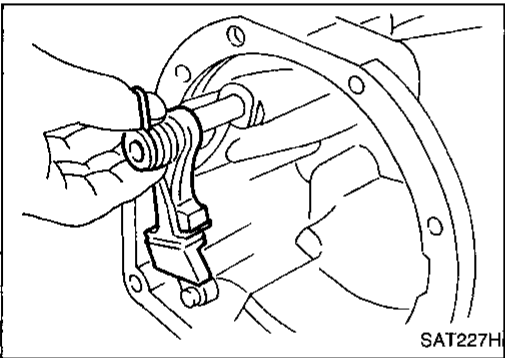
Parking pawl and parking actuator support

- Check contact surface of parking rod for wear.

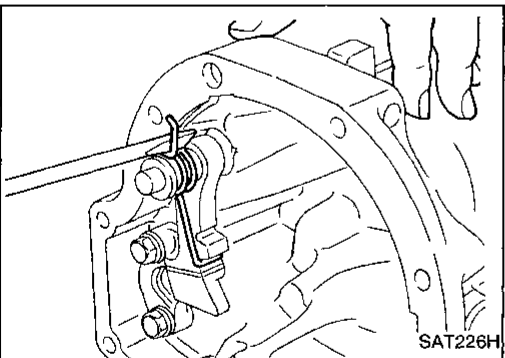


ASSEMBLY

1. Install parking actuator support onto rear extension.
2. Insert parking pawl shaft into rear extension.



3. Install return spring, pawl spacer and parking pawl onto parking pawl shaft.



4. Bend return spring upward and install it onto rear extension.

GI

MA

EM

LC

EC

FE

AT

PD

FA

RA

BR

ST

RS

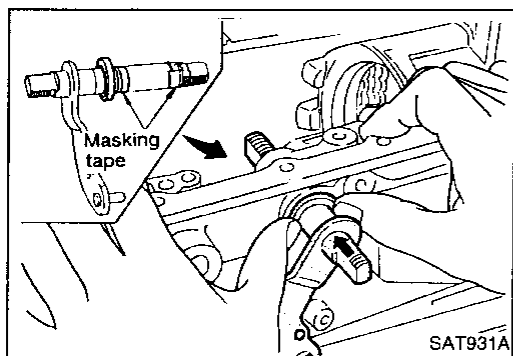
BT

HA

EL

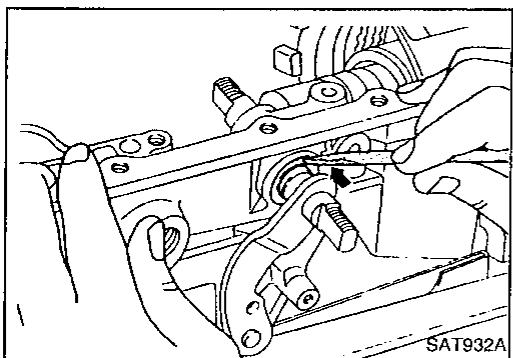
IDX

ASSEMBLY

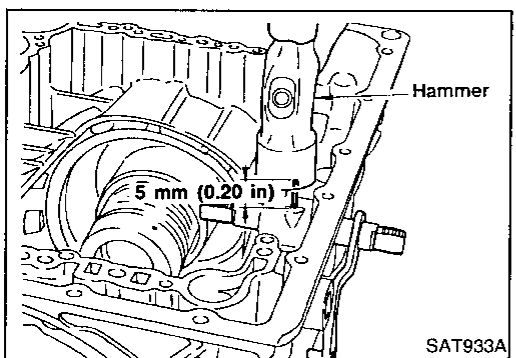


Assembly (1)

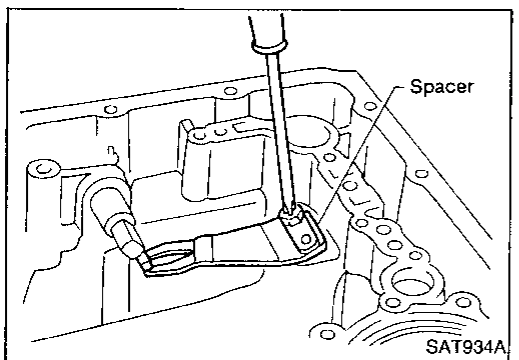
1. Install manual shaft components.
 - a. Install oil seal onto manual shaft.
 - **Apply ATF to oil seal.**
 - **Wrap threads of manual shaft with masking tape.**
 - b. Insert manual shaft and oil seal as a unit into transmission case.
 - c. Remove masking tape.



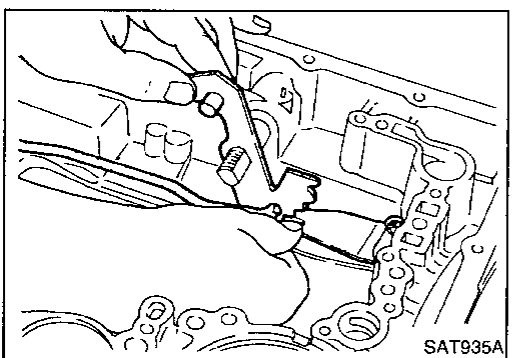
- d. Push oil seal evenly and install it onto transmission case.



- e. Align groove in shaft with drive pin hole, then drive pin into position as shown in figure at left.



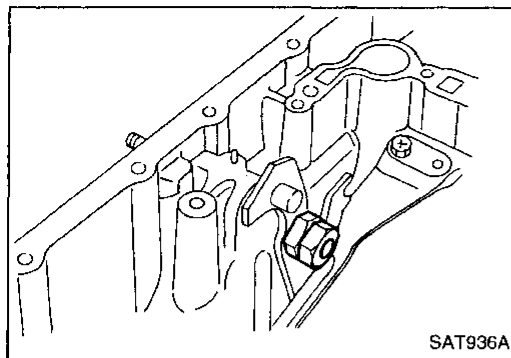
- f. Install detent spring and spacer.



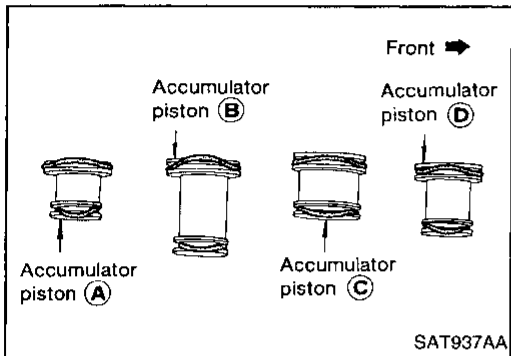
- g. While pushing detent spring down, install manual plate onto manual shaft.

ASSEMBLY

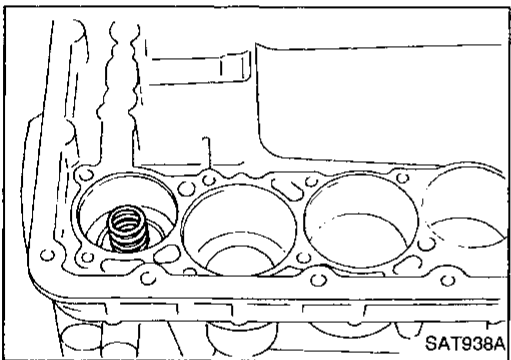
Assembly (1) (Cont'd)



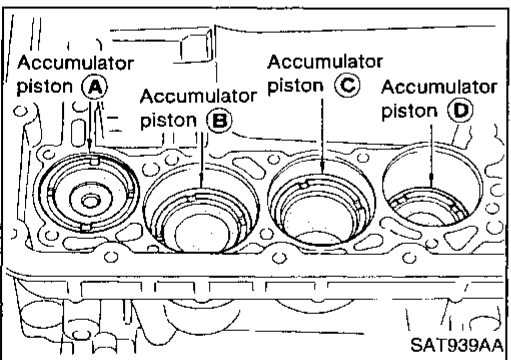
- h. Install lock nuts onto manual shaft.



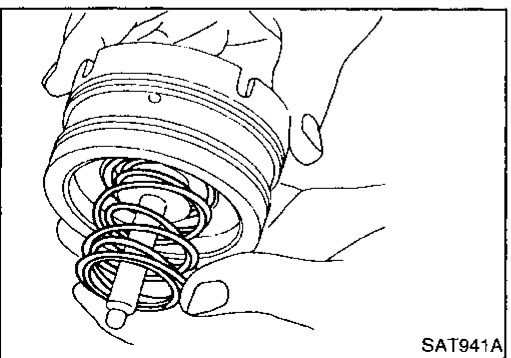
2. Install accumulator piston.
- a. Install O-rings onto accumulator piston.
- **Apply ATF to O-rings.**
Accumulator piston O-rings:
Refer to SDS, AT-214.



- b. Install return spring for accumulator (A) onto transmission case.
- Free length of return spring:**
Refer to SDS, AT-214.



- c. Install accumulator pistons (A), (B), (C) and (D).
- **Apply ATF to transmission case.**



3. Install band servo piston.
- a. Install return springs onto servo piston.

GI

MA

EM

LC

EC

FE

AT

PD

FA

RA

BR

ST

RS

BT

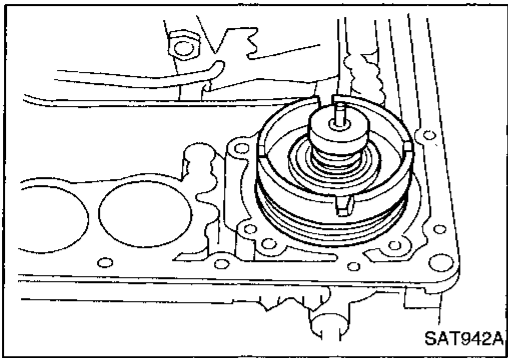
HA

EL

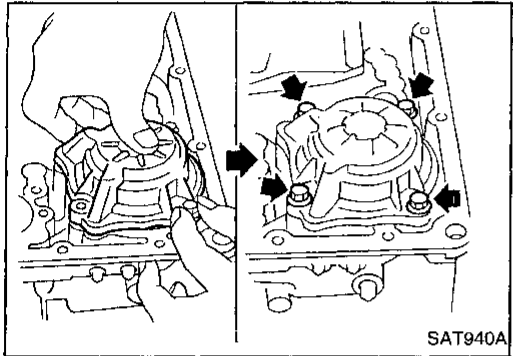
IDX

ASSEMBLY

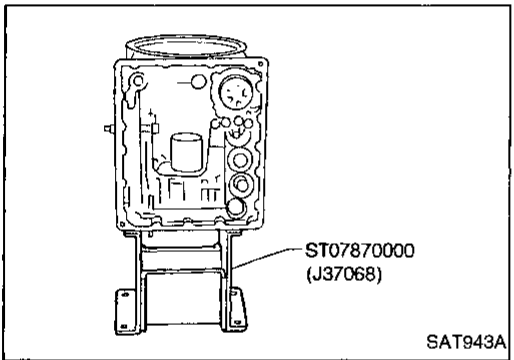
Assembly (1) (Cont'd)



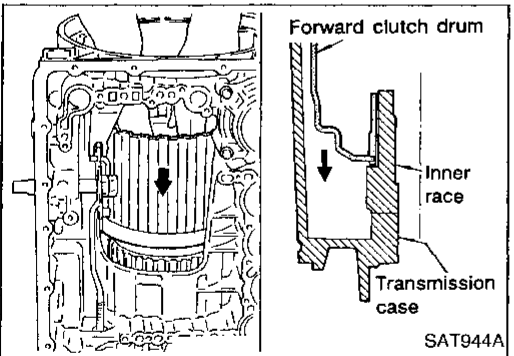
- b. Install band servo piston onto transmission case.
- Apply ATF to O-ring of band servo piston and transmission case.
- c. Install gasket for band servo onto transmission case.



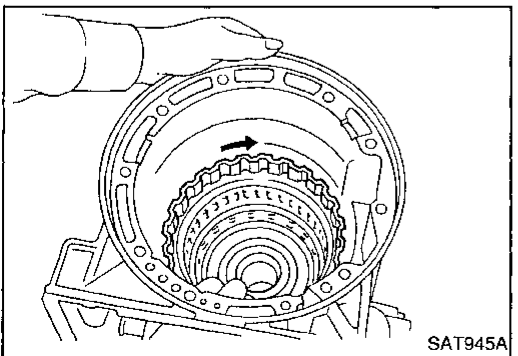
- d. Install band servo retainer onto transmission case.



- 4. Install rear side clutch and gear components.
- a. Place transmission case in vertical position.



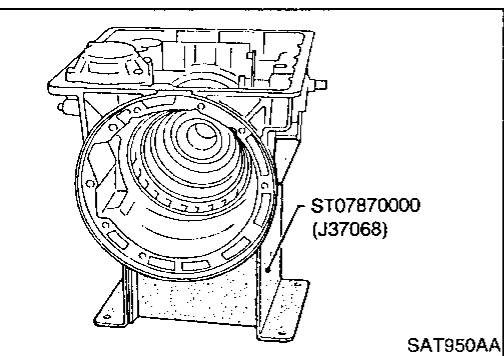
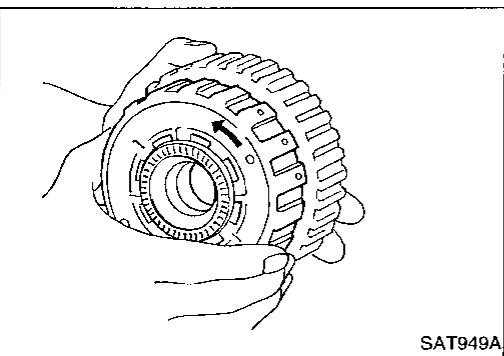
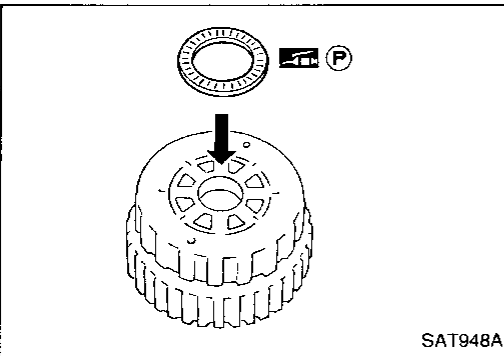
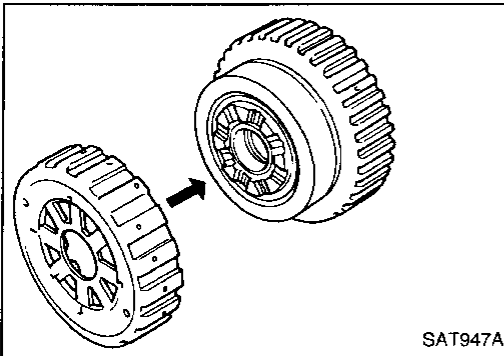
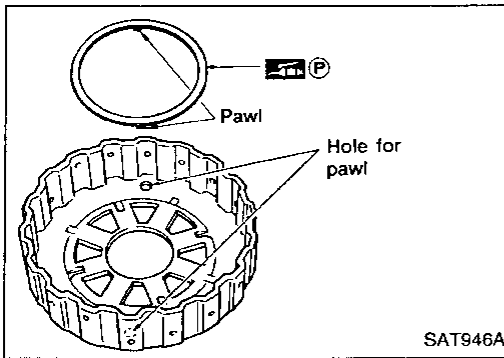
- b. Slightly lift forward clutch drum assembly and slowly rotate it clockwise until its hub passes fully over the clutch inner race inside transmission case.



- c. Check to be sure that rotation direction of forward clutch assembly is correct.

ASSEMBLY

Assembly (1) (Cont'd)



- d. Install thrust washer onto front of overrun clutch hub.
- Apply petroleum jelly to the thrust washer.
 - Insert pawls of thrust washer securely into holes in overrun clutch hub.

- e. Install overrun clutch hub onto rear internal gear assembly.

- f. Install needle bearing onto rear of overrun clutch hub.
- Apply petroleum jelly to needle bearing.

- g. Check that overrun clutch hub rotates as shown while holding forward clutch hub.

- h. Place transmission case into horizontal position.

GI

MA

EM

LC

EC

FE

AT

PD

FA

RA

BR

ST

RS

BT

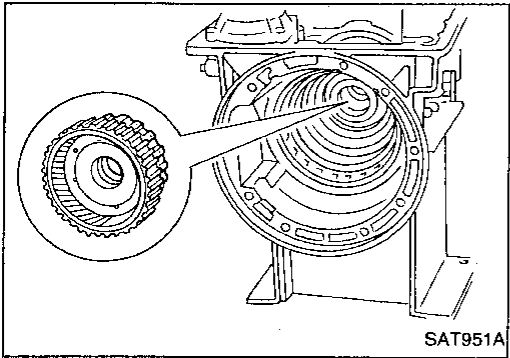
HA

EL

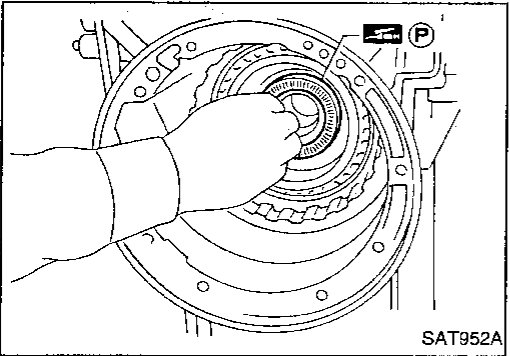
IDX

ASSEMBLY

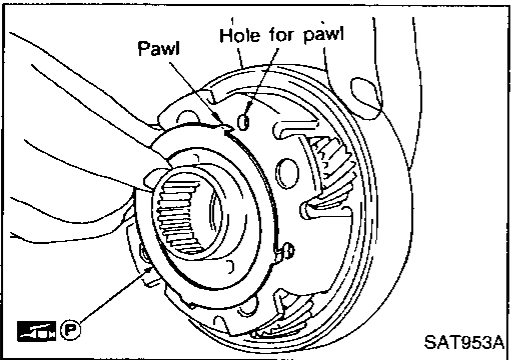
Assembly (1) (Cont'd)



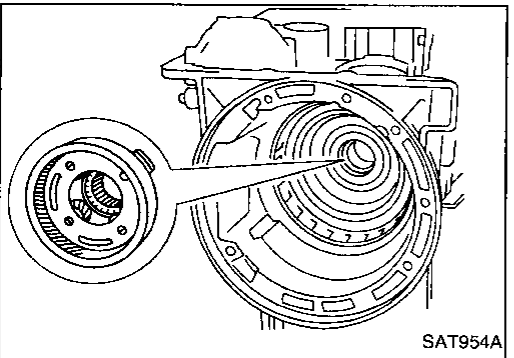
- i. Install rear internal gear, forward clutch hub and overrun clutch hub as a unit onto transmission case.



- j. Install needle bearing onto rear internal gear.
● **Apply petroleum jelly to needle bearing.**



- k. Install bearing race onto rear of front internal gear.
● **Apply petroleum jelly to bearing race.**
● **Securely engage pawls of bearing race with holes in front internal gear.**

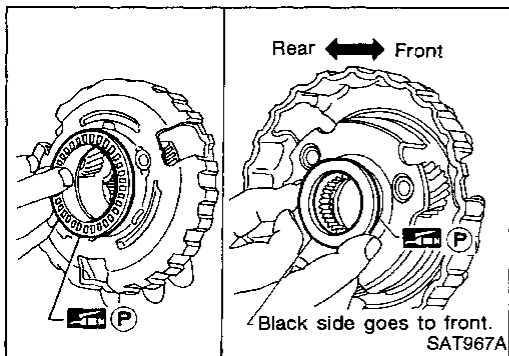
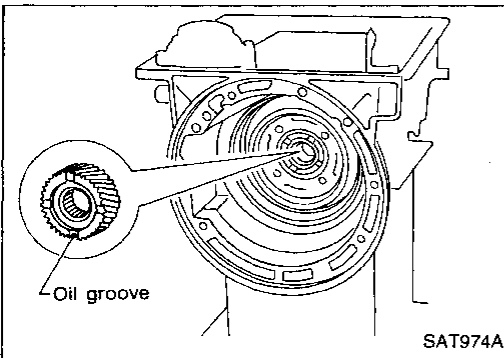


- l. Install front internal gear on transmission case.

Adjustment

When any parts listed below are replaced, adjust total end play and reverse clutch end play.

Part name	Item	
	Total end play	Reverse clutch end play
Transmission case	•	•
Low one-way clutch inner race	•	•
Overrun clutch hub	•	•
Rear internal gear	•	•
Rear planetary carrier	•	•
Rear sun gear	•	•
Front planetary carrier	•	•
Front sun gear	•	•
High clutch hub	•	•
High clutch drum	•	•
Oil pump cover	•	•
Reverse clutch drum	—	•

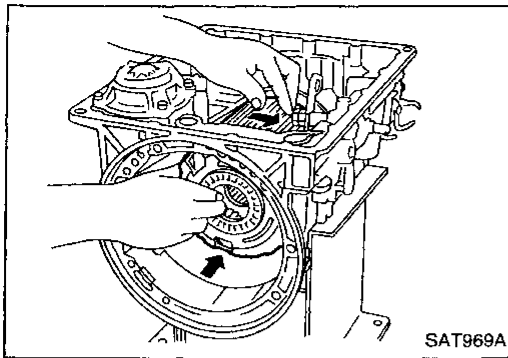


1. Install front side clutch and gear components.
 - a. Install rear sun gear on transmission case.
 - **Pay attention to its direction.**

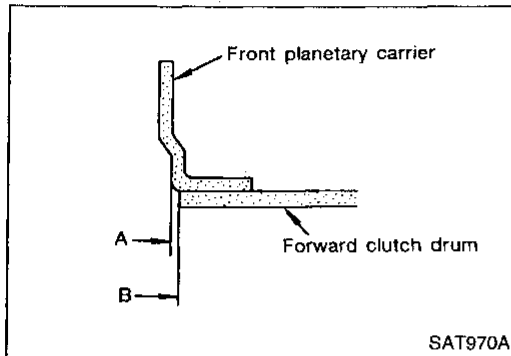
- b. Install needle bearing on front of front planetary carrier.
 - **Apply petroleum jelly to needle bearing.**
 - c. Install needle bearing on rear of front planetary carrier.
 - **Apply petroleum jelly to bearing.**
 - **Pay attention to its direction — Black side goes to front.**

ASSEMBLY

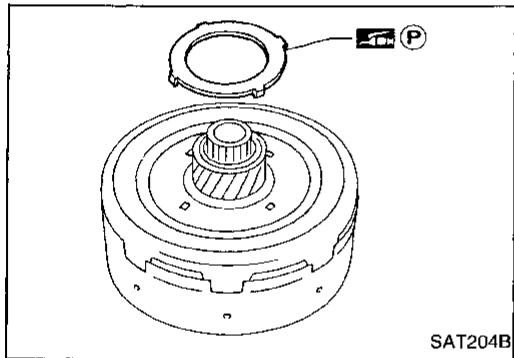
Adjustment (Cont'd)



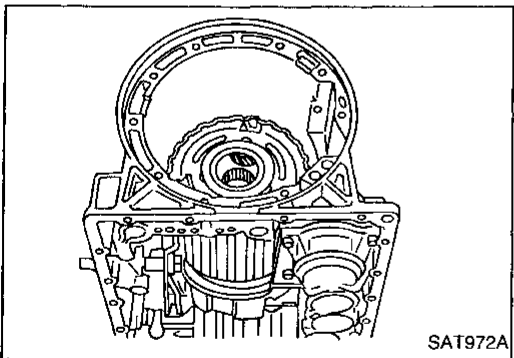
- d. While rotating forward clutch drum clockwise, install front planetary carrier on forward clutch drum.



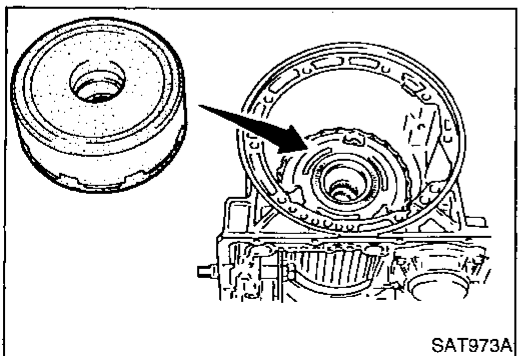
- Check that portion A of front planetary carrier protrudes approximately 2 mm (0.08 in) beyond portion B of forward clutch assembly.



- e. Install bearing race on rear of clutch pack.
- Apply petroleum jelly to bearing races.
 - Securely engage pawls of bearing race with hole in clutch pack.



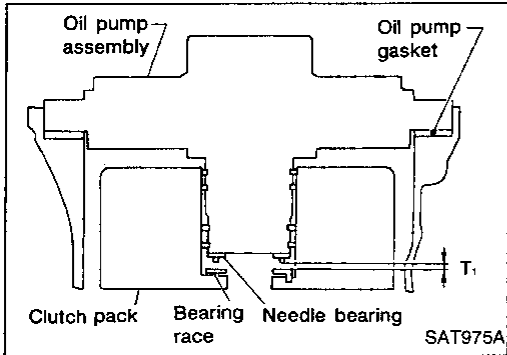
- f. Place transmission case in vertical position.



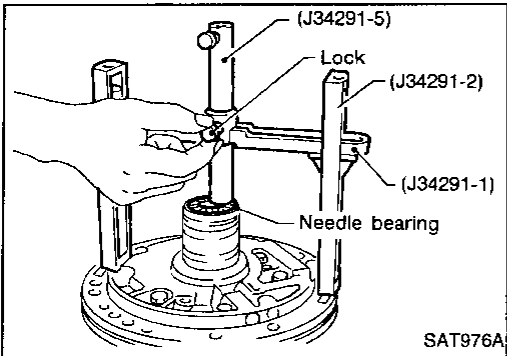
- g. Install clutch pack into transmission case.

ASSEMBLY

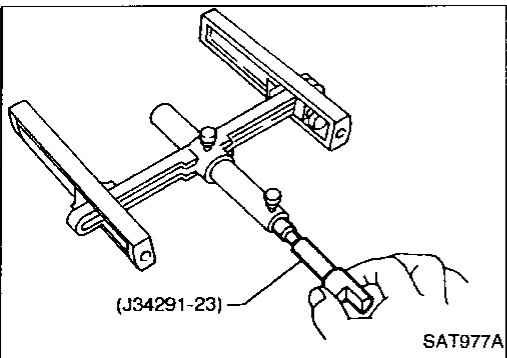
Adjustment (Cont'd)



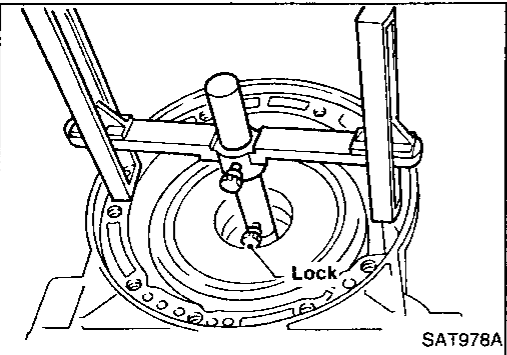
2. Adjust total end play.
Total end play "T₁":
0.25 - 0.55 mm (0.0098 - 0.0217 in)



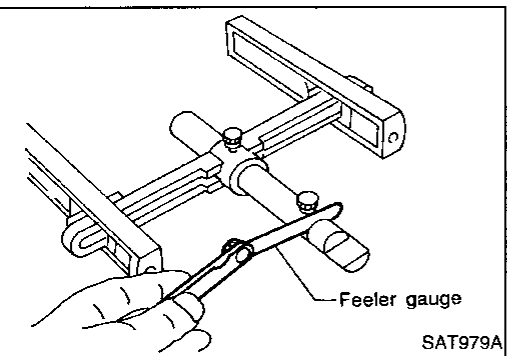
- a. With needle bearing installed, place J34291-1 (bridge), J34291-2 (legs) and the J34291-5 (gauging cylinder) onto oil pump. The long ends of legs should be placed firmly on machined surface of oil pump assembly and gauging cylinder should rest on top of the needle bearing. Lock gauging cylinder in place with set screw.



- b. Install J34291-23 (gauging plunger) into gauging cylinder.



- c. With original bearing race installed inside reverse clutch drum, place shim selecting gauge with its legs on machined surface of transmission case (no gasket) and allow gauging plunger to rest on bearing race. Lock gauging plunger in place with set screw.



- d. Remove Tool and use feeler gauge to measure gap between gauging cylinder and gauging plunger. This measurement should give exact total end play.

Total end play "T₁":
0.25 - 0.55 mm (0.0098 - 0.0217 in)

- If end play is out of specification, decrease or increase thickness of oil pump cover bearing race as necessary.

Available oil pump cover bearing race:
Refer to SDS, AT-216.

GI

MA

EM

LC

EC

FE

AT

PD

FA

RA

BR

ST

RS

BT

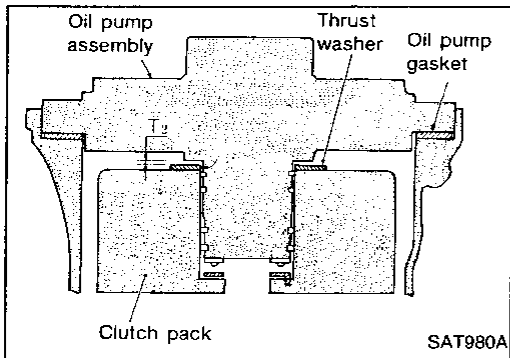
HA

EL

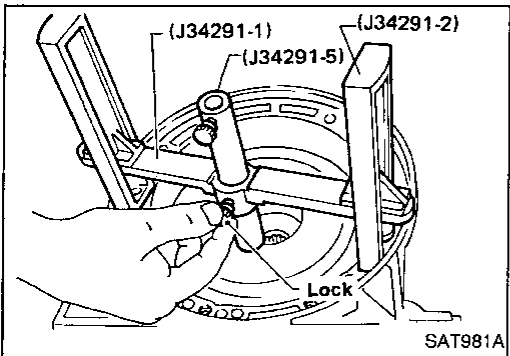
IDX

ASSEMBLY

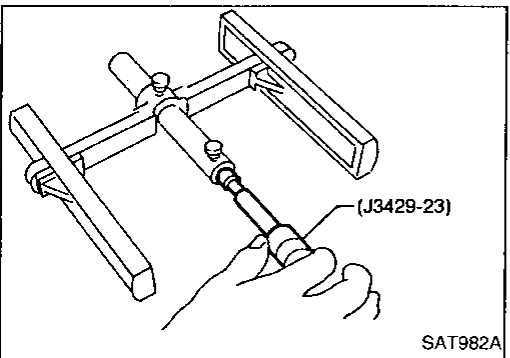
Adjustment (Cont'd)



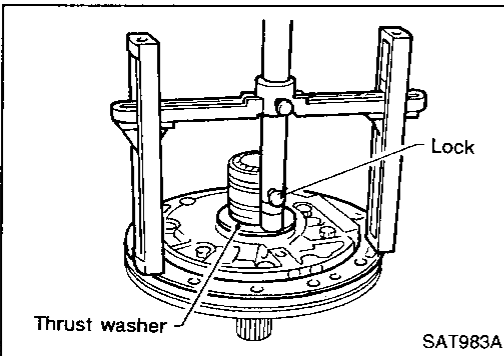
3. Adjust reverse clutch drum end play.
Reverse clutch drum end play "T₂":
0.55 - 0.90 mm (0.0217 - 0.0354 in)



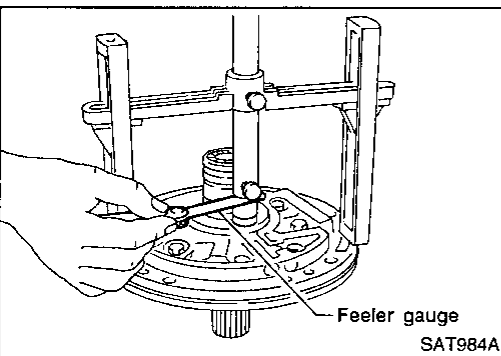
- a. Place J34291-1 (bridge), J34291-2 (legs) and J34291-5 (gauging cylinder) on machined surface of transmission case (no gasket) and allow gauging cylinder to rest on front thrust surface of reverse clutch drum. Lock cylinder in place with set screw.



- b. Install J34291-23 (gauging plunger) into gauging cylinder.



- c. With original thrust washer installed on oil pump, place shim setting gauge legs onto machined surface of oil pump assembly and allow gauging plunger to rest on thrust washer. Lock plunger in place with set screw.



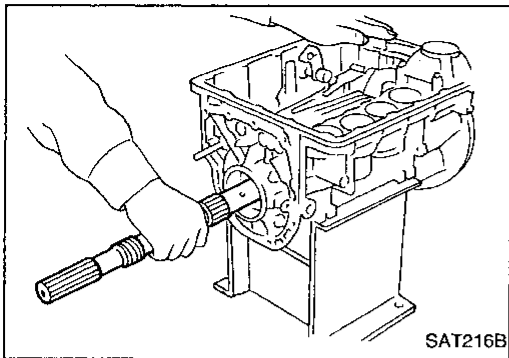
- d. Use feeler gauge to measure gap between gauging plunger and gauging cylinder. This measurement should give you exact reverse clutch drum end play.

Reverse clutch drum end play "T₂":
0.55 - 0.90 mm (0.0217 - 0.0354 in)

- If end play is out of specification, decrease or increase thickness of oil pump thrust washer as necessary.

Available oil pump thrust washer:
Refer to SDS, AT-216.

ASSEMBLY



Assembly (2)

1. Install output shaft and parking gear.
 - a. Insert output shaft from rear of transmission case while slightly lifting front internal gear.
 - **Do not force output shaft against front of transmission case.**

GI

MA

EM

LC

EC

FE

AT

PD

FA

RA

BR

ST

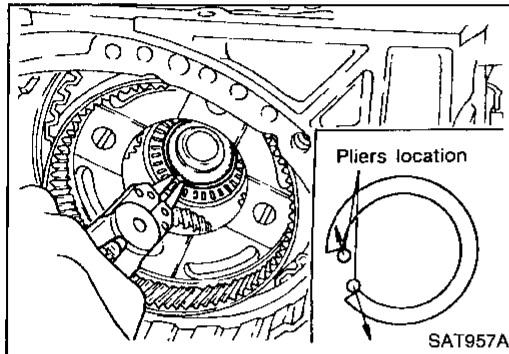
RS

BT

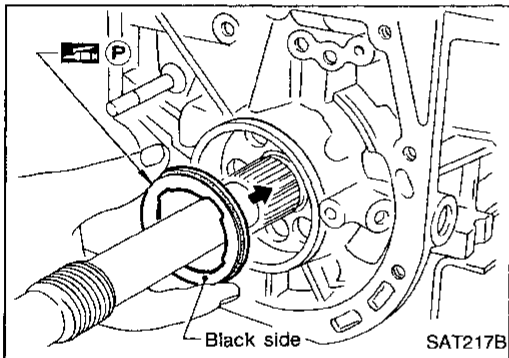
HA

EL

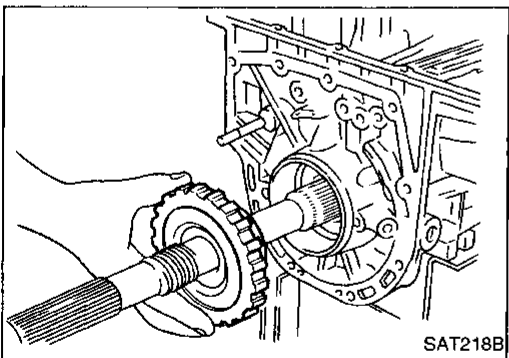
IDX



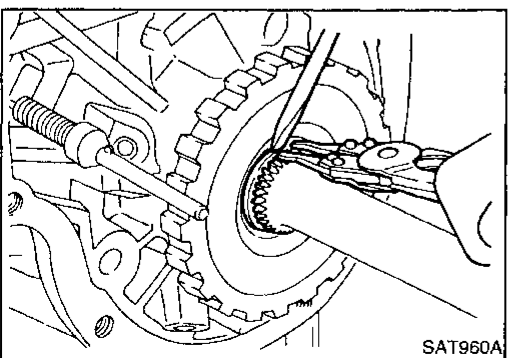
- b. Carefully push output shaft against front of transmission case. Install snap ring on front of output shaft.
 - **Check to be sure output shaft cannot be removed in rear direction.**



- c. Install needle bearing on transmission case.
 - **Pay attention to its direction — Black side goes to rear.**
 - **Apply petroleum jelly to needle bearing.**



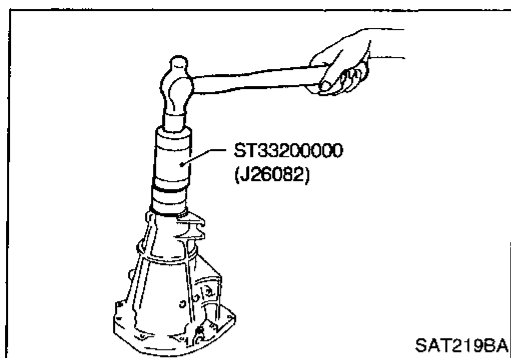
- d. Install parking gear on transmission case.



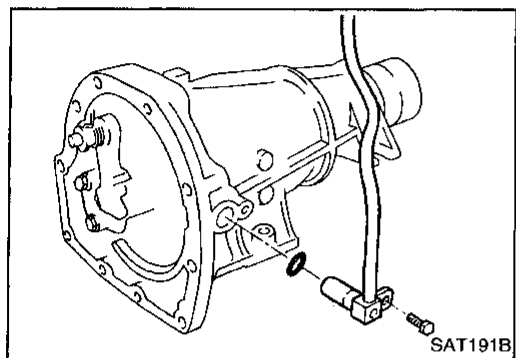
- e. Install snap ring on rear of output shaft.
 - **Check to be sure output shaft cannot be removed in forward direction.**

ASSEMBLY

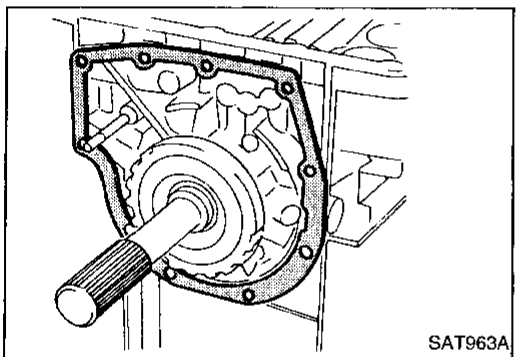
Assembly (2) (Cont'd)



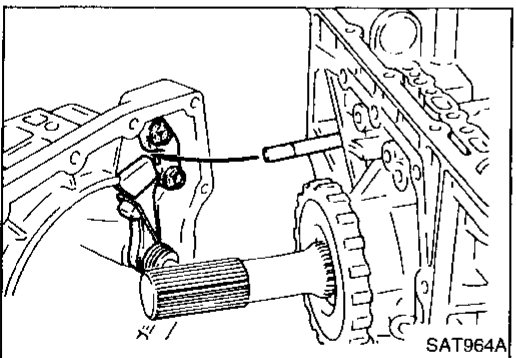
2. Install rear extension.
 - a. Install oil seal on rear extension.
 - **Apply ATF to oil seal.**



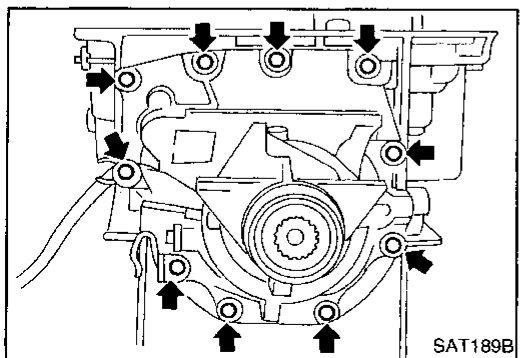
- b. Install O-ring on revolution sensor.
 - **Apply ATF to O-ring.**
 - c. Install revolution sensor on rear extension.



- d. Install rear extension gasket on transmission case.



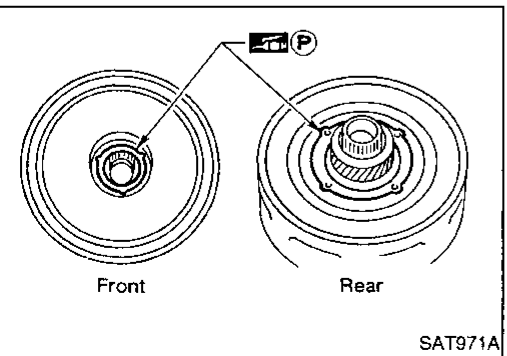
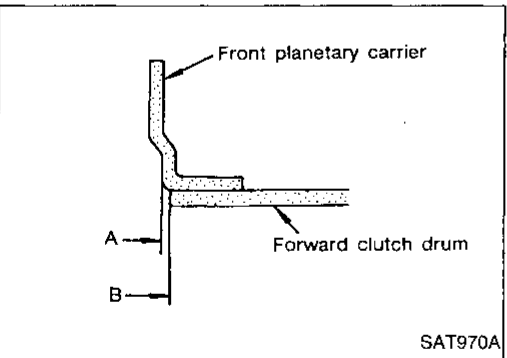
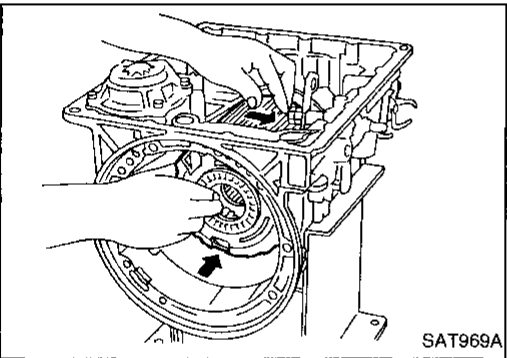
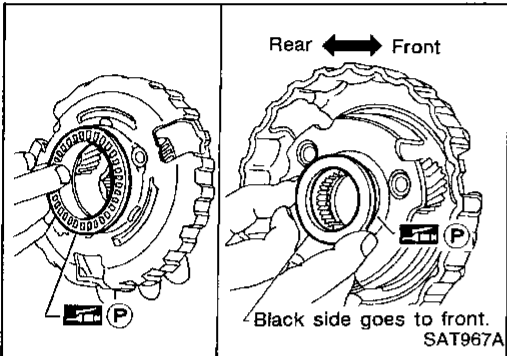
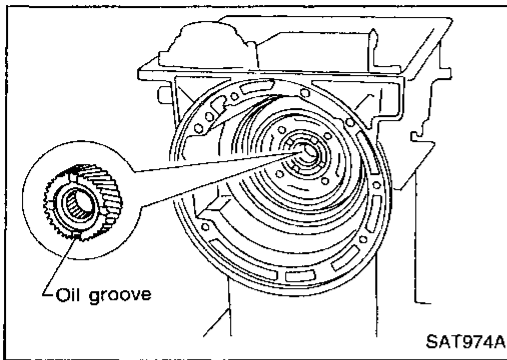
- e. Install parking rod on transmission case.



- f. Install rear extension on transmission case.

ASSEMBLY

Assembly (2) (Cont'd)



3. Install front side clutch and gear components.
 - a. Install rear sun gear on transmission case.
 - Pay attention to its direction.

- b. Make sure needle bearing is on front of front planetary carrier.
 - Apply petroleum jelly to needle bearing.
 - c. Make sure needle bearing is on rear of front planetary carrier.
 - Apply petroleum jelly to bearing.
 - Pay attention to its direction — Black side goes to front.

- d. While rotating forward clutch drum clockwise, install front planetary carrier on forward clutch drum.

- Check that portion A of front planetary carrier protrudes approximately 2 mm (0.08 in) beyond portion B of forward clutch assembly.

- e. Make sure bearing races are on front and rear of clutch pack.
 - Apply petroleum jelly to bearing races.
 - Securely engage pawls of bearing races with holes in clutch pack.

GI

MA

EM

LC

EC

FE

AT

PD

FA

RA

BR

ST

RS

BT

HA

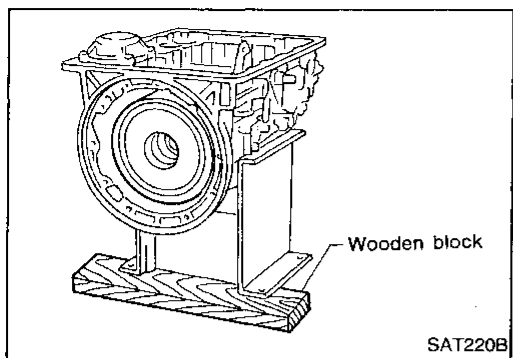
EL

IDX

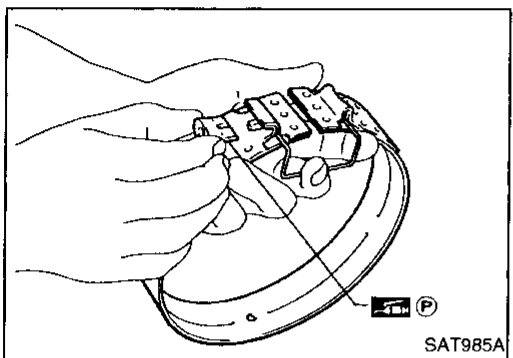
ASSEMBLY

Assembly (2) (Cont'd)

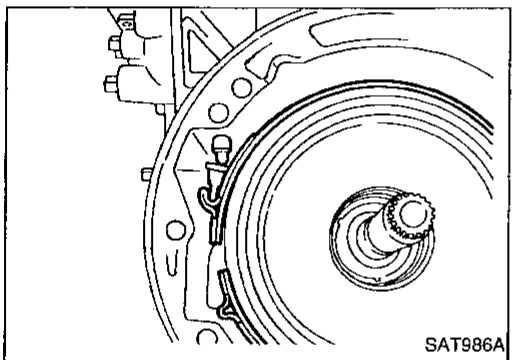
- f. Install clutch pack into transmission case.



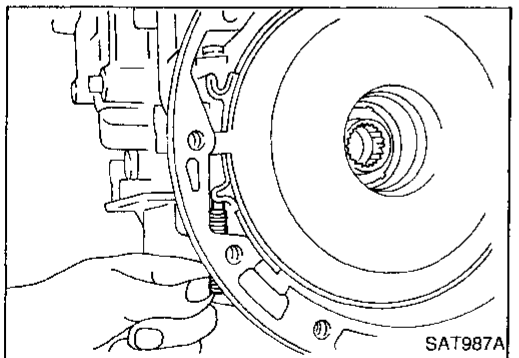
4. Install brake band and band strut.
a. Install band strut on brake band.
● **Apply petroleum jelly to band strut.**



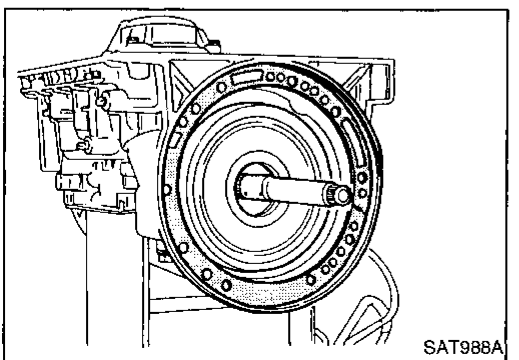
- b. Place brake band on periphery of reverse clutch drum, and insert band strut into end of band servo piston stem.



- c. Install anchor end bolt on transmission case. Then, tighten anchor end bolt just enough so that reverse clutch drum (clutch pack) will not tilt forward.

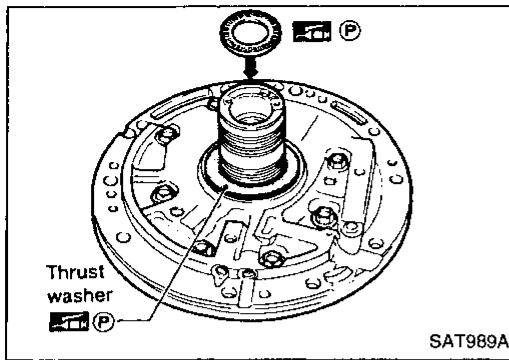


5. Install input shaft on transmission case.
● **Pay attention to its direction — O-ring groove side is front.**
6. Install gasket on transmission case.

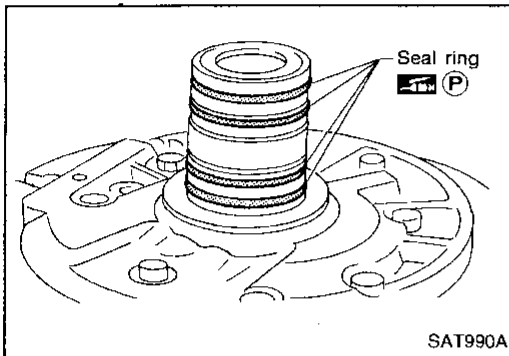


ASSEMBLY

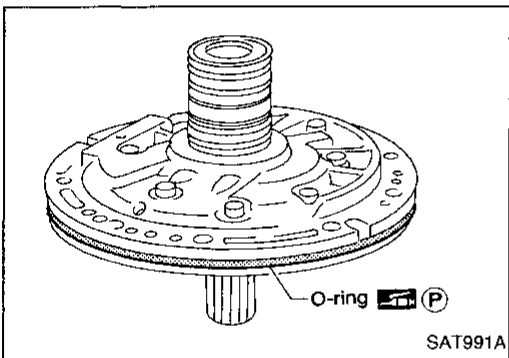
Assembly (2) (Cont'd)



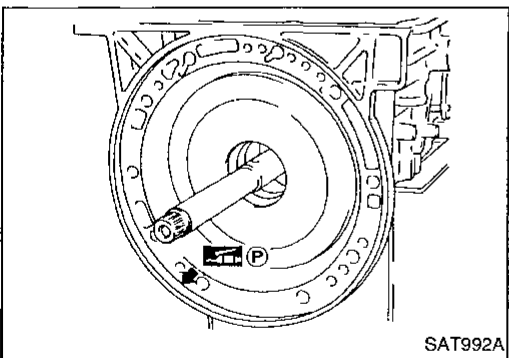
7. Install oil pump assembly.
 - a. Install needle bearing on oil pump assembly.
 - **Apply petroleum jelly to the needle bearing.**
 - b. Install selected thrust washer on oil pump assembly.
 - **Apply petroleum jelly to thrust washer.**



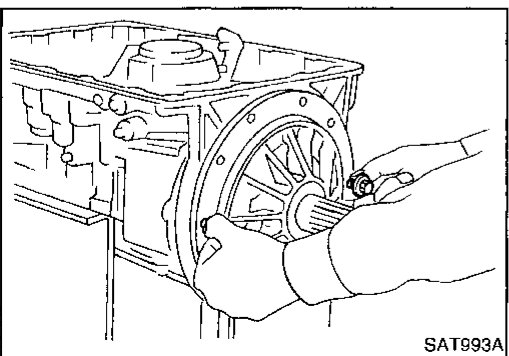
- c. Carefully install seal rings into grooves and press them into the petroleum jelly so that they are a tight fit.



- d. Install O-ring on oil pump assembly.
 - **Apply petroleum jelly to O-ring.**



- e. Apply petroleum jelly to mating surface of transmission case and oil pump assembly.



- f. Install oil pump assembly.
 - **Install two converter housing securing bolts in bolt holes in oil pump assembly as guides.**

GI

MA

EM

LC

EC

FE

AT

PD

FA

RA

BR

ST

RS

BT

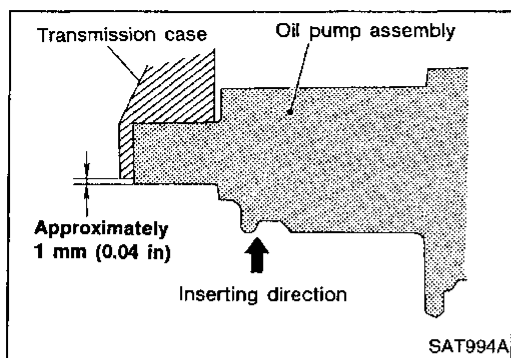
HA

EL

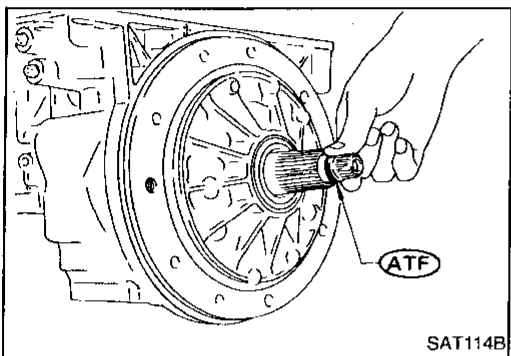
IDX

ASSEMBLY

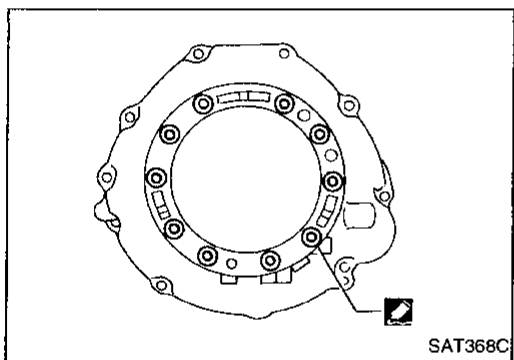
Assembly (2) (Cont'd)



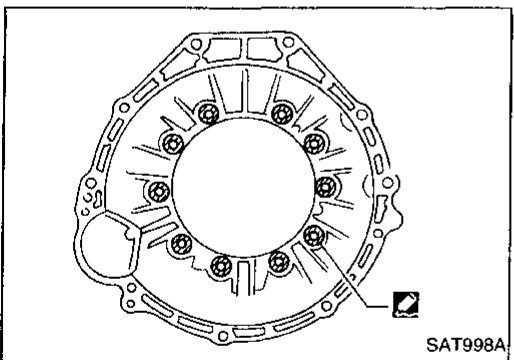
- Insert oil pump assembly to the specified position in transmission, as shown at left.



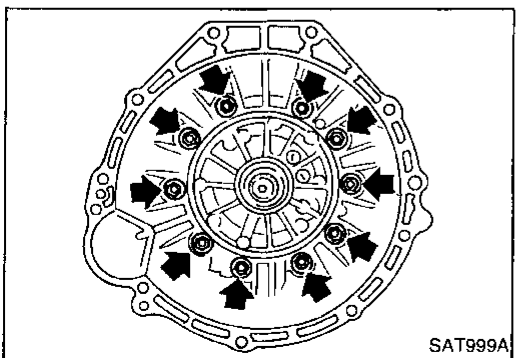
8. Install O-ring on input shaft.
- Apply ATF to O-rings.



9. Install converter housing.
 - a. Apply recommended sealant (Nissan genuine part: KP610-00250 or equivalent) to outer periphery of bolt holes in converter housing.
- Do not apply too much sealant.



- b. Apply recommended sealant (Nissan genuine part: KP610-00250 or equivalent) to seating surfaces of bolts that secure front of converter housing.

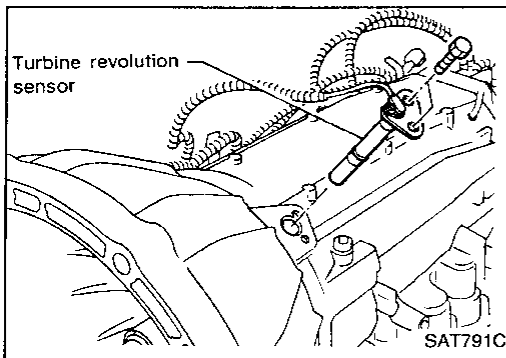


- c. Install converter housing on transmission case.

ASSEMBLY

Assembly (2) (Cont'd)


10. Install turbine revolution sensor.



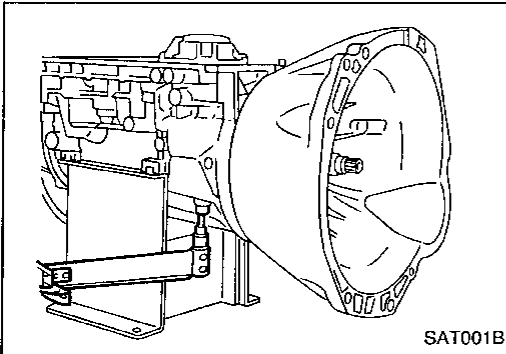
11. Adjust brake band.

a. Tighten anchor end bolt to specified torque.

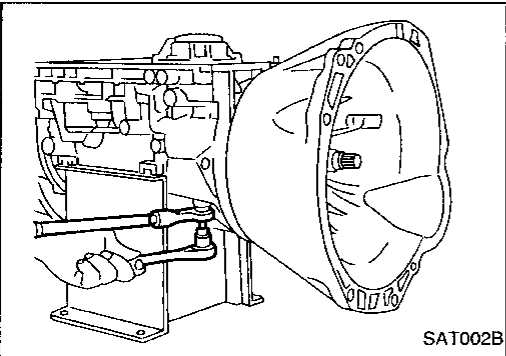
Anchor end bolt:

 : 3.9 - 5.9 N·m (0.4 - 0.6 kg-m, 35 - 52 in-lb)

b. Back off anchor end bolt two and a half turns.



c. While holding anchor end pin, tighten lock nut.

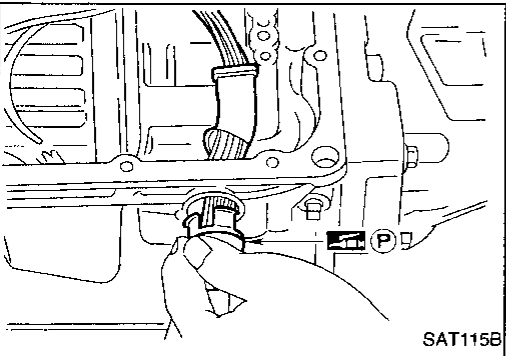


12. Install terminal cord assembly.

a. Install O-ring on terminal cord assembly.

• **Apply petroleum jelly to O-ring.**

b. Compress terminal cord assembly stopper and install terminal cord assembly on transmission case.

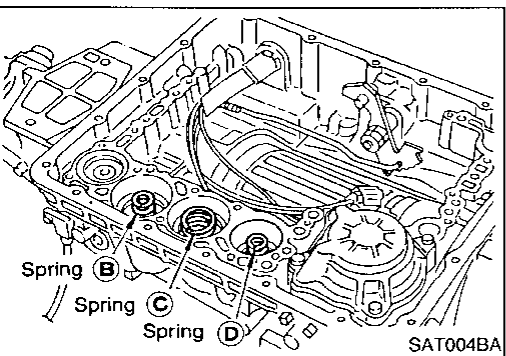


13. Install control valve assembly.

a. Install accumulator piston return springs **B**, **C** and **D**.

Free length of return springs:

Refer to SDS, AT-214.



GI

MA

EM

LC

EC

FE

AT

PD

FA

RA

BR

ST

RS

BT

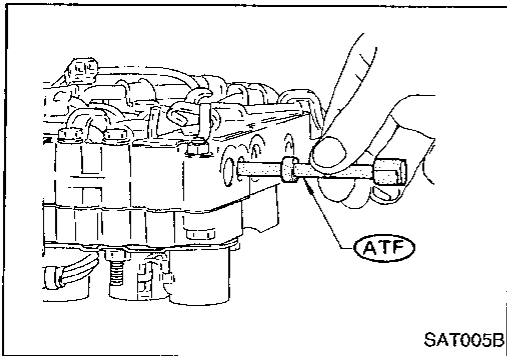
HA

EL

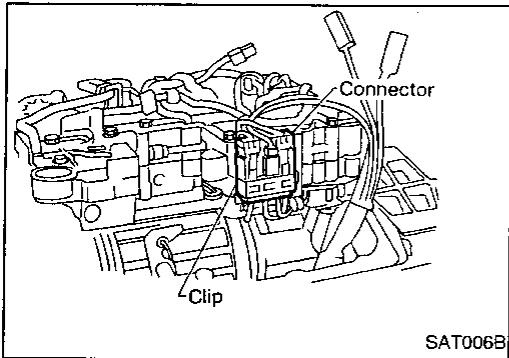
IDX

ASSEMBLY

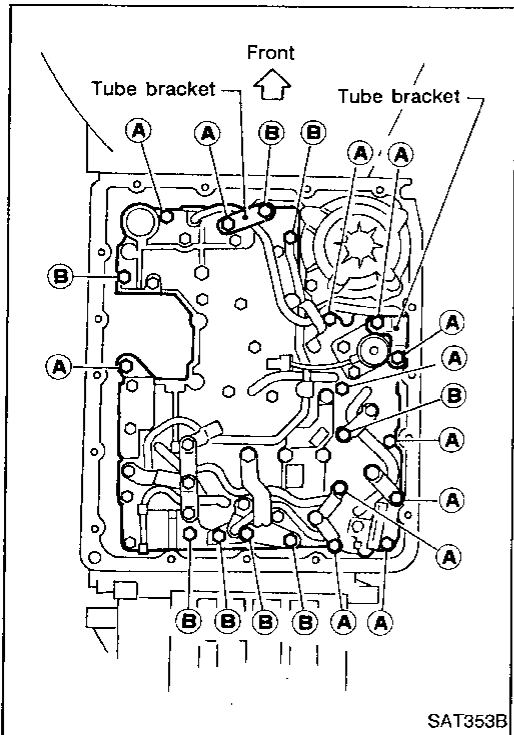
Assembly (2) (Cont'd)




- b. Install manual valve on control valve.
- **Apply ATF to manual valve.**

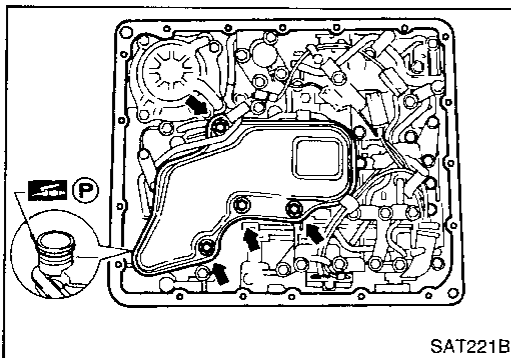


- c. Place control valve assembly on transmission case. Connect solenoid connector for upper body.
- d. Install connector clip.



- e. Install control valve assembly on transmission case.
- f. Install connector tube brackets and tighten bolts Ⓐ and Ⓑ.
- **Check that terminal assembly harness does not catch.**

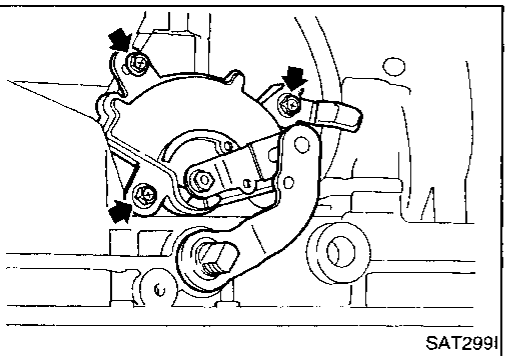
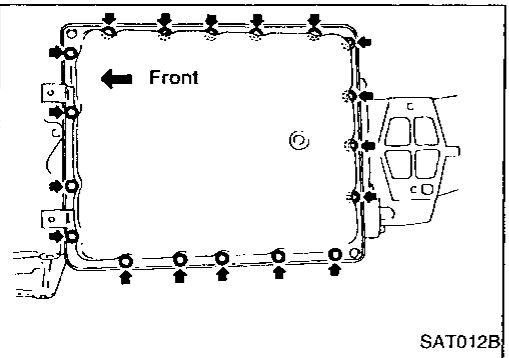
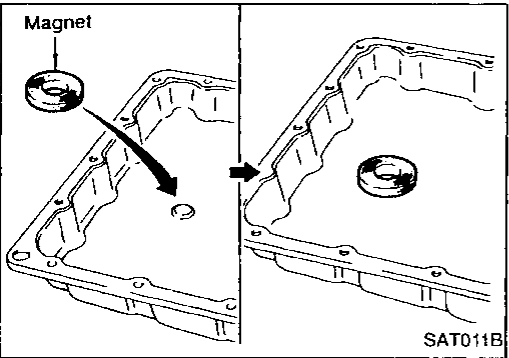
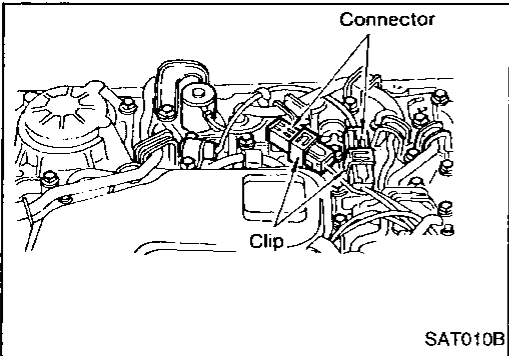
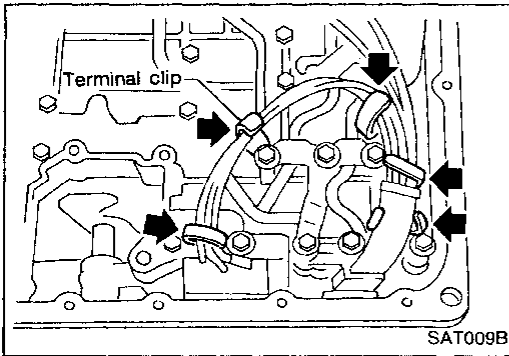
Bolt symbol	ℓ mm (in)	
Ⓐ	33 (1.30)	
Ⓑ	45 (1.77)	



- g. Install O-ring on oil strainer.
- **Apply petroleum jelly to O-ring.**
- h. Install oil strainer on control valve.

ASSEMBLY

Assembly (2) (Cont'd)



i. Securely fasten terminal harness with clips.

j. Install torque converter clutch solenoid valve and fluid temperature sensor connectors.

14. Install oil pan.

a. Attach a magnet to oil pan.

b. Install new oil pan gasket on transmission case.

c. Install oil pan and bracket on transmission case.

● **Always replace oil pan bolts as they are self-sealing bolts.**

● **Before installing bolts, remove traces of sealant and oil from mating surface and thread holes.**

● **Tighten four bolts in a criss-cross pattern to prevent displacement of gasket.**

d. Tighten drain plug.

15. Install inhibitor switch.

a. Check that manual shaft is in "1" position.

b. Temporarily install inhibitor switch on manual shaft.

c. Move manual shaft to "N".

GI

MA

EM

LC

EC

FE

AT

PD

FA

RA

BR

ST

RS

BT

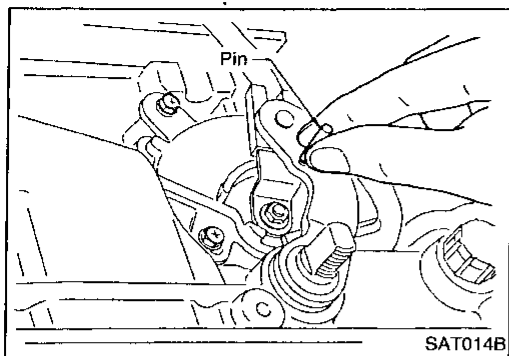
HA

EL

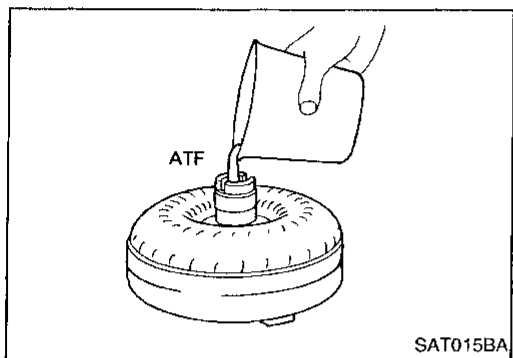
IDX

ASSEMBLY

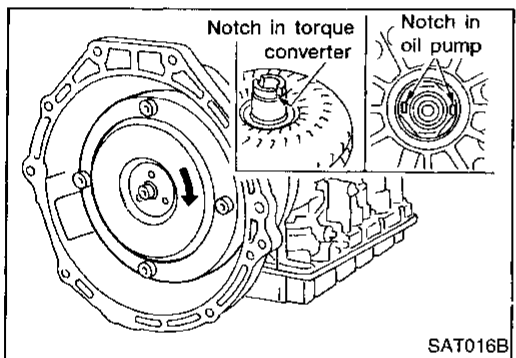
Assembly (2) (Cont'd)



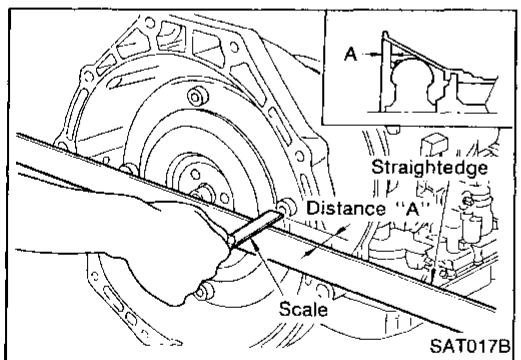
- d. Tighten bolts while inserting 4.0 mm (0.157 in) dia. pin vertically into locating holes in inhibitor switch and manual shaft.



16. Install torque converter.
- a. Pour ATF into torque converter.
- **Approximately 2 liters (2-1/8 US qt, 1-3/4 Imp qt) of fluid are required for a new torque converter.**
 - **When reusing old torque converter, add the same amount of fluid as was drained.**



- b. Install torque converter while aligning notches and oil pump.



- c. Measure distance A to check that torque converter is in proper position.

Distance "A":
26.0 mm (1.024 in) or more

SERVICE DATA AND SPECIFICATIONS (SDS)

General Specifications

Engine	VG30DE
Automatic transmission model	RE4R01A
Transmission model code number	44 x 18
Stall torque ratio	2.0 : 1
Transmission gear ratio	
1st	2.785
2nd	1.545
Top	1.000
OD	0.694
Reverse	2.272
Recommended oil	Nissan Matic "D" (Continental U.S. and Alaska) or Genuine Nissan Automatic Transmission Fluid (Canada)*
Oil capacity ℓ (US qt, Imp qt)	8.3 (8-3/4, 7-1/4)

*: Refer to MA section ("Fluids and Lubricants", "RECOMMENDED FLUIDS AND LUBRICANTS").

Specifications and Adjustment

VEHICLE SPEED WHEN SHIFTING GEARS

Throttle position	Vehicle speed km/h (MPH)						
	D ₁ → D ₂	D ₂ → D ₃	D ₃ → D ₄	D ₄ → D ₃	D ₃ → D ₂	D ₂ → D ₁	1 ₂ → 1 ₁
Full throttle	60 - 64 (37 - 40)	114 - 122 (71 - 76)	177 - 187 (110 - 116)	169 - 179 (105 - 111)	102 - 110 (63 - 68)	44 - 48 (27 - 30)	53 - 57 (33 - 35)
Half throttle	47 - 51 (29 - 32)	87 - 93 (54 - 58)	128 - 136 (80 - 85)	68 - 76 (42 - 47)	34 - 40 (21 - 25)	7 - 11 (4 - 7)	53 - 57 (33 - 35)

VEHICLE SPEED WHEN PERFORMING AND RELEASING LOCK-UP

Throttle position	Shift range	Vehicle speed km/h (MPH)	
		Lock-up "ON"	Lock-up "OFF"
Full throttle	D ₄	178 - 186 (111 - 116)	170 - 178 (106 - 111)
Half throttle	D ₄	121 - 129 (75 - 80)	100 - 108 (62 - 67)

STALL REVOLUTION

Stall revolution rpm
2,320 - 2,720

LINE PRESSURE

Engine speed rpm	Line pressure kPa (kg/cm ² , psi)	
	D, 3, 2 and 1 positions	R position
Idle	422 - 461 (4.3 - 4.7, 61 - 67)	608 - 647 (6.2 - 6.6, 88 - 94)
Stall	1,020 - 1,098 (10.4 - 11.2, 148 - 159)	1,422 - 1,500 (14.5 - 15.3, 206 - 218)

SERVICE DATA AND SPECIFICATIONS (SDS)

Specifications and Adjustment (Cont'd)

RETURN SPRINGS

Unit: mm (in)

Parts		Item	Part No.	Free length	Outer diameter		
Control valve	Upper body	①	Torque converter relief valve spring	31742-41X23	38.0 (1.496)	9.0 (0.354)	
		②	Pressure regulator valve spring	31742-41X24	44.02 (1.7331)	14.0 (0.551)	
		③	Pressure modifier valve spring	31742-41X19	31.95 (1.2579)	6.8 (0.268)	
		④	Shuttle shift valve D spring	31762-41X01	25.0 (0.984)	7.0 (0.276)	
		⑤	4-2 sequence valve spring	31756-41X00	29.1 (1.146)	6.95 (0.2736)	
		⑥	Shift valve B spring	31762-41X01	25.0 (0.984)	7.0 (0.276)	
		⑦	4-2 relay valve spring	31756-41X00	29.1 (1.146)	6.95 (0.2736)	
		⑧	Shift valve A spring	31762-41X01	25.0 (0.984)	7.0 (0.276)	
		⑨	Overrun clutch control valve spring	31762-41X03	23.6 (0.929)	7.0 (0.276)	
		⑩	Overrun clutch reducing valve spring	31742-41X64	31.7 (1.248)	7.1 (0.280)	
		⑪	Shuttle shift valve S spring	31762-41X04	51.0 (2.008)	5.65 (0.2224)	
		⑫	Pilot valve spring	31742-41X13	25.7 (1.012)	9.0 (0.354)	
		⑬	Lock-up control valve spring	31742-41X22	18.5 (0.728)	13.0 (0.512)	
		Lower body	①	Modifier accumulator piston spring	31742-27X70	31.4 (1.236)	9.8 (0.386)
			②	1st reducing valve spring	31756-41X05	25.4 (1.000)	6.75 (0.2657)
			③	3-2 timing valve spring	31742-41X06	23.0 (0.906)	6.7 (0.264)
			④	Servo charger valve spring	31742-41X06	23.0 (0.906)	6.7 (0.264)
	Reverse clutch		16 pcs	31505-41X02	19.69 (0.7752)	11.6 (0.457)	
High clutch		16 pcs	31505-21X03	22.06 (0.8685)	11.6 (0.457)		
Forward clutch (Overrun clutch)		20 pcs	31521-41X00 (Assembly)	35.77 (1.4083)	9.7 (0.382)		
Low & reverse brake		18 pcs	31505-41X05	22.3 (0.878)	11.6 (0.457)		
Band servo	Spring ④		31605-41X05	45.6 (1.795)	34.3 (1.350)		
	Spring ⑤		31605-41X00	53.8 (2.118)	40.3 (1.587)		
	Spring ⑥		31605-41X01	29.0 (1.142)	27.6 (1.087)		
Accumulator	Accumulator ④		31605-41X02	43.0 (1.693)	18.0 (0.709)		
	Accumulator ⑤		31605-41X10	66.0 (2.598)	18.8 (0.740)		
	Accumulator ⑥		31605-41X09	45.0 (1.772)	29.3 (1.154)		
	Accumulator ⑦		31605-41X06	58.4 (2.299)	17.3 (0.681)		

ACCUMULATOR O-RING

Accumulator	Diameter mm (in)			
	④	⑤	⑥	⑦
Small diameter end	29 (1.14)	32 (1.26)	45 (1.77)	29 (1.14)
Large diameter end	45 (1.77)	50 (1.97)	50 (1.97)	45 (1.77)

SERVICE DATA AND SPECIFICATIONS (SDS)

Specifications and Adjustment (Cont'd)

CLUTCHES AND BRAKES

Reverse clutch		
Number of drive plates	2	
Number of driven plates	2	
Thickness of drive plate mm (in)		
Standard	2.0 (0.079)	
Wear limit	1.8 (0.071)	
Clearance mm (in)		
Standard	0.5 - 0.8 (0.020 - 0.031)	
Allowable limit	1.2 (0.047)	
Thickness of retaining plate	Thickness mm (in)	Part number
	4.8 (0.189)	31537-42X02
	5.0 (0.197)	31537-42X03
	5.2 (0.205)	31537-42X04
	5.4 (0.213)	31537-42X05
	5.6 (0.220)	31537-42X06
	High clutch	
Number of drive plates	5	
Number of driven plates	5	
Thickness of drive plate mm (in)		
Standard	1.6 (0.063)	
Wear limit	1.4 (0.055)	
Clearance mm (in)		
Standard	1.8 - 2.2 (0.071 - 0.087)	
Allowable limit	3.2 (0.126)	
Thickness of retaining plate	Thickness mm (in)	Part number
	3.4 (0.134)	31537-41X71
	3.6 (0.142)	31537-41X61
	3.8 (0.150)	31537-41X62
	4.0 (0.157)	31537-41X63
	4.2 (0.165)	31537-41X64
	4.4 (0.173)	31537-41X65
	4.6 (0.181)	31537-41X66
	4.8 (0.189)	31537-41X67

Forward clutch		
Number of drive plates	7	
Number of driven plates	7	
Thickness of drive plate mm (in)		
Standard	1.6 (0.063)	
Wear limit	1.4 (0.055)	
Clearance mm (in)		
Standard	0.35 - 0.75 (0.0138 - 0.0295)	
Allowable limit	2.25 (0.0886)	
Thickness of retaining plate	Thickness mm (in)	Part number
	4.6 (0.181)	31537-42X13
	4.8 (0.189)	31537-42X14
	5.0 (0.197)	31537-42X15
	5.2 (0.205)	31537-42X16
	5.4 (0.213)	31537-42X17
	5.6 (0.220)	31537-42X18
Overrun clutch		
Number of drive plates	3	
Number of driven plates	5	
Thickness of drive plate mm (in)		
Standard	2.0 (0.079)	
Wear limit	1.8 (0.071)	
Clearance mm (in)		
Standard	1.0 - 1.4 (0.039 - 0.055)	
Allowable limit	2.0 (0.079)	
Thickness of retaining plate	Thickness mm (in)	Part number
	4.2 (0.165)	31537-41X80
	4.4 (0.173)	31537-41X81
	4.6 (0.181)	31537-41X82
	4.8 (0.189)	31537-41X83
	5.0 (0.197)	31537-41X84

GI
MA
EM
LC
EC
FE
AT
PD
FA
RA
BR
ST
RS
BT
HA
EL
IDX

SERVICE DATA AND SPECIFICATIONS (SDS)

Specifications and Adjustment (Cont'd)

Low & reverse brake		
Number of drive plates	7	
Number of driven plates	7	
Thickness of drive plate mm (in)		
Standard	2.0 (0.079)	
Wear limit	1.8 (0.071)	
Clearance mm (in)		
Standard	0.8 - 1.1 (0.031 - 0.043)	
Allowable limit	2.9 (0.114)	
Thickness of retaining plate	Thickness mm (in)	Part number
	7.8 (0.307)	31667-41X08
	8.0 (0.315)	31667-41X00
	8.2 (0.323)	31667-41X01
	8.4 (0.331)	31667-41X02
	8.6 (0.339)	31667-41X03
	8.8 (0.346)	31667-41X04
	9.0 (0.354)	31667-41X05
	9.2 (0.362)	31667-41X06
	9.4 (0.370)	31667-41X09
	9.6 (0.378)	31667-41X10
9.8 (0.386)	31667-41X18	
10.0 (0.394)	31667-41X19	
Brake band		
Anchor end bolt tightening torque N-m (kg-m, in-lb)	3.9 - 5.9 (0.4 - 0.6, 35 - 52)	
Number of returning revolutions for anchor end bolt	2.5	

OIL PUMP AND LOW ONE-WAY CLUTCH

Oil pump clearance mm (in)	
Cam ring — oil pump housing	
Standard	0.01 - 0.024 (0.0004 - 0.0009)
Rotor, vanes and control piston — oil pump housing	
Standard	0.03 - 0.044 (0.0012 - 0.0017)
Seal ring clearance mm (in)	
Standard	0.10 - 0.25 (0.0039 - 0.0098)
Allowable limit	0.25 (0.0098)

TOTAL END PLAY

Total end play "T ₁ "	0.25 - 0.55 mm (0.0098 - 0.0217 in)	
Thickness of oil pump cover bearing race	Thickness mm (in)	Part number
	0.8 (0.031)	31435-41X01
	1.0 (0.039)	31435-41X02
	1.2 (0.047)	31435-41X03
	1.4 (0.055)	31435-41X04
	1.6 (0.063)	31435-41X05
	1.8 (0.071)	31435-41X06
2.0 (0.079)	31435-41X07	

REVERSE CLUTCH DRUM END PLAY

Reverse clutch drum end play "T ₂ "	0.55 - 0.90 mm (0.0217 - 0.0354 in)	
Thickness of oil pump thrust washer	Thickness mm (in)	Part number
	0.9 (0.035)	31528-21X01
	1.1 (0.043)	31528-21X02
	1.3 (0.051)	31528-21X03
	1.5 (0.059)	31528-21X04
	1.7 (0.067)	31528-21X05
	1.9 (0.075)	31528-21X06

REMOVAL AND INSTALLATION

Manual control linkage	
Number of returning revolutions for lock nut	1
Lock nut tightening torque	11 - 15 N-m (1.1 - 1.5 kg-m, 8 - 11 ft-lb)
Distance between end of converter housing and torque converter	26.0 mm (1.024 in) or more