

SECTION **FAX**  
FRONT AXLE

A  
B  
C

FAX

CONTENTS

E

<b>PREPARATION</b> .....	2	Removal and Installation .....	4	F
Special Service Tools .....	2	REMOVAL .....	4	
Commercial Service Tools .....	2	INSPECTION AFTER REMOVAL .....	5	
<b>NOISE, VIBRATION AND HARSHNESS (NVH)</b>		INSTALLATION .....	5	G
<b>TROUBLESHOOTING</b> .....	3	Disassembly and Assembly .....	6	
NVH Troubleshooting Chart .....	3	DISASSEMBLY .....	6	
<b>FRONT WHEEL HUB AND KNUCKLE</b> .....	4	ASSEMBLY .....	6	H
On-Vehicle Inspection and Service .....	4	<b>SERVICE DATA</b> .....	8	
WHEEL BEARING INSPECTION .....	4	Wheel Bearing .....	8	

I

J

K

L

M

# PREPARATION


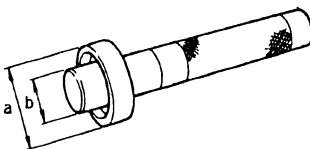
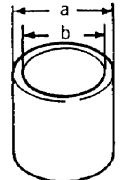
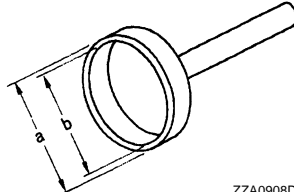
## PREPARATION

PFP:00002

### Special Service Tools

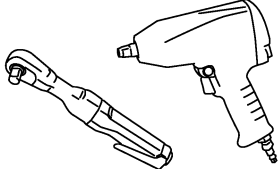
ADS0006A

The actual shapes of Kent-Moore tools may differ from those of special service tools illustrated here.

Tool number (Kent-Moore No.) Tool name	Description
ST36230000 (J25840-A) Sliding hammer   ZZA0803D	Removing wheel hub and bearing assembly
KV381 00300 (J 25523) Drift a: 54 mm (2.13 in) dia. b: 32 mm (1.26 in) dia.   ZZA0539D	Removing wheel bearing
KV401 04710 ( — ) Drift a: 57 mm (2.24 in) dia. b: 47 mm (1.85 in) dia.   ZZA0832D	Removing wheel bearing
ST15310000 (J 25640-B) Drift a: 96 mm (3.78 in) b: 84 mm (3.31 in)   ZZA0908D	Installing ABS sensor rotor

### Commercial Service Tools

ADS00088

Tool name	Description
Power tool   PBIC0190E	<ul style="list-style-type: none"> <li>● Removing wheel nuts</li> <li>● Removing brake caliper assembly</li> <li>● Removing hub lock nut</li> <li>● Removing splash guard</li> </ul>

# NOISE, VIBRATION AND HARSHNESS (NVH) TROUBLESHOOTING

## NOISE, VIBRATION AND HARSHNESS (NVH) TROUBLESHOOTING

PFP:00003

### NVH Troubleshooting Chart

ADS0006B

Use chart below to help you find the cause of the symptom. If necessary, repair or replace these parts.

Reference page			FAX-4	-	FAX-4	NVH in WT section.	NVH in WT section.	NVH in PS section.
Possible cause and SUSPECTED PARTS			Improper installation, looseness	Parts interference	Wheel bearing damage	TIRES	ROAD WHEEL	STEERING
Symptom	FRONT AXLE	Noise	x	x		x	x	x
		Shake	x	x		x	x	x
		Vibration	x	x		x		x
		Shimmy	x	x		x	x	x
		Judder	x			x	x	x
		Poor quality ride or handling	x	x	x	x	x	

x: Applicable

A  
B  
C  
FAX  
E  
F  
G  
H  
I  
J  
K  
L  
M

# FRONT WHEEL HUB AND KNUCKLE

## FRONT WHEEL HUB AND KNUCKLE

PFP:40202

### On-Vehicle Inspection and Service

ADS0006C

Check that the mounting conditions (looseness, back lash) of each component and component status (wear, damage) are normal.

#### WHEEL BEARING INSPECTION

- Move wheel hub in the axial direction by hand. Check that there is no looseness of wheel bearing.

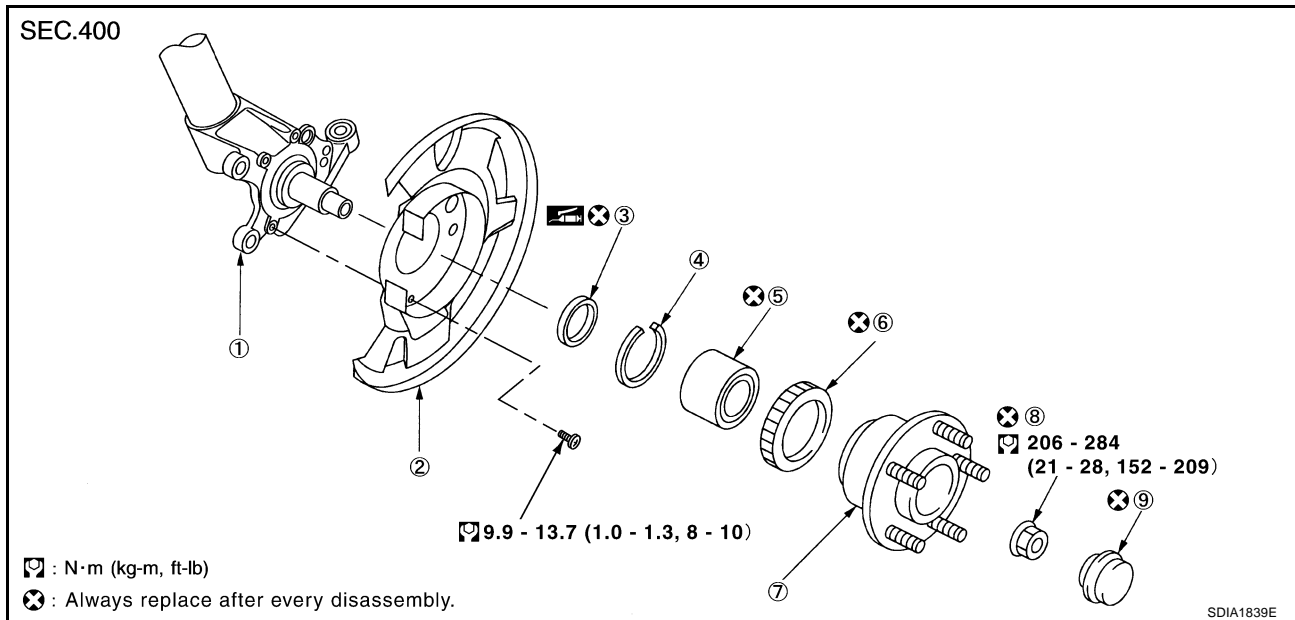
**Standard value**

**Axial end play limit : 0.05 mm (0.002 in) or less**

- Rotate wheel hub and check that there is no unusual noise or other irregular conditions. If there are any irregular conditions, replace wheel bearings.

#### Removal and Installation

ADS0006D



- |                   |                  |                     |
|-------------------|------------------|---------------------|
| 1. Strut assembly | 2. Splash guard  | 3. Grease seal      |
| 4. Snap ring      | 5. Wheel bearing | 6. ABS sensor rotor |
| 7. Wheel hub      | 8. Lock nut      | 9. Hub cap          |

#### REMOVAL

1. Remove tire with power tool.
2. Remove brake caliper with power tool. Hang it in a place where it will not interfere with work. Refer to [BR-24, "FRONT DISC BRAKE"](#).

#### CAUTION:

**Avoid depressing brake pedal while brake caliper is removed.**

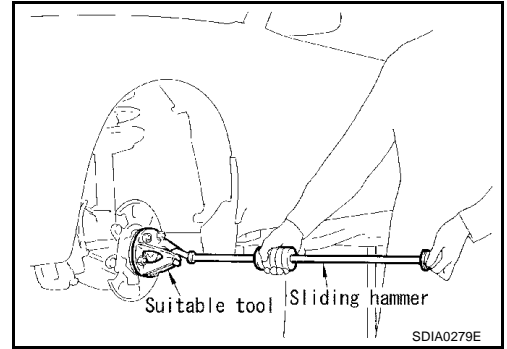
3. Remove disc rotor.
4. Use a hub cap pliers (suitable tool) to remove hub cap from wheel hub.
5. Pull up caulked area of lock nut with flat-bladed screwdriver.
6. Remove lock nut with power tool, then remove wheel hub and bearing assembly from strut assembly.

# FRONT WHEEL HUB AND KNUCKLE

- When it is hard to remove wheel hub and bearing assembly from strut assembly due to burnout, use a sliding hammer (special service tool) for removal.

**Tool number : ST36230000 (J25840-A)**

7. Remove fixing screws of splash guard with power tool, then remove splash guard from strut assembly.



A  
B  
C

FAX

## INSPECTION AFTER REMOVAL

### Wheel Hub

- Inspect wheel hubs for damage, seizure, and corrosion. Also check wheel hubs for cracks (using a die test or other method). Replace if any irregular conditions are found.

### Knuckle Spindle

- Inspect knuckle spindle for damage and corrosion. If any irregular conditions are found, replace strut assembly.

## INSTALLATION

- Refer to [FAX-4, "Removal and Installation"](#) for tightening torque. Tighten in the reverse order of removal.

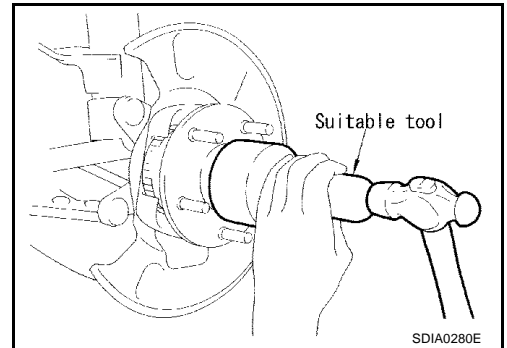
### CAUTION:

Refer to component parts location and do not reuse non-reusable parts.

- Install hub cap using a suitable tool.

### CAUTION:

Discard old hub cap; replace with new one.



E  
F  
G  
H  
I  
J  
K  
L  
M

- If wheel bearing is replaced, measure hub rotating torque before hub cap installed.
  - a: Turn wheel hub several times in both directions to seat wheel bearing correctly.
  - b: Attach spring balance to wheel hub bolt as shown in the figure and pull it at a speed of  $10 \pm 2$  rpm to measure rotation torque.

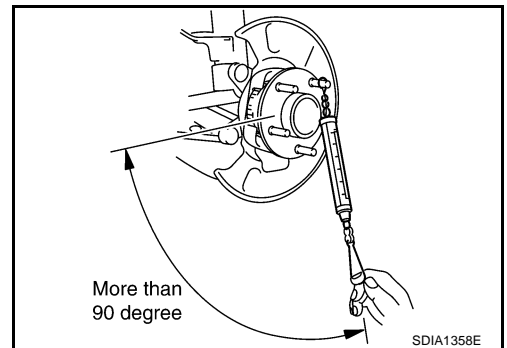
### Standard value

#### Rotating torque:

**0.246 - 2.108 N·m (0.03 - 0.21 kg·m, 3 - 18 in·lb)**

#### Spring balance indication:

**4.0 - 37.2 N (0.41 - 3.79 kg, 0.9 - 8.4 lb)**



# FRONT WHEEL HUB AND KNUCKLE

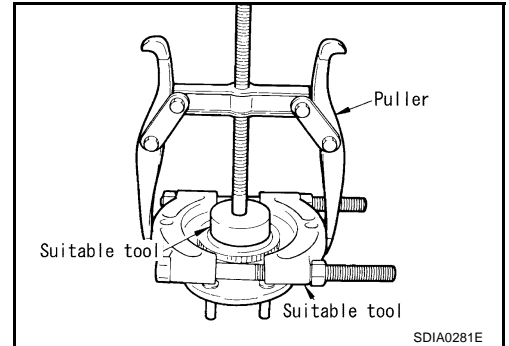
ADS0006E

## Disassembly and Assembly DISASSEMBLY

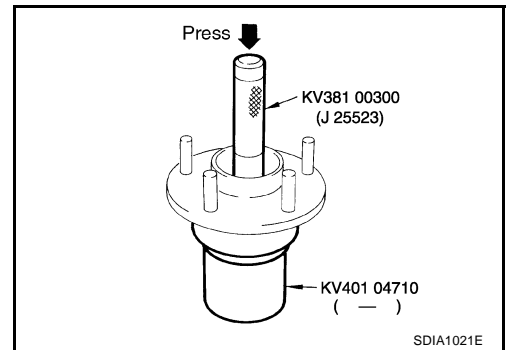
### CAUTION:

Do not disassemble if wheel bearing has no trouble.

1. Use a flat-bladed screwdriver or similar tool to remove grease seal from wheel hub.
2. Using a puller (suitable tool), drift (suitable tool), and bearing replacer (suitable tool), press wheel hub out to remove from ABS sensor rotor.
3. Using a snap ring plier or similar tool to remove snap ring from wheel hub.



4. Using a drift (special service tool), press to remove wheel bearing from wheel hub.



## ASSEMBLY

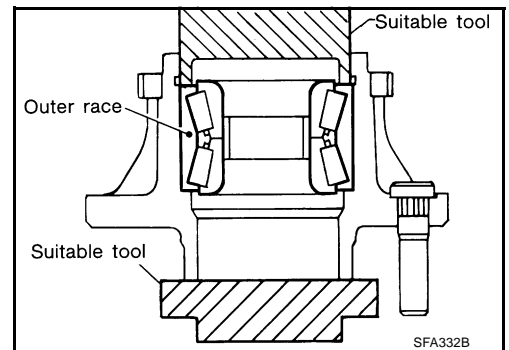
1. Using a drift (suitable tool) as shown in the figure, press wheel bearing into wheel hub.

### CAUTION:

- Discard old wheel bearing; replace with new one.
- Do not press inner race of wheel bearing assembly.
- Do not apply oil or grease to mating surfaces of wheel bearing outer race and wheel hub.

### NOTE:

Final press load guideline 29,420 N (3,000 kg, 6,614 lb)



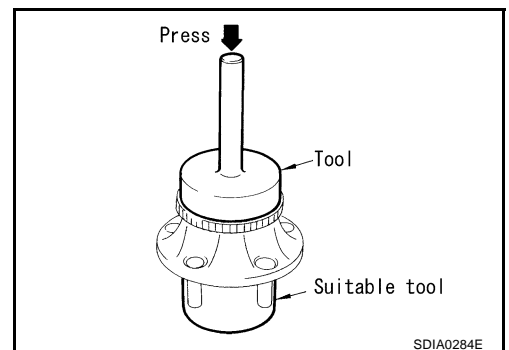
2. Using a drift (special service tool), press ABS sensor rotor into wheel hub.

Tool number : ST15310000 (J 25640-B)

### CAUTION:

Discard old ABS sensor rotor; replace with new one.

3. Using a snap ring plier or similar tool, install snap ring into wheel hub.



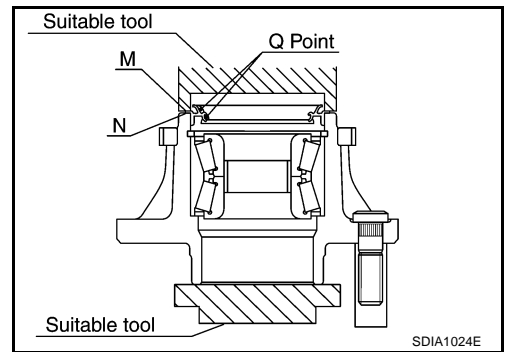
## FRONT WHEEL HUB AND KNUCKLE

4. As shown in the figure, securely press-fit grease seal until hub end surface "N" and grease seal flange surface "M" are completely fitted.

**Pressure : 9,806 N (1,000 kg, 2,204 lb) or less.**

**CAUTION:**

**Discard old grease seal; replace with new one.**



A  
B  
C

FAX

E  
F  
G  
H  
I  
J  
K  
L  
M

# SERVICE DATA

## SERVICE DATA

PFP:00030

### Wheel Bearing

ADS006F

Axial end play limit	0.05 mm (0.002 in) or less
Rotating torque	0.246 - 2.108 N·m (0.03 - 0.21 kg-m, 3 - 18 in-lb)
Measurement of spring scale (Spring scale hooking position: wheel hub bolt)	4.0 - 37.2 N (0.41 - 3.79 kg, 0.9 - 8.4 lb)