

A

SECTION ACC

ACC

ACCELERATOR CONTROL SYSTEM

C

CONTENTS

D

E

PRECAUTIONS	2	Components	3	F
Precautions for Supplemental Restraint System (SRS) "AIR BAG" and "SEAT BELT PRE-TEN- SIONER"	2	Removal and Installation	3	
ACCELERATOR CONTROL SYSTEM	3	REMOVAL	3	
		INSTALLATION	4	G
		INSPECTION AFTER INSTALLATION	4	

H

I

J

K

L

M

PRECAUTIONS

PRECAUTIONS

PFP:00001

Precautions for Supplemental Restraint System (SRS) “AIR BAG” and “SEAT BELT PRE-TENSIONER”

NBS005R0

The Supplemental Restraint System such as “AIR BAG” and “SEAT BELT PRE-TENSIONER”, used along with a front seat belt, helps to reduce the risk or severity of injury to the driver and front passenger for certain types of collision. This system includes seat belt switch inputs and dual stage front air bag modules. The SRS system uses the seat belt switches to determine the front air bag deployment, and may only deploy one front air bag, depending on the severity of a collision and whether the front occupants are belted or unbelted. Information necessary to service the system safely is included in the SRS and SB section of this Service Manual.

WARNING:

- To avoid rendering the SRS inoperative, which could increase the risk of personal injury or death in the event of a collision which would result in air bag inflation, all maintenance must be performed by an authorized NISSAN/INFINITI dealer.
- Improper maintenance, including incorrect removal and installation of the SRS, can lead to personal injury caused by unintentional activation of the system. For removal of Spiral Cable and Air Bag Module, see the SRS section.
- Do not use electrical test equipment on any circuit related to the SRS unless instructed to in this Service Manual. SRS wiring harnesses can be identified by yellow and/or orange harnesses or harness connectors.

ACCELERATOR CONTROL SYSTEM

PFP:18005

Components

NBS005RP

A

ACC

C

D

E

F

G

H

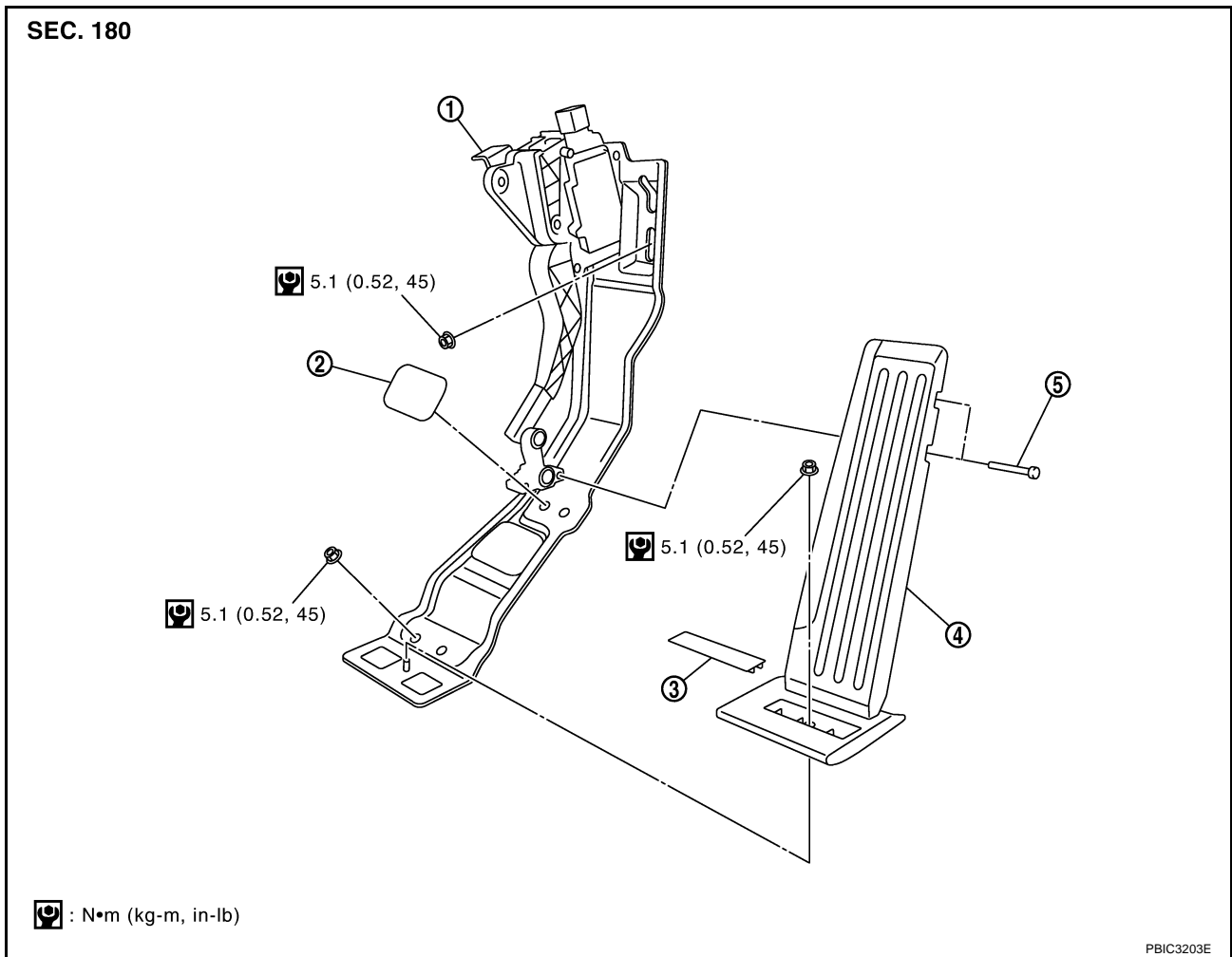
I

J

K

L

M



- | | | |
|---|------------------------------------|--------|
| 1. Accelerator pedal bracket and lever assembly | 2. Accelerator pedal stopper cover | 3. Cap |
| 4. Accelerator pedal pad | 5. Pin | |

Removal and Installation

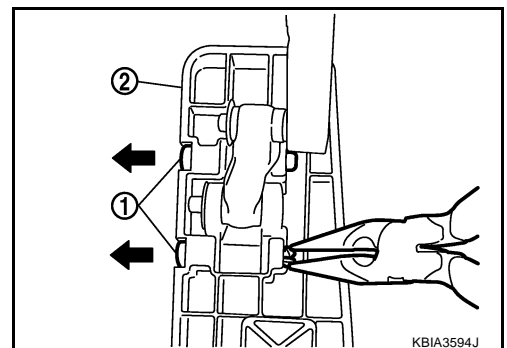
REMOVAL

NBS005RQ

1. Disconnect accelerator pedal position sensor harness connector.
2. Remove front kicking plate and dash side finisher. Refer to [EI-37, "BODY SIDE TRIM"](#).
3. Remove the cap and the inside mounting nut, and then disassemble the accelerator pedal pad from the floor carpet.
4. Press the pin (1) with long-nose pliers and pull them out in the direction shown by the arrow (←). Then remove the accelerator pedal pad (2).

CAUTION:

Do not disengage the part (the link) other than pins.



5. Remove accelerator pedal stopper cover.

ACCELERATOR CONTROL SYSTEM

6. Pull up the floor carpet.
7. Remove mounting nuts of accelerator pedal bracket.
8. Remove accelerator pedal bracket and lever assembly.

CAUTION:

- Do not disassemble accelerator lever. Do not remove accelerator pedal position sensor from accelerator lever.
- Avoid impact from dropping etc. during handling.
- Be careful to keep accelerator lever away from water.

INSTALLATION

Installation is the reverse order of removal.

INSPECTION AFTER INSTALLATION

- Make sure accelerator pedal moves smoothly within the whole operation range when it is fully depressed and released.
- Make sure accelerator pedal securely returns to the fully released position.
- For the electrical inspection of accelerator pedal position sensor, refer to the following.
 - VQ35DE
[EC-626, "DTC P2122, P2123 APP SENSOR"](#).
 - VK45DE
[EC-1358, "DTC P2122, P2123 APP SENSOR"](#).

CAUTION:

When harness connector of accelerator pedal position sensor is disconnected, perform "Accelerator Pedal Released Position Learning". Refer to [EC-95, "Accelerator Pedal Released Position Learning"](#) (VQ35DE) or [EC-806, "Accelerator Pedal Released Position Learning"](#) (VK45DE).