

# SECTION **ATC**

## AUTOMATIC AIR CONDITIONER

A  
B  
C

### CONTENTS

D  
E

<p><b>PRECAUTIONS</b> ..... 5</p> <p>Precautions for Supplemental Restraint System (SRS) "AIR BAG" and "SEAT BELT PRE-TENSIONER" ..... 5</p> <p>Precautions Necessary for Steering Wheel Rotation After Battery Disconnect ..... 5</p> <p>OPERATION PROCEDURE ..... 5</p> <p>Precautions for Procedures without Cowl Top Cover... 6</p> <p>Precautions for Working with HFC-134a (R-134a)... 6</p> <p>CONTAMINATED REFRIGERANT ..... 7</p> <p>General Refrigerant Precautions ..... 7</p> <p>Precautions for Refrigerant Connection ..... 7</p> <p>ABOUT ONE-TOUCH JOINT ..... 7</p> <p>FEATURES OF NEW TYPE REFRIGERANT CONNECTION ..... 10</p> <p>O-RING AND REFRIGERANT CONNECTION... 10</p> <p>Precautions for Servicing Compressor ..... 12</p> <p>Precautions for Service Equipment ..... 13</p> <p>RECOVERY/RECYCLING EQUIPMENT ..... 13</p> <p>ELECTRICAL LEAK DETECTOR ..... 13</p> <p>VACUUM PUMP ..... 13</p> <p>MANIFOLD GAUGE SET ..... 13</p> <p>SERVICE HOSES ..... 14</p> <p>SERVICE COUPLERS ..... 14</p> <p>REFRIGERANT WEIGHT SCALE ..... 14</p> <p>CHARGING CYLINDER ..... 14</p> <p>Precautions for Leak Detection Dye ..... 15</p> <p>IDENTIFICATION ..... 15</p> <p>IDENTIFICATION LABEL FOR VEHICLE ..... 15</p> <p><b>PREPARATION</b> ..... 16</p> <p>Special Service Tools ..... 16</p> <p>HFC-134a (R-134a) Service Tools and Equipment.. 17</p> <p>Commercial Service Tools ..... 19</p> <p><b>REFRIGERATION SYSTEM</b> ..... 20</p> <p>Refrigerant Cycle ..... 20</p> <p>REFRIGERANT FLOW ..... 20</p> <p>FREEZE PROTECTION ..... 20</p> <p>Refrigerant System Protection ..... 20</p> <p>REFRIGERANT PRESSURE SENSOR ..... 20</p> <p>PRESSURE RELIEF VALVE ..... 20</p>	<p>Variable Displacement Compressor ..... 21</p> <p>GENERAL INFORMATION ..... 21</p> <p>DESCRIPTION ..... 22</p> <p>Component Layout ..... 25</p> <p><b>LUBRICANT</b> ..... 26</p> <p>Maintenance of Lubricant Quantity in Compressor.. 26</p> <p>LUBRICANT ..... 26</p> <p>LUBRICANT RETURN OPERATION ..... 26</p> <p>LUBRICANT ADJUSTING PROCEDURE FOR COMPONENTS REPLACEMENT EXCEPT COMPRESSOR ..... 27</p> <p>LUBRICANT ADJUSTING PROCEDURE FOR COMPRESSOR REPLACEMENT ..... 27</p> <p><b>AIR CONDITIONER CONTROL</b> ..... 29</p> <p>Description of Air Conditioner LAN Control System.. 29</p> <p>System Construction ..... 29</p> <p>OPERATION ..... 30</p> <p>TRANSMISSION DATA AND TRANSMISSION ORDER ..... 30</p> <p>AIR MIX DOOR CONTROL (AUTOMATIC TEMPERATURE CONTROL) ..... 31</p> <p>FAN SPEED CONTROL ..... 31</p> <p>INTAKE DOOR CONTROL ..... 31</p> <p>MODE DOOR CONTROL ..... 31</p> <p>UPPER VENTILATOR DOOR CONTROL ..... 31</p> <p>MAGNET CLUTCH CONTROL ..... 32</p> <p>SELF-DIAGNOSIS SYSTEM ..... 32</p> <p>Description of Control System ..... 33</p> <p>Control Operation ..... 33</p> <p>DISPLAY SCREEN ..... 33</p> <p>MULTIFUNCTION SWITCH ..... 34</p> <p>DISPLAY SCREEN ..... 34</p> <p>MODE SWITCH (DRIVER SIDE) ..... 34</p> <p>MODE SWITCH (PASSENGER SIDE) ..... 34</p> <p>TEMPERATURE CONTROL SWITCH (POTENTIAL TEMPERATURE CONTROL) (DRIVER SIDE) ..... 34</p> <p>TEMPERATURE CONTROL SWITCH (POTENTIAL TEMPERATURE CONTROL) (PASSENGER SIDE) ..... 34</p>
---	---

F  
G

H  
I

ATC

K  
L

M

AUTO SWITCH .....	34	DIAGNOSIS PROCEDURE FOR A/C SYSTEM...	67
DEFROSTER (DEF) SWITCH .....	34	Rear Control Switch Circuit .....	69
UPPER VENT SWITCH .....	34	DIAGNOSIS PROCEDURE FOR REAR CON-	
A/C SWITCH .....	35	TROL SWITCH .....	69
FAN SWITCHES .....	35	LAN System Circuit .....	70
OFF SWITCH .....	35	DIAGNOSIS PROCEDURE FOR LAN CIRCUIT...	70
REAR WINDOW DEFOGGER SWITCH .....	35	Mode Door Motor Circuit .....	75
INTAKE SWITCH .....	35	INSPECTION FLOW .....	76
DUAL SWITCH .....	35	SYSTEM DESCRIPTION .....	78
Control Operation (Rear Control Switch) .....	35	COMPONENT DESCRIPTION .....	79
AUTO SWITCH .....	35	DIAGNOSIS PROCEDURE FOR MODE DOOR	
FAN SWITCH .....	35	MOTOR .....	79
REAR TEMPERATURE CONTROL SWITCH ....	35	Upper Ventilator Door Motor Circuit .....	80
Fail-Safe Function .....	36	INSPECTION FLOW .....	80
Discharge Air Flow .....	37	SYSTEM DESCRIPTION .....	81
System Description .....	38	COMPONENT DESCRIPTION .....	82
SWITCHES AND THEIR CONTROL FUNCTION..	38	DIAGNOSIS PROCEDURE FOR UPPER VEN-	
CAN Communication System Description .....	39	TILATOR DOOR MOTOR .....	82
<b>TROUBLE DIAGNOSIS .....</b>	<b>40</b>	Air Mix Door Motor Circuit .....	83
CONSULT-II Function (ECM) .....	40	INSPECTION FLOW .....	83
CONSULT-II BASIC OPERATION .....	40	SYSTEM DESCRIPTION .....	84
DATA MONITOR .....	40	COMPONENT DESCRIPTION .....	85
How to Perform Trouble Diagnosis for Quick and		DIAGNOSIS PROCEDURE FOR AIR MIX DOOR	
Accurate Repair .....	40	MOTOR .....	85
WORK FLOW .....	40	Air Mix Door Motor PBR Circuit .....	85
SYMPTOM TABLE .....	41	DIAGNOSIS PROCEDURE FOR AIR MIX DOOR	
Component Parts and Harness Connector Location..	42	MOTOR PBR .....	85
ENGINE COMPARTMENT .....	42	Intake Door Motor Circuit .....	86
PASSENGER COMPARTMENT .....	43	INSPECTION FLOW .....	86
Schematic .....	44	SYSTEM DESCRIPTION .....	87
Wiring Diagram —A/C— .....	46	COMPONENT DESCRIPTION .....	88
Auto Amp. Terminals and Reference Value .....	53	DIAGNOSIS PROCEDURE FOR INTAKE DOOR	
PIN CONNECTOR TERMINAL LAYOUT .....	53	MOTOR .....	88
TERMINALS AND REFERENCE VALUE FOR		Blower Motor Circuit .....	89
UNIFIED METER AND A/C AMP. ....	53	INSPECTION FLOW .....	89
Self-diagnosis Function .....	55	SYSTEM DESCRIPTION .....	90
DESCRIPTION .....	55	COMPONENT DESCRIPTION .....	91
FUNCTION CONFIRMATION PROCEDURE ....	56	DIAGNOSIS PROCEDURE FOR BLOWER	
AUXILIARY MECHANISM: TEMPERATURE		MOTOR .....	91
SETTING TRIMMER .....	62	COMPONENT INSPECTION .....	93
AUXILIARY MECHANISM: FOOT POSITION		Magnet Clutch Circuit .....	94
SETTING TRIMMER .....	63	INSPECTION FLOW .....	94
AUXILIARY MECHANISM: INLET PORT MEM-		SYSTEM DESCRIPTION .....	95
ORY FUNCTION .....	63	DIAGNOSIS PROCEDURE FOR MAGNET	
Operational Check .....	64	CLUTCH .....	95
CHECKING MEMORY FUNCTION .....	64	COMPONENT INSPECTION .....	98
CHECKING BLOWER .....	64	Insufficient Cooling .....	99
CHECKING DISCHARGE AIR (MODE SWITCH		INSPECTION FLOW .....	99
AND DEF SWITCH) .....	64	PERFORMANCE TEST DIAGNOSIS .....	101
CHECKING DISCHARGE AIR (UPPER VENT		PERFORMANCE CHART .....	103
SWITCH) .....	65	TROUBLE DIAGNOSIS FOR UNUSUAL PRES-	
CHECKING INTAKE AIR .....	65	SURE .....	105
CHECKING TEMPERATURE DECREASE .....	65	DIAGNOSIS PROCEDURE FOR INSUFFI-	
CHECKING TEMPERATURE INCREASE .....	65	CIENT COOLING .....	107
CHECKING A/C SWITCH .....	65	Insufficient Heating .....	109
CHECKING AUTO MODE .....	65	INSPECTION FLOW .....	109
Power Supply and Ground Circuit for Auto Amp. ....	66	Noise .....	110
INSPECTION FLOW .....	66	INSPECTION FLOW .....	110
COMPONENT DESCRIPTION .....	67	Self-Diagnosis .....	111

INSPECTION FLOW .....	111	<b>INTAKE DOOR MOTOR</b> .....	<b>133</b>	
Memory Function .....	112	Removal and Installation .....	133	A
INSPECTION FLOW .....	112	REMOVAL .....	133	
Ambient Sensor Circuit .....	113	INSTALLATION .....	133	B
COMPONENT DESCRIPTION .....	113	<b>IN-CABIN MICROFILTER</b> .....	<b>134</b>	
AMBIENT TEMPERATURE INPUT PROCESS .....	113	Removal and Installation .....	134	C
DIAGNOSIS PROCEDURE FOR AMBIENT		FUNCTION .....	134	
SENSOR .....	113	REPLACEMENT TIMING .....	134	
COMPONENT INSPECTION .....	115	REPLACEMENT PROCEDURES .....	134	
In-Vehicle Sensor Circuit .....	116	<b>HEATER &amp; COOLING UNIT ASSEMBLY</b> .....	<b>135</b>	D
COMPONENT DESCRIPTION .....	116	Removal and Installation .....	135	
DIAGNOSIS PROCEDURE FOR IN-VEHICLE		REMOVAL .....	135	
SENSOR .....	117	INSTALLATION .....	136	
COMPONENT INSPECTION .....	118	Disassembly and Assembly .....	138	E
Sunload Sensor Circuit .....	119	<b>MODE DOOR MOTOR</b> .....	<b>140</b>	
COMPONENT DESCRIPTION .....	119	Removal and Installation .....	140	
SUNLOAD INPUT PROCESS .....	119	REMOVAL .....	140	
DIAGNOSIS PROCEDURE FOR SUNLOAD		INSTALLATION .....	140	F
SENSOR .....	119	<b>AIR MIX DOOR MOTOR</b> .....	<b>141</b>	
COMPONENT INSPECTION .....	121	Removal and Installation .....	141	
Intake Sensor Circuit .....	122	REMOVAL .....	141	G
COMPONENT DESCRIPTION .....	122	INSTALLATION .....	141	
DIAGNOSIS PROCEDURE FOR INTAKE SEN-		<b>UPPER VENTILATOR DOOR MOTOR</b> .....	<b>142</b>	
SOR .....	122	Removal and Installation .....	142	
COMPONENT INSPECTION .....	123	REMOVAL .....	142	H
<b>CONTROLLER</b> .....	<b>124</b>	INSTALLATION .....	142	
Removal and Installation of Multifunction Switch .....	124	<b>HEATER CORE</b> .....	<b>143</b>	I
REMOVAL .....	124	Removal and Installation .....	143	
INSTALLATION .....	124	REMOVAL .....	143	
<b>AUTO AMP</b> .....	<b>125</b>	INSTALLATION .....	143	
Removal and Installation of Unified Meter and A/C		<b>DUCTS AND GRILLES</b> .....	<b>144</b>	ATC
Auto Amp. ....	125	Removal and Installation .....	144	
REMOVAL .....	125	COMPONENT LAYOUT .....	144	
INSTALLATION .....	125	REMOVAL .....	146	
<b>AMBIENT SENSOR</b> .....	<b>126</b>	INSTALLATION .....	150	K
Removal and Installation .....	126	<b>REFRIGERANT LINES</b> .....	<b>151</b>	
REMOVAL .....	126	HFC-134a (R-134a) Service Procedure .....	151	
INSTALLATION .....	126	SETTING OF SERVICE TOOLS AND EQUIP-		L
<b>IN-VEHICLE SENSOR</b> .....	<b>127</b>	MENT .....	151	
Removal and Installation .....	127	Components .....	153	
REMOVAL .....	127	VQ35DE .....	153	
INSTALLATION .....	127	VK45DE .....	154	M
<b>SUNLOAD SENSOR</b> .....	<b>128</b>	Removal and Installation of Compressor .....	155	
Removal and Installation .....	128	REMOVAL .....	155	
REMOVAL .....	128	INSTALLATION .....	157	
INSTALLATION .....	128	Check Disc to Pulley Clearance .....	157	
<b>INTAKE SENSOR</b> .....	<b>129</b>	Removal and Installation of Low-Pressure Flexible		
Removal and Installation .....	129	Hose and Pipe .....	158	
REMOVAL .....	129	REMOVAL .....	158	
INSTALLATION .....	129	INSTALLATION .....	158	
<b>BLOWER UNIT</b> .....	<b>130</b>	Removal and Installation of High-Pressure Flexible		
Removal and Installation .....	130	Hose .....	159	
REMOVAL .....	130	REMOVAL .....	159	
INSTALLATION .....	130	INSTALLATION .....	160	
Disassembly and Assembly .....	131	Removal and Installation of High-Pressure Pipe 1		
<b>BLOWER MOTOR</b> .....	<b>132</b>	(Engine Compartment) .....	160	
Removal and Installation .....	132	REMOVAL .....	160	
REMOVAL .....	132	INSTALLATION .....	161	
INSTALLATION .....	132	Removal and Installation of Low-Pressure Pipe 1		

and High-Pressure Pipe 2 .....	162	Removal and Installation of Expansion Valve .....	169
REMOVAL .....	162	REMOVAL .....	169
INSTALLATION .....	163	INSTALLATION .....	169
Removal and Installation of Liquid Tank .....	164	Checking for Refrigerant Leaks .....	170
DISASSEMBLY AND ASSEMBLY .....	164	Checking System for Leaks Using the Fluorescent	
REMOVAL .....	164	Leak Detector .....	170
INSTALLATION .....	165	Dye Injection .....	170
Removal and Installation of Condenser .....	165	Electrical Refrigerant Leak Detector .....	171
REMOVAL .....	165	PRECAUTIONS FOR HANDLING LEAK	
INSTALLATION .....	167	DETECTOR .....	171
Removal and Installation of Refrigerant Pressure		CHECKING PROCEDURE .....	172
Sensor .....	167	<b>SERVICE DATA AND SPECIFICATIONS (SDS) ...</b>	<b>174</b>
REMOVAL .....	167	Compressor .....	174
INSTALLATION .....	167	Lubricant .....	174
Removal and Installation of Evaporator .....	168	Refrigerant .....	174
REMOVAL .....	168	Engine Idling Speed .....	174
INSTALLATION .....	168	Belt Tension .....	174

# PRECAUTIONS

## PRECAUTIONS

PPF:00001

### Precautions for Supplemental Restraint System (SRS) “AIR BAG” and “SEAT BELT PRE-TENSIONER”

NJS000FN

The Supplemental Restraint System such as “AIR BAG” and “SEAT BELT PRE-TENSIONER”, used along with a front seat belt, helps to reduce the risk or severity of injury to the driver and front passenger for certain types of collision. This system includes seat belt switch inputs and dual stage front air bag modules. The SRS system uses the seat belt switches to determine the front air bag deployment, and may only deploy one front air bag, depending on the severity of a collision and whether the front occupants are belted or unbelted. Information necessary to service the system safely is included in the SRS and SB section of this Service Manual.

#### **WARNING:**

- To avoid rendering the SRS inoperative, which could increase the risk of personal injury or death in the event of a collision which would result in air bag inflation, all maintenance must be performed by an authorized NISSAN/INFINITI dealer.
- Improper maintenance, including incorrect removal and installation of the SRS, can lead to personal injury caused by unintentional activation of the system. For removal of Spiral Cable and Air Bag Module, see the SRS section.
- Do not use electrical test equipment on any circuit related to the SRS unless instructed to in this Service Manual. SRS wiring harnesses can be identified by yellow and/or orange harnesses or harness connectors.

### Precautions Necessary for Steering Wheel Rotation After Battery Disconnect

NJS000FO

#### **NOTE:**

- This Procedure is applied only to models with Intelligent Key system and NVIS/IVIS (NISSAN/INFINITI VEHICLE IMMOBILIZER SYSTEM - NATS).
- Remove and install all control units after disconnecting both battery cables with the ignition knob in the “LOCK” position.
- Always use CONSULT-II to perform self-diagnosis as a part of each function inspection after finishing work. If DTC is detected, perform trouble diagnosis according to self-diagnostic results.

For models equipped with the Intelligent Key system and NVIS/IVIS, an electrically controlled steering lock mechanism is adopted on the key cylinder.

For this reason, if the battery is disconnected or if the battery is discharged, the steering wheel will lock and steering wheel rotation will become impossible.

If steering wheel rotation is required when battery power is interrupted, follow the procedure below before starting the repair operation.

#### **OPERATION PROCEDURE**

1. Connect both battery cables.

#### **NOTE:**

Supply power using jumper cables if battery is discharged.

2. Use the Intelligent Key or mechanical key to turn the ignition switch to the “ACC” position. At this time, the steering lock will be released.
3. Disconnect both battery cables. The steering lock will remain released and the steering wheel can be rotated.
4. Perform the necessary repair operation.
5. When the repair work is completed, return the ignition switch to the “LOCK” position before connecting the battery cables. (At this time, the steering lock mechanism will engage.)
6. Perform a self-diagnosis check of all control units using CONSULT-II.

A  
B  
C  
D  
E  
F  
G  
H  
I  
K  
L  
M

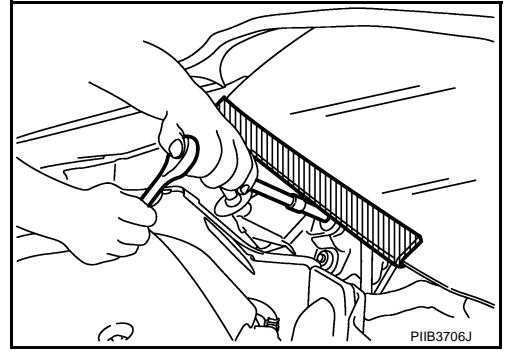
ATC

# PRECAUTIONS

## Precautions for Procedures without Cowl Top Cover

NJS000FP

When performing the procedure after removing cowl top cover, cover the lower end of windshield with urethane, etc.



PIIB3706J

## Precautions for Working with HFC-134a (R-134a)

NJS000FQ

### CAUTION:

- CFC-12 (R-12) refrigerant and HFC-134a (R-134a) refrigerant are not compatible. If the refrigerants are mixed and compressor malfunction is likely to occur, refer to “CONTAMINATED REFRIGERANT” below. To determine the purity of HFC-134a (R-134a) in the vehicle and recovery tank, use Refrigerant Recovery/Recycling Recharging equipment and Refrigerant Identifier.
- Use only specified lubricant for the HFC-134a (R-134a) A/C system and HFC-134a (R-134a) components. If lubricant other than that specified is used, compressor malfunction is likely to occur.
- The specified HFC-134a (R-134a) lubricant rapidly absorbs moisture from the atmosphere. The following handling precautions must be observed:
  - When removing refrigerant components from a vehicle, immediately the cap (seal) the component to minimize the entry of moisture from the atmosphere.
  - When installing refrigerant components to a vehicle, never remove the caps (unseal) until just before connecting the components. Connect all refrigerant loop components as quickly as possible to minimize the entry of moisture into system.
  - Only use the specified lubricant from a sealed container. Immediately reseal containers of lubricant. Without proper sealing, lubricant will become moisture saturated and should not be used.
  - Never allow lubricant (Nissan A/C System Oil Type S) to come in contact with styrene foam parts. Damage may result.

# PRECAUTIONS

## CONTAMINATED REFRIGERANT

If a refrigerant other than pure HFC-134a (R-134a) is identified in a vehicle, take appropriate steps shown below:

- Explain to the customer that environmental regulations prohibit the release of contaminated refrigerant into the atmosphere.
- Explain that recovery of the contaminated refrigerant could damage service equipment and refrigerant supply.
- Suggest the customer return the vehicle to the location of previous service where the contamination may have occurred.
- In case of repairing, recover the refrigerant using only **dedicated equipment and containers. Never recover contaminated refrigerant into the existing service equipment.** If the facility does not have dedicated recovery equipment, contact a local refrigerant product retailer for available service. This refrigerant must be disposed of in accordance with all federal and local regulations. In addition, replacement of all refrigerant system components on the vehicle is recommended.
- If the vehicle is within the warranty period, the air conditioner warranty is void. Please contact Nissan Customer Affairs for further assistance.

## General Refrigerant Precautions

NJS000FR

### WARNING:

- **Avoid breathing A/C refrigerant and lubricant vapor or mist. Exposure may irritate eyes, nose and throat. Remove HFC-134a (R-134a) from the A/C system, using certified service equipment meeting requirements of SAE J-2210 [HFC-134a (R-134a) recycling equipment], or J-2209 [HFC-134a (R-134a) recovery equipment]. If accidental system discharge occurs, ventilate work area before resuming service. Additional health and safety information may be obtained from refrigerant and lubricant manufacturers.**
- **Never release refrigerant into the air. Use approved recovery/recycling equipment to capture the refrigerant every time an air conditioning system is discharged.**
- **Always wear eye and hand protection (goggles and gloves) when working with any refrigerant or air conditioning system.**
- **Never store or heat refrigerant containers above 52°C (126°F).**
- **Never heat a refrigerant container with an open flame; if container warming is required, place the bottom of the container in a warm pail of water.**
- **Never intentionally drop, puncture, or incinerate refrigerant containers.**
- **Keep refrigerant away from open flames: poisonous gas will be produced if refrigerant burns.**
- **Refrigerant will displace oxygen, therefore be certain to work in well ventilated areas to prevent suffocation.**
- **Never pressure test or leak test HFC-134a (R-134a) service equipment and/or vehicle air conditioning systems with compressed air during repair. Some mixtures of air and HFC-134a (R-134a) have been shown to be combustible at elevated pressures. These mixtures, if ignited, may cause injury or property damage. Additional health and safety information may be obtained from refrigerant manufacturers.**

## Precautions for Refrigerant Connection

NJS000FS

A new type refrigerant connection has been introduced to all refrigerant lines except the following location.

- Expansion valve to evaporator
- Refrigerant pressure sensor to liquid tank

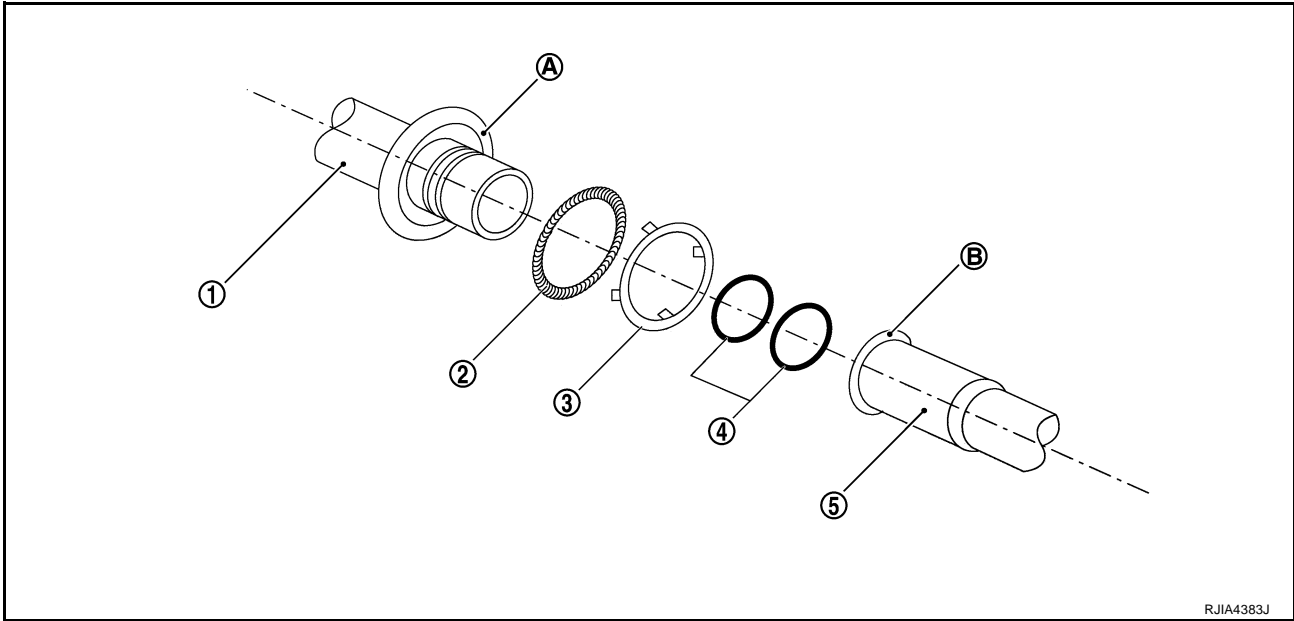
## ABOUT ONE-TOUCH JOINT

### Description

- One-touch joints are pipe joints which do not require tools during piping connection.
- Unlike conventional connection methods using union nuts and flanges, controlling tightening torque at connection point is not necessary.
- When removing a pipe joint, use a disconnecter.

# PRECAUTIONS

## COMPONENT PARTS



RJIA4383J

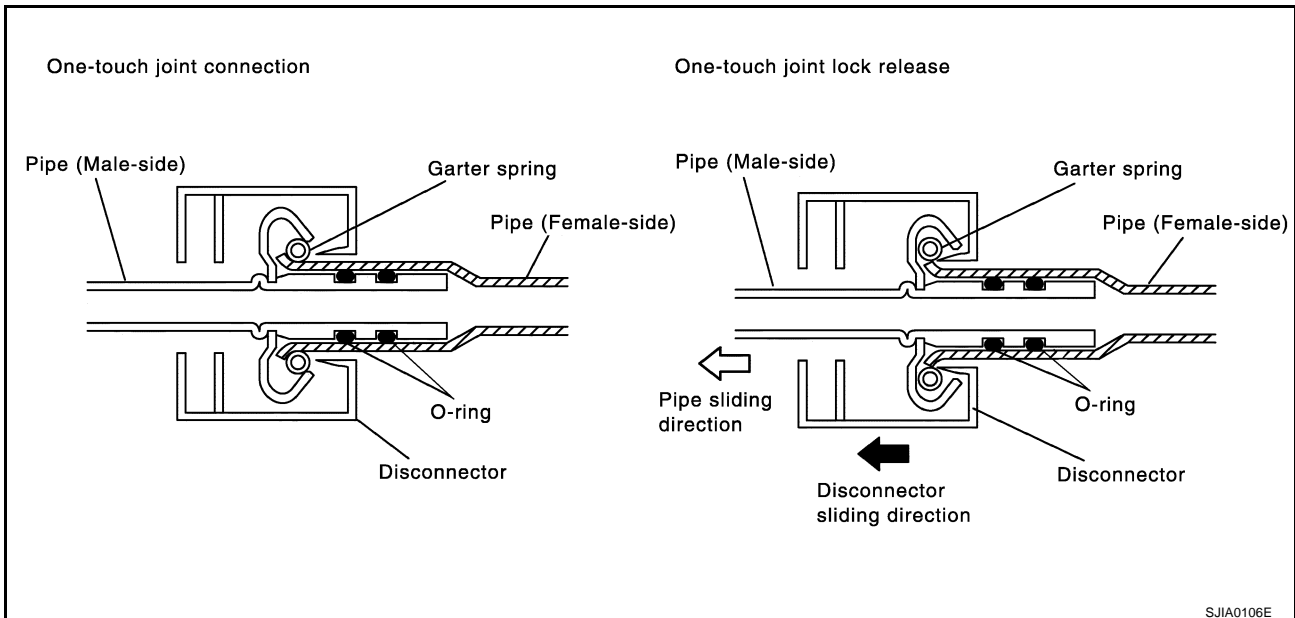
## FUNCTIONS OF COMPONENT PARTS

1	Pipe (Male side)	<ul style="list-style-type: none"> <li>Retains O-rings (4).</li> <li>Retains garter spring (2) in cage (A).</li> </ul>
2	Garter spring	Anchors female side piping (5).
3	Indicator ring	When connection is made properly, this is ejected from male-side piping (1). (This part is no longer necessary after connection.)
4	O-ring	Seals connection point. (Not reusable)
5	Pipe (Female side)	<ul style="list-style-type: none"> <li>Seals connection by compressing O-rings (4).</li> <li>Anchors piping connection using flare (B) and garter spring (2).</li> </ul>

### NOTE:

- Garter spring (2) cannot be removed from cage (A) of male-side piping.
- Indicator ring (3) remains near piping connection point, however, this is not a malfunction. (This is to check piping connection during factory assembly.)

### REMOVAL



SJIA0106E

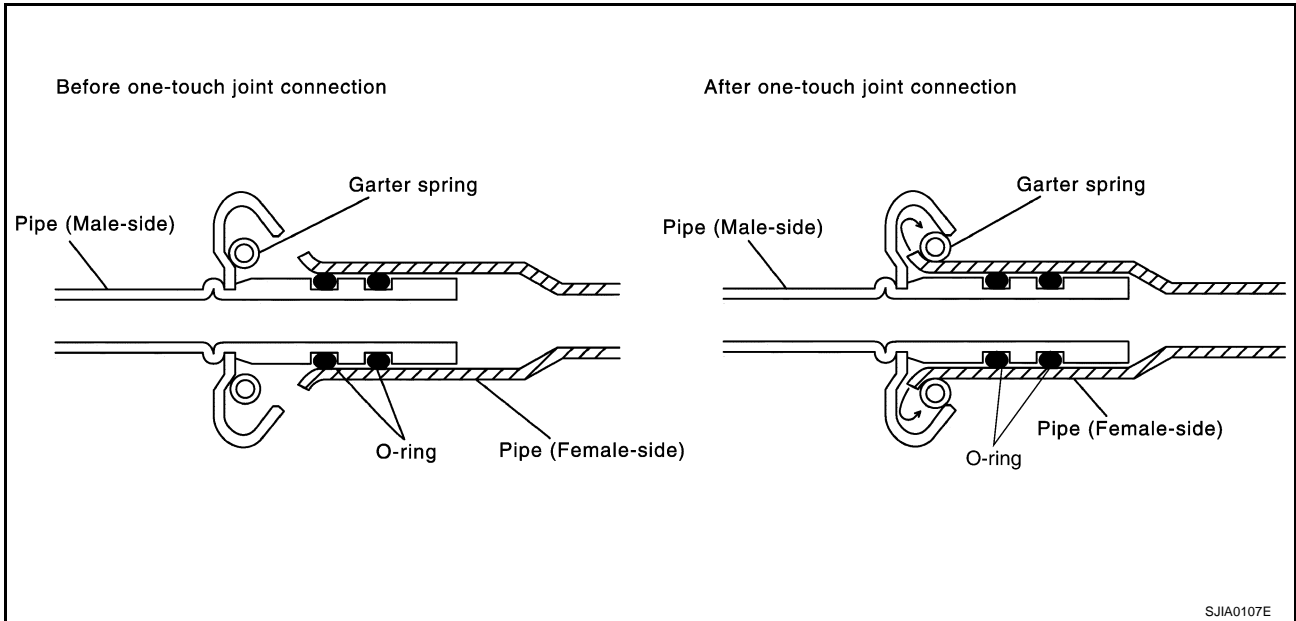
- Clean piping connection point, and set a disconnecter.



# PRECAUTIONS

2. Slide disconnecter in axial direction of piping, and stretch garter spring with tapered point of disconnecter.
3. Slide disconnecter farther so that inside diameter of garter spring becomes larger than outside diameter of female-side piping flare. Then male-side piping can be disconnected.

## INSTALLATION



1. Clean piping connection points, and insert male-side piping into female-side piping.
2. Push inserted male-side piping harder so that female-side piping flare stretches garter spring.
3. If inside diameter of garter spring becomes larger than outside diameter of female-side piping flare, garter spring seats on flare. Then, it fits in between male-side piping cage and female-side piping flare to anchor piping connection point.

### NOTE:

When garter spring seats on flare, and fits in between male-side piping cage and female-side piping flare, it clicks.

### CAUTION:

- Female-side piping connection is thin and easy to deform. Slowly insert the male-side piping straight in axial direction.
- Insert piping securely until a click is heard.
- After piping connection is completed, pull male-side piping by hand to make sure that connection does not come loose.

### NOTE:

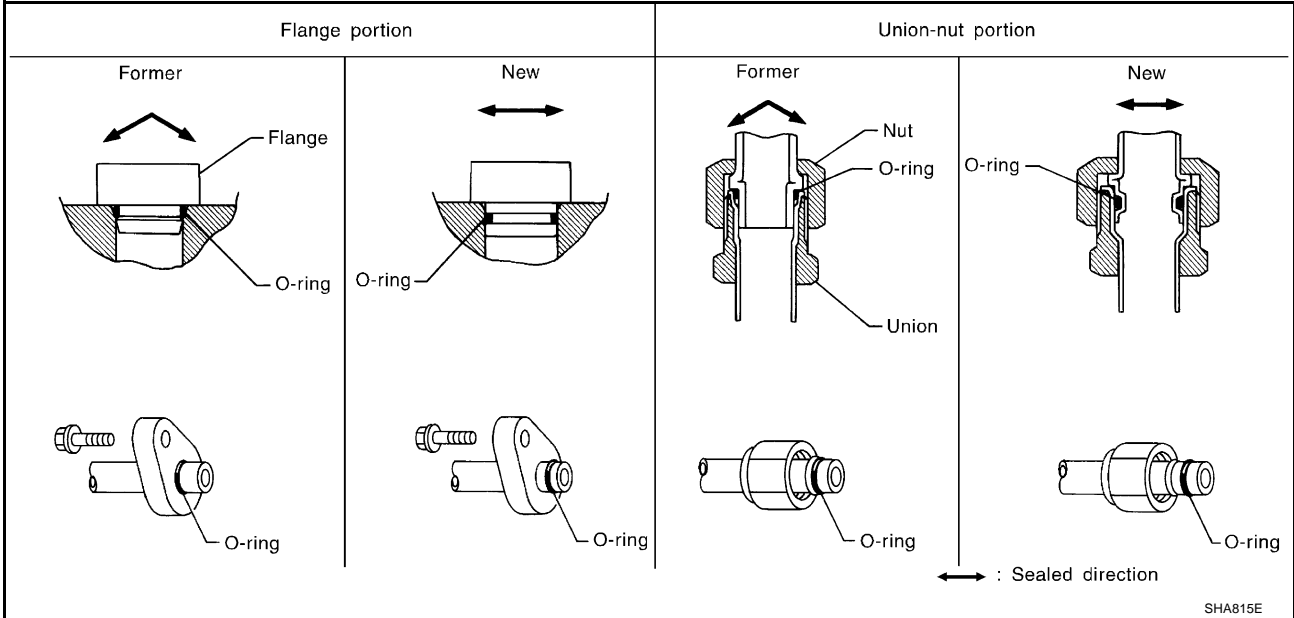
One-touch joint connection is used in points below.

- Low-pressure flexible hose to low-pressure pipe 1 (O-ring size: 16)
- High-pressure flexible hose to condenser (O-ring size: 12)
- High-pressure pipe 1 to high-pressure pipe 2 (O-ring size: 8)
- High-pressure pipe 1 to condenser (O-ring size: 8)

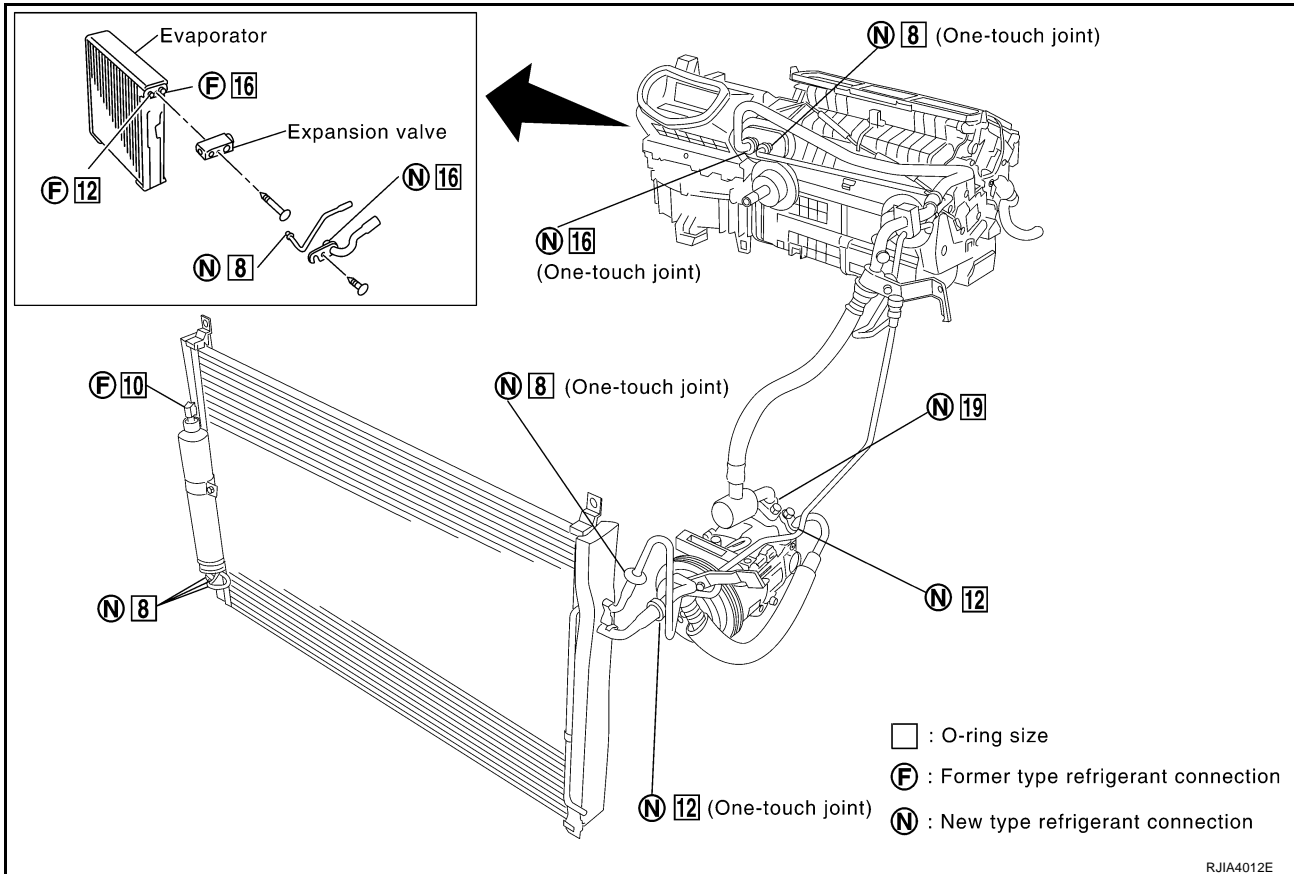
# PRECAUTIONS

## FEATURES OF NEW TYPE REFRIGERANT CONNECTION

- The O-ring has been relocated. It has also been provided with a groove for proper installation. This eliminates the possibility of the O-ring being caught in, or damaged by, the mating part. The sealing direction of the O-ring is now set vertically in relation to the contacting surface of the mating part to improve sealing characteristics.
- The reaction force of the O-ring will not occur in the direction that causes the joint to pull out, thereby facilitating piping connections.

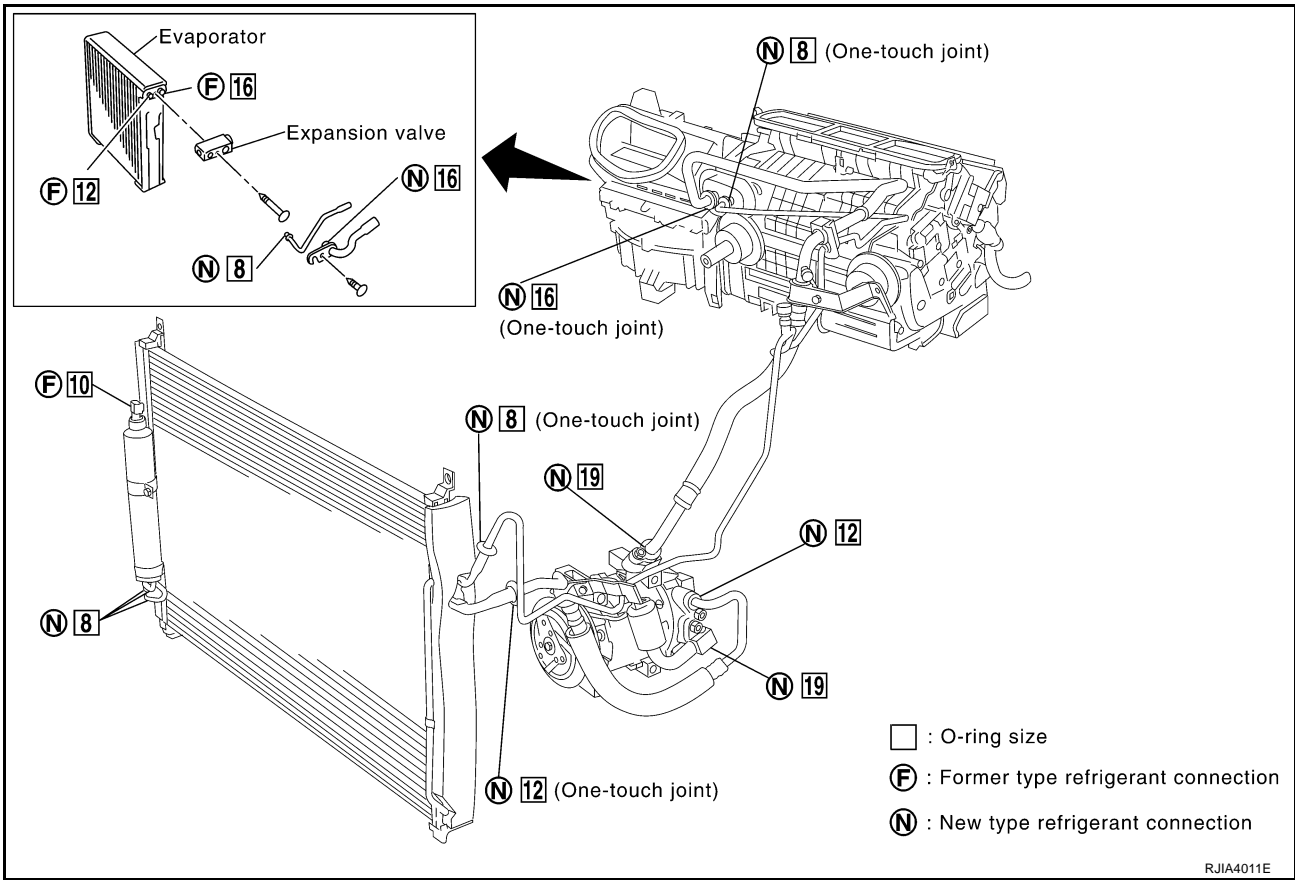


## O-RING AND REFRIGERANT CONNECTION VQ35DE



# PRECAUTIONS

## VK45DE



### CAUTION:

The new and former refrigerant connections use different O-ring configurations. Never confuse O-rings since they are not interchangeable. If a wrong O-ring is installed, refrigerant may leak at the connection.

### O-Ring Part Numbers and Specifications

Connection type	Piping connection point		Part number	QTY	O-ring size	
New	Low-pressure flexible hose to low-pressure pipe 1 (One-touch joint)		92473 N8221	2	16	
	High-pressure pipe 1 to high-pressure pipe 2 (One-touch joint)		92471 N8221	2	8	
	Condenser to high-pressure flexible hose (One-touch joint)		92472 N8221	2	12	
	Condenser to high-pressure pipe 1 (One-touch joint)		92471 N8221	2	8	
	Low-pressure pipe to low-pressure flexible hose (VK45DE)		92474 N8210	1	19	
	Low-pressure pipe 1 to expansion valve		92473 N8210	1	16	
	High-pressure pipe 2 to expansion valve		92471 N8210	1	8	
	Compressor to low-pressure flexible hose (VQ35DE)		92474 N8210	1	19	
	Compressor to low-pressure pipe (VK45DE)			1	19	
	Compressor to high-pressure flexible hose		92472 N8210	1	12	
	Liquid tank to condenser pipe		Inlet	92471 N8210	1	8
Outlet			1			
Former	Refrigerant pressure sensor to liquid tank		J2476 89956	1	10	
	Expansion valve to evaporator		Inlet	92475 71L00	1	12
			Outlet	92475 72L00	1	16

# PRECAUTIONS

## WARNING:

Make sure all refrigerant is discharged into the recycling equipment and the pressure in the system is less than atmospheric pressure. Then gradually loosen the discharge side hose fitting and remove it.

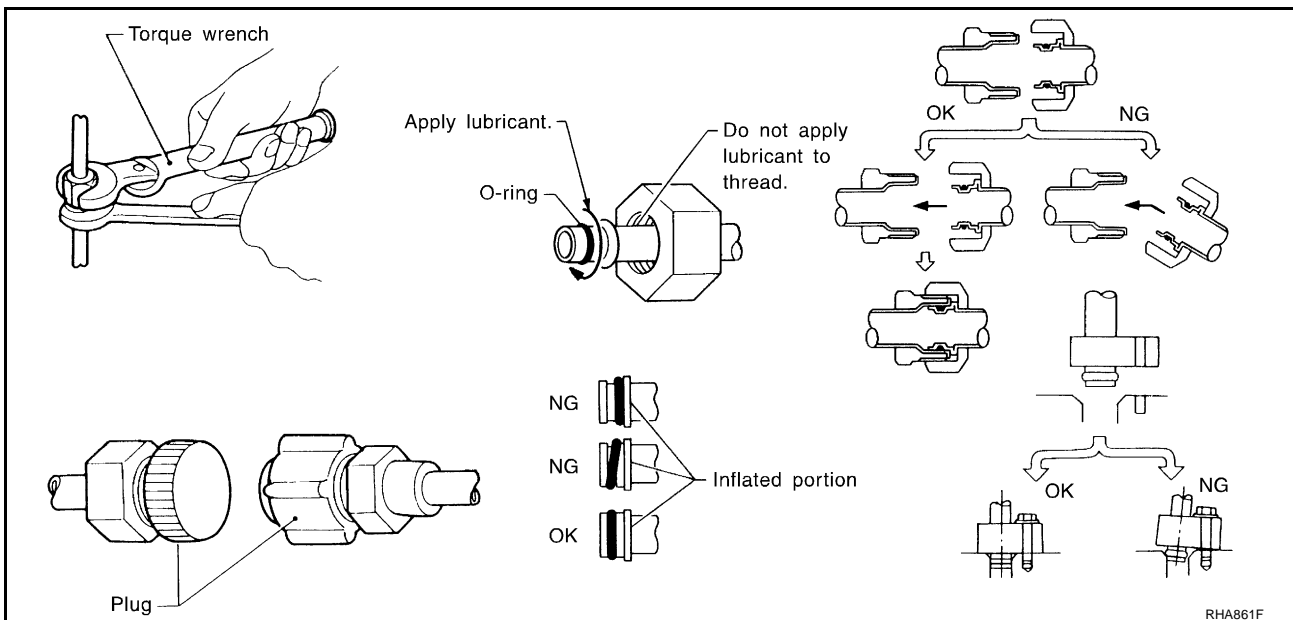
## CAUTION:

When replacing or cleaning refrigerant cycle components, observe the following.

- When the compressor is removed, store it in the same way as it is when mounted on the car. Failure to do so will cause lubricant to enter the low-pressure chamber.
- When connecting tubes, always use a torque wrench and a back-up wrench.
- After disconnecting tubes, immediately plug all openings to prevent entry of dirt and moisture.
- When installing an air conditioner in the vehicle, connect the pipes at the final stage of the operation. Never remove the seal caps of pipes and other components until just before required for connection.
- Allow components stored in cool areas to warm to working area temperature before removing seal caps. This prevents condensation from forming inside A/C components.
- Thoroughly remove moisture from the refrigeration system before charging the refrigerant.
- Always replace used O-rings.
- When connecting tubes, apply lubricant to circle of the O-rings shown in illustration. Be careful not to apply lubricant to threaded portion.

Lubricant name : Nissan A/C System Oil Type S

- O-ring must be closely attached to the groove of tube.
- When replacing the O-ring, be careful not to damage O-ring and tube.
- Connect tube until a click can be heard, then tighten the nut or bolt by hand until snug. Make sure that the O-ring is installed to tube correctly.
- After connecting line, perform leak test and make sure that there is no leakage from connections. When the refrigerant leaking point is found, disconnect that line and replace the O-ring. Then tighten connections of seal seat to the specified torque.



## Precautions for Servicing Compressor

NJS000FT

- Plug all openings to prevent moisture and foreign matter from entering.
- When the compressor is removed, store it in the same way as it is when mounted on the car.
- When replacing or repairing compressor, follow "Maintenance of Lubricant Quantity in Compressor" exactly. Refer to [ATC-26, "Maintenance of Lubricant Quantity in Compressor"](#).
- Keep friction surfaces between clutch and pulley clean. If the surface is contaminated with lubricant, wipe it off by using a clean waste cloth moistened with thinner.

# PRECAUTIONS

- After compressor service operation, turn the compressor shaft by hand more than five turns in both directions. This will equally distribute lubricant inside the compressor. After the compressor is installed, let the engine idle and operate the compressor for one hour.
- After replacing the compressor magnet clutch, apply voltage to the new one and check for normal operation.

## Precautions for Service Equipment RECOVERY/RECYCLING EQUIPMENT

NJS000FU

Be certain to follow the manufacturer's instructions for machine operation and machine maintenance. Never introduce any refrigerant other than that specified into the machine.

## ELECTRICAL LEAK DETECTOR

Be certain to follow the manufacturer's instructions for tester operation and tester maintenance.

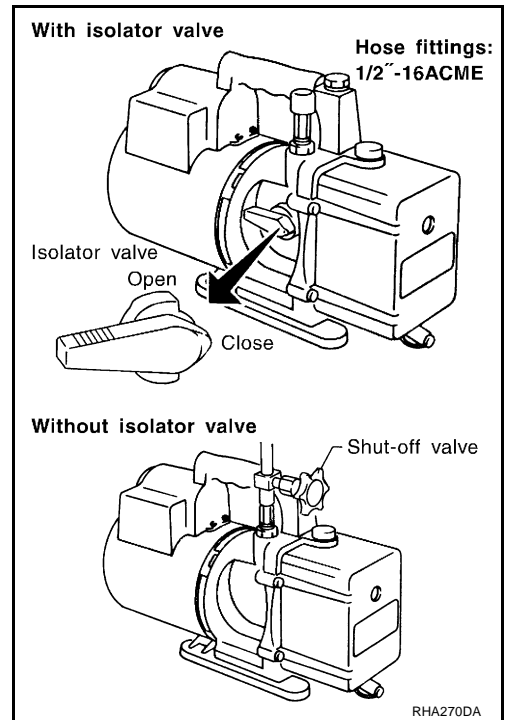
## VACUUM PUMP

The lubricant contained inside the vacuum pump is not compatible with the specified lubricant for HFC-134a (R-134a) A/C systems. The vent side of the vacuum pump is exposed to atmospheric pressure. So the vacuum pump lubricant may migrate out of the pump into the service hose. This is possible when the pump is switched off after evacuation (vacuuming) and hose is connected to it.

To prevent this migration, use a manual valve placed near the hose-to-pump connection, as follows.

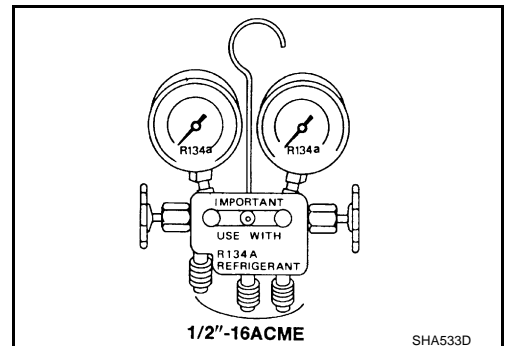
- Usually vacuum pumps have a manual isolator valve as part of the pump. Close this valve to isolate the service hose from the pump.
- For pumps without an isolator, use a hose equipped with a manual shut-off valve near the pump end. Close the valve to isolate the hose from the pump.
- If the hose has an automatic shut-off valve, disconnect the hose from the pump. As long as the hose is connected, the valve is open and lubricating oil may migrate.

Some one-way valves open when vacuum is applied and close under no vacuum condition. Such valves may restrict the pump's ability to pull a deep vacuum and are not recommended.



## MANIFOLD GAUGE SET

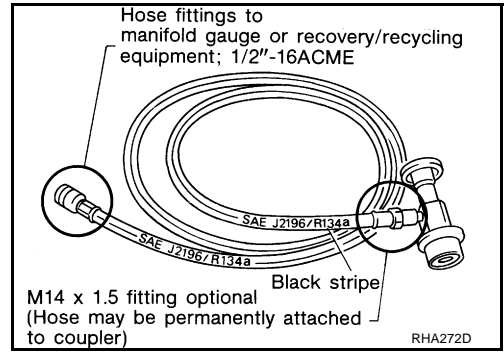
Be certain that the gauge face indicates HFC-134a or R-134a. Be sure the gauge set has 1/2"-16 ACME threaded connections for service hoses. Confirm the set has been used only with refrigerant HFC-134a (R-134a) and specified lubricants.



# PRECAUTIONS

## SERVICE HOSES

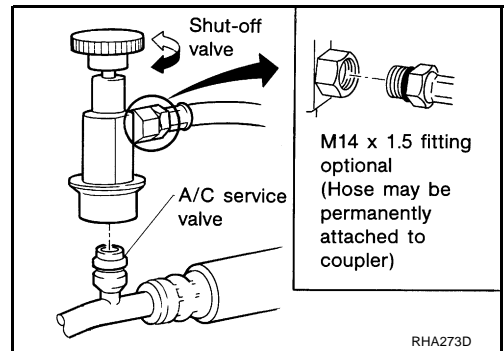
Be certain that the service hoses display the markings described (colored hose with black stripe). All hoses must include positive shut-off devices (either manual or automatic) near the end of the hoses opposite to the manifold gauge.



## SERVICE COUPLERS

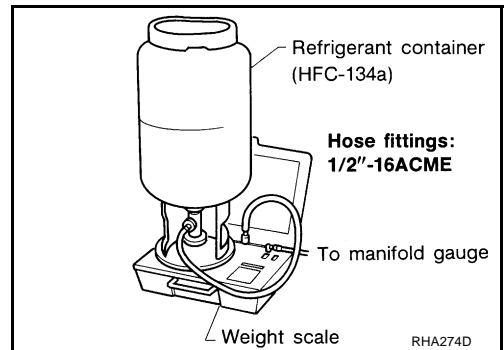
Never attempt to connect HFC-134a (R-134a) service couplers to a CFC-12 (R-12) A/C system. The HFC-134a (R-134a) couplers will not properly connect to the CFC-12 (R-12) system. However, if an improper connection is attempted, discharging and contamination may occur.

Shut-off valve rotation	A/C service valve
Clockwise	Open
Counterclockwise	Close



## REFRIGERANT WEIGHT SCALE

Verify that no refrigerant other than HFC-134a (R-134a) and specified lubricants have been used with the scale. If the scale controls refrigerant flow electronically, the hose fitting must be 1/2"-16 ACME.



## CHARGING CYLINDER

Using a charging cylinder is not recommended. Refrigerant may be vented into air from cylinder's top valve when filling the cylinder with refrigerant. Also, the accuracy of the cylinder is generally less than that of an electrical scale or of quality recycle/recharge equipment.

# PRECAUTIONS

## Precautions for Leak Detection Dye

NJS000FV

- The A/C system contains a fluorescent leak detection dye used for locating refrigerant leaks. An ultraviolet (UV) lamp is required to illuminate the dye when inspecting for leaks.
- Always wear fluorescence enhancing UV safety goggles to protect your eyes and enhance the visibility of the fluorescent dye.
- The fluorescent dye leak detector is not a replacement for an electrical leak detector. The fluorescent dye leak detector should be used in conjunction with an electrical leak detector (SST: J-41995) to pin-point refrigerant leaks.
- For the purpose of safety and customer's satisfaction, read and follow all manufacture's operating instructions and precautions prior to performing the work.
- A compressor shaft seal should not necessarily be repaired because of dye seepage. The compressor shaft seal should only be repaired after confirming the leak with an electrical leak detector (SST: J-41995).
- Always remove any remaining dye from the leak area after repairs are completed to avoid a misdiagnosis during a future service.
- Never allow dye to come into contact with painted body panels or interior components. If dye is spilled, clean immediately with the approved dye cleaner. Fluorescent dye left on a surface for an extended period of time cannot be removed.
- Never spray the fluorescent dye cleaning agent on hot surfaces (engine exhaust manifold, etc.).
- Never use more than one refrigerant dye bottle (1/4 ounce /7.4 cc) per A/C system.
- Leak detection dyes for HFC-134a (R-134a) and CFC-12 (R-12) A/C systems are different. Never use HFC-134a (R-134a) leak detection dye in CFC-12 (R-12) A/C system, or CFC-12 (R-12) leak detection dye in HFC-134a (R-134a) A/C system, or A/C system damage may result.
- The fluorescent properties of the dye will remain for three years or a little over unless a compressor malfunction occurs.

## IDENTIFICATION

### NOTE:

Vehicles with factory installed fluorescent dye have a green label.  
Vehicles without factory installed fluorescent dye have a blue label.

## IDENTIFICATION LABEL FOR VEHICLE

Vehicles with factory installed fluorescent dye have the identification label on the front side of hood.

A  
B  
C  
D  
E  
F  
G  
H  
I  
K  
L  
M

ATC

# PREPARATION

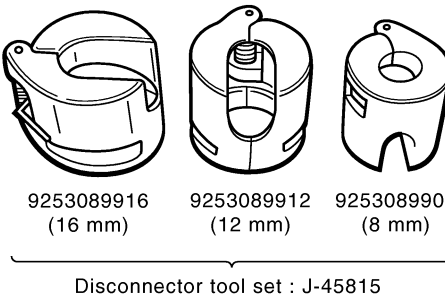
## PREPARATION

PFP:00002

### Special Service Tools

NJS000FW

The actual shapes of Kent-Moore tools may differ from those of special service tools illustrated here.

Tool number (Kent-Moore No.) Tool name	Description
9253089908 (for high-pressure pipe 1) (-) 9253089912 (for high-pressure flexible hose) (-) 9253089916 (for low-pressure pipe 1 and low-pressure flexible hose) (-) Disconnecter tool set (J-45815)	<div style="text-align: center;">  <p>9253089916 (16 mm)    9253089912 (12 mm)    9253089908 (8 mm)</p> <p>Disconnecter tool set : J-45815</p> <p><small>SJIA1274E</small></p> </div> <p>Disconnect one-touch joint connection</p>



# PREPARATION

## HFC-134a (R-134a) Service Tools and Equipment

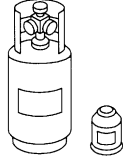


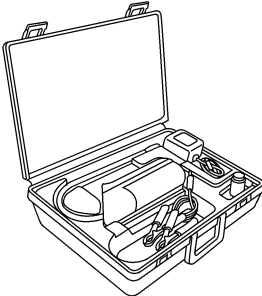
NJS000FX

Never mix HFC-134a (R-134a) refrigerant and/or its specified lubricant with CFC-12 (R-12) refrigerant and/or its lubricant.

Separate and non-interchangeable service equipment must be used for handling each type of refrigerant/lubricant.

Refrigerant container fittings, service hose fittings and service equipment fittings (equipment which handles refrigerant and/or lubricant) are different between CFC-12 (R-12) and HFC-134a (R-134a). This is to avoid mixed use of the refrigerants/lubricant.

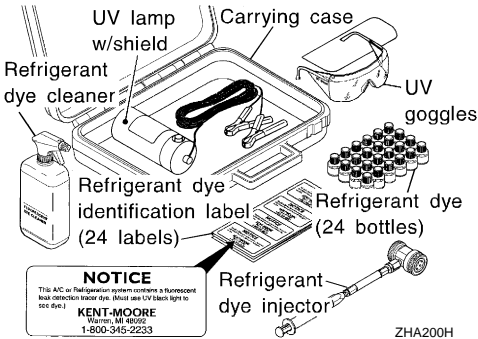
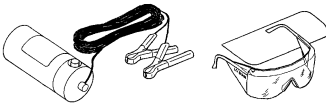

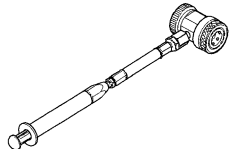

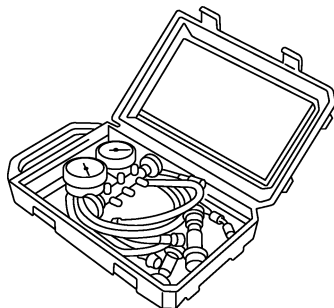
Never use adapters that convert one size fitting to another: refrigerant/lubricant contamination occurs and compressor malfunction may result.

Tool number (Kent-Moore No.) Tool name	Description
<p>HFC-134a (R-134a) refrigerant</p>  <p style="text-align: center;">S-NT196</p>	<p>Container color: Light blue Container marking: HFC-134a (R-134a) Fitting size: Thread size</p> <ul style="list-style-type: none"> <li>● Large container 1/2" -16 ACME</li> </ul>
<p>Nissan A/C System Oil Type S (DH-PS)</p>  <p style="text-align: center;">S-NT197</p>	<p>Type: Polyalkylene glycol oil (PAG), type S (DH-PS) Application: HFC-134a (R-134a) swash plate compressors (Nissan only) Capacity: 40 mℓ (1.4 US fl oz., 1.4 Imp fl oz.)</p>
<p>(ACR2005-NI) ACR5 A/C Service Center</p>  <p style="text-align: center;">WJIA0293E</p>	<p>Function: Refrigerant recovery, recycling and recharging</p>
<p>(J-41995) Electrical A/C leak detector</p>  <p style="text-align: center;">AHA281A</p>	<p>Power supply: DC 12 V (Battery terminal)</p>

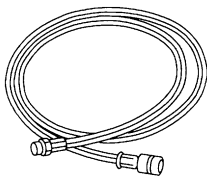
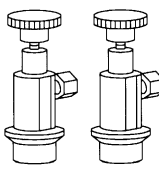
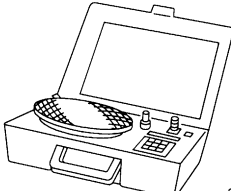
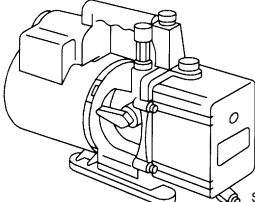
A  
B  
C  
D  
E  
F  
G  
H  
I  
K  
L  
M

ATC

# PREPARATION

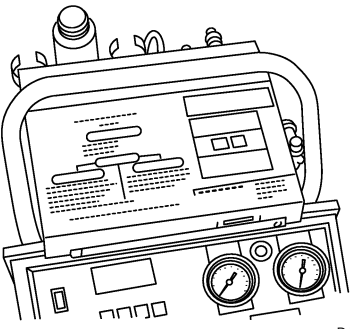
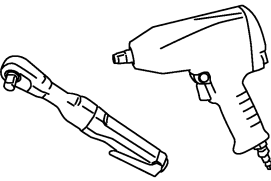
Tool number (Kent-Moore No.) Tool name	Description
(J-43926) Refrigerant dye leak detection kit Kit includes: (J-42220) UV lamp and UV safety goggles (J-41459) HFC-134a (R-134a) dye injector Use with J-41447, 1/4 ounce bottle (J-41447) HFC-134a (R-134a) fluorescent leak detection dye (Box of 24, 1/4 ounce bottles) (J-43872) Refrigerant dye cleaner	 <p>Power supply: DC 12 V (Battery terminal)</p>
(J-42220) UV lamp and UV safety goggles	 <p>Power supply: DC 12 V (Battery terminal)                      For checking refrigerant leak when fluorescent dye is installed in A/C system                      Includes:                      UV lamp and UV safety goggles</p>
(J-41447) HFC-134a (R-134a) fluorescent leak detection dye (Box of 24, 1/4 ounce bottles)	 <p>Application:                      For HFC-134a (R-134a) PAG oil Container:                      1/4 ounce (7.4 cc) bottle                      (Includes self-adhesive dye identification labels for affixing to vehicle after charging system with dye.)</p>
(J-41459) HFC-134a (R-134a) dye injector Use with J-41447, 1/4 ounce bottle	 <p>For injecting 1/4 ounce of fluorescent leak detection dye into A/C system</p>
(J-43872) Refrigerant dye cleaner	 <p>For cleaning dye spills</p>
(J-39183) Manifold gauge set (with hoses and couplers)	 <p>Identification:</p> <ul style="list-style-type: none"> <li>● The gauge face indicates HFC-134a (R-134a).</li> </ul> <p>Fitting size: Thread size</p> <ul style="list-style-type: none"> <li>● 1/2" -16 ACME</li> </ul>

# PREPARATION

Tool number (Kent-Moore No.) Tool name	Description	
Service hoses <ul style="list-style-type: none"> <li>● High-pressure side hose (J-39501-72)</li> <li>● Low-pressure side hose (J-39502-72)</li> <li>● Utility hose (J-39476-72)</li> </ul>	 <p style="text-align: right; margin-top: 5px;">S-NT201</p>	Hose color: <ul style="list-style-type: none"> <li>● Low hose: Blue with black stripe</li> <li>● High hose: Red with black stripe</li> <li>● Utility hose: Yellow with black stripe or green with black stripe</li> </ul> Hose fitting to gauge: <ul style="list-style-type: none"> <li>● 1/2" -16 ACME</li> </ul>
Service couplers <ul style="list-style-type: none"> <li>● High-pressure side coupler (J-39500-20)</li> <li>● Low-pressure side coupler (J-39500-24)</li> </ul>	 <p style="text-align: right; margin-top: 5px;">S-NT202</p>	Hose fitting to service hose: M14 x 1.5 fitting is optional or permanently attached.
(J-39650) Refrigerant weight scale	 <p style="text-align: right; margin-top: 5px;">S-NT200</p>	For measuring of refrigerant Fitting size: Thread size 1/2" -16 ACME
(J-39649) Vacuum pump (Including the isolator valve)	 <p style="text-align: right; margin-top: 5px;">S-NT203</p>	Capacity: <ul style="list-style-type: none"> <li>● Air displacement: 4 CFM</li> <li>● Micron rating: 20 microns</li> <li>● Oil capacity: 482 g (17 oz.)</li> </ul> Fitting size: Thread size <ul style="list-style-type: none"> <li>● 1/2" -16 ACME</li> </ul>

## Commercial Service Tools

NJS000FY

Tool name	Description	
Refrigerant identifier equipment	 <p style="text-align: right; margin-top: 5px;">RJIA0197E</p>	Checking for refrigerant purity and system contamination
Power tool	 <p style="text-align: right; margin-top: 5px;">PBIC0190E</p>	For loosening bolts and nuts

# REFRIGERATION SYSTEM

## REFRIGERATION SYSTEM

PFP:KA990

### Refrigerant Cycle REFRIGERANT FLOW

NJS000FZ

The refrigerant flows from the compressor, through the condenser with liquid tank, through the evaporator, and back to the compressor. The refrigerant evaporation in the evaporator is controlled by an externally equalized expansion valve, located inside the evaporator case.

### FREEZE PROTECTION

To prevent evaporator frozen up, the evaporator air temperature is monitored, and the voltage signal to the unified meter and A/C amp. will make the A/C relay go OFF and stop the compressor.

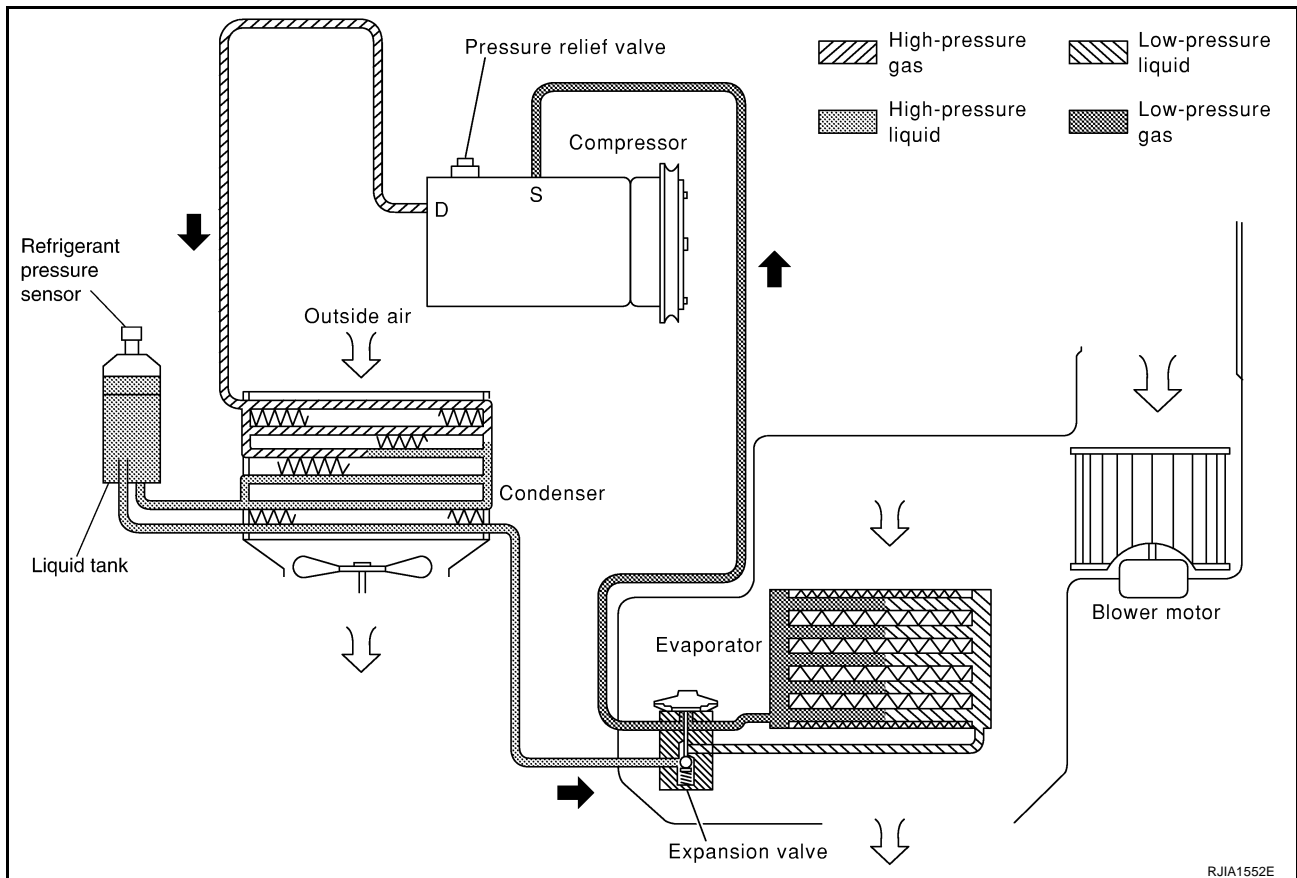
### Refrigerant System Protection REFRIGERANT PRESSURE SENSOR

NJS000G0

The refrigerant system is protected against excessively high- or low-pressures by the refrigerant pressure sensor, located on the liquid tank. If the system pressure rises above, or falls below the specifications, the refrigerant pressure sensor detects the pressure inside the refrigerant line and sends the voltage signal to the ECM. ECM makes the A/C relay go OFF and stops the compressor when pressure on the high-pressure side detected by refrigerant pressure sensor is over about 3,119 kPa (31.8 kg/cm<sup>2</sup>, 452 psi), or below about 118 kPa (1.2 kg/cm<sup>2</sup>, 17 psi).

### PRESSURE RELIEF VALVE

The refrigerant system is also protected by a pressure relief valve, located in the rear head of the compressor. When the pressure of refrigerant in the system increases to an unusual level [more than 3,628 kPa (37 kg/cm<sup>2</sup>, 526 psi)], the release port on the pressure relief valve automatically opens and releases refrigerant into the atmosphere.



# REFRIGERATION SYSTEM

## Variable Displacement Compressor

NJS000G1

### GENERAL INFORMATION

1. The variable compressor provides refrigerant control under varying conditions. During cold winters, it may not produce high refrigerant pressure discharge (compared to previous units) when used with air conditioning systems.
2. For air conditioning systems with the compressor, the clutch remains engaged unless: the system main switch, fan switch or ignition switch is turned OFF. When ambient (outside) temperatures are low or when the amount of refrigerant is insufficient, the clutch is disengaged to protect the compressor.

A

B

C

D

E

F

G

H

I

ATC

K

L

M

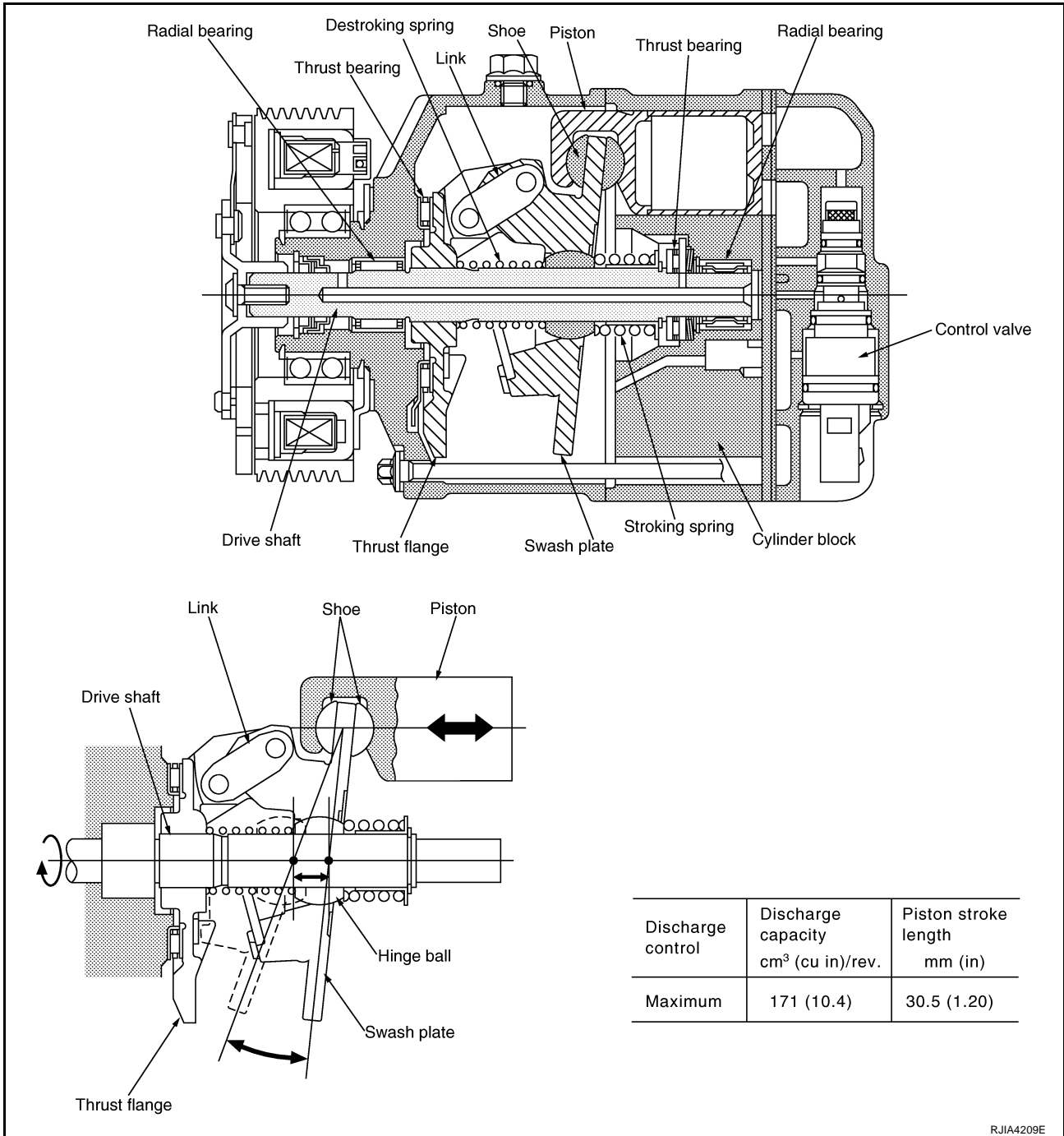
# REFRIGERATION SYSTEM

## DESCRIPTION

### General

The variable compressor is a swash plate type that changes piston stroke in response to the required cooling capacity.

The tilt of the swash plate allows the piston's stroke to change so that refrigerant discharge continuously change from approx. 0 to 171 cm<sup>3</sup> (0 to 10.4 cu in).



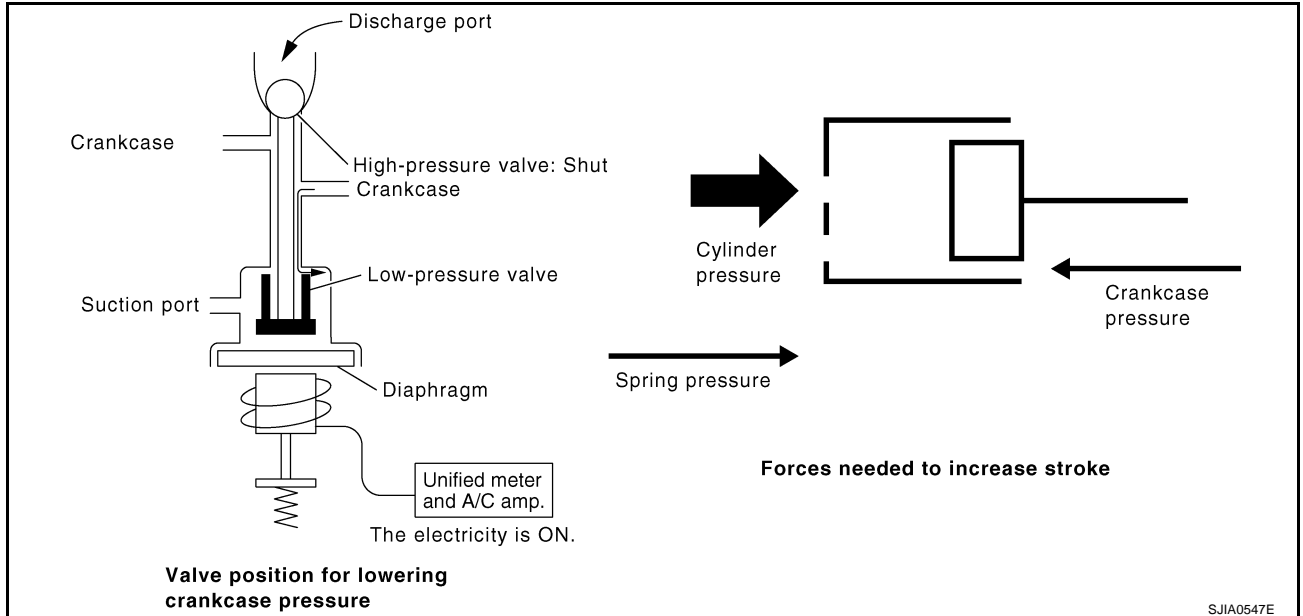
RJIA4209E

# REFRIGERATION SYSTEM

## Operation

1. Control Valve
  - By changing high-pressure valve lift amount, built-in electronic control valve executes the following:
    - Controls high-pressure valve discharge amount.
    - Changes crankcase pressure in compressor.
    - Changes angle of swash plate.
  - Amount of high-pressure valve lift is determined by factors below.
    - Low-pressure applied to diaphragm
    - Spring load of set spring
    - Balance of magnetic force generated in magnet coil
  - Electronic control valve (ECV) magnet coil receives electric signal (duty control) from unified meter and A/C amp. Then, magnetic force generated by electric current is changed to control high-pressure valve lift amount.
2. Maximum Cooling

High-pressure valve is closed by magnetic force generated by electric signal sent from unified meter and A/C amp. At this time, cylinder moves full stroke due to pressure balance between inside crankcase ( $P_c$ ) and suction line ( $P_s$ ).  
Under this condition, the swash plate is set to the maximum stroke position.



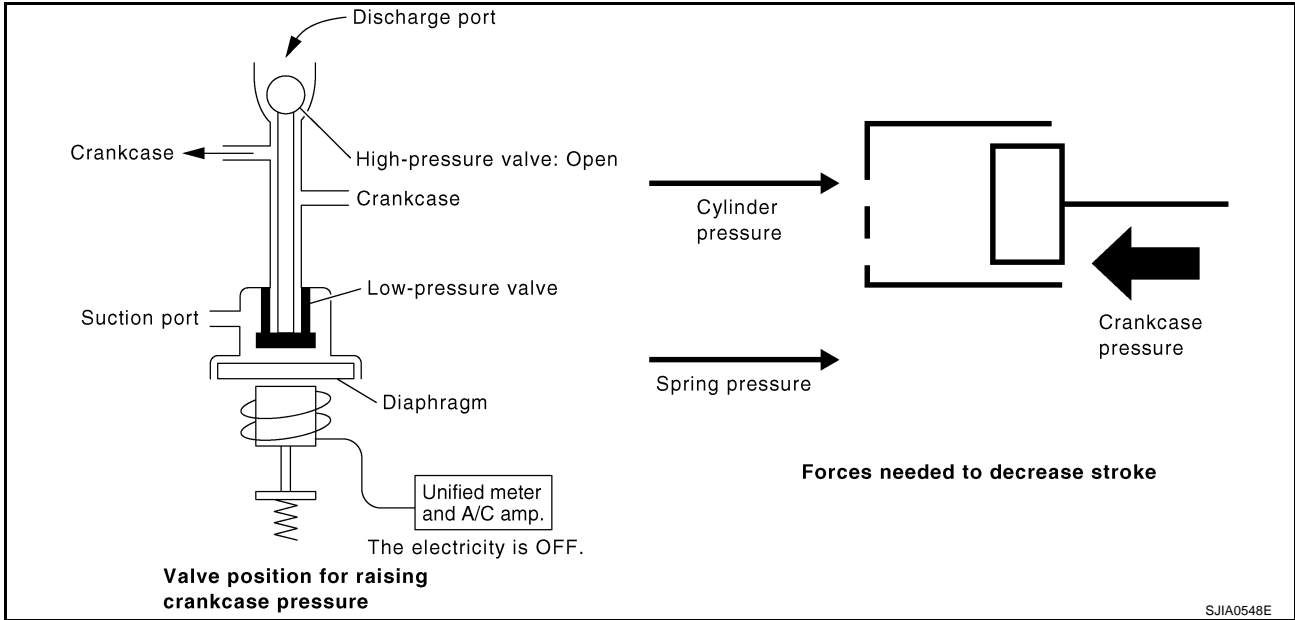
3. Capacity Control

When no electric signal is sent from unified meter and A/C amp. (current: OFF), high-pressure valve is opened by spring force. Since suction pressure is low, it makes the suction port close and the discharge port open. Thus, crankcase pressure becomes high as high-pressure enters the crankcase.

  - The force acts around the link near the swash plate, and is generated by the pressure difference before and behind the piston.
  - The thrust flange and link are located where the piston generates the highest pressure. Piston pressure is between suction pressure  $P_s$  and discharge pressure  $P_d$ , which is close to suction pressure  $P_s$ . If crankcase pressure  $P_c$  rises due to capacity control, the force around the link makes the swash plate angle decrease and also the piston stroke decrease. In other words, crankcase pressure increase triggers pres-

# REFRIGERATION SYSTEM

sure difference between the piston and the crankcase. The pressure difference changes the angle of the swash plate.



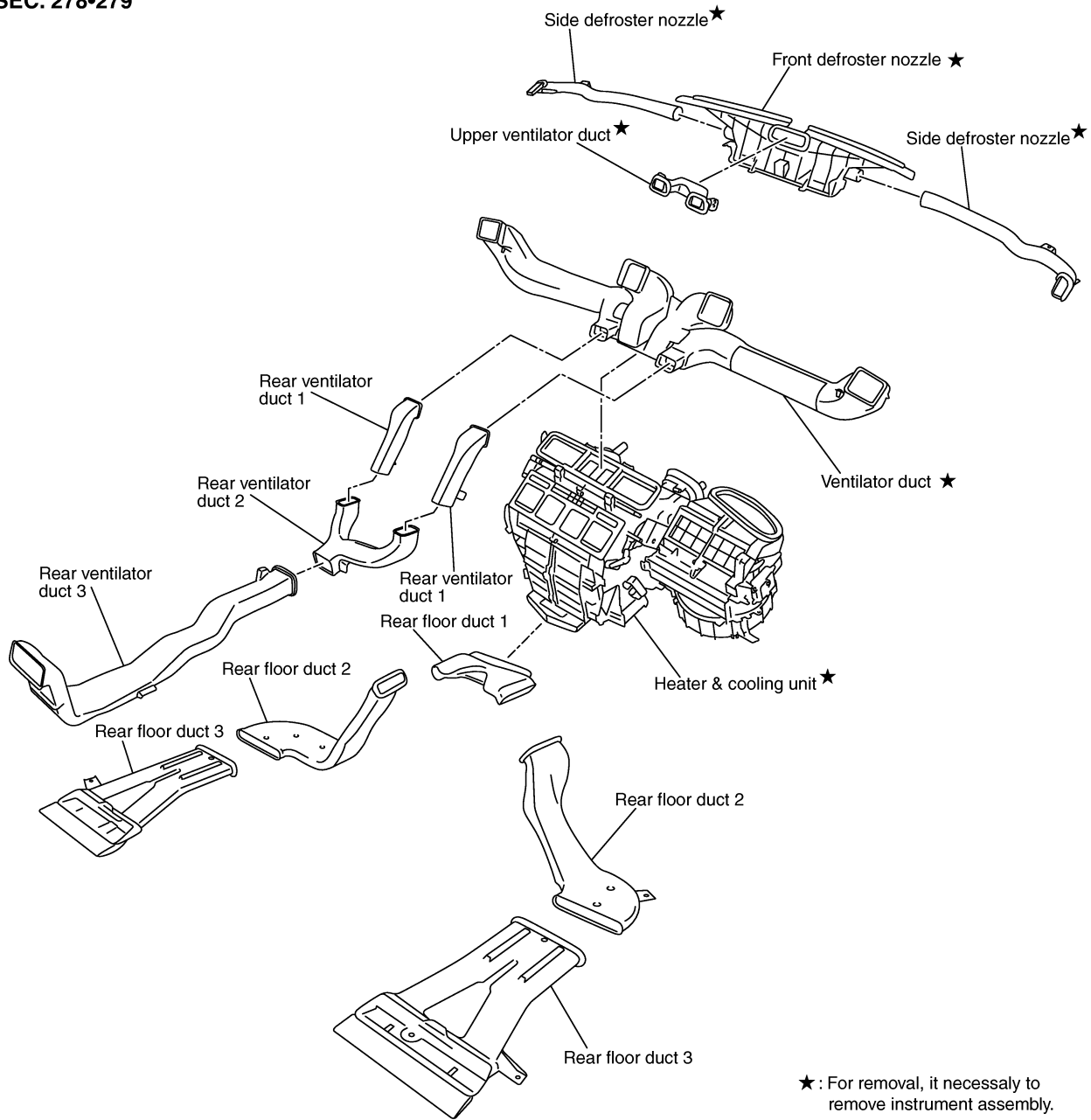


# REFRIGERATION SYSTEM

## Component Layout

NJS000G2

SEC. 278•279



RJIA4015E

A  
B  
C  
D  
E  
F  
G  
H  
I  
ATC  
K  
L  
M

## LUBRICANT

PFP:KLG00

### Maintenance of Lubricant Quantity in Compressor

NJS000G3

The lubricant in the compressor circulates through the system with the refrigerant. Add lubricant to compressor when replacing any component or after a large refrigerant leakage occurred. It is important to maintain the specified amount.

If lubricant quantity is not maintained properly, the following malfunctions may result:

- Lack of lubricant: May lead to a seized compressor.
- Excessive lubricant: Inadequate cooling (thermal exchange interference)

## LUBRICANT

Name : Nissan A/C System Oil Type S

### LUBRICANT RETURN OPERATION

Adjust the lubricant quantity according to the test group shown below.

#### 1. CHECK LUBRICANT RETURN OPERATION

---

Can lubricant return operation be performed?

- A/C system works properly.
- There is no evidence of a large amount of lubricant leakage.

**CAUTION:**

If excessive lubricant leakage is noted, never perform the lubricant return operation.

OK or NG

- OK >> GO TO 2.  
NG >> GO TO 3.

#### 2. PERFORM LUBRICANT RETURN OPERATION, PROCEEDING AS FOLLOWS

---

1. Start the engine, and set to the following conditions:
  - Engine speed: Idling to 1,200 rpm
  - A/C switch: ON
  - Blower speed: Max. position
  - Temp. control: Optional [Set so that intake air temperature is 25 to 30°C (77 to 86°F).]
  - Intake position: Recirculation (REC)
2. Perform lubricant return operation for about 10 minutes.
3. Stop the engine.

>> GO TO 3.

#### 3. CHECK REPLACEMENT PART

---

Should the compressor be replaced?

- YES >> GO TO [ATC-27, "LUBRICANT ADJUSTING PROCEDURE FOR COMPRESSOR REPLACEMENT"](#) .
- NO >> GO TO [ATC-27, "LUBRICANT ADJUSTING PROCEDURE FOR COMPONENTS REPLACEMENT EXCEPT COMPRESSOR"](#) .

# LUBRICANT

## LUBRICANT ADJUSTING PROCEDURE FOR COMPONENTS REPLACEMENT EXCEPT COMPRESSOR

After replacing any of the following major components, add the correct amount of lubricant to the system.  
Amount of lubricant to be added:

Part replaced	Lubricant to be added to system	Remarks
	Amount of lubricant m ℓ (US fl oz., Imp fl oz.)	
Evaporator	75 (2.5, 2.6)	—
Condenser	35 (1.2, 1.2)	—
Liquid tank	10 (0.3, 0.4)	—
In case of refrigerant leak	30 (1.0, 1.1)	Large leak
	—	Small leak <sup>*1</sup>

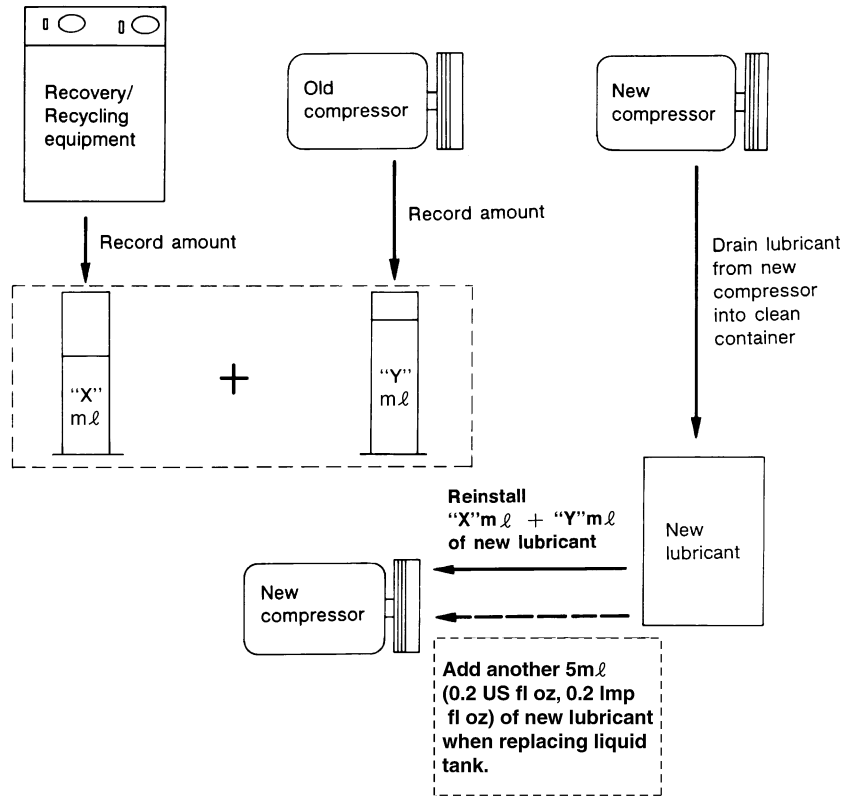
\*1: If the refrigerant leak is small, no addition of lubricant is needed.

## LUBRICANT ADJUSTING PROCEDURE FOR COMPRESSOR REPLACEMENT

1. Before connecting recovery/recycling recharging equipment to vehicle, check recovery/recycling recharging equipment gauges. No refrigerant pressure should be displayed. If NG, recover refrigerant from equipment lines.
2. Connect recovery/recycling recharging equipment to vehicle. Confirm refrigerant purity in supply tank using recovery/recycling recharging equipment and refrigerant identifier. If NG, refer to [ATC-7, "CONTAMINATED REFRIGERANT"](#).
3. Confirm refrigerant purity in vehicle A/C system using recovery/recycling recharging equipment and refrigerant identifier. If NG, refer to [ATC-7, "CONTAMINATED REFRIGERANT"](#).
4. Discharge refrigerant into the refrigerant recovery/recycling equipment. Measure lubricant discharged into the recovery/recycling equipment.
5. Drain the lubricant from the old (removed) compressor into a graduated container and recover the amount of lubricant drained.
6. Drain the lubricant from the new compressor into a separate, clean container.
7. Measure an amount of new lubricant installed equal to amount drained from old compressor. Add this lubricant to new compressor through the suction port opening.
8. Measure an amount of new lubricant equal to the amount recovered during discharging. Add this lubricant to new compressor through the suction port opening.
9. If the liquid tank also needs to be replaced, add another 5 m ℓ (0.2 US fl oz., 0.2 Imp fl oz.) of lubricant at this time.  
Do not add this 5 m ℓ (0.2 US fl oz., 0.2 Imp fl oz.) of lubricant when replaces the compressor only.

# LUBRICANT

## Lubricant adjusting procedure for compressor replacement



RJIA3578E

# AIR CONDITIONER CONTROL

## AIR CONDITIONER CONTROL

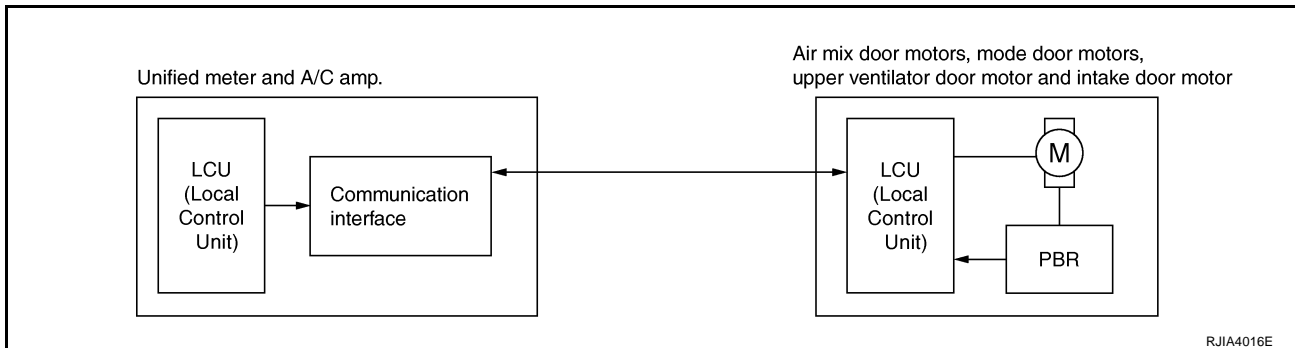
PPF:27500

### Description of Air Conditioner LAN Control System

NJS000G4

The LAN (Local Area Network) system consists of unified meter and A/C amp., mode door motors, air mix door motors, upper ventilator door motor and intake door motor.

A configuration of these components is shown in the figure below.



### System Construction

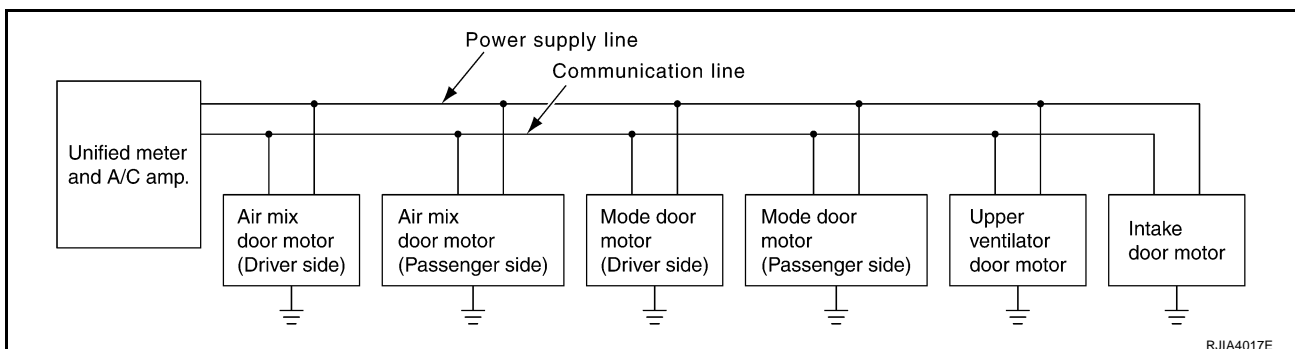
NJS000G5

A small network is constructed between the unified meter and A/C amp., mode door motors, air mix door motors, upper ventilator door motor and intake door motor. The unified meter and A/C amp. and motors are connected by data transmission lines and motor power supply lines. The LAN network is built through the ground circuits of each door motor.

Addresses, motor opening angle signals, motor stop signals and error checking messages are all transmitted through the data transmission lines connecting the unified meter and A/C amp. and each door motor.

The following functions are contained in LCUs built into the mode door motors, the air mix door motors, the upper ventilator door motor and the intake door motor.

- Address
- Motor opening angle signals
- Data transmission
- Motor stop and drive decision
- Opening angle sensor (PBR function)
- Comparison
- Decision (Unified meter and A/C amp. indicated value and motor opening angle comparison)



A  
B  
C  
D  
E  
F  
G  
H  
I  
K  
L  
M

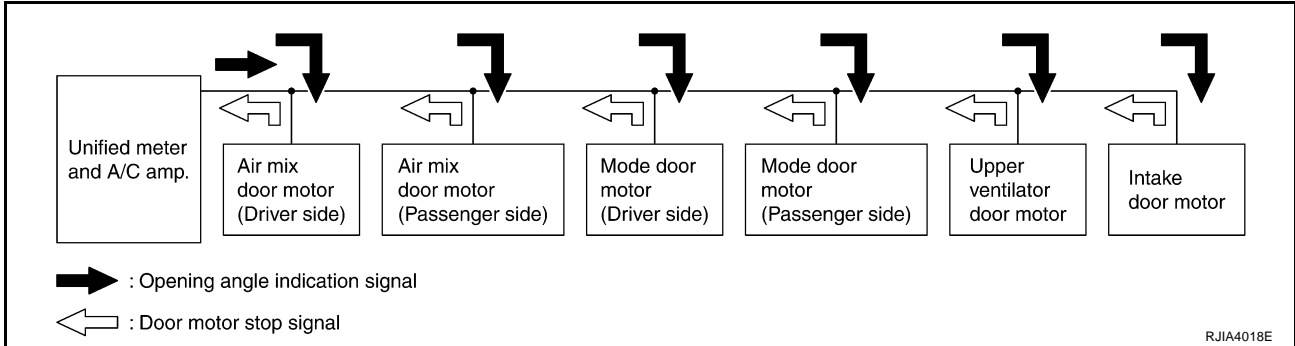
ATC

# AIR CONDITIONER CONTROL

## OPERATION

The unified meter and A/C amp. receives data from each of the sensors. The unified meter and A/C amp. sends mode door, air mix door, upper ventilator door and intake door opening angle data to the mode door motor LCU, air mix door motor LCU, upper ventilator door motor LCU and intake door motor LCU.

The mode door motor, air mix door motors, upper ventilator door motor and intake door motor read their respective signals according to the address signal. Opening angle indication signals received from the unified meter and A/C amp. and each of the motor position sensors is compared by the LCUs in each door motor with the existing decision and opening angles. Subsequently, HOT/COLD, DEF/VENT, OPEN/SHUT and FRE/REC operation is selected. The new selection data is returned to the unified meter and A/C amp.



## TRANSMISSION DATA AND TRANSMISSION ORDER

Unified meter and A/C amp. data is transmitted consecutively to each of the door motors following the form shown in figure below.

### Start:

Initial compulsory signal is sent to each of the door motors.

### Address:

Data sent from the unified meter and A/C amp. are selected according to data-based decisions made by the mode door motor, air mix door motor, upper ventilator door motor and intake door motor.

If the addresses are identical, the opening angle data and error check signals are received by the door motor LCUs. The LCUs then make the appropriate error decision. If the opening angle data have no error, door control begins.

If an error exists, the received data are rejected and corrected data received. Finally, door control is based upon the corrected opening angle data.

### Opening angle:

Data that shows the indicated door opening angle of each door motor.

### Error Check:

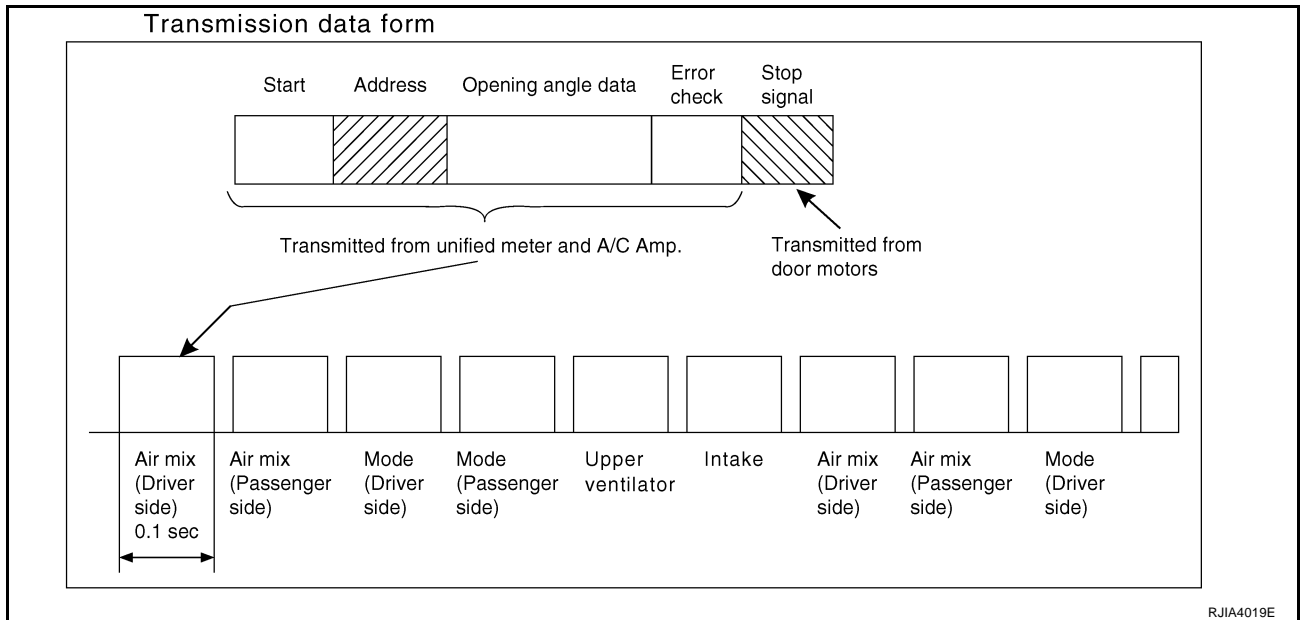
In this procedure, transmitted and received data is checked for errors. Error data are then compiled. The error check prevents corrupted data from being used by the mode door motor, the air mix door motor, the upper ventilator door motor and the intake door motor. Error data can be related to the following symptoms.

- Malfunction of electrical frequency
- Poor electrical connections
- Signal leakage from transmission lines
- Signal level fluctuation

# AIR CONDITIONER CONTROL

## Stop signal:

At the end of each transmission, a stop operation, in-operation, or internal malfunction message is delivered to the unified meter and A/C amp. This completes one data transmission and control cycle.



## AIR MIX DOOR CONTROL (AUTOMATIC TEMPERATURE CONTROL)

The air mix doors are automatically controlled so that in-vehicle temperature is maintained at a predetermined value by the temperature setting, ambient temperature, in-vehicle temperature and amount of sunload.

## FAN SPEED CONTROL

Blower speed is automatically controlled by the temperature setting, ambient temperature, in-vehicle temperature, intake temperature, amount of sunload and air mix door position.

With pressing AUTO switch, the blower motor starts to gradually increase air flow volume.

When engine coolant temperature is low, the blower motor operation is delayed to prevent cool air from flowing.

## INTAKE DOOR CONTROL

The intake doors are automatically controlled by the temperature setting, ambient temperature, in-vehicle temperature, intake temperature, amount of sunload and ON/OFF operation of the compressor.

## MODE DOOR CONTROL

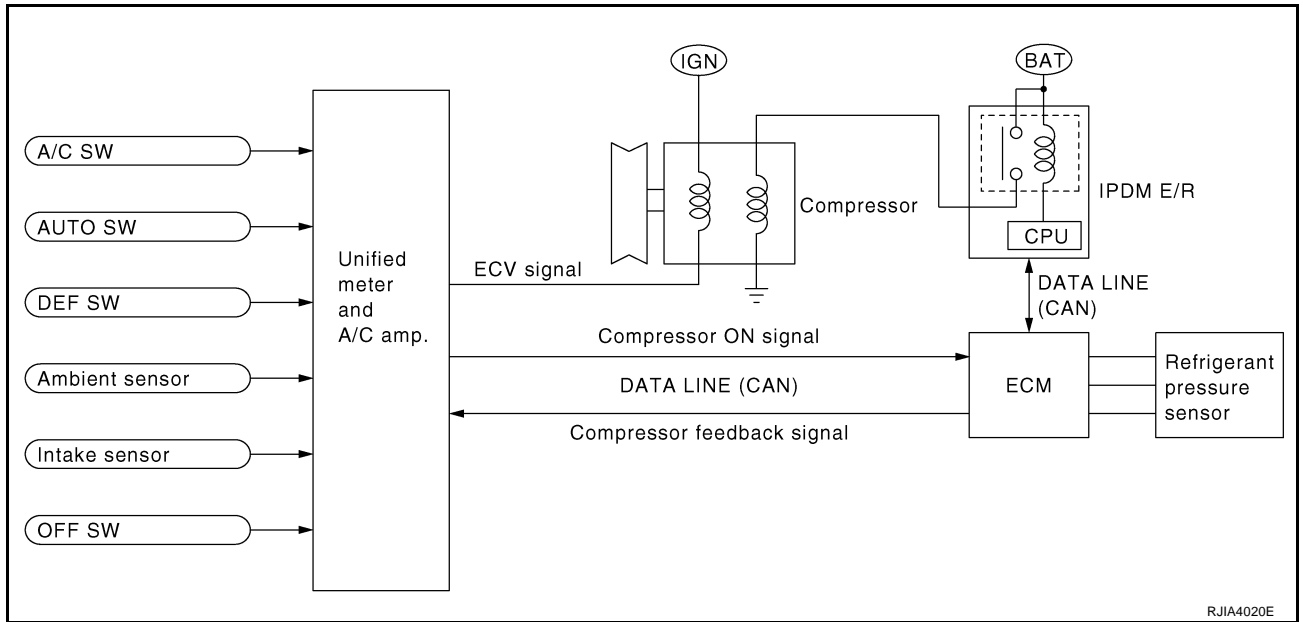
The mode doors are automatically controlled by the temperature setting, ambient temperature, in-vehicle temperature, intake temperature and amount of sunload.

## UPPER VENTILATOR DOOR CONTROL

The upper ventilator door is automatically controlled by the mode setting, and amount of sunload.

# AIR CONDITIONER CONTROL

## MAGNET CLUTCH CONTROL



RJIA4020E

When A/C switch, AUTO switch or DEF switch is pressed, unified meter and A/C amp. transmits compressor ON signal to ECM, via CAN communication.

ECM judges whether compressor can be turned ON, based on each sensor status (refrigerant-pressure sensor signal, throttle angle, etc.). If it judges compressor can be turned ON, it sends compressor ON signal to IPDM E/R, via CAN communication.

Upon receipt of compressor ON signal from ECM, IPDM E/R turns air conditioner relay ON to operate compressor.

When sending compressor ON signal to IPDM E/R via CAN communication line, ECM simultaneously sends compressor feedback signal to ECM via CAN communication line.

ECM sends compressor feedback signal to unified meter and A/C amp., then, uses input compressor feedback signal to control air inlet.

### SELF-DIAGNOSIS SYSTEM

The self-diagnosis system is built into the unified meter and A/C amp. to quickly locate the cause of malfunctions.

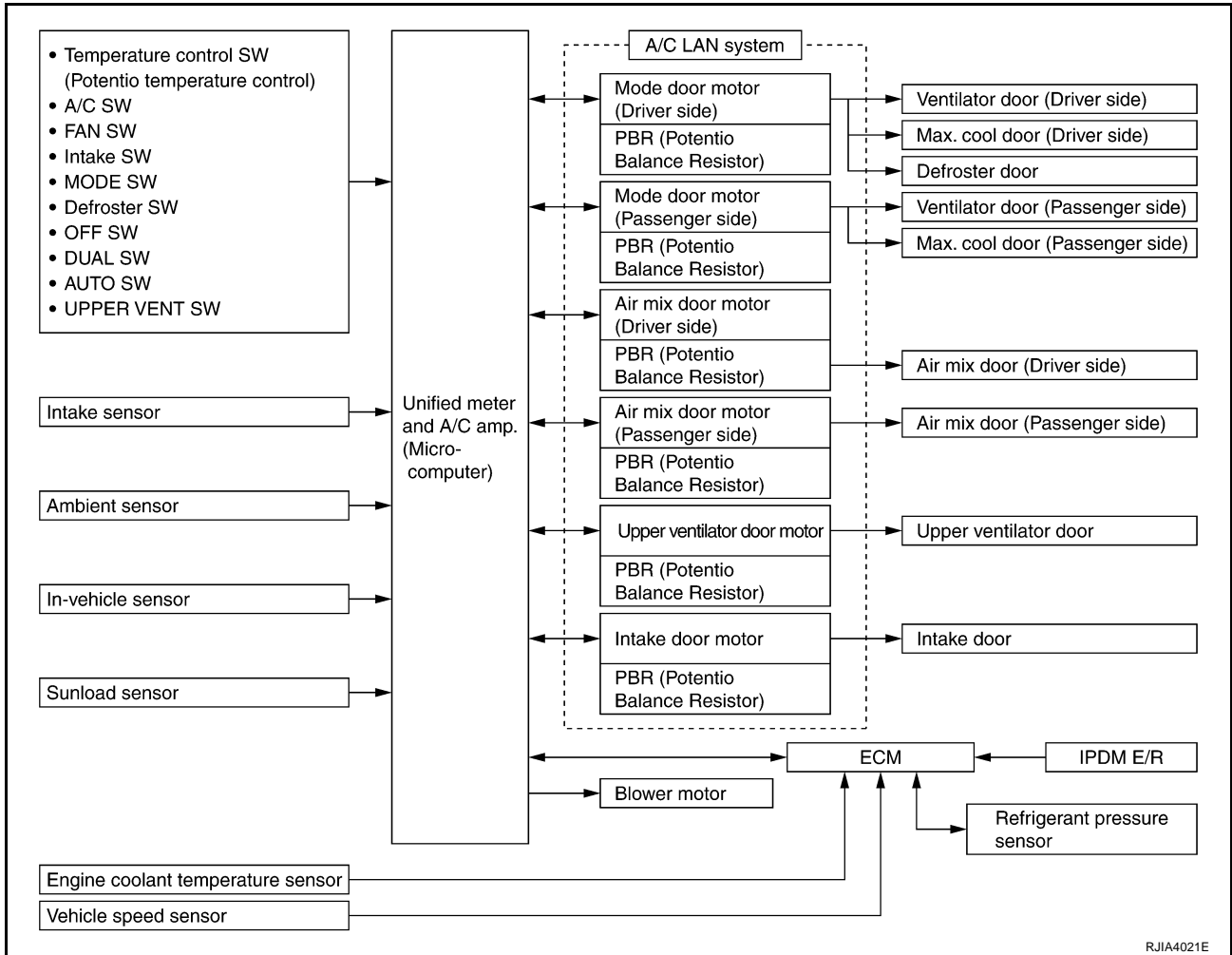


# AIR CONDITIONER CONTROL

## Description of Control System

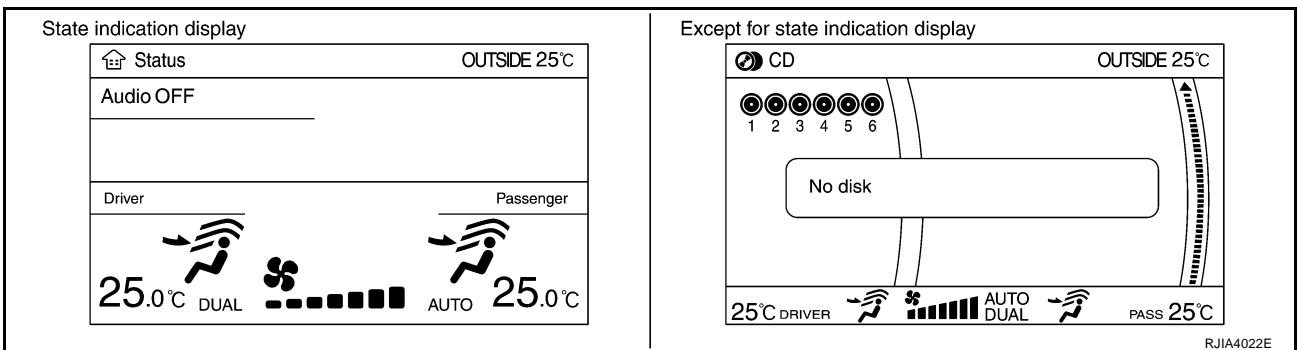
NJS00066

The control system consists of input sensors, switches, the unified meter and A/C amp. (microcomputer) and outputs. The relationship of these components is shown in the figure below:



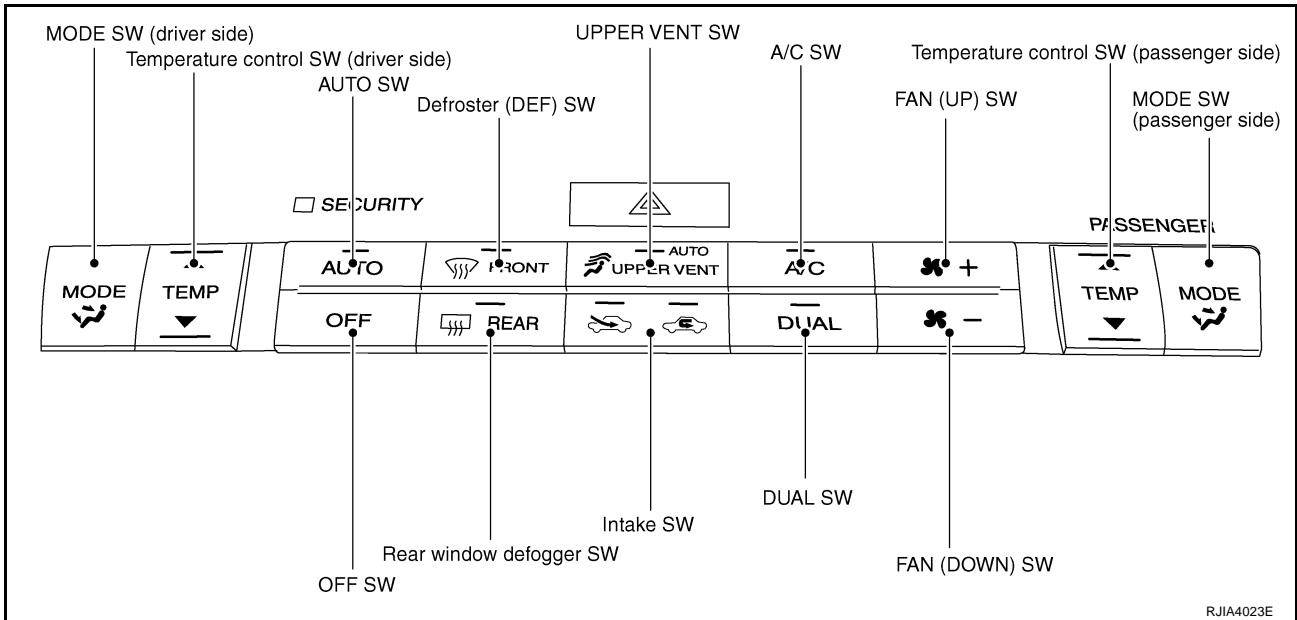
## Control Operation DISPLAY SCREEN

NJS00067



# AIR CONDITIONER CONTROL

## MULTIFUNCTION SWITCH



## DISPLAY SCREEN

The operation status of the system is displayed on the screen.

## MODE SWITCH (DRIVER SIDE)

- Controls the air discharge outlets.
- When the DUAL switch indicator is not illuminated, the left and right outlets are switched together.
- When the DUAL switch indicator is illuminated, only the driver-side outlet is switched.

## MODE SWITCH (PASSENGER SIDE)

When the MODE switch (passenger-side) is pressed, the DUAL switch indicator illuminates, and only the passenger-side outlet is switched.

## TEMPERATURE CONTROL SWITCH (POTENTIO TEMPERATURE CONTROL) (DRIVER SIDE)

The set temperature is increased or decreased with this switch.

## TEMPERATURE CONTROL SWITCH (POTENTIO TEMPERATURE CONTROL) (PASSENGER SIDE)

- The set temperature is increased or decreased with this switch.
- When the temperature switch is pressed, the DUAL switch indicator will automatically illuminate.

## AUTO SWITCH

- The compressor, intake doors, air mix doors, mode doors and blower speed are automatically controlled so that the in-vehicle temperature will reach, and be maintained at the set temperature selected by the operator.
- When pressing AUTO switch, air inlet, air outlet, fan speed, and discharge air temperature are automatically controlled.

## DEFROSTER (DEF) SWITCH

Mode doors are set to the defrost position with this switch. Also, intake doors are set to the outside air position, and compressor turns ON.

## UPPER VENT SWITCH

- When UPPER VENT switch is ON, UPPER VENT switch indicator turn ON, and upper ventilator door is automatically controlled.
- When DEFROSTER (DEF) switch is OFF, upper ventilator door is controlled.
- When MODE position (driver side) is VENT or B/L, upper ventilation door is controlled.
- When UPPER VENT switch is OFF, UPPER VENT switch indicator turn OFF, and upper ventilator door is shut.

# AIR CONDITIONER CONTROL

## A/C SWITCH

Compressor is ON or OFF with this switch.

(Pressing the A/C switch when the A/C switch is ON will turn OFF the A/C switch and compressor.)

## FAN SWITCHES

The blower speed is manually controlled with this switch. Seven speeds are available for manual control (as shown on the display screen).

## OFF SWITCH

Compressor and blower are OFF, intake doors are set to the outside air position, and the mode doors are set to the foot (19% vent, 58% foot and 23% defrost) position.

## REAR WINDOW DEFOGGER SWITCH

When illumination is ON, rear window is defogged.

## INTAKE SWITCH

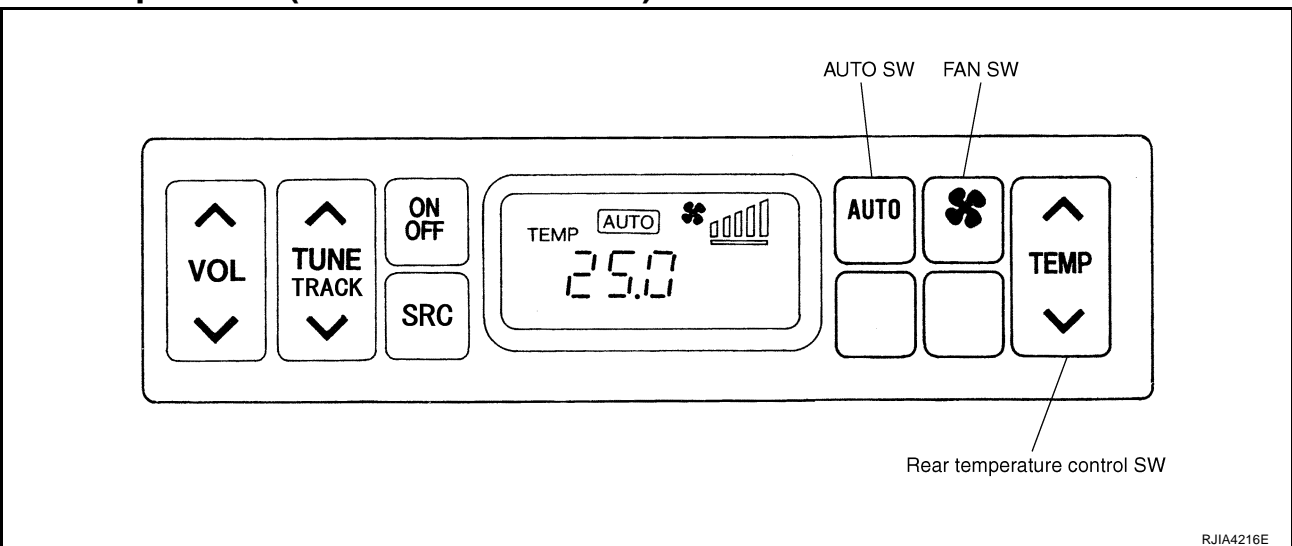
- When intake switch is ON, FRE LED turns ON, and air inlet is fixed to FRE.
- When press intake switch again, REC LED turns ON, and air inlet is fixed to REC.
- When intake switch is pressed for approximately 1.5 seconds or longer, FRE and REC LEDs blink twice. Then, automatic control mode is entered. Inlet status is displayed by LED during automatic controlled.
- When FRE LED is turned ON, shifting mode position to D/F or DEF, or when compressor is turned from ON to OFF, intake switch is automatically turned OFF (fixed to FRE mode). REC mode can be re-entered by pressing intake switch again, and then compressor is turned ON. (Except D/F or DEF position)

## DUAL SWITCH

- When the DUAL switch indicator is illuminated, the driver-side and passenger-side temperature can each be set independently.
- When the DUAL switch indicator is not illuminated, the driver-side outlet and setting temperature is applied to both sides.

## Control Operation (Rear Control Switch)

NJS000GB



## AUTO SWITCH

- When pressing AUTO switch, display for turned on AUTO and fan speed is automatically controlled.
- When pressing AUTO switch, air inlet, air outlet, fan speed, and discharge air temperature are automatically controlled.

## FAN SWITCH

The blower speed is manually controlled with this switch. Five speeds are available for manual control (as shown on the display screen).

## REAR TEMPERATURE CONTROL SWITCH

- Increases or decreases the set temperature.

A  
B  
C  
D  
E  
F  
G  
H  
I  
K  
L  
M

ATC

# AIR CONDITIONER CONTROL

---

- A temperature for the rear seat with respect to a set temperature for the front seat can be adjusted by operating switch.
- Rear temperature control switch allows to select a temperature every 0.5°C (1°F) in the 18°C (60°F) to 32°C (90°F) range.
- When the DUAL switch is ON, temperature for the rear seat changes keeping the temperature difference between two front seats. [e.g. When lowering the set temperature for the rear seat 1°C (2°F) by operating rear control switch at a set temperature of 25°C (77°F) for the driver's seat and 26°C (79°F) for the passenger's seat, the set temperature for the driver's seat and passenger's seat lower 1°C (2°F) and become 24°C (75°F) for the driver's seat and 25°C (77°F) for the passenger's seat.]

**NOTE:**

A set temperature for the rear seat is tied to a set temperature for the passenger's seat. Therefore, a set temperature for the rear seat changes in conjunction with a set temperature for the passenger's seat (When the set temperature of front seats are independent).

## Fail-Safe Function

NJS000G9

- If a communication error exists between the unified meter and A/C amp., and the AV control unit or NAVI control unit and multifunction switch for 30 seconds or longer, air conditioner is controlled under the following conditions:

<b>Compressor</b>	<b>: ON</b>
<b>Air outlet</b>	<b>: AUTO</b>
<b>Air inlet</b>	<b>: FRE (Fresh)</b>
<b>Blower fan speed</b>	<b>: AUTO</b>
<b>Set temperature</b>	<b>: Setting before communication error occurs</b>
<b>Display</b>	<b>: OFF</b>

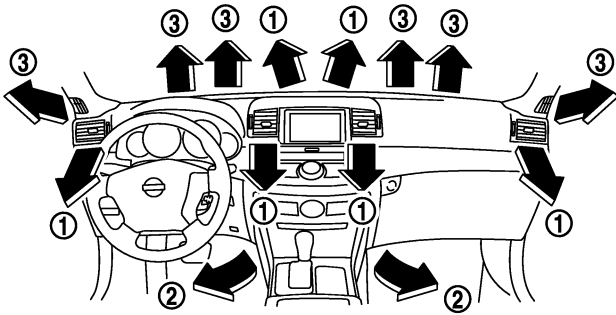
# AIR CONDITIONER CONTROL

## Discharge Air Flow

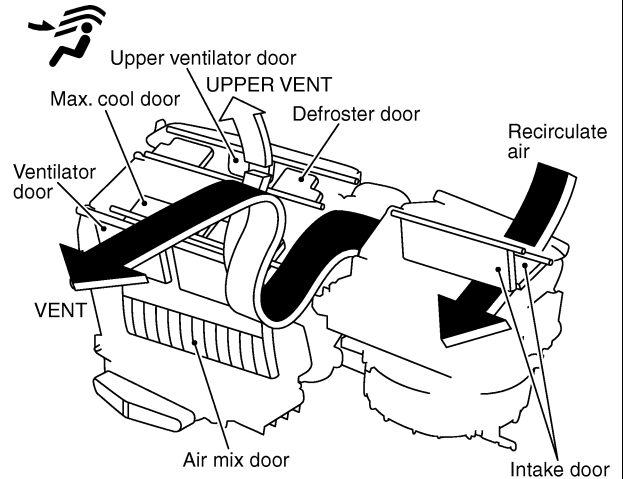
NJS000GA

A  
B  
C  
D  
E  
F  
G  
H  
I  
K  
L  
M

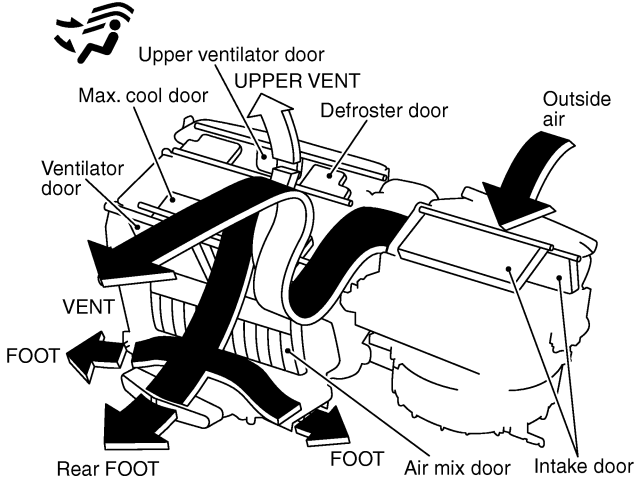
① : Ventilation    ② : Foot    ③ : Defroster



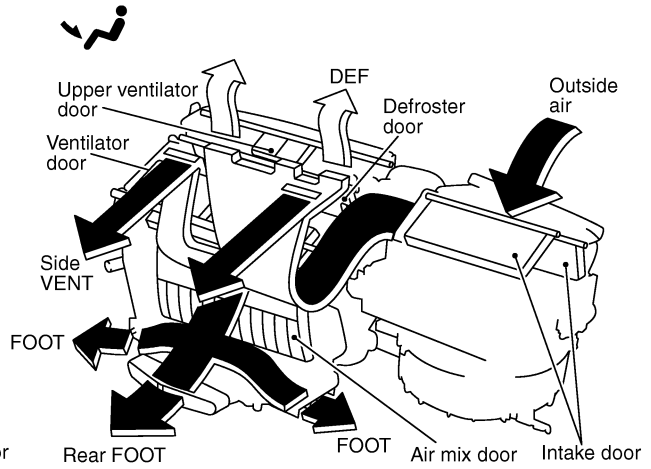
Ventilation (UPPER VENT SW : ON)



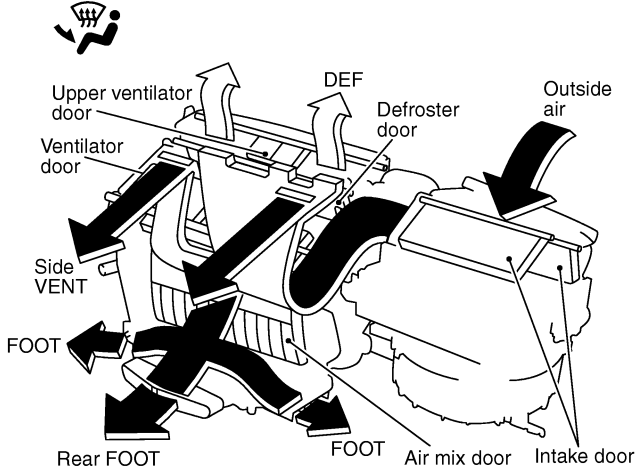
Bi-level (UPPER VENT SW : ON)



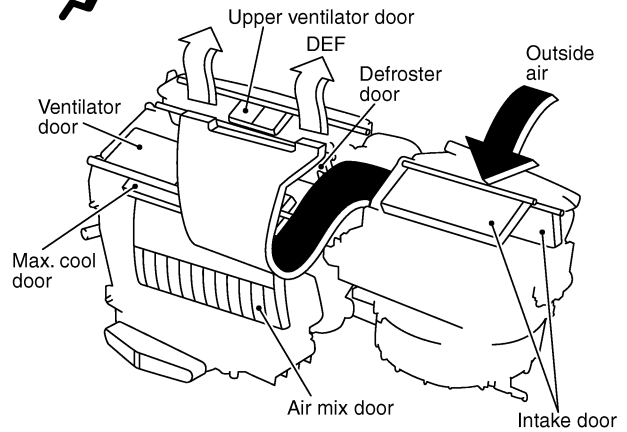
Foot



Defroster and foot



Defroster

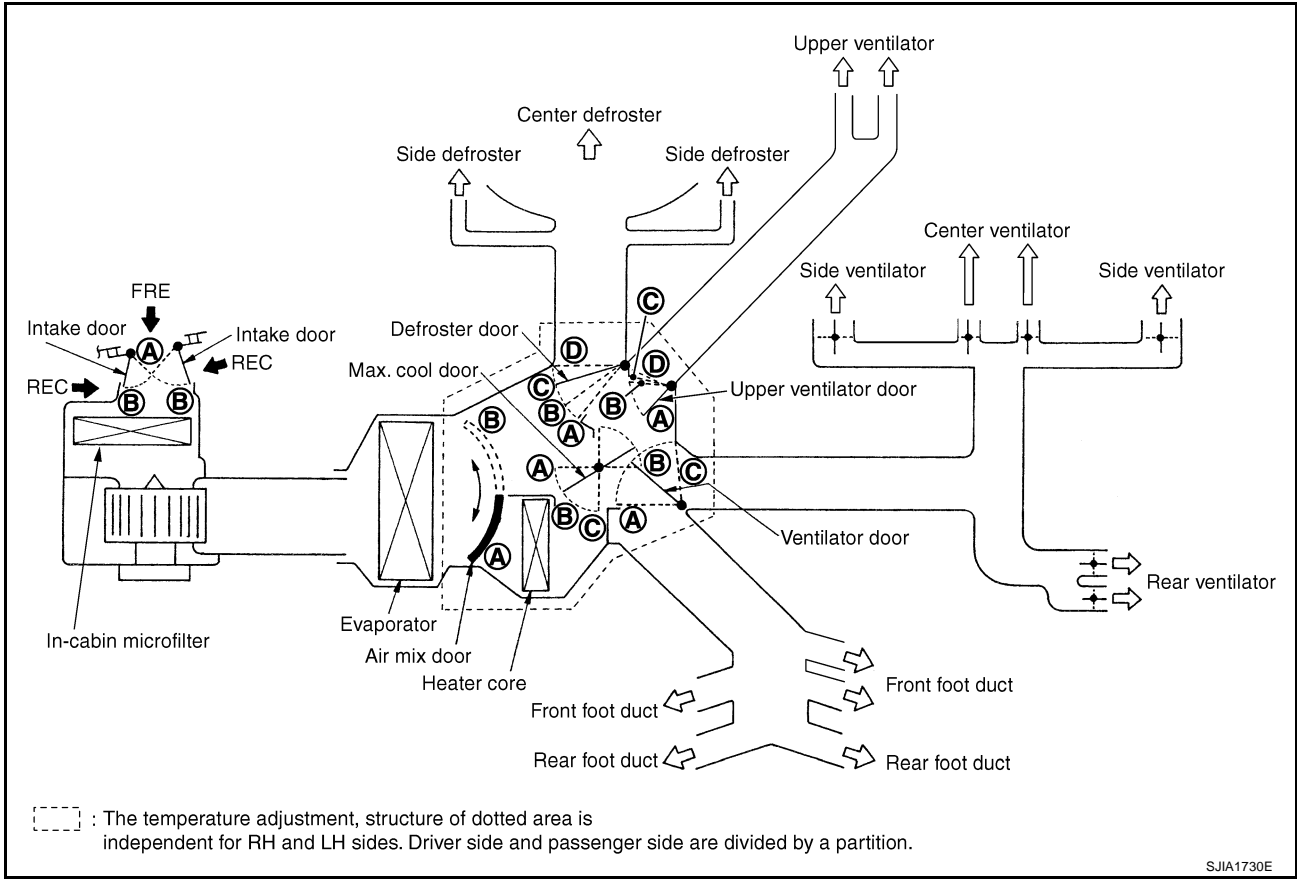


RJIA4024E

# AIR CONDITIONER CONTROL

NJS000GB

## System Description SWITCHES AND THEIR CONTROL FUNCTION



SJIA1730E

Door	DUAL SW		MODE SW				DEF SW		UPPER VENT SW		AUTO SW	Intake SW		Temperature control SW(Driver side)			Temperature control SW(passenger side)			OFF SW		
	ON	OFF	VENT	B/L	FOOT	D/F <sup>*1</sup>	ON	OFF	AUTO	OFF	AUTO	FRE	REC	TEMP			TEMP			OFF		
	DUAL		MODE		MODE		FRONT		UPPER VENT		AUTO	Intake		TEMP			TEMP			OFF		
	☀	☐	↻	↻	↻	↻	☀	☐	☀	☐	☀	☀	☐	☀	☐	18°C (60°F)	~	32°C (90°F)	18°C (60°F)	~	32°C (90°F)	OFF
Ventilator door (Driver side)	—	—	A	B	C	C	—	—	—	—	—	—	—	—	—	—	—	—	—	—	—	C
Ventilator door (Passenger side)	ON	—	A	B	C	—	—	—	—	—	—	—	—	—	—	—	—	—	—	—	—	—
Max. cool door (Driver side)	—	—	A	B	B	B	C	—	—	—	AUTO	—	—	—	—	—	—	—	—	—	—	B
Max. cool door (Passenger side)	ON	—	A	B	B	—	C	—	—	—	—	—	—	—	—	—	—	—	—	—	—	B
Defroster door	—	—	D	D	C <sup>*2</sup>	B	A	—	—	—	—	—	—	—	—	—	—	—	—	—	—	C <sup>*2</sup>
Upper ventilator door	—	—	A~C <sup>*3</sup>		D	D	D	—	AUTO	D	—	—	—	—	—	—	—	—	—	—	—	D
Intake door 1,2	—	—	—	—	—	—	B	—	—	—	—	B	A	—	—	—	—	—	—	—	—	B
Air mix door (Driver side)	—	—	—	—	—	—	—	—	—	—	—	—	—	A	AUTO	B	—	—	—	—	—	—
Air mix door (Passenger side)	ON	—	—	—	—	—	—	—	—	AUTO	—	—	—	—	—	A	AUTO	B	—	—	—	—
	OFF	—	—	—	—	—	—	—	—	—	—	—	—	A	AUTO	B	—	—	—	—	—	—

\*1 When the DUAL SW is ON, passenger cannot select the D/F mode.

\*2 This position is selected only when the mode door is automatically controlled.

\*3 When the MODE SW (driver side) is VENT or B/L position, upper ventilator door is automatically controlled from A to C.

\*4 Inlet status is displayed by LED during automatic control.

RJIA4026E

# AIR CONDITIONER CONTROL

## CAN Communication System Description

NJS000GC

CAN (Controller Area Network) is a serial communication line for real time application. It is an on-vehicle multiplex communication line with high data communication speed and excellent error detection ability. Many electronic control units are equipped onto a vehicle, and each control unit shares information and links with other control units during operation (not independent). In CAN communication, control units are connected with 2 communication lines (CAN-H line, CAN-L line) allowing a high rate of information transmission with less wiring. Each control unit transmits/receives data but selectively reads required data only. For details, refer to [LAN-34, "CAN Communication Unit"](#).

A

B

C

D

E

F

G

H

I

ATC

K

L

M

# TROUBLE DIAGNOSIS

## TROUBLE DIAGNOSIS

PFP:00004

### CONSULT-II Function (ECM)

NJS000GD

CONSULT-II can display each diagnosis item using the diagnosis test modes shown following.

System part	Check item, diagnosis mode	Description
ECM	Data monitor	Displays ECM input data in real time.

### CONSULT-II BASIC OPERATION

Refer to [GI-39, "CONSULT-II Start Procedure"](#) .

#### DATA MONITOR

##### Operation Procedure

1. Touch "ENGINE" on "SELECT SYSTEM" screen.
2. Touch "DATA MONITOR" on "SELECT DIAG MODE" screen.
3. Touch either "ALL SIGNALS" or "SELECTION FROM MENU" on "DATA MONITOR" screen.

All signals	Monitors all the items.
Selection from menu	Selects and monitors the individual item selected.

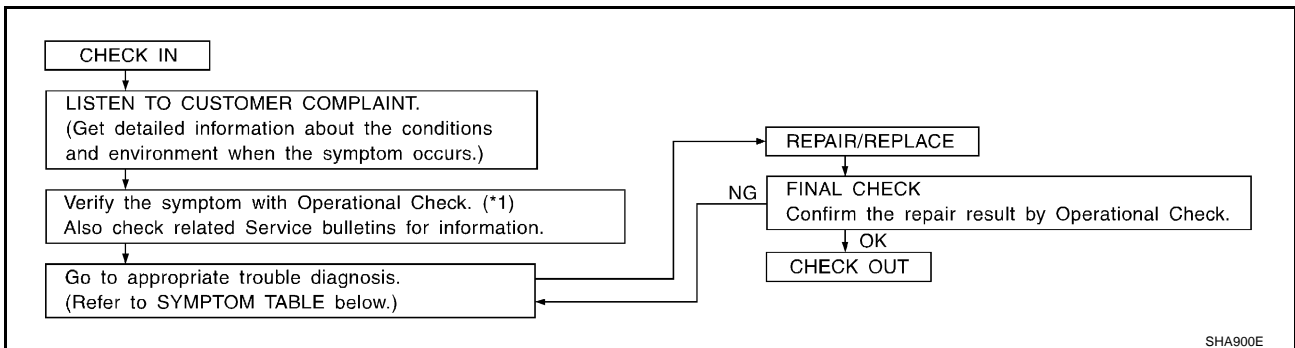
4. When "SELECTION FROM MENU" is selected, touch items to be monitored. When "ALL SIGNALS" is selected, all the items will be monitored.
5. Touch "START".
6. Touch "RECORD" while monitoring, then the status of the monitored item can be recorded. To stop recording, touch "STOP".

#### Display Item List

Monitor item name "operation or unit"	Contents
IGN ON SW "ON/OFF"	Displays "IGN position (ON)/OFF, ACC position (OFF)" status as judged from ignition switch signal.
FAN ON SIG "ON/OFF"	Displays "FAN (ON)/FAN (OFF)" status as judged from blower fan motor switch signal.
AIR COND SW "ON/OFF"	Displays "COMP (ON)/COMP (OFF)" status as judged from air conditioner switch signal.
REFRIGERANT PRESSURE SENSOR "V"	Displays "Refrigerant pressure sensor for voltage" status as inputted from refrigerant pressure sensor.

### How to Perform Trouble Diagnosis for Quick and Accurate Repair WORK FLOW

NJS000GE



SHA900E

\*1 [ATC-64, "Operational Check"](#)



# TROUBLE DIAGNOSIS

## SYMPTOM TABLE

Symptom	Reference Page	
A/C system does not come on.	Go to Trouble Diagnosis Procedure for A/C System.	<a href="#">ATC-66. "Power Supply and Ground Circuit for Auto Amp."</a>
A/C system cannot be controlled.	Go to Multifunction Switch System.	<a href="#">AV-108. "Multifunction Switch Cannot Be Operated"</a> (Without mobile entertainment system) or <a href="#">AV-253. "Multifunction Switch Cannot Be Operated"</a> (With mobile entertainment system)
Air outlet does not change.	Go to Trouble Diagnosis Procedure for Mode Door Motor. (LAN)	<a href="#">ATC-75. "Mode Door Motor Circuit"</a>
Mode door motor does not operate normally.		
Upper ventilator outlet does not change.	Go to Trouble Diagnosis Procedure for Upper Ventilator Door Motor. (LAN)	<a href="#">ATC-80. "Upper Ventilator Door Motor Circuit"</a>
Upper ventilator door motor does not operate normally.		
Discharge air temperature does not change.	Go to Trouble Diagnosis Procedure for Air Mix Door Motor. (LAN)	<a href="#">ATC-83. "Air Mix Door Motor Circuit"</a>
Air mix door motor does not operate normally.		
Intake door does not change.	Go to Trouble Diagnosis Procedure for Intake Door Motor. (LAN)	<a href="#">ATC-86. "Intake Door Motor Circuit"</a>
Intake door motor does not operate normally.		
Blower motor operation is malfunctioning.	Go to Trouble Diagnosis Procedure for Blower Motor.	<a href="#">ATC-89. "Blower Motor Circuit"</a>
Magnet clutch does not engage.	Go to Trouble Diagnosis Procedure for Magnet Clutch.	<a href="#">ATC-94. "Magnet Clutch Circuit"</a>
Insufficient cooling	Go to Trouble Diagnosis Procedure for Insufficient Cooling.	<a href="#">ATC-99. "Insufficient Cooling"</a>
	Go to Diagnosis Procedure for Insufficient Cooling.	<a href="#">ATC-107. "DIAGNOSIS PROCEDURE FOR INSUFFICIENT COOLING"</a>
Insufficient heating	Go to Trouble Diagnosis Procedure for Insufficient Heating.	<a href="#">ATC-109. "Insufficient Heating"</a>
Noise	Go to Trouble Diagnosis Procedure for Noise.	<a href="#">ATC-110. "Noise"</a>
Self-diagnosis cannot be performed.	Go to Trouble Diagnosis Procedure for Self-diagnosis.	<a href="#">ATC-111. "Self-Diagnosis"</a>
Memory function does not operate.	Go to Trouble Diagnosis Procedure for Memory Function.	<a href="#">ATC-112. "Memory Function"</a>
Rear control switch does not operate.	Go to Trouble Diagnosis Procedure for Rear Control Switch.	<a href="#">ATC-69. "Rear Control Switch Circuit"</a>

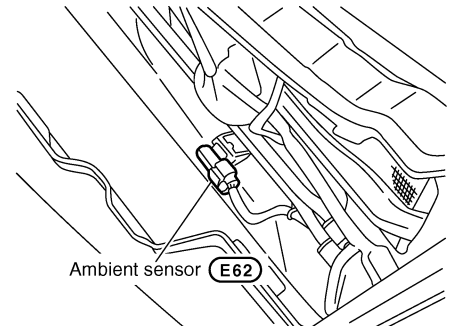
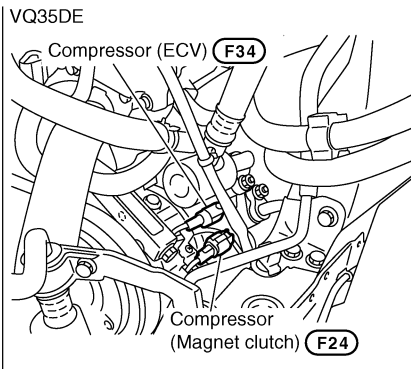
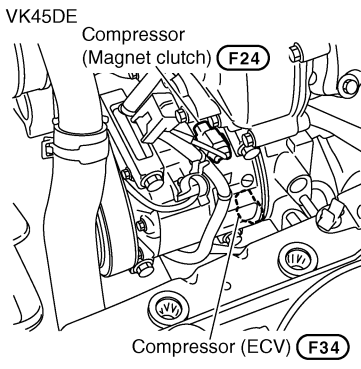
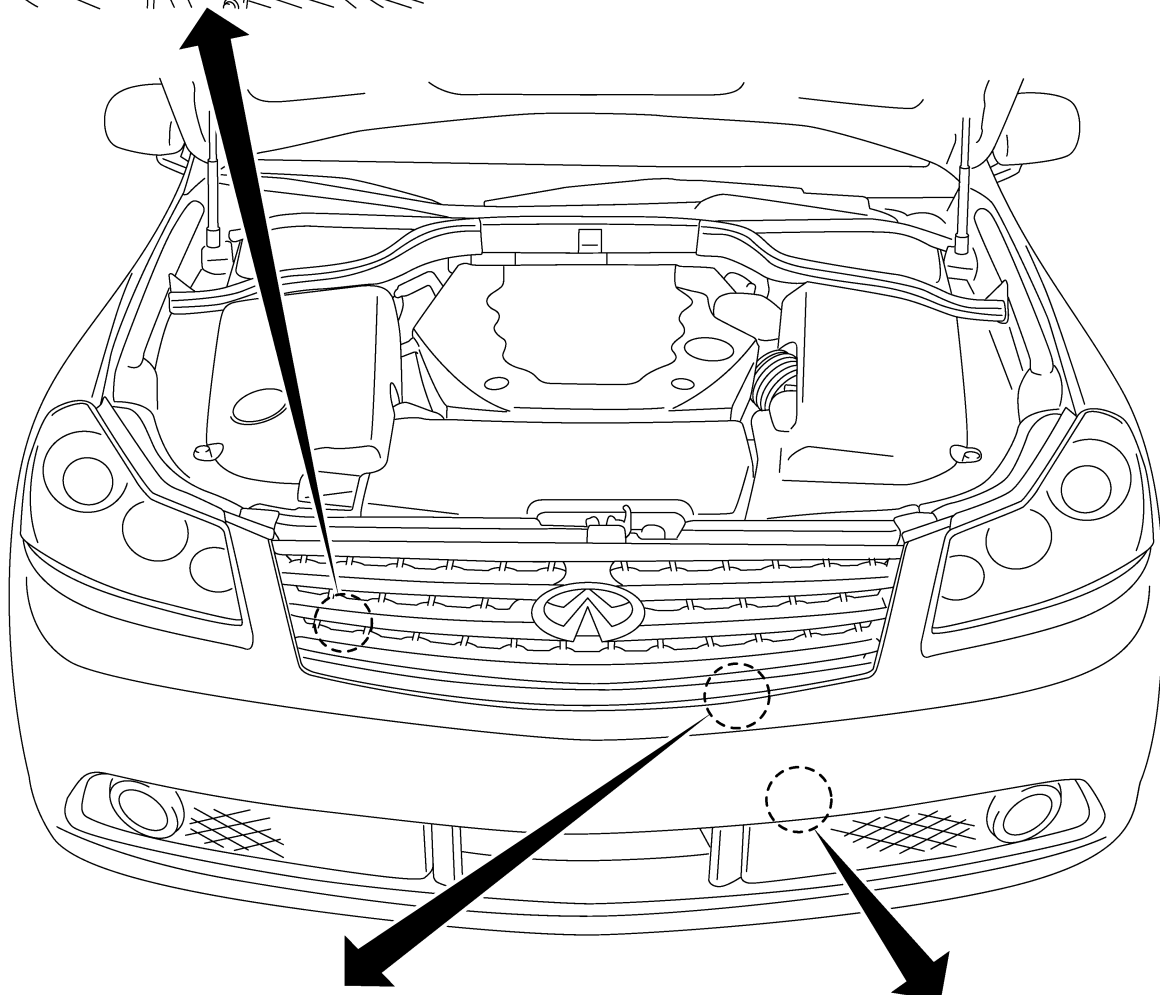
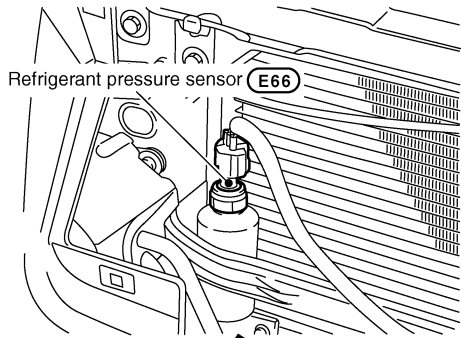
A  
B  
C  
D  
E  
F  
G  
H  
I  
K  
L  
M

ATC

# TROUBLE DIAGNOSIS

## Component Parts and Harness Connector Location ENGINE COMPARTMENT

NJS000GF



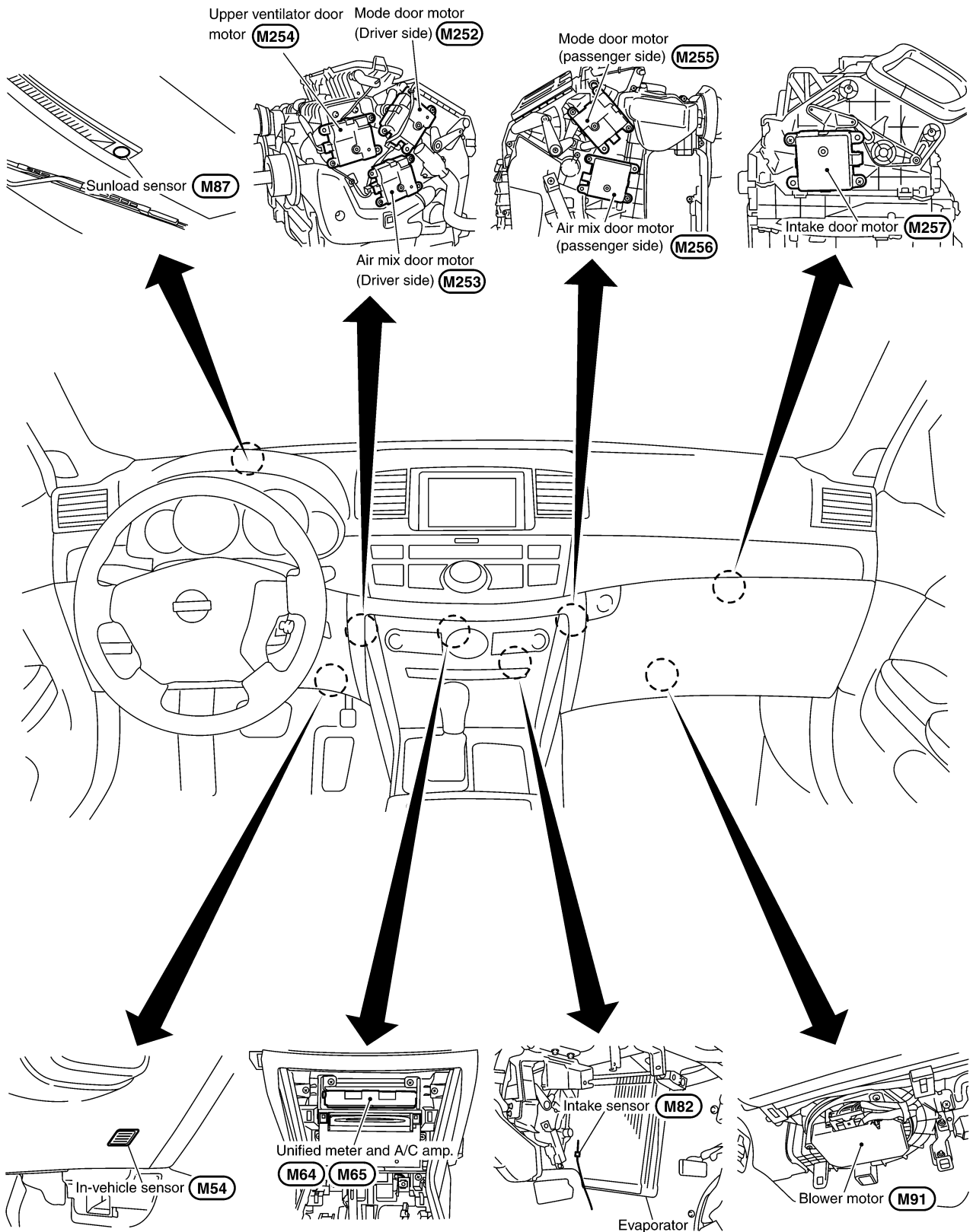
RJIA4030E

# TROUBLE DIAGNOSIS

## PASSENGER COMPARTMENT

A  
B  
C  
D  
E  
F  
G  
H  
I  
K  
L  
M

ATC

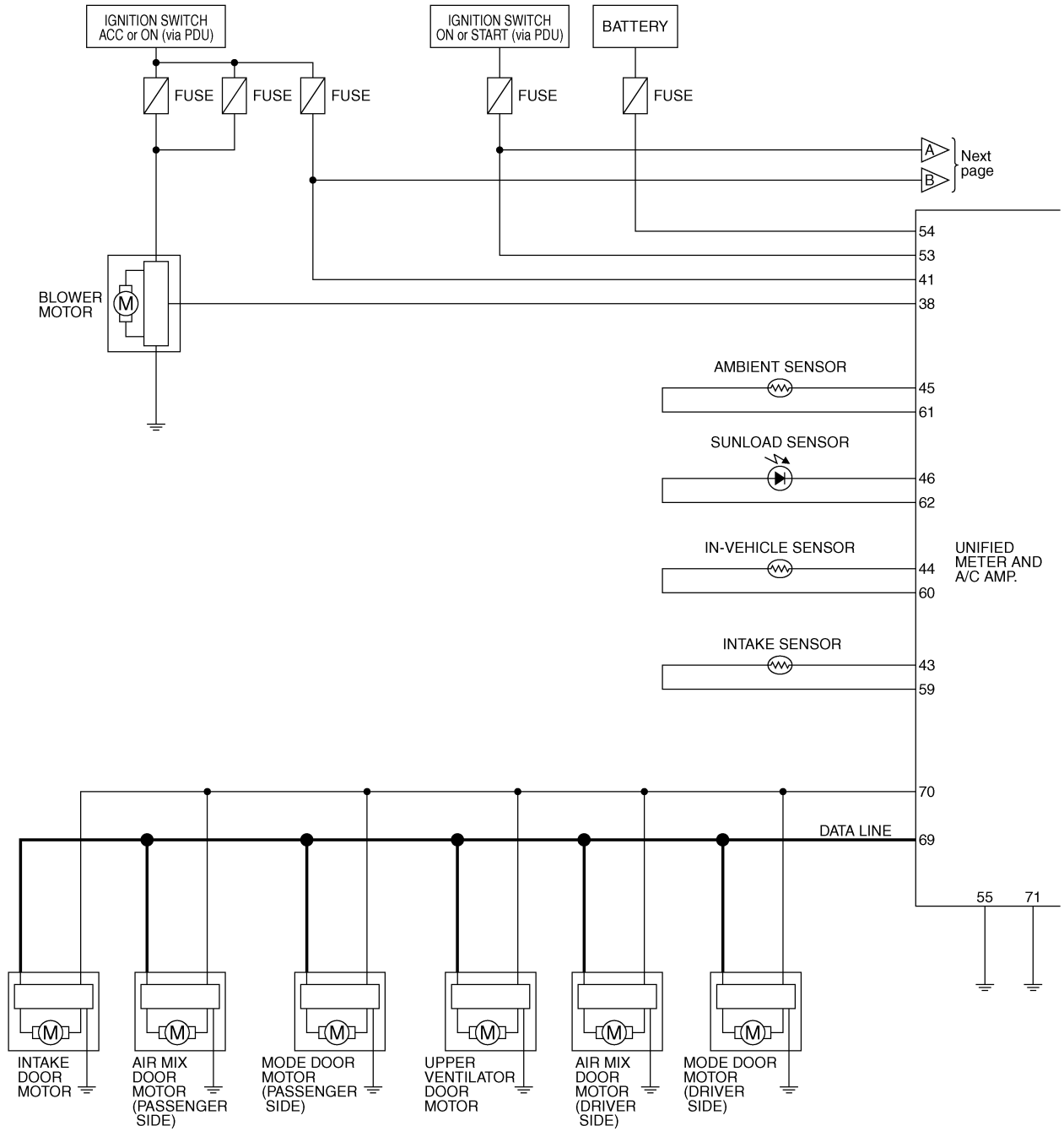


RJIA4031E

# TROUBLE DIAGNOSIS

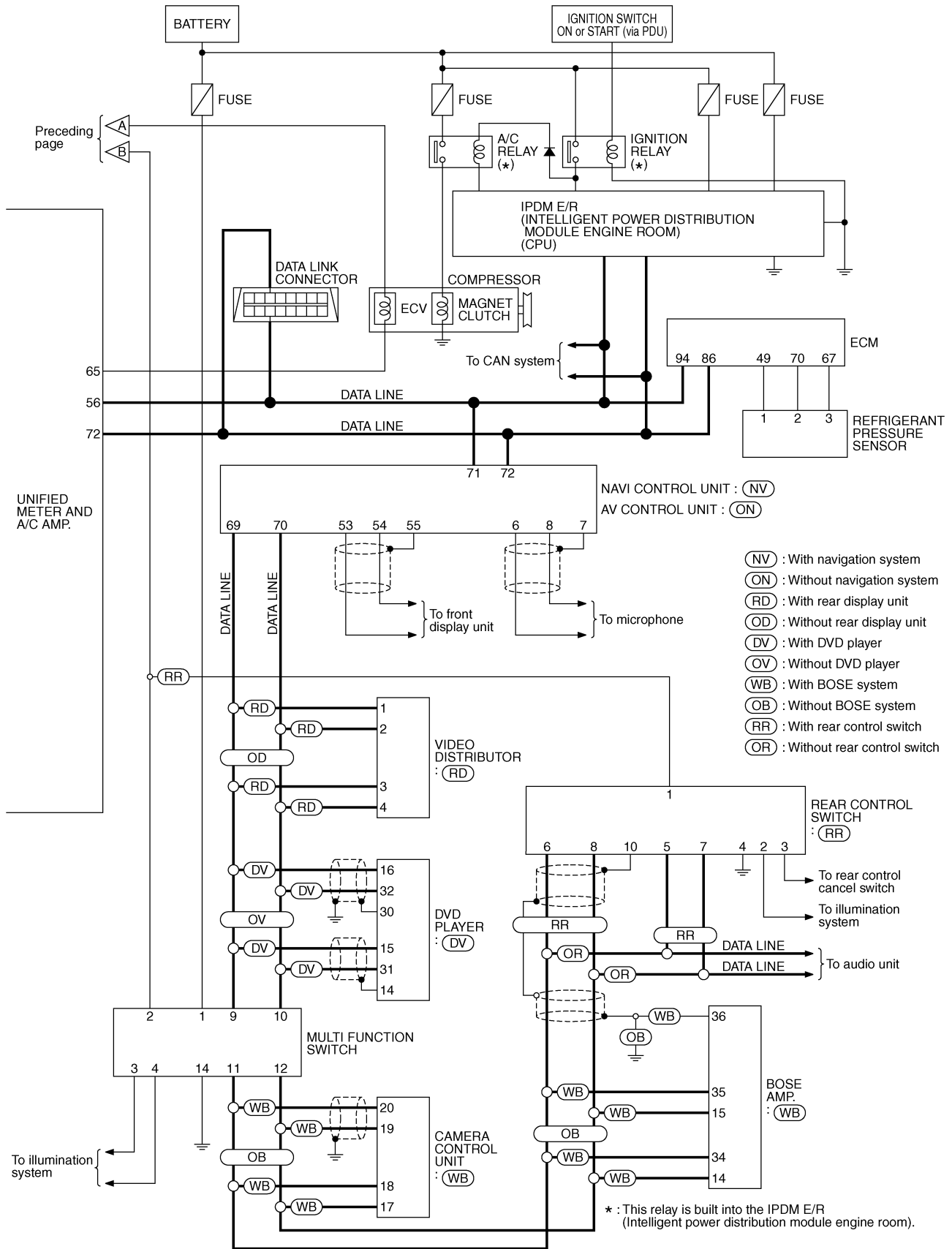
## Schematic

NJS000GG



TJW0141E

# TROUBLE DIAGNOSIS



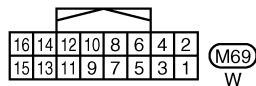
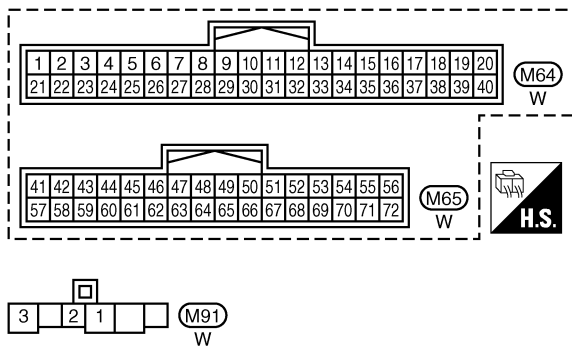
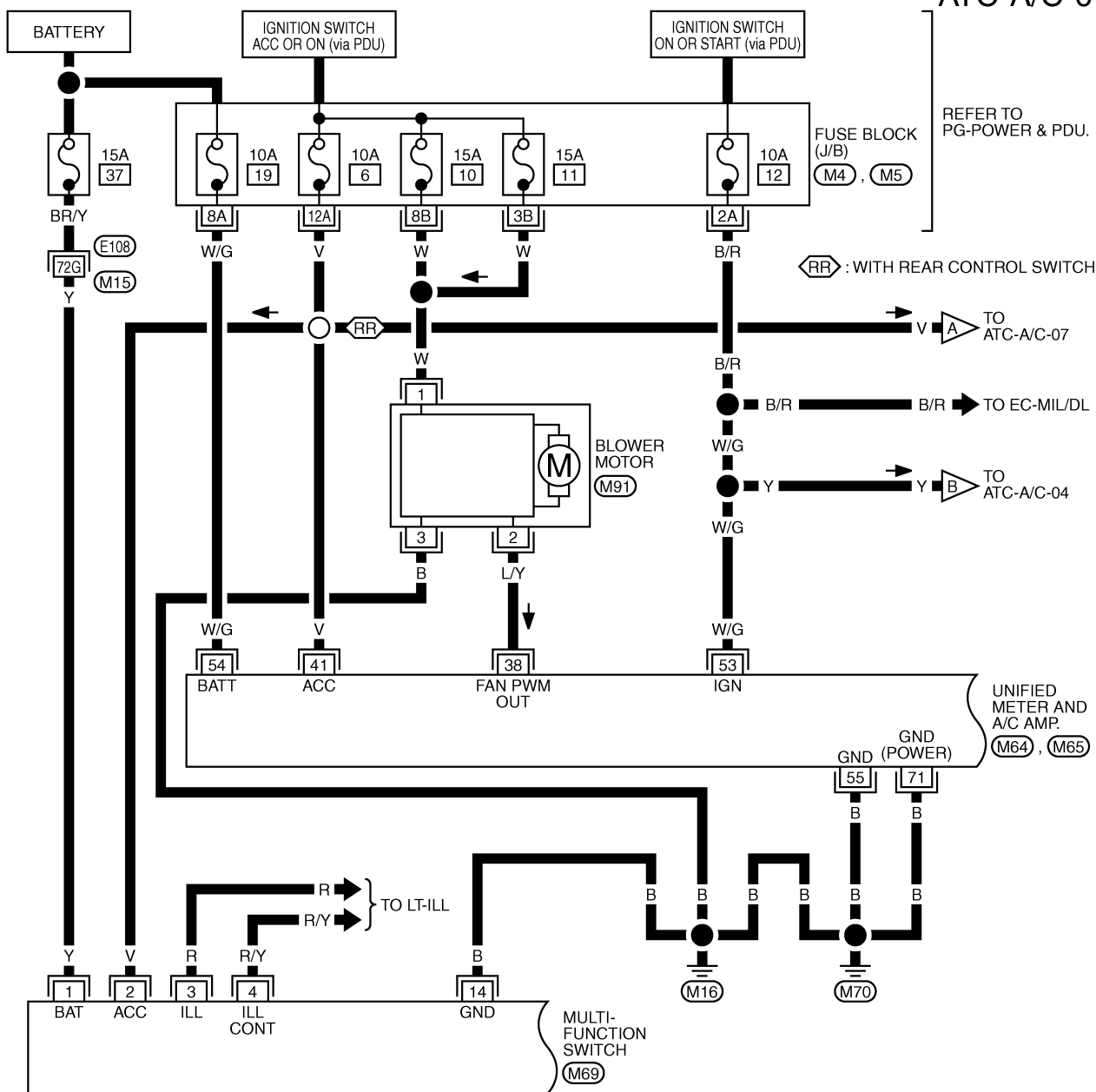
TJW0142E

# TROUBLE DIAGNOSIS

## Wiring Diagram —A/C—

NJS000GH

ATC-A/C-01

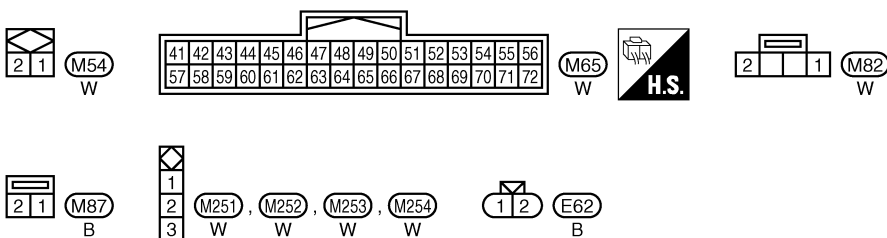
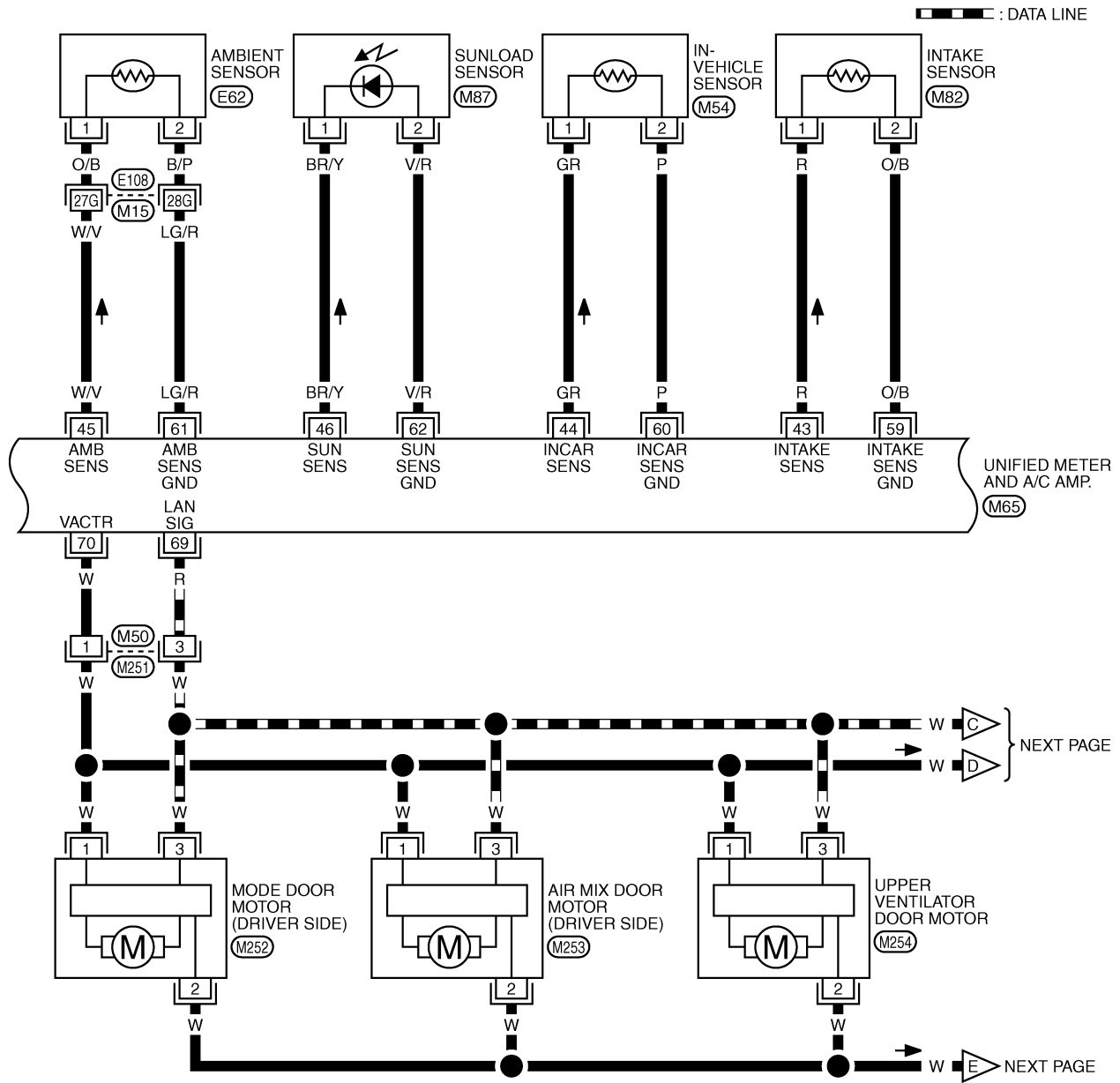


REFER TO THE FOLLOWING.

- (E108) -SUPER MULTIPLE JUNCTION (SMJ)
- (M4), (M5) -FUSE BLOCK-JUNCTION BOX (J/B)

# TROUBLE DIAGNOSIS

ATC-A/C-02



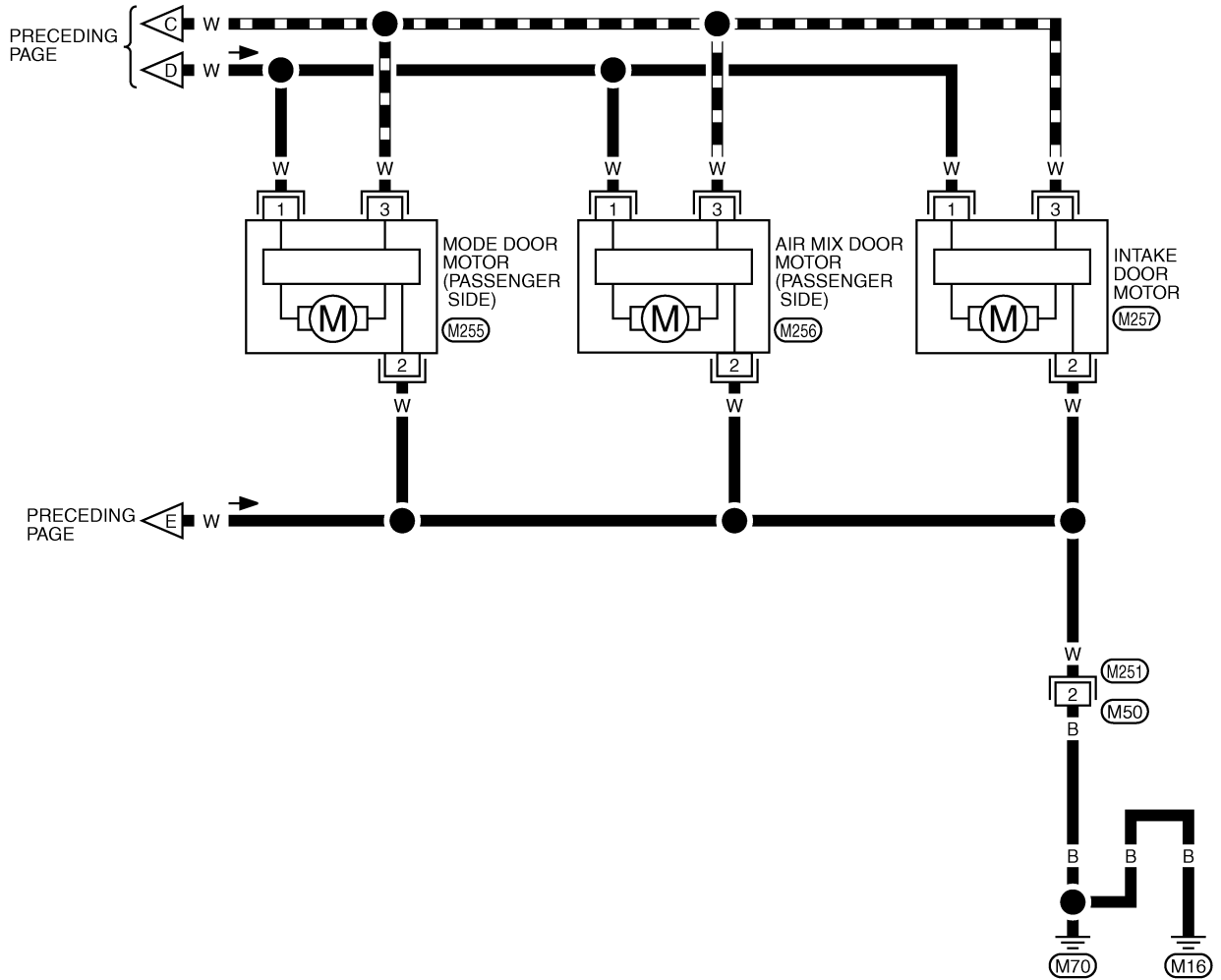
REFER TO THE FOLLOWING.  
 (E108) -SUPER MULTIPLE JUNCTION (SMJ)

TJWT0144E

# TROUBLE DIAGNOSIS

ATC-A/C-03

▬ : DATA LINE



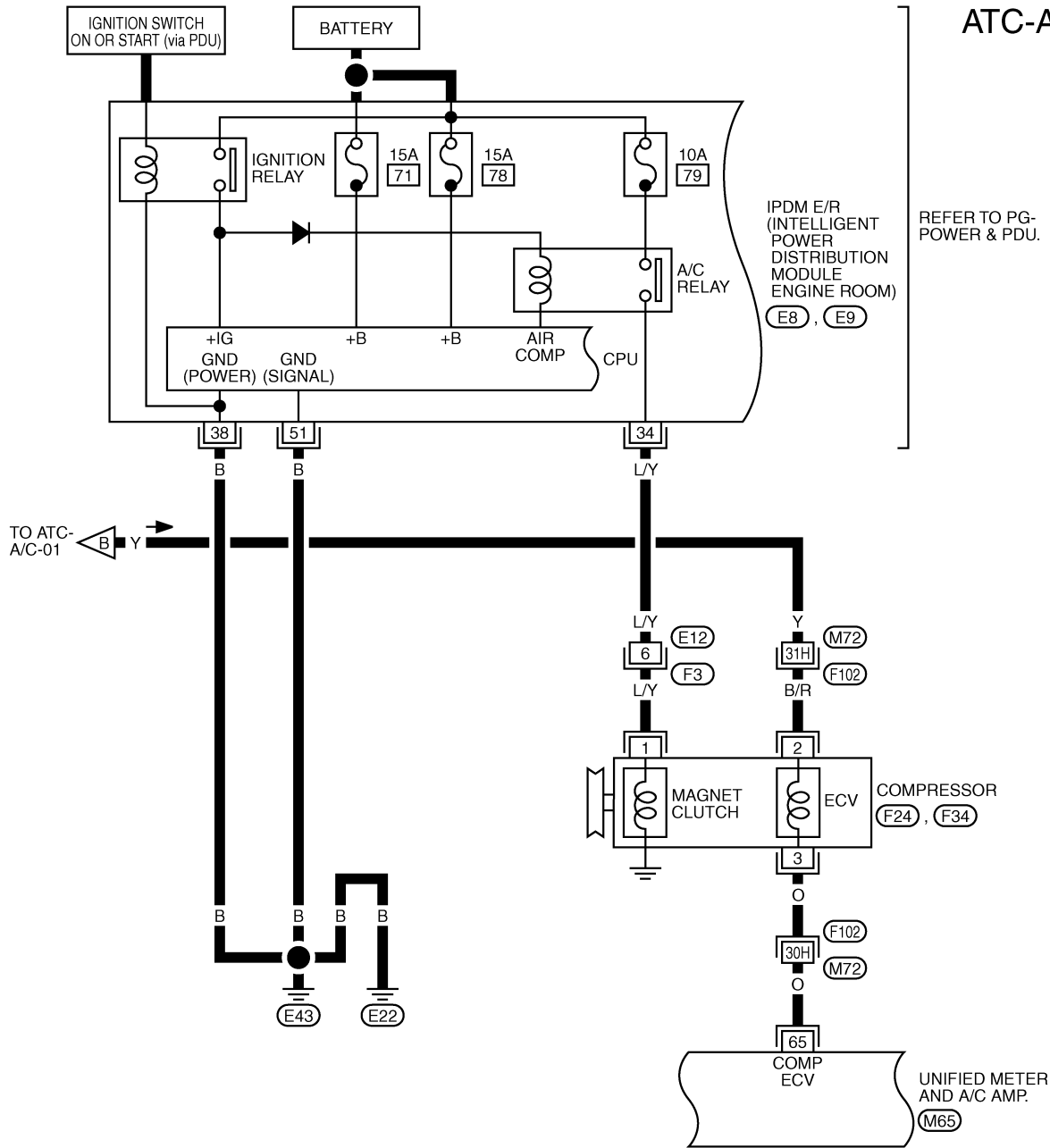
1	
2	(M251), (M255), (M256), (M257)
3	W, W, W, W

TJW0145E

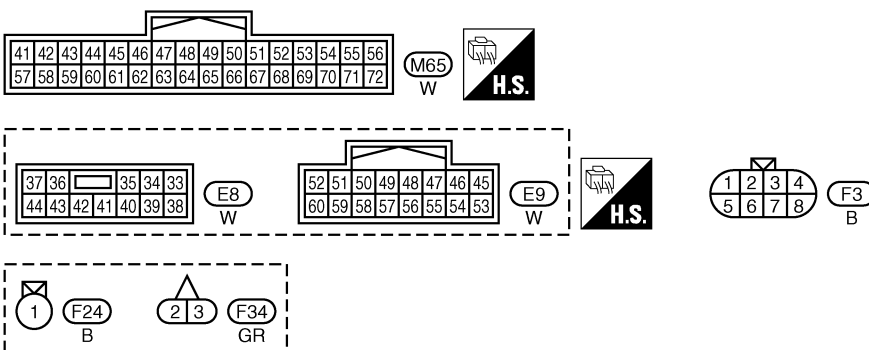


# TROUBLE DIAGNOSIS

ATC-A/C-04



A  
B  
C  
D  
E  
F  
G  
H  
I  
ATC  
K  
L  
M

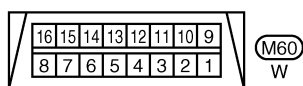
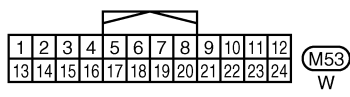
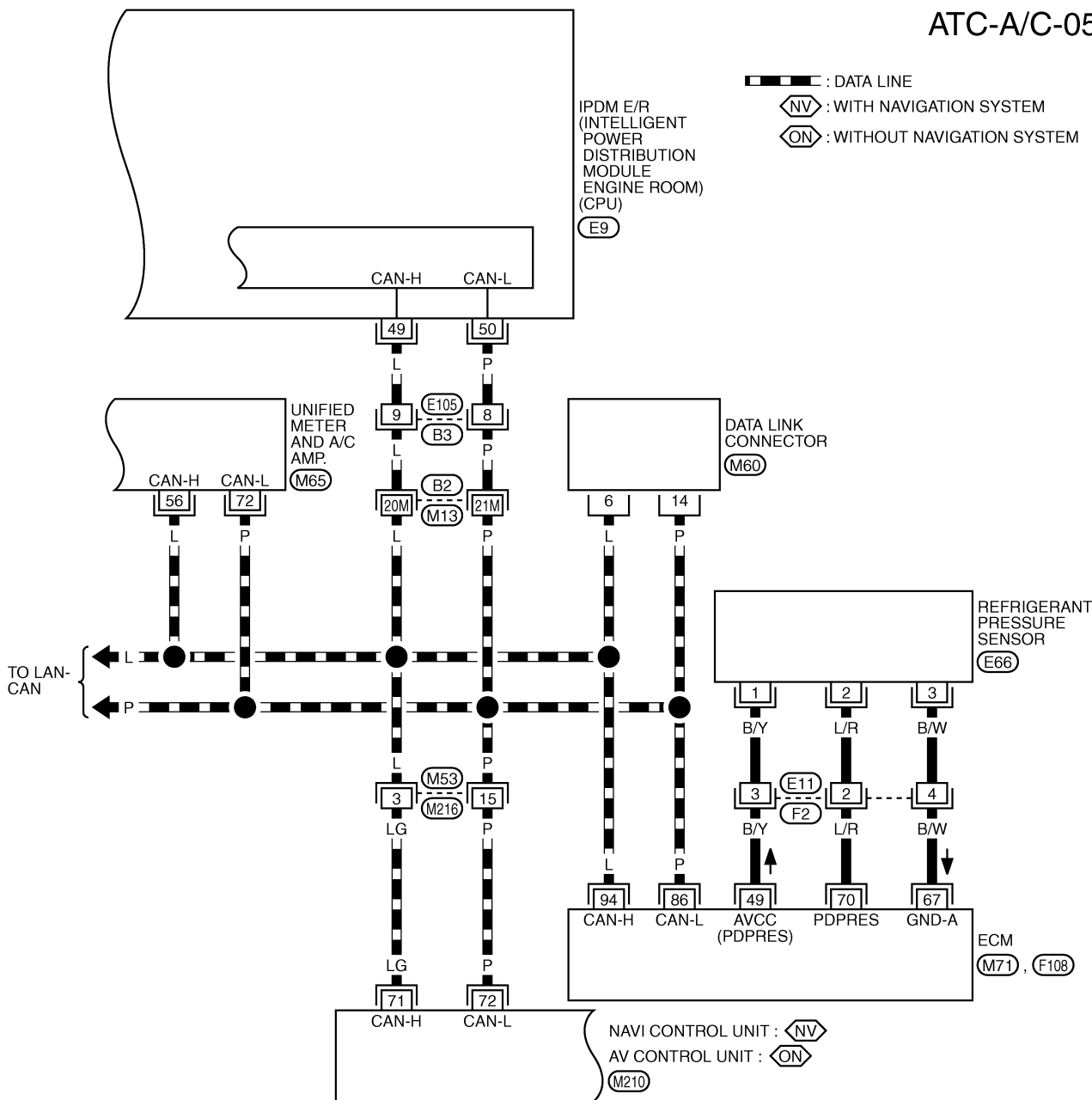


REFER TO THE FOLLOWING.  
 (F102) -SUPER MULTIPLE JUNCTION (SMJ)

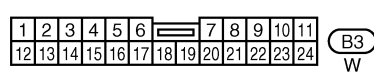
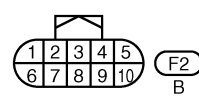
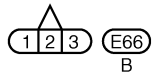
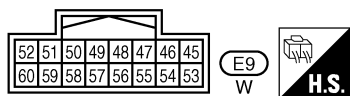
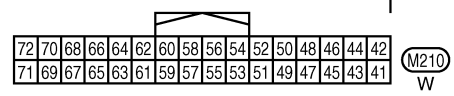
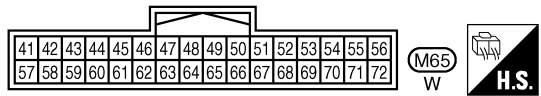
TJW0146E

# TROUBLE DIAGNOSIS

ATC-A/C-05



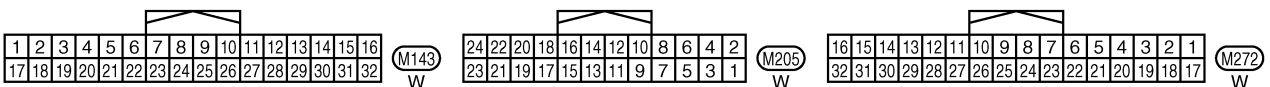
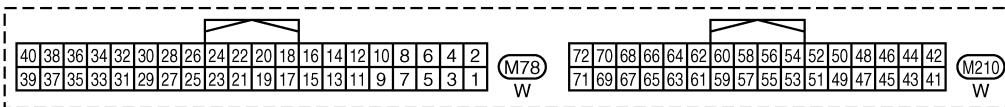
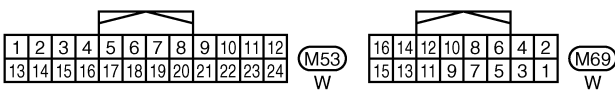
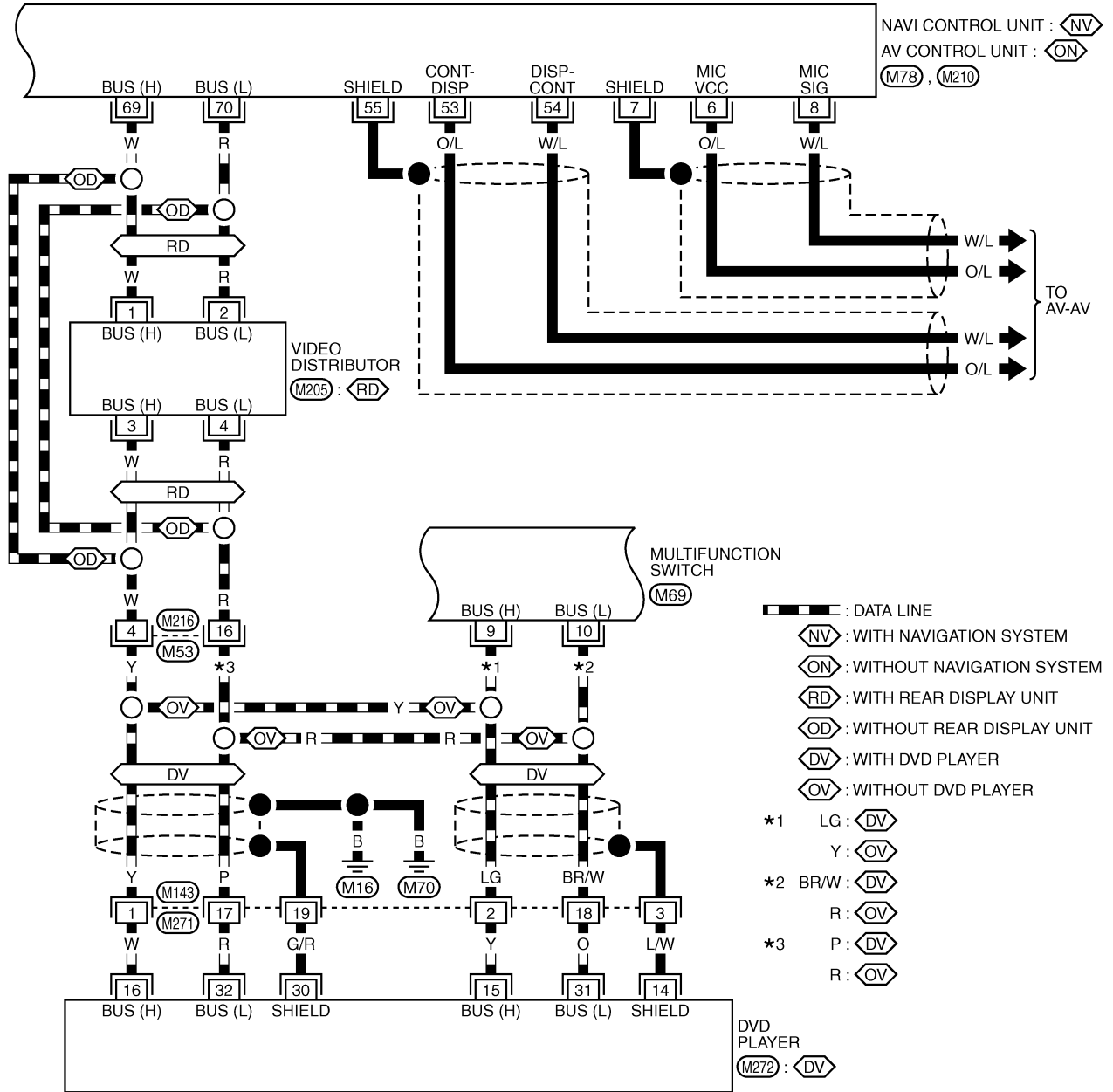
REFER TO THE FOLLOWING.  
 (B2) -SUPER MULTIPLE JUNCTION (SMJ)  
 (M71, F108) -ELECTRICAL UNITS



TJW0147E

# TROUBLE DIAGNOSIS

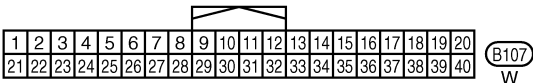
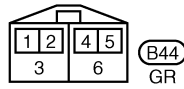
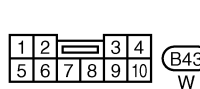
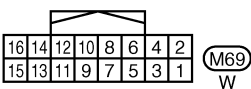
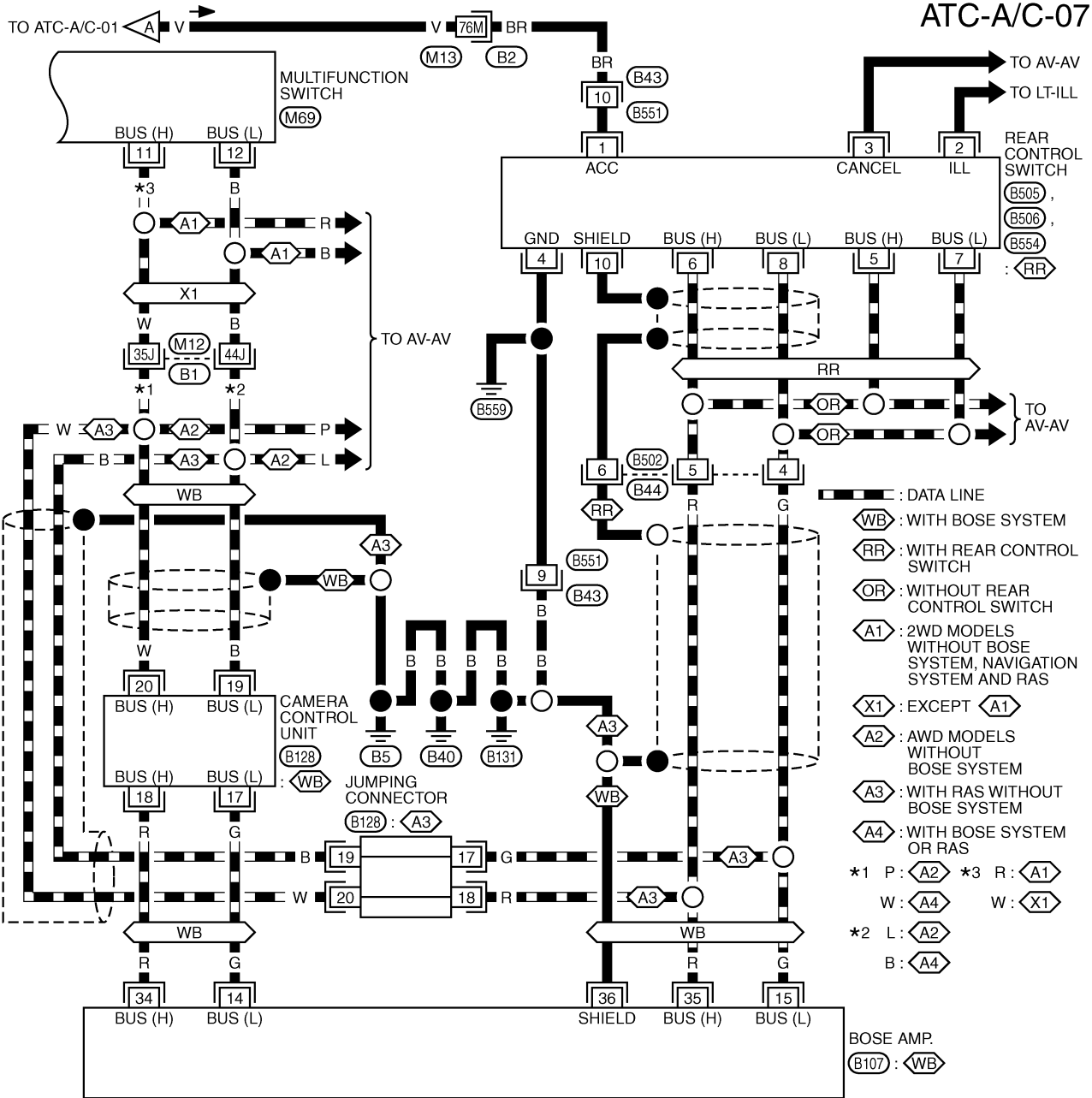
ATC-A/C-06



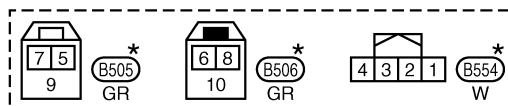
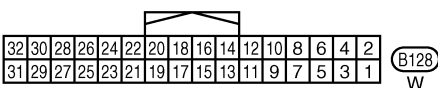
TJWT0148E

# TROUBLE DIAGNOSIS

ATC-A/C-07



\*: THIS CONNECTOR IS NOT SHOWN IN "HARNESS LAYOUT", PG SECTION.



REFER TO THE FOLLOWING.

(B1), (B2) -SUPER MULTIPLE JUNCTION (SMJ)

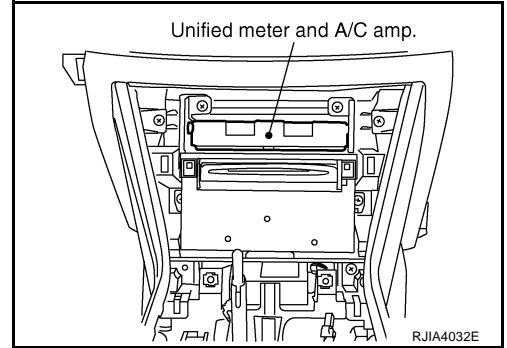
TJW0149E

# TROUBLE DIAGNOSIS

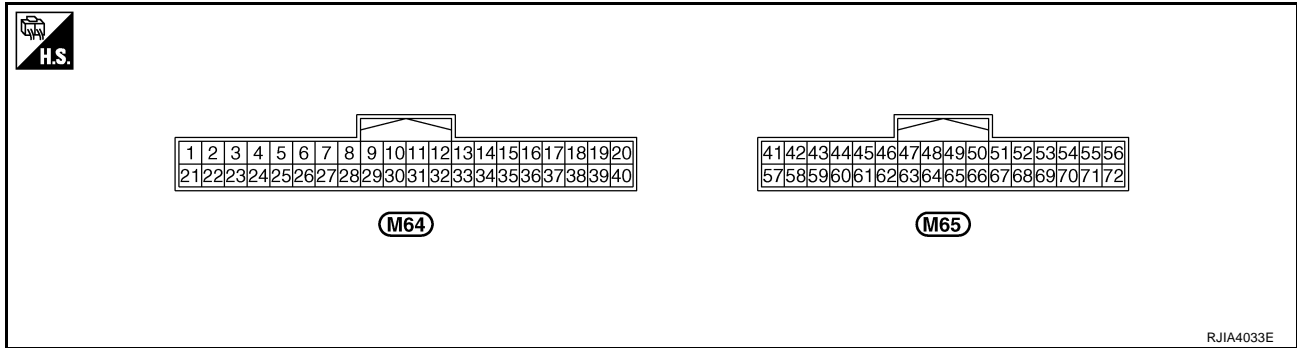
## Auto Amp. Terminals and Reference Value

NJS000GI

Measure voltage between each terminal and ground by referring terminals and reference value for unified meter and A/C amp.



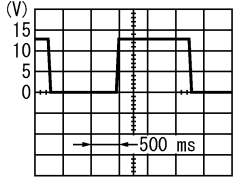
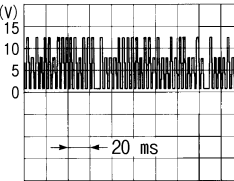
## PIN CONNECTOR TERMINAL LAYOUT



## TERMINALS AND REFERENCE VALUE FOR UNIFIED METER AND A/C AMP.

Terminal No.	Wire color	Item	Ignition switch	Condition	Voltage (V)
38	L/Y	Blower motor control signal	ON	Blower speed: 1st step	<p>SJIA1454J</p>
41	V	Power supply from ACC	ACC	—	Battery voltage
43	R	Intake sensor	—	—	—
44	GR	In-vehicle sensor	—	—	—
45	W/V	Ambient sensor	—	—	—
46	BR/Y	Sunload sensor	—	—	—
53	W/G	Power supply from IGN	ON	—	Battery voltage
54	W/G	Power supply from BATT	OFF	—	Battery voltage
55	B	Ground	ON	—	Approx. 0
56	L	CAN-H	—	—	—
59	O/B	Intake sensor ground	ON	—	Approx. 0
60	P	In-vehicle sensor ground	ON	—	Approx. 0
61	LG/R	Ambient sensor ground	ON	—	Approx. 0
62	V/R	Sunload sensor ground	ON	—	Approx. 0

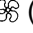
# TROUBLE DIAGNOSIS

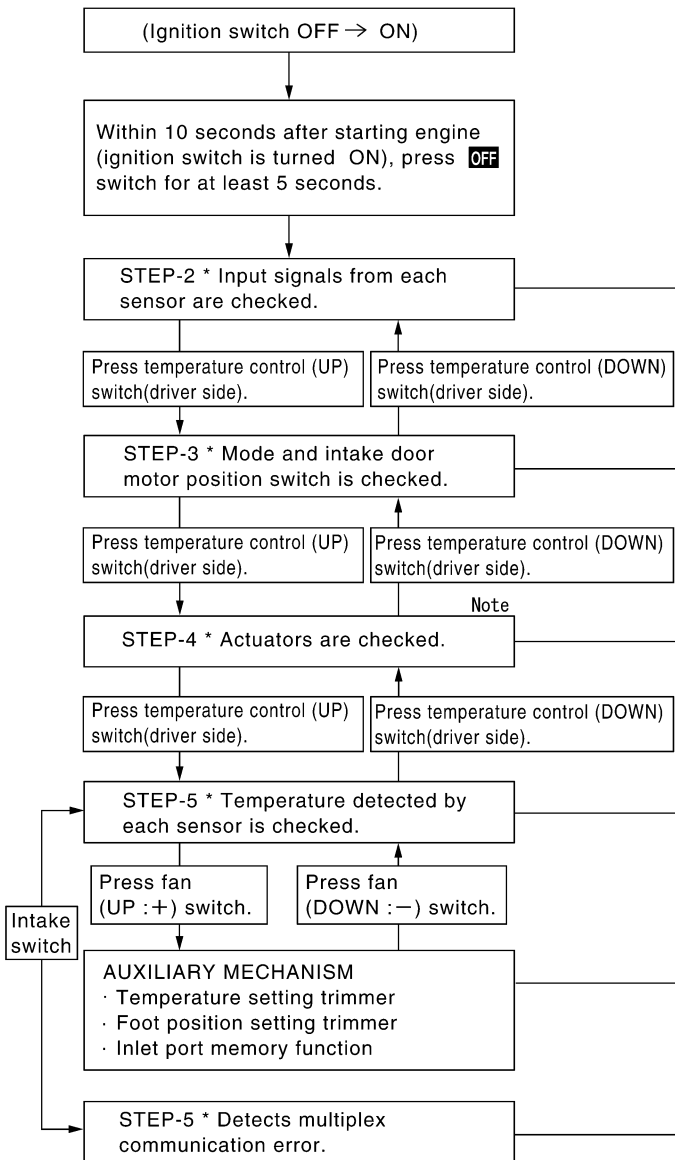
Terminal No.	Wire color	Item	Ignition switch	Condition	Voltage (V)
65	O	ECV (Electric Control Valve) signal	ON	Self-diagnosis. STEP-4 (Code No. 45)	 <p style="text-align: right; font-size: small;">SJIA1458J</p>
69	R	A/C LAN signal	ON	—	 <p style="text-align: right; font-size: small;">SJIA1453J</p>
70	W	Power supply for each door motor	ON	—	Battery voltage
71	B	Ground (Power)	ON	—	Approx. 0
72	P	CAN-L	—	—	—

# TROUBLE DIAGNOSIS

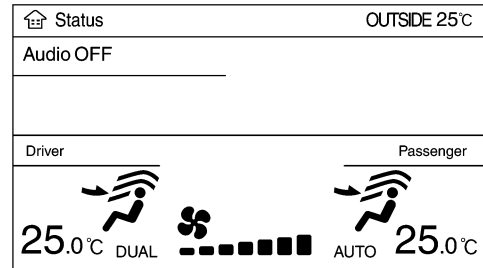
NJS000GJ

## Self-diagnosis Function DESCRIPTION

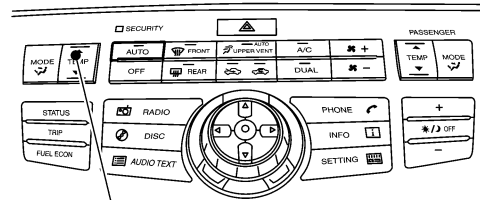
The self-diagnosis system diagnoses sensors, door motors, blower motor, etc. by system line. Refer to applicable sections (items) for details. Shifting from usual control to the self-diagnosis system is accomplished by starting the engine (turning the ignition switch ON) and pressing OFF switch for at least 5 seconds. The OFF switch must be pressed within 10 seconds after starting the engine (ignition switch is turned ON). This system will be canceled by either pressing AUTO switch or turning the ignition switch OFF. Shifting from one step to another is accomplished by means of pressing temperature control switch (driver side), as required. Shifting from STEP-5 to AUXILIARY MECHANISM is accomplished by means of pressing  (fan) UP switch.



Display screen



Multifunction switch



Temperature control switch (driver side)

Ignition switch: OFF  
or AUTO switch: ON → Self-diagnosis function is canceled.

Note:  
For STEP-4 and-5, engine must be running for compressor to operate.

\* : Former STEP-1 (LEDs and display screen are checked) does not exist in this self-diagnosis function.

RJIA4034E

# TROUBLE DIAGNOSIS

## FUNCTION CONFIRMATION PROCEDURE

### 1. SET IN SELF-DIAGNOSIS MODE

1. Turn ignition switch ON.
2. Set in self-diagnosis mode as follows. Within 10 seconds after starting engine (ignition switch is turned ON.), press OFF switch for at least 5 seconds.

#### CAUTION:

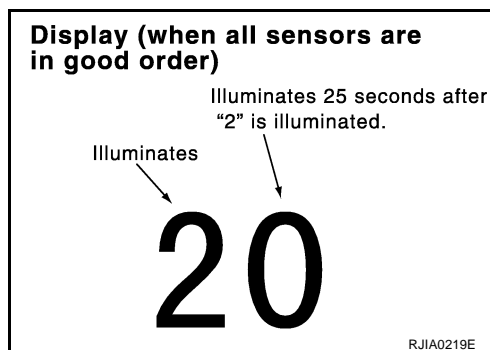
- If battery voltage drops below 12 V during diagnosis STEP-3, door motor speed becomes slower and as a result, the system may generate an error even when operation is normal. To avoid this, start engine before performing this diagnosis.
- Former STEP-1 (LEDs and display screen are checked) does not exist in this self-diagnosis function.

>> GO TO 2.

### 2. STEP-2: SENSOR CIRCUITS ARE CHECKED FOR OPEN OR SHORT CIRCUIT

Does code No. 20 appear on the display?

- YES >> GO TO 3.  
NO >> GO TO 13.



### 3. CHECK TO ADVANCE SELF-DIAGNOSIS STEP-3

Press temperature control (UP) switch (driver side).

Advance to self-diagnosis STEP-3?

- YES >> GO TO 4.  
NO >> Replace Multifunction switch. (Temperature control switch is malfunctioning.)

### 4. CHECK TO RETURN SELF-DIAGNOSIS STEP-2

Press temperature control (DOWN) switch (driver side).

Return to self-diagnosis STEP-2?

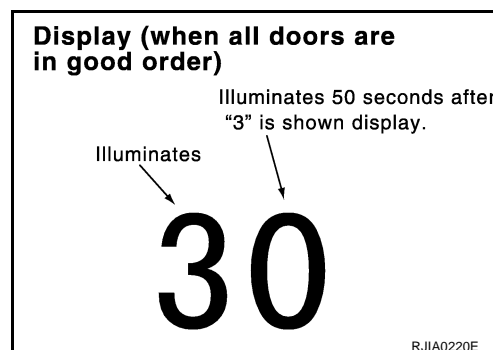
- YES >> GO TO 5.  
NO >> Malfunctioning multifunction switch or unified meter and A/C amp. Refer to [ATC-111, "Self-Diagnosis"](#).

### 5. STEP-3: MODE DOOR AND INTAKE DOOR POSITIONS ARE CHECKED

Press temperature control (UP) switch (driver side).

Does code No. 30 appear on the display?


- YES >> GO TO 6.  
NO >> GO TO 14.



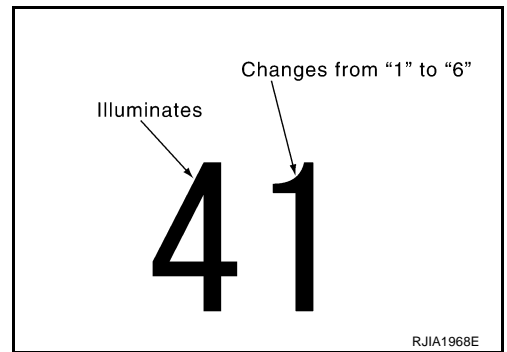


# TROUBLE DIAGNOSIS

## 6. STEP-4: OPERATION OF EACH DOOR MOTOR IS CHECKED











1. Press temperature control (UP) switch (driver side).
2. Press  (DEF) switch. Code No. of each door motor test is indicated on the display.

>> GO TO 7.



## 7. CHECK ACTUATORS

Refer to the following chart and check discharge air flow, air temperature, blower motor duty ratio and compressor operation.

Discharge air flow		Condition	Air outlet/distribution				DEF
Mode position indication			VENT		FOOT		
Driver side	Passenger side		Front	Rear	Front	Rear	
		DUAL SW: OFF Upper ventilator door: SHUT Rear ventilator door: OPEN	85%	15%	—	—	—
			47%	14%	23%	16%	—
			10%(13%)	9%(12%)	35%(45%)	23%(30%)	23%( — )
			10%	8%	27%	19%	36%
			—	—	—	—	100%

( ) : Manually control

RJIA4035E

Code No.	41	42	43	44	45	46
Mode door position	VENT	B/L 1	B/L 2	FOOT*1	D/F	DEF
Upper ventilator door position	OPEN	SHUT	SHUT	SHUT	SHUT	SHUT
Intake door position	REC	REC	20% FRE	FRE	FRE	FRE
Air mix door position	FULL COLD	FULL COLD	FULL HOT	FULL HOT	FULL HOT	FULL HOT
Blower motor duty ratio	37%	91%	65%	65%	65%	91%
Compressor	ON	ON	OFF	OFF	ON	ON
Electronic control valve (ECV) duty ratio	100%	100%	0%	0%	50%	100%

# TROUBLE DIAGNOSIS

Checks must be made visually, by listening the sound, or by touching air outlets with hand, etc. for improper operation.

\*1: FOOT position during automatic control. Refer to [ATC-63, "AUXILIARY MECHANISM: FOOT POSITION SETTING TRIMMER"](#) .

OK or NG

OK >> GO TO 8.

NG >> ● Air outlet does not change.

Go to Mode Door Motor Circuit. Refer to [ATC-75, "Mode Door Motor Circuit"](#) .

- Upper ventilator outlet does not change.

Go to Upper Ventilator Door Motor Circuit. Refer to [ATC-80, "Upper Ventilator Door Motor Circuit"](#) .

- Intake door does not change.

Go to Intake Door Motor Circuit. Refer to [ATC-86, "Intake Door Motor Circuit"](#) .

- Blower motor operation is malfunctioning.

Go to Blower Motor Circuit. Refer to [ATC-89, "Blower Motor Circuit"](#) .

- Magnet clutch does not engage.

Go to Magnet Clutch Circuit. Refer to [ATC-94, "Magnet Clutch Circuit"](#) .

- Discharge air temperature does not change.


Go to Air Mix Door Motor Circuit. Refer to [ATC-83, "Air Mix Door Motor Circuit"](#) .

## 8. STEP-5: TEMPERATURE OF EACH SENSOR IS CHECKED

1. Press temperature control (UP) switch (driver side).
2. Code No. 51 appears on the display.

>> GO TO 9.

## 9. CHECK AMBIENT SENSOR

Press  (DEF) switch one time. Temperature detected by ambient sensor is indicated on the display.

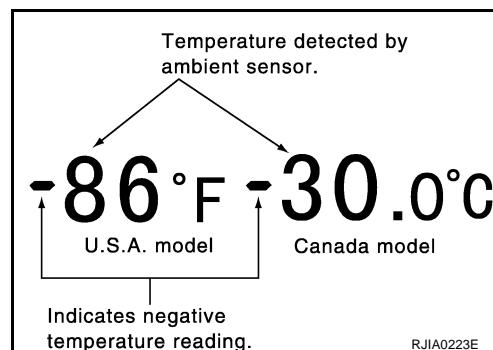
### NOTE:

If the temperature indicated on the display greatly differs from the actual temperature, check sensor circuit first, and then check sensor.


OK or NG

OK >> GO TO 10.

NG >> Go to Ambient Sensor Circuit. Refer to [ATC-113, "Ambient Sensor Circuit"](#) .



## 10. CHECK IN-VEHICLE SENSOR

Press  (DEF) switch for the second time. Temperature detected by in-vehicle sensor is indicated on the display.

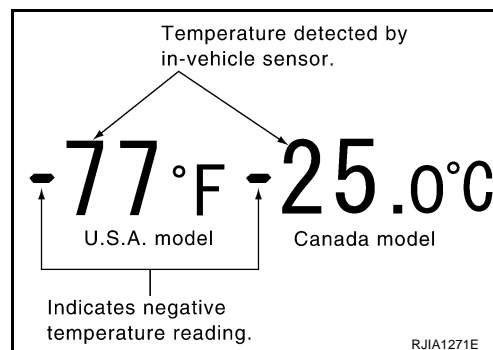
### NOTE:

If the temperature indicated on the display greatly differs from the actual temperature, check sensor circuit first, and then check sensor.

OK or NG


OK >> GO TO 11.

NG >> Go to In-vehicle Sensor Circuit. Refer to [ATC-116, "In-Vehicle Sensor Circuit"](#) .



# TROUBLE DIAGNOSIS

## 11. CHECK INTAKE SENSOR

Press  (DEF) switch for the third time. Temperature detected by intake sensor is indicated on the display.

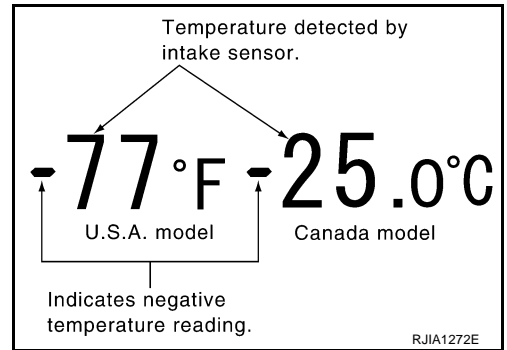
**NOTE:**

If the temperature indicated on the display greatly differs from the actual temperature, check sensor circuit first, and then check sensor.

OK or NG

OK >> GO TO 12.

NG >> Go to Intake Sensor Circuit. Refer to [ATC-122, "Intake Sensor Circuit"](#) .



## 12. CHECK CAN COMMUNICATION ERROR

1. Press intake switch.
2. CAN communication error between the unified meter and A/C amp. and the AV control unit or NAVI control unit can be detected as self-diagnosis results. (If plural errors occur, the display of each error will blink twice for 0-5 second intervals.)



OK or NG

OK >> 1. Turn ignition switch OFF or AUTO switch ON.

2. INSPECTION END

NG >> Go to CAN communication. Refer to [DI-36, "DTC \[U1000\] CAN Communication Circuit"](#) .

- Unified meter and A/C amp. - AV control unit or NAVI control unit

Display	CAN communication error
52	In good order
52 	AV C/U or NAVI C/U ⇨ Unified meter and A/C amp.
52 	Unified meter and A/C amp. ⇨ AV C/U or NAVI C/U

RJIA4036E

A  
B  
C  
D  
E  
F  
G  
H  
I  
K  
L  
M

ATC

# TROUBLE DIAGNOSIS

## 13. CHECK MALFUNCTIONING SENSOR

Refer to the following chart for malfunctioning code No.

(If two or more sensors malfunction, corresponding code Nos. blink respectively twice.)

\*1: Perform self-diagnosis STEP-2 under sunshine.

When performing indoors, aim a light (more than 60 W) at sunload sensor, otherwise code No. 25 will indicate despite that sunload sensor is functioning properly.

Code No.	Malfunctioning sensor (Including circuits)	Reference page
21 / -21	Ambient sensor	*2
22 / -22	In-vehicle sensor	*3
24 / -24	Intake sensor	*4
25 / -25	Sunload sensor *1	*5
26 / -26	Air mix door motor PBR (Driver side)	*6
27 / -27	Air mix door motor PBR (Passenger side)	

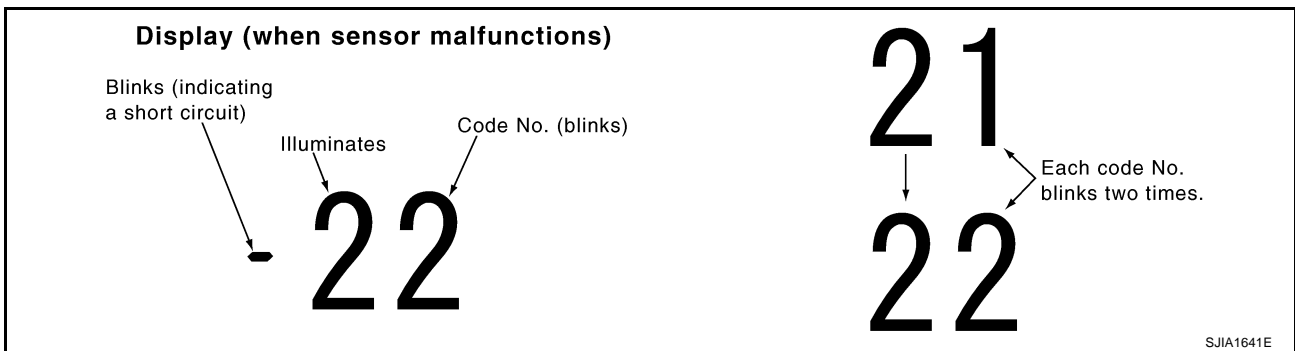
\*2: [ATC-113. "DIAGNOSIS PROCEDURE FOR AMBIENT SENSOR"](#) .

\*3: [ATC-117. "DIAGNOSIS PROCEDURE FOR IN-VEHICLE SENSOR"](#) .

\*4: [ATC-122. "DIAGNOSIS PROCEDURE FOR INTAKE SENSOR"](#) .

\*5: [ATC-119. "DIAGNOSIS PROCEDURE FOR SUNLOAD SENSOR"](#) .

\*6: [ATC-85. "DIAGNOSIS PROCEDURE FOR AIR MIX DOOR MOTOR PBR"](#) .



>> INSPECTION END

# TROUBLE DIAGNOSIS

## 14. CHECK MALFUNCTIONING DOOR MOTOR POSITION SWITCH

Mode and/or intake door motor PBR(s) is/are malfunctioning.

Code No. *1 *2	Mode or intake door position	Reference page
31	VENT (Driver side)	*3
32	DEF (Driver side)	
33	VENT (Passenger side)	
34	DEF (Passenger side)	
35	UPPER VENT (Open)	*4
36	UPPER VENT (Shut)	
37	FRE	*5
38	20% FRE	
39	REC	

(If two or more mode or intake doors are out of order, corresponding code numbers blink respectively twice.)

\*1: If mode door motor harness connector is disconnected, the following display pattern will appear.

31→32→33→34→35→36→Return to 31

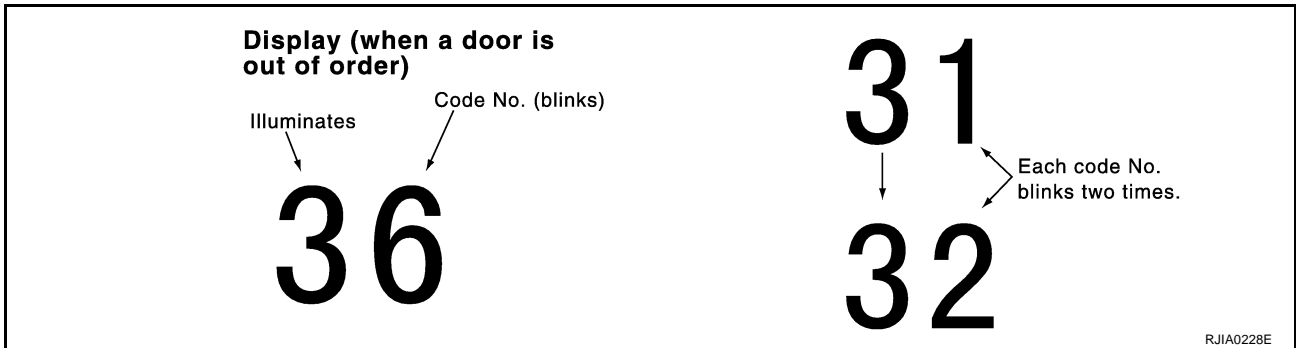
\*2: If intake door motor harness connector is disconnected, the following display pattern will appear.

37→38→39→Return to 37

\*3: [ATC-79, "DIAGNOSIS PROCEDURE FOR MODE DOOR MOTOR"](#) .

\*4: [ATC-82, "DIAGNOSIS PROCEDURE FOR UPPER VENTILATOR DOOR MOTOR"](#) .

\*5: [ATC-88, "DIAGNOSIS PROCEDURE FOR INTAKE DOOR MOTOR"](#) .



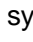
>> INSPECTION END

# TROUBLE DIAGNOSIS

## AUXILIARY MECHANISM: TEMPERATURE SETTING TRIMMER

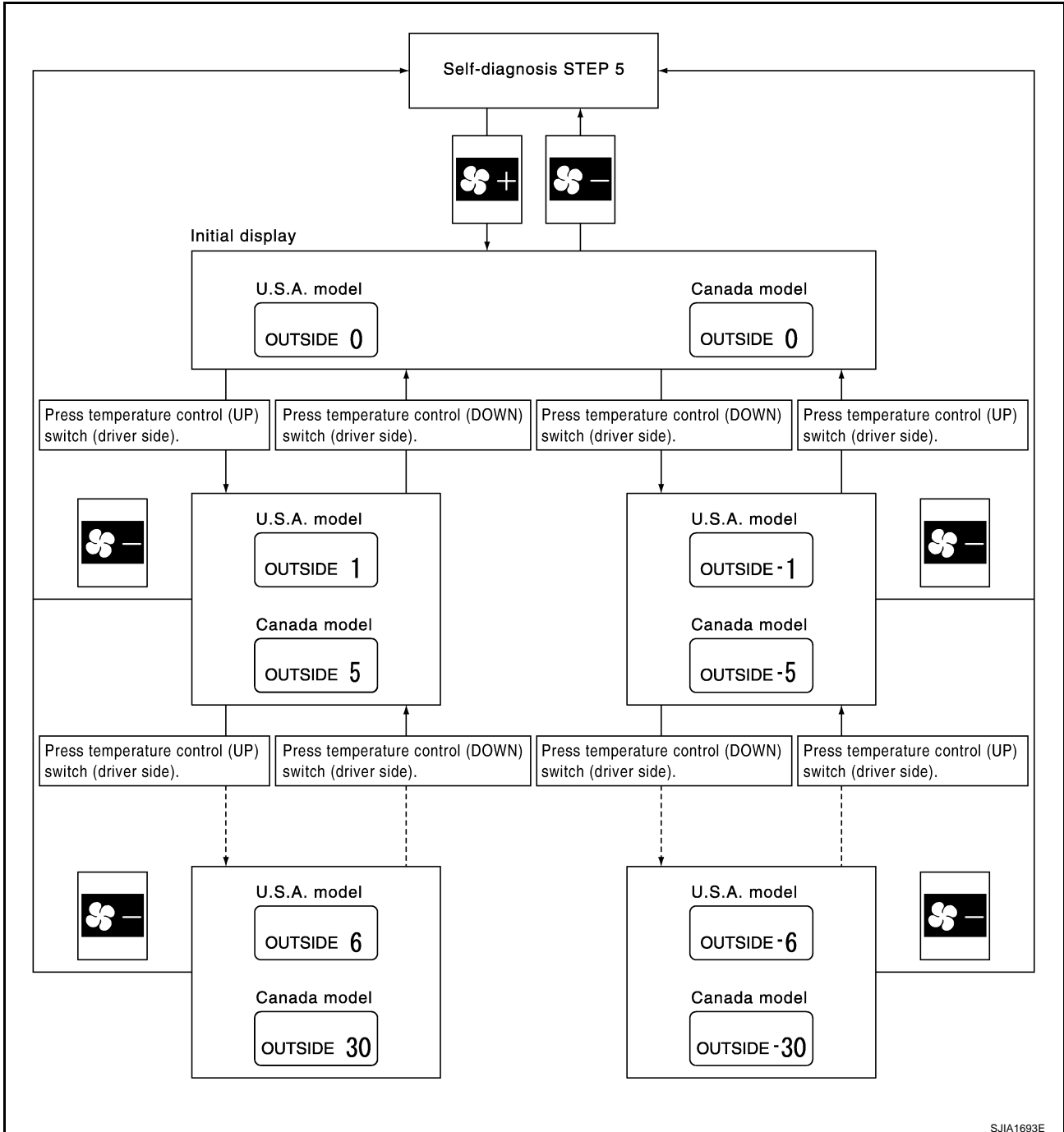
The trimmer compensates for differences in range of  $\pm 3^{\circ}\text{C}$  ( $\pm 6^{\circ}\text{F}$ ) between temperature setting (displayed digitally) and temperature felt by customer.

Operating procedures for this trimmer are as follows:

1. Begin self-diagnosis STEP-5 mode. Refer to [ATC-55, "Self-diagnosis Function"](#).
2. Press  (fan) UP switch to set system in auxiliary mode.
3. Display shows 61 in auxiliary mechanism. It takes approximately 3 seconds to enable setting operation.
4. Press temperature control switch (driver side) as desired. Temperature will change at a rate of  $0.5^{\circ}\text{C}$  ( $1.0^{\circ}\text{F}$ ) each time a switch is pressed.

### CAUTION:

A decimal point is not indicated when the display shows “°C”.




When battery cable is disconnected or battery voltage is 10 V or less, trimmer operation is canceled. Temperature set becomes that of initial condition, i.e.  $0^{\circ}\text{C}$  ( $0^{\circ}\text{F}$ ).




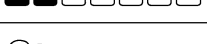




# TROUBLE DIAGNOSIS

## AUXILIARY MECHANISM: FOOT POSITION SETTING TRIMMER

Wind distribution ratio in FOOT mode can be set.

Operating procedures for this trimmer are as follows:

1. Begin self-diagnosis STEP-5 mode. Refer to [ATC-55, "Self-diagnosis Function"](#) .
2. Press  (fan) UP switch to set system in auxiliary mode.
3. Display shows 61 in auxiliary mechanism. It takes approximately 3 seconds to enable setting operation.
4. Press the mode switch as desired.

Display	Discharge air flow / Upper ventilator door : SHUT									
	Automatically controls the mode door					Manually controls the mode door				
	VENT		FOOT		DEF	VENT		FOOT		DEF
	Front	Rear	Front	Rear		Front	Rear	Front	Rear	
  (Initial setting)	10%	9%	35%	23%	23%	13%	12%	45%	30%	—
 	10%	9%	35%	23%	23%	10%	9%	35%	23%	23%
 	13%	12%	45%	30%	—	10%	9%	35%	23%	23%
 	13%	12%	45%	30%	—	13%	12%	45%	30%	—


RJIA4038E

When battery cable is disconnected or battery voltage below 10 V, trimmer operation is canceled. Wind distribution ratio set becomes that of initial condition.

## AUXILIARY MECHANISM: INLET PORT MEMORY FUNCTION

When ignition switch is turned from OFF to ON, inlet port memory function at manual mode can be set.

Operating procedures for this trimmer are as follows:

1. Begin self-diagnosis STEP-5 mode. Refer to [ATC-55, "Self-diagnosis Function"](#) .
2. Press  (fan) UP switch to set system in auxiliary mode.
3. Press the intake switch as desired.

LED status of FRE position	LED status of REC position	Setting status		Setting changeover method
		FRE	REC	
OFF	OFF	AUTO control	AUTO control	Intake SW: ON
OFF	ON	AUTO control (Initial setting)	Manual REC status is memorized. (Initial setting)	
ON	OFF	Manual FRE status is memorized.	AUTO control	
ON	ON	Manual FRE status is memorized.	Manual REC status is memorized.	

When battery cable is disconnected or battery voltage below 10 V, memory function is canceled. Memory function set becomes that of initial condition.

# TROUBLE DIAGNOSIS

NJS000GK

## Operational Check

The purpose of the operational check is to check if the individual system operates properly.

**Conditions** : Engine running at normal operating temperature

### CHECKING MEMORY FUNCTION

1. Press the temperature control (UP) switch (driver side) until 32°C (90°F) is displayed.
2. Press OFF switch.
3. Turn ignition switch OFF.
4. Turn ignition switch ON.
5. Press the AUTO switch.
6. Confirm that the set temperature remains at previous temperature.
7. Press OFF switch.

If NG, go to trouble diagnosis procedure for [ATC-112, "Memory Function"](#) .

If OK, continue the check.

### CHECKING BLOWER

1. Press fan (UP:+) switch. Blower should operate on low speed. The fan symbol should have one blade lit.
2. Press fan (UP:+) switch again, and continue checking blower speed and fan symbol until all speeds are checked.
3. Leave blower on max. speed.

If NG, go to trouble diagnosis procedure for [ATC-89, "Blower Motor Circuit"](#) .

If OK, continue the check.

### CHECKING DISCHARGE AIR (MODE SWITCH AND DEF SWITCH)

1. Press MODE switch and DEF switch.
2. Each position indicator should change shape.
3. Confirm that discharge air comes out according to the air distribution table. Refer to [ATC-37, "Discharge Air Flow"](#) .

Discharge air flow		Condition	Air outlet/distribution				
Mode position indication			VENT		FOOT		DEF
Driver side	Passenger side		Front	Rear	Front	Rear	
		DUAL SW: OFF Upper ventilator door: SHUT Rear ventilator door: OPEN	85%	15%	—	—	—
			47%	14%	23%	16%	—
			10%(13%)	9%(12%)	35%(45%)	23%(30%)	23%( — )
			10%	8%	27%	19%	36%
			—	—	—	—	100%

( ) : Manually control

RJIA4035E

If NG, go to trouble diagnosis procedure for [ATC-75, "Mode Door Motor Circuit"](#) .

If OK, continue the check.

#### NOTE:

Confirm that the compressor clutch is engaged (sound or visual inspection) and intake door position is at FRESH when the D/F or DEF is selected.



# TROUBLE DIAGNOSIS

## CHECKING DISCHARGE AIR (UPPER VENT SWITCH)

1. Press temperature control (DOWN) switch (driver side) until 18°C (60°F) is displayed. A
2. Press fan (UP:+) switch until Max. speed.
3. Set MODE switch (driver side) to VENT position.
4. Press UPPER VENT switch. B  
AUTO indicator should illuminate.
5. Press temperature control (UP) switch (driver side) until 32°C (90°F) is displayed. C
6. Conform that discharger come out.
7. Press UPPER VENT switch again. D  
AUTO indicator should OFF.

If NG, go to trouble diagnosis procedure for [ATC-80, "Upper Ventilator Door Motor Circuit"](#) .  
If OK, continue the check.

## CHECKING INTAKE AIR

1. Press intake switch. Recirculation indicator should illuminate. E
2. Press intake switch again. Fresh indicator should illuminate.
3. Listen for intake door position change. (Slight change of blower sound can be heard.) F

If NG, go to trouble diagnosis procedure for [ATC-86, "Intake Door Motor Circuit"](#) .  
If OK, continue the check.

### NOTE:

Confirm that the compressor clutch is engaged (sound or visual inspection) and intake door position is at FRESH when the D/F or DEF is selected. G

## CHECKING TEMPERATURE DECREASE

1. Press temperature control (DOWN) switch (driver side) until 18°C (60°F) is displayed. H
2. Check for cold air at discharge air outlets. I

If NG, go to trouble diagnosis procedure for [ATC-99, "Insufficient Cooling"](#) .  
If OK, continue the check.

## CHECKING TEMPERATURE INCREASE

1. Press temperature control (UP) switch (driver side) until 32°C (90°F) is displayed. ATC
2. Check for hot air at discharge air outlets.

If NG, go to trouble diagnosis procedure for [ATC-109, "Insufficient Heating"](#) .  
If OK, continue the check.

## CHECKING A/C SWITCH

1. Press AUTO switch and A/C switch. L
2. A/C switch indicator will turn ON.  
● Confirm that the compressor clutch engages (sound or visual inspection). M

## CHECKING AUTO MODE

1. Press AUTO switch and A/C switch.
2. Display should indicate AUTO.  
● Discharge air and blower speed will depend on ambient, in-vehicle, and set temperatures.

If NG, go to trouble diagnosis procedure for [ATC-66, "Power Supply and Ground Circuit for Auto Amp."](#) , then if necessary, trouble diagnosis procedure for [ATC-94, "Magnet Clutch Circuit"](#) .

If all operational checks are OK (symptom cannot be duplicated), go to Incident Simulation Tests in [GI-28, "How to Perform Efficient Diagnosis for an Electrical Incident"](#) and perform tests as outlined to simulate driving conditions environment. If symptom appears, refer to [ATC-41, "SYMPTOM TABLE"](#) and perform applicable trouble diagnosis procedures.

# TROUBLE DIAGNOSIS

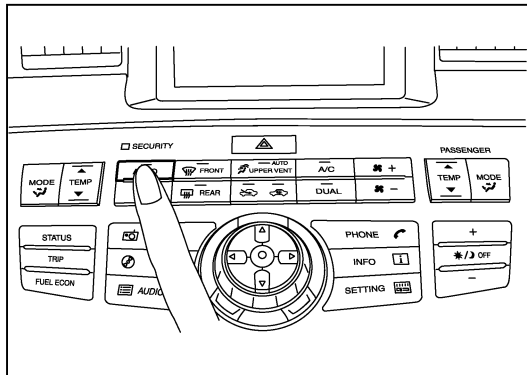
NJS000GL

## Power Supply and Ground Circuit for Auto Amp.

SYMPTOM: A/C system does not come on.

### INSPECTION FLOW

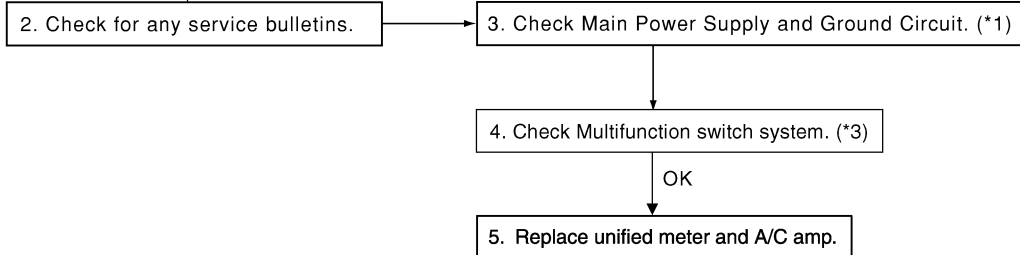
1. Confirm symptom by performing the following operational check.



#### OPERATIONAL CHECK – AUTO mode

- Press AUTO switch and A/C switch.
- Display should indicate AUTO.  
Confirm that the compressor clutch engages (sound or visual inspection).  
(Discharge air and blower speed will depend on ambient, in-vehicle and set temperatures.)

**If OK (symptom cannot be duplicated), perform complete operational check (\*2).  
If NG (symptom is confirmed), continue with STEP-2 following.**



\*1 [ATC-67. "DIAGNOSIS PROCEDURE FOR A/C SYSTEM"](#)

\*2 [ATC-64. "Operational Check"](#)

\*3 [AV-108. "Multifunction Switch Cannot Be Operated"](#) (Without mobile entertainment system) or [AV-253. "Multifunction Switch Cannot Be Operated"](#) (With mobile entertainment system)

RJIA4047E

# TROUBLE DIAGNOSIS

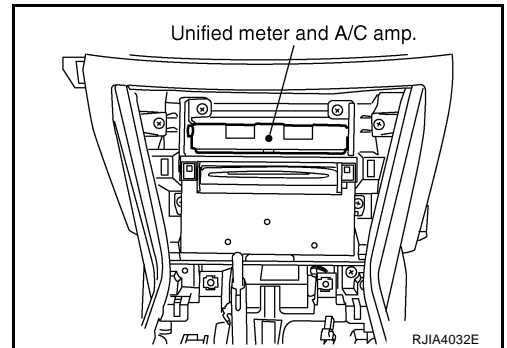
## COMPONENT DESCRIPTION

### Unified Meter and A/C Amp. (Automatic Amplifier)

The unified meter and A/C amp. has a built-in microcomputer which processes information sent from various sensors needed for air conditioner operation. The air mix door motor, mode door motor, upper ventilator door motor, intake door motor, blower motor and compressor are then controlled.

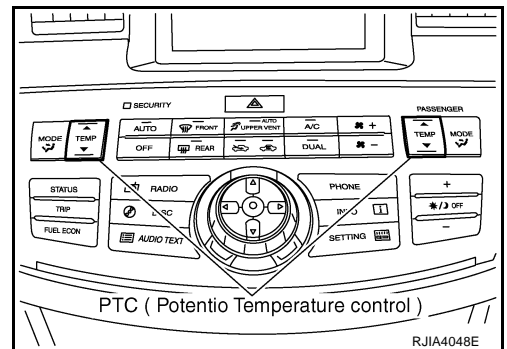
When the various switches and temperature control switch are operated, data is input to the unified meter and A/C amp. from the AV control unit / NAVI control unit using CAN communication.

Self-diagnosis functions are also built into unified meter and A/C amp. to provide quick check of malfunctions in the auto air conditioner system.



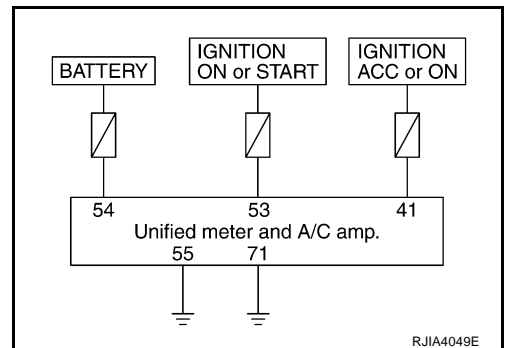
### Potential Temperature Control (PTC)

The PTC is built into the multifunction switch. It can be set at an interval of 0.5°C (1.0°F) in the 18°C (60°F) to 32°C (90°F) temperature range by pressing temperature control switch. The set temperature is displayed.



## DIAGNOSIS PROCEDURE FOR A/C SYSTEM

SYMPTOM: A/C system does not come on.



A  
B  
C  
D  
E  
F  
G  
H  
I  
K  
L  
M

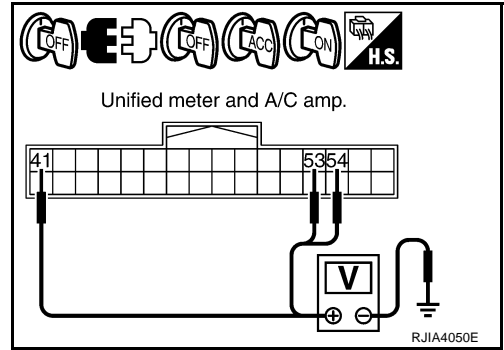
ATC

# TROUBLE DIAGNOSIS

## 1. CHECK POWER SUPPLY CIRCUIT FOR UNIFIED METER AND A/C AMP.

1. Disconnect unified meter and A/C amp. connector.
2. Check voltage between unified meter and A/C amp. harness connector M65 terminals 41, 53 and 55 and ground.

Terminals		Ignition switch position			
(+)		(-)	OFF	ACC	ON
Unified meter and A/C amp. connector	Terminal No.				
M65	41	Ground	Approx. 0 V	Battery voltage	Battery voltage
M65	53		Approx. 0 V	Approx. 0 V	Battery voltage
M65	54		Battery voltage	Battery voltage	Battery voltage



**OK or NG**

OK >> GO TO 2.

NG >> Check 10A fuses [Nos. 6, 12 and 19, located in the fuse block (J/B)]. Refer to [PG-111, "FUSE BLOCK - JUNCTION BOX \(J/B\)"](#) .

- If fuses are OK, check harness for open circuit. Repair or replace if necessary.
- If fuses are NG, check harness for short circuit and replace fuse.

## 2. CHECK GROUND CIRCUIT FOR UNIFIED METER AND A/C AMP.

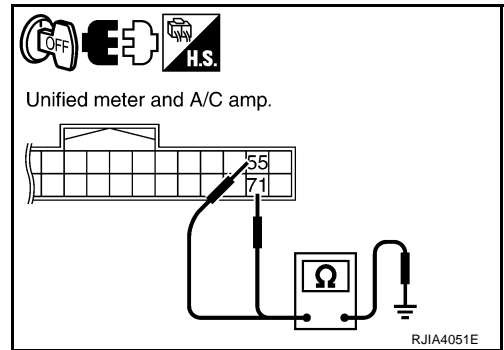
1. Turn ignition switch OFF.
2. Check continuity between unified meter and A/C amp. harness connector M65 terminal 55, 71 and ground.

**55, 71 – Ground : Continuity should exist.**

**OK or NG**

OK >> Replace unified meter and A/C amp.

NG >> Repair harness or connector.



# TROUBLE DIAGNOSIS

NJS000GM

## Rear Control Switch Circuit

### DIAGNOSIS PROCEDURE FOR REAR CONTROL SWITCH

SYMPTOM: Rear control switch does not operate.

#### 1. CHECK A/C SYSTEM

Check multifunction switch, confirm A/C system operation.

OK or NG

OK >> GO TO 2.

NG >> Go to trouble diagnosis procedure for A/C system. Refer to [ATC-66, "Power Supply and Ground Circuit for Auto Amp."](#)

#### 2. CHECK REAR CONTROL SWITCH

Check rear control switch, except for A/C switch (audio) operation.

OK or NG

OK >> GO TO 5.

NG >> GO TO 3.

#### 3. CHECK POWER SUPPLY FOR REAR CONTROL SWITCH

1. Turn ignition switch OFF.
2. Disconnect rear control switch connector.
3. Turn ignition switch ACC.
4. Check voltage between rear control switch harness connector B554 terminal 1 and ground.

**1 – Ground** : **Battery voltage**

OK or NG

OK >> GO TO 4.

NG >> Check 10A fuse [No. 6 located in the fuse block (J/B)]. Refer to [PG-111, "FUSE BLOCK - JUNCTION BOX \(J/B\)"](#).

- If fuse is OK, check harness for open circuit. Repair or replace if necessary.
- If fuse is NG, check harness for short circuit and replace fuse.

#### 4. CHECK GROUND CIRCUIT FOR REAR CONTROL SWITCH

1. Turn ignition switch OFF.
2. Check continuity between rear control switch harness connector B554 terminal 4 and ground.

**4 – Ground** : **Continuity should exist.**

OK or NG

OK >> GO TO 5.

NG >> Repair harness or connector.

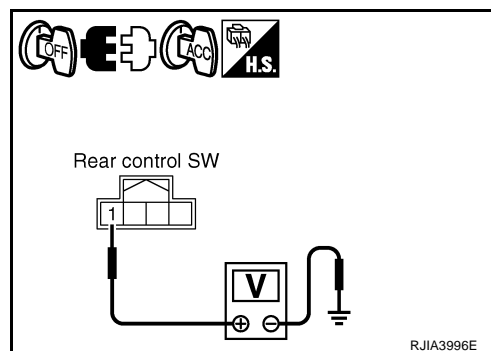
#### 5. CHECK REAR CONTROL SWITCH, AV CONTROL UNIT OR NAVI CONTROL UNIT

Check circuit between rear control switch and AV control unit or NAVI control unit [AV-108, "TROUBLE DIAGNOSIS"](#) (Without mobile entertainment system) or [AV-253, "TROUBLE DIAGNOSIS"](#) (With mobile entertainment system).

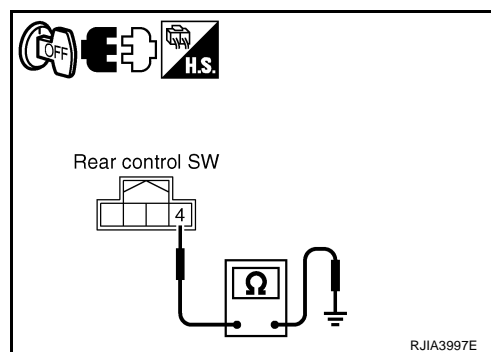
OK or NG

OK >> Replace rear control switch.

NG >> Replace part or repair for result trouble diagnosis.



ATC



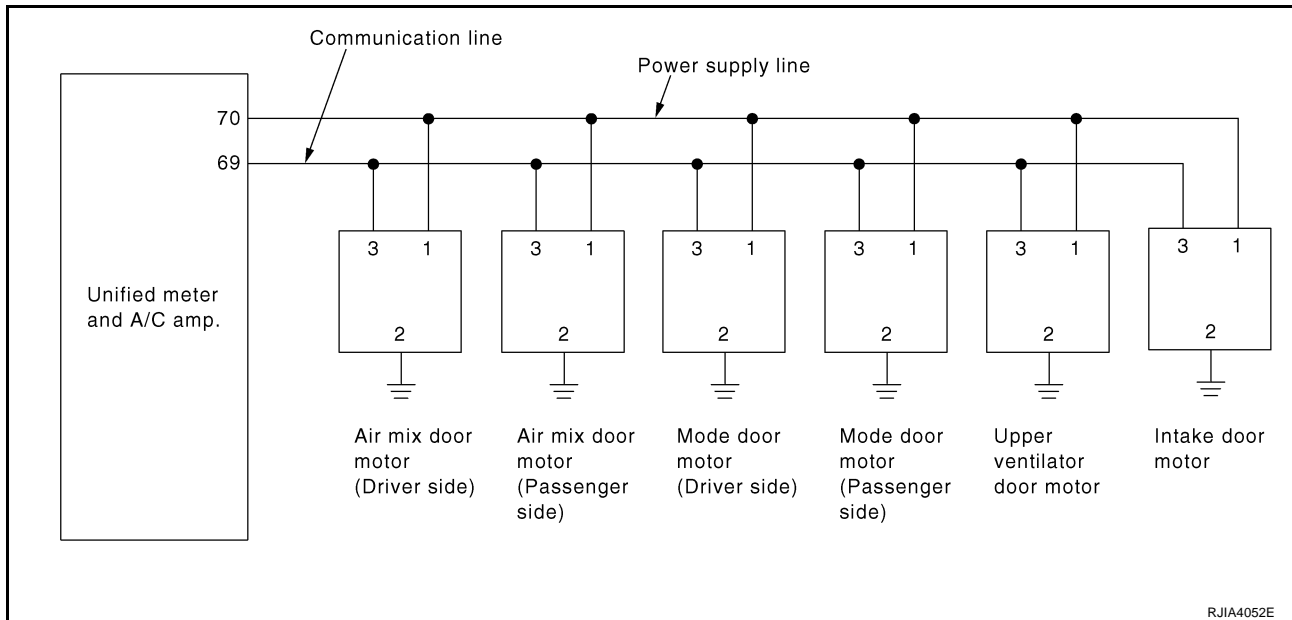
M

# TROUBLE DIAGNOSIS

NJS000GN

## LAN System Circuit

SYMPTOM: Mode door motors, upper ventilator door motor, air mix door motors and intake door motor does not operate normally.



RJIA4052E

### DIAGNOSIS PROCEDURE FOR LAN CIRCUIT

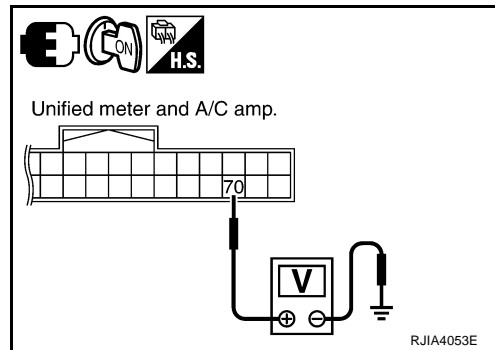
#### 1. CHECK POWER SUPPLY FOR UNIFIED METER AND A/C AMP.

1. Turn ignition switch ON.
2. Check voltage between unified meter and A/C amp. harness connector M65 terminal 70 and ground.

**70 – Ground : Battery voltage**

OK or NG

- OK >> GO TO 2.  
 NG >> Replace unified meter and A/C amp.



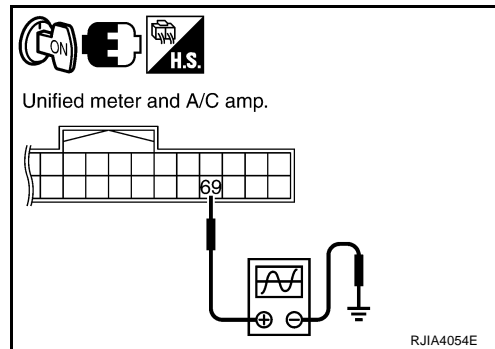
RJIA4053E

#### 2. CHECK SIGNAL FOR UNIFIED METER AND A/C AMP.

Confirm A/C LAN signal between unified meter and A/C amp. harness connector M65 terminal 69 and ground using an oscilloscope.

Terminals		Voltage
(+)	(-)	
Unified meter and A/C amp. connector	Terminal No.	
M65	69	Ground

SJIA1453J



RJIA4054E

OK or NG

- OK >> GO TO 3.  
 NG >> Replace unified meter and A/C amp.

# TROUBLE DIAGNOSIS

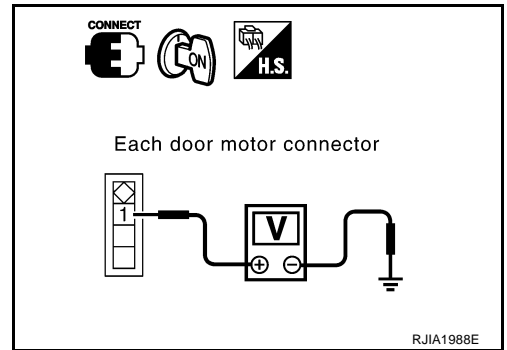
## 3. CHECK POWER SUPPLY FOR EACH DOOR MOTOR

Check voltage between each door motor harness connector terminal 1 and ground.

**1 – Ground** : **Battery voltage**

OK or NG

- OK >> GO TO 4.
- NG >> Repair harness or connector.



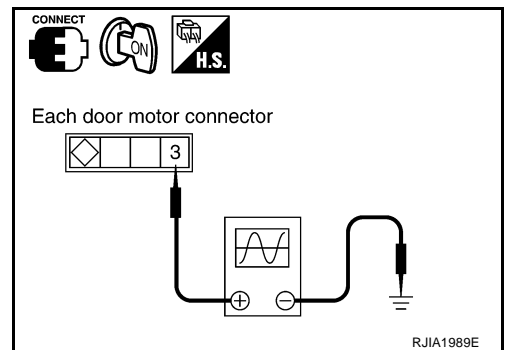
## 4. CHECK SIGNAL FOR EACH DOOR MOTOR

Confirm A/C LAN signal between each door motor harness connector terminal 3 and ground using an oscilloscope.

Door motor	Terminals		Voltage
	(+)		
	Con-connector	Terminal No.	
Mode (Driver side)	M252	3	Ground
Mode (Passenger side)	M255	3	
Upper ventilator	M254	3	
Air mix (Driver side)	M253	3	
Air mix (Passenger side)	M256	3	
Intake	M257	3	

SJIA1453J



OK or NG

- OK >> GO TO 5.
- NG >> Repair harness or connector.

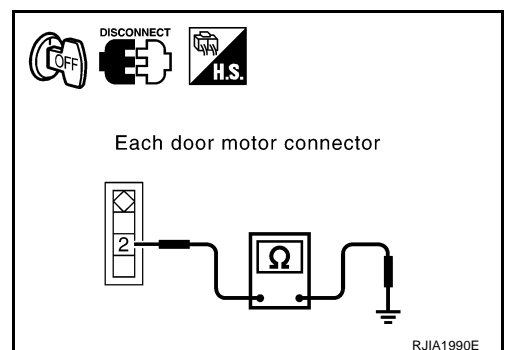
## 5. CHECK MOTOR GROUND CIRCUIT

1. Turn ignition switch OFF.
2. Disconnect each door motor connector.
3. Check continuity between each door motor harness connector terminal 2 and ground.

**2 – Ground** : **Continuity should exist.**

OK or NG

- OK >> GO TO 6.
- NG >> Repair harness or connector.



# TROUBLE DIAGNOSIS

---

## 6. CHECK MOTOR OPERATION

---

1. Reconnect each door motor connector.
2. Turn ignition switch ON.
3. Confirm operation of each door motor.

### OK or NG

- OK >> (Return to operate normally.)
- Poor contact in motor connector.
- NG >> (Does not operate normally.)
- GO TO 7.

## 7. CHECK UPPER VENTILATOR DOOR MOTOR, AIR MIX DOOR MOTOR AND INTAKE DOOR MOTOR OPERATION

---

1. Turn ignition switch OFF.
2. Disconnect mode (driver side, passenger side), upper ventilator, air mix (driver side, passenger side), and intake door motor connectors.
3. Reconnect upper ventilator, air mix (driver side, passenger side) and intake door motor connectors.
4. Turn ignition switch ON.
5. Confirm operation of upper ventilator, air mix door motor (driver side, passenger side) and intake door motor.

### OK or NG

- OK >> [Upper ventilator, air mix (driver side, passenger side) and intake door motors operate normally.]
- GO TO 11.
- NG >> [Upper ventilator, air mix (driver side, passenger side) and intake door motors does not operate normally.]
- GO TO 8.

## 8. CHECK MODE DOOR MOTOR, AIR MIX DOOR MOTOR AND INTAKE DOOR MOTOR OPERATION

---

1. Turn ignition switch OFF.
2. Disconnect upper ventilator door motor connector.
3. Reconnect mode door motor (driver side, passenger side) connectors.
4. Turn ignition switch ON.
5. Confirm operation of mode door motor (driver side, passenger side), air mix door motor (driver side, passenger side) and intake door motor.

### OK or NG

- OK >> [Mode (driver side, passenger side), air mix (driver side, passenger side) and intake door motors operate normally.]
- Replace upper ventilator door motor.
- NG >> [Mode (driver side, passenger side), air mix (driver side, passenger side) and intake door motors does not operate normally.]
- GO TO 9.



# TROUBLE DIAGNOSIS

---

## 9. CHECK MODE DOOR MOTOR, UPPER VENTILATOR DOOR MOTOR AND INTAKE DOOR MOTOR OPERATION

---

A

1. Turn ignition switch OFF.
2. Disconnect air mix door motor (driver side, passenger side) connectors. B
3. Reconnect upper ventilator door motor connector.
4. Turn ignition switch ON.
5. Confirm operation of mode door motor (driver side, passenger side), upper ventilator door motor and intake door motor. C

### OK or NG

- OK >> [Mode (driver side, passenger side), upper ventilator and intake door motors operate normally.] D
- GO TO 12.
- NG >> [Mode (driver side, passenger side), upper ventilator and intake door motors does not operate normally.] E
- GO TO 10.

---

## 10. CHECK MODE DOOR MOTOR, UPPER VENTILATOR DOOR MOTOR AND AIR MIX DOOR MOTOR OPERATION

---

F

1. Turn ignition switch OFF. G
2. Disconnect intake door motor connector.
3. Reconnect air mix door motor (driver side, passenger side) connectors.
4. Turn ignition switch ON. H
5. Confirm operation of mode door motor (driver side, passenger side), upper ventilator door motor and air mix door motor (driver side, passenger side). I

### OK or NG

- OK >> [Mode (driver side, passenger side), upper ventilator and air mix door motor (driver side, passenger side) operate normally.] I
- Replace intake door motor. ATC
- NG >> [Mode (driver side, passenger side), upper ventilator and air mix door motor (driver side, passenger side) does not operate normally.] K
- Replace unified meter and A/C amp.

---

## 11. CHECK MODE DOOR MOTOR OPERATION

---

L

1. Turn ignition switch OFF.
2. Reconnect mode door motor (passenger side) connector.
3. Turn ignition switch ON.
4. Confirm operation of mode door motor (passenger side). M

### OK or NG

- OK >> [Mode door motor (passenger side) operates normally.]
- Replace mode door motor (driver side).
- NG >> [Mode door motor (passenger side) does not operate normally.]
- Replace mode door motor (passenger side).

## TROUBLE DIAGNOSIS

---

### 12. CHECK AIR MIX DOOR MOTOR OPERATION

---

1. Turn ignition switch OFF.
2. Reconnect air mix door motor (passenger side) connector.
3. Turn ignition switch ON.
4. Confirm operation of air mix door motor (passenger side).

#### OK or NG

- OK >> [Air mix door motor (passenger side) operates normally.]
- Replace air mix door motor (driver side).
- NG >> [Air mix door motor (passenger side) does not operate normally.]
- Replace air mix door motor (passenger side).

# TROUBLE DIAGNOSIS

## Mode Door Motor Circuit

NJS000GO

### SYMPTOM:

- Air outlet does not change.
- Mode door motor does not operate normally.

A

B

C

D

E

F

G

H

I

**ATC**

K

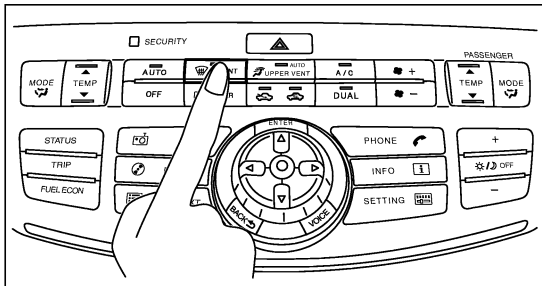
L

M

# TROUBLE DIAGNOSIS

## INSPECTION FLOW

1. Confirm symptom by performing the following operational check.



### OPERATIONAL CHECK – Discharge air

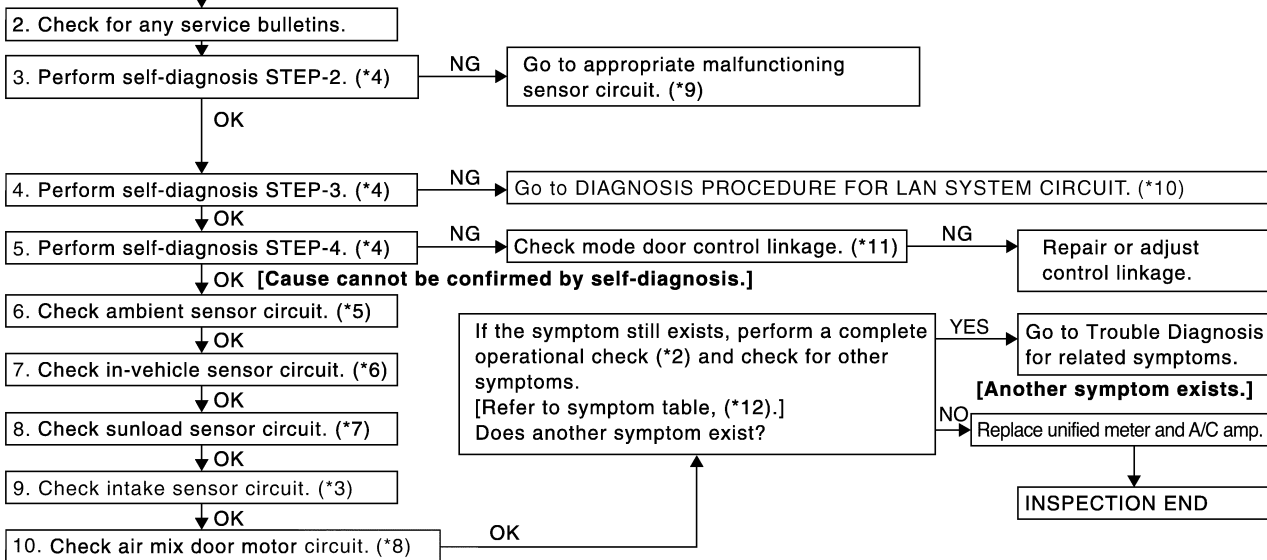
- Press MODE switch and DEF switch.
- Each position indicator should change shape.
- Confirm that discharge air comes out according to the air distribution table at below.  
Refer to “Discharge Air Flow” (\*1).

#### NOTE:

- If OK (symptom cannot be duplicated), perform complete operational check (\*2).
- If NG (symptom is confirmed), continue with STEP-2 following.
- Confirm that the compressor clutch is engaged (Sound or visual inspection) and intake door position is at FRESH when DEF is selected.

Mode position indication		Condition	Air outlet/distribution				
Driver side	Passenger side		VENT		FOOT		DEF
			Front	Rear	Front	Rear	
		DUAL SW: OFF Upper ventilator door: SHUT Rear ventilator door: OPEN	85%	15%	—	—	—
			47%	14%	23%	16%	—
			10%(13%)	9%(12%)	35%(45%)	23%(30%)	23%( — )
			10%	8%	27%	19%	36%
			—	—	—	—	100%

( ) : Manually control



RJIA4055E

# TROUBLE DIAGNOSIS

- 
- |  |   |  |
|--|---|--|
| *1 <a href="#">ATC-37, "Discharge Air Flow"</a>                                | *2 <a href="#">ATC-64, "Operational Check"</a>          | *3 <a href="#">ATC-122, "Intake Sensor Circuit"</a>                        |
| *4 <a href="#">ATC-56, "FUNCTION CONFIRMATION PROCEDURE"</a> , see No. 2 to 6. | *5 <a href="#">ATC-113, "Ambient Sensor Circuit"</a>    | *6 <a href="#">ATC-116, "In-Vehicle Sensor Circuit"</a>                    |
| *7 <a href="#">ATC-119, "Sunload Sensor Circuit"</a>                           | *8 <a href="#">ATC-83, "Air Mix Door Motor Circuit"</a> | *9 <a href="#">ATC-56, "FUNCTION CONFIRMATION PROCEDURE"</a> , see No. 13. |
| *10 <a href="#">ATC-70, "DIAGNOSIS PROCEDURE FOR LAN CIRCUIT"</a>              | *11 <a href="#">ATC-140, "MODE DOOR MOTOR"</a>          | *12 <a href="#">ATC-41, "SYMPTOM TABLE"</a>                                |

A

B

C

D

E

F

G

H

I

ATC

K

L

M

# TROUBLE DIAGNOSIS

## SYSTEM DESCRIPTION

### Component Parts

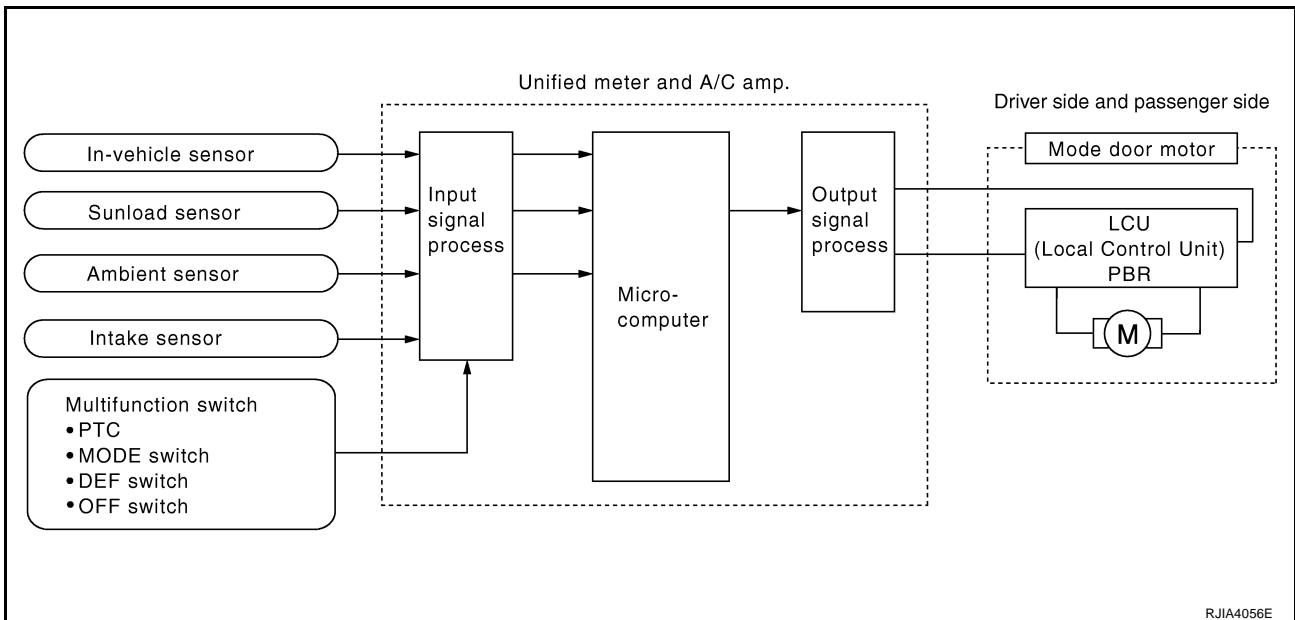
Mode door control system components are:

- Unified meter and A/C amp.
- Mode door motor (LCU)
- A/C LAN system (PBR built-in mode door motor, upper ventilator door motor, air mix door motor and intake door motor)
- In-vehicle sensor
- Ambient sensor
- Sunload sensor
- Intake sensor

### System Operation

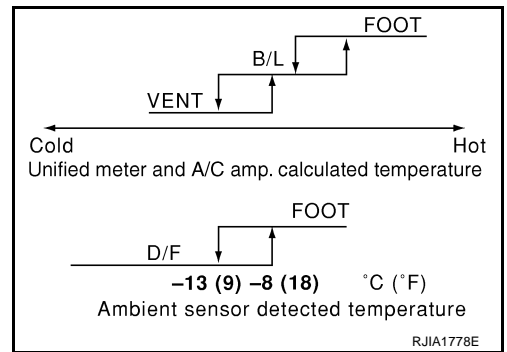
The unified meter and A/C amp. receives data from each of the sensors. The unified meter and A/C amp. sends air mix door, mode door, upper ventilator door and intake door opening angle data to the air mix door motor LCU, mode door motor LCU, upper ventilator door motor LCU and intake door motor LCU.

The air mix door motor, mode door motor, upper ventilator door motor and intake door motor read their respective signals according to the address signal. Opening angle indication signals received from the unified meter and A/C amp. and each of the motor position sensors are compared by the LCUs in each door motor with the existing decision and opening angles. Subsequently, HOT/COLD, DEF/VENT, OPEN/SHUT and FRE/REC operation is selected. The new selection data are returned to the unified meter and A/C amp.



# TROUBLE DIAGNOSIS

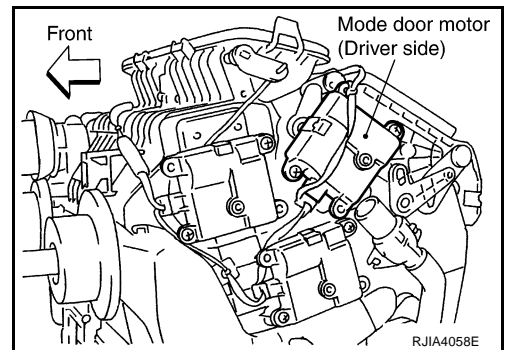
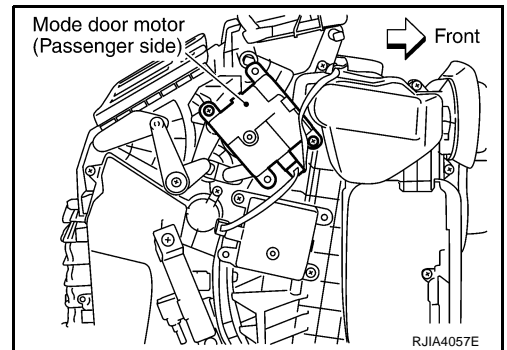
## Mode Door Control Specification



## COMPONENT DESCRIPTION

### Mode Door Motor

The mode door motors are attached to the heater & cooling unit assembly. It rotates so that air is discharged from the outlet set by the unified meter and A/C amp. Motor rotation is conveyed to a link which activates the mode door.



## DIAGNOSIS PROCEDURE FOR MODE DOOR MOTOR

SYMPTOM: Mode door motor does not operate normally.

Perform diagnosis procedure. Refer to [ATC-70, "DIAGNOSIS PROCEDURE FOR LAN CIRCUIT"](#) .

# TROUBLE DIAGNOSIS

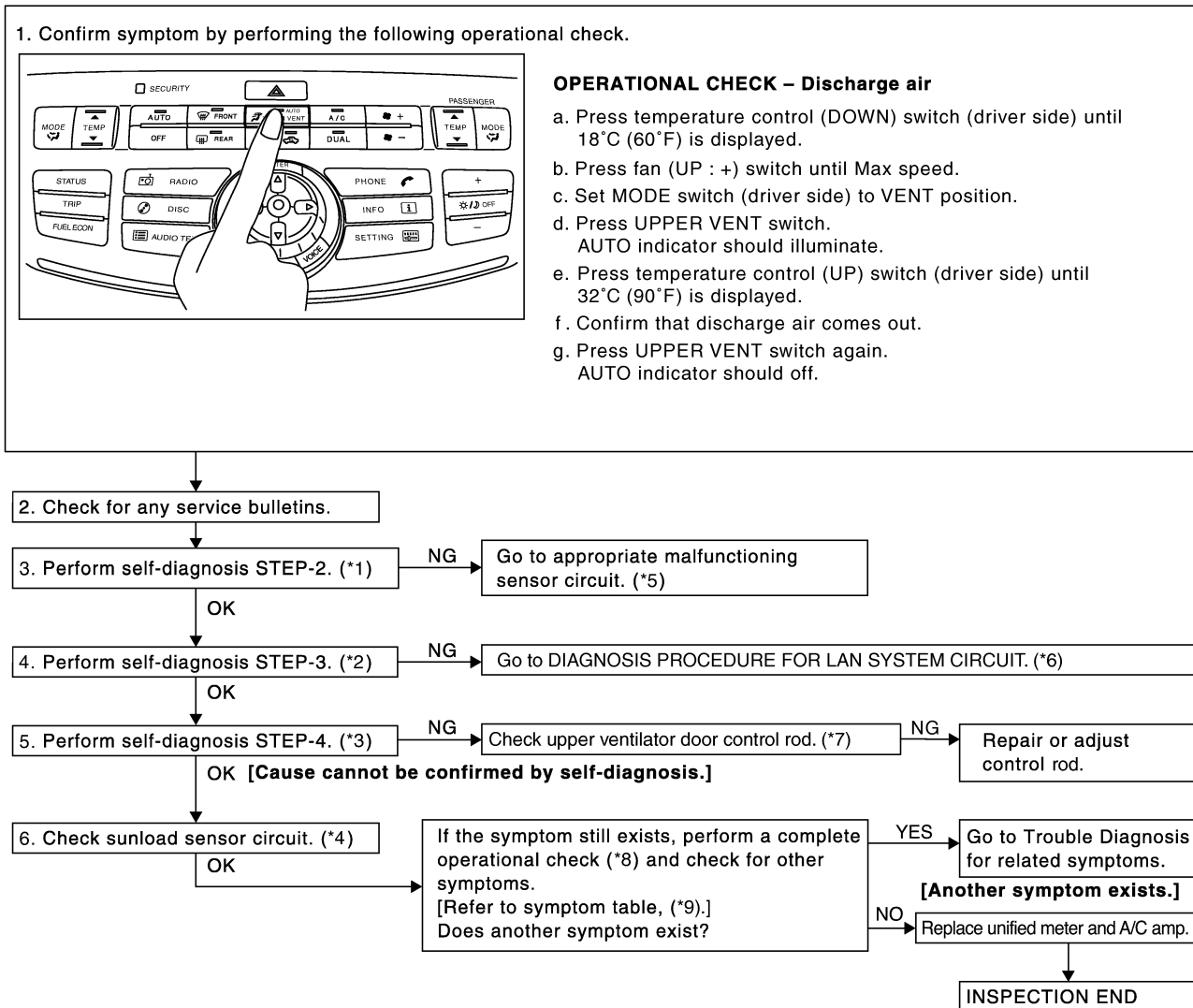
NJS000GP

## Upper Ventilator Door Motor Circuit

### SYMPTOM:

- Upper ventilator outlet does not change.
- Upper ventilator door motor does not operate normally.

### INSPECTION FLOW



RJIA4059E

\*1 [ATC-56, "FUNCTION CONFIRMATION PROCEDURE"](#), see No. 2.

\*4 [ATC-119, "Sunload Sensor Circuit"](#)

\*7 [ATC-142, "UPPER VENTILATOR DOOR MOTOR"](#)

\*2 [ATC-56, "FUNCTION CONFIRMATION PROCEDURE"](#), see No. 5.

\*5 [ATC-56, "FUNCTION CONFIRMATION PROCEDURE"](#), see No. 13.

\*8 [ATC-64, "Operational Check"](#)

\*3 [ATC-56, "FUNCTION CONFIRMATION PROCEDURE"](#), see No. 6.

\*6 [ATC-70, "DIAGNOSIS PROCEDURE FOR LAN CIRCUIT"](#)

\*9 [ATC-41, "SYMPTOM TABLE"](#)



# TROUBLE DIAGNOSIS

## SYSTEM DESCRIPTION

### Component Parts

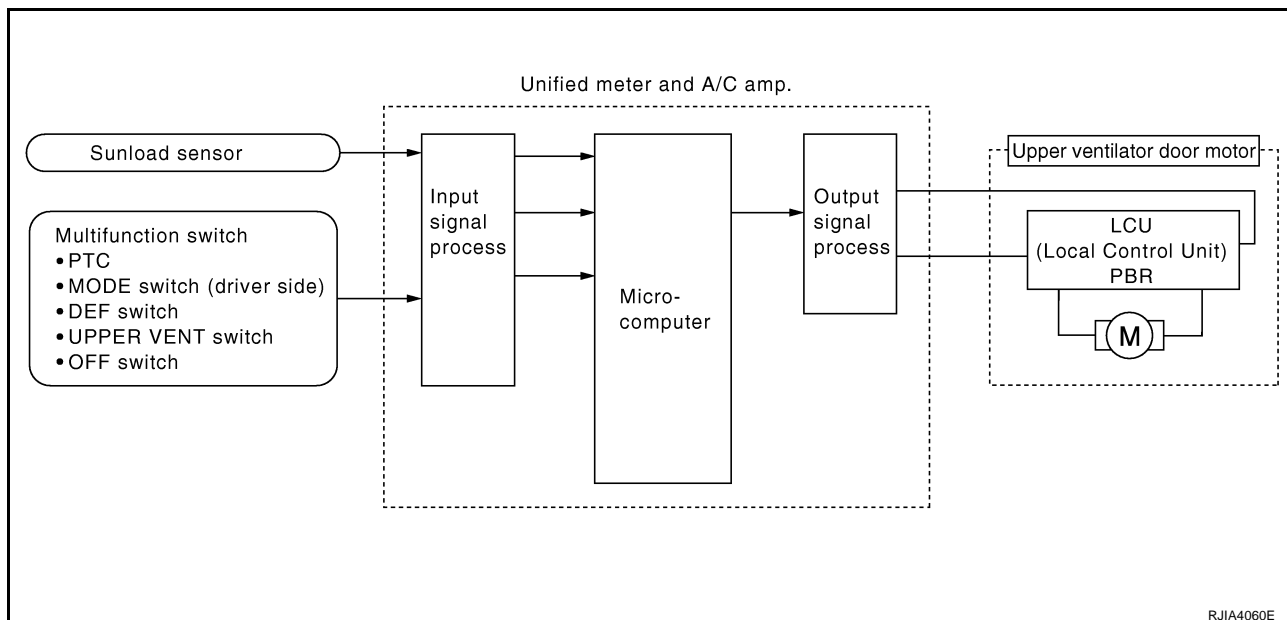
Upper ventilator door control system components are:

- Unified meter and A/C amp.
- Upper ventilator door motor (LCU)
- A/C LAN system (PBR built-in mode door motor, upper ventilator door motor, air mix door motor and intake door motor)
- Sunload sensor

### System Operation

The unified meter and A/C amp. receives data from each of the sensors. The unified meter and A/C amp. sends air mix door, mode door, upper ventilator door and intake door opening angle data to the air mix door motor LCU, mode door motor LCU, upper ventilator door motor LCU and intake door motor LCU.

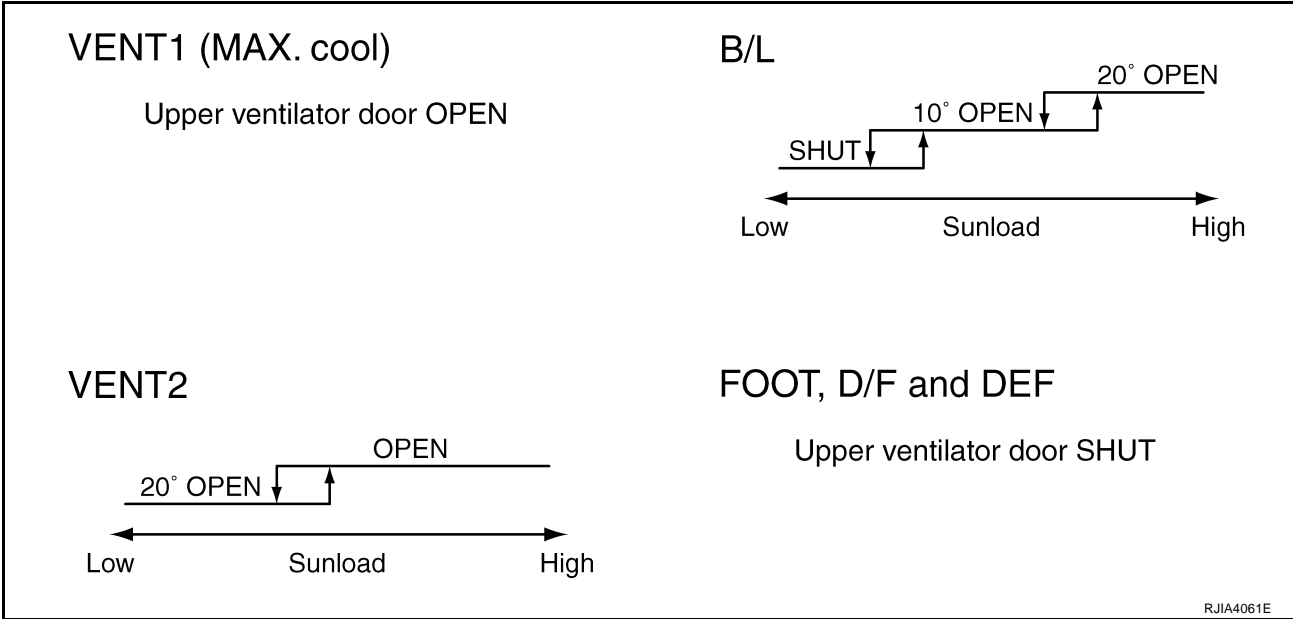
The air mix door motor, mode door motor, upper ventilator door motor and intake door motor read their respective signals according to the address signal. Opening angle indication signals received from the unified meter and A/C amp. and each of the motor position sensors are compared by the LCUs in each door motor with the existing decision and opening angles. Subsequently, HOT/COLD, DEF/VENT, OPEN/SHUT and FRE/REC operation is selected. The new selection data are returned to the unified meter and A/C amp.



A  
B  
C  
D  
E  
F  
G  
H  
I  
ATC  
K  
L  
M

# TROUBLE DIAGNOSIS

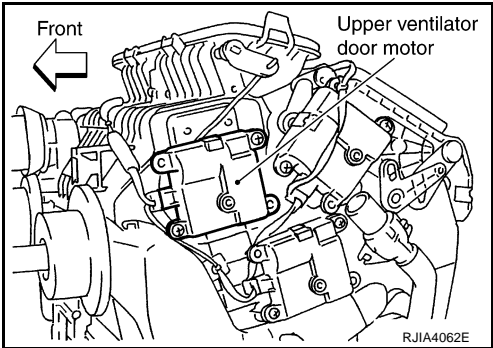
## Upper Ventilator Door Control Specification



### COMPONENT DESCRIPTION

#### Upper Ventilator Door Motor

The upper ventilator door motor is attached to the heater & cooling unit assembly. It rotates so that air is discharged from the outlet set by the unified meter and A/C amp. Motor rotation is conveyed to a rod which activates the upper ventilator door.



### DIAGNOSIS PROCEDURE FOR UPPER VENTILATOR DOOR MOTOR

SYMPTOM: Upper ventilator door motor does not operate normally.  
 Perform diagnosis procedure. Refer to [ATC-70, "DIAGNOSIS PROCEDURE FOR LAN CIRCUIT"](#) .

# TROUBLE DIAGNOSIS

NJS000G0

## Air Mix Door Motor Circuit

### SYMPTOM:

- Discharge air temperature does not change.
- Air mix door motor does not operate.

### INSPECTION FLOW

1. Confirm symptom by performing the following operational check.

**OPERATIONAL CHECK**

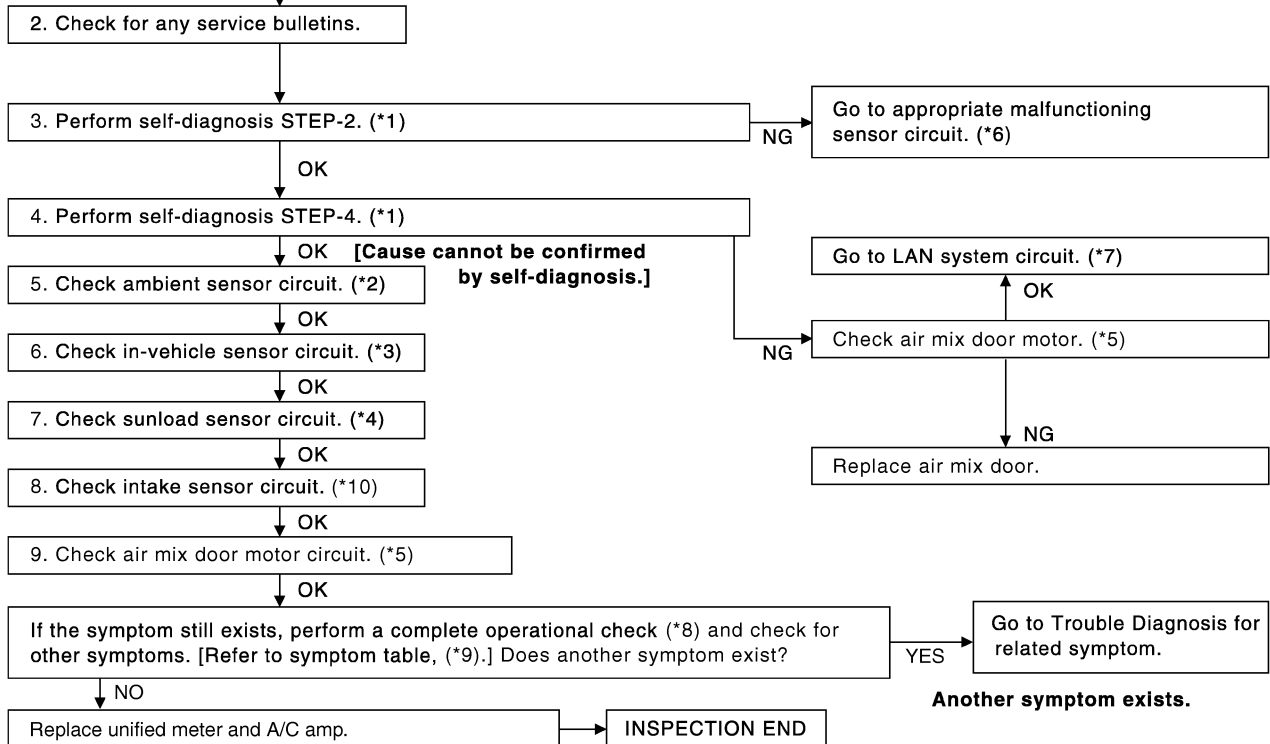
**Temperature increase**

- Press temperature control (UP) switch (driver side) until 32°C (90°F) is displayed.
- Check for hot air at discharge air outlets.

**Temperature decrease**

- Press temperature control (DOWN) switch (driver side) until 18°C (60°F) is displayed.
- Check for cold air at discharge air outlets.

**If OK (symptom cannot be duplicated), perform complete operational check (\*8).  
If NG (symptom is confirmed), continue with STEP-2 following.**



\*1 [ATC-56. "FUNCTION CONFIRMATION PROCEDURE"](#), see No. 2 to 6.

\*2 [ATC-113. "Ambient Sensor Circuit"](#)

\*3 [ATC-116. "In-Vehicle Sensor Circuit"](#)

\*4 [ATC-119. "Sunload Sensor Circuit"](#)

\*5 [ATC-83. "Air Mix Door Motor Circuit"](#)

\*6 [ATC-56. "FUNCTION CONFIRMATION PROCEDURE"](#), see No. 13.

\*7 [ATC-70. "LAN System Circuit"](#)

\*8 [ATC-64. "Operational Check"](#)

\*9 [ATC-41. "SYMPTOM TABLE"](#)

\*10 [ATC-122. "Intake Sensor Circuit"](#)

RJA4063E

# TROUBLE DIAGNOSIS

## SYSTEM DESCRIPTION

### Component Parts

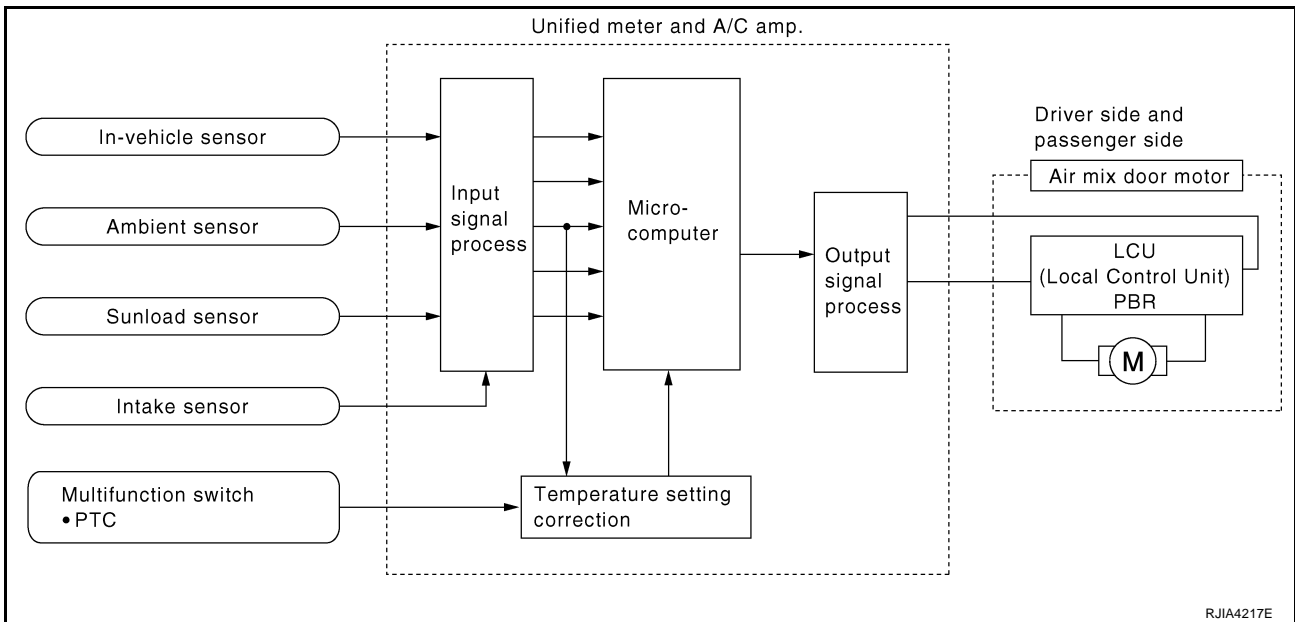
Air mix door control system components are:

- Unified meter and A/C amp.
- Air mix door motor (LCU)
- A/C LAN system (PBR built-in mode door motor, upper ventilator door motor, air mix door motor and intake door motor)
- In-vehicle sensor
- Ambient sensor
- Sunload sensor
- Intake sensor

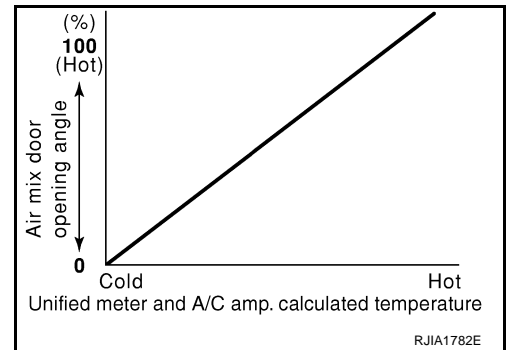
### System Operation

The unified meter and A/C amp. receives data from each of the sensors. The unified meter and A/C amp. sends air mix door, mode door, upper ventilator door and intake door opening angle data to the air mix door motor LCUs, mode door motor LCUs, upper ventilator door motor LCU and intake door motor LCU.

The air mix door motors, mode door motors, upper ventilator door motor and intake door motor read their respective signals according to the address signal. Opening angle indication signals received from the unified meter and A/C amp. and each of the motor position sensors are compared by the LCUs in each door motor with the existing decision and opening angles. Subsequently, HOT/COLD, DEF/VENT, OPEN/SHUT and FRE/REC operation is selected. The new selection data are returned to the unified meter and A/C amp.



### Air Mix Door Control Specification

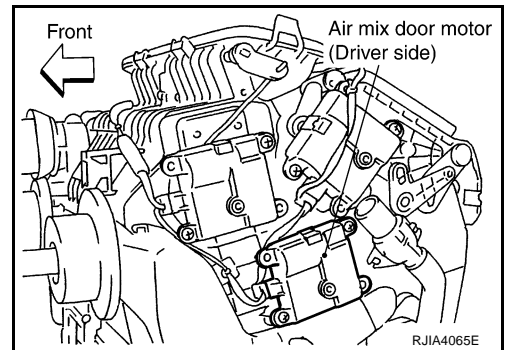
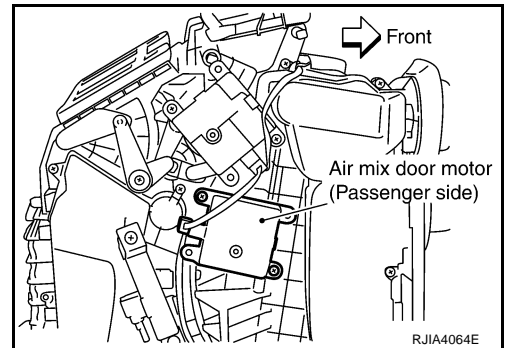


# TROUBLE DIAGNOSIS

## COMPONENT DESCRIPTION

### Air Mix Door Motor

The air mix door motors are attached to the heater & cooling unit assembly. It rotates so that the air mix door is opened or closed to a position set by the unified meter and A/C amp. Motor rotation is then conveyed through a shaft and the air mix door position feedback is then sent to the unified meter and A/C amp. by PBR built-in air mix door motor.



## DIAGNOSIS PROCEDURE FOR AIR MIX DOOR MOTOR

SYMPTOM: Discharge air temperature does not change.

Perform diagnosis procedure. Refer to [ATC-70, "DIAGNOSIS PROCEDURE FOR LAN CIRCUIT"](#) .

### Air Mix Door Motor PBR Circuit

NJS000GR

ATC

SYMPTOM:

- Discharge air temperature does not change.
- PBR circuit is open or shorted.

## DIAGNOSIS PROCEDURE FOR AIR MIX DOOR MOTOR PBR

Perform diagnosis procedure. Refer to [ATC-70, "DIAGNOSIS PROCEDURE FOR LAN CIRCUIT"](#) .

# TROUBLE DIAGNOSIS

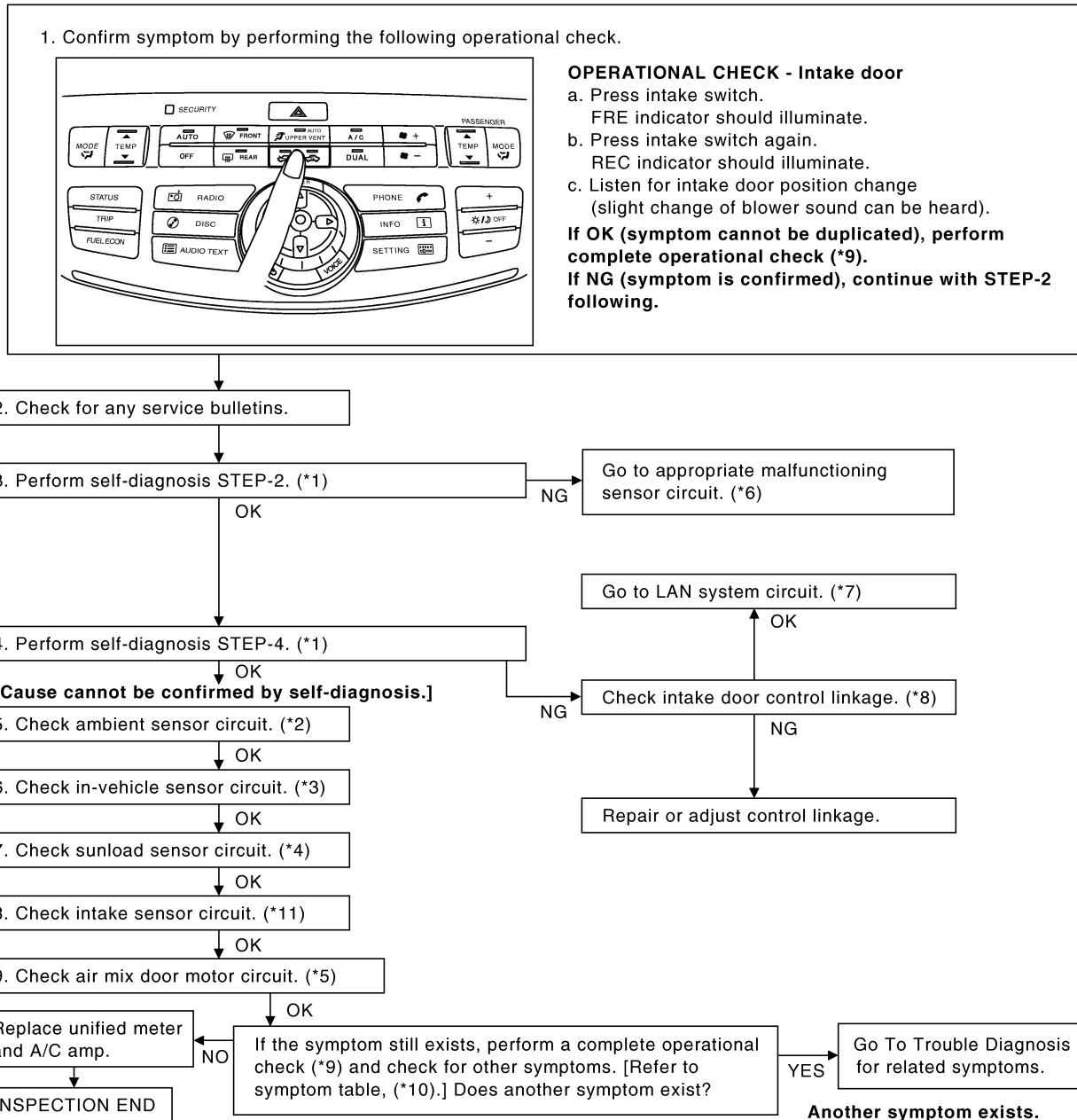
NJS000GS

## Intake Door Motor Circuit

### SYMPTOM:

- Intake door does not change.
- Intake door motor does not operate normally.

### INSPECTION FLOW



RJIA4066E

\*1 [ATC-56, "FUNCTION CONFIRMATION PROCEDURE"](#), see No. 2 to 6.

\*2 [ATC-113, "Ambient Sensor Circuit"](#)

\*3 [ATC-116, "In-Vehicle Sensor Circuit"](#)

\*4 [ATC-119, "Sunload Sensor Circuit"](#)

\*5 [ATC-83, "Air Mix Door Motor Circuit"](#)

\*6 [ATC-56, "FUNCTION CONFIRMATION PROCEDURE"](#), see No. 13.

\*7 [ATC-70, "LAN System Circuit"](#)

\*8 [ATC-133, "INTAKE DOOR MOTOR"](#)

\*9 [ATC-64, "Operational Check"](#)

\*10 [ATC-41, "SYMPTOM TABLE"](#)

\*11 [ATC-122, "Intake Sensor Circuit"](#)

# TROUBLE DIAGNOSIS

## SYSTEM DESCRIPTION

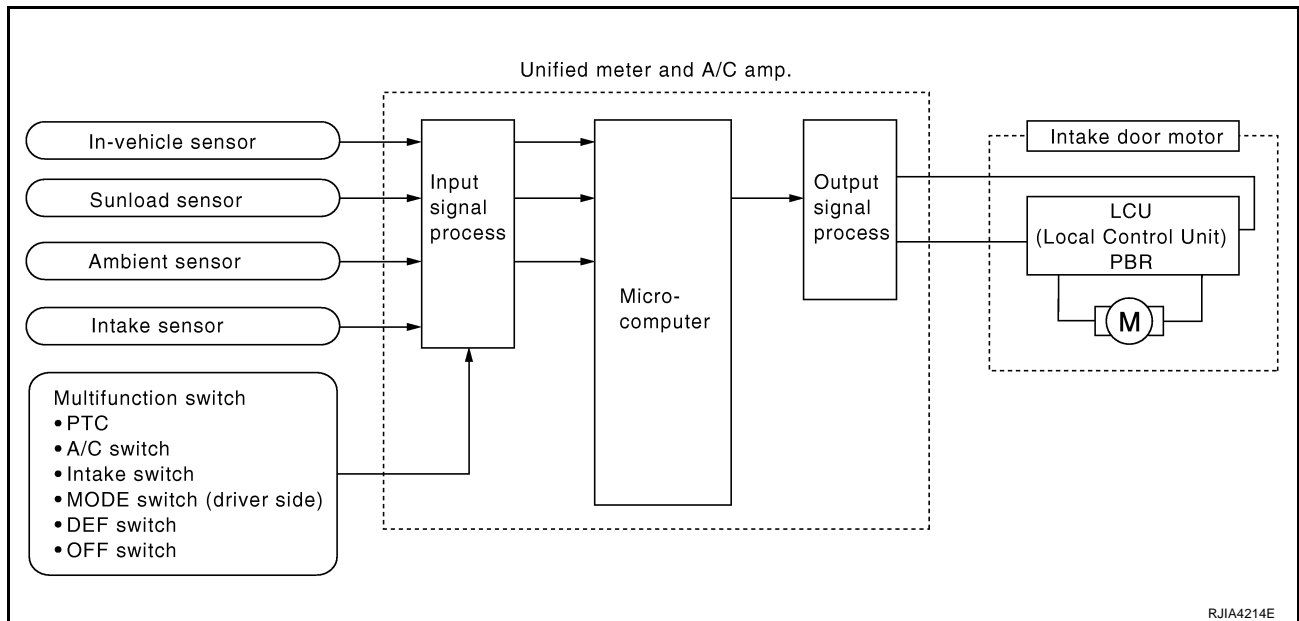
### Component Parts

Intake door control system components are:

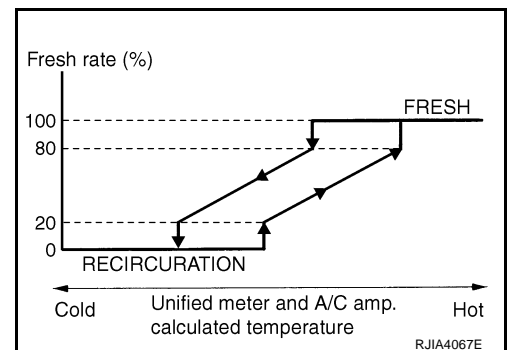
- Unified meter and A/C amp.
- Intake door motor (LCU)
- A/C LAN system (PBR built-in mode door motor, upper ventilator door motor, air mix door motor and intake door motor)
- In-vehicle sensor
- Ambient sensor
- Sunload sensor
- Intake sensor

### System Operation

The intake door control determines intake door position based on the ambient temperature, the intake air temperature and the in-vehicle temperature. When shifting mode position D/F, when the DEF or OFF switches are pressed, or when A/C switch is OFF, the unified meter and A/C amp. sets the intake door at the FRESH position.



### Intake Door Control Specification

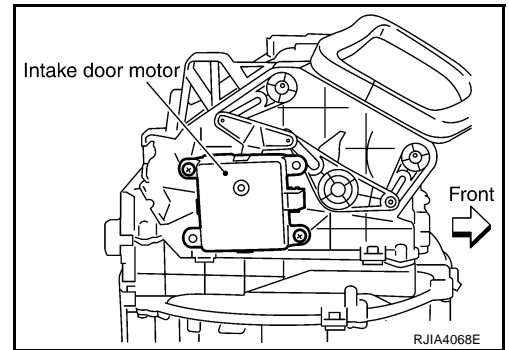


# TROUBLE DIAGNOSIS

## COMPONENT DESCRIPTION

### Intake Door Motor

The intake door motor is attached to the blower unit. It rotates so that air is drawn from inlets set by the unified meter and A/C amp. Motor rotation is conveyed to a lever which activates the intake door.



## DIAGNOSIS PROCEDURE FOR INTAKE DOOR MOTOR

SYMPTOM: Intake door motor does not operate normally.

Perform diagnosis procedure. Refer to [ATC-70, "DIAGNOSIS PROCEDURE FOR LAN CIRCUIT"](#) .



# TROUBLE DIAGNOSIS

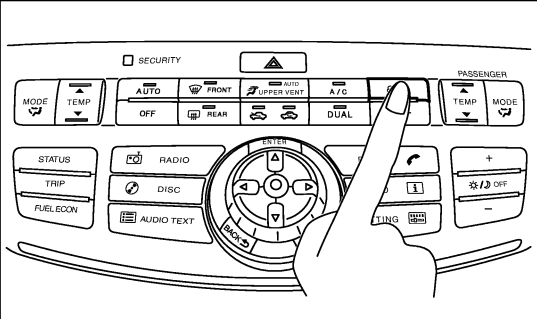
NJS000GT

## Blower Motor Circuit

SYMPTOM: Blower motor operation is malfunctioning.

### INSPECTION FLOW

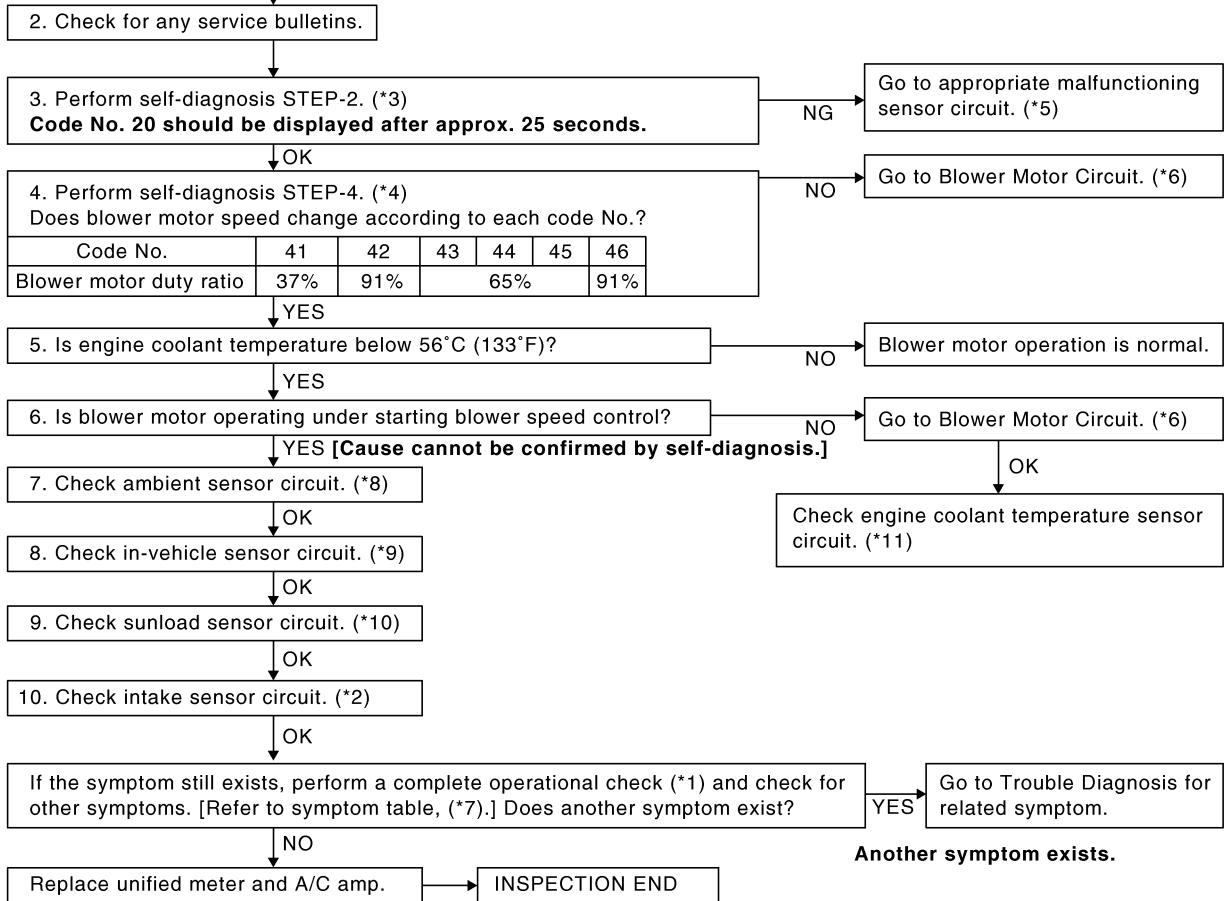
1. Confirm symptom by performing the following operational check.



**OPERATIONAL CHECK - Blower**

- Press fan (UP :+) switch. Blower should operate on low speed.
- Press fan (UP :+) switch, and continue checking blower speed and fan symbol until all speeds are checked.

**If OK (symptom cannot be duplicated), perform complete operational check (\*1).  
If NG (symptom is confirmed), continue with STEP-2 following.**



\*1 [ATC-64, "Operational Check"](#)

\*2 [ATC-122, "Intake Sensor Circuit"](#)

\*3 [ATC-56, "FUNCTION CONFIRMATION PROCEDURE"](#), see No. 2.

\*4 [ATC-56, "FUNCTION CONFIRMATION PROCEDURE"](#), see No. 6.

\*5 [ATC-56, "FUNCTION CONFIRMATION PROCEDURE"](#), see No. 13.

\*6 [ATC-91, "DIAGNOSIS PROCEDURE FOR BLOWER MOTOR"](#)

\*7 [ATC-41, "SYMPTOM TABLE"](#)

\*8 [ATC-113, "Ambient Sensor Circuit"](#)

\*9 [ATC-116, "In-Vehicle Sensor Circuit"](#)

\*10 [ATC-119, "Sunload Sensor Circuit"](#)

\*11 [EC-226, "DTC P0117, P0118 ECT SENSOR" \(VQ35DE\) or EC-948, "DTC P0117, P0118 ECT SENSOR" \(VK45DE\)](#)

RJIA4069E

# TROUBLE DIAGNOSIS

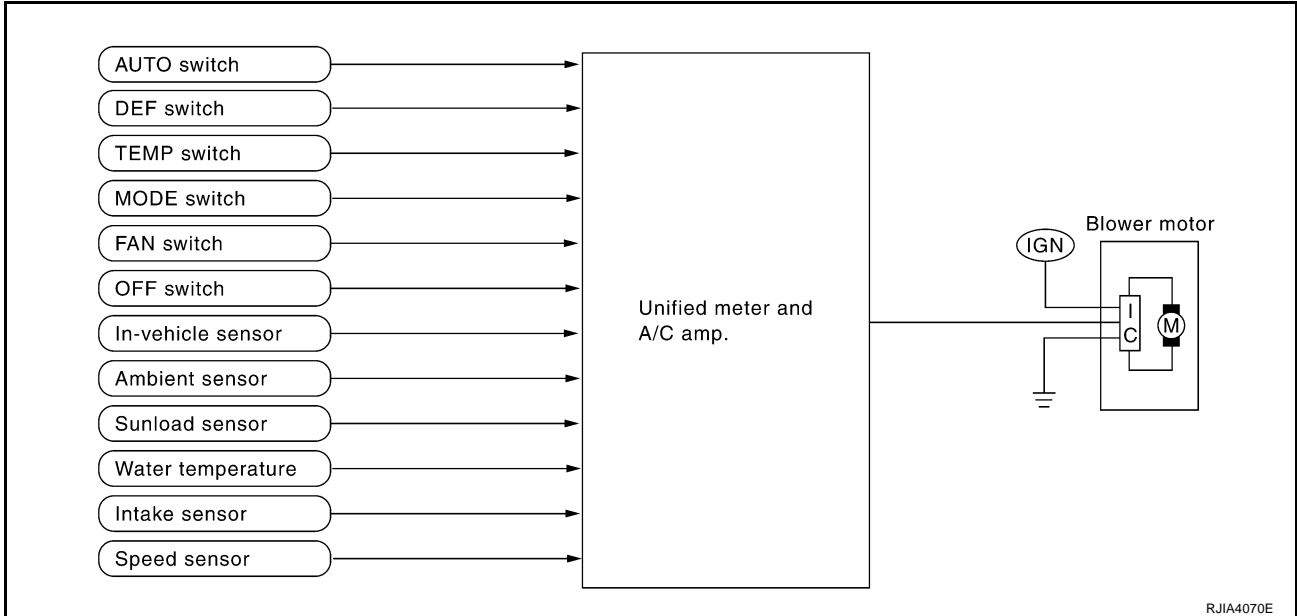
## SYSTEM DESCRIPTION

### Component Parts

Fan speed control system components are:

- Unified meter and A/C amp.
- A/C LAN system (PBR built-in mode door motor, upper ventilator door motor, air mix door motor and intake door motor)
- In-vehicle sensor
- Ambient sensor
- Sunload sensor
- Intake sensor

### System Operation



### Automatic Mode

In the automatic mode, the blower motor speed is calculated by the unified meter and A/C amp. based on the input from the PBR, in-vehicle sensor, sunload sensor, intake sensor and ambient sensor.

When the air flow is increased, the duty ratio of the blower fan motor's drive signal is changed at 8%/sec. to prevent a sudden increase in air flow.

In addition to manual air flow control and the usual automatic air flow control, starting air flow control, low water temperature starting control and high passenger compartment temperature starting control are available.

# TROUBLE DIAGNOSIS

## Starting Fan Speed Control

Start up from COLD SOAK Condition (Automatic mode)

In a cold start up condition where the engine coolant temperature is below 56°C (133°F), the blower will not operate for a short period of time (up to 150 seconds). The exact start delay time varies depending on the ambient and engine coolant temperature.

In the most extreme case (very low ambient) the blower starting delay will be 150 seconds as described above. After this delay, the blower will operate at low speed until the engine coolant temperature rises above 56°C (133°F), at which time the blower speed will increase to the objective speed.

Start up from usual or HOT SOAK Condition (Automatic mode)

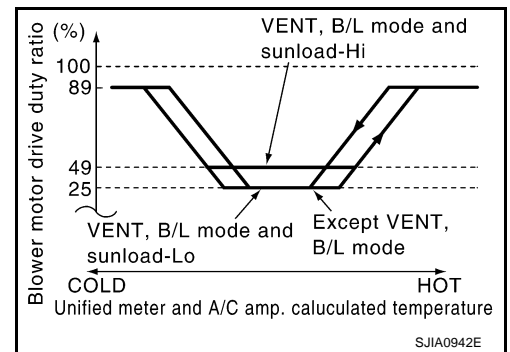
The blower will begin operation momentarily after the AUTO switch is pressed. The blower speed will gradually rise to the objective speed over a time period of 3 seconds or less (actual time depends on the objective blower speed).

## Blower Speed Compensation

Sunload

When the in-vehicle temperature and the set temperature are very close, the blower will be operating at low speed. The low speed will vary depending on the sunload. During conditions of low or no sunload, the blower speed is at duty ratio 25%. During high sunload conditions, the unified meter and A/C amp. raise the blower speed (duty ratio 49%).

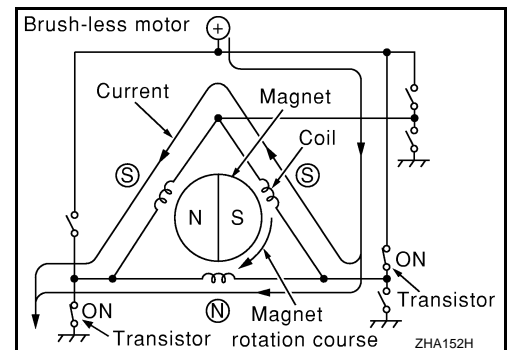
## Fan Speed Control Specification



## COMPONENT DESCRIPTION

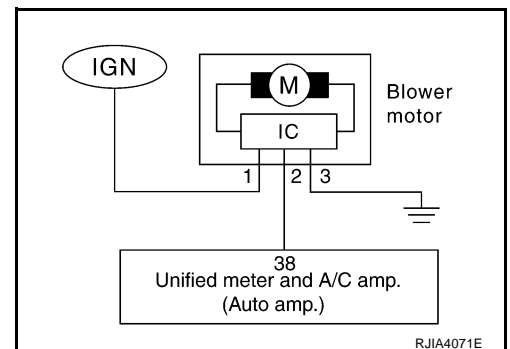
### Brush-less Motor

The blower motor utilizes a brush-less motor with a rotating magnet. Quietness is improved over previous motors where the brush was the point of contact and the coil rotated.



## DIAGNOSIS PROCEDURE FOR BLOWER MOTOR

SYMPTOM: Blower motor operation is malfunctioning.



# TROUBLE DIAGNOSIS

## 1. CHECK POWER SUPPLY FOR BLOWER MOTOR

1. Disconnect blower motor connector.
2. Turn ignition switch ON.
3. Check voltage between blower motor harness connector M91 terminal 1 and ground.

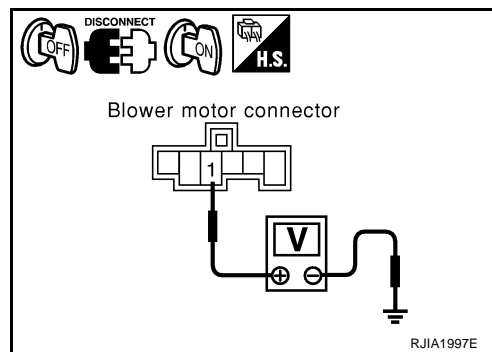
**1 – Ground** : **Battery voltage**

OK or NG

OK >> GO TO 2.

NG >> Check power supply circuit and 15A fuses [Nos. 10 and 11, located in the fuse block (J/B)]. Refer to [PG-111](#), "[FUSE BLOCK - JUNCTION BOX \(J/B\)](#)".

- If fuses are OK, check harness for open circuit. Repair or replace if necessary.
- If fuses are NG, check harness for short circuit and replace fuse.



## 2. CHECK BLOWER MOTOR GROUND CIRCUIT

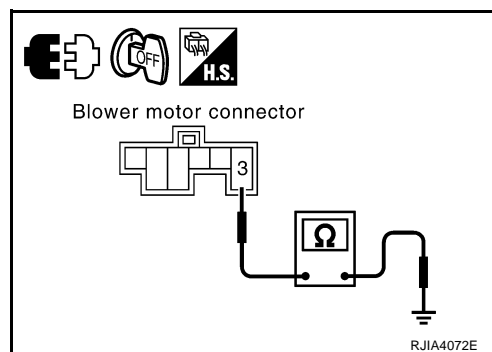
1. Turn ignition switch OFF.
2. Check continuity between blower motor harness connector M91 terminal 3 and ground.

**3 – Ground** : **Continuity should exist.**

OK or NG

OK >> GO TO 3.

NG >> Repair harness or connector.



## 3. CHECK CIRCUIT CONTINUITY BETWEEN BLOWER MOTOR AND UNIFIED METER AND A/C AMP.

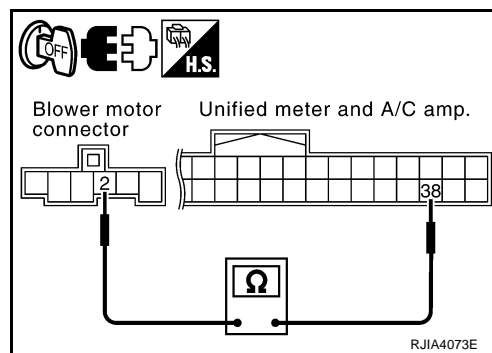
1. Disconnect unified meter and A/C amp. connector.
2. Check continuity between blower motor harness connector M91 terminal 2 and unified meter and A/C amp. harness connector M64 terminal 38.

**2 – 38** : **Continuity should exist.**

OK or NG

OK >> GO TO 4.

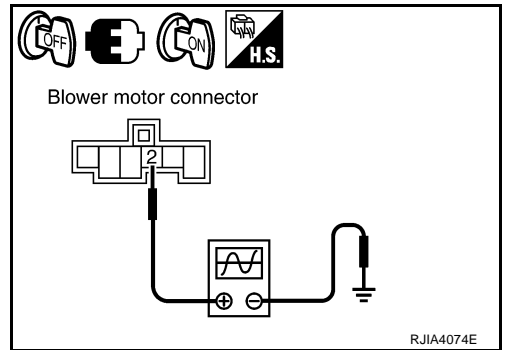
NG >> Repair harness or connector.



# TROUBLE DIAGNOSIS

## 4. CHECK UNIFIED METER AND A/C AMP. OUTPUT SIGNAL

1. Reconnect blower motor connector and unified meter and A/C amp. connector.
2. Turn ignition switch ON.
3. Change the fan speed from Lo to Hi, and check the duty ratios between blower motor harness connector M91 terminal 2 and ground by using an oscilloscope. Normal terminal 2 drive signal duty ratios are shown in the table below.



Blower fan speed (Manual) Vent mode	1st	2nd	3rd	4th	5th	6th	7th
Blower motor connector M91 terminal No. 2 (Oscilloscope)							
Duty ratio	Approx. 25%	Approx. 33%	Approx. 41%	Approx. 51%	Approx. 61%	Approx. 71%	Approx. 83%

NOTE: Duty ratio =  $\frac{T_x}{\text{Approx. } 1.6 \text{ ms}} \times 100 (\%)$

RJIA4075E

### OK or NG

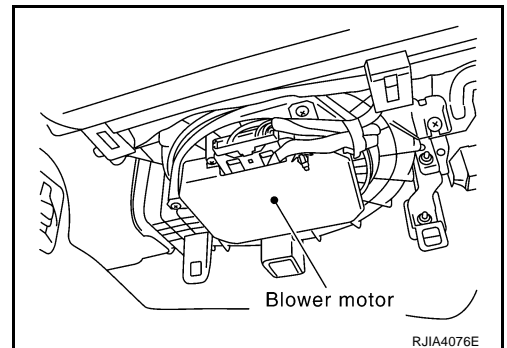
- OK >> Replace blower motor after confirming the fan air flow does not change.
- NG >> Replace unified meter and A/C amp.

## COMPONENT INSPECTION

### Blower Motor

Confirm smooth rotation of the blower motor.

- Ensure that there are no foreign particles inside the blower unit.



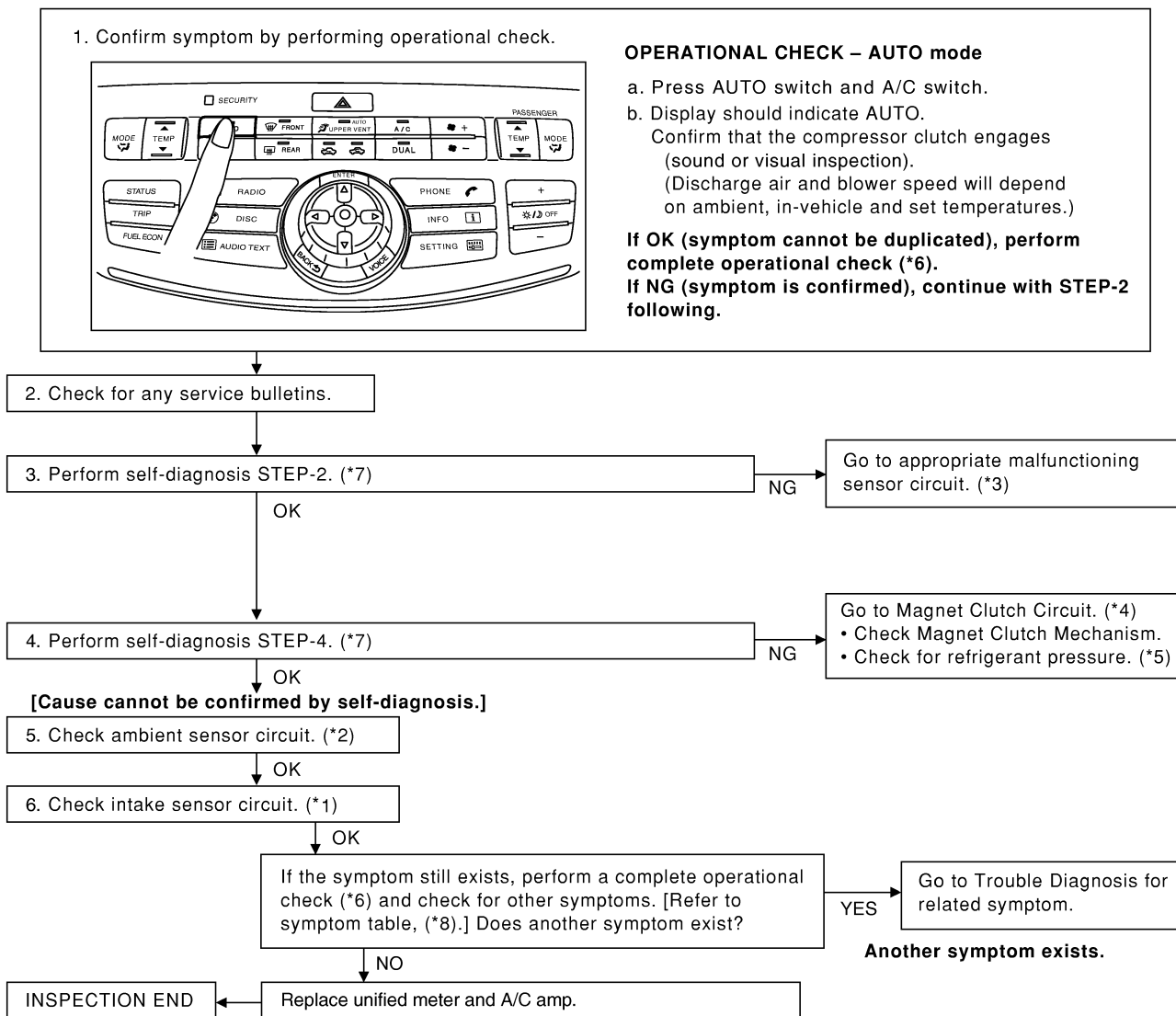
# TROUBLE DIAGNOSIS

NJS000GU

## Magnet Clutch Circuit

SYMPTOM: Magnet clutch does not engage.

### INSPECTION FLOW



RJIA4077E

\*1 [ATC-122, "Intake Sensor Circuit"](#)

\*2 [ATC-113, "Ambient Sensor Circuit"](#)

\*3 [ATC-56, "FUNCTION CONFIRMATION PROCEDURE"](#), see No. 13.

\*4 [ATC-95, "DIAGNOSIS PROCEDURE FOR MAGNET CLUTCH"](#)

\*5 [ATC-105, "TROUBLE DIAGNOSIS FOR UNUSUAL PRESSURE"](#)

\*6 [ATC-64, "Operational Check"](#)

\*7 [ATC-56, "FUNCTION CONFIRMATION PROCEDURE"](#), see No. 2 to 6.

\*8 [ATC-41, "SYMPTOM TABLE"](#)

# TROUBLE DIAGNOSIS

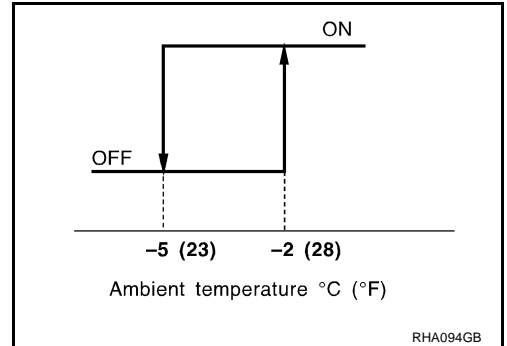
## SYSTEM DESCRIPTION

Unified meter and A/C amp. controls compressor operation by ambient temperature, intake air temperature and signal from ECM.

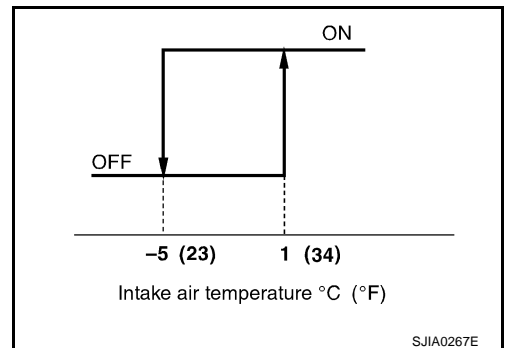
### Low Temperature Protection Control

Unified meter and A/C amp. will turn compressor ON or OFF as determined by a signal detected by ambient sensor and intake sensor.

When ambient temperature is higher than  $-2^{\circ}\text{C}$  ( $28^{\circ}\text{F}$ ), the compressor turns ON. The compressor turns OFF when ambient temperature is lower than  $-5^{\circ}\text{C}$  ( $23^{\circ}\text{F}$ ).

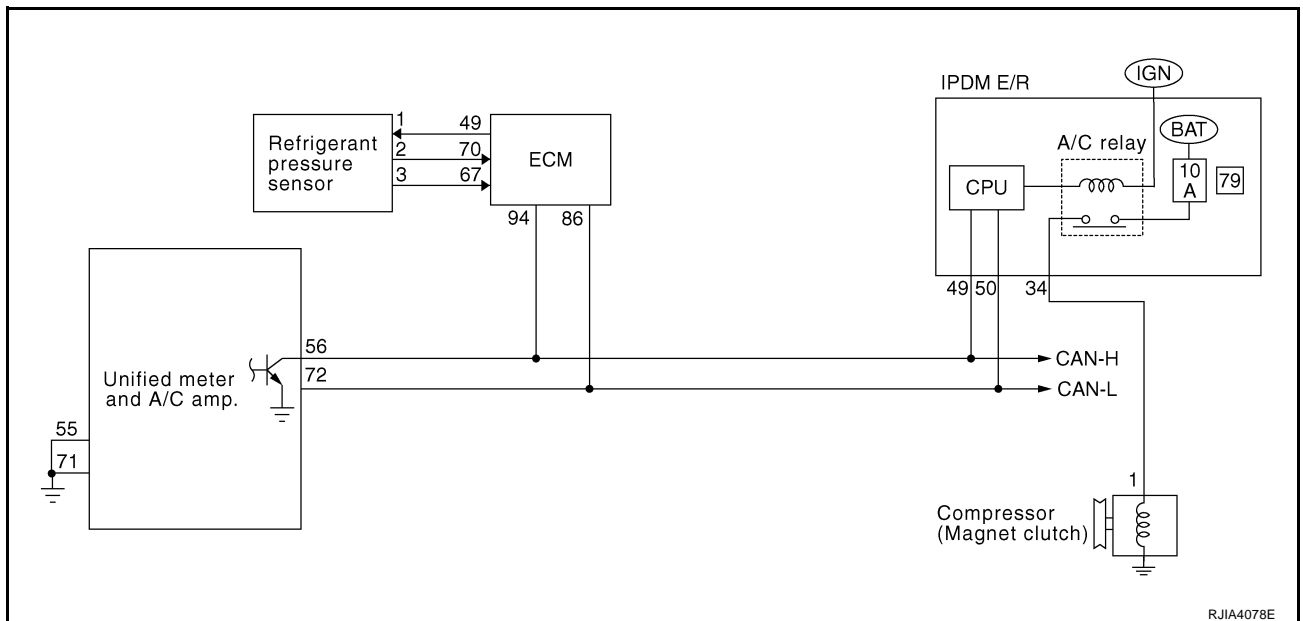


When intake air temperature is higher than  $1^{\circ}\text{C}$  ( $34^{\circ}\text{F}$ ), the compressor turns ON. The compressor turns OFF when intake air temperature is lower than  $-5^{\circ}\text{C}$  ( $23^{\circ}\text{F}$ ).



## DIAGNOSIS PROCEDURE FOR MAGNET CLUTCH

SYMPTOM: Magnet clutch does not engage when A/C switch is ON.



# TROUBLE DIAGNOSIS

## 1. CHECK AMBIENT SENSOR AND INTAKE SENSOR CIRCUIT

Check ambient sensor and intake sensor. Refer to [ATC-56, "FUNCTION CONFIRMATION PROCEDURE"](#) , see No. 9 and 11.

OK or NG

OK >> GO TO 2.

NG >> ● Malfunctioning ambient sensor: Refer to [ATC-113, "Ambient Sensor Circuit"](#) .

● Malfunctioning intake sensor: Refer to [ATC-122, "Intake Sensor Circuit"](#) .

## 2. PERFORM AUTO ACTIVE TEST

Refer to [PG-24, "Auto Active Test"](#) .

Does the magnet clutch operate?

YES >> ●  WITH CONSULT-II: GO TO 5.

●  WITHOUT CONSULT-II: GO TO 6.

NO >> Check 10A fuse (No. 79, located in IPDM E/R), and GO TO 3.

## 3. CHECK CIRCUIT CONTINUITY BETWEEN IPDM E/R AND COMPRESSOR

1. Turn ignition switch OFF.
2. Disconnect IPDM E/R connector and compressor connector.
3. Check continuity between IPDM E/R harness connector E8 terminal 34 and compressor harness connector F24 terminal 1.

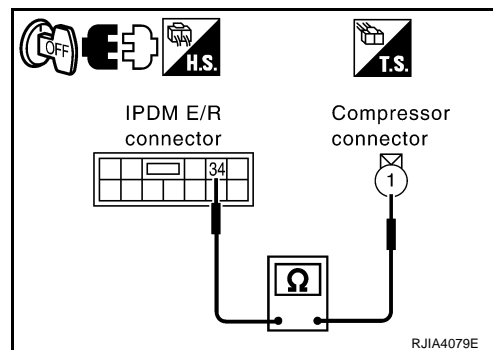
**34 – 1**

**: Continuity should exist.**

OK or NG

OK >> GO TO 4.

NG >> Repair harness or connector.



## 4. CHECK MAGNET CLUTCH CIRCUIT

Check for operation sound when applying battery voltage direct current to terminal.

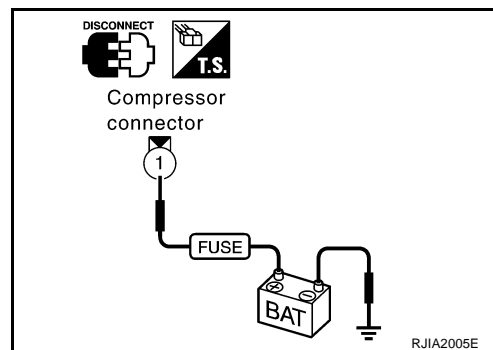
OK or NG

OK >> 1. Replace IPDM E/R.

2. Go to self-diagnosis procedure [ATC-56, "FUNCTION CONFIRMATION PROCEDURE"](#) and perform self-diagnosis STEP-4. Confirm that magnet clutch operation normal.

NG >> 1. Replace compressor.

2. Go to self-diagnosis procedure [ATC-56, "FUNCTION CONFIRMATION PROCEDURE"](#) and perform self-diagnosis STEP-4. Confirm that magnet clutch operation normal.





# TROUBLE DIAGNOSIS

## 5. CHECK BCM INPUT (COMPRESSOR ON) SIGNAL

Check compressor ON/OFF signal. Refer to [ATC-40, "CONSULT-II Function \(ECM\)"](#) .

**A/C SW ON : AIR COND SIG ON**  
**A/C SW OFF : AIR COND SIG OFF**

OK or NG

OK >> GO TO 8.  
 NG >> GO TO 6.

DATA MONITOR	
MONITOR	NO DTC
AIR COND SIG	ON
HEATER FAN SW	ON
IGNITION SW	ON
AC PRESS SEN	1.200 V

		RECORD	
MODE	BACK	LIGHT	COPY

RJIA3646E

## 6. CHECK REFRIGERANT PRESSURE SENSOR

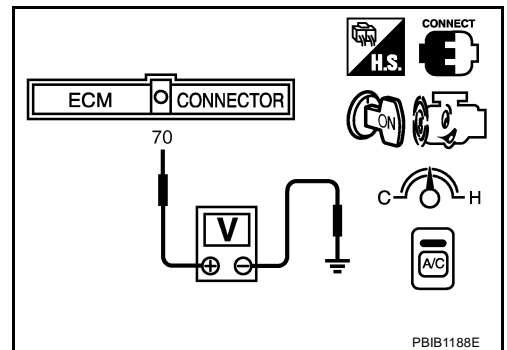
④ WITH CONSULT-II

1. Start the engine.
2. Check voltage of refrigerant pressure sensor. Refer to [EC-149, "CONSULT-II Reference Value in Data Monitor"](#) (VQ35DE) or [EC-862, "CONSULT-II Reference Value in Data Monitor"](#) (VK45DE).

⊗ WITHOUT CONSULT-II

1. Start the engine.
2. Check voltage between ECM harness connector F108 terminal 70 and ground.

Terminals			Condition	Voltage
(+)		(-)		
ECM connector	Terminal No.			
F108	70	Ground	A/C switch: ON (Blower motor operates.)	Approx. 1.0 - 4.0 V



OK or NG

- OK >> ● ④ WITH CONSULT-II: GO TO 7.  
 ● ⊗ WITHOUT CONSULT-II: Repair harness or connector.
- NG >> Refer to [EC-692, "REFRIGERANT PRESSURE SENSOR"](#) (VQ35DE) or [EC-1434, "REFRIGERANT PRESSURE SENSOR"](#) (VK45DE).

## 7. CHECK ECM INPUT (FAN ON) SIGNAL

Check FAN ON/OFF signal. Refer to [ATC-40, "CONSULT-II Function \(ECM\)"](#) .

**FAN SW ON : HEATER FAN SW ON**  
**FAN SW OFF : HEATER FAN SW OFF**

OK or NG

OK >> GO TO 8.  
 NG >> Repair harness or connector.

DATA MONITOR	
MONITOR	NO DTC
AIR COND SIG	ON
HEATER FAN SW	ON
IGNITION SW	ON
AC PRESS SEN	1.200 V

		RECORD	
MODE	BACK	LIGHT	COPY

RJIA3646E

# TROUBLE DIAGNOSIS

## 8. CHECK CAN COMMUNICATION

Check CAN communication. Refer to [EC-173, "DTC U1000, U1001 CAN COMMUNICATION LINE"](#) (VQ35DE) or [EC-886, "DTC U1000, U1001 CAN COMMUNICATION LINE"](#) (VK45DE).

- ECM – IPDM E/R
- ECM – Unified meter and A/C amp.

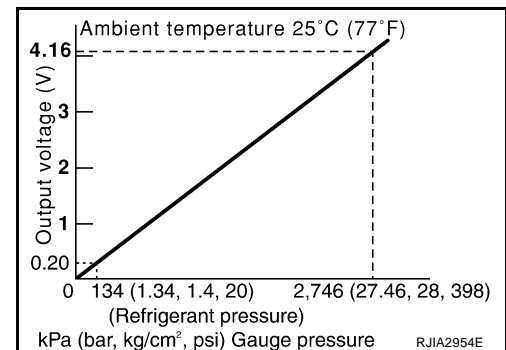
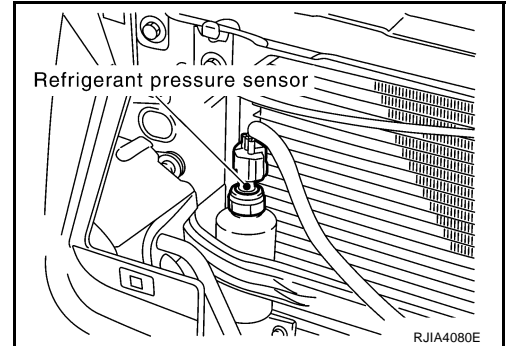
OK or NG

- OK >> Replace ECM.
- NG >> Repair or replace malfunctioning part(s).

### COMPONENT INSPECTION

#### Refrigerant Pressure Sensor

The refrigerant pressure sensor is attached to the liquid tank. Make sure that the A/C refrigerant pressure and the sensor output voltage are within the specified range as shown in the A/C operating condition figure. Refer to [EC-692, "REFRIGERANT PRESSURE SENSOR"](#) (VQ35DE) or [EC-1434, "REFRIGERANT PRESSURE SENSOR"](#) (VK45DE).



# TROUBLE DIAGNOSIS

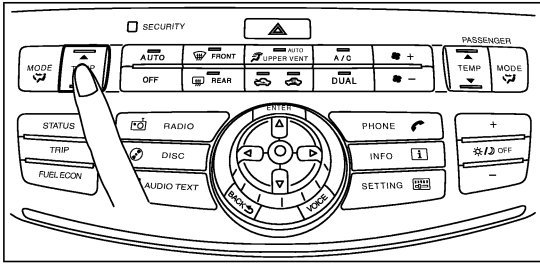
NJS000GV

## Insufficient Cooling

SYMPTOM: Insufficient cooling

### INSPECTION FLOW

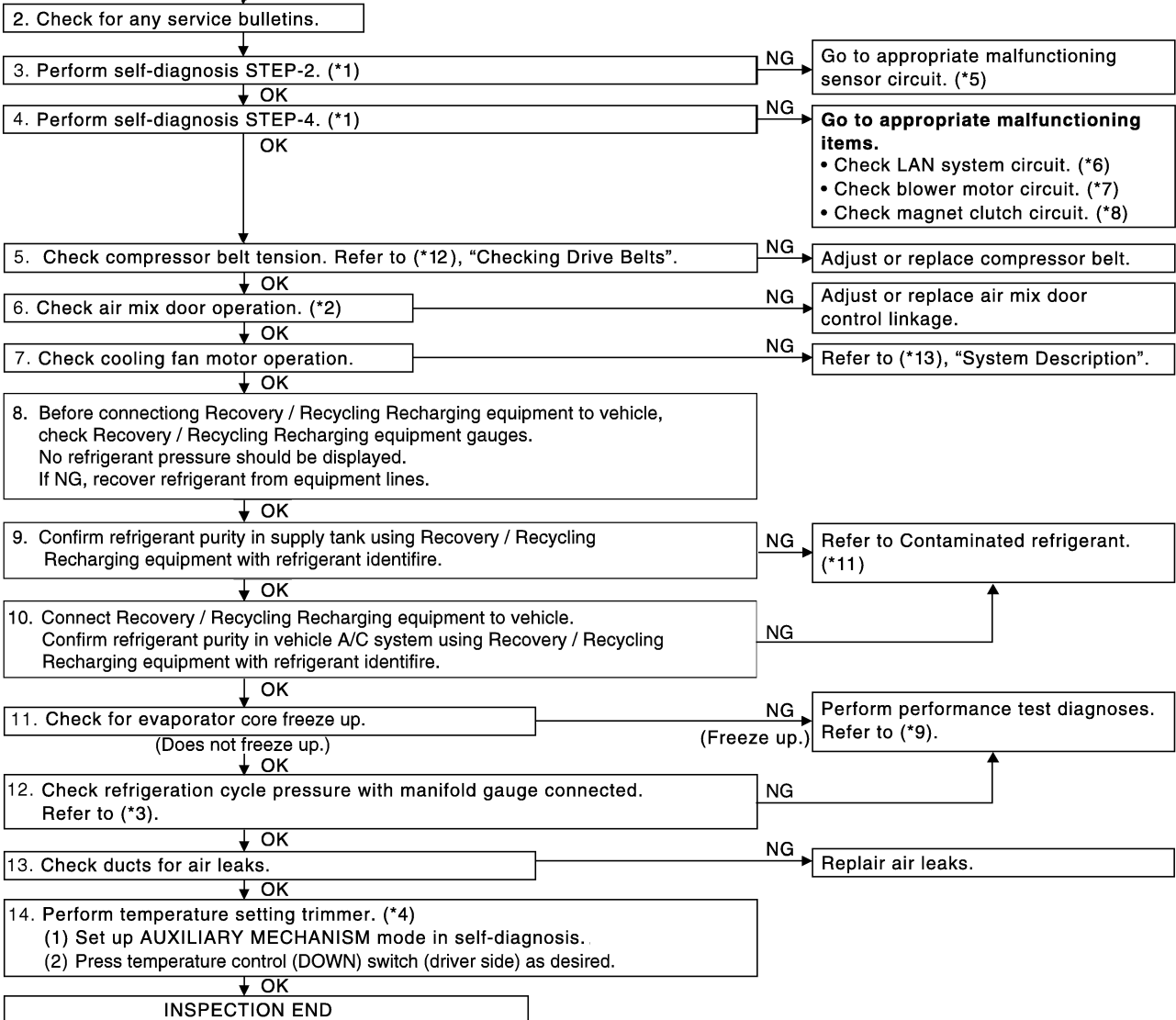
1. Confirm symptom by performing the following operational check.



**OPERATIONAL CHECK – Temperature decrease**

- Press temperature control (DOWN) switch (driver side) until 18°C (60°F) is displayed.
- Check for cold air at discharge air outlets.

**If OK (symptom cannot be duplicated), perform complete operational check (\*10).**  
**If NG (symptom is confirmed), continue with STEP-2 following.**



A  
B  
C  
D  
E  
F  
G  
H  
I  
K  
L  
M

ATC

RJIA4081E

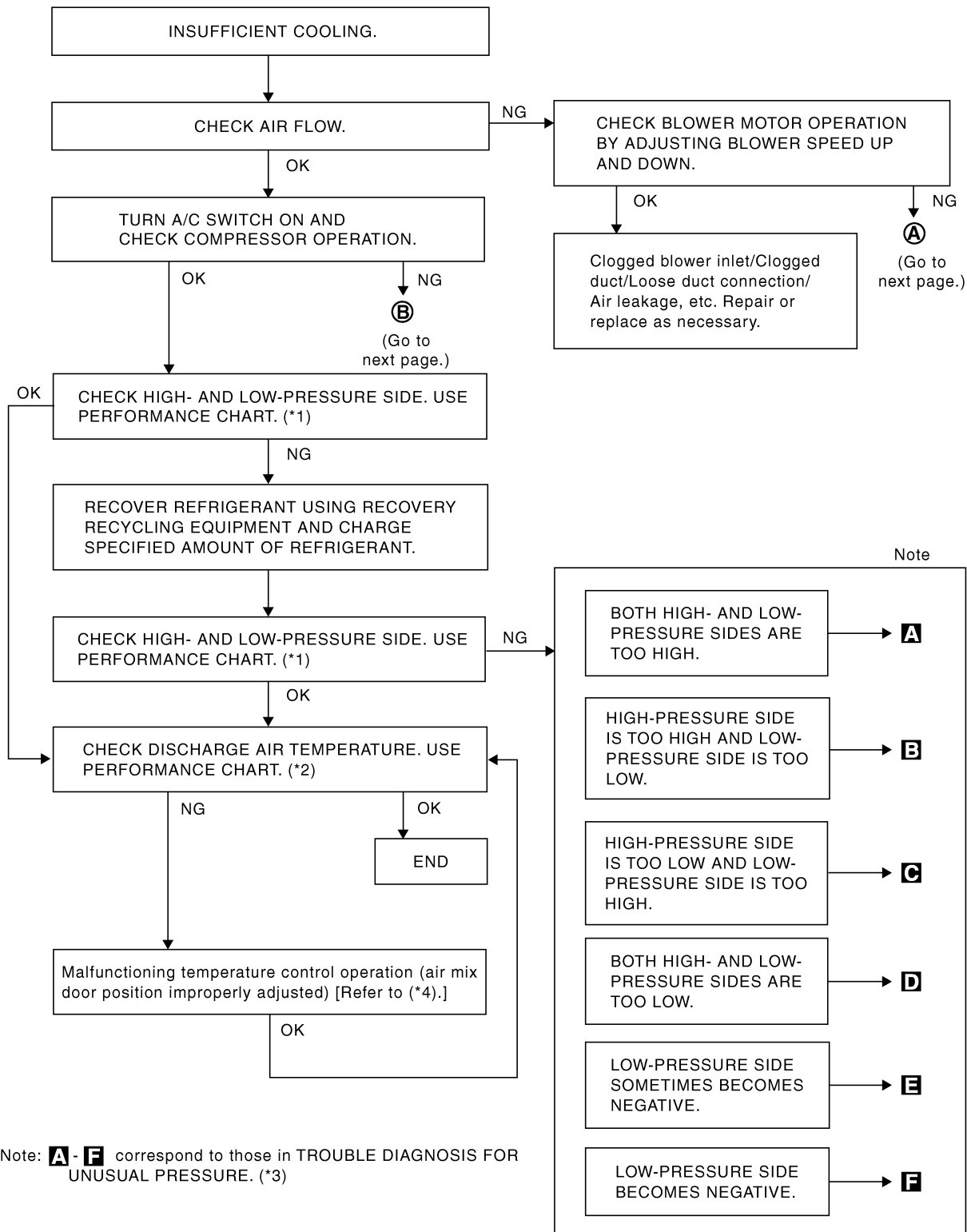
# TROUBLE DIAGNOSIS

---

- \*1 [ATC-56, "FUNCTION CONFIRMATION PROCEDURE"](#), see No. 2 to 6.
- \*2 [ATC-83, "Air Mix Door Motor Circuit"](#)
- \*3 [ATC-103, "Test Reading \(VQ35DE\)"](#) or [ATC-104, "Test Reading \(VK45DE\)"](#)
- \*4 [ATC-62, "AUXILIARY MECHANISM: TEMPERATURE SETTING TRIMMER"](#)
- \*5 [ATC-56, "FUNCTION CONFIRMATION PROCEDURE"](#), see No. 13.
- \*6 [ATC-70, "LAN System Circuit"](#)
- \*7 [ATC-89, "Blower Motor Circuit"](#)
- \*8 [ATC-94, "Magnet Clutch Circuit"](#)
- \*9 [ATC-101, "PERFORMANCE TEST DIAGNOSIS"](#)
- \*10 [ATC-64, "Operational Check"](#)
- \*11 [ATC-7, "CONTAMINATED REFRIGERANT"](#)
- \*12 [EM-15, "Checking Drive Belts"](#) (VQ35DE) or [EM-174, "Checking Drive Belts"](#) (VK45DE)
- \*13 [EC-512, "SYSTEM DESCRIPTION"](#) (VQ35DE) or [EC-1239, "SYSTEM DESCRIPTION"](#) (VK45DE)

# TROUBLE DIAGNOSIS

## PERFORMANCE TEST DIAGNOSIS



Note: **A - F** correspond to those in TROUBLE DIAGNOSIS FOR UNUSUAL PRESSURE. (\*3)

\*1 [ATC-103, "PERFORMANCE CHART"](#)

\*2 [ATC-103, "PERFORMANCE CHART"](#)

\*3 [ATC-105, "TROUBLE DIAGNOSIS FOR UNUSUAL PRESSURE"](#)

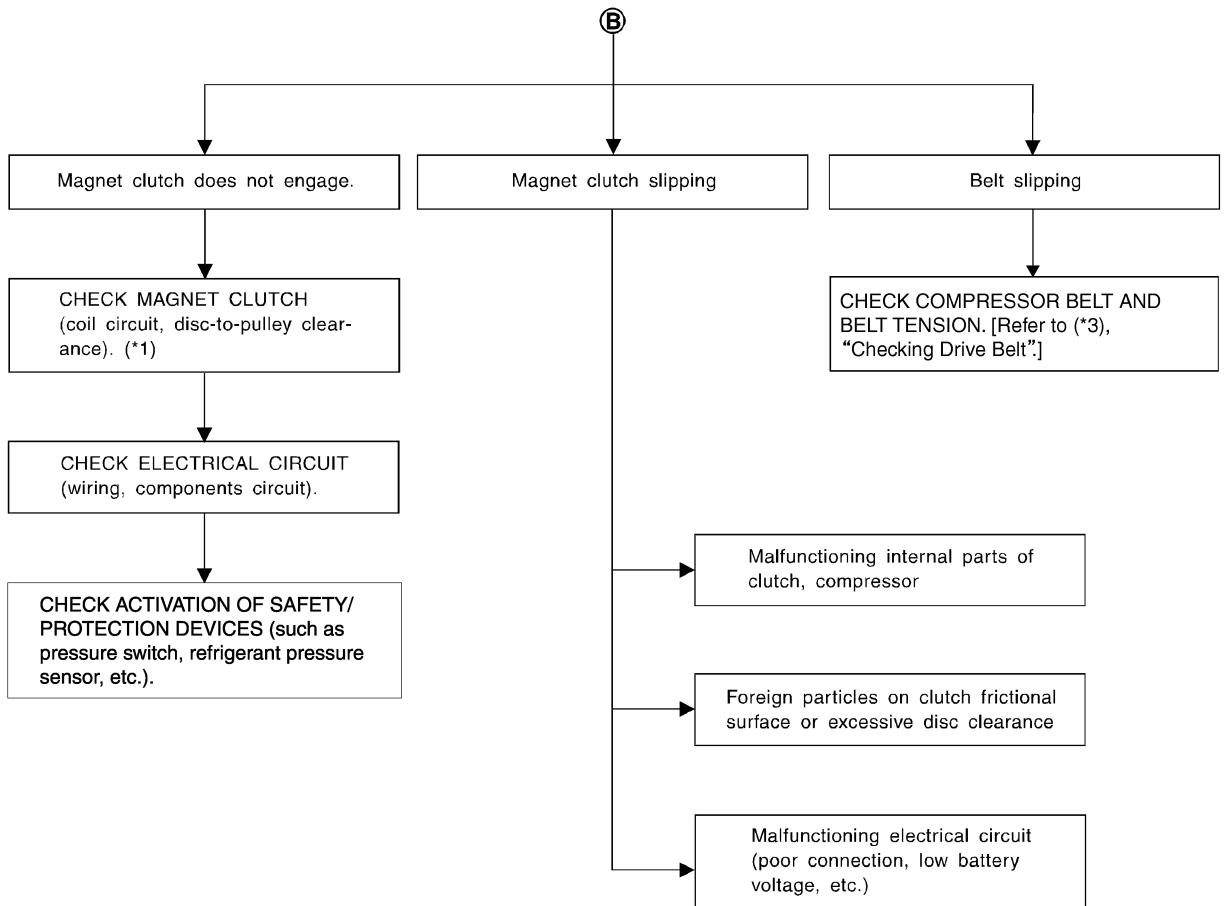
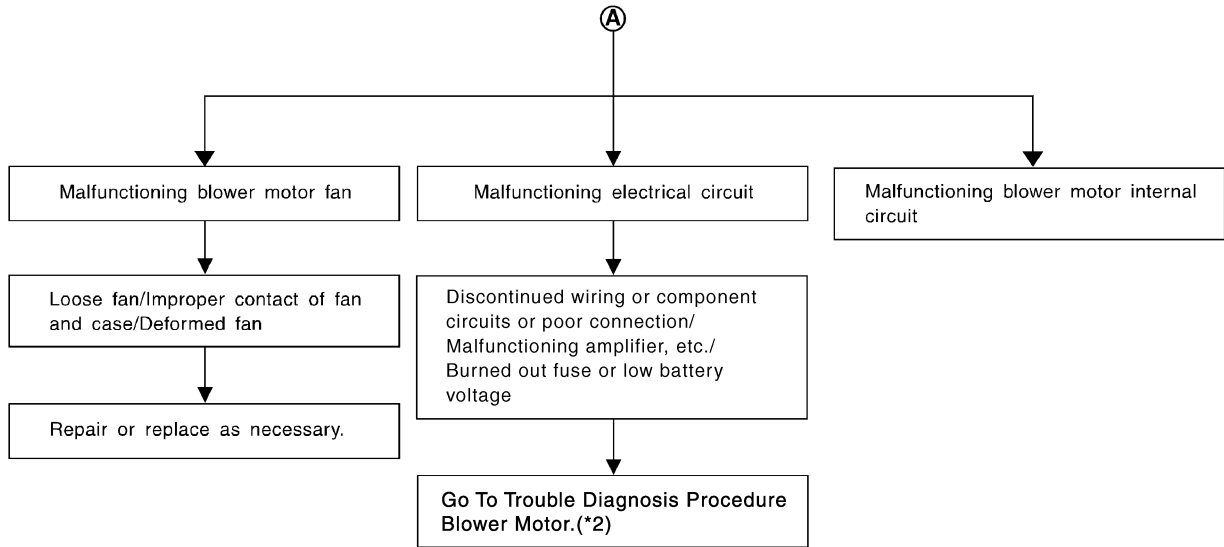
\*4 [ATC-83, "Air Mix Door Motor Circuit"](#)

SJIA1226E

A  
B  
C  
D  
E  
F  
G  
H  
I  
K  
L  
M

ATC

# TROUBLE DIAGNOSIS



SJIA1642E

\*1 [ATC-157, "Check Disc to Pulley Clearance"](#)

\*2 [ATC-89, "Blower Motor Circuit"](#)




\*3 [EM-15, "Checking Drive Belts" \(VQ35DE\)](#) or [EM-174, "Checking Drive Belts" \(VK45DE\)](#)

# TROUBLE DIAGNOSIS

## PERFORMANCE CHART

### Test Condition

Testing must be performed as follows:

Vehicle condition	Indoors or in the shade (in a well-ventilated place)
Doors	Closed
Door windows	Open
Hood	Open
TEMP.	Max. COLD
Mode switch	 (Ventilation) set
Intake switch	 (Recirculation) set
 Fan (blower) speed	Max. speed set
Engine speed	Idle speed

Operate the air conditioning system for 10 minutes before taking measurements.

### Test Reading (VQ35DE)

#### Recirculating-to-discharge Air Temperature Table

Inside air (Recirculating air) at blower assembly inlet		Discharge air temperature at center ventilator °C (°F)
Relative humidity %	Air temperature °C (°F)	
50 - 60	20 (68)	5.5 - 7.2 (42 - 45)
	25 (77)	8.5 - 10.9 (47 - 52)
	30 (86)	12.3 - 15.1 (54 - 59)
	35 (95)	16.5 - 19.8 (62 - 68)
	40 (104)	21.0 - 25.0 (70 - 77)
60 - 70	20 (68)	7.2 - 9.0 (45 - 48)
	25 (77)	10.9 - 13.4 (52 - 56)
	30 (86)	15.1 - 18.0 (59 - 64)
	35 (95)	19.8 - 23.0 (68 - 73)
	40 (104)	25.0 - 29.0 (77 - 84)

#### Ambient Air Temperature-to-operating Pressure Table

Ambient air		High-pressure (Discharge side) kPa (kg/cm <sup>2</sup> , psi)	Low-pressure (Suction side) kPa (kg/cm <sup>2</sup> , psi)
Relative humidity %	Air temperature °C (°F)		
50 - 70	20 (68)	733 - 895 (7.4 - 9.2, 106.3 - 129.8)	180 - 220 (1.8 - 2.2, 26.1 - 31.9)
	25 (77)	838 - 1,025 (8.6 - 10.5, 121.5 - 148.6)	210 - 257 (2.1 - 2.7, 30.5 - 37.3)
	30 (86)	985 - 1,204 (10.1 - 12.2, 142.8 - 174.6)	239 - 293 (2.4 - 3.0, 34.7 - 42.5)
	35 (95)	1,115 - 1,363 (11.4 - 13.9, 161.7 - 197.6)	270 - 330 (2.8 - 3.4, 39.2 - 47.9)
	40 (104)	1,294 - 1,581 (13.2 - 16.1, 187.6 - 229.2)	331 - 405 (3.4 - 4.2, 48.0 - 58.7)

# TROUBLE DIAGNOSIS

## Test Reading (VK45DE)

### Recirculating-to-discharge Air Temperature Table

Inside air (Recirculating air) at blower assembly inlet		Discharge air temperature at center ventilator °C (°F)
Relative humidity %	Air temperature °C (°F)	
50 - 60	20 (68)	6.0 - 7.4 (43 - 45)
	25 (77)	8.9 - 10.6 (48 - 51)
	30 (86)	12.5 - 14.6 (55 - 58)
	35 (95)	16.7 - 19.4 (62 - 67)
60 - 70	20 (68)	7.4 - 8.7 (45 - 48)
	25 (77)	10.6 - 12.2 (51 - 54)
	30 (86)	14.6 - 16.7 (58 - 62)
	35 (95)	19.4 - 22.1 (67 - 72)

### Ambient Air Temperature-to-operating Pressure Table

Ambient air		High-pressure (Discharge side) kPa (kg/cm <sup>2</sup> , psi)	Low-pressure (Suction side) kPa (kg/cm <sup>2</sup> , psi)
Relative humidity %	Air temperature °C (°F)		
50 - 70	20 (68)	907 - 1,106 (9.3 - 11.3, 131.5 - 160.4)	192 - 238 (1.9 - 2.4, 27.8 - 34.5)
	25 (77)	987 - 1,207 (10.1 - 12.3, 143.1 - 175.0)	210 - 262 (2.1 - 2.7, 30.5 - 38.0)
	30 (86)	1,072 - 1,312 (10.9 - 13.4, 155.4 - 190.2)	233 - 284 (2.3 - 2.9, 33.8 - 41.2)
	35 (95)	1,168 - 1,425 (11.9 - 14.6, 169.4 - 206.6)	258 - 320 (2.7 - 3.3, 37.4 - 46.4)
	40 (104)	1,272 - 1,550 (12.9 - 15.8, 184.4 - 224.8)	288 - 356 (3.0 - 3.7, 41.8 - 51.6)

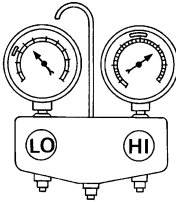


# TROUBLE DIAGNOSIS

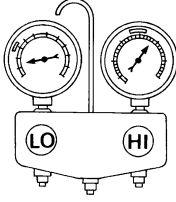
## TROUBLE DIAGNOSIS FOR UNUSUAL PRESSURE

Whenever system's high and/or low side pressure(s) is/are unusual, diagnose using a manifold gauge. The marker above the gauge scale in the following tables indicates the standard (usual) pressure range. Since the standard (usual) pressure, however, differs from vehicle to vehicle, refer to above table (Ambient air temperature-to-operating pressure table).

### Both High- and Low-pressure Sides are Too High

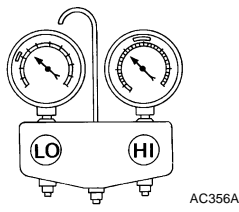
Gauge indication	Refrigerant cycle	Probable cause	Corrective action
<p>Both high- and low-pressure sides are too high.</p>  <p>AC359A</p>	<p>The pressure returns to normal soon after water is splashed on condenser.</p>	<p>Excessive refrigerant charge in refrigeration cycle.</p>	<p>Reduce refrigerant until specified pressure is obtained.</p>
	<p>Air suction by cooling fan is insufficient.</p>	<p>Insufficient condenser cooling performance. ↓ 1. Condenser fins are clogged. 2. Improper fan rotation of cooling fan.</p>	<ul style="list-style-type: none"> <li>● Clean condenser.</li> <li>● Check and repair cooling fan as necessary.</li> </ul>
	<ul style="list-style-type: none"> <li>● Low-pressure pipe is not cold.</li> <li>● When compressor is stopped high-pressure value quickly drops by approximately 196 kPa (2 kg/cm<sup>2</sup>, 28 psi). It then decreases gradually thereafter.</li> </ul>	<p>Poor heat exchange in condenser (After compressor operation stops, high-pressure decreases too slowly). ↓ Air in refrigeration cycle.</p>	<p>Evacuate repeatedly and recharge system.</p>
	<p>Engine tends to overheat.</p>	<p>Engine cooling systems malfunction.</p>	<p>Check and repair each engine cooling system.</p>
	<ul style="list-style-type: none"> <li>● An area of the low-pressure pipe is colder than areas near the evaporator outlet.</li> <li>● Low-pressure pipe is sometimes covered with frost.</li> </ul>	<ul style="list-style-type: none"> <li>● Excessive liquid refrigerant on low-pressure side.</li> <li>● Excessive refrigerant discharge flow.</li> <li>● Expansion valve is open a little compared with the specification.</li> </ul> <p>↓ Improper expansion valve adjustment.</p>	<p>Replace expansion valve.</p>

### High-pressure Side is Too High and Low-pressure Side is Too Low

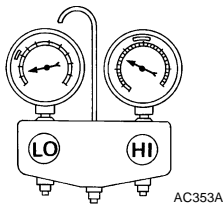
Gauge indication	Refrigerant cycle	Probable cause	Corrective action
<p>High-pressure side is too high and low-pressure side is too low.</p>  <p>AC360A</p>	<p>Upper side of condenser and high-pressure side are hot, however, liquid tank is not so hot.</p>	<p>High-pressure tube or parts located between compressor and condenser are clogged or crushed.</p>	<ul style="list-style-type: none"> <li>● Check and repair or replace malfunctioning parts.</li> <li>● Check lubricant for contamination.</li> </ul>

# TROUBLE DIAGNOSIS

## High-pressure Side is Too Low and Low-pressure Side is Too High

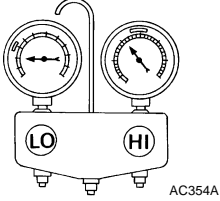
Gauge indication	Refrigerant cycle	Probable cause	Corrective action
High-pressure side is too low and low-pressure side is too high. 	High- and low-pressure sides become equal soon after compressor operation stops.	Compressor pressure operation is improper. ↓ Damaged inside compressor packings.	Replace compressor.
	No temperature difference between high- and low-pressure sides.	Compressor pressure operation is improper. ↓ Damaged inside compressor packings.	Replace compressor.

## Both High- and Low-pressure Sides are Too Low

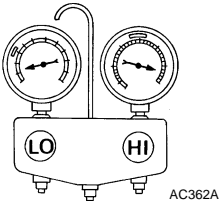
Gauge indication	Refrigerant cycle	Probable cause	Corrective action
Both high- and low-pressure sides are too low. 	<ul style="list-style-type: none"> <li>There is a big temperature difference between liquid tank outlet and inlet. Outlet temperature is extremely low.</li> <li>Liquid tank inlet and expansion valve are frosted.</li> </ul>	Liquid tank inside is slightly clogged.	<ul style="list-style-type: none"> <li>Replace liquid tank.</li> <li>Check lubricant for contamination.</li> </ul>
	<ul style="list-style-type: none"> <li>Temperature of expansion valve inlet is extremely low as compared with areas near liquid tank.</li> <li>Expansion valve inlet may be frosted.</li> <li>Temperature difference occurs somewhere in high-pressure side.</li> </ul>	High-pressure pipe located between liquid tank and expansion valve is clogged.	<ul style="list-style-type: none"> <li>Check and repair malfunctioning parts.</li> <li>Check lubricant for contamination.</li> </ul>
	Expansion valve and liquid tank are warm or slightly cool when touched.	Low refrigerant charge. ↓ Leaking fittings or components.	Check refrigerant for leaks. Refer to <a href="#">ATC-170, "Checking for Refrigerant Leaks"</a> .
	There is a big temperature difference between expansion valve inlet and outlet while the valve itself is frosted.	Expansion valve closes a little compared with the specification. ↓ 1. Improper expansion valve adjustment. 2. Malfunctioning expansion valve. 3. Outlet and inlet may be clogged.	<ul style="list-style-type: none"> <li>Remove foreign particles by using compressed air.</li> <li>Replace expansion valve.</li> <li>Check lubricant for contamination.</li> </ul>
	An area of the low-pressure pipe is colder than areas near the evaporator outlet.	Low-pressure pipe is clogged or crushed.	<ul style="list-style-type: none"> <li>Check and repair malfunctioning parts.</li> <li>Check lubricant for contamination.</li> </ul>
	Air flow volume is not enough or is too low.	Evaporator is frozen.	<ul style="list-style-type: none"> <li>Check intake sensor circuit. Refer to <a href="#">ATC-122, "Intake Sensor Circuit"</a>.</li> <li>Replace compressor.</li> <li>Repair evaporator fins.</li> <li>Replace evaporator.</li> <li>Refer to <a href="#">ATC-89, "Blower Motor Circuit"</a>.</li> </ul>

# TROUBLE DIAGNOSIS

## Low-pressure Side Sometimes Becomes Negative

Gauge indication	Refrigerant cycle	Probable cause	Corrective action
<p>Low-pressure side sometimes becomes negative.</p>  <p style="text-align: right; font-size: small;">AC354A</p>	<ul style="list-style-type: none"> <li>● Air conditioning system does not function and does not cyclically cool the compartment air.</li> <li>● The system constantly functions for a certain period of time after compressor is stopped and restarted.</li> </ul>	<p>Refrigerant does not discharge cyclically.</p> <p>↓</p> <p>Moisture is frozen at expansion valve outlet and inlet.</p> <p>↓</p> <p>Water is mixed with refrigerant.</p>	<ul style="list-style-type: none"> <li>● Drain water from refrigerant or replace refrigerant.</li> <li>● Replace liquid tank.</li> </ul>

## Low-pressure Side Becomes Negative

Gauge indication	Refrigerant cycle	Probable cause	Corrective action
<p>Low-pressure side becomes negative.</p>  <p style="text-align: right; font-size: small;">AC362A</p>	<p>Liquid tank or front/rear side of expansion valve's pipe is frosted or wet with dew.</p>	<p>High-pressure side is closed and refrigerant does not flow.</p> <p>↓</p> <p>Expansion valve or liquid tank is frosted.</p>	<p>Leave the system at rest until no frost is present. Start it again to check whether or not the malfunction is caused by water or foreign particles.</p> <ul style="list-style-type: none"> <li>● If water is the cause, initially cooling is okay. Then the water freezes causing a blockage. Drain water from refrigerant or replace refrigerant.</li> <li>● If due to foreign particles, remove expansion valve and remove the particles with dry and compressed air (not shop air).</li> <li>● If either of the above methods cannot correct the malfunction, replace expansion valve.</li> <li>● Replace liquid tank.</li> <li>● Check lubricant for contamination.</li> </ul>

## DIAGNOSIS PROCEDURE FOR INSUFFICIENT COOLING

SYMPTOM: Insufficient cooling

### 1. CHECK POWER SUPPLY FOR ECV (ELECTRONIC CONTROL VALVE)

1. Disconnect compressor (ECV) connector.
2. Turn ignition switch ON.
3. Check voltage between compressor (ECV) harness connector F34 terminal 2 and ground.

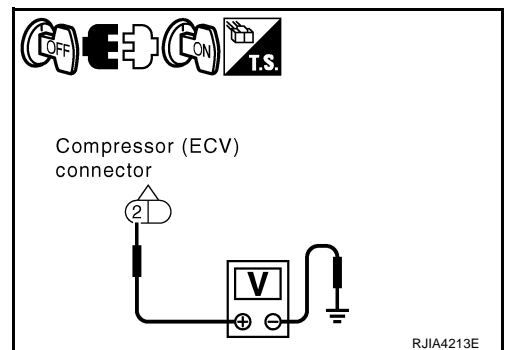
**2 – ground : Battery voltage**

OK or NG

OK >> GO TO 2.

NG >> Check power supply circuit and 10A fuse [No. 12, located in the fuse block (J/B)]. Refer to [PG-111, "FUSE BLOCK - JUNCTION BOX \(J/B\)"](#).

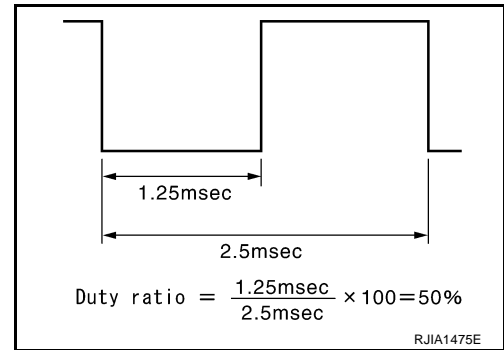
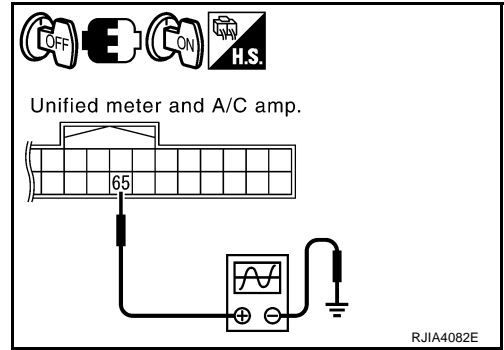
- If fuse is OK, check harness for open circuit. Repair or replace if necessary.
- If fuse is NG, check harness for short circuit and replace fuse.



# TROUBLE DIAGNOSIS

## 2. CHECK ECV CONTROL SIGNAL

1. Turn ignition switch OFF.
2. Reconnect compressor (ECV) connector.
3. Perform self-diagnosis. Refer to [ATC-55, "Self-diagnosis Function"](#).
4. Set in self-diagnosis STEP-4 (Code No. 45). Refer to [ATC-56, "FUNCTION CONFIRMATION PROCEDURE"](#).
5. Confirm ECV control signal between unified meter and A/C amp. harness connector M65 terminal 65 and ground using an oscilloscope.



### OK or NG

- OK >> Replace compressor.  
 NG >> GO TO 3.

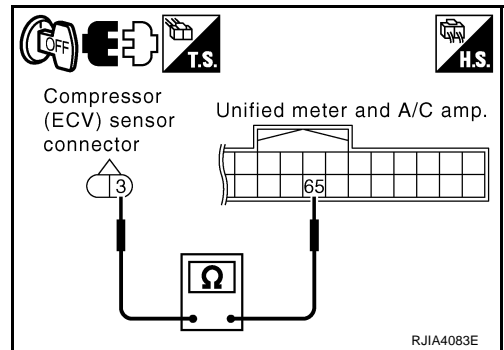
## 3. CHECK CIRCUIT CONTINUITY BETWEEN ECV AND UNIFIED METER AND A/C AMP.

1. Turn ignition switch OFF.
2. Disconnect compressor (ECV) and unified meter and A/C amp. connector.
3. Check continuity between compressor (ECV) harness connector F34 terminal 3 and unified meter and A/C amp. harness connector M65 terminal 65.

**3 – 65 : Continuity should exist.**

### OK or NG

- OK >> GO TO 4.  
 NG >> Repair harness or connector.



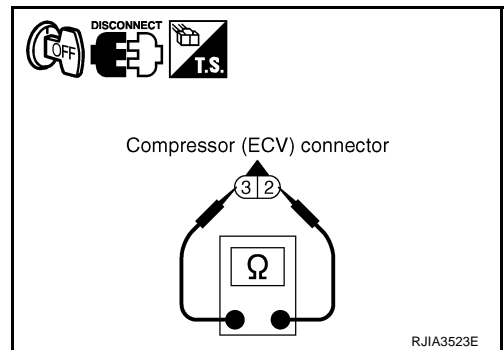
## 4. CHECK ECV

Check continuity between compressor (ECV) connector F34 terminals 2 and 3.

**2 – 3 : Continuity should exist.**

### OK or NG

- OK >> Replace unified meter and A/C amp.  
 NG >> Replace compressor.



# TROUBLE DIAGNOSIS

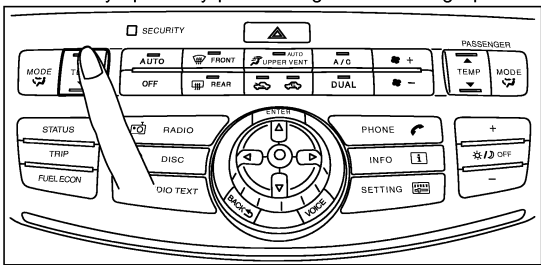
NJS000GW

## Insufficient Heating

SYMPTOM: Insufficient heating

### INSPECTION FLOW

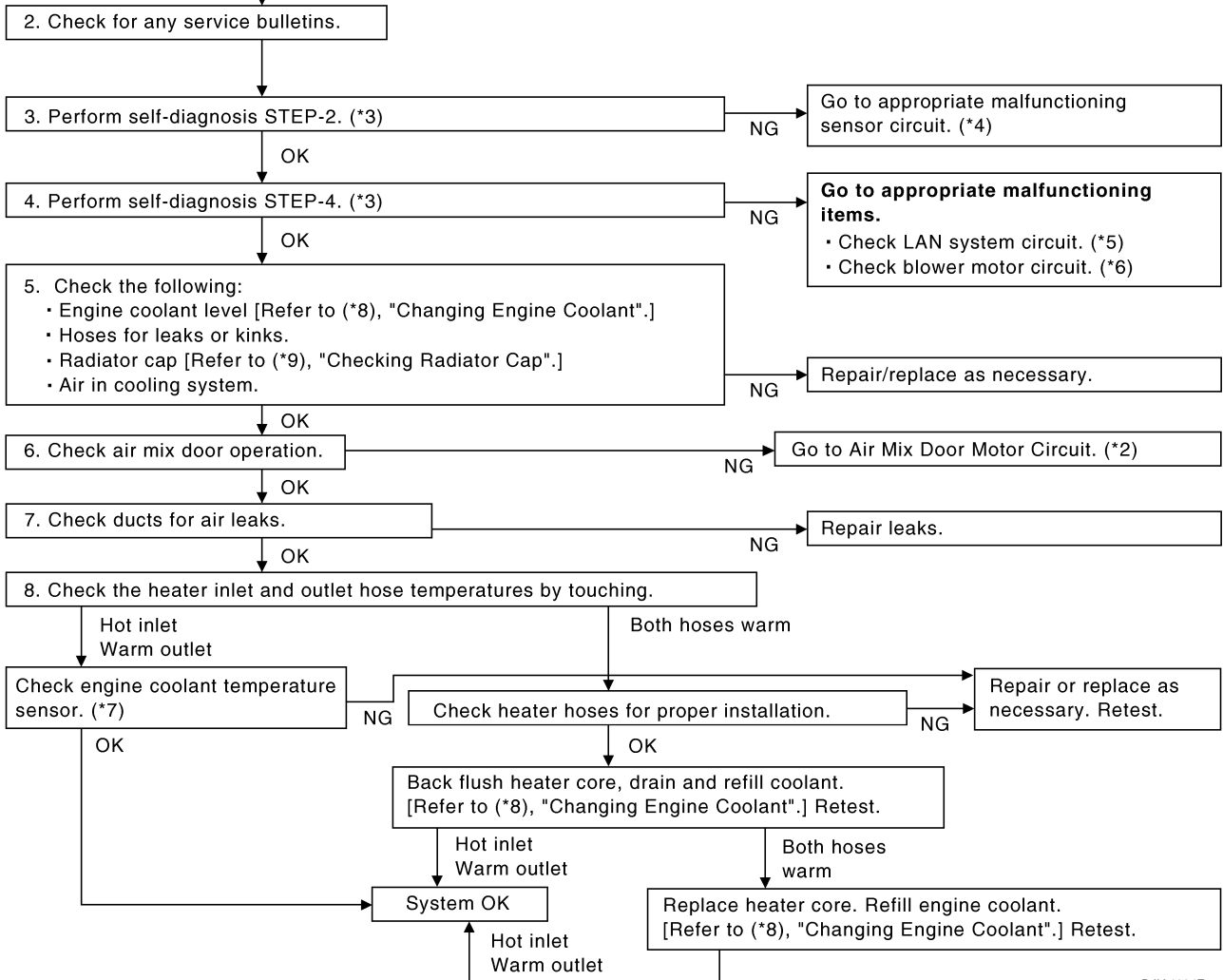
1. Confirm symptom by performing the following operational check.



**OPERATIONAL CHECK - Temperature increase**

- Press temperature control (UP) switch (driver side) until 32°C (90°F) is displayed.
- Check for hot air at discharge air outlets.

**If OK (symptom cannot be duplicated), perform complete operational check (\*1).**  
**If NG (symptom is confirmed), continue with STEP-2 following.**



RJIA4084E

- |   |   |   |
|---|---|---|
| *1 <a href="#">ATC-64, "Operational Check"</a>  | *2 <a href="#">ATC-83, "Air Mix Door Motor Circuit"</a>   | *3 <a href="#">ATC-56, "FUNCTION CONFIRMATION PROCEDURE"</a> , see No. 2 to 6.  |
| *4 <a href="#">ATC-56, "FUNCTION CONFIRMATION PROCEDURE"</a> , see No. 13.  | *5 <a href="#">ATC-70, "LAN System Circuit"</a>   | *6 <a href="#">ATC-89, "Blower Motor Circuit"</a>   |
| *7 <a href="#">EC-226, "DTC P0117, P0118 ECT SENSOR" (VQ35DE)</a> or <a href="#">EC-948, "DTC P0117, P0118 ECT SENSOR" (VK45DE)</a> | *8 <a href="#">CO-11, "Changing Engine Coolant" (VQ35DE)</a> or <a href="#">CO-40, "Changing Engine Coolant" (VK45DE)</a> | *9 <a href="#">CO-16, "Checking Radiator Cap" (VQ35DE)</a> or <a href="#">CO-45, "Checking Radiator Cap" (VK45DE)</a> |

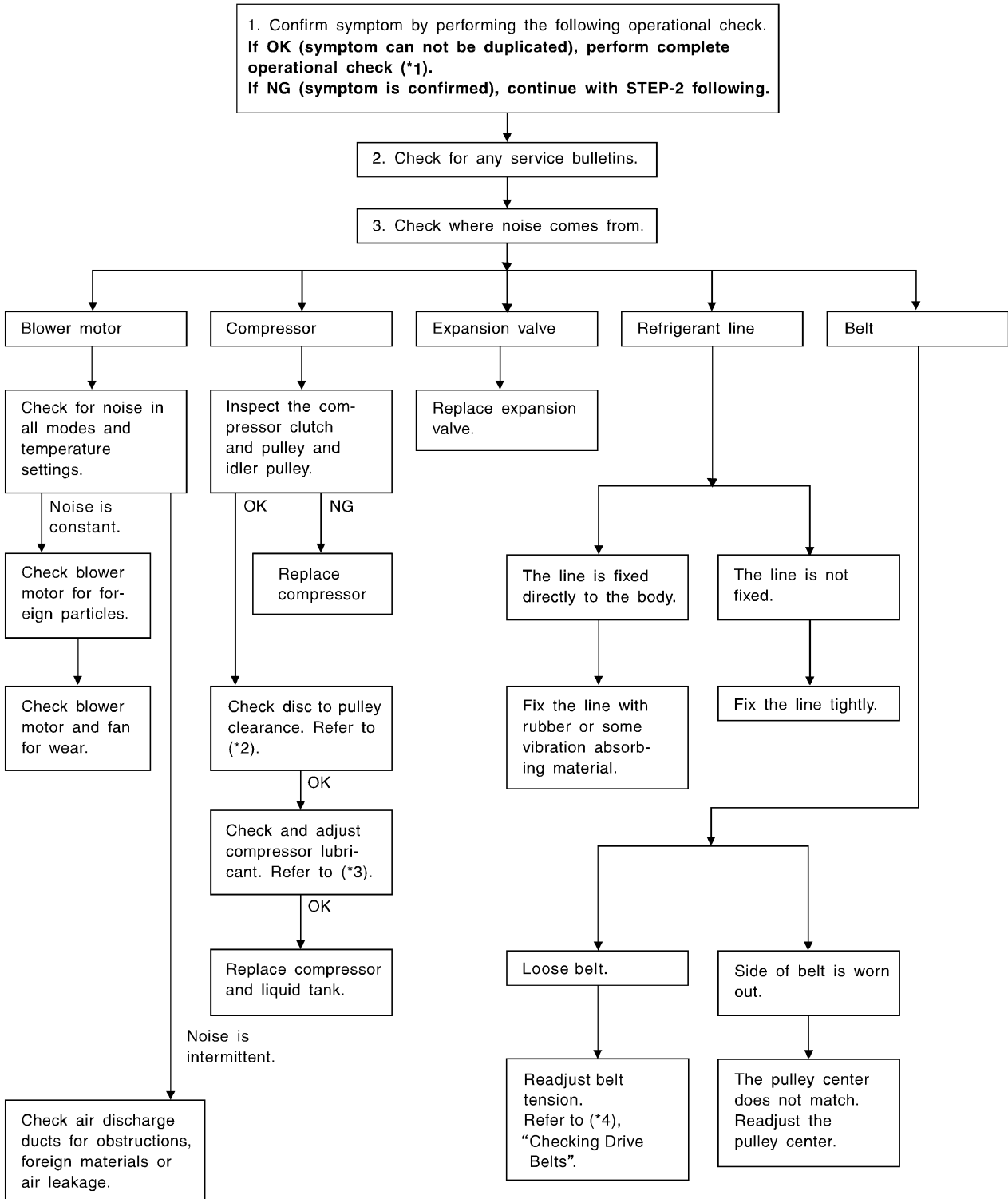
# TROUBLE DIAGNOSIS

NJS000GX

## Noise

SYMPTOM: Noise

### INSPECTION FLOW



SJIA0843E

# TROUBLE DIAGNOSIS

\*1 [ATC-64, "Operational Check"](#)

\*2 [ATC-157, "Check Disc to Pulley Clearance"](#)

\*3 [ATC-26, "Maintenance of Lubricant Quantity in Compressor"](#)

\*4 [EM-15, "Checking Drive Belts"](#) (VQ35DE) or [EM-174, "Checking Drive Belts"](#) (VK45DE)

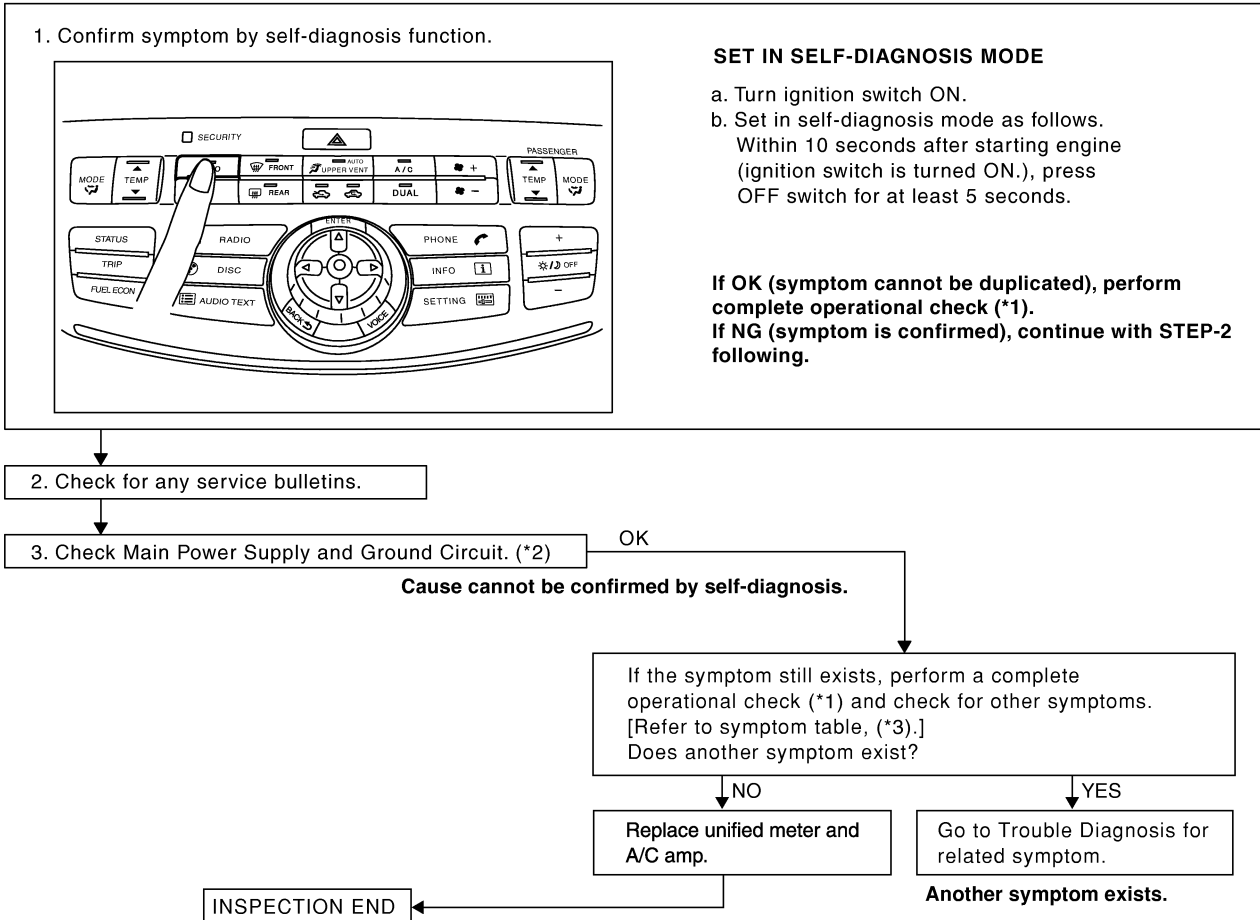
A  
B  
C  
D  
E  
F  
G  
H  
I  
K  
L  
M

## Self-Diagnosis

NJS000GY

SYMPTOM: Self-diagnosis cannot be performed.

## INSPECTION FLOW



ATC

SJIA1699E

\*1 [ATC-64, "Operational Check"](#)

\*2 [ATC-66, "Power Supply and Ground Circuit for Auto Amp."](#)

\*3 [ATC-41, "SYMPTOM TABLE"](#)

# TROUBLE DIAGNOSIS

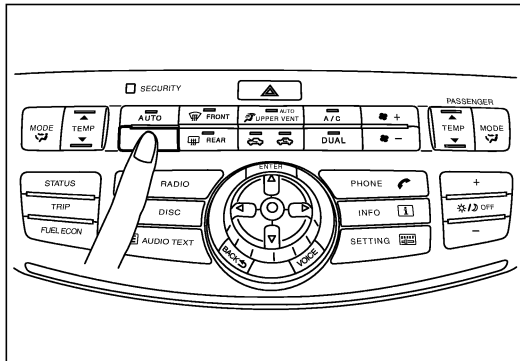
NJS000GZ

## Memory Function

SYMPTOM: Memory function does not operate.

### INSPECTION FLOW

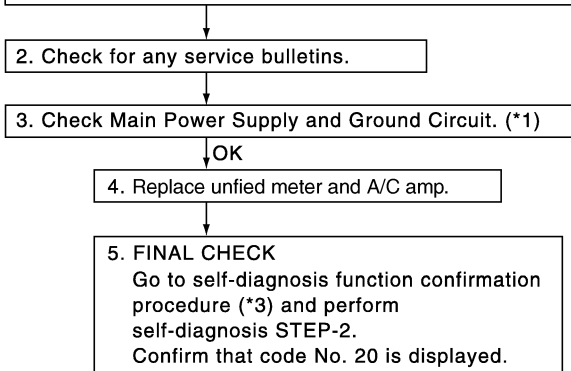
1. Confirm symptom by performing the following operational check.



#### OPERATIONAL CHECK – Memory function

- Set the temperature 32°C (90°F).
- Press OFF switch.
- Turn the ignition OFF.
- Turn the ignition ON.
- Press the AUTO switch.
- Confirm that the set temperature remains at previous temperature.
- Press OFF switch.

If OK (symptom cannot be duplicated), perform complete operational check (\*2).  
If NG (symptom is confirmed), continue with STEP-2 following.



\*1 [ATC-66. "Power Supply and Ground Circuit for Auto Amp."](#) \*2 [ATC-64. "Operational Check"](#)

\*3 [ATC-56. "FUNCTION CONFIRMATION PROCEDURE"](#)

RJIA4086E



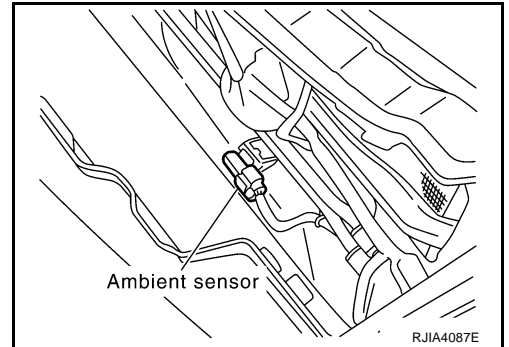
# TROUBLE DIAGNOSIS

NJS000H0

## Ambient Sensor Circuit COMPONENT DESCRIPTION

### Ambient Sensor

The ambient sensor is attached on the radiator core support (left side). It detects ambient temperature and converts it into a resistance value which is then input into the unified meter and A/C amp.



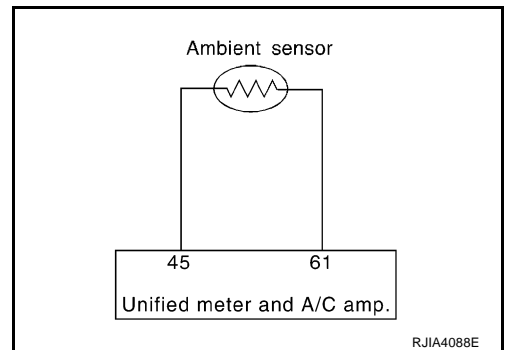
### AMBIENT TEMPERATURE INPUT PROCESS

The unified meter and A/C amp. includes a processing circuit for the ambient sensor input. However, when the temperature detected by the ambient sensor increases quickly, the processing circuit retards the unified meter and A/C amp. function. It only allows the unified meter and A/C amp. to recognize an ambient temperature increase of 0.33°C (0.6°F) per 100 seconds.

As an example, consider stopping for a few minutes after high speed driving. Although the actual ambient temperature has not changed, the temperature detected by the ambient sensor will increase. This is because the heat from the engine compartment can radiate to the front bumper area, location of the ambient sensor.

### DIAGNOSIS PROCEDURE FOR AMBIENT SENSOR

SYMPTOM: Ambient sensor circuit is open or shorted. (21 or -21 is indicated on unified meter and A/C amp. as a result of performing self-diagnosis STEP-2.)



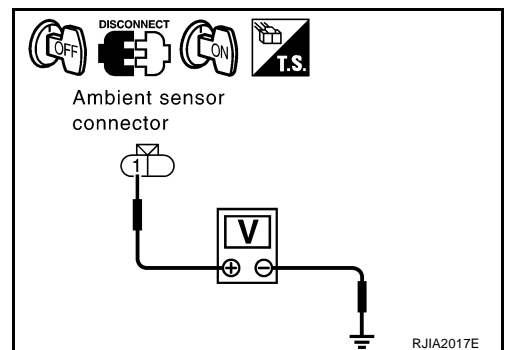
## 1. CHECK VOLTAGE BETWEEN AMBIENT SENSOR AND GROUND

1. Disconnect ambient sensor connector.
2. Turn ignition switch ON.
3. Check voltage between ambient sensor harness connector E62 terminal 1 and ground.

**1 – Ground : Approx. 5 V**

OK or NG

- OK >> GO TO 2.
- NG >> GO TO 4.



## TROUBLE DIAGNOSIS

### 2. CHECK CIRCUIT CONTINUITY BETWEEN AMBIENT SENSOR AND UNIFIED METER AND A/C AMP.

1. Turn ignition switch OFF.
2. Disconnect unified meter and A/C amp. connector.
3. Check continuity between ambient sensor harness connector E62 terminal 2 and unified meter and A/C amp. harness connector M65 terminal 61.

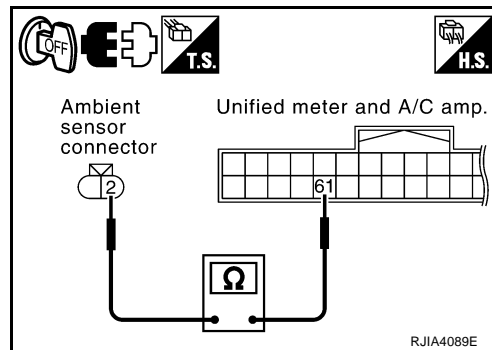
**2 – 61**

**: Continuity should exist.**

OK or NG

OK >> GO TO 3.

NG >> Repair harness or connector.



### 3. CHECK AMBIENT SENSOR

Refer to [ATC-115, "Ambient Sensor"](#) .

OK or NG

OK >> 1. Replace unified meter and A/C amp.

2. Go to self-diagnosis [ATC-56, "FUNCTION CONFIRMATION PROCEDURE"](#) and perform self-diagnosis STEP-2. Confirm that code No. 20 is displayed.

NG >> 1. Replace ambient sensor.

2. Go to self-diagnosis [ATC-56, "FUNCTION CONFIRMATION PROCEDURE"](#) and perform self-diagnosis STEP-2. Confirm that code No. 20 is displayed.

### 4. CHECK CIRCUIT CONTINUITY BETWEEN AMBIENT SENSOR AND UNIFIED METER AND A/C AMP.

1. Turn ignition switch OFF.
2. Disconnect unified meter and A/C amp. connector.
3. Check continuity between ambient sensor harness connector E62 terminal 1 and unified meter and A/C amp. harness connector M65 terminal 45.

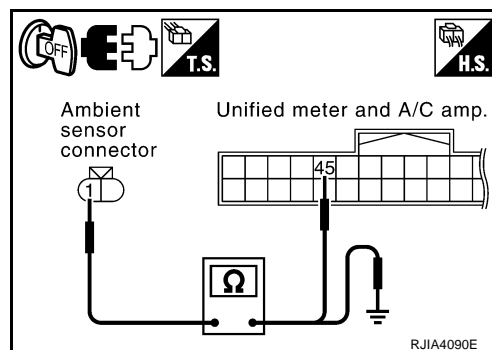
**1 – 45**

**: Continuity should exist.**

4. Check continuity between ambient sensor harness connector E62 terminal 1 and ground.

**1 – Ground**

**: Continuity should not exist.**



OK or NG

OK >> 1. Replace unified meter and A/C amp.

2. Go to self-diagnosis [ATC-56, "FUNCTION CONFIRMATION PROCEDURE"](#) and perform self-diagnosis STEP-2. Confirm that code No. 20 is displayed.

NG >> Repair harness or connector.

# TROUBLE DIAGNOSIS

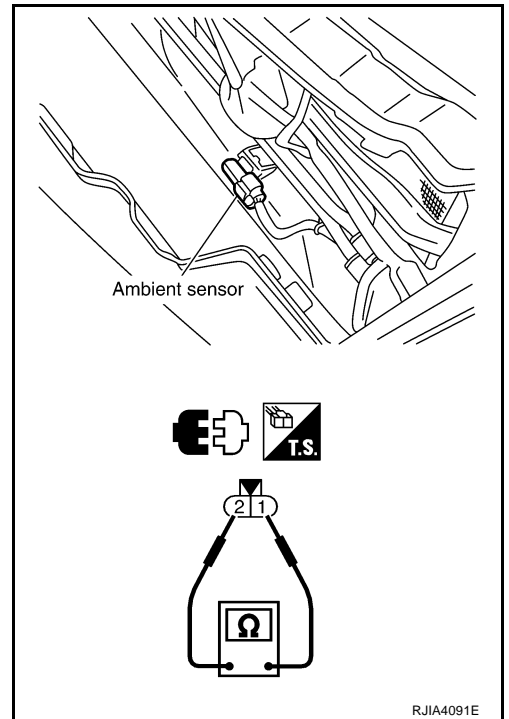
## COMPONENT INSPECTION

### Ambient Sensor

After disconnecting ambient sensor connector E62, measure resistance between terminals 1 and 2 at sensor side, using the table below.

Temperature °C (°F)	Resistance kΩ
-15 (5)	12.73
-10 (14)	9.92
-5 (23)	7.80
0 (32)	6.19
5 (41)	4.95
10 (50)	3.99
15 (59)	3.24
20 (68)	2.65
25 (77)	2.19
30 (86)	1.81
35 (95)	1.51
40 (104)	1.27
45 (113)	1.07

If NG, replace ambient sensor.



A  
B  
C  
D  
E  
F  
G  
H  
I

ATC

K  
L  
M

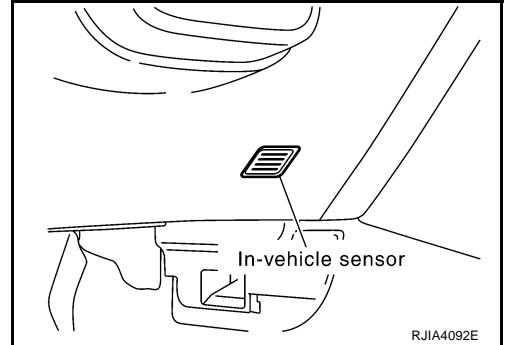
# TROUBLE DIAGNOSIS

NJS000H1

## In-Vehicle Sensor Circuit COMPONENT DESCRIPTION

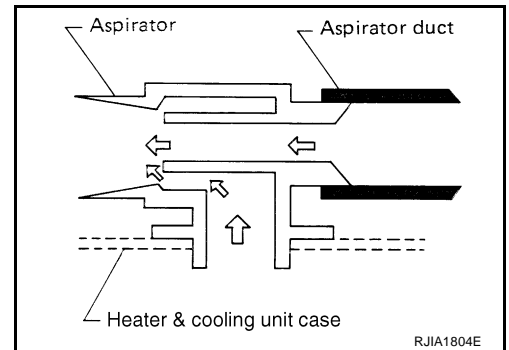
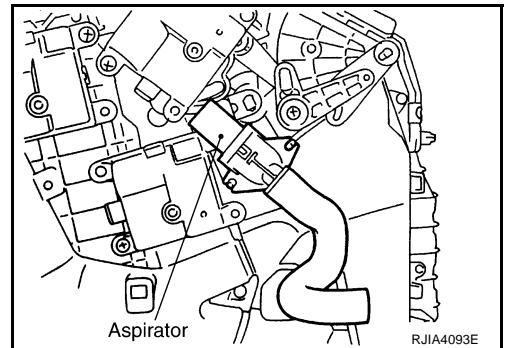
### In-vehicle Sensor

The in-vehicle sensor is located on instrument driver lower panel. It converts variations in temperature of compartment air drawn from the aspirator into a resistance value. It is then input into the unified meter and A/C amp.



### Aspirator

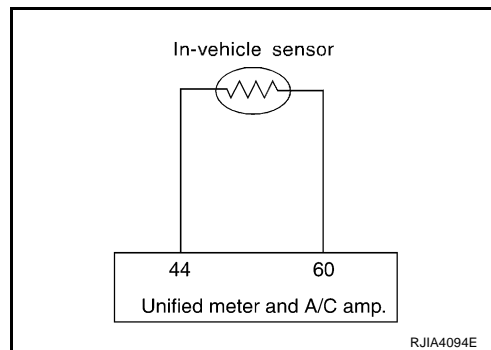
The aspirator is located on driver's side of heater & cooling unit assembly. It produces vacuum pressure due to air discharged from the heater & cooling unit assembly, continuously taking compartment air in the aspirator.



# TROUBLE DIAGNOSIS

## DIAGNOSIS PROCEDURE FOR IN-VEHICLE SENSOR

SYMPTOM: In-vehicle sensor circuit is open or shorted. (22 or -22 is indicated on unified meter and A/C amp. as a result of performing self-diagnosis STEP-2.)



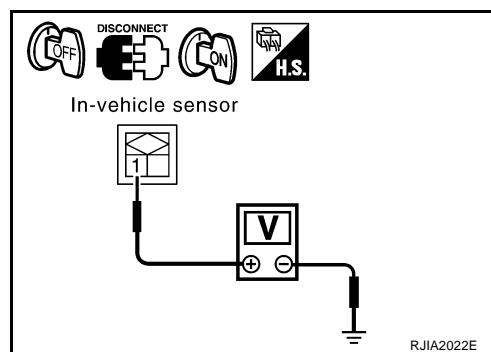
### 1. CHECK VOLTAGE BETWEEN IN-VEHICLE SENSOR AND GROUND

1. Disconnect in-vehicle sensor connector.
2. Turn ignition switch ON.
3. Check voltage between in-vehicle sensor harness connector M54 terminal 1 and ground.

**1 – Ground : Approx. 5 V**

OK or NG

- OK >> GO TO 2.  
NG >> GO TO 4.



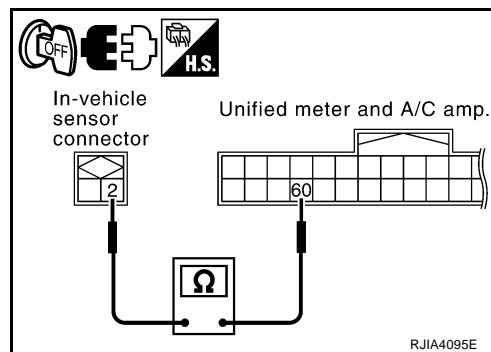
### 2. CHECK CIRCUIT CONTINUITY BETWEEN IN-VEHICLE SENSOR AND UNIFIED METER AND A/C AMP.

1. Turn ignition switch OFF.
2. Disconnect unified meter and A/C amp. connector.
3. Check continuity between in-vehicle sensor harness connector M54 terminal 2 and unified meter and A/C amp. harness connector M65 terminal 60.

**2 – 60 : Continuity should exist.**

OK or NG

- OK >> GO TO 3.  
NG >> Repair harness or connector.



### 3. CHECK IN-VEHICLE SENSOR

Refer to [ATC-118, "In-vehicle Sensor"](#) .

OK or NG

- OK >> 1. Replace unified meter and A/C amp.  
2. Go to self-diagnosis [ATC-56, "FUNCTION CONFIRMATION PROCEDURE"](#) and perform self-diagnosis STEP-2. Confirm that code No. 20 is displayed.
- NG >> 1. Replace in-vehicle sensor.  
2. Go to self-diagnosis [ATC-56, "FUNCTION CONFIRMATION PROCEDURE"](#) and perform self-diagnosis STEP-2. Confirm that code No. 20 is displayed.

# TROUBLE DIAGNOSIS

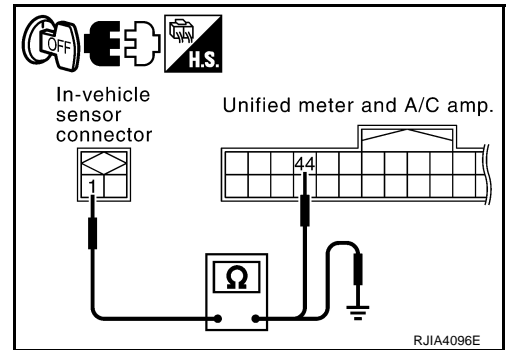
## 4. CHECK CIRCUIT CONTINUITY BETWEEN IN-VEHICLE SENSOR AND UNIFIED METER AND A/C AMP.

1. Turn ignition switch OFF.
2. Disconnect unified meter and A/C amp. connector.
3. Check continuity between in-vehicle sensor harness connector M54 terminal 1 and unified meter and A/C amp. harness connector M65 terminal 44.

**1 – 44 : Continuity should exist.**

4. Check continuity between in-vehicle sensor harness connector M54 terminal 1 and ground.

**1 – Ground : Continuity should not exist.**



### OK or NG

OK >> 1. Replace unified meter and A/C amp.

2. Go to self-diagnosis [ATC-56, "FUNCTION CONFIRMATION PROCEDURE"](#) and perform self-diagnosis STEP-2. Confirm that code No. 20 is displayed.

NG >> Repair harness or connector.

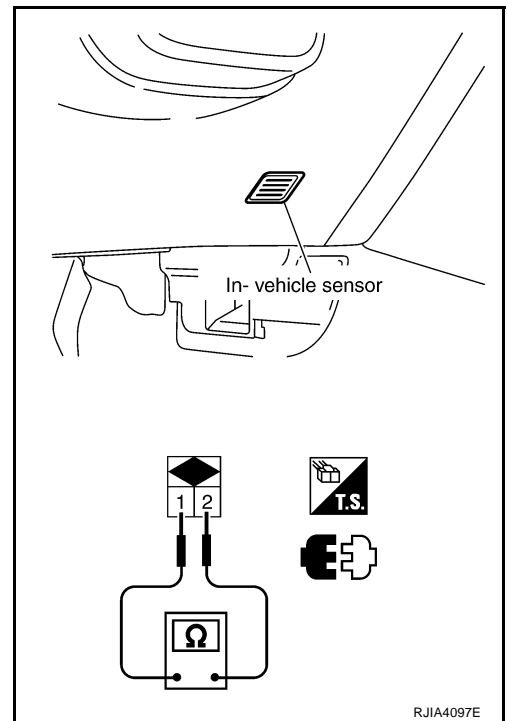
## COMPONENT INSPECTION

### In-vehicle Sensor

After disconnecting in-vehicle sensor connector M54, measure resistance between terminals 1 and 2 at sensor side, using the table below.

Temperature °C (°F)	Resistance kΩ
-15 (5)	12.73
-10 (14)	9.92
-5 (23)	7.80
0 (32)	6.19
5 (41)	4.95
10 (50)	3.99
15 (59)	3.24
20 (68)	2.65
25 (77)	2.19
30 (86)	1.81
35 (95)	1.51
40 (104)	1.27
45 (113)	1.07

If NG, replace in-vehicle sensor.



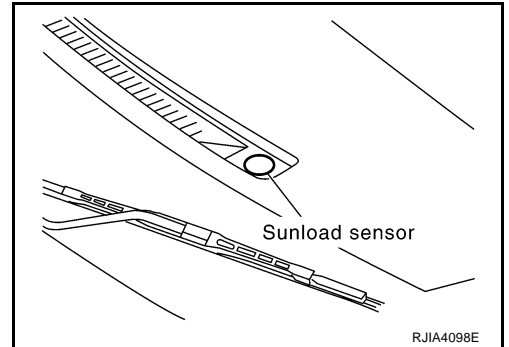
# TROUBLE DIAGNOSIS

## Sunload Sensor Circuit COMPONENT DESCRIPTION

NJS000H2

### Sunload Sensor

The sunload sensor is located on the driver's side front defroster grille. It detects sunload entering through windshield by means of a photo diode. The sensor converts the sunload into a current value which is then input into the unified meter and A/C amp.



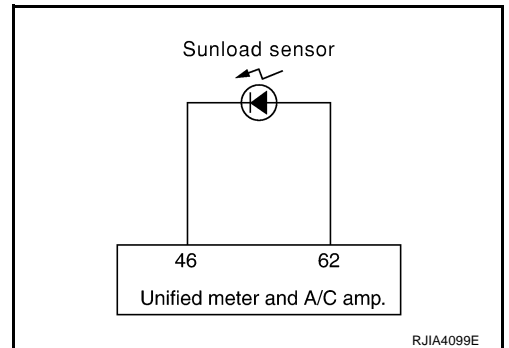
### SUNLOAD INPUT PROCESS

The unified meter and A/C amp. also includes a processing circuit which averages the variations in detected sunload over a period of time. This prevents drastic swings in the ATC system operation due to small or quick variations in detected sunload.

For example, consider driving along a road bordered by an occasional group of large trees. The sunload detected by the sunload sensor will vary whenever the trees obstruct the sunlight. The processing circuit averages the detected sunload over a period of time, so that the (insignificant) effect of the trees momentarily obstructing the sunlight does not cause any change in the ATC system operation. On the other hand, shortly after entering a long tunnel, the system will recognize the change in sunload, and the system will react accordingly.

### DIAGNOSIS PROCEDURE FOR SUNLOAD SENSOR

SYMPTOM: Sunload sensor circuit is open or shorted. (25 or -25 is indicated on unified meter and A/C amp. as a result of performing self-diagnosis STEP-2.)



## 1. CHECK VOLTAGE BETWEEN SUNLOAD SENSOR AND GROUND

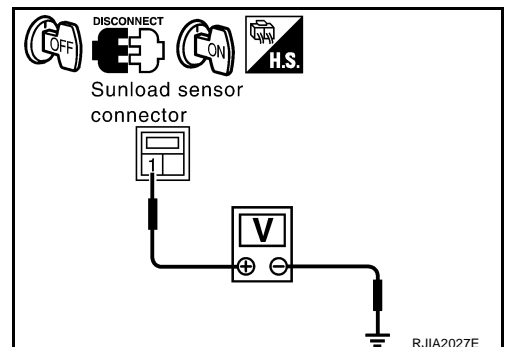
1. Disconnect sunload sensor connector.
2. Turn ignition switch ON.
3. Check voltage between sunload sensor harness connector M87 terminal 1 and ground.

**1 – Ground**

**: Approx. 5 V**

OK or NG

- OK >> GO TO 2.  
NG >> GO TO 4.



## TROUBLE DIAGNOSIS

### 2. CHECK CIRCUIT CONTINUITY BETWEEN SUNLOAD SENSOR AND UNIFIED METER AND A/C AMP.

1. Turn ignition switch OFF.
2. Disconnect unified meter and A/C amp. connector.
3. Check continuity between sunload sensor harness connector M87 terminal 2 and unified meter and A/C amp. harness connector M65 terminal 62.

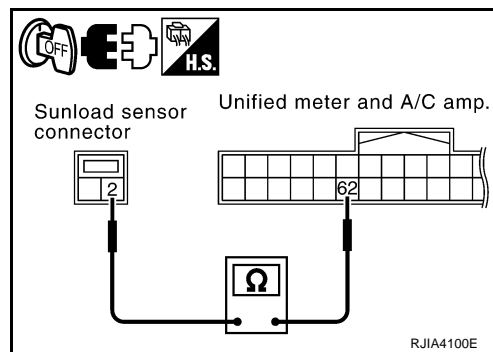
**2 – 62**

**: Continuity should exist.**

OK or NG

OK >> GO TO 3.

NG >> Repair harness or connector.



### 3. CHECK SUNLOAD SENSOR

1. Reconnect sunload sensor connector and unified meter and A/C amp. connector.
2. Refer to [ATC-121, "Sunload Sensor"](#).

OK or NG

OK >> 1. Replace unified meter and A/C amp.

2. Go to self-diagnosis [ATC-56, "FUNCTION CONFIRMATION PROCEDURE"](#) and perform self-diagnosis STEP-2. Confirm that code No. 20 is displayed.

NG >> 1. Replace sunload sensor.

2. Go to self-diagnosis [ATC-56, "FUNCTION CONFIRMATION PROCEDURE"](#) and perform self-diagnosis STEP-2. Confirm that code No. 20 is displayed.

### 4. CHECK CIRCUIT CONTINUITY BETWEEN SUNLOAD SENSOR AND UNIFIED METER AND A/C AMP.

1. Turn ignition switch OFF.
2. Disconnect unified meter and A/C amp. connector.
3. Check continuity between sunload sensor harness connector M87 terminal 1 and unified meter and A/C amp. harness connector M65 terminal 46.

**1 – 46**

**: Continuity should exist.**

4. Check continuity between sunload sensor harness connector M87 terminal 1 and ground.

**1 – Ground**

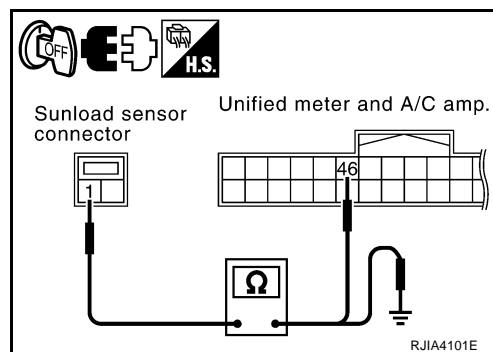
**: Continuity should not exist.**

OK or NG

OK >> 1. Replace unified meter and A/C amp.

2. Go to self-diagnosis [ATC-56, "FUNCTION CONFIRMATION PROCEDURE"](#) and perform self-diagnosis STEP-2. Confirm that code No. 20 is displayed.

NG >> Repair harness or connector.



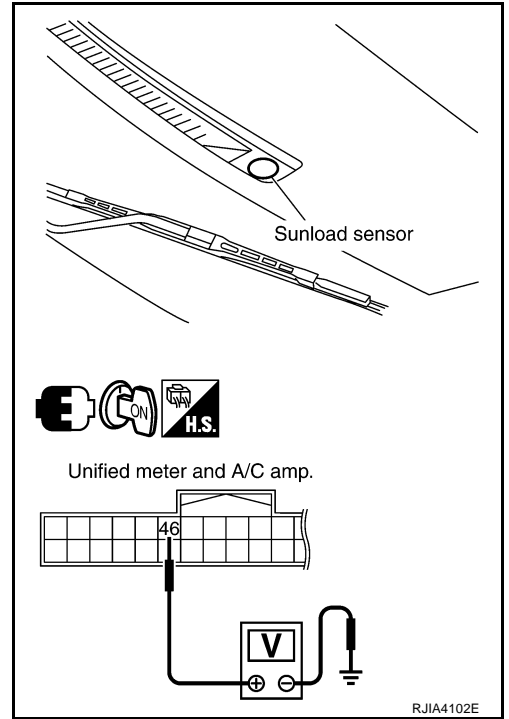


# TROUBLE DIAGNOSIS

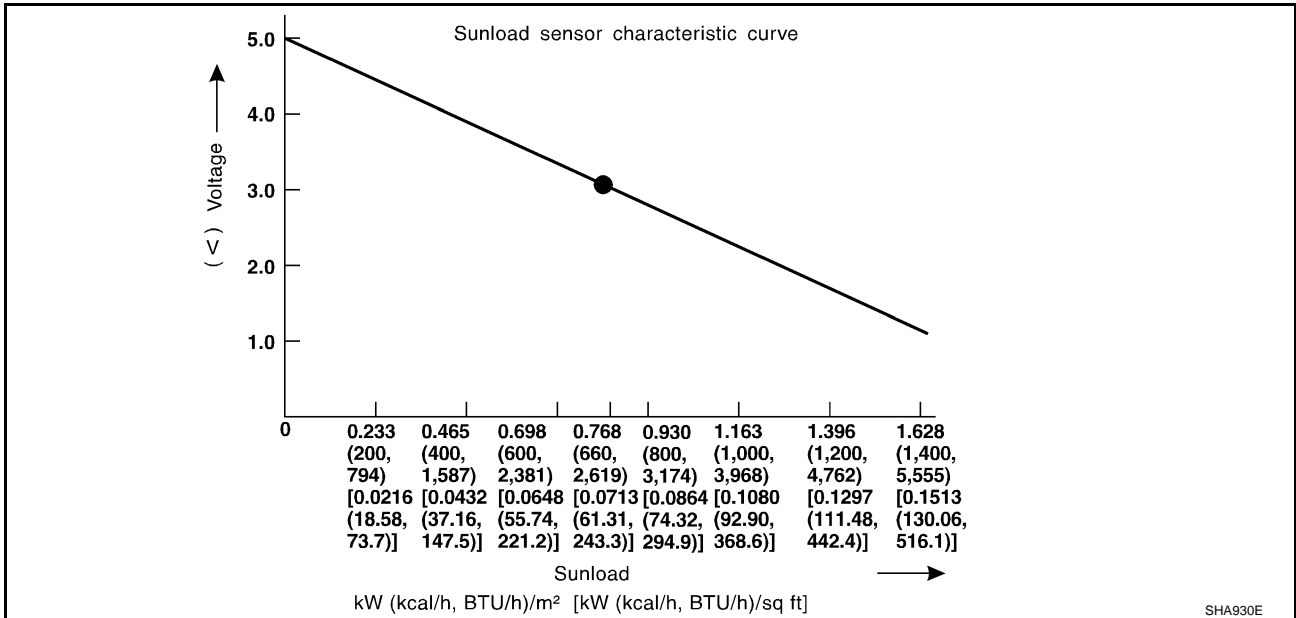
## COMPONENT INSPECTION

### Sunload Sensor

Measure voltage between unified meter and A/C amp. harness connector M65 terminal 46 and ground.



- When checking sunload sensor, select a place where sun shines directly on it.



If NG, replace sunload sensor.

A  
B  
C  
D  
E  
F  
G  
H  
I  
K  
L  
M

ATC

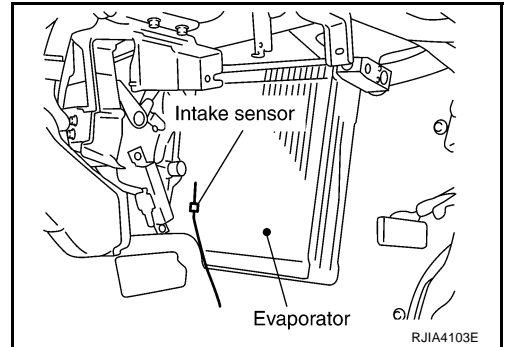
# TROUBLE DIAGNOSIS

NJS000H3

## Intake Sensor Circuit COMPONENT DESCRIPTION

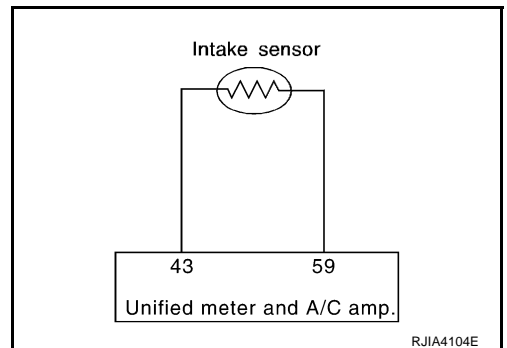
### Intake Sensor

The intake sensor is located on the heater & cooling unit assembly. It converts temperature of air after it passes through the evaporator into a resistance value which is then input to the unified meter and A/C amp.



## DIAGNOSIS PROCEDURE FOR INTAKE SENSOR

SYMPTOM: Intake sensor circuit is open or shorted. (24 or -24 is indicated on unified meter and A/C amp. as a result of performing self-diagnosis STEP-2.)



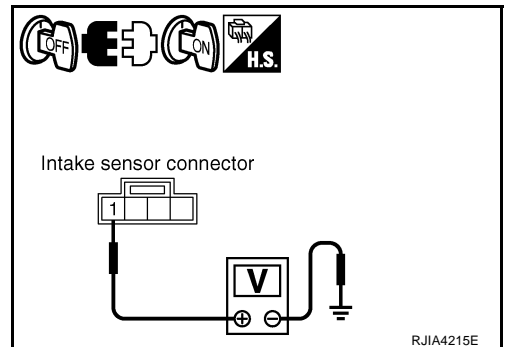
## 1. CHECK VOLTAGE BETWEEN INTAKE SENSOR AND GROUND

1. Disconnect intake sensor connector.
2. Turn ignition switch ON.
3. Check voltage between intake sensor harness connector M82 terminal 1 and ground.

**1 – Ground : Approx. 5 V**

OK or NG

- OK >> GO TO 2.  
NG >> GO TO 4.



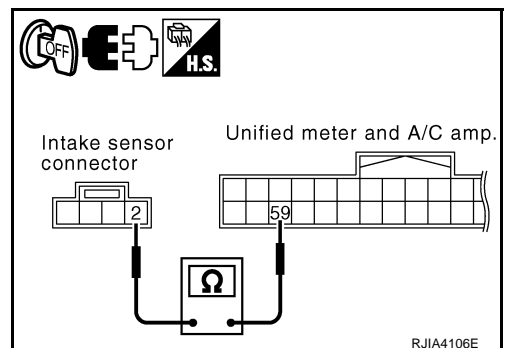
## 2. CHECK CIRCUIT CONTINUITY BETWEEN INTAKE SENSOR AND UNIFIED METER AND A/C AMP.

1. Turn ignition switch OFF.
2. Disconnect unified meter and A/C amp. connector.
3. Check continuity between intake sensor harness connector M82 terminal 2 and unified meter and A/C amp. harness connector M65 terminal 59.

**2 – 59 : Continuity should exist.**

OK or NG

- OK >> GO TO 3.  
NG >> Repair harness or connector.



# TROUBLE DIAGNOSIS

## 3. CHECK INTAKE SENSOR

Refer to [ATC-123, "Intake Sensor"](#) .

OK or NG

- OK >> 1. Replace unified meter and A/C amp.  
 2. Go to self-diagnosis [ATC-56, "FUNCTION CONFIRMATION PROCEDURE"](#) and perform self-diagnosis STEP-2. Confirm that code No. 20 is displayed.
- NG >> 1. Replace intake sensor.  
 2. Go to self-diagnosis [ATC-56, "FUNCTION CONFIRMATION PROCEDURE"](#) and perform self-diagnosis STEP-2. Confirm that code No. 20 is displayed.

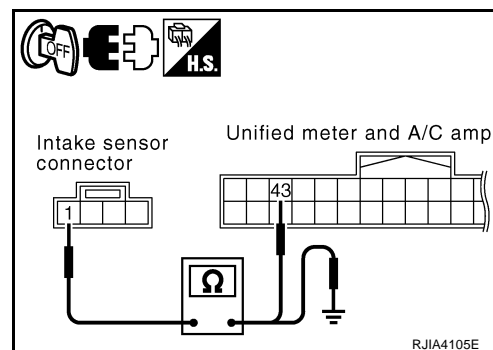
## 4. CHECK CIRCUIT CONTINUITY BETWEEN INTAKE SENSOR AND UNIFIED METER AND A/C AMP.

- Turn ignition switch OFF.
- Disconnect unified meter and A/C amp. connector.
- Check continuity between intake sensor harness connector M82 terminal 1 and unified meter and A/C amp. harness connector M65 terminal 43.

**1 – 43 : Continuity should exist.**

- Check continuity between intake sensor harness connector M82 terminal 1 and ground.

**1 – Ground : Continuity should not exist.**



OK or NG

- OK >> 1. Replace unified meter and A/C amp.  
 2. Go to self-diagnosis [ATC-56, "FUNCTION CONFIRMATION PROCEDURE"](#) and perform self-diagnosis STEP-2. Confirm that code No. 20 is displayed.
- NG >> Repair harness or connector.

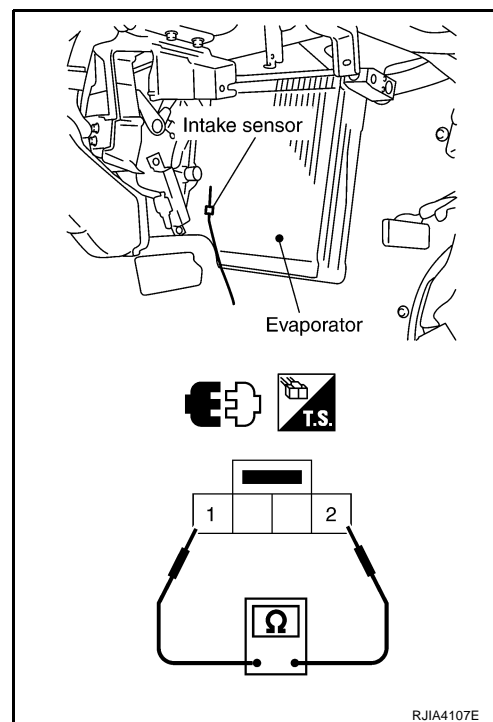
## COMPONENT INSPECTION

### Intake Sensor

After disconnecting intake sensor connector M82, measure resistance between terminals 1 and 2 at sensor side, using the table below.

Temperature °C (°F)	Resistance kΩ
-15 (5)	12.34
-10 (14)	9.62
-5 (23)	7.56
0 (32)	6.00
5 (41)	4.80
10 (50)	3.87
15 (59)	3.15
20 (68)	2.57
25 (77)	2.12
30 (86)	1.76
35 (95)	1.47
40 (104)	1.23
45 (113)	1.04

If NG, replace intake sensor.



# CONTROLLER

---

## CONTROLLER

PPF:27500

### Removal and Installation of Multifunction Switch REMOVAL

NJS000H4

Refer to [AV-292. "Multifunction Switch"](#) .

### INSTALLATION

Installation is basically the reverse order of removal.

# AUTO AMP

## AUTO AMP

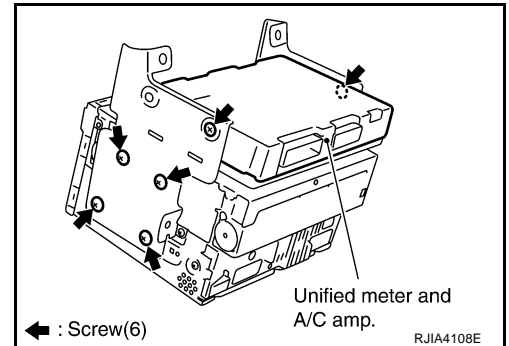
PF2:27760

### Removal and Installation of Unified Meter and A/C Auto Amp.

NJS000H5

#### REMOVAL

1. Remove audio unit. Refer to [AV-130, "Audio Unit"](#) (Without mobile entertainment system) or [AV-285, "Audio Unit"](#) (With mobile entertainment system).
2. Remove mounting screws, and then remove unified meter and A/C amp.



#### INSTALLATION

Installation is basically the reverse order of removal.

A  
B  
C  
D  
E  
F  
G  
H  
I  
K  
L  
M

ATC

# AMBIENT SENSOR

## AMBIENT SENSOR

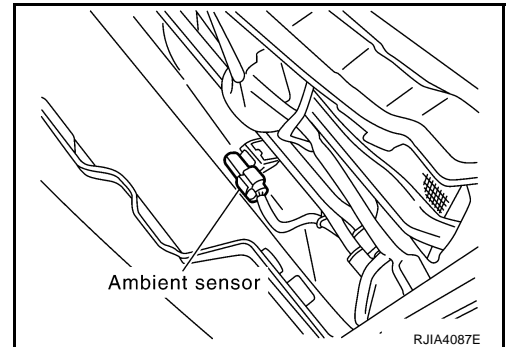
PFP:27722

### Removal and Installation

NJS000H6

#### REMOVAL

1. Remove front grille. Refer to [EI-16, "FRONT GRILLE"](#) .
2. Disconnect ambient sensor connector, and then remove ambient sensor.



#### INSTALLATION

Installation is basically the reverse order of removal.

# IN-VEHICLE SENSOR

## IN-VEHICLE SENSOR

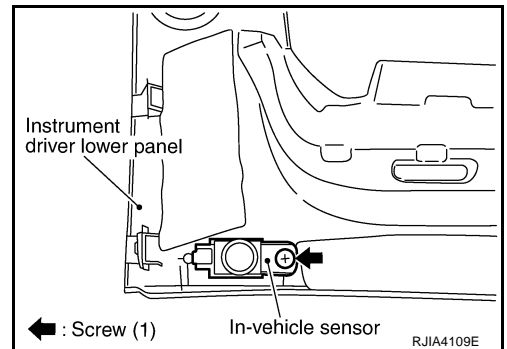
PFP:27720

### Removal and Installation

NJS000H7

#### REMOVAL

1. Remove instrument driver lower panel. Refer to [IP-10, "INSTRUMENT PANEL ASSEMBLY"](#).
2. Remove mounting screw, and then remove in-vehicle sensor.



#### INSTALLATION

Installation is basically the reverse order of removal.

A  
B  
C  
D  
E  
F  
G  
H  
I  
K  
L  
M

ATC

# SUNLOAD SENSOR

## SUNLOAD SENSOR

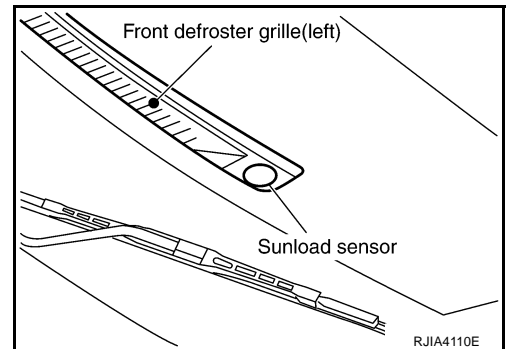
PFP:27721

### Removal and Installation

NJS000H8

#### REMOVAL

1. Remove front defroster grille (left). Refer to [IP-10, "INSTRUMENT PANEL ASSEMBLY"](#) .
2. Disconnect sunload sensor connector, and then remove sunload sensor.



#### INSTALLATION

Installation is basically the reverse order of removal.



# INTAKE SENSOR

## INTAKE SENSOR

PFP:27723

### Removal and Installation

NJS000H9

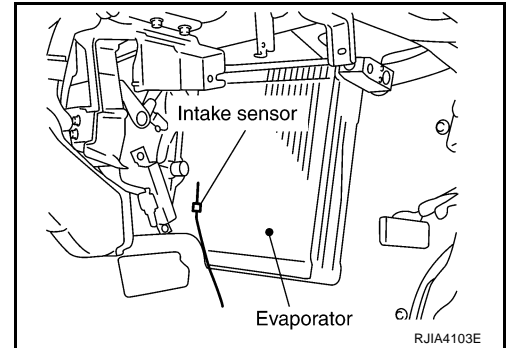
#### REMOVAL

1. Remove low-pressure pipe 1 and high-pressure pipe 2. Refer to [ATC-162, "Removal and Installation of Low-Pressure Pipe 1 and High-Pressure Pipe 2"](#).

#### **CAUTION:**

**Cap or wrap the joint of the pipe with suitable material such as vinyl tape to avoid the entry of air.**

2. Slide evaporator to passenger side, and then remove intake sensor.



#### INSTALLATION

Installation is basically the reverse order of removal.

#### **CAUTION:**

- Replace O-rings of A/C piping with new ones, and then apply compressor oil to it when installing it.
- Mark the mounting position of intake sensor bracket prior to removal so that the reinstalled sensor can be located in the same position.
- Female-side piping connection is thin and easy to deform. Slowly insert the male-side piping straight in axial direction.
- Insert piping securely until a click is heard.
- After piping connection is completed, pull male-side piping by hand to make sure that connection does not come loose.
- When recharging refrigerant, check for leaks.

# BLOWER UNIT

PFP:27200

NJS000HA

## BLOWER UNIT

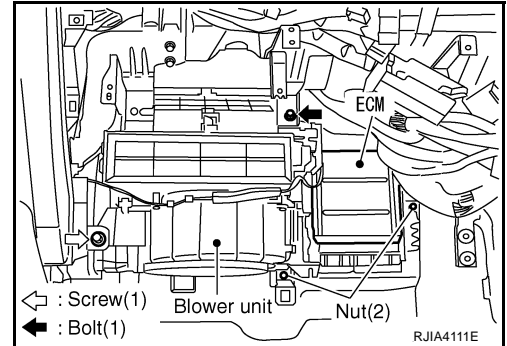
### Removal and Installation

#### REMOVAL

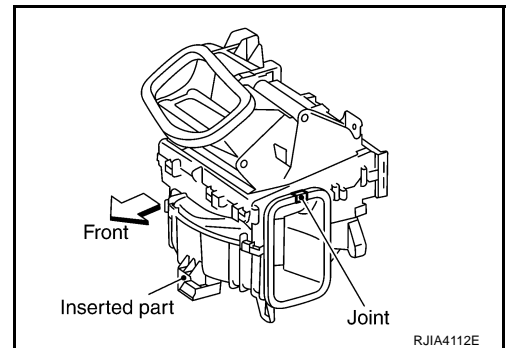
1. Remove instrument passenger lower cover and glove box cover. Refer to [IP-10, "INSTRUMENT PANEL ASSEMBLY"](#) .
2. Remove BCM. Refer to [BCS-17, "Removal and Installation of BCM"](#) .
3. Remove mounting nuts, and then remove ECM with bracket attached.
4. Disconnect intake door motor connector and blower fan motor connector.
5. Remove mounting bolt and screw from blower unit.

#### **CAUTION:**

**Move blower unit rightward, and remove locating pin (1 part) and joint. Then remove blower unit downward.**



6. Remove blower unit.



#### INSTALLATION

Installation is basically the reverse order of removal.

#### **CAUTION:**

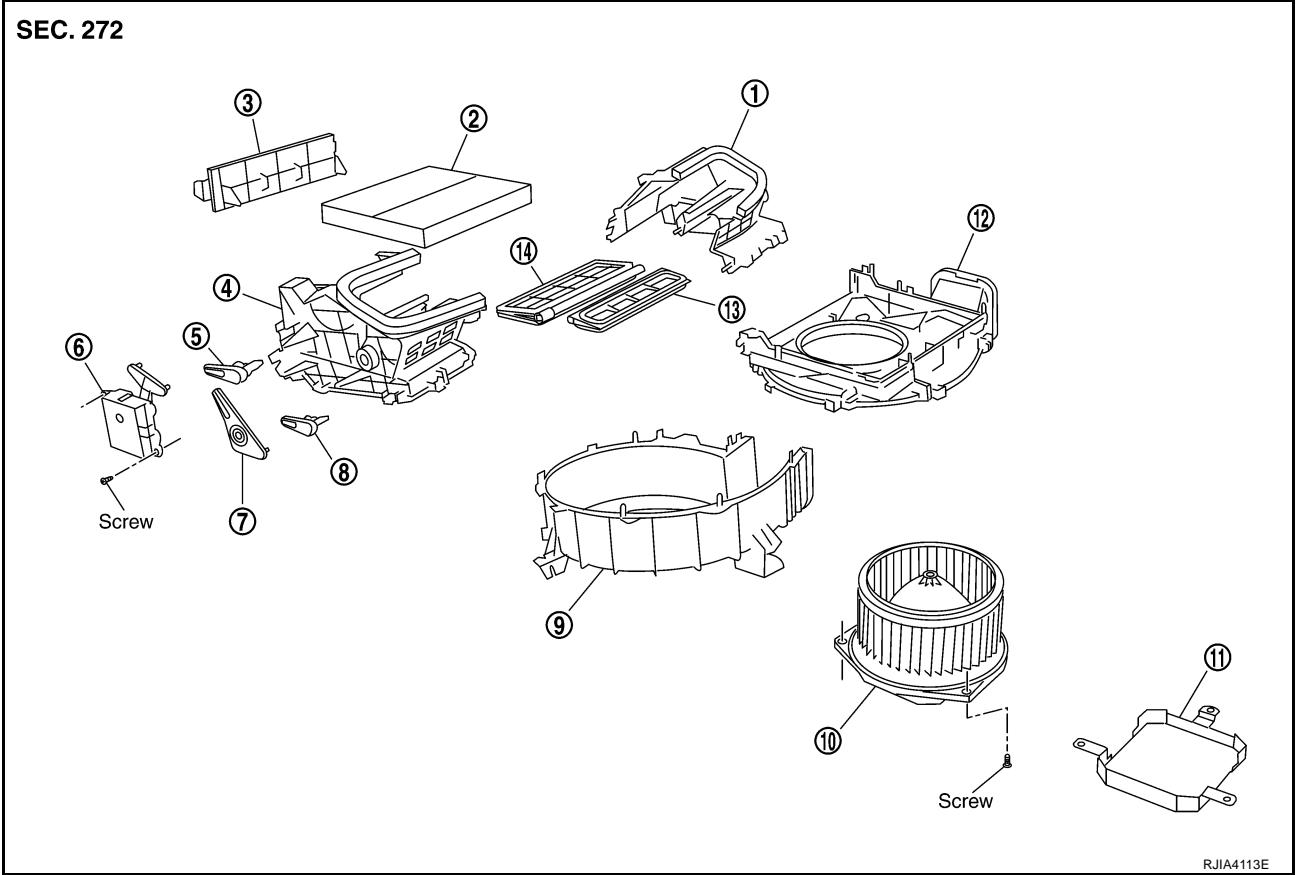
**Make sure locating pin (1 part) and joint are securely inserted.**

# BLOWER UNIT

## Disassembly and Assembly

NJS000HB

A  
B  
C  
D  
E  
F  
G  
H  
I  
K  
L  
M



- |                           |                         |                       |
|---------------------------|-------------------------|-----------------------|
| 1. Intake box (left)      | 2. In-cabin microfilter | 3. Filter cover       |
| 4. Intake box (right)     | 5. Intake door lever 2  | 6. Intake door motor  |
| 7. Intake door link       | 8. Intake door lever 1  | 9. Intake lower case  |
| 10. Blower motor assembly | 11. Motor cover         | 12. Intake upper case |
| 13. Intake door 1         | 14. Intake door 2       |                       |

ATC

# BLOWER MOTOR

## BLOWER MOTOR

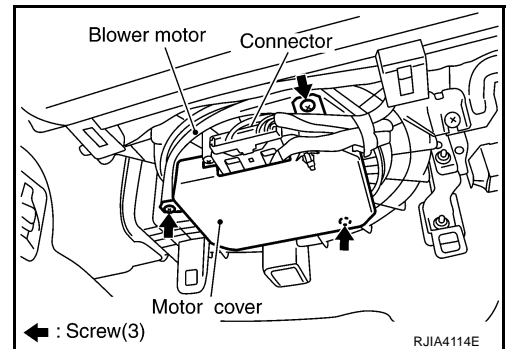
PFP:27226

### Removal and Installation

NJS000HC

#### REMOVAL

1. Remove instrument passenger lower cover. Refer to [IP-10, "INSTRUMENT PANEL ASSEMBLY"](#).
2. Disconnect blower motor connector.
3. Remove mounting screws, and then remove blower motor.



#### INSTALLATION

Installation is basically the reverse order of removal.

# INTAKE DOOR MOTOR

## INTAKE DOOR MOTOR

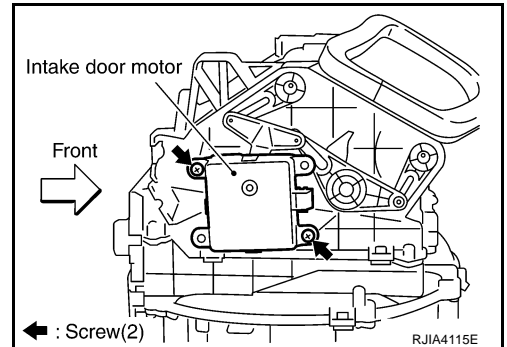
PFP:27730

### Removal and Installation

NJS000HD

#### REMOVAL

1. Remove ECM with bracket attached. Refer to [ATC-130, "BLOWER UNIT"](#) .
2. Remove mounting screws, and then remove intake door motor from blower unit.
3. Disconnect intake door motor connector.



#### INSTALLATION

Installation is basically the reverse order of removal.

A  
B  
C  
D  
E  
F  
G  
H  
I  
K  
L  
M

ATC

# IN-CABIN MICROFILTER

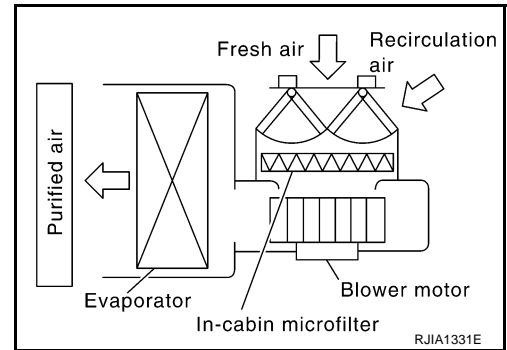
## IN-CABIN MICROFILTER

PFP:27277

### Removal and Installation FUNCTION

NJS000HE

Air inside passenger compartment is kept clean at either recirculation or fresh mode by installing in-cabin microfilter into blower unit.



### REPLACEMENT TIMING

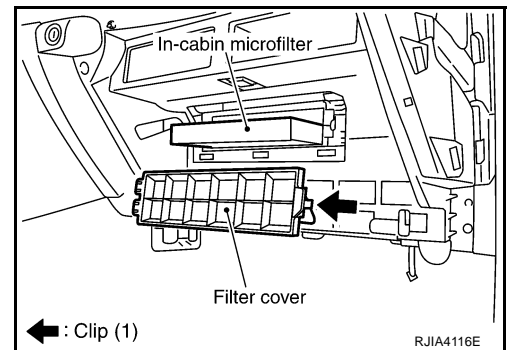
Replace in-cabin microfilter.

Refer to [MA-9, "CHASSIS AND BODY MAINTENANCE"](#) in Schedule 1 and [MA-11, "CHASSIS AND BODY MAINTENANCE"](#) in Schedule 2.

When replacing filter, affix a caution label inside the glove box.

### REPLACEMENT PROCEDURES

1. Remove glove box. Refer to [IP-10, "INSTRUMENT PANEL ASSEMBLY"](#).
2. Remove filter cover, and then remove in-cabin microfilter.
3. Take out in-cabin microfilter from blower unit.
4. Replace with new one and reinstall on blower unit.
5. Reinstall glove box.



# HEATER & COOLING UNIT ASSEMBLY

## HEATER & COOLING UNIT ASSEMBLY

PFP:27110

### Removal and Installation REMOVAL

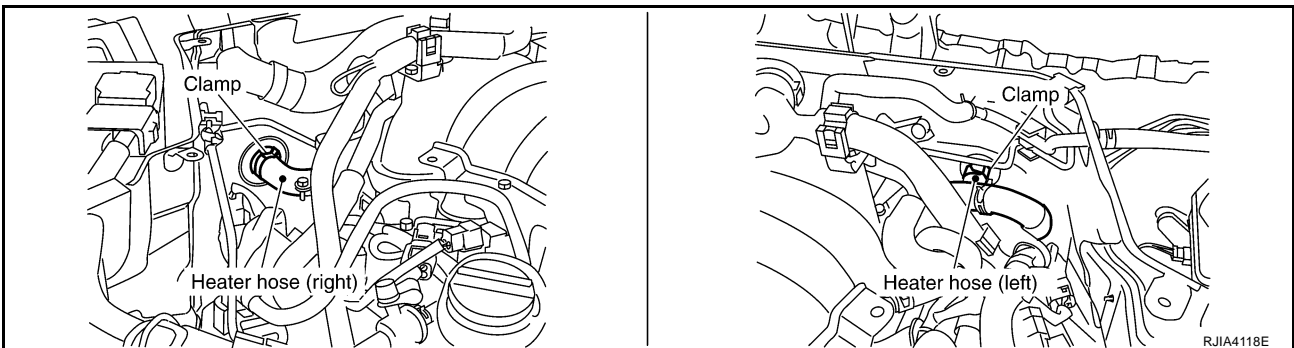
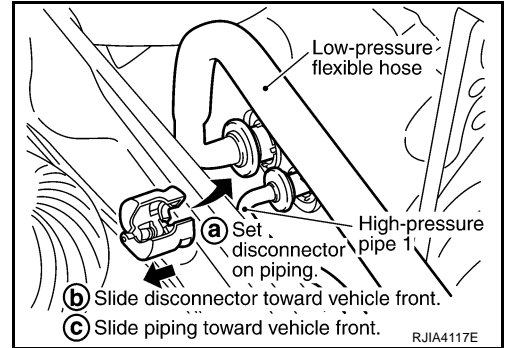
NJS000HF

1. Use a refrigerant collecting equipment (for HFC-134a) to discharge the refrigerant.
2. Drain coolant from cooling system. Refer to [CO-11, "Changing Engine Coolant"](#) (VQ35DE) or [CO-40, "Changing Engine Coolant"](#) (VK45DE).
3. Remove cowl top cover. Refer to [EI-18, "COWL TOP"](#).
4. Disconnect low-pressure flexible hose and high-pressure pipe 1 from evaporator.
  - a. Set a disconnecter [high-pressure side (SST: 9253089908), low-pressure side (SST: 9253089916)] on A/C piping.
  - b. Slide a disconnecter toward vehicle front until it clicks.
  - c. Slide A/C piping toward vehicle front and disconnect it.

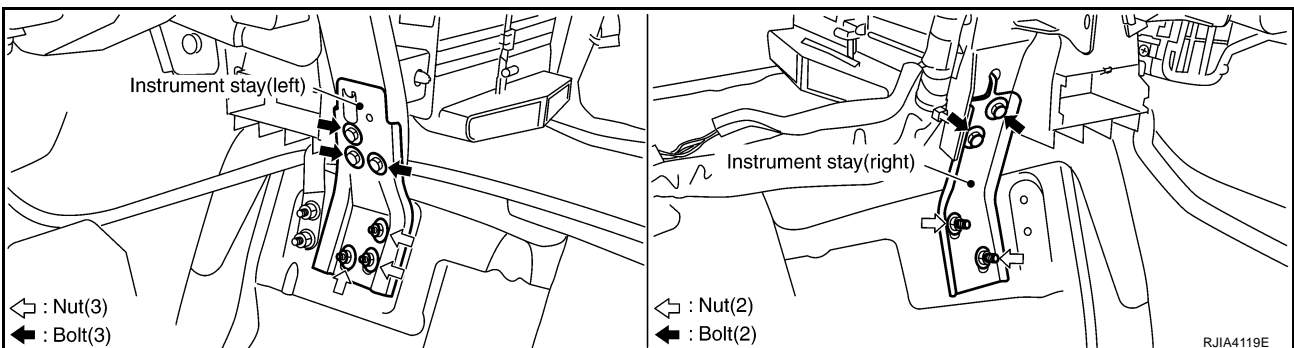
#### CAUTION:

Cap or wrap the joint of the pipe with suitable material such as vinyl tape to avoid the entry of air.

5. Remove electric throttle control actuator. Refer to [EM-19, "INTAKE MANIFOLD COLLECTOR"](#) (VQ35DE) or [EM-179, "INTAKE MANIFOLD"](#) (VK45DE).
6. Disconnect two heater hoses from heater core.



7. Remove instrument panel & pad. Refer to [IP-10, "INSTRUMENT PANEL ASSEMBLY"](#).
8. Remove blower unit. Refer to [ATC-130, "BLOWER UNIT"](#).
9. Remove clips of vehicle harness from steering member.
10. Remove mounting nuts and bolts, and then remove instrument stays.

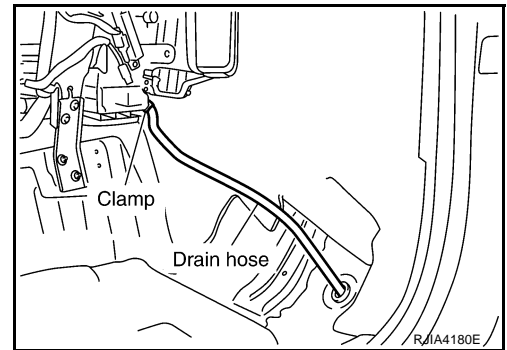


A  
B  
C  
D  
E  
F  
G  
H  
I  
K  
L  
M

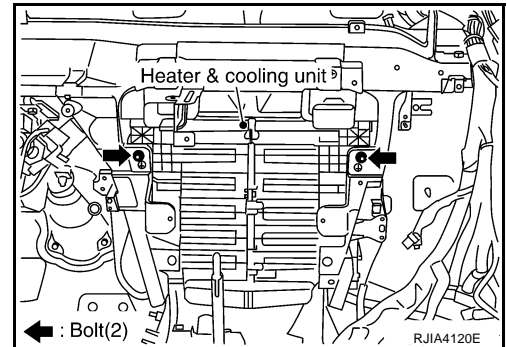
ATC

# HEATER & COOLING UNIT ASSEMBLY

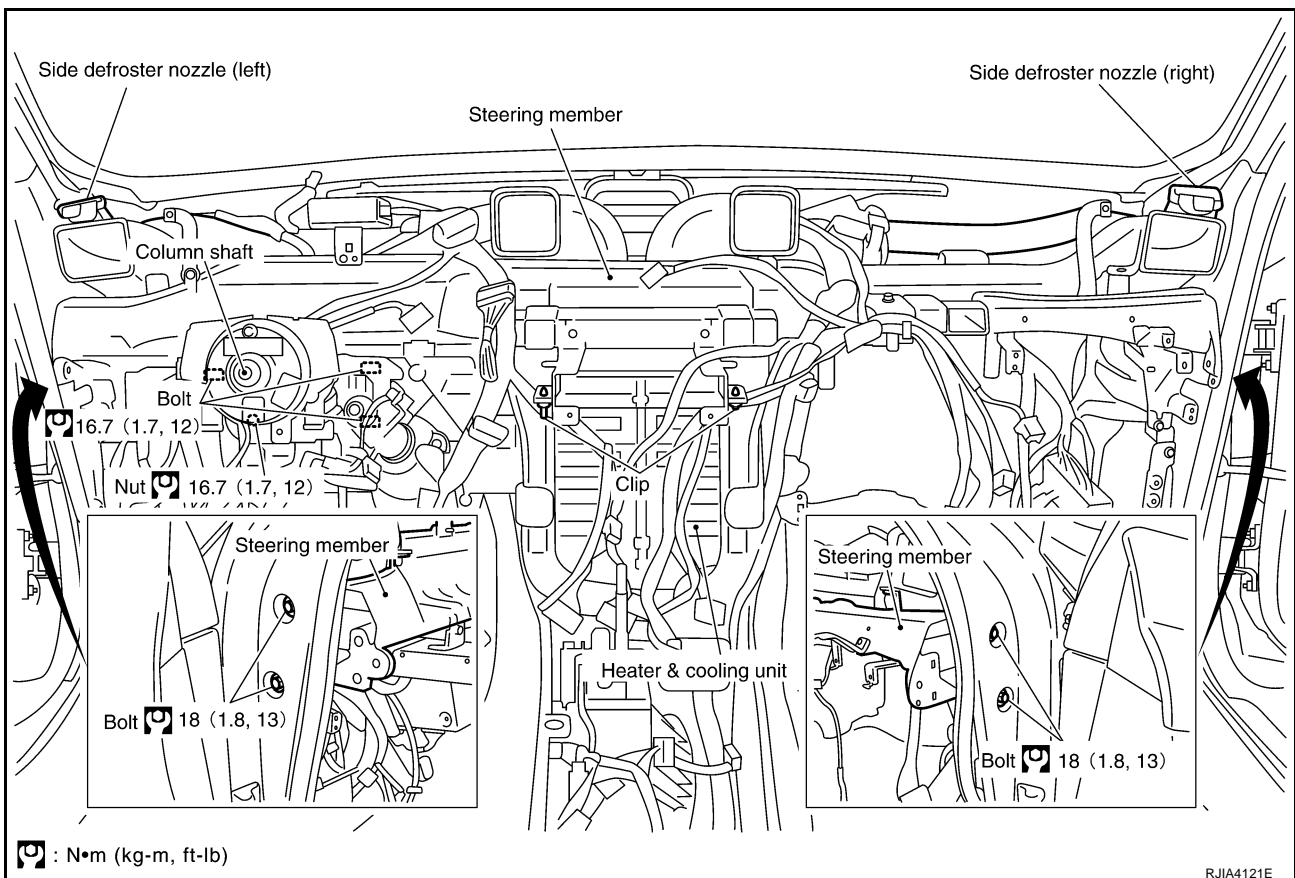
11. Disconnect drain hose.



12. Remove mounting bolts from heater & cooling unit.



13. Remove side defroster nozzles.



14. Remove steering column mounting bolts and nut.

15. Remove steering member mounting bolts.

16. Remove steering member, and then remove heater & cooling unit.

## INSTALLATION

Installation is basically the reverse order of removal.



# HEATER & COOLING UNIT ASSEMBLY

## CAUTION:

- Replace O-rings of A/C piping with new ones, and then apply compressor oil to it when installing it. A
- Female-side piping connection is thin and easy to deform. Slowly insert the male-side piping straight in axial direction. B
- Insert piping securely until a click is heard.
- After piping connection is completed, pull male-side piping by hand to make sure that connection does not come loose. C
- When recharging refrigerant, check for leaks.

## NOTE:

- When filling radiator with coolant, refer to [CO-11, "Changing Engine Coolant"](#) (VQ35DE) or [CO-40, "Changing Engine Coolant"](#) (VK45DE). D
- Recharge the refrigerant.

### Heater & cooling unit assembly mounting bolt E

 : 6.9 N·m (0.7 kg·m, 61 in-lb)

### Instrument stay mounting nut and bolt F

 : 12 N·m (1.25 kg·m, 9 ft-lb)

ATC

K

L

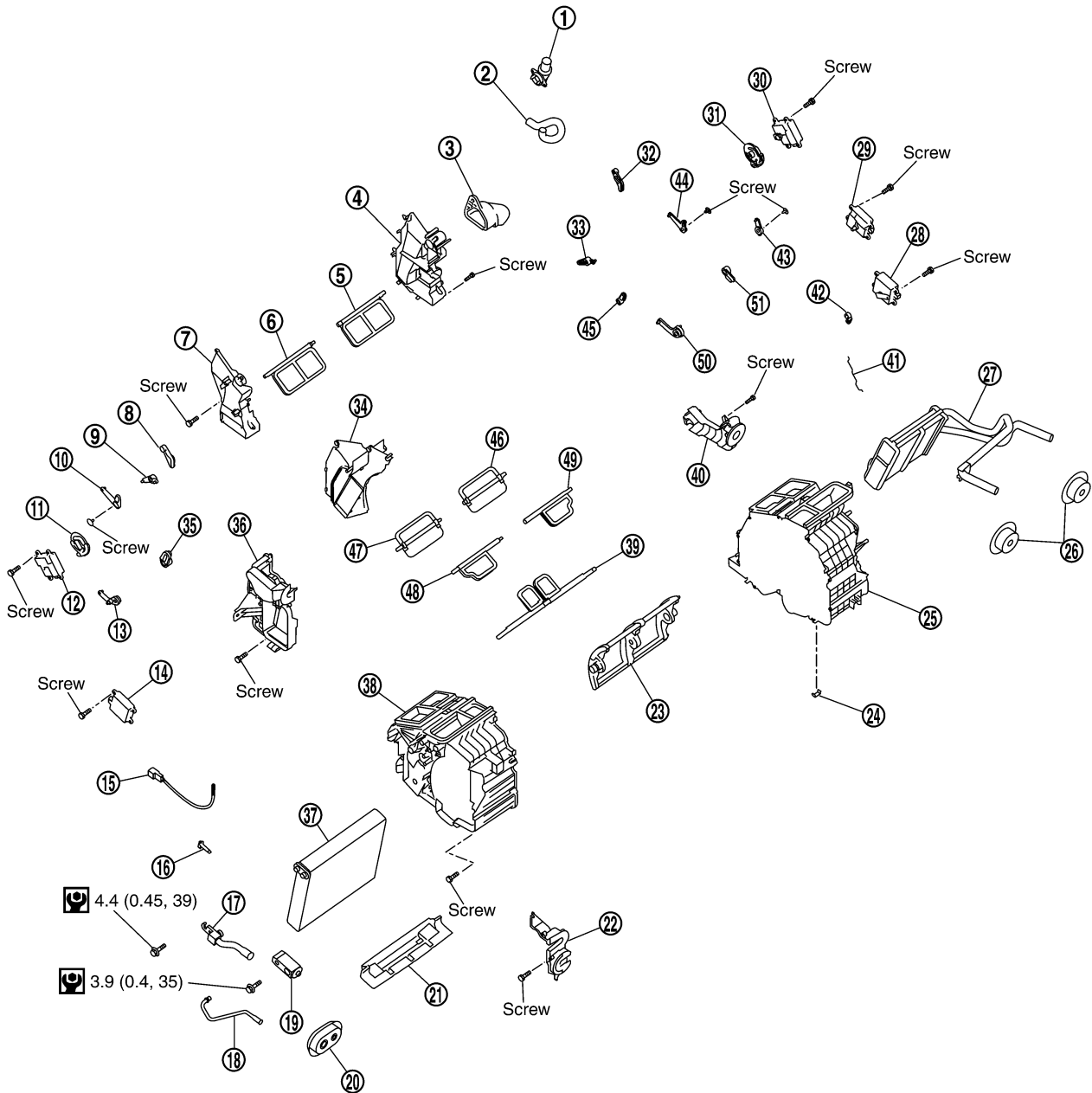
M

# HEATER & COOLING UNIT ASSEMBLY

## Disassembly and Assembly

NJS000HG

SEC.271



: N•m (kg-m, in-lb)

RJIA4122E

- |                                       |   |                                      |
|---------------------------------------|---|--------------------------------------|
| 1. Aspirator                          | 2. Aspirator hose                       | 3. Front heater duct (left)          |
| 4. Foot duct (left)                   | 5. Ventilator door (left)               | 6. Ventilator door (right)           |
| 7. Foot duct (right)                  | 8. Main link sub (right)                | 9. Ventilator door lever (right)     |
| 10. Ventilator door link (right)      | 11. Main link (right)                   | 12. Mode door motor (passenger side) |
| 13. Max. cool door link (right)       | 14. Air mix door motor (passenger side) | 15. Intake sensor                    |
| 16. Intake sensor bracket             | 17. Low-pressure pipe 1                 | 18. High-pressure pipe 2             |
| 19. Expansion valve                   | 20. Cooler pipe grommet                 | 21. Insulator                        |
| 22. Evaporator cover adapter          | 23. Air mix door (Slide door)           | 24. Clip                             |
| 25. Heater & cooling unit case (left) | 26. Heater pipe grommet                 | 27. Heater core                      |
| 28. Upper ventilator door motor       | 29. Air mix door motor (driver side)    | 30. Mode door motor (driver side)    |
| 31. Main link (left)                  | 32. Main link sub (left)                | 33. Ventilator door lever (left)     |
| 34. Center case                       | 35. Max. cool door lever (right)        | 36. Evaporator cover                 |

# HEATER & COOLING UNIT ASSEMBLY

---

- |                           |  |                                 |
|---------------------------|--|---------------------------------|
| 37. Evaporator            | 38. Heater & cooling unit case (right) | 39. Upper ventilator door       |
| 40. Heater pipe cover     | 41. Upper ventilator door rod          | 42. Upper ventilator door lever |
| 43. Defroster door link   | 44. Ventilator door link (left)        | 45. Max. cool door lever (left) |
| 46. Max. cool door (left) | 47. Max. cool door (right)             | 48. Defroster door (right)      |
| 49. Defroster door (left) | 50. Max. cool door link (left)         | 51. Defroster door lever        |

A

B

C

D

E

F

G

H

I

ATC

K

L

M

# MODE DOOR MOTOR

## MODE DOOR MOTOR

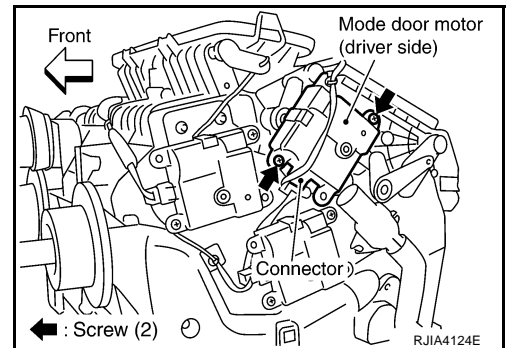
PFP:27731

### Removal and Installation

NJS000HH

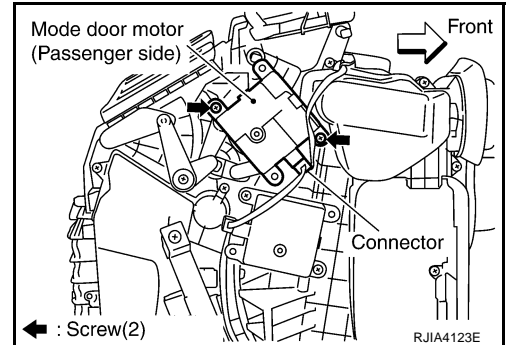
#### Driver Side

1. Remove heater & cooling unit assembly. Refer to [ATC-135, "HEATER & COOLING UNIT ASSEMBLY"](#) .
2. Remove mounting screws, and then remove mode door motor.
3. Disconnect mode door motor connector.



#### Passenger Side

1. Remove blower unit. Refer to [ATC-130, "BLOWER UNIT"](#) .
2. Remove mounting screws, and then remove mode door motor.
3. Disconnect mode door motor connector.



### INSTALLATION

Installation is basically the reverse order of removal.

# AIR MIX DOOR MOTOR

## AIR MIX DOOR MOTOR

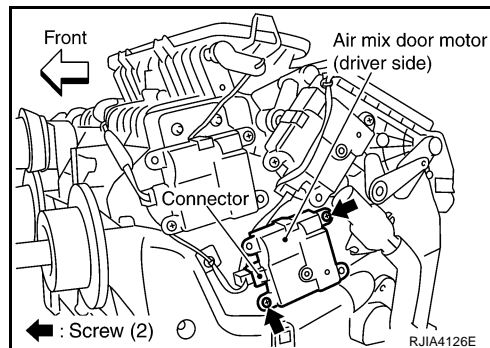
PFP:27732

### Removal and Installation

#### REMOVAL

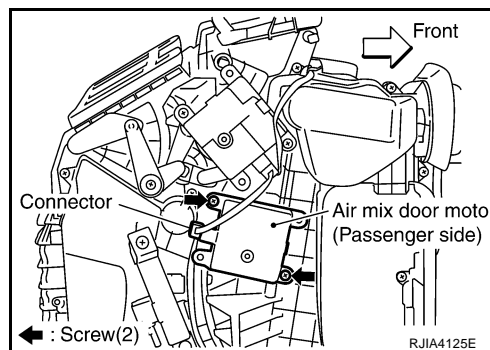
##### Driver Side

1. Set the temperature (driver side) at 18°C (60°F), and then disconnect the battery cable from the negative terminal.
2. Remove heater & cooling unit assembly. Refer to [ATC-135, "HEATER & COOLING UNIT ASSEMBLY"](#) .
3. Remove mounting screws, and then remove air mix door motor.
4. Disconnect air mix door motor connector.



##### Passenger Side

1. Set the temperature (passenger side) at 18°C (60°F), and then disconnect the battery cable from the negative terminal.
2. Remove blower unit. Refer to [ATC-130, "BLOWER UNIT"](#) .
3. Remove mounting screws, and then remove air mix door motor.
4. Disconnect air mix door motor connector.



#### INSTALLATION

Installation is basically the reverse order of removal.

# UPPER VENTILATOR DOOR MOTOR

## UPPER VENTILATOR DOOR MOTOR

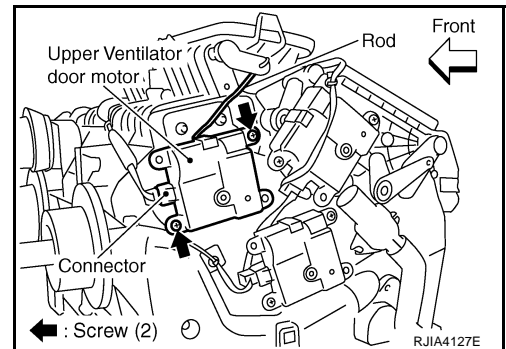
PFP:27731

### Removal and Installation

NJS000HJ

#### REMOVAL

1. Remove heater & cooling unit assembly. Refer to [ATC-135, "HEATER & COOLING UNIT ASSEMBLY"](#).
2. Remove mounting screws.
3. Disconnect upper ventilator door motor connector.
4. Disconnect upper ventilator door rod, and then remove upper ventilator door motor.



#### INSTALLATION

Installation is basically the reverse order of removal.

# HEATER CORE

## HEATER CORE

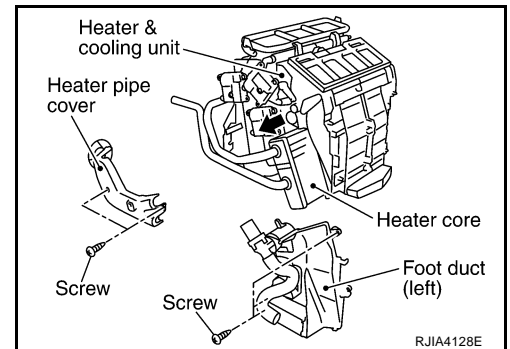
PFP:27140

### Removal and Installation

NJS000HK

#### REMOVAL

1. Remove heater & cooling unit assembly. Refer to [ATC-135, "HEATER & COOLING UNIT ASSEMBLY"](#) .
2. Remove mounting screws, and then remove heater pipe cover.
3. Remove mounting screws, and then remove foot duct (left).
4. Slide heater core (shown in the figure) to leftward.



#### INSTALLATION

Installation is basically the reverse order of removal.

A  
B  
C  
D  
E  
F  
G  
H  
I  
K  
L  
M

ATC

# DUCTS AND GRILLES

PFP:27860

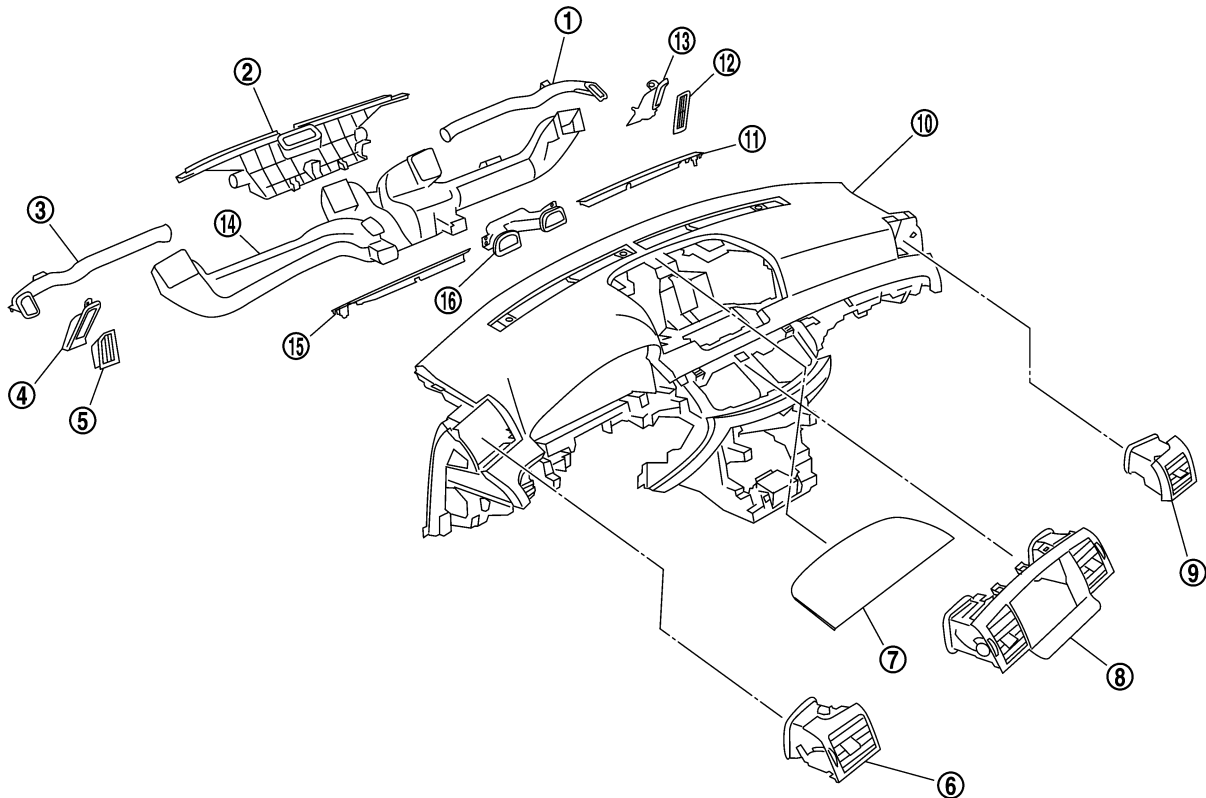
NJS000HL

## DUCTS AND GRILLES

### Removal and Installation COMPONENT LAYOUT

#### Grilles, Ducts and Nozzles

SEC. 278•680•687



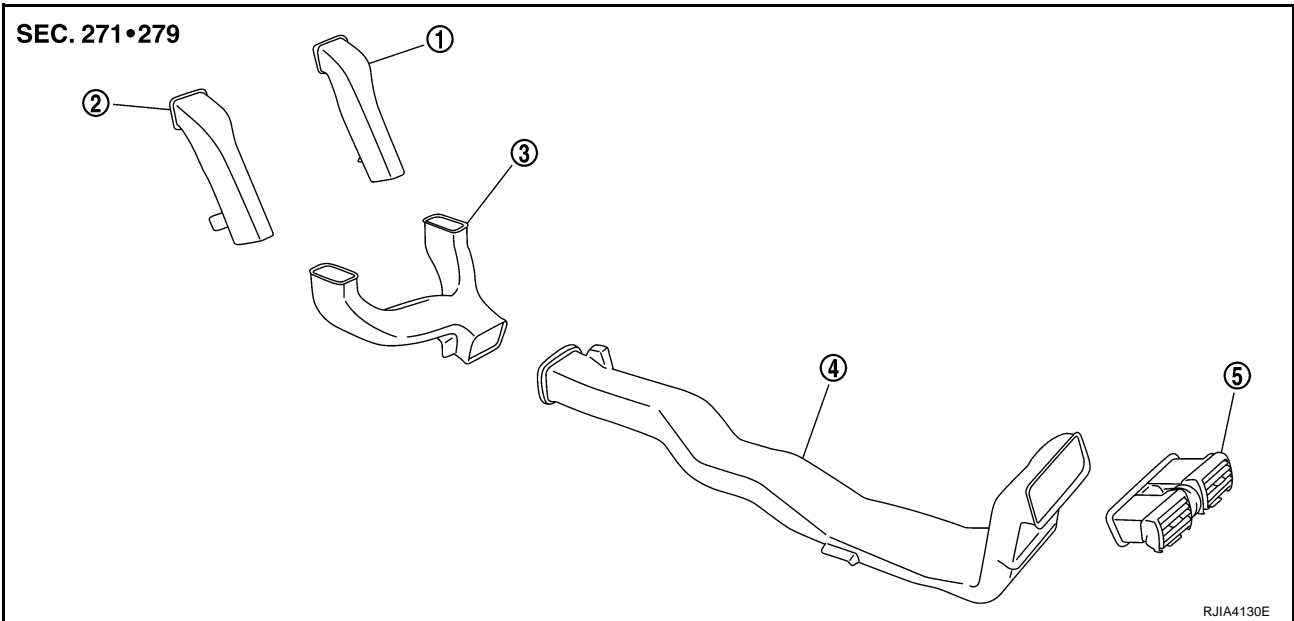
RJIA4129E

- |                                  |                                    |                                   |
|----------------------------------|------------------------------------|-----------------------------------|
| 1. Side defroster nozzle (right) | 2. Front defroster nozzle          | 3. Side defroster nozzle (left)   |
| 4. Side defroster duct (left)    | 5. Side defroster grille (left)    | 6. Side ventilator grille (left)  |
| 7. Upper ventilator grille       | 8. Center ventilator grille        | 9. Side ventilator grille (right) |
| 10. Instrument panel & pad       | 11. Front defroster grille (right) | 12. Side defroster grille (right) |
| 13. Side defroster duct (right)  | 14. Ventilator duct                | 15. Front defroster grille (left) |
| 16. Upper ventilator duct        |                                    |                                   |



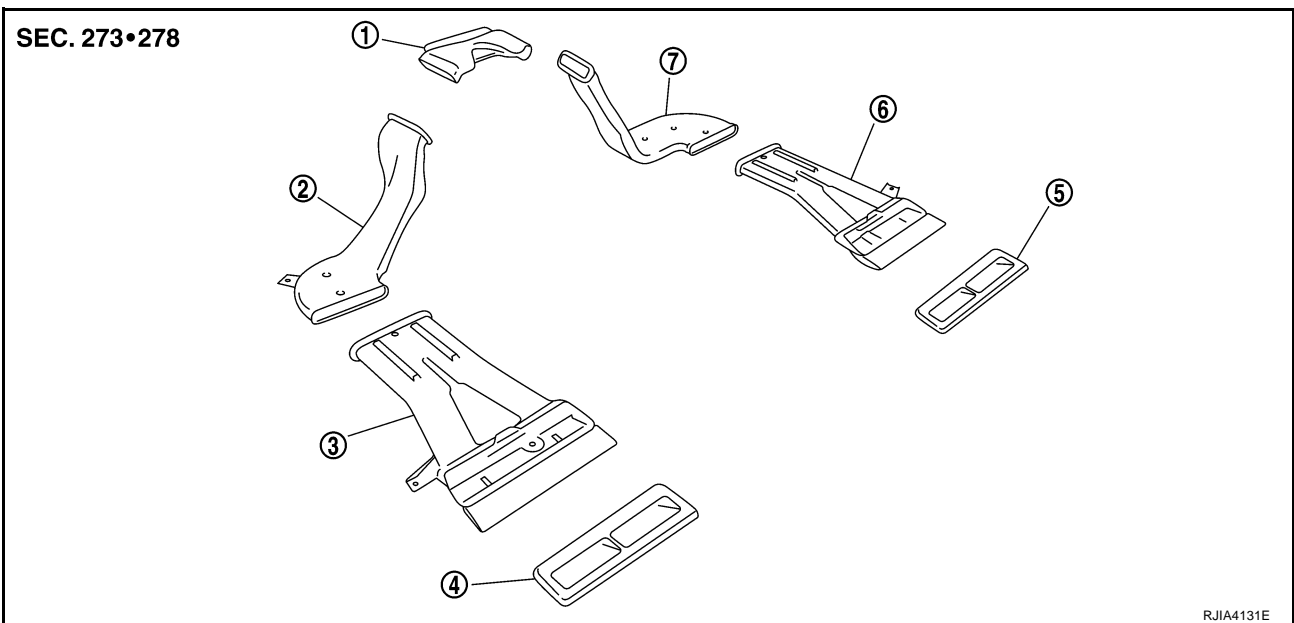
# DUCTS AND GRILLES

## Rear Ventilator Ducts and Grilles



1. Rear ventilator duct 1 (right)
2. Rear ventilator duct 1 (left)
3. Rear ventilator duct 2
4. Rear ventilator duct 3
5. Rear ventilator grille

## Rear Floor Ducts and Grilles



1. Rear floor duct 1
2. Rear floor duct 2 (left)
3. Rear floor duct 3 (left)
4. Rear floor grille (left)
5. Rear floor grille (right)
6. Rear floor duct 3 (right)
7. Rear floor duct 2 (right)

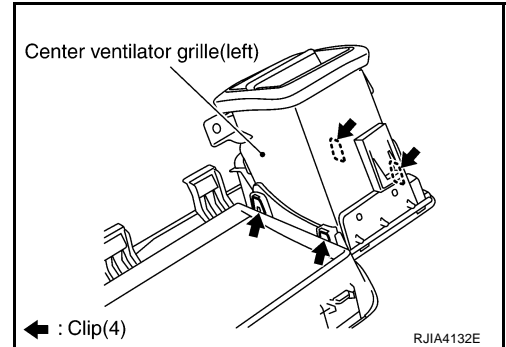
A  
B  
C  
D  
E  
F  
G  
H  
I  
ATC  
K  
L  
M

# DUCTS AND GRILLES

## REMOVAL

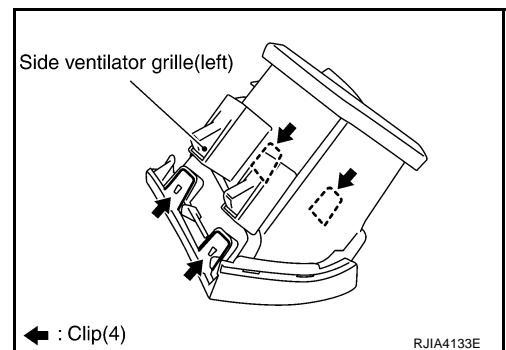
### Removal of Center Ventilator Grilles

1. Remove center ventilator assembly. Refer to [IP-10, "INSTRUMENT PANEL ASSEMBLY"](#).
2. Remove mounting clips, and then remove center ventilator grilles.



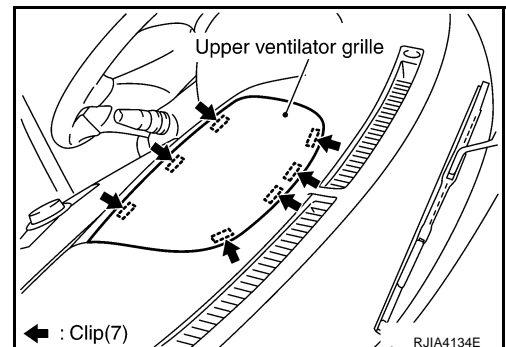
### Removal of Side Ventilator Grilles

1. Remove side ventilator assembly. Refer to [IP-10, "INSTRUMENT PANEL ASSEMBLY"](#).
2. Remove mounting clips, and then remove side ventilator grilles.



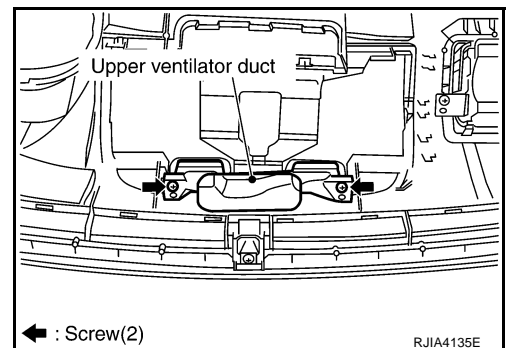
### Removal of Upper Ventilator Grille

Remove mounting metal clips, and then remove upper ventilator grille.



### Removal of Upper Ventilator Duct

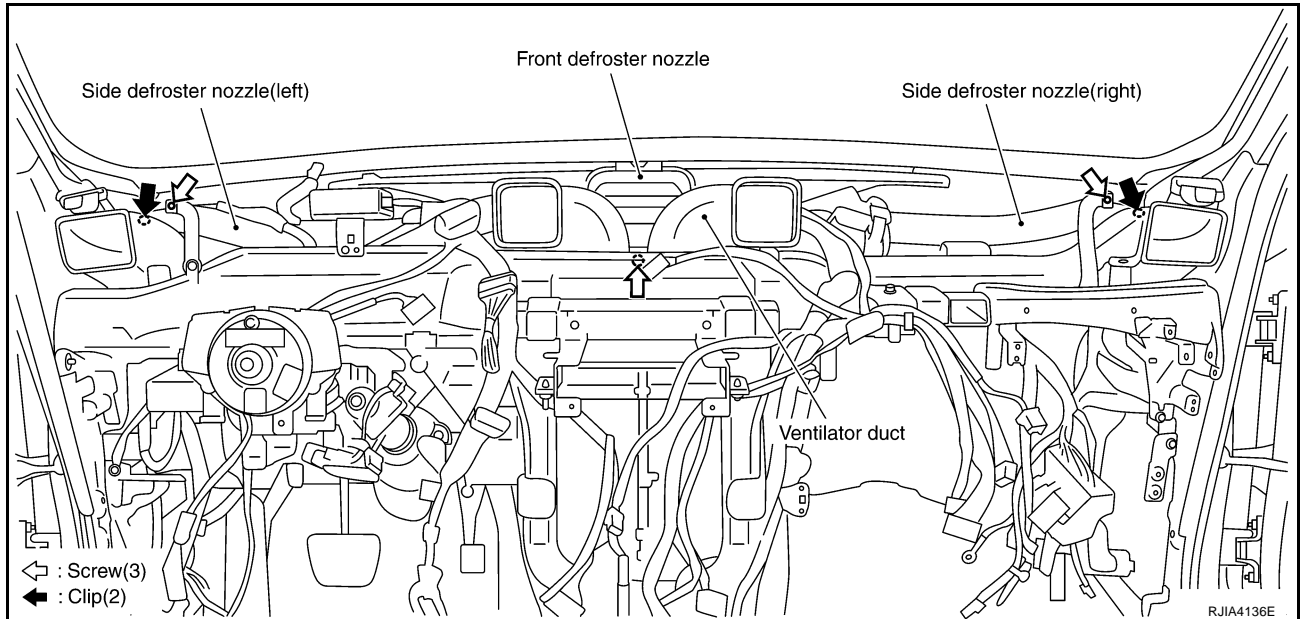
1. Remove instrument panel & pad. Refer to [IP-10, "INSTRUMENT PANEL ASSEMBLY"](#).
2. Remove mounting screws, and then remove upper ventilator duct, using power tools.



# DUCTS AND GRILLES

## Removal of Front Defroster Nozzle, Side Defroster Nozzles and Ventilator Duct

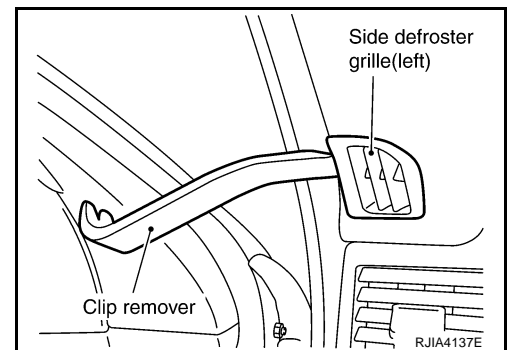
1. Remove instrument panel & pad. Refer to [IP-10, "INSTRUMENT PANEL ASSEMBLY"](#) .
2. Remove mounting clips, and then remove side defroster nozzles.



3. Remove front defroster nozzle.
4. Remove mounting screws, and then remove ventilator duct, using power tools.

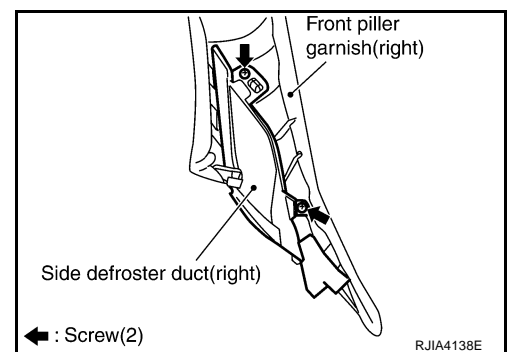
## Removal of Side Defroster Grilles

Remove side defroster grilles, using clip remover.



## Removal of Side Defroster Ducts

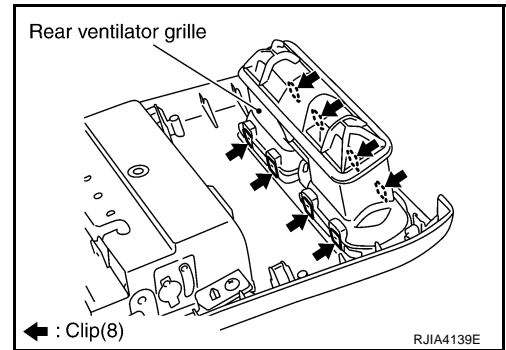
1. Remove front pillar garnish. Refer to [EI-38, "FRONT PILLAR GARNISH"](#) .
2. Remove mounting screws, and then remove side defroster ducts.



# DUCTS AND GRILLES

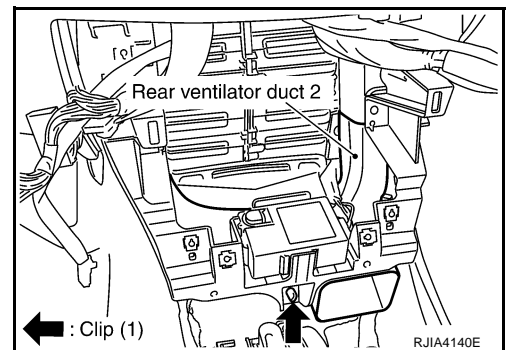
## Removal of Rear Ventilator Grille

1. Remove console rear finisher. Refer to [IP-10, "INSTRUMENT PANEL ASSEMBLY"](#).
2. Remove mounting clips, and then remove rear ventilator grille.

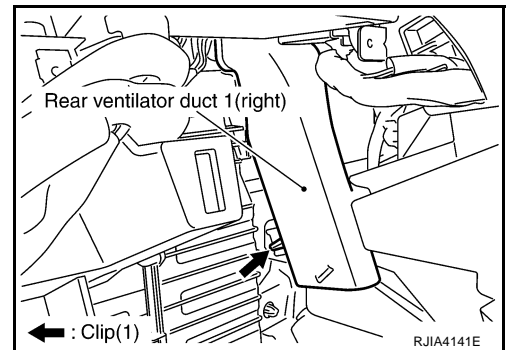


## Removal of Rear Ventilator Ducts

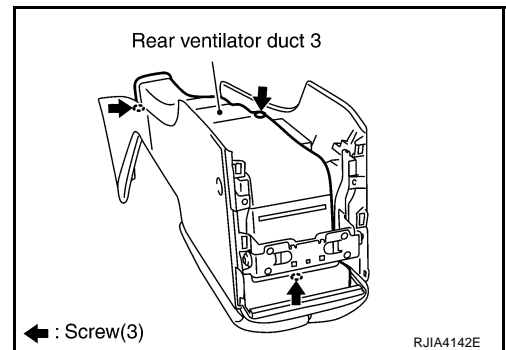
1. Remove center console. Refer to [IP-10, "INSTRUMENT PANEL ASSEMBLY"](#).
2. Remove mounting clip, and then remove rear ventilator duct 2.



3. Remove mounting clips, and then remove rear ventilator ducts 1.



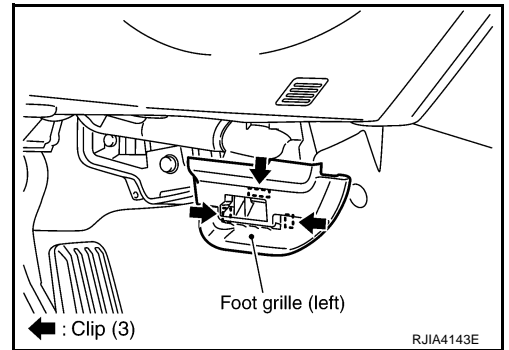
4. Remove mounting screws, and then remove rear ventilator duct 3.



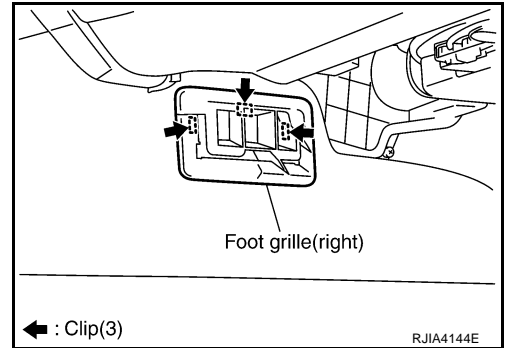
# DUCTS AND GRILLES

## Removal of Foot Grilles

1. Remove mounting clips, and then remove foot grille (left).

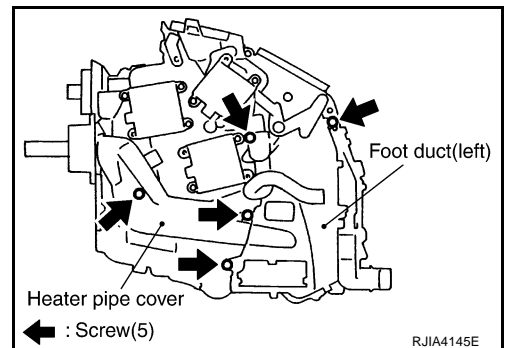


2. Remove mounting clips, and then remove foot grille (right).

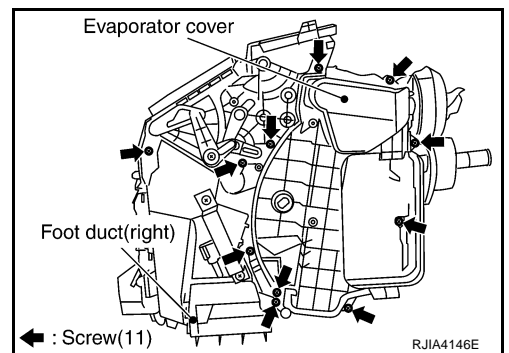


## Removal of Foot Ducts

1. Remove instrument driver lower panel. Refer to [IP-10, "INSTRUMENT PANEL ASSEMBLY"](#) .
2. Remove mounting screws, and then remove heater pipe cover.
3. Remove mounting screws, and then remove foot duct (left).



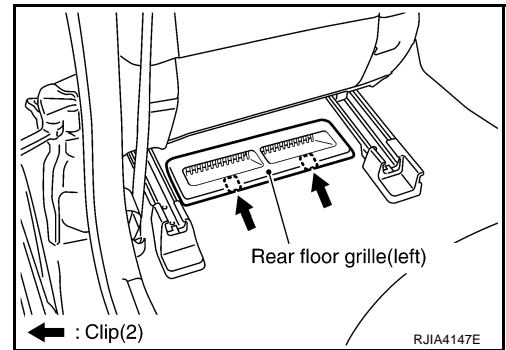
4. Remove blower unit. Refer to [ATC-130, "BLOWER UNIT"](#) .
5. Remove air mix door motor (passenger side). Refer to [ATC-141, "AIR MIX DOOR MOTOR"](#) .
6. Remove mode door motor (passenger side). Refer to [ATC-140, "MODE DOOR MOTOR"](#) .
7. Remove mounting screws, and then remove evaporator cover.
8. Remove mounting screws, and then remove foot duct (right).



# DUCTS AND GRILLES

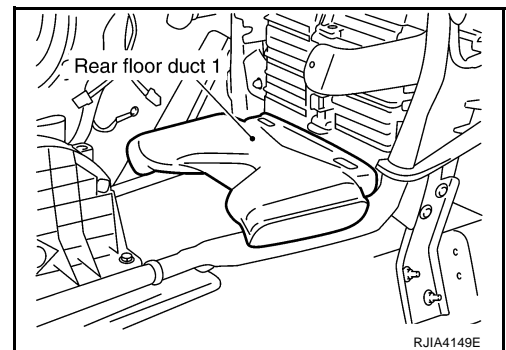
## Removal of Rear Floor Grilles

1. Slide front seats toward vehicle front.
2. Remove mounting clips, and then remove rear floor grilles.

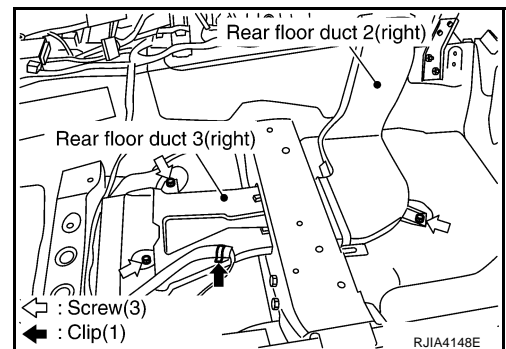


## Removal of Rear Floor Ducts

1. Remove center console. Refer to [IP-10, "INSTRUMENT PANEL ASSEMBLY"](#).
2. Remove rear floor duct 1.



3. Remove front seats. Refer to [SE-163, "FRONT SEAT"](#).
4. Peel back floor trim to a point where rear floor duct is visible.
5. Remove mounting screws and clip, and then remove rear floor ducts 2 and 3.



## INSTALLATION

Installation is basically the reverse order of removal.

# REFRIGERANT LINES

## REFRIGERANT LINES

PFP:92600

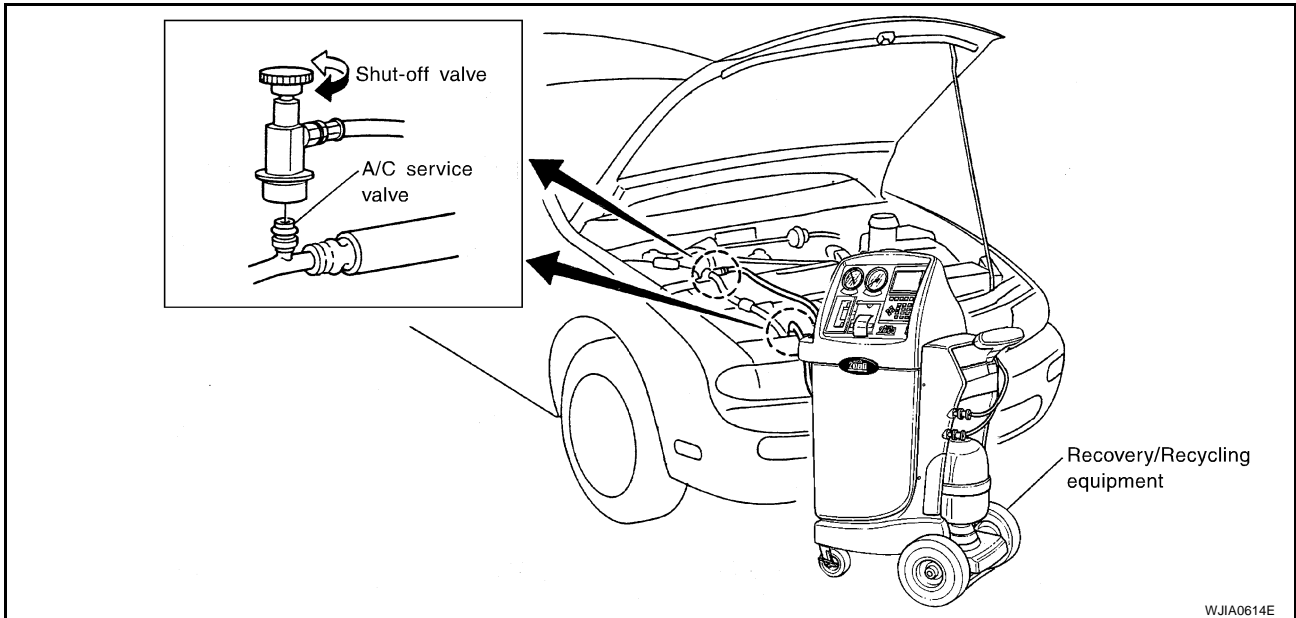
### HFC-134a (R-134a) Service Procedure SETTING OF SERVICE TOOLS AND EQUIPMENT

NJS000HM

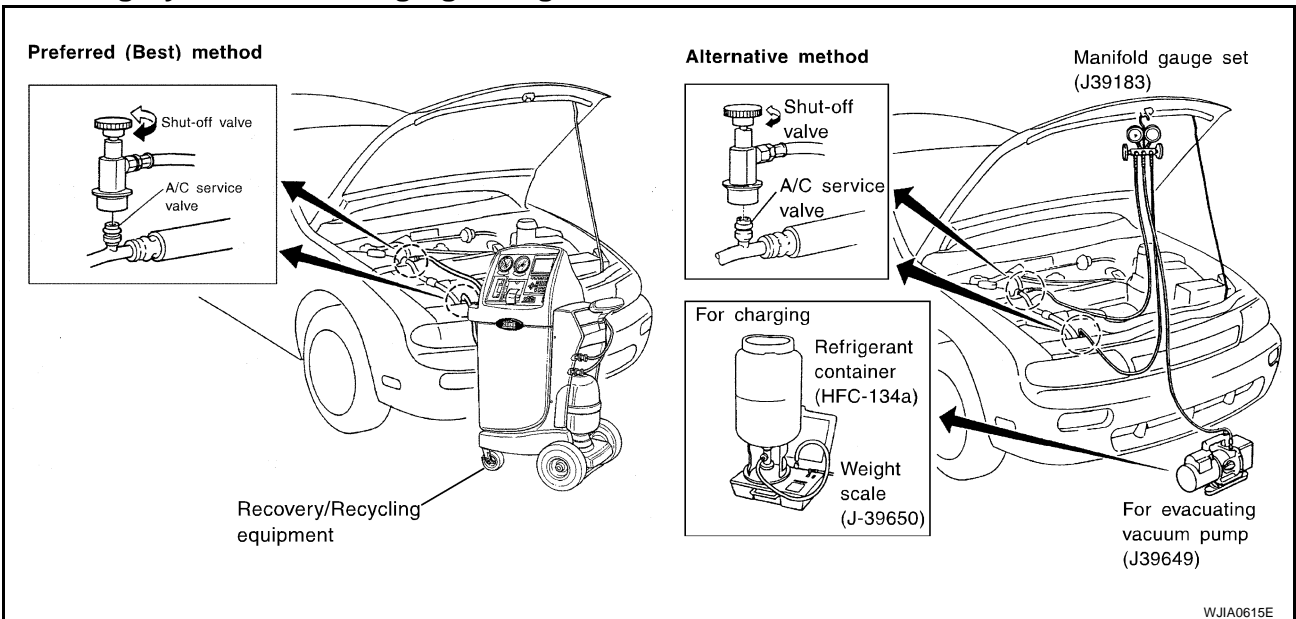
#### Discharging Refrigerant

**WARNING:**

Avoid breathing A/C refrigerant and lubricant vapor or mist. Exposure may irritate eyes, nose and throat. Remove HFC-134a (R-134a) from A/C system using certified service equipment meeting requirements of SAE J-2210 [HFC-134a (R-134a) recycling equipment] or J-2209 [HFC-134a (R-134a) recovery equipment]. If accidental system discharge occurs, ventilate work area before resuming service. Additional health and safety information may be obtained from refrigerant and lubricant manufacturers.



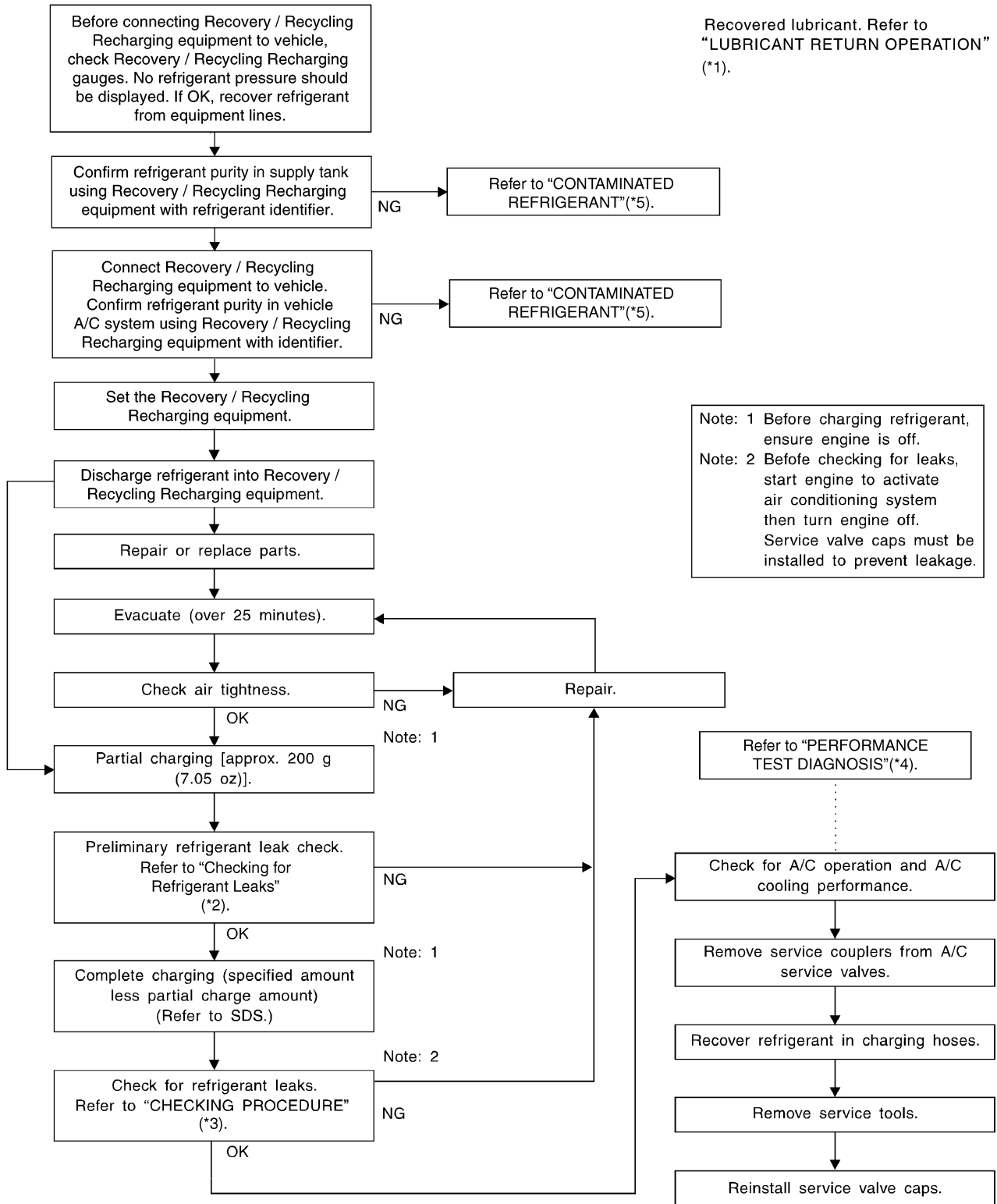
#### Evacuating System and Charging Refrigerant



A  
B  
C  
D  
E  
F  
G  
H  
I  
K  
L  
M

ATC

# REFRIGERANT LINES



\*1 [ATC-26, "LUBRICANT RETURN OPERATION"](#)

\*2 [ATC-170, "Checking for Refrigerant Leaks"](#)

\*3 [ATC-172, "CHECKING PROCEDURE"](#)

\*4 [ATC-101, "PERFORMANCE TEST DIAGNOSIS"](#)

\*5 [ATC-7, "CONTAMINATED REFRIGERANT"](#)

SJIA1275E



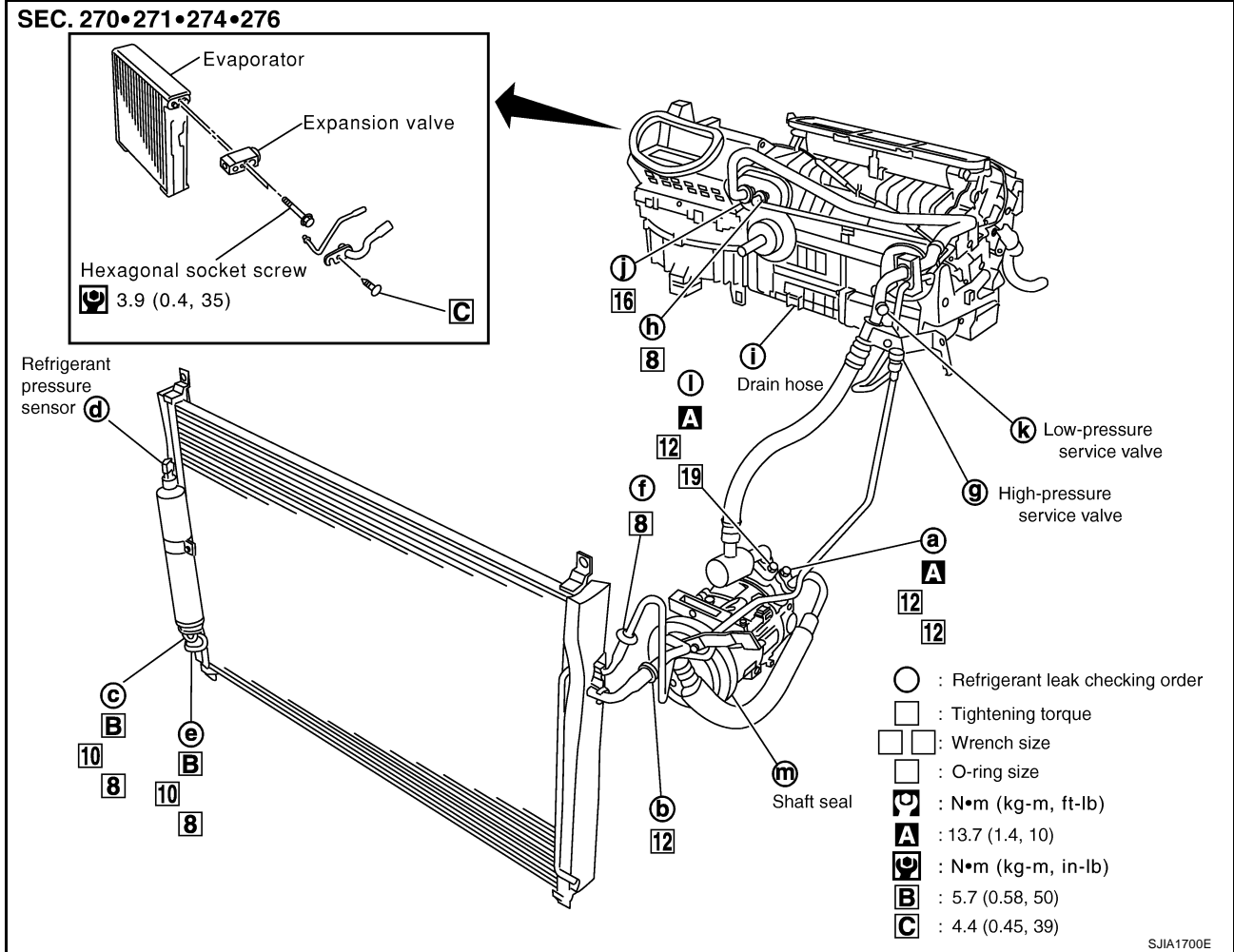
# REFRIGERANT LINES

NJS000HN

## Components

Refer to [ATC-7, "Precautions for Refrigerant Connection"](#).

### VQ35DE

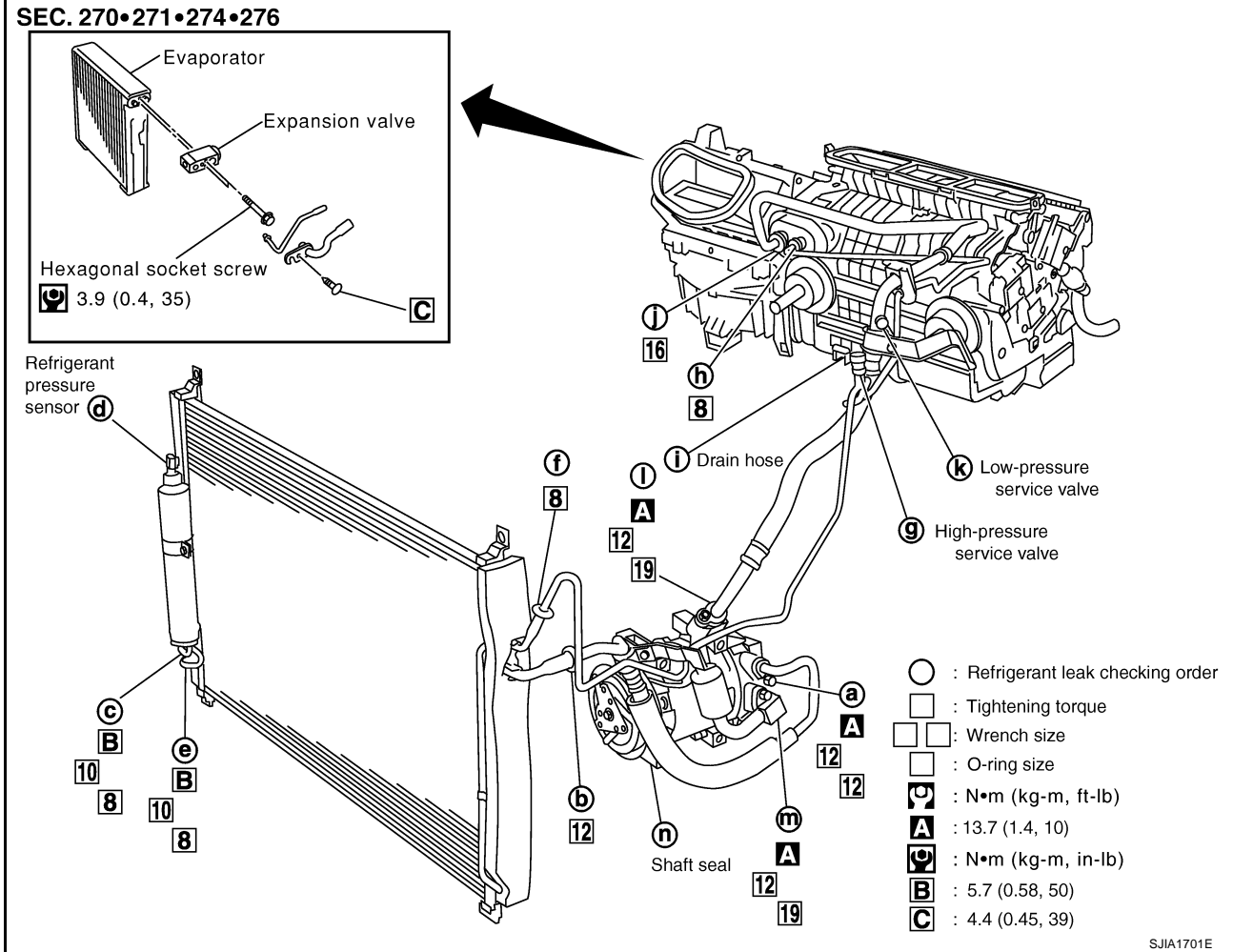


A  
B  
C  
D  
E  
F  
G  
H  
I  
K  
L  
M

ATC

# REFRIGERANT LINES

VK45DE



# REFRIGERANT LINES

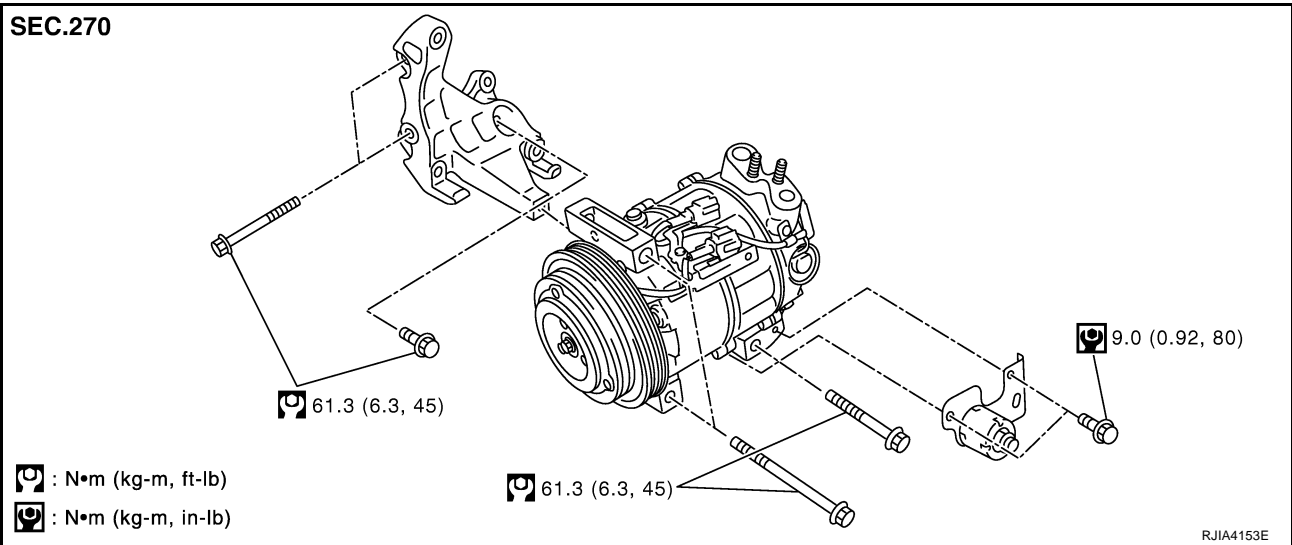
## Removal and Installation of Compressor

NJS000HO

### REMOVAL

#### VQ35DE

SEC.270

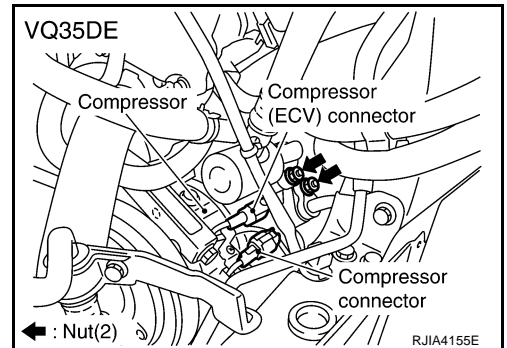


1. Use a refrigerant collecting equipment (for HFC-134a) to discharge the refrigerant.
2. Remove air cleaner case and air duct. Refer to [EM-17, "AIR CLEANER AND AIR DUCT"](#) .
3. Remove engine undercover, using power tools.
4. Remove mounting nuts from low-pressure flexible hose and high-pressure flexible hose.

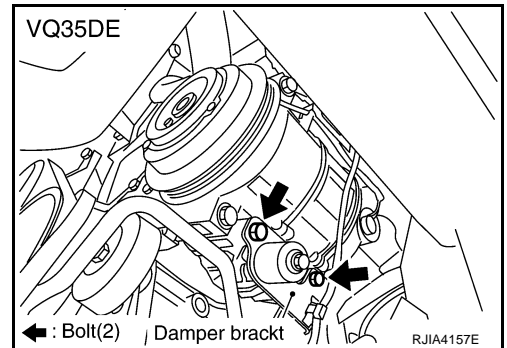
#### CAUTION:

Cap or wrap the joint of the pipe with suitable material such as vinyl tape to avoid the entry of air.

5. Disconnect compressor (magnet clutch and ECV) connectors.



6. Remove A/C compressor belt. Refer to [EM-15, "DRIVE BELTS"](#) .
7. Remove mounting bolts, and then remove damper bracket.

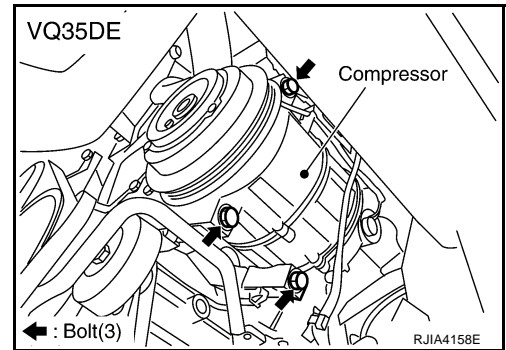


A  
B  
C  
D  
E  
F  
G  
H  
I  
K  
L  
M

ATC

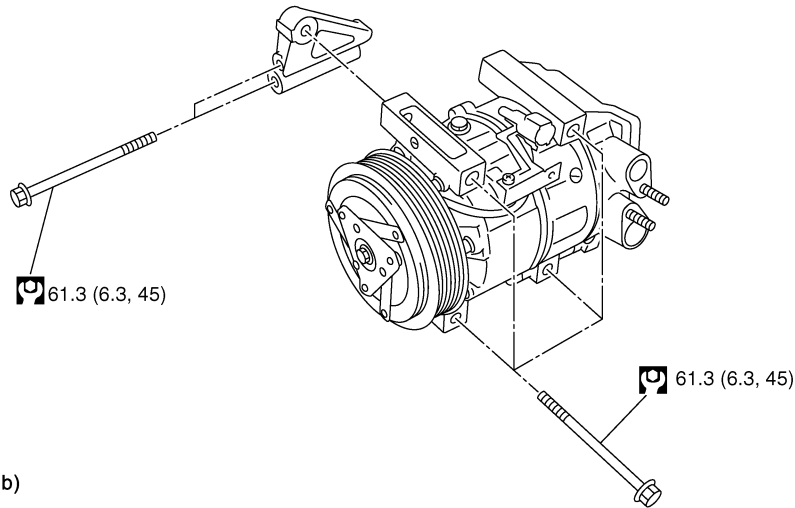
## REFRIGERANT LINES

8. Remove mounting bolts from compressor, using power tools.
9. Remove compressor downward of the vehicle.



### VK45DE

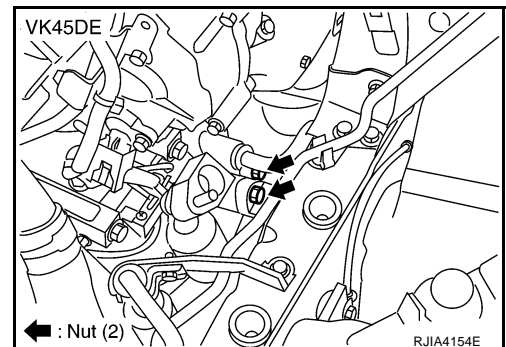
SEC. 270



1. Use a refrigerant collecting equipment (for HFC-134a) to discharge the refrigerant.
2. Remove air cleaner case and air duct. Refer to [EM-177, "AIR CLEANER AND AIR DUCT"](#).
3. Remove engine undercover, using power tools.
4. Remove mounting nut between low-pressure flexible hose and low-pressure pipe. Refer to [ATC-158, "Removal and Installation of Low-Pressure Flexible Hose and Pipe"](#).
5. Remove mounting nuts from low-pressure pipe and high-pressure flexible hose.

**CAUTION:**

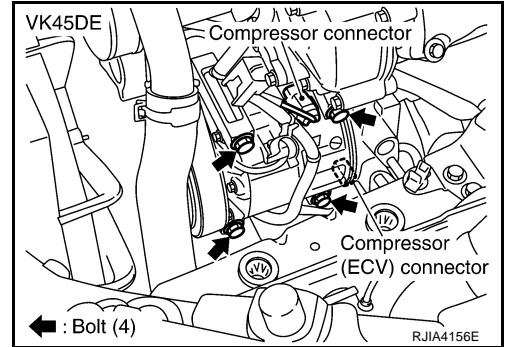
Cap or wrap the joint of the pipe with suitable material such as vinyl tape to avoid the entry of air.



6. Remove A/C compressor belt. Refer to [EM-174, "DRIVE BELTS"](#).

# REFRIGERANT LINES

7. Disconnect compressor (magnet clutch and ECV) connectors.
8. Remove mounting bolts from compressor, using power tools.
9. Remove compressor downward of the vehicle.



## INSTALLATION

Installation is basically the reverse order of removal.

### CAUTION:

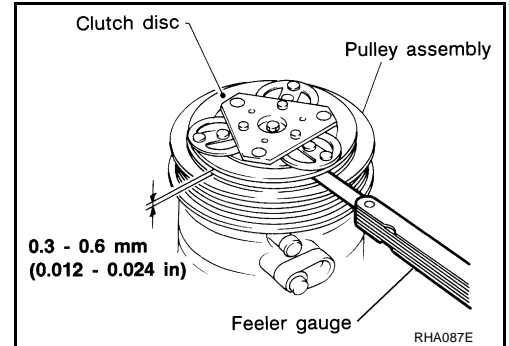
- Replace O-rings of low-pressure flexible hose, low-pressure pipe 1 (VK45DE) and high-pressure flexible hose with new ones, and then apply compressor oil to it when installing it.
- When recharging refrigerant, check for leaks.

## Check Disc to Pulley Clearance

Check clearance around entire periphery of clutch disc.

**Disc to pulley clearance** : 0.3 - 0.6 mm (0.012 - 0.024 in)

If specified clearance is not obtained, replace compressor.



A  
B  
C  
D  
E  
F  
G  
H  
I  
K  
L  
M

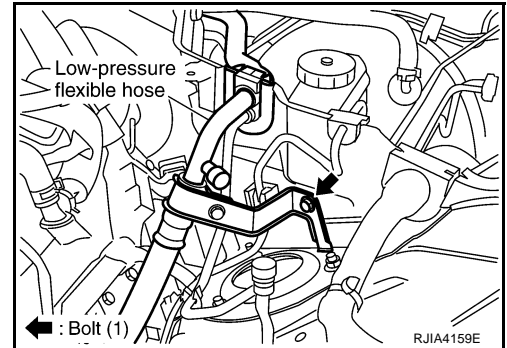
ATC

# REFRIGERANT LINES

NJS000HP

## Removal and Installation of Low-Pressure Flexible Hose and Pipe REMOVAL

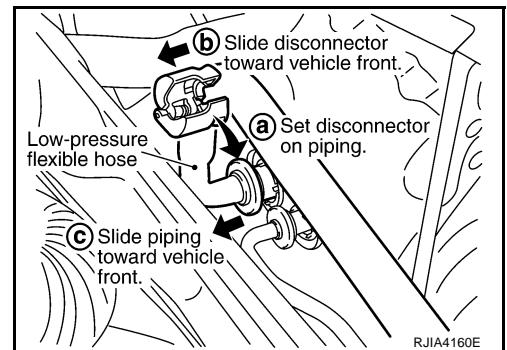
1. Use a refrigerant collecting equipment (for HFC-134a) to discharge the refrigerant.
2. Remove engine cover. Refer to [EM-14, "ENGINE ROOM COVER"](#) (VQ35DE) or [EM-173, "ENGINE ROOM COVER"](#) (VK45DE).
3. Remove air cleaner case and air duct. Refer to [EM-17, "AIR CLEANER AND AIR DUCT"](#) (VQ35DE) or [EM-177, "AIR CLEANER AND AIR DUCT"](#) (VK45DE).
4. Remove cowl top cover. Refer to [EI-18, "COWL TOP"](#) .
5. Remove mounting bolt from low-pressure flexible hose bracket.



6. Disconnect one-touch joint between low-pressure flexible hose and low-pressure pipe 2.
  - a. Set a disconnecter (SST: 9253089916) on A/C piping.
  - b. Slide a disconnecter toward vehicle front until it clicks.
  - c. Slide A/C piping toward vehicle front and disconnect it.

**CAUTION:**

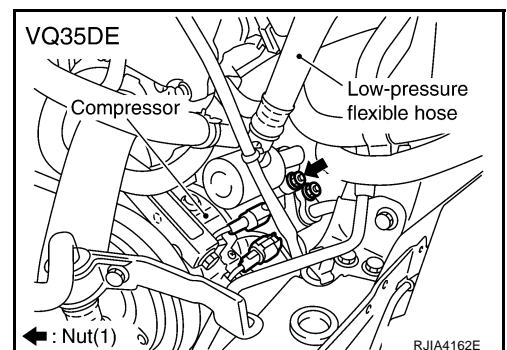
Cap or wrap the joint of the pipe with suitable material such as vinyl tape to avoid the entry of air.



7. Remove mounting nut from low-pressure flexible hose (VQ35DE).

**CAUTION:**

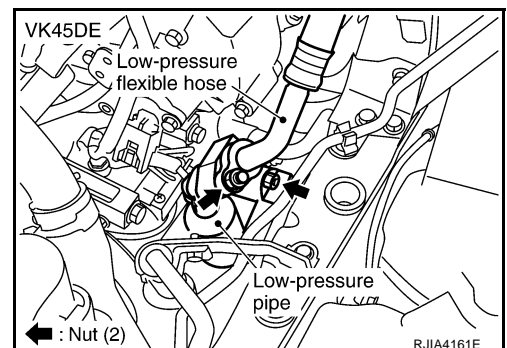
Cap or wrap the joint of the pipe with suitable material such as vinyl tape to avoid the entry of air.



8. Remove mounting nuts from low-pressure flexible hose and low-pressure pipe (VK45DE).

**CAUTION:**

Cap or wrap the joint of the pipe with suitable material such as vinyl tape to avoid the entry of air.



## INSTALLATION

Installation is basically the reverse order of removal.

# REFRIGERANT LINES

## CAUTION:

- Replace O-rings of low-pressure flexible hose and low-pressure pipe (VK45DE) with new ones, and then apply compressor oil to it when installing it.
- Female-side piping connection is thin and easy to deform. Slowly insert the male-side piping straight in axial direction.
- Insert piping securely until a click is heard.
- After piping connection is completed, pull male-side piping by hand to make sure that connection does not come loose.
- When recharging refrigerant, check for leaks.

### Low-pressure flexible hose bracket mounting bolt

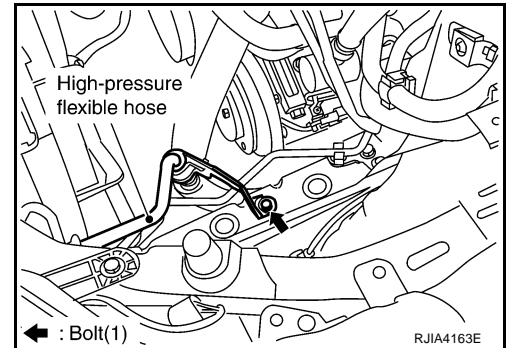
 : 4.2 N·m (0.43 kg·m, 37 in·lb)

## Removal and Installation of High-Pressure Flexible Hose

NJS000HQ

### REMOVAL

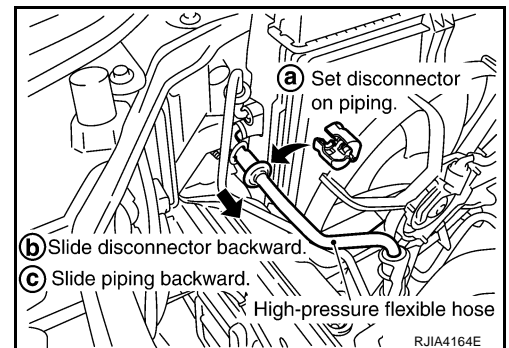
1. Use a refrigerant collecting equipment (for HFC-134a) to discharge the refrigerant.
2. Remove engine cover. Refer to [EM-14, "ENGINE ROOM COVER"](#) (VQ35DE) or [EM-173, "ENGINE ROOM COVER"](#) (VK45DE).
3. Remove air cleaner case and air duct. Refer to [EM-17, "AIR CLEANER AND AIR DUCT"](#) (VQ35DE) or [EM-177, "AIR CLEANER AND AIR DUCT"](#) (VK45DE).
4. Remove mounting bolt from high-pressure flexible hose bracket.



5. Disconnect one-touch joint between high-pressure flexible hose and condenser.
  - a. Set a disconnecter (SST: 9253089912) on A/C piping.
  - b. Slide a disconnecter backward until it clicks.
  - c. Slide A/C piping backward and disconnect it.

### CAUTION:

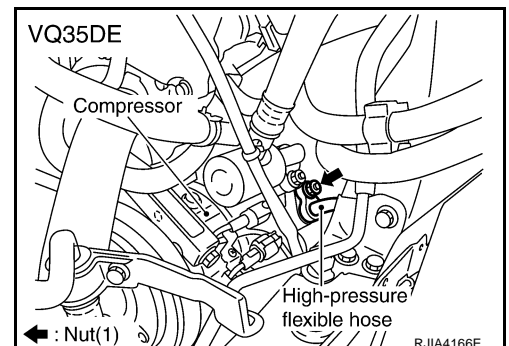
Cap or wrap the joint of the pipe with suitable material such as vinyl tape to avoid the entry of air.



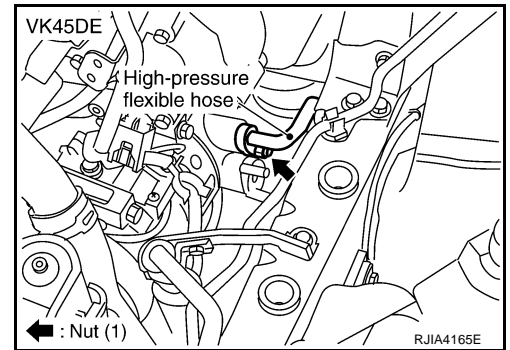
6. Remove low-pressure pipe (VK45DE). Refer to [ATC-158, "Removal and Installation of Low-Pressure Flexible Hose and Pipe"](#).
7. Remove mounting nut from high-pressure flexible hose, and then remove high-pressure flexible hose.

### CAUTION:

Cap or wrap the joint of the pipe with suitable material such as vinyl tape to avoid the entry of air.



# REFRIGERANT LINES



## INSTALLATION

Installation is basically the reverse order of removal.

### CAUTION:

- Replace O-rings of high-pressure flexible hose with new ones, and then apply compressor oil to it when installing it.
- Female-side piping connection is thin and easy to deform. Slowly insert the male-side piping straight in axial direction.
- Insert piping securely until a click is heard.
- After piping connection is completed, pull male-side piping by hand to make sure that connection does not come loose.
- When recharging refrigerant, check for leaks.

High-pressure flexible hose bracket mounting bolt

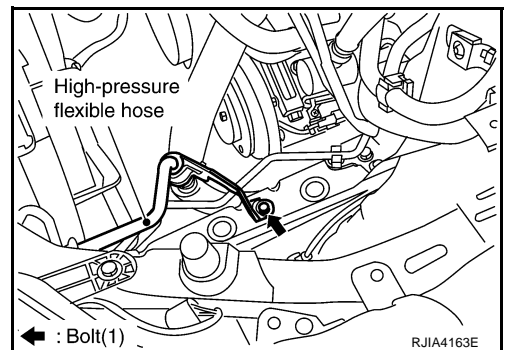
 : 4.2 N-m (0.43 kg-m, 37 in-lb)

## Removal and Installation of High-Pressure Pipe 1 (Engine Compartment)

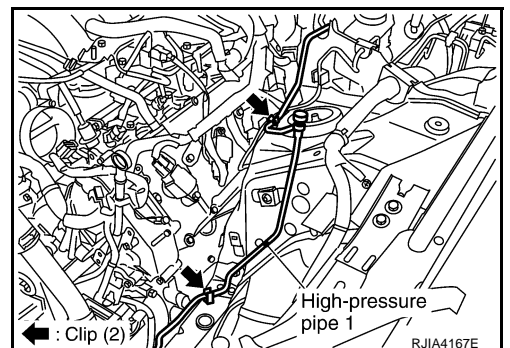
NJS000HR

### REMOVAL

1. Remove low-pressure flexible hose. Refer to [ATC-158, "Removal and Installation of Low-Pressure Flexible Hose and Pipe"](#).
2. Remove mounting bolt from high-pressure flexible hose bracket.



3. Remove high-pressure pipe 1 from vehicle clips.



4. Disconnect one-touch joints of high-pressure pipe 1.
  - a. Set a disconnecter (SST: 9253089908) on A/C piping.

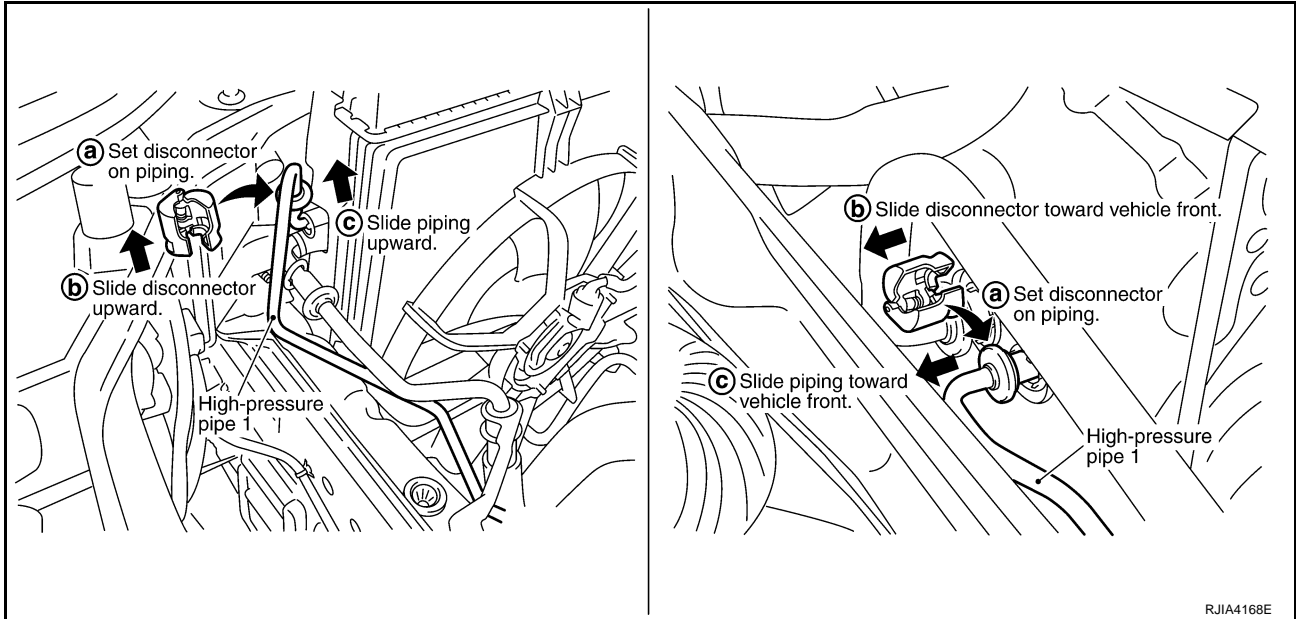


# REFRIGERANT LINES

- b. Slide a disconnecter toward (or upward) vehicle front until it clicks.
- c. Slide A/C piping toward (or upward) vehicle front and disconnect it.

## CAUTION:

Cap or wrap the joint of the pipe with suitable material such as vinyl tape to avoid the entry of air.



- 5. Remove high-pressure pipe 1.

## INSTALLATION

Installation is basically the reverse order of removal.

## CAUTION:

- Replace O-rings of high-pressure pipe 1 with new ones, and then apply compressor oil to it when installing it.
- Female-side piping connection is thin and easy to deform. Slowly insert the male-side piping straight in axial direction.
- Insert piping securely until a click is heard.
- After piping connection is completed, pull male-side piping by hand to make sure that connection does not come loose.
- When recharging refrigerant, check for leaks.

High-pressure flexible hose bracket mounting bolt

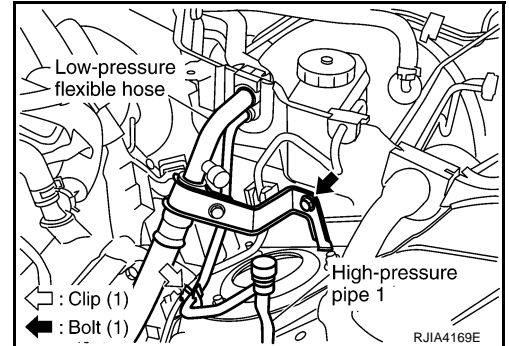
 : 4.2 N·m (0.43 kg·m, 37 in·lb)

A  
B  
C  
D  
E  
F  
G  
H  
I  
ATC  
K  
L  
M

# REFRIGERANT LINES

## Removal and Installation of Low-Pressure Pipe 1 and High-Pressure Pipe 2 NJS000HS

1. Use a refrigerant collecting equipment (for HFC-134a) to discharge the refrigerant.
2. Set the temperature control switch (passenger side) at 18°C (60°F), and then disconnect the battery cable from the negative terminal.
3. Remove cowl top cover. Refer to [EI-18, "COWL TOP"](#) .
4. Remove mounting bolt from low-pressure flexible hose bracket.
5. Remove high-pressure pipe 1 from vehicle clip.

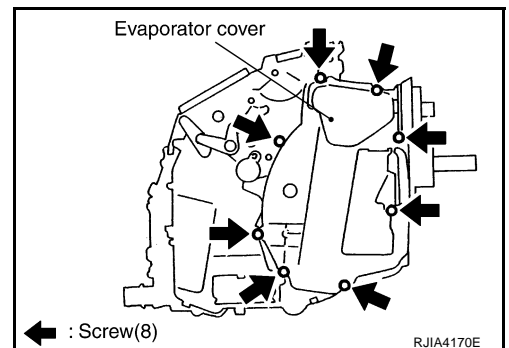
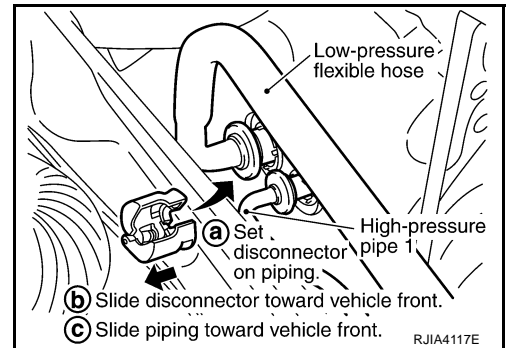


6. Disconnect one-touch joints.
  - a. Set a disconnecter [high-pressure side (SST: 9253089908), low-pressure side (SST: 9253089916)] on A/C piping.
  - b. Slide a disconnecter toward vehicle front until it clicks.
  - c. Slide A/C piping toward vehicle front and disconnect it.

**CAUTION:**

Cap or wrap the joint of the pipe with suitable material such as vinyl tape to avoid the entry of air.

7. Remove instrument passenger lower panel and glove box. Refer to [IP-10, "INSTRUMENT PANEL ASSEMBLY"](#) .
8. Remove foot grille (right). Refer to [ATC-149, "Removal of Foot Grilles"](#) .
9. Remove air mix door motor (passenger side). Refer to [ATC-141, "AIR MIX DOOR MOTOR"](#) .
10. Remove mode door motor (passenger side). Refer to [ATC-140, "MODE DOOR MOTOR"](#) .
11. Remove main link (right) and max. cool door link (right). Refer to [ATC-135, "HEATER & COOLING UNIT ASSEMBLY"](#) .
12. Remove mounting screws, and then remove evaporator cover.

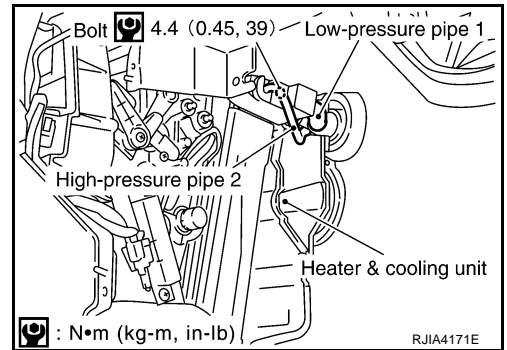


# REFRIGERANT LINES

13. Remove mounting bolt, and then remove low-pressure pipe 1 and high-pressure pipe 2.

**CAUTION:**

Cap or wrap the joint of the pipe with suitable material such as vinyl tape to avoid the entry of air.



A  
B  
C  
D  
E  
F  
G  
H  
I  
K  
L  
M

## INSTALLATION

Installation is basically the reverse order of removal.

**CAUTION:**

- Replace O-rings of A/C piping with new ones, and then apply compressor oil to it when installing it.
- Female-side piping connection is thin and easy to deform. Slowly insert the male-side piping straight in axial direction.
- Insert piping securely until a click is heard.
- After piping connection is completed, pull male-side piping by hand to make sure that connection does not come loose.
- When recharging refrigerant, check for leaks.

**Low-pressure flexible hose bracket mounting bolt**

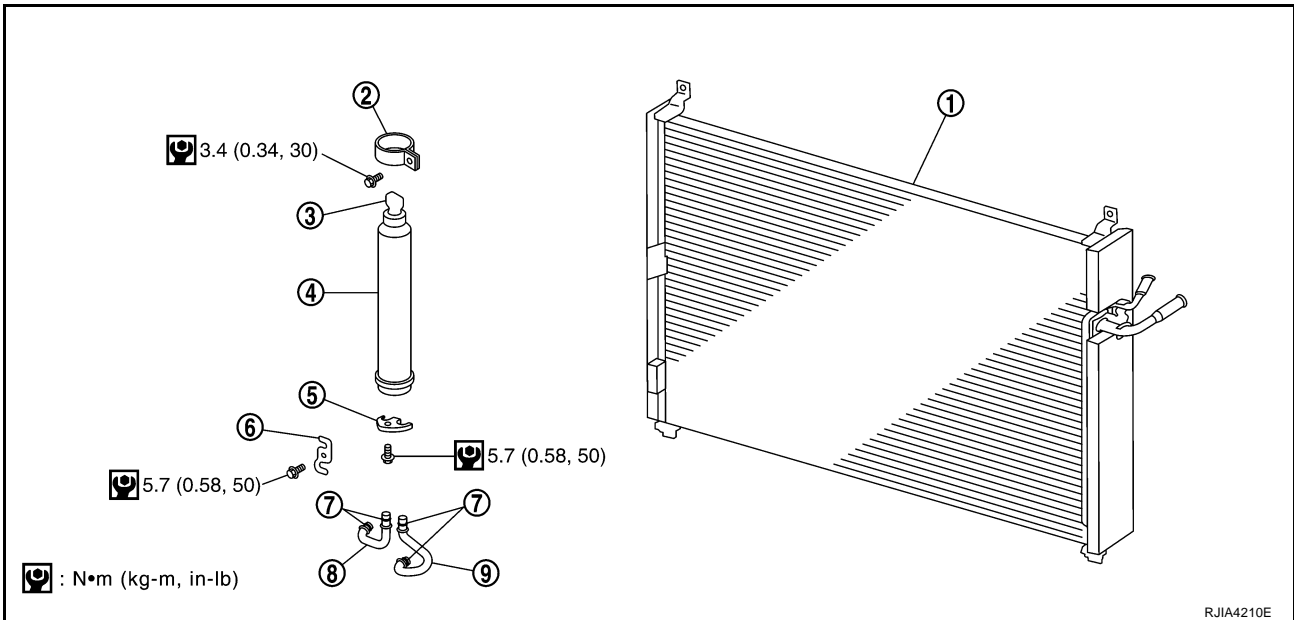
 : 4.2 N•m (0.43 kg-m, 37 in-lb)

ATC

# REFRIGERANT LINES

NJS000HT

## Removal and Installation of Liquid Tank DISASSEMBLY AND ASSEMBLY



- |                |                               |                                |
|----------------|-------------------------------|--------------------------------|
| 1. Condenser   | 2. Liquid tank bracket        | 3. Refrigerant pressure sensor |
| 4. Liquid tank | 5. Bracket (liquid tank side) | 6. Bracket (condenser side)    |
| 7. O-ring      | 8. Inside pipe                | 9. Outside pipe                |

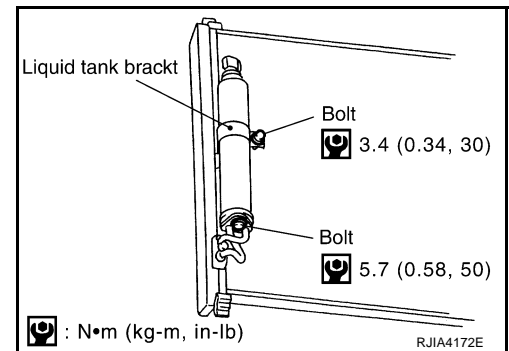
### REMOVAL

1. Remove condenser. Refer to [ATC-165, "Removal and Installation of Condenser"](#).
2. Clean liquid tank and its surrounding area, and remove dirt and rust from liquid tank.

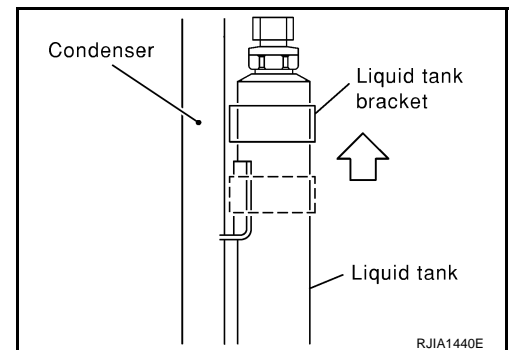
#### CAUTION:

**Be sure to clean carefully.**

3. Remove mounting bolts from liquid tank.



4. Lift liquid tank bracket upward. Remove liquid tank bracket from protruding part of condenser.
5. Slide liquid tank upward, and then remove liquid tank.



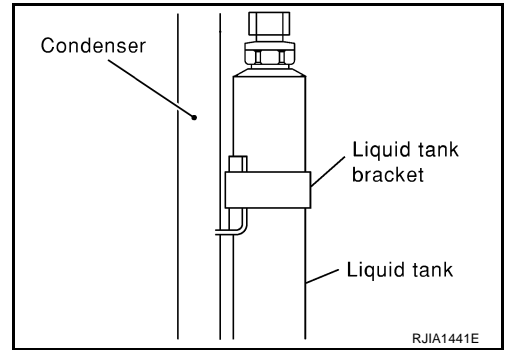
# REFRIGERANT LINES

## INSTALLATION

Install liquid tank, and then install liquid tank bracket on condenser.

### CAUTION:

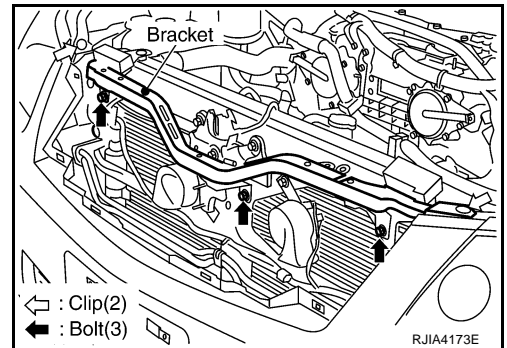
- Make sure liquid tank bracket is securely installed at protrusion of condenser. (Make sure liquid tank bracket does not move to a position below center of liquid tank.)
- Replace O-rings of A/C piping with new ones, and then apply compressor oil to it when installing it.
- When recharging refrigerant, check for leaks.



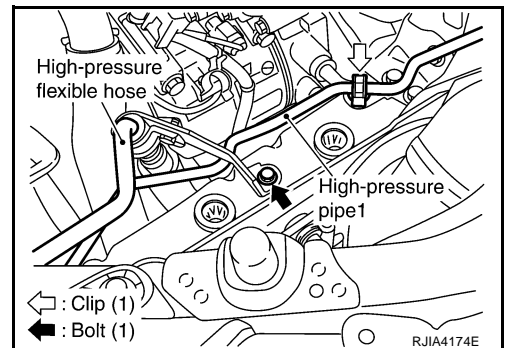
## Removal and Installation of Condenser

### REMOVAL

1. Use a refrigerant collecting equipment (for HFC-134a) to discharge the refrigerant.
2. Remove engine cover. Refer to [EM-14, "ENGINE ROOM COVER"](#) (VQ35DE) or [EM-173, "ENGINE ROOM COVER"](#) (VK45DE).
3. Remove air cleaner case, air hose and air duct. Refer to [EM-17, "AIR CLEANER AND AIR DUCT"](#) (VQ35DE) or [EM-177, "AIR CLEANER AND AIR DUCT"](#) (VK45DE).
4. Remove engine under cover, using power tools.
5. Drain engine coolant. Refer to [CO-11, "Changing Engine Coolant"](#) (VQ35DE) or [CO-40, "Changing Engine Coolant"](#) (VK45DE).
6. Remove radiator fan shroud with cooling fan after (VK45DE). Refer to [CO-51, "COOLING FAN"](#).
7. Remove mounting clips and bolts, and then remove bracket.
8. Remove radiator upper mount, remove radiator and condenser to the engine side.



9. Remove mounting bolt from high-pressure flexible hose bracket.
10. Remove high-pressure pipe1 from vehicle clip.

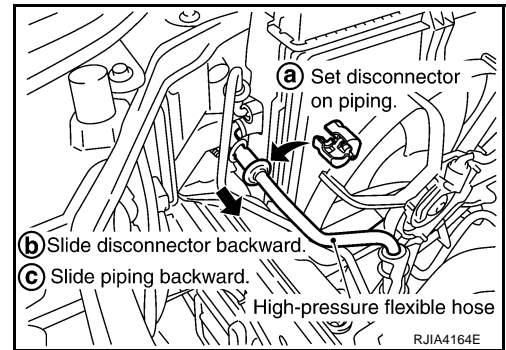


## REFRIGERANT LINES

11. Disconnect high-pressure flexible hose from condenser.
  - a. Set a disconnecter (SST: 9253089912) on A/C piping.
  - b. Slide a disconnecter backward until it clicks.
  - c. Slide A/C piping backward and disconnect it.

**CAUTION:**

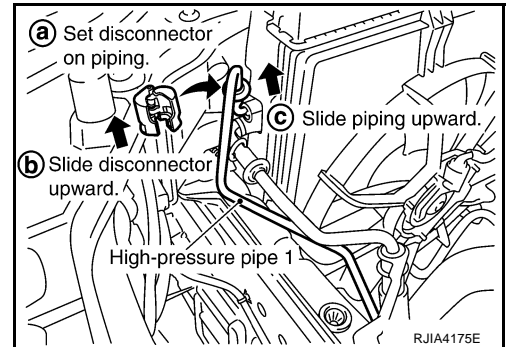
Cap or wrap the joint of the pipe with suitable material such as vinyl tape to avoid the entry of air.



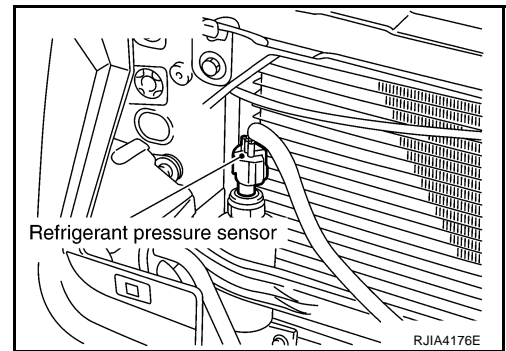
12. Disconnect high-pressure pipe 1 from condenser.
  - a. Set a disconnecter (SST: 9253089908) on A/C piping.
  - b. Slide a disconnecter upward until it clicks.
  - c. Slide A/C piping upward and disconnect it.

**CAUTION:**

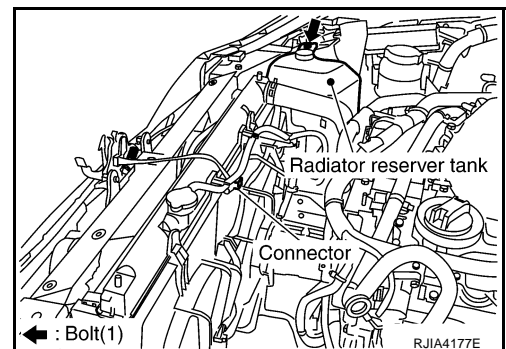
Cap or wrap the joint of the pipe with suitable material such as vinyl tape to avoid the entry of air.



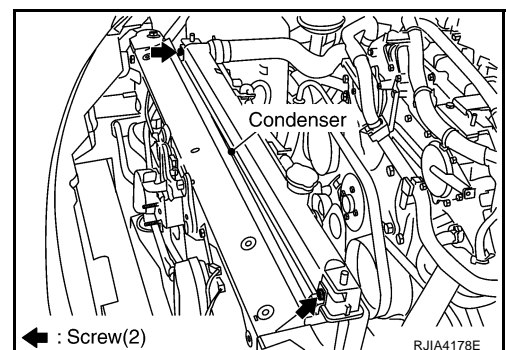
13. Disconnect refrigerant pressure sensor connector.



14. Disconnect hood rock switch connector.
15. Remove radiator reservoir tank. Refer to [CO-14, "RADIATOR"](#) (VQ35DE) or [CO-43, "RADIATOR"](#) (VK45DE).



16. Remove mounting screws from condenser.

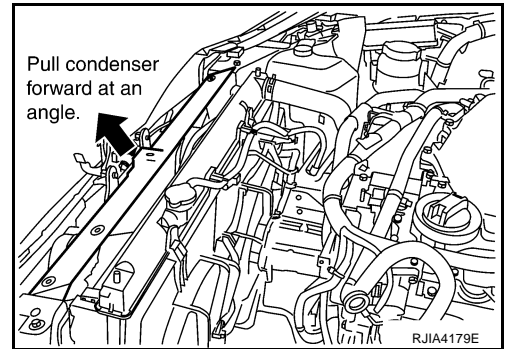


# REFRIGERANT LINES

17. Pull condenser forward at an angle. Remove condenser from radiator.

**CAUTION:**

Be careful not to damage the core surface of condenser and radiator.



## INSTALLATION

Installation is basically the reverse order of removal.

**CAUTION:**

- Replace O-rings of A/C piping with new ones, and then apply compressor oil to it when installing it.
- Female-side piping connection is thin and easy to deform. Slowly insert the male-side piping straight in axial direction.
- Insert piping securely until a click is heard.
- After piping connection is completed, pull male-side piping by hand to make sure that connection does not come loose.
- When recharging refrigerant, check for leaks.

## Removal and Installation of Refrigerant Pressure Sensor

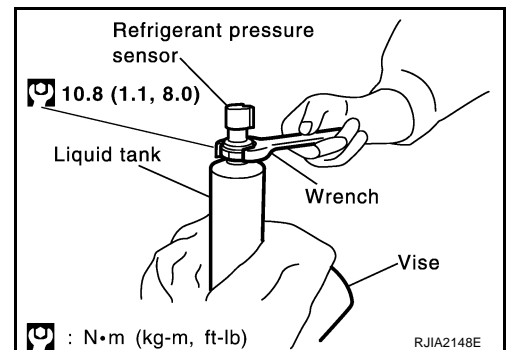
NJS000HV

### REMOVAL

1. Remove liquid tank. Refer to [ATC-164, "Removal and Installation of Liquid Tank"](#).
2. Using a vice, secure liquid tank, and remove refrigerant pressure sensor.

**CAUTION:**

Be careful not to damage liquid tank.



## INSTALLATION

Installation is basically the reverse order of removal.

**CAUTION:**

- Apply compressor oil to O-ring of refrigerant pressure sensor when installing it.
- When recharging refrigerant, check for leaks.

# REFRIGERANT LINES

NJS000HW

## Removal and Installation of Evaporator

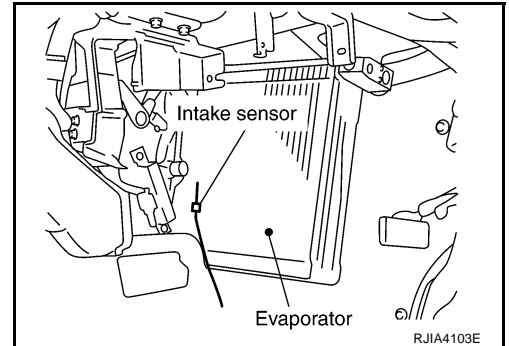
### REMOVAL

1. Remove low-pressure pipe 1 and high-pressure pipe 2. Refer to [ATC-162, "Removal and Installation of Low-Pressure Pipe 1 and High-Pressure Pipe 2"](#) .

#### **CAUTION:**

**Cap or wrap the joint of the pipe with suitable material such as vinyl tape to avoid the entry of air.**

2. Slide evaporator, and then remove it from heater & cooling unit assembly.
3. Remove intake sensor from evaporator, and then remove evaporator.



### INSTALLATION

Installation is basically the reverse order of removal.

#### **CAUTION:**

- Replace O-rings of A/C piping with new ones, and then apply compressor oil to it when installing it.
- Female-side piping connection is thin and easy to deform. Slowly insert the male-side piping straight in axial direction.
- Insert piping securely until a click is heard.
- After piping connection is completed, pull male-side piping by hand to make sure that connection does not come loose.
- O-rings are different from low-pressure flexible hose (high-pressure pipe 1) and low-pressure pipe 1 (high-pressure pipe 2).
- Mark the mounting position of intake sensor bracket prior to removal so that the reinstalled sensor can be located in the same position.
- When recharging refrigerant, check for leaks.

**Low-pressure flexible hose bracket mounting bolt**

 : 4.2 N·m (0.43 kg·m, 37 in·lb)



# REFRIGERANT LINES

## Removal and Installation of Expansion Valve

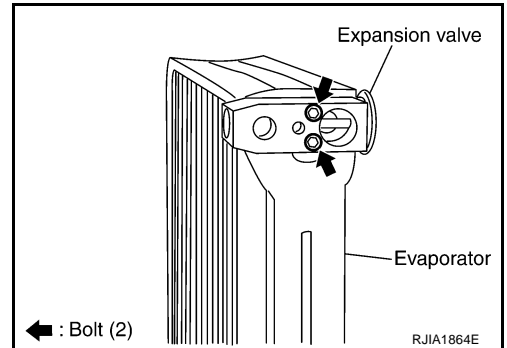
NJS000HX

### REMOVAL

1. Remove evaporator. Refer to [ATC-168, "Removal and Installation of Evaporator"](#) .
2. Remove mounting bolts, and then remove expansion valve.

**CAUTION:**

Cap or wrap the joint of the pipe with suitable material such as vinyl tape to avoid the entry of air.



### INSTALLATION

Installation is basically the reverse order of removal.

**CAUTION:**

- Replace O-rings of evaporator with new ones, and then apply compressor oil to it when installing it.
- O-rings are different from low-pressure flexible hose (high-pressure pipe 1) and low-pressure pipe 1 (high-pressure pipe 2).
- When recharging refrigerant, check for leaks.

A  
B  
C  
D  
E  
F  
G  
H  
I  
K  
L  
M

ATC

# REFRIGERANT LINES

## Checking for Refrigerant Leaks

NJS000HY

Perform a visual inspection of all refrigeration parts, fittings, hoses and components for signs of A/C lubricant leakage, damage and corrosion. A/C lubricant leakage may indicate an area of refrigerant leakage. Allow extra inspection time in these areas when using either an electrical leak detector or fluorescent dye leak detector (SST: J-42220).

If dye is observed, confirm the leak with an electrical leak detector. It is possible a prior leak was repaired and not properly cleaned.

When searching for leaks, do not stop when one leak is found but continue to check for additional leaks at all system components and connections.

When searching for refrigerant leaks using an electrical leak detector, move the probe along the suspected leak area at 1 to 2 inches per second and no further than 1/4 inch from the component.

### **CAUTION:**

**Moving the electrical leak detector probe slower and closer to the suspected leak area will improve the chances of finding a leak.**

## Checking System for Leaks Using the Fluorescent Leak Detector

NJS000HZ

1. Check A/C system for leaks using the UV lamp and safety goggles (SST: J-42220) in a low sunlight area (area without windows preferable). Illuminate all components, fittings and lines. The dye will appear as a bright green/yellow area at the point of leakage. Fluorescent dye observed at the evaporator drain opening indicates an evaporator core assembly (tubes, core or expansion valve) leak.
2. If the suspected area is difficult to see, use an adjustable mirror or wipe the area with a clean shop rag or cloth, with the UV lamp for dye residue.
3. After the leak is repaired, remove any residual dye using dye cleaner (SST: J-43872) to prevent future misdiagnosis.
4. Perform a system performance check and verify the leak repair with an approved electrical leak detector.

### **NOTE:**

Other gases in the work area or substances on the A/C components, for example, anti-freeze, windshield washer fluid, solvents and lubricants, may falsely trigger the leak detector. Make sure the surfaces to be checked are clean.

Clean with a dry cloth or blow off with shop air.

Do not allow the sensor tip of the detector to contact with any substance. This can also cause false readings and may damage the detector.

## Dye Injection

NJS000IO

(This procedure is only necessary when recharging the system or when the compressor has seized and was replaced.)

1. Check A/C system static (at rest) pressure. Pressure must be at least 345 kPa (3.52 kg/cm<sup>2</sup>, 50 psi).
2. Pour one bottle (1/4 ounce / 7.4 cc) of the A/C refrigerant dye into the injector tool (SST: J-41459).
3. Connect the injector tool to the A/C low-pressure side service valve.
4. Start engine and switch A/C ON.
5. When the A/C operating (compressor running), inject one bottle (1/4 ounce / 7.4 cc) of fluorescent dye through the low-pressure service valve using dye injector tool (SST: J-41459) (refer to the manufacturer's operating instructions).
6. With the engine still running, disconnect the injector tool from the service valve.

### **CAUTION:**

**Be careful the A/C system or replacing a component, pour the dye directly into the open system connection and proceed with the service procedures.**

7. Operate the A/C system for a minimum of 20 minutes to mix the dye with the system oil. Depending on the leak size, operating conditions and location of the leak, it may take from minutes to days for the dye to penetrate a leak and become visible.
8. Attach a blue label as necessary.

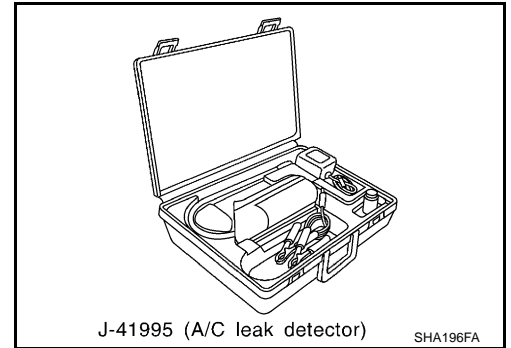
# REFRIGERANT LINES

## Electrical Refrigerant Leak Detector PRECAUTIONS FOR HANDLING LEAK DETECTOR

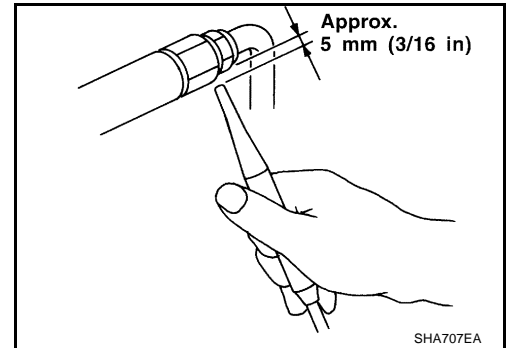
NJS00011

When performing a refrigerant leak check, use an A/C electrical leak detector (SST) or equivalent. Ensure that the instrument is calibrated and set properly per the operating instructions.

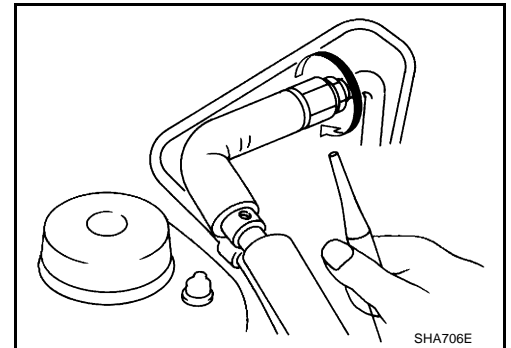
The leak detector is a delicate device. In order to use the leak detector properly, read the operating instructions and perform any specified maintenance.



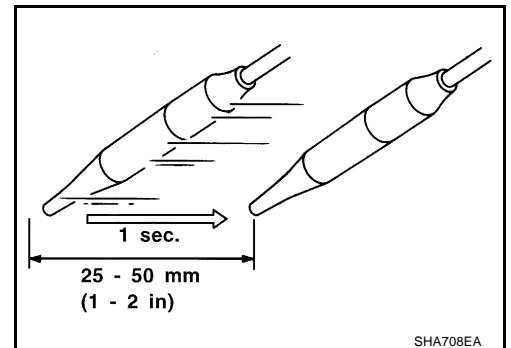
1. Position probe approximately 5 mm (3/16 in) away from point to be checked.



2. When testing, circle each fitting completely with probe.



3. Move probe along component approximately 25 to 50 mm (1 to 2 in)/sec.



A  
B  
C  
D  
E  
F  
G  
H  
I  
J  
K  
L  
M

ATC

# REFRIGERANT LINES

## CHECKING PROCEDURE

To prevent inaccurate or false readings, make sure there is no refrigerant vapor, shop chemicals, or cigarette smoke in the vicinity of the vehicle. Perform the leak test in calm area (low air/wind movement) so that the leaking refrigerant is not dispersed.

1. Stop engine.
2. Connect a suitable A/C manifold gauge set (SST: J-39183) to the A/C service valves.
3. Check if the A/C refrigerant pressure is at least 345 kPa (3.52 kg/cm<sup>2</sup>, 50 psi) above 16°C (61°F). If less than specification, recover/evacuate and recharge the system with the specified amount of refrigerant.

### NOTE:

At temperatures below 16°C (61°F), leaks may not be detected since the system may not reach 345 kPa (3.52 kg/cm<sup>2</sup>, 50 psi).

4. Perform the leak test from the high-pressure side (compressor discharge a to evaporator inlet h) to the low-pressure side [evaporator drain hose i to shaft seal m(VQ35DE) or n(VK45DE)]. Refer to [ATC-153, "Components"](#). Perform a leak check for the following areas carefully. Clean the component to be checked and move the leak detected probe completely around the connection/component.

Compressor

Check the fitting of high- and low-pressure flexible hoses, relief valve and shaft seal.

Condenser

Check the fitting of high-pressure flexible hose and pipe.

Liquid tank

Check the fitting of refrigerant pressure sensor.

Service valves

Check all around the service valves. Ensure service valve caps are secured on the service valves (to prevent leaks).

### NOTE:

After removing A/C manifold gauge set from service valves, wipe any residue from valves to prevent any false readings by leak detector.

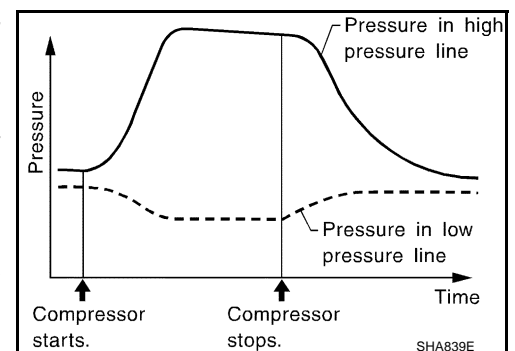
Cooling unit (Evaporator)

With engine OFF, turn blower fan on "High" for at least 15 seconds to dissipate any refrigerant trace in the cooling unit. Wait a minimum of 10 minutes accumulation time (refer to the manufacturer's recommended procedure for actual wait time) before inserting the leak detector probe into the drain hose.

Keep the probe inserted for at least 10 seconds. Use caution not to contaminate the probe tip with water or dirt that may be in the drain hose.

5. If a leak detector detects a leak, verify at least once by blowing compressed air into area of suspected leak, then repeat check as outlined above.
6. Do not stop when one leak is found. Continue to check for additional leaks at all system components. If no leaks are found, perform steps 7 - 10.
7. Start the engine.
8. Set the A/C control as follows;
  - a. A/C switch: ON
  - b. MODE door position: VENT (Ventilation)
  - c. Intake door position: Recirculation
  - d. Temperature setting: Max. cold
  - e. Fan speed: High
9. Run engine at 1,500 rpm for at least 2 minutes.
10. Stop the engine and perform leak check again following steps 4 through 6 above.

Refrigerant leaks should be checked immediately after stopping the engine. Begin with the leak detector at the compressor. The pressure on the high-pressure side will gradually drop after refrigerant circulation stops and pressure on the low-pressure side will gradually rise, as shown in the graph. Some leaks are more easily detected when pressure is high.
11. Before connecting recovery/recycling/recharging equipment to vehicle, check recovery/recycling/recharging equipment gauges.



## REFRIGERANT LINES

---

No refrigerant pressure should be displayed. If pressure is displayed, recover refrigerant from equipment lines and then check refrigerant purity.

12. Confirm refrigerant purity in supply tank using recovery/recycling recharging equipment and refrigerant identifier.
13. Confirm refrigerant purity in vehicle A/C system using recovery/recycling recharging equipment and refrigerant identifier.
14. Discharge A/C system using approved refrigerant recovery equipment. Repair the leaking fitting or component if necessary.
15. Evacuate and recharge A/C system and perform the leak test to confirm no refrigerant leaks.
16. Perform A/C performance test to ensure system works properly.

A

B

C

D

E

F

G

H

I

ATC

K

L

M

# SERVICE DATA AND SPECIFICATIONS (SDS)

## SERVICE DATA AND SPECIFICATIONS (SDS)

PFP:00030

### Compressor

NJS00012

Model	ZEXEL VALEO CLIMATE CONTROL make DCS-17EC	
Type	Variable displacement swash plate	
Displacement cm <sup>3</sup> (cu in)/rev	Max.	171 (10.4)
Cylinder bore × stroke (Max.) mm (in)	32 (1.26) × 30.5 (1.20)	
Direction of rotation	Clockwise (viewed from clutch)	
Drive belt	Poly V	

### Lubricant

NJS00013

Model	ZEXEL VALEO CLIMATE CONTROL make DCS-17EC	
Name	Nissan A/C System Oil Type S (DH-PS)	
Capacity mℓ (US fl oz, Imp fl oz)	Total in system	150 (5.03, 5.3)
	Compressor (Service part) charging amount	150 (5.03, 5.3)

### Refrigerant

NJS00014

Type	HFC-134a (R-134a)
Capacity kg (lb)	0.55 (1.21)

### Engine Idling Speed

NJS00015

Refer to [EC-82, "Idle Speed and Ignition Timing Check"](#) (VQ35DE) or [EC-793, "Idle Speed and Ignition Timing Check"](#) (VK45DE).

### Belt Tension

NJS00016

Refer to [EM-15, "DRIVE BELTS"](#) (VQ35DE) or [EM-174, "DRIVE BELTS"](#) (VK45DE).