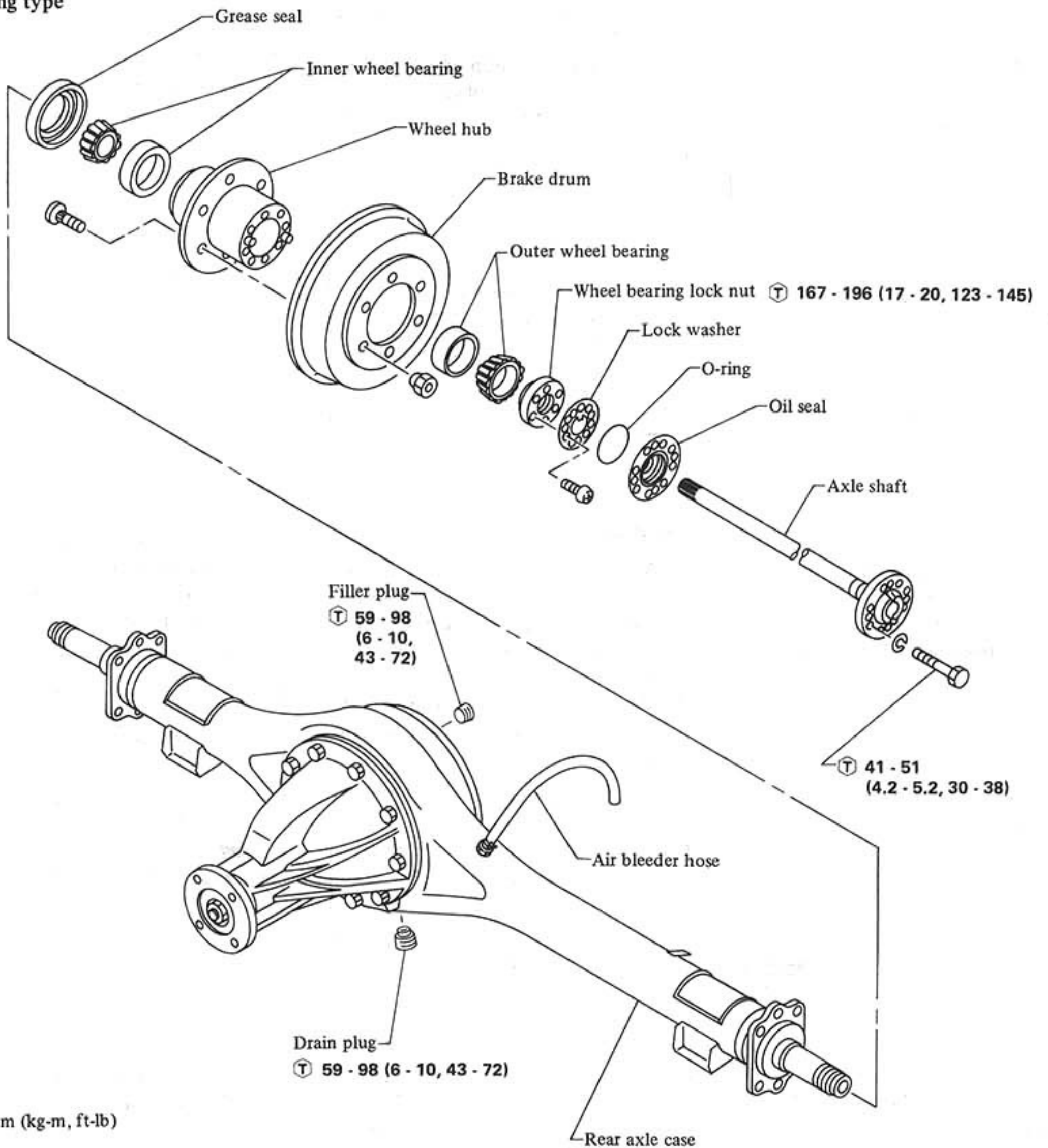


REAR AXLE & REAR SUSPENSION

SECTION RA

REAR AXLE AND REAR SUSPENSION

REAR AXLE Full-floating type



T : N·m (kg·m, ft·lb)

RA-1

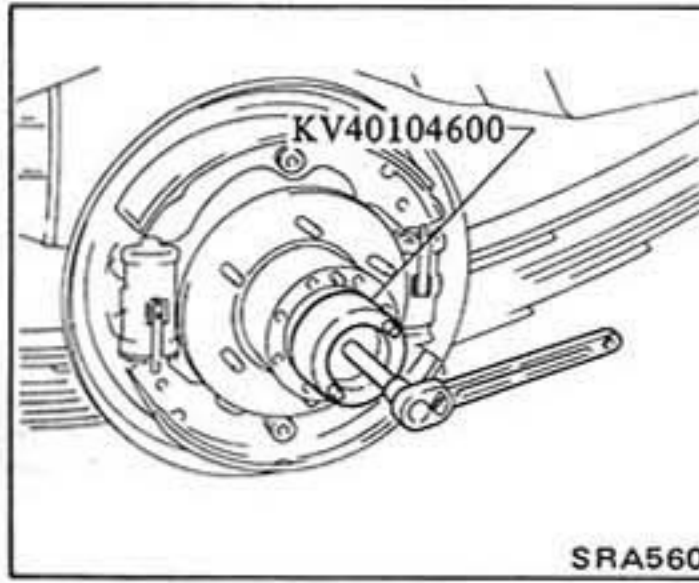
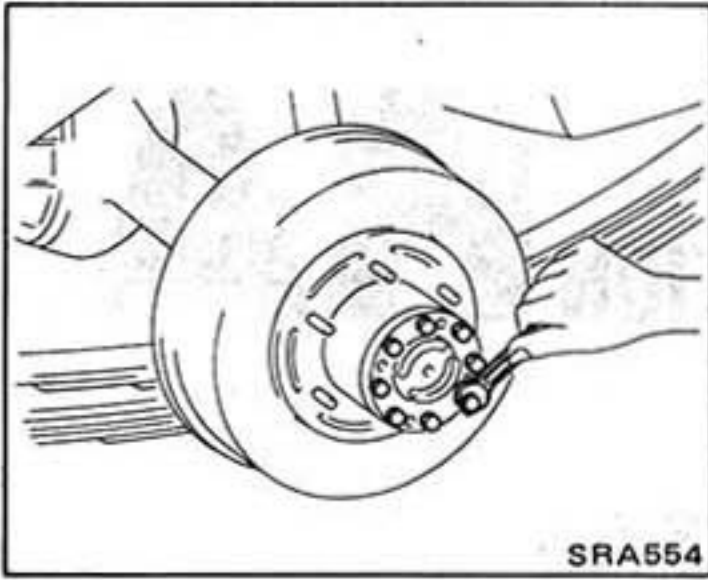
SRA553

RA

REAR AXLE AND REAR SUSPENSION

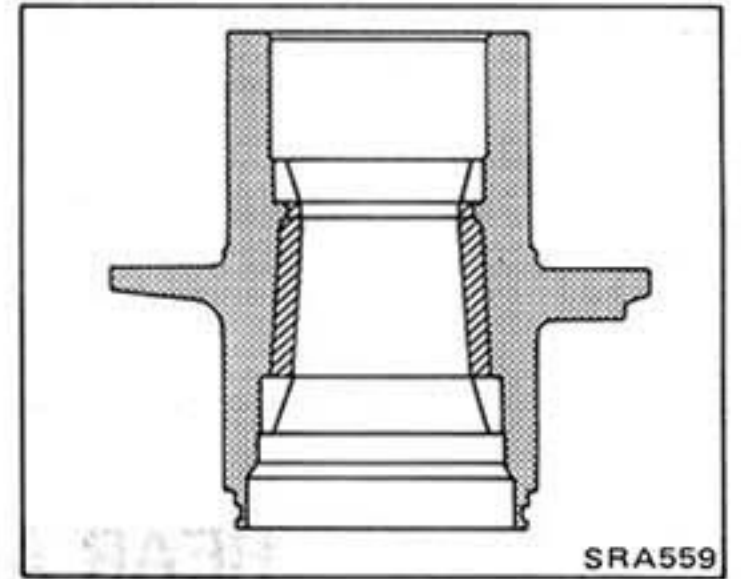
REMOVAL AND INSTALLATION

- Remove axle shaft fixing bolts.

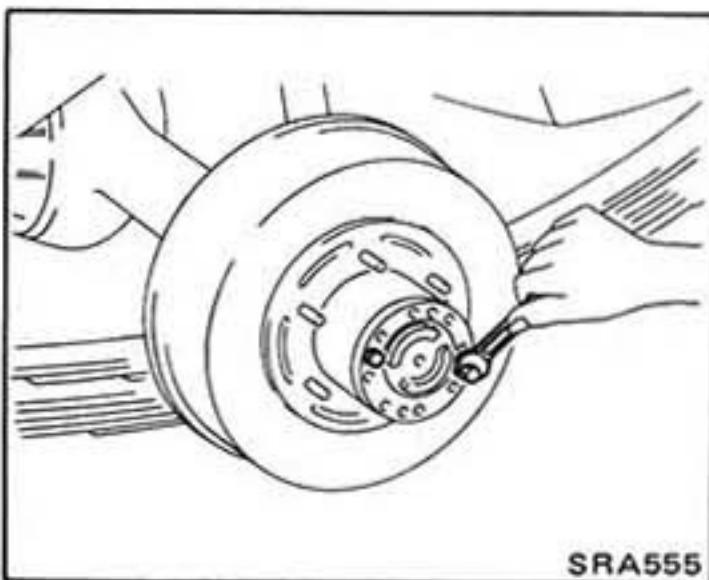


- Remove inside wheel bearing outer race, grease seal and outside wheel bearing outer race.

- Pack hub with recommended multi-purpose grease.



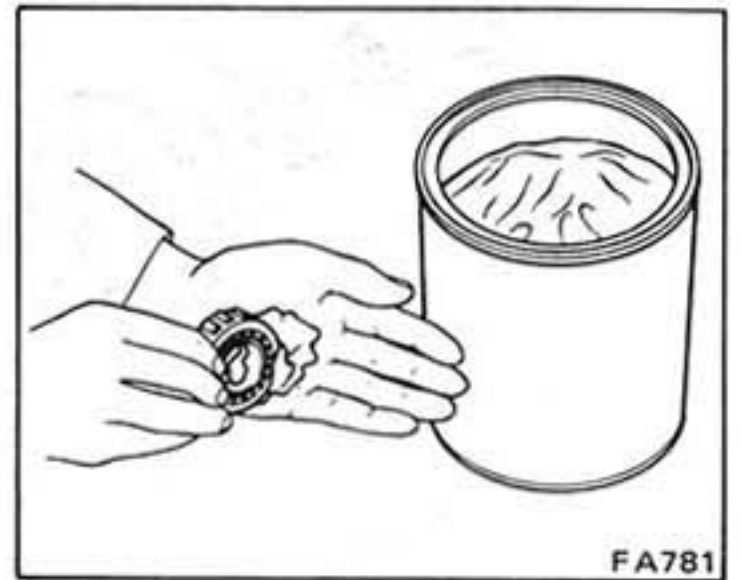
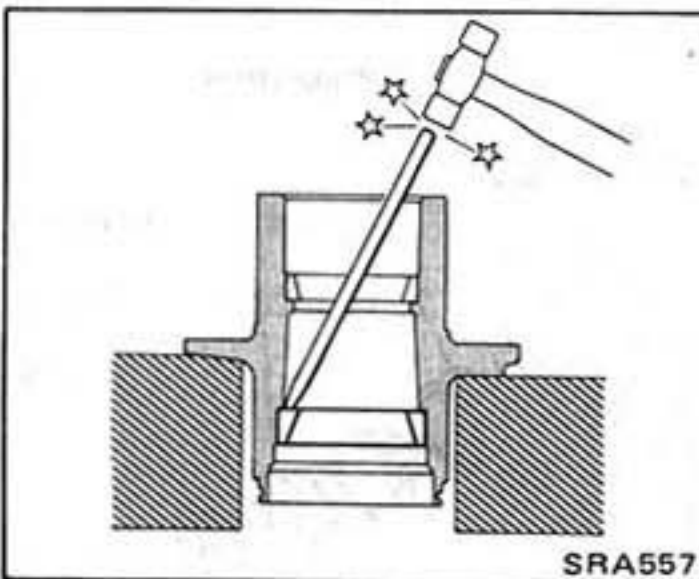
- Separate axle shaft from hub using suitable bolts.



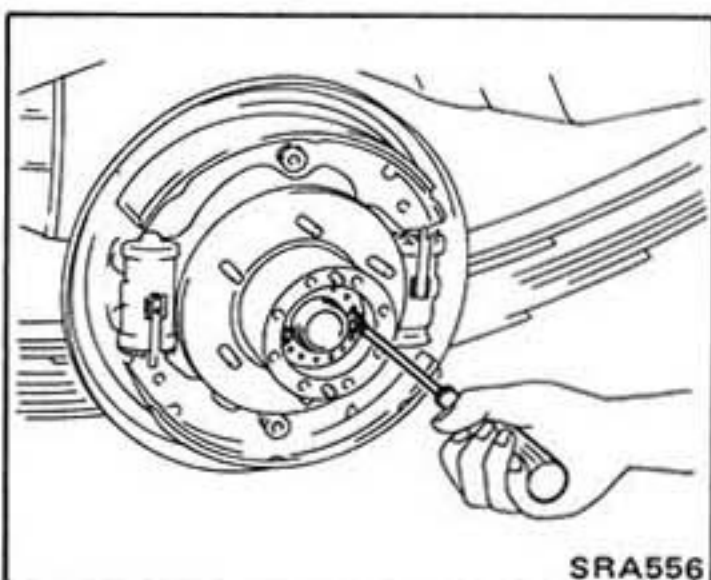
CAUTION:

Be careful not to drop wheel bearing. Grease seal must be replaced.

- Coat each bearing with recommended multi-purpose grease.

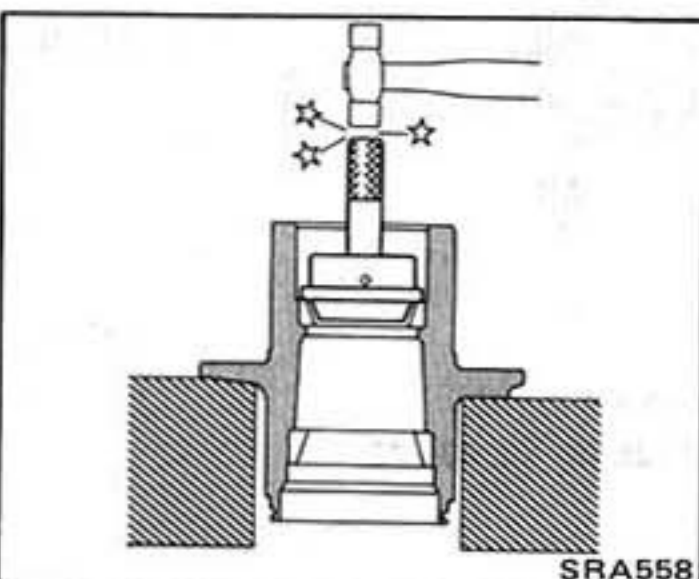


- Slowly slide axle shaft, exercising care not to damage oil seal lip.
- Remove oil seal and O-ring.
- Loosen screws and detach lock washer from rear wheel bearing nut.

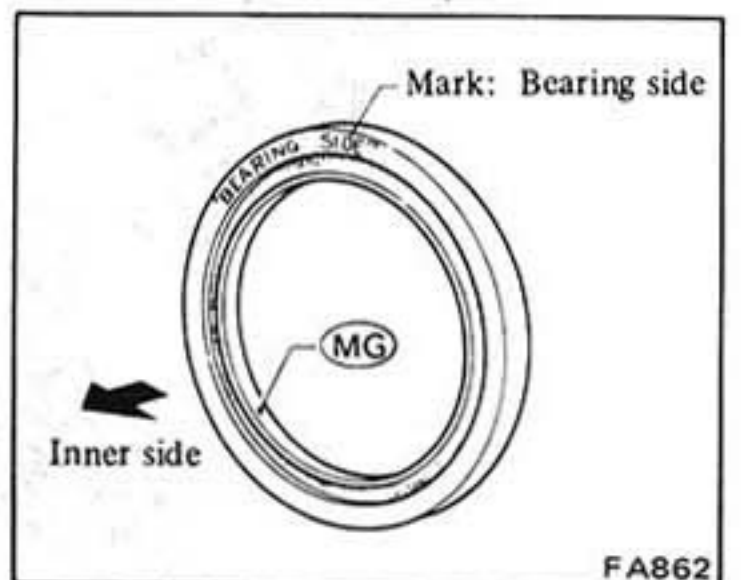


Installation

- Apply gear oil to splines at the inner end of axle shaft. Apply a coat of multi-purpose grease on the seal contact surface of the shaft and oil seal.
- Slowly slide axle shaft into axle housing, exercising care not to damage oil seal lip.
- Install bearing outer race using a suitable tool.



- Place inner bearing in hub and install a new grease seal, coating sealing lips with recommended multi-purpose grease.



- Remove wheel bearing lock nut using Tool.

- Adjust wheel bearing preload. Refer to MA section for adjustment.

SERVICE DATA AND SPECIFICATIONS

GENERAL SPECIFICATIONS

Item	Europe				Australia				
	Hardtop	Wagon	Pick-up	Hardtop Wagon	Hardtop	Van	Wagon	Pick-up	Pick-up Heavy duty
Destination									
Vehicle model									
Engine	SD33 SD33T		SD33	L28	[Option]	SD33 L28	SD33 SD33T L28	P SD33	
Suspension type	Parallel semi-elliptic leaf spring				Parallel semi-elliptic leaf spring				
Length x Width x Thickness — Number of leaves mm (in)									
Main	1,420 x 60 x 11 (55.91 x 2.36 x 0.43) — 3	1,435 x 60 x 11 (56.50 x 2.36 x 0.43) — 3	1,420 x 60 x 8 (55.91 x 2.36 x 0.31) — 6	1,420 x 60 x 10 (55.91 x 2.36 x 0.39) — 3	1,420 x 60 x 11 (55.91 x 2.36 x 0.43) — 3	1,420 x 60 x 11 (55.91 x 2.36 x 0.43) — 3	1,435 x 60 x 11 (56.50 x 2.36 x 0.43) — 3	1,435 x 60 x 12 (56.50 x 2.36 x 0.47) — 4	
Helper Thickness — Number of leaves mm (in)	—	10 (0.39) — 2	—	—	—	—	10 (0.39) — 2		
Spring constant N/mm (kg/mm, lb/in)	47.2 (4.81, 269.4)	46.9 - 115.5 (4.78 - 11.78, 267.7 - 659.7)	46.6 (4.75, 266.0)	36.8 (3.75, 210.0)	47.2 (4.81, 269.4)	46.9 - 115.5 (4.78 - 11.78, 267.7 - 659.7)	78.5 - 152.0 (8.0 - 15.5, 448 - 868)		
Camber Free mm (in)	173.3 (6.82)	199 (7.83)	172.5 (6.79)	187.6 (7.39)	173.3 (6.82)	199 (7.83)	187.9 (7.40)		
Laden mm (in)/N (kg, lb)	46.5 (1.831)/ 5,982 (610, 1,345)	70 (2.76)/ 8,238 (840, 1,852)	44 (1.73)/ 5,982 (610, 1,345)	48 (1.89)/ 5,149 (525, 1,158)	70 (2.76)/ 8,238 (840, 1,852)	70 (2.76)/ 8,238 (840, 1,852)	95.7 (3.768)/ 8,777 (895, 1,973)		
Maximum length mm (in)	489 (19.25)	519 (20.43)	499 (19.65)	489 (19.25)	489 (19.25)	519 (20.43)	539 (21.22)		
Stroke mm (in)	192 (7.56)	207 (8.15)	197 (7.76)	192 (7.56)	192 (7.56)	207 (8.15)	217 (8.54)		
Shock absorber	Damping force [0.3 m (1.0 ft)/sec] Expansion Compression				1,059 (108, 238) 451 (46, 101)				1,059 (108, 238) 451 (46, 101)

SERVICE DATA AND SPECIFICATIONS

Item	Destination	Except Europe & Australia						
	Vehicle model	Hardtop	Van	Wagon	Pick-up		Pick-up Heavy duty	
					Middle East	Except Middle East, Europe & Australia		
Engine	P SD L28	P SD		L28	P	P SD33 L28		
Suspension type		Parallel semi-elliptic leaf spring						
Leaf spring	Length x Width x Thickness — Number of leaves mm (in)	1,420 x 60 x 7-4 8-1 (55.91 x 2.36 x 0.28 - 4 0.31 - 1)	1,420 x 60 x 7-3 8-2 (55.91 x 2.36 x 0.28 - 3 0.31 - 2)	1,420 x 60 x 7-4 8-1 (55.91 x 2.36 x 0.28 - 4 0.31 - 1)	1,420 x 60 x 8 (55.91 x 2.36 x 0.31) - 6	1,435 x 60 x 8 (56.50 x 2.36 x 0.31) - 6	1,435 x 60 x 11 (56.50 x 2.36 x 0.43) - 3	1,435 x 60 x 12 (56.50 x 2.36 x 0.47) - 4
	Helper Thickness — Number of leaves mm (in)	11 (0.43) - 2	11 (0.43) - 1 12 (0.47) - 1	11 (0.43) - 2	-	7 (0.28) - 4	10 (0.39) - 2	
	Spring constant N/mm (kg/mm, lb/in)	44.1 - 58.8 (4.5 - 6.0, 252 - 336)	44.1 - 78.5 (4.5 - 8.0, 252 - 448)	44.1 - 58.8 (4.5 - 6.0, 252 - 336)	46.6 (4.75, 266.0)	46.4 - 118.9 (4.73 - 12.12, 264.9 - 678.7)	46.9 - 115.5 (4.78 - 11.78, 267.7 - 659.7)	78.5 - 152.0 (8.0 - 15.5, 448 - 868)
	Camber Free mm (in)	191 (7.52)			172.5 (6.79)	215.7 (8.49)	199.0 (7.83)	187.9 (7.40)
	Laden mm (in)/N (kg, lb)	44.2 (1.740)/ 7,698 (785, 1,731)	63.3 (2.492)/ 5,884 (600, 1,323)	44.2 (1.740)/ 7,698 (785, 1,731)	44 (1.73)/ 5,982 (610, 1,345)	86 (3.39)/ 8,238 (840, 1,852)	70 (2.76)/ 8,728 (890, 1,962)	95.7 (3.768)/ 8,777 (895, 1,973)
Shock absorber	Maximum length mm (in)	539 (21.22)			499 (19.65)	539 (21.22)	519 (20.43)	539 (21.22)
	Stroke mm (in)	217 (8.54)			197 (7.76)	217 (8.54)	207 (8.15)	217 (8.54)
	Damping force [0.3 m (1.0 ft)/sec] N (kg, lb)	1,059 (108, 238)						
	Expansion	451 (46, 101)						
Compression	451 (46, 101)							

SPECIAL SERVICE TOOL

SPECIAL SERVICE TOOL

Tool number	Tool name
KV40104600	Rear wheel bearing lock nut wrench 