

# STEERING SYSTEM

## SECTION **ST**

### CONTENTS

STEERING SYSTEM . . . . .	ST- 2
STEERING COLUMN . . . . .	ST- 4
POWER STEERING SYSTEM – Checking – . . . . .	ST- 6
POWER STEERING GEAR AND LINKAGE . . . . .	ST- 8
POWER STEERING OIL PUMP . . . . .	ST-14
SERVICE DATA AND SPECIFICATIONS (S D S ) . . . . .	ST-17
SPECIAL SERVICE TOOLS . . . . .	ST-20

Refer to section MA for:

CHECKING WHEEL ALIGNMENT

- Toe-in
- Front wheel turning angle

BASIC MECHANICAL SYSTEM

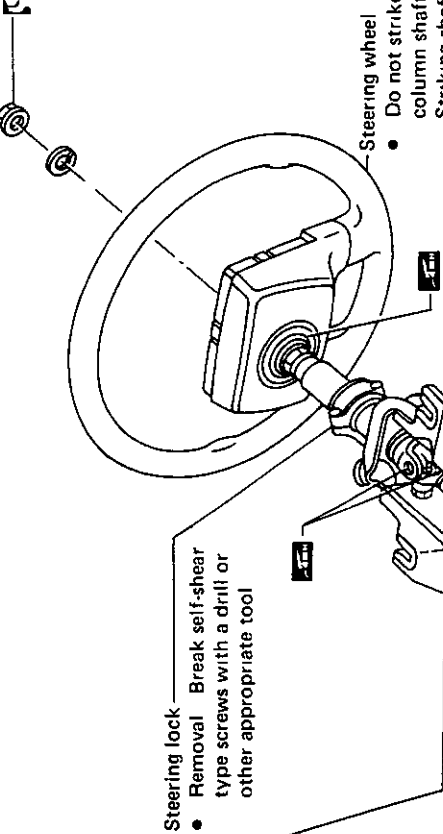
- Checking drive belts



# STEERING SYSTEM

- Fully turn steering wheel to the right and disconnect whole hydraulic line to steering gear ASSY, then remove steering gear
- Whenever disconnecting hydraulic lines, cover openings to prevent foreign material from entering
- Be careful not to damage hydraulic line connection
- Do not reuse O-ring in hydraulic system.
- When connecting hydraulic line, apply a coat of oil (Automatic transmission fluid "Dexron Type") to O-rings
- If disconnecting hydraulic line, always perform leak test and bleed air from line after filling it with oil
- After properly installing steering gear and linkage, check wheel alignment Refer to section MA

49 - 59  
(50 - 60,  
36 - 43)

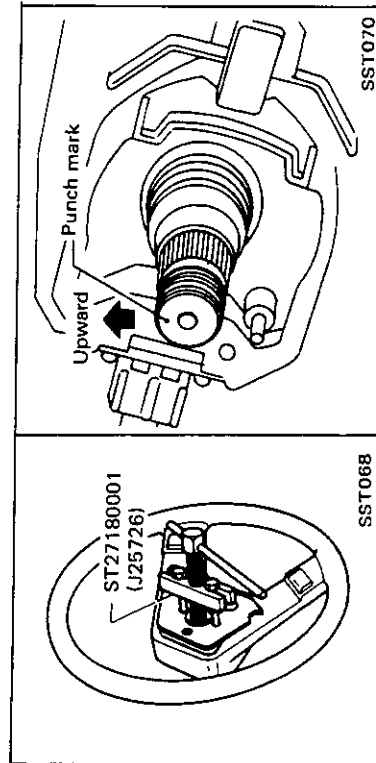
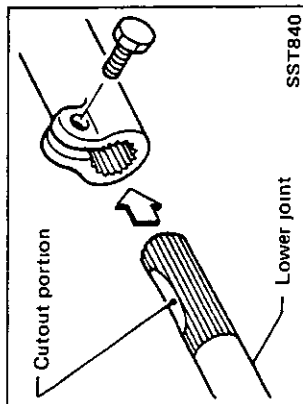


**Steering lock**  
 ● Removal Break self-shear type screws with a drill or other appropriate tool

- Steering column**
- Never in any case should undue stress be applied to steering column in axial direction
  - When installing, do not apply bending force to steering column
  - Be careful not to lose sliding plate
  - After installation, ensure steering column rotates smoothly without dragging or noise
  - Ensure tilt mechanism functions properly after column ASSY is installed

- Steering wheel**
- Do not strike end of steering column shaft with a hammer. Striking shaft will damage needle bearing or column shaft
  - Be careful not to damage cancel pole
  - After installing, turn wheel to make sure it moves smoothly and that the number of turns from straight forward position to left and right locks are equal
  - If steering wheel play is not within the specified value, check column shaft and tie-rod ball joint and adjust the play with retainer adjust screw
  - Refer to "Steering wheel play adjustment"
  - Removal & Installation

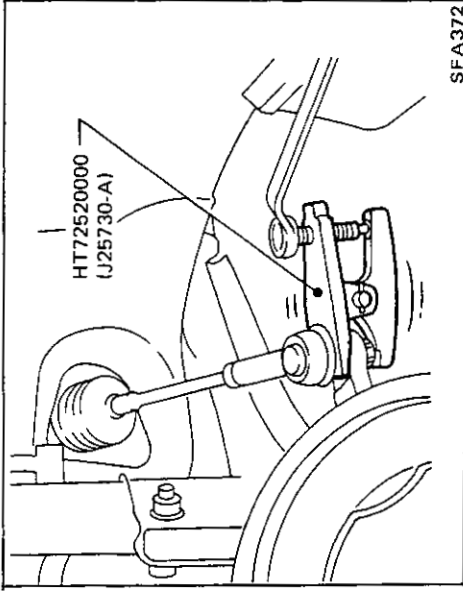
**Steering lower joint to column shaft connection**



Remove steering wheel using Tool

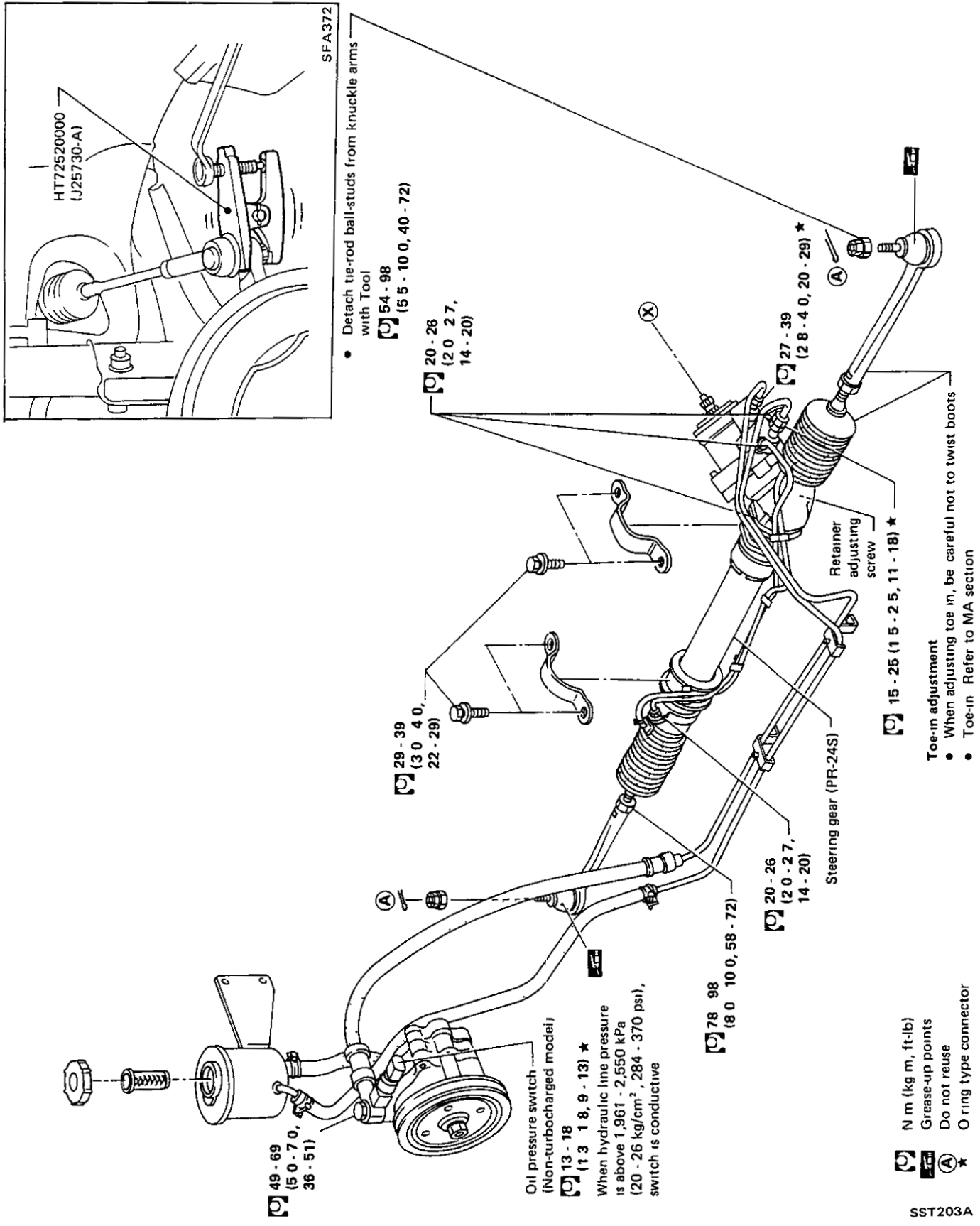
Install steering wheel on column shaft in a straight-ahead position

# STEERING SYSTEM



SFA372

• Detach tie-rod ball-studs from knuckle arms with Tool



49 - 69  
(5.0 - 7.0,  
36 - 51)

Oil pressure switch  
(Non-turbocharged model)

13 - 18  
(1.3 1.8, 9 - 13) ★

When hydraulic line pressure is above 1,961 - 2,550 kPa (20 - 26 kg/cm<sup>2</sup> - 284 - 370 psi), switch is conductive

78 - 98  
(8.0 10.0, 58 - 72)

20 - 26  
(2.0 - 2.7,  
14 - 20)

Steering gear (PR-24S)

15 - 25 (1.5 - 2.5, 11 - 18) ★

Retainer adjusting screw

Toe-in adjustment

- When adjusting toe in, be careful not to twist boots
- Toe-in Refer to MA section

- N m (kg m, ft-lb)
- Grease-up points
- Do not reuse
- O ring type connector



SST203A

# STEERING COLUMN

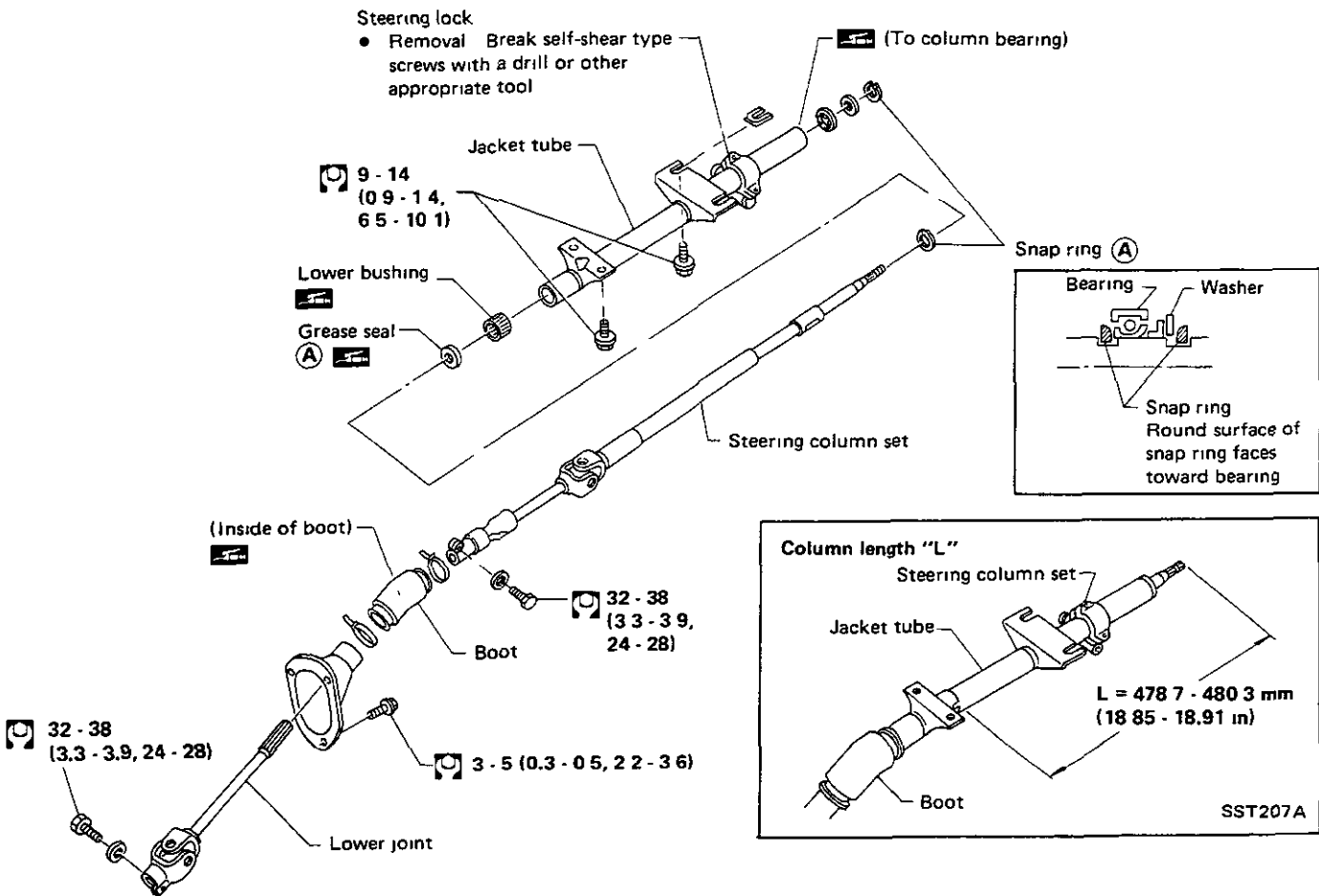
- Never in any case should undue stress be applied to steering column in axial direction
- When installing, do not apply bending force to steering column.
- Be careful not to lose sliding plate
- When the vehicle comes into light collision, check dimension "L", between steering column upper end and jacket tube crashable area.

Column length "L" = 478.7 mm - 480.3 mm (18.85 - 18.91 in)

(Measure "L" at neutral position of steering column if equipped with tilt mechanism)

- Check steering column for smooth rotation without binding and noise. If it does not rotate smoothly, check as follows:

## Non-tilt Type Column



**N m (kg-m, ft-lb)**

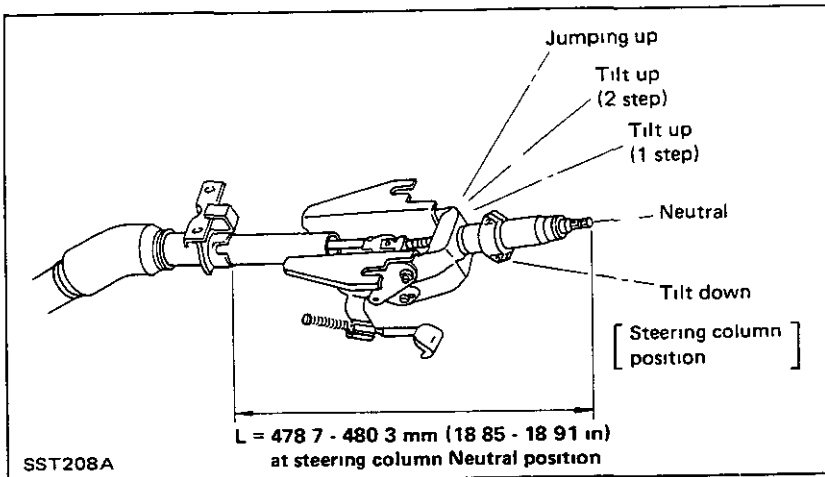
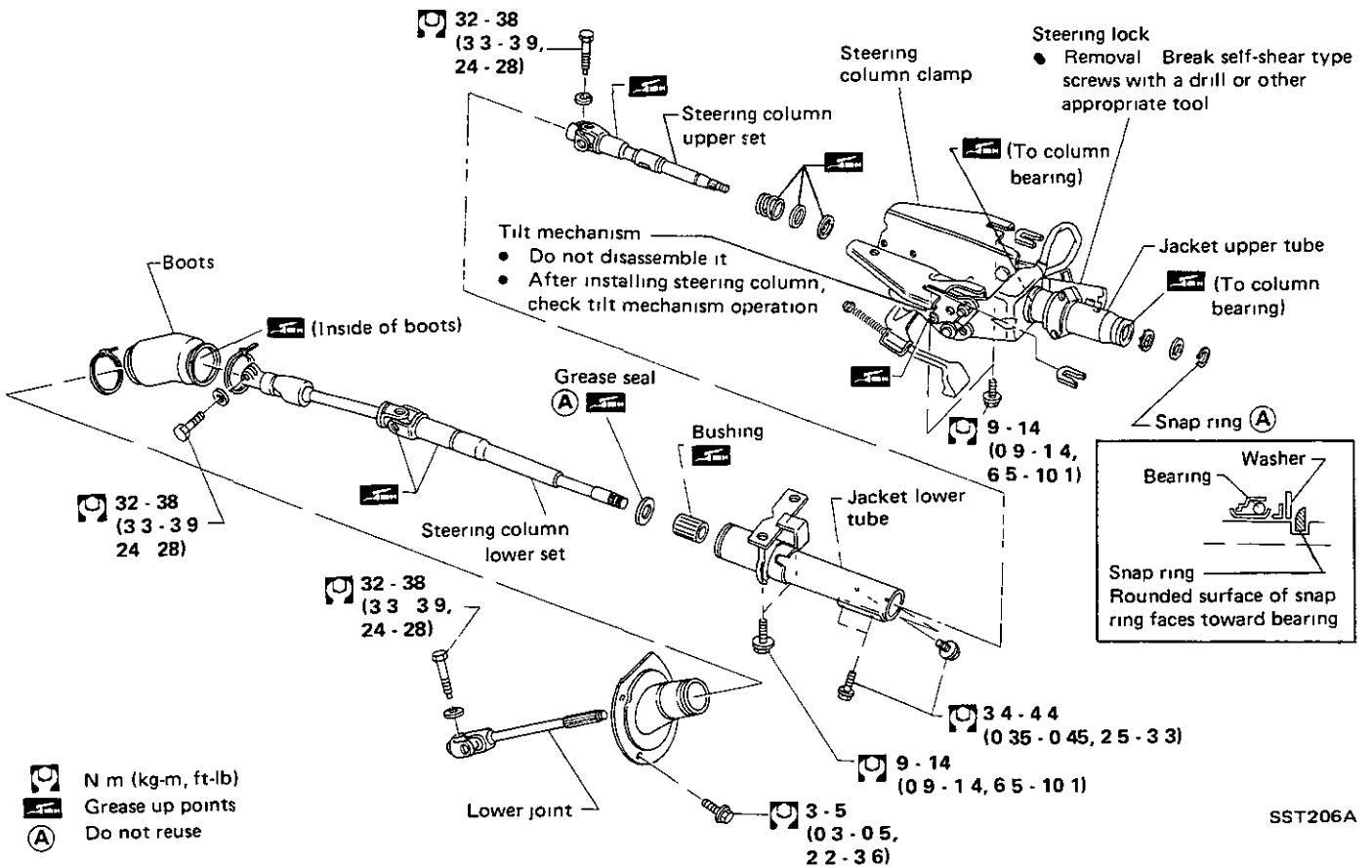
**Grease-up points**

**Do not reuse**

SST205A

# STEERING COLUMN

## Tilt Type Column



# POWER STEERING SYSTEM —Checking

## Fluid Level Check

Check the fluid level when the fluid is cold.  
Refer to MA section

## Power Steering Pump Belt Tension

Refer to MA section

## Fluid Leakage Check

- 1 Run engine at idle speed or 1,000 rpm  
Make sure temperature of fluid in tank rises to 60 to 80°C (140 to 176°F).
- 2 Turn steering wheel to right-to-left several times
- 3 Hold steering wheel at each "lock" position for five seconds and carefully check for fluid leakage

### CAUTION:

- Do not hold steering wheel at "lock" position for more than 15 seconds at a time.
- If fluid leaks at connectors, replace O-ring (if equipped) Do not overtighten connector as this can damage O-ring and connector.

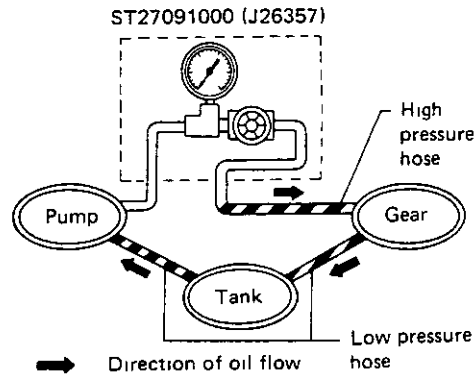
## Bleeding Hydraulic System

1. Raise front end of vehicle until wheels clear ground
- 2 While adding fluid, quickly turn steering wheel fully to right and left and lightly touch steering stoppers.  
Repeat steering wheel operation until fluid level no longer decreases
3. Start engine.  
Repeat step 2 above

## Hydraulic System Check

Before starting, check belt tension, driving pulley and tire pressure. (Refer to MA section )

- 1 Set Tool Open shut off valve Then bleed air (See "Bleeding Hydraulic System" )



SST834

- 2 Run engine.

Make sure temperature of fluid in tank rises to 60 to 80°C (140 to 176°F).

- 3 Check pressure with steering wheel fully turned in left and right

### CAUTION:

Do not hold steering wheel at lock position for more than fifteen seconds.

Standard pressure:

6,669 - 7,257 kPa

(68 - 74 kg/cm<sup>2</sup> , 967 - 1,052 psi at idling)

- 4 If oil pressure is below the standard, slowly close shut-off valve and check pressure
  - If pressure raises to standard, gear is damaged
  - If pressure remains below standard, pump is damaged.  
Gear may be damaged
- 5 If oil pressure is above the standard, pump may be damaged

### CAUTION:

Do not close shut-off valve for more than fifteen seconds.

- 6 After checking hydraulic system, remove Tool and add fluid as necessary, then completely bleed air out of system

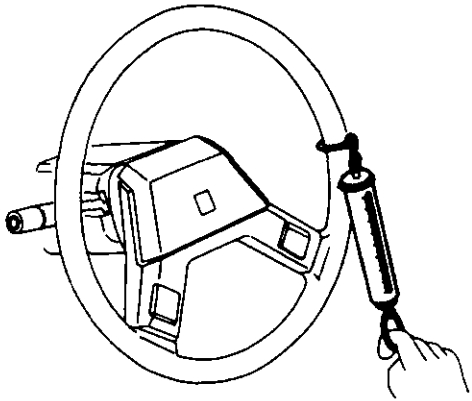
# POWER STEERING SYSTEM —Checking

## Turning Force Check

1. Park vehicle on a level, dry surface and set parking brake
2. Bring power steering fluid up to adequate operating temperature. [Make sure temperature of fluid is approximately 60 to 80°C (140 to 176°F)]
- **Tires must be inflated to normal pressure.**
3. Check steering wheel turning force when steering wheel has been turned 360° from neutral position

### Steering wheel turning force:

Less than 39 N (4 kg, 9 lb)



SST474

## Steering Wheel Play Adjustment

### Steering wheel axial play:

0 mm (0 in)

### Steering wheel play:

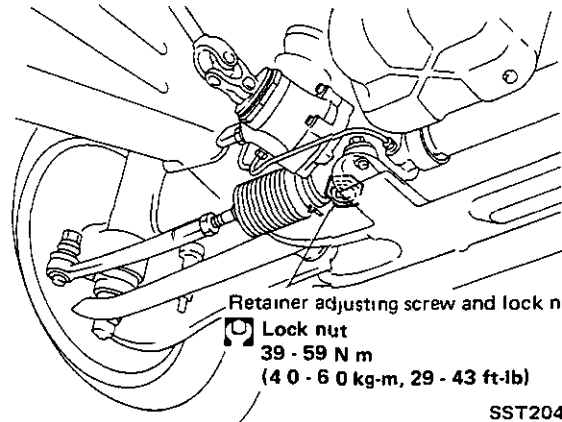
Less than 35 mm (1.38 in)

If steering wheel play is not within specifications, check condition of column shaft and tie-rod ball points. If they are in good order, adjust rack retainer.

### Rack retainer adjustment:

- a) Adjust only when steering wheel play is outside specifications
- b) Prior to adjustment, completely loosen adjustment screw, clean old locking sealer and apply new locking sealer.

Tighten the screw to approximately 3 N·m (0.3 kg·m, 2.2 ft·lb) and back off by 20 to 25°. Measure steering wheel play to make sure it is within specifications. Then tighten lock nut.



Retainer adjusting screw and lock nut  
Lock nut  
39 - 59 N·m  
(4.0 - 6.0 kg·m, 29 - 43 ft·lb)

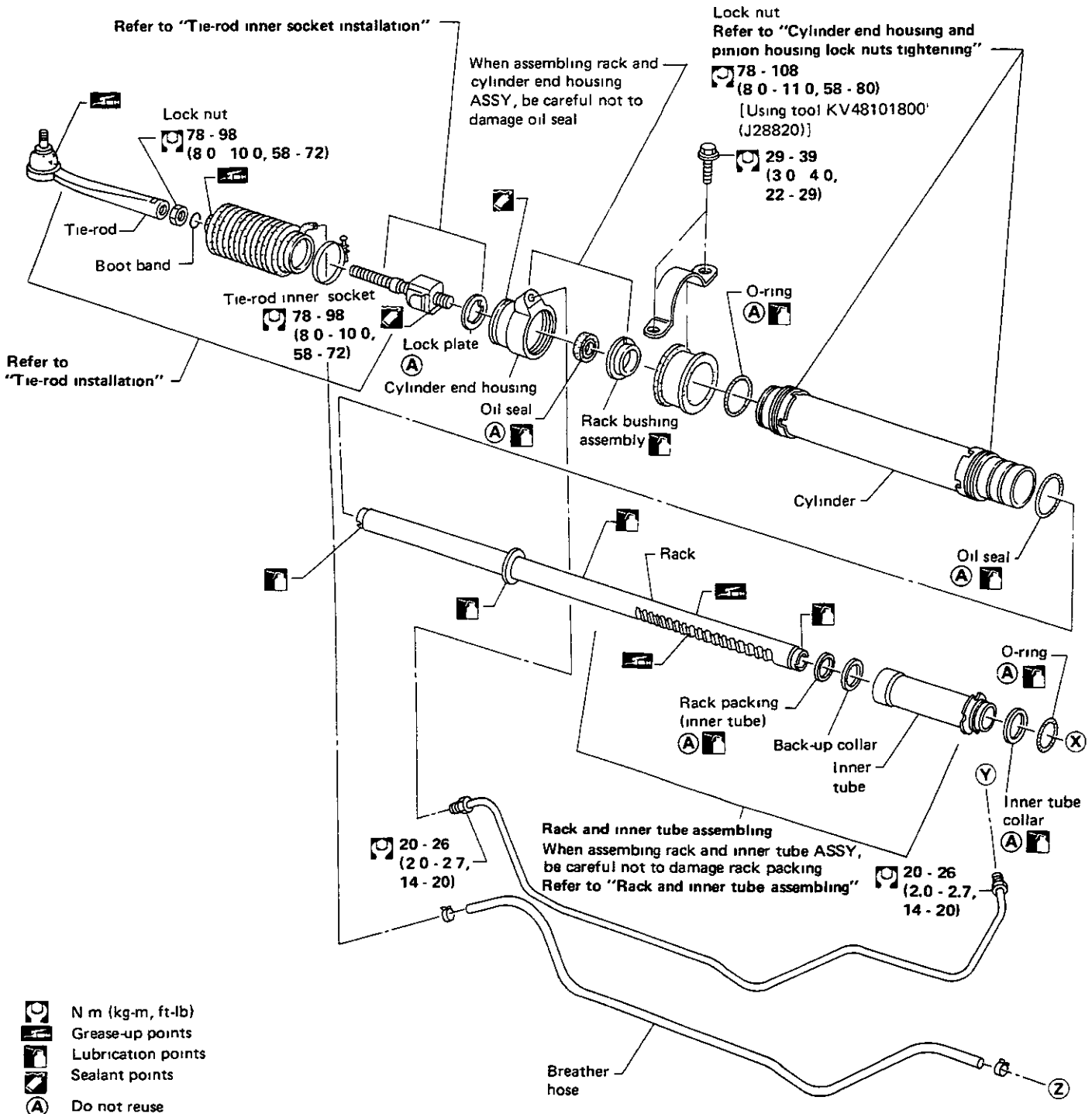
SST204A

- c) After adjustment, drive vehicle at low speeds to check for proper operation of steering system

# POWER STEERING GEAR AND LINKAGE

## Disassembly and Assembly

- Do not disassemble unless repairing to stop oil leak, replacing tie-rod and tie-rod inner socket ball joint, or for various adjustments.
- Do not reuse O-rings or oil seals.
- When assembling, apply a coat of oil to mating surfaces of O-rings and oil seals
- When assembling, be careful not to damage oil seals
- Before starting work, thoroughly clean all parts in cleaning solvent or automatic transmission fluid "Dexron Type" and blow dry with compressed air, if available.
- After assembling tie-rod inner socket to rack & housing ASSY, check rack stroke (refer to "Rack stroke")

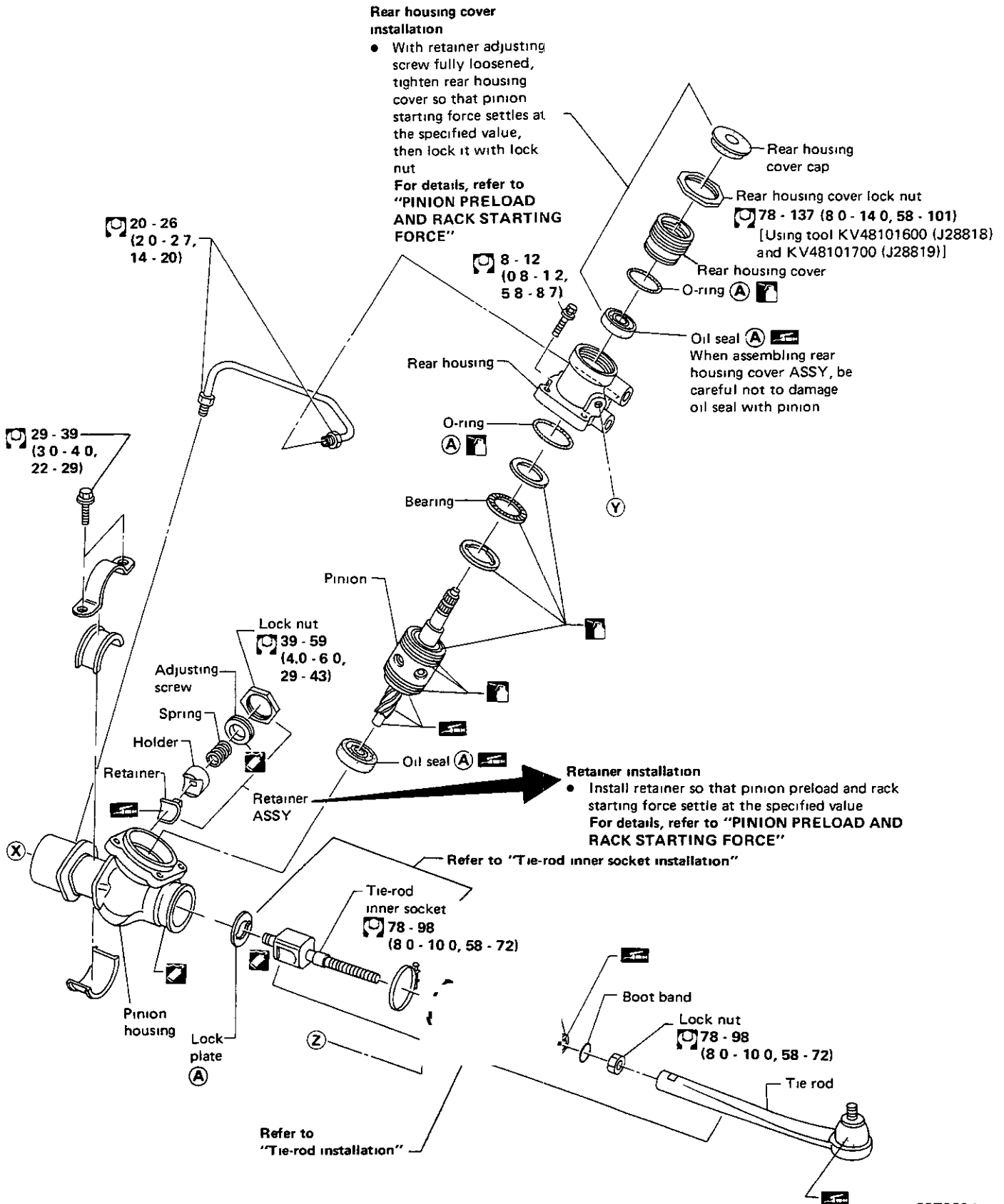


- N m (kg-m, ft-lb)
- Grease-up points
- Lubrication points
- Sealant points
- Do not reuse



# POWER STEERING GEAR AND LINKAGE

## Disassembly and Assembly (Cont'd)



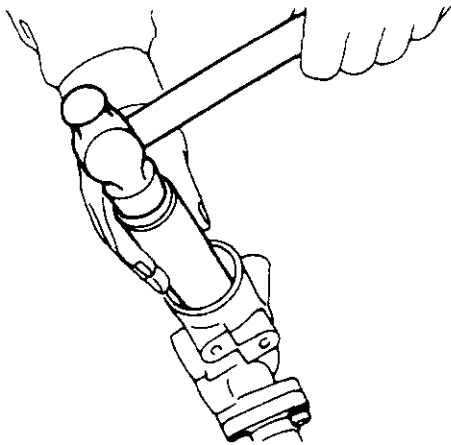
SST209A

# POWER STEERING GEAR AND LINKAGE

## Disassembly and Assembly (Cont'd)

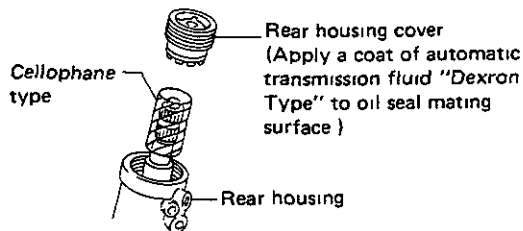
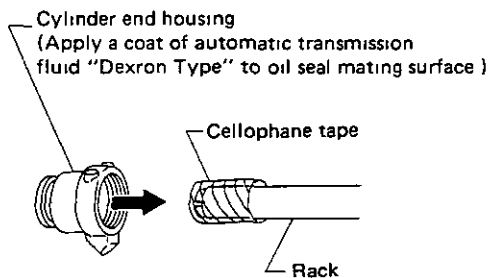
### ASSEMBLY

- Before starting work, thoroughly clean all parts in cleaning solvent or automatic transmission fluid "Dexron Type" and blow dry with compressed air, if available
- Do not reuse old oil seal, packing and O-ring. Always install new ones
- When installing oil seals, use suitable tool



SST548

- When installing cylinder end housing or rear housing cover, wrap cellophane tape around rack end or pinion serrations to prevent oil seal from being damaged



SST210A


- Apply oil to O-rings as well as frictional surfaces of oil seals and packings

### 1. Assemble inner tube assembly to rack

- Be careful not to scratch rack packing. Refer to "Rack and inner tube assembling"

### 2. Assemble rack & inner tube assembly, cylinder, cylinder end housing and pinion housing.

- Be careful not to damage oil seal
- Pay attention to direction for the cylinder end housing and pinion housing to prevent undue stress from being applied to hydraulic pipes
- Cylinder end housing and pinion housing lock nut

 **78 - 108 N m**  
(80 - 11.0 kg-m, 58 - 80 ft-lb)


Refer to "Cylinder end housing and pinion housing lock nut tightening"

### 3. Install tie-rod inner socket, boot and tie-rod to rack & housing assembly, and then check rack stroke

- Refer to "Tie-rod inner socket installation", "Tie-rod installation", and "Rack stroke"

### 4. Install pinion complete and rear housing complete.

- Be careful not to damage oil seal
- After adjusting pinion preload, tighten rear housing cover lock nut

 **Rear housing cover lock nut.**  
**78 - 137 N-m**  
(8 - 14 kg-m, 58 - 101 ft-lb)

Refer to "Pinion preload adjustment"

### 5. Install retainer assembly.

- Make sure pinion preload and rack steering force adjusted to specifications. Refer to "Retainer adjustment"

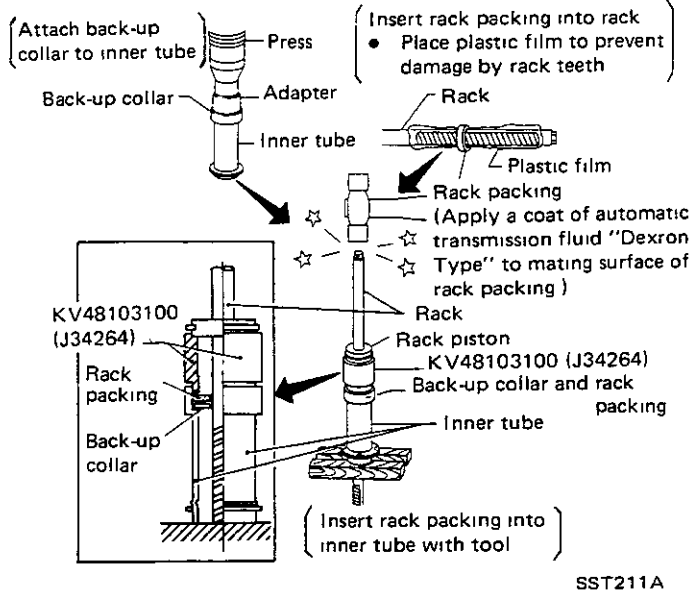
### 6. Check rack for smooth movement over its entire stroke, without binding and noise.

### 7. Install hydraulic piping and breather hose.

# POWER STEERING GEAR AND LINKAGE

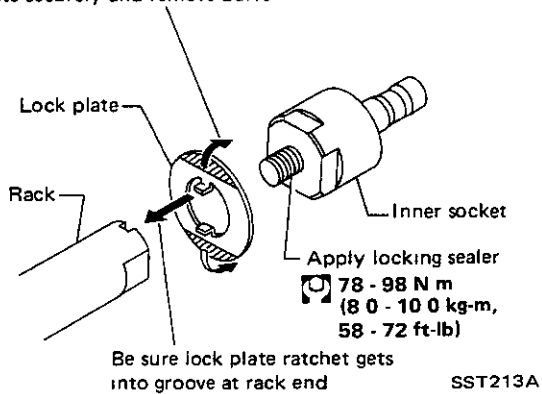
## Disassembly and Assembly (Cont'd)

### Rack and inner tube assembling



### Tie-rod inner socket installation

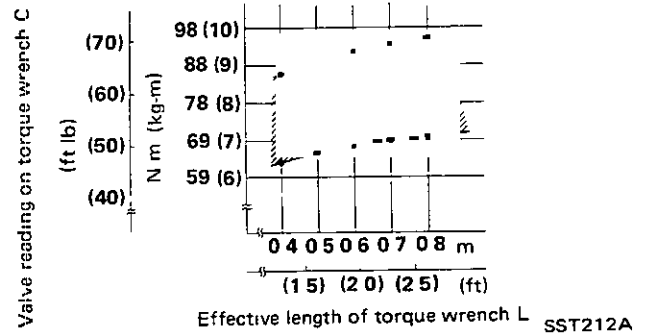
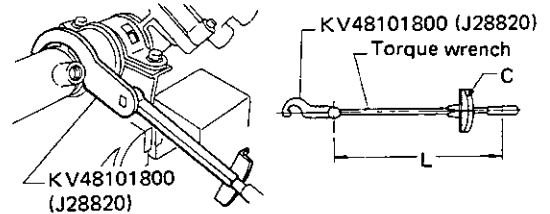
After tightening inner socket, bend lock plate securely and remove burrs



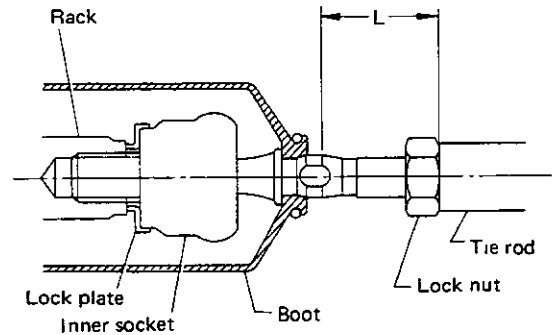
### Cylinder end housing and pinion housing lock nut tightening

☞ Lock nut:

78 - 108 N m  
(8.0 - 11.0 kg-m, 58 - 80 ft-lb)



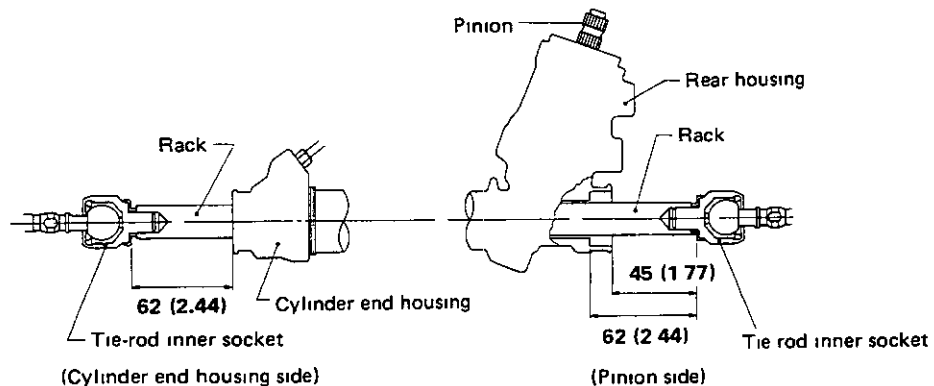
### Tie-rod installation



- Standard dimension L = 375 mm (1.476 in)
- When installing tie-rod or adjusting toe-in, be careful not to twist boots
- Toe-in Refer to MA section

SST214A

### Rack stroke



# POWER STEERING GEAR AND LINKAGE

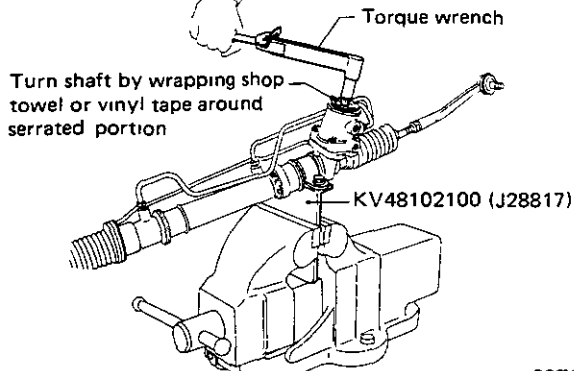
## Inspection and Adjustment

### PINION PRELOAD AND RACK STARTING FORCE

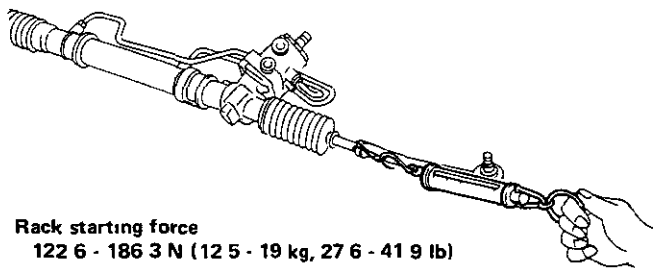
- After disconnecting hydraulic line and draining fluid, measure them

#### Pinion preload

Less than 1.2 N·m (12 kg-cm, 10 in-lb)



SST216A



SST217A

- If they are not within specifications, adjust retainer adjusting screw
- If retainer adjustment cannot be made properly, fully loosen retainer adjusting screw, and then adjust pinion preload  
Then readjust retainer adjusting screw
- If pinion preload adjustment cannot be made properly, replace steering gear assembly

### Retainer adjustment

- Remove retainer adjusting screw and clean old locking sealer off the threads
- Apply new locking sealer to the threads  
Tighten the screw to approximately 3 N·m (0.3 kg-m, 2.2 ft-lb) and back it off by 20 to 25°
- If preload and starting force are within specified ranges, tighten lock nut securely (Check rack for smooth movement over its entire stroke.)

#### Pinion preload:

Less than 1.2 N·m (12 kg-cm, 10 in-lb)

#### Rack starting force:

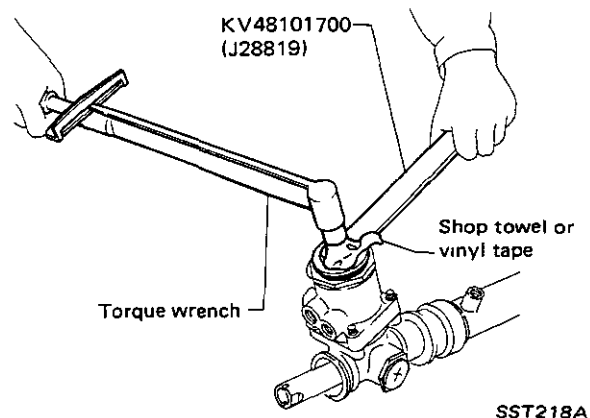
122.6 - 186.3 N  
(12.5 - 19 kg, 27.6 - 41.9 lb)

- Retainer adjusting screw lock nut  
39 - 59 N·m  
(4.0 - 6.0 kg-m, 29 - 43 ft-lb)

### Pinion preload adjustment

Before making pinion preload adjustment, make sure retainer adjusting screw is loosened completely

- Screw in rear housing cover completely and back it off by 180 to 360°. Then turn pinion a few rotations and then measure pinion starting torque



SST218A

#### Pinion starting torque $T_1$ :

Less than 0.7 N·m (7 kg-cm, 6.1 in-lb)

Free play should not be allowed for pinion

# POWER STEERING GEAR AND LINKAGE

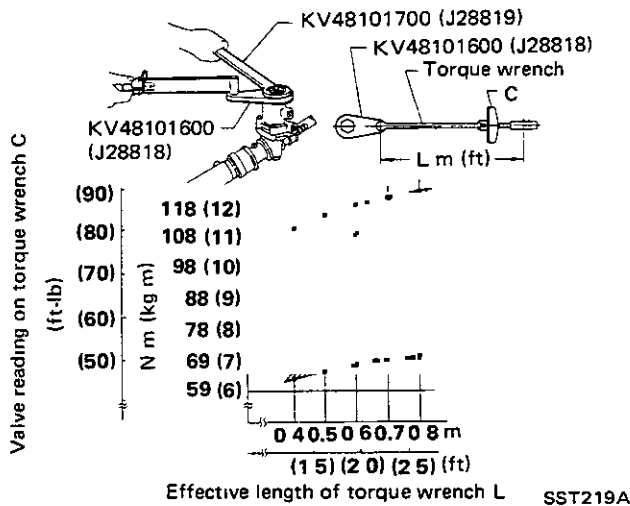
## Inspection and Adjustment (Cont'd)

- Screw in rear housing cover until pinion starting torque equals "T<sub>2</sub>", then tighten lock nut  
 $T_2 = T_1 + T_3$  [T<sub>3</sub> = approx. 0.5 N·m (5 kg·cm, 4.3 in·lb)]



**Lock nut:**

**78 - 137 N·m  
(8.0 - 14.0 kg·m, 58 - 101 ft·lb)**



- Measure pinion starting torque T<sub>4</sub> to make sure it is within specified range

**T<sub>4</sub>:**

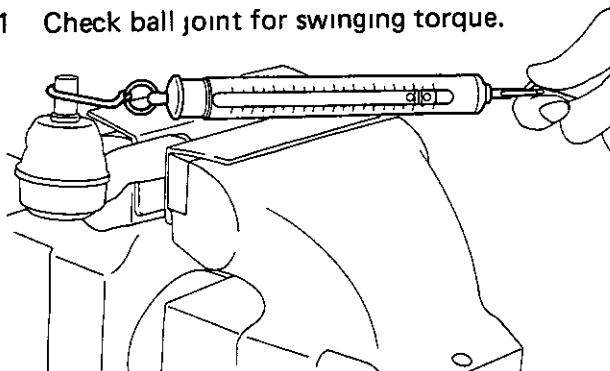
**Less than 0.8 N·m (8 kg·cm, 6.9 in·lb)  
and**

**T<sub>1</sub> + [0.10 - 0.25 N·m (1.0 - 2.5 kg·cm,  
0.87 - 2.17 in·lb)]**

- If T<sub>4</sub> does not meet the above two values, repeat step 2 and re-adjust pinion preload using T<sub>3</sub>.

### TIE-ROD OUTER SOCKET

- Check ball joint for swinging torque.



SST130A

**Tie-rod outer socket:**

**Swinging torque**

**0.29 - 2.94 N·m**

**(3.0 - 30 kg·cm, 2.6 - 26.0 in·lb)**

- Check condition of dust cover. If it is cracked excessively, replace.

### TIE-ROD INNER SOCKET

Check inner socket for swinging torque and play. If ball stud is worn and play in axial direction is excessive or joint is hard to swing, replace as a complete unit.

**Tie-rod inner socket:**

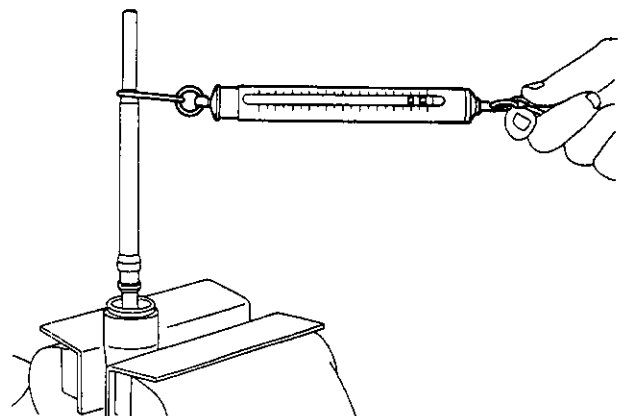
**Swinging torque**

**1.0 - 7.8 N·m**

**(10 - 80 kg·cm, 8.7 - 69.4 in·lb)**

**Axial play**

**0 mm (0 in)**



SST106A

### BOOT

Check condition of boot. If it is cracked excessively, replace boot.

### CYLINDER TUBES AND BREATHER HOSE

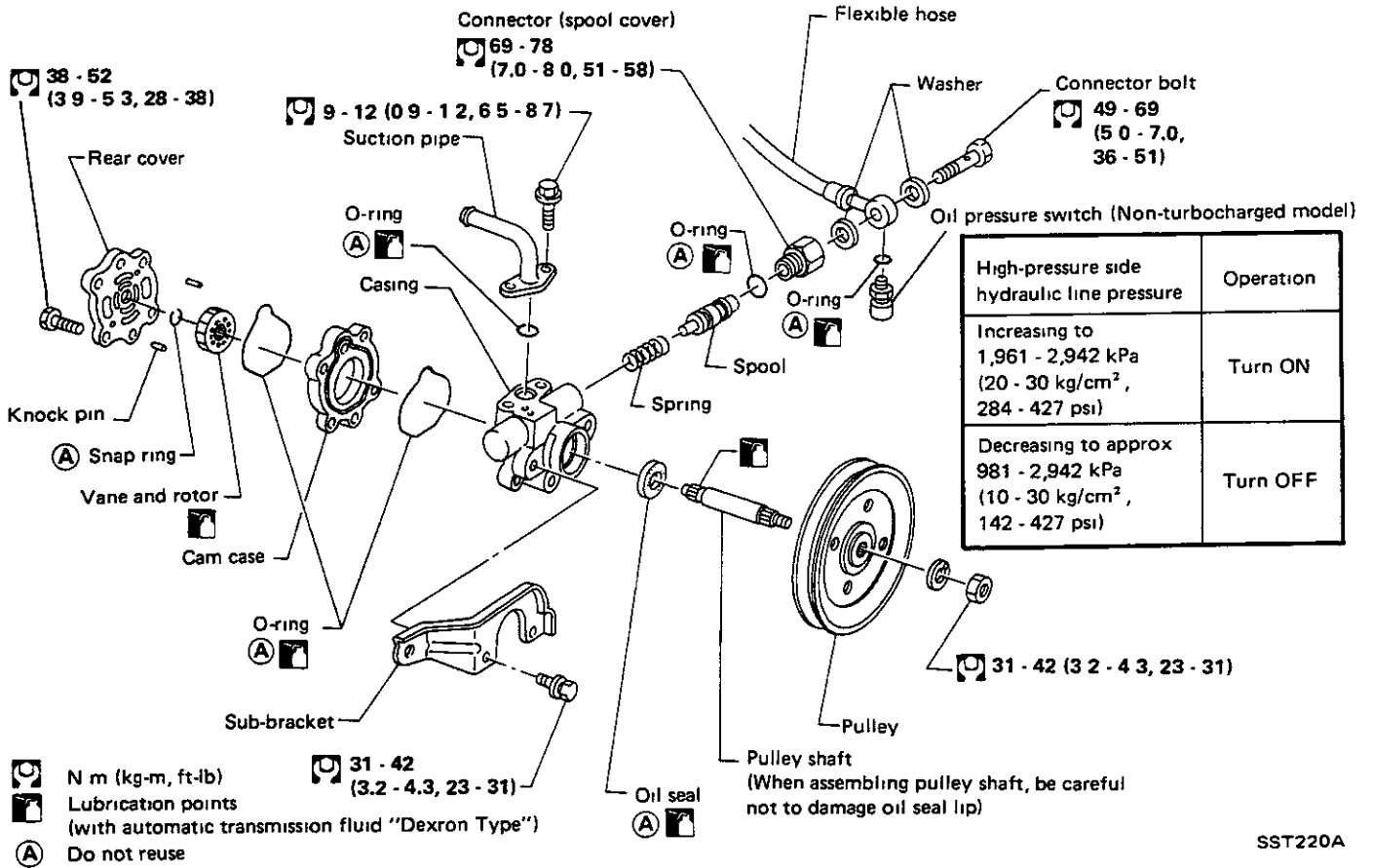
Check cylinder tubes and breather hose for scratches or other damage.

Replace if necessary.

### STEERING GEAR COMPONENT PARTS

Thoroughly examine those component parts. If those parts are damaged, cracked or worn, replace as steering gear assembly.

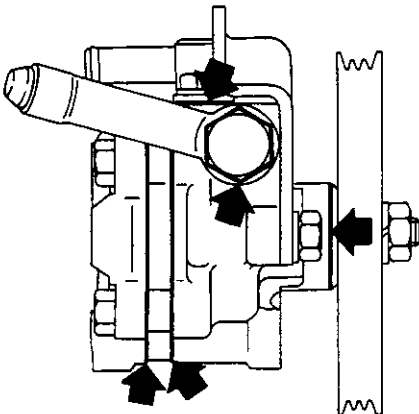
# POWER STEERING OIL PUMP



## Pre-disassembly Inspection

The power steering oil pump should be disassembled only if any of the following conditions are observed.

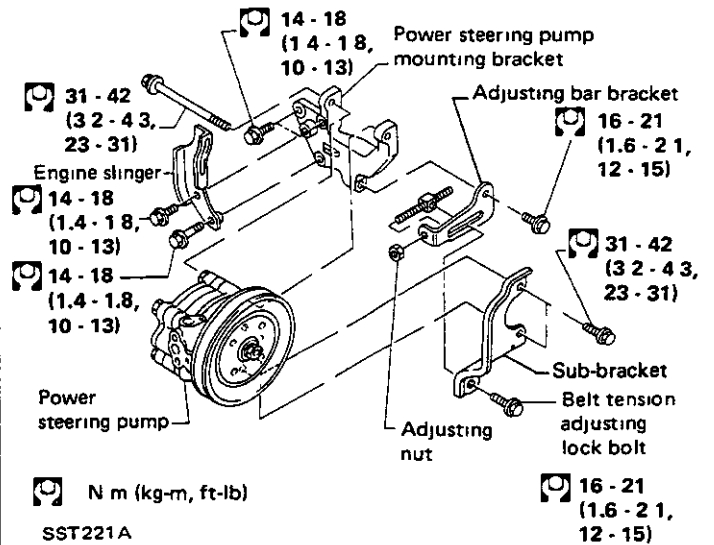
- Oil leak at the following points



SST126A

- Deformed or damaged pulley

## Oil Pump Installation



- After installing oil pump, adjust belt tension. Refer to MA section.

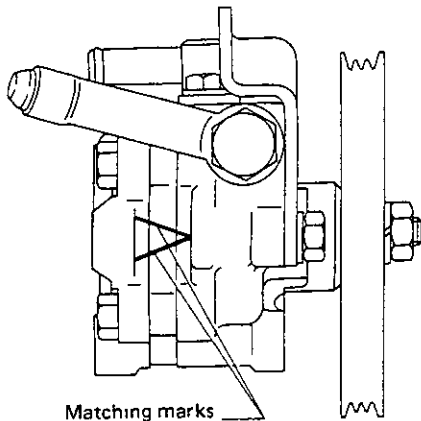
# POWER STEERING OIL PUMP

## Disassembly

### CAUTION:

- The parts which can be disassembled are strictly limited, and never disassemble other parts than the specified ones.
- Disassembly should be performed in a place as clean as possible.
- Do not use a rag. Be sure to use nylon or paper cloth.
- When disassembling and reassembling, do not allow any foreign material to enter or contact any parts.

- 1 Make matching marks.

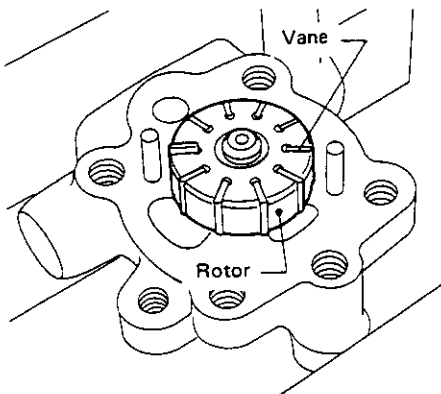


SST127A

- 2 Remove rear cover
- 3 Remove O-rings from cam case.

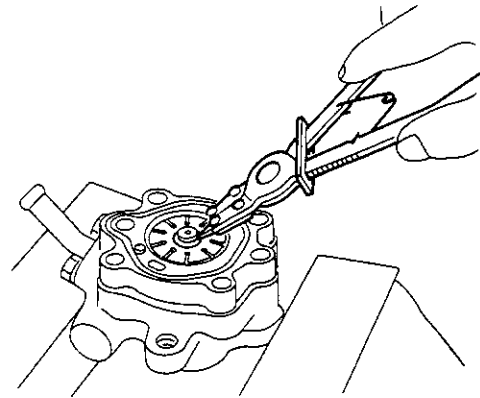
### CAUTION:

When removing cam case, be sure that the vane does not come off the rotor.



SST032A

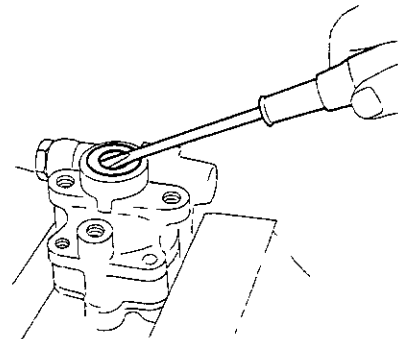
- 4 Remove snap ring, then draw pulley shaft out
- Be careful not to drop pulley shaft.



SST033A

5. Install cam case and rear cover, then remove oil seal.

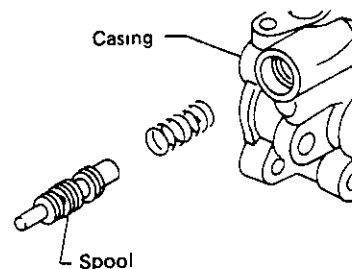
- Be careful not to damage casing.



SST034A

6. Remove joint.

- Be careful not to drop spool.



SST036A

7. Remove suction pipe, then remove O-ring

# POWER STEERING OIL PUMP

## Inspection

Wash clean all disassembled parts (inside pump) in suitable cleaning solvent.

### PULLEY AND PULLEY SHAFT

- If pulley is cracked or deformed, replace it.
- If an oil leak is observed around pulley shaft oil seal, replace it.
- If serration of pulley or pulley shaft is deformed or worn, replace it.

### OIL PRESSURE SWITCH (Non-turbocharged model)

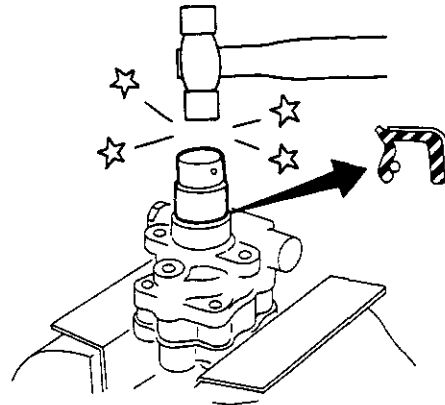
High-pressure side hydraulic line pressure kPa (kg/cm <sup>2</sup> , psi)	Operation
Increasing to 1,961 - 2,942 (20 - 30, 284 - 427)	Turn ON
Decreasing to Approx 981 - 2,942 (10 - 30, 142 - 427)	Turn OFF

Refer to "Hydraulic System Check" in "POWER STEERING SYSTEM - Checking"

## Assembly

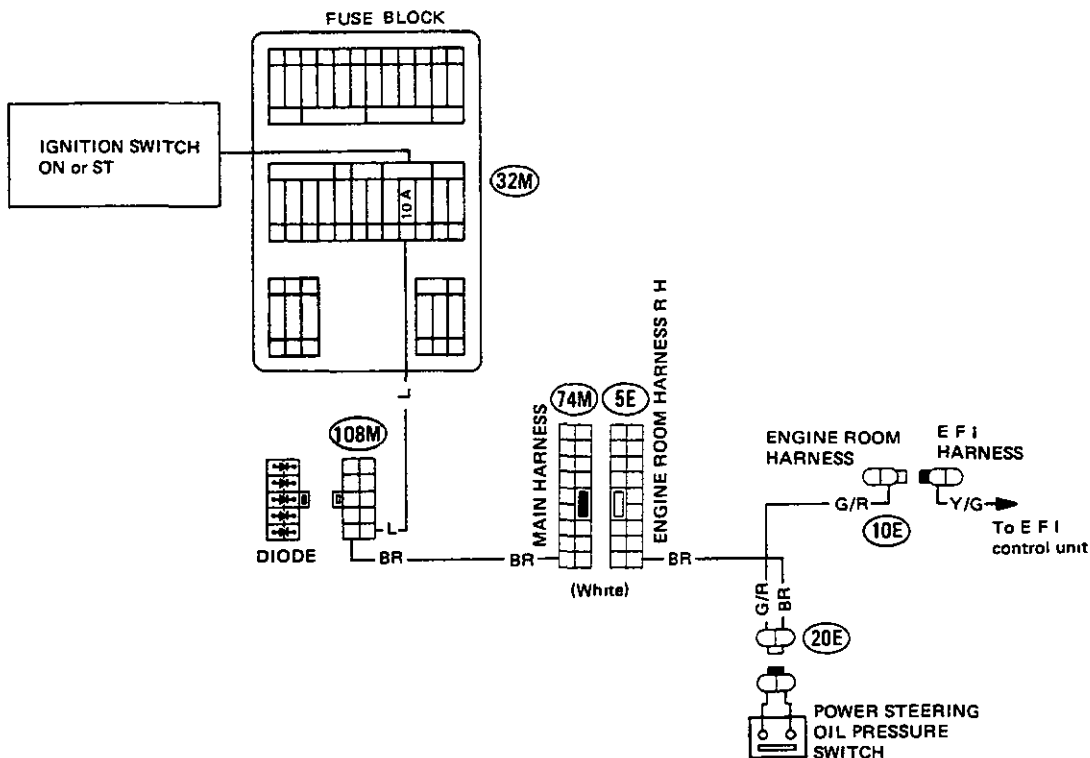
Assemble oil pump in the reverse order of disassembly, noting the following instructions

- Before installing O-rings and oil seal, apply a thin coat of power steering fluid to them.
- Make certain that O-rings and oil seal are installed properly.
- Discard old O-ring and oil seal and install new ones
- Be careful of oil seal direction.



SST038A

## Wiring Diagram — Oil Pressure Switch



SST222A



# SERVICE DATA AND SPECIFICATIONS (S.D.S.)

## General Specifications

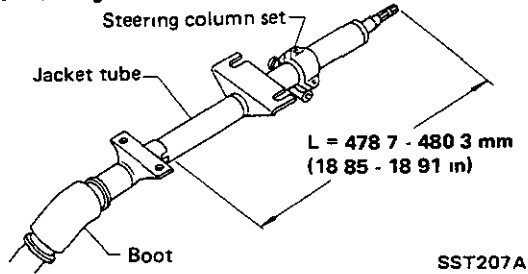
Steering gear type	PR24S [Power steering]
--------------------	---------------------------

Steering column Type	Collapsible
----------------------	-------------

Column length L mm (in)

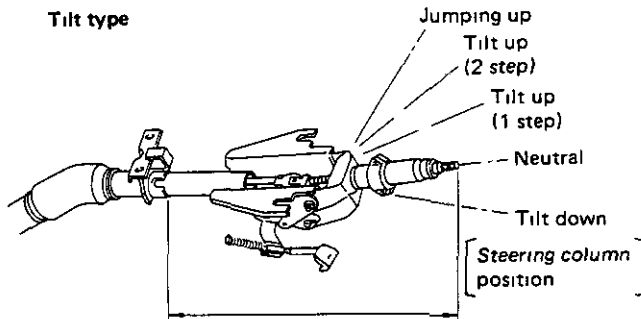
### Non-tilt type

Column length "L"



SST207A

### Tilt type



L = 478.7 - 480.3 mm (18.85 - 18.91 in)  
at steering column Neutral position

SST208A

Turn of steering wheel (Lock to lock)	2.8
Steering overall gear ratio	17.1
Power steering fluid Type	Automatic transmission fluid "DEXRON type"
Capacity ℓ (US pt, Imp pt)	Approx 0.9 (1-7/8, 1-5/8)
Normal operating temperature °C (°F)	60 - 80 (140 - 176)

## Inspection and Adjustment

### GENERAL

Steering wheel axial play	mm (in)	0 (0)
Steering wheel play	mm (in)	Less than 35 (1.38)
Power steering system Steering wheel turning force at 360° position from Neutral N (kg, lb)		Less than 39.2 (40.88)
Oil pump belt deflection (Measured when engine is cold) mm (in)/98 N (10 kg, 22 lb)		New 10 - 13 (0.39 - 0.51) Used 13 - 16 (0.51 - 0.63) Limit 21 (0.83) - Replace belt to new one
Oil pump maximum pressure kPa (kg/cm <sup>2</sup> , psi)		6,669 - 7,257 (68 - 74, 967 - 1,052)

### Oil pressure switch operation

Hydraulic line pressure kPa (kg/cm <sup>2</sup> , psi)	Operation
Increasing to 1,961 - 2,942 (20 - 30, 284 - 427)	Turn ON
Decreasing to 981 - 2,942 (10 - 30, 142 - 427)	Turn OFF

# SERVICE DATA AND SPECIFICATIONS (S.D.S.)

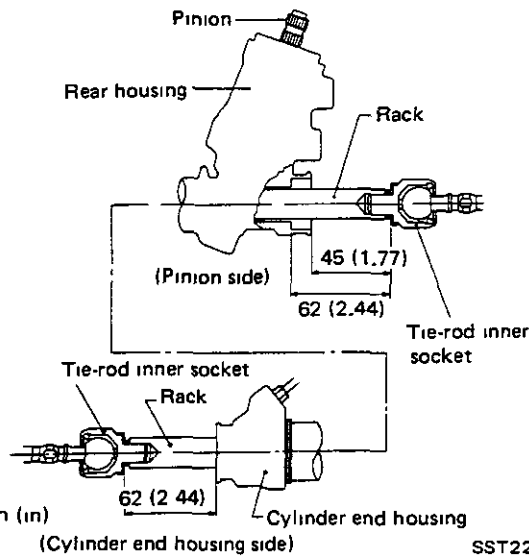
## Inspection and Adjustment (Cont'd)

## Tightening Torque

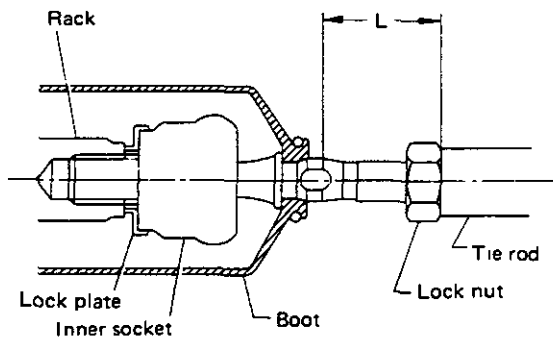
### STEERING GEAR AND LINKAGE (PR24S)

Tie-rod outer ball joint Swinging torque N m (kg-cm, in-lb)	0 29 - 2 94 (3 0 - 30, 2 6 - 26 0)
Tie-rod inner ball joint Swinging torque N m (kg-cm, in-lb)	1 0 - 7 8 (10 - 80, 8 7 - 69 4)
Axial play mm (in)	0 (0)

Rack stroke



Tie-rod standard length mm (in)



- Standard dimension L = 375 mm (1 476 in)
- When installing tie-rod or adjusting toe-in, be careful not to twist boots
- Toe-in Refer to MA section

SST214A

Pinion gear preload (Pinion and rack gear assembly without fluid) N m (kg-cm, in-lb)	Less than 1 2 (12, 10)
Rack starting force at steering center (Pinion and rack gear assembly without fluid) N (kg, lb)	122 6 - 186 3 (12 5 - 19, 27 6 - 41.9)

### STEERING COLUMN

Unit	N m	kg-m	ft-lb
Steering wheel nut	49 - 59	5 0 - 6 0	36 - 43
Steering column to body	9 - 14	0 9 - 1 4	6 5 - 10 1
Hole cover to dash panel	3 - 5	0 3 - 0 5	2 2 - 3 6
Column joint fixing bolt (Lower joint, column set)	32 - 38	3 3 - 3 9	24 - 28
Jacket lower tube to steering column clamp	3 4 - 4 4	0 35 - 0 45	2 5 - 3 3

### STEERING GEAR & LINKAGE (PR-24S)

Unit	N m	kg-m	ft-lb
Tie-rod lock nut	78 - 98	8 0 - 10 0	58 - 72
Tie-rod inner socket to rack (With sealant)	78 - 98	8 0 - 10 0	58 - 72
Cylinder end housing & pinion housing lock nut	78 - 108	8 0 - 11 0	58 - 80
Rear housing to pinion housing	8 - 12	0 8 - 1 2	5 8 - 8 7
Rear housing cover lock nut	78 - 137	8 0 - 14 0	58 - 101
Retainer lock nut	39 - 59	4 0 - 6 0	29 - 43
Cylinder tube flare nut	20 - 26	2 0 - 2 7	14 - 20
Gear & linkage mounting	29 - 39	3 0 - 4 0	22 - 29
Tie-rod to knuckle arm	54 - 98	5 5 - 10 0	40 - 72

### OIL PUMP

Unit	N m	kg-m	ft-lb
Mounting bracket to engine	14 - 18	1 4 - 1 8	10 - 13
Engine slinger mounting bolt	14 - 18	1 4 - 1 8	10 - 13
Oil pump to mounting bracket (Through bolt)	31 - 42	3 2 - 4 3	23 - 31
Oil pump casing to sub bracket	31 - 42	3 2 - 4 3	23 - 31
Adjusting bar bracket to mounting bracket	16 - 21	1 6 - 2 1	12 - 15
Sub bracket to adjusting bar	16 - 21	1 6 - 2 1	12 - 15
Pulley lock nut	31 - 42	3 2 - 4 3	23 - 31
Rear cover fixing bolt	38 - 52	3 9 - 5 3	28 - 38
Connector (Spool cover)	69 - 78	7 0 - 8 0	51 - 58
Suction pipe to casing	9 - 12	0 9 - 1 2	6 5 - 8 7

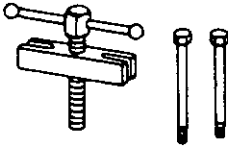
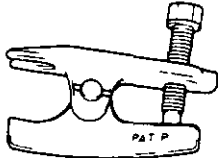
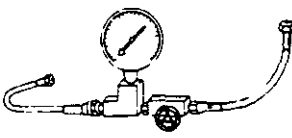
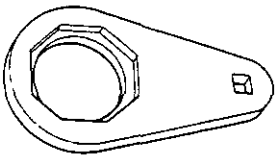


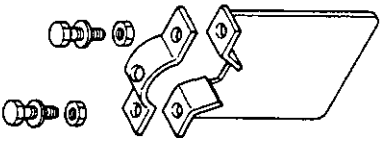
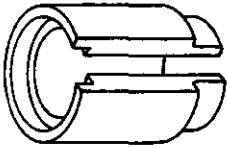
# SERVICE DATA AND SPECIFICATIONS (S.D.S.)

## Tightening Torque (Cont'd)

### HYDRAULIC LINE AND OIL PRESSURE SWITCH

Unit	N m	kg-m	ft-lb
Low-pressure pipe to steering gear	27 - 39	2 8 - 4 0	20 - 29
High-pressure pipe to steering gear	15 - 25	1 5 - 2 5	11 - 18
High-pressure pipe connector bolt (At oil pump)	49 - 69	5 0 - 7 0	36 - 51
Oil pressure switch	13 - 18	1 3 - 1 8	9 - 13

# SPECIAL SERVICE TOOLS

Tool number (Kent-Moore No )	Tool name	Unit application	
		PR-24S	
ST27180001 (J25726)	Steering wheel puller 	X	
HT72520000 (J25730-A)	Ball joint remover 	X	
ST27091000 (J26357)	Pressure gauge 	X	
KV48101600 (J28818)	Rear housing lock nut wrench 	X	
KV48101700 (J28819)	Rear cover wrench 	X	
KV48101800 (J28820)	Cylinder lock nut wrench 	X	
KV48102100 (J28817)	Power steering stand 	X	
KV48103100 (J34264)	Rack packing installer 	X	