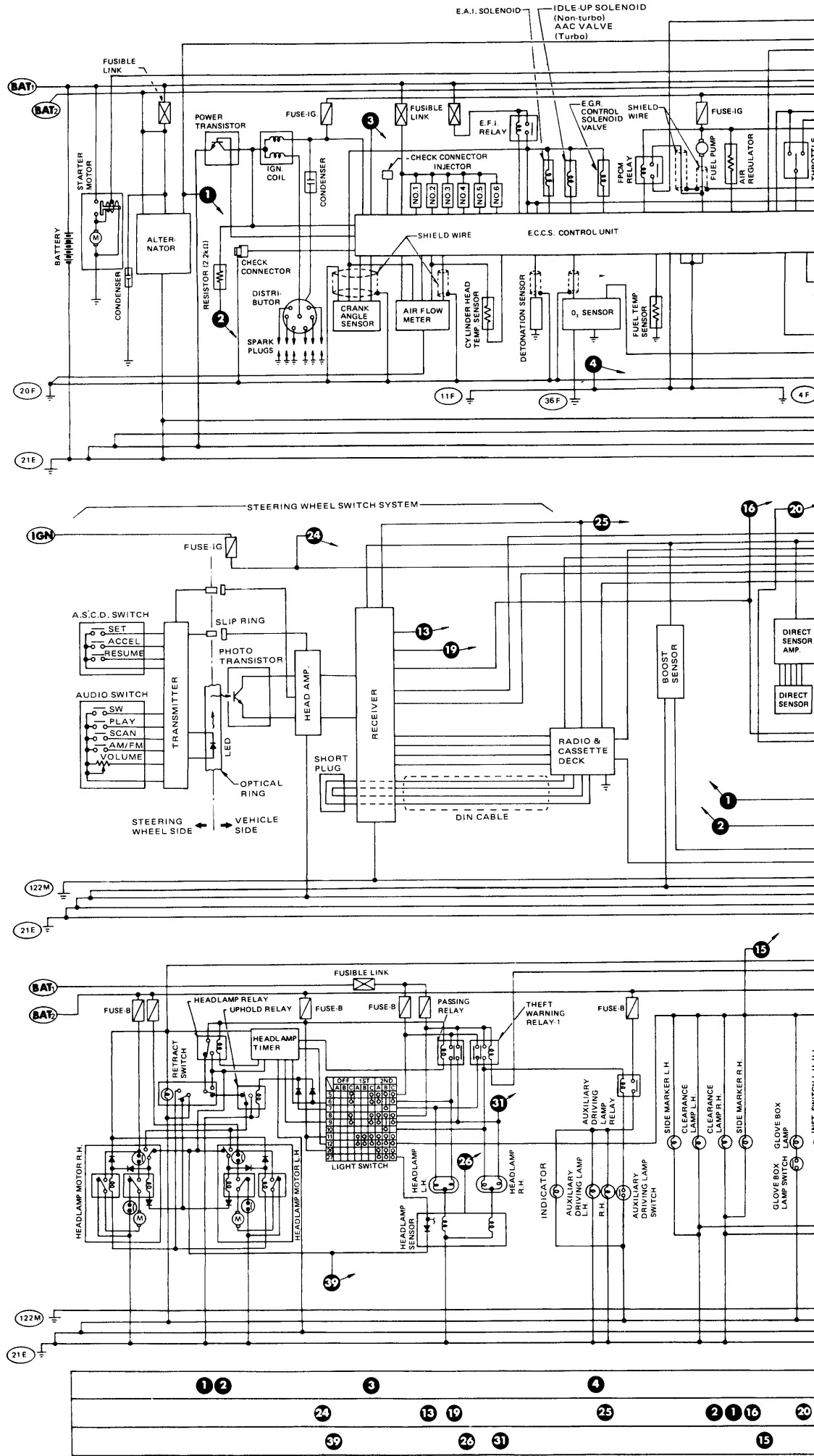
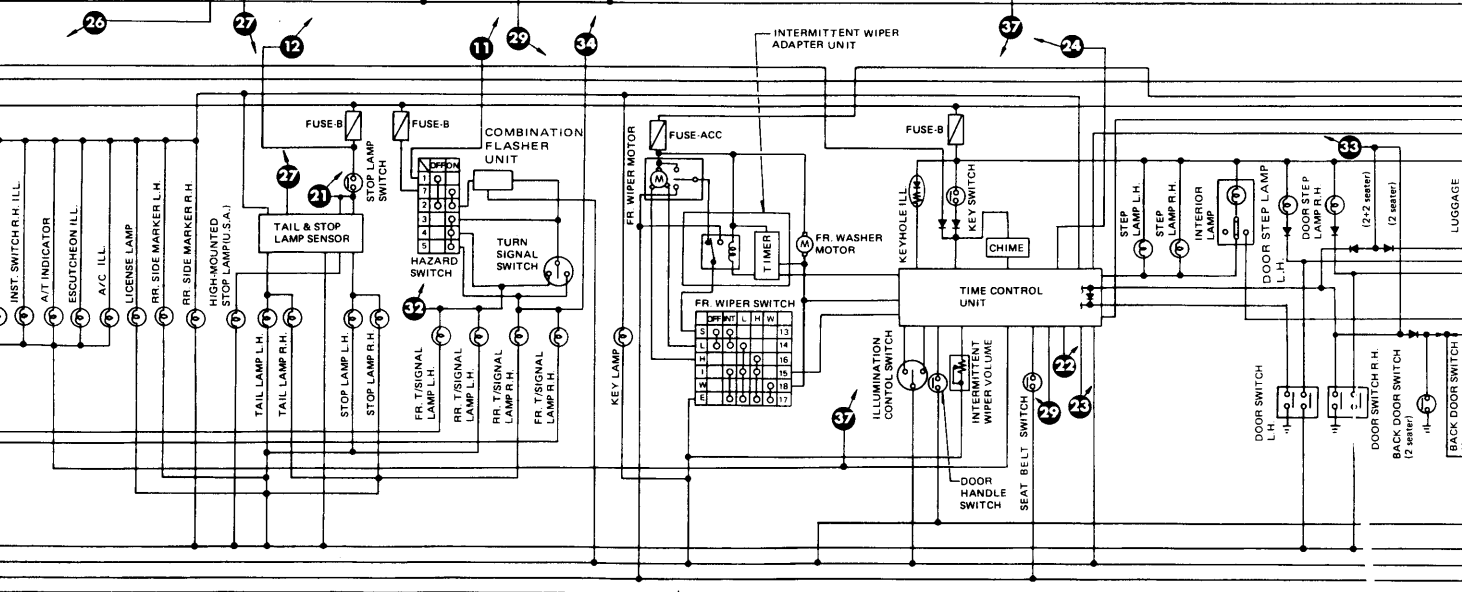
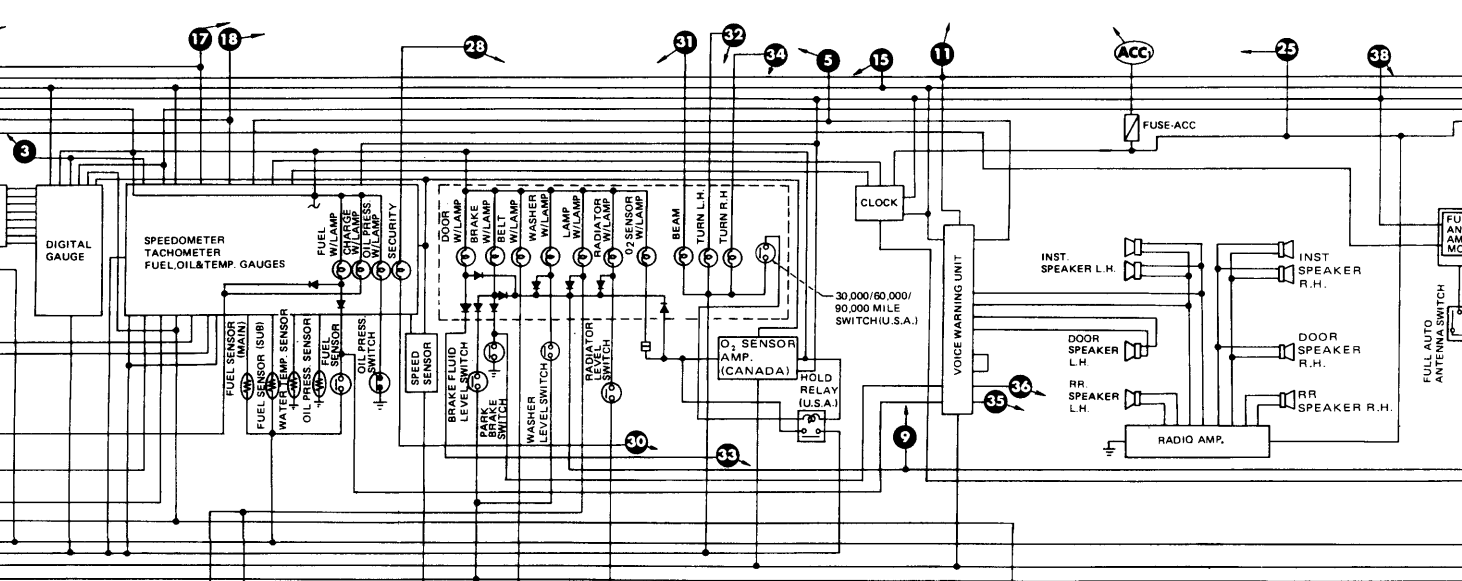
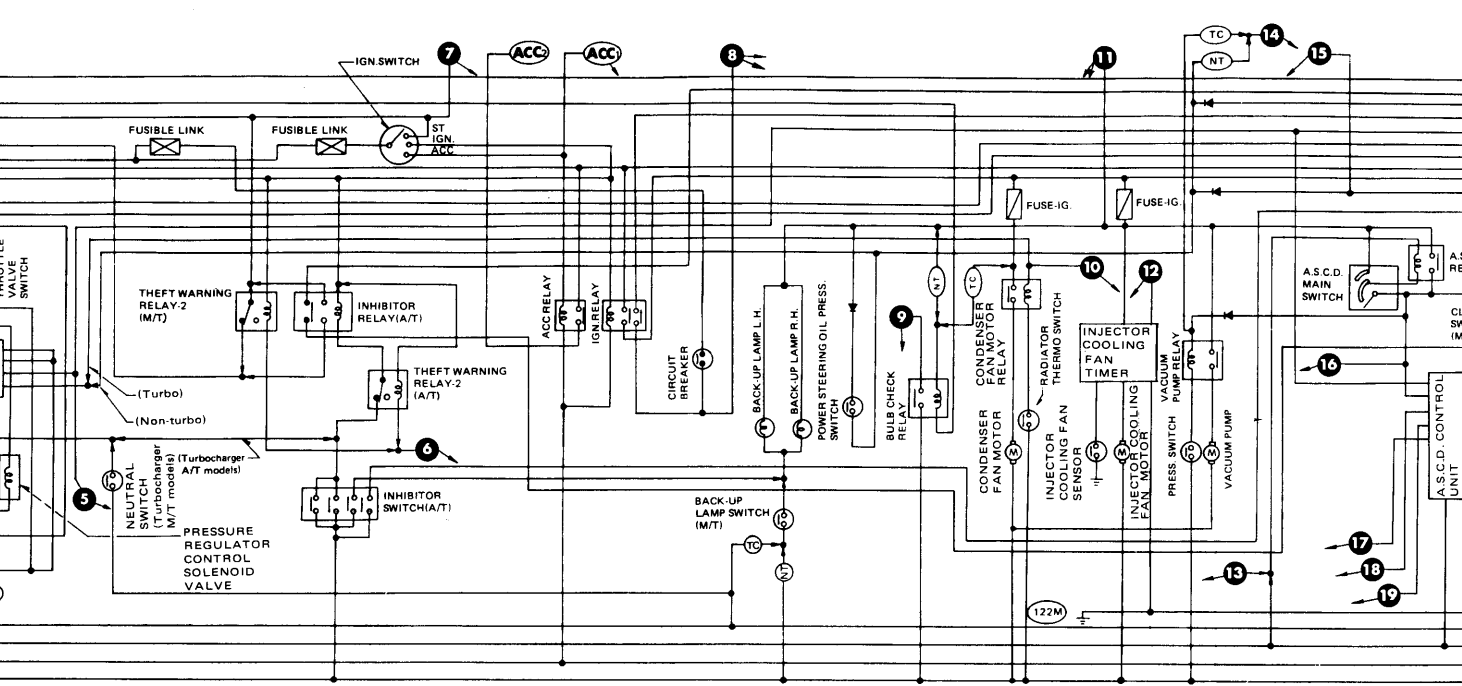


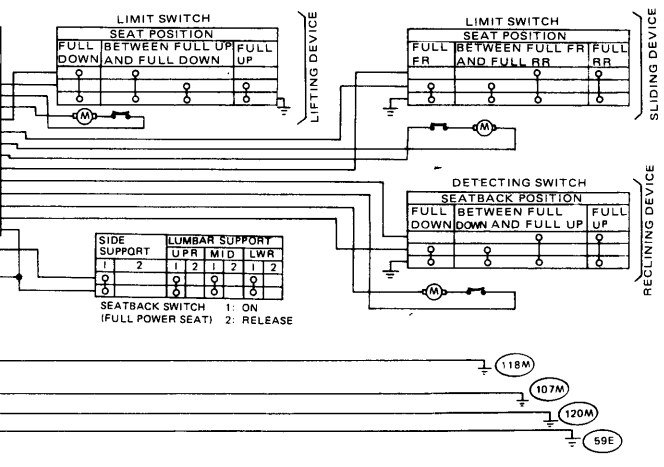
1986 NISSAN 300ZX CIRCUIT DIAGRAM [Digital type combination meter equipped model (GLL)]



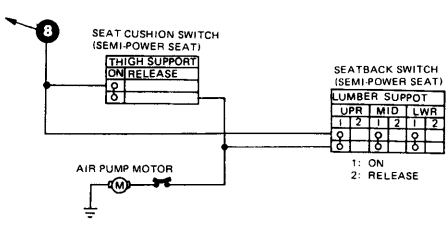


- 5
- 6
- 7
- 8
- 9
- 10
- 11
- 12
- 13
- 14
- 15
- 16
- 17
- 18
- 19
- 3
- 26
- 17
- 18
- 27
- 28
- 29
- 30
- 31
- 32
- 33
- 34
- 5
- 15
- 9
- 11
- 35
- 36
- 37
- 25
- 38
- 12
- 27
- 21
- 32
- 11
- 34
- 37
- 29
- 22
- 24
- 23
- 33

IGN (BAT)



BAT
ACC2



118M, 107M, 120M, 59E

(TC) : Turbo models
 (NT) : Non-turbo models