

SECTION EI
EXTERIOR & INTERIOR

A
B
C

CONTENTS

D
E

PRECAUTIONS	3	COWL TOP	20
Precautions for Supplemental Restraint System (SRS) "AIR BAG" and "SEAT BELT PRE-TENSIONER"	3	Removal and Installation	20
Precautions for Battery Service	3	REMOVAL	20
Precautions for work	3	INSTALLATION	20
Wiring Diagnosis and Trouble Diagnosis	3	FENDER PROTECTOR	21
PREPARATION	4	Removal and Installation	21
Special Service Tools	4	REMOVAL	21
Commercial Service Tools	4	INSTALLATION	21
SQUEAK AND RATTLE TROUBLE DIAGNOSES	5	DOOR OUTSIDE MOLDING	22
Work Flow	5	Removal and Installation	22
CUSTOMER INTERVIEW	5	DOOR OUTSIDE MOLDING	22
DUPLICATE THE NOISE AND TEST DRIVE	6	INSTALLATION	22
CHECK RELATED SERVICE BULLETINS	6	SIDE SILL FINISHER	23
LOCATE THE NOISE AND IDENTIFY THE ROOT CAUSE	6	Removal and Installation	23
REPAIR THE CAUSE	6	REMOVAL	23
CONFIRM THE REPAIR	7	INSTALLATION	23
Generic Squeak and Rattle Troubleshooting	7	WINDSHIELD MOLDING	24
INSTRUMENT PANEL	7	Removal and Installation	24
CENTER CONSOLE	7	REMOVAL	24
DOORS	7	INSTALLATION	24
TRUNK	8	REAR WINDOW MOLDING	26
SUNROOF/HEADLINING	8	Back Door Molding	26
SEATS	8	REMOVAL AND INSTALLATION	26
UNDERHOOD	8	REAR SPOILER	28
Diagnostic Worksheet	9	Removal and Installation	28
CLIP AND FASTENER	11	REMOVAL	28
Clip and Fastener	11	INSTALLATION	28
FRONT BUMPER	14	ROOF SIDE MOLDING	29
Removal and Installation	14	Removal and installation	29
REMOVAL	16	FRONT PILLAR FINISHER	29
INSTALLATION	16	LOCK PILLER FINISHER	29
REAR BUMPER	17	DOOR FINISHER	30
Removal and Installation	17	Removal and Installation	30
REMOVAL	19	DRIVER DOOR FINISHER	30
INSTALLATION	19	PASSENGER DOOR FINISHER	31

F
G
H
I
J
K
L
M

BODY SIDE TRIM	32	FLOOR TRIM	36
Removal and Installation	32	Removal and Installation	36
REAR SIDE FINISHER	32	REMOVAL	36
REAR PILLAR FINISHER	32	INSTALLATION	36
FRONT PILLAR GARNISH	33	HEADLINING	37
KICKING PLATE	33	Removal and Installation	37
LUGGAGE FLOOR TRIM	34	REMOVAL	37
Removal and Installation	34	INSTALLATION	37
LUGGAGE FLOOR TRIM	35	BACK DOOR	38
REAR FLOOR BOX	35	Removal and Installation	38
		BACK DOOR	38
		BACK DOOR FINISHER	39

PRECAUTIONS

PRECAUTIONS

PF0:00001

Precautions for Supplemental Restraint System (SRS) “AIR BAG” and “SEAT BELT PRE-TENSIONER”

AIS000GT

The Supplemental Restraint System such as “AIR BAG” and “SEAT BELT PRE-TENSIONER”, used along with a front seat belt, helps to reduce the risk or severity of injury to the driver and front passenger for certain types of collision. This system includes seat belt switch inputs and dual stage front air bag modules. The SRS system uses the seat belt switches to determine the front air bag deployment, and may only deploy one front air bag, depending on the severity of a collision and whether the front occupants are belted or unbelted. Information necessary to service the system safely is included in the SRS and SB section of this Service Manual.

WARNING:

- To avoid rendering the SRS inoperative, which could increase the risk of personal injury or death in the event of a collision which would result in air bag inflation, all maintenance must be performed by an authorized NISSAN/INFINITI dealer.
- Improper maintenance, including incorrect removal and installation of the SRS, can lead to personal injury caused by unintentional activation of the system. For removal of Spiral Cable and Air Bag Module, see the SRS section.
- Do not use electrical test equipment on any circuit related to the SRS unless instructed to in this Service Manual. SRS wiring harnesses can be identified by yellow and/or orange harnesses or harness connectors.

Precautions for Battery Service

AIS001OZ

Before disconnecting the battery, lower both the driver and passenger windows. This will prevent any interference between the window edge and the vehicle when the door is opened/closed. During normal operation, the window slightly raises and lowers automatically to prevent any window to vehicle interference. The automatic window function will not work with the battery disconnected.

Precautions for work

AIS000GU

- After removing and installing the opening/closing parts, be sure to carry out fitting adjustments to check their operation.
- Check the lubrication level, damage, and wear of each part. If necessary, grease or replace it.

Wiring Diagnosis and Trouble Diagnosis

AIS000GV

When you read wiring diagrams, refer to the following:

- [GI-15, "How to Read Wiring Diagrams"](#)
- [PG-4, "POWER SUPPLY ROUTING CIRCUIT"](#)

When you perform trouble diagnosis, refer to the following:

- [GI-11, "HOW TO FOLLOW TEST GROUPS IN TROUBLE DIAGNOSES"](#)
- [GI-27, "How to Perform Efficient Diagnosis for an Electrical Incident"](#)
Check for any Service bulletins before servicing the vehicle.

PREPARATION

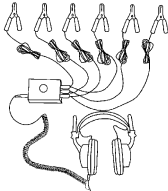
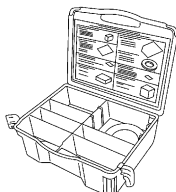
PREPARATION

PFP:00002

Special Service Tools

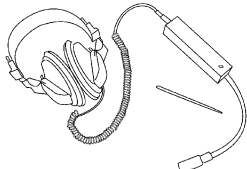
AIS0058T

The actual shapes of Kent-Moore tools may differ from those of special service tools illustrated here.

Tool number (Kent-Moore No.) Tool name	Description
(J39570) Chassis ear  <p style="text-align: right; margin-right: 20px;">SIIA0993E</p>	Locating the noise
(J43980) NISSAN Squeak and Rattle Kit  <p style="text-align: right; margin-right: 20px;">SIIA0994E</p>	Repairing the cause of noise

Commercial Service Tools

AIS0058U

Tool name	Description
Engine ear  <p style="text-align: right; margin-right: 20px;">SIIA0995E</p>	Locating the noise

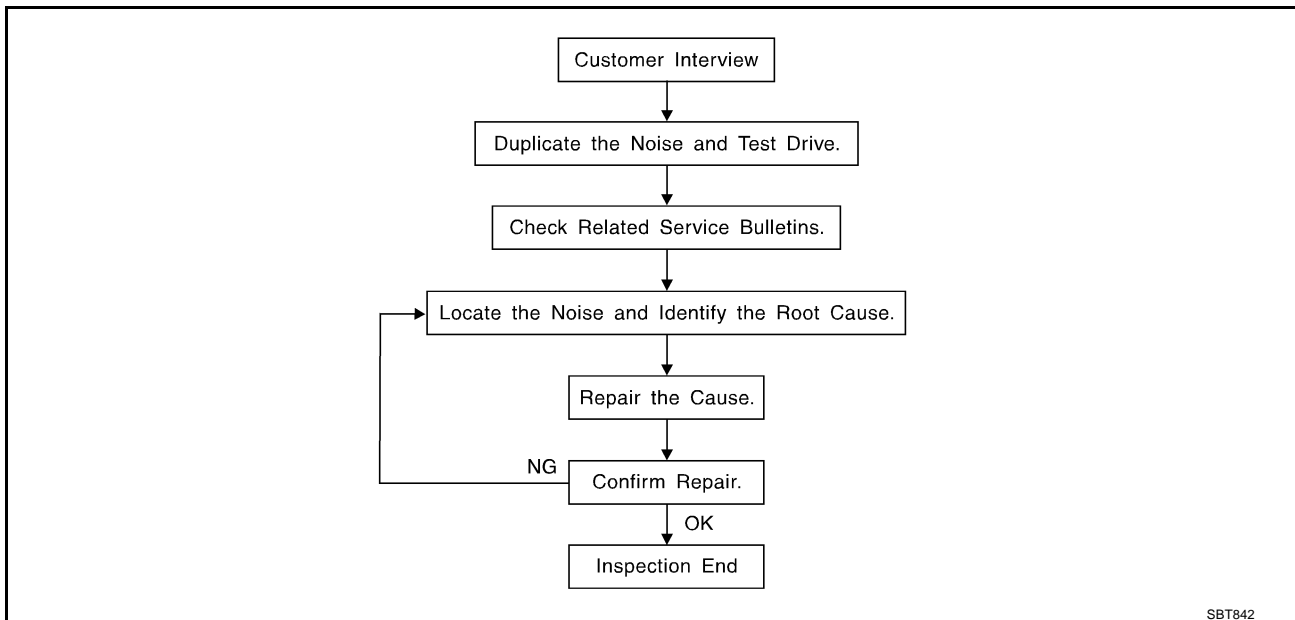
SQUEAK AND RATTLE TROUBLE DIAGNOSES

SQUEAK AND RATTLE TROUBLE DIAGNOSES

PPF:00000

Work Flow

AI/S0058V



CUSTOMER INTERVIEW

Interview the customer if possible, to determine the conditions that exist when the noise occurs. Use the Diagnostic Worksheet during the interview to document the facts and conditions when the noise occurs and any customer's comments; refer to [EI-9, "Diagnostic Worksheet"](#). This information is necessary to duplicate the conditions that exist when the noise occurs.

- The customer may not be able to provide a detailed description or the location of the noise. Attempt to obtain all the facts and conditions that exist when the noise occurs (or does not occur).
- If there is more than one noise in the vehicle, be sure to diagnose and repair the noise that the customer is concerned about. This can be accomplished by test driving the vehicle with the customer.
- After identifying the type of noise, isolate the noise in terms of its characteristics. The noise characteristics are provided so the customer, service adviser and technician are all speaking the same language when defining the noise.
- Squeak—(Like tennis shoes on a clean floor)
Squeak characteristics include the light contact/fast movement/brought on by road conditions/hard surfaces=higher pitch noise/softer surfaces=lower pitch noises/edge to surface=chirping
- Creak—(Like walking on an old wooden floor)
Creak characteristics include firm contact/slow movement/twisting with a rotational movement/pitch dependent on materials/often brought on by activity.
- Rattle—(Like shaking a baby rattle)
Rattle characteristics include the fast repeated contact/vibration or similar movement/loose parts/missing clip or fastener/incorrect clearance.
- Knock—(Like a knock on a door)
Knock characteristics include hollow sounding/sometimes repeating/often brought on by driver action.
- Tick—(Like a clock second hand)
Tick characteristics include gentle contacting of light materials/loose components/can be caused by driver action or road conditions.
- Thump—(Heavy, muffled knock noise)
Thump characteristics include softer knock/dead sound often brought on by activity.
- Buzz—(Like a bumble bee)
Buzz characteristics include high frequency rattle/firm contact.
- Often the degree of acceptable noise level will vary depending upon the person. A noise that you may judge as acceptable may be very irritating to the customer.
- Weather conditions, especially humidity and temperature, may have a great effect on noise level.

SQUEAK AND RATTLE TROUBLE DIAGNOSES

DUPLICATE THE NOISE AND TEST DRIVE

If possible, drive the vehicle with the customer until the noise is duplicated. Note any additional information on the Diagnostic Worksheet regarding the conditions or location of the noise. This information can be used to duplicate the same conditions when you confirm the repair.

If the noise can be duplicated easily during the test drive, to help identify the source of the noise, try to duplicate the noise with the vehicle stopped by doing one or all of the following:

- 1) Close a door.
 - 2) Tap or push/pull around the area where the noise appears to be coming from.
 - 3) Rev the engine.
 - 4) Use a floor jack to recreate vehicle "twist".
 - 5) At idle, apply engine load (electrical load, half-clutch on M/T model, drive position on A/T model).
 - 6) Raise the vehicle on a hoist and hit a tire with a rubber hammer.
- Drive the vehicle and attempt to duplicate the conditions the customer states exist when the noise occurs.
 - If it is difficult to duplicate the noise, drive the vehicle slowly on an undulating or rough road to stress the vehicle body.

CHECK RELATED SERVICE BULLETINS

After verifying the customer concern or symptom, check ASIST for Technical Service Bulletins (TSBs) related to that concern or symptom.

If a TSB relates to the symptom, follow the procedure to repair the noise.

LOCATE THE NOISE AND IDENTIFY THE ROOT CAUSE

1. Narrow down the noise to a general area. To help pinpoint the source of the noise, use a listening tool (Chassis Ear: J39570, Engine Ear and mechanics stethoscope).
2. Narrow down the noise to a more specific area and identify the cause of the noise by:
 - removing the components in the area that you suspect the noise is coming from.
Do not use too much force when removing clips and fasteners, otherwise clips and fastener can be broken or lost during the repair, resulting in the creation of new noise.
 - tapping or pushing/pulling the component that you suspect is causing the noise.
Do not tap or push/pull the component with excessive force, otherwise the noise will be eliminated only temporarily.
 - feeling for a vibration with your hand by touching the component(s) that you suspect is (are) causing the noise.
 - placing a piece of paper between components that you suspect are causing the noise.
 - looking for loose components and contact marks.
Refer to [EI-7, "Generic Squeak and Rattle Troubleshooting"](#).

REPAIR THE CAUSE

- If the cause is a loose component, tighten the component securely.
- If the cause is insufficient clearance between components:
 - separate components by repositioning or loosening and retightening the component, if possible.
 - insulate components with a suitable insulator such as urethane pads, foam blocks, felt cloth tape or urethane tape. A Nissan Squeak and Rattle Kit (J43980) is available through your authorized Nissan Parts Department.

CAUTION:

Do not use excessive force as many components are constructed of plastic and may be damaged.

Always check with the Parts Department for the latest parts information.

The following materials are contained in the Nissan Squeak and Rattle Kit (J43980). Each item can be ordered separately as needed.

URETHANE PADS [1.5 mm (0.059 in) thick]

Insulates connectors, harness, etc.

76268-9E005: 100 × 135 mm (3.94 × 5.31 in)/76884-71L01: 60 × 85 mm (2.36 × 3.35 in)/76884-71L02: 15 × 25 mm (0.59 × 0.98 in)

INSULATOR (Foam blocks)

Insulates components from contact. Can be used to fill space behind a panel.

73982-9E000: 45 mm (1.77 in) thick, 50 × 50 mm (1.97 × 1.97 in)/73982-50Y00: 10 mm (0.39 in) thick, 50 × 50 mm (1.97 × 1.97 in)

SQUEAK AND RATTLE TROUBLE DIAGNOSES

INSULATOR (Light foam block)

80845-71L00: 30 mm (1.18 in) thick, 30 × 50 mm (1.18 × 1.97 in)

FELT CLOTHTAPE

Used to insulate where movement does not occur. Ideal for instrument panel applications.

68370-4B000: 15 × 25 mm (0.59 × 0.98 in) pad/68239-13E00: 5 mm (0.20 in) wide tape roll

The following materials, not found in the kit, can also be used to repair squeaks and rattles.

UHMW(TEFLON) TAPE

Insulates where slight movement is present. Ideal for instrument panel applications.

SILICONE GREASE

Used in place of UHMW tape that will be visible or not fit.

Note: Will only last a few months.

SILICONE SPRAY

Use when grease cannot be applied.

DUCT TAPE

Use to eliminate movement.

CONFIRM THE REPAIR

Confirm that the cause of a noise is repaired by test driving the vehicle. Operate the vehicle under the same conditions as when the noise originally occurred. Refer to the notes on the Diagnostic Worksheet.

Generic Squeak and Rattle Troubleshooting

AIS0058W

Refer to Table of Contents for specific component removal and installation information.

INSTRUMENT PANEL

Most incidents are caused by contact and movement between:

1. Cluster lid A and instrument panel
2. Acrylic lens and combination meter housing
3. Instrument panel to front pillar garnish
4. Instrument panel to windshield
5. Instrument panel mounting pins
6. Wiring harnesses behind the combination meter
7. A/C defroster duct and duct joint

These incidents can usually be located by tapping or moving the components to duplicate the noise or by pressing on the components while driving to stop the noise. Most of these incidents can be repaired by applying felt cloth tape or silicon spray (in hard to reach areas). Urethane pads can be used to insulate wiring harness.

CAUTION:

Do not use silicone spray to isolate a squeak or rattle. If you saturate the area with silicone, you will not be able to recheck the repair.

CENTER CONSOLE

Components to pay attention to include:

1. Shifter assembly cover to finisher
2. A/C control unit and cluster lid C
3. Wiring harnesses behind audio and A/C control unit

The instrument panel repair and isolation procedures also apply to the center console.

DOORS

Pay attention to the:

1. Finisher and inner panel making a slapping noise
2. Inside handle escutcheon to door finisher
3. Wiring harnesses tapping
4. Door striker out of alignment causing a popping noise on starts and stops

Tapping or moving the components or pressing on them while driving to duplicate the conditions can isolate many of these incidents. You can usually insulate the areas with felt cloth tape or insulator foam blocks from the Nissan Squeak and Rattle Kit (J43980) to repair the noise.

SQUEAK AND RATTLE TROUBLE DIAGNOSES

TRUNK

Trunk noises are often caused by a loose jack or loose items put into the trunk by the owner. In addition look for:

1. Trunk lid dumpers out of adjustment
2. Trunk lid striker out of adjustment
3. Trunk lid torsion bars knocking together
4. A loose license plate or bracket

Most of these incidents can be repaired by adjusting, securing or insulating the item(s) or component(s) causing the noise.

SUNROOF/HEADLINING

Noises in the sunroof/headlining area can often be traced to one of the following:

1. Sunroof lid, rail, linkage or seals making a rattle or light knocking noise
2. Sunvisor shaft shaking in the holder
3. Front or rear windshield touching headlining and squeaking

Again, pressing on the components to stop the noise while duplicating the conditions can isolate most of these incidents. Repairs usually consist of insulating with felt cloth tape.

SEATS

When isolating seat noise it's important to note the position the seat is in and the load placed on the seat when the noise is present. These conditions should be duplicated when verifying and isolating the cause of the noise.

Cause of seat noise include:

1. Headrest rods and holder
2. A squeak between the seat pad cushion and frame
3. Rear seatback lock and bracket

These noises can be isolated by moving or pressing on the suspected components while duplicating the conditions under which the noise occurs. Most of these incidents can be repaired by repositioning the component or applying urethane tape to the contact area.

UNDERHOOD

Some interior noise may be caused by components under the hood or on the engine wall. The noise is then transmitted into the passenger compartment.

Causes of transmitted underhood noise include:

1. Any component mounted to the engine wall
2. Components that pass through the engine wall
3. Engine wall mounts and connectors
4. Loose radiator mounting pins
5. Hood bumpers out of adjustment
6. Hood striker out of adjustment

These noises can be difficult to isolate since they cannot be reached from the interior of the vehicle. The best method is to secure, move or insulate one component at a time and test drive the vehicle. Also, engine RPM or load can be changed to isolate the noise. Repairs can usually be made by moving, adjusting, securing, or insulating the component causing the noise.

SQUEAK AND RATTLE TROUBLE DIAGNOSES

Diagnostic Worksheet

AIS0058X

A
B
C
D
E
F
G
H
EI
J
K
L
M

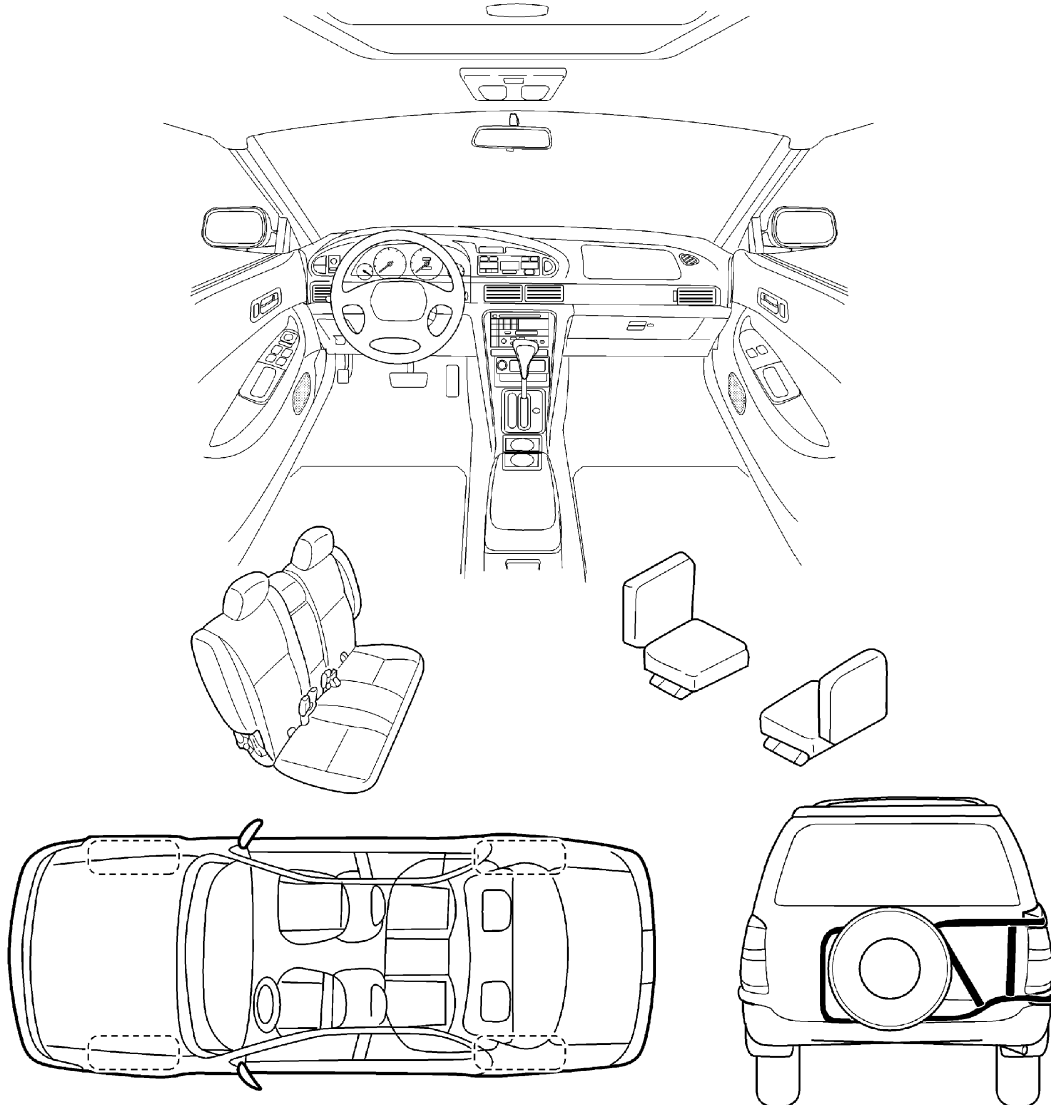
SQUEAK & RATTLE DIAGNOSTIC WORKSHEET

Dear Nissan Customer:

We are concerned about your satisfaction with your Nissan vehicle. Repairing a squeak or rattle sometimes can be very difficult. To help us fix your Nissan right the first time, please take a moment to note the area of the vehicle where the squeak or rattle occurs and under what conditions. You may be asked to take a test drive with a service advisor or technician to ensure we confirm the noise you are hearing.

I. WHERE DOES THE NOISE COME FROM? (circle the area of the vehicle)

The illustrations are for reference only, and may not reflect the actual configuration of your vehicle.



Continue to the back of the worksheet and briefly describe the location of the noise or rattle. In addition, please indicate the conditions which are present when the noise occurs.

PIIB0723E

SQUEAK AND RATTLE TROUBLE DIAGNOSES

SQUEAK & RATTLE DIAGNOSTIC WORKSHEET- page 2

Briefly describe the location where the noise occurs:

II. WHEN DOES IT OCCUR? (check the boxes that apply)

- | | |
|--|---|
| <input type="checkbox"/> anytime | <input type="checkbox"/> after sitting out in the sun |
| <input type="checkbox"/> 1 st time in the morning | <input type="checkbox"/> when it is raining or wet |
| <input type="checkbox"/> only when it is cold outside | <input type="checkbox"/> dry or dusty conditions |
| <input type="checkbox"/> only when it is hot outside | <input type="checkbox"/> other: _____ |

III. WHEN DRIVING:

- through driveways
- over rough roads
- over speed bumps
- only at about ____ mph
- on acceleration
- coming to a stop
- on turns : left, right or either (circle)
- with passengers or cargo
- other: _____
- after driving ____ miles or ____ minutes

IV. WHAT TYPE OF NOISE?

- squeak (like tennis shoes on a clean floor)
- creak (like walking on an old wooden floor)
- rattle (like shaking a baby rattle)
- knock (like a knock on a door)
- tick (like a clock second hand)
- thump (heavy, muffled knock noise)
- buzz (like a bumble bee)

TO BE COMPLETED BY DEALERSHIP PERSONNEL

Test Drive Notes:

	YES	NO	Initials of person performing
Vehicle test driven with customer	<input type="checkbox"/>	<input type="checkbox"/>	_____
- Noise verified on test drive	<input type="checkbox"/>	<input type="checkbox"/>	_____
- Noise source located and repaired	<input type="checkbox"/>	<input type="checkbox"/>	_____
- Follow up test drive performed to confirm repair	<input type="checkbox"/>	<input type="checkbox"/>	_____

VIN: _____ Customer Name: _____

W.O. #: _____ Date: _____

This form must be attached to Work Order

SBT844


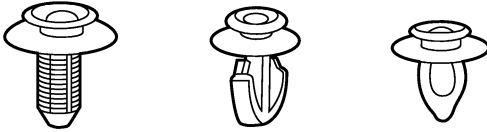
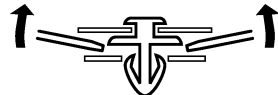

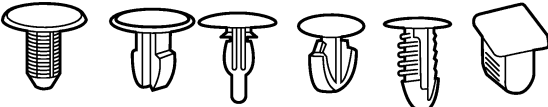
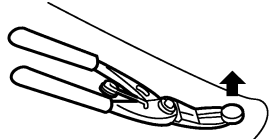

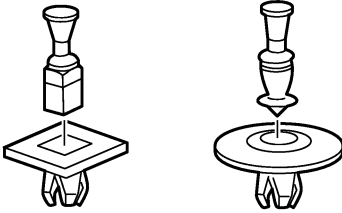
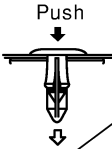
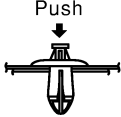

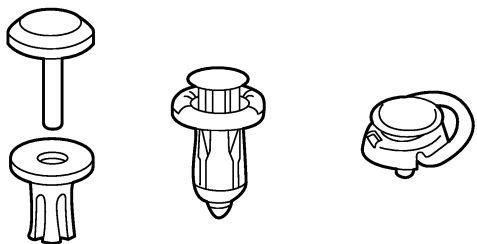


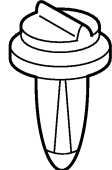
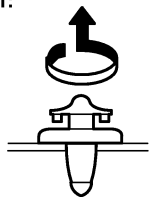
CLIP AND FASTENER

CLIP AND FASTENER

PFP:76906

Clip and Fastener


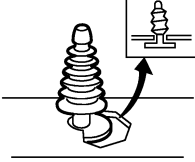
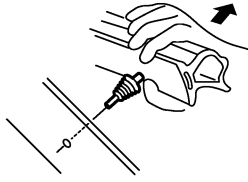

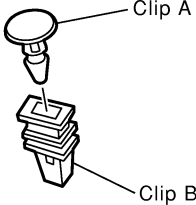
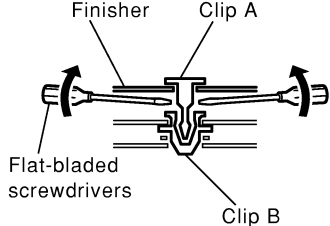

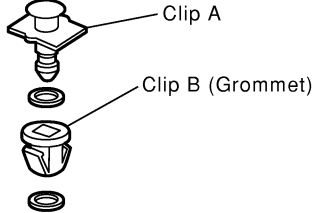
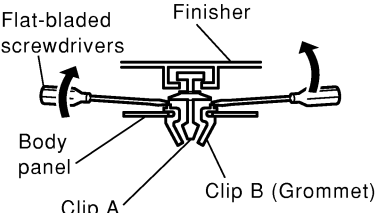
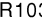

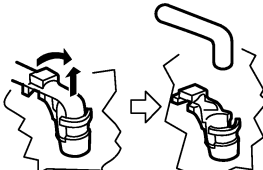

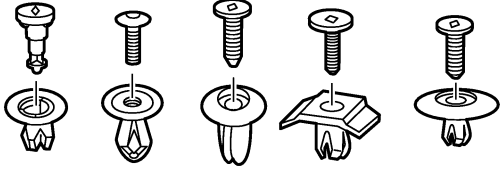

AIS000H1

Symbol No.	Shapes	Removal & Installation
<p>C101</p> 		<p>Removal: Remove by bending up with flat-bladed screwdrivers or clip remover.</p> 
<p>C103</p> 		 <p>Removal: Remove with a clip remover.</p>
<p>C203</p> 		<p>Removal: Push center pin to catching position. (Do not remove center pin by hitting it.)</p>  <p>Installation:</p> 
<p>C205</p> 		<p>Removal: Flat-bladed screwdriver</p>  <p>Clip Finisher</p>
<p>C206</p> 		<p>Removal:</p> 

A
B
C
D
E
F
G
H
EI
J
K
L
M


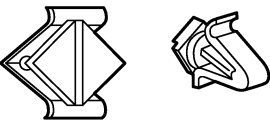

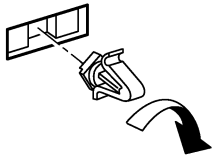





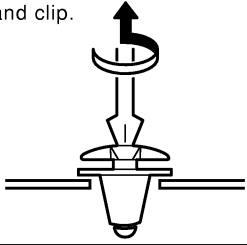



SIIA0315E

CLIP AND FASTENER

Symbol No.	Shapes	Removal & Installation
<p>CE103</p> 		<p>Removal:</p> 
<p>CF110</p> 	 <p>Clip A</p> <p>Clip B</p>	<p>Removal:</p>  <p>Finisher</p> <p>Clip A</p> <p>Flat-bladed screwdrivers</p> <p>Clip B</p>
<p>CF118</p> 	 <p>Clip A</p> <p>Clip B (Grommet)</p>	<p>Removal:</p>  <p>Flat-bladed screwdrivers</p> <p>Finisher</p> <p>Body panel</p> <p>Clip A</p> <p>Clip B (Grommet)</p>
<p>CR103</p> 		<p>Removal: Holder portion of clip must be spread out to remove rod.</p> 
<p>CS101</p> 		<p>Removal:</p> <ol style="list-style-type: none"> 1. Screw out with a Phillips screwdriver. 2. Remove female portion with flat-bladed screwdriver. 

SIIA0316E

CLIP AND FASTENER

Symbol No.	Shapes	Removal & Installation	
CG101 		Removal:  Rotate 45° to remove	Installation: 
CS102 			
CS113 		Removal: Disconnect upper connection of clip with a flat-bladed screwdriver, then remove clip while inserting a flat-bladed screwdriver between body panel and clip. 	
C111 			

A
B
C
D
E
F
G
H
EI
J
K
L
M

SIIA0317E

FRONT BUMPER

FRONT BUMPER

PFP:F2022

Removal and Installation

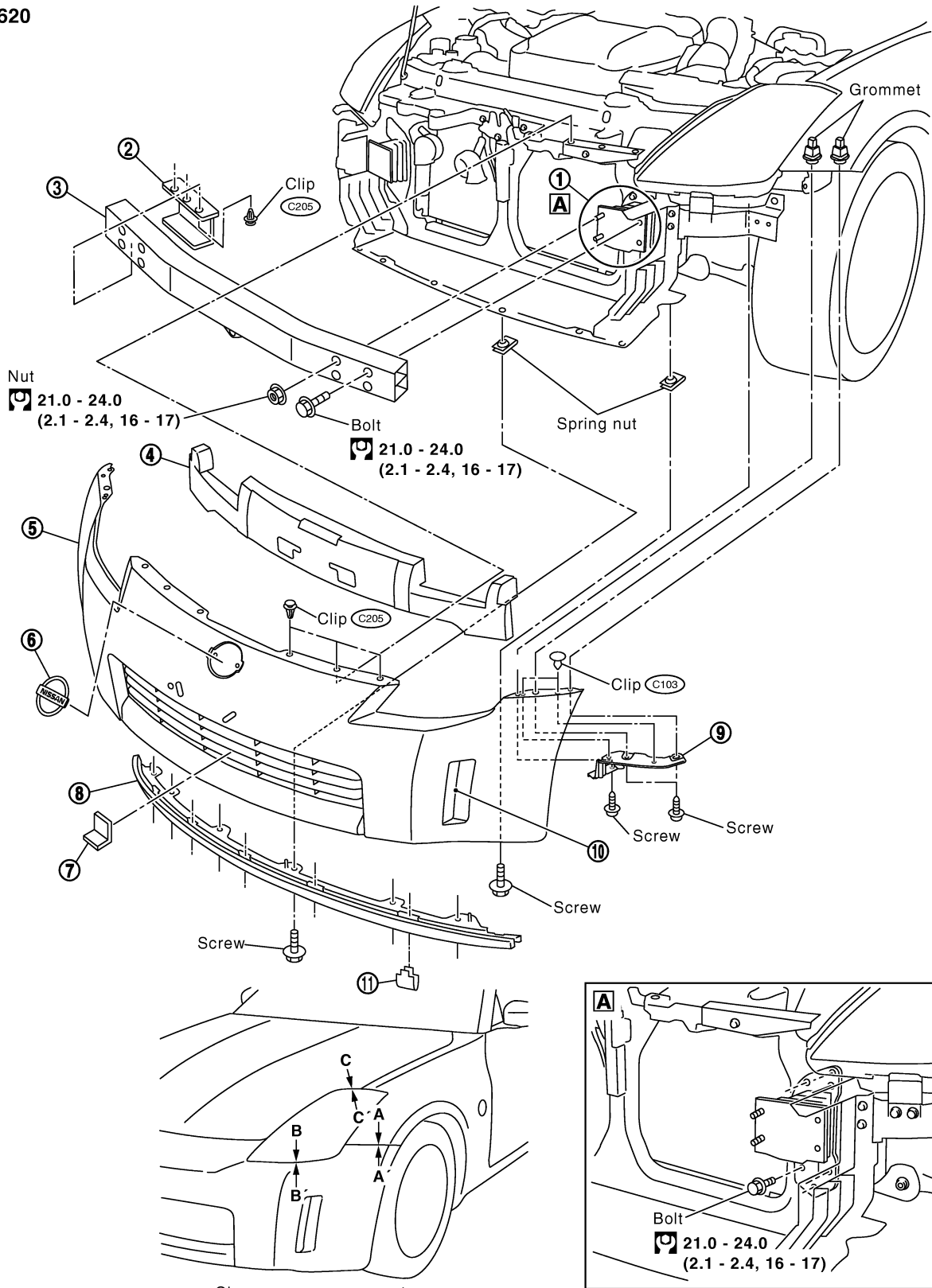
AIS000H2

CAUTION:

Bumper fascia is made of resin. Do not apply strong force to it, and be careful to prevent contact with oil.

FRONT BUMPER

SEC. 620



A
B
C
D
E
F
G
H
EI
J
K
L
M

- 1. Bumper stay
- 4. Energy absorber

- 2. Bumper shield-sight
- 5. Bumper fascia assembly

- 3. Bumper reinforcement
- 6. Front emblem

FRONT BUMPER

- | | | |
|---------------------------|---------------------|------------------------|
| 7. Front bumper center | 8. Air spoiler | 9. Bumper side bracket |
| 10. Bumper side reflector | 11. Bumper retainer | |

REMOVAL

1. Remove clips of bumper fascia upper portion.
2. Remove screw of bumper fascia lower portion.
3. Remove screws of bumper fascie both side.
4. Remove screws and bolts of both right/left fender protectors on front side. Refer to [EI-21, "FENDER PROTECTOR"](#).
5. Pull out both right/left of bumper fascie and remove bumper facie assembly.
6. Remove energy absorber.
7. Remove bolts and nuts of bumper reinforcement and remove bumper fascia.
8. Remove clips of bumper shield-sight and remove bumper shield-sight.
9. Remove bolts of bumper stay and remove bumper stay.

Removal of Bumper Side Reflector (Left Side)

1. Remove fender protector on front.
2. Remove screw of bumper side reflector.

Removal of Bumper Side Reflector (Right Side)

1. Remove bumper assembly.
2. Remove screw of bumper side reflector.

INSTALLATION

Install in the reverse order of removal.

REAR BUMPER

REAR BUMPER

PFP:H5022

Removal and Installation

AIS000H3

CAUTION:

Bumper fascia is made of resin. Do not apply strong force to it, and be careful to prevent contact with oil.

A

B

C

D

E

F

G

H

EI

J

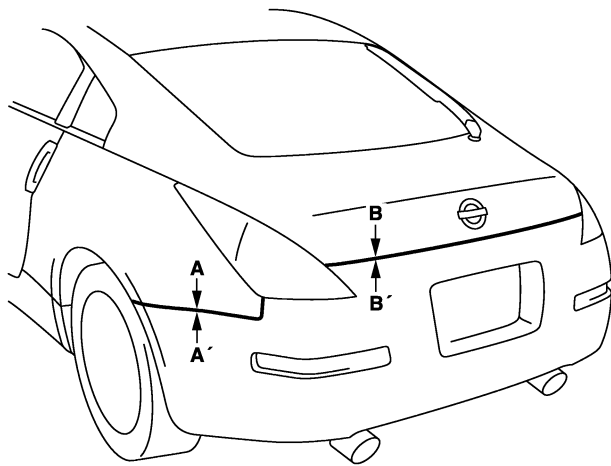
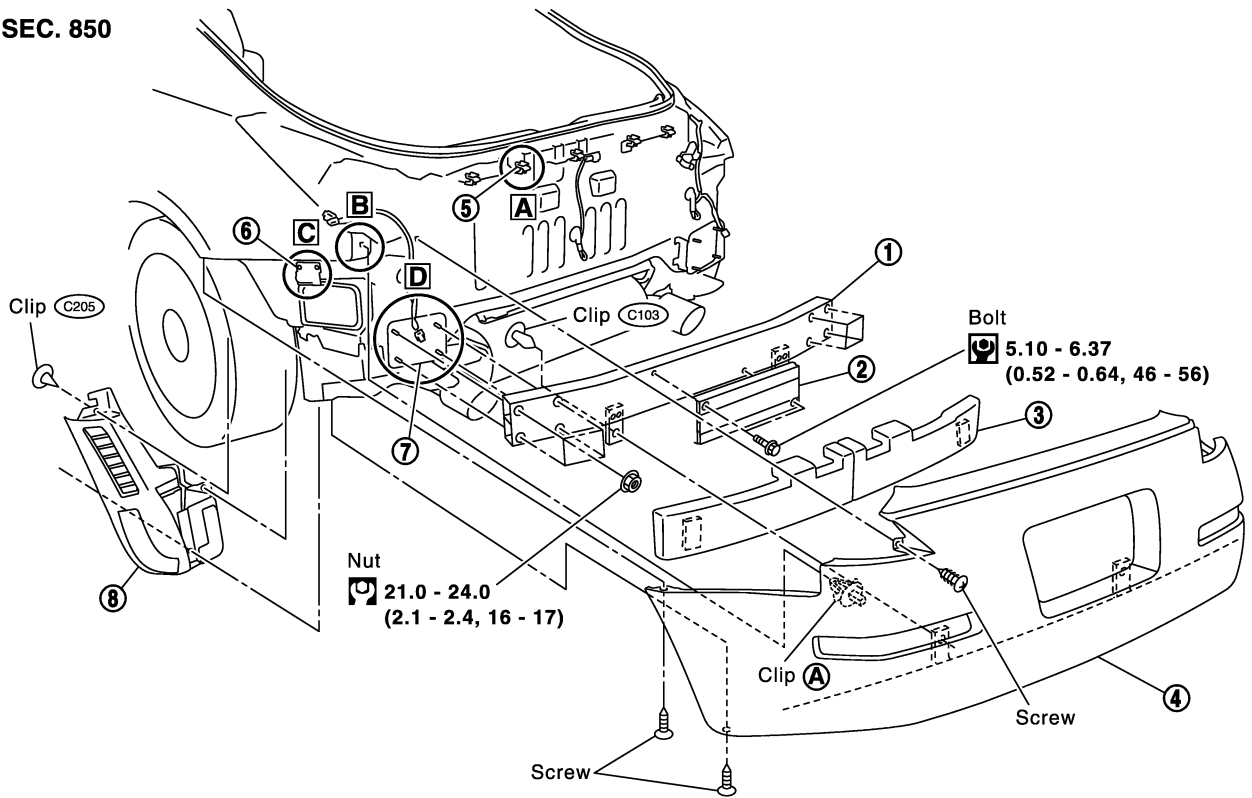
K

L

M

REAR BUMPER

SEC. 850

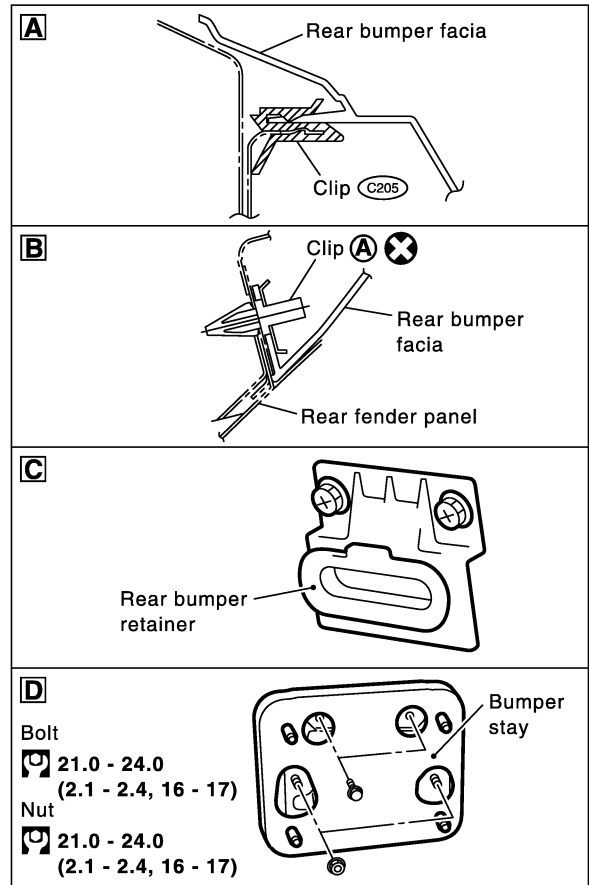


Clearance measurement
between parts
A - A': 0 - 0.50 (0 - 0.0197)
B - B': 3.9 - 7.10 (0.1535 - 0.2795)
Unit: mm (in)

: N•m (kg-m, in-lb)

: N•m (kg-m, ft-lb)

: Always replace after every disassembly.



PIIA2134E

1. Bumper reinforcement

2. Bumper overrider

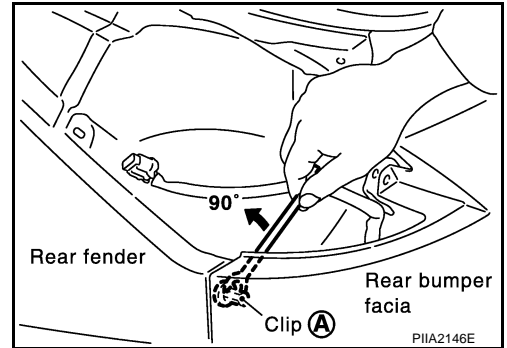
3. Energy absorber

REAR BUMPER

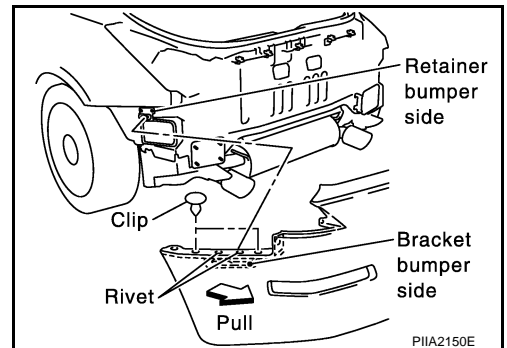
- | | | |
|---------------------------|------------------------|--------------------|
| 4. Bumper fascia assembly | 5. Bumper clip | 6. Bumper retainer |
| 7. Bumper stay | 8. Closing rear bumper | |

REMOVAL

1. Remove rear combination lamp assembly. Refer to [LT-203, "Removal and Installation"](#).
2. Remove screw rear combination portion.
3. Remove clips closing rear bumper.
4. Remove bolt and screw of both edges bumper fascia.
5. Rotate clip (A) in corner of bumper fascia 90 degrees and remove from bracket.
6. Remove clips from lower portion bumper facade.
7. Pull out upper portion bumper fascia toward rear and disengage from clip.



8. Pull out both edges bumper fascie toward rear and disengage retainer from braked.
9. Disconnect license lamp and turn signal lamp harness connector and remove bumper fascia assembly. Refer to [LT-157, "Removal and Installation of Rear Turn Signal Lamp"](#).
10. Remove bumper energy absorber.
11. Remove screws of bumper overrider.
12. Remove nuts and bolts of bumper reinforcement.
13. Remove bumper stay bolts.



Removal of Bumper Side Brackets

Shave head of rivet with drill [4.0 to 4.5 mm dia. (0.157 to 0.177 in)].

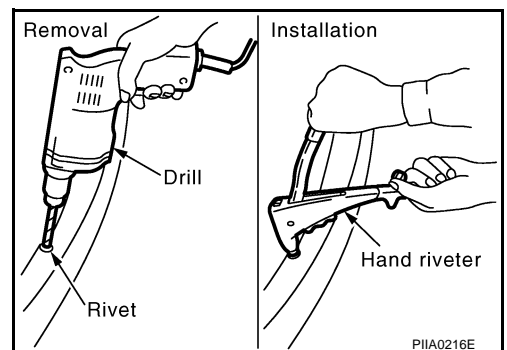
Installation of Bumper Side Brackets

Install bracket to fascia firmly with hand riveter.

NOTE:

Use the following rivet, when installing of bumper side brackets.

Rivet thickness : 1.2 – 6.4 mm (0.047 – 0.252 in)
Under hole diameter : 4.1 – 4.4 mm (0.161 – 0.173 in) dia.



INSTALLATION

Install in the reverse order of removal.

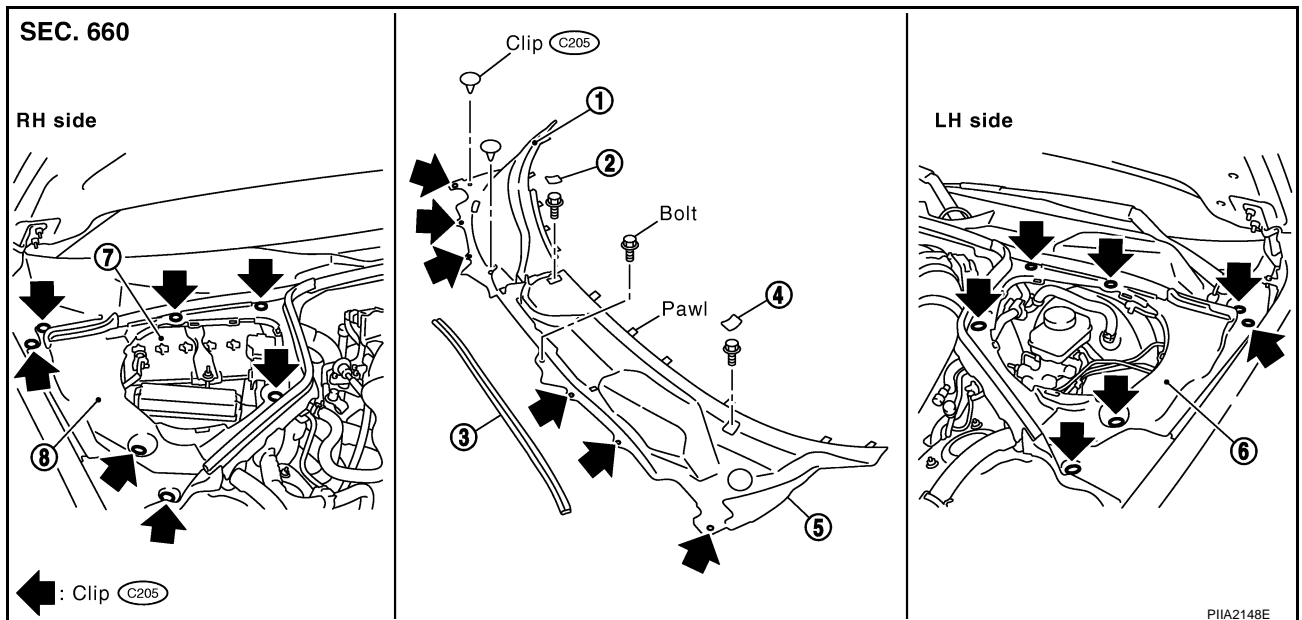
COWL TOP

COWL TOP

PFP:66100

Removal and Installation

AIS000H5



1. Cowl top cover (right)
2. Cap
3. Cowl top seal rubber
4. Cap
5. Cowl top cover (left)
6. Hood ledge cover (left)
7. Battery
8. Hood ledge cover (right)

REMOVAL

1. Remove clips of hood ledge cover (RH/LH).
2. Remove both right/left wiper arms. Refer to [WW-31, "Removal and Installation for Front Wiper Arms, Adjustment for Wiper Arms Stop Location"](#)
3. Remove cowl top seal rubber.
4. Remove clips of cowl top cover (right) and remove cowl top cover (right).
5. Remove clips, cap and screws and remove cowl top cover (left).
6. Remove washer hose from cowl top cover.

INSTALLATION

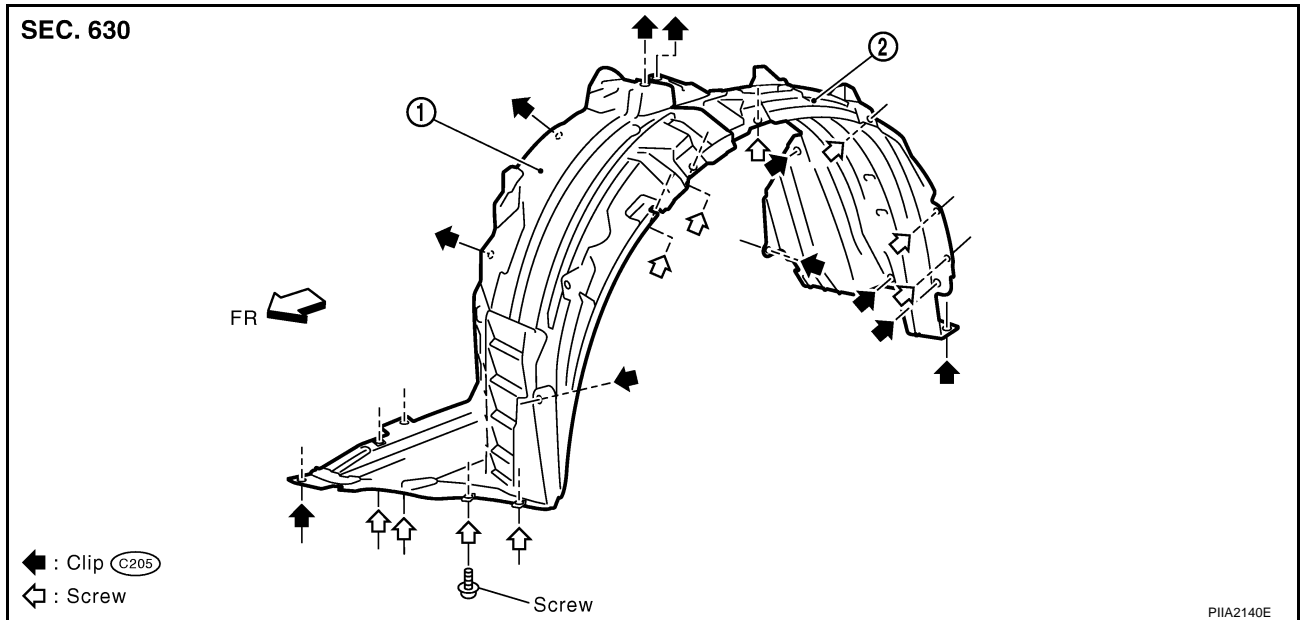
Install in the reverse order of removal.

FENDER PROTECTOR

FENDER PROTECTOR Removal and Installation

PFP:63840

AIS000H6



1. Fender protector (front)

2. Fender protector (rear)

REMOVAL

1. Remove screws and clips of fender protector.
2. Remove fender protector front.
3. Remove fender protector rear.

INSTALLATION

Install in the reverse order of removal.

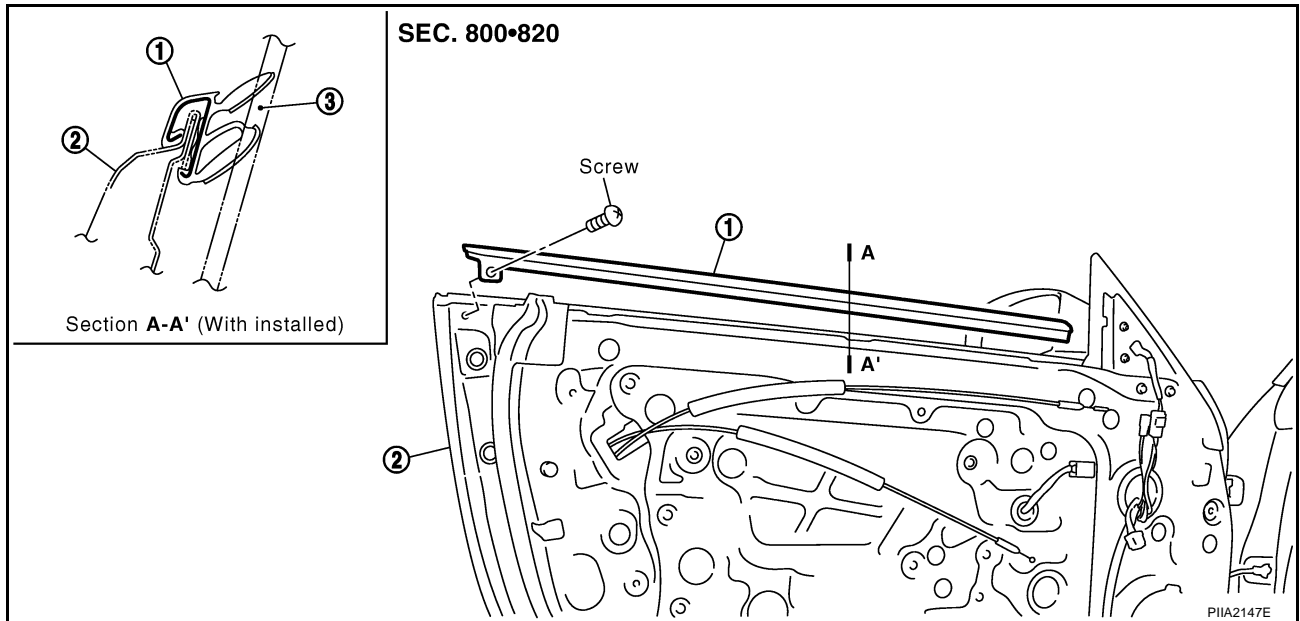
DOOR OUTSIDE MOLDING

PFP:82820

AIS000H7

DOOR OUTSIDE MOLDING

Removal and Installation



1. Door outside molding

2. Front door panel

3. Glass

DOOR OUTSIDE MOLDING

REMOVAL

1. Open windows fully.
2. Remove door finisher. Refer to [EI-30, "Removal and Installation"](#)
3. Remove rear end of door outside molding screw.
4. Disconnect pawls on front edge of molding.
5. Disconnect pawls in the order from front side of door panel portion, with clip clamp remover.
6. Remove slide molding rearward side, after disconnecting all pawls.

INSTALLATION

Install in the reverse order of removal.

SIDE SILL FINISHER

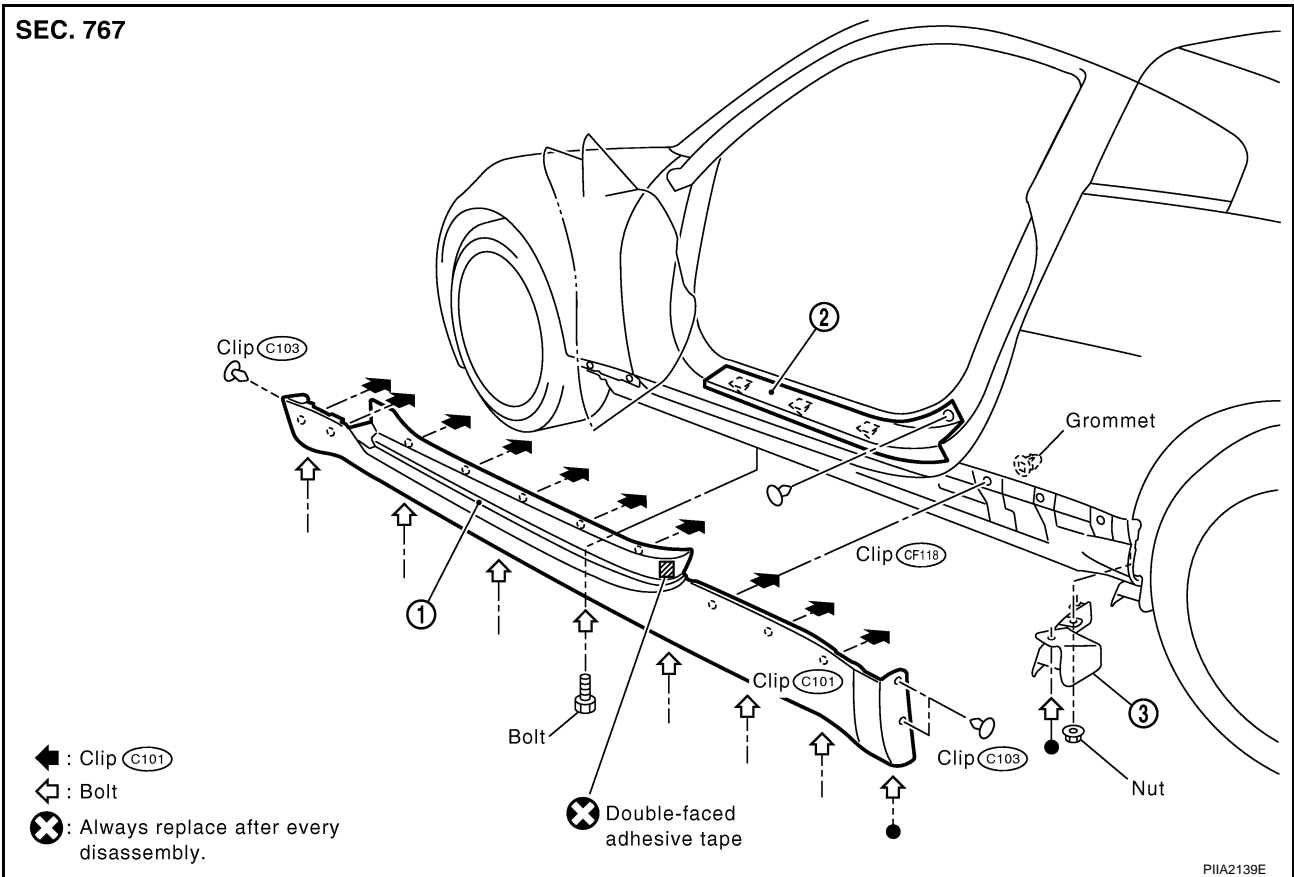
SIDE SILL FINISHER

PFP:76852

Removal and Installation

AIS0015G

A
B
C
D
E
F
G
H
EI
J
K
L
M



REMOVAL

1. Remove body side welt. Refer to [EI-32. "Removal and Installation"](#).
2. Remove kicking plate outer. Refer to [EI-33. "KICKING PLATE"](#).
3. Remove bolts of side sill finisher lower portion.
4. Remove clips of side sill finisher front and rear portion.
5. Remove screw and nuts of reflector mudguard rear.
6. Insert clip clamp remover between panel and side sill finisher, and pull up side sill finisher.

INSTALLATION

Install in the reverse order of removal.

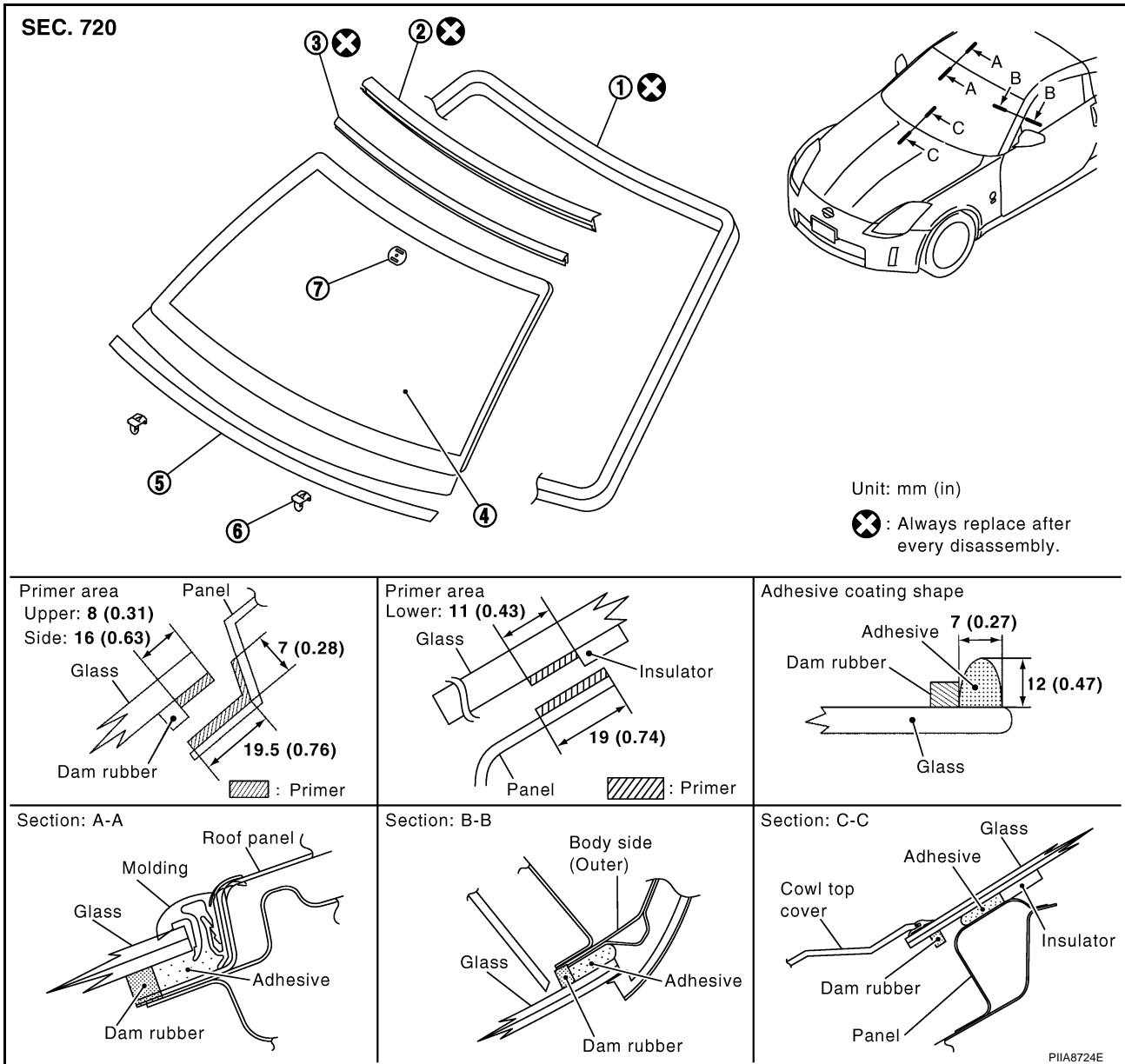
WINDSHIELD MOLDING

PFP:72700

AI/S0058Y

WINDSHIELD MOLDING

Removal and Installation



- | | | |
|---------------------|--------------|--------------------|
| 1. Dam rubber | 2. Fastener | 3. Molding (upper) |
| 4. Windshield glass | 5. Insulator | 6. Spacer |
| 7. Mirror base | | |

REMOVAL

Remove windshield molding. Refer to [GW-11, "WINDSHIELD GLASS"](#).

NOTE:

- Apply protective tape around circumference of windshield.
- Guiding a cutter knife along glass, cut surface of molding.
- Using pliers, draw out all remaining molding left in flanged area of body, and remove it completely from adhering surface on glass.

INSTALLATION

Install windshield molding. Refer to [GW-11, "WINDSHIELD GLASS"](#).

NOTE:

- Align matching marks on body and glass. Install glass to body.

WINDSHIELD MOLDING

- Press entire surface of glass lightly to fit it completely.

Using a spatula, repair any adhesive overflow or shortage to make surface smooth. Position windshield moldings and allow their adhesion.

CAUTION:

- **Be sure to install windshield molding before adhesive hardens.**
- **After installing glass, keep door windows open and avoid driving vehicle until adhesive has completely cured.**

A

B

C

D

E

F

G

H

EI

J

K

L

M

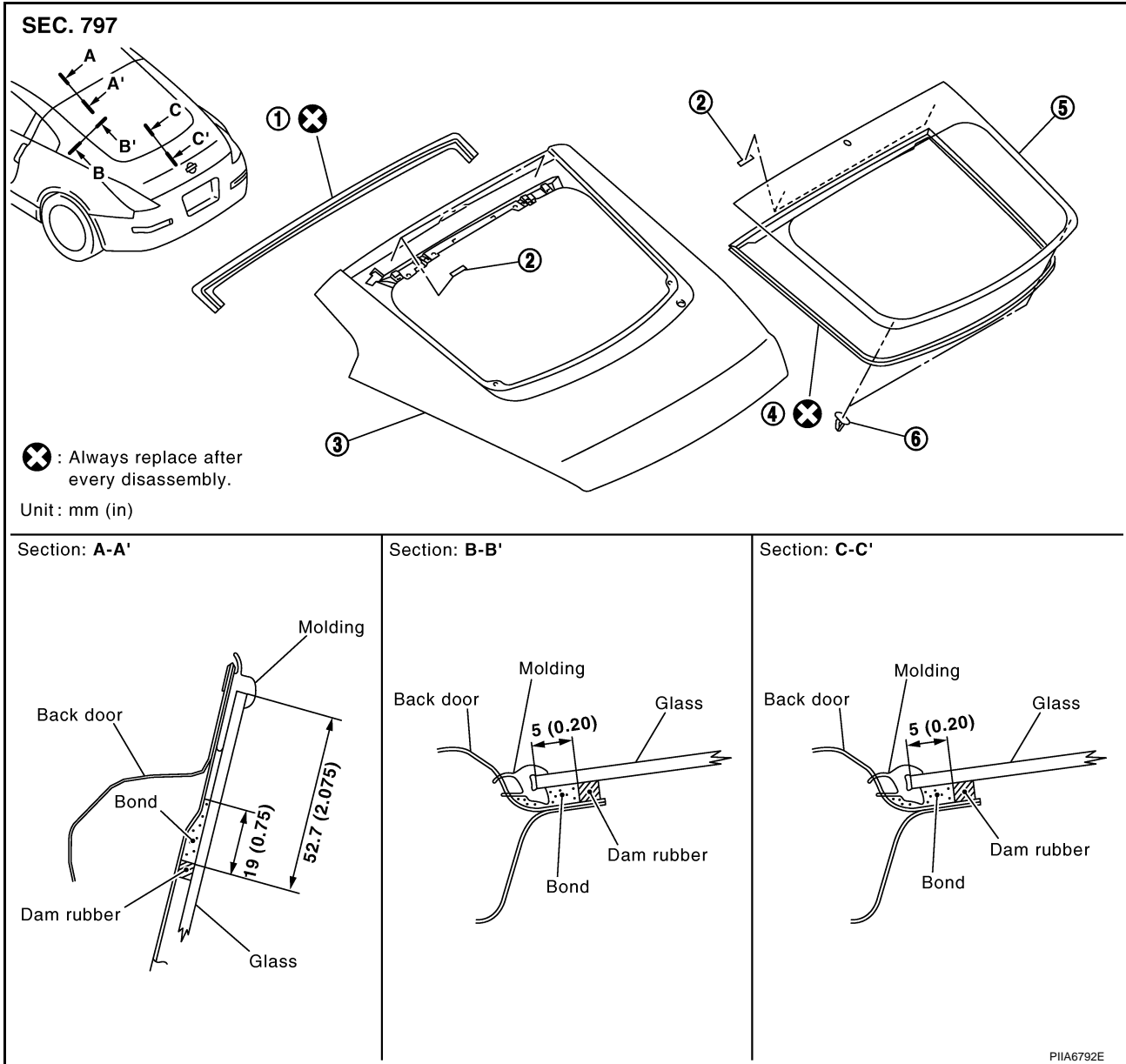
REAR WINDOW MOLDING

PFP:79762

AI50058Z

REAR WINDOW MOLDING

Back Door Molding REMOVAL AND INSTALLATION



1. Back door window molding
4. Dam rubber

2. Dual lock fastener
5. Back door window glass

3. Back door
6. Grommet

Removal

Remove back door window molding. Refer to [GW-13, "BACK DOOR WINDOW GLASS"](#).

NOTE:

Apply a strip of protective tape along the contour of back door window glass (molding) to prevent paint surface from being damaged.

Installation

Install back door window molding. Refer to [GW-13, "BACK DOOR WINDOW GLASS"](#).

NOTE:

- Clean adhesive portion of back door window glass and around circumference with white gasoline.
- Apply dam rubber to all surfaces of glass.
- Attach back door window molding to side face of glass.

REAR WINDOW MOLDING

- Back door window molding should not overlap on the surface of back door window glass.

A

B

C

D

E

F

G

H

EI

J

K

L

M

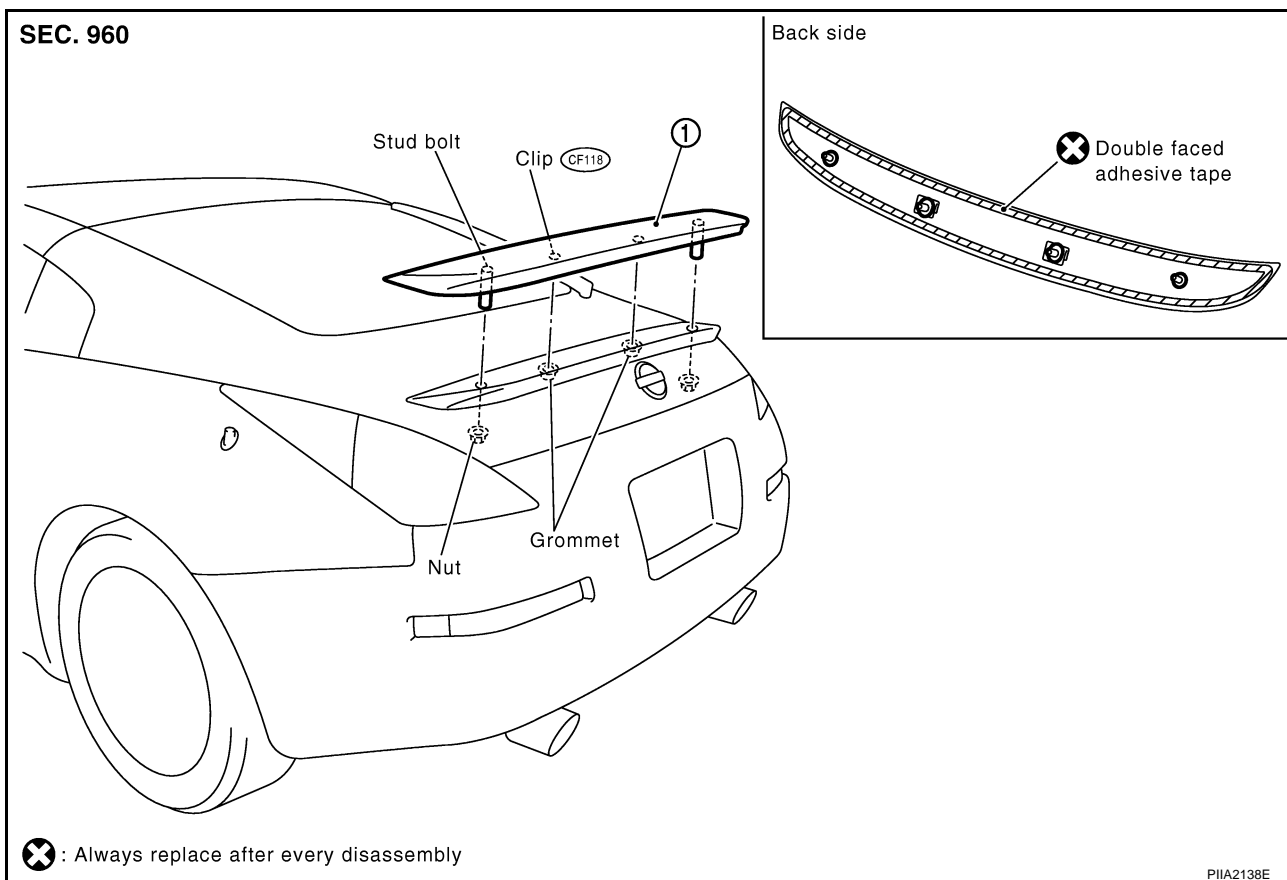
REAR SPOILER

REAR SPOILER

PFP:96030

Removal and Installation

AIS000HH



1. Rear spoiler

REMOVAL

1. Remove back door finisher lower. Refer to [EI-38, "Removal and Installation"](#).
2. Remove nuts of rear spoiler.
3. Remove clips of rear spoiler.
4. Remove double-faced adhesive tapes with wide plastic spatula between back door and rear spoiler.

INSTALLATION

Install in the reverse order of removal.

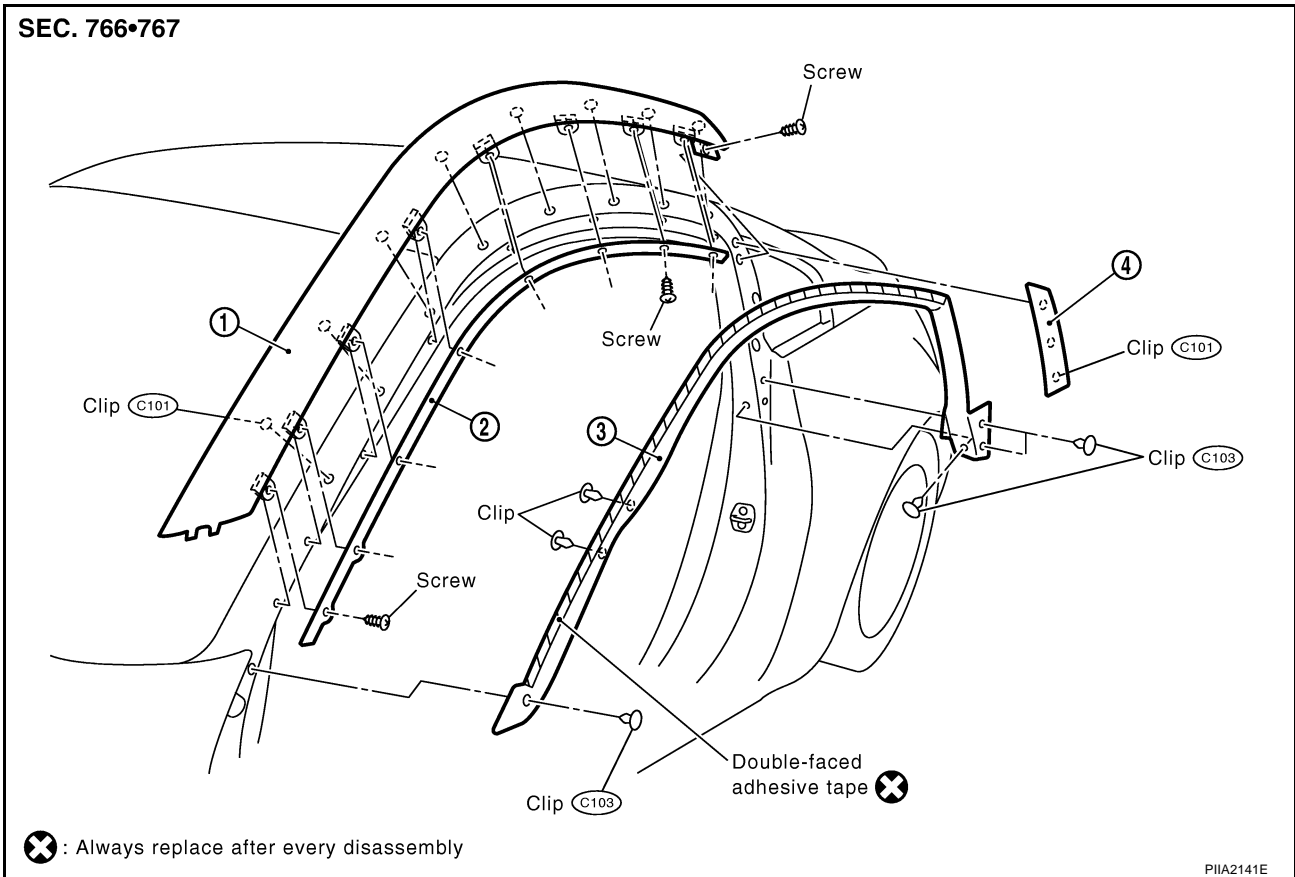
ROOF SIDE MOLDING

ROOF SIDE MOLDING

PFP:73854

Removal and installation

AIS0015K



1. Front pillar finisher
2. Retainer body side weatherstrip
3. Body side weatherstrip
4. Lock pillar finisher

FRONT PILLAR FINISHER REMOVAL

1. Remove lock pillar finisher.
2. Remove clips and double-faced adhesive tapes of body side weatherstrip.
3. Remove body side weatherstrip.
4. Remove screw of retainer body side weatherstrip.
5. Remove screws and clips of front pillar finisher.
6. Remove front pillar finisher.

INSTALLATION

Install in the reverse order of removal.

LOCK PILLER FINISHER REMOVAL

Lift and twist lock pillar finisher up from lock pillar disconnect clips.

INSTALLATION

Install in the reverse order of removal.

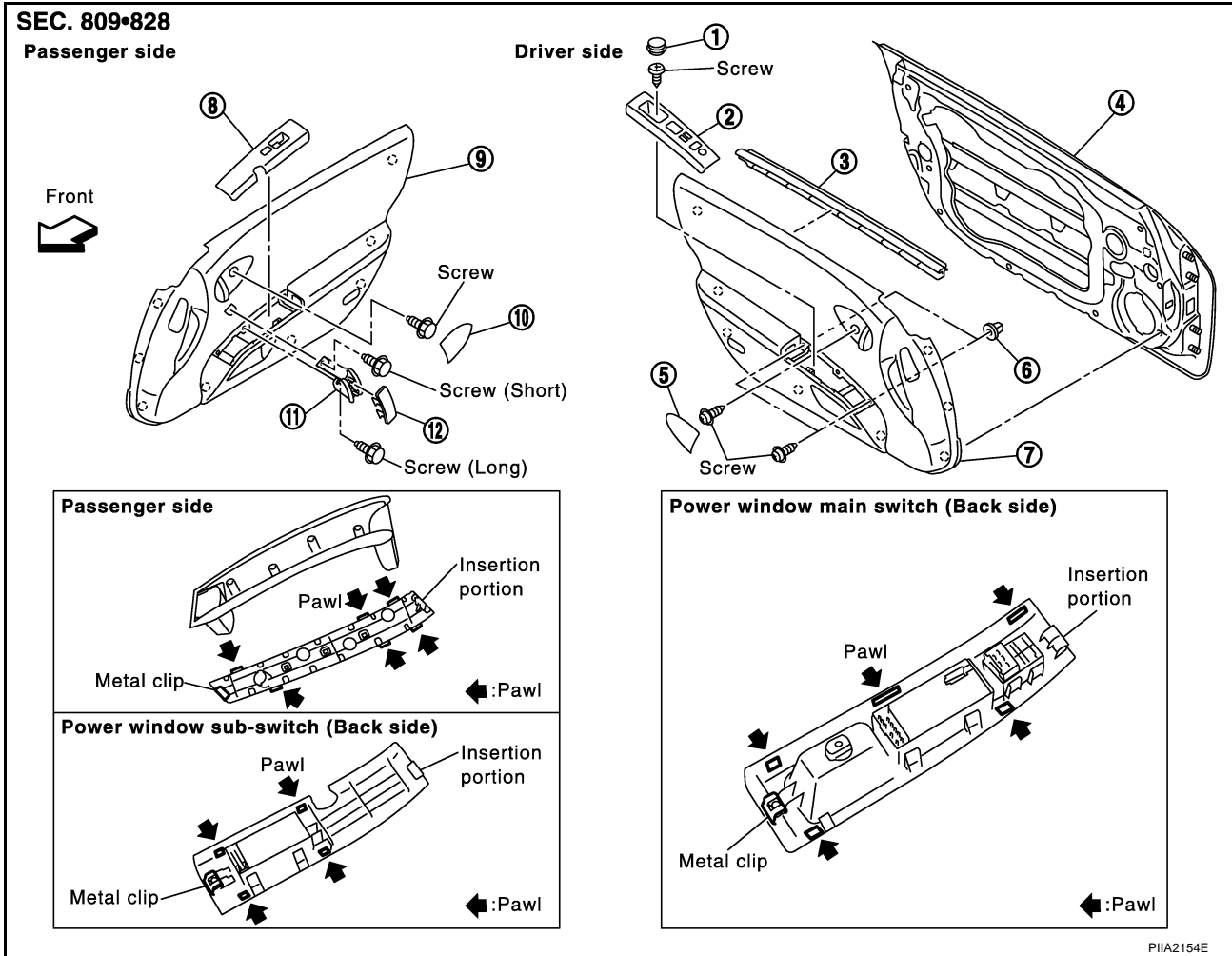
DOOR FINISHER

PFP:80900

AIS000HJ

DOOR FINISHER

Removal and Installation



DRIVER DOOR FINISHER REMOVAL

1. Remove cap inside handle portion and remove screws.
2. Remove finisher power window main switch.
3. Disconnect harness connector power window main switch.
4. Remove screws of power window main switch portion.
5. Pull up door finisher and remove connector inside handle cable and lock knob cable.

INSTALLATION

Install in the reverse order of removal.

CAUTION:

To install finisher, check if all clips are matched over holes of panel on vehicle, then push it.

DOOR FINISHER

PASSENGER DOOR FINISHER

REMOVAL

1. Remove cap inside handle portion and remove screw.
2. Insert tapping flat-bladed screwdriver into edge portion, disconnect pawls, and remove door grip finisher.
3. Remove screws of door grip portion.
4. Remove finisher power window sub switch.
5. Disconnect harness connector power window sub switch.
6. Remove screw of power window sub switch portion.
7. Pull up door finisher and remove connector inside handle cable and lock knob cable.

INSTALLATION

Install in the reverse order of removal.

CAUTION:

To install finisher, check if all clips are matched over holes of panel on vehicle, then push it.

A

B

C

D

E

F

G

H

EI

J

K

L

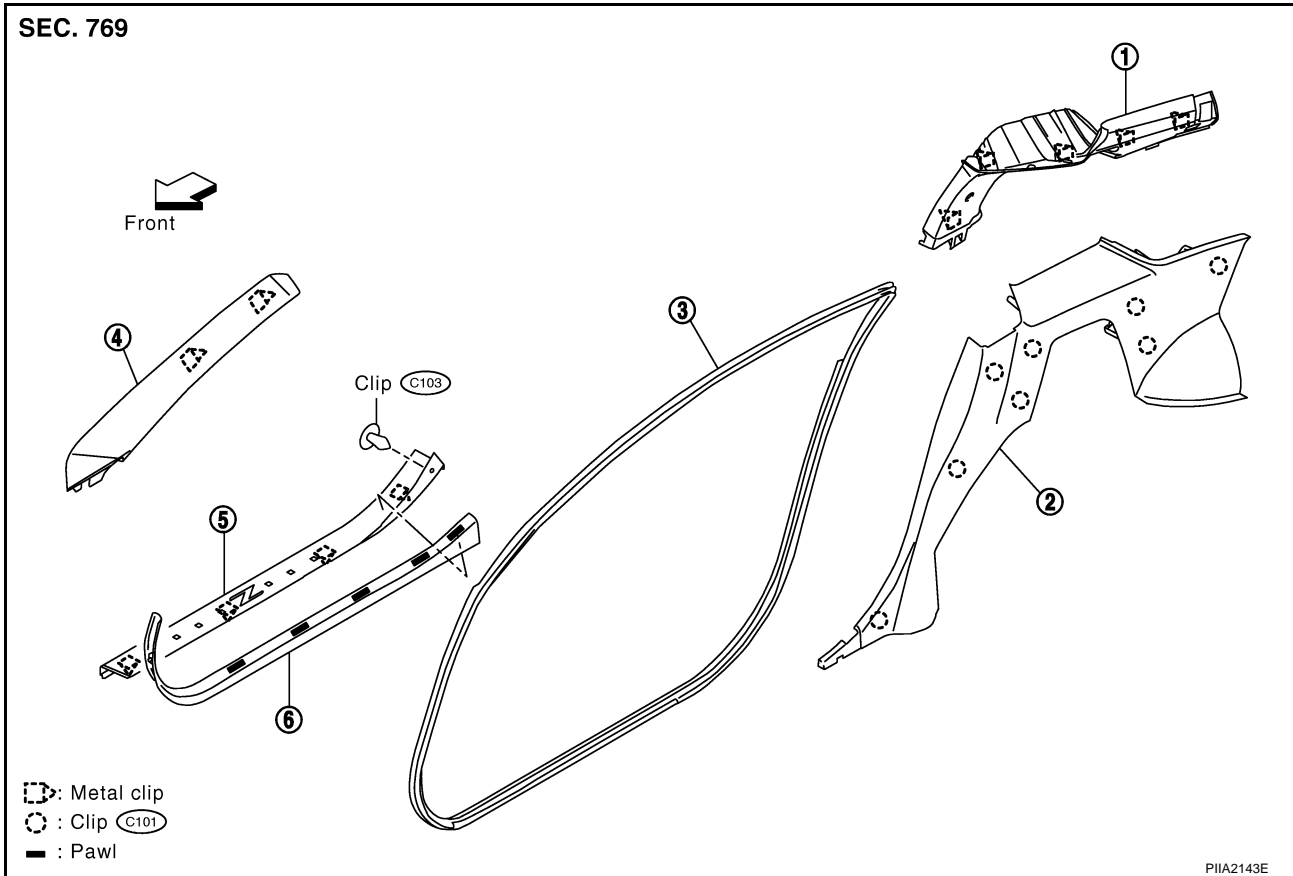
M

BODY SIDE TRIM

Removal and Installation

CAUTION:

- Wrap the tip of flat-bladed screwdriver with a cloth when removing metal clips from garnishes.



- | | | |
|-------------------------|------------------------|------------------------|
| 1. Rear pillar finisher | 2. Rear side finisher | 3. Body side welt |
| 4. Front pillar garnish | 5. Kicking plate outer | 6. Kicking plate inner |

REAR SIDE FINISHER

Removal

1. Remove kicking plate inner.
2. Remove body side welt.
3. Remove rear side finisher.

Installation

Install in the reverse order of removal.

REAR PILLAR FINISHER

Removal

1. Remove back door welt. Refer to [EI-38, "BACK DOOR"](#).
2. Remove luggage finisher lower center. Refer to [EI-34, "LUGGAGE FLOOR TRIM"](#).
3. Disconnect harness connector at luggage room lamp. Refer to [EI-34, "Removal and Installation"](#).
4. Remove luggage side finisher upper. Refer to [EI-34, "Removal and Installation"](#).
5. Remove seat belt shoulder anchor. Refer to [SB-4, "Removal and Installation of Seat Belt"](#).
6. Remove kicking plate inner.
7. Remove body side welt.
8. Remove rear side finisher.
9. Remove rear pillar finisher.

BODY SIDE TRIM

Installation

Install in the reverse order of removal.

A

FRONT PILLAR GARNISH

Removal

1. Remove body side welt.
2. Remove front pillar garnish.

B

Installation

Install in the reverse order of removal.

C

KICKING PLATE

Removal

1. Remove kicking plate inner.
2. Remove body side welt.
3. Remove clip of kicking plate outer.
4. Remove kicking plate outer.

D

Installation

Install in the reverse order of removal.

F

NOTE:

To install, check if all clips are matched over holes of panel on vehicle, then push on.

G

H

EI

J

K

L

M

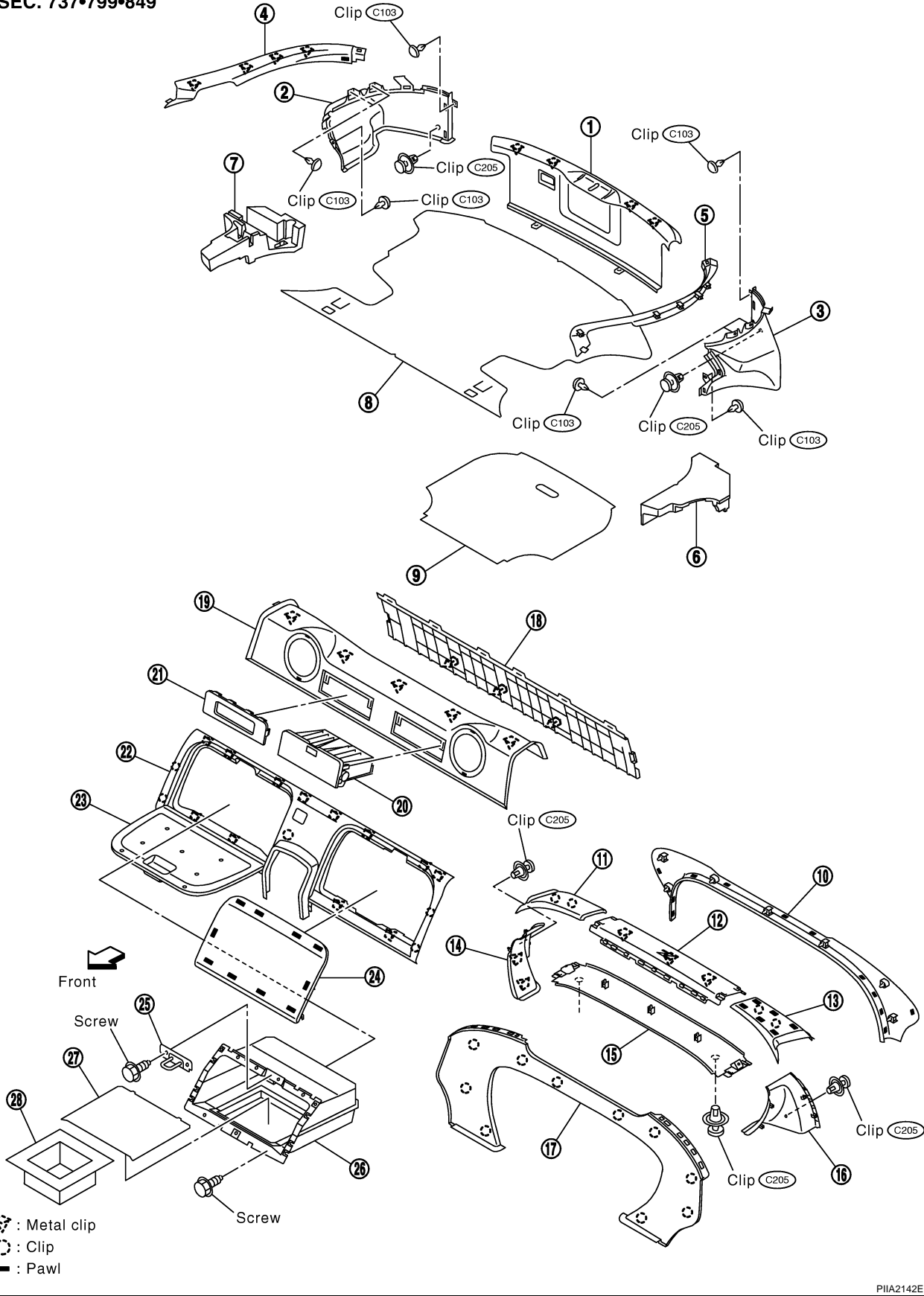
LUGGAGE FLOOR TRIM

LUGGAGE FLOOR TRIM Removal and Installation

PFP:84999

AIS0015R

SEC. 737•799•849



PIIA2142E

LUGGAGE FLOOR TRIM

- | | | | |
|--|-------------------------------------|---|---|
| 1. Luggage finisher lower (center) | 2. Luggage side finisher lower (RH) | 3. Luggage side finisher lower (LH) | A |
| 4. Luggage side finisher upper (RH) | 5. Luggage side finisher upper (LH) | 6. Trunk side box | |
| 7. Tool box | 8. Luggage floor carpet | 9. Spare tire cover | |
| 10. Strut cover rear | 11. Strut cover upper (RH) | 12. Strut cover upper (center) | B |
| 13. Strut cover upper (LH) | 14. Strut cover lower (RH) | 15. Strut cover lower (center) | |
| 16. Strut cover lower (LH) | 17. Strut cover front | 18. Luggage floor finisher upper (rear) | |
| 19. Luggage floor finisher upper (front) | 20. Rear parcel box | 21. Rear parcel escutcheon | C |
| 22. Luggage floor finisher lower | 23. Rear floor box lid | 24. Luggage floor finisher mask | |
| 25. Rear floor box lock | 26. Rear floor box | 27. Rear floor box mat | |
| 28. Tray | | | D |

LUGGAGE FLOOR TRIM

Removal

1. Remove back door welt. Refer to [EI-38, "BACK DOOR"](#)
2. Remove luggage floor carpet.
3. Remove spare tire cover.
4. Remove luggage finisher lower (center).
5. Remove luggage side finisher upper (RH/LH).
6. Remove strut cover upper (RH/LH).
7. Remove strut cover rear.
8. Remove clip of luggage side finisher lower and remove luggage side finisher lower.
9. Remove strut cover front.
10. Remove strut cover upper (center).
11. Remove clips of strut cover lower (RH/LH) and remove strut cover lower.
12. Remove strut cover lower (center).

Installation

Install in the reverse order of removal.

REAR FLOOR BOX

Removal

1. Remove kicking plate inner. Refer to [EI-32, "BODY SIDE TRIM"](#)
2. Remove body side welt. Refer to [EI-32, "BODY SIDE TRIM"](#)
3. Remove rear side finisher. Refer to [EI-32, "BODY SIDE TRIM"](#)
4. Remove console box. Refer to [IP-10, "INSTRUMENT PANEL ASSEMBLY"](#)
5. Remove screw of rear floor box and remove rear floor box.
6. Remove pins of rear floor box lid and remove rear floor box lid.
7. Remove luggage floor finisher mask.
8. Remove screws of rear floor box lock and remove rear floor box lock.
9. Remove tray.

Installation

Install in the reverse order of removal.

NOTE:

To install, check if all clips are matched over holes panel on vehicle, then push on.

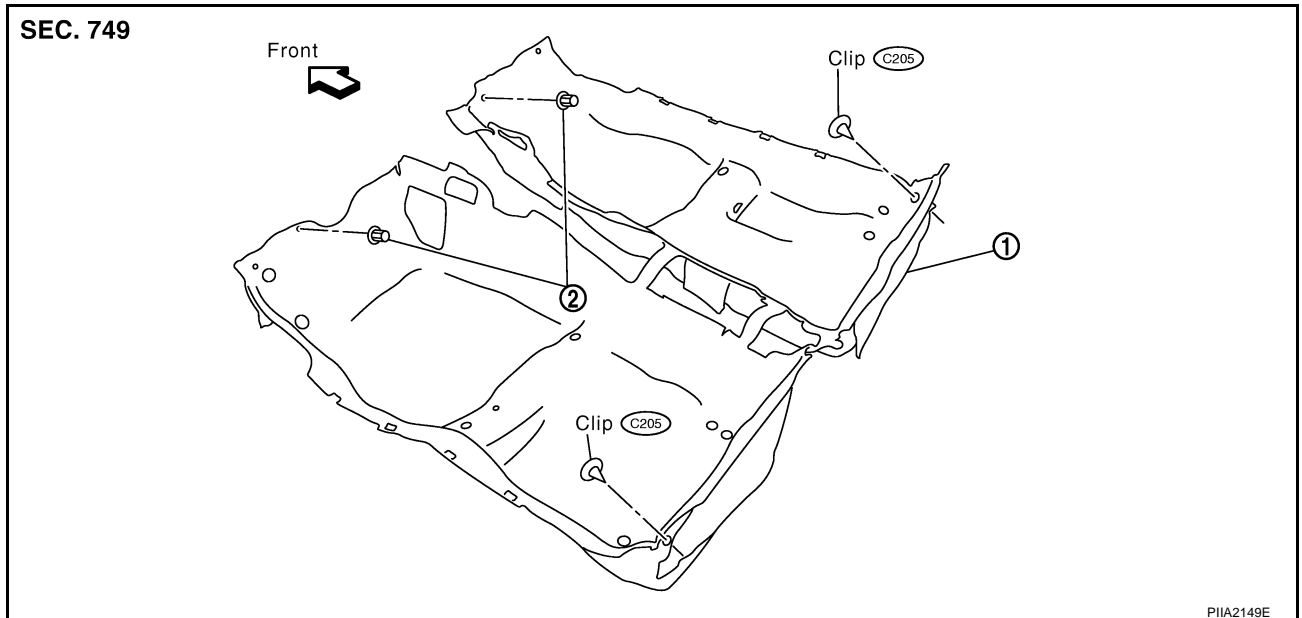
FLOOR TRIM

FLOOR TRIM

PFP:74902

Removal and Installation

AIS000HM

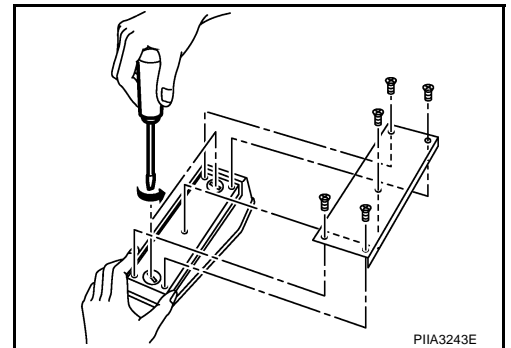


1. Floor carpet assembly

2. Nut

REMOVAL

1. Remove driver seat and passenger seat. Refer to [SE-18, "SEAT"](#)
2. Remove center console. Refer to [IP-11, "Removal and Installation"](#)
3. Remove instrument side panel (left and right). Refer to [IP-11, "Removal and Installation"](#)
4. Remove body side welt. Refer to [EI-32, "BODY SIDE TRIM"](#)
5. Remove kicking plate inner. Refer to [EI-32, "BODY SIDE TRIM"](#)
6. Remove screws of footrest and remove plate.
7. Remove clips of footrest and remove footrest.
8. Remove dash side finisher. Refer to [IP-11, "Removal and Installation"](#)
9. Remove nut and clips of floor carpet assembly and remove floor carpet assembly.
10. Remove clips to remove floor carpet assembly.



INSTALLATION

Install in the reverse order of removal.

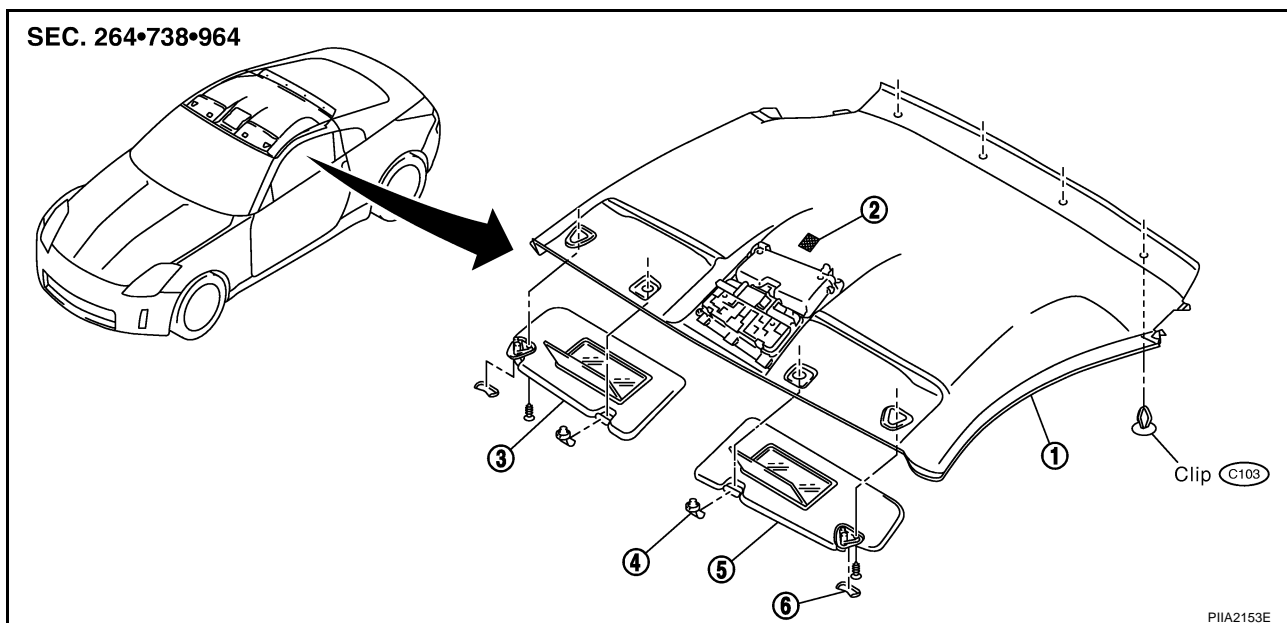
HEADLINING

HEADLINING

PFP:73910

Removal and Installation

AIS000HN



- | | | |
|---------------------|-----------------------|----------------------|
| 1. Headlining | 2. Dual lock fastener | 3. Sun visor (right) |
| 4. Sun visor holder | 5. Sun visor (left) | 6. cap |

REMOVAL

1. Remove back door welt. Refer to [EI-38, "BACK DOOR"](#) .
2. Remove luggage floor carpet. Refer to [EI-34, "Removal and Installation"](#) .
3. Remove luggage finisher lower center. Refer to [EI-34, "Removal and Installation"](#) .
4. Disconnect harness connector at luggage room lamp. Refer to [EI-34, "Removal and Installation"](#) .
5. Remove luggage side finisher upper. Refer to [EI-34, "Removal and Installation"](#) .
6. Remove kicking plate inner. Refer to [EI-33, "KICKING PLATE"](#) .
7. Remove body side welt. Refer to [EI-32, "Removal and Installation"](#) .
8. Remove rear side finisher. Refer to [EI-32, "REAR SIDE FINISHER"](#) .
9. Remove seat belt anchor. Refer to [SB-4, "Removal and Installation of Seat Belt"](#) .
10. Remove rear pillar garnish. Refer to [EI-32, "REAR PILLAR FINISHER"](#) .
11. Remove front pillar garnish. Refer to [EI-32, "BODY SIDE TRIM"](#) .
12. Disconnect harness connector at map lamp.
13. Remove sun visor and sun visor holder.
14. Remove dual lock fastener.
15. Remove clips of headlining rear portion.
16. Remove headlining, turn to 90 degrees and take out from back door.

CAUTION:

- Always remove or install in a pair.
- Cover surroundings with waste to avoid scratches or damages.
- Do not bend headlining too hard.

INSTALLATION

Install in the reverse order of removal.

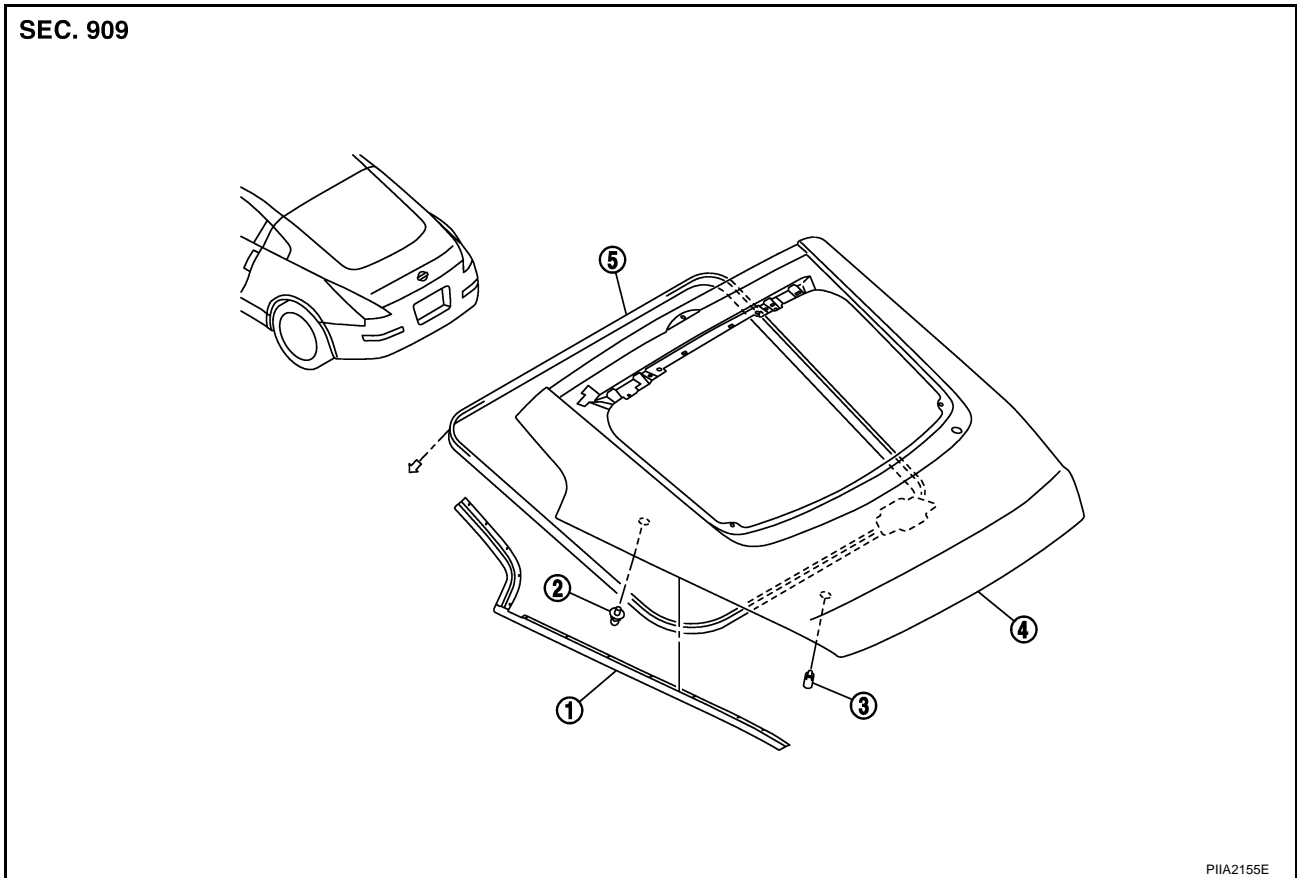
BACK DOOR

BACK DOOR

PFP:90100

Removal and Installation BACK DOOR

AIS001QA



1. Back door molding

2. Bumper rubber

3. Bumper rubber

4. Back door panel

5. Back door welt

Removal

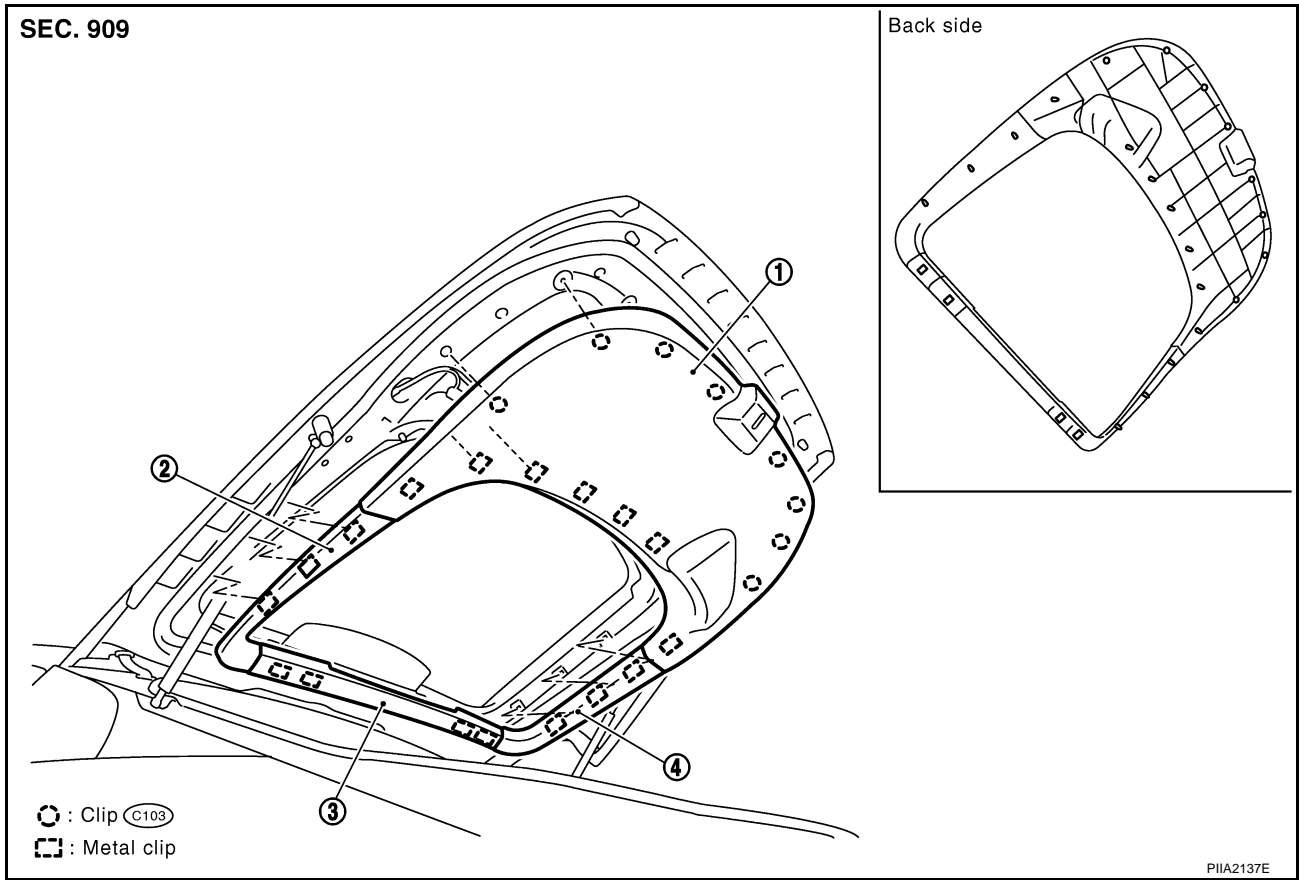
1. Remove bumper rubber.
2. Remove back door welt.
3. Remove clips of back door molding and remove back door molding.
4. Remove back door glass. Refer to [GW-13, "BACK DOOR WINDOW GLASS"](#).

Installation

Install in the reverse order of removal.

BACK DOOR

BACK DOOR FINISHER



1. Back door finisher lower
2. Back door finisher side (LH)
3. Back door finisher side (RH)
4. Back door finisher upper

Removal

1. Remove back door finisher lower.
2. Remove back door finisher upper.
3. Remove back door finisher side (RH/LH).

Installation

Install in the reverse order of removal.

A
B
C
D
E
F
G
H
EI
J
K
L
M

BACK DOOR
