

A  
SECTION **EX** EX  
EXHAUST SYSTEM C

CONTENTS E

<b>PREPARATION</b> .....	2	Checking Exhaust System .....	3	F
Commercial Service Tools .....	2	Removal and Installation .....	3	
<b>EXHAUST SYSTEM</b> .....	3	REMOVAL .....	3	
		INSTALLATION .....	4	G
		INSPECTION AFTER INSTALLATION .....	4	
		<b>SERVICE DATA AND SPECIFICATIONS (SDS)</b> .....	5	
		Tightening Torque .....	5	H

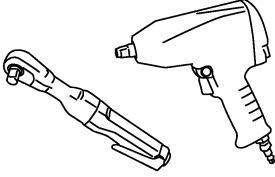
# PREPARATION

## PREPARATION

PFP:00002

### Commercial Service Tools

ABS0033T

Tool name	Description
Power tool  PBIC0190E	Loosening nuts and bolts

# EXHAUST SYSTEM

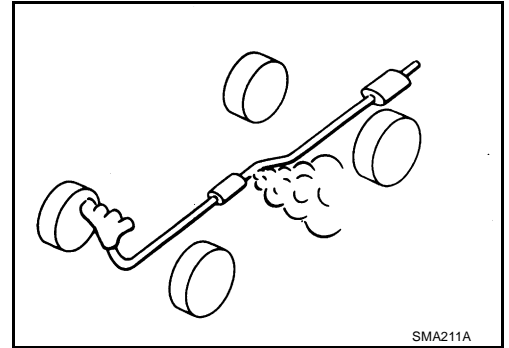
## EXHAUST SYSTEM

PFP:20100

### Checking Exhaust System

ABS0033U

Check exhaust pipes, muffler and mounting for improper attachment, leaks, cracks, damage or deterioration.

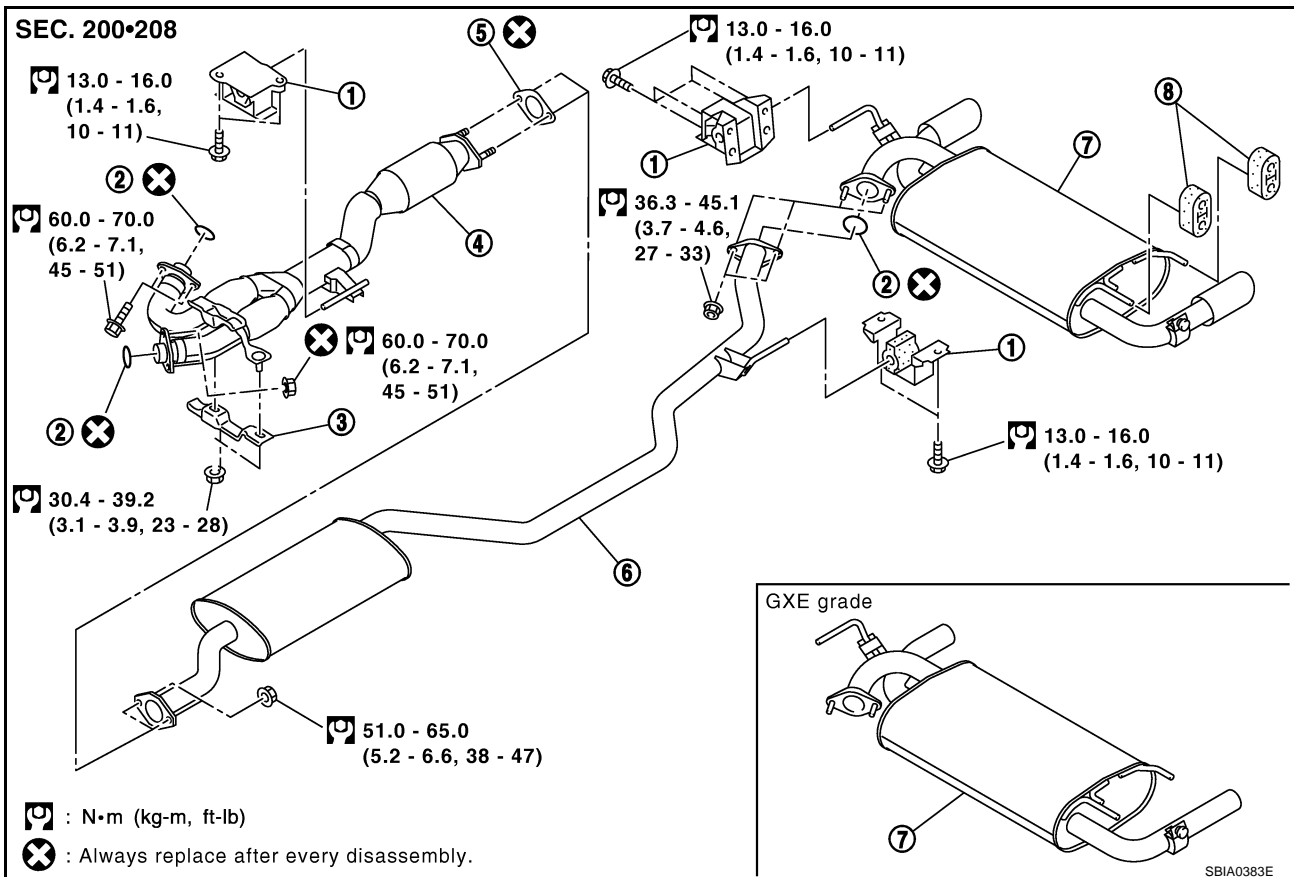


### Removal and Installation

ABS0033V

#### CAUTION:

- Be sure to use genuine exhaust system parts or equivalents which are specially designed for heat resistance, corrosion resistance, and shape.
- Perform the operation with the exhaust system fully cooled down because the system will be hot just after the engine stops.
- Be careful not to cut your hand on the insulator edge.



- |                       |                    |                               |
|-----------------------|--------------------|-------------------------------|
| 1. Mounting bracket   | 2. Ring gasket     | 3. Exhaust front tube bracket |
| 4. Exhaust front tube | 5. Gasket          | 6. Center muffler             |
| 7. Main muffler       | 8. Mounting rubber |                               |

### REMOVAL

Disconnect each joint and mounting using power tool.

# EXHAUST SYSTEM

---

## INSTALLATION

Install in the reverse order of removal.

### CAUTION:

- Always replace exhaust tube gaskets with new ones when reassembling.
- If the mounting rubber installed on body side is badly deformed, repair or replace it. If deposits such as mud pile up on the mounting rubber, remove them.
- When installing the mounting insulator installed on body side avoid large gaps or interference between the mounting rubber and each exhaust pipe.
- Remove deposits from the sealing surface of each connection. Connect them securely to avoid gas leakage.
- Temporarily tighten mounting nuts on the exhaust manifold side and mounting bolts on the vehicle side. Check each part for unusual interference, and then tighten them to the specified torque.
- When installing each mounting bracket, avoid twisting or unusual extension in up/down and right/left directions.

## INSPECTION AFTER INSTALLATION

- With the engine running, check exhaust tube joints for gas leakage and unusual noises.
- Check to ensure that mounting brackets and mounting rubbers are installed properly and free from undue stress. Improper installation could result in excessive noise and vibration.

# SERVICE DATA AND SPECIFICATIONS (SDS)

## SERVICE DATA AND SPECIFICATIONS (SDS)

PFP:00030

### Tightening Torque

ABS0033X

Unit: N-m (kg-m, ft-lb)

Exhaust system connections			
Between three way catalyst and exhaust front tube	60.0 - 70.0	(6.2 - 7.1, 45 - 51)	
Between exhaust front tube and center muffler	51.0 - 65.0	(5.2 - 6.6, 38 - 47)	
Between center muffler and main muffler	36.3 - 45.1	(3.7 - 4.6, 27 - 33)	
Exhaust front tube bracket	30.4 - 39.2	(3.1 - 3.9, 23 - 28)	
Mounting bracket	13.0 - 16.0	(1.4 - 1.6, 10 - 11)	

A  
EX  
C  
D  
E  
F  
G  
H  
I  
J  
K  
L  
M

# SERVICE DATA AND SPECIFICATIONS (SDS)

---