

A
B
C
D

WT

SECTION

ROAD WHEELS & TIRES

CONTENTS

WT

<p>INDEX FOR DTC 3</p> <p> DTC No. Index 3</p> <p>PRECAUTIONS 4</p> <p> Precautions for Supplemental Restraint System (SRS) "AIR BAG" and "SEAT BELT PRE-TENSIONER" 4</p> <p> Precautions 4</p> <p> Service Notice or Precautions 5</p> <p>PREPARATION 6</p> <p> Special Service Tools 6</p> <p> Commercial Service Tools 6</p> <p>NOISE, VIBRATION AND HARSHNESS (NVH)</p> <p>TROUBLESHOOTING 7</p> <p> NVH Troubleshooting Chart 7</p> <p>TIRE PRESSURE MONITORING SYSTEM 8</p> <p> System Description 8</p> <p> DESCRIPTION 8</p> <p> TRANSMITTER 8</p> <p> REMOTE KEYLESS ENTRY RECEIVER 8</p> <p> BCM (BODY CONTROL MODULE) 8</p> <p> LOW TIRE PRESSURE WARNING LAMP 9</p> <p> VEHICLE INFORMATION DISPLAY 9</p> <p> TIRE PRESSURE WARNING CHECK SWITCH... 9</p> <p> System Diagram 10</p> <p> COMPONENTS FUNCTION DESCRIPTION 10</p> <p> Can Communication 10</p> <p> SYSTEM DESCRIPTION 10</p> <p>TROUBLE DIAGNOSES 11</p> <p> How to Perform Trouble Diagnosis 11</p> <p> BASIC CONCEPT 11</p> <p> INTRODUCTION 11</p> <p> WORK FLOW 12</p> <p> Component Parts Location 13</p> <p> Circuit Diagram 14</p> <p> Wiring Diagram — T/WARN — 15</p> <p> BCM Input/Output Signal Reference Values 18</p> <p> BCM INSPECTION TABLE (FOR LOW TIRE PRESSURE WARNING SYSTEM) 18</p> <p> CONSULT-II Function (BCM) 20</p> <p> CONSULT-II MAIN FUNCTION 20</p>	<p> CONSULT-II SETTING PROCEDURE 20</p> <p> WORK SUPPORT MODE 20</p> <p> SELF-DIAG RESULT MODE 22</p> <p> DATA MONITOR MODE 23</p> <p> ACTIVE TEST MODE 24</p> <p> Self-Diagnostic Procedure 24</p> <p> SELF-DIAGNOSTIC PROCEDURE (WITH CONSULT-II) 24</p> <p> SELF-DIAGNOSTIC PROCEDURE (WITHOUT CONSULT-II) 24</p> <p> ERASE SELF-DIAGNOSIS 26</p> <p> ID Registration Procedure 26</p> <p> ID REGISTRATION WITH TRANSMITTER ACTIVATION TOOL 26</p> <p> ID REGISTRATION WITHOUT TRANSMITTER ACTIVATION TOOL 27</p> <p> Transmitter Wake Up Operation 28</p> <p> WITH ACTIVATION TOOL 28</p> <p> Trouble Diagnosis Chart for Symptoms 28</p> <p> Low Tire Pressure Warning Lamp Symptom Chart.. 29</p> <p> Inspections Before Trouble Diagnosis 31</p> <p> DIAGNOSTIC PROCEDURE 31</p> <p>TROUBLE DIAGNOSIS FOR SYSTEM 32</p> <p> DTC C1708, C1709, C1710, C1711 [NO DATA] 32</p> <p> CONSULT-II REFERENCE VALUE IN DATA MONITOR MODE 32</p> <p> BCM TERMINALS AND REFERENCE VALUE... 32</p> <p> DIAGNOSTIC PROCEDURE 33</p> <p> DTC C1712, C1713, C1714, C1715 [CHECKSUM ERR] 35</p> <p> CONSULT-II REFERENCE VALUE IN DATA MONITOR MODE 35</p> <p> BCM TERMINALS AND REFERENCE VALUE... 35</p> <p> DIAGNOSTIC PROCEDURE 36</p> <p> DTC C1716, C1717, C1718, C1719 [PRESSDATA ERR] 38</p> <p> CONSULT-II REFERENCE VALUE IN DATA MONITOR MODE 38</p> <p> DIAGNOSTIC PROCEDURE 38</p> <p> DTC C1720, C1721, C1722, C1723 [CODE ERR].. 39</p>	<p>F G H I J K L M</p>
---	---	--

CONSULT-II REFERENCE VALUE IN DATA	SYMPTOM:	49
MONITOR MODE	DIAGNOSTIC PROCEDURE	49
BCM TERMINALS AND REFERENCE VALUE ...	Turn Signal Lamp Blinks When Ignition Switch Is	
DIAGNOSTIC PROCEDURE	Turned ON	50
DTC C1724, C1725, C1726, C1727 [BATT VOLT	DIAGNOSTIC PROCEDURE	50
LOW]	ID Registration Cannot Be Completed	50
CONSULT-II REFERENCE VALUE IN DATA	DIAGNOSTIC PROCEDURE	50
MONITOR MODE	TRANSMITTER	51
BCM TERMINALS AND REFERENCE VALUE ...	Removal and Installation	51
DIAGNOSTIC PROCEDURE	REMOVAL	51
DTC C1729 VHCL SPEED SIG ERR	INSTALLATION	51
CONSULT-II REFERENCE VALUE IN DATA	ROAD WHEEL	53
MONITOR MODE	Inspection	53
DIAGNOSTIC PROCEDURE	ALUMINUM WHEEL	53
TROUBLE DIAGNOSIS FOR SYMPTOMS	STEEL WHEEL (FOR EMERGENCY USE)	53
Low Tire Pressure Warning Lamp Does Not Turn	ROAD WHEEL TIRE ASSEMBLY	54
ON for Approx.1 Second When Ignition Switch Is	Balancing Wheels (Bonding Weight Type)	54
Turned ON	REMOVAL	54
DIAGNOSTIC PROCEDURE	WHEEL BALANCE ADJUSTMENT	54
Low Tire Pressure Warning Lamp Stays ON When	Tire Rotation	55
Ignition Switch Is Turned ON	SERVICE DATA AND SPECIFICATIONS (SDS)	56
DIAGNOSTIC PROCEDURE	Road Wheel	56
Low Tire Pressure warning Lamp Blinks When Igni-	Tire	56
tion Switch Is Turned ON	Tightening Torque	56

INDEX FOR DTC

INDEX FOR DTC

PF0:00024

DTC No. Index

NES000FD

DTC	Items (CONSULT-II screen terms)	Reference page
C1704	LOW PRESSURE FL	WT-31
C1705	LOW PRESSURE FR	
C1706	LOW PRESSURE RR	
C1707	LOW PRESSURE RL	
C1708	[NO DATA] FL	WT-32
C1709	[NO DATA] FR	
C1710	[NO DATA] RR	
C1711	[NO DATA] RL	
C1712	[CHECKSUM ERR] FL	WT-35
C1713	[CHECKSUM ERR] FR	
C1714	[CHECKSUM ERR] RR	
C1715	[CHECKSUM ERR] RL	
C1716	[PRESSDATA ERR] FL	WT-38
C1717	[PRESSDATA ERR] FR	
C1718	[PRESSDATA ERR] RR	
C1719	[PRESSDATA ERR] RL	
C1720	[CODE ERR] FL	WT-39
C1721	[CODE ERR] FR	
C1722	[CODE ERR] RR	
C1723	[CODE ERR] RL	
C1724	[BATT VOLT LOW] FL	WT-42
C1725	[BATT VOLT LOW] FR	
C1726	[BATT VOLT LOW] RR	
C1727	[BATT VOLT LOW] RL	
C1729	VHCL SPEED SIG ERR	WT-45

A
B
C
D
WT
F
G
H
I
J
K
L
M

PRECAUTIONS

PRECAUTIONS

PFP:00001

Precautions for Supplemental Restraint System (SRS) "AIR BAG" and "SEAT BELT PRE-TENSIONER"

NES000ES

The Supplemental Restraint System such as "AIR BAG" and "SEAT BELT PRE-TENSIONER", used along with a front seat belt, helps to reduce the risk or severity of injury to the driver and front passenger for certain types of collision. This system includes seat belt switch inputs and dual stage front air bag modules. The SRS system uses the seat belt switches to determine the front air bag deployment, and may only deploy one front air bag, depending on the severity of a collision and whether the front occupants are belted or unbelted. Information necessary to service the system safely is included in the SRS and SB section of this Service Manual.

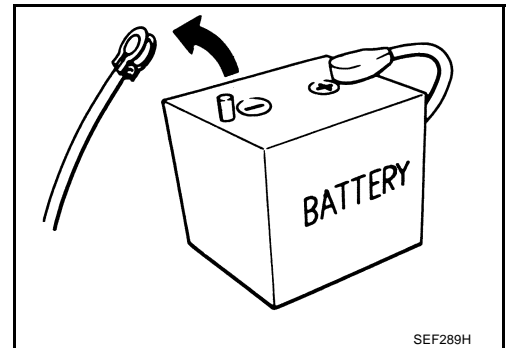
WARNING:

- To avoid rendering the SRS inoperative, which could increase the risk of personal injury or death in the event of a collision which would result in air bag inflation, all maintenance must be performed by an authorized NISSAN/INFINITI dealer.
- Improper maintenance, including incorrect removal and installation of the SRS, can lead to personal injury caused by unintentional activation of the system. For removal of Spiral Cable and Air Bag Module, see the SRS section.
- Do not use electrical test equipment on any circuit related to the SRS unless instructed to in this Service Manual. SRS wiring harnesses can be identified by yellow and/or orange harnesses or harness connectors.

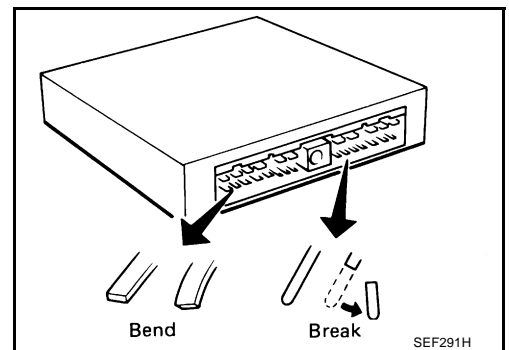
Precautions

NES000L7

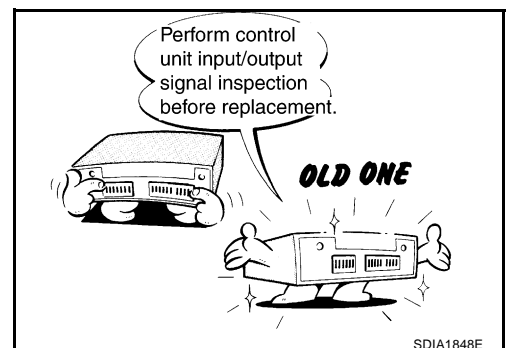
- Before connecting or disconnecting the BCM harness connector, turn ignition switch "OFF" and disconnect the battery cable from the negative terminal. Battery voltage is applied to BCM even if ignition switch is turned "OFF".



- When connecting or disconnecting pin connectors into or from BCM, take care not to damage pin terminals (bend or break). When connecting pin connectors make sure that there are not any bends or breaks on BCM pin terminals.



- Before replacing BCM, perform control unit input/output signal inspection and make sure whether BCM functions properly or not. Refer to [WT-18. "BCM Input/Output Signal Reference Values"](#).



PRECAUTIONS

Service Notice or Precautions

NES000L8

- Low tire pressure warning lamp flashes 1min, then turns ON when occurring any malfunction except low tire pressure. Delete the memory with CONSULT-II, or register the ID to turn low tire pressure warning lamp OFF. Refer to [WT-26, "ERASE SELF-DIAGNOSIS"](#) , [WT-26, "ID Registration Procedure"](#) .
- ID registration is required when replacing or rotating wheels, replacing transmitter or BCM. Refer to [WT-26, "ID Registration Procedure"](#) .
- Replace grommet seal, valve core and cap of the transmitter in TPMS every tire replacement by reaching wear limit of tire.

A
B
C
D

WT

F
G
H
I
J
K
L
M

PREPARATION

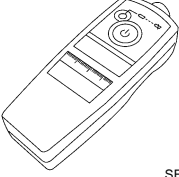
PREPARATION

PFP:00002

Special Service Tools

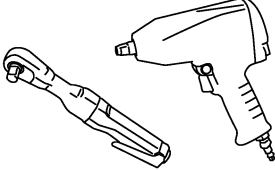
NES000EQ

The actual shapes of Kent-Moore tools may differ from those of special service tools illustrated here.

Tool number (Kent-Moore No.) Tool name	Description
— (J-45295) Transmitter activation tool  SEIA0462E	ID registration

Commercial Service Tools

NES000ER

Tool name	Description
Power tool  PBIC0190E	Loosening bolts and nuts

NOISE, VIBRATION AND HARSHNESS (NVH) TROUBLESHOOTING

NOISE, VIBRATION AND HARSHNESS (NVH) TROUBLESHOOTING

PFP:00003

NVH Troubleshooting Chart

NES00096

Use the chart below to help you find the cause of the symptom. If necessary, repair or replace these parts.

Reference page		FAX-6, FSU-5	WT-53	WT-54	WT-56	WT-55	—	—	WT-56	NVH in PR section	NVH in RFD section	NVH in FAX and FSU sections	NVH in RAX and RSU sections	Refer to TIRES in this chart	Refer to ROAD WHEEL in this chart	NVH in FAX, RAX section	NVH in BR section	NVH in PS section	
Possible cause and SUSPECTED PARTS		Improper installation, looseness	Out-of-round	Unbalance	Incorrect tire pressure	Uneven tire wear	Deformation or damage	Non-uniformity	Incorrect tire size	PROPELLER SHAFT	DIFFERENTIAL	FRONT AXLE AND FRONT SUSPENSION	REAR AXLE AND REAR SUSPENSION	TIRES	ROAD WHEELS	DRIVE SHAFT	BRAKE	STEERING	
Symptom	TIRES	Noise	x	x	x	x	x	x	x	x	x	x	x	x	x	x	x	x	
		Shake	x	x	x	x	x	x	x	x	x	x	x	x	x	x	x	x	x
		Vibration				x				x	x		x	x		x			x
		Shimmy	x	x	x	x	x	x	x	x			x	x	x		x	x	x
		Judder	x	x	x	x	x	x		x			x	x		x		x	x
		Poor quality ride or handling	x	x	x	x	x	x		x			x	x		x			
	ROAD WHEEL	Noise	x	x	x			x			x	x	x	x	x		x	x	x
		Shake	x	x	x			x			x		x	x		x	x	x	x
Shimmy, judder		x	x	x			x					x	x	x		x	x	x	
Poor quality ride or handling		x	x	x			x					x	x	x					

x: Applicable

A
B
C
D
WT
F
G
H
I
J
K
L
M

TIRE PRESSURE MONITORING SYSTEM

PFP:40720

NES000FJ

TIRE PRESSURE MONITORING SYSTEM

System Description DESCRIPTION

During driving, the tire pressure monitoring system receives the signal transmitted from the transmitter installed in each wheel, when the tire pressure becomes low. The control unit (BCM) of this system has pressure judgment and trouble diagnosis functions.

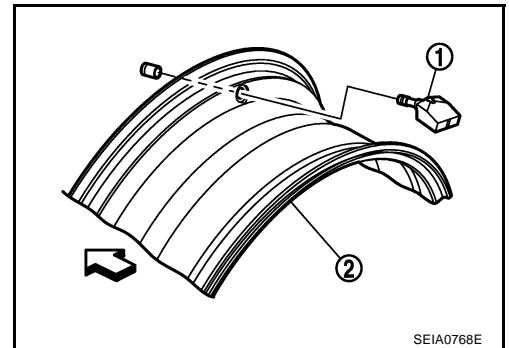
Function

When the tire pressure monitoring system detects low inflation pressure or another unusual symptom, the warning lamps in the combination meter comes on. To start the self-diagnostic results mode, ground terminal of the tire pressure warning check connector. The malfunction location is indicated by the warning lamp flashing.

TRANSMITTER

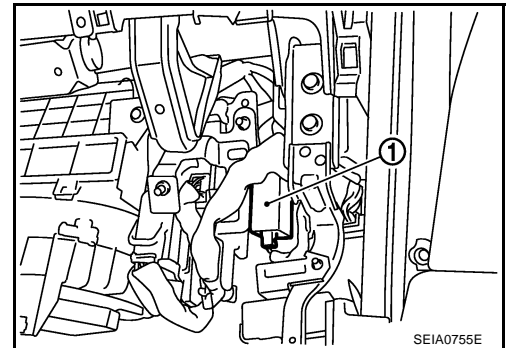
A sensor-transmitter (1) integrated with a valve is installed on a wheel (2), and transmits a detected air pressure signal in the form of a radio wave.

↔ : Outside



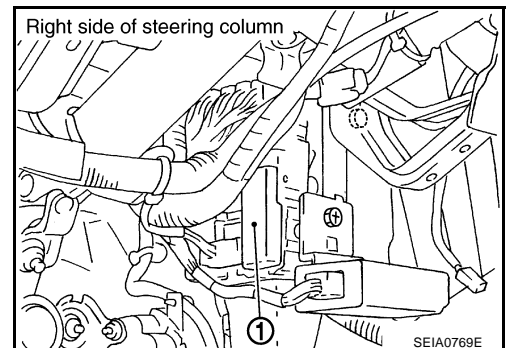
REMOTE KEYLESS ENTRY RECEIVER

The remote keyless entry receiver (1) receives the air pressure signal transmitted by the transmitter in each wheel.



BCM (BODY CONTROL MODULE)

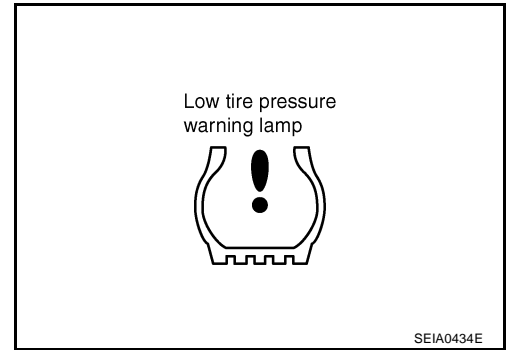
The BCM (1) reads the air pressure signal received by the remote key-less entry receiver, and controls the low tire pressure warning lamp and the buzzer operations. It also has a judgment function to detect a system malfunction.



TIRE PRESSURE MONITORING SYSTEM

LOW TIRE PRESSURE WARNING LAMP

The combination meter receives tire pressure status from the BCM using CAN communication. When a low tire pressure condition is sensed by the BCM, the low tire pressure warning lamp of combination meter is activated.



Low Tire Pressure Warning Lamp

Condition	Low tire pressure warning lamp
Less than 181 kPa (1.8 kg/cm ² , 26 psi) *1	ON
Low tire pressure warning system malfunction	Warning lamp flashes 1 min, then turns ON. *2

*1: Standard air pressure is for 230 kPa (2.3 kg/cm², 33 psi) vehicles.

*2: Warning lamp turns ON when occurring a malfunction in CAN communication lines.

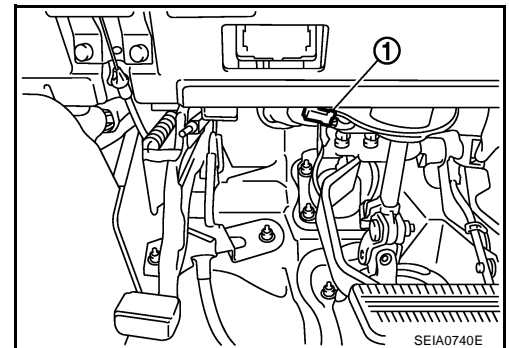
VEHICLE INFORMATION DISPLAY

Displays the air pressure of each tire. After the ignition switch is turned ON, the pressure values are not displayed until the data of each wheel stabilizes.

TIRE PRESSURE WARNING CHECK SWITCH

The following item can be checked by grounding the tire pressure warning check switch (1) harness connector terminal.

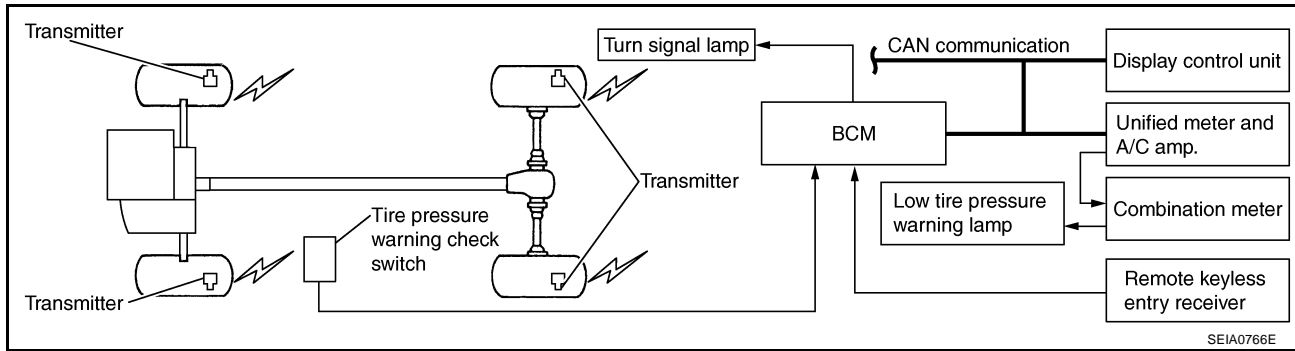
- The low tire pressure warning lamp in the combination meter will flicker according to the self-diagnostic results.



TIRE PRESSURE MONITORING SYSTEM

System Diagram

NES000F3



SEIA0766E

COMPONENTS FUNCTION DESCRIPTION

Component parts	Function
BCM	A tire pressure monitoring system is built into the BCM, and the BCM monitors tire pressures.
Transmitter	Converts tire pressure signals to radio wave signals.
Remote keyless entry receiver	Receives radio wave signals converted from tire pressure signals.
Tire pressure warning check switch	Allows a mode to be switched to a diagnosis mode.
Turn signal lamp	ID registration of each wheel has been completed, turn signal lamp flashes two times.
Combination meter	Controls a low tire pressure warning lamp, turn signal lamp, and buzzer by signals from the unified meter and A/C amp.
Low tire pressure warning lamp	Illuminates if malfunction is detected in electrical system of tire pressure monitoring system.
Unified meter and A/C amp.	Transmits the vehicle speed signal via CAN communication to BCM. Receives the tire pressure signal via CAN communication from BCM.
Display control unit	Receives the tire pressure data signal via CAN communication from BCM.

Can Communication SYSTEM DESCRIPTION

NES000E0

CAN (Controller Area Network) is a serial communication line for real time application. It is an on-vehicle multiplex communication line with high data communication speed and excellent error detection ability. Many electronic control units are equipped onto a vehicle, and each control unit shares information and links with other control units during operation (not independent). In CAN communication, control units are connected with 2 communication lines (CAN H line, CAN L line) allowing a high rate of information transmission with less wiring. Each control unit transmits/receives data but selectively reads required data only.

Refer to [LAN-44, "TROUBLE DIAGNOSIS"](#).

TROUBLE DIAGNOSES

PF0:00004

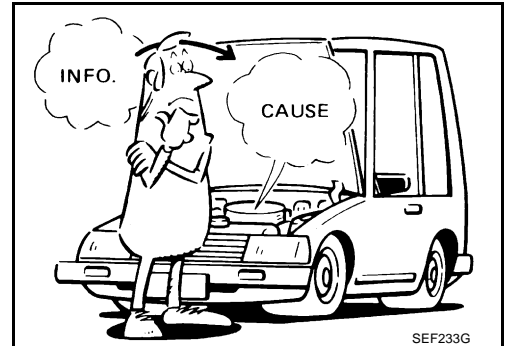
How to Perform Trouble Diagnosis BASIC CONCEPT

NES000E1

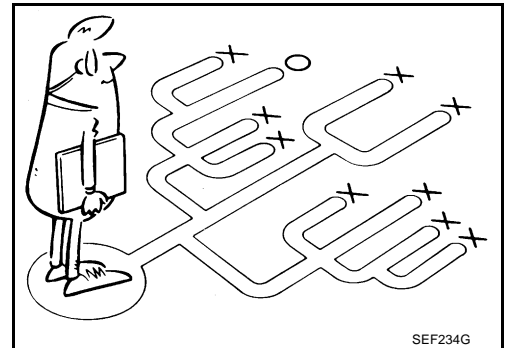
- To perform trouble diagnosis, it is the most important to have understanding about vehicle systems (control and mechanism) thoroughly.
- It is also important to clarify customer complaints before inspection.
First of all, reproduce symptoms, and understand them fully. Ask customer about his/her complaints carefully. In some cases, it will be necessary to check symptoms by driving vehicle with customer.

CAUTION:

Customers are not professional. It is dangerous to make an easy guess like “maybe the customer means that...,” or “maybe the customer mentions this symptom”.



- It is essential to check symptoms right from the beginning in order to repair malfunctions completely. For intermittent malfunctions, reproduce symptoms based on interview with customer and past examples. Do not perform inspection on ad hoc basis. Most intermittent malfunctions are caused by poor contacts. In this case, it will be effective to shake suspected harness or connector by hand. When repairing without any symptom diagnosis, you cannot judge if malfunctions have actually been eliminated.
- After completing diagnosis, always erase diagnostic memory. Refer to [WT-26, "ERASE SELF-DIAGNOSIS"](#) .
- For intermittent malfunctions, move harness or harness connector by hand. Then check for poor contact or reproduced open circuit.



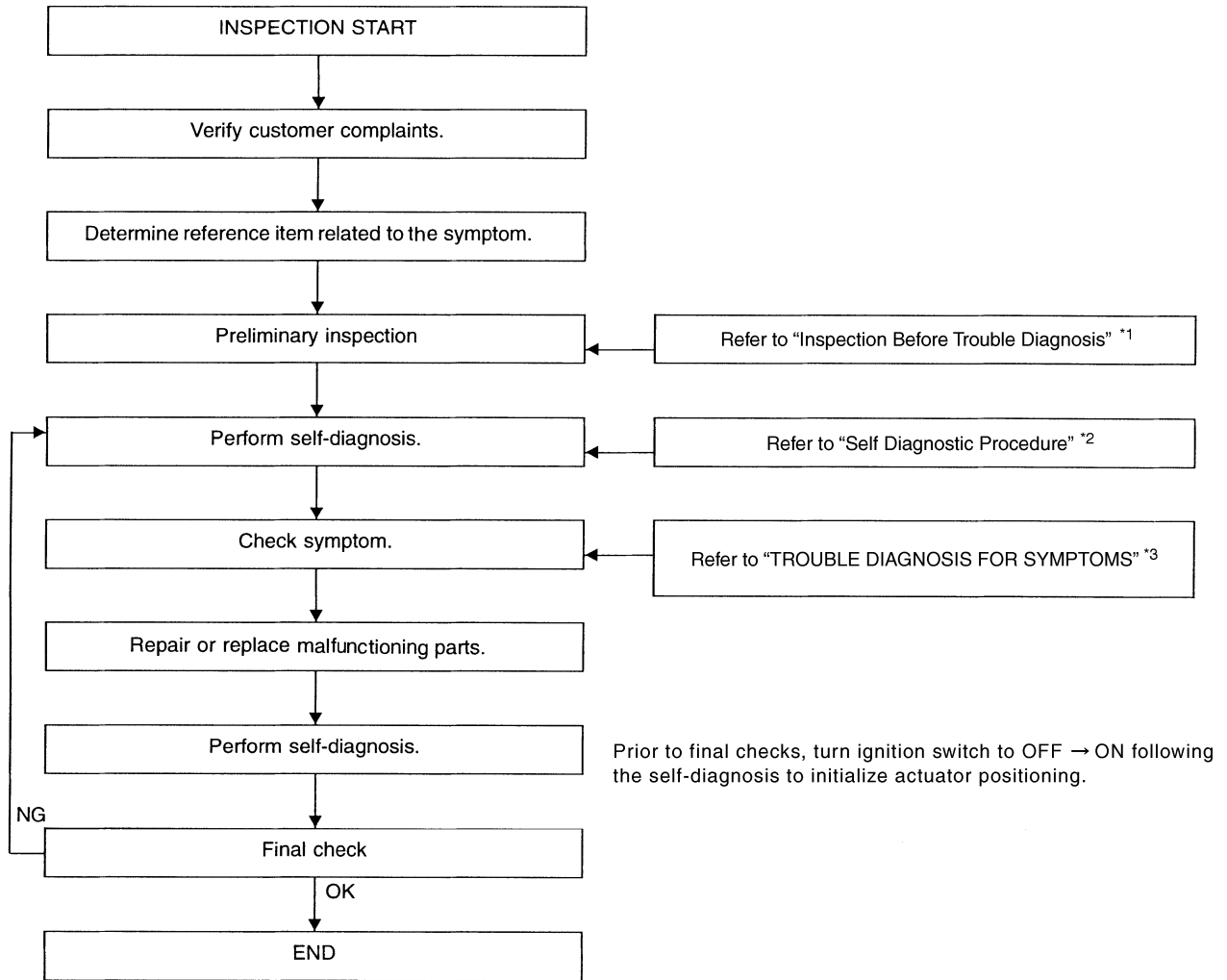
INTRODUCTION

- Before troubleshooting, verify customer complaints.
- If a vehicle malfunction is difficult to reproduce, harnesses, harness connectors or terminals may be malfunctioning. Hold and shake these parts to make sure they are securely connected.
- When using a circuit tester to measure voltage or resistance of each circuit, be careful not to damage or deform connector terminals.

A
B
C
D
WT
F
G
H
I
J
K
L
M

TROUBLE DIAGNOSES

WORK FLOW



*1: [WT-31](#)

*2: [WT-24](#)

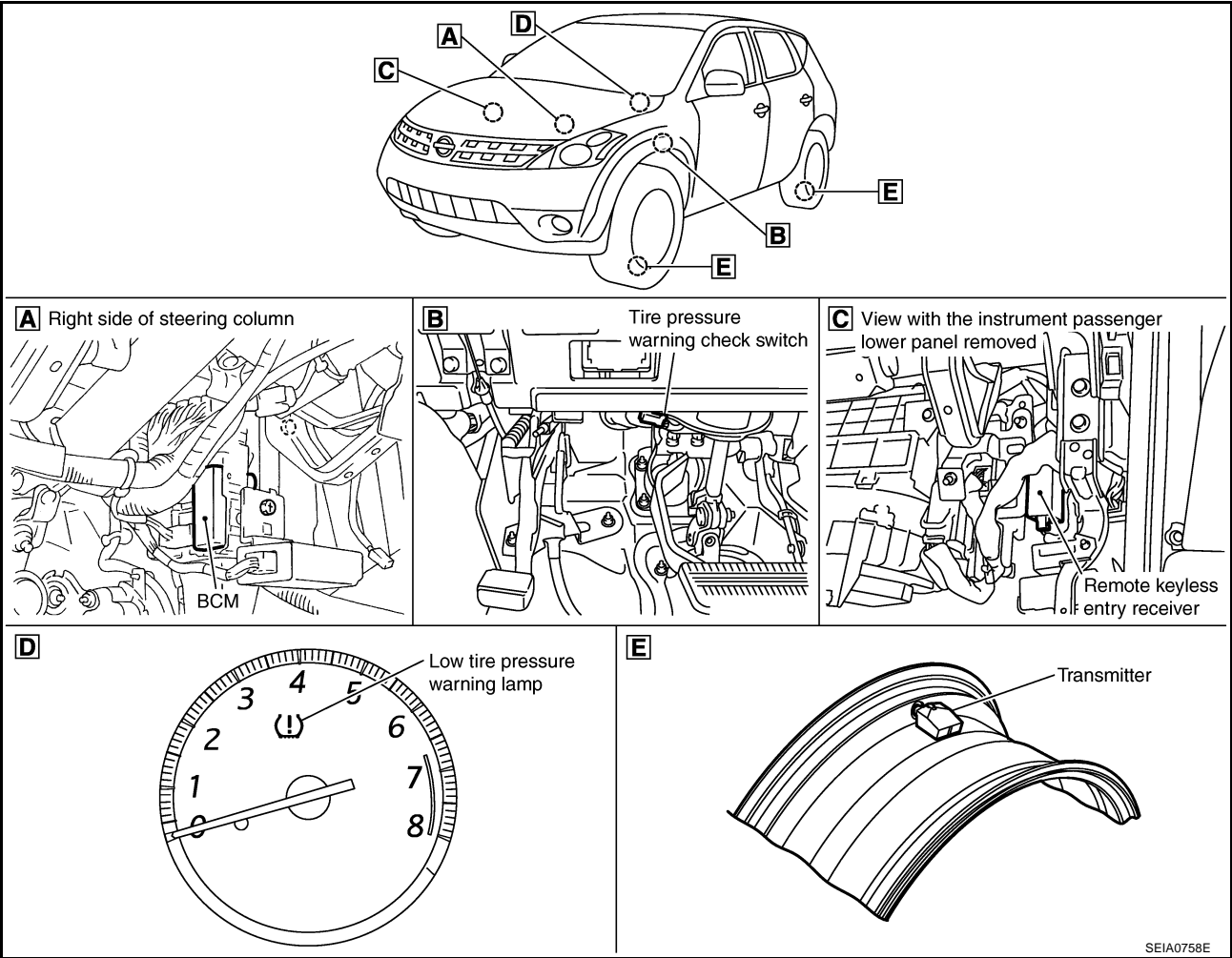
*3: [WT-46](#)

SEIA0770E

TROUBLE DIAGNOSES

Component Parts Location

NES000F5

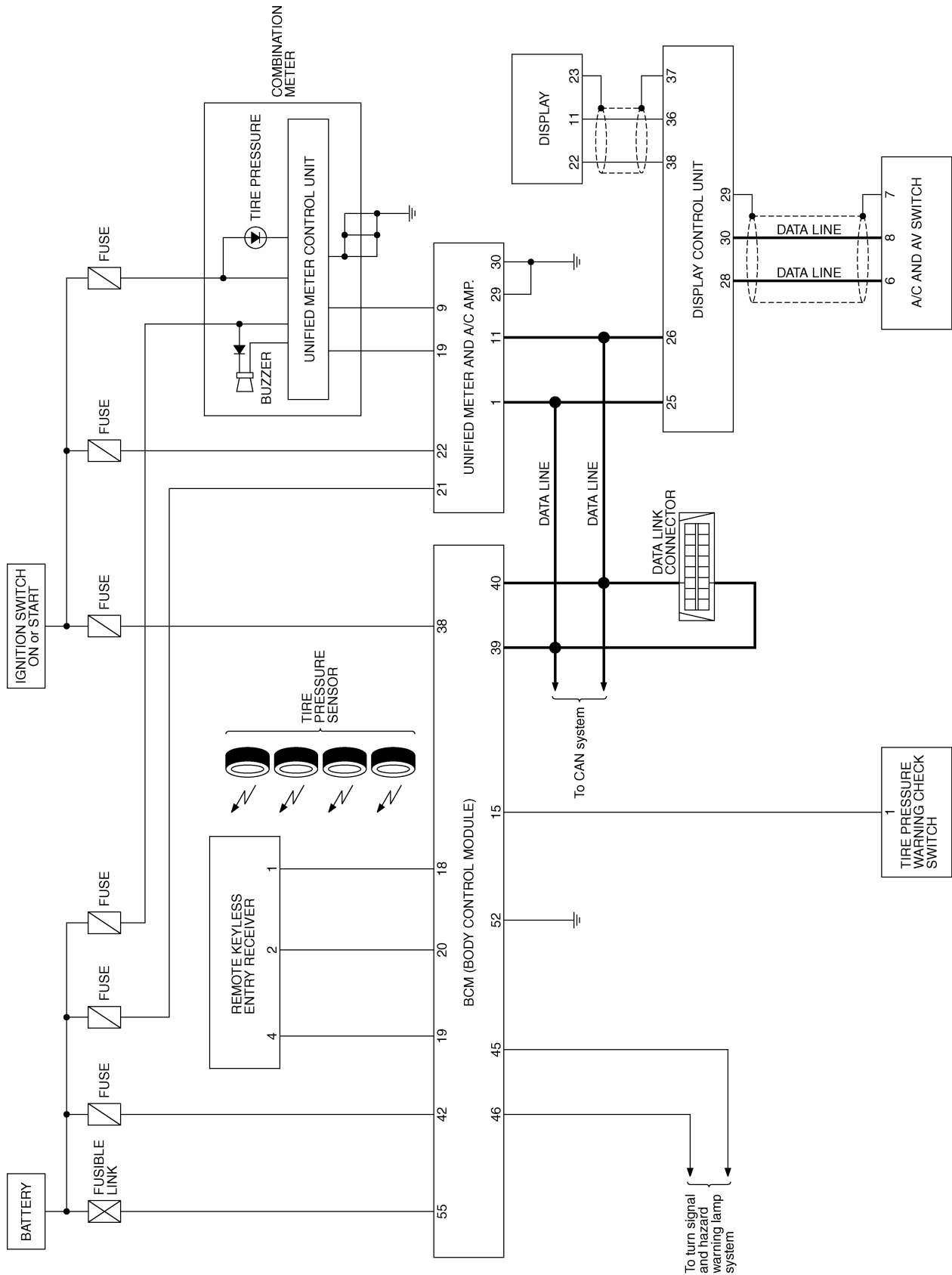


A
B
C
D
WT
F
G
H
I
J
K
L
M

TROUBLE DIAGNOSES

Circuit Diagram

NES000F6



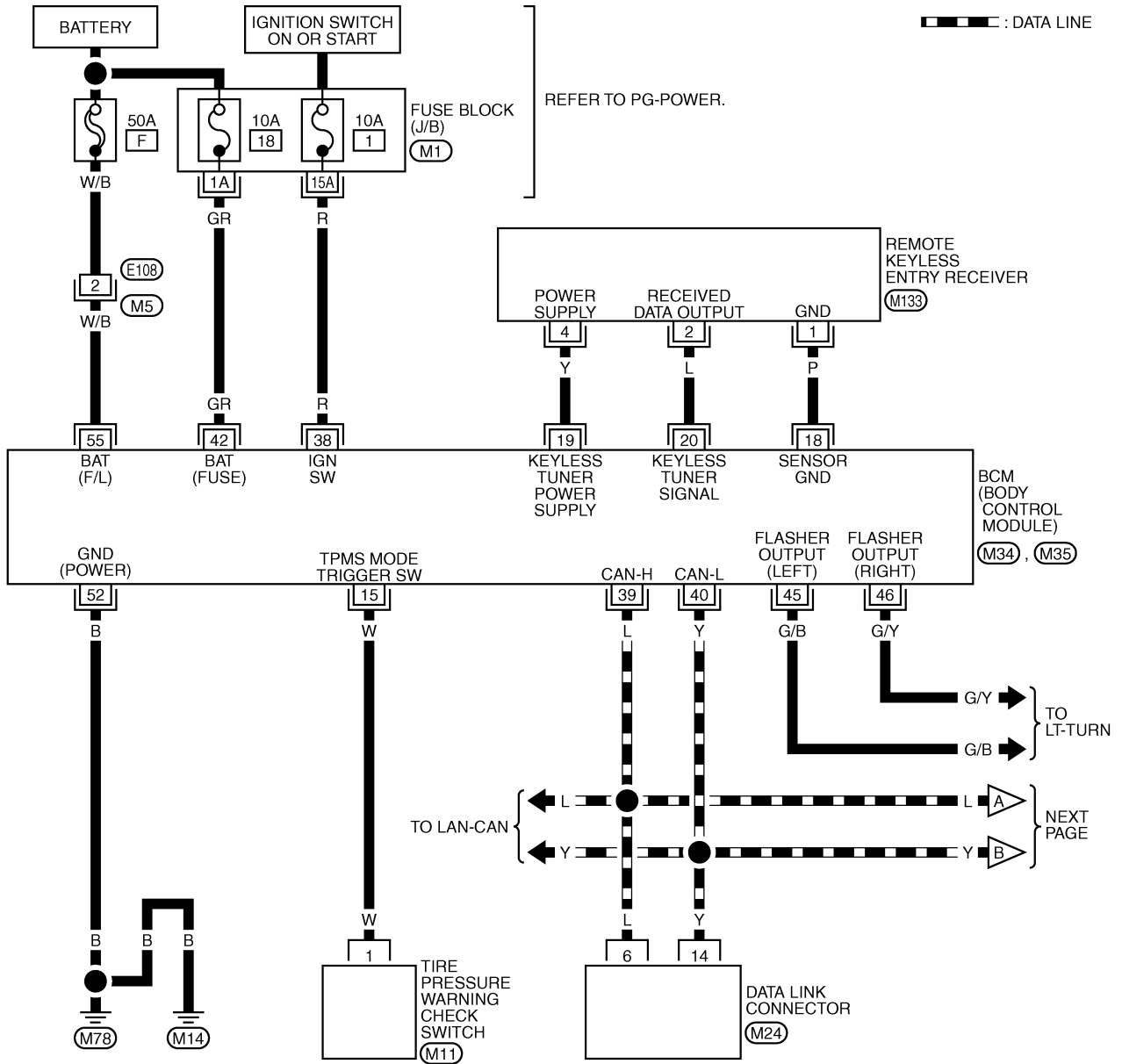
TEWB0003E

TROUBLE DIAGNOSES

Wiring Diagram — T/WARN —

NES000E2

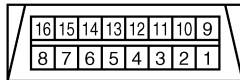
WT-T/WARN-01



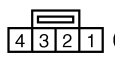
(M5)
W



(M11)
W



(M24)
W



(M133)
W

REFER TO THE FOLLOWING.

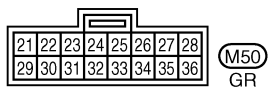
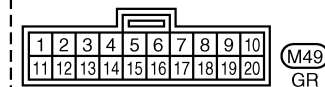
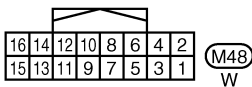
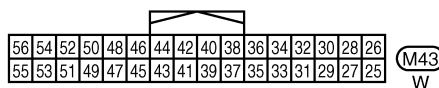
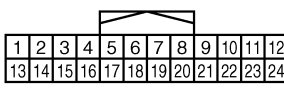
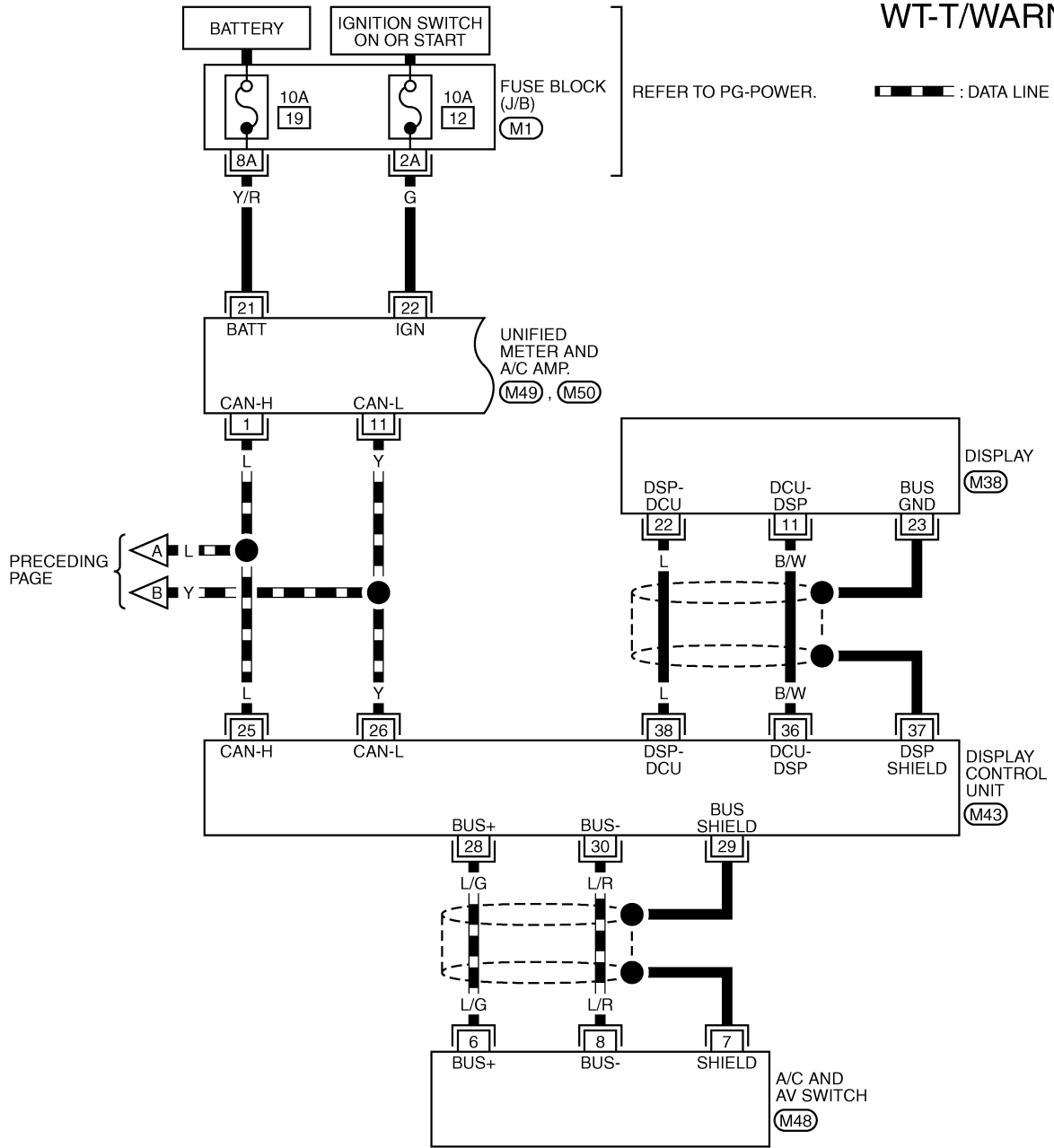
(M1) -FUSE BLOCK-JUNCTION BOX (J/B)

(M34), (M35) -ELECTRICAL UNITS

TEWB0004E

TROUBLE DIAGNOSES

WT-T/WARN-02

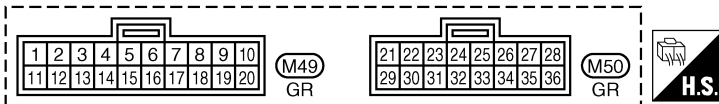
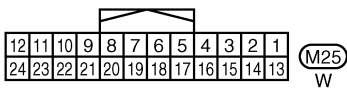
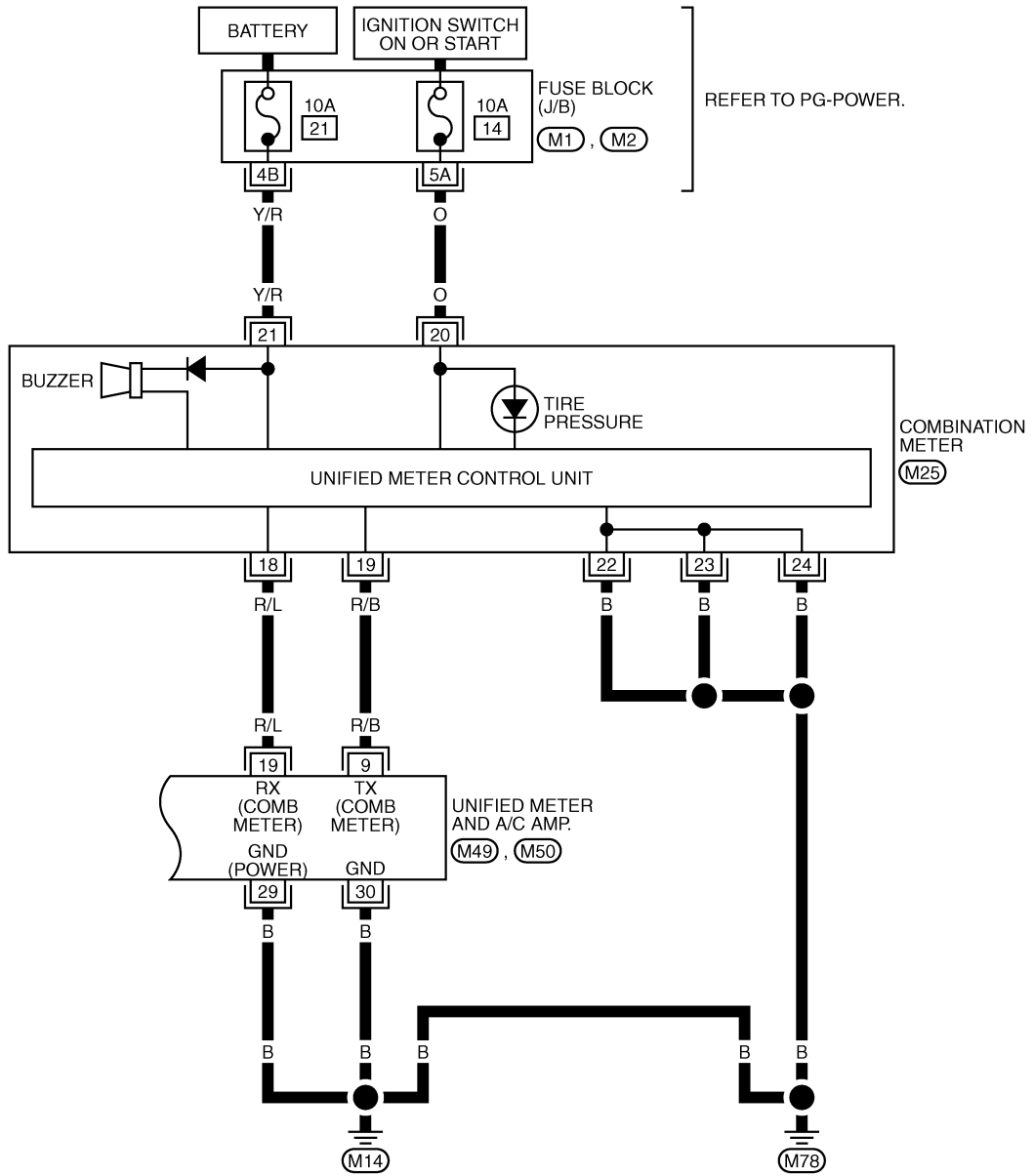


REFER TO THE FOLLOWING.
 (M1) - FUSE BLOCK-JUNCTION BOX (J/B)

TEWB0005E

TROUBLE DIAGNOSES

WT-T/WARN-03



REFER TO THE FOLLOWING.
 (M1), (M2) - FUSE BLOCK-
 JUNCTION BOX (J/B)

TEWB0006E

TROUBLE DIAGNOSES

BCM Input/Output Signal Reference Values BCM INSPECTION TABLE (FOR LOW TIRE PRESSURE WARNING SYSTEM) Specifications with CONSULT-II

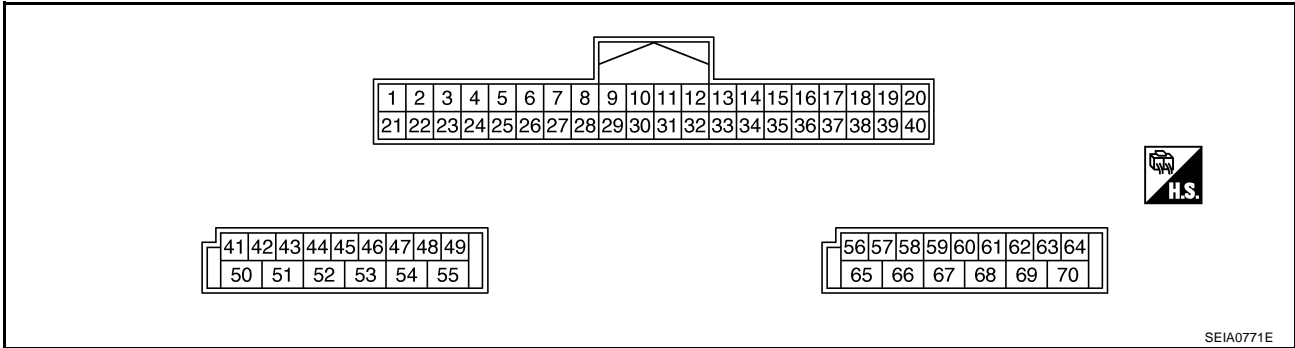
NES000F8

Monitor item [Unit]	Content	Condition	Display value
VHCL SPEED SE [km/h] or [mph]	Wheel speed	Vehicle stopped	0 km/h (0 MPH)
		Vehicle running CAUTION: Check air pressure of tire under standard condition.	Approximately equal to the indication on speedometer (Inside of $\pm 10\%$)
AIR PRESS FL [kPa], [kg/cm ²] or [psi]	Condition of front LH tire air pressure	Just after the engine is started	0 kPa (0 kg/cm ² , 0 psi)
		Start engine and drive at 40 km/h (25 MPH) or more for several minutes.	Approximately equal to the indication on tire gauge value
AIR PRESS FR [kPa], [kg/cm ²] or [psi]	Condition of front RH tire air pressure	Just after the engine is started	0 kPa (0 kg/cm ² , 0 psi)
		Start engine and drive at 40 km/h (25 MPH) or more for several minutes.	Approximately equal to the indication on tire gauge value
AIR PRESS RR [kPa], [kg/cm ²] or [psi]	Condition of rear RH tire air pressure	Just after the engine is started	0 kPa (0 kg/cm ² , 0 psi)
		Start engine and drive at 40 km/h (25 MPH) or more for several minutes.	Approximately equal to the indication on tire gauge value
AIR PRESS RL [kPa], [kg/cm ²] or [psi]	Condition of rear LH tire air pressure	Just after the engine is started	0 kPa (0 kg/cm ² , 0 psi)
		Start engine and drive at 40 km/h (25 MPH) or more for several minutes.	Approximately equal to the indication on tire gauge value
ID REGST FL [DONE/YET]	Condition of front LH ID registration	Transmitter ID registered	DONE
		Transmitter ID unregistered	YET
ID REGST FR [DONE /YET]	Condition of front RH ID registration	Transmitter ID registered	DONE
		Transmitter ID unregistered	YET
ID REGST RR [DONE/YET]	Condition of rear RH ID registration	Transmitter ID registered	DONE
		Transmitter ID unregistered	YET
ID REGST RL [DONE/YET]	Condition of rear LH ID registration	Transmitter ID registered	DONE
		Transmitter ID unregistered	YET
WARNING LAMP [ON/OFF]	Low tire pressure warning lamp condition	Low tire pressure warning lamp: ON	ON
		Low tire pressure warning lamp: OFF	OFF
BUZZER [ON/OFF]	Condition of sound	Sound heard	ON
		Sound not heard	OFF

TROUBLE DIAGNOSES

Specifications Between BCM Terminals

BCM TERMINAL CONNECTOR LAYOUT



Data are reference value and are measured between each terminal and ground.

Terminal	Wire color	Item	Condition	Data (Approx.)
15	W	Tire pressure warning check switch	Ignition switch: ON	5 V
			Ignition switch: OFF	0 V
18	P	Remote keyless entry receiver (Ground)	Always	0 V
19	Y	Remote keyless entry receiver (Power supply)	Stand-by	 OCC3879D
			Press any of the keyfob switches	 OCC3882D
20	L	Remote keyless entry receiver (Signal)	Ignition switch: ON	 OCC3881D
			Press any of the keyfob switches	 OCC3880D
38	R	Power supply (IGN)	Ignition switch: ON	Battery voltage
			Ignition switch: OFF	0 V
39	L	CAN-H	—	—
40	Y	CAN-L	—	—
42	GR	Power supply (Fuse)	Ignition switch: ON	Battery voltage
			Ignition switch: OFF	

TROUBLE DIAGNOSES

Terminal	Wire color	Item	Condition		Data (Approx.)
45	G/B	Turn signal lamp switch (LH)	Ignition switch: ON	Turn signal switch to left	Battery voltage
				Other than the above	0 V
46	G/Y	Turn signal lamp switch (RH)	Ignition switch: ON	Turn signal switch to right	Battery voltage
				Other than the above	0 V
52	B	Ground	Always		0 V
55	W/B	Power supply (F/L)	Ignition switch: ON		Battery voltage
			Ignition switch: OFF		

CAUTION:

When using circuit tester or oscilloscope to measure voltage for inspection, be sure not to extend forcibly any connector terminals.

CONSULT-II Function (BCM) CONSULT-II MAIN FUNCTION

NES000E7

CONSULT-II can display each diagnostic item using the diagnostic test modes shown following.

BCM diagnosis part	Diagnostic test mode	Function	Reference page
Air pressure monitor	Work support	<ul style="list-style-type: none"> This mode enables a technician to adjust some devices faster and more accurately by following the indications on CONSULT-II. 	WT-20
	Self-diagnostic results	<ul style="list-style-type: none"> Self-diagnostic results can be read and erased quickly. 	WT-22
	Data monitor	<ul style="list-style-type: none"> Input/Output data in the BCM can be read. 	WT-23
	Active test	<ul style="list-style-type: none"> Diagnostic Test Mode in with CONSULT-II drives some actuators apart from the BCM and also shifts some parameters in a specified range. 	WT-24

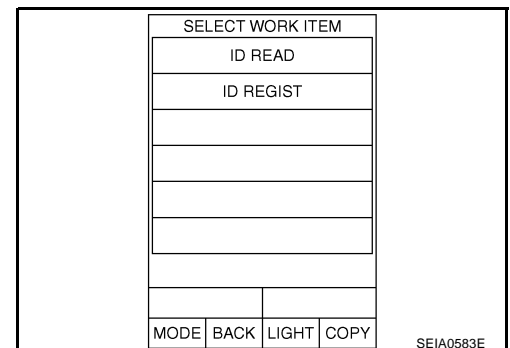
CONSULT-II SETTING PROCEDURE

Perform "CONSULT-II Start Procedure". Refer to [GI-37, "CONSULT-II Start Procedure"](#) .

WORK SUPPORT MODE

Operation Procedure

1. Perform "CONSULT-II Start Procedure". Refer to [GI-37, "CONSULT-II Start Procedure"](#) .
2. Touch "WORK SUPPORT".
3. Select from "SELECT WORK ITEM", screen of work support mode is displayed



TROUBLE DIAGNOSES

ID Read

The registered ID number is displayed.

ID READ			
ID TYPE1 FL	9E3D9D		
ID TYPE1 FR	9E3DE9		
ID TYPE1 RR	9D7C07		
ID TYPE1 RL	9E0F8E		
		READ	
MODE	BACK	LIGHT	COPY

SEIA0584E

A
B
C
D

ID Regist

Refer to [WT-26, "ID Registration Procedure"](#).

WT

F
G
H
I
J
K
L
M

TROUBLE DIAGNOSES

SELF-DIAG RESULT MODE

Operation Procedure

1. Perform "CONSULT-II Start Procedure". Refer to [GI-37, "CONSULT-II Start Procedure"](#).
2. Touch "SELF-DIAG RESULTS".
Display shows malfunction experienced since the last erasing operation.

Display item list

Items (CONSULT-II screen terms)	Diagnostic item is detected when...	Check item
LOW PRESSURE FL [C1704]	Front LH tire pressure drops to 181 kPa (1.8 kg/cm ² , 26 psi) or less	WT-31, "Inspections Before Trouble Diagnosis"
LOW PRESSURE FR [C1705]	Front RH tire pressure drops to 181 kPa (1.8 kg/cm ² , 26 psi) or less	
LOW PRESSURE RR [C1706]	Rear RH tire pressure drops to 181 kPa (1.8 kg/cm ² , 26 psi) or less	
LOW PRESSURE RL [C1707]	Rear LH tire pressure drops to 181 kPa (1.8 kg/cm ² , 26 psi) or less	
[NO DATA] FL [C1708]	Data from front LH transmitter cannot be received.	WT-32, "DTC C1708, C1709, C1710, C1711 [NO DATA]"
[NO DATA] FR [C1709]	Data from front RH transmitter cannot be received.	
[NO DATA] RR [C1710]	Data from rear RH transmitter cannot be received.	
[NO DATA] RL [C1711]	Data from rear LH transmitter cannot be received.	
[CHECKSUM ERR] FL [C1712]	Checksum data from front LH transmitter is malfunctioning.	WT-35, "DTC C1712, C1713, C1714, C1715 [CHECKSUM ERR]"
[CHECKSUM ERR] FR [C1713]	Checksum data from front RH transmitter is malfunctioning.	
[CHECKSUM ERR] RR [C1714]	Checksum data from rear RH transmitter is malfunctioning.	
[CHECKSUM ERR] RL [C1715]	Checksum data from rear LH transmitter is malfunctioning.	
[PRESSDATA ERR] FL [C1716]	Air pressure data from front LH transmitter is malfunction.	WT-38, "DTC C1716, C1717, C1718, C1719 [PRESSDATA ERR]"
[PRESSDATA ERR] FR [C1717]	Air pressure data from front RH transmitter is malfunction.	
[PRESSDATA ERR] RR [C1718]	Air pressure data from rear RH transmitter is malfunction.	
[PRESSDATA ERR] RL [C1719]	Air pressure data from rear LH transmitter is malfunction.	
[CODE ERR] FL [C1720]	Function code data from front LH transmitter is malfunctioning.	WT-39, "DTC C1720, C1721, C1722, C1723 [CODE ERR]"
[CODE ERR] FR [C1721]	Function code data from front RH transmitter is malfunctioning.	
[CODE ERR] RR [C1722]	Function code data from rear RH transmitter is malfunctioning.	
[CODE ERR] RL [C1723]	Function code data from rear LH transmitter is malfunctioning.	

TROUBLE DIAGNOSES

Items (CONSULT-II screen terms)	Diagnostic item is detected when...	Check item
[BATT VOLT LOW] FL [C1724]	Battery voltage of front LH transmitter drops.	WT-42. "DTC C1724, C1725, C1726, C1727 [BATT VOLT LOW]"
[BATT VOLT LOW] FR [C1725]	Battery voltage of front RH transmitter drops.	
[BATT VOLT LOW] RR [C1726]	Battery voltage of rear RH transmitter drops.	
[BATT VOLT LOW] RL [C1727]	Battery voltage of rear LH transmitter drops.	
VHCL SPEED SIG ERR [C1729]	Vehicle speed signal is error.	WT-45. "DTC C1729 VHCL SPEED SIG ERR"

NOTE:

Before performing the self-diagnosis, be sure to register the ID, or else the actual malfunction location may be different from that displayed on CONSULT-II.

How to Erase Self-diagnostic Results

1. Perform applicable inspection of malfunctioning item and then repair or replace.
2. Turn ignition switch "ON" and select "SELF-DIAG RESULTS" mode for "AIR PRESSURE MONITOR" with CONSULT-II.
3. Touch "ERASE" on CONSULT-II screen to erase DTC memory.

CAUTION:

If memory cannot be erased, perform applicable diagnosis.

DATA MONITOR MODE

Operation Procedure

1. Perform "CONSULT-II Start Procedure". Refer to [GI-37. "CONSULT-II Start Procedure"](#).
2. Touch "DATA MONITOR".
3. Select from "SELECT MONITOR ITEM", screen of data monitor mode is displayed.

NOTE:

When malfunction is detected, CONSULT-II performs REAL-TIME DIAGNOSIS.
Also, any malfunction detected while in this mode will be displayed at real time.

Display item List

×: Standard –: Not applicable

Monitored item (Unit)	Monitor item selection		Remarks
	MAIN SIGNALS	SELECTION FROM MENU	
VHCL SPEED SE [km/h] or [mph]	×	×	Vehicle speed is displayed.
AIR PRESS FL [kPa], [kg/cm ²] or [psi]	×	×	Senses the front LH tire pressure is displayed.
AIR PRESS FR [kPa], [kg/cm ²] or [psi]	×	×	Senses the front RH tire pressure is displayed.
AIR PRESS RR [kPa], [kg/cm ²] or [psi]	×	×	Senses the rear RH tire pressure is displayed.
AIR PRESS RL [kPa], [kg/cm ²] or [psi]	×	×	Senses the rear LH tire pressure is displayed.
ID REGST FL [DONE/YET]	×	×	Registration status of front LH ID is displayed.
ID REGST FR [DONE/YET]	×	×	Registration status of front RH ID is displayed.
ID REGST RR [DONE/YET]	×	×	Registration status of rear RH ID is displayed.
ID REGST RL [DONE/YET]	×	×	Registration status of rear LH ID is displayed.
WARNING LAMP [ON/OFF]	×	×	Control status of low pressure warning lamp is displayed.
BUZZER [ON/OFF]	×	×	Control status of buzzer in combination meter is displayed.
Voltage [V]	–	×	The value measured by the voltage probe is displayed.

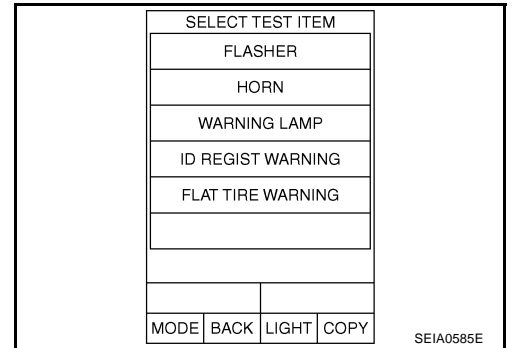
TROUBLE DIAGNOSES

Monitored item (Unit)	Monitor item selection		Remarks
	MAIN SIGNALS	SELECTION FROM MENU	
Frequency [Hz]	-	×	The value measured by the pulse probe is displayed.
DUTY-HI (high) [%]	-	×	
DUTY-LOW (low) [%]	-	×	
PLS WIDTH-HI [msec]	-	×	
PLS WIDTH-LOW [msec]	-	×	

ACTIVE TEST MODE

Operation Procedure

1. Perform CONSULT-II Start Procedure. Refer to [GI-37, "CONSULT-II Start Procedure"](#).
2. Touch "ACTIVE TEST".
3. Select from "SELECT TEST ITEM", screen of active test mode is displayed.



Test Item

Test item	Content
FLASHER	This test is able to check to make sure that each turn signal lamp turns on.
HORN	This test is able to check to make sure that the horn sounds.
WARNING LAMP	This test is able to check to make sure that the warning lamp turns on.
ID REGIST WARNING	This test is able to check to make sure that the buzzer sounds or the warning lamp turns on.
FLAT TIRE WARNING	This test is able to check to make sure that the buzzer sounds or the warning lamp turns on.

Self-Diagnostic Procedure

NES000E8

SELF-DIAGNOSTIC PROCEDURE (WITH CONSULT-II)

Refer to [WT-22, "SELF-DIAG RESULT MODE"](#).

SELF-DIAGNOSTIC PROCEDURE (WITHOUT CONSULT-II)

Description

The low tire pressure warning lamp in the combination meter will flicker according to the self-diagnostic results. As for the details of the low tire pressure warning lamp flickering patterns, refer to [WT-25, "Diagnostic Procedure"](#).

TROUBLE DIAGNOSES

Diagnostic Procedure

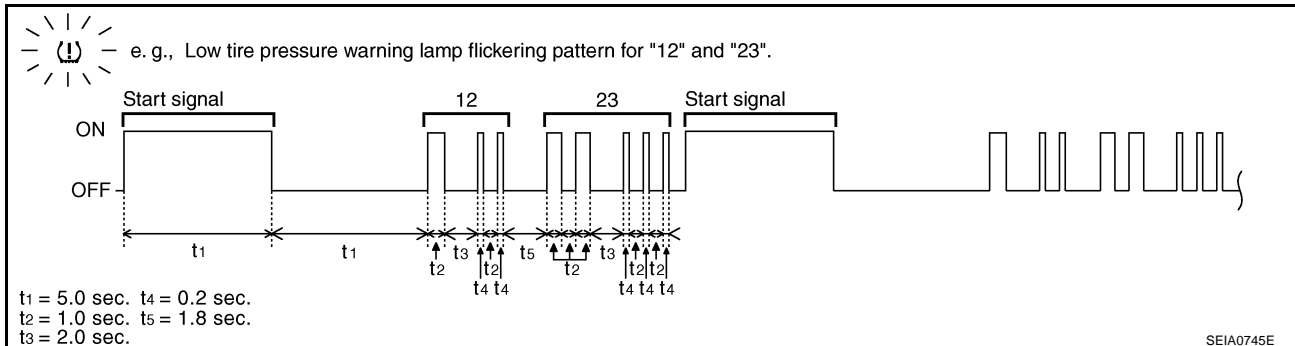
1. Start the engine.
2. Perform the following procedures to enter the corresponding signals.
 - a. Ground the tire pressure warning check switch harness connector terminal 1 for more than 5 seconds.
 - b. Read the flickering of low tire pressure warning lamp. Refer to [WT-25, "Judgment Self-diagnosis"](#).

NOTE:

When the low tire pressure warning lamp flashes 5 Hz and continues repeating it, the system is normal.

Judgment Self-diagnosis

When a malfunction is detected, the malfunction route is indicated by flickering of the low tire pressure warning lamp.



NOTE:

When the low tire pressure warning lamp flashes 5 Hz and continues repeating it, the system is normal.

Flickering pattern	Items	Diagnostic item is detected when...	Check item
15	Tire pressure value (front LH)	Front LH tire pressure drops to 181 kPa (1.8 kg/cm ² , 26 psi) or less	WT-31, "Inspections Before Trouble Diagnosis"
16	Tire pressure value (front RH)	Front RH tire pressure drops to 181 kPa (1.8 kg/cm ² , 26 psi) or less	
17	Tire pressure value (rear RH)	Rear RH tire pressure drops to 181 kPa (1.8 kg/cm ² , 26 psi) or less	
18	Tire pressure value (rear LH)	Rear LH tire pressure drops to 181 kPa (1.8 kg/cm ² , 26 psi) or less	
21	Transmitter no data (front LH)	Data from front LH transmitter cannot be received.	WT-32, "DTC C1708, C1709, C1710, C1711 [NO DATA]"
22	Transmitter no data (front RH)	Data from front RH transmitter cannot be received.	
23	Transmitter no data (rear RH)	Data from rear RH transmitter cannot be received.	
24	Transmitter no data (rear LH)	Data from rear LH transmitter cannot be received.	
31	Transmitter checksum error (front LH)	Checksum data from front LH transmitter is malfunctioning.	WT-35, "DTC C1712, C1713, C1714, C1715 [CHECKSUM ERR]"
32	Transmitter checksum error (front RH)	Checksum data from front RH transmitter is malfunctioning.	
33	Transmitter checksum error (rear RH)	Checksum data from rear RH transmitter is malfunctioning.	
34	Transmitter checksum error (rear LH)	Checksum data from rear LH transmitter is malfunctioning.	

TROUBLE DIAGNOSES

Flickering pattern	Items	Diagnostic item is detected when...	Check item
35	Transmitter pressure data error (front LH)	Air pressure data from front LH transmitter is malfunction.	WT-38, "DTC C1716, C1717, C1718, C1719 [PRESSDATA ERR]"
36	Transmitter pressure data error (front RH)	Air pressure data from front RH transmitter is malfunction.	
37	Transmitter pressure data error (rear RH)	Air pressure data from rear RH transmitter is malfunction.	
38	Transmitter pressure data error (rear LH)	Air pressure data from rear LH transmitter is malfunction.	
41	Transmitter function code error (front LH)	Function code data from front LH transmitter is malfunctioning.	WT-39, "DTC C1720, C1721, C1722, C1723 [CODE ERR]"
42	Transmitter function code error (front RH)	Function code data from front RH transmitter is malfunctioning.	
43	Transmitter function code error (rear RH)	Function code data from rear RH transmitter is malfunctioning.	
44	Transmitter function code error (rear LH)	Function code data from rear LH transmitter is malfunctioning.	
45	Transmitter battery voltage low (front LH)	Battery voltage of front LH transmitter drops.	WT-42, "DTC C1724, C1725, C1726, C1727 [BATT VOLT LOW]"
46	Transmitter battery voltage low (front RH)	Battery voltage of front RH transmitter drops.	
47	Transmitter battery voltage low (rear RH)	Battery voltage of rear RH transmitter drops.	
48	Transmitter battery voltage low (rear LH)	Battery voltage of rear LH transmitter drops.	
52	Vehicle speed signal error	Speed signal is not detected.	WT-45, "DTC C1729 VHCL SPEED SIG ERR"
No flickering	Tire pressure warning check switch	Tire pressure warning check switch circuit is open.	—

ERASE SELF-DIAGNOSIS

- In order to make it easier to find the cause of hard-to-duplicate malfunctions, malfunction information is stored into the control unit as necessary during use by the user. This memory is not erased no matter how many times the ignition switch is turned "ON" and "OFF".
- However, this information is erased by turning ignition switch "OFF" after performing self-diagnostics or by erasing the memory using the CONSULT-II. Refer to [WT-23, "How to Erase Self-diagnostic Results"](#).

ID Registration Procedure

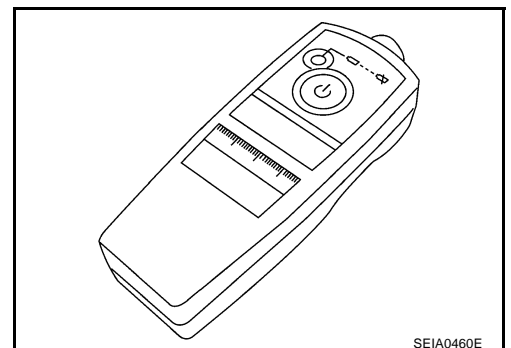
ID REGISTRATION WITH TRANSMITTER ACTIVATION TOOL

NES000FG

CAUTION:

This procedure must be done after replacement of a transmitter, BCM, or rotating wheels.

1. Perform "CONSULT-II Start Procedure". Refer to [GI-37, "CONSULT-II Start Procedure"](#).
2. Touch "WORK SUPPORT" on "SELECT DIAG MODE" screen, and select "ID REGIST".
3. With the transmitter activation tool (J-45295) pushed against the front-left transmitter position of the air valve, press and hold the button for 5 seconds.
4. Register the IDs in order from FR LH, FR RH, RR RH, to RR LH. When ID registration of each wheel has been completed, turn signal lamp blinks.



SEIA0460E

TROUBLE DIAGNOSES

Activation tire position		Turn signal lamp	CONSULT-II
1	Front LH	2 times flashing	"YET" ↓ "DONE"
2	Front RH		
3	Rear RH		
4	Rear LH		

A

B

C

D

5. After completing all ID registrations, press "END" to complete the procedure.

NOTE:

Be sure to register the IDs in order from FR LH, FR RH, RR RH, to RR LH, or the self-diagnostic results display will not function properly.

WT

ID REGISTRATION WITHOUT TRANSMITTER ACTIVATION TOOL

CAUTION:

This procedure must be done after replacement of a transmitter, BCM, or rotating wheels.

1. Perform "CONSULT-II Start Procedure". Refer to [GI-37, "CONSULT-II Start Procedure"](#).
2. Touch "WORK SUPPORT" on "SELECT DIAG MODE" screen, and select "ID REGIST".
3. Adjust the tire pressure to the values shown in the table below for ID registration, and drive the vehicle at 40 km/h (25 MPH) or more for several minutes.

F

NOTE:

If ID registration is unable, buzzer beeps.

G

Tire position	Tire pressure kPa (kg/cm ² , psi)
Front LH	240 (2.4, 34)
Front RH	220 (2.2, 31)
Rear RH	200 (2.0, 29)
Rear LH	180 (1.8, 26)

H

I

4. After completing all ID registrations, press "END" to complete the procedure.

Activation tire position	CONSULT-II
Front LH	"YET" ↓ "DONE"
Front RH	
Rear RH	
Rear LH	

J

K

5. Inflate all tires to proper pressure. Refer to [WT-56, "Tire"](#).

L

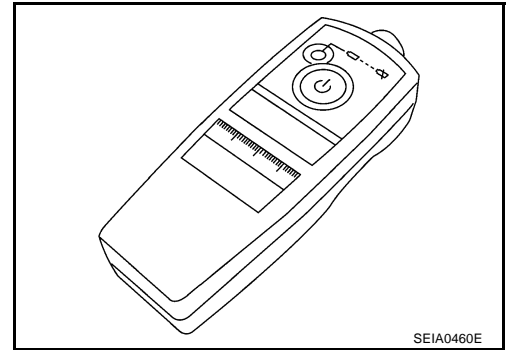
M

TROUBLE DIAGNOSES

Transmitter Wake Up Operation WITH ACTIVATION TOOL

NES000FH

1. With the transmitter activation tool (J-45295) pushed against the front-left transmitter, press and hold the button for 5 seconds.
 - When ignition switch ON, and then low tire pressure warning lamp blinks as per the following diagram, the respective then transmitter must be wake up.



Low tire pressure warning lamp blinking timing	Activation tire position
ON OFF	Front LH
ON OFF	Front RH
ON OFF	Rear RH
ON OFF	Rear LH
ON OFF	All tires

SEIA0762E

2. Register the ID of wheel that warning lamp flashes. When wake up of registered wheel has been completed, turn signal lamp flashes two times.
3. After completing wake up all transmitters, make sure low tire pressure warning lamp goes out.

Trouble Diagnosis Chart for Symptoms

NES000E3






If low tire pressure warning lamp turns ON, perform self-diagnosis. Refer to [WT-24. "Self-Diagnostic Procedure"](#) .

Symptom	Condition	Check item	Reference page
Low tire pressure warning lamp does not turn ON for approx.1 second when ignition switch is turned ON.	Ignition ON	CAN communication line	WT-46
		Combination meter	
		BCM	
Low tire pressure warning lamp stays ON when ignition switch is turned ON.	Engine running	ID registration	WT-46
		Power supply and ground for BCM	
		BCM	
Low tire pressure warning lamp blinks when ignition switch is turned ON.	Ignition ON	BCM connector or circuit	WT-49
		BCM	
Turn signal lamp blinks when ignition switch is turned ON.	Ignition ON	BCM connector or circuit	WT-50
		BCM	
ID registration cannot be completed.	Engine running	Transmitter	WT-50
		Remote keyless entry receiver connector or circuit	
		Remote keyless entry receiver	
		BCM connector or circuit	
		BCM	

TROUBLE DIAGNOSES



Low Tire Pressure Warning Lamp Symptom Chart

NES000F7

Diagnosis Item	Symptom (Ignition switch ON)	Low tire pressure warning lamp	Cause	Action
Low tire pressure warning lamp	Warning light comes on immediately and turns off after 1 second.	 ON 1 sec > stays OFF <small>SEIA0592E</small>	All wheel transmitters are "activated" (working).	None (system OK)
	Warning light blinks on for 2 seconds, then turns off for 0.2 seconds-repeats.	 ON 2 sec > OFF 0.2 sec <small>SEIA0593E</small>	All wheel transmitters are not activated.	Activate all wheel transmitters. Refer to WT-28, "Transmitter Wake Up Operation" .
	Warning light blinks 1 time.	 Blinks 1 time ON 0.3 sec > OFF 1.0 sec <small>PEIA0073E</small>	Front LH wheel transmitter is not activated.	Activate front LH wheel transmitter. Refer to WT-28, "Transmitter Wake Up Operation" .
	Warning light blinks 2 times.	 Blinks 2 times ON 0.3 sec > OFF 0.3 sec <small>SEIA0595E</small>	Front RH wheel transmitter is not activated.	Activate front RH wheel transmitter. Refer to WT-28, "Transmitter Wake Up Operation" .
	Warning light blinks 3 times.	 Blinks 3 times ON 0.3 sec > OFF 0.3 sec <small>SEIA0596E</small>	Rear RH wheel transmitter is not activated.	Activate rear RH wheel transmitter. Refer to WT-28, "Transmitter Wake Up Operation" .

A
B
C
D
WT
F
G
H
I
J
K
L
M

TROUBLE DIAGNOSES

Diagnosis Item	Symptom (Ignition switch ON)	Low tire pressure warning lamp	Cause	Action
Low tire pressure warning lamp	Warning light blinks 4 times.	 Blinks 4 times ON 0.3 sec > OFF 0.3 sec <small>SEIA0597E</small>	Rear LH wheel transmitter is not activated.	Activate rear LH wheel transmitter. Refer to WT-28. "Transmitter Wake Up Operation" .
	Warning light comes on and does not turn off.	 Comes ON and stays ON <small>SEIA0598E</small>	Tire pressure is low.	Check tire pressure with CONSULT-II. Refer to WT-23. "DATA MONITOR MODE" .
			The fuse for combination meter from battery is pulled out.	Check the fuse for combination meter from battery. Install or replace (if needed).
			BCM connector pulled out.	Check BCM connector. Reconnect if needed.
			Low tire pressure or tire pressure monitoring system malfunction.	<ul style="list-style-type: none"> ● Perform CONSULT-II Self-Diagnosis. Refer to WT-22. "SELF-DIAG RESULT MODE". – Perform ID Registration if needed. Refer to WT-26. "ID Registration Procedure".
Turn signal lamp	Turn signal lamp does not flash 2 times or buzzer does not sound after transmitter activation.		<ol style="list-style-type: none"> 1. Tool J-45295 (special service tool) battery low. 2. Ignition OFF during activation. 3. Tool J-45295 (special service tool) not positioned correctly. 4. Transmitters already activated. 	<ol style="list-style-type: none"> 1. Install new battery. 2. Make sure ignition is ON during activation. 3. Position tool correctly during activation. 4. None

NOTE:

If more than one wheel transmitter is NOT activated, the warning light blinking patterns for those wheels will combine. (Example: one blink/"OFF"/three blinks = Rear LH and Rear RH transmitters are not activated.)

TROUBLE DIAGNOSES

Inspections Before Trouble Diagnosis

NES000F4

DIAGNOSTIC PROCEDURE

1. CHECK ALL TIRE PRESSURES

Check all tire pressures. Refer to [WT-56, "Tire"](#) .

OK or NG

OK >> GO TO 2.

NG >> Check the condition of wheels (flat tire etc.). Then, adjust tire pressure to the specified value.

2. CHECK LOW TIRE PRESSURE WARNING LAMP

- Turn ignition switch "OFF".
- Check low tire pressure warning lamp "ON" for approx. 1 second when turned ignition switch "ON".

Dose low tire pressure warning lamp "ON" for approx. 1 second?

YES >> GO TO 3.

NO >> GO to [WT-46, "Low Tire Pressure Warning Lamp Does Not Turn ON for Approx.1 Second When Ignition Switch Is Turned ON"](#) .

3. CHECK CONNECTOR

1. Disconnect BCM harness connectors.
2. Check BCM pin terminals for damage or loose connection with harness connector.

OK or NG

OK >> GO TO 4.

NG >> Repair or replace damaged parts.

4. CHECK DTC

Drive at a speed of 40 km/h (25 MPH) or more for several minutes without stopping after perform self-diagnosis. Refer to [WT-24, "Self-Diagnostic Procedure"](#) .

OK or NG

OK >> **INSPECTION END**

NG >> Perform the self-diagnosis, inspect detected malfunction.

A

B

C

D

WT

F

G

H

I

J

K

L

M

TROUBLE DIAGNOSIS FOR SYSTEM

PFP:00000

TROUBLE DIAGNOSIS FOR SYSTEM

DTC C1708, C1709, C1710, C1711 [NO DATA]

NES000F9

- Flickering pattern for 21, 22, 23 or 24

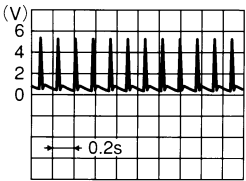
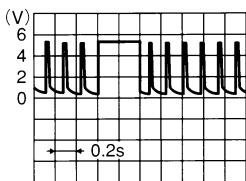
CONSULT-II REFERENCE VALUE IN DATA MONITOR MODE

Data are reference value.

Monitored item	Content	Condition	Display value
AIR PRESS FL [kPa], [kg/cm ²] or [psi]	Condition of front LH tire air pressure	Just after the engine is started	0 kPa (0 kg/cm ² , 0 psi)
		Start engine and drive at 40 km/h (25 MPH) or more for several minutes.	Approximately equal to the indication on tire gauge value
AIR PRESS FR [kPa], [kg/cm ²] or [psi]	Condition of front RH tire air pressure	Just after the engine is started	0 kPa (0 kg/cm ² , 0 psi)
		Start engine and drive at 40 km/h (25 MPH) or more for several minutes.	Approximately equal to the indication on tire gauge value
AIR PRESS RR [kPa], [kg/cm ²] or [psi]	Condition of rear RH tire air pressure	Just after the engine is started	0 kPa (0 kg/cm ² , 0 psi)
		Start engine and drive at 40 km/h (25 MPH) or more for several minutes.	Approximately equal to the indication on tire gauge value
AIR PRESS RL [kPa], [kg/cm ²] or [psi]	Condition of rear LH tire air pressure	Just after the engine is started	0 kPa (0 kg/cm ² , 0 psi)
		Start engine and drive at 40 km/h (25 MPH) or more for several minutes.	Approximately equal to the indication on tire gauge value

BCM TERMINALS AND REFERENCE VALUE

Data are reference value and are measured between each terminal and ground.

Terminal	Wire color	Item	Condition	Data (Approx.)
18	P	Remote keyless entry receiver (Ground)	Always	0 V
19	Y	Remote keyless entry receiver (Power supply)	Stand-by	 <p style="text-align: right;">OCC3879D</p>
			Press any of the keyfob switches	 <p style="text-align: right;">OCC3882D</p>

TROUBLE DIAGNOSIS FOR SYSTEM

Terminal	Wire color	Item	Condition	Data (Approx.)
20	L	Remote keyless entry receiver (Signal)	Ignition switch: ON	
			Press any of the keyfob switches	

CAUTION:

When using circuit tester or oscilloscope to measure voltage for inspection, be sure not to extend forcibly any connector terminals.

DIAGNOSTIC PROCEDURE

1. CHECK AIR PRESSURE SIGNAL

With CONSULT-II

1. Start engine.
2. Select "DATA MONITOR" mode for "AIR PRESSURE MONITOR" with CONSULT-II.
3. Read out the value of "AIR PRESS FL", "AIR PRESS FR", "AIR PRESS RR" and "AIR PRESS RL".

Monitored item	Condition	Display value
AIR PRESS FL	Start engine and drive at 40 km/h (25 MPH) or more for several minutes.	Approximately equal to the indication on vehicle information display
AIR PRESS FR		
AIR PRESS RR		
AIR PRESS RL		

DATA MONITOR	
MONITOR	NO DTC
AIR PRESS FL	0 kPa
AIR PRESS FR	0 kPa
AIR PRESS RR	0 kPa
AIR PRESS RL	0 kPa

SEIA0749E

Are all tire pressures displayed 0 kPa?

- YES >> GO TO 2.
 NO >> GO TO 4.

TROUBLE DIAGNOSIS FOR SYSTEM

2. CHECK HARNESS BETWEEN BCM AND REMOTE KEYLESS ENTRY RECEIVER

1. Turn ignition switch "OFF".
2. Disconnect BCM harness connector and remote keyless entry receiver harness connector.
3. Check continuity between the following terminals.
 - BCM harness connector M34 terminal 18 and remote keyless entry receiver harness connector M133 terminal 1.
 - BCM harness connector M34 terminal 19 and remote keyless entry receiver harness connector M133 terminal 4.
 - BCM harness connector M34 terminal 20 and remote keyless entry receiver harness connector M133 terminal 2.

18 – 1 : Continuity should exist.

19 – 4 : Continuity should exist.

20 – 2 : Continuity should exist.

Also check harness for short to ground and short to power.

OK or NG

- OK >> GO TO 3.
NG >> Repair or replace damaged parts.

3. CHECK REMOTE KEYLESS ENTRY RECEIVER

Check remote keyless entry receiver. Refer to [BL-78, "Check Remote Keyless Entry Receiver"](#) .

OK or NG

- OK >> Check BCM pin terminals for damage or loose connection with harness connector. If any items are damaged, repair or replace damaged parts.
NG >> Replace the remote keyless entry receiver.

4. CHECK ID REGISTRATION

Perform ID registration of all transmitters. Refer to [WT-26, "ID Registration Procedure"](#) .

Can ID registration of all transmitters be completed?

- YES >> GO TO 5.
NO >> GO TO 6 after malfunctioning transmitter replacement.

5. CHECK TIRE PRESSURE MONITORING SYSTEM

1. Drive at a speed of 40 km/h (25 MPH) or more for several minutes without stopping.
2. Check all tire pressures with CONSULT-II "DATA MONITOR" within 15 minutes after vehicle speed becomes 17 km/h (11 MPH).

Does "DATA MONITOR ITEM" displayed the standardized value without turning tire pressure warning lamp ON?

- YES >> **INSPECTION END**
NO >> Replace BCM.

6. CHECK ID REGISTRATION

1. Perform ID registration of all transmitters. Refer to [WT-26, "ID Registration Procedure"](#) .
2. Drive at a speed of 40 km/h (25 MPH) or more for 3 minutes, and then drive the vehicle at any speed for 10 minutes. Then check all tire pressures with CONSULT-II "DATA MONITOR" within 5 minutes.

Does "DATA MONITOR ITEM" displayed the standardized value without turning tire pressure warning lamp ON?

- YES >> **INSPECTION END**
NO >> Perform the self-diagnosis, inspect detected malfunction.

TROUBLE DIAGNOSIS FOR SYSTEM

DTC C1712, C1713, C1714, C1715 [CHECKSUM ERR]

NES000FA

- Flickering pattern for 31, 32, 33 or 34

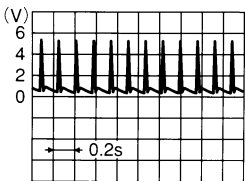
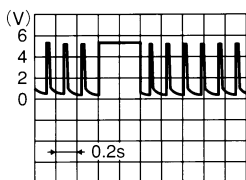
CONSULT-II REFERENCE VALUE IN DATA MONITOR MODE

Data are reference value.

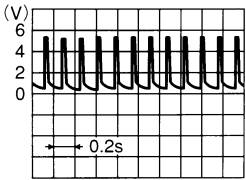
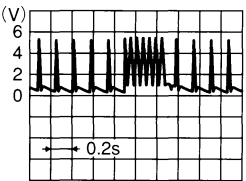
Monitored item	Content	Condition	Display value
AIR PRESS FL [kPa], [kg/cm ²] or [psi]	Condition of front LH tire air pressure	Just after the engine is started	0 kPa (0 kg/cm ² , 0 psi)
		Start engine and drive at 40 km/h (25 MPH) or more for several minutes.	Approximately equal to the indication on tire gauge value
AIR PRESS FR [kPa], [kg/cm ²] or [psi]	Condition of front RH tire air pressure	Just after the engine is started	0 kPa (0 kg/cm ² , 0 psi)
		Start engine and drive at 40 km/h (25 MPH) or more for several minutes.	Approximately equal to the indication on tire gauge value
AIR PRESS RR [kPa], [kg/cm ²] or [psi]	Condition of rear RH tire air pressure	Just after the engine is started	0 kPa (0 kg/cm ² , 0 psi)
		Start engine and drive at 40 km/h (25 MPH) or more for several minutes.	Approximately equal to the indication on tire gauge value
AIR PRESS RL [kPa], [kg/cm ²] or [psi]	Condition of rear LH tire air pressure	Just after the engine is started	0 kPa (0 kg/cm ² , 0 psi)
		Start engine and drive at 40 km/h (25 MPH) or more for several minutes.	Approximately equal to the indication on tire gauge value

BCM TERMINALS AND REFERENCE VALUE

Data are reference value and are measured between each terminal and ground.

Terminal	Wire color	Item	Condition	Data (Approx.)
18	P	Remote keyless entry receiver (Ground)	Always	0 V
19	Y	Remote keyless entry receiver (Power supply)	Stand-by	 <p style="text-align: right; font-size: small;">OCC3879D</p>
			Press any of the keyfob switches	 <p style="text-align: right; font-size: small;">OCC3882D</p>

TROUBLE DIAGNOSIS FOR SYSTEM

Terminal	Wire color	Item	Condition	Data (Approx.)	
20	L	Remote keyless entry receiver (Signal)	Ignition switch: ON	Stand-by	
			Ignition switch: ON	Press any of the keyfob switches	

CAUTION:

When using circuit tester or oscilloscope to measure voltage for inspection, be sure not to extend forcibly any connector terminals.

DIAGNOSTIC PROCEDURE

1. CHECK ID REGISTRATION

1. Perform the ID registration of all transmitters. Refer to [WT-26, "ID Registration Procedure"](#) .
2. Drive at a speed of 40 km/h (25 MPH) or more for 3 minutes, and then drive the vehicle at any speed for 10 minutes. Then check all tire pressures with CONSULT-II "DATA MONITOR ITEM" within 5 minutes.
3. Perform the self-diagnosis, replace malfunctioning transmitter.
4. Perform the ID registration of all transmitters. Refer to [WT-26, "ID Registration Procedure"](#) .

Can ID registration of all transmitters be completed.

- YES >> GO TO 6.
 NO >> GO TO 2.

2. CHECK AIR PRESSURE SIGNAL

With CONSULT-II

1. Start engine.
2. Select "DATA MONITOR" mode for "AIR PRESSURE MONITOR" with CONSULT-II.
3. Read out the value of "AIR PRESS FL", "AIR PRESS FR", "AIR PRESS RR" and "AIR PRESS RL".

Monitored item	Condition	Display value
AIR PRESS FL	Start engine and drive at 40 km/h (25 MPH) or more for several minutes.	Approximately equal to the indication on vehicle information display
AIR PRESS FR		
AIR PRESS RR		
AIR PRESS RL		

Are all tire pressures displayed 0 kPa?

- YES >> GO TO 3.
 NO >> GO TO 5.

DATA MONITOR	
MONITOR	NO DTC
AIR PRESS FL	0 kPa
AIR PRESS FR	0 kPa
AIR PRESS RR	0 kPa
AIR PRESS RL	0 kPa

SEIA0749E

TROUBLE DIAGNOSIS FOR SYSTEM

3. CHECK HARNESS BETWEEN BCM AND REMOTE KEYLESS ENTRY RECEIVER

1. Turn ignition switch "OFF".
2. Disconnect BCM harness connector and remote keyless entry receiver harness connector.
3. Check continuity between the following terminals.
 - BCM harness connector M34 terminal 18 and remote keyless entry receiver harness connector M133 terminal 1.
 - BCM harness connector M34 terminal 19 and remote keyless entry receiver harness connector M133 terminal 4.
 - BCM harness connector M34 terminal 20 and remote keyless entry receiver harness connector M133 terminal 2.

18 – 1 : Continuity should exist.

19 – 4 : Continuity should exist.

20 – 2 : Continuity should exist.

Also check harness for short to ground and short to power.

OK or NG

OK >> GO TO 4.

NG >> Repair or replace damaged parts.

4. CHECK REMOTE KEYLESS ENTRY RECEIVER

Check remote keyless entry receiver. Refer to [BL-78, "Check Remote Keyless Entry Receiver"](#).

OK or NG

OK >> Check BCM pin terminals for damage or loose connection with harness connector. If any items are damaged, repair or replace damaged parts.

NG >> Replace the remote keyless entry receiver.

5. CHECK ID REGISTRATION

Perform ID registration of all transmitters. Refer to [WT-26, "ID Registration Procedure"](#).

Can ID registration of all transmitters be completed?

YES >> GO TO 6.

NO >> GO TO 7 after malfunctioning transmitter replacement.

6. CHECK TIRE PRESSURE MONITORING SYSTEM

1. Drive at a speed of 40 km/h (25 MPH) or more for several minutes without stopping.
2. Check all tire pressures with CONSULT-II "DATA MONITOR" within 15 minutes after vehicle speed becomes 17 km/h (11 MPH).

Does "DATA MONITOR ITEM" displayed the standardized value without turning tire pressure warning lamp ON?

YES >> **INSPECTION END**

NO >> Replace BCM.

7. CHECK ID REGISTRATION

1. Perform ID registration of all transmitters. Refer to [WT-26, "ID Registration Procedure"](#).
2. Drive at a speed of 40 km/h (25 MPH) or more for 3 minutes, and then drive the vehicle at any speed for 10 minutes. Then check all tire pressures with CONSULT-II "DATA MONITOR" within 5 minutes.

Does "DATA MONITOR ITEM" displayed the standardized value without turning tire pressure warning lamp ON?

YES >> **INSPECTION END**

NO >> GO TO 2.

TROUBLE DIAGNOSIS FOR SYSTEM

DTC C1716, C1717, C1718, C1719 [PRESSDATA ERR]

NES000FB

- Flickering pattern for 35, 36, 37 or 38

CONSULT-II REFERENCE VALUE IN DATA MONITOR MODE

Data are reference value.

Monitored item	Content	Condition	Display value
AIR PRESS FL [kPa], [kg/cm ²] or [psi]	Condition of front LH tire air pressure	Just after the engine is started	0 kPa (0 kg/cm ² , 0 psi)
		Start engine and drive at 40 km/h (25 MPH) or more for several minutes.	Approximately equal to the indication on tire gauge value
AIR PRESS FR [kPa], [kg/cm ²] or [psi]	Condition of front RH tire air pressure	Just after the engine is started	0 kPa (0 kg/cm ² , 0 psi)
		Start engine and drive at 40 km/h (25 MPH) or more for several minutes.	Approximately equal to the indication on tire gauge value
AIR PRESS RR [kPa], [kg/cm ²] or [psi]	Condition of rear RH tire air pressure	Just after the engine is started	0 kPa (0 kg/cm ² , 0 psi)
		Start engine and drive at 40 km/h (25 MPH) or more for several minutes.	Approximately equal to the indication on tire gauge value
AIR PRESS RL [kPa], [kg/cm ²] or [psi]	Condition of rear LH tire air pressure	Just after the engine is started	0 kPa (0 kg/cm ² , 0 psi)
		Start engine and drive at 40 km/h (25 MPH) or more for several minutes.	Approximately equal to the indication on tire gauge value

DIAGNOSTIC PROCEDURE

1. CHECK TIRE PRESSURE

1. Adjust tire pressure to specified value. Refer to [WT-56, "Tire"](#).
2. Perform the ID registration of all transmitters. Refer to [WT-26, "ID Registration Procedure"](#).
3. Drive at a speed of 40 km/h (25 MPH) or more for several minutes without stopping.
4. Check all tire pressures with CONSULT-II "DATA MONITOR ITEM" within 15 minutes after vehicle speed become 17 km/h (11 MPH).

What is display CONSULT-II "DATA MONITOR ITEM"?

438.60 kPa (4.47 kg/cm², 63.60 psi)>>Replace malfunctioning transmitter.

Other than 438.60 kPa (4.47 kg/cm², 63.60 psi)>>**INSPECTION END**

2. CHECK TIRE PRESSURE MONITORING SYSTEM

1. Perform the ID registration of all transmitters. Refer to [WT-26, "ID Registration Procedure"](#).
2. Drive at a speed of 40 km/h (25 MPH) or more for 3 minutes, and then drive the vehicle at any speed for 10 minutes. Then check all tire pressures with CONSULT-II "DATA MONITOR ITEM" within 5 minutes.

Does "DATA MONITOR ITEM" displayed the standardized value without turning tire pressure warning lamp ON?

YES >> **INSPECTION END**

NO >> Perform the self-diagnosis, inspect detected malfunction.

TROUBLE DIAGNOSIS FOR SYSTEM

DTC C1720, C1721, C1722, C1723 [CODE ERR]

NES000FE

- Flickering pattern for 41, 42, 43 or 44

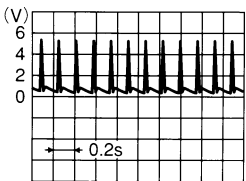
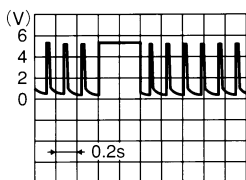
CONSULT-II REFERENCE VALUE IN DATA MONITOR MODE

Data are reference value.

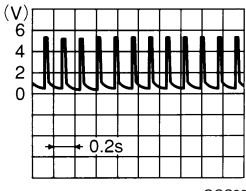
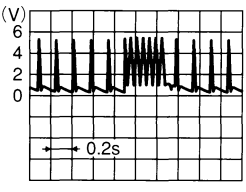
Monitored item	Content	Condition	Display value
AIR PRESS FL [kPa], [kg/cm ²] or [psi]	Condition of front LH tire air pressure	Just after the engine is started	0 kPa (0 kg/cm ² , 0 psi)
		Start engine and drive at 40 km/h (25 MPH) or more for several minutes.	Approximately equal to the indication on tire gauge value
AIR PRESS FR [kPa], [kg/cm ²] or [psi]	Condition of front RH tire air pressure	Just after the engine is started	0 kPa (0 kg/cm ² , 0 psi)
		Start engine and drive at 40 km/h (25 MPH) or more for several minutes.	Approximately equal to the indication on tire gauge value
AIR PRESS RR [kPa], [kg/cm ²] or [psi]	Condition of rear RH tire air pressure	Just after the engine is started	0 kPa (0 kg/cm ² , 0 psi)
		Start engine and drive at 40 km/h (25 MPH) or more for several minutes.	Approximately equal to the indication on tire gauge value
AIR PRESS RL [kPa], [kg/cm ²] or [psi]	Condition of rear LH tire air pressure	Just after the engine is started	0 kPa (0 kg/cm ² , 0 psi)
		Start engine and drive at 40 km/h (25 MPH) or more for several minutes.	Approximately equal to the indication on tire gauge value

BCM TERMINALS AND REFERENCE VALUE

Data are reference value and are measured between each terminal and ground.

Terminal	Wire color	Item	Condition	Data (Approx.)
18	P	Remote keyless entry receiver (Ground)	Always	0 V
19	Y	Remote keyless entry receiver (Power supply)	Stand-by	 <p style="text-align: right; font-size: small;">OCC3879D</p>
			Press any of the keyfob switches	 <p style="text-align: right; font-size: small;">OCC3882D</p>

TROUBLE DIAGNOSIS FOR SYSTEM

Terminal	Wire color	Item	Condition	Data (Approx.)	
20	L	Remote keyless entry receiver (Signal)	Ignition switch: ON	Stand-by	
			Ignition switch: ON	Press any of the keyfob switches	

CAUTION:

When using circuit tester or oscilloscope to measure voltage for inspection, be sure not to extend forcibly any connector terminals.

DIAGNOSTIC PROCEDURE

1. CHECK ID REGISTRATION

1. Perform the ID registration of all transmitters. Refer to [WT-26, "ID Registration Procedure"](#) .
2. Drive at a speed of 40 km/h (25 MPH) or more for 3 minutes, and then drive the vehicle at any speed for 10 minutes. Then check all tire pressures with CONSULT-II "DATA MONITOR ITEM" within 5 minutes.
3. Perform the self-diagnosis, replace malfunctioning transmitter.
4. Perform the ID registration of all transmitters. Refer to [WT-26, "ID Registration Procedure"](#) .

Can ID registration of all transmitters be completed.

- YES >> GO TO 6.
 NO >> GO TO 2.

2. CHECK AIR PRESSURE SIGNAL

With CONSULT-II

1. Start engine.
2. Select "DATA MONITOR" mode for "AIR PRESSURE MONITOR" with CONSULT-II.
3. Read out the value of "AIR PRESS FL", "AIR PRESS FR", "AIR PRESS RR" and "AIR PRESS RL".

Monitored item	Condition	Display value
AIR PRESS FL	Start engine and drive at 40 km/h (25 MPH) or more for several minutes.	Approximately equal to the indication on vehicle information display
AIR PRESS FR		
AIR PRESS RR		
AIR PRESS RL		

Are all tire pressures displayed 0 kPa?

- YES >> GO TO 3.
 NO >> GO TO 5.

DATA MONITOR	
MONITOR	NO DTC
AIR PRESS FL	0 kPa
AIR PRESS FR	0 kPa
AIR PRESS RR	0 kPa
AIR PRESS RL	0 kPa

SEIA0749E

TROUBLE DIAGNOSIS FOR SYSTEM

3. CHECK HARNESS BETWEEN BCM AND REMOTE KEYLESS ENTRY RECEIVER

1. Turn ignition switch "OFF".
2. Disconnect BCM harness connector and remote keyless entry receiver harness connector.
3. Check continuity between the following terminals.
 - BCM harness connector M34 terminal 18 and remote keyless entry receiver harness connector M133 terminal 1.
 - BCM harness connector M34 terminal 19 and remote keyless entry receiver harness connector M133 terminal 4.
 - BCM harness connector M34 terminal 20 and remote keyless entry receiver harness connector M133 terminal 2.

18 – 1 : Continuity should exist.

19 – 4 : Continuity should exist.

20 – 2 : Continuity should exist.

Also check harness for short to ground and short to power.

OK or NG

OK >> GO TO 4.

NG >> Repair or replace damaged parts.

4. CHECK REMOTE KEYLESS ENTRY RECEIVER

Check remote keyless entry receiver. Refer to [BL-78, "Check Remote Keyless Entry Receiver"](#).

OK or NG

OK >> Check BCM pin terminals for damage or loose connection with harness connector. If any items are damaged, repair or replace damaged parts.

NG >> Replace the remote keyless entry receiver.

5. CHECK ID REGISTRATION

Perform ID registration of all transmitters. Refer to [WT-26, "ID Registration Procedure"](#).

Can ID registration of all transmitters be completed?

YES >> GO TO 6.

NO >> GO TO 7 after malfunctioning transmitter replacement.

6. CHECK TIRE PRESSURE MONITORING SYSTEM

1. Drive at a speed of 40 km/h (25 MPH) or more for several minutes without stopping.
2. Check all tire pressures with CONSULT-II "DATA MONITOR" within 15 minutes after vehicle speed becomes 17 km/h (11 MPH).

Does "DATA MONITOR ITEM" displayed the standardized value without turning tire pressure warning lamp ON?

YES >> **INSPECTION END**

NO >> Replace BCM.

7. CHECK ID REGISTRATION

1. Perform ID registration of all transmitters. Refer to [WT-26, "ID Registration Procedure"](#).
2. Drive at a speed of 40 km/h (25 MPH) or more for 3 minutes, and then drive the vehicle at any speed for 10 minutes. Then check all tire pressures with CONSULT-II "DATA MONITOR" within 5 minutes.

Does "DATA MONITOR ITEM" displayed the standardized value without turning tire pressure warning lamp ON?

YES >> **INSPECTION END**

NO >> GO TO 2.

TROUBLE DIAGNOSIS FOR SYSTEM

DTC C1724, C1725, C1726, C1727 [BATT VOLT LOW]

NES000FF

- Flickering pattern for 45, 46, 47 or 48

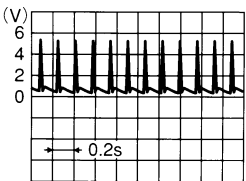
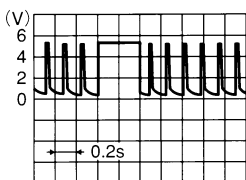
CONSULT-II REFERENCE VALUE IN DATA MONITOR MODE

Data are reference value.

Monitored item	Content	Condition	Display value
AIR PRESS FL [kPa], [kg/cm ²] or [psi]	Condition of front LH tire air pressure	Just after the engine is started	0 kPa (0 kg/cm ² , 0 psi)
		Start engine and drive at 40 km/h (25 MPH) or more for several minutes.	Approximately equal to the indication on tire gauge value
AIR PRESS FR [kPa], [kg/cm ²] or [psi]	Condition of front RH tire air pressure	Just after the engine is started	0 kPa (0 kg/cm ² , 0 psi)
		Start engine and drive at 40 km/h (25 MPH) or more for several minutes.	Approximately equal to the indication on tire gauge value
AIR PRESS RR [kPa], [kg/cm ²] or [psi]	Condition of rear RH tire air pressure	Just after the engine is started	0 kPa (0 kg/cm ² , 0 psi)
		Start engine and drive at 40 km/h (25 MPH) or more for several minutes.	Approximately equal to the indication on tire gauge value
AIR PRESS RL [kPa], [kg/cm ²] or [psi]	Condition of rear LH tire air pressure	Just after the engine is started	0 kPa (0 kg/cm ² , 0 psi)
		Start engine and drive at 40 km/h (25 MPH) or more for several minutes.	Approximately equal to the indication on tire gauge value

BCM TERMINALS AND REFERENCE VALUE

Data are reference value and are measured between each terminal and ground.

Terminal	Wire color	Item	Condition	Data (Approx.)
18	P	Remote keyless entry receiver (Ground)	Always	0 V
19	Y	Remote keyless entry receiver (Power supply)	Stand-by	 <p style="text-align: right; font-size: small;">OCC3879D</p>
			Press any of the keyfob switches	 <p style="text-align: right; font-size: small;">OCC3882D</p>

TROUBLE DIAGNOSIS FOR SYSTEM

Terminal	Wire color	Item	Condition		Data (Approx.)
20	L	Remote keyless entry receiver (Signal)	Ignition switch: ON	Stand-by	
				Press any of the keyfob switches	

CAUTION:

When using circuit tester or oscilloscope to measure voltage for inspection, be sure not to extend forcibly any connector terminals.

DIAGNOSTIC PROCEDURE

1. CHECK ID REGISTRATION

1. Perform the ID registration of all transmitters. Refer to [WT-26, "ID Registration Procedure"](#).
2. Drive at a speed of 40 km/h (25 MPH) or more for 3 minutes, and then drive the vehicle at any speed for 10 minutes. Then check all tire pressures with CONSULT-II "DATA MONITOR ITEM" within 5 minutes.
3. Perform the self-diagnosis, replace malfunctioning transmitter.
4. Perform the ID registration of all transmitters. Refer to [WT-26, "ID Registration Procedure"](#).

Can ID registration of all transmitters be completed.

- YES >> GO TO 6.
NO >> GO TO 2.

2. CHECK AIR PRESSURE SIGNAL

Ⓟ With CONSULT-II

1. Start engine.
2. Select "DATA MONITOR" mode for "AIR PRESSURE MONITOR" with CONSULT-II.
3. Read out the value of "AIR PRESS FL", "AIR PRESS FR", "AIR PRESS RR" and "AIR PRESS RL".

Monitored item	Condition	Display value
AIR PRESS FL	Start engine and drive at 40 km/h (25 MPH) or more for several minutes.	Approximately equal to the indication on vehicle information display
AIR PRESS FR		
AIR PRESS RR		
AIR PRESS RL		

Are all tire pressures displayed 0 kPa?

- YES >> GO TO 3.
NO >> GO TO 5.

DATA MONITOR	
MONITOR	NO DTC
AIR PRESS FL	0 kPa
AIR PRESS FR	0 kPa
AIR PRESS RR	0 kPa
AIR PRESS RL	0 kPa

SEIA0749E

TROUBLE DIAGNOSIS FOR SYSTEM

3. CHECK HARNESS BETWEEN BCM AND REMOTE KEYLESS ENTRY RECEIVER

1. Turn ignition switch "OFF".
2. Disconnect BCM harness connector and remote keyless entry receiver harness connector.
3. Check continuity between the following terminals.
 - BCM harness connector M34 terminal 18 and remote keyless entry receiver harness connector M133 terminal 1.
 - BCM harness connector M34 terminal 19 and remote keyless entry receiver harness connector M133 terminal 4.
 - BCM harness connector M34 terminal 20 and remote keyless entry receiver harness connector M133 terminal 2.

18 – 1 : Continuity should exist.

19 – 4 : Continuity should exist.

20 – 2 : Continuity should exist.

Also check harness for short to ground and short to power.

OK or NG

- OK >> GO TO 4.
NG >> Repair or replace damaged parts.

4. CHECK REMOTE KEYLESS ENTRY RECEIVER

Check remote keyless entry receiver. Refer to [BL-78, "Check Remote Keyless Entry Receiver"](#) .

OK or NG

- OK >> Check BCM pin terminals for damage or loose connection with harness connector. If any items are damaged, repair or replace damaged parts.
NG >> Replace the remote keyless entry receiver.

5. CHECK ID REGISTRATION

Perform ID registration of all transmitters. Refer to [WT-26, "ID Registration Procedure"](#) .

Can ID registration of all transmitters be completed?

- YES >> GO TO 6.
NO >> GO TO 7 after malfunctioning transmitter replacement.

6. CHECK TIRE PRESSURE MONITORING SYSTEM

1. Drive at a speed of 40 km/h (25 MPH) or more for several minutes without stopping.
2. Check all tire pressures with CONSULT-II "DATA MONITOR" within 15 minutes after vehicle speed becomes 17 km/h (11 MPH).

Does "DATA MONITOR ITEM" displayed the standardized value without turning tire pressure warning lamp ON?

- YES >> **INSPECTION END**
NO >> Replace BCM.

7. CHECK ID REGISTRATION

1. Perform ID registration of all transmitters. Refer to [WT-26, "ID Registration Procedure"](#) .
2. Drive at a speed of 40 km/h (25 MPH) or more for 3 minutes, and then drive the vehicle at any speed for 10 minutes. Then check all tire pressures with CONSULT-II "DATA MONITOR" within 5 minutes.

Does "DATA MONITOR ITEM" displayed the standardized value without turning tire pressure warning lamp ON?

- YES >> **INSPECTION END**
NO >> GO TO 2.

TROUBLE DIAGNOSIS FOR SYSTEM

DTC C1729 VHCL SPEED SIG ERR

NES000FC

- Flickering pattern for 52

CONSULT-II REFERENCE VALUE IN DATA MONITOR MODE

Data are reference value.

Monitored item	Content	Condition	Display value
VHCL SPEED SE [km/h] or [mph]	Wheel speed	Vehicle stopped	0 km/h (0 MPH)
		Vehicle running CAUTION: Check air pressure of tire under standard condition.	Approximately equal to the indication on speedometer (Inside of ±10%)

DIAGNOSTIC PROCEDURE

1. CHECK SELF-DIAGNOSTIC RESULTS

1. Perform "CONSULT-II Start Procedure". Refer to [GI-37, "CONSULT-II Start Procedure"](#) .
2. Touch "SELF-DIAG RESULTS" on "SELECT DIAG MODE" screen.
3. Check display contents in self-diagnostic results.

Is the "CAN COMM CIRCUIT" displayed in the self-diagnosis display?

- YES >> Perform trouble diagnosis for CAN communication system. GO TO [LAN-42, "Precautions When Using CONSULT-II"](#) .
- NO >> Check combination meter refer to [DI-18, "Vehicle Speed Signal Inspection"](#) .

A
B
C
D

WT

F
G
H
I
J
K
L
M

TROUBLE DIAGNOSIS FOR SYMPTOMS

TROUBLE DIAGNOSIS FOR SYMPTOMS

PFP:00007

Low Tire Pressure Warning Lamp Does Not Turn ON for Approx.1 Second When Ignition Switch Is Turned ON

NES000EE

1. CHECK DTC WITH BCM

Perform "CONSULT-II Start Procedure". Refer to [GI-37, "CONSULT-II Start Procedure"](#) .

1. Touch "SELF-DIAG RESULTS" on "SELECT DIAG MODE" screen.
2. Check display contents in self-diagnostic results.

Is the "CAN COMM CIRCUIT" displayed in the self-diagnosis display items?

- YES >> Perform trouble diagnosis for CAN communication system. GO TO [LAN-42, "Precautions When Using CONSULT-II"](#) .
- NO >> GO TO 2.

2. CHECK COMBINATION METER

Check combination meter function. Refer to [DI-16, "Trouble Diagnosis"](#) .

OK or NG

- OK >> GO TO 3.
- NG >> Check combination meter. Refer to [DI-15, "Self-Diagnosis Mode of Combination Meter"](#) .

3. CHECK LOW TIRE PRESSURE WARNING LAMP

1. Turn ignition switch "OFF".
2. Disconnect BCM harness connectors.
3. Turn ignition switch "ON". (Do not start engine.)

Does low tire pressure warning lamp turn on?

- YES >> GO TO 4.
- NO >> Check combination meter and repair or replace.

4. CHECK SYMPTOM

Check again.

OK or NG

- OK >> **INSPECTION END**
- NG >> GO TO 5.

5. CHECK BCM

Check BCM input/output signal. Refer to [WT-18, "BCM Input/Output Signal Reference Values"](#) .

OK or NG

- OK >> GO TO 4.
- NG >> Check BCM pin terminals for damage or loose connection with harness connector. If any items are damaged, repair or replace damaged parts. Replace BCM. Refer to [BCS-14, "Removal and Installation of BCM"](#) .

Low Tire Pressure Warning Lamp Stays ON When Ignition Switch Is Turned ON

NES000EF

DIAGNOSTIC PROCEDURE

1. CHECK SYSTEM FOR BCM

Perform self-diagnosis. Refer to [WT-24, "Self-Diagnostic Procedure"](#) .

Does self-diagnostic results indicate any malfunctions?

- YES >> Perform trouble diagnosis. Refer to [WT-22, "SELF-DIAG RESULT MODE"](#) .
- NO >> GO TO 2.

TROUBLE DIAGNOSIS FOR SYMPTOMS

2. CHECK ID REGISTRATION

Perform ID registration all transmitters. Refer to [WT-26, "ID Registration Procedure"](#) .

Does low tire pressure warning lamp turn OFF?

- YES >> **INSPECTION END**
NO >> GO TO 3.

3. CHECK POWER SUPPLY

1. Turn ignition switch "OFF".
2. Disconnect BCM harness connector.
3. Check voltage between BCM harness connector terminals and ground.

Connector	Terminal	Voltage (Approx.)
M34	38 - Ground	0 V
M35	42 - Ground	Battery voltage
	55 - Ground	

4. Turn ignition switch "ON". (Do not start engine.)
5. Check voltage between BCM harness connector terminals and ground.

Connector	Terminal	Voltage (Approx.)
M34	38 - Ground	Battery voltage
M35	42 - Ground	
	55 - Ground	

OK or NG

- OK >> GO TO 4.
NG >> Check the following. If any items are damaged, repair or replace damaged parts.
- 50 A fuses [No. F located in the fuse block (J/B)]. Refer to [PG-3, "POWER SUPPLY ROUTING CIRCUIT"](#) .
 - 10 A fuses [No. 1, 18 located in the fuse block (J/B)]. Refer to [PG-3, "POWER SUPPLY ROUTING CIRCUIT"](#) .
 - Harness for short or open between battery and BCM harness connector M35 terminals 42 and 55.
 - Harness for short or open between ignition switch and BCM harness connector M34 terminal 38.
 - Battery and ignition switch. Refer to [PG-3, "POWER SUPPLY ROUTING CIRCUIT"](#) .

4. CHECK GROUND CIRCUIT

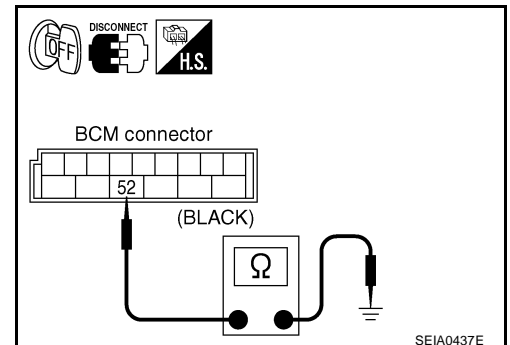
1. Turn ignition switch "OFF".
2. Disconnect BCM harness connector.
3. Check continuity between BCM harness connector M35 terminal 52.

Continuity should exist.

Also check harness for short to power.

OK or NG

- OK >> GO TO 5.
NG >> Repair open circuit or short to power in harness or connectors.



TROUBLE DIAGNOSIS FOR SYMPTOMS

5. CHECK SYMPTOM

Check again.

OK or NG

OK >> **INSPECTION END**
NG >> GO TO 6.

6. CHECK BCM

Check BCM input/output signal. Refer to [WT-18, "BCM Input/Output Signal Reference Values"](#) .

OK or NG

OK >> GO TO 5.
NG >> Check BCM pin terminals for damage or loose connection with harness connector. If any items are damaged, repair or replace damaged parts. Replace BCM. Refer to [BCS-14, "Removal and Installation of BCM"](#) .

TROUBLE DIAGNOSIS FOR SYMPTOMS

Low Tire Pressure warning Lamp Blinks When Ignition Switch Is Turned ON

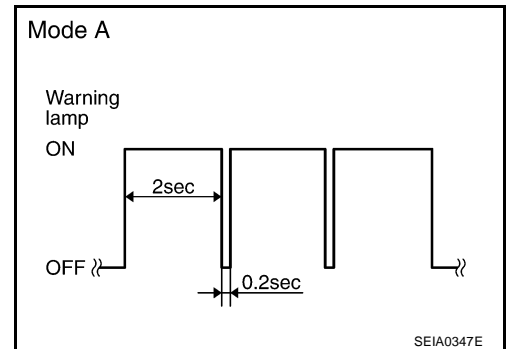
NES000EG

SYMPTOM:

If warning lamp blinks below, the system is normal.

Blink Mode A

- This mode shows transmitter status is OFF-mode. Perform transmitter wake up operation. Refer to [WT-28, "Transmitter Wake Up Operation"](#).



DIAGNOSTIC PROCEDURE

1. CHECK TIRE PRESSURE WARNIG CHECK SWITCH

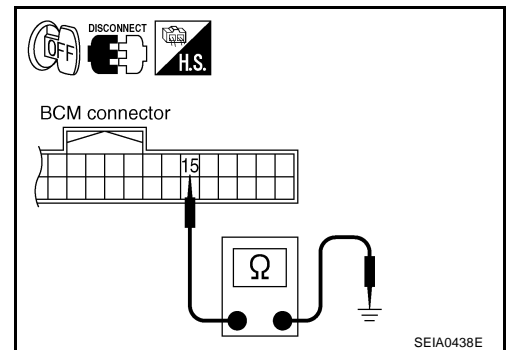
- Turn ignition switch "OFF".
- Disconnect BCM harness connectors.
- Check continuity between BCM harness connector M34 terminal 15 and ground.

Continuity should not exist.

Also check harness for short to ground.

OK or NG

- OK >> GO TO 2.
NG >> Repair short to ground in harness or connector.



2. CHECK SYMPTOM

Check again.

OK or NG

- OK >> **INSPECTION END**
NG >> GO TO 3.

3. CHECK BCM

Check BCM input/output signal. Refer to [WT-18, "BCM Input/Output Signal Reference Values"](#).

OK or NG

- OK >> GO TO 2.
NG >> Check BCM pin terminals for damage or loose connection with harness connector. If any items are damaged, repair or replace damaged parts. Replace BCM. Refer to [BCS-14, "Removal and Installation of BCM"](#).

TROUBLE DIAGNOSIS FOR SYMPTOMS

Turn Signal Lamp Blinks When Ignition Switch Is Turned ON DIAGNOSTIC PROCEDURE

NES000EH

1. CHECK TIRE PRESSURE WARNING CHECK SWITCH CIRCUIT

1. Turn ignition switch "OFF".
2. Disconnect BCM harness connector.
3. Check continuity between BCM harness connector M34 terminal 15 and ground.

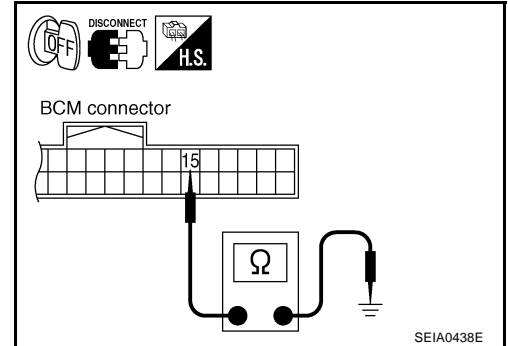
Continuity should not exist.

Also check harness for short to ground.

OK or NG

OK >> GO TO 2.

NG >> Repair short to ground in harness or connector.



2. CHECK SYMPTOM

Check again.

OK or NG

OK >> **INSPECTION END**

NG >> Check turn signal lamp operation. Refer to [LT-117, "System Description"](#).

ID Registration Cannot Be Completed DIAGNOSTIC PROCEDURE

NES000EI

1. ID REGISTRATION

Perform ID registration of all transmitters. Refer to [WT-26, "ID Registration Procedure"](#).

Can ID registration of all transmitters be completed?

YES >> GO TO 2.

NO >> GO TO 3.

2. CHECK SYMPTOM

Check again.

OK or NG

OK >> **INSPECTION END**

NG >> GO TO 3.

3. CHECK TRANSMITTER CIRCUIT

Perform trouble diagnosis for transmitter circuit. Refer to [WT-32, "TROUBLE DIAGNOSIS FOR SYSTEM"](#).

OK or NG

OK >> **INSPECTION END**

NG >> GO TO 2.

TRANSMITTER

TRANSMITTER

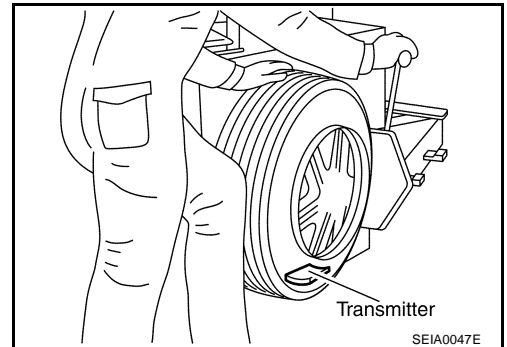
PFP:40700

Removal and Installation

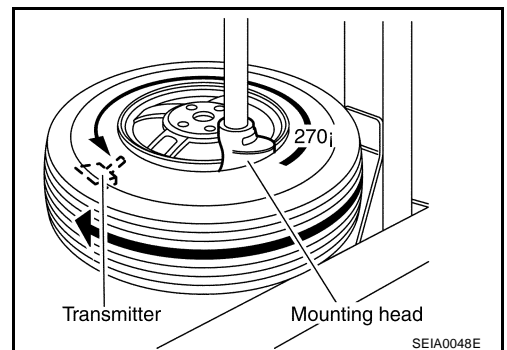
NES000EJ

REMOVAL

1. Deflate tire. Unscrew transmitter retaining nut and allow transmitter to fall into tire.
2. Gently bounce tire so that transmitter falls to bottom of tire. Place on tire changing machine and break both tire beads ensuring that the transmitter remains at the bottom of the tire.

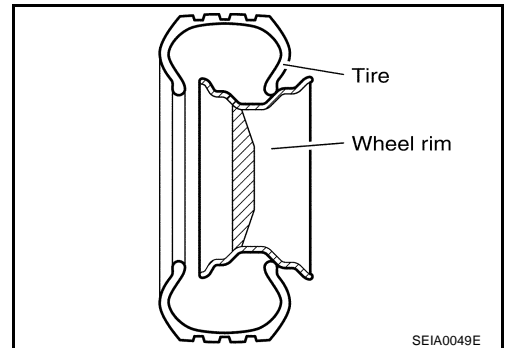


3. Turn tire so that valve hole is at bottom and bounce so that transmitter is near valve hole. Carefully lift tire onto turntable and position valve hole (and transmitter) 270 degree from mounting/dismounting head.
4. Lubricate tire well and remove first side of the tire. Reach inside the tire and remove the transmitter.



INSTALLATION

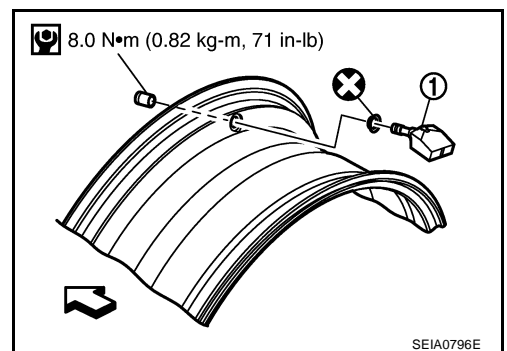
1. Put first side of tire onto rim.



2. Mount transmitter (1) on rim and tighten nut.

CAUTION:
Speed for tightening nut should be less than 10 rpm.

⇐:Outside



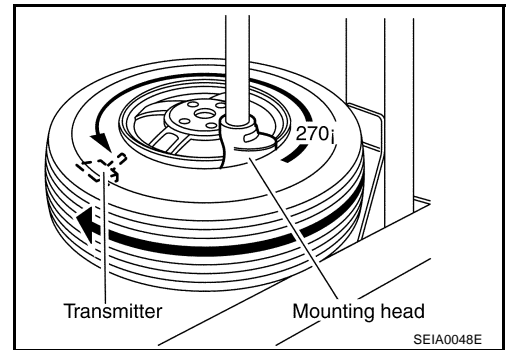
TRANSMITTER

- Place wheel on turntable of tire machine. Ensure that transmitter is 270 degree from mounting head when second side of tire is fitted.

NOTE:

Do not touch transmitter at mounting head.

- Lubricate tire well and fit second side of tire as normal. Ensure that tire does not rotate relative to rim.
- Inflate tire and fit to appropriate wheel position.



ROAD WHEEL

PFP:40300

Inspection ALUMINUM WHEEL

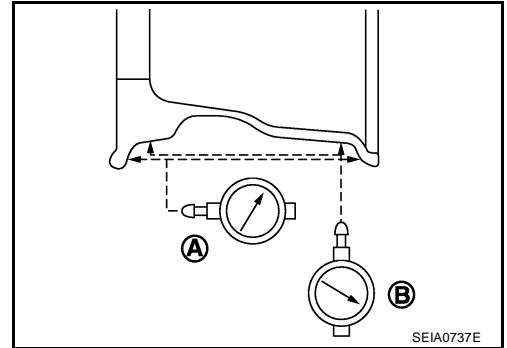
NES000EV

1. Check tires for wear and improper inflation.
2. Check wheels for deformation, cracks and other damage. If deformed, remove wheel and check wheel runout.
 - a. Remove tire from aluminum wheel and mount on a tire balance machine.
 - b. Set dial indicator as shown in the illustration.

Lateral runout limit (A) : 0.3 mm (0.012 in)

Radial runout limit (B) : 0.3 mm (0.012 in)

- c. If the total runout value exceeds the limit, replace aluminum wheel.



STEEL WHEEL (FOR EMERGENCY USE)

1. Check tires for wear and improper inflation.
2. Check wheels for deformation, cracks and other damage. If deformed, remove wheel and check wheel runout.
 - a. Remove tire from steel wheel and mount wheel on a tire balance machine.
 - b. Set two dial indicators as shown in the illustration.
 - c. Set each dial indicator to "0".
 - d. Rotate wheel and check dial indicators at several points around the circumference of the wheel.
 - e. Calculate runout at each point as shown below.

Lateral runout limit (A) : $(\textcircled{1} + \textcircled{2}) / 2$

Vertical runout limit (B) : $(\textcircled{3} + \textcircled{4}) / 2$

- f. Select maximum positive runout value and the maximum negative value. Add the two values to determine total runout.

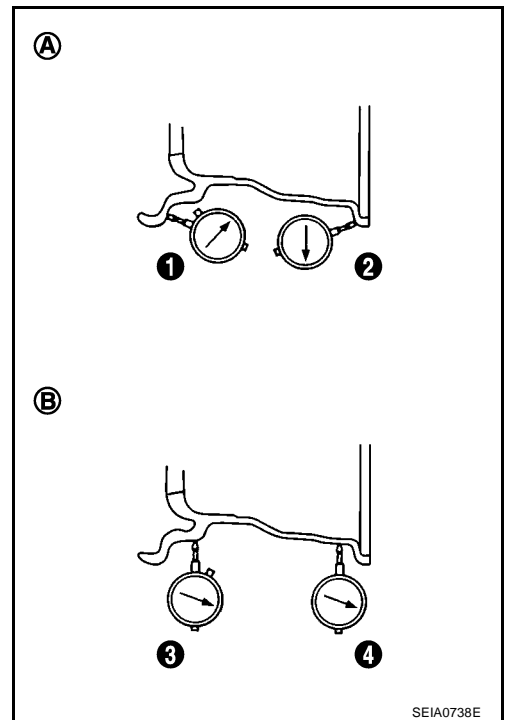
CAUTION:

In case a positive or negative value is not available, use the maximum value (negative or positive) for total runout.

Lateral runout limit (A) : 1.5 mm (0.059 in)

Vertical runout limit (B) : 1.5 mm (0.059 in)

- g. If the total runout value exceeds the limit, replace steel wheel.



A
B
C
D
WT
F
G
H
I
J
K
L
M

ROAD WHEEL TIRE ASSEMBLY

ROAD WHEEL TIRE ASSEMBLY

PFP:40300

Balancing Wheels (Bonding Weight Type) REMOVAL

NES000EW

Using releasing agent, remove double-faced adhesive tape from the road wheel.

CAUTION:

- Be careful not to scratch the road wheel during removal.
- After removing double-faced adhesive tape, wipe clean traces of releasing agent from the road wheel.

WHEEL BALANCE ADJUSTMENT

- If a tire balance machine has adhesion balance weight mode settings and drive-in weight mode setting, select and adjust a drive-in weight mode suitable for road wheels.
1. Set road wheel on tire balance machine using the center hole as a guide. Start the tire balance machine.
 2. When inner and outer unbalance values are shown on the tire balance machine indicator, multiply outer unbalance value by $5/3$ to determine balance weight that should be used. Select the outer balance weight with a value closest to the calculated value above and install it to the designated outer position of, or at the designated angle in relation to the road wheel.

CAUTION:

- Do not install the inner balance weight before installing the outer balance weight.
 - Before installing the balance weight, be sure to clean the mating surface of the road wheel.
- a. Indicated unbalance value $\times 5/3$ = balance weight to be installed

Calculation example:

$23 \text{ g (0.81 oz)} \times 5/3 = 38.33 \text{ g (1.35 oz)} \Rightarrow 40 \text{ g (1.41 oz)}$ balance weight (closer to calculated balance weight value)

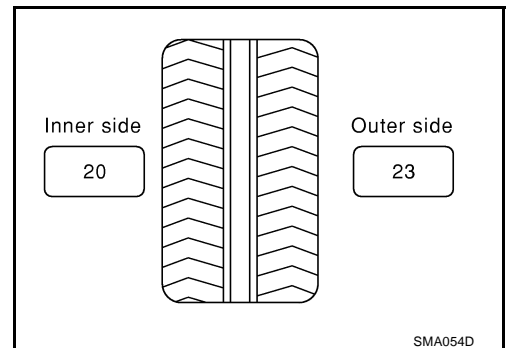
NOTE:

Note that balance weight value must be closer to the calculated balance weight value.

Example:

$37.4 \Rightarrow 35 \text{ g (1.23 oz)}$

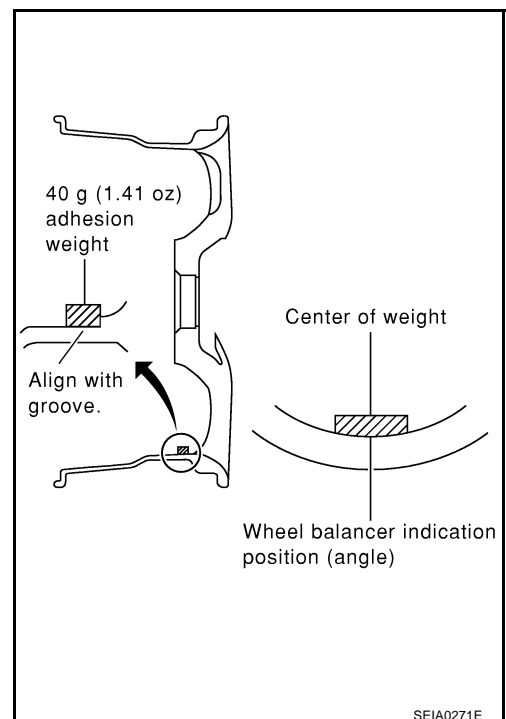
$37.5 \Rightarrow 40 \text{ g (1.41 oz)}$



- b. Install balance weight in the position shown in the figure.
- c. When installing balance weight to road wheels, set it into the grooved area on the inner wall of the road wheel as shown in the figure so that the balance weight center is aligned with the tire balance machine indication position (angle).

CAUTION:

- Always use genuine Nissan adhesion balance weights.
- Balance weights are non-reusable; always replace with new ones.
- Do not install more than three sheets of balance weight.



ROAD WHEEL TIRE ASSEMBLY

- d. If calculated balance weight value exceeds 50 g (1.76 oz), install two balance weight sheets in line with each other as shown in the figure.

CAUTION:

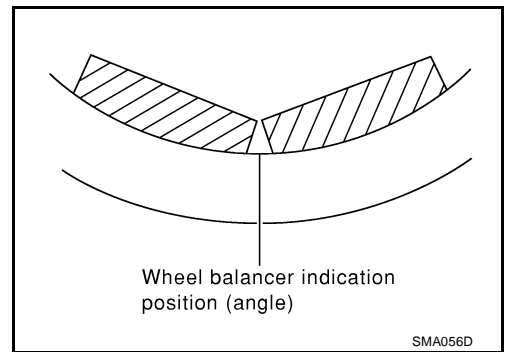
Do not install one balance weight sheet on top of another.

3. Start tire balance machine again.
 4. Install drive-in balance weight on inner side of road wheel in the tire balance machine indication position (angle).

CAUTION:

Do not install more than two balance weights.

5. Start tire balance machine. Make sure that inner and outer residual unbalance values are 5 g (0.17 oz) each or below.
 6. If either residual unbalance value exceeds 5 g (0.17 oz), repeat installation procedures.



Wheel balance	Dynamic (At rim flange)	Static (At rim flange)
Maximum allowable unbalance	5 g (0.17 oz) (one side)	10 g (0.35 oz)

Tire Rotation

NES000EX

1. Follow the maintenance schedule for tire rotation service intervals. Refer to [MA-6, "Introduction of Periodic Maintenance"](#) .
 2. Do not include the spare tire when rotating the tires.
 3. When installing the wheel, tighten wheel nuts to the specified torque.

Wheel nuts : 108 N·m (11 kg-m, 80 ft-lb)

CAUTION:

- **When installing wheels, tighten them diagonally by dividing the work two to three times in order to prevent the wheels from developing any distortion.**
 - **Be careful not to tighten wheel nut at torque exceeding the criteria for preventing strain of disc rotor.**
4. Perform the ID registration, after tire rotation. Refer to [WT-26, "ID Registration Procedure"](#) .

A
B
C
D
WT
F
G
H
I
J
K
L
M

SERVICE DATA AND SPECIFICATIONS (SDS)

SERVICE DATA AND SPECIFICATIONS (SDS)

PF0:00030

Road Wheel

NES000EY

Kind of wheel		Aluminum	Steel (emergency use)
Maximum radial runout limit	Lateral runout limit	Less than 0.3 mm (0.012 in)	Less than 1.5 mm (0.059 in)
	Vertical runout limit		
Maximum allowable unbalance	Dynamic (At rim flange)	5 g (0.17 oz) (one side) or less	
	Static (On the ear part)	10 g (0.35 oz) or less	

Unit: mm (in)

Wheel size	Offset
18 × 7-1/2 JJ	35 (1.38)
18 × 4T	25 (0.98)

Tire

NES000EZ

Unit: kPa (kg/cm², psi)

Tire size	Air pressure	
	Front wheel	Rear wheel
P235/65R18 104T	230 (2.3, 33)	230 (2.3, 33)
T165/90D18 107M	420 (4.2, 60)	420 (4.2, 60)

Tightening Torque

NES000F0

Wheel nut	108 N·m (11 kg-m, 80 ft-lb)
-----------	-----------------------------