

A  
B

**SECTION ACC**  
**ACCELERATOR CONTROL SYSTEM**

ACC

CONTENTS

D  
E

<b>PRECAUTION</b> .....	2	<b>REMOVAL AND INSTALLATION</b> .....	4	F
<b>PRECAUTIONS</b> .....	2	<b>ACCELERATOR CONTROL SYSTEM</b> .....	4	
Precaution for Technicians Using Medical Electric.....	2	Exploded View .....	4	G
Point to Be Checked Before Starting Maintenance		Removal and Installation .....	4	
Work .....	2	Inspection .....	4	
Precaution for Supplemental Restraint System				H
(SRS) "AIR BAG" and "SEAT BELT PRE-TENSIONER" .....	2			

I  
J  
K  
L  
M  
N  
O  
P

# PRECAUTIONS

< PRECAUTION >

## PRECAUTION

### PRECAUTIONS

#### Precaution for Technicians Using Medical Electric

INFOID:000000007072464

##### OPERATION PROHIBITION

###### **WARNING:**

- Parts with strong magnet is used in this vehicle.
- Technicians using a medical electric device such as pacemaker must never perform operation on the vehicle, as magnetic field can affect the device function by approaching to such parts.

##### NORMAL CHARGE PRECAUTION

###### **WARNING:**

- If a technician uses a medical electric device such as an implantable cardiac pacemaker or an implantable cardioverter defibrillator, the possible effects on the devices must be checked with the device manufacturer before starting the charge operation.
- As radiated electromagnetic wave generated by on board charger at normal charge operation may effect medical electric devices, a technician using a medical electric device such as implantable cardiac pacemaker or an implantable cardioverter defibrillator must not enter the vehicle compartment (including luggage room) during normal charge operation.

##### Precaution at telematics system operation

###### **WARNING:**

- If a technician uses implantable cardiac pacemaker or implantable cardioverter defibrillator (ICD), avoid the device implanted part from approaching within approximately 220 mm (8.66 in) from interior/exterior antenna.
- The electromagnetic wave of TCU might affect the function of the implantable cardiac pacemaker or the implantable cardioverter defibrillator (ICD), when using the service, etc.
- If a technician uses other medical electric devices than implantable cardiac pacemaker or implantable cardioverter defibrillator(ICD), the electromagnetic wave of TCU might affect the function of the device. The possible effects on the devices must be checked with the device manufacturer before TCU use.

##### Precaution at intelligent key system operation

###### **WARNING:**

- If a technician uses implantable cardiac pacemaker or implantable cardioverter defibrillator (ICD), avoid the device implanted part from approaching within approximately 220 mm (8.66 in) from interior/exterior antenna.
- The electromagnetic wave of intelligent key might affect the function of the implantable cardiac pacemaker or the implantable cardioverter defibrillator (ICD), at door operation, at each request switch operation, or at engine starting.
- If a technician uses other medical electric devices than implantable cardiac pacemaker or implantable cardioverter defibrillator (ICD), the electromagnetic wave of intelligent key might affect the function of the device. The possible effects on the devices must be checked with the device manufacturer before intelligent key use.

#### Point to Be Checked Before Starting Maintenance Work

INFOID:000000007079398

The high voltage system may starts automatically. It is required to check that the timer air conditioner and timer charge (during EVSE connection) are not set before starting maintenance work.

###### **NOTE:**

If the timer air conditioner or timer charge (during EVSE connection) is set, the high voltage system starts automatically even when the power switch is in OFF state.

#### Precaution for Supplemental Restraint System (SRS) "AIR BAG" and "SEAT BELT PRE-TENSIONER"

INFOID:000000007014765

The Supplemental Restraint System such as "AIR BAG" and "SEAT BELT PRE-TENSIONER", used along with a front seat belt, helps to reduce the risk or severity of injury to the driver and front passenger for certain types of collision. This system includes seat belt switch inputs and dual stage front air bag modules. The SRS

# PRECAUTIONS

## < PRECAUTION >

system uses the seat belt switches to determine the front air bag deployment, and may only deploy one front air bag, depending on the severity of a collision and whether the front occupants are belted or unbelted. Information necessary to service the system safely is included in the "SRS AIR BAG" and "SEAT BELT" of this Service Manual.

### **WARNING:**

Always observe the following items for preventing accidental activation.

- To avoid rendering the SRS inoperative, which could increase the risk of personal injury or death in the event of a collision that would result in air bag inflation, all maintenance must be performed by an authorized NISSAN/INFINITI dealer.
- Improper maintenance, including incorrect removal and installation of the SRS, can lead to personal injury caused by unintentional activation of the system. For removal of Spiral Cable and Air Bag Module, see "SRS AIR BAG".
- Never use electrical test equipment on any circuit related to the SRS unless instructed to in this Service Manual. SRS wiring harnesses can be identified by yellow and/or orange harnesses or harness connectors.

## PRECAUTIONS WHEN USING POWER TOOLS (AIR OR ELECTRIC) AND HAMMERS

### **WARNING:**

Always observe the following items for preventing accidental activation.

- When working near the Air Bag Diagnosis Sensor Unit or other Air Bag System sensors with the power switch ON, never use air or electric power tools or strike near the sensor(s) with a hammer. Heavy vibration could activate the sensor(s) and deploy the air bag(s), possibly causing serious injury.
- When using air or electric power tools or hammers, always switch the power switch OFF, disconnect the 12V battery, and wait at least 3 minutes before performing any service.

A  
B  
ACC  
D  
E  
F  
G  
H  
I  
J  
K  
L  
M  
N  
O  
P

# ACCELERATOR CONTROL SYSTEM

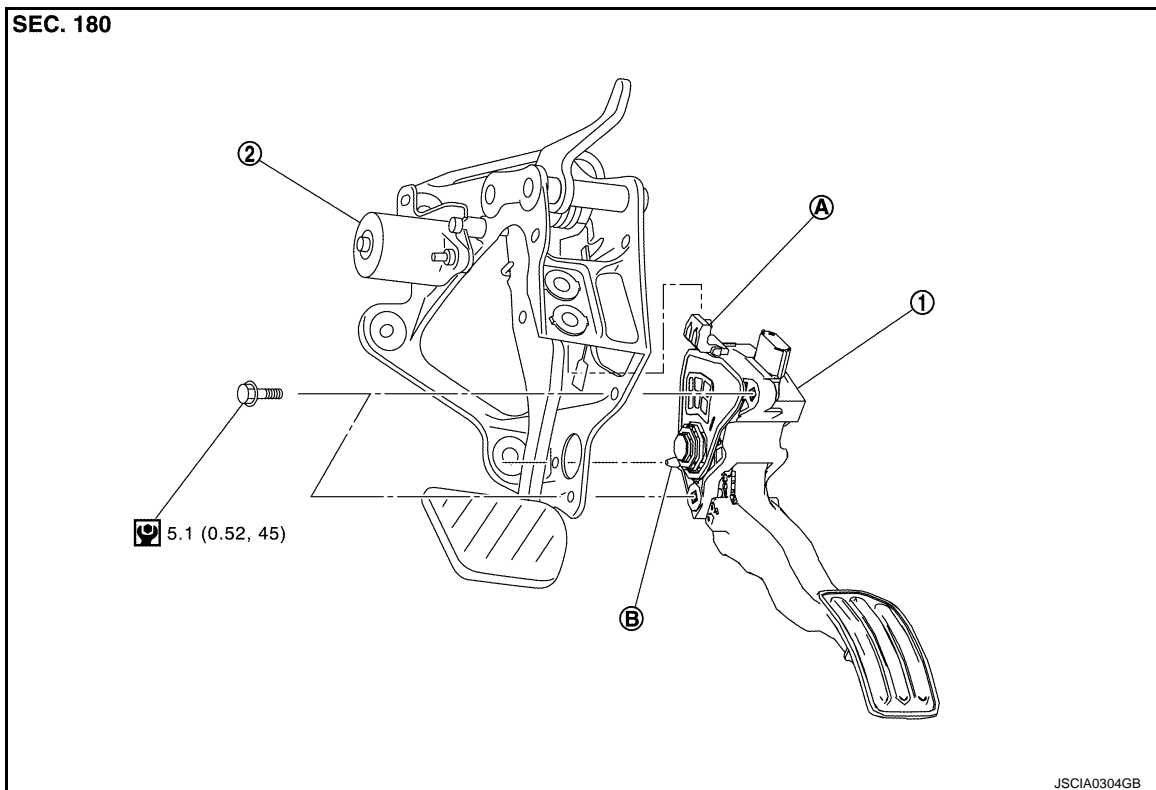
< REMOVAL AND INSTALLATION >

## REMOVAL AND INSTALLATION


### ACCELERATOR CONTROL SYSTEM

Exploded View

INFOID:000000007014762



1. Accelerator pedal assembly
2. Brake pedal bracket
- A. Locating hook
- B. Locating pin

 : N·m (kg·m, in·lb)

## Removal and Installation

INFOID:000000007014763

### REMOVAL

1. Disconnect accelerator pedal position sensor harness connector.
2. Loosen mounting bolts, and remove accelerator pedal assembly.

#### CAUTION:

- Never disassemble accelerator pedal assembly. Never remove accelerator pedal position sensor from accelerator pedal assembly.
- Avoid impact from dropping etc. during handling.
- Be careful to keep accelerator pedal assembly away from water.

### INSTALLATION

Note the following, and install in the reverse order of removal.

- Insert the locating pin while inserting the locating hook in to the brake pedal bracket. Tighten mounting bolts to accelerator pedal assembly.

#### CAUTION:

Never squeeze the locating hook into the brake pedal bracket when inserting the locating pin into the hole on the brake pedal bracket side.

## Inspection

INFOID:000000007014764

## INSPECTION AFTER INSTALLATION

# ACCELERATOR CONTROL SYSTEM

## < REMOVAL AND INSTALLATION >

- Check accelerator pedal moves smoothly within the whole operation range when it is fully depressed and released. A
- Check accelerator pedal securely returns to the fully released position. B
- For the electrical inspection of accelerator pedal position sensor. Refer to [EVC-167, "Component Inspection \(Accelerator Pedal Position Sensor\)"](#).

**CAUTION:**

When harness connector of accelerator pedal position sensor is disconnected, perform "ACCELERATOR PEDAL RELEASED POSITION LEARNING". Refer to [EVC-102, "Work Procedure"](#).

ACC

D

E

F

G

H

I

J

K

L

M

N

O

P