

# SUBARU 4WD

Spitzentechnik aus Japan





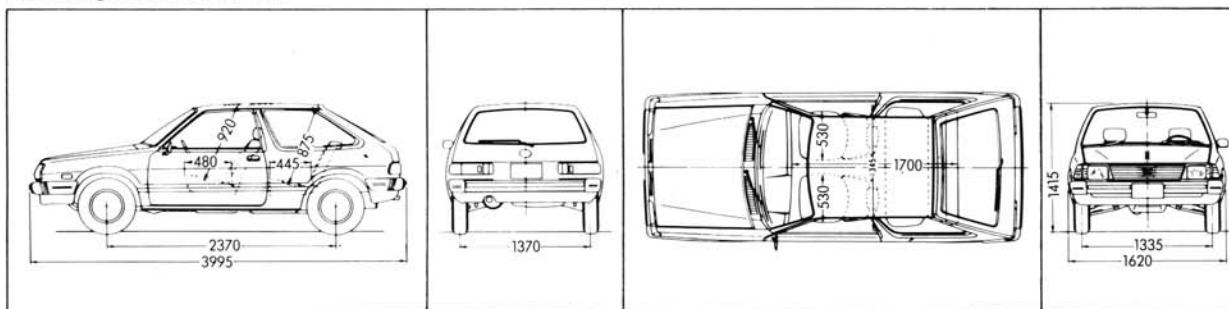




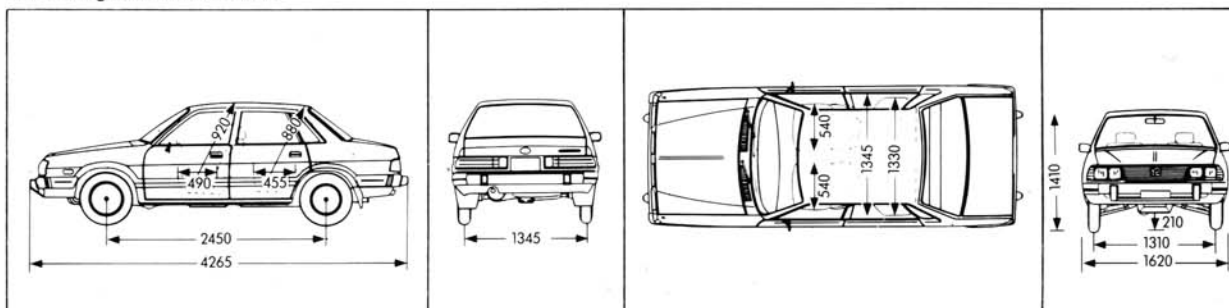


# Technik auf einen Blick:

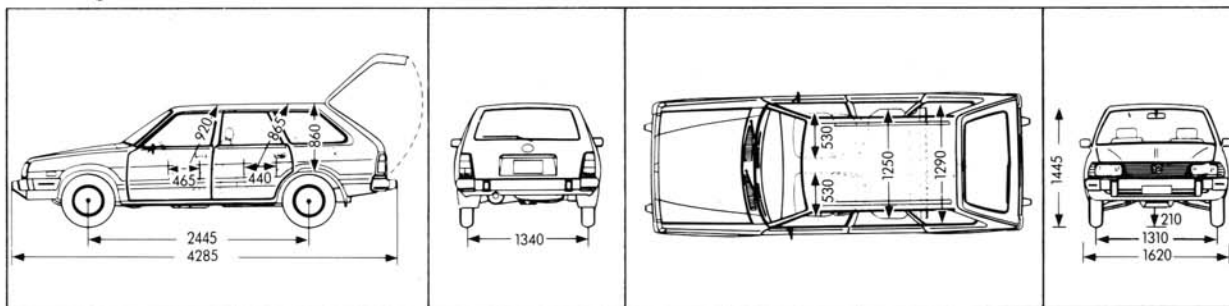
Abmessungen 1800 Turismo 4WD



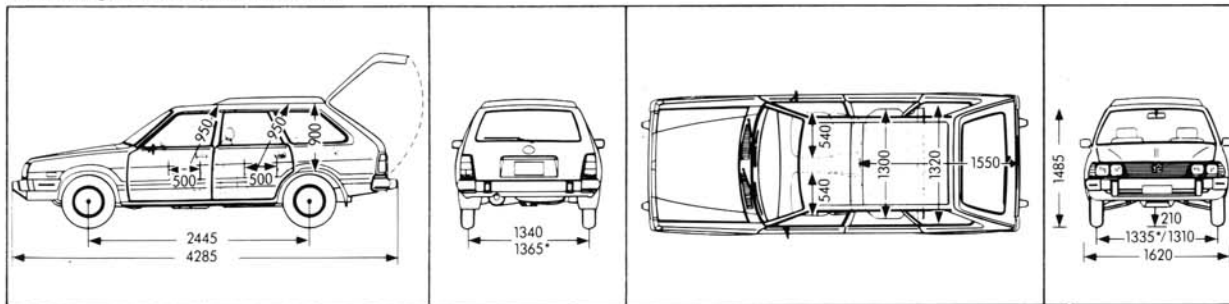
Abmessungen 1800 Sedan 4WD



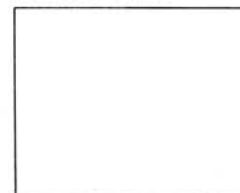
Abmessungen 1800 Station 4WD



Abmessungen 1800 Super-Station 4WD



Porcelain White



Harvest Beige



Shiny Maroon (M)



Toreador Red



Moss Green (M)



Cosmic Blue (M)



Extra Black



Astral Gold (M)



Lightning Silver (M)



Lackfarben	Interieur-Farben/Material					
	Turismo	Turismo Automatic	Sedan	Station	Super-Station DR	Super-Station Automatic
Shiny Maroon (M)	▲	▲	▲	▲	▲	▲
Porcelain White	▲	▲	▲	▲	▲	▲
Cosmic Blue (M)	●	●	●	●	●	●
Toreador Red	●	●	—	●	●	●
Harvest Beige	—	—	—	▲	▲	▲
Moss Green (M)	▲	▲	▲	▲	▲	▲
Extra Black	●	●	●	—	—	—
Lightning Silver (M)	●	●	●	●	●	●
Astral Gold (M)	▲	▲	▲	▲	▲	▲

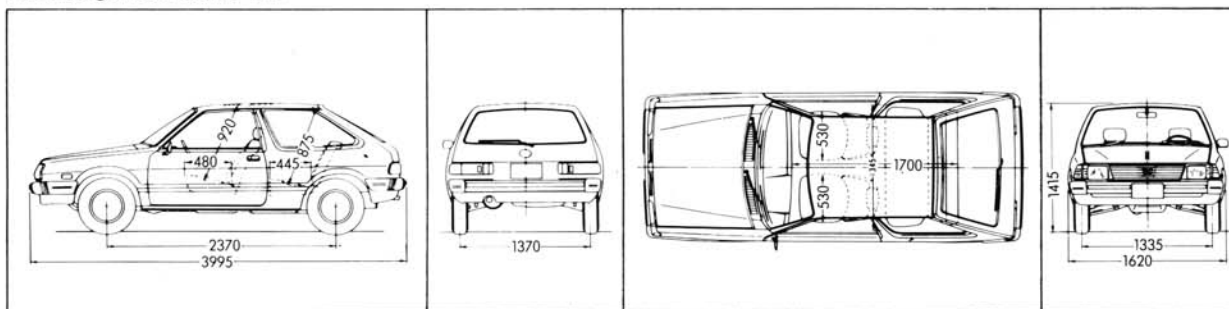
(M) = metallic  
— = nicht lieferbar

▲ : Beige (Velours/Vinyl)  
● : Grau (Velours/Vinyl)

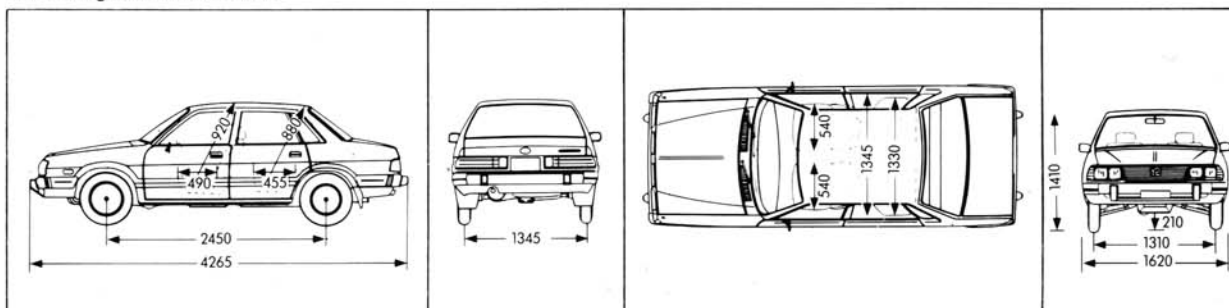
● : Grau (Velours)  
▲ : Beige (Stoff/Vinyl)  
● : Grau (Stoff/Vinyl)

# Technik auf einen Blick:

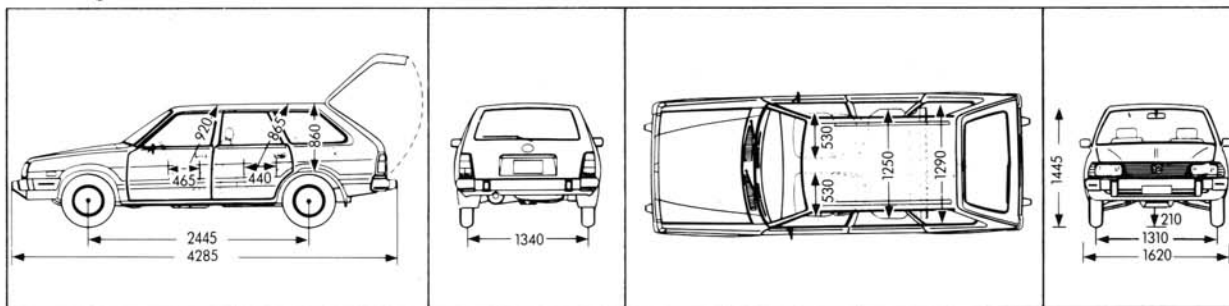
Abmessungen 1800 Turismo 4WD



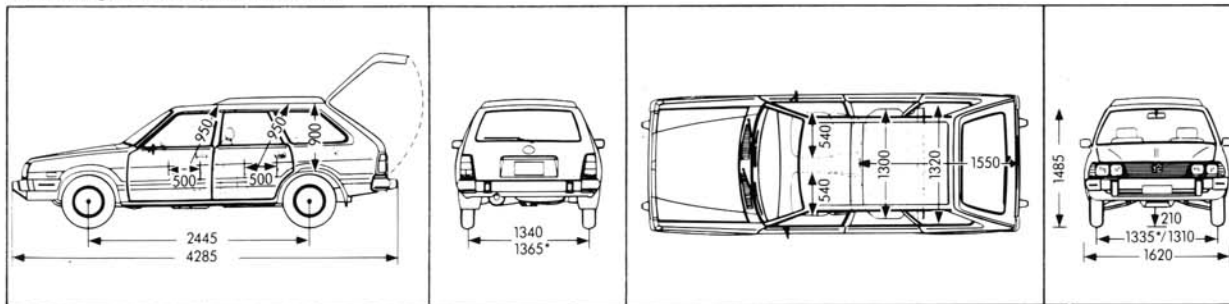
Abmessungen 1800 Sedan 4WD



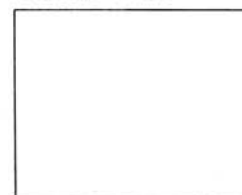
Abmessungen 1800 Station 4WD



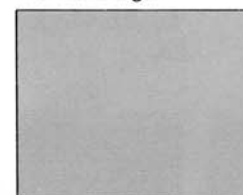
Abmessungen 1800 Super-Station 4WD



Porcelain White



Harvest Beige



Shiny Maroon (M)



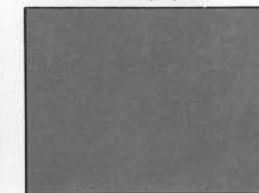
Toreador Red



Moss Green (M)



Cosmic Blue (M)



Extra Black



Astral Gold (M)



Lightning Silver (M)



Lackfarben	Interieur-Farben/Material					
	Turismo	Turismo Automatic	Sedan	Station	Super-Station DR	Super-Station Automatic
Shiny Maroon (M)	▲	▲	▲	▲	▲	▲
Porcelain White	▲	▲	▲	▲	▲	▲
Cosmic Blue (M)	●	●	●	●	●	●
Toreador Red	●	●	—	●	●	●
Harvest Beige	—	—	—	▲	▲	▲
Moss Green (M)	▲	▲	▲	▲	▲	▲
Extra Black	●	●	●	—	—	—
Lightning Silver (M)	●	●	●	●	●	●
Astral Gold (M)	▲	▲	▲	▲	▲	▲

(M) = metallic  
— = nicht lieferbar

▲ : Beige (Velours/Vinyl)  
● : Grau (Velours/Vinyl)

● : Grau (Velours)  
▲ : Beige (Stoff/Vinyl)  
● : Grau (Stoff/Vinyl)